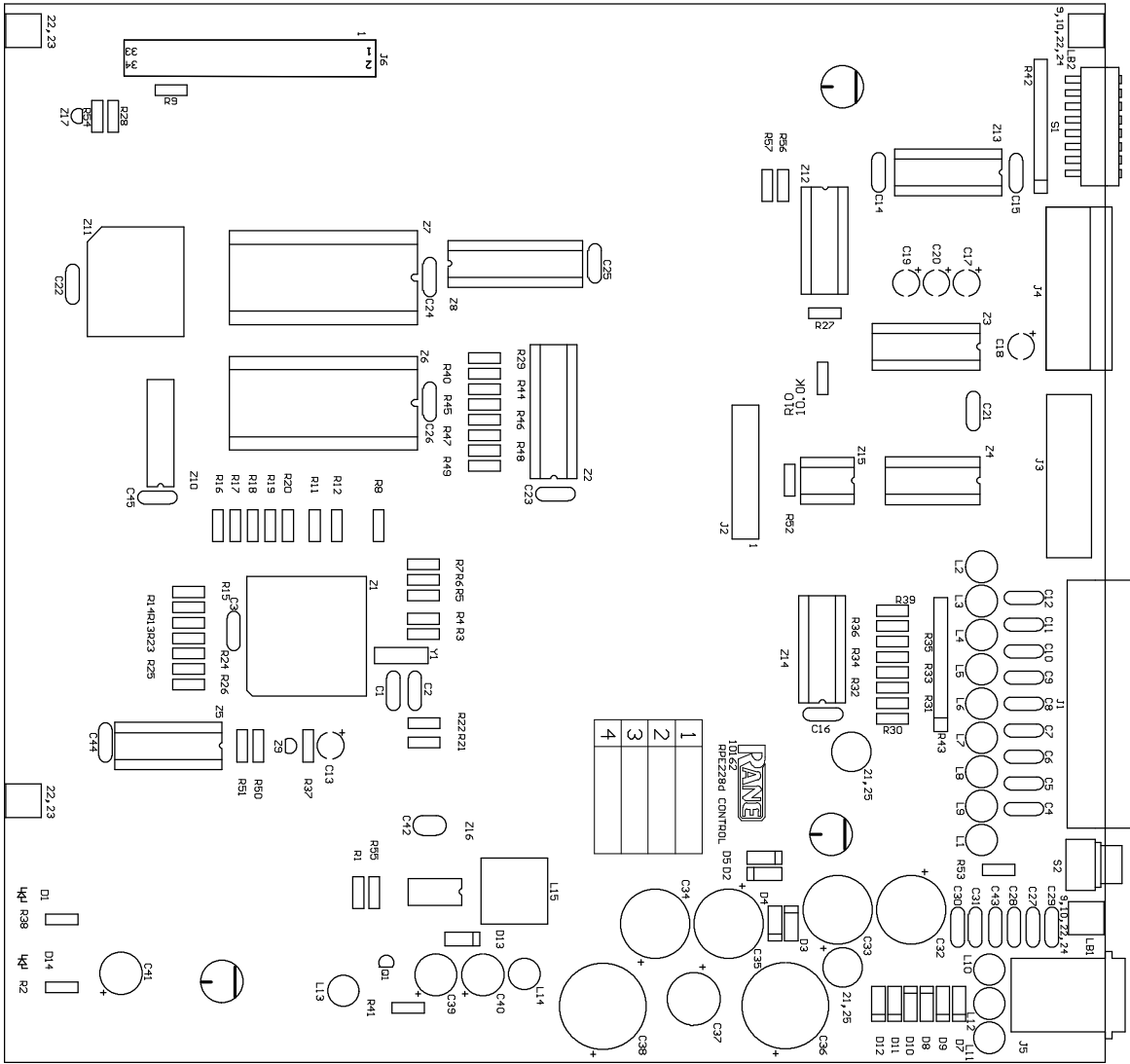
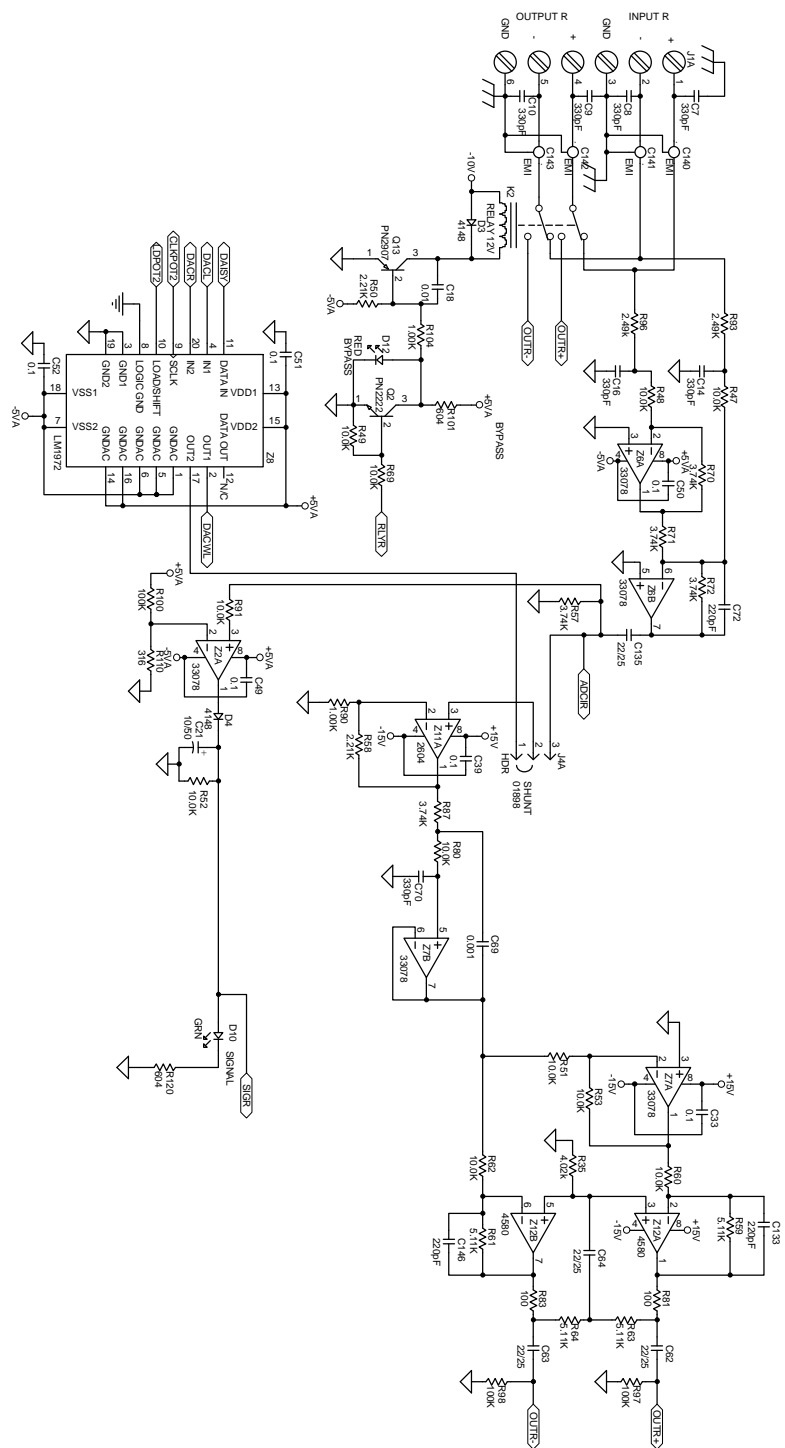


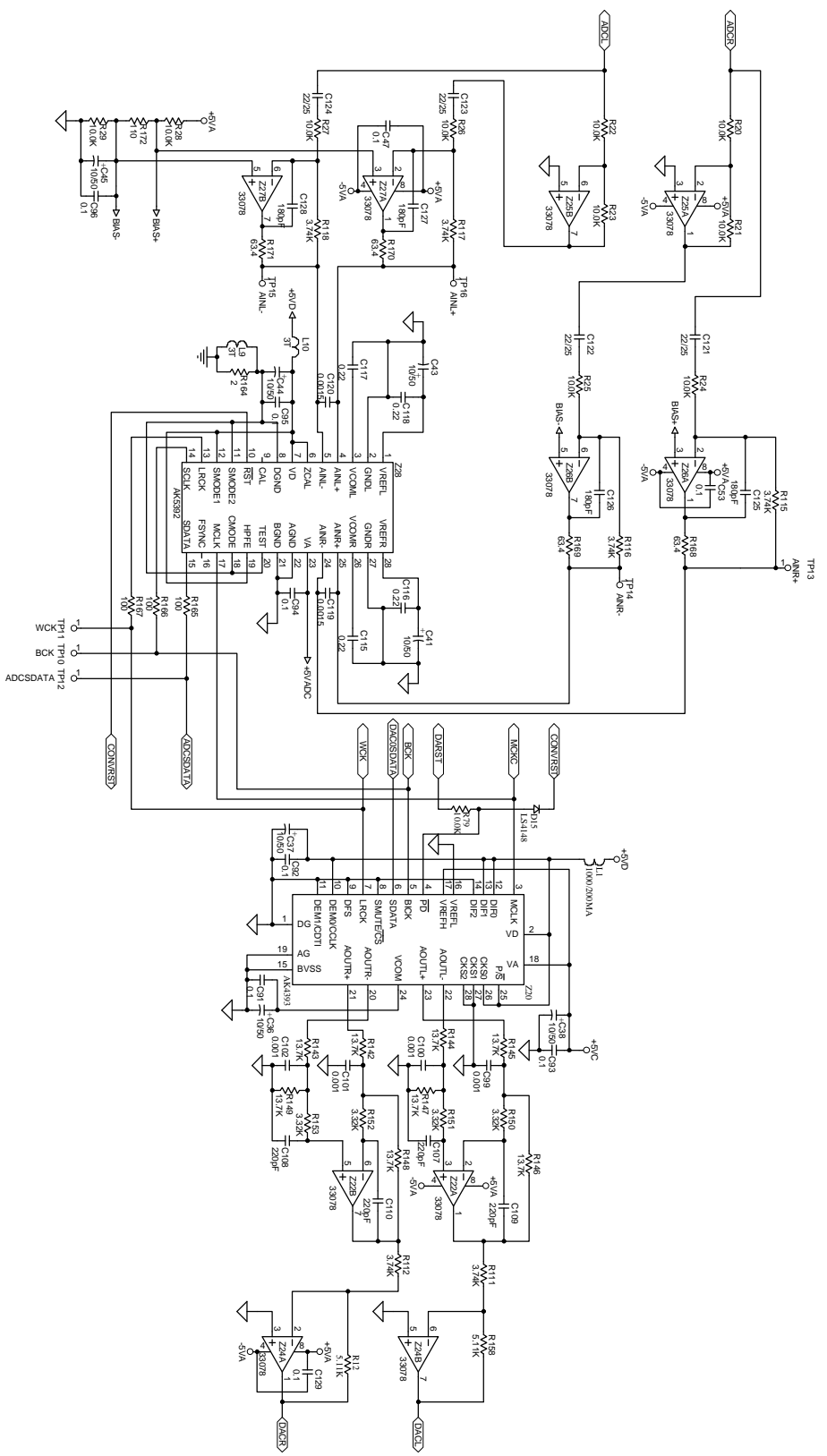
Rane Corp. (425)355-6000
 104152 DES: AUDIO, RPE228d SHEET 1 OF 2
 ACTION: NEW PRODUCT RWJ 18AUG98



Rane Corp. (425)355-6000
 102159 DES: CONTROL RPE228d SHEET 1 OF 2
 ACTION: NEW PRODUCT RWJ 25AUG98



	ACTION: WAS NOT TO CHANGE TO THIS SHEET RVI 19A/19B0	CHECKED BY: RSM		SCHEM RPE228D RIGHT CHAN
	DRAWN BY: RB	10082 27th Avenue West Hawthorn WA 6102/2508		SHEET 7 2 of 7

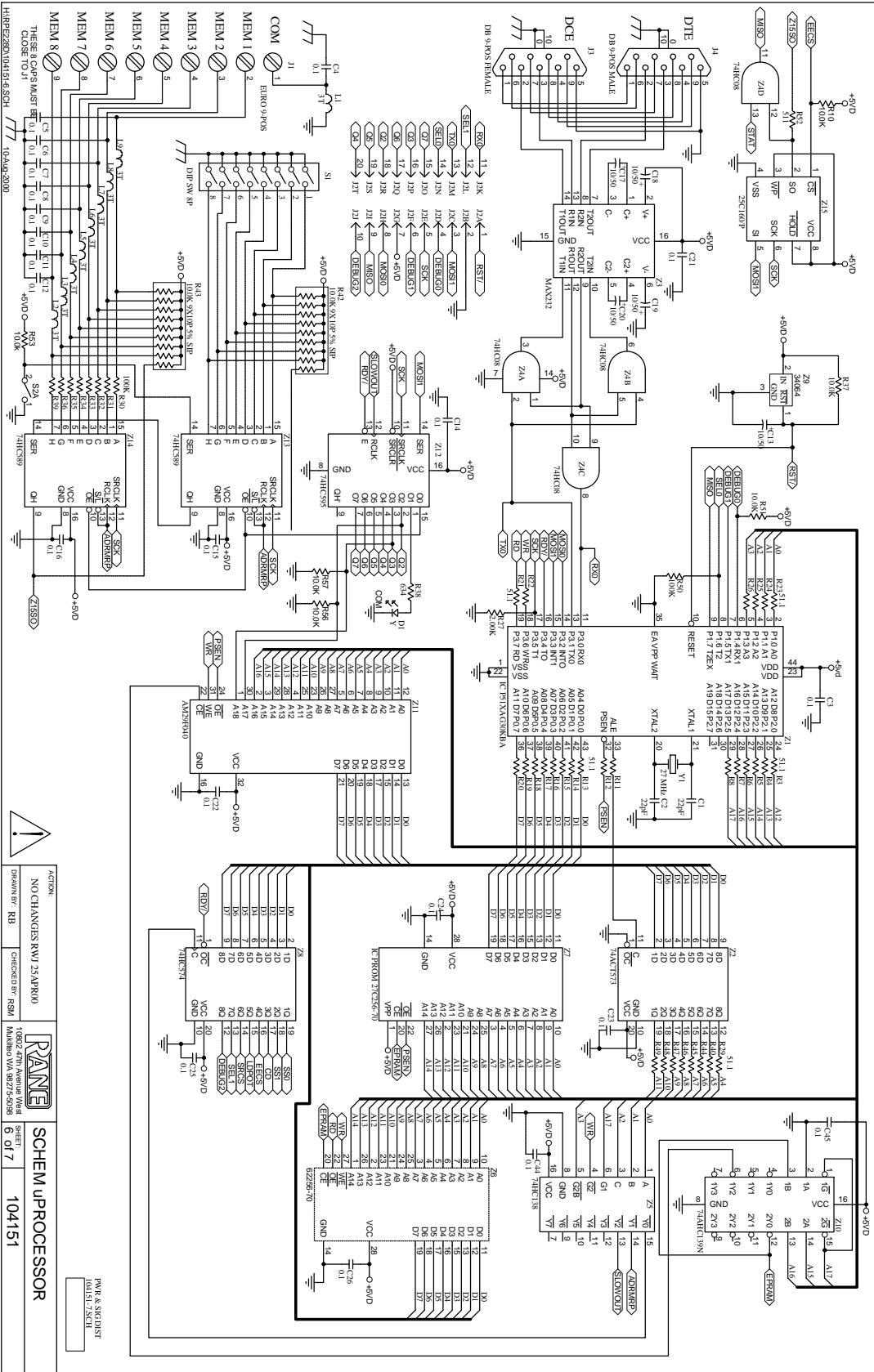


ACTION: WAS 20172, NEW DAC
 REW MANY PARTS RMD DAVR00
 DRAWN BY: RB
 CHECKED BY: RSM

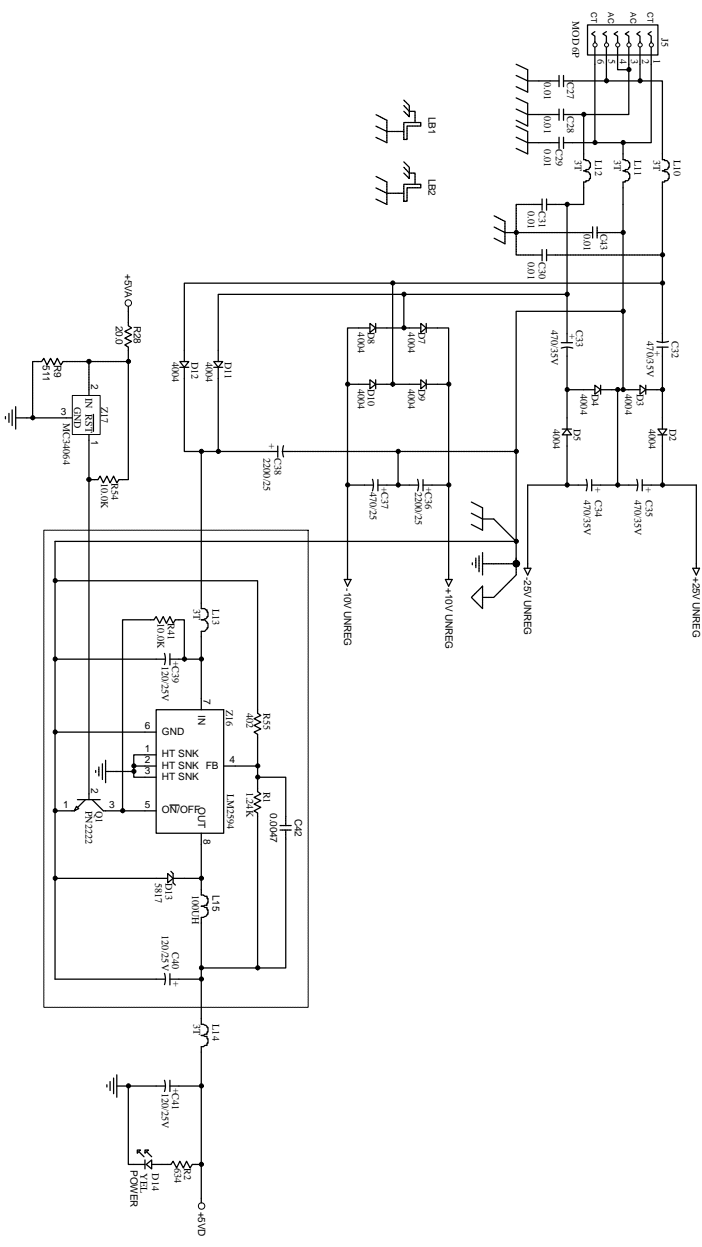


10802 27th Avenue West
 Tukwila WA 98178-3038
 SHEET 5 of 7
 104151

SCHEM RPE228D AD CONVERSION



ACTIVE
 NO CHANGES RWJ 25A/RX0
 DRAWN BY: RB
 CHECKED BY: RSM
RANE
 10802 27th Avenue West
 Hawthorn VIC 3122 AUSTRALIA
 SCHEM uPROCESSOR
 SHEET 1 OF 7
 104151
 HWK & SIG DIST
 (03) 9311 3821



34	+5V/O
33	LDPO
32	MSD
31	SEN
30	SEN
29	SEN
28	SEN
27	SEN
26	SEN
25	SEN
24	SEN
23	SEN
22	SEN
21	SEN
20	SEN
19	SEN
18	SEN
17	SEN
16	SEN
15	SEN
14	SEN
13	SEN
12	SEN
11	SEN
10	SEN
9	SEN
8	SEN
7	SEN
6	SEN
5	SEN
4	SEN
3	SEN
2	SEN
1	SEN



ACTION: NO CHANGES RWJ 25AUP00
 DRAWN BY: RB
 CHECKED BY: RSM
 10002 27th Avenue West
 Tukwila WA 98148
RANE
 SHEET 7 OF 7
 SCHEM PWR & SIG DIST
 104151