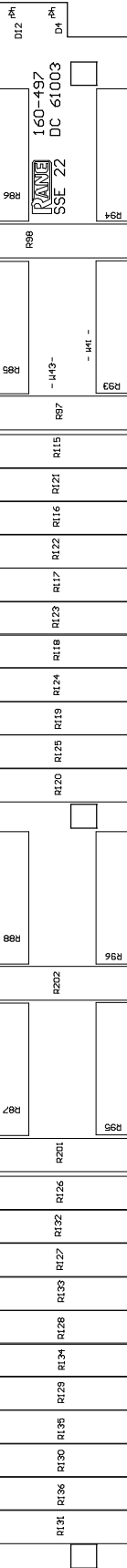


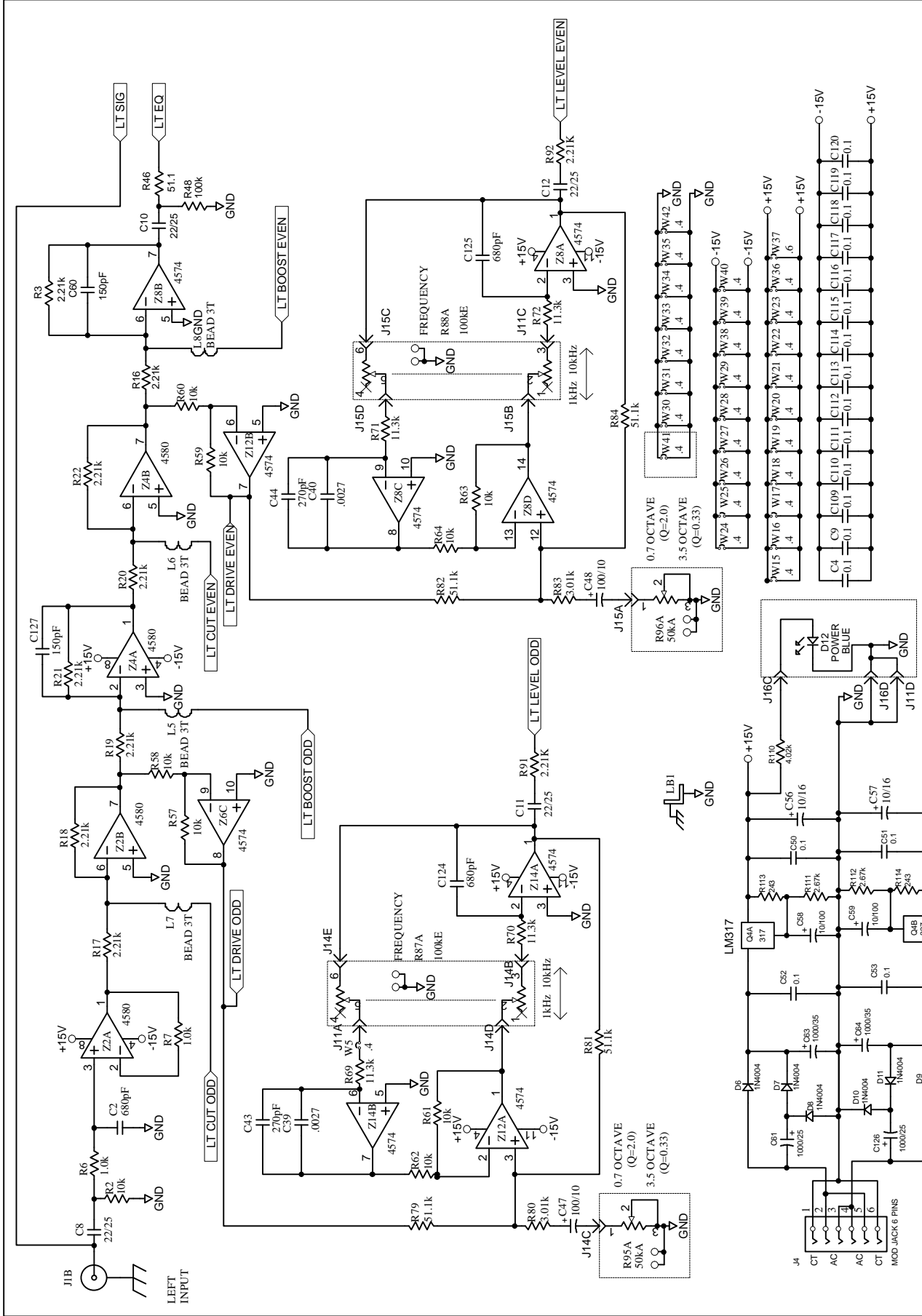
RANE
SSE 22
160-496
DC 61003

1
2
3
4

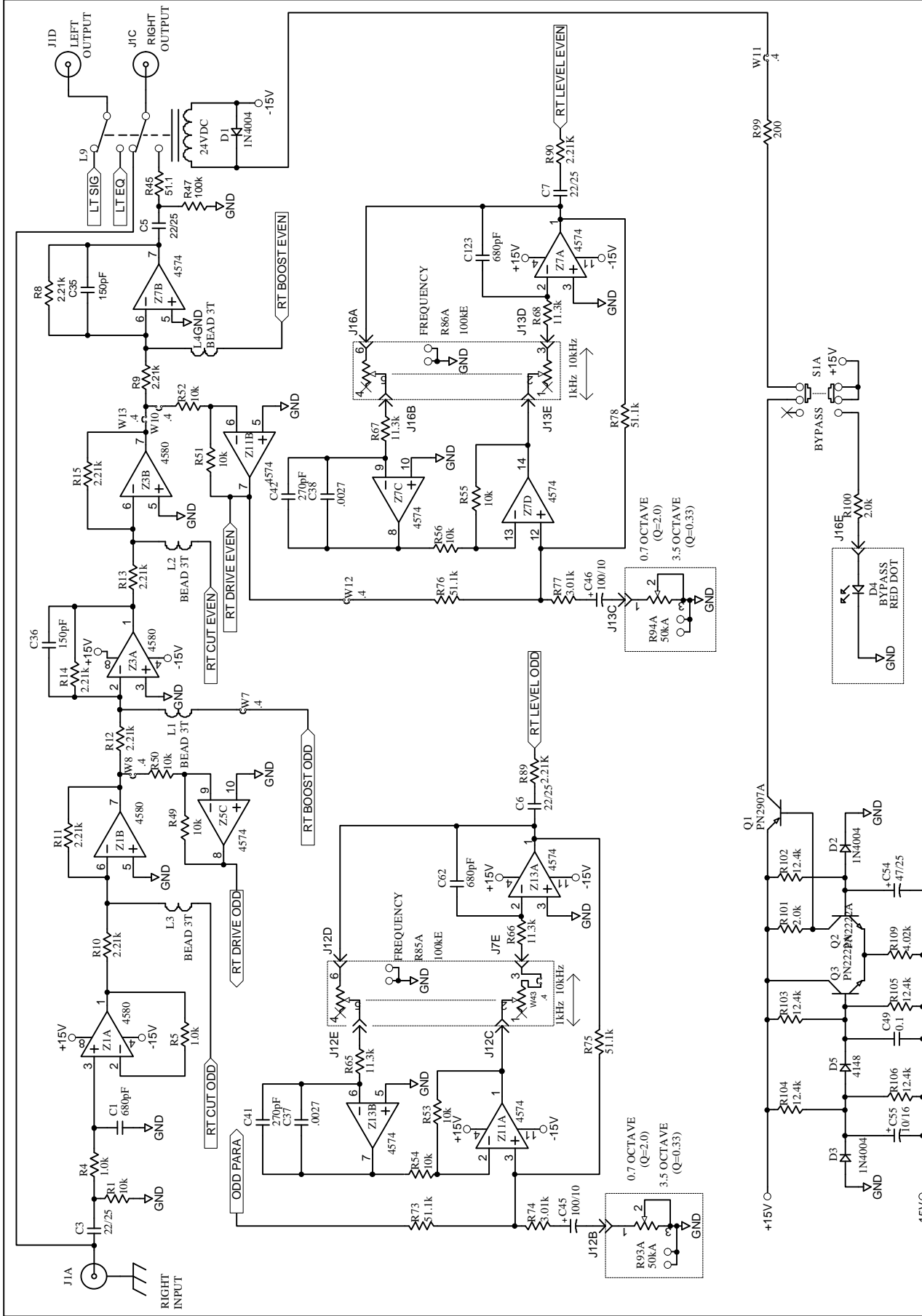


RANE
SSE 22
160-497
DC 61003





RANE		SSE 22 LEFT CHANNEL	
DRAWN: BY R. JOHNSTON	CHECKED: BY R. JEFFES	SHEET: 2 of 3	521-364
10802, 47th Avenue West Mulholland, WA 98275-5086			
22-Oct-1986			
H:\SSE22\521-364.SCH			
		A	



RANE		SSE 22 RIGHT CHANNEL	
ACTION		DRAWN: BY R. JOHNSTON	CHECKED: BY R. JEFFS
10802, 47th Avenue West Mulliken, WA 98275-5086		SHEET: 1 of 3	521-363
		A	