

- PGM 2 INPUT 103787/2.SCH
- MICHEADPHONE 103787-5.SCH
- PGM TONE 103787/3.SCH
- METER 103787-6.SCH
- CH FADERS/ XFADER 103787-4.SCH
- MASTERSUPPLY 103787-7.SCH

H:\TTM521\103787-1.SCH 23-Mar-2000



ACTION:
 DRAWN BY: RJ
 CHECKED BY: RJ



SHEET: 1 of 7
PGM 1 INPUT TTM 521
103787

U.S. PATENT PENDING

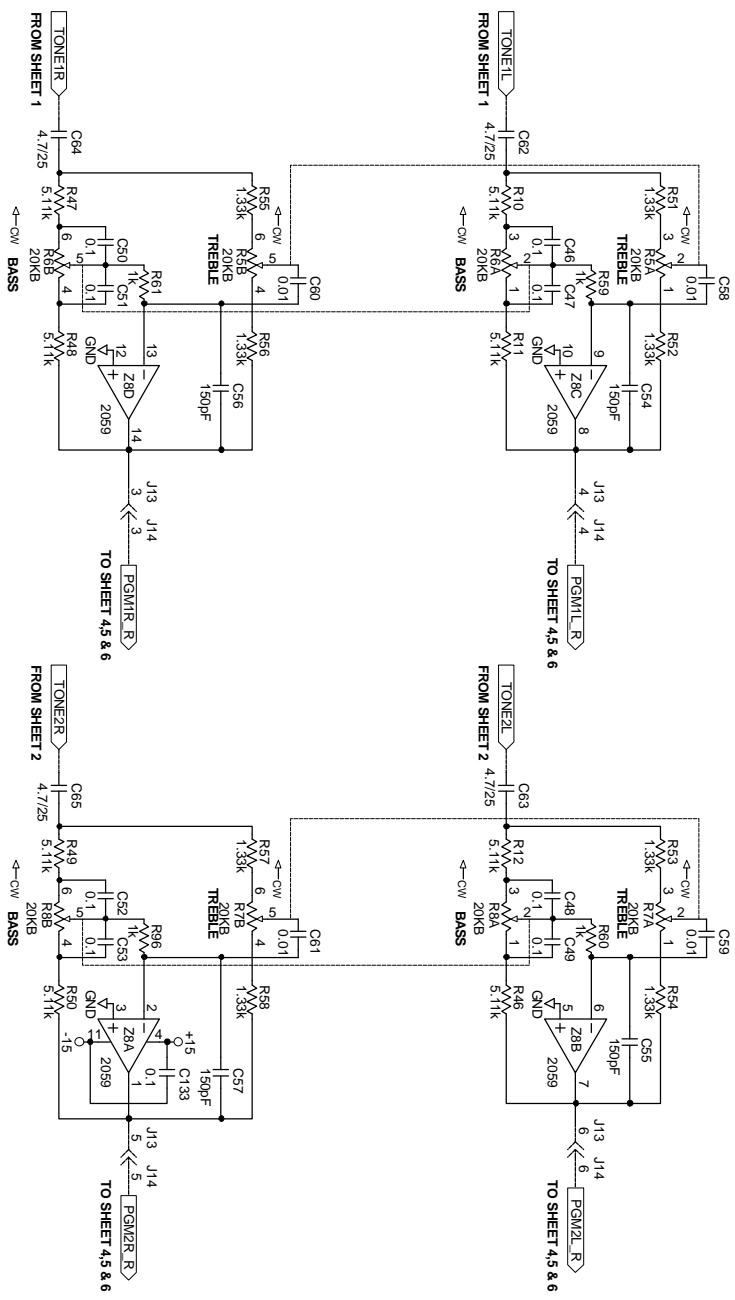
NOTES: (UNLESS OTHERWISE SPECIFIED)
 1. ALL RESISTORS METAL FILM 1/4W 1%
 2. ALL SWITCHES SHOWN IN THEIR "OUT" OR "OFF" POSITIONS.



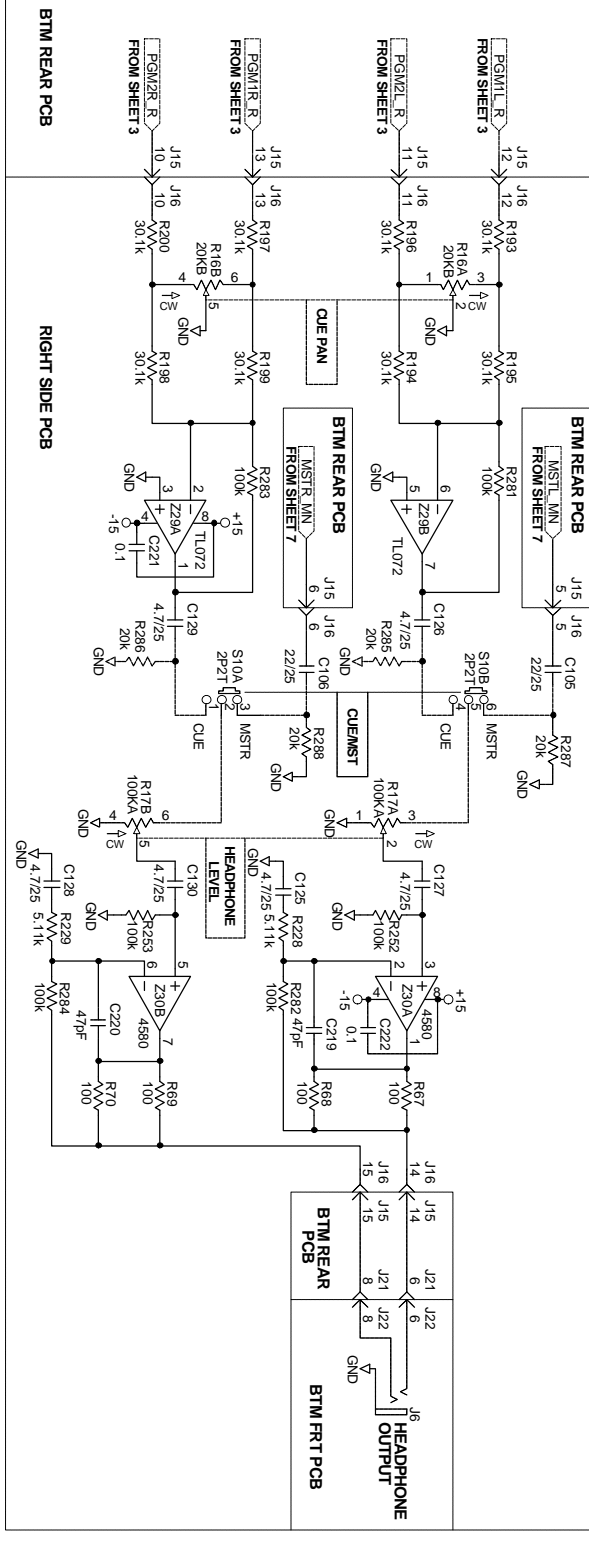
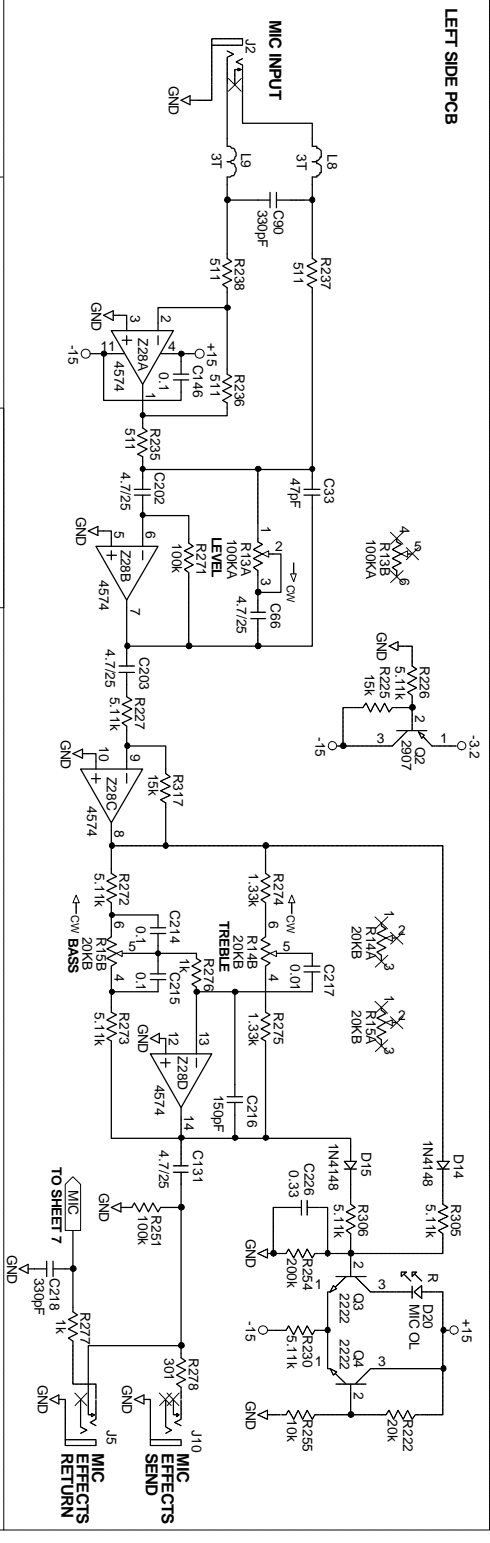
ACTION:
DRAWN BY: RJ
CHECKED BY: RJ

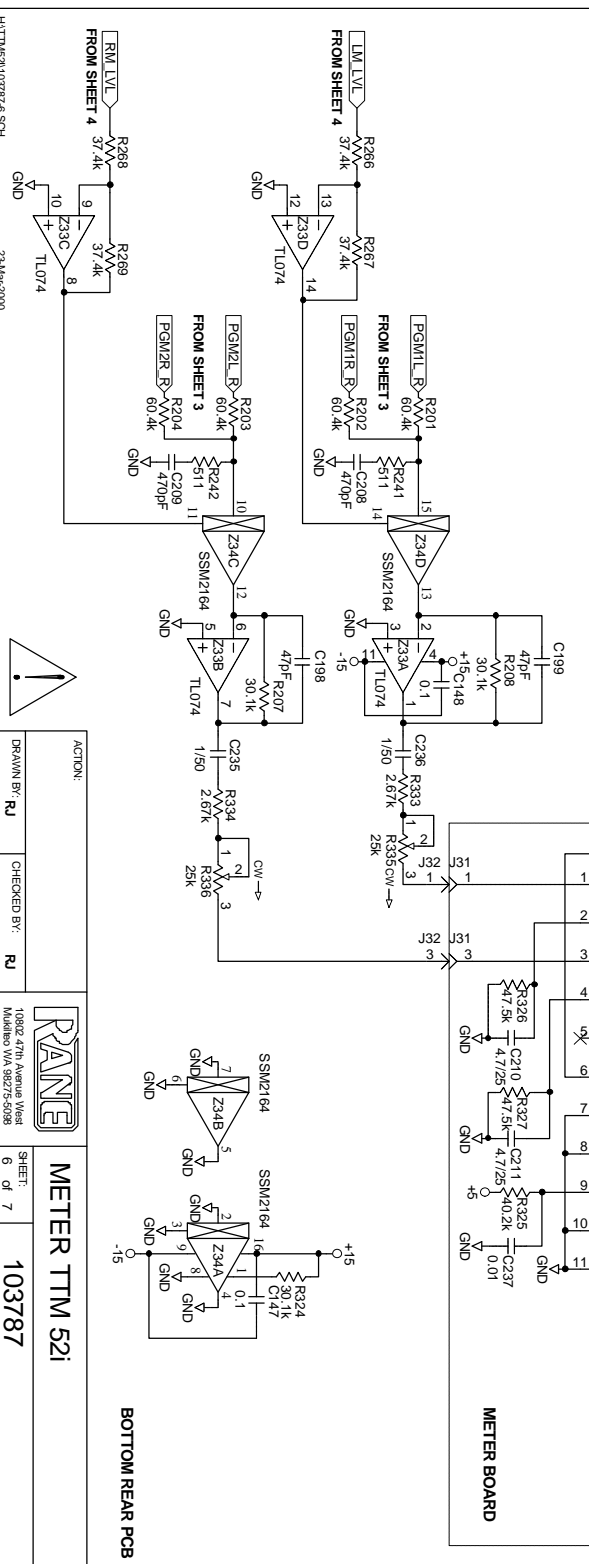
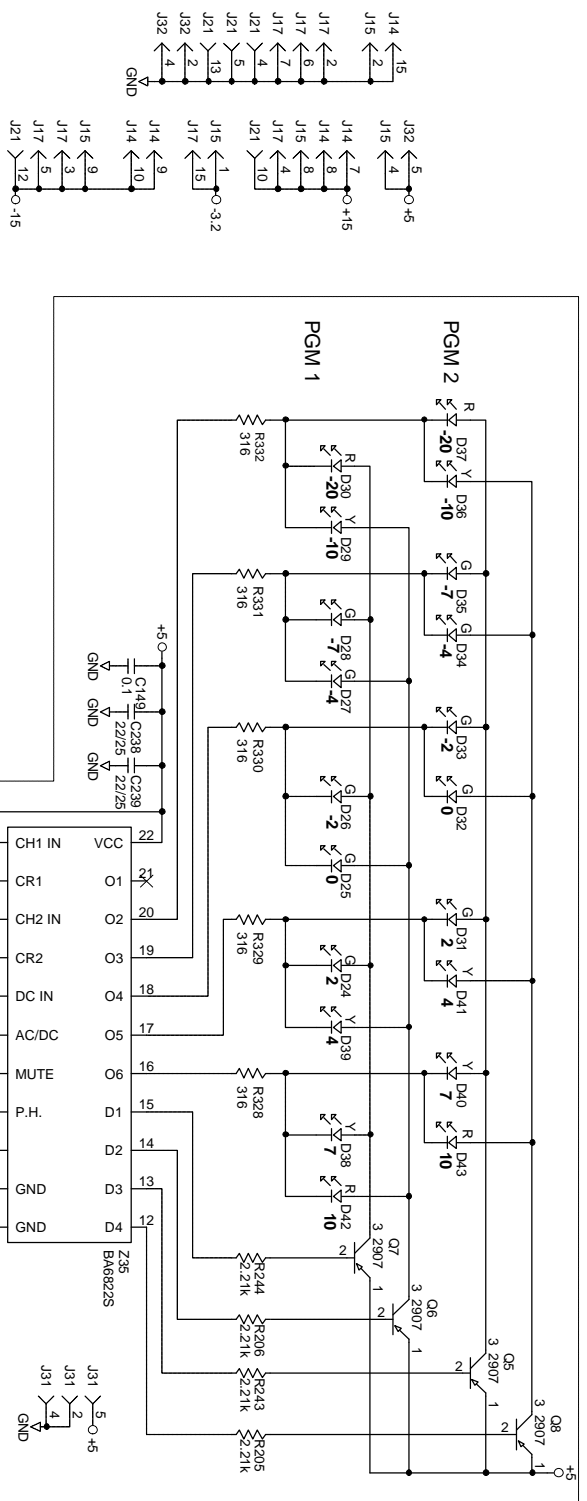


PGM TONE TTM 521
SHEET: 3 of 7
103787




TOP PCB





H:\TTM521\03787\B76.SCH 23/Mar/2000

ACTION:		DRAWN BY: RJ		CHECKED BY: RJ				SHEET: 6 of 7		103787	
						METER TTM 521					
						10802 47th Avenue West Mukilteo WA 98275-5098					

