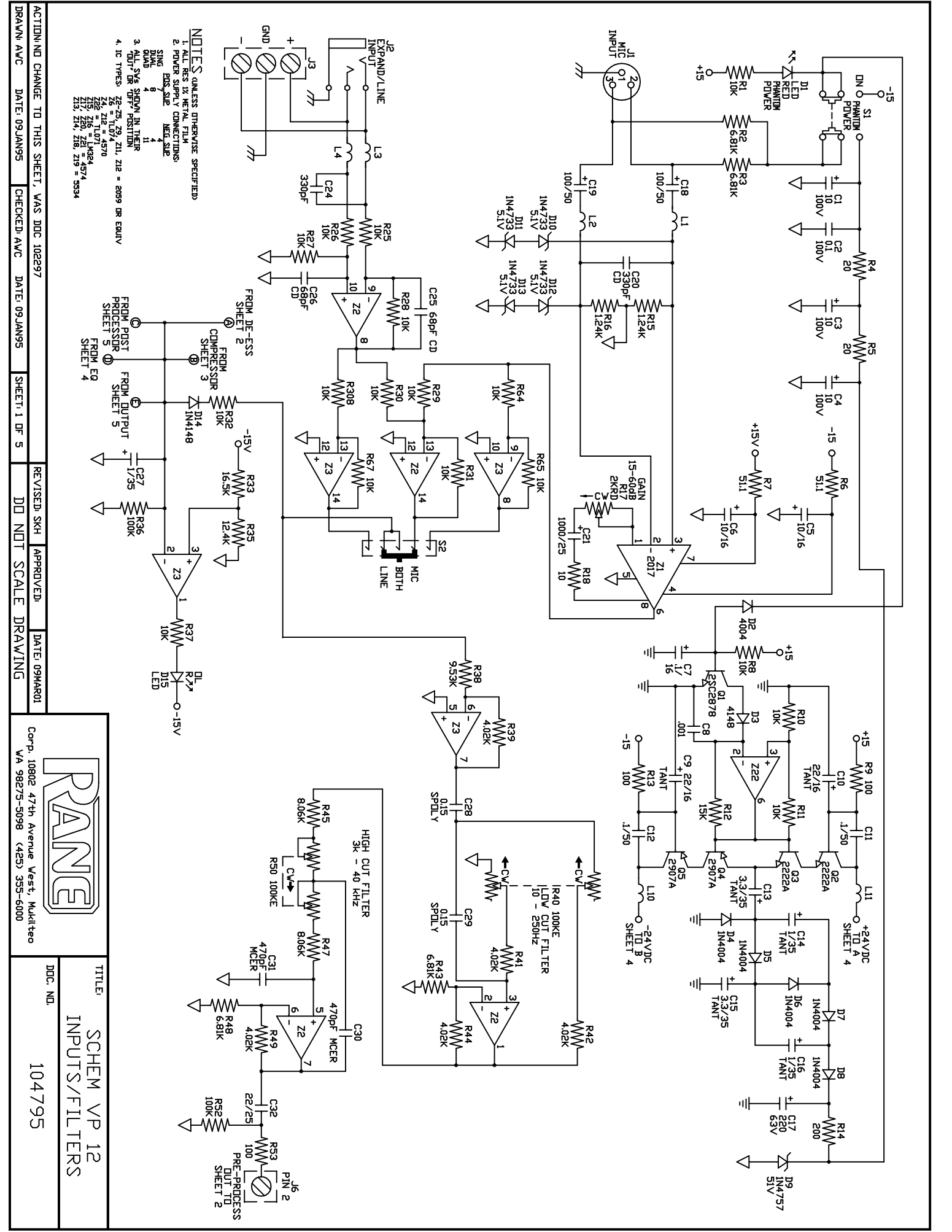


Rane Corp. (425)355-6000

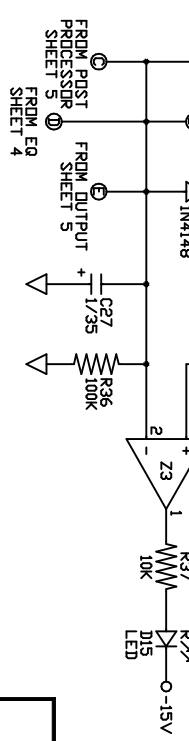
100578 DES: METER VP 12

ACTION: NO CHANGE TO PART, NEW DOC# SKH 17DEC97

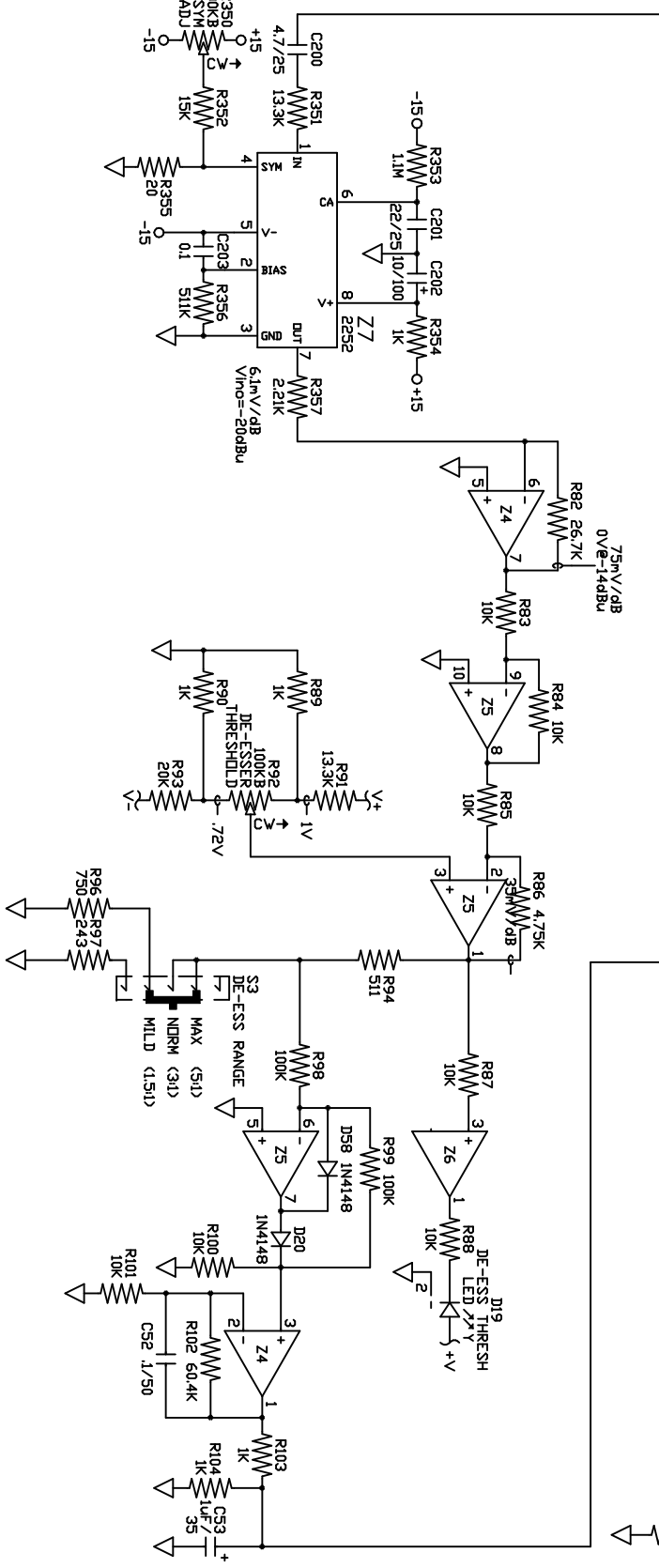
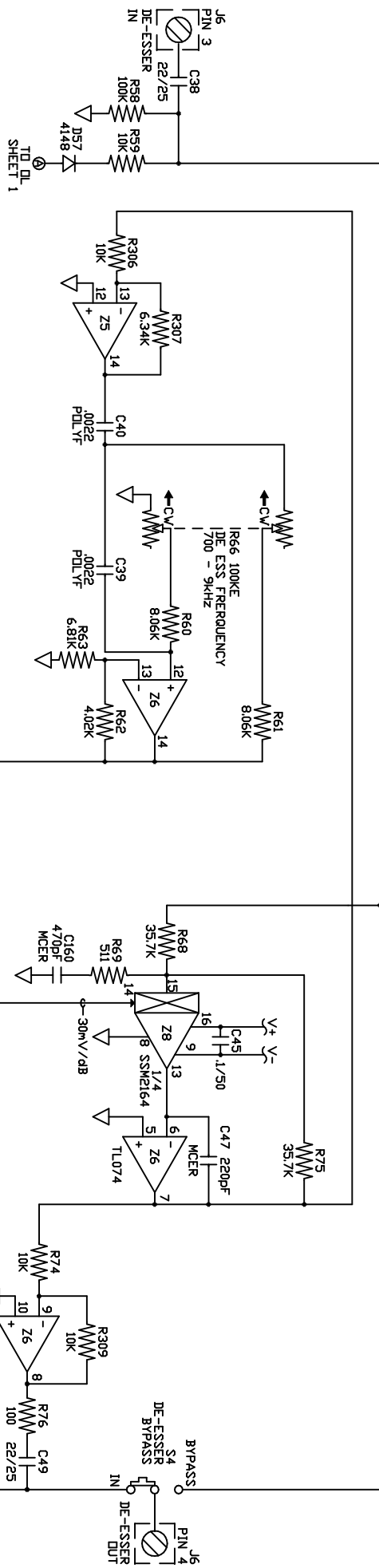


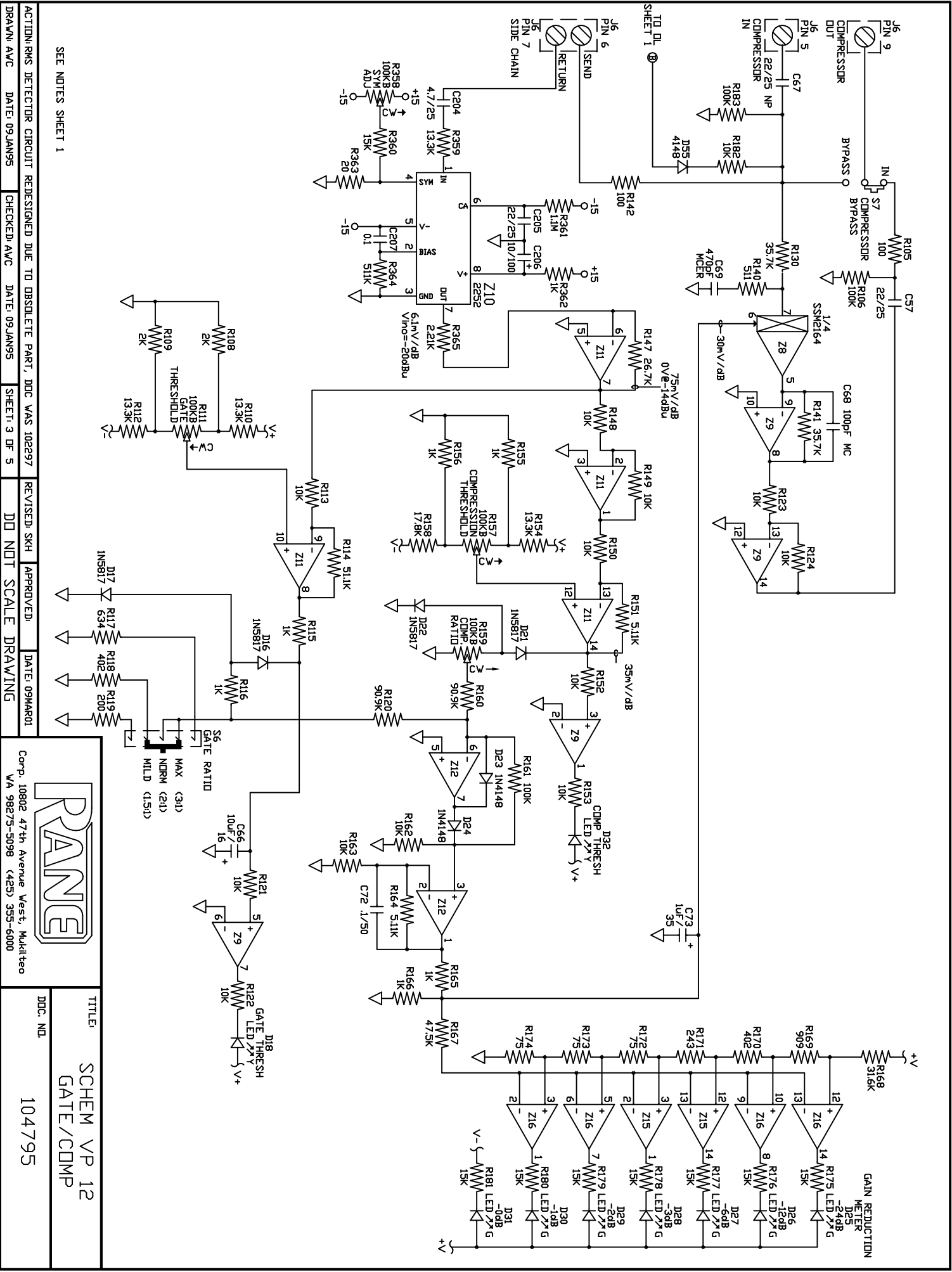
- NOTES (UNLESS OTHERWISE SPECIFIED)
1. ALL RES IN METAL FILM
 2. POWER SUPPLY CONNECTIONS
 3. ALL SVS SHOWN IN THEIR 'OUT' OR 'OFF' POSITION
 4. IC TYPES

- SING END. SUE NEG. SUE
- 22 - Z1, Z2, Z3, Z4, Z5, Z6, Z7, Z8, Z9, Z10, Z11, Z12 = 2059 OR EQUIV
- Z19 = 1.071
- Z19, Z16 = 1M324
- Z19, Z16, Z18, Z19 = 5334



TITLE: SCHEM VP 12 INPUTS/FILTERS





SEE NOTES SHEET 1

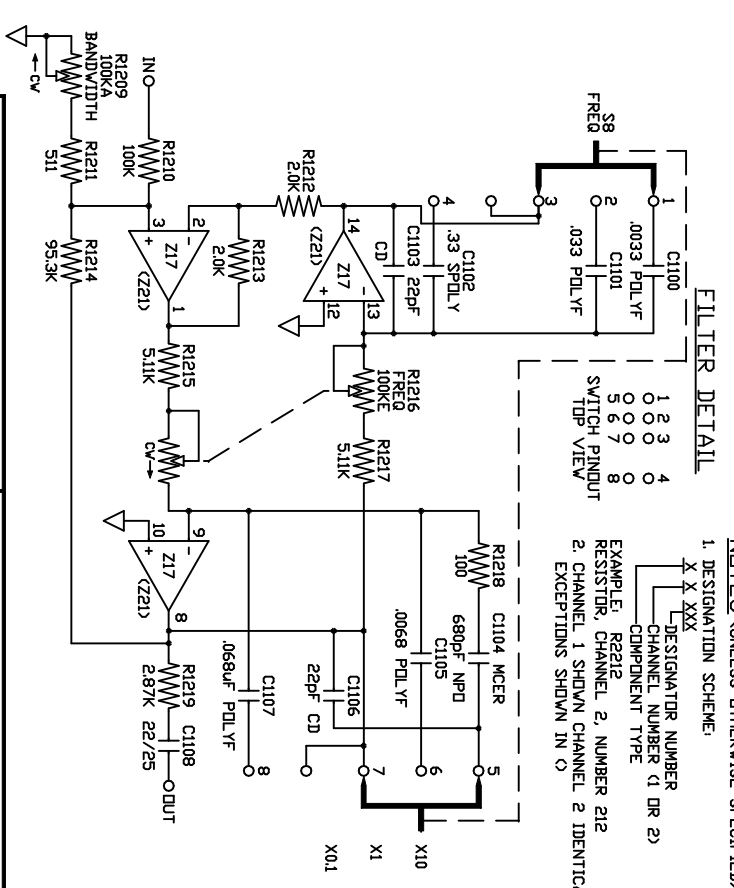
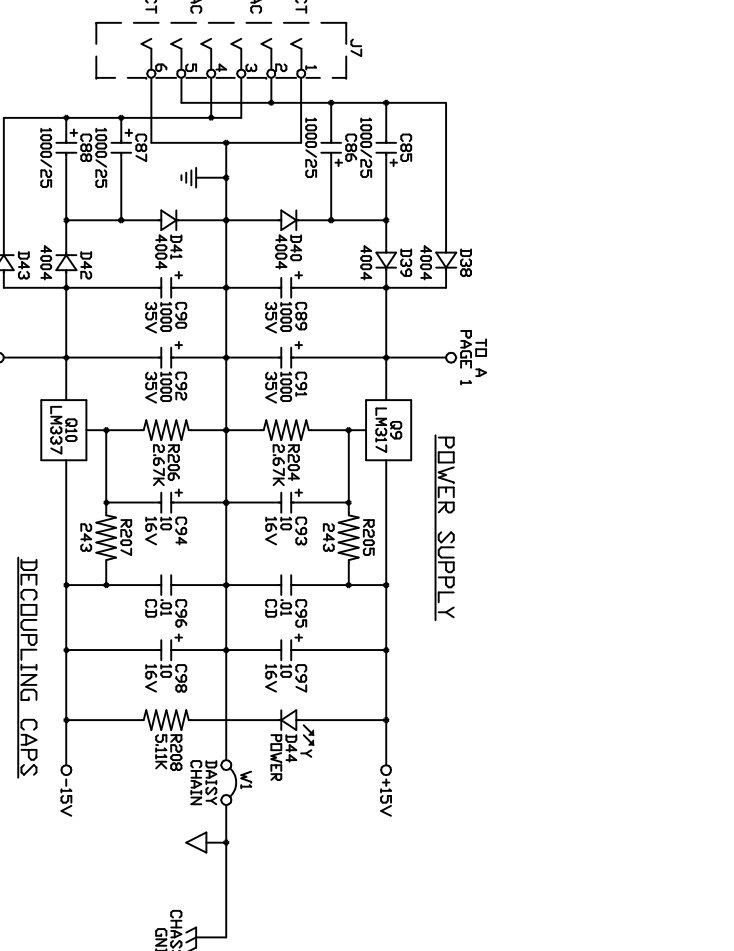
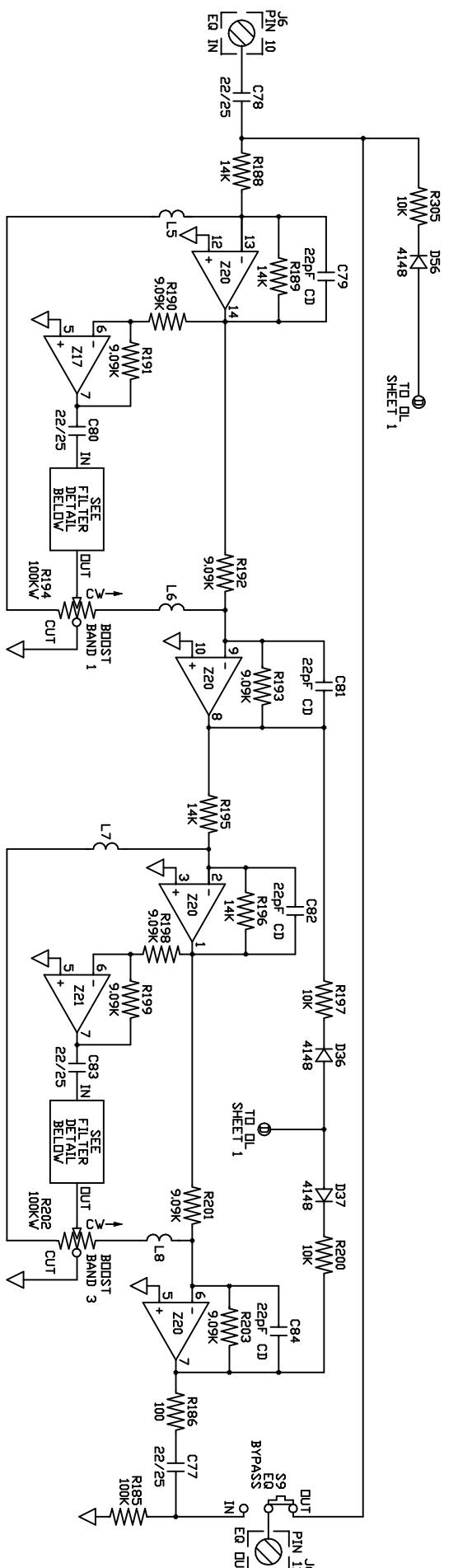


Comp. 10802 47th Avenue West, Mukilteo
 VA 98275-5098 (425) 355-6000

TITLE: SCHEM VP 12

DDC. NO. 104795

GATE/COMP

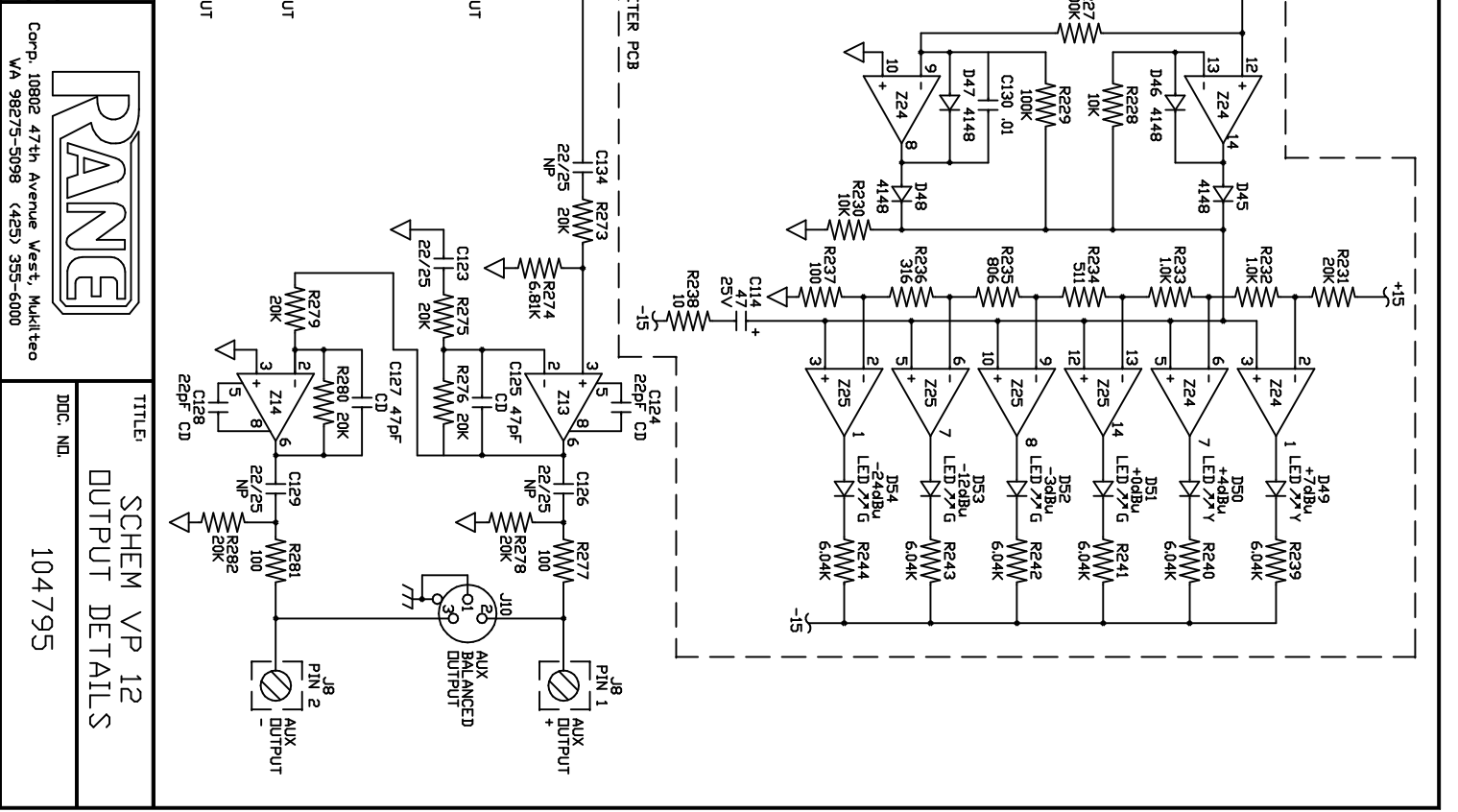
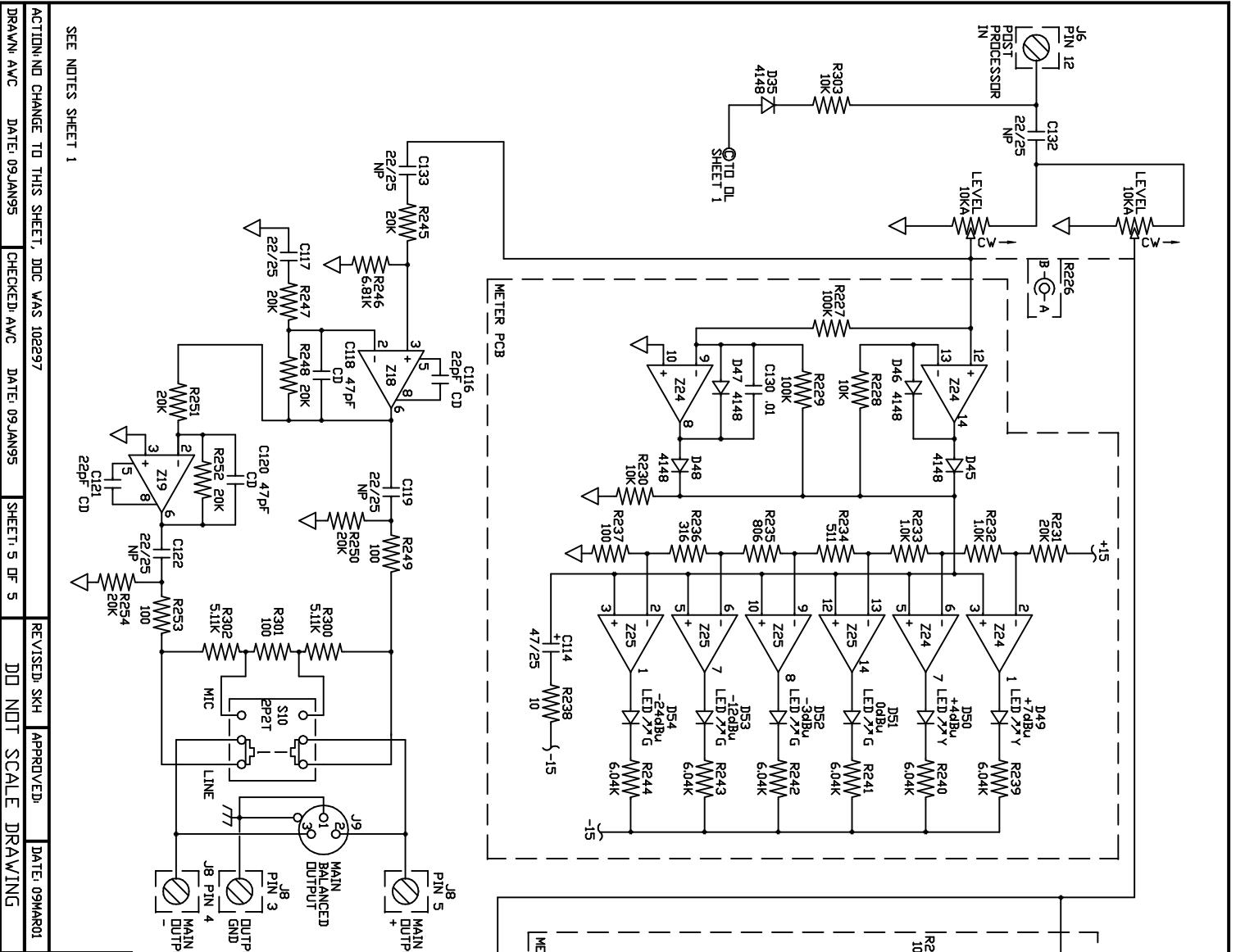


NOTES (UNLESS OTHERWISE SPECIFIED)

1. DESIGNATION SCHEME:
 X X XXX
 DESIGNATOR NUMBER
 CHANNEL NUMBER (I DR 2)
 COMPONENT TYPE

EXAMPLE: R2212
 RESISTOR, CHANNEL 2, NUMBER 212
 2. CHANNEL 1 SHOWN CHANNEL 2 IDENTICAL,
 EXCEPTIONS SHOWN IN ○





SEE NOTES SHEET 1



Comp. 10802 47th Avenue West, Mukilteo
 VA 98275-5098 (425) 355-6000

TITLE: SCHEM VP 12
 OUTPUT DETAILS

DDC. NO. 104795