

WIRING DIAGRAMS

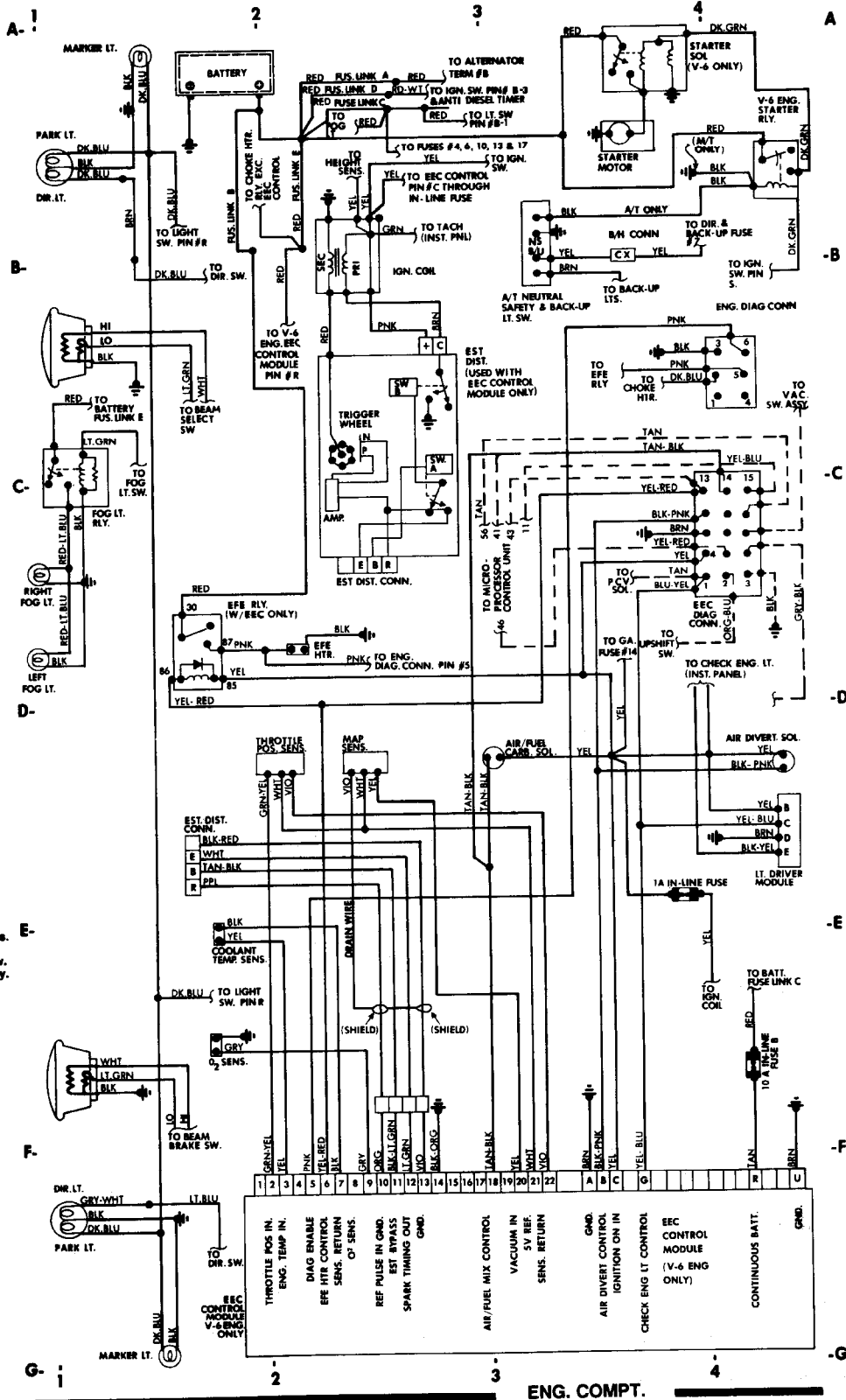
Fig. 1: Engine Compartment

1985 Jeep Cherokee

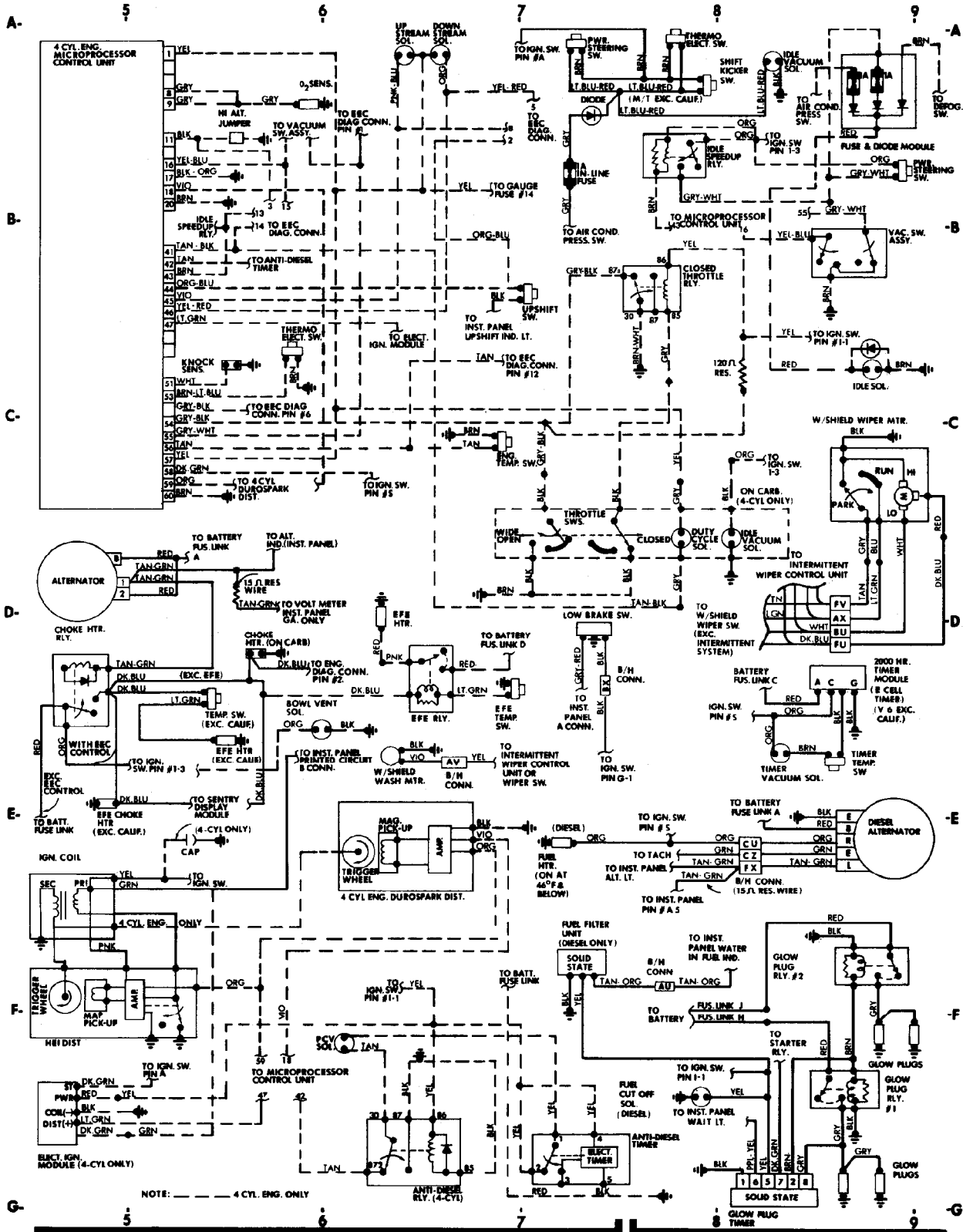
cdr@wp.pl

COMPONENT LOCATIONS:

- B-17 A/C Select Sw.
- A-12 A/C Hi Speed Blower Rly. & Motor
- A-13 A/C Thermo Sw., Clutch Sol. & Thermo Stat. Sw.
- E-8 Alternator (Diesel)
- D-5 Alternator (Gas)
- G-7 Anti-Diesel Rly. & Timer
- A-14 Audio Alarm Module
- B-13 Auto Level Height Sens.
- F-14 Backup Lt. Sw. M/T Only
- E-23 Beam Select & Headlt. Sw.
- E-10 Bulkhead Conn. (B/H)
- D-5 Choke Htr. Rly. Sys.
- C-21 Clogged Oil Filter Sw.
- E-11 Clutch Sw.
- C-21 Coolant Temp. Sw.
- D-13 Cruise Control Sys.
- D-27 Dome Lt.
- F-23 Directional & Hazard Sw.
- A-26 Door Sw.'s (Right)
- G-28 Door Sw.'s (Left)
- E-6 Dura Spark Distributor (4 Cyl. Eng.)
- D-6 E Call 2000 Hr Timer
- C-4 EEC Diag. Conn.
- D-6 EFE Rly. & Htr.
- F-5 Elect. Ignition Control Unit
- B-4 Eng. Diag. Conn.
- B-2 Fog Lt. Rly. & Fog Lts.
- F-20 Fog Lt. Sw.
- D-28 Fuel Ga. (Tank Unit)
- F-16 Fuse Box, Dir. & Hazard Flasher
- A-9 Fuse & Diode Module
- F-22 Gear Sol. Ind.
- F-8 Glow Plug System
- G-17 Heated Rear Wdo. Rly. & Sw.
- C-20 Heater Blower Motor Sw. & Resistor
- C-18 Heater Mode Sw.
- D-27 Heated Rear Wdo. Grid
- F-5 HEI Distributor & Coil
- G-10 Horn Rly. & Horns
- F-22 Horn Sw.
- B-9 Idle Sol.
- D-23 Ignition Sw.
- C-24 Inst. Pnl. Printed Circuit Details
- C-23 Inst. Pnl. Printed Circuit Conn. A
- C-23 Inst. Pnl. Printed Circuit Conn. B
- F-26 Keyless Entry
- B-14 Key In Sw.
- D-28 License Lts.
- D-7 Low Brake Sw.
- C-2 Low Windshield Wash. Fluid Sens.
- B-5 Microprocessor Contr. Unit & Compts. (4 Cyl. Eng. Only)
- B-3 Neutral Safety & Backup Lt. Sw.
- D-20 Oil Press. Sender
- D-23 Park Brake Sw.
- C-15 Power Antenna Motor & Rly.
- F-12 Power Mirror Sys.
- A-7 Power Seats
- A-28 Power Wdo. & Door Lock Sys.
- E-25 Rear Wdo. Washer Motor
- D-19 Rear Wdo. Wiper Washer Sw.
- C-27 Rear Wdo. Wiper Motor & Rly.
- A-4 Starter Sol. (V-6 Eng.)
- A-4 Starter Rly. (V-6 Eng.)
- E-11 Stop Lt. Sw.
- B-17 Sys. Sentry Display Module & Sys.
- A-8 Thermo Elect. Sw.
- D-6 Windshield Washer Motor
- C-8 Windshield Wiper Motor
- A-20 Windshield Wiper Sw. (Intermittent)
- A-22 Windshield Wiper Sw.



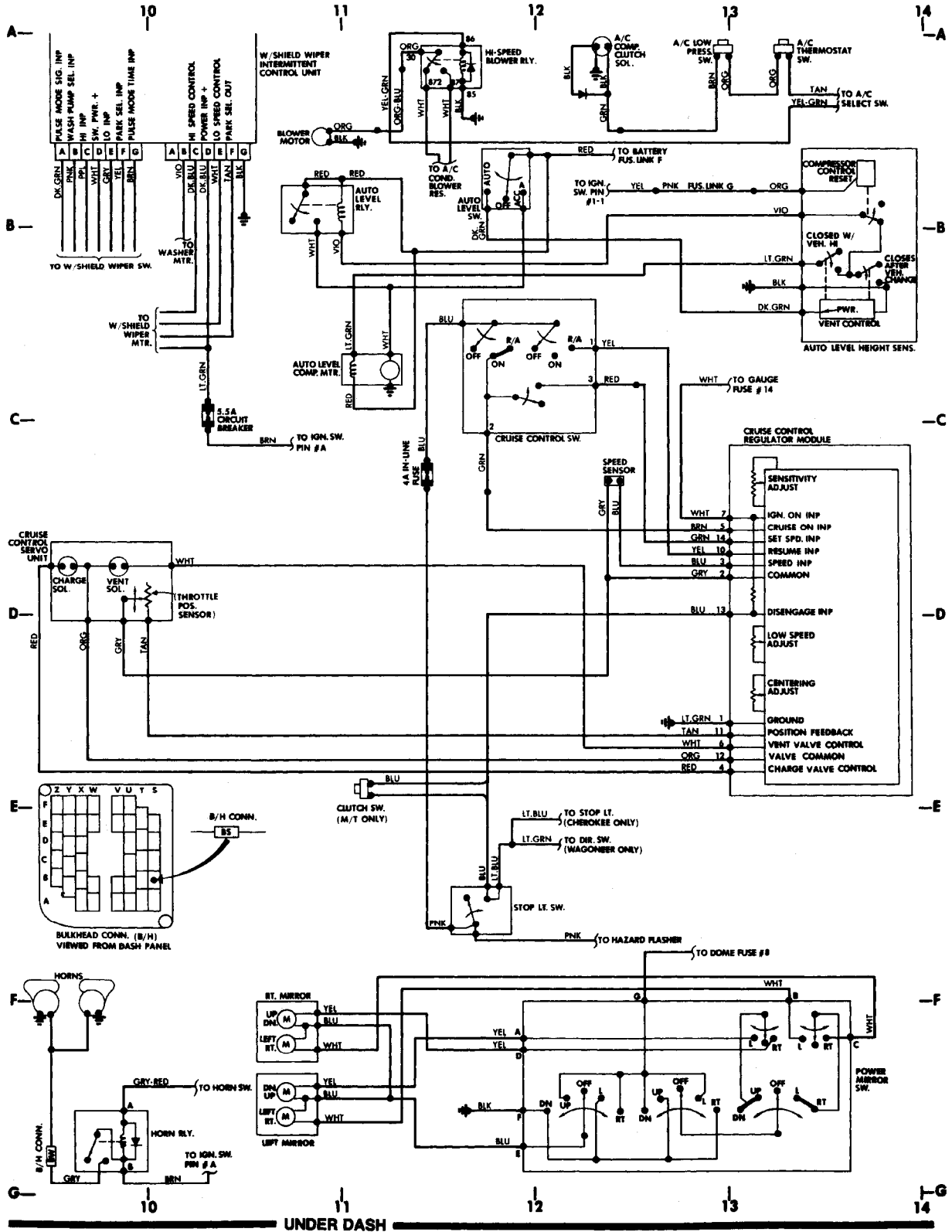
WIRING DIAGRAMS
Fig. 2: Engine Compartment (Cont.) (p. 2)
 1985 Jeep Cherokee



WIRING DIAGRAMS

Fig. 3: Underdash (p. 3)

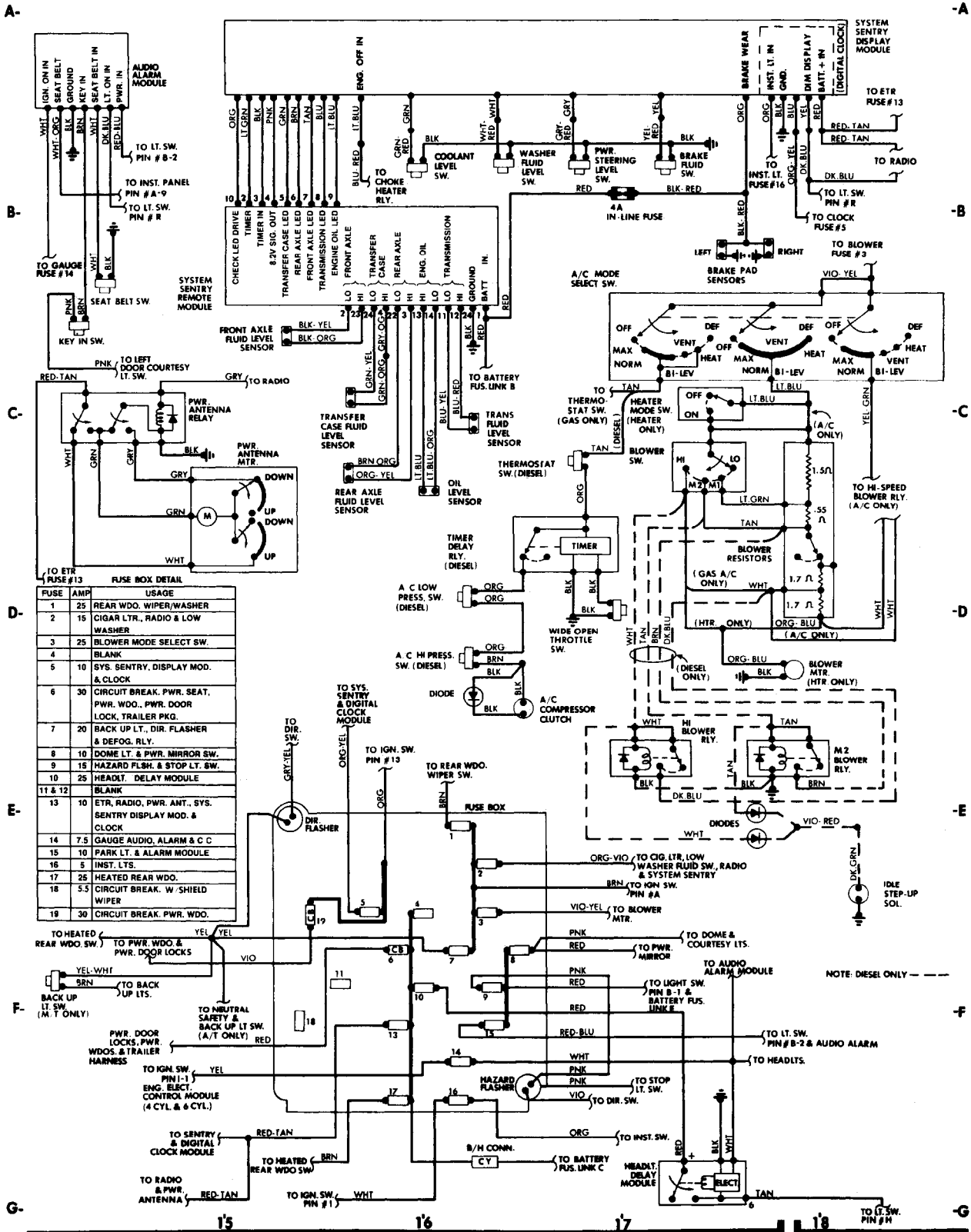
1985 Jeep Cherokee



WIRING DIAGRAMS

Fig. 4: Underdash (p. 4)

1985 Jeep Cherokee



WIRING DIAGRAMS
Fig. 6: Rear Compartment (p. 6)
 1985 Jeep Cherokee

