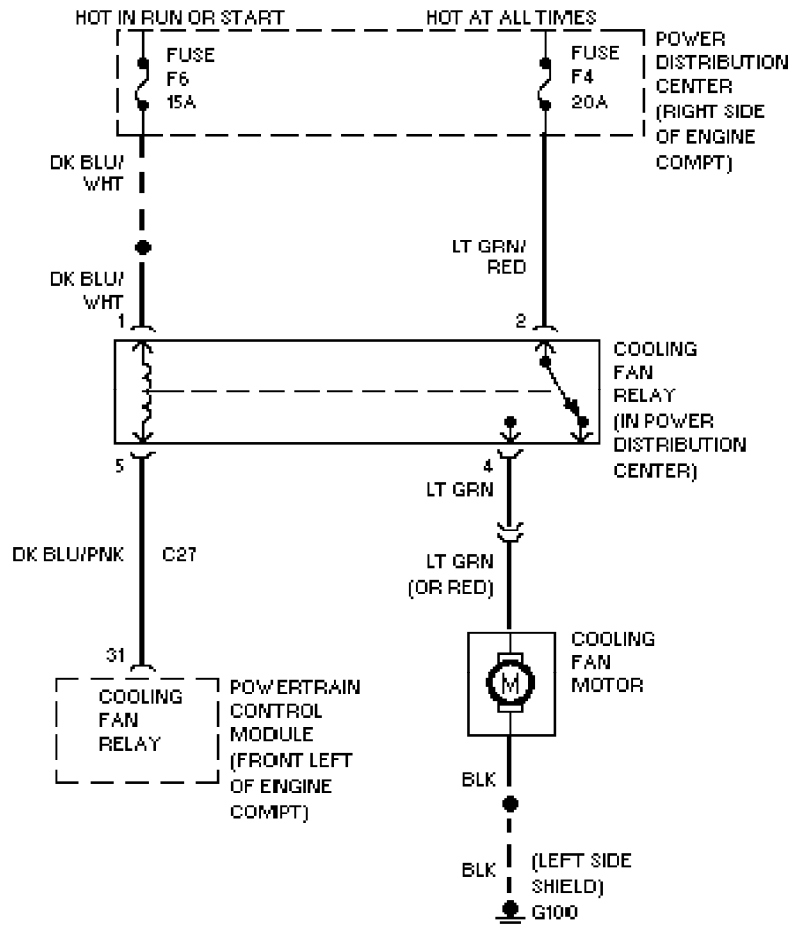


SYSTEM WIRING DIAGRAMS

Cooling Fan Circuit

1993 Jeep Cherokee

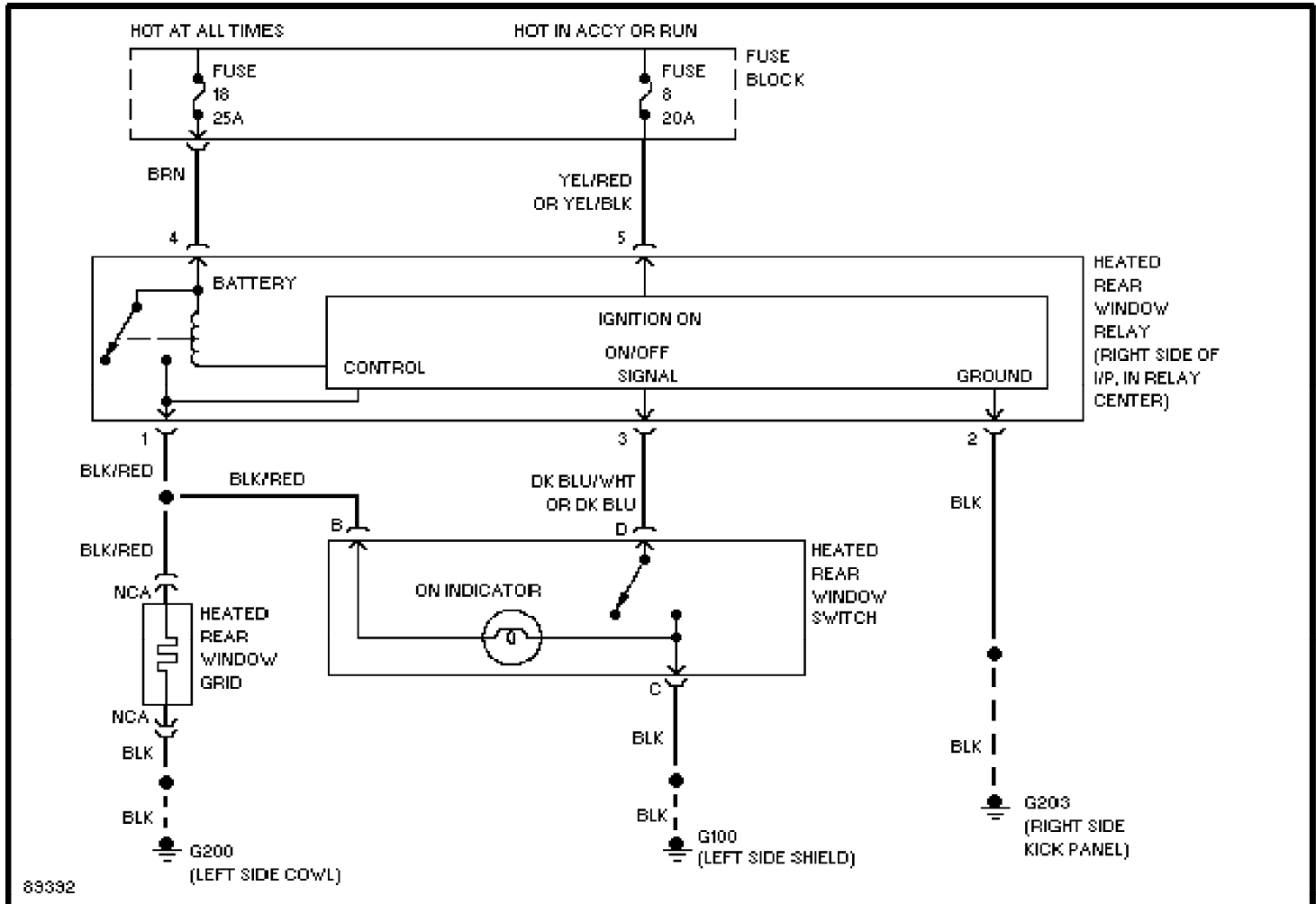
CDR@WP.PL



SYSTEM WIRING DIAGRAMS

Defogger Circuit (p. 2)

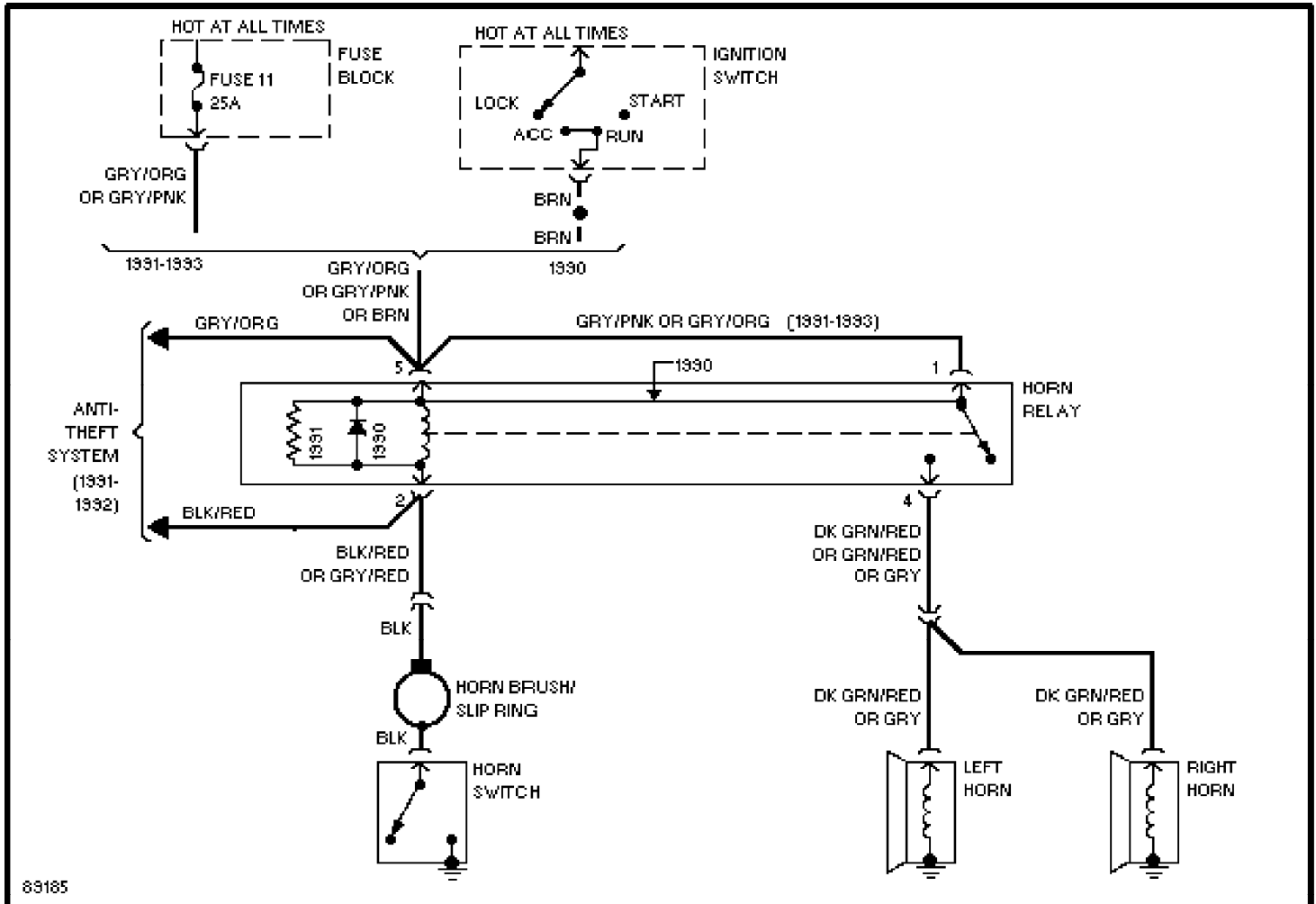
1993 Jeep Cherokee



SYSTEM WIRING DIAGRAMS

Horn Circuit (p. 3)

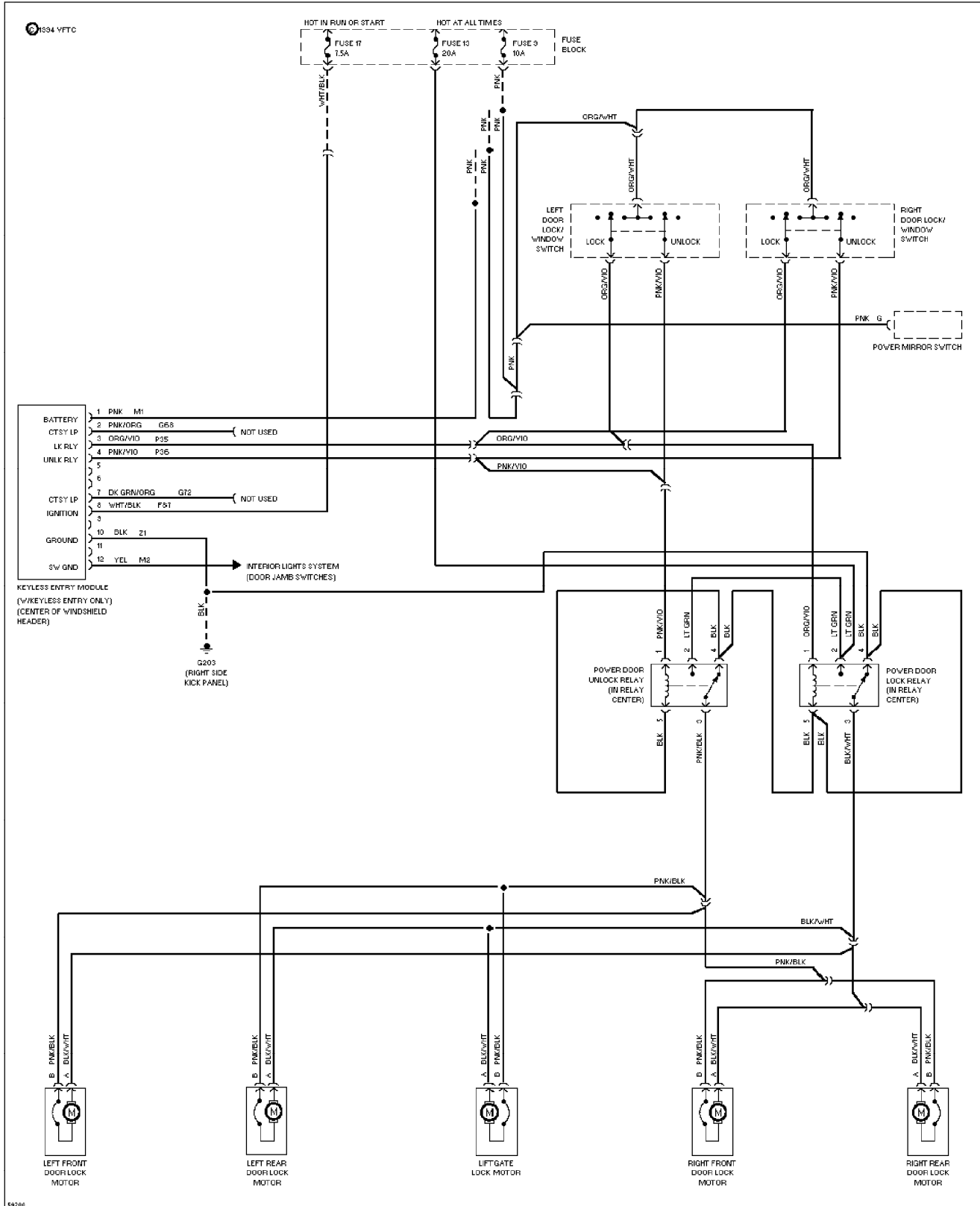
1993 Jeep Cherokee



SYSTEM WIRING DIAGRAMS

Door Lock & Keyless Entry Circuit (p. 4)

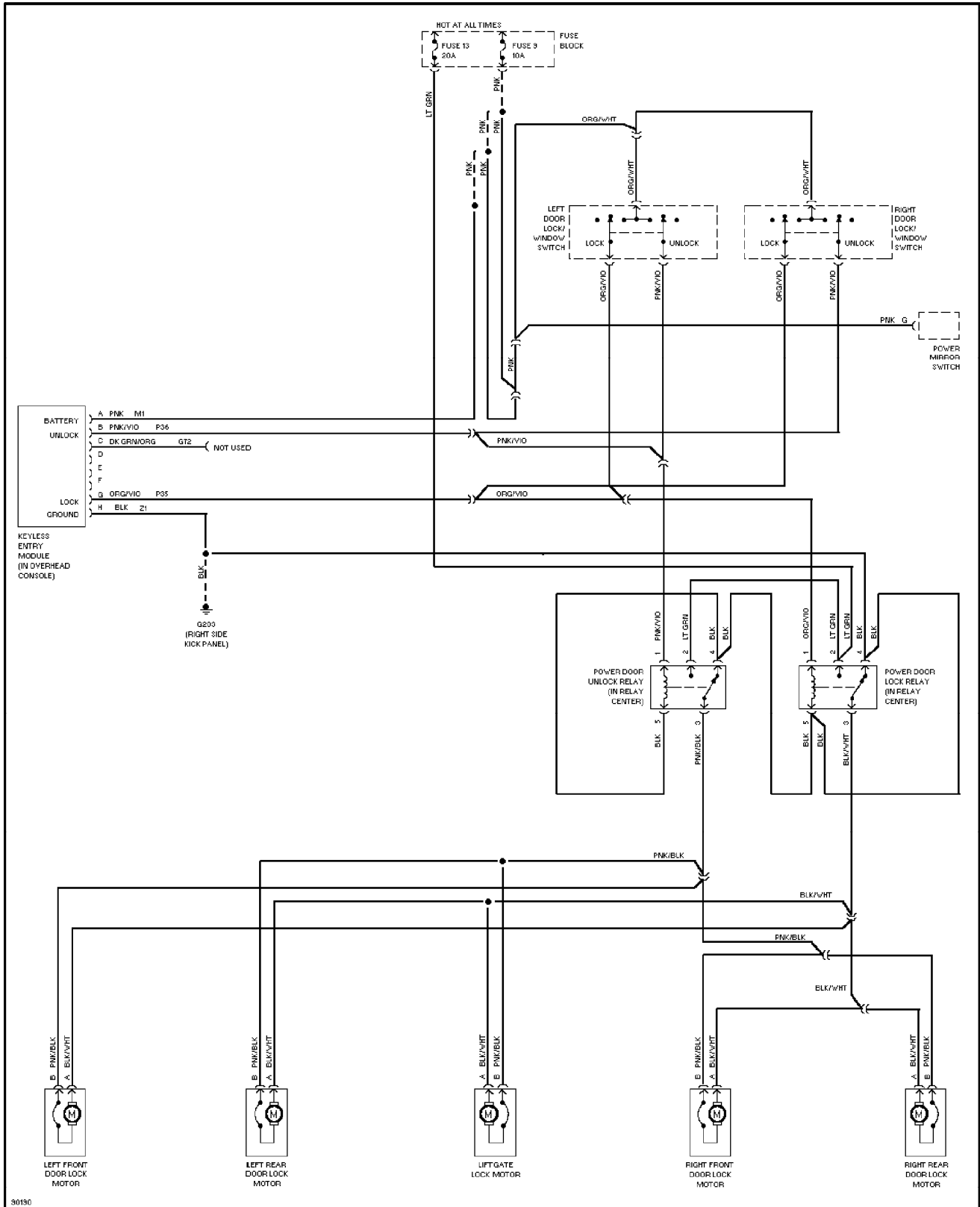
1993 Jeep Cherokee



SYSTEM WIRING DIAGRAMS

Power Door Lock Circuit (p. 5)

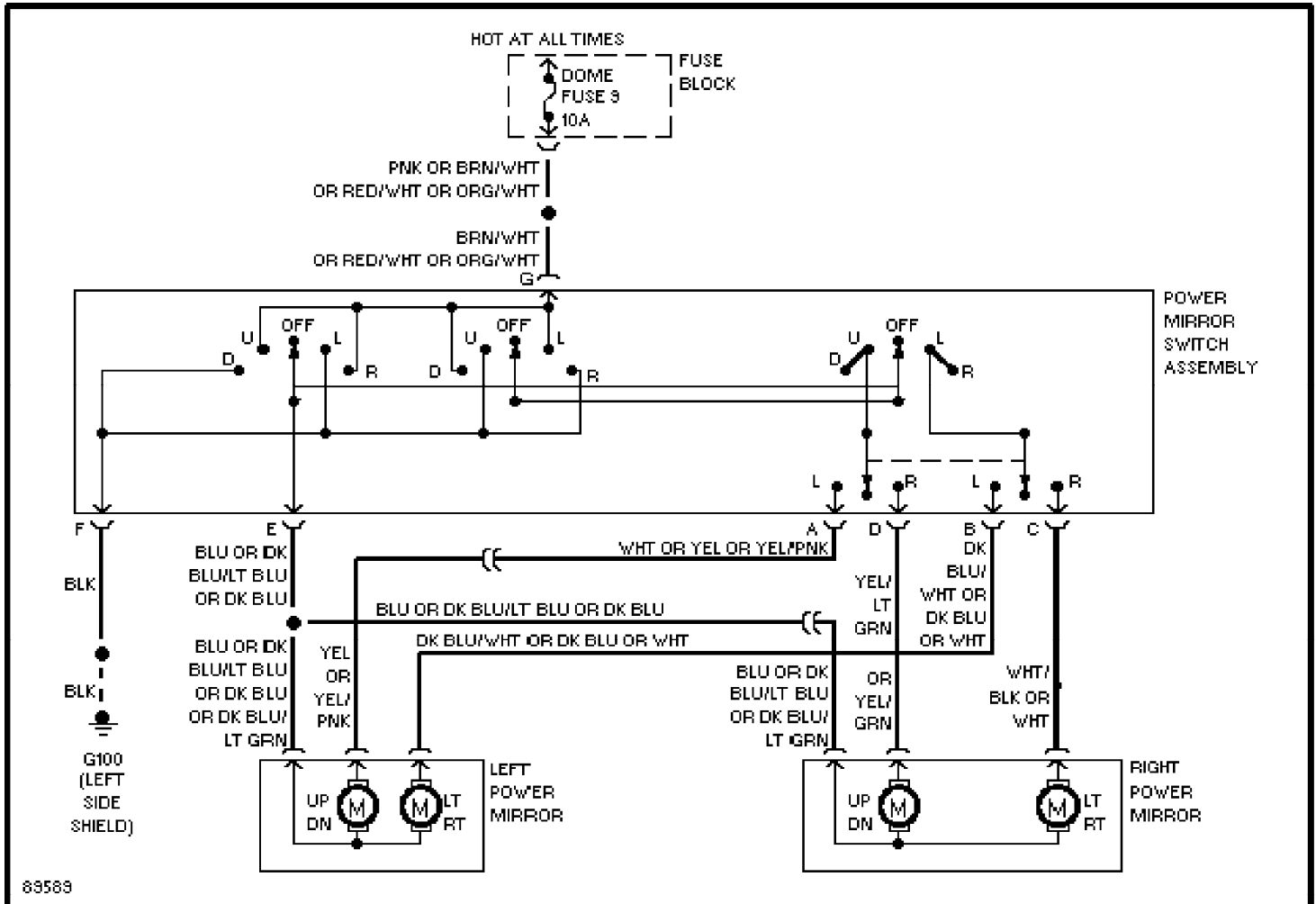
1993 Jeep Cherokee



SYSTEM WIRING DIAGRAMS

Power Mirror Circuit (p. 6)

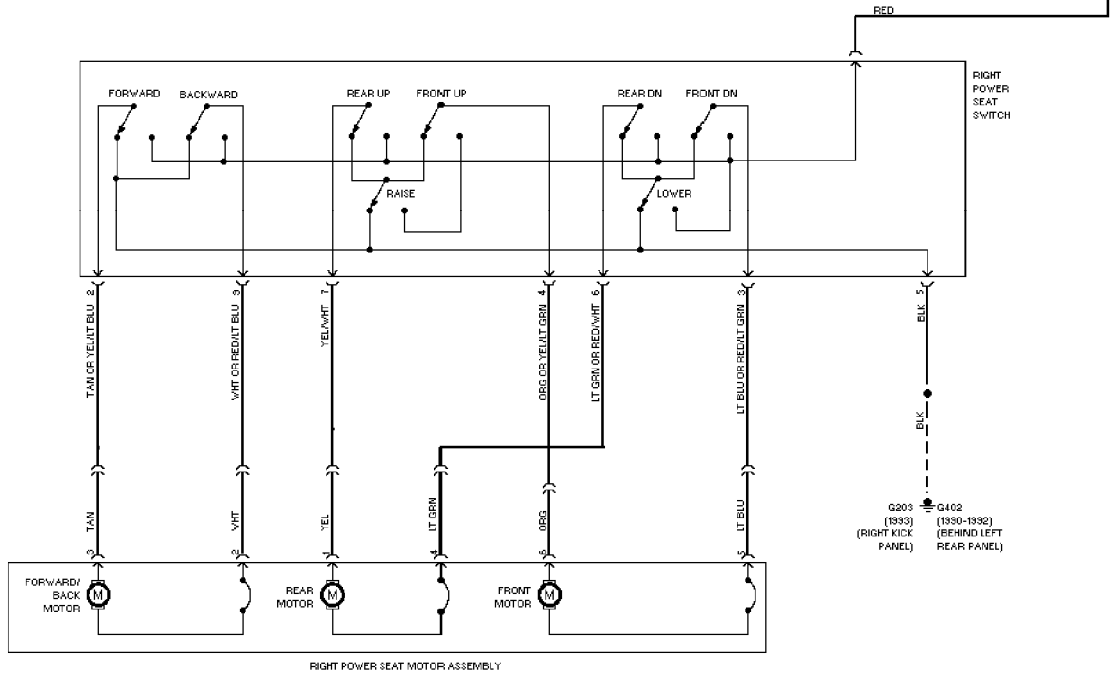
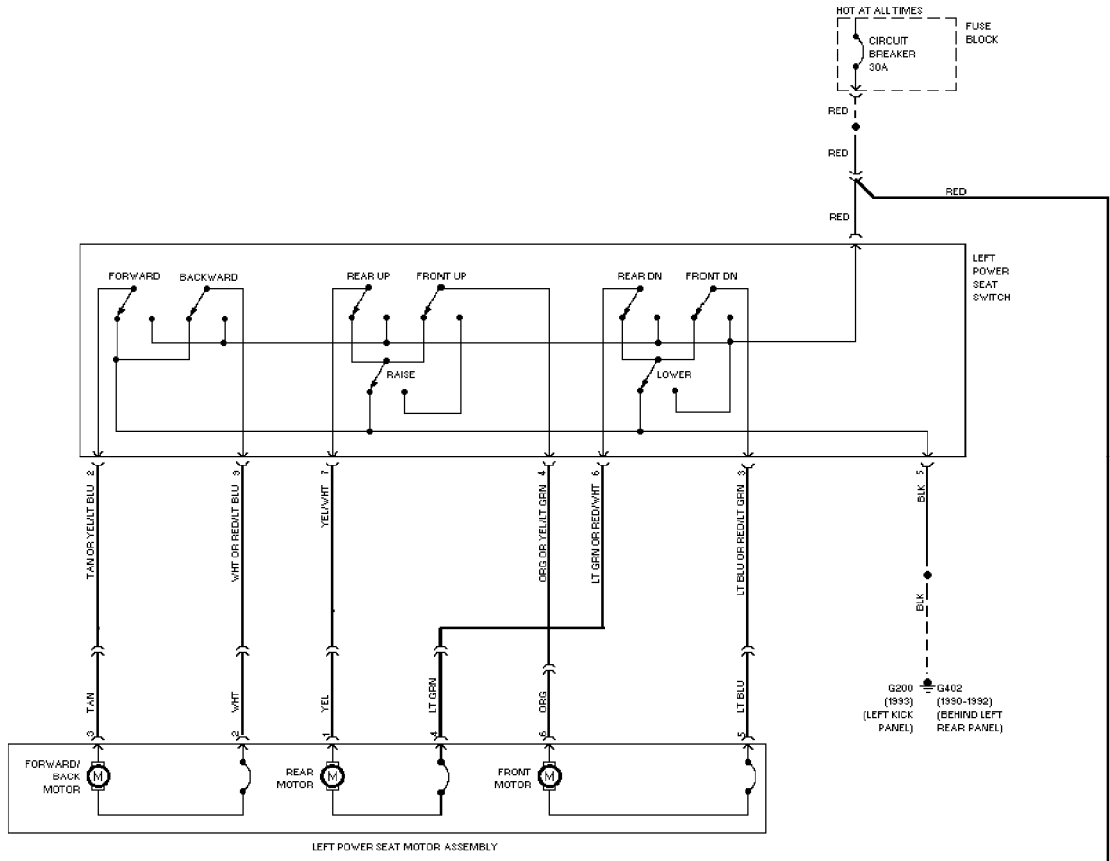
1993 Jeep Cherokee



SYSTEM WIRING DIAGRAMS

Power Seats Circuit (p. 7)

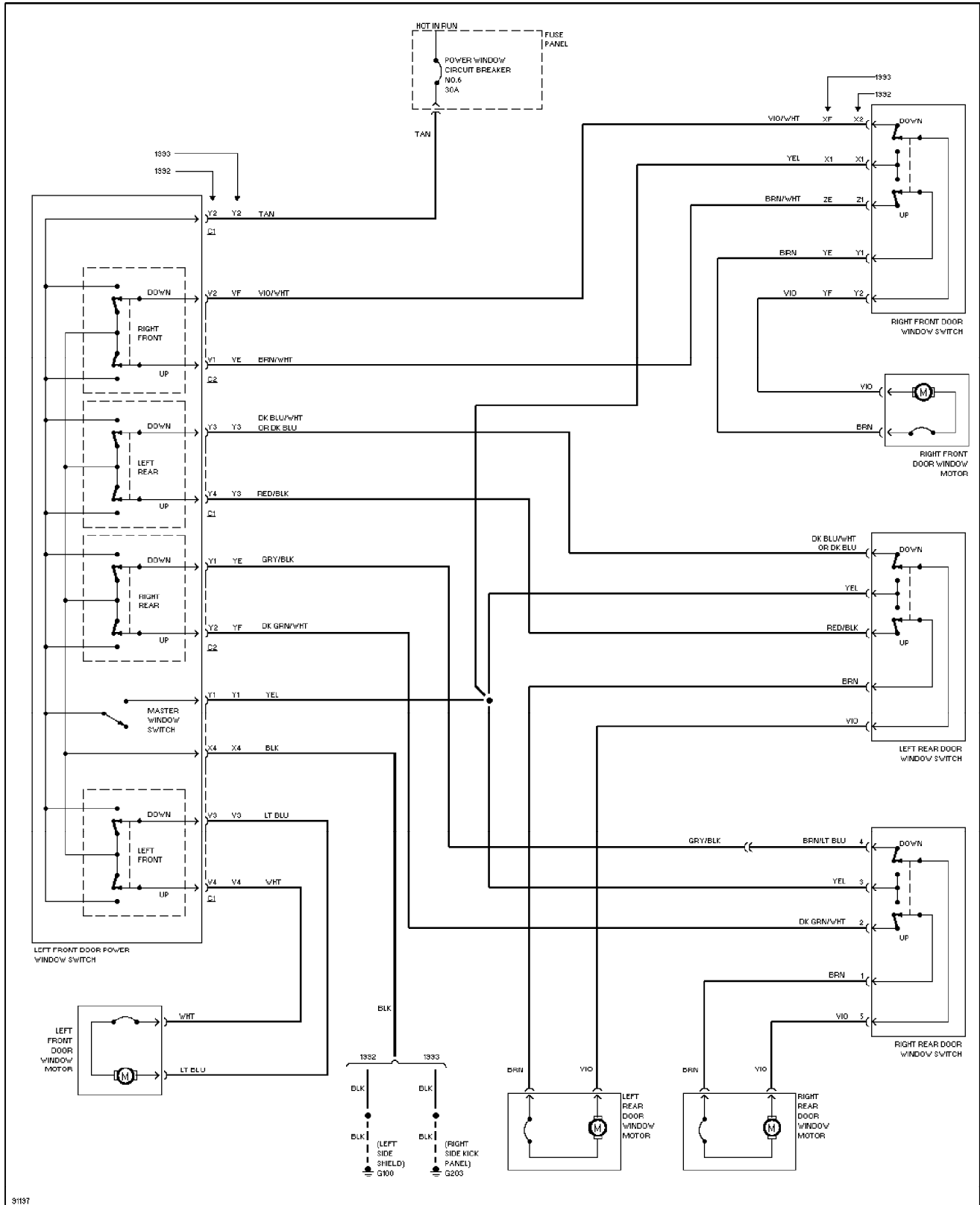
1993 Jeep Cherokee



SYSTEM WIRING DIAGRAMS

Power Window Circuit (p. 8)

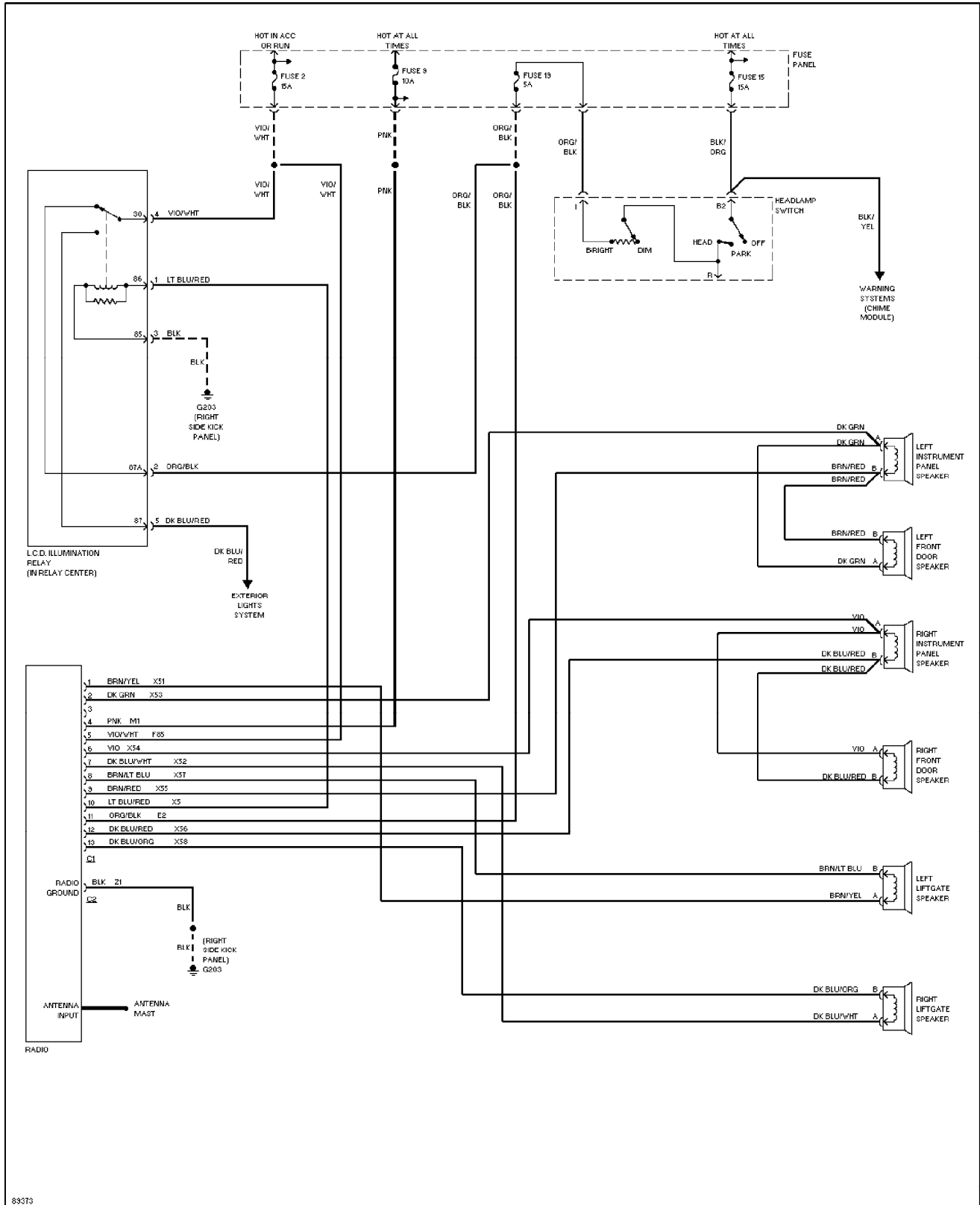
1993 Jeep Cherokee



SYSTEM WIRING DIAGRAMS

Radio Circuits (p. 9)

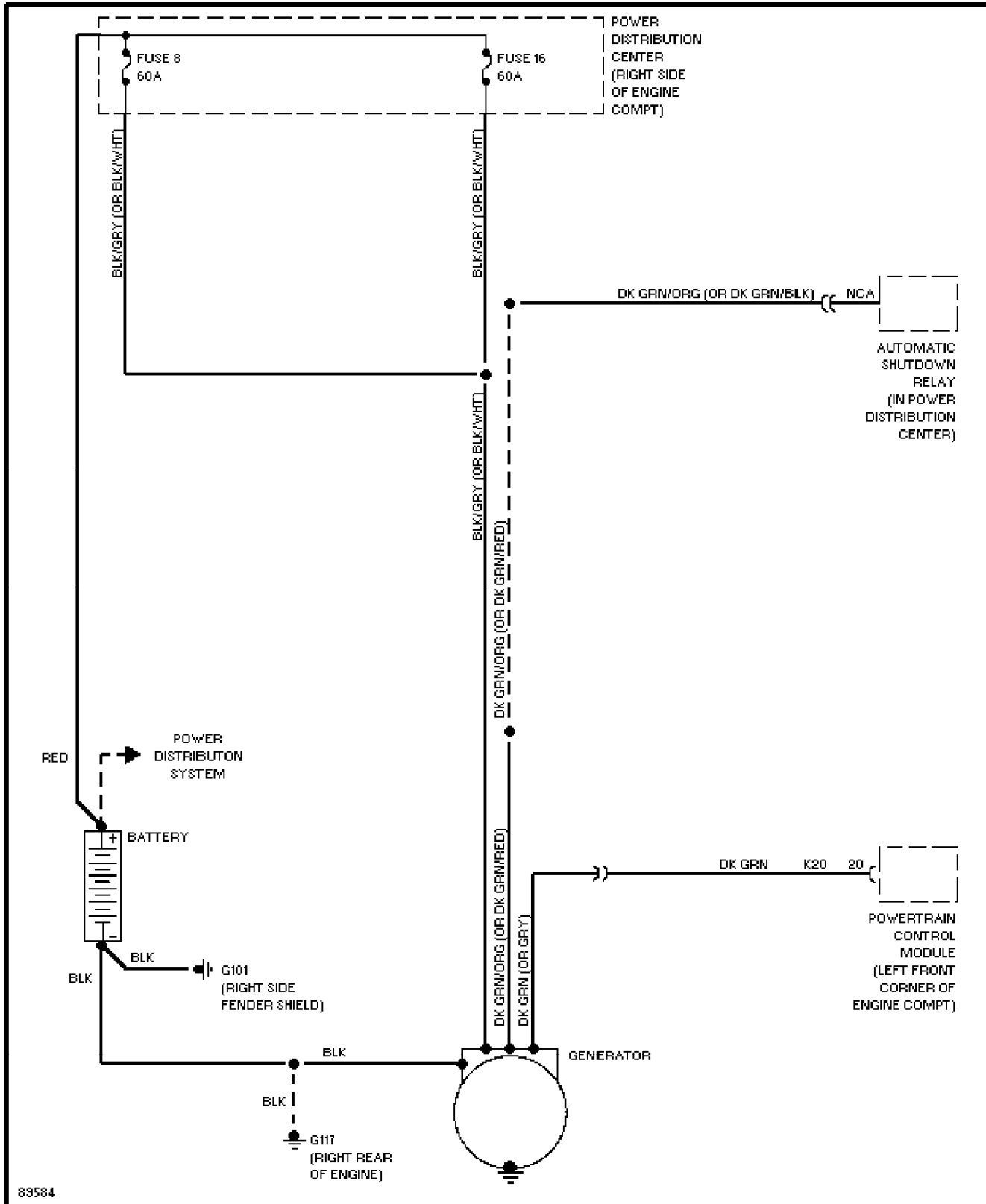
1993 Jeep Cherokee



SYSTEM WIRING DIAGRAMS

Charging Circuit (p. 10)

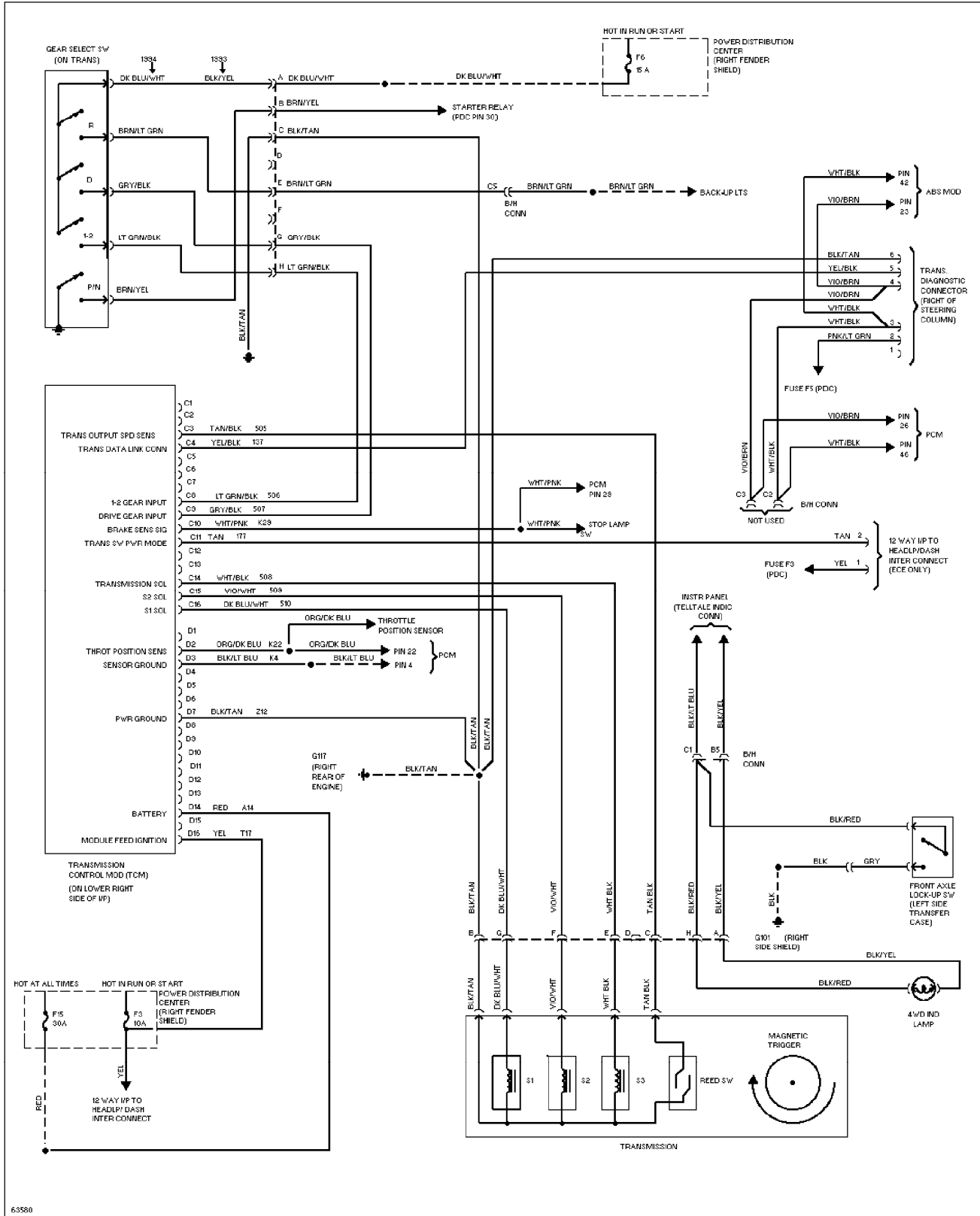
1993 Jeep Cherokee



SYSTEM WIRING DIAGRAMS

Transmission Circuit (p. 12)

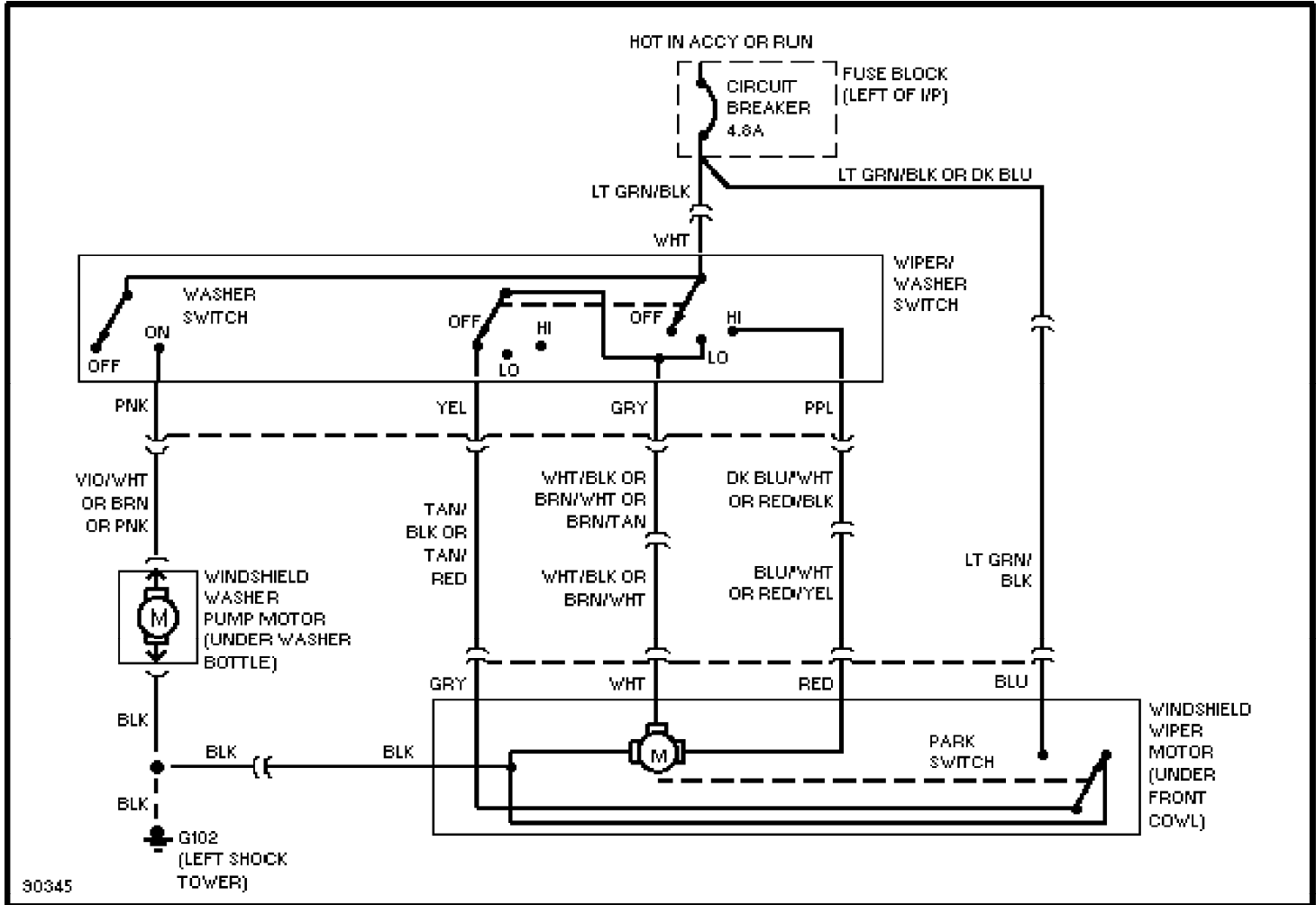
1993 Jeep Cherokee



SYSTEM WIRING DIAGRAMS

2-Speed Wiper/Washer Circuit (p. 13)

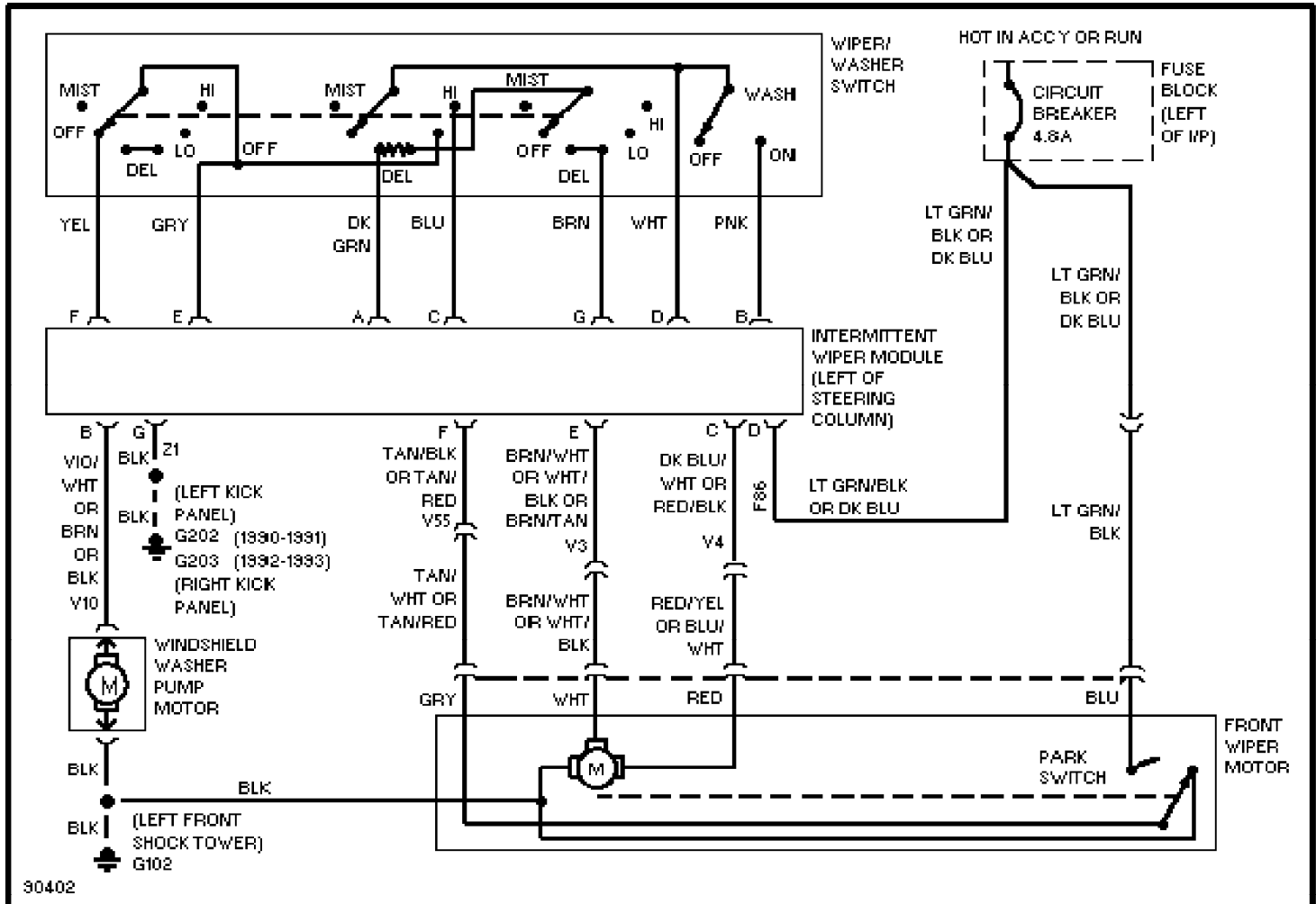
1993 Jeep Cherokee



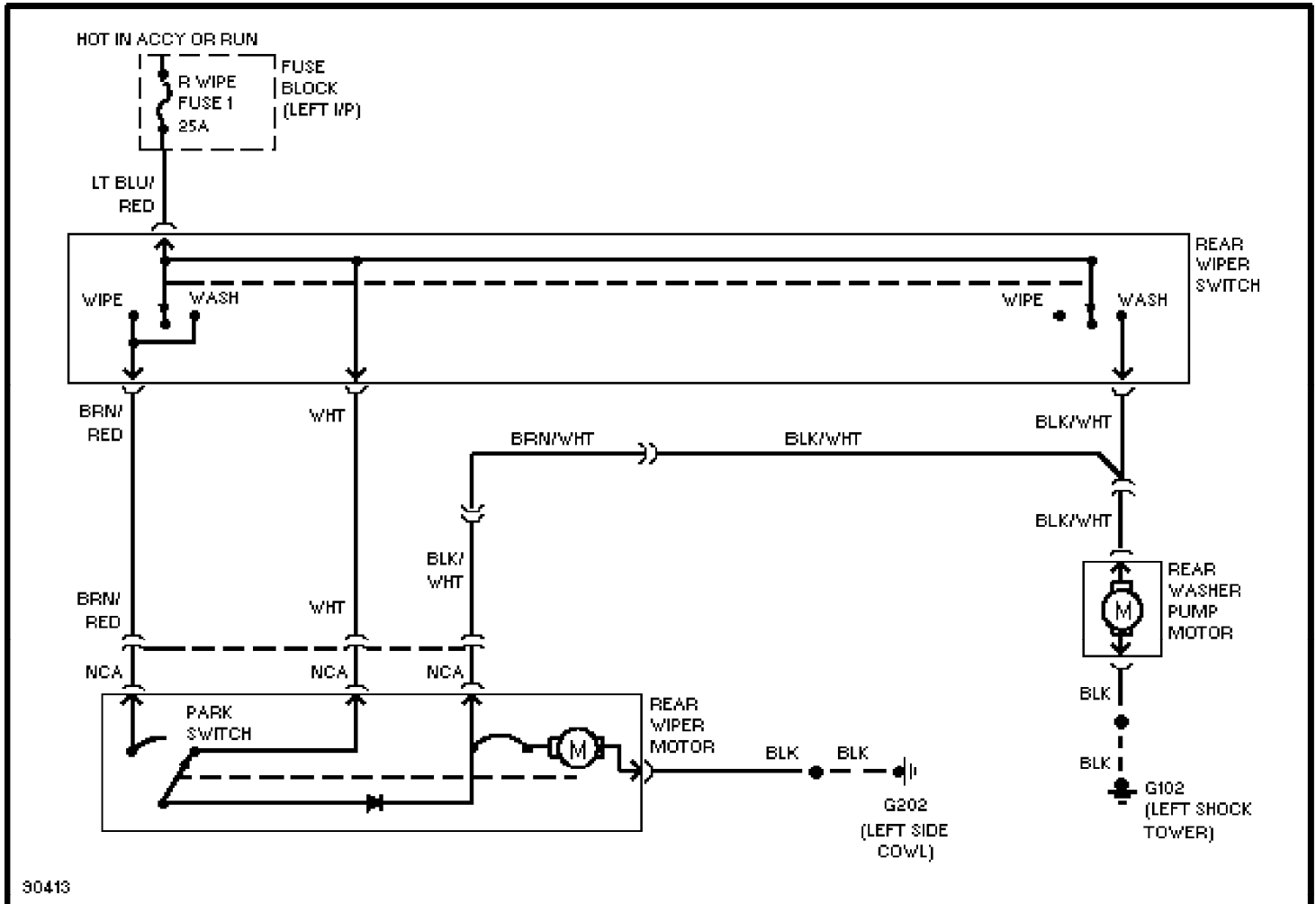
SYSTEM WIRING DIAGRAMS

Interval Wiper/Washer Circuit (p. 14)

1993 Jeep Cherokee

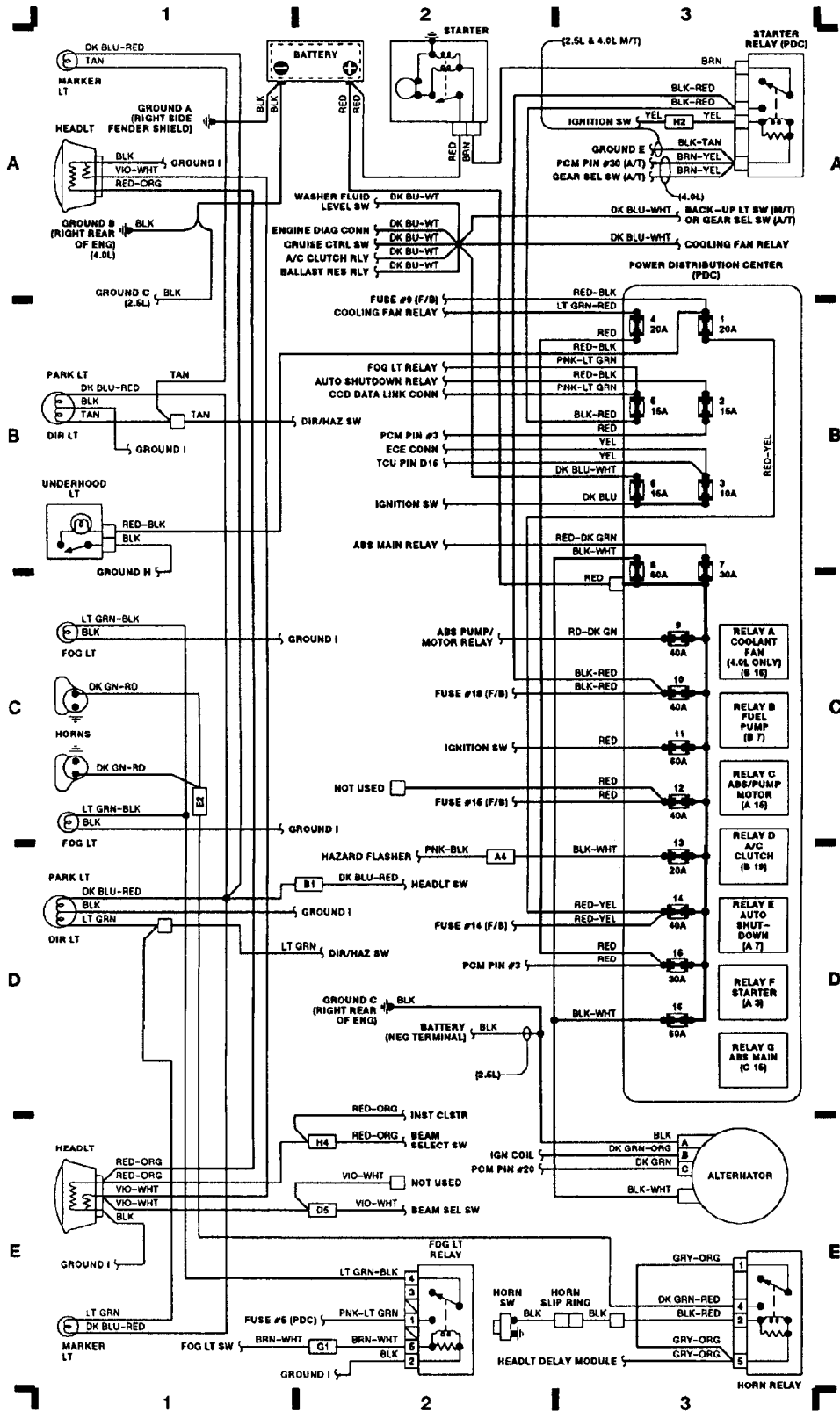


SYSTEM WIRING DIAGRAMS
Rear Wiper/Washer Circuit (p. 15)
1993 Jeep Cherokee



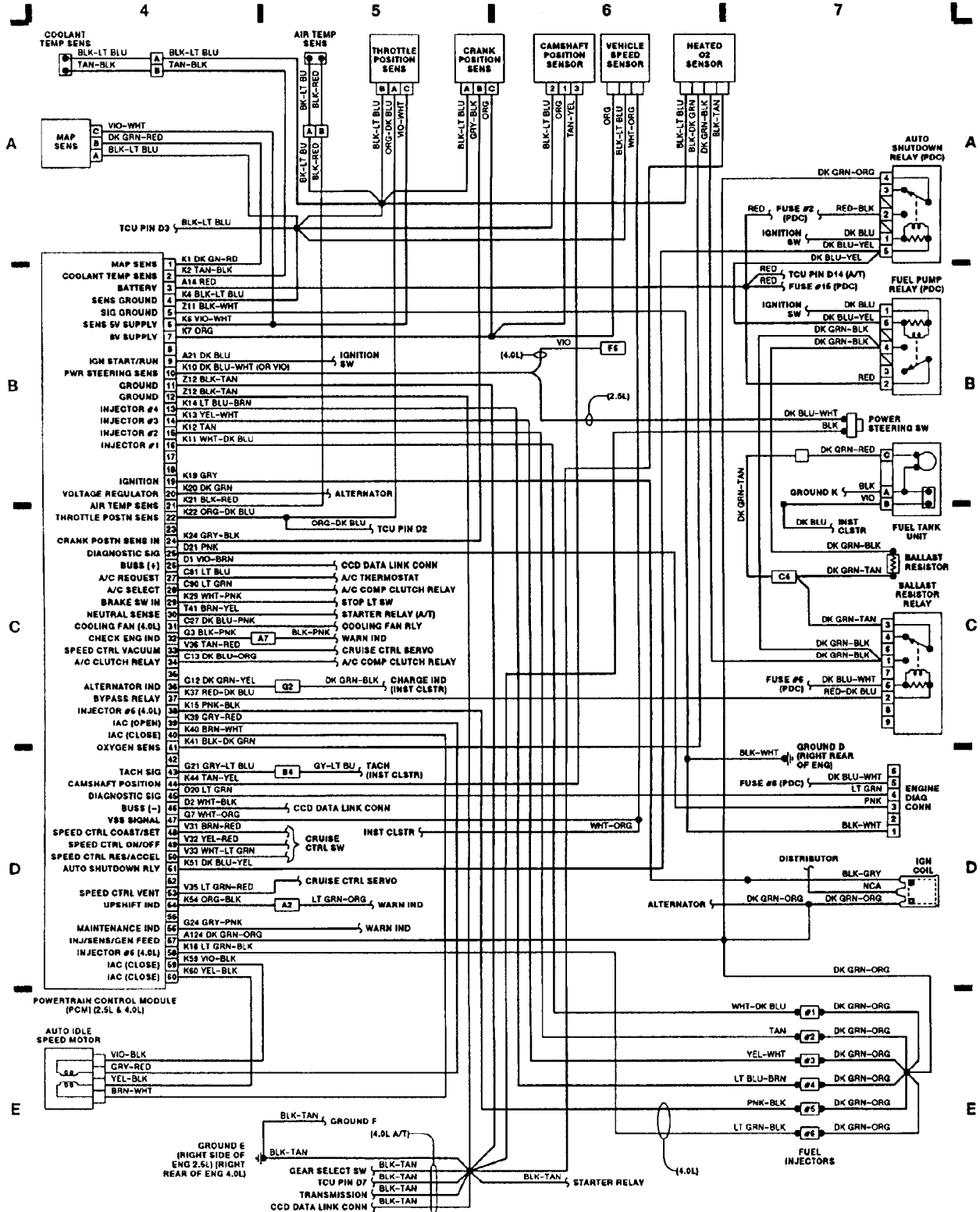
WIRING DIAGRAMS

Fig. 1: Engine Compartment & Headlights (Grids 1-3)
1993 Jeep Cherokee



WIRING DIAGRAMS

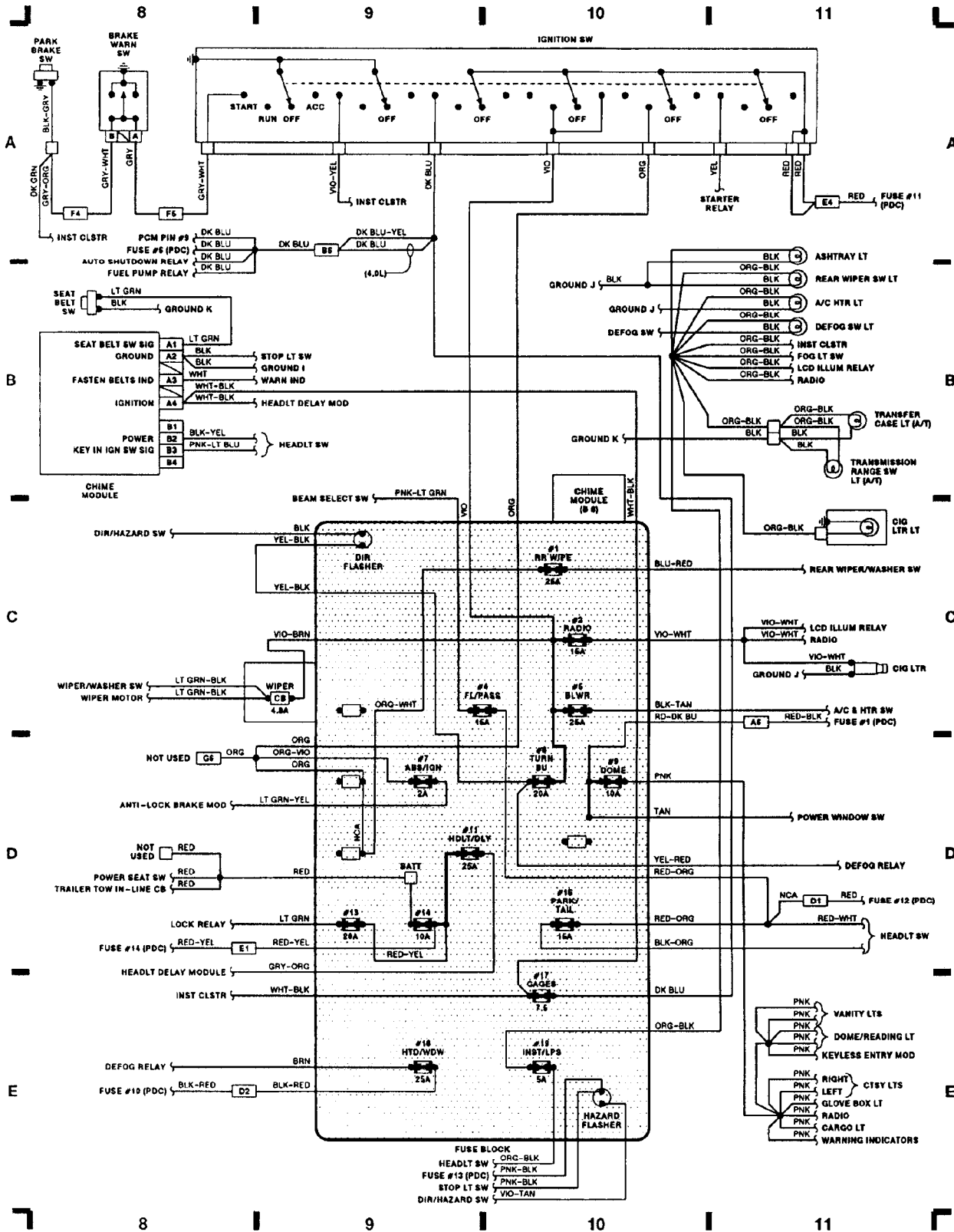
Fig. 2: Powertrain Control Module (PCM) (2.5L & 4.0L) (Grids 4-7) (p. 2)
1993 Jeep Cherokee



WIRING DIAGRAMS

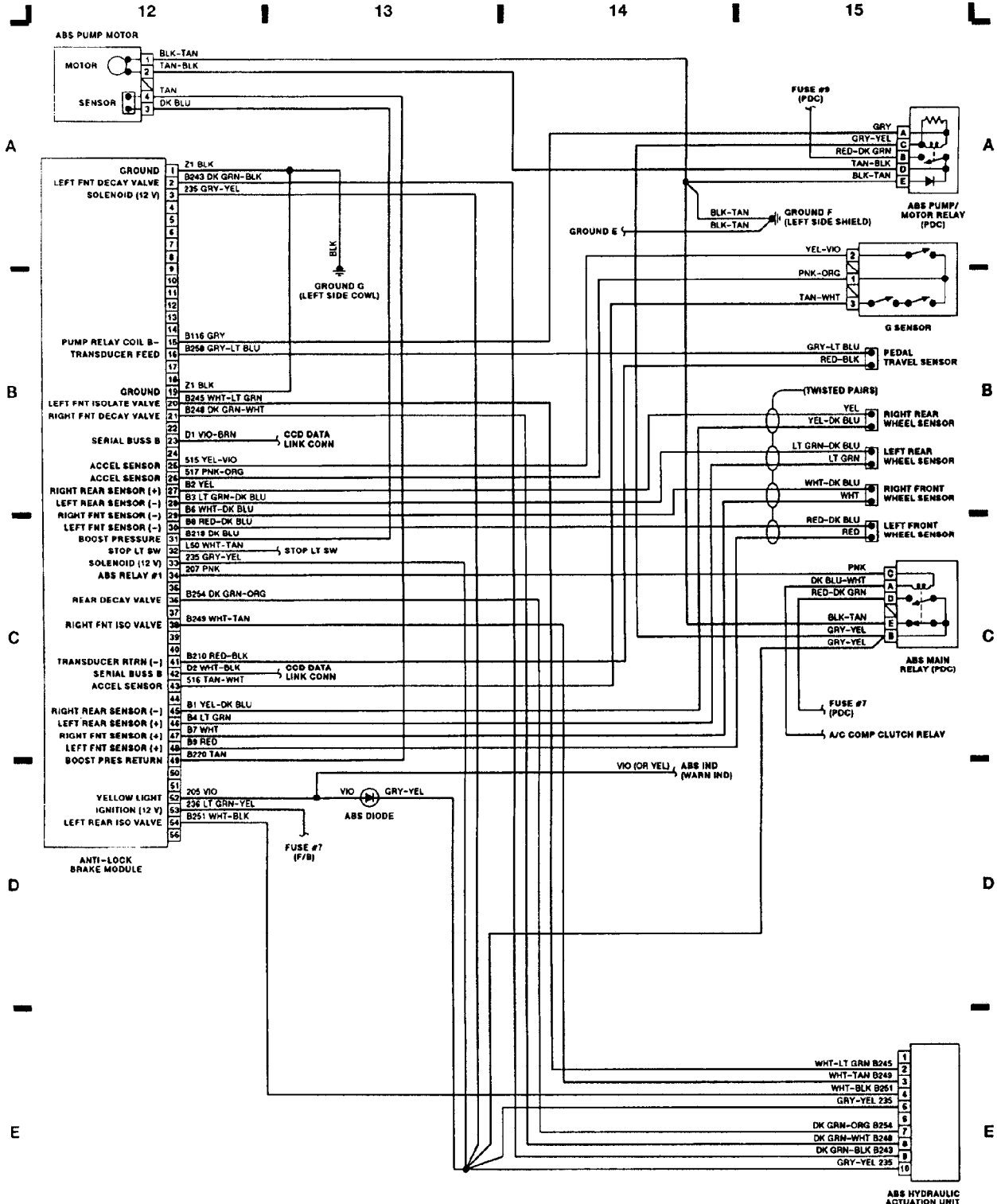
Fig. 3: Ignition Switch (Grids 8-11) (p. 3)

1993 Jeep Cherokee



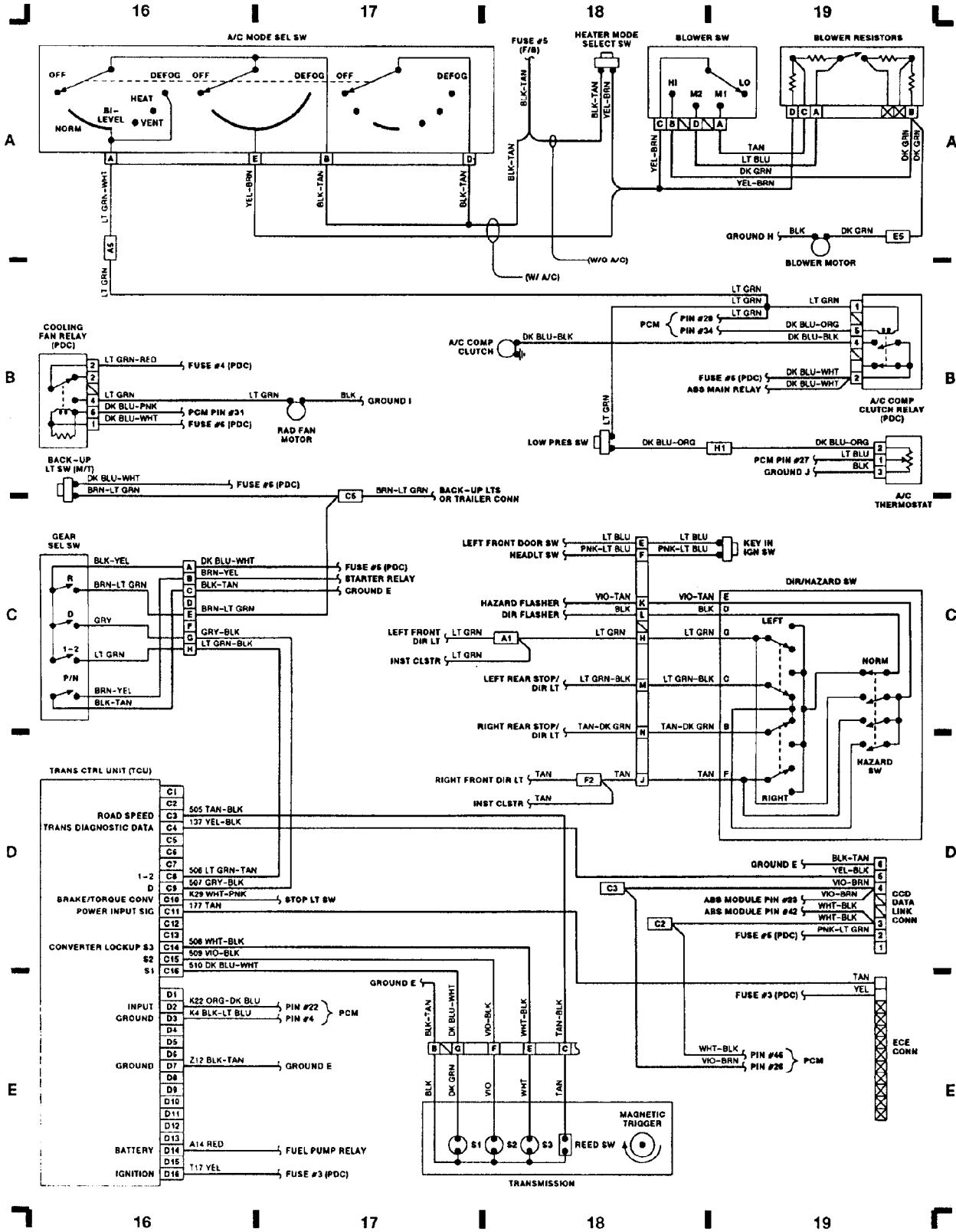
WIRING DIAGRAMS

Fig. 4: Anti-Lock Brake Module, ABS Pump Motor (Grids 12-15) (p. 4)
1993 Jeep Cherokee



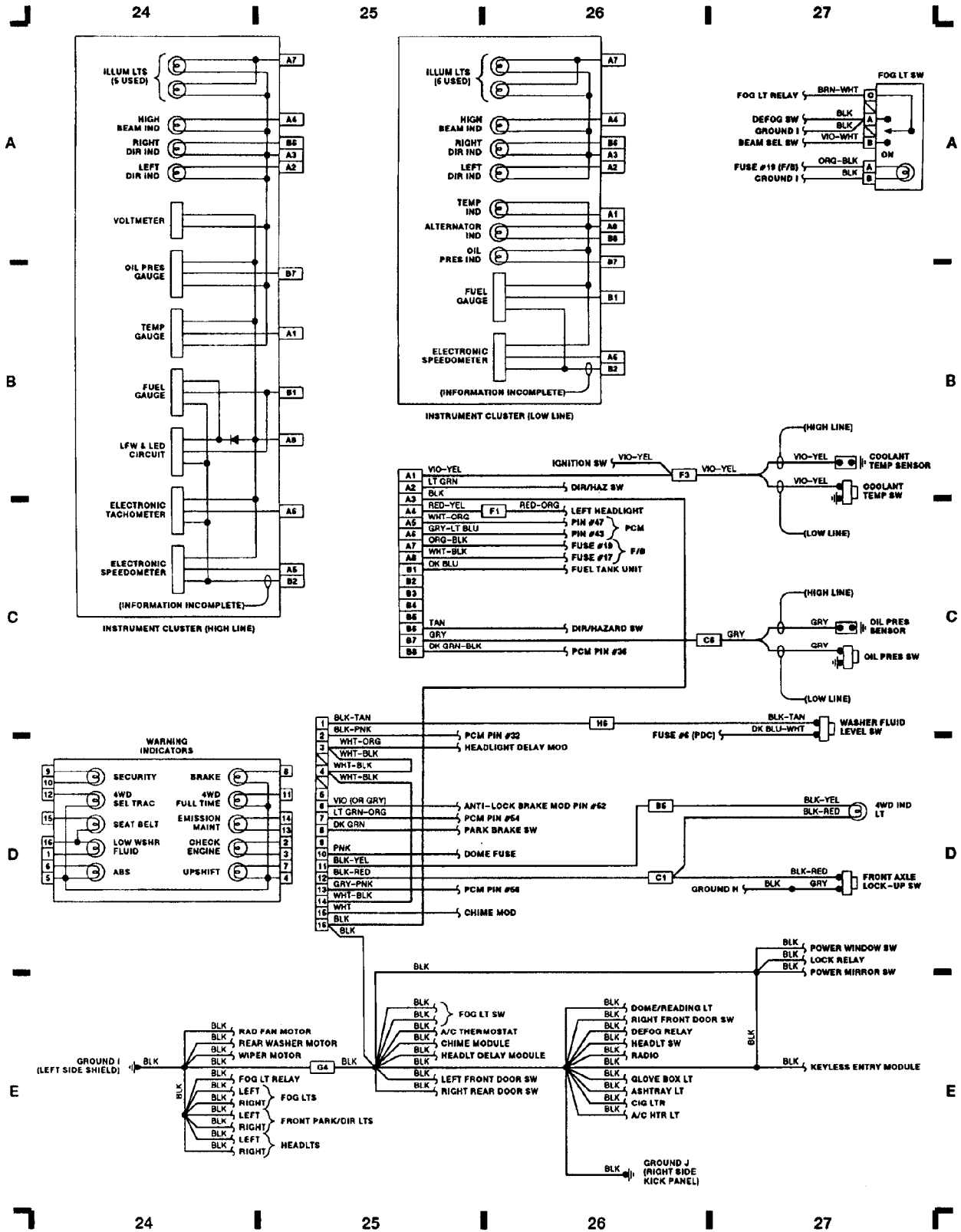
WIRING DIAGRAMS

Fig. 5: Dir/Hazard Switch, Trans Control Unit (TCU) (Grids 16-19) (p. 5)
1993 Jeep Cherokee



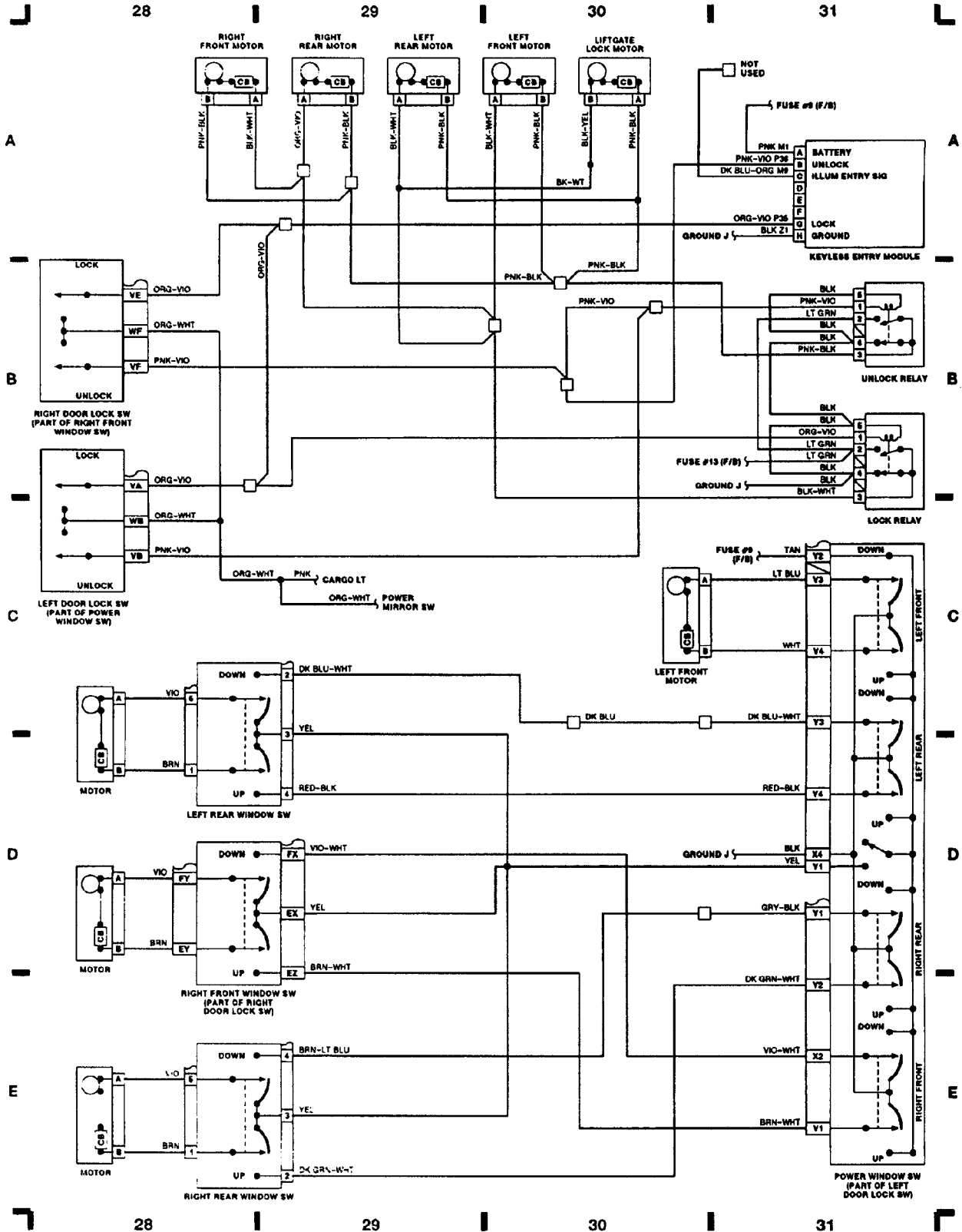
WIRING DIAGRAMS

Fig. 7: Instrument Cluster (High Line), (Low Line) (Grids 24-27) (p. 7)
1993 Jeep Cherokee



WIRING DIAGRAMS

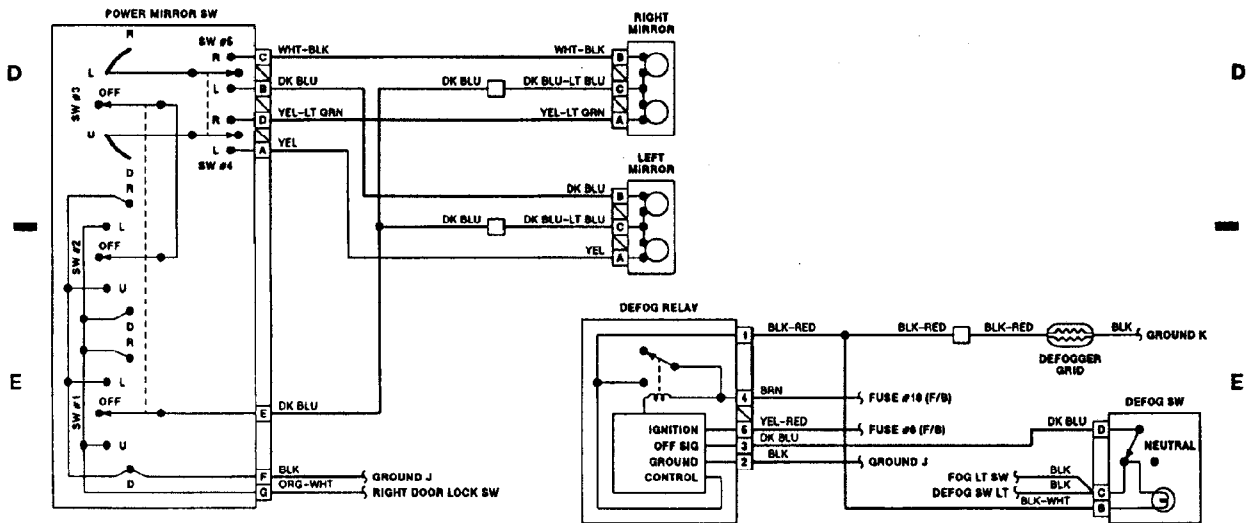
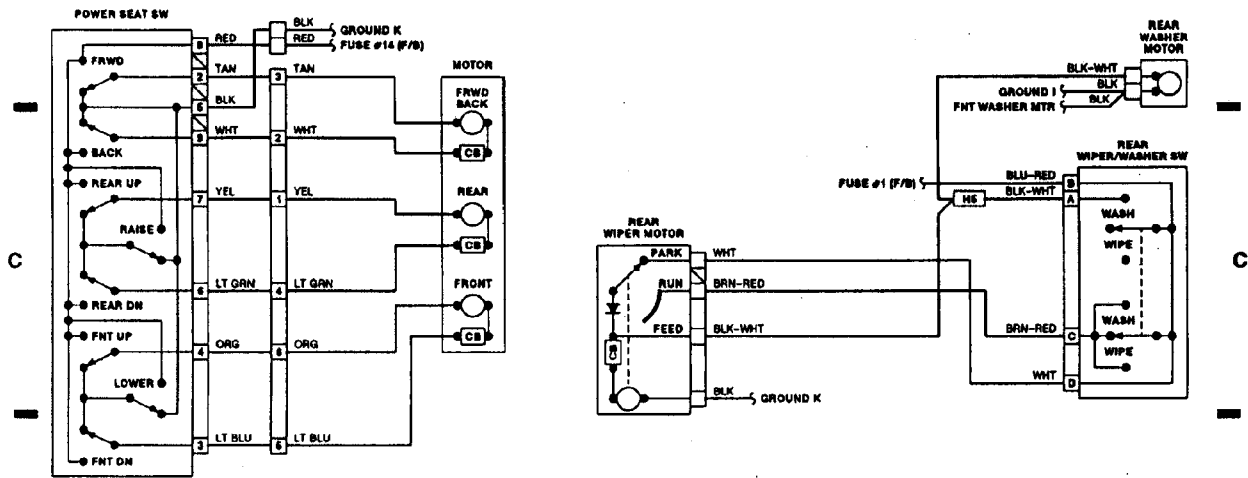
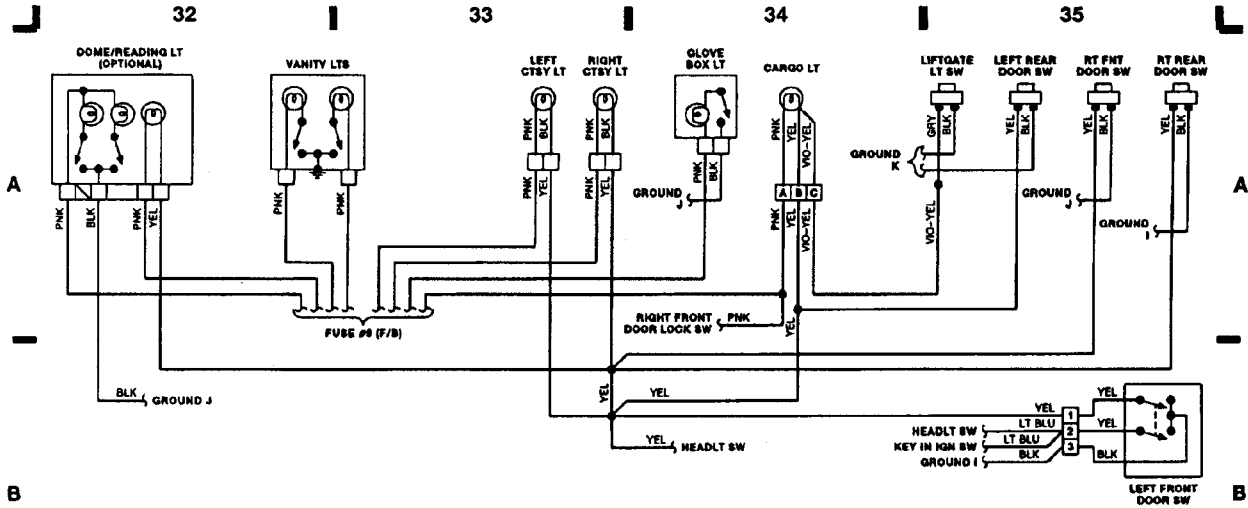
Fig. 8: Power Window Switch, Right and Left Door Switch (Grids 28-31) (p. 8)
1993 Jeep Cherokee



WIRING DIAGRAMS

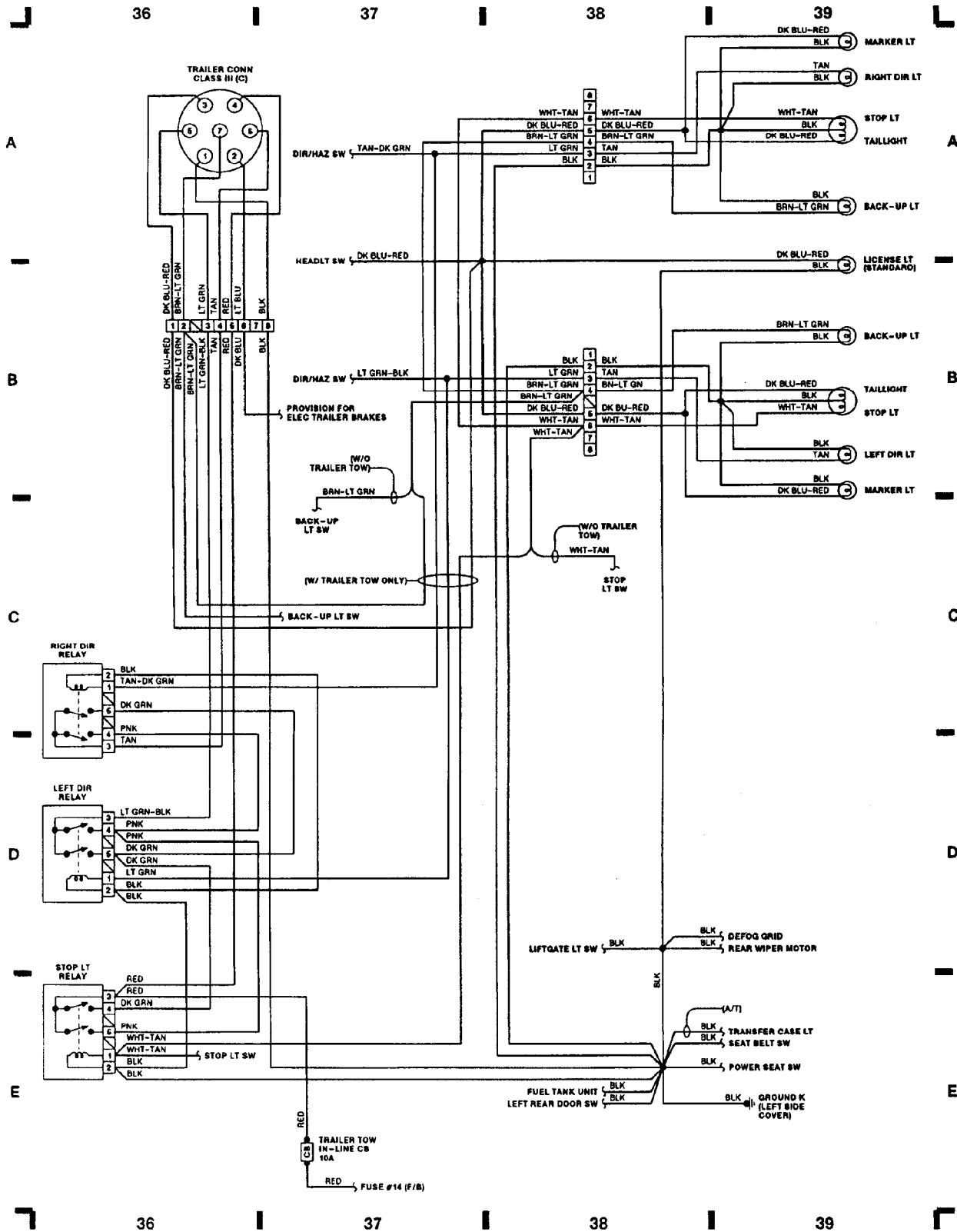
Fig. 9: Power Mirror Switch, Power Seat Switch (Grids 32-35) (p. 9)

1993 Jeep Cherokee

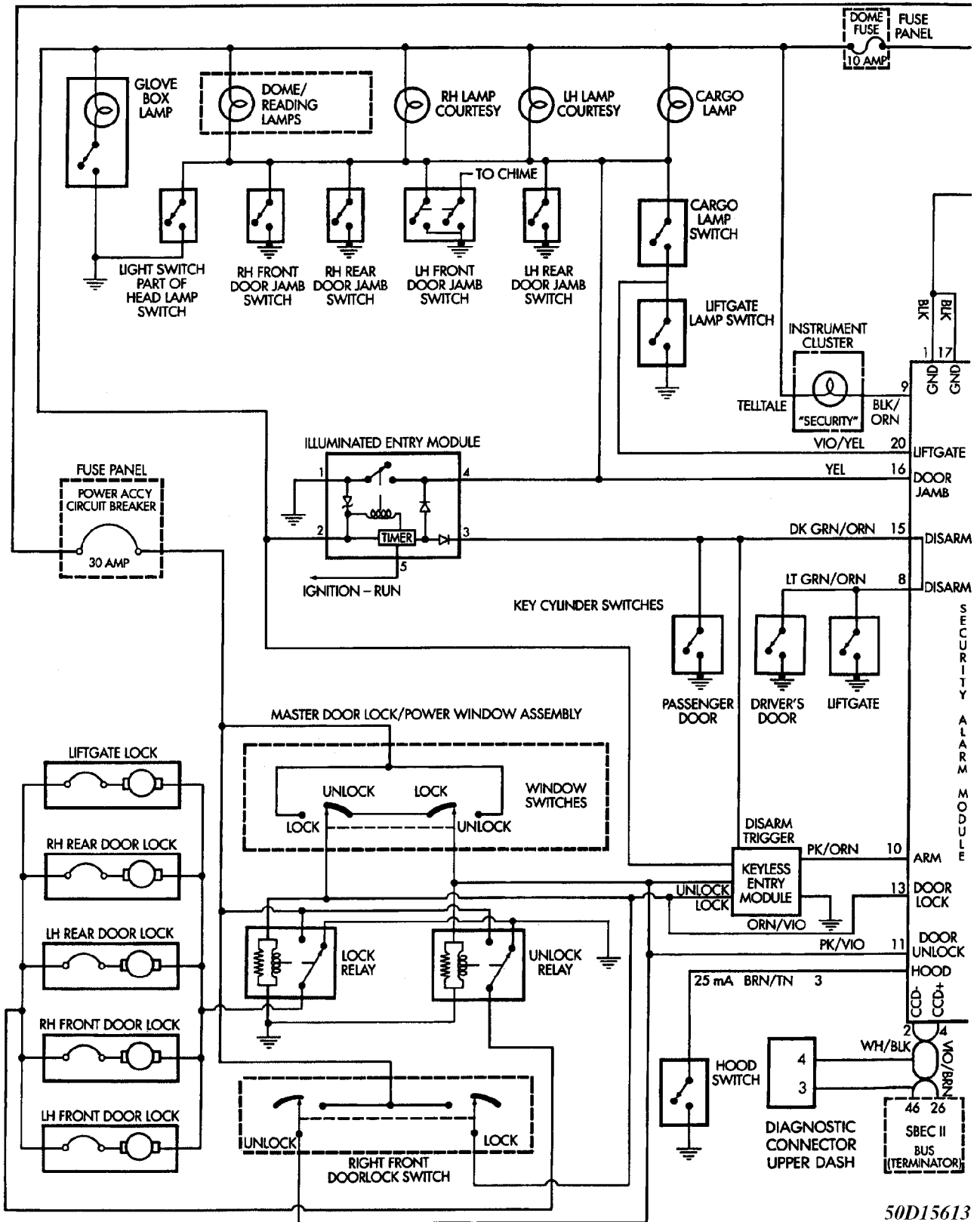


WIRING DIAGRAMS

Fig. 10: Power Mirror, Window Switches & Taillights (Grids 36-39) (p. 10)
1993 Jeep Cherokee



WIRING DIAGRAMS
Fig. 11: Anti-Theft System (1 of 2) (p. 11)
 1993 Jeep Cherokee



WIRING DIAGRAMS
Fig. 12: Anti-Theft System (2 of 2) (p. 12)
 1993 Jeep Cherokee

