



RANGE ROVER 05MY
Electrical Circuit Diagrams

Publication Part No. LRL 18 38 55 501

Published by Land Rover

© 2004 Land Rover

All rights reserved. No part of this publication may be reproduced, stored in a retrieval system or transmitted in any form, electronic, mechanical, recording or other means without prior written permission from Land Rover.

COLOUR CODES**DRAADKLEURCODES****CODICI COLORI DEI CAVI****CODES DES COULEURS DES FILS****CODIGOS DE COLORES DE LOS CABLES****KABELFARBCODES****CÓDIGOS DAS CORES DOS FIOS**

CODE	COLOUR	CODE	KLEUR	CODE	COULEUR	CODE	FARBE	CODICE	COLORE	CODIGO	COLOR	CÓDIGO	COR
B	BLACK	B	ZWART	B	NOIR	B	SCHWARZ	B	NERO	B	NEGRO	B	PRETO
G	GREEN	G	GROEN	G	VERT	G	GRÜN	G	VERDE	G	VERDE	G	VERDE
K	PINK	K	ROZE	K	ROSE	K	ROSA	K	ROSA	K	ROSA	K	ROSA
LG	LIGHT GREEN	LG	LICHTGROEN	LG	VERT CLAIR	LG	HELLGRÜN	LG	VERDE CHIARO	LG	VERDE CLARO	LG	VERDE CLARO
N	BROWN	N	BRUIN	N	BRUN	N	BRAUN	N	MARRONE	N	MARRON	N	CASTANHO
O	ORANGE	O	ORANJE	O	ORANGE	O	ORANGE	O	ARANCIONE	O	NARANJA	O	LARANJA
P	PURPLE	P	PAARS	P	VIOLET	P	LILA	P	PORPORA	P	PURPURA	P	ROXO
R	RED	R	ROOD	R	ROUGE	R	ROT	R	ROSSO	R	ROJO	R	VERMELHO
S	SLATE (grey)	S	LEIGRIJS	S	GRIS	S	GRAU	S	ARDESIA (grigio)	S	PIZARRO (gris)	S	CINZENTO
T	TRANSPARENT	T	TRANSPARANT	T	TRANSPARENT	T	TRANSPARENT	T	TRASPARENTE	T	TRANSPARENTE	T	TRANSPARENTE
U	BLUE	U	BLAUW	U	BLEU	U	BLAU	U	BLU	U	AZUL	U	AZUL
W	WHITE	W	WIT	W	BLANC	W	WEISS	W	BIANCO	W	BLANCO	W	BRANCO
Y	YELLOW	Y	GEEL	Y	JAUNE	Y	GELB	Y	GIALLO	Y	AMARILLO	Y	AMARELO

CONTENTS

1 POWER DISTRIBUTION	8	8 SEATS	48	20 FUEL PUMP	84
Engine Compartment Fuse Box - V8	8	Memory	50	20 SECONDARY AIR INJECTION	86
Passenger Compartment Fuse Box	10	Memory - Contour	52	22 COOLING FANS	88
Rear Fuse Box	16	Lumbar Support - Manual	54	31 CRUISE CONTROL	90
2 EARTH DISTRIBUTION	18	Lumbar Support - Electric	56	32 ELECTRONIC AUTOMATIC TRANSMISSION ..	92
3 ANTI-THEFT ALARM	28	Heated - Front	58	ZF	92
3 ENGINE IMMOBILISATION	30	Heated - Rear	60	34 AIR SUSPENSION	94
V8	30	9 STEERING WHEEL	62	35 ANTI-LOCK BRAKING SYSTEM (ABS)	96
4 CENTRAL DOOR LOCKING	32	Adjustable	62	36 SUPPLEMENTARY RESTRAINT SYSTEM	
5 WINDOWS	34	Adjustable - Memory	64	(SRS).....	98
Front	34	Heated	66	38 AIR TEMPERATURE CONTROL (ATC)	100
Rear	36	9 STEERING	68	Low Line	100
6 SUNROOF	38	10 DIAGNOSTIC SOCKET	70	High Line	102
7 DOOR MIRRORS	40	11 BODY CONTROL UNIT	72	Rear	104
Memory	42	15 CHARGING AND STARTING	76	39 FUEL BURNING HEATER	106
Folding	44	V8	76	V8	106
7 INTERIOR MIRROR	46	20 ENGINE MANAGEMENT SYSTEM	78		
		V8	78		

CONTENTS

40 HEATED FRONT SCREEN	108	44 INTERIOR LAMPS	130	60 HEADER JOINTS	168
40 HEATED REAR SCREEN	110	46 INTERIOR ILLUMINATION	134	65 SPLICES AND CENTRE TAPS	172
42 WIPERS AND WASHERS	112	47 INSTRUMENTS	140	70 COMMUNICATION DATA BUSES	192
Front	112	47 ROTARY COUPLER	144	CAN Bus	192
Rear	114	48 CLOCK	146	K Bus, I Bus	194
Heated	116	48 HORN (S)	148	Gateway Module	196
Headlamps	118	49 ACCESSORY SOCKET	150	75 PARK DISTANCE CONTROL (PDC)	198
43 EXTERIOR LAMPS	120	49 CIGAR LIGHTER	152	Rear View Camera	200
Head, side and tail lamps	120	57 ENTERTAINMENT SYSTEM	154	80 TRAILER SOCKET	202
Head, side and tail lamps - Xenon	122	Companion	166	NAS	202
Direction indicator lamps\hazard warning	124				
Brake and reverse lamps	126				
Fog lamps	128				

CONTENTS

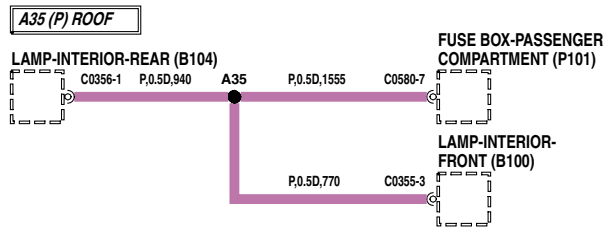
HOW TO USE THE CIRCUIT DIAGRAMS

All of the information in this publication is intended for use in conjunction with the Electrical Library, which can be found on RAVE.

The circuit diagrams are presented with Power and Earth distribution first, followed by individual circuits for each electrical system on the vehicle.

Power Distribution

The Power Distribution diagram shows the connections from the battery to the engine, passenger, and where applicable, rear fuse box. It also shows the internal circuitry of the fuse boxes.



M86 5963

The fuse box details are followed by independent functionally specific circuits and then a splices and centre taps section outlining the way in which internal harness splices and centre taps distribute power in the harnesses. This information should be used during diagnosis of electrical faults to check for symptoms in associated circuits and narrow down the search area.

Earth Distribution

The earth distribution section comprises a number of Headers and Splices circuits. These are used in a similar manner to those in Power Distribution; to narrow the search area by checking for fault symptoms in associated circuits.

Splices and centre taps

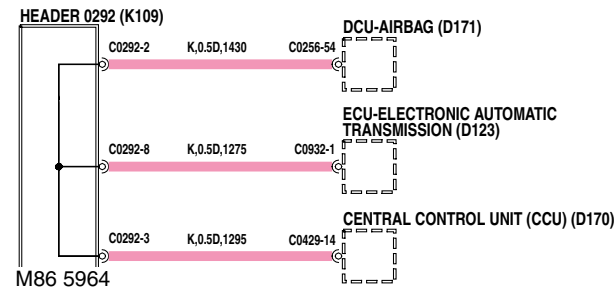
Header and splice tables present the joint(s) and wiring up to the first component. Splices are identified by a number with an alphabetical prefix and the wire colour.

The splice information shown on individual system circuits is not complete. Always refer to the splices circuit for complete information on each splice.

Wire length (Power & Earth Distribution only)

The length of the wire is shown in millimetres. This can be used to locate internal harness splices; look for the shortest wire between the joint and connector. For example, it can be seen that C0580-7 is 1555mm from joint A35.

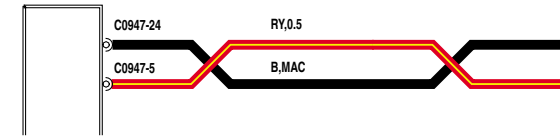
Connectors



M86 5964

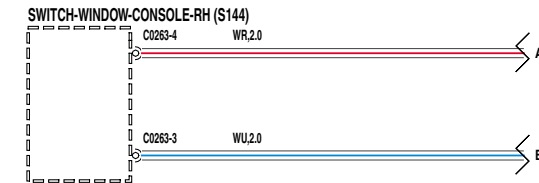
Header joints are identified by their corresponding connector number with a numbered suffix to indicate the pin-out detail of the wire, i.e. C0292-1 identifies connector 292, pin number 1. Wire insulation colour is identified in the normal way. Where wires have a predominant colour with a secondary colour tracer, the main colour is identified first, i.e. LGS - Light Green with a Slate tracer.

Line Types



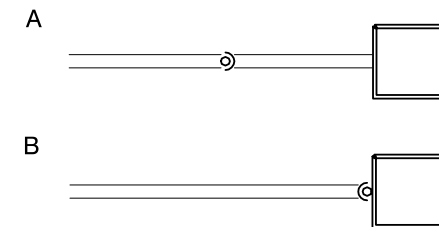
M86 5967

This denotes the wires are a twisted pair.



M86 5968

These page break symbols indicate the circuit continues on later pages.



86M4230A

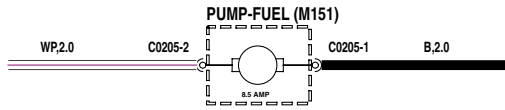
The cup and ball symbol indicates the male and female halves of connector.

A. Plug on lead (Flylead) wired directly to the component.

B. Connector plugs directly into component.

HOW TO USE THE CIRCUIT DIAGRAMS

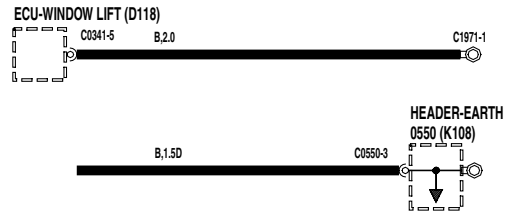
Components



M86 5965

The name or description of the component is shown. A dotted outline indicates that the component is not shown in its entirety.

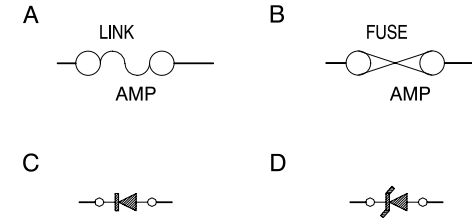
Earth points



M86 5966

Earth points are identified with an eyelet symbol and a connector number, except where components are grounded through their fixings, when only the eyelet is shown.

Fuses and Diodes

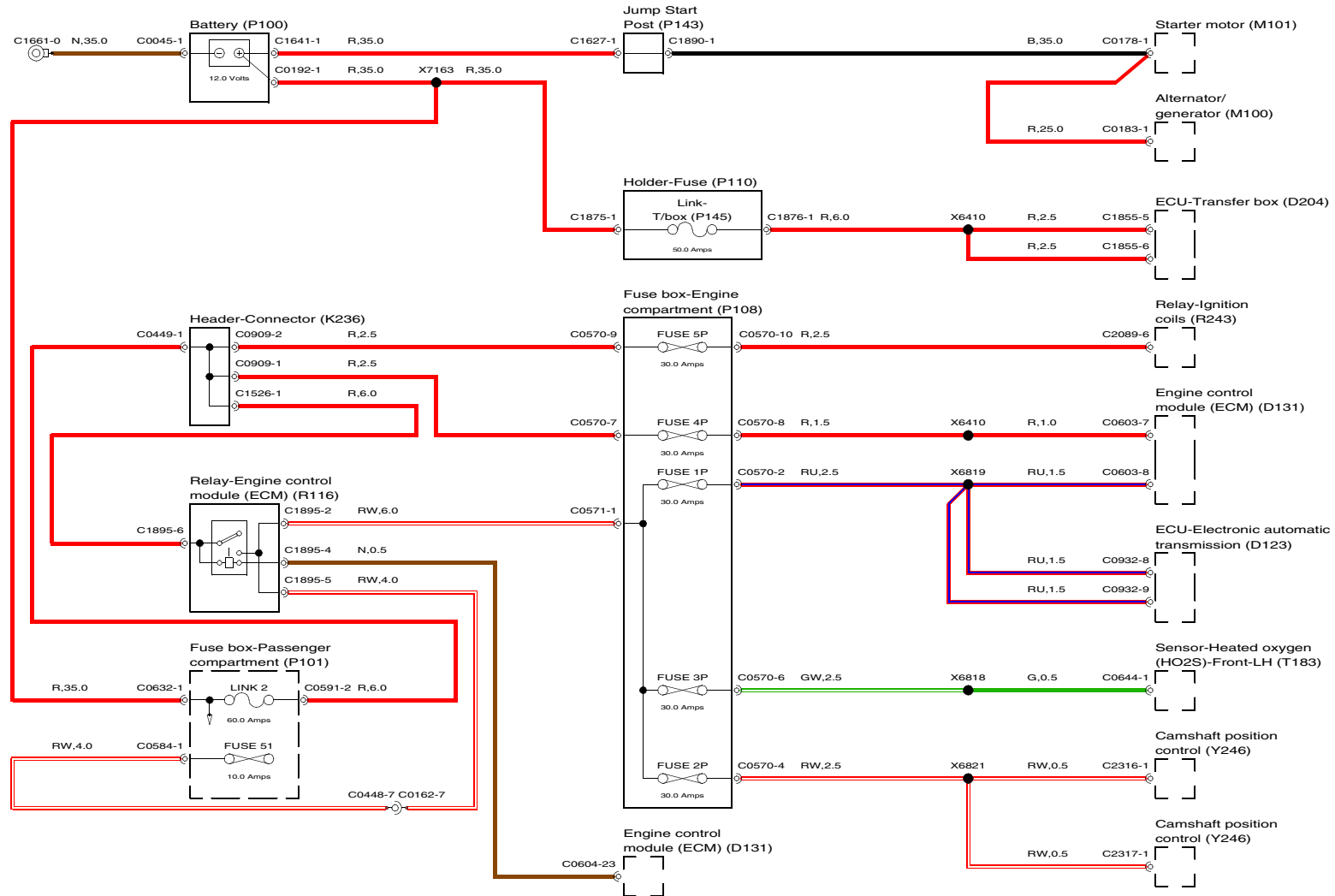


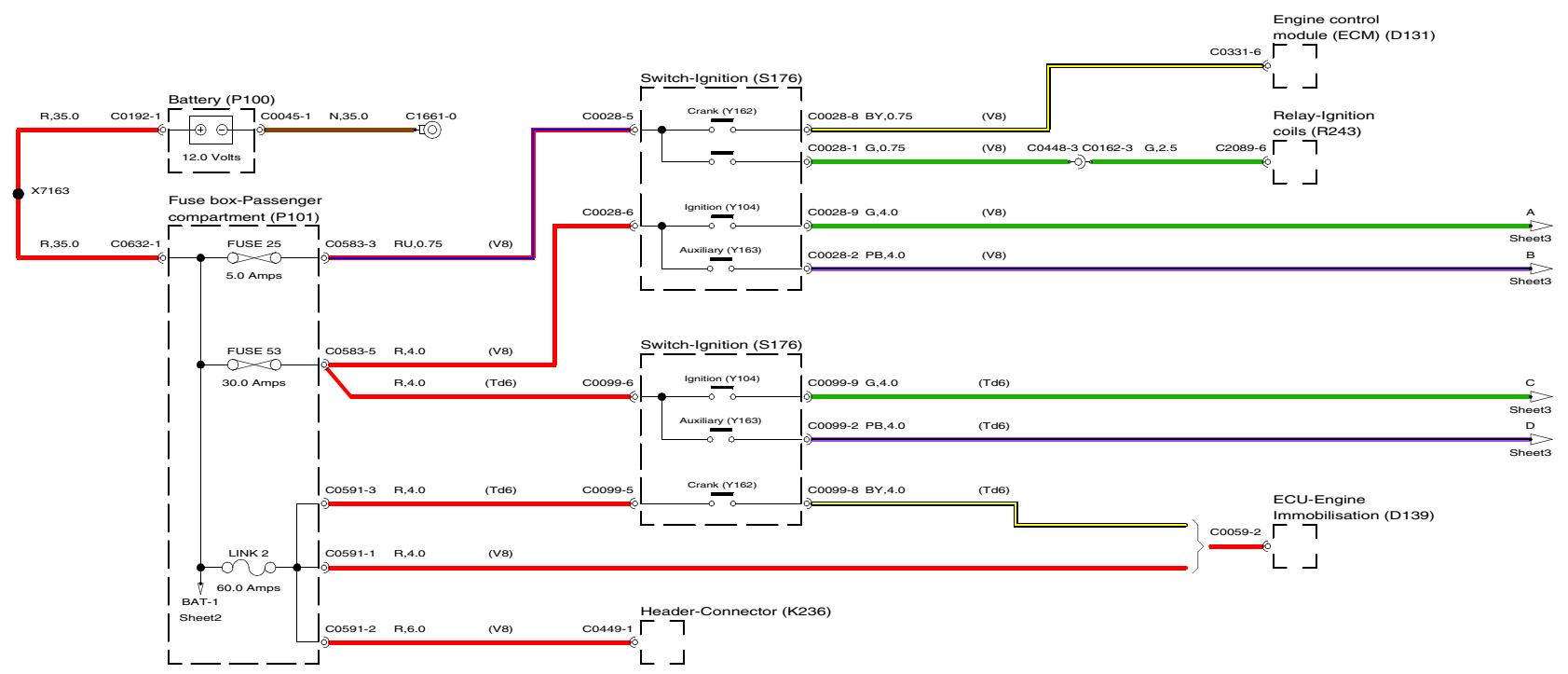
86M4234A

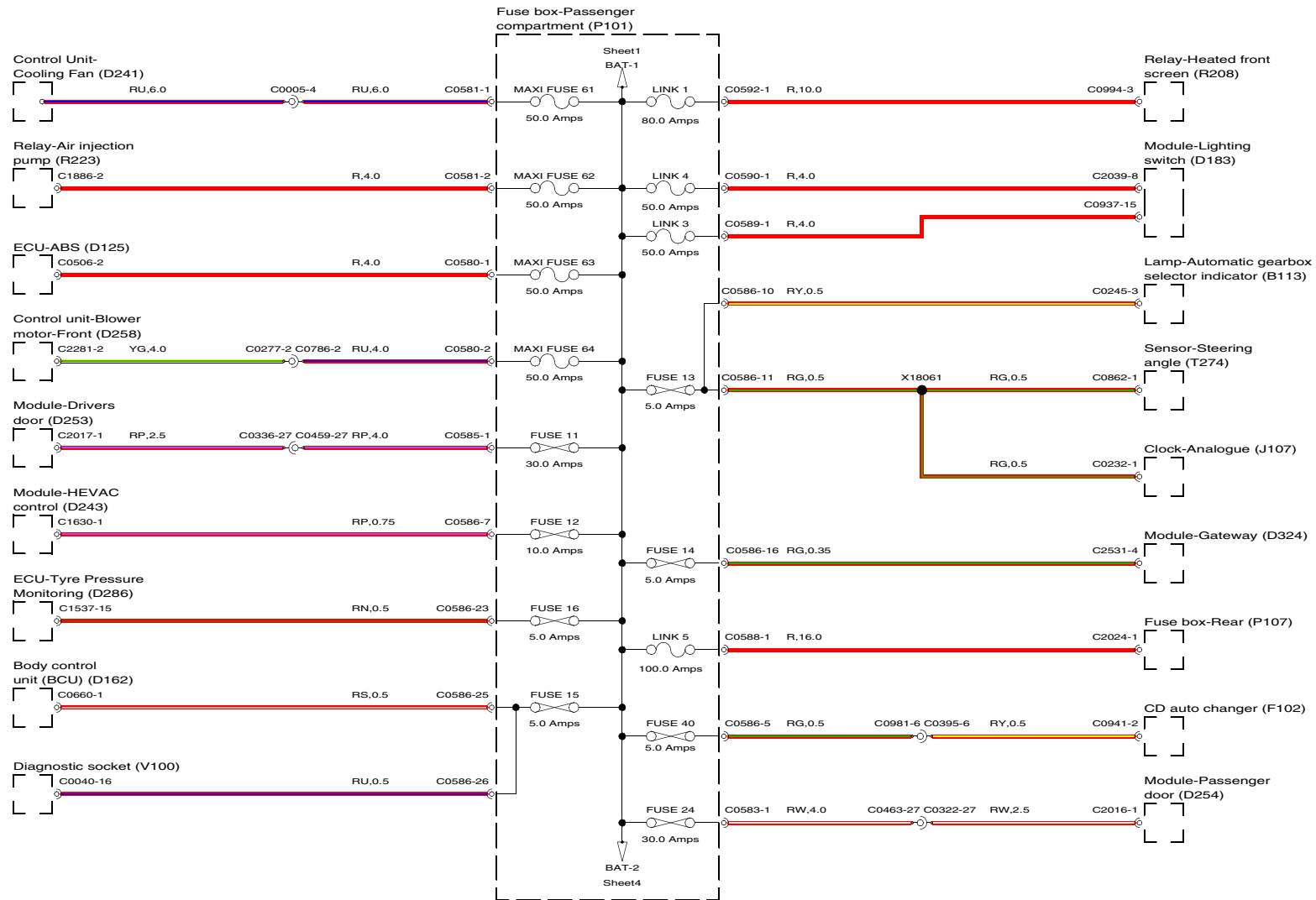
Fusible links (A) and current rated fuses (B) are identified as shown. The direction of the arrow in a Diode symbol (C) indicates the direction of current flow. The Zener diode (D) - prevents current flow until a precise voltage is reached.

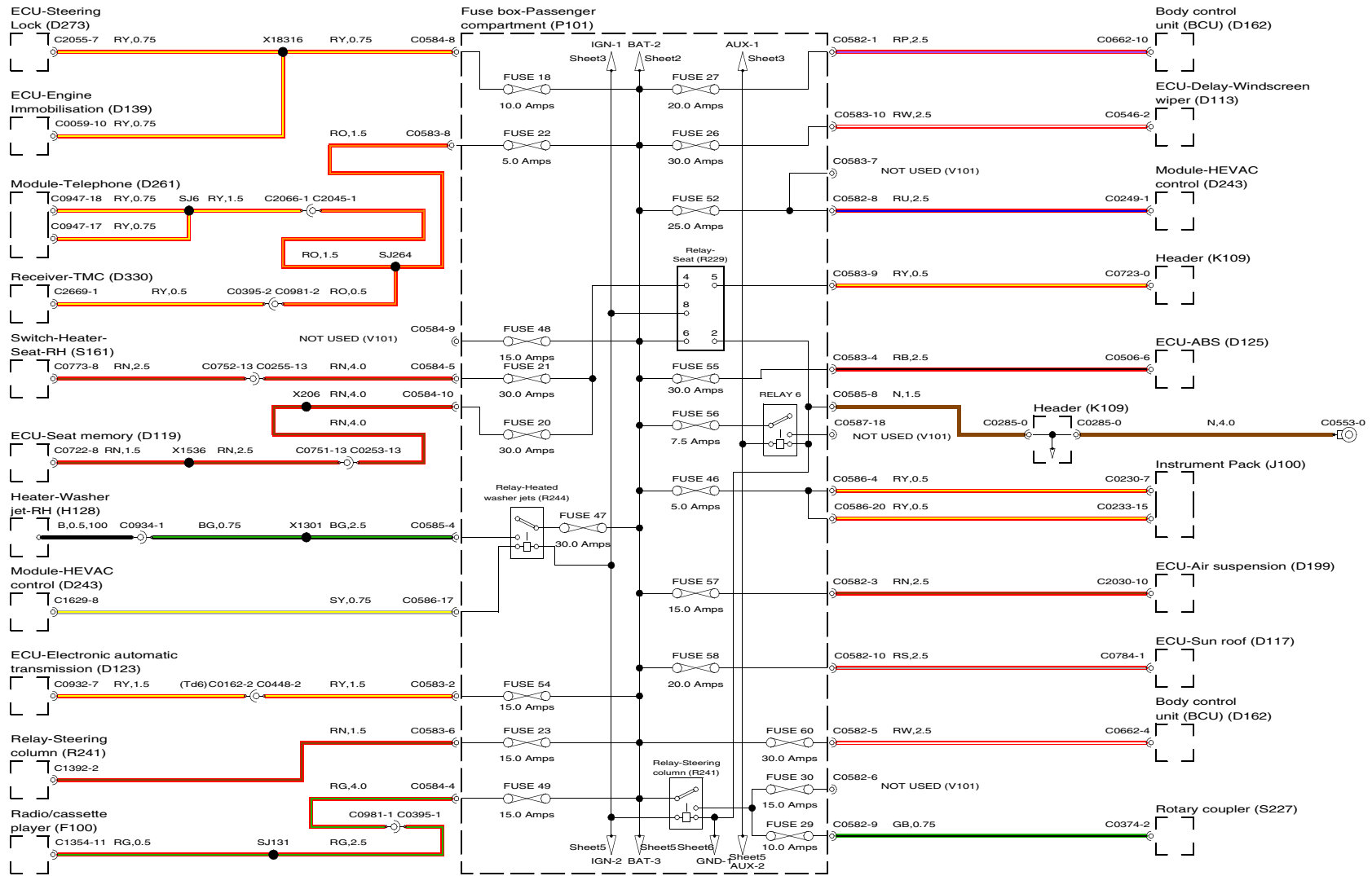
1 POWER DISTRIBUTION

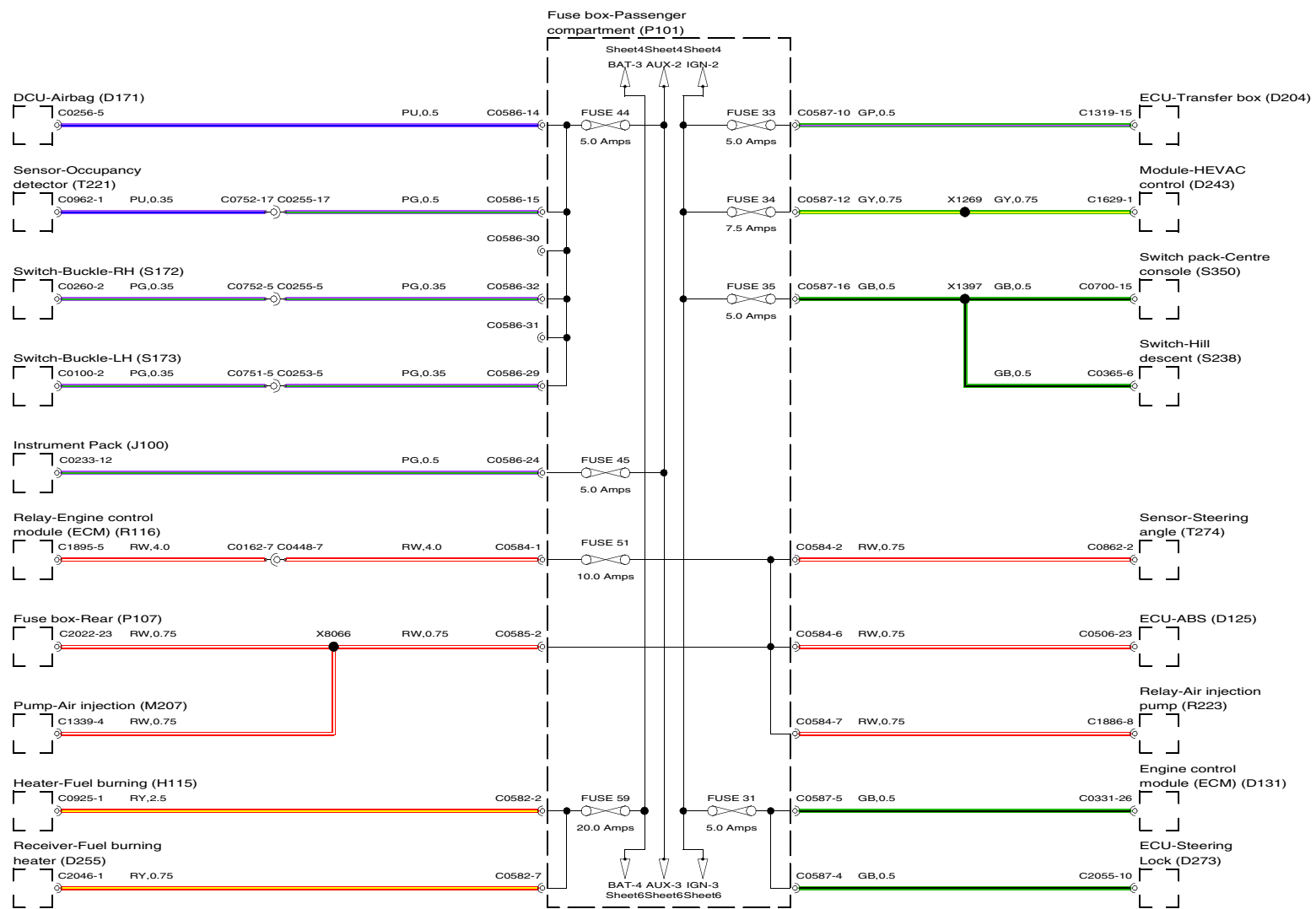
Engine Compartment Fuse Box - V8

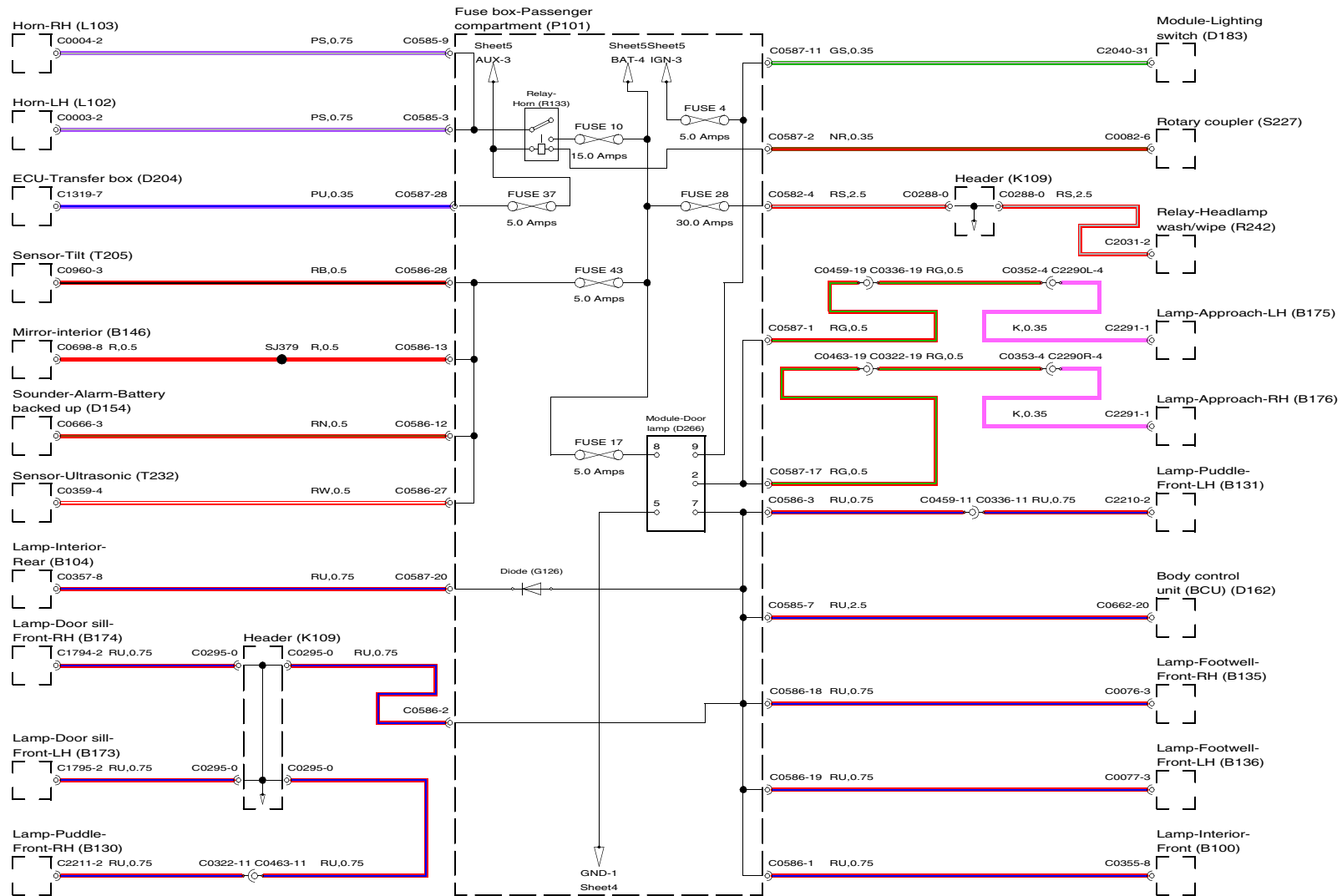


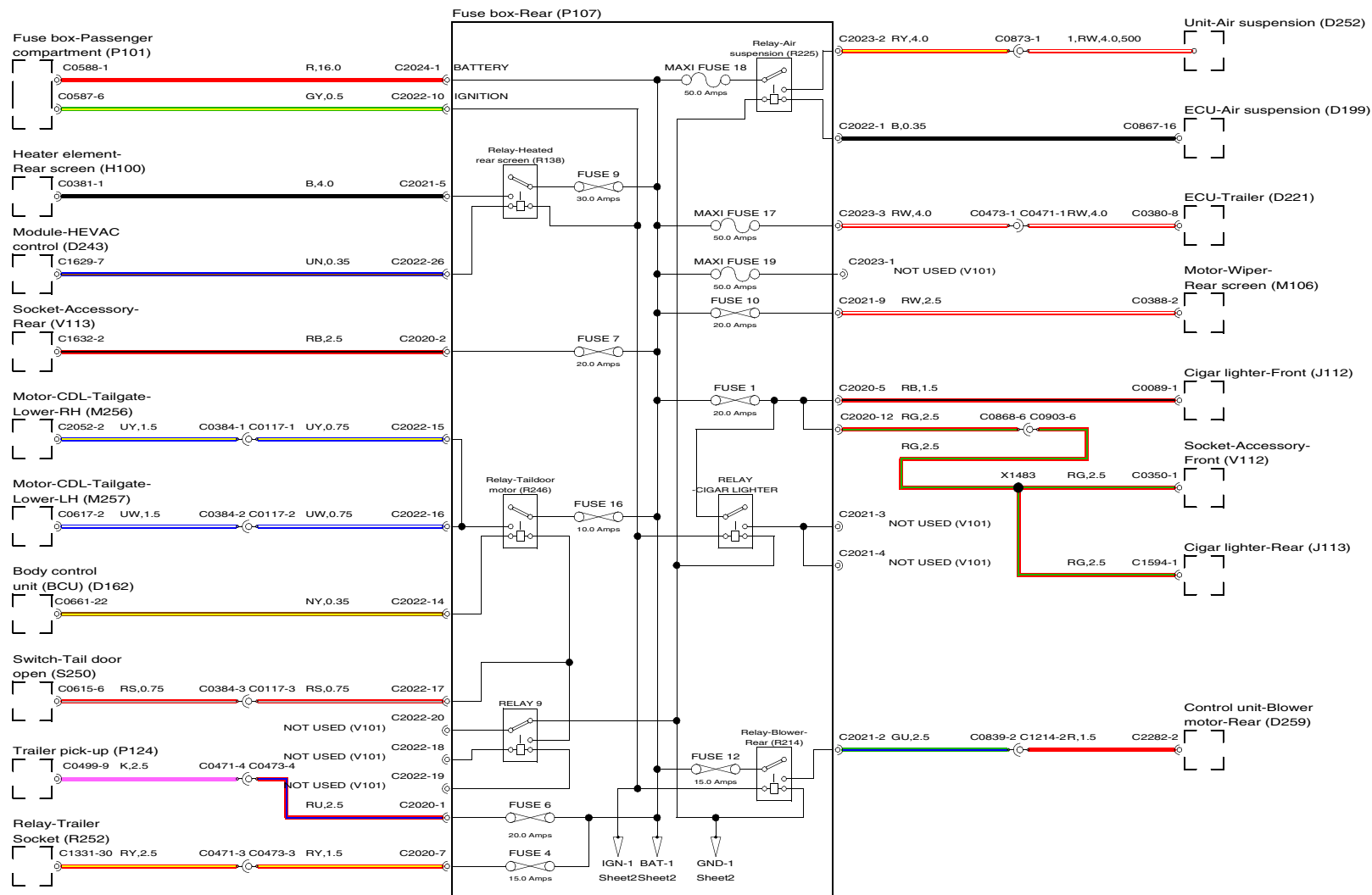


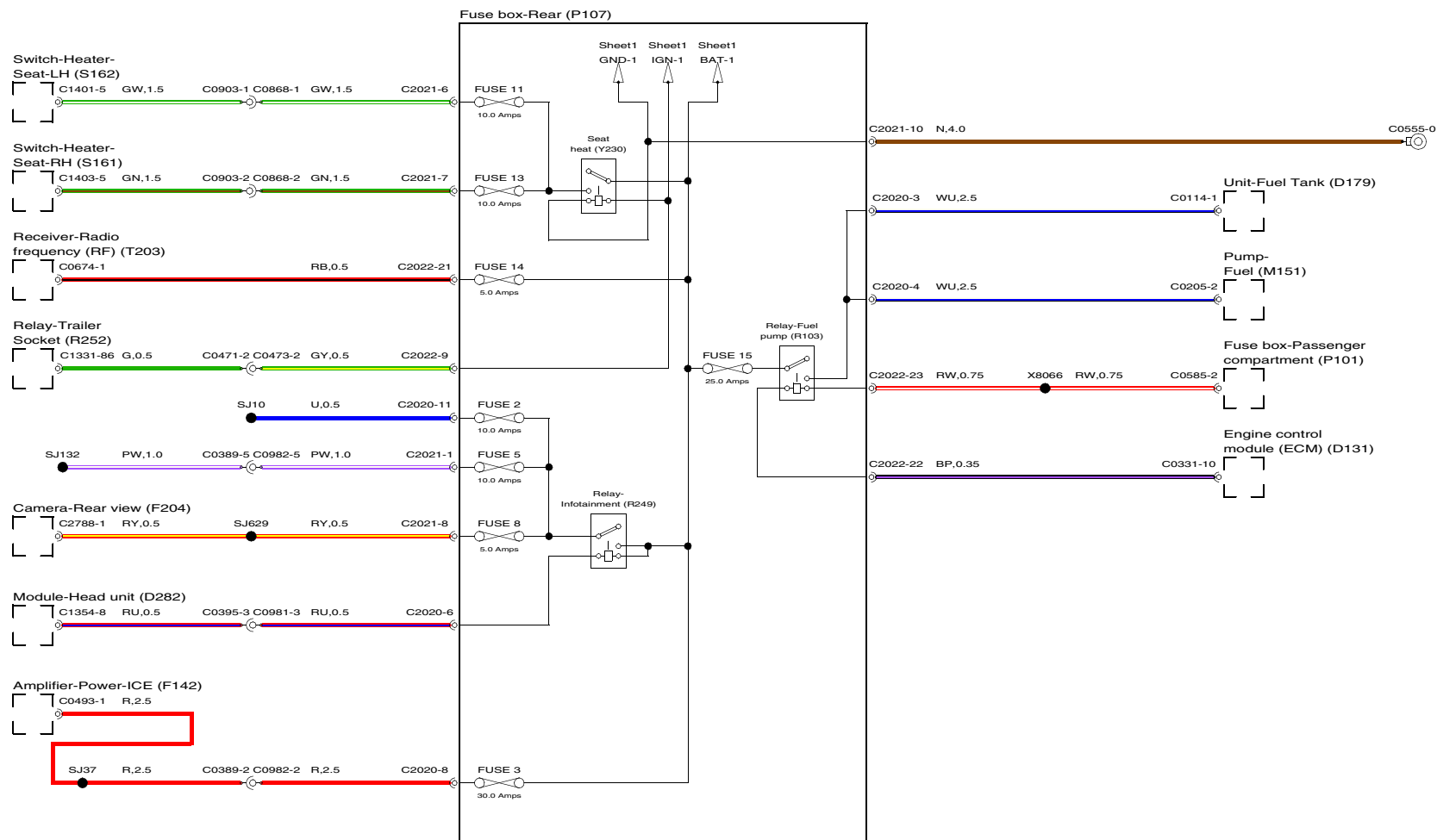




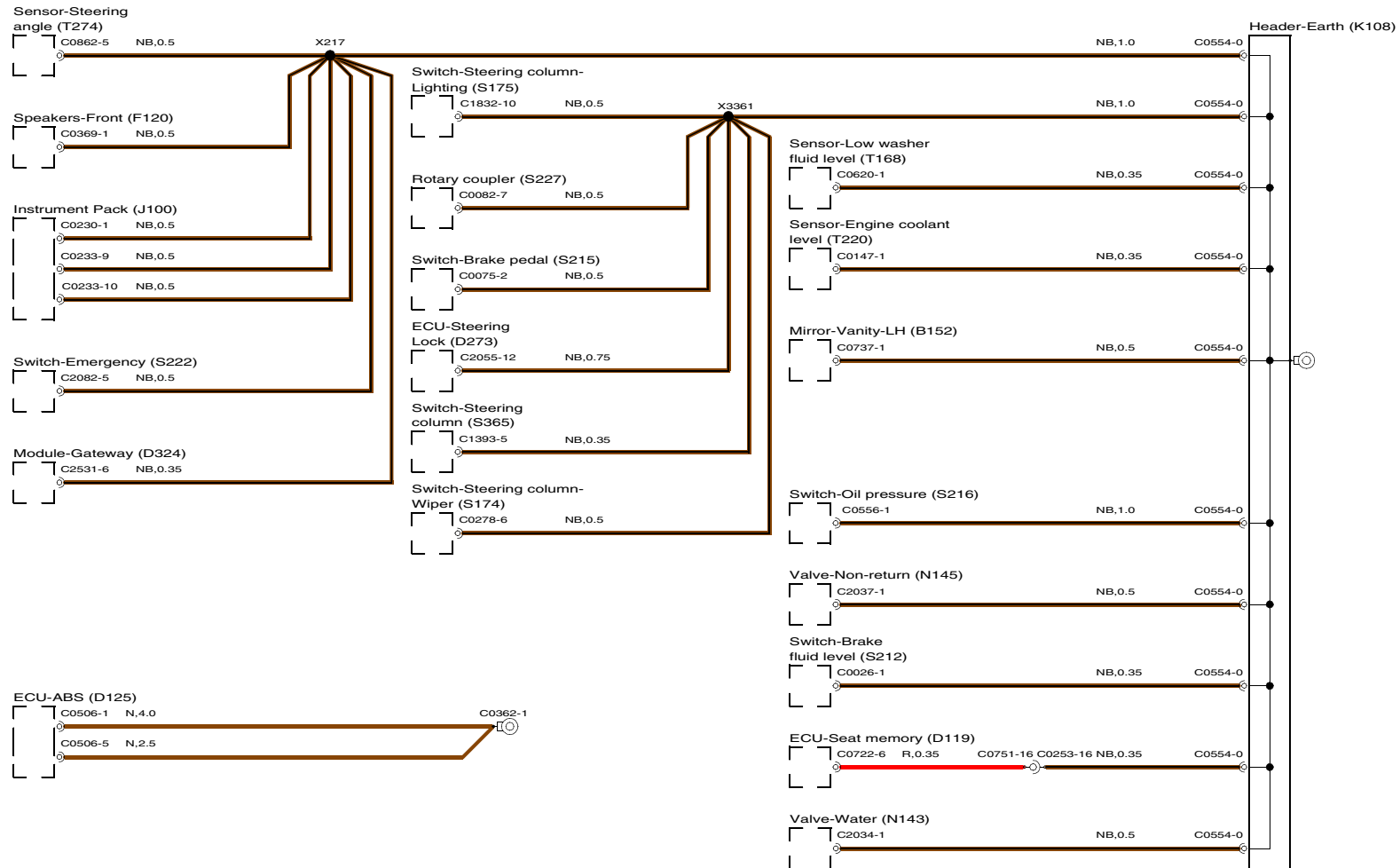




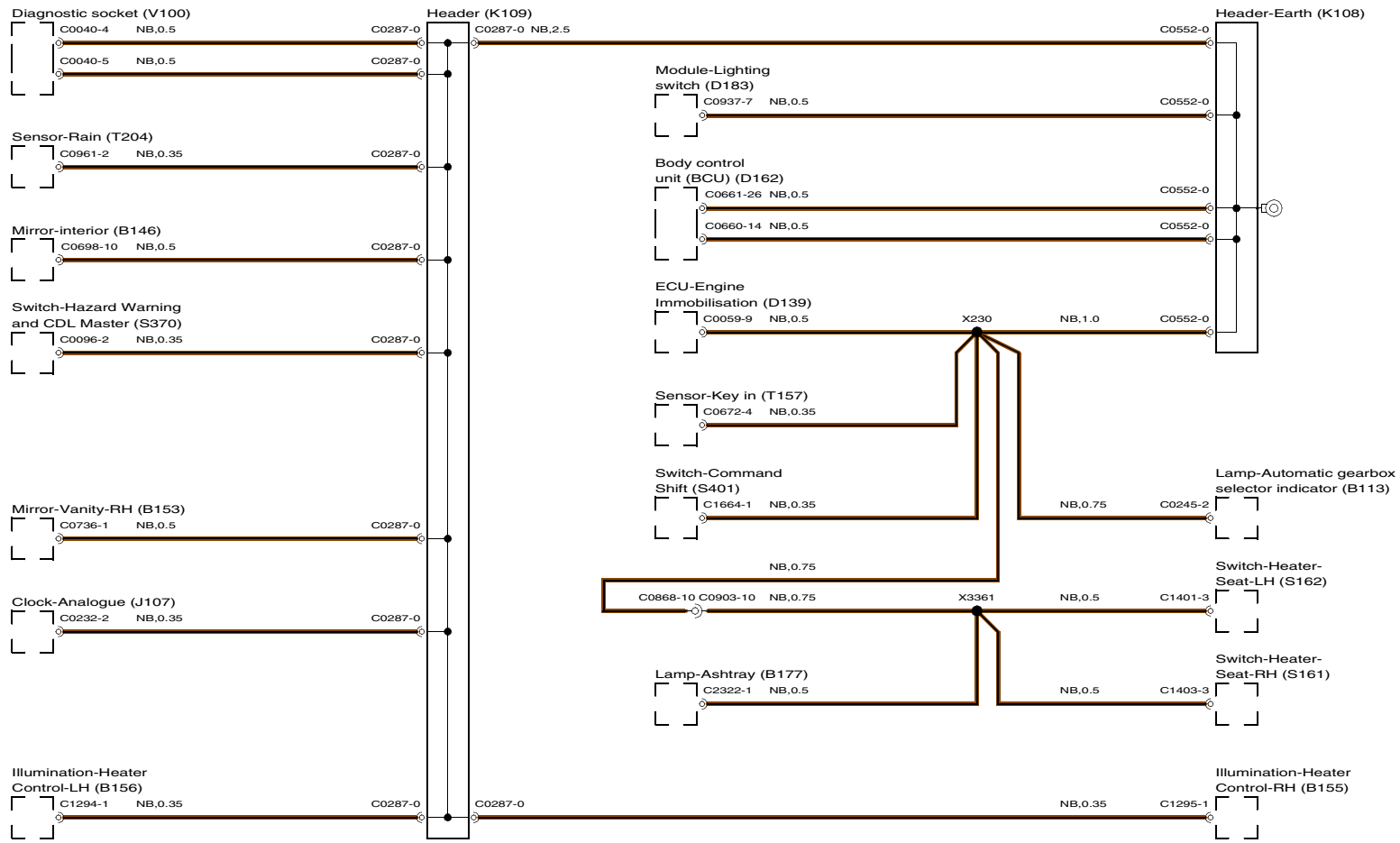




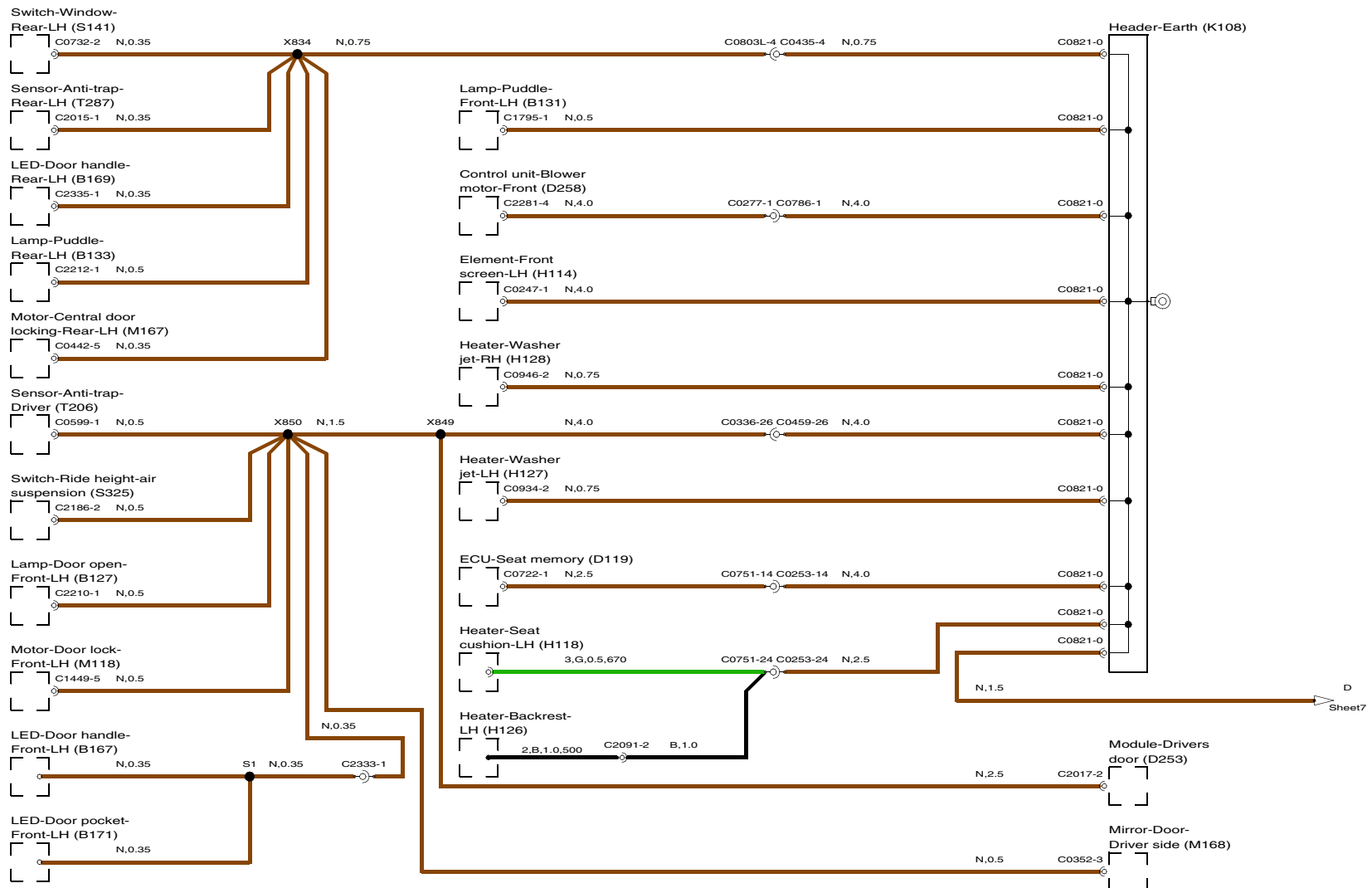
2 EARTH DISTRIBUTION



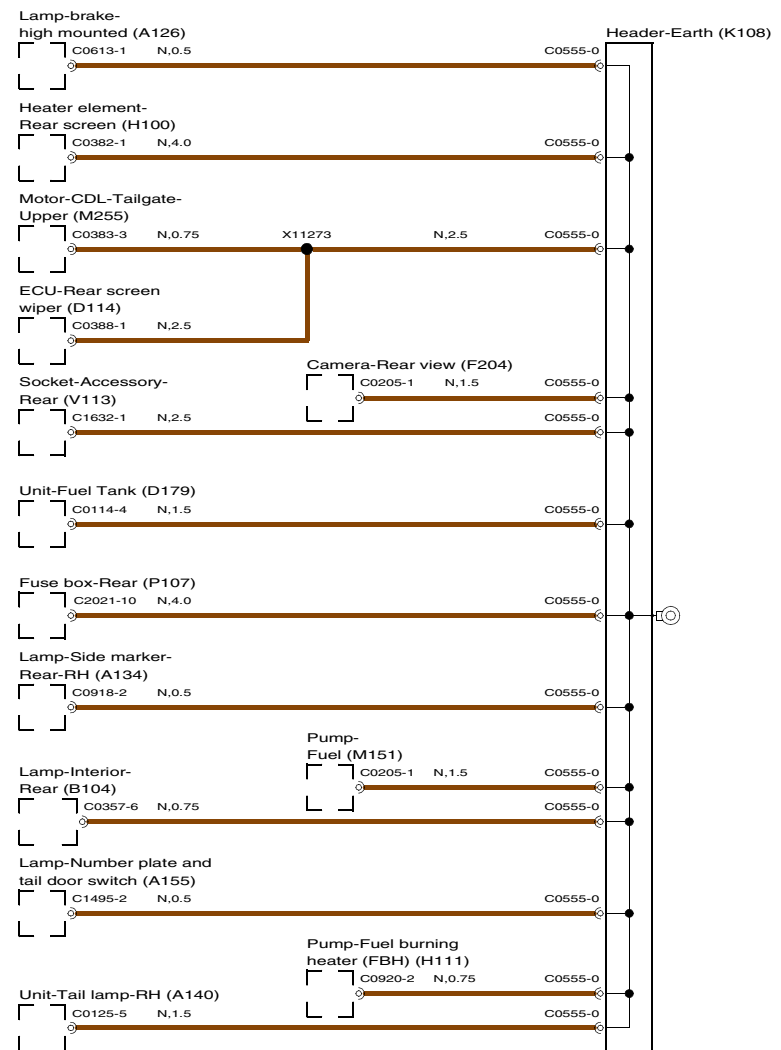
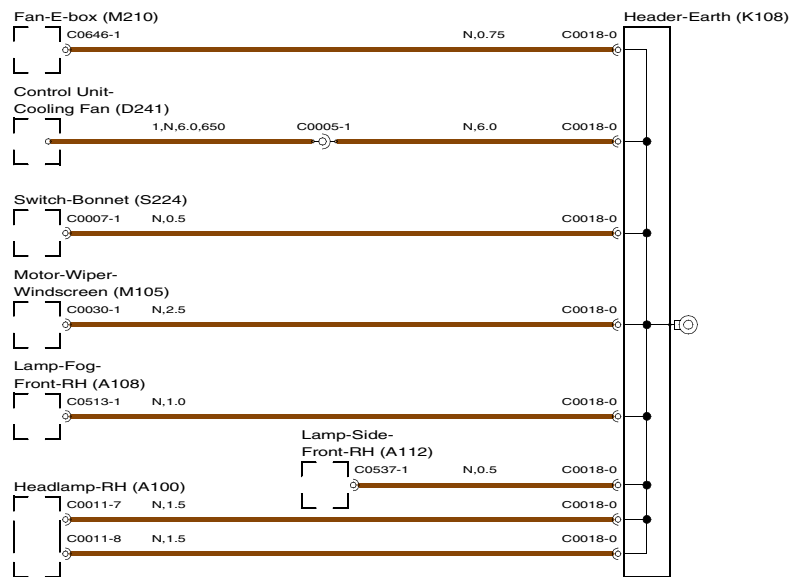
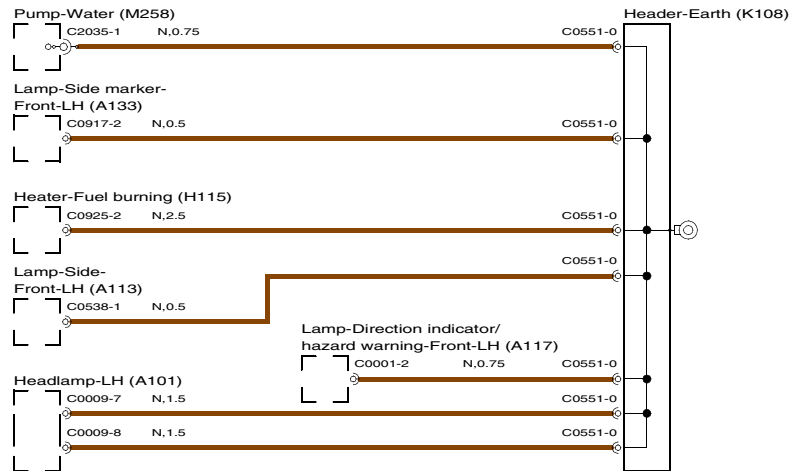
2 EARTH DISTRIBUTION



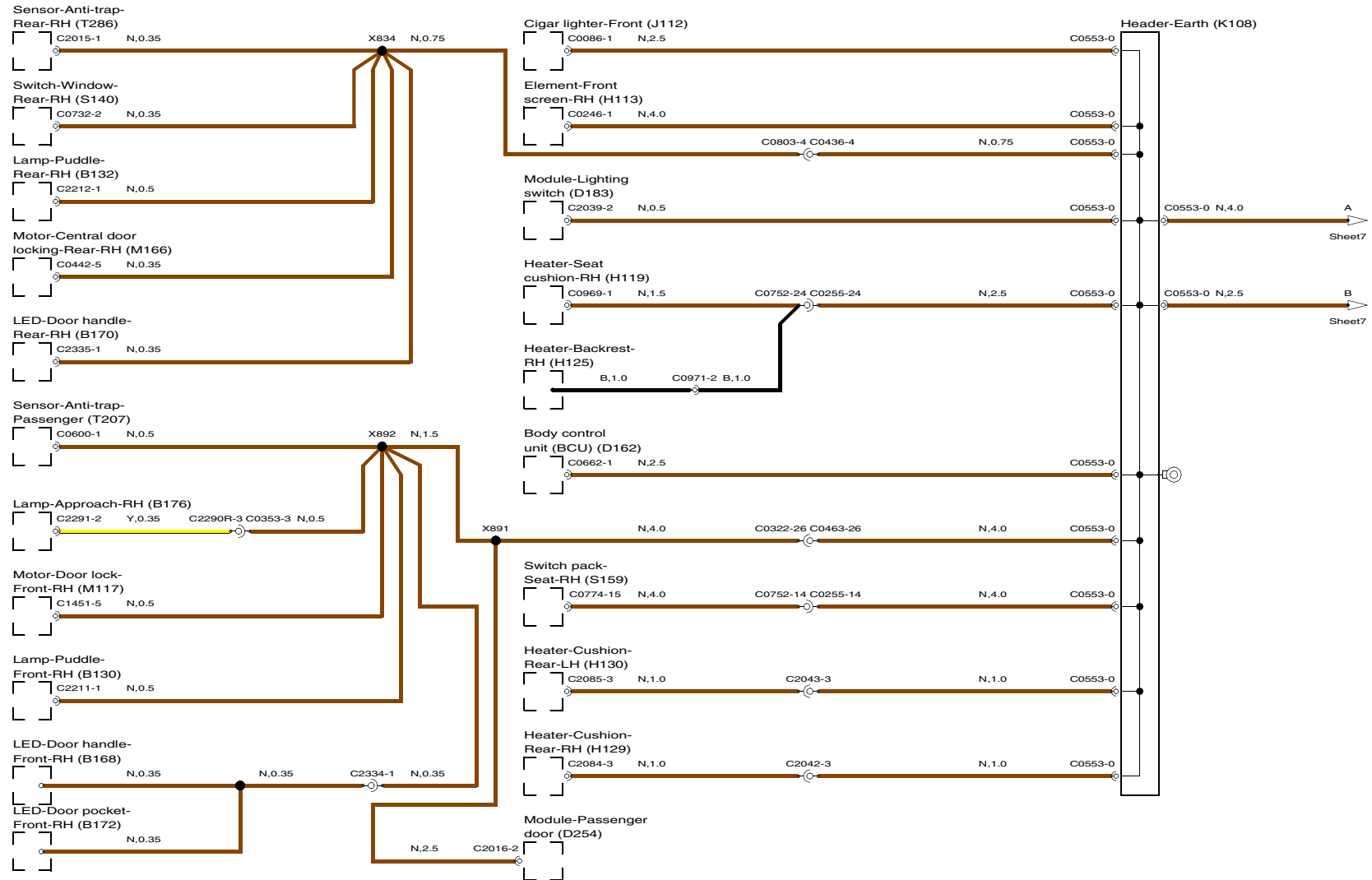
2 EARTH DISTRIBUTION



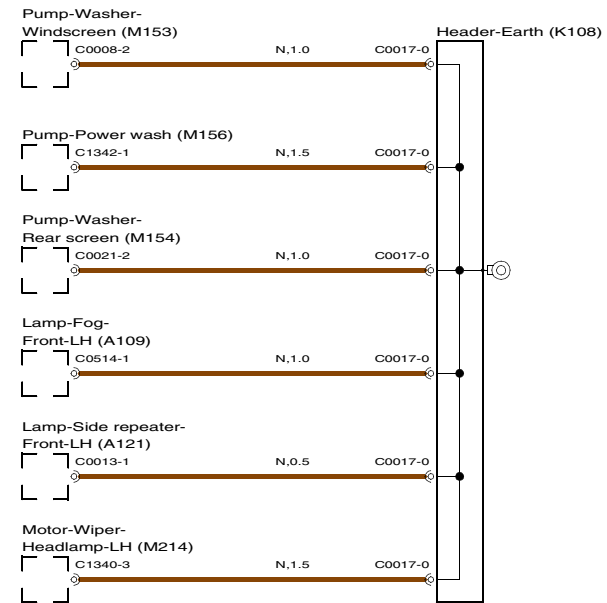
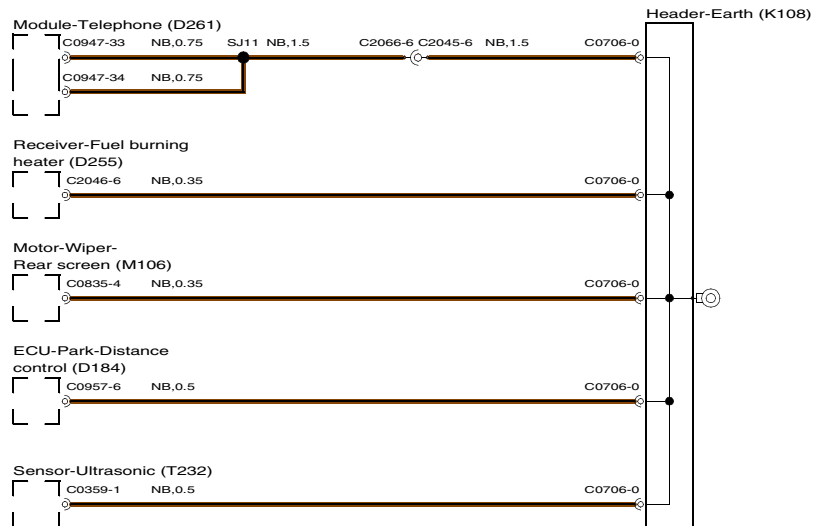
2 EARTH DISTRIBUTION



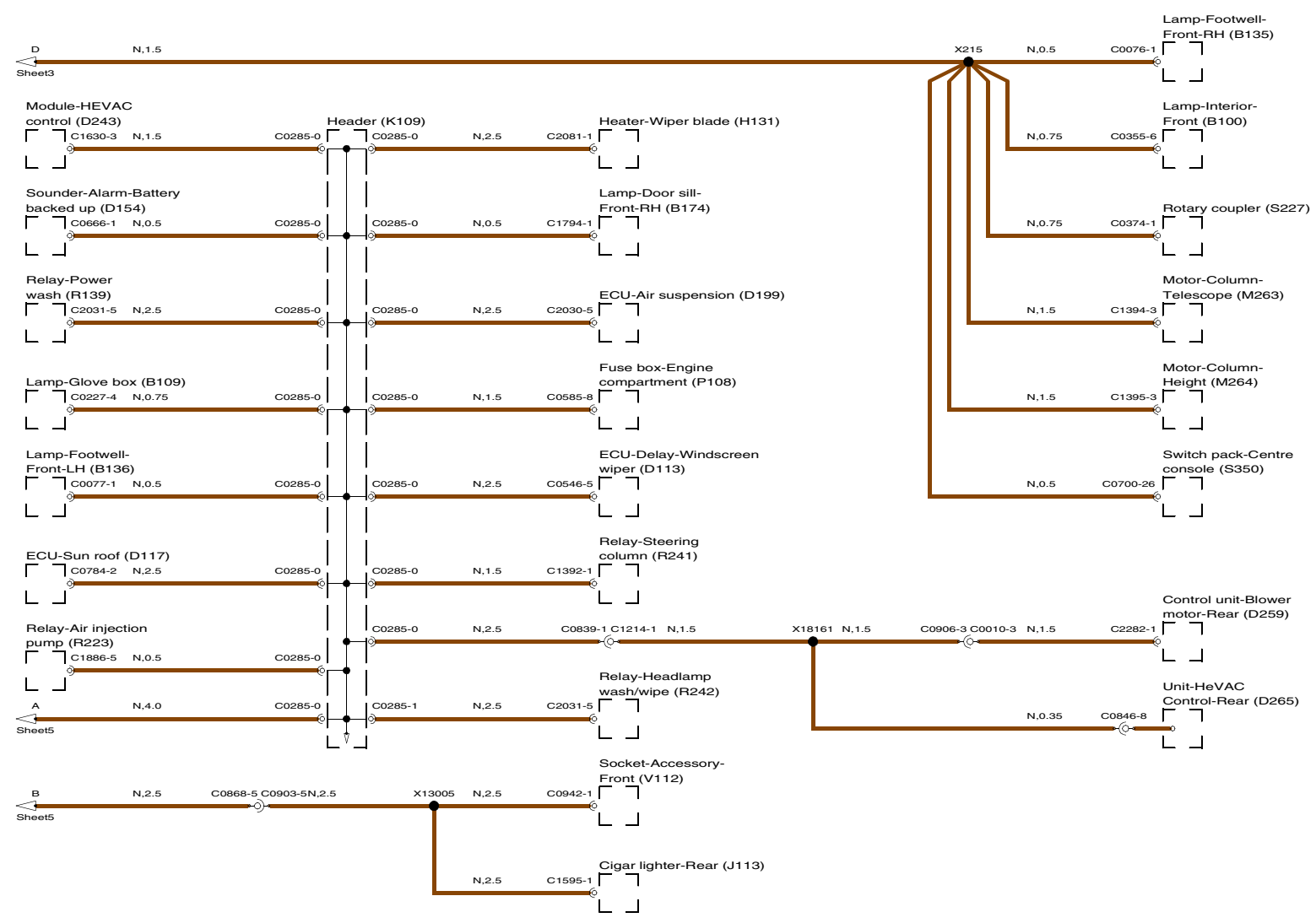
2 EARTH DISTRIBUTION



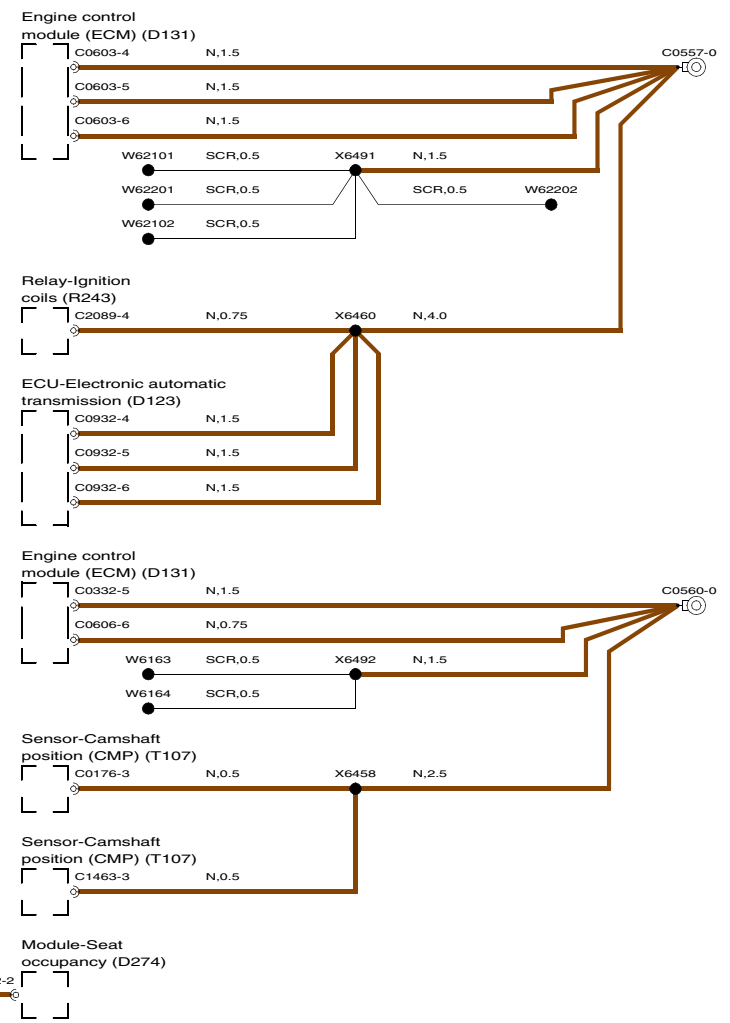
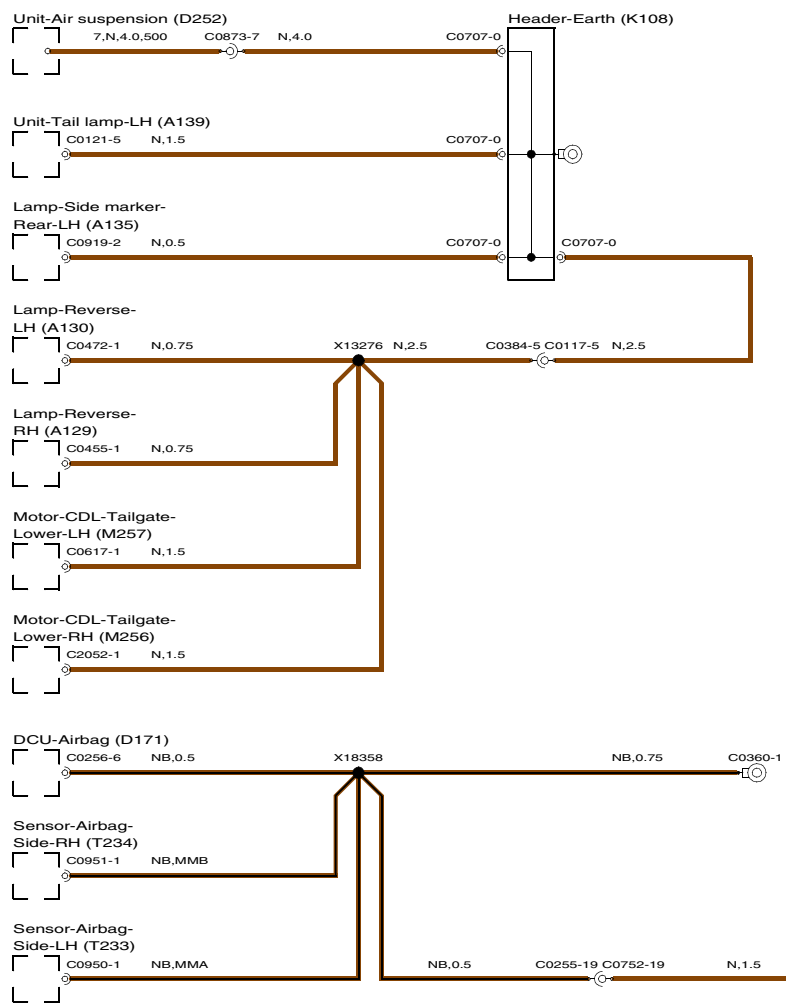
2 EARTH DISTRIBUTION



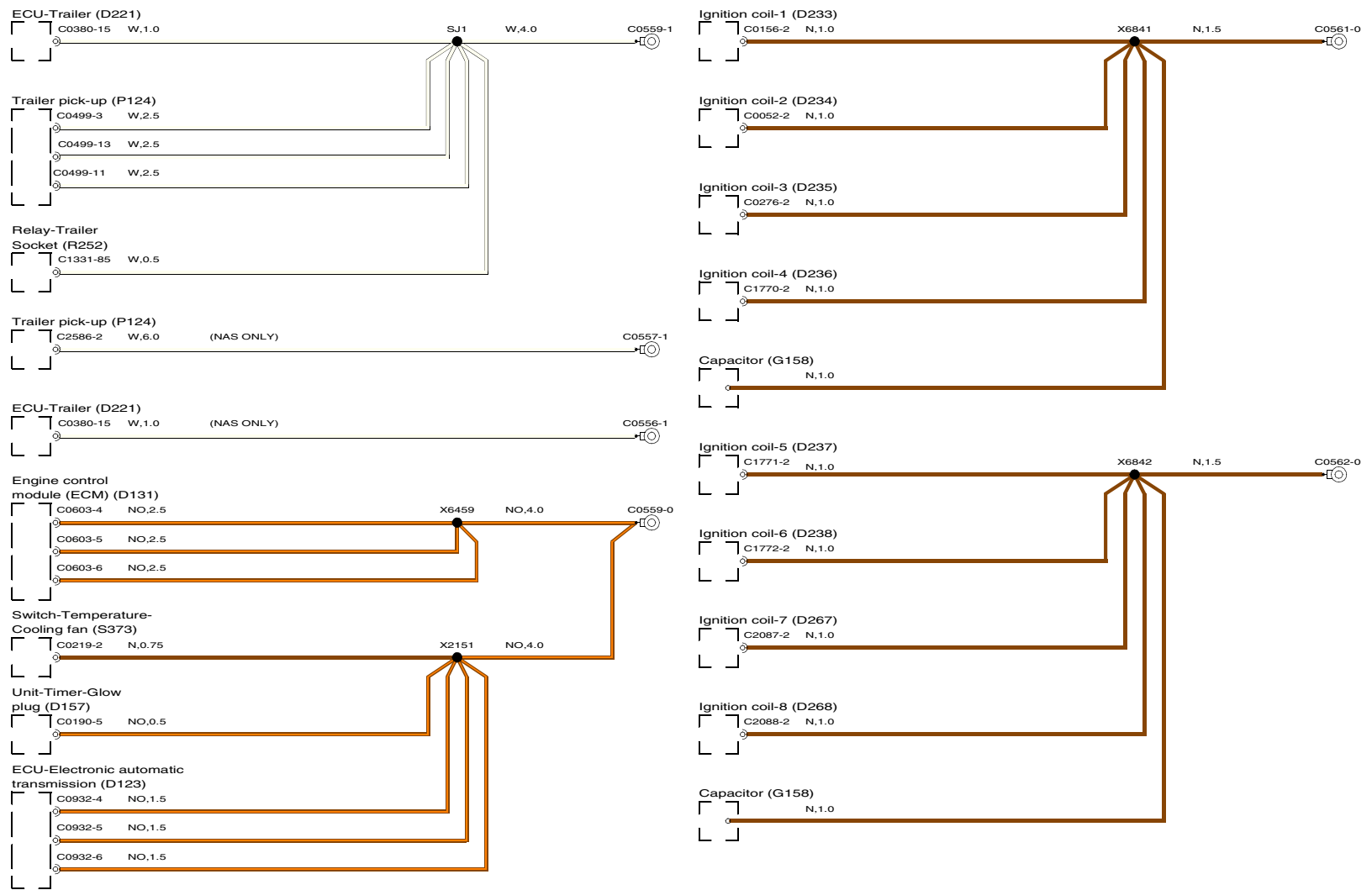
2 EARTH DISTRIBUTION



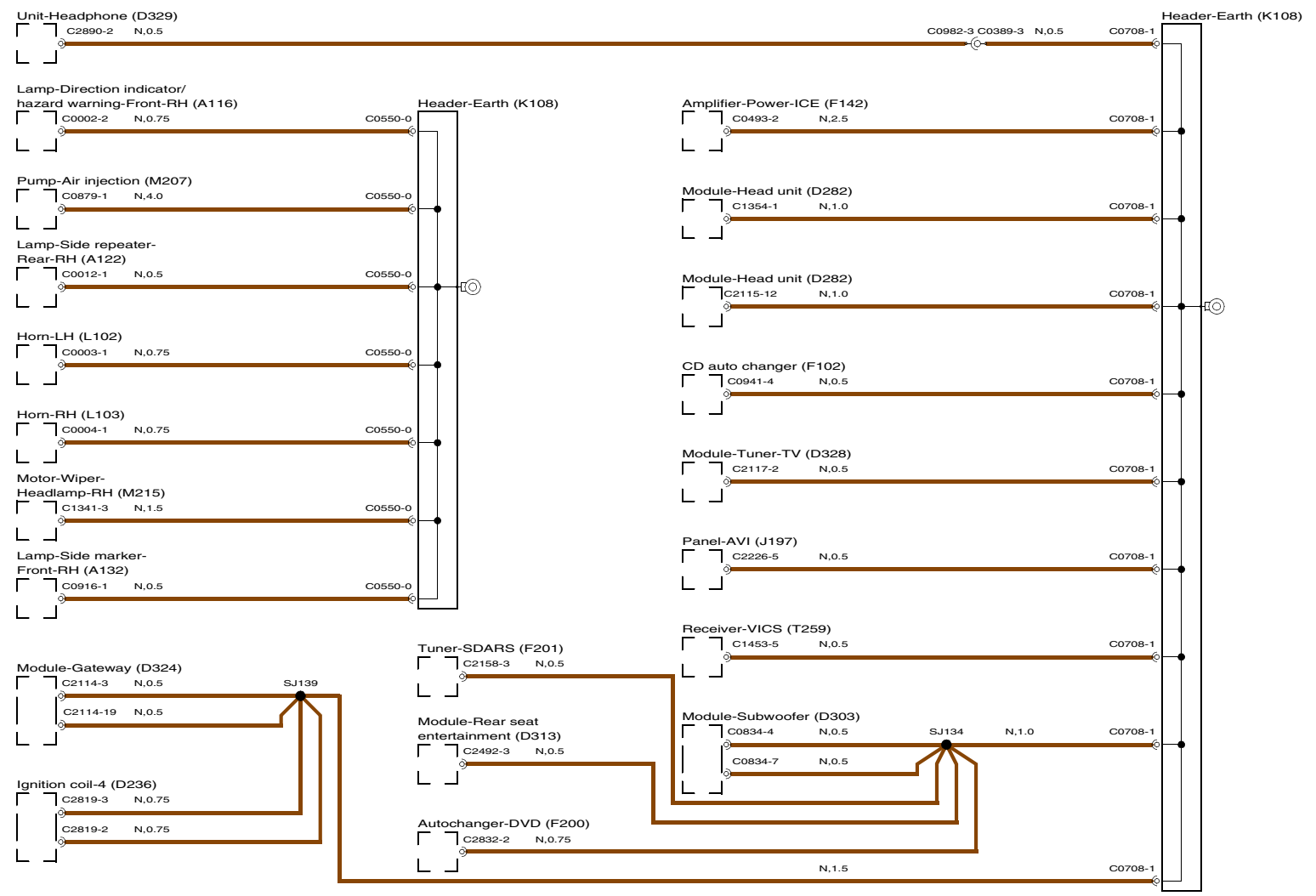
2 EARTH DISTRIBUTION



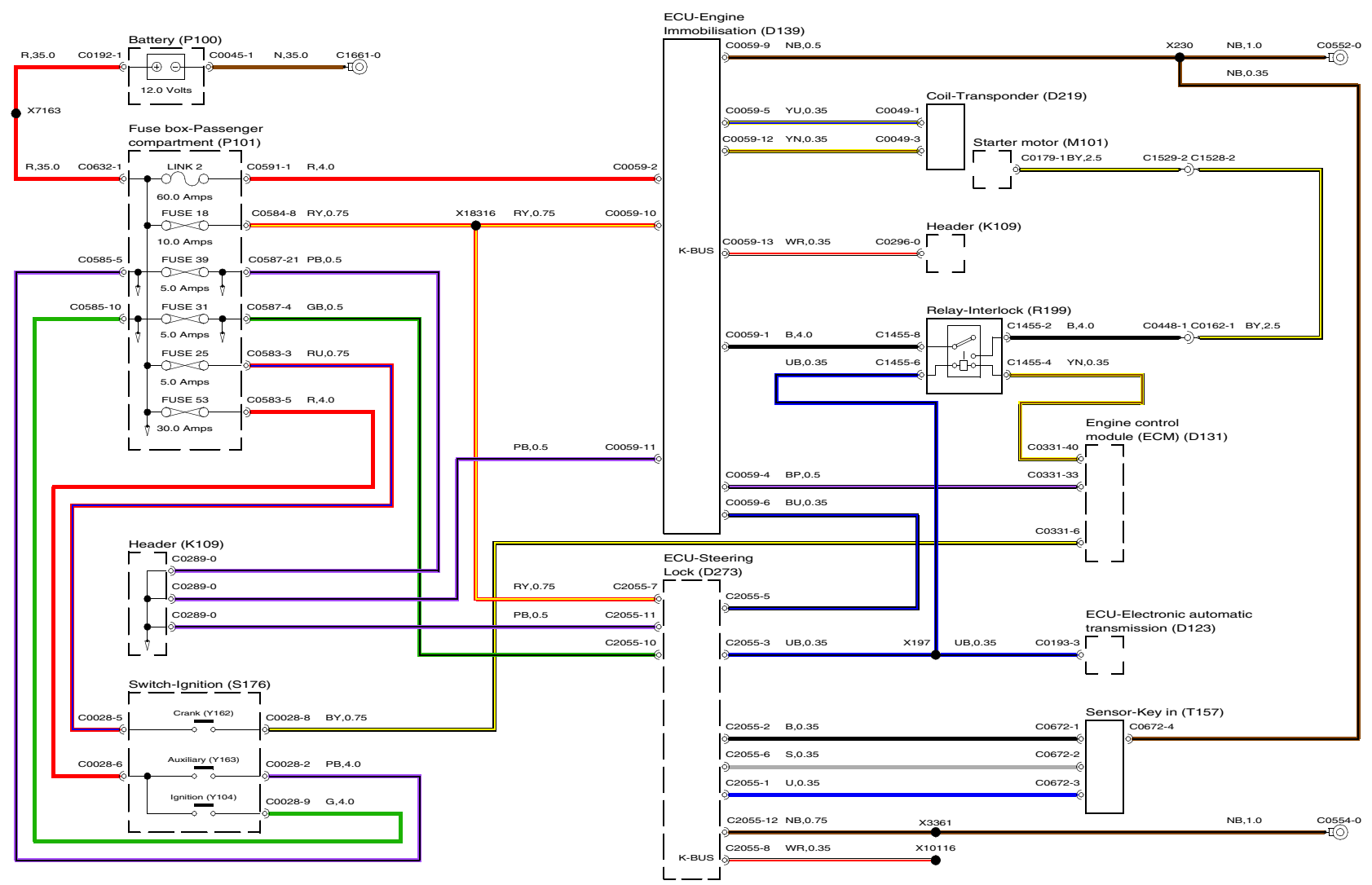
2 EARTH DISTRIBUTION



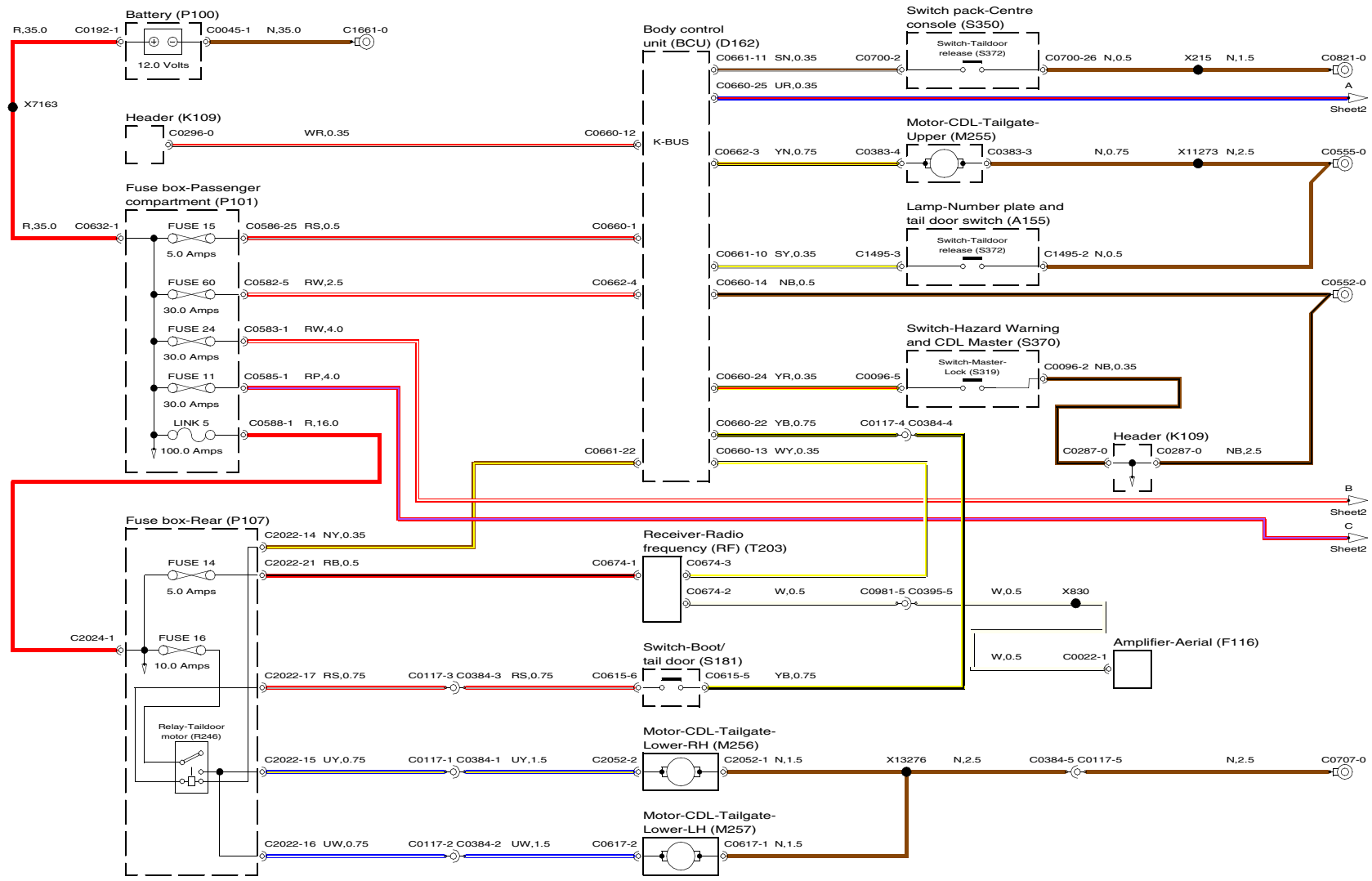
2 EARTH DISTRIBUTION



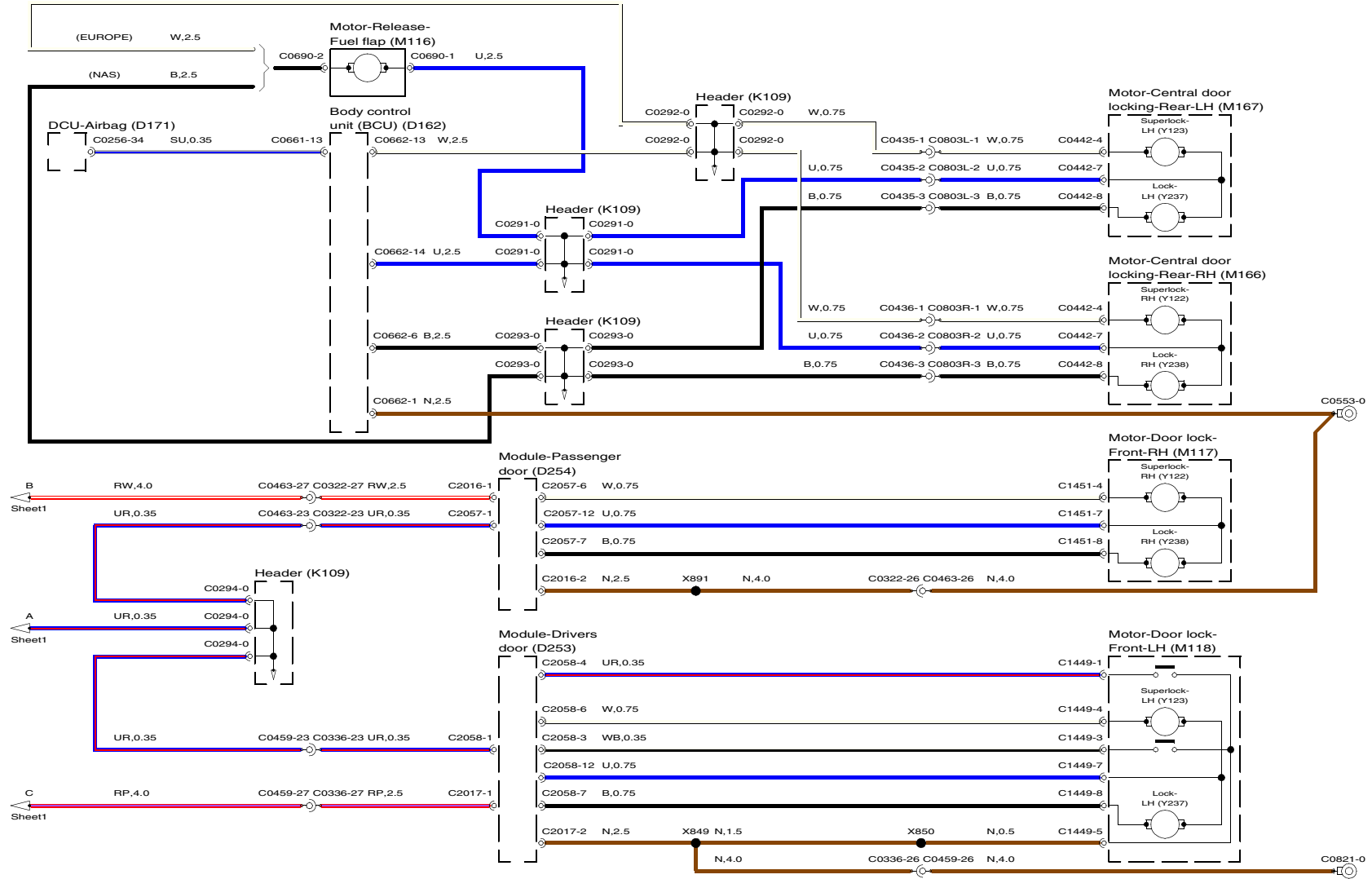
3 ENGINE IMMOBILISATION

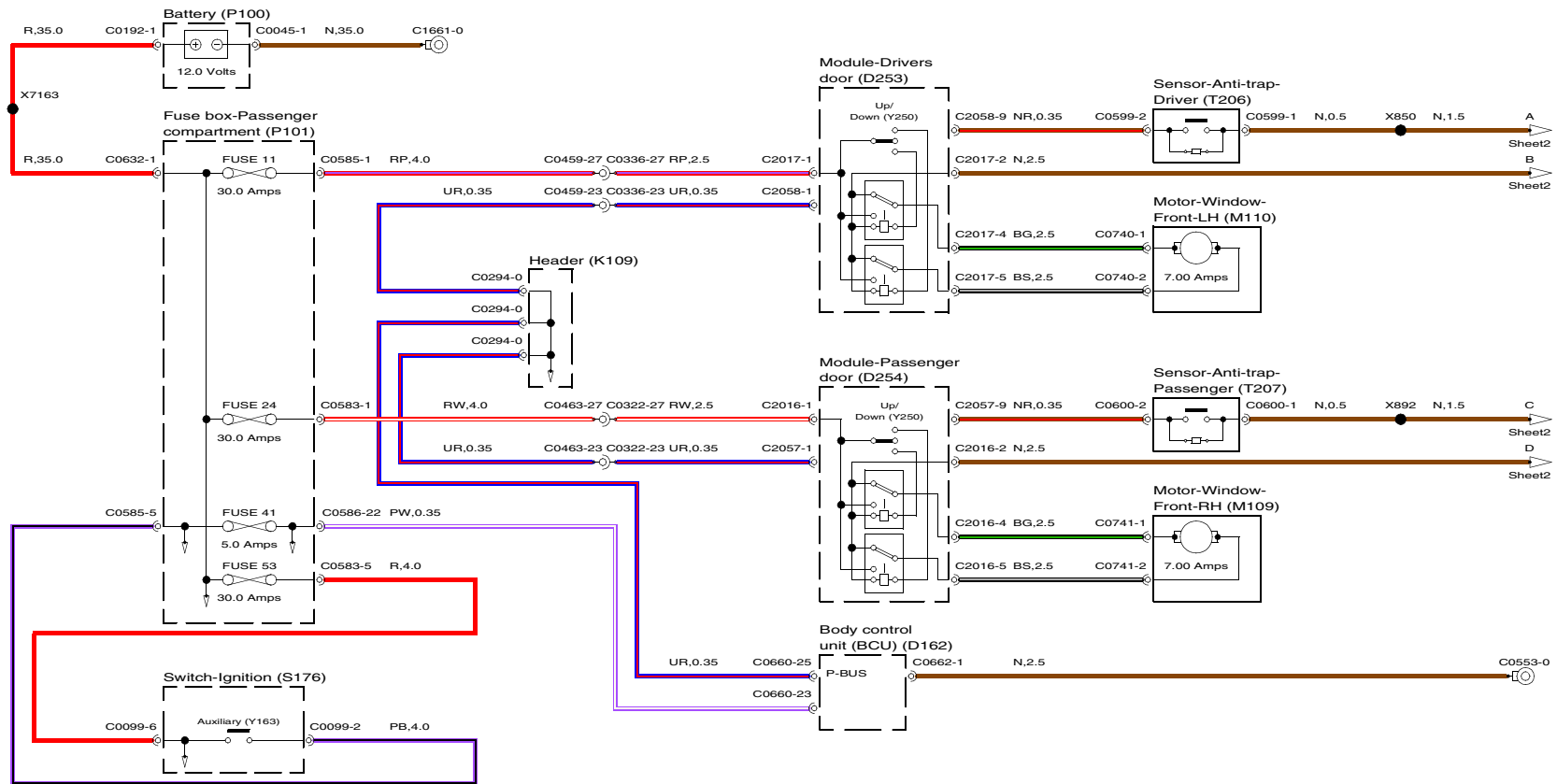


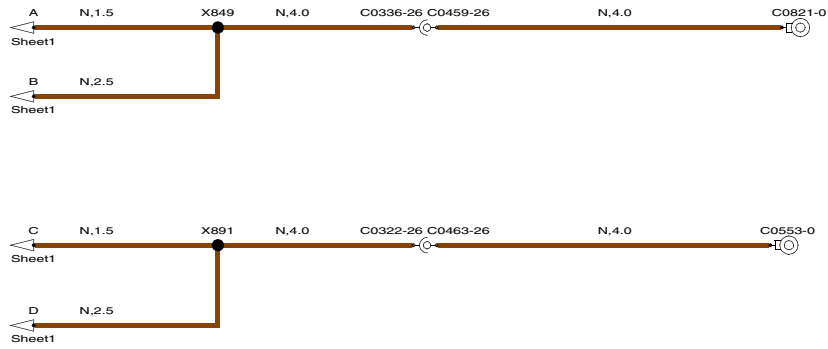
4 CENTRAL DOOR LOCKING

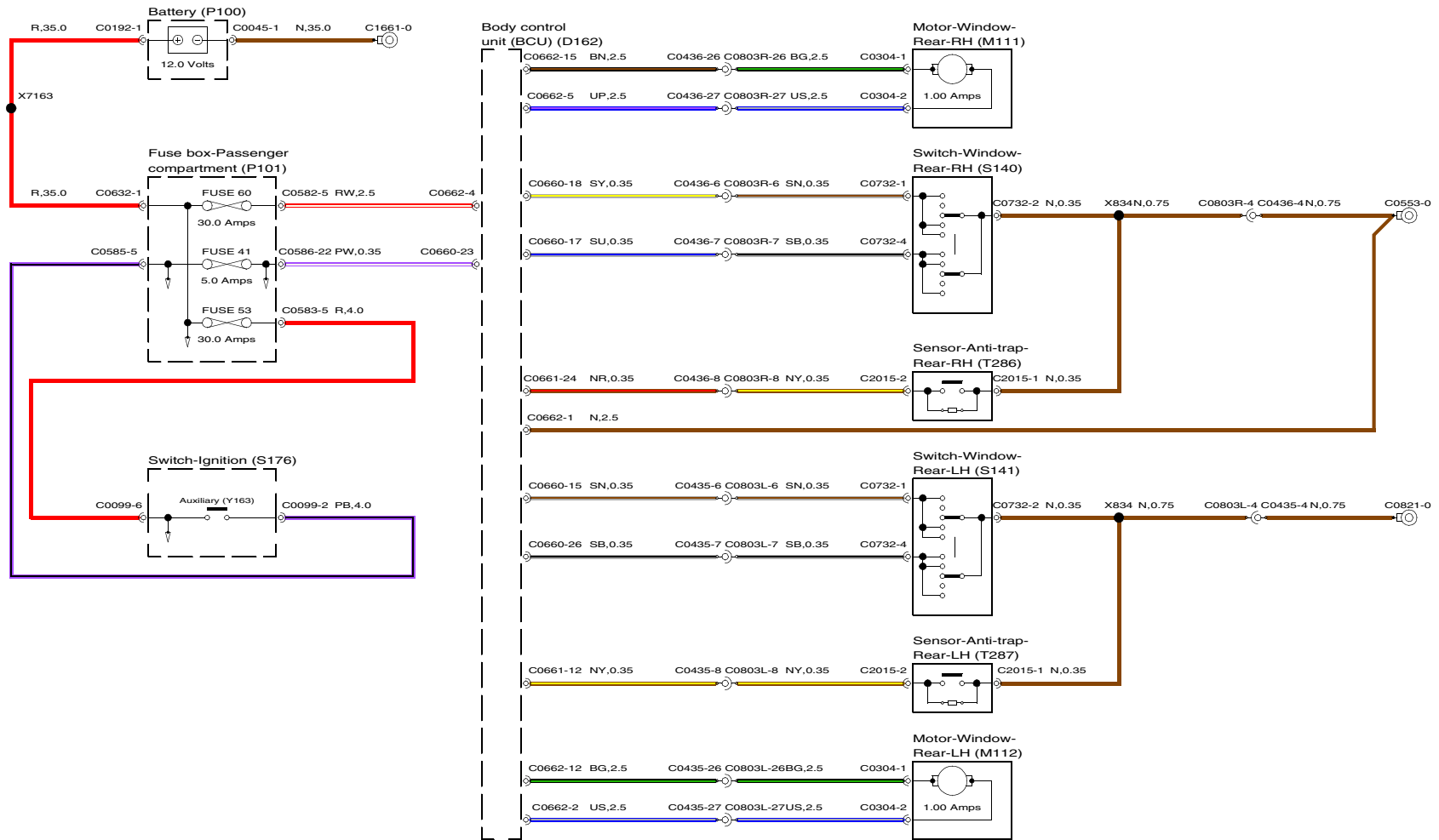


4 CENTRAL DOOR LOCKING

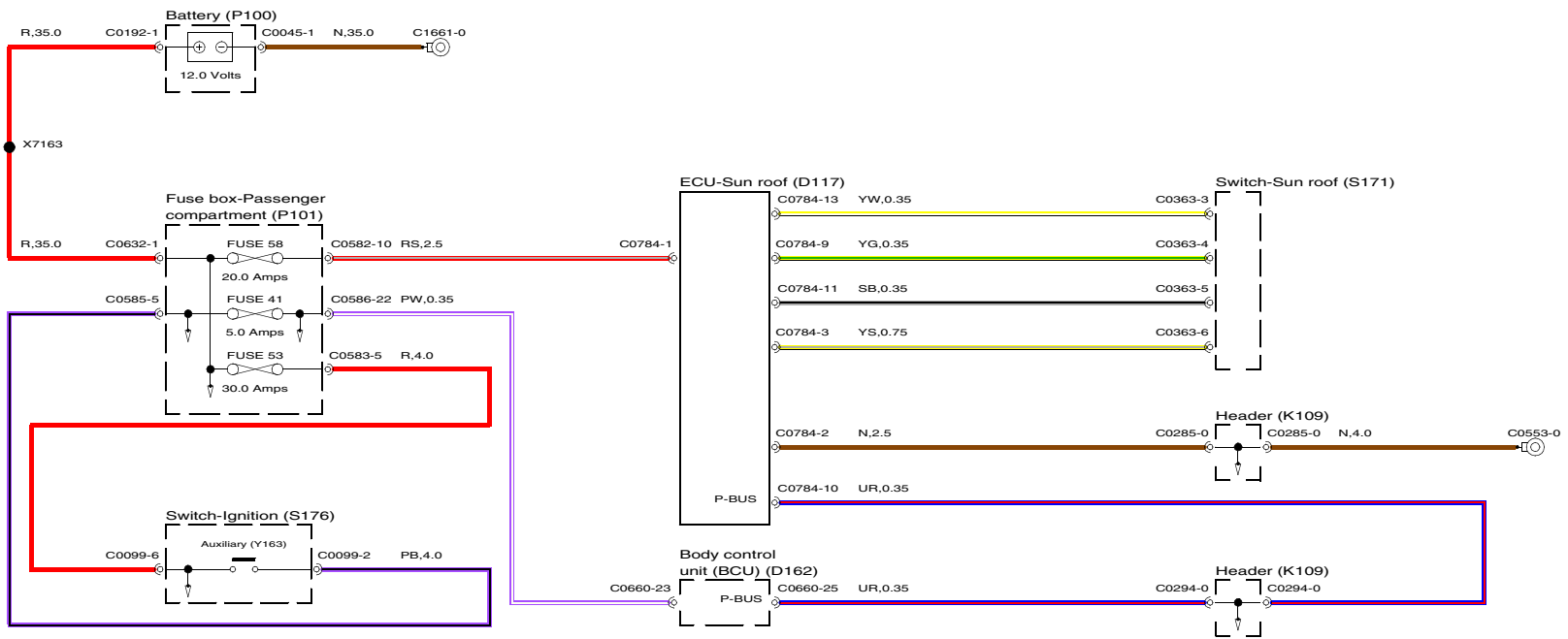




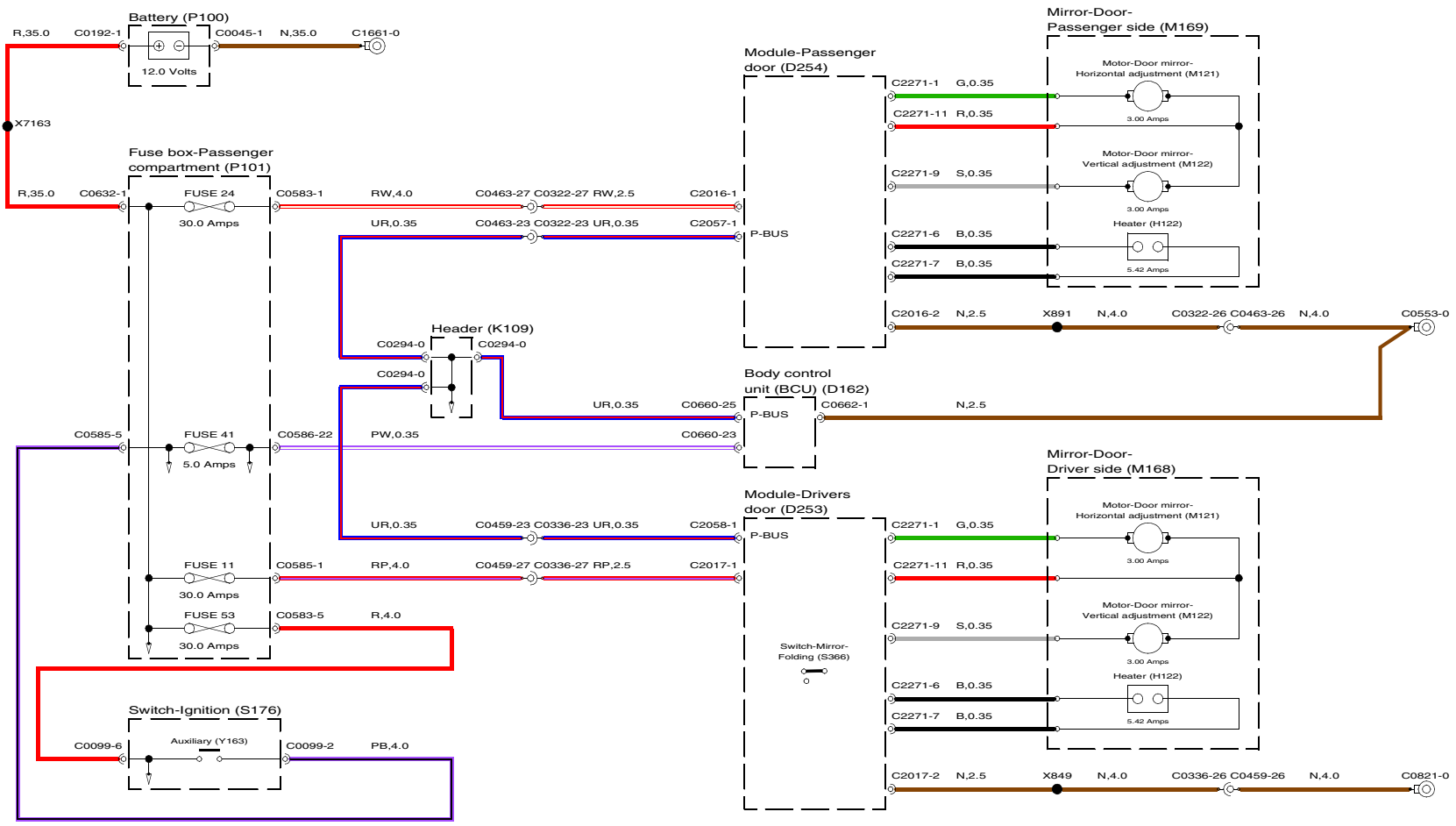




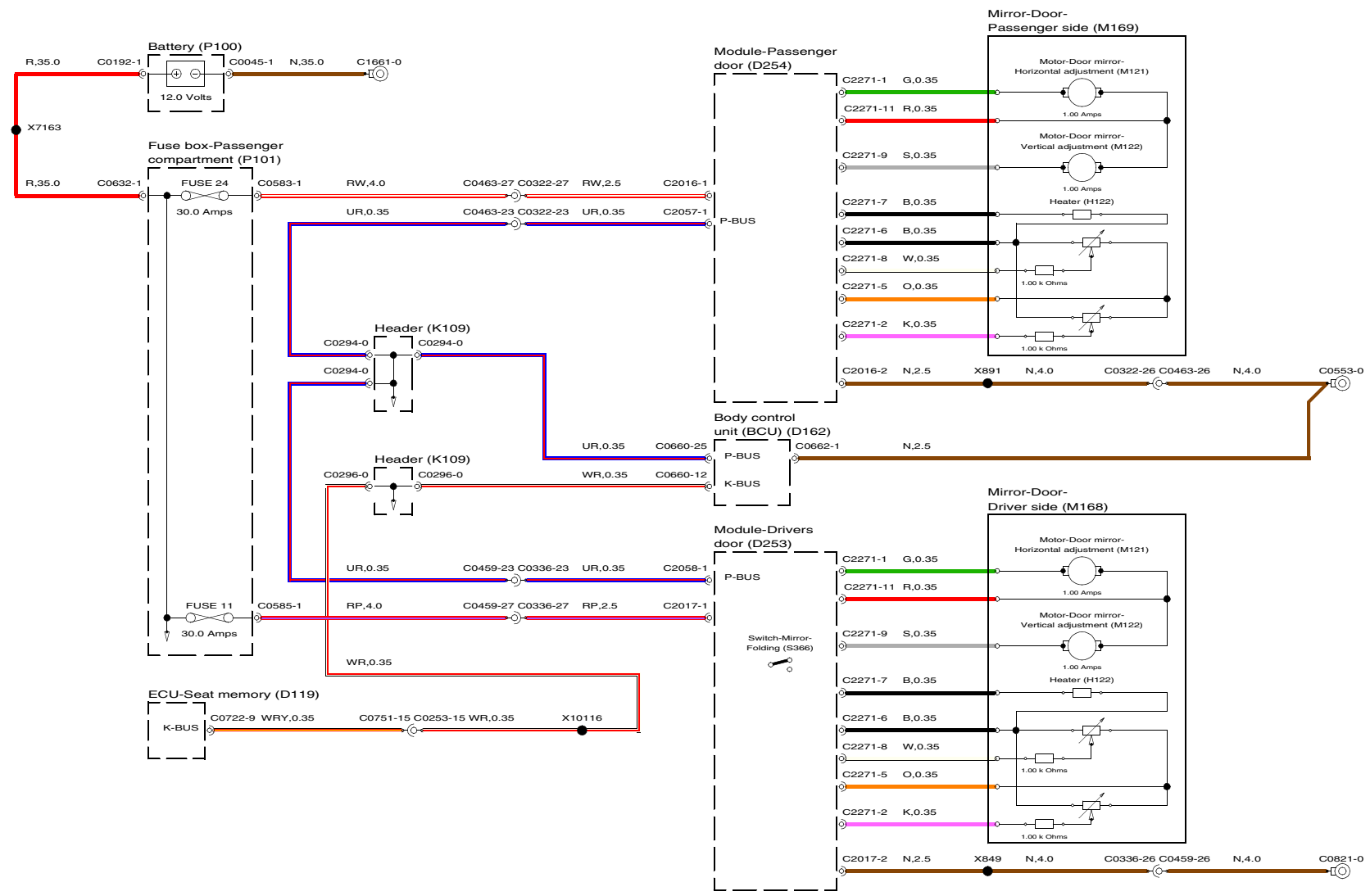
6 SUNROOF

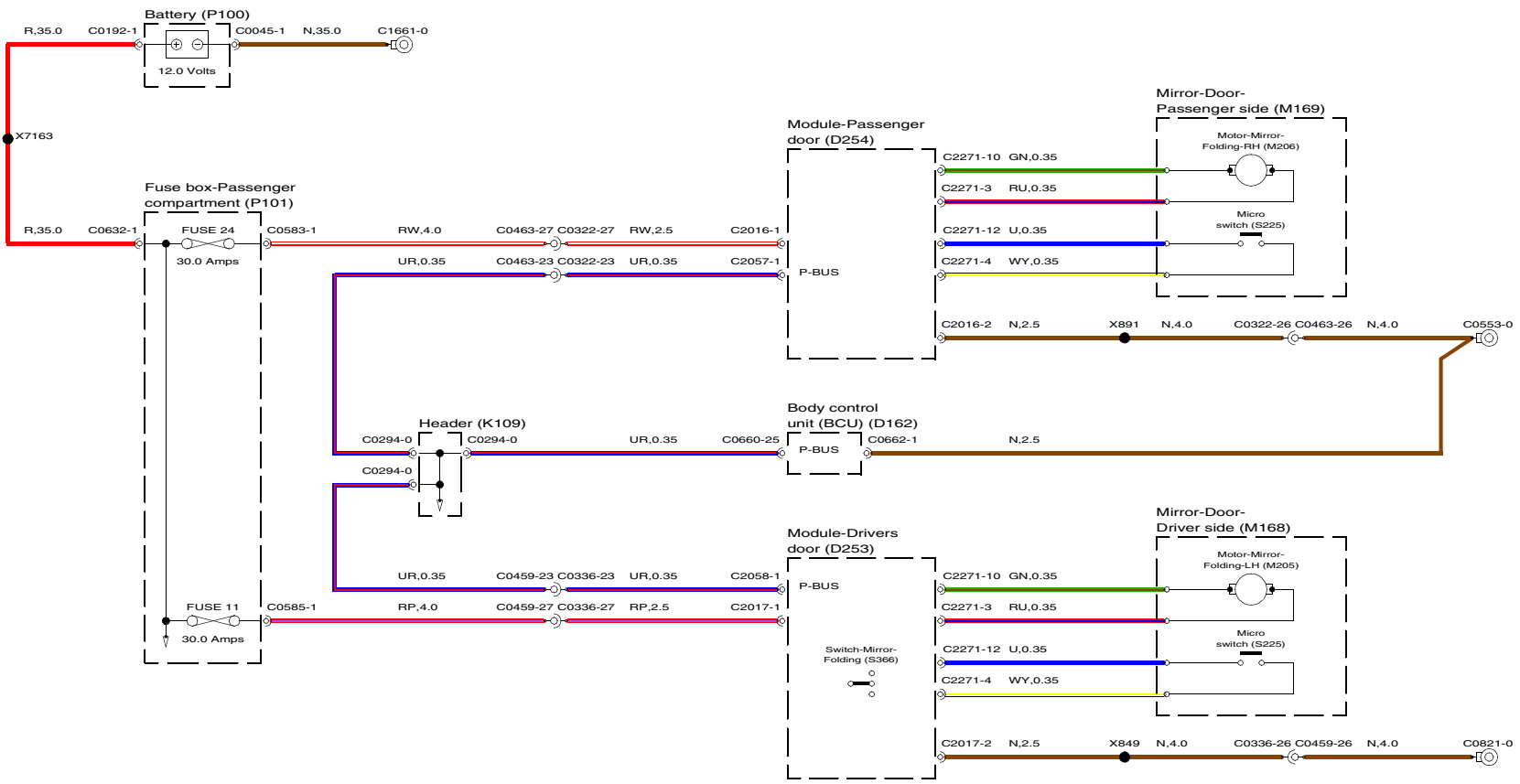


7 DOOR MIRRORS

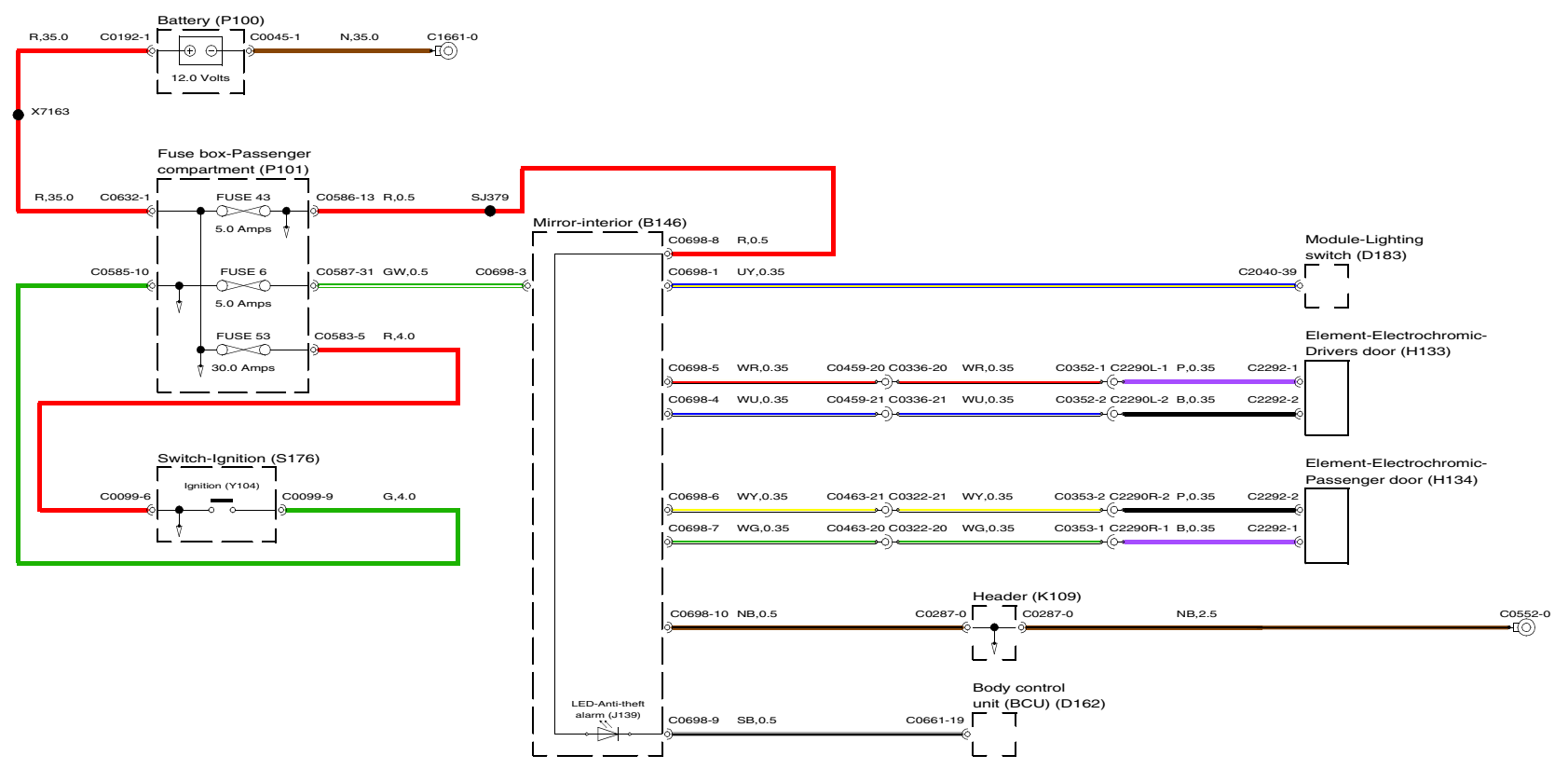


7 DOOR MIRRORS

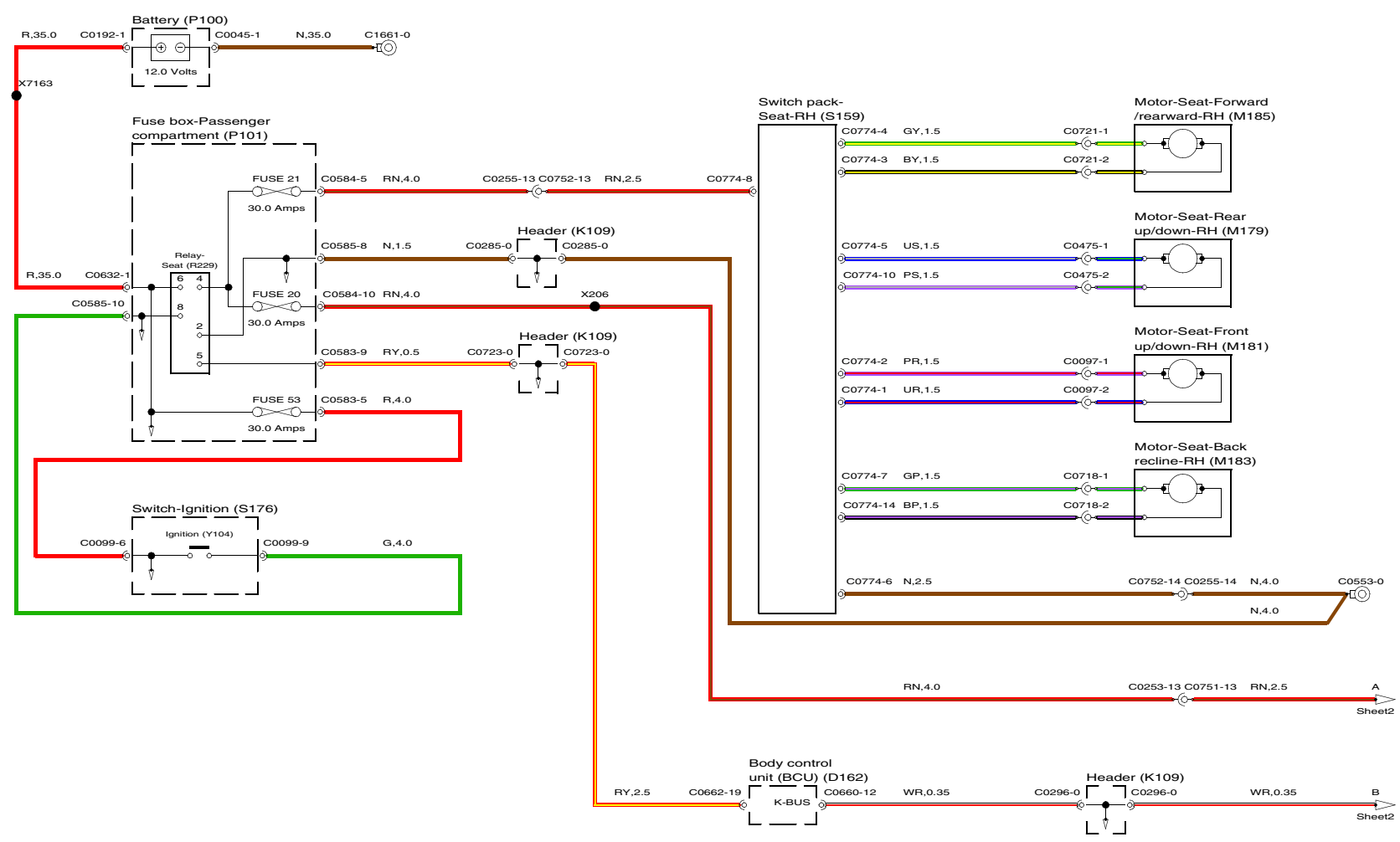




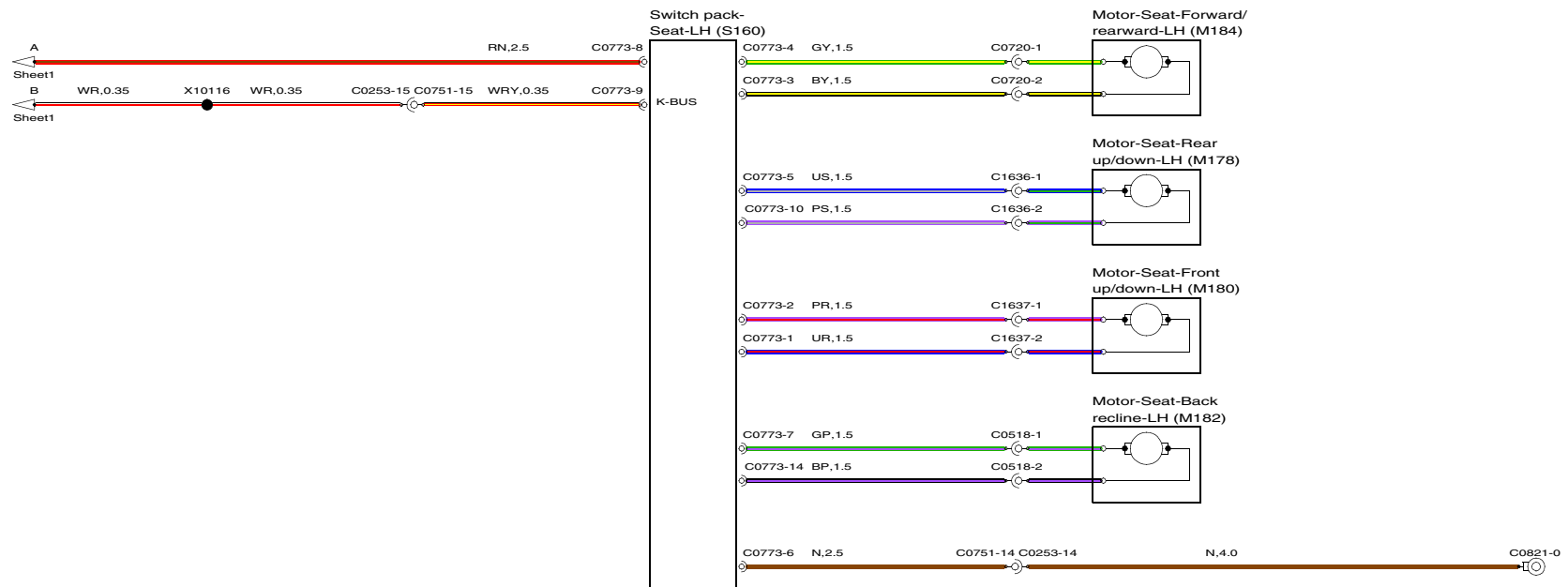
7 INTERIOR MIRROR

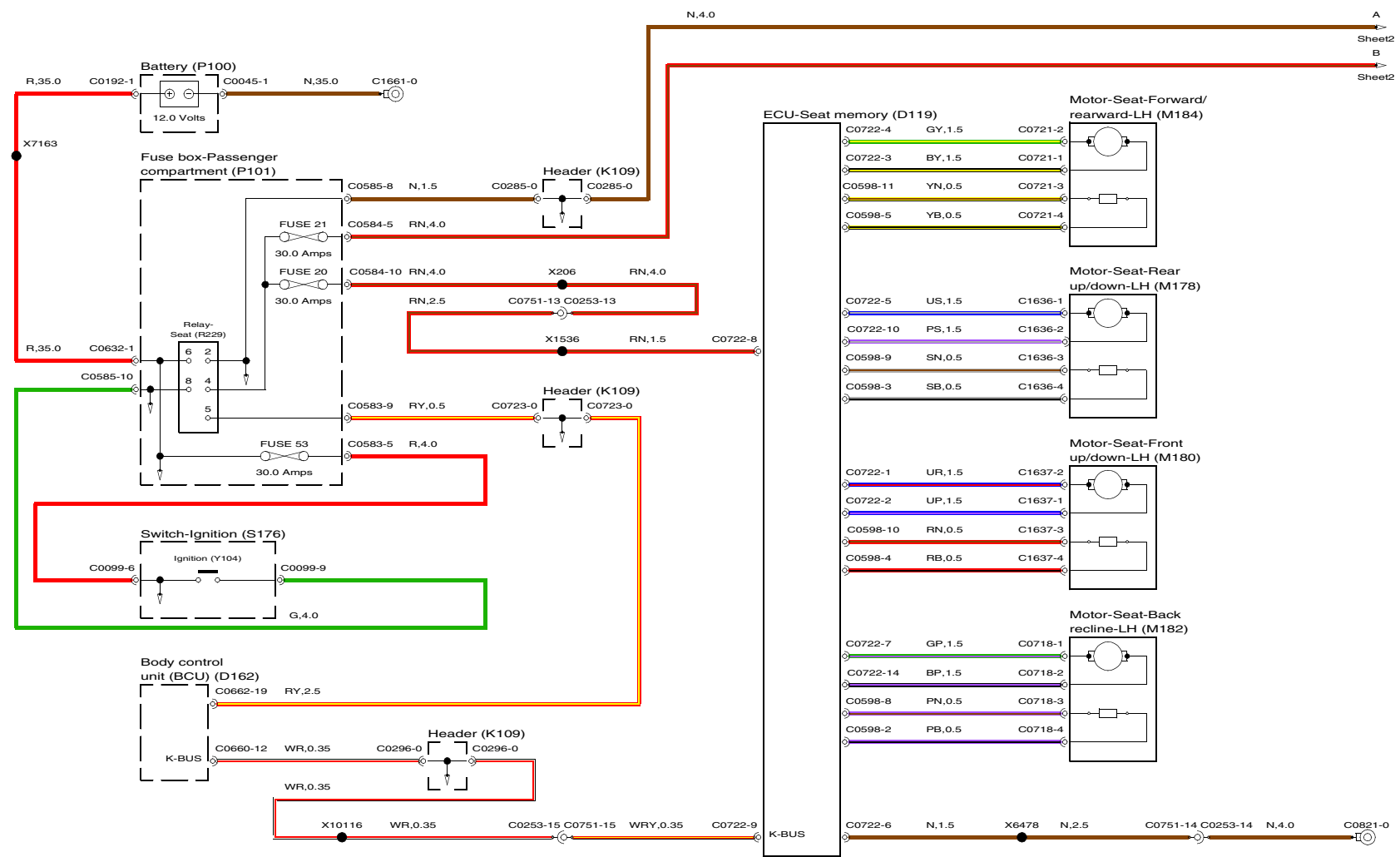


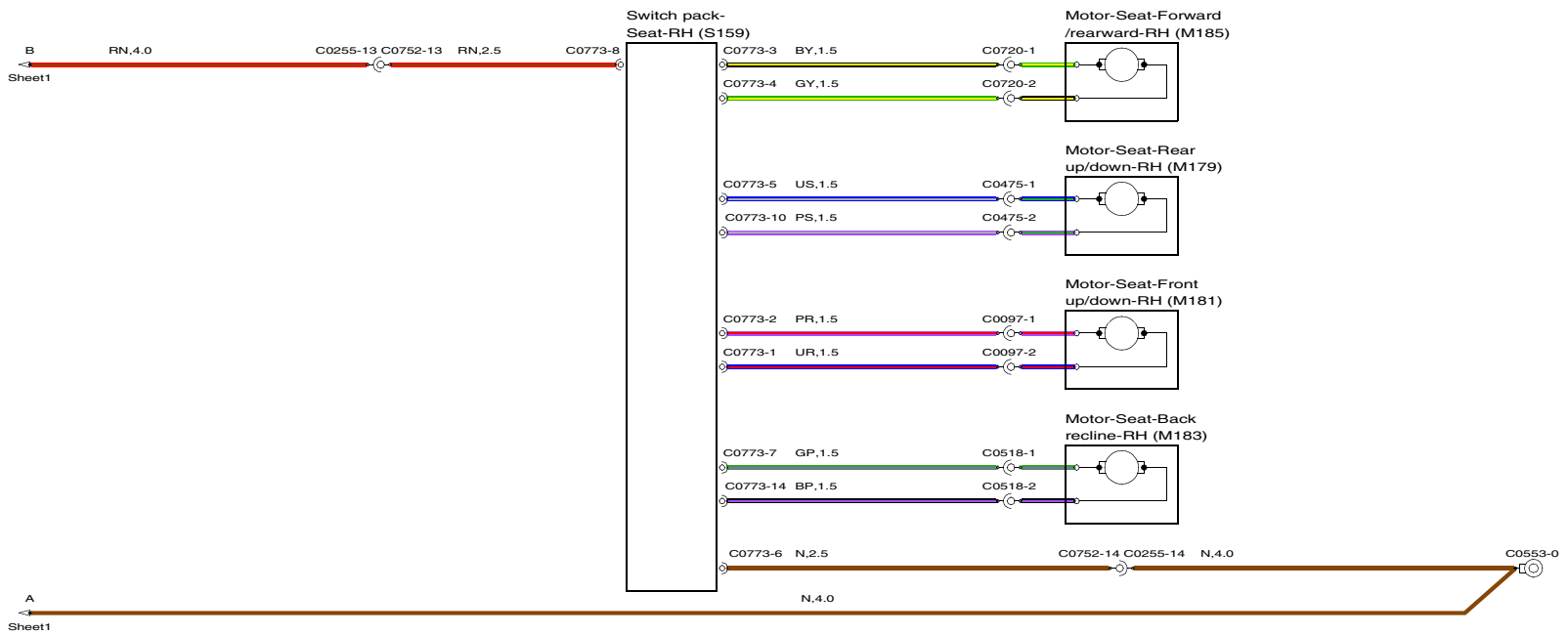
8 SEATS

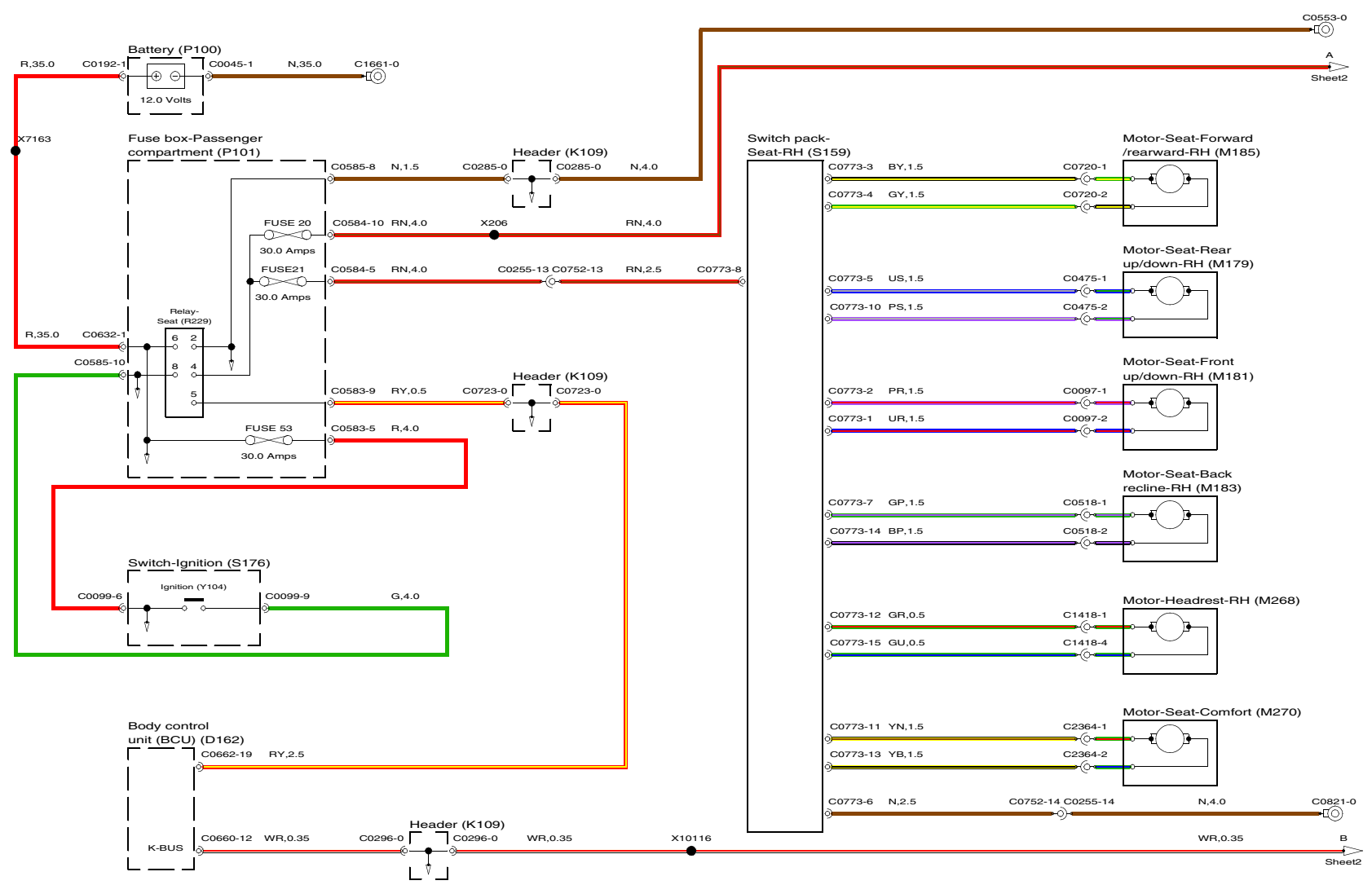


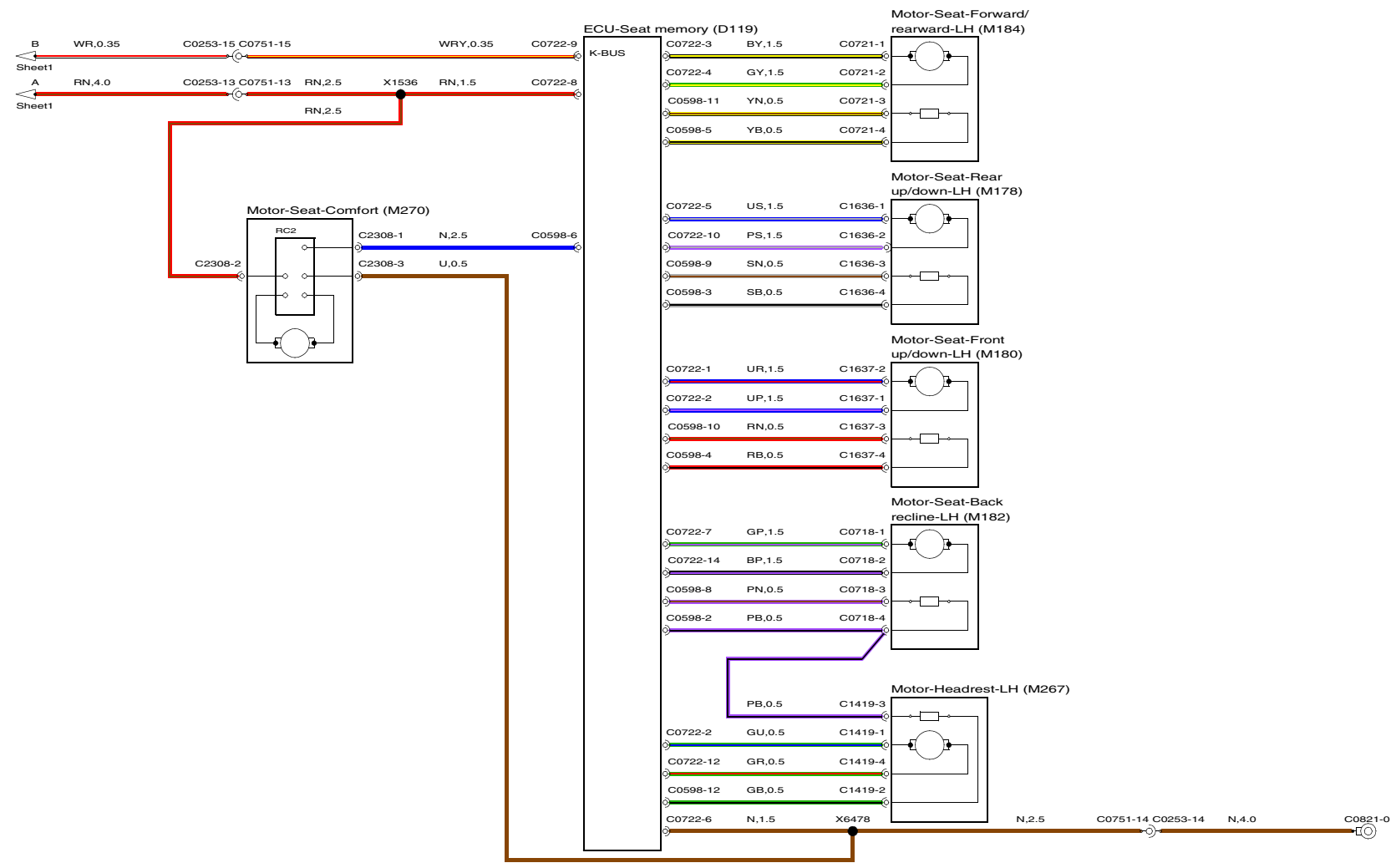
8 SEATS

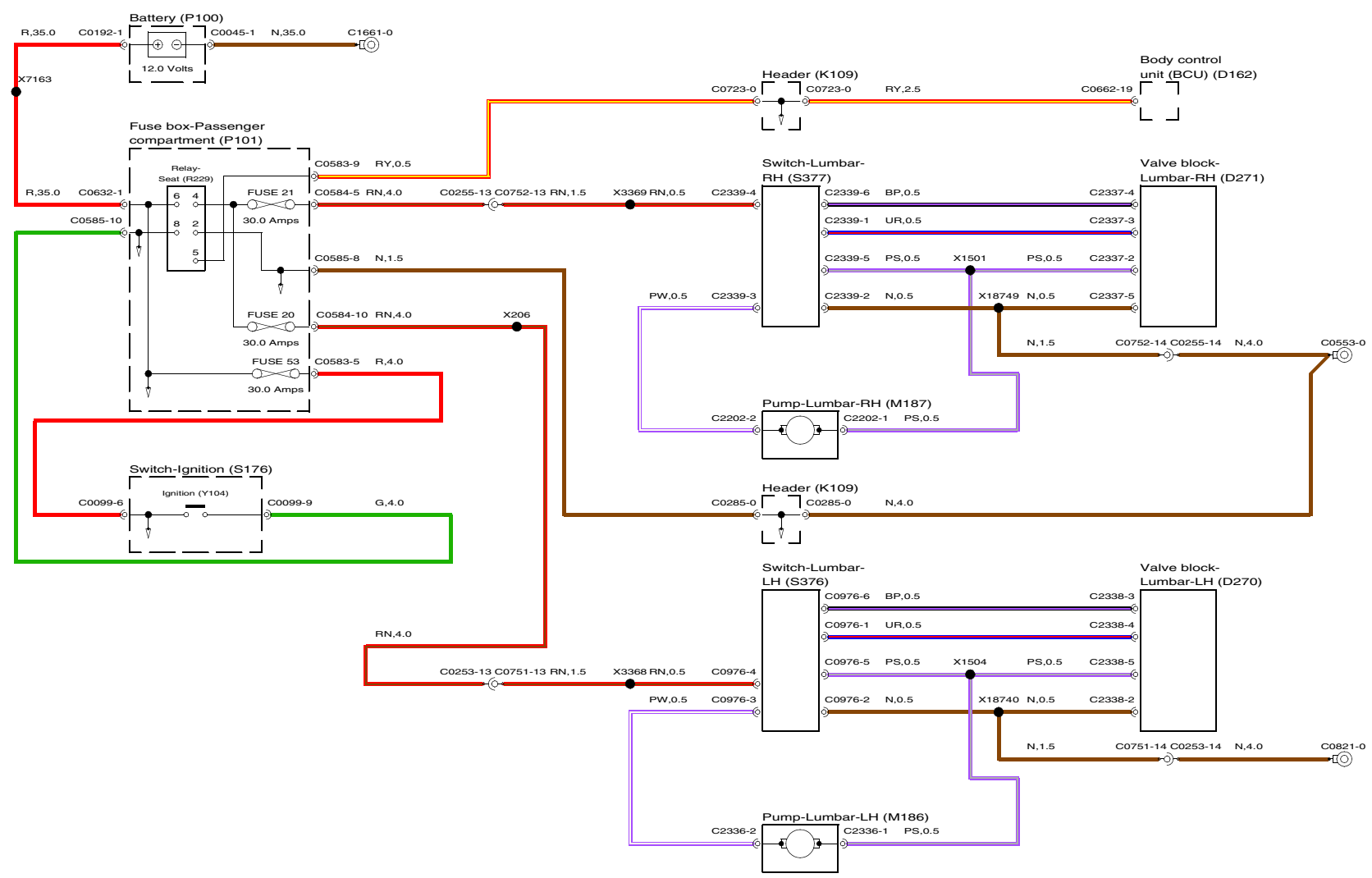


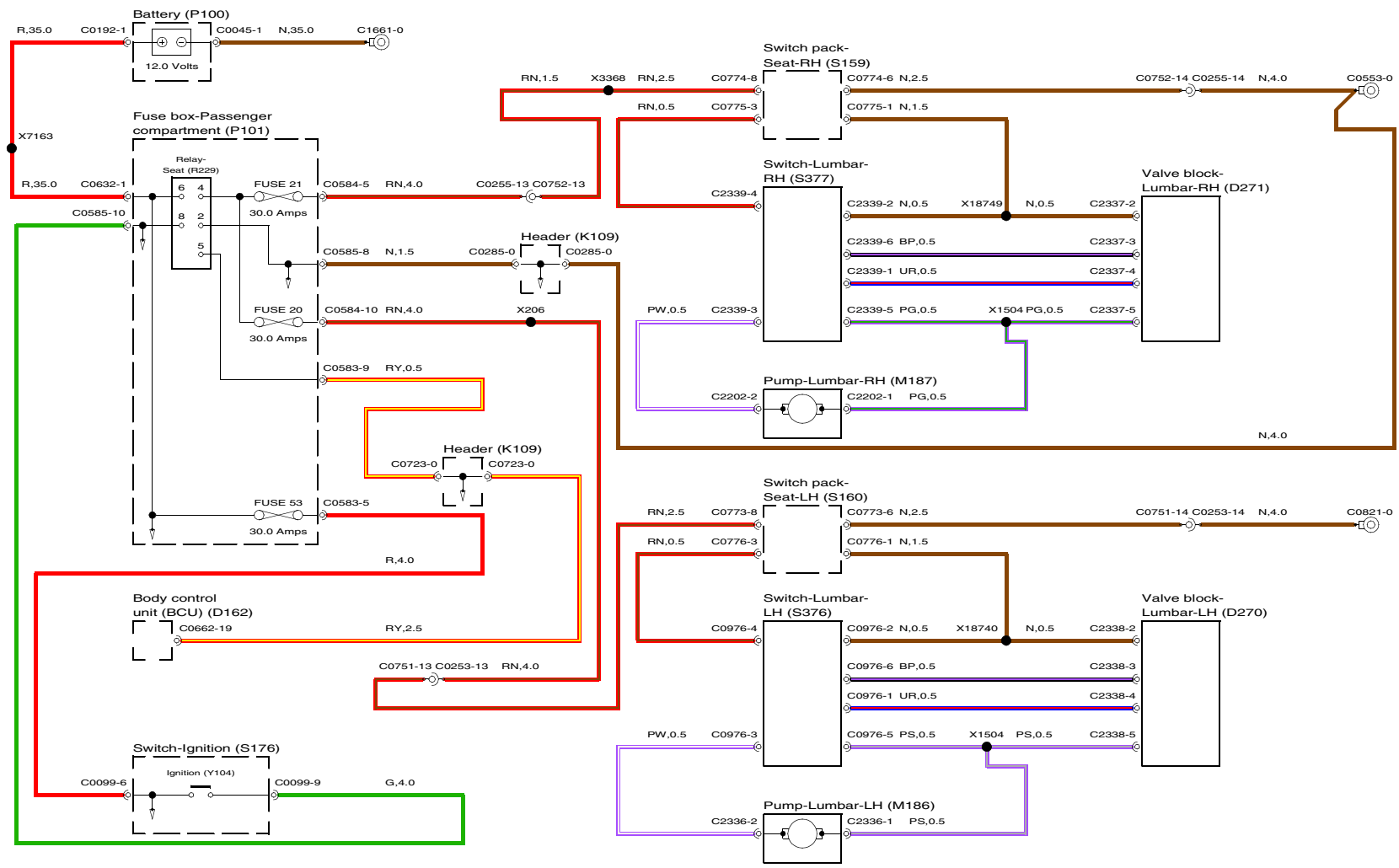


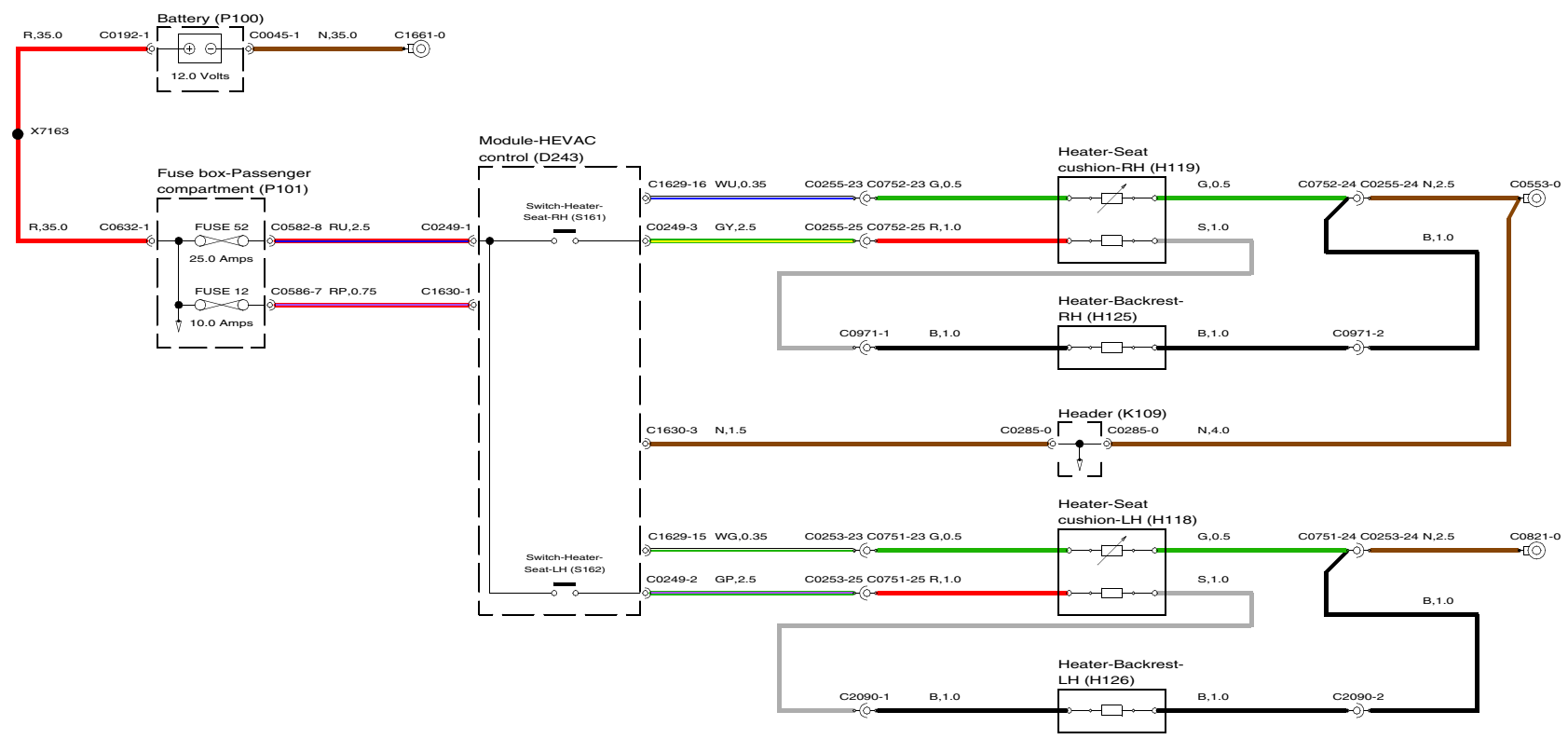


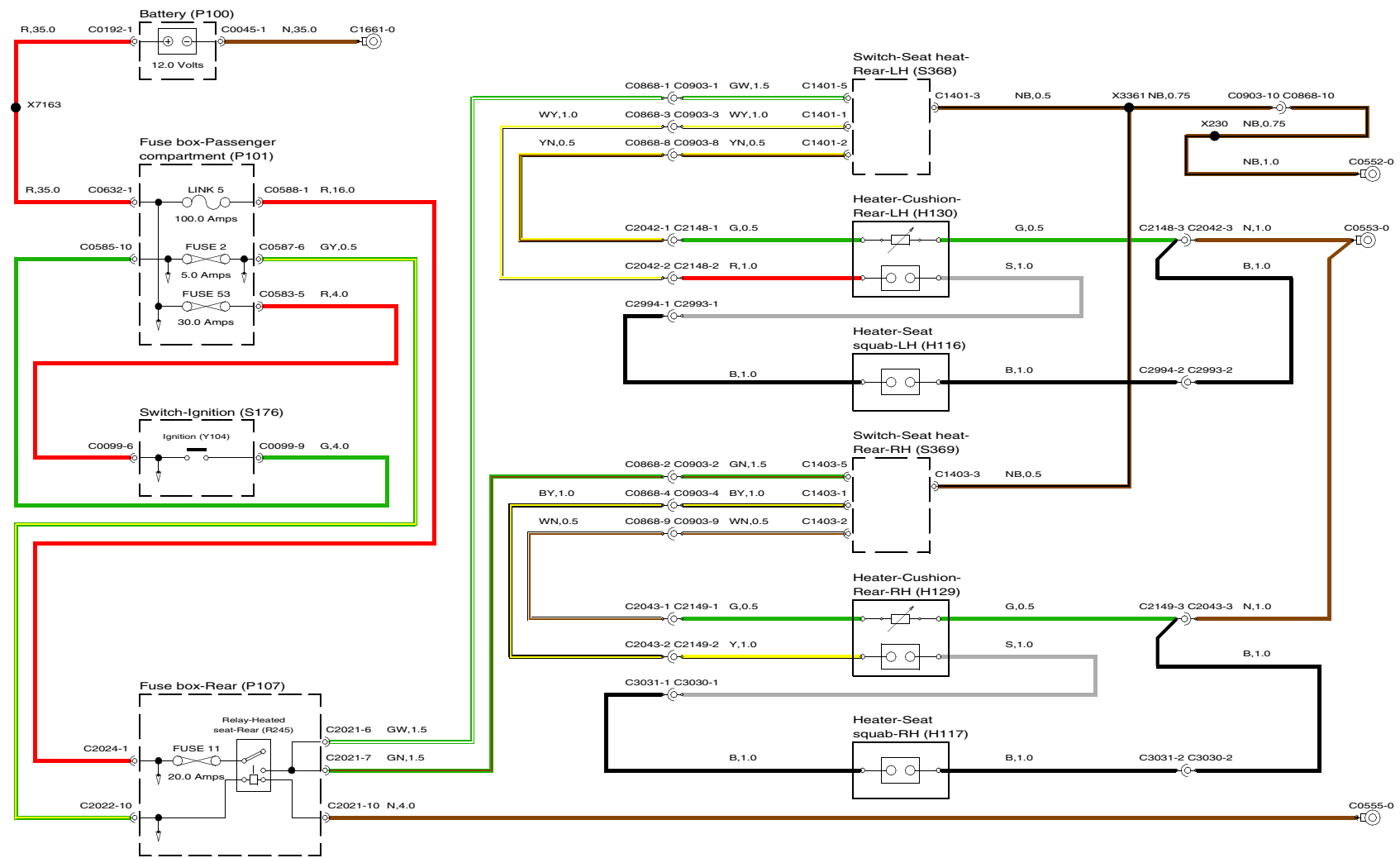






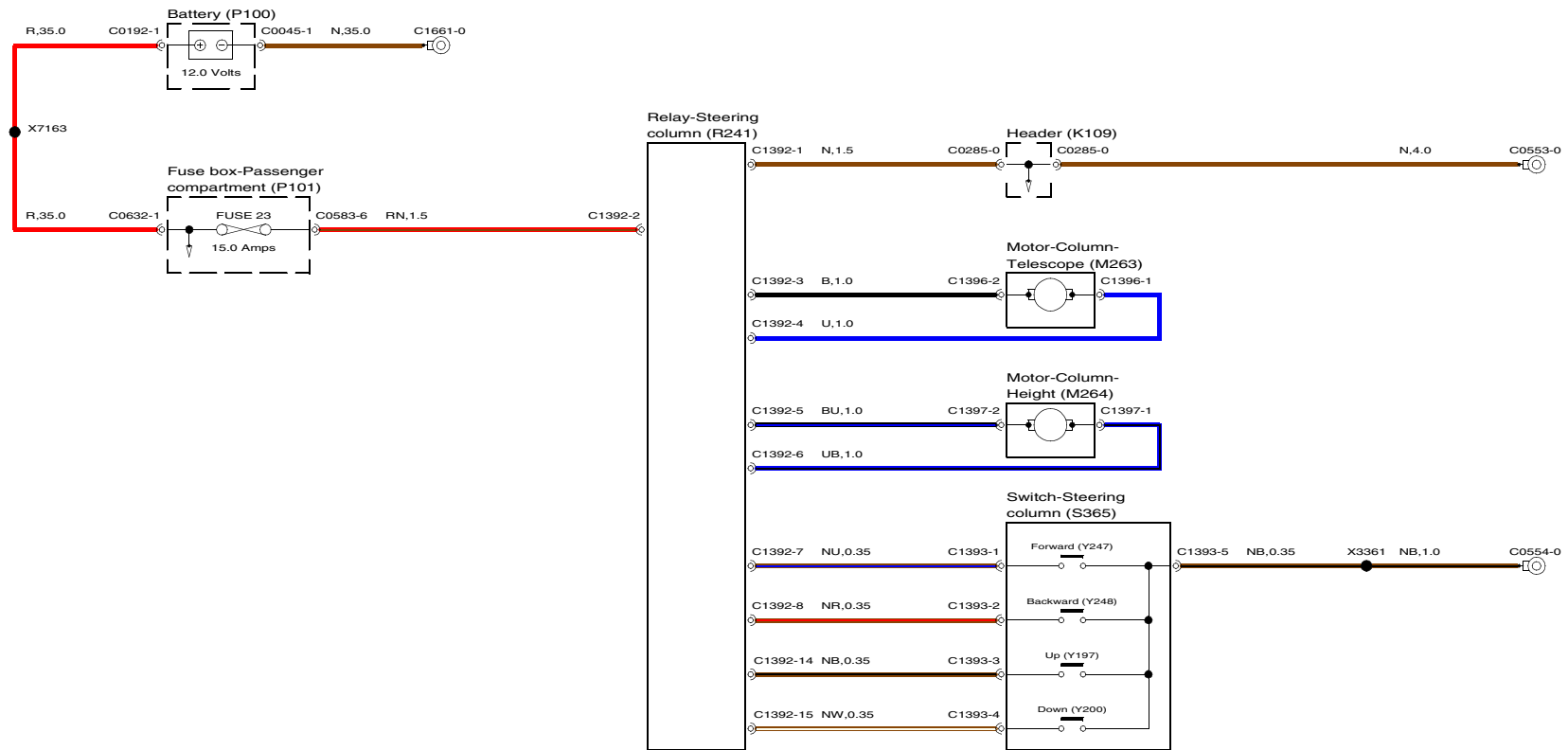


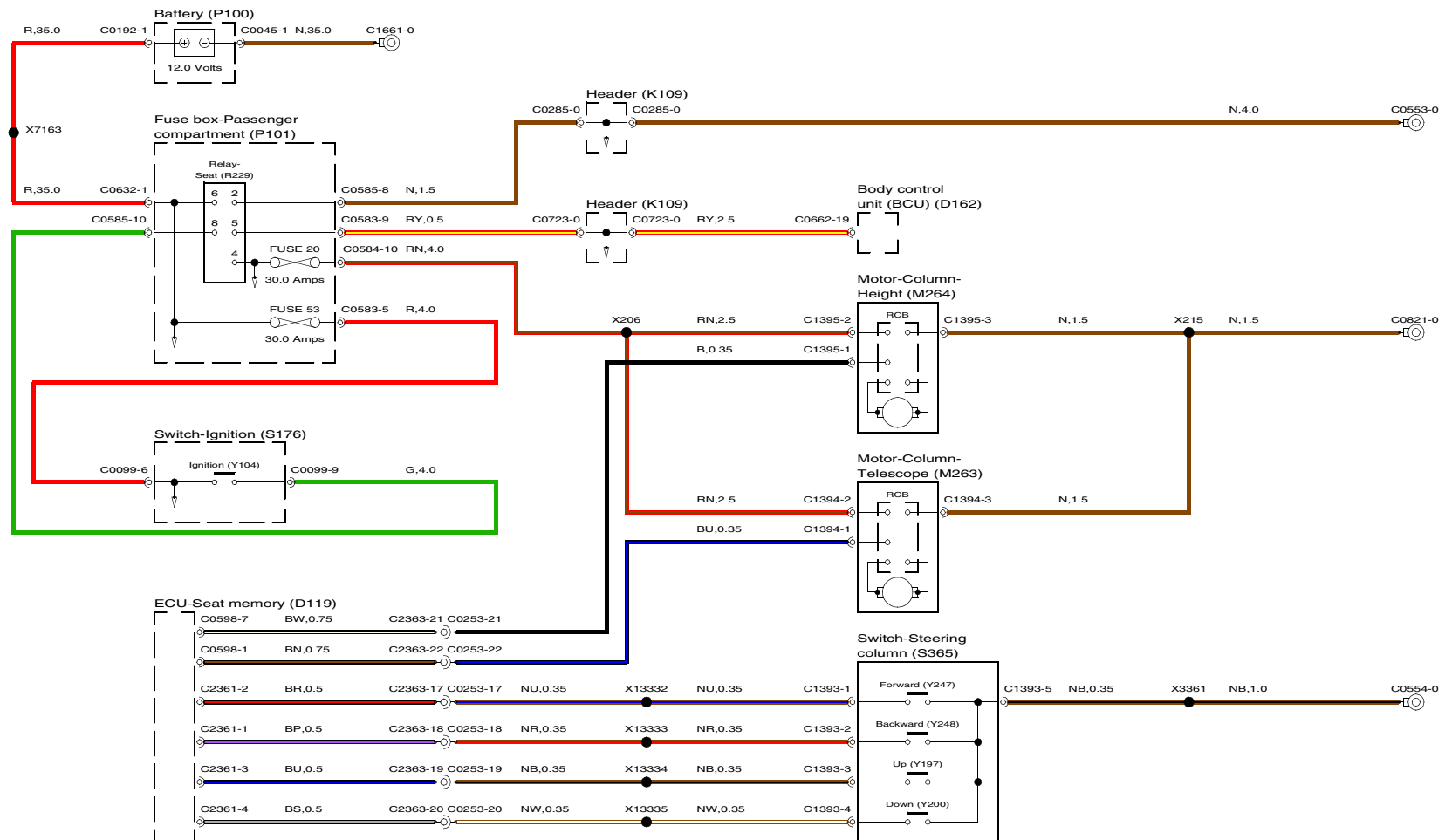


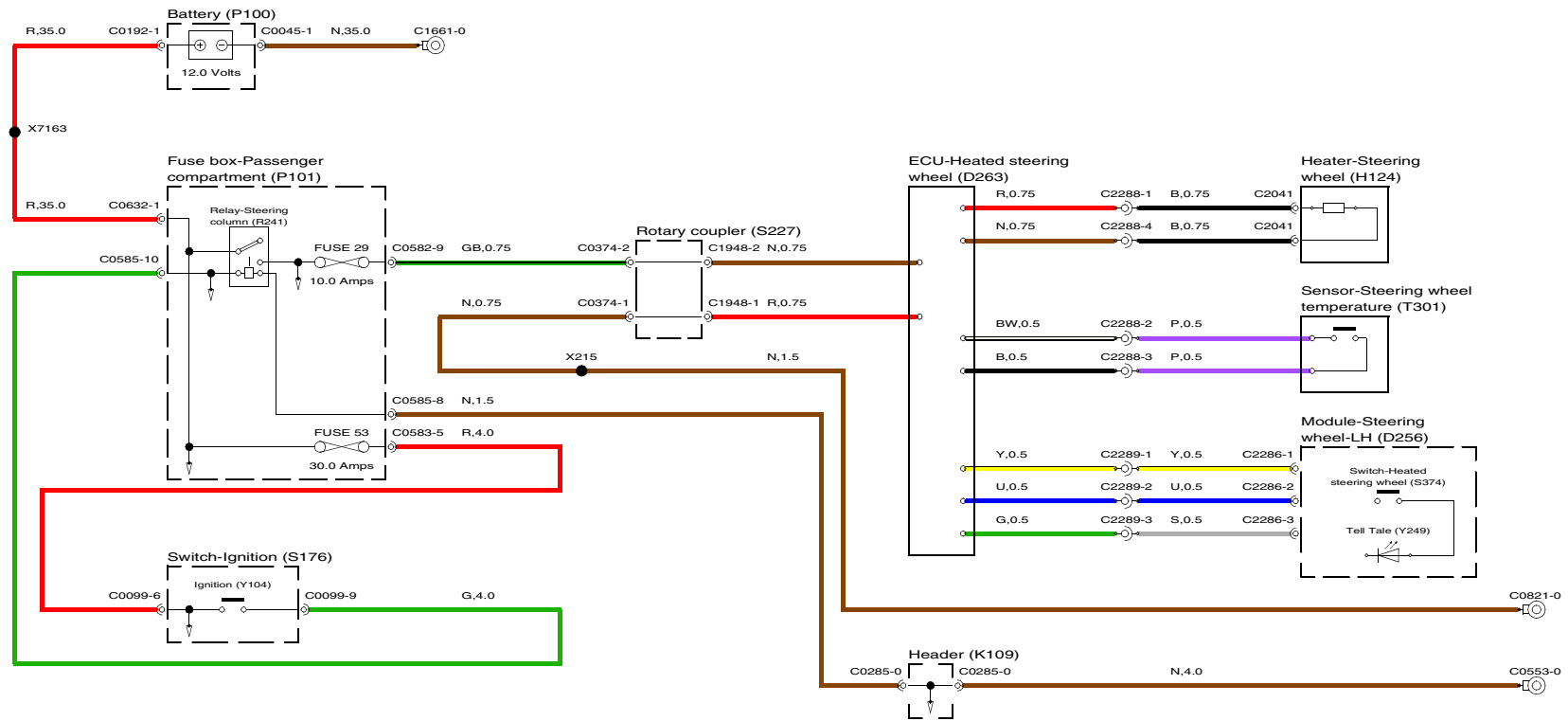


9 STEERING WHEEL

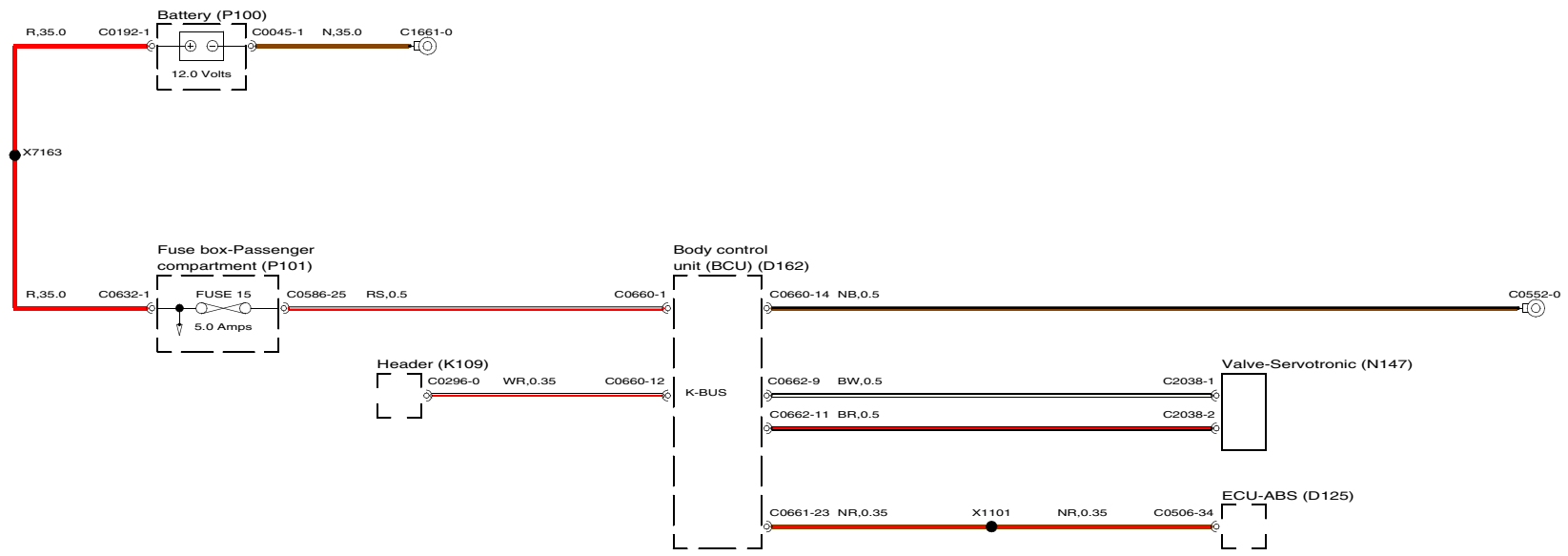
Adjustable



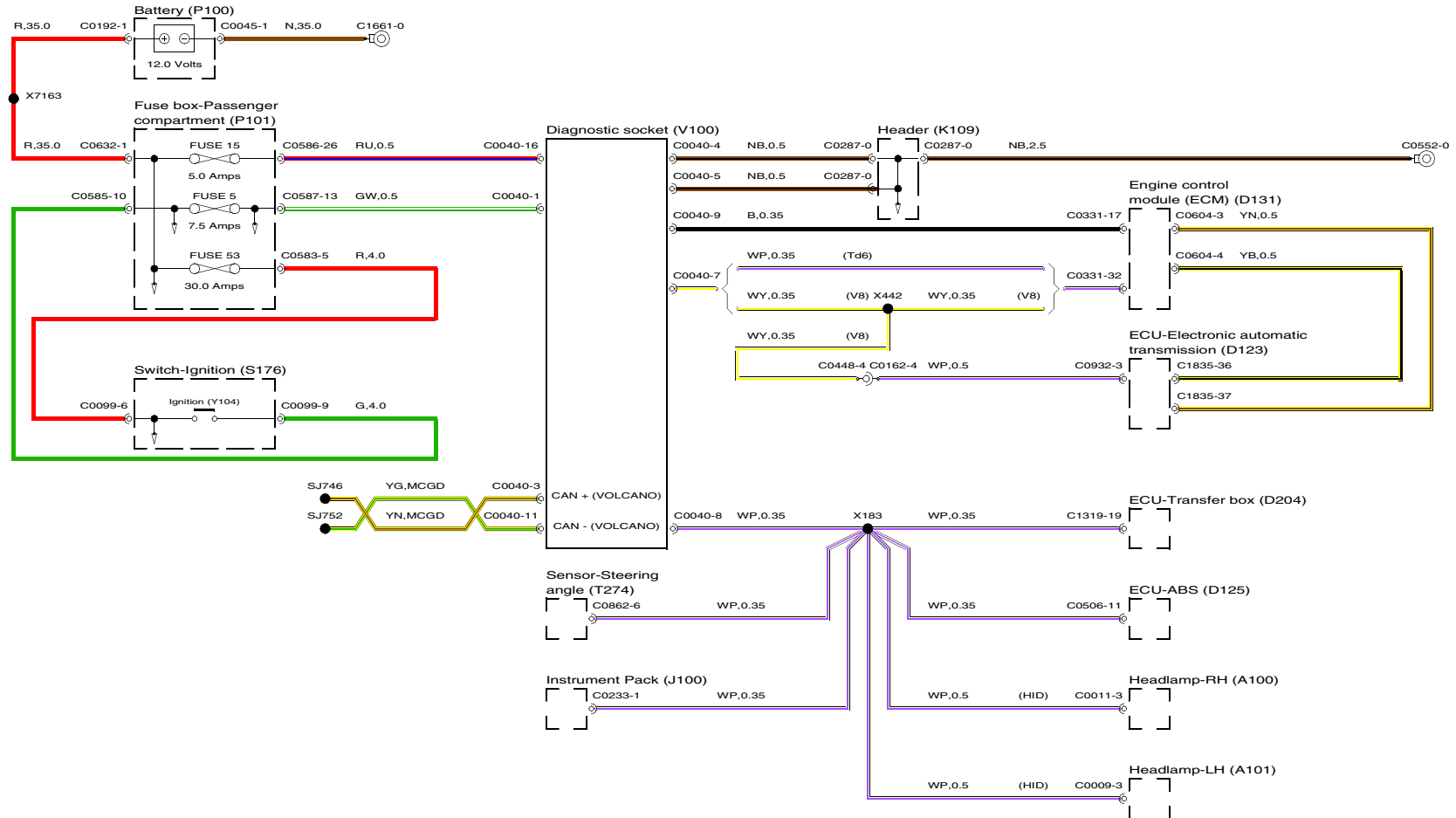




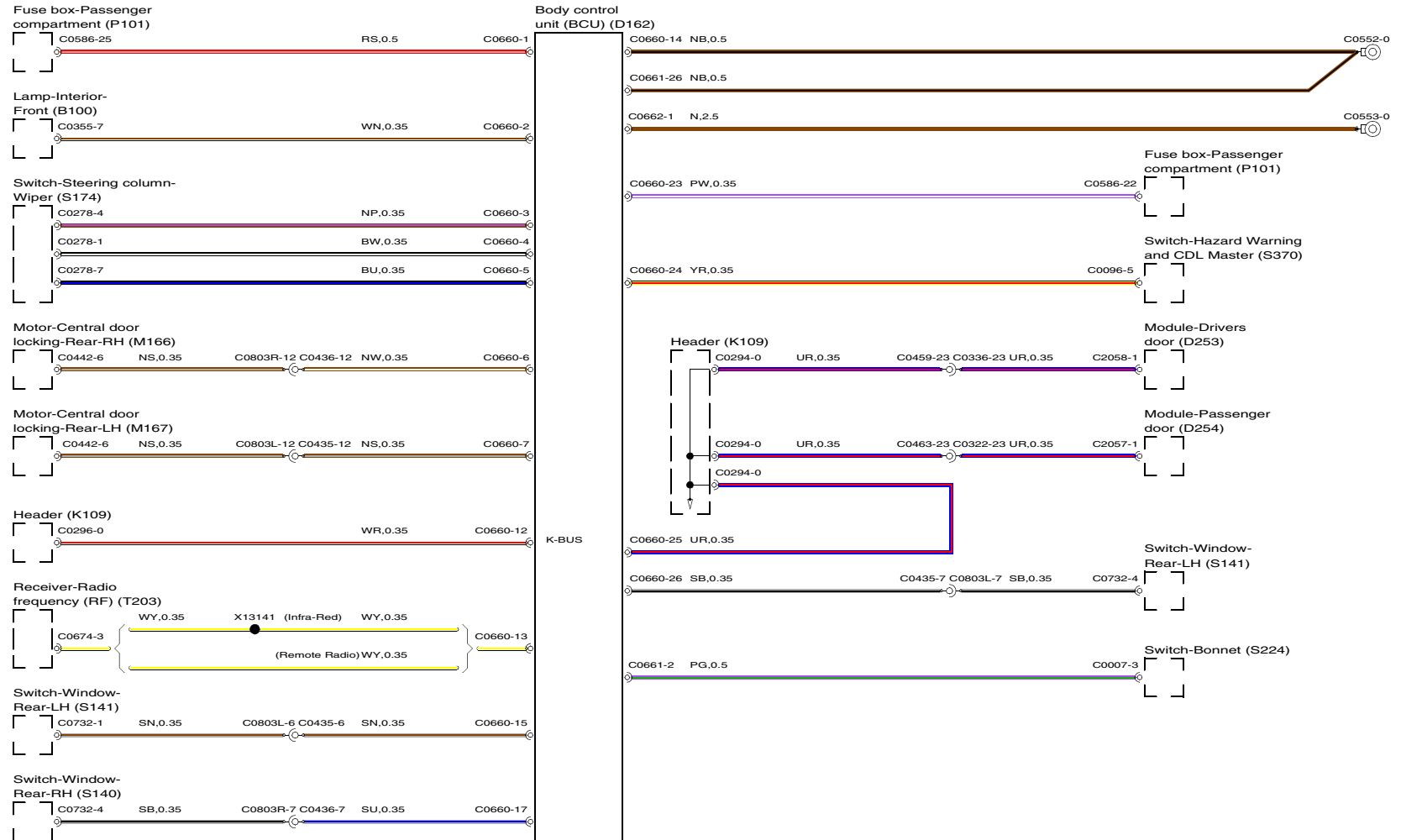
9 STEERING



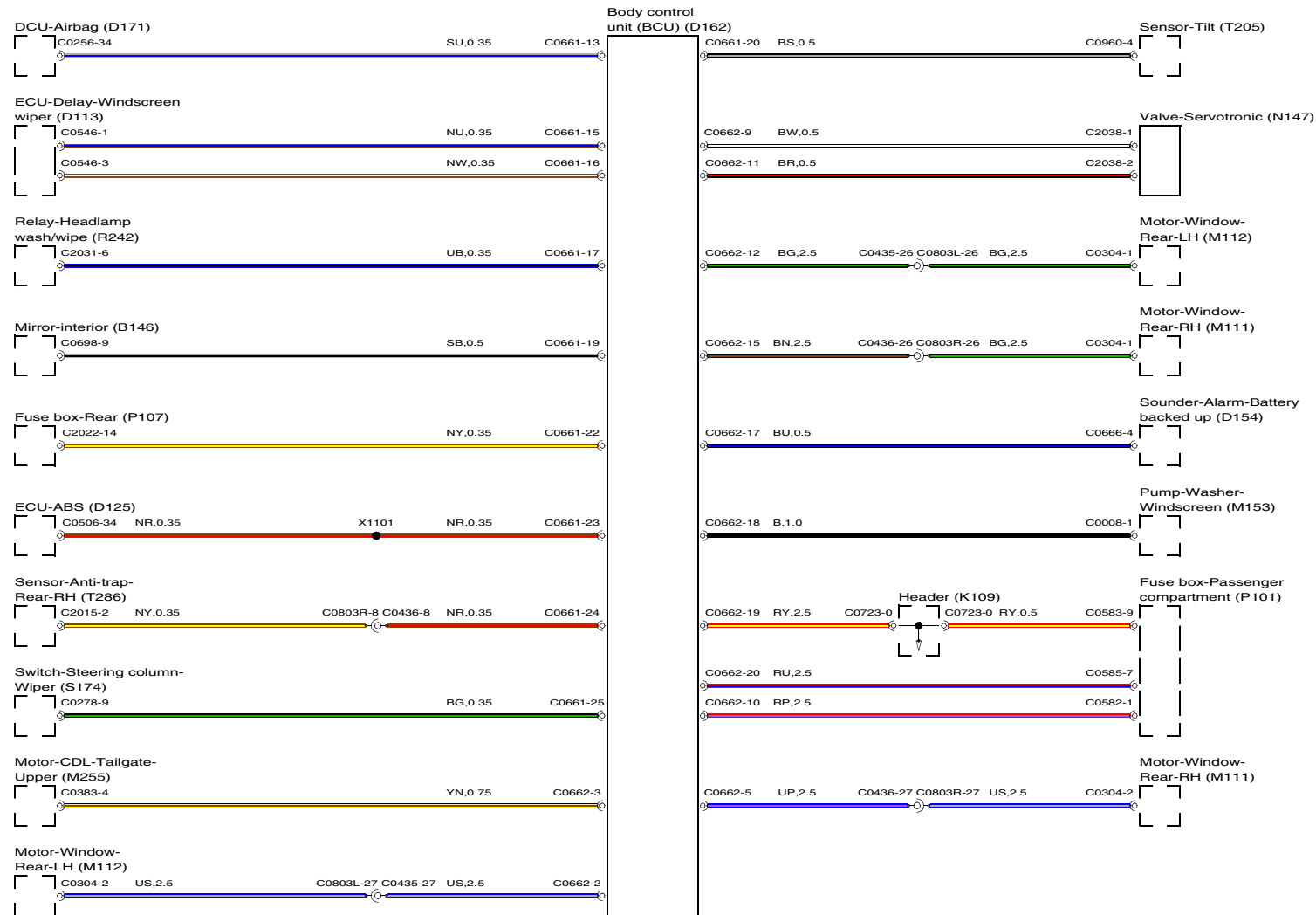
10 DIAGNOSTIC SOCKET



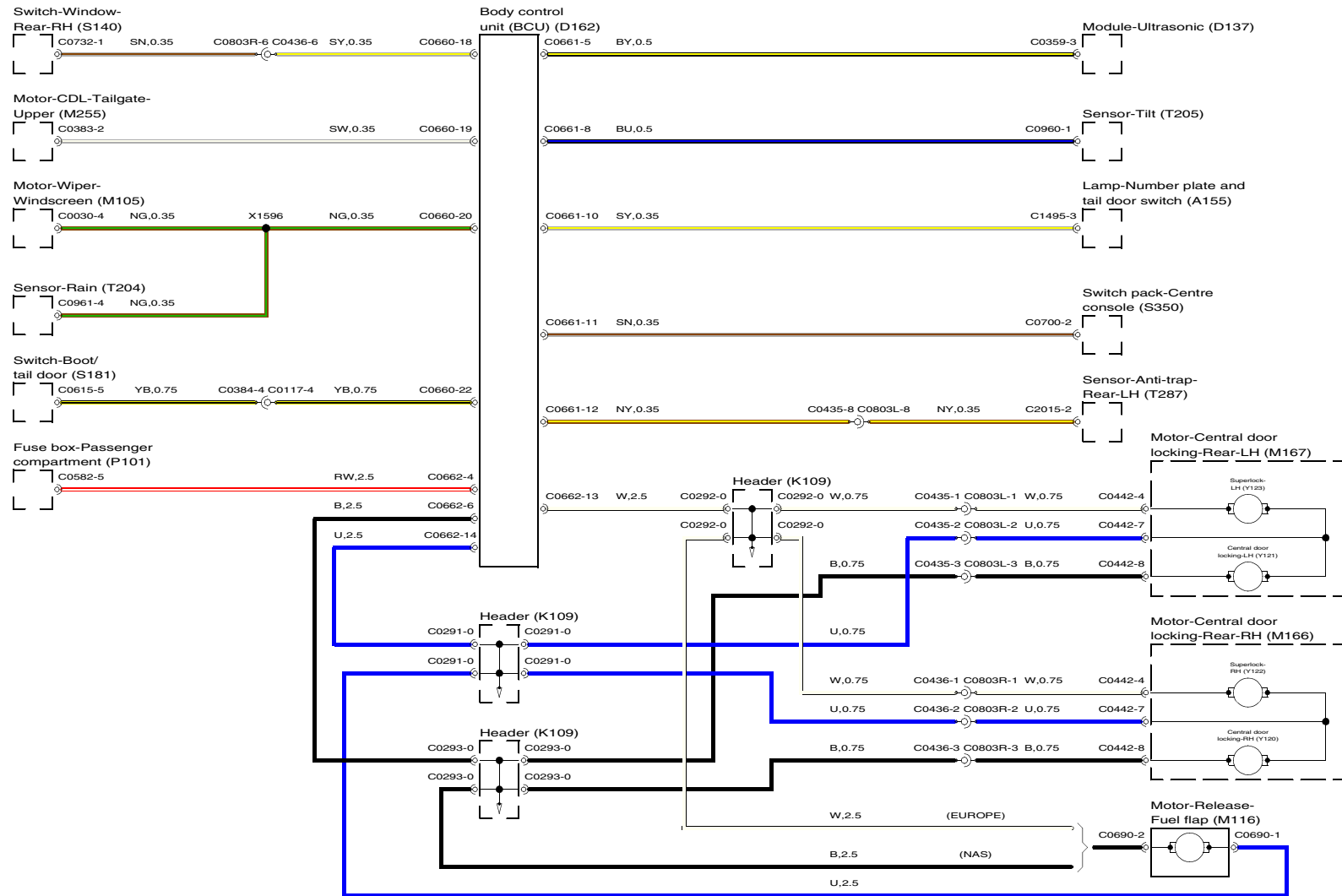
11 BODY CONTROL UNIT

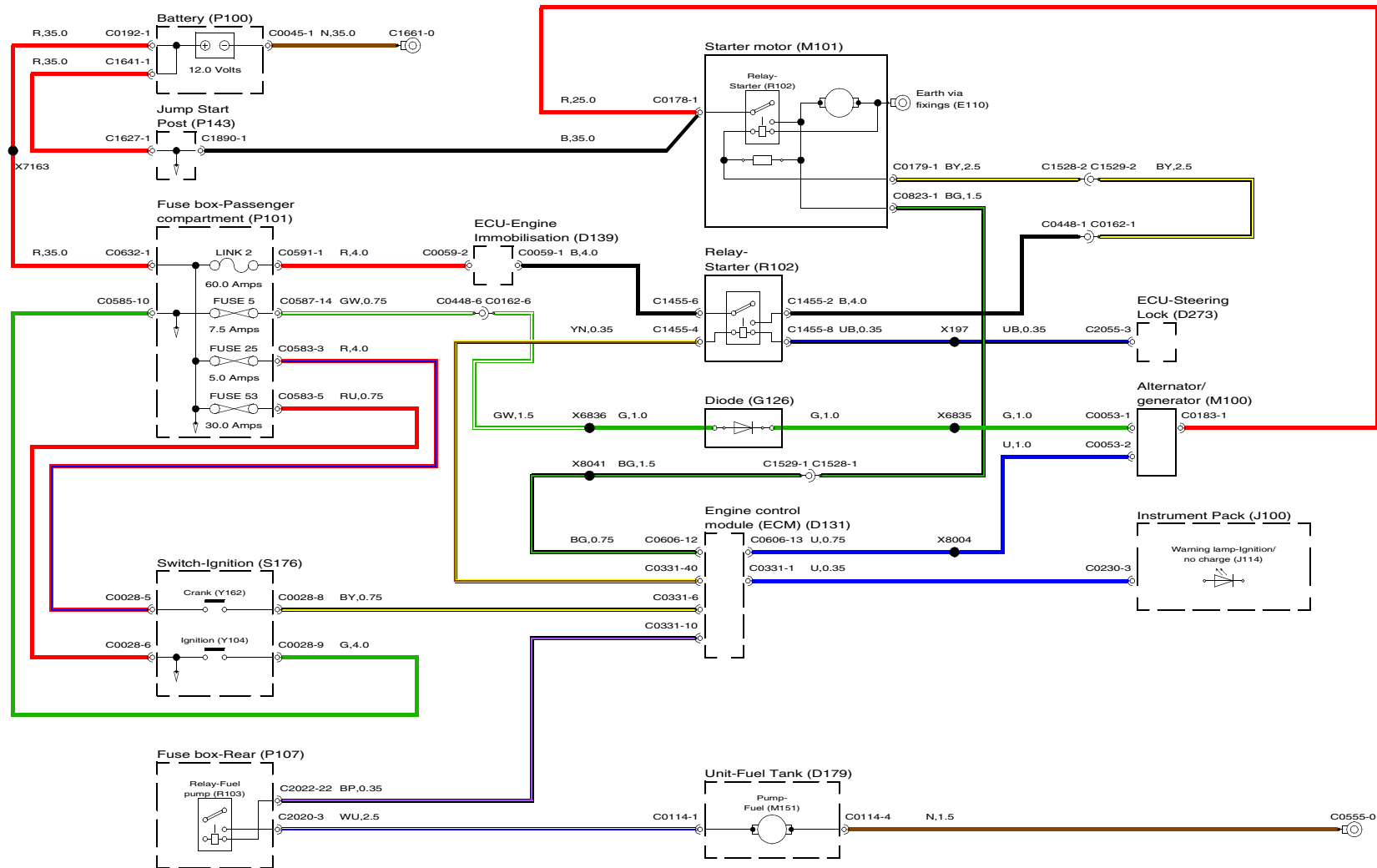


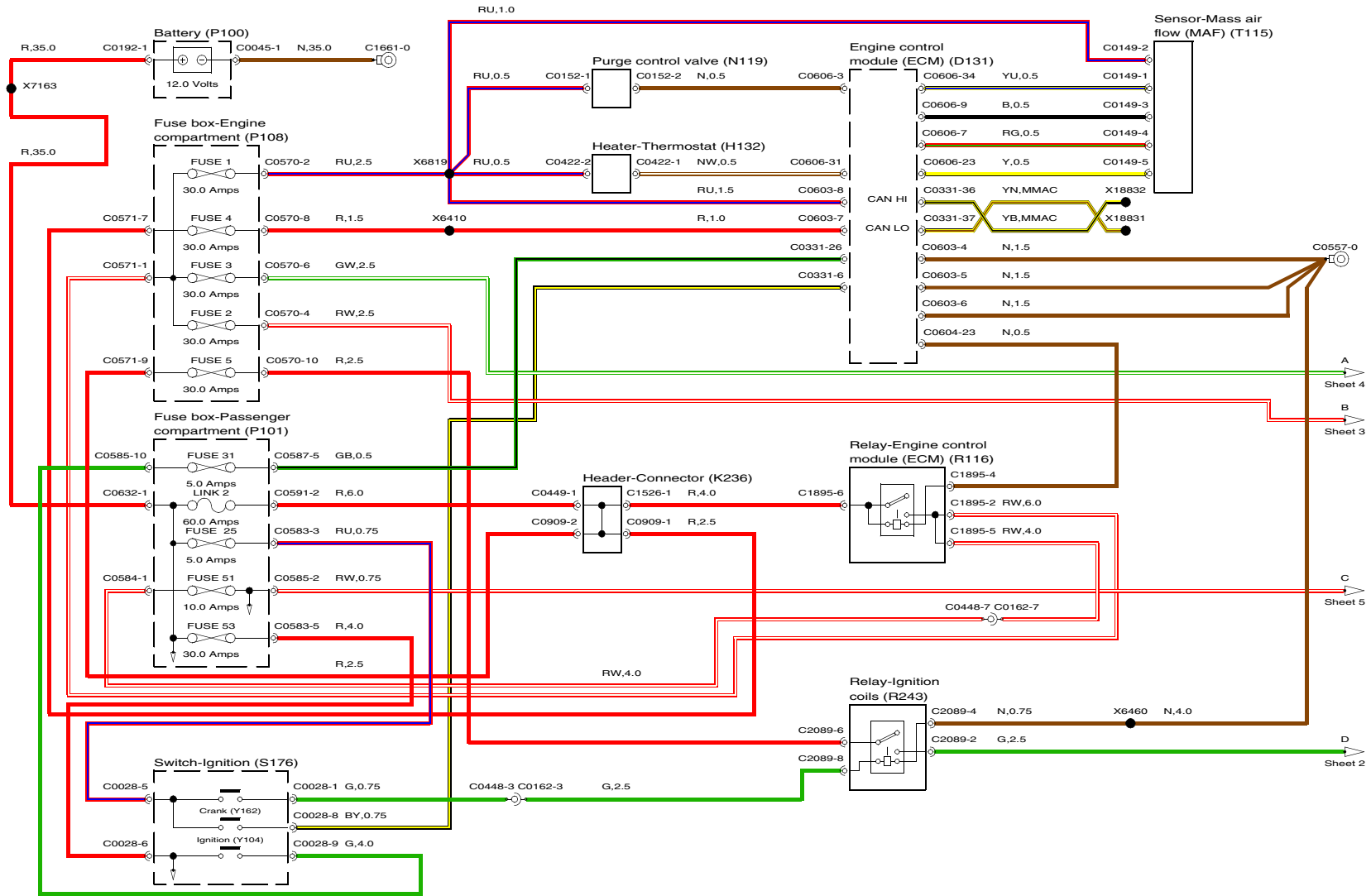
11 BODY CONTROL UNIT

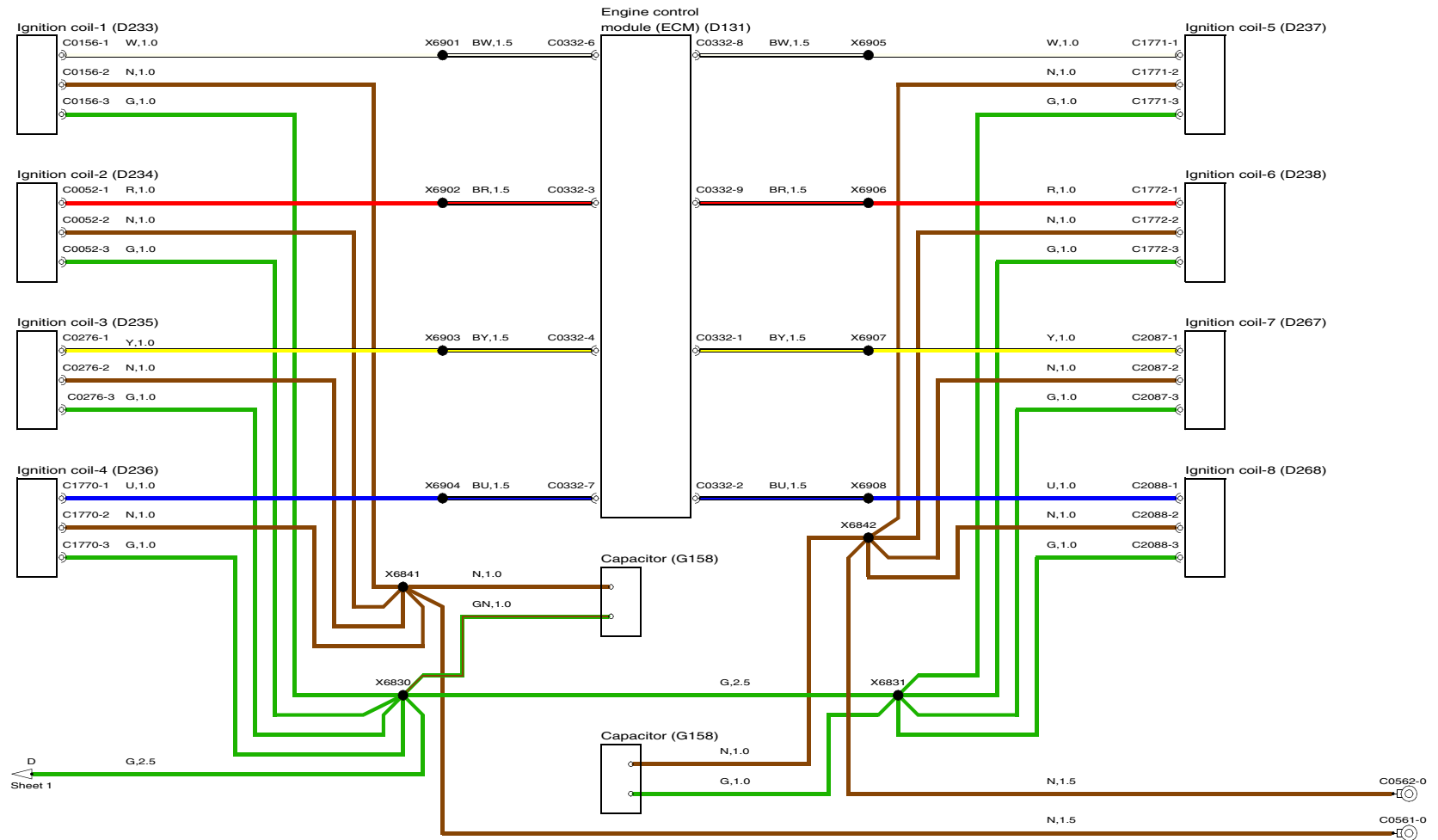


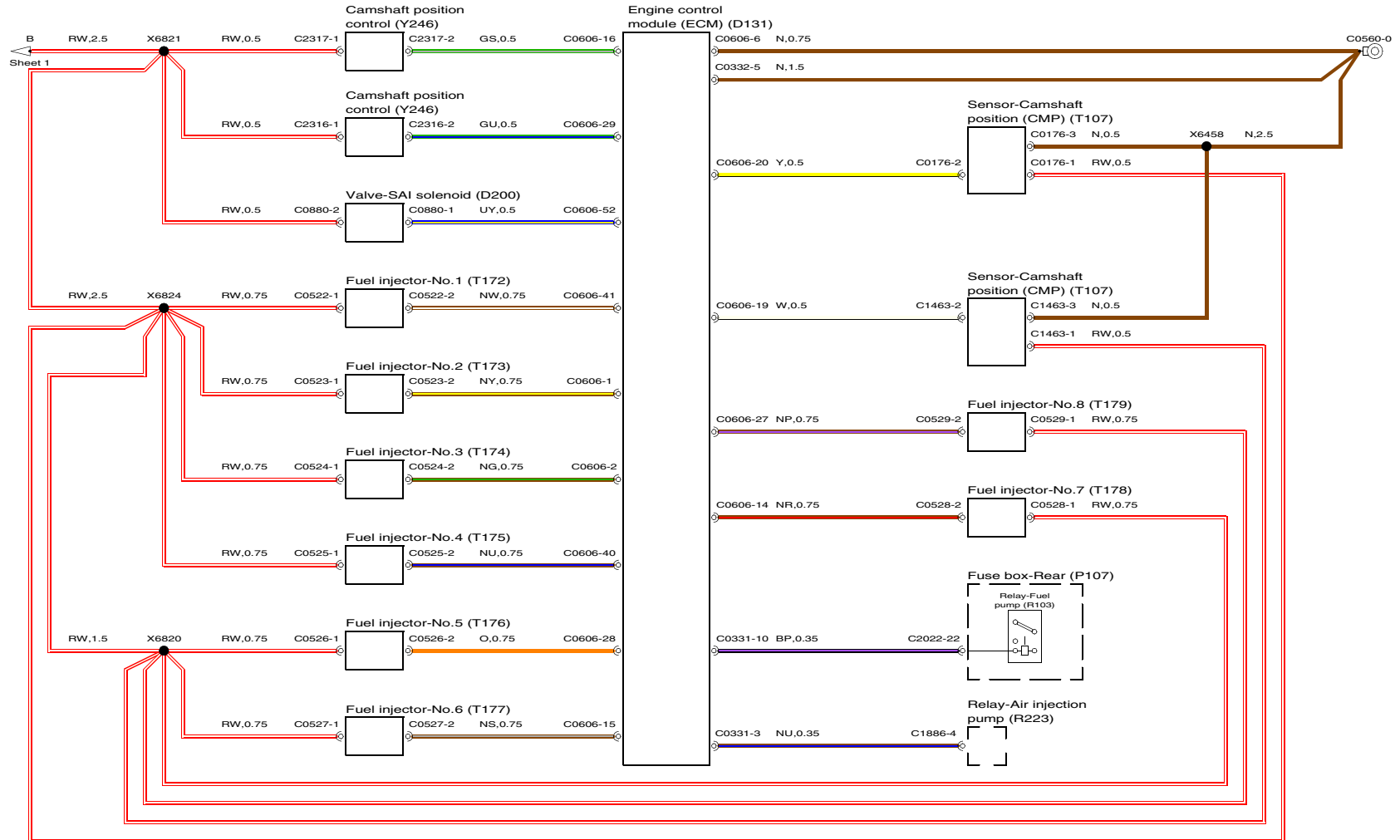
11 BODY CONTROL UNIT

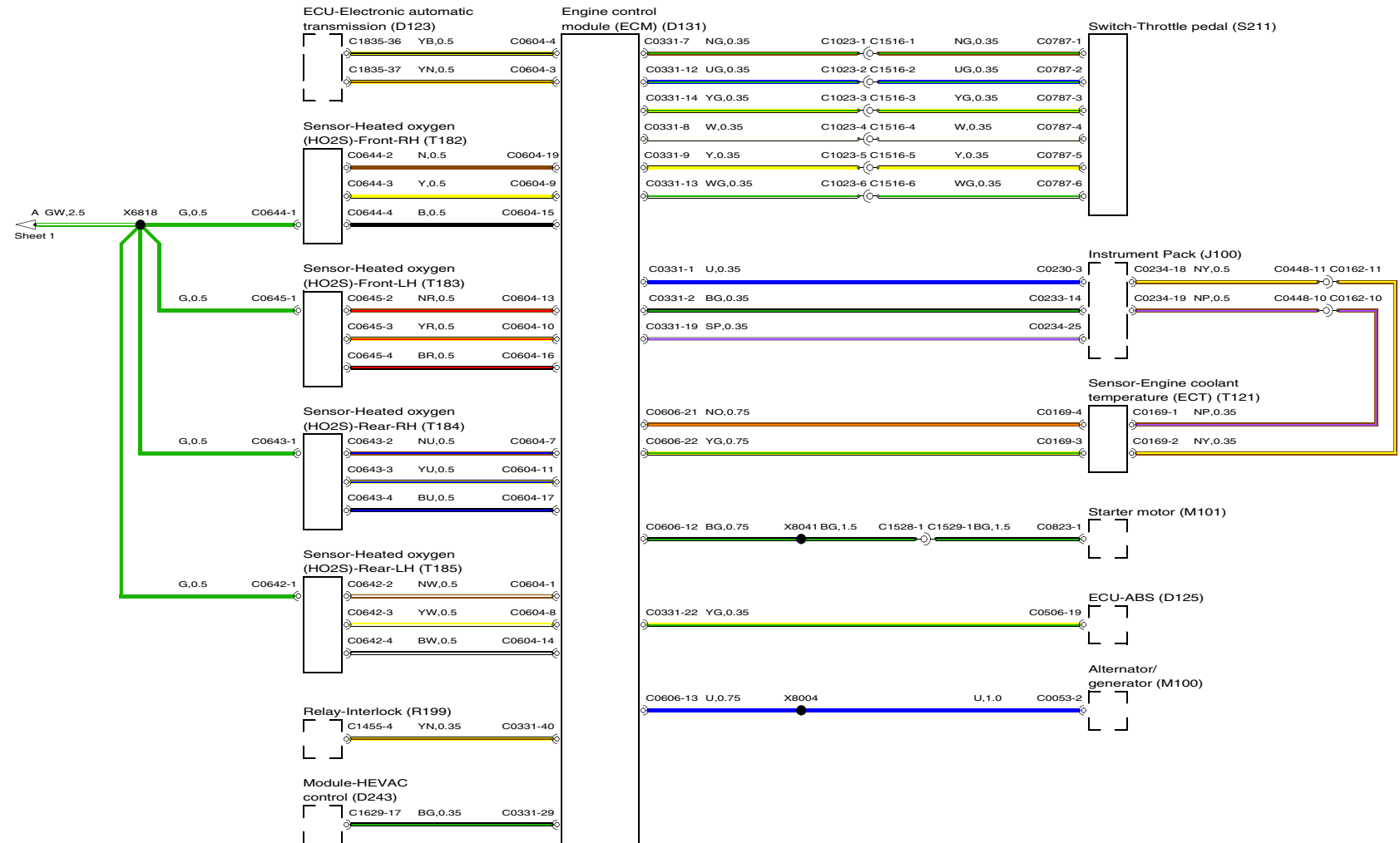


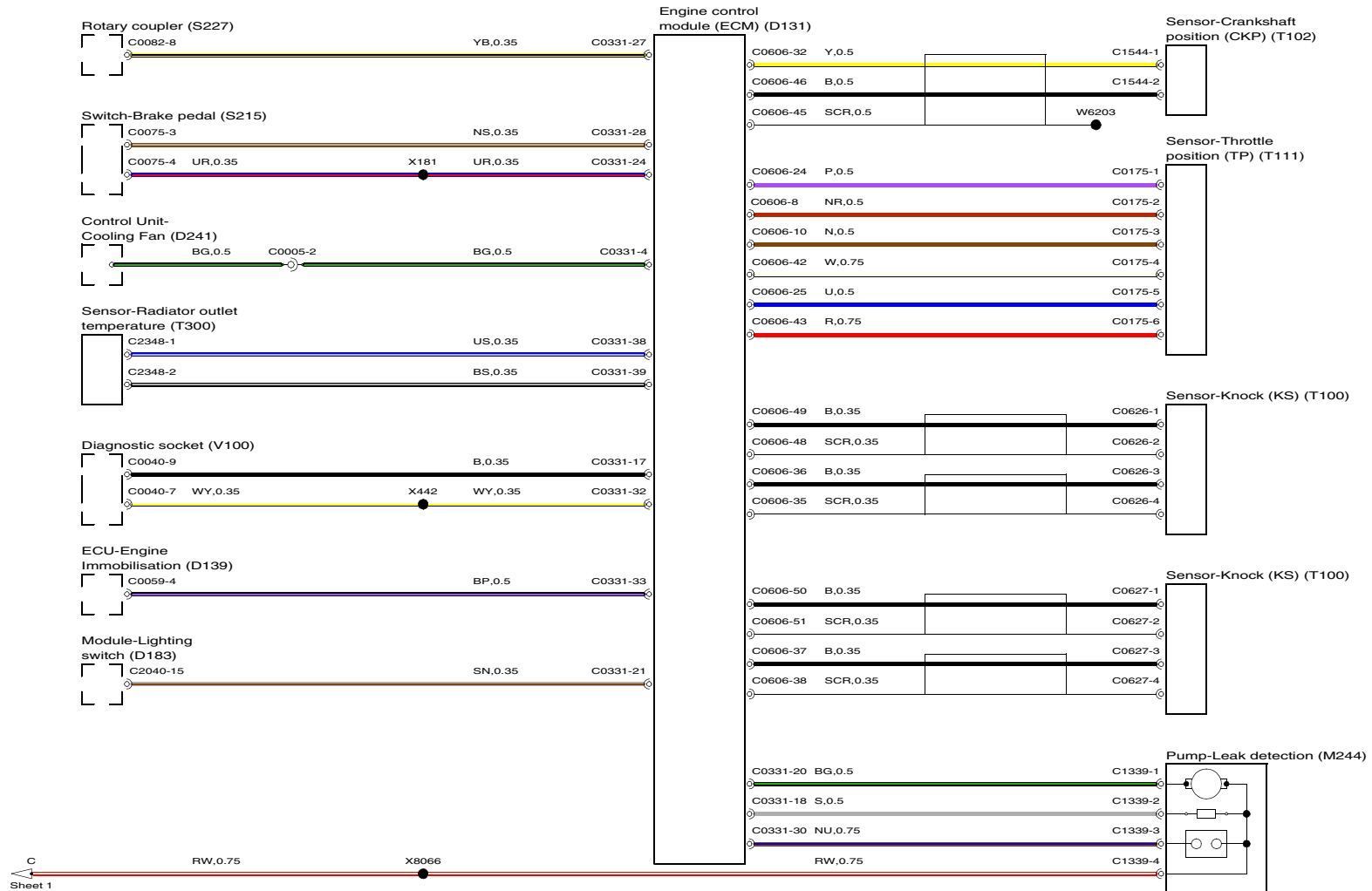






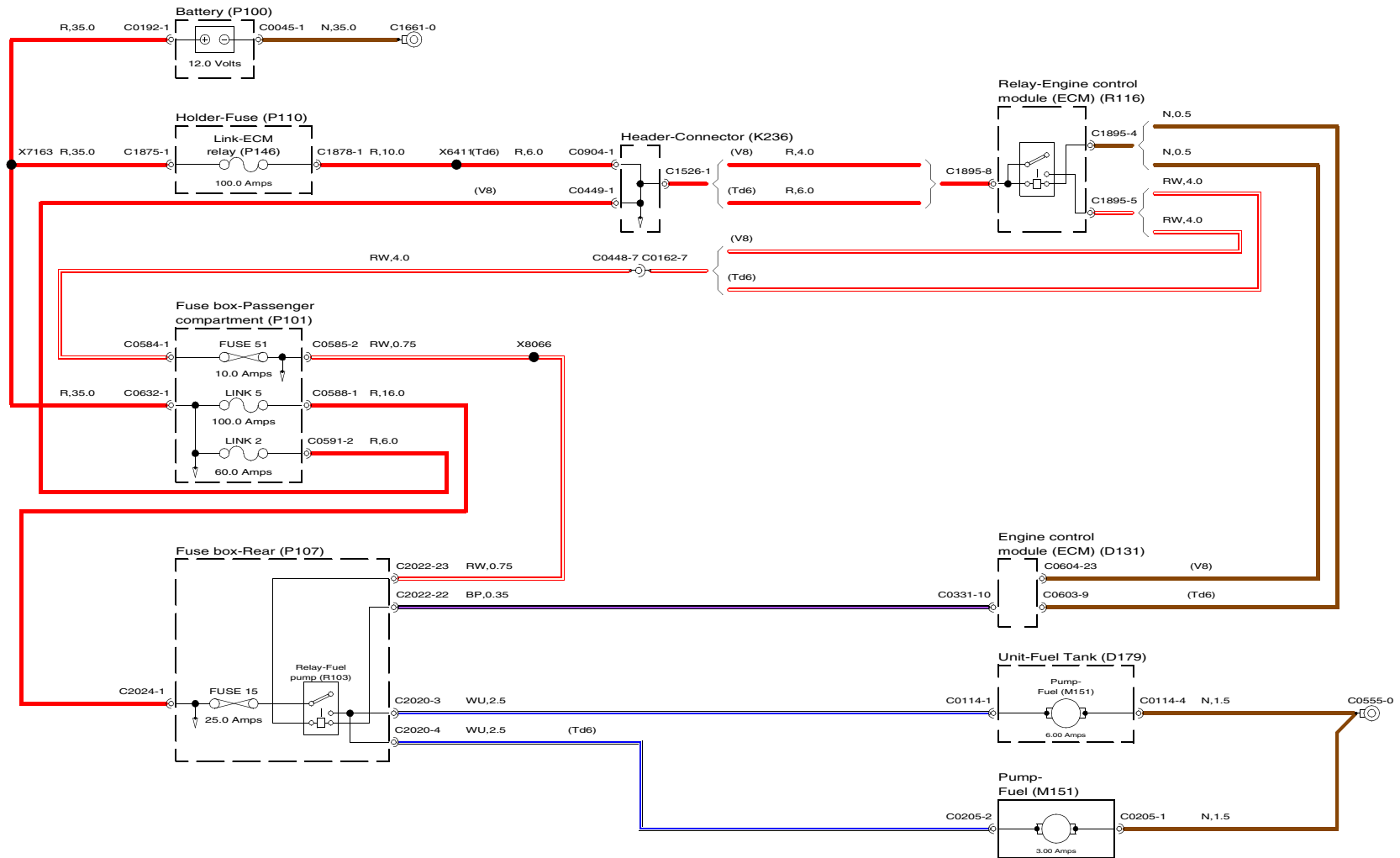




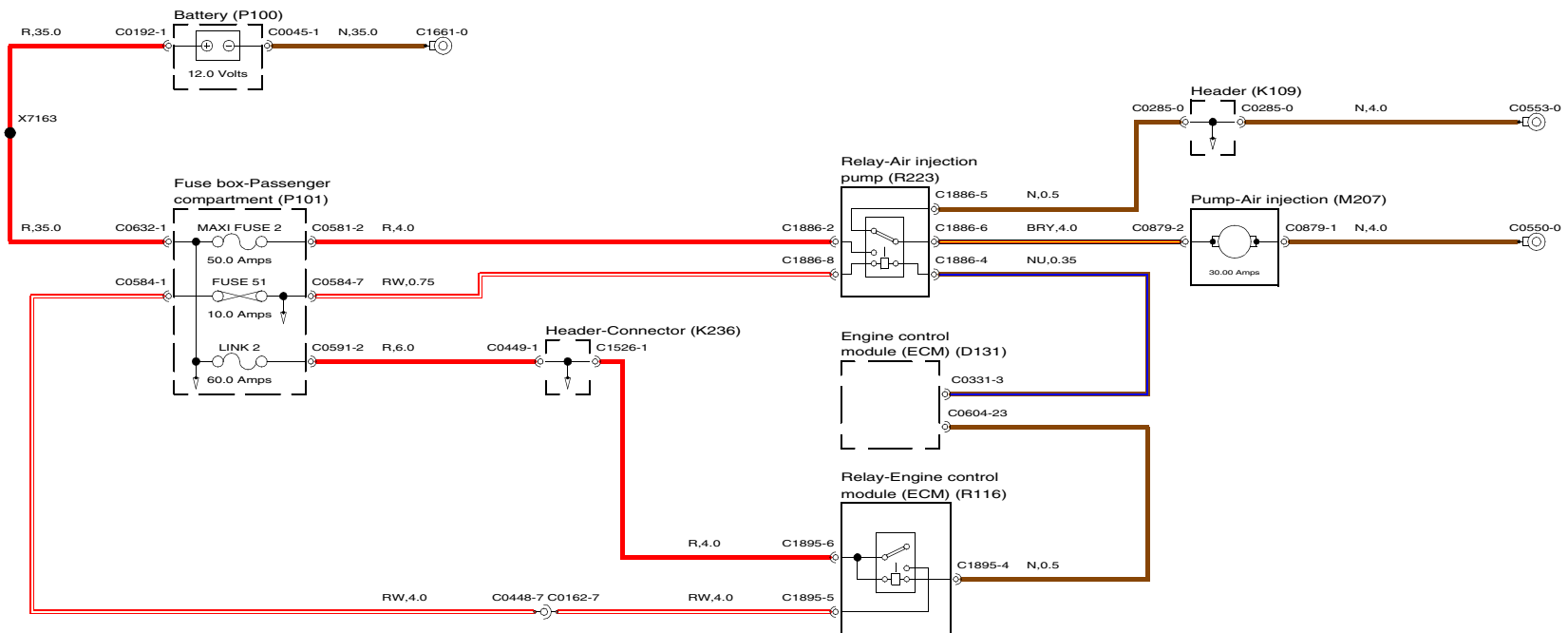


C
Sheet 1

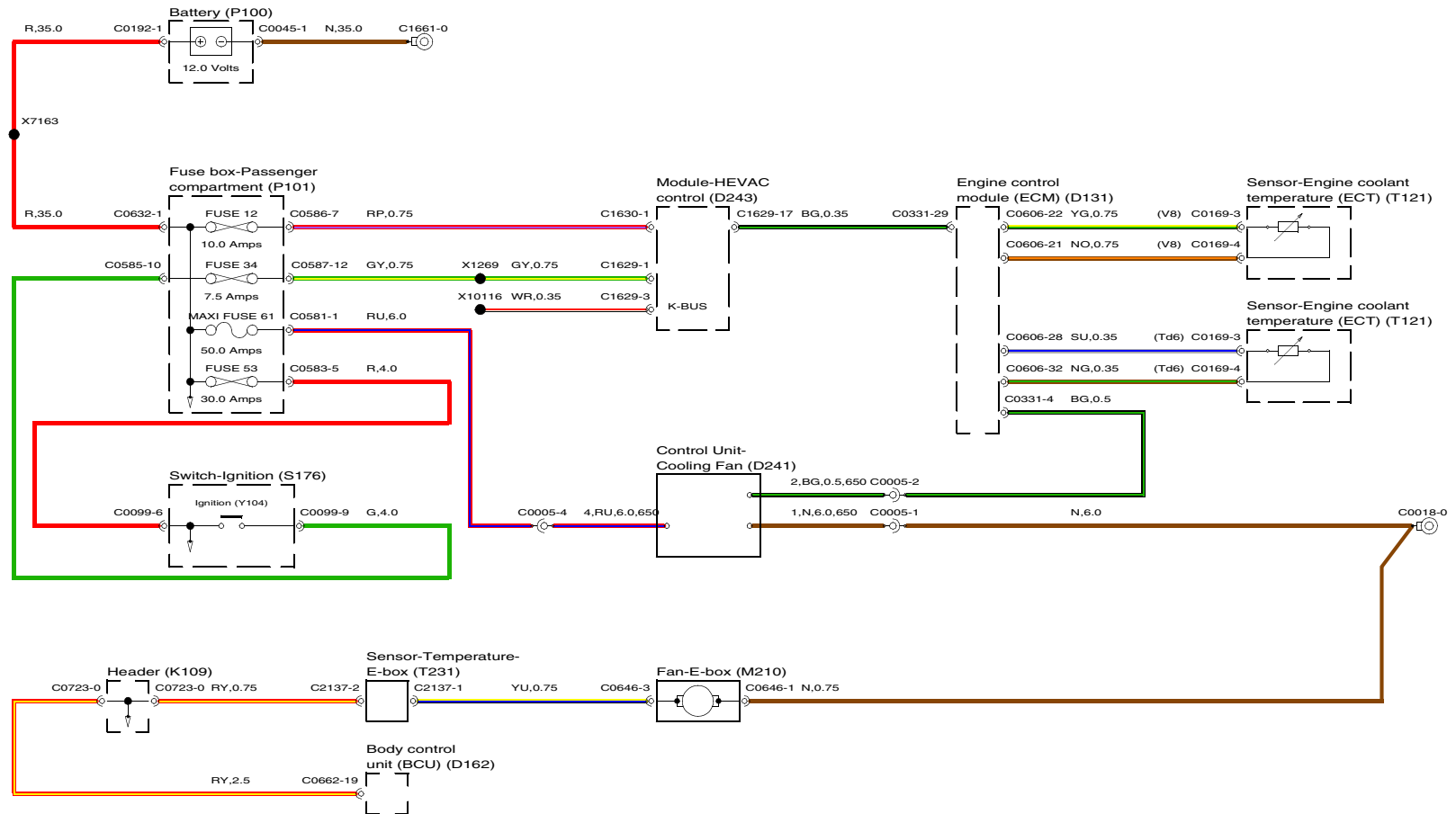
20 FUEL PUMP



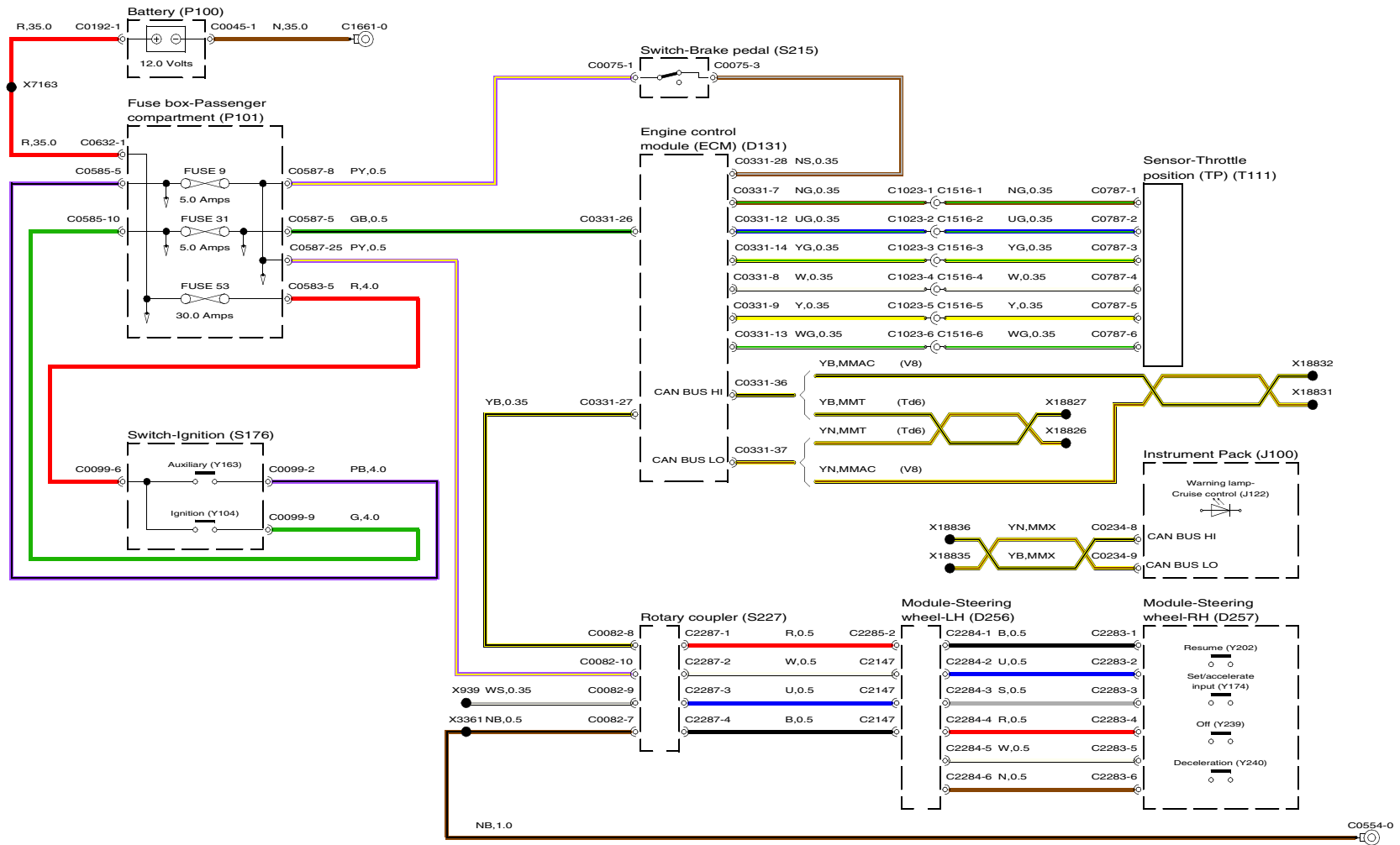
20 SECONDARY AIR INJECTION

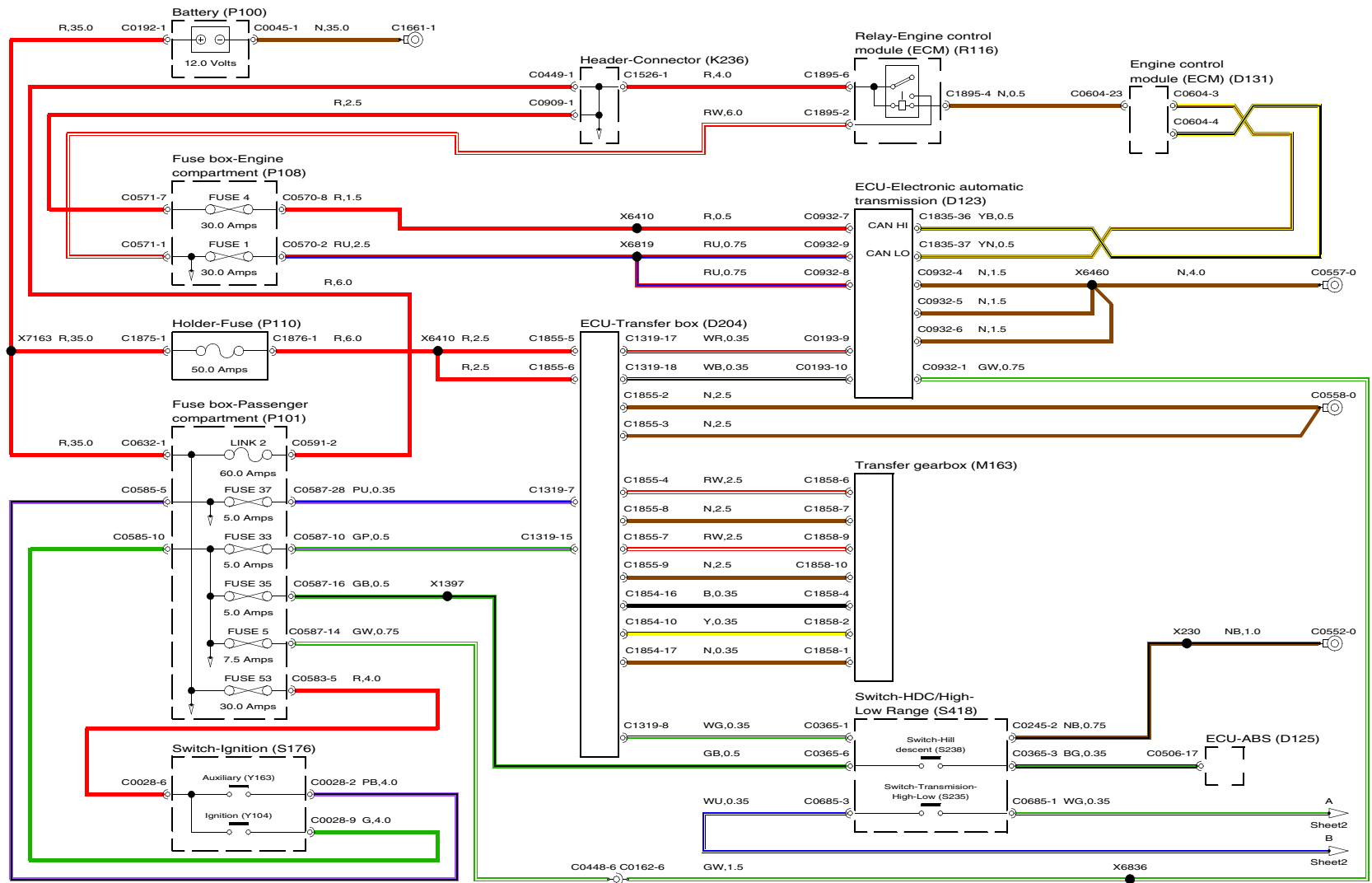


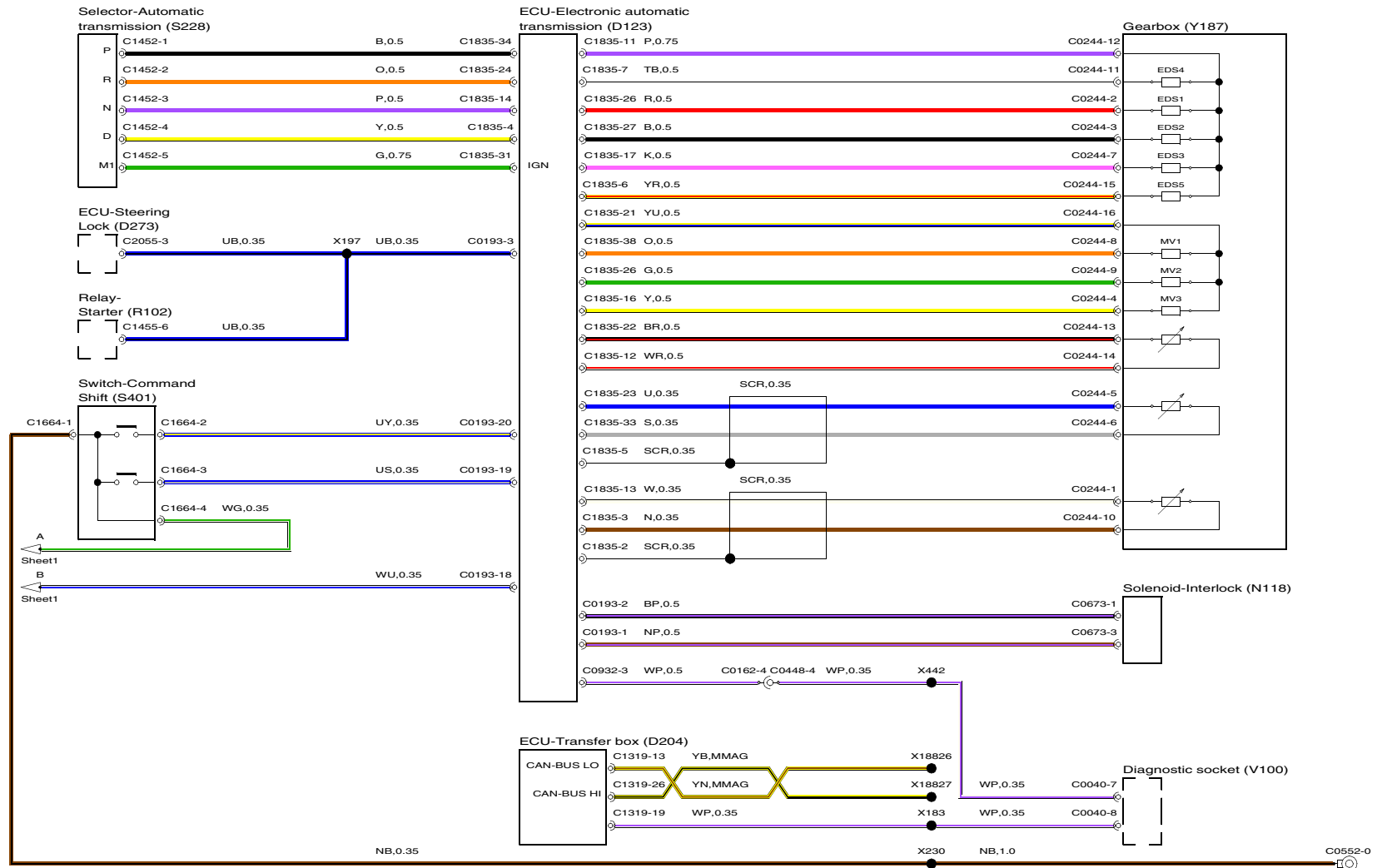
22 COOLING FANS



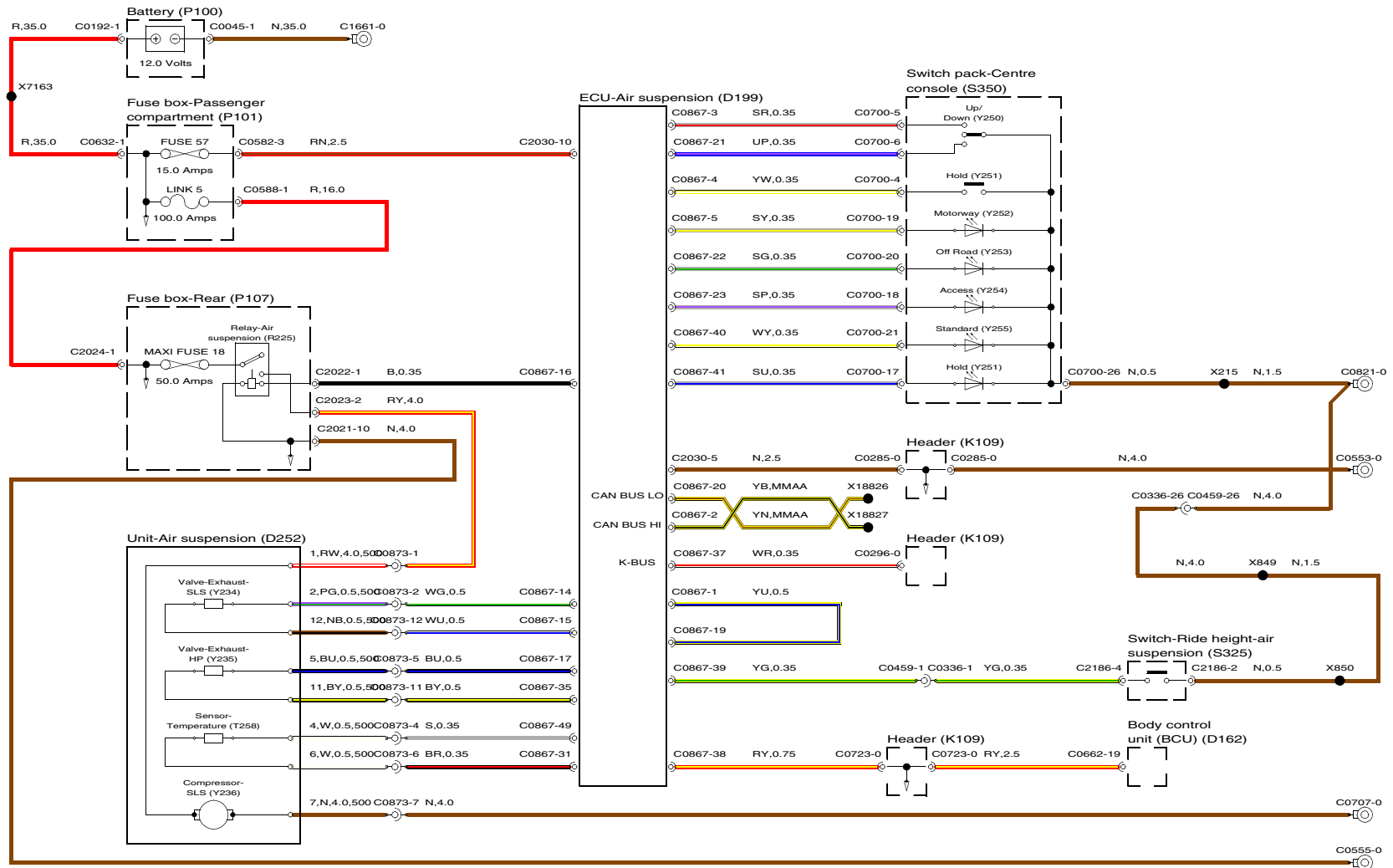
31 CRUISE CONTROL

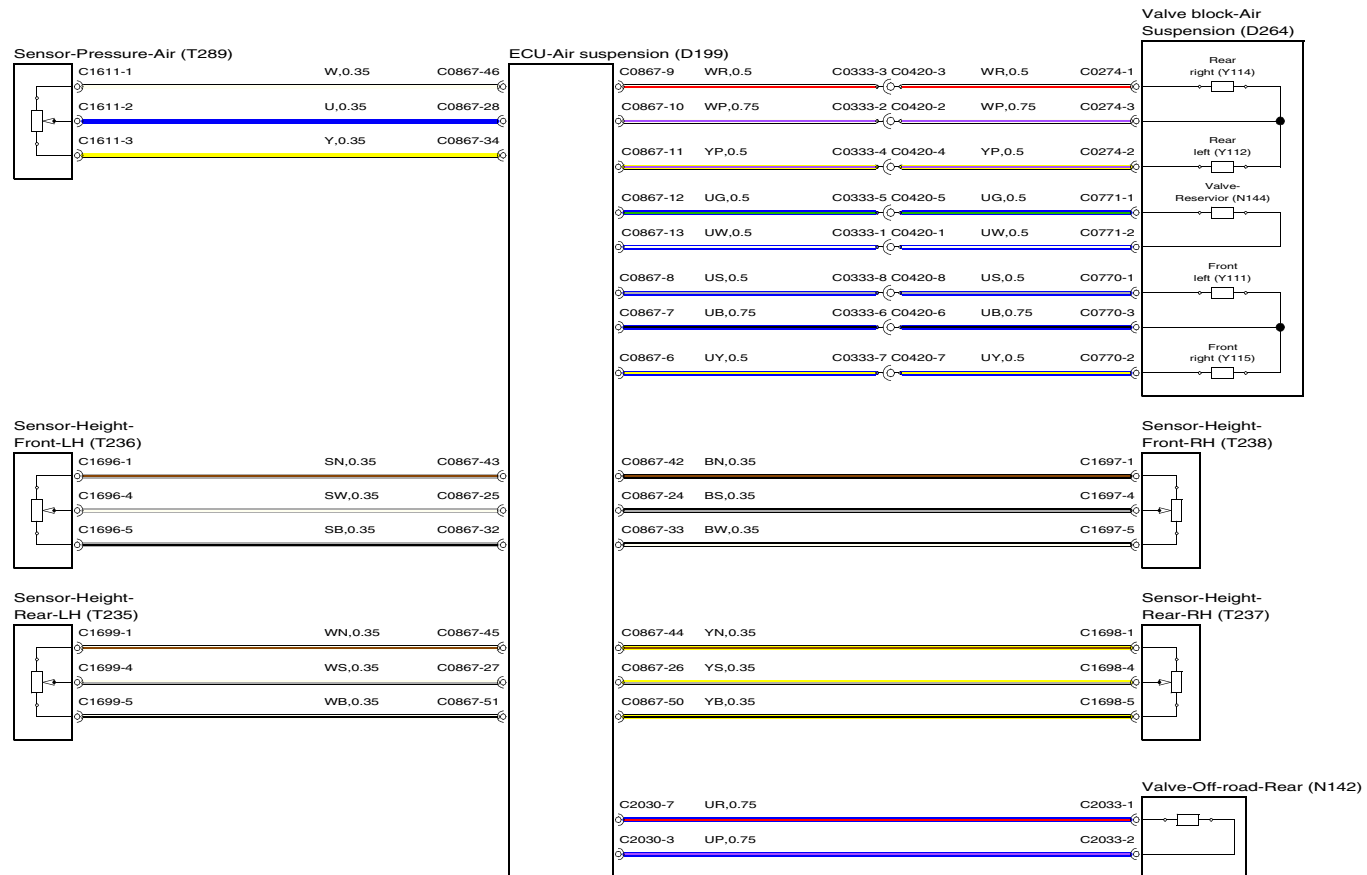




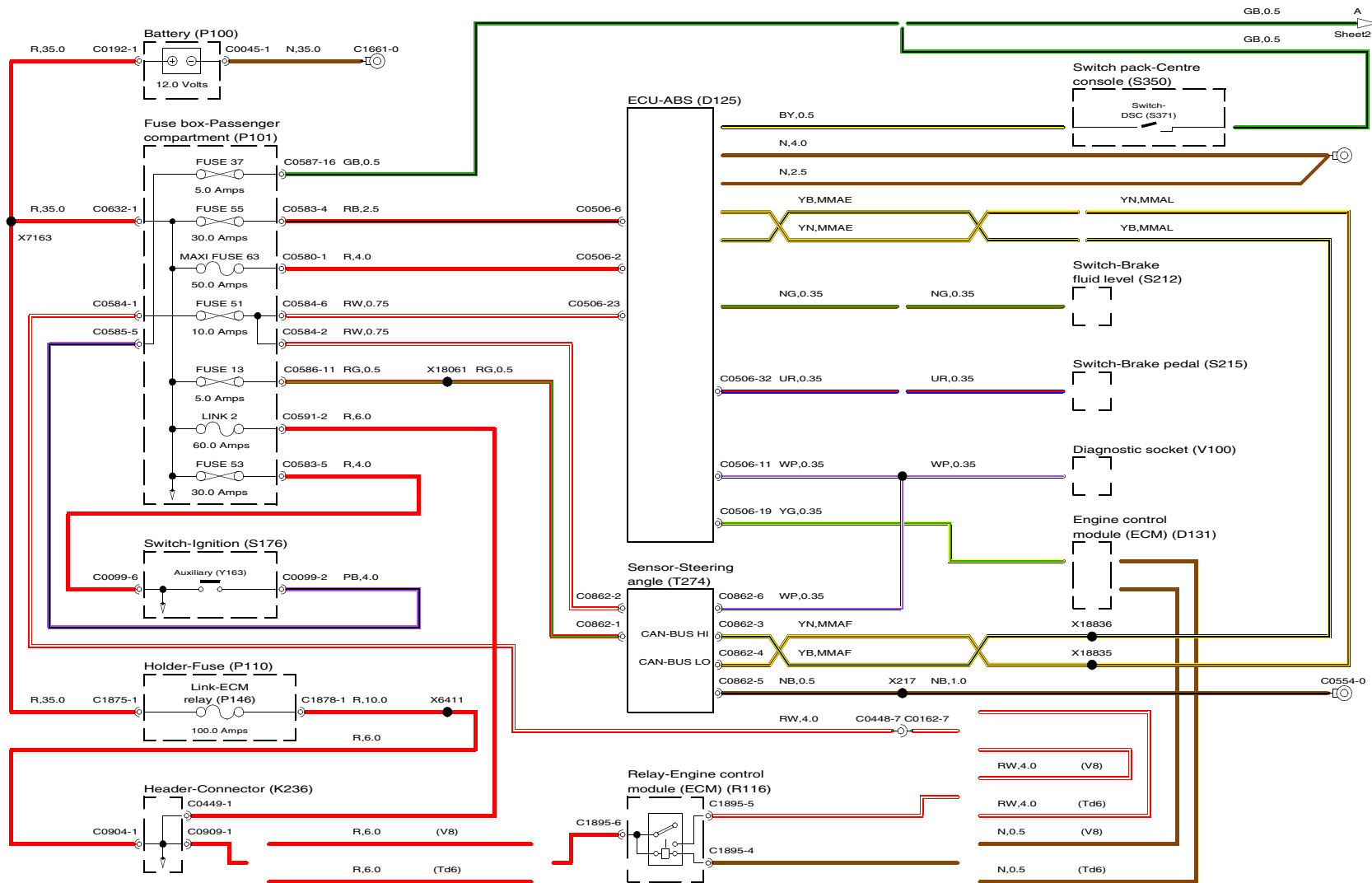


34 AIR SUSPENSION

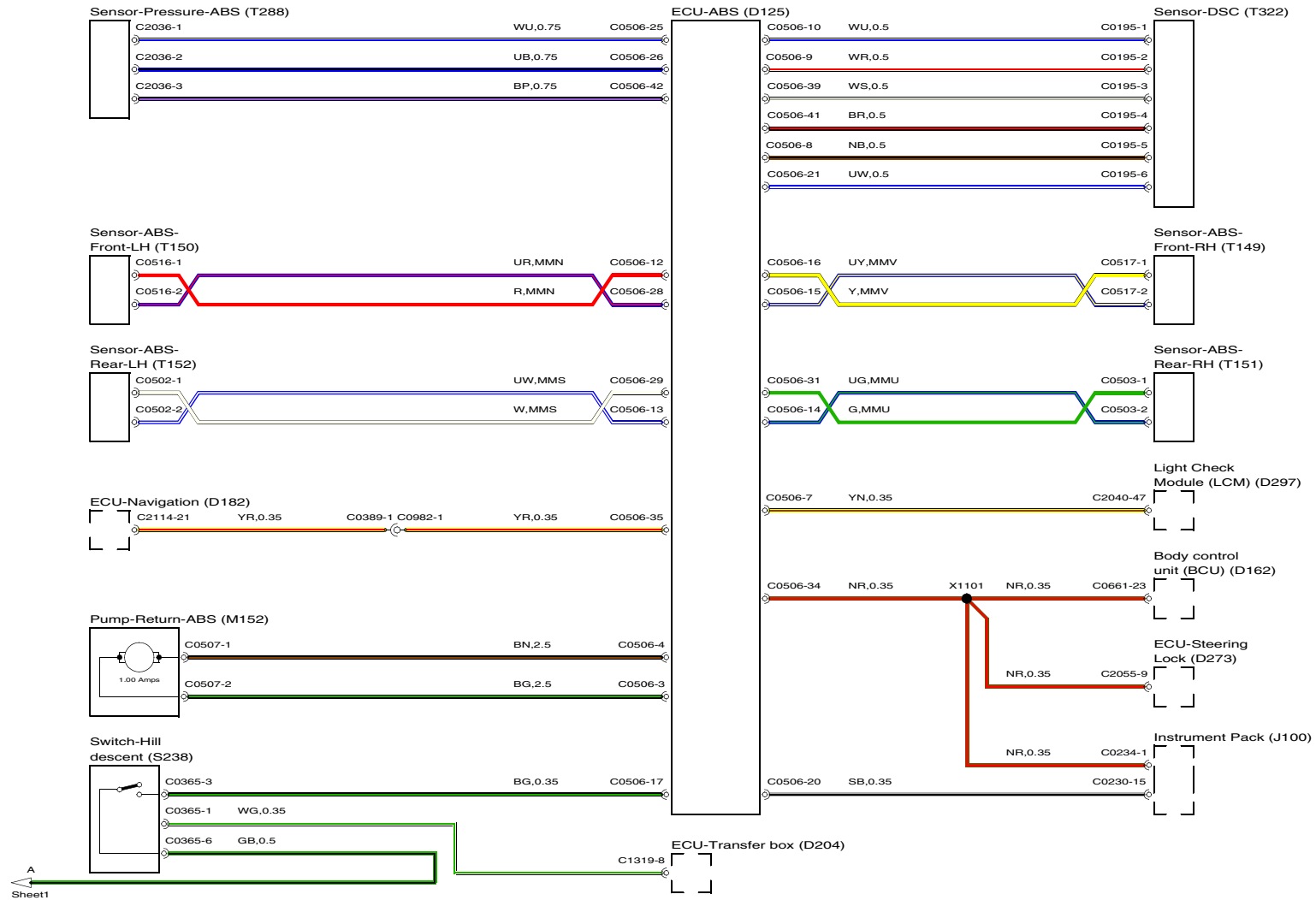




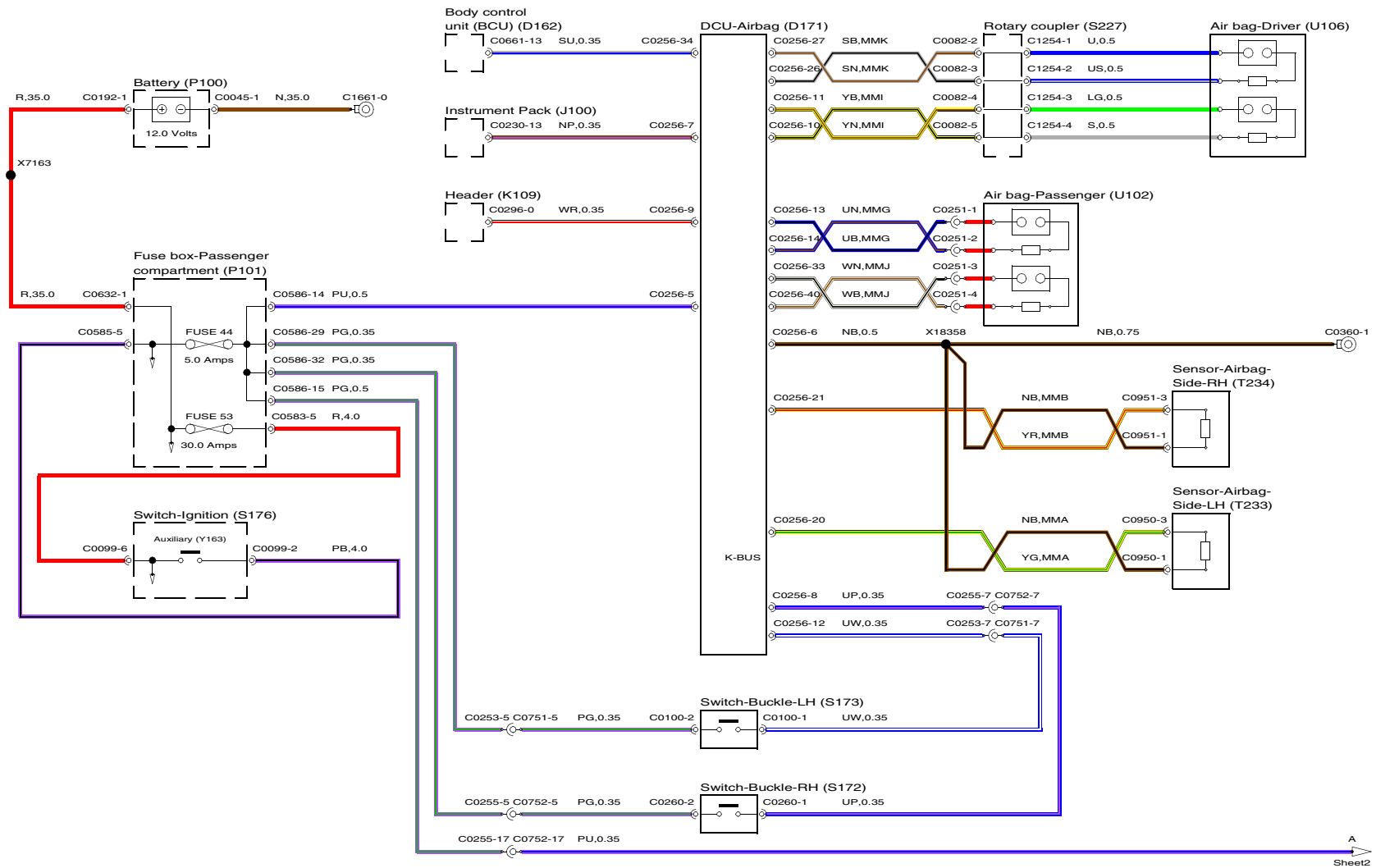
35 ANTI-LOCK BRAKING SYSTEM (ABS)



35 ANTI-LOCK BRAKING SYSTEM (ABS)

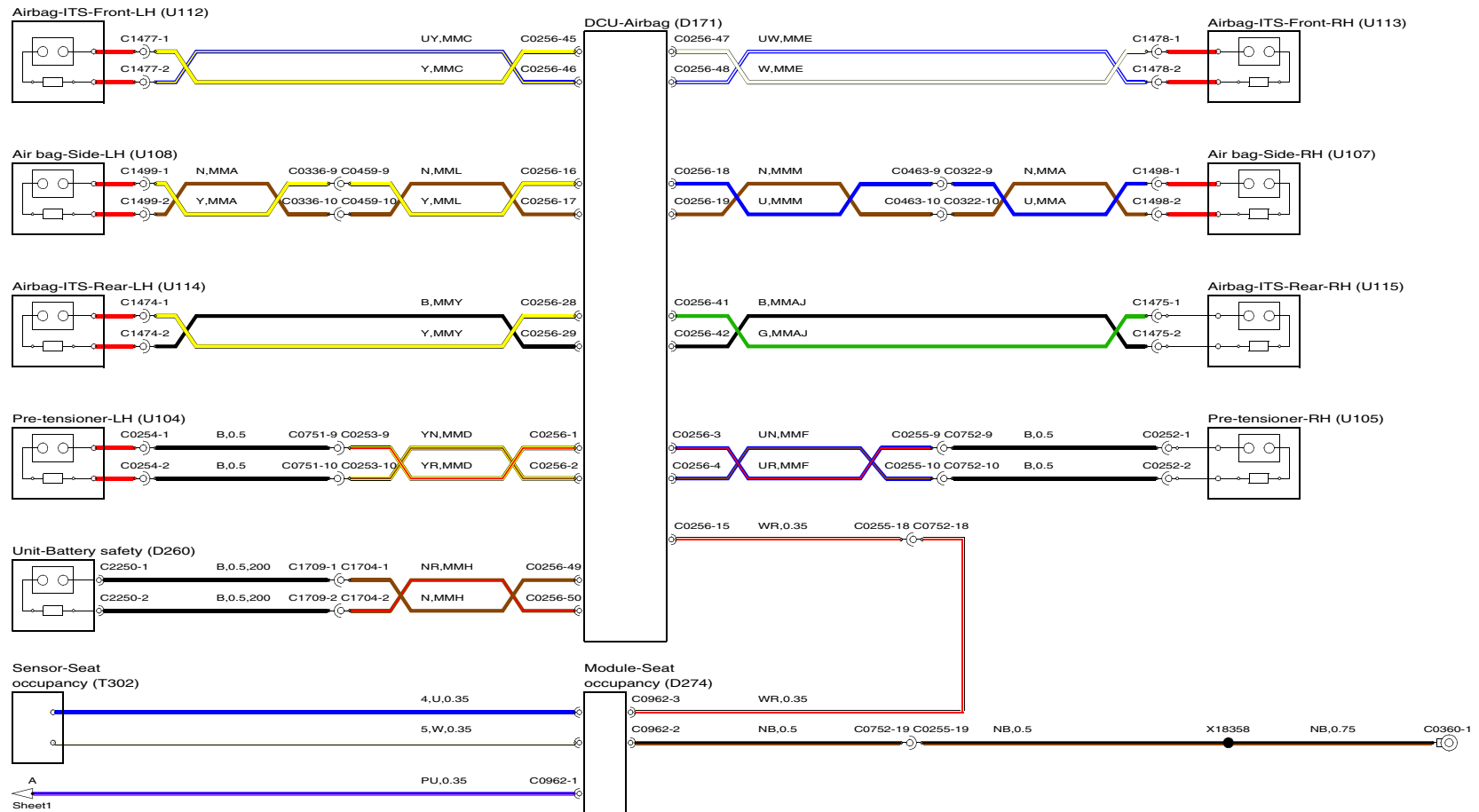


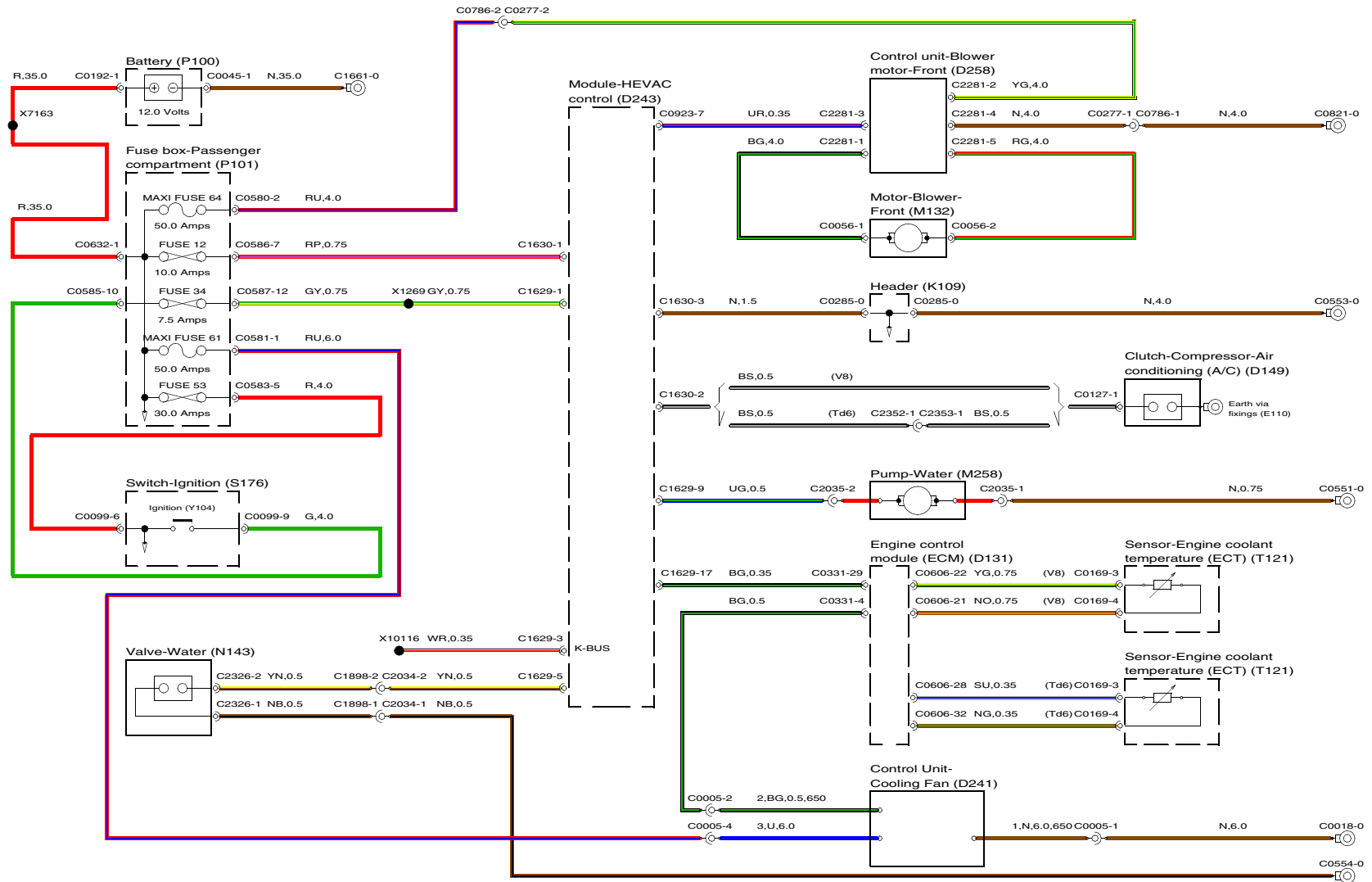
36 SUPPLEMENTARY RESTRAINT SYSTEM (SRS)

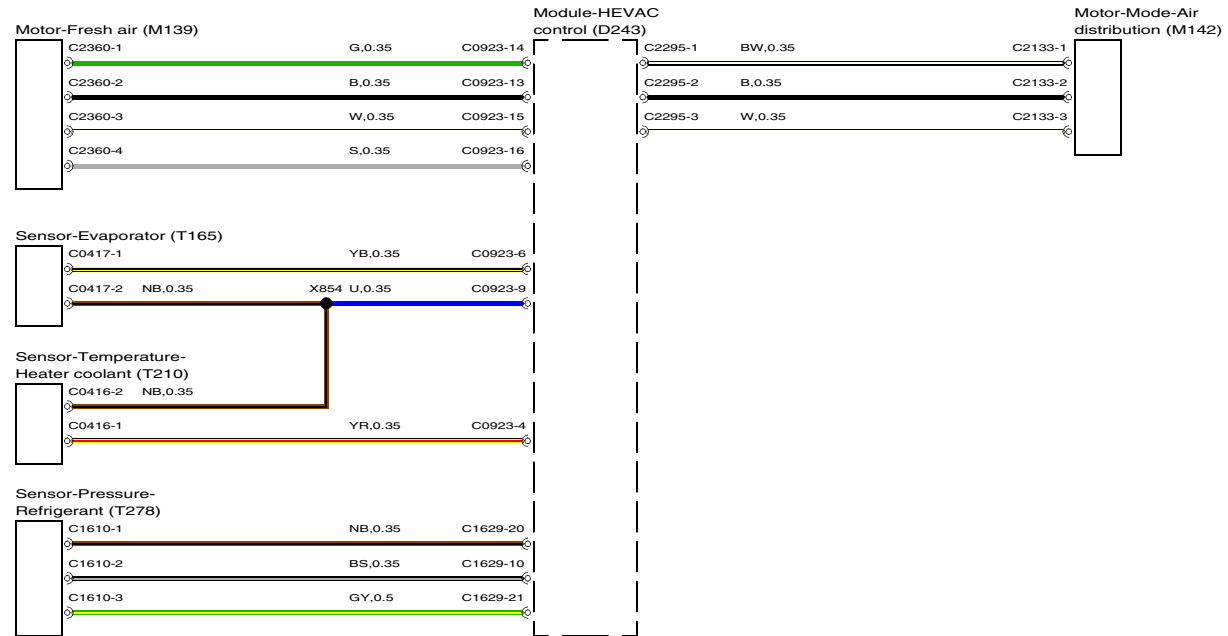


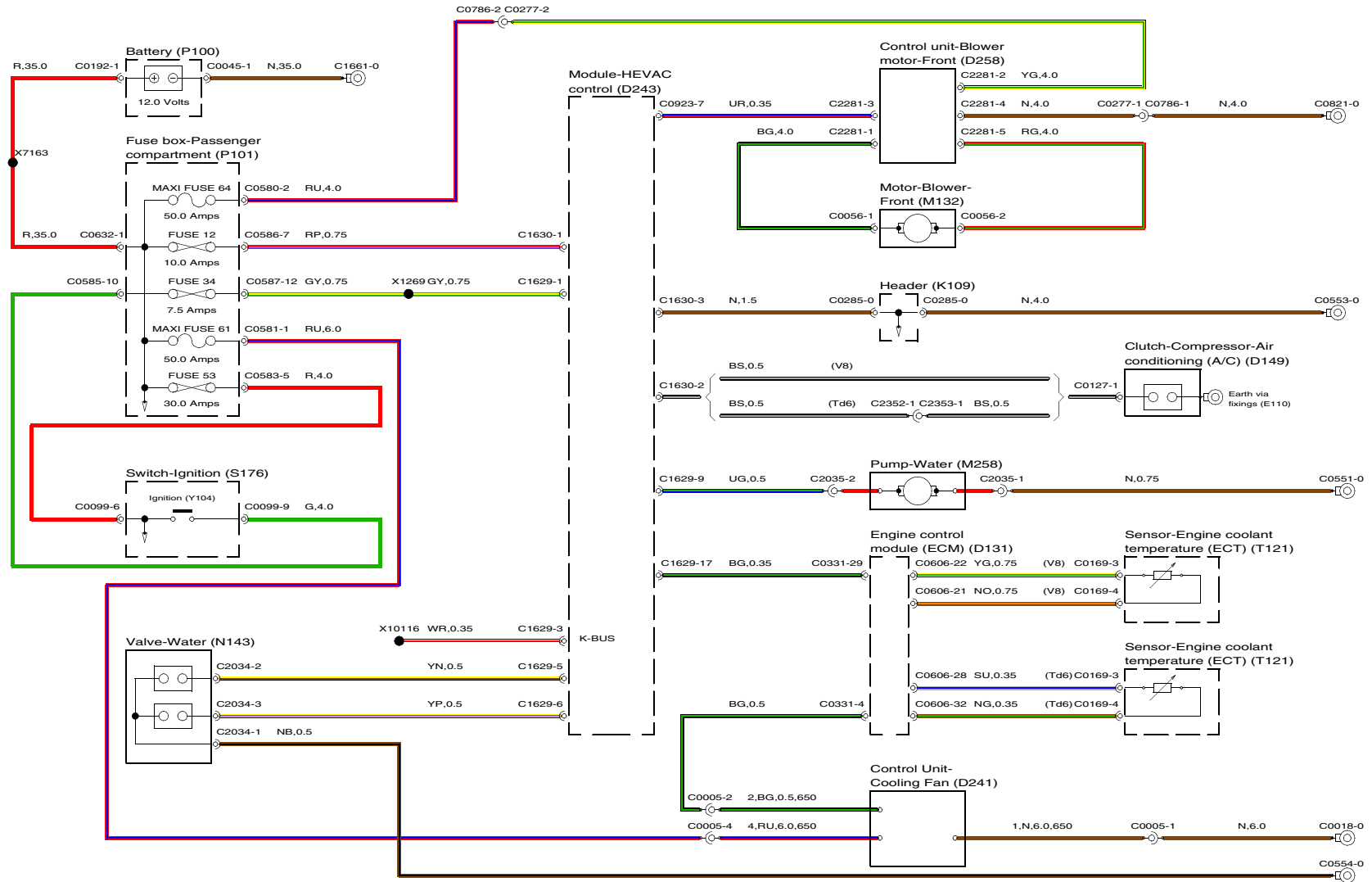
A
Sheet2

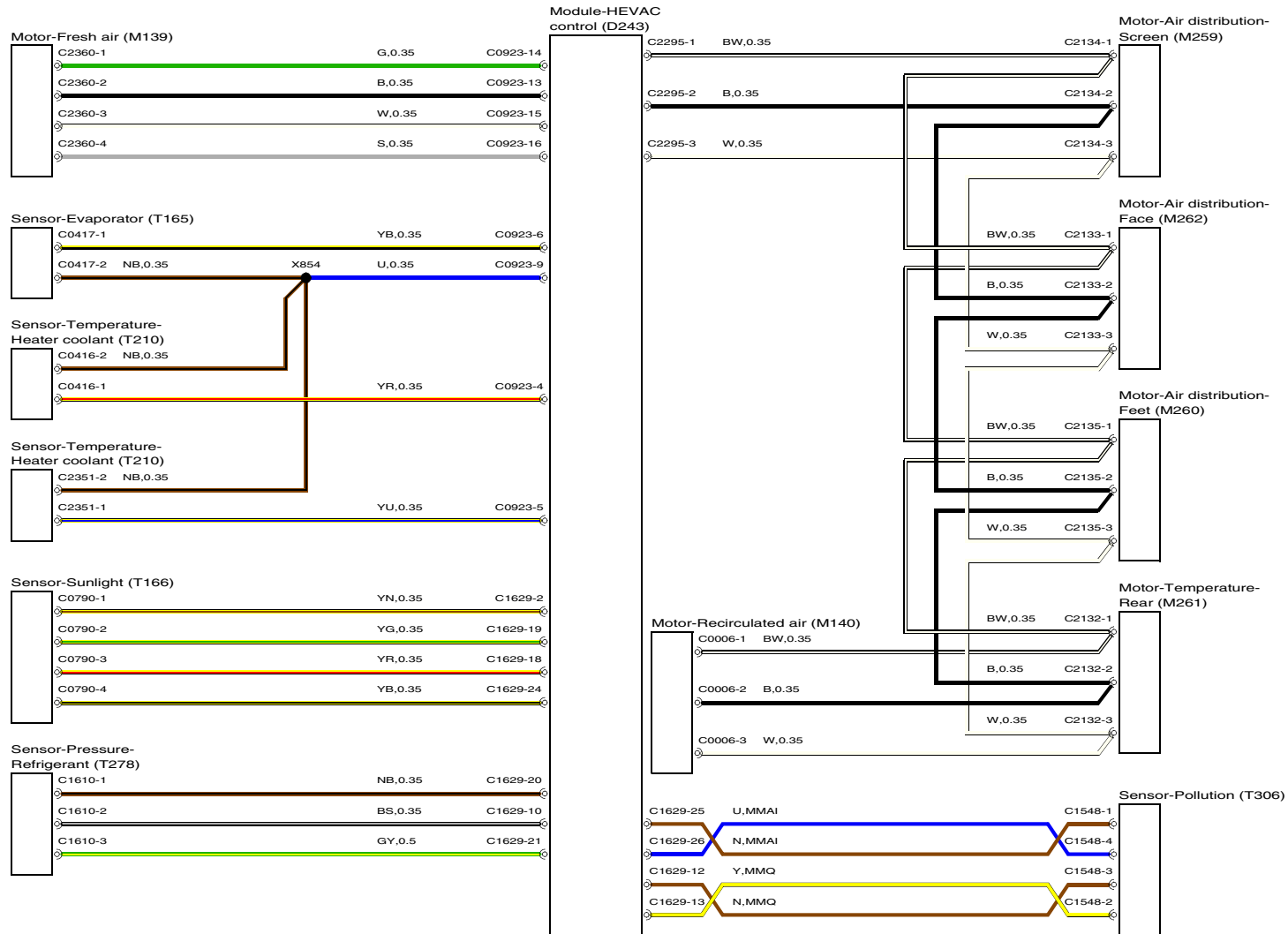
36 SUPPLEMENTARY RESTRAINT SYSTEM (SRS)

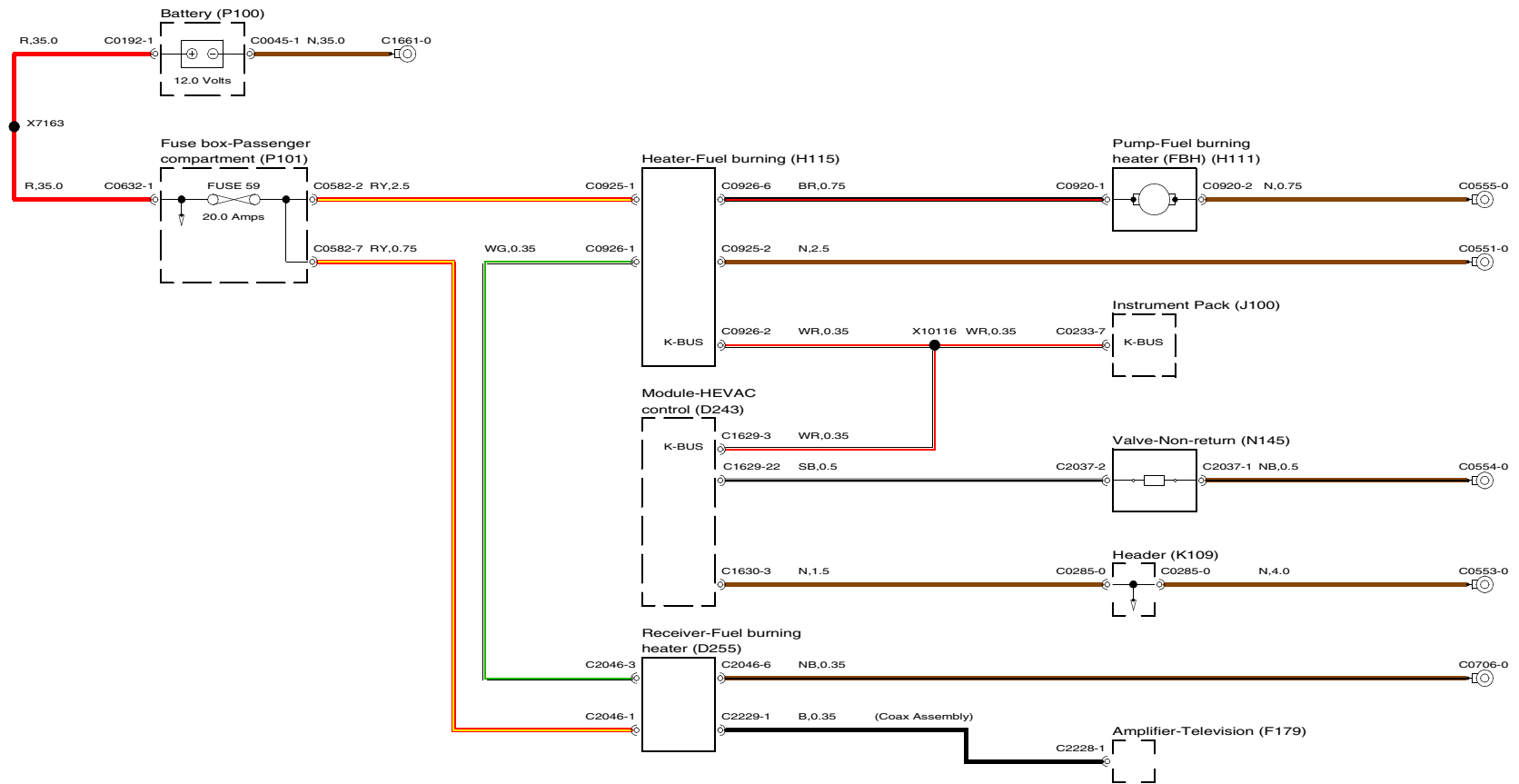




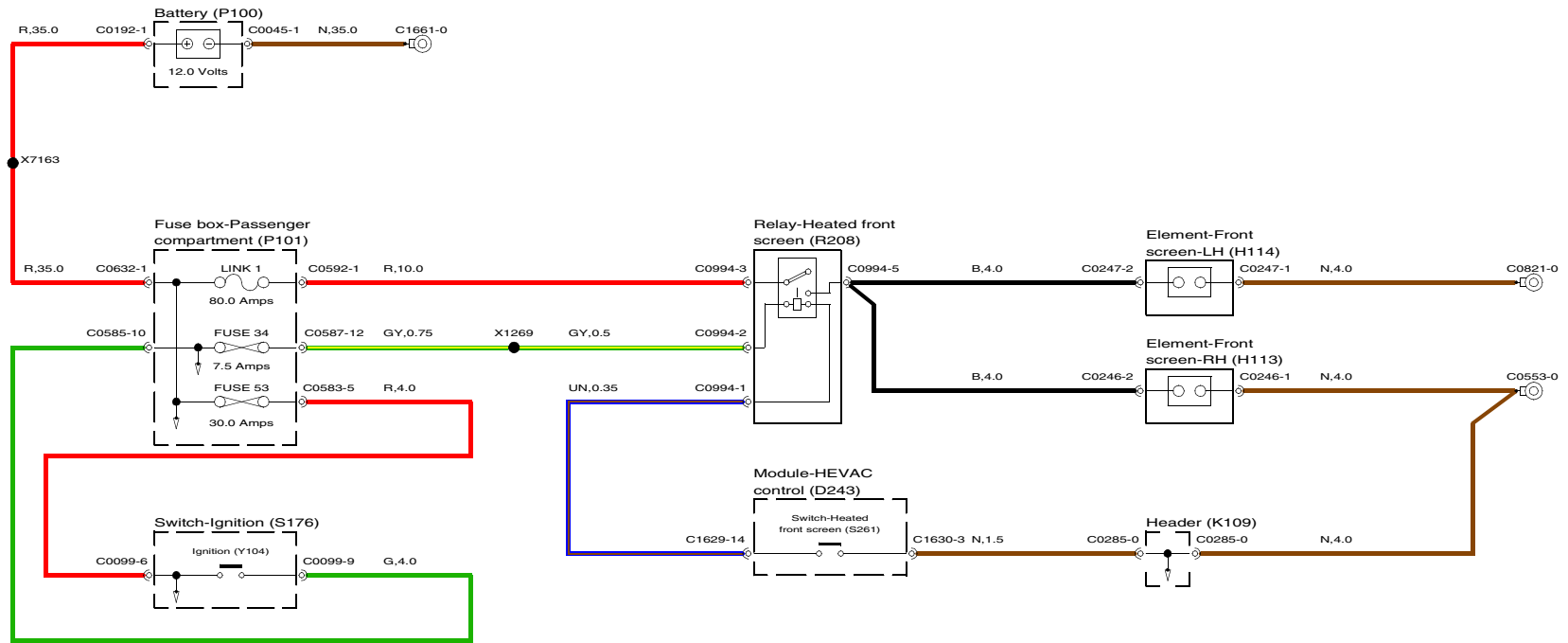




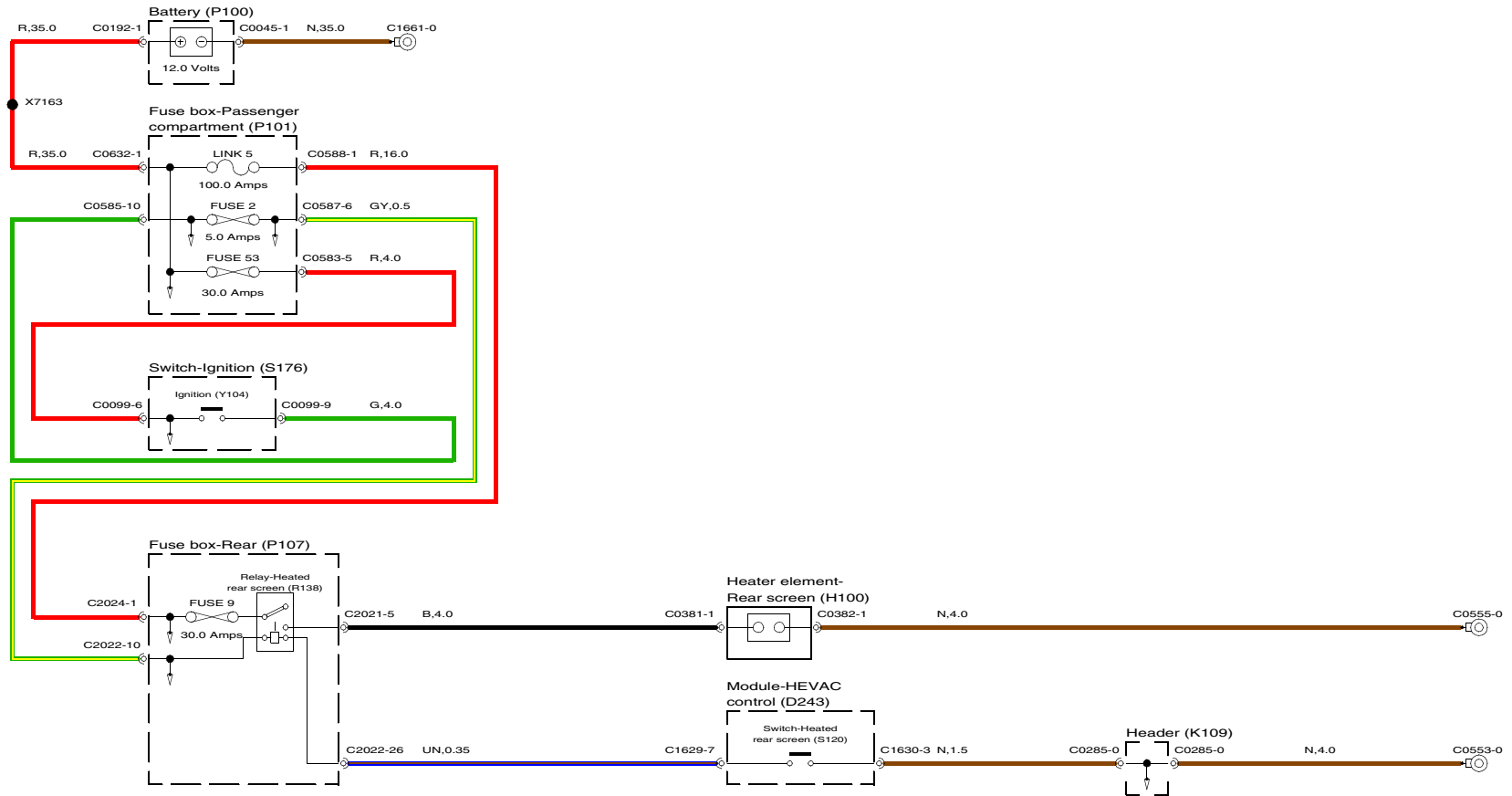


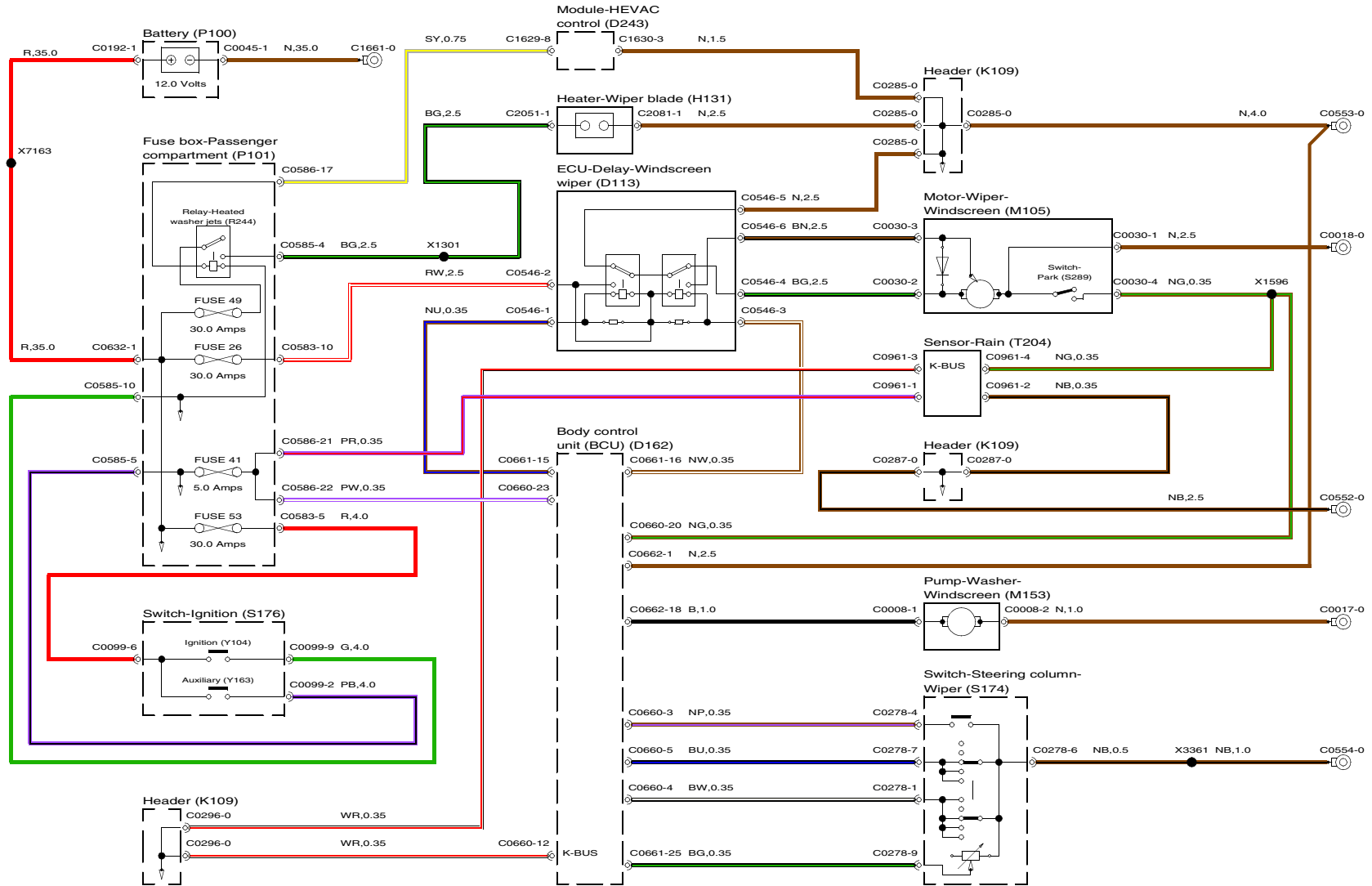


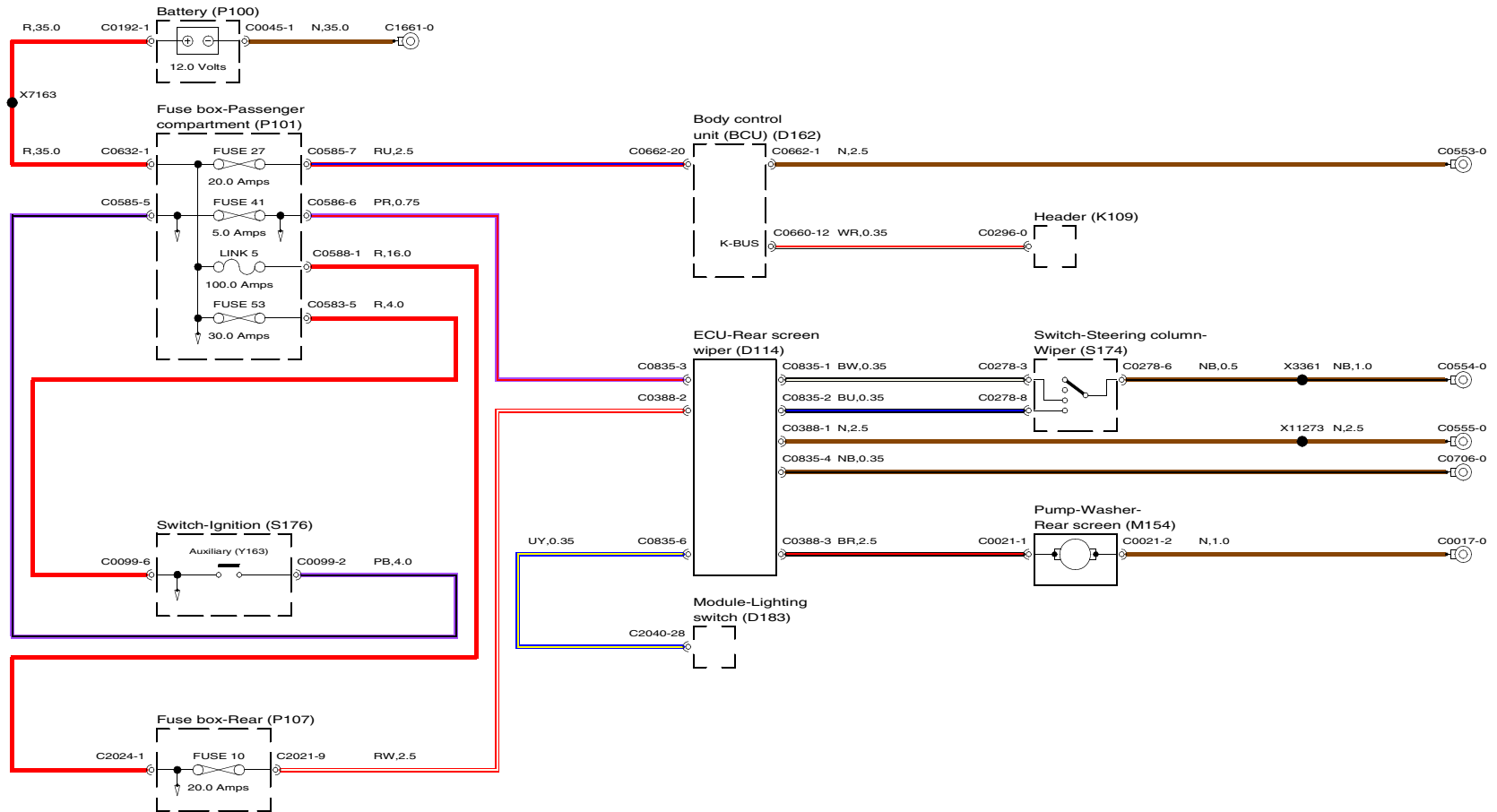
40 HEATED FRONT SCREEN

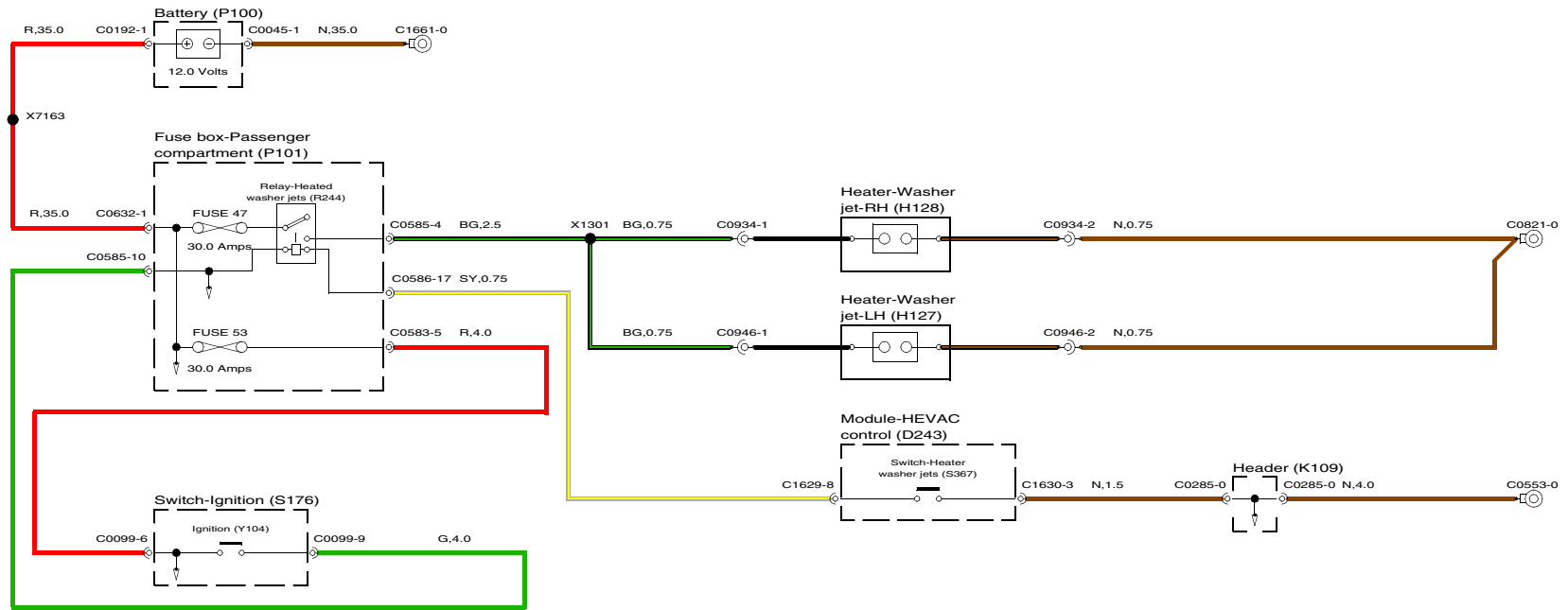


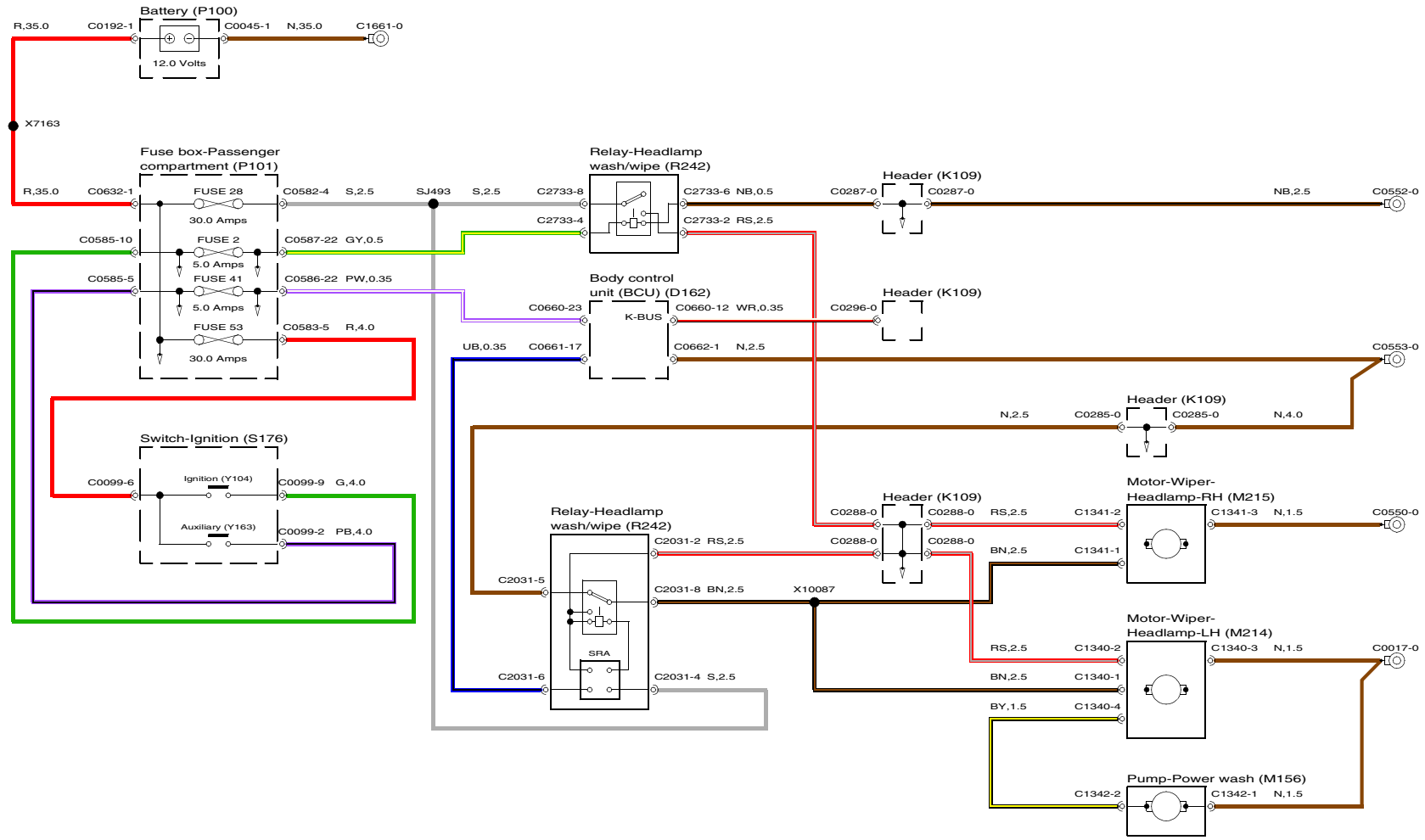
40 HEATED REAR SCREEN

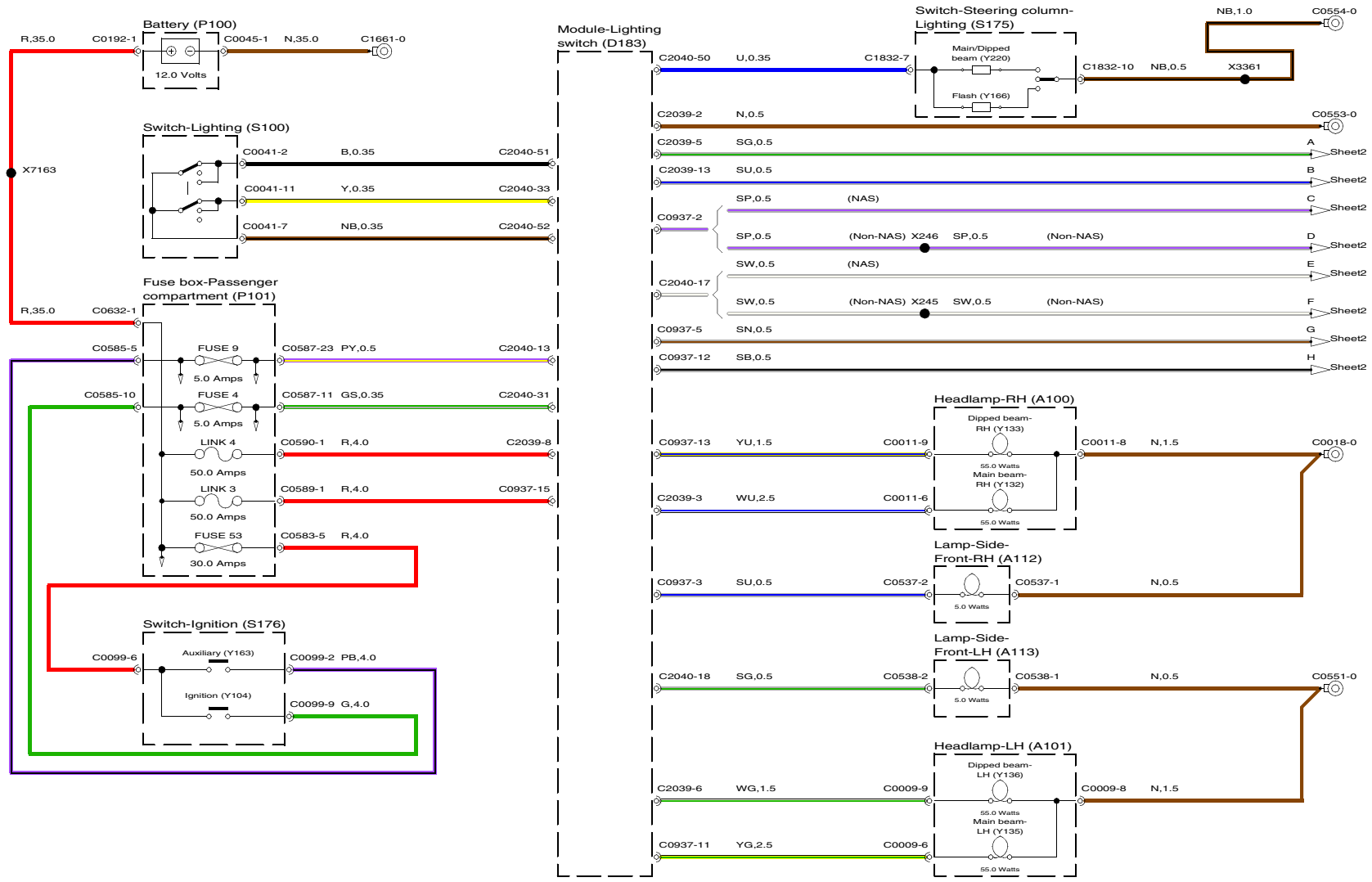


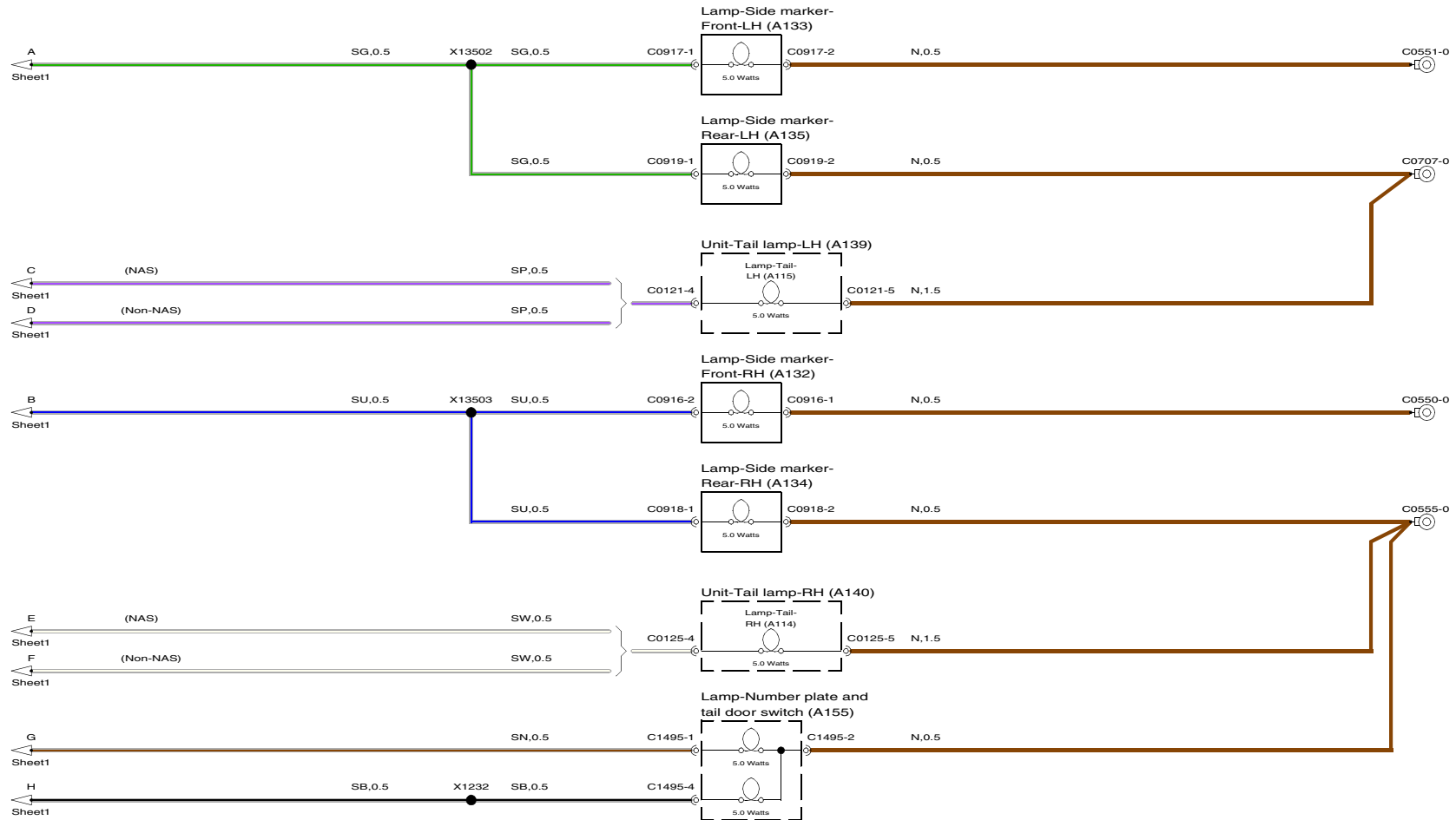


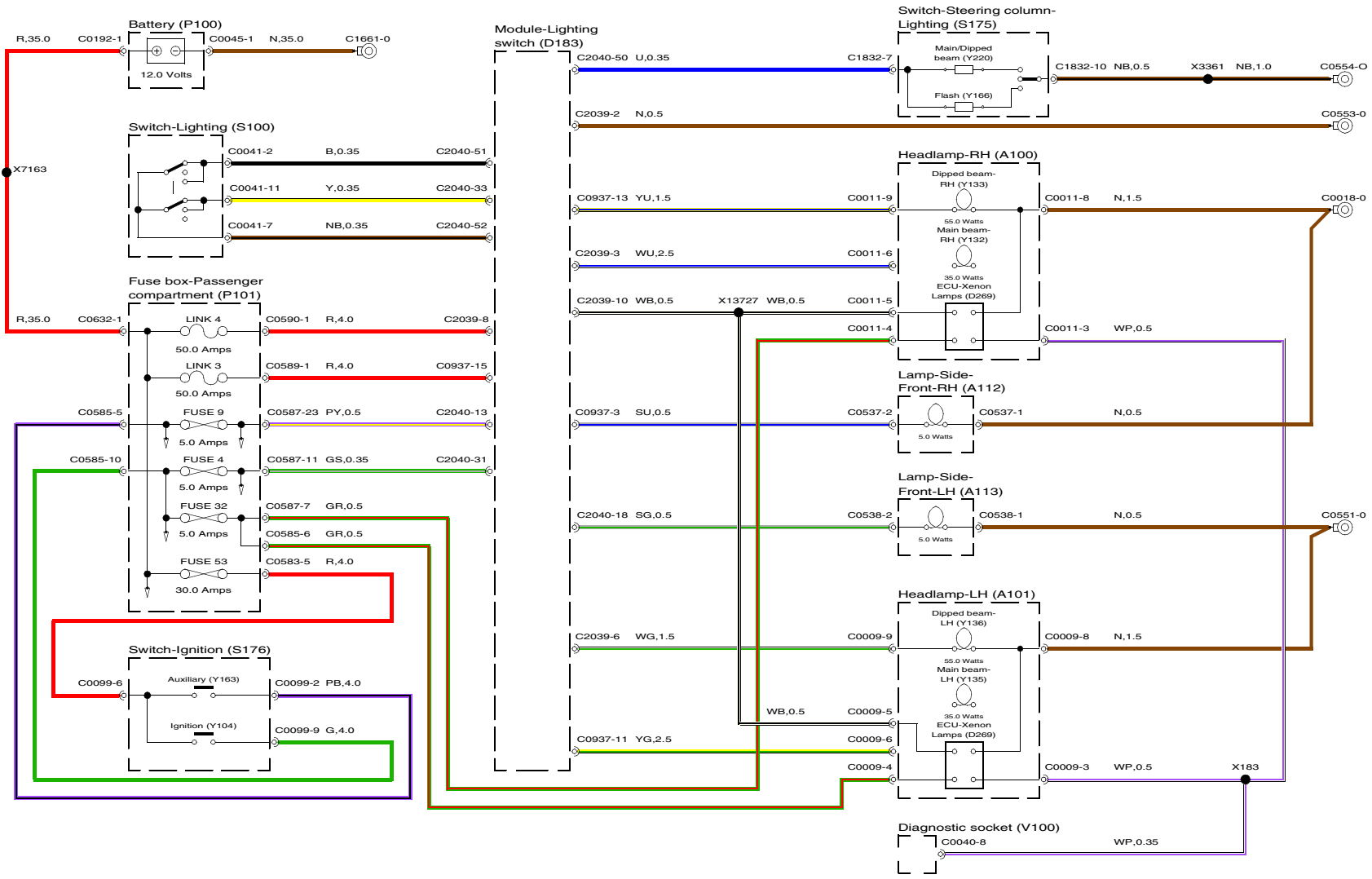


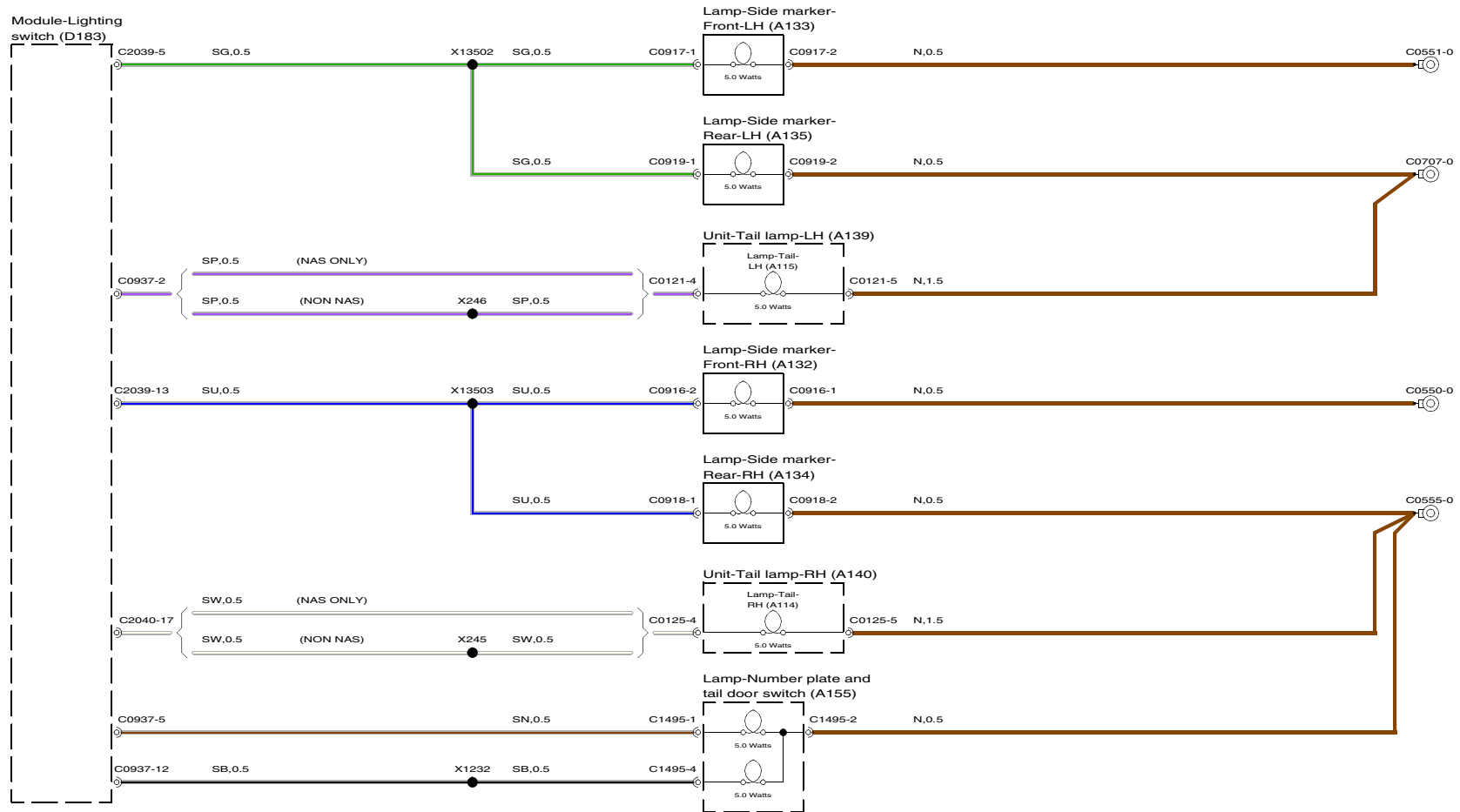


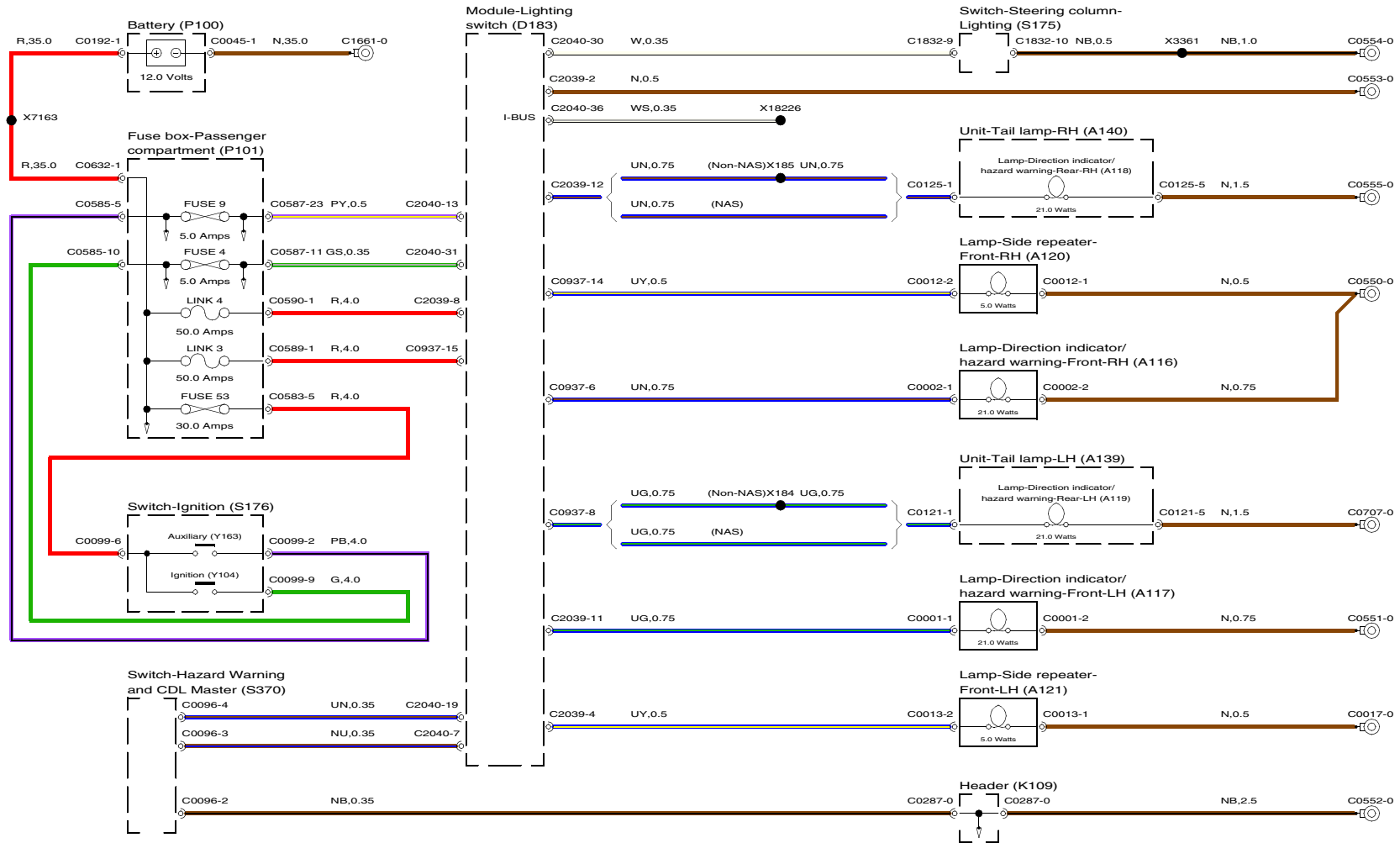


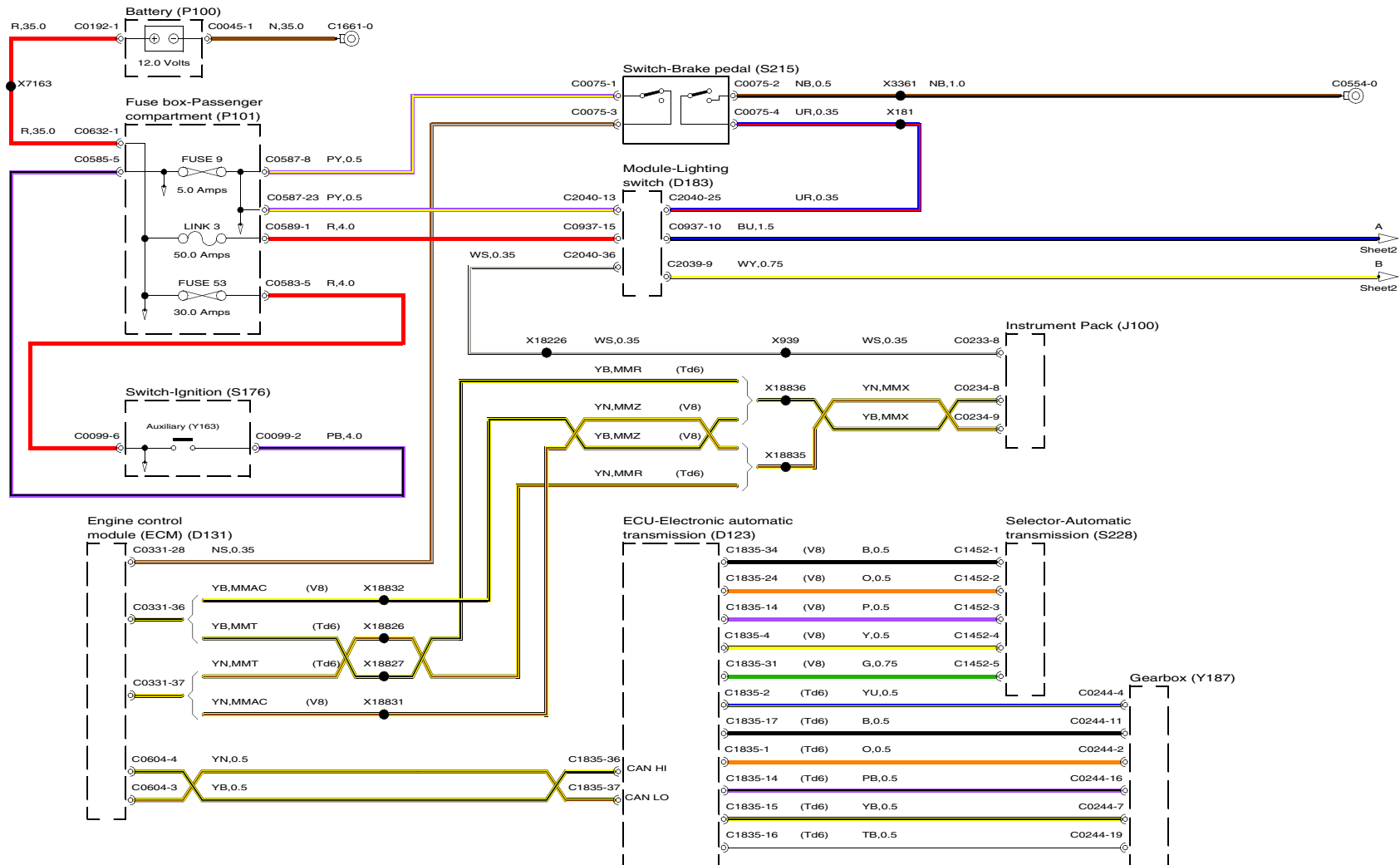


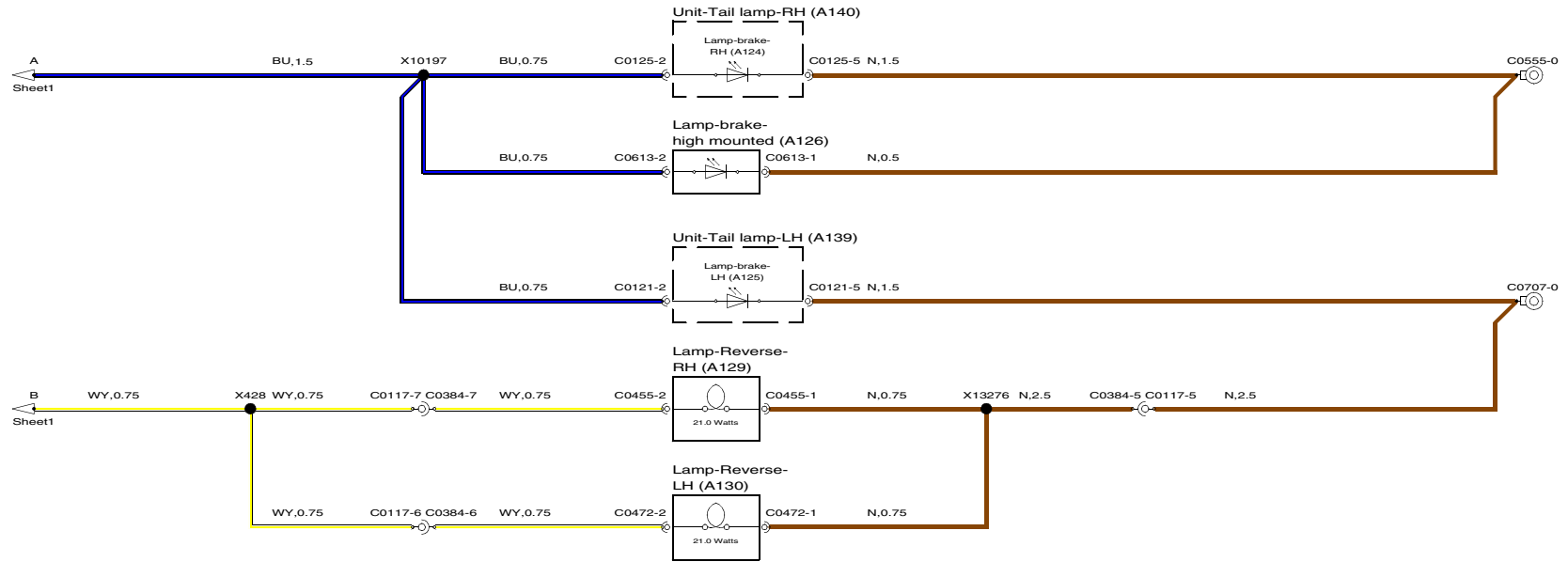


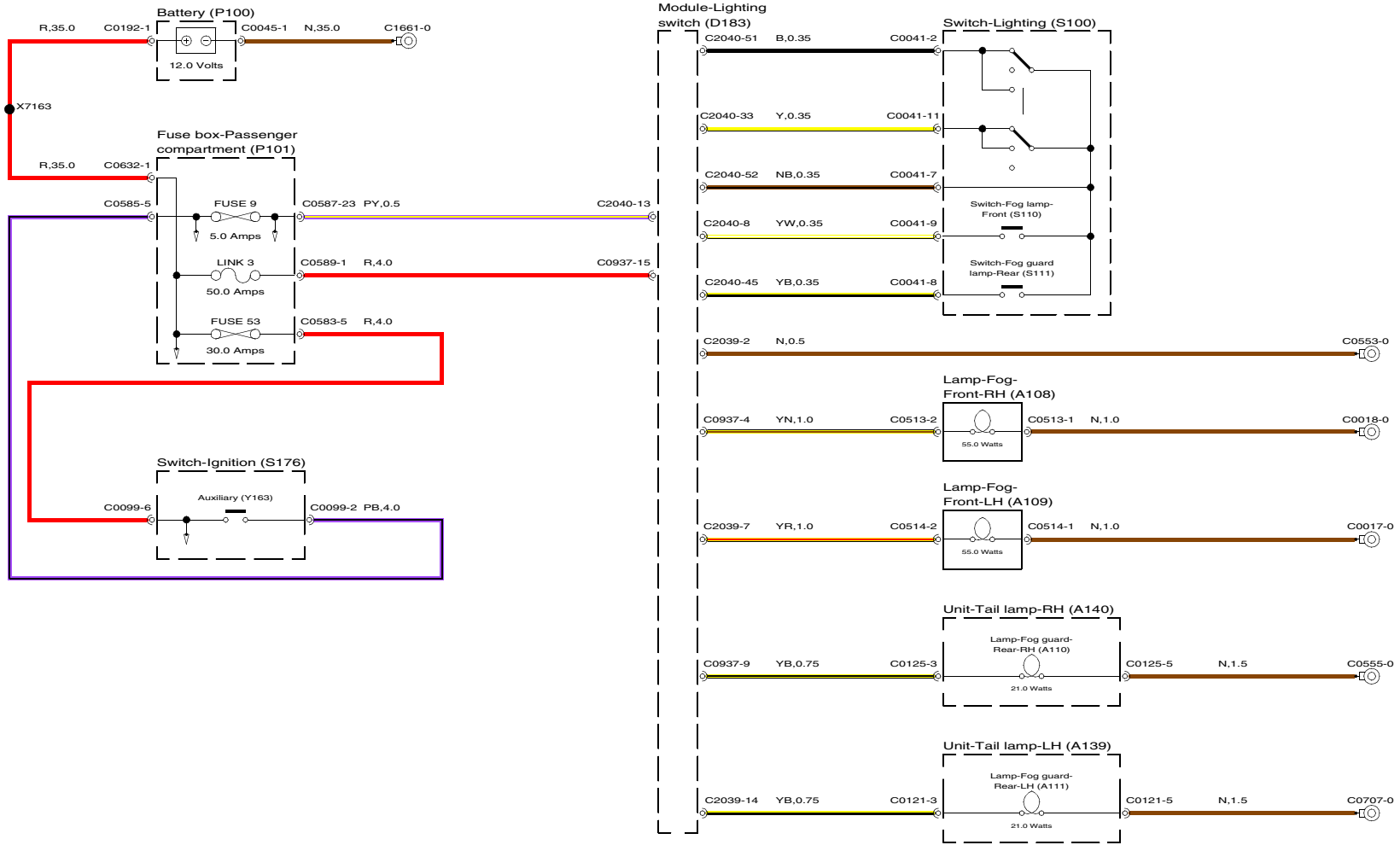




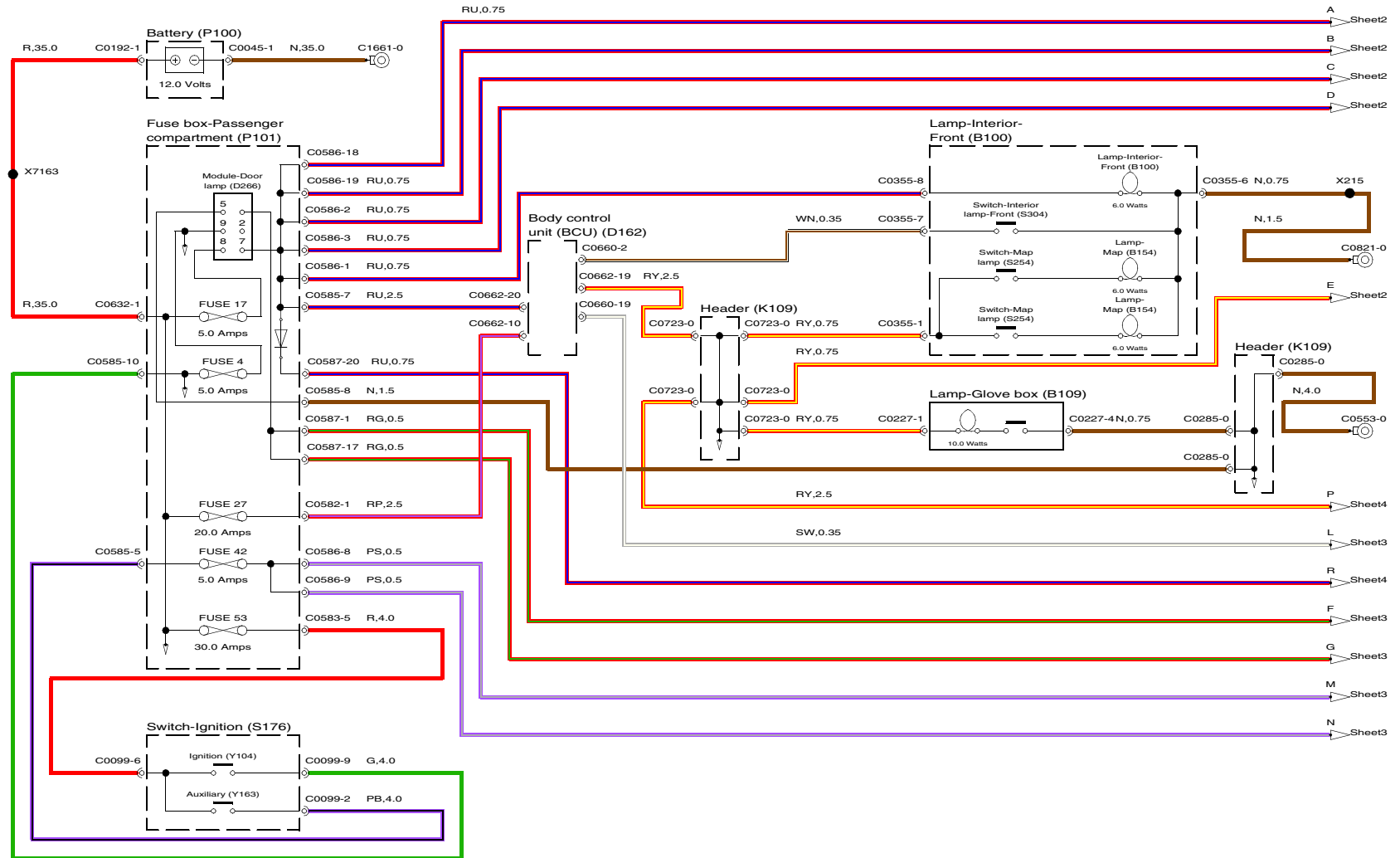


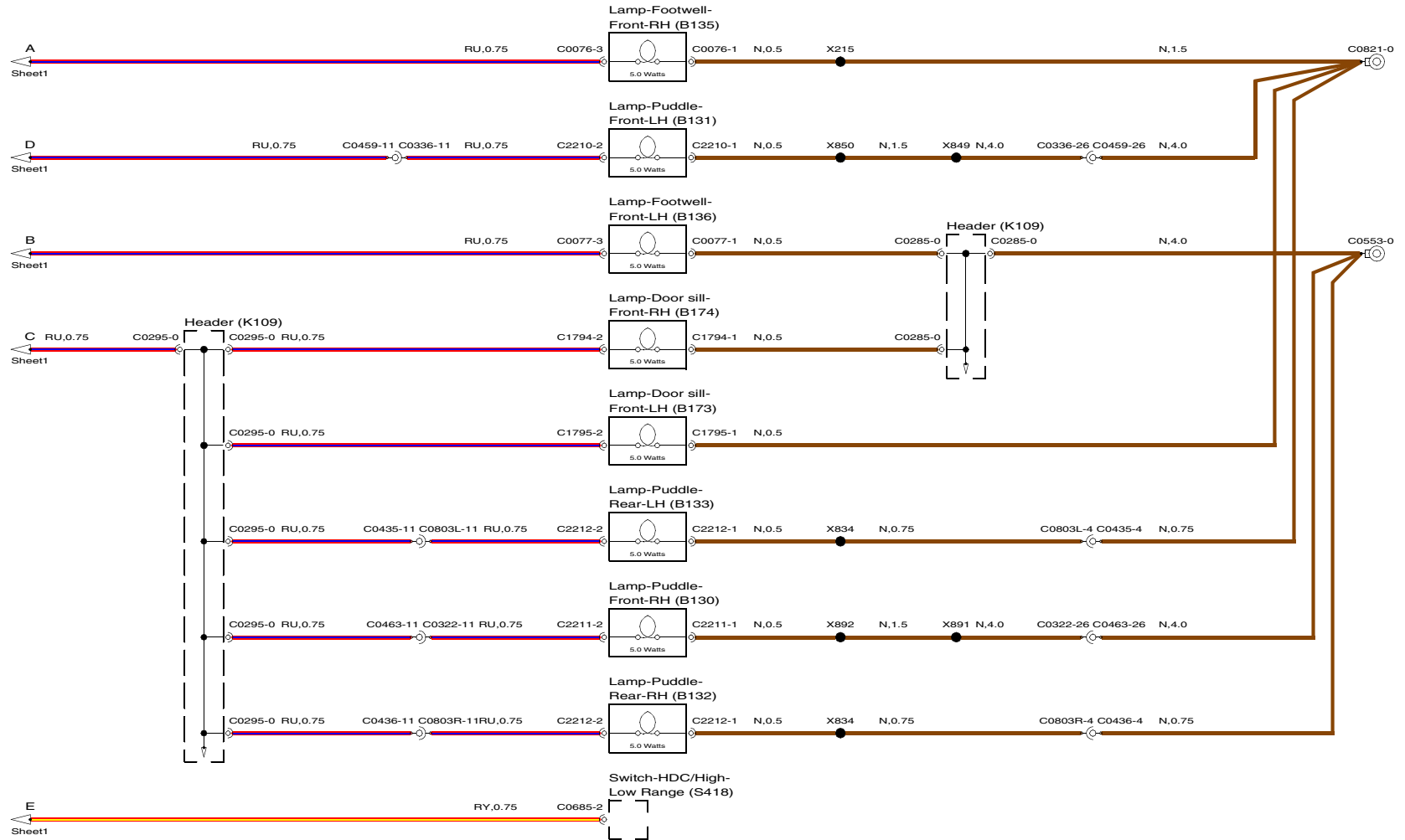




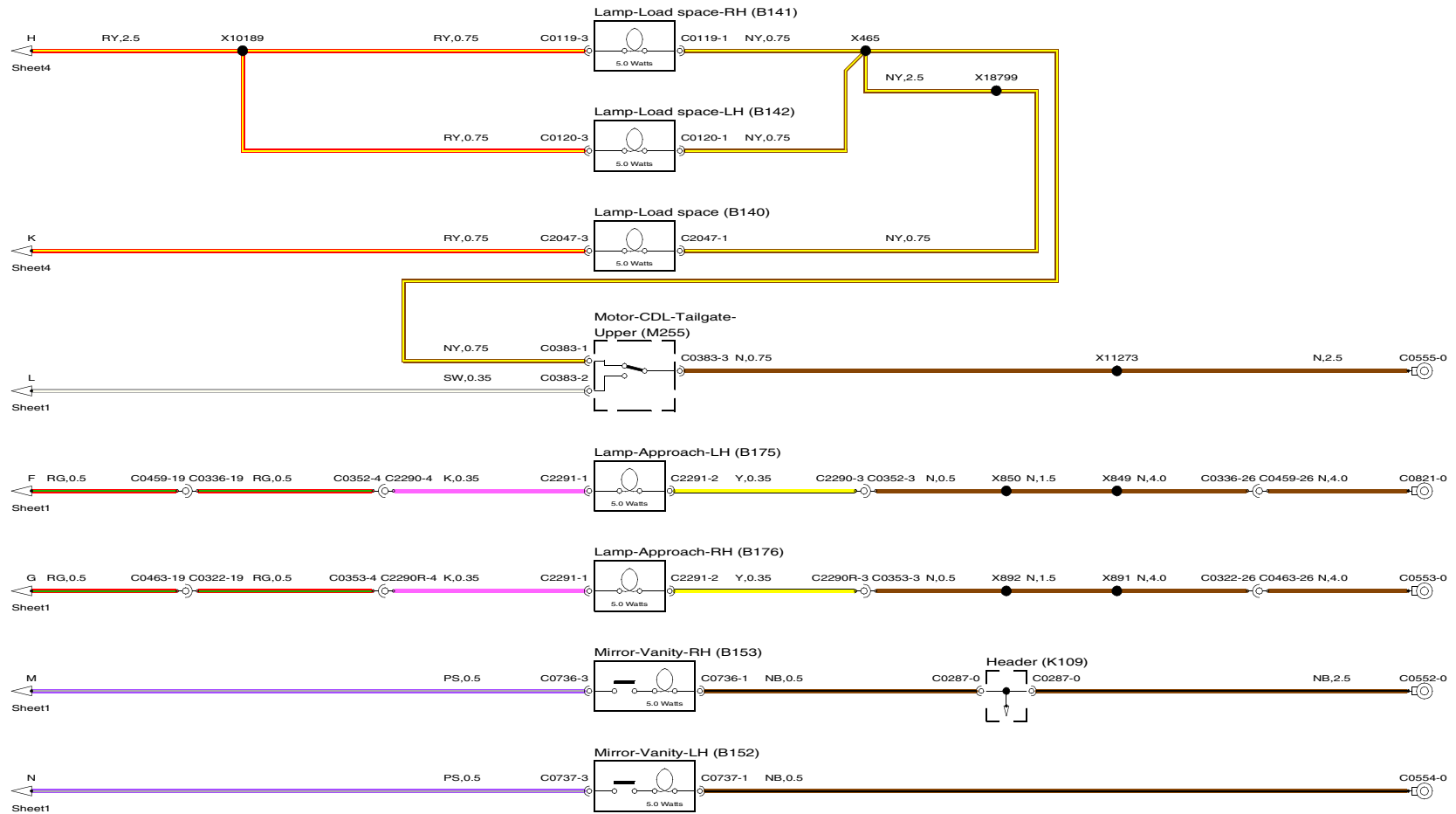


44 INTERIOR LAMPS

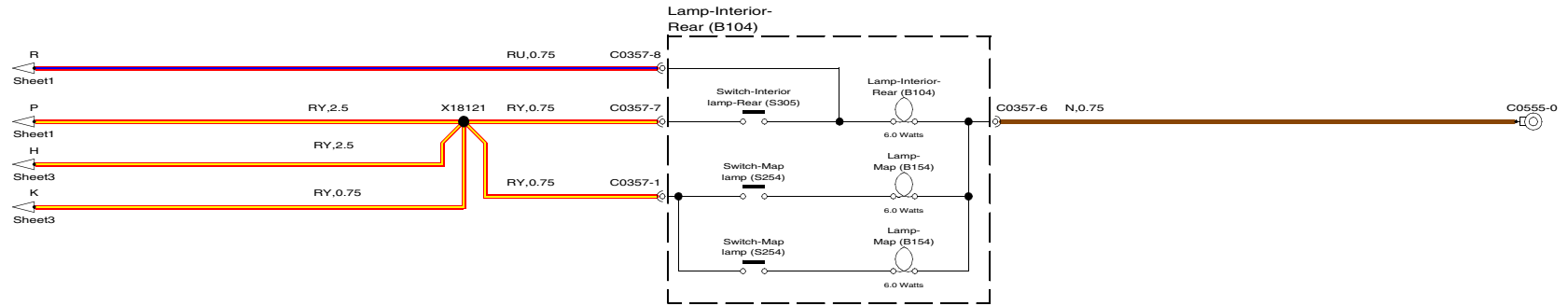




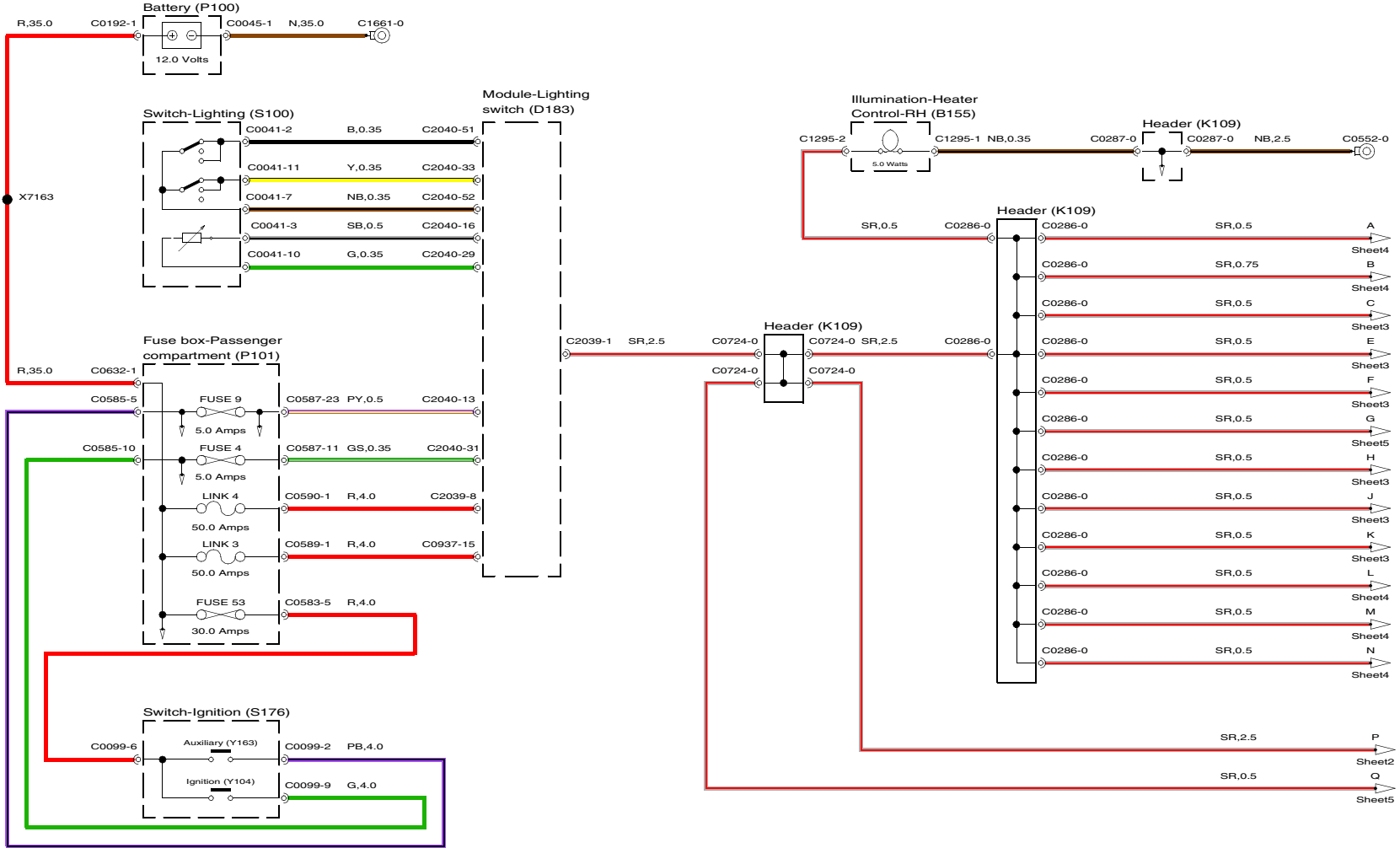
44 INTERIOR LAMPS

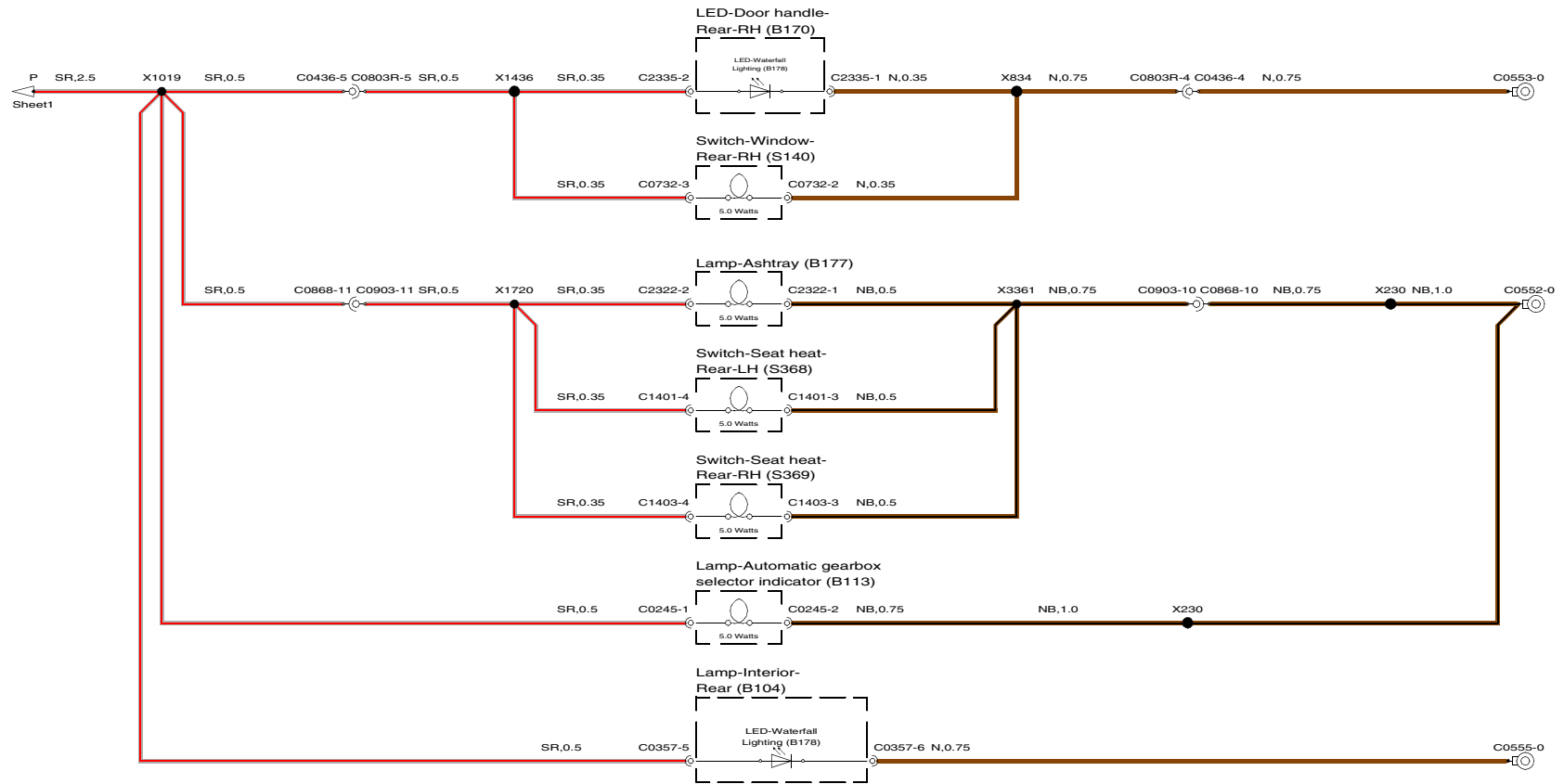


44 INTERIOR LAMPS

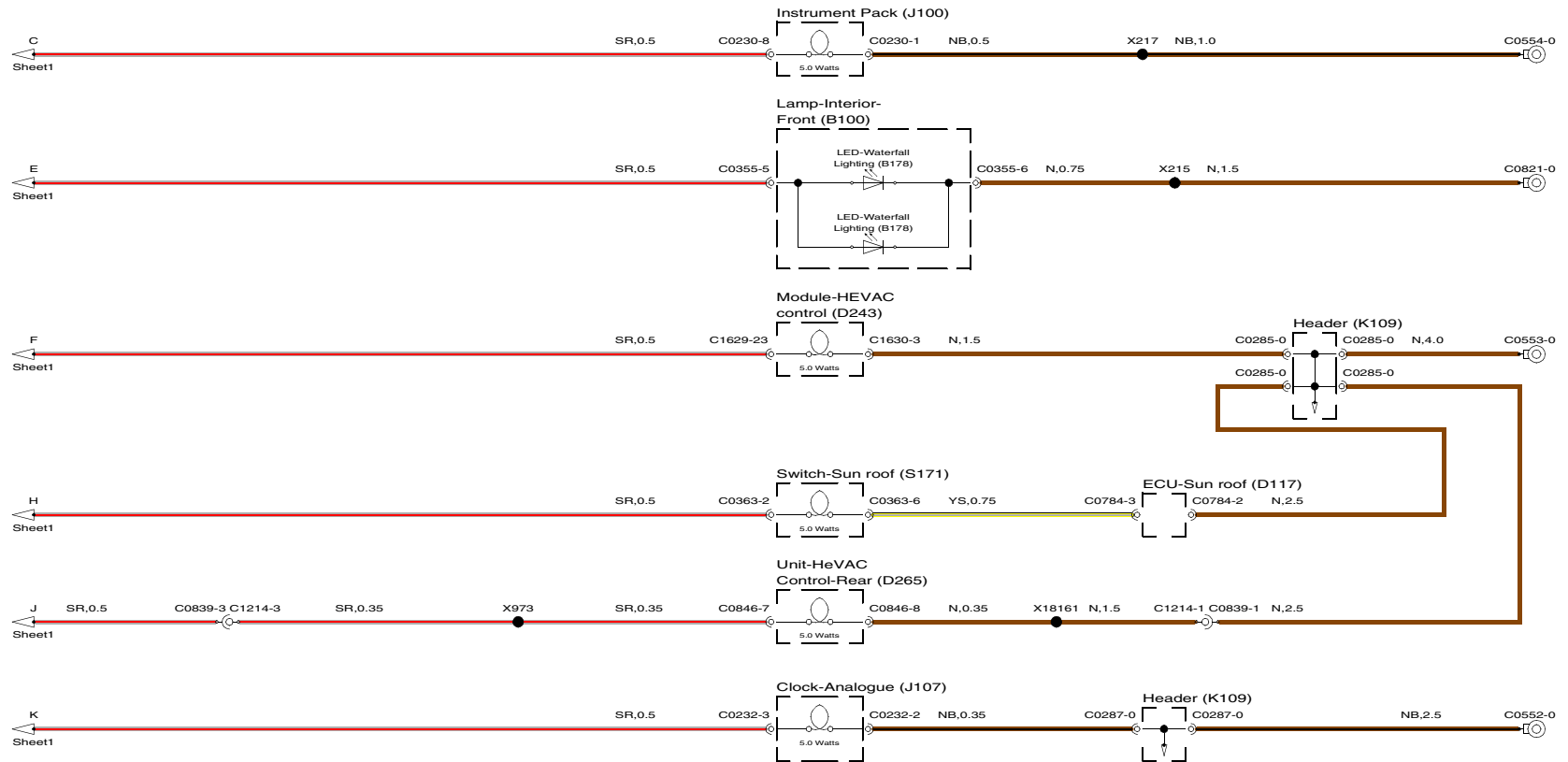


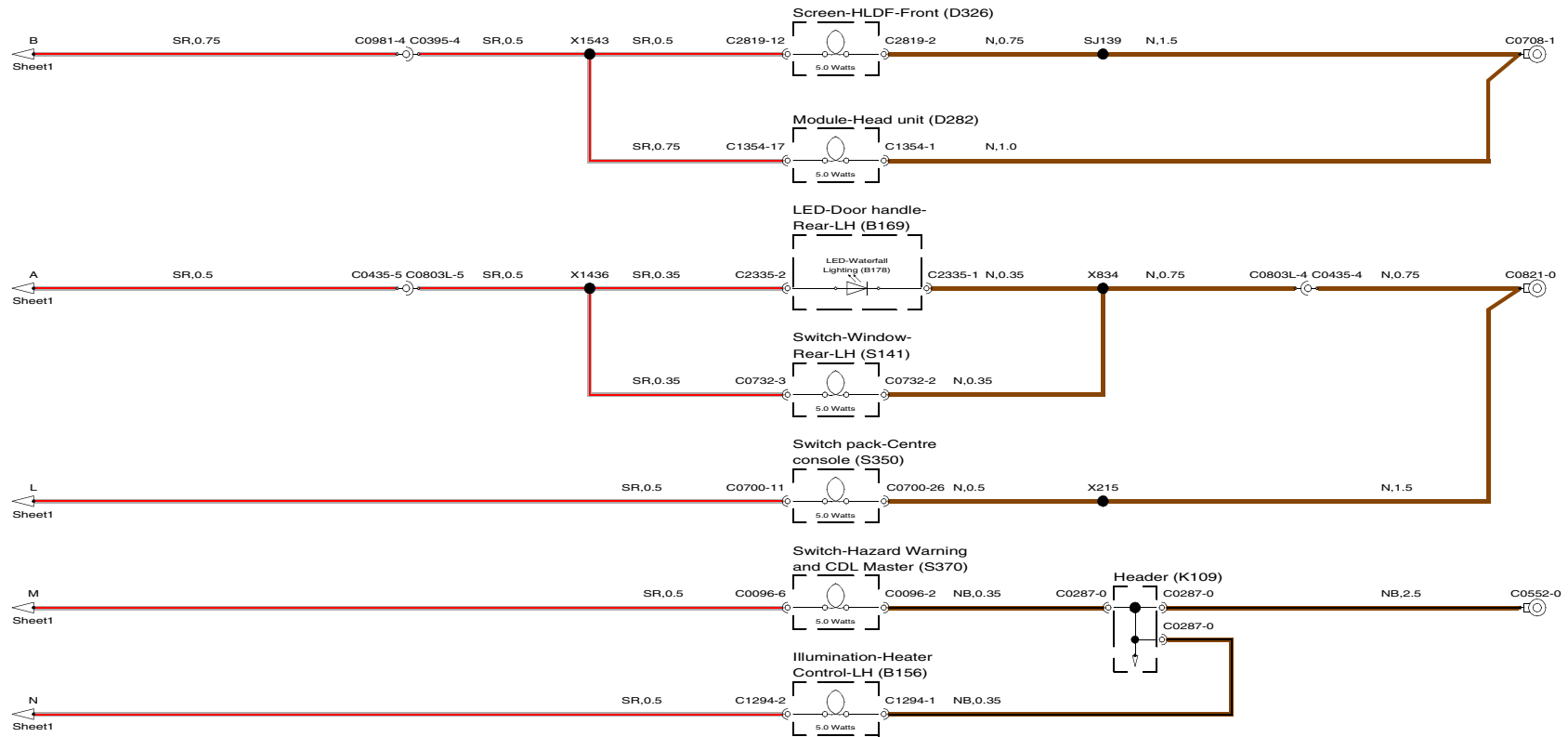
46 INTERIOR ILLUMINATION



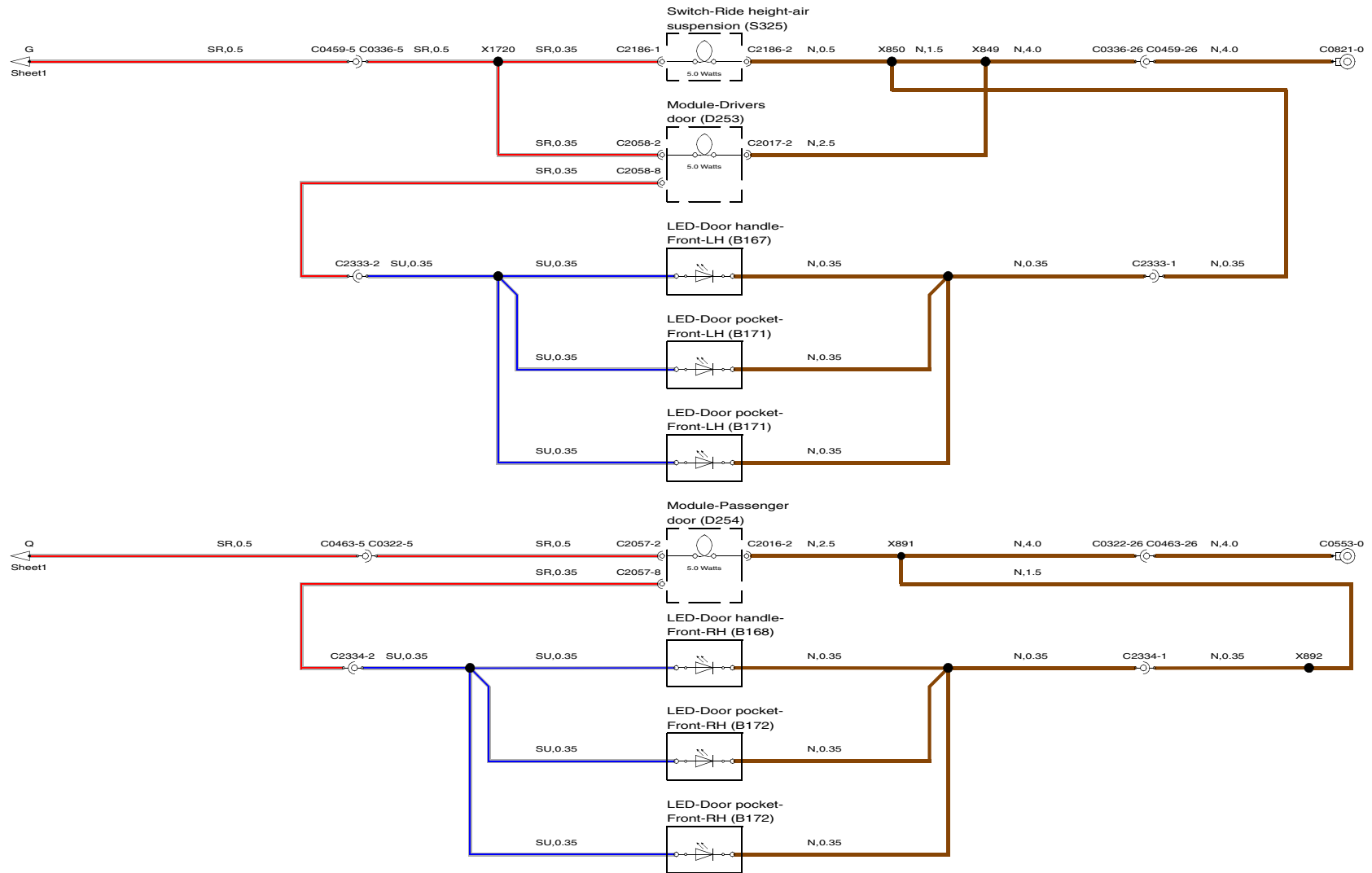


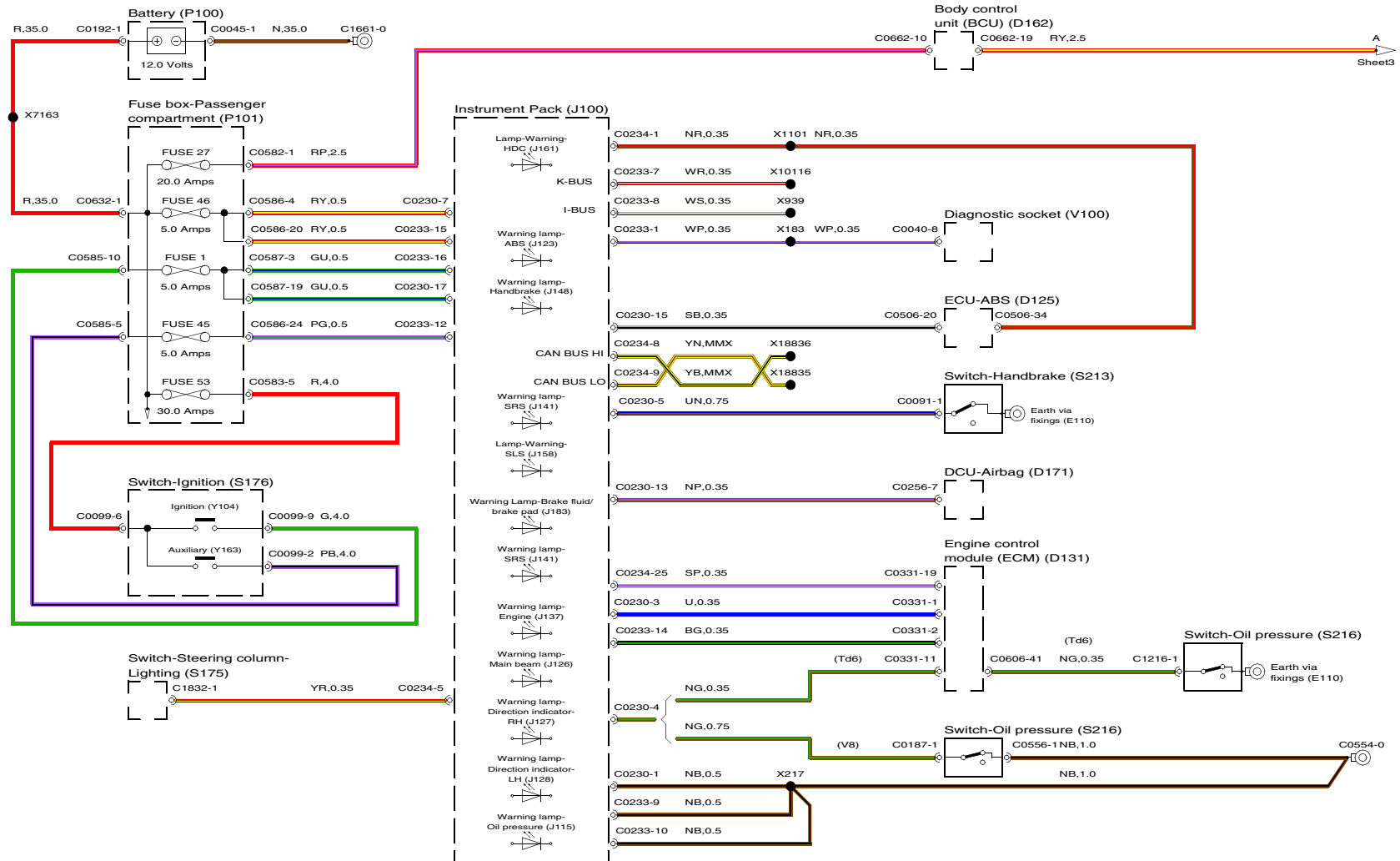
46 INTERIOR ILLUMINATION

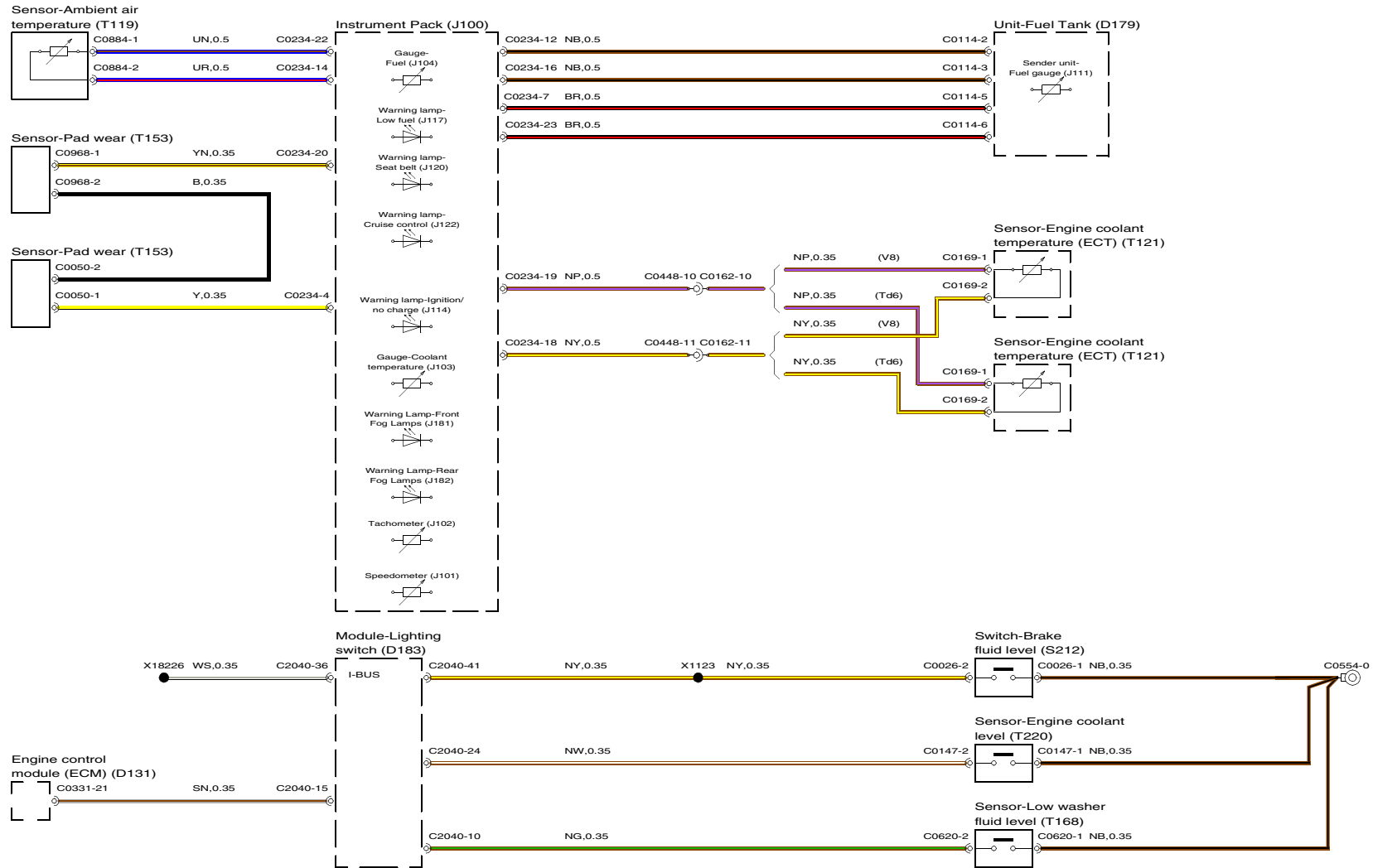




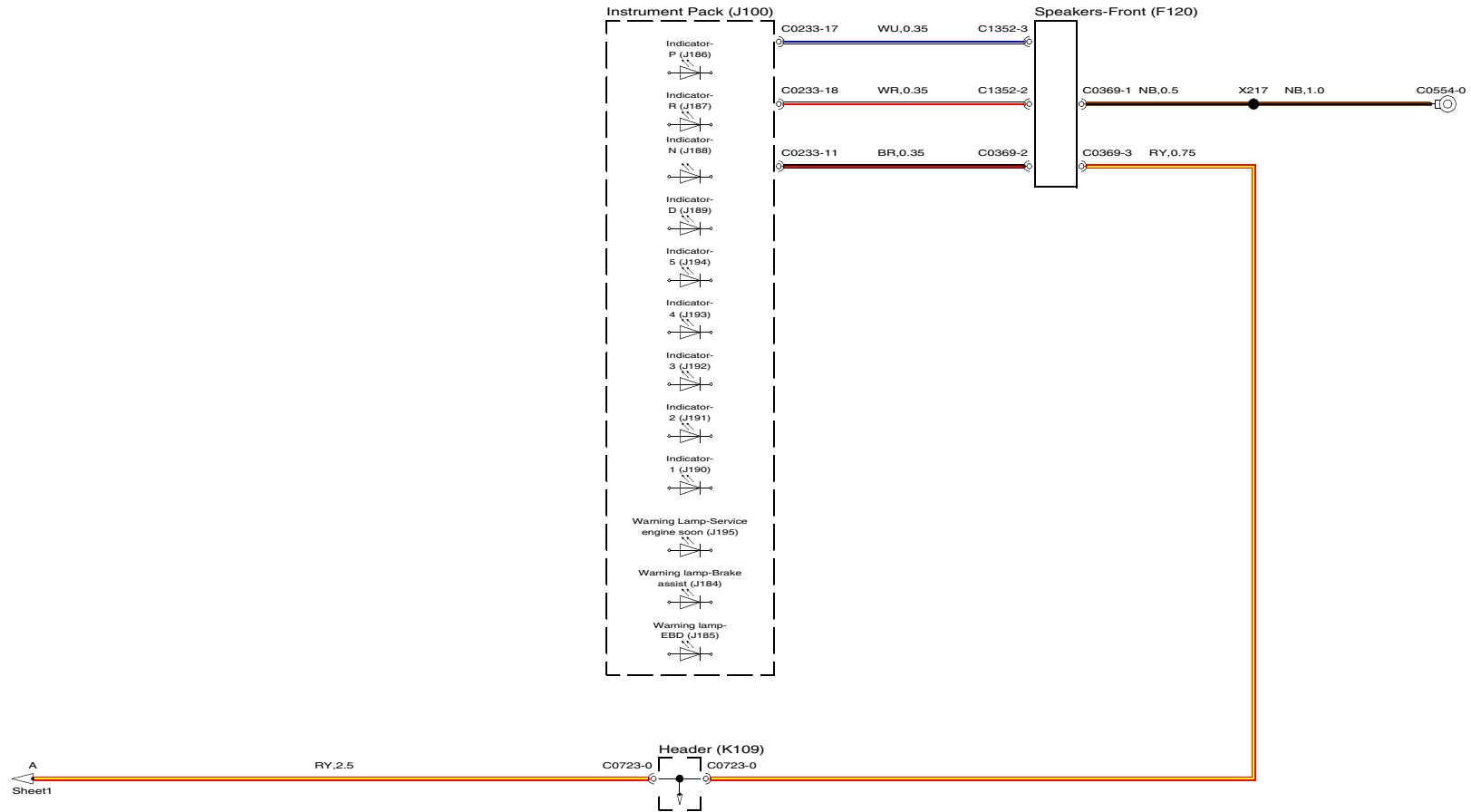
46 INTERIOR ILLUMINATION



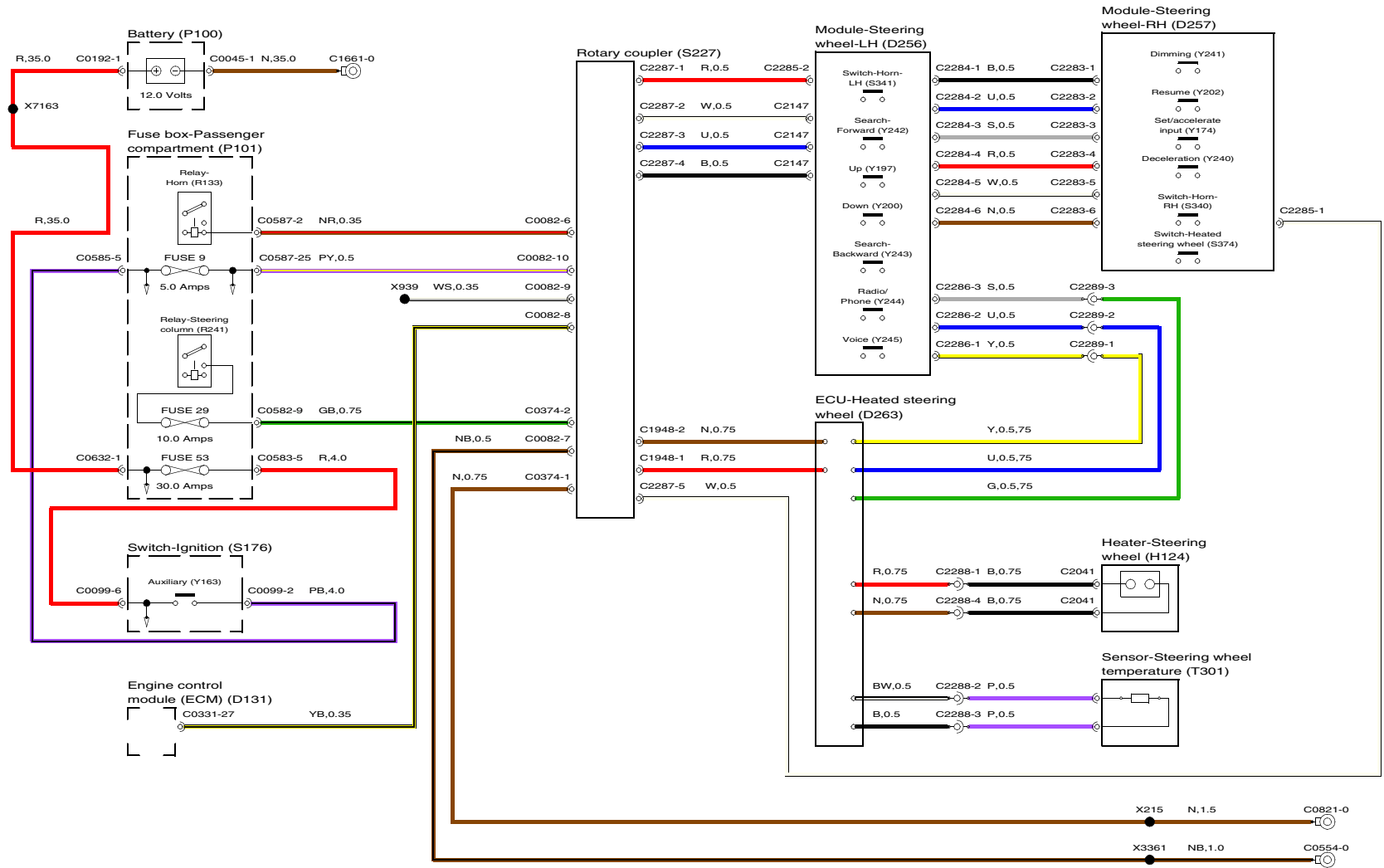




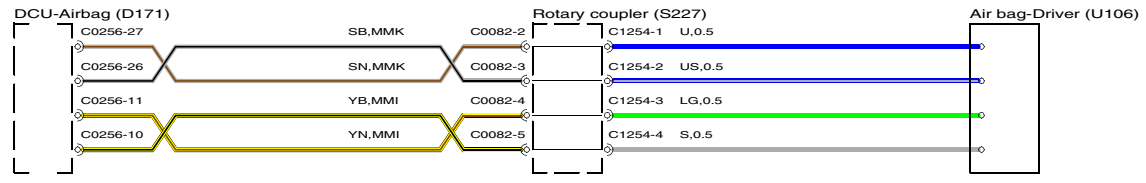
47 INSTRUMENTS



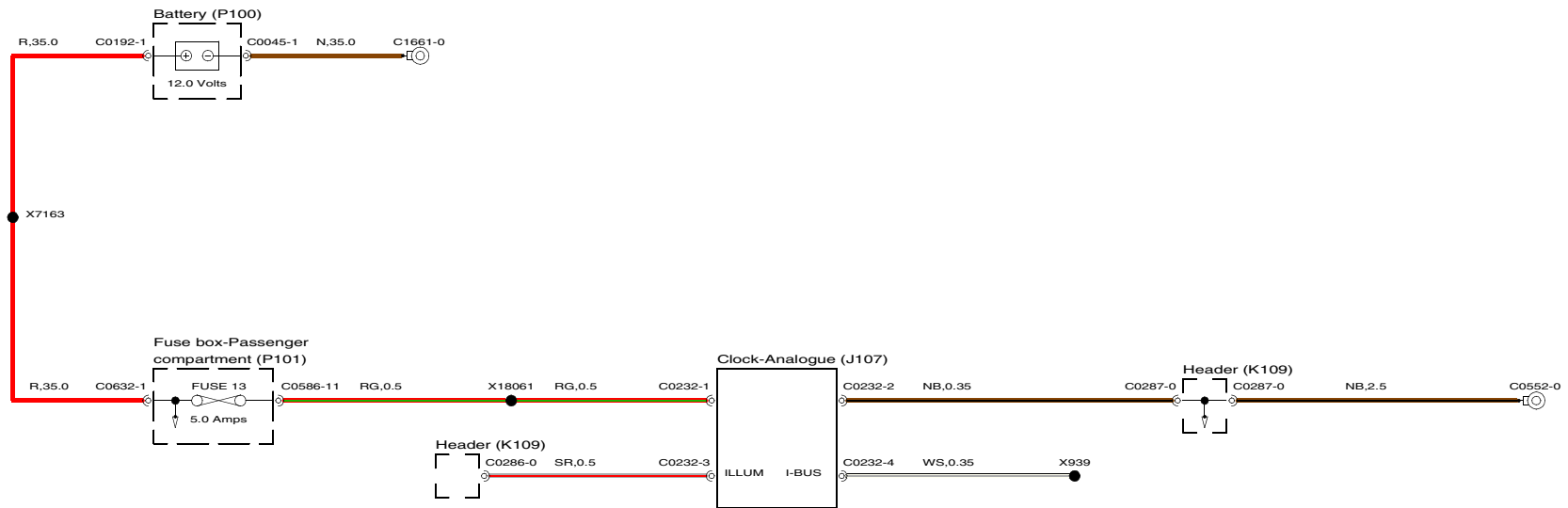
47 ROTARY COUPLER



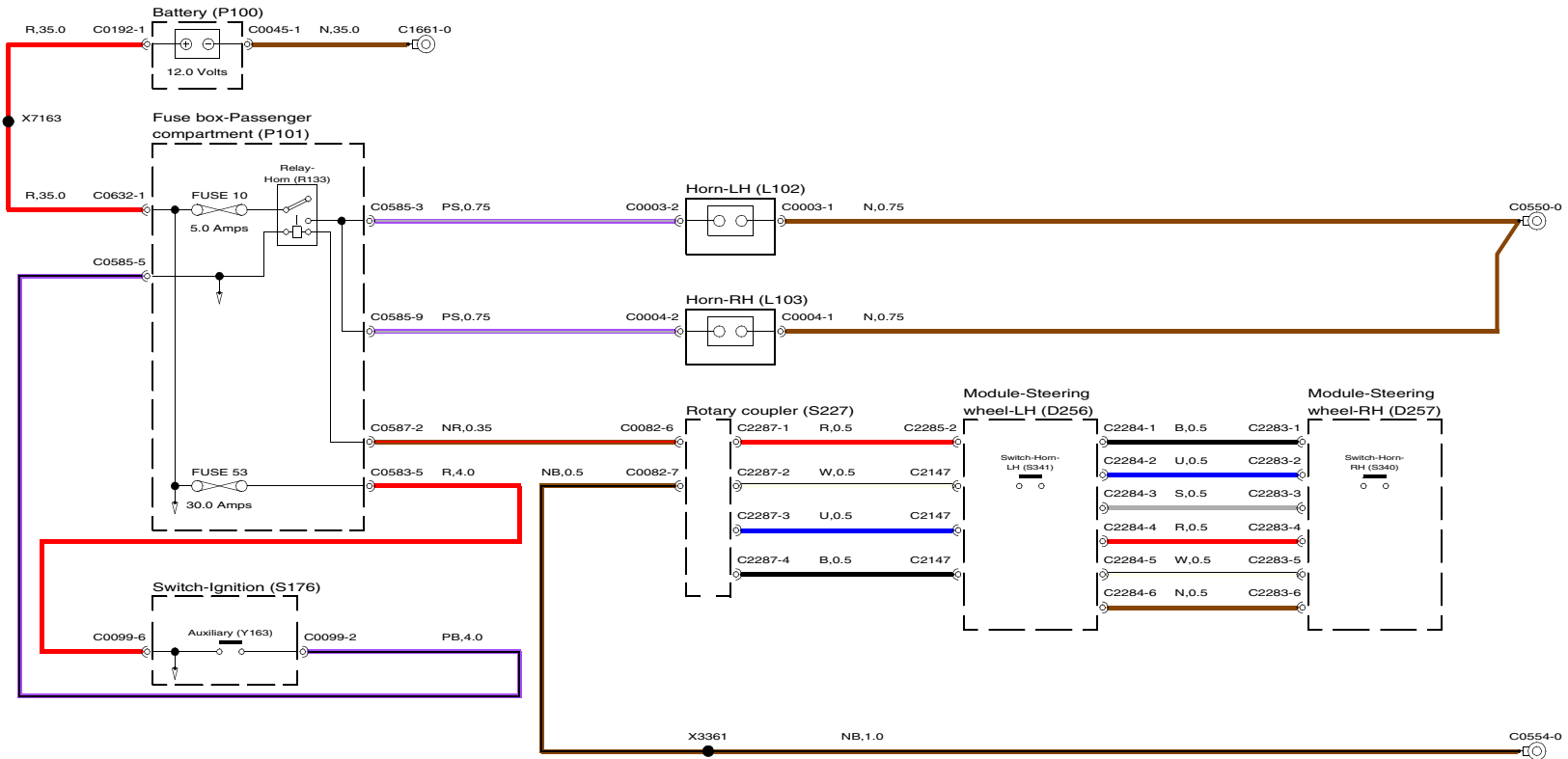
47 ROTARY COUPLER



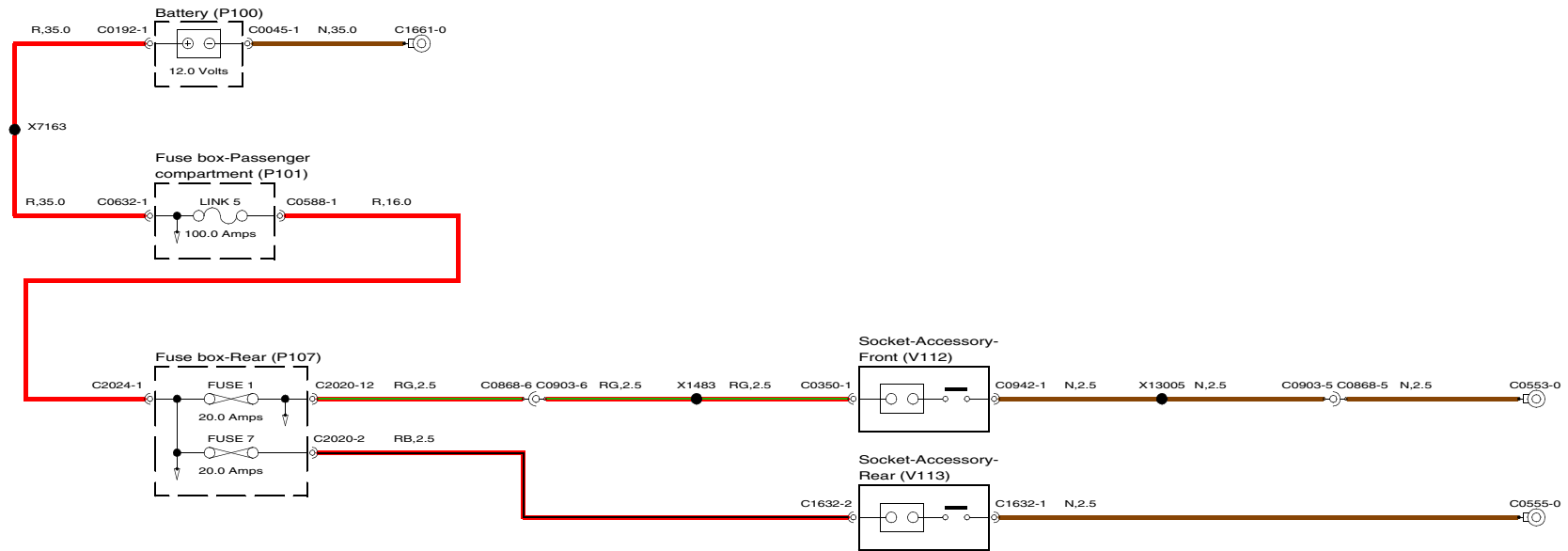
48 CLOCK



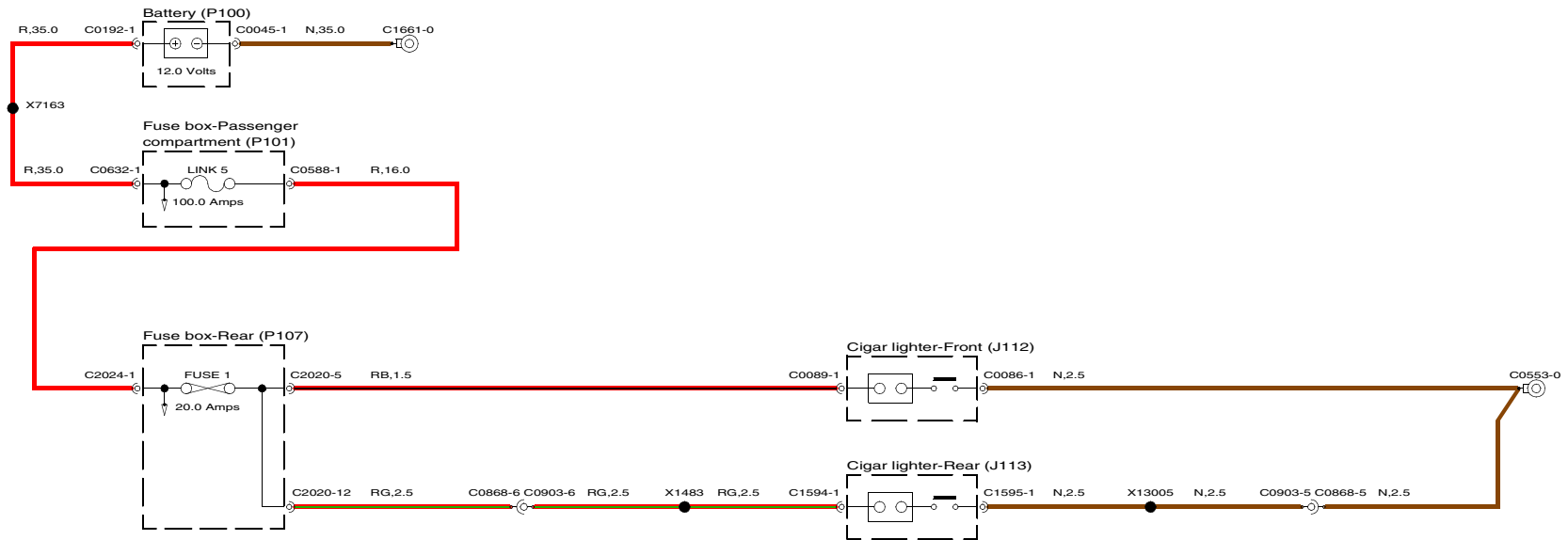
48 HORN (S)



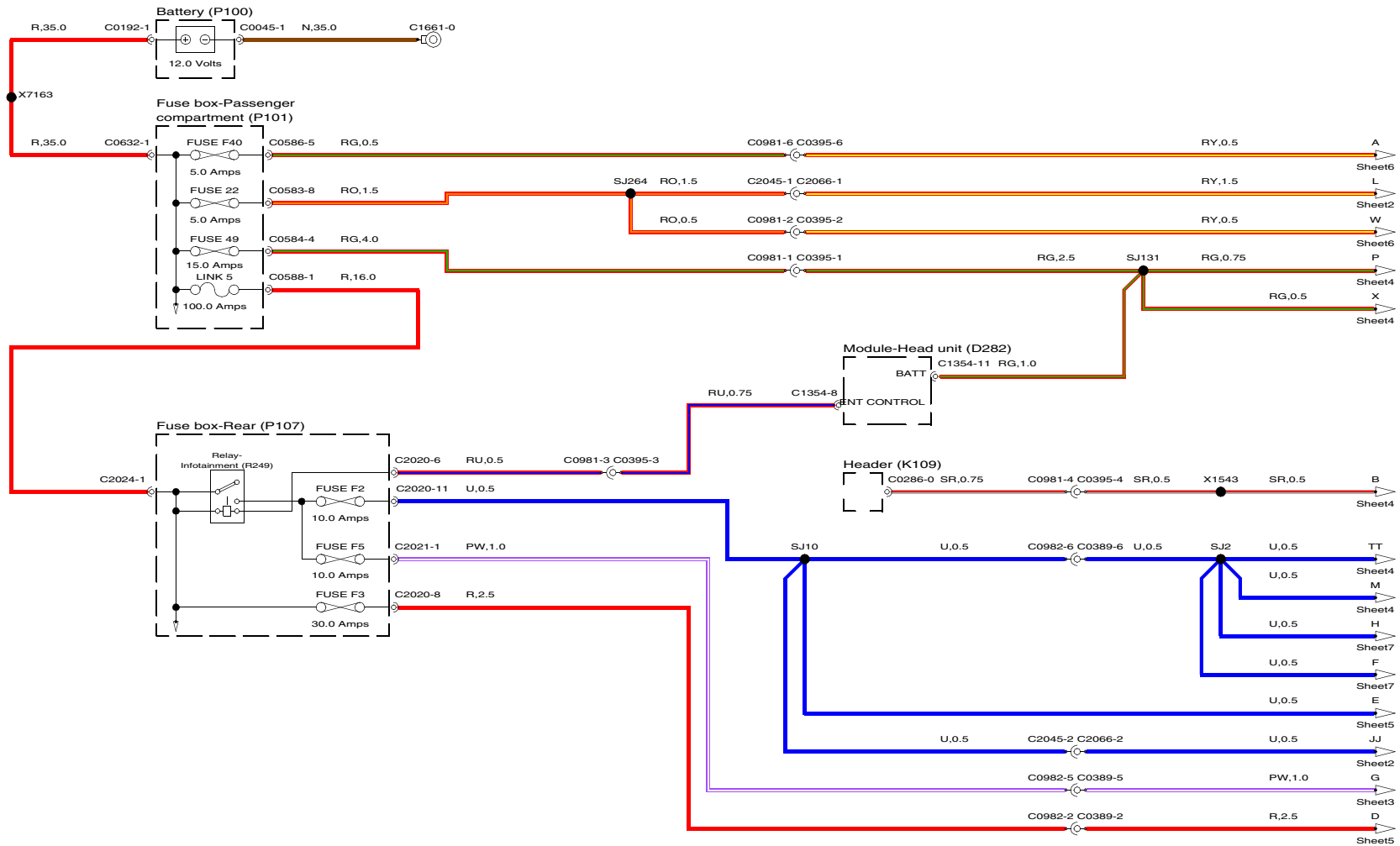
49 ACCESSORY SOCKET

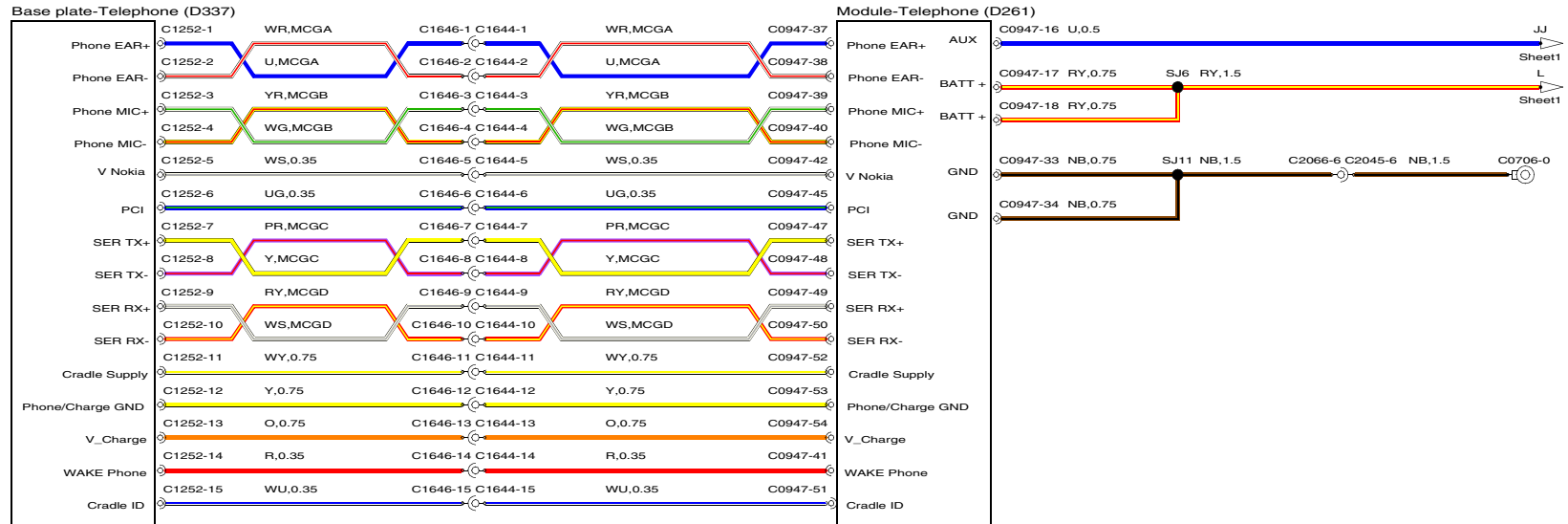
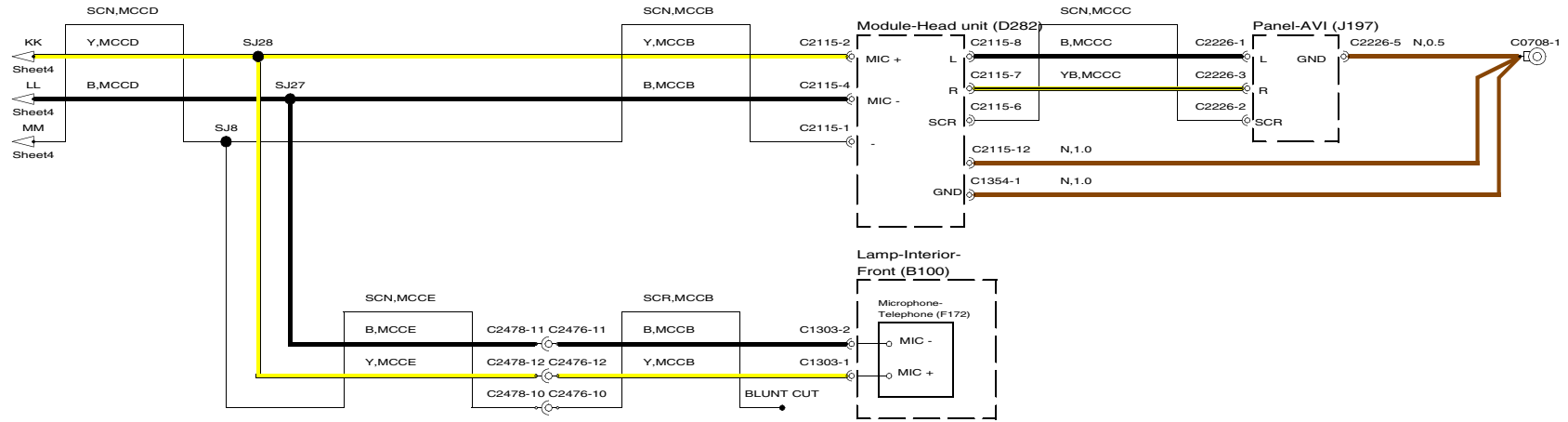


49 CIGAR LIGHTER

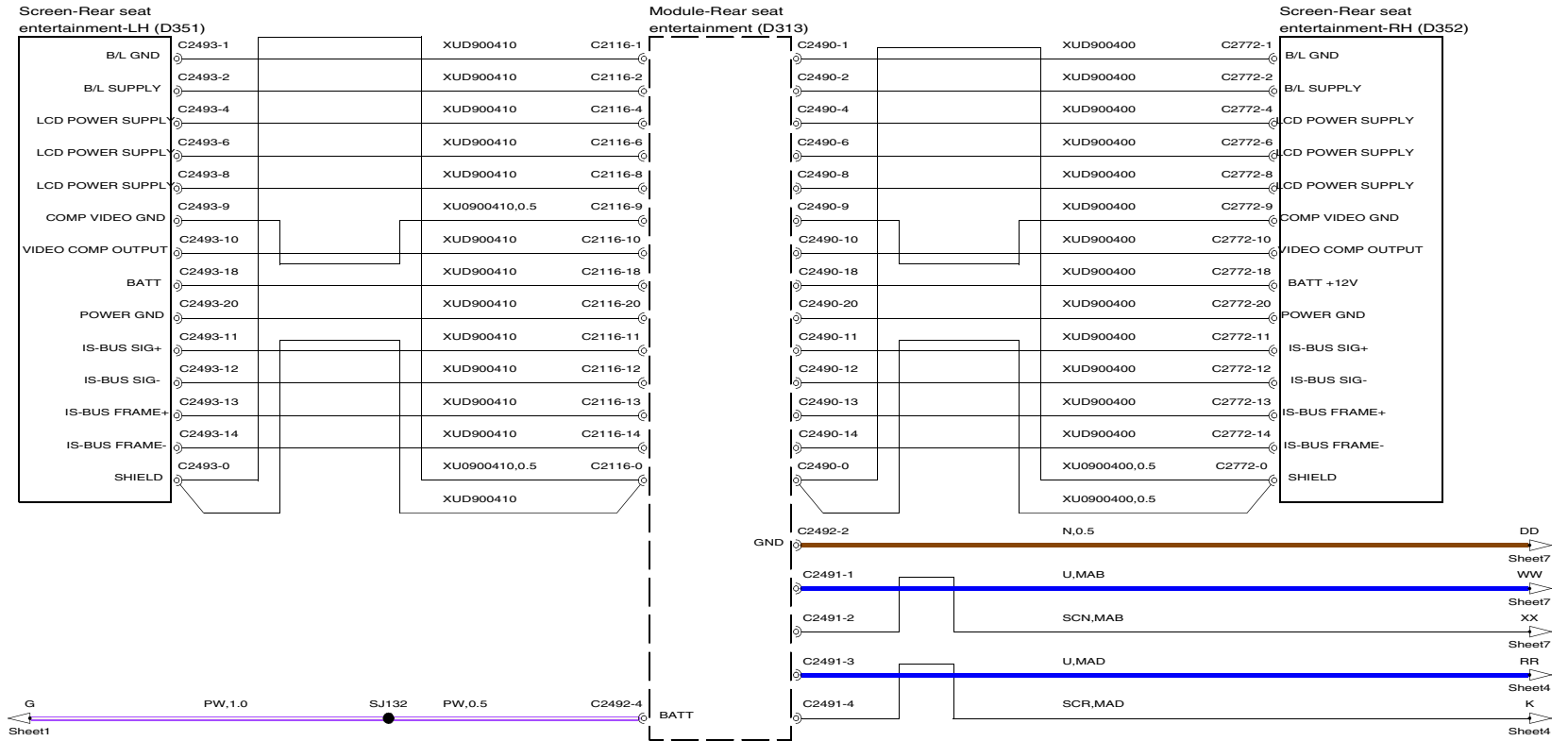


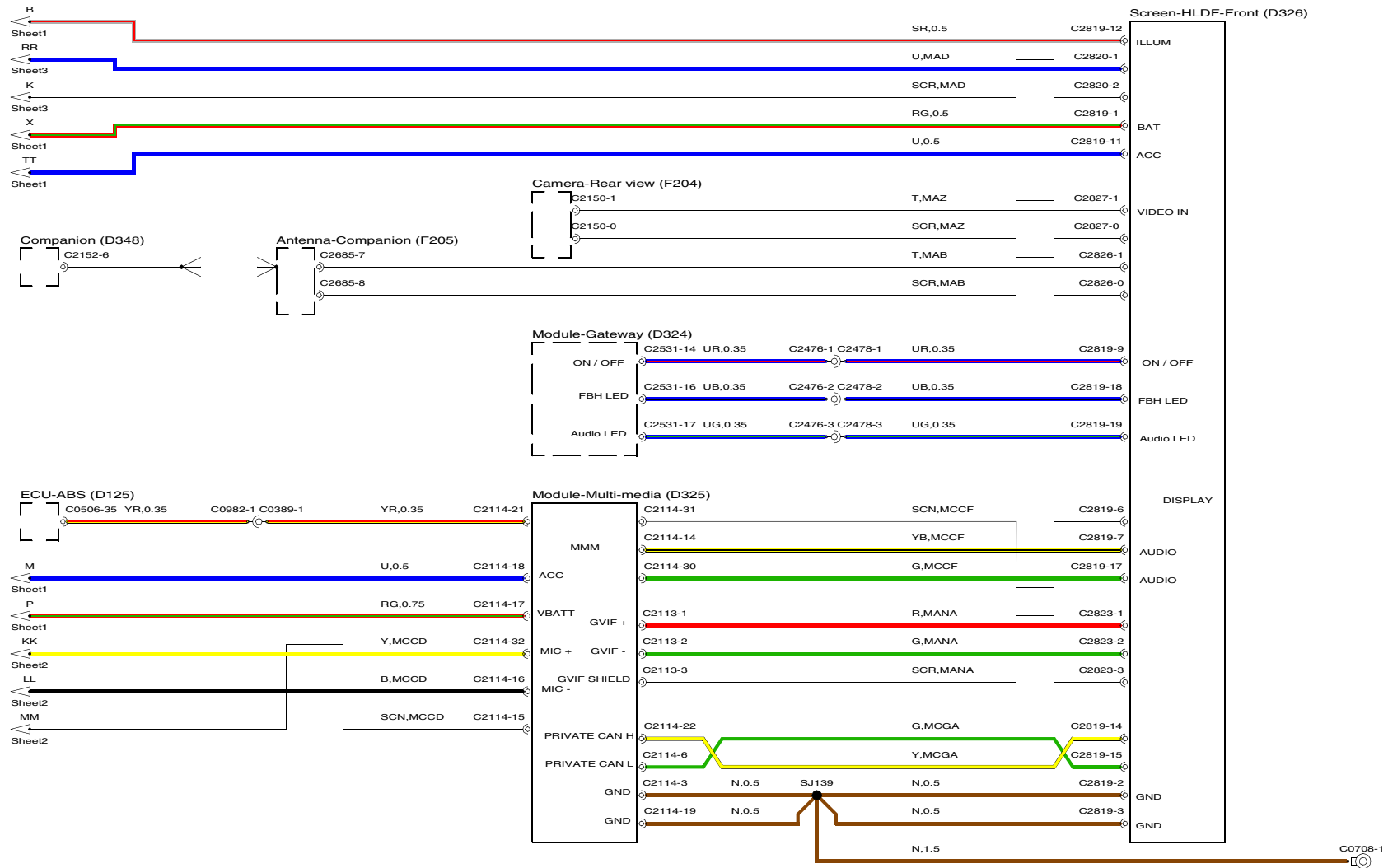
57 ENTERTAINMENT SYSTEM



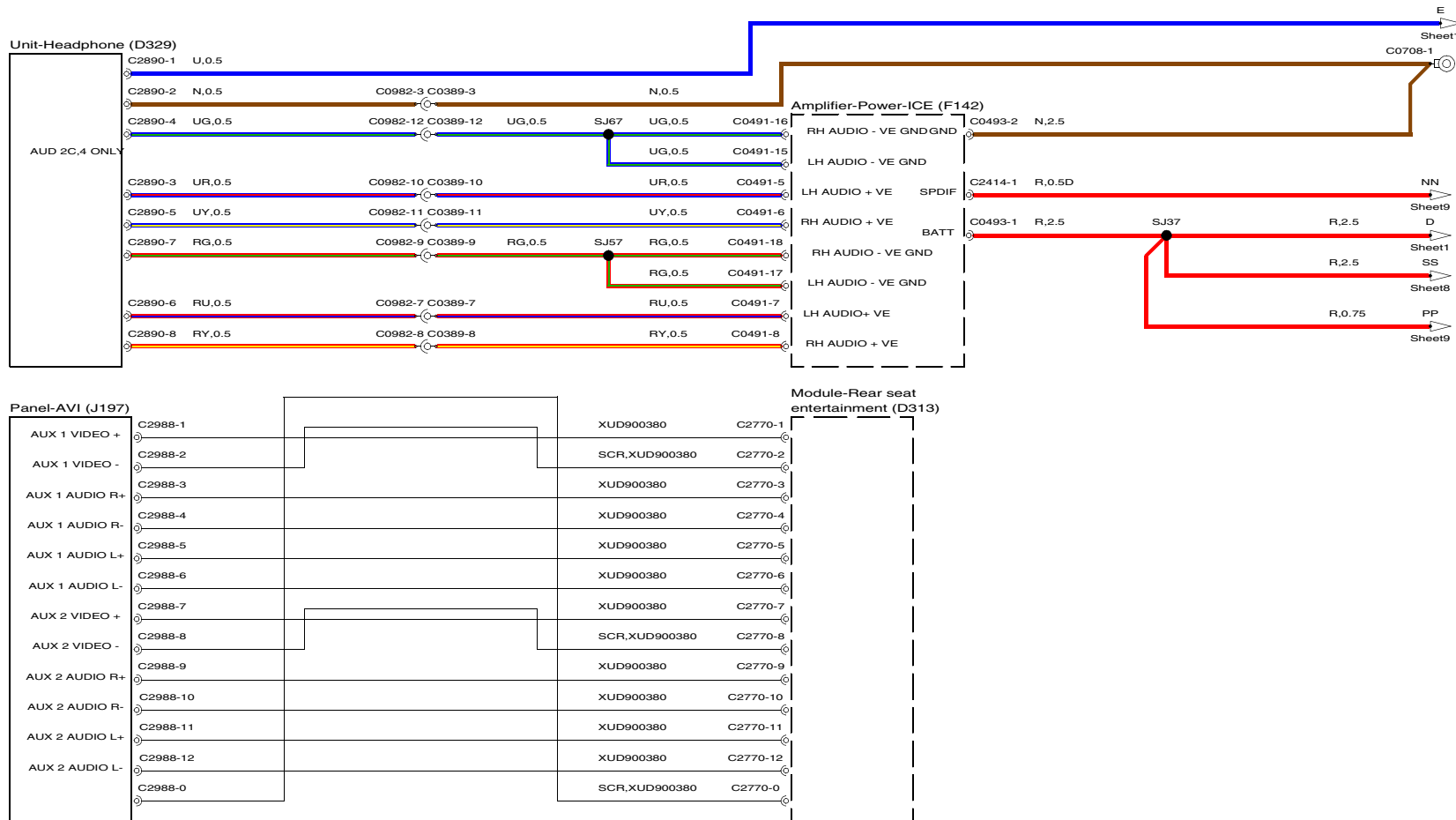


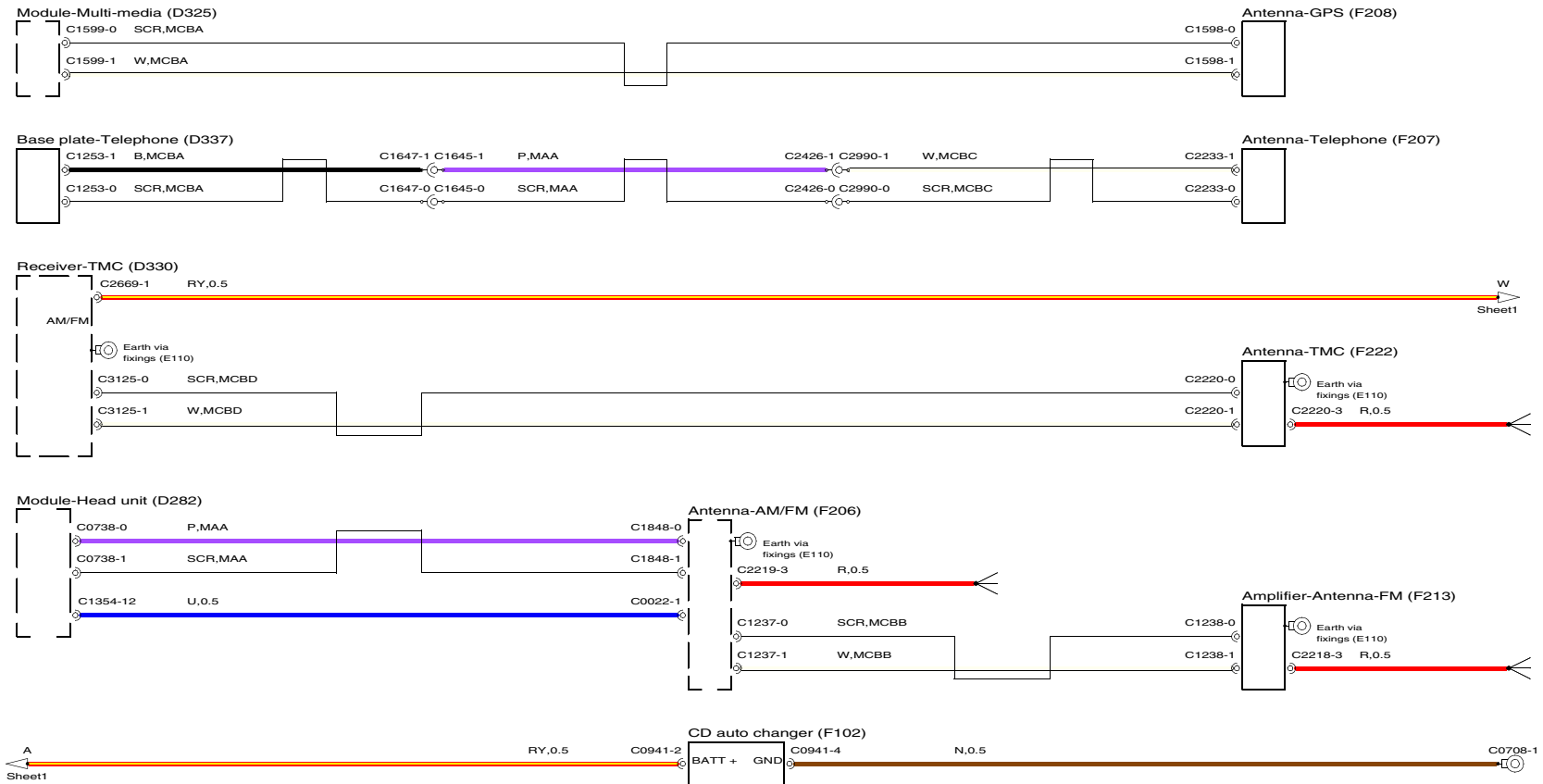
57 ENTERTAINMENT SYSTEM



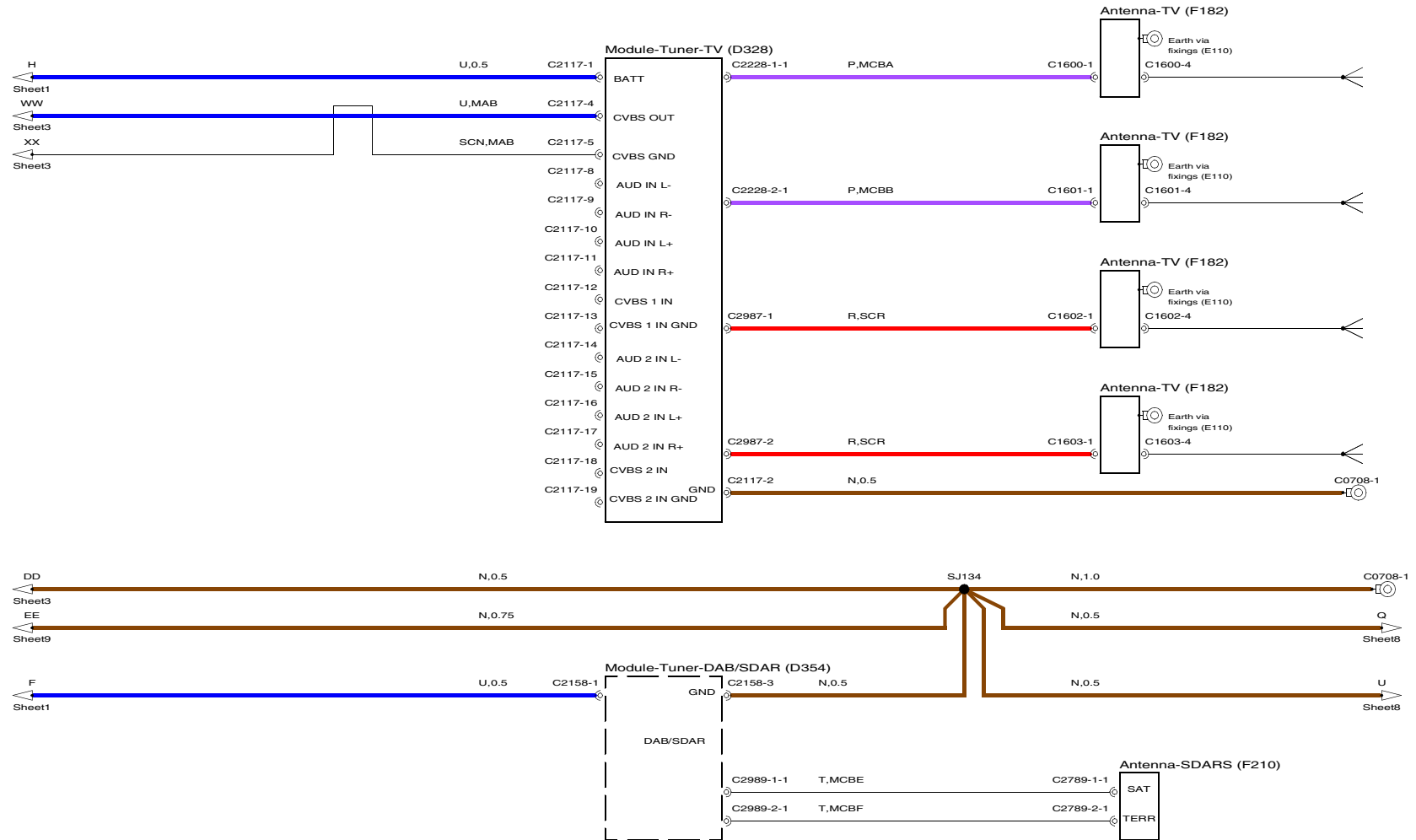


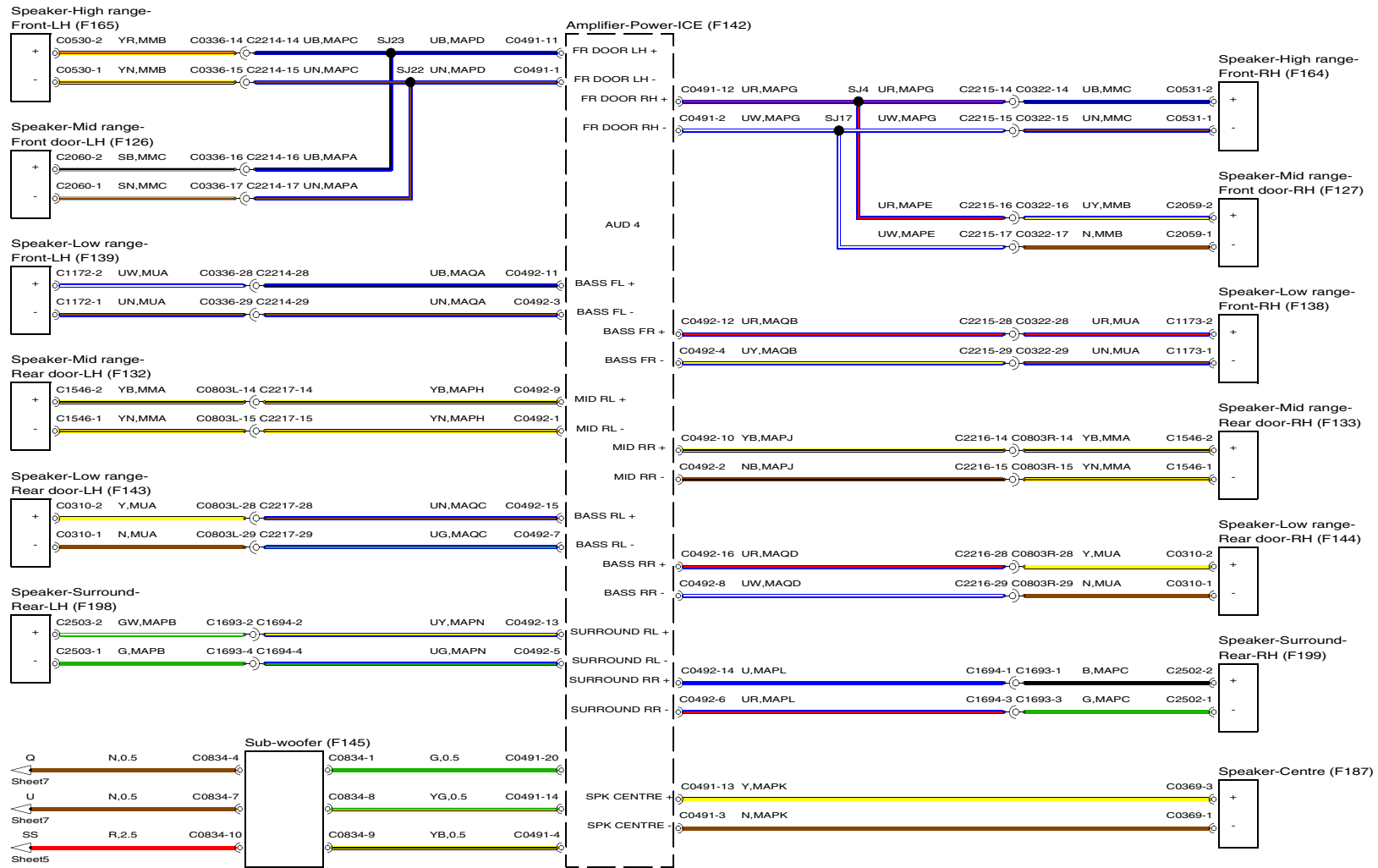
57 ENTERTAINMENT SYSTEM



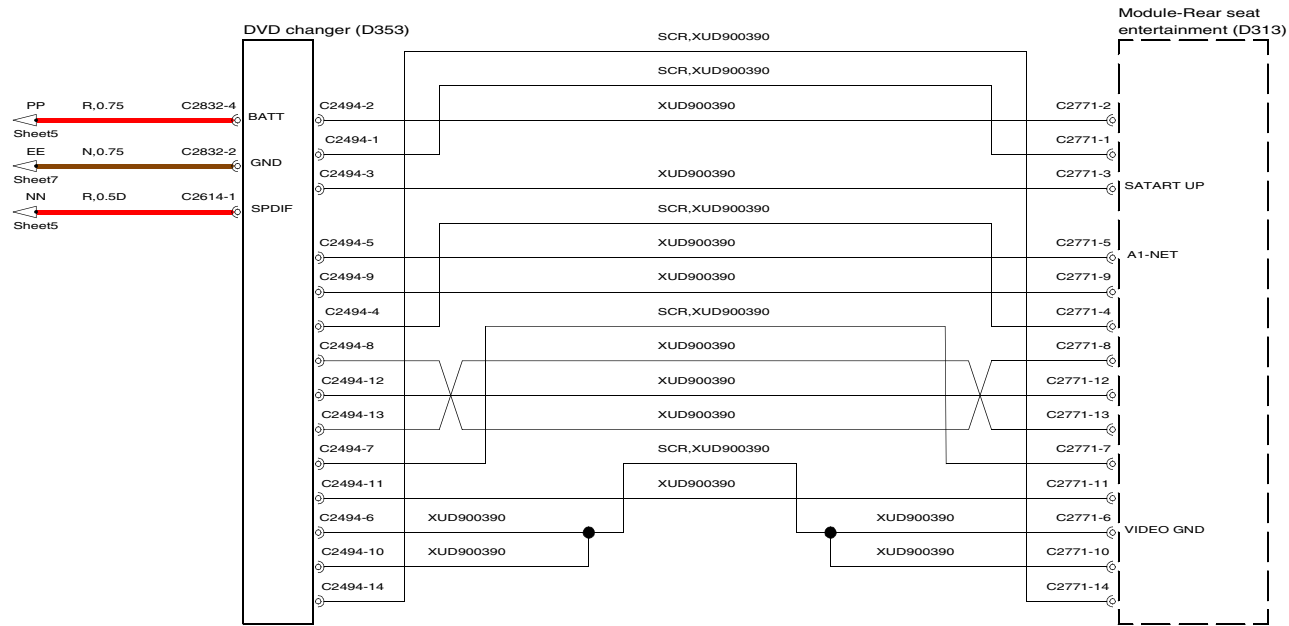


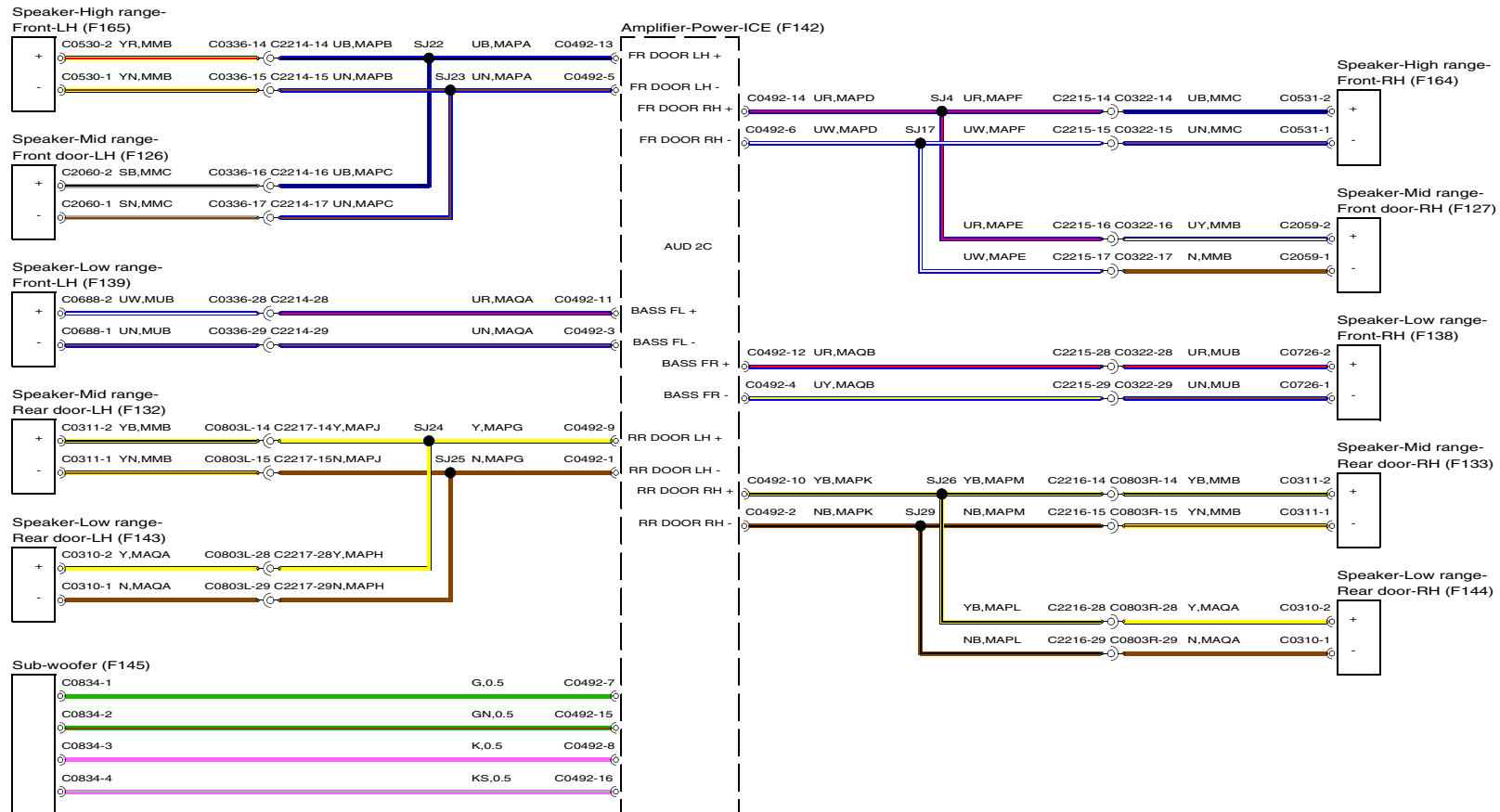
57 ENTERTAINMENT SYSTEM



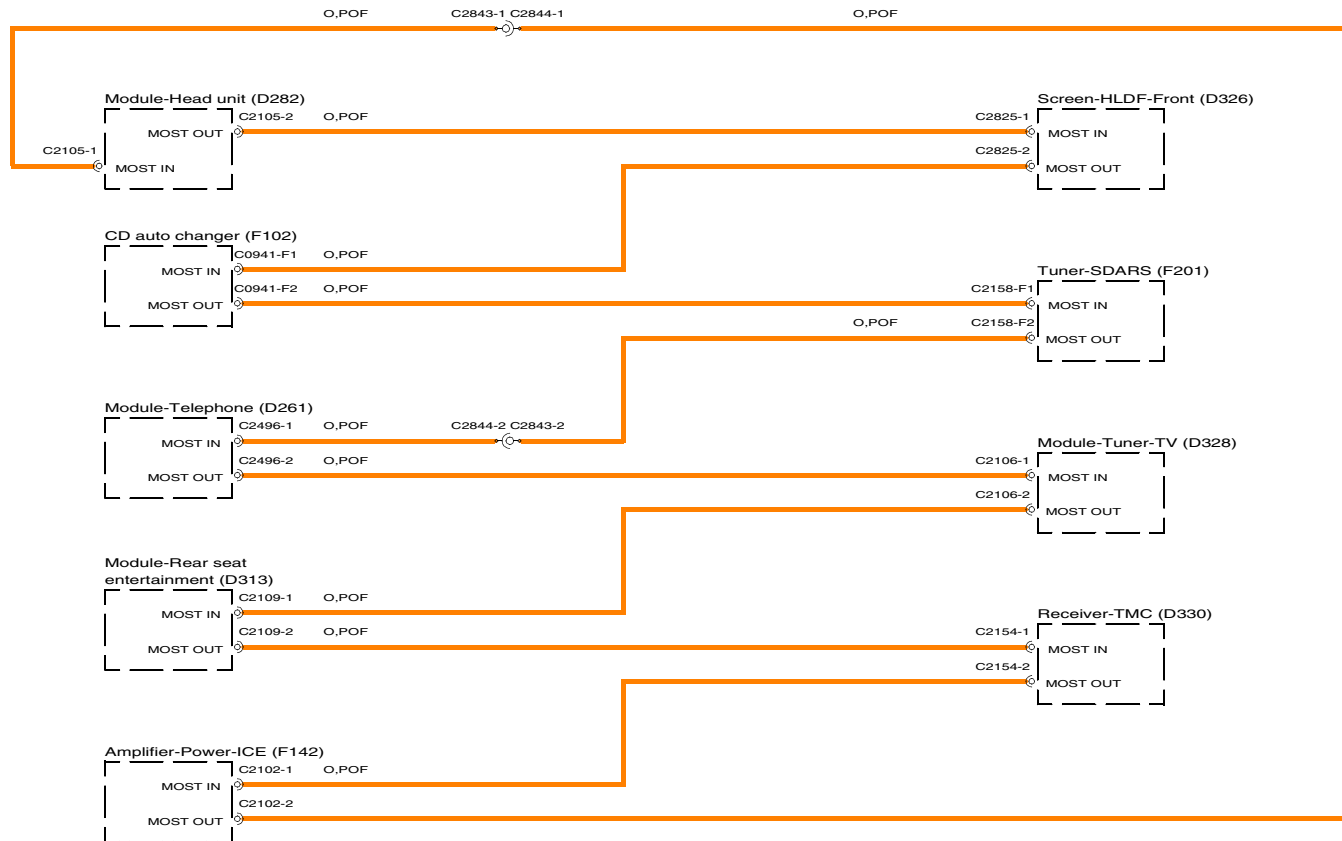


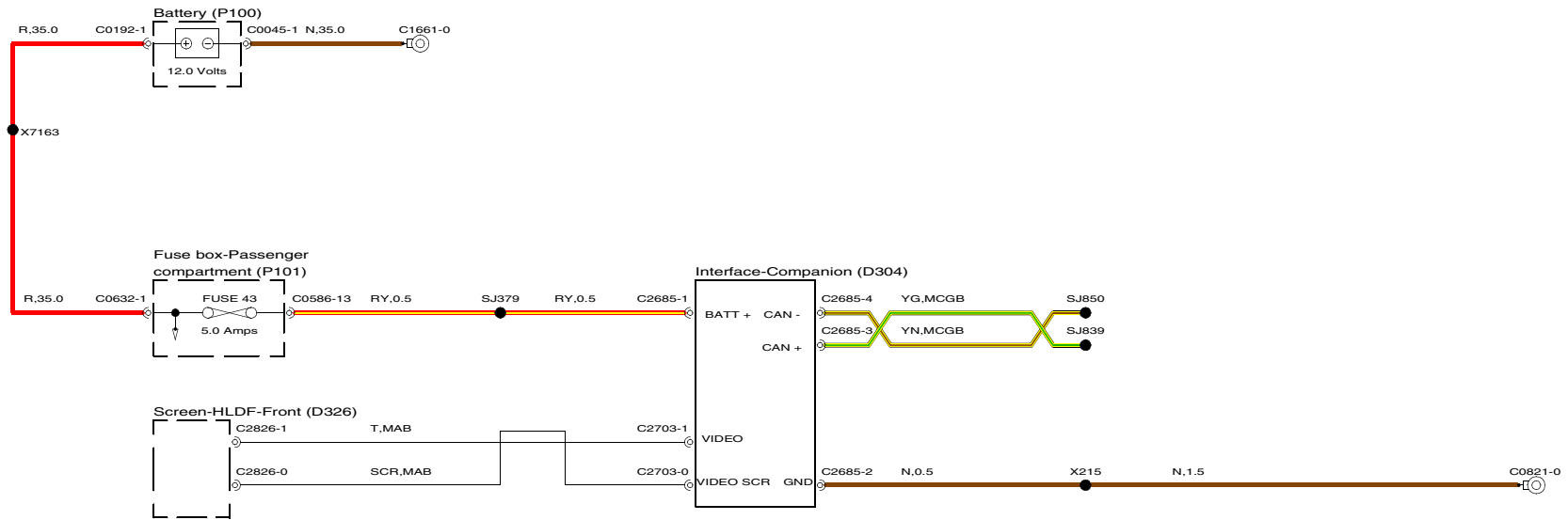
57 ENTERTAINMENT SYSTEM





57 ENTERTAINMENT SYSTEM

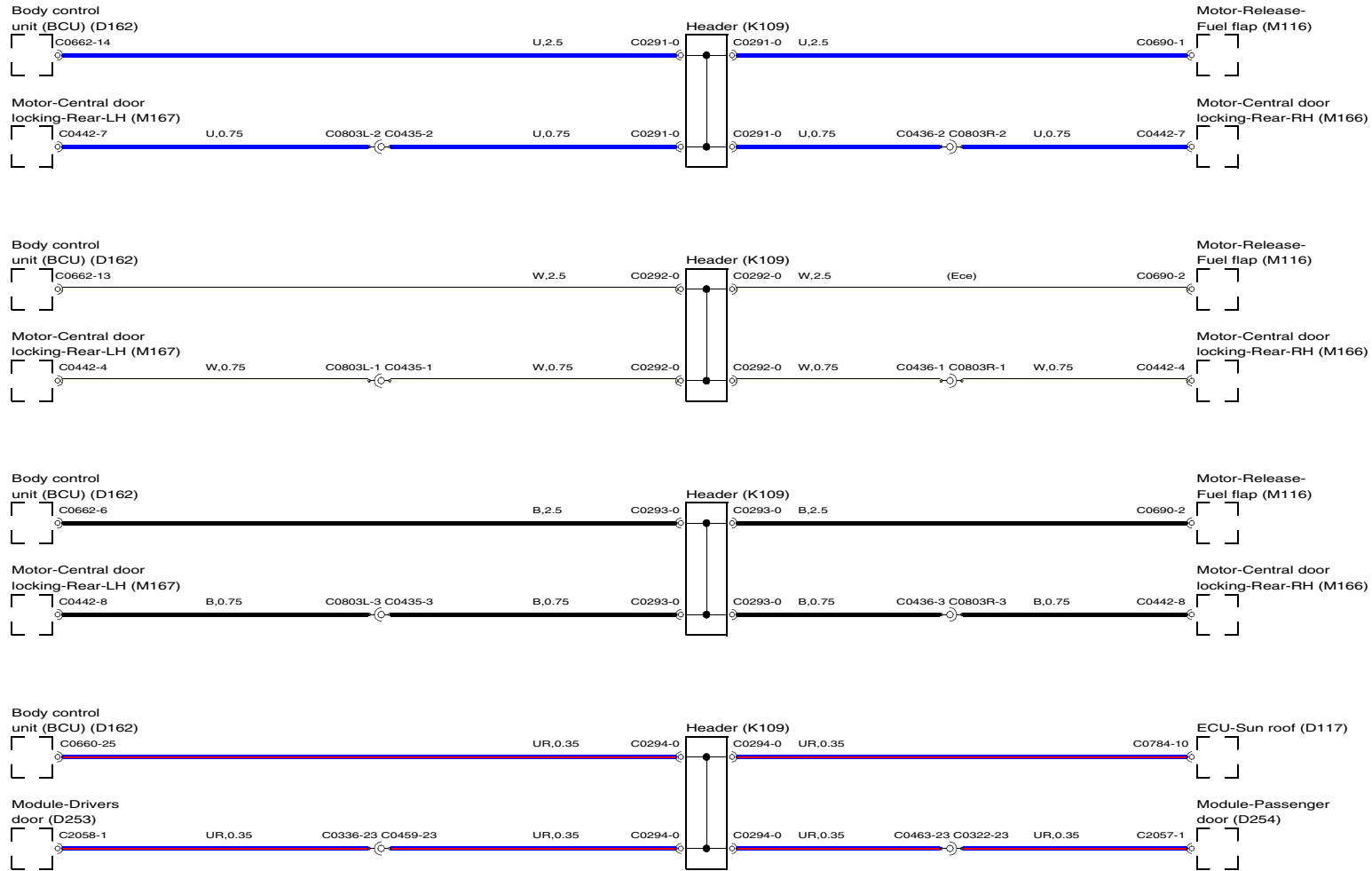




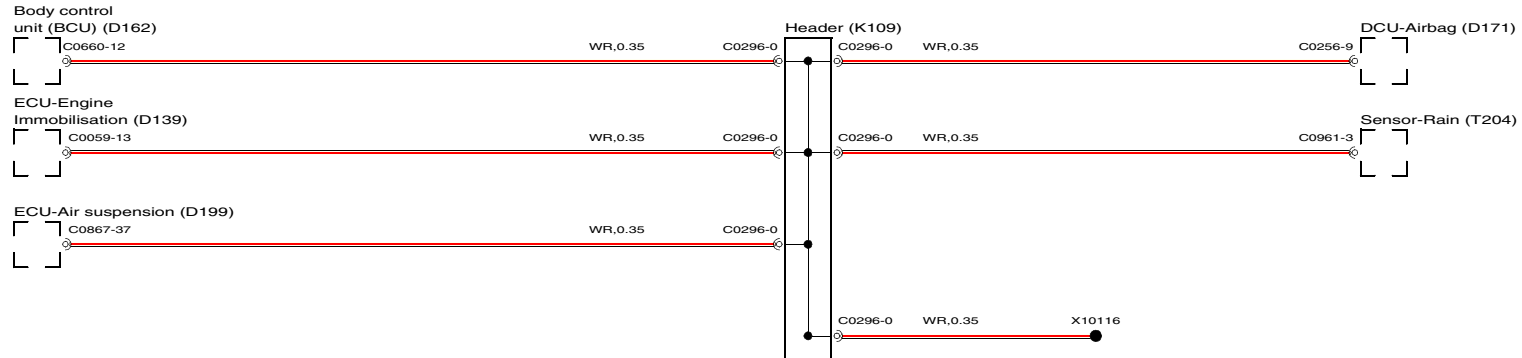
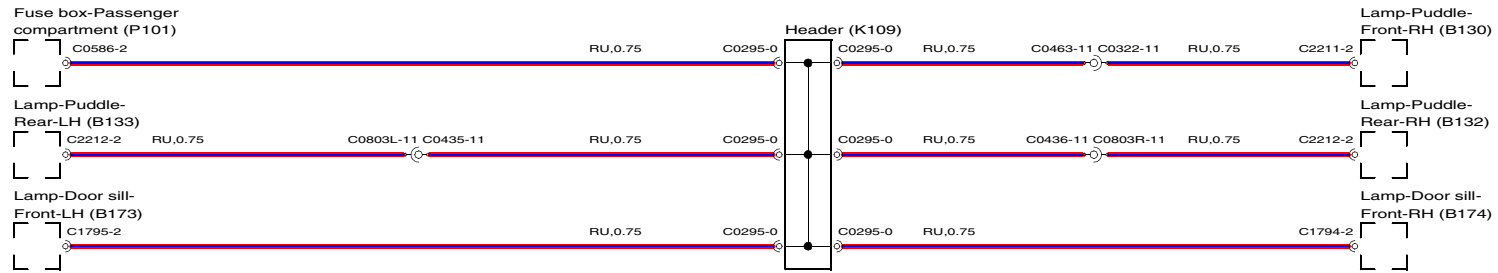
60 HEADER JOINTS

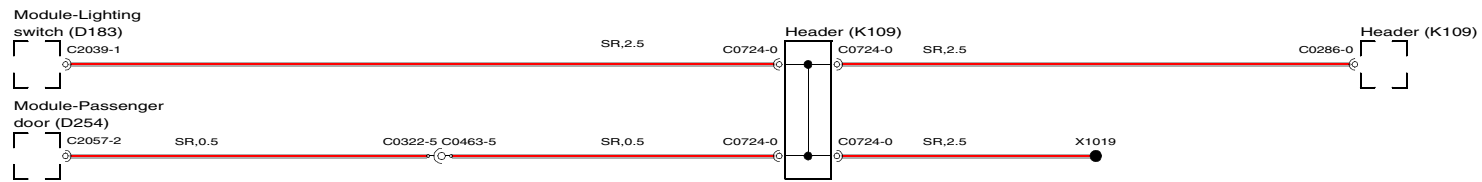
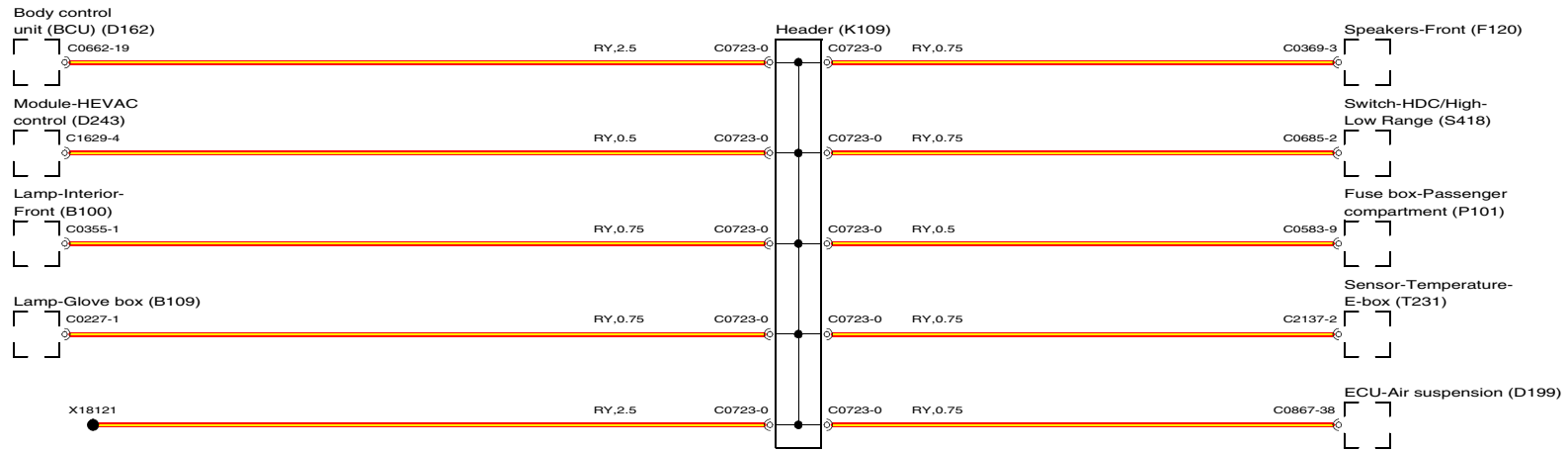


60 HEADER JOINTS

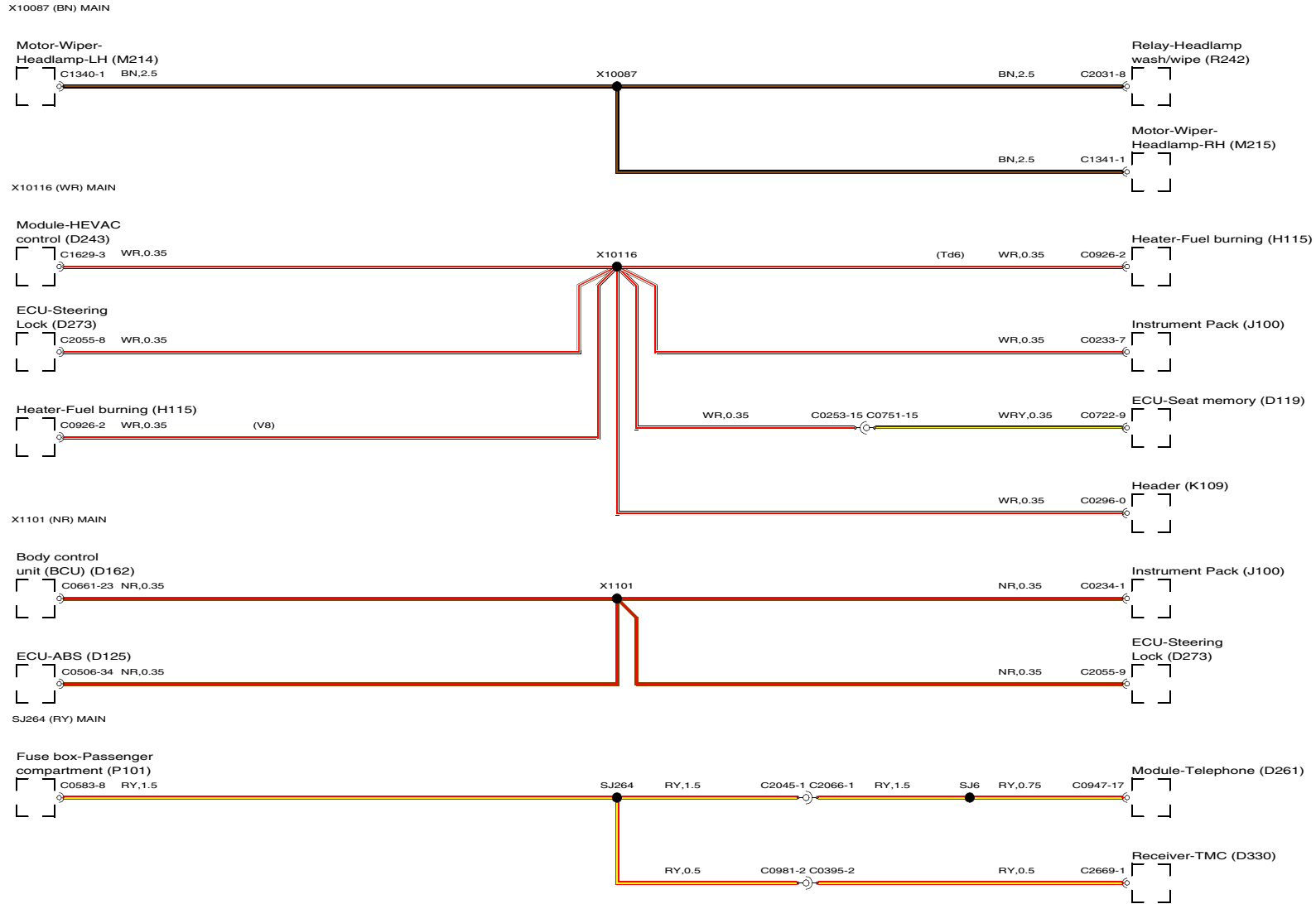


60 HEADER JOINTS





65 SPLICES AND CENTRE TAPS



65 SPLICES AND CENTRE TAPS

X1019 (SR) MAIN

Lamp-Automatic gearbox selector indicator (B113)

C0245-1 SR,0.5

Lamp-Interior-Rear (B104)

C0357-5 SR,0.5

X1019

Header (K109)

SR,2.5 C0724-0

SR,0.5 C0436-5 C0803R-5 SR,0.5 X1436

SR,0.5 C0868-11 C0903-11 SR,0.5 X1720

X1123 (NG) MAIN

Switch-Brake fluid level (S212)

C0026-2 NG,0.35

ECU-ABS (D125)

C0506-36 NG,0.35

X1123

Module-Lighting switch (D183)

NG,0.35 C2040-41

X13141 (WY) MAIN

Body control unit (BCU) (D162)

C0660-13 WY,0.35

Mirror-interior (B146)

C0698-2 WY,0.35

X13141

Receiver-Radio frequency (RF) (T203)

WY,0.35 C0674-3

X1397 (GB) MAIN

Switch pack-Centre console (S350)

C0700-15 GB,0.5

Fuse box-Passenger compartment (P101)

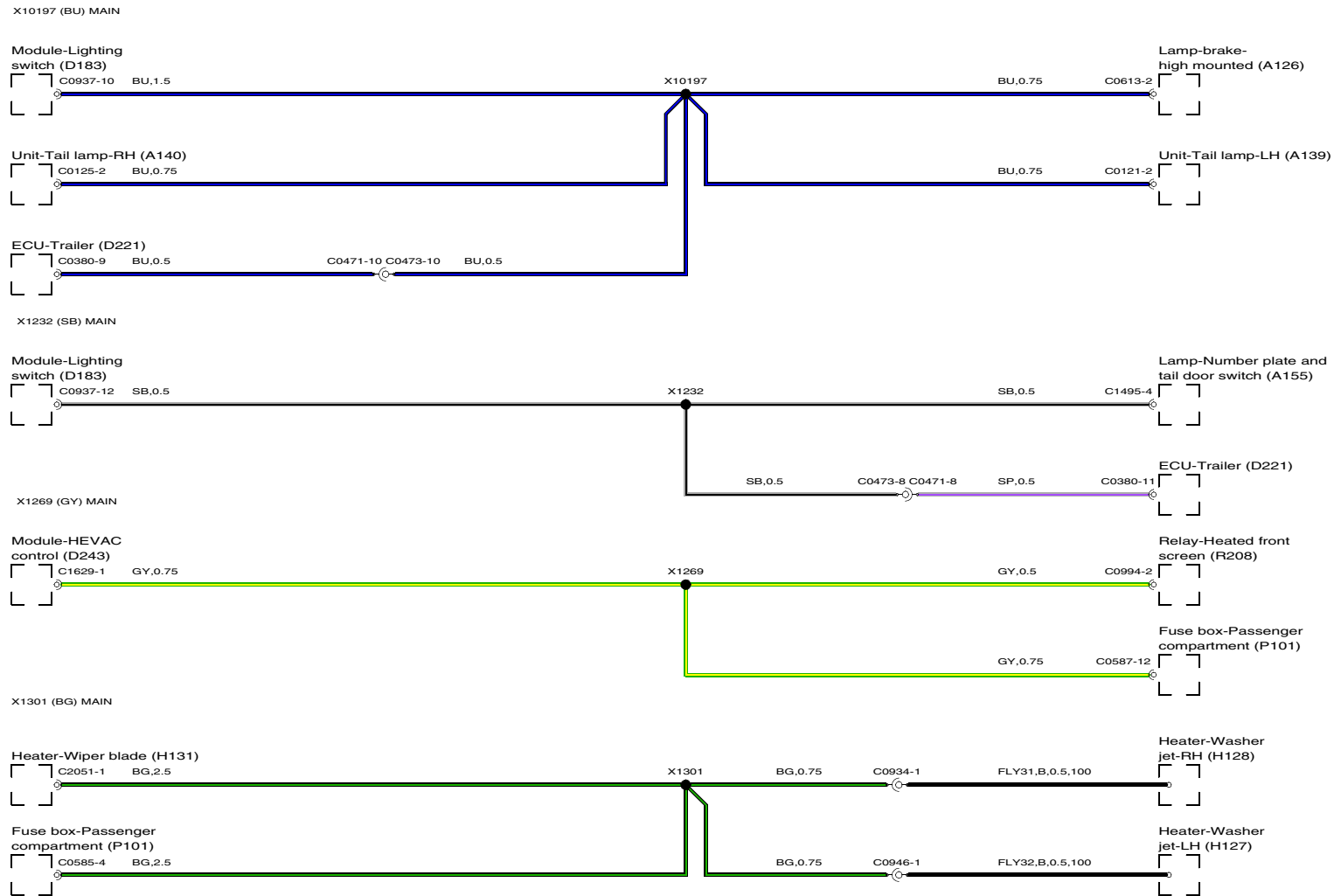
C0587-16 GB,0.5

X1397

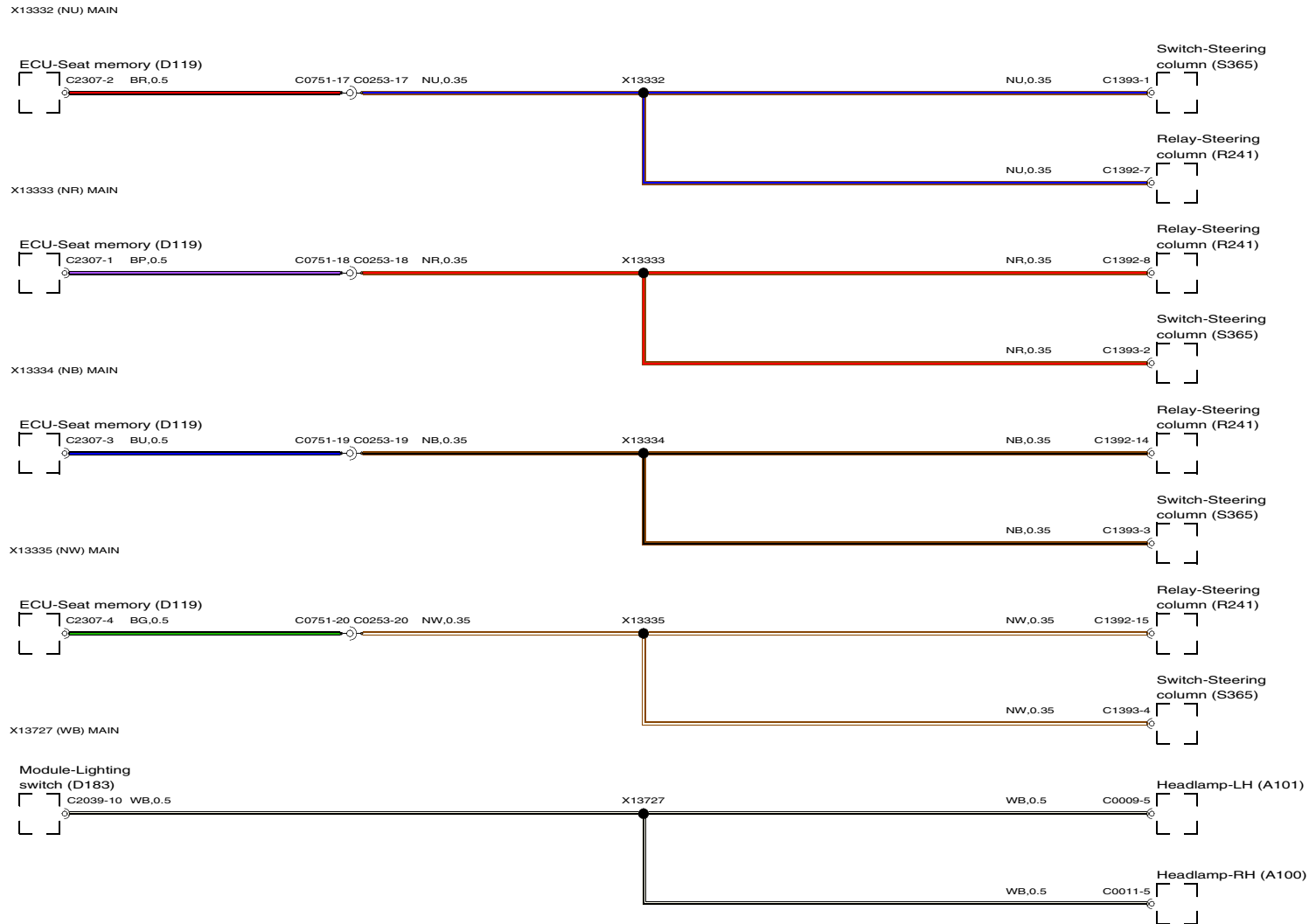
Switch-HDC/High-Low Range (S418)

GB,0.5 C0365-6

65 SPLICES AND CENTRE TAPS

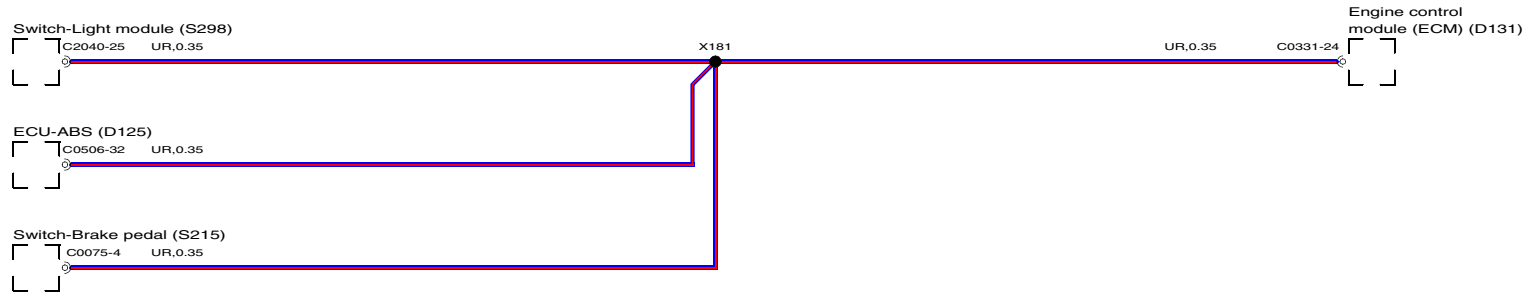


65 SPLICES AND CENTRE TAPS

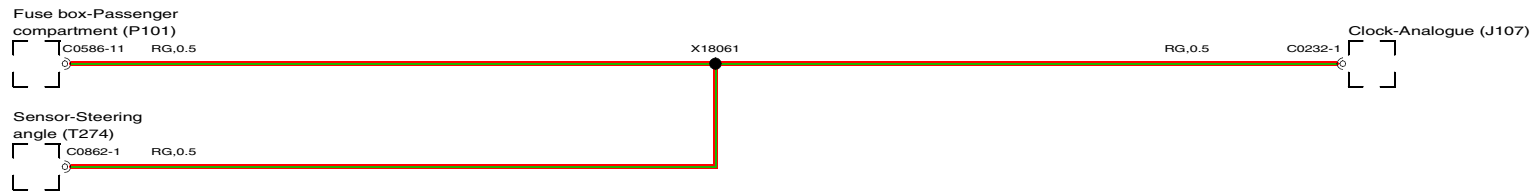


65 SPLICES AND CENTRE TAPS

X181 (UR) MAIN

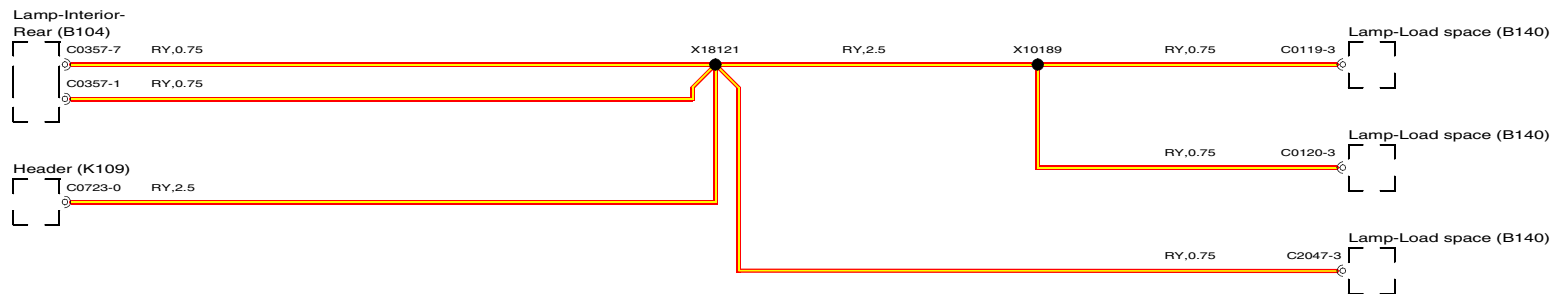


X18061 (RG) MAIN

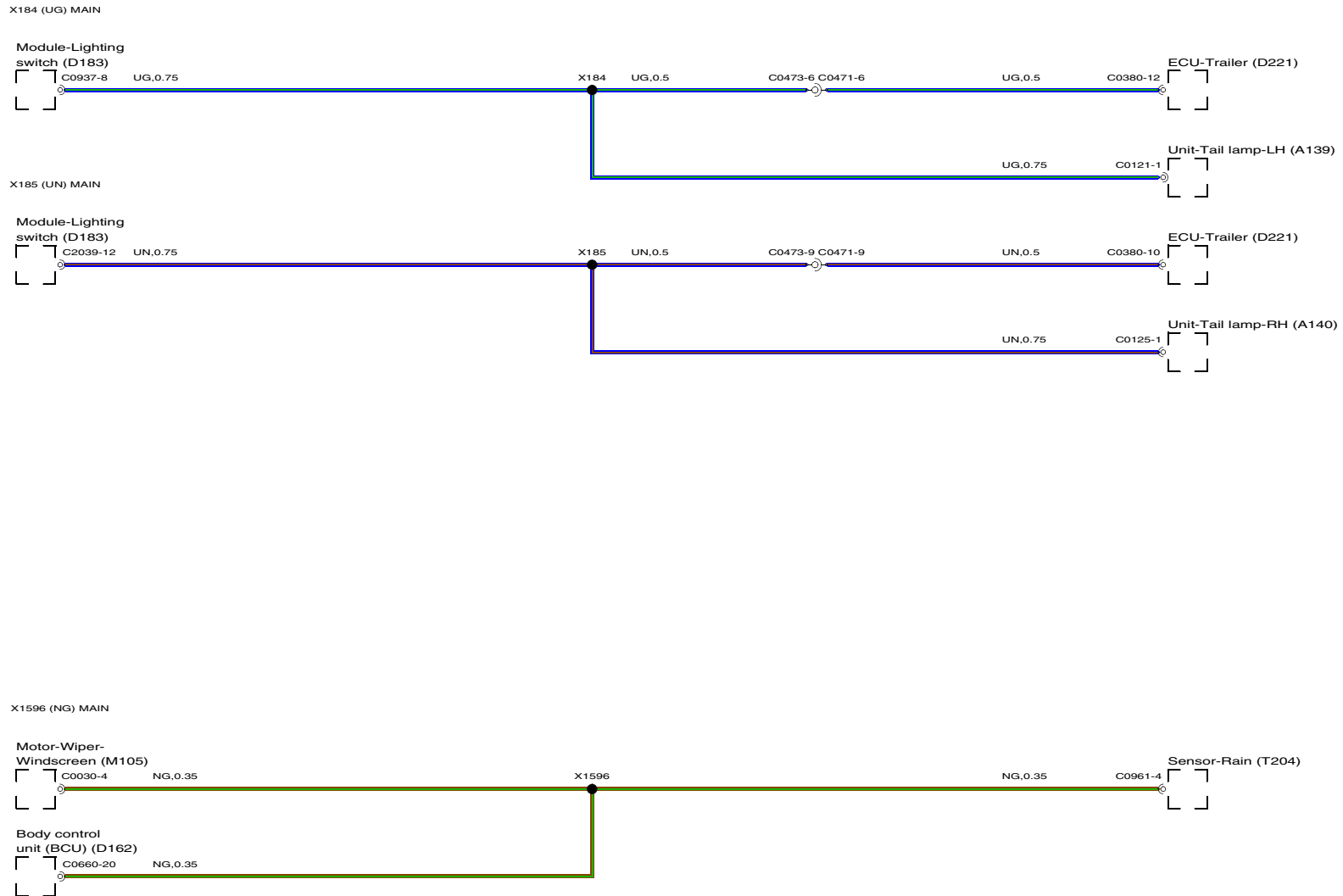


X18121 (RY) MAIN

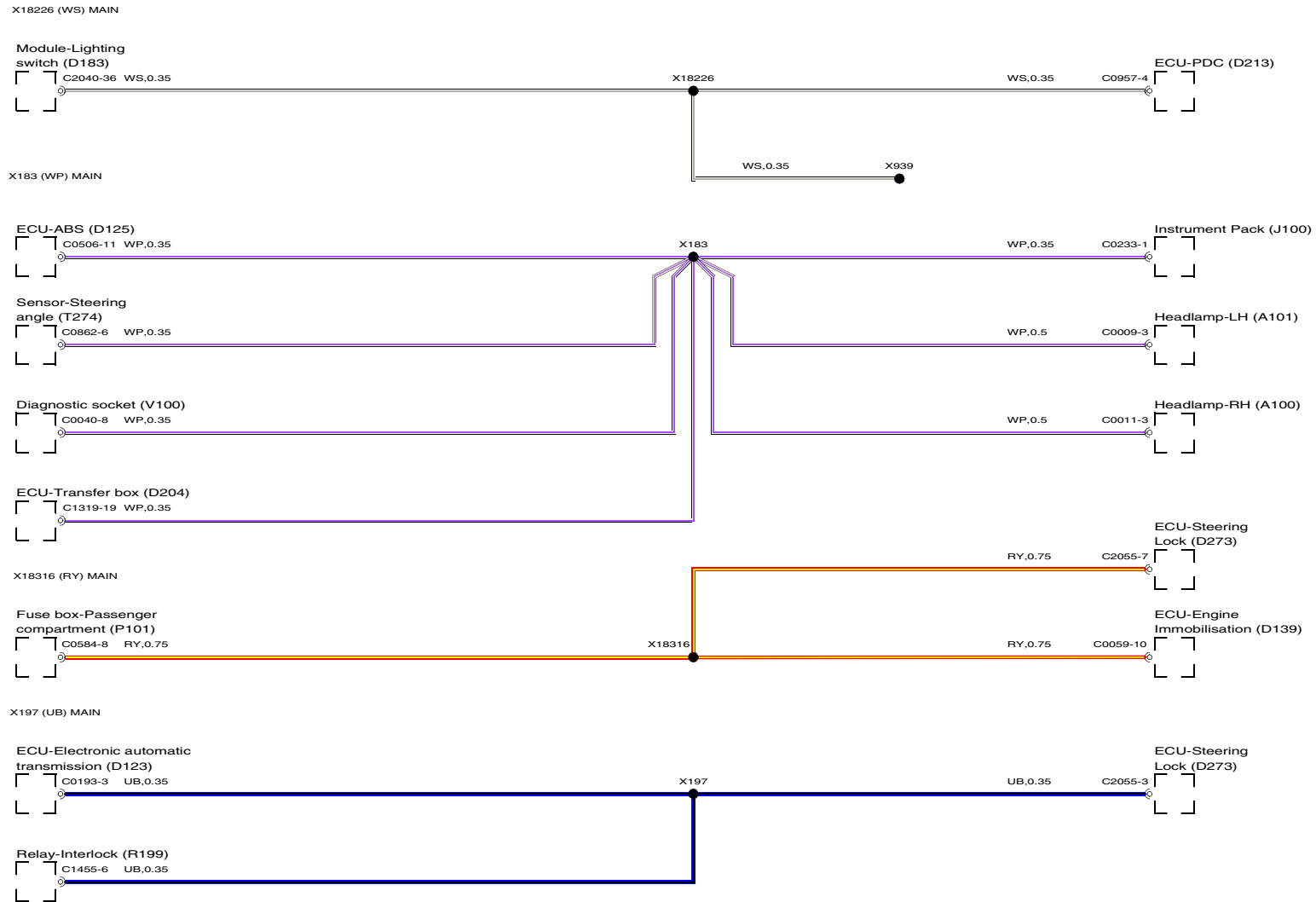
X10189 (RY) MAIN



65 SPLICES AND CENTRE TAPS

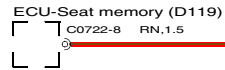
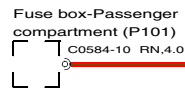


65 SPLICES AND CENTRE TAPS



65 SPLICES AND CENTRE TAPS

X206 (RN) MAIN



X206

RN,2.5

C1395-2

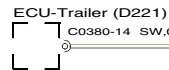
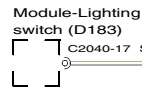
Motor-Column-Height (M264)

RN,2.5

C1394-2

Motor-Column-Telescope (M263)

X245 (SW) MAIN



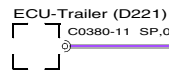
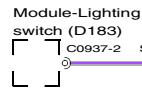
X245

SW,0.5

C0125-4

Unit-Tail lamp-LH (A139)

X246 (SP) MAIN



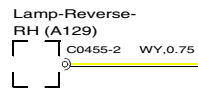
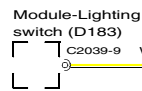
X246

SP,0.5

C0121-4

Unit-Tail lamp-RH (A140)

X428 (WY) MAIN



X428

WY,0.75

C0117-6 C0384-6

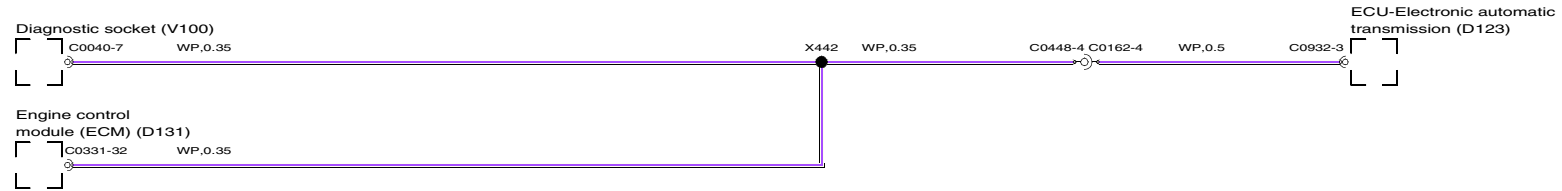
WY,0.75

C0472-2

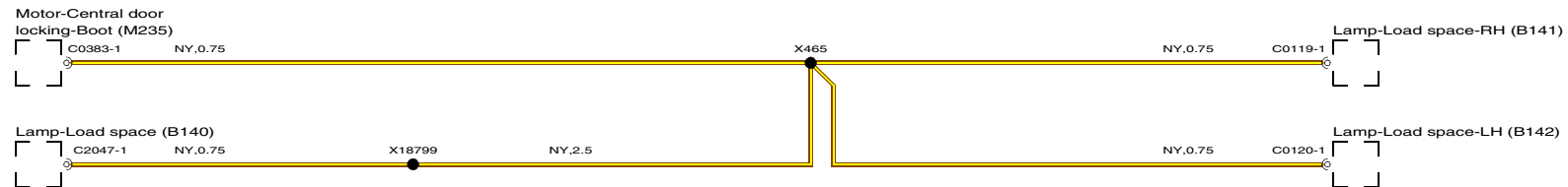
Lamp-Reverse-LH (A130)

65 SPLICES AND CENTRE TAPS

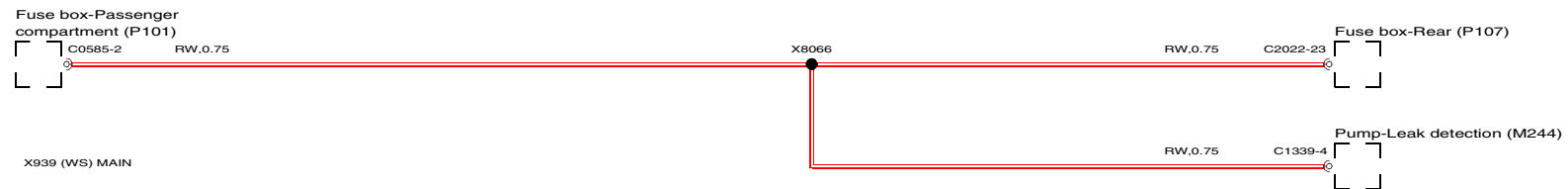
X442 (WP) MAIN



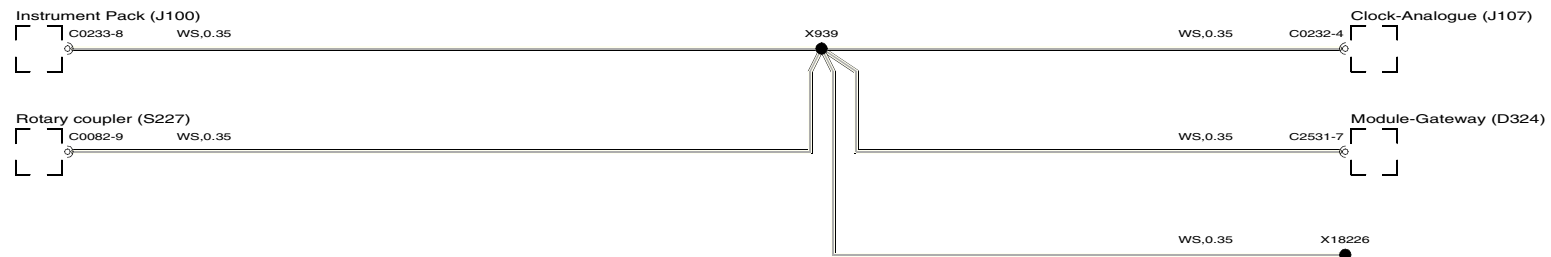
X465 (NY) MAIN X18799 (NY) MAIN



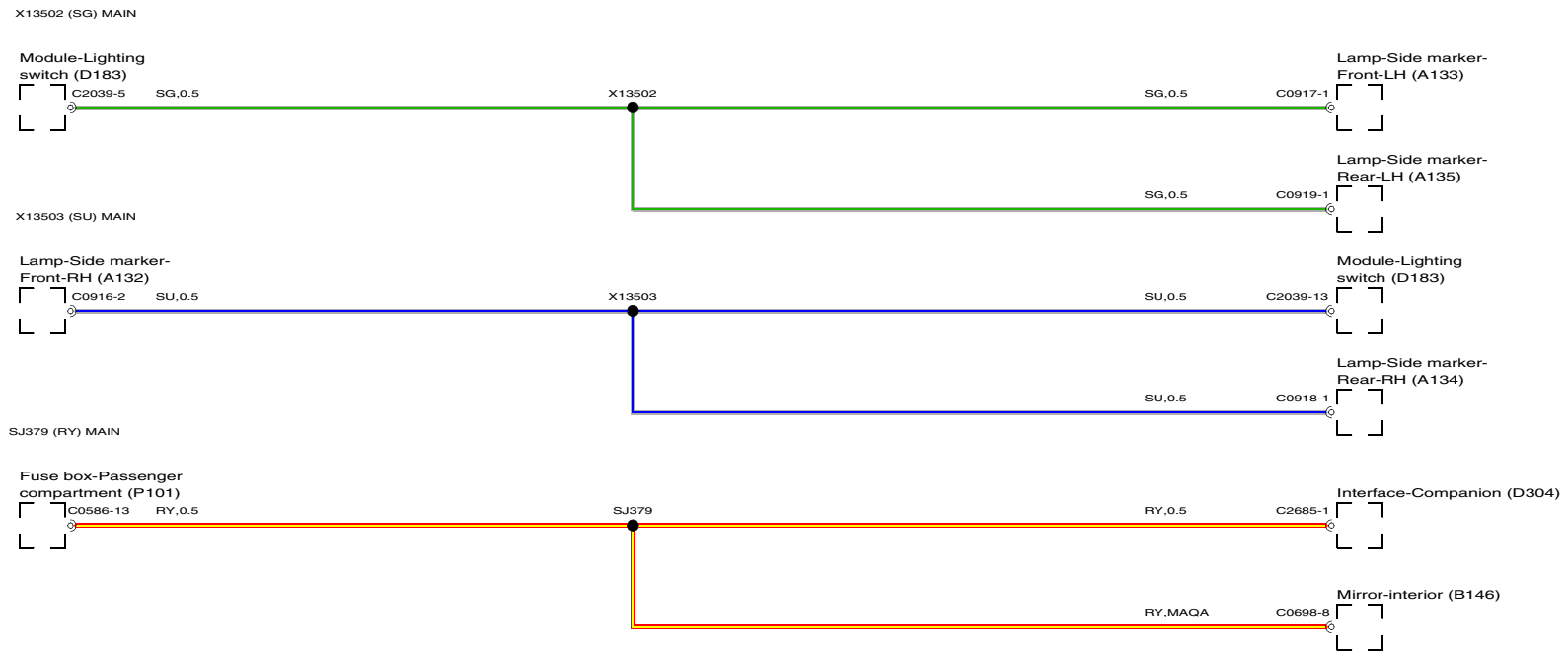
X8066 (RW) MAIN



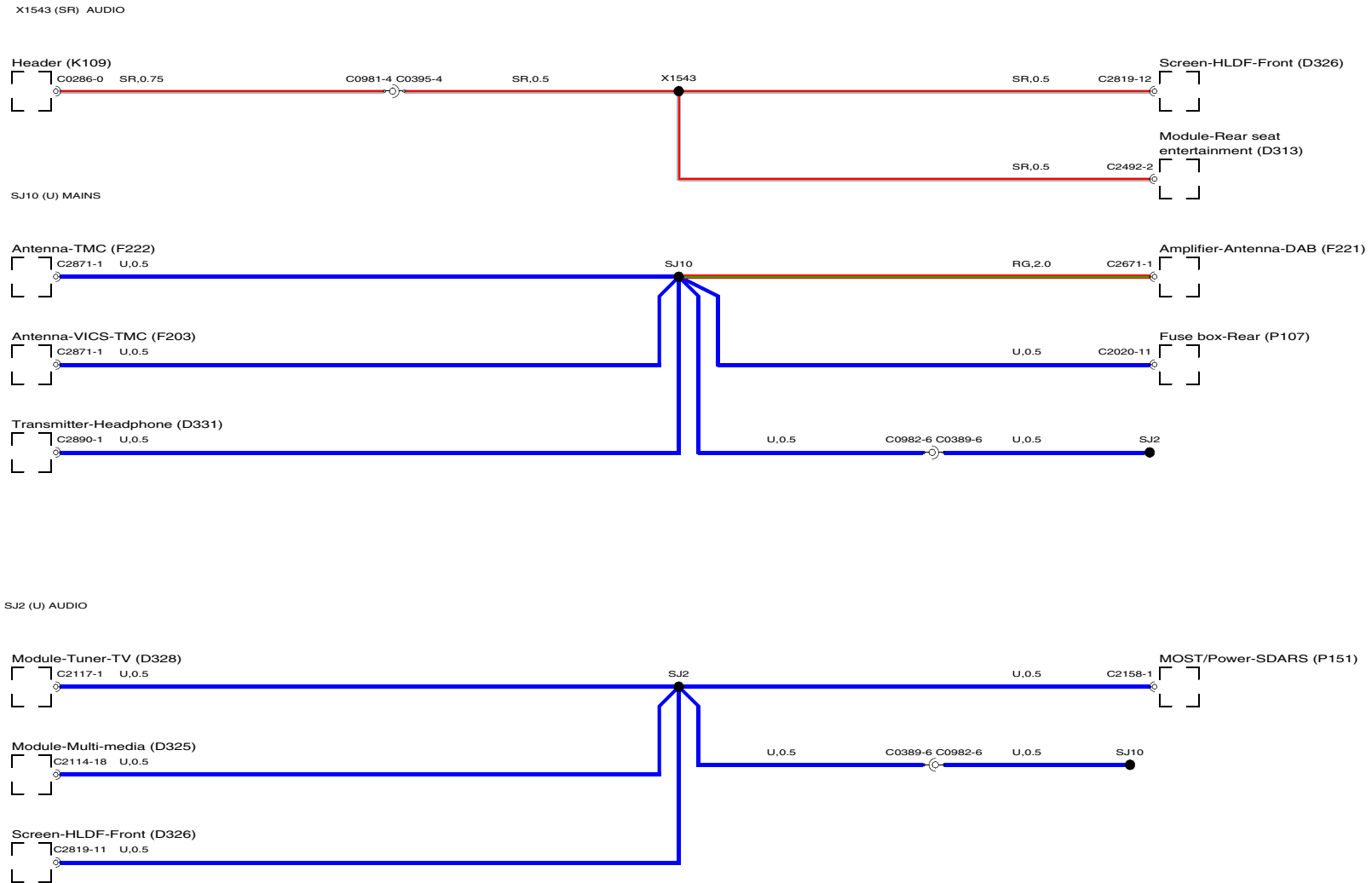
X939 (WS) MAIN



65 SPLICES AND CENTRE TAPS

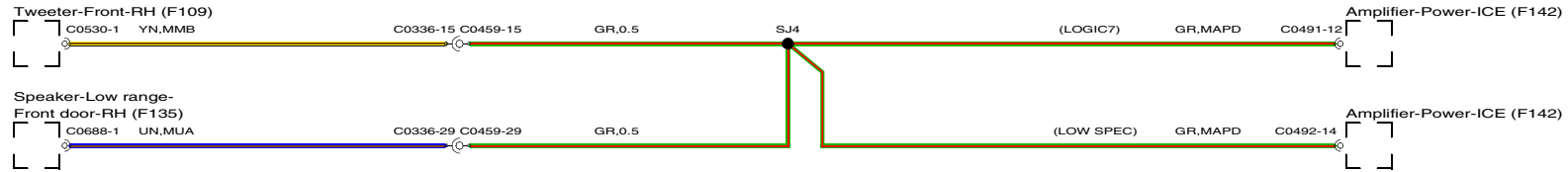


65 SPLICES AND CENTRE TAPS

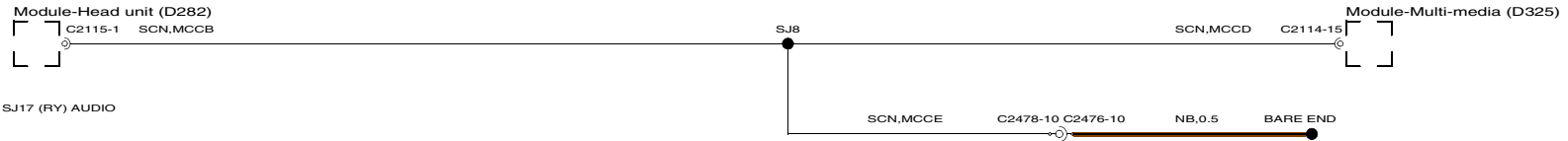


65 SPLICES AND CENTRE TAPS

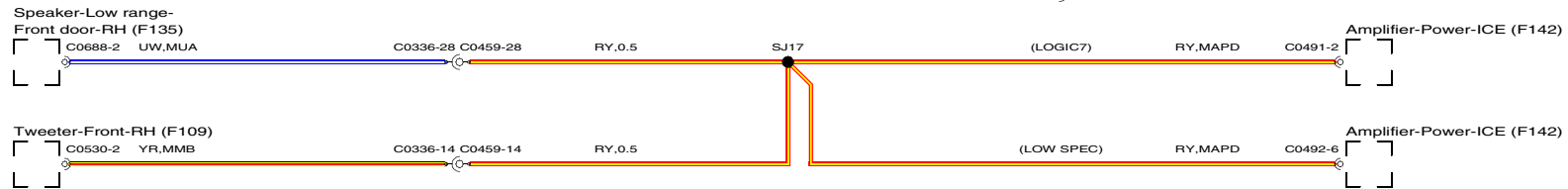
SJ4 (GR) AUDIO



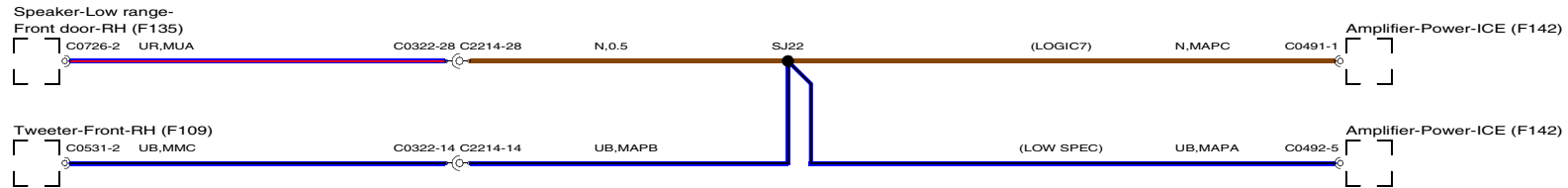
SJ8 (SCR) AUDIO



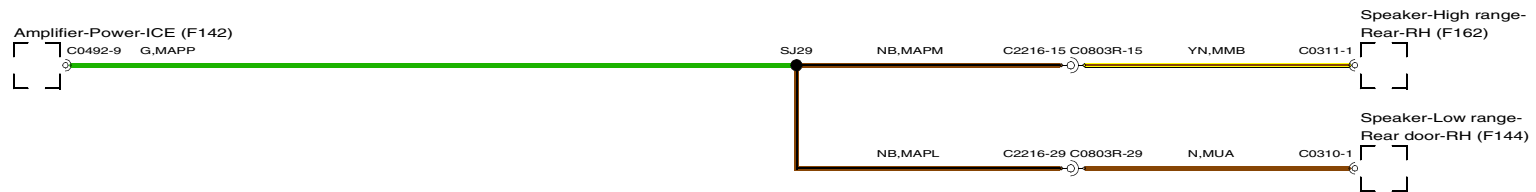
SJ17 (RY) AUDIO



SJ22 (N) AUDIO

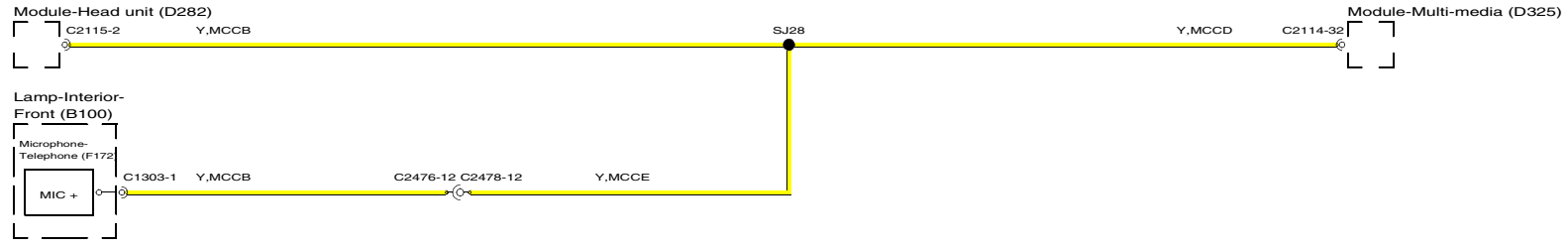


SJ29 (NB) AUDIO LOW SPEC

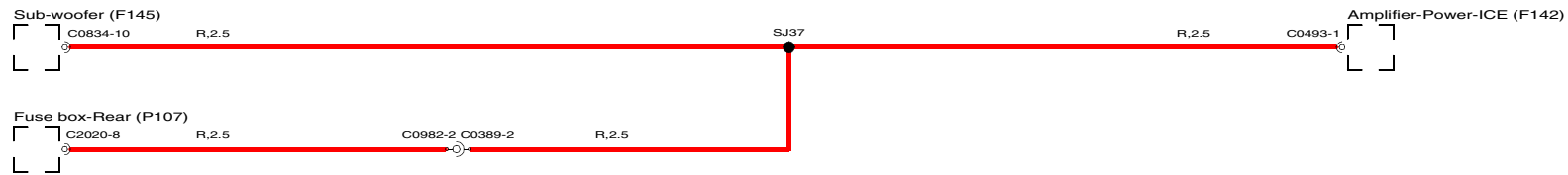


65 SPLICES AND CENTRE TAPS

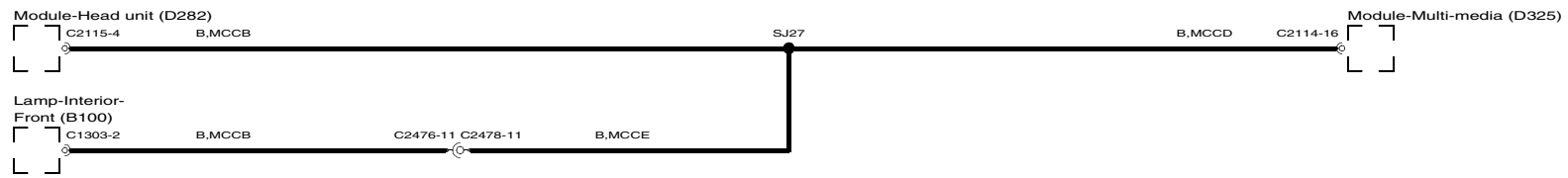
SJ28 (Y) AUDIO



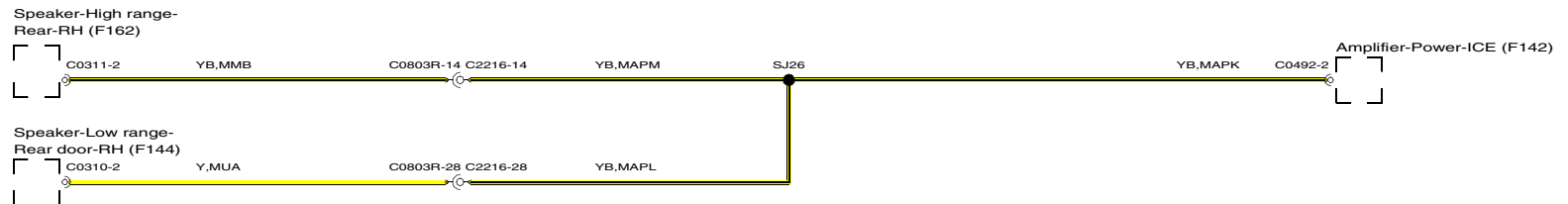
SJ37 (R) AUDIO



SJ27 (B) AUDIO

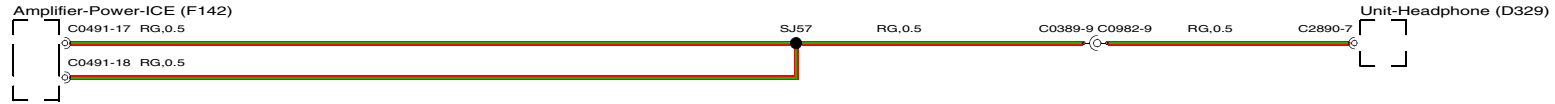


SJ26 (YB) AUDIO

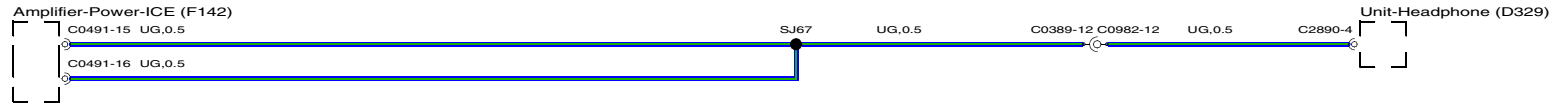


65 SPLICES AND CENTRE TAPS

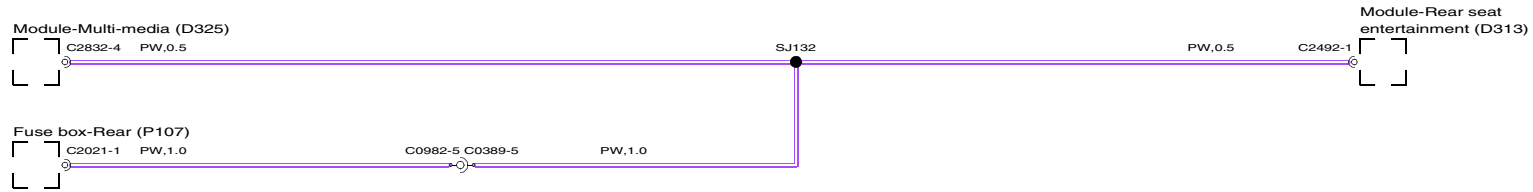
SJ57 (RG) AUDIO



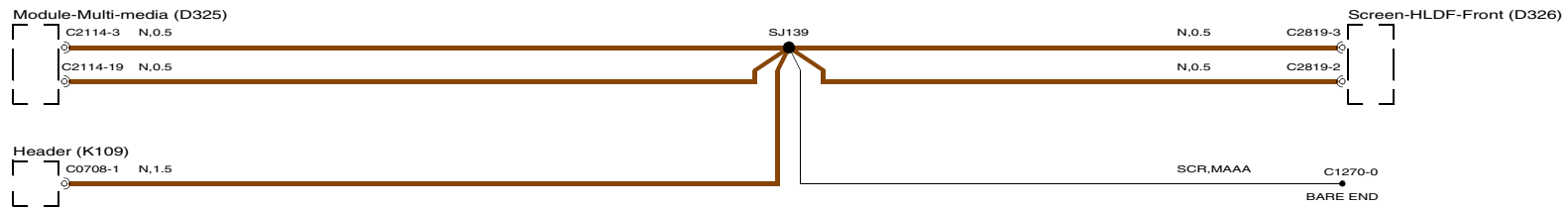
SJ67 (UG) AUDIO



SJ132 (PW) AUDIO



SJ139 (N) AUDIO

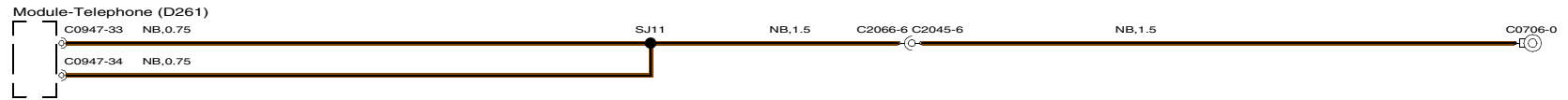


65 SPLICES AND CENTRE TAPS

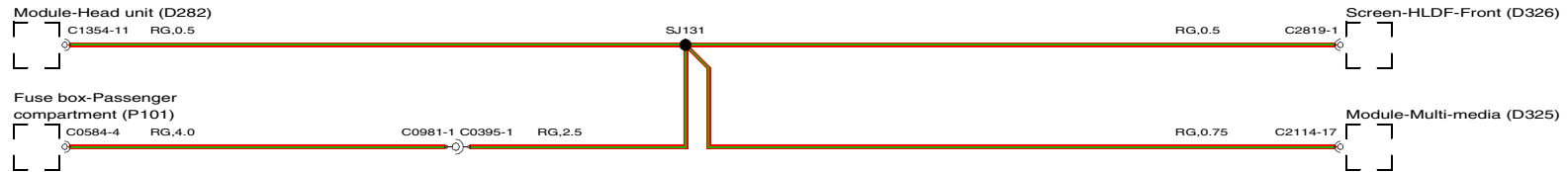
SJ6 (RY) TELEPHONE



SJ11 (NB) TELEPHONE

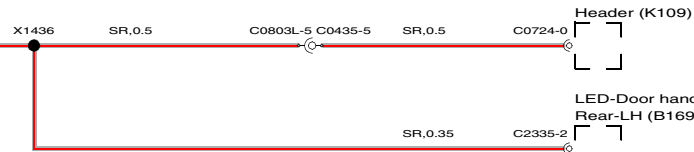
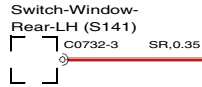


SJ131 (RG) AUDIO

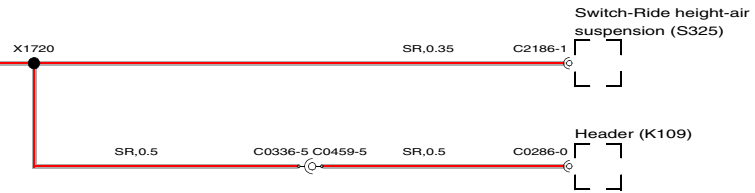
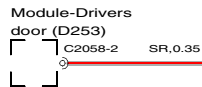


65 SPLICES AND CENTRE TAPS

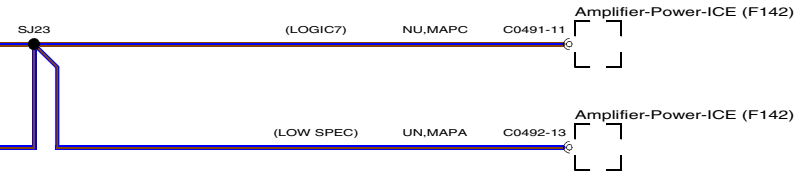
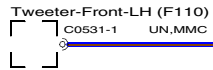
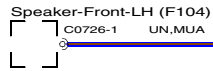
X1436 (SR) REAR DOOR LH



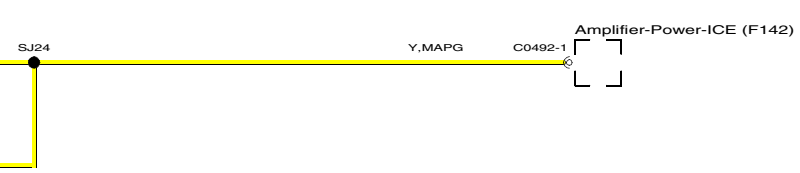
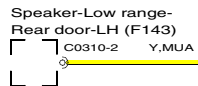
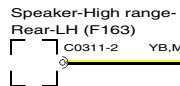
X1720 (SR) DRIVER DOOR



SJ23 (NU) AUDIO

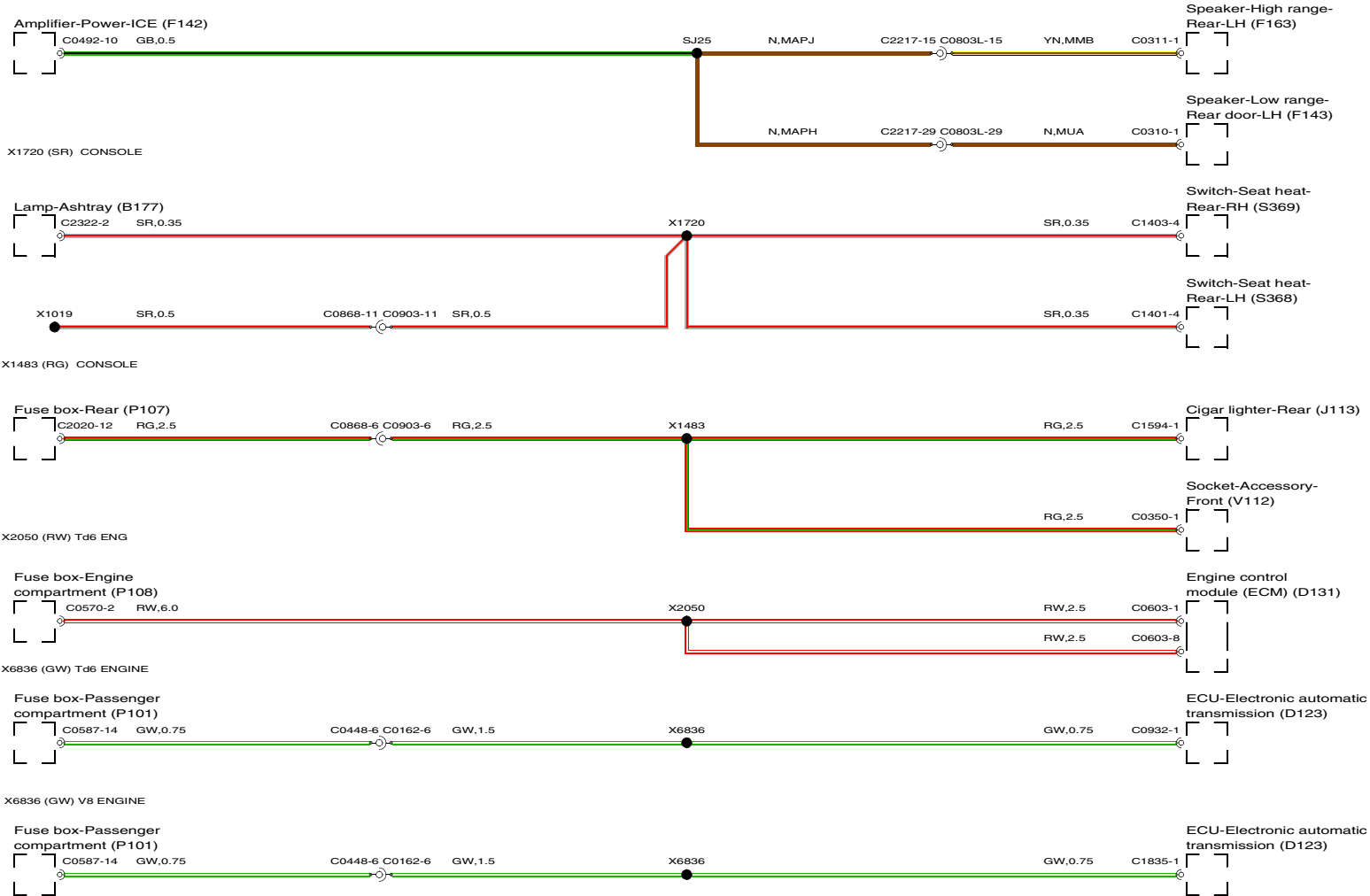


SJ24 (Y) AUDIO



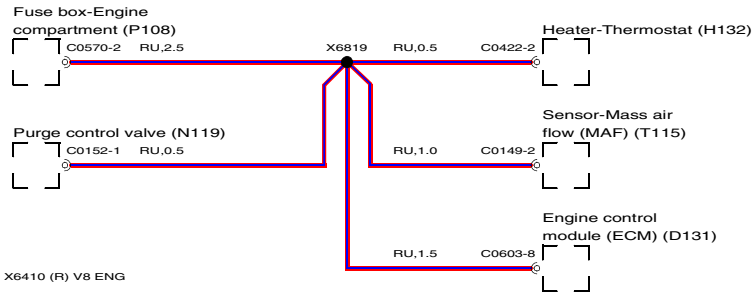
65 SPLICES AND CENTRE TAPS

SJ25 (GB/N) AUDIO LOW SPEC

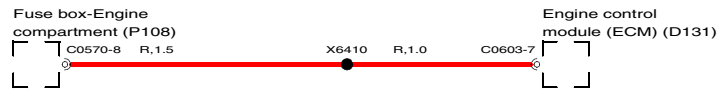


65 SPLICES AND CENTRE TAPS

X6819 (RU) V8 ENG



X6410 (R) V8 ENG



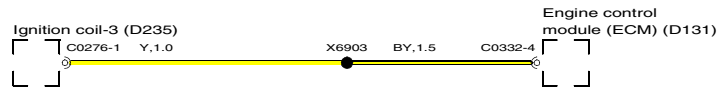
X6901 (W/BW) V8 ENG



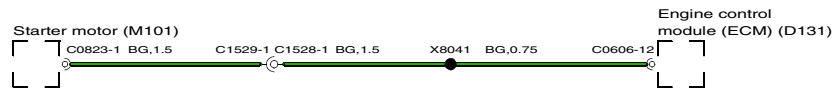
X6902 (R/BR) V8 ENG



X6903 (Y/BY) V8 ENG



X8041 (BG) V8 ENG



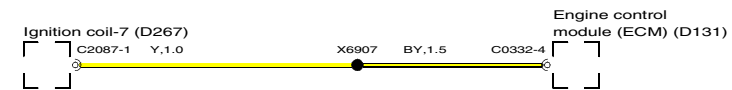
X6905 (W/BW) V8 ENG



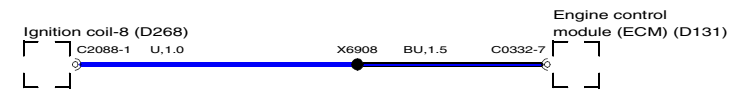
X6906 (R/BR) V8 ENG



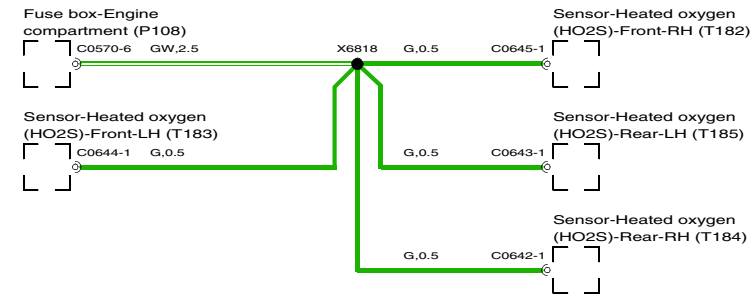
X6907 (Y/BY) V8 ENG



X6908 (U/BU) V8 ENG



X6818 (GW/G) V8 ENG

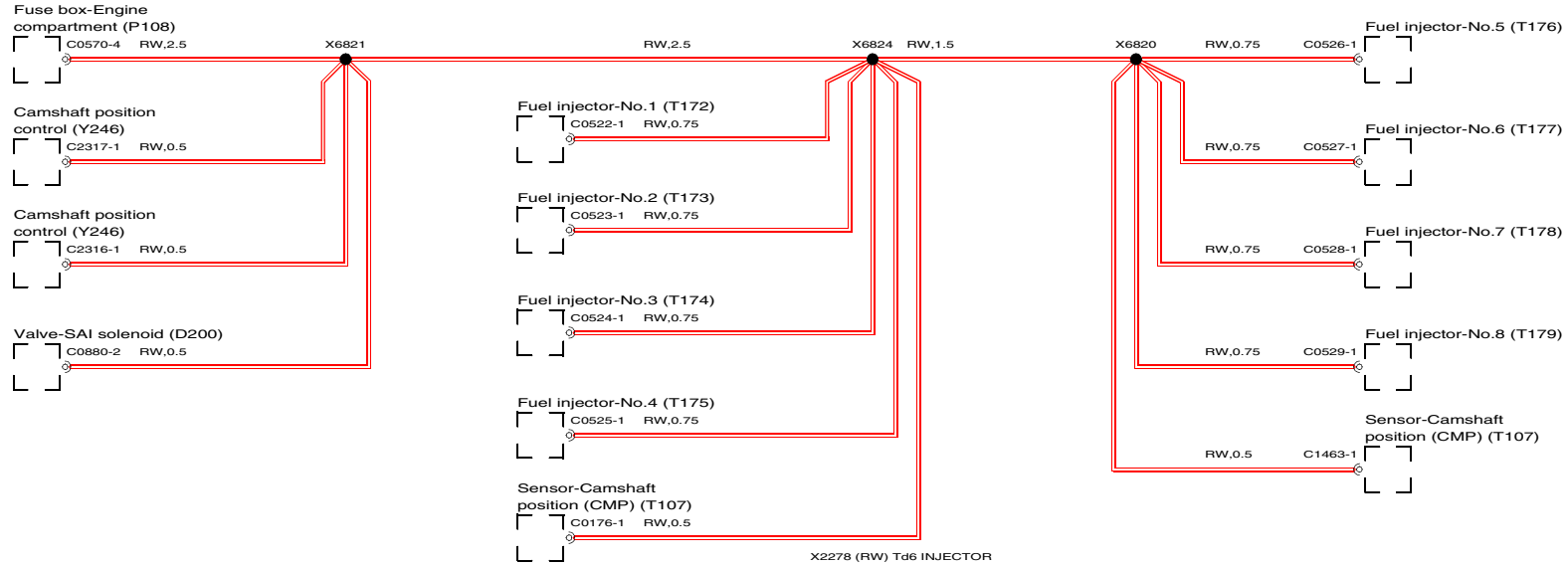


X6904 (U/BU) V8 ENG



65 SPLICES AND CENTRE TAPS

X6820 (RW) V8 ENG X6821 (RW) V8 ENG X6824 (RW) V8 ENG



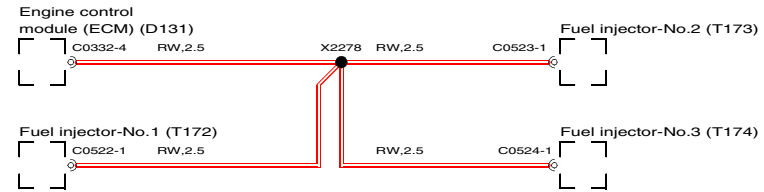
X8004 (U) V8 ENG



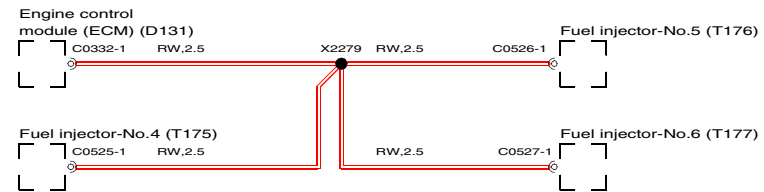
X6411(R) Td6 ENG



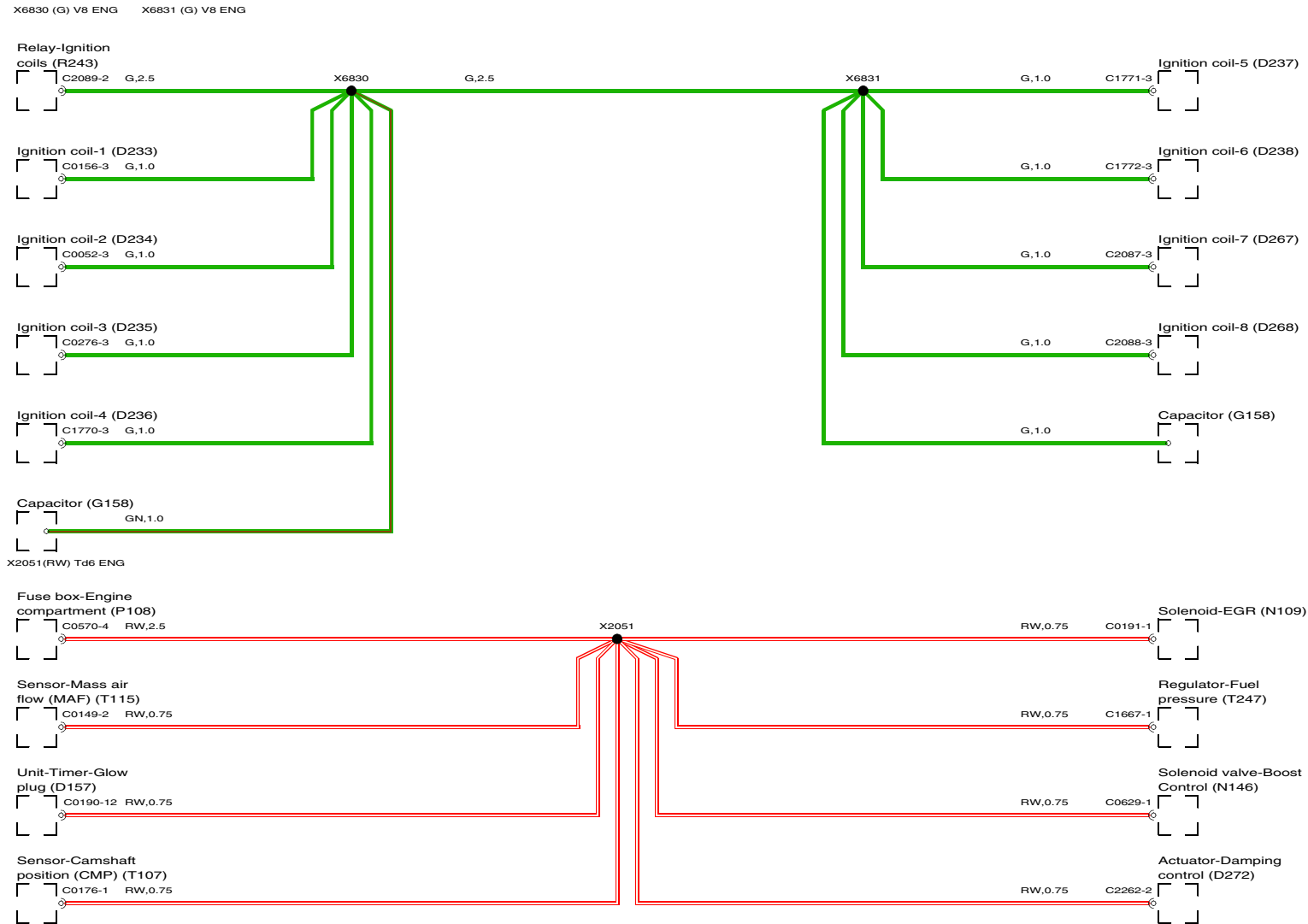
X2278 (RW) Td6 INJECTOR

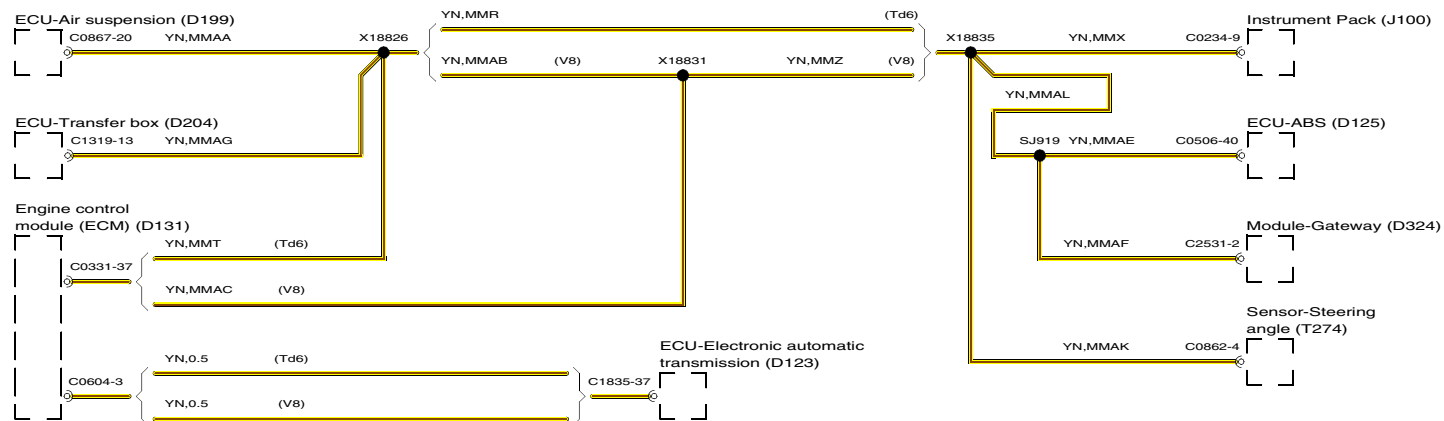
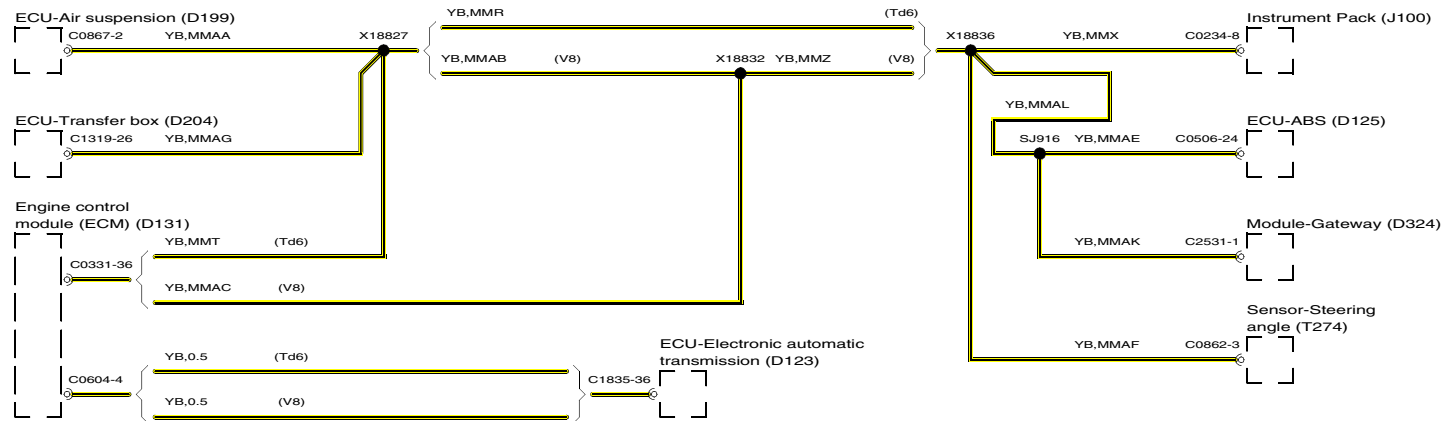


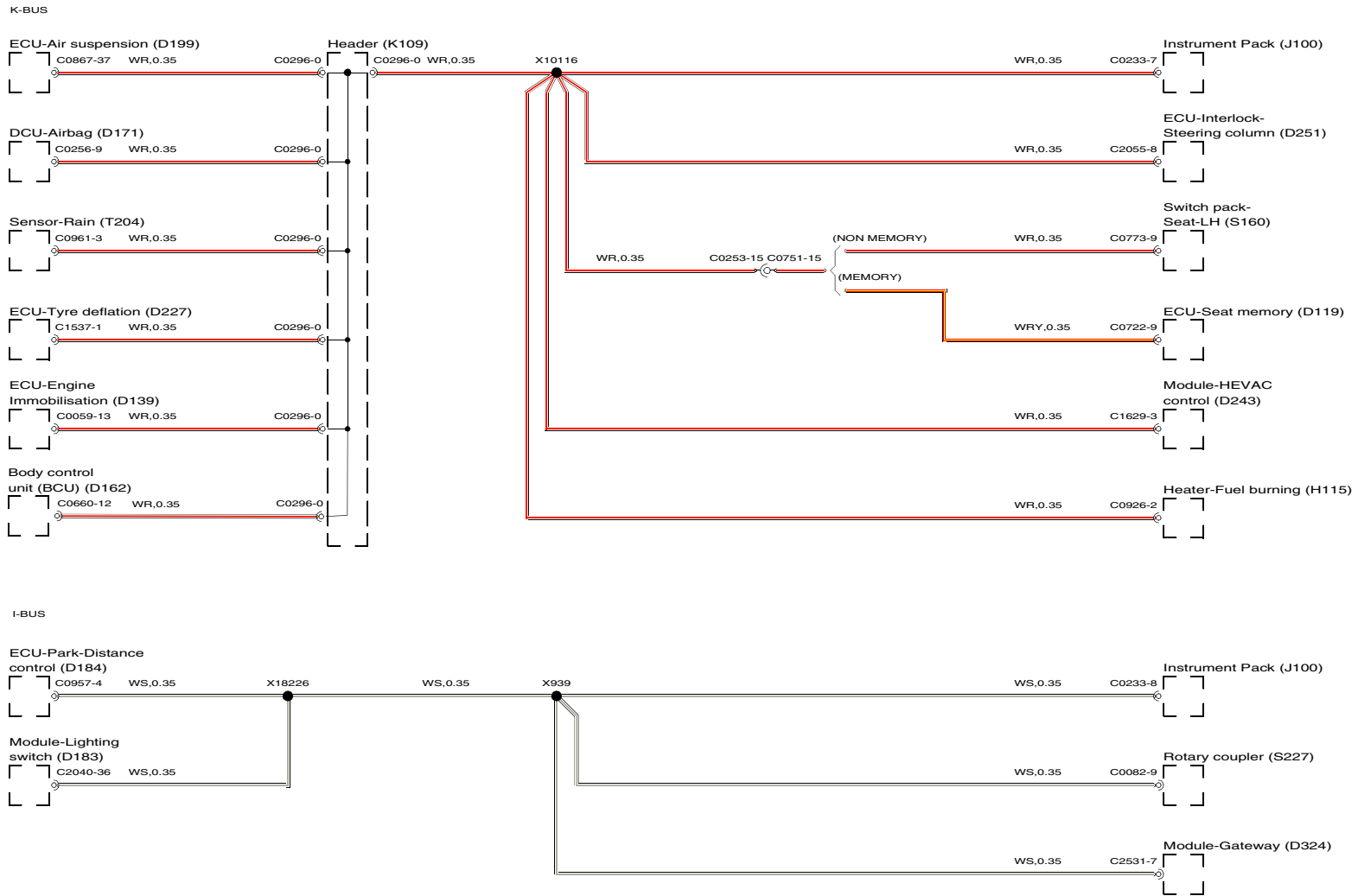
X2279 (RW) Td6 INJECTOR

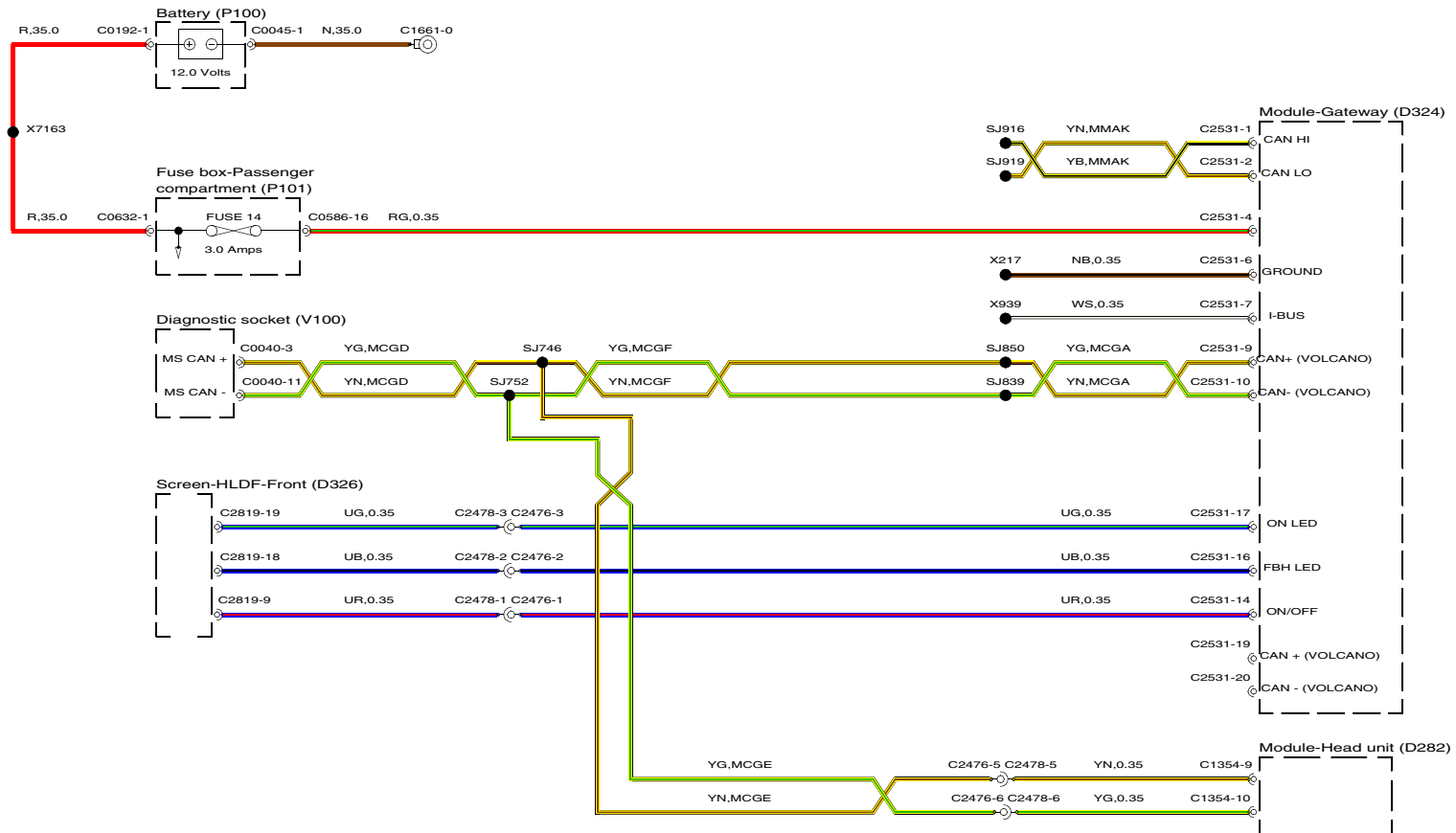


65 SPLICES AND CENTRE TAPS

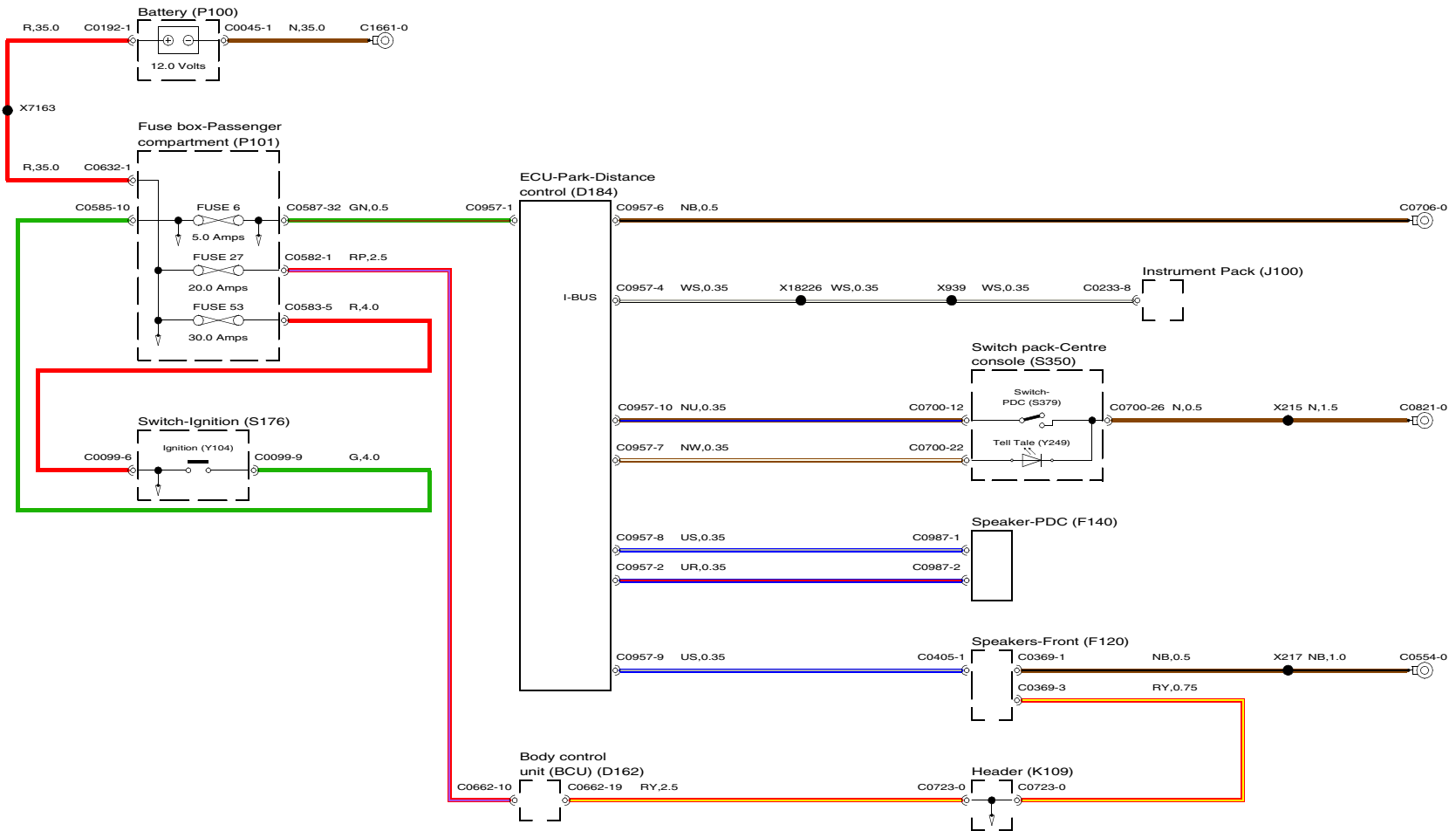








75 PARK DISTANCE CONTROL (PDC)



75 PARK DISTANCE CONTROL (PDC)

