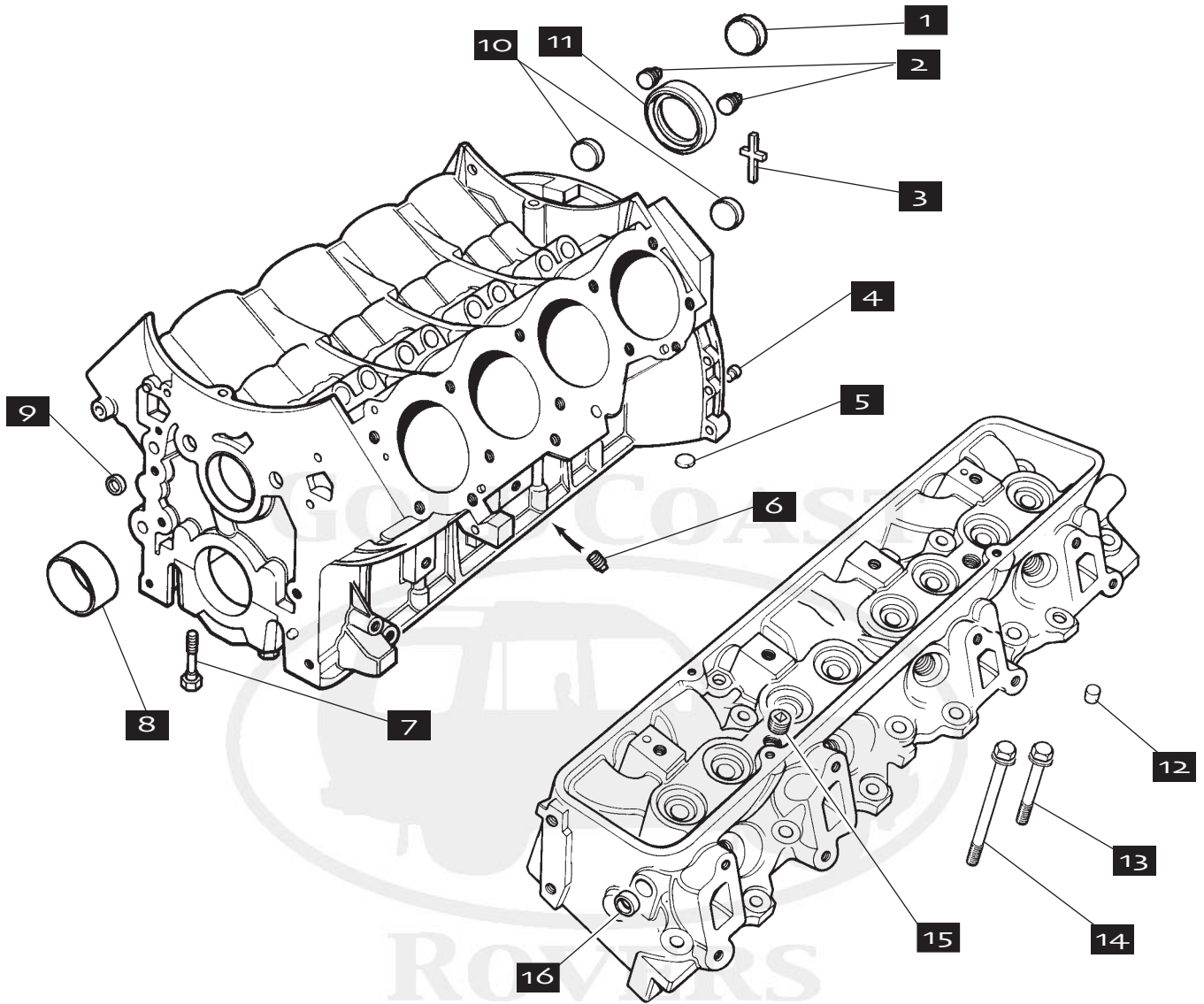


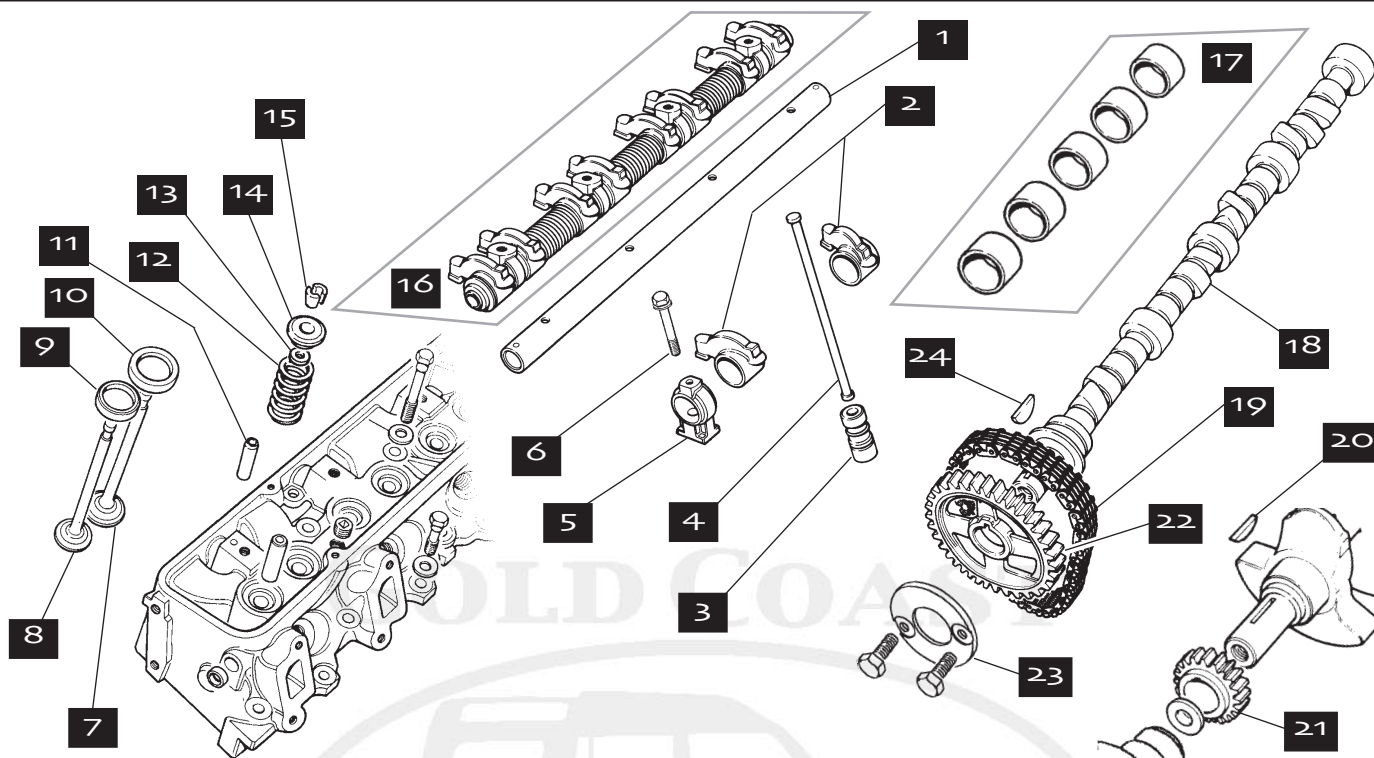
RANGE ROVER II, 1995-2002

| Description | Order Number | Explanatory Notes |
|-------------------------------------|----------------|---------------------------------|
| 1. Piston Ring Set, 4.0 or 4.6 | RV-STC1427 | Standard Bore |
| 2. Piston, 4.0 Liter | RV-ERR5553 | High Compression, Standard Bore |
| 2. Piston, 4.6 Liter | RV-ERR5554 | High Compression, Standard Bore |
| 3. Rod Bolt | RV-ERR1772 | |
| 4. Pilot Bushing, end of crankshaft | RV-549911 | |
| 5. Main Bearing Set, standard | RV-STC4299 | Standard |
| 5. Main Bearing Set, + .010" | RV-STC4299.010 | Oversize |
| 6. Crankshaft Damper/Pulley | RV-LHG000060 | |
| 7. Washer on Crankshaft | RV-ERC416 | |
| 8. Timing Gear on Crankshaft | RV-ERR2958 | |
| 9. Crankshaft Key | RV-ERR2846 | |
| 10. Rod Bearing Set, Standard | RV-STC1426 | |
| 10. Rod Bearing Set, +.010" | RV-STC1426.010 | |
| 10. Rod Bearing Set, +.020" | RV-STC1426.020 | |
| 11. Cam Bearing Set | RV-STC1961 | To WA401102 |

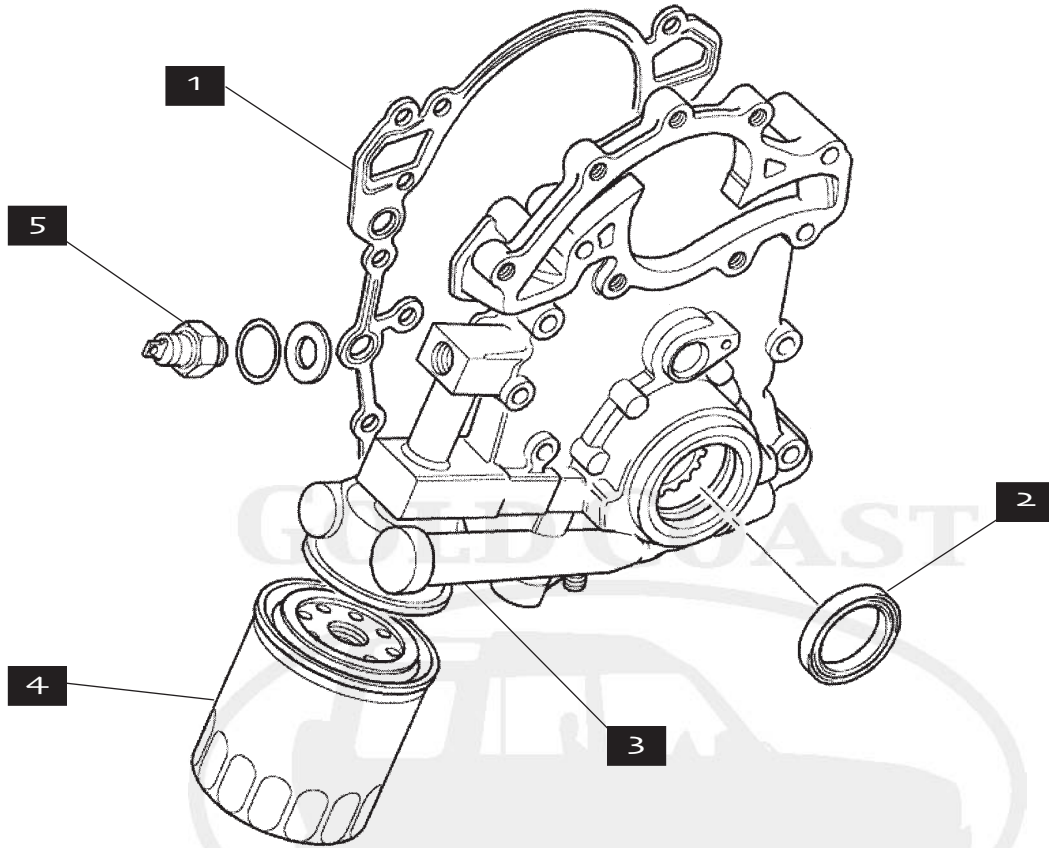


RANGE ROVER II, 1995-2002

| Description | Order Number | Explanatory Notes | Qty |
|--|--------------|-------------------|-----|
| 1. Plug, Cam Bore, Rear | RV-602146 | | 2 |
| 2. Plug, tappet, rear | RV-ERR4314 | | 2 |
| 3. Oil Seal Retainers | RV-LUN000010 | | 2 |
| 4. Dowel, Flywheel Housing | RV-602141 | | 2 |
| 5. Plug, Rear Flange | RV-612898 | | 2 |
| 6. Plug, Drain | RV-ERR4315 | | 1 |
| 7. Bolt, Bearing Cap | RV-602130 | | 10 |
| 8. Cam Bearing Set | RV-STC1961 | | 1 |
| 9. Plug, tappet | RV-602147 | | 4 |
| 10. Cup Plug | RV-602152 | To WA401102 | 8 |
| 11. Oil Seal, Crankshaft | RV-ERR2640 | | 1 |
| 12. Dowel, head to block | RV-602040 | | 4 |
| Note: Always replace hold-down bolts when cylinder heads are removed. | | | |
| 13. Cylinder Head Bolt, 66mm | RV-ERR2943 | | 14 |
| 14. Cylinder Head Bolt, 96mm | RV-ERR2944 | | 6 |
| 15. Core Plug | RV-602123 | | |
| 16. Cup Plug | RV-602289 | | |

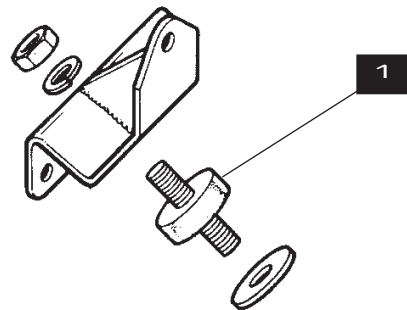


| Description | Order Number | Explanatory Notes | Qty |
|--|------------------|------------------------|-----|
| 1. Rocker Shaft | RV-611659L | Right or Left | 2 |
| 2. Rocker Arm | RV-602153 | Right or Left | 16 |
| 3. Lifter/Tappet | RV-ERC4949 | | 16 |
| 4. Push Rod | RV-603378 | | 16 |
| 5. Rocker Arm Bracket/Stand | RV-603734 | | 8 |
| 6. Special Bolt, Rocker Arm Bracket/Stand | RV-602097 | | 8 |
| 7. Valve, Intake | RV-ERR1780* | | 8 |
| 8. Valve, Exhaust | RV-ERR7338* | | 8 |
| 9. Valve Seat, Exhaust | RV-ETC8596 | Standard Size | 8 |
| 9. Valve Seat, Exhaust | RV-ERC211 | +.010" oversize | A/R |
| 10. Valve Seat, Intake, Standard | RV-ERC224 | Standard Size | 8 |
| 10. Valve Seat, Intake | RV-ERC225 | +.010" oversize | A/R |
| 11. Valve Guide, Intake or Exhaust | RV-LGJ100900 | Standard Size | 16 |
| 11. Valve Guide, Intake or Exhaust | RV-LGJ100900.002 | .002" oversize | A/R |
| 11. Valve Guide, Intake or Exhaust | RV-LGJ100900.005 | .005" oversize | A/R |
| 12. Valve Spring, sold per each | RV-ERR4628* | | 16 |
| 13. Valve Stem Seal | RV-ERR1782 | | 16 |
| 14. Valve Spring Retaining Cap | RV-ERC573 | | 16 |
| 15. Cotter, split (per pair) | RV-ERC1637 | | 32 |
| 16. Updated Rocker Shaft Assembly | RV-611660 | ① | 2 |
| ① These are complete assemblies that use alloy rocker arms for less reciprocating mass. Highly recommended. | | | |
| 17. Cam Bearing Set | RV-STC1961 | | 1 |
| 18. Cam Shaft, 4.0-Liter | RV-ERR3720 | | 1 |
| 18. Cam Shaft, 4.6-Liter | RV-ERR5250 | | 1 |
| 19. Timing Chain | RV-ERC7929 | | 1 |
| 20. Crankshaft Key | RV-ERR2846 | | 1 |
| 21. Timing Gear on Crankshaft | RV-ERR2958 | | 1 |
| 22. Chain Gear on Camshaft | RV-ERR5086 | 4.0 & 4.6 through 1998 | 1 |
| 22. Chain Gear on Camshaft | RV-ERR7375 | 4.0 & 4.6 1999-on | 1 |
| 23. Thrust Plate | RV-ERR2609 | 4.0 or 4.6 | 1 |

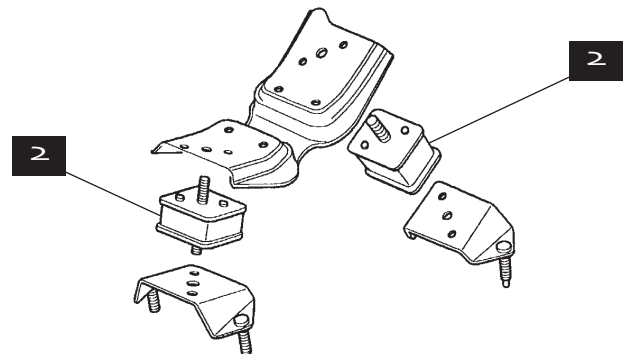


| Description | Order Number | Explanatory Notes |
|--------------------------------|---------------|-------------------|
| 1. Gasket, Timing Cover | RV-ERR7280 | |
| 2. Crankshaft Seal | RV-ERR6490 | |
| 3. Oil Pump/Front Engine Cover | RV-ERR6438 | To XA426593 |
| 3. Oil Pump/Front Engine Cover | RV-LJR105040 | From XA426594 |
| 4. Oil Filter | RV-ERR3340* | |
| 5. Oil Pressure Switch | RV-STC4104K* | To XA426594 |
| 5. Oil Pressure Switch | RV-NUC100280L | From XA426594 |

ENGINE MOUNT

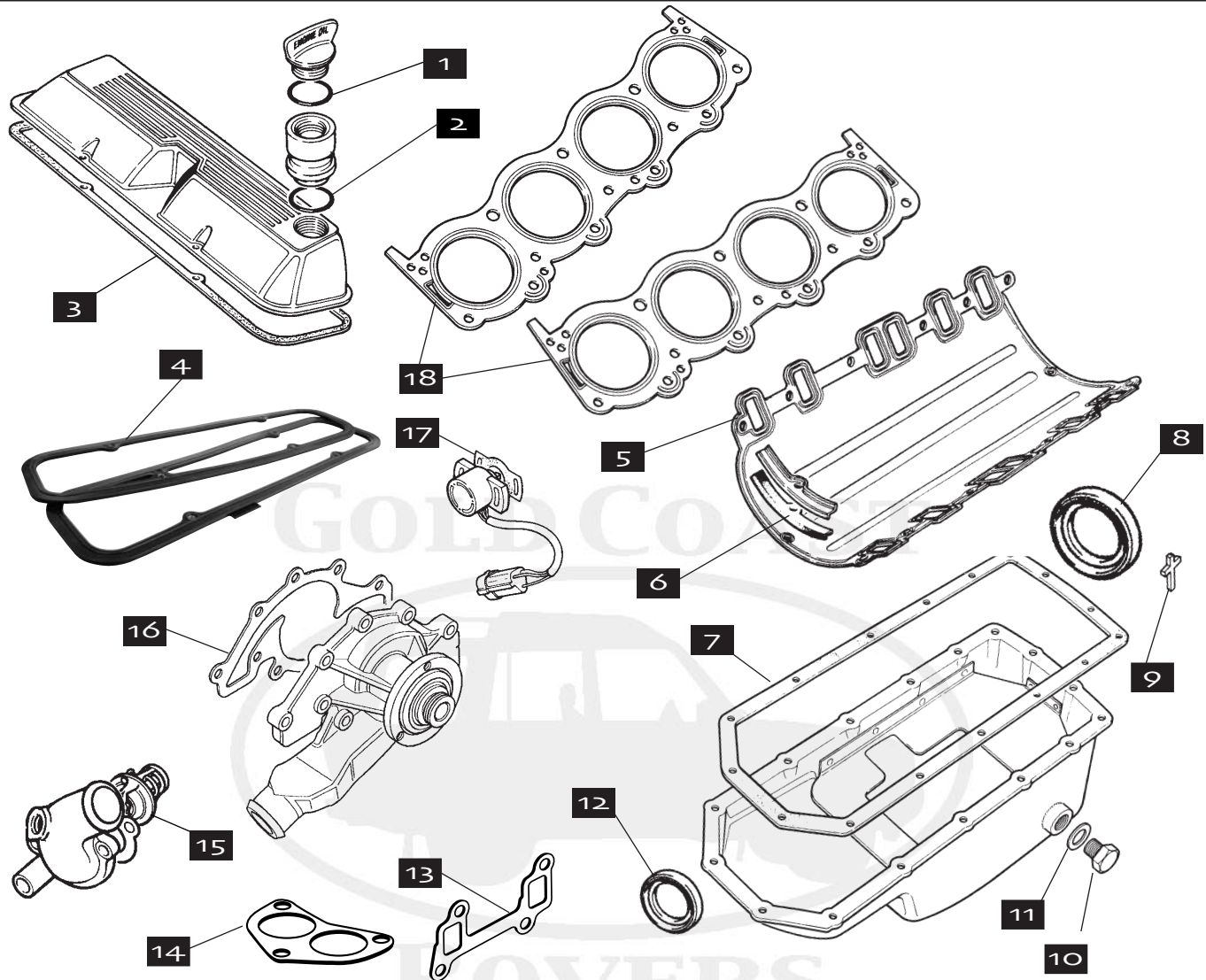


TRANSMISSION MOUNT

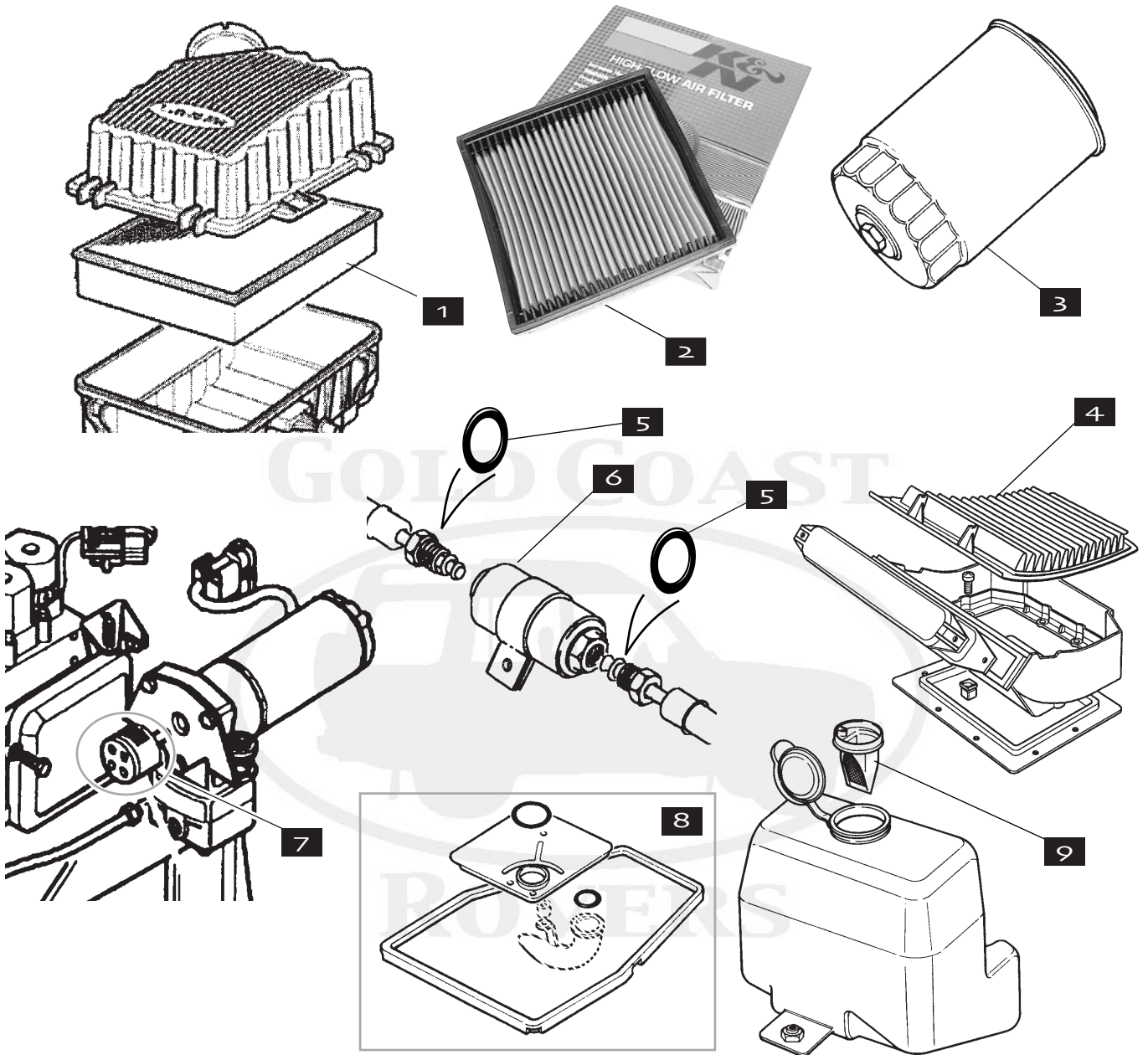


| Description | Order Number | Explanatory Notes | Qty |
|-----------------------|--------------|-------------------|-----|
| 1. Engine Mount | RV-ANR2620 | | 2 |
| 2. Transmission Mount | RV-ANR2621 | | 2 |

* Denotes Aftermarket Part



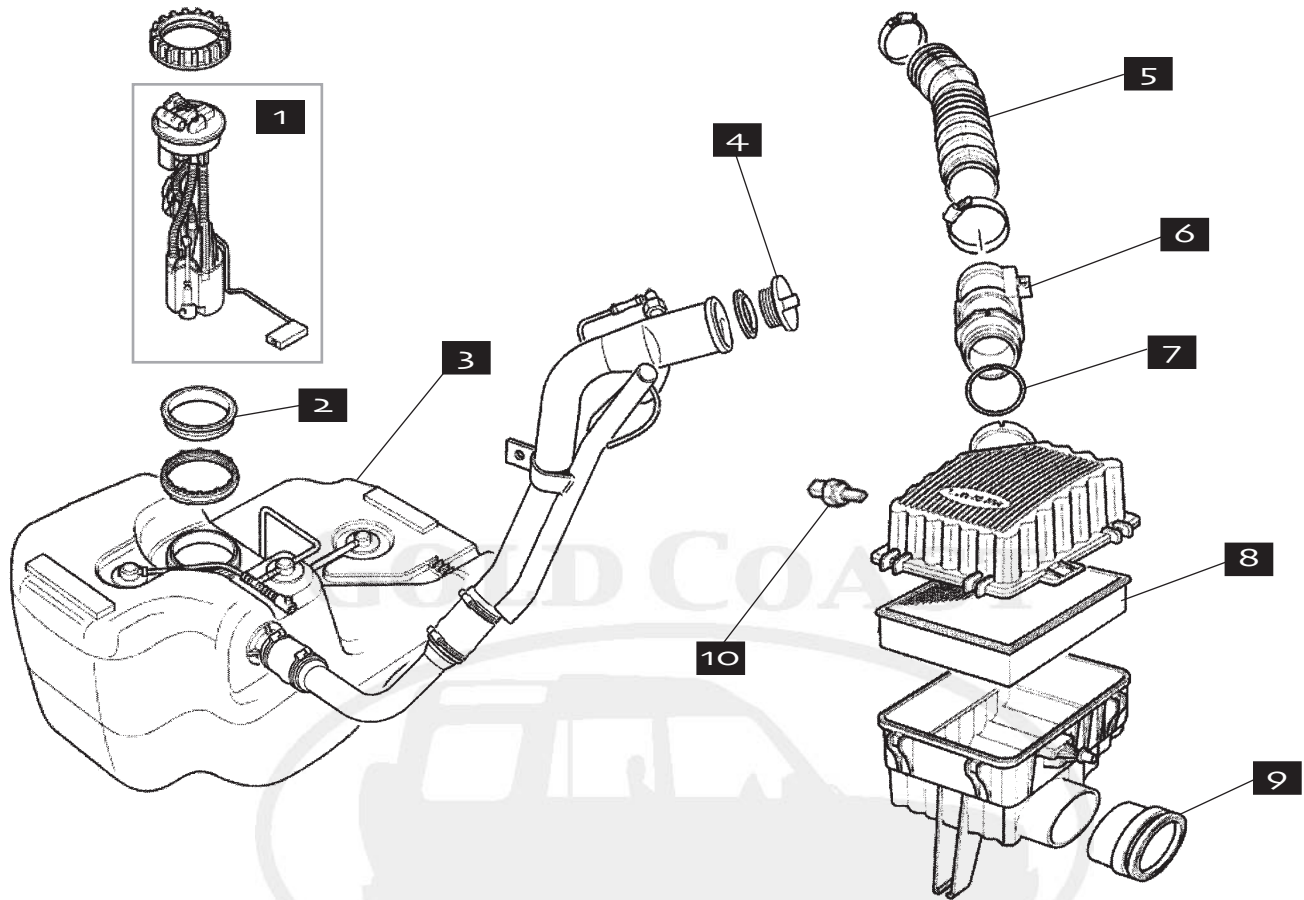
| Description | Order Number | Explanatory Notes | Qty |
|---|---------------|-------------------|-----|
| 1. O-Ring, Under Cap | RV-ERR5219 | | 1 |
| 2. O-Ring, Oil Filler Cap Adapter to Cover | RV-564258 | | 1 |
| 3. Valve Cover Gasket, Cork | RV-602512* | | 2 |
| 4. Updated Rubber Valve Cover Gasket | RV-LVC100260 | | 2 |
| 5. Intake Manifold Gasket | RV-LKJ500020 | | 1 |
| 6. Seal, front of intake gasket | RV-ERR7283 | | 2 |
| 7. Oil Pan Gasket | RV-LVF100400 | | 1 |
| 8. Rear Crankshaft Seal | RV-ERR2640 | | 1 |
| 9. Retainer for Rear Seal | RV-LUN 000010 | | 2 |
| 10. Drain Plug, Oil Pan | RV-UAM2957L | | 1 |
| 11. Sealing Washer, Oil Pan Drain Plug | RV-UAM2857L | | 1 |
| 12. Front Crankshaft Seal | RV-ERR6490 | | 1 |
| 13. Gasket, Exhaust Manifold | RV-ERR6733 | | 4 |
| 14. Gasket, Exhaust Manifold to Downpipe/Catalyst | RV-ESR3260 | | 2 |
| 15. Gasket, Thermostat/Water Elbow Gasket | RV-ERR2429 | | 1 |
| 16. Water Pump Gasket | RV-ERR4077 | | 1 |
| 17. Gasket, throttle position sensor | RV-ERR4944 | | 1 |
| 18. Head Gasket | RV-ERR7217* | | 2 |




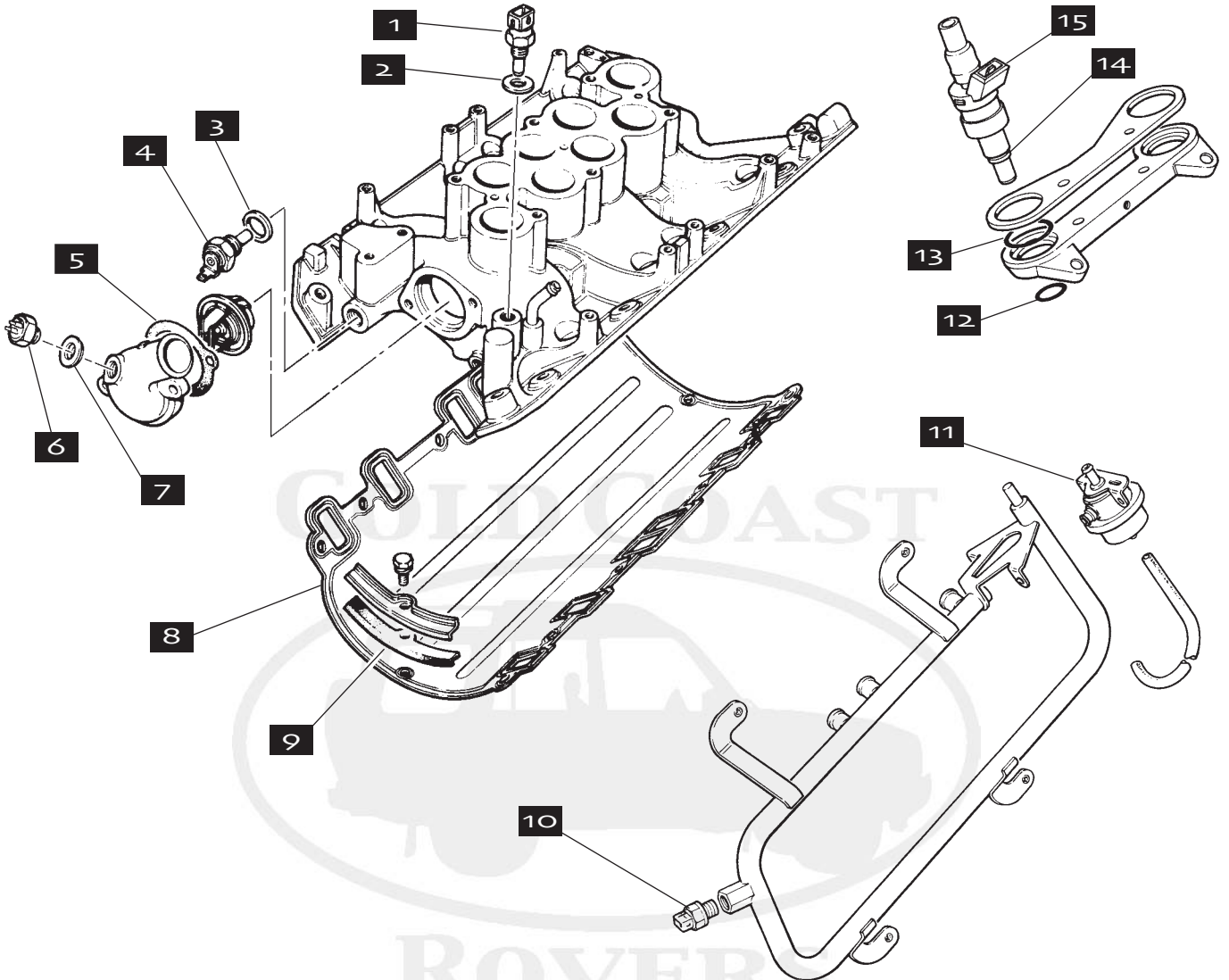
RANGE ROVER II, 1995-2002

| Description | Order Number | Explanatory Notes | Qty |
|---|---------------|---|-----|
| 1. Air Filter | RV-ESR341 | 1995 & 1996 | 1 |
| 1. Air Filter | RV-ESR4238 | 1997 | 1 |
| 1. Air Filter | RV-ESR341 | 1998, WA376580 to WA385948 | 1 |
| 1. Air Filter | RV-ESR4238 | 1998, WA385948-on | 1 |
| 1. Air Filter | RV-ESR4238 | 1999-2002 | 1 |
| 2. Air Filter | RV-1502 | replacement for ESR341 | 1 |
| 2. Air Filter | RV-1499 | replacement for ESR4238 | 1 |
| 3. Oil Filter | RV-ERR3340* | | 1 |
| 4. Pollen/Cabin Filter | RV-BTR8037 | | 1 |
| 5. O-Rings for Fuel Filter | RV-ESR259 | | 2 |
| 6. Fuel Filter | 02-NMD6091AC* | | 1 |
| 7. Air Inlet Filter, Air Suspension | RV-STC2759 | | 1 |
| 8. Automatic Transmission Filter Kit, with ZF | RV-RTC4653 | (Includes Filter, Gasket and two O-rings) | 1 |
| 9. Windshield Washer Reservoir Filter | RV-AMR3266 | | 1 |

* Denotes Aftermarket Part

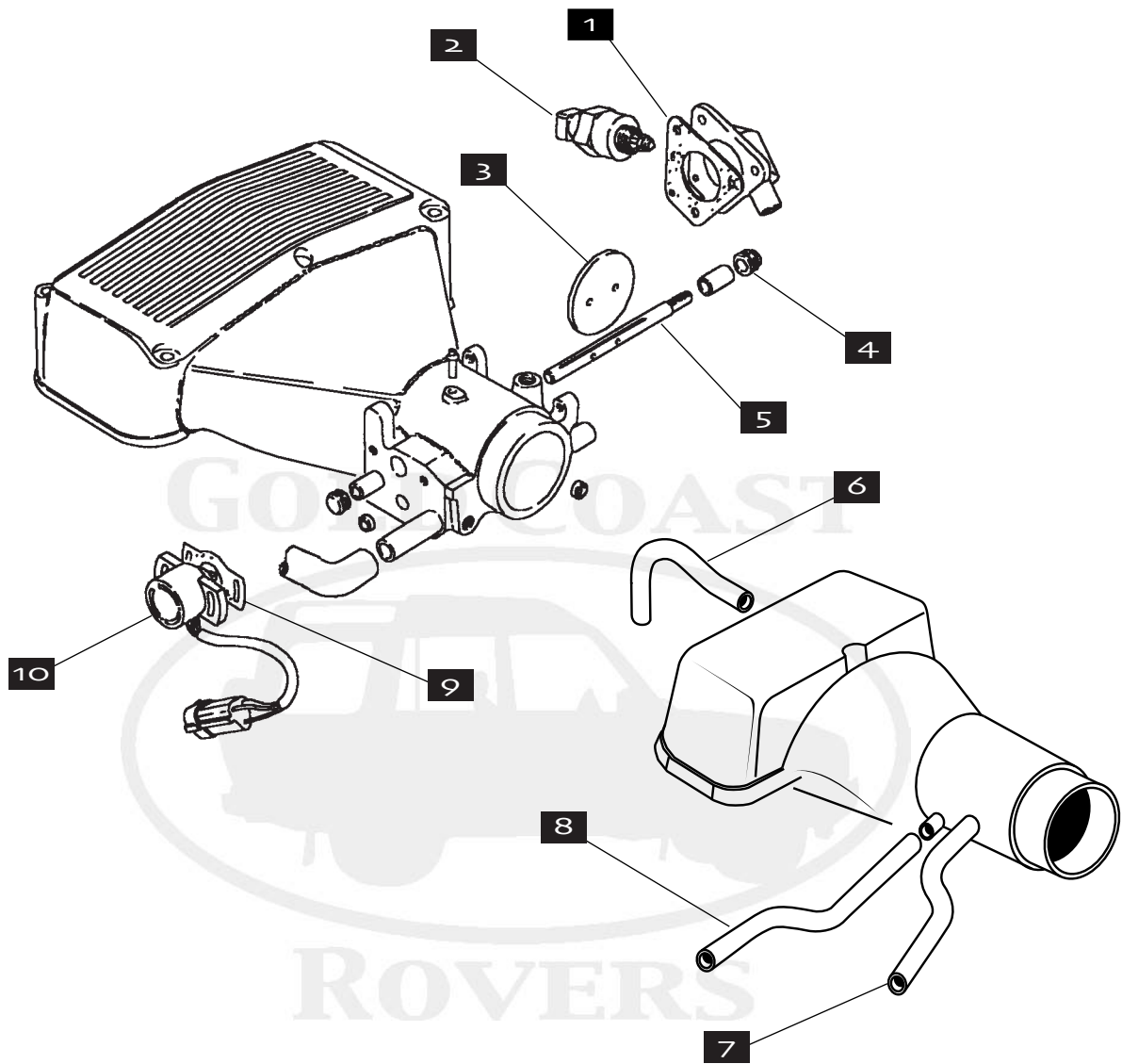


| Description | Order Number | Explanatory Notes |
|--|--------------|--|
| 1. Fuel Pump | RV-STC4344 | 1995-1997 |
| 1. Fuel Pump | RV-STC4345 | 1998 only |
| 1. Fuel Pump | RV-WFX101390 | 1999-2002 |
| 2. Seal, pump to tank | RV-NTC5859 | Through 1997 |
| 2. Seal, pump to tank | RV-WGQ500020 | 1998-on |
| 3. Fuel Tank | RV-WFE107480 | Through 1997 |
| 3. Fuel Tank | RV-ESR4039 | 1998 |
| 3. Fuel Tank | RV-WFE107020 | 1999-2002 |
| 4. Fuel Filler Cap | RV-WLD100820 | Through 1997 |
| 4. Fuel Filler Cap | RV-WLD500100 | 1998-on |
| 5. Accordion Intake Hose | RV-ESR4216 | Through 1998 |
| 5. Accordion Intake Hose | RV-PHD104050 | 1999-2002 |
| 6. Air Flow Meter | RV-ERR5595 | Through 1998 |
| 6. Air Flow Meter | RV-MHK100800 | 1999-2002 |
| 7. O-Ring, Airflow Meter to Filter Housing | RV-NTC3354 | Through 1998 |
| 7. O-Ring, Airflow Meter to Filter Housing | RV-PHN100220 | 1999-2002 |
| 8. Air Filter | RV-ESR341 | 1996 |
| 8. Air Filter | RV-ESR4238 | 1997 |
| 8. Air Filter | RV-ESR341 | 1998, WA376580 to WA385948 |
| 8. Air Filter | RV-ESR4238 | 1998, WA385949-on |
| 8. Air Filter | RV-ESR4238 | 1999-on |
| 8. Air Filter | RV-1502 |  replacement for ESR341 |
| 9. Seal, Air Filter Canister Intake | RV-ESR3123 | Through 1998 |
| 9. Seal, Air Filter Canister Intake | RV-PHN100230 | 1999-2002 |
| 10. Sensor, Air Inlet Temperature | RV-ERR2946 | Through 1998; Located in air filter box |



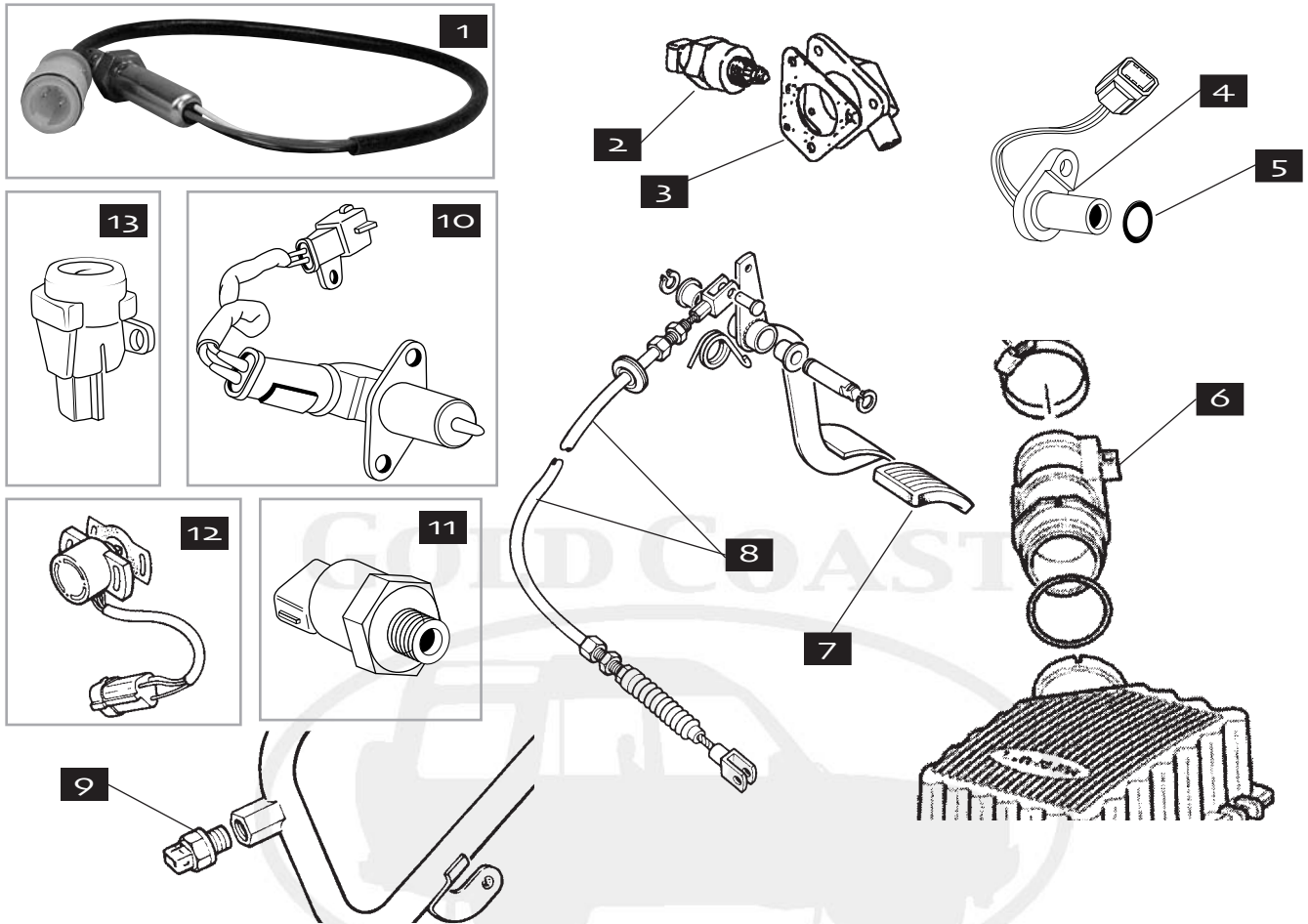
RANGE ROVER II, 1995-2002

| Description | Order Number | Explanatory Notes | Qty |
|---|--------------|---------------------------------------|-----|
| 1. Coolant Temperature Sender for ECU | LU-SNB802 | Through 1998; As per EAC3927L/ETC8496 | 1 |
| 1. Coolant Temperature Sender for ECU | RV-MEK100160 | 1999-on | 1 |
| 2. Sealing Washer for Sender for ECU | RV-243967 | | 1 |
| 3. Sealing Washer for Sender for Gauge | RV-90568054 | | 1 |
| 4. Coolant Temperature Sender for Gauge | RV-AMR1425 | Through 1996 | 1 |
| 4. Coolant Temperature Sender for Gauge | RV-AMR5929 | 1997-On | 1 |
| 5. Gasket, Coolant Outlet Elbow | RV-ERR2429 | a.k.a Thermostat Housing Gasket | 1 |
| 6. Fan Switch | RV-PRC8170 | | 1 |
| 7. Sealing Washer for Fan Switch | RV-C457593 | | 1 |
| 8. Intake Manifold Gasket | RV-LKJ500020 | | 1 |
| 9. Seal, front of intake gasket | RV-ERR7283 | | 2 |
| 10. Fuel Temperature Sender | RV-ETC6661 | | 1 |
| 11. Fuel Pressure Regulator | RV-ETC8494 | | 1 |
| 12. O-Ring, Injector | RV-ERR7309 | Two per injector, through 1999 | 16 |
| 13. Ring Seal, Center | RV-EAC2414L | | 8 |
| 14. O-Ring, Injector | RV-RTC5679 | Two per injector, 2000-on | 16 |
| 15. Fuel Injector | RV-ERR722 | Through 1998 | 8 |
| 15. Fuel Injector | RV-ERR6600 | 1999-on | 8 |



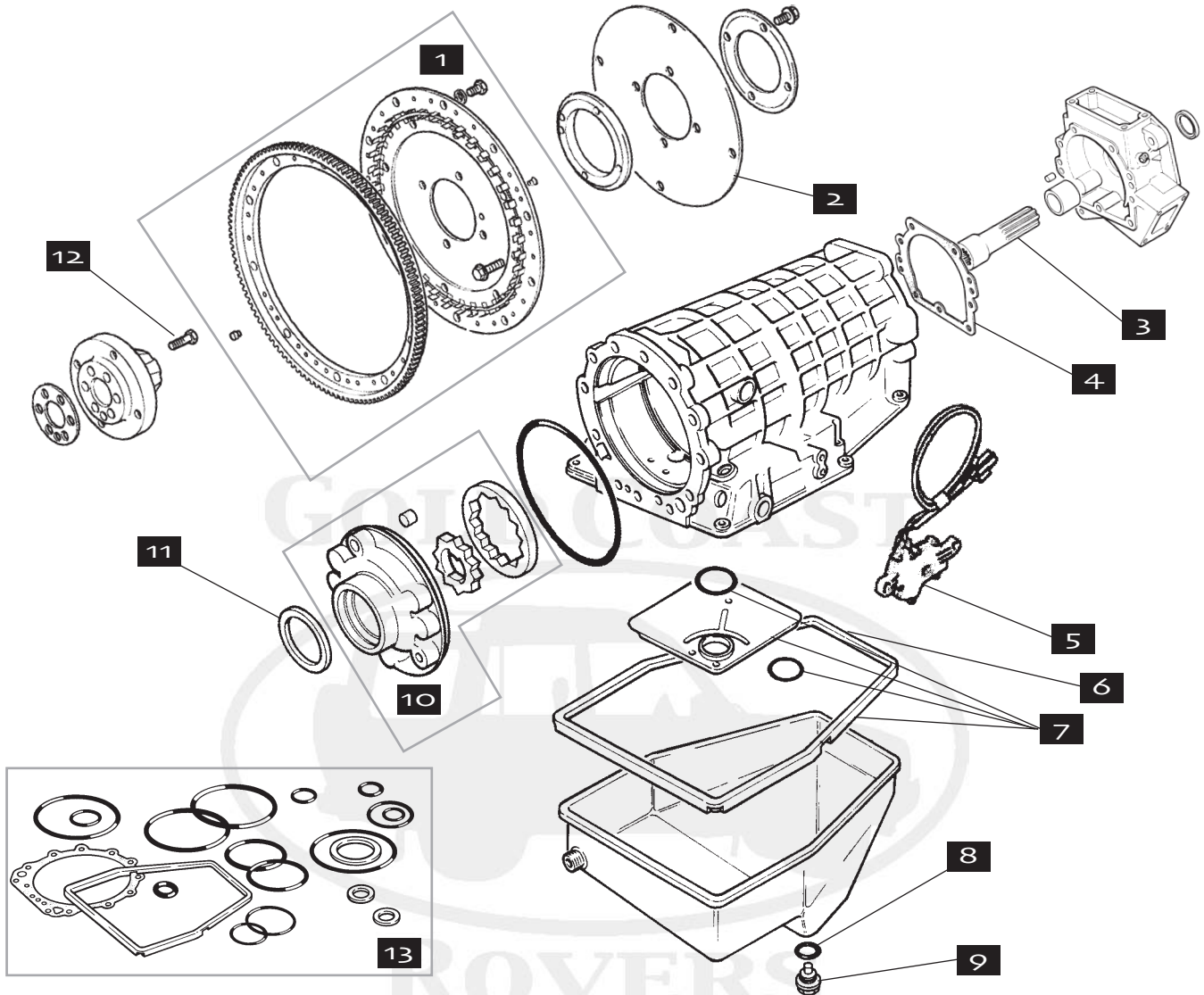
RANGE ROVER II, 1995-2002

| Description | Order Number | Explanatory Notes |
|--|--------------|-------------------|
| 1. Gasket for ERR4352 | RV-ERR3359 | |
| 2. Stepper Motor; AKA "intake air control valve" | RV-ERR4352 | |
| 3. Throttle Disc | RV-ETC6222 | |
| 4. Throttle Shaft Seal | RV-AUD3577L | Front |
| 4. Throttle Shaft Seal | RV-ERR4318 | Rear |
| 5. Shaft in Throttle Body | RV-ERR4245 | |
| 6. Hose, Rocker to Ram Housing | RV-ERR4258 | |
| 7. Hose, Rocker to Plenum, | RV-LLH500100 | |
| 8. Hose, Water Manifold to Plenum | RV-ERR4388 | |
| 9. Gasket, Throttle Position Sensor | RV-ERR4944 | |
| 10. Throttle Position Sensor | RV-ERR4278 | |



RANGE ROVER II, 1995-2002

| Description | Order Number | Explanatory Notes |
|----------------------------------|---------------|---|
| 1. Oxygen Sensor | RV-ERR1834 | To VIN VA350101 (In 1997 model year) |
| 1. Oxygen Sensor | RV-AMR6244 | From VIN VA350102 to VIN WA410481 (mid 1997 through 1998) |
| 1. Oxygen Sensor, Front | RV-MHK100930 | From XA410482 (1999-on) |
| 1. Oxygen Sensor, Rear | RV-MHK100940 | From XA410482 (1999-on) |
| 2. Stepper Motor, Fuel Injection | RV-ERR4352 | |
| 3. Gasket, Stepper Motor | RV-ERR3359 | |
| 4. Position Sensor, Camshaft | RV-ERR2261 | Through 1996 |
| 4. Position Sensor, Camshaft | RV-ERR6169 | 1997-on |
| 5. O-Ring, Cam Position Sensor | RV-ERR4815 | |
| 6. Airflow Meter | RV-ERR5595 | Through 1998 |
| 6. Airflow Meter | RV-MHK100800 | 1999-on |
| 7. Rubber Pad, Throttle Pedal | RV-DCP3974L | All |
| 8. Throttle Cable | RV-SBB104050 | Through 1999 |
| 8. Throttle Cable | RV-SBB104150 | 2000-on |
| 9. Temperature Sensor, Fuel | LU-SNB802 | Through 1998 |
| 9. Temperature Sensor, Fuel | RV-MEK100160 | 1999-on |
| 10. Position Sensor, Crankshaft | RV-ADU7342L | Through 1996 |
| 10. Position Sensor, Crankshaft | RV-ERR6119 | 1997 & 1998 |
| 10. Position Sensor, Crankshaft | RV-ERR7354 | 1999-on |
| 11. Knock Sensor | RV-ERR5594 | Through 1998 |
| 11. Knock Sensor | RV-NSC100650 | 1999-on |
| 12. Throttle Position Sensor | RV-ERR4278 | |
| 13. Inertia Switch, Fuel Pump | RV-WQT100030L | |

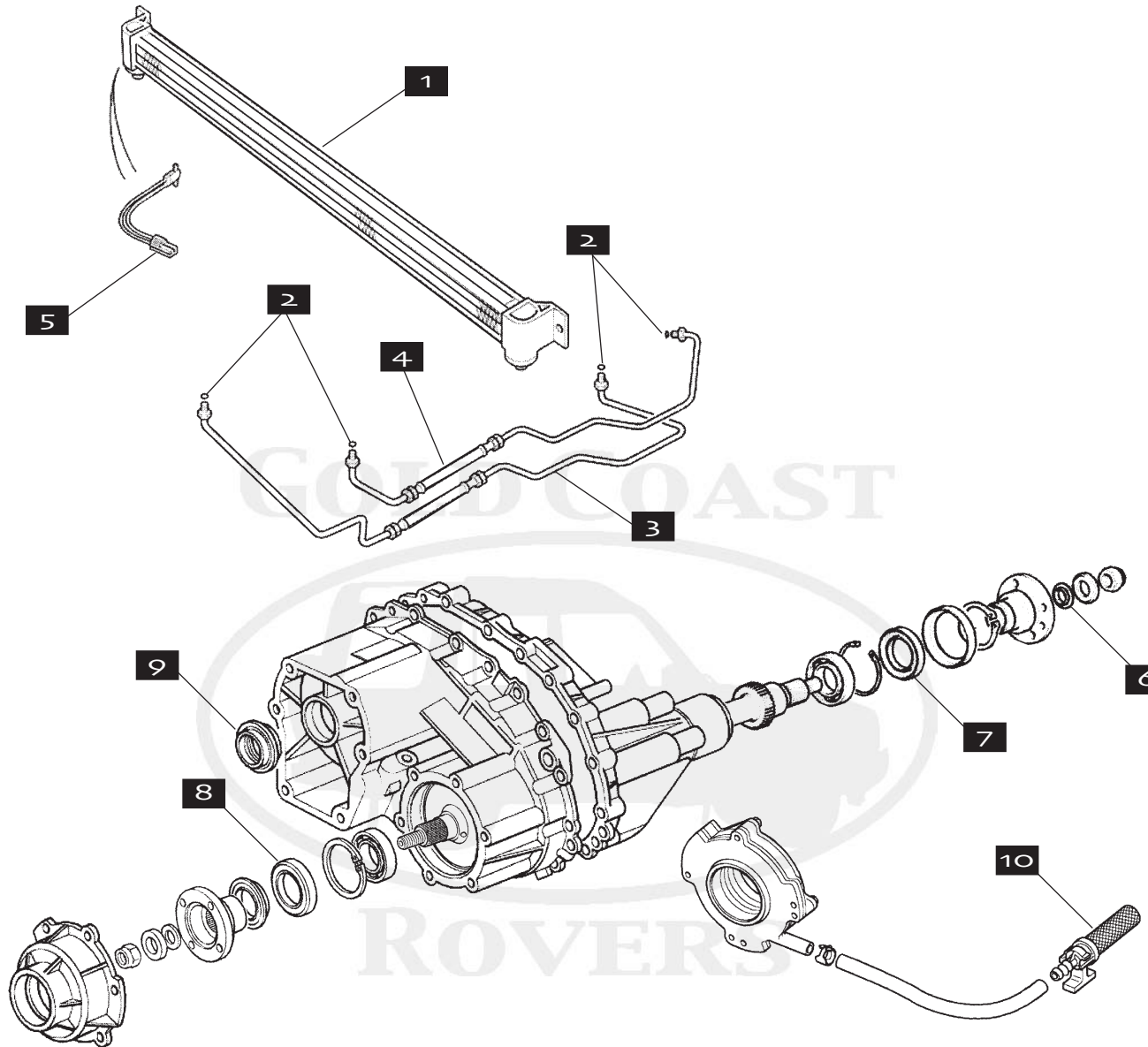


Description

Order Number

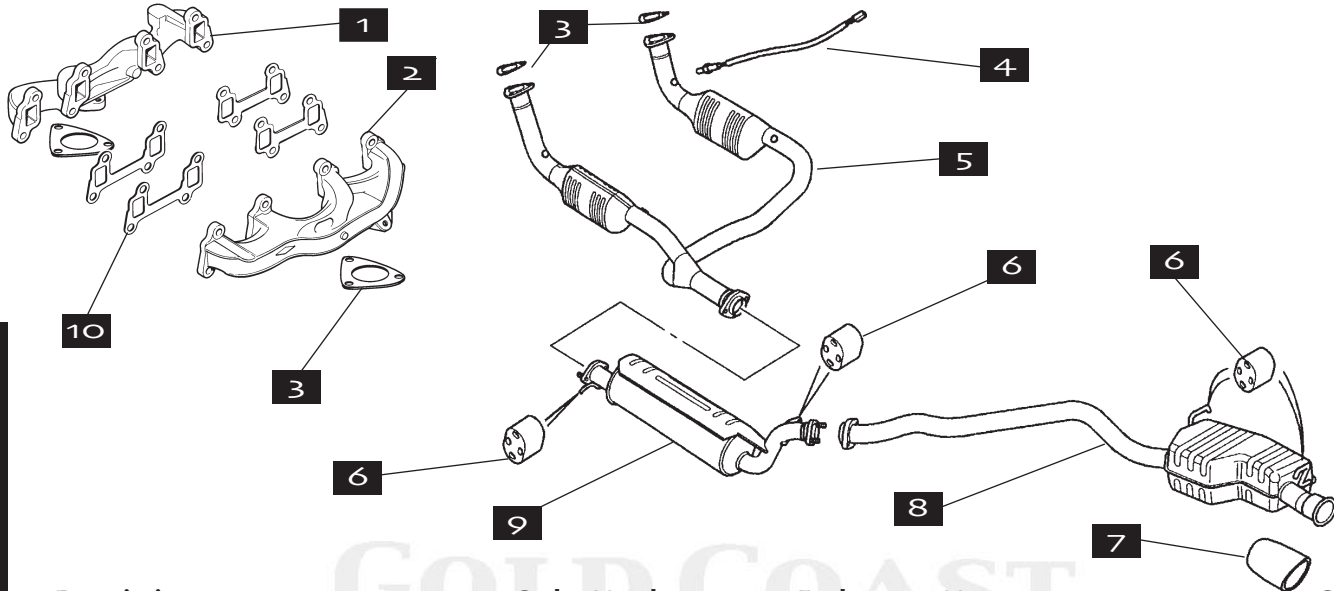
Explanatory Notes

| | | |
|--|--------------|--|
| 1. Drive Plate/Ring Gear Assy | RV-ERR5658 | Through 1998 |
| 1. Drive Plate/Ring Gear Assy | RV-TPD000040 | 1999-on |
| 2. Drive Plate | RV-FTC4607 | All |
| 3. Coupling Shaft | RV-FTC5090 | |
| 4. Gasket, Case to Governor Housing | RV-RTC4295 | |
| 5. Switch Assembly, Side of Transmission | RV-STC2944 | To WA387941 |
| 5. Switch Assembly, Side of Transmission | RV-UHB100180 | WA3877942 to WA410481 |
| 5. Switch Assembly, Side of Transmission | RV-STC4452 | XA410482-on |
| 6. Pan Gasket | RV-RTC4268 | |
| 7. Auto Trans Filter Kit | RV-RTC4653 | Includes Filter, Gasket and Two O-Rings. |
| 8. Washer, Drain Plug | RV-STC1060 | Through 1998 |
| 8. Washer, Drain Plug | RV-STC4099 | 1999-on |
| 9. Drain Plug | RV-RTC4647 | Through 1998 |
| 9. Drain Plug | RV-STC4098 | 1999-on |
| 10. Front Pump Assembly | RV-STC1836 | Through 1998 |
| 11. Front Seal | RV-RTC5102 | |
| 12. Bolt to Crankshaft | RV-SS607160 | 1995 Only, 6 Required |
| 12. Bolt to Crankshaft | RV-SS607120 | 1996-on, 6 Required |
| 13. Gaskets & Seals Kit | RV-STC4449 | |



RANGE ROVER II, 1995-2002

| Description | Order Number | Explanatory Notes | Qty |
|--------------------------------------|--------------|--|-----|
| Transmission Cooler | | | |
| 1. Gearbox Cooler | RV-ESR2276 | | 1 |
| 2. O-Ring | RV-ESR1594L | | 4 |
| 3. Flex Hose/Pipe, (the longer one) | RV-ESR2904 | Oil Cooler to Transmission; Through 1998 | 1 |
| 3. Flex Hose/Pipe, (the longer one) | RV-UBP101040 | Oil Cooler to Transmission; 1999-on | 1 |
| 4. Flex Hose/Pipe, (the shorter one) | RV-ESR2902 | Transmission to Oil Cooler; Through 1998 | 1 |
| 4. Flex Hose/Pipe | RV-UBP101050 | Transmission to Oil Cooler (the shorter one);1999-on | 1 |
| 5. Switch, Transmission Oil Temp | RV-ESR4329 | | 1 |
| Transfer Box | | | |
| 6. Seal, output flange spline | RV-RTC6363 | | 1 |
| 7. Seal, output shaft | RV-FTC4939 | | 1 |
| 8. Seal, output | RV-FTC4939 | | 1 |
| 9. Seal, input shaft | RV-FTC2979 | From transmission | 1 |
| 10. Filter | RV-STC3250 | | 1 |



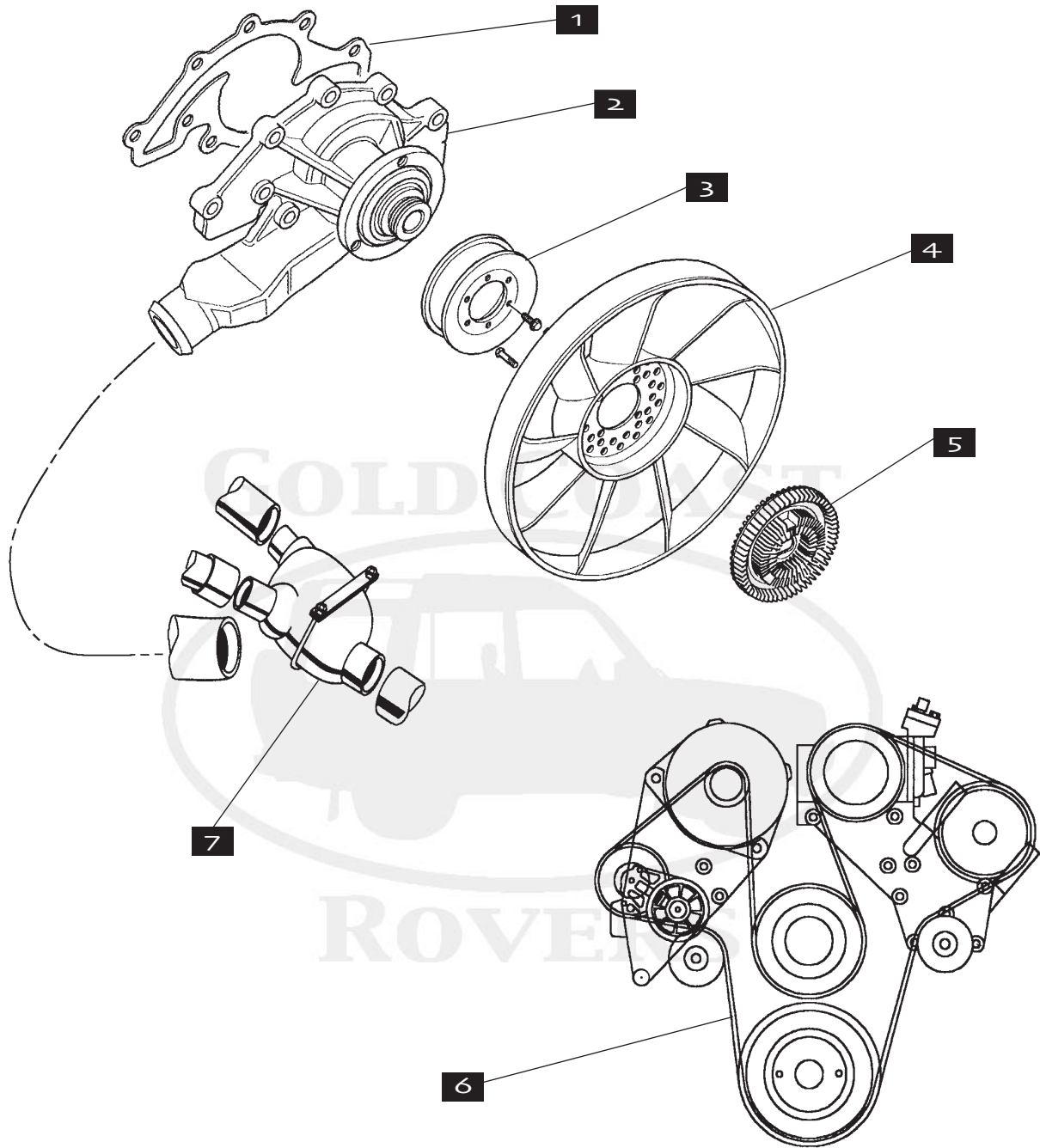
| Description | Order Number | Explanatory Notes | Qty |
|--------------------------------------|---------------|--|-----|
| 1. Exhaust Manifold, RH | RV-LKC102470 | | 1 |
| 2. Exhaust Manifold, LH | RV-LKC102480 | | 1 |
| 3. Gasket, Manifolds to Downpipes | RV-ESR3260 | | 2 |
| 4. Oxygen Sensor | RV-ERR1834 | To VIN VA350101 (In 1997 model year | 4 |
| 4. Oxygen Sensor | RV-AMR6244 | From VIN VA350102 to VIN WA410481 (mid 1997 through 1998) | 4 |
| 4. Oxygen Sensor, Front | RV-MHK100930 | From XA410482 | 2 |
| 4. Oxygen Sensor, Rear | RV-MHK100940 | From XA410482 | 2 |
| 5. Downpipe/Catalyst | RV-WCD000860 | Genuine, through 1997 | 1 |
| 5. Downpipe/Catalyst | RV-WCD104720 | Genuine, 1998 only | 1 |
| 5. Downpipe/Catalyst | RV-WCD104720* | Aftermarket, all though 1998 | 1 |
| 5. Downpipe/Catalyst | RV-WCD105350 | Genuine, 1999-on | 1 |
| 6. Mount Rubber | RV-ESR3172 | | 4 |
| 7. Exhaust Tip | RV-ESR3153 | | 1 |
| 8. Tailpipe Assembly, Single Exhaust | RV-ESR3538 | To VIN VA346793 (mid 1997) | 1 |
| 8. Tailpipe Assembly, Single Exhaust | RV-ESR4126 | VIN VA346794 to WA410481 (mid 1997 to end of 1998) | 1 |
| 8. Tailpipe Assembly, Single Exhaust | RV-WDV100250 | 1999-on | 1 |
| Tailpipe Assembly, Dual Exhaust, RH | RV-WDV100270 | | 1 |
| Tailpipe Assembly, Dual Exhaust, LH | RV-WDV100260 | | 1 |
| 9. Center Muffler | RV-ESR3195 | Through 1997 | 1 |
| 9. Center Muffler | RV-WCE104311 | 1998-on | 1 |
| 10. Gasket, Exhaust Manifold to Head | RV-ERR6733 | | 4 |



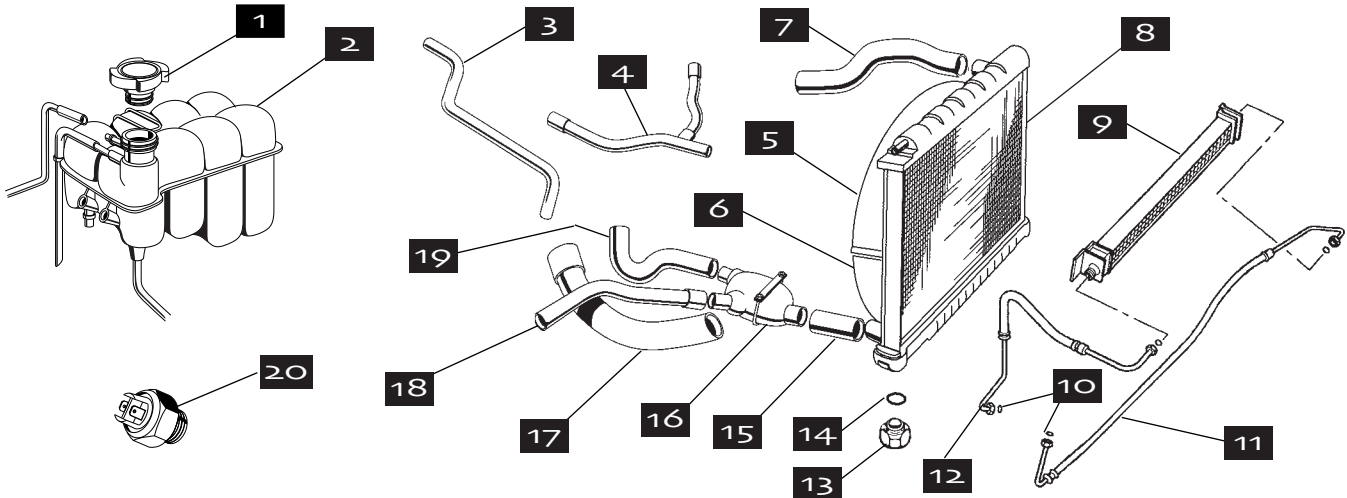
RV-14941 1995-2002 Range Rover, dual outlet

Borla Performance Exhaust

Gold Coast Rovers is a Warehouse Distributor for Borla Exhaust, the leader in late-model performance exhaust systems. Made entirely of aircraft-quality T-304 stainless steel, these "cat-back" systems are entirely mandrel-bent for smooth flow and noticeable power gains. Give your Land Rover a distinctive exhaust note and more power with a Borla stainless steel exhaust system.



| Description | Order Number | Explanatory Notes |
|---------------------------------|--------------|-------------------|
| 1. Gasket, Water Pump | RV-ERR4077 | |
| 2. Water Pump | RV-STC4378 | |
| 3. Pulley, with serpentine belt | RV-PQR101050 | |
| 4. Fan Blade | RV-ERR4960 | |
| 5. Fan Clutch | RV-ERR4996 | |
| 6. Serpentine Belt | RV-ERR4460 | Through 1998 |
| 6. Serpentine Belt | RV-PQS101480 | 1999-on |
| 7. Thermostat | RV-PEM101130 | |



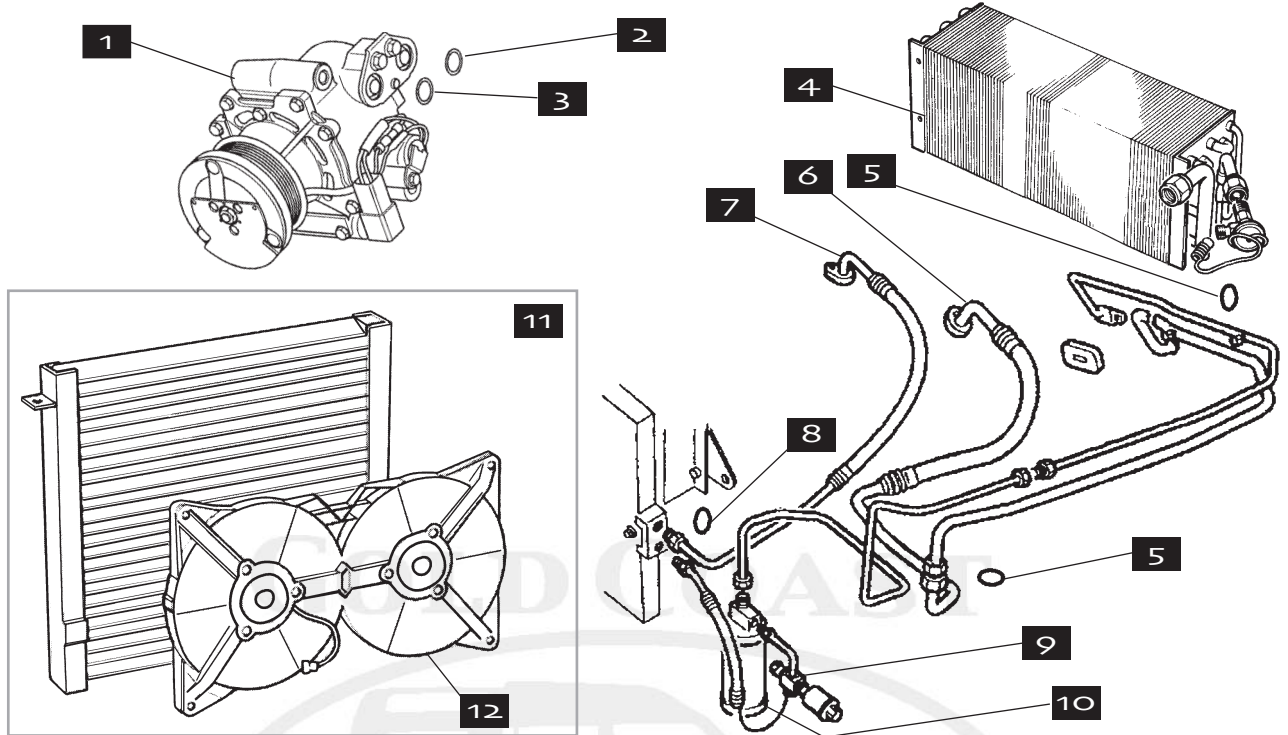
| Description | Order Number | Explanatory Notes | Qty |
|--|--------------|--|-----|
| 1. Cap, Expansion Tank | RV-PCD000070 | | 1 |
| 2. Expansion Tank | RV-ESR2935 | | 1 |
| 3. Heater Feed Hose | RV-JHB100920 | Has three 90-degree bends | 1 |
| 4. Heater Return Hose | RV-JHC100420 | Three ends | 1 |
| 4. Heater Return Hose | RV-PCH118830 | From XA410482-on | 1 |
| 5. Radiator Fan Cowl | RV-ESR3291 | Upper, to VA410482 | 1 |
| 5. Radiator Fan Cowl | RV-PGK100690 | Upper, from XA410842 | 1 |
| 6. Radiator Fan Cowl | RV-ESR3292 | Lower | 1 |
| 7. Top Hose | RV-PCH114840 | Through 1998 | 1 |
| 7. Top Hose | RV-PCH000900 | 1999-on | 1 |
| 8. Radiator | RV-PCC106940 | Through 1998 | 1 |
| 8. Radiator | RV-PCC108080 | 1999-on | 1 |
| 9. Engine Oil Cooler | RV-ESR3204 | 4.0 through 1998 | 1 |
| 9. Engine Oil Cooler | RV-ESR2276 | 4.0 1999-on | 1 |
| 9. Engine Oil Cooler | RV-ESR3205 | 4.6 through 1998 | 1 |
| 9. Engine Oil Cooler | RV-ESR2276 | 4.6 1999-on | 1 |
| 10. O-Ring | RV-ESR1594L | | 4 |
| 11. Hose, Cooler to Filter | RV-ESR2697 | Through 1998 (to passenger side of cooler) | 1 |
| 11. Hose, Cooler to Filter | RV-PBP101240 | 1999-on (to passenger side of cooler) | 1 |
| 12. Hose, Filter to Cooler | RV-ESR4415 | Through 1998 (to driver side of cooler) | 1 |
| 12. Hose, Filter to Cooler | RV-PBP101180 | 1999-on (to driver side of cooler) | 1 |
| 13. Radiator Drain Plug | RV-ERR4686 | | 1 |
| 14. O-Ring for Drain Plug | RV-ERR4685 | | 1 |
| 15. Hose, Radiator to Thermostat Canister | RV-PCH115480 | | 1 |
| 16. Thermostat Canister with Housing | RV-PEM101130 | | 1 |
| 17. Hose, thermostat canister to water pump | RV-PEH101010 | | 1 |
| 18. Bypass Hose, Engine to Thermostat Canister | RV-PEH101150 | | 1 |
| 19. Hose, Heater Return | RV-PEH101160 | Through 1998 (thermostat canister to pipe) | 1 |
| 19. Hose, Heater Return | RV-PCH000900 | 1999-on (thermostat canister to pipe) | 1 |
| 20. Cooling Fan Switch | RV-PRC8170 | | 1 |

Land Rover Cooling Hose Kits



Replacing one or two hoses at a time almost guarantees the need to go back later and re-trace your steps. Get great peace of mind by changing all the hoses in one shot. These multi-hose kits will cost you less than buying each peacemeal.

| | | |
|------------------|---------|----------------------------|
| Cooling Hose Kit | RV-7514 | Through 1998; Seven Pieces |
| Cooling Hose Kit | RV-7516 | 1999-on; Seven Pieces |

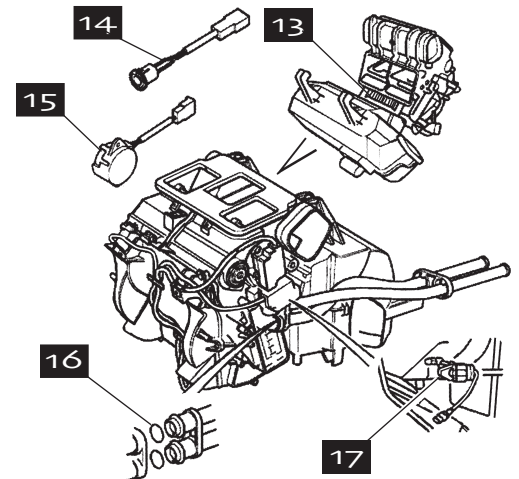


AIR CONDITIONING

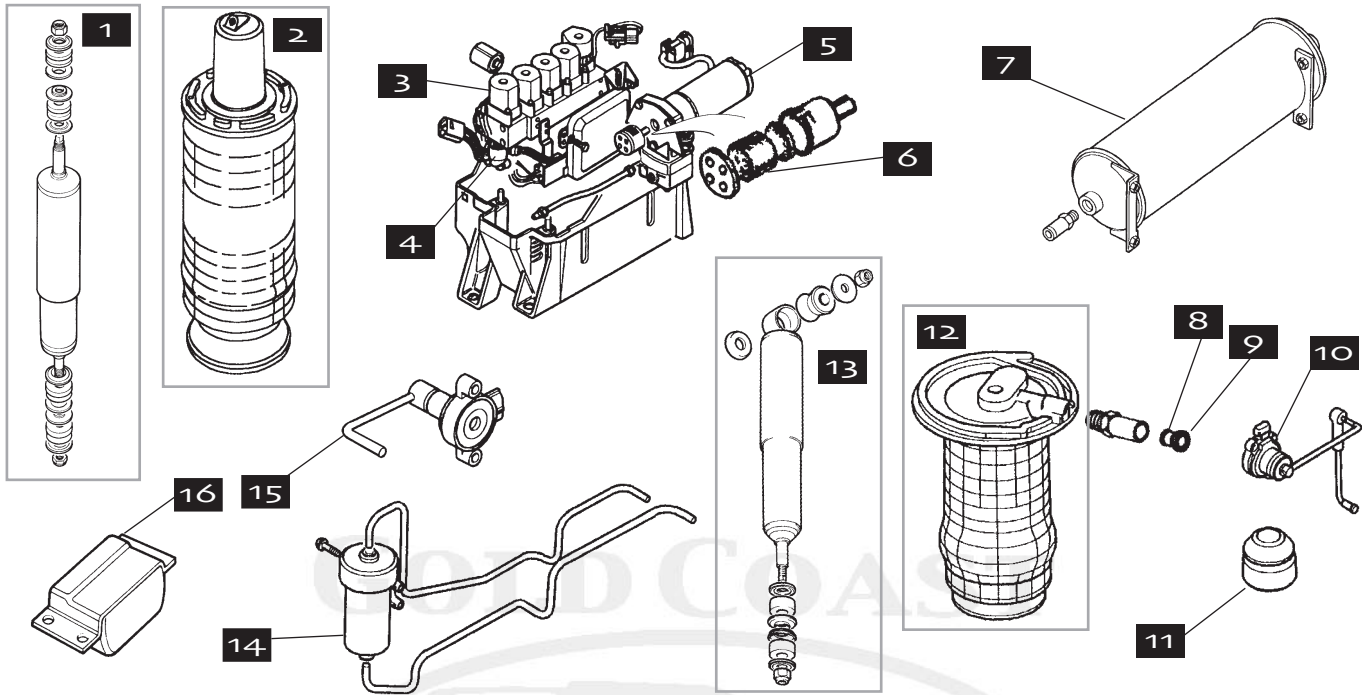
| Description | Order Number | Explanatory Notes |
|------------------------------------|---------------|----------------------|
| 1. A/C Compressor | RV-ERR4534 | Through 1998 |
| 1. A/C Compressor | RV-JPB101330 | 1999-on |
| 2. O-Ring, Discharge | RV-STC3177 | |
| 3. O-Ring, Suction | RV-STC3176 | |
| 4. Evaporator Assembly | RV-STC3260 | |
| 5. O-Ring for Compressor/Condenser | RV-JUU100110L | 11mm diameter |
| 6. Hose, Compressor/Condenser | RV-BTR9543 | To MA306723 |
| 6. Hose, Compressor/Condenser | RV-AWR2676 | MA306724 to WA410481 |
| 6. Hose, Compressor/Condenser | RV-JUE108480 | from XA410482 |
| 7. Hose, Evaporator/Compressor | RV-AWR1987 | Through 1996 |
| 7. Hose, Evaporator/Compressor | RV-AWR6203 | 1997 and 1998 |
| 7. Hose, Evaporator/Compressor | RV-JUE109220 | From XA410482 |
| 8. O-Ring for RV-AWR1987 | RV-STC3110 | |
| 8. O-Ring for RV-AWR6203 | RV-JUU100240L | 17mm diameter |
| 8. O-Ring for Above RV-JUE109220 | RV-JUU100240L | |
| 9. Expansion Valve | RV-JQD100340 | |
| 10. Receiver/Drier | RV-AWR1374 | |
| 11. Condenser & Fan Assembly | RV-AWR1624 | |
| 12. Fan Assembly Only | RV-STC3680 | |

HEATER CORE

| Description | Order Number | Qty |
|--------------------------------------|--------------|-----|
| 13. Heater Core, Valeo System | RV-STC3261 | 1 |
| 16. O-Ring, Heater Core | RV-STC3262 | 2 |
| 14. Sensor, Solar Automatic | RV-BTR9733 | 1 |
| 15. Sensor, In-Car Temperature | RV-JTF000030 | 1 |
| 17. Sensor, Heater Water Temperature | RV-STC3256 | 1 |

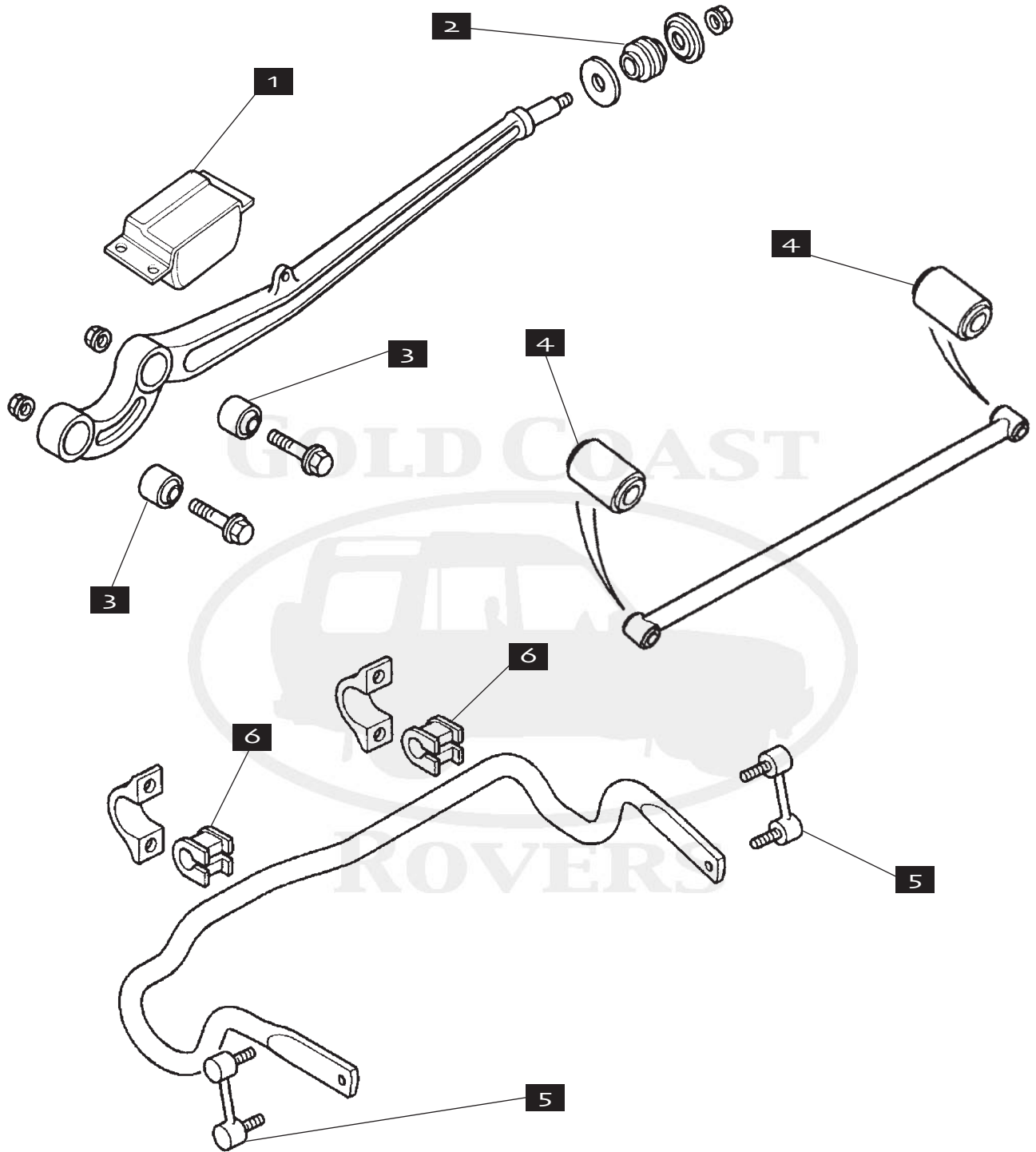


RANGE ROVER II, 1995-2002



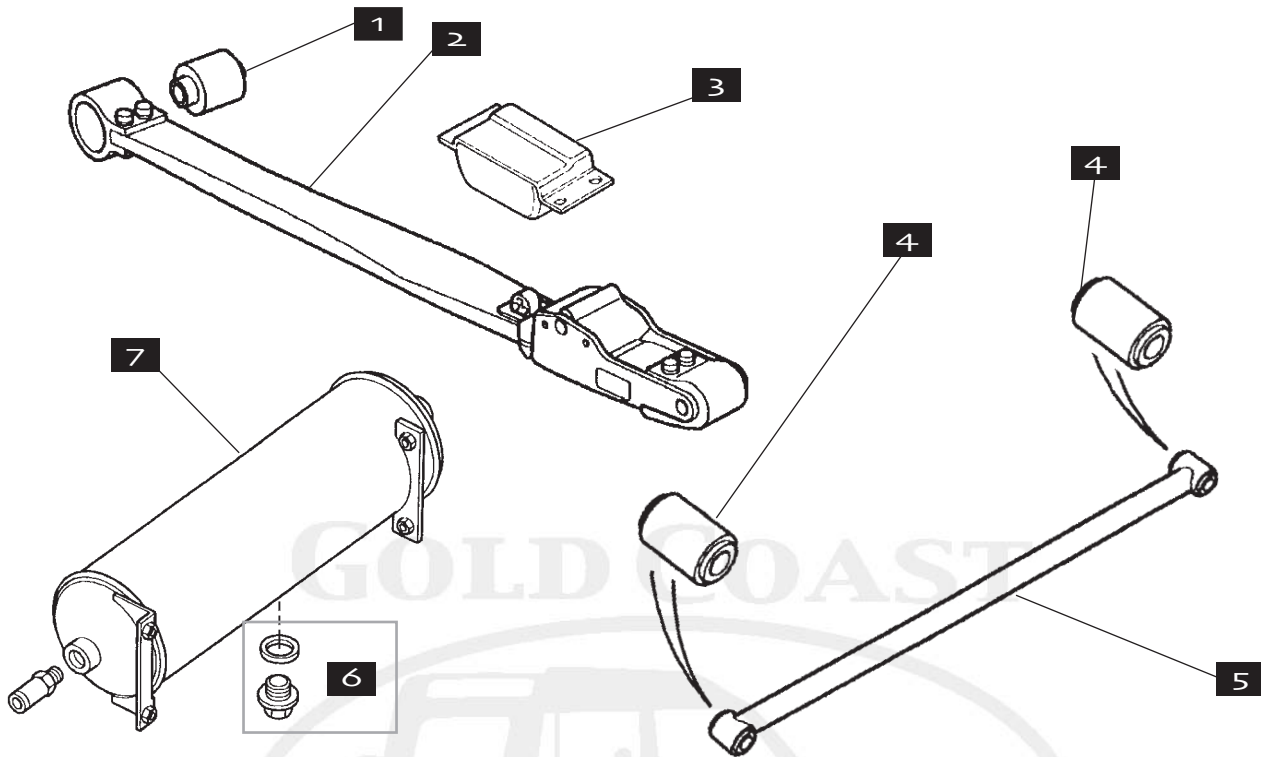
| Description | Order Number | Explanatory Notes |
|--|----------------|---|
| 1. Front Shock | RV-STC3672 | For use with Dunlop air spring |
| 1. Front Shock | RV-RSC500010 | For use with Firestone air spring |
| 2. Front Air Spring | RV-REB101740 | Original Equipment |
| 2. Front Air Spring | RV-REB101740/X | Aftermarket; Great quality at an attractive price. |
| 2. Bellows Only, front Air Spring | RV-5500 | Aftermarket. Bellows only -- other components must be re-used. |
| 3. Kit, Valve Block Solenoid Repair | RV-STC2761 | 4 Required |
| 3. Kit, Valve Block Diaphragm Repair | RV-STC1803 | 4 Required |
| 4. Switch, Air Suspension Pressure | RV-ANR3902 | |
| 5. Compressor Air Shocks | RV-ANR3731 | |
| 6. Filter, air inlet | RV-STC2759 | Filter only, see detail |
| 7. Reservoir, air suspension | RV-ANR3645 | To TA34060 |
| 7. Reservoir, air suspension | RV-ANR5135 | TA34161-on |
| 8. O-Ring, 4mm | RV-STC2764 | Air Pipe Connections |
| 8. O-Ring, 6mm | RV-STC2766 | Air Pipe Connections |
| 8. O-Ring, 8mm | RV-STC2768 | Air Pipe Connections |
| 9. Collet, Air Pipe Connector, 4mm | RV-NTC9824 | Air Pipe Connections |
| 9. Collet, Air Pipe Connector, 6mm | RV-NTC9823 | Air Pipe Connections |
| 9. Collet, Air Pipe Connector, 8mm | RV-NTC9822 | Air Pipe Connections |
| 10. Sensor Assembly, ride height, rear, RH | RV-STC3593AA | Through 1996 |
| 10. Sensor Assembly, ride height, rear, LH | RV-STC3594AA | Through 1996 |
| 10. Sensor Assembly, ride height, rear | RV-ANR4687 | 1997-2002, 2 needed |
| 11. Bump Stop, rear | RV-ANR2556 | |
| 12. Rear Air Spring | RV-RKB101460 | Original Equipment |
| 12. Rear Air Spring | RV-RKB101460/X | Aftermarket; Great quality at an attractive price. |
| 12. Bellows Only, Rear Air Spring | RV-5502 | Aftermarket. Bellows only -- other components must be re-used. |
| 13. Rear Shock | RV-STC3671 | |
| 14. Air Dryer | RV-NTC9812 | |
| 15. Sensor Assembly, ride height, front | RV-ANR2494 | Through 1996, 2 needed |
| 15. Sensor Assembly, ride height, front | RV-ANR4686 | 1997-2002, 2 needed |
| 16. Bump Stop, front | RV-ANR2556 | |

FRONT SUSPENSION, RANGE ROVER II



RANGE ROVER II, 1995-2002

| Description | Order Number | Explanatory Notes | Qty |
|------------------------------------|--------------|-------------------|-----|
| 1. Bump Stop, front suspension | RV-ANR2556 | | 2 |
| 2. Radius Arm Bushing, chassis end | RV-ANR2563 | | 2 |
| 3. Radius Arm Bushing, axle end | RV-ANR3332 | | 4 |
| 4. Bushing, Panhard Rod | RV-ANR3671 | | 2 |
| 5. Link Assembly, Sway Bar | RV-ANR3304 | | 2 |
| 6. Sway Bar Mount Bushing | RV-ANR3305 | | 2 |



| Description | Order Number | Explanatory Notes | Qty |
|----------------------------------|--------------|-------------------|-----|
| 1. Bushing, Radius Arm | RV-ANR3285 | | 2 |
| 2. Radius Arm Assembly | RV-ANR3543K | | 2 |
| 3. Bump Stop | RV-ANR2556 | | 2 |
| 4. Panhard Rod Bushings Only | RV-ANR3671 | | 2 |
| 5. Panhard Rod Assembly | RV-ANR3670 | | 1 |
| 6. Air Suspension Drain Plug Kit | RV-STC830 | To TA340460 | 1 |
| 6. Air Suspension Drain Plug Kit | RV-STC3810 | From TA340461 | 1 |
| 7. Air Suspension Reservoir | RV-ANR3645 | To TA340460 | 1 |
| 7. Air Suspension Reservoir | RV-ANR5135 | From TA340461 | 1 |

Spring Conversion

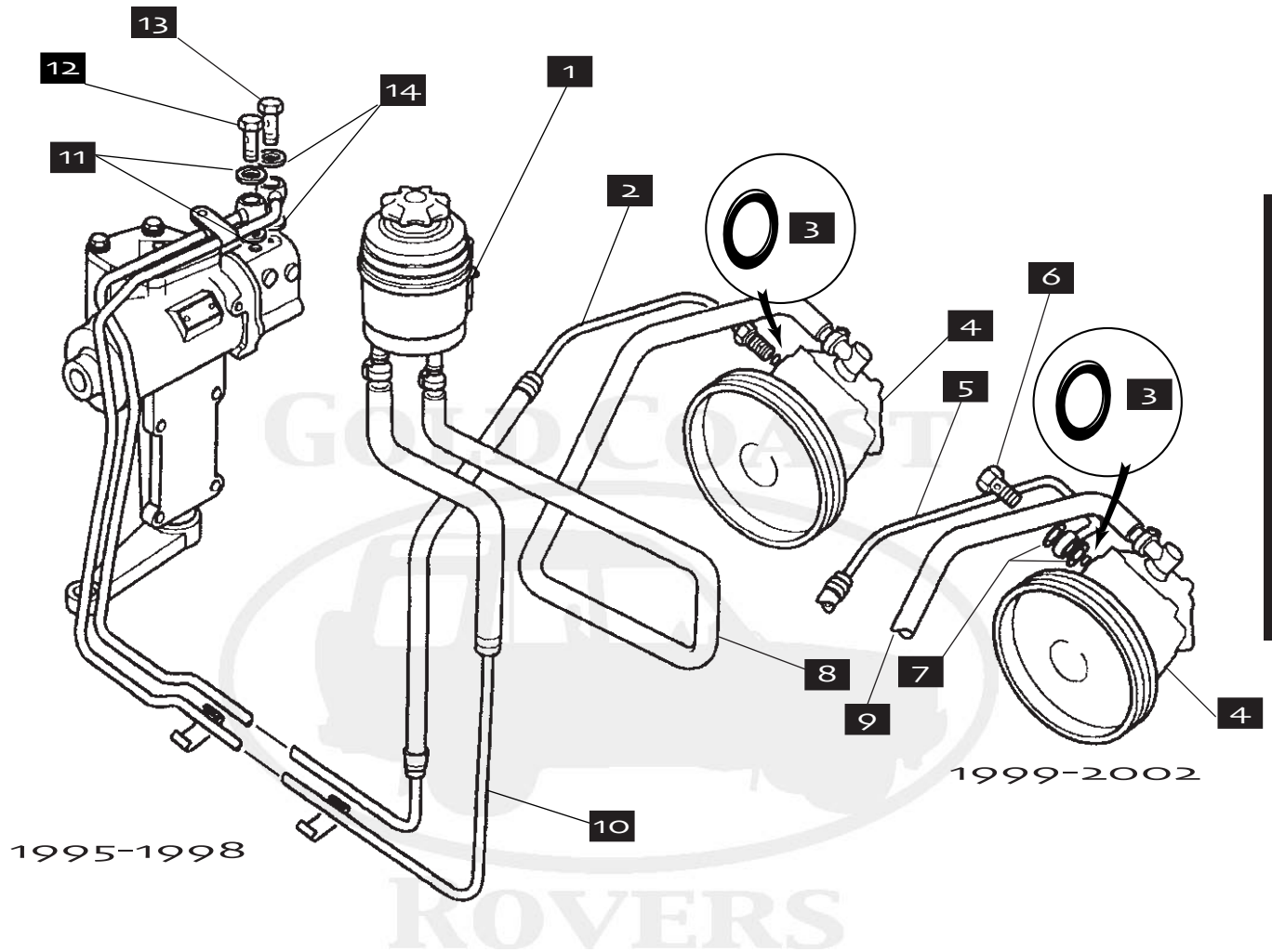
The conversion takes about four hours to install and requires only conventional tools, although a vehicle lift should be used to ensure safety. Fully illustrated instructions are included with the kit.

See page 10 for detailed description.

Air Suspension to Conventional Coil Springs

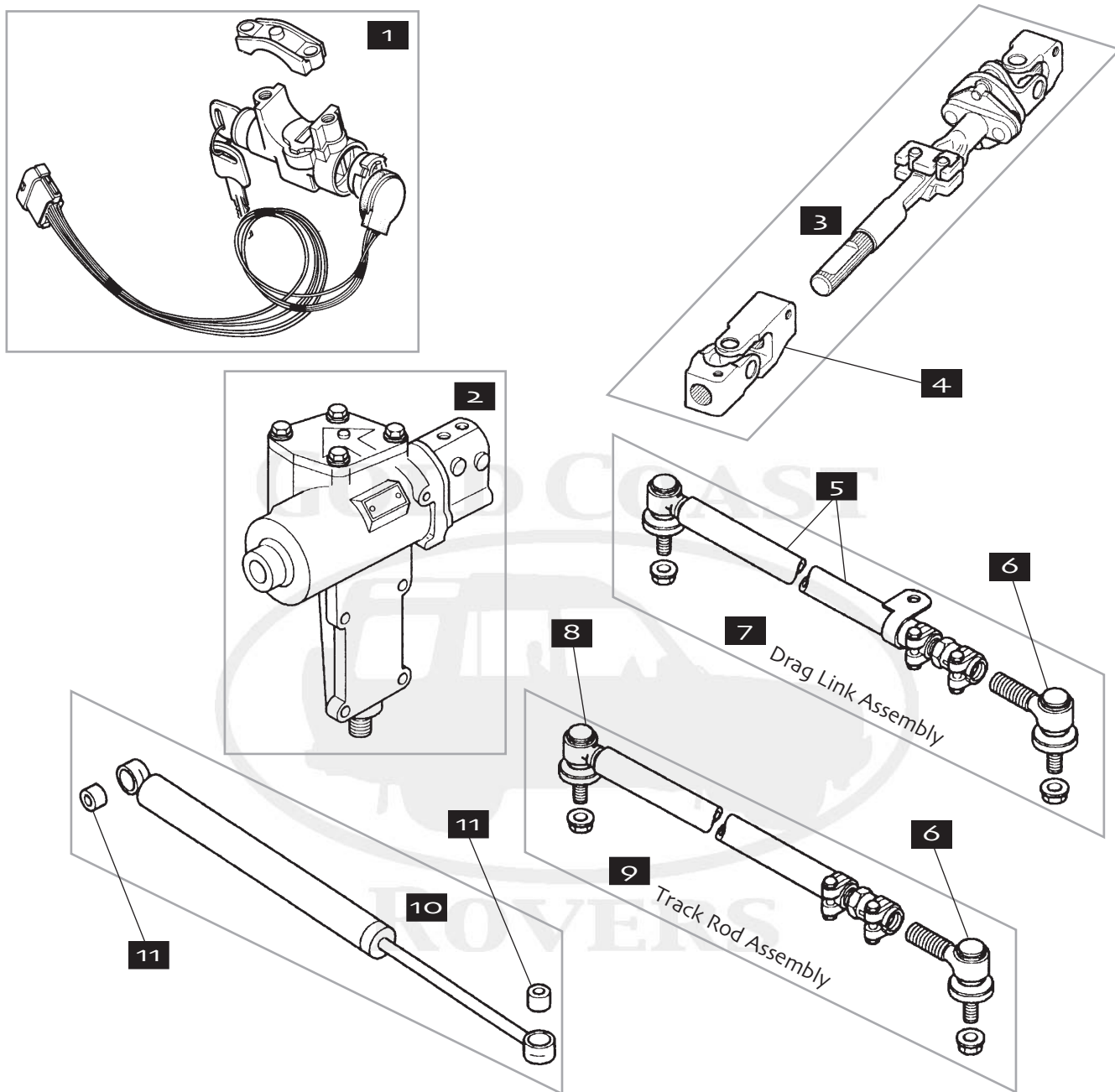
RV-2002



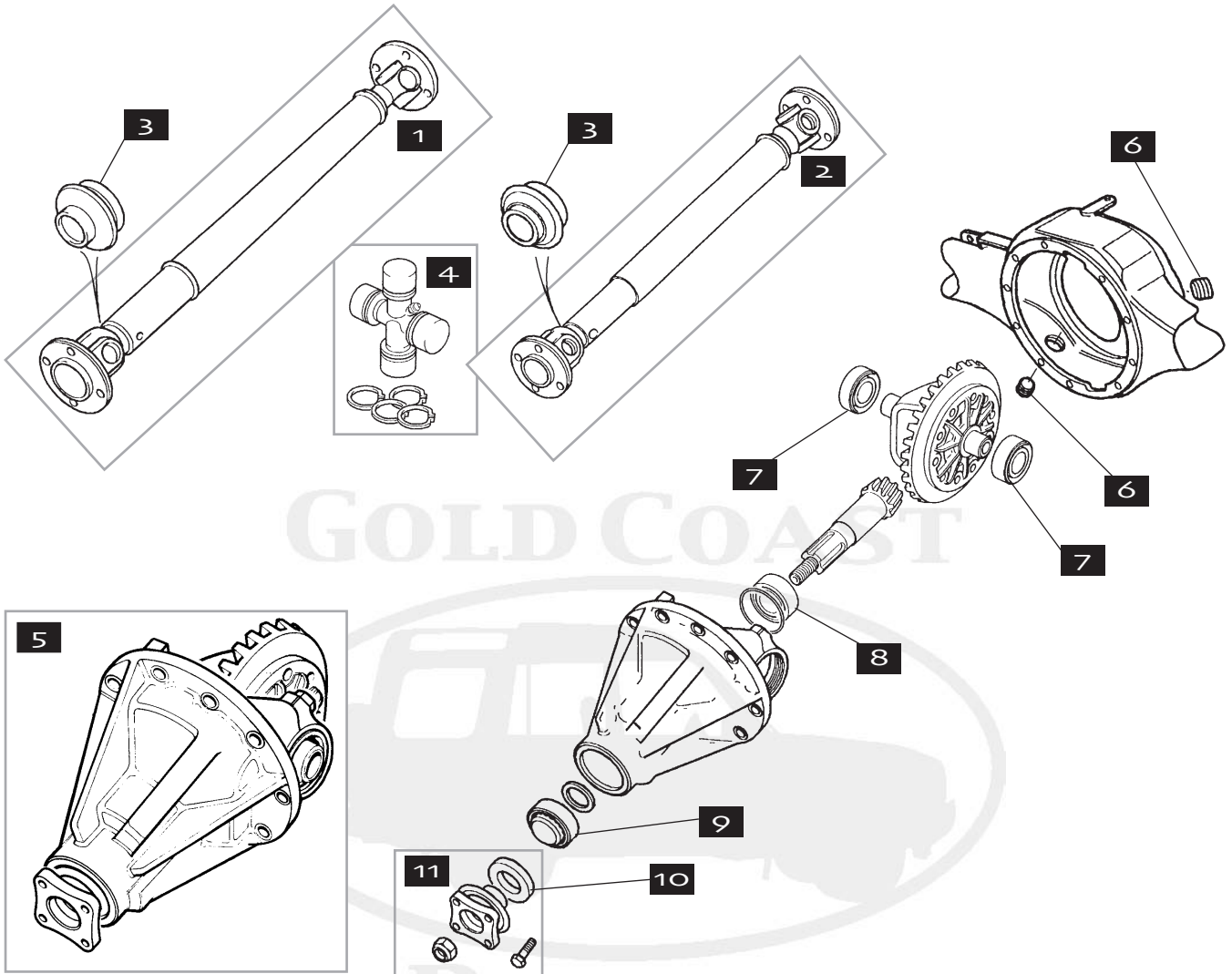


RANGE ROVER II, 1995-2002

| Description | Order Number | Explanatory Notes | Qty |
|--|--------------|--|-----|
| 1. Power Steering Reservoir Assembly | RV-QFX000010 | | 1 |
| 2. Hose/Pipe, pump to box | RV-ANR3856 | Through 1998 | 1 |
| 3. O-Ring at pump | RV-ESR259 | | 1 |
| 4. Power Steering Pump | RV-QVB101090 | | 1 |
| 5. Hose/Pipe, pump to box | RV-QEP104910 | 1999-2002 | 1 |
| 6. Banjo Bolt on Pump, 14mm | RV-STC1947 | | 1 |
| 7. Washer, 14mm on pump banjo | RV-STC1950 | | 2 |
| 8. Hose, reservoir to pump | RV-ANR2367 | Through 1998 | 1 |
| 9. Hose, reservoir to pump | RV-QEH102230 | 1999-2002 | 1 |
| 10. Hose/Pipe, steering box to reservoir | RV-ANR3384 | Up to VIN TA317511, includes new banjo bolts | 1 |
| 10. Hose/Pipe, steering box to reservoir | RV-QEP105990 | From VIN TA317512, includes new banjo bolts | 1 |
| 11. Washer, 14mm, on banjos | RV-STC4577 | | 2 |
| 12. Banjo Bolt on Box, 14mm | RV-STC1947 | | 1 |
| 13. Banjo Bolt on Box, 16mm | RV-STC1949 | | 1 |
| 14. Washer, 16mm, on banjos | RV-STC1950 | | 2 |

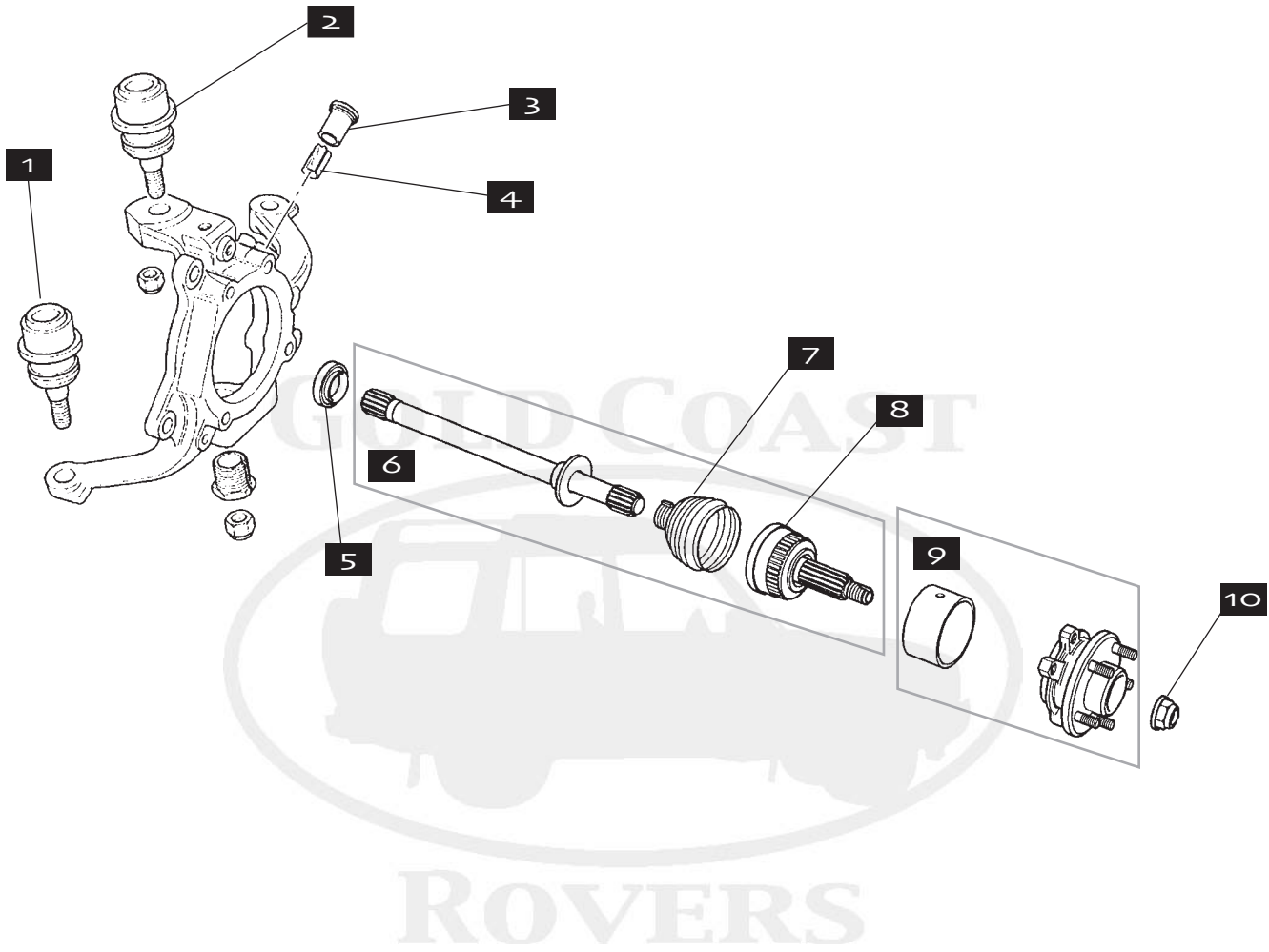


| Description | Order Number | Explanatory Notes | Qty |
|-----------------------------------|--------------|-------------------|-----|
| 1. Steering Column Lock/Switch | RV-MXC4599H | To MA316175 | 1 |
| 1. Steering Column Lock/Switch | RV-ASR1045H | From TA316176 | 1 |
| 2. Steering Box, New | RV-ANR5321 | | 1 |
| 3. Shaft Assembly | RV-ANR3698 | | 1 |
| 4. Lower U-Joint only for ANR3698 | RV-STC1968 | | 1 |
| 5. Front Drag Tube Only | RV-QEK000050 | | 1 |
| 6. Tie Rod End, Short Type | RV-QFS000010 | | 3 |
| 7. Front Drag Link Assembly | RV-ANR3824 | | 1 |
| 8. Tie Rod End, Long Type | RV-QFS000040 | | 1 |
| 9. Rear Track Rod Assembly | RV-TIQ000020 | | 1 |
| 10. Steering Damper Assembly | RV-ANR2640 | Includes Bushings | 1 |
| 11. Steering Damper Bushings Only | RV-STC1943 | | 2 |



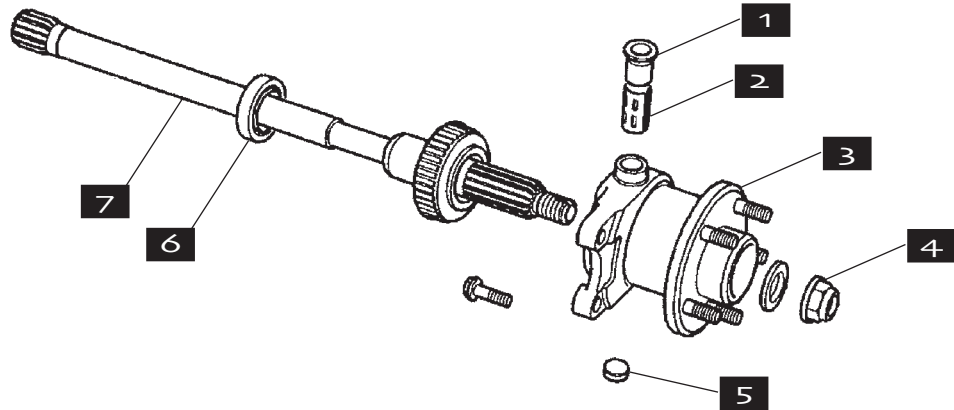
RANGE ROVER II, 1995-2002

| Description | Order Number | Explanatory Notes | Qty |
|--|---------------|--|-----|
| 1. Front Driveshaft Assembly | RV-FTC4140 | | 1 |
| 2. Rear Driveshaft Assembly | RV-FTC4141 | | 1 |
| 3. Gaiter/Boot | RV-TVE100000 | Front and Rear | 2 |
| 4. U-Joints, Driveshaft | JA-46 | Front & Rear | 4 |
| 5. Differential Assembly, Front, Rebuilt | RV-FTC3490E | Through 1998 | A/R |
| 5. Differential Assembly, Front, New | RV-TBB000270 | 1999-on | A/R |
| 5. Differential Assembly, Rear, Rebuilt | RV-TBB100840E | Two-Pin | A/R |
| 5. Differential Assembly, Rear, Rebuilt | RV-FTC3483E | Four-Pin, Axle Code 51S; through 1998 | A/R |
| 5. Differential Assembly, Rear, New | RV-TBB000270 | Four-Pin, Axle Code 55S; 1999-on; Can be used as a new replacement for all. | A/R |
| 6. Drain/Filler Plug | RV-608246 | Same front axle or rear axle | 2 |
| 7. Differential Side Bearing | RV-RTC3095 | Same front axle or rear axle | 2 |
| 8. Pinion Bearing, rearward | RV-STC1156 | Same front axle or rear axle | 1 |
| 9. Pinion Bearing, forward | RV-STC2808 | Same front axle or rear axle | 1 |
| 10. Oil Seal, Pinion | RV-FTC4851 | Same front axle or rear axle | 1 |
| 11. Flange Kit | RV-STC3124 | Includes flange, seal, dust shield and hardware. Same front or rear | 1 |



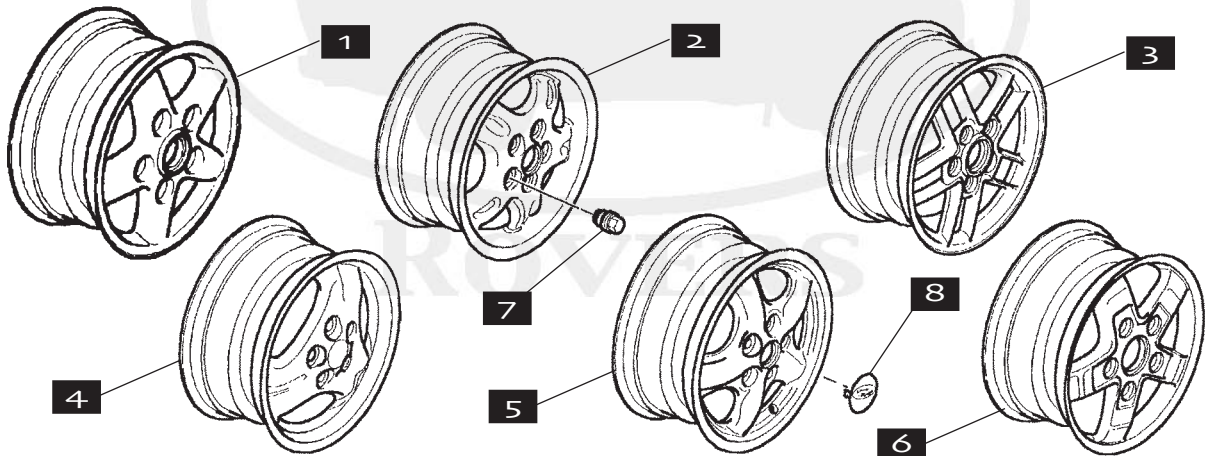
| Description | Order Number | Explanatory Notes |
|--|--------------|-------------------|
| 1. Lower Ball Joint | RV-FTC3571 | |
| 2. Upper Ball Joint | RV-FTC3570 | |
| 3. Bushing, ABS Sensor | RV-FTC1374 | |
| 4. Adapter, ABS Sensor | RV-FTC2249 | |
| 5. Front Driveshaft Seal | RV-FTC4822 | |
| 6. Front Halfshaft Assembly, RH | RV-TDB104080 | |
| 6. Front Halfshaft Assembly, LH | RV-TDB104090 | |
| 7. Gaiter/Boot, Outer Joint Driveshaft | RV-STC3203 | |
| 8. Constant-Velocity Joint | RV-STC3204 | |
| 9. Front Drive Hub Assembly | RV-FTC3226 | Right side |
| 9. Front Drive Hub Assembly | RV-FTC3243 | Left side |
| 10. Staked Nut, End of Axle | RV-CDU1534L | |

REAR AXLES AND HUBS, RANGE ROVER II

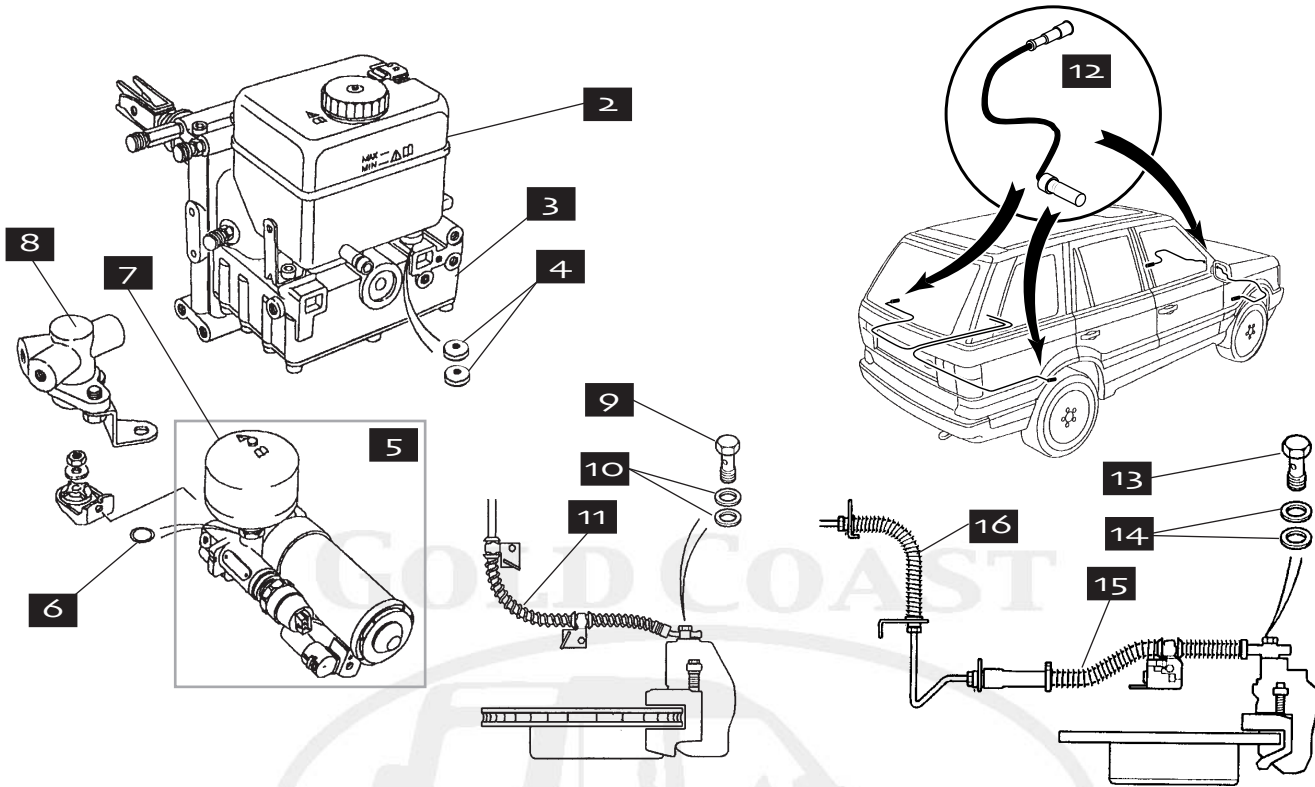


| Description | Order Number | Explanatory Notes |
|------------------------------------|--------------|-------------------|
| 1. Anti-lock Brake Sensor Bushing | RV-FTC1374 | |
| 2. Adapter, Anti-lock Brake Sensor | RV-FTC2249 | |
| 3. Hub Assembly | RV-FTC3223 | |
| 4. Nut, Staked, Rear Axle | RV-CDU1534L | |
| 5. Blanking Plug | RV-FTC2999 | |
| 6. Seal Assembly | RV-FTC5209 | |
| 7. Axle Shaft, LH | RV-TOD100010 | |
| 7. Axle Shaft, RH | RV-TOD100000 | |

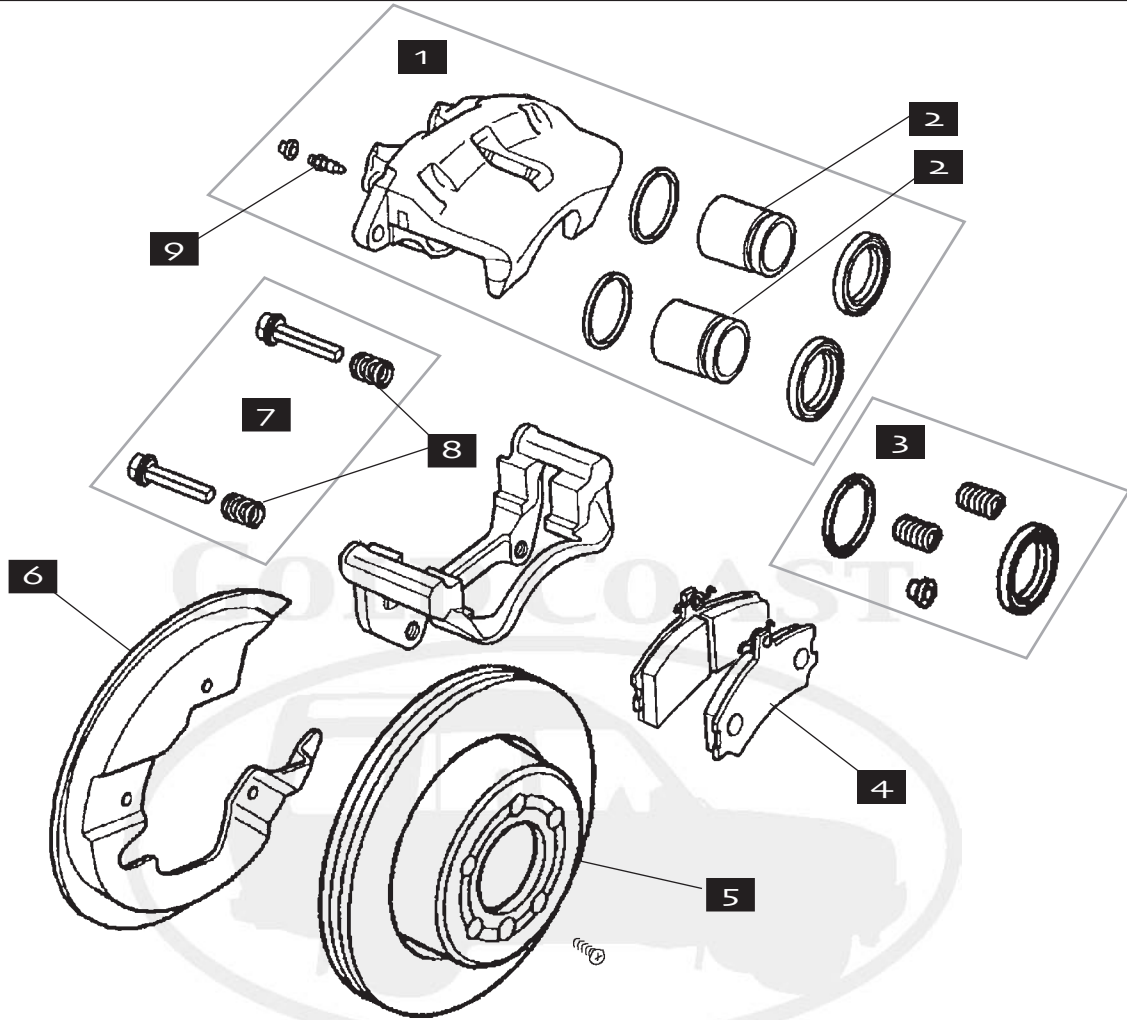
REPLACEMENT WHEELS, RANGE ROVER II



| Description | Order Number | Explanatory Notes |
|----------------------------|-----------------|---|
| 1. Alloy Wheel | RV-ANR4848MNH | 8J x 16 Silver Sparkle-Mirage |
| 2. Alloy Wheel | RV-ANR4666MNH | 5-Spoke 8.0 x 16 Silver Sparkle-Spyder |
| 3. Alloy Wheel | RV-RRC501470MNH | 8J x 18 Silver Sparkle-Hurricane |
| 4. Alloy Wheel | RV-ANR4660MNH | 3-Spoke 7.0 x 16 Silver Sparkle-Futura |
| 5. Alloy Wheel | RV-RRC112820MNH | 8J x 16 Silver Sparkle-Lightning |
| 5. Alloy Wheel | RV-RRC115410MNH | 5-Spoke 8J x 18 Silver Sparkle-Mondial from XA412771 |
| 5. Alloy Wheel | RV-ANR4849MNH | 50th Anniversary 8J x 18 Silver Sparkle-Proline |
| 6. Alloy Wheel | RV-RRC112810MNH | 8J x 18 Silver Sparkle-Typhoon |
| 7. Wheel Nut, Alloy Wheels | RV-ANR3679 | |
| 8. Center Cap | RV-RRJ500030MNH | Center Cap, Silver Sparkle, from WA378544 to WA410481 |
| 8. Center Cap | RV-DAG100310 | Land Rover Gold |

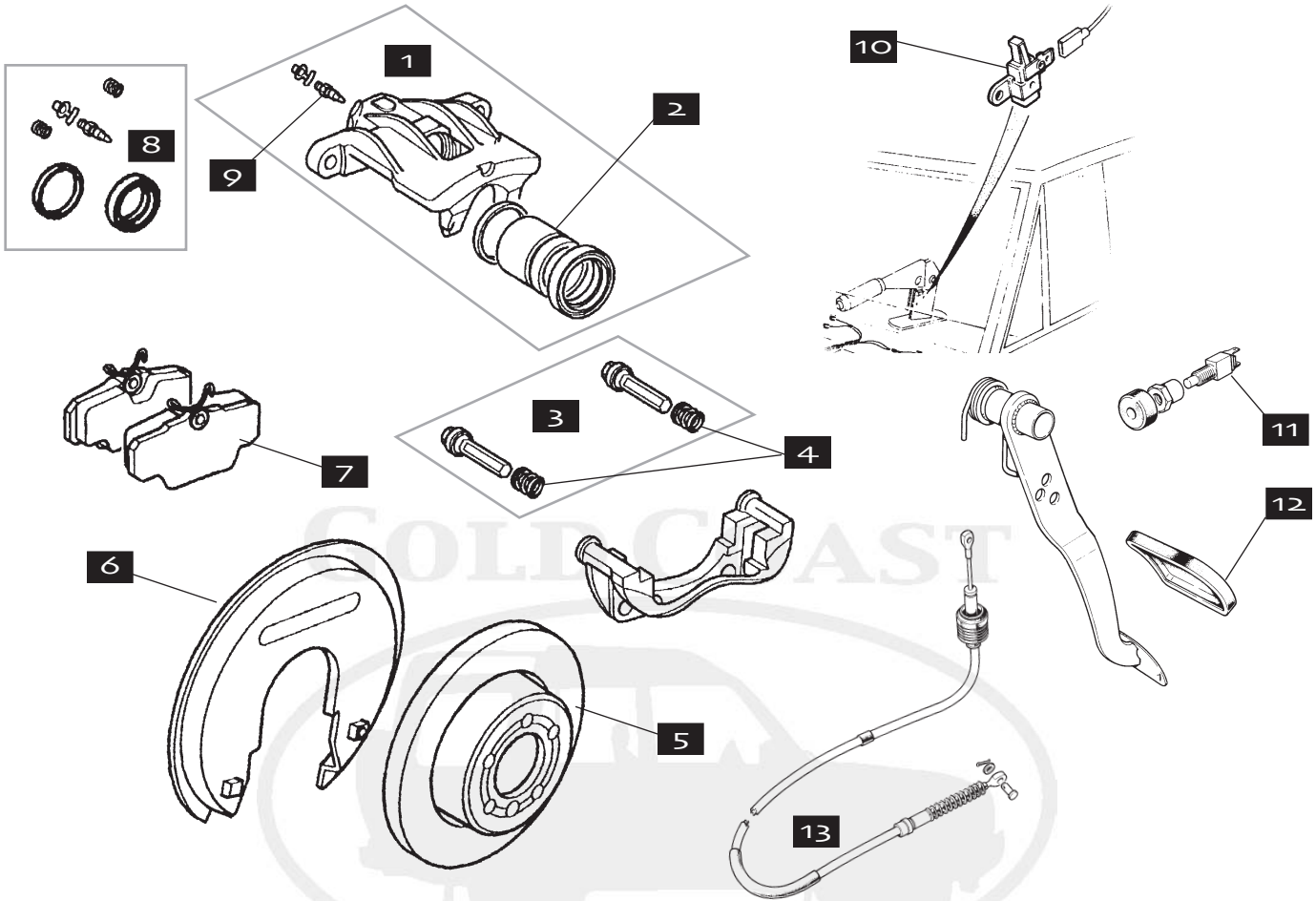


| Description | Order Number | Explanatory Notes |
|---|--------------|---|
| 1. Reservoir Cap | RV-STC2781 | |
| 2. Fluid Reservoir | RV-STC2780 | |
| 3. Booster, with traction control, thru '98 | RV-STC2778 | |
| 3. Booster, with traction control, '99-on | RV-SXC100010 | |
| 3. Booster, without traction control | RV-STC2779 | |
| 4. Seal, reservoir to booster | RV-RTC6490 | |
| 5. ABS Pump (Includes Accumulator) | RV-STC2783 | |
| 6. Seal, accumulator to pump | RV-STC2785 | |
| 7. ABS Accumulator only | RV-STC2784 | |
| 8. Pressure Control Regulator | RV-ANR3323 | |
| 9. Banjo Bolt to Caliper (two per side) | RV-STC2659 | |
| 10. Washer, Banjo Bolts | RV-577475 | 4 needed |
| 11. Front Brake Hose, Right Side | RV-ANR3258 | |
| 11. Front Brake Hose, Left Side | RV-ANR3259 | |
| 12. Sensor and Harness Assembly, front | RV-STC2786 | 2 needed |
| 12. Sensor and Harness Assembly, rear | RV-STC2787 | To rear axle numbers 50S 02483A (two-pin type) and 51S 03121A (four-pin type) |
| 12. Sensor and Harness Assembly, rear | RV-STC2921 | Left Side, from Axles 50S 02484A (two-pin type) 51S 03121A (four-pin type) |
| 12. Sensor and Harness Assembly, rear | RV-STC2922 | Right Side, from Axles 50S 02484A (two-pin type) and 51S 03122A (four-pin type) to end of 1996 model year |
| 12. Sensor and Harness Assembly, rear | RV-STC3385 | Rear Right or Left Side, 1997-on |
| 13. Banjo Bolt to Caliper | RV-STC2659 | |
| 14. Washer on Banjo Bolts (two per side) | RV-577475 | 4 needed |
| 15. Rear Brake Hose to Caliper, RH | RV-ANR4703 | |
| 15. Rear Brake Hose to Caliper, LH | RV-ANR4704 | |
| 16. Rear Brake Hose, Pipe to rear axle | RV-ANR5916 | 2 needed |

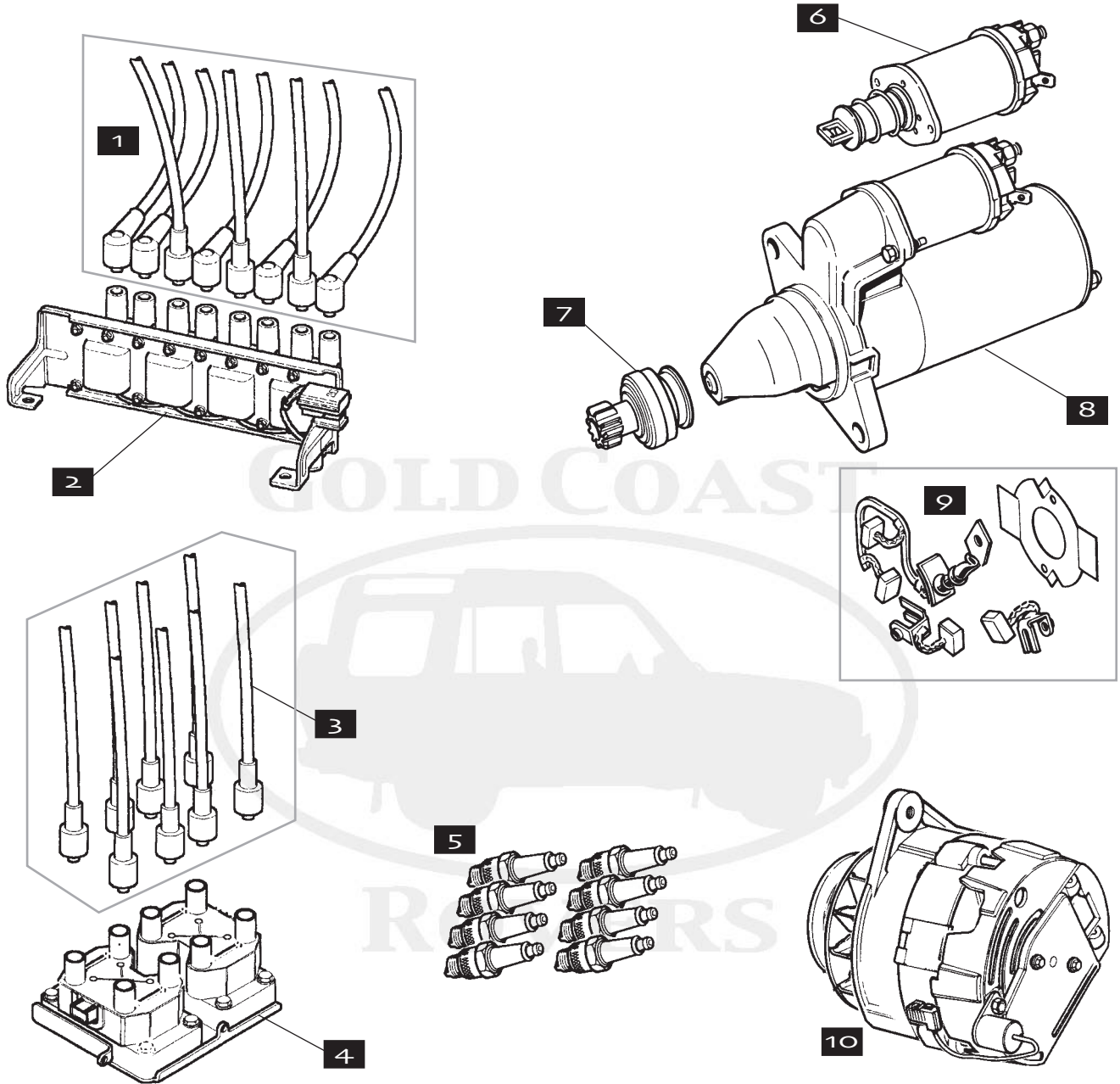


RANGE ROVER II, 1995-2002

| Description | Order Number | Explanatory Notes |
|---|------------------|-------------------|
| 1. RH Caliper, new | RV-STC1916 | |
| 1. LH Caliper, new | RV-STC1915 | |
| 1. RH Caliper, rebuilt | RV-STC1916/RB | |
| 1. LH Caliper, rebuilt | RV-STC1915/RB | |
| Note: Calipers include piston housing only; pad carrier not included. | | |
| 2. Brake Piston, front, two per caliper | RV-STC1918 | 4 needed |
| 3. Caliper Seal Kit | RV-STC1919 | Axle Set |
| 4. Brake Pads, Standard Metallic | RV-SFP100460/M | Axle Set |
| 4. Brake Pads, Axxis Metal Master | RV-SFP100460/AMM | Axle Set |
| 4. Brake Pads, Lockheed Brand | RV-SFP100460/LK | Axle Set |
| 4. Brake Pads, Hi-performance Kevlar | RV-SFP100460K | Axle Set |
| Note: Hi-performance Kevlar pads do not have wear sensors. You can keep the light on your dash from coming on by creating a loop in the original sensor wiring (see detail illustration above) but the brake wear warning light will not come on when the pads are worn out. | | |
| 5. Brake Rotor, Front | RV-NTC8780 | |
| 6. Mud Shield, RH, to VA376579 | RV-FTC3544 | |
| 6. Mud Shield, RH, from WA376580 | RV-FTC4908 | |
| 6. Mud Shield, LH, to VA376579 | RV-FTC3545 | |
| 6. Mud Shield, LH, from WA376580 | RV-FTC4909 | |
| 7. Guide Pin Kit for Caliper Carrier, axle set | RV-STC1920 | Pins And Boots |
| 8. Dust Cover Kit for guide pins, axle set | RV-STC1911 | Boots Only |
| 9. Bleed Nipple | RV-RTC1115 | |



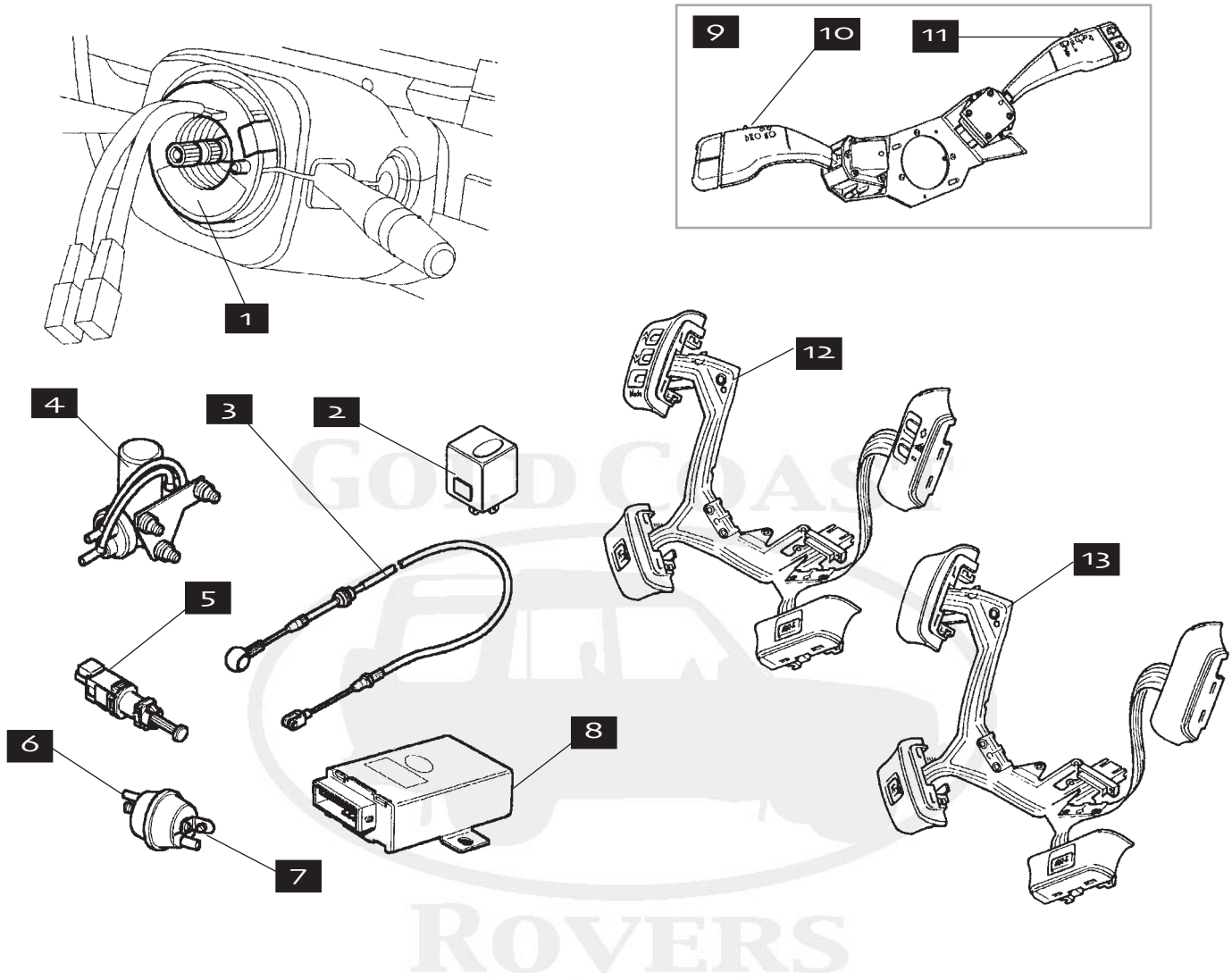
| Description | Order Number | Explanatory Notes | Qty |
|--|------------------|-------------------|-----|
| 1. Brake Caliper, Right, new | RV-STC1906 | | 1 |
| Note: Calipers include piston housing only; pad carrier not included. | | | |
| 1. Brake Caliper, Left, new | RV-STC1905 | | 1 |
| Note: Calipers include piston housing only; pad carrier not included. | | | |
| 1. Brake Caliper, Right, rebuilt | RV-STC1906/RB | | 1 |
| Note: Calipers include piston housing only; pad carrier not included. | | | |
| 1. Brake Caliper, Left, rebuilt | RV-STC1905/RB | | 1 |
| Note: Calipers include piston housing only; pad carrier not included. | | | |
| 2. Caliper Piston, Rear, One per caliper | RV-STC1908 | | 2 |
| 3. Guide Pin Kit for Caliper Carrier, axle set | RV-STC1910 | | 1 |
| 4. Dust Cover Kit, for guide pins, axle set | RV-STC1911 | | 1 |
| 5. Rear Rotor | RV-SBC000470 | | 2 |
| 6. Mud Shield, RH or LH | RV-FTC3546 | | 2 |
| 7. Brake Pad Set, Mintex | RV-SFP100470/MTX | Axle Set | 1 |
| 7. Brake Pad Set, Axxis Metal Master | RV-SFP100470/AMM | Axle Set | 1 |
| 7. Brake Pad Set, Lockheed | RV-SFP100470/LK | Axle Set | 1 |
| 7. Brake Pad Set, Hi-performance Kevlar | RV-SFP100470K | Axle Set | 1 |
| 8. Rebuild Kit, Rear Calipers, axle set | RV-STC1909 | | 1 |
| 9. Bleed Nipple | RV-RTC1115 | | 2 |
| 10. Brake Light Switch | RV-XKB100170 | | 1 |
| 11. Handbrake Warning Switch | RV-STC1951 | | 1 |
| 12. Brake Pedal Rubber Pad | RV-ANR1871 | | 1 |
| 13. Handbrake Cable | RV-ANR2215 | | 1 |



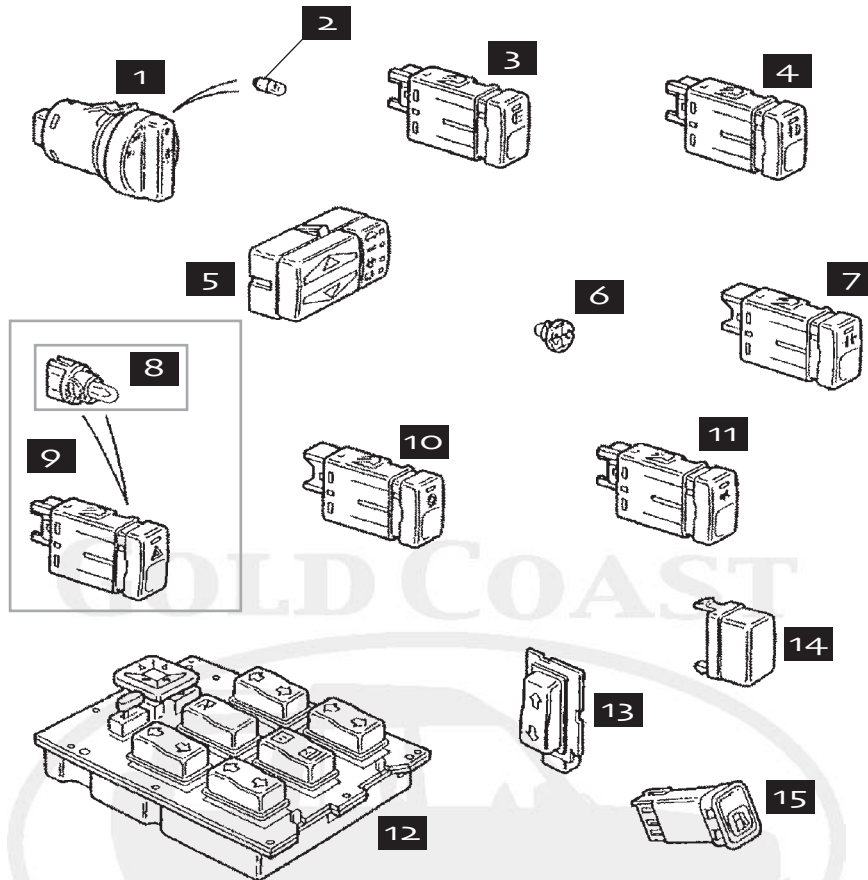
RANGE ROVER II, 1995-2002

| Description | Order Number | Explanatory Notes | Qty |
|------------------------------|--------------|-------------------|-----|
| 1. Spark Plug Wire Set | RV-0789 | Through 1998 | 1 |
| 2. Coil Pack | RV-ERR6269 | Through 1998 | 1 |
| 3. Spark Plug Wire Set | RV-0790 | 1999-on | 1 |
| 4. Coil Pack | RV-ERR6566 | 1999-on | 1 |
| 5. Spark Plug | RV-BPR5EY | | 8 |
| 5. Bosch Platinum Spark Plug | RV-WR9LP | | 8 |
| 6. Solenoid, Starter | RV-STC1242 | | 1 |
| 7. Drive, Starter | RV-STC1241 | | 1 |
| 8. Starter Assembly | RV-ERR6087* | Rebuilt | 1 |
| 9. Brush Set, Starter | RV-STC1243 | | 1 |
| 10. Alternator | RV-AMR2938 | Rebuilt | 1 |

* Denotes Aftermarket Part



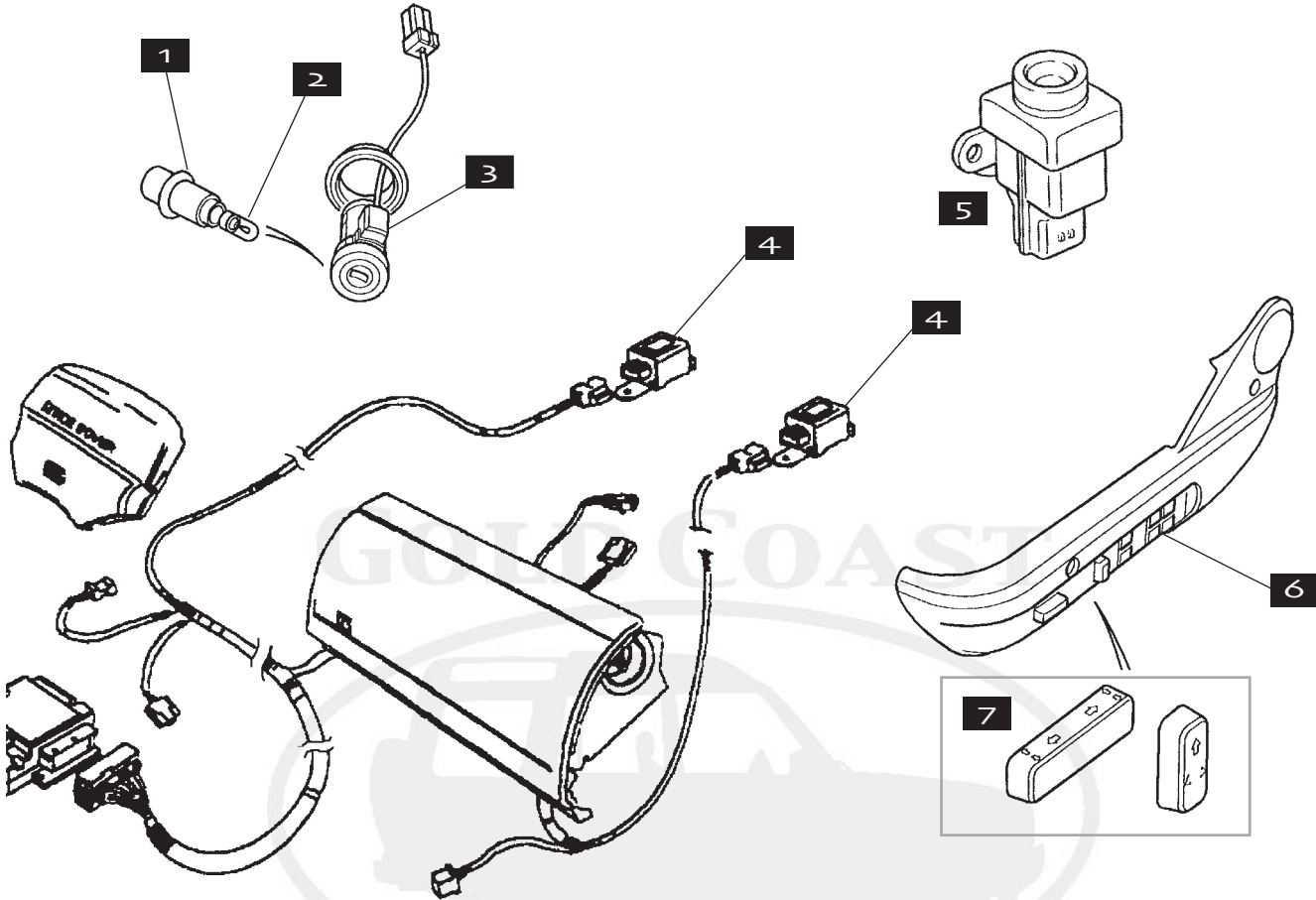
| Description | Order Number | Explanatory Notes | Qty |
|---|--------------|-------------------------------------|-----|
| 1. Rotary Switch | RV-YRC100350 | | 1 |
| 2. Cruise Control Inverter Switch | RV-ERR2621 | | 1 |
| 3. Cable Assembly | RV-AMR3705 | To TA332091 (TA=1996) | 1 |
| 3. Cable Assembly | RV-SCD100090 | From TA332092 (TA=1996) | 1 |
| 4. Vacuum Pump | RV-PRC6260 | | 1 |
| 5. Switch, Stop/Cruise Brake | RV-ERR2622 | | 1 |
| 6. Actuator Assembly | RV-ETC7150 | | 1 |
| 7. Actuator Assembly Ball Joint | RV-ETC7149 | | 1 |
| 8. Cruise Control Unit | RV-AMR1173 | To WA410481 (End of 1998) | 1 |
| 8. Cruise Control Unit | RV-AMR5700 | From XA410842 (Start of 1999) | 1 |
| 9. Steering Column Switch Assembly | RV-XPB101210 | Without Cruise | 1 |
| 9. Steering Column Switch Assembly | RV-XPB101200 | With Cruise | 1 |
| 11. Wash/Wipe/Windscreen Only | RV-STC2959 | | 1 |
| 10. Master Lighting/Indicator/Headlamp Dip Only | RV-STC2960 | Without Cruise | 1 |
| 10. Master Lighting/Indicator/Headlamp Dip Only | RV-STC2961 | With Cruise | 1 |
| 12. Switch, Radio/Cruise on Steering Wheel | RV-YUH100290 | To WA410481 (End of 1998) | 1 |
| 12. Switch, Radio/Cruise on Steering Wheel | RV-YUH100400 | From XA410842 (Start of 1999) | 1 |
| 13. Switch, Cruise Set/Resume | RV-YUH100280 | To WA410481, without radio controls | 1 |



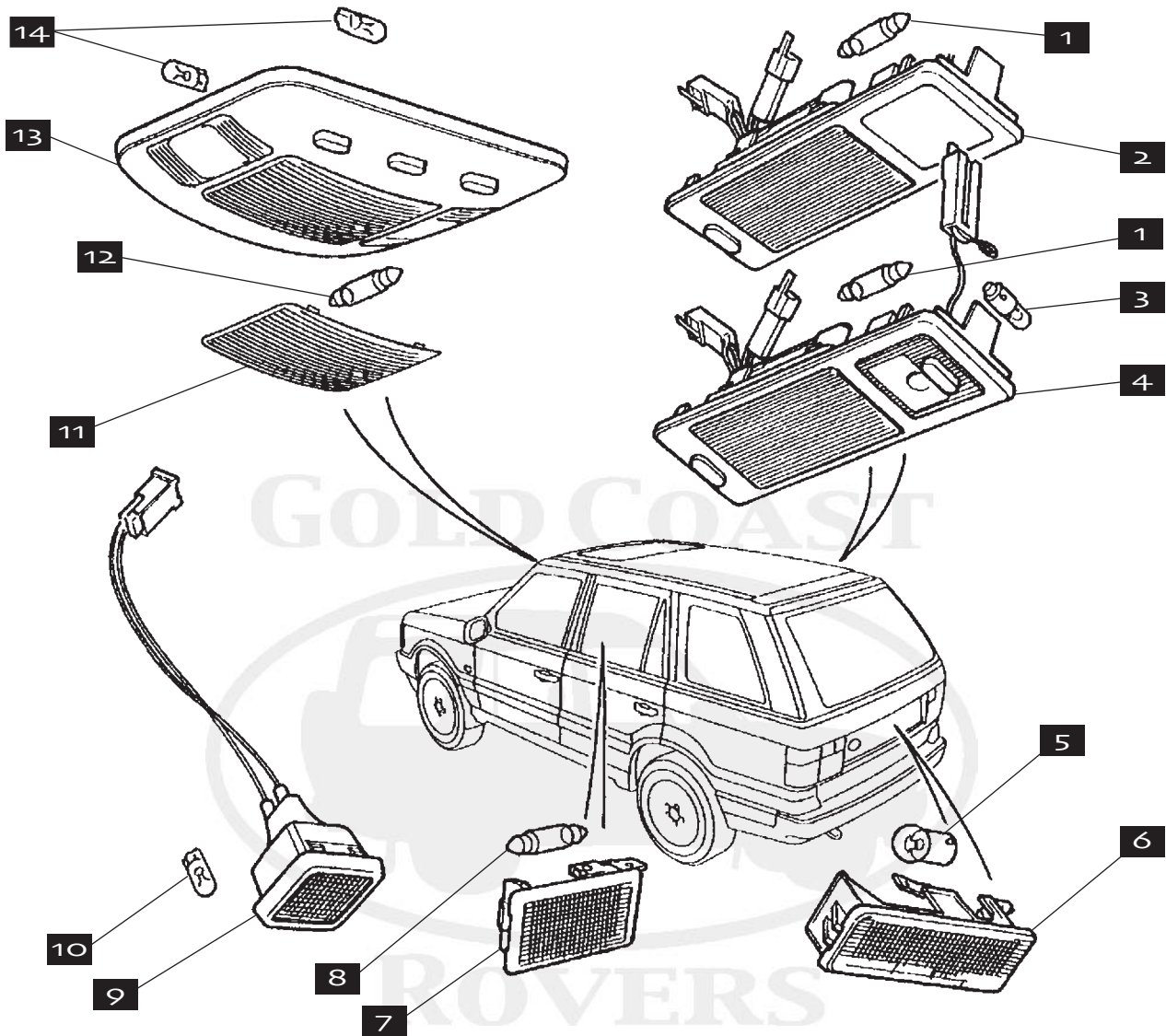
RANGE ROVER II, 1995-2002

| Description | Order Number | Explanatory Notes | Qty |
|--|-----------------|-------------------|-----|
| 1. Lower Lights Rotary Switch | RV-AMR3964 | Through 1998 | 1 |
| 1. Lower Lights Rotary Switch | RV-YUK100240 | 1999-on | 1 |
| 2. Bulb for Rotary Switch | RV-STC3115 | | 1 |
| 3. Lower Push Switch, Rear Fog | RV-AMR3712 | Through 1998 | 1 |
| 3. Lower Push Switch, Rear Fog | RV-YUG102260 | 1999-on | 1 |
| 4. Lower Push Switch, Front Fog | RV-AMR3711 | Through 1998 | 1 |
| 4. Lower Push Switch, Front Fog | RV-YUG102250 | 1999-on | 1 |
| 5. Ride Height Control Switch | RV-AMR5823 | Through 1998 | 1 |
| 5. Ride Height Control Switch | RV-YUF101930 | 1999-on | 1 |
| 6. Bulb Holder Assembly, Orange | RV-STC1877 | | 1 |
| 6. Bulb Holder Assembly, Green | RV-STC1878 | | 1 |
| 7. Cruise Control Enable/Disable Switch | RV-AMR4141 | | 1 |
| 8. Bulb & Holder for Hazard Switch, Clear | RV-STC1205 | | 2 |
| 9. Hazard Switch | RV-AMR2691 | Through 1998 | 1 |
| 9. Hazard Switch | RV-YUG102480 | 1999-on | 1 |
| 10. Ride Height Disable Switch | RV-AMR3709 | Through 1998 | 1 |
| 10. Ride Height Disable Switch | RV-YUG102270 | 1999-on | 1 |
| 11. Transfer Box High/Low Switch | RV-YUG102240 | | 1 |
| 12. Electric Window Lift & Mirror-less Sunroof | RV-YUB100910LNF | In center console | 1 |
| 12. Electric Window Lift Mirror Sunroof | RV-YUB100930LNF | In center console | 1 |
| 13. Electric Window Lift Switch, Rear Door | RV-AMR3762 | Through 1998 | 2 |
| 13. Electric Window Lift Switch, Rear Door | RV-YUF101570 | 1999-on | 2 |
| 14. Blank Fascia Switch | RV-AMR2754 | Through 1998 | 1 |
| 14. Blank Fascia Switch | RV-YXJ100170 | 1999-on | 1 |
| 15. Fuel Flap Release Switch | RV-AMR3388 | Through 1998 | 1 |
| 15. Fuel Flap Release Switch | RV-YUG102490 | 1999-on | 1 |

* Denotes Aftermarket Part

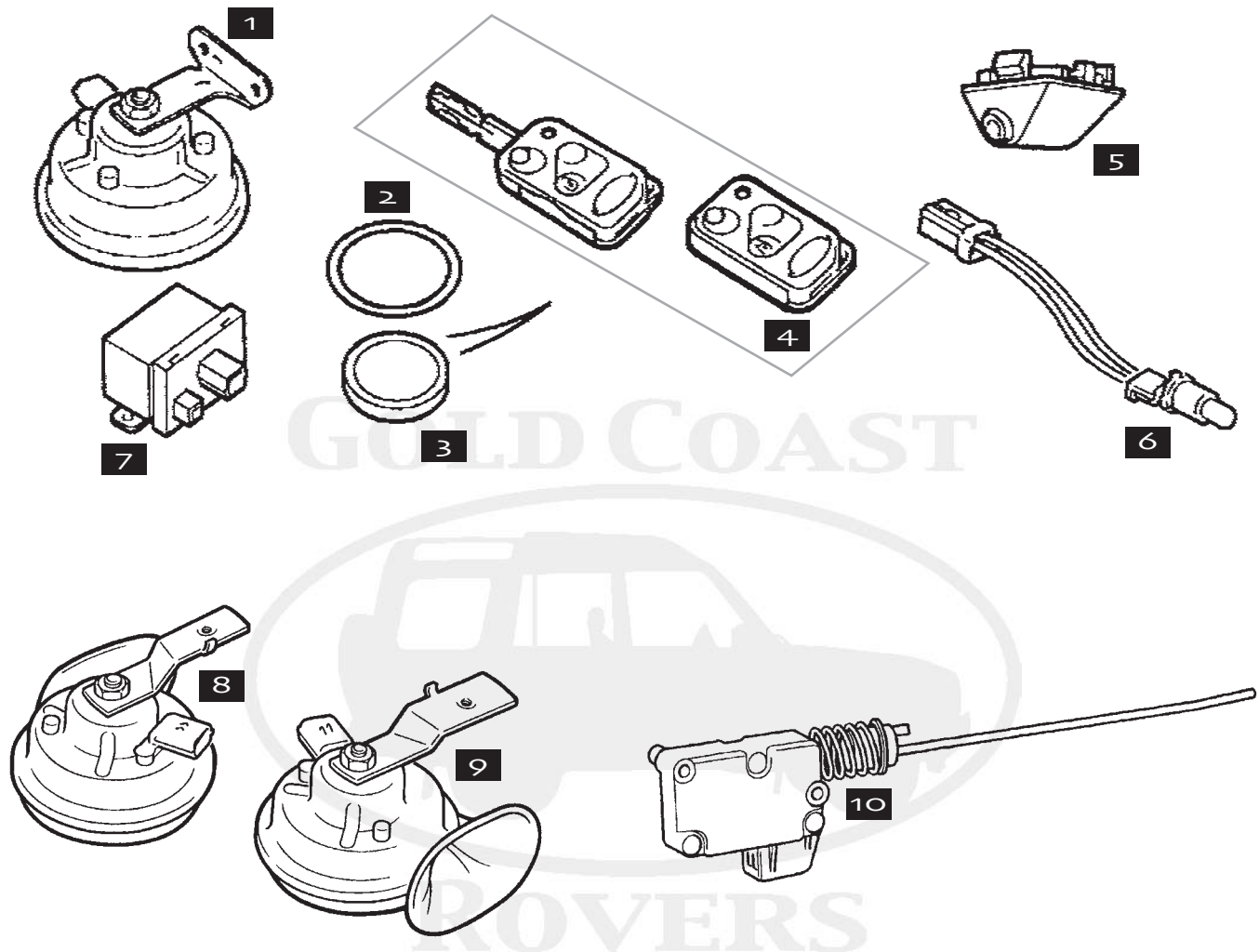


| Description | Order Number | Explanatory Notes | Qty |
|---|-----------------|-------------------|-----|
| 1. Bulb Holder for Ignition Switch Assembly | RV-STC2987 | | 1 |
| 2. Bulb for Ignition Switch Assembly | RV-STC2986 | | 1 |
| 3. Ignition Switch/Lock Assembly | RV-ASR1045H | | 1 |
| 4. Crash Sensor Air Bag Switch | RV-PRC8618 | | 2 |
| 5. Inertia Remote Fuel Pump Switch | RV-WQT100030L | | 1 |
| Seat Switches, With Memory Seats | | | |
| 6. Valance Front RH Outer Seat, with switches | RV-BTR9020AUK | Tan | 1 |
| 6. Valance Front RH Outer Seat, with switches | RV-BTR9020LNF | Ash Grey | 1 |
| 6. Valance Front RH Outer Seat, with switches | RV-BTR9020LOY | Dark Granite | 1 |
| 6. Valance Front RH Outer Seat, with switches | RV-BTR9020SMK | Light Stone Grey | 1 |
| 6. Valance Front LH Outer Seat, with switches | RV-HJA100550AAT | Tan | 1 |
| 6. Valance Front LH Outer Seat, with switches | RV-BTR9021LNF | Ash Grey | 1 |
| 6. Valance Front LH Outer Seat, with switches | RV-BTR9021LOY | Dark Granite | 1 |
| 6. Valance Front LH Outer Seat, with switches | RV-BTR9021SMK | Light Stone Grey | 1 |
| 7. Seat Switch Knob Kit | RV-STC3688 | W/O Memory | 1 |

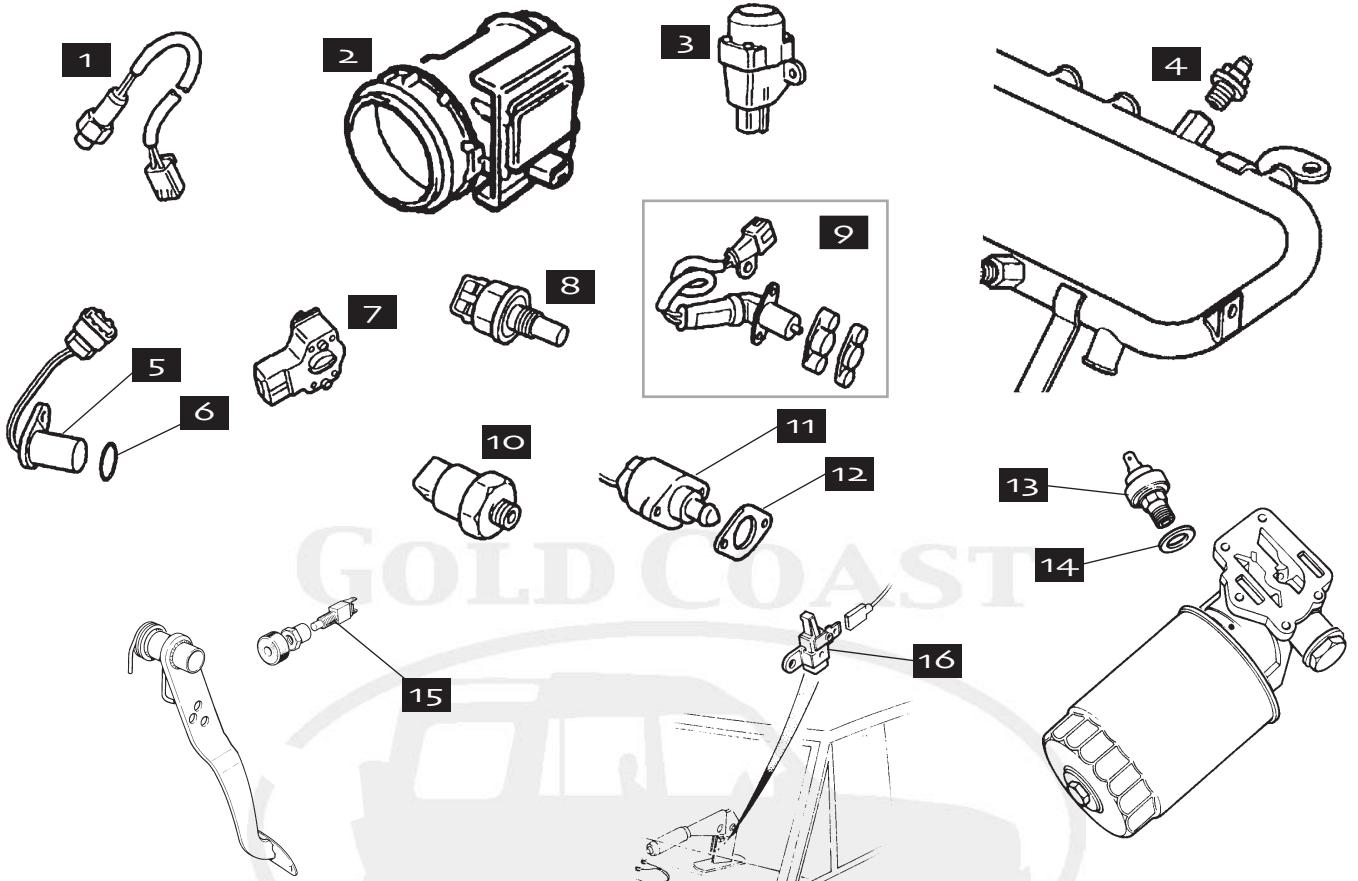


RANGE ROVER II, 1995-2002

| Description | Order Number | Explanatory Notes | Qty |
|---|-----------------|-------------------|-----|
| 1. Large Bulb for Interior Lamps | RV-RTC3633 | | 2 |
| 2. Rear Interior Courtesy Lamp | RV-PRC9248LUM | Except 4.6 HSE | 2 |
| 3. Map Lamp (small) Bulb for Interior Lamps | RV-575312 | | 2 |
| 4. Rear Interior Courtesy Lamp | RV-AMR2768LUM | 4.6 HSE, RH | 1 |
| 4. Rear Interior Courtesy Lamp | RV-AMR2769LUM | 4.6 HSE, LH | 1 |
| 5. Bulb for Trunk/Load-space Lamp | RV-STC1203 | | 1 |
| 6. Trunk/Load-space Lamp | RV-AFU4091L | | 1 |
| 7. Glove Box Lamp | RV-STC2819 | | 1 |
| 7. Rear Foot Well Lamp | RV-PRC9496 | | 1 |
| 8. Bulb for Glove Box & Foot Well Lamps | RV-RTC3633 | | 1 |
| 9. Front Foot Well Lamp | RV-PRC9499 | | 2 |
| 10. Bulb for Front Foot Well Lamp | RV-573289 | | 2 |
| 11. Lens for Courtesy Lamp | RV-XDH100120L | | 1 |
| 12. Bulb, Front Interior Courtesy Lamp | RV-586438 | 10 watt bulb | 1 |
| 13. Front Interior Courtesy Lamp | RV-XDE100730LUM | | 1 |
| 14. Bulb, Front Interior Courtesy Lamp | RV-AFU4481 | 5 watt bulb | 1 |



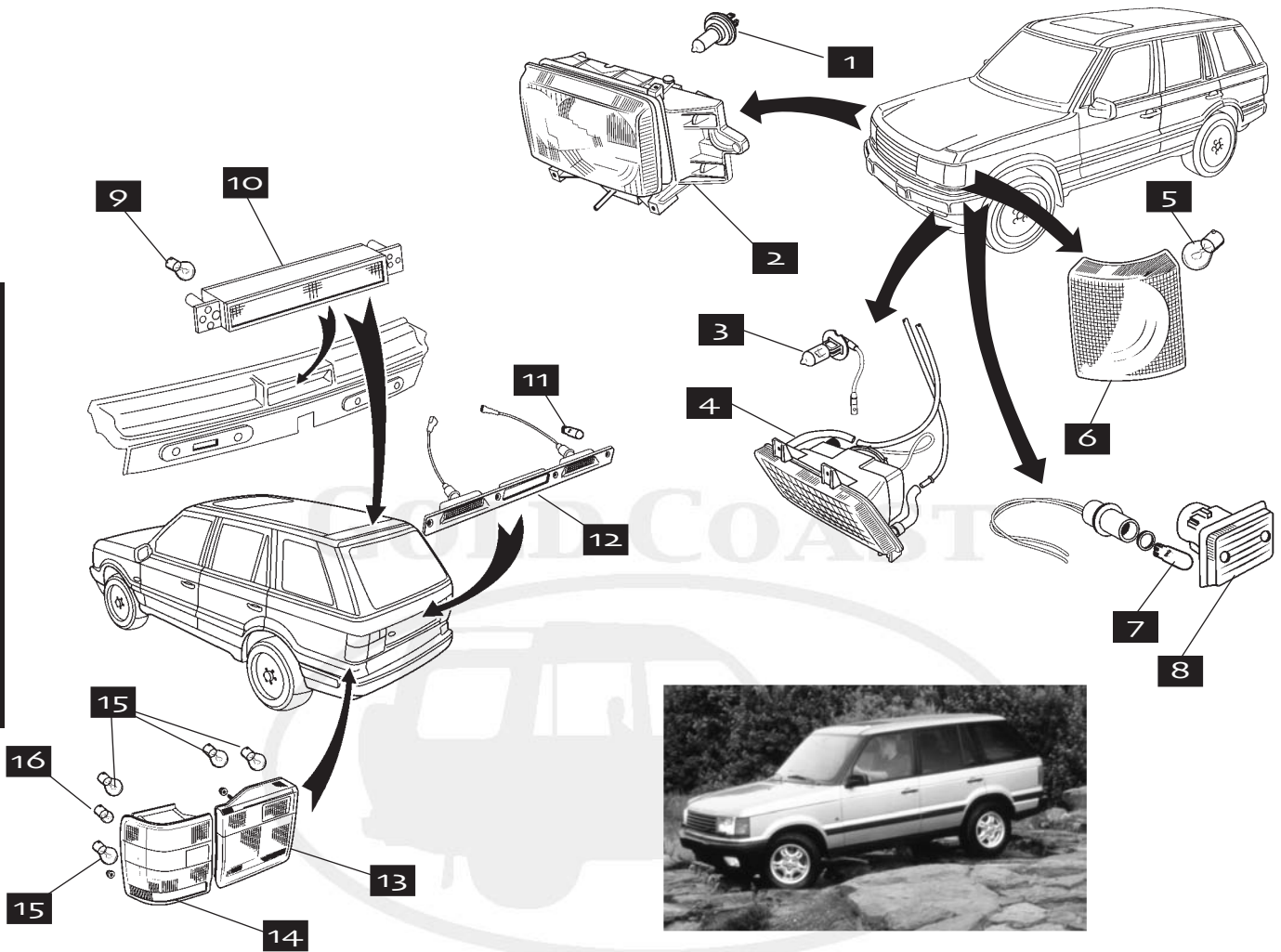
| Description | Order Number | Explanatory Notes |
|--|-----------------|-------------------|
| Alarm Parts | | |
| 1. Burglar Alarm Sounder Unit | RV-AMR3702 | |
| 2. O-Ring for Remote Unit | RV-STC1867 | |
| 3. Transmitter Battery for Remote Unit | RV-STC4806 | |
| 4. Remote Unit & Key, Ash Grey | RV-ASR1944 | |
| 4. Remote Unit & Key, Black | RV-ASR1945 | |
| 4. Remote Unit & Key, Beige | RV-STC3634 | |
| 4. Remote Unit & Key, Blue | RV-STC3635 | |
| 5. Ultrasonic Sensor (Mink Grey) | RV-YWC103640LUM | |
| 6. Burglar Alarm Light Emitting Diode | RV-BTR8320 | |
| 7. Receiver Radio Remote 315 MHz | RV-ASR1952 | |
| 8. High Note Horn | RV-AMR3583 | |
| 9. Low Note horn | RV-AMR3584 | |
| 10. Fuel Door Actuator | RV-ALR7012 | |



RANGE ROVER II, 1995-2002

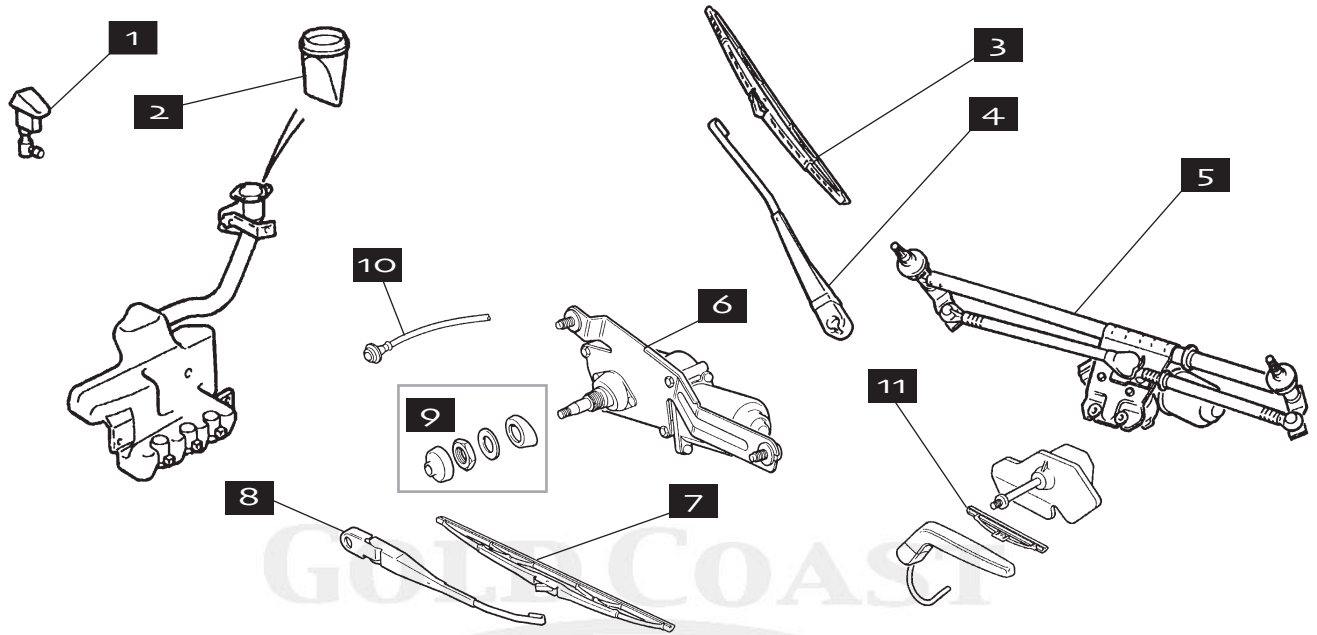
| Description | Order Number | Explanatory Notes | Qty |
|--|---------------|---|-----|
| 1. Oxygen Sensor | RV-ERR1834 | To VIN VA350101 (In 1997 model year) | 4 |
| 1. Oxygen Sensor | RV-AMR6244 | From VIN VA350102 to VIN WA410481 (mid 1997 through 1998) | 4 |
| 1. Oxygen Sensor, Front | RV-MHK100930 | From XA410482 | 2 |
| 1. Oxygen Sensor, Rear | RV-MHK100940 | From XA410482 | 2 |
| 2. Airflow Meter | RV-ERR5595 | Through 1998 | 1 |
| 2. Airflow Meter | RV-MHK100800 | 1999-on | 1 |
| 3. Inertia Switch, Fuel Pump | RV-WQT100030L | | 1 |
| 4. Fuel Temperature Sender | RV-ETC6661 | | 1 |
| 5. Position Sensor, Camshaft | RV-ERR2261 | Through 1996 | 1 |
| 5. Position Sensor, Camshaft | RV-ERR6169 | 1997-on | 1 |
| 6. O-Ring, Cam Position Sensor | RV-ERR4815 | | 1 |
| 7. Throttle Position Sensor | RV-ERR4278 | | 1 |
| 8. Coolant Temperature Sensor, ECU | LU-SNB802 | Through 1998 | 1 |
| 8. Coolant Temperature Sensor, ECU | RV-MEK100160 | 1999-on | 1 |
| 9. Position Sensor Crankshaft | RV-ADU7342L | Through 1996 | 1 |
| 9. Position Sensor Crankshaft | RV-ERR6119 | 1997 & 1998 | 1 |
| 9. Position Sensor Crankshaft | RV-ERR7354 | 1999-on | 1 |
| 10. Knock Sensor | RV-ERR5594 | Through 1998 | 2 |
| 10. Knock Sensor | RV-NSC100650 | 1999-on | 2 |
| 11. Stepper Motor, Fuel Injection | RV-ERR4352 | | 1 |
| 12. Gasket, Stepper Motor | RV-ERR3359 | | 1 |
| 13. Oil Pressure Switch | RV-STC4104K* | On oil pump housing | 1 |
| 14. Washer For STC4104K* Oil Pressure Switch | RV-243968 | | 1 |
| 15. Brake Light Switch | RV-XKB100170 | | 1 |
| 16. Hand Brake Warning Switch | RV-STC1951 | | 1 |

* Denotes Aftermarket Part



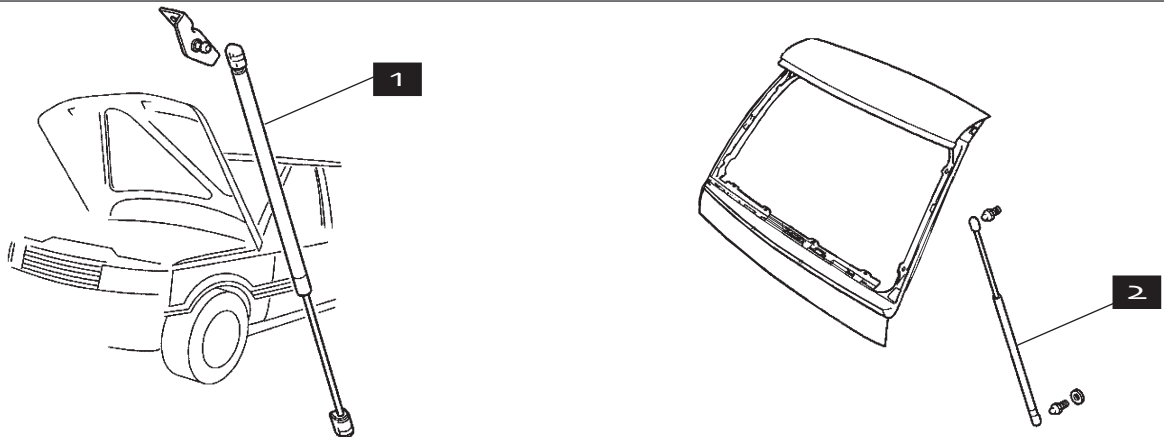
| Description | Order Number | Explanatory Notes | Qty |
|---------------------------------|--------------|--|-----|
| 1. Head Lamp Bulb | RV-STC3310 | | 2 |
| 2. Head Lamp Assembly | RV-AMR4826 | Right Side | 1 |
| 2. Head Lamp Assembly | RV-AMR4825 | Left Side | 1 |
| 3. Bulb, Fog/Driving Lamp Bulb | JA-DBC11408 | | 2 |
| 4. Fog Lamp | RV-AMR3420 | Right Side | 1 |
| 4. Fog Lamp | RV-AMR3421 | Left Side | 1 |
| 5. Bulb, Front Turn Lamp | RV-264590 | | 2 |
| 6. Front Turn Lamp | RV-AMR2484 | Right Side | 1 |
| 6. Front Turn Lamp | RV-AMR2485 | Left Side | 1 |
| 7. Bulb Side Repeater | RV-AFU4481 | | 2 |
| 8. Lens, Side Repeater | RV-PRC9916 | | 1 |
| 9. Bulb, High-Mounted Stop Lamp | RV-AFU4481 | | 5 |
| 10. High Mounted stop lamp | RV-PRC7644 | | 1 |
| 11. Bulb, License Lamp | RV-AFU4481 | | 4 |
| 12. License Lamp Assy | RV-AMR3020 | | 1 |
| 13. Tail Lamp | RV-AMR4724 | Inner, Right Side | 1 |
| 13. Tail Lamp | RV-AMR4725 | Inner, Left Side | 1 |
| 14. Tail Lamp | RV-AMR4102 | Outer, Right Side | 1 |
| 14. Tail Lamp | RV-AMR4101 | Outer, Left Side | 1 |
| 15. Bulb | RV-264591 | Turn signal, stop lamp, reverse lamp, fog lamp | 8 |
| 16. Bulb, tail light | RV-10211 | | 2 |

WIPERS & COMPONENTS, RANGE ROVER II



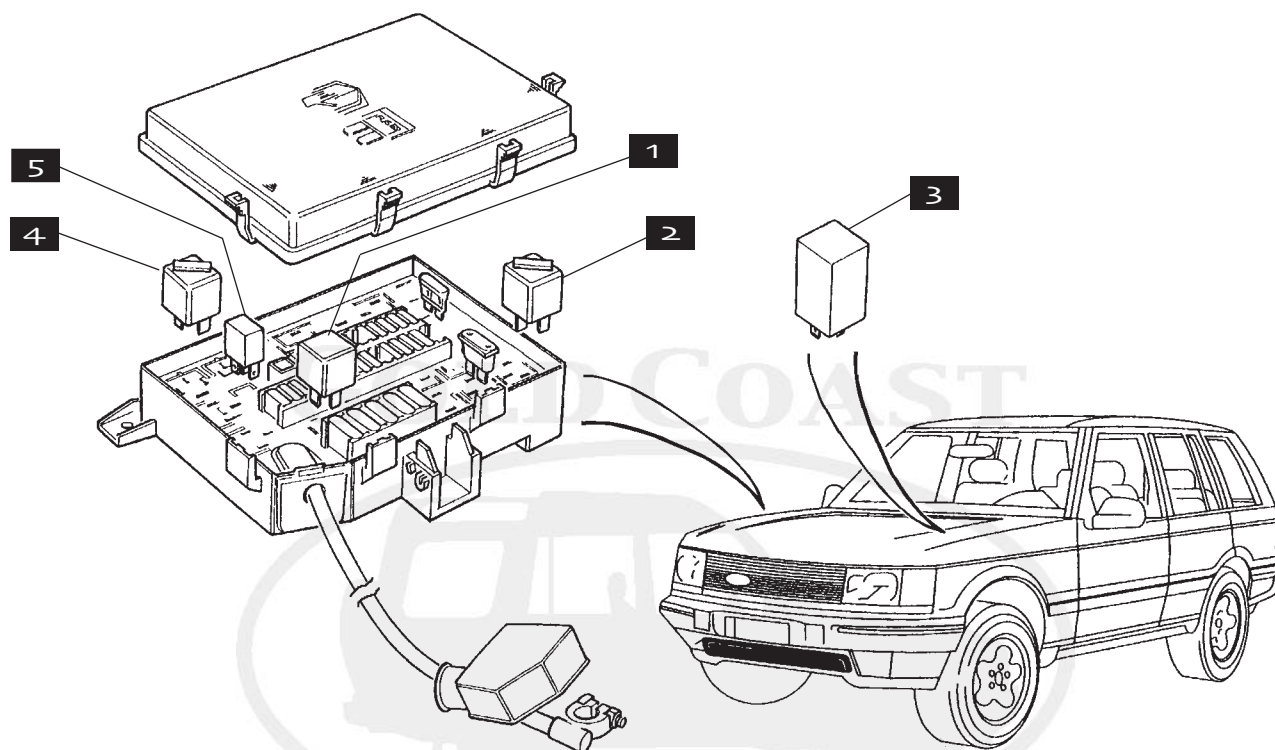
| Description | Order Number | Explanatory Notes | Qty |
|-------------------------------------|--------------|---------------------------------|-----|
| 1. Jet/Nozzle, Front | RV-AMR5257 | To WA394534 single spray head | 2 |
| 1. Jet/Nozzle, Front | RV-DNJ100750 | From WA394535, twin spray heads | 2 |
| 2. Washer Reservoir Filter | RV-AMR3266 | | 1 |
| 3. Wiper Blade, Front | RV-DKC100830 | | 2 |
| 4. Wiper Arm, Right Front | RV-DKB103370 | | 1 |
| 4. Wiper Arm, Left Front | RV-DKB103350 | | 1 |
| 5. Wiper Motor/Rack Assembly, Front | RV-DLB101770 | | 1 |
| 6. Wiper Motor/Rack Assembly, Rear | RV-AMR3265 | | 1 |
| 7. Wiper Blade, Rear | RV-PRC7576 | | 1 |
| 8. Wiper Arm, Rear | RV-AMR4954 | | 1 |
| 9. Bush/Grommet/Nut Kit, Rear | RV-STC2811 | | 1 |
| 10. Jet/Nozzle, Rear | RV-AMR4779 | | 1 |
| 11. Headlamp Wiper Blade | RV-DKC100860 | | 2 |

HOOD AND TAILGATE GAS STRUTS, RANGE ROVER II

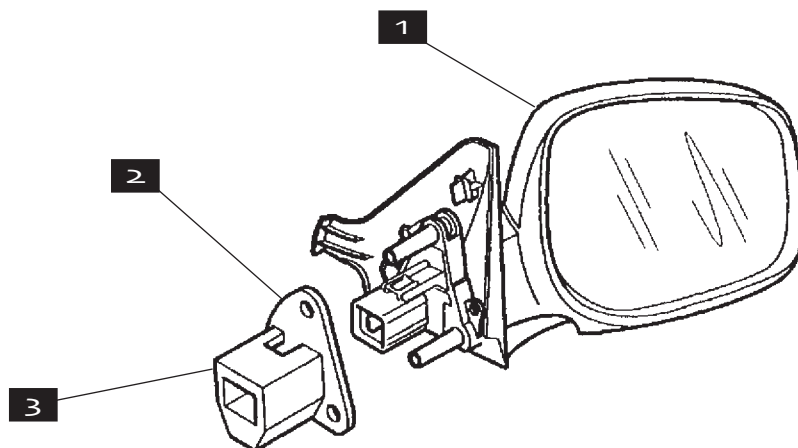


| Description | Order Number | Explanatory Notes | Qty |
|----------------------------------|--------------|-------------------|-----|
| 1. Bonnet Gas Strut, Locking | RV-ALR5884 | | 1 |
| 1. Bonnet Gas Strut, Non-Locking | RV-ALR5886 | | 1 |
| 2. Tail Gate Gas Strut | RV-ALR1050 | | 2 |

RANGE ROVER II, 1995-2002



| Description | Order Number | Relay Location | Color Code |
|--------------------------------|--------------|---------------------------------|------------|
| 1. ABS Pump | RV-PRC9566 | Relay Box in Engine Compartment | Black |
| 2. Front Wiper Control | RV-YWB10031 | Relay Box in Engine Compartment | Green |
| 2. Front Wiper Intermittent | RV-YWB10031 | Relay Box in Engine Compartment | Green |
| 2. Headlamp Wash/Wipe | RV-YWB10031 | Relay Box in Engine Compartment | Green |
| 2. A/C Conditioning. Fan | RV-YWB10031 | Relay Box in Engine Compartment | Green |
| 3. Air Suspension Delay | RV-ANR4652 | Under LH Seat | |
| 4. ABS Power | RV-YWB10012L | Relay Box in Engine Compartment | Yellow |
| 4. Heated Front Screen | RV-YWB10012L | Relay Box in Engine Compartment | Yellow |
| 4. HEVAC Power | RV-YWB10012L | Relay Box in Engine Compartment | Yellow |
| 4. HEVAC Aux. Power | RV-YWB10012L | Relay Box in Engine Compartment | Yellow |
| 4. Fuel Pump | RV-YWB10012L | Relay Box in Engine Compartment | Yellow |
| 4. Starter Motor | RV-YWB10012L | Relay Box in Engine Compartment | Yellow |
| 4. A/C Control | RV-YWB10012L | Relay Box in Engine Compartment | Yellow |
| 4. Air Suspension Compressor | RV-YWB10012L | Relay Box in Engine Compartment | Yellow |
| 4. Engine Main Control | RV-YWB10012L | Relay Box in Engine Compartment | Yellow |
| 4. Main Fuel Injection Circuit | RV-YWB10012L | Relay Box in Engine Compartment | Yellow |
| 5. Horn | RV-YWB10004L | Relay Box in Engine Compartment | Yellow |



| Description | Order Number | Explanatory Notes |
|-----------------------|-----------------|--|
| 1. Door Mirror, Right | RV-STC3745 | Flat, Memory to VA346793 |
| 1. Door Mirror, Left | RV-STC3692 | Convex, Memory to VA346793 |
| 1. Door Mirror, Right | RV-AWR5289 | Convex, Memory from VA346794 |
| 1. Door Mirror, Left | RV-AWR6894 | Convex, Memory from VA346794 |
| 1. Door Mirror, Right | RV-CRB110780HPE | Woodcote Green, 50th Anniversary Model |
| 1. Door Mirror, Left | RV-CRB110790HPE | Woodcote Green, 50th Anniversary Model |
| 2. Mirror Gasket | RV-STC2861 | |
| 3. Anti-Rattle Pad | RV-BTR6118 | |

DECALS AND BADGES, RANGE ROVER II



RANGE ROVER

4.0 SE

4.6 HSE

| Description | Order Number | Explanatory Notes |
|----------------------------------|---------------|-------------------|
| "Range Rover" Decal on Hood | RV-BTR7939MAD | Silver |
| "Range Rover" Decal on Hood | RV-BTR7939PUK | Basalt |
| "Range Rover" Decal on Tail Gate | RV-BTR7940MAD | Silver |
| "Range Rover" Decal on Tail Gate | RV-BTR7940PUK | Basalt |
| "4.0 SE" Decal on Tail Gate | RV-AWR1333MAD | Silver |
| "4.0 SE" Decal on Tail Gate | RV-AWR1333PUK | Basalt |
| "4.6 HSE" Decal on Tail Gate | RV-AWR1334MAD | Silver |
| "4.6 HSE" Decal on Tail Gate | RV-AWR1334PUK | Basalt |
| "Land Rover" Badge, Front Grille | RV-BTR8401 | |
| "Land Rover" Badge on Tail Gate | RV-BTR1047 | |