

R380 MANUAL GEARBOX



Overhaul Manual

**R380 Handgeschakelde
versnellingsbak revisiehandboek**

**R380 Boite de vitesses manuelle
Manuel de révision**

**R380 Schaltgetriebe
Überholungsanleitung**

**R380 Cambio meccanico
Manuale di revisione**

**R380 Caja de cambios manual
Manual de revisión**

**R380 Caixa de velocidades manual
Manual de revisão**



R380 GEARBOX

OVERHAUL MANUAL

This Overhaul Manual contains information applicable to the following models:

New Range Rover
Range Rover Classic 1995 Models on
Discovery 1995 Models on
Defender 1995 Models on

Publication Part No.LRL 0003ENG - 2nd Edition
Published by Rover Technical Communication
© 1996 Rover Group Limited





INTRODUCTION

How to use this manual

To assist in the use of this manual the section title is given at the top and the relevant sub - section is given at the bottom of each page.

This manual contains procedures for overhaul of the R380 gearbox on the bench with the clutch and, if applicable, the transfer box removed. For all other information regarding Adjustments, Removal of oil seals, clutch, transfer box and gearbox unit, consult the appropriate Repair Manual for the model concerned.

This manual is divided into 5 sections, Data, Torque Settings, Service Tools, Description and finally, Overhaul. To assist filing of revised information each sub - section is numbered from page 1.

The individual overhaul items are to be followed in the sequence in which they appear. Items numbered in the illustrations are referred to in the text.

Overhaul operations include reference to Service Tool numbers and the associated illustration depicts the tool in use. Operations also include reference to wear limits, relevant data, torque figures, and specialist information and useful assembly details.

WARNINGS, CAUTIONS and **Notes** have the following meanings:



WARNING: Procedures which must be followed precisely to avoid the possibility of injury.



CAUTION: Calls attention to procedures which must be followed to avoid damage to components.



NOTE: Gives helpful information.

References

Operations covered in this manual do not include reference to testing the vehicle after repair. It is essential that work is inspected and tested after completion and if necessary, a road test of the vehicle is carried out, particularly where safety related items are concerned.

Dimensions

The dimensions quoted are to design engineering specification with Service Limits where applicable.

REPAIRS AND REPLACEMENTS

When replacement parts are required it is essential that only Rover/Land Rover recommended parts are used.

Attention is particularly drawn to the following points concerning repairs and the fitting of replacement parts and accessories.

Safety features embodied in the car may be impaired if other than Rover/Land Rover recommended parts are fitted. In certain territories, legislation prohibits the fitting of parts not to the manufacturer's specification.

Torque wrench setting figures given in this Manual must be used. Locking devices, where specified, must be fitted. If the efficiency of a locking device is impaired during removal it must be renewed.

The Terms of the vehicle Warranty may be invalidated by the fitting of other than Rover/Land Rover recommended parts. All Rover/Land Rover recommended parts have the full backing of the vehicle Warranty.

Rover/Land Rover Dealers are obliged to supply only recommended parts.

INTRODUCTION

SPECIFICATION

Rover/Land Rover are constantly seeking to improve the specification, design and production of their vehicles and alterations take place accordingly. While every effort has been made to ensure the accuracy of this Manual, it should not be regarded as an infallible guide to current specifications of any particular component or vehicle.

This Manual does not constitute an offer for sale of any particular component or vehicle. Rover/Land Rover Dealers are not agents of Rover/Land Rover and have no authority to bind the manufacturer by any expressed or implied undertaking or representation.

GEARBOX IDENTIFICATION

The procedures given in this manual cover overhaul of the R380 gearbox fitted to a range of vehicles and as such, certain differences exist between gearboxes, particularly in respect of the extension housings, gear change housings and transfer box selector housings. It is important therefore that before starting work, the gearbox to be overhauled is correctly identified. Identification can be made by noting the gearbox serial number prefix stamped on the RH side of the gearbox casing and referring to the following table which lists four types of gearbox, A, B, C and D together with their appropriate serial number prefixes.



NOTE: The gearbox types listed are only intended as an aid to identification and do not relate to gearbox part numbers or a particular vehicle.

Overhaul operations in this manual list the applicable gearbox type referred to and it is important that the relevant operation is followed.

Type A gearbox prefixes: - 50A; 51A; 56A; 58A; 60A; 61A;

Type B gearbox prefixes: - 53A; 55A; 63A

Type C gearbox prefix: - 18A

Type D gearbox prefixes: - 64A; 65A



GENERAL DATA

	NEW	SERVICE LIMIT
Baulk ring clearances	0.5 mm (0.02 in)	
1st gear end float	0.05 - 0.20 mm (0.002 - 0.008 in)	0.327 mm (0.013 in)
2nd gear end float	0.04 - 0.21 mm (0.0016 - 0.0083 in)	0.337 mm (0.13 in)
3rd gear end float	0.11 - 0.21 mm (0.004 - 0.0083 in)	0.337 mm (0.13 in)
Adjust 5th - reverse hub - shim to -	0.005 - 0.055 mm (0.002 - 0.022 in)	0.055 mm (0.022 in)
Reverse gear idler shaft clearance	0.04 - 0.38 mm (0.0016 - 0.015 in)	0.38 mm (0.015 in)
Mainshaft end float	0.01 - 0.06 mm (0.0004 - 0.0024 in)	0.06 mm (0.0024 in)
Layshaft end float	0.01 - 0.06 mm (0.0004 to 0.0024 in)	0.06 mm (0.0024 in)
Lubricants	ATF M2C33 F or G	
Capacities	Oil cooler fitted = 3.4 litres Non oil cooler type = 2.9 litres	
Sealants	Joint faces - Hylosil RTV 102 Available through Unipart Bolts and filler plug - Loctite 270 or Marston Bentley Hylogrip 640 (studlock)	



TORQUE WRENCH SETTINGS

Oil pump to extension case	6 Nm
Attachment plate to gearcase	8 Nm
Attachment plate to remote housing	8 Nm
Bottom cover to clutch housing	8 Nm
Breather baffle	8 Nm
Clip to clutch release lever	8 Nm
Cover to gear change housing	8 Nm
Spool retainer to gear case	8 Nm
Torsion spring locknut - adjusting screw	8 Nm
Screw - gear lever retention	8 Nm
Breather	15 Nm
Gear lever retainer bolt	15 Nm
Reverse inhibitor shaft	16 Nm
Reverse light switch	24 Nm
Transfer box to remote housing bolts	25 Nm
Bias adjustment plate bolts	25 Nm
Selector quadrant setscrew	25 Nm
Gear change lever yoke setscrew	25 Nm
Adjustment plate to gear change housing	25 Nm
Extension case to gear case	25 Nm
Front cover to gear case	25 Nm
Gear change housing to extension case	25 Nm
Gear lever housing to remote housing	25 Nm
Guide - clutch release sleeve to bell housing	25 Nm
Mounting bracket	25 Nm
Pivot clutch lever to bell housing	25 Nm
Pivot plate to bell housing	25 Nm
Plug - detent ball and spring	25 Nm
Plunger housing to gear change housing	25 Nm
Remote selector housing to extension case	25 Nm
Slave cylinder to clutch housing	25 Nm
Upper gear lever assembly to lower gear lever	25 Nm
Yoke to selector shaft	25 Nm
Filler plug	30 Nm
Oil level plug	30 Nm
Oil drain plug	50 Nm
Clutch housing to gearbox	72 Nm
Output flange bolt	90 Nm
5th gear layshaft stake nut	220 Nm



SERVICE TOOLS



NOTE: Where the use of special tools is specified, only these tools should be used to avoid the possibility of personal injury and or damage to components.

Land Rover Number	Rover Number	Description
LRT-37-001	18G47BA	Adaptor input shaft bearing
LRT-37-002	18G47BAX	Conversion kit
LRT-37-004	18G284AAH	Adaptor for input shaft pilot bearing track
LRT-37-009	18G705	Puller, bearing and oil seal collar remover
LRT-37-010	18G705-1A	Adaptor for mainshaft oil seal collar
LRT-37-014	18G1422	Mainshaft rear oil seal replacer
LRT-37-015	18G1431	Mainshaft rear support bearing track and oil seal collar replacer.
LRT-37-021	-	Adaptor for mainshaft rear support bearing track and oil seal collar replacer.
LRT-37-022	-	Adaptor for layshaft bearings
LRT-37-023	-	Layshaft holding tool
LRT-37-024	-	Rear mainshaft bearing track remover
LRT-51-003	18G1205	Flange holder
LRT-99-002	M547	Hand press
LRT-99-004	18G284	Impulse extractor

Service tools must be obtained direct from the manufacturers:

V.L.Churchill,
P.O. Box No. 3,
London Road,
Daventry,
Northants, NN11.4NF
England



DESCRIPTION

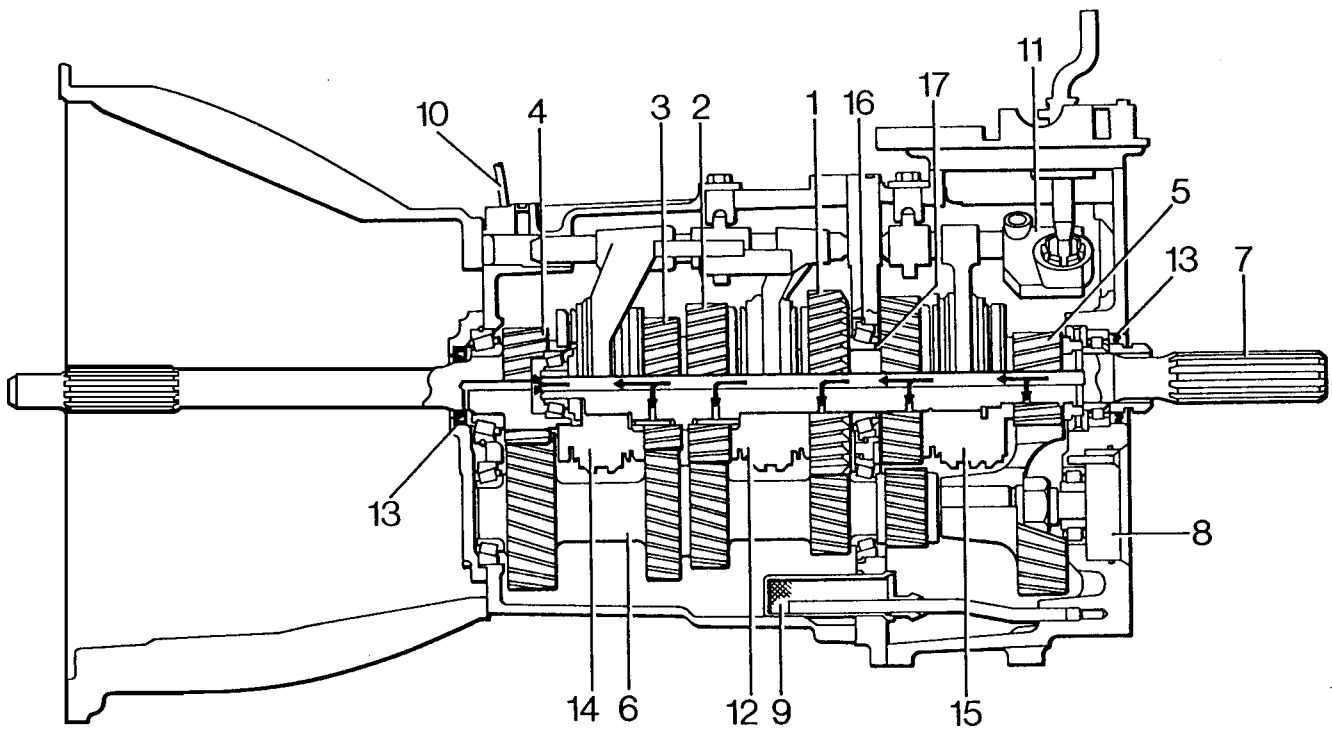
The R380 5 speed all synchromesh gearbox comprises an input shaft, output shaft, layshaft and reverse idler shaft .

Gearbox casings consist of a front cover, gearcase, centre plate and extension housing, all casings are located by dowels and sealed.

Selector forks for 1st/2nd and 3rd/4th gears are located on a single selector shaft inside the main gearcase whilst the selector fork for fifth and reverse gear is located on the same selector shaft inside the extension housing.

The input shaft, output shaft and layshaft are supported by taper roller bearings with all gears running on caged needle roller bearings. Output shaft and layshaft bearings end float is controlled by selective thrust washers located in the centre plate.

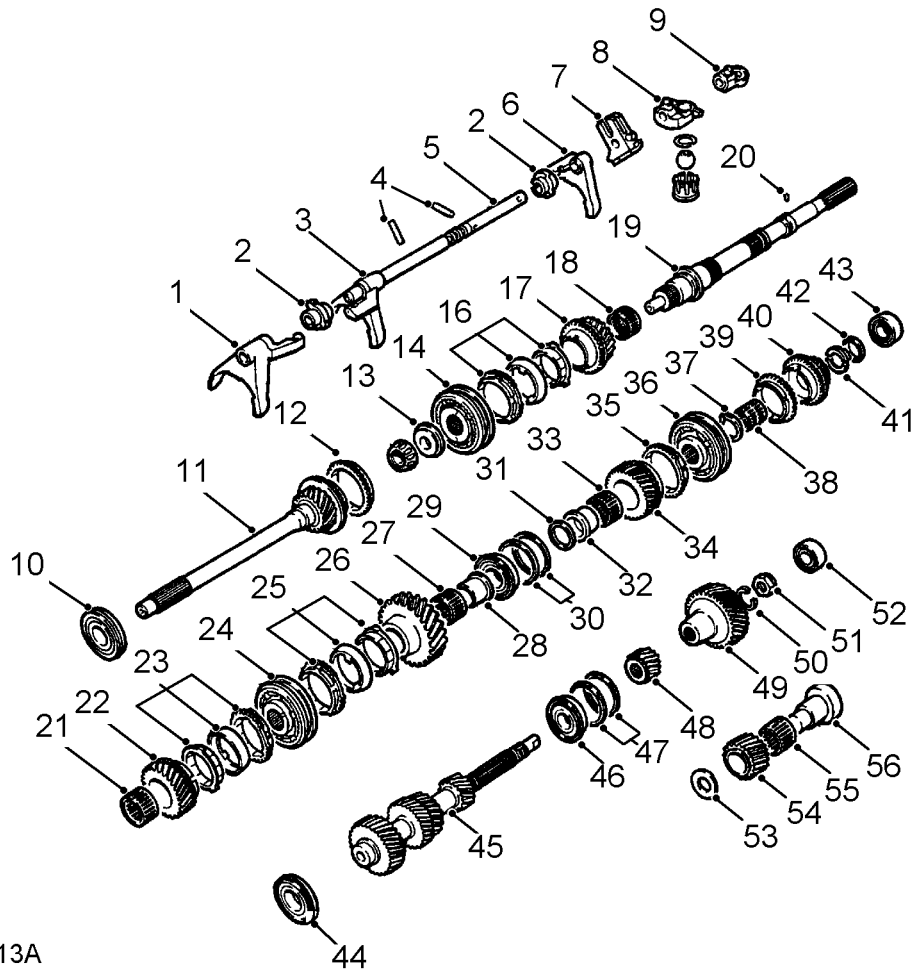
Lubrication is by an oil pump located in the extension housing which directs oil via internal drillings in the output shaft to lubricate the components.



37M7132

- | | |
|---------------------------------|--|
| 1. Mainshaft 1st gear | 10. Breather |
| 2. Mainshaft 2nd gear | 11. Single rail gear shift |
| 3. Mainshaft 3rd gear | 12. 1st/2nd synchromesh |
| 4. Primary input shaft/4th gear | 13. Oil seals |
| 5. Mainshaft 5th gear | 14. 3rd/4th gear synchromesh |
| 6. Layshaft | 15. 5th/reverse gear synchromesh |
| 7. Mainshaft | 16. Selective spacers (mainshaft & layshaft end float) |
| 8. Lubrication pump | 17. Selective spacer (5th gear/reverse hub) 12/96 |
| 9. Oil filter | |

MANUAL GEARBOX



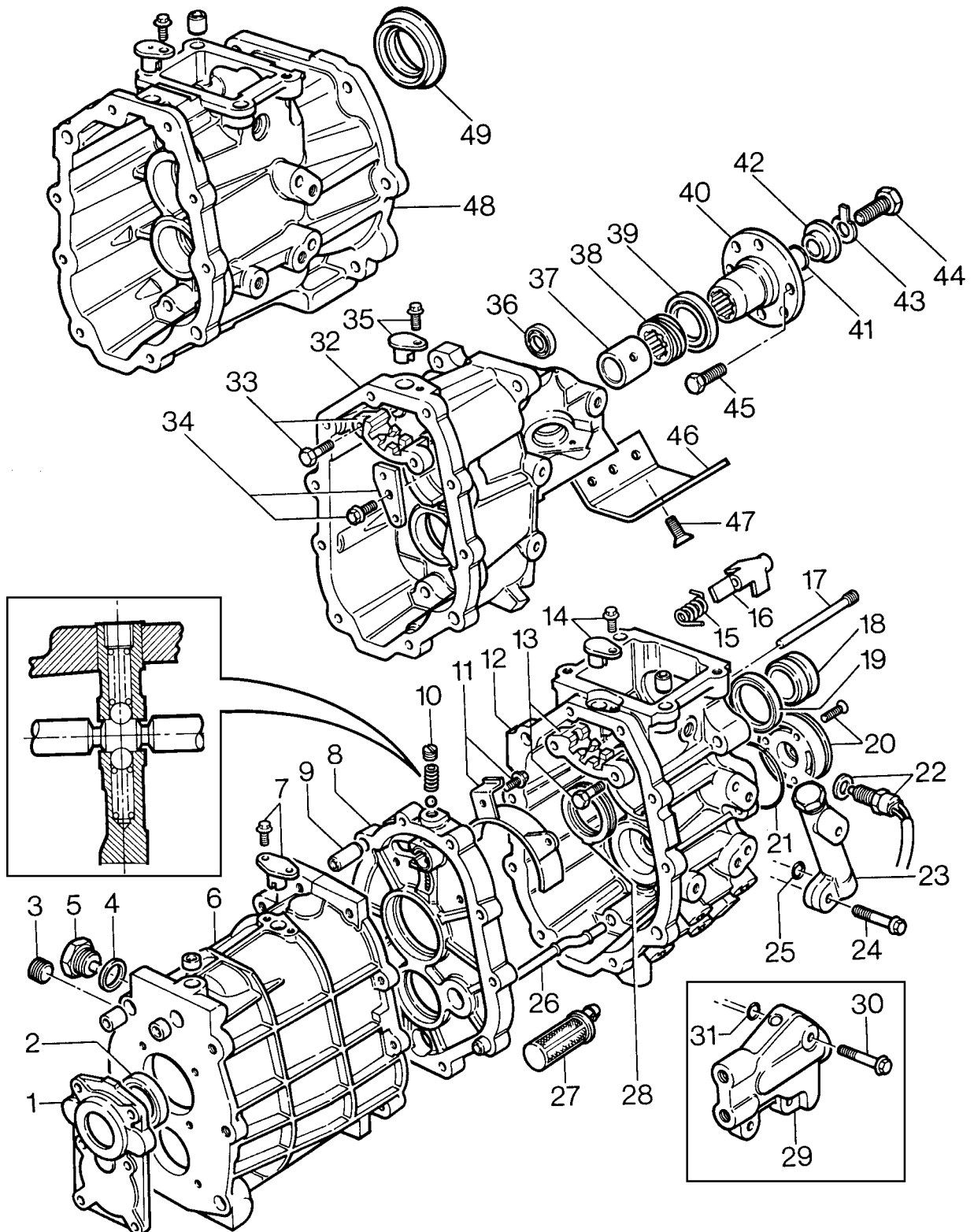
37M7113A



GEARBOX COMPONENTS - GEARS AND SHAFTS

1. 3rd/4th gear selector fork
2. Interlock spool
3. 1st/2nd gear selector fork
4. Selector shaft yoke pins
5. Selector shaft
6. Reverse/5th gear selector fork
7. Selector quadrant - Type A gearbox
8. Selector yoke - Type B/D gearbox
9. Selector yoke - Type C gearbox
10. Input shaft front taper bearing
11. Input shaft
12. 4th gear synchro ring
13. Pilot taper bearing
14. Spacer
15. 3rd/4th gear synchro hub and sleeve
16. 3rd gear synchro rings
17. 3rd gear
18. Needle roller bearings
19. Mainshaft (output shaft)
20. Roll pin
21. Needle bearing
22. 2nd gear
23. 2nd gear synchro rings
24. 2nd/1st gear synchro hub and sleeve
25. 1st gear synchro rings
26. 1st gear
27. Needle roller bearing
28. Bush
29. Mainshaft taper bearing
30. Selectable shims
31. Selectable washer
32. Bush
33. Needle roller bearing
34. Reverse gear
35. Reverse gear synchro ring
36. Reverse/5th gear synchro hub and sleeve
37. Circlip
38. Needle roller bearings
39. 5th gear synchro ring
40. 5th gear
41. 5th gear segments
42. 5th gear segment retaining ring
43. Mainshaft rear support bearing
44. Layshaft support bearing
45. Layshaft
46. Layshaft support bearing
47. Selectable shims
48. Layshaft reverse gear
49. Layshaft 5th gear
50. Split washer - later gearboxes
51. 5th gear nut
52. Layshaft rear support bearing
53. Spacer
54. Reverse idler gear
55. Needle roller bearing
56. Reverse idler shaft

MANUAL GEARBOX



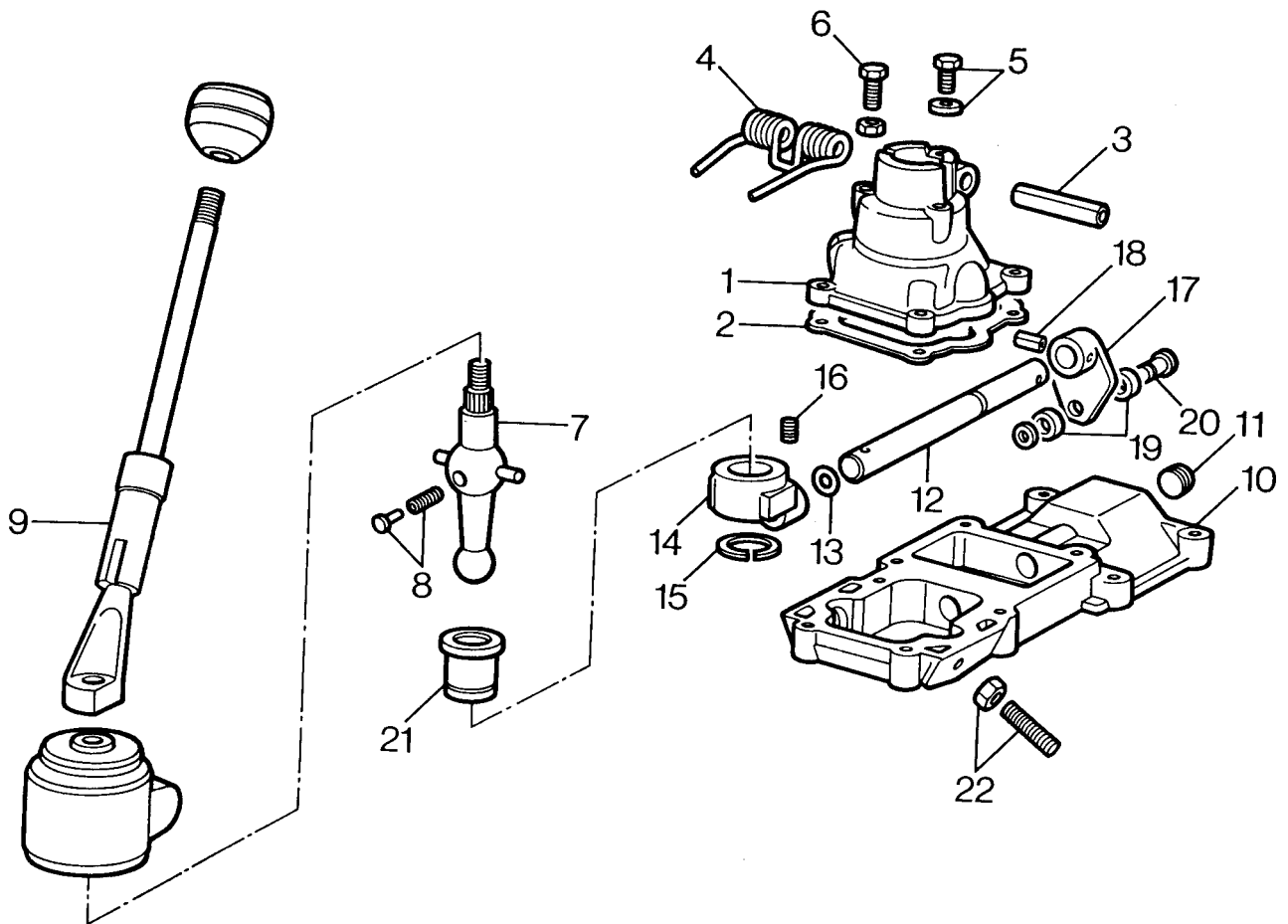
37M7114



GEARBOX CASINGS

1. Front cover
2. Input shaft oil seal
3. Oil level plug
4. Washer
5. Oil drain plug
6. Gearcase
7. Spool retainer
8. Centre plate
9. Locating dowels
10. Selector plug - outer detent ball and spring
11. Splash shield
12. Extension housing - Types A and B gearbox
13. Gate plate
14. Spool retainer - Extension housing
15. Inhibitor cam spring
16. Inhibitor cam
17. Inhibitor cam shaft
18. Oil selector collar
19. Oil seal
20. Oil pump
21. 'O' ring
22. Reverse light switch
23. Oil cooler by-pass
24. Bolt
25. 'O' ring
26. Oil pick-up pipe
27. Oil filter
28. Oil pick-up ring
29. Oil cooler adaptor
30. Bolt
31. 'O' ring
32. Extension housing - Type C gearbox
33. Gate plate - Type C gearbox
34. Inhibitor cam end plate - Type C gearbox
35. Spool retainer - Type C gearbox
36. Selector shaft oil seal - Type C gearbox
37. Spacer - Type C gearbox
38. Speedometer pinion - Type C gearbox
39. Oil seal - Type C gearbox
40. Output shaft drive flange - Type C gearbox
41. 'O' ring - Type C gearbox
42. Spacer - Type C gearbox
43. Tab washer - Type C gearbox
44. Drive flange bolt - Type C gearbox
45. Drive flange propeller shaft bolt - Type C gearbox
46. Support bracket - Type C gearbox
47. Support bracket bolt - Type C gearbox
48. Extension housing - Type D gearbox
49. Oil seal - Type D gearbox

MANUAL GEARBOX



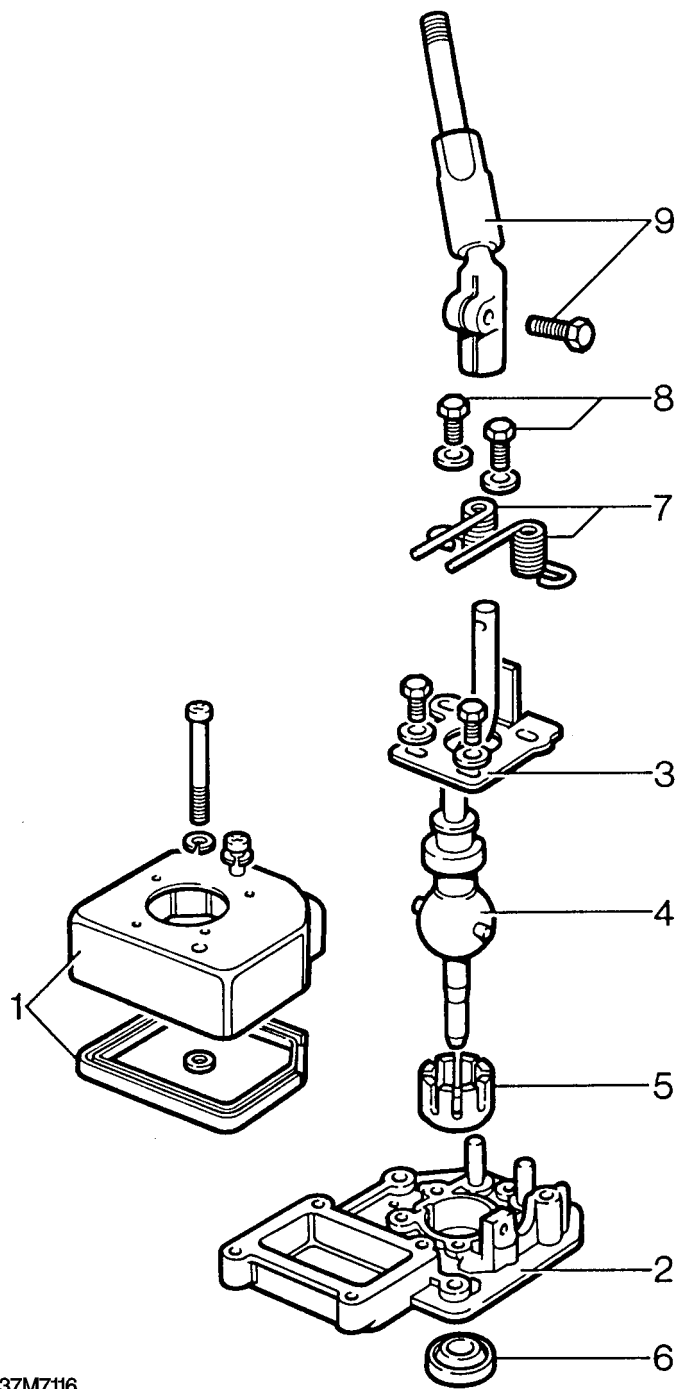
37M7115



GEAR CHANGE HOUSING - TYPE A GEARBOX

- | | |
|---|-------------------------------------|
| 1. Gear change housing | 13. 'O' ring |
| 2. Gasket | 14. Trunnion |
| 3. Roll pin | 15. Circlip |
| 4. Bias spring | 16. Trunnion retaining screw |
| 5. Gear lever retaining bolt and washer | 17. Selector quadrant |
| 6. Gear change housing bolts | 18. Roll pin |
| 7. Gear lever | 19. Shim |
| 8. Nylon pad and spring | 20. Pin |
| 9. Gear lever extension | 21. Ball pin seating |
| 10. Remote housing | 22. 5th gear stop screw and locknut |
| 11. Blanking plug | |
| 12. Selector shaft | |

MANUAL GEARBOX



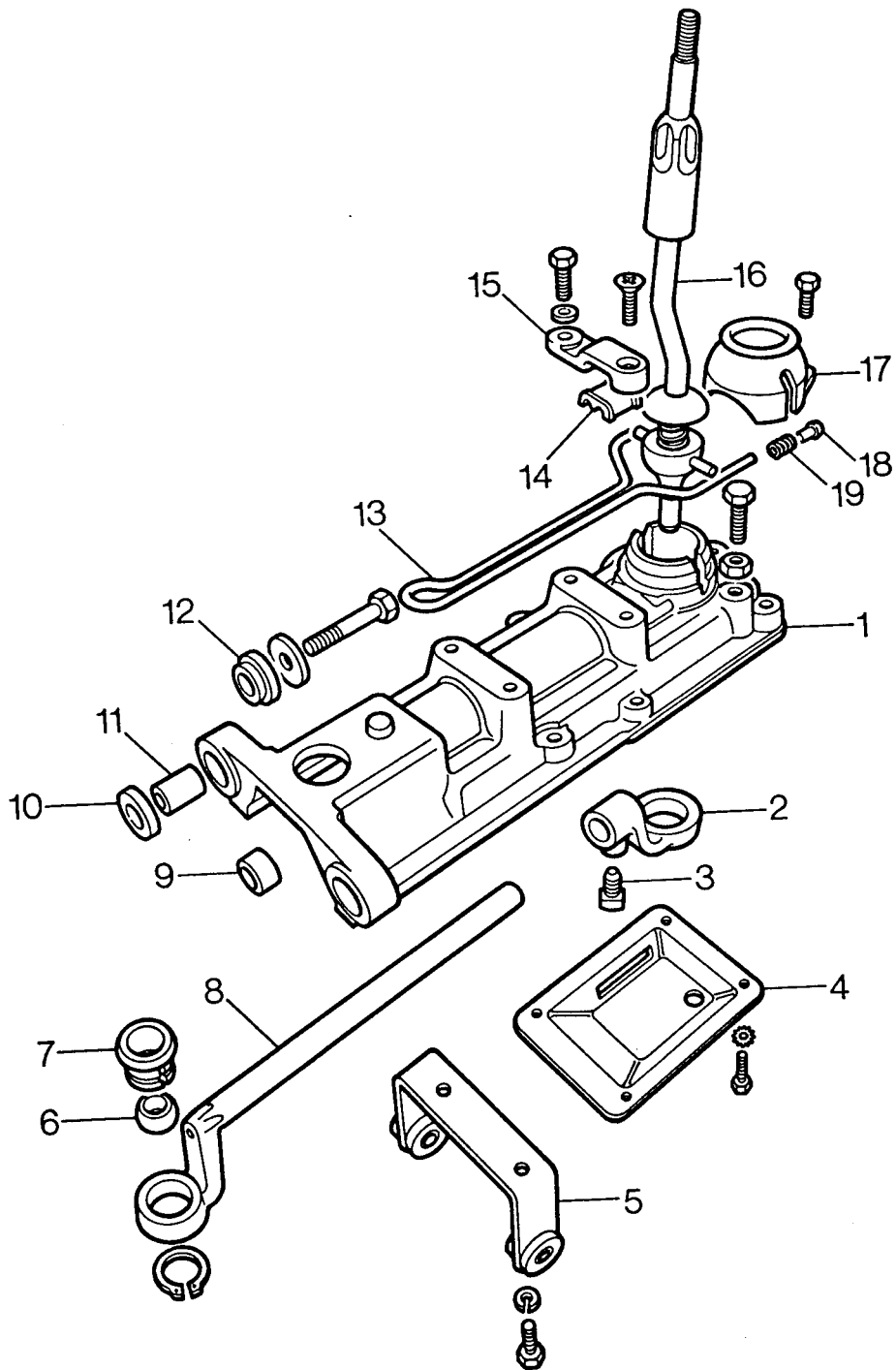
37M7116



GEAR CHANGE HOUSING - TYPE B GEARBOX

1. Gear change housing cover and gasket
2. Gear change housing
3. Bias adjustment plate
4. Lower gear lever
5. Railko bush
6. Lower gear lever housing oil seal
7. Bias springs
8. Bias spring retaining bolts
9. Upper gear lever and bolt

MANUAL GEARBOX



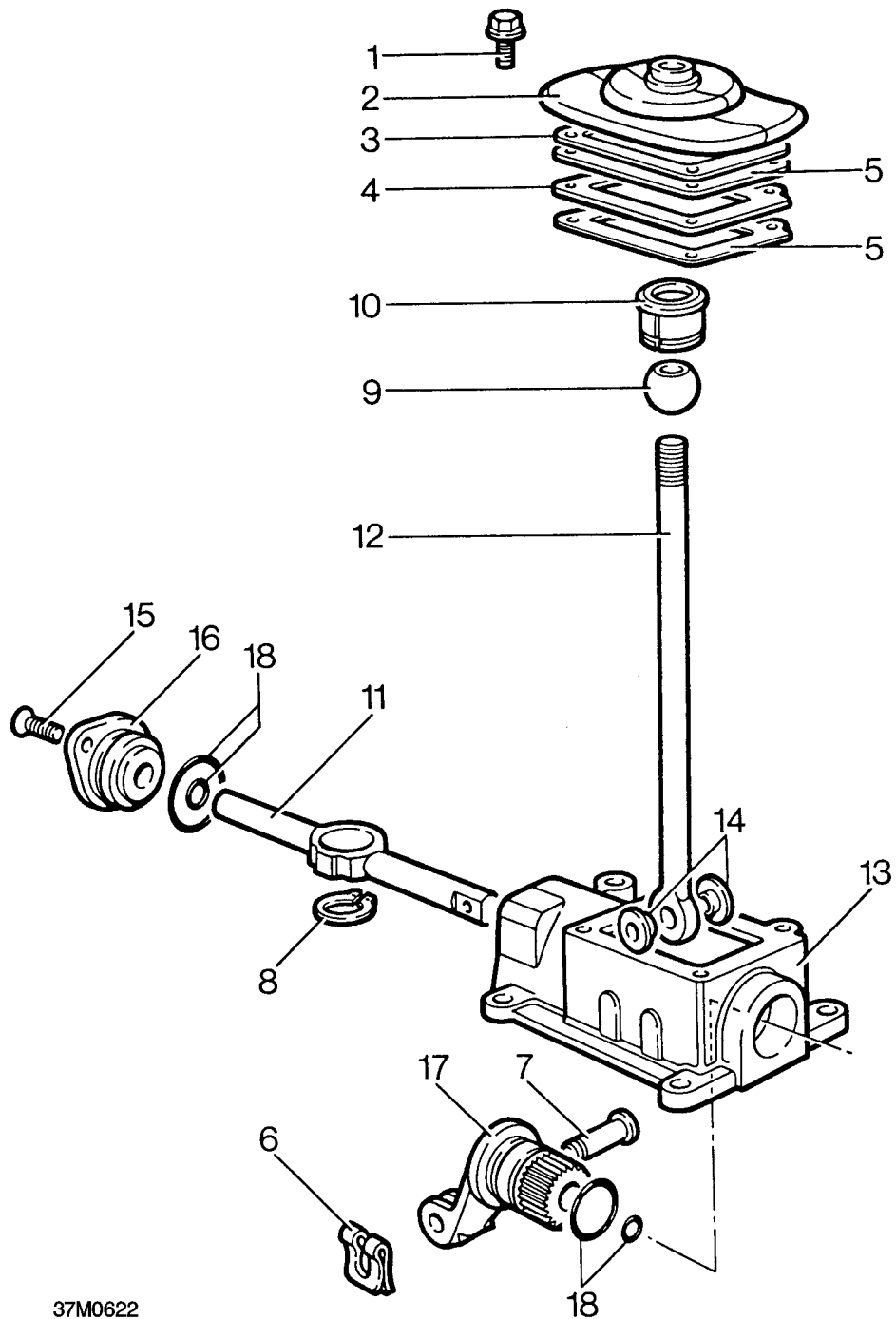
37M7117



**REMOTE GEAR CHANGE HOUSING - TYPE C
GEARBOX**

- | | |
|-------------------------------|------------------------------|
| 1. Remote gear change housing | 10. Spacer |
| 2. Selector rod yoke | 11. Mounting rubbers |
| 3. Pinch bolt | 12. Flexible mounting |
| 4. Bottom cover plate | 13. Bias spring |
| 5. Remote gear change bracket | 14. Bridge plate liner |
| 6. Ball pin | 15. Bias spring bridge plate |
| 7. Ball pin seating | 16. Gear lever |
| 8. Selector rod | 17. Gear lever cap |
| 9. Selector rod bush | 18. Plunger |
| | 19. Anti-rattle spring |

MANUAL GEARBOX



37M0622



**TRANSFER BOX SELECTOR HOUSING - TYPE A
GEARBOX**

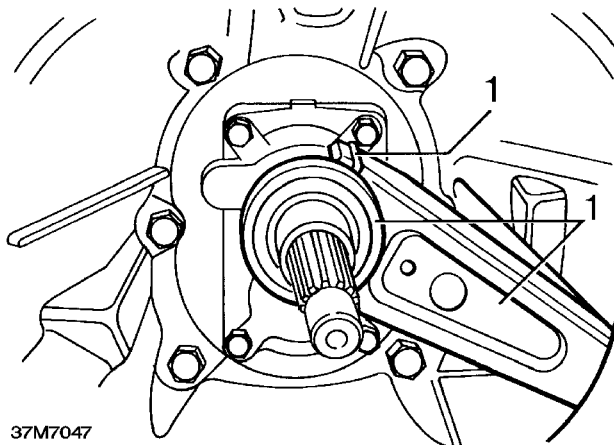
- | | |
|---------------------------------|------------------------|
| 1. Gaiter retaining bolt | 10. Nylon seat |
| 2. Gaiter | 11. Cross shaft |
| 3. Gaiter support plate | 12. Gear lever |
| 4. Gasket plate | 13. Selector housing |
| 5. Gaskets | 14. Bushes |
| 6. Spring clip | 15. Countersunk screws |
| 7. Clevis pin | 16. End cover |
| 8. Circlip retaining nylon seat | 17. Selector fork |
| 9. Gear lever ball | 18. 'O' rings |



GEAR BOX DISMANTLE

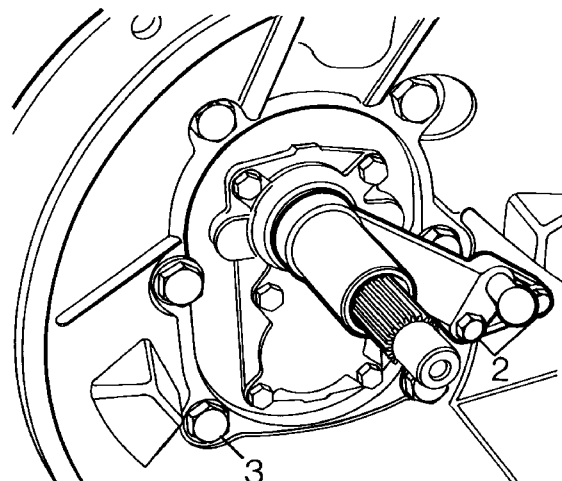
Service repair no - 37.20.04

Clutch housing - Type A gearbox - Remove



37M7047

1. *If fitted:* remove and discard clips retaining clutch release bearing pads, remove bearing and clutch release lever, recover pads.



37M7048

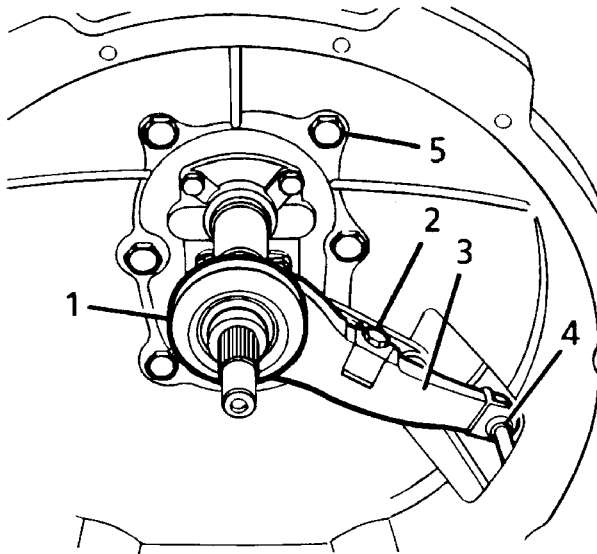
2. Remove 2 bolts securing release lever pivot post, remove post.
3. Remove 6 bolts securing clutch housing to gearbox, remove housing.

NOTE: Dowel located.



MANUAL GEARBOX

Clutch housing - Type B gearbox - Remove



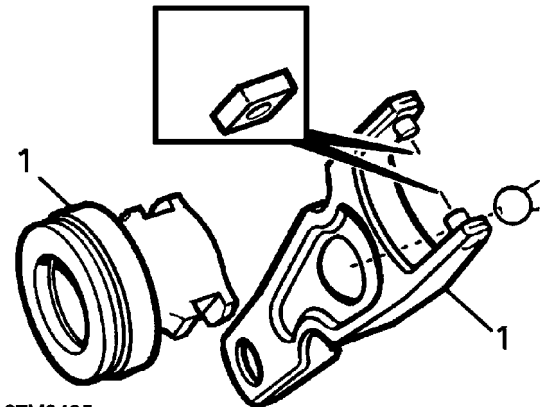
37M0494

1. Remove clutch release bearing.
2. Remove bolt securing spring clip to clutch release lever, remove clip.
3. Remove clutch release lever.
4. Remove 'C' clip from release lever pivot post, discard clip.
5. Remove 6 bolts securing clutch housing to gearbox, remove housing.

NOTE: Dowel located.

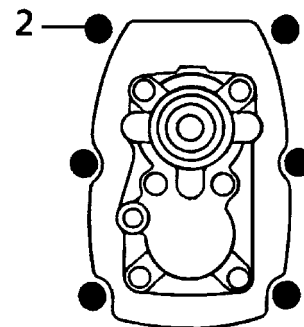


Clutch housing - Type C gearbox - Remove



37M0495

1. Pull clutch release lever off pivot post, remove lever and clutch release bearing.



37M0496

2. Remove 6 bolts securing clutch housing to gearbox, remove clutch housing.

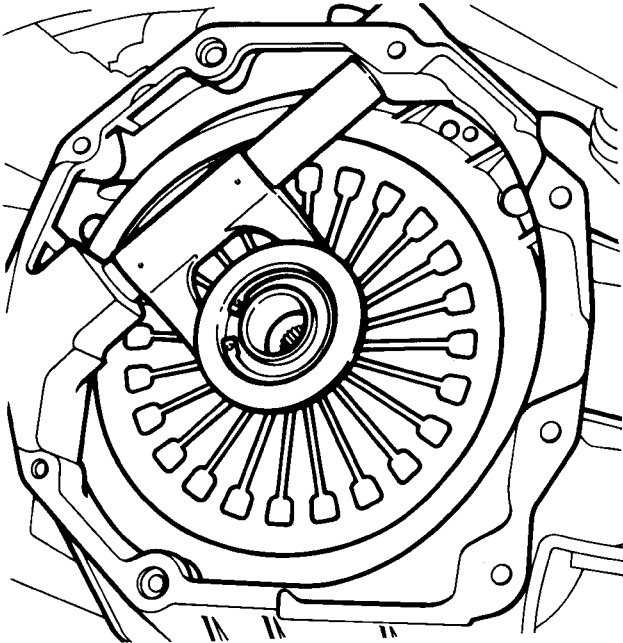


NOTE: 2 longest bolts are fitted at dowel locations and have plain washers under their heads.



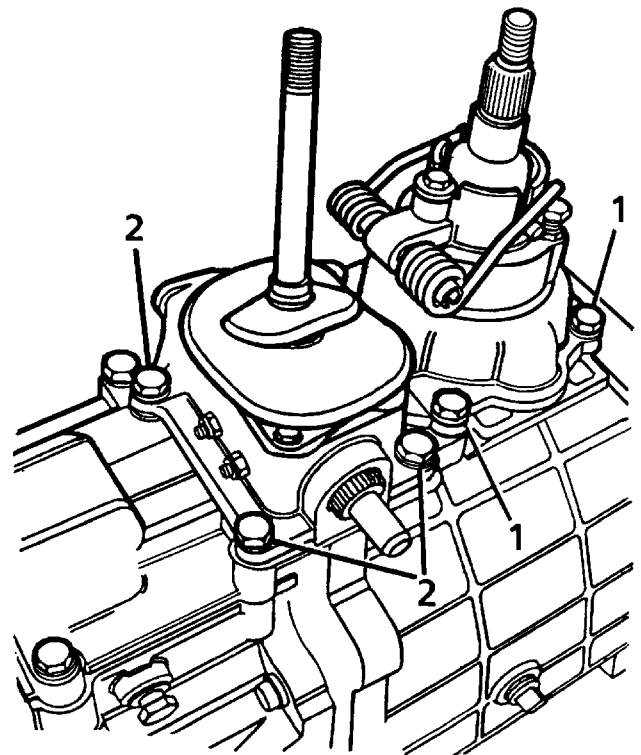
Gear change/selector housings - Type A gearbox - Remove

Clutch housing - Type D gearbox - Remove



37M7119

NOTE: Type D gearboxes have a standard clutch housing adaptor which mates with both V8 and diesel engine clutch housings. The above illustration shows the gearbox removed at the clutch housing adaptor (containing the clutch mechanism) still fitted to the engine.



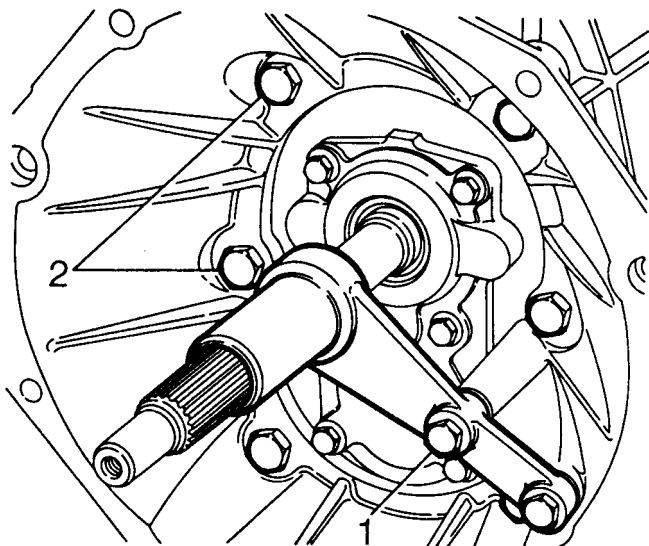
37M7049

1. Remove 4 bolts securing gear change housing, remove housing.



NOTE: Dowel located.

2. Remove 4 bolts securing transfer box selector housing, remove housing.

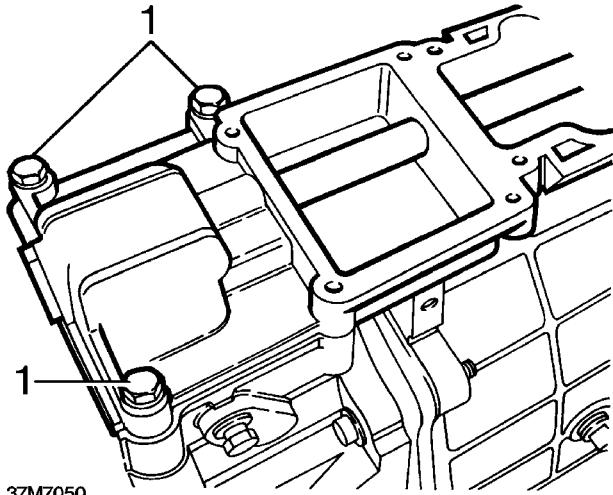


37M7120

1. Remove 2 bolts securing release lever pivot post. Remove post.
2. Remove 6 bolts securing adaptor housing to gearbox. Remove adaptor housing.

MANUAL GEARBOX

Remote housing - Type A gearbox - Remove

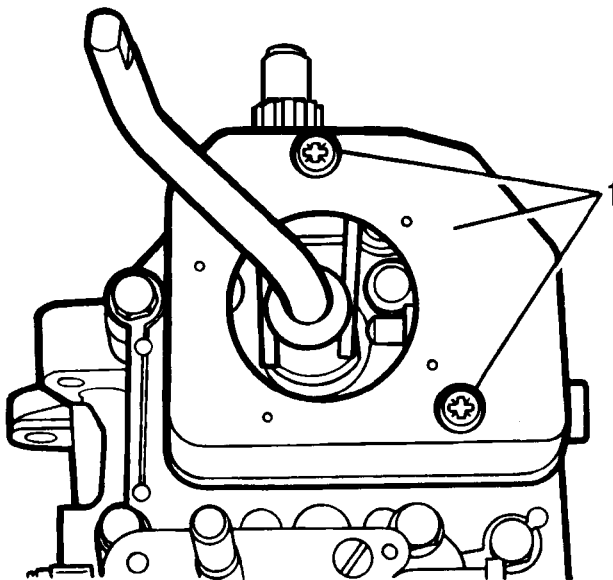


1. Noting their fitted position, remove 3 bolts securing remote housing, remove housing.

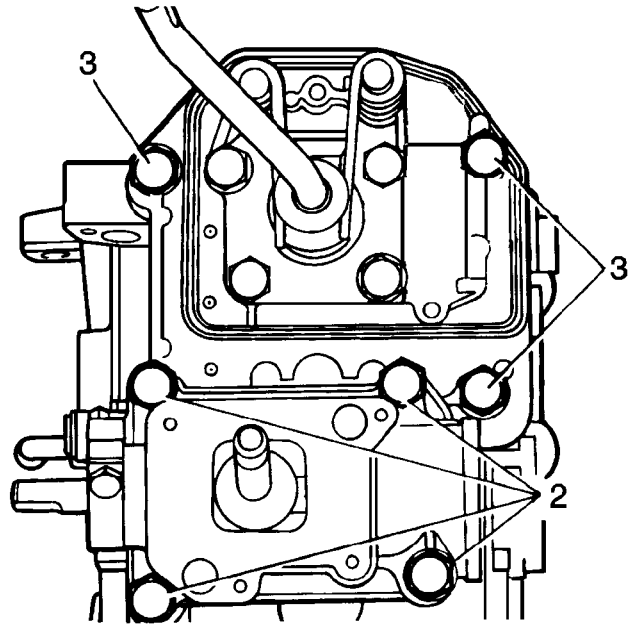


NOTE: Dowel located.

Gear change/selector housings - Type B gearbox - Remove



1. Remove 2 Torx screws securing gear change housing cover, remove cover; recover sealing rubber.



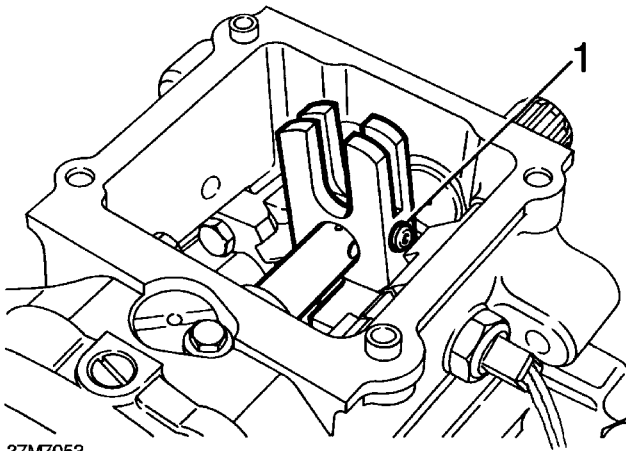
2. Remove 4 bolts securing transfer box selector housing, remove housing.
3. Noting their fitted position, remove 3 bolts securing gear change housing, remove housing.



NOTE: Dowel located.



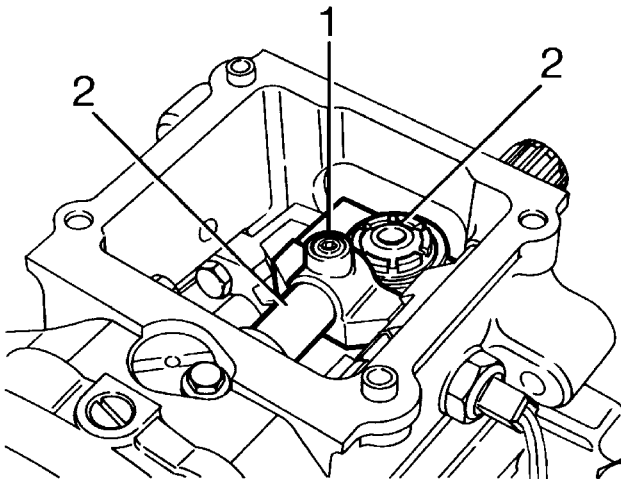
Selector quadrant - Type A gearbox - Remove



37M7053

1. Remove and discard set screw securing selector quadrant.
2. Move selector shaft forwards, remove quadrant.

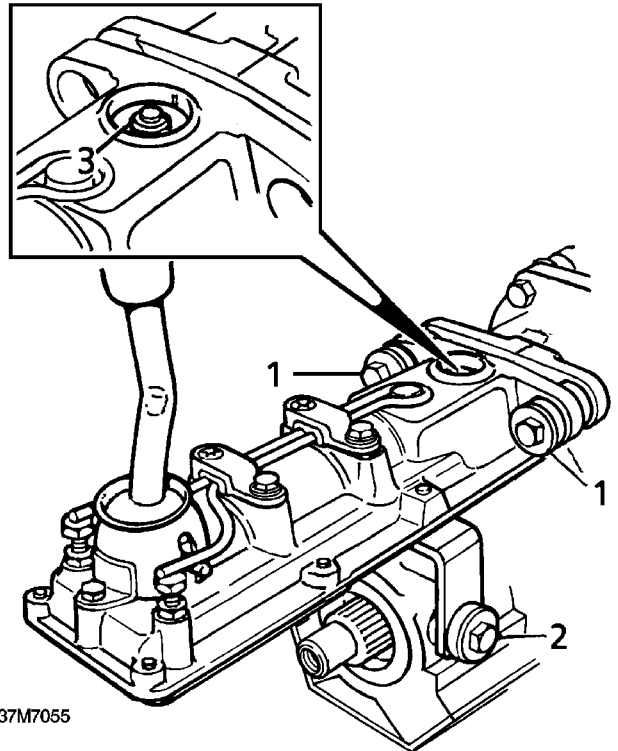
Gear change lever yoke - Type B gearbox - Remove



37M7054

1. Remove and discard set screw securing yoke.
2. Move selector shaft forwards, remove yoke.

Remote gear change - Type C gearbox - Remove

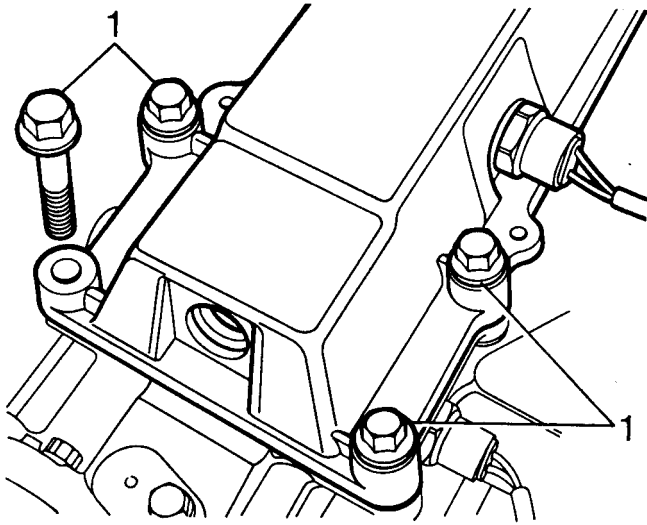


37M7055

1. Noting fitted positions of mounting rubbers and washers, Remove 2 bolts securing remote gear change to extension housing, recover washers and mounting rubbers.
2. Remove 2 bolts securing remote gear change bracket to extension housing , recover washers and mounting rubbers.
3. Release remote gear change from extension housing, disconnect selector rod from selector shaft pin.

MANUAL GEARBOX

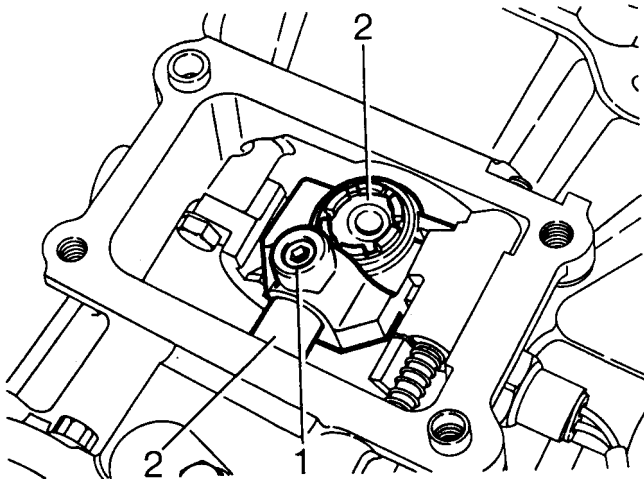
Remote gear change - Type D gearbox - Remove



37M7121

1. Remove 4 bolts securing remote gear change to extension housing.
2. Release remote gear change from extension housing.

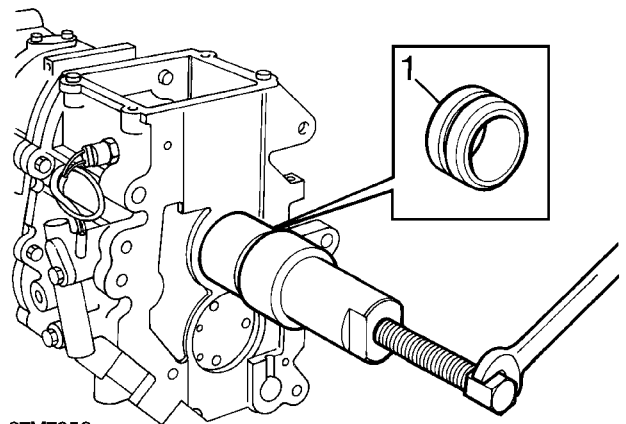
Gear change lever yoke - Type D gearbox - Remove



37M7122

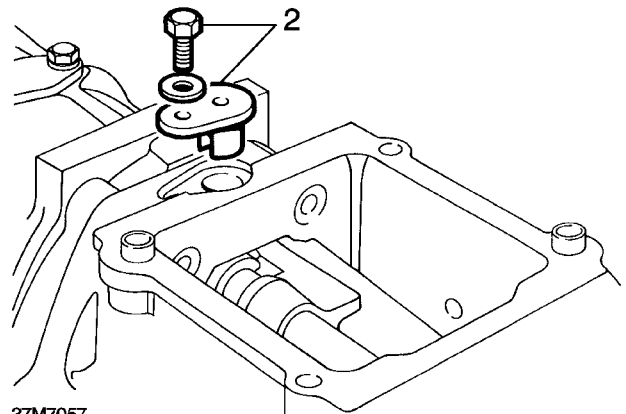
1. Remove and discard set screw securing yoke.
2. Move selector shaft forwards. Remove yoke.

Extension housing - Types A and B gearbox - Remove



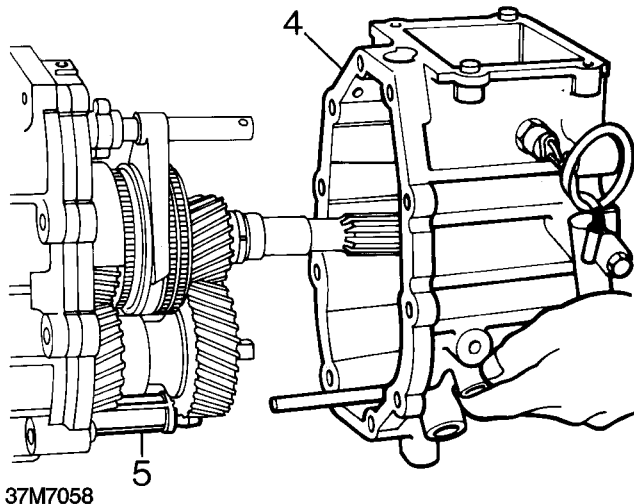
37M7056

1. Thread a 12mm bolt into the end of the output shaft and using tool **LRT-37-009** and **LRT-37-010** withdraw oil seal collar.



37M7057

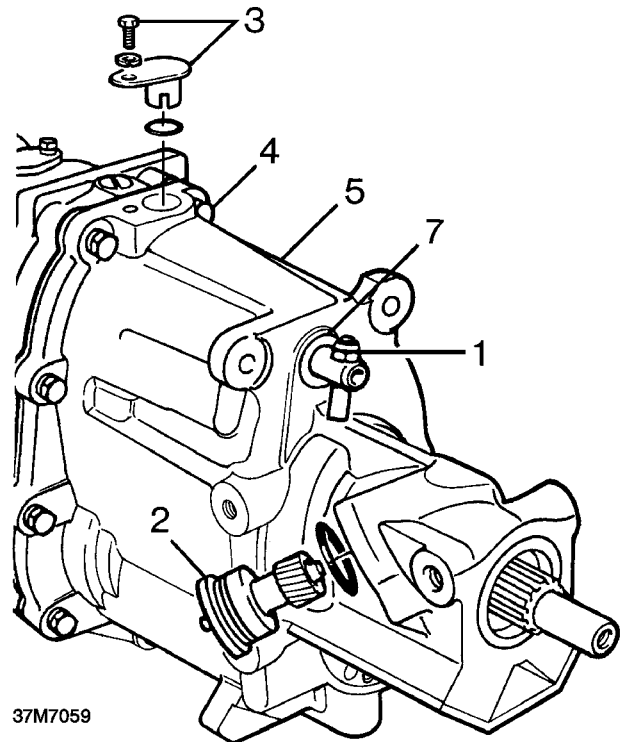
2. Remove reverse/5th gear selector spool retainer.
3. Remove 10 bolts securing extension casing noting position of longer bolts.



37M7058

4. Place a suitable container underneath the box to catch any oil spillage and remove the extension housing.
5. Remove oil filter.
6. Secure centre plate to gear casing with 2 bolts 8 x 35mm.

Extension housing - Type C gearbox - Remove



37M7059

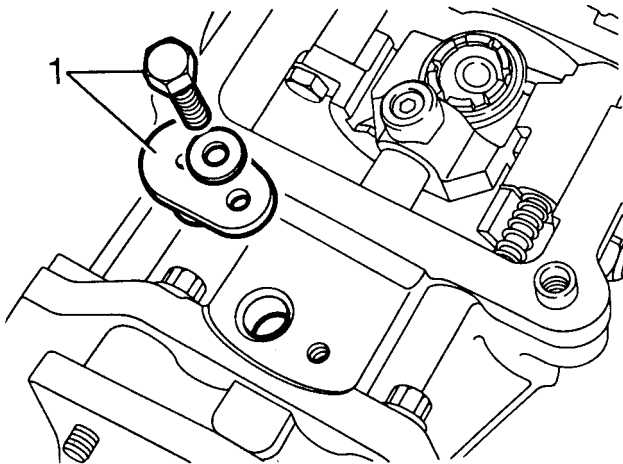
1. Remove and discard self-locking nut securing selector shaft pin to selector shaft; remove pin.
2. Carefully prise speedometer pinion housing and gear out of extension housing, remove and discard 'O' ring.
3. Remove 5th gear spool retainer, remove and discard 'O' ring.
4. Noting their fitted position, remove 10 bolts securing extension housing to gearcase.
5. Using a soft faced mallet, tap extension housing to free it from locating dowels.
6. Remove extension housing.

NOTE: Speedometer drive gear may be a tight fit on output shaft and this can prevent removal of extension housing. Insert suitable blocks of wood between extension housing and centre plate and carefully lever extension housing away until drive gear is released.

7. Remove and discard selector shaft oil seal.
8. Secure centre plate to gearcase with 2 bolts 8 x 35mm.

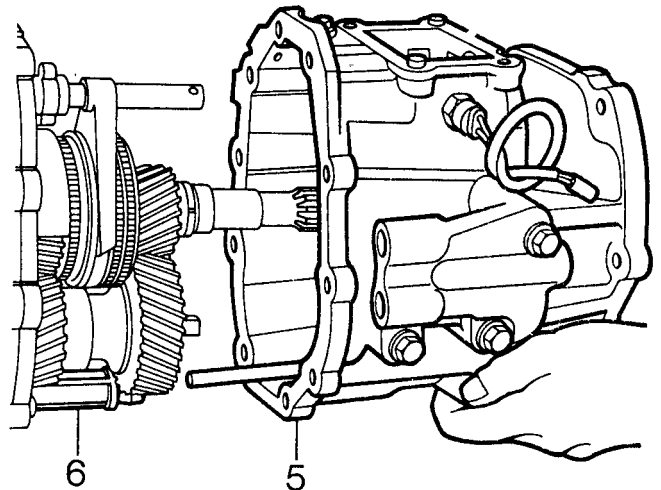
MANUAL GEARBOX

Extension housing - Type D gearbox - Remove



37M7125

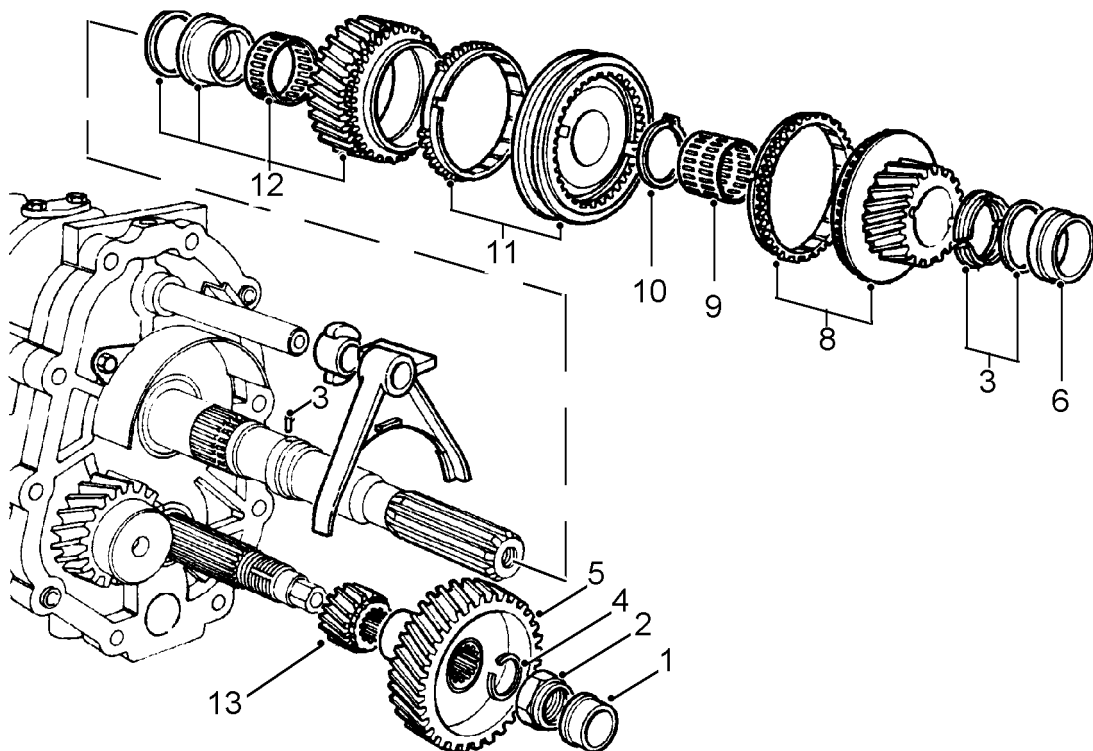
1. Remove reverse gear/5th gear selector spool retainer.



37M7123

2. Remove 10 bolts securing extension case to main gearcase, noting position of longer bolts.
3. Place a suitable container underneath the box to catch any oil spillage.
4. Using a soft faced mallet, tap extension housing free from its location dowels.
5. Remove extension housing.
6. Remove oil filter.

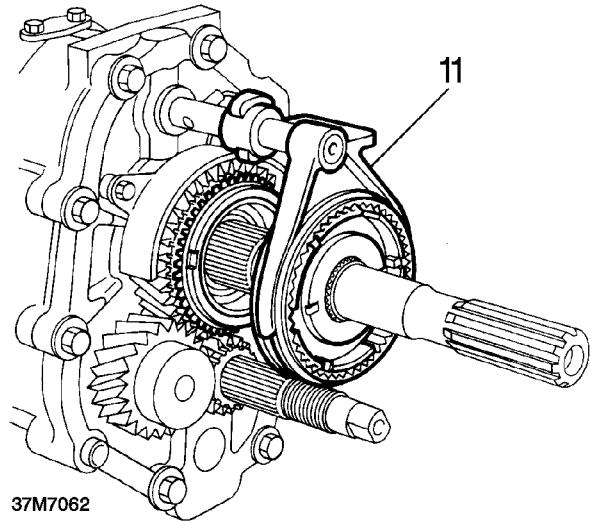
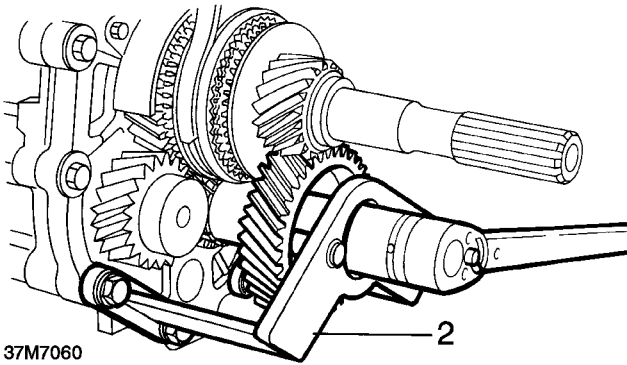
5th and Reverse gear - Remove



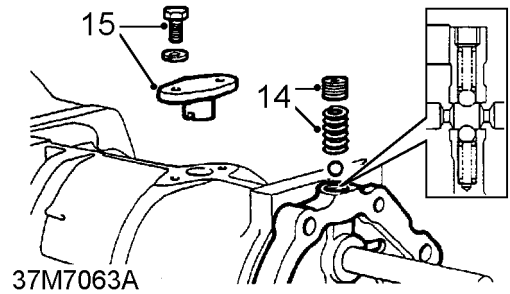
37M7061A



1. Using a suitable two legged puller remove 5th gear layshaft support bearing track from the end of layshaft.



2. Using tool **LRT-37-023** to hold the 5th laygear, remove the 5th laygear nut.
3. Remove thrust collar segments, retaining ring and segments, drift out the roll pin.
4. *Later gearboxes:* Remove split washer securing 5th laygear to shaft.
5. Remove 5th laygear.
6. Remove mainshaft rear support bearing track using tools **LRT-37-009** and **LRT-37-024**.
7. Remove 12mm bolt from end of mainshaft.
8. Remove mainshaft 5th gear with synchromesh baulk ring.
9. Remove mainshaft 5th gear split needle roller bearing.
10. Remove circlip securing 5th gear synchromesh hub.
11. Rotate selector spool clear of synchro hub fork and remove 5th and reverse synchromesh hub assembly complete with fork and spool.
12. Remove mainshaft reverse gear complete with needle roller bearing and bush noting selectable spacer between reverse gear bush and centre plate bearing.
13. Remove layshaft reverse gear.

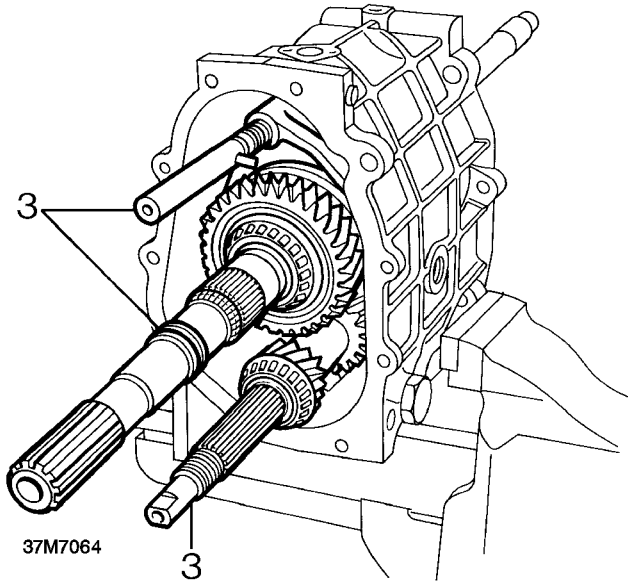


14. Remove centre plate detent plug, spring and ball.
15. Remove 2 bolts securing spool retainer, remove retainer.
16. Remove 'slave' bolts.

MANUAL GEARBOX

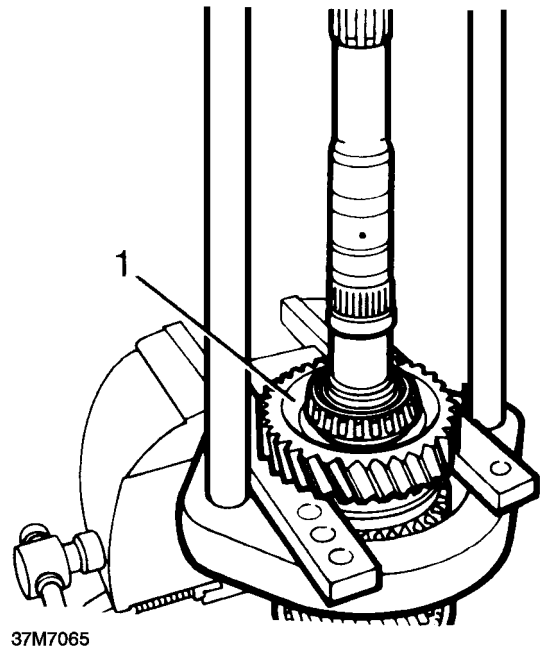
Mainshaft and layshaft - Remove

1. Align selector shaft pin with slot in centre plate and using wooden blocks and hide mallet, drive off centre plate.
2. Collect detent ball and spring, remove bearing tracks and shims.

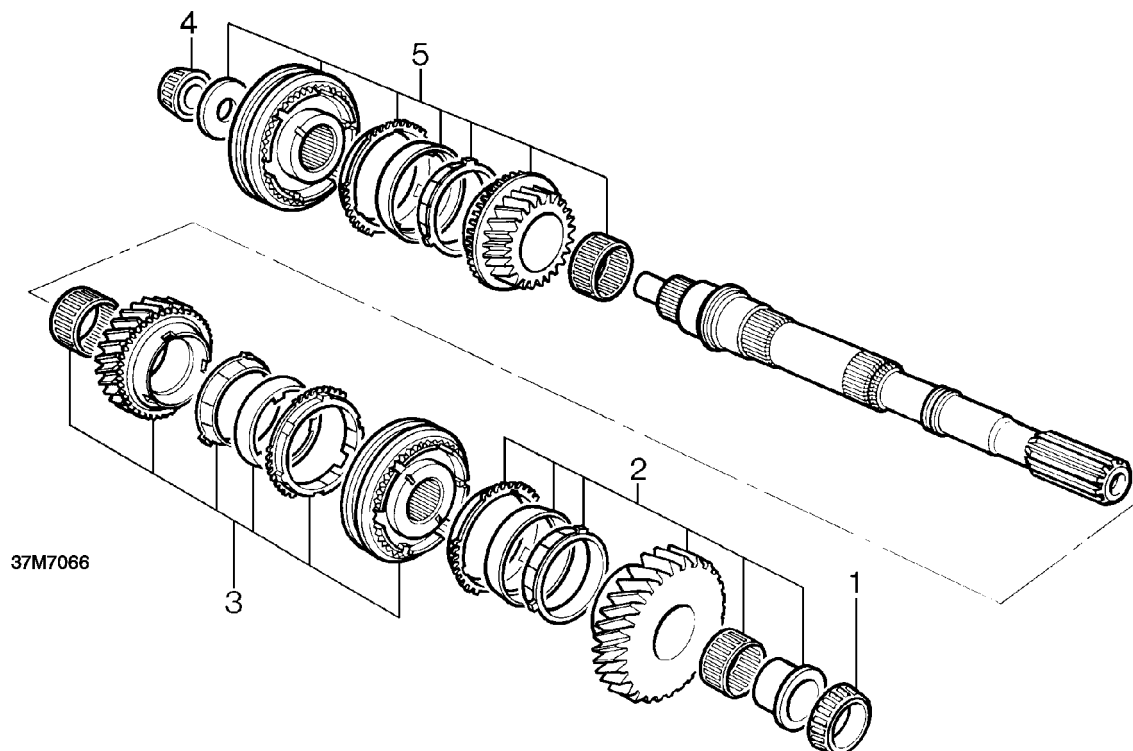


3. Remove layshaft, mainshaft and selector shaft from casing as complete unit.
4. Remove input shaft, and 4th gear baulk ring. (If not already removed with mainshaft).

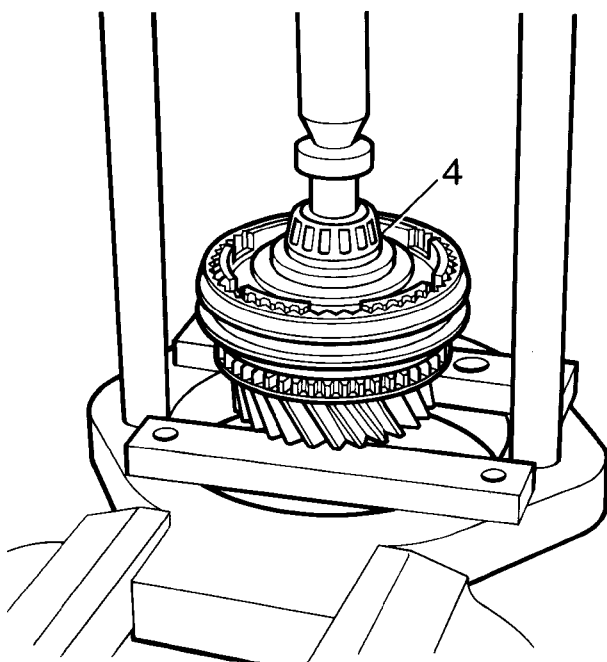
Mainshaft - Dismantle



1. Using **LRT-99-002** and support bars under 1st gear, press mainshaft support bearing from mainshaft.



5. Remove spacer, 3rd/4th gear synchromesh selector hub, synchromesh baulk rings, 3rd gear and needle bearing.



- 2. Remove 1st gear, bush needle bearing and synchromesh baulk rings.
- 3. Remove 1st/2nd gear synchromesh selector hub, 2nd gear synchromesh baulk rings, second gear and needle bearing.
- 4. Invert mainshaft and using **LRT-99-002** and support bars under 3rd gear, press off pilot bearing

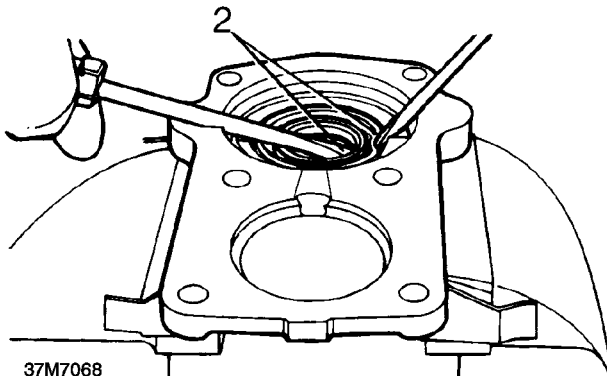
MANUAL GEARBOX

Gearbox casing

Degrease and clean all components. Inspect casing for damage, cracks and stripped threads.

1. Fit level plug.
2. Fit new copper washer to drain plug.

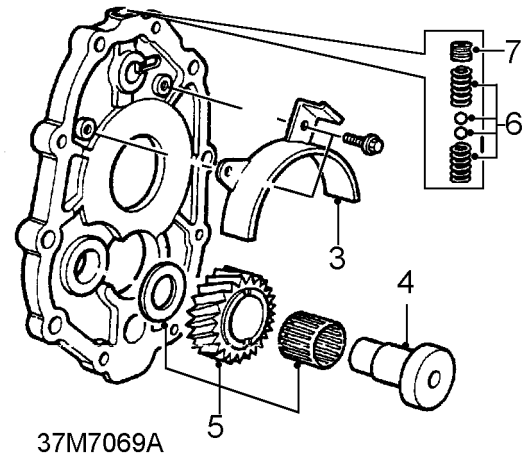
Front Cover - Dismantle



37M7068

1. Remove front cover and remove bearing tracks. Check that spring clips are intact.
2. Remove oil seal from cover. DO NOT fit new seal at this stage.

Centre plate - Dismantle



1. Remove bearing tracks and shims and check for wear and damage.
2. Inspect for damage and selector rail bore for wear.
3. Remove splash shield if required.
4. Press out reverse idler gear shaft using suitable press and check for wear.
5. Remove idler gear, needle bearing and spacer and check for wear and damage.
6. Check centre plate detent balls for wear and springs for distortion, replace as necessary.
7. Check that threads of detent plug are not damaged.

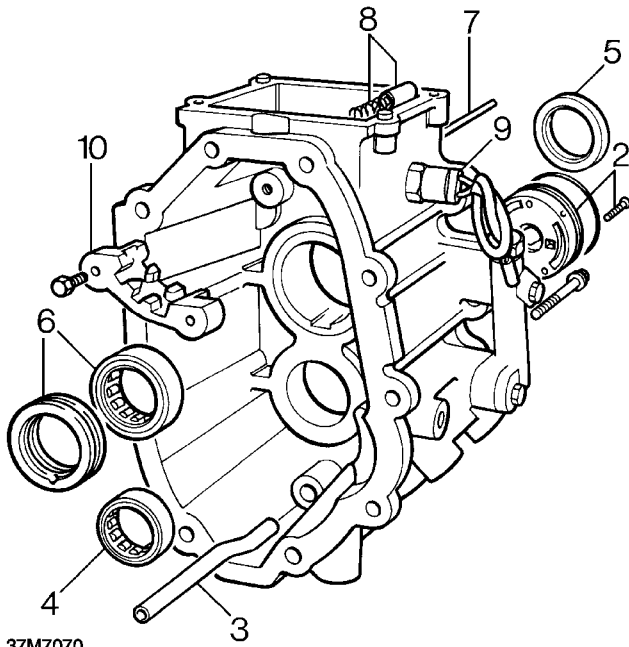


NOTE: Patchlok plug may be re-used provided threads are undamaged.



Extension housing - Types A and B gearbox - Overhaul

1. Examine for damage to threads and machined faces.



NOTE: Types A and B gearbox extension housing shown.

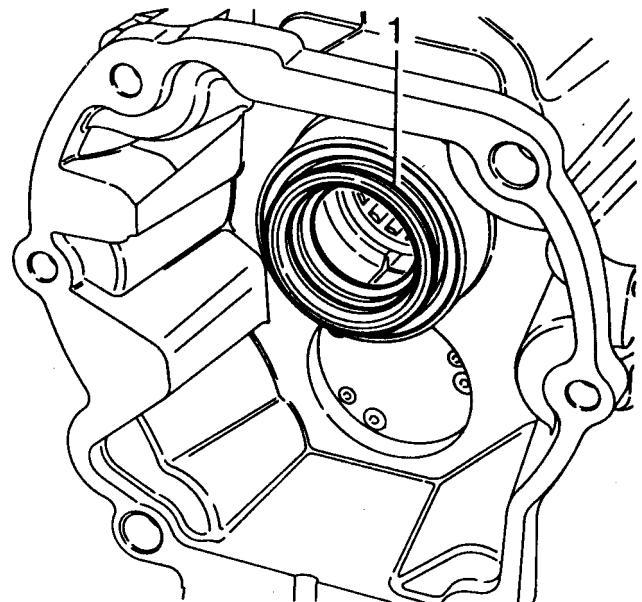
2. Remove three screws and remove oil pump.
3. Remove oil pick-up pipe and check for obstruction.
4. Drift out layshaft support bearing.
5. Remove mainshaft rear oil seal.
6. Drift out mainshaft support bearing and oil pick up ring.
7. Remove shaft retaining reverse inhibition cam.
8. Remove reverse inhibition cam and spring.
9. Remove reverse light switch and sealing washer.
10. Remove gate plate.
11. Check all components for wear and renew as required.

Type C gearbox - As for A and B Types and including the following:

12. Recover speedometer drive gear and spacer.
13. Check speedometer drive gear for wear and damage, renew if necessary.
14. Check speedometer pinion for wear and damage. Check that scrolling on shaft is clear; renew pinion and shaft if necessary.
15. Check slots in 5th gear spool guide for wear, renew spool guide if necessary.

Type C and D gearboxes

CAUTION: The rear mainshaft oil seal fitted to Type C and D extension housings is different to Types A and B. When levering out seal, take care not to damage the seal location surfaces.



NOTE: Type D gearbox extension housing shown.

1. Lever out mainshaft oil seal, taking care not to damage the location surfaces.


MANUAL GEARBOX

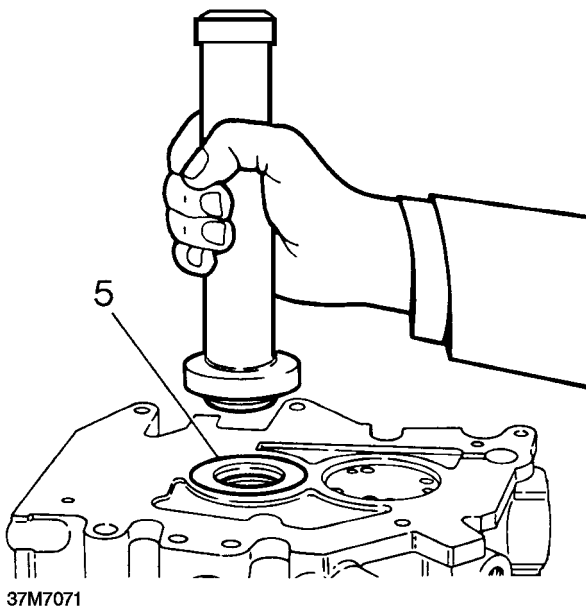
Reassembly

1. Smear a light coat of petroleum jelly into the pump recess.
2. Renew 'O' ring and press pump unit firmly into recess.

 **NOTE: Ensure 'TOP' marking on pump is to top of casing.**

3. Tap pump lightly at edges until fully home.

 **NOTE: Ensure good thread engagement before tightening.**

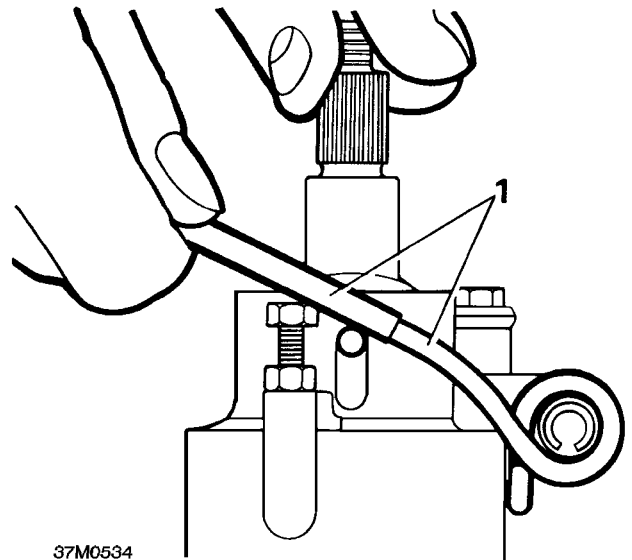


4. Fit new mainshaft support bearing.
5. Fit new mainshaft rear oil seal using tool **LRT-37-014**.
6. Fit new Layshaft support bearing.
7. Fit new oil pick-up ring (Align tag with centre of drain slot).
8. Examine gate plate and renew if worn or damaged.
9. Refit reverse light switch with new copper washer. Tighten to 24 Nm.
10. Refit reverse inhibition cam and spring.
11. Apply Hylogrip 640 and refit shaft.
12. Refit oil pipe, bend uppermost.

Gear change/selector housings - Overhaul

Gear change housing - Type A gearbox

Dismantle

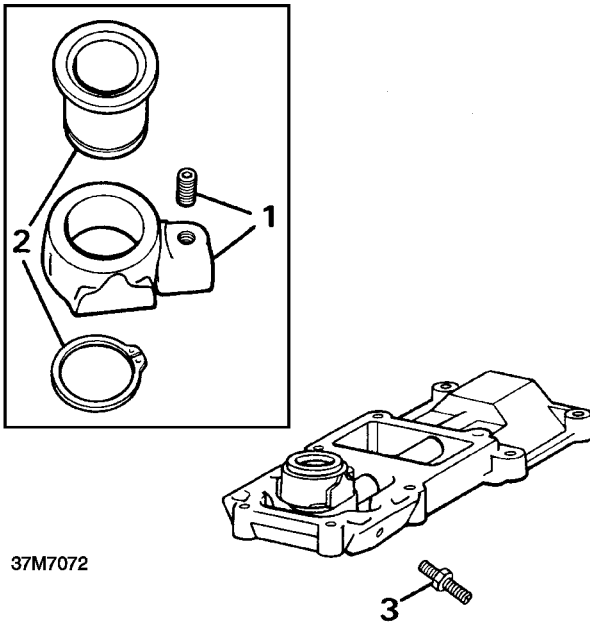


1. Using a suitable piece of tubing, release both ends of bias spring from ball pins.
2. Slacken locknuts and remove bias spring adjusting screws.
3. Drift out roll pin, remove bias spring.

MANUAL GEARBOX

Remote housing - Type A gearbox

Dismantle

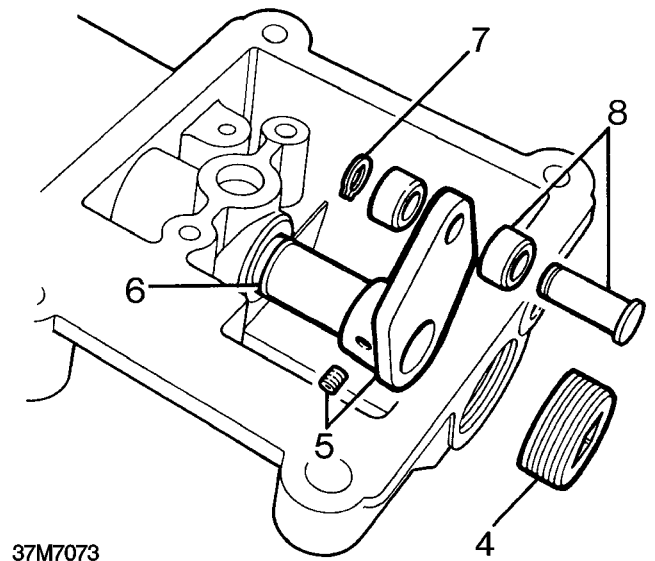


37M702

1. Remove setscrew securing trunnion to selector shaft, remove trunnion.
2. Remove and discard circlip securing ball pin seating to trunnion, remove seating.
3. Slacken locknut, remove 5th gear stop screw.



CAUTION: Retain shim(s).



37M703

4. Remove blanking plug from end of remote housing.
5. Remove setscrew securing quadrant to selector shaft, remove quadrant.
6. Remove selector shaft from remote housing, remove and discard 'O' ring.
7. Remove and discard circlip retaining rollers and pin to quadrant.
8. Remove pin, recover rollers.

Inspection

1. Check selector shaft and bore in remote housing for wear.
2. Check quadrant rollers and pin for wear.
3. Check ball pin seating for wear.
4. Replace worn components as necessary.



Reassemble

1. Lubricate selector shaft and new 'O' ring with gearbox oil.
2. Fit 'O' ring to selector shaft.
3. Fit shaft to remote housing.
4. Position rollers to quadrant, fit pin and secure with new circlip.



CAUTION: Ensure that head of pin is on opposite side of quadrant to selector shaft boss.

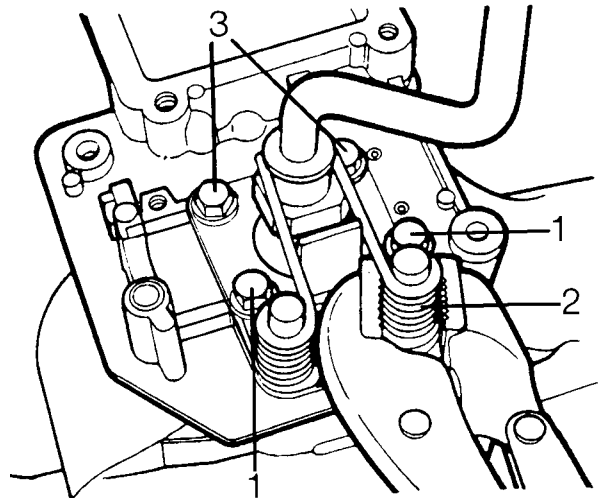
5. Fit quadrant to selector shaft.
6. Apply Loctite 270 to threads of setscrew, fit and tighten setscrew.
7. Apply Loctite 270 to threads of blanking plug, fit and tighten plug.
8. Smear ball pin seating with multi - purpose grease.
9. Position ball pin seating in trunnion, secure with a new circlip.
10. Position trunnion on selector shaft.
11. Apply Loctite 270 to threads of setscrew, fit and tighten setscrew.
12. Fit 5th gear stop screw, fit but do not tighten locknut.



NOTE: 5th gear stop screw adjustment is carried out during gearbox reassembly.

Gear change housing - Type B gearbox

Dismantle



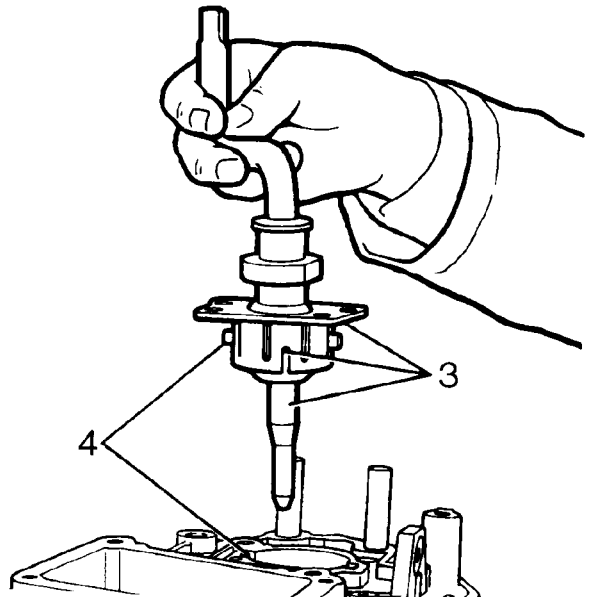
37M7074

1. Remove bolts retaining bias springs.



WARNING: To avoid personal injury, restrain each spring in turn with a pair of grips while the bolts are being removed.

2. Remove the two springs.



37M7075

3. Remove remaining bolts to release lower lever assembly.
4. Remove and discard Railko bush.
5. Remove and discard oil seal.

MANUAL GEARBOX

Inspection

1. Check ball cross pin slots in gear change housing for wear.
2. Check ball and pins for wear.
3. Check bias springs for distortion.
4. Replace worn components as necessary.

Reassemble

1. Apply multi-purpose grease to ball and cross pins.
2. Apply multi-purpose grease to new Railko bush and fit to gear change housing.



CAUTION: Ensure that the slots in each bush are aligned with slots in housing.

3. Lubricate a new oil seal with gearbox oil.
4. Fit oil seal using a suitable mandrel.
5. Position gear lever to gear change housing ensuring ball cross pins are located in slots in housing and Railko bush.
6. Position bias spring adjustment plate to gear change housing,
7. Apply Loctite 270 to threads of 2 short bias adjustment plate bolts.
8. Fit bolts to secure front of bias adjustment plate and tighten to 25 Nm.
9. Position bias spring to pillar ensuring longest end of spring is against gear lever.
10. Apply Loctite 270 to threads of 2 long bias bias adjustment plate bolts.
11. Restrain bias spring using a suitable pair of grips, ensure short end of bias spring is positioned on outside edge of bolt hole.

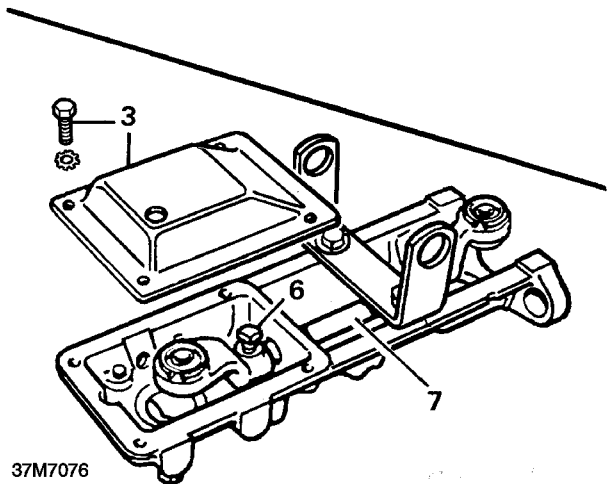
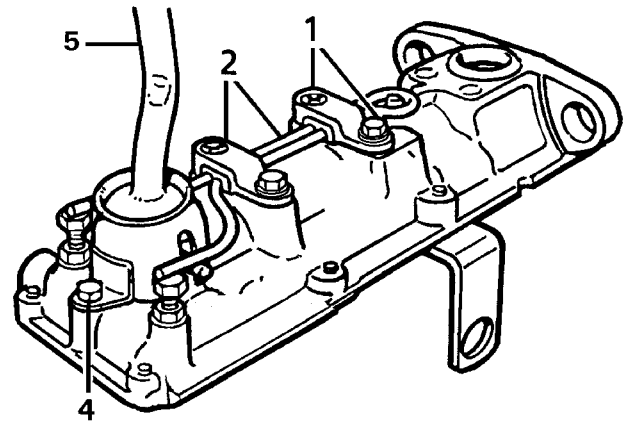


WARNING: Personal injury may result if bias spring is not retained.

12. Fit bolt and washer ensuring end of bias spring is retained beneath washer; tighten bolt to 25 Nm.
13. Repeat procedure for remaining bias spring.

Remote gear change - Type C gearbox

Dismantle

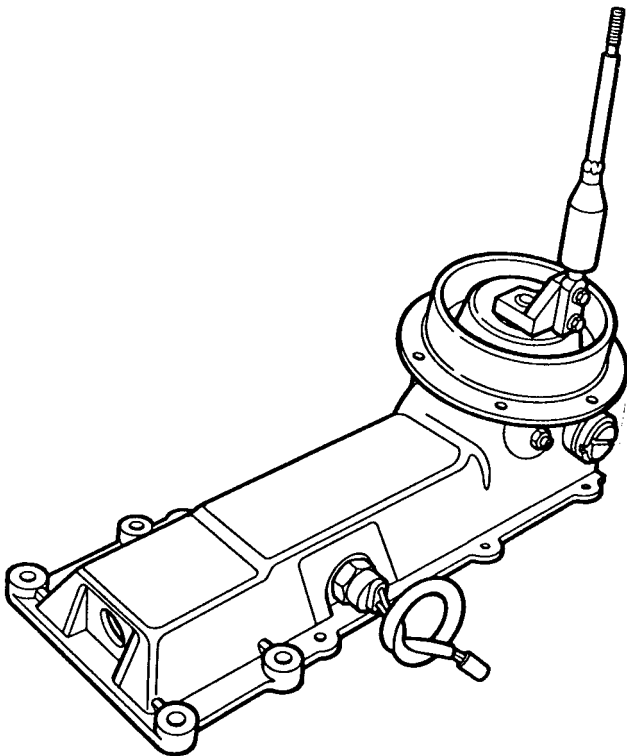


37M7076

1. Remove 2 bolts and 2 countersunk screws securing bias spring bridge plates.
2. Remove bridge plates, bridge plate liners and bias spring.
3. Remove 4 bolts and washers securing bottom cover plate, remove plate.
4. Remove bolt securing gear lever cap, remove cap.
5. Remove gear lever, recover anti-rattle spring and plunger.
6. Remove pinch bolt securing selector rod yoke, remove yoke.
7. Withdraw selector rod from remote housing.
8. Clean components.



Remote gear change - Type D gearbox



37M7126



NOTE: The remote gear change fitted to Type D gearboxes is not repairable item. It must be renewed if it is found to be excessively worn.

Inspection

1. Check selector rod bushes in remote housing for wear.



NOTE: Bushes may be pressed in and out of remote housing using a hand press and suitable mandrel.

2. Check selector rod for wear, replace if necessary.
3. Check anti - rattle spring for distortion and plunger for wear; replace if necessary.
4. Check gear lever ball pin, cross pins and bush selector rod yoke balls for wear, and replace if necessary. If yoke balls are worn, remove and discard circlip, press ball and seating out of yoke.
5. Lubricate replacement ball and seating with multi - purpose grease and press into yoke; secure using new circlip.
6. Check bias spring for distortion, replace if necessary.
7. Check condition of mounting rubbers, replace as a set if necessary.

Reassemble

1. Lubricate selector rod and bushes with multi - purpose grease, insert rod in remote housing.
2. Lubricate gear lever ball pin and selector rod yoke balls with multi - purpose grease.
3. Fit yoke to selector rod, fit and tighten pinch bolt.
4. Assemble anti - rattle spring and plunger to gear lever.
5. Fit gear lever ensuring ball pin is located in yoke and anti - rattle spring and plunger are not displaced.
6. Fit gear lever cap, fit and tighten bolt.



NOTE: Do not fit bottom cover plate at this stage.

7. Slacken bias spring adjustment bolt locknuts.
8. Fit bias spring, bridge plate liners and bridge plates.
9. Fit and tighten bolts and countersunk screws.

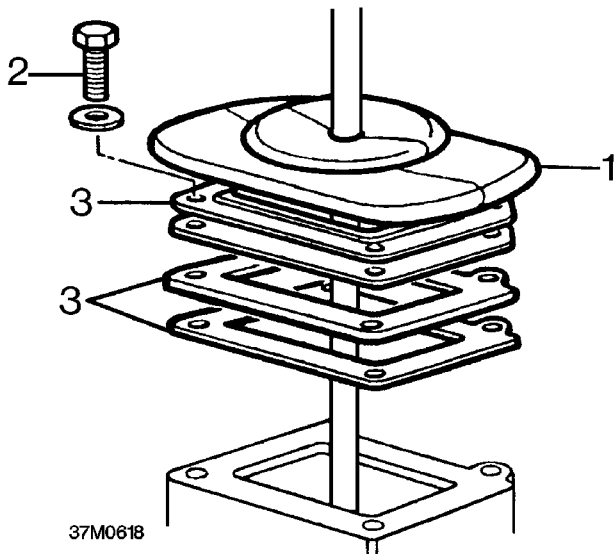


NOTE: Final adjustment of bias spring is carried out after remote gear change is fitted to gearbox.

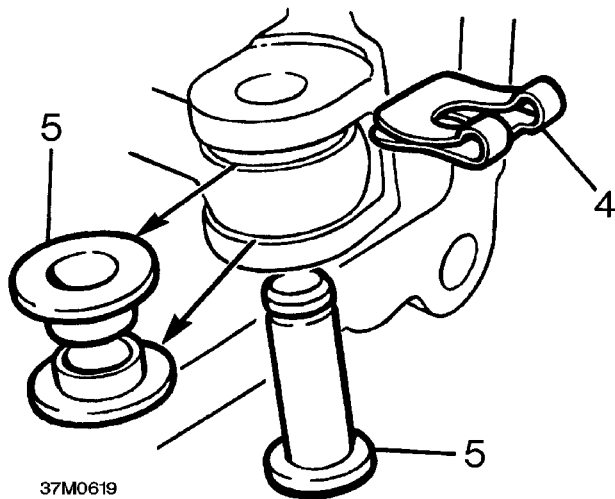
MANUAL GEARBOX

Transfer box selector housing - Type A gearbox - Overhaul

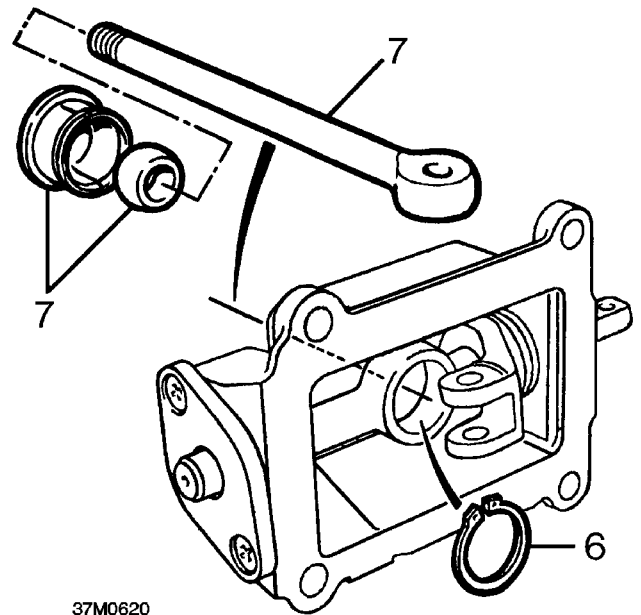
Dismantle



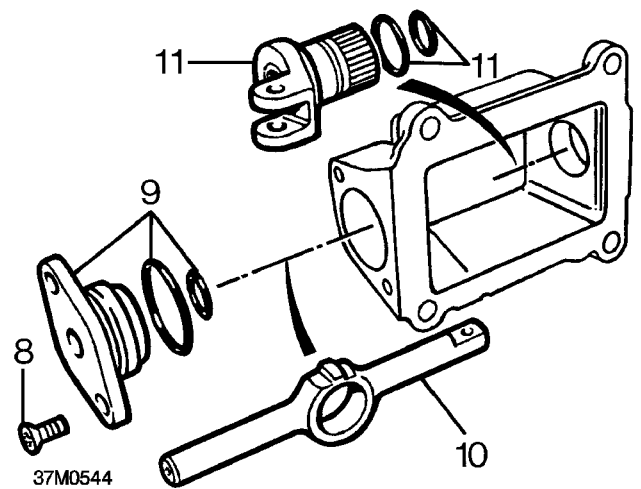
1. Slide gaiter off gear lever.
2. Remove 4 bolts securing gaiter support plate and gate plate.
3. Remove gaiter support plate and gate plate, discard gaskets.



4. Remove and discard spring clip retaining selector fork clevis pin.
5. Remove clevis pin from selector fork, remove and discard 2 bushes.



6. Remove and discard circlip retaining nylon ball seating.
7. Remove gear lever, recover nylon seating and ball



8. Remove 2 countersunk head screws securing end cover to housing.
9. Remove end cover, remove and discard 2 'O' rings.
10. Withdraw cross shaft.
11. Remove selector fork, remove and discard 2 'O' rings.
12. Clean all components.



Inspection

1. Check gaiter for splits and damage.
2. Check nylon seating and ball for wear, replace if necessary.



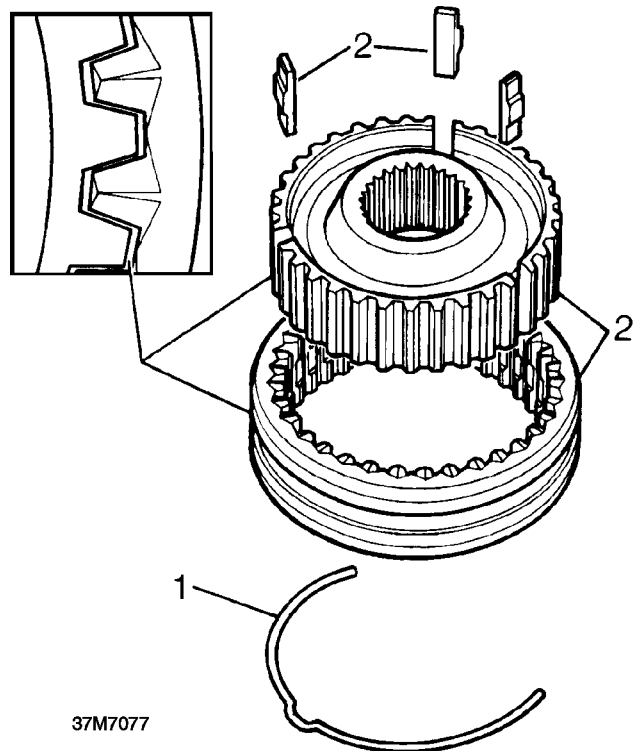
CAUTION: Seating and ball should be renewed as an assembly.

3. Check selector fork and clevis pin for wear.
4. Check cross shaft and end cover for wear.
5. Replace components as necessary.

Reassemble

1. Smear new 'O' rings with gearbox oil and fit to selector fork, position fork in housing.
2. Smear cross shaft with multi - purpose grease and locate longest end of shaft in selector fork.
3. Smear new 'O' rings with gearbox oil and fit to end cover.
4. Position end cover on cross shaft, fit and tighten countersunk screws.
5. Assemble ball and nylon seating to gear lever ensuring that groove in seating is towards cross shaft.
6. Smear ball and nylon seating with multi - purpose grease and locate in cross shaft; retain with a new circlip.
7. Position new bushes to gear lever, locate in selector fork and fit clevis pin.
8. Fit new spring clip to retain clevis pin.
9. Position gate plate and gaiter support plate to housing, use new gaskets.
10. Fit retaining bolts and tighten to 15 Nm.
11. Fit gaiter.

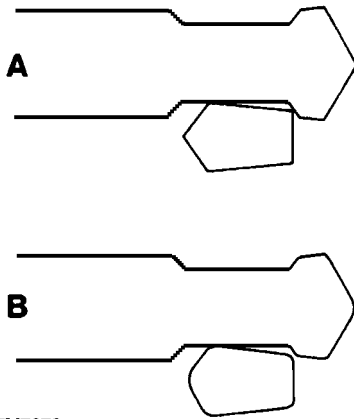
Synchromesh assemblies - Overhaul



37M7077

1. Remove spring clips from both sides of assembly.
2. Remove slippers and separate the hub from the sleeve.
3. Examine all parts for damage and wear including spring clips for tension.
4. Check no excessive radial movement exist between inner members and mainshaft splines.
5. Examine inner and outer splines for wear.

MANUAL GEARBOX



37M7078

6. Examine the dog teeth on all gears for wear and damage.



NOTE: Example 'A' shows a tooth in good condition. Example 'B' shows the rounded corners of a worn tooth.

7. Replace unit if excessively worn.

Reassembly

8. Refit inner hub to sleeve.



NOTE: Hubs and sleeves have a master spline combination and can only be assembled one way. The sleeves are further identified with a series of half moon notches which clearly identify which side of the assembly faces which gear. Ensure the slot in the hub aligns with the centre notch on the sleeve.

Assy	Hub	Sleeve	Against Gear
1st/2nd	- 2 gear side	1 Notch -	1st 2nd
3rd/4th	-	3 Notches -	3rd 4th
5th/Rev	-	5 Notches	5th

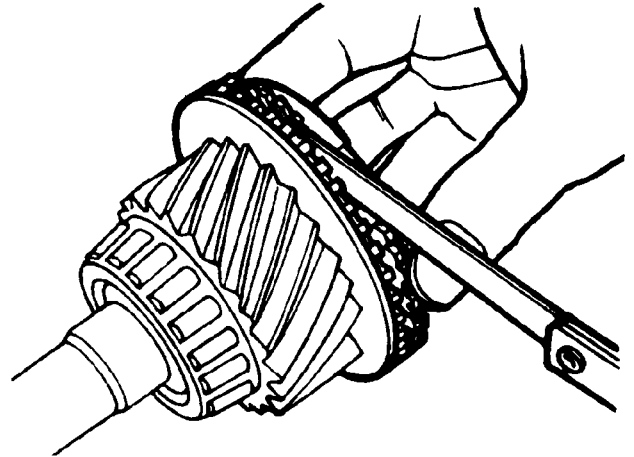
9. Fit slippers and secure with a spring each side of the synchromesh assembly ensuring the step on each spring locates on a different slipper.



NOTE: 5th and reverse synchromesh hubs have different springs noted by their yellow colour.

Checking baulk ring clearances

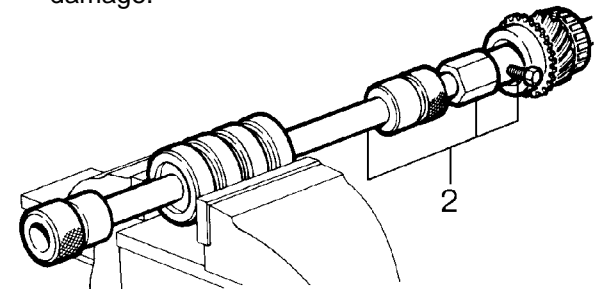
Check clearance of all baulk rings and gears by pressing the baulk rings against the gear and measuring the gap. **The minimum clearance should be 0.5mm (0.020in).**



37M7079

Input shaft - Overhaul

1. Examine the gear and dog teeth for wear and damage.

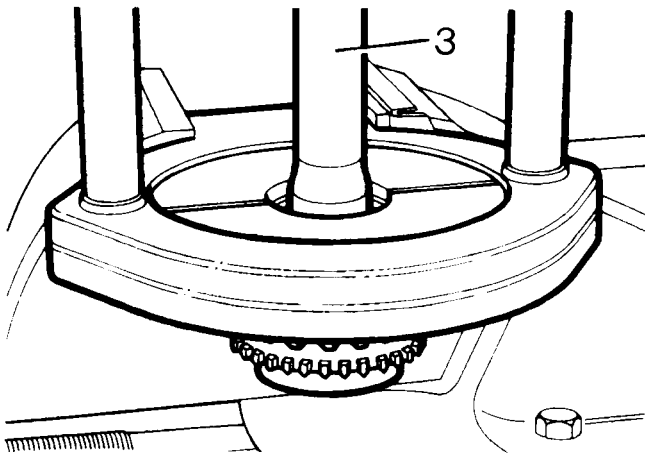


37M7080

2. Using tool LRT-99-004 and LRT-37-004 remove pilot bearing track.



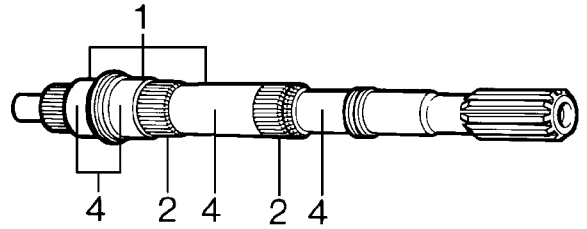
NOTE: Ensure that the bearing is supported by the lip inside LRT-37-001.



37M7081

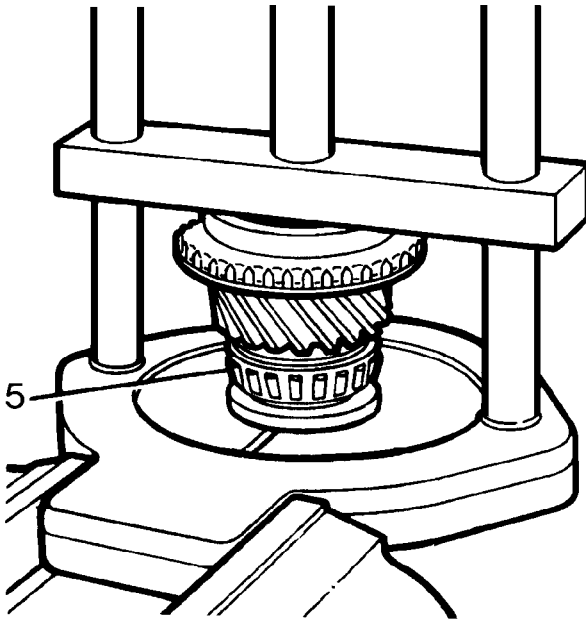
3. Using **LRT-37-001** and **LRT-99-002** remove taper roller bearing.
4. Support the shaft under **LRT-99-002** and press in a new pilot bearing track.

Mainshaft - Inspection



37M7083

1. Examine bearing journals for wear and scores.
2. Examine splines for wear and damage.
3. Use an air line to check that the main oil feed from pump and feed to spigot bearing are clear.
4. Check oil feed holes to roller bearing are clear.



37M7082

5. Using **LRT-99-002**, Collets **LRT-37-001** and adapter **LRT-37-002** fit a new taper bearing.

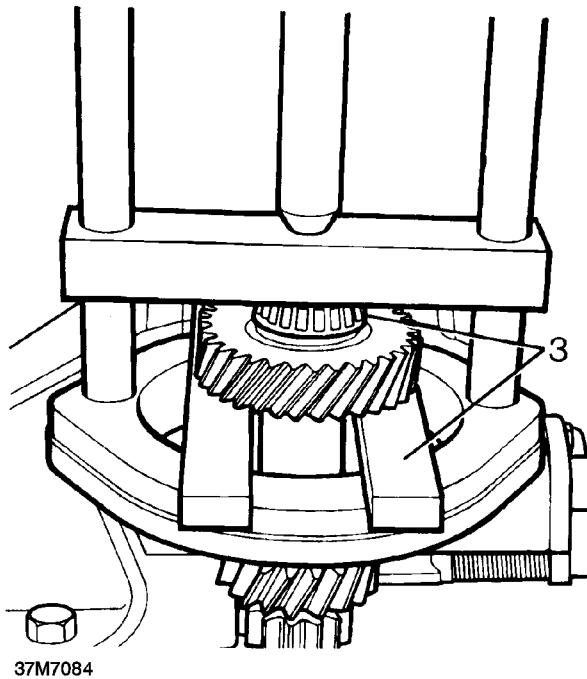
MANUAL GEARBOX

Layshaft - Overhaul

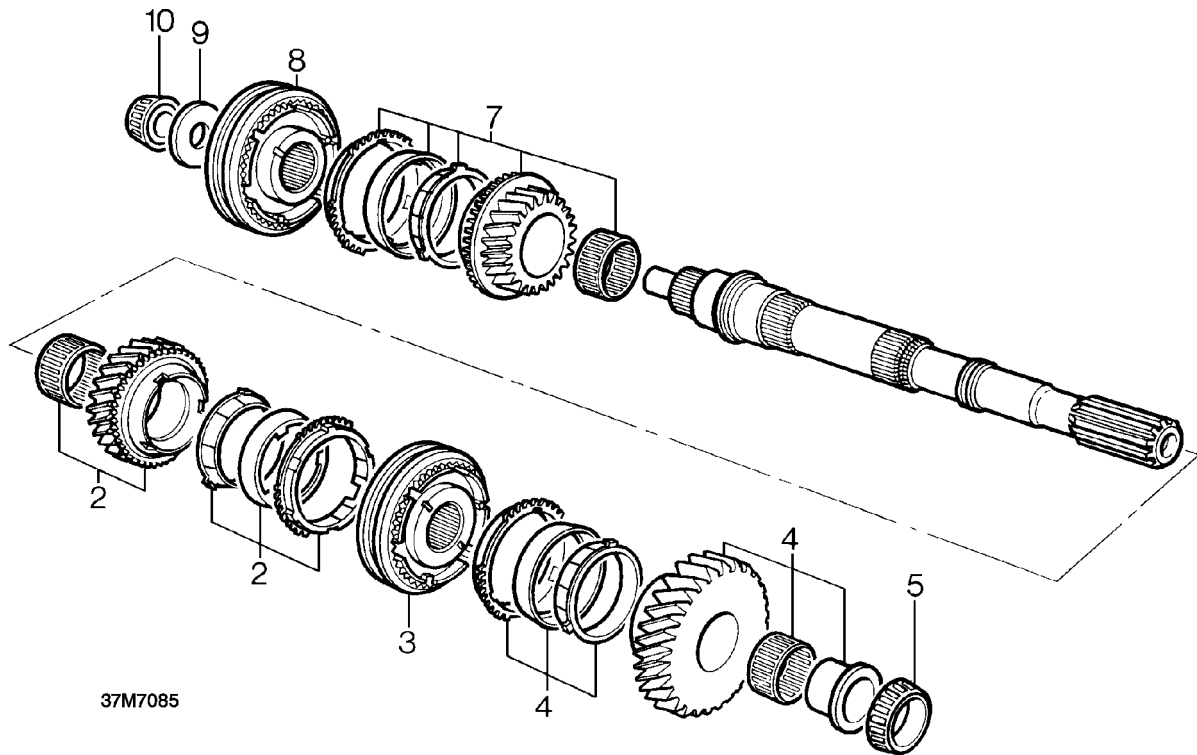
1. Using extractor tool **LRT-99-002** and collets **LRT-37-022** withdraw layshaft bearings.
2. Examine layshaft for wear and damage.



NOTE: Layshaft and layshaft 5th gear fitted to later gearboxes are machined to enable fitment of a split washer to prevent gear movement on shaft. The modified layshaft, gear and split washer may be fitted to early gearboxes as an assembly.



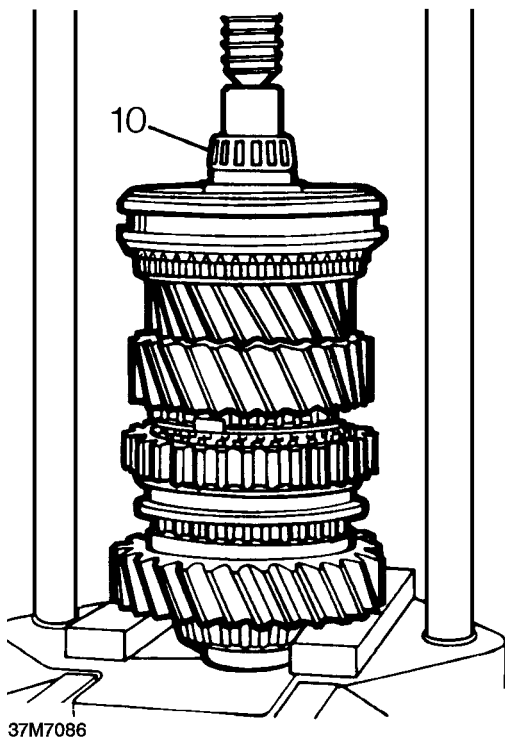
3. Using press **LRT-99-002**, and support bars fit new taper roller bearings.



37M7085

Mainshaft - Reassembly

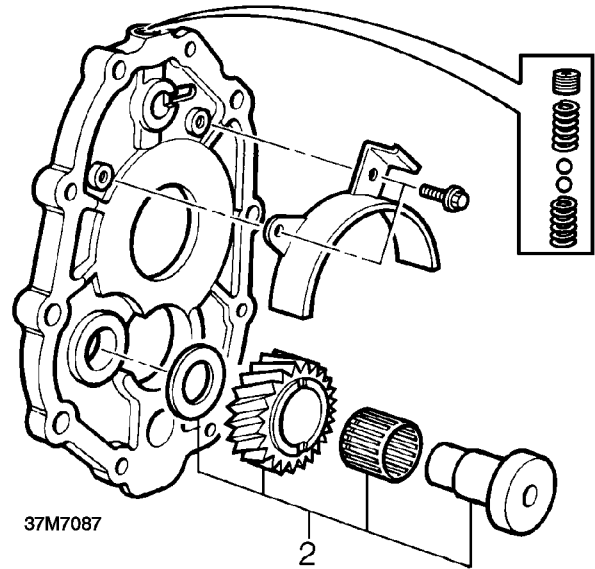
1. Clamp mainshaft in protected vice jaws, output end upwards.
2. Fit 2nd gear needle roller bearing, 2nd gear and synchronesh baulk rings onto mainshaft. *(Rotate each baulk ring to ensure they locate onto each other).*
3. Assemble the 1st and 2nd synchronesh selector hub onto mainshaft spline, *(note 2nd speed side marking)*. Ensure that baulk ring has located correctly inside hub. *(Rotate the ring slightly as the hub is lowered)*.
4. Fit 1st gear synchronesh baulk rings, needle roller bearing, 1st gear and bush onto mainshaft ensuring baulk rings locate correctly inside selector hub.
5. Using **LRT-99-002**, bearing guide **LRT-37-019**, collets **LRT-37-001** and adaptor **LRT-37-002** press on mainshaft taper roller bearing taking care not to disturb the lay of the synchronesh baulk rings and gears.
6. Check the end float of the 1st and 2nd gear assembly using a feeler gauge between the gear and mainshaft bearing.
Maximum clearance:
1st gear: 0.05 - 0.20mm (0.002 - 0.008 in)
2nd gear: 0.04 - 0.21mm (0.0016 - 0.0083 in)
7. Invert mainshaft in vice and fit 3rd gear needle roller bearing, third gear and synchronesh baulk rings.
8. Assemble 3rd/4th gear synchronesh selector hub (note 3rd speed side markings) onto mainshaft splines taking care to locate the baulk rings into recesses in the selector hub.
9. Fit spacer.



10. Using LRT-99-002 press on new pilot bearing. Check end float of 3rd gear assembly as in step 6.
Maximum clearance:
0.11 - 0.21mm .

Reverse idle gear - Reassembly

1. Examine components for wear and damage.

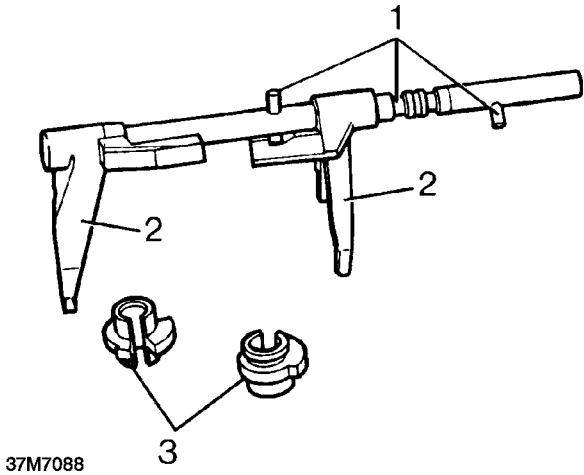


2. Assemble reverse idle gear needle roller bearing, idle gear, spacer and shaft and using suitable tool, press into centre plate.
Maximum clearance:
0.04 - 0.38mm (0.0016in - 0.015in)



Selectors - Inspection

1. Examine selector rail and pins for wear and damage.



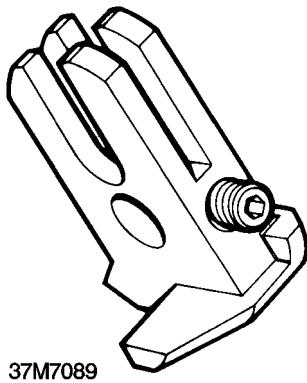
2. Examine selector forks for wear and damage.

NOTE: The selector rail and fork is only supplied as a complete assembly.

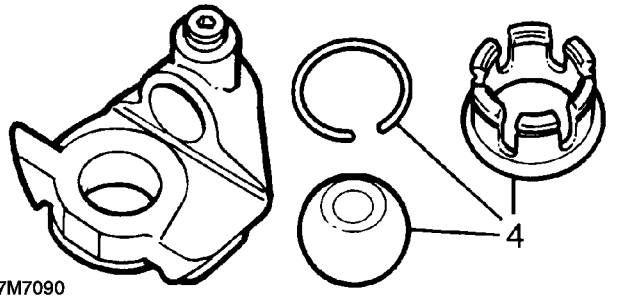
3. Examine interlock spools for wear and damage.

Selector quadrant - Type A gearbox

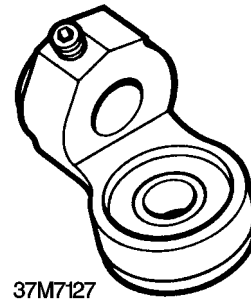
Examine selector quadrant and check for wear.



Selector yoke - Type B and D gearboxes



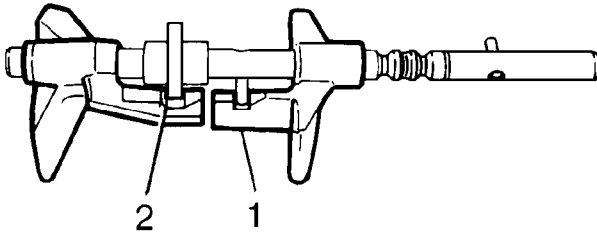
Selector yoke - Type C gearbox



4. Remove snap ring and examine selector yoke assembly.

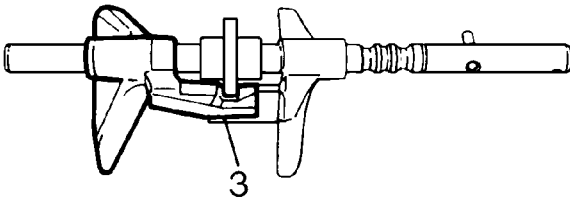
MANUAL GEARBOX

Assembling selectors.



37M7091

1. Rest 1st/2nd fork and shaft assembly on bench and locate pin in jaw of fork.
2. Fit interlock spool and 3rd/4th fork and engage spool in jaw of fork.



37M7092

3. Slide spool and fork towards 1st/2nd selector until slot in spool locates over pin keeping the spool engaged in 3rd/4th fork jaw.

GEARBOX REASSEMBLE

Mainshaft and layshaft end float



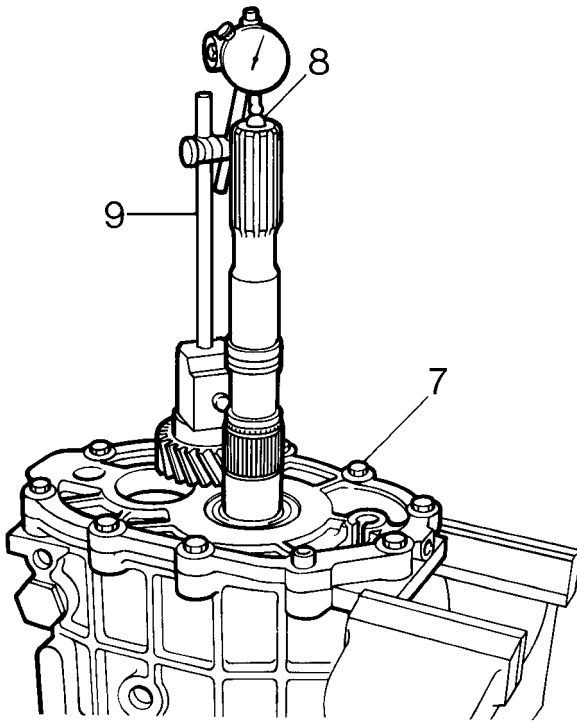
NOTE: The end float setting for both the mainshaft and the layshaft has to be determined before the gear box can be reassembled. This is achieved by clamping the mainshaft and layshaft separately between the centre plate and main casing and measuring the movement on each shaft with a Dial test indicator.

The end float setting for the mainshaft and layshaft is 0.01 - 0.06mm (0.0004 - 0.0024in).

Shims to make up the required clearances are placed under the bearing tracks of the centre plate.

Shimming

1. Fit bearing tracks to main casing front cover.
2. Fit front cover to casing without oil seal.
3. Clamp casing in vice with front cover downwards.
4. Fit input shaft. Do not fit 4th gear baulk ring.
5. Fit mainshaft assembly to input shaft.
6. Fit mainshaft bearing shim and track to centre plate.

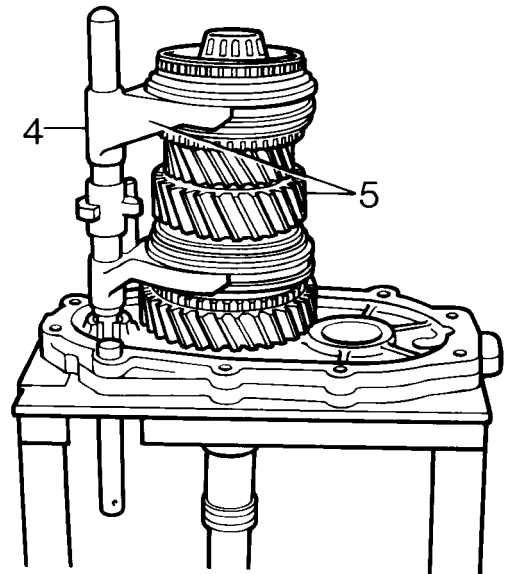


37M7093

7. Fit centre plate and bolt down using 8 'slave' bolts.
8. Fit large ball bearing to rear of mainshaft.
9. Mount dial test indicator.
10. Rotate mainshaft to settle bearings.
11. Lift mainshaft and note reading.
12. Dismantle and substitute shims if reading incorrect.
13. Repeat procedure.
14. Remove mainshaft assembly and repeat procedure for layshaft.
15. Dismantle assembly in preparation for assembly on stand.

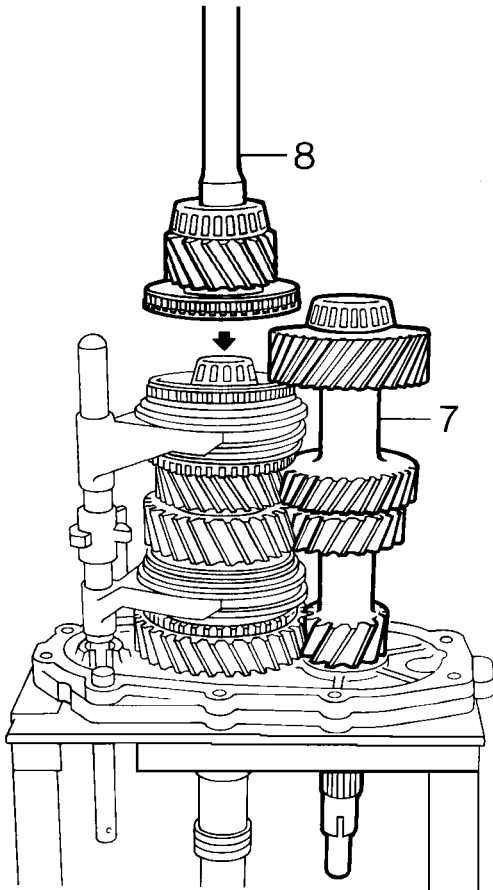
Assembling mainshaft and layshaft to centre plate

1. Secure centre plate to workstand.
2. Fit selected shims and bearing tracks.
3. Fit inboard detent ball and spring, use a dummy bar to temporarily hold the ball in place.



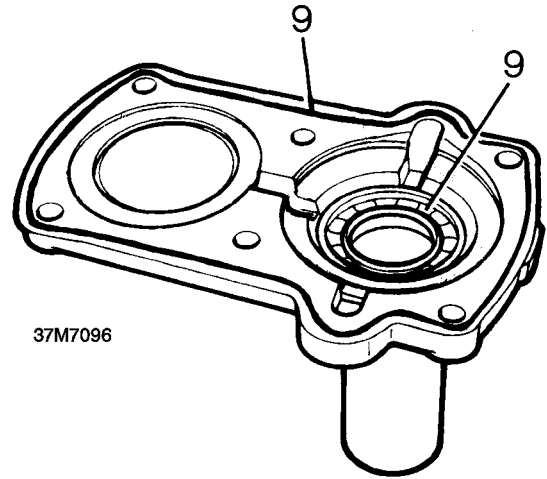
37M7094

4. Check both synchromesh units are in neutral and fit selector shaft assembly to mainshaft.
5. Fit mainshaft and selectors as complete unit to centre plate aligning pin with slot in plate.
6. Fit 4th gear synchromesh baulk ring.



37M7095

7. Fit layshaft whilst lifting mainshaft to clear layshaft rear bearing.
8. Lubricate pilot bearing and fit input shaft.



37M7096

9. Fit oil seal to front cover. Ensure seal is fitted down to shoulder. Apply Hylosil RTV 102 to front cover as shown.

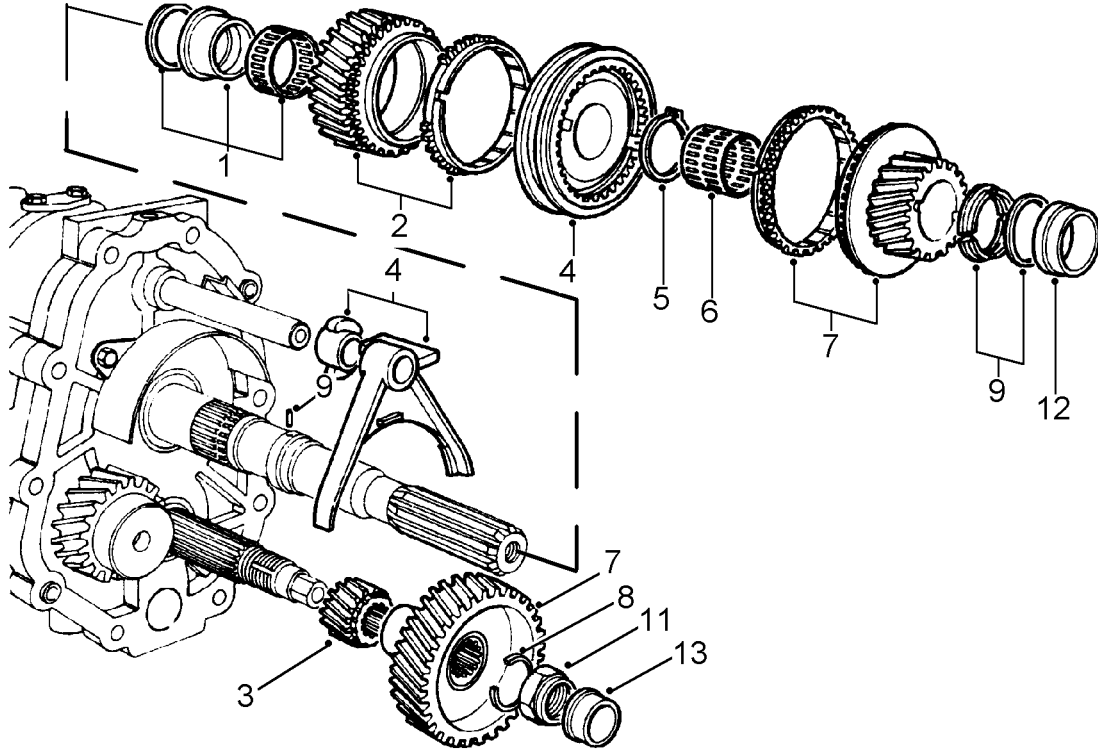


**NOTE: Early type seal - unwaxed - lubricate seal with gearbox oil.
Later type seal - wax coated - fit seal dry.**

10. Fit bearing tracks and clips to main case and fit front cover. Seal fixings with Hylogrip 640.
11. Apply Hylosil RTV 102 and fit main casing to centre plate.
12. Bolt casing and centre plate together using 2 or 3 'slave' bolts.
13. Fit new 'O' ring and fit spool retainer.
14. Remove casing from stand and clamp in vice.



Reverse and 5th gear - Reassembly



37M7098B

1. Fit mainshaft reverse gear selectable washer, bush and needle bearing.
2. Fit mainshaft reverse gear and synchromesh baulk ring.
3. Fit layshaft reverse gear.
4. Assemble selector spool, selector fork and reverse /5th gear synchromesh hub. Fit as one assembly to mainshaft splines and selector shaft. (Ensure synchromesh baulk ring locates inside hub).
5. Fit new circlip.



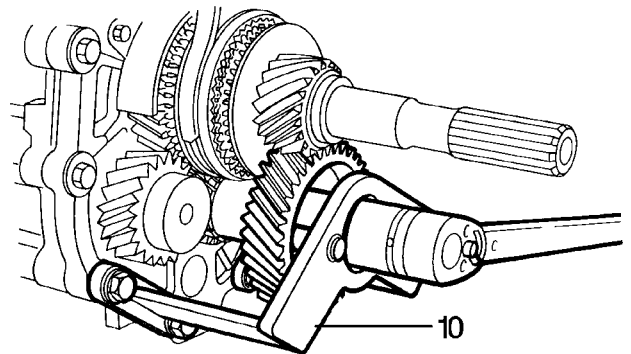
NOTE: The fit of the circlip is controlled by the selectable washer behind the reverse gear. Adjust to **0.005 - 0.055mm (0.0002 - 0.0021in)**.

6. Fit 5th gear split needle bearing.
7. Fit 5th gear and 5th gear synchromesh baulk ring to mainshaft, fit layshaft 5th gear.
8. *Later gearboxes:* Fit split washer to retain layshaft 5th gear.



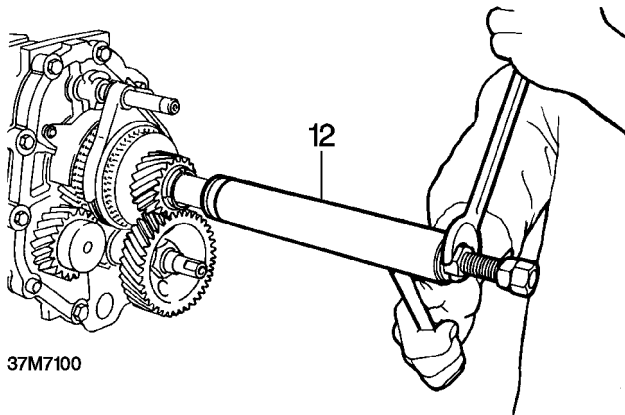
NOTE: Bevelled side of washer must face towards gear.

9. Fit new mainshaft thrust collar roll pin. Locate 5th gear thrust segments and retaining ring.



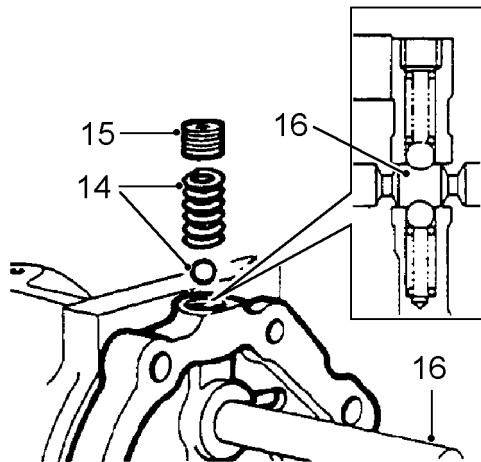
37M7099

10. Using **LRT-37-023** to hold layshaft 5th gear, tighten the layshaft 5th gear nut to 220 Nm.
11. Stake layshaft 5th gear nut.



37M7100

12. Using tool **LRT-37-015** and **LRT-37-021** press mainshaft rear support bearing track to collar on mainshaft.
13. Apply small amount of heat and fit layshaft rear support bearing.



37M1206A

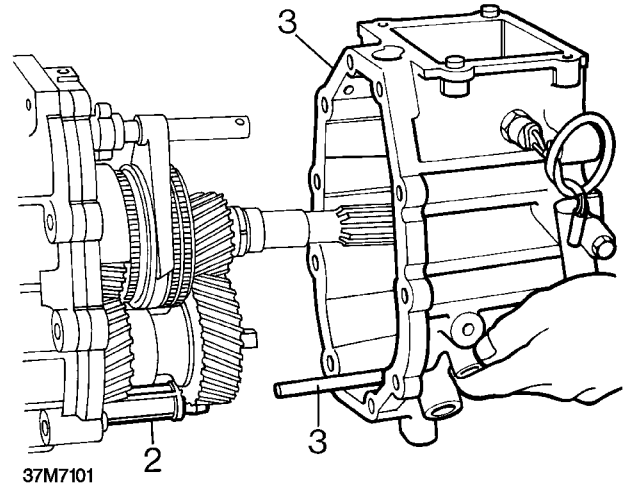
14. Fit centre plate detent ball and spring.
15. Fit and tighten plug to 25 Nm.

NOTE: Patchlok plug may be re-used provided threads are undamaged.

16. Move selector shaft and check that detent balls can be felt to engage in detent.

Extension housing - Type A and B Gearbox - Refit

1. Remove all 'slave' bolts from centre plate and casing.
2. Refit oil filter.



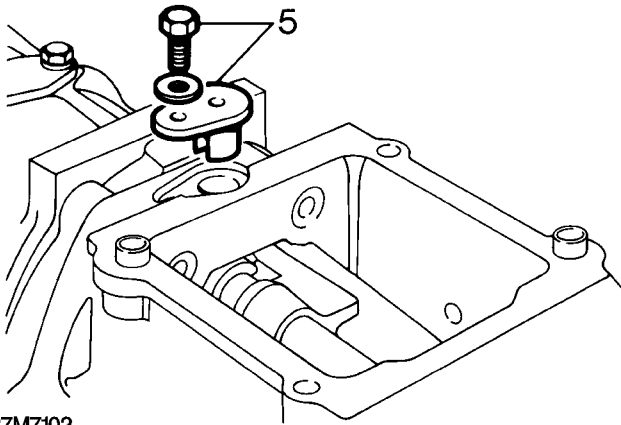
37M7101

3. Apply Hylosil RTV 102 to mating surfaces and fit extension housing ensuring oil pipe locates in filter and roller bearings are not dislodged.



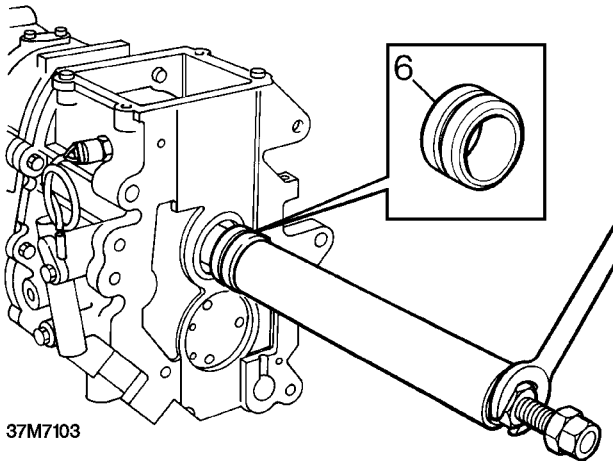
CAUTION: Do not use force, if necessary, remove extension housing and re-align oil pump drive.

4. Bolt extension housing to centre plate and main casing.



37M7102

5. Apply Hylosil RTV 102 to extension case spool retainer, fit retainer and tighten bolt to 8 Nm.



37M7103

6. Using LRT-37-015 and LRT-37-21 press on mainshaft oil seal collar.

Extension housing - Type C gearbox - Refit

1. Lubricate a new selector shaft oil seal with gearbox oil.
2. Fit selector shaft oil seal.
3. Refit oil filter.
4. Apply Hylosil RTV 102 to mating surfaces.
5. Fit extension housing ensuring oil pick - up pipe locates in filter and drive locates in oil pump.

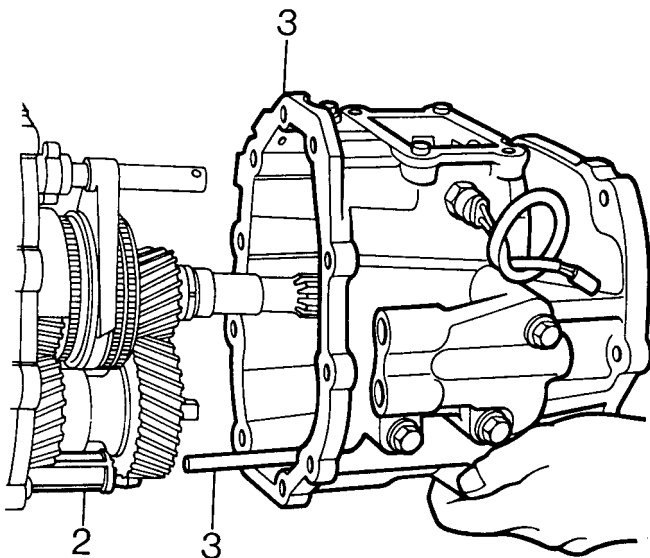


CAUTION: Do not use force, if necessary, remove extension housing and re - align oil pump drive.

6. Fit extension housing bolts and tighten by diagonal selection to 25 Nm.
7. Fit spacer
8. Position speedometer drive gear on output shaft splines.
9. Using a round nosed punch, carefully tap speedometer drive gear into position.
10. Smear a new 'O' ring with gearbox oil and fit to speedometer pinion housing.
11. Lubricate speedometer pinion with silicone grease.
12. Fit speedometer pinion housing ensuring teeth of pinion mesh with those of driven gear.
13. Apply Hylosil RTV 102 and fit 5th gear spool guide. Tighten bolt to 8 Nm.
14. Fit selector shaft pin to selector shaft, fit and tighten a new self - locking nut.
15. Fit output flange to output shaft.
16. Fit new 'O' ring and spacer.
17. Fit new tab washer.
18. Fit output flange bolt and tighten to 90 Nm.
19. Lock bolt with tab washer.

MANUAL GEARBOX

Extension housing - Type D gearbox - Refit



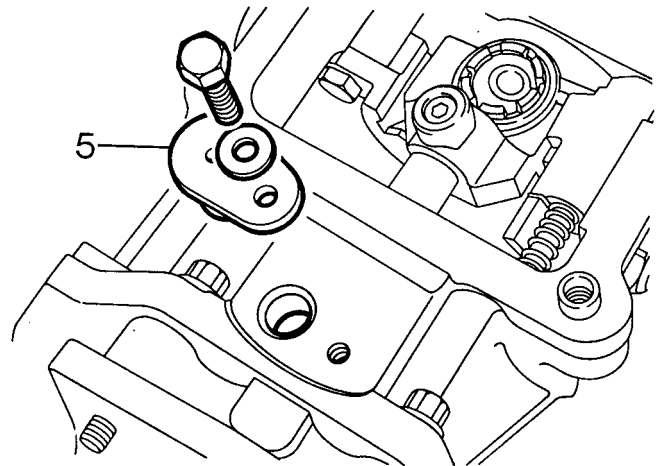
37M7128

1. Remove all 'slave' bolts from centre plate.
2. Refit oil filter.
3. Apply Hylosil RTV 102 to mating surfaces and fit extension housing. Ensure that oil pipe locates in filter and that roller bearings are not dislodged.



CAUTION: Do not use force. If necessary, remove extension housing and re-align oil pump drive.

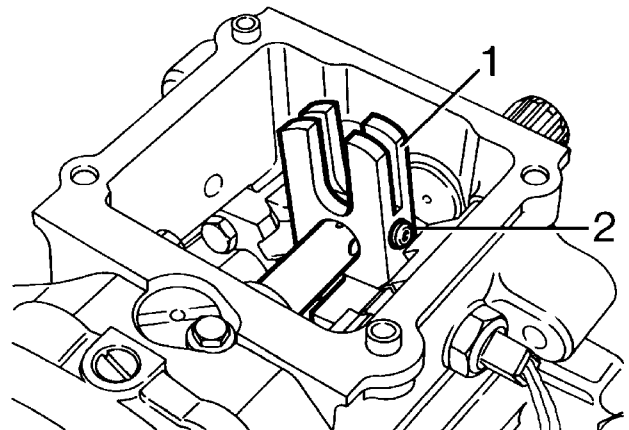
4. Bolt extension housing to centre plate and main casing.



37M7129

5. Apply Hylosil RTV 102 and fit extension case spool retainer, fit and tighten bolt to 8 Nm.

Selector quadrant - Type A gearbox - Refit



37M7104

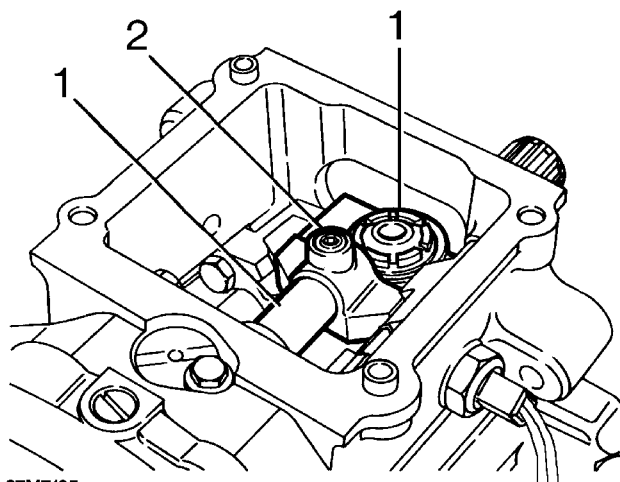
1. Position selector quadrant to selector shaft.
2. Apply Loctite 270 to thread of a new setscrew. Fit and tighten screw to 25 Nm.
3. Move selector shaft to neutral position.



CAUTION: Ensure end of setscrew locates in hole in selector shaft.



Gear change lever yoke - Type B gearbox - Refit



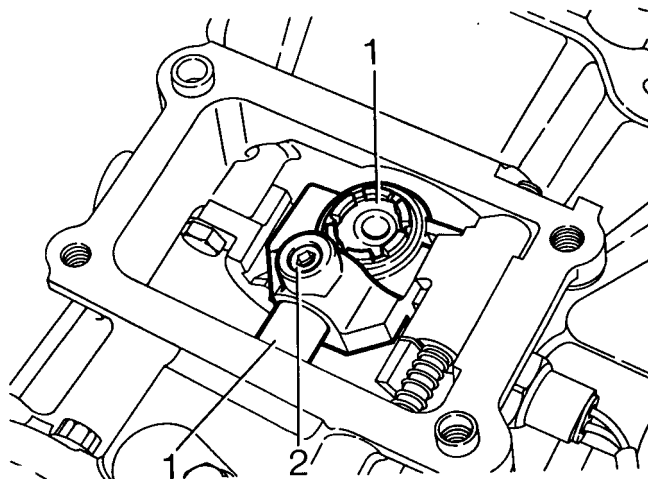
37M7105

1. Position gear change lever yoke on selector shaft with ball facing towards output shaft.
2. Apply Loctite 270 to threads of a new setscrew, fit and tighten screw to 25 Nm.



CAUTION: Ensure end of setscrew locates in hole in selector shaft.

Gear change lever yoke - Type D gearboxes - Refit



37M7130

1. Position gear lever yoke on selector shaft with ball facing towards output shaft.
2. Apply Loctite 270 to threads of new setscrew. Fit and tighten screw to 25 Nm.

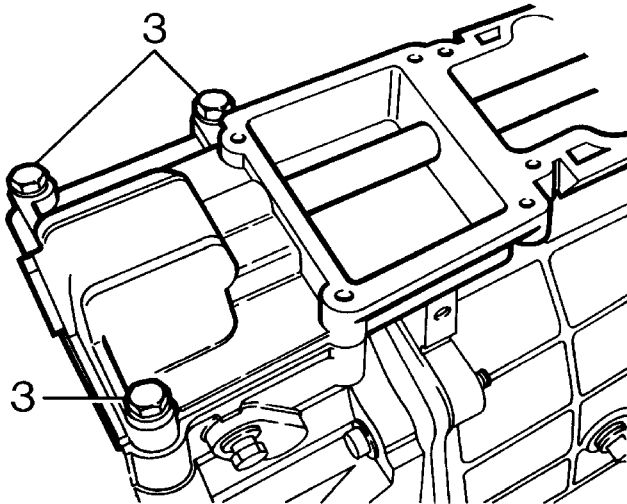


CAUTION: Ensure end of setscrew locates in hole in selector shaft.

MANUAL GEARBOX

Remote housing - Type A gearbox - Refit

1. Apply Hylosil RTV 102 to mating surfaces and fit to extension housing.
2. Position remote housing to extension housing and gearcase ensuring rollers locate in quadrant.



37M7106

3. Fit but do not fully tighten 3 bolts in positions shown.

Transfer box selector housing - Type A gearbox - Refit

1. Smear a new gasket with grease and fit to remote housing.
2. Position transfer box selector housing to remote housing.
3. Fit but do not fully tighten 4 bolts.

Gear change housing - Type A gearbox - Refit

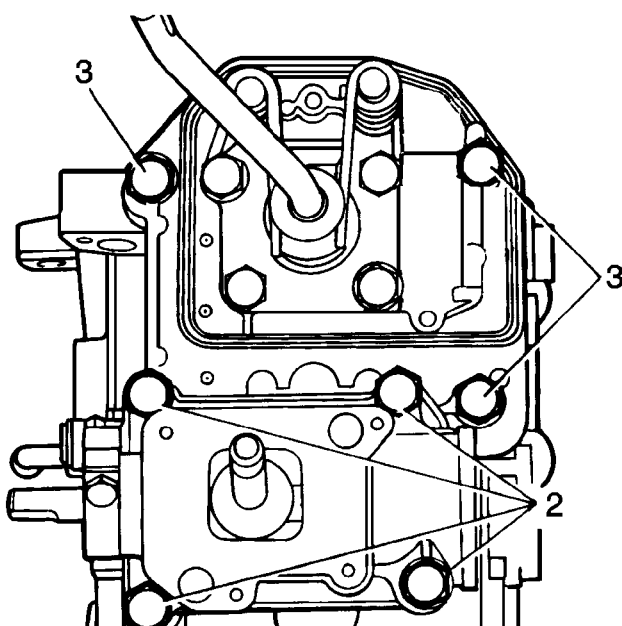
1. Smear a new gasket with grease and fit to remote housing.
2. Position gear change housing to remote housing ensuring gear lever ball is correctly located.
3. Fit but do not fully tighten 4 bolts.
4. Tighten remote housing, transfer box selector housing and gear change housing bolts to 25 Nm.

Transfer box selector housing - Type B gearbox - Refit

1. Smear a new gasket with grease and fit to gearcase.
2. Position transfer box selector housing to gearcase, fit 4 bolts and tighten to 25 Nm



Gear change housing - Type B gearbox - Refit



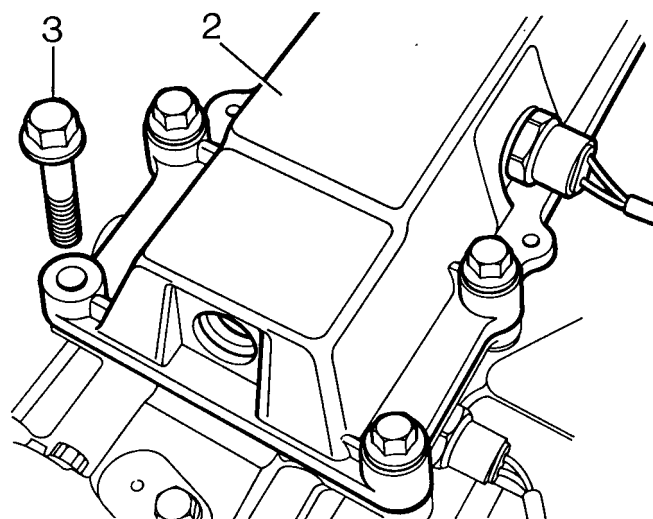
37M7107

1. Apply Hylosil RTV 102 to mating surfaces of extension housing.
2. Position gear change housing to extension housing ensuring that gear lever passes through centre of gear change lever yoke and engages in the gate plate.
3. Fit bolts and tighten to 25 Nm.

Remote gear change - Type C gearbox - Refit

1. Apply lithium based grease to selector rod yoke.
2. Position remote gear change to extension housing ensuring selector shaft pin is located in selector rod yoke.
3. Fit bolts, washers and mounting rubbers securing remote gear change to extension housing; do not tighten bolts at this stage.
4. Fit bolts, washers and mounting rubbers securing bracket to extension housing.
5. Tighten all bolts to 30 Nm.

Remote gear change - Type D gearbox - Refit



37M7131


1. Apply Hylosil RTV 102 to mating surfaces of extension housing and remote gear change housing.
2. Position remote gear change housing on extension housing. Ensure that gear lever ball is correctly located.
3. Fit bolts and tighten to 25 Nm.

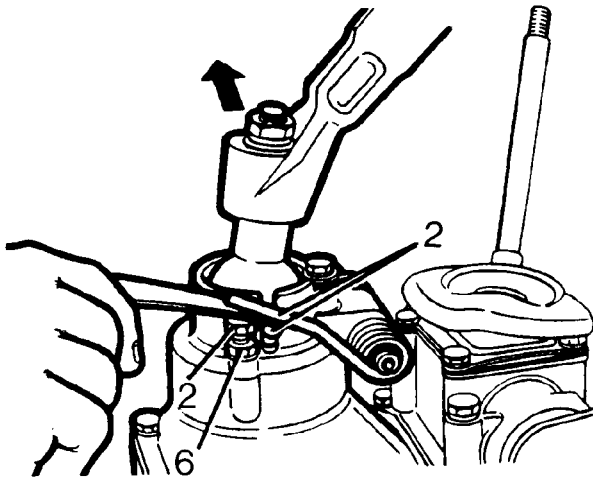
5th gear stop screw adjustment - Type A gearbox

1. Select reverse gear. While applying light pressure to gear lever towards left, turn screw clockwise until it contacts yoke.
2. Turn screw anti-clockwise until 25 mm free play is felt at knob, ensure 5th gear can be engaged.
3. Tighten locknut.
4. Check all other gears are selectable.

MANUAL GEARBOX

Bias spring adjustment - Type A gearbox

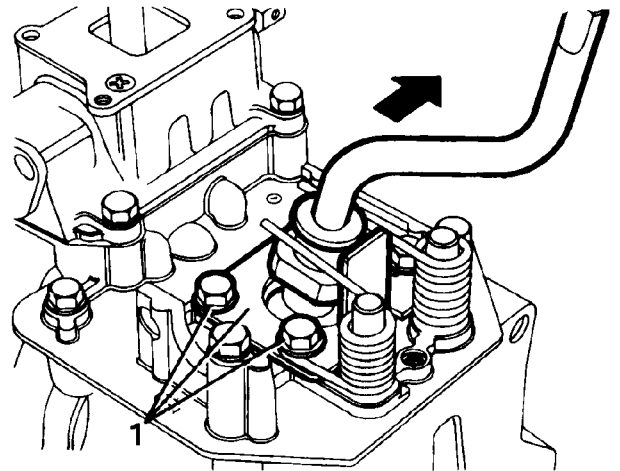
 **NOTE:** The purpose of this adjustment is to set both bolts so that the bias spring legs apply equal pressure on both ends of the gear lever cross pin when third or fourth gear is engaged. This will ensure that when the lever is in neutral, the gear change mechanism is automatically aligned for third or fourth gear.



37M7108

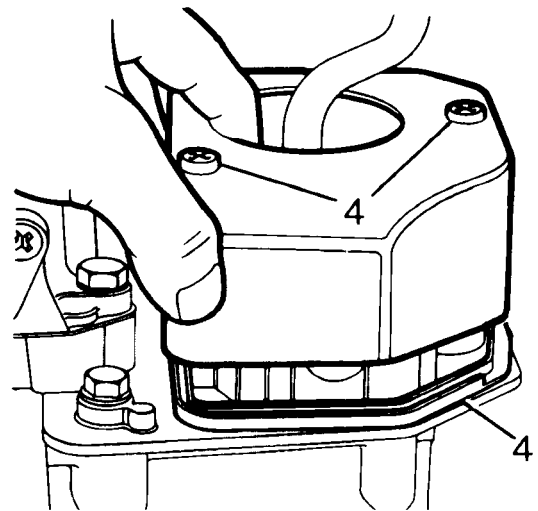
1. Select third or fourth gear.
2. Adjust the two adjusting screws until both legs of the spring are approximately 0.5 mm clear of the cross pin in the gear lever.
3. Apply a light load to the gear lever in a left hand direction and adjust the right hand adjusting screw downward until the right hand spring leg just makes contact with the cross pin.
4. Repeat the same procedure for the left hand adjusting screw.
5. Lower both adjusting screws equal amounts until the radial play is just eliminated.
6. Tighten locknuts.
7. Return gear lever to neutral position and rock across the gate several times. The gear lever should return to the third and fourth gate.

Bias spring adjustment - Type B gearbox



37M7109

1. Slacken bias adjustment plate bolts. Select fourth gear and move lever fully to the right.
2. Tighten adjustment plate bolts.
3. Check adjustment is correct by selecting third and fourth gears.



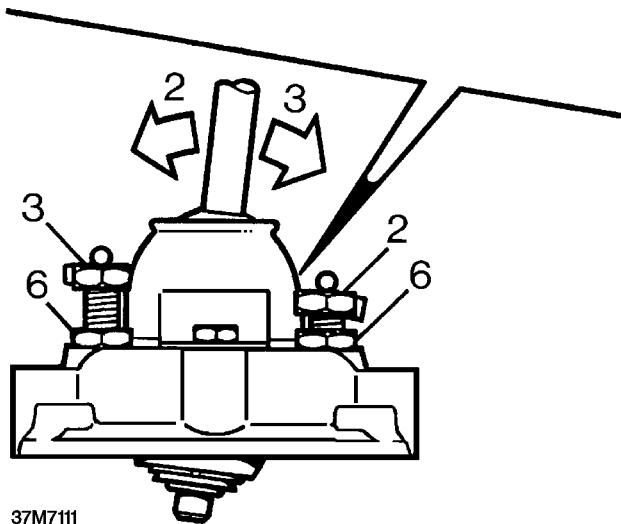
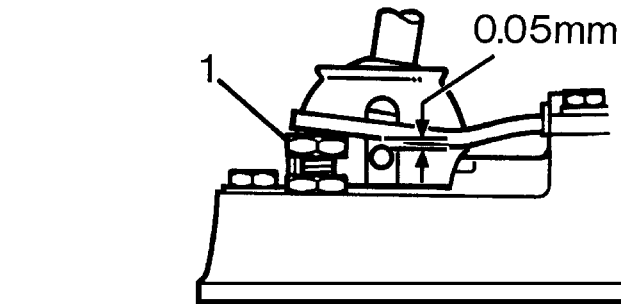
37M7110

4. Fit sealing rubber to gear change housing, apply Hylogrip 640 to screws and fit cover.



Bias spring adjustment - Type C gearbox

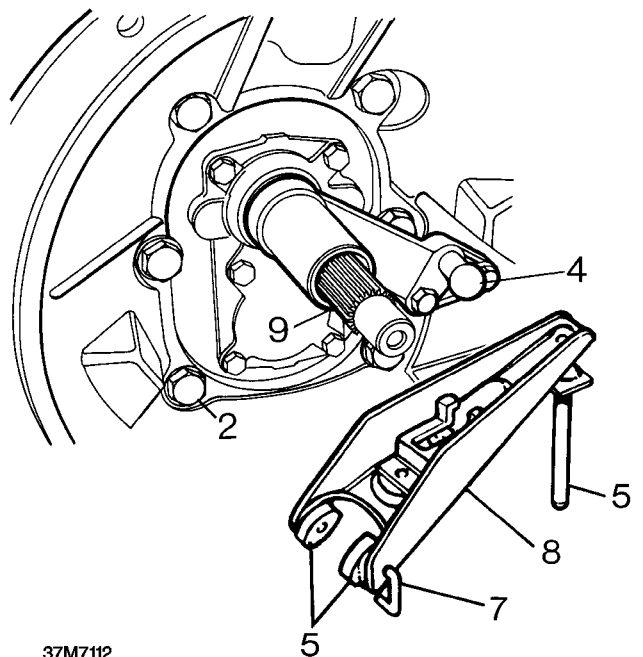
NOTE: The purpose of this adjustment is to ensure that when bias spring is correctly adjusted, the gear change mechanism is automatically aligned for 3rd or 4th gear selection when gear lever is in neutral.



37M7111

1. Adjust both bias spring adjustment bolts until a clearance of 0.05mm exists between both legs of bias spring and gear lever cross pin.
2. Apply a light load to move gear lever to the left and adjust right hand bolt until right hand leg of bias spring just contacts gear lever cross pin.
3. Move gear lever to the right and adjust left hand bolt.
4. Check that with gear lever moved fully to the left and right, spring legs just contact gear lever cross pin.
5. Select neutral then rock gear lever across the gate; when released, lever should return to 3rd/4th position.
6. Tighten adjusting bolt locknuts.

Clutch housing - Type A gearbox - Refit



37M7112

1. Position clutch housing to gearbox.
2. Fit securing bolts.

NOTE: The 12 x 45mm bolts must be fitted through locating dowels.

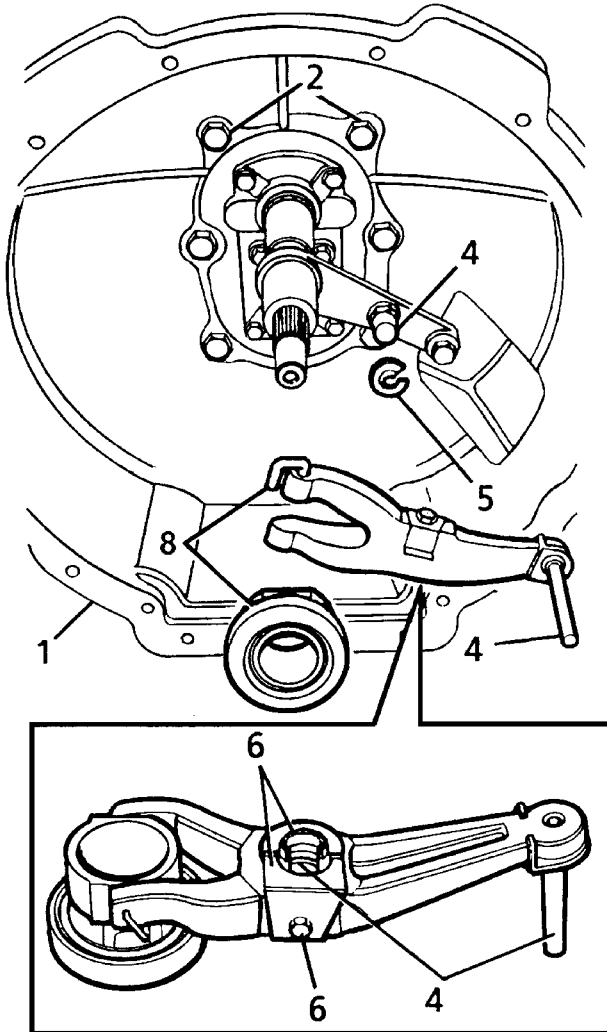
3. Tighten bolts by diagonal selection to 72 Nm.
4. Fit pivot post, fit and tighten bolts.
5. Apply lithium based grease to pivot post, pads and push rod.
6. Position pads to clutch release lever, fit release bearing.
7. Fit new clips to retain pads.

NOTE: Clips may become displaced in service with no loss of performance.

8. Fit release lever.
9. Apply lithium based grease to splines of input shaft.

MANUAL GEARBOX

Clutch housing - Type B gearbox - Refit



37M0616

1. Position clutch housing to gearbox.
2. Fit securing bolts.



NOTE: The 12 x 45mm bolts must be fitted through locating dowels.

3. Tighten bolts by diagonal selection to 72 Nm.
4. Apply lithium based grease to pivot post, release lever, socket and push rod.
5. Fit a new 'C' clip to pivot post, fit post.
6. Fit spring clip to release lever, fit but do not tighten bolt.

7. Position release lever to pivot post ensuring spring clip is located behind 'C' clip; tighten bolt.
8. Fit clutch release bearing and retain using new clips.



NOTE: Clips may become displaced in service with no loss of performance.

Clutch housing - Type C gearbox - Refit

1. Position clutch housing to gearbox.
2. Fit securing bolts.



NOTE: The 2 longest bolts must be fitted at locating dowel positions.

3. Tighten bolts by diagonal selection to 72 Nm.
4. Apply lithium based grease to pivot post.
5. Fit release lever and clutch release bearing.

Adaptor housing - Type D gearbox - Refit

1. Position adaptor housing to gearbox.
2. Fit securing bolts.



NOTE: The two longest bolts must be fitted at locating dowel positions.

3. Tighten bolts by diagonal selection to 72 Nm.
4. Apply lithium based grease to pivot post.
5. Fit pivot post and secure with two bolts.