



Electrical Circuit Diagrams

Elektrische Circuitdiagrammen

Schémas électriques

Elektrische Schaltpläne

Schemi elettrici

Esquemas de Circuitos Eléctricos

Diagramas dos Circuitos Eléctricos

COLOUR CODES**DRAADKLEURCODES****CODES DES COULEURS DES FILS****KABELFARBCODES****CODICI COLORI DEI CAVI****CÓDIGOS DE COLORES DE LOS CABLES****CÓDIGOS DAS CORES DOS FIOS**

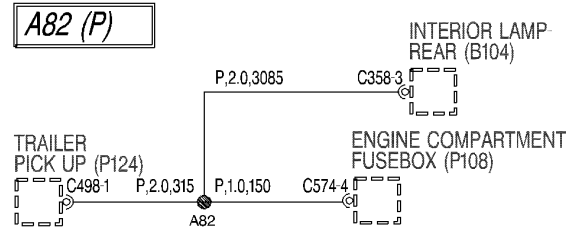
CODE COLOUR	CODE KLEUR	CODE COULEUR	CODE FARBE	CODICE COLORE	CODIGO COLOR	CÓDIGO COR
B BLACK	B ZWART	B NOIR	B SCHWARZ	B NERO	B NEGRO	B PRETO
G GREEN	G GROEN	G VERT	G GRÜN	G VERDE	G VERDE	G VERDE
K PINK	K ROZE	K ROSE	K ROSA	K ROSA	K ROSA	K ROSA
LG LIGHT GREEN	LG LICHTGROEN	LG VERT CLAIR	LG HELLGRÜN	LG VERDE CHIARO	LG VERDE CLARO	LG VERDE CLARO
N BROWN	N BRUIN	N BRUN	N BRAUN	N MARRONE	N MARRON	N CASTANHO
O ORANGE	O ORANJE	O ORANGE	O ORANGE	O ARANCIONE	O NARANJA	O LARANJA
P PURPLE	P PAARS	P VIOLET	P LILA	P PORPORA	P PURPURA	P ROXO
R RED	R ROOD	R ROUGE	R ROT	R ROSSO	R ROJO	R VERMELHO
S SLATE (grey)	S LEIGRIJS	S GRIS	S GRAU	S ARDESIA (grigio)	S PIZARRA (gris)	S CINZENTO
U BLUE	U BLAUW	U BLEU	U BLAU	U BLU	U AZUL	U AZUL
W WHITE	W WIT	W BLANC	W WEISS	W BIANCO	W BLANCO	W BRANCO
Y YELLOW	Y GEEL	Y JAUNE	Y GELB	Y GIALLO	Y AMARILLO	Y AMARELO

HOW TO USE THE CIRCUIT DIAGRAMS

All of the information in this folder is intended for use with the Electrical Reference Library booklet. The circuit diagrams are presented with Power and Earth distribution first, followed by individual circuits for each electrical system on the car.

Power Distribution

The Power Distribution diagram shows the connections from the battery to the engine and passenger compartment fuse boxes. It also shows the internal circuitry of the fuse boxes.



These fuse box details are followed by a 'Headers and Splices' section outlining the way in which internal harness splices and header joints distribute power in the harnesses. This information should be used during diagnosis of electrical faults to check for symptoms in associated circuits and narrow down the search area.

Headers and splices

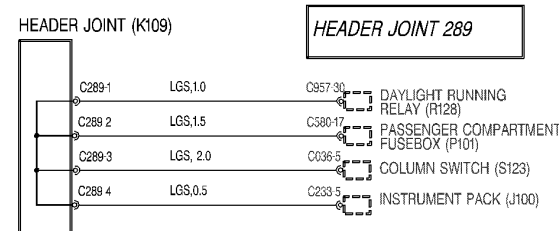
Header and splice tables present the joint(s) and wiring up to the first component. Splices are identified by a number with an alphabetical prefix and the wire colour.

Wire Attributes

Additional information (separated by a “,”) is shown alongside the wire colour:

- Wire gauge - the cross-sectional area of the wire in square millimetres. This is included to help you select the correct wire during harness repair.
- Wire length (Power & Earth Distribution only) - the length of the wire in millimetres. This can be used to locate internal harness splices; look for the shortest wire between the joint and connector. For example, it can be seen that C574-4 is 150mm from joint A82.

Connectors



Header joints are identified by their corresponding connector number with a numbered suffix to indicate the pin-out detail of the wire, i.e. C289-1 identifies connector 289, pin number 1. Wire insulation colour is identified in the normal way. Where wires have a predominant colour with a secondary colour stripe, the main colour is identified first, i.e. LGS - Light Green with a Slate stripe.

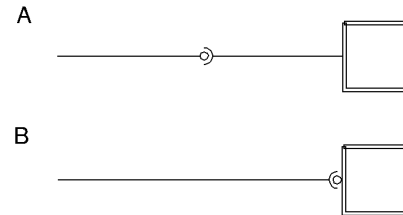
Earth Distribution

The ground distribution section comprises a number of 'Headers and Splices' tables. These are used in a similar manner to those in Power Distribution; to narrow the search area by checking for fault symptoms in associated circuits.

Line Types



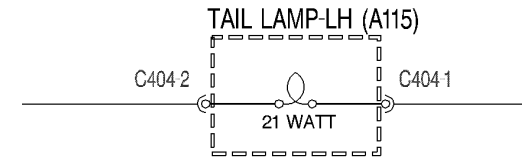
This means the wire connects to another circuit.



The 'cup and ball' symbol indicates the male and female halves of the connector.

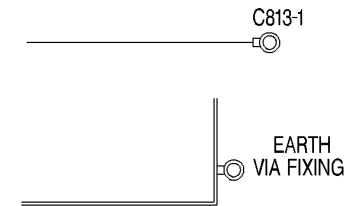
- Plug on lead (fly lead), wired directly to the component.
- Connector plugs directly into circuit.

Components



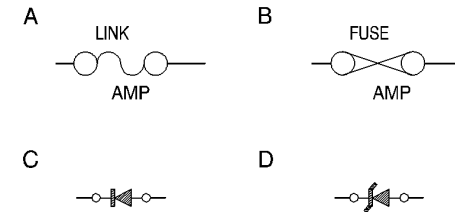
The name, or a description of the component is shown. A dotted outline indicates that the component is not shown in its entirety.

Earth Points



Earth points are identified with an eyelet symbol and a connector number, except where components are grounded through their fixings, when only the eyelet is shown.

Fuses and Diodes

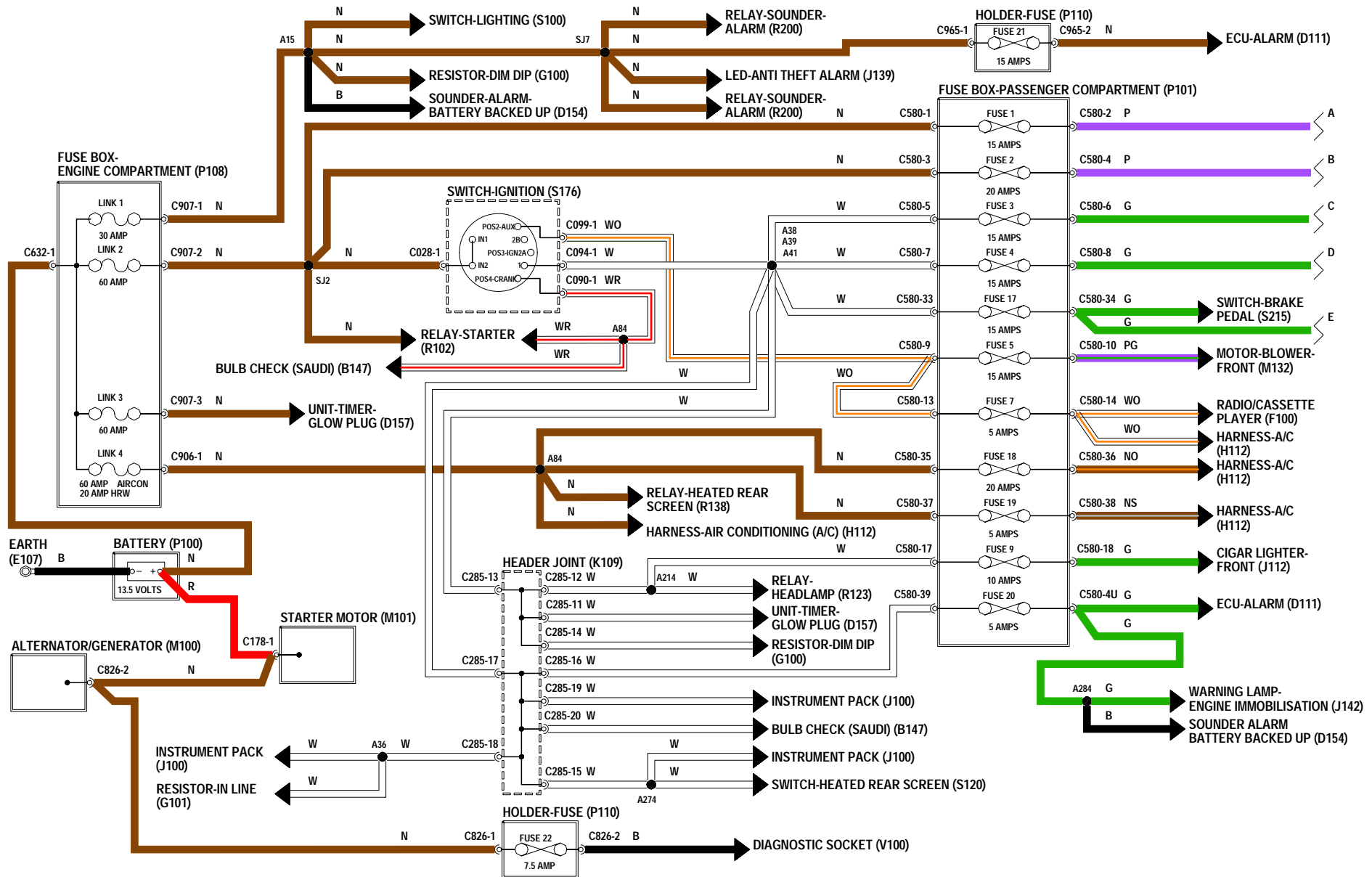


Fusible links (A) and current rated fuses (B), are identified as shown.

The direction of the 'arrow' in a Diode symbol (C) indicates the direction of current flow. The Zener Diode (D) prevents current flow until a precise voltage is reached.

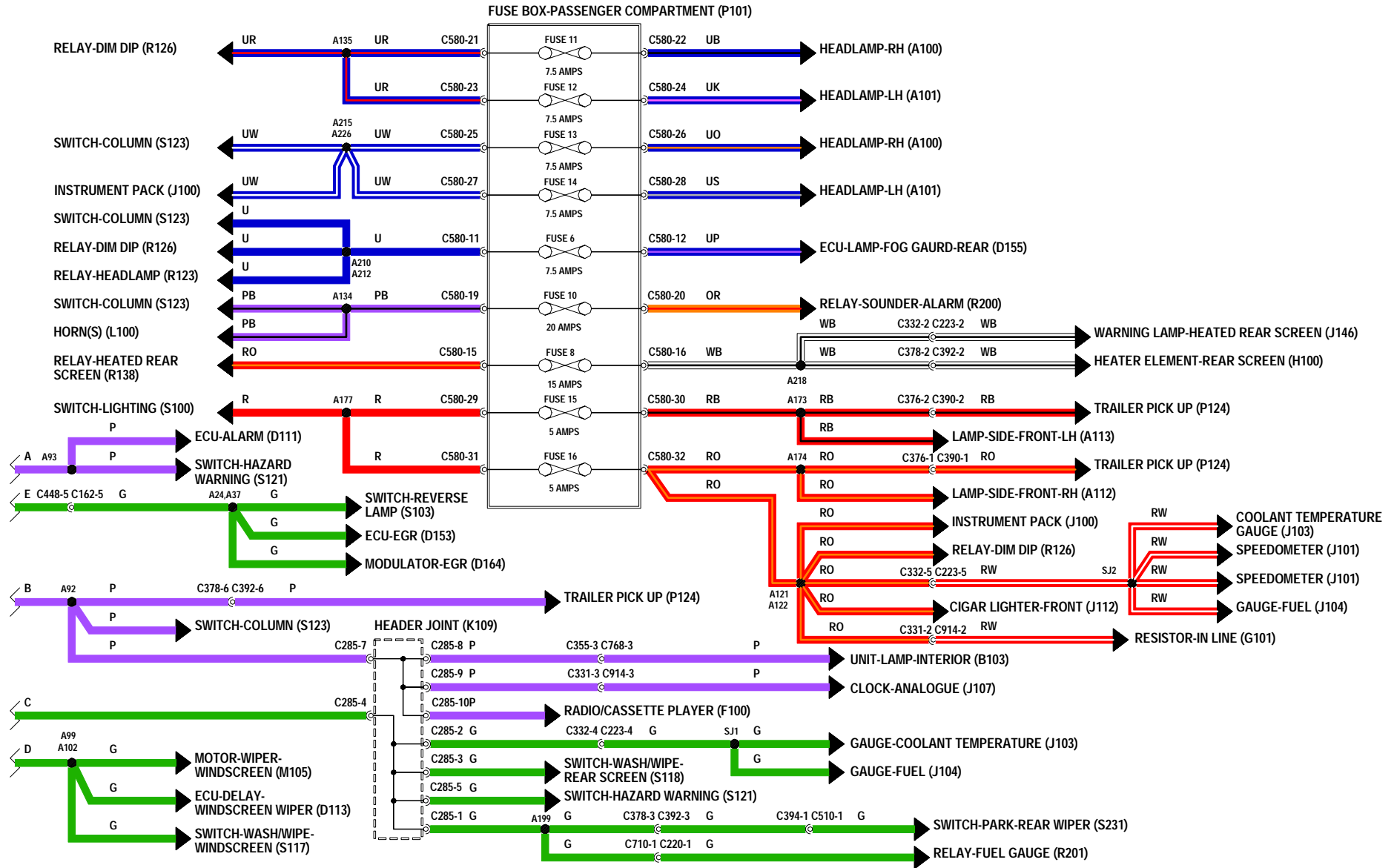
POWER DISTRIBUTION

FUSE BOXES



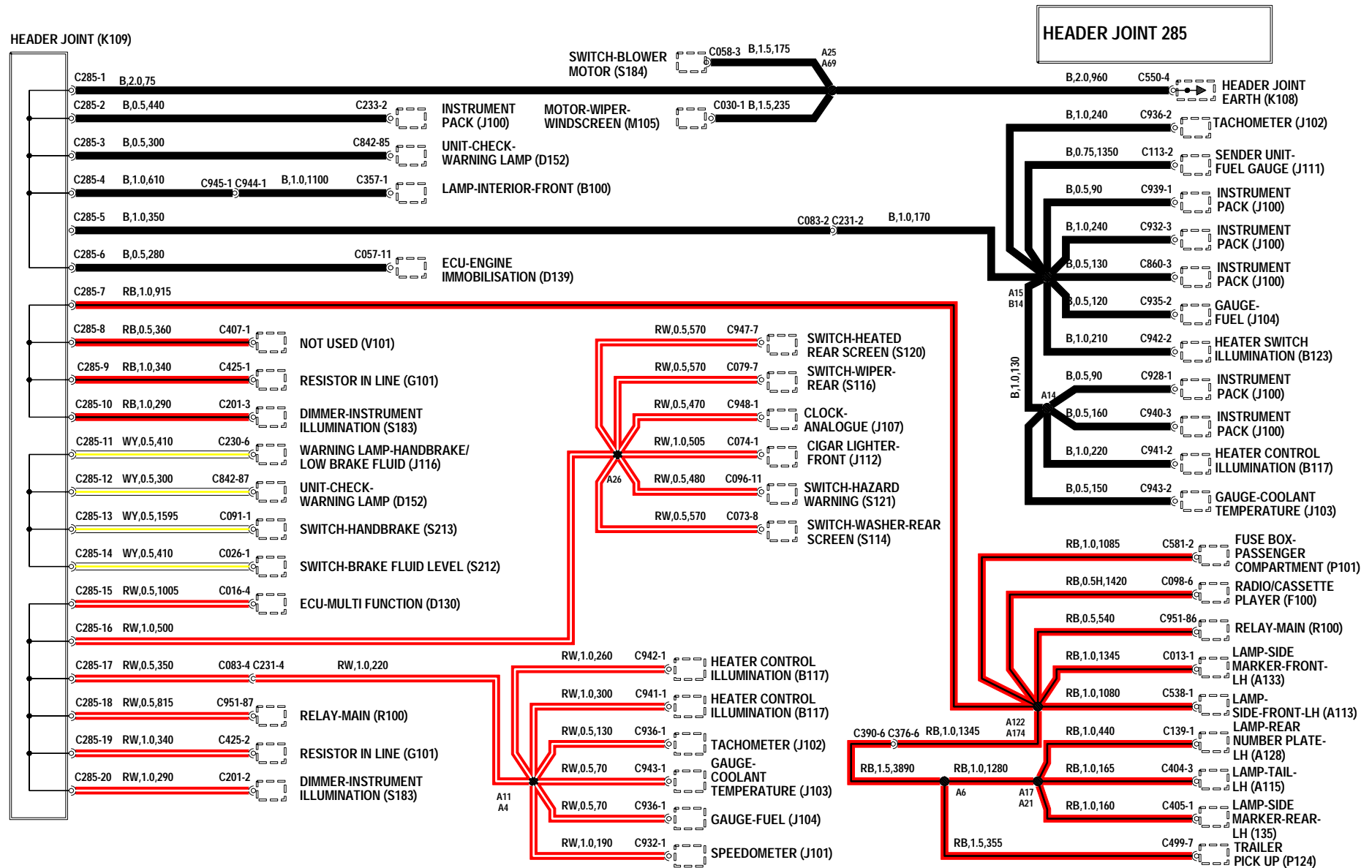
POWER DISTRIBUTION

FUSE BOXES



POWER DISTRIBUTION

HEADERS

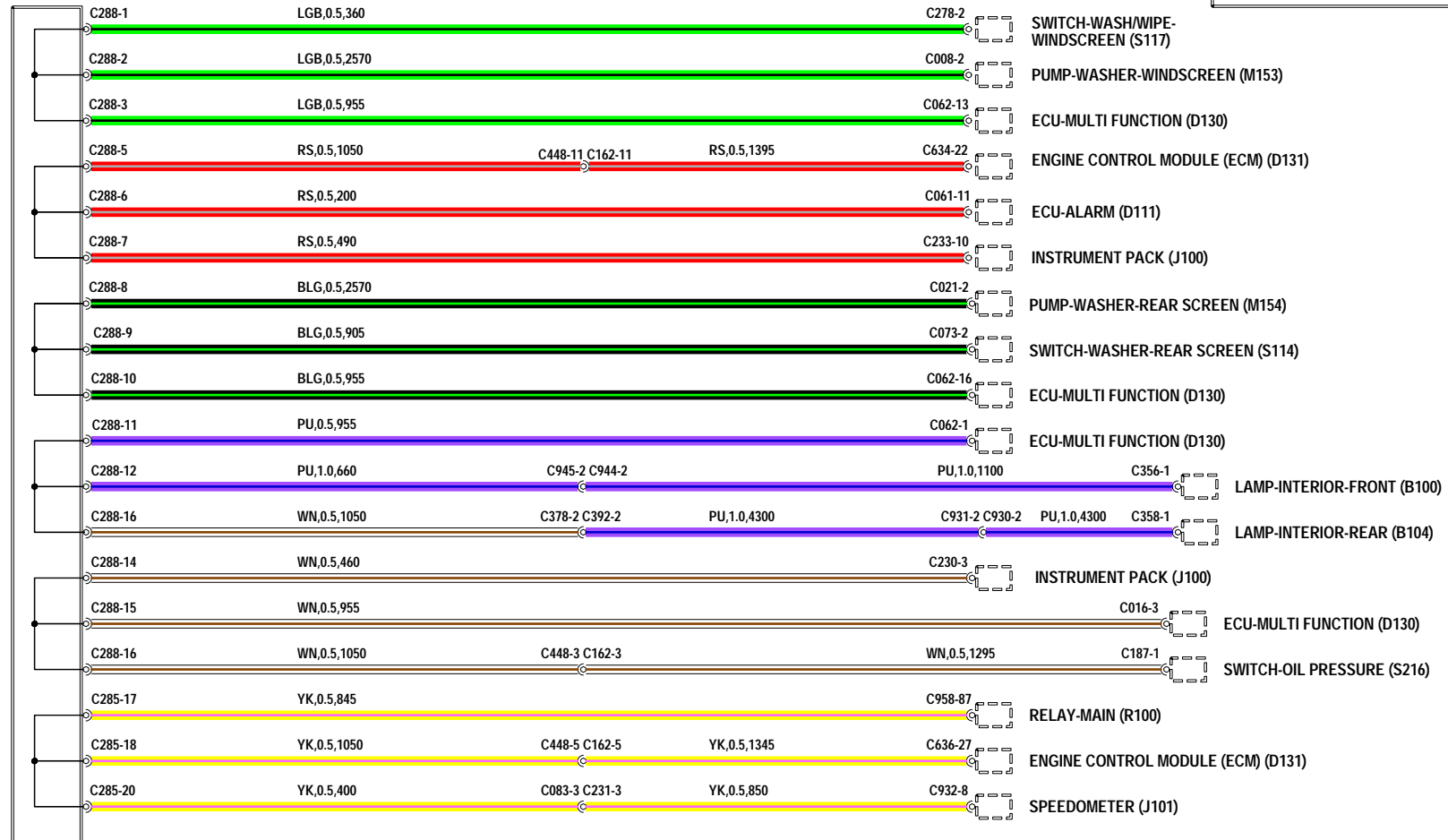


POWER DISTRIBUTION

HEADERS

HEADER JOINT 288

HEADER JOINT (K109)

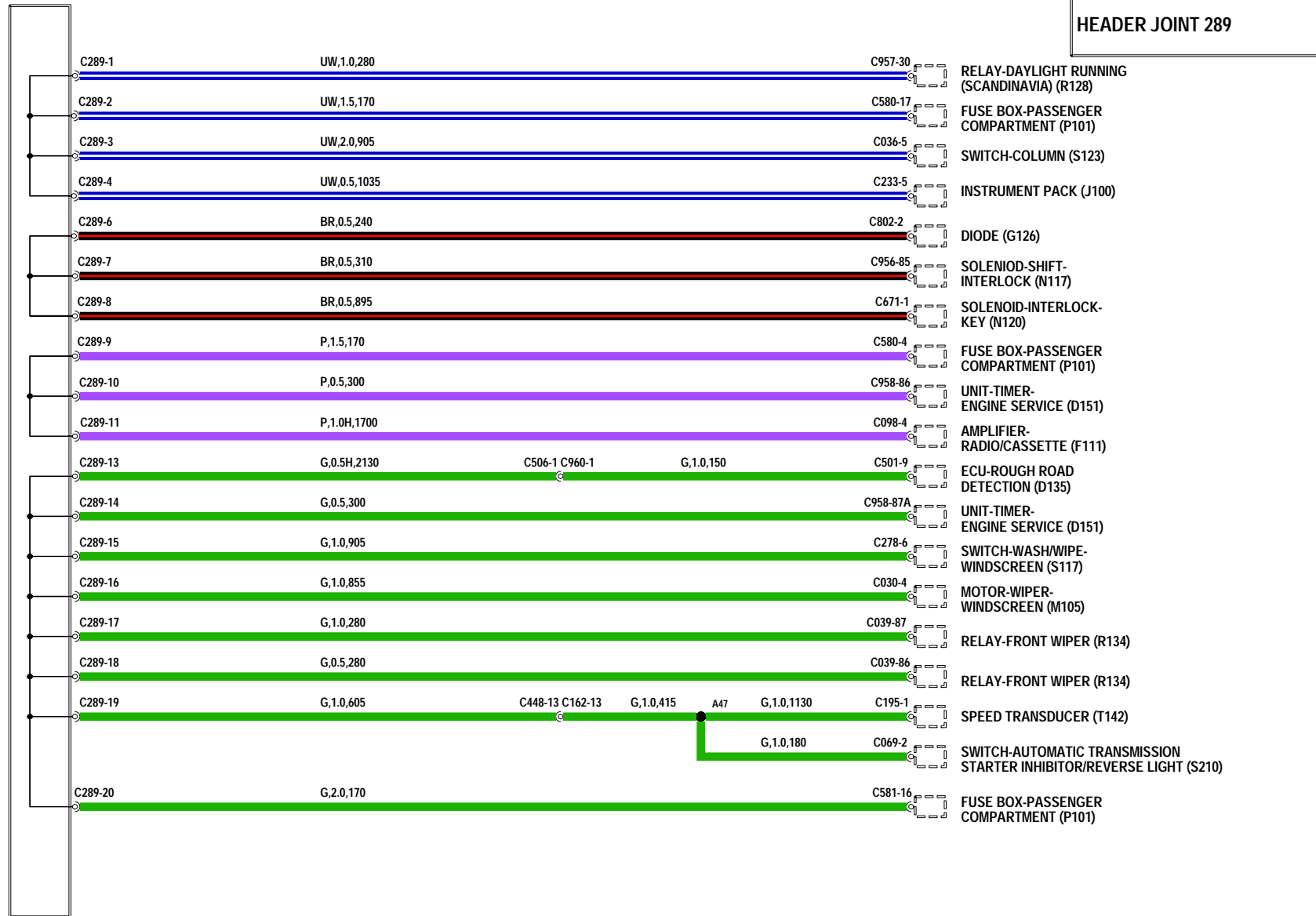


POWER DISTRIBUTION

HEADERS

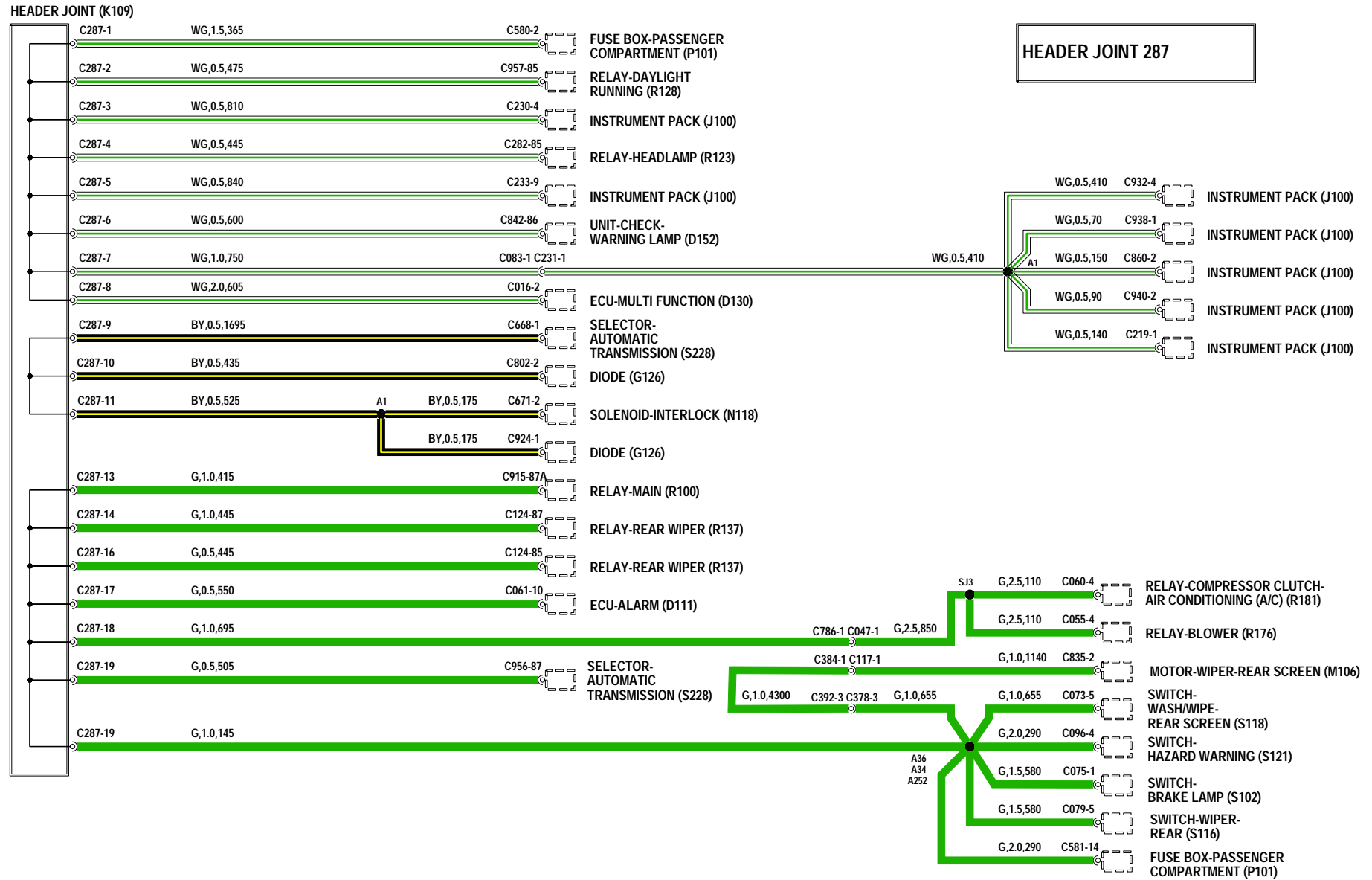
HEADER JOINT (K109)

HEADER JOINT 289



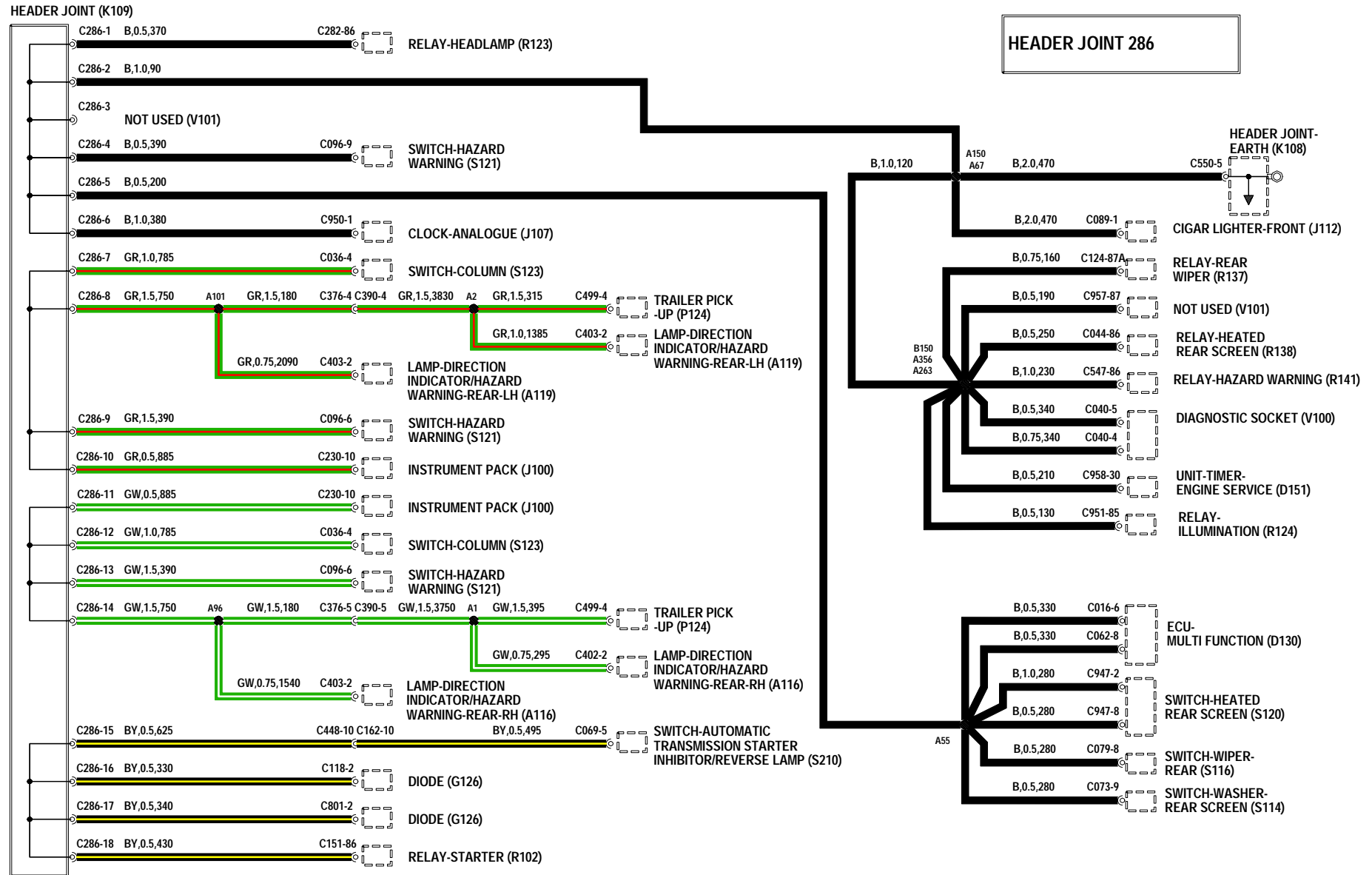
POWER DISTRIBUTION

HEADERS



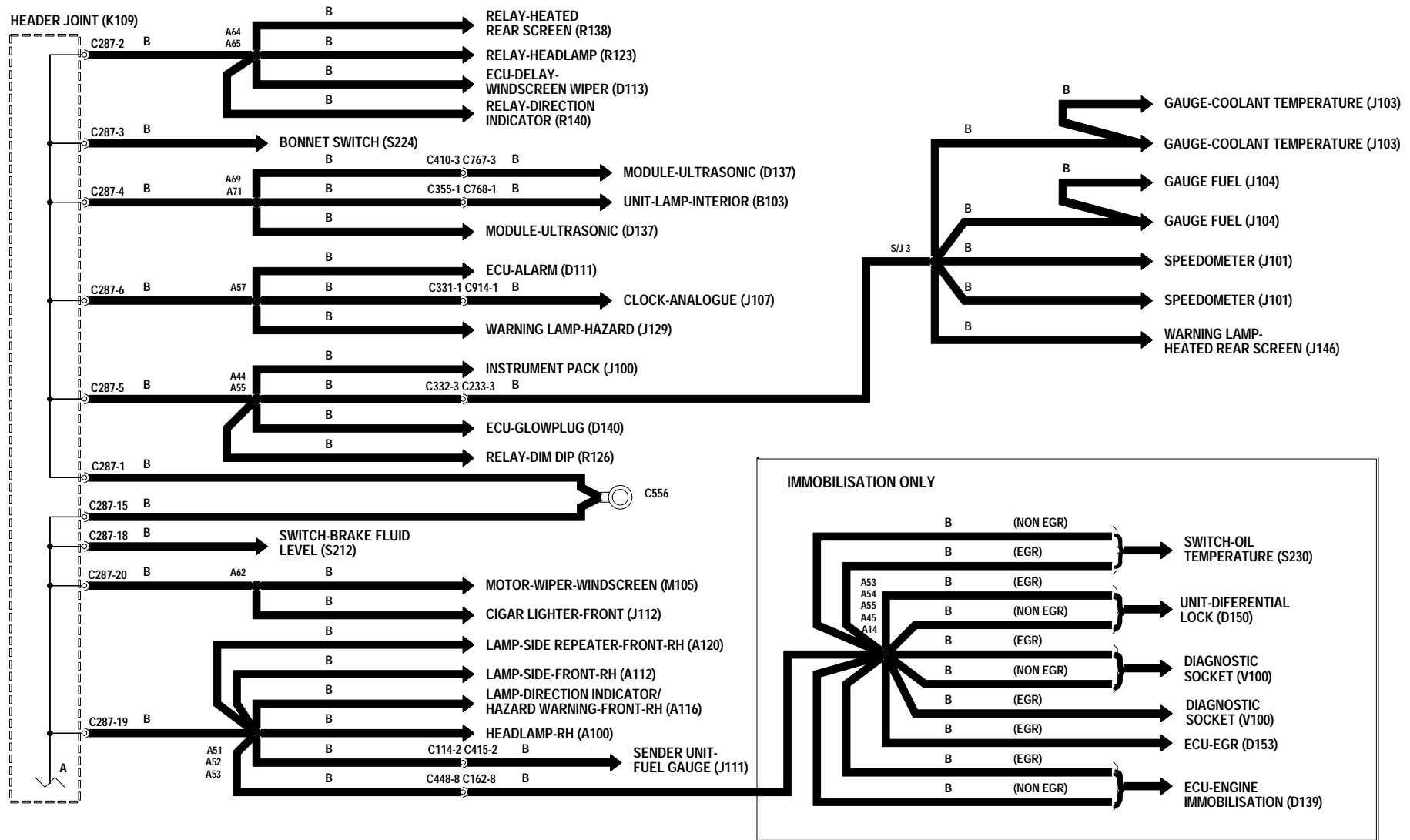
POWER DISTRIBUTION

HEADERS



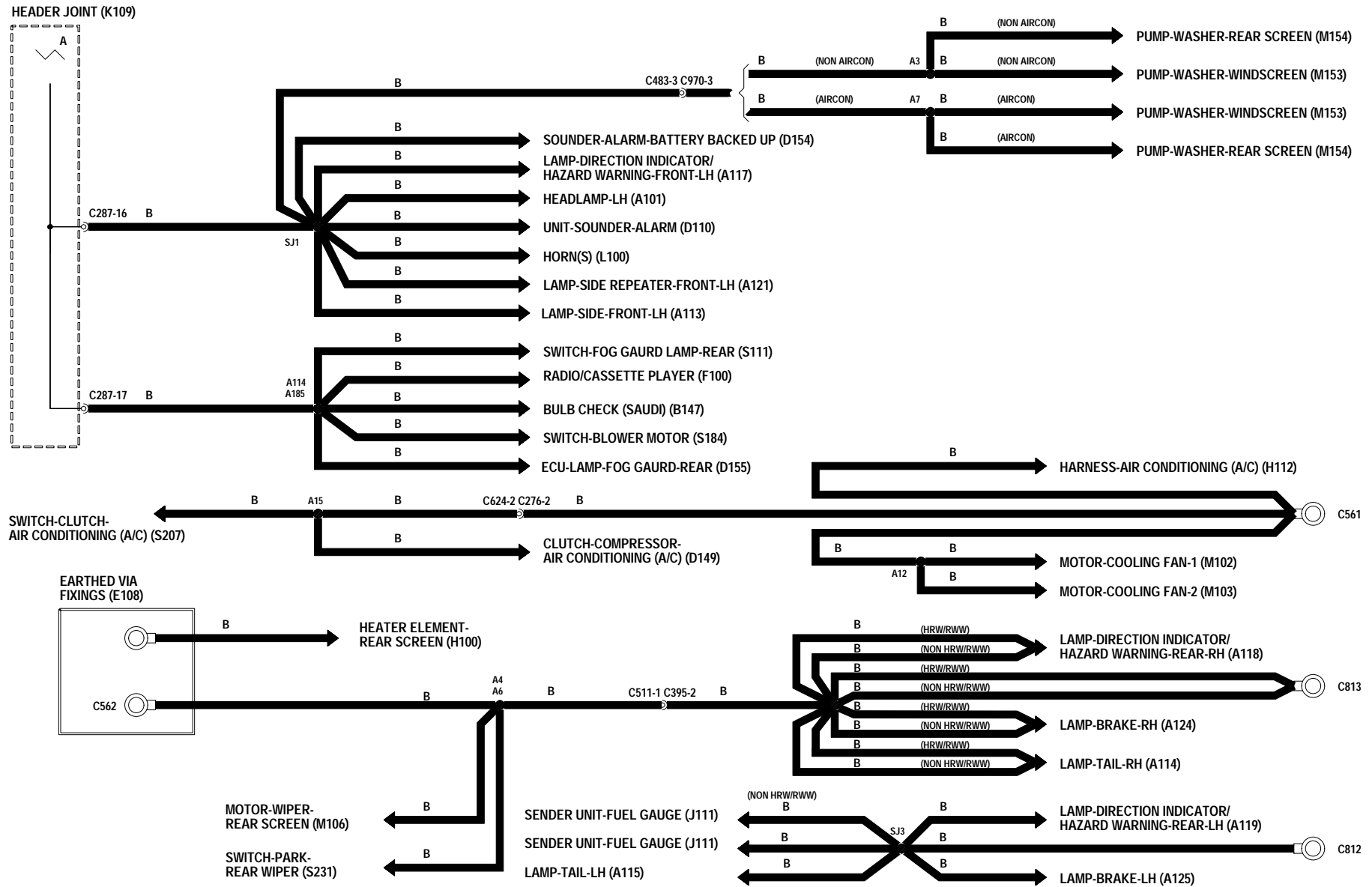
EARTH DISTRIBUTION

HEADERS

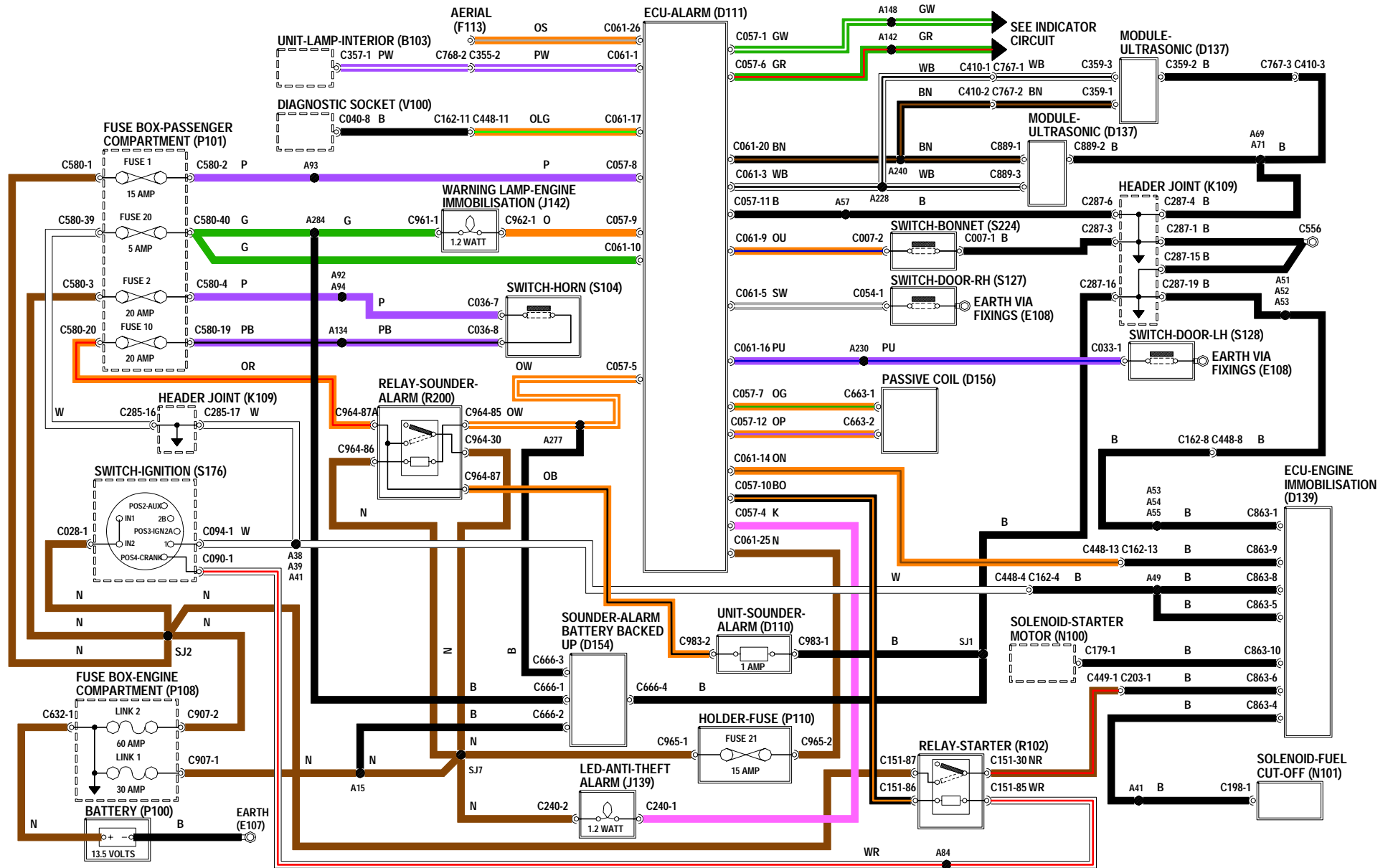


EARTH DISTRIBUTION

HEADERS

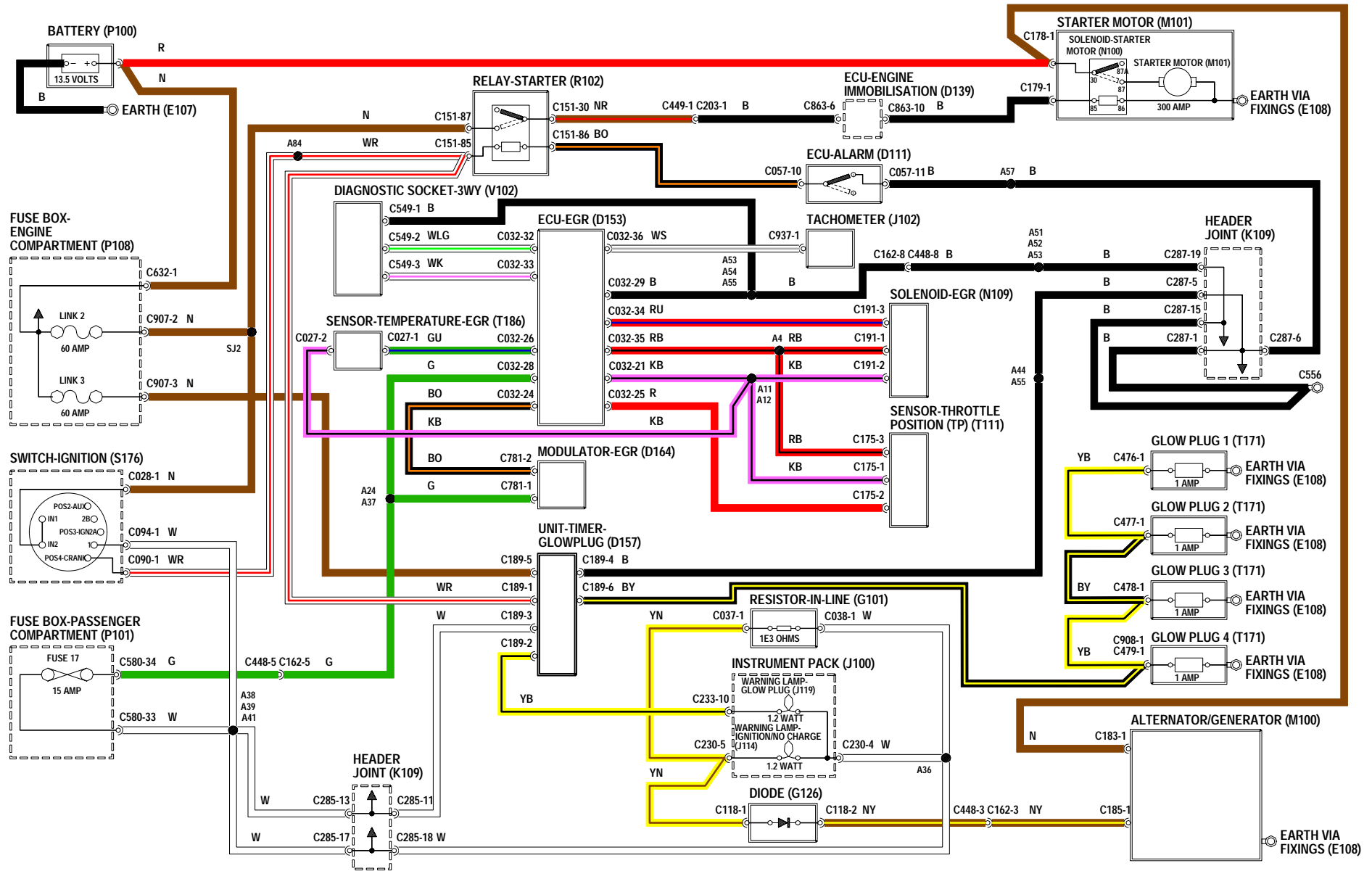


ENGINE IMMOBILISATION



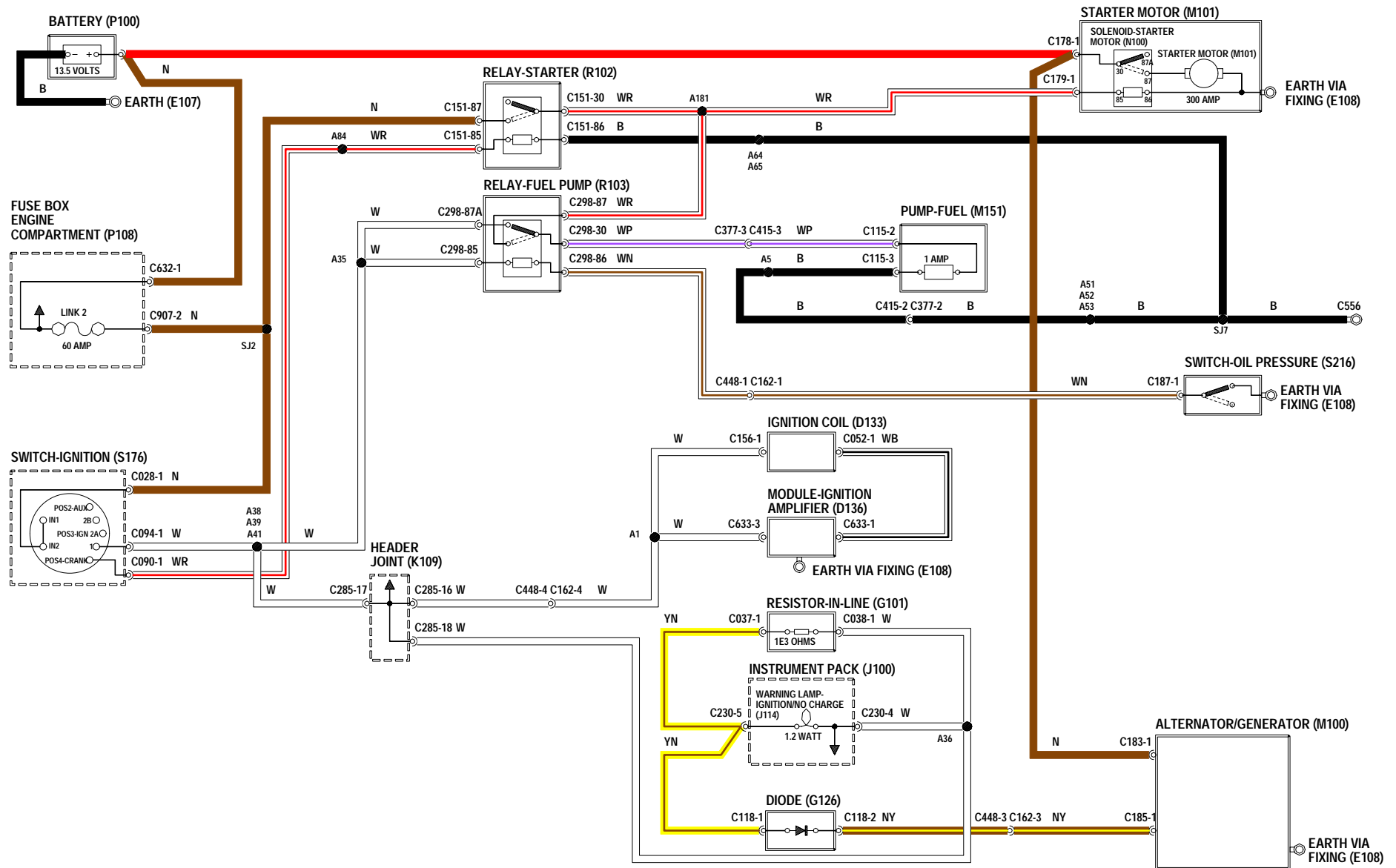
CHARGING AND STARTING

300 TDI

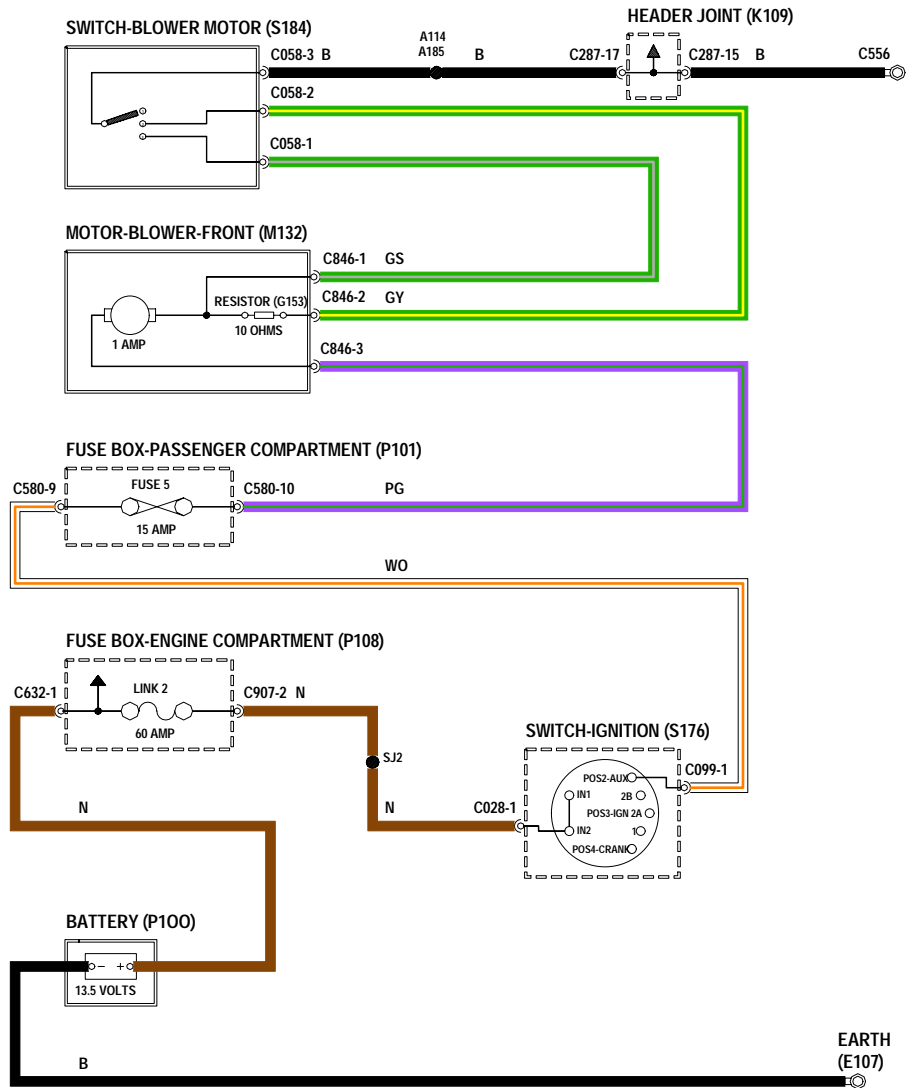


CHARGING AND STARTING

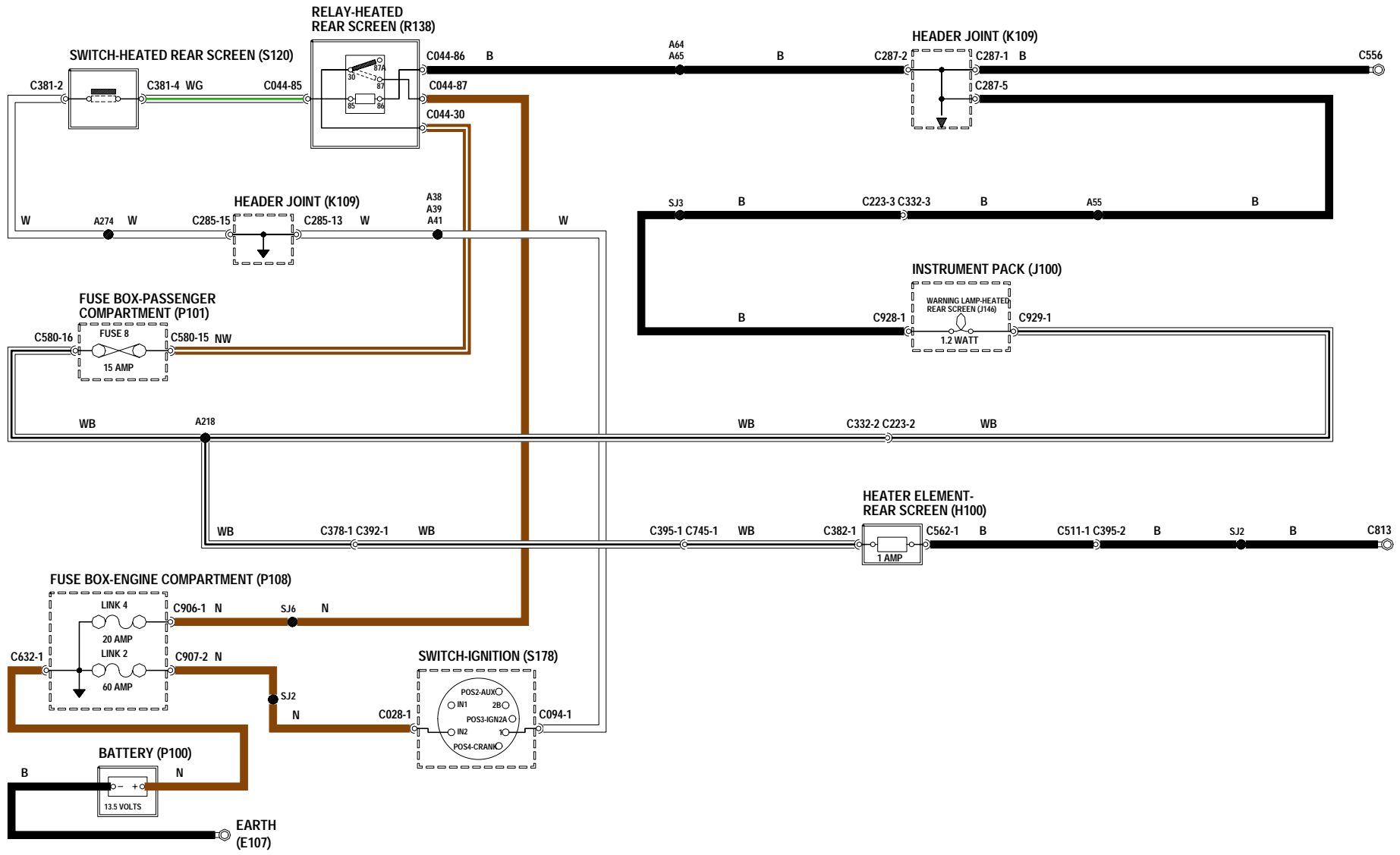
V8



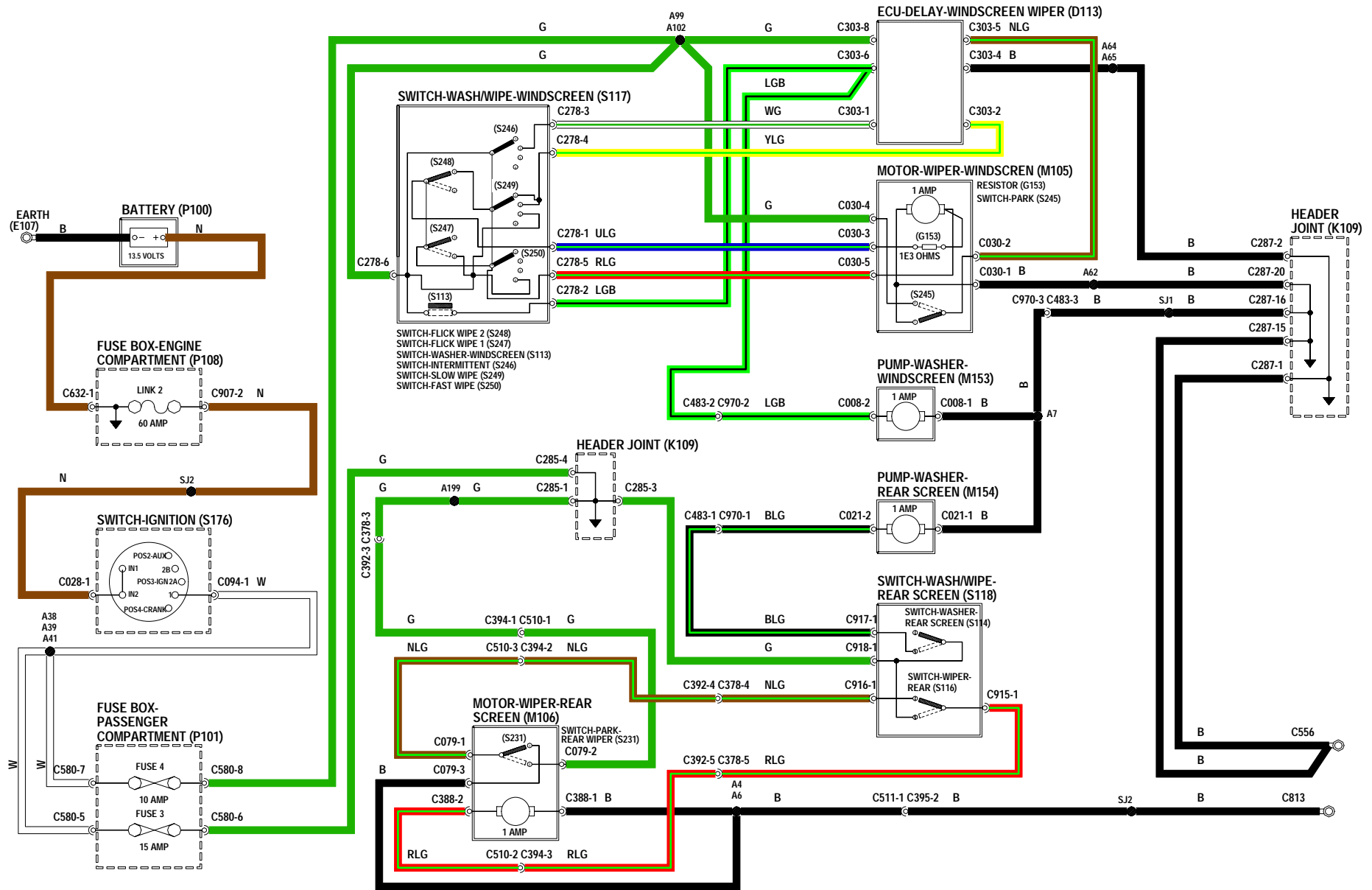
HEATER



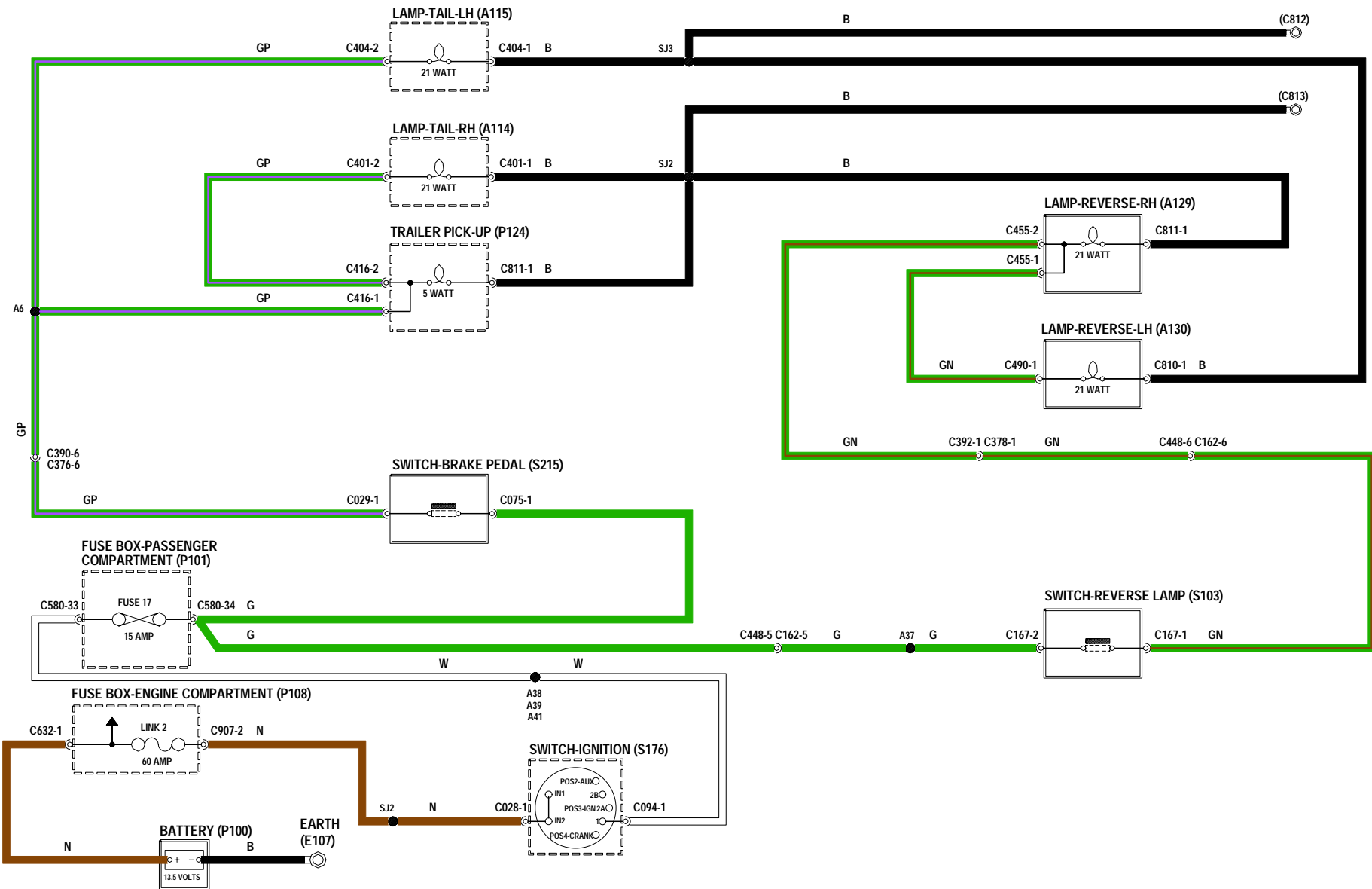
HEATED REAR SCREEN



WIPERS AND WASHERS

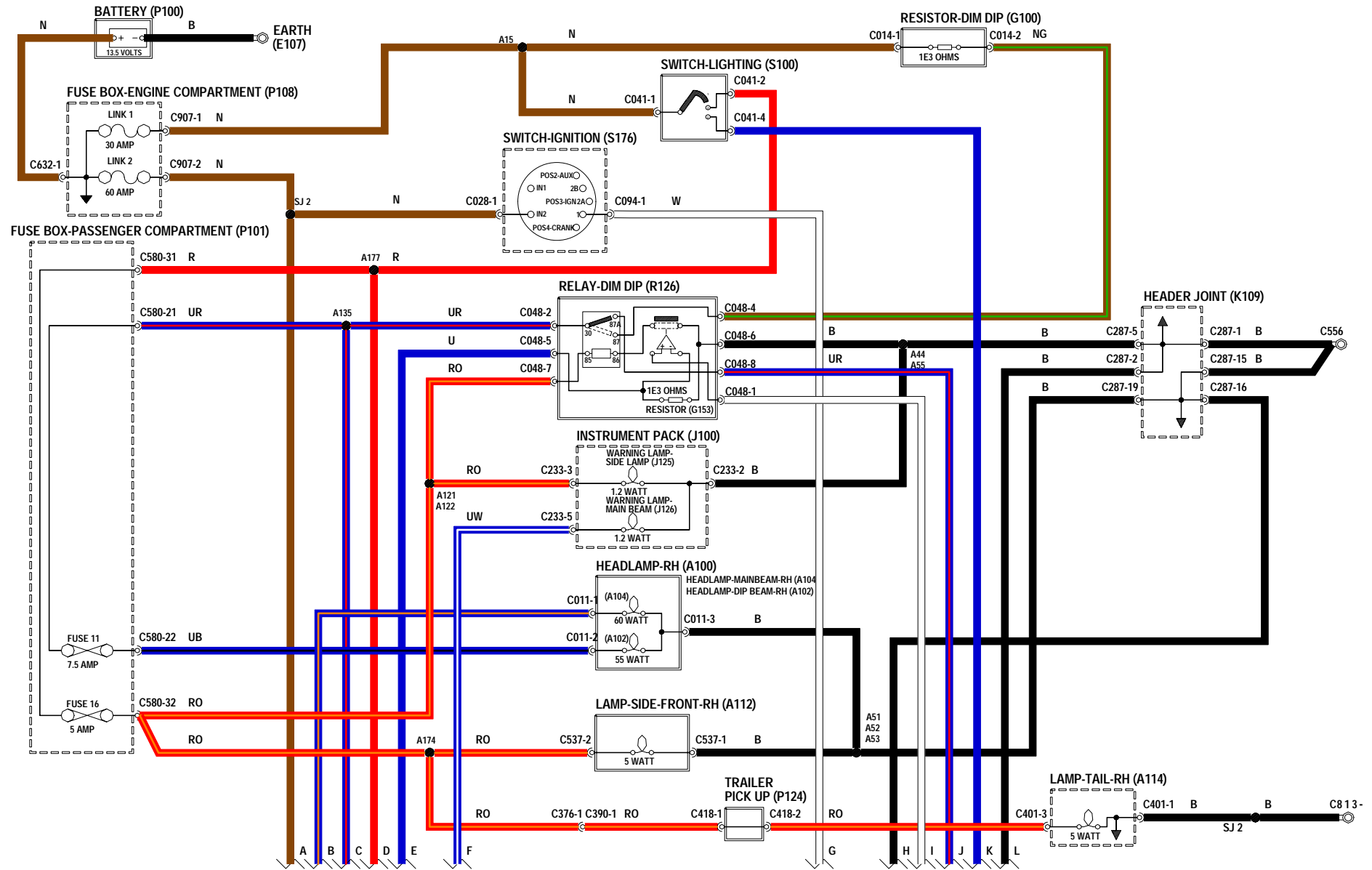


EXTERIOR LAMPS
BRAKE AND REVERSE LAMPS



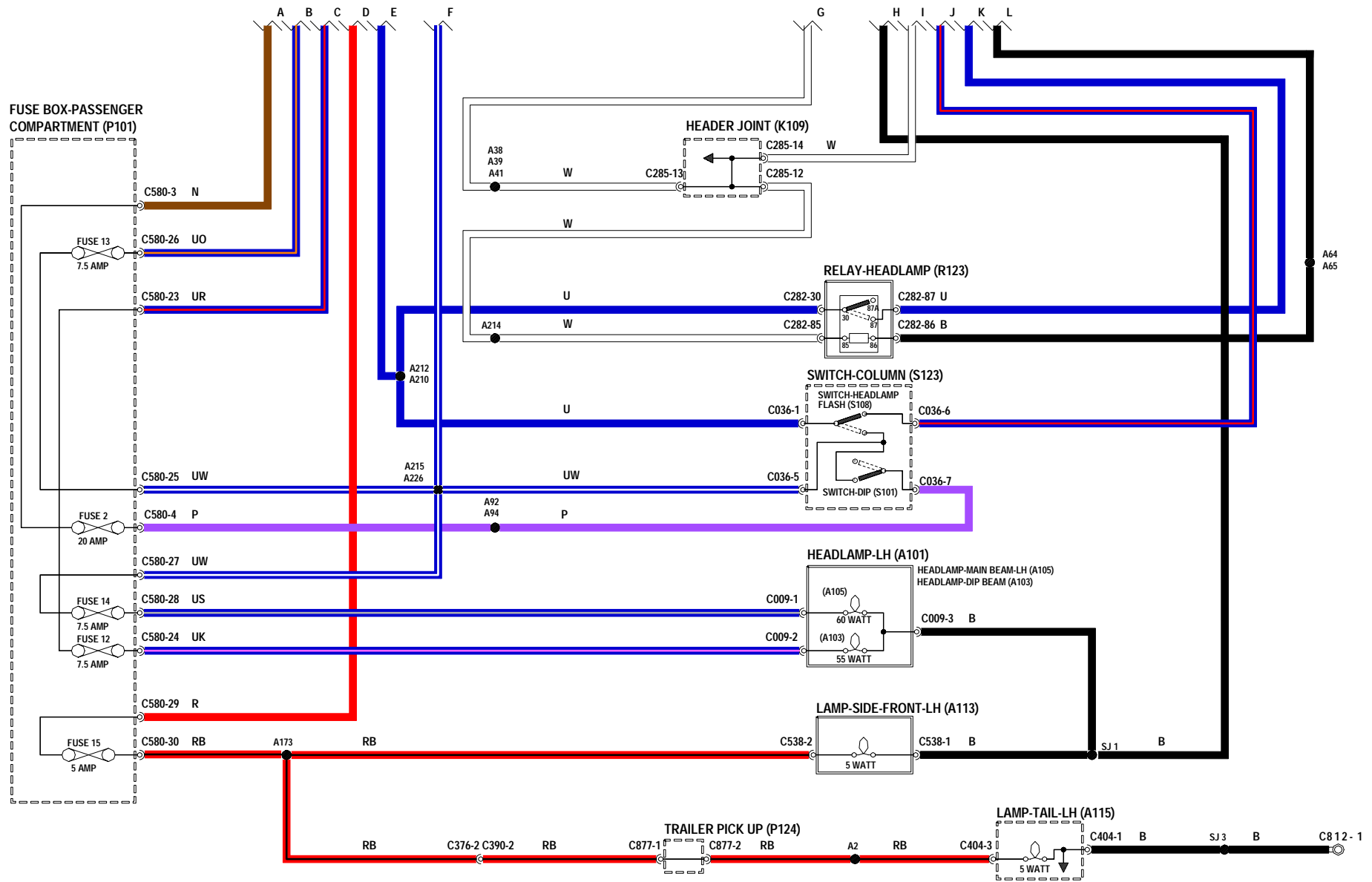
EXTERIOR LAMPS

HEAD, SIDE AND TAIL LAMPS



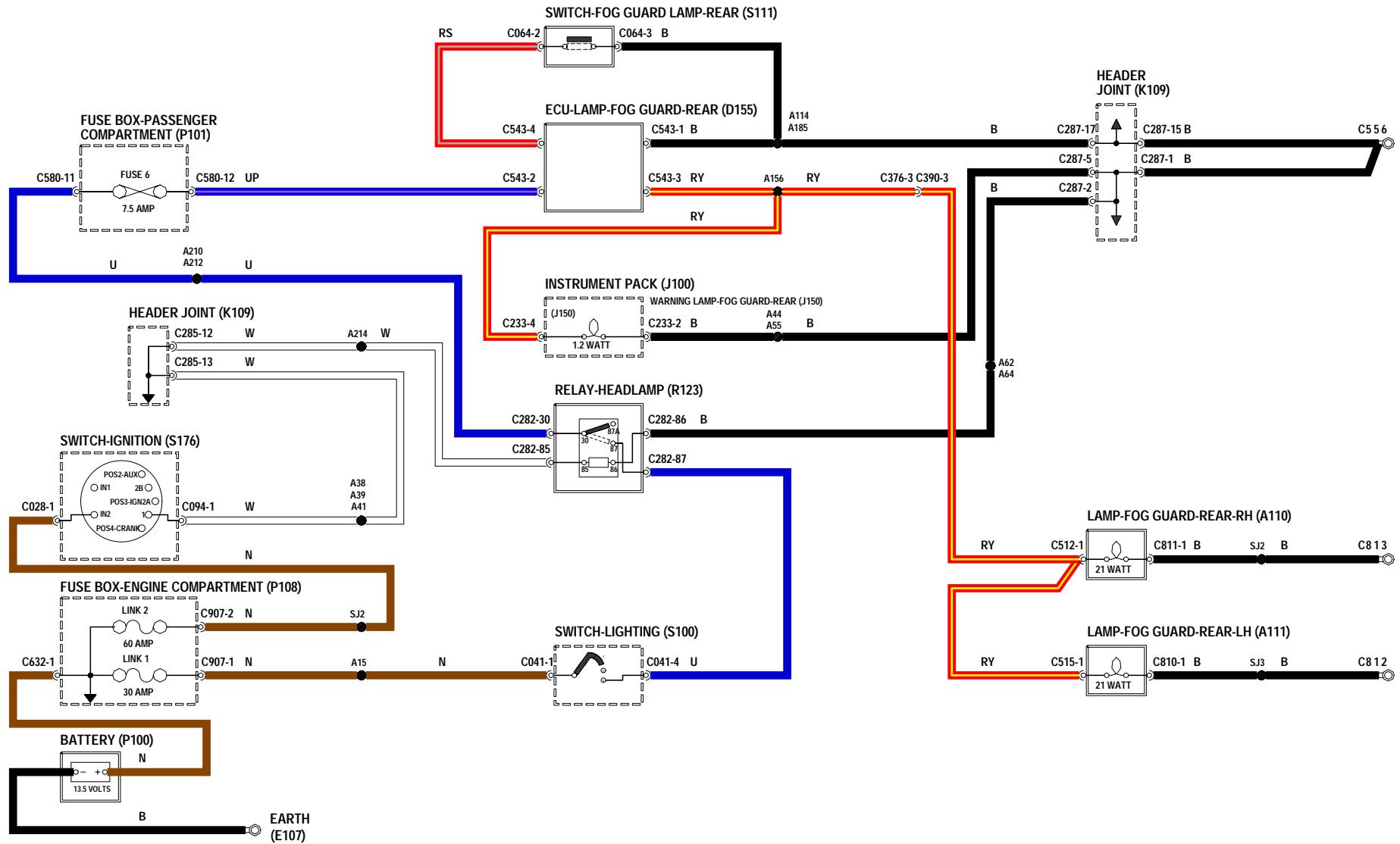
EXTERIOR LAMPS

HEAD, SIDE AND TAIL LAMPS

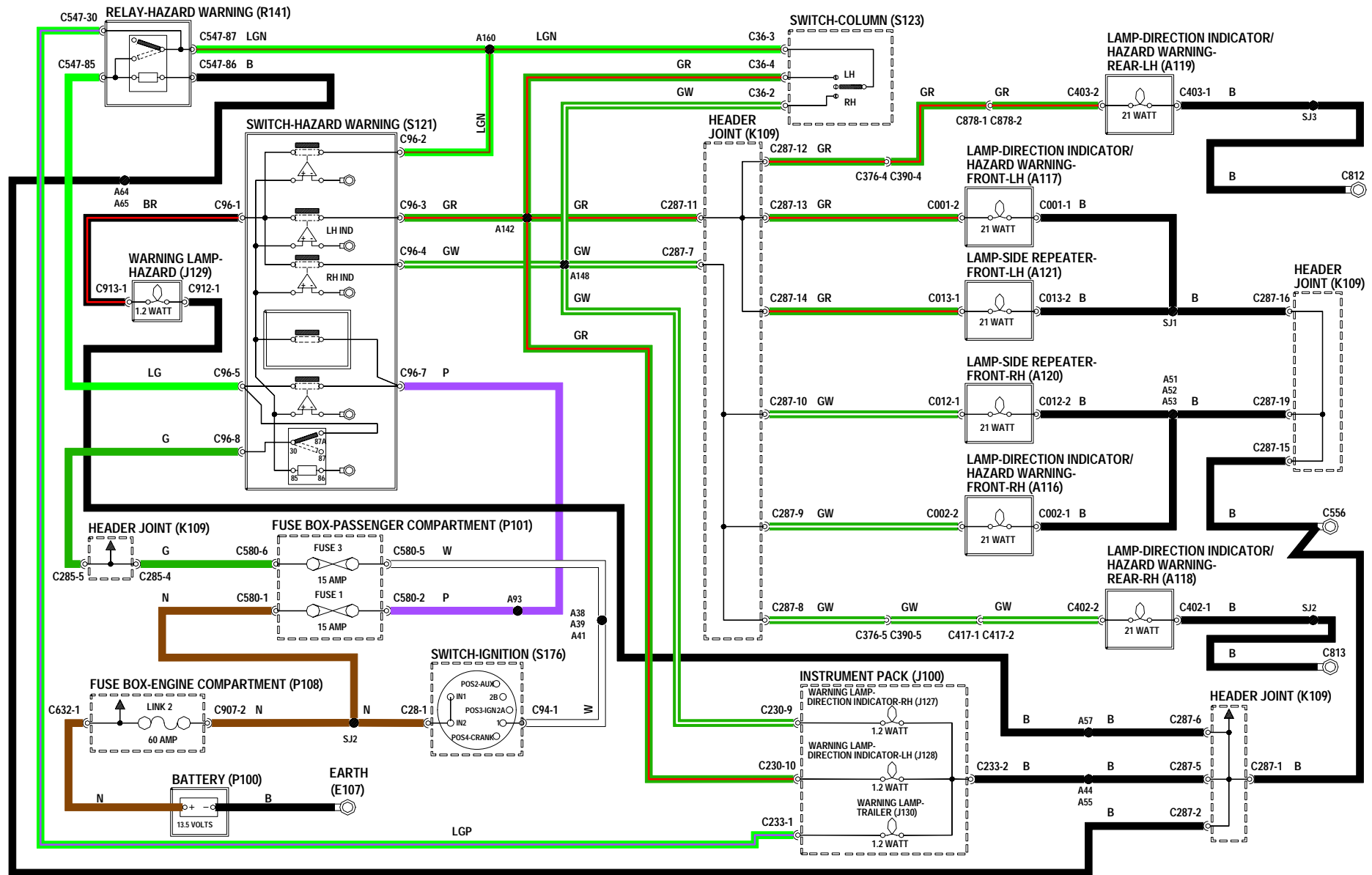


EXTERIOR LAMPS

REAR FOG LAMPS

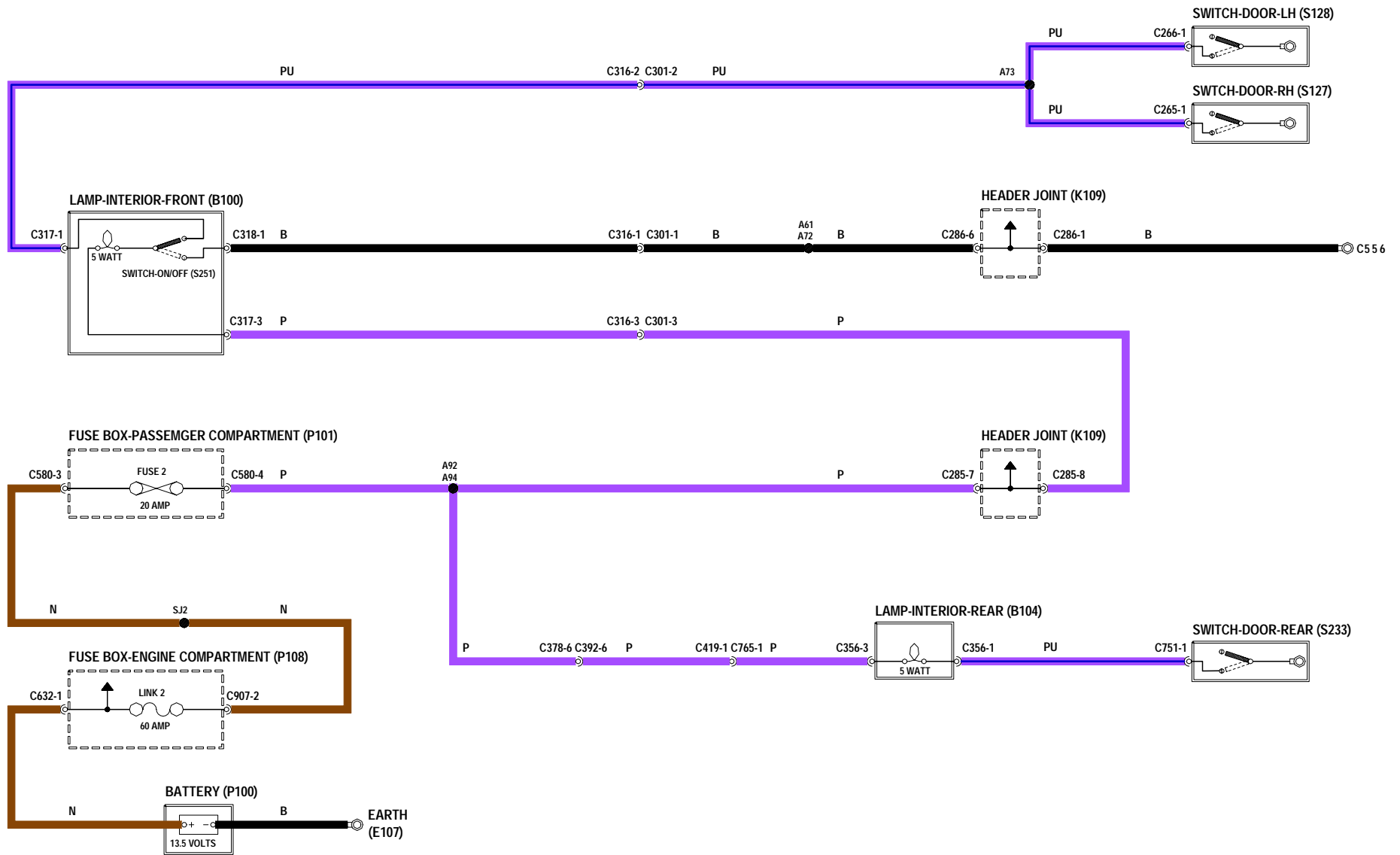


INDICATORS AND HAZARDS



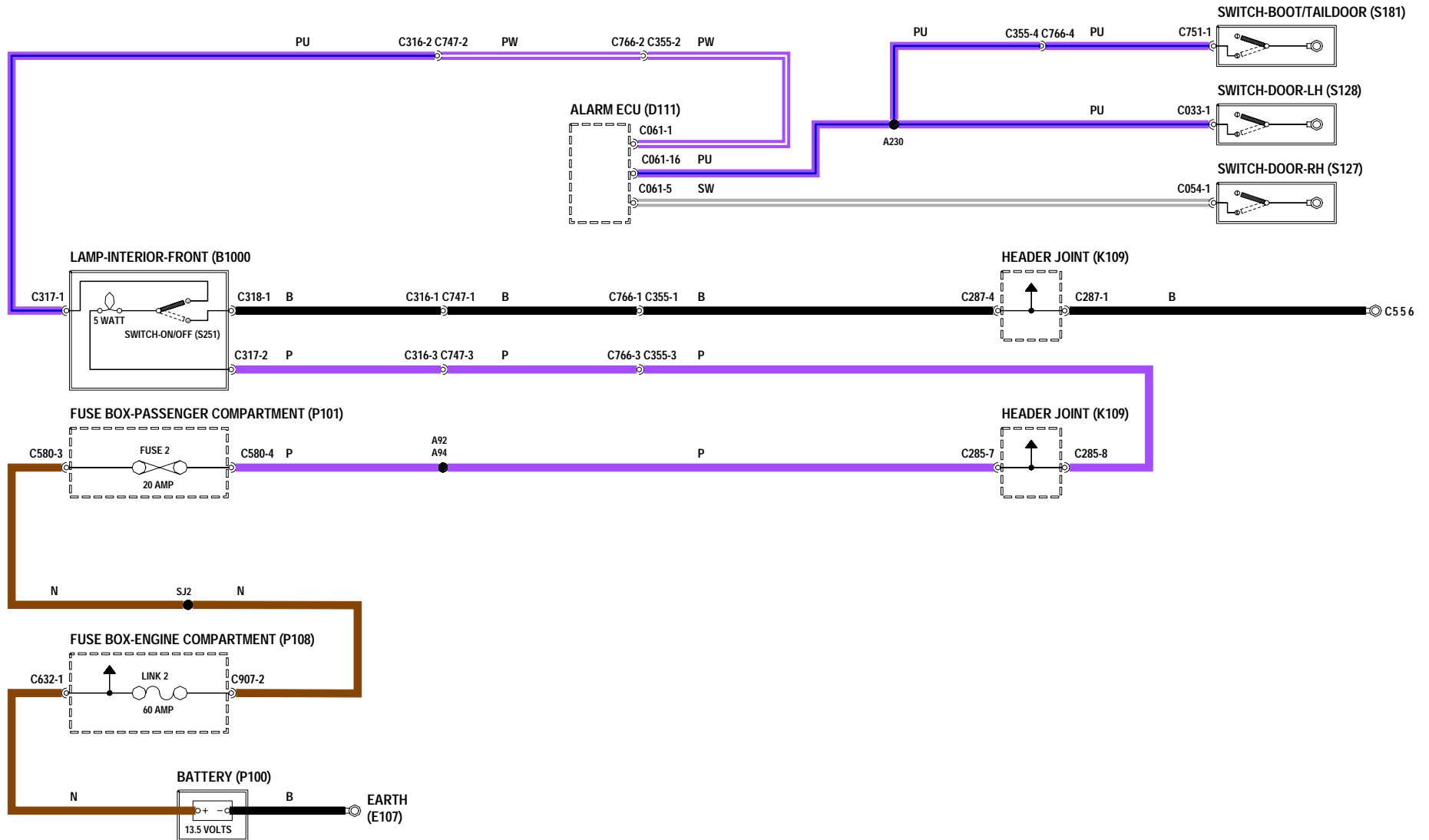
INTERIOR LAMPS

NON-IMMOBILISATION (90 HARD TOP)



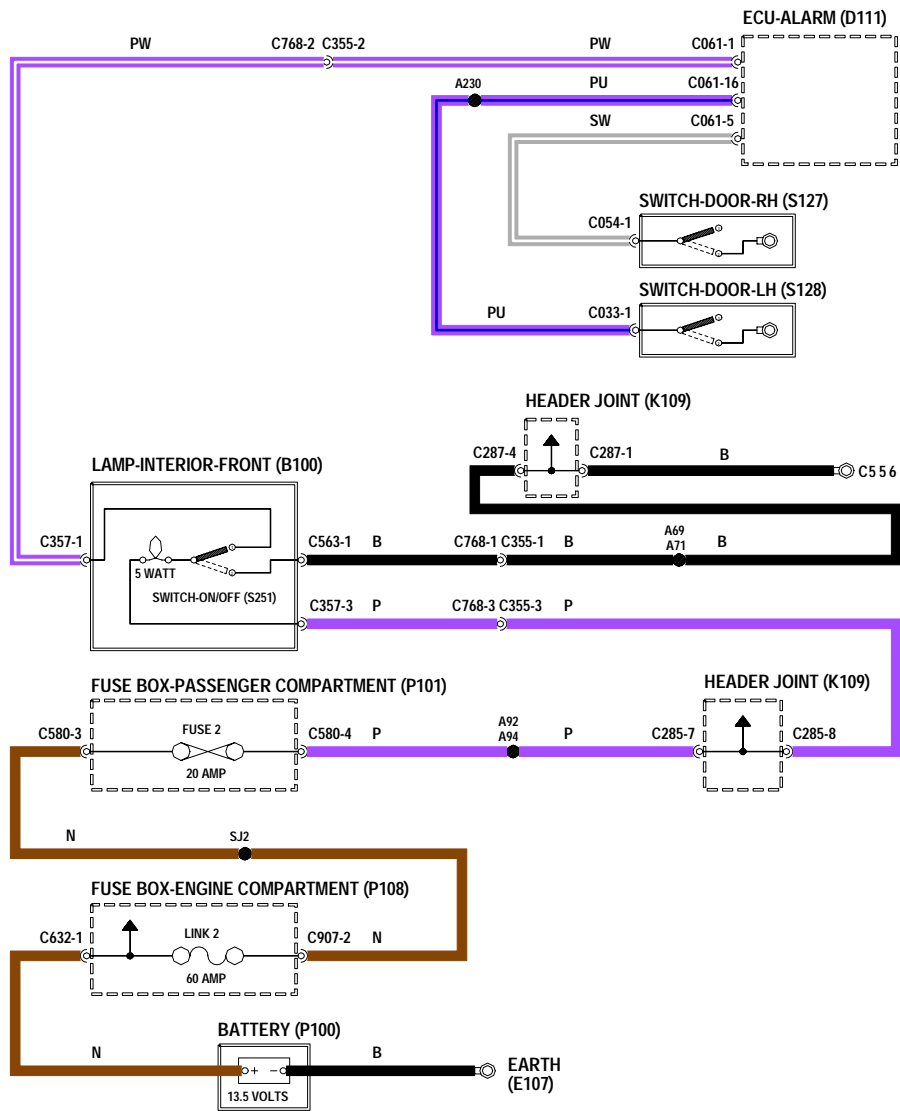
INTERIOR LAMPS

IMMOBILISATION (90/110 HARD TOP)



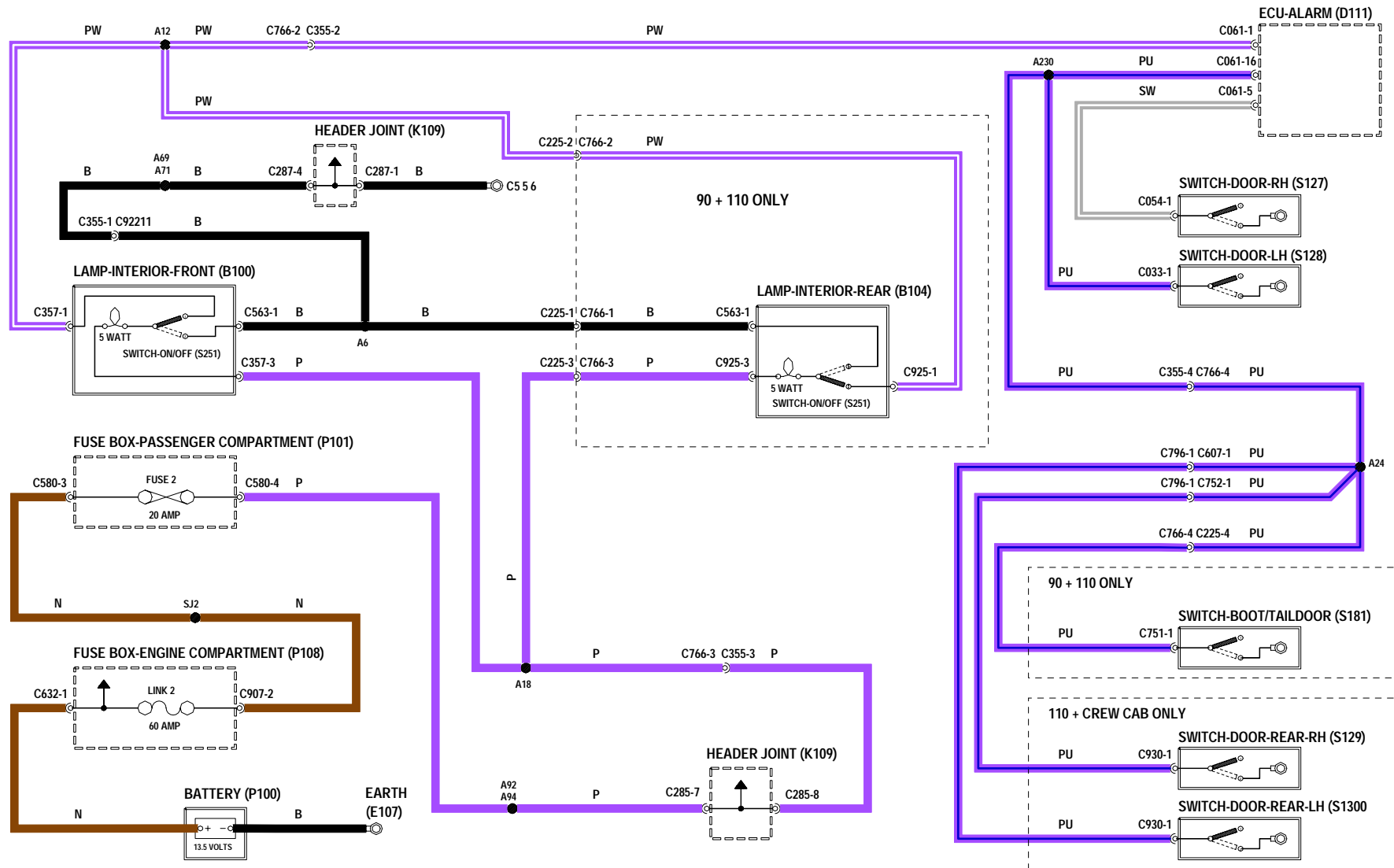
INTERIOR LAMPS

IMMOBILISATION (110 TRUCK CAB)

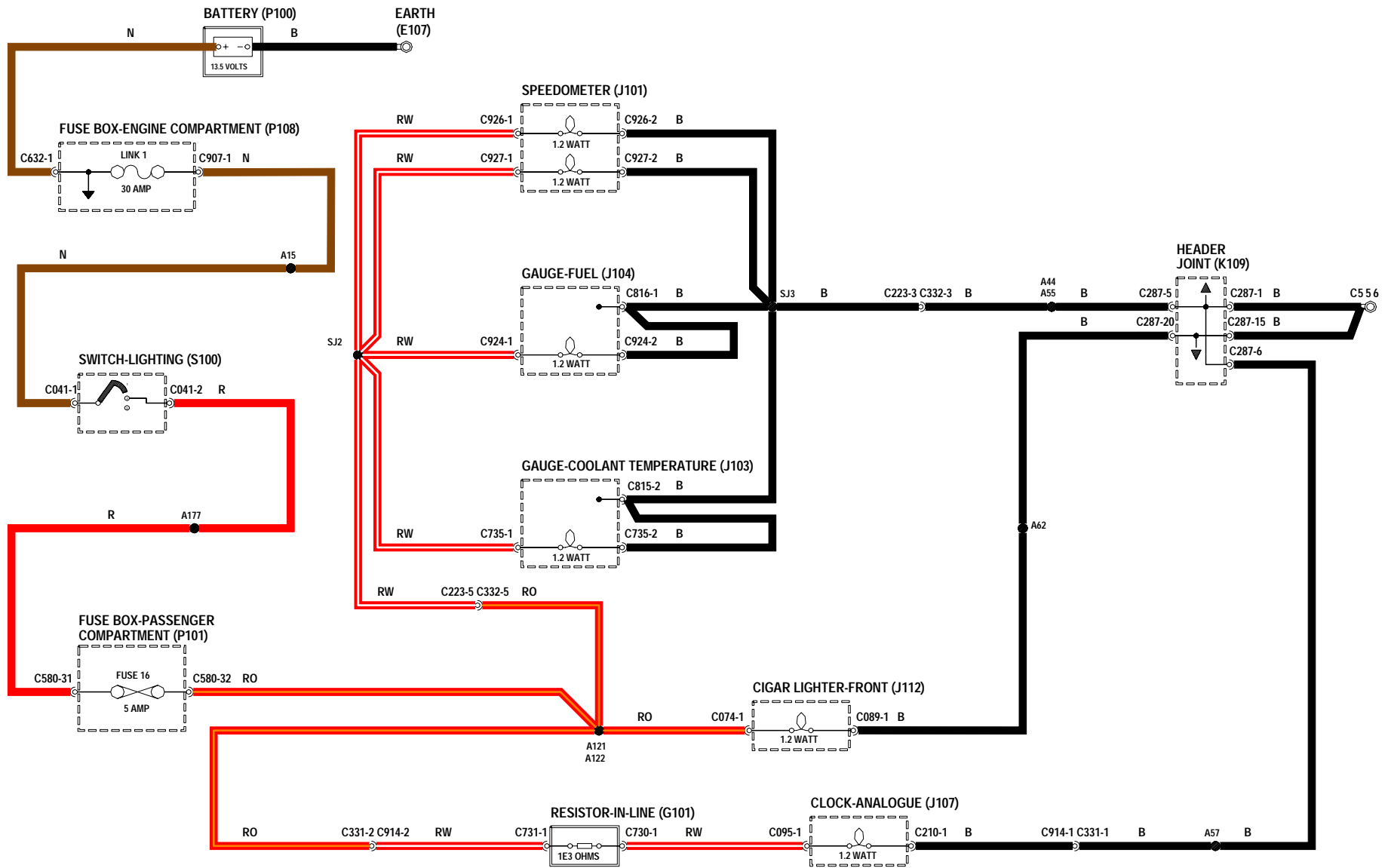


INTERIOR LAMPS

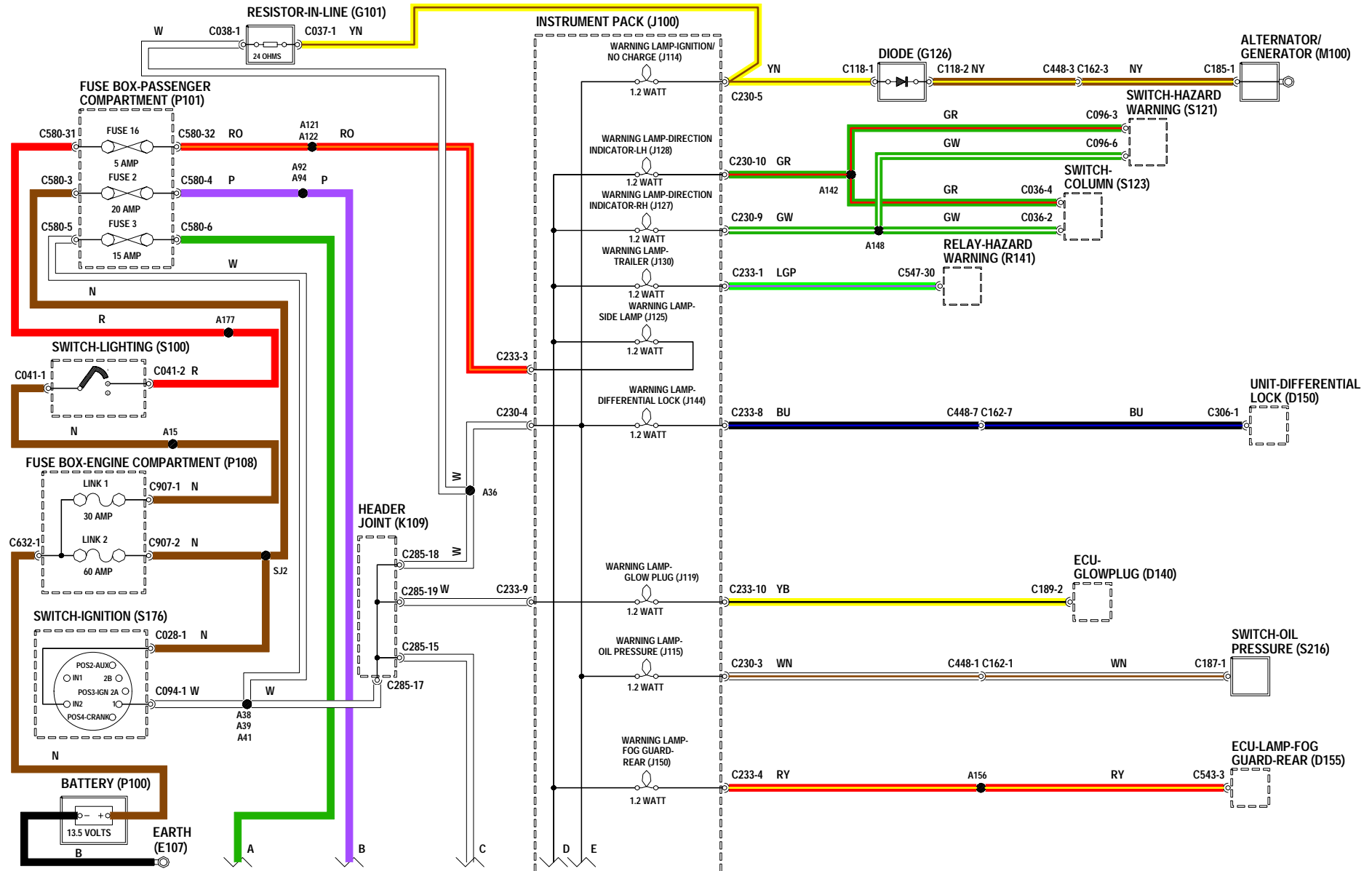
IMMOBILISATION (90/110 STATION WAGON & 130 CREW CAB)



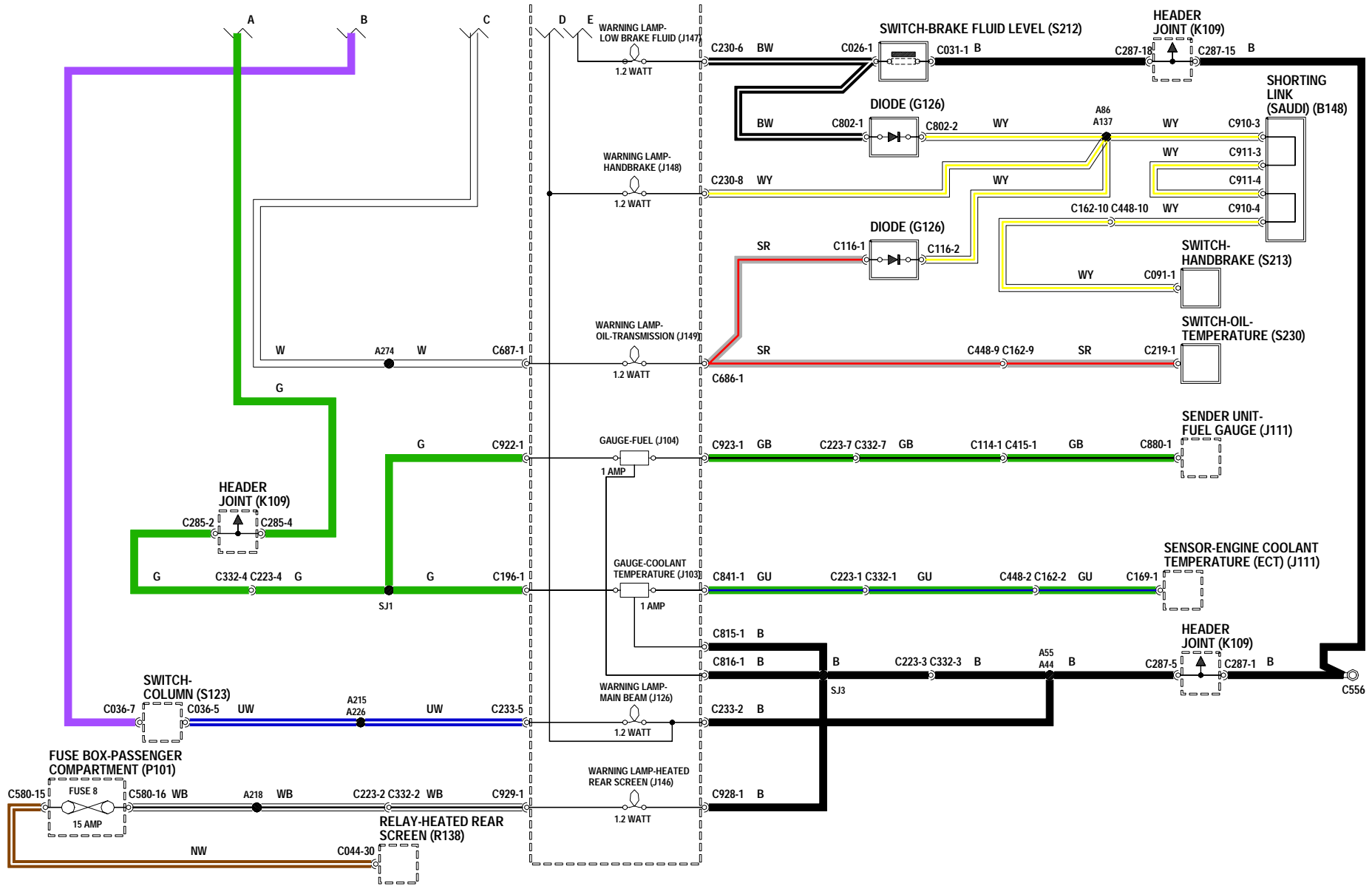
INTERIOR ILLUMINATION



INSTRUMENTS

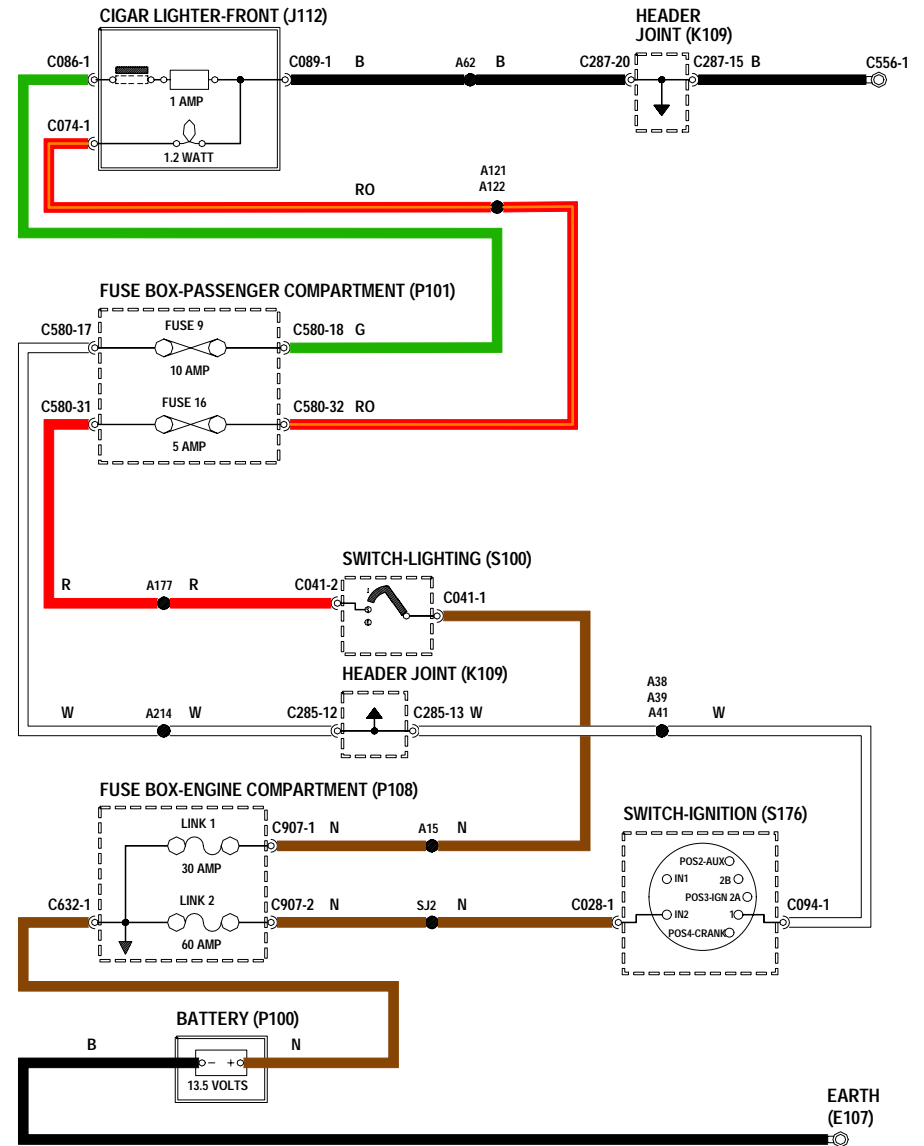
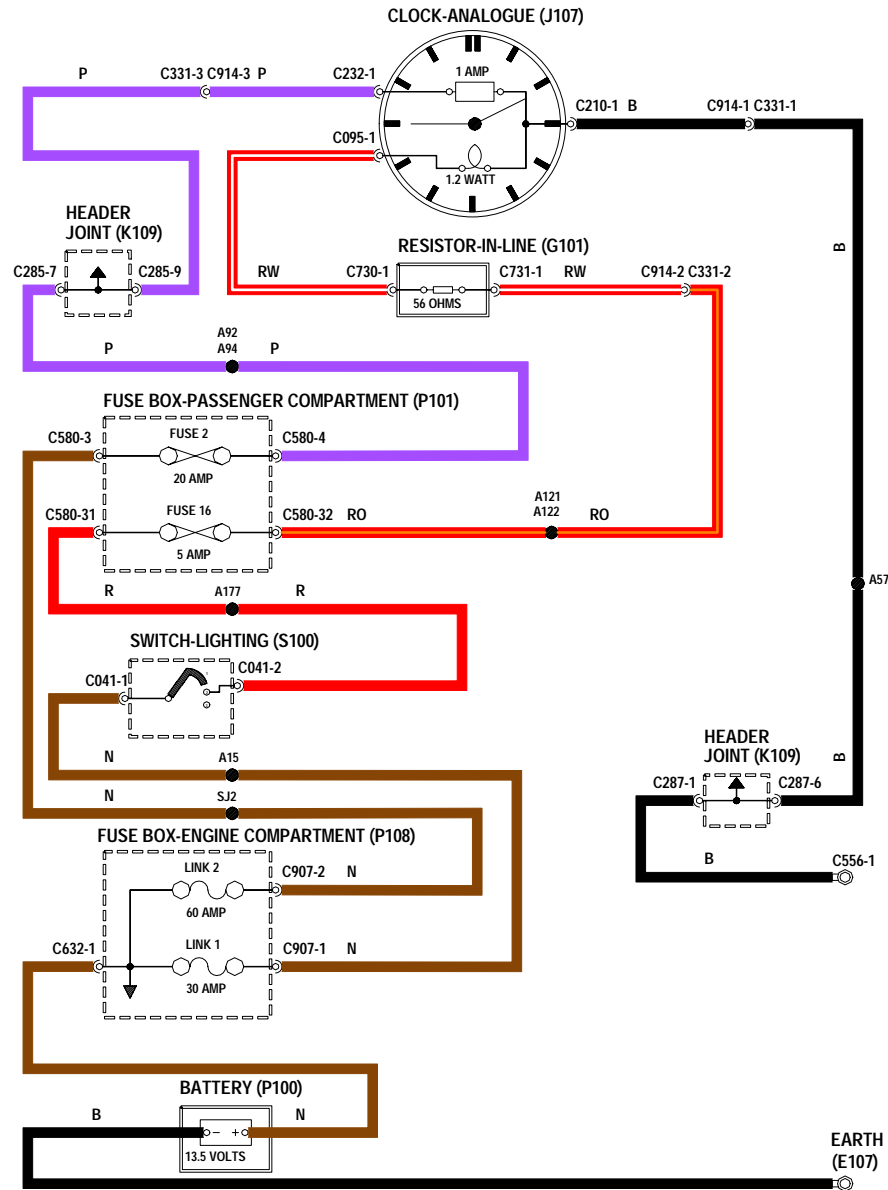


INSTRUMENTS



CLOCK

CIGAR LIGHTER



IN-CAR ENTERTAINMENT

