



Electrical Circuit Diagrams

Elektrische Circuitdiagrammen

Schémas électriques

Elektrische Schaltpläne

Schemi elettrici

Esquemas de Circuitos Eléctricos

Diagramas dos Circuitos Eléctricos

# CONTENTS

## ELECTRICAL CIRCUIT DIAGRAMS

YVB101670

POWER DISTRIBUTION.....	1.1	ANTI-LOCK BRAKING SYSTEM (ABS)		INTERIOR LAMPS	
EARTH DISTRIBUTION .....	2.1	Td5.....	35.1	90 Station Wagon.....	45.1
ANTI-THEFT ALARM .....	3.1	AIR CONDITIONING		110 Station Wagon.....	45.2
ENGINE IMMOBILISATION		Td5.....	38.1	90 / 110 Hard Top .....	45.3
Td5.....	3.3	HEATER.....	39.1	INTERIOR ILLUMINATION .....	46.1
DIAGNOSTIC SOCKET.....	10.1	HEATED REAR WINDOW (HRW) .....	40.1	INSTRUMENTS .....	47.1
STARTING AND CHARGING		WIPERS AND WASHERS .....	42.1	HORNS .....	48.1
Td5.....	15.1	EXTERIOR LAMPS		CLOCK .....	48.2
ENGINE MANAGEMENT		Brake and reverse lamps .....	43.1	CIGAR LIGHTER .....	49.1
Td5.....	20.1	Head, side and number plate lamps .....	43.2	ACCESSORY SOCKET .....	49.2
FUEL PUMP		Headlamp levelling.....	43.4	IN-CAR ENTERTAINMENT (ICE) .....	50.1
Td5.....	30.1	Rear fog lamps.....	43.5	HEADER JOINTS.....	60.1
		INDICATORS AND HAZARDS .....	44.1	SPLICE JOINTS .....	65.1

**COLOUR CODES****DRAADKLEURCODES****CODES DES COULEURS DES FILS****KABELFARBCODES****CODICI COLORI DEI CAVI****CÓDIGOS DE COLORES DE LOS CABLES****CÓDIGOS DAS CORES DOS FIOS**

<b>CODE COLOUR</b>	<b>CODE KLEUR</b>	<b>CODE COULEUR</b>	<b>CODE FARBE</b>	<b>CODICE COLORE</b>	<b>CODIGO COLOR</b>	<b>CÓDIGO COR</b>
B BLACK	B ZWART	B NOIR	B SCHWARZ	B NERO	B NEGRO	B PRETO
G GREEN	G GROEN	G VERT	G GRÜN	G VERDE	G VERDE	G VERDE
K PINK	K ROZE	K ROSE	K ROSA	K ROSA	K ROSA	K ROSA
LG LIGHT GREEN	LG LICHTGROEN	LG VERT CLAIR	LG HELLGRÜN	LG VERDE CHIARO	LG VERDE CLARO	LG VERDE CLARO
N BROWN	N BRUIN	N BRUN	N BRAUN	N MARRONE	N MARRON	N CASTANHO
O ORANGE	O ORANJE	O ORANGE	O ORANGE	O ARANCIONE	O NARANJA	O LARANJA
P PURPLE	P PAARS	P VIOLET	P LILA	P PORPORA	P PURPURA	P ROXO
R RED	R ROOD	R ROUGE	R ROT	R ROSSO	R ROJO	R VERMELHO
S SLATE (grey)	S LEIGRIJS	S GRIS	S GRAU	S ARDESIA (grigio)	S PIZARRA (gris)	S CINZENTO
U BLUE	U BLAUW	U BLEU	U BLAU	U BLU	U AZUL	U AZUL
W WHITE	W WIT	W BLANC	W WEISS	W BIANCO	W BLANCO	W BRANCO
Y YELLOW	Y GEEL	Y JAUNE	Y GELB	Y GIALLO	Y AMARILLO	Y AMARELO

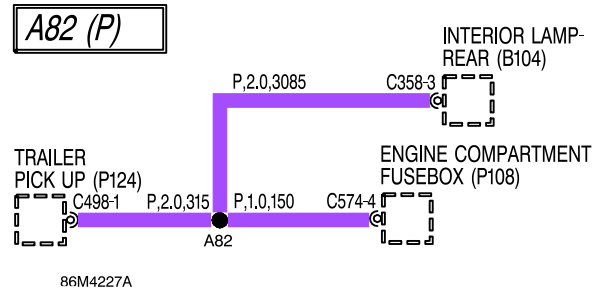
# HOW TO USE THE CIRCUIT DIAGRAMS

All of the information in this folder is intended for use with the Electrical Reference Library booklet.

The circuit diagrams are presented with Power and Earth distribution first, followed by individual circuits for each electrical system on the car.

## Power Distribution

The Power Distribution diagram shows the connections from the battery to the engine and passenger compartment fuseboxes. It also shows the internal circuitry of the fuseboxes.



These fuse box details are followed by a Headers and Splices section outlining the way in which internal harness splices and header joints distribute power in the harnesses. This information should be used during diagnosis of electrical faults to check for symptoms in associated circuits and narrow down the search area.

## Headers and splices

Header and splice tables present the joint(s) and wiring up to the first component. Splices are identified by a number with an alphabetical prefix and the wire colour.

The splice information shown on individual system circuits is not complete. Always refer to the splices circuit for complete information on each splice.

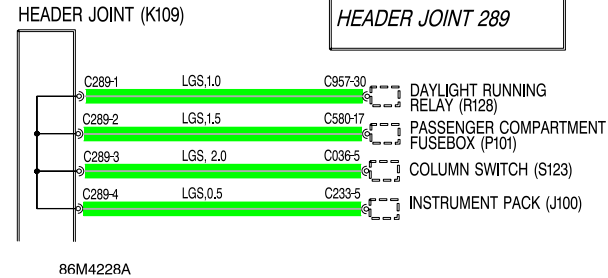
## Wire attributes

Additional information (separated by a ',') is shown alongside the wire colour: Wire gauge - the cross-sectional area of the wire in square millimetres. This is included to help you select the correct wire during harness repair. Wire length (Power & Earth Distribution only) - the length of the wire in millimetres. This can be used to locate internal harness splices; look for the shortest wire between the joint and connector. For example, it can be seen that C574-4 is 150mm from joint A82.

## Earth Distribution

The ground distribution section comprises a number of Headers and Splices tables. These are used in a similar manner to those in Power Distribution; to narrow the search area by checking for fault symptoms in associated circuits.

## Connectors



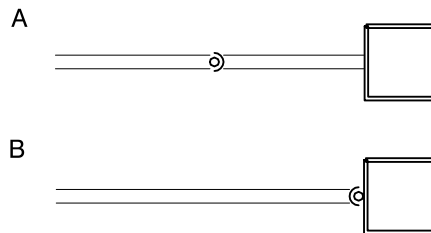
Header joints are identified by their corresponding connector number with a numbered suffix to indicate the pin-out detail of the wire, i.e. C289-1 identifies connector 289, pin number 1. Wire insulation colour is identified in the normal way. Where wires have a predominant colour with a secondary colour stripe, the main colour is identified first, i.e. LGS - Light Green with a Slate stripe.

## Line Types



86M4229A

This means the wire connects to another circuit.

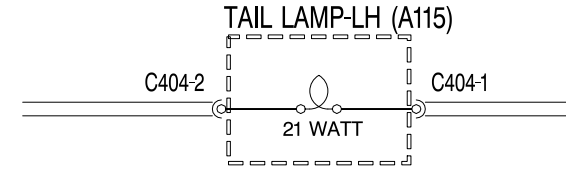


86M4230A

The cup and ball symbol indicates the male and female halves of connector.

- A. Plug on lead (Flylead) wired directly to the component.
- B. Connector plugs directly into component.

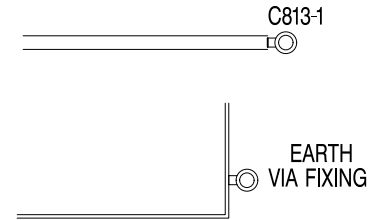
## Components



86M4231A

The name or description of the component is shown. A dotted outline indicates that the component is not shown in its entirety.

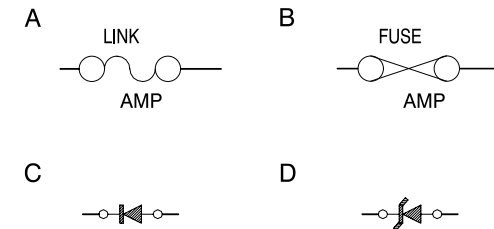
## Earth points



86M4232A

Earth points are identified with an eyelet symbol and a connector number, except where components are grounded through their fixings, when only the eyelet is shown.

## Fuses and Diodes

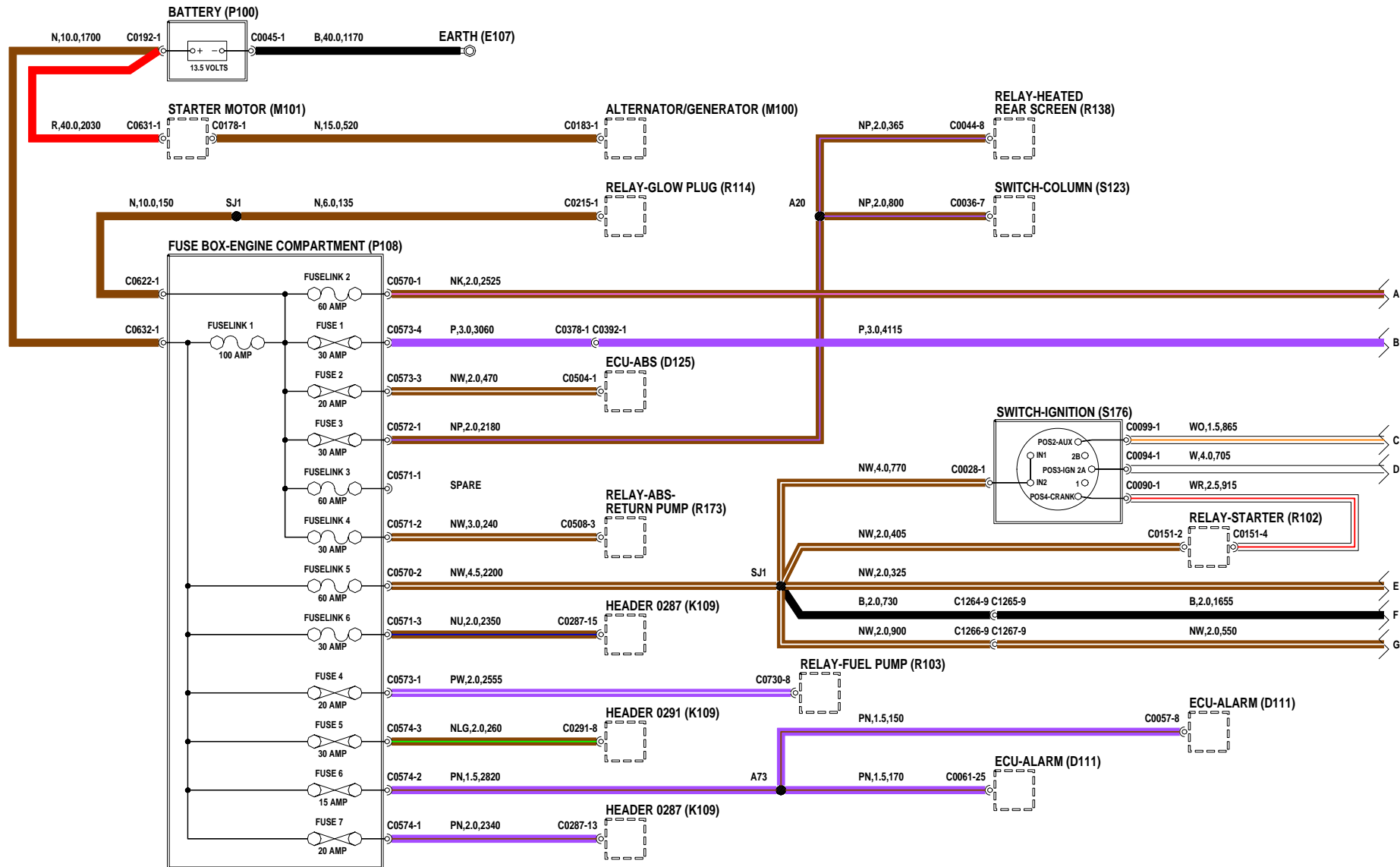


86M4234A

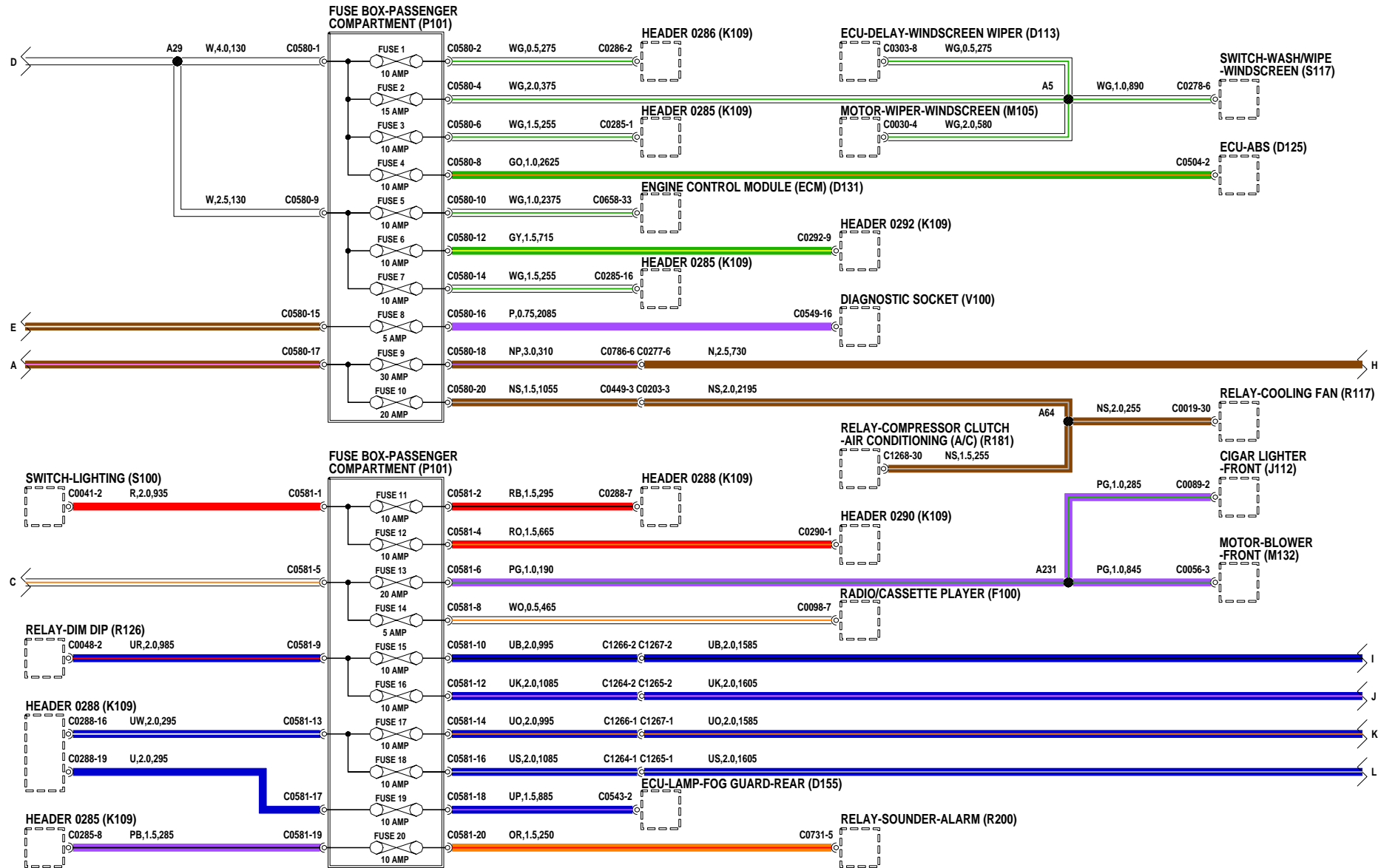
Fusible links (A) and current rated fuses (B) are identified as shown.

The direction of the arrow in a Diode symbol (C) indicates the direction of current flow. The Zener diode (D) - prevents current flow until a precise voltage is reached.

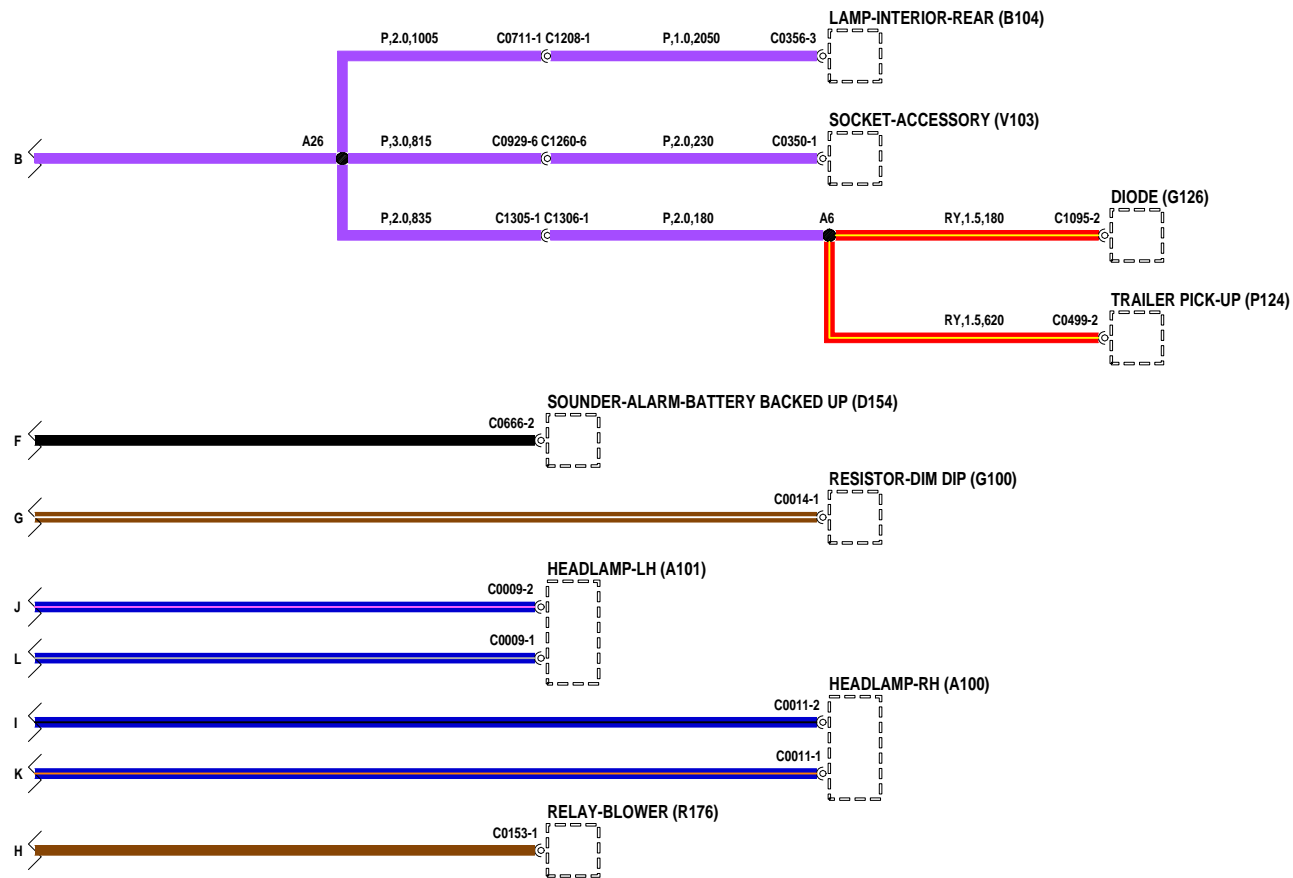
# POWER DISTRIBUTION



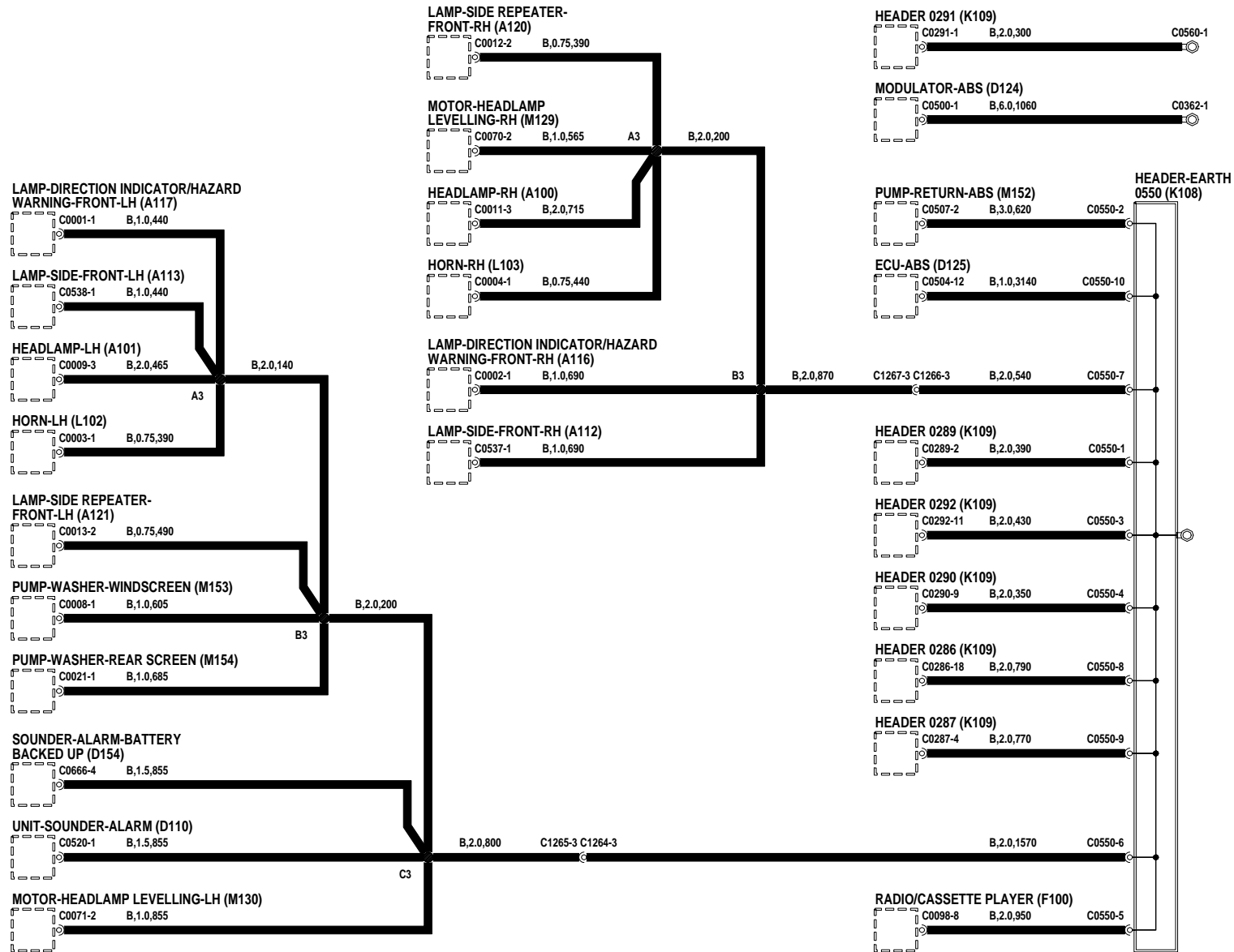
# POWER DISTRIBUTION



# POWER DISTRIBUTION

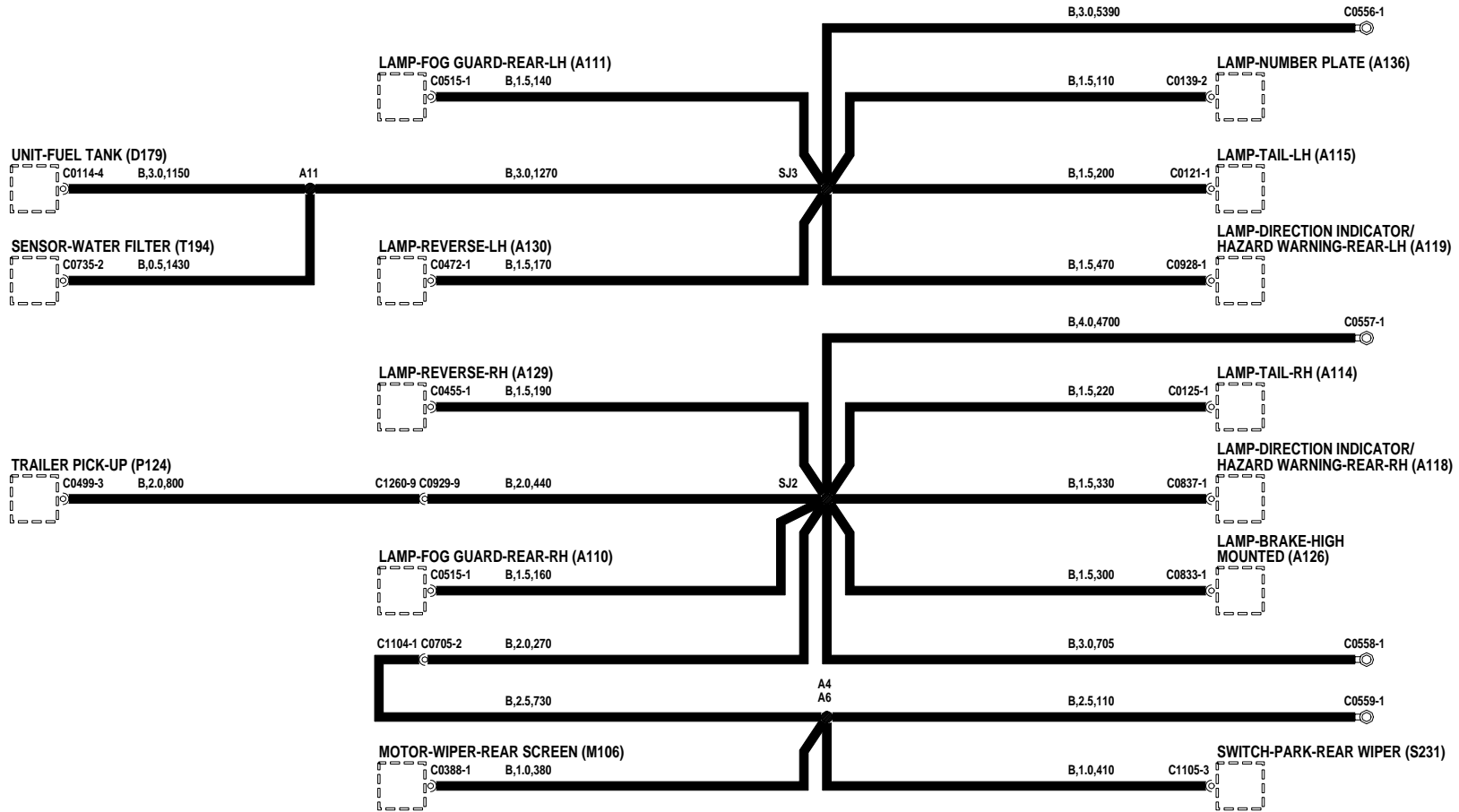


# EARTH DISTRIBUTION

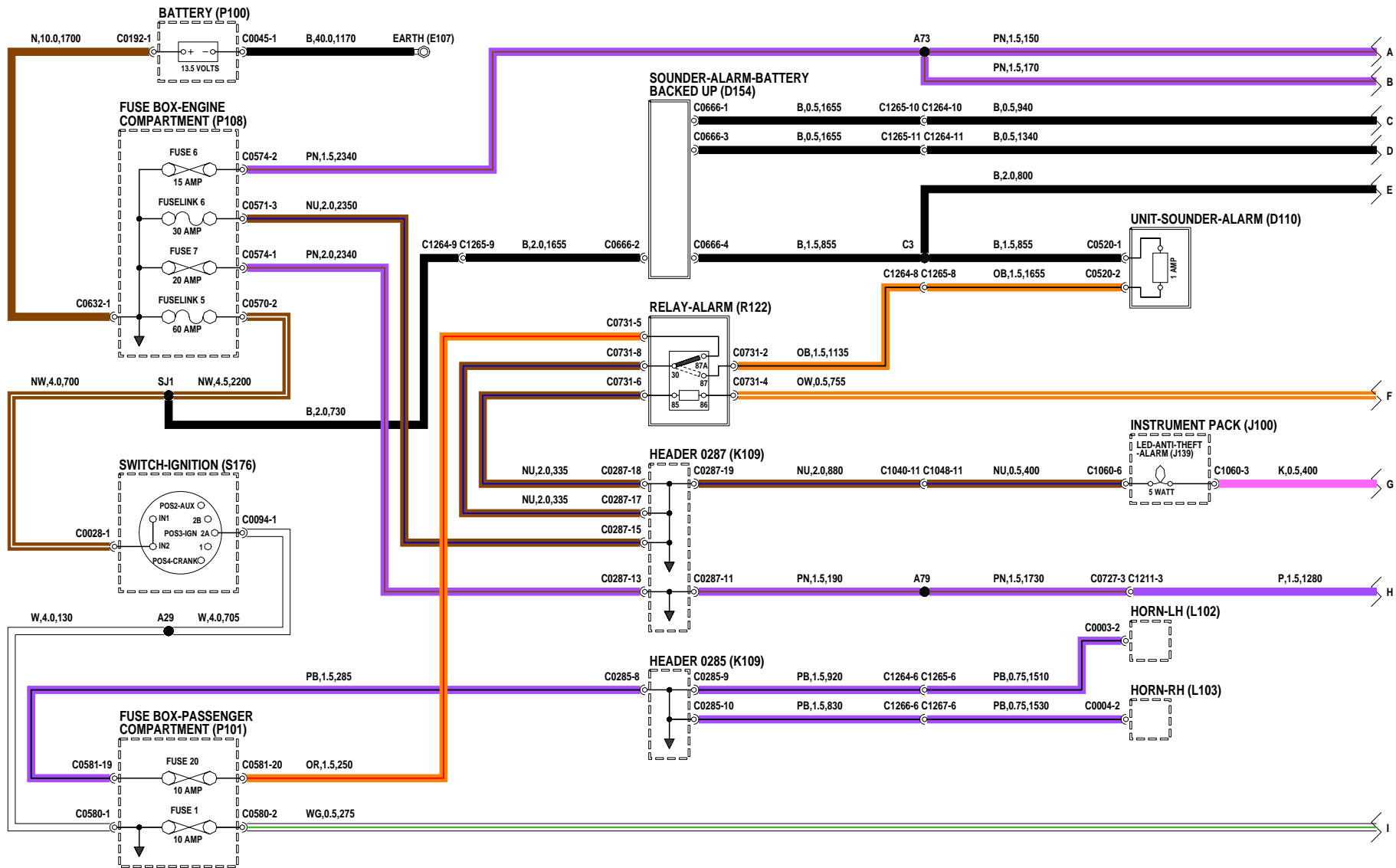




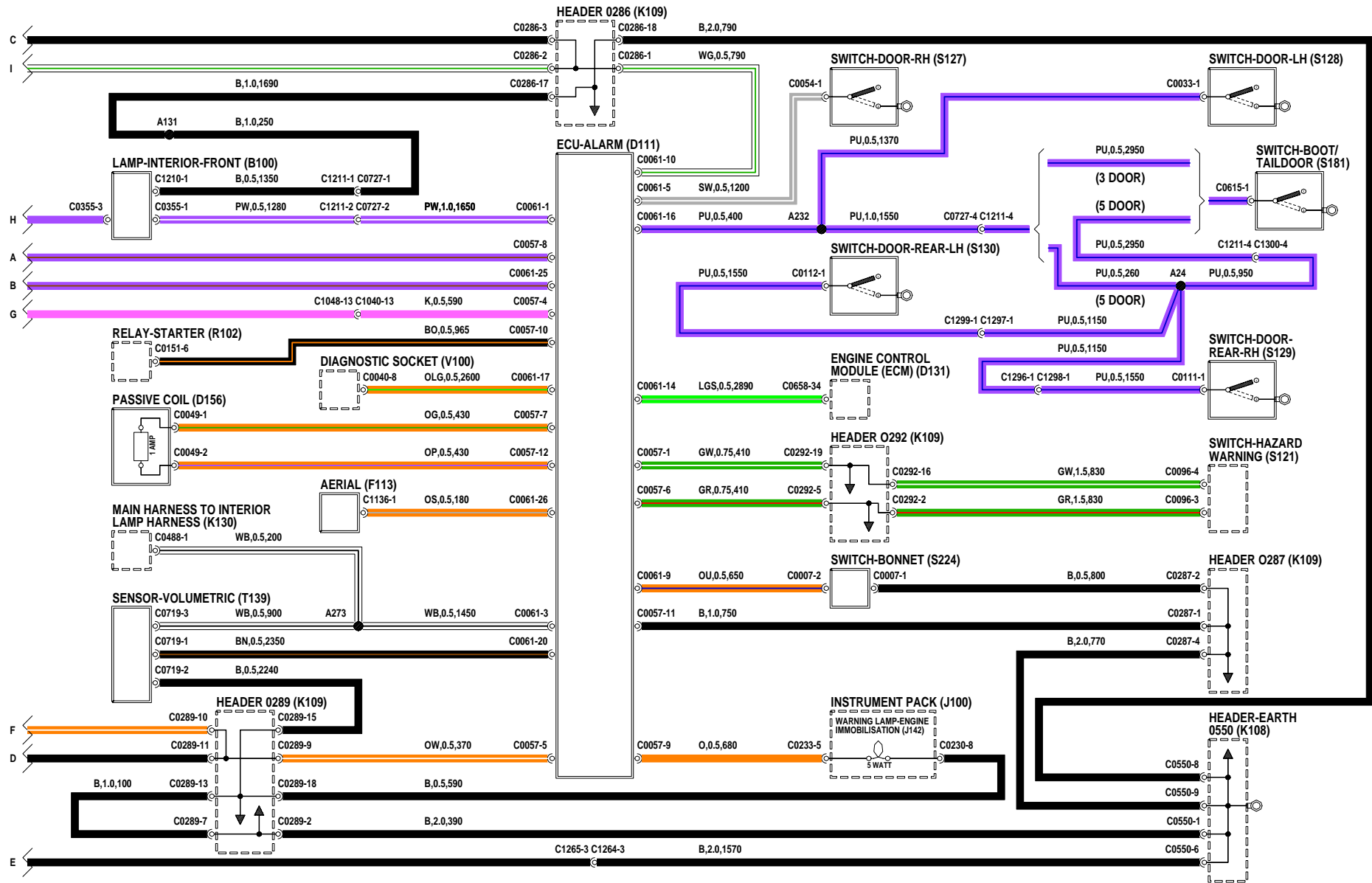
# EARTH DISTRIBUTION



# ANTI-THEFT ALARM

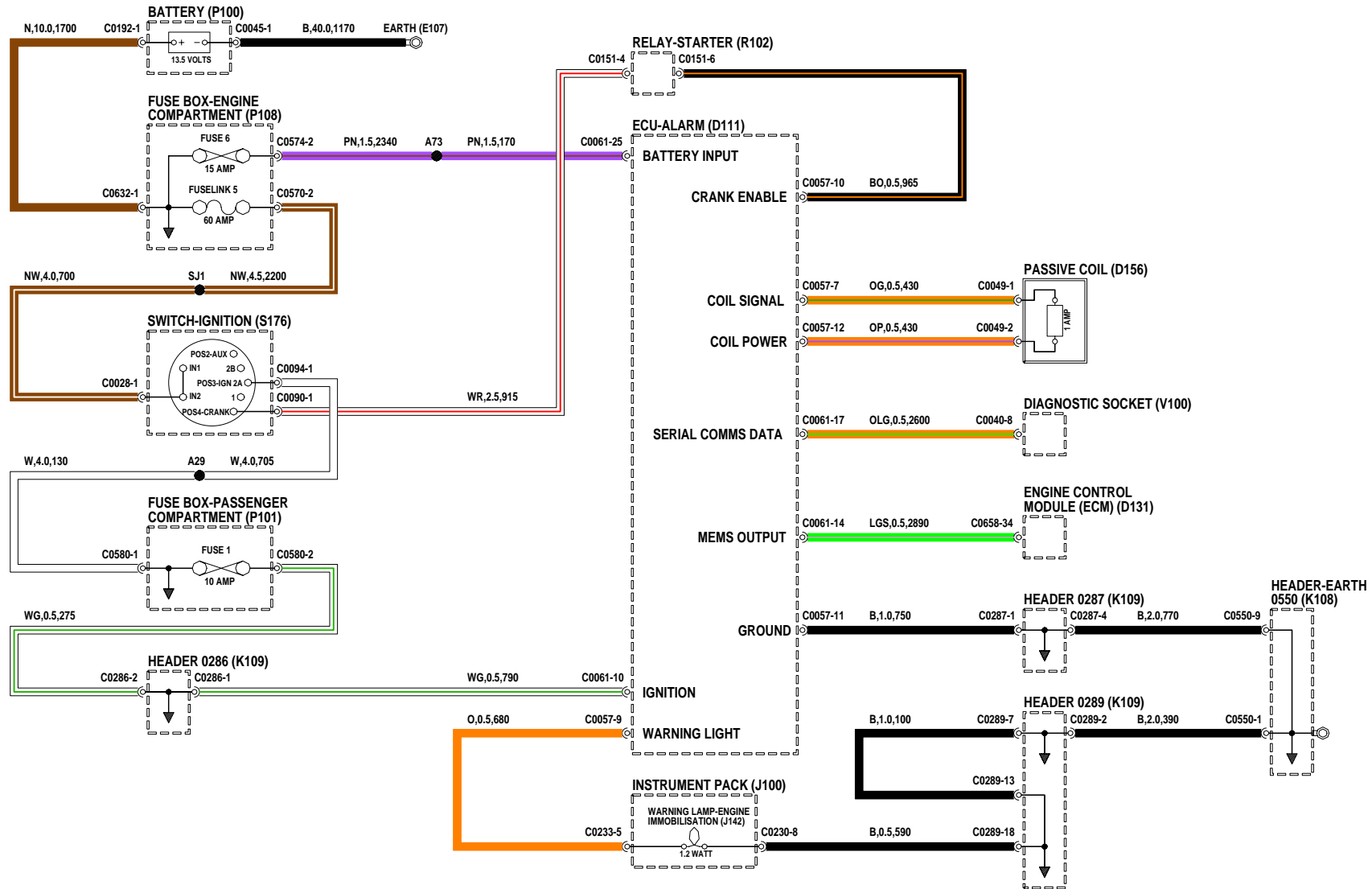


# ANTI-THEFT ALARM

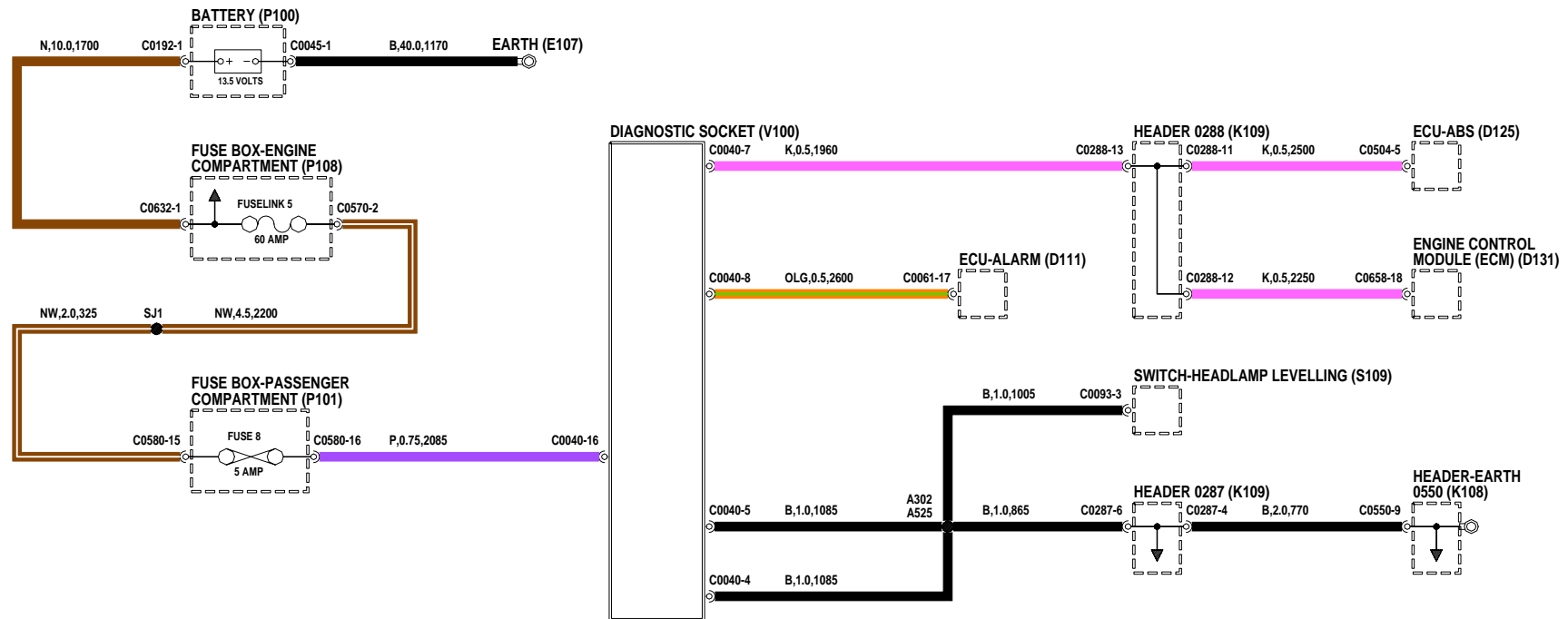


# ENGINE IMMOBILISATION

Td5

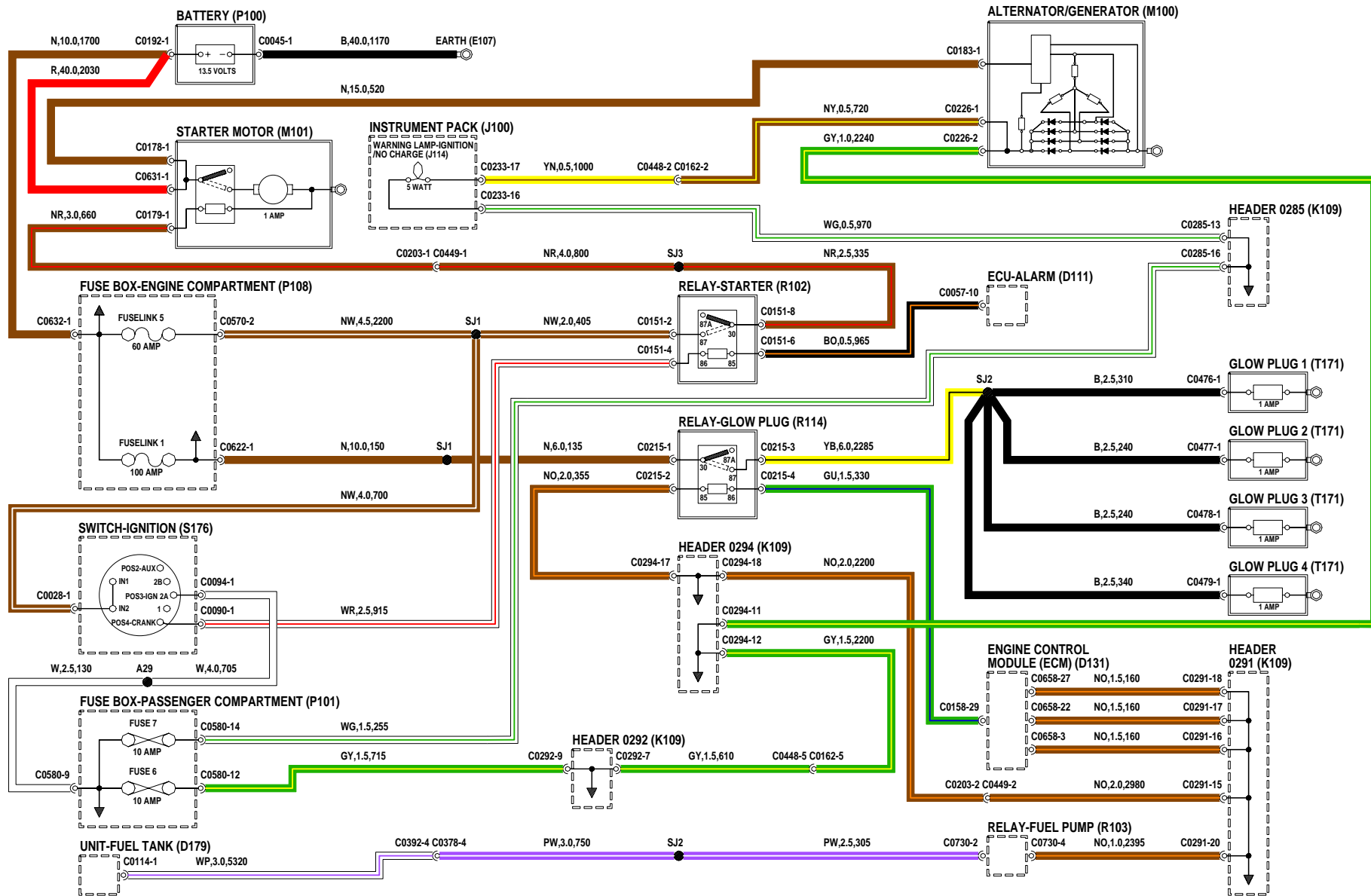


# DIAGNOSTIC SOCKET



# STARTING AND CHARGING

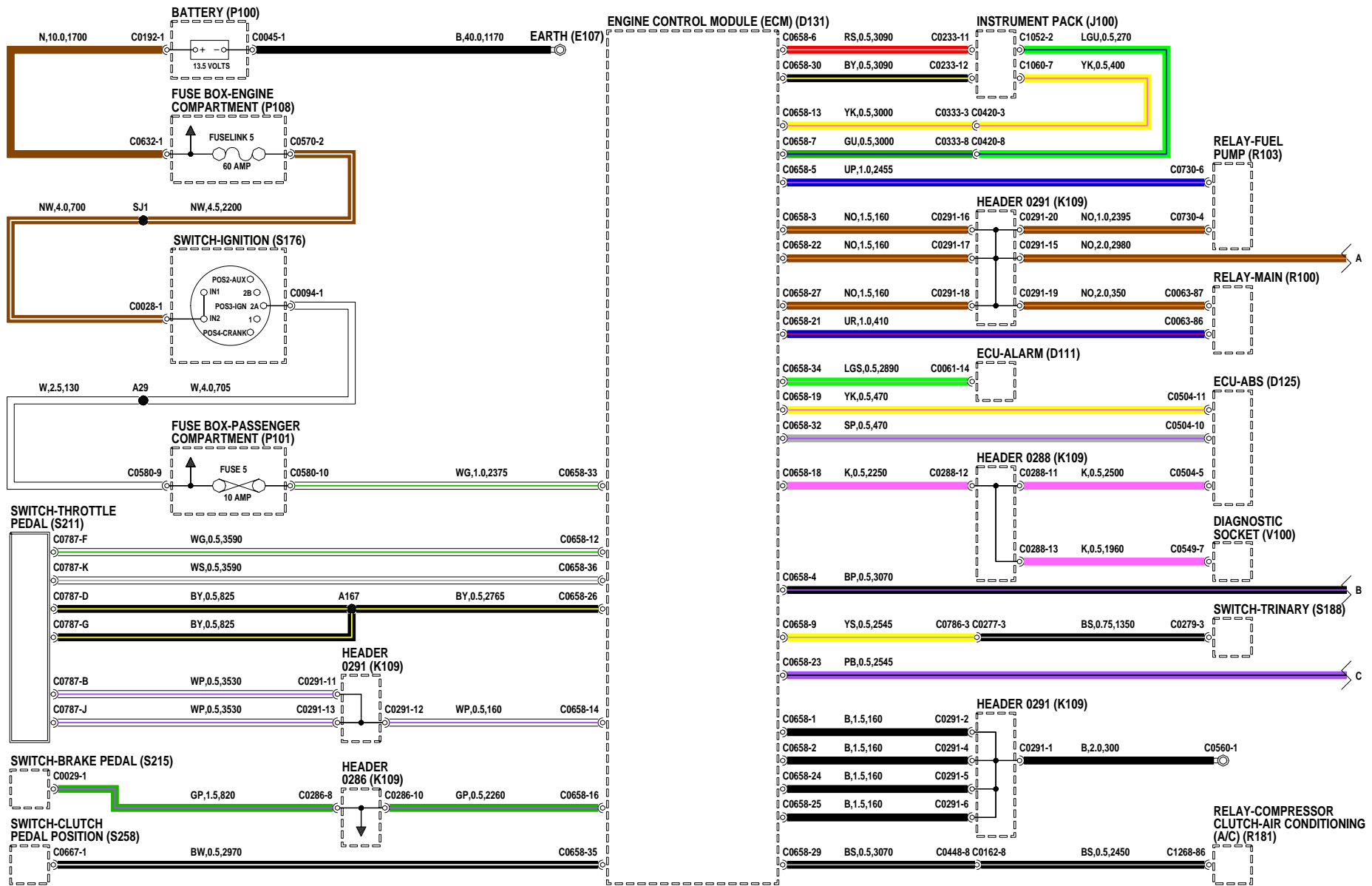
Td5





# ENGINE MANAGEMENT

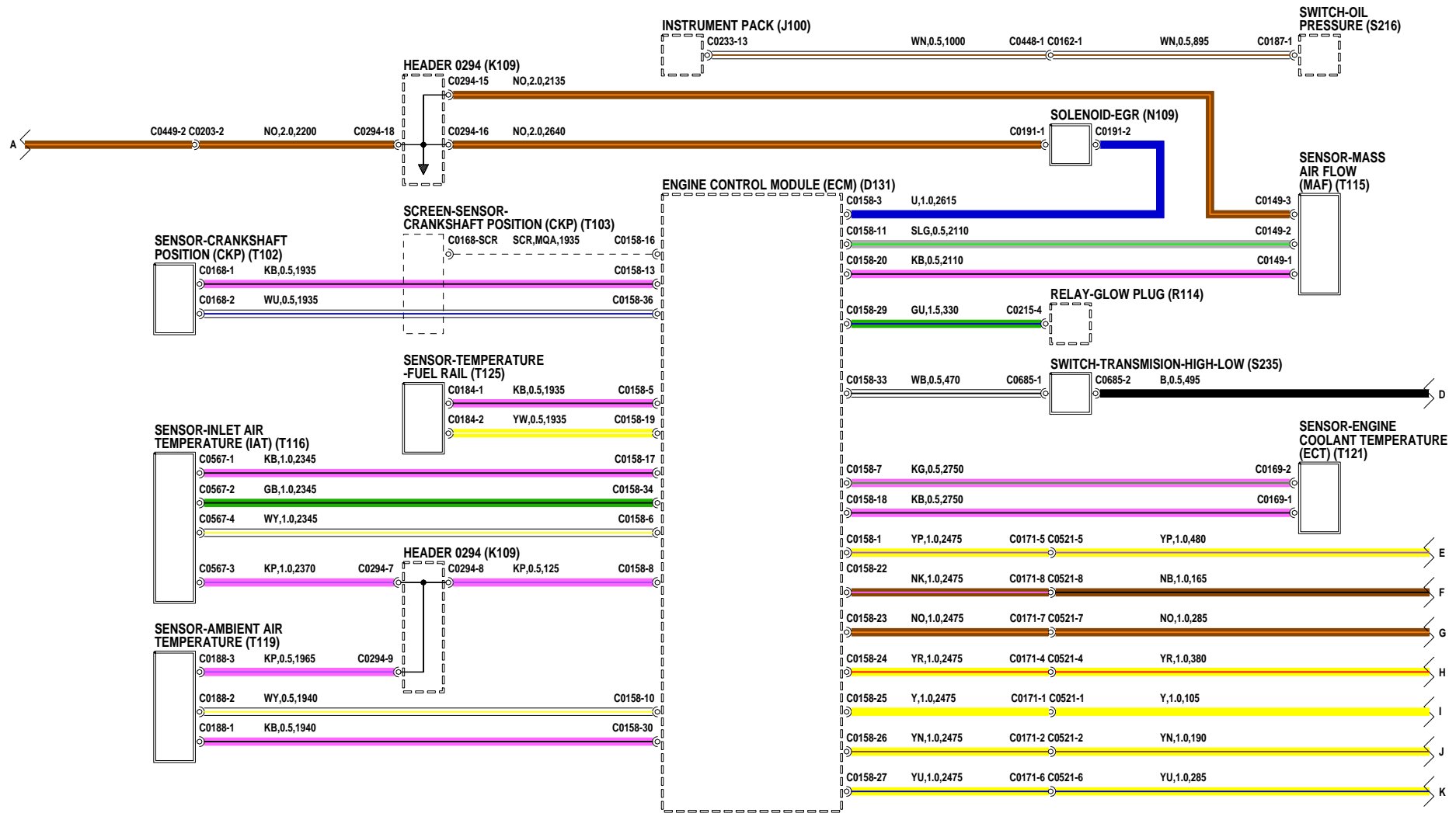
Td5





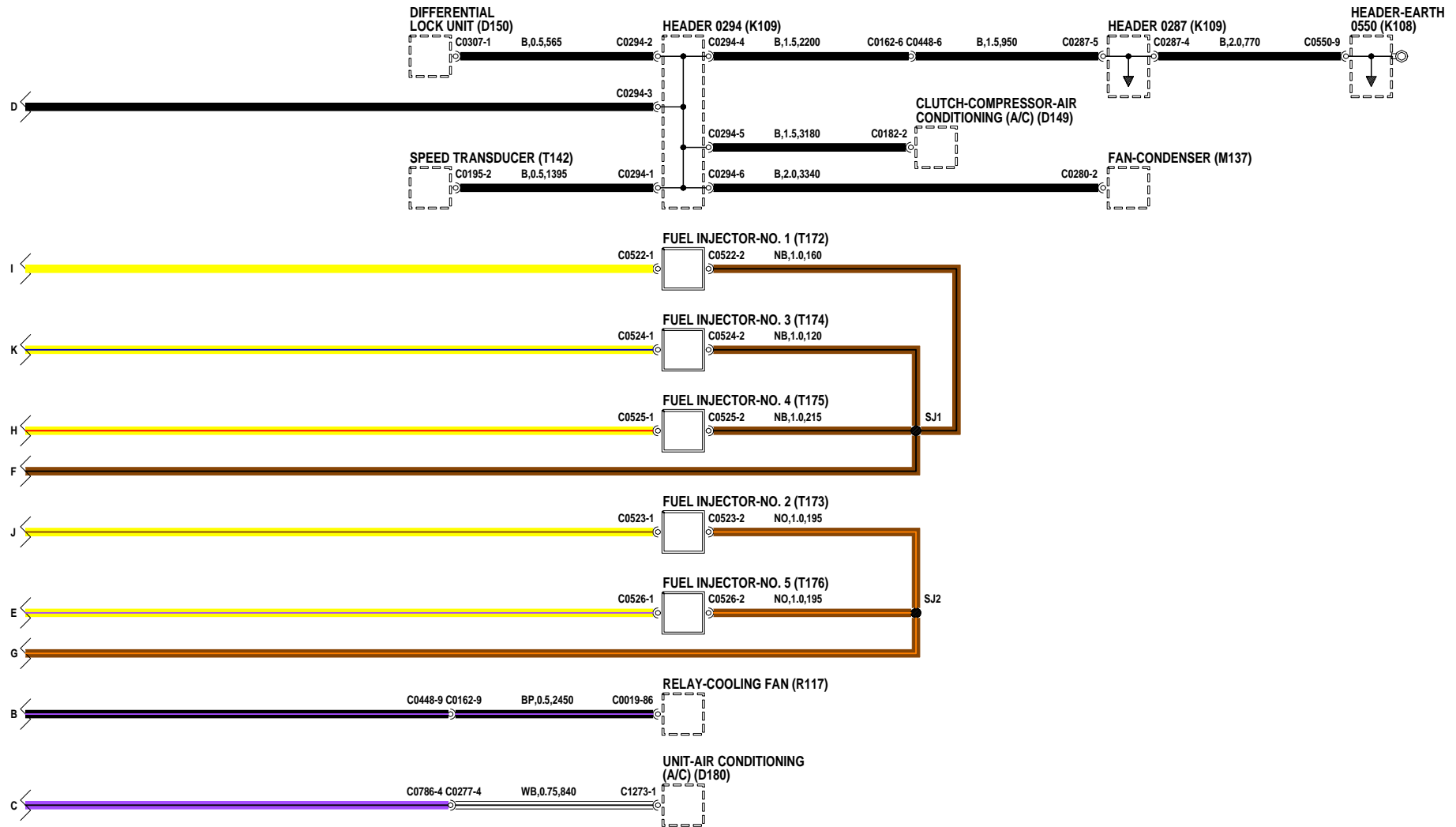
# ENGINE MANAGEMENT

Td5



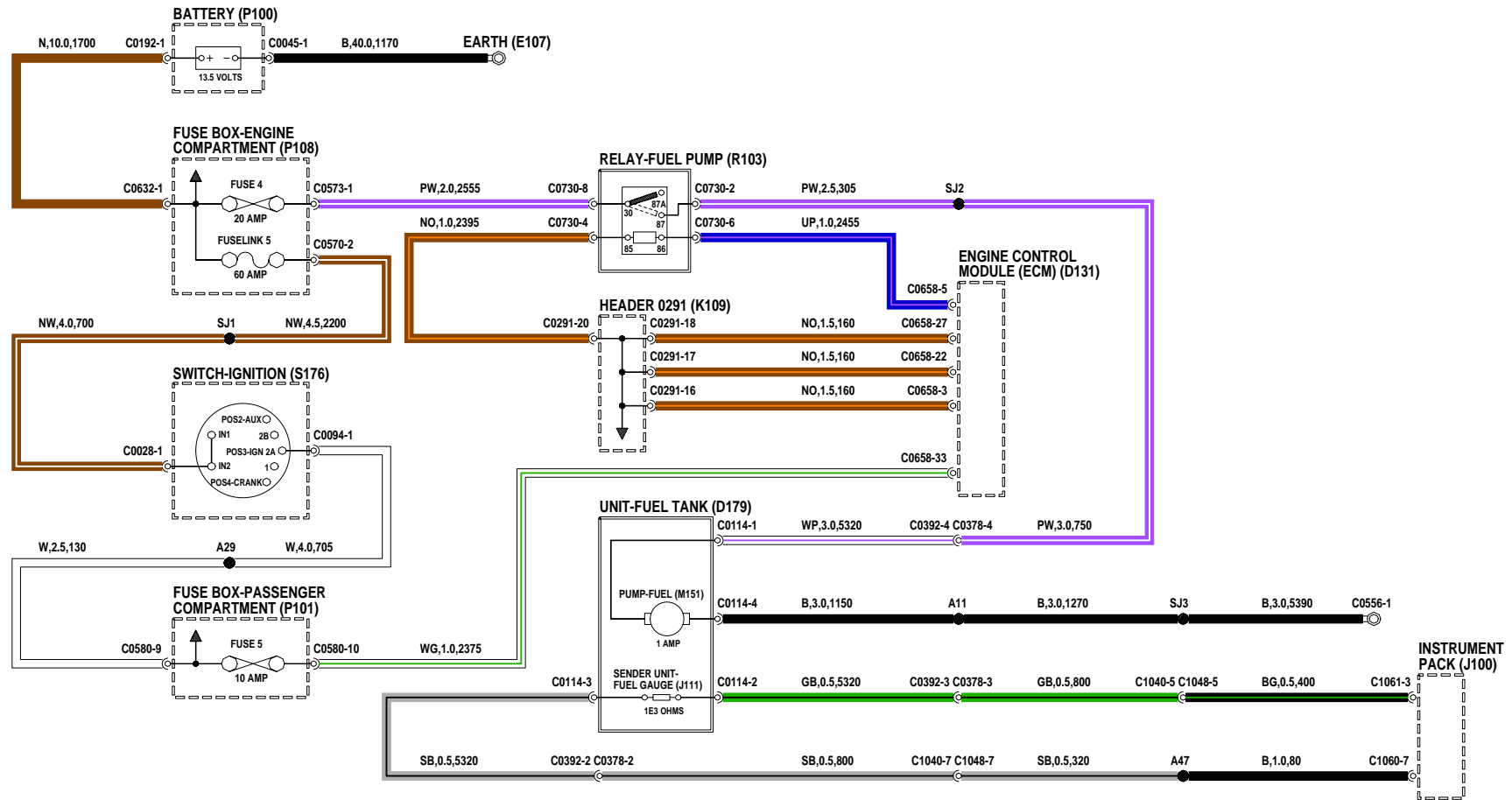
# ENGINE MANAGEMENT

Td5



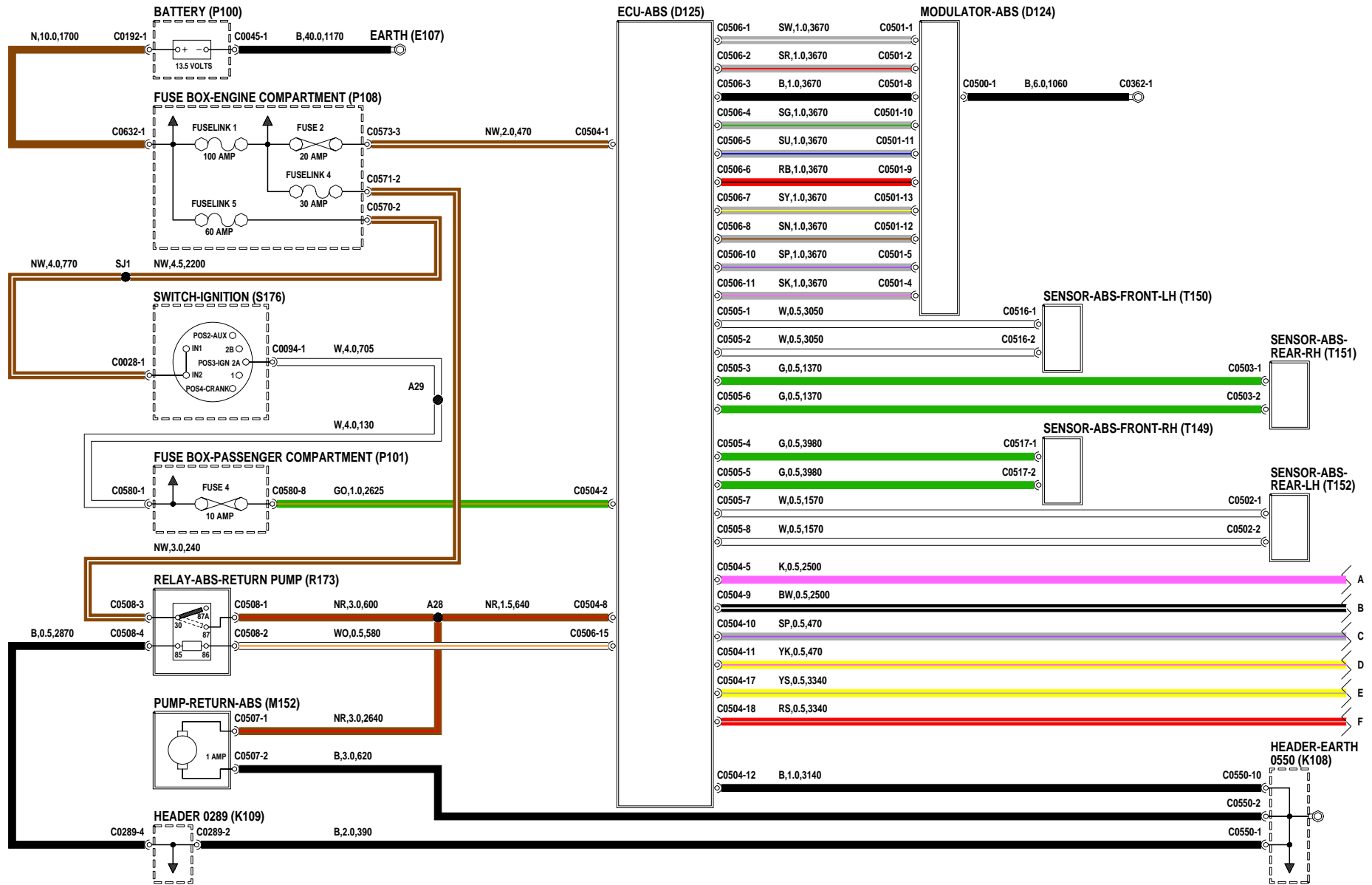
# FUEL PUMP

Td5



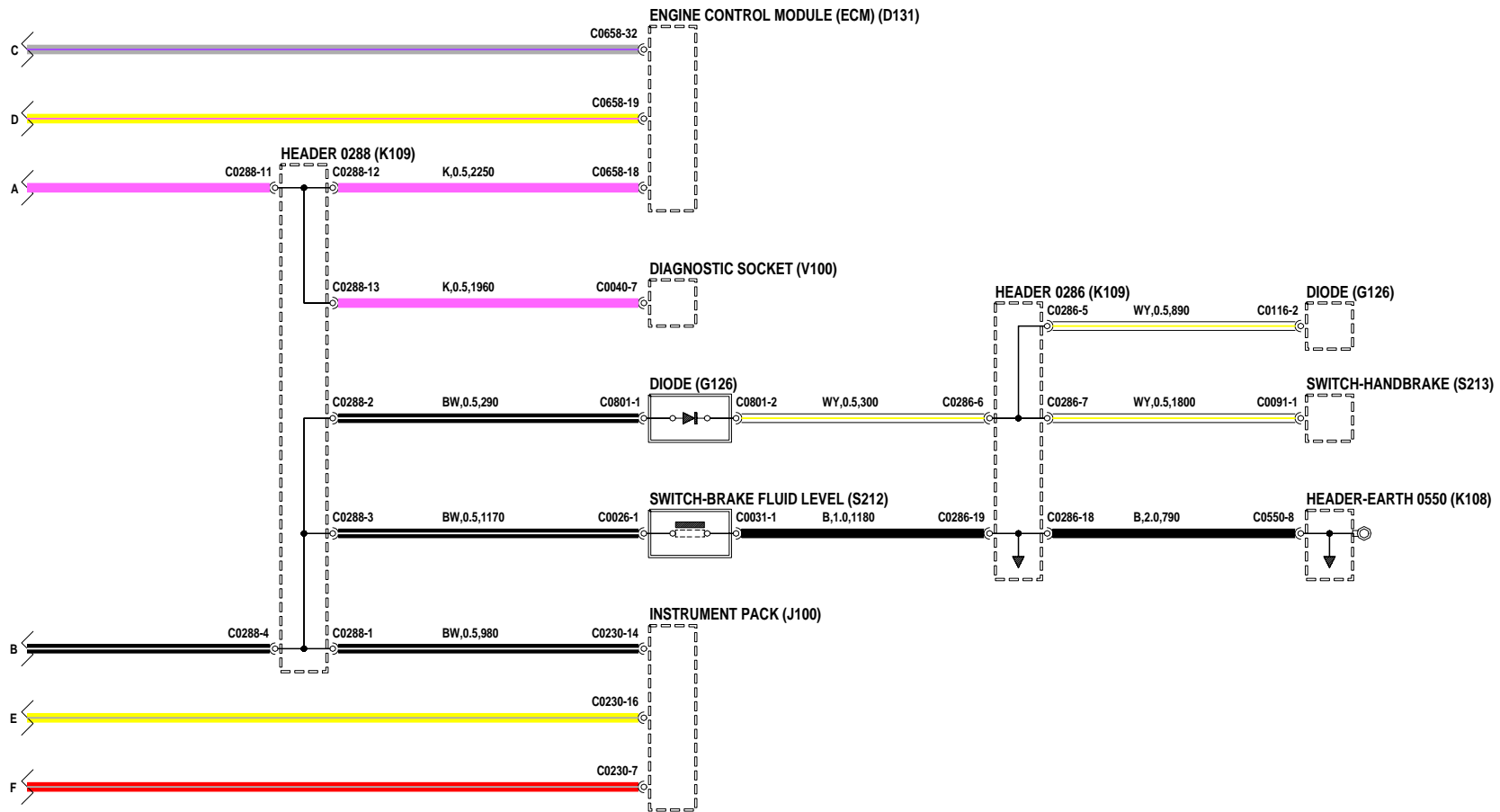
# ANTI-LOCK BRAKING SYSTEM (ABS)

Td5



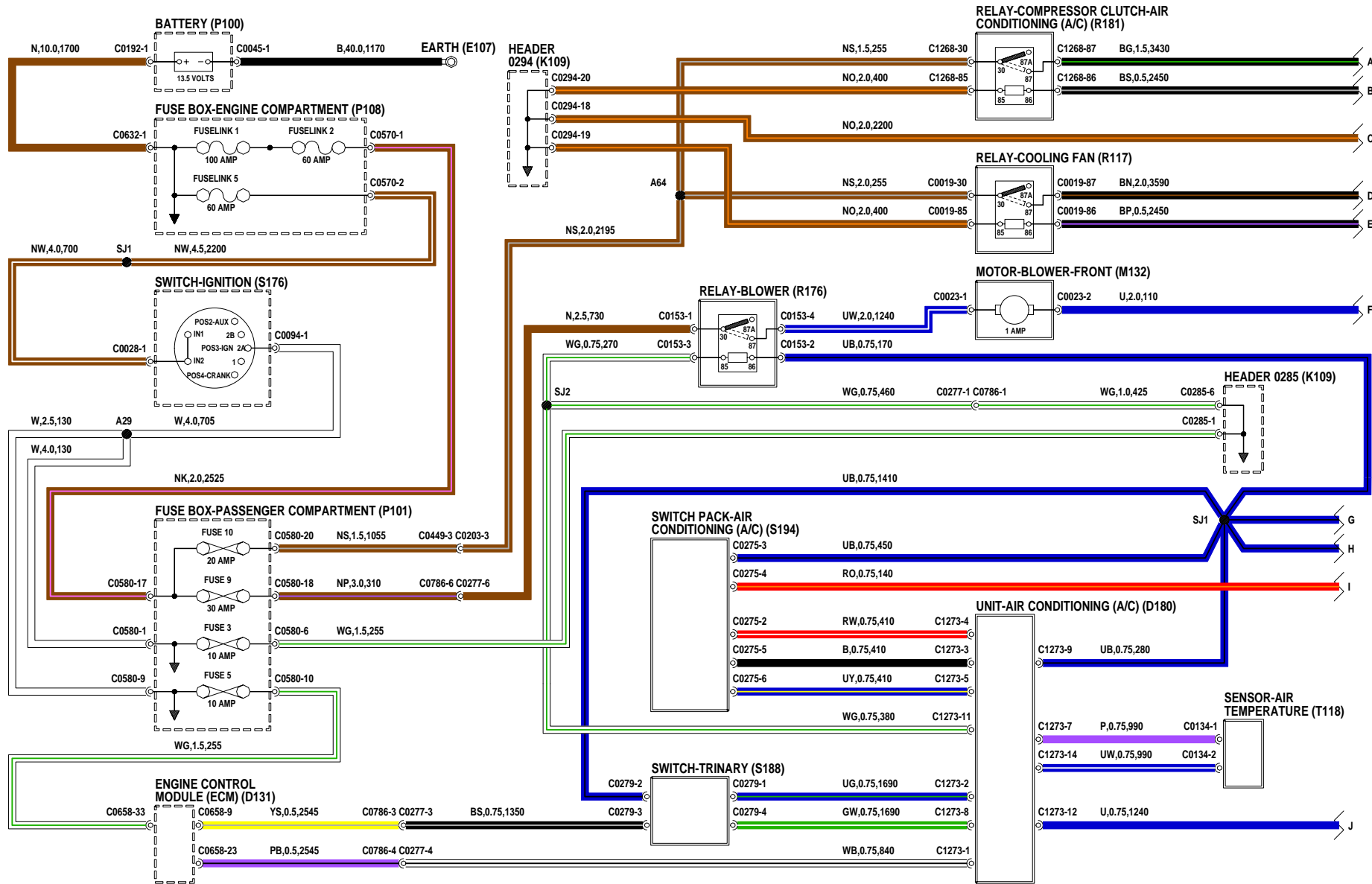
# ANTI-LOCK BRAKING SYSTEM (ABS)

Td5



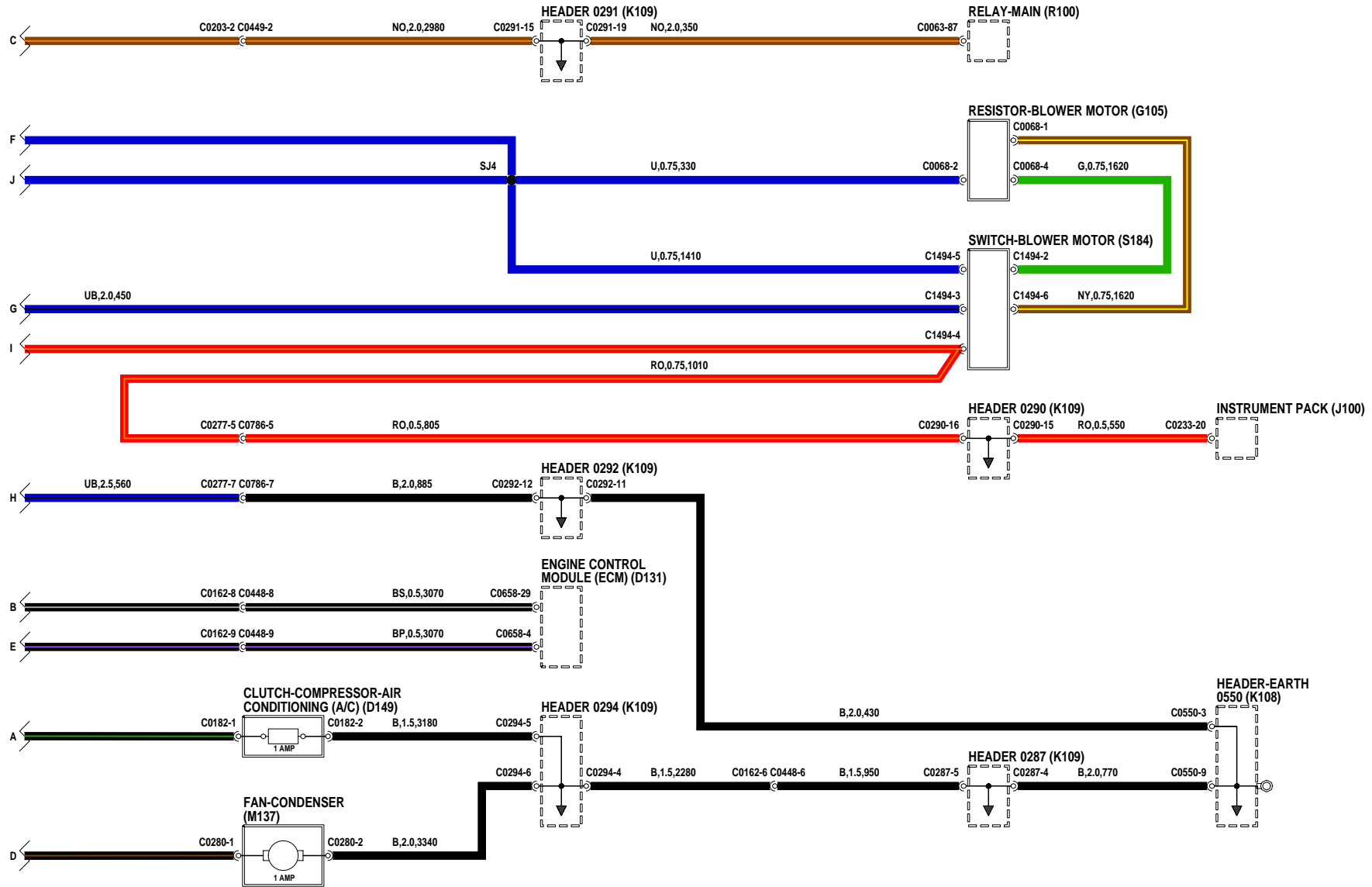
# AIR CONDITIONING

Td5

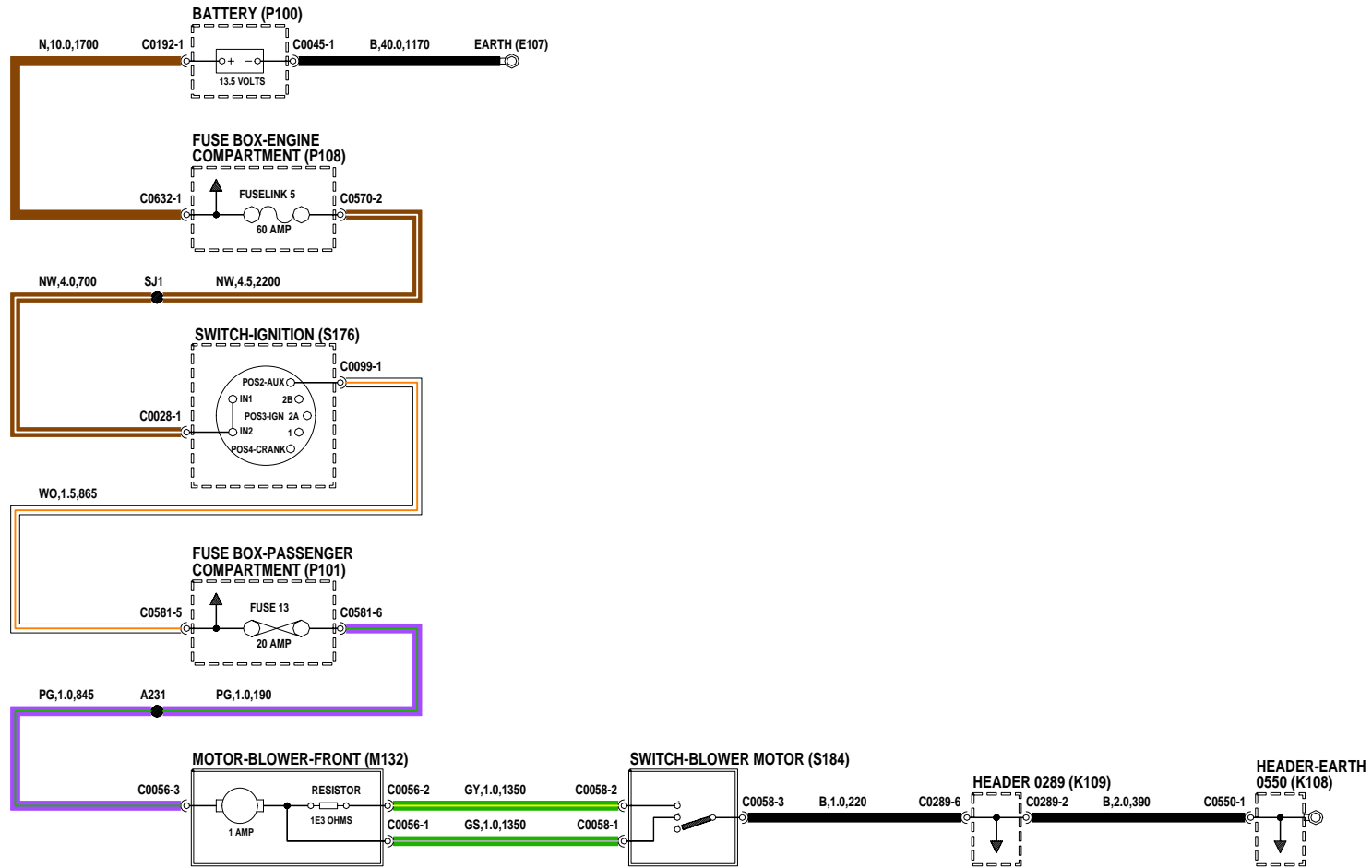


# AIR CONDITIONING

Td5

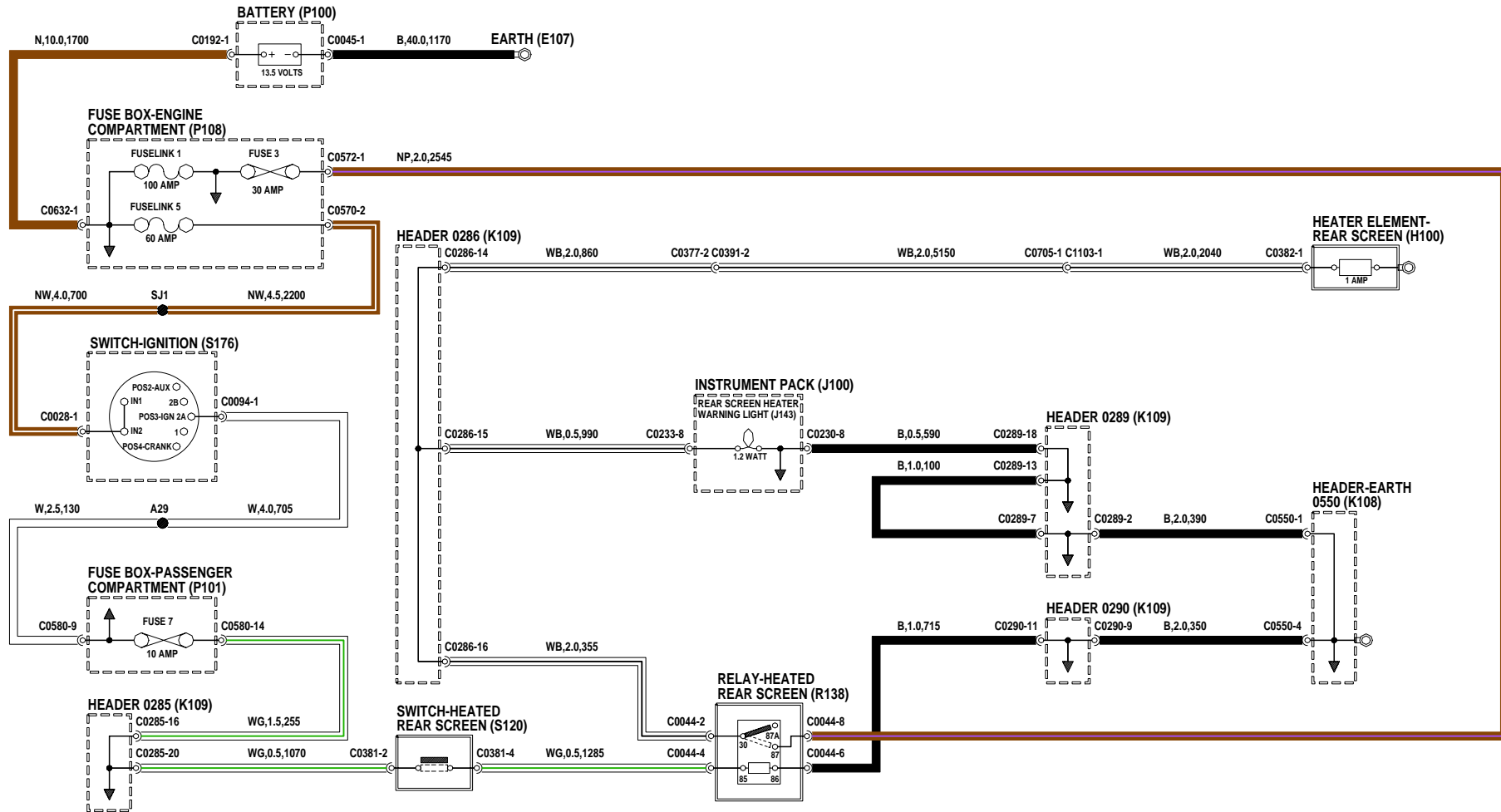


# HEATER

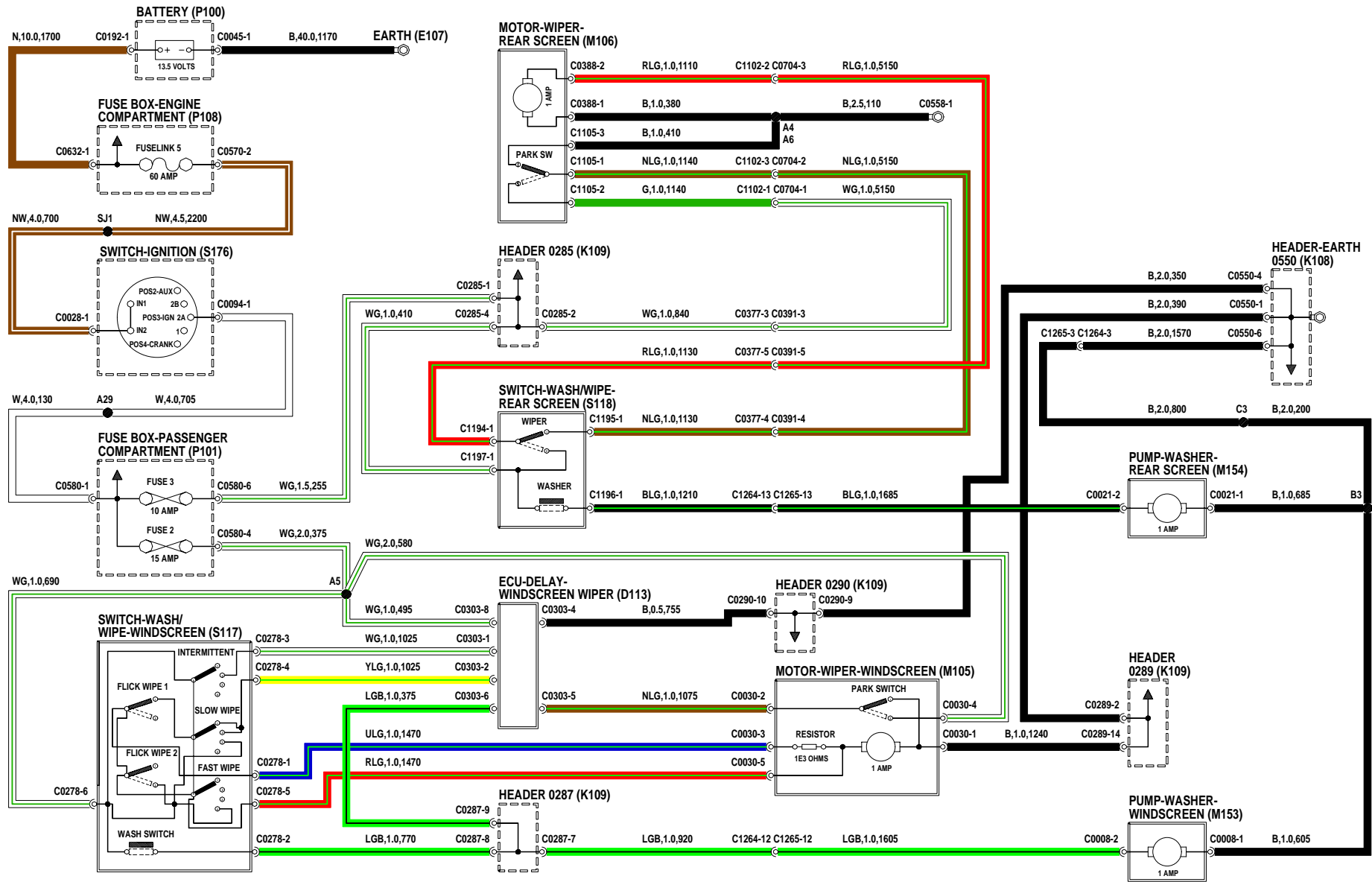




# HEATED REAR WINDOW (HRW)

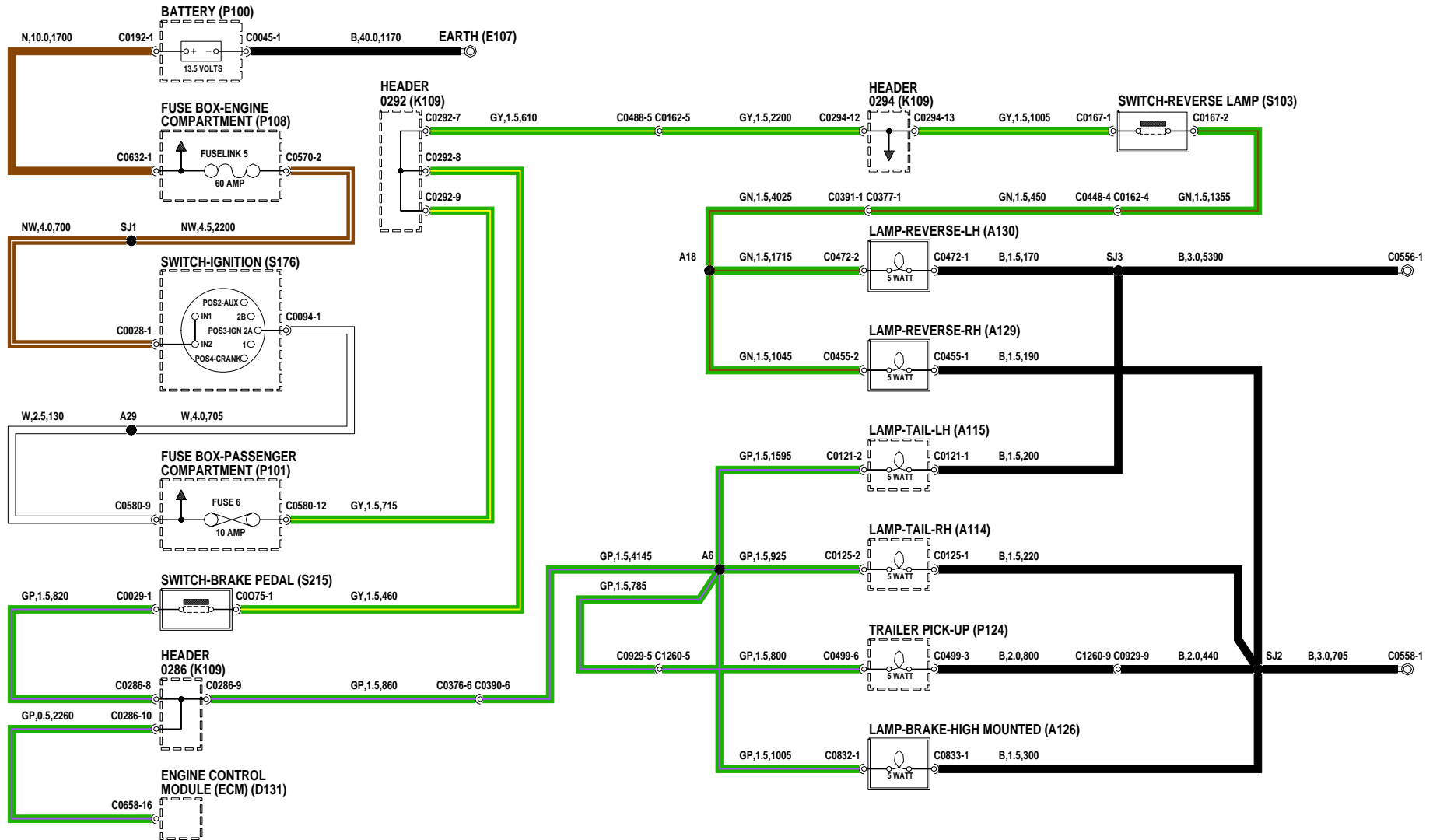


# WIPERS AND WASHERS



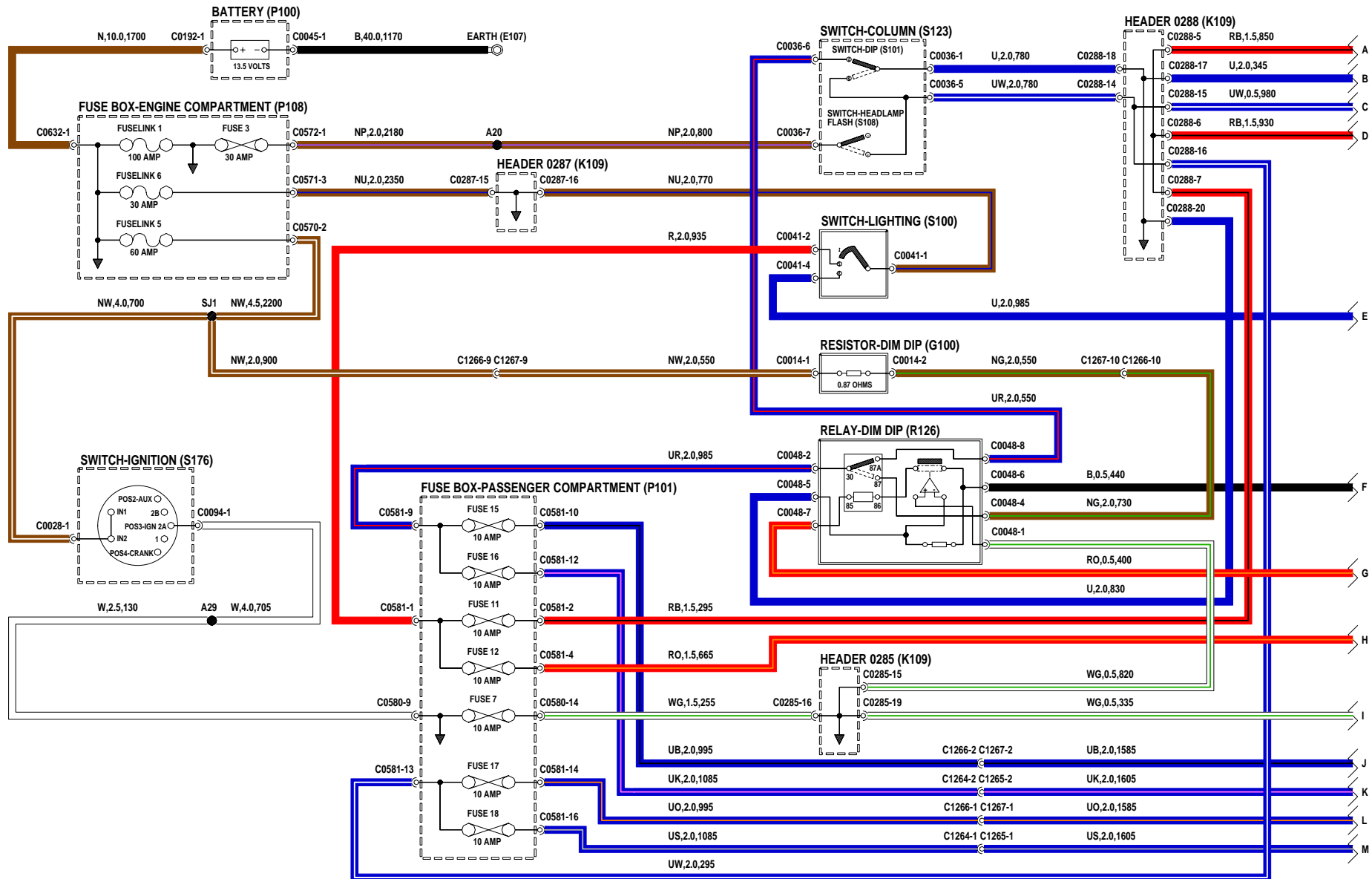
# EXTERIOR LAMPS

## BRAKE AND REVERSE LAMPS



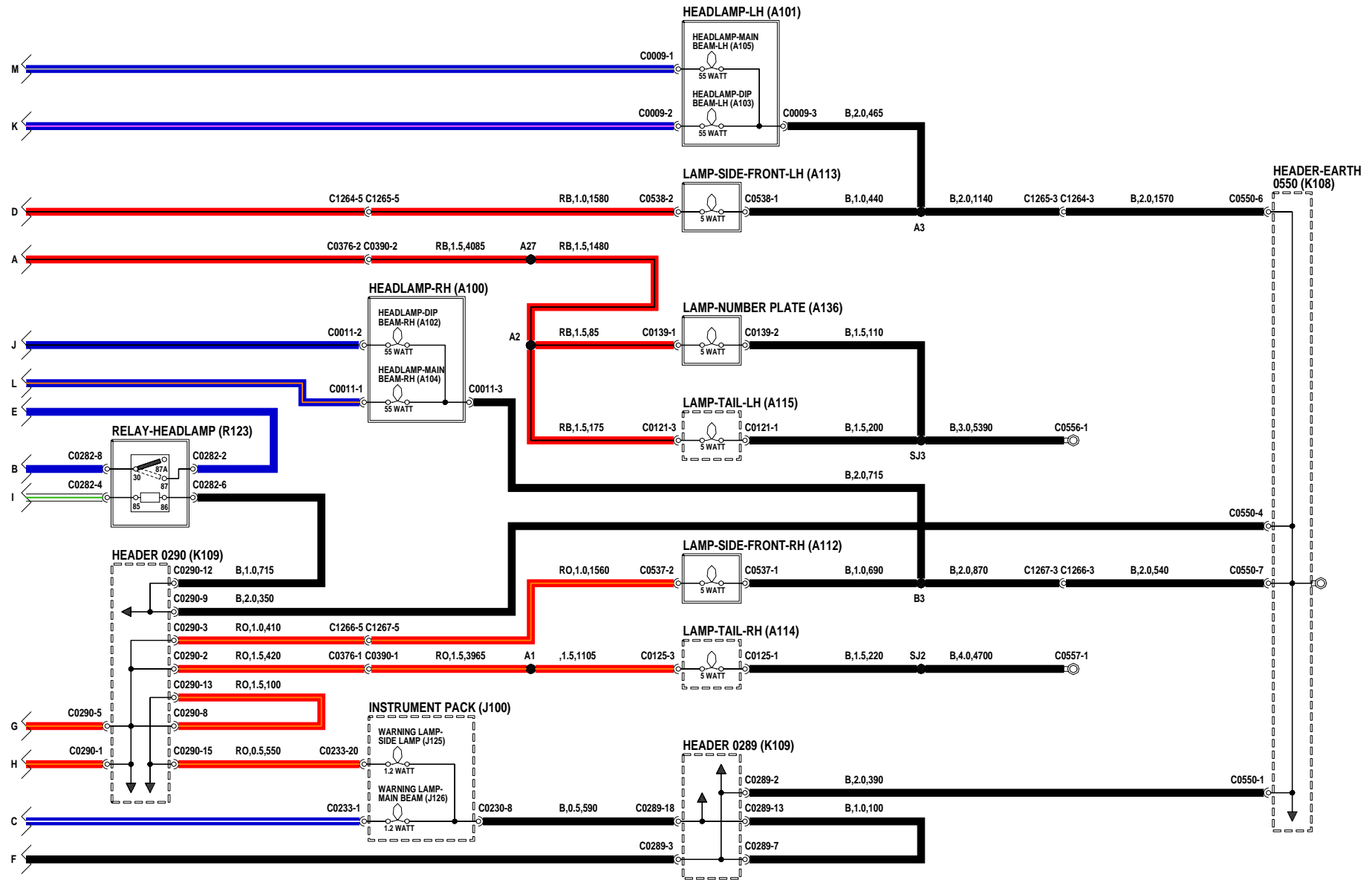
# EXTERIOR LAMPS

## HEAD, SIDE AND NUMBER PLATE LAMPS

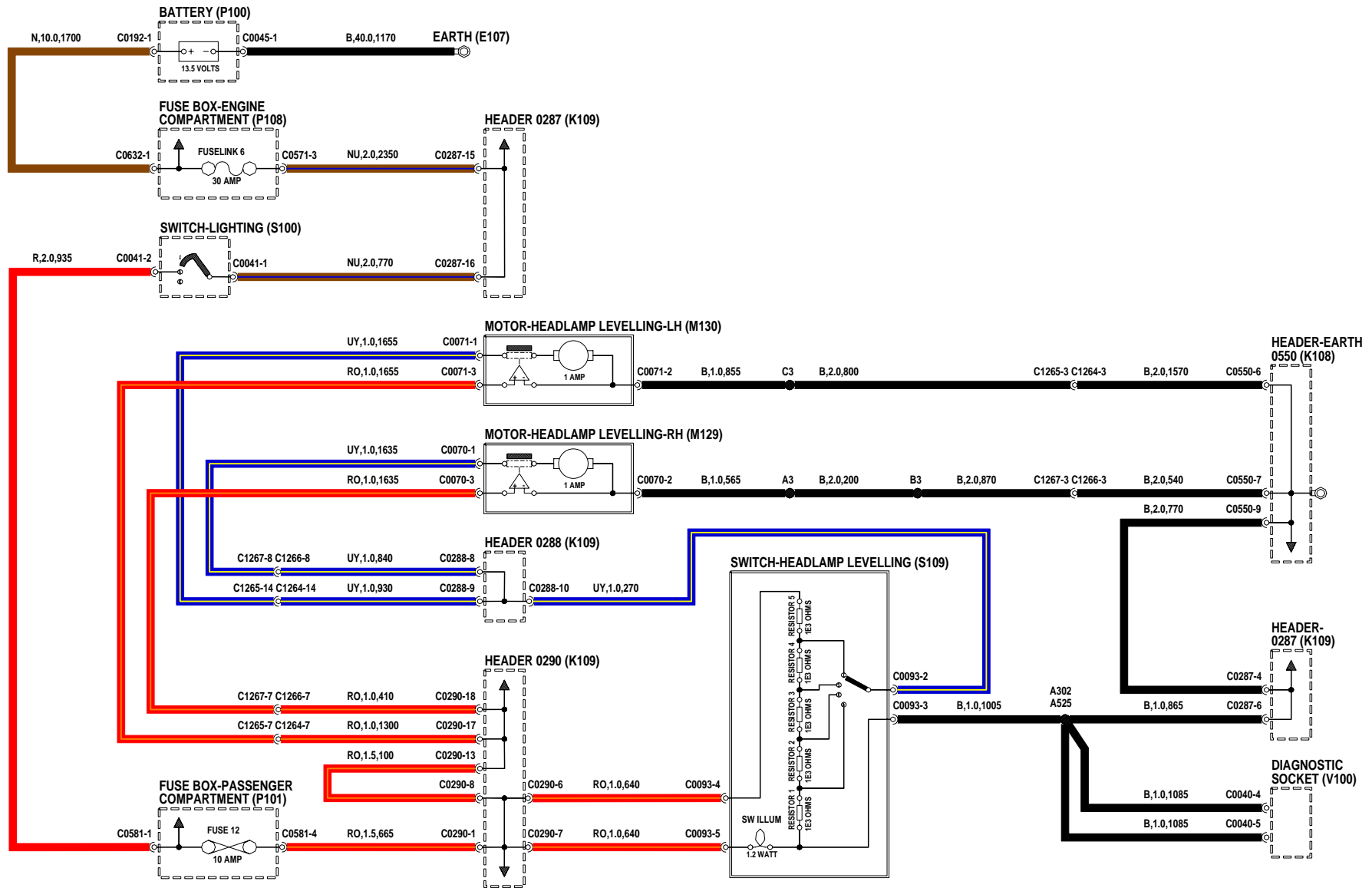


# EXTERIOR LAMPS

## HEAD, SIDE AND NUMBER PLATE LAMPS

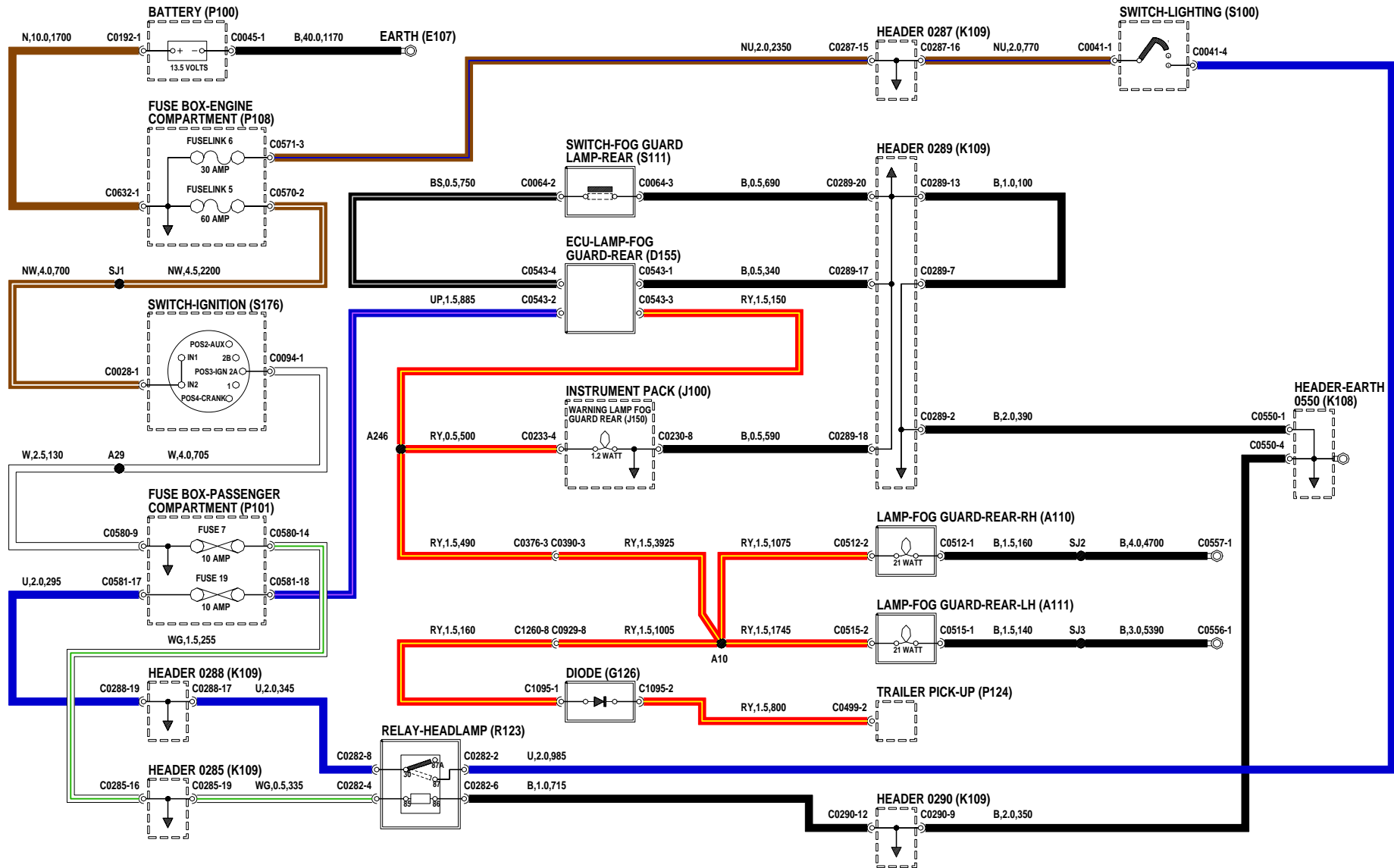


# EXTERIOR LAMPS HEADLAMP LEVELLING

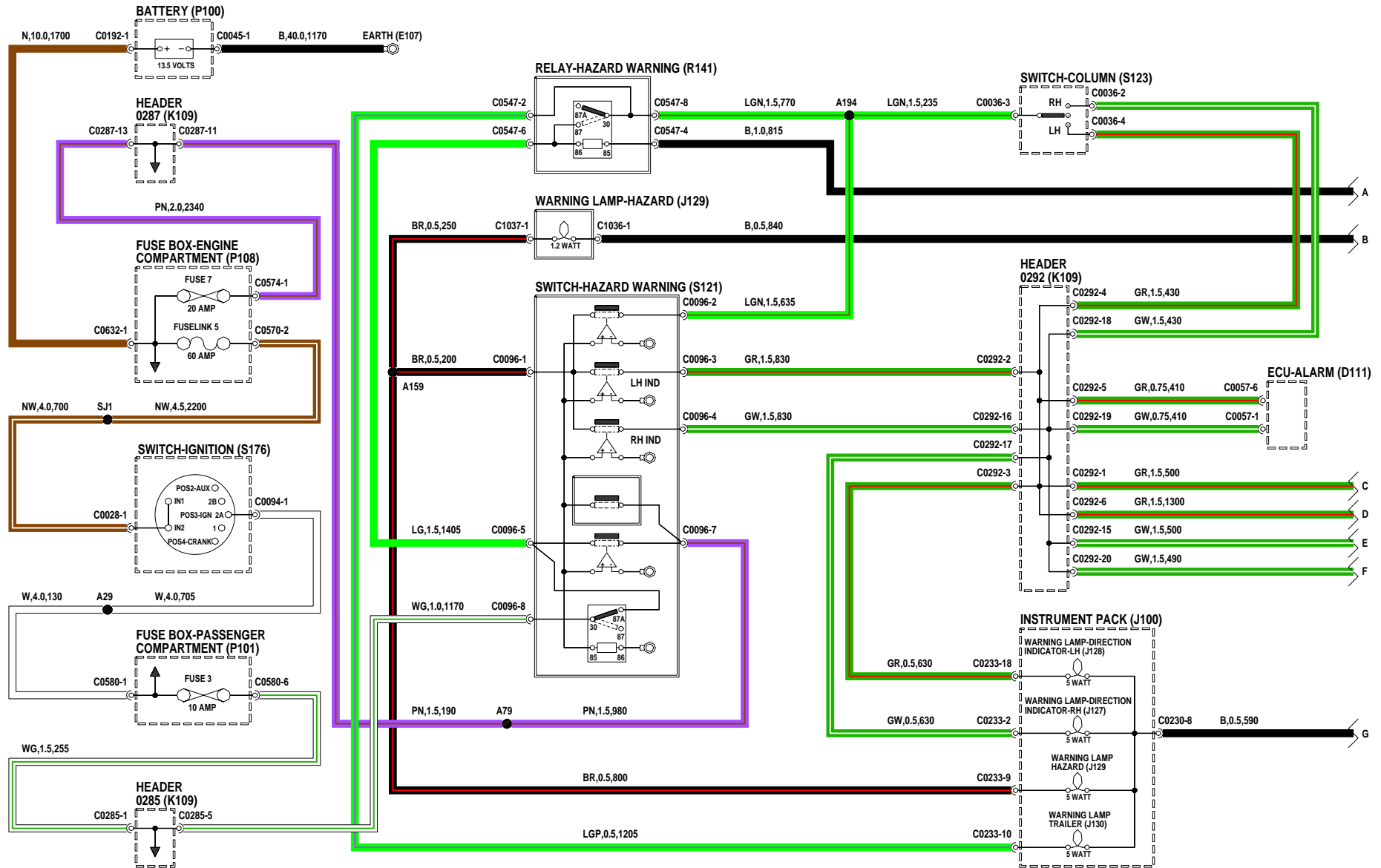


# EXTERIOR LAMPS

## REAR FOG LAMPS

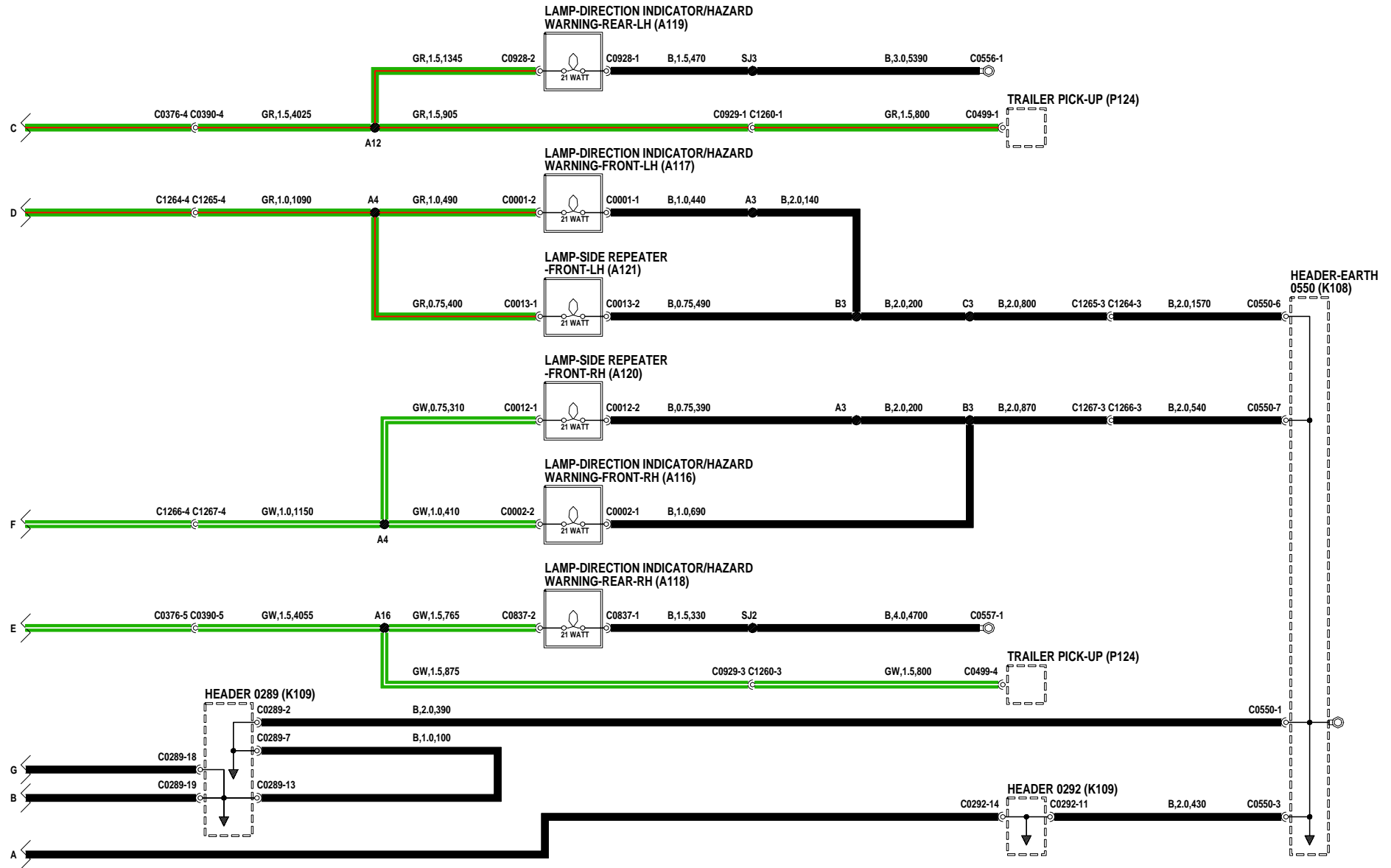


# INDICATORS AND HAZARDS



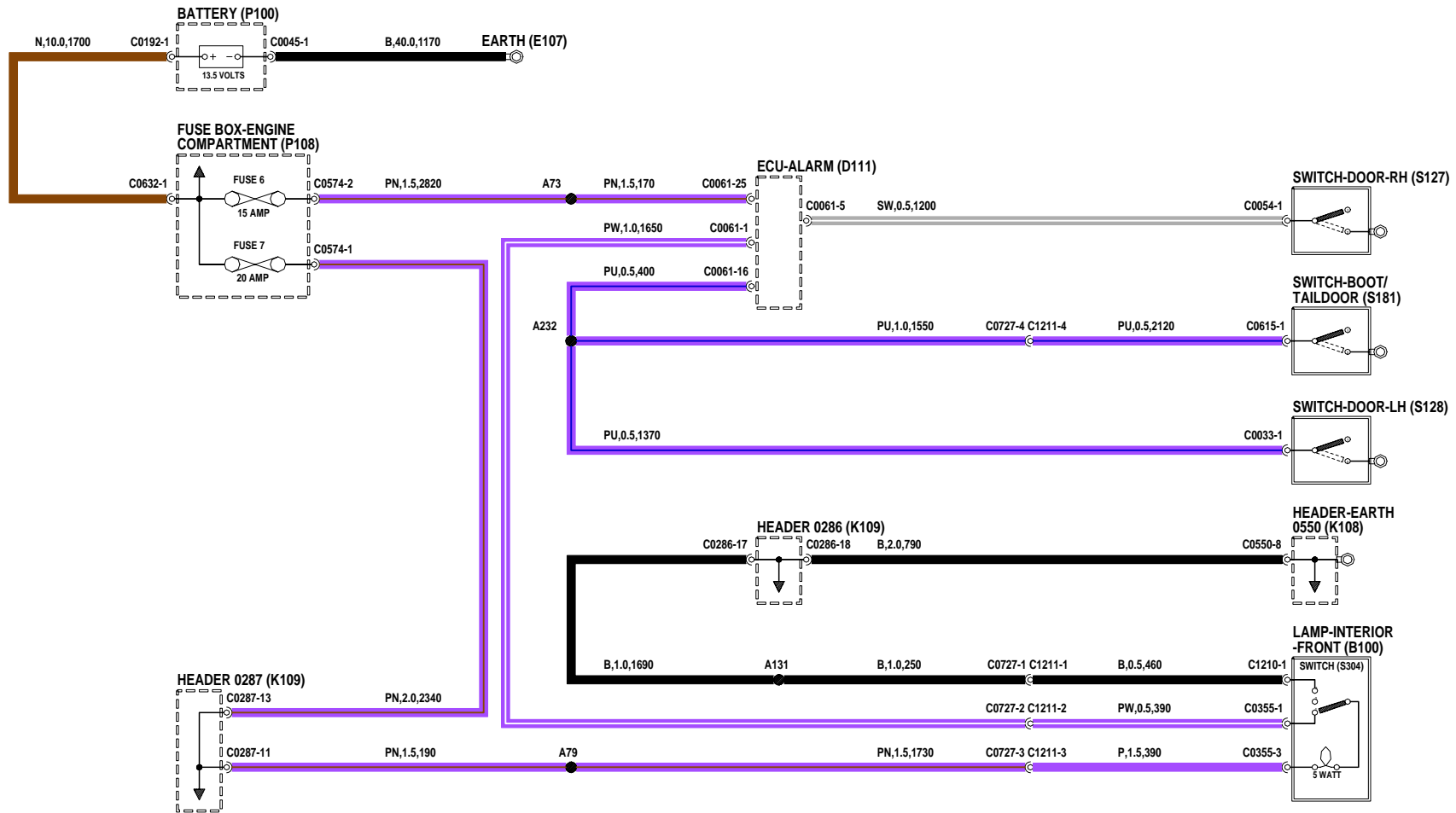


# INDICATORS AND HAZARDS



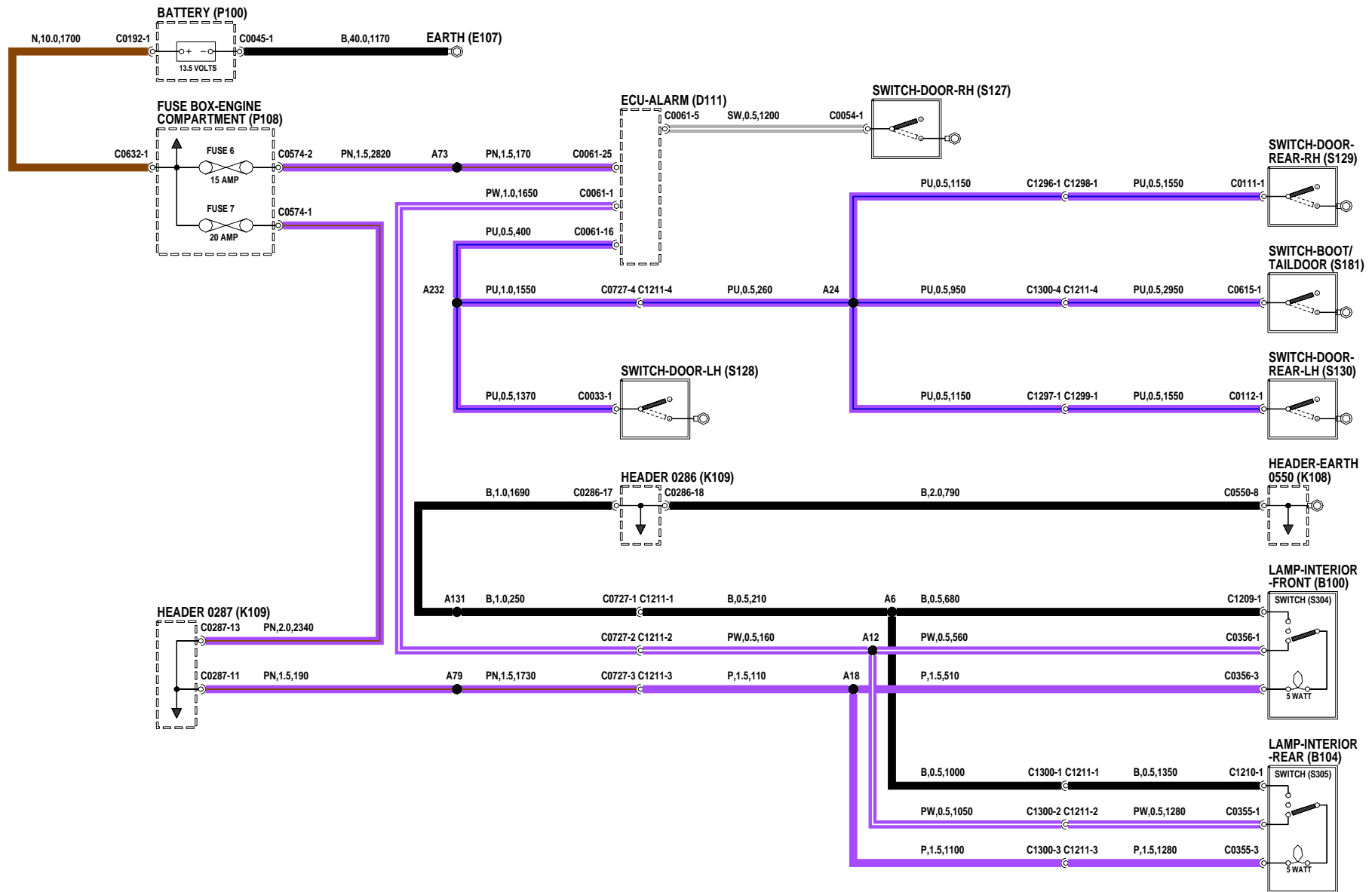
# INTERIOR LAMPS

## 90 STATION WAGON



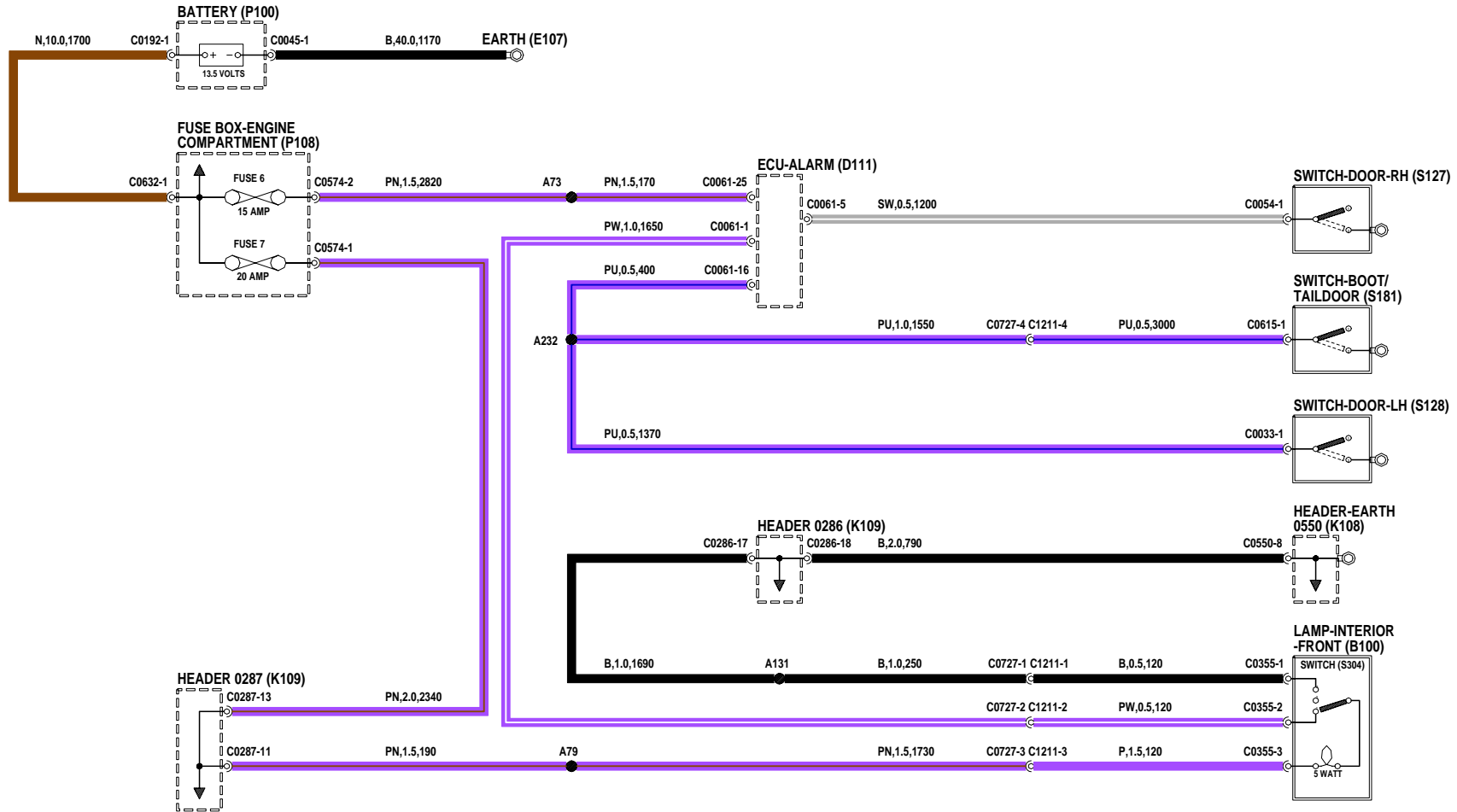
# INTERIOR LAMPS

## 110 STATION WAGON

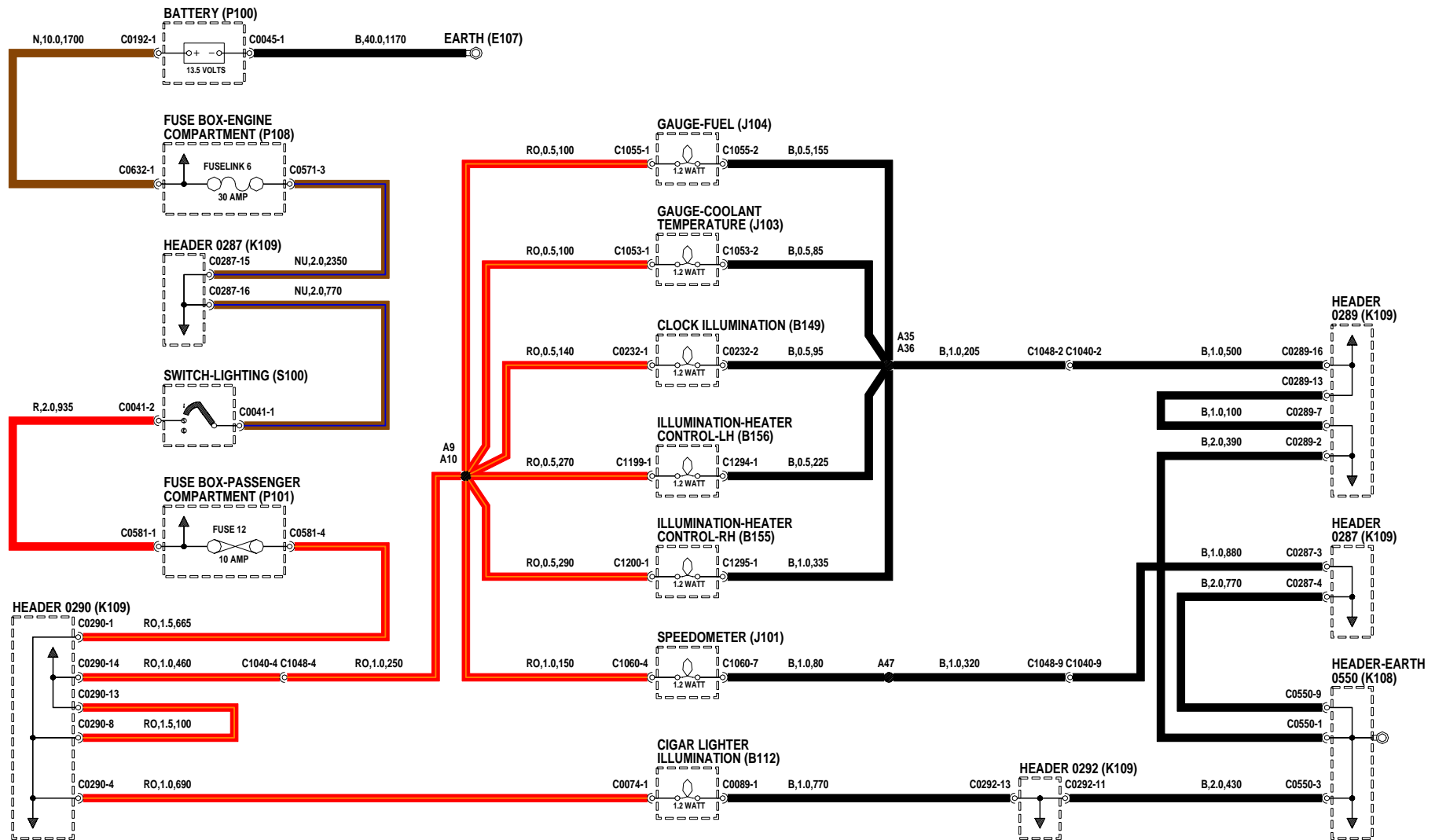


# INTERIOR LAMPS

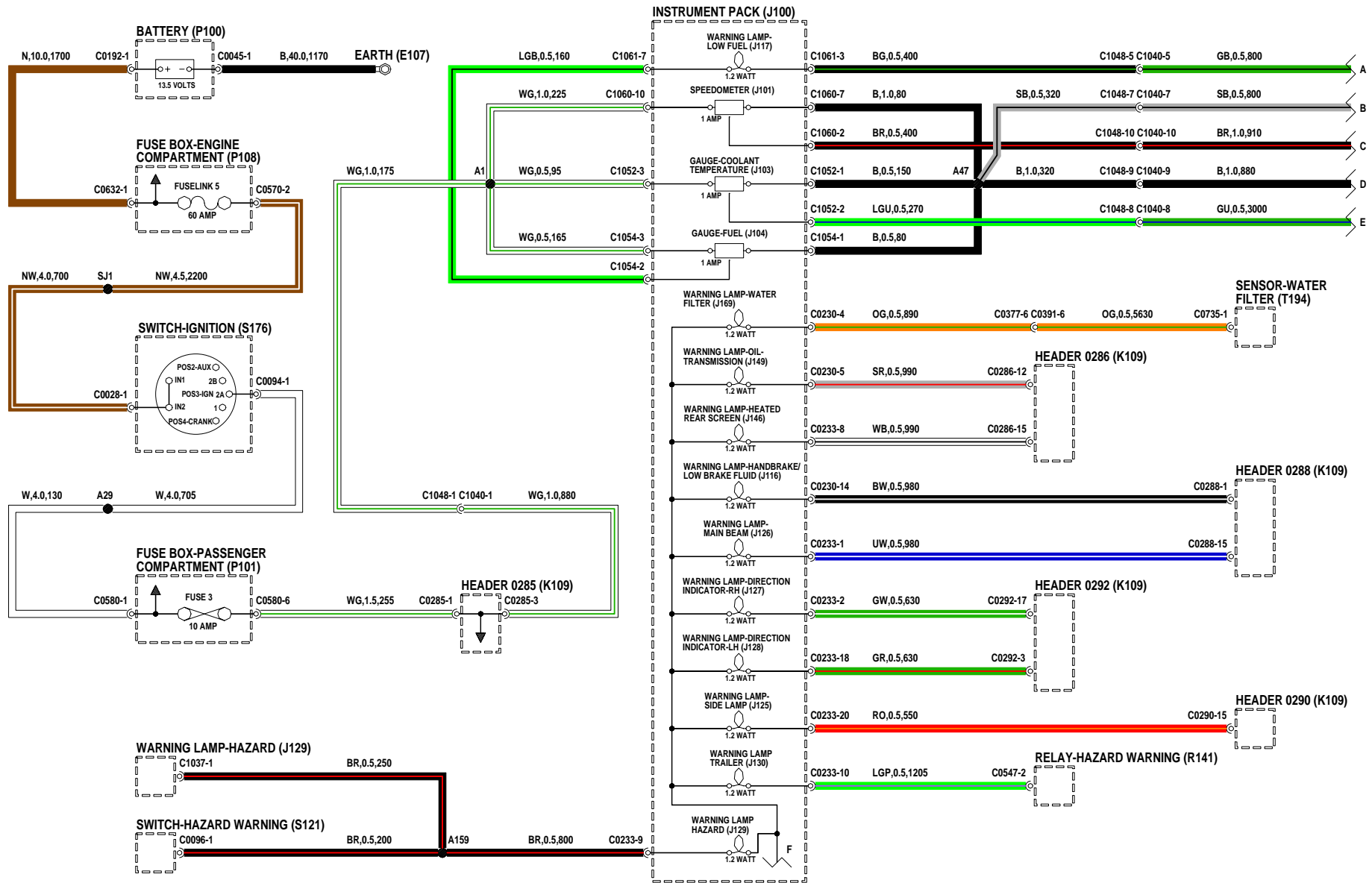
## 90/110 HARD TOP



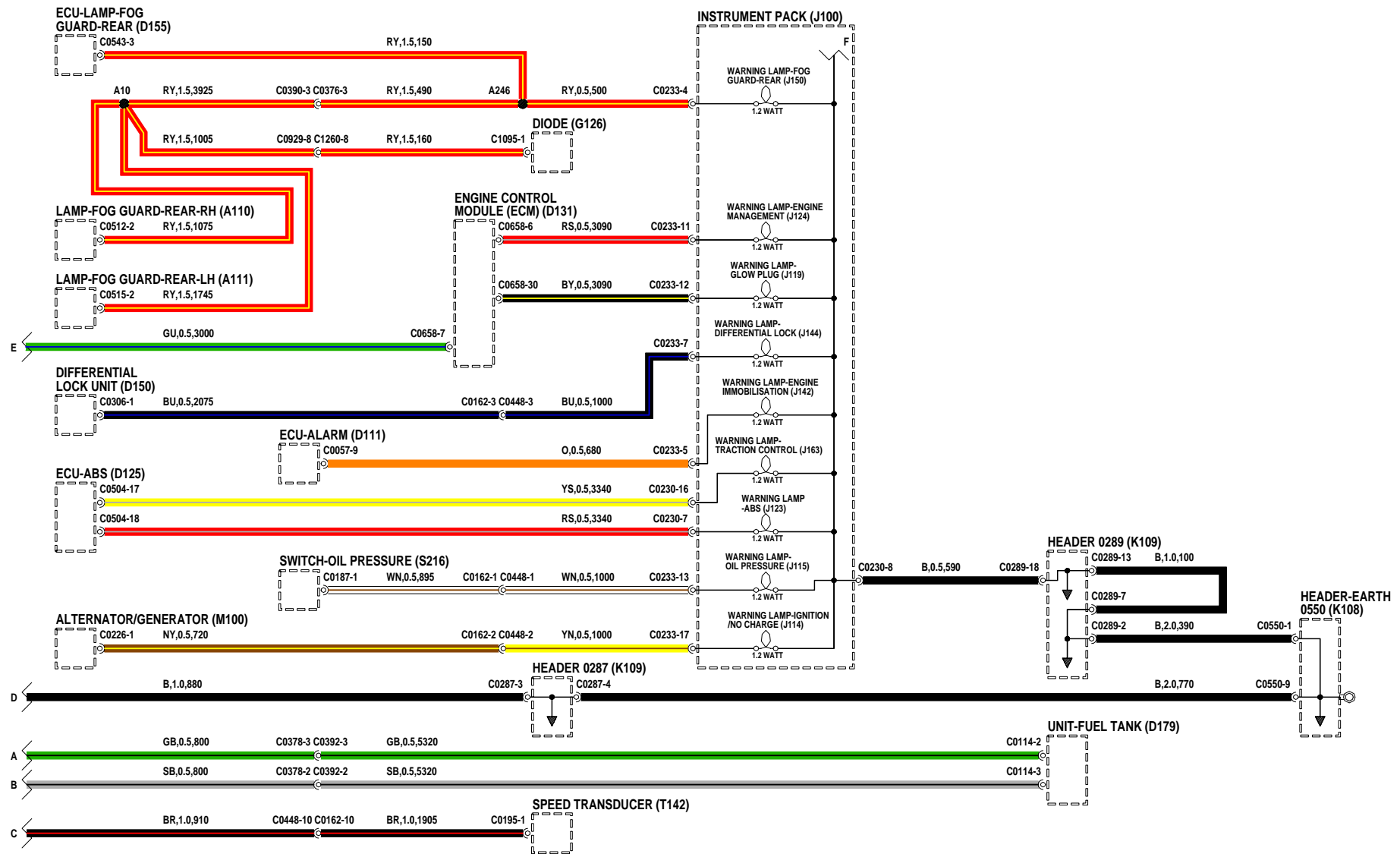
# INTERIOR ILLUMINATION



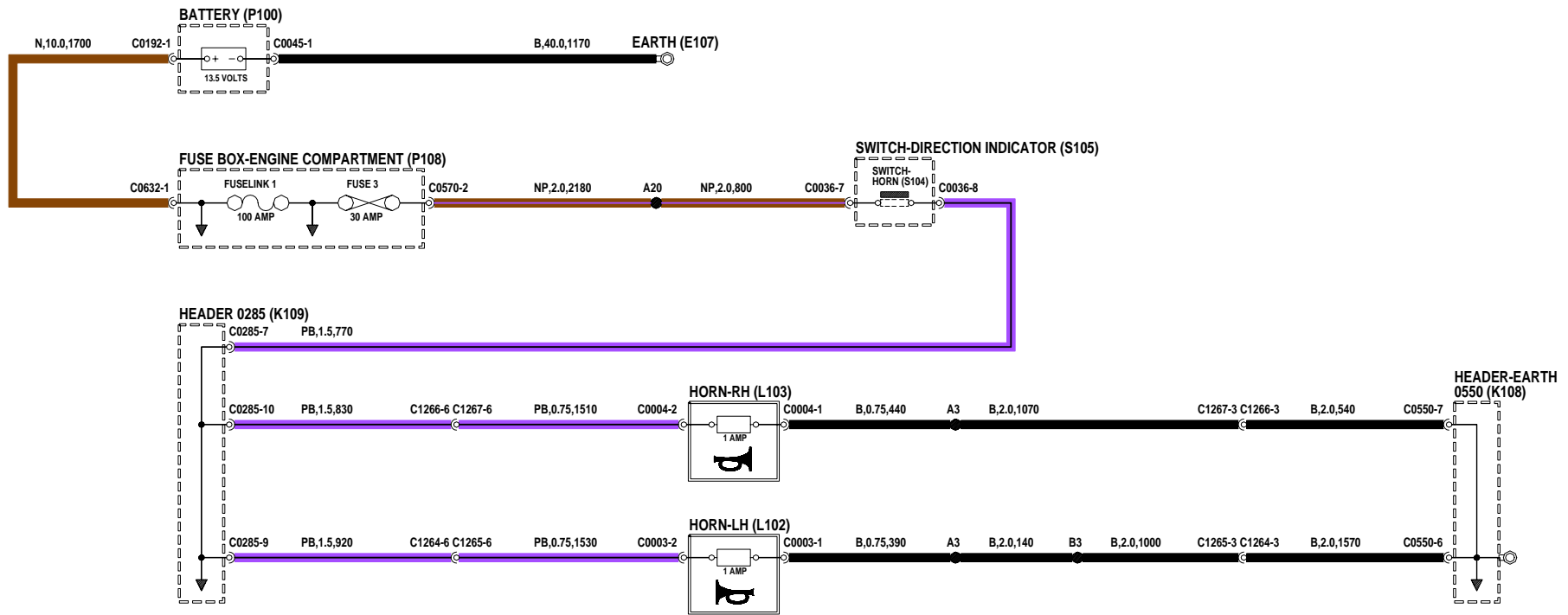
# INSTRUMENTS



# INSTRUMENTS

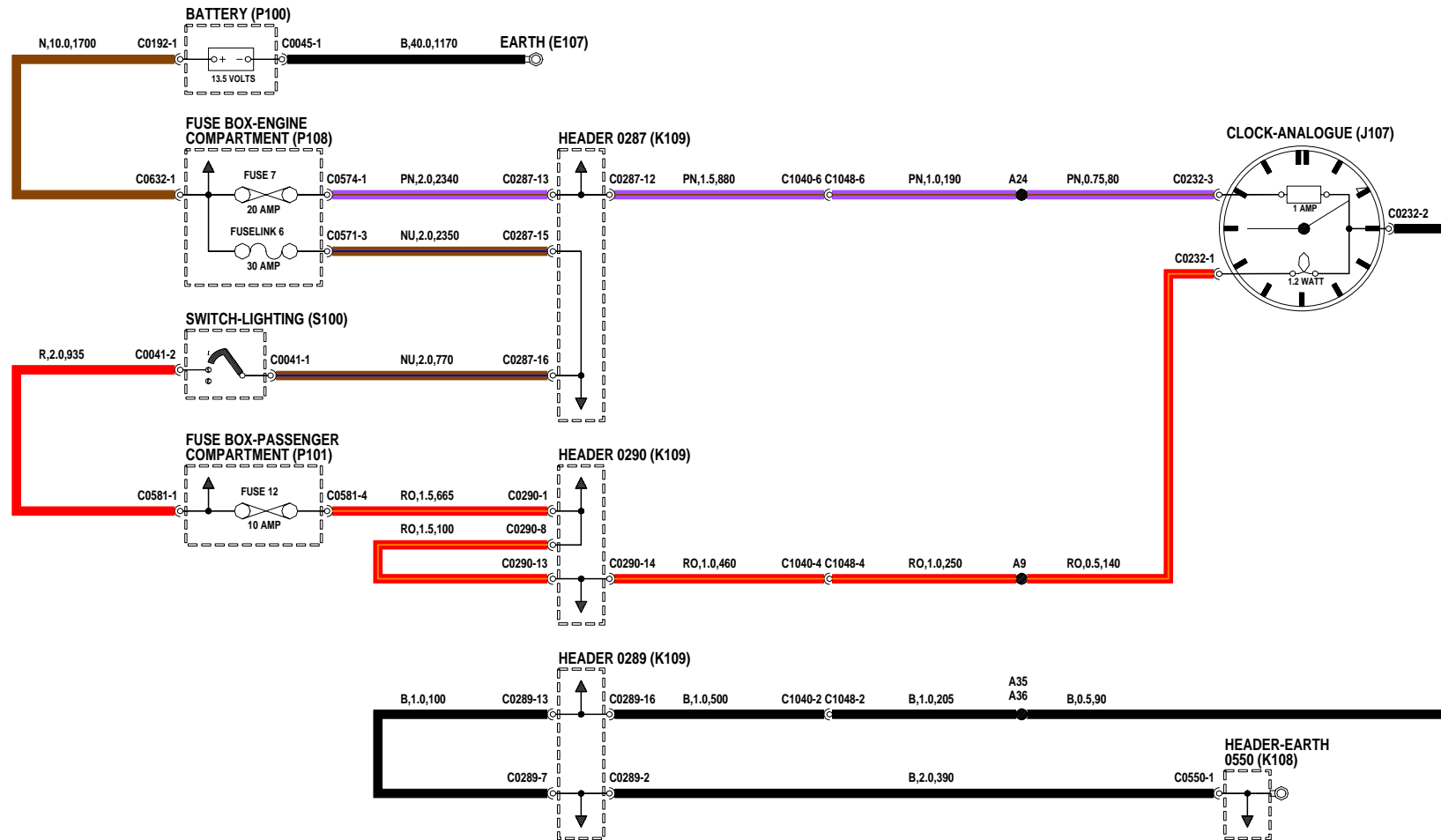


# HORNS

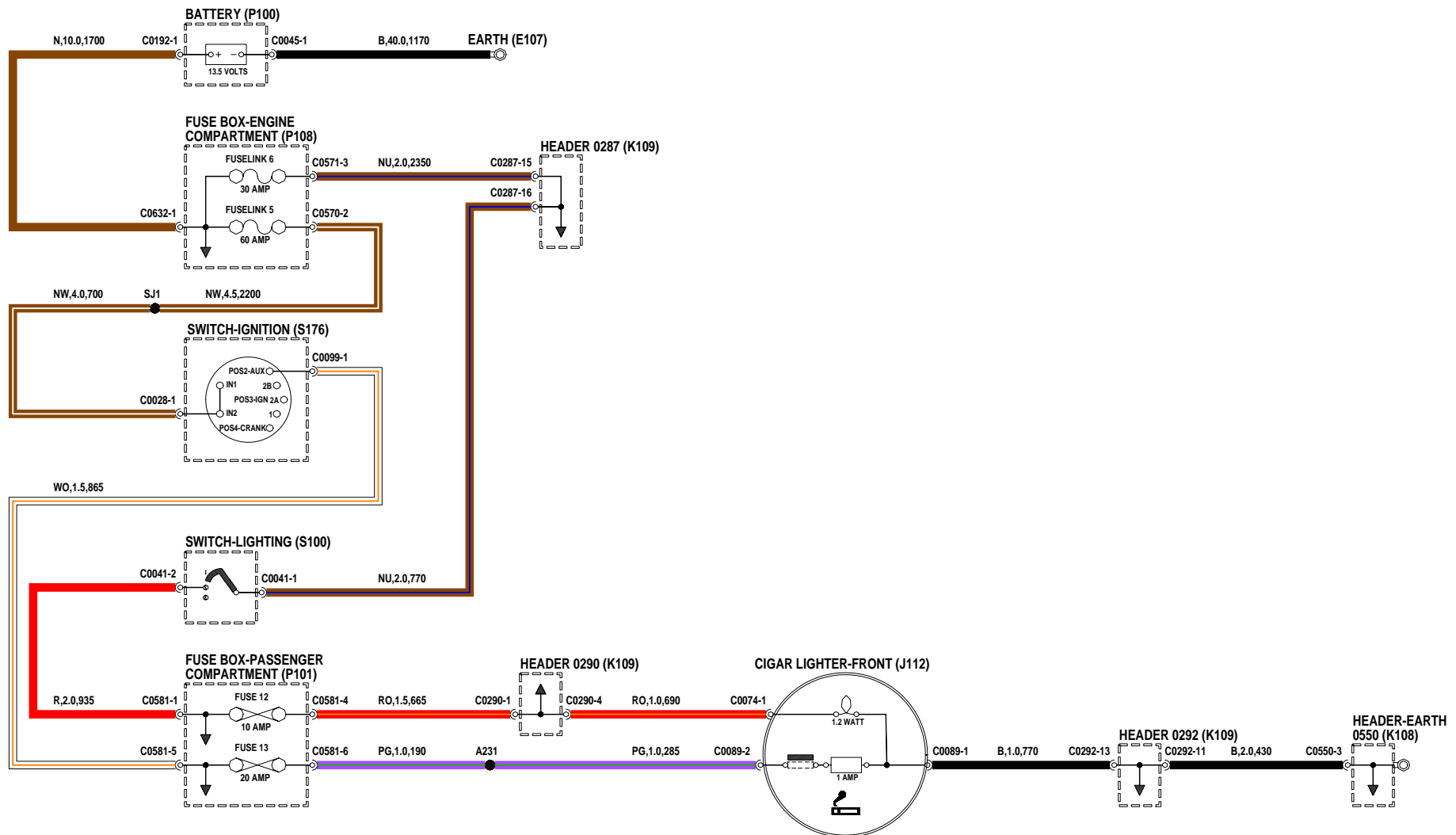




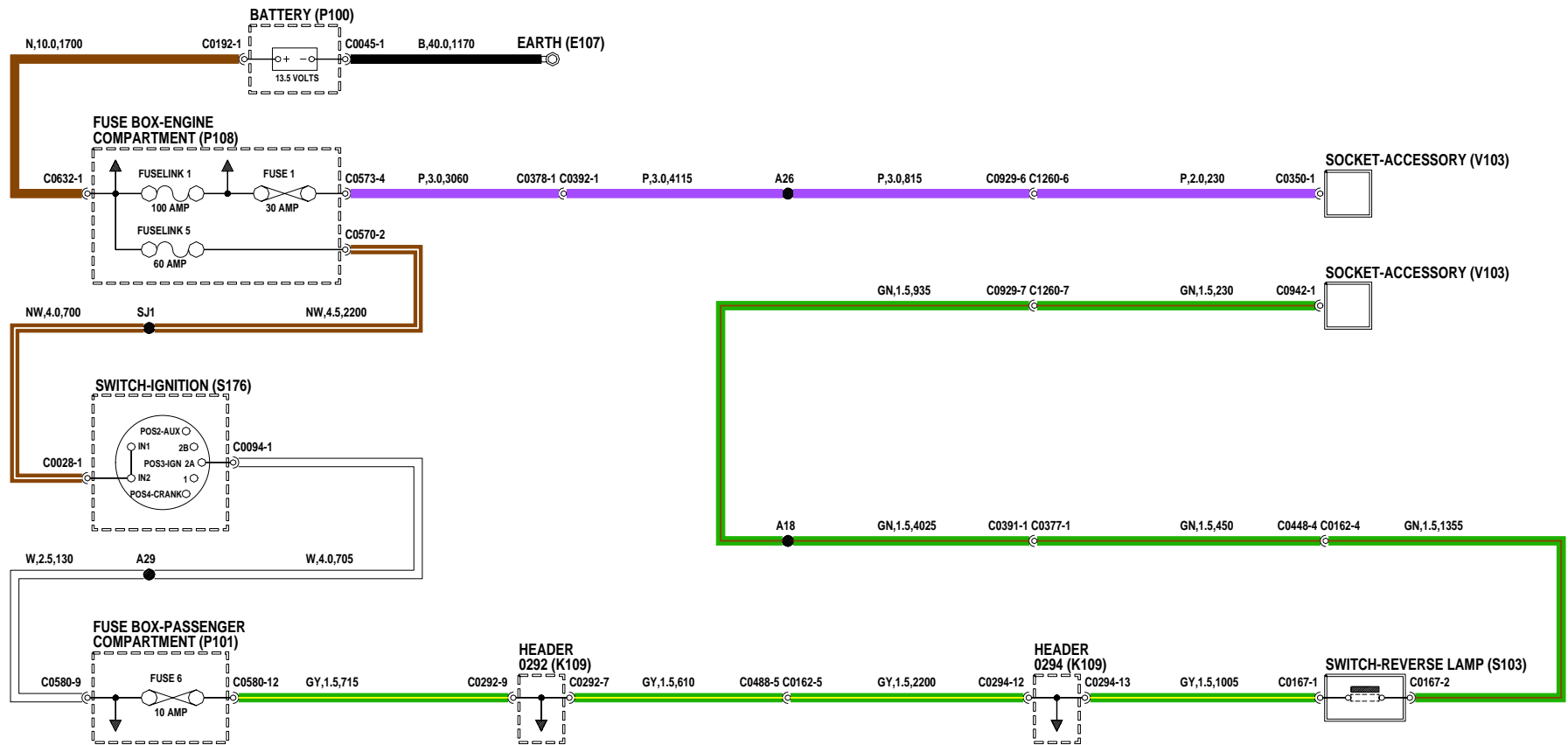
# CLOCK



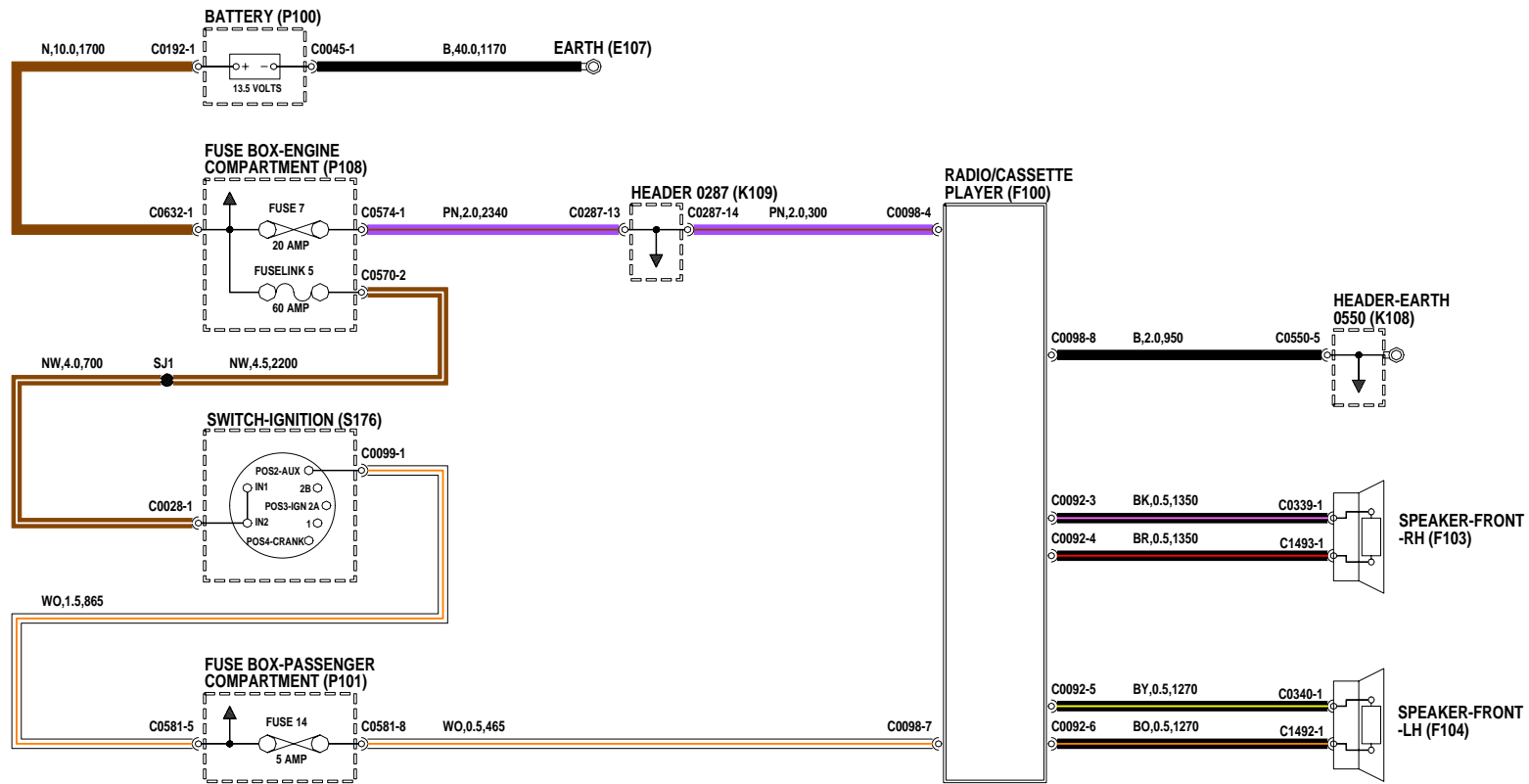
# CIGAR LIGHTER



# ACCESSORY SOCKET

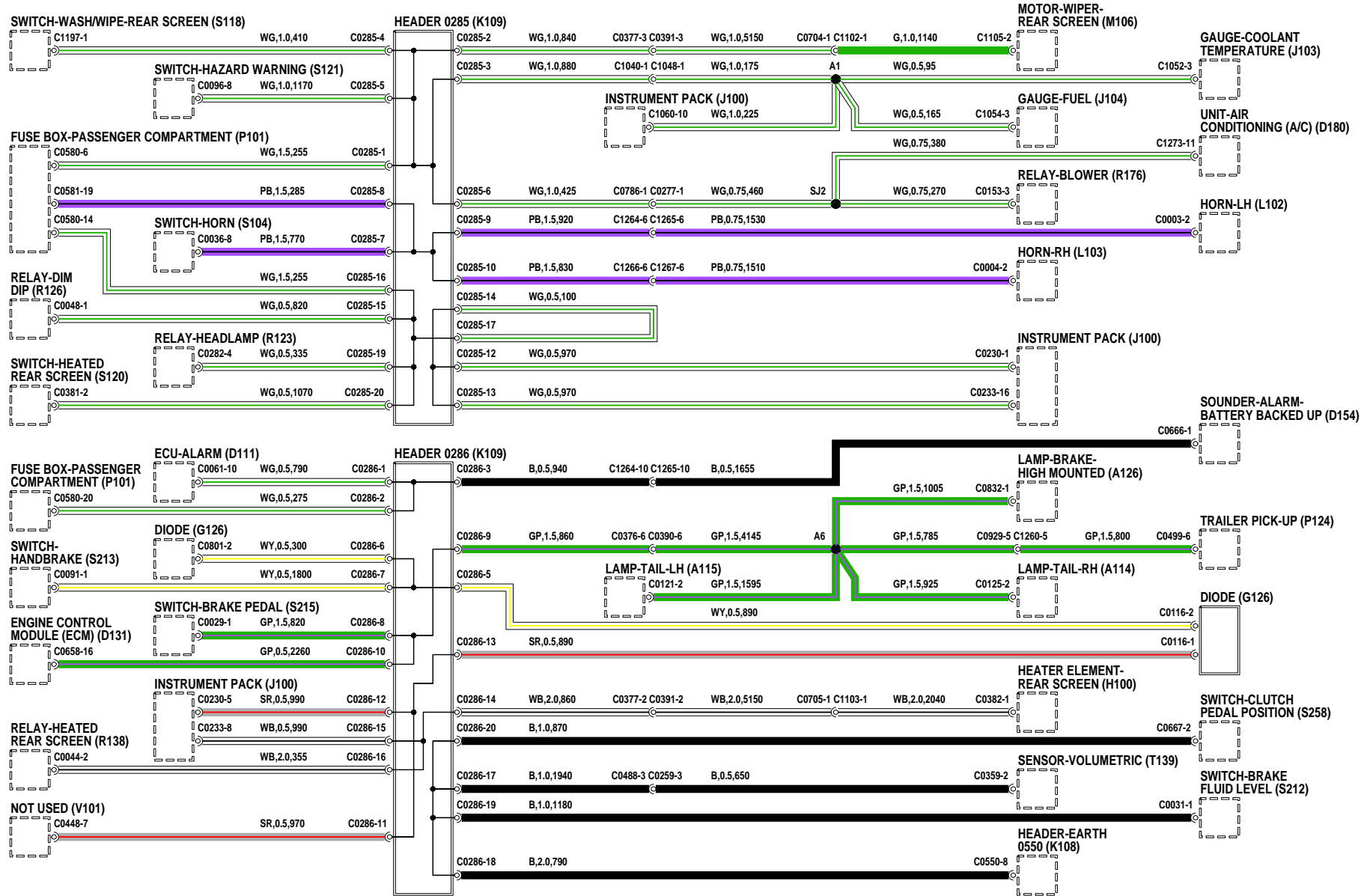


# IN-CAR ENTERTAINMENT (ICE)

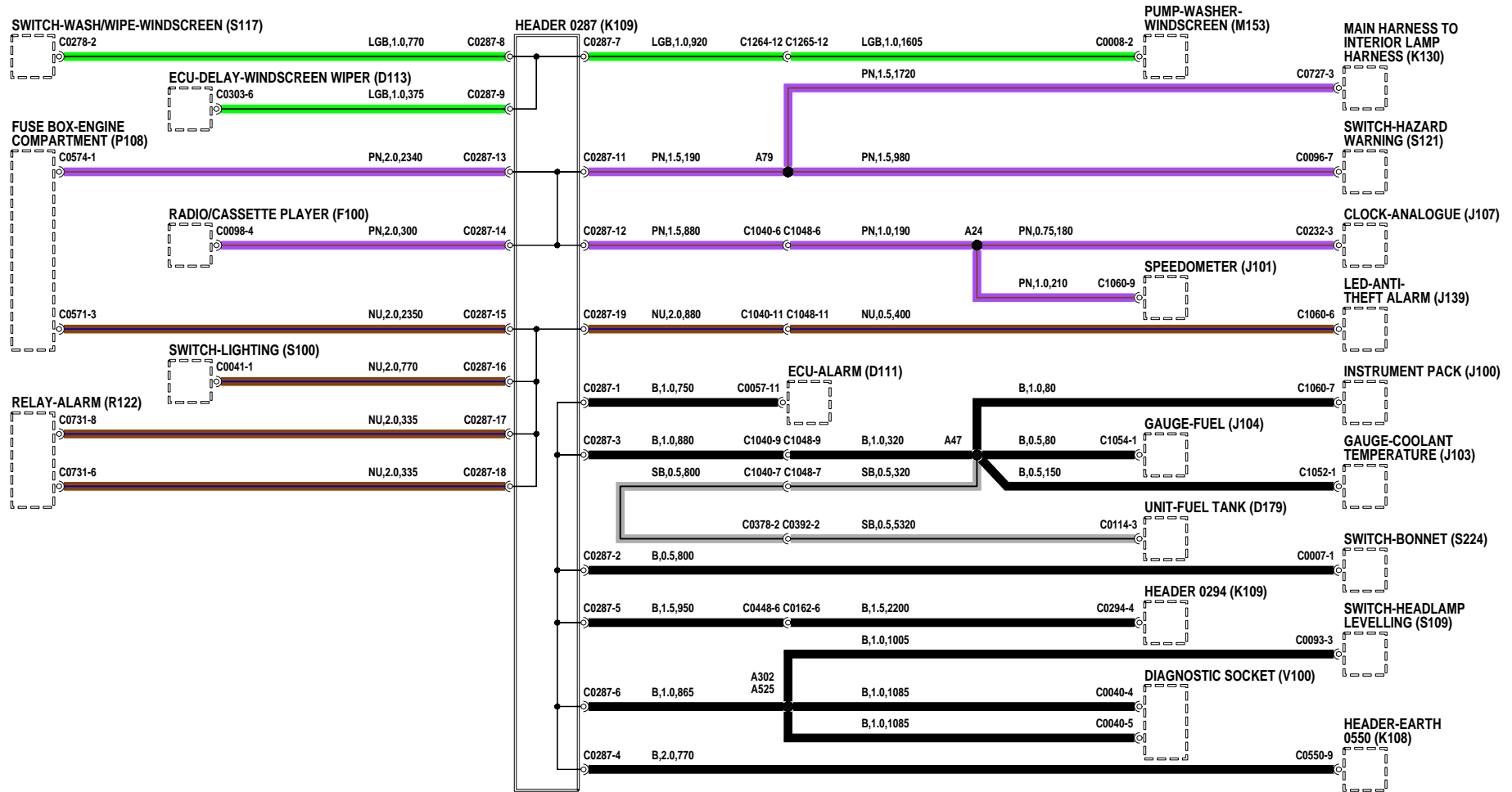




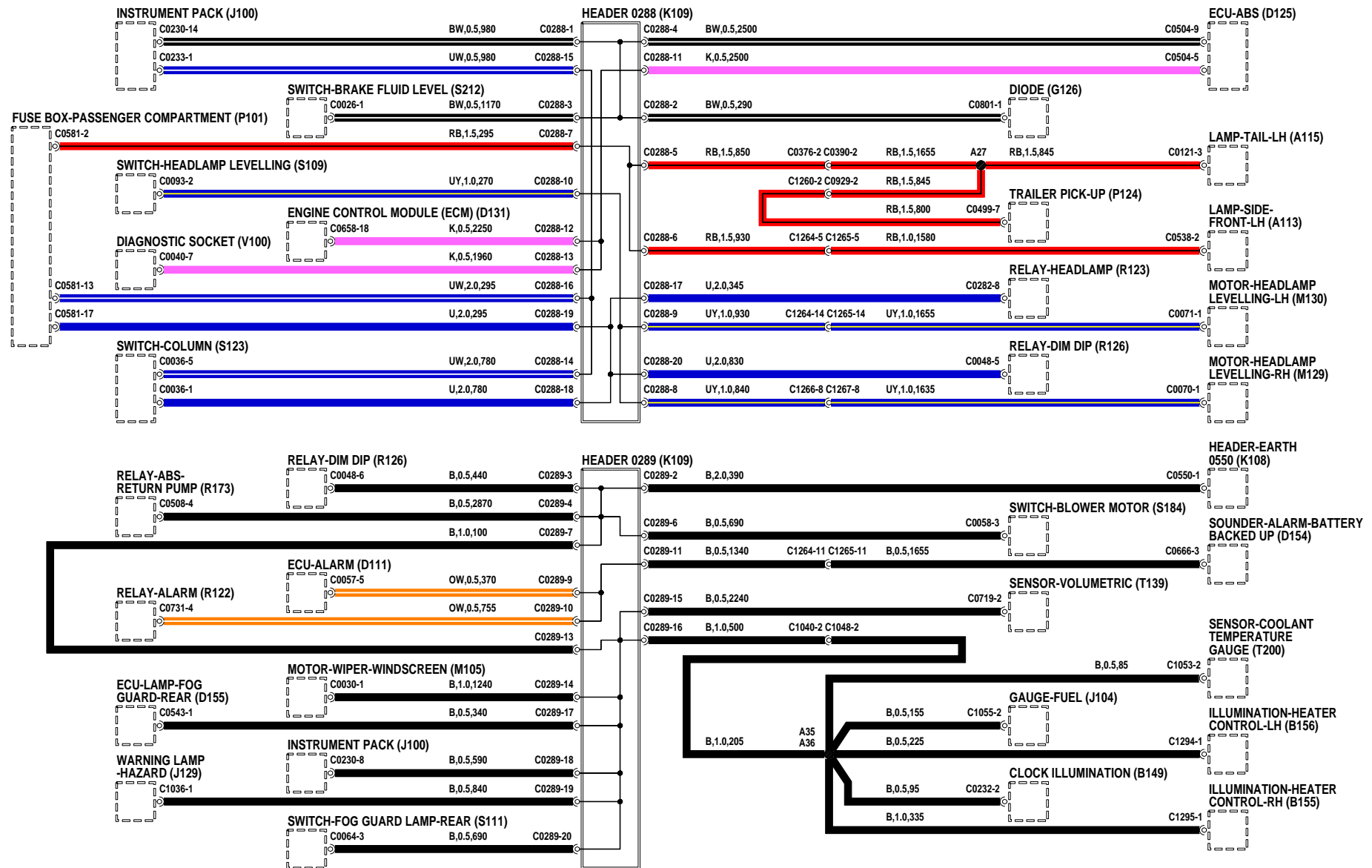
# HEADER JOINTS



# HEADER JOINTS

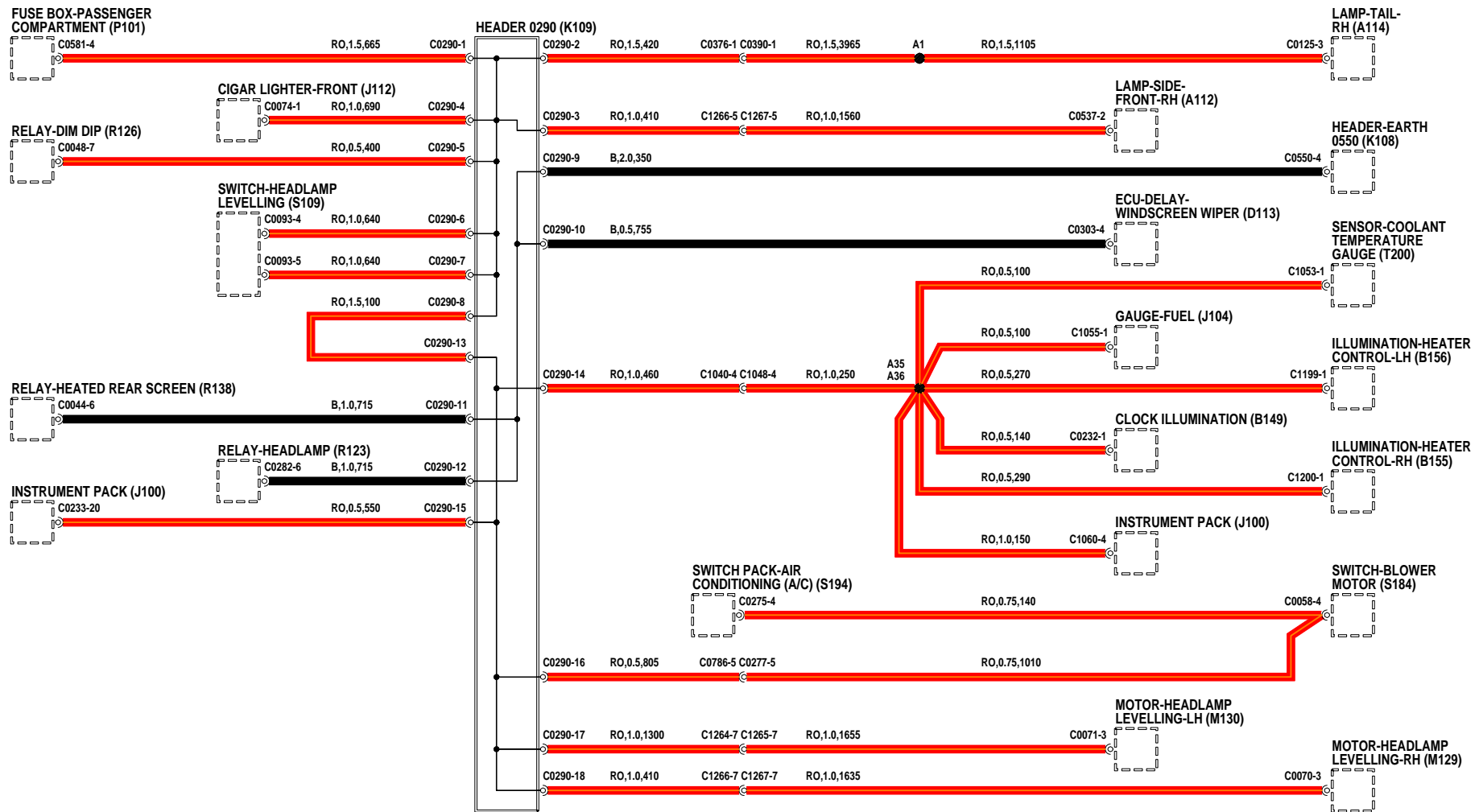


# HEADER JOINTS

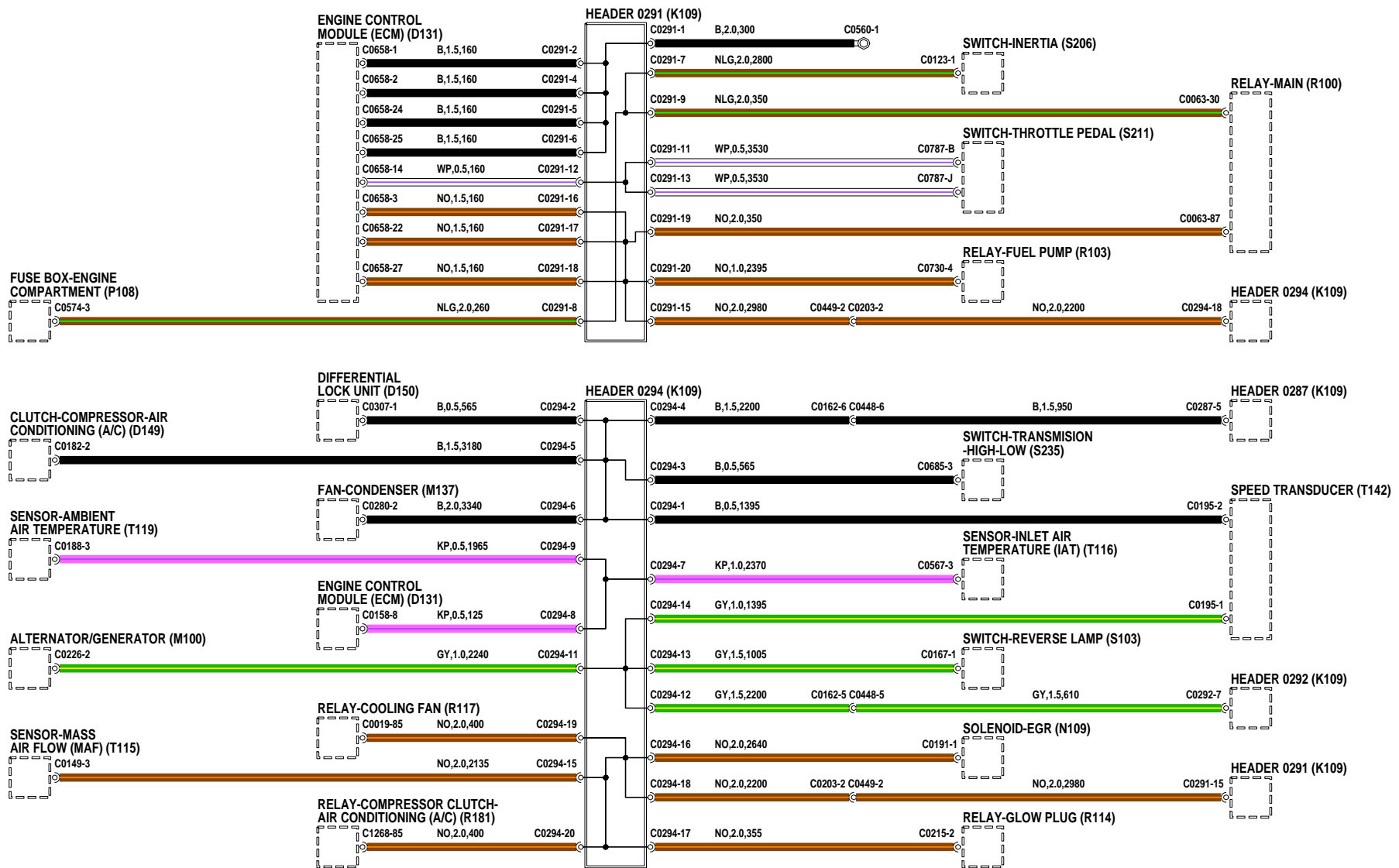




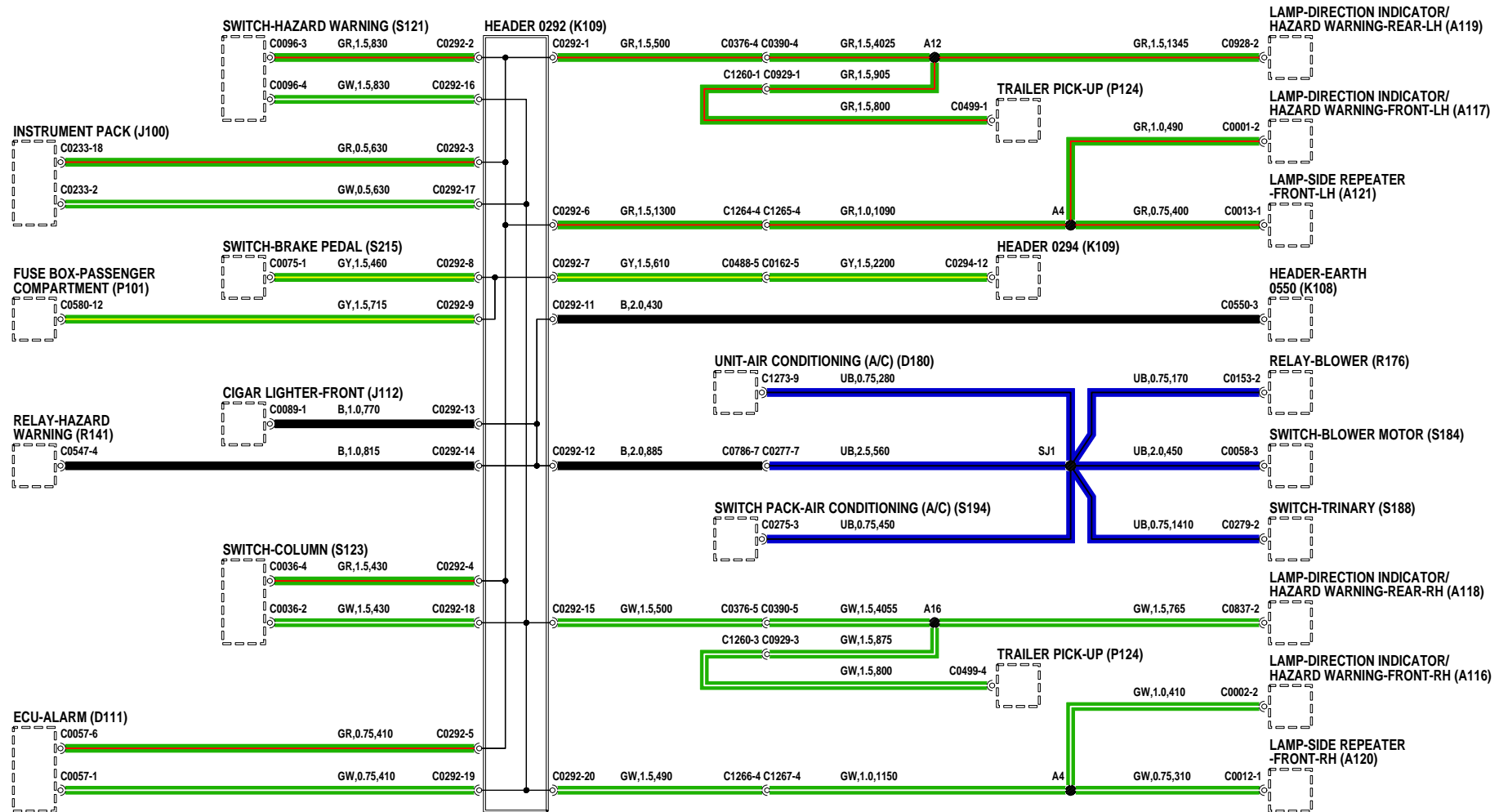
# HEADER JOINTS



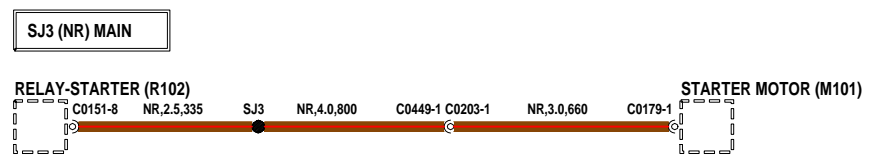
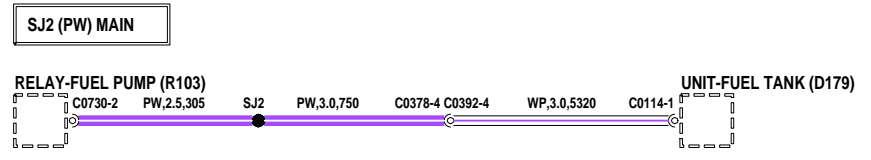
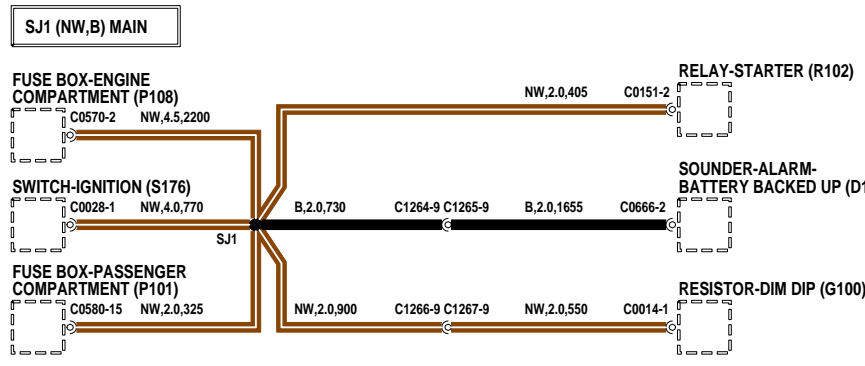
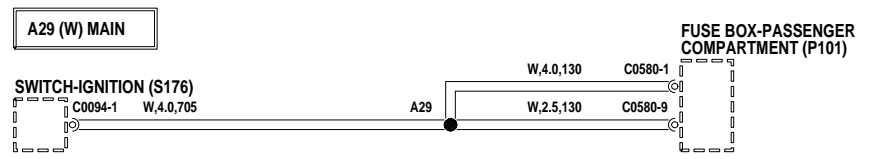
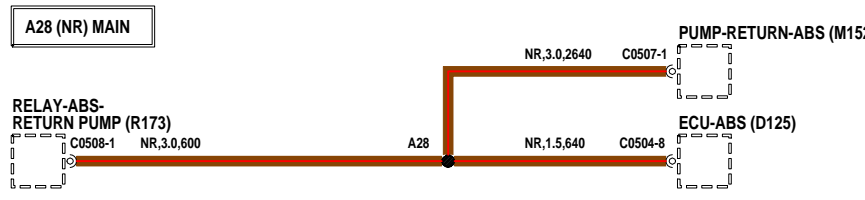
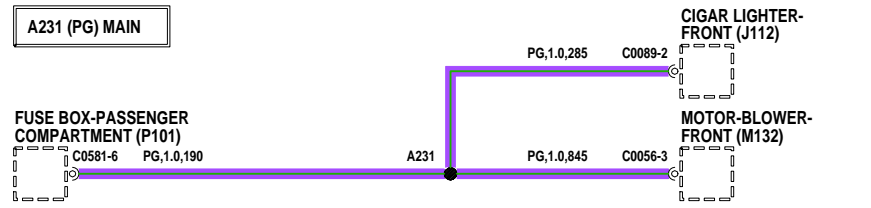
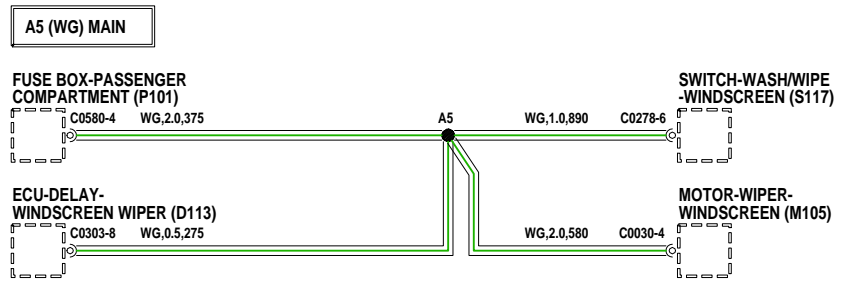
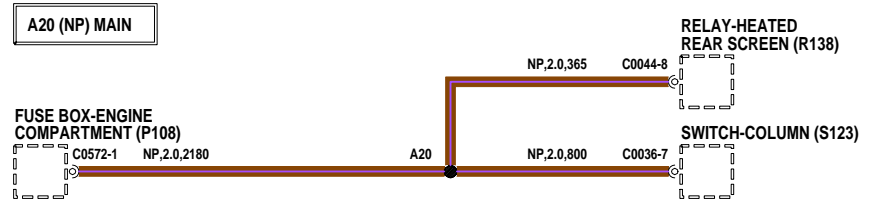
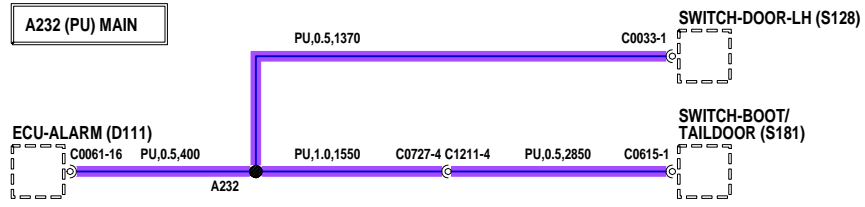
# HEADER JOINTS



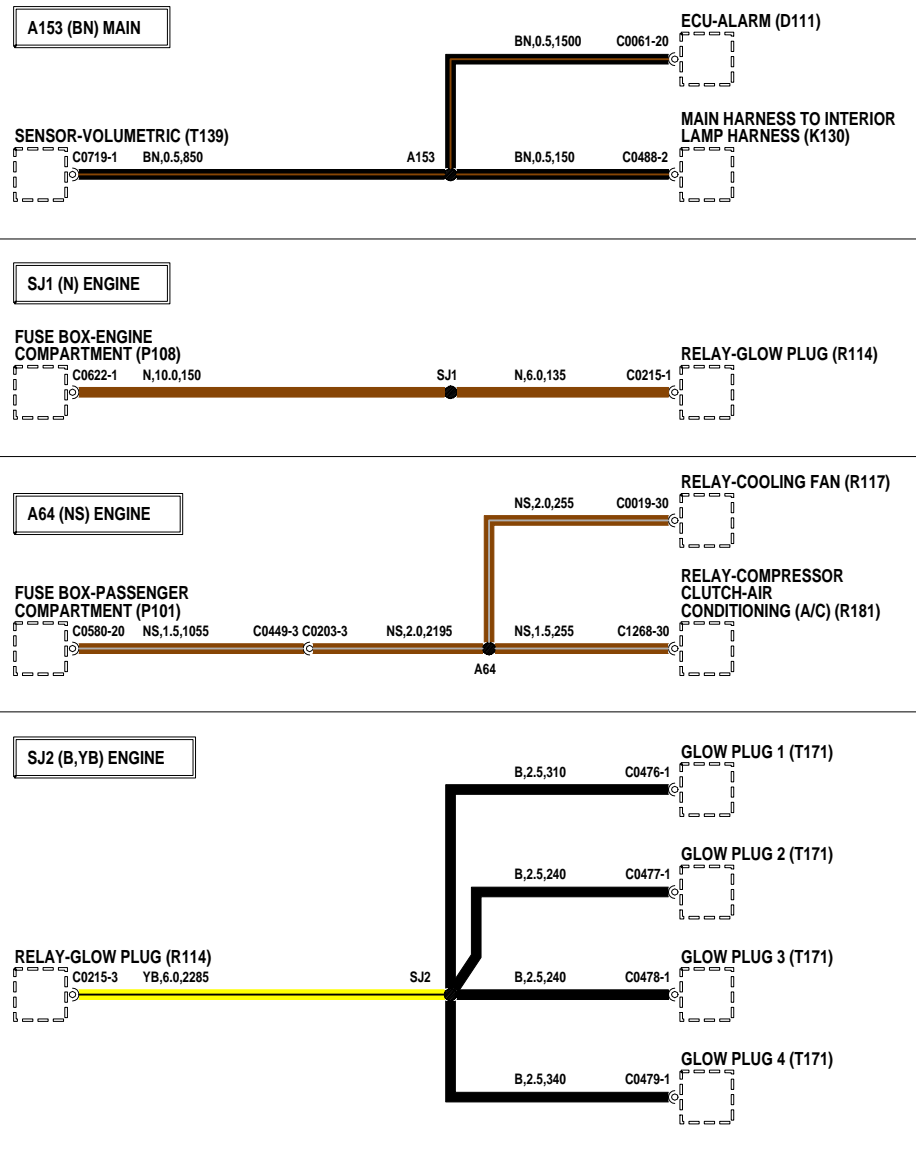
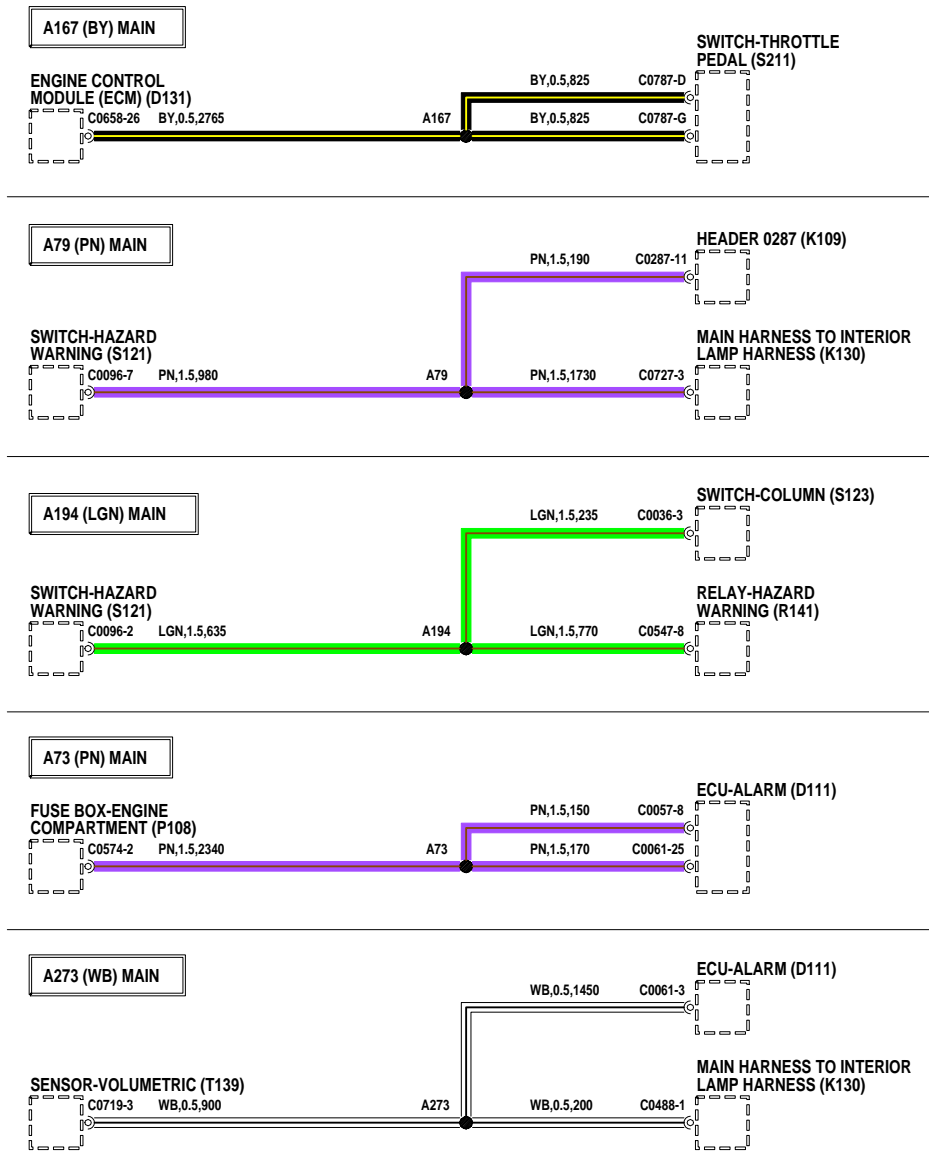
# HEADER JOINTS



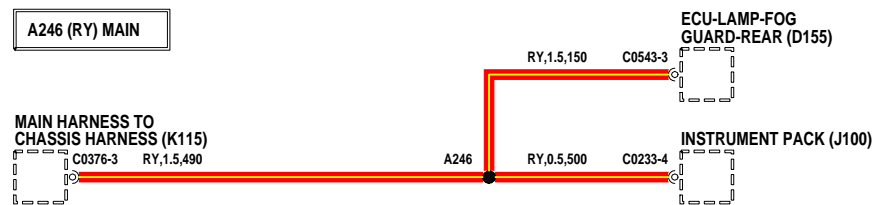
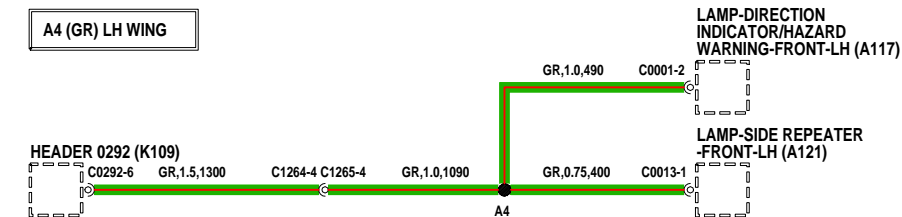
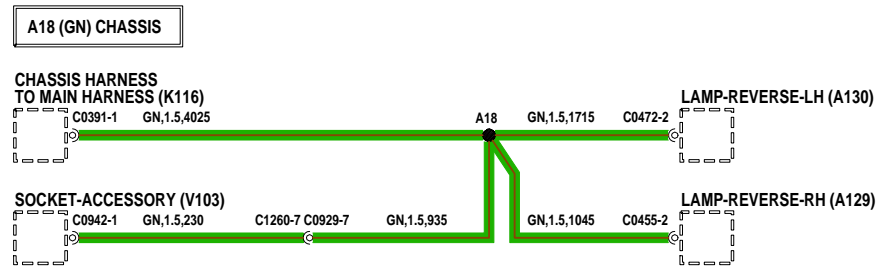
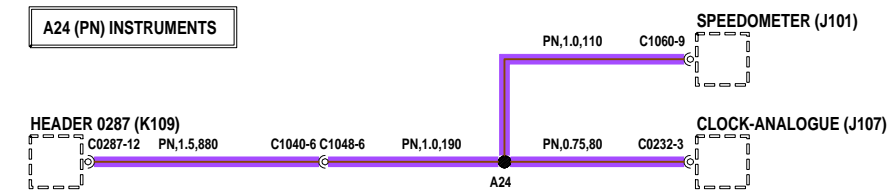
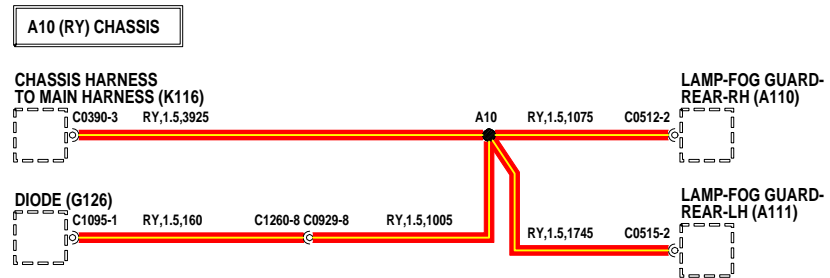
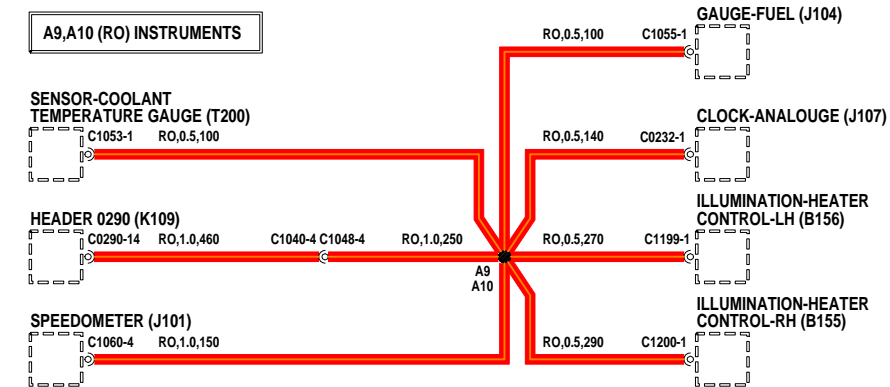
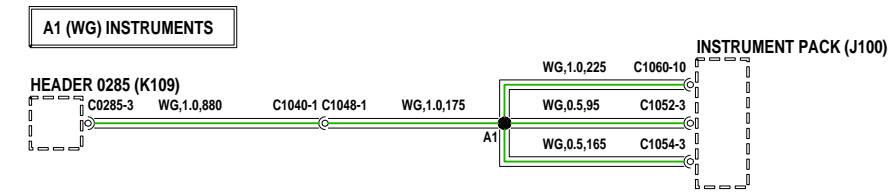
# SPLICE JOINTS



# SPLICE JOINTS



# SPLICE JOINTS



# SPLICE JOINTS

