



Electrical Circuit Diagrams

Elektrische Circuitdiagrammen

Schémas électriques

Elektrische Schaltpläne

Schemi elettrici

Esquemas de Circuitos Eléctricos

Diagramas dos Circuitos Eléctricos



CONTENTS

ELECTRICAL CIRCUIT DIAGRAMS

LRL 0436ENX 2nd Edition

POWER DISTRIBUTION

Engine Compartment Fuse Box 1.1

Passenger Compartment Fuse Box..... 1.4

EARTH DISTRIBUTION 2.1

ANTI-THEFT ALARM 3.1

CENTRAL DOOR LOCKING 4.1

WINDOWS

Front 5.1

Rear 5.2

SUNROOF 6.1

DOOR MIRRORS 7.1

SEATS

Power - Heated 8.1

Manual - Heated 8.4

DIAGNOSTIC SOCKET..... 10.1

BODY CONTROL UNIT (BCU) 11.1

CHARGING AND STARTING

Td5..... 15.1

V8 15.2

ENGINE MANAGEMENT

Td5..... 20.1

V8 20.4

IGNITION/SHIFT INTERLOCK 25.1

CRUISE CONTROL..... 31.1

ELECTRONIC AUTOMATIC TRANSMISSION (EAT) 32.1

ACTIVE CORNERING ENHANCEMENT (ACE) 33.1

SELF LEVELING AND ANTI-LOCK BRAKING SYSTEM (SLABS) 34.1

ANTI-LOCK BRAKING SYSTEM (ABS) 35.1

SUPPLEMENTARY RESTRAINT SYSTEM (SRS)..... 36.1

AIR CONDITIONING (A/C) 38.1

HEATER BLOWER 38.5

FUEL BURNING HEATER (FBH) 39.1

COOLING FANS 39.2

HEATED REAR WINDOW (HRW) 40.1

HEATED FRONT SCREEN 40.2

WIPERS AND WASHERS

Front 42.1

Rear 42.2

EXTERIOR LAMPS

Brake and Reverse Lamps 43.1

Headlamp Levelling 43.2

Lights On Alarm 43.3

Head, Side and Tail Lamps 43.4

Front Fog Lamps 43.6

Rear Fog Guard Lamps..... 43.7

Direction Indicator/Hazard Warning Lamps 43.8

INTERIOR LAMPS 44.1

INTERIOR ILLUMINATION 46.1

INSTRUMENTS 47.1

HORNS 48.1

CLOCK 48.2

CIGAR LIGHTER 49.1

ACCESSORY SOCKET 49.2

TRAILER SOCKET 49.4

AUDIO SYSTEMS

Base and Mid Line 50.1

High Line - Harman Amplifier 50.3

High Line - Lear Amplifier 50.7

HEADER JOINTS..... 60.1

SPLICES AND CENTRE TAPS 65.1

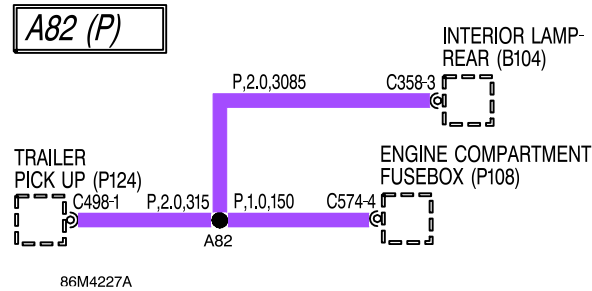
HOW TO USE THE CIRCUIT DIAGRAMS

All of the information in this folder is intended for use with the Electrical Reference Library booklet.

The circuit diagrams are presented with Power and Earth distribution first, followed by individual circuits for each electrical system on the car.

Power Distribution

The Power Distribution diagram shows the connections from the battery to the engine and passenger compartment fuseboxes. It also shows the internal circuitry of the fuseboxes.



These fuse box details are followed by a Headers and Splices section outlining the way in which internal harness splices and header joints distribute power in the harnesses. This information should be used during diagnosis of electrical faults to check for symptoms in associated circuits and narrow down the search area.

Headers and splices

Header and splice tables present the joint(s) and wiring up to the first component. Splices are identified by a number with an alphabetical prefix and the wire colour.

The splice information shown on individual system circuits is not complete. Always refer to the splices circuit for complete information on each splice.

Wire attributes

Additional information (separated by a ',') is shown alongside the wire colour: Wire gauge - the cross-sectional area of the wire in square millimetres. This is included to help you select the correct wire during harness repair.

Some wires do not have a gauge shown, these wires are of unique construction and will have a three or four letter code printed after the colour code, eg MAB. The code identifies the type of wire for manufacturing purposes. Usually, only the first two characters have significance in service, but in some instances the third character also becomes significant, see Wire Type information given below.

Wire type

The following table list the wire type codes together with an explanation of their meaning.

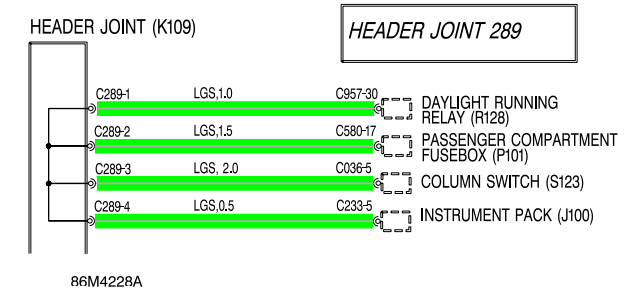
Code	Description
MAB	Twin core screened wire
MAH	Coaxial screened wire
MAT	Twin core double sheath
MCA	Twisted core screened wire
MD*	Twisted core ABS sensor wire
ME*	Twisted pair of wires min. 33 twists per metre
MM*	Twisted pair of wires
MQ*	Twin core foil screened cable
MZ*	Three core screened flexible cable

Wire length (Power & Earth Distribution only) - the length of the wire in millimetres. This can be used to locate internal harness splices; look for the shortest wire between the joint and connector. For example, it can be seen that C574-4 is 150mm from joint A82.

Earth Distribution

The ground distribution section comprises a number of Headers and Splices tables. These are used in a similar manner to those in Power Distribution; to narrow the search area by checking for fault symptoms in associated circuits.

Connectors



Header joints are identified by their corresponding connector number with a numbered suffix to indicate the pin-out detail of the wire, i.e. C289-1 identifies connector 289, pin number 1. Wire insulation colour is identified in the normal way. Where wires have a predominant colour with a secondary colour stripe, the main colour is identified first, i.e. LGS - Light Green with a Slate stripe.

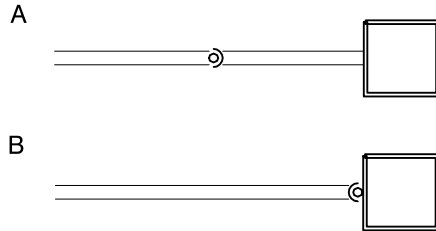
HOW TO USE THE CIRCUIT DIAGRAMS

Line Types



86M4229A

This means the wire connects to another circuit.



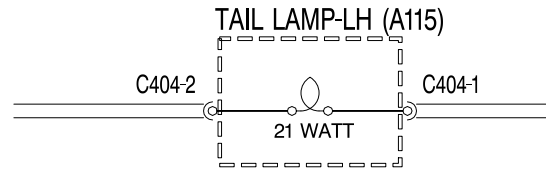
86M4230A

The cup and ball symbol indicates the male and female halves of connector.

A. Plug on lead (Flylead) wired directly to the component.

B. Connector plugs directly into component.

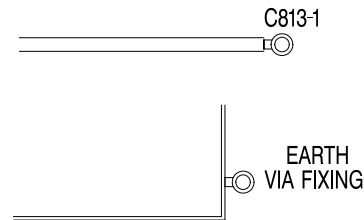
Components



86M4231A

The name or description of the component is shown. A dotted outline indicates that the component is not shown in its entirety.

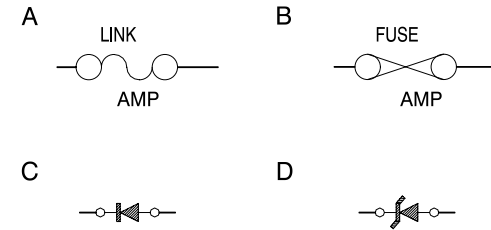
Earth points



86M4232A

Earth points are identified with an eyelet symbol and a connector number, except where components are grounded through their fixings, when only the eyelet is shown.

Fuses and Diodes

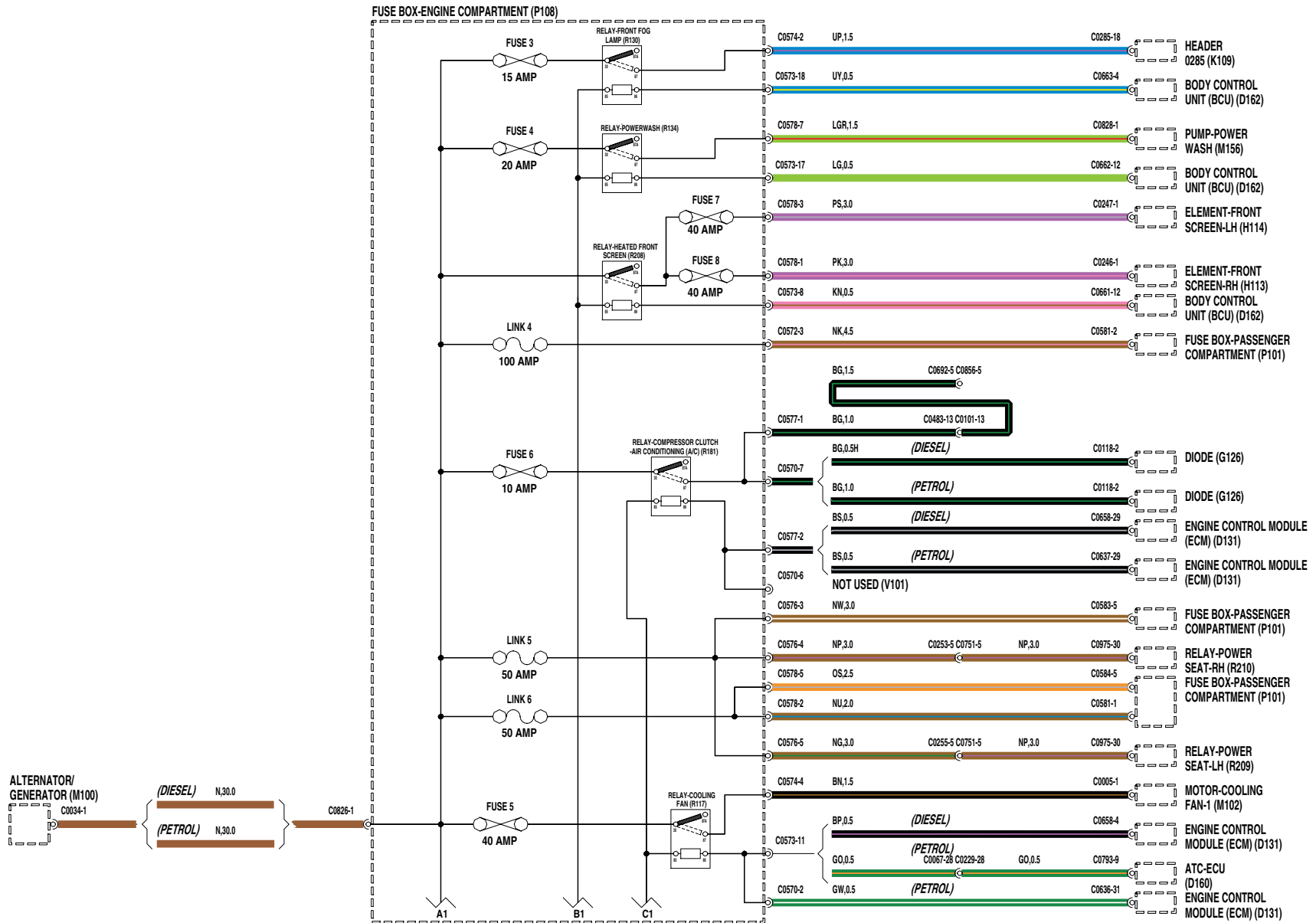


86M4234A

Fusible links (A) and current rated fuses (B) are identified as shown.

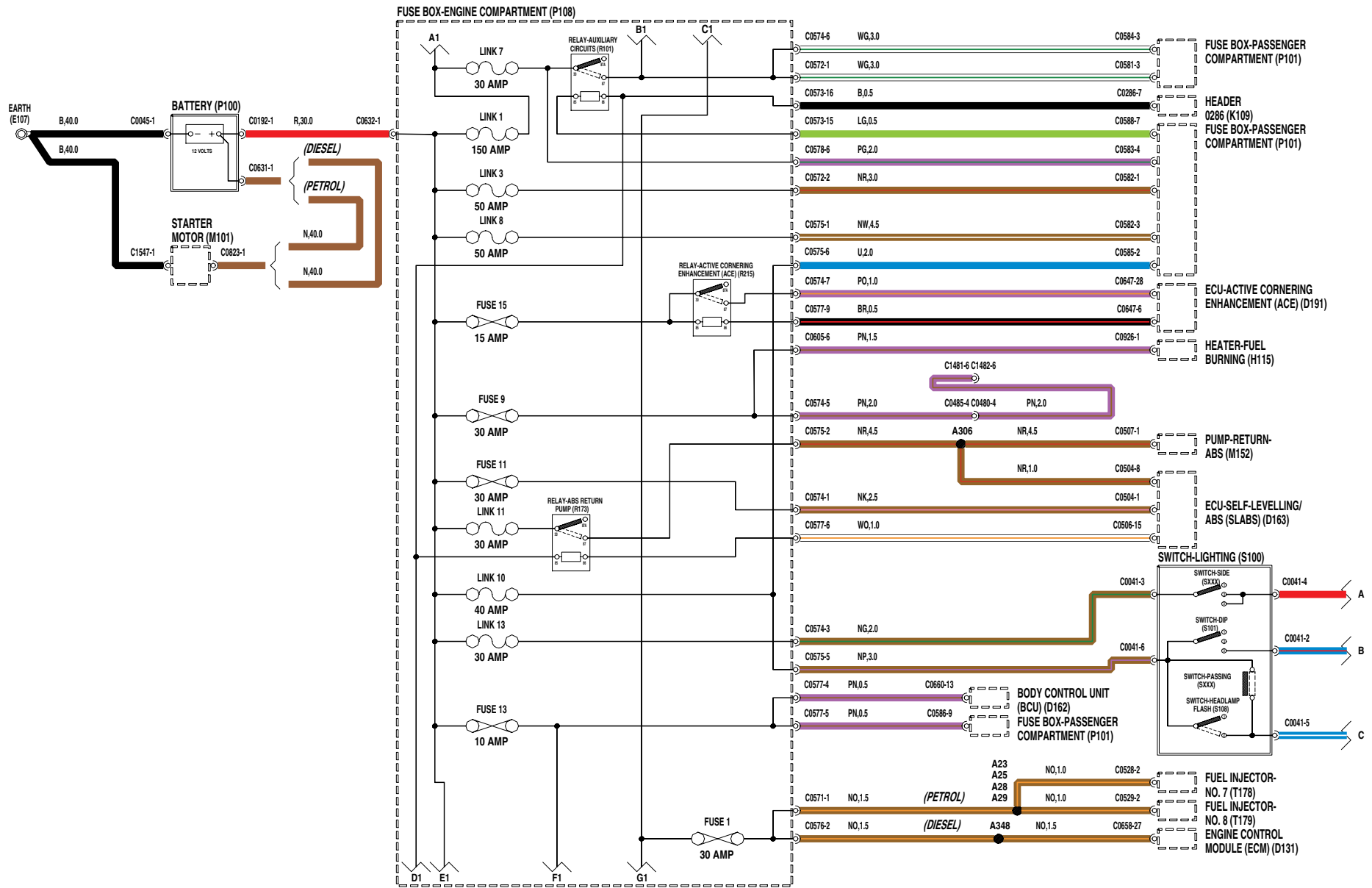
The direction of the arrow in a Diode symbol (C) indicates the direction of current flow. The Zener diode (D) - prevents current flow until a precise voltage is reached.

POWER DISTRIBUTION ENGINE COMPARTMENT FUSE BOX



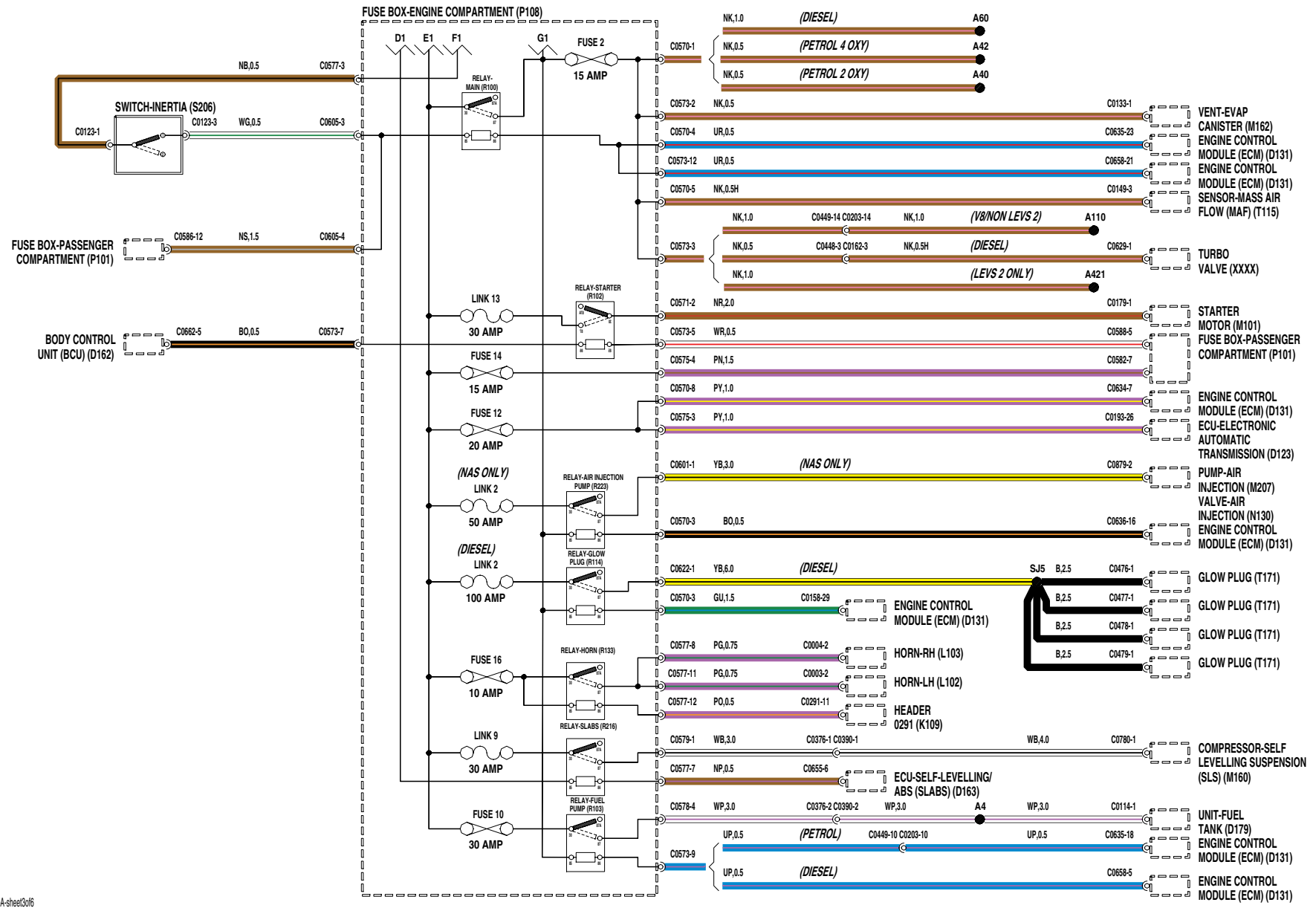
VWR102160-A-sheet1of6

POWER DISTRIBUTION ENGINE COMPARTMENT FUSE BOX



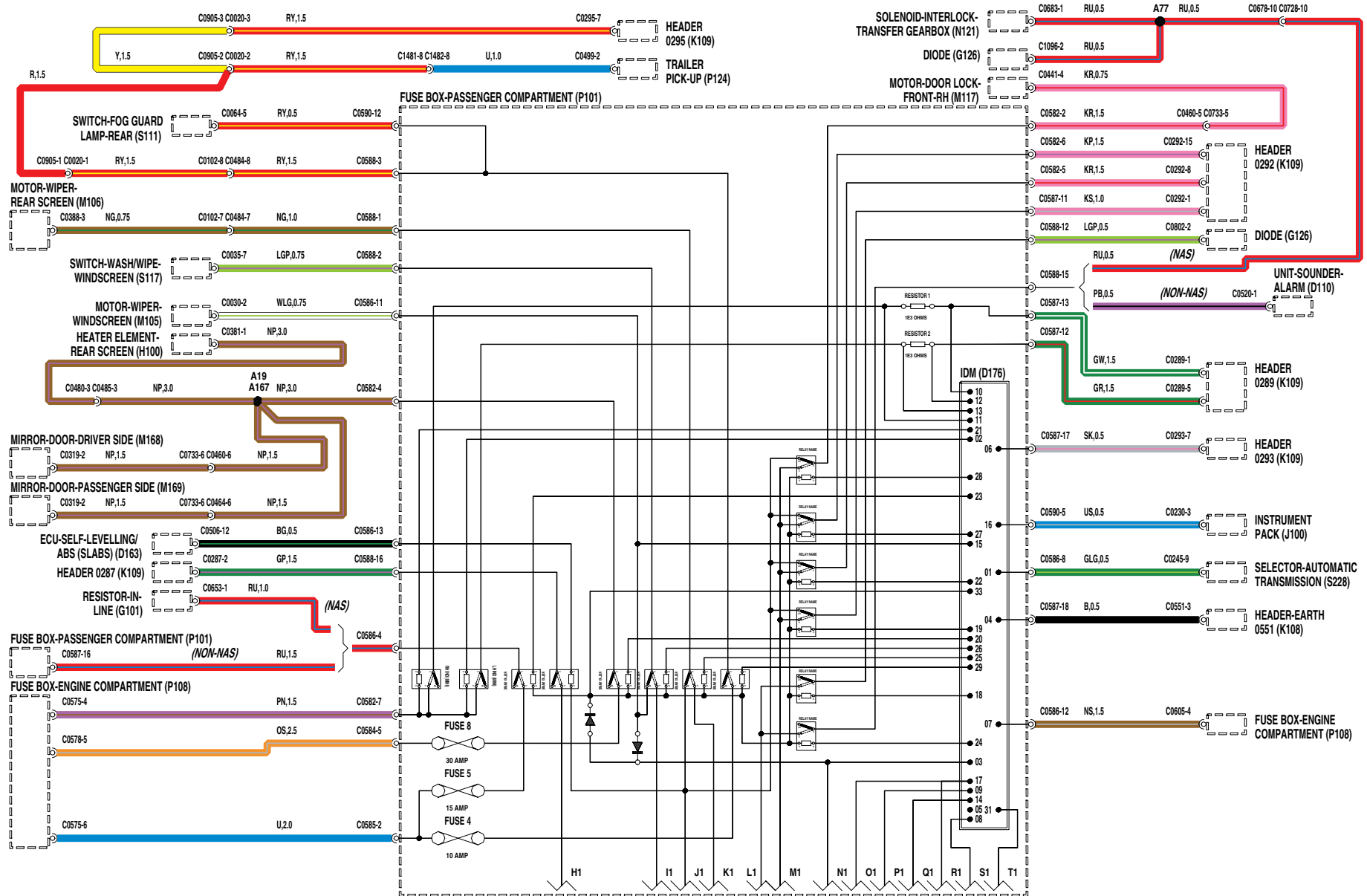
VWR102160-A-sheet2of6

POWER DISTRIBUTION ENGINE COMPARTMENT FUSE BOX



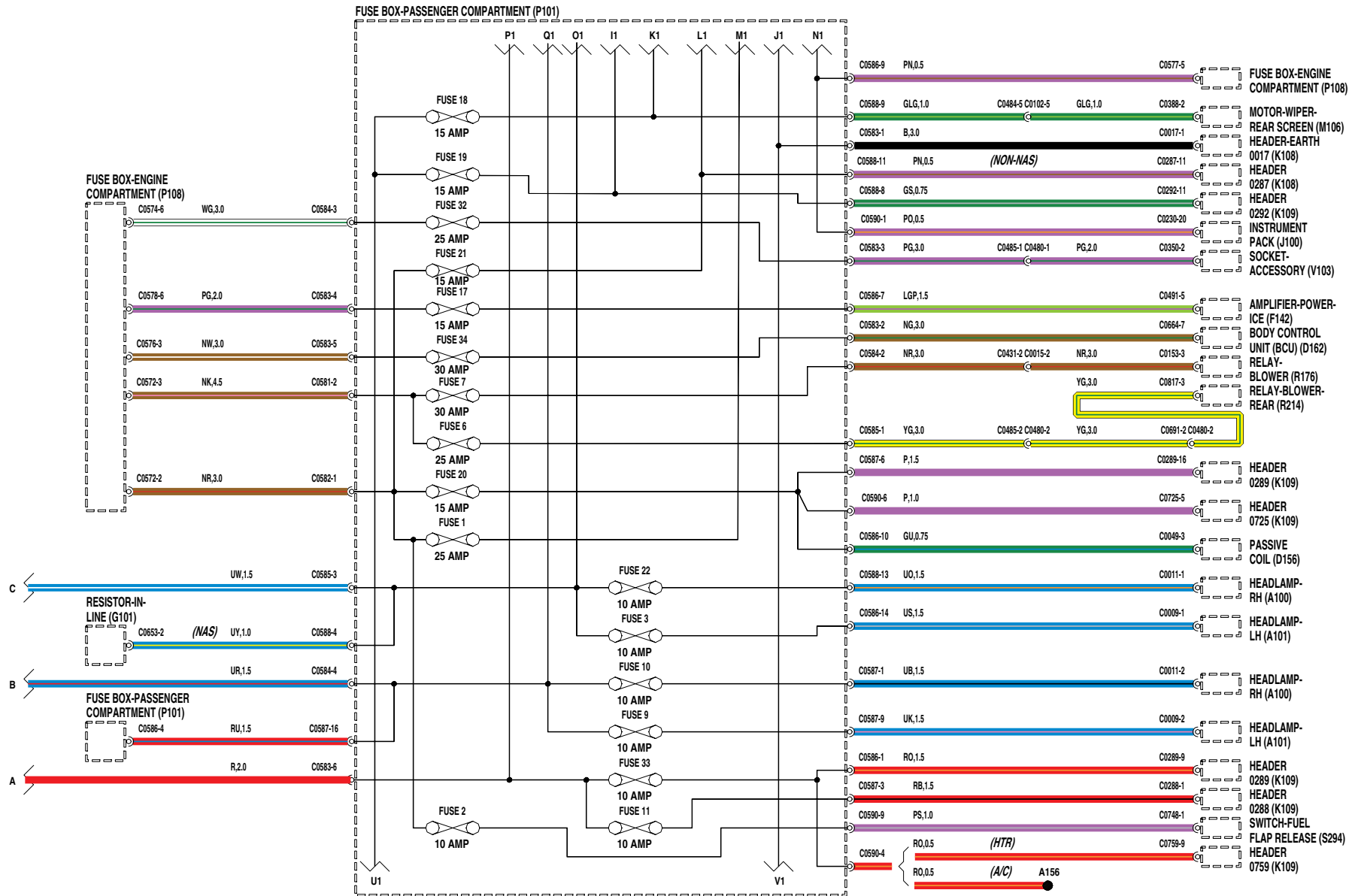
VWR102160-A-sheet3of6

POWER DISTRIBUTION PASSENGER COMPARTMENT FUSE BOX



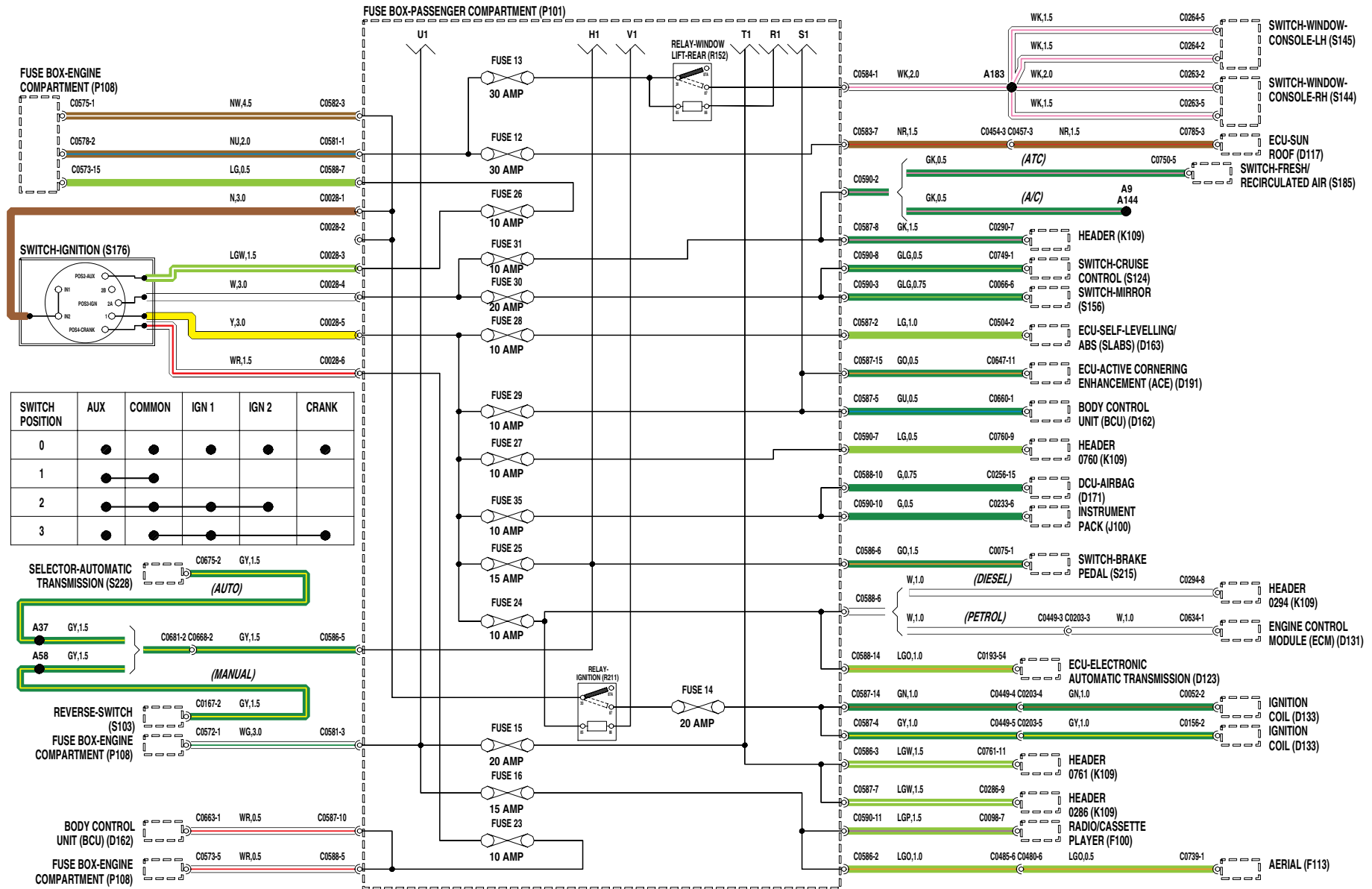
VWR102160-A-sheet4of6

POWER DISTRIBUTION PASSENGER COMPARTMENT FUSE BOX



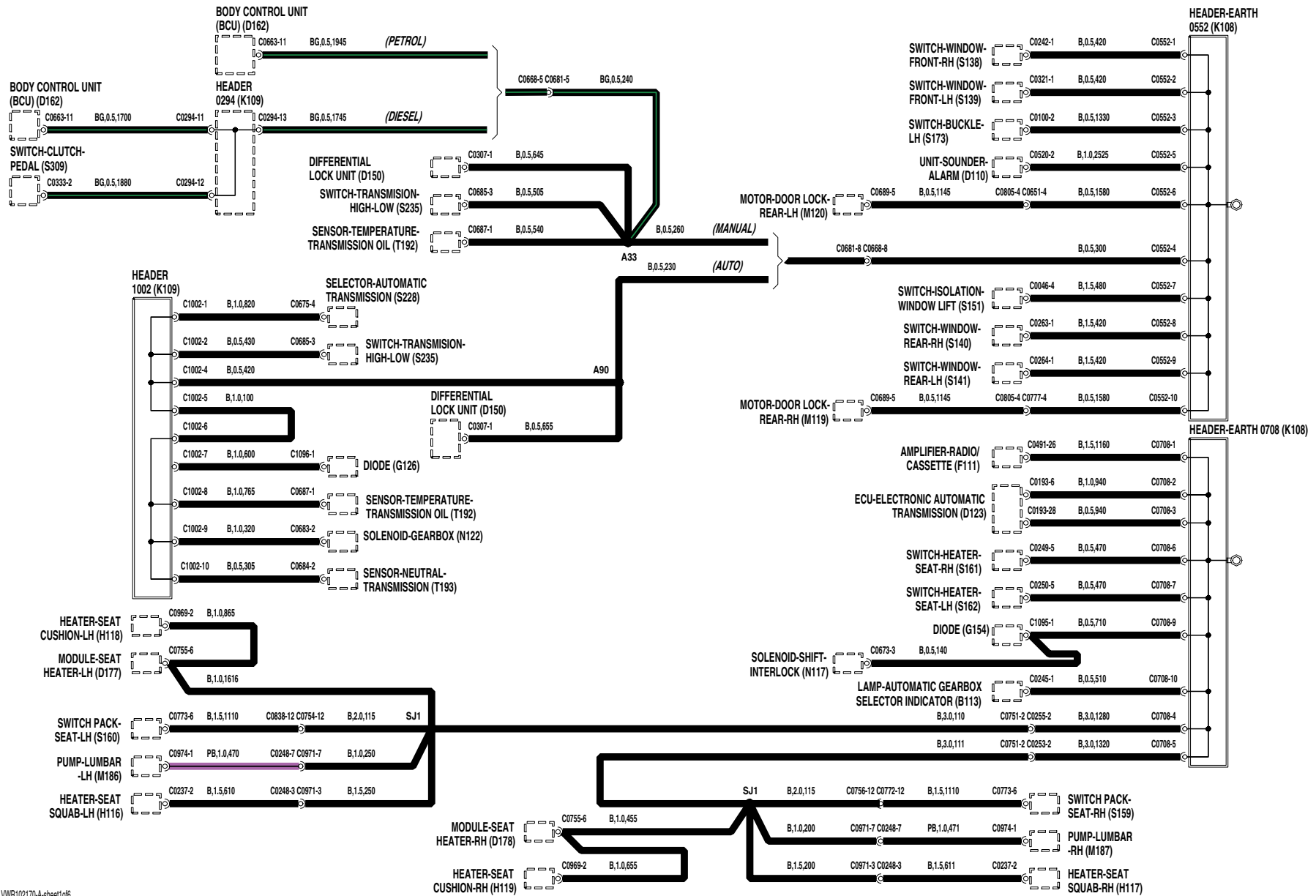
VWR102160-A-sheet5of6

POWER DISTRIBUTION PASSENGER COMPARTMENT FUSE BOX



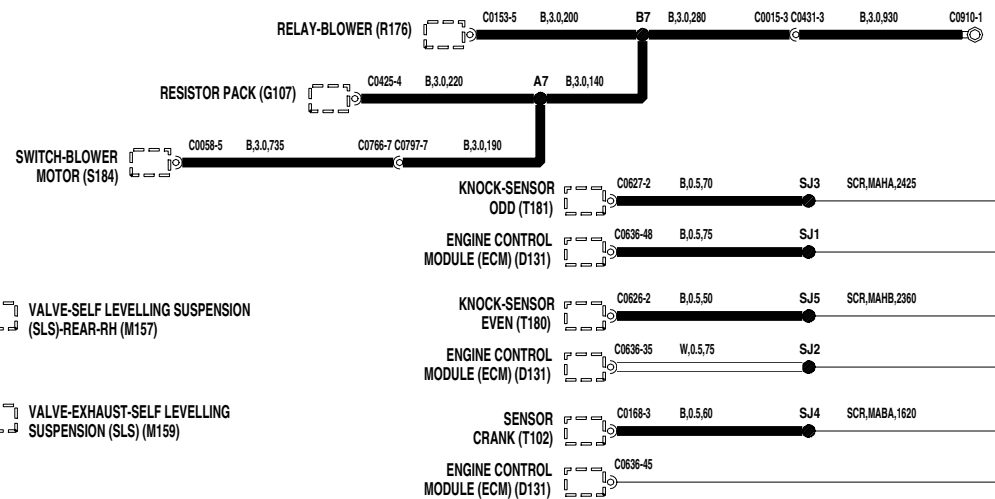
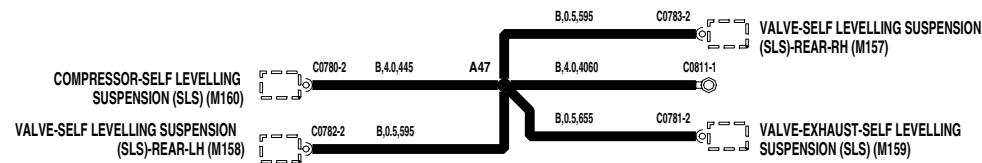
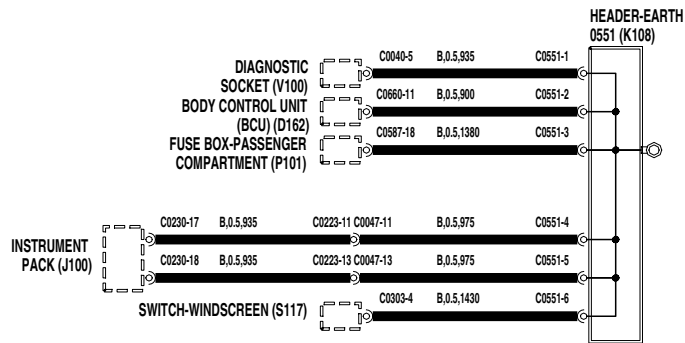
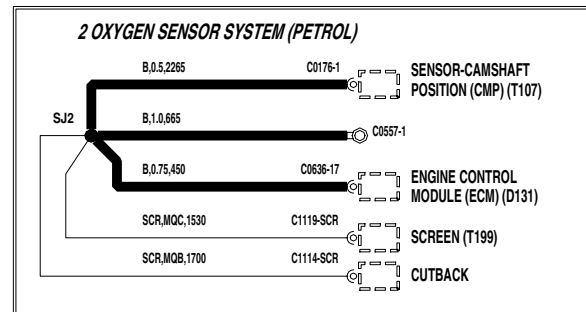
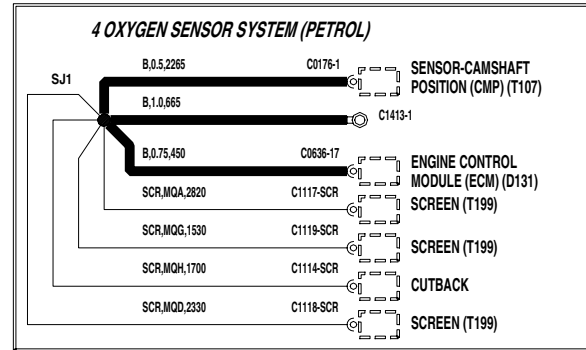
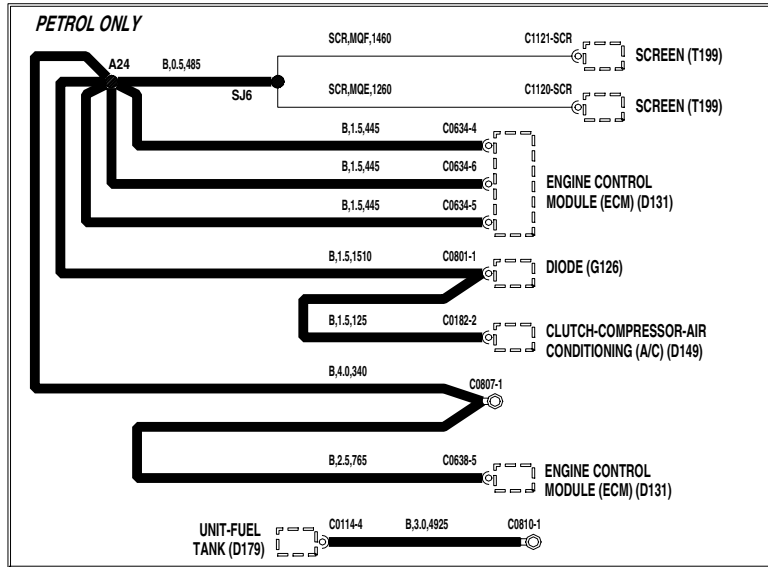
VWR102160-A-sheet06

EARTH DISTRIBUTION



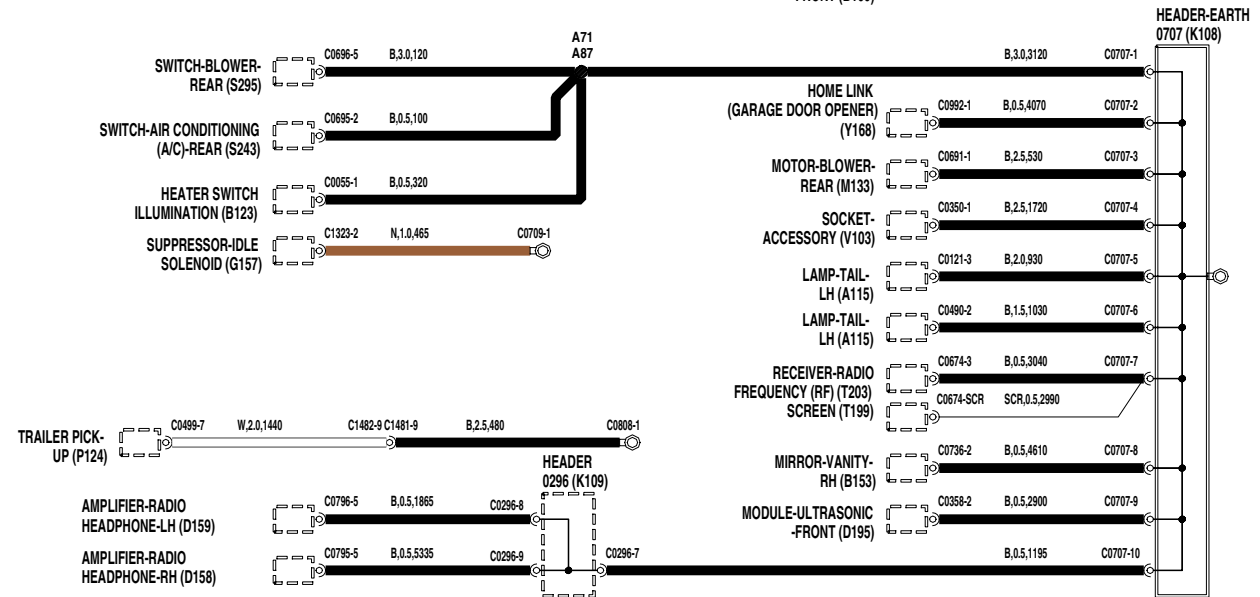
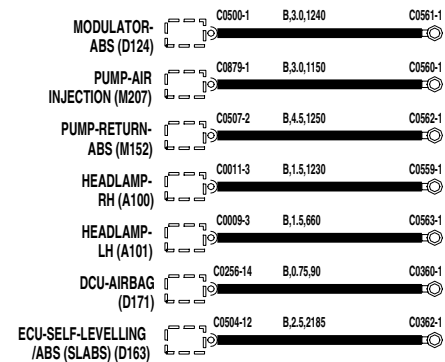
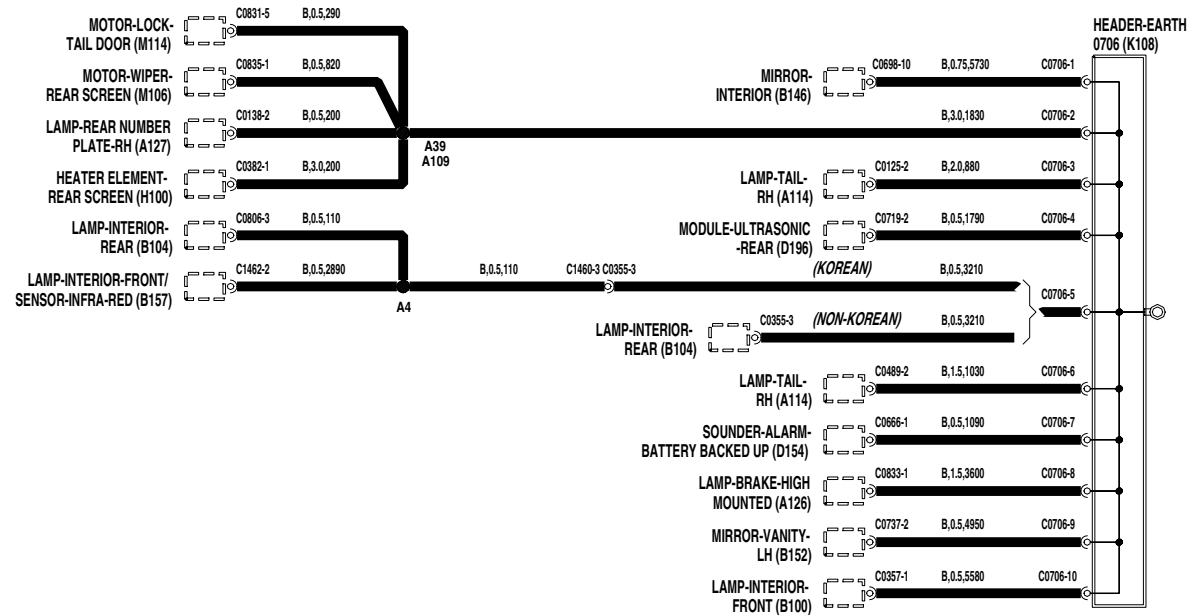
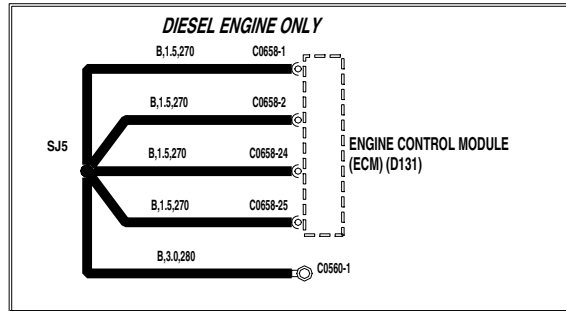
VWR102170-A-sheet1 of6

EARTH DISTRIBUTION



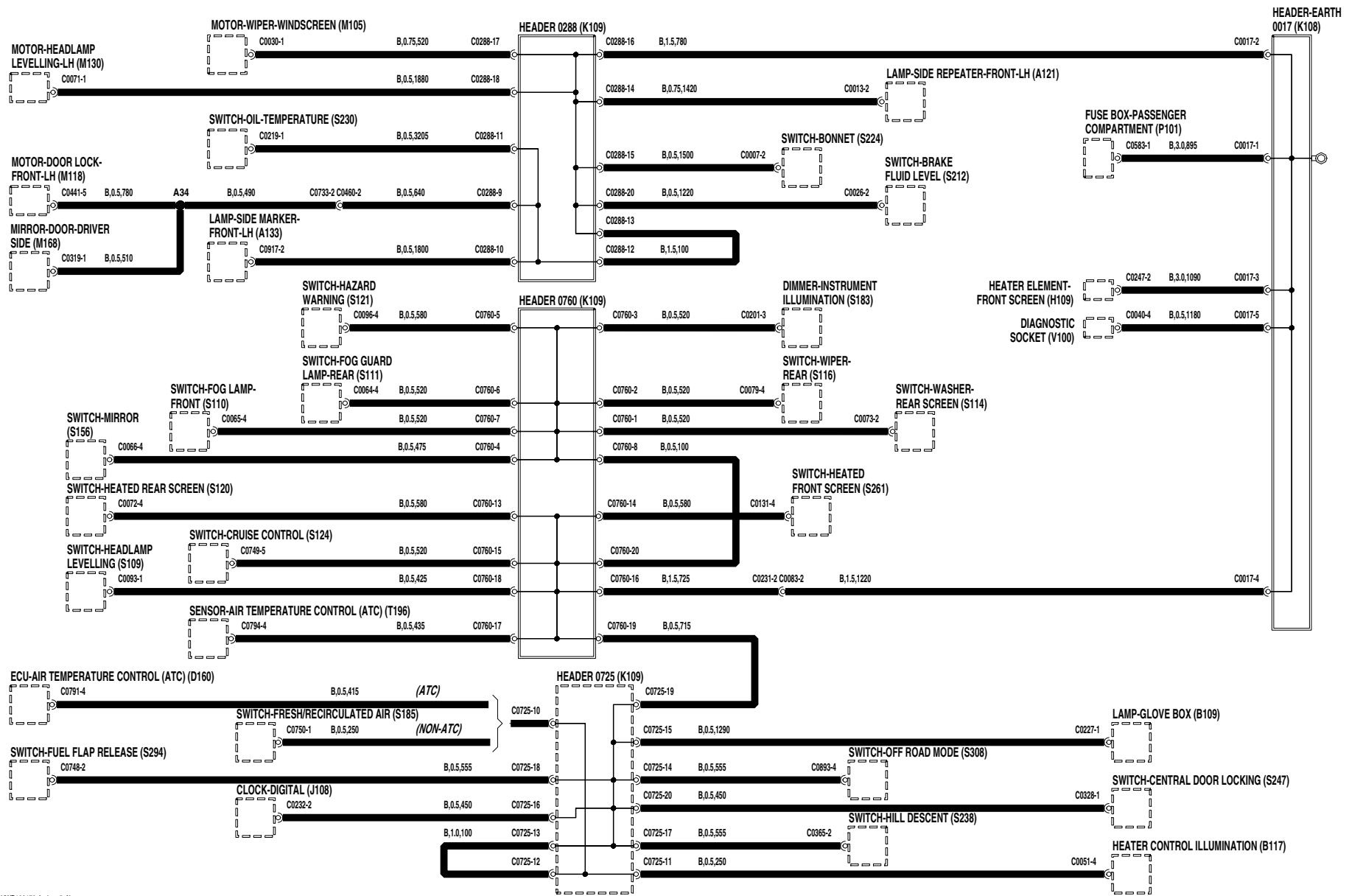
VWR102170-A-sheet2of6

EARTH DISTRIBUTION



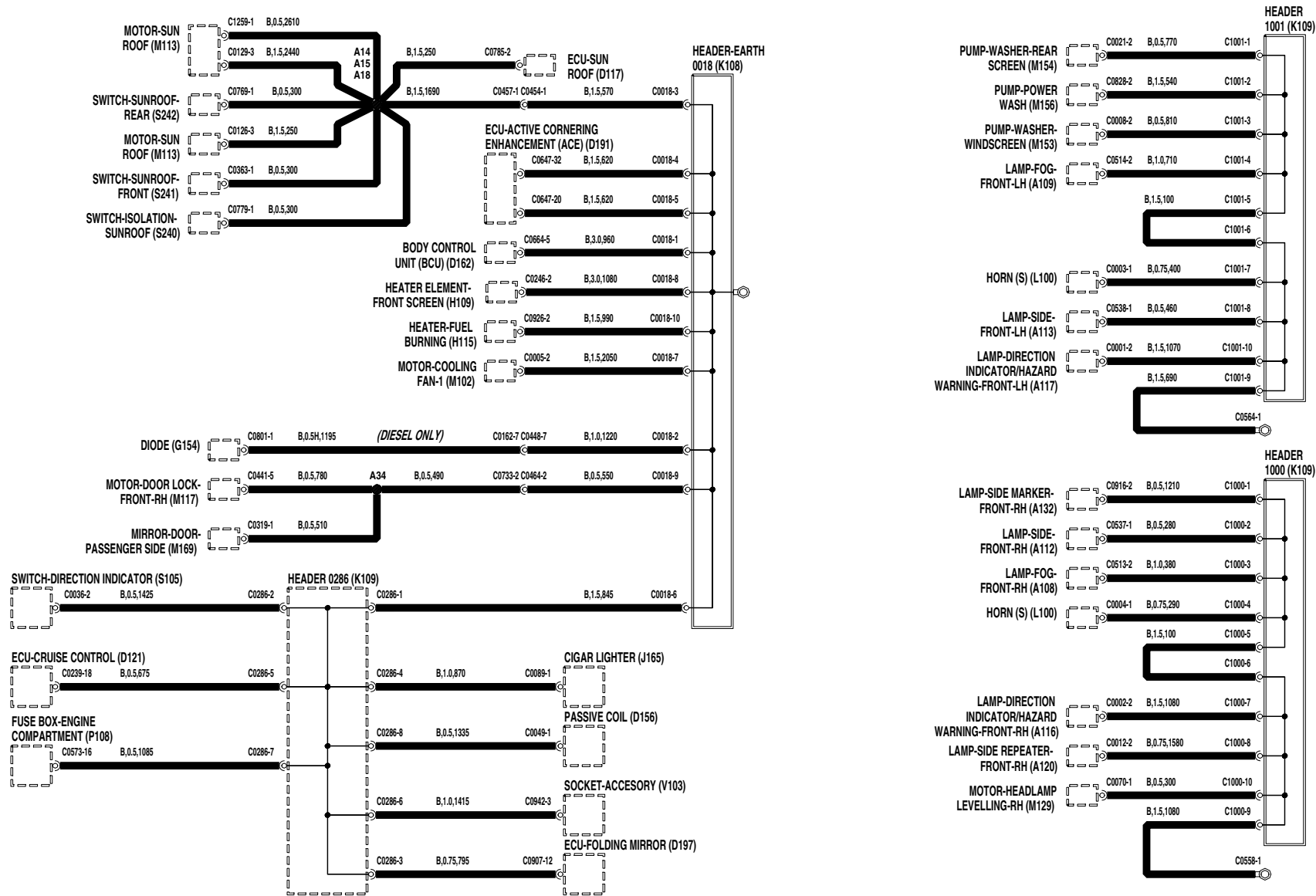
VWR102170-A-sheet3d6

EARTH DISTRIBUTION



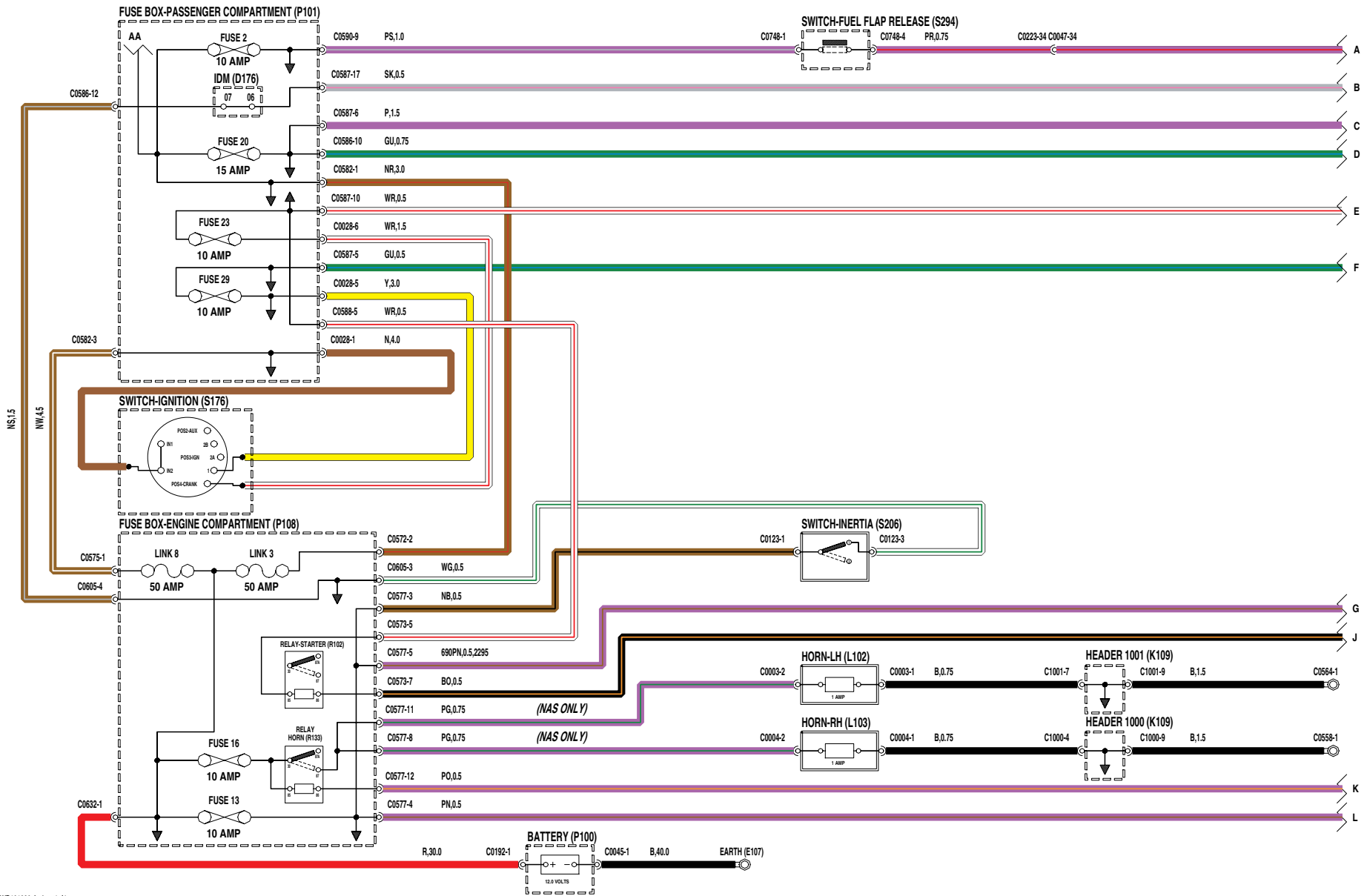
VWR102170-A-sheet5of6

EARTH DISTRIBUTION



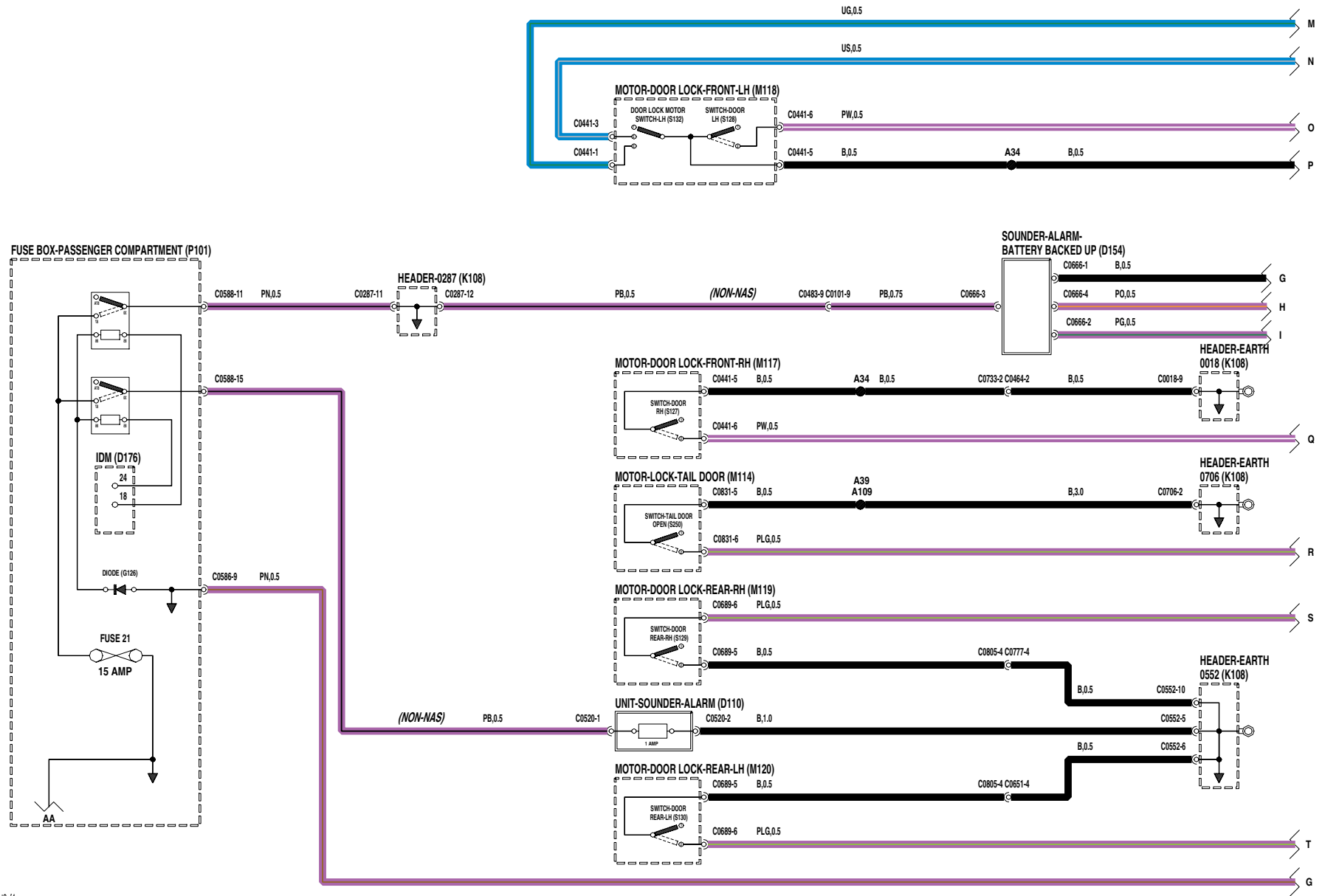
VWR102170-A-sheet6d6

ANTI-THEFT ALARM



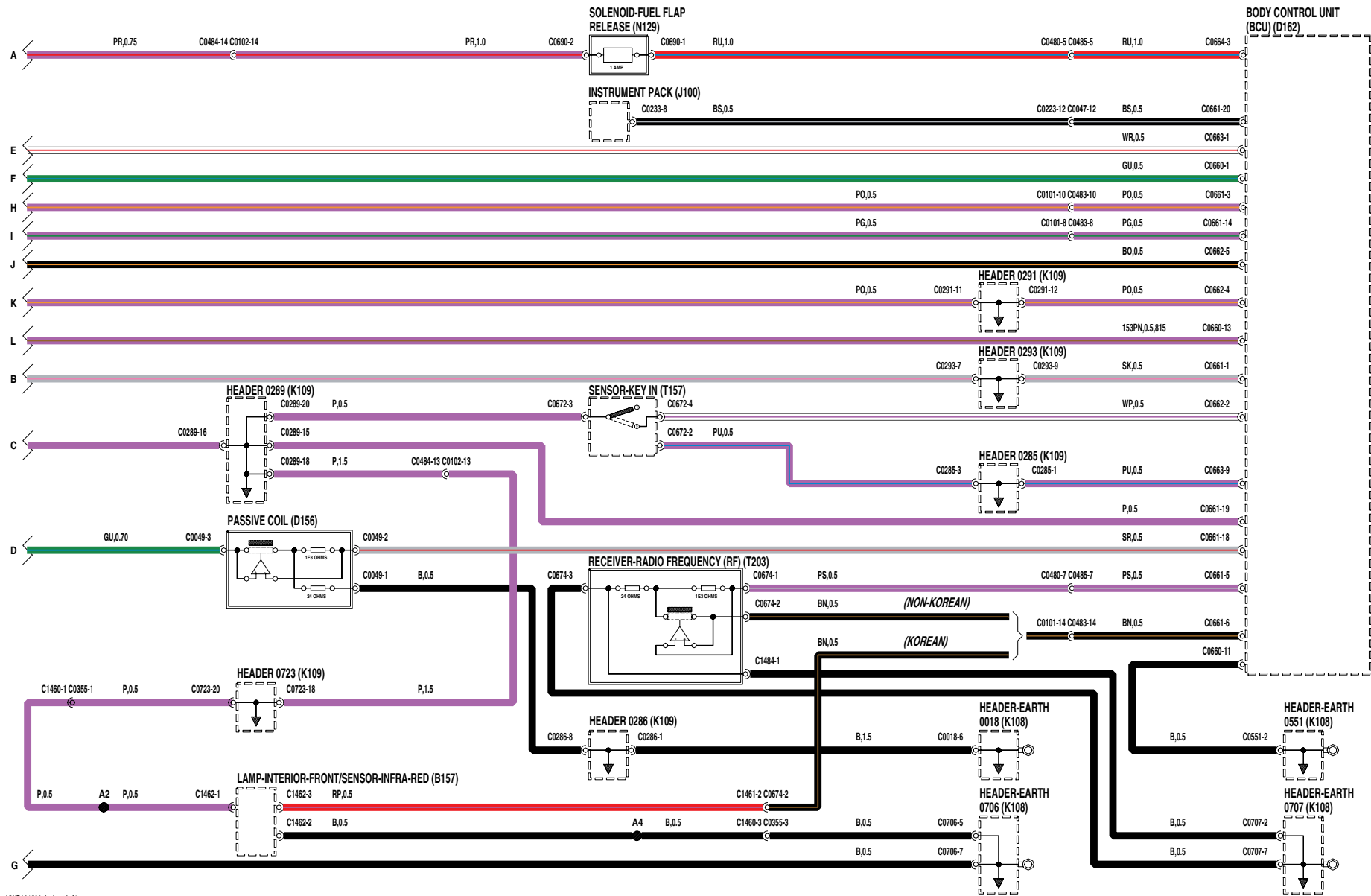
VWR101980-A-sheet04

ANTI-THEFT ALARM



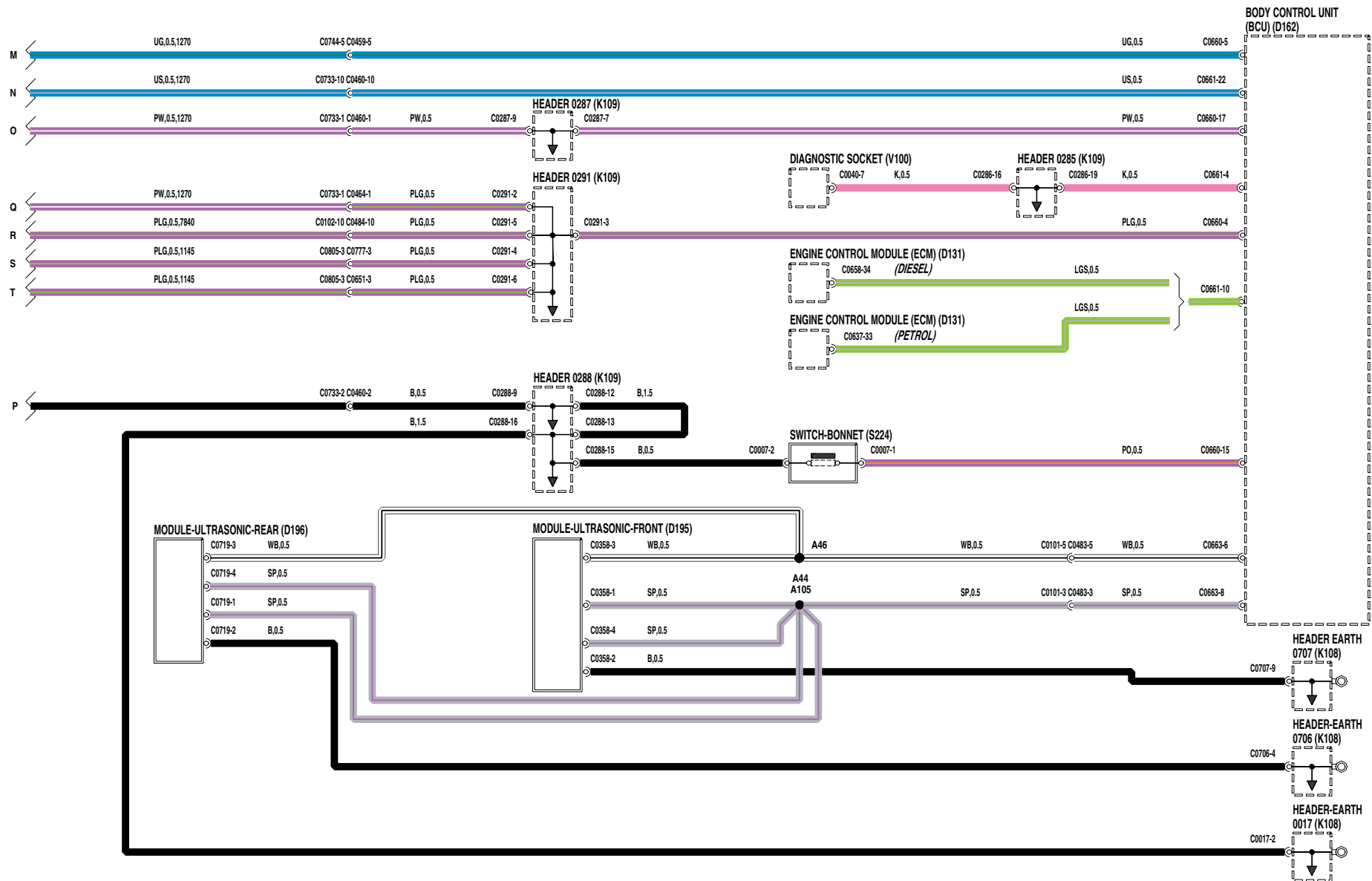
VWR101980-A-sheet2of4

ANTI-THEFT ALARM



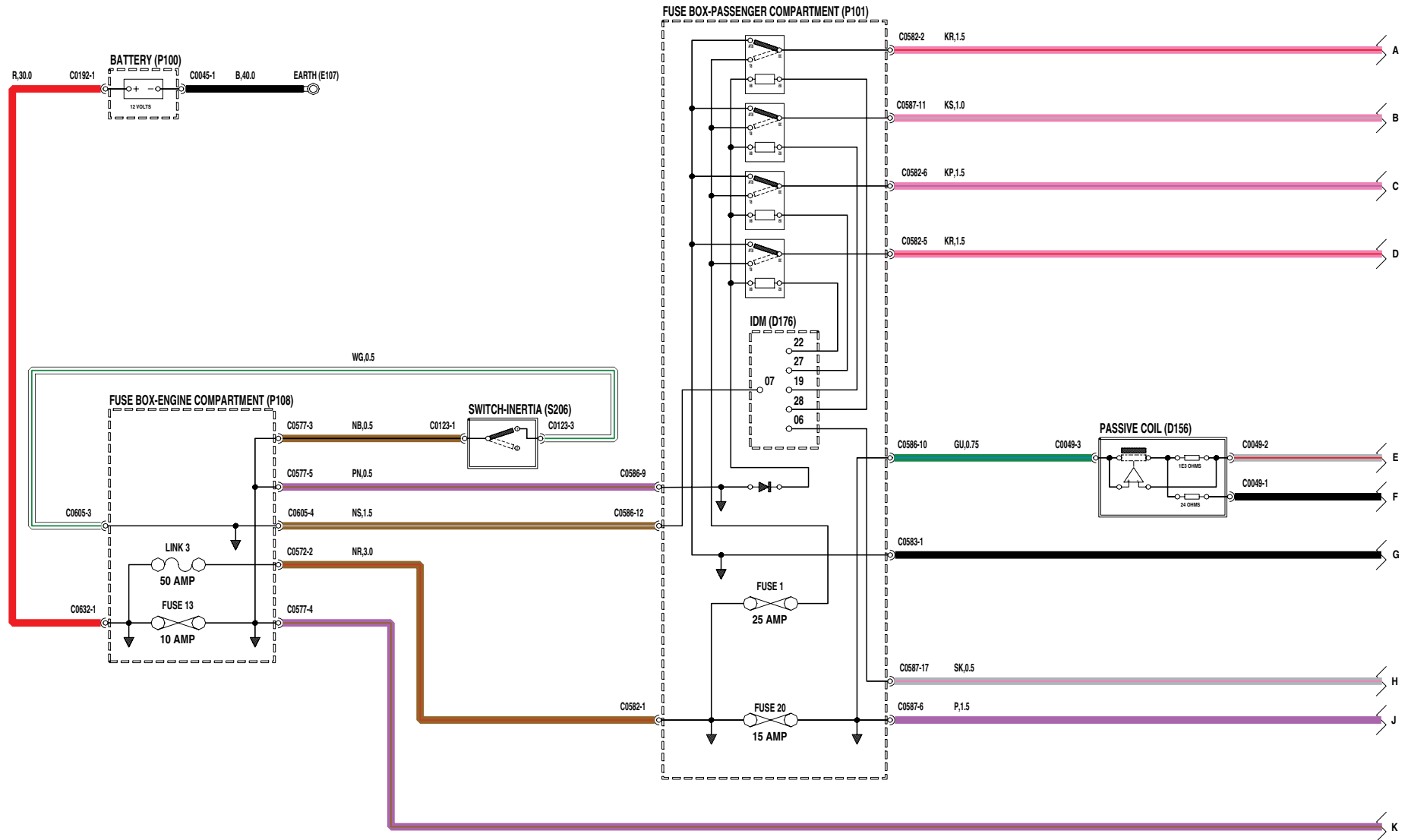
VWR101980-A-sheet3of4

ANTI-THEFT ALARM



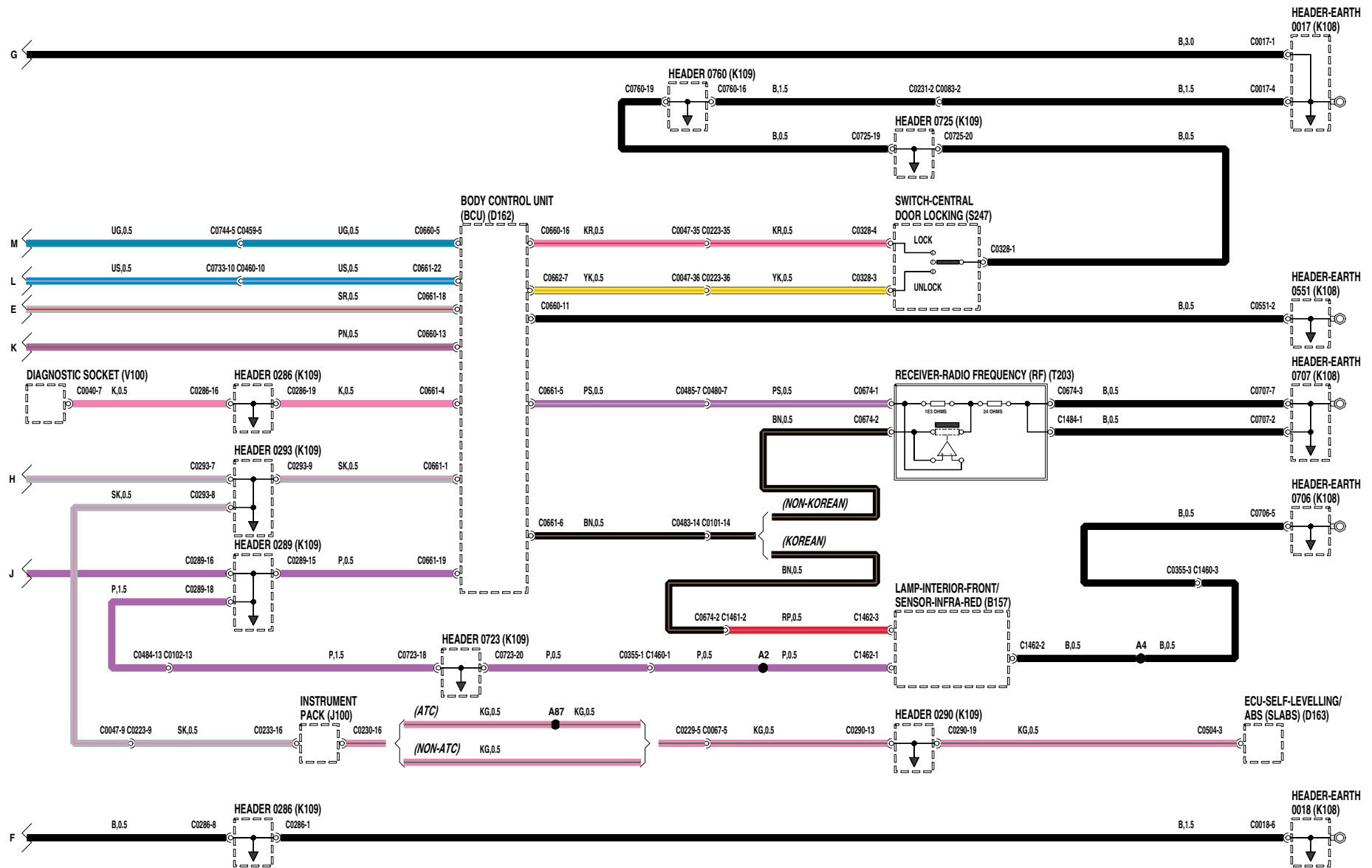
VWR101980-A-sheet4of4

CENTRAL DOOR LOCKING



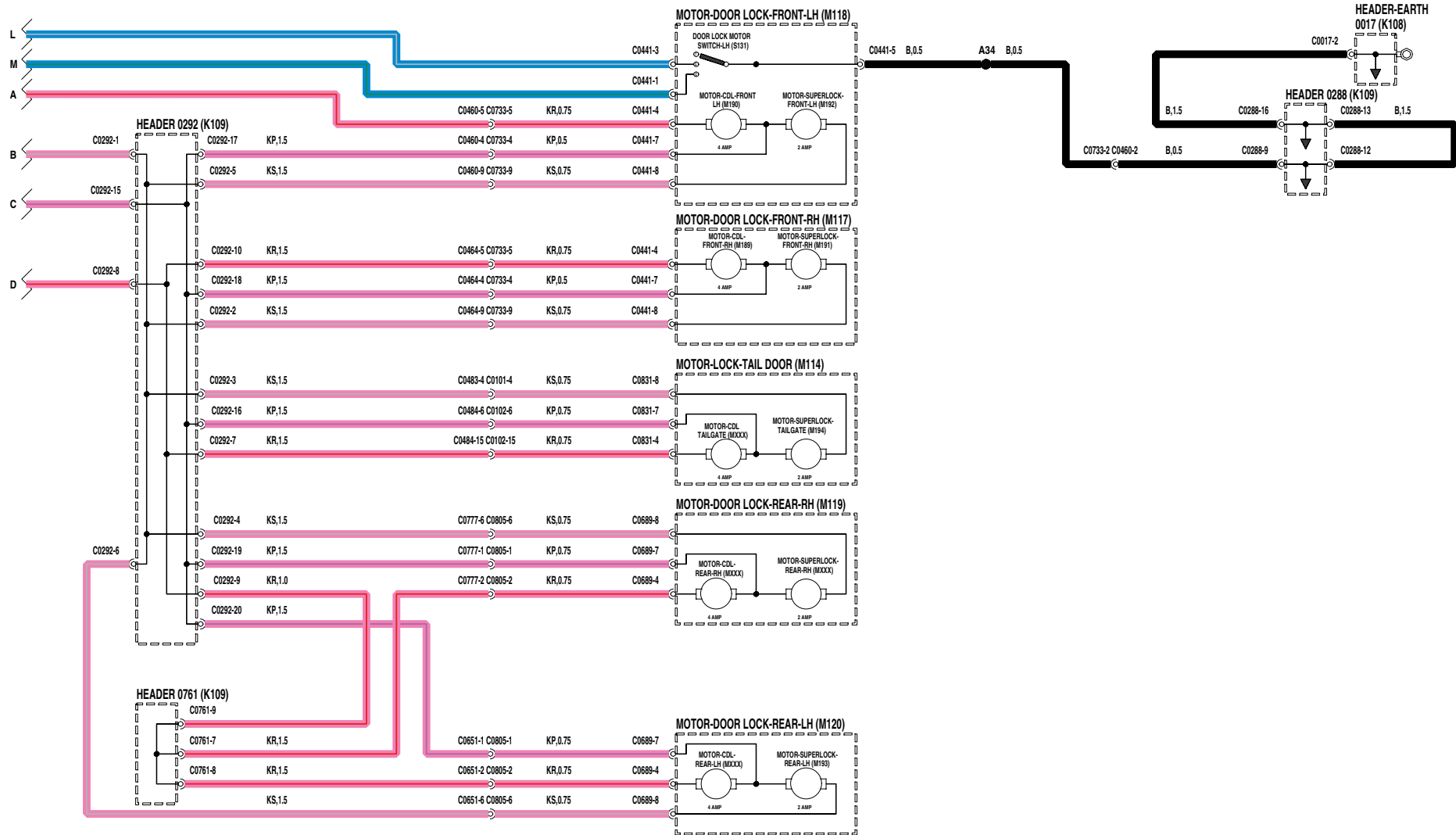
VWR108180-A-sheet1 of 3

CENTRAL DOOR LOCKING



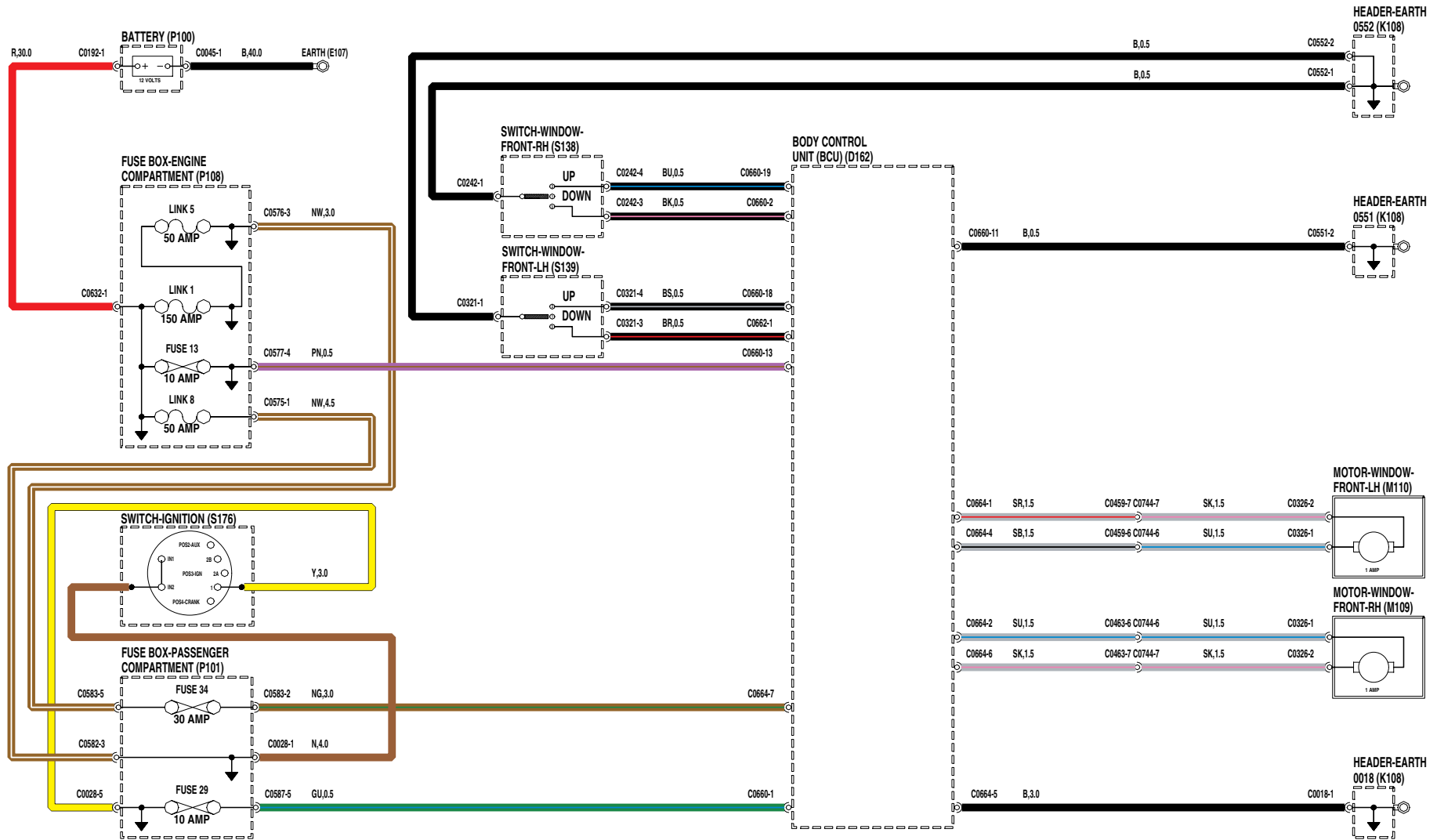
VWR108180-A-sheet2of3

CENTRAL DOOR LOCKING



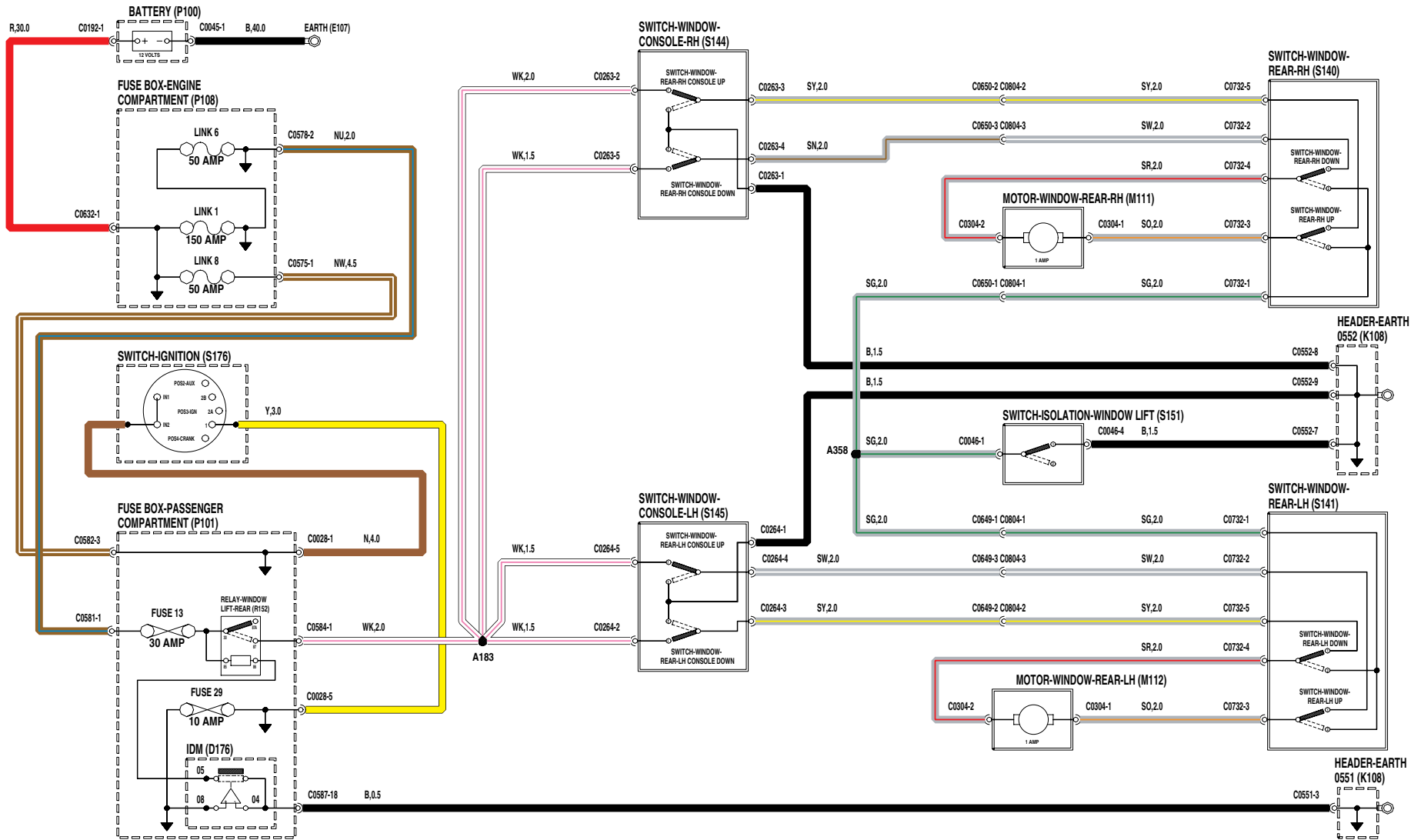
VWR108180-A-sheet3of3

WINDOWS FRONT



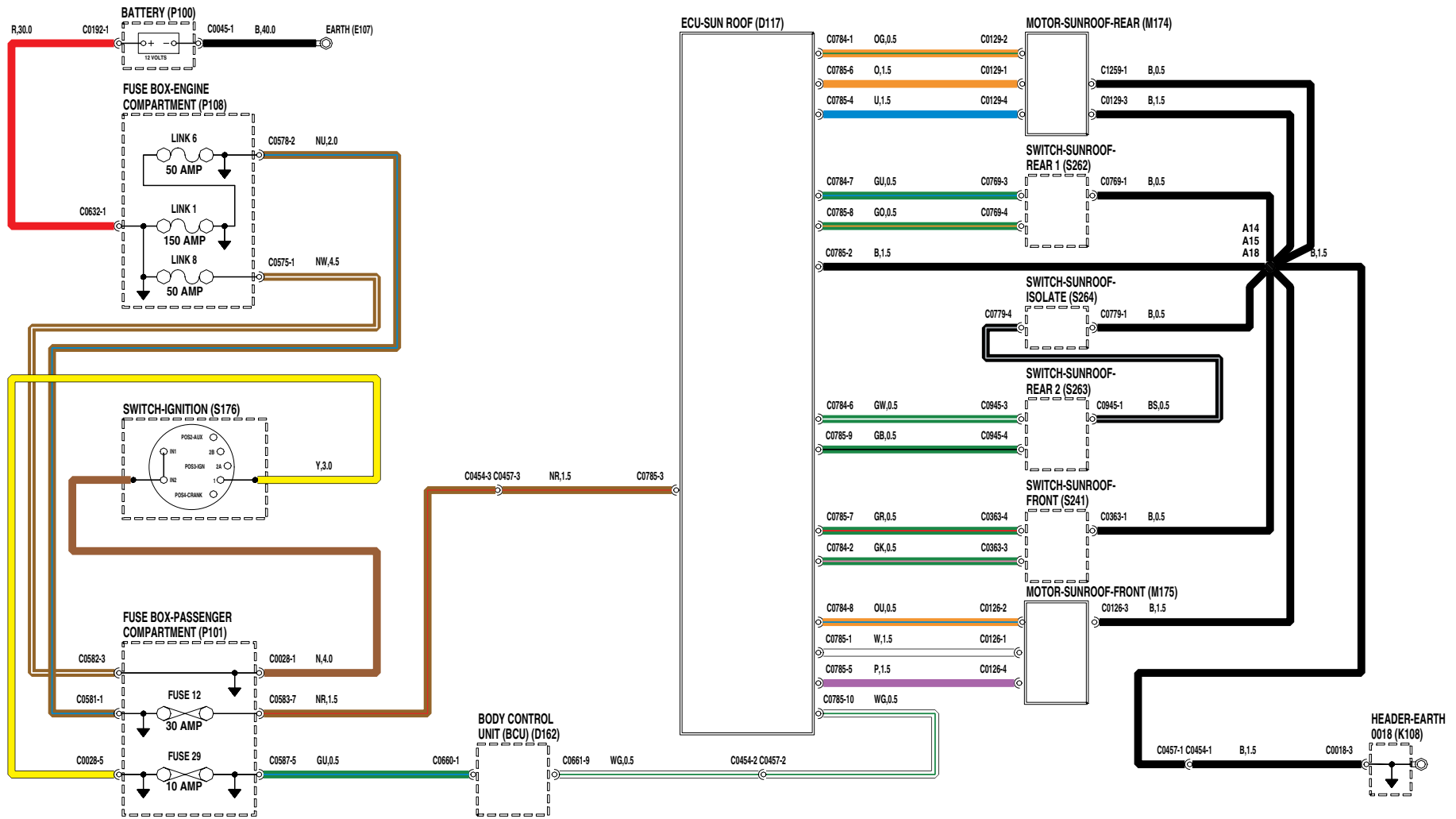
VWR102140-A-sheet1 of1

WINDOWS REAR



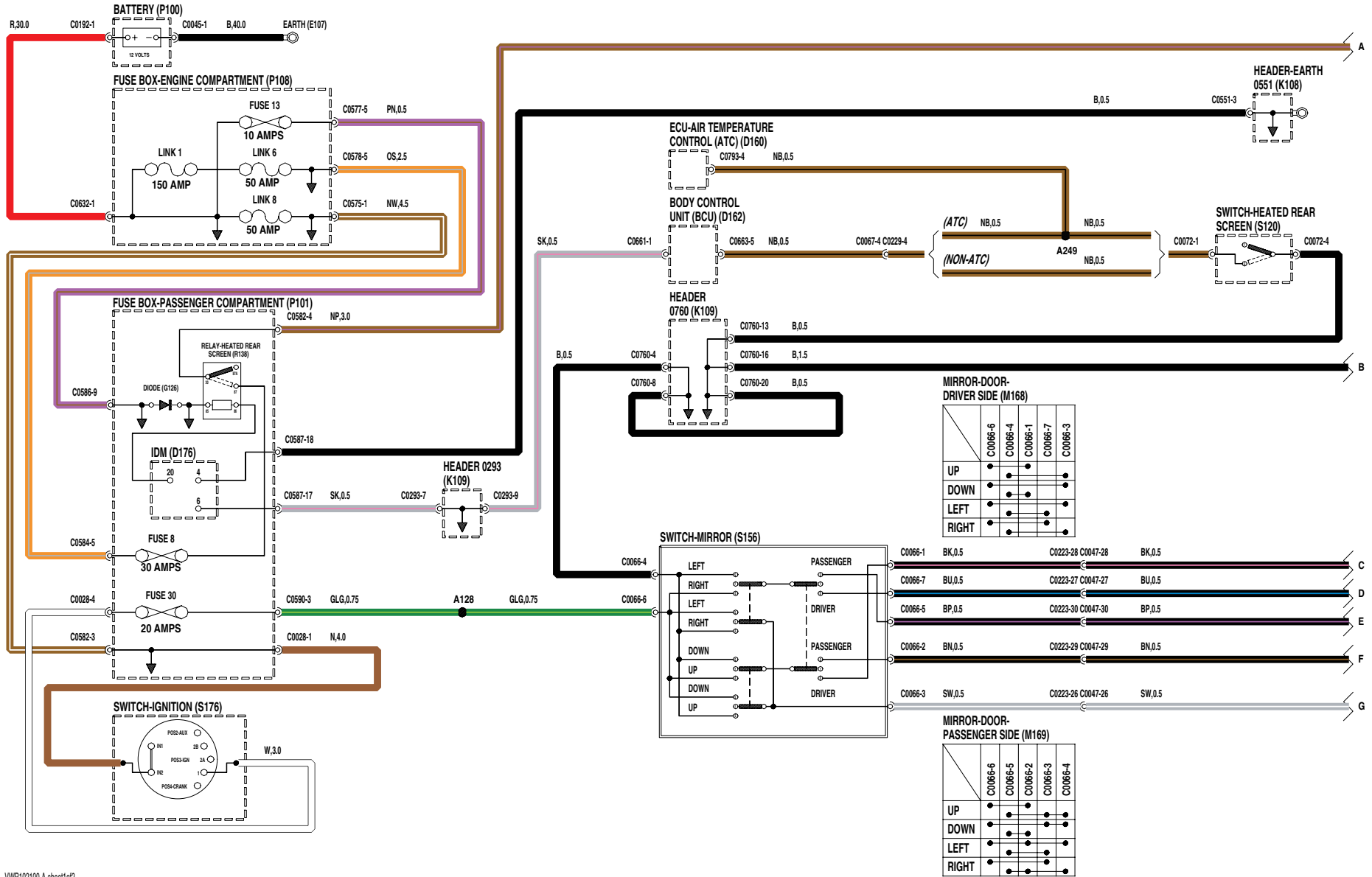
VWR104220-A-sheet1 of1

SUNROOF



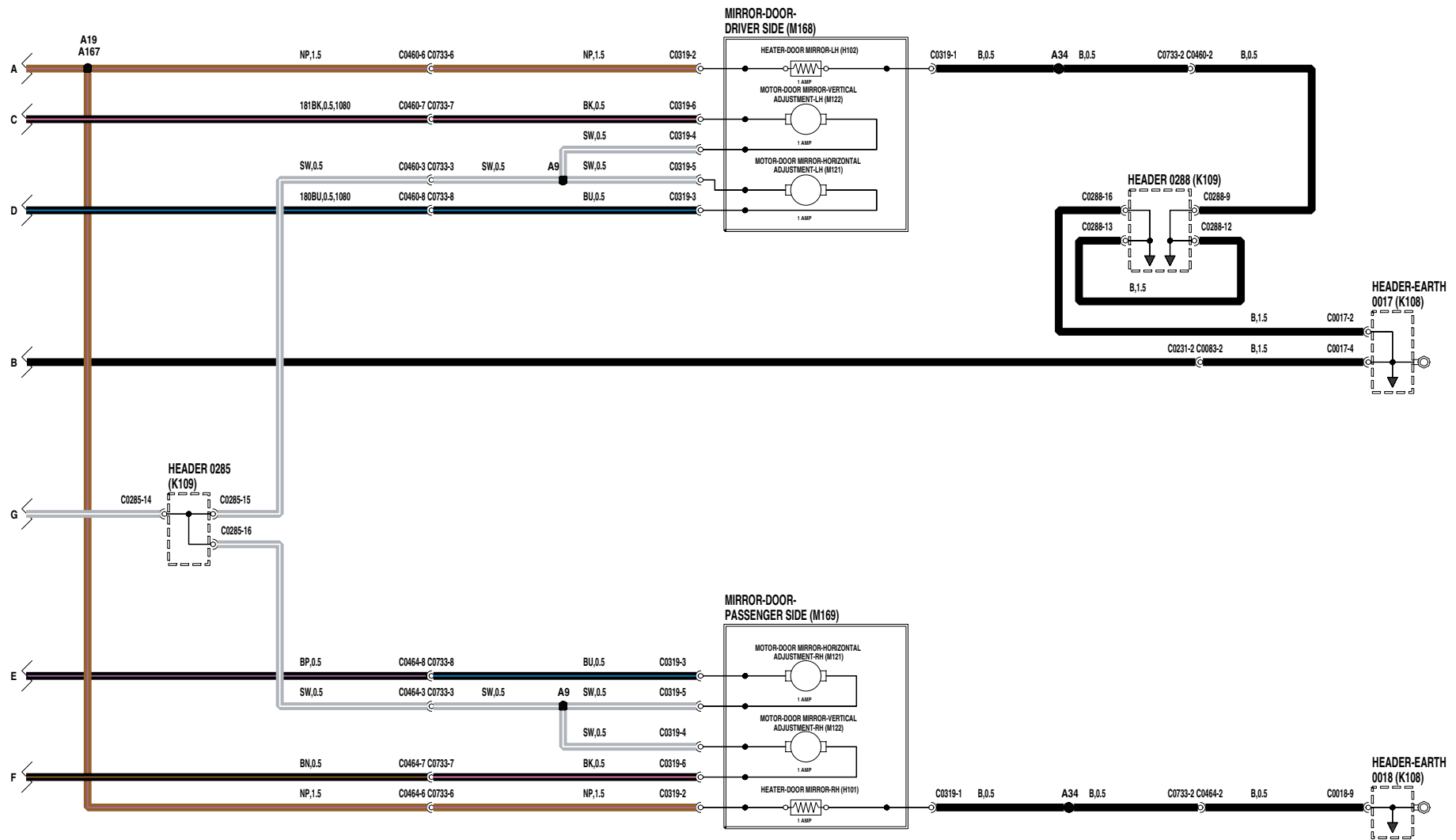
VWR102130-A-sheet1 of1

DOOR MIRRORS



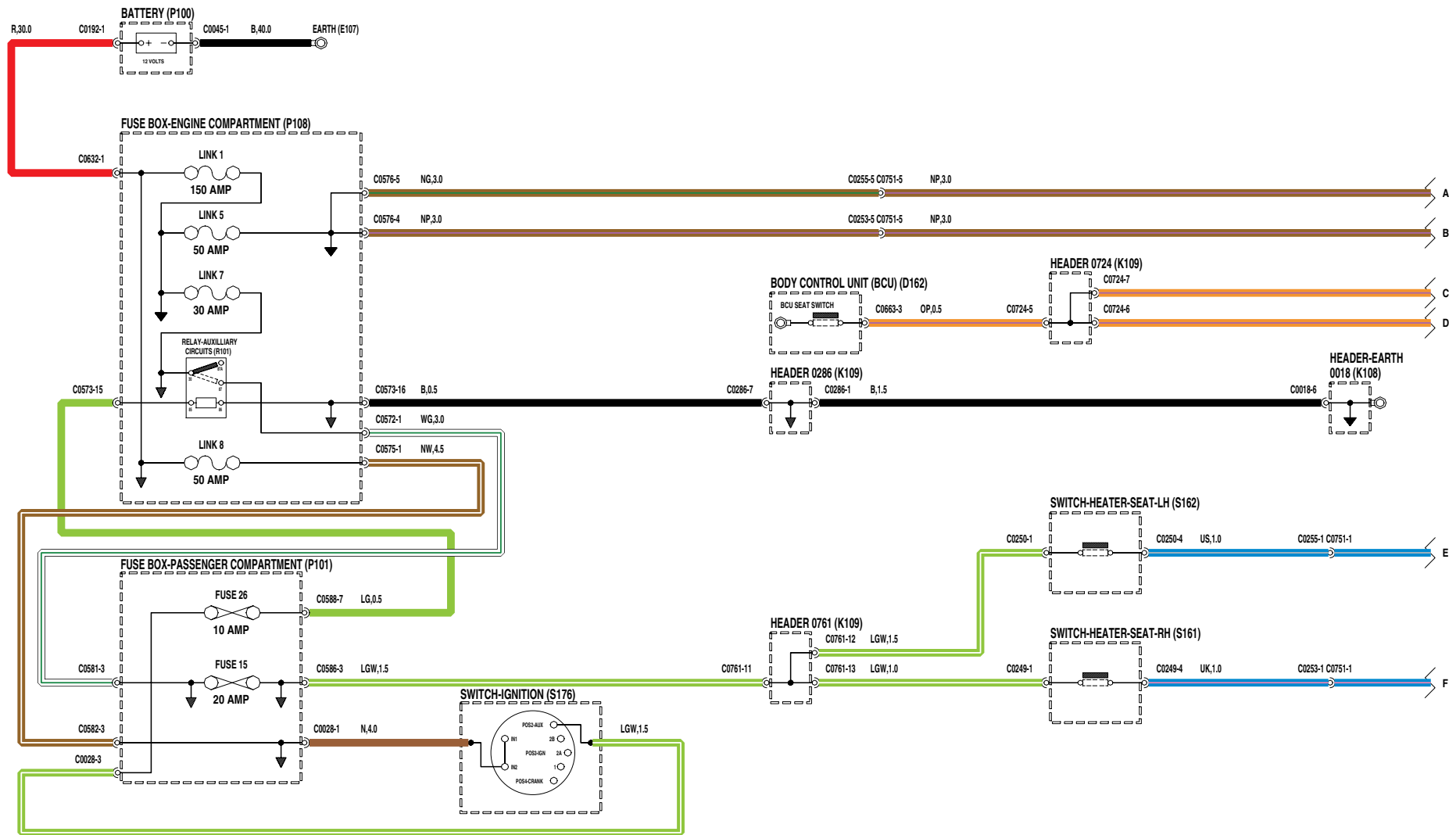
VWR102100-A-sheet1of2

DOOR MIRRORS



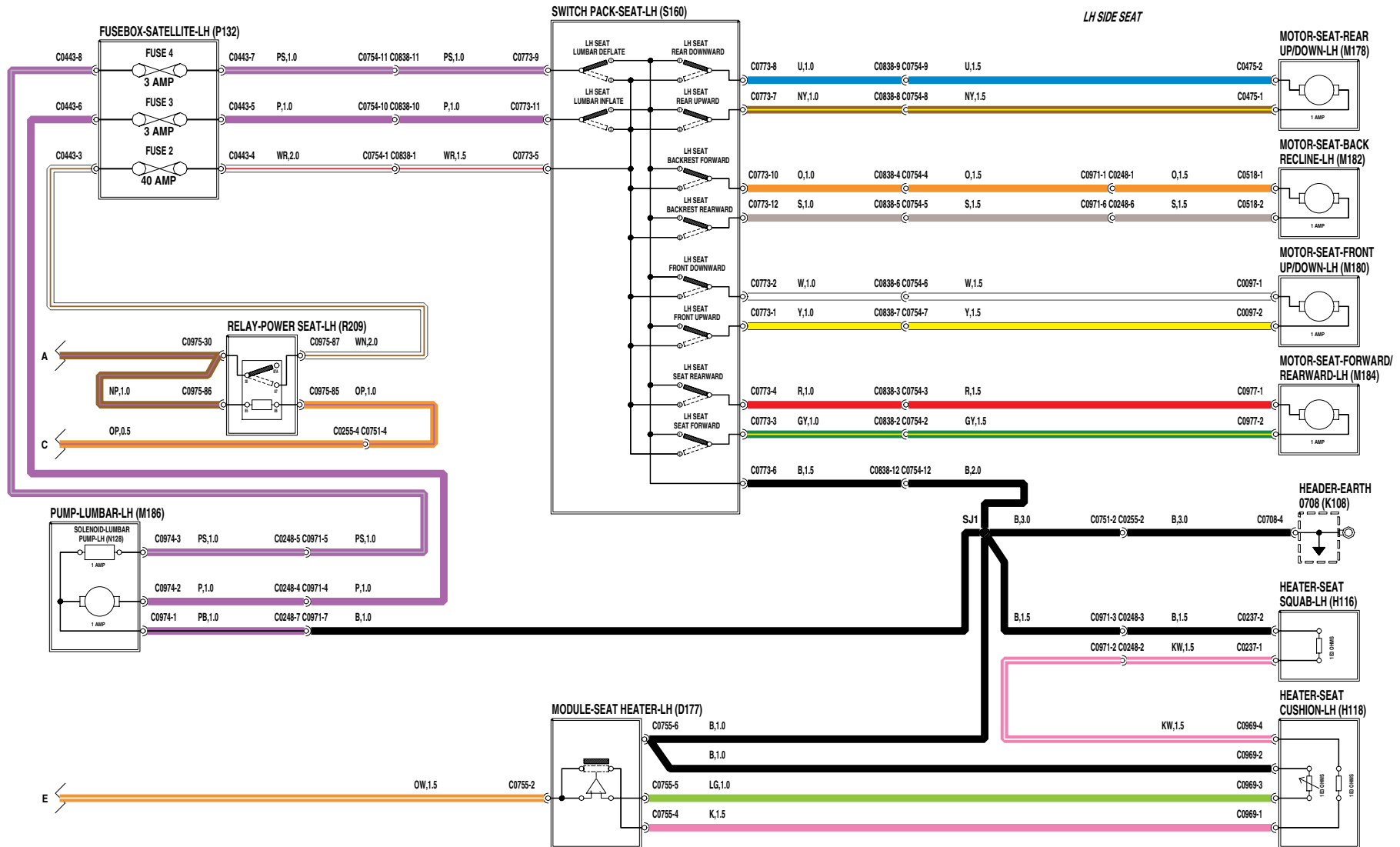
VWR102100-A-sheet2of2

SEATS POWER - HEATED



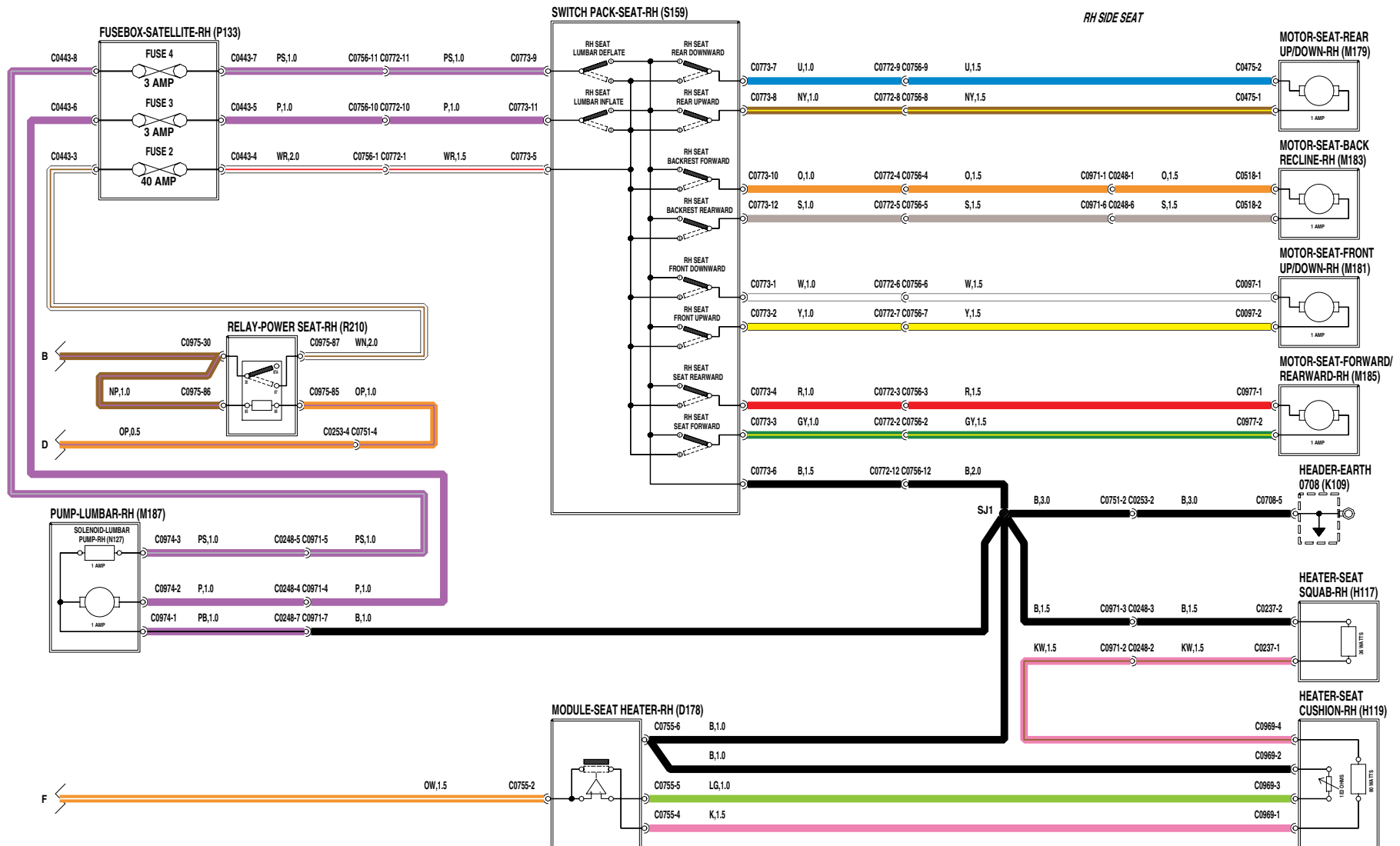
VWR102200-A-sheet1of3

SEATS POWER - HEATED



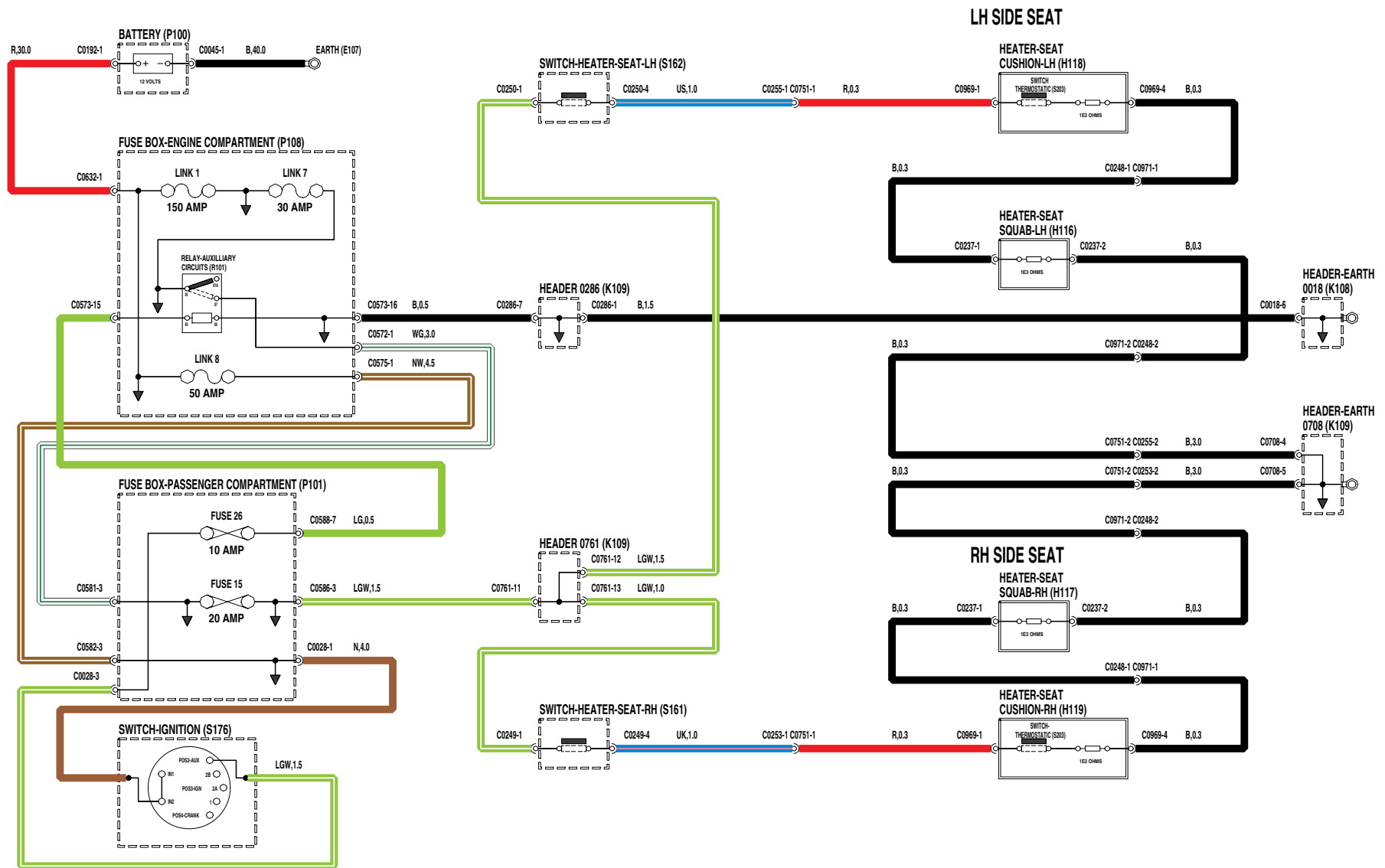
VWR102200-A-sheet2of3

SEATS POWER - HEATED



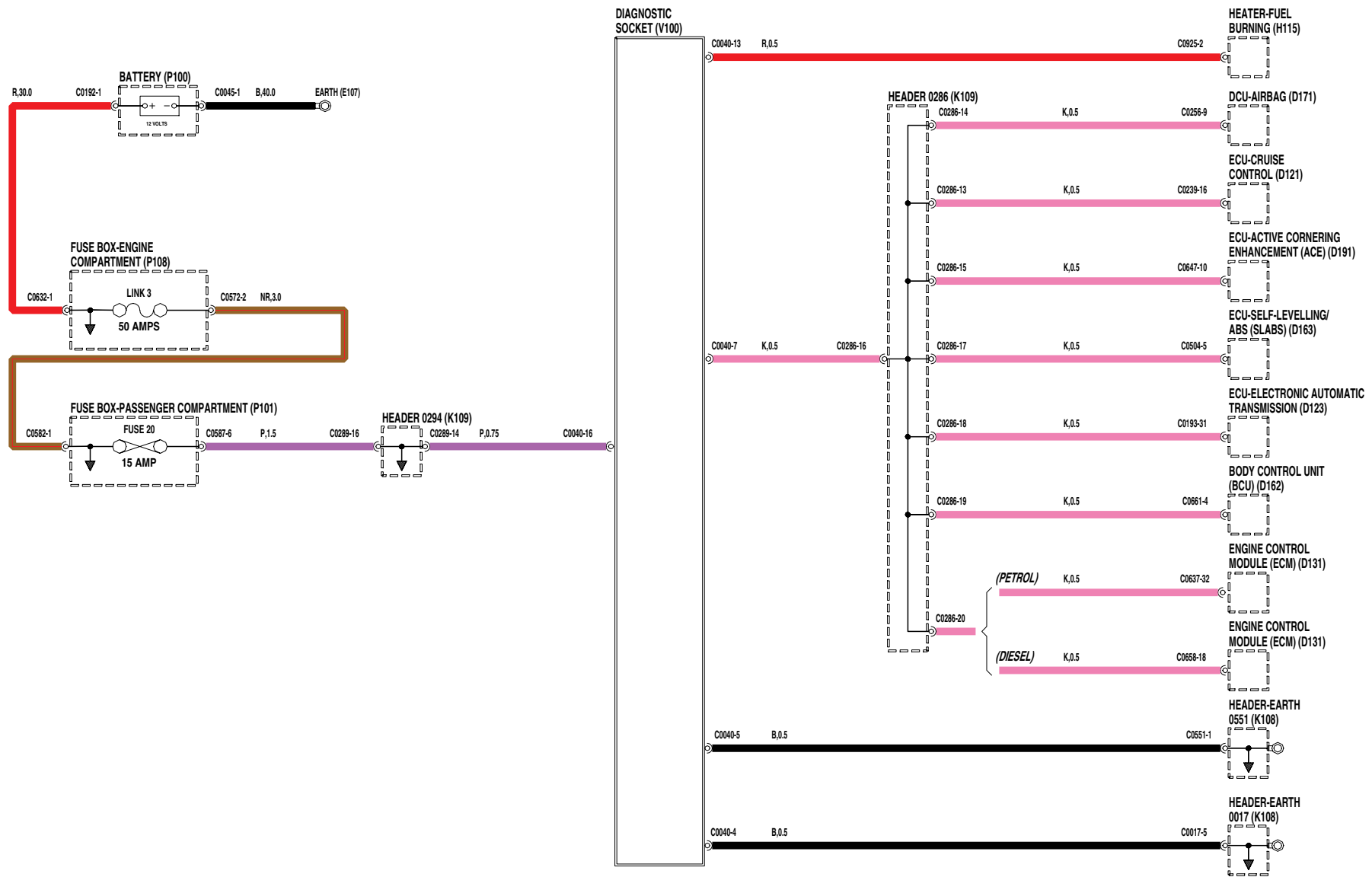
VWR102200-A-sheet3of3

SEATS MANUAL - HEATED



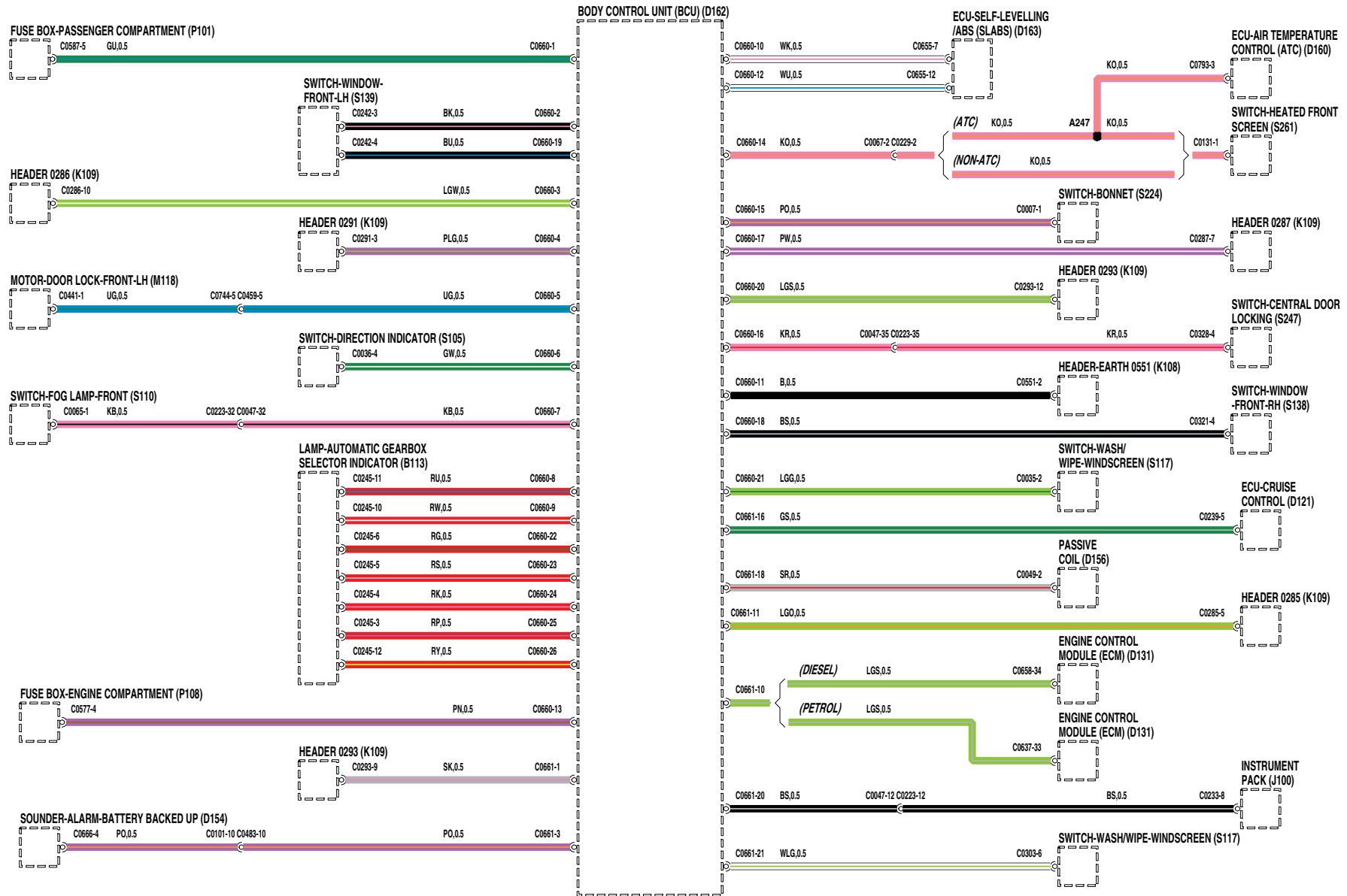
VWR111070-A-sheet1.dft

DIAGNOSTIC SOCKET



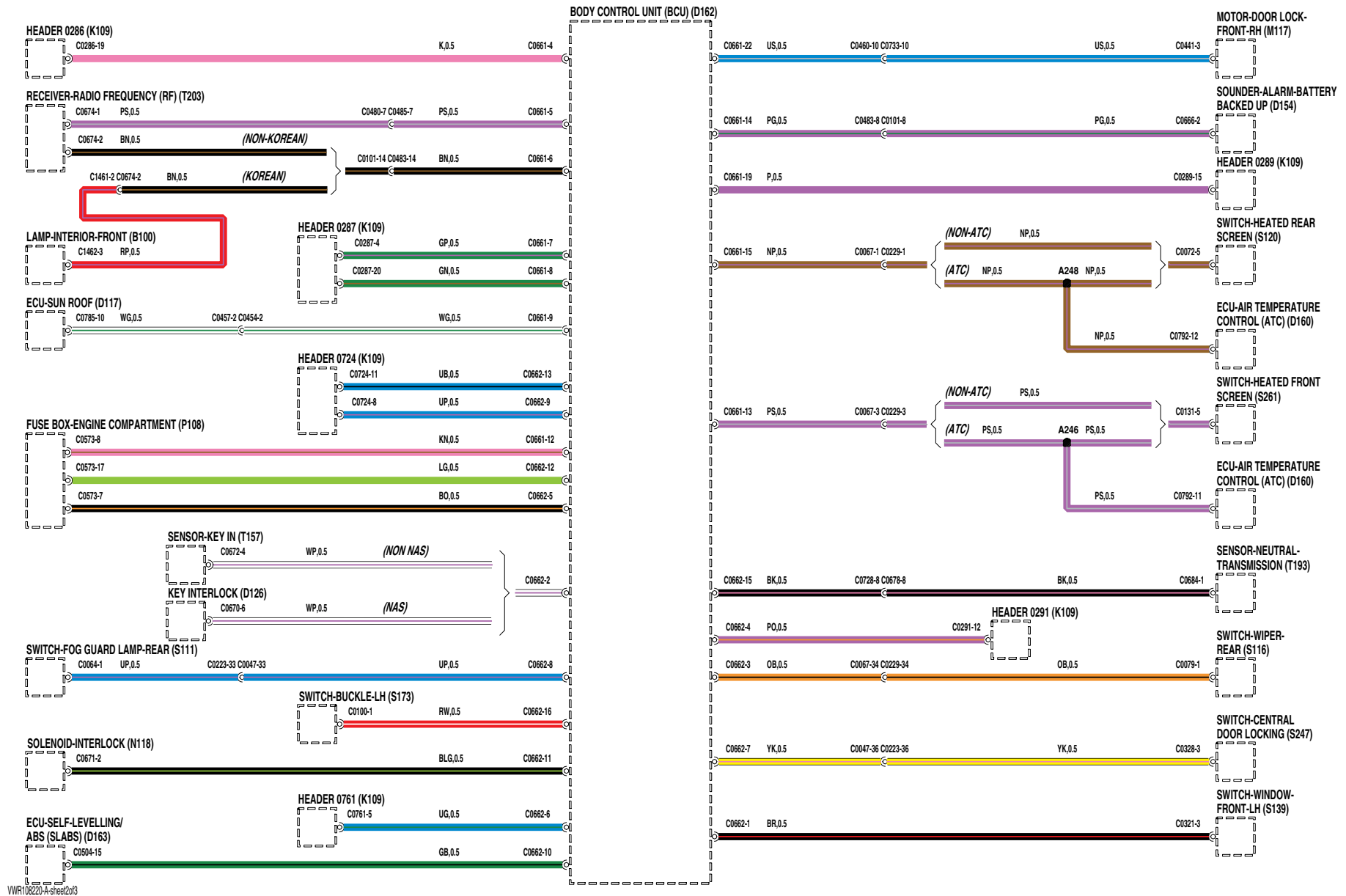
VWR105830-A-sheet1of1

BODY CONTROL UNIT (BCU)

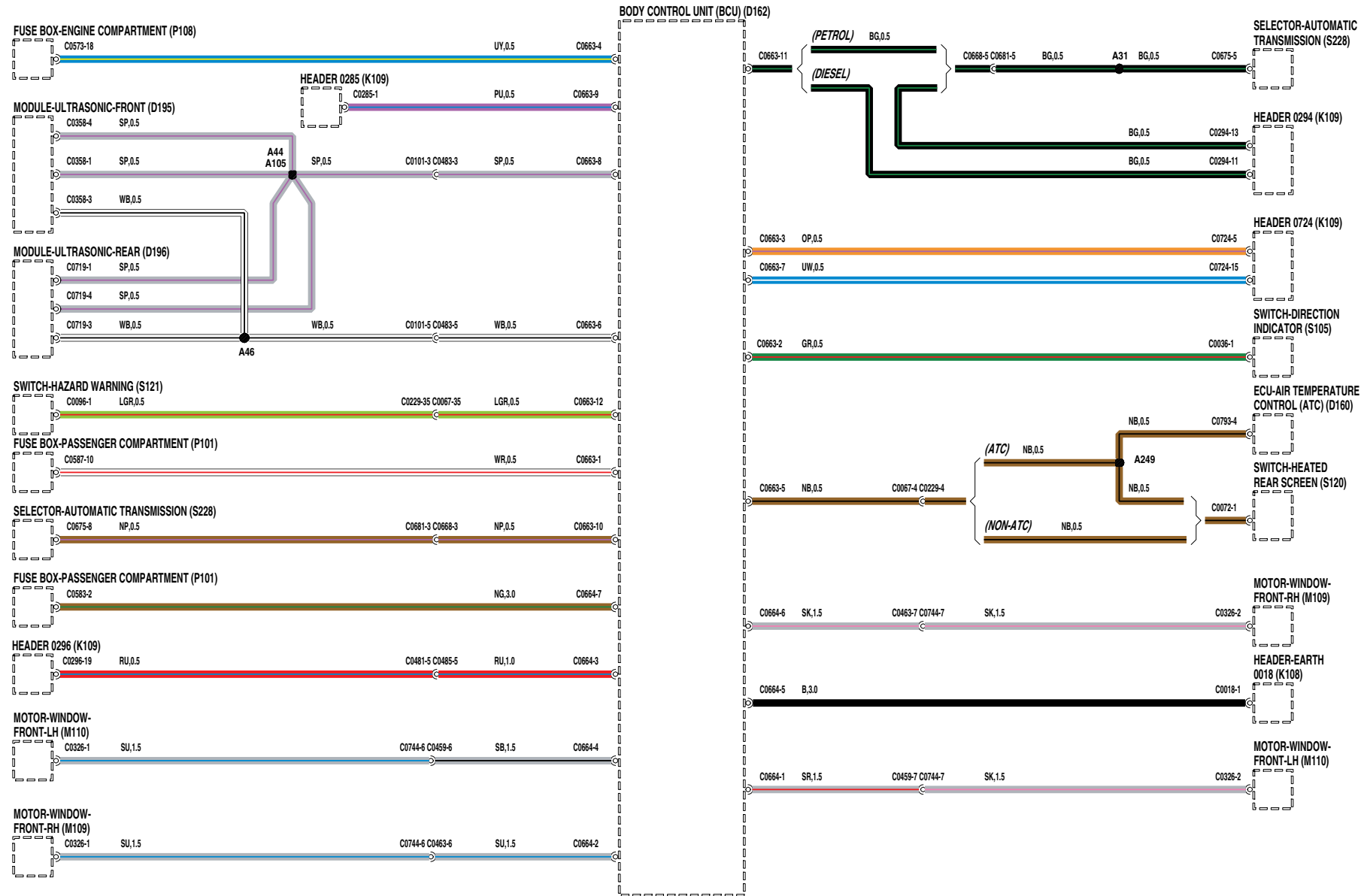


VWR108220-A-sheet1of3

BODY CONTROL UNIT (BCU)



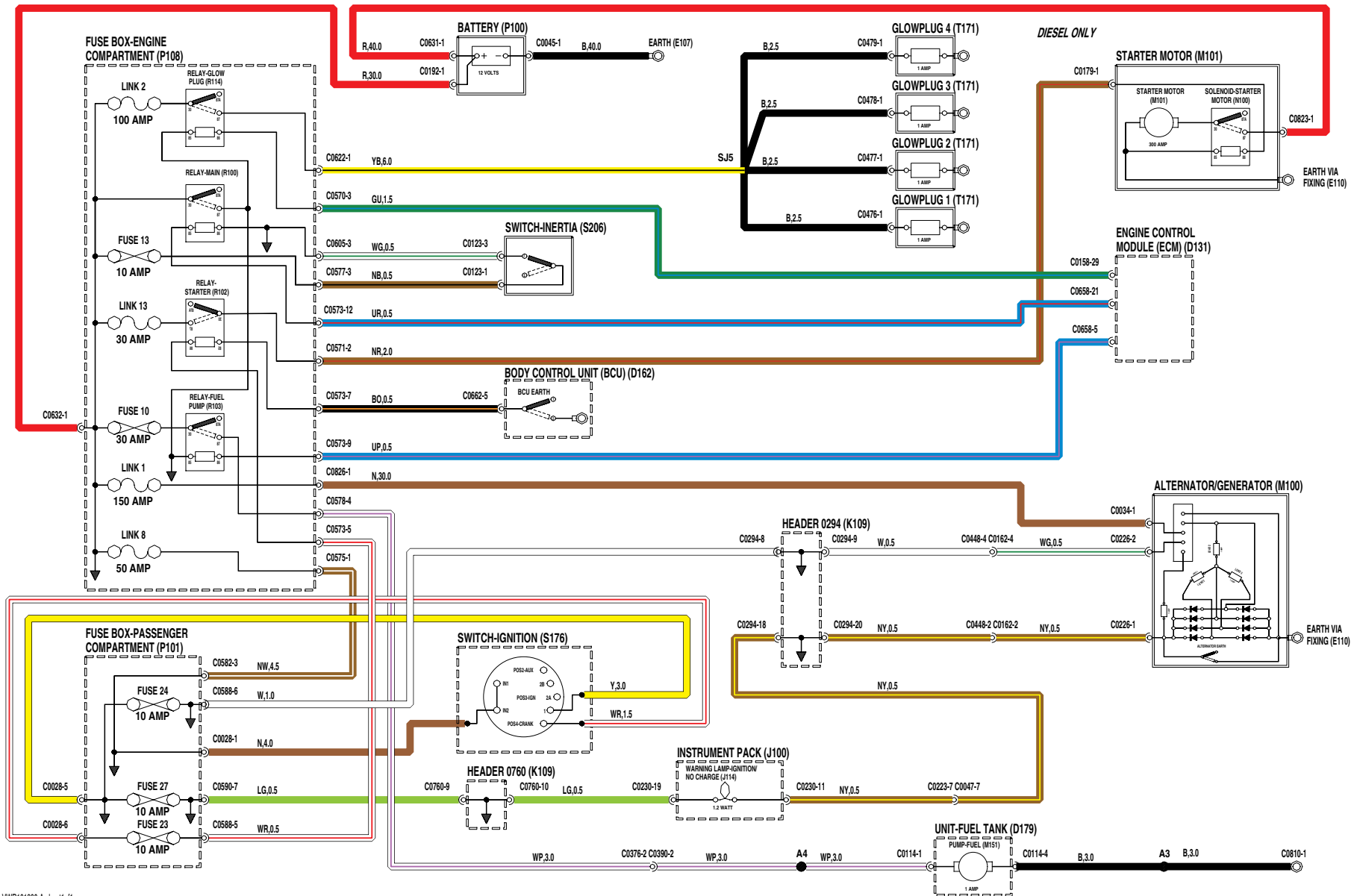
BODY CONTROL UNIT (BCU)



VWR108220-A-sheet3of3

CHARGING AND STARTING

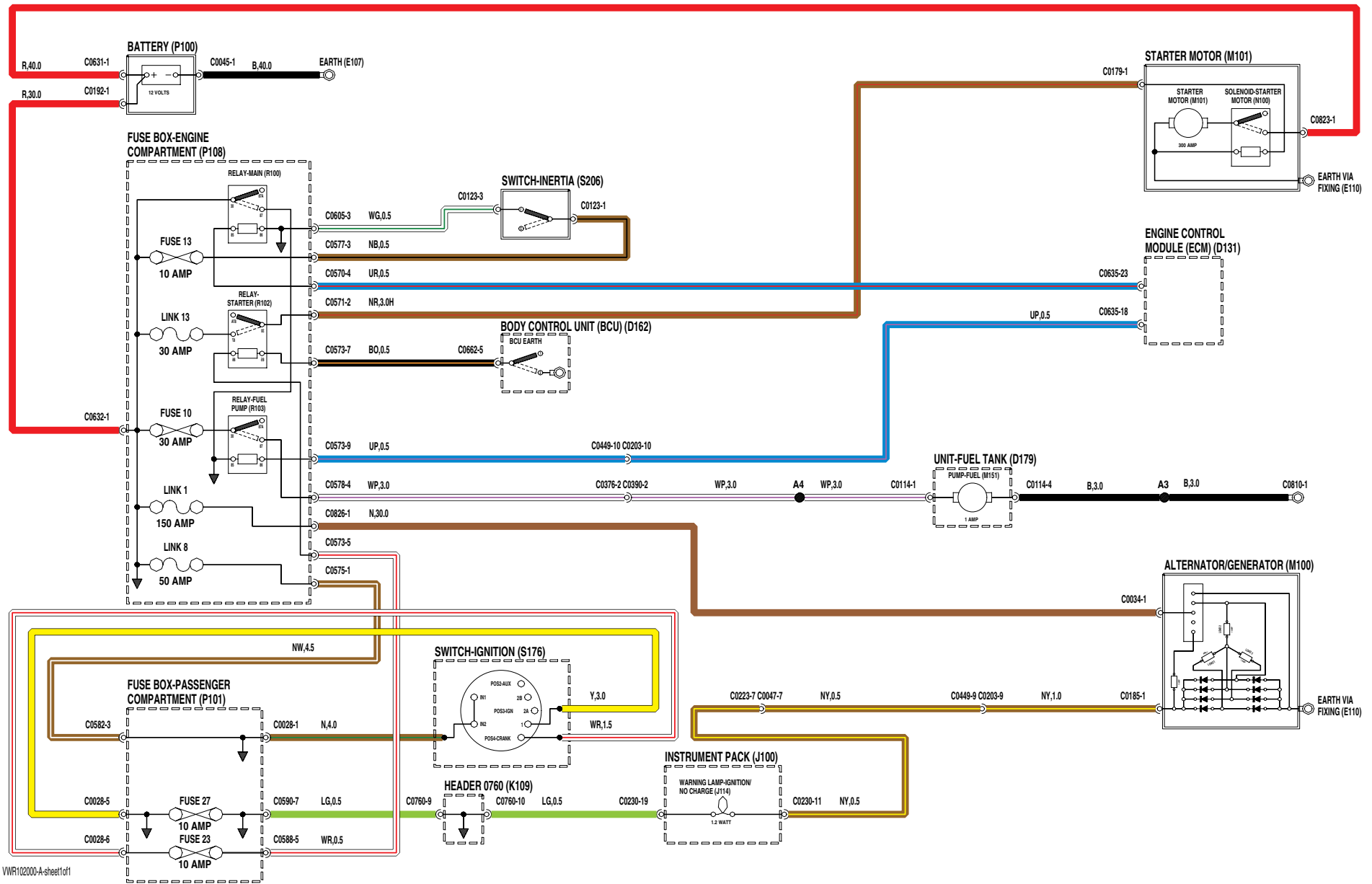
Td5



VWR101890-A-sheet1of1

CHARGING AND STARTING

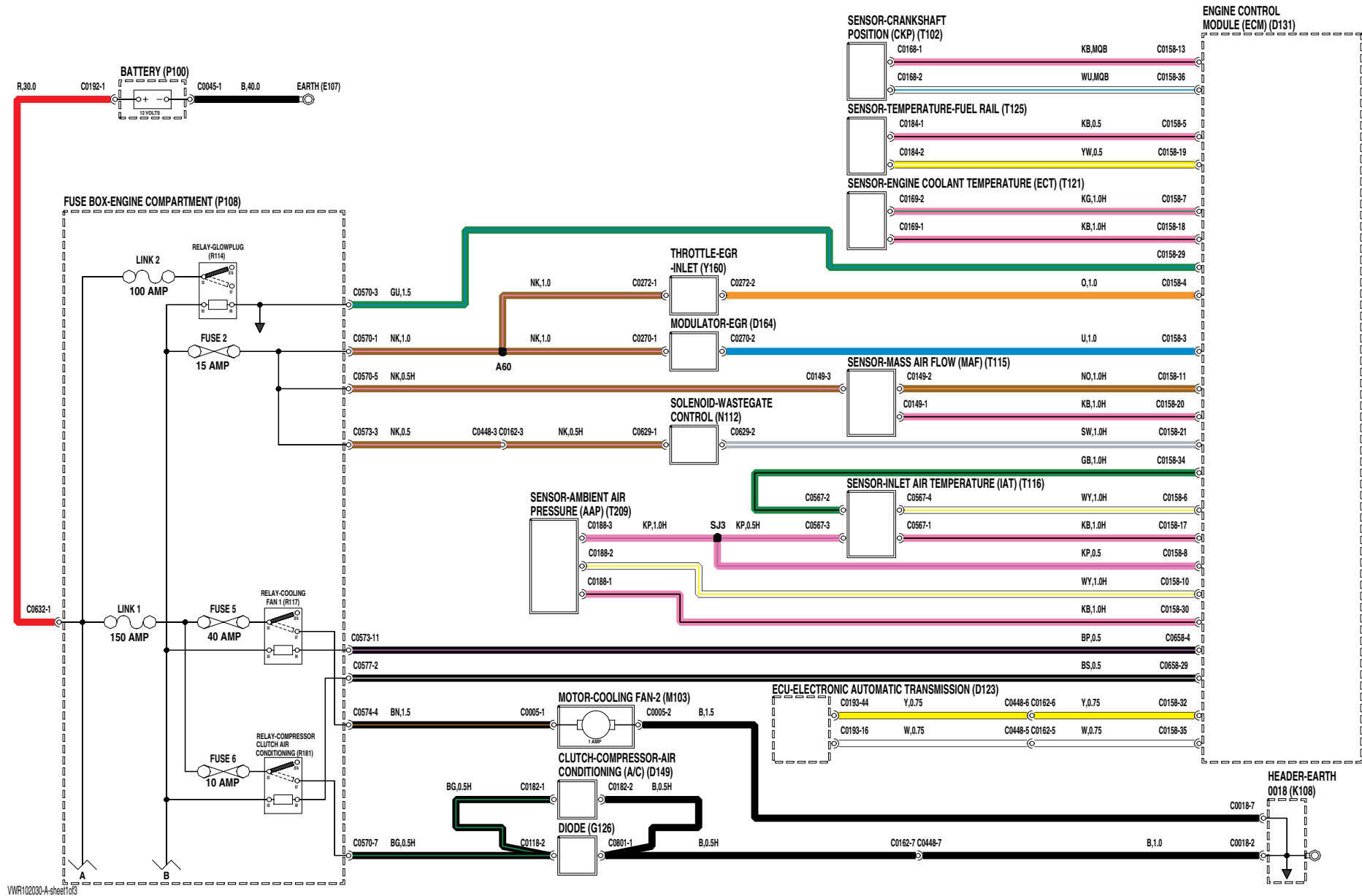
V8



VWR102000-A-sheet1 of1

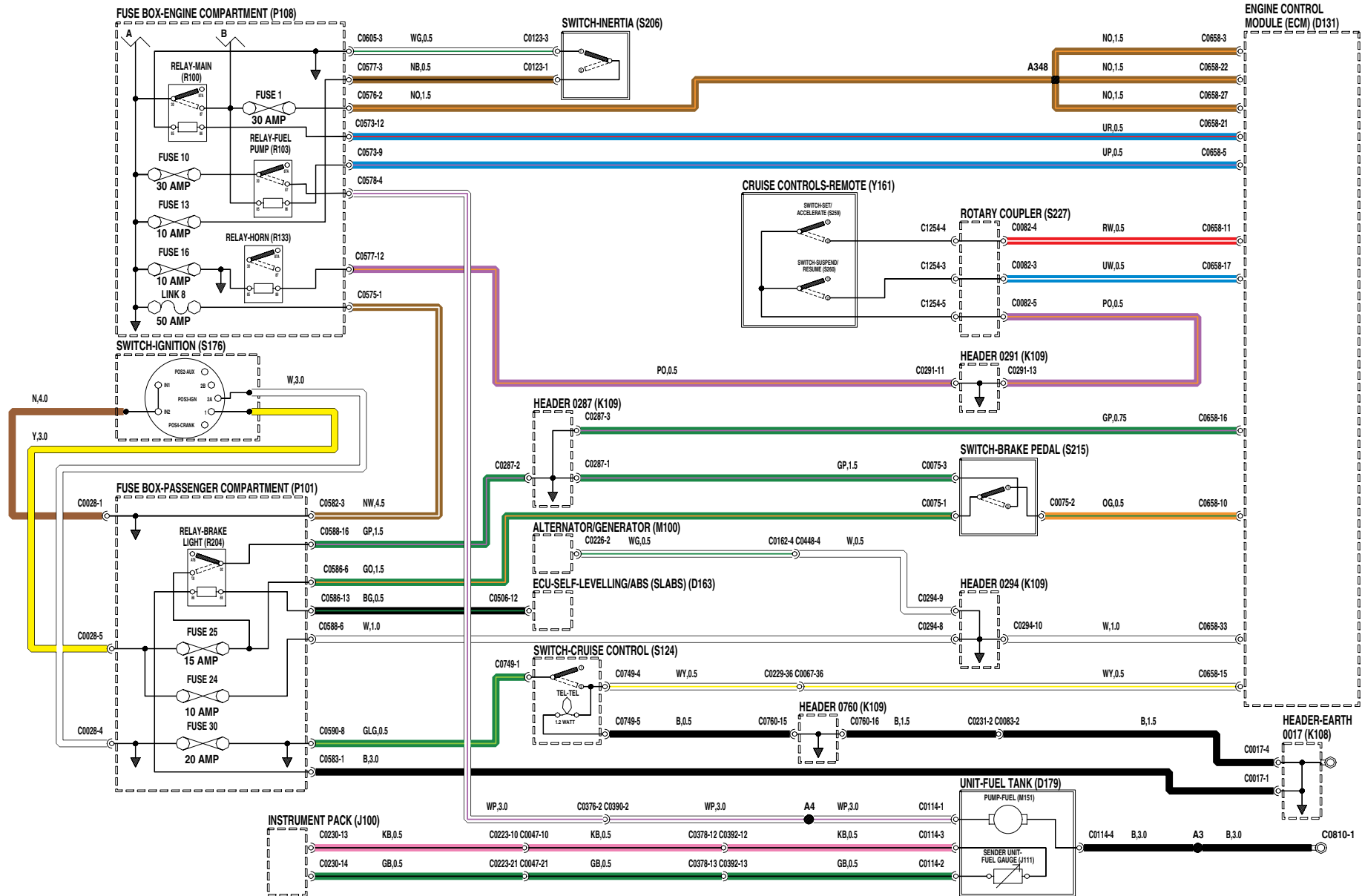
ENGINE MANAGEMENT

Td5



ENGINE MANAGEMENT

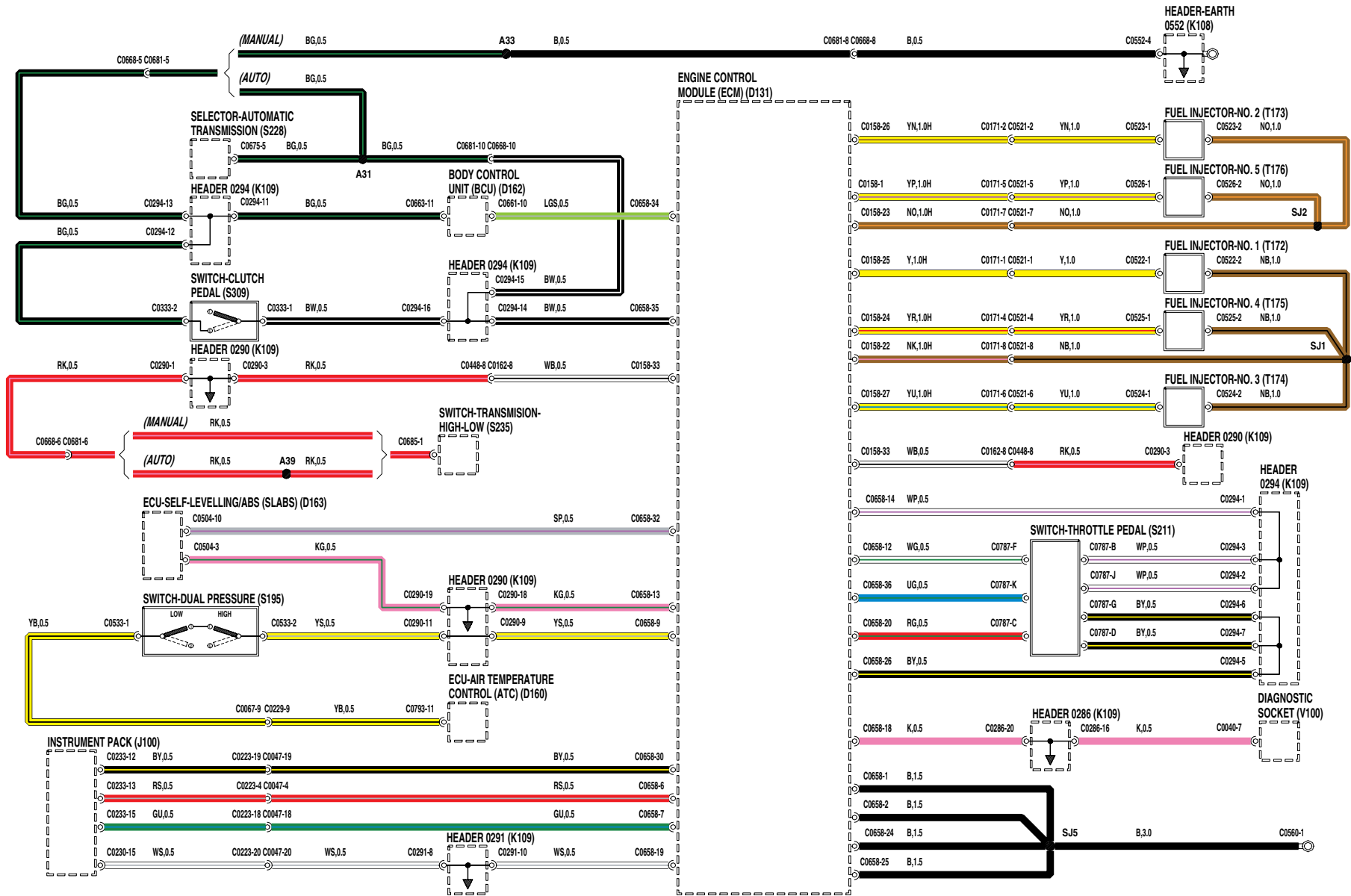
Td5



VWR102030-A-sheet2of3

ENGINE MANAGEMENT

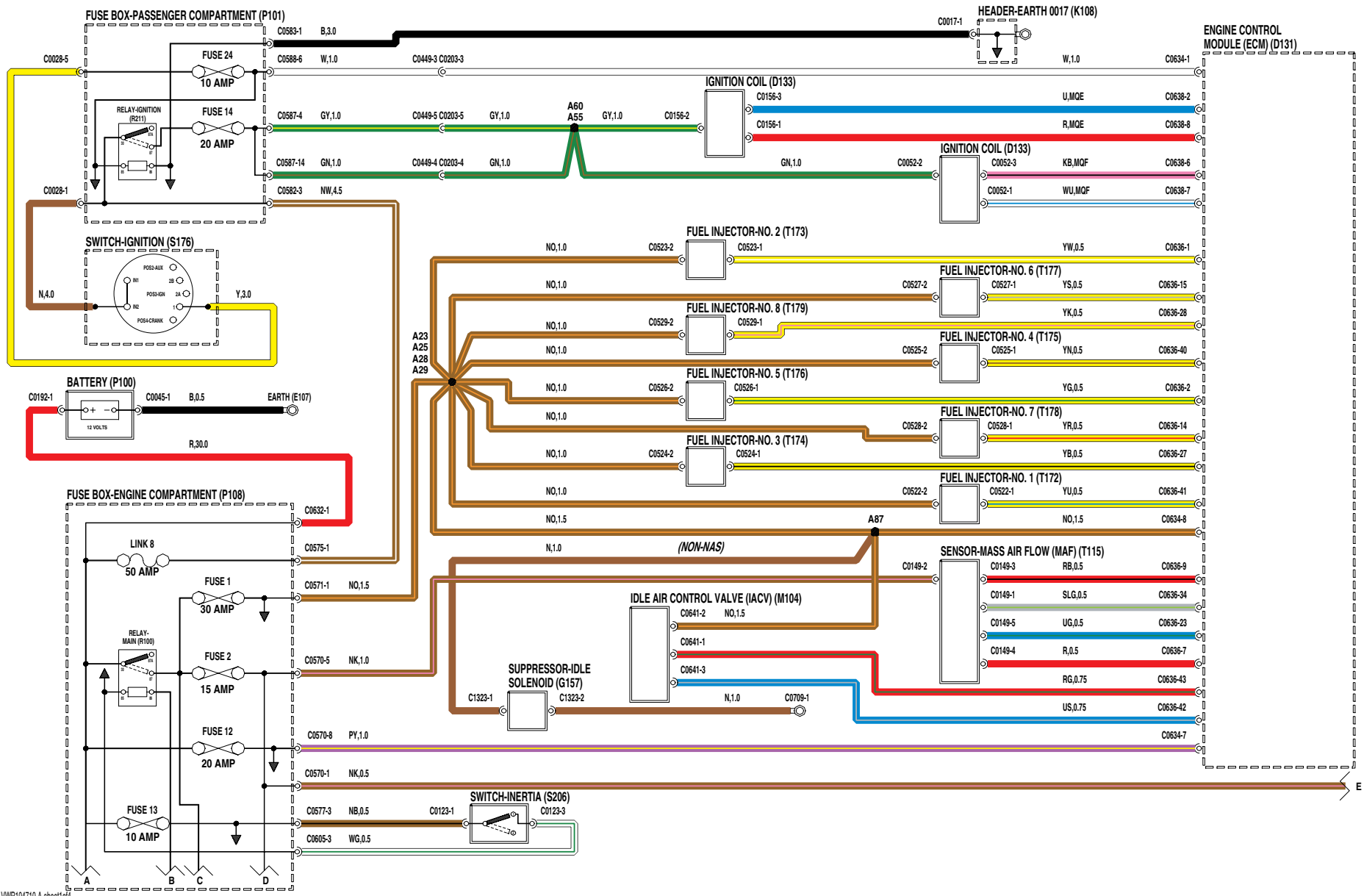
Td5



VWR102030-A-sheet3of3

ENGINE MANAGEMENT

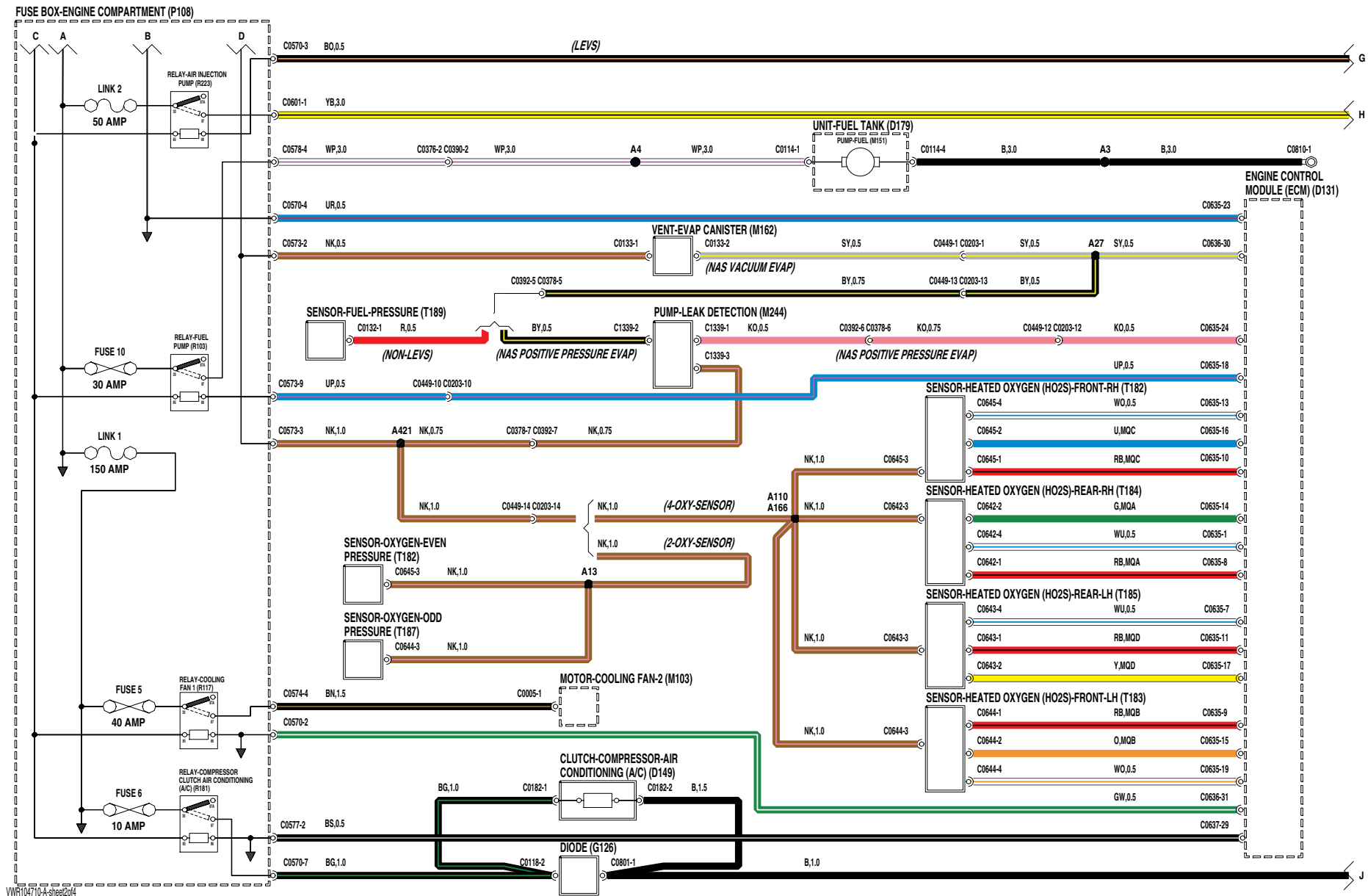
V8



VWR104710-A-sheet104

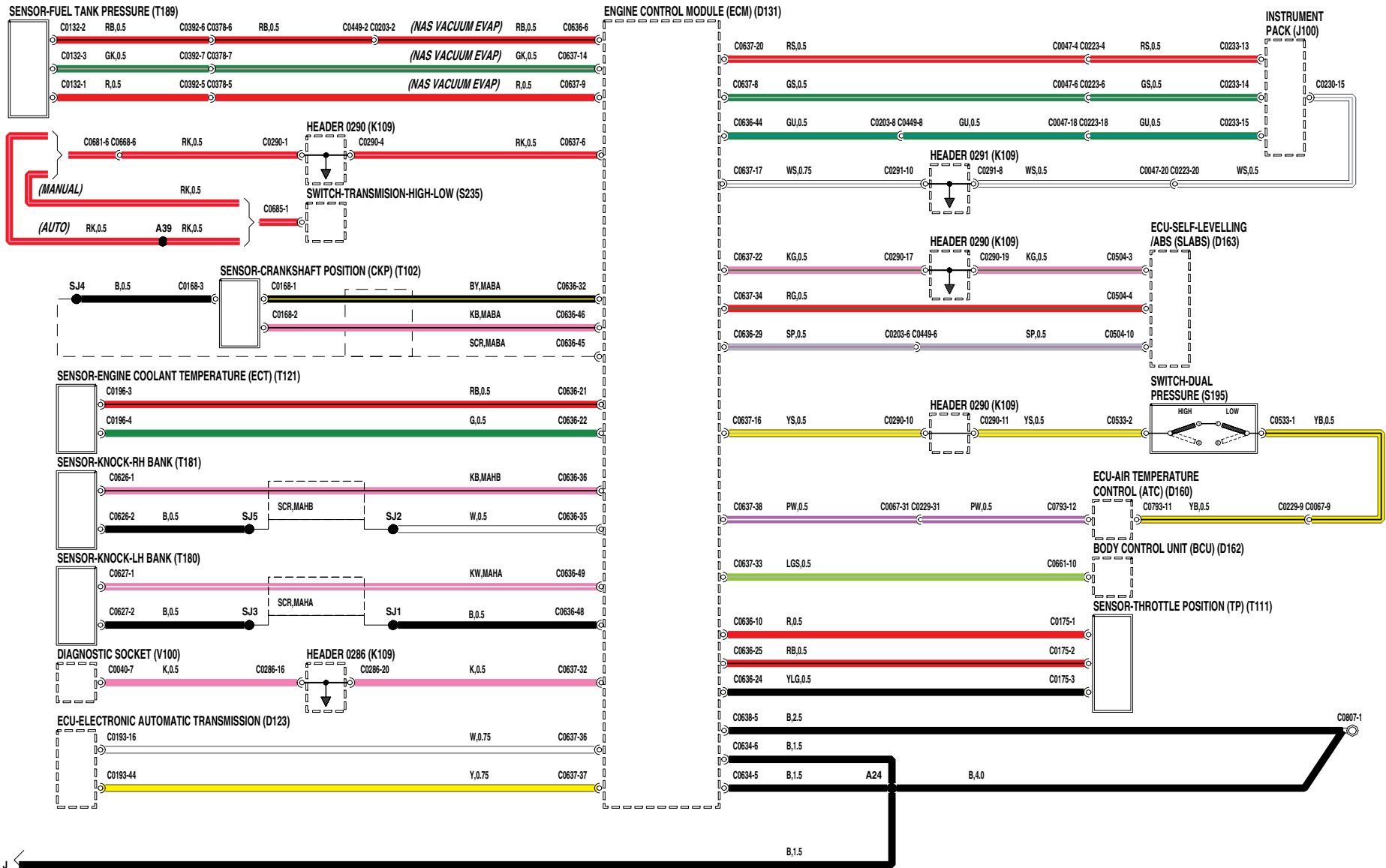
ENGINE MANAGEMENT

V8



ENGINE MANAGEMENT

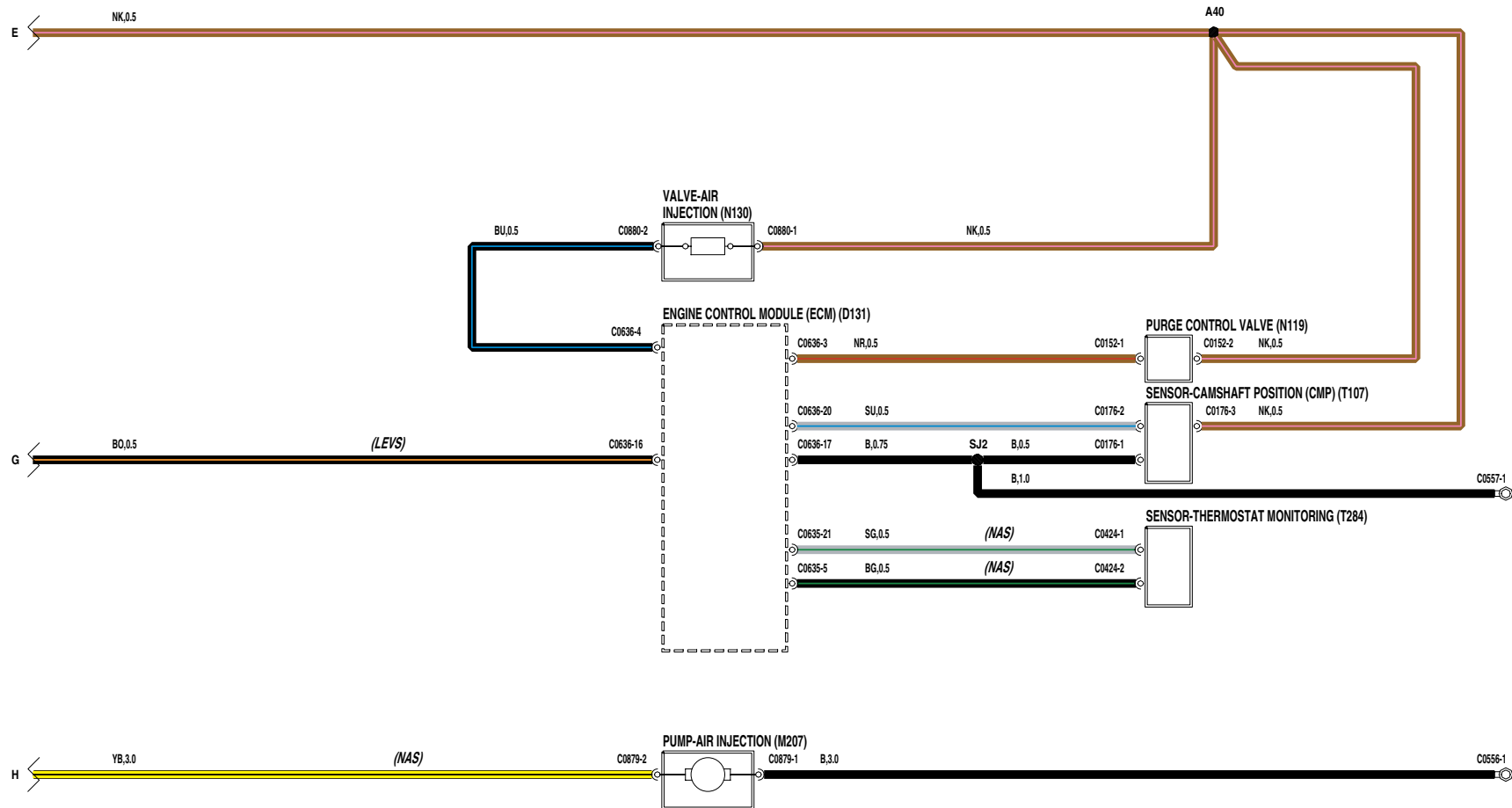
V8



VWR104710-A-sheet3of4

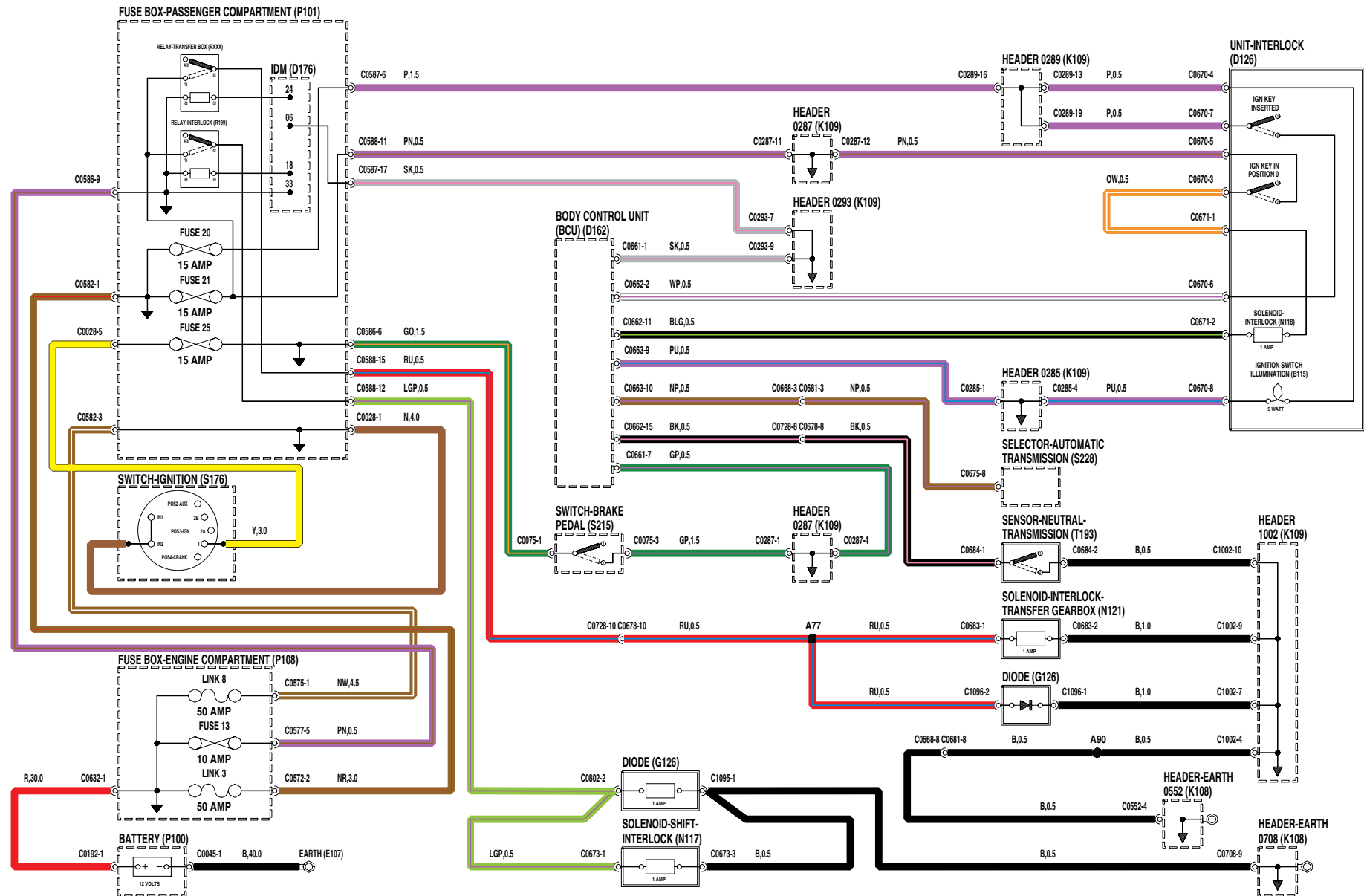
ENGINE MANAGEMENT

V8



VWR104710-A-sheet04

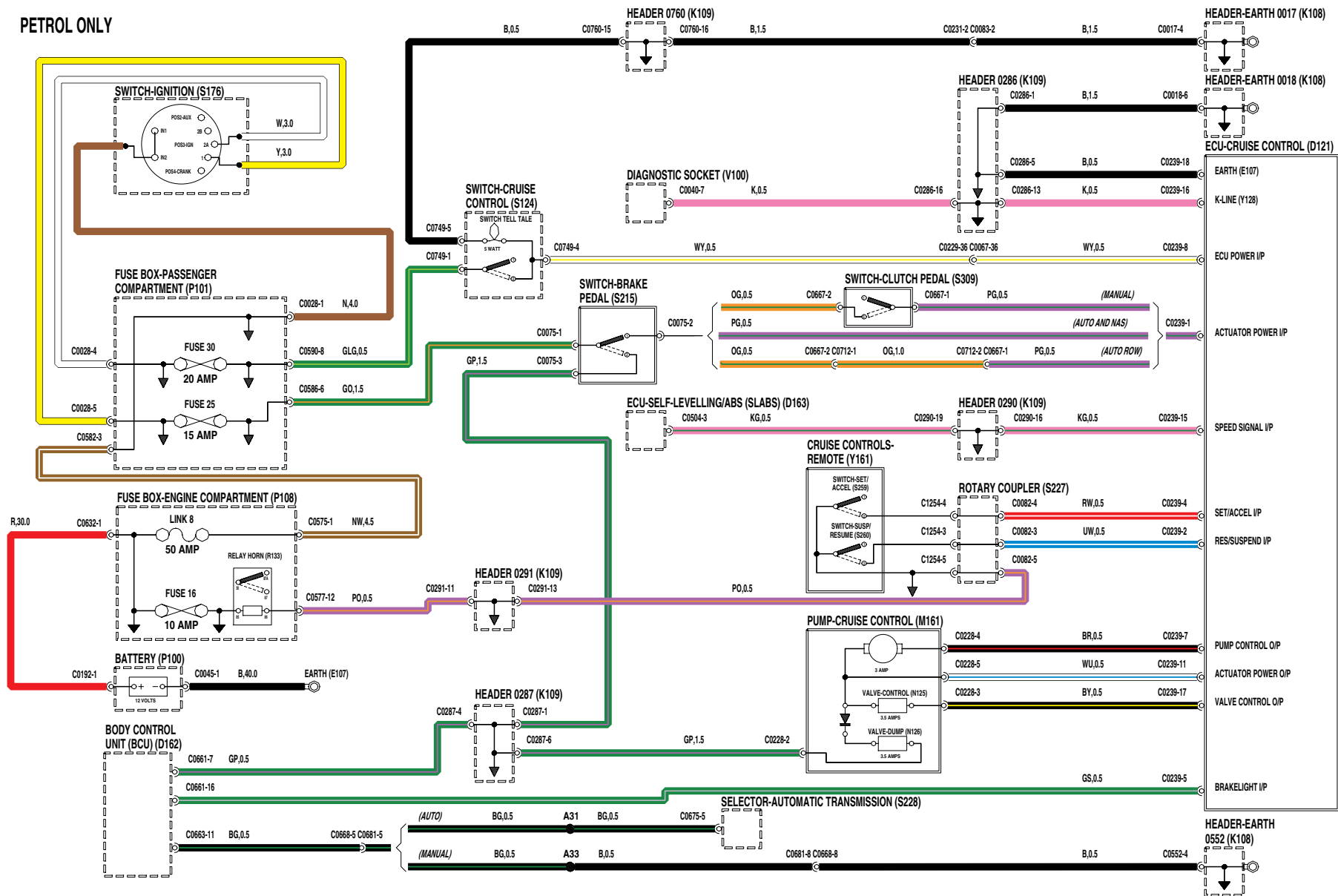
IGNITION/SHIFT INTERLOCK



VWR105820-A-sheet of 1

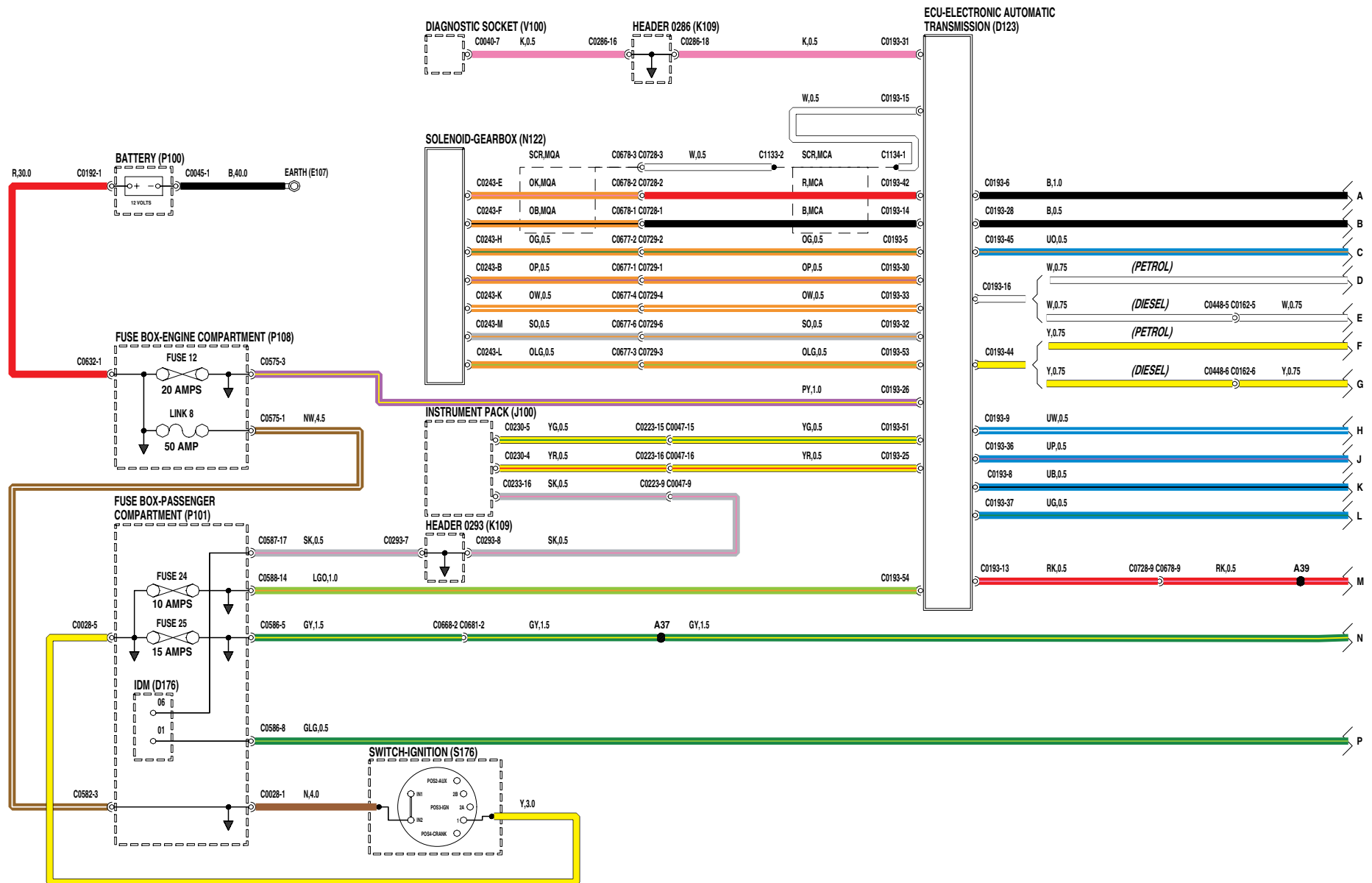
CRUISE CONTROL

PETROL ONLY



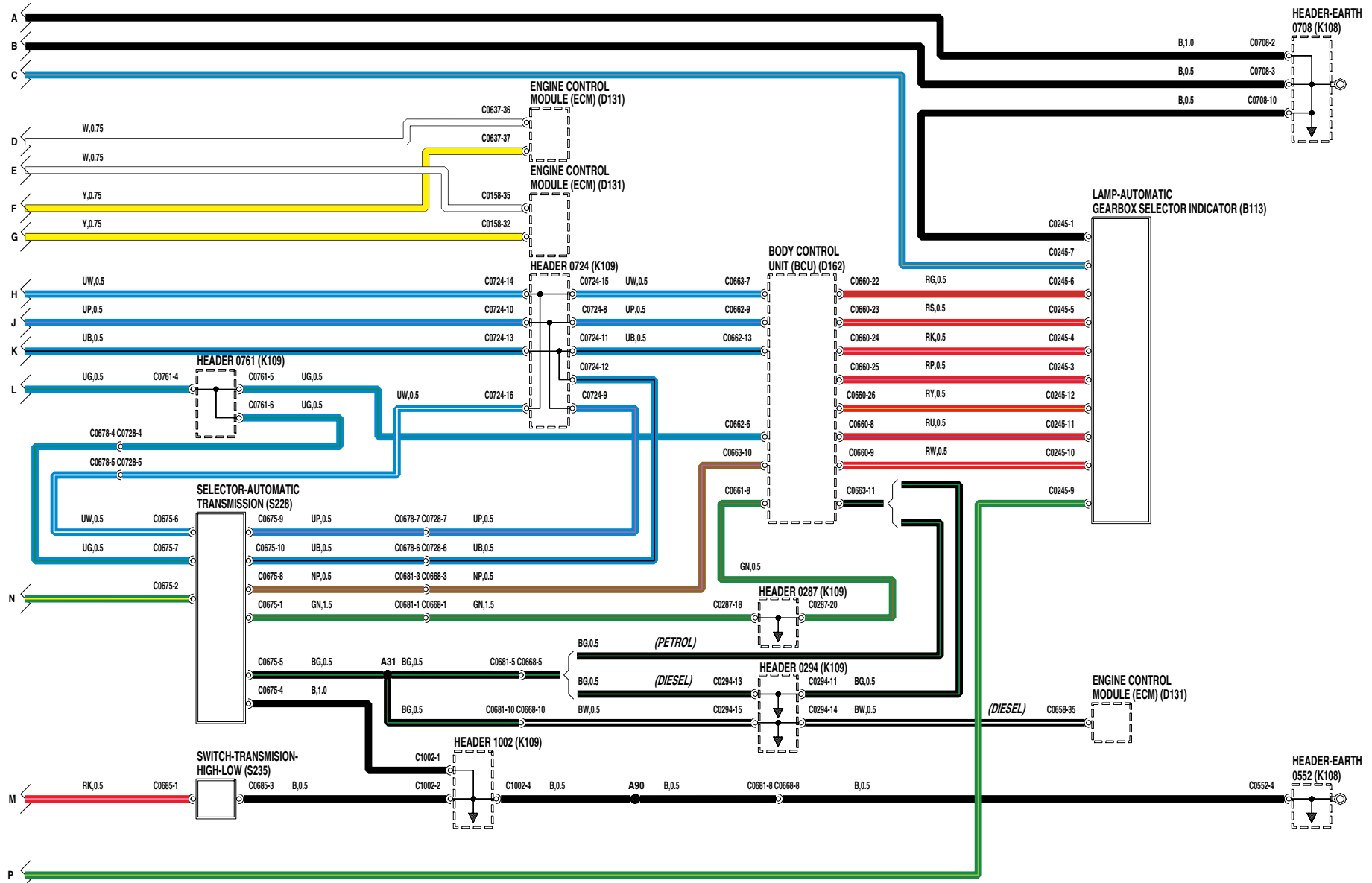
VWR102190-A-sheet1 of1

ELECTRONIC AUTOMATIC TRANSMISSION (EAT)



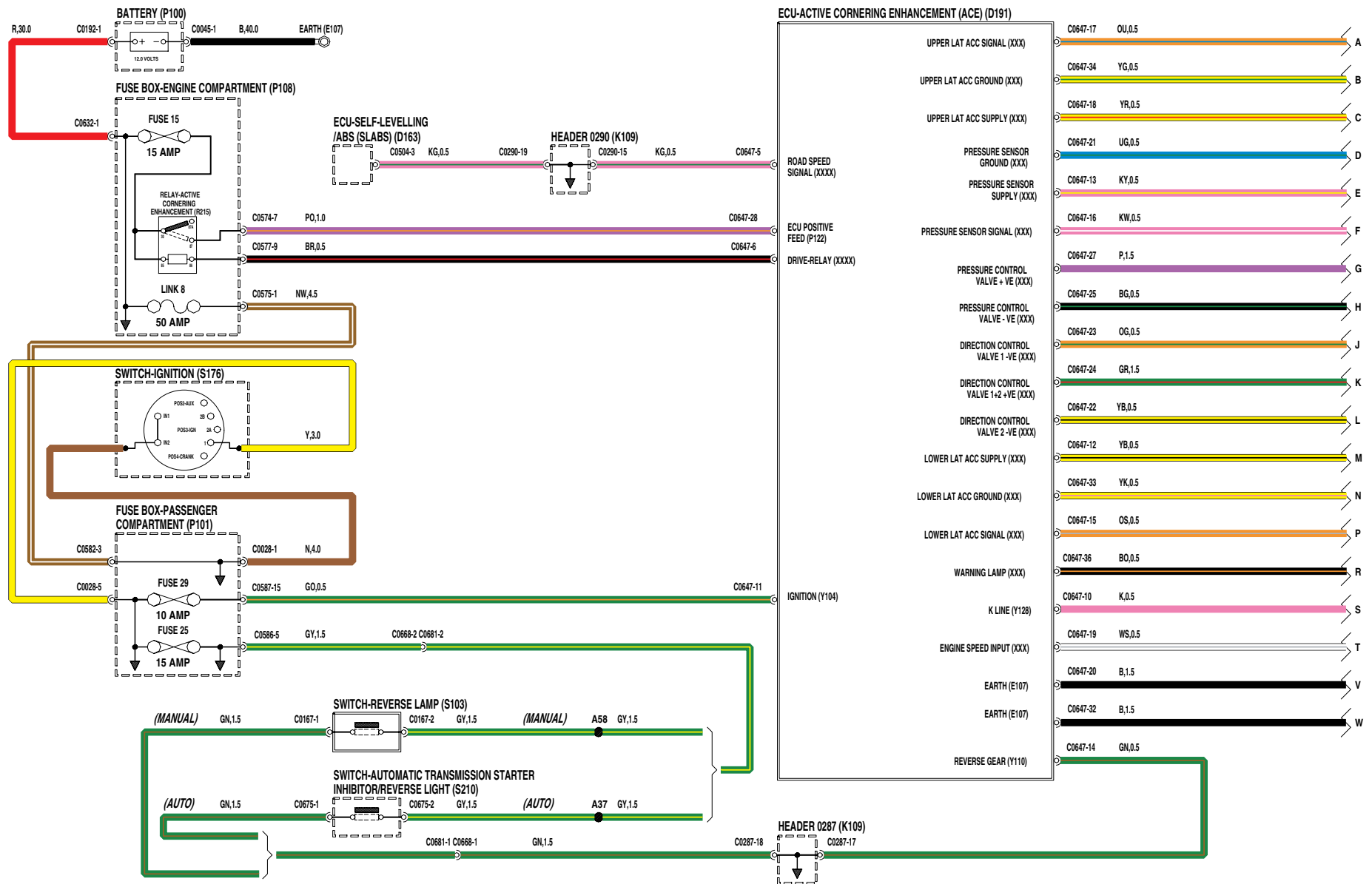
VWR102230-A-sheet1of2

ELECTRONIC AUTOMATIC TRANSMISSION (EAT)



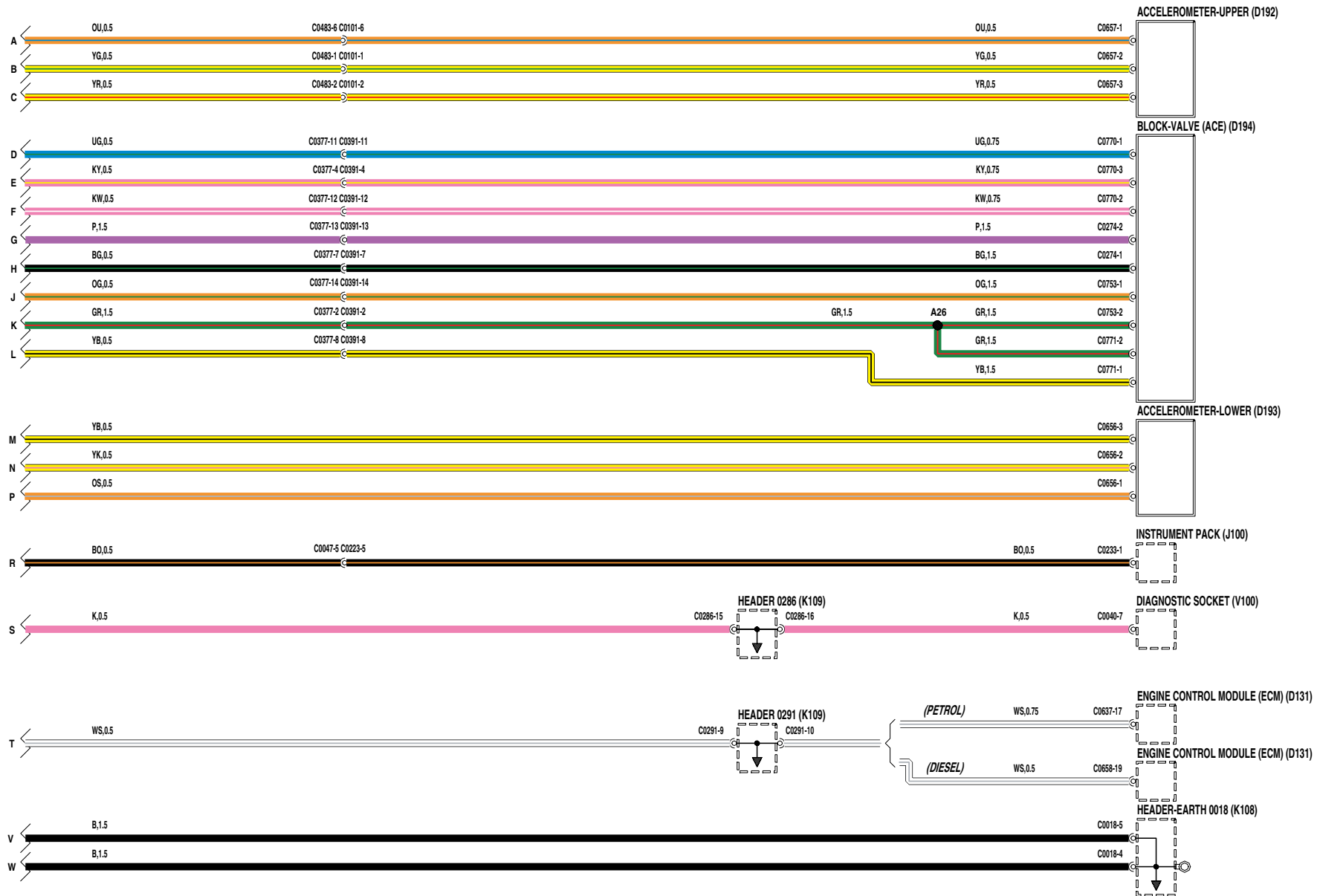
VWR102230-A-sheet2of2

ACTIVE CORNERING ENHANCEMENT (ACE)



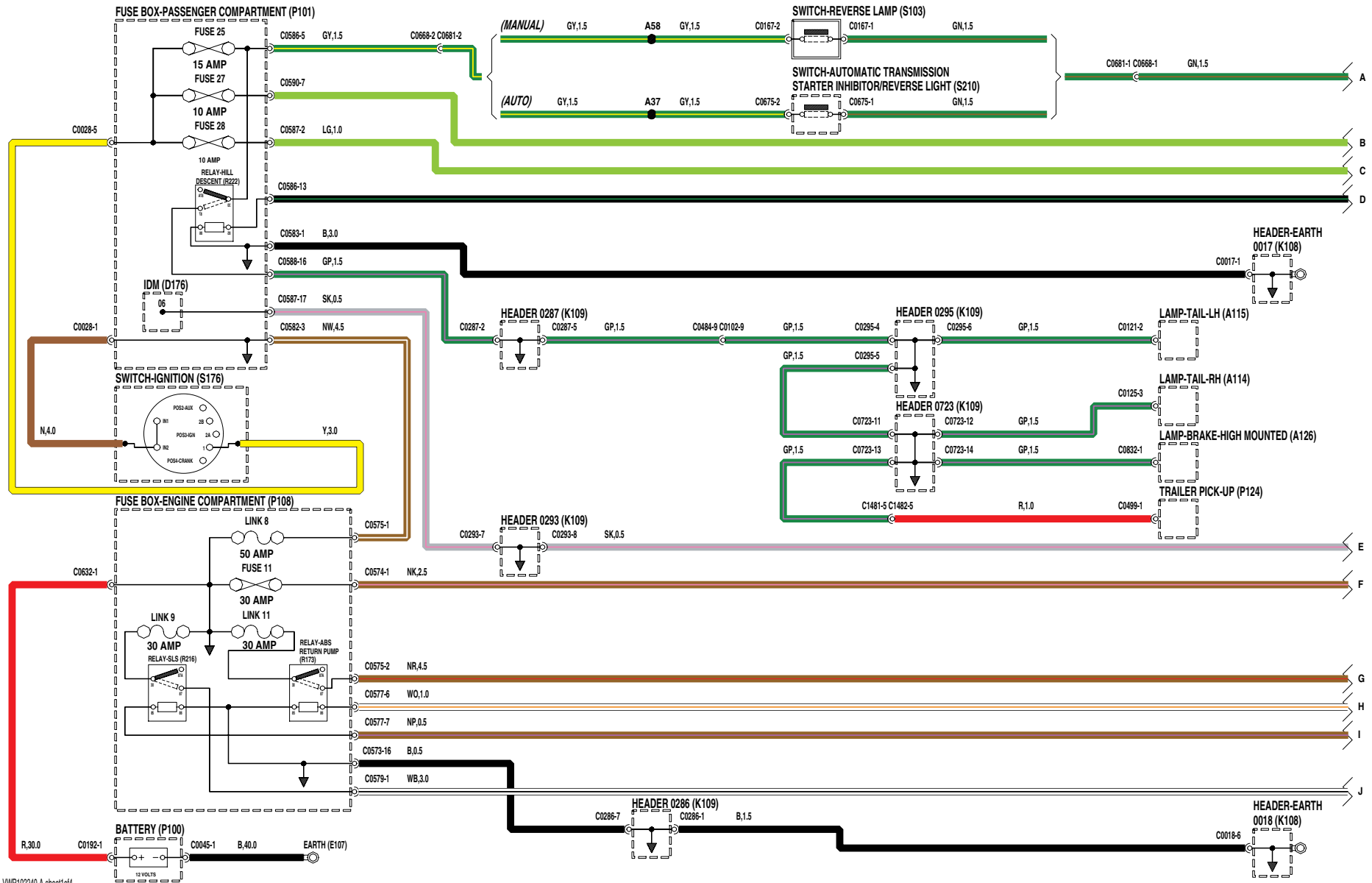
VWR102250-A-sheet1 of2

ACTIVE CORNERING ENHANCEMENT (ACE)



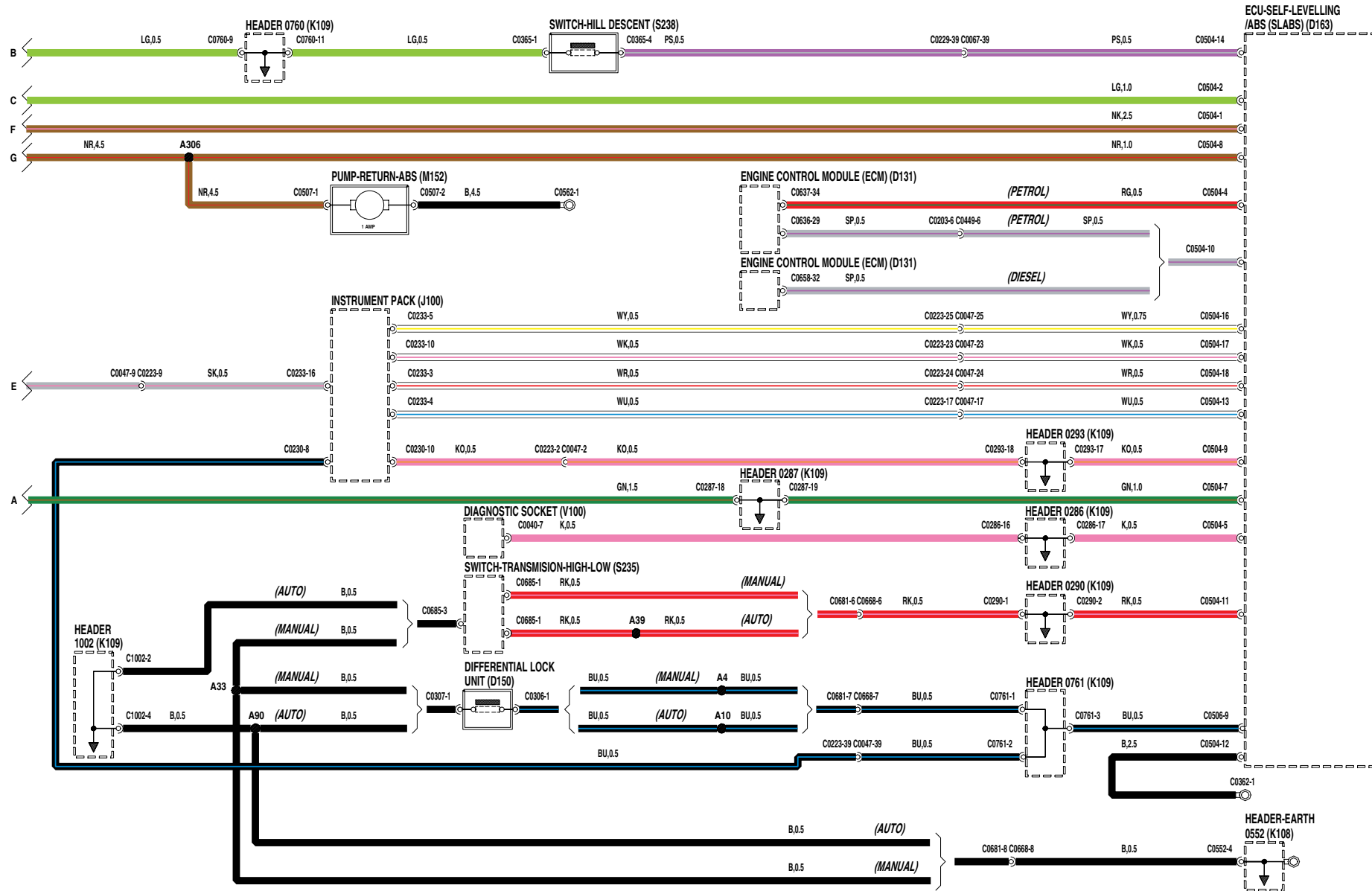
VWR102250-A-sheet2of2

SELF LEVELING AND ANTI-LOCK BRAKING SYSTEM (SLABS)



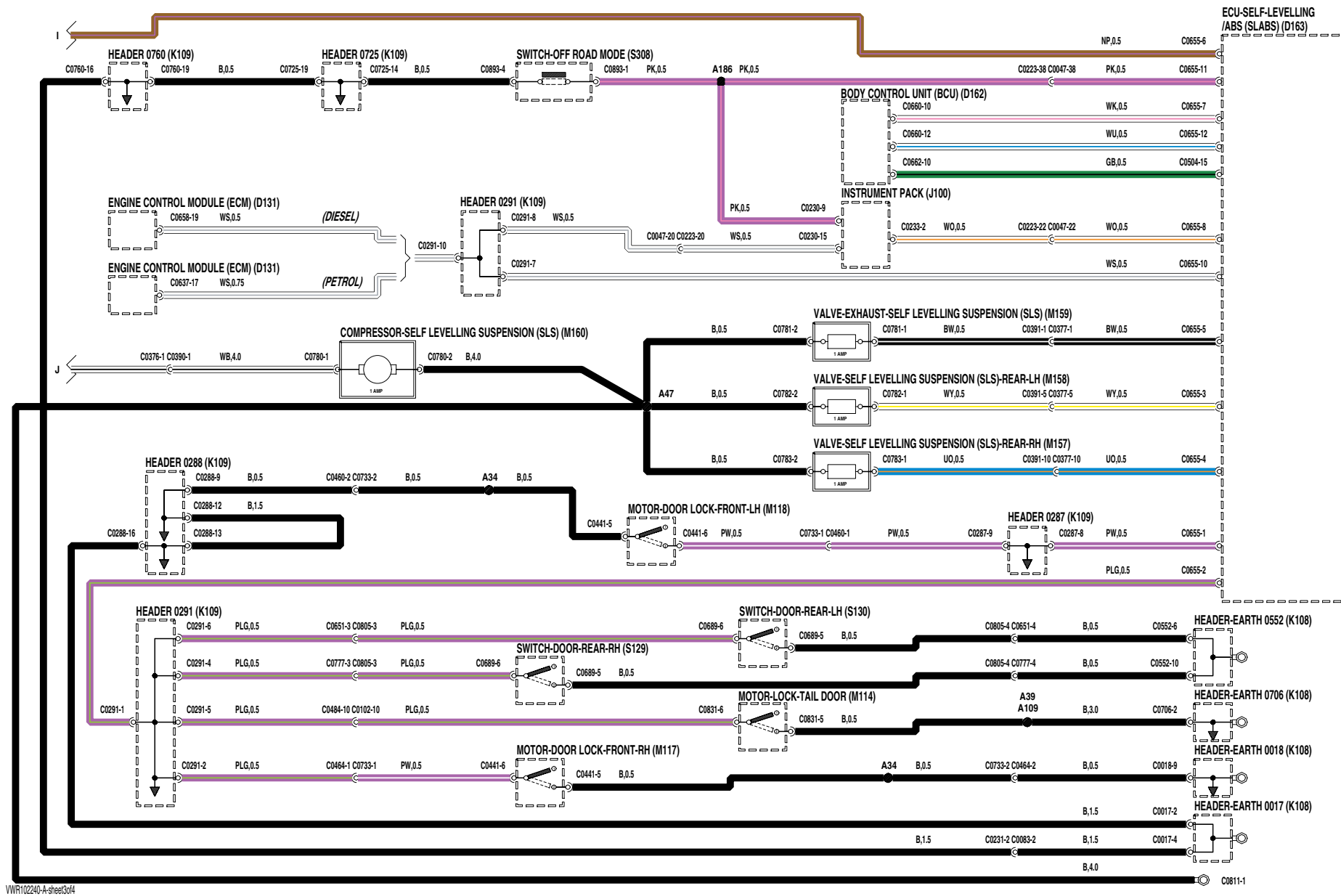
VWR102240-A-sheet1of4

SELF LEVELING AND ANTI-LOCK BRAKING SYSTEM (SLABS)



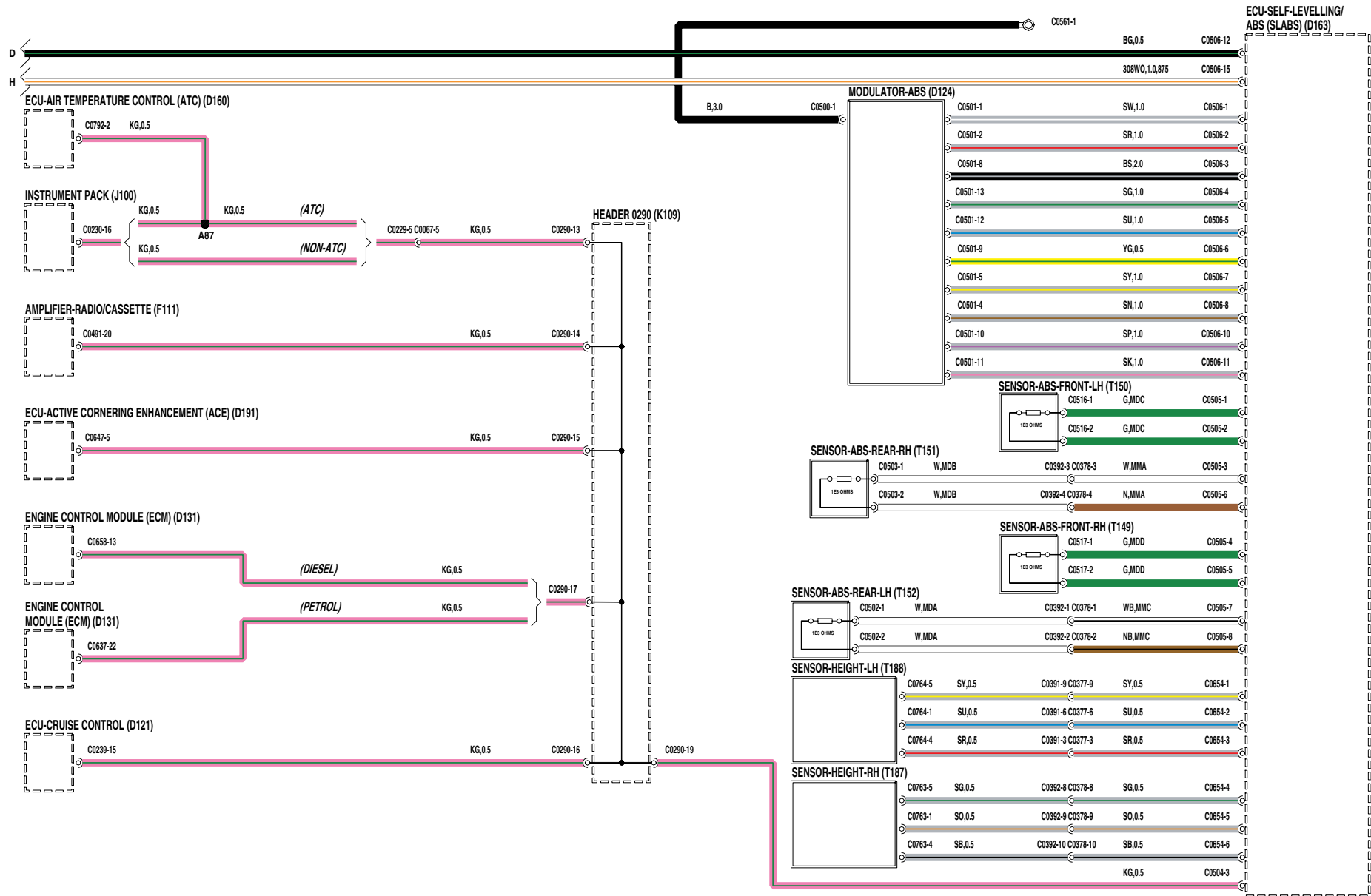
VWR102240-A-sheet2of4

SELF LEVELING AND ANTI-LOCK BRAKING SYSTEM (SLABS)



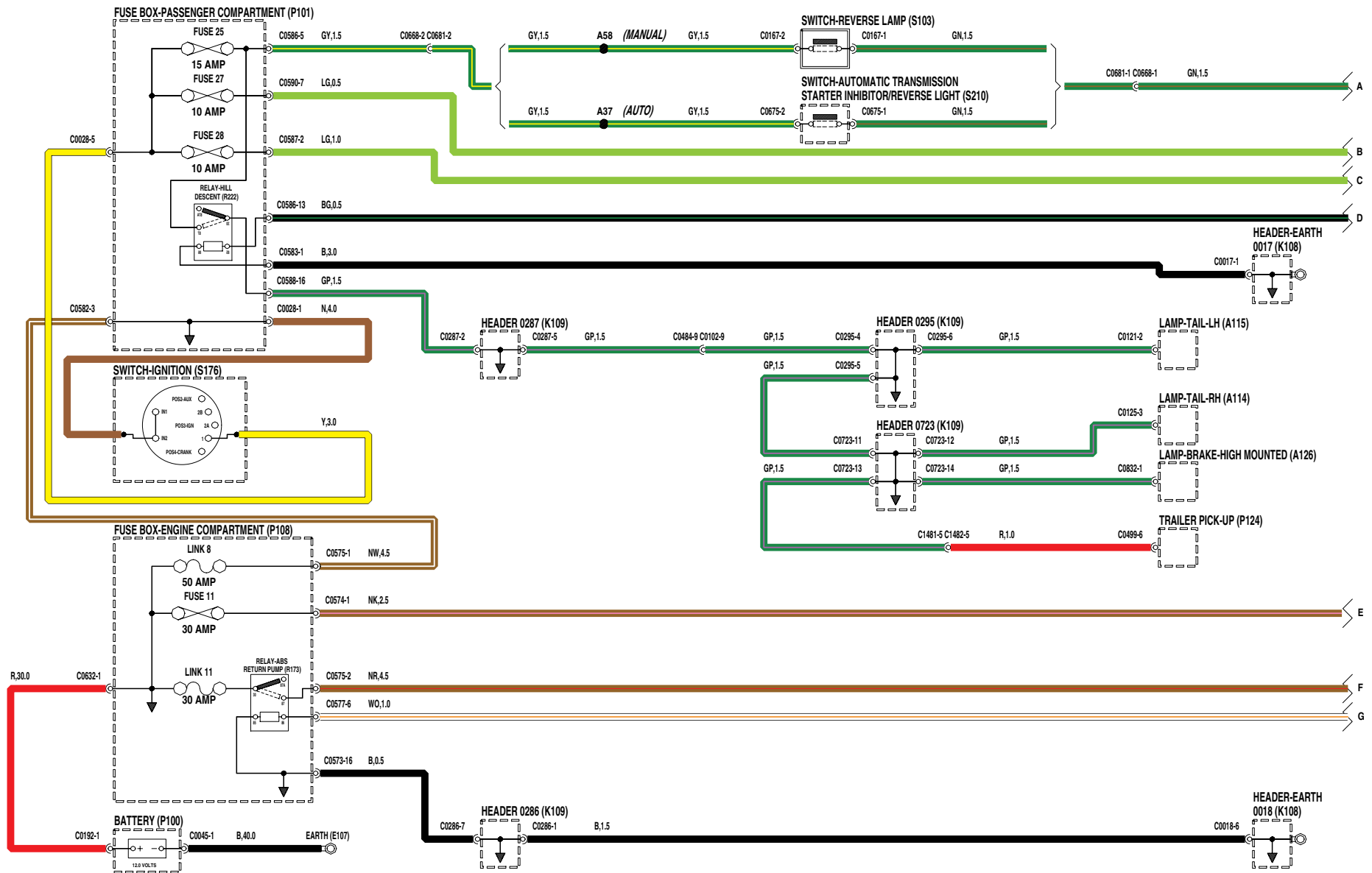
VWR102240-A-sheet04

SELF LEVELING AND ANTI-LOCK BRAKING SYSTEM (SLABS)



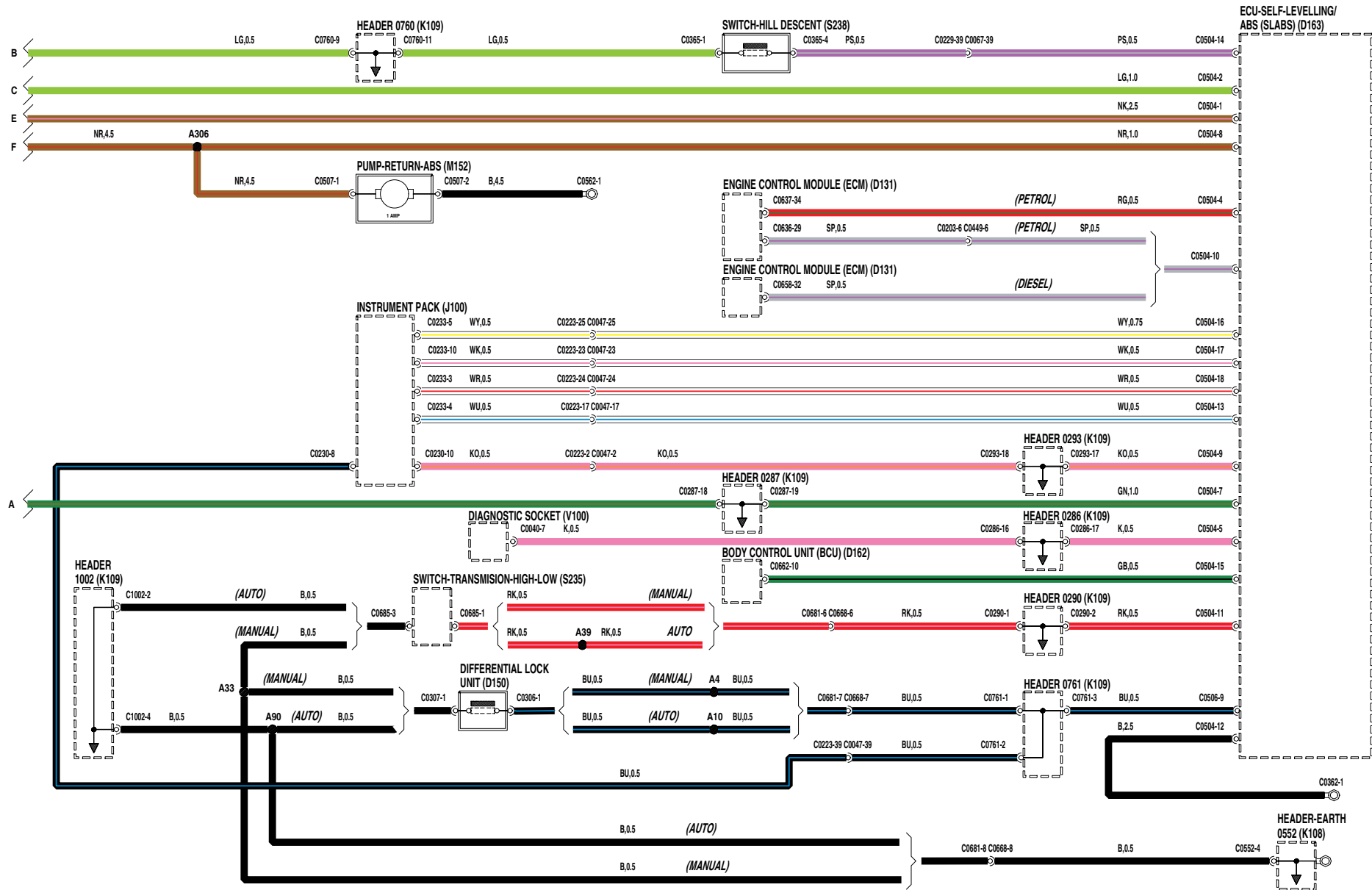
VWR102240-A-sheet 4of4

ANTI-LOCK BRAKING SYSTEM (ABS)



VWR108110-A-sheet1of3

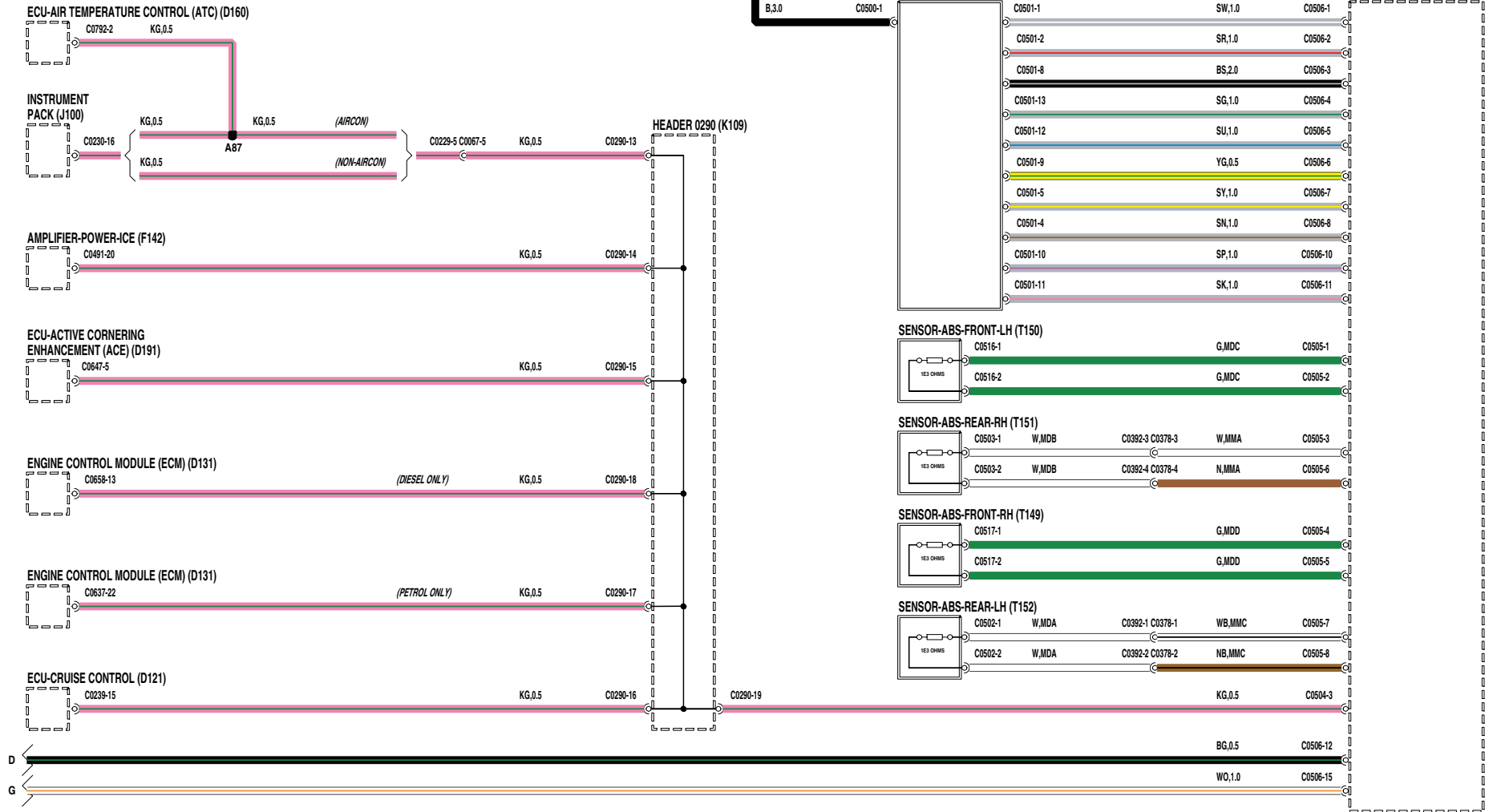
ANTI-LOCK BRAKING SYSTEM (ABS)



VWR108110-A-sheet2of3

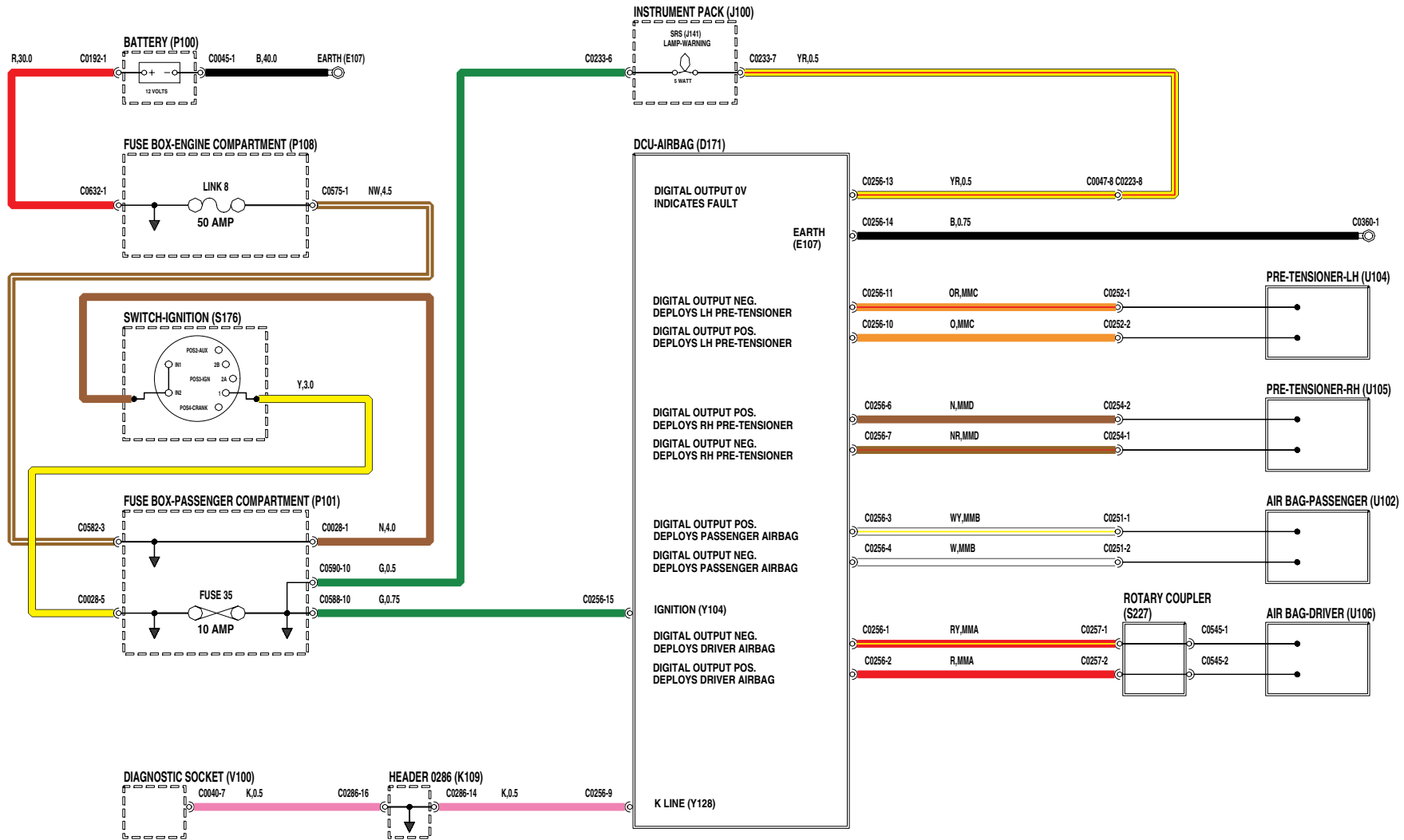
ANTI-LOCK BRAKING SYSTEM (ABS)

C0561-1



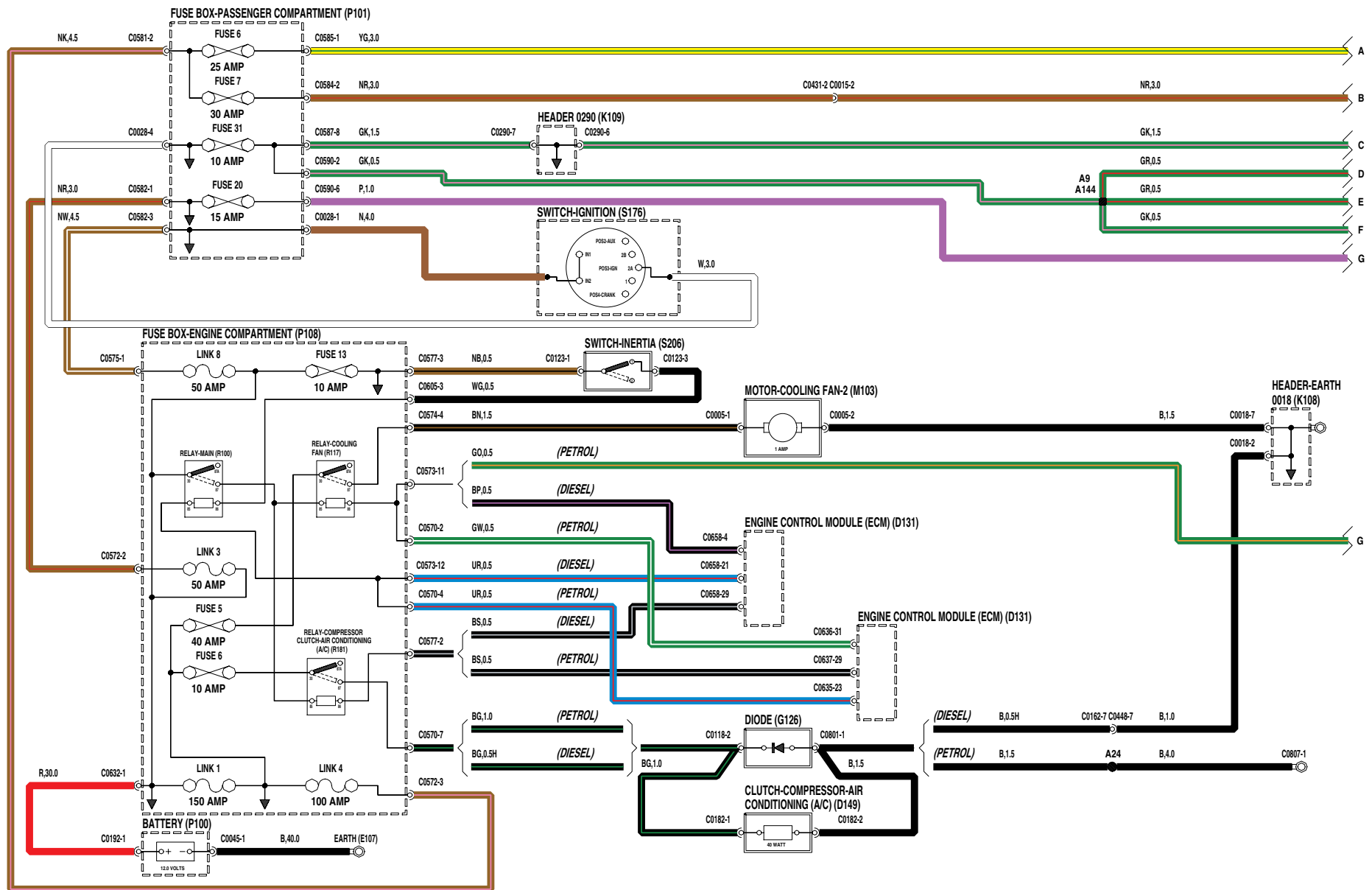
VWR108110-A-sheet3of3

SUPPLEMENTARY RESTRAINT SYSTEM (SRS)



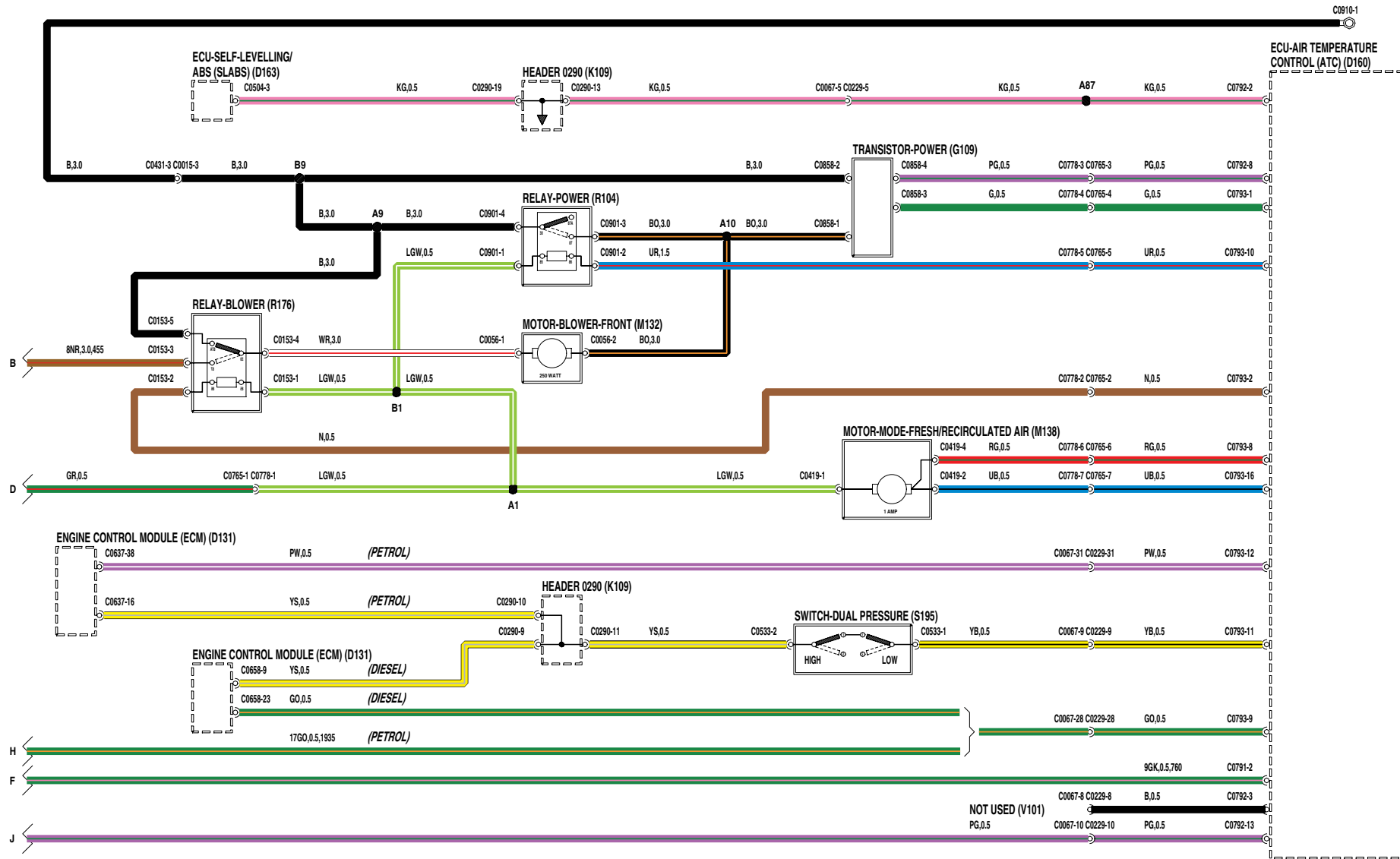
VWR102110-A-sheet1d1

AIR CONDITIONING (A/C)

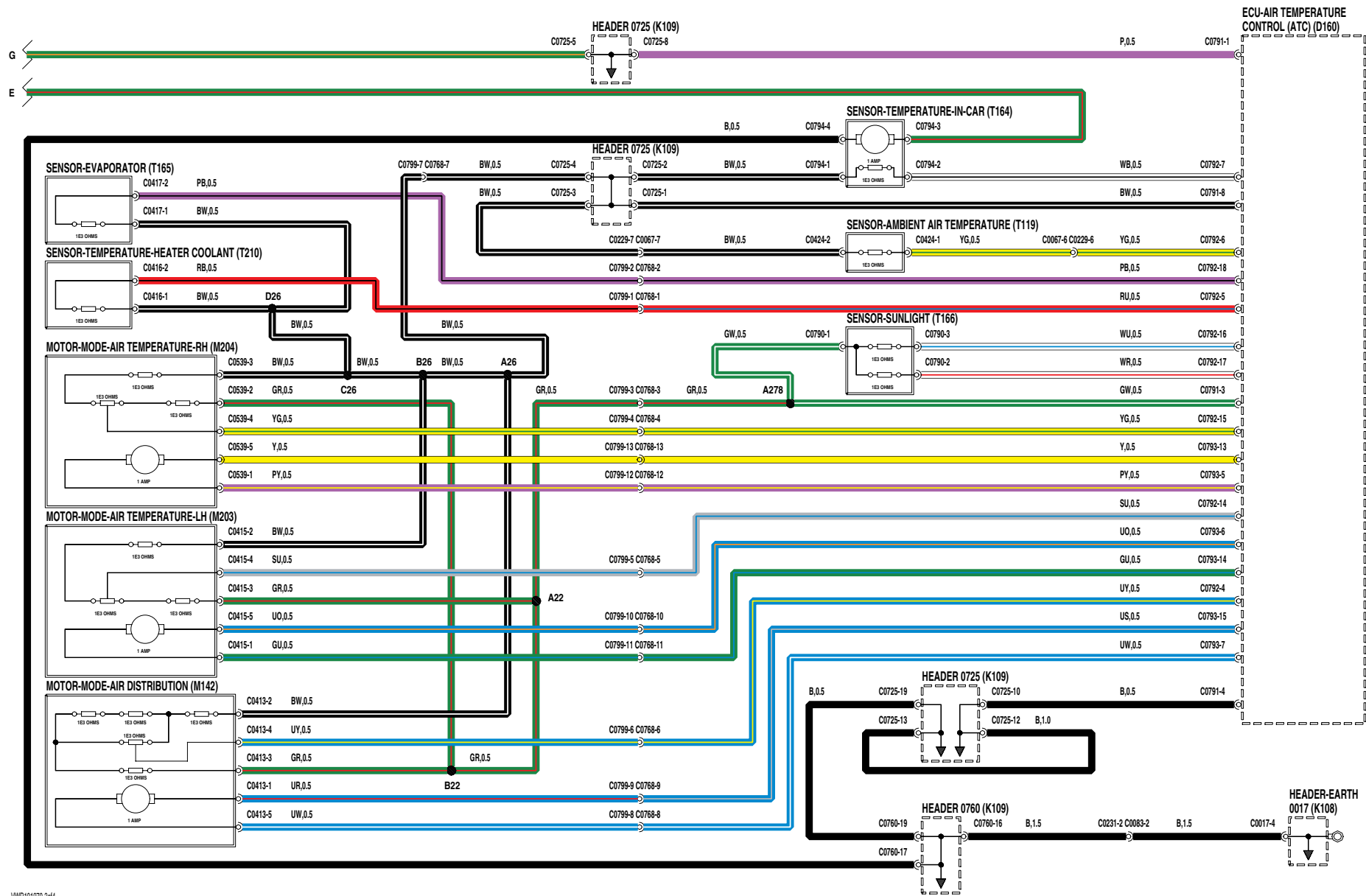


WVR101970-A-sheet1of4

AIR CONDITIONING (A/C)

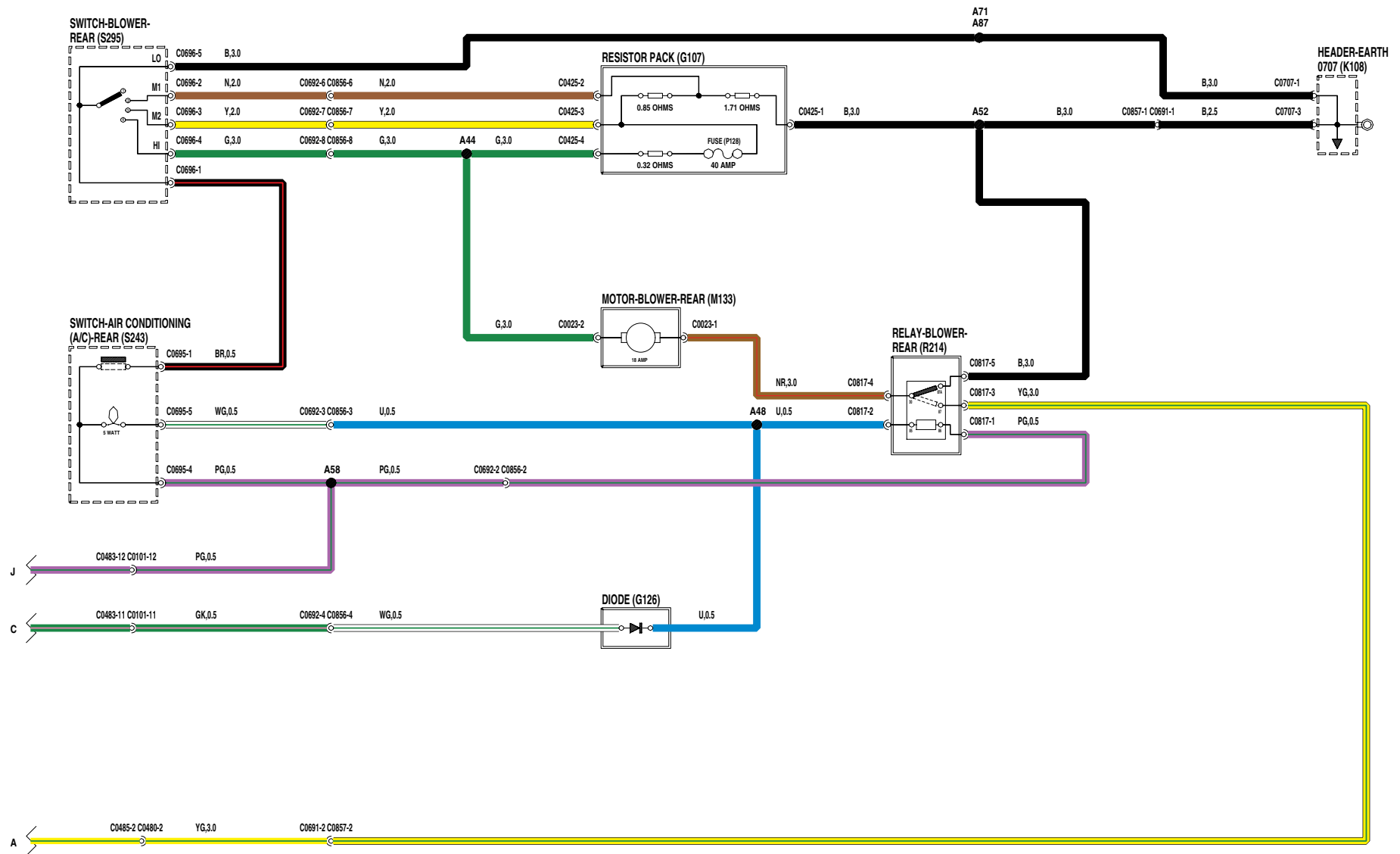


AIR CONDITIONING (A/C)



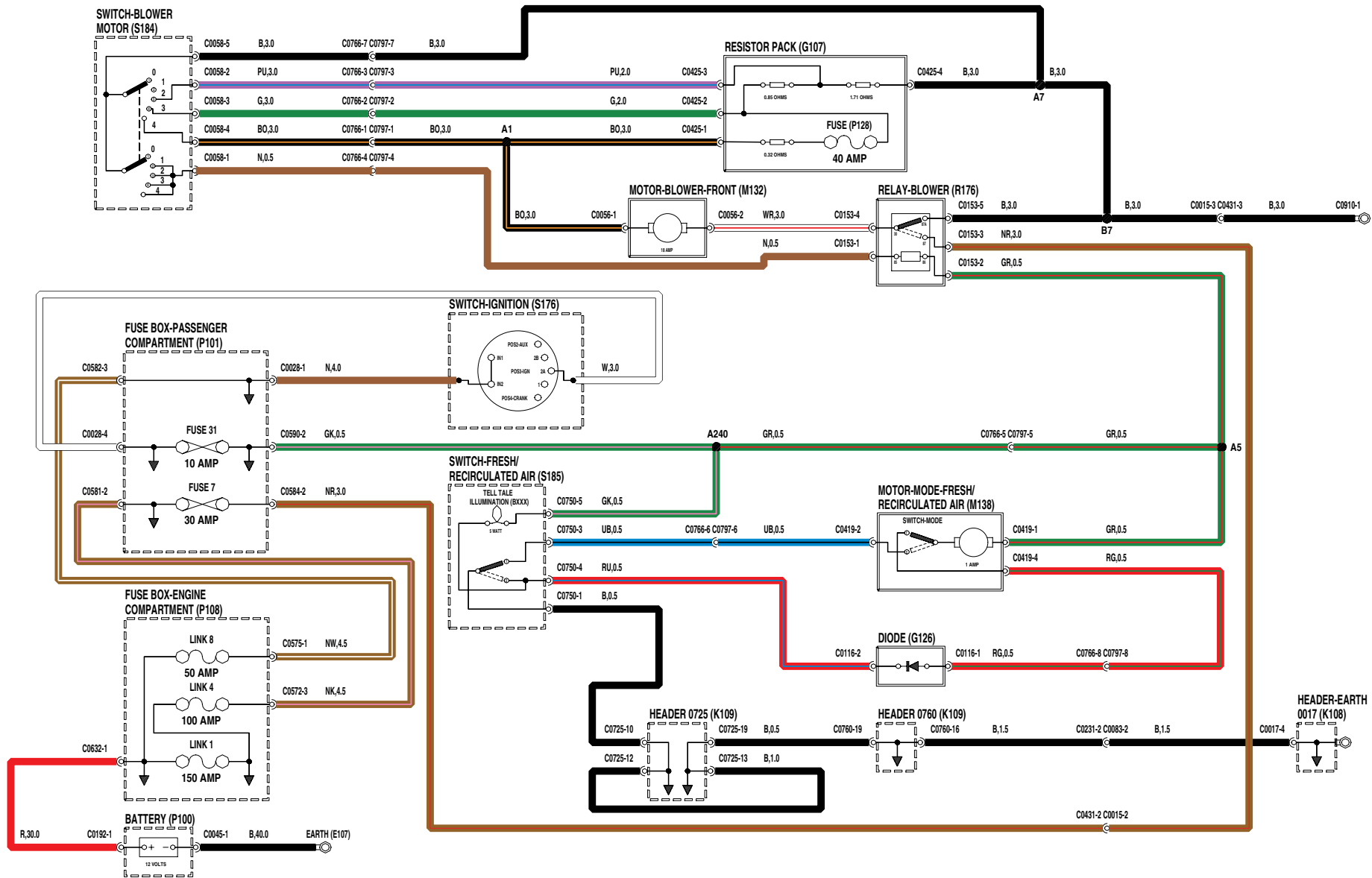
WVR101970-3d4

AIR CONDITIONING (A/C)



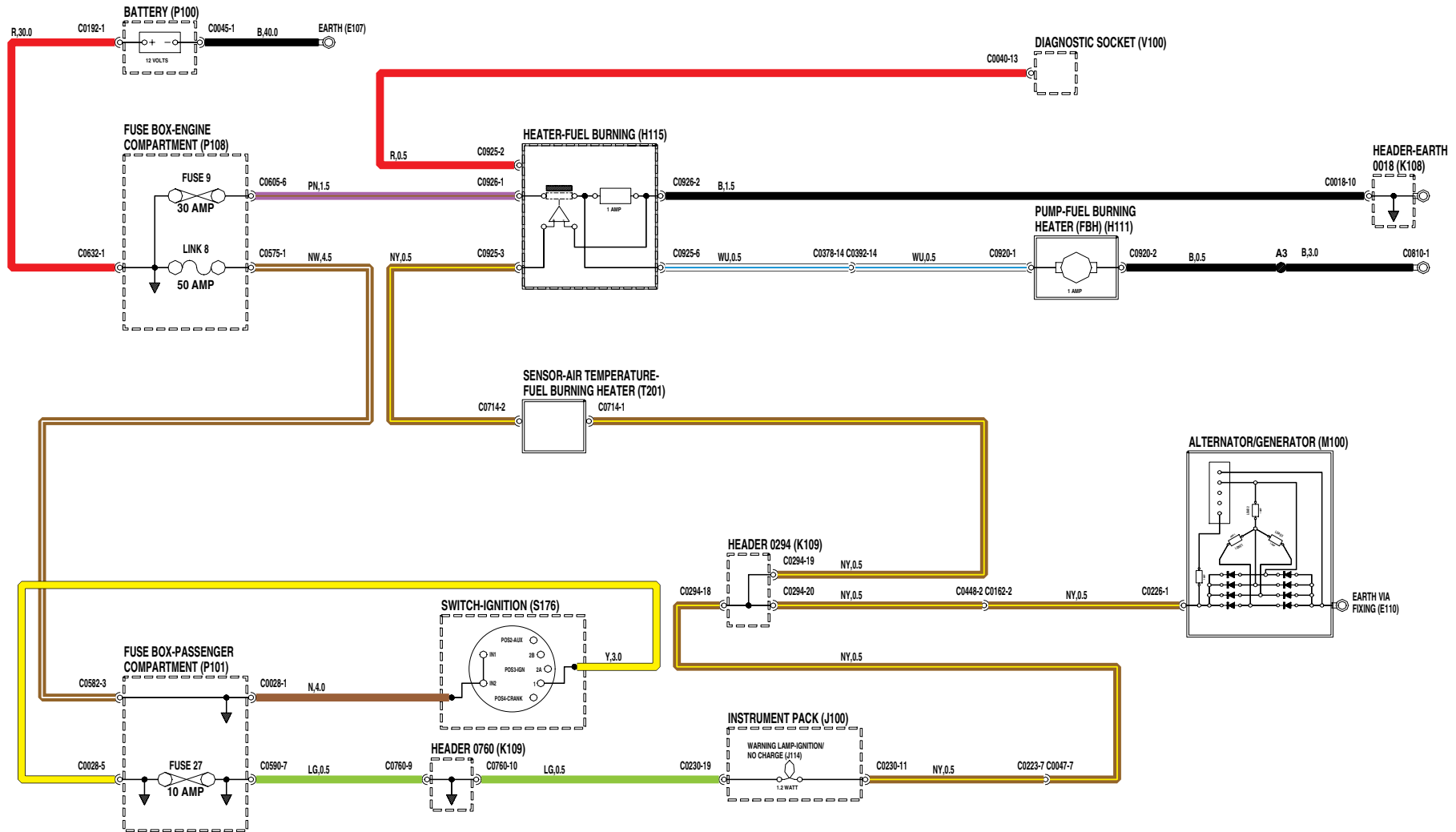
VWR101970-4d4

HEATER BLOWER



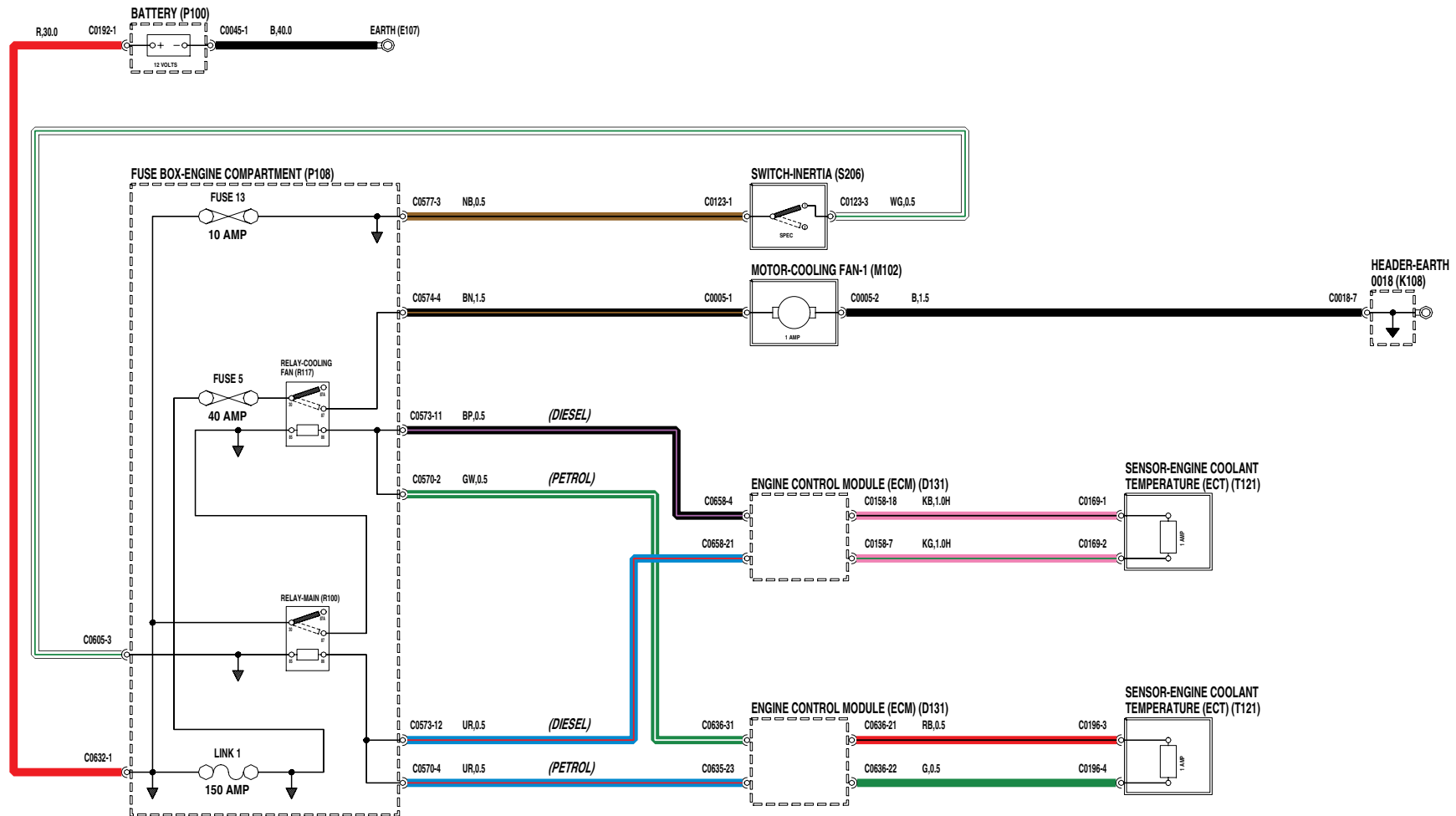
VWR102050-A-sheet1 of 1

FUEL BURNING HEATER (FBH)



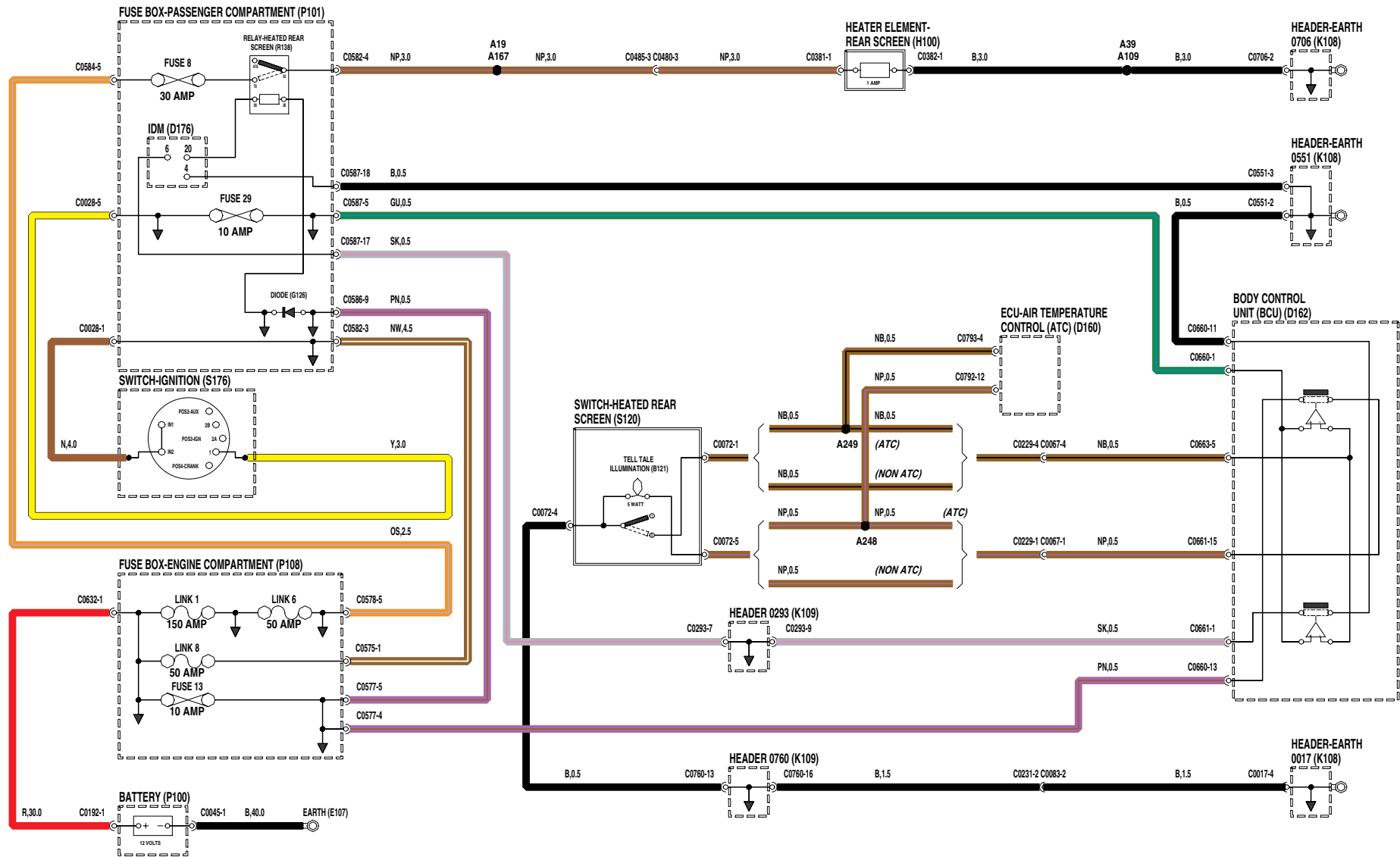
VWR108310-A-sheet1 of 1

COOLING FANS

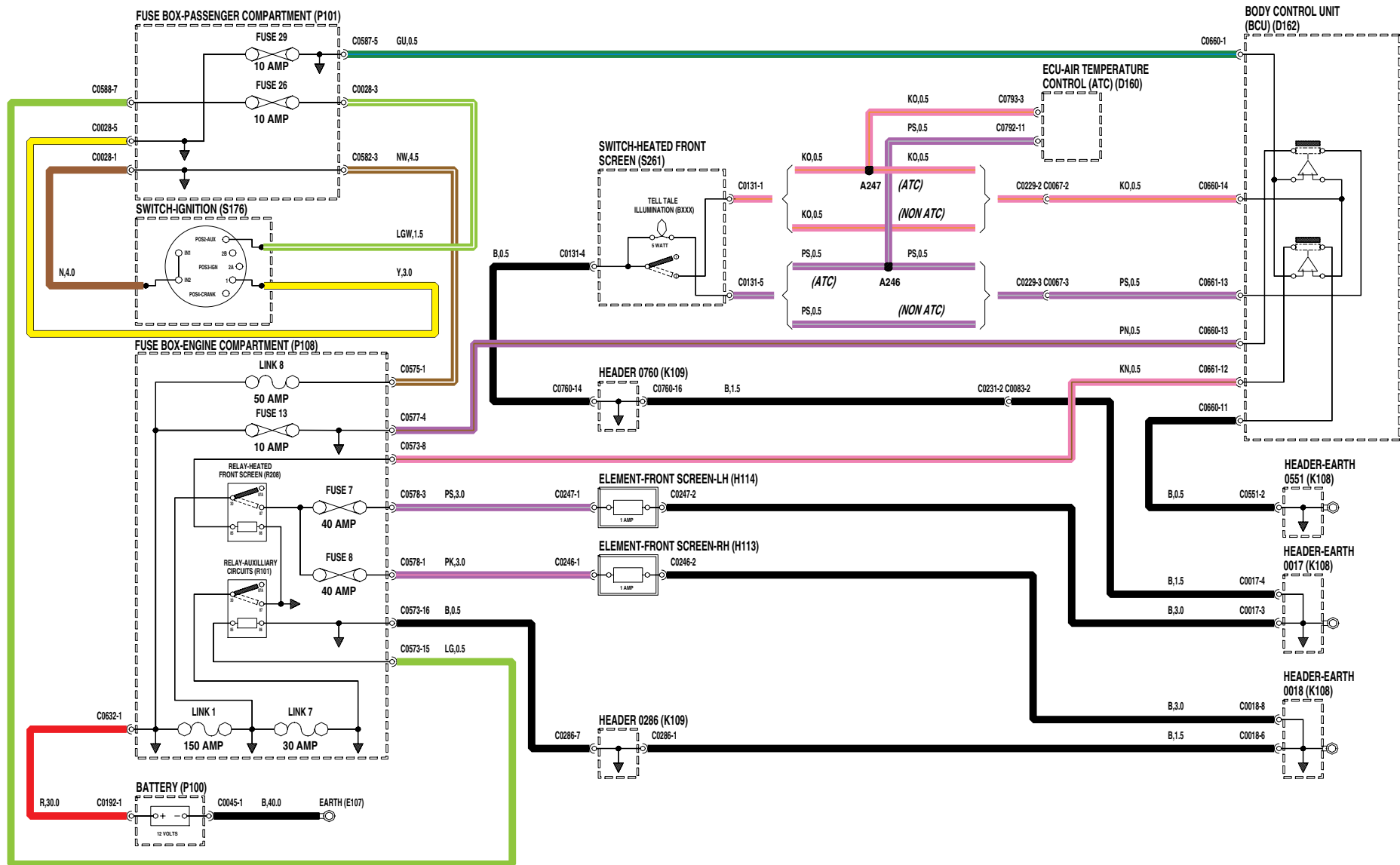


VWR102040-A-sheet1of1

HEATED REAR WINDOW (HRW)

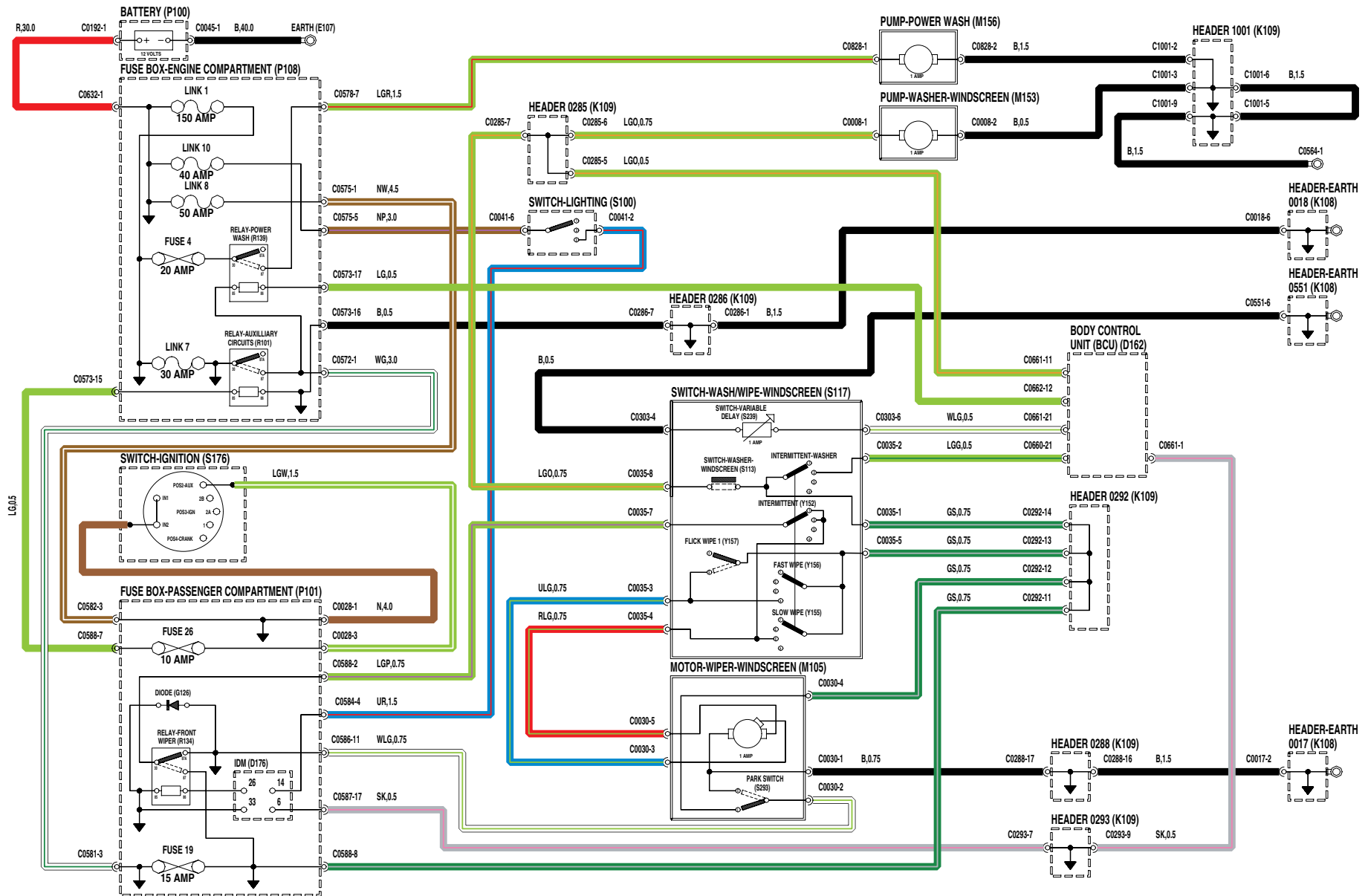


HEATED FRONT SCREEN



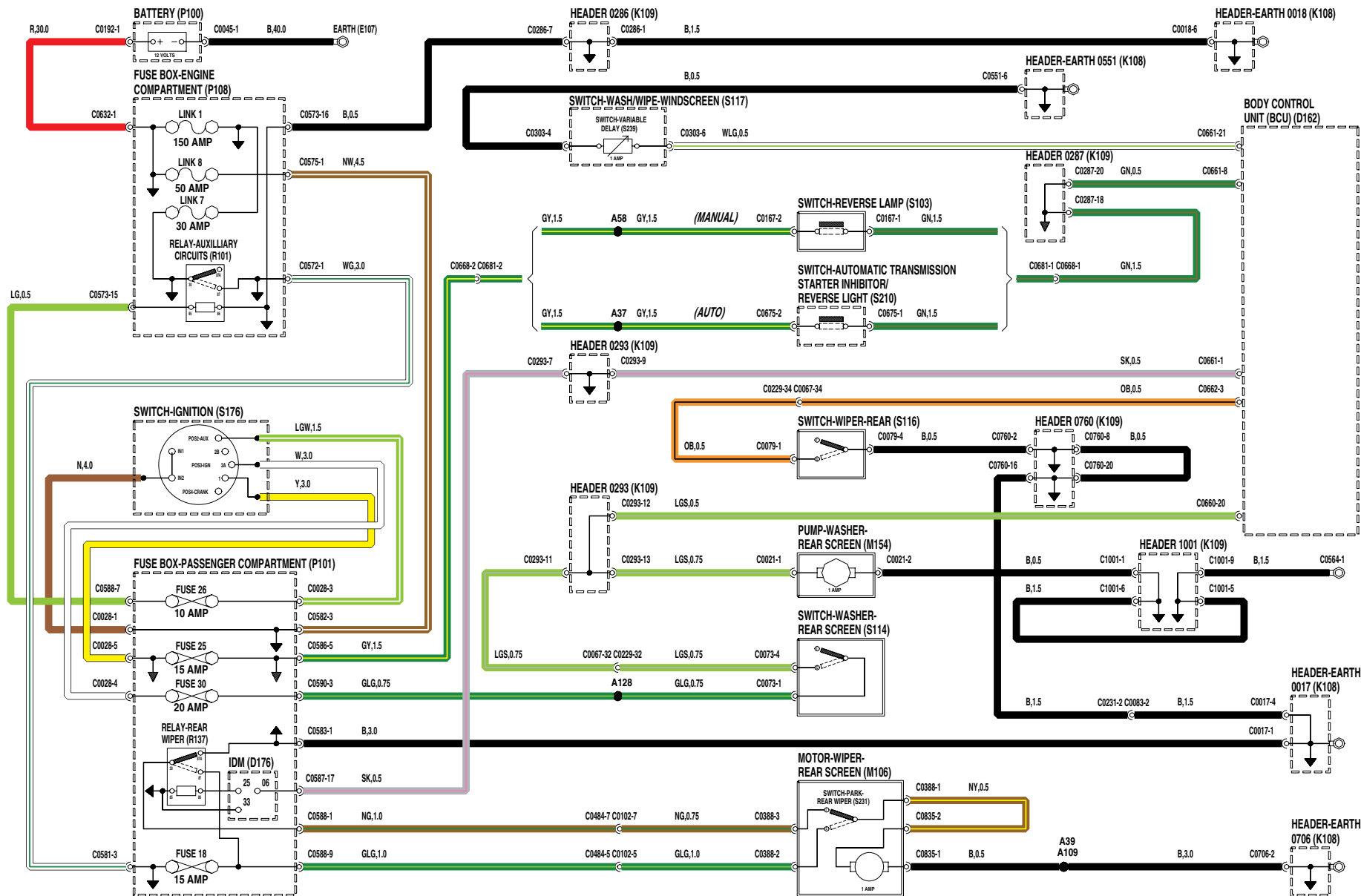
VWR102120-A-sheet1df1

WIPERS AND WASHERS FRONT



VWR102150-A-sheet1 of1

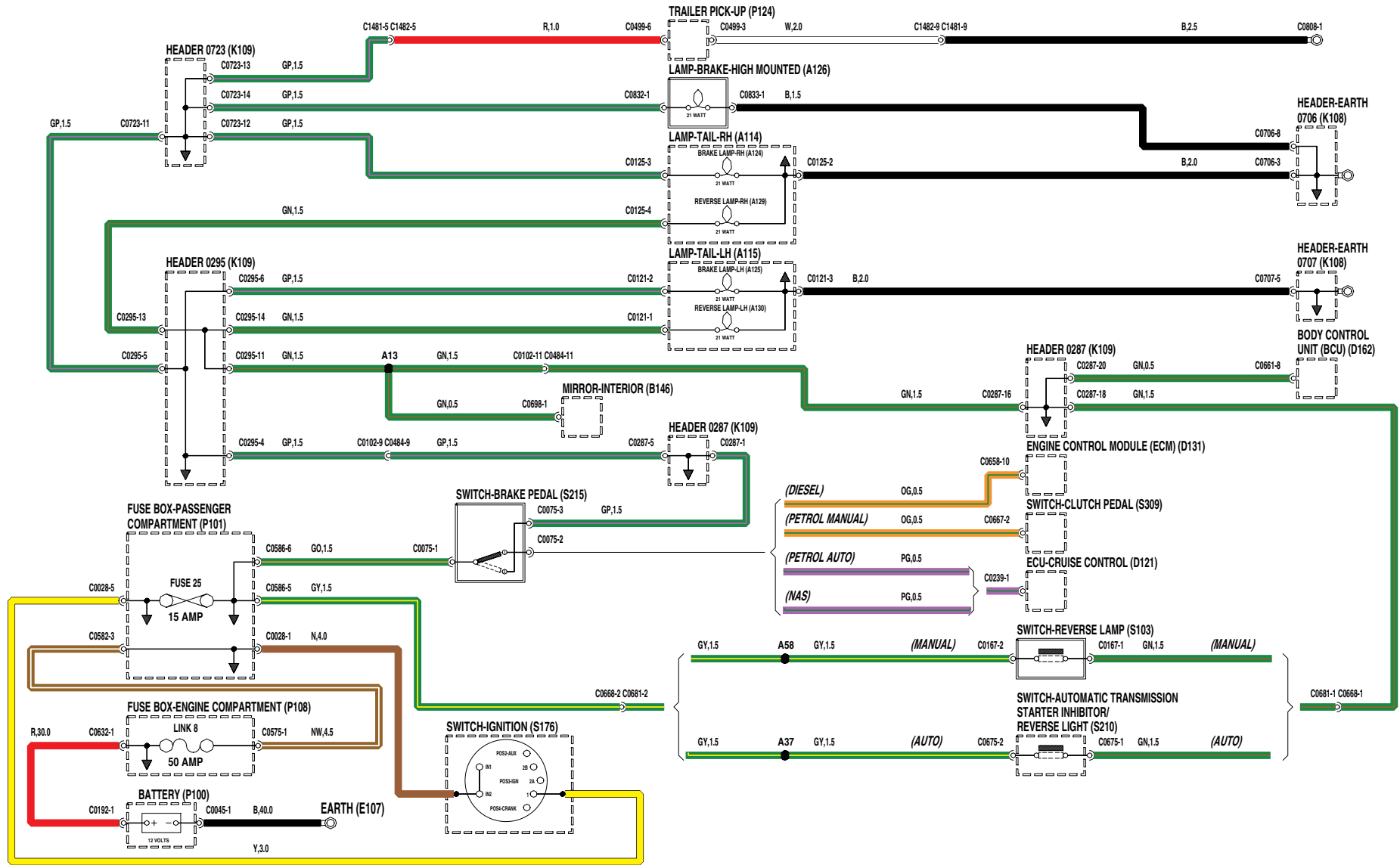
WIPERS AND WASHERS REAR



VWR104690-A-sheet1of1

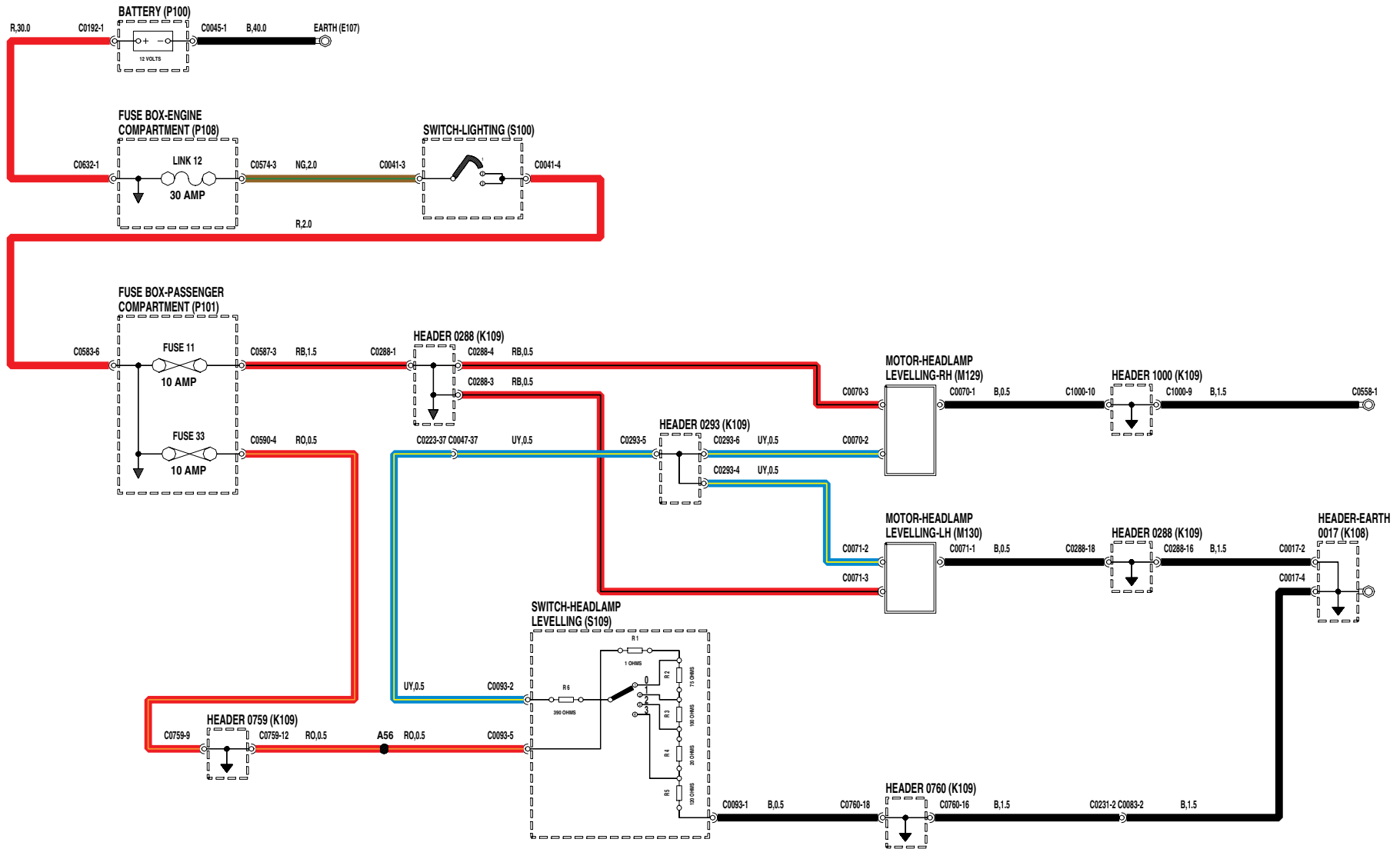
EXTERIOR LAMPS

BRAKE AND REVERSE LAMPS



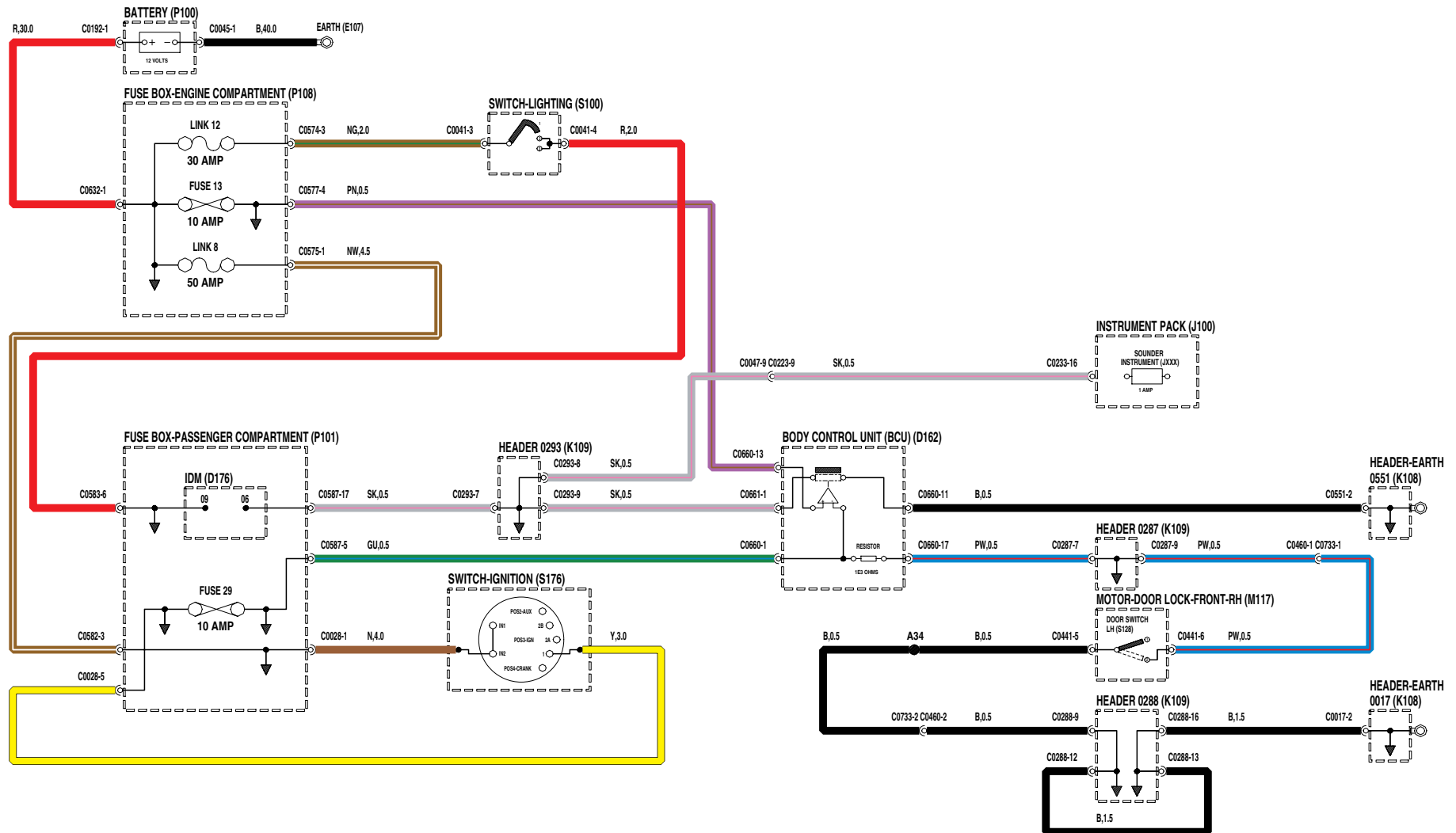
VWR101930-A-sheet1.dft

EXTERIOR LAMPS HEADLAMP LEVELLING



VWR105540-A-sheet1 of1

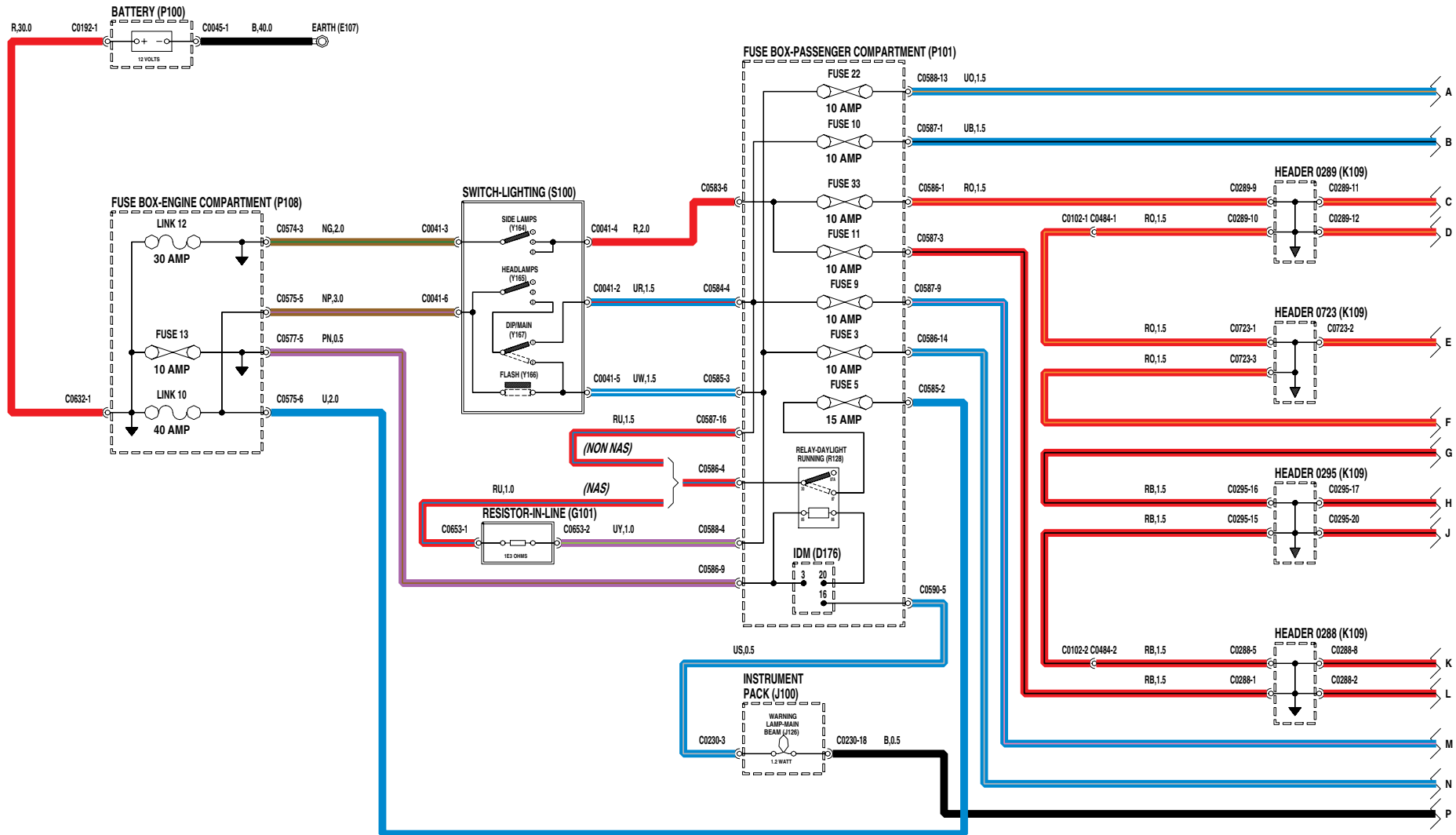
EXTERIOR LAMPS LIGHTS ON ALARM



VWR105570-A-sheet1of1

EXTERIOR LAMPS

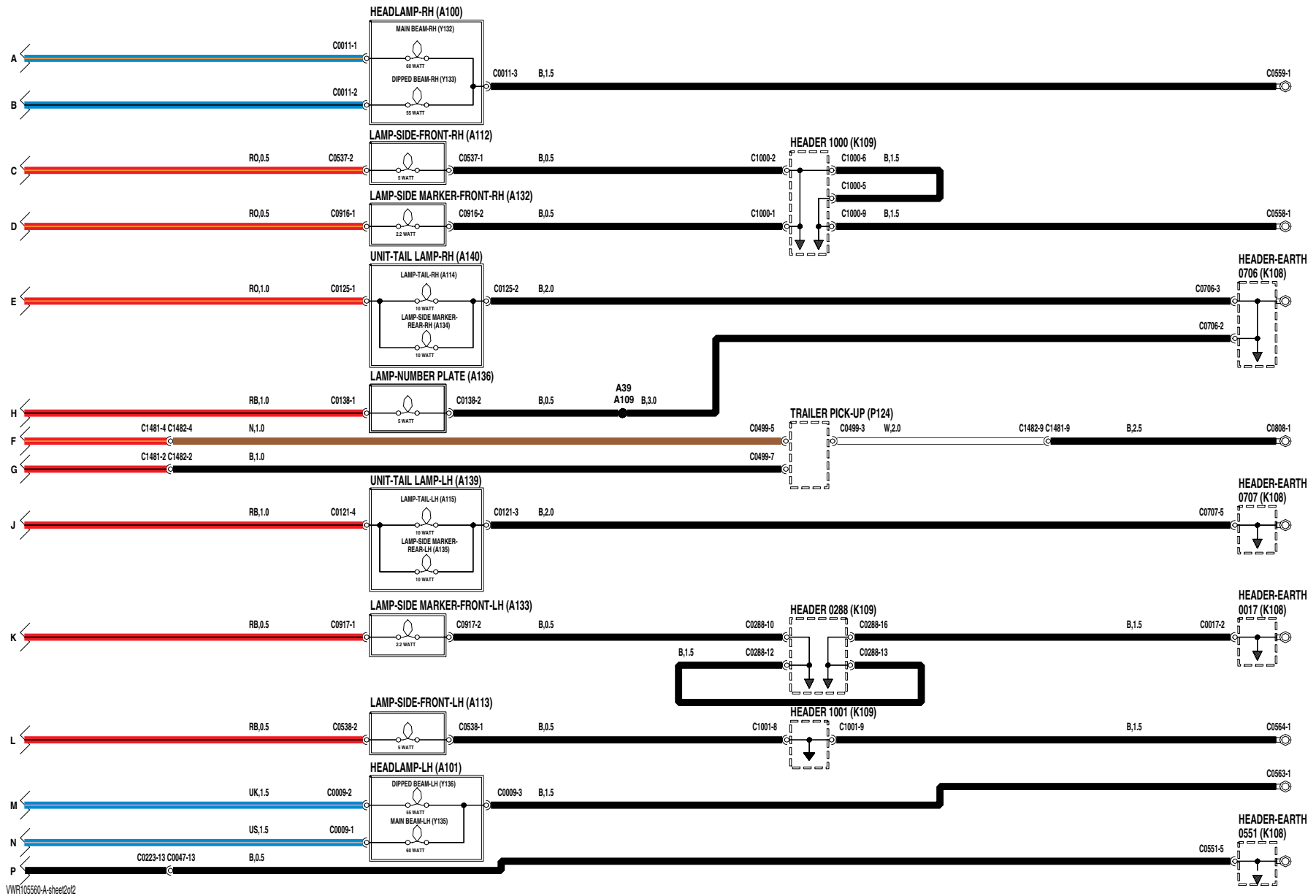
HEAD, SIDE AND TAIL LAMPS



VWR105560-A-sheet1of2

EXTERIOR LAMPS

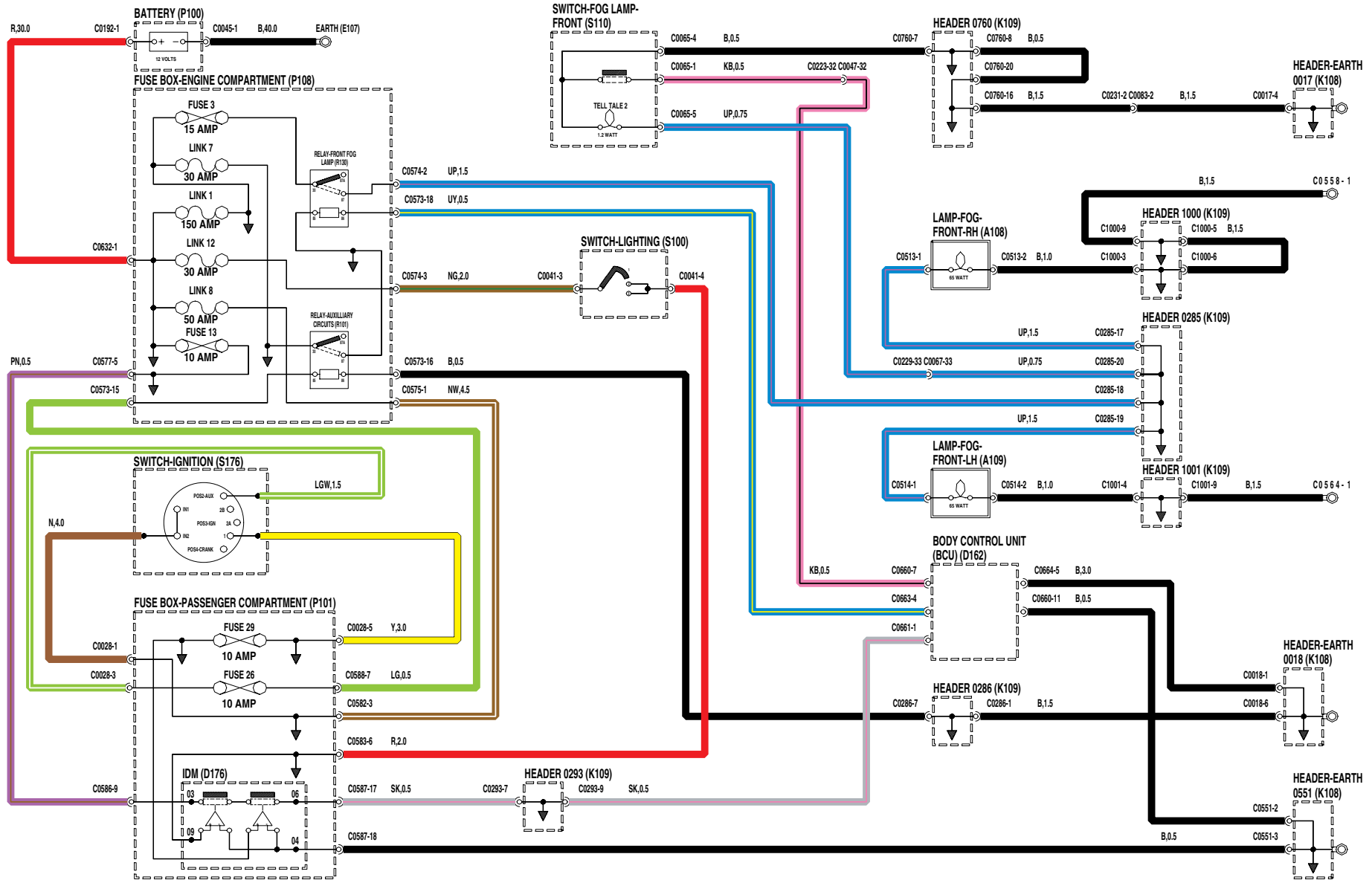
HEAD, SIDE AND TAIL LAMPS



VWR105560-A-sheet2of2

EXTERIOR LAMPS

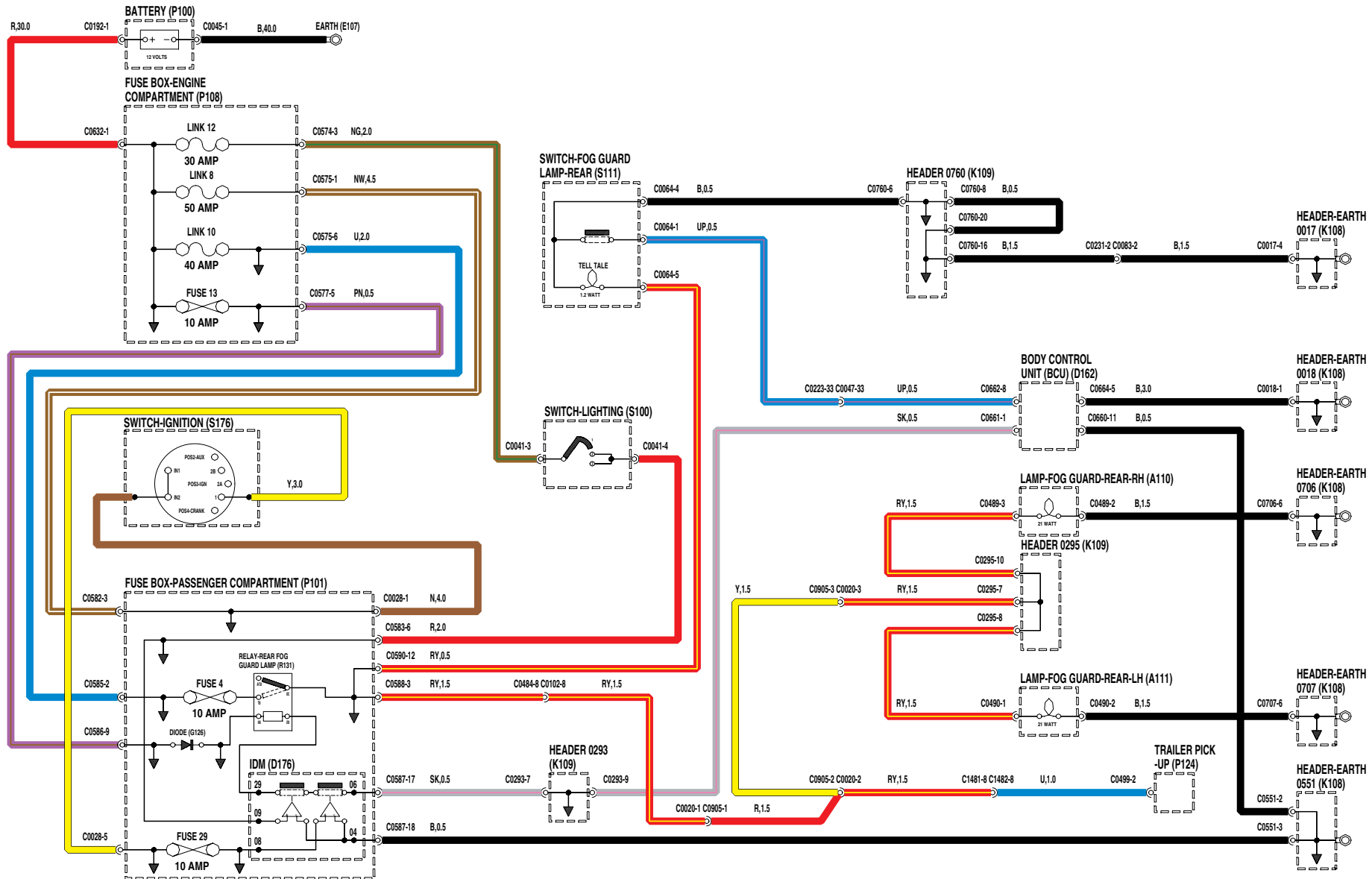
FRONT FOG LAMPS



VWR105550-A-sheet1 of1

EXTERIOR LAMPS

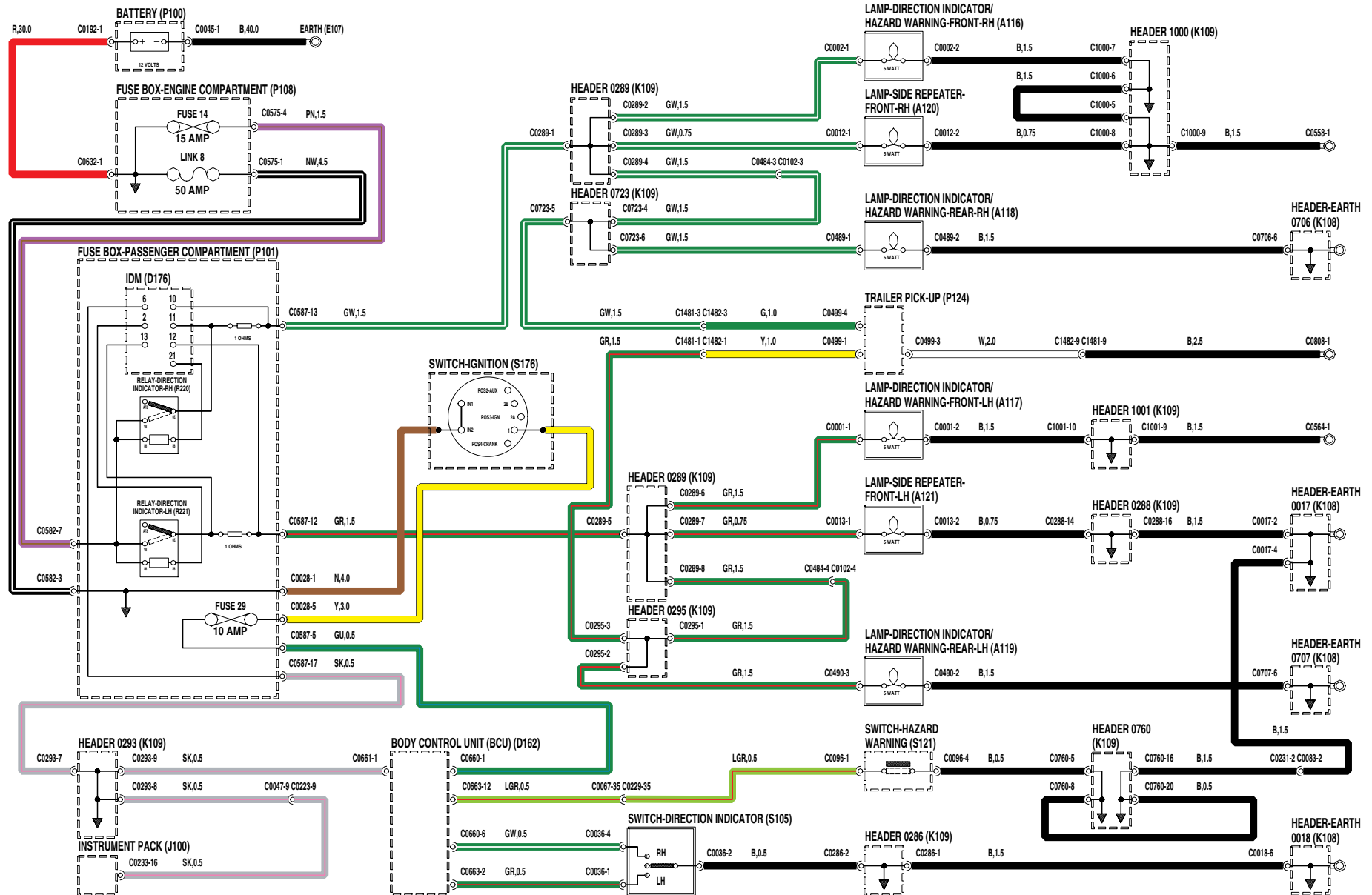
REAR FOG GUARD LAMPS



VWR105590-A-sheet 1of1

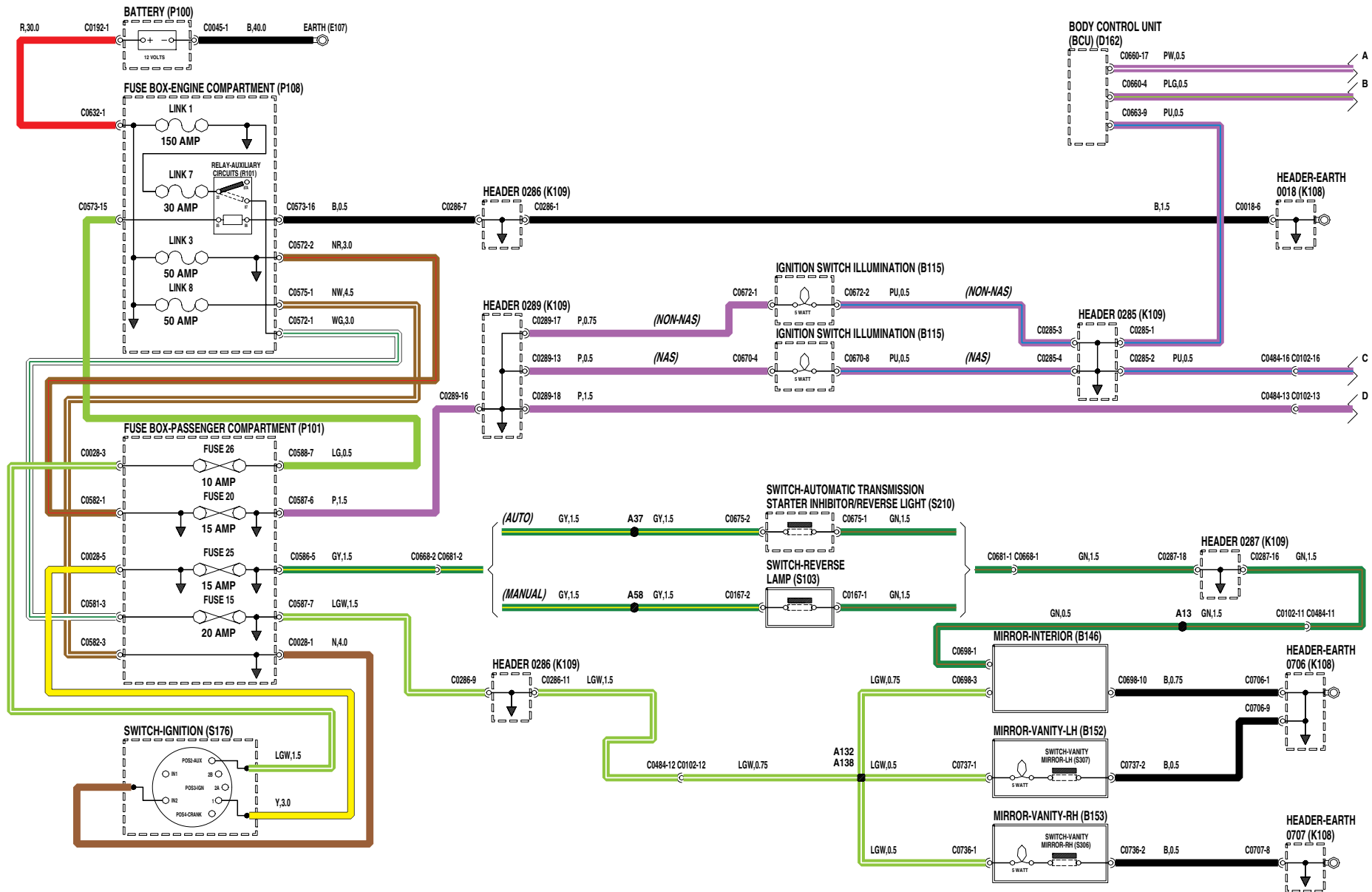
EXTERIOR LAMPS

DIRECTION INDICATOR/HAZARD WARNING LAMPS



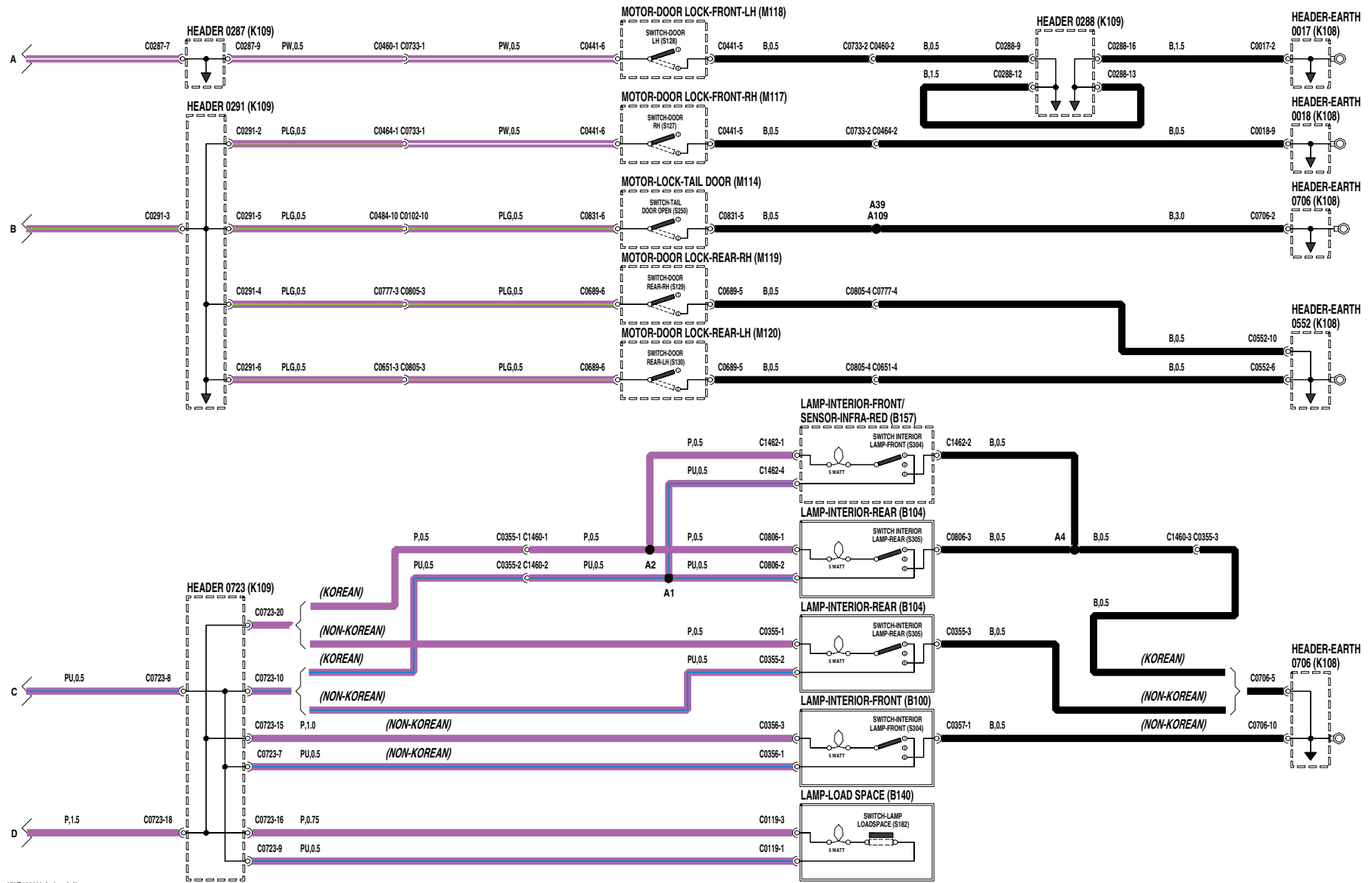
VWR102070-A-sheet of 1

INTERIOR LAMPS



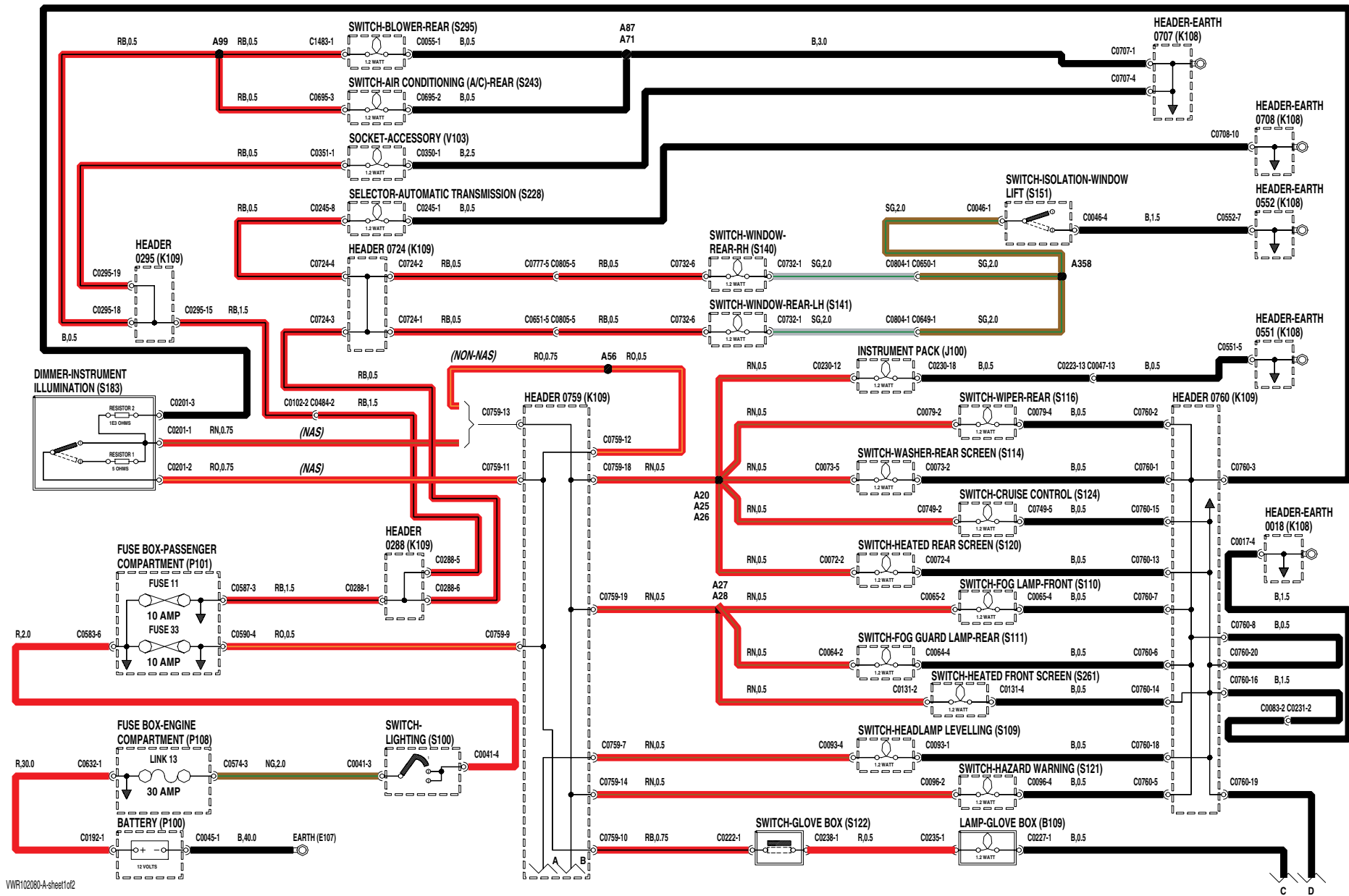
VWR105580-A-sheet of 2

INTERIOR LAMPS



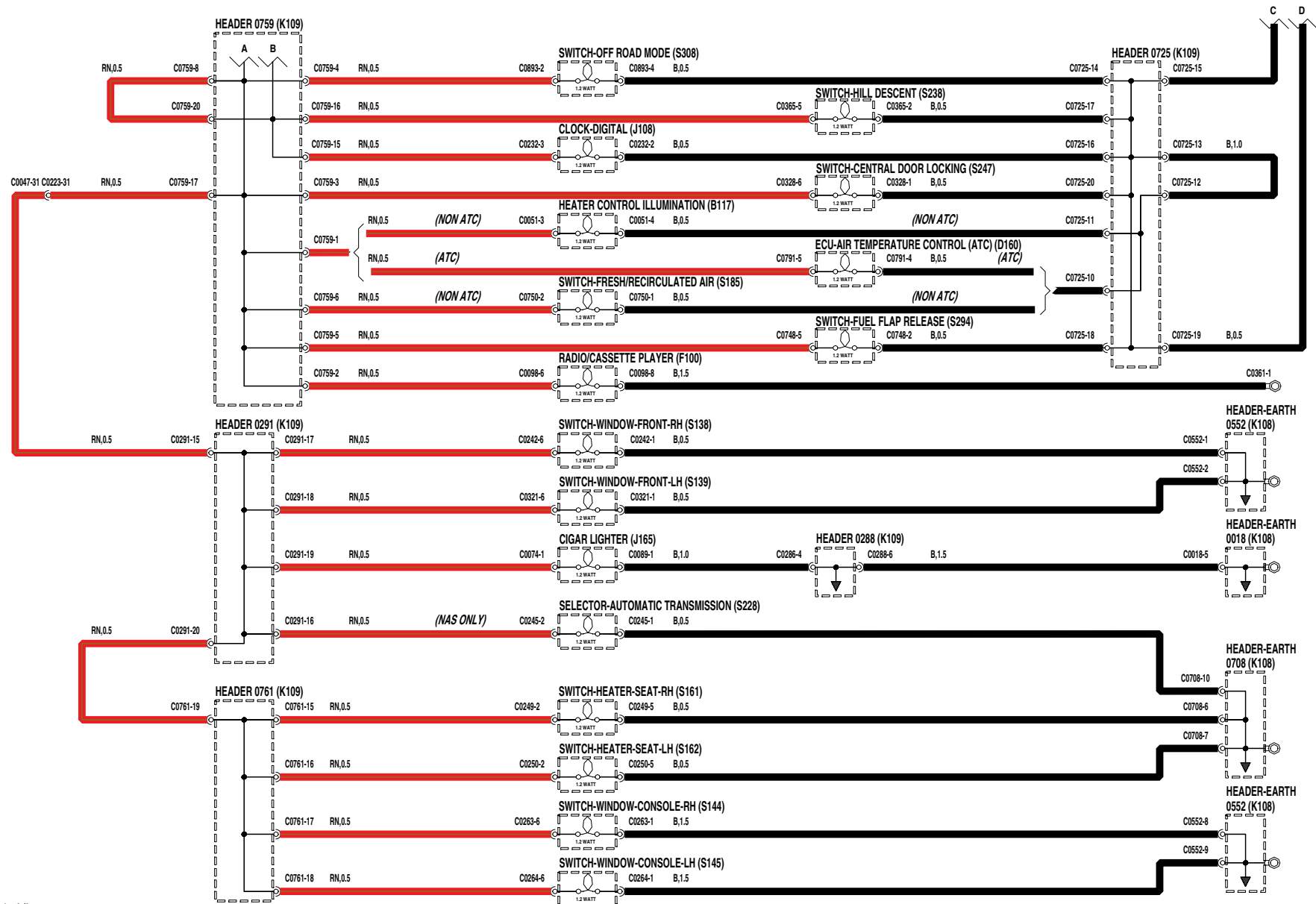
VWR105580-A-sheet2of2

INTERIOR ILLUMINATION



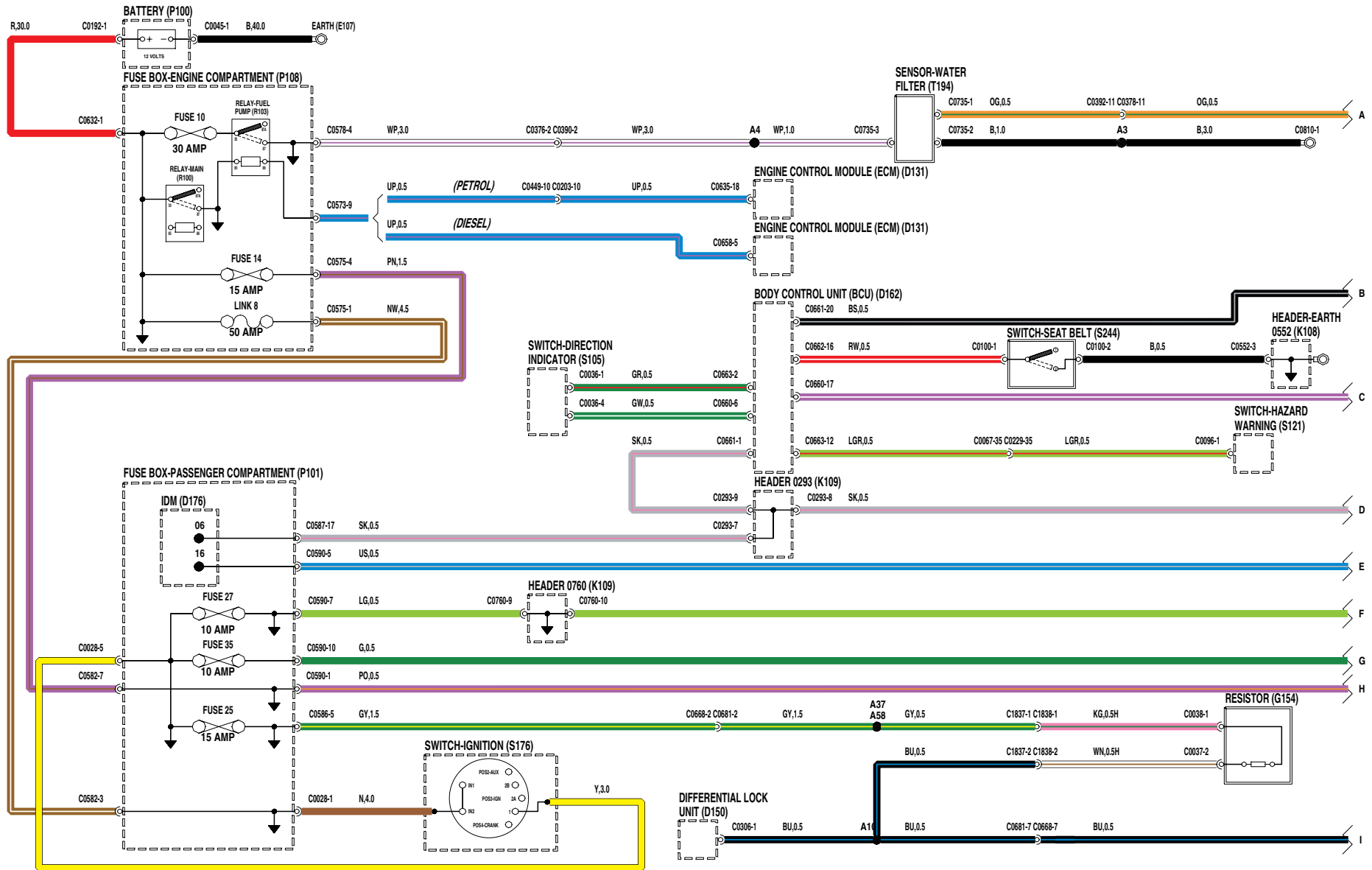
VWR102080-A-sheet of 2

INTERIOR ILLUMINATION



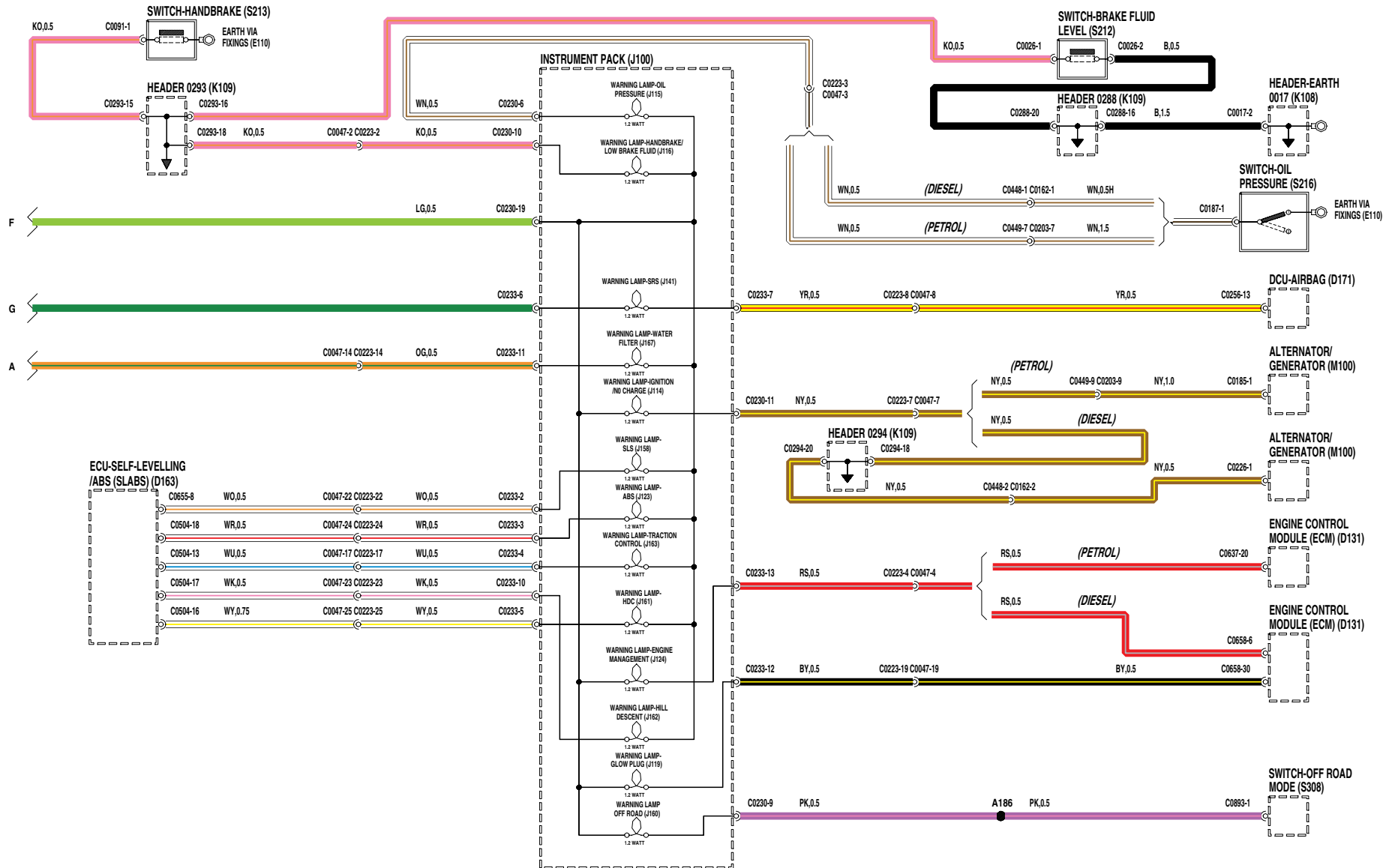
VWR102080-A-sheet2of2

INSTRUMENTS



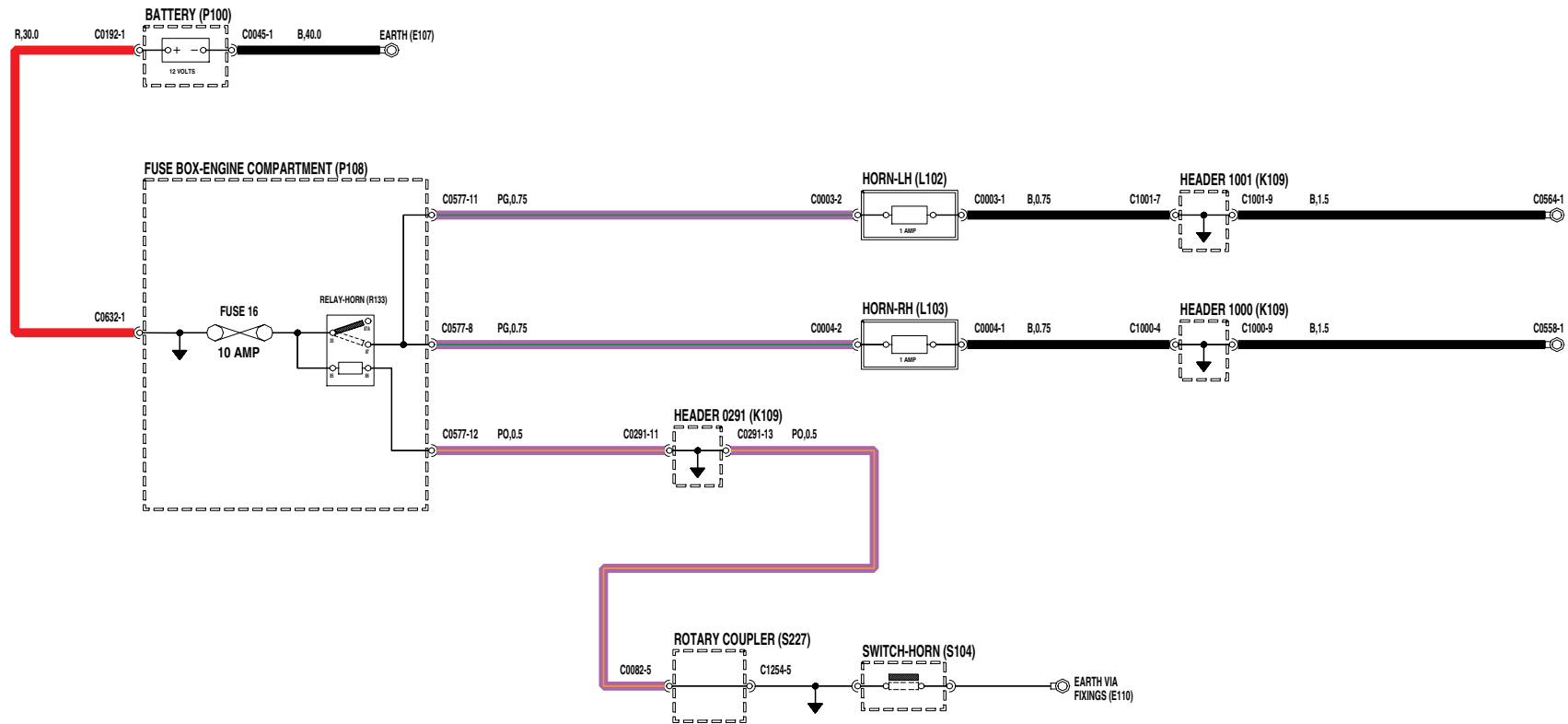
VWR102090-A-sheet1of3

INSTRUMENTS



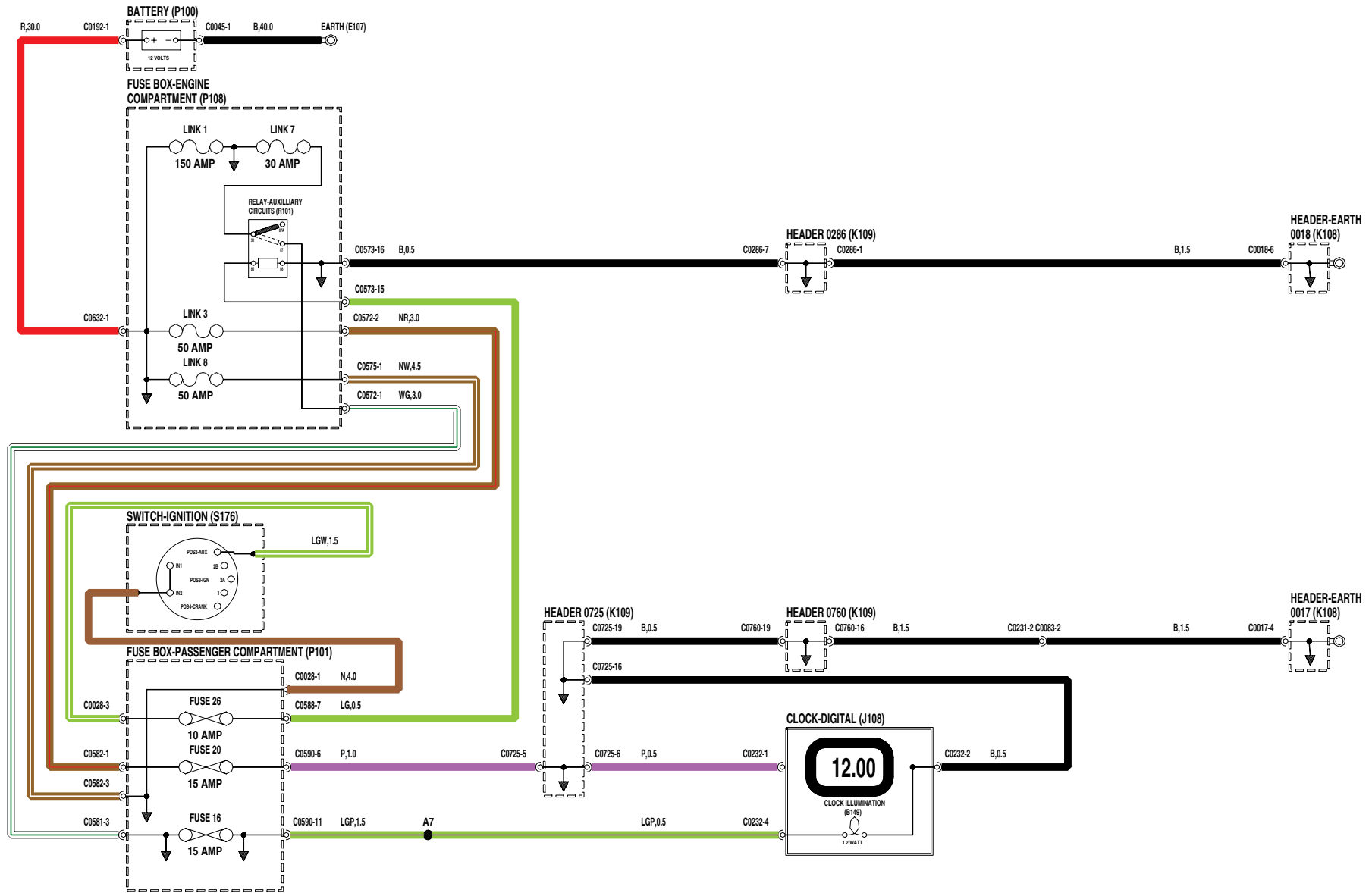
VWR102090-A-sheet2of3

HORNS



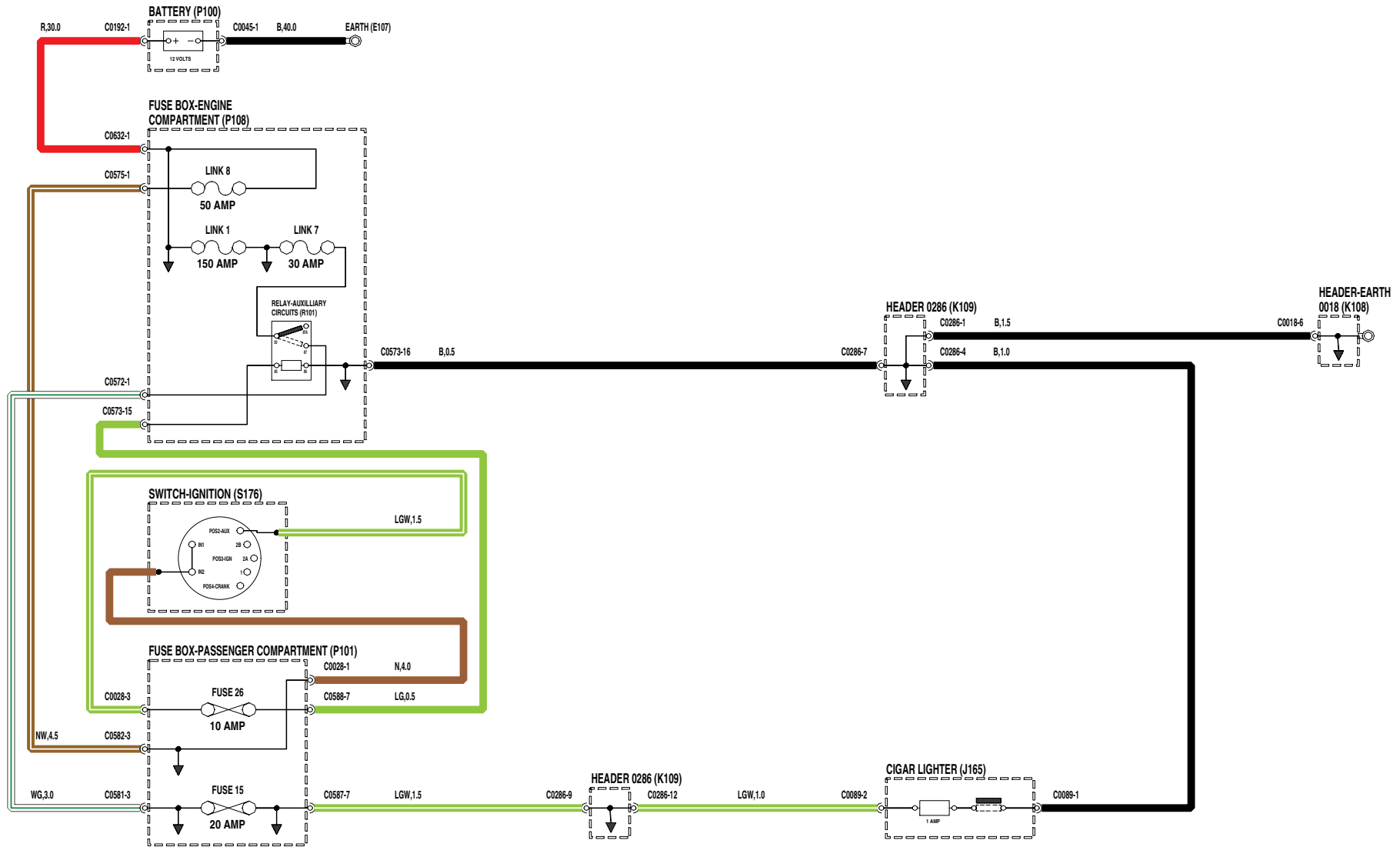
VWR105840-A-sheet1of1

CLOCK



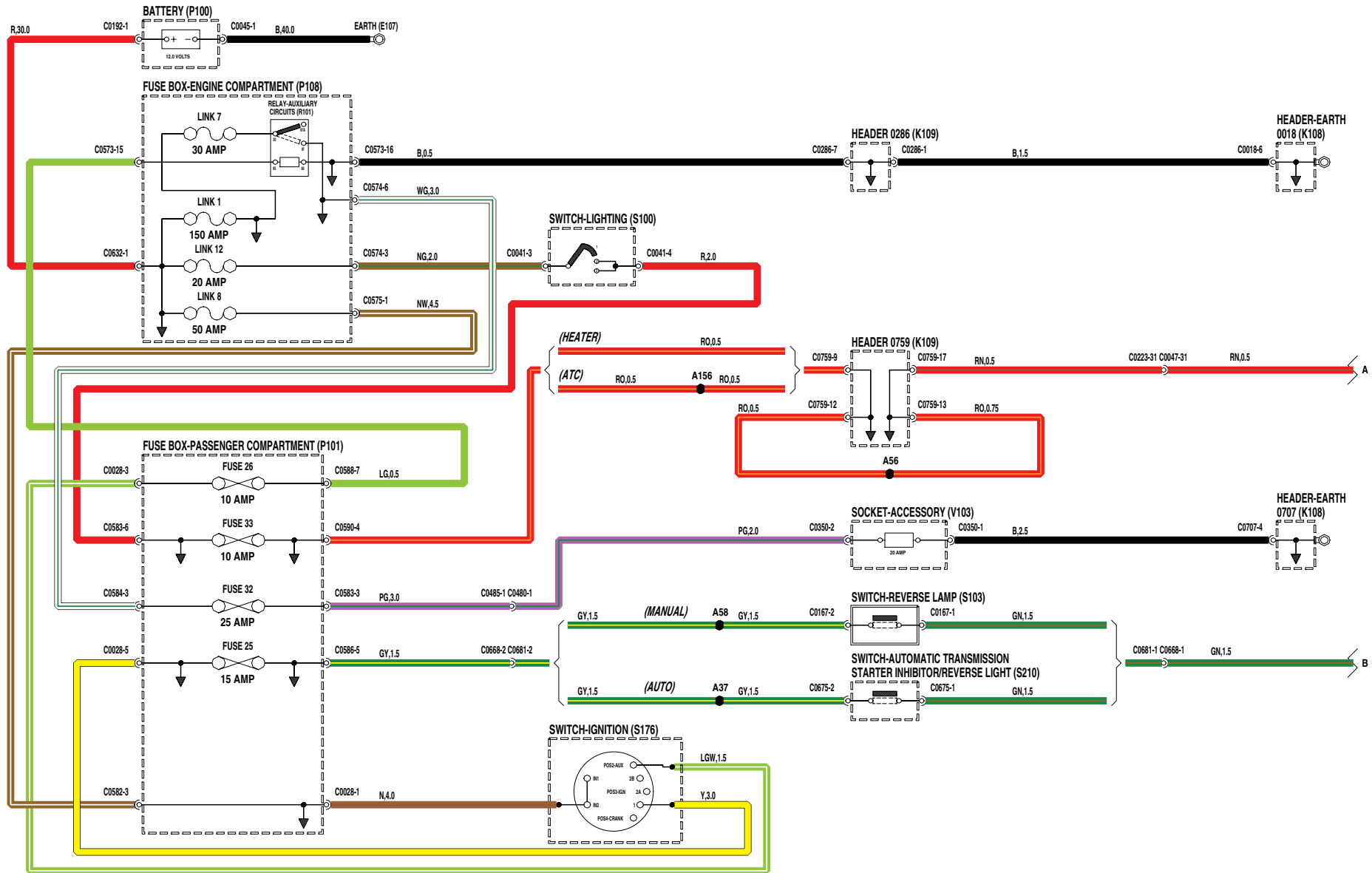
VWR102020-A-sheet1of1

CIGAR LIGHTER



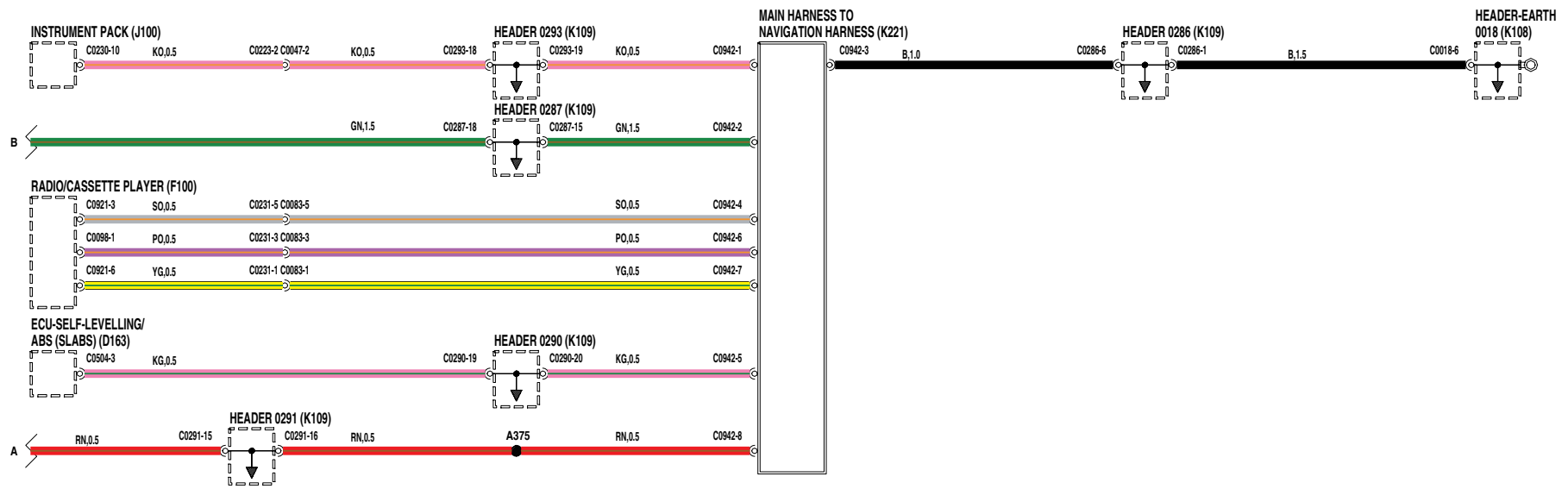
VWR102010-A-sheet1 of1

ACCESSORY SOCKET



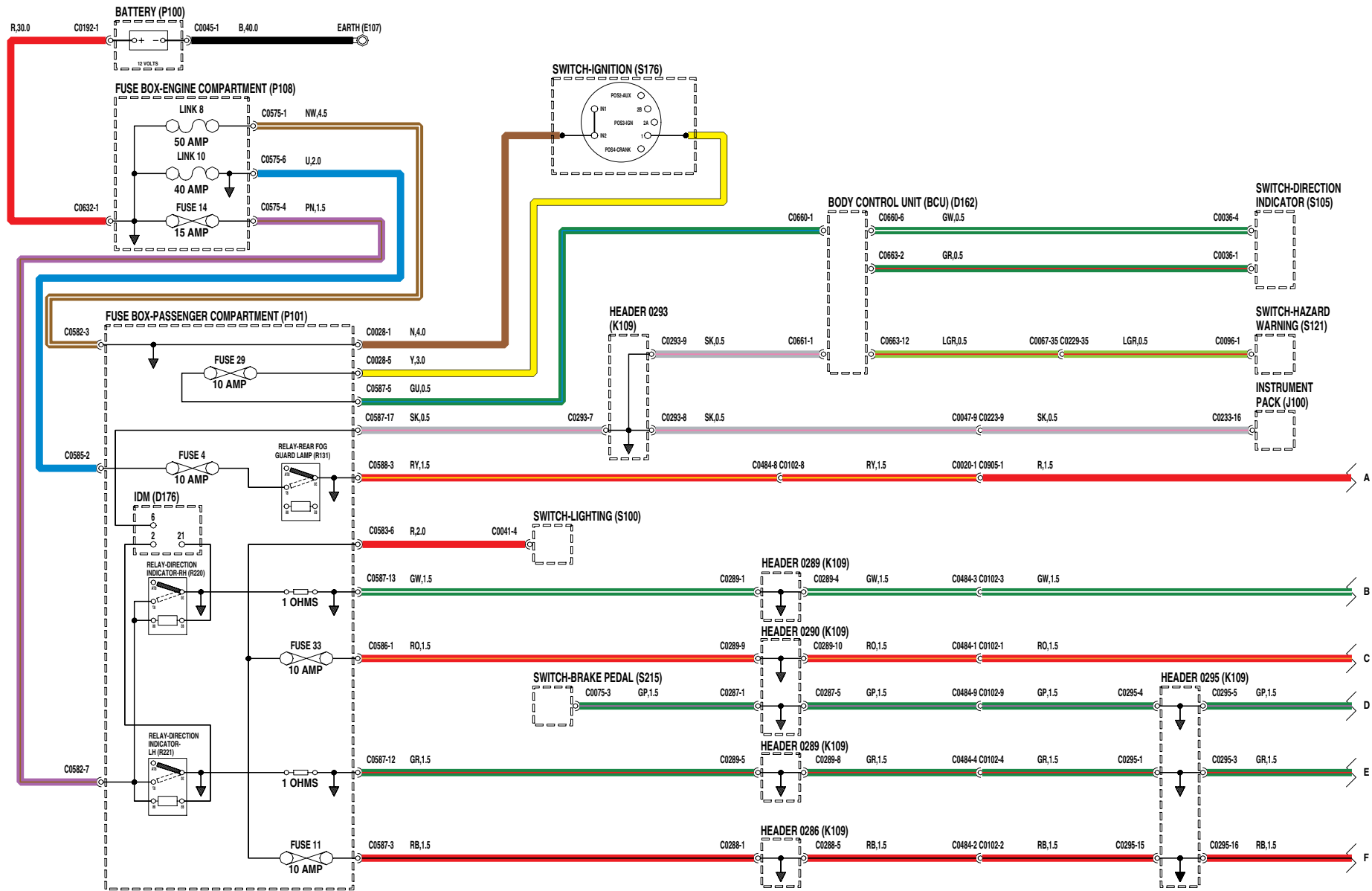
VWR102210-A-sheet of 2

ACCESSORY SOCKET



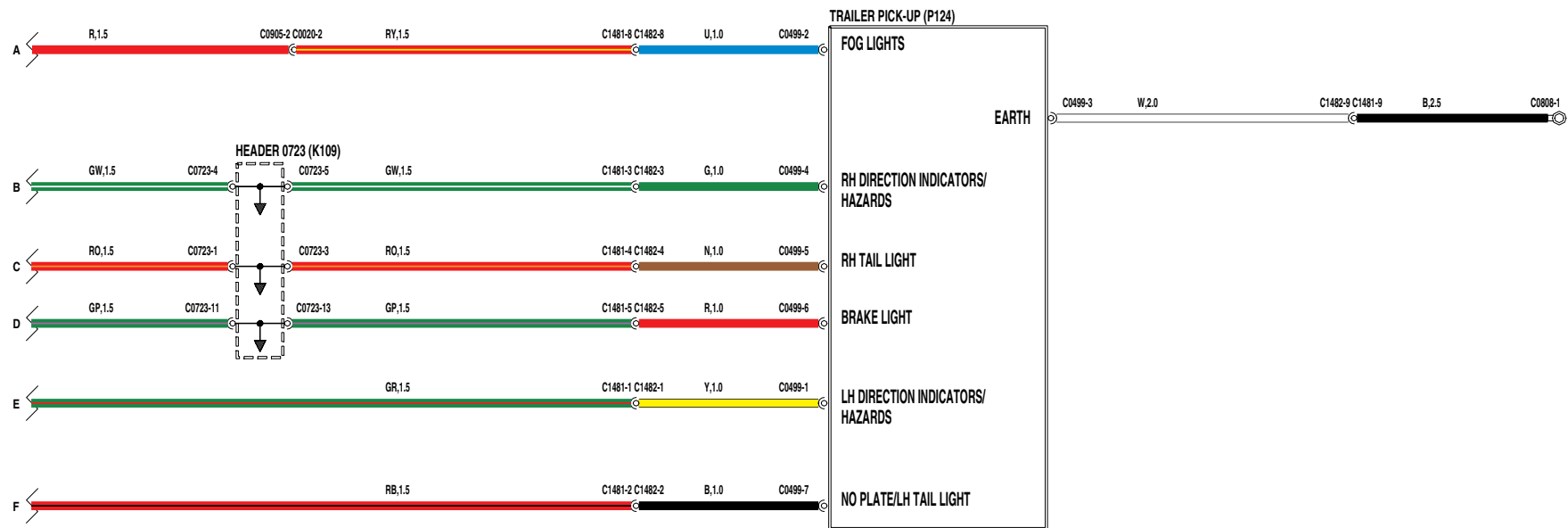
VWR102210-A-sheet2of2

TRAILER SOCKET



VWR125030-A-sheet1of2

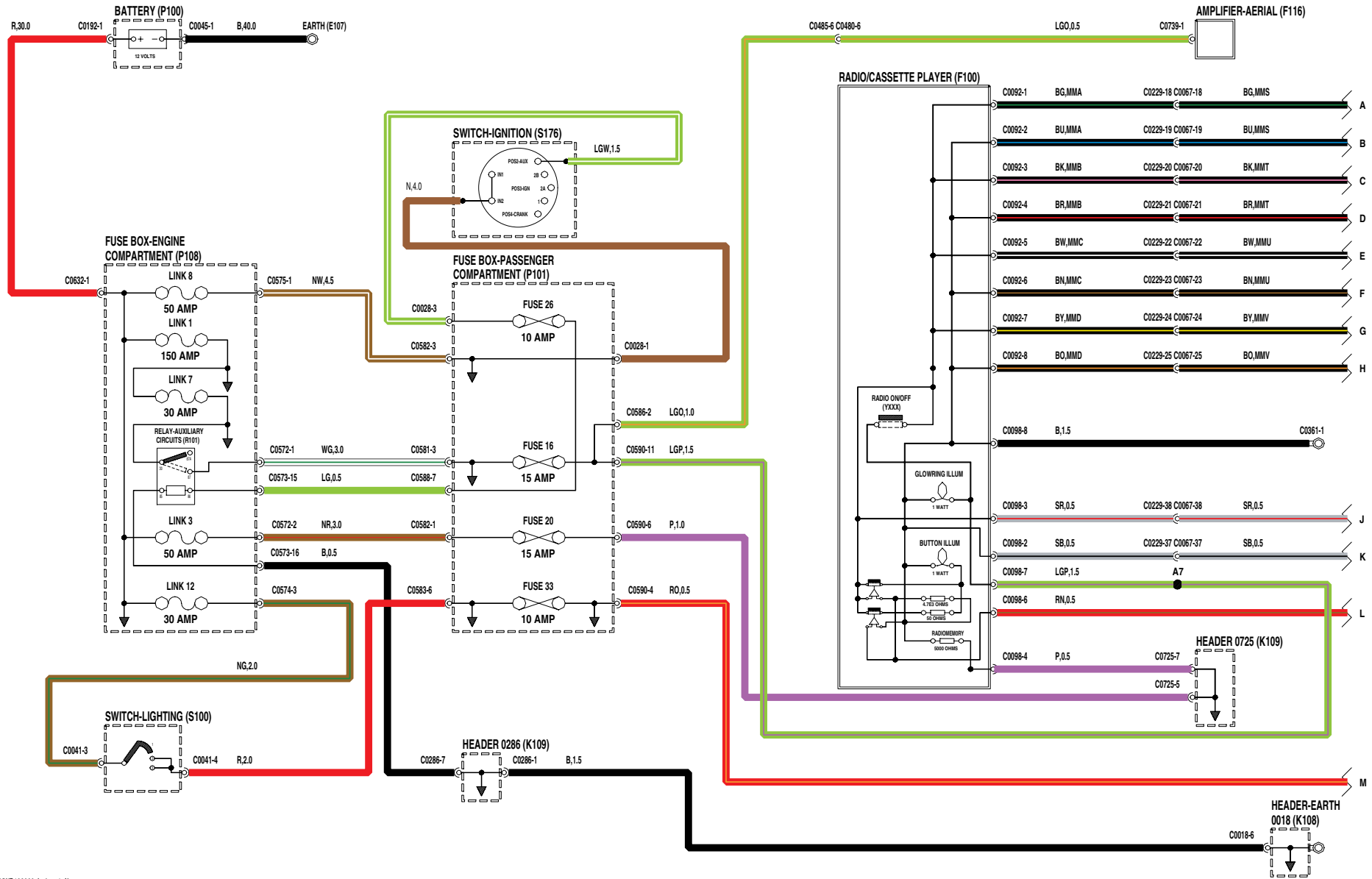
TRAILER SOCKET



VWR125030-A-sheet2of2

AUDIO SYSTEMS

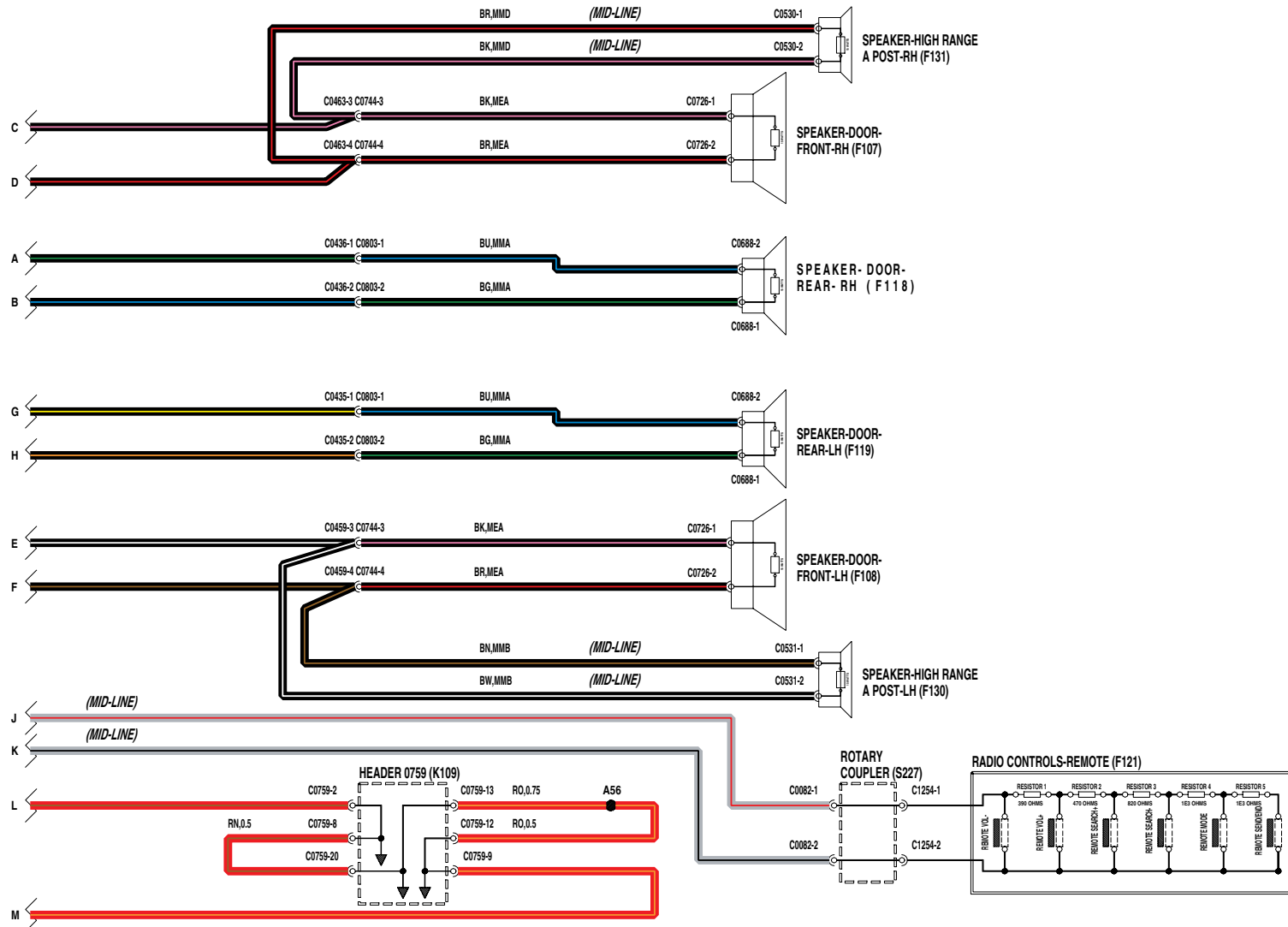
BASE AND MID LINE



VWR102060-A-sheet1of2

AUDIO SYSTEMS

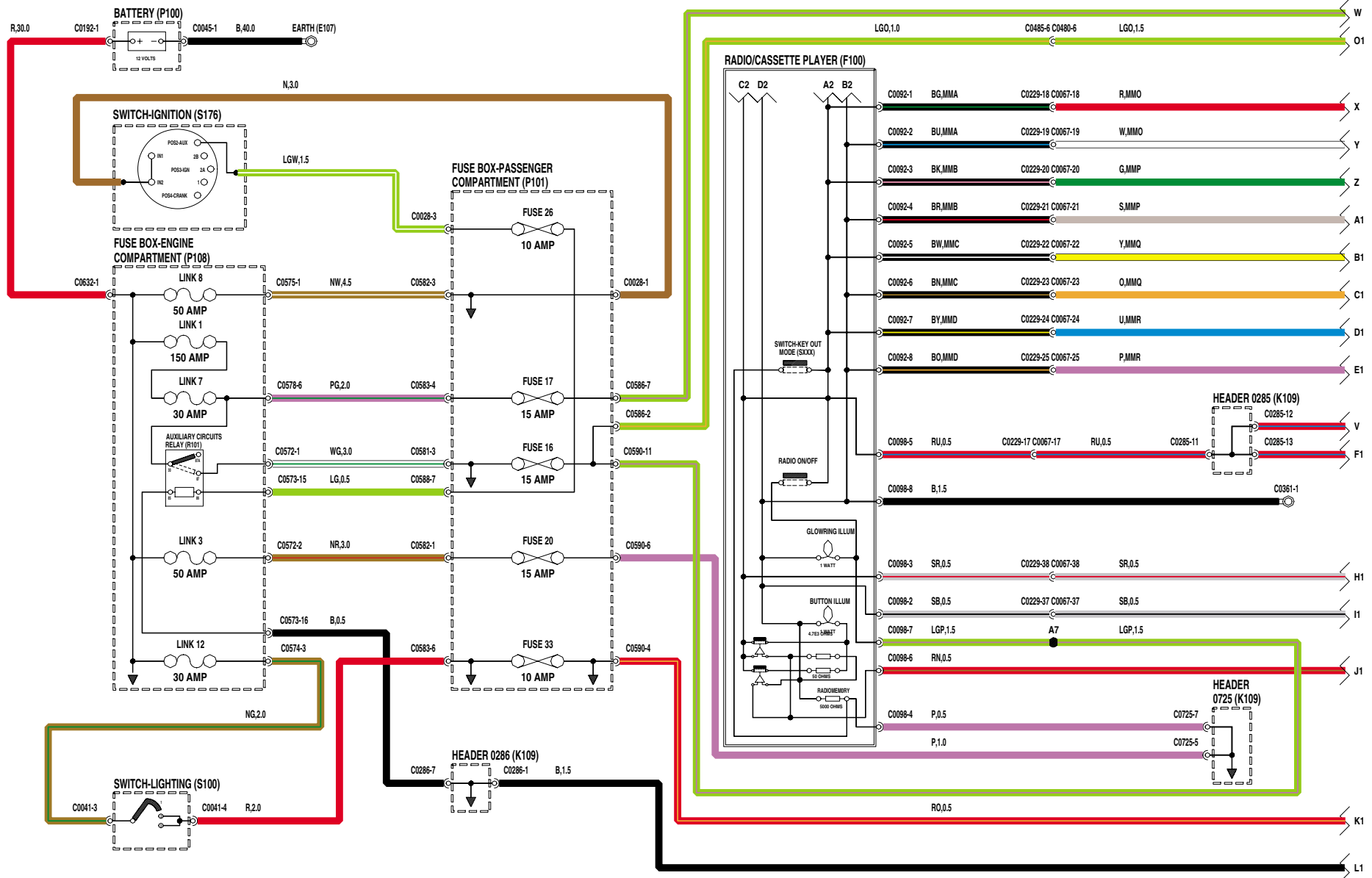
BASE AND MID LINE



VWR102060-A-sheet2of2

AUDIO SYSTEMS

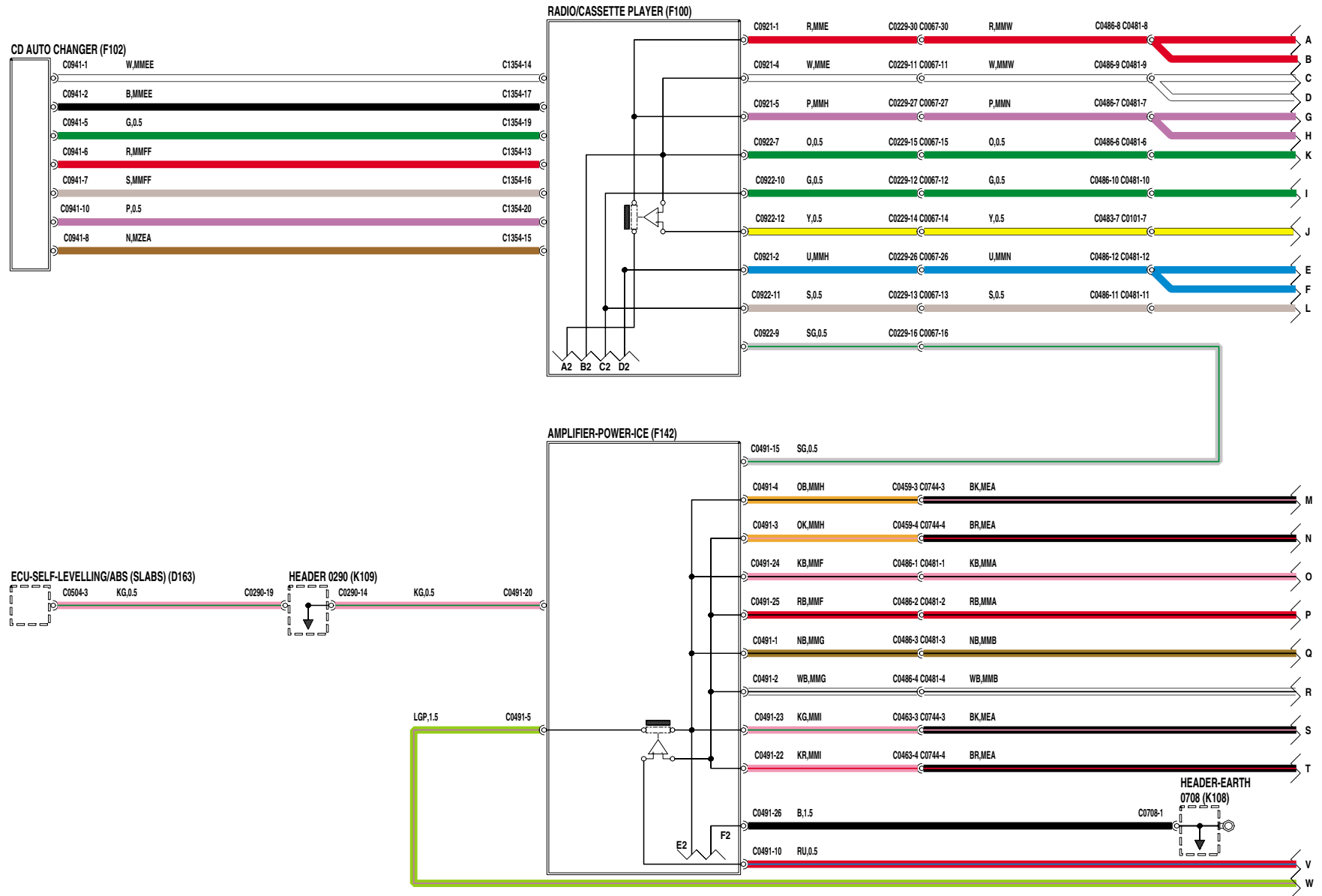
HIGH LINE - HARMAN AMPLIFIER



VWR108430-A-sheet of 4

AUDIO SYSTEMS

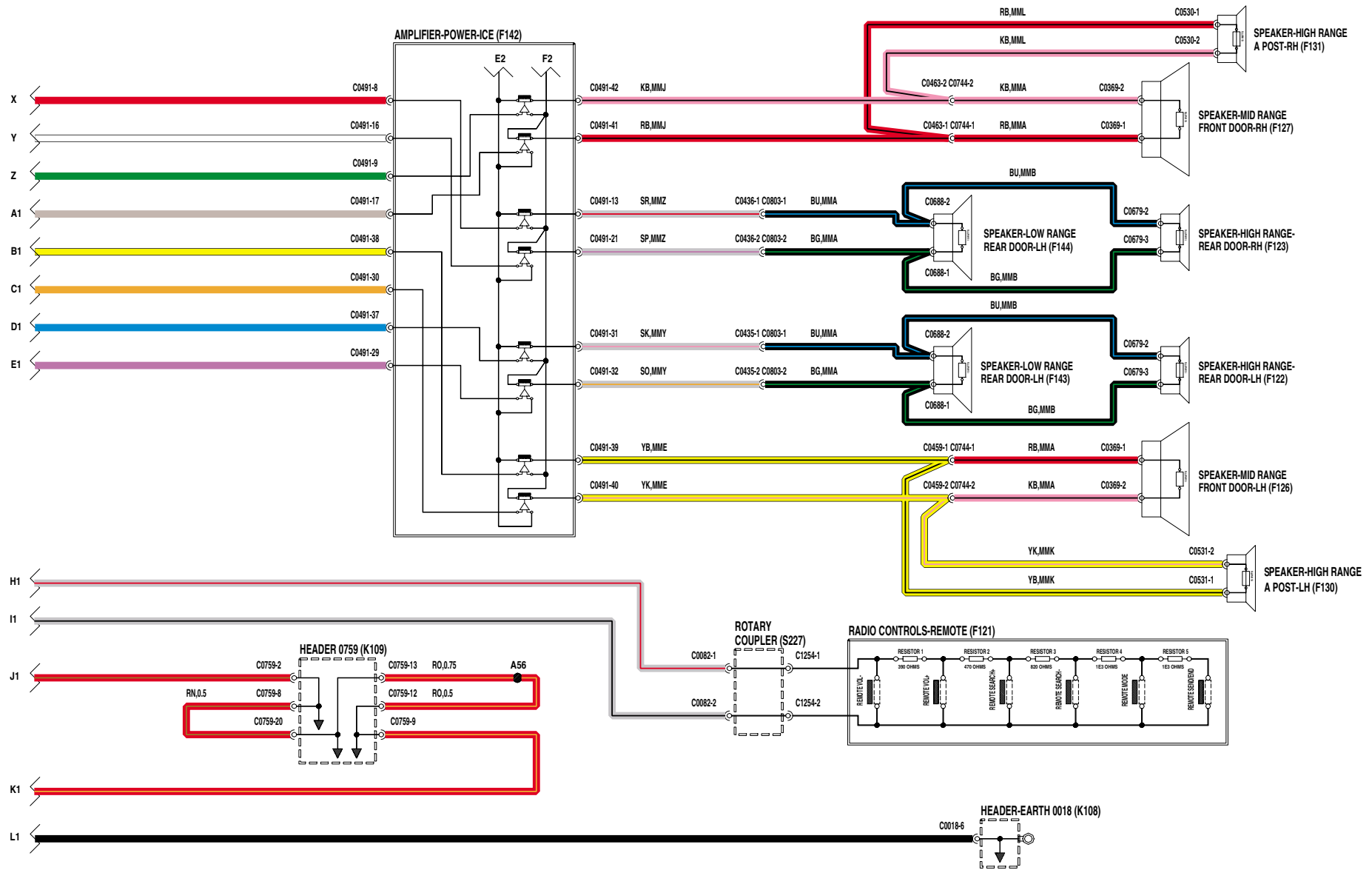
HIGH LINE - HARMAN AMPLIFIER



VWR108430-A-sheet2of4

AUDIO SYSTEMS

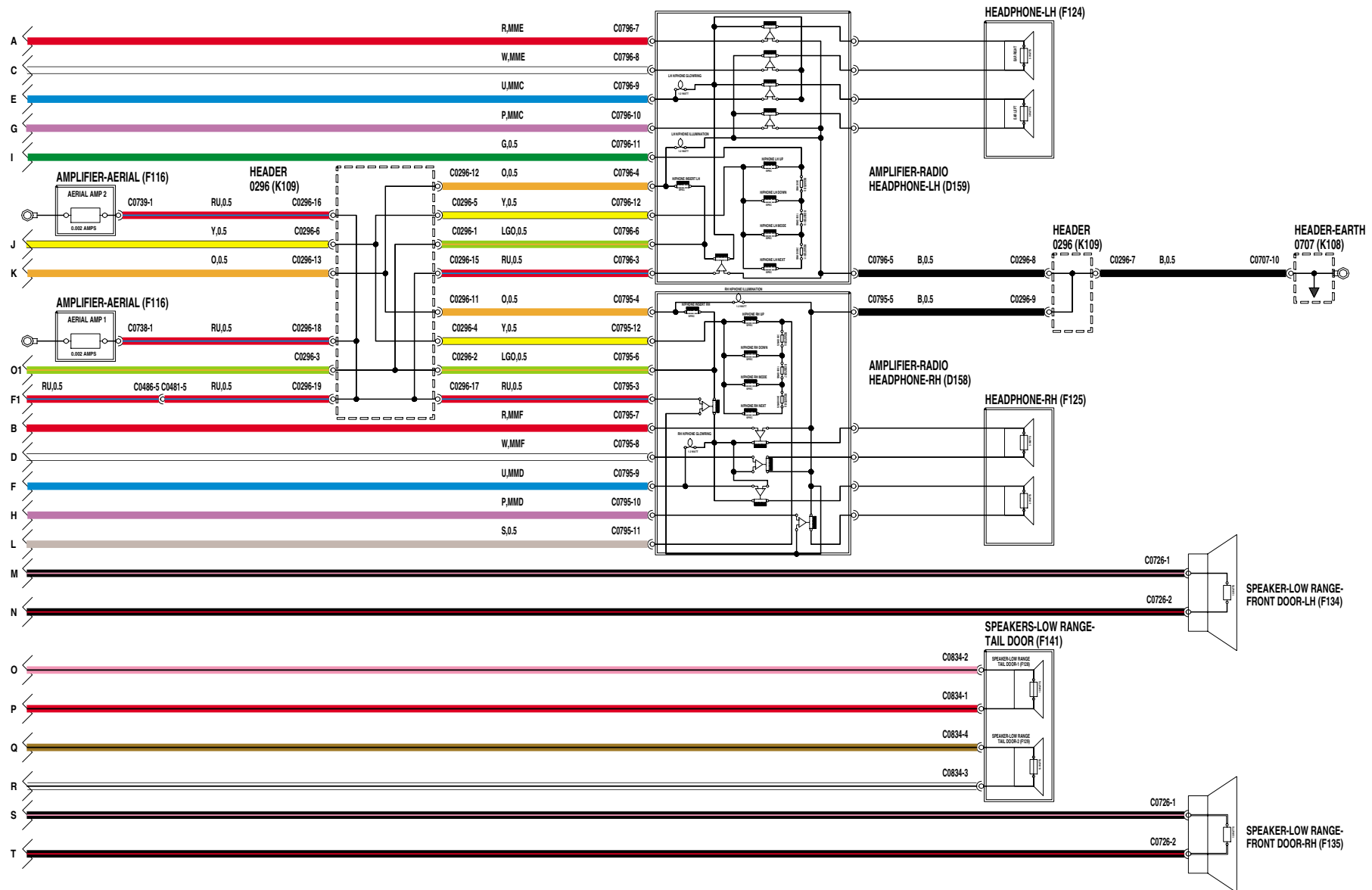
HIGH LINE - HARMAN AMPLIFIER



VWR108430-A-sheet3of4

AUDIO SYSTEMS

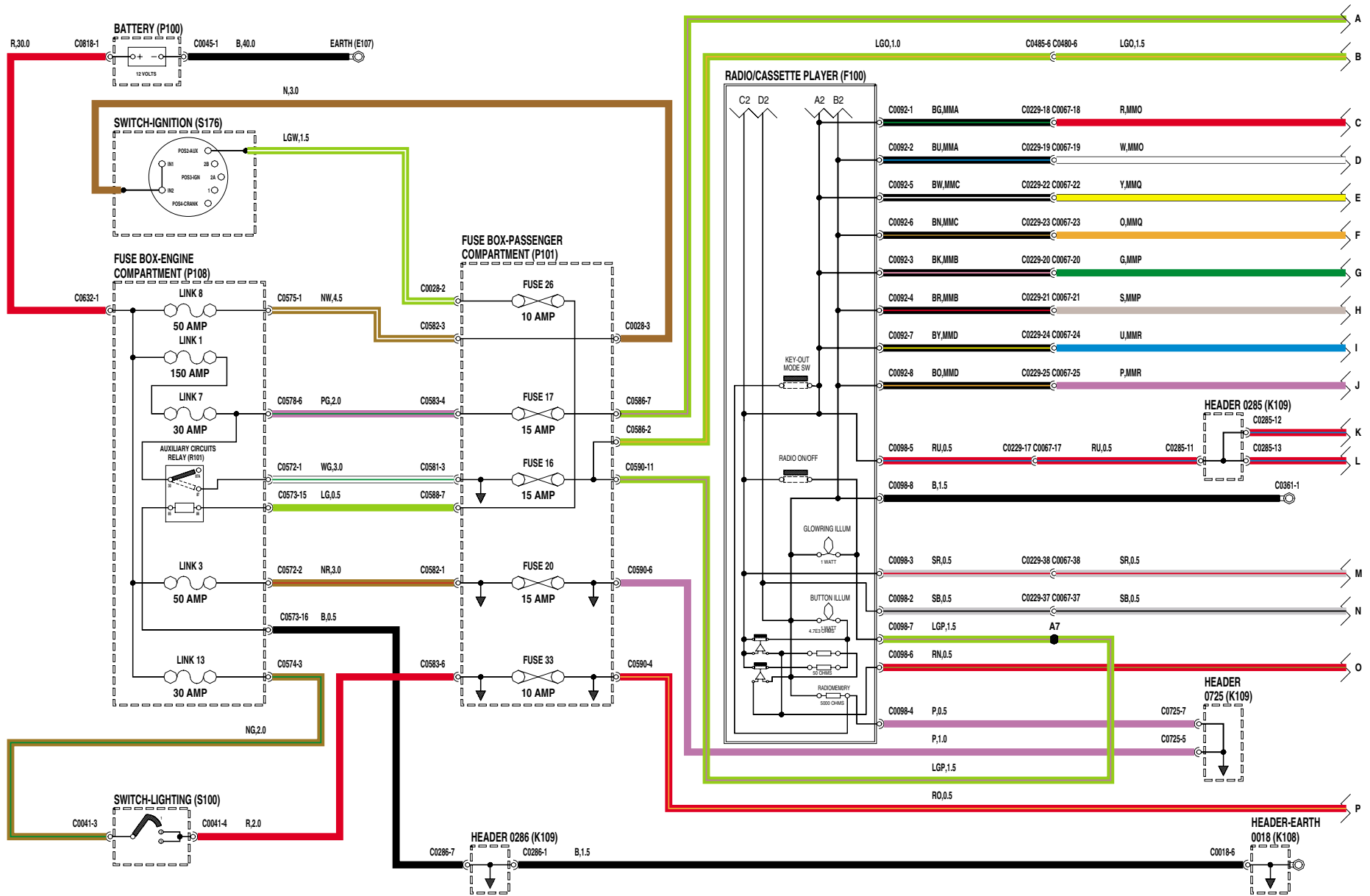
HIGH LINE - HARMAN AMPLIFIER



VWR108430-A-sheet04

AUDIO SYSTEMS

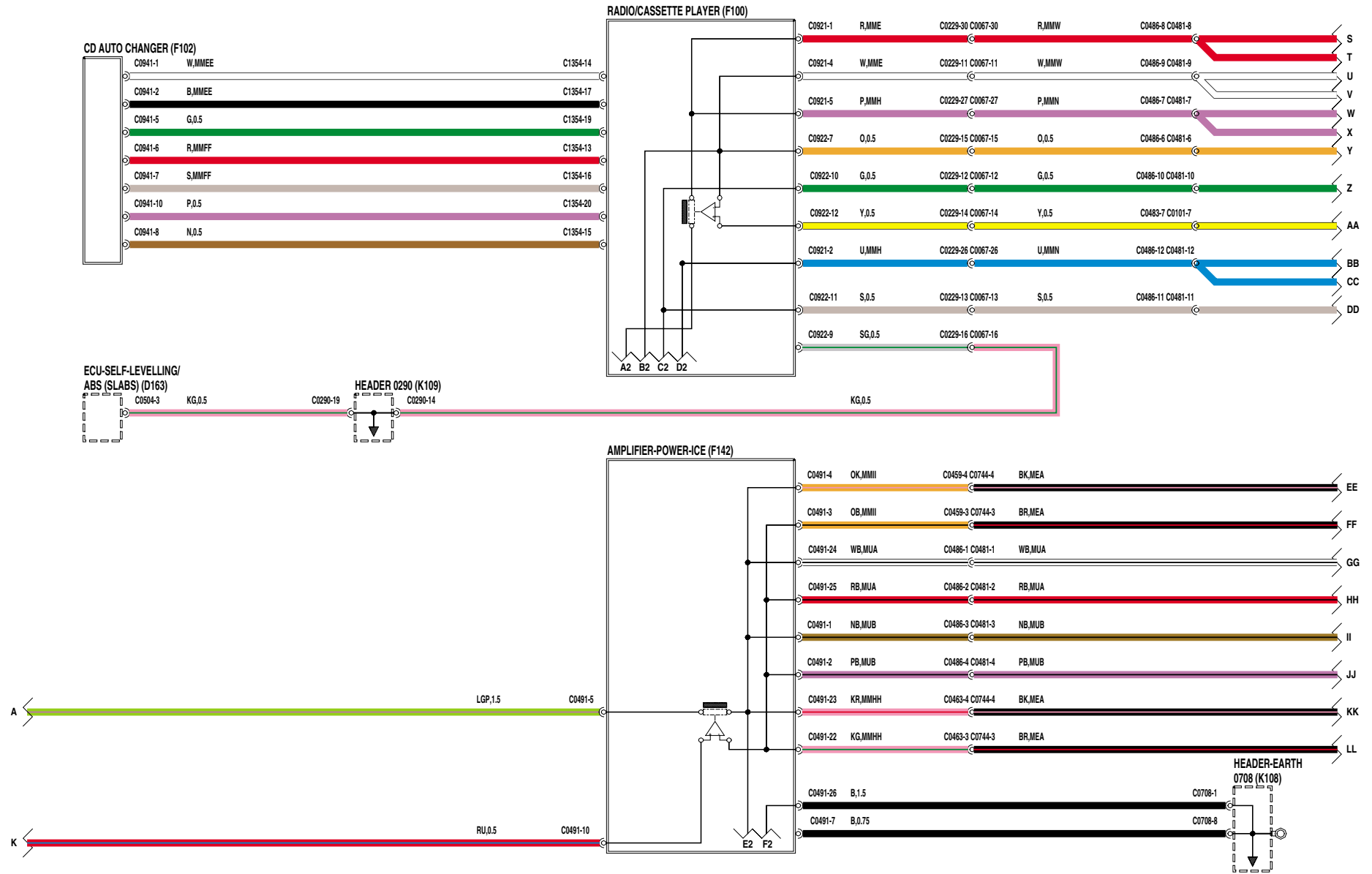
HIGH LINE - LEAR AMPLIFIER



VWR004630-A-01

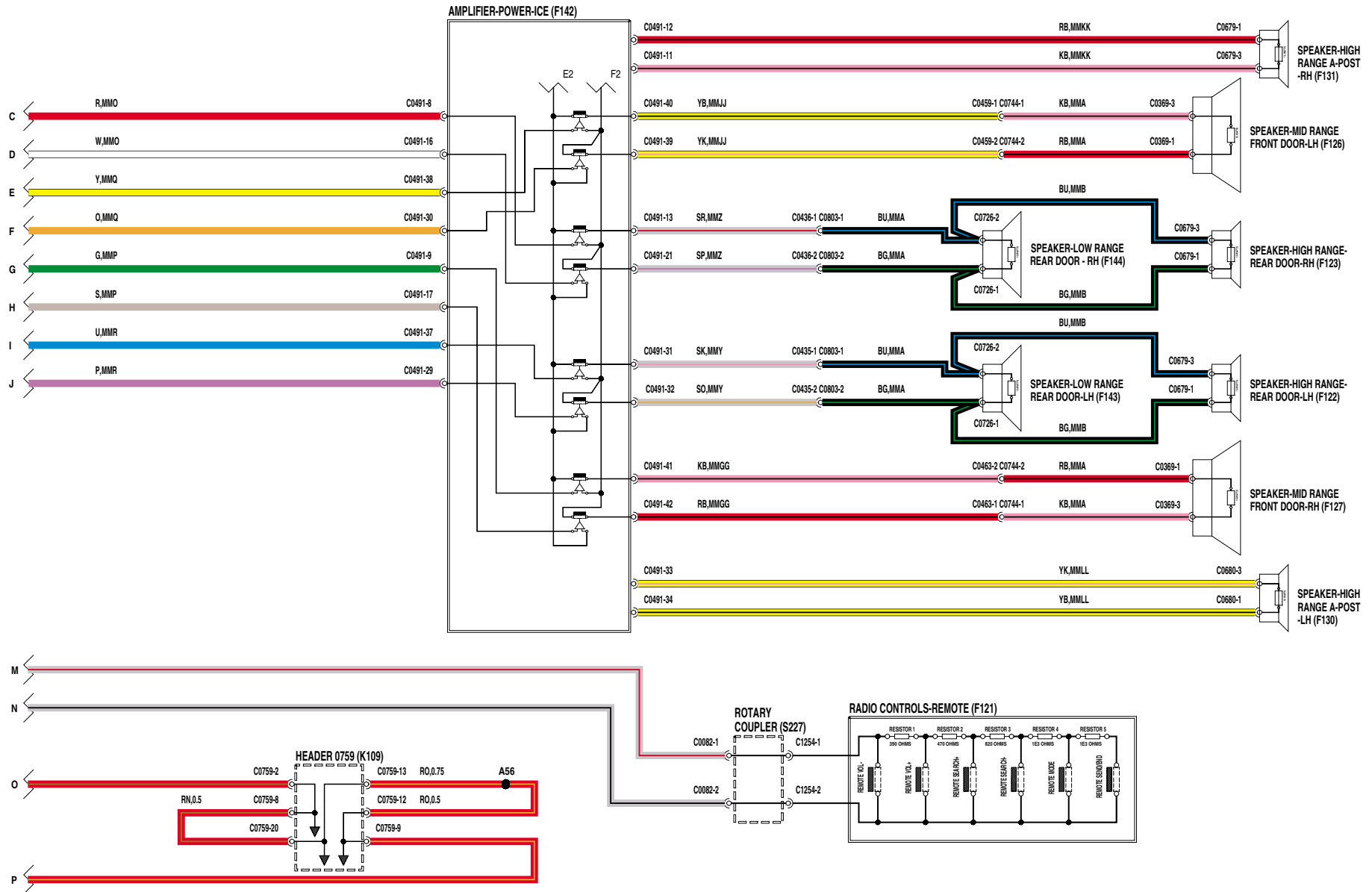
AUDIO SYSTEMS

HIGH LINE - LEAR AMPLIFIER



AUDIO SYSTEMS

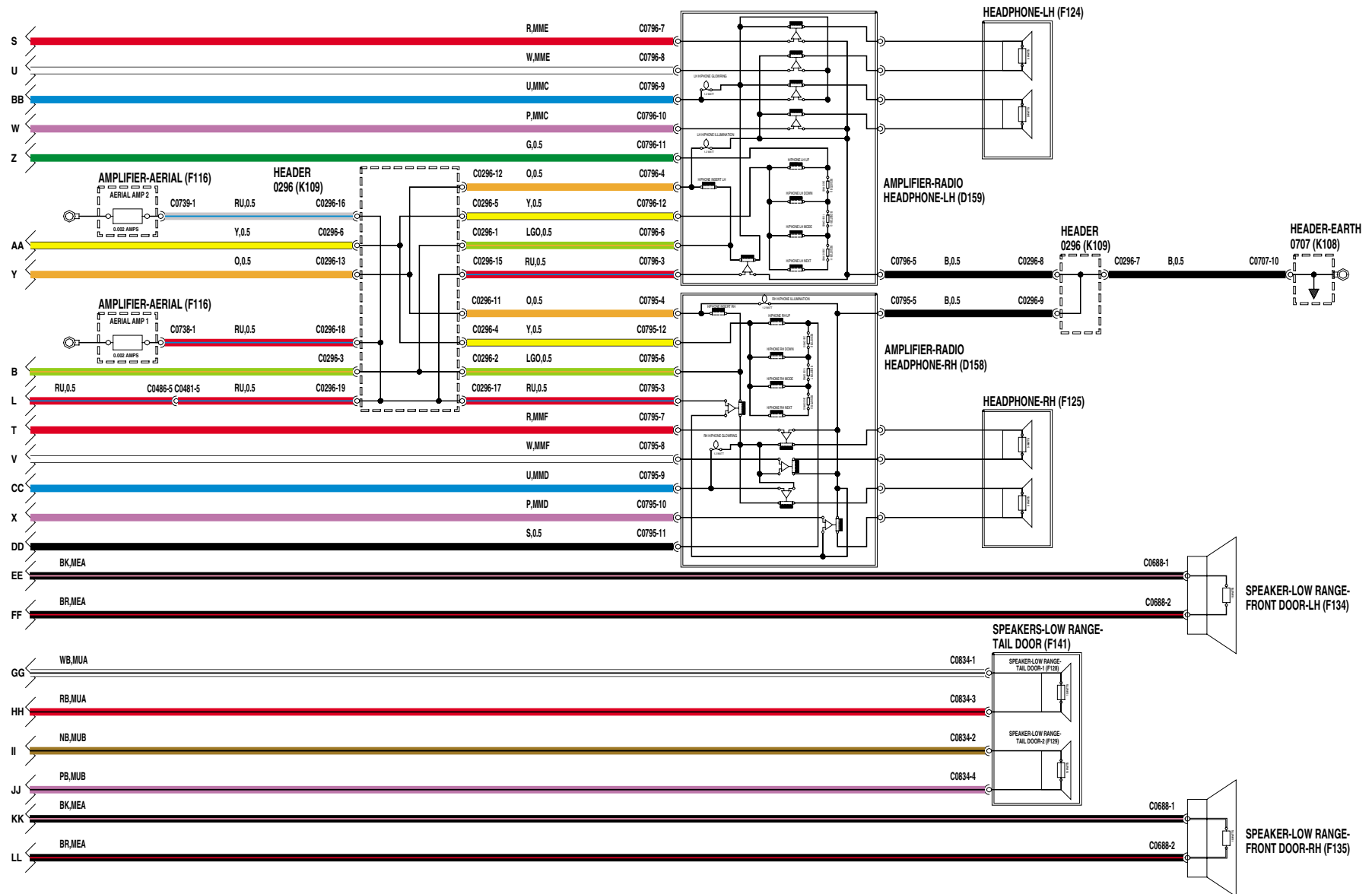
HIGH LINE - LEAR AMPLIFIER



VWR004630-A-03

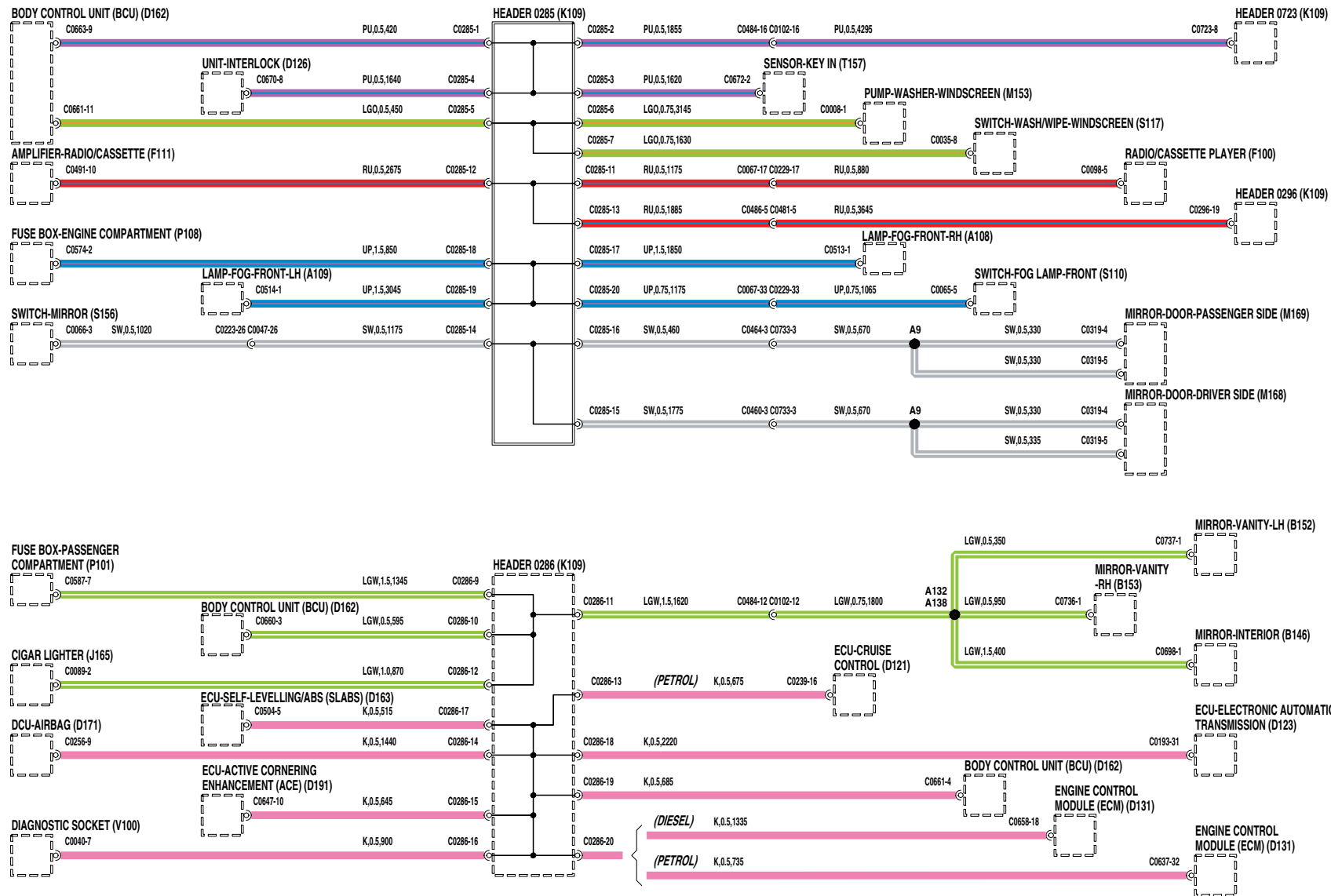
AUDIO SYSTEMS

HIGH LINE - LEAR AMPLIFIER



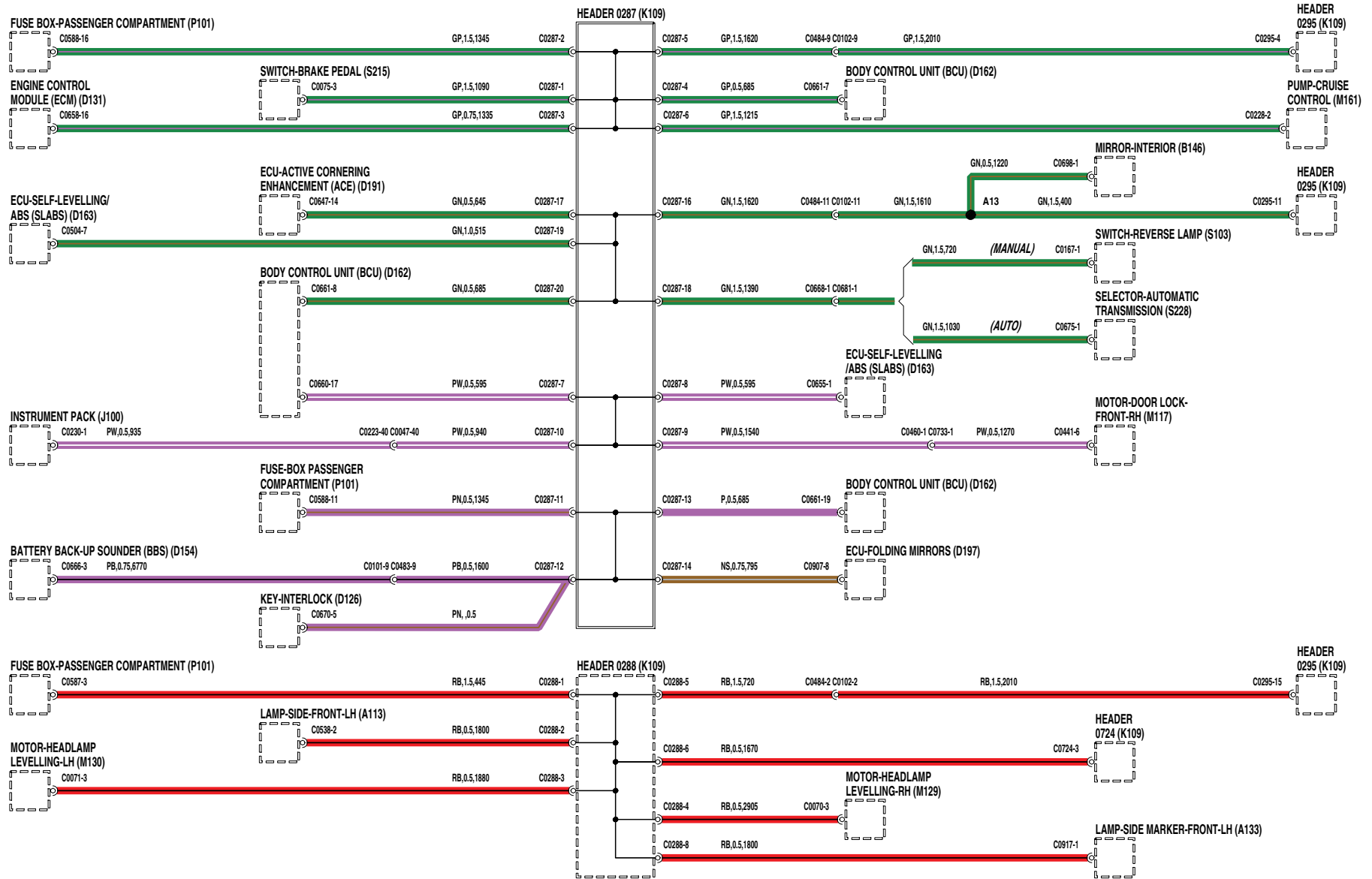
VWR004630-A-04

HEADER JOINTS



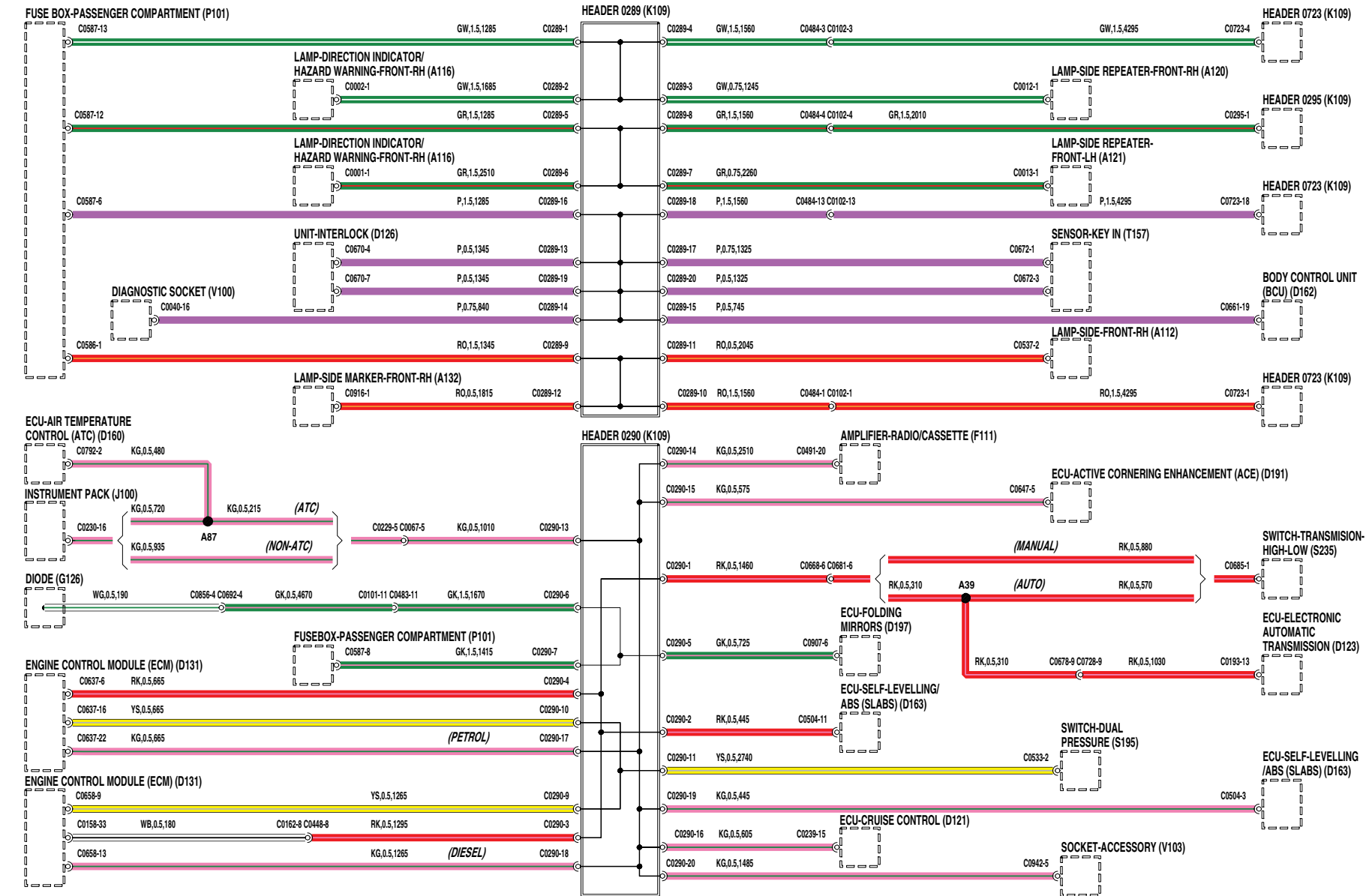
VWR105860-A-sheet1 of 9

HEADER JOINTS



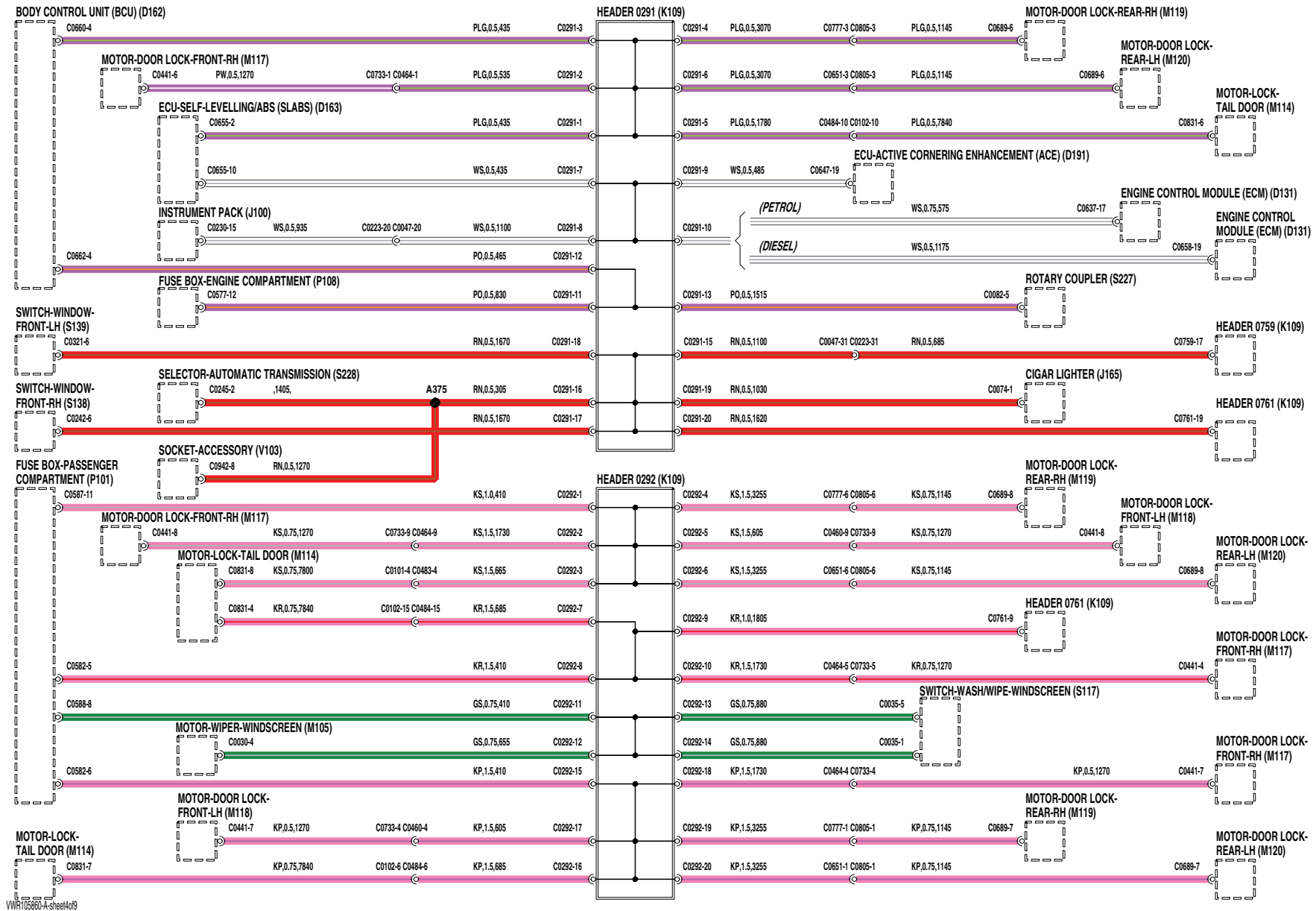
VWR105860-A-sheet2of9

HEADER JOINTS

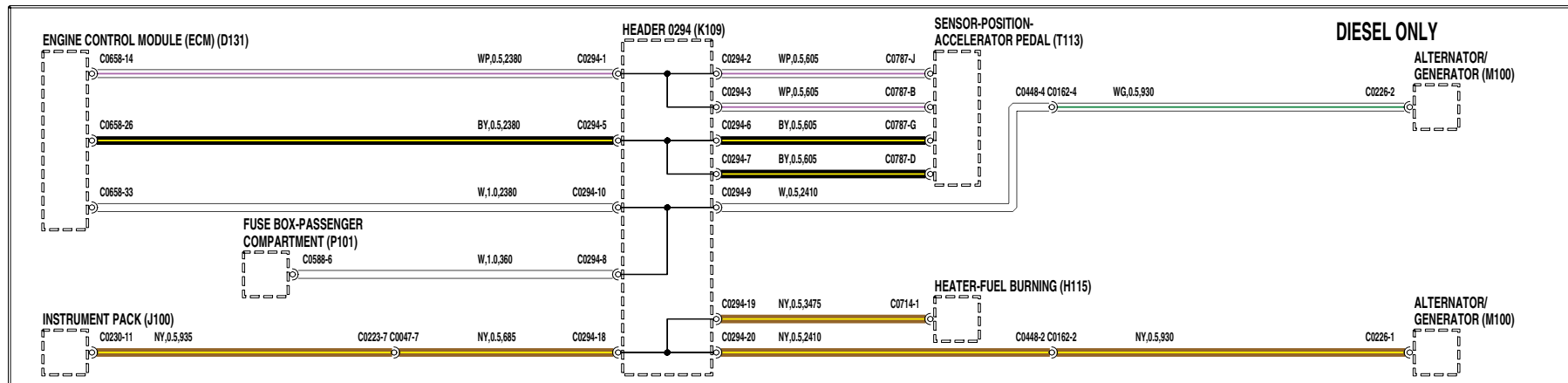
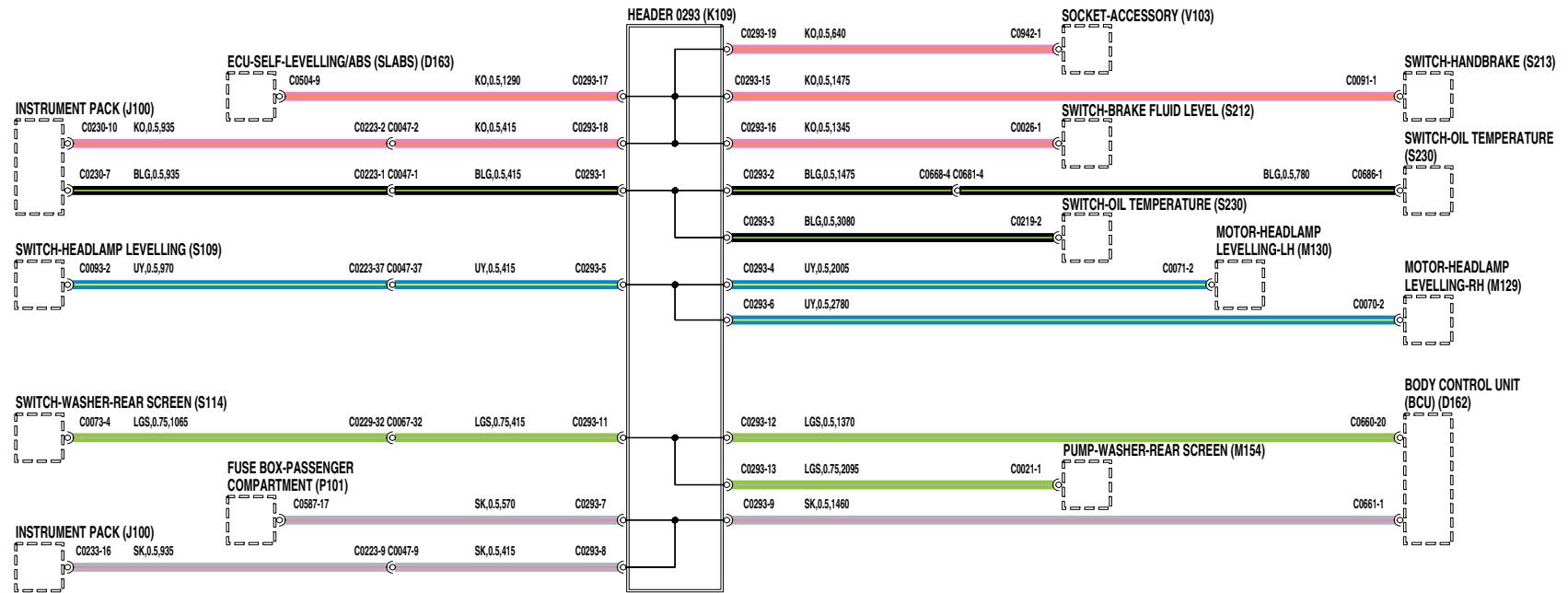


VWR105860-A-sheet3of9

HEADER JOINTS

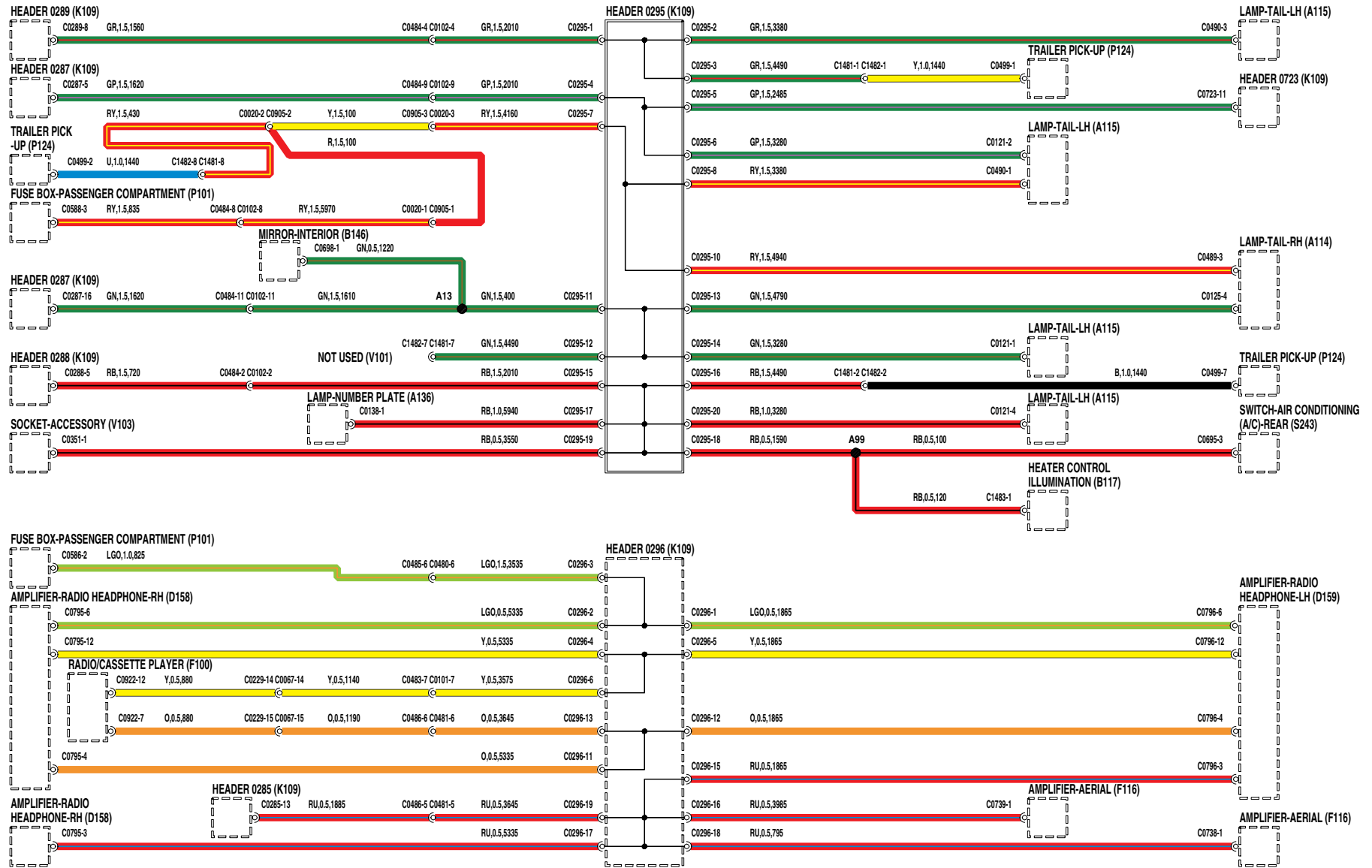


HEADER JOINTS



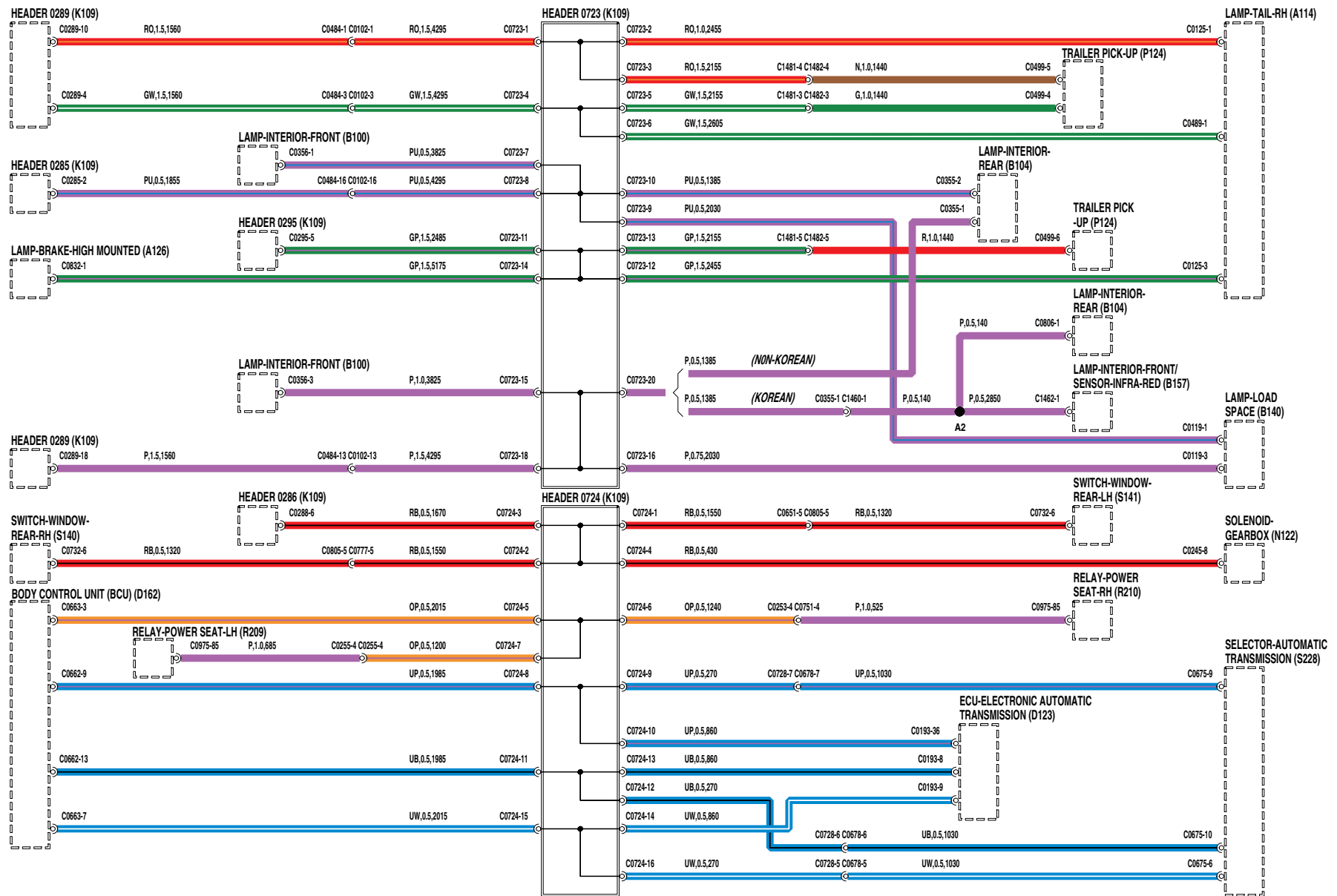
VWR105860-A-sheet5of9

HEADER JOINTS



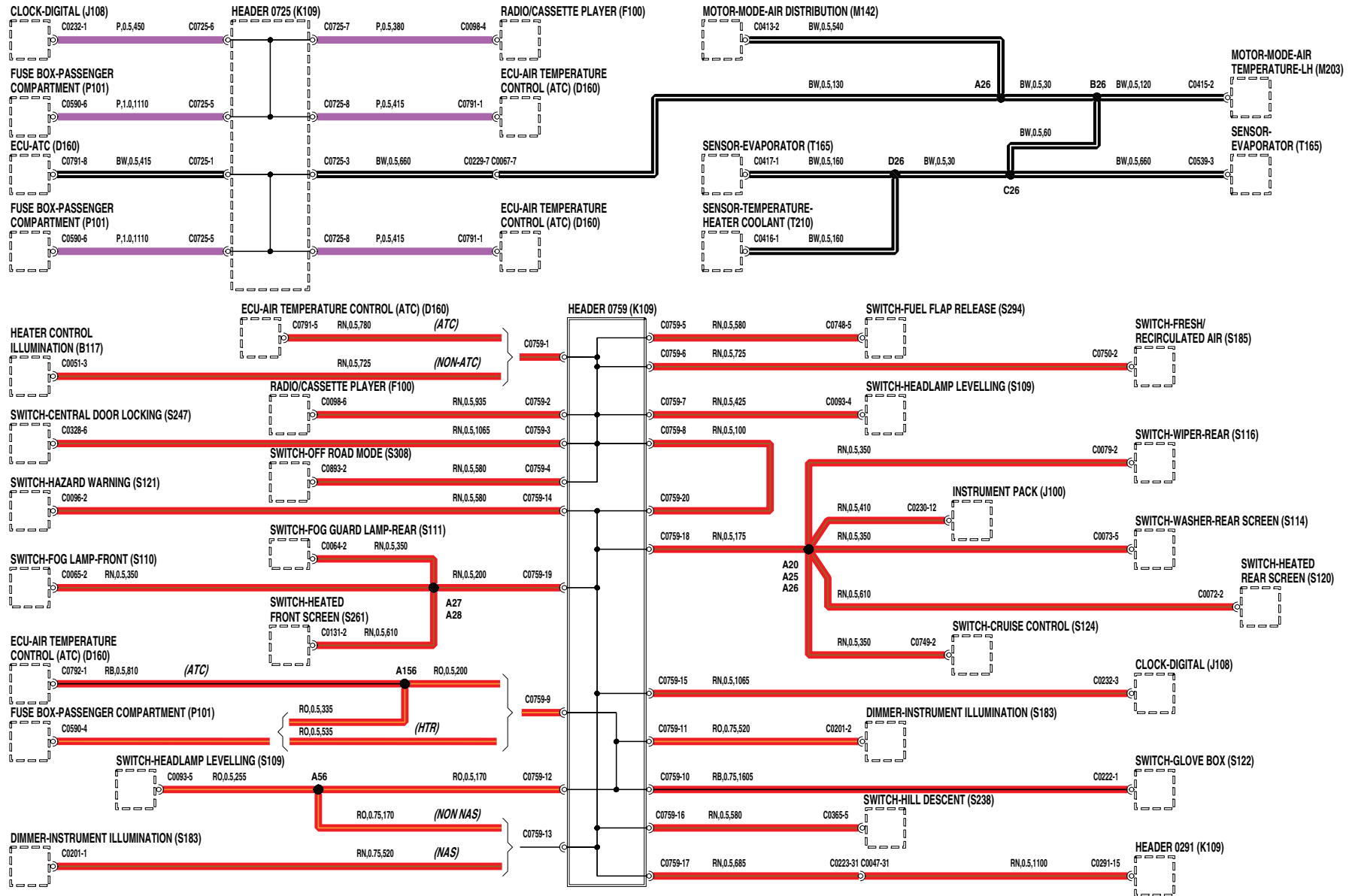
VWR105860-A-sheet0d9

HEADER JOINTS



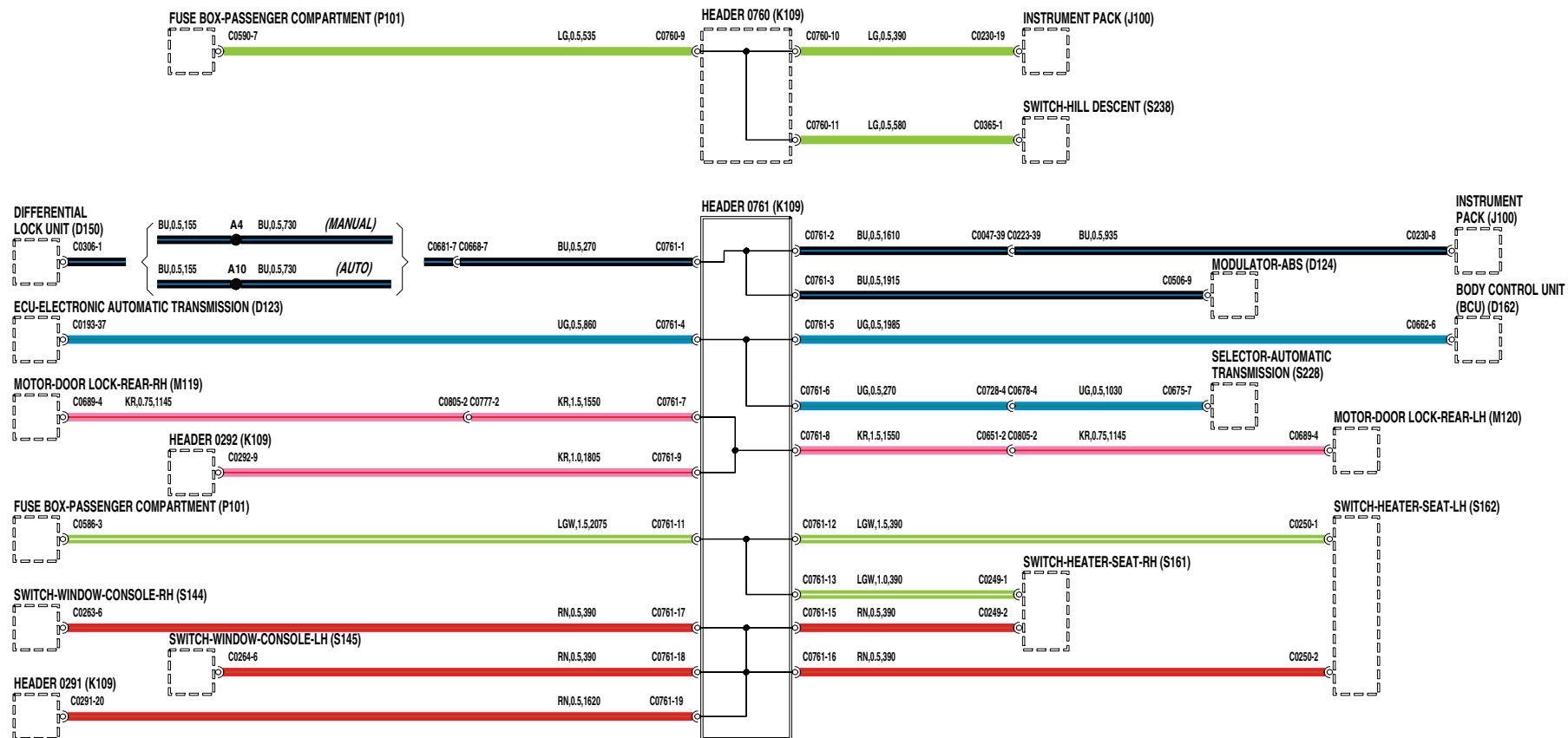
VWR105860-A-sheet7of9

HEADER JOINTS



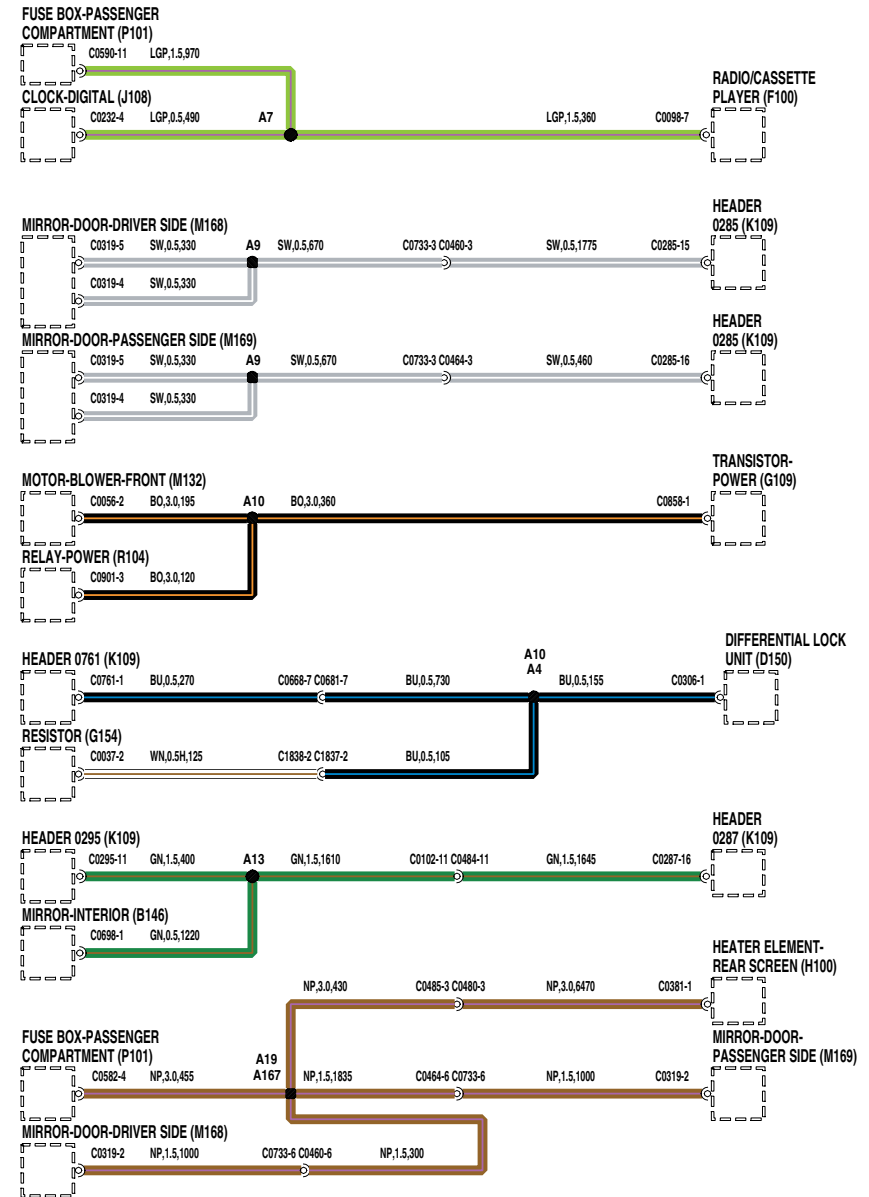
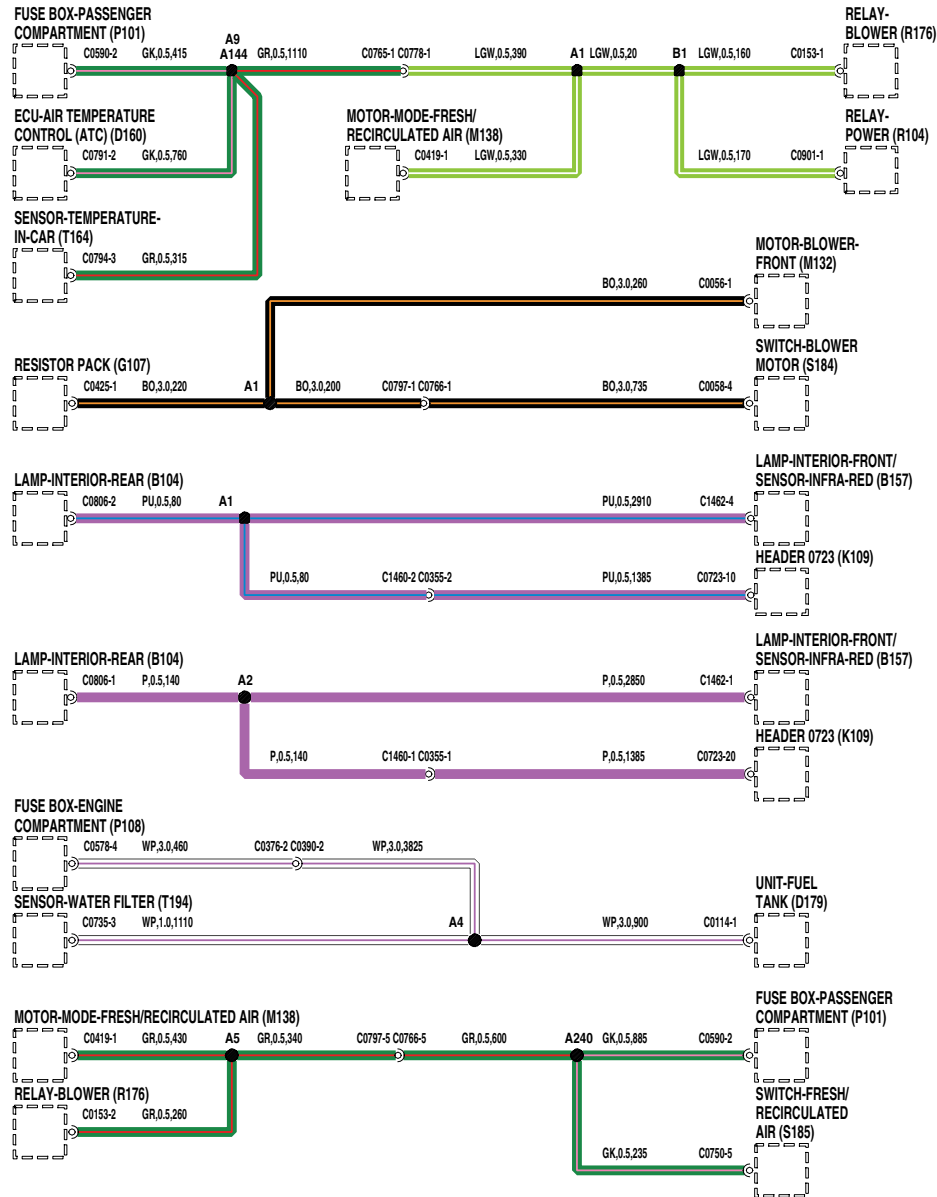
VWR105860-A-sheet0d9

HEADER JOINTS



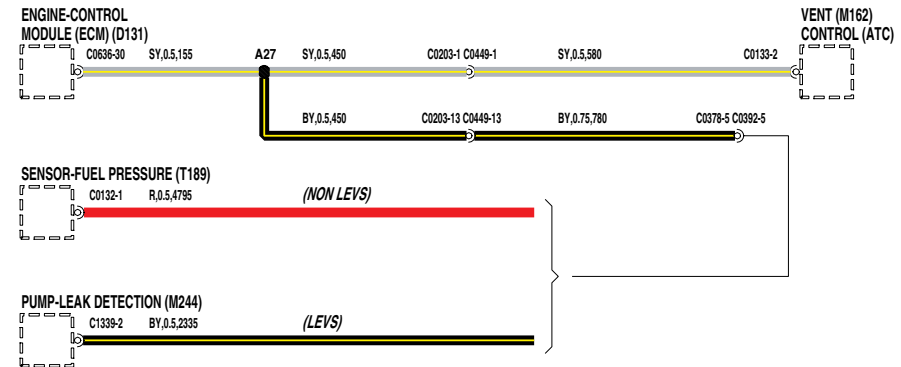
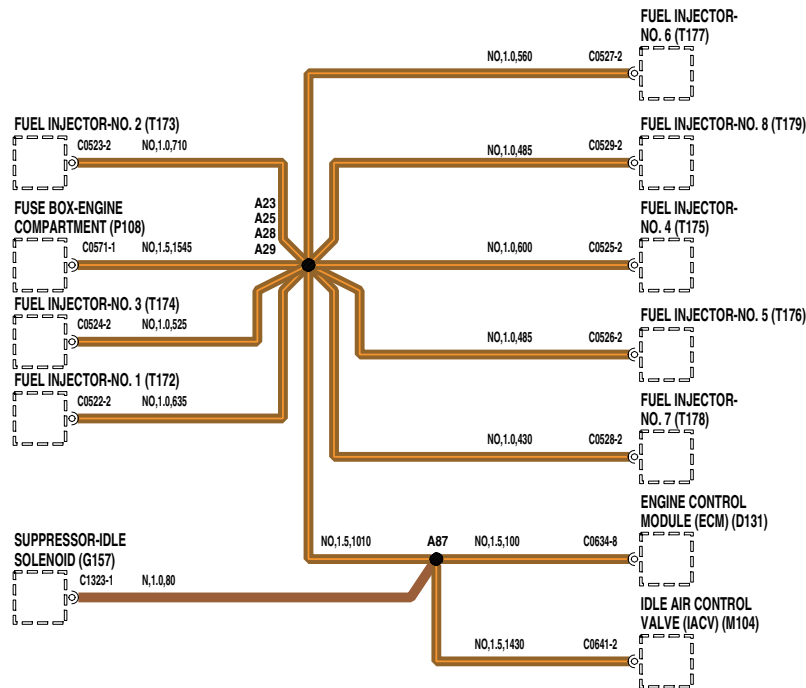
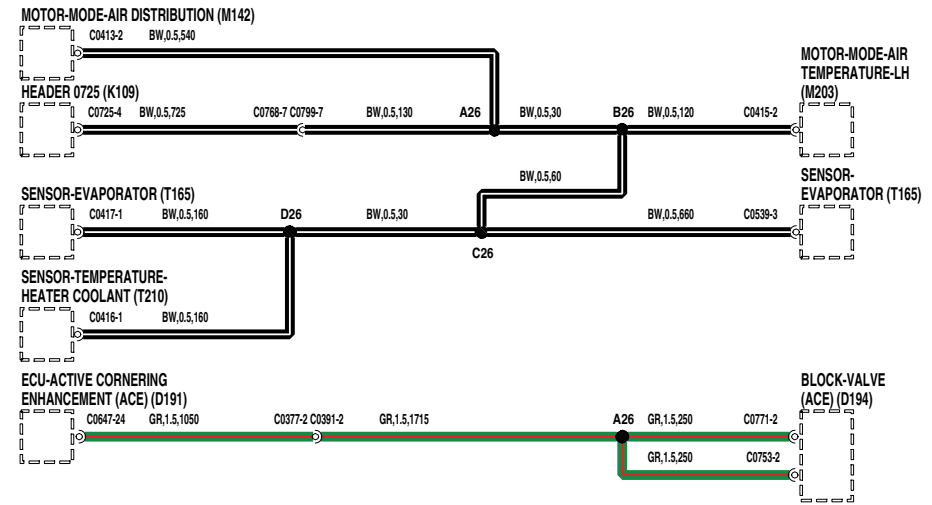
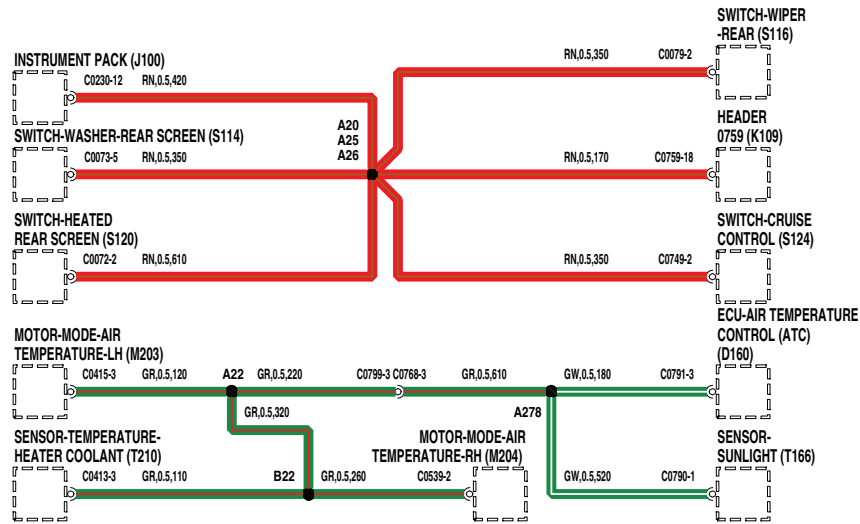
VWR105860-A-sheet09

SPLICES AND CENTRE TAPS



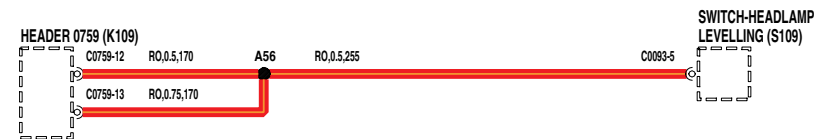
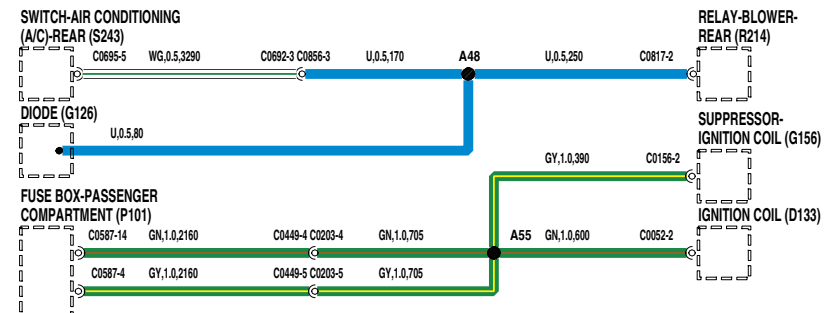
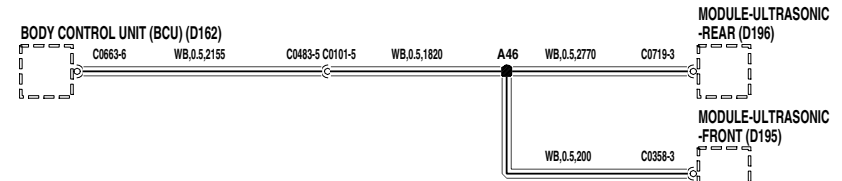
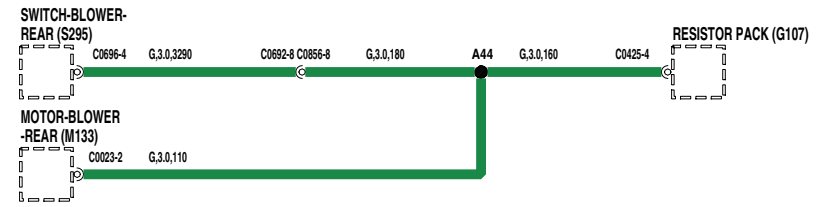
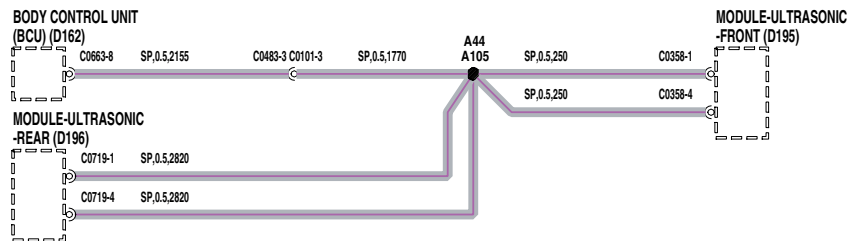
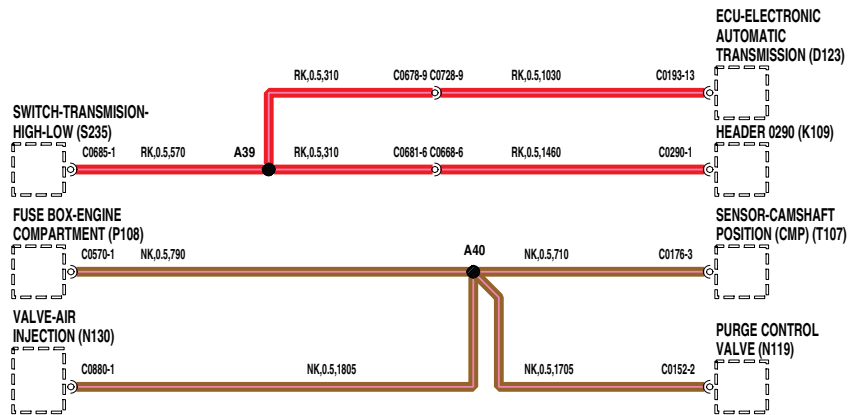
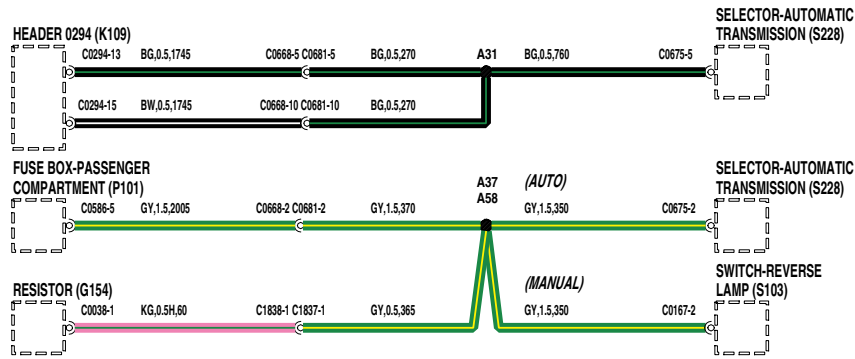
VWR105870-A-sheet1 of 6

SPLICES AND CENTRE TAPS



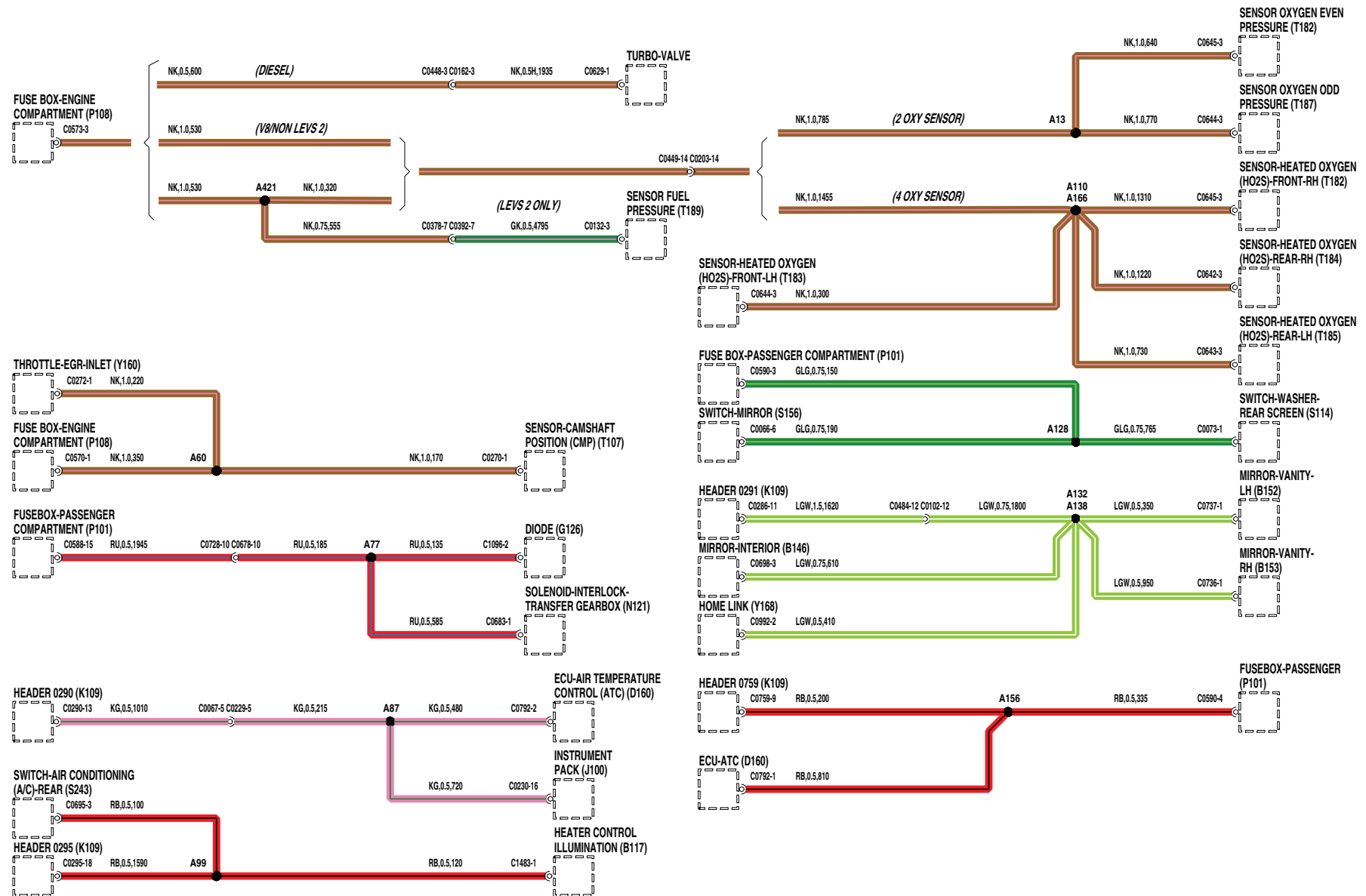
VWR105870-A-sheet2of6

SPLICES AND CENTRE TAPS



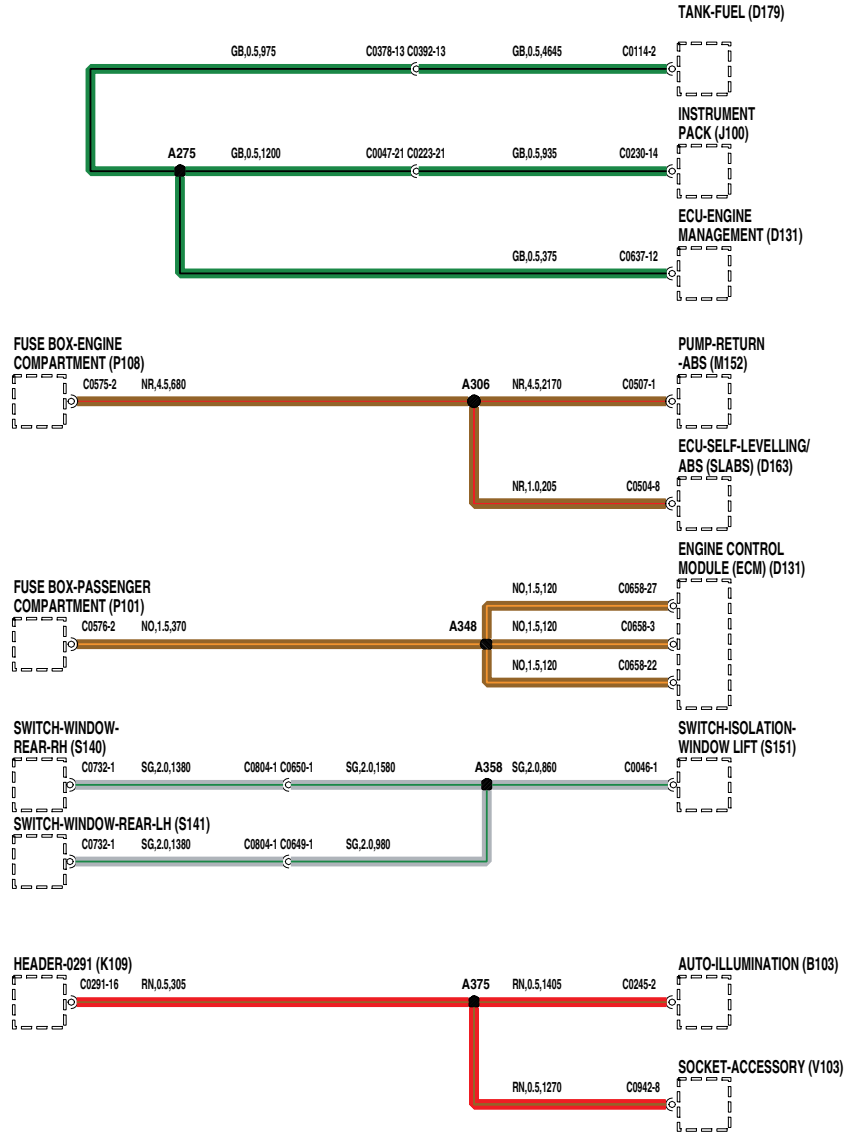
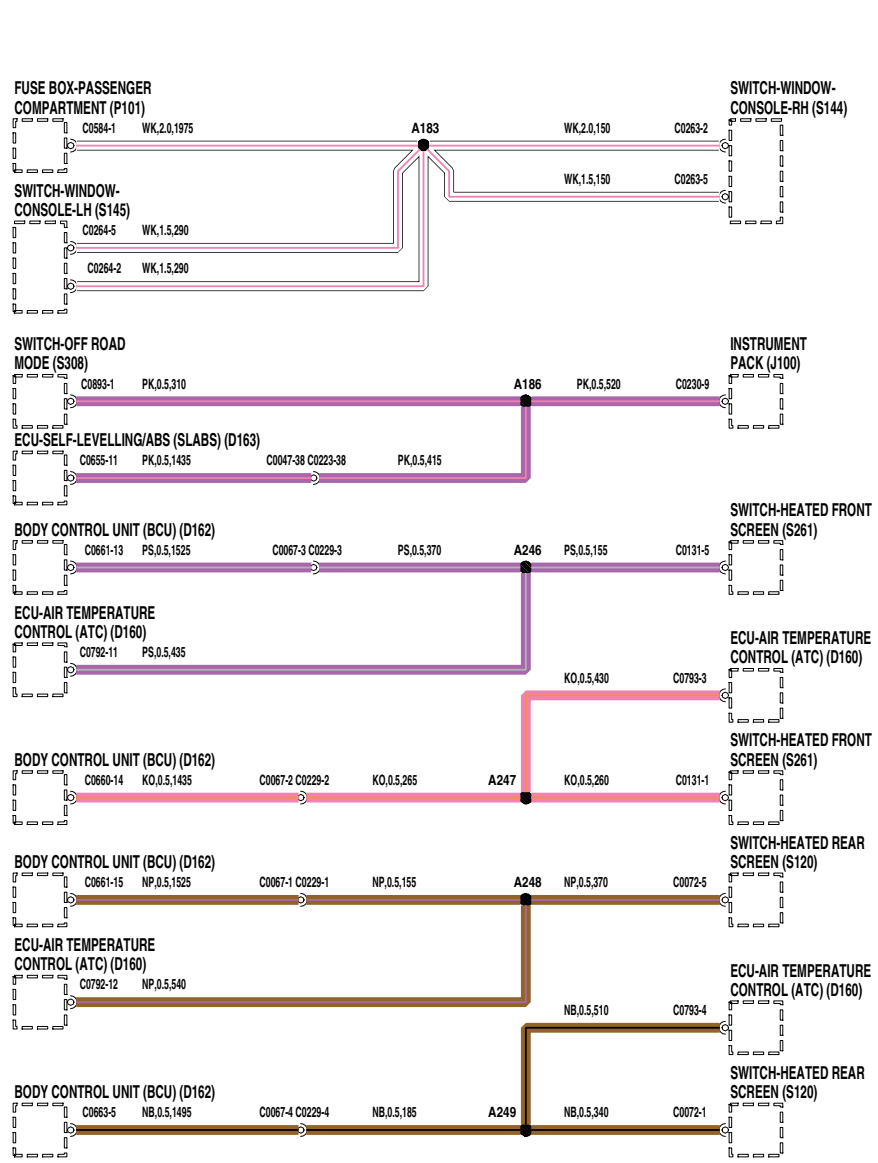
VWR105870-A-sheet3of6

SPLICES AND CENTRE TAPS



VWR105870-A-sheet4d6

SPLICES AND CENTRE TAPS



VWR105870-A-sheet5of6

SPLICES AND CENTRE TAPS

