

TECHNICAL BULLETIN



MODEL/DERIVATIVE:
Discovery Series II
Defender

Bulletin N°: 0026
CDS. ref: L8616bu
Issue: 1
Date: 23.08.2000

AFFECTED RANGE:

All Discovery Td5 diesel derivatives up to VIN: XA 907212 (System 1)
XA 222559 (System 2)

All Defender Td5 diesel derivatives up to VIN: XA 173796

PROBLEM:

ENGINE MISFIRE - ENGINE HARNESS OIL CONTAMINATION

The customer complains of engine misfire, poor performance or failure to start. The engine warning light may also be illuminated.

During investigation, oil contamination of the fuel injector harness to engine harness connector is identified.


CAUSE:

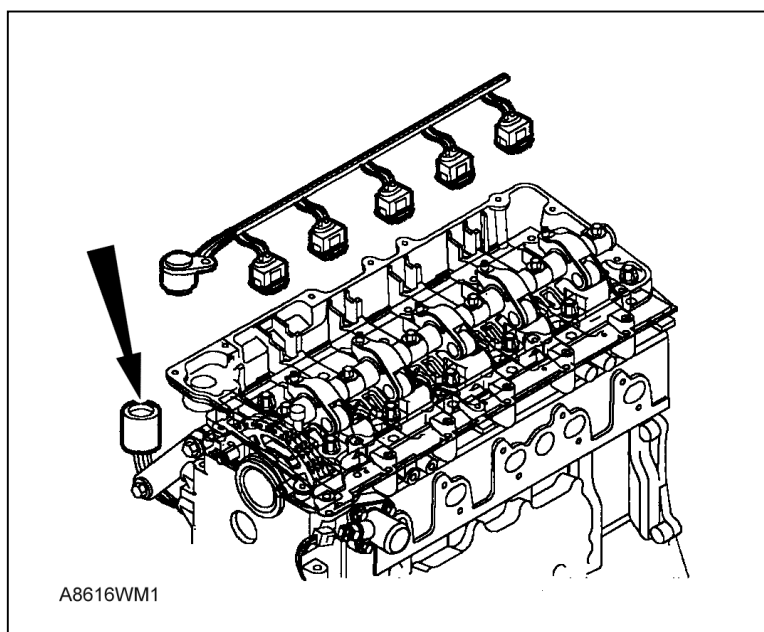
Poor sealing in the injector harness connector, allowing engine oil to migrate through the connector and into the engine harness, resulting in poor electrical contact. It is possible that oil may reach the engine management ECU connector.

ACTION:

Upon customer complaint of engine misfire, poor performance or failure to start, disconnect the engine harness at the cylinder head multiplug, (arrowed in illustration) and inspect for evidence of engine oil.

If engine oil is present within the connector, renew the respective harnesses as detailed below.

Should there be no evidence of engine oil in the cylinder head multiplug and an engine misfire is confirmed, refer to Technical Bulletin  **0026** - Fuel Injector Diagnosis, for further guidance.



Land Rover Parts now supply harnesses having improved internal sealing. There are no changes to part numbers, refer to *PARTS INFORMATION* for specific applications.

1. Renew the fuel injector harness, Workshop Manual repair number **86.70.22** refers.
2. Renew the engine harness, Workshop Manual repair number **86.70.17** refers.
3. When renewing the engine harness, inspect the ECU connector for evidence of engine oil. If oil is present, clean the ECU connectors with electrical contact cleaner before connecting the new harness. ***IT IS NOT NECESSARY TO RENEW THE ECU.***
4. Use TestBook to remove any fault codes stored in the ECU and to extinguish warning lights.

PARTS INFORMATION:

Part Number	Description	Application
AMR6103	Harness - fuel injectors	All Td5 models
YSB106901	Harness - engine	Defender Td5 with A/C
YSB106902	Harness - engine	Defender Td5 non A/C
YSB108710	Harness - engine	All Td5 Discovery II

WARRANTY CLAIMS:

Use Complaint Code: **7Y1L**

Use S.R.O.: **86.70.17 Harness - engine - renew**
Time allowance: **2.00 Hrs - Discovery II**
2.50 Hrs - Defender

Use S.R.O.: **86.70.22 Harness - injectors - renew**
Time allowance: **0.70 Hrs - All models**

Use S.R.O.: **18.90.40/01 TestBook diagnosis**
Time allowance: **0.80 Hrs - All models**