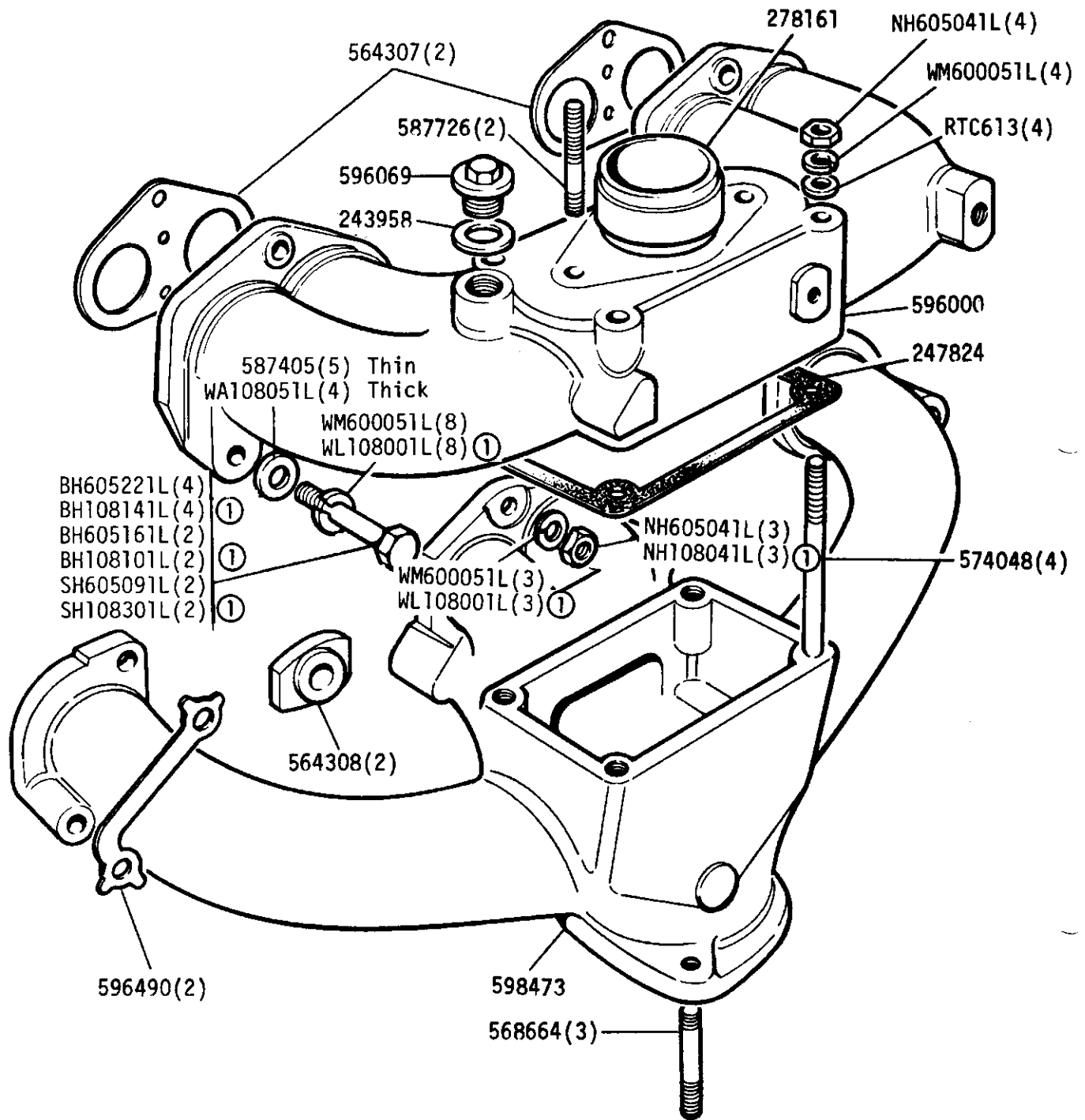


GROUP B

ENGINE - Manifolds 2½ Litre Petrol Except European detoxed

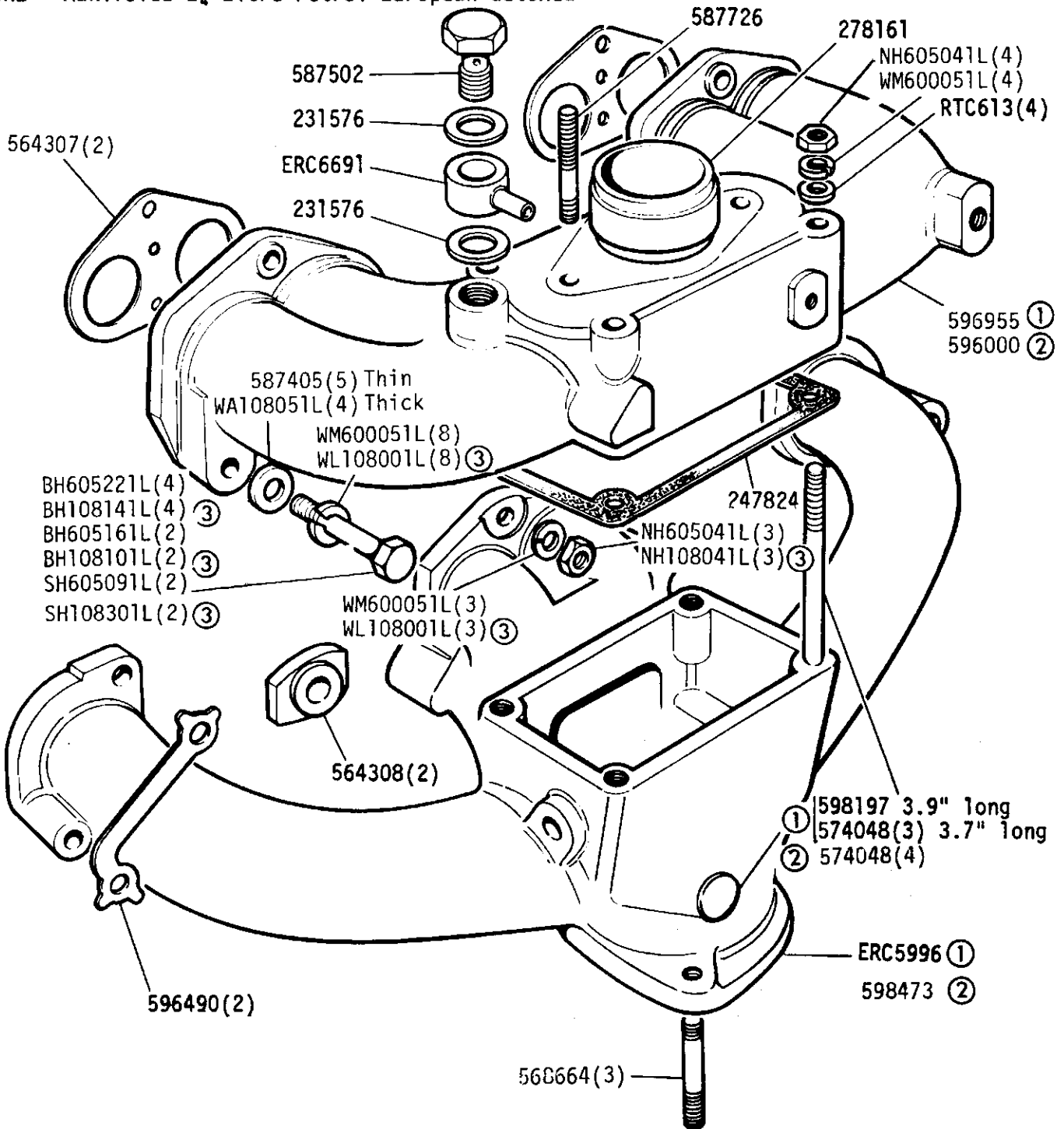


Exhaust manifold fixing kit 606988

① From engine numbers 36123672B, 36407286B

GROUP B

ENGINE - Manifolds 2½ Litre Petrol European detoxed

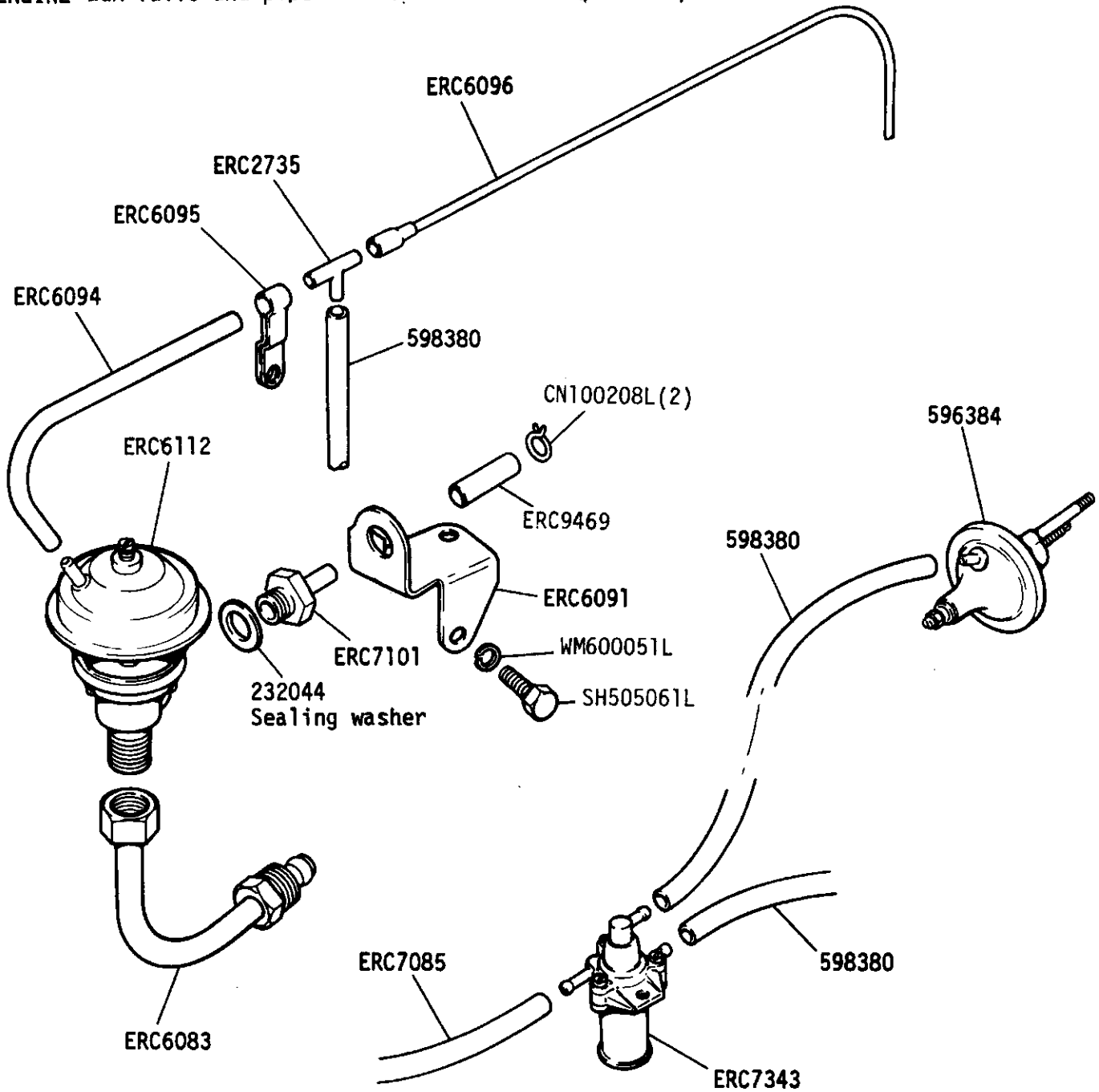


Exhaust manifold fixing kit 606988

Vehicles built to ECE 15-03 (European Regulations)

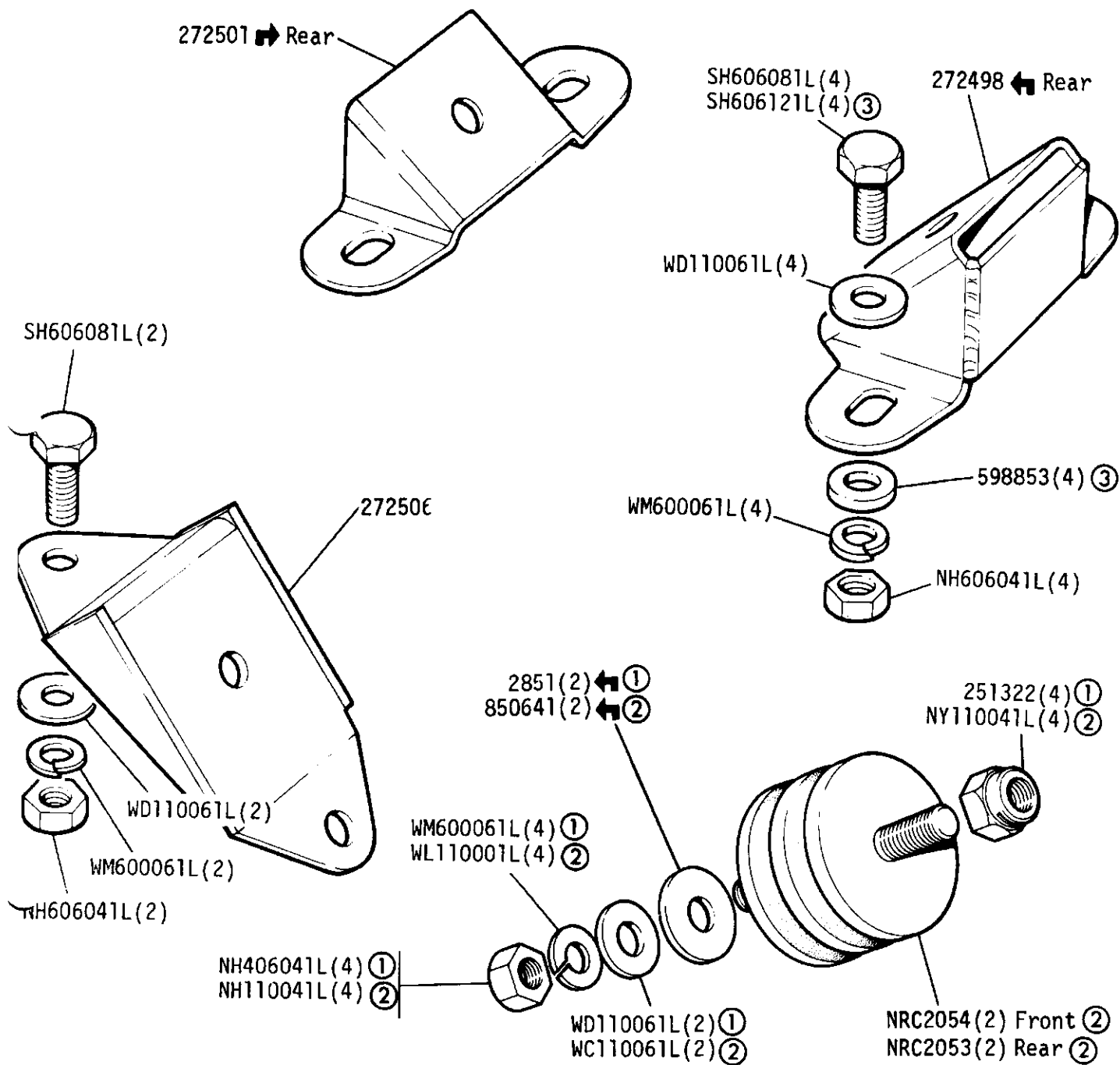
- ① Up to vehicle Number 36116817A
- ② From vehicle Number 36116817A
- ③ From engine numbers 36123672B, 36407286B

GROUP H
ENGINE-EGR Valve and pipe - European detoxed 2½ litre petrol.



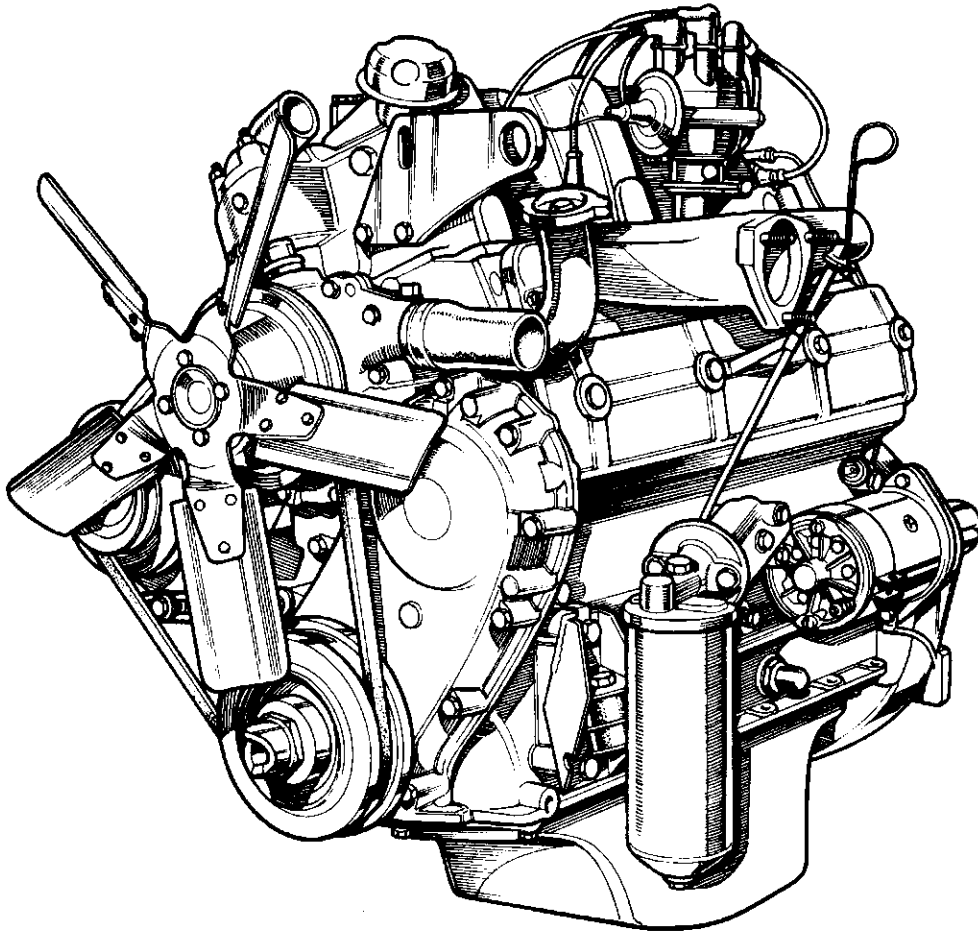
GROUP B

GINE - Mountings and Rubbers 2½ Litre Petrol



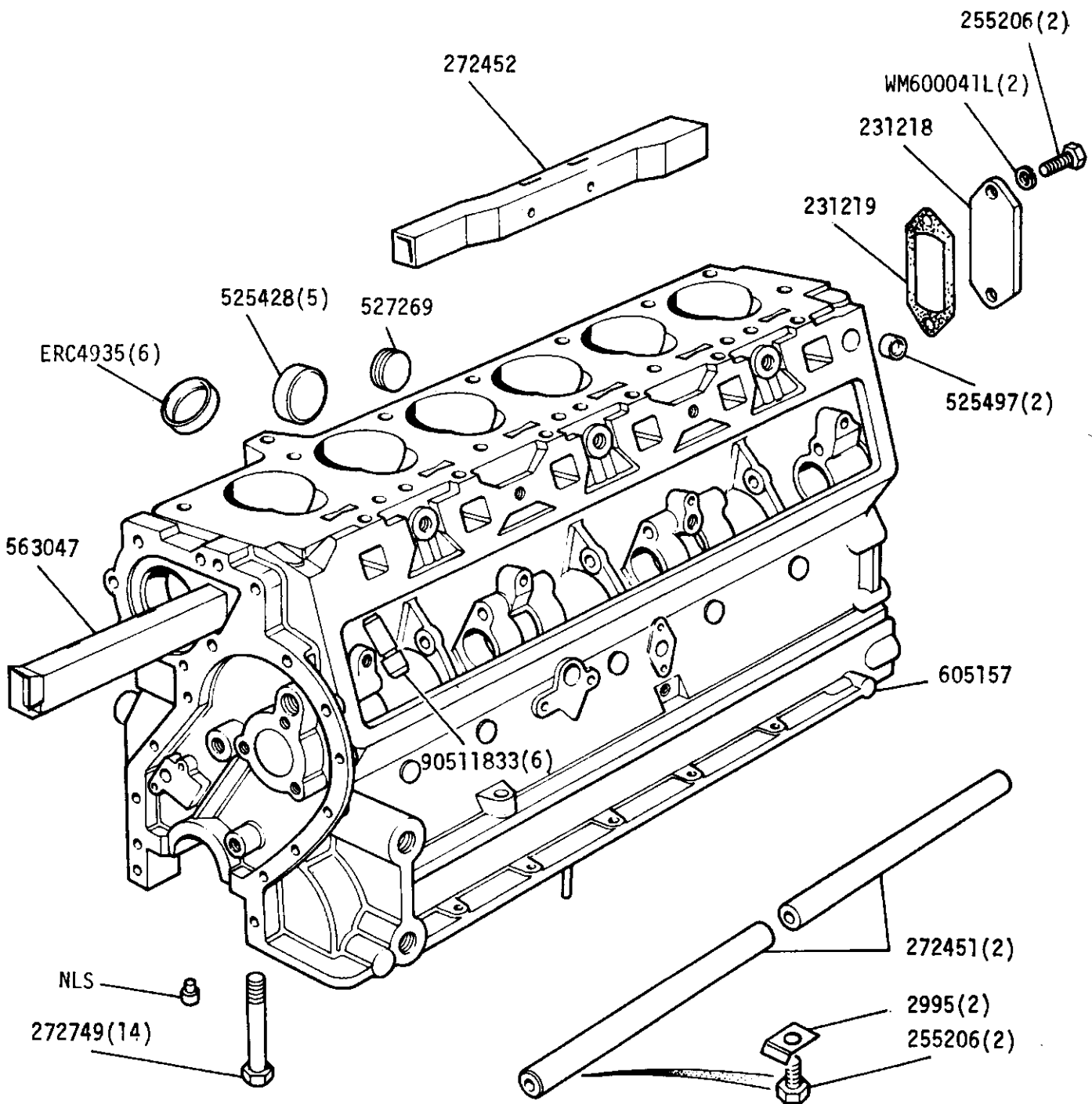
- ① BSF Fixings
- ② Metric Fixings
- ③ 109in 1 Ton

GROUP B
ENGINE ASSEMBLIES 2.6 Litre Petrol



Engine complete assembly 7.0:1 N.L.S
Engine complete assembly 7.8:1 RTC2475N Detoxed
Complete with all ancillaries except flywheel and clutch

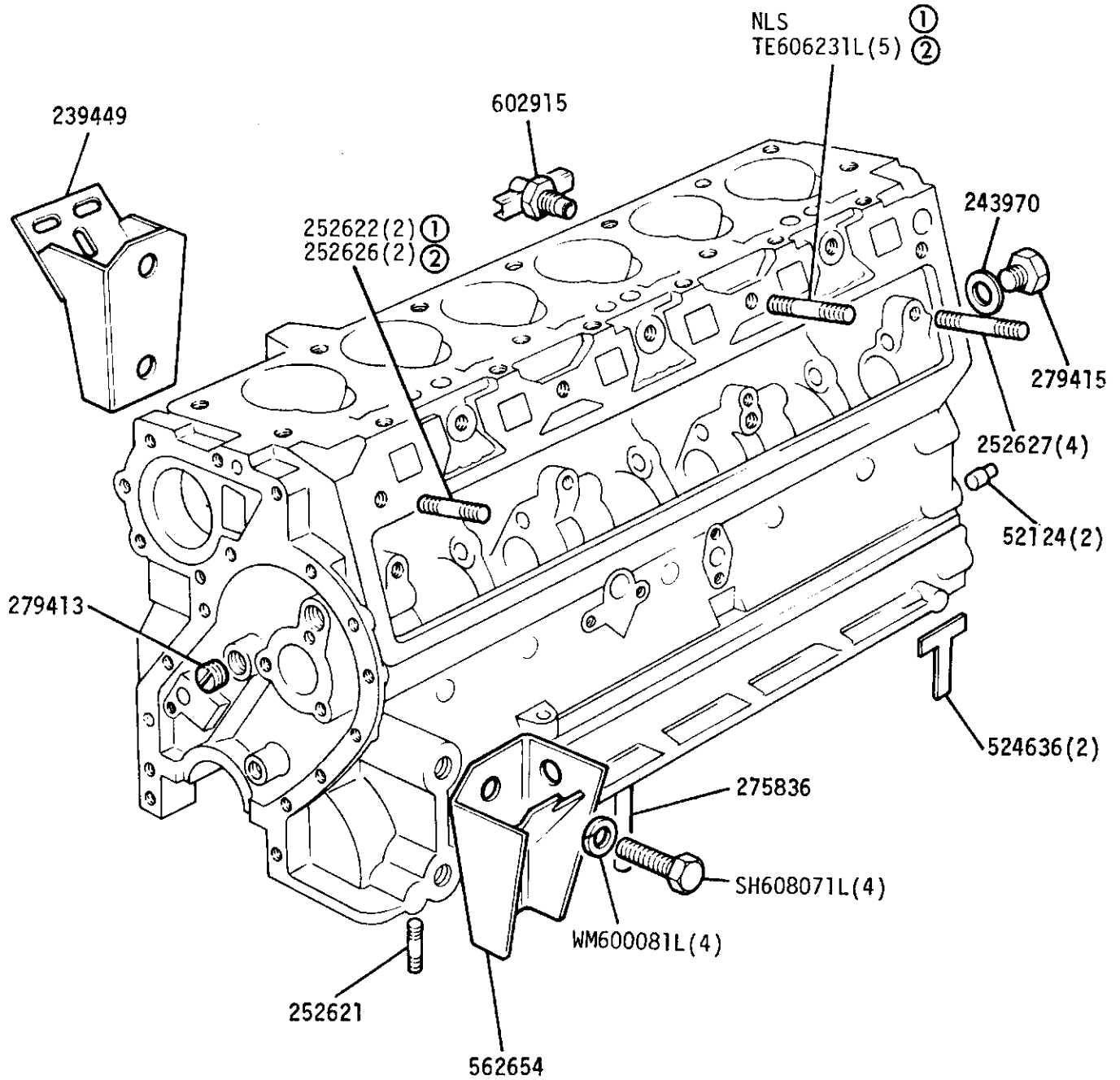
GROUP B
ENGINE - Cylinder Block 2.6 Litre Petrol



Stripped engine assembly new 7.0:1 RTC2407N
 Stripped engine assembly new 7.8:1 NLA
 Stripped engine assembly rebuilt 7.8:1 RTC2388R
 Short engine 7.0:1 RTC2643
 Short engine 7.8:1 RTC2642
 Stud and dowel kit for cylinder block 535708
 Cylinder liner 516498(6)
 Engine overhaul gasket kit 605106
 Decarbonising gasket kit RTC3333

GROUP B

ENGINE - Cylinder Block Fixings 2.6 Litre Petrol



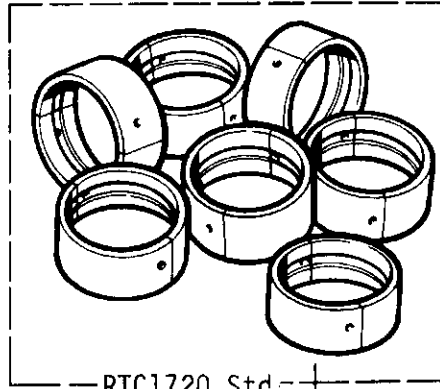
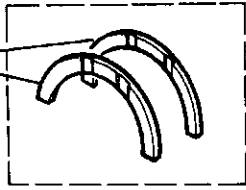
① Up to Engine suffix 'B' inclusive

② From Engine suffix 'C' onwards

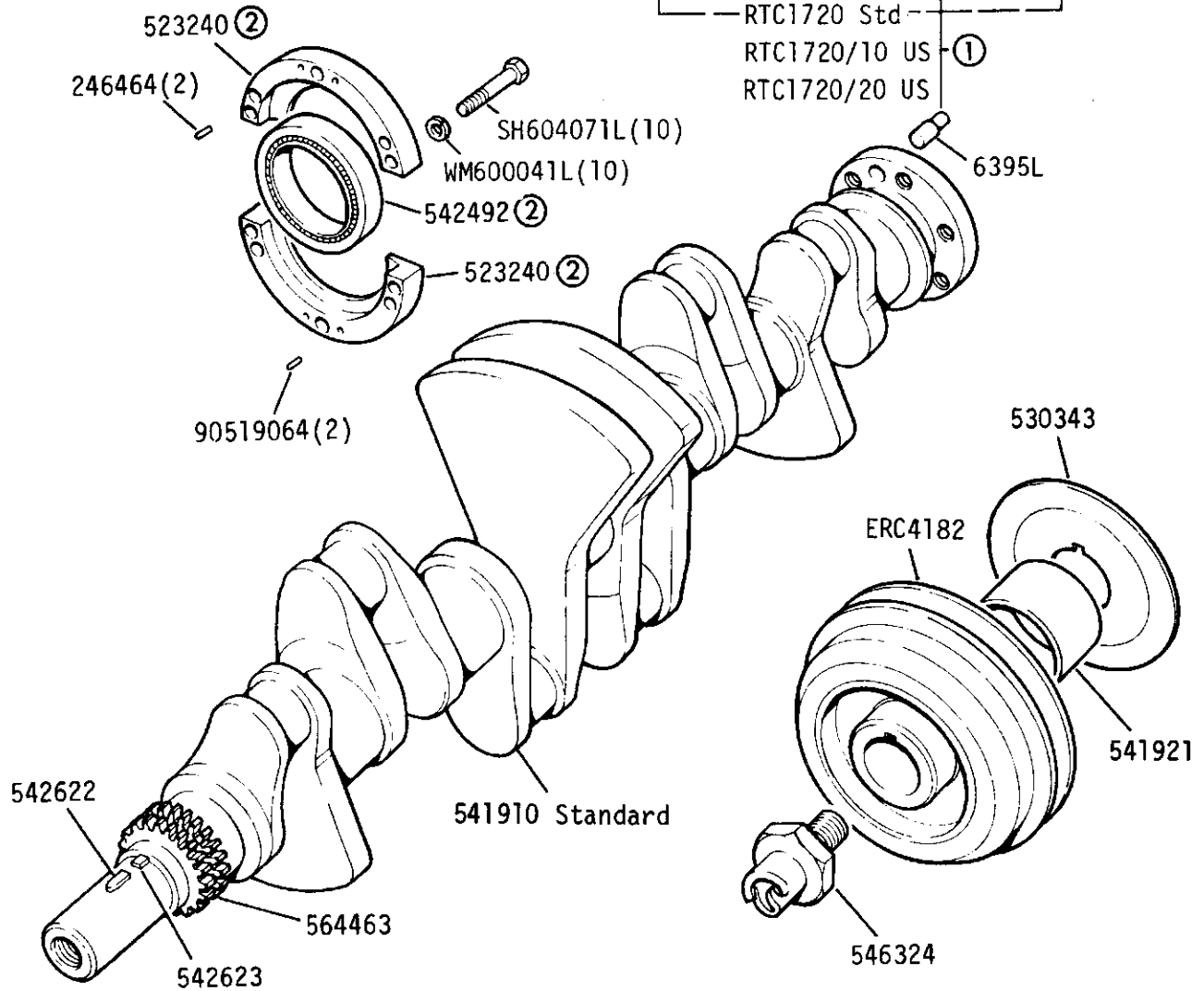
GROUP B

ENGINE - Crankshaft 2.6 Litre Petrol.

- 600177 Standard
- 600174 0.0025in OS
- 600175 0.005 in OS
- 600176 0.0075in OS
- 600178 0.010 in OS
- 600179 0,0125in OS



- RTC1720 Std
- RTC1720/10 US
- RTC1720/20 US

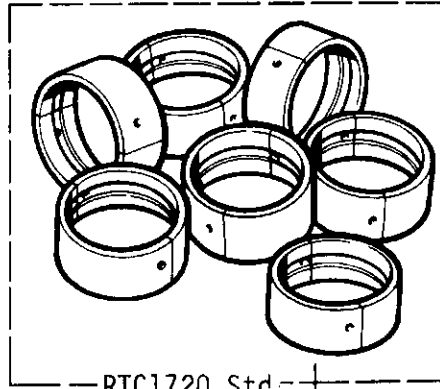
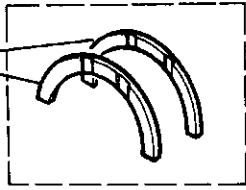


- ① Engine Set
- ② Crankshaft oil seal and retainer assembly 542494 includes silicone grease 270656

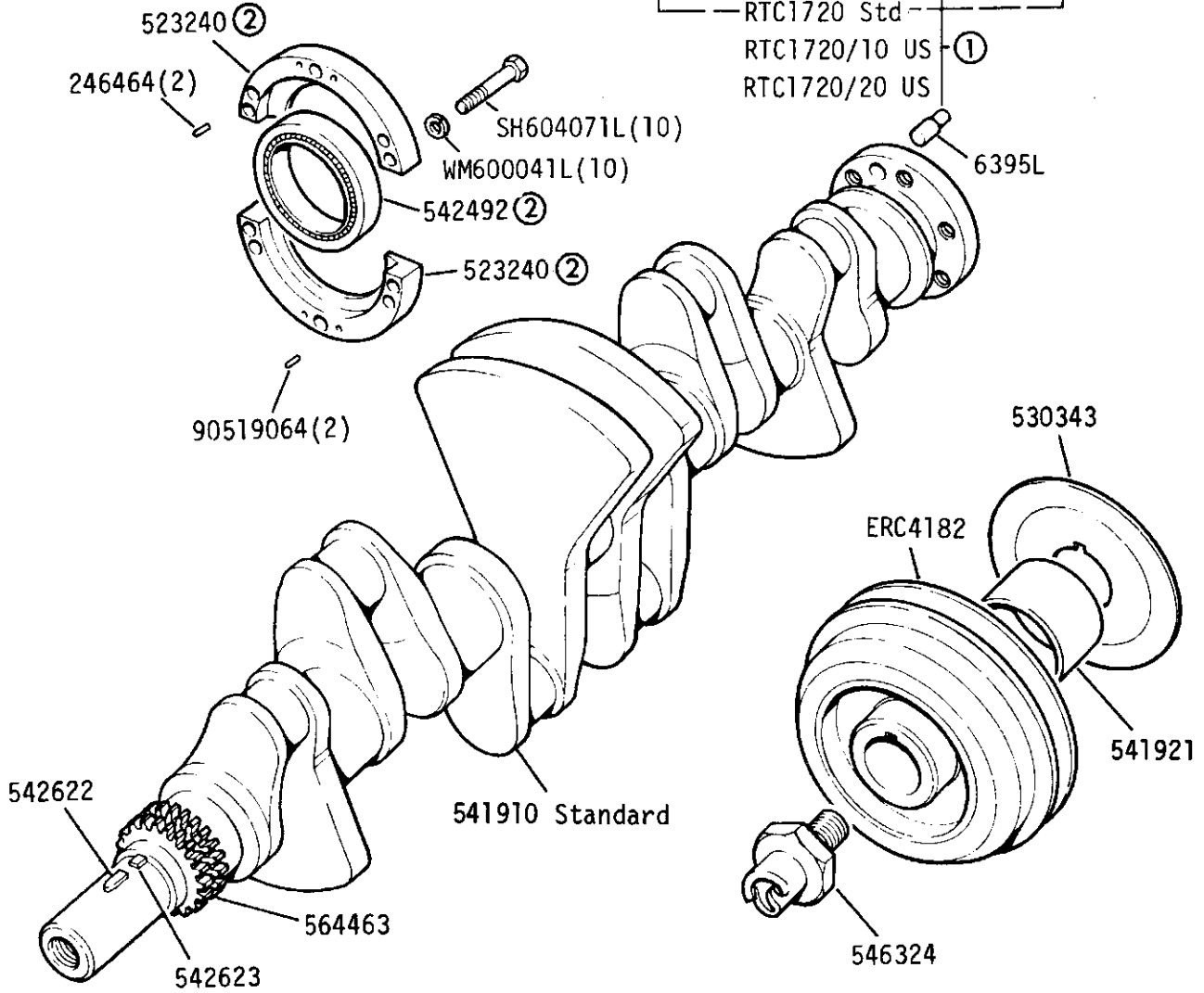
GROUP B

ENGINE - Crankshaft 2.6 Litre Petrol.

- 600177 Standard
- 600174 0.0025in OS
- 600175 0.005 in OS
- 600176 0.0075in OS
- 600178 0.010 in OS
- 600179 0,0125in OS



- RTC1720 Std
- RTC1720/10 US
- RTC1720/20 US

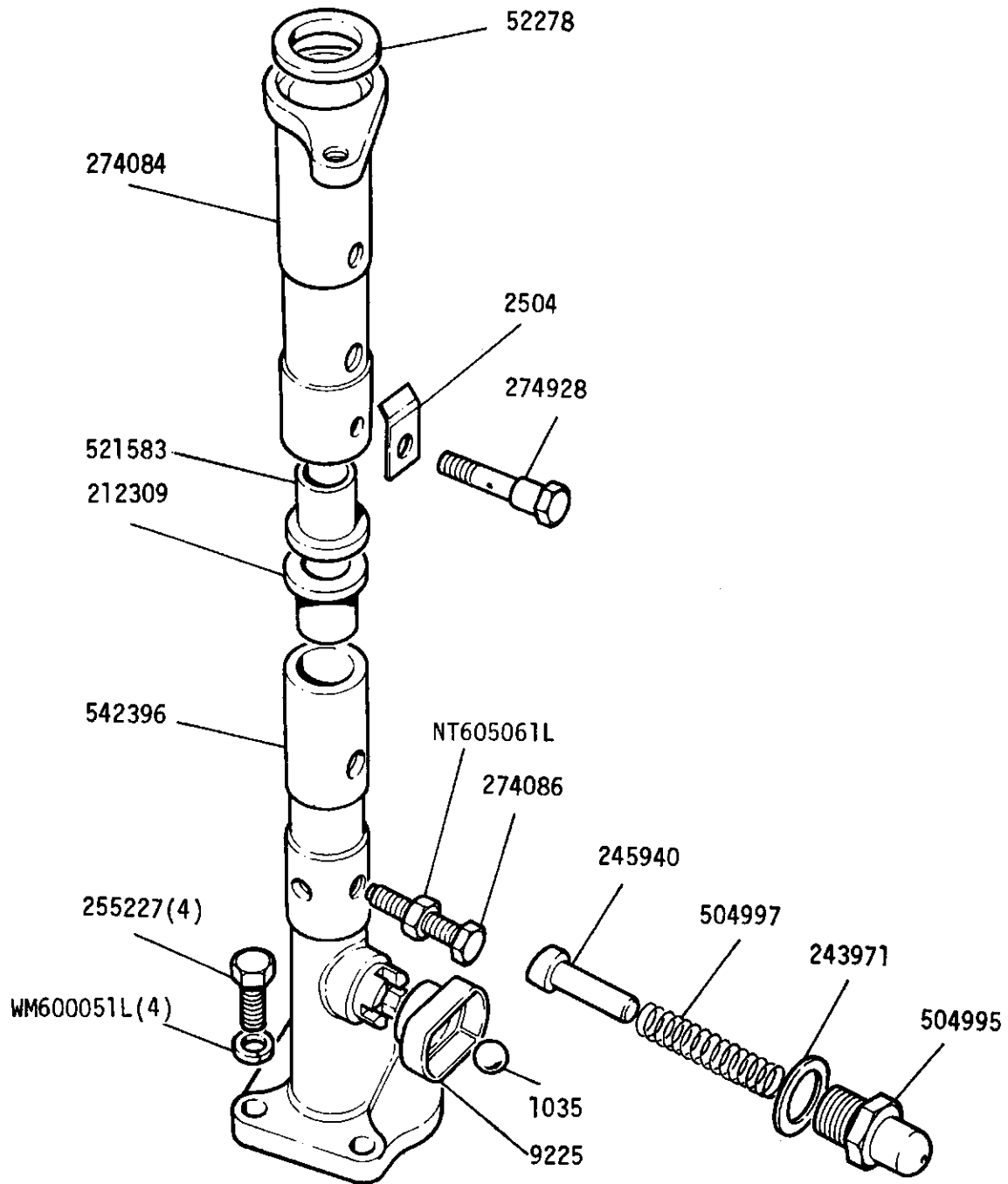


① Engine Set

② Crankshaft oil seal and retainer assembly 542494 includes silicone grease 270656

GROUP B

ENGINE - Oil Pump Body and Release Valve 2.6 Litre Petrol



Oil pump assembly 90564334

Assembly does not include drive shafts on adjacent frame



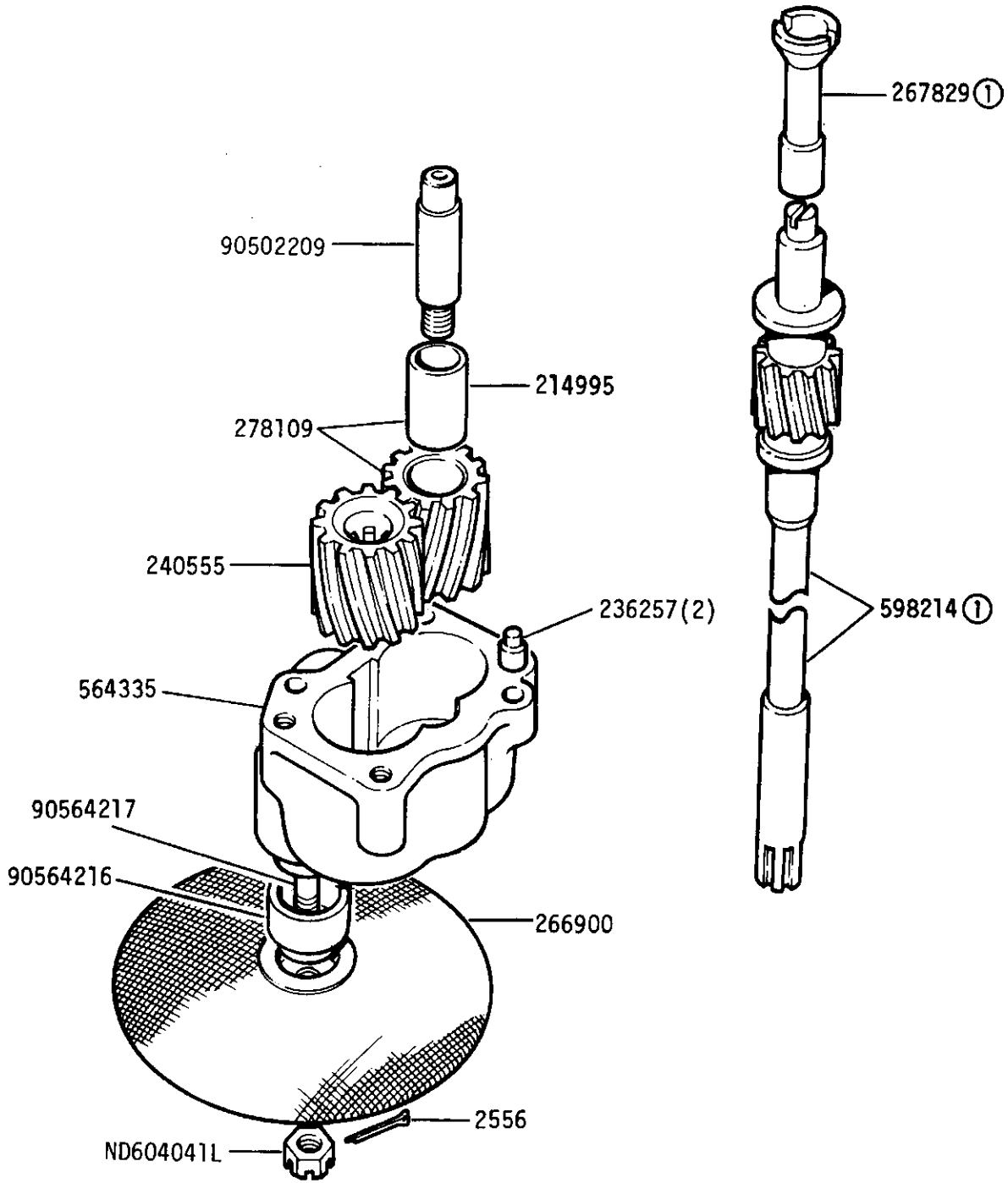
LAND ROVER

1D 05

2RE 43

GROUP B

ENGINE - Oil Pump Gears, Drive Shaft and Body, 2.6 Litre Petrol

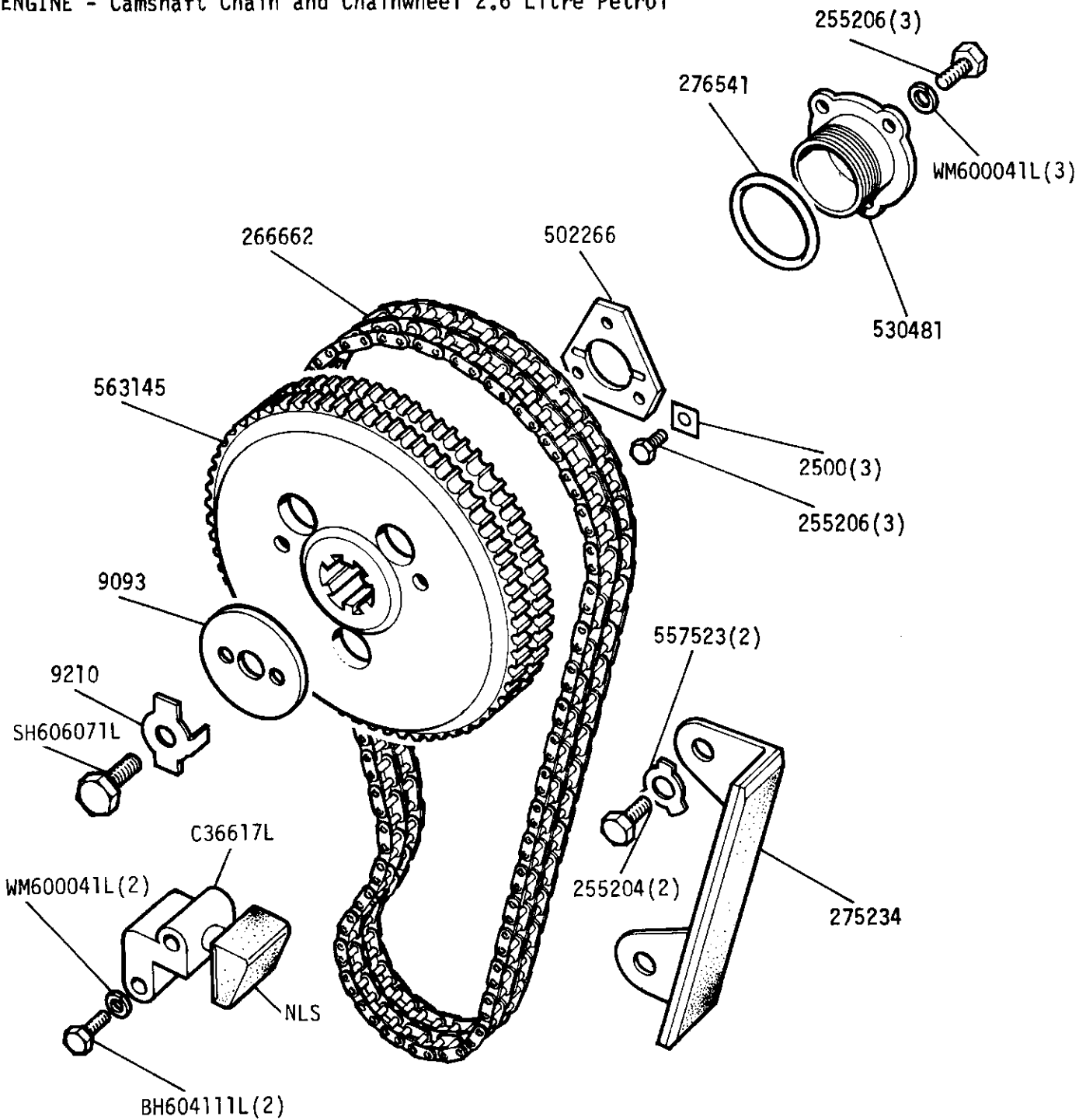


Oil pump assembly 90564334

① Assembly does not include drive shafts

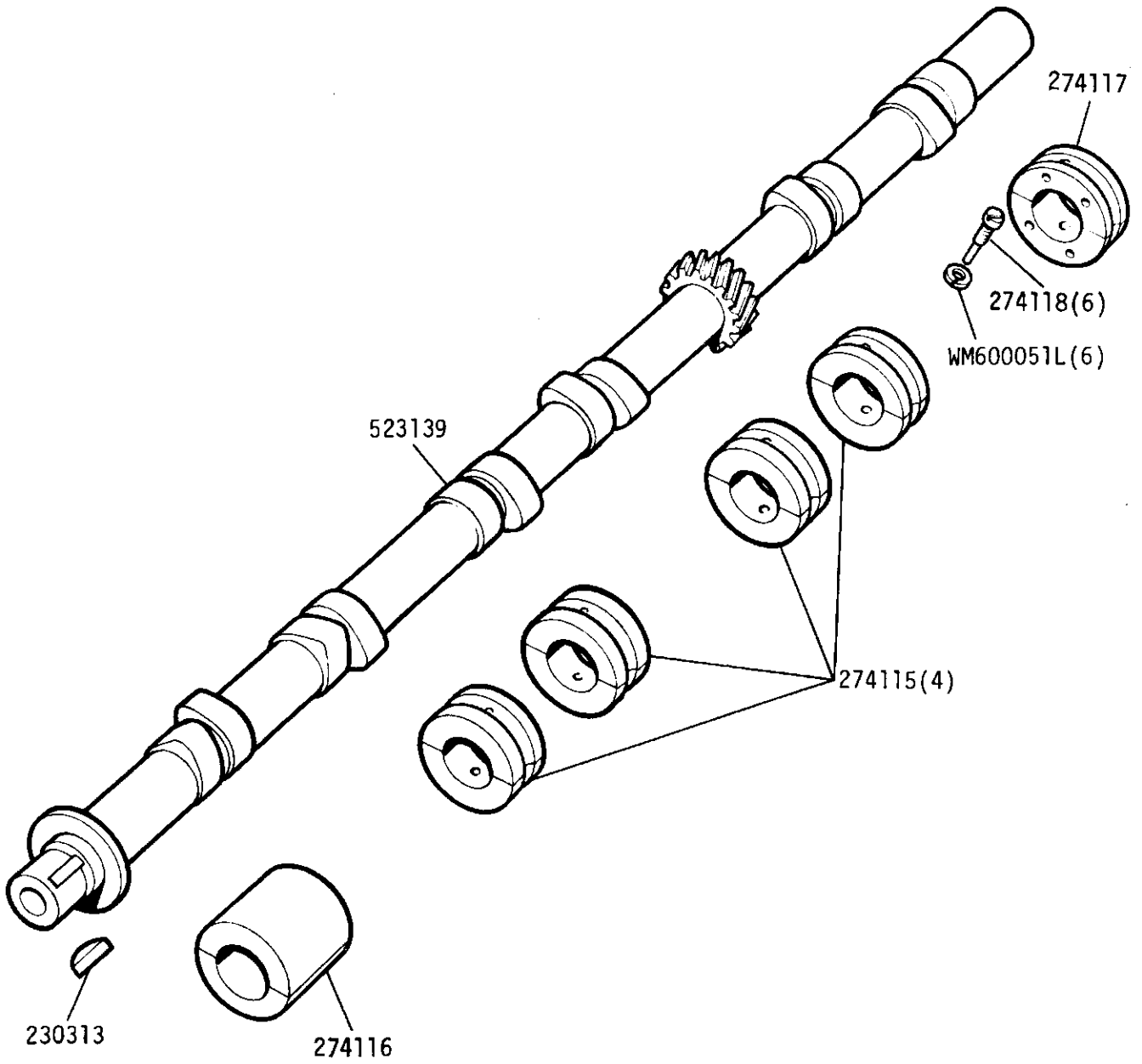
GROUP B

ENGINE - Camshaft Chain and Chainwheel 2.6 Litre Petrol

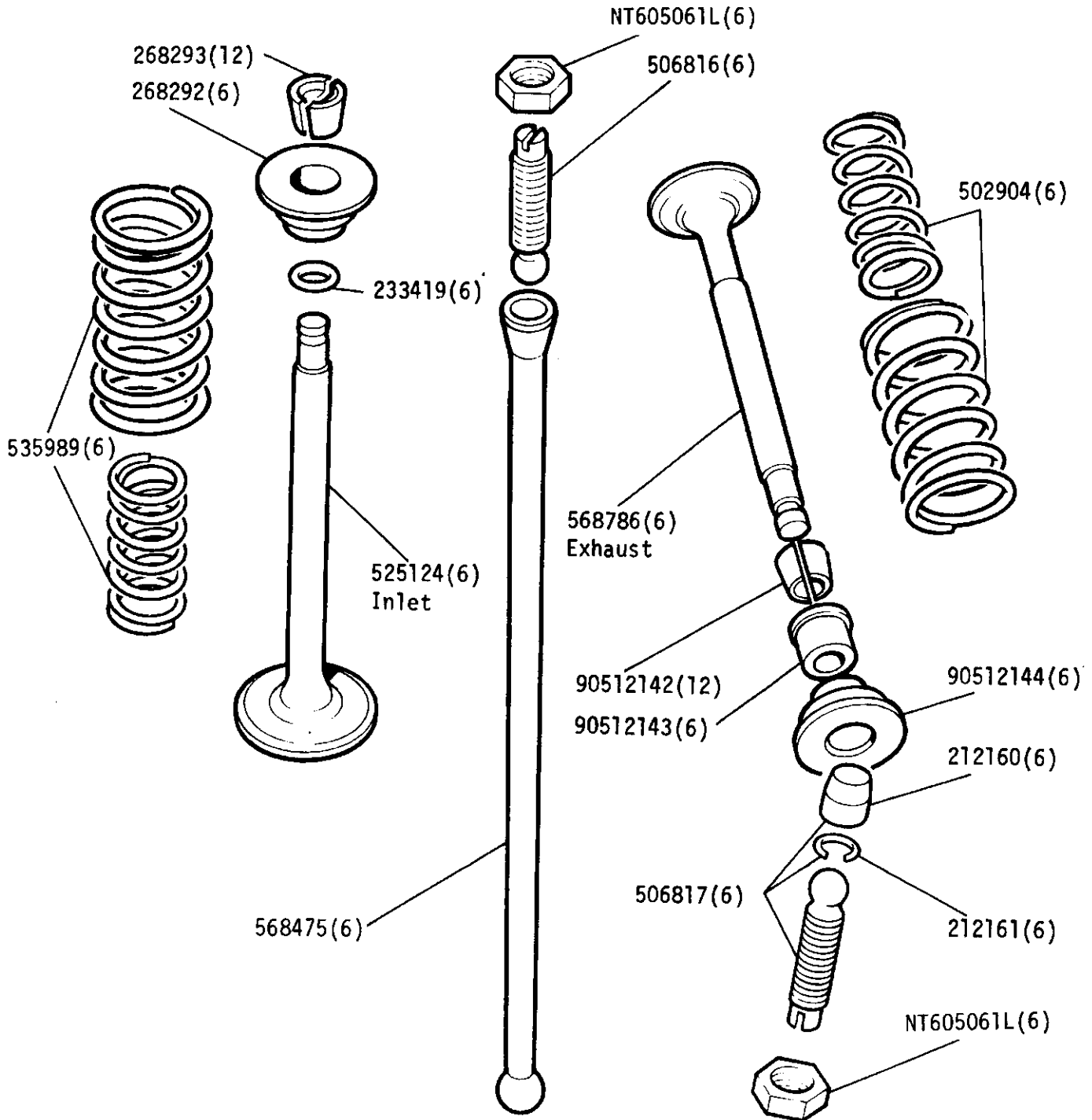


GROUP B

ENGINE - Camshaft 2.6 Litre Petrol

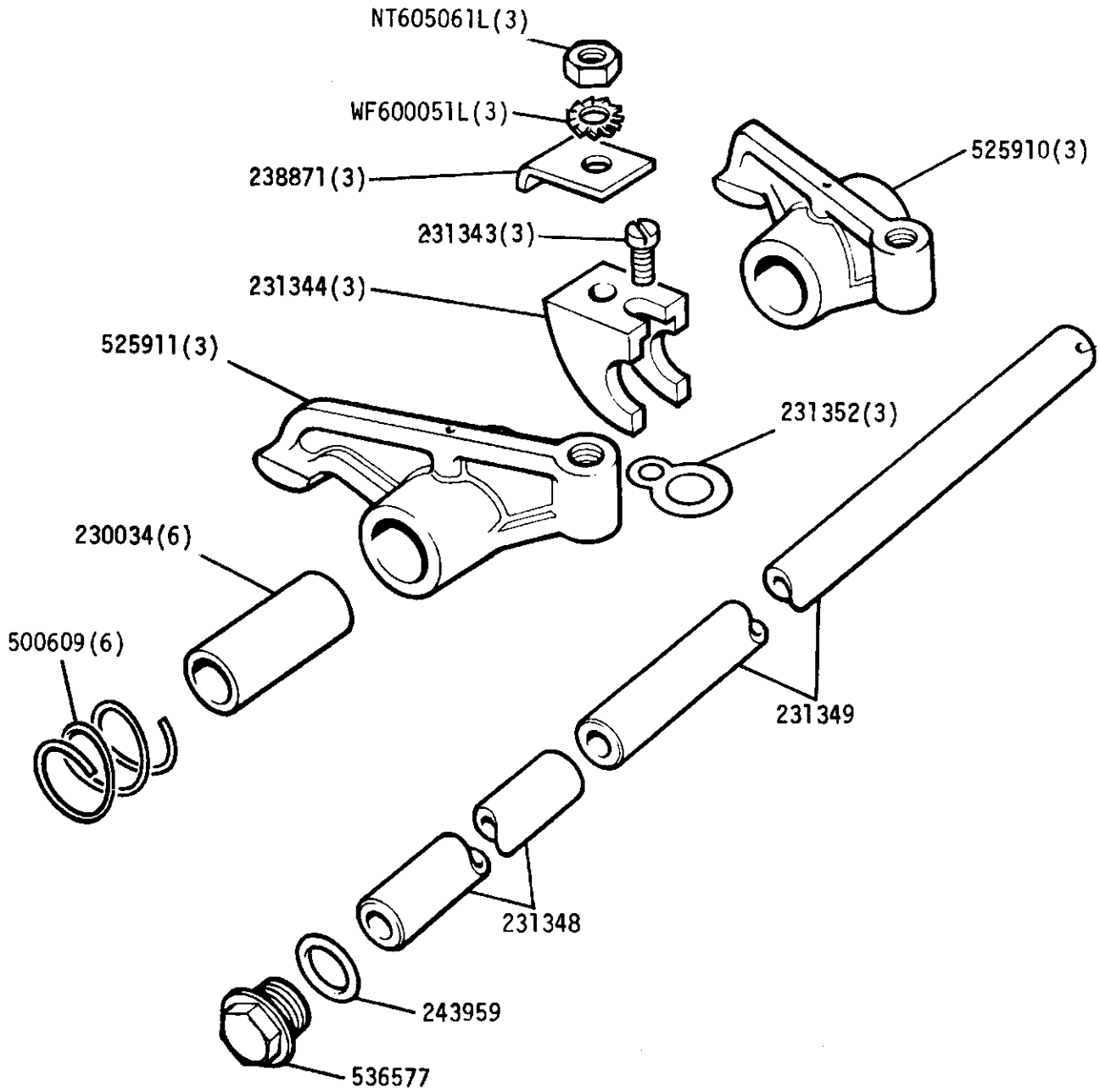


GROUP B
ENGINE - Valves and Push Rods 2.6 Litre Petrol



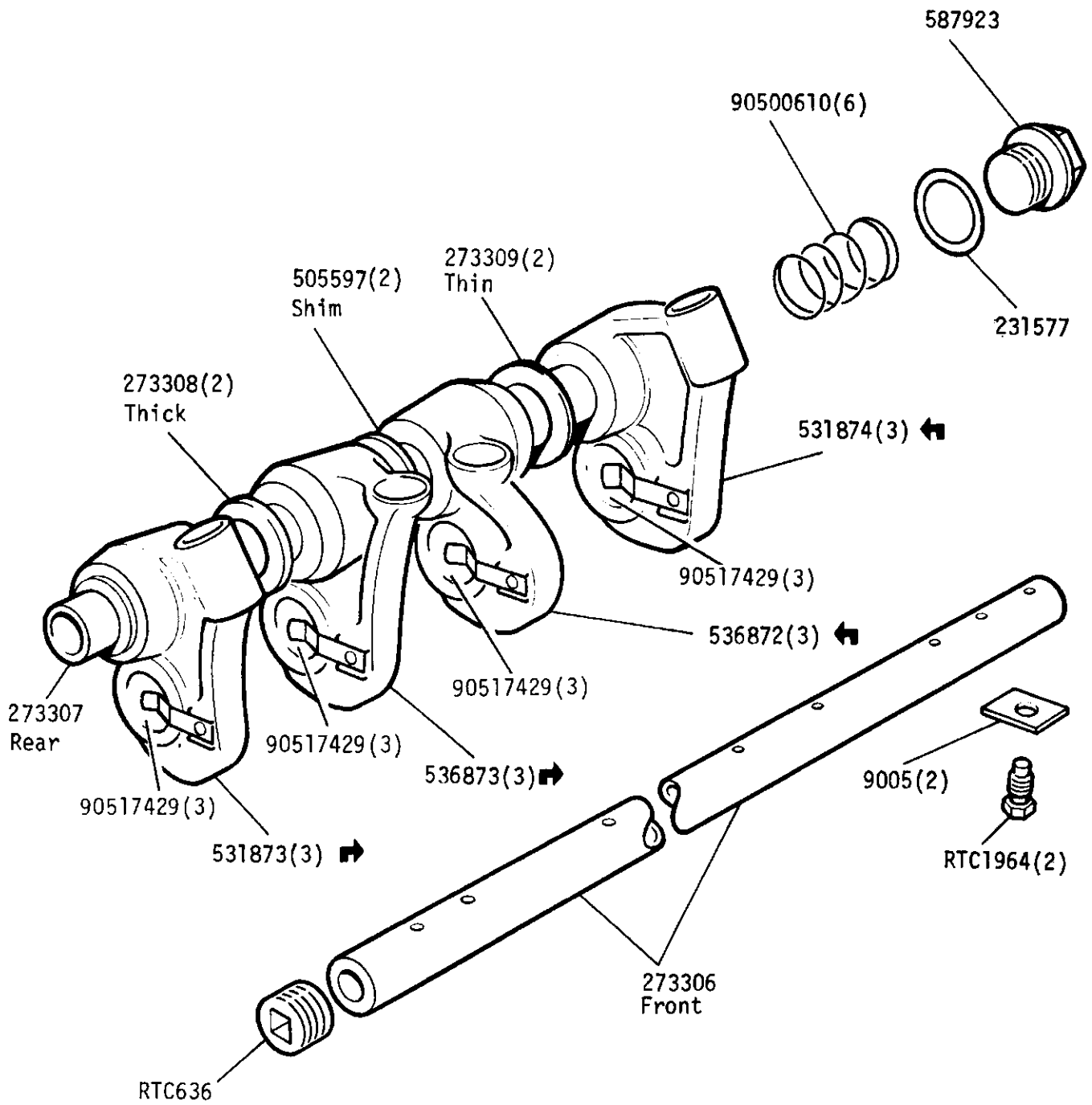
GROUP B

ENGINE - Inlet Valve Rockers 2.6 Litre Petrol



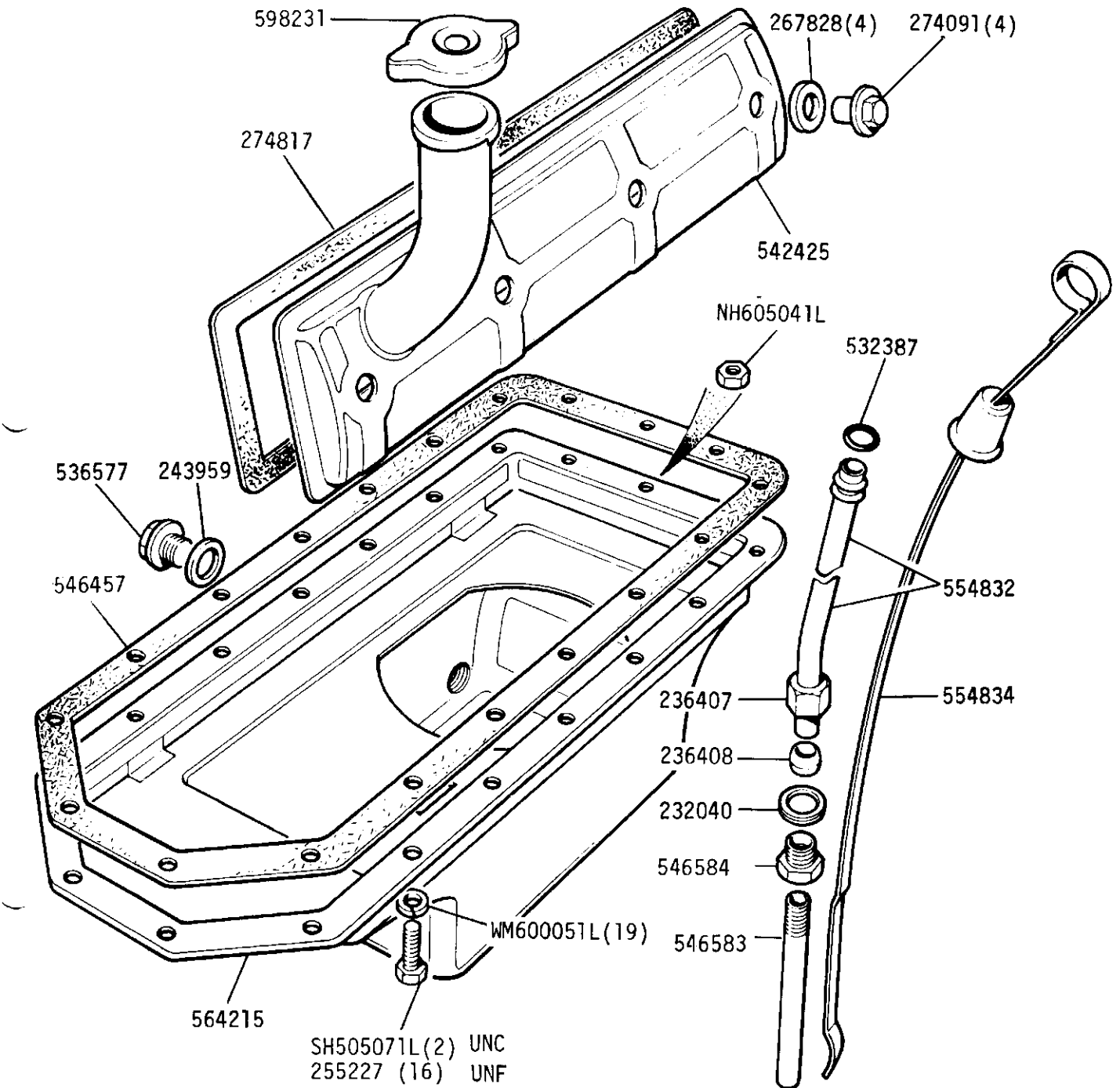
GROUP B

ENGINE - Exhaust Valve Rockers and Inlet Cam Followers 2.6 Litre Petrol

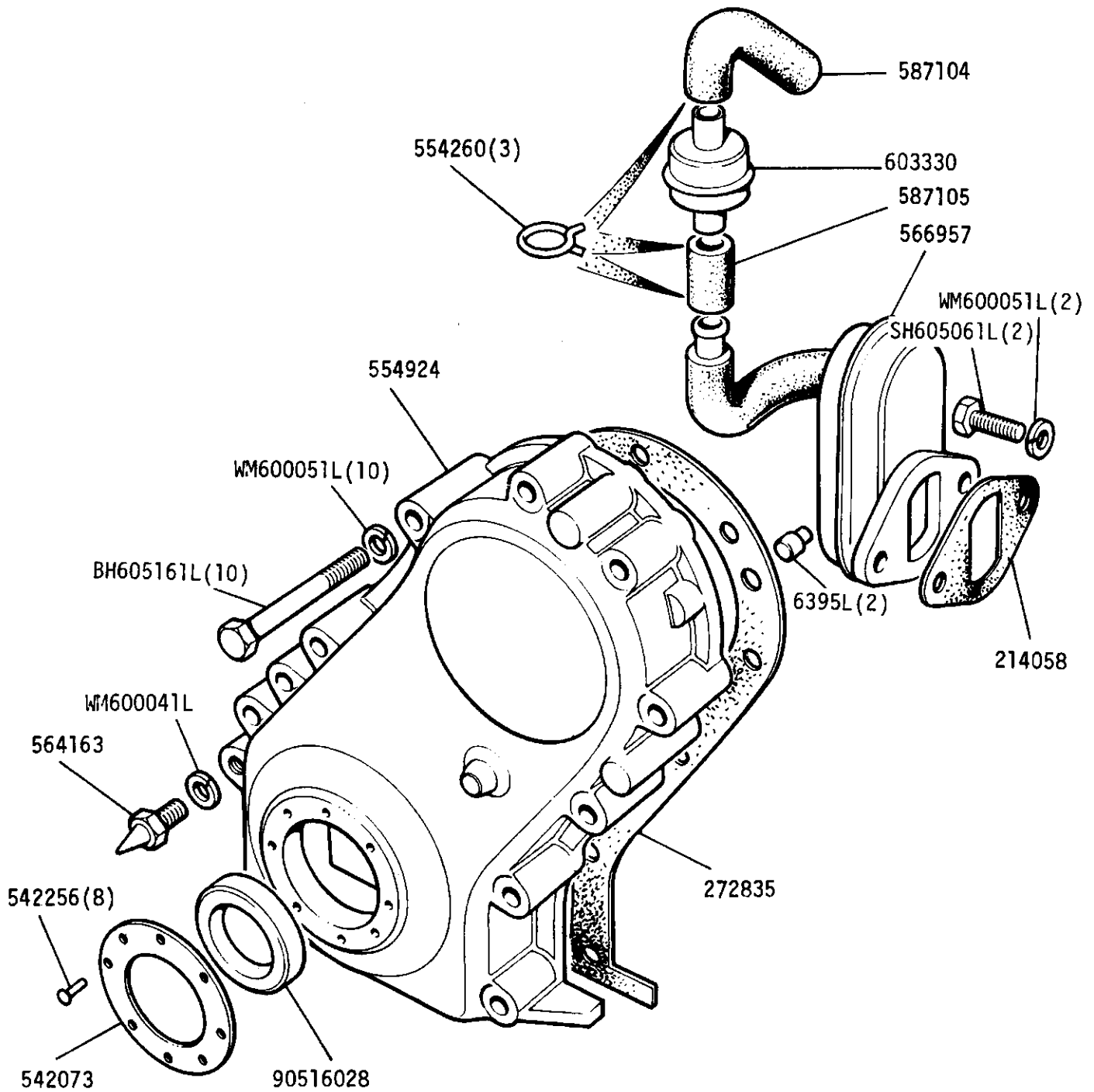


GROUP B

ENGINE - Side Cover and Sump 2.6 Litre Petrol

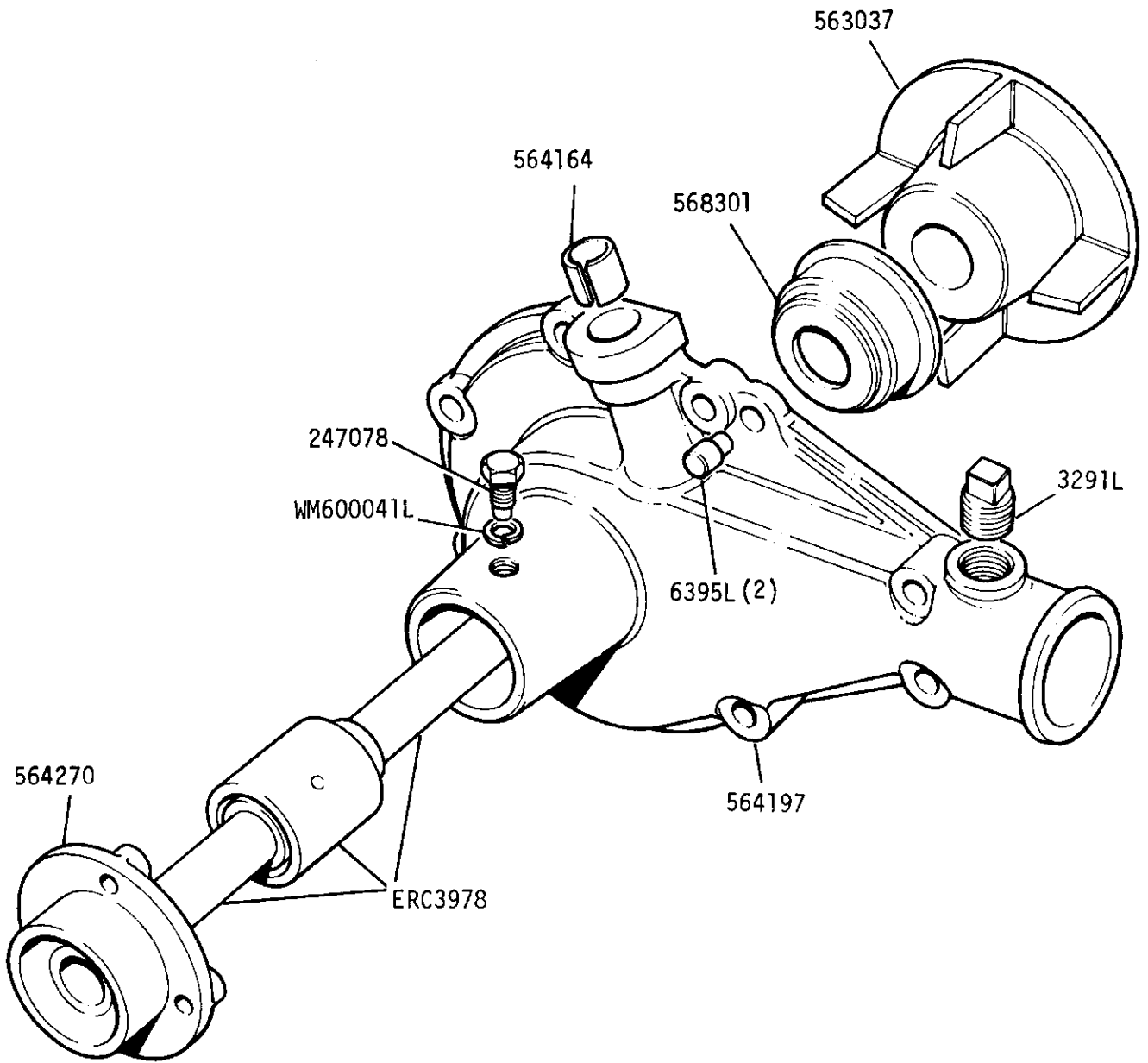


GROUP B
ENGINE - Front Cover and Engine Breather 2.6 Litre Petrol



GROUP B

ENGINE - Water Pump 2.6 Litre Petrol Up to Engine Suffix 'B' inclusive



Water Pump overhaul kit 605716



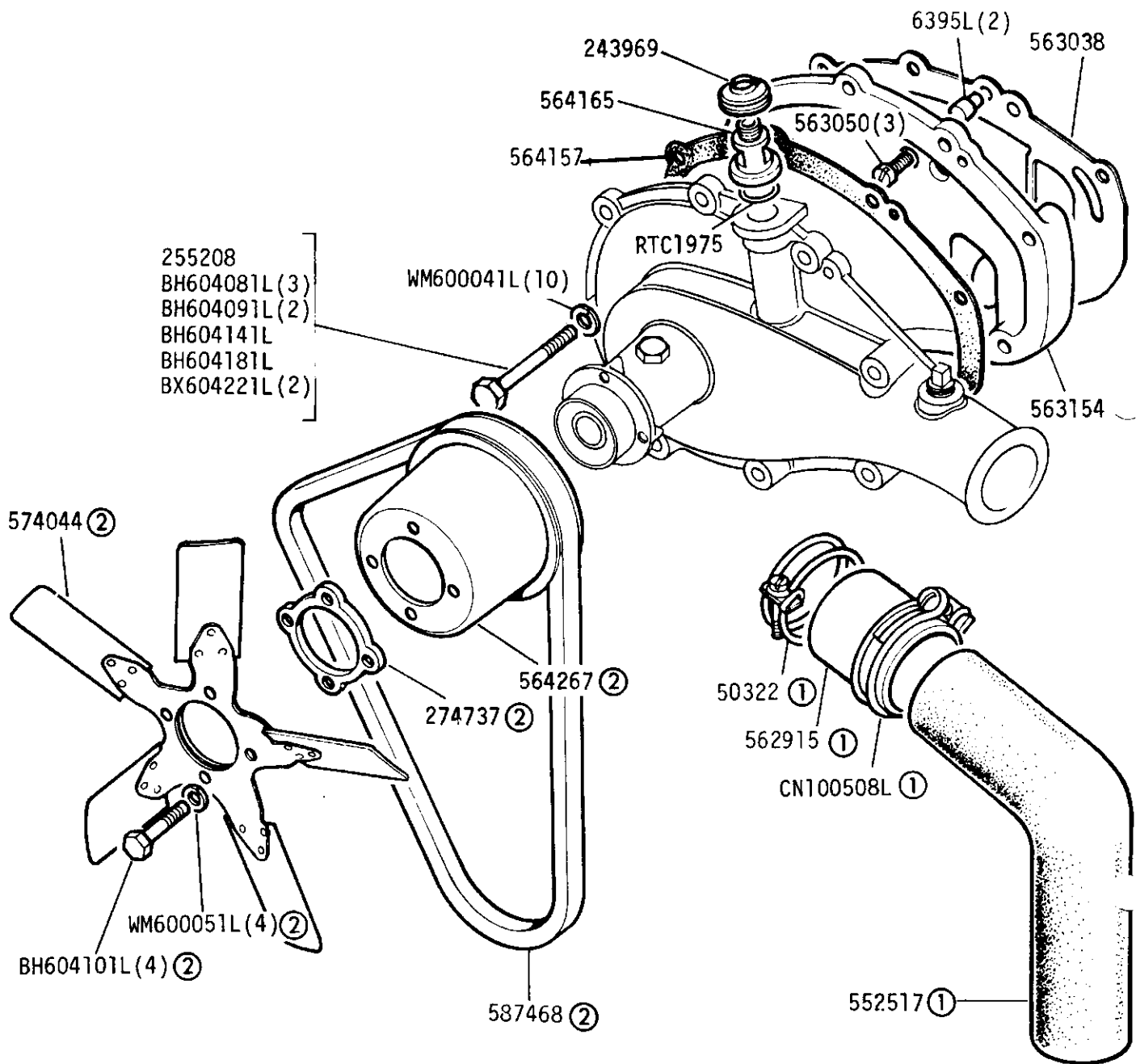
LAND ROVER

1D 09

2RE 45

GROUP B

ENGINE - Water Pump Adaptor and Fan 2.6 Litre Petrol



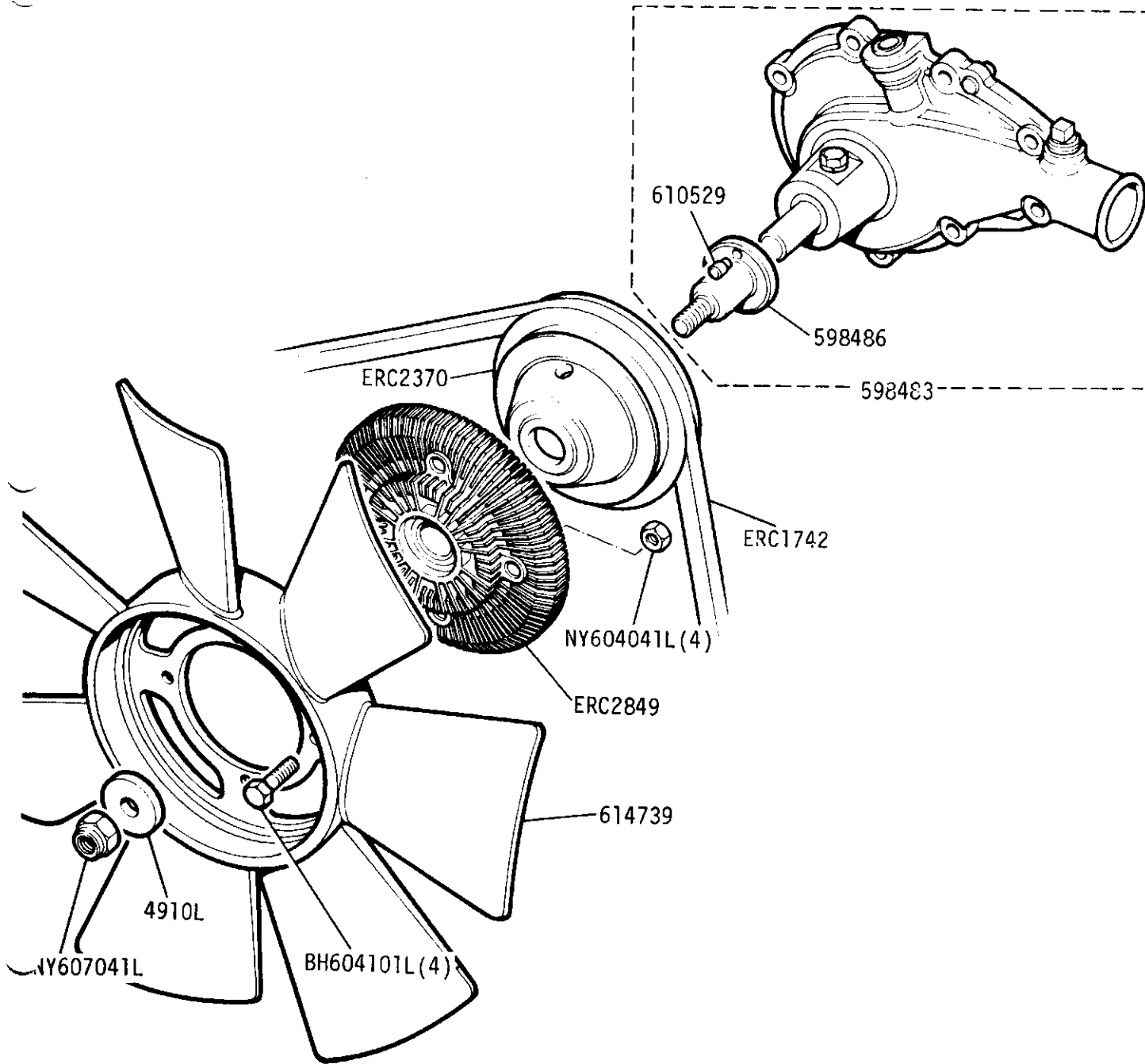
① Not required after August 1974 when one piece moulded bottom hose is fitted

② Up to Engine Suffix 'B' inclusive

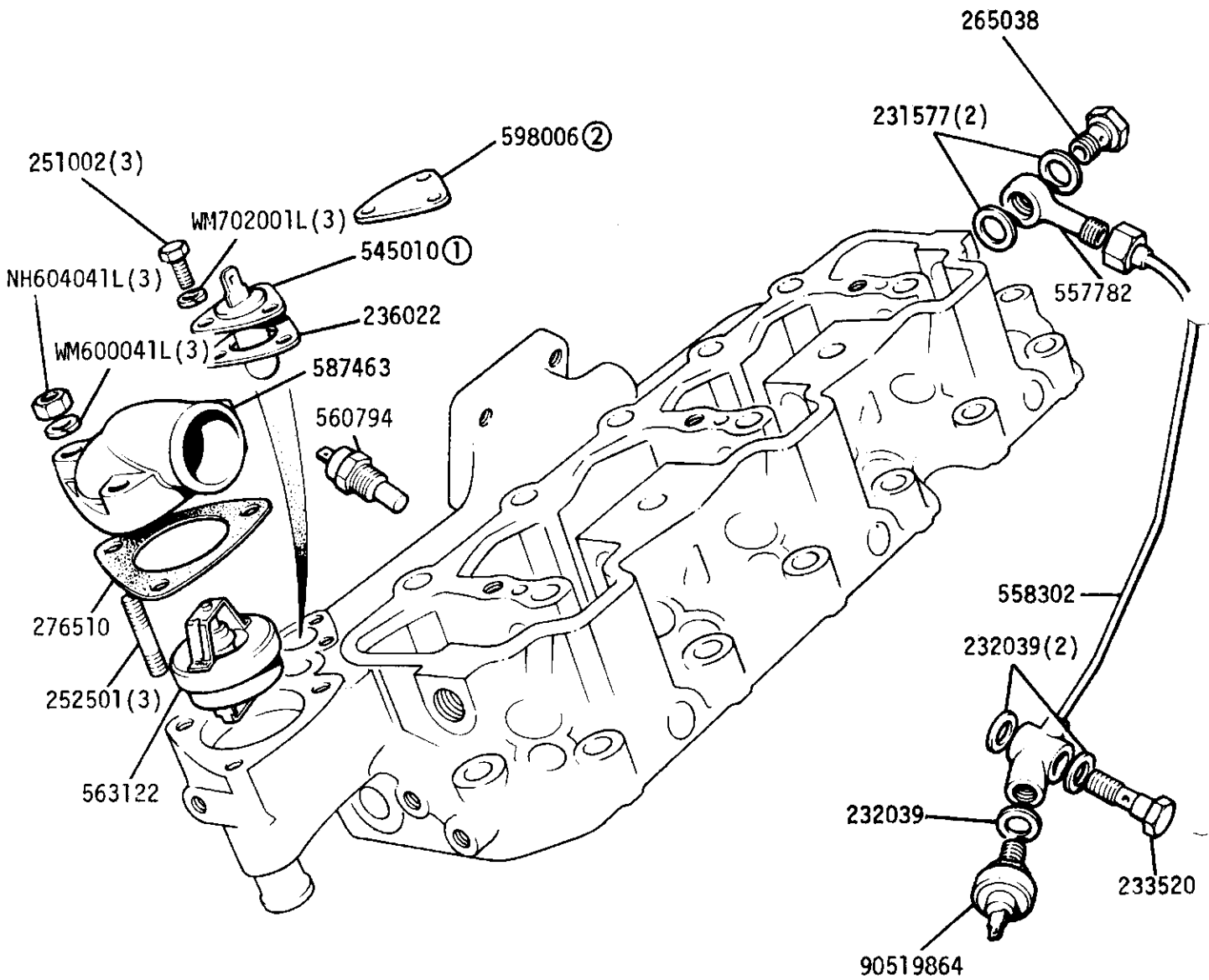
From Engine Suffix 'C' → frame 1D 10 RH

GROUP B

DETOXED ENGINE - Water Pump and Viscous Fan 2.6 Litre Petrol From Engine Suffix 'C' onwards



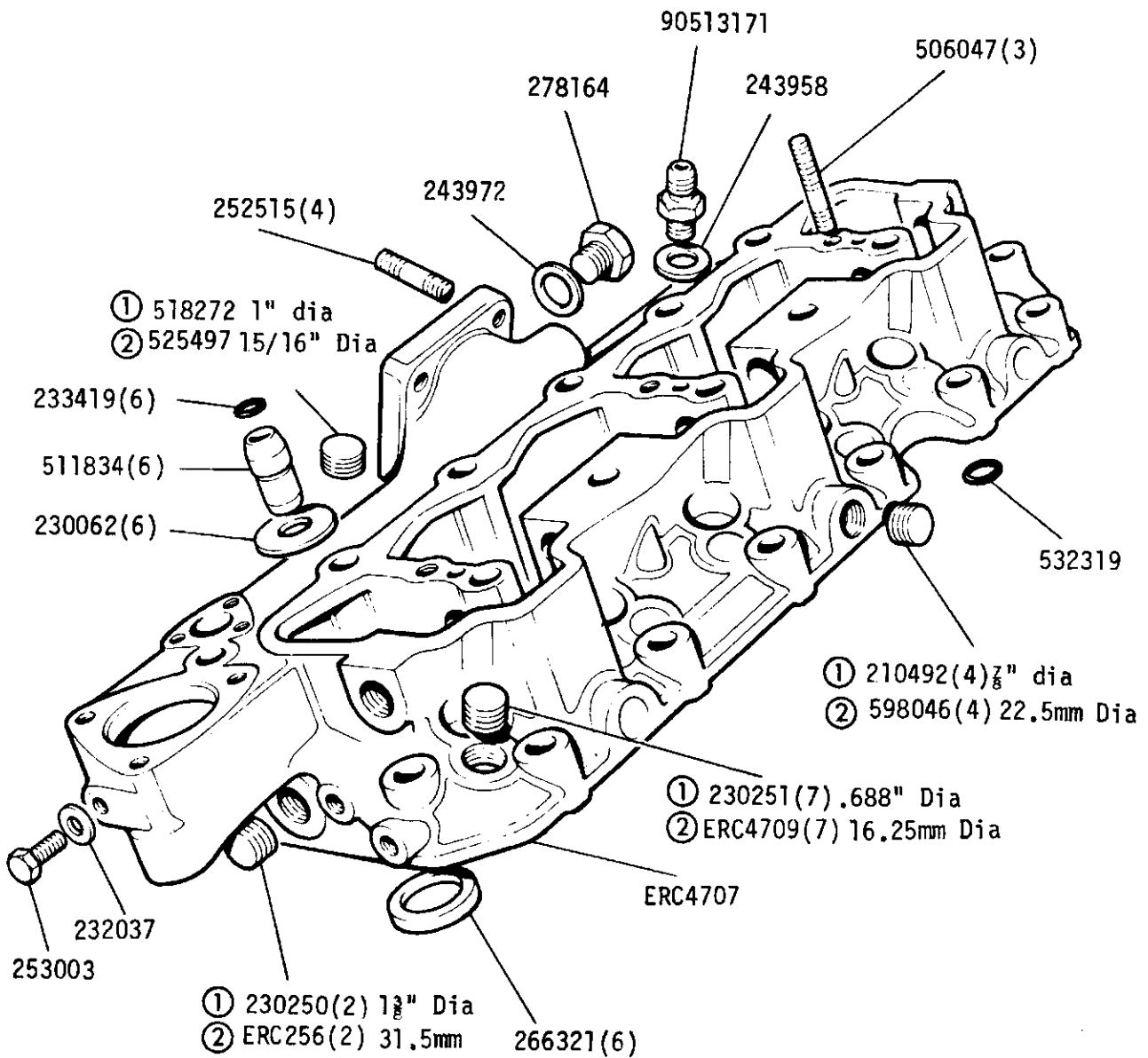
GROUP B
 ENGINE - Thermostat and Oil Pipe 2.6 Litre Petrol



- ① Up to October 1972
 ② From November 1972 onwards

GROUP B

ENGINE - Cylinder Head 2.6 Litre Petrol

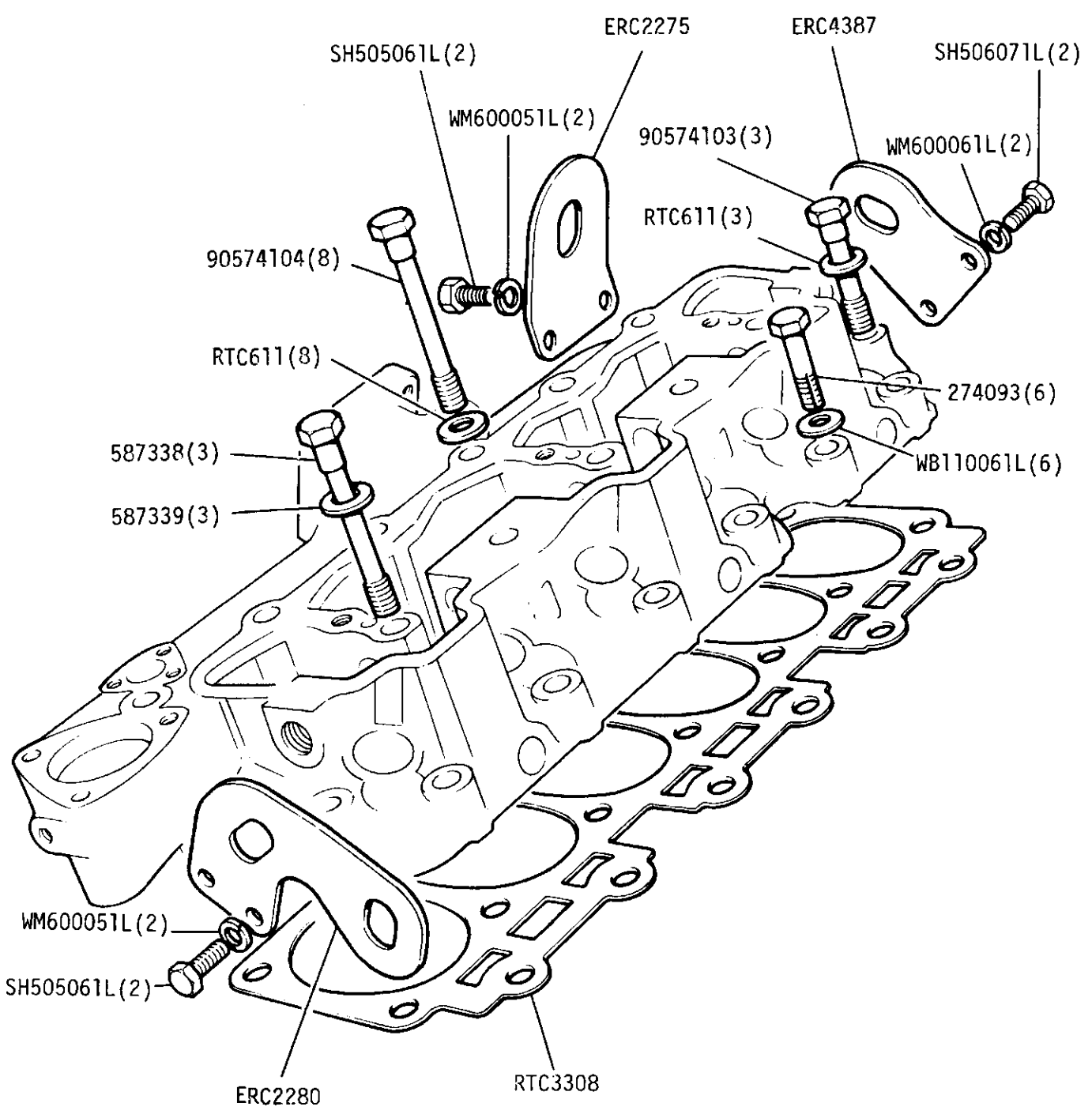


- ① CORE PLUGS
- ② CUP PLUGS

CHECK BEFORE ORDERING

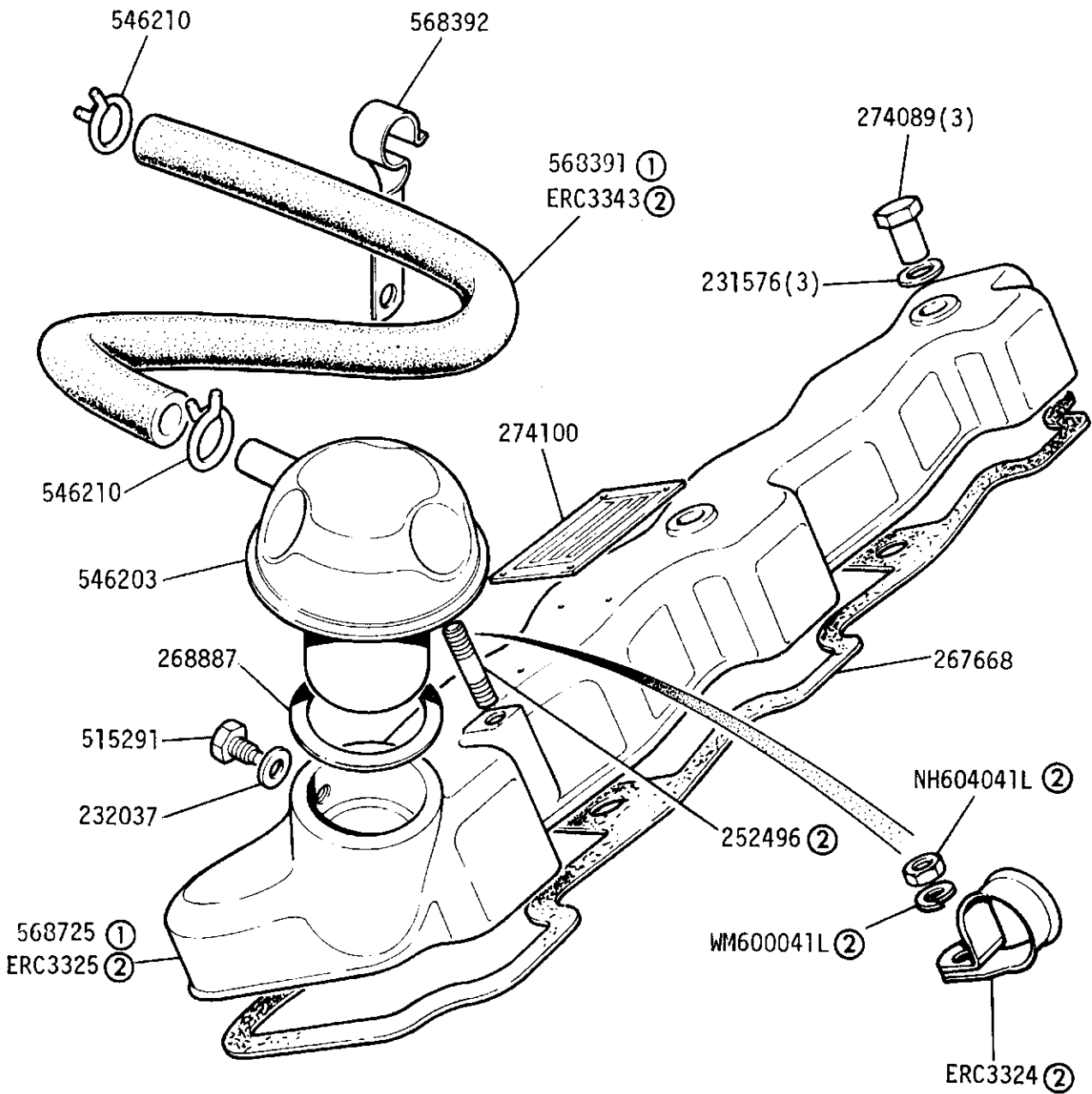


GROUP B
ENGINE - Cylinder Head Fixings 2.6 Litre Petrol



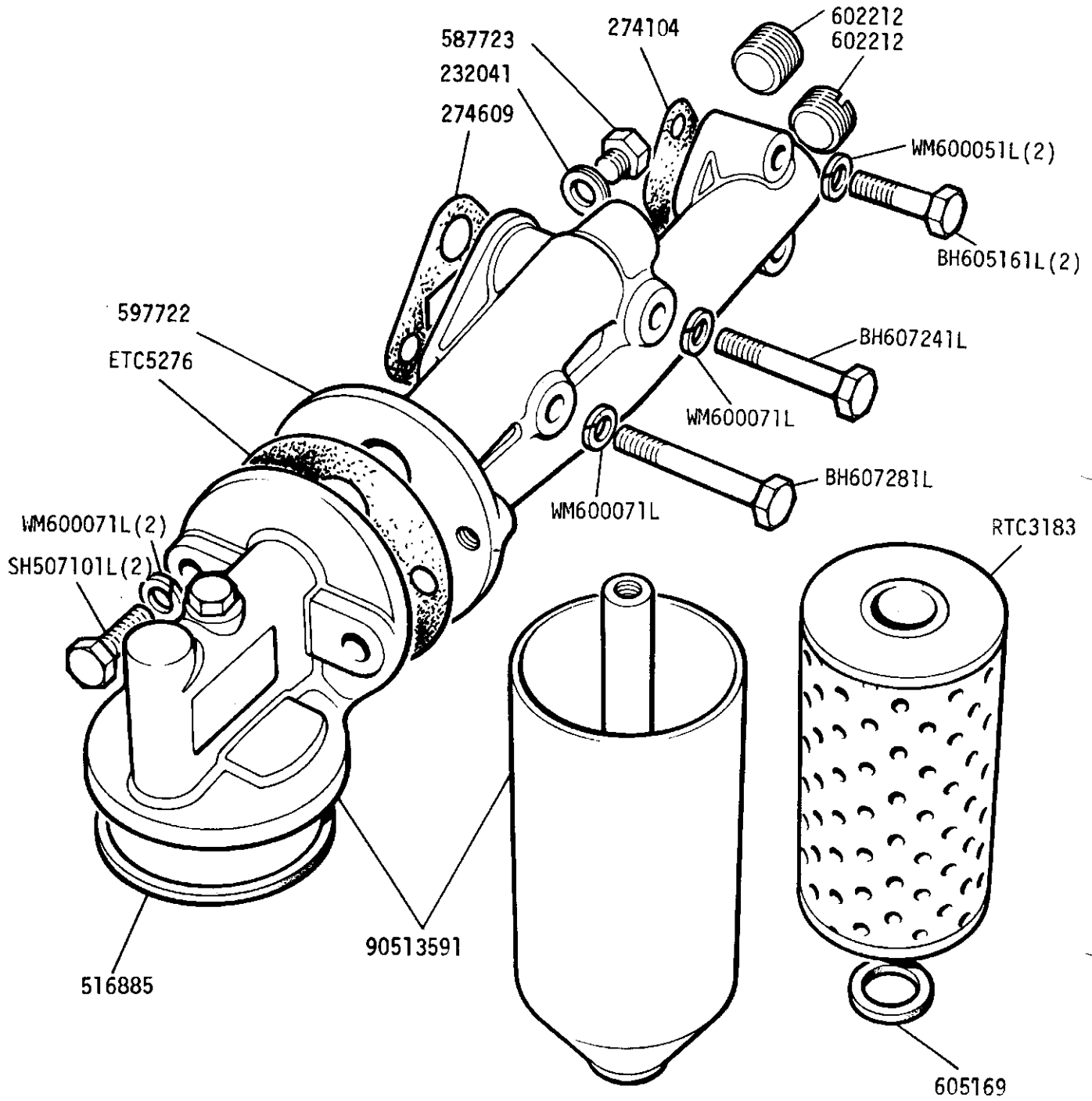
GROUP B

ENGINE - Rocker Cover 2.6 Litre Petrol



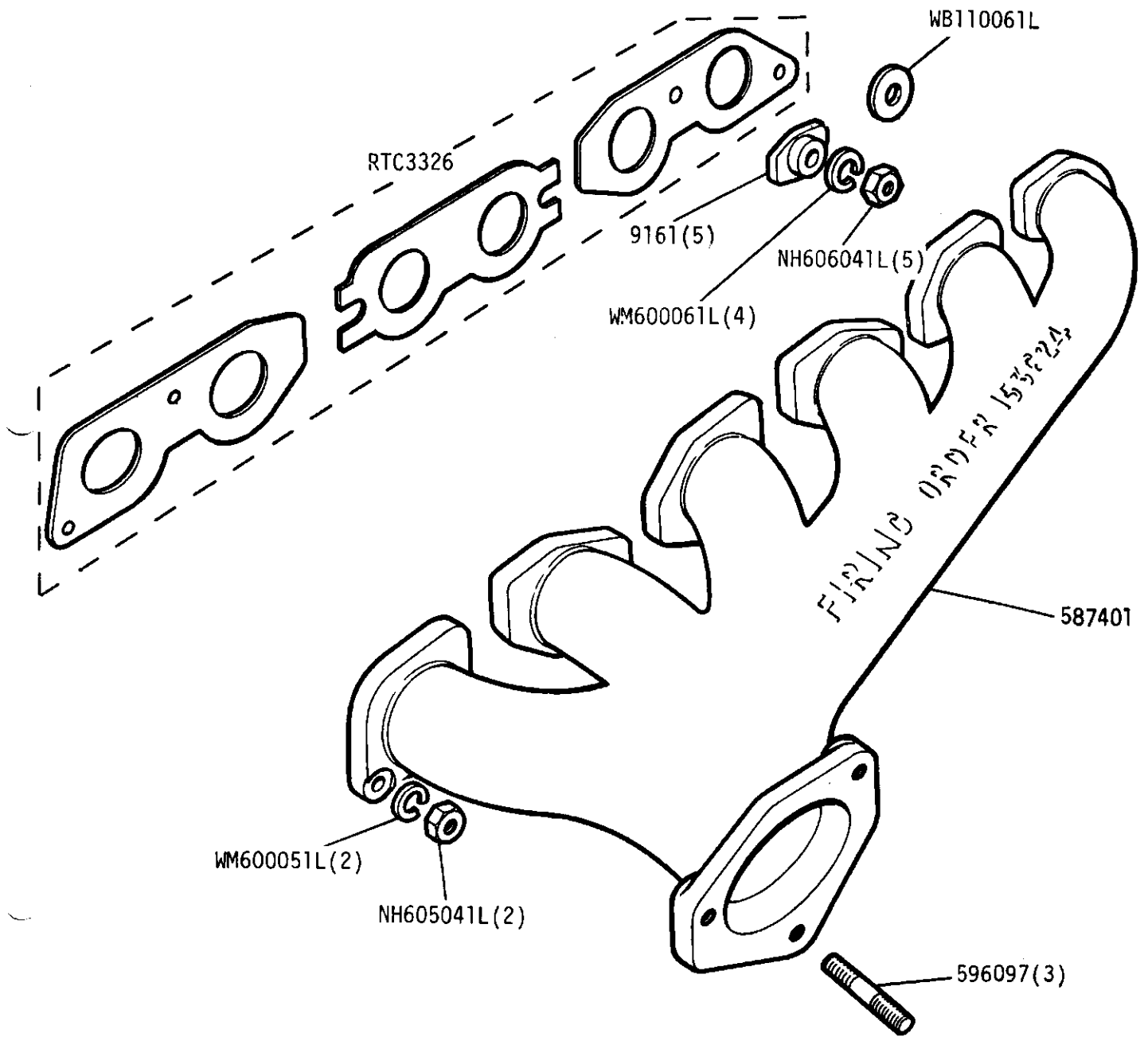
- ① Up to Engine suffix 'B' inclusive
- ② From Engine suffix 'C' onwards

GROUP B
ENGINE - Oil Filter and Adaptor 2.6 Litre Petrol

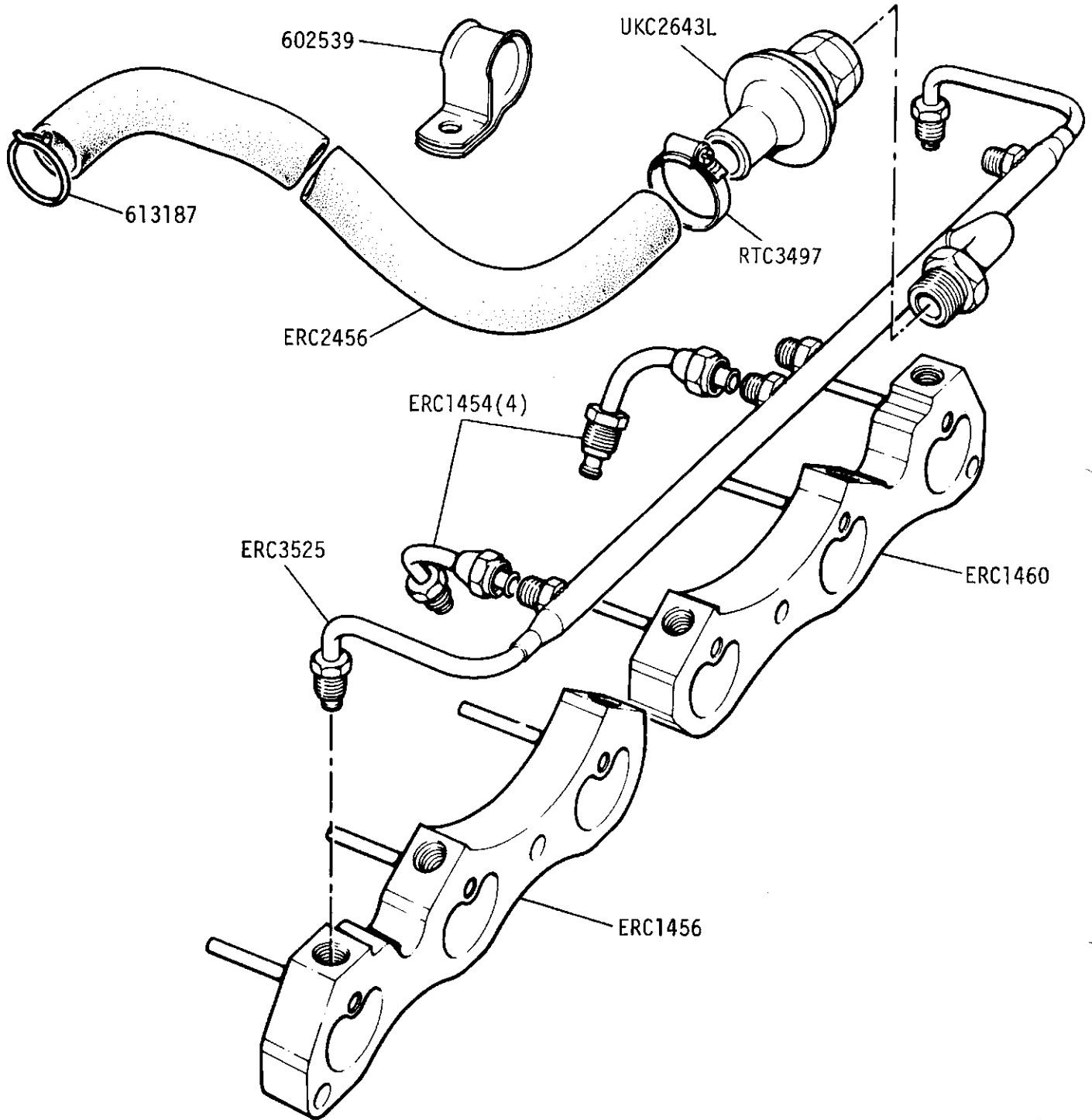


GROUP B

ENGINE - Exhaust Manifold 2.6 Litre Petrol

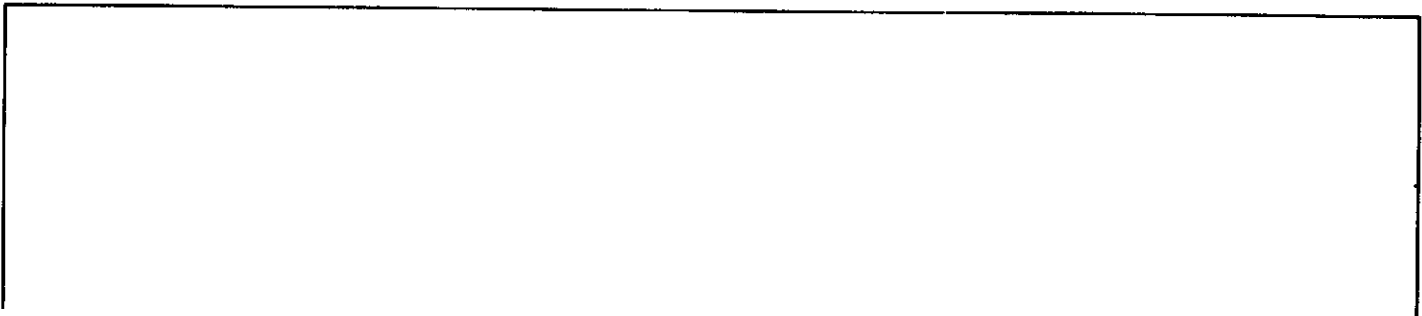
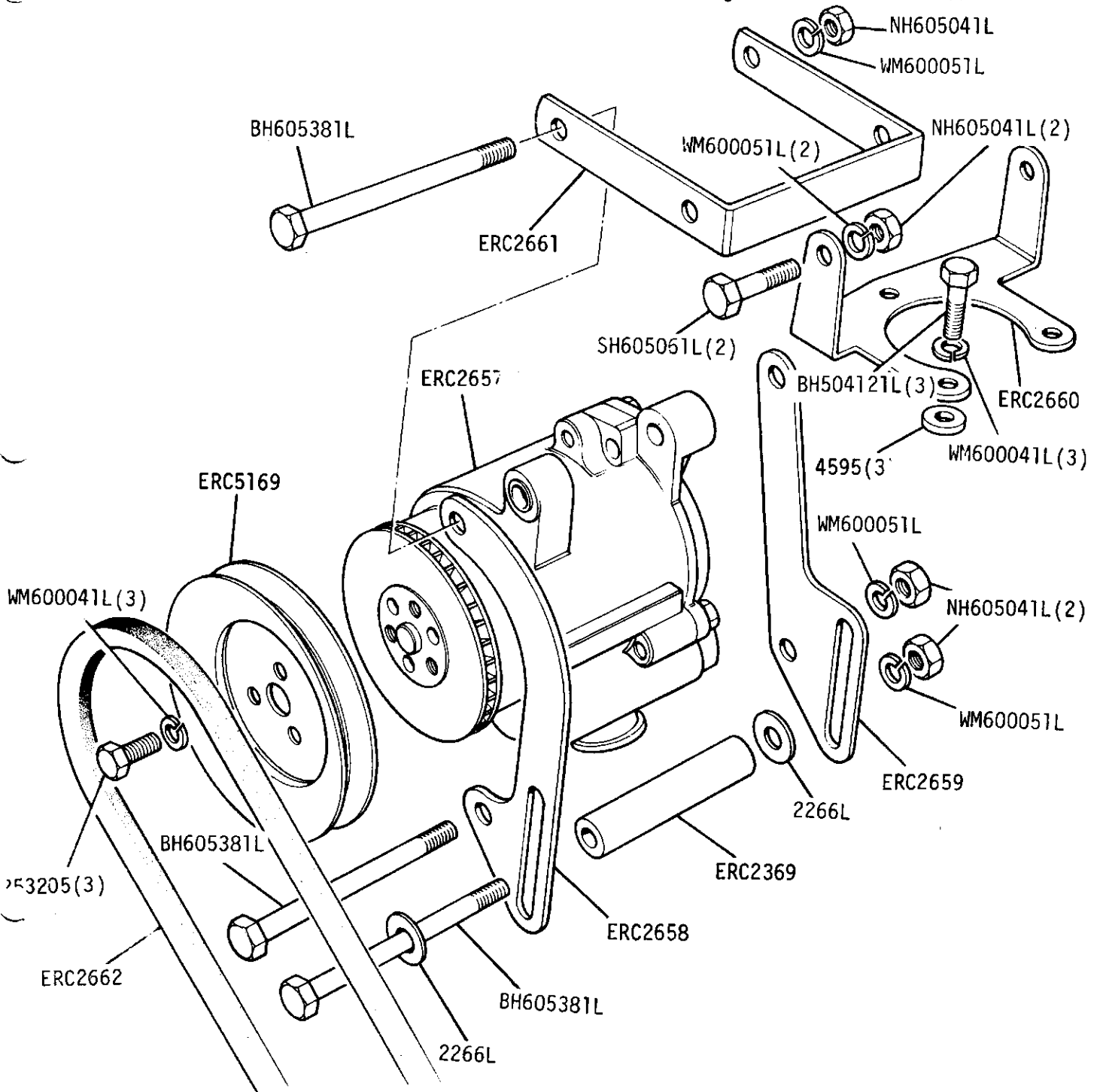


GROUP B
DETOXED ENGINE - Exhaust Manifold Adaptor 2.6 Litre Petrol From Engine Suffix 'C' onwards

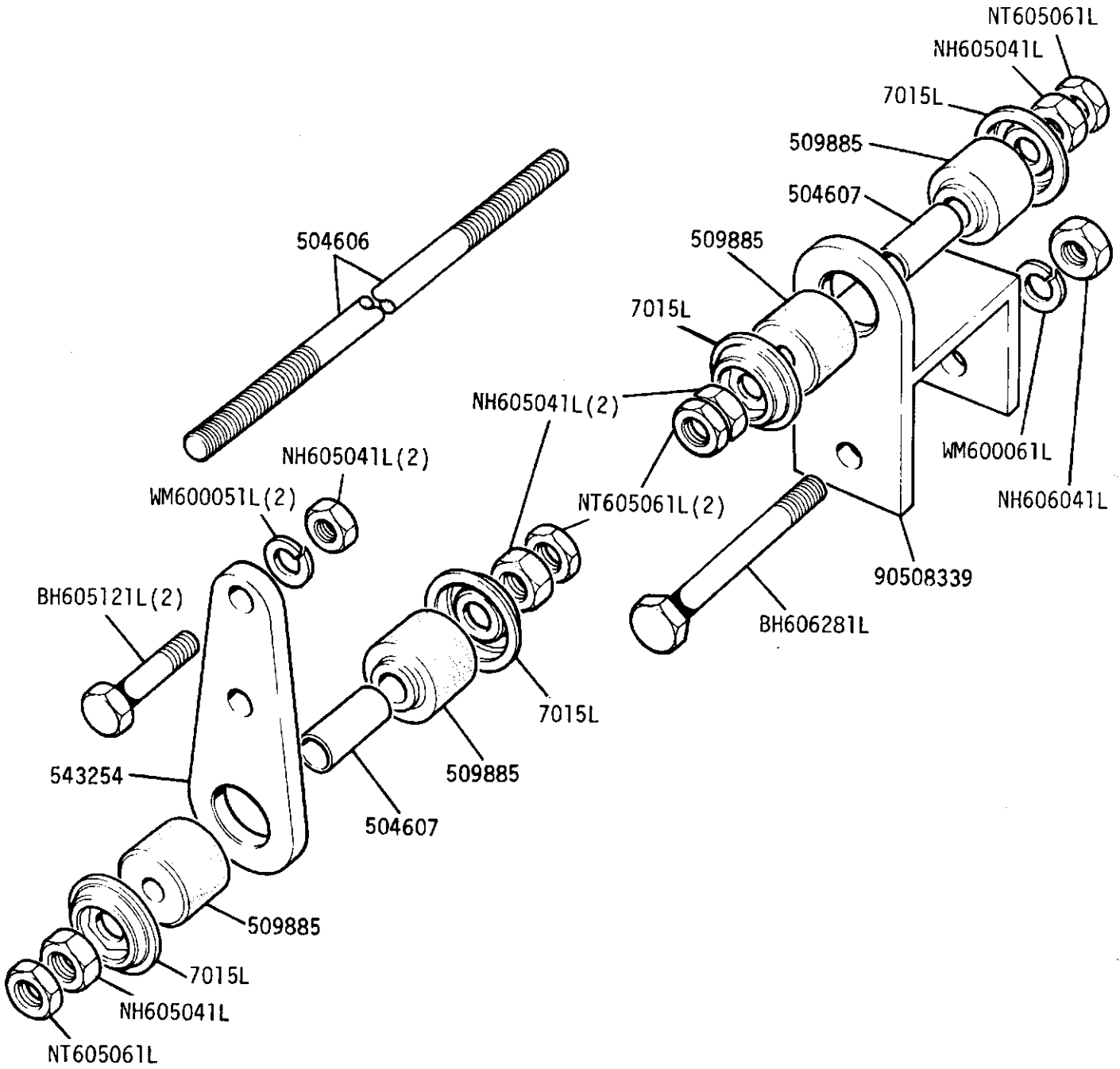


GROUP B

EXPOSED ENGINE - Air Injection Pump 2.6 Litre Petrol From Engine Suffix 'C' onwards

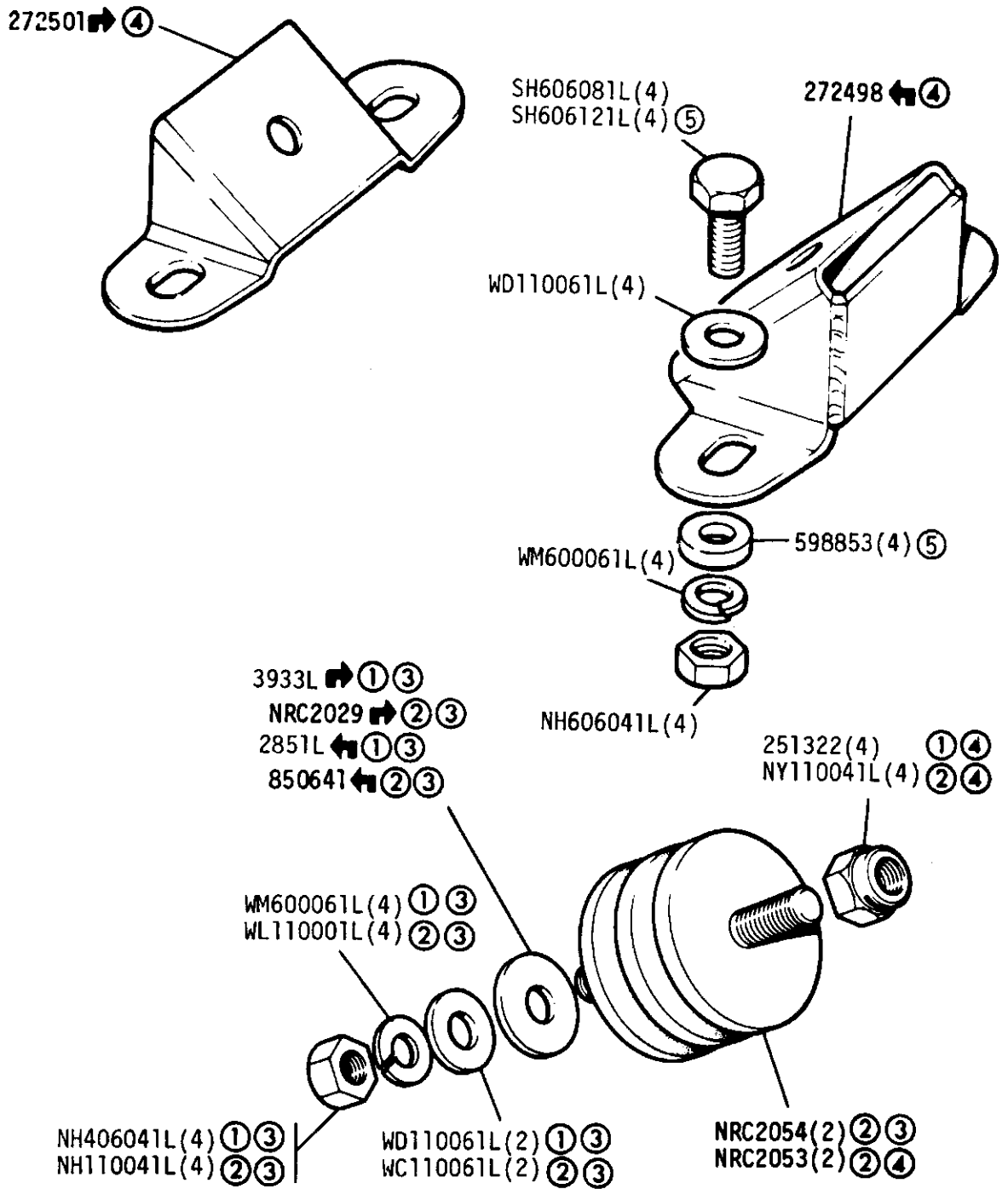


GROUP B
ENGINE - Tie Rod 2.6 Litre Petrol



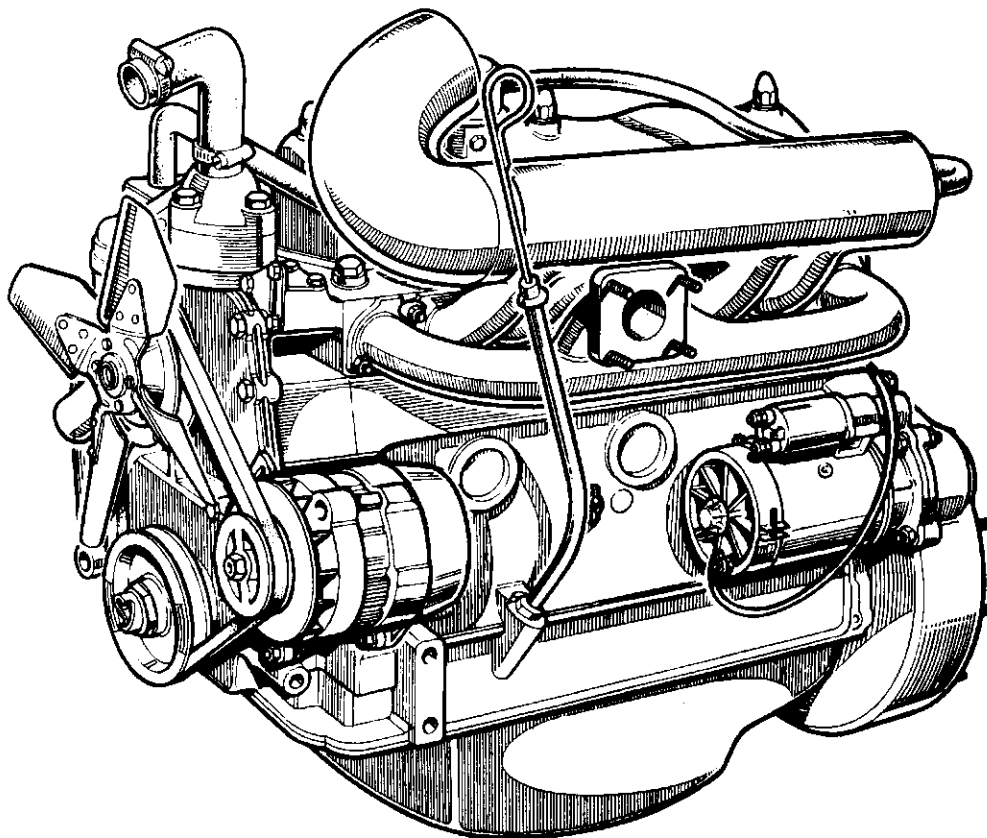
GROUP B

ENGINE - Mountings and Rubbers 2.6 Litre Petrol



- ① BSF Fixings
- ② Metric Fixings
- ③ Front Mounting
- ④ Rear Mounting
- ⑤ 1 Ton

GROUP B
ENGINE ASSEMBLY - 2½ Litre Diesel



To fit new metric stripped engine in place of imperial stripped engine use conversion kit RTC3013

Complete engine assembly with flywheel and clutch ERC5263N

Stripped engine assembly - New RTC3773N ②

Stripped engine assembly - Rebuilt RTC2353R ① RTC2976R ③ RTC3773R ④

Short engine RTC2920 ③

① 3 bearing crankshaft

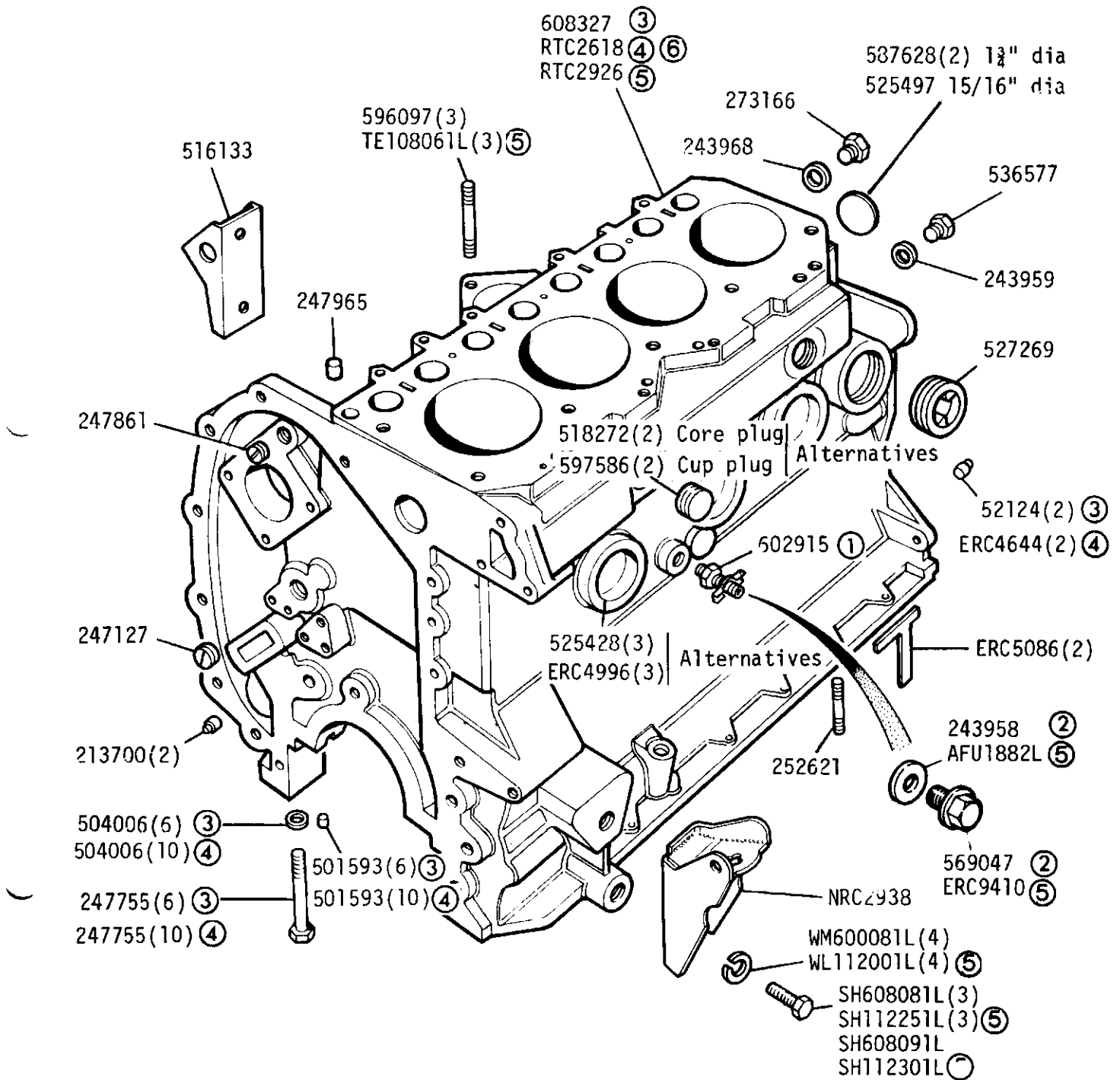
② 5 bearing crankshaft

③ Engine prefix 366 suffix B only

④ Engine prefix 366 suffix C onwards

GROUP B

ENGINE - Cylinder Block 2½ Litre Diesel

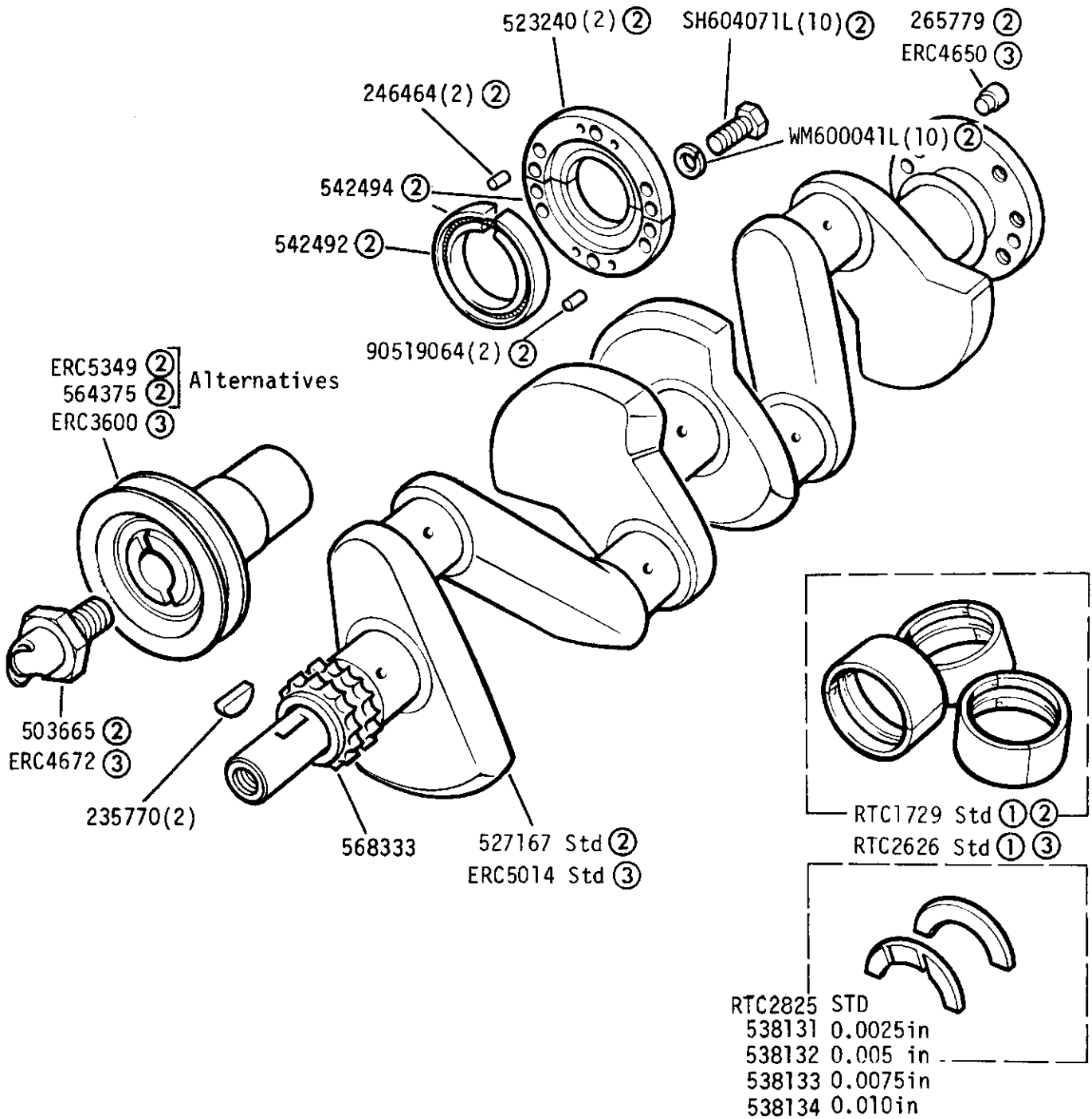


Stud Kit for cylinder block 600245
 Cylinder liner ERC9188(4)
 Decarbonising gasket set RTC3336
 Engine overhaul gasket set 525520
 use in conjunction with decarbonising gasket set

- ① Drain tap Alternative fixings
- ② Drain plug Check before ordering
- ③ 3 Bearing Crankshaft
- ④ 5 Bearing Crankshaft
- ⑤ From engine No.36619420B

⑥ NLS for Replacement use Block RTC2926 and Conversion Kit RTC3013

GROUP B
ENGINE - Crankshaft 2½ Litre Diesel



Oil seal assembly 542494 also includes loz tube of silicone grease 270656 ②

① Engine Set

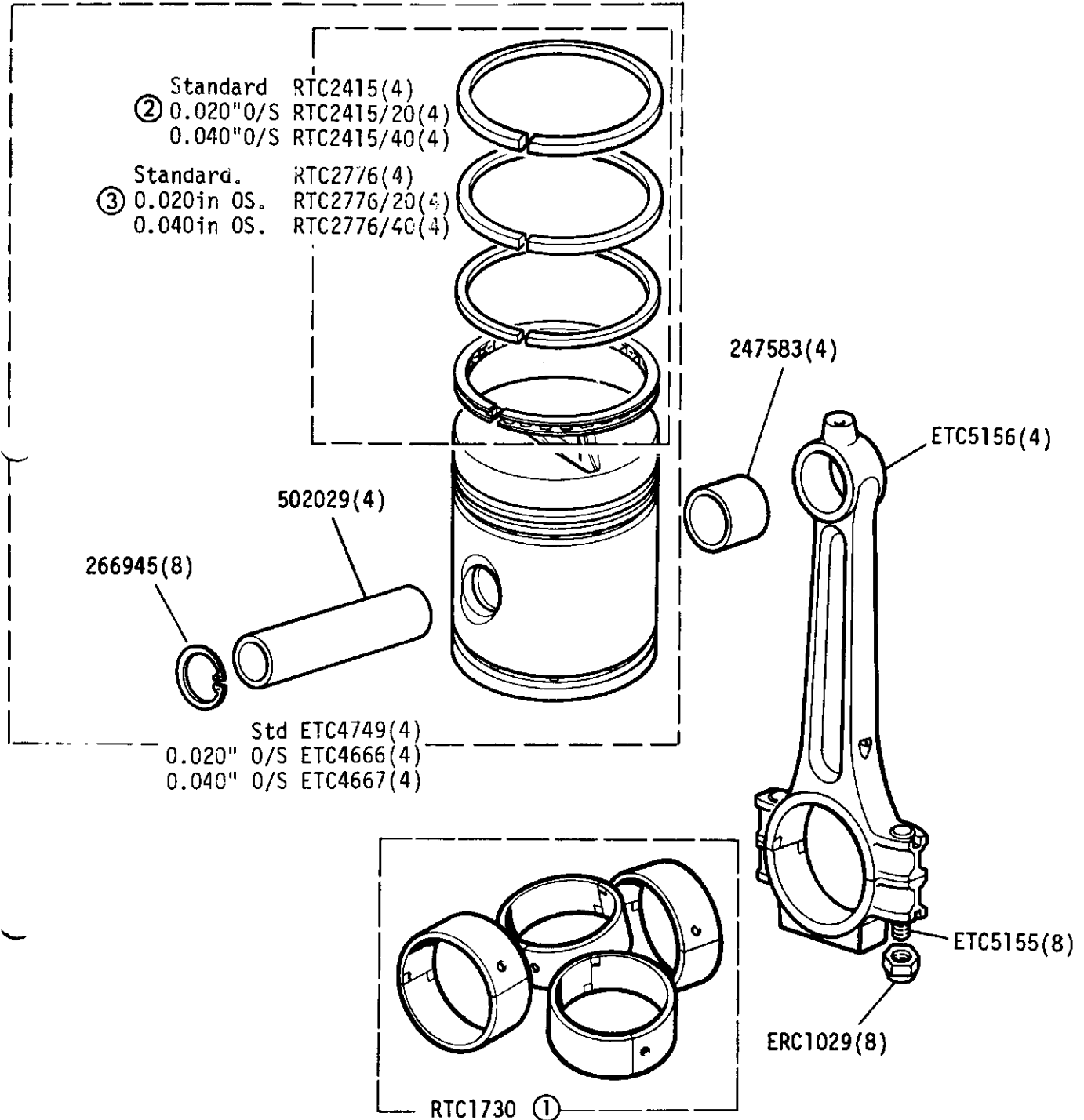
② 3 Bearing Crankshaft

③ 5 Bearing Crankshaft

Oil seal, rear main bearing ETC5369 ③

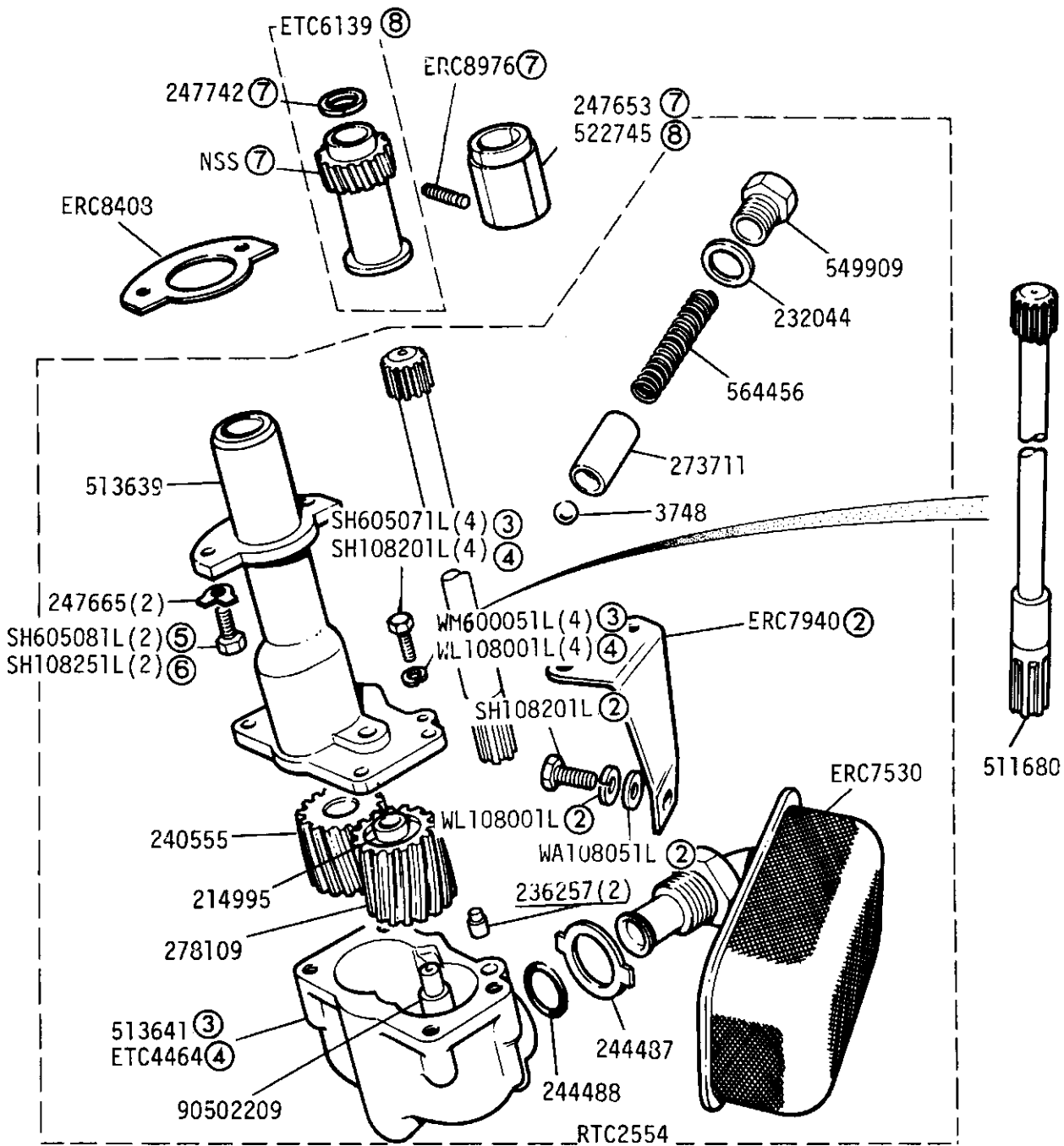


GROUP B
ENGINE - Connecting Rod and Piston 2½ Litre Diesel



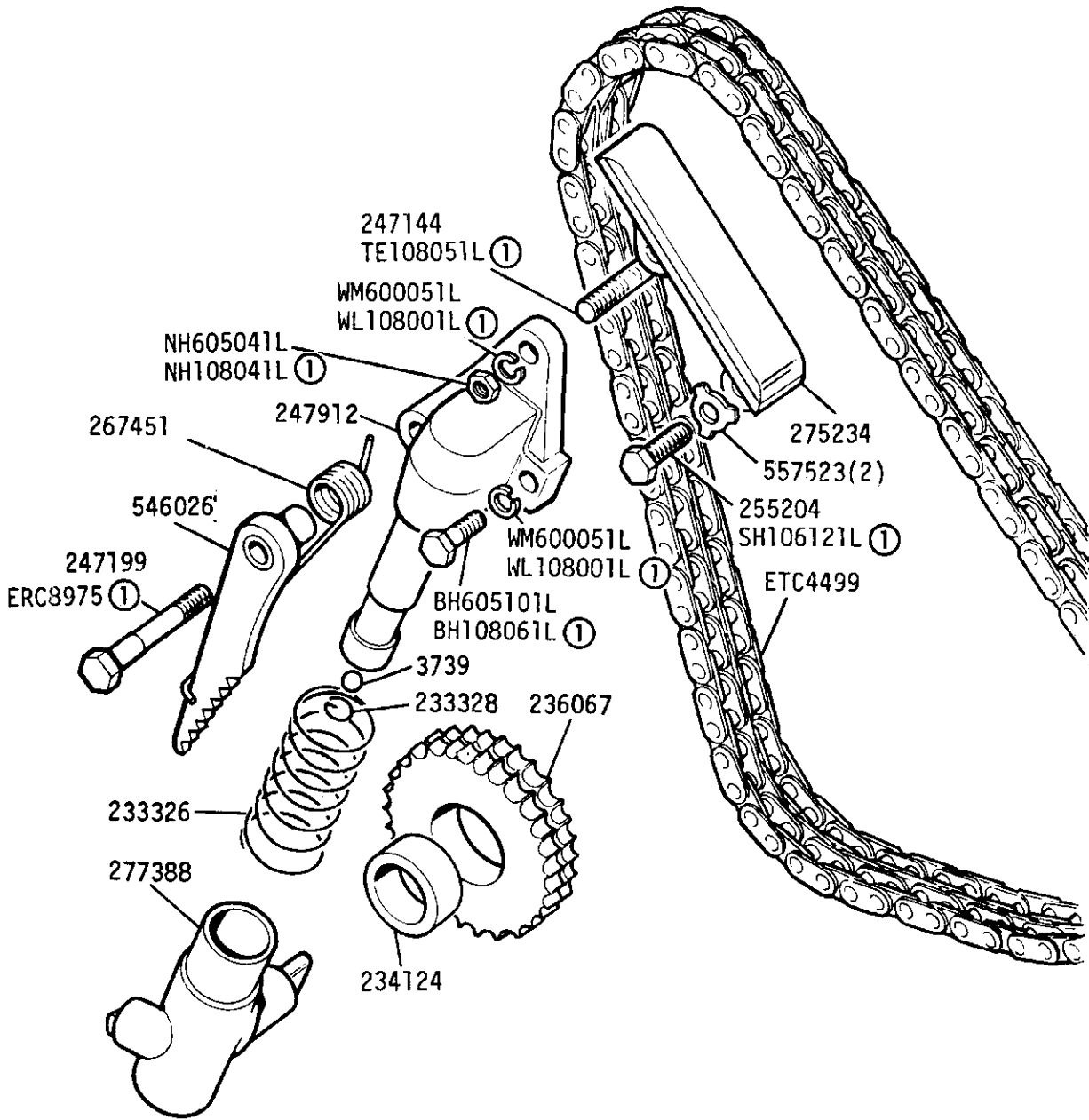
- ① Engine Set
- ② Piston Ring Set - all engines prefix 906 and upto engine No 36615199A
- ③ Piston Ring Set from engine No 36615200A

GROUP B
ENGINE - Oil Pump 2½ Litre Diesel



- ① Up to engine number 36624506B ② From engine number 36624507B
- ③ Engine prefix 906 and engine prefix 366 suffix A and B
- ④ Engine prefix 366 suffix C onwards
- ⑤ Up to engine number 36619419B ⑥ From engine number 36619420B
- ⑦ Early type of drive shaft with split bush and flange. (illustrated)
- ⑧ Later type of drive shaft with locknut ETC6138 and thrust washer ETC6139. (not illustrated)

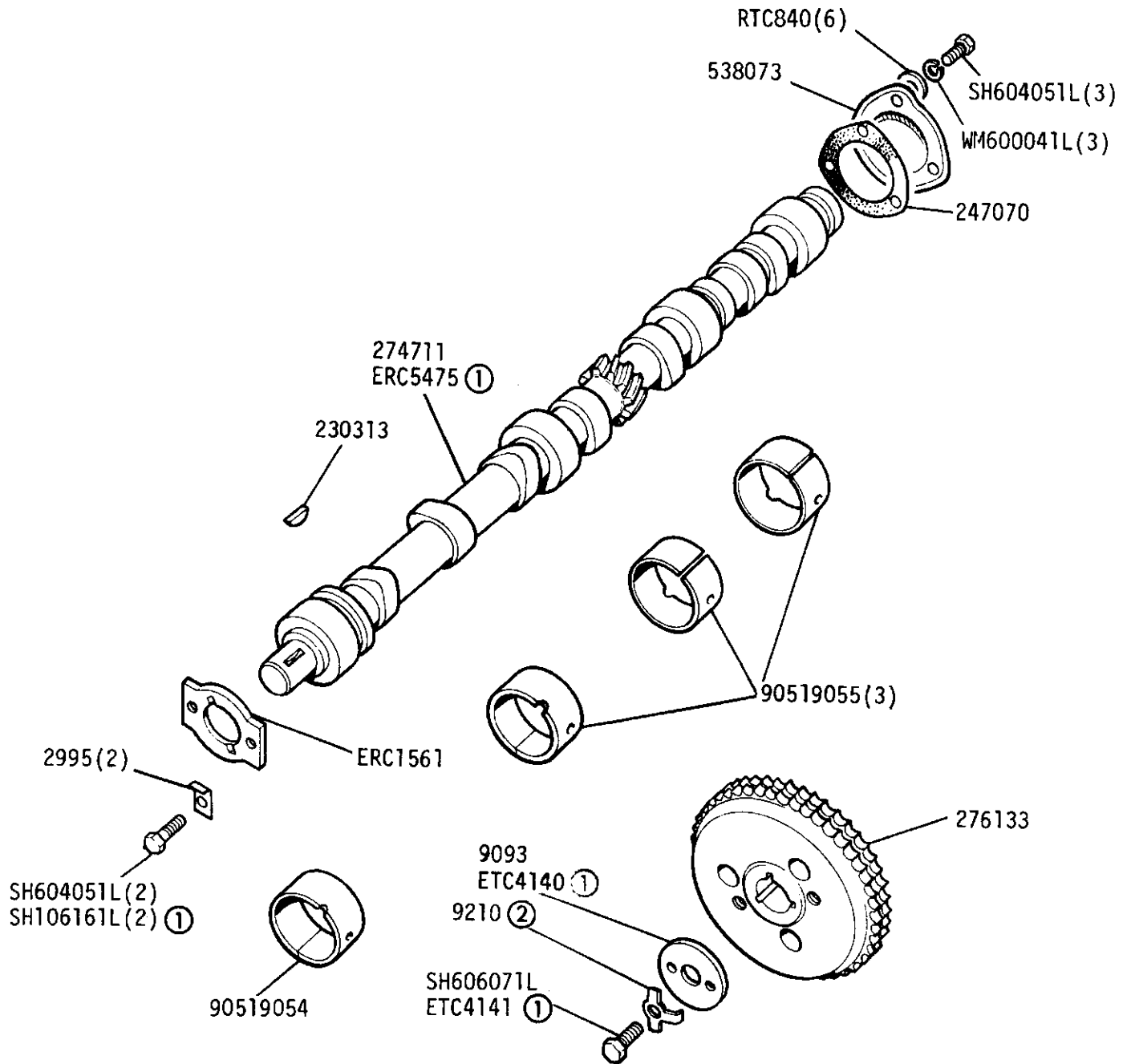
GROUP B
 ENGINE - Timing Chain and Tensioner 2½ Litre Diesel



① From engine No. 36619420B

GROUP B

ENGINE - Camshaft 2½ Litre Diesel



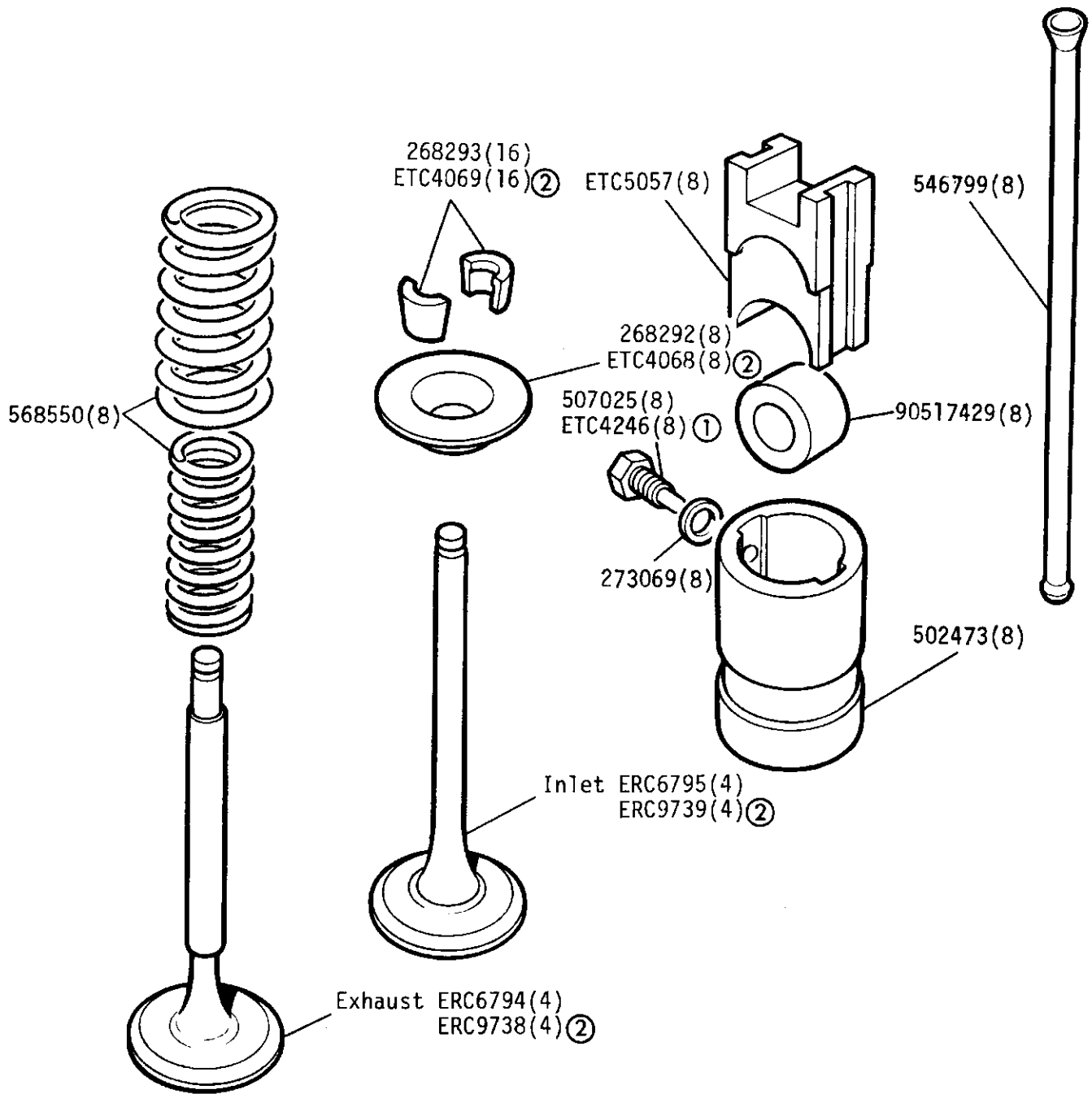
① From engine No. 36619420B

Kit for fitting metric camshaft in imperial cylinder block RTC2958

② Not required from ①



GROUP B
ENGINE - Valves and Tappets 2½ Litre Diesel



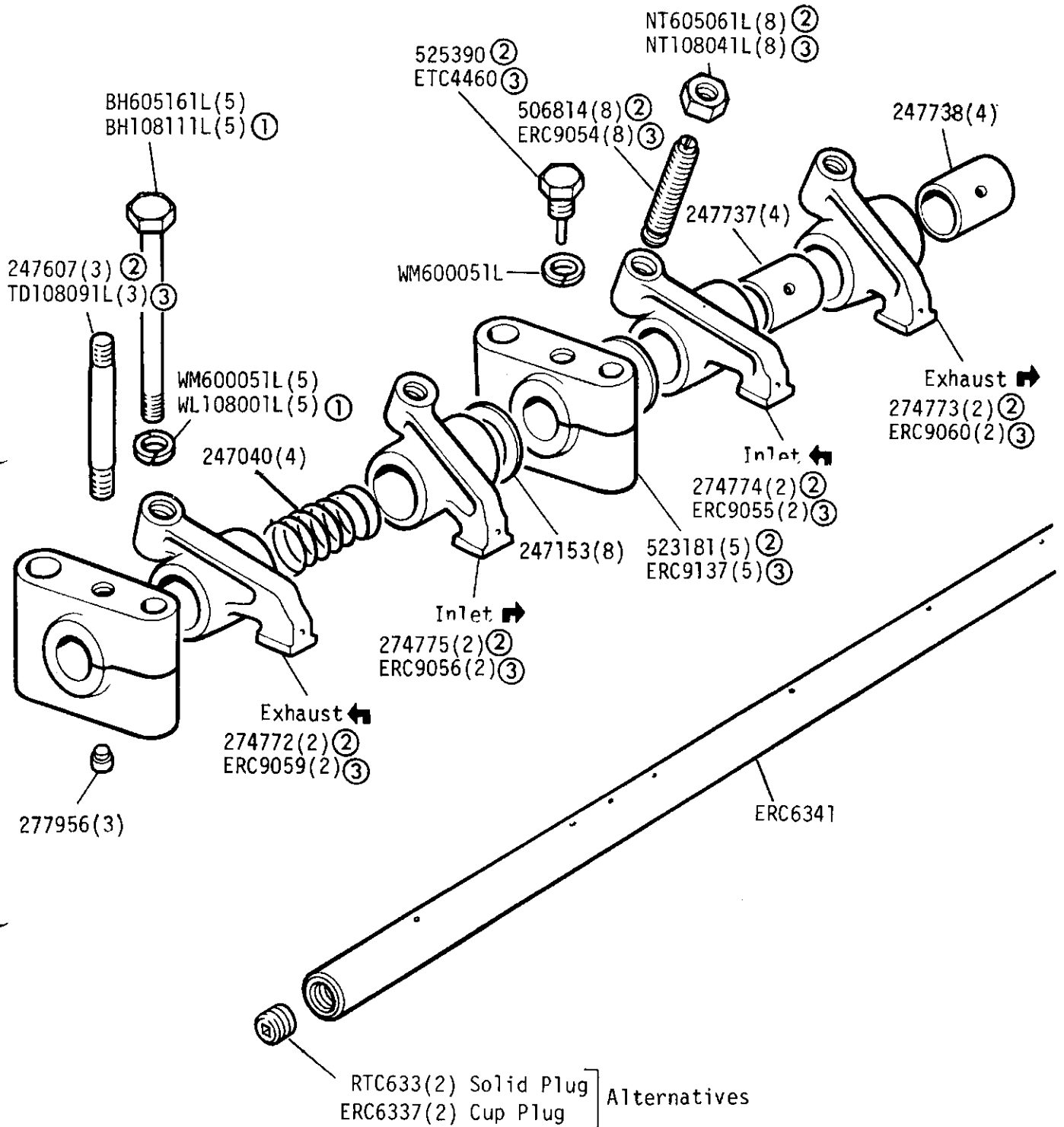
Tappet, tappet guide, roller and set bolt assembly, 507829(8)

① From engine No. 36619420B

② From engine No. 36627329C

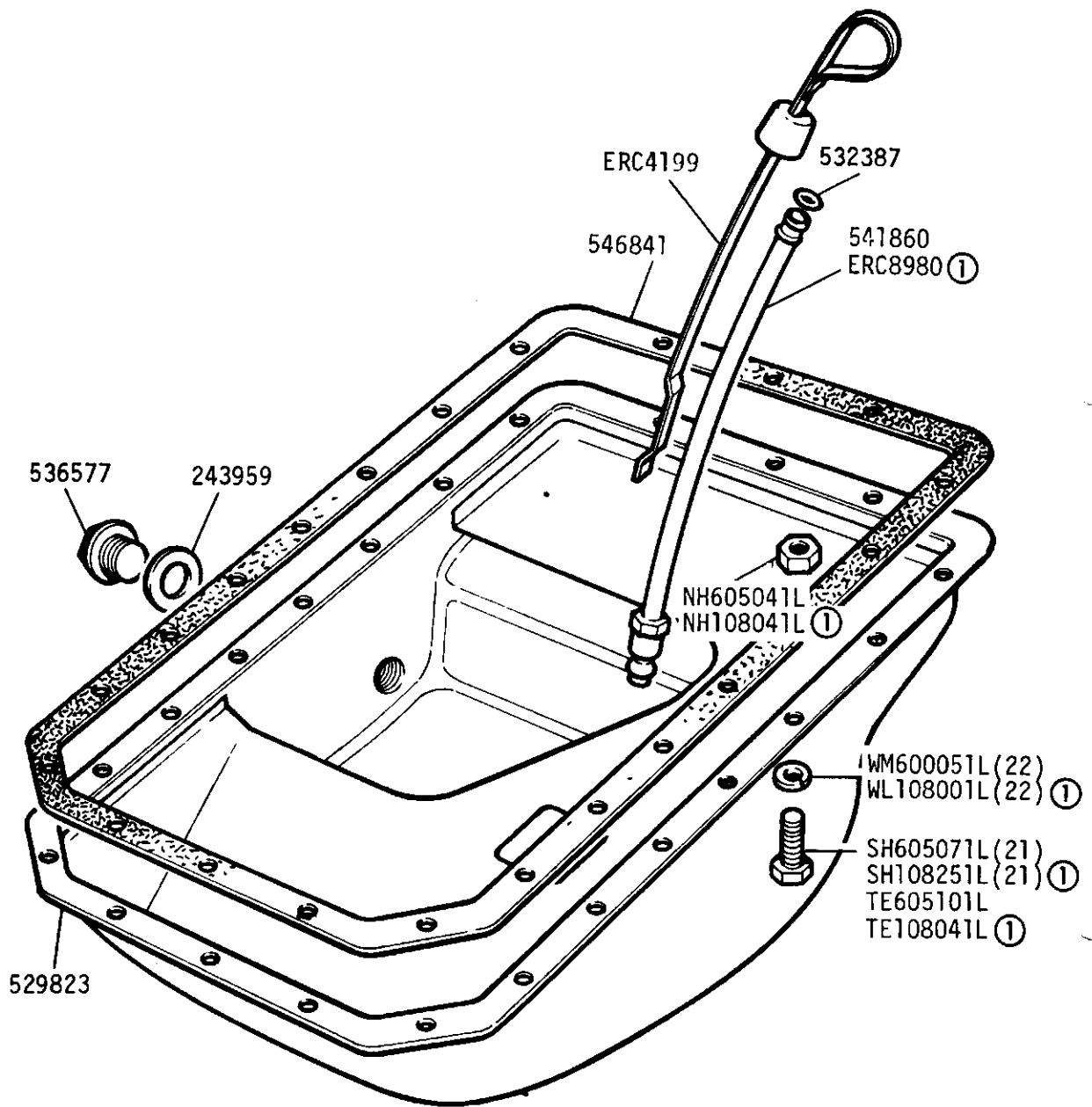
GROUP B

ENGINE - Valve Gear and Rocker Shaft 2½ Litre Diesel



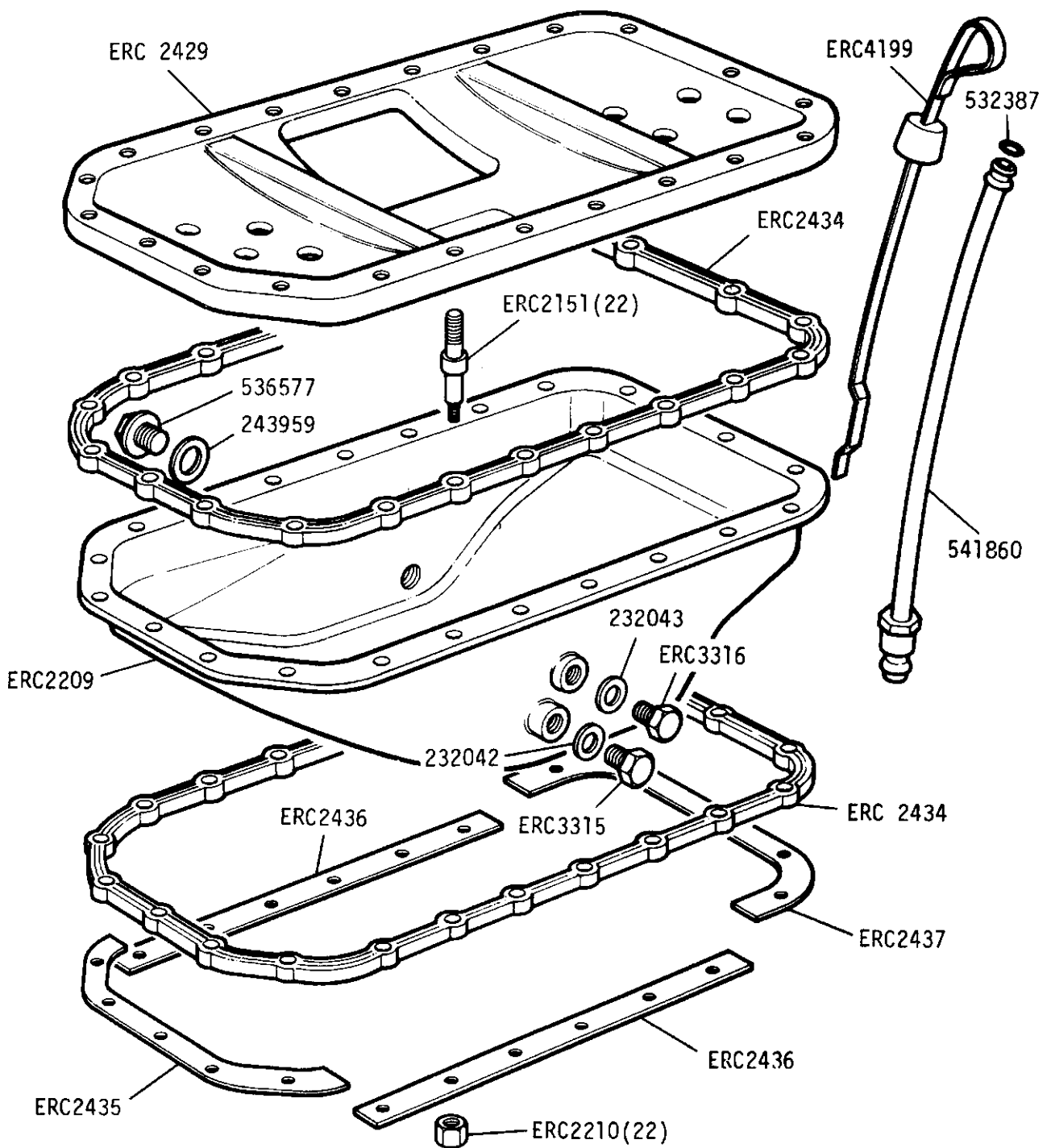
- ① From engine No. 36619420B
- ② Engine prefix 906 and prefix 366 suffix 'A' and 'B' only
- ③ Engine prefix 366 suffix 'C' onwards

GROUP B
ENGINE - Crankcase Sump 2½ Litre Diesel

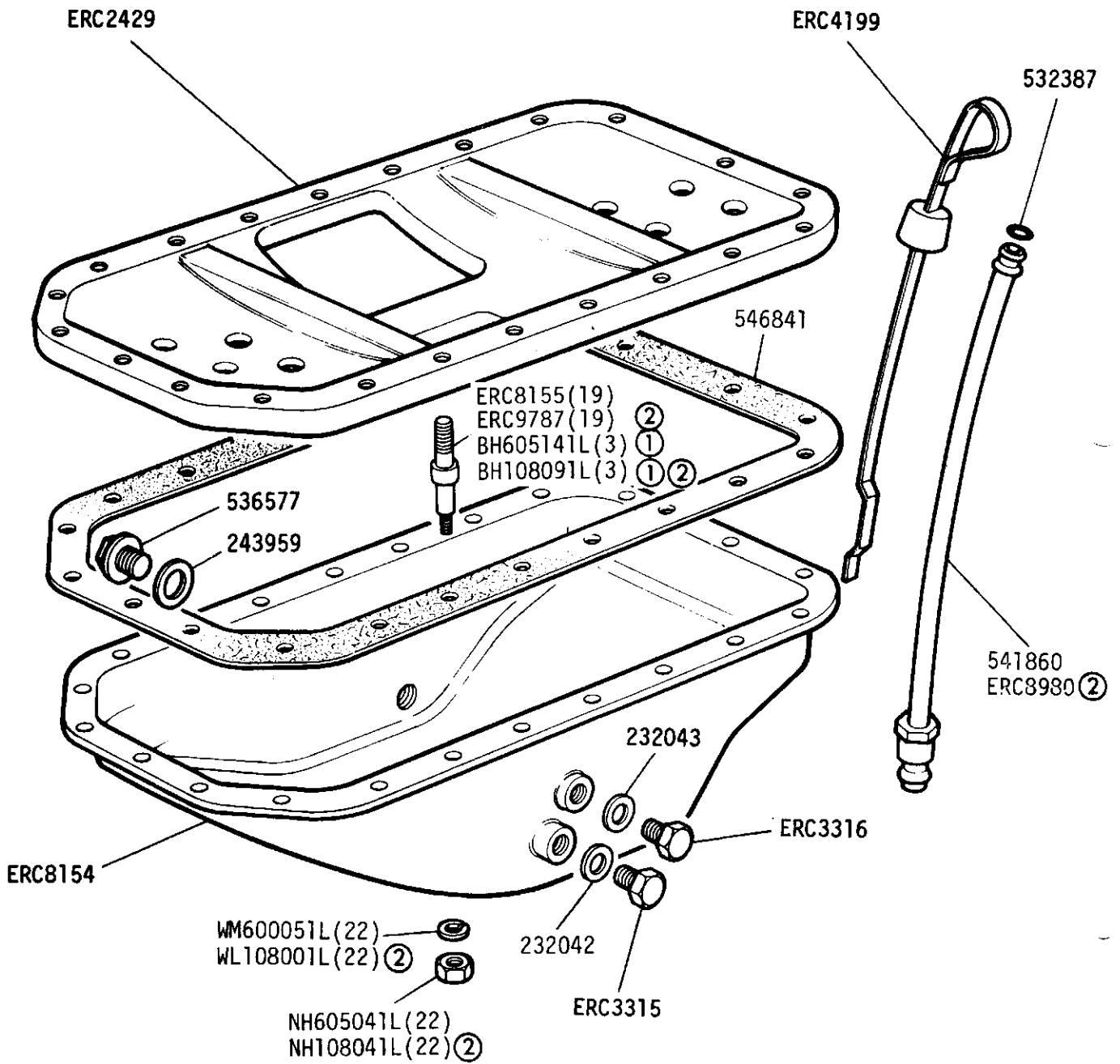


① From engine No.36619420B

OUP B
ENGINE - Crankcase Sump 2½ Litre Diesel Optional



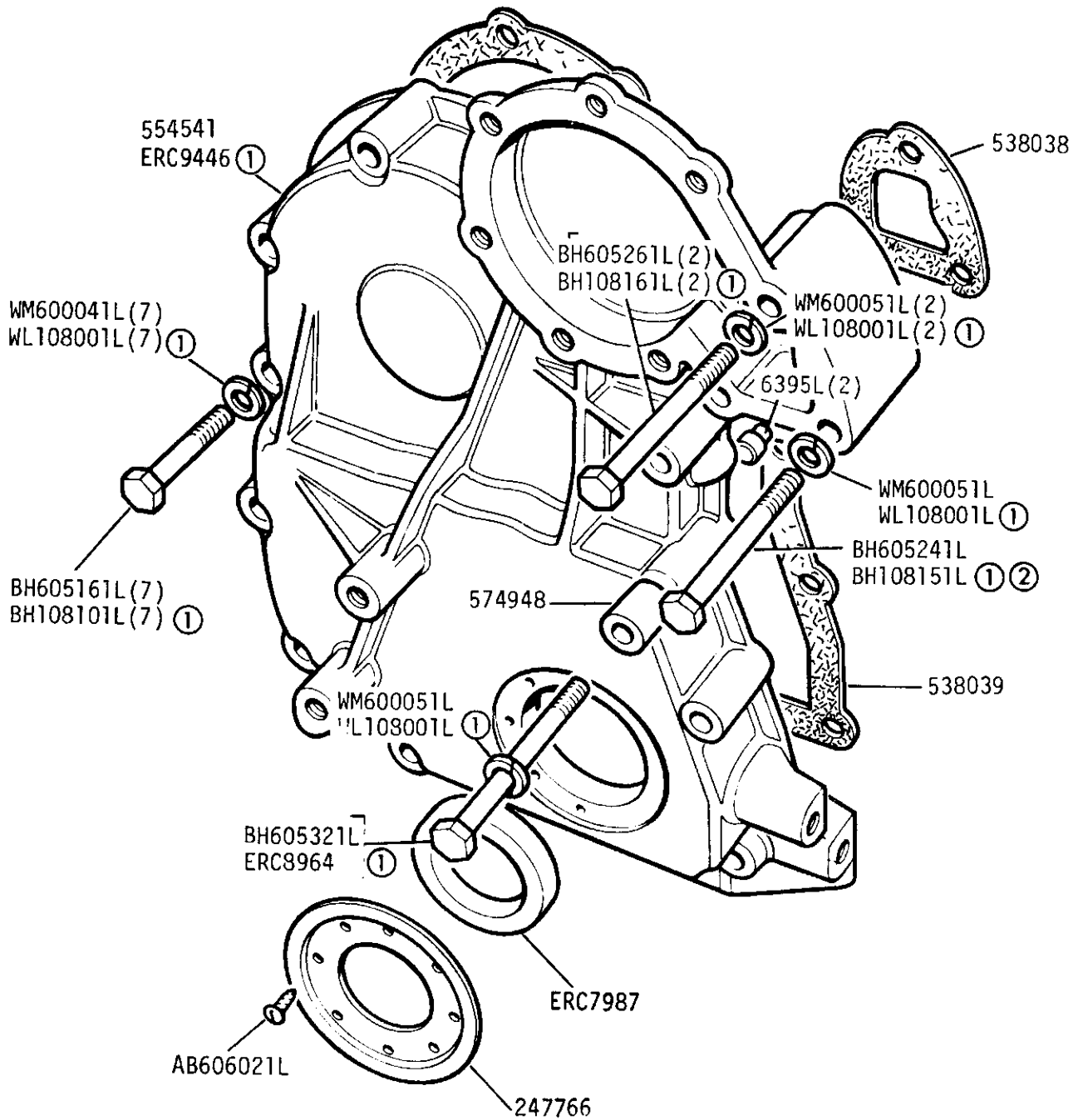
GROUP B
ENGINE - Crankcase Sump 2½ Litre Diesel Optional



- ① Bolts fitted into three holes adjacent to flywheel housing
- ② From engine No. 36619420B

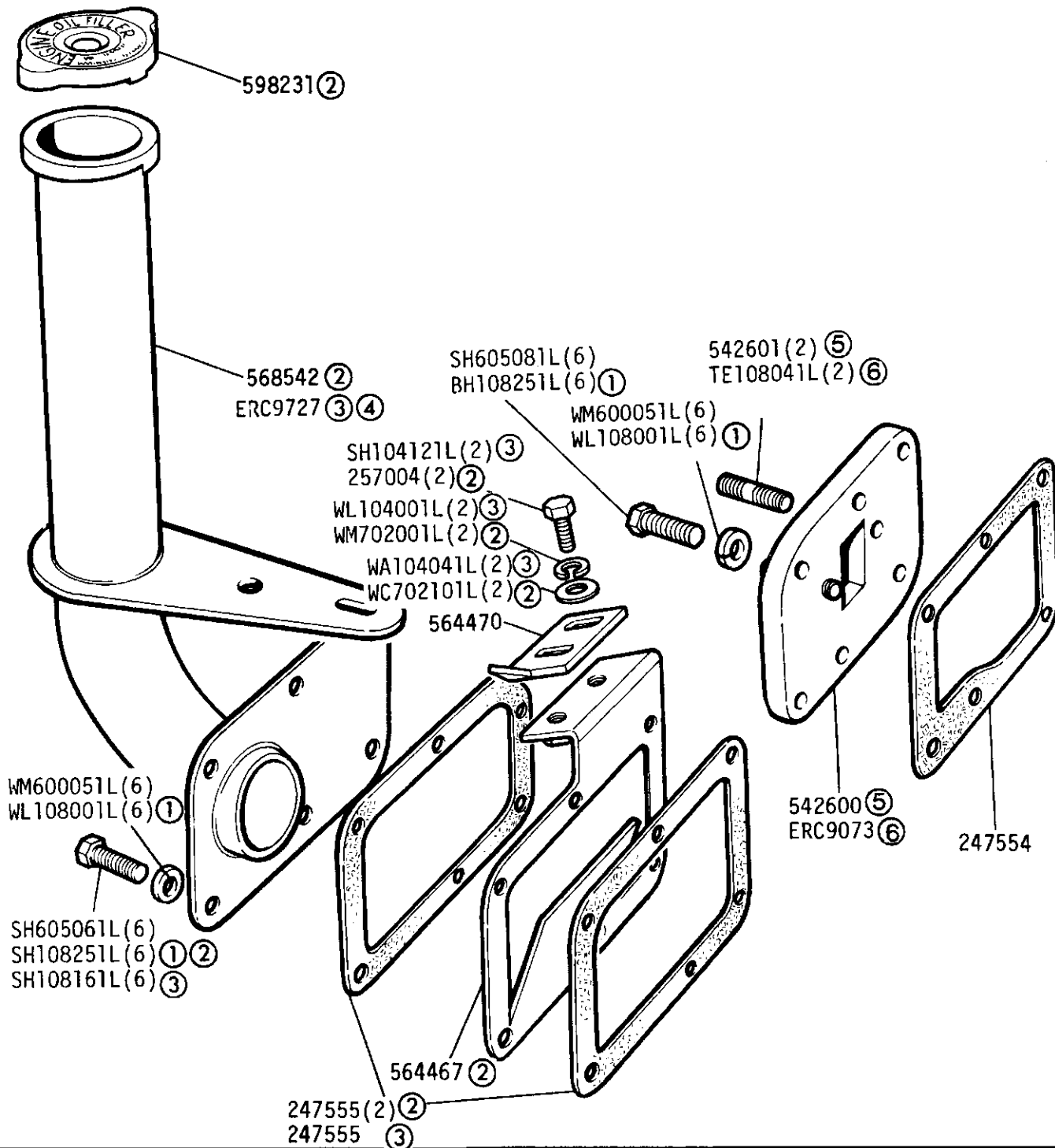
GROUP B

ENGINE - Front Cover 2½ Litre Diesel



- ① From engine No. 36619420B
 ② Not illustrated
- | | | |
|-----------|---------------|---|
| BH108141L | Bolt | ① |
| WL108001L | Spring Washer | ① |
| BH108171L | Bolt | ① |
| 4566 | Washer | ① |

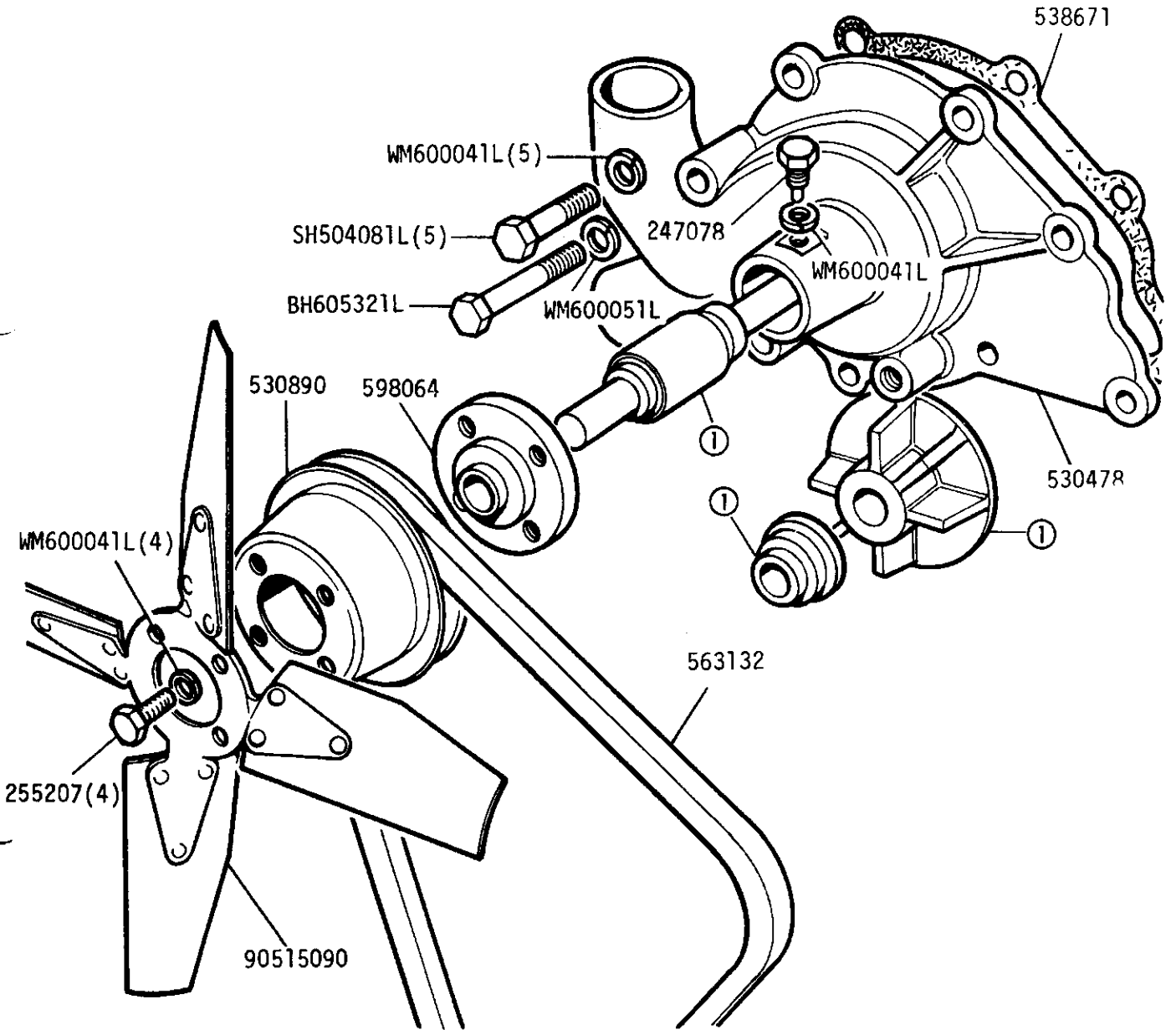
GROUP B
ENGINE - Side Cover 2½ litre Diesel



- ① From engine No. 36619420B
- ② Up to engine number 36623742B
- ③ Change to oil filler in Rocker Cover from engine number 36623742B
- ④ Blanking plate
- ⑤ All engines prefix 906 and suffix 'A' and 'B' for engines prefix 366
- ⑥ Engine prefix 366 suffix 'C' onwards

GROUP B

ENGINE - Water Pump and Fan 2½ Litre Diesel



Water pump assembly ERC9178

① Water pump overhaul kit RTC3072

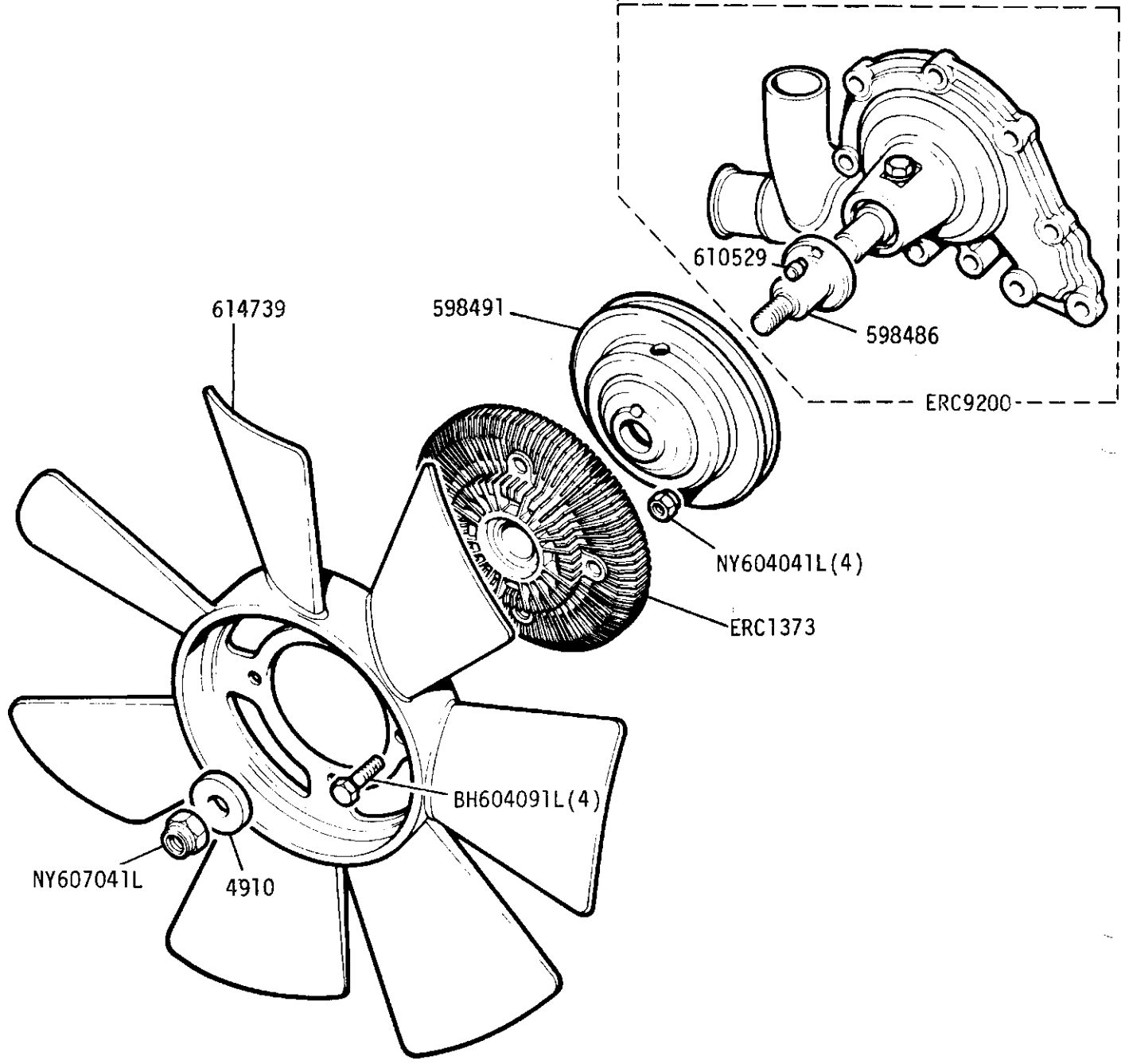


LAND ROVER

1E 09

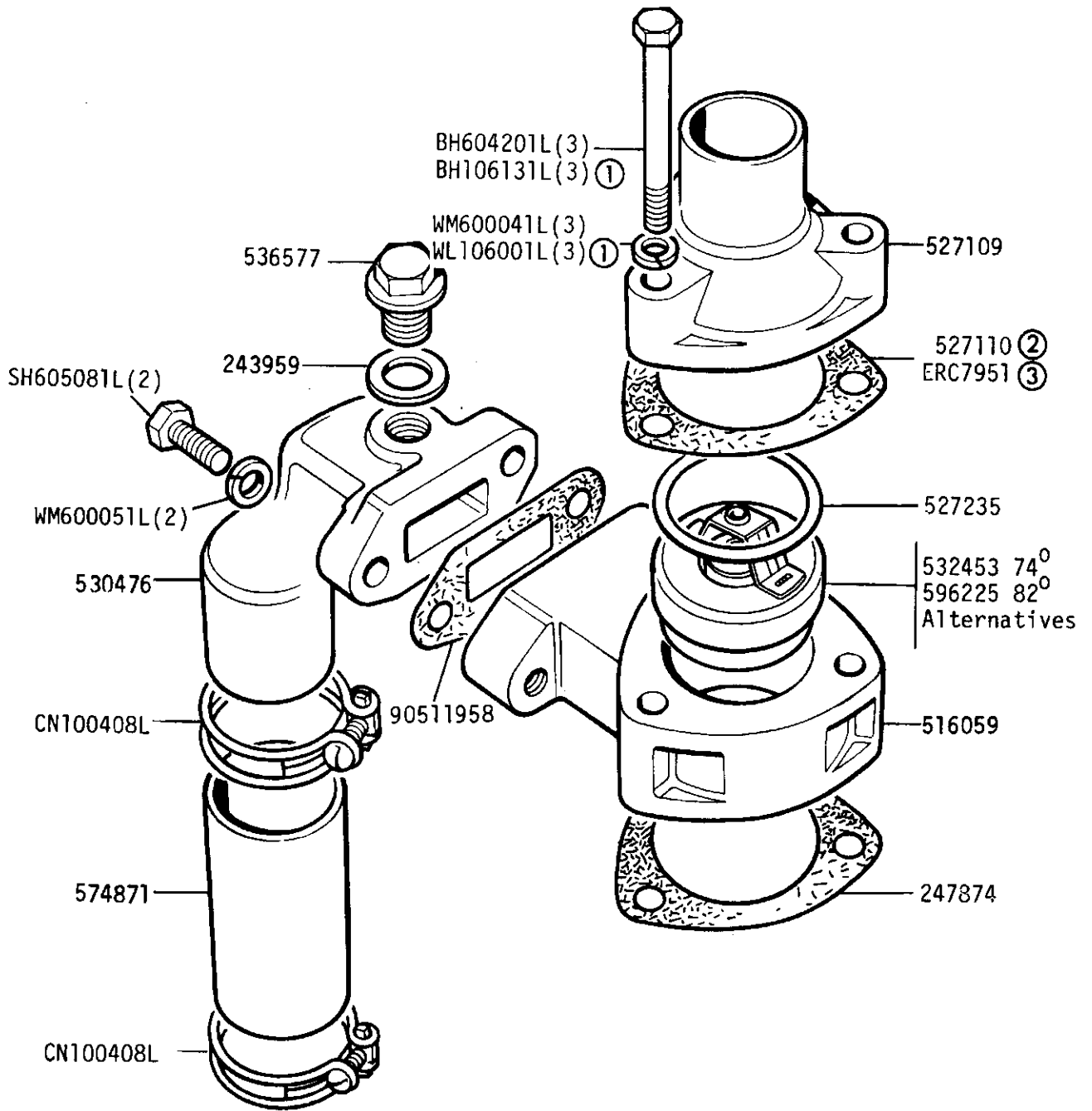
TRE 275

GROUP B
ENGINE - Water Pump and Viscous Fan 2½ Litre Diesel Optional



GROUP B

ENGINE - Thermostat and Housing 2½ Litre Diesel



- ① From engine No. 36619420B
- ② 3 bearing crankshaft engine
- ③ 5 bearing crankshaft engine



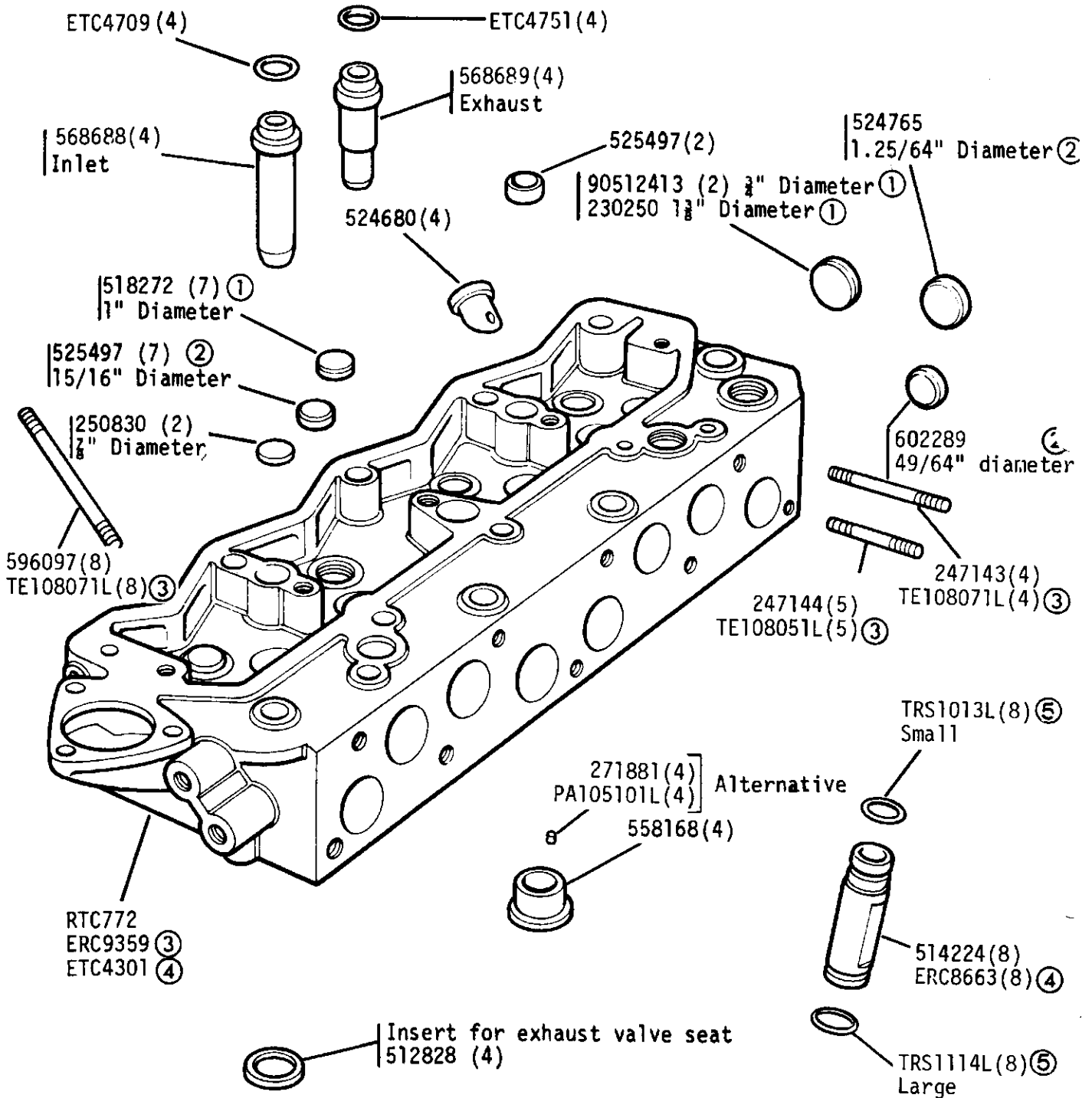
LAND ROVER

TE 10

IRE 274

GROUP B

ENGINE - Cylinder Head Assembly 2½ Litre Diesel

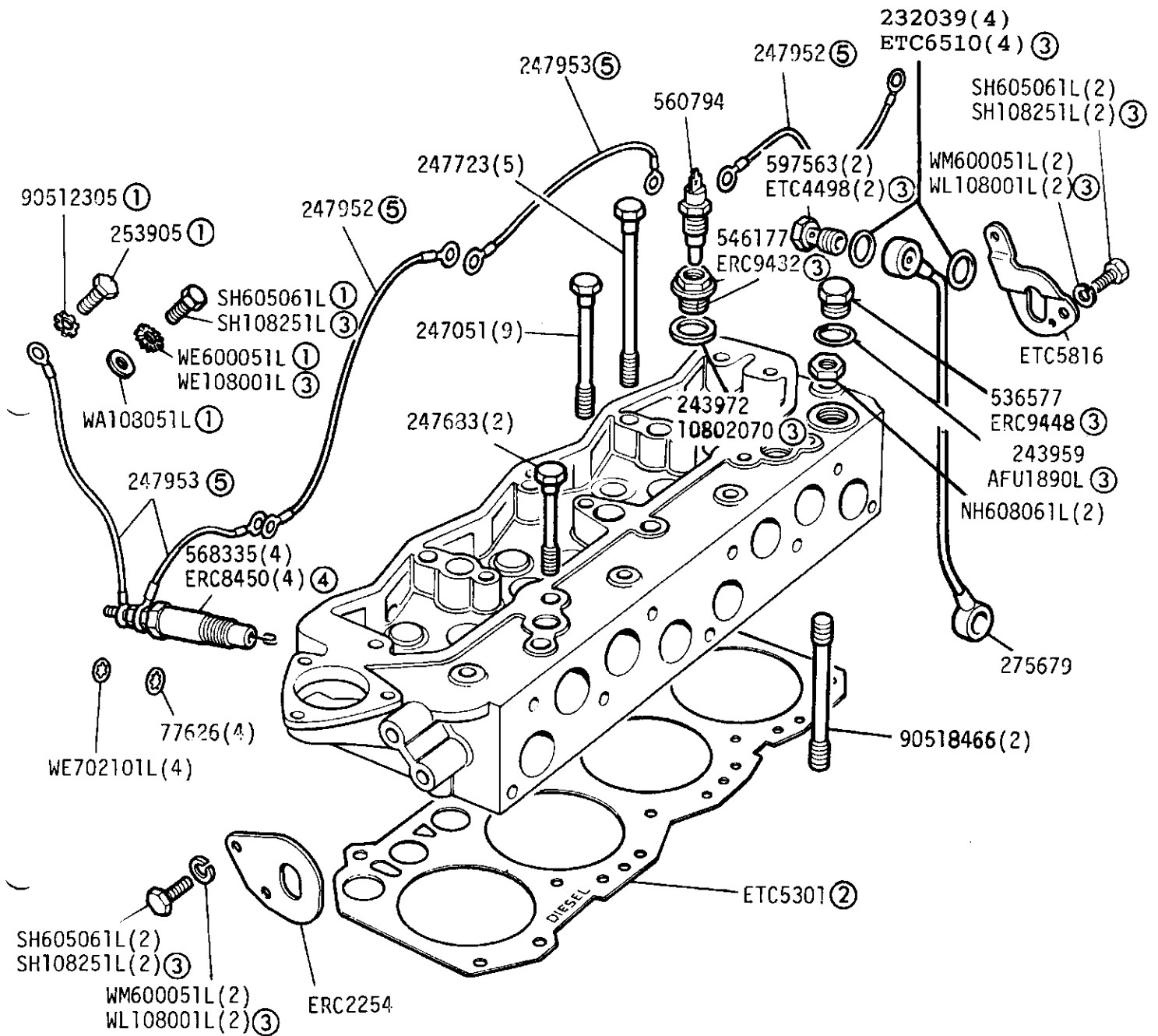


- ① Use with cylinder head 605480
- ② Use with cylinder head RTC772
- ③ From engine No. 36619420B
- ④ From engine number 36623972B
- ⑤ Not required from engine number 36623972B



GROUP B

ENGINE - Cylinders Head Fixings and Heater Plugs 2½ Litre Diesel



- ① Alternative fixings. Check before ordering
 ② Note: Also use ERC6821(18) Washer for cylinder head bolts with this gasket.
 ③ From engine number 36619420B
 ④ From engine number 36623972B
 ⑤ Not required after engine number 36623972B use PRC4175(1) cable assembly.
 Kit for fitting metric cylinder head to imperial cylinder block RTC2956.