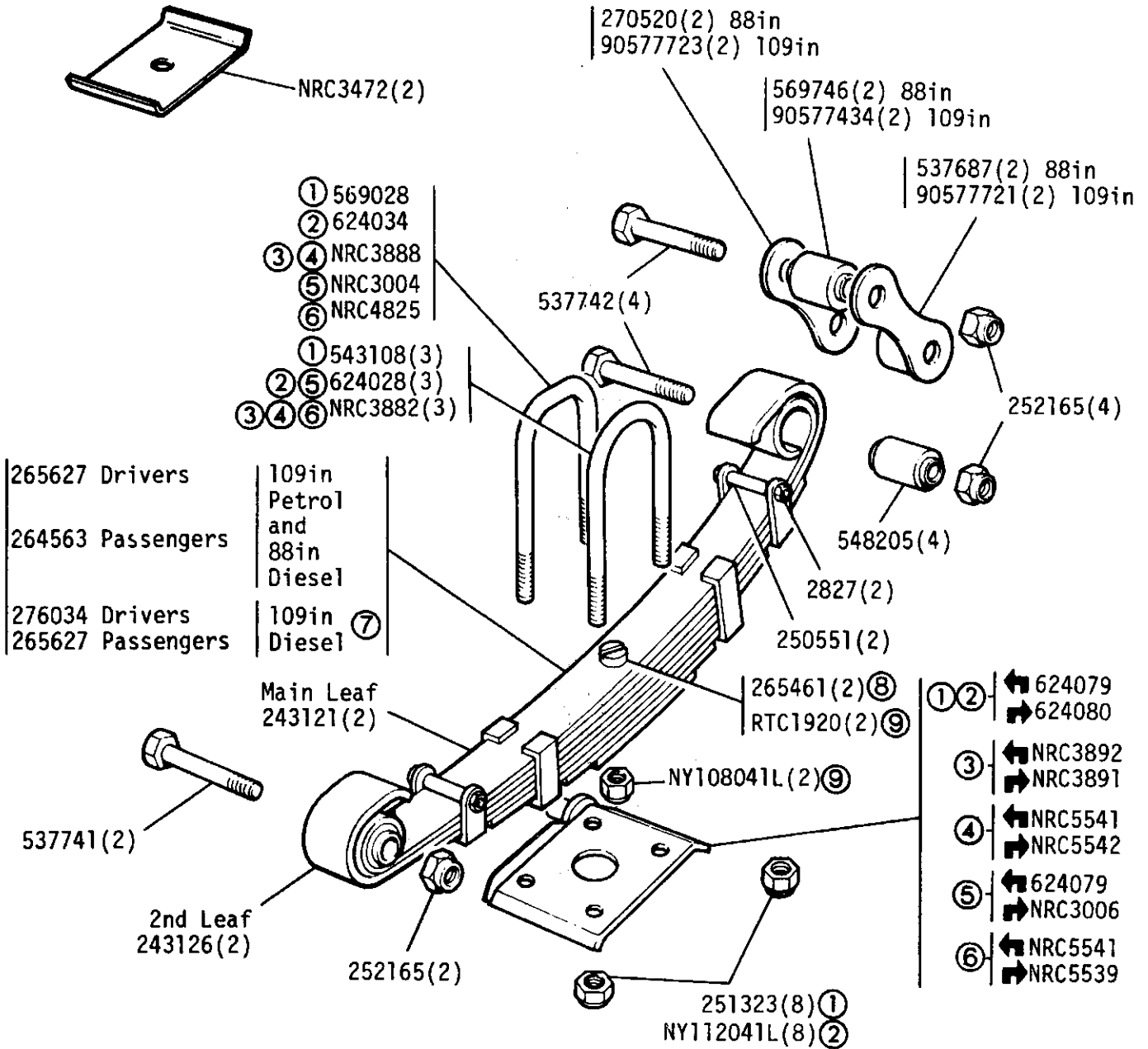


GROUP E

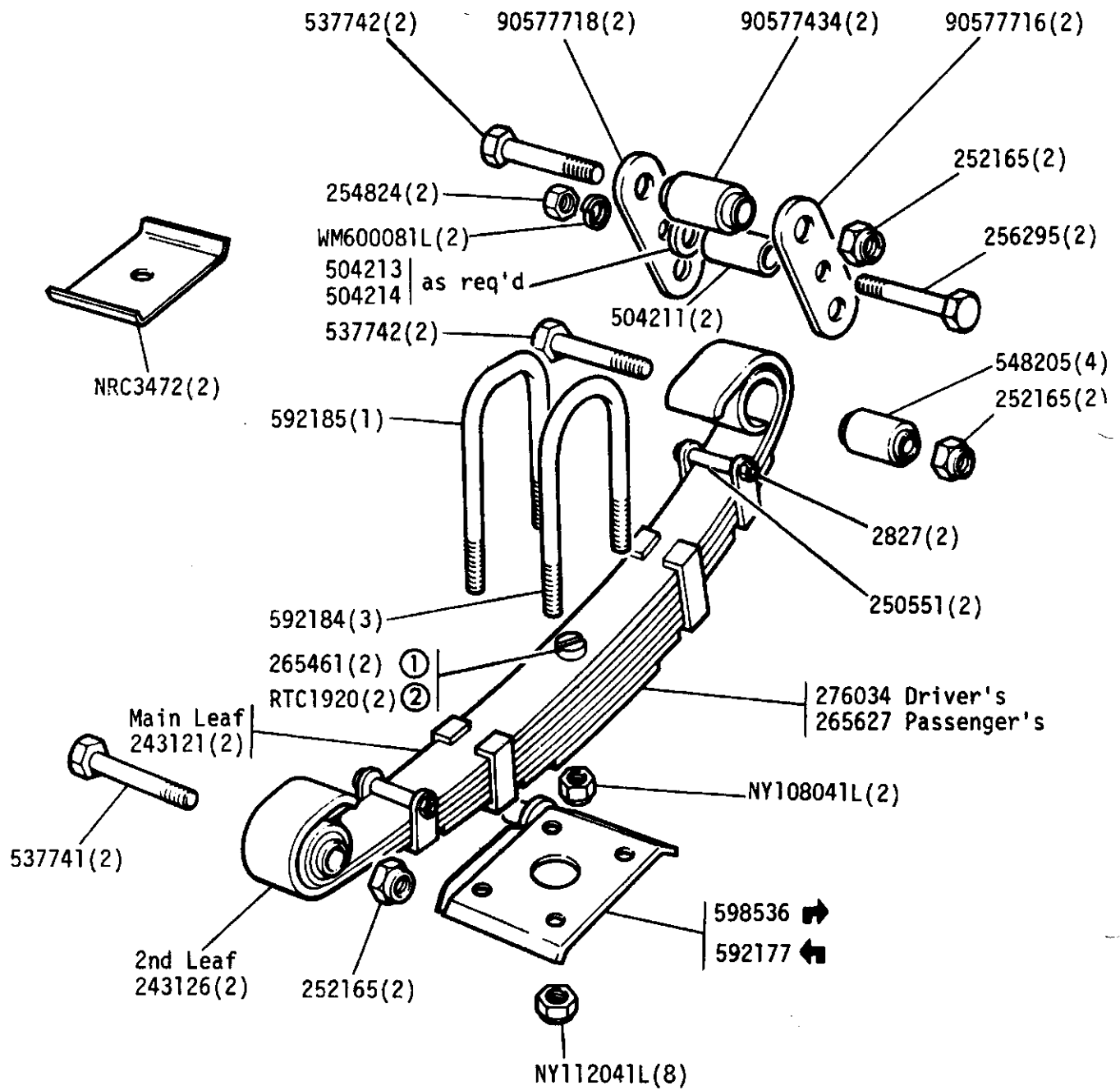
SUSPENSION - Front Road Springs - 88" and 109" Diesel.
 109" 4cyl, 6cyl and 109V8 Petrol - Except 109" 1 Ton.



Part numbers of road springs are stamped on underside of 3rd or bottom leaf

- | | |
|--|---|
| ① 88 and 109 up to Axle Suffix 'C' inclusive | ⑤ 109 V8 up to Axle Suffix 'B' |
| ② 88 and 109 Axle Suffix 'D' | ⑥ 109 V8 Axle Suffix 'C' onwards |
| ③ 88 Axle Suffix 'E' onwards | ⑦ Also applicable to 109 Petrol
4 Cyl and 6 Cyl for Sweden |
| ④ 109 Axle Suffix 'E' onwards | ⑧ UNF |
| | ⑨ Metric |

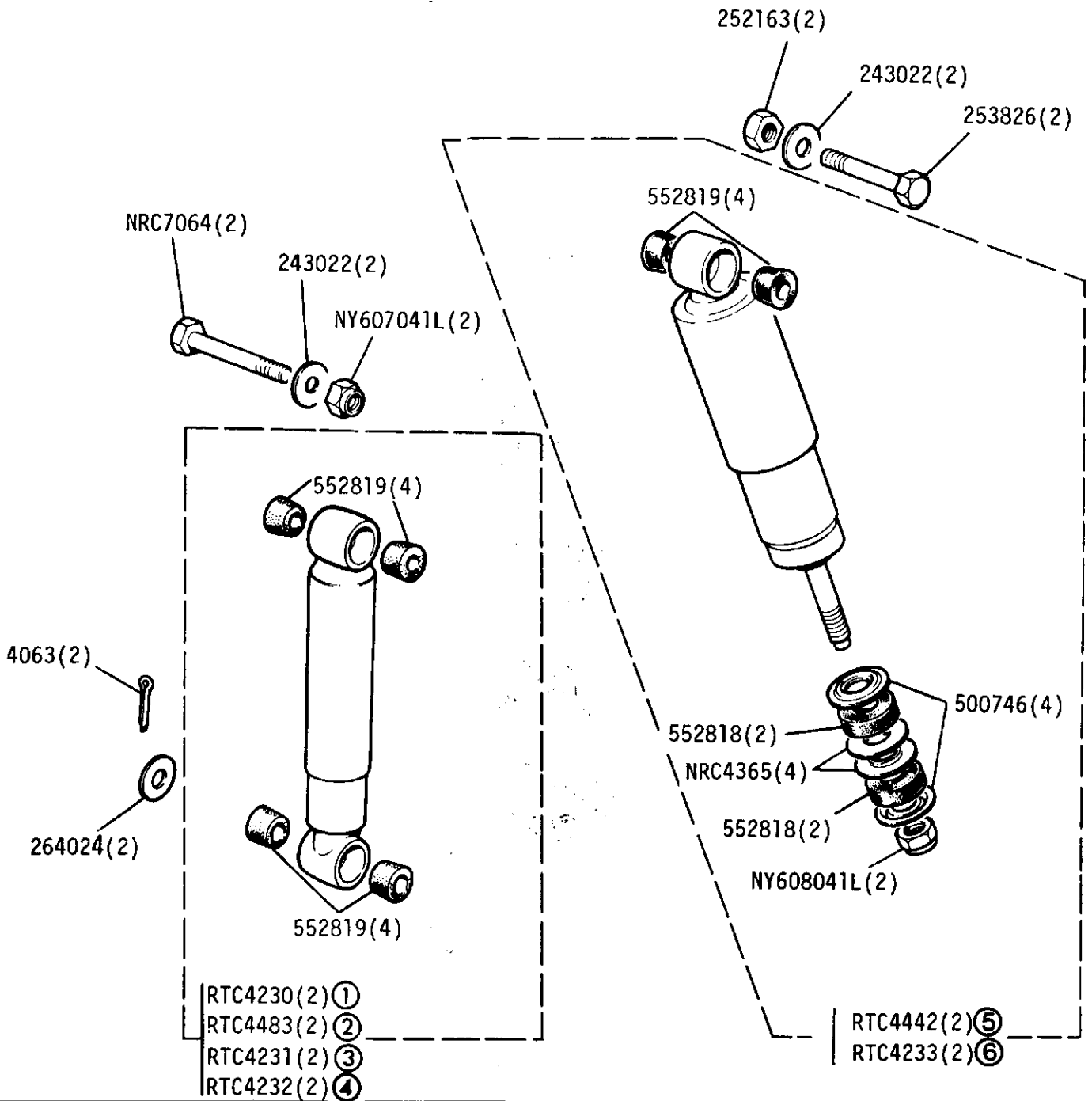
GROUP E
 SUSPENSION - Front Road Springs 109" 4 and 6 cylinder 1 Ton



Part numbers of road springs are stamped on the underside of 3rd or bottom leaf

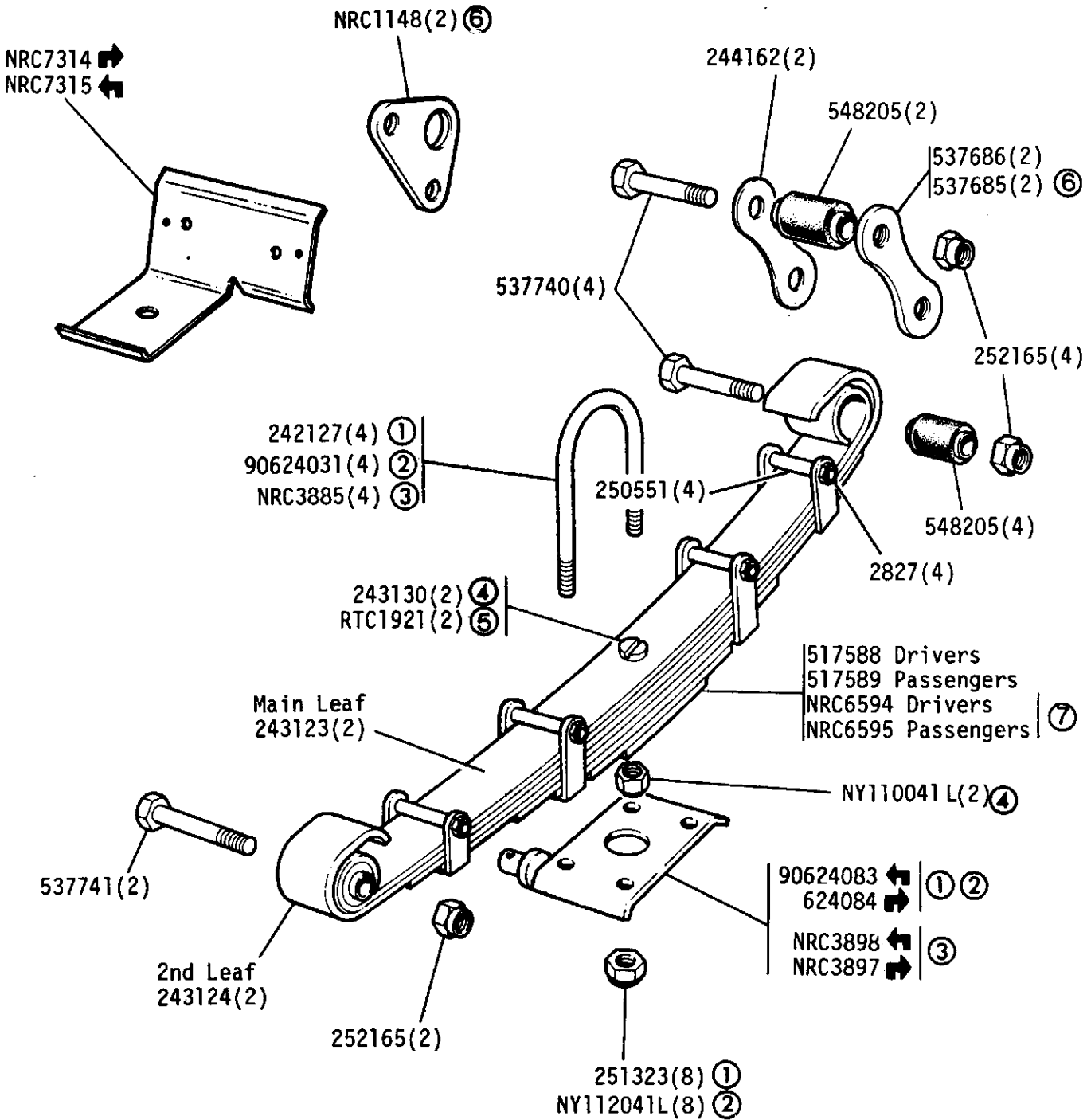
- ① UNF
- ② Metric

GROUP E
 SUSPENSION - Front and Rear Shock Absorbers



- ① 88" Front
- ② 109" and 109V8 Front
- ③ 109" Front 1 Ton
- ④ 88" Rear
- ⑤ 109" and 109V8 Rear
- ⑥ 109" Rear 1 Ton

GROUP E
SUSPENSION - Rear road springs - 88in

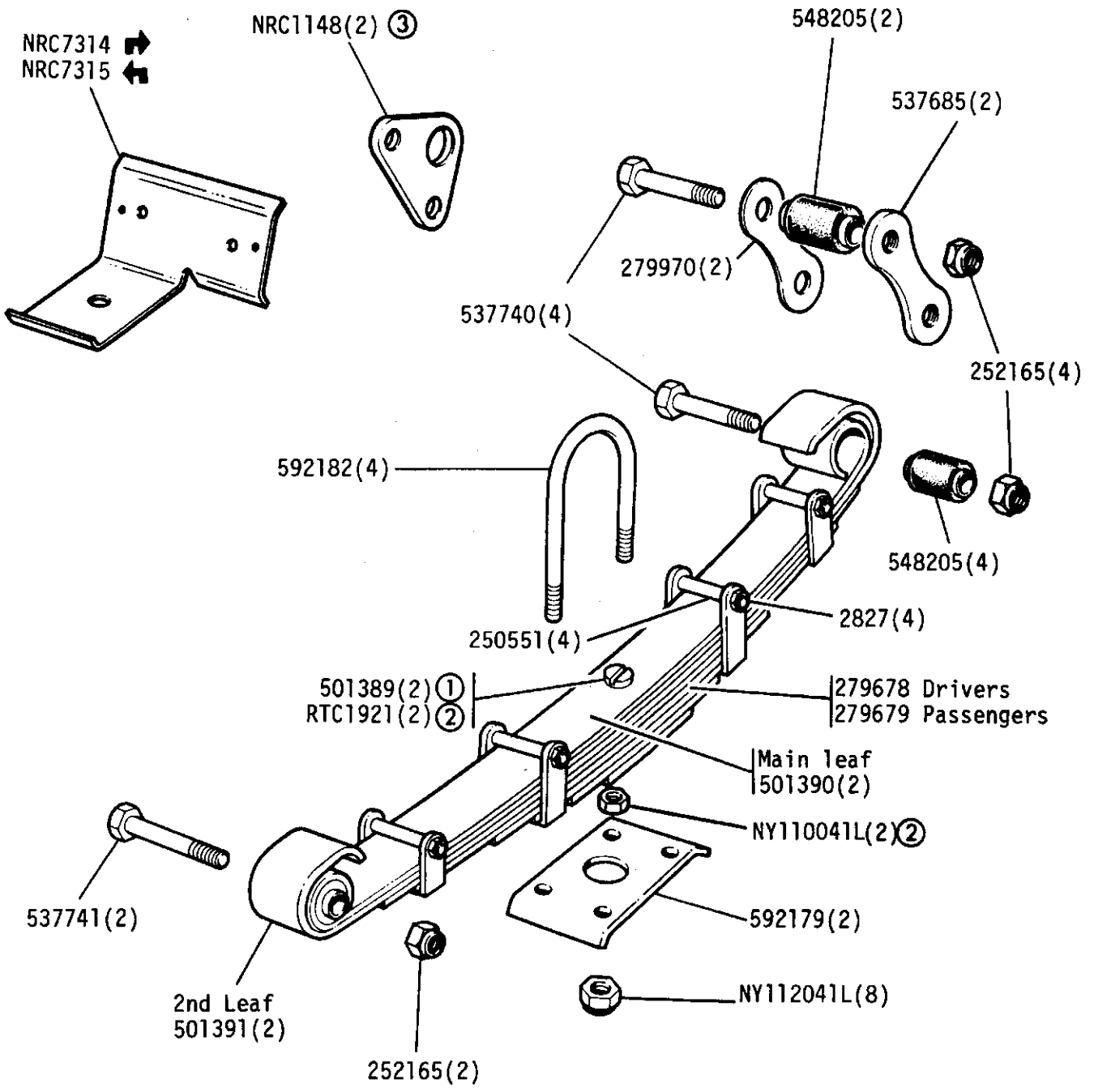


Part numbers of road springs are stamped on underside of 3rd or bottom leaf

- ① Up to suffix 'C' inclusive
- ② Axle suffix 'D'
- ③ Axle suffix 'E' onwards
- ④ UNF
- ⑤ Metric
- ⑥ Germany

- ⑦ De-Cambered Springs which reduce high drive line joint angles experienced on certain unladen vehicles

GROUP E
 SUSPENSION - Rear Road Springs - 109" and 109V8 - Except 109" 1 Ton.

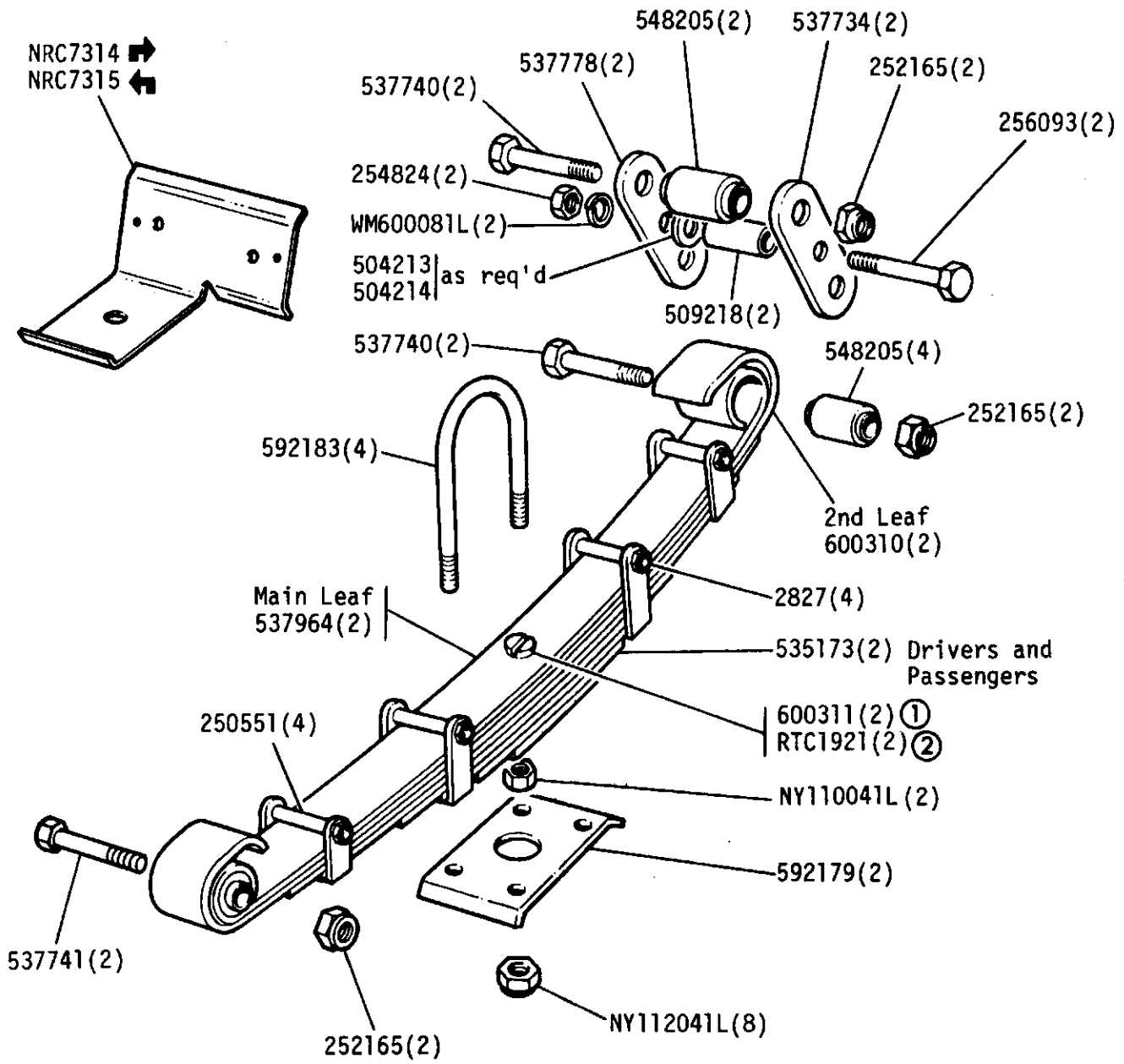


Part numbers of road springs are stamped on underside of 3rd or bottom leaf

① UNF
 ② Metric
 ③ Germany

LAND ROVER 1J 17 2RE 261/A

GROUP E
 SUSPENSION - Rear road springs - 109in 4 and 6 cylinder 1 Ton



Part numbers of road springs are stamped on the underside of 3rd or bottom leaf

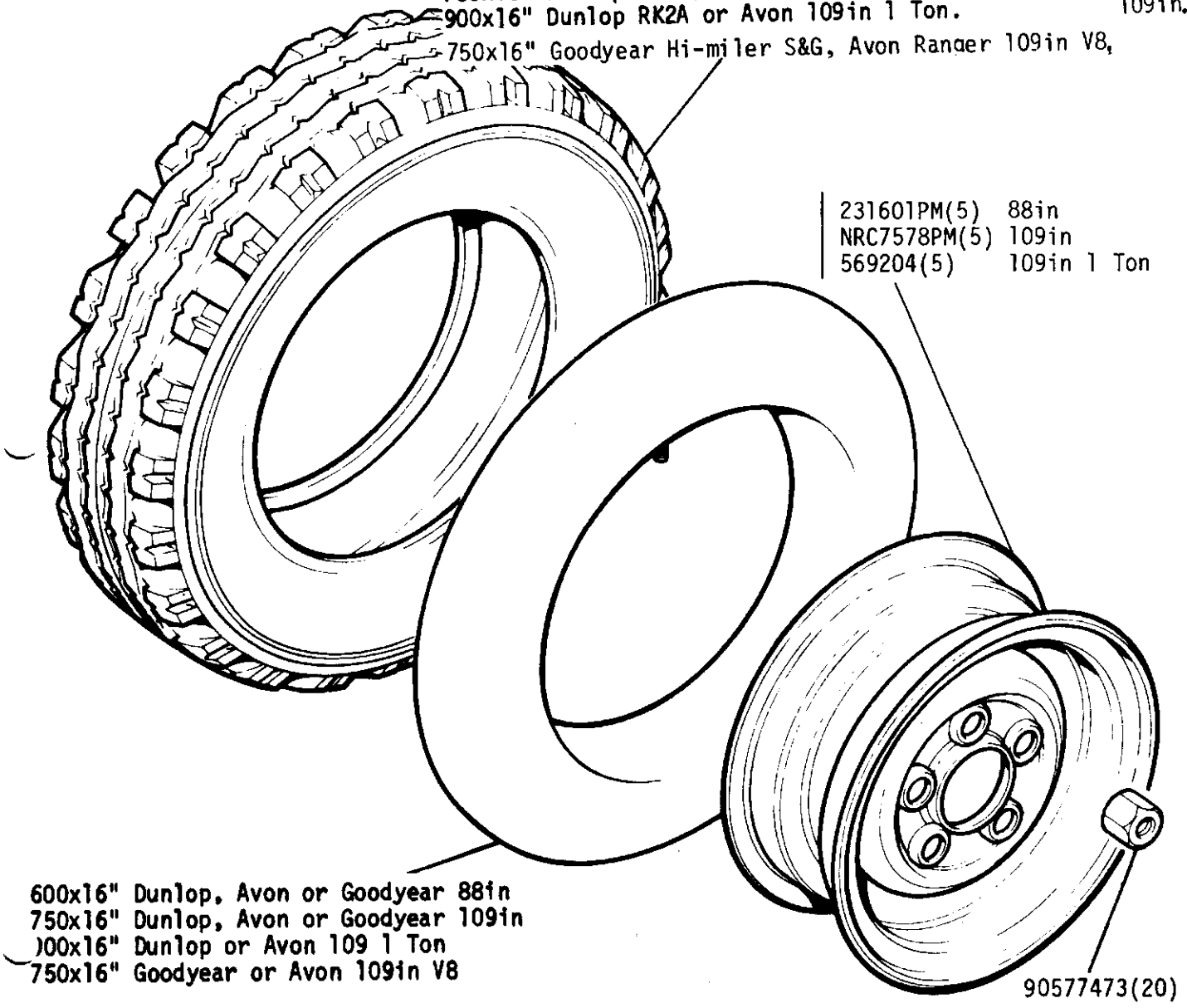
- ① UNF
- ② Metric

GROUP E

LOAD WHEEL - Tyre and Inner Tube

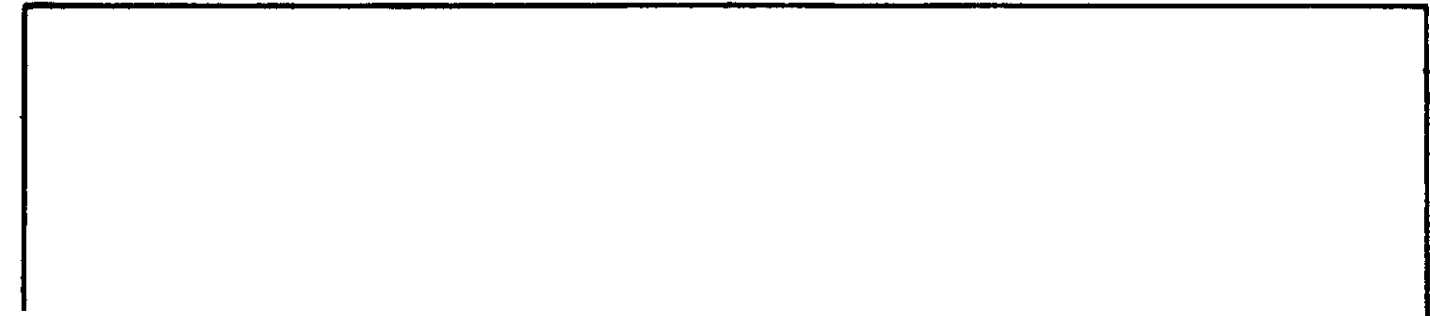
- 600x16" Dunlop RK3A, Avon TM or Goodyear S&G 88in.
- 750x16" Dunlop RK3A, Avon Ranger or Goodyear Hi-miler S&G 109in.
- 900x16" Dunlop RK2A or Avon 109in 1 Ton.
- 750x16" Goodyear Hi-miler S&G, Avon Ranger 109in V8,

- 231601PM(5) 88in
- NRC7578PM(5) 109in
- 569204(5) 109in 1 Ton

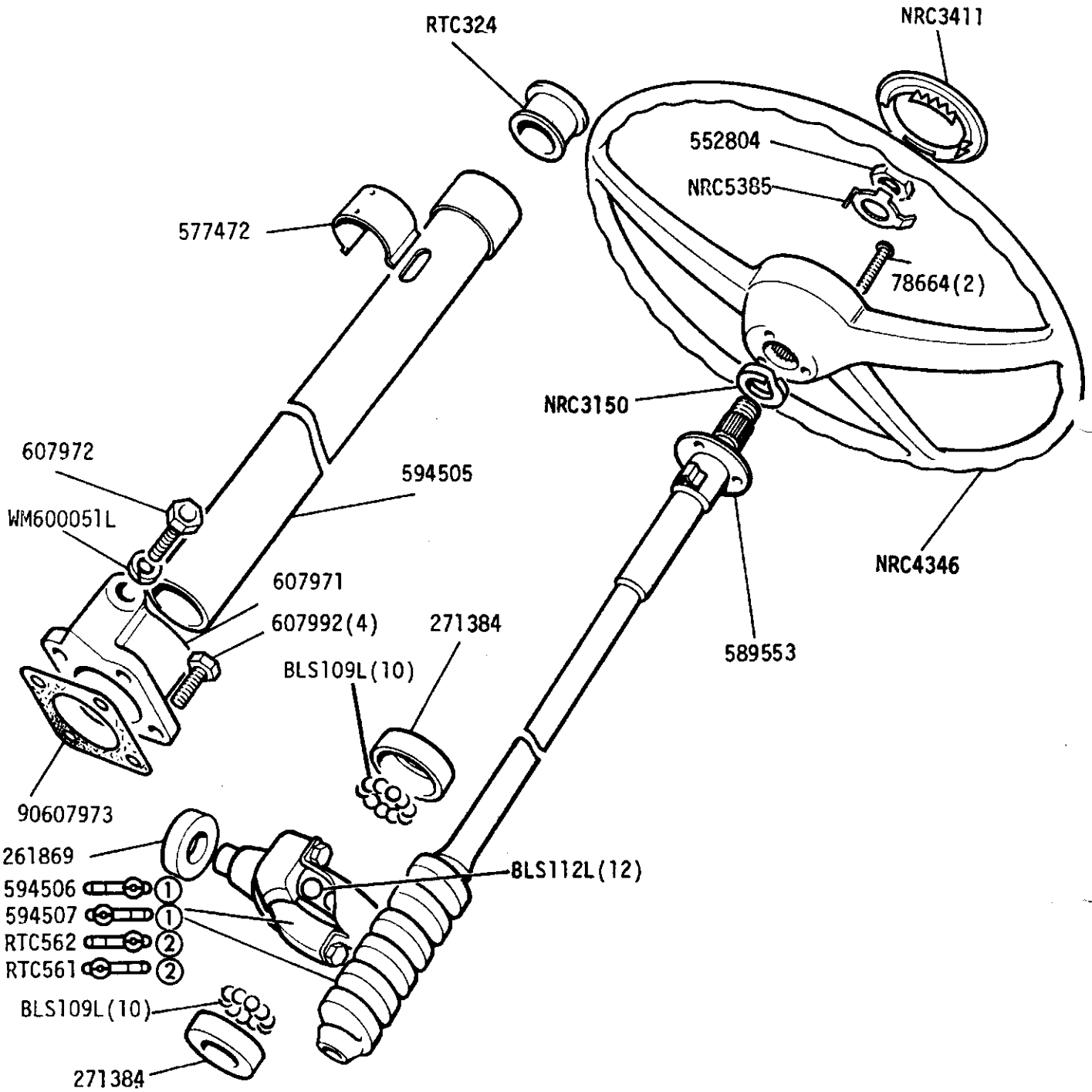


- 600x16" Dunlop, Avon or Goodyear 88in
- 750x16" Dunlop, Avon or Goodyear 109in
- 900x16" Dunlop or Avon 109 1 Ton
- 750x16" Goodyear or Avon 109in V8

90577473(20)

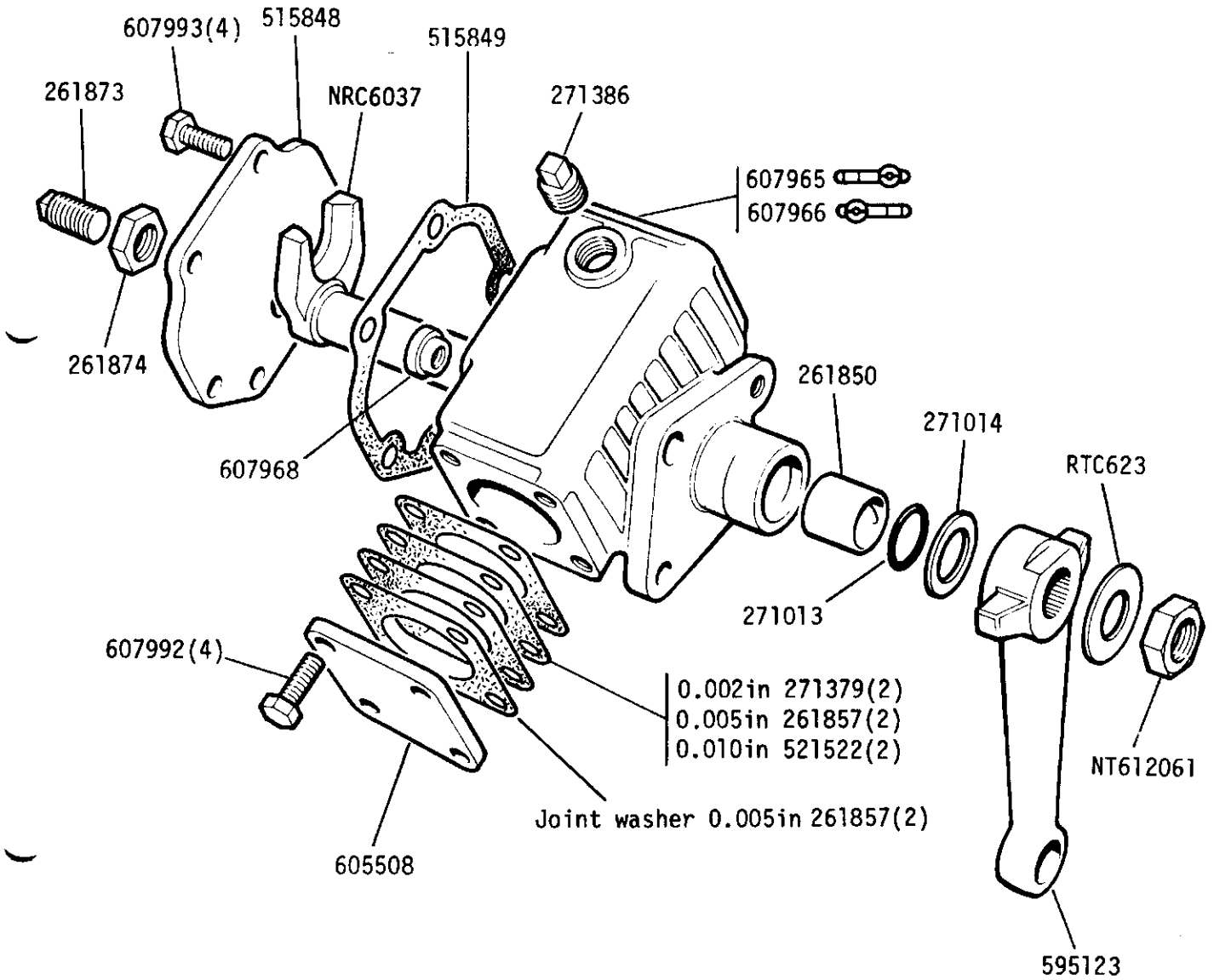


GROUP F
STEERING - Column



- ① Except 1 Ton
- ② 109 1 Ton

GROUP F
STEERING - Box and Drop Arm



Steering Unit assembly NRC5960 

Steering Unit assembly NRC5961 

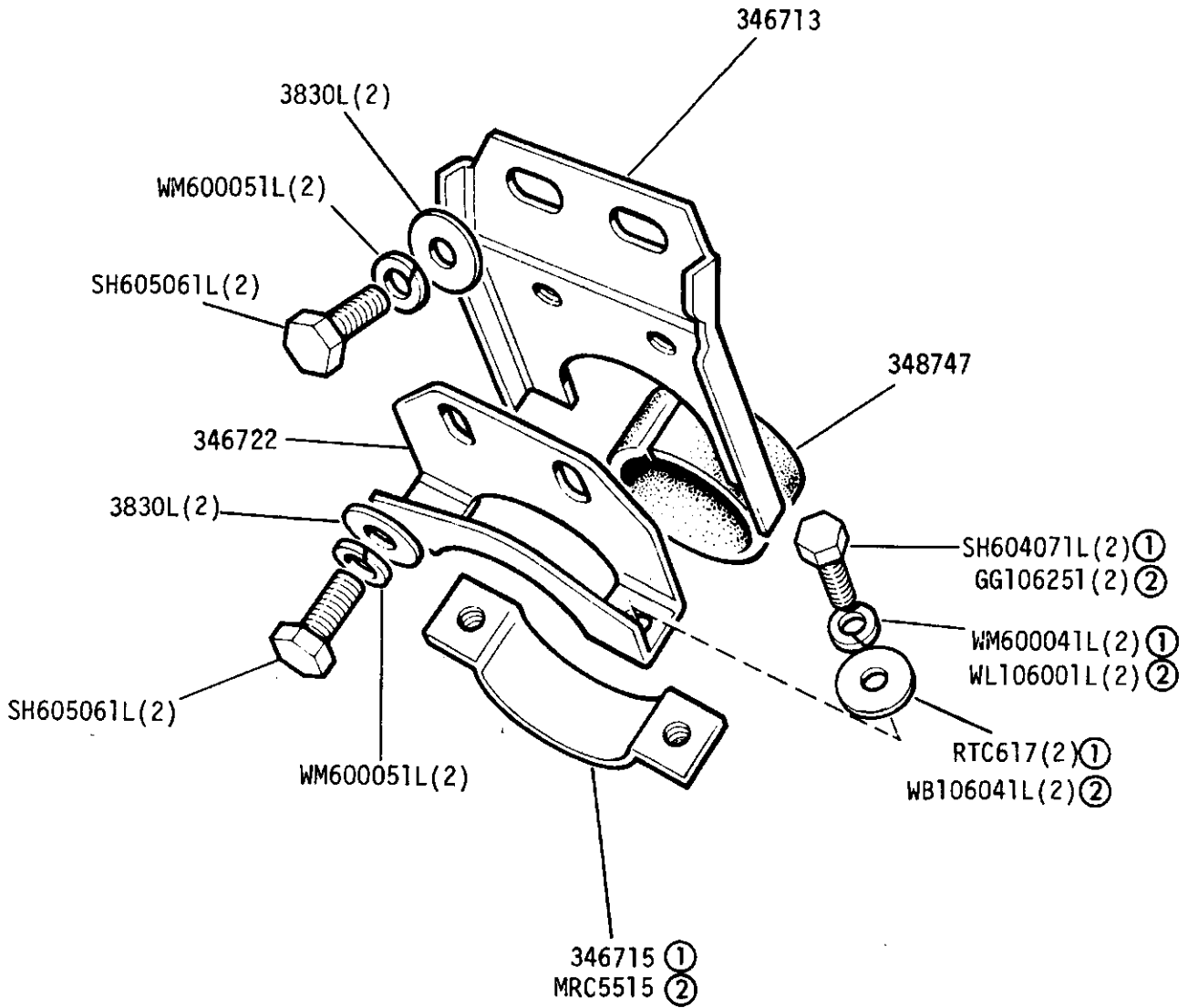
All models including 109V8 - Except 109 1 Ton

Steering Unit assembly NRC5962 

Steering Unit assembly NRC5963 

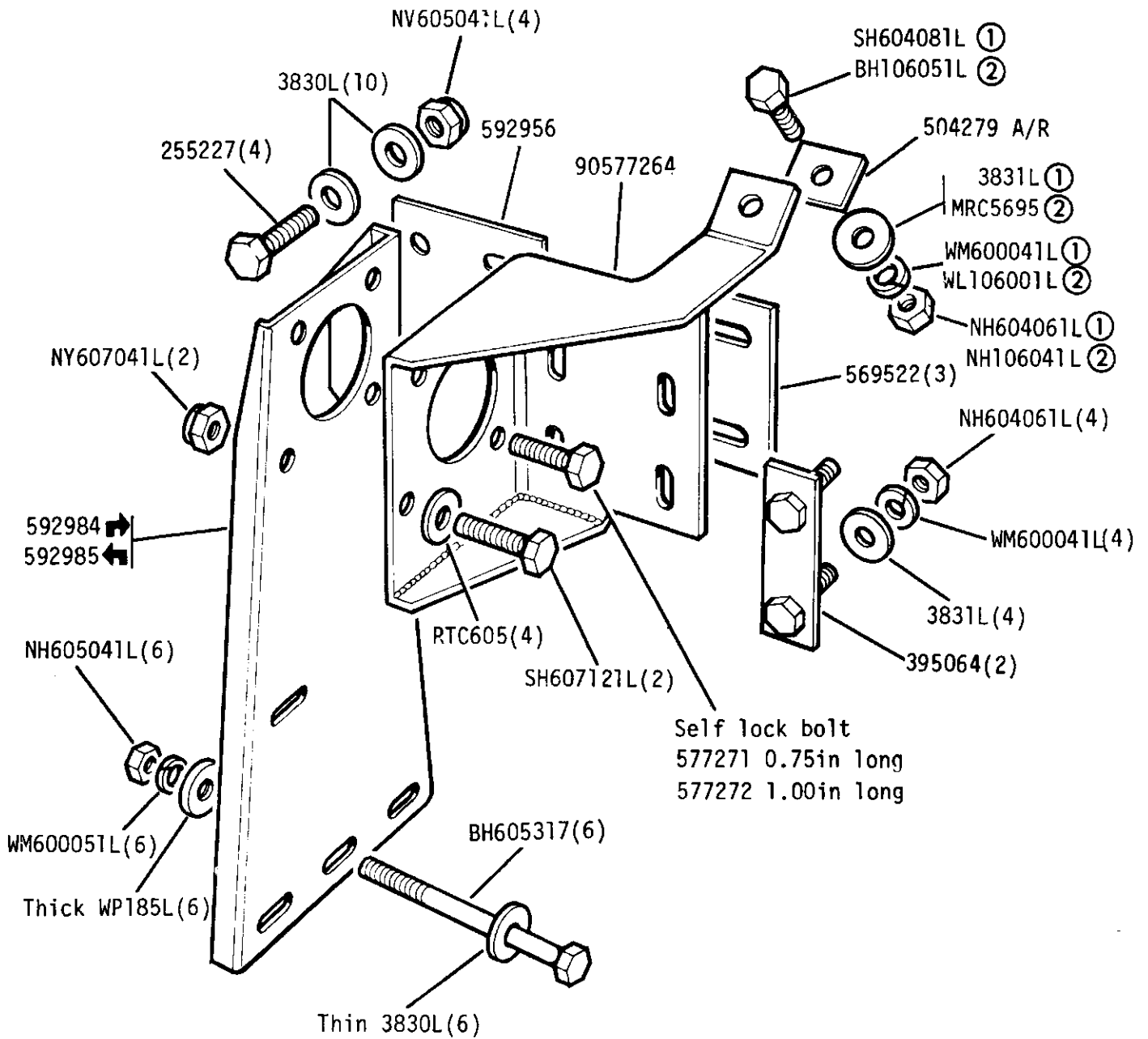
109 1 Ton. Optional on 109V8 - (Low Ratio)

GROUP F
 STEERING - Column Support Bracket and Clamp



① UNF
 ② METRIC

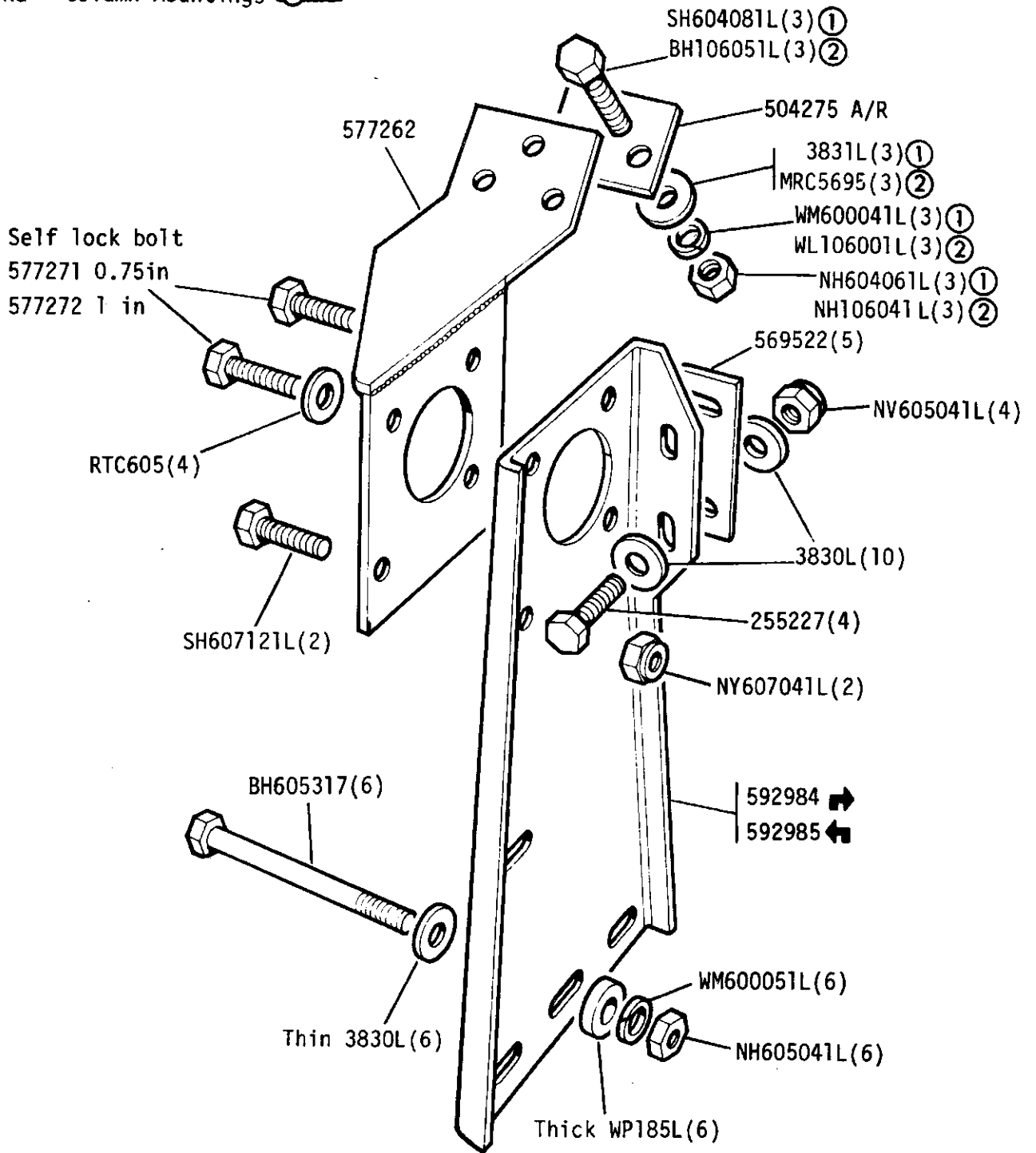
GROUP F
STEERING - Column Mountings 



- ① UNF
- ② METRIC

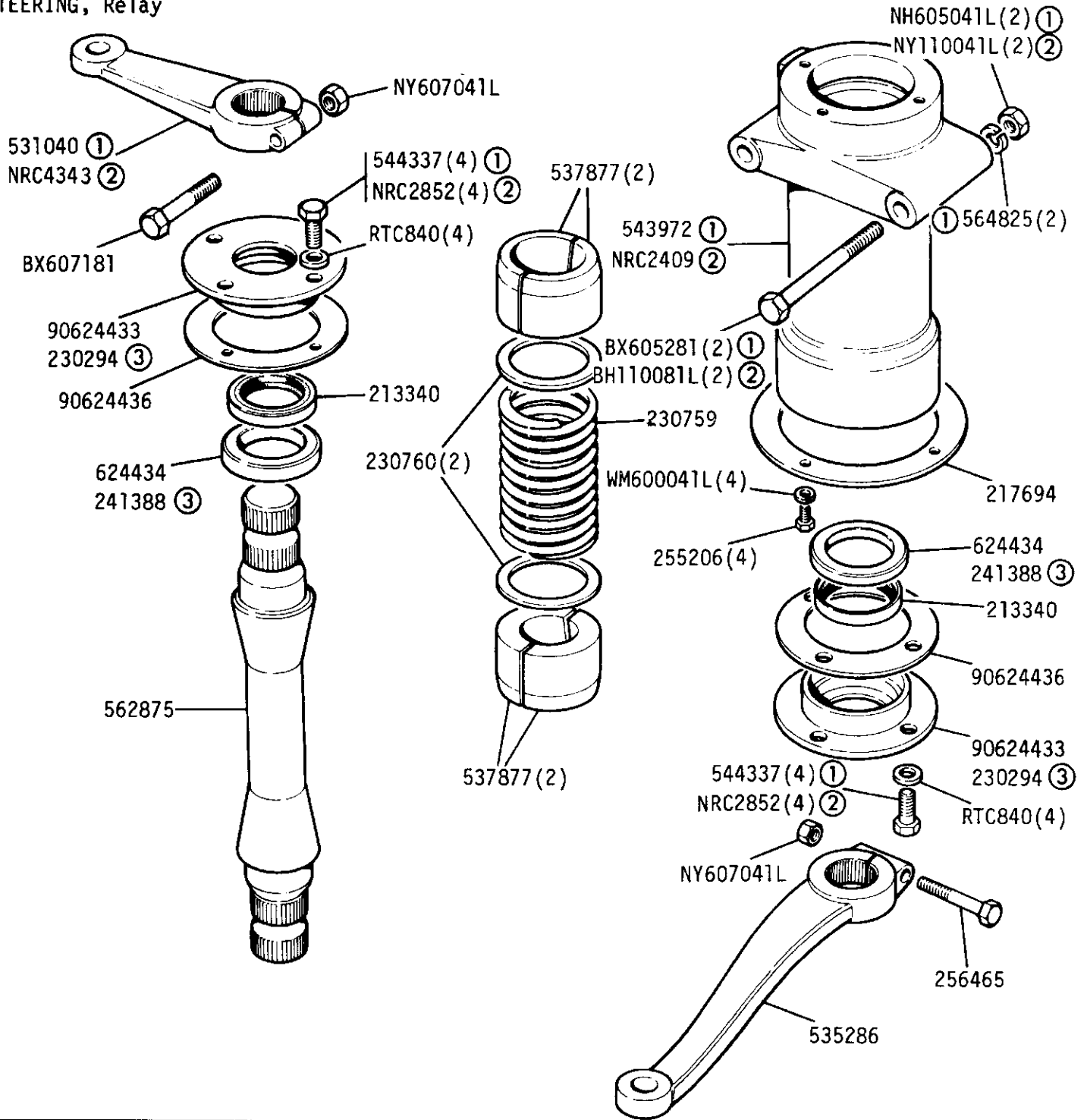
GROUP F

STEERING - Column Mountings



- ① UNF
- ② METRIC

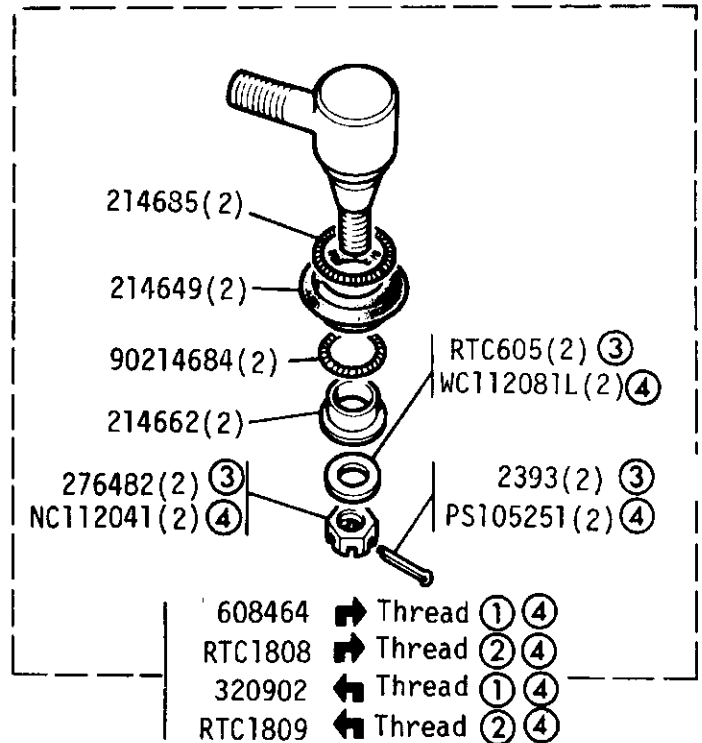
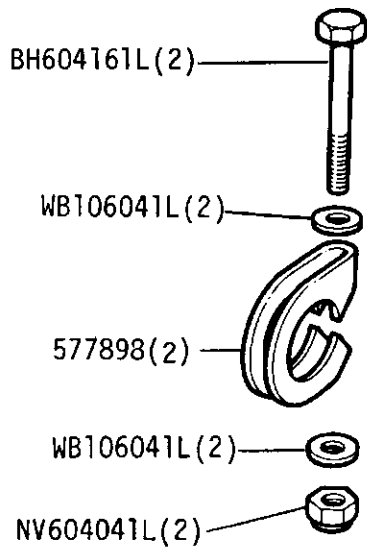
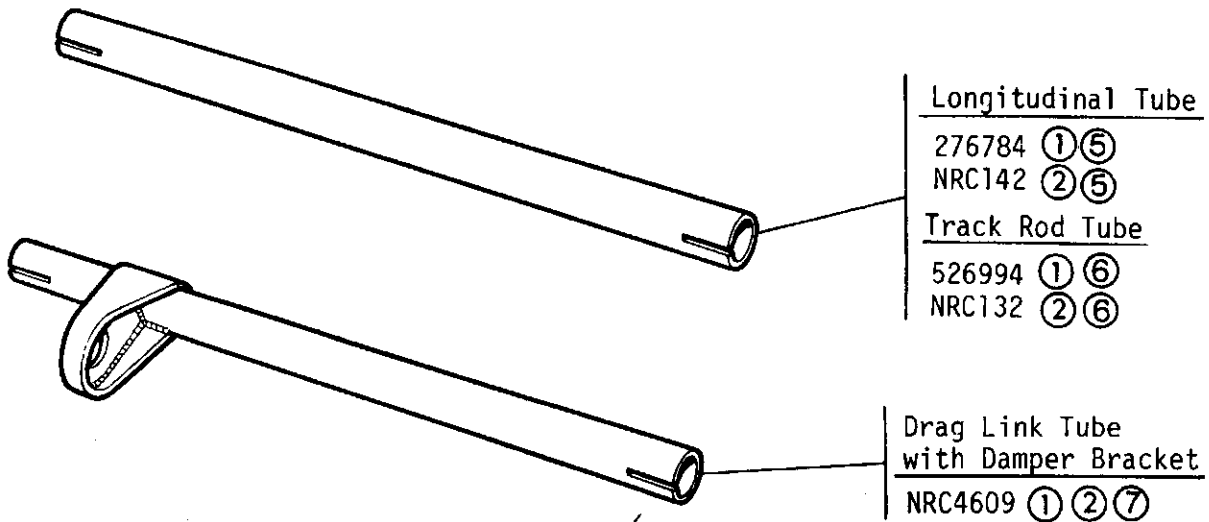
GROUP F
STEERING, Relay



Steering relay assembly NRC1269 Except 109 V8
Steering relay assembly NRC2410 109 V8

- ① Except 109 V8
- ② 109 V8
- ③ Early models

GROUP F
STEERING - Linkage Except 109in 1 Ton

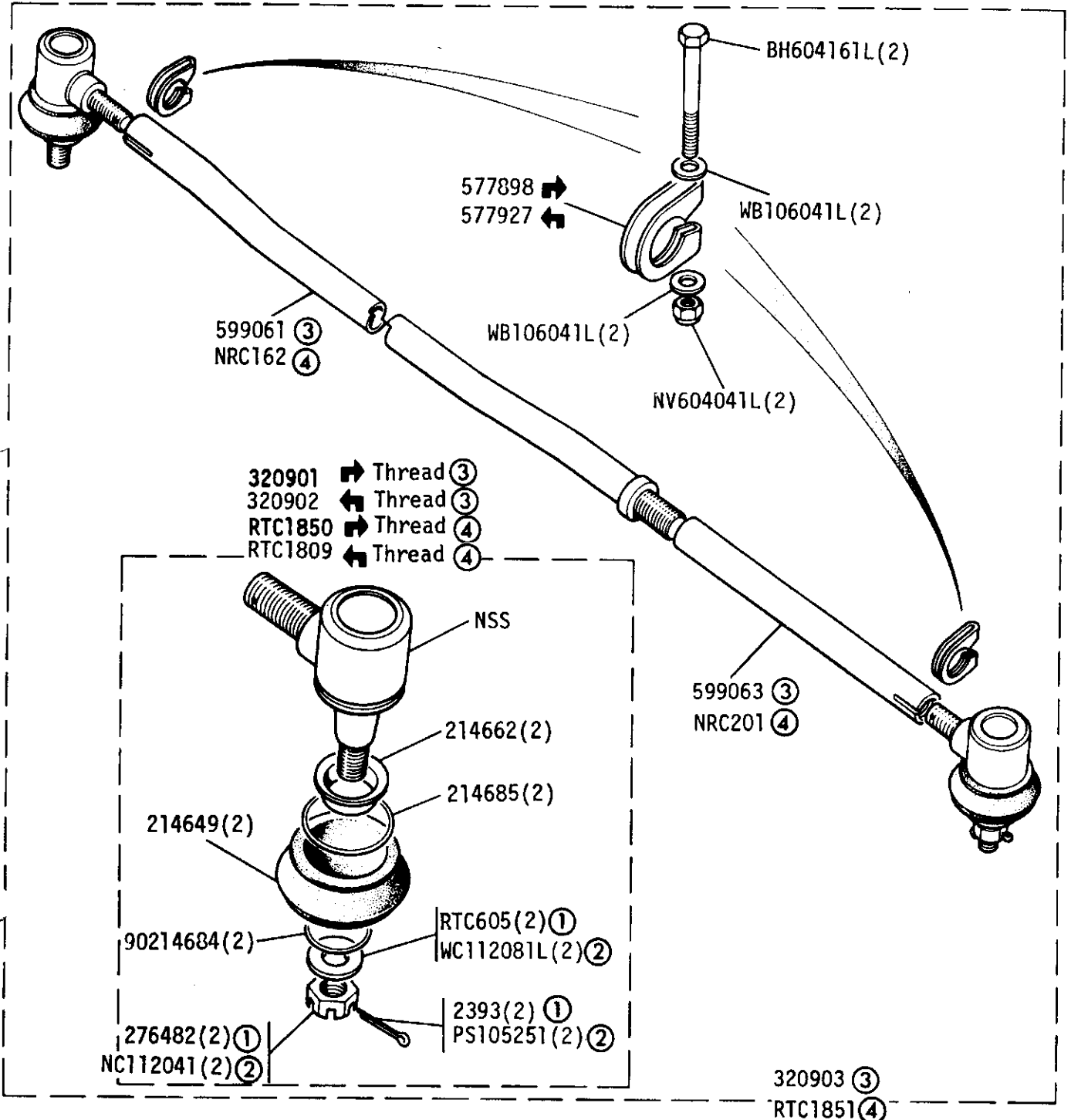


- ① Up to Axle suffix 'D' inclusive
- ② From Axle suffix 'E' onwards
- ③ UNF Fixings
- ④ Metric Fixings

- ⑤ Longitudinal tube assembly 90608462
- ⑤ Longitudinal tube assembly RTC1806
- ⑥ Steering track rod assembly 608465
- ⑥ Steering track rod assembly RTC1810
- ⑦ Steering drag link assembly
With damper bracket RTC2547

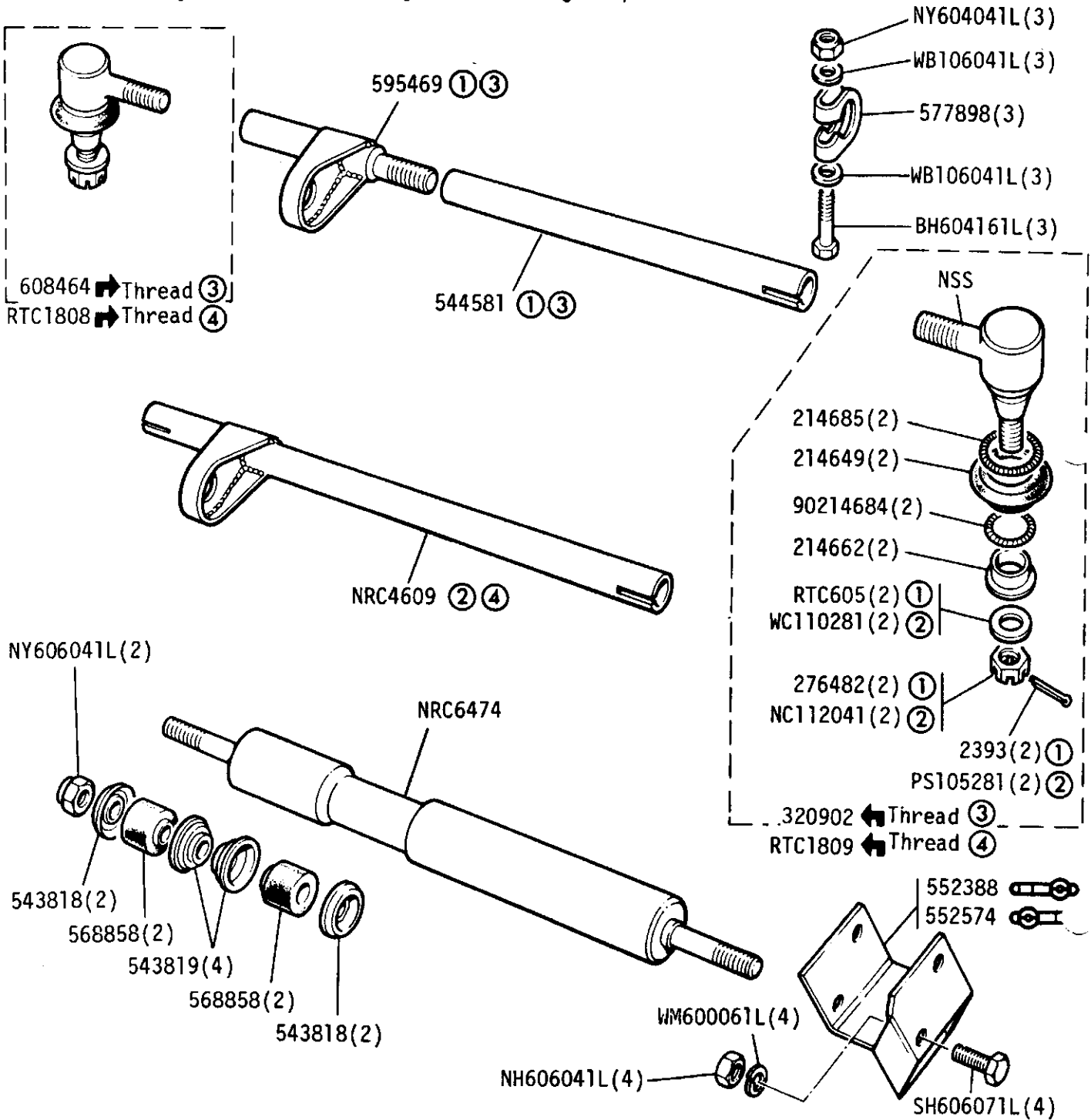
GROUP F

STEERING LINKAGE - Steering Track Rod 109in 1Ton



- ① UNF Fixings
- ② Metric Fixings
- ③ Up to July 1974 inclusive
- ④ From August 1974 onwards

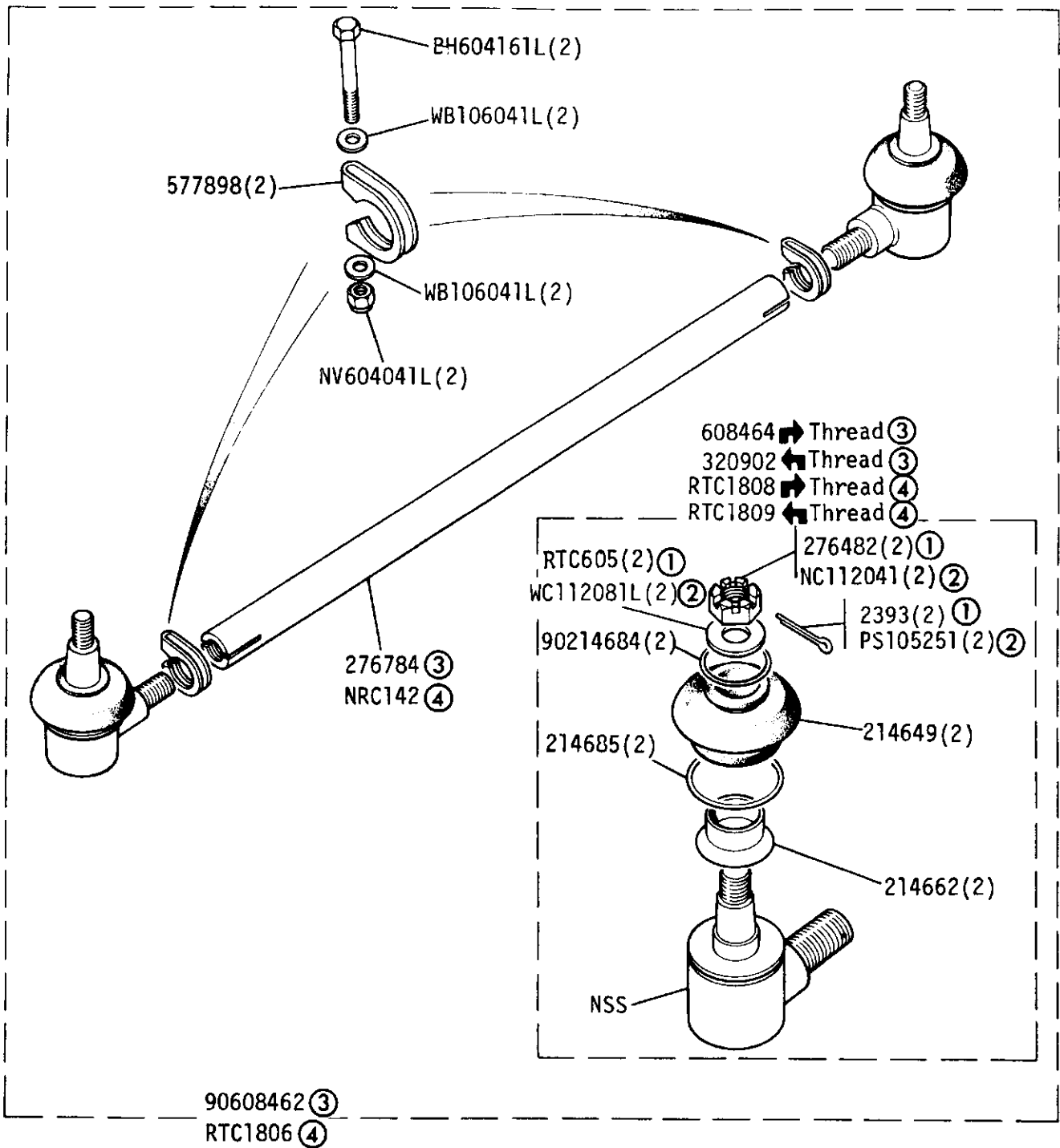
GROUP F
STEERING - Drag Link Tube Assembly and Steering Damper 109in 1 Ton



Drag link and damper bracket assembly RTC2547

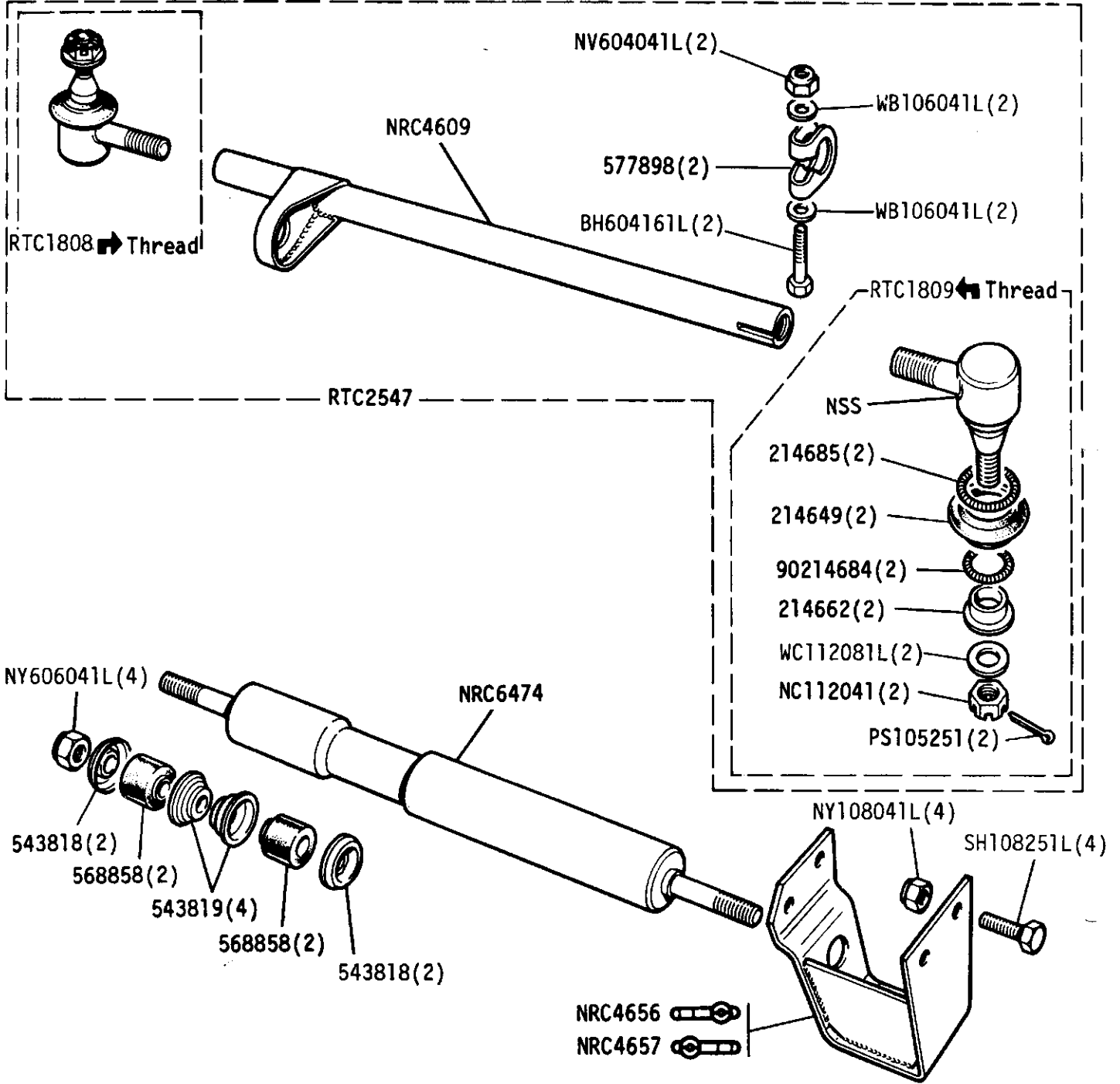
- ① UNF Fixings
- ② Metric Fixings
- ③ Up to July 1974 inclusive
- ④ From August 1974 onwards

GROUP F
STEERING LINKAGE - Longitudinal Tube 109in 1 Ton



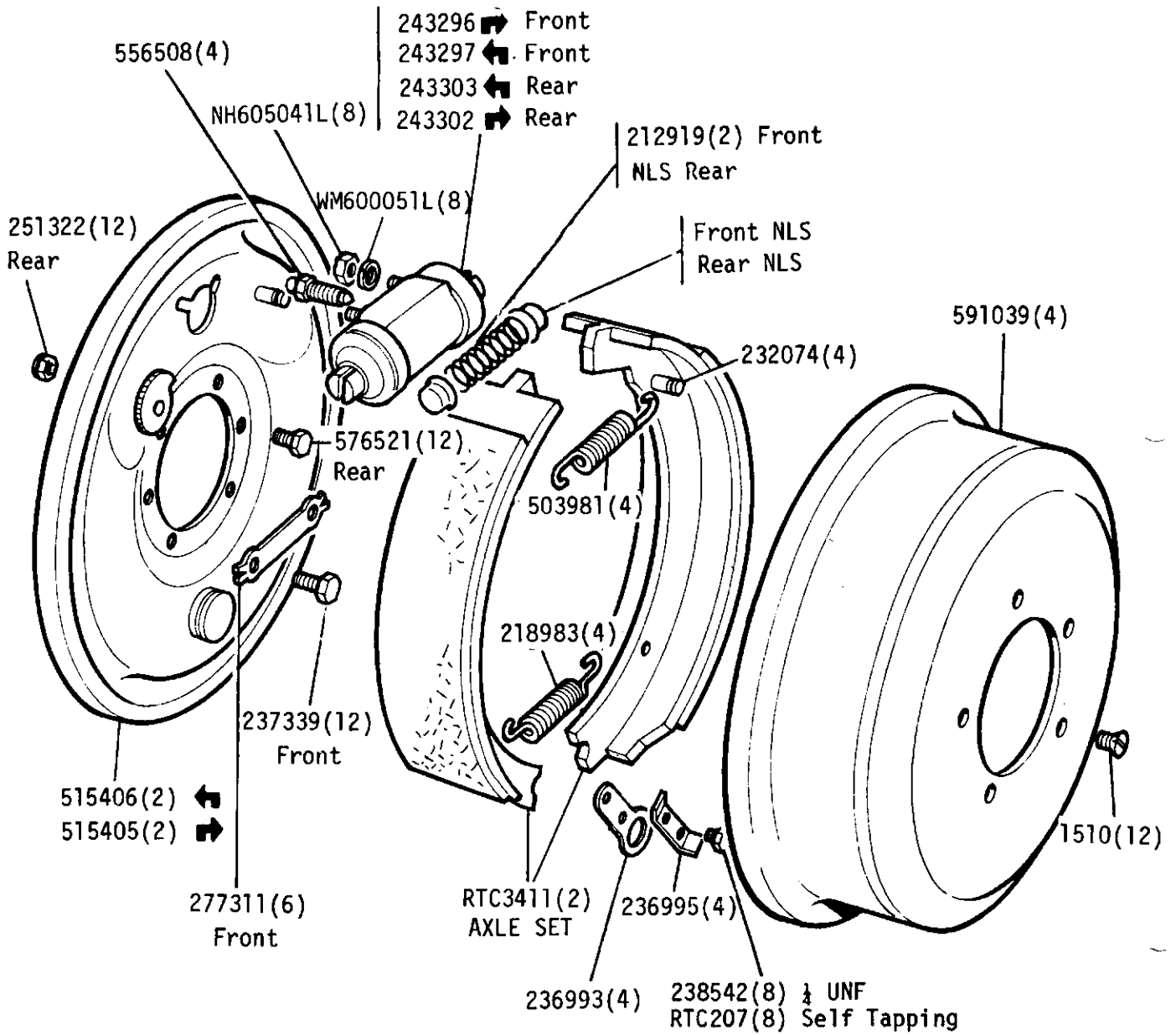
- ① UNF Fixings
- ② Metric Fixings
- ③ Up to July 1974 inclusive
- ④ From August 1974 onwards

GROUP F
 STEERING - Drag link tube assembly and steering damper 109V8



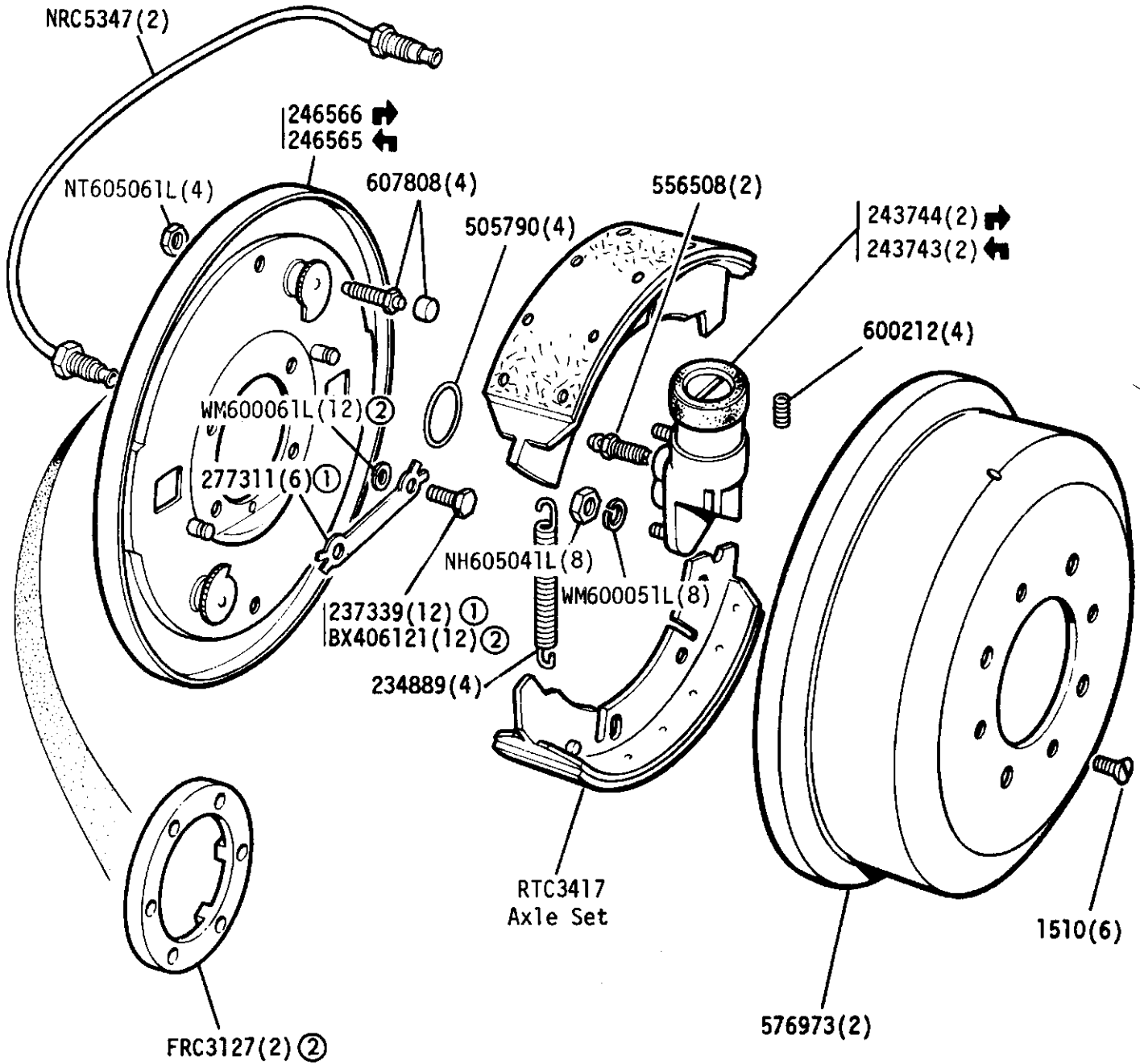
GROUP G

BRAKES - Front and Rear 88in - Up to June 1980



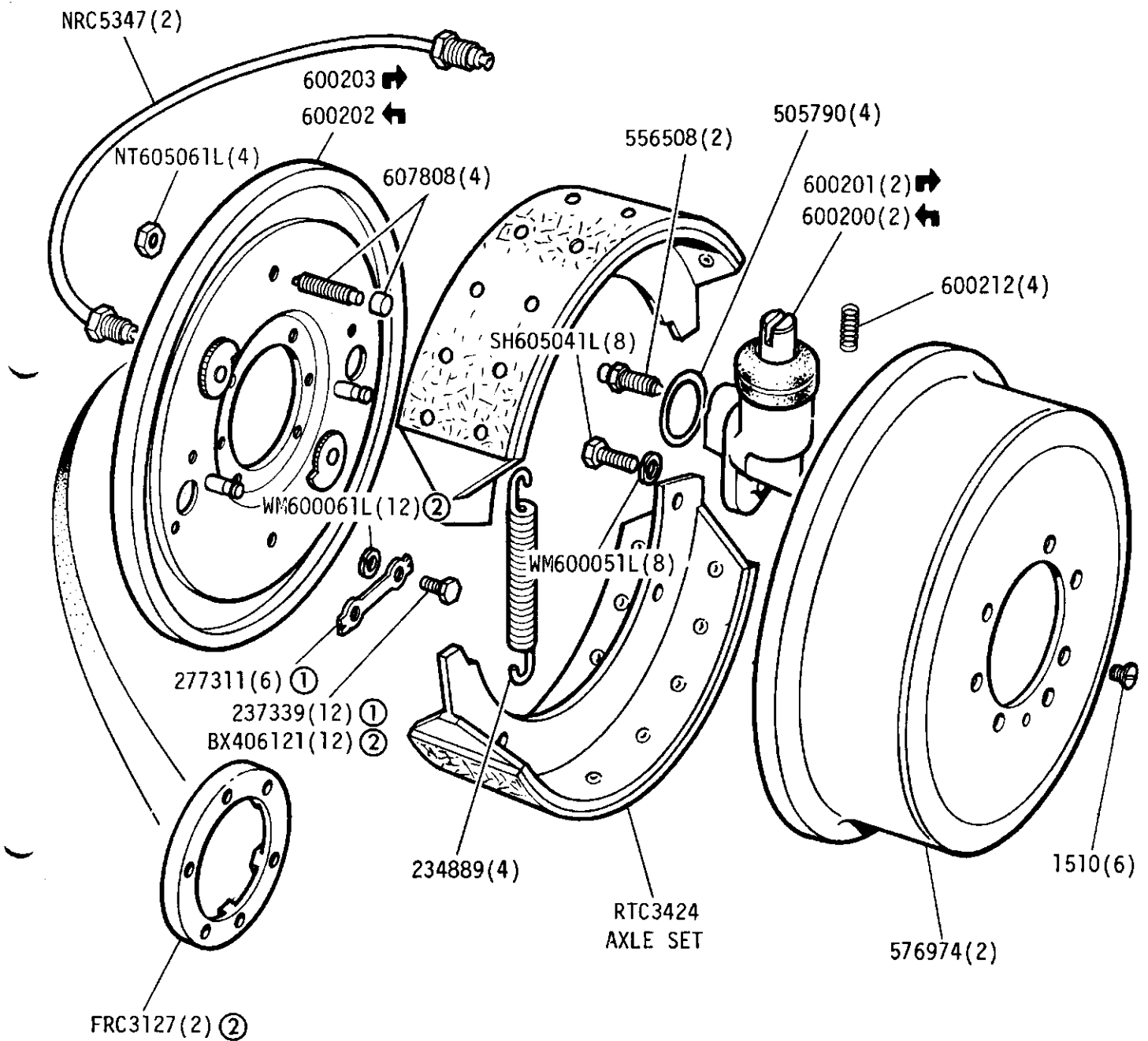
Brake Lining, complete with rivets AAU9942(2) Axle Set
 Wheel cylinder overhaul kit, front 275744
 Wheel cylinder overhaul kit, rear 266687
 Brake adjuster kit, all drum brakes, RTC3176, (Axle set).

GROUP G
BRAKES - Front-109in 4 Cylinder Except 109in 1 Ton
Front-88in from July 1980



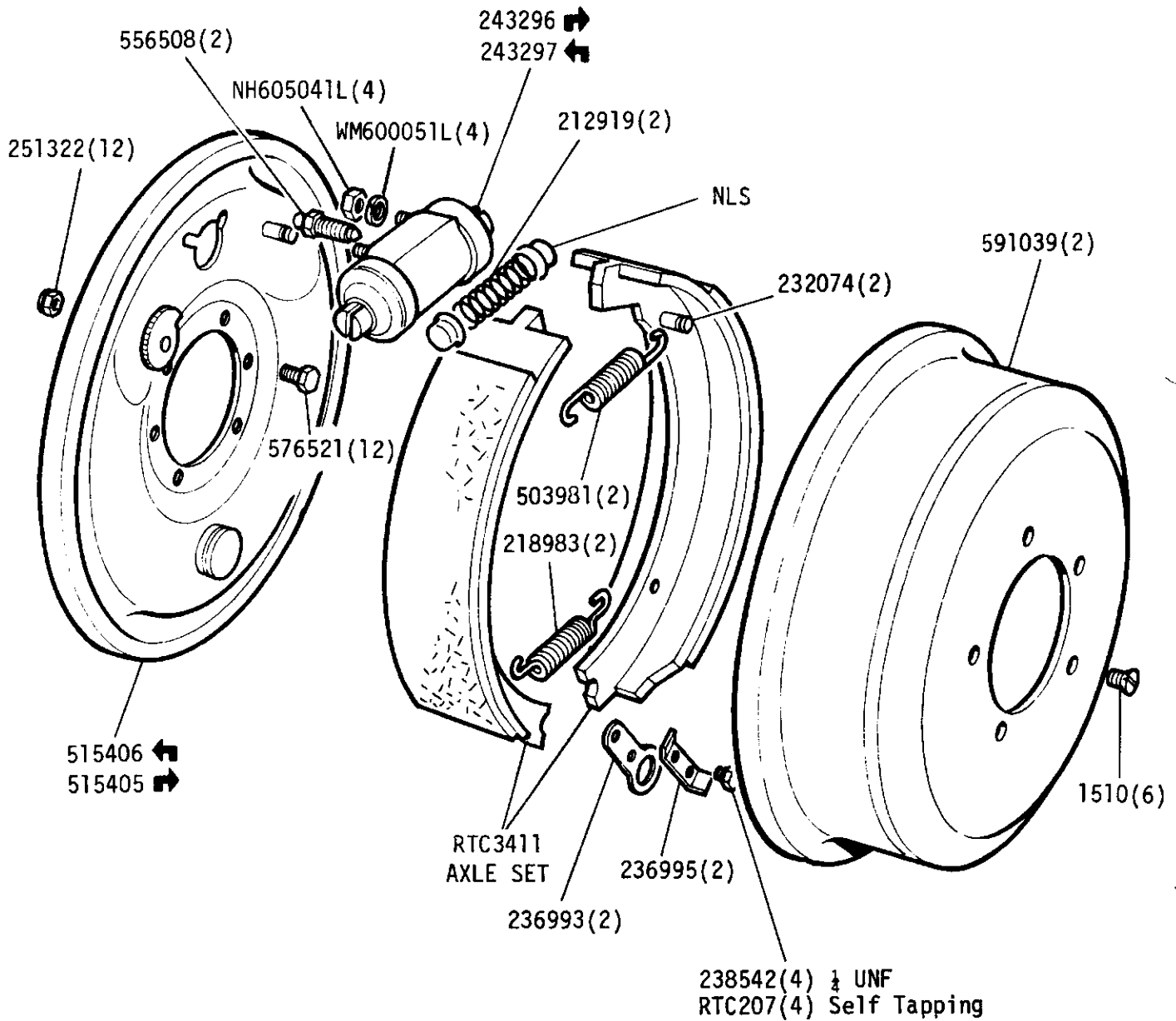
Brake lining complete with rivets AAU8471 Axle Set
 Wheel cylinder overhaul kit 266684
 Brake adjuster kit, all drum brakes, RTC3176, (Axle set).
 ① Upto Sept. 1980
 ② From Oct. 1980

GROUP G
BRAKES - Front 109" 6 Cylinder and 109 V8



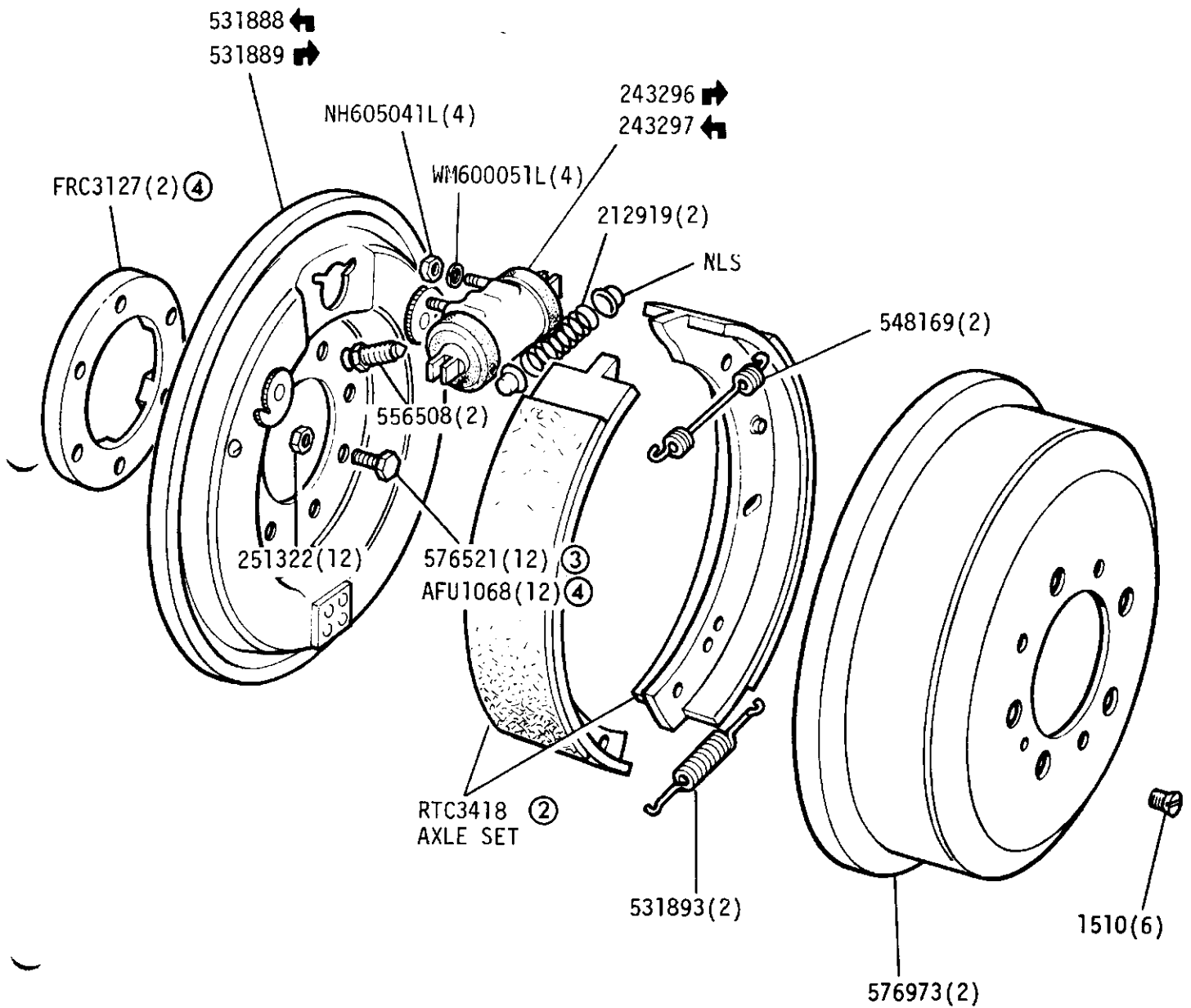
Brake lining, complete with rivets AAU 8469 Axle Set
 Wheel cylinder overhaul kit 600210
 All items on this frame are also applicable to 109 1 Ton 4 and 6 cylinder models
 ① Up to Sept. 1980
 ② From Oct. 1980
 Brake adjuster kit, all drum brakes, RTC3176, (Axle set).

GROUP G
BRAKES - Rear 88 in - From July 1980



Brake Lining, complete with rivets AAU9942 Axle Set
Wheel cylinder overhaul kit, 275744
Brake adjuster kit, all drum brakes, RTC3176, (Axle set).

GROUP G
BRAKES - Rear 109" including V8



All items on this frame are also applicable to 109 1 Ton 4 and 6 cylinder models

① Up to June 1980 ③ Up to Sept. 1980

② From July 1980 ④ From Oct. 1980

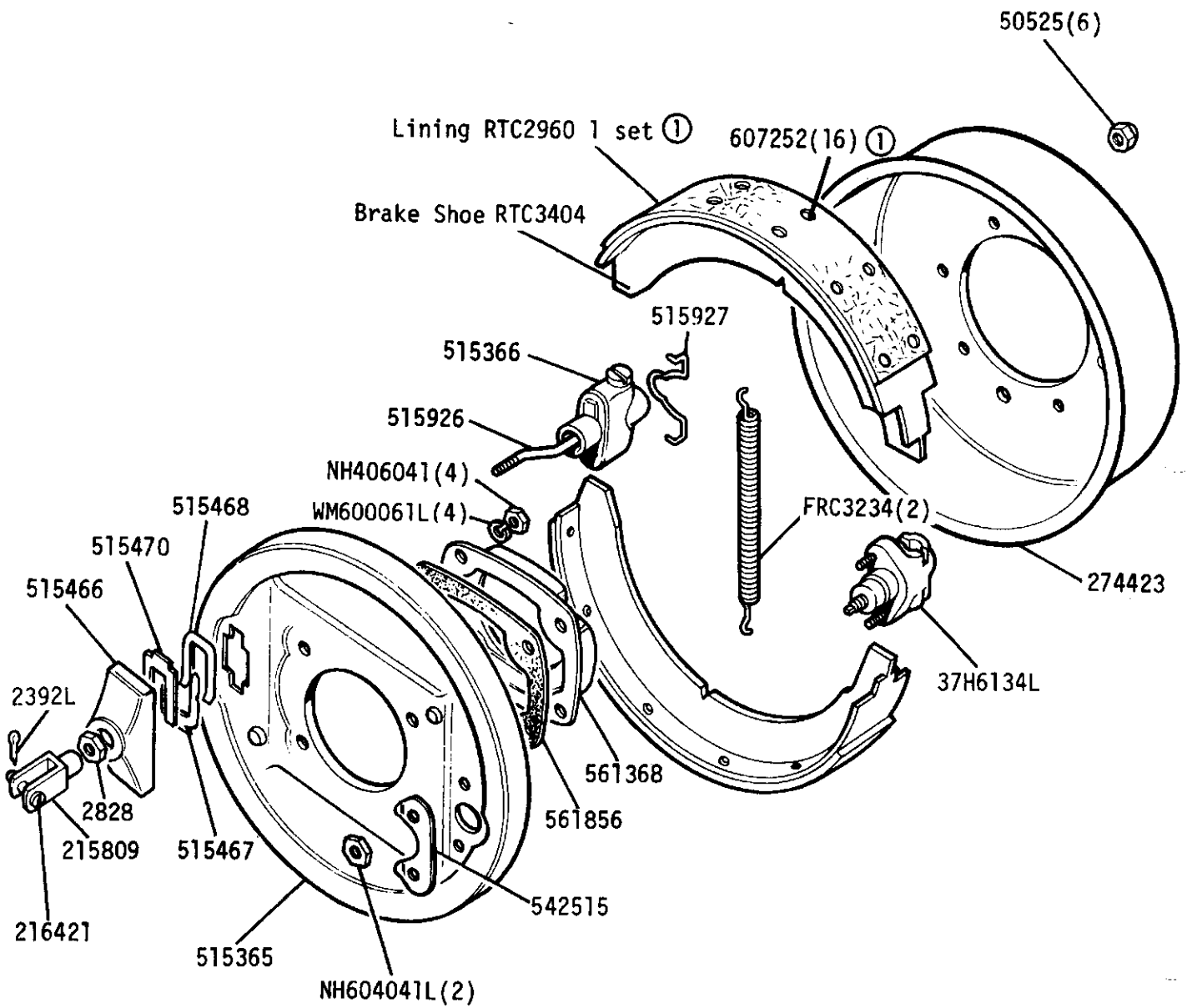
Wheel cylinder overhaul kit 275744

① Brake lining, complete with rivets AAU8470 Axle Set for DON TYPE ONLY.

② Brake lining, complete with rivets AEU1880 Axle Set for RTC3418 (FERODO TYPE) ONLY

Brake adjuster kit, all drum brakes, RTC3176, (Axle set).

GROUP G
Transmission brake except 109 V8

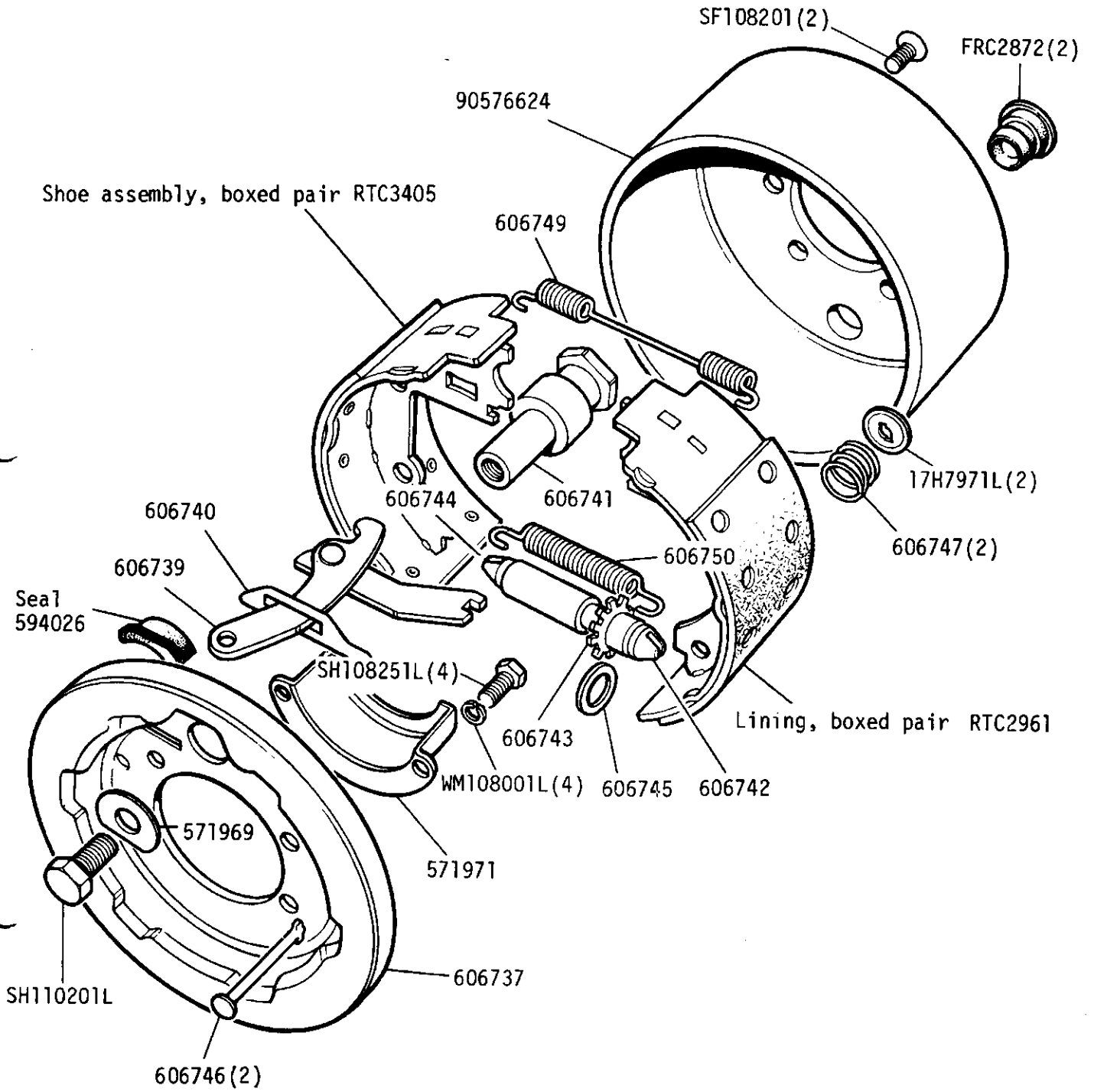


Repair kit for adjuster unit 515924
Repair kit for expander unit 515923

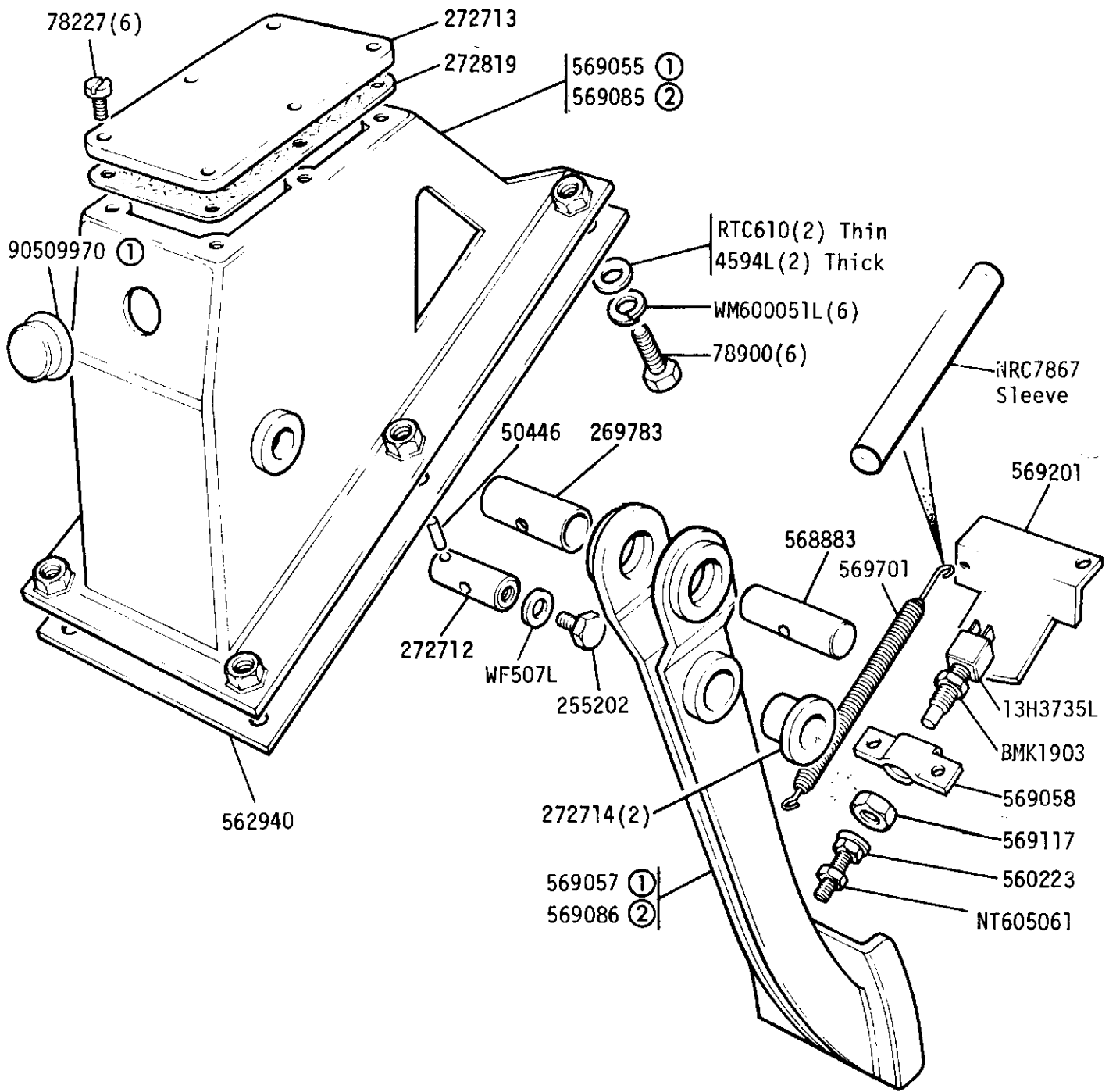
① 8 Hole lining for RTC3404

GROUP G

Transmission brake 109 V8



GROUP G
BRAKES - Pedal and Bracket - Vehicles without Servo

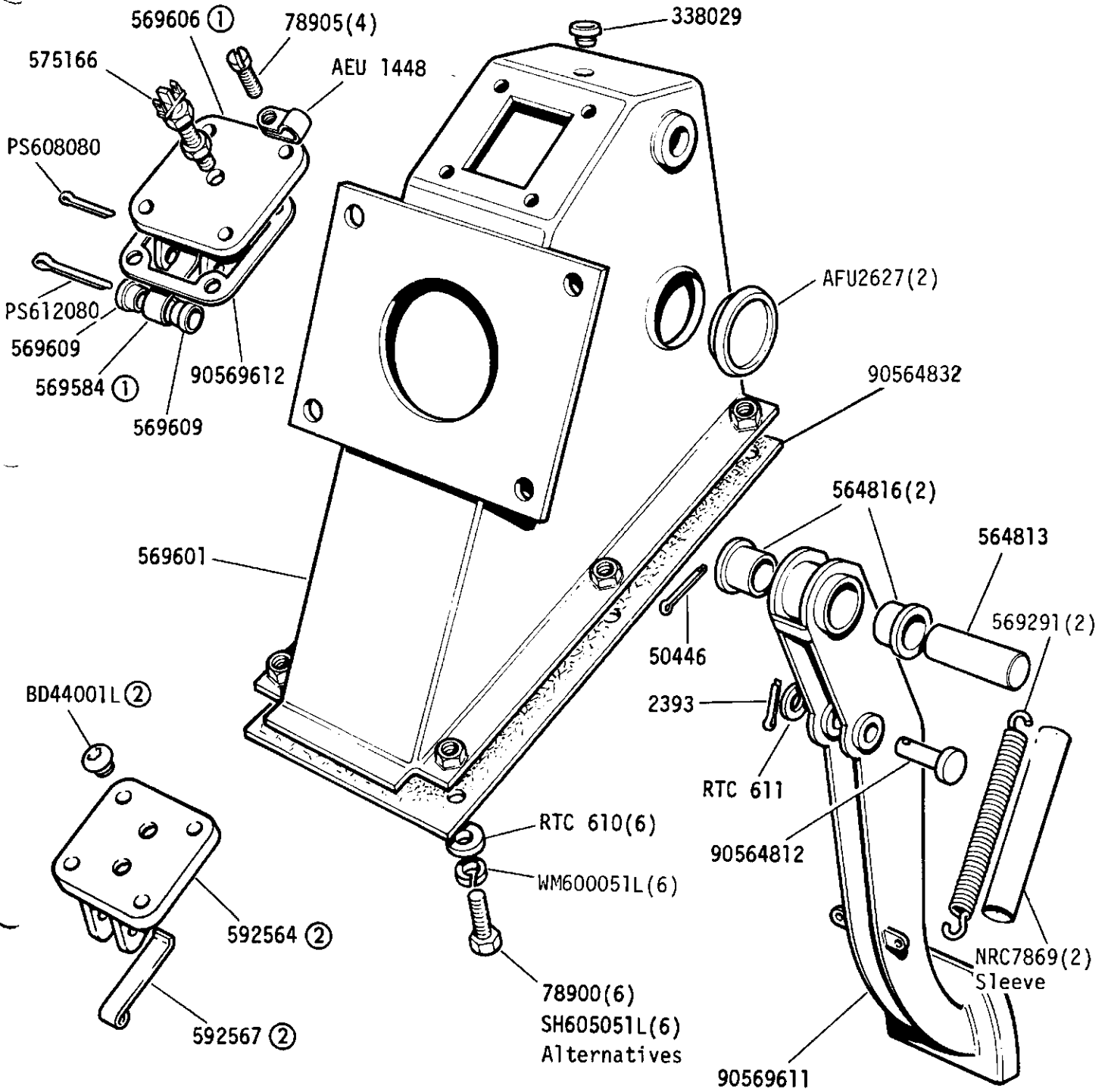


Brake pedal and bracket assembly 569054 ①
Brake pedal and bracket assembly 569084 ②

① 88in up to June 1980

② 88in from July 1980 and all 109in

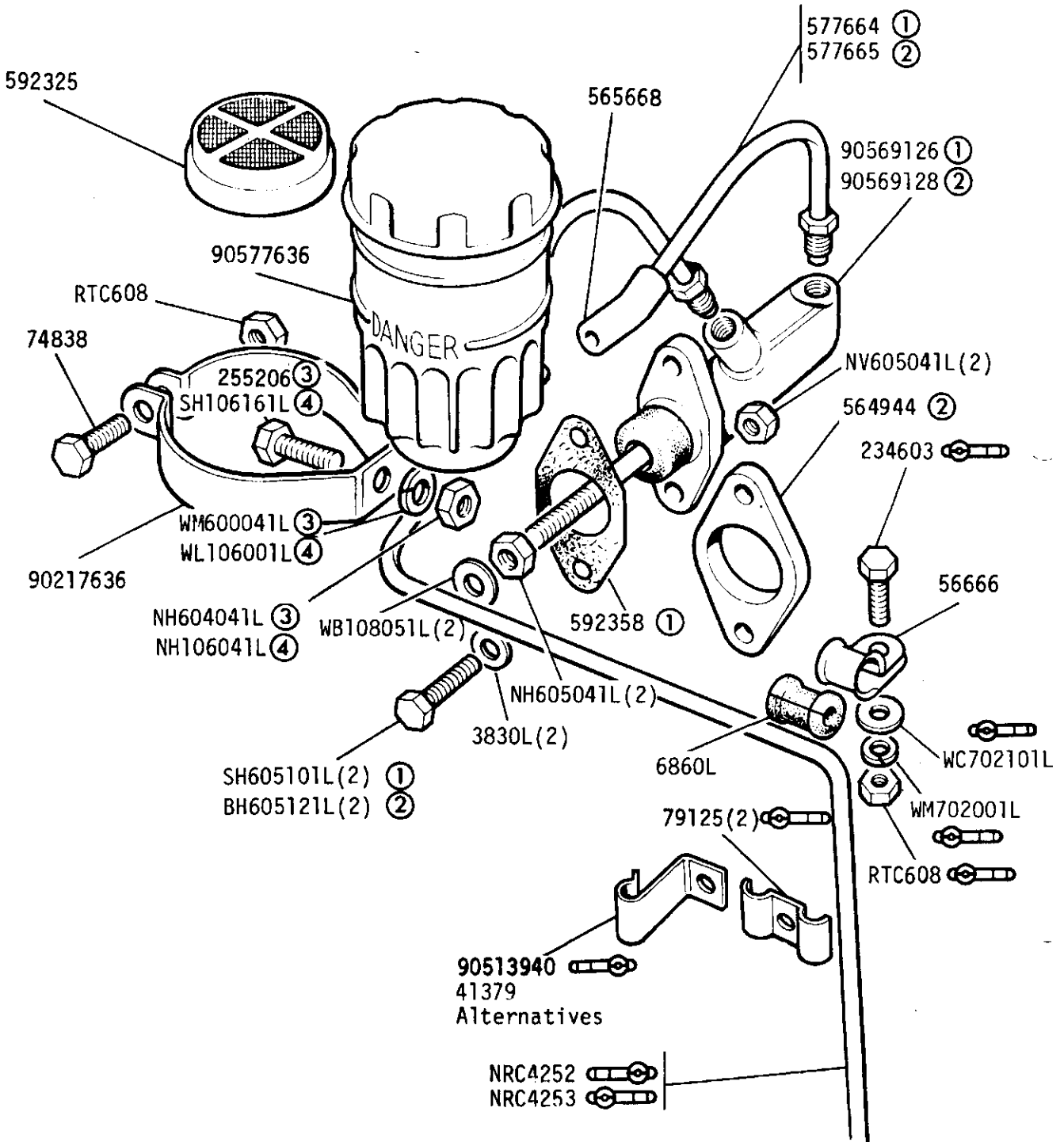
GROUP G
BRAKES - Pedal and bracket, vehicles with servo



Brake pedal and bracket assembly 569652

- ① Vehicles with single line brakes
- ② Vehicles with dual line brakes

GROUP G
BRAKES - Master Cylinder 88in 4 Cylinder and 109in 4 Cylinder



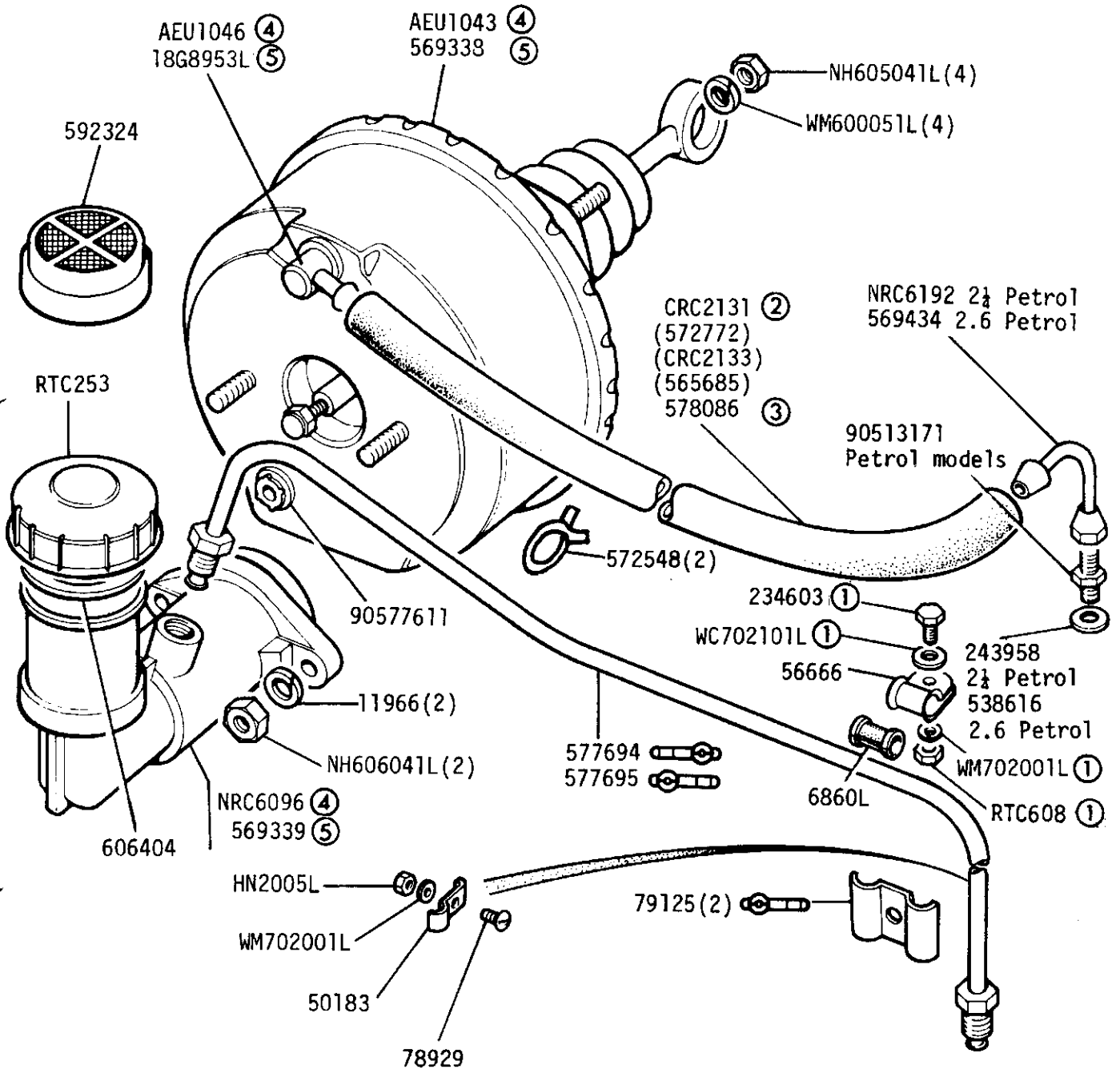
- Brake master cylinder overhaul kit 8G8837L ①
- Brake master cylinder overhaul kit 90606023 ②
- Nylon spacer for master cylinder 569096(2)

- ① 88in up to June 1980
- ② 88in from July 1980 and all 109in
- ③ UNF
- ④ METRIC




GROUP G

BRAKES - Master Cylinder and Servo, 109 in. 4 cyl. Station Wagon and 109 in. 6 cyl.

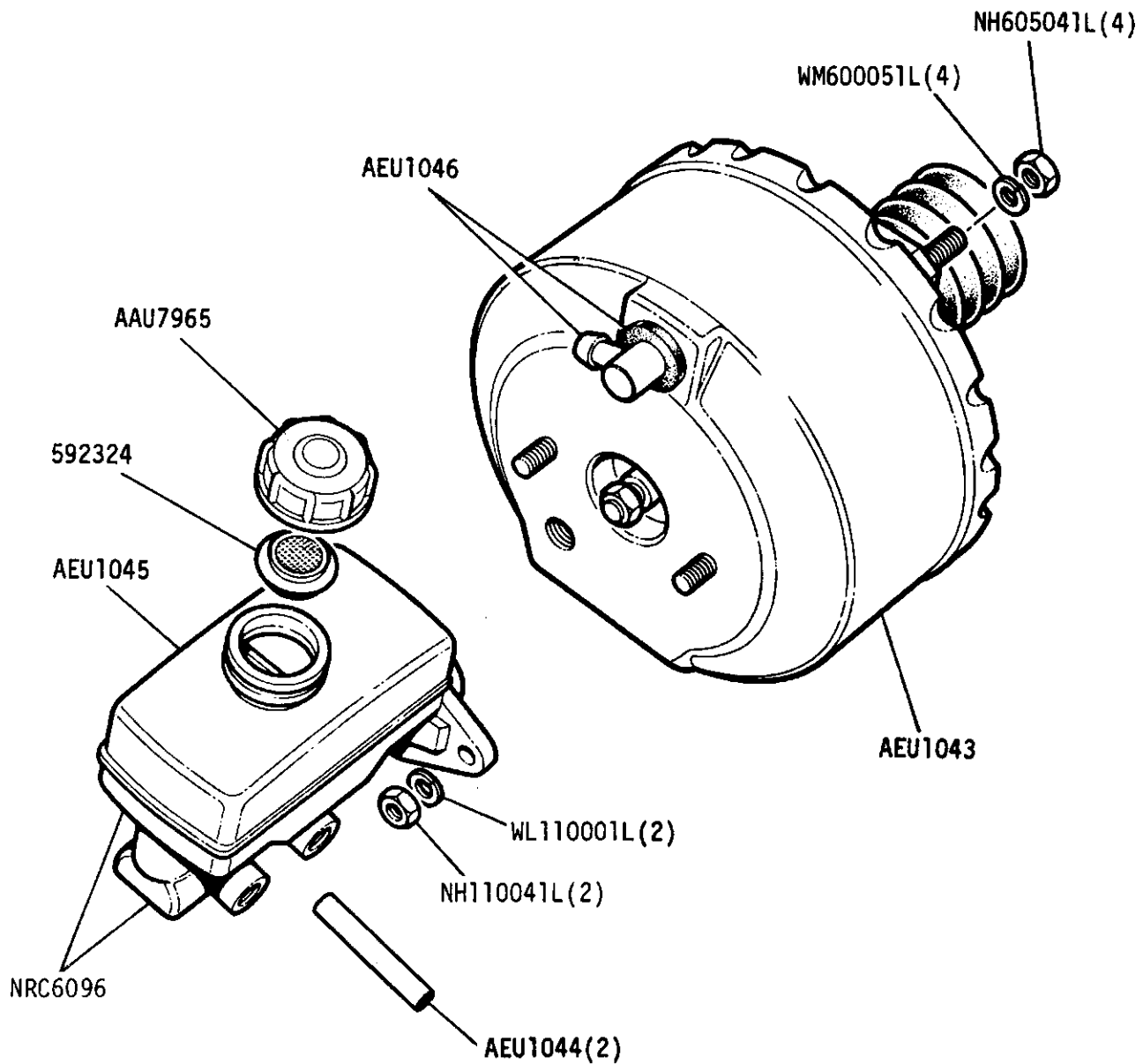
Up to June 1980



Brake master cylinder overhaul kit 606415 Brake servo minor overhaul kit 18G8951L

- ① 4 Cylinder 
- ② All vehicles except 2½ Petrol 
- ③ 2½ Petrol 
- ④ 109 V8
- ⑤ Except 109 V8

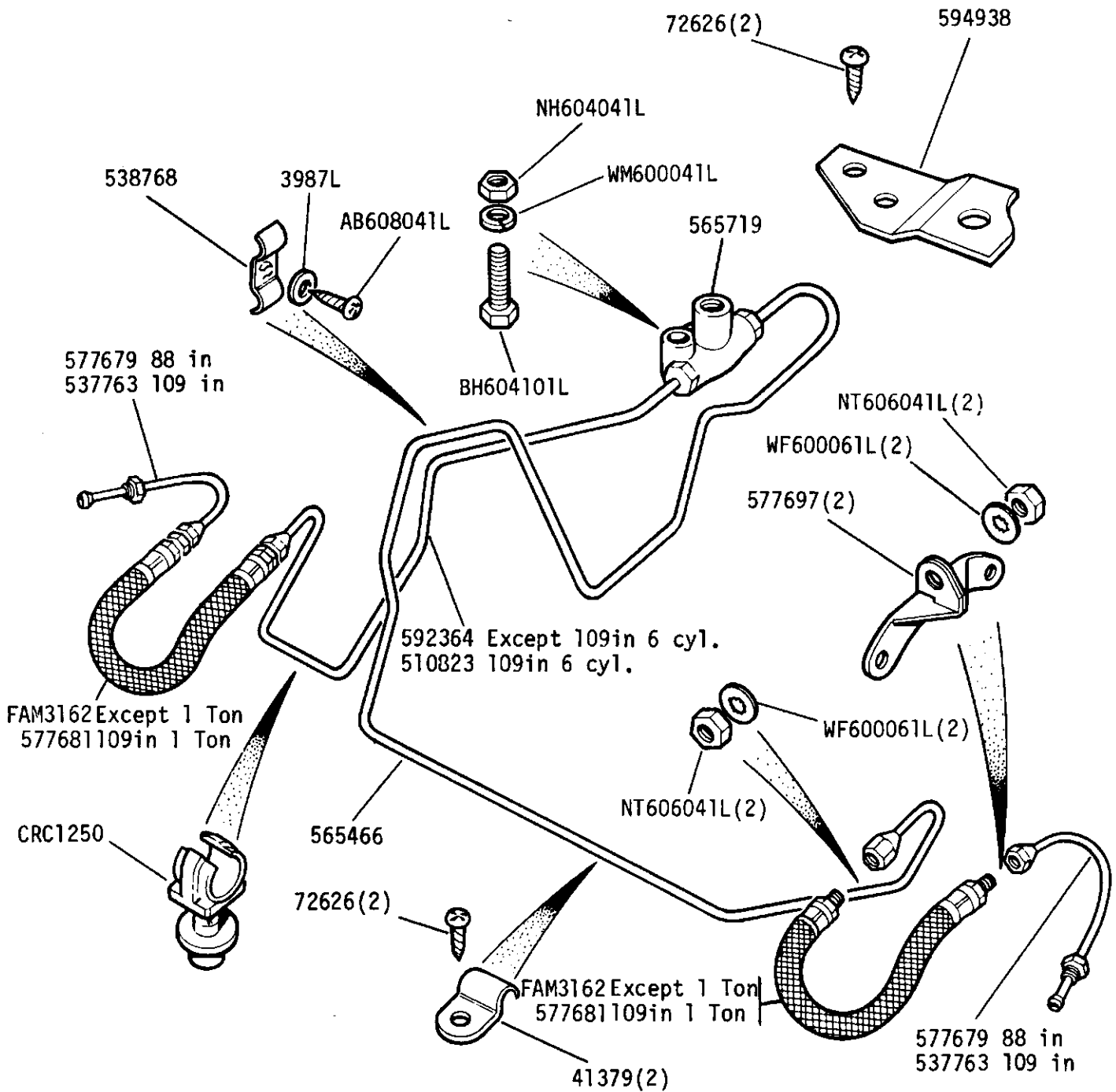
GROUP G
BRAKES - Brake master cylinder and servo unit - dual line system



Brake master cylinder repair kit AEU1047
Brake servo unit repair kit 18G8951L

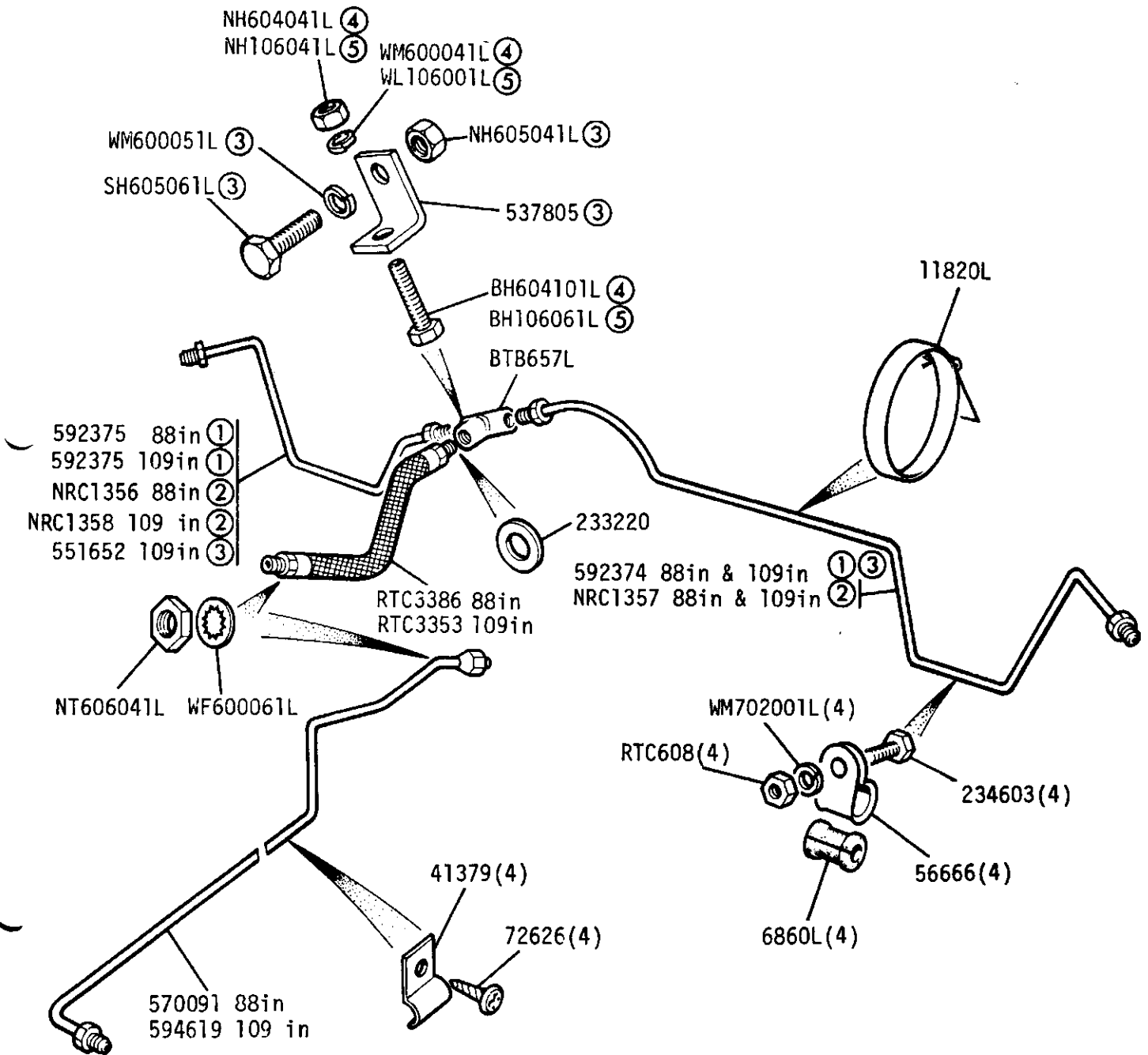
GROUP G

BRAKES - Front pipes - 88in and 109in single line system
Up to June 1980



GROUP G

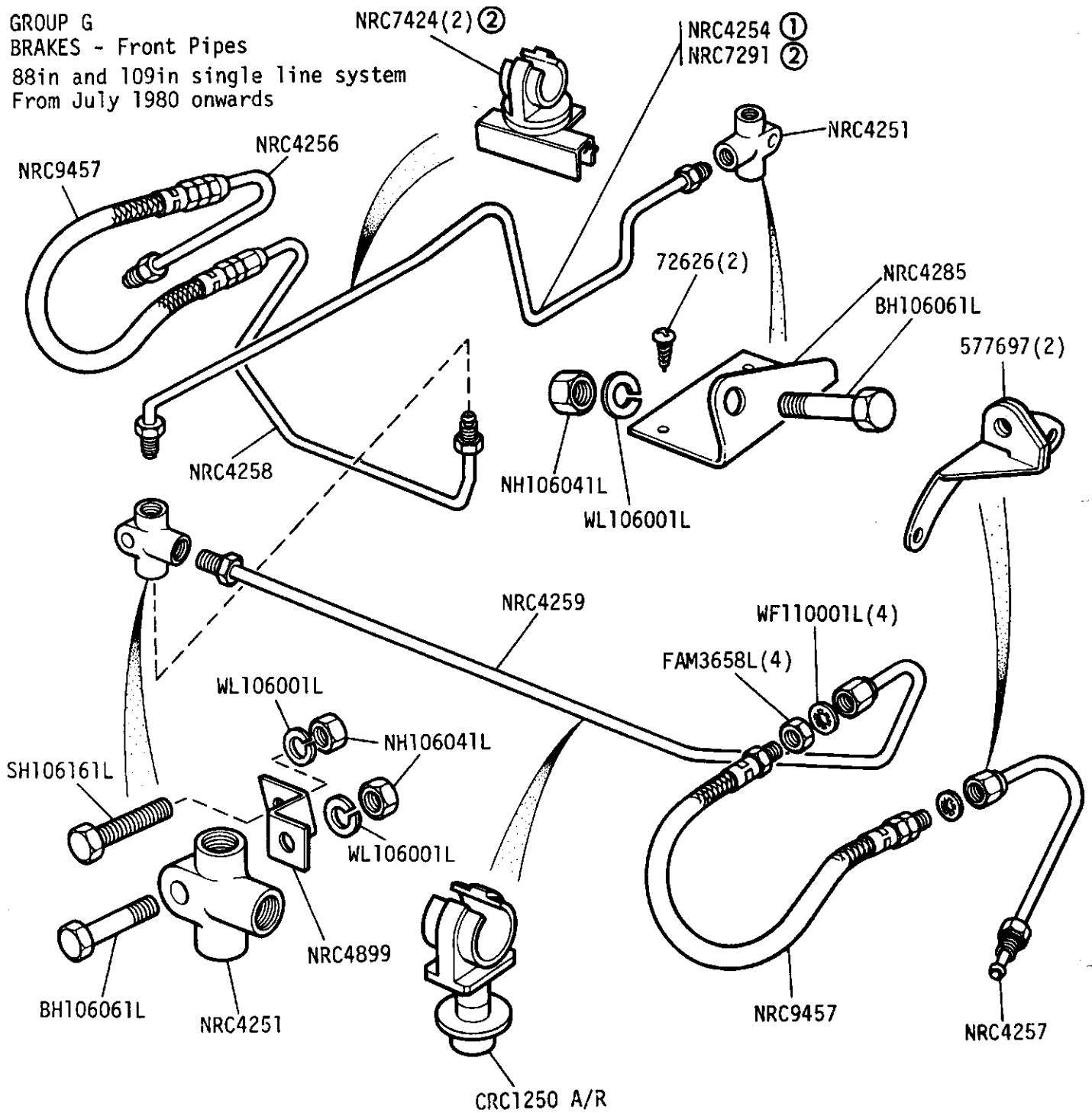
RAKES - Rear pipes - 88in and 109in single line system
Up to June 1980



- ① For vehicles with single silencer exhaust system
- ② For vehicles with two silencer exhaust system
- ③ 109in 1 ton
- ④ UNF
- ⑤ METRIC

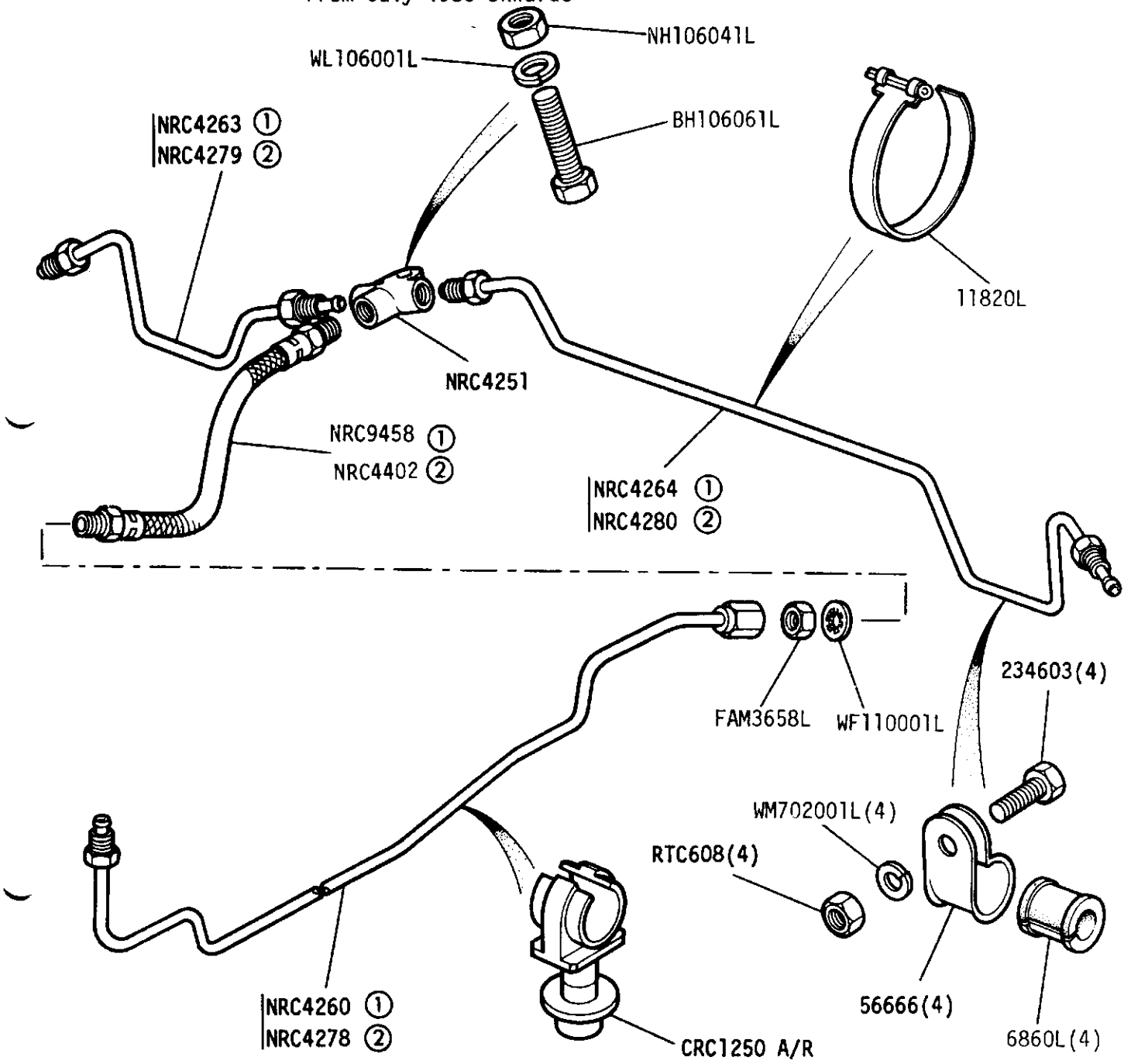
Check before ordering

GROUP G
 BRAKES - Front Pipes
 88in and 109in single line system
 From July 1980 onwards



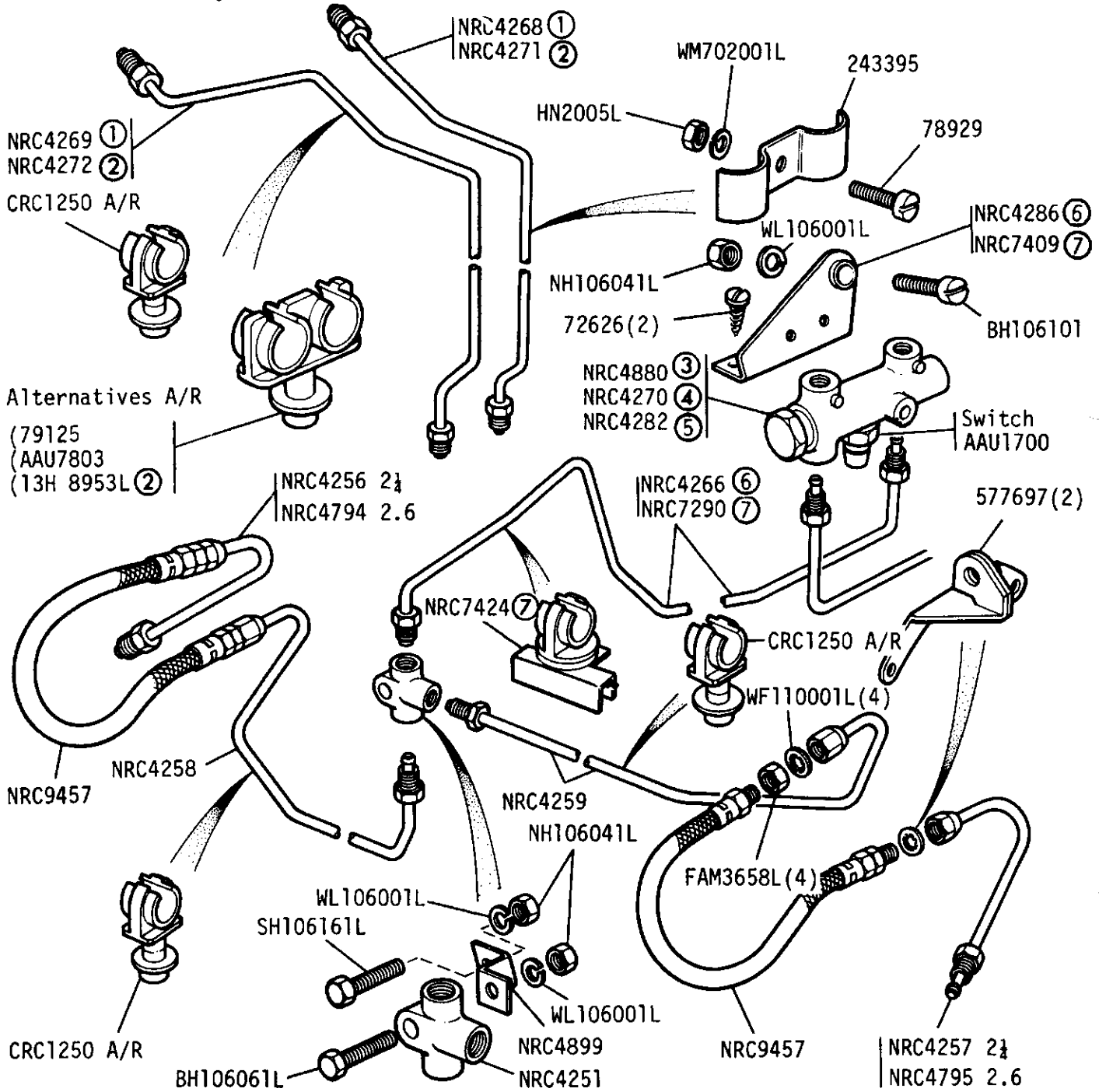
- ① Fitted upto October 1982
- ② Fitted from November 1982 onwards

GROUP G
 BRAKES - Rear Pipes - 88in and 109in single line system
 From July 1980 onwards



- ① 88in
- ② 109in

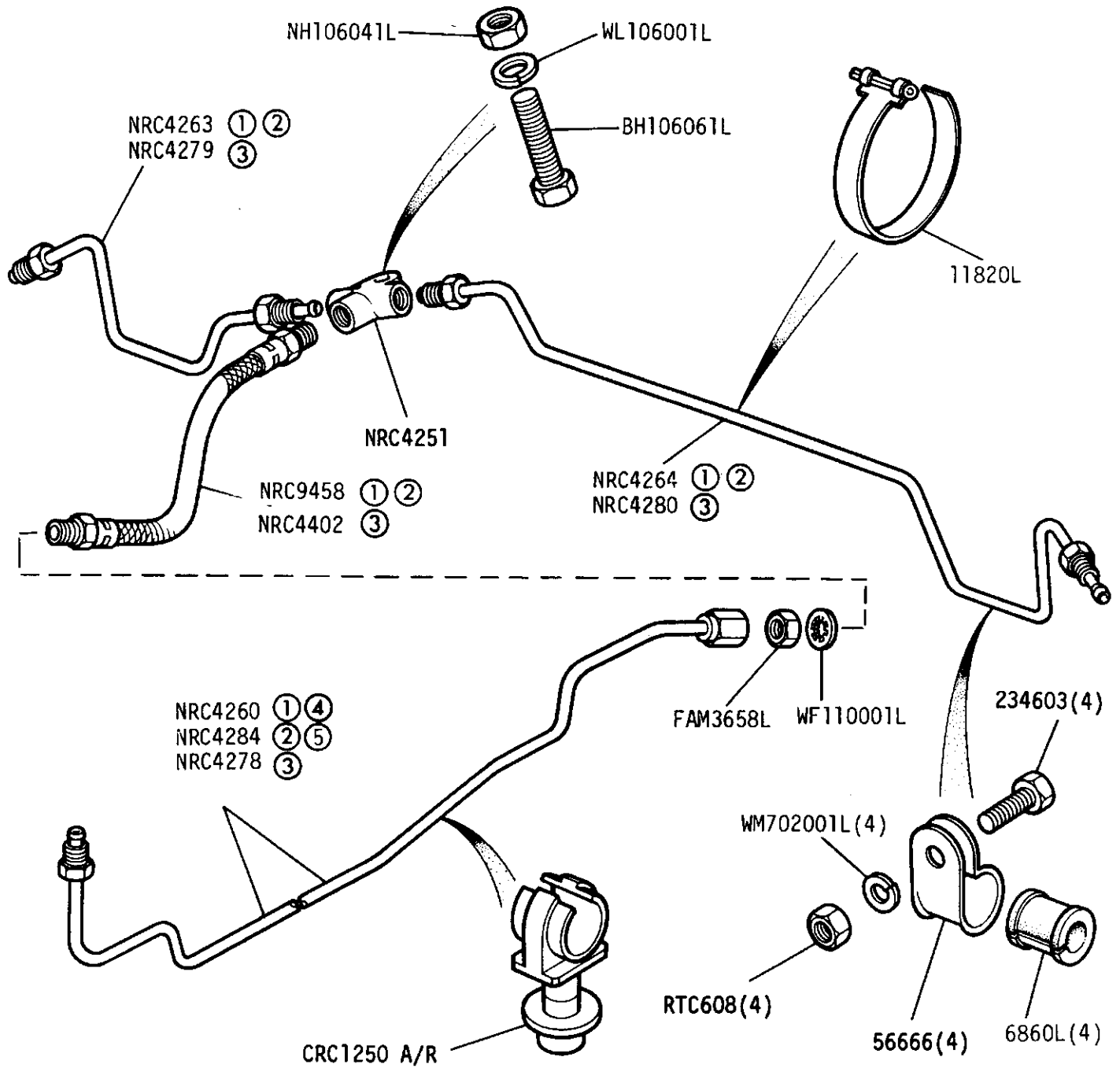
GROUP G
 BRAKES - Front pipes - 88in and 109in dual line system
 From July 1980 onwards



- ① RH Stg
- ② LH Stg
- ③ 88in Basic upto SALLBDAH1AA193068 and all 109in Basic
- ④ 88in Station Wagon and all 88in from SALLBDAH1AA193069
- ⑤ 109in Station Wagon
- ⑥ Upto October 1982
- ⑦ From November 1982

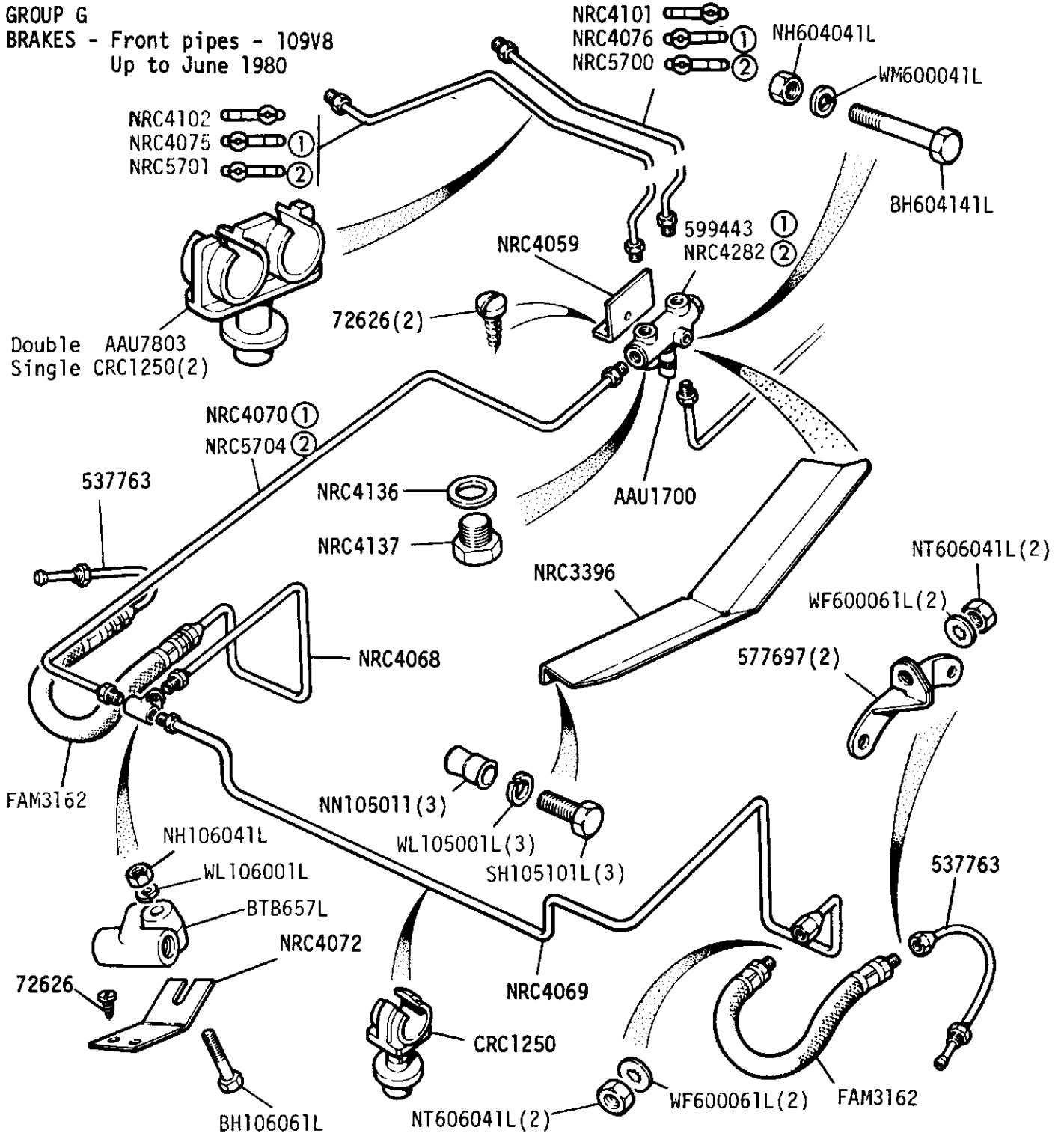
GROUP G

BRAKES - Rear pipes - 88in and 109in dual line system
From July 1980 onwards



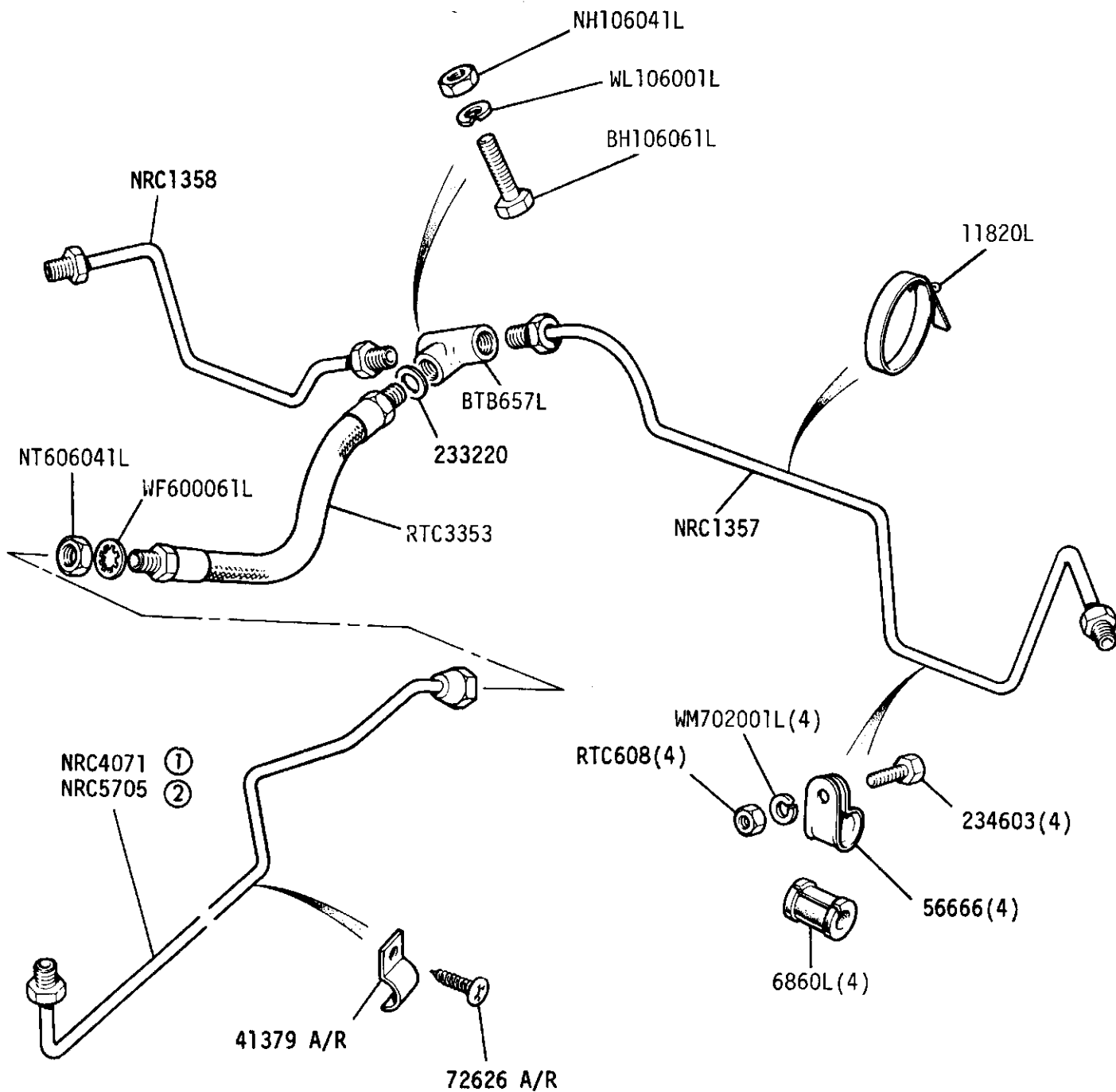
- ① 88in Basic
- ② 88in Station Wagon
- ③ 109in
- ④ Fitted upto SALLBDAH1AA193068
- ⑤ All 88in from SALLBDAH1AA193069

GROUP G
BRAKES - Front pipes - 109V8
Up to June 1980



- ① Except LHD Station Wagon for EEC Countries
 ② LHD Station Wagon for EEC Countries

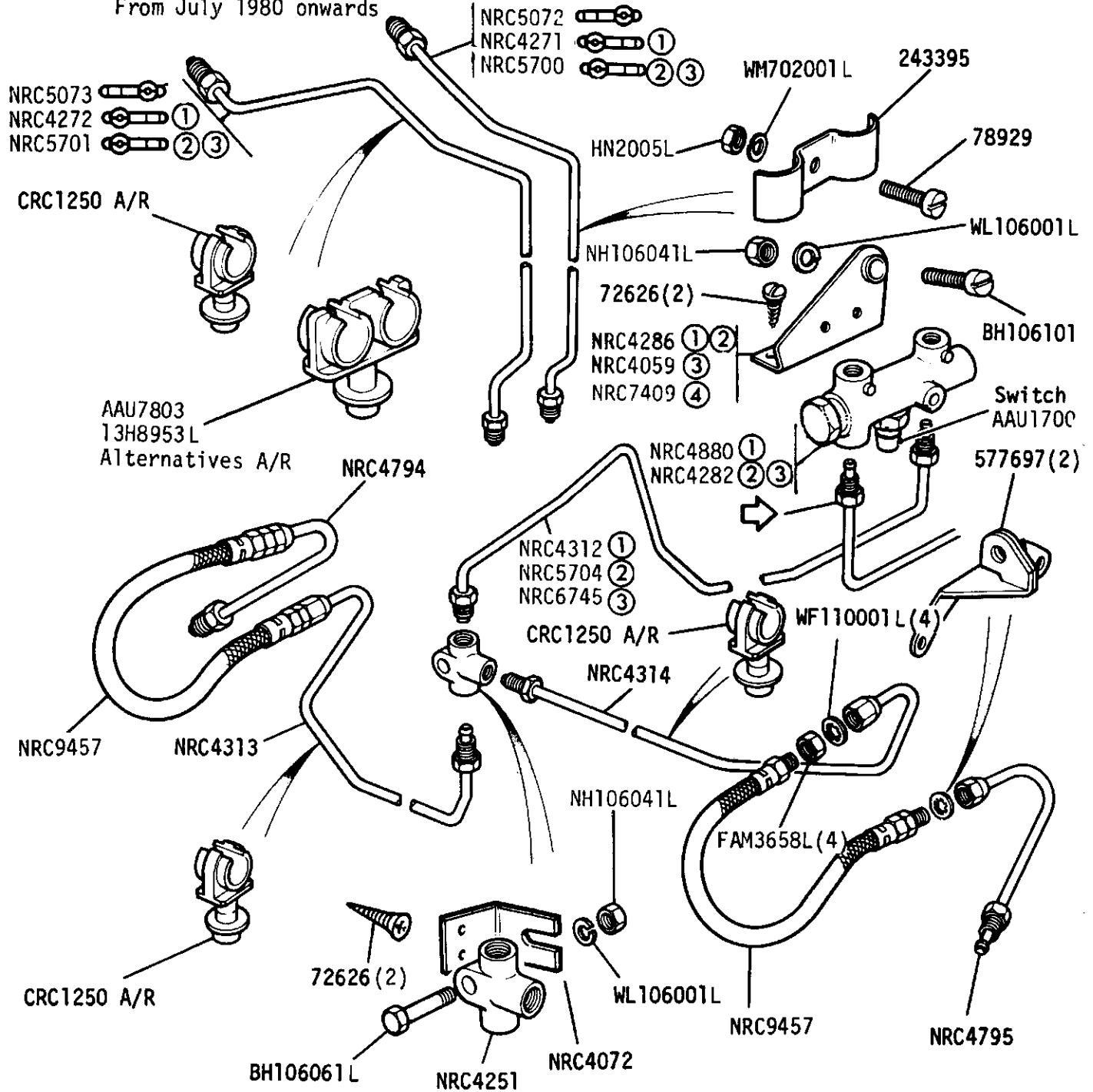
GROUP G
BRAKES - Rear Pipes - 109V8 Up to June 1980



- ① Except LHD Station Wagon for EEC Countries
- ② LHD Station Wagon for EEC Countries

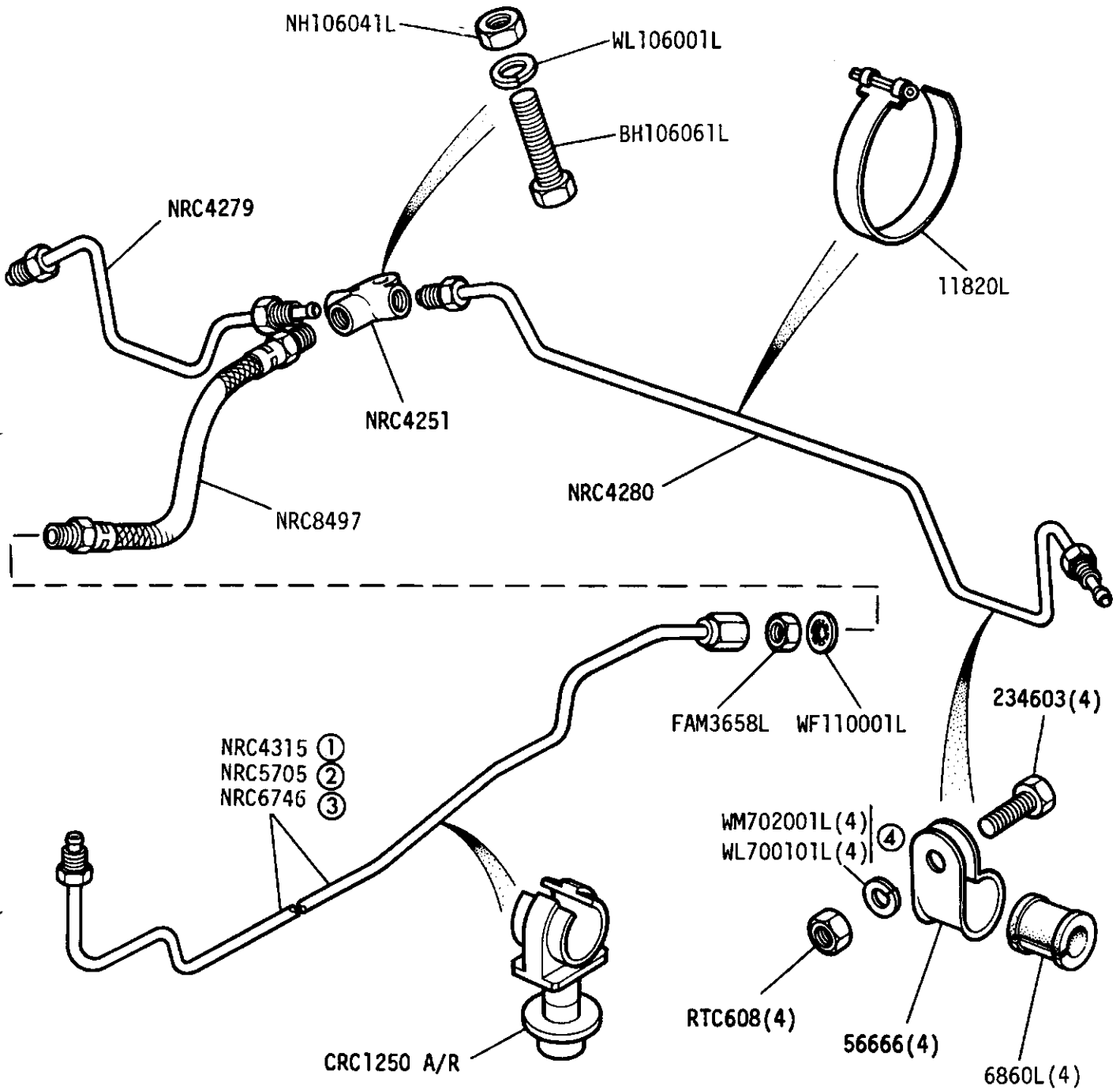
GROUP G

BRAKES - Front pipes - 109 V8
From July 1980 onwards



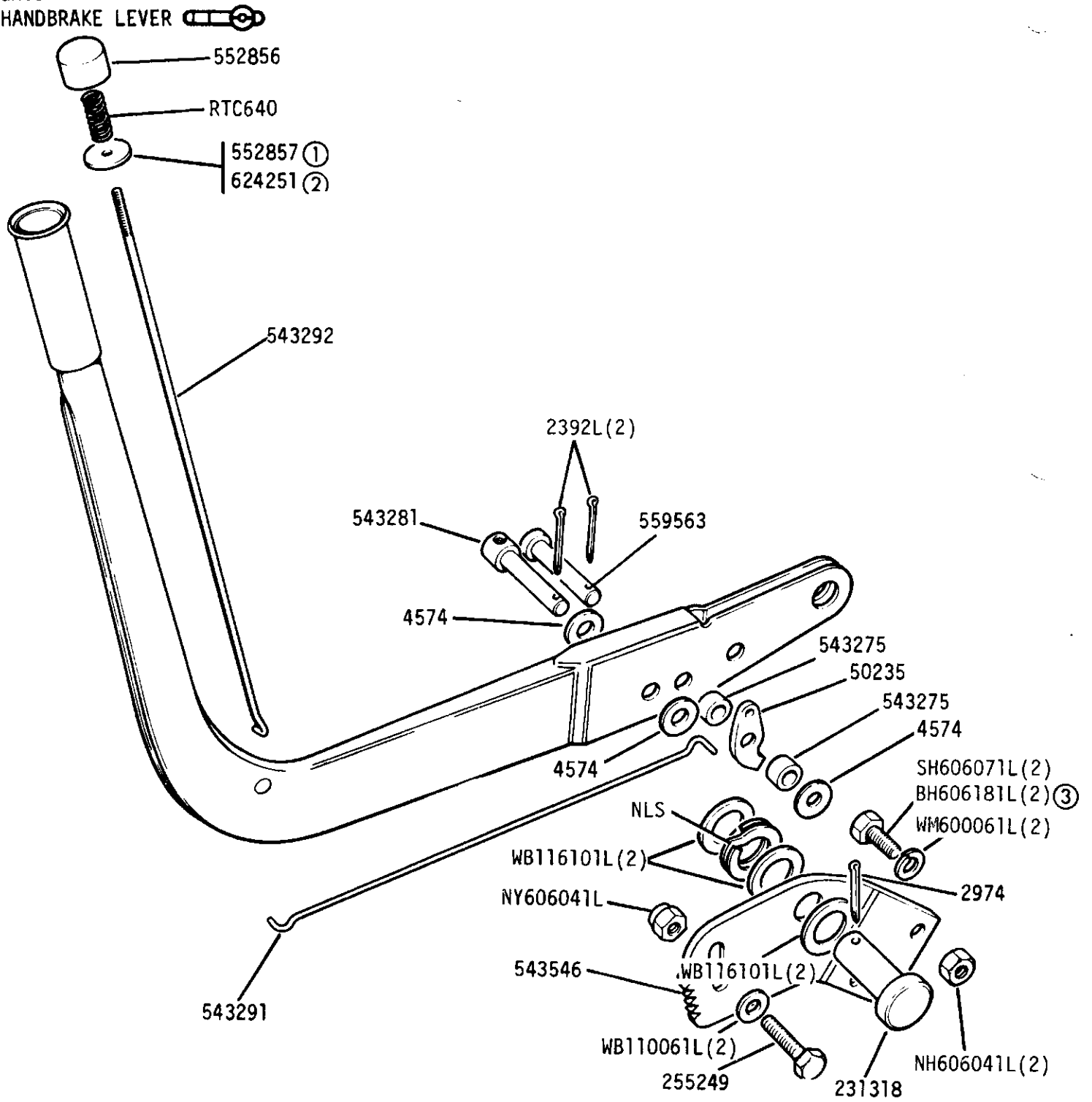
- ① Except LHD Station Wagon for EEC Countries.
- ② LHD Station Wagon for EEC Countries - Up to December 1980
- ③ LHD Station Wagon for EEC Countries - from January 1981
- ④ All vehicles from November 1982

GROUP G
 BRAKES - Rear pipes - 109 V8
 From July 1980 onwards



- ① Except LHD Station Wagon for EEC Countries.
- ② LHD Station Wagon for EEC Countries - Up to December 1980
- ③ LHD Station Wagon for EEC Countries - from January 1981
- ④ ALTERNATIVES

GROUP G
 HANDBRAKE LEVER

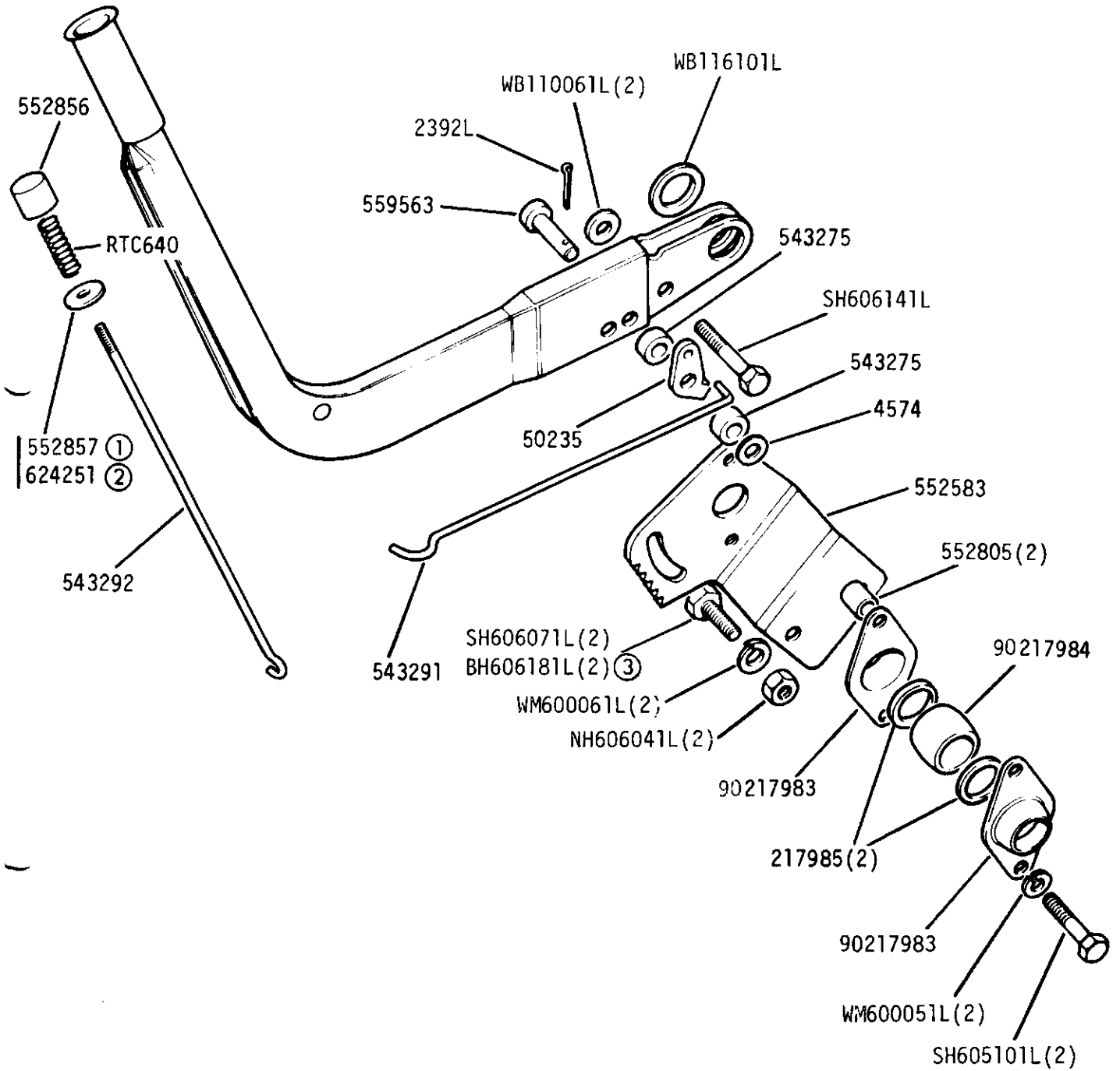


Handbrake lever assembly 624252

- ① Steel
- ② Nylon
- ③ 109 2½ Petrol only

GROUP G


INDBRAKE LEVER

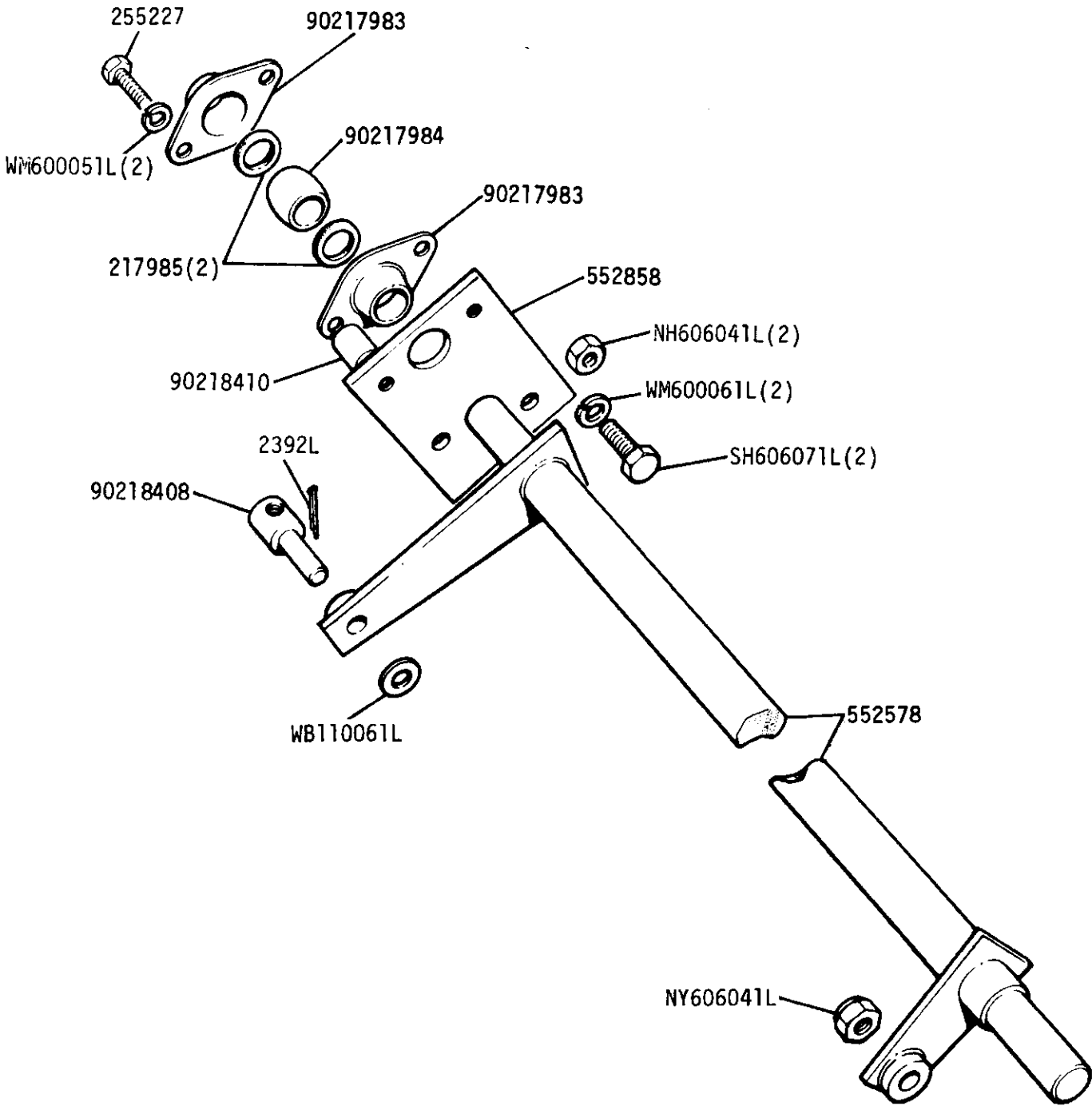


Handbrake lever assembly 624262

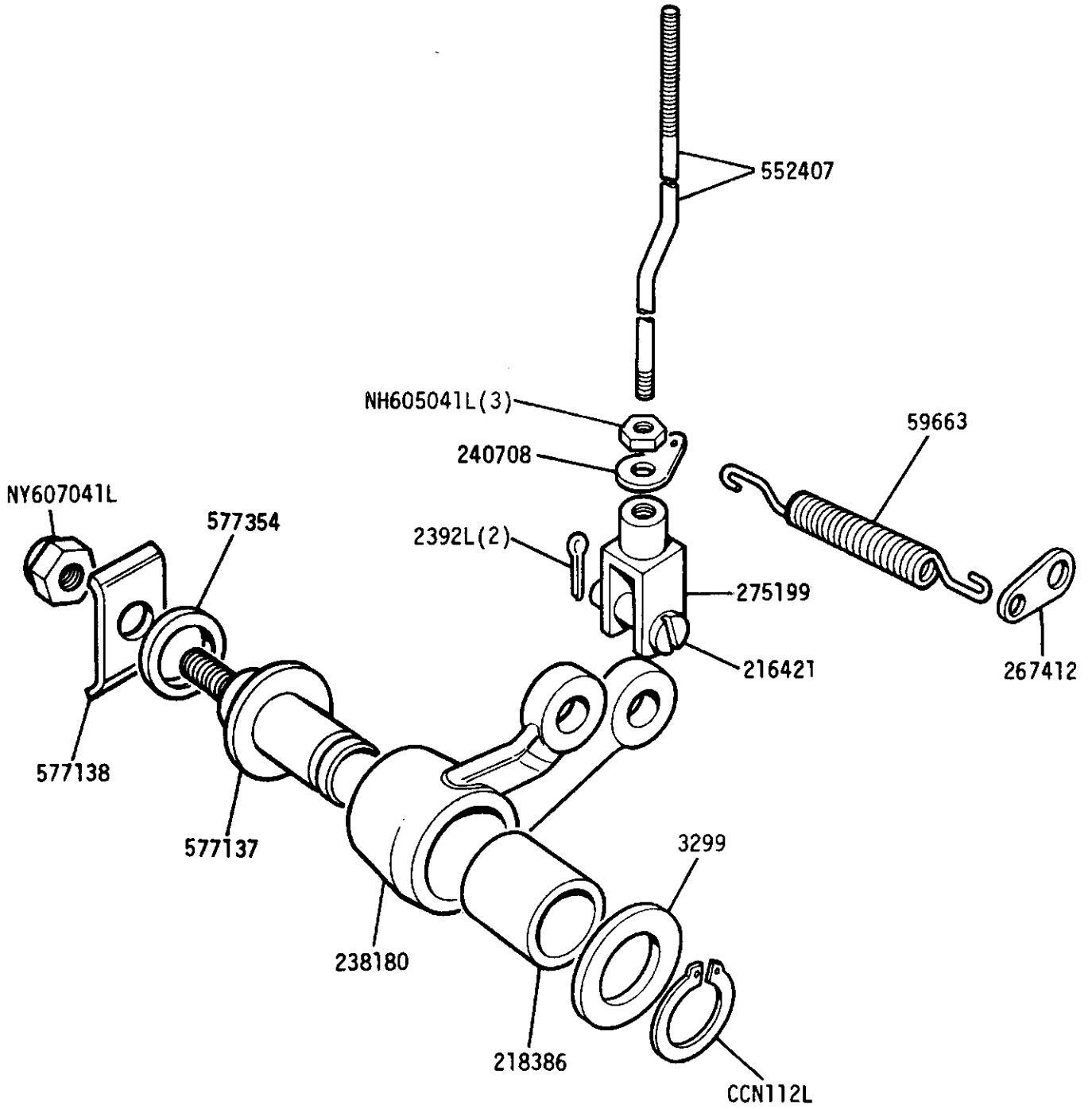
- ① Steel
- ② Nylon
- ③ 109 2½ Petrol only

GROUP G

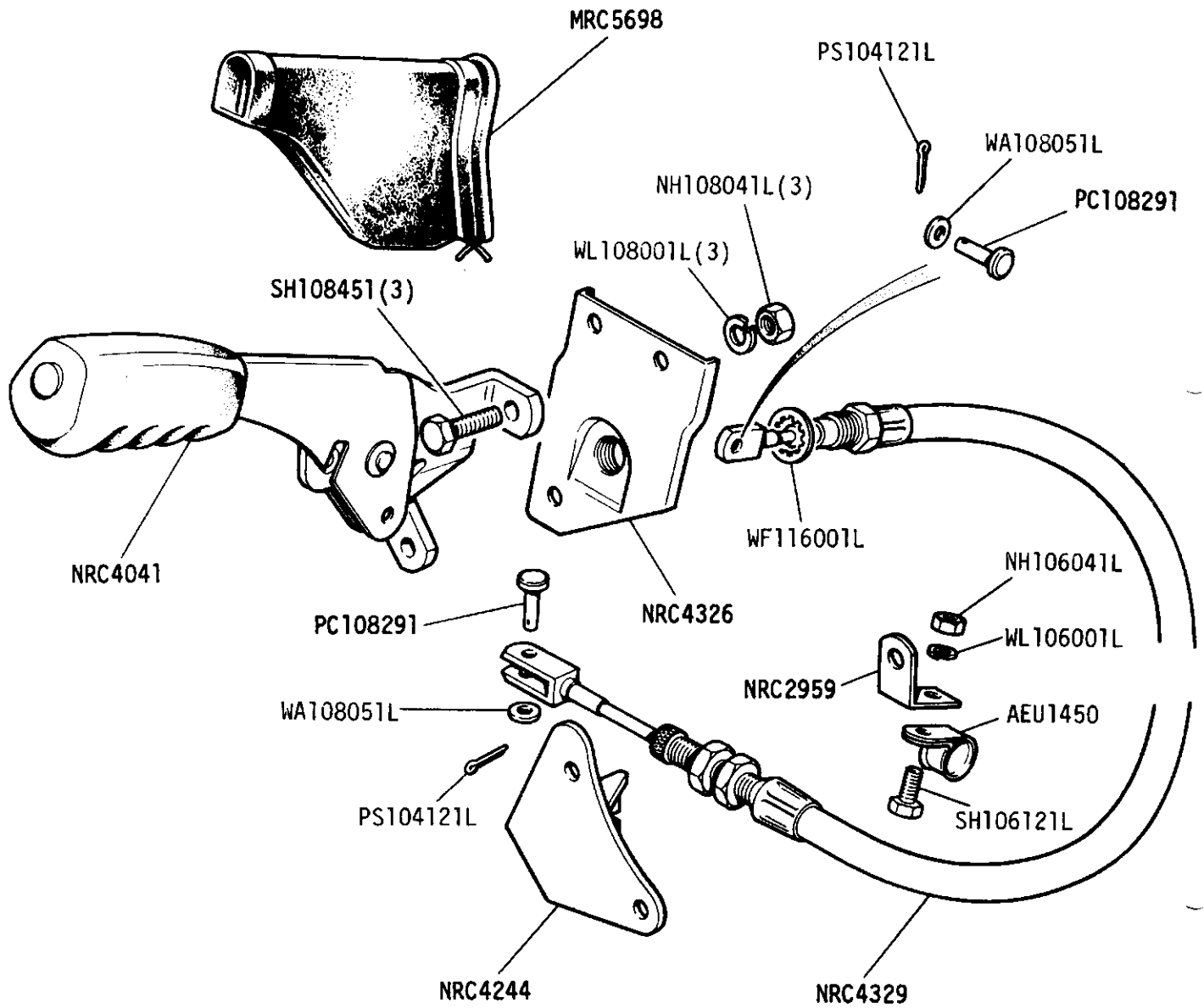
BRAKES - Handbrake Cross Shaft 



GROUP G
BRAKES - Relay Lever for Hand Brake

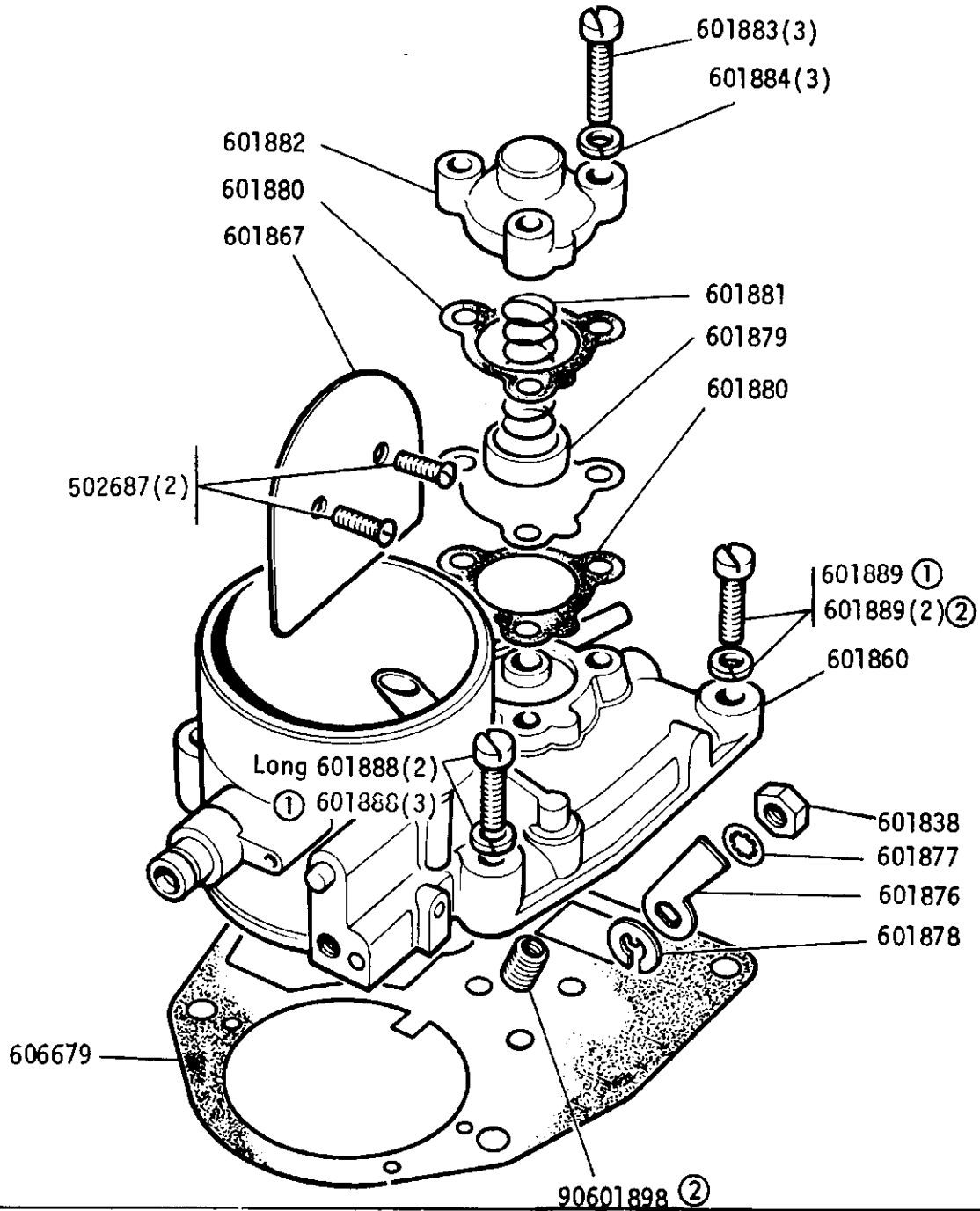


GROUP G
HANDBRAKE - 109V8



Blanking plug - AFU1174

GROUP H
ENGINE - Top Cover - Carburettor 2½ Litre Petrol



Carburettor complete ERC2886 except Switzerland and Norway

Carburettor overhaul kit (Zenith 3888) 605092

Carburettor overhaul kit (Zenith 4085) AEU4003

Carburettor complete ERC4419 Switzerland and Norway only

① Carburettor complete ERC6572 - European detoxed ECE15-03 up to engine 36116817A

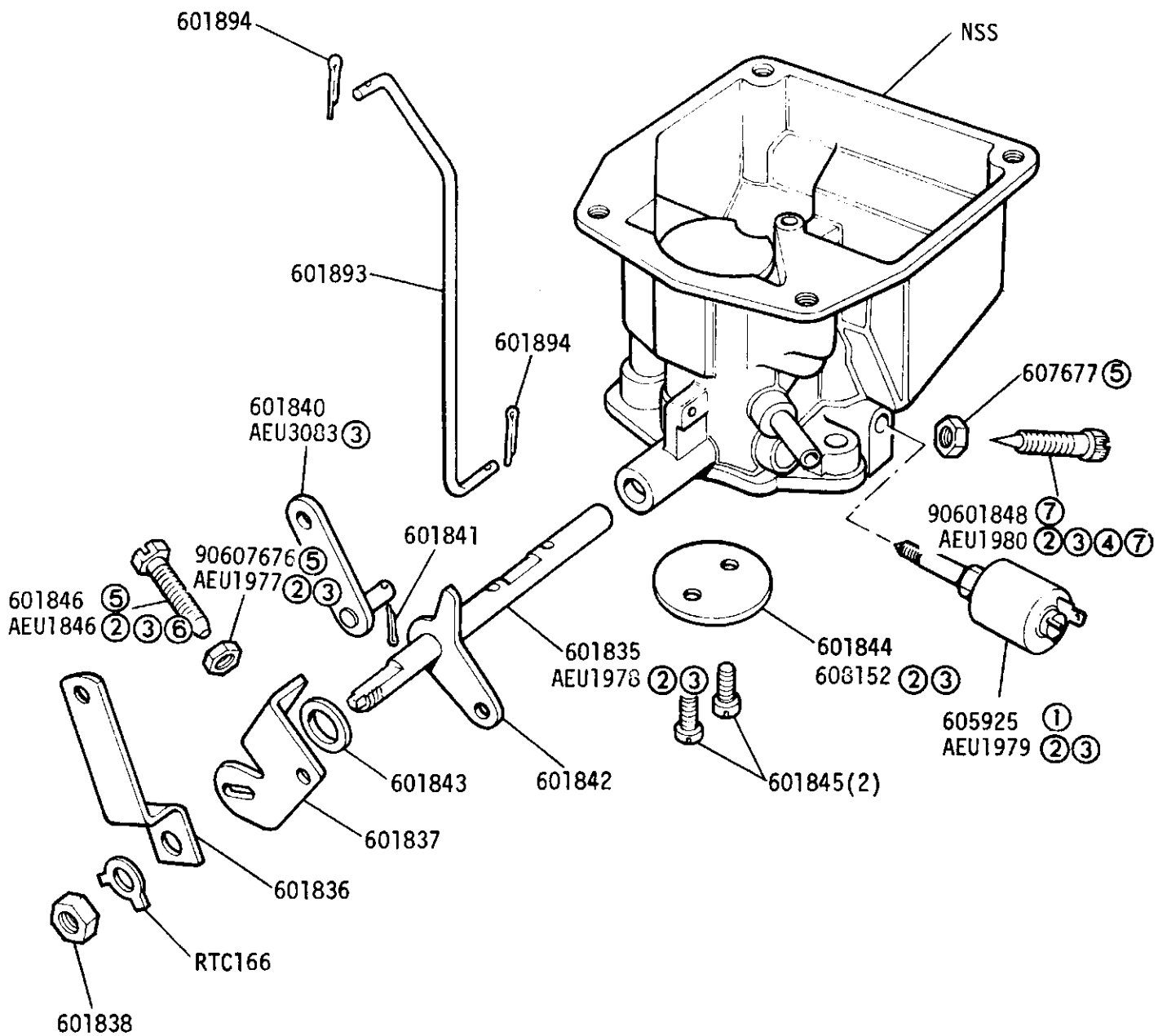
② Carburettor complete ERC8634 - European detoxed ECE15-03 from engine 36116817A

② Not required on ERC6572 and ERC8634

Carburettor gasket kit 605093

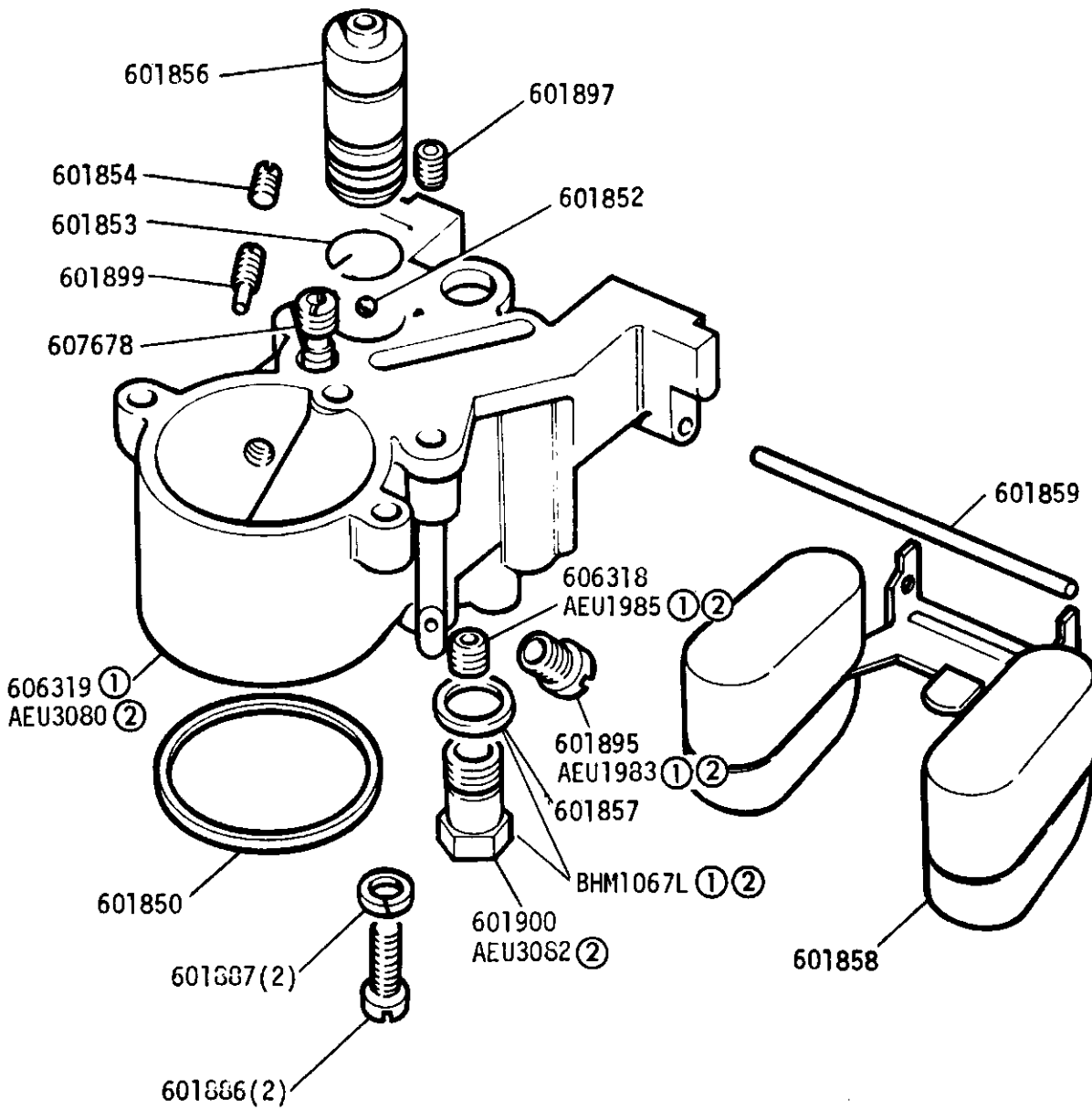
Tamperproof parts kit AAU8782

GROUP H
ENGINE - Main Body - Carburettor 2½ Litre Petrol



- ① Optional
- ② Use with carburettor ERC6572
- ③ Use with carburettor ERC8634
- ④ Also use Spring 90601849
- ⑤ Not required for carburetters ERC6572 and ERC8634
- ⑥ Adjusting Tool AEU3081
- ⑦ Carburettor ERC2886 has alternative volume control screws, the earlier type - Zenith number 3888 is fitted with screw 90601848 and locknut 607677. The later type carburettor, Zenith number 4085 is fitted with screw AEU1980 and spring 90601849.

GROUP H
 ENGINE - Emulsion Block - Carburettor 2½ Litre Petrol



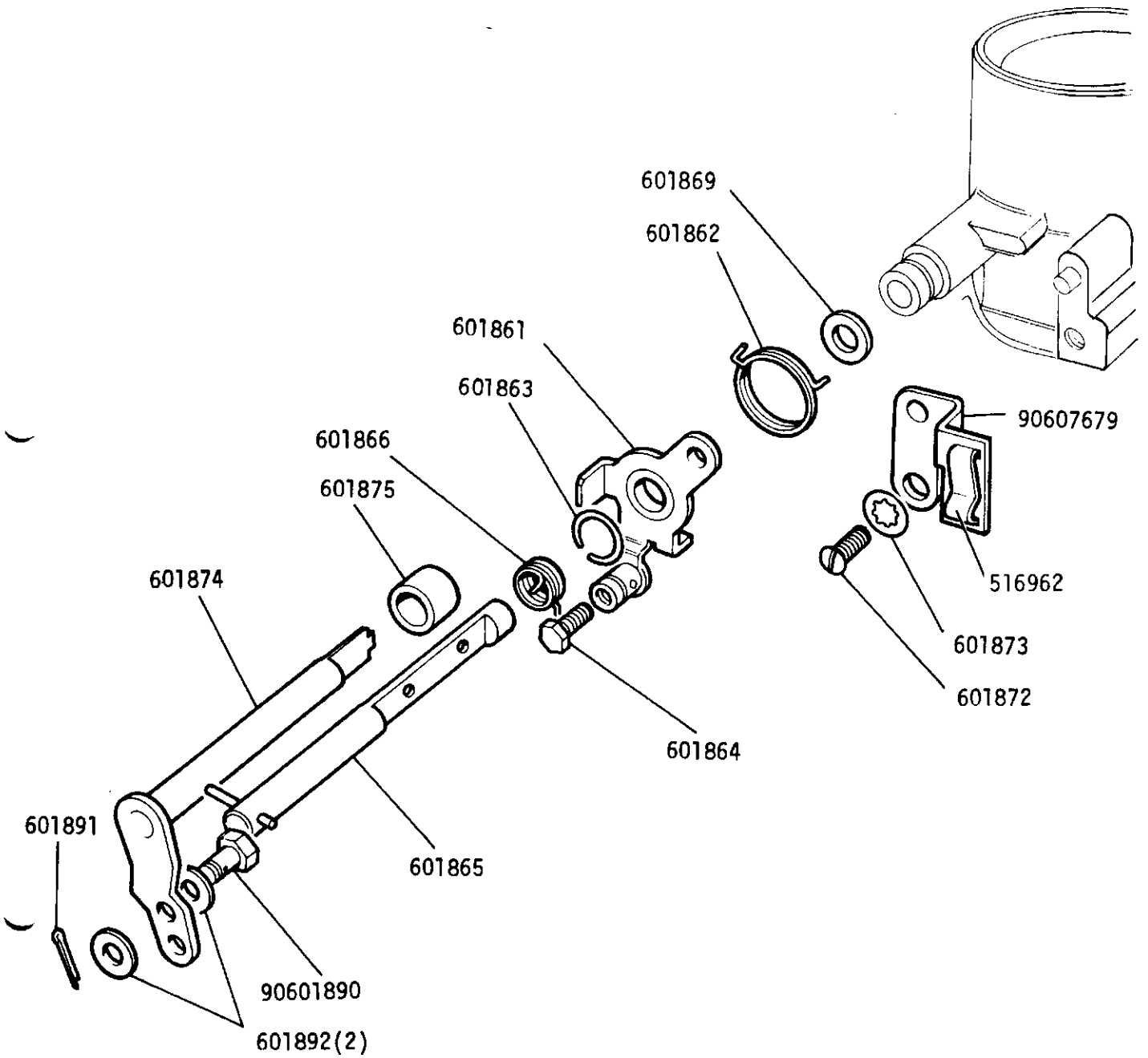
Carburettor settings which may be advantageous for high altitudes

Main jet (120)	605683	5,000 to 7,000 ft
Main jet (117.5)	605684	7,000 to 9,000 ft
Main jet (115)	605685	9,000 to 12,000 ft
Slow running jet (55)	605687	12,000 ft
Main jet (112.5)	605686	12,000 to 14,000 ft
Slow running jet (55)	605687	14,000 ft

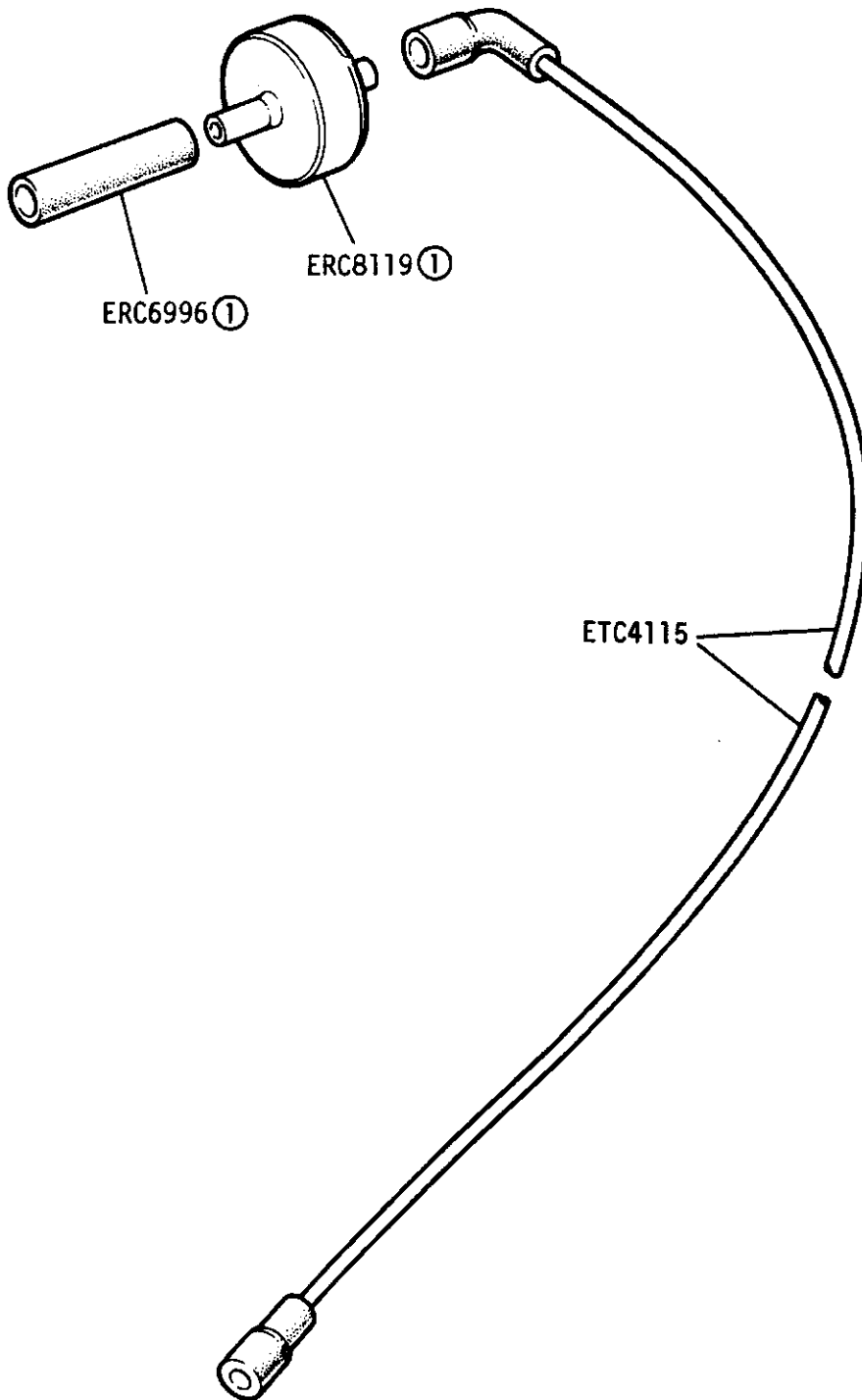
- ① Use with carburettor ERC6572
- ② Use with carburettor ERC8634

GROUP H

ENGINE - Choke Spindle and Levers - Carburettor 2½ Litre Petrol



GROUP H
ENGINE. Carburettor suction pipes 2½ litre petrol



① Detoxed engines only