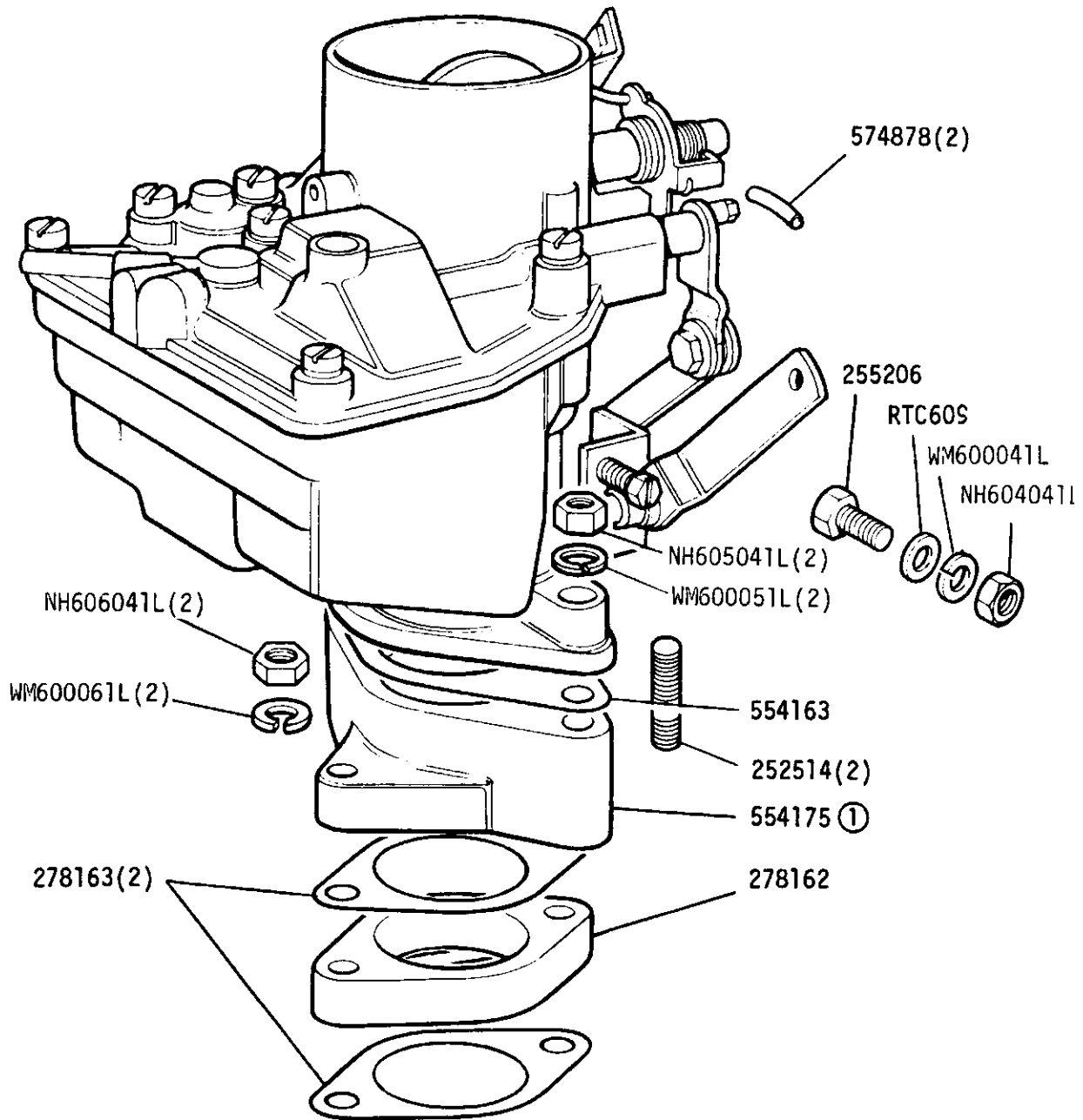


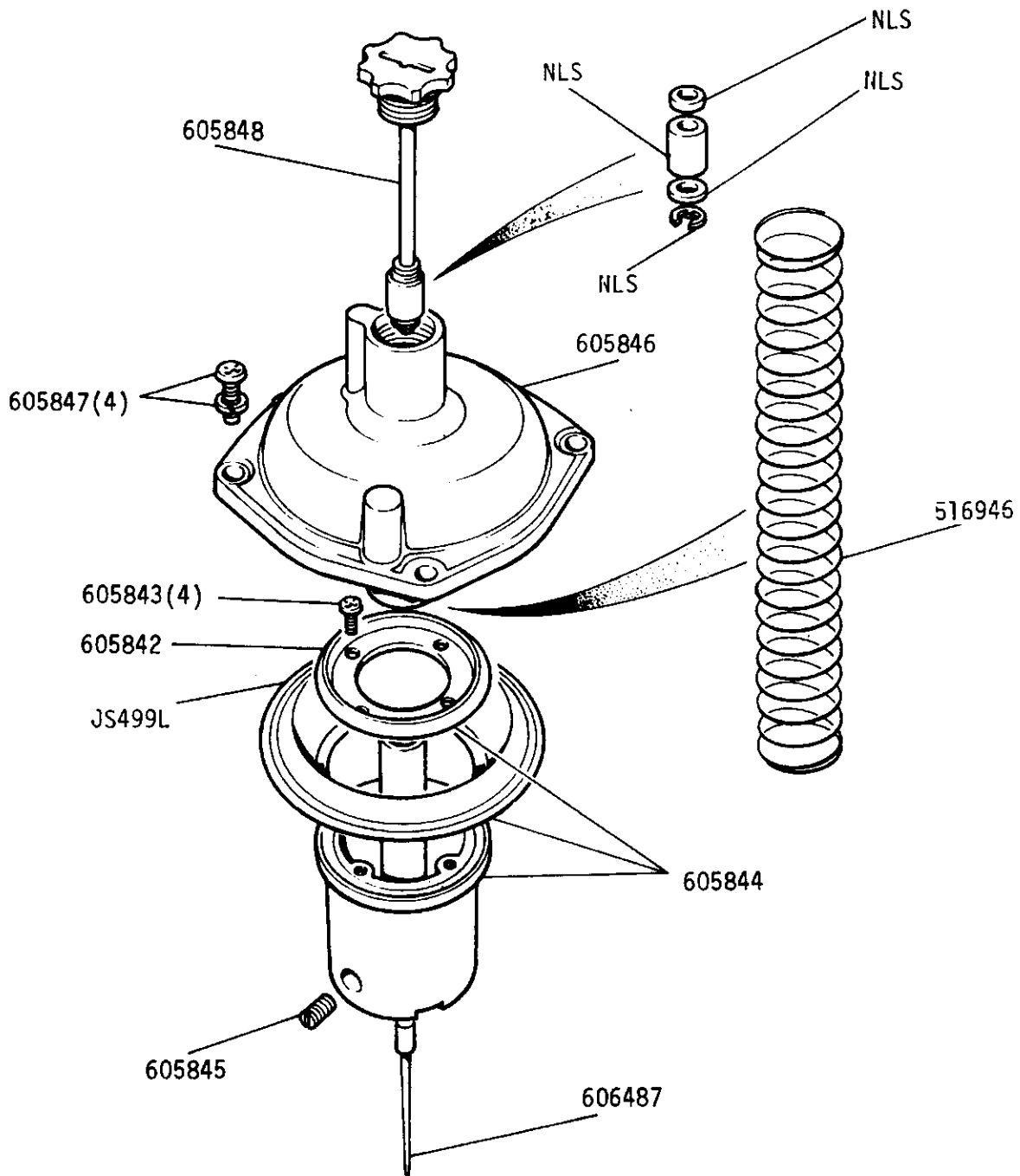
GROUP H
ENGINE - Carburettor Fixings 2½ Litre Petrol



① Up to Engine suffix 'B' inclusive
From Engine suffix 'C' see frame 1C 08 - 1C 09

GROUP H

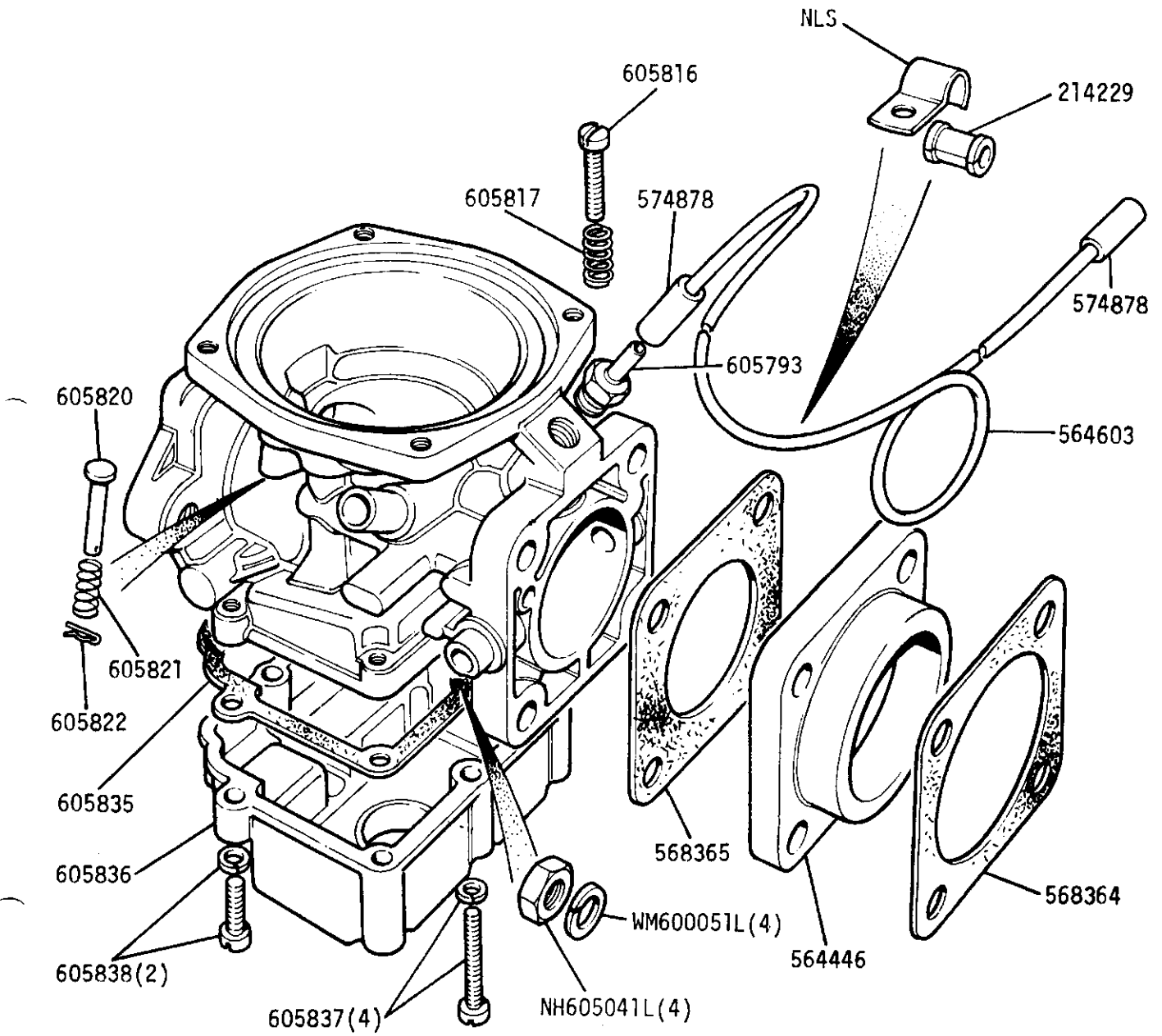
ENGINE - Carburettor Top Cover, Damper and Air Valve 2.6 Litre Petrol
Up to Engine Suffix 'B' inclusive



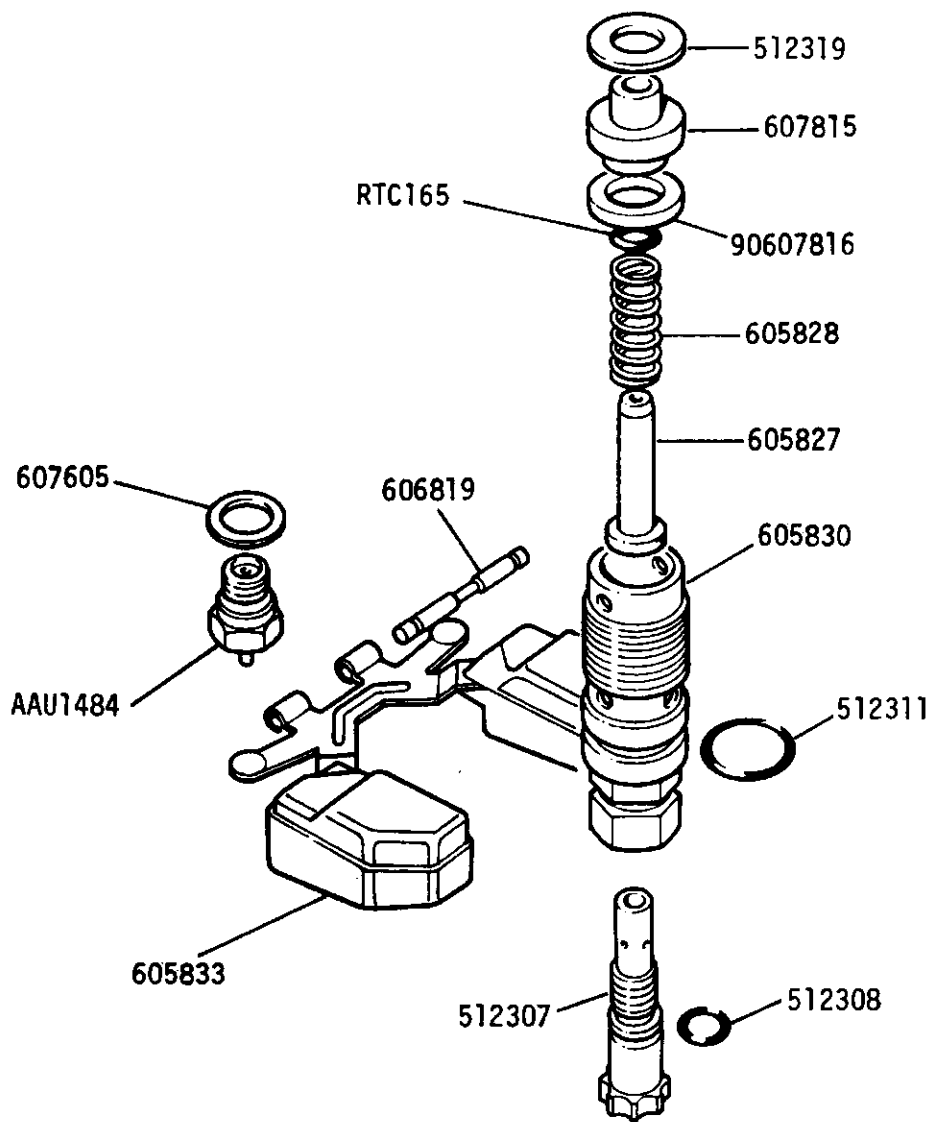
Carburettor complete 598110
Gasket kit for carburettor 605857
Overhaul kit for carburettor 606098
Tamperproof parts kit AAU8781

GROUP H

ENGINE - Carburettor Body and Fixings 2.6 Litre Petrol
Up to Engine Suffix 'B' inclusive

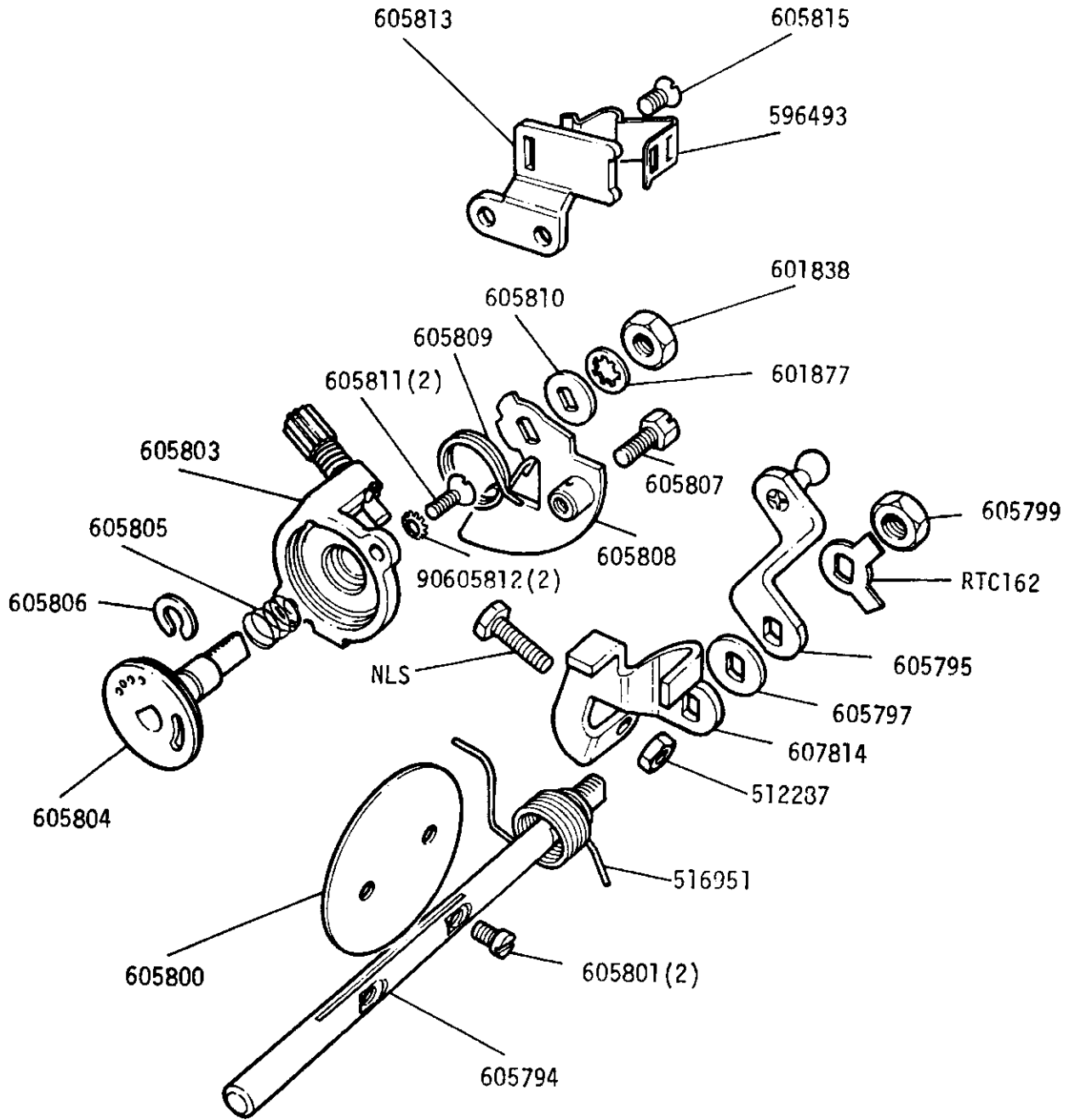


GROUP H
ENGINE - Carburettor Jet Orifice and Float 2.6 Litre Petrol
Up to Engine Suffix 'B' inclusive

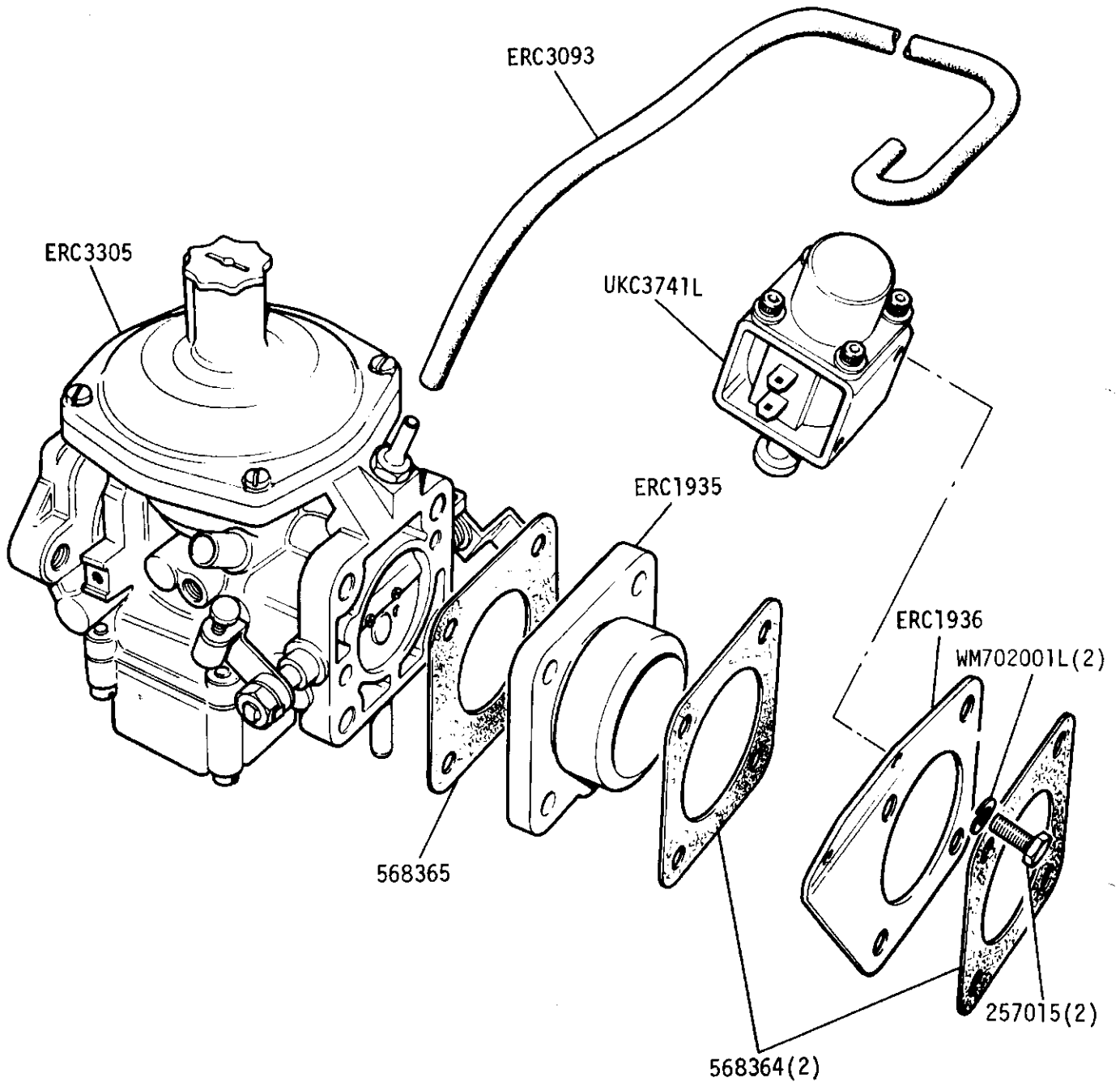


GROUP H

ENGINE - Carburettor Cold Start and Throttle Levers 2.6 Litre Petrol
Up to Engine Suffix 'B' inclusive

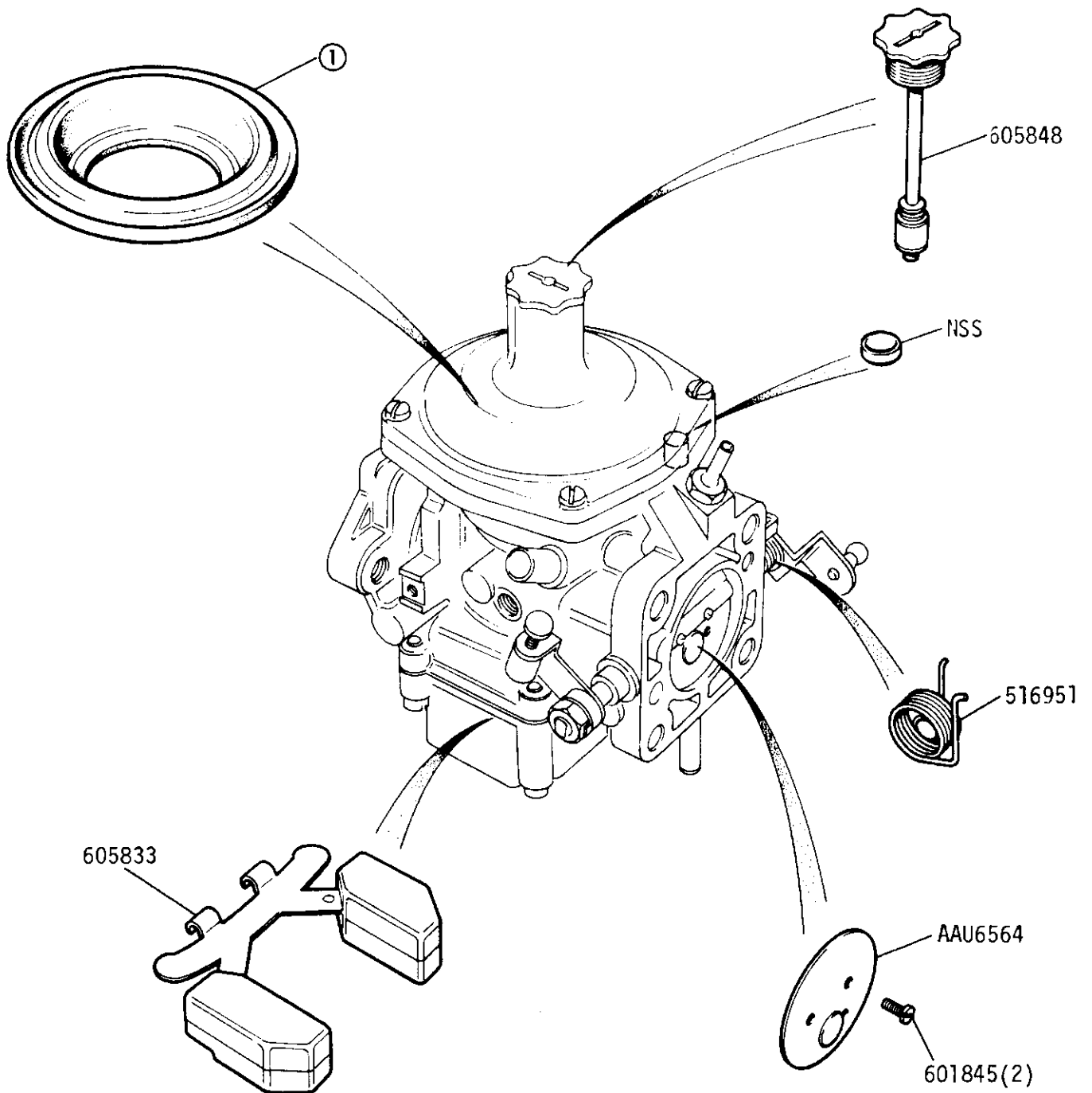


GROUP H
DETOXED ENGINE - Carburettor and Fixings 2.6 Litre Petrol From Engine Suffix 'C' onwards



GROUP H

DETOXED ENGINE - Carburettor Components 2.6 Litre Petrol From Engine Suffix 'C' onwards

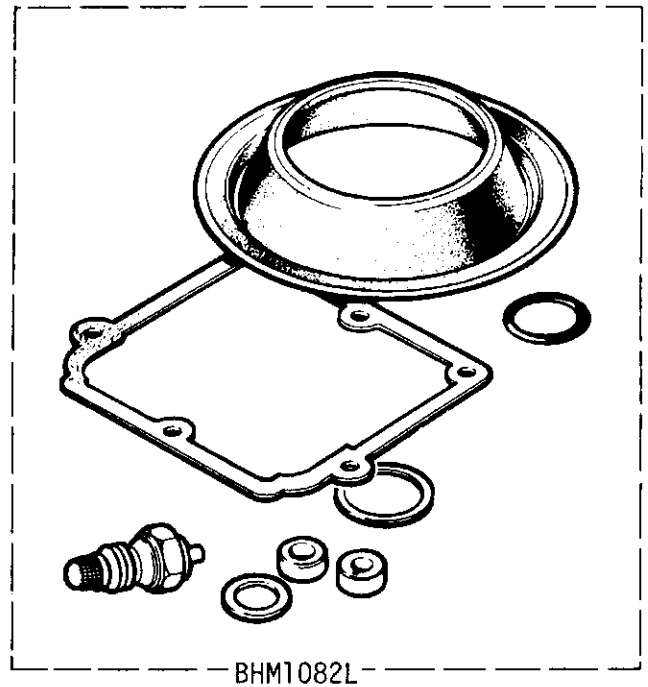
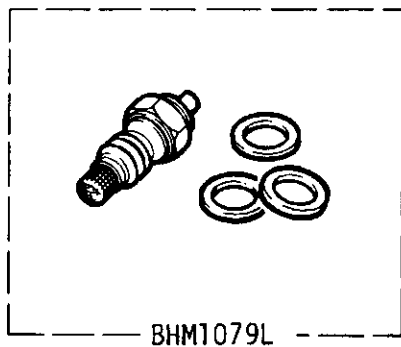
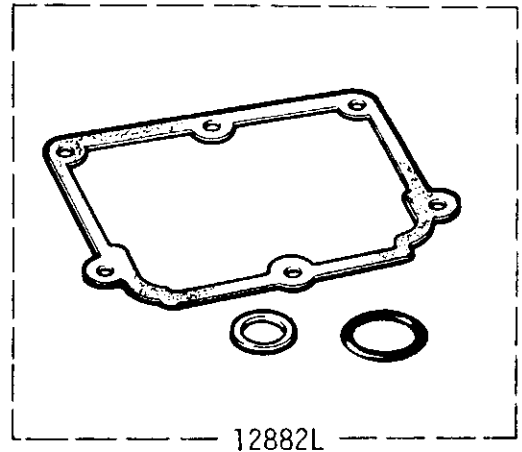
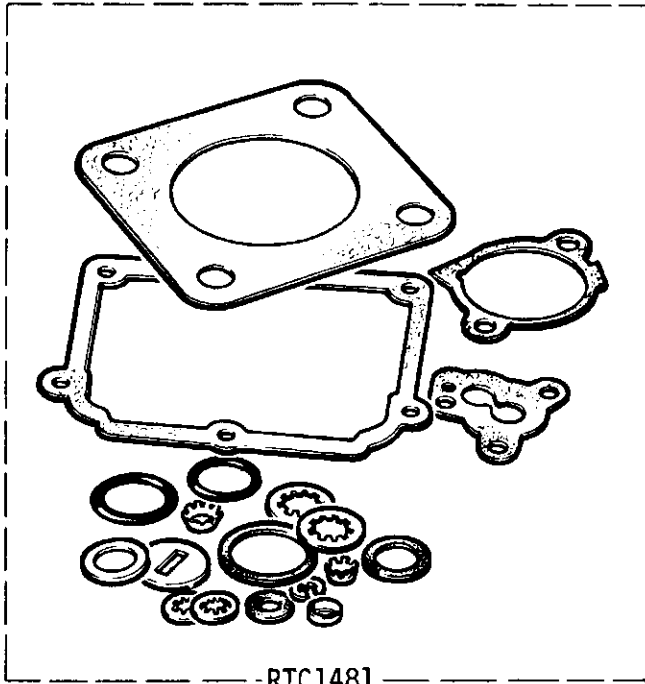


① Diaphragm part of Emission Pack BHM1082L

Not illustrated AEU1804. Metering Needle

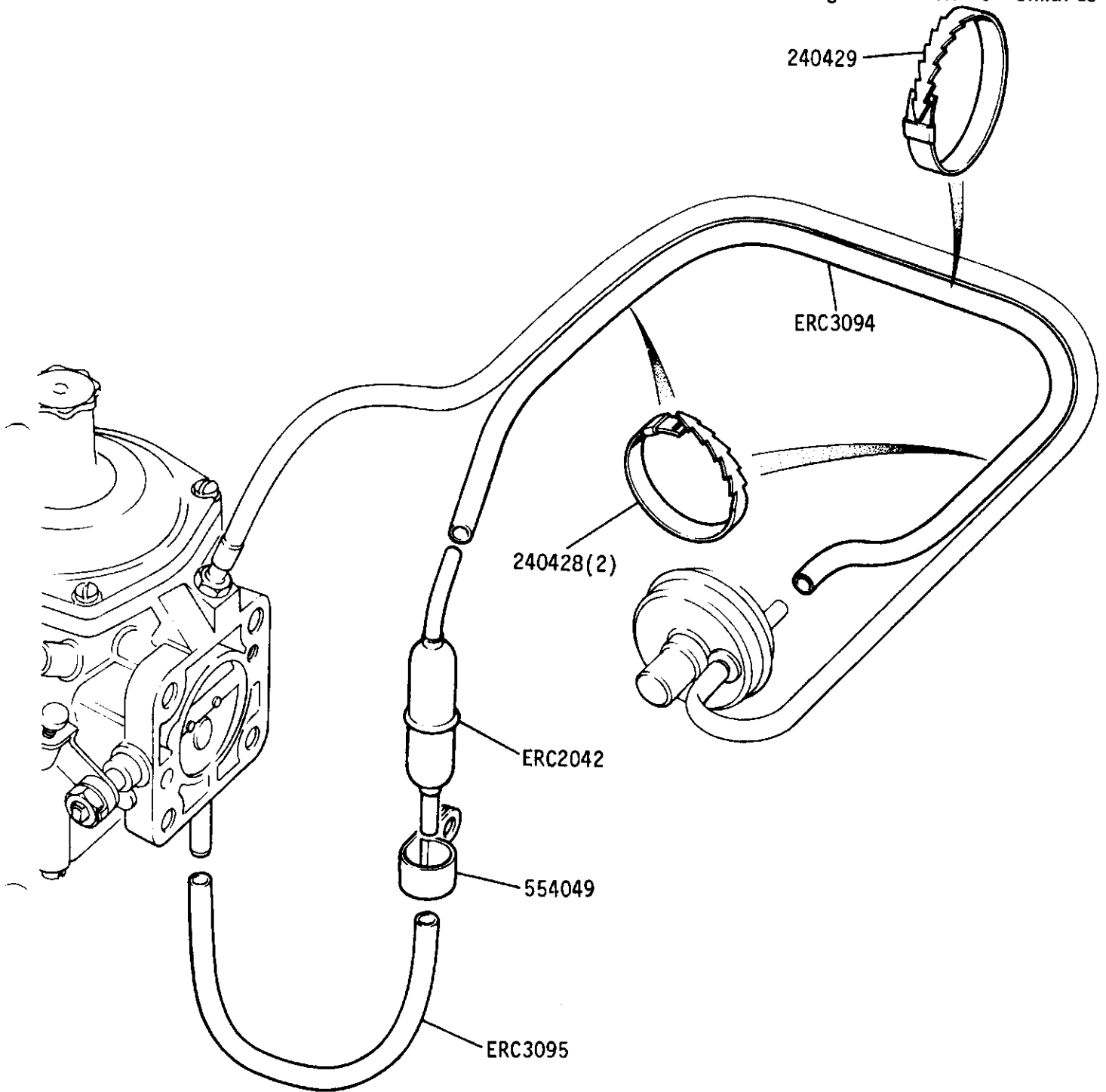
GROUP H

DETOXED ENGINE - Carburettor Gasket Kits 2.6 Litre Petrol From Engine Suffix 'C' onwards

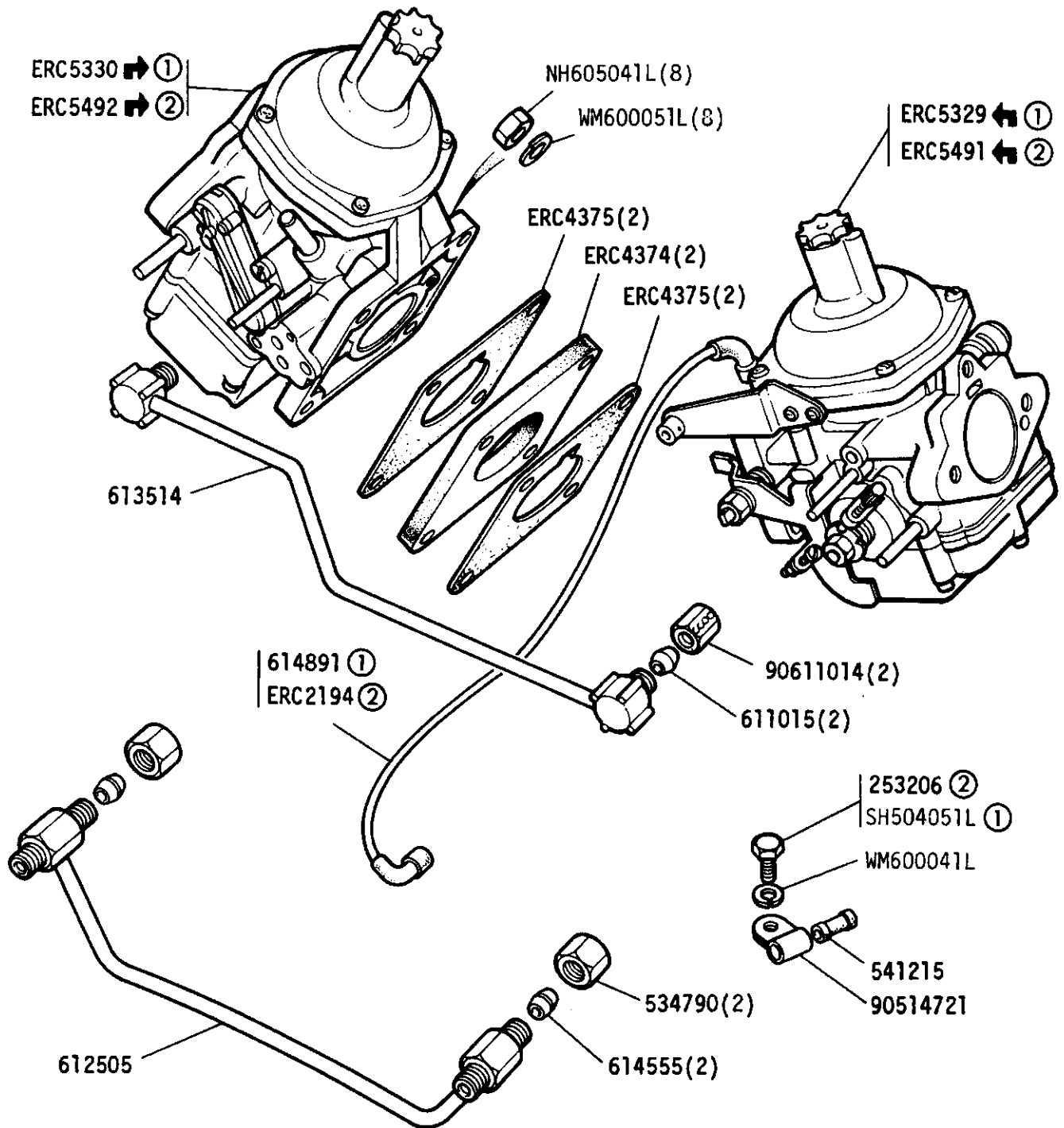


GROUP H

DETOXED ENGINE - Fuel Trap and Connections 2.6 Litre Petrol From Engine Suffix 'C' onwards

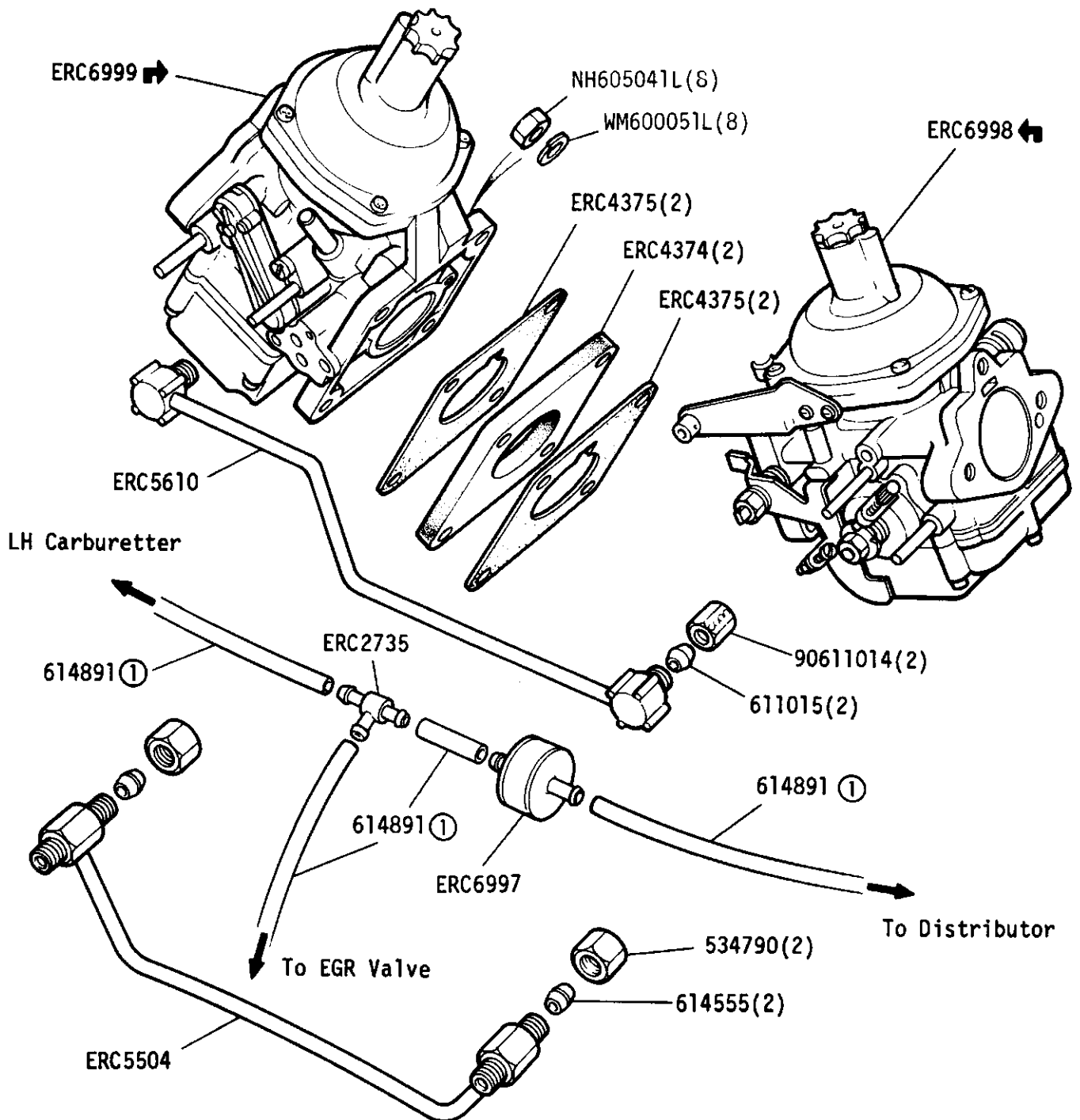


GROUP H
 FUEL - Carburettors and fuel pipes 109 V8 except ECE 15-03



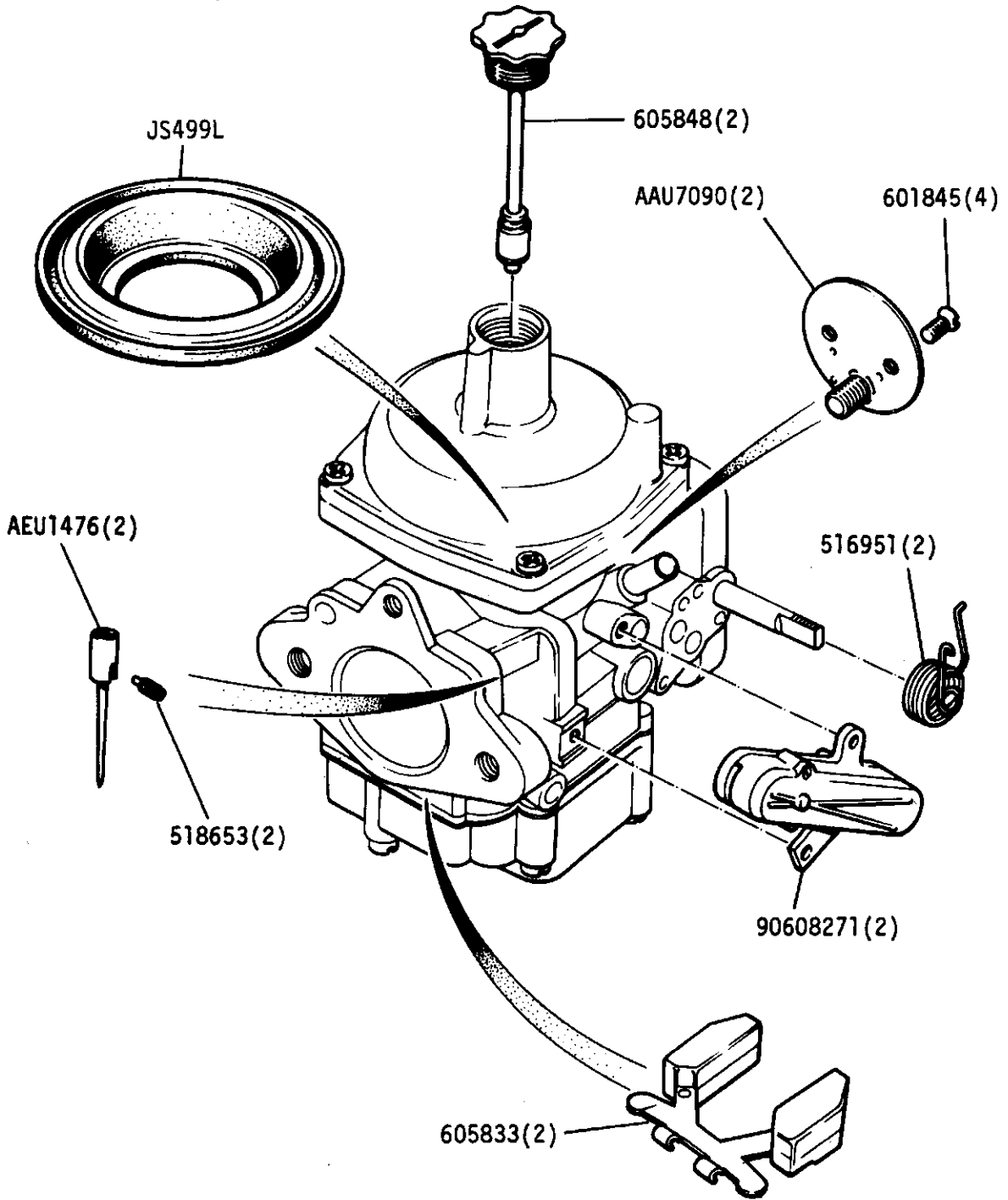
- ➊ European detoxed (ECE 15-02)
- ➋ Non detoxed

GROUP H
 FUEL - Carburettors and fuel pipes 109 V8 ECE 15-03

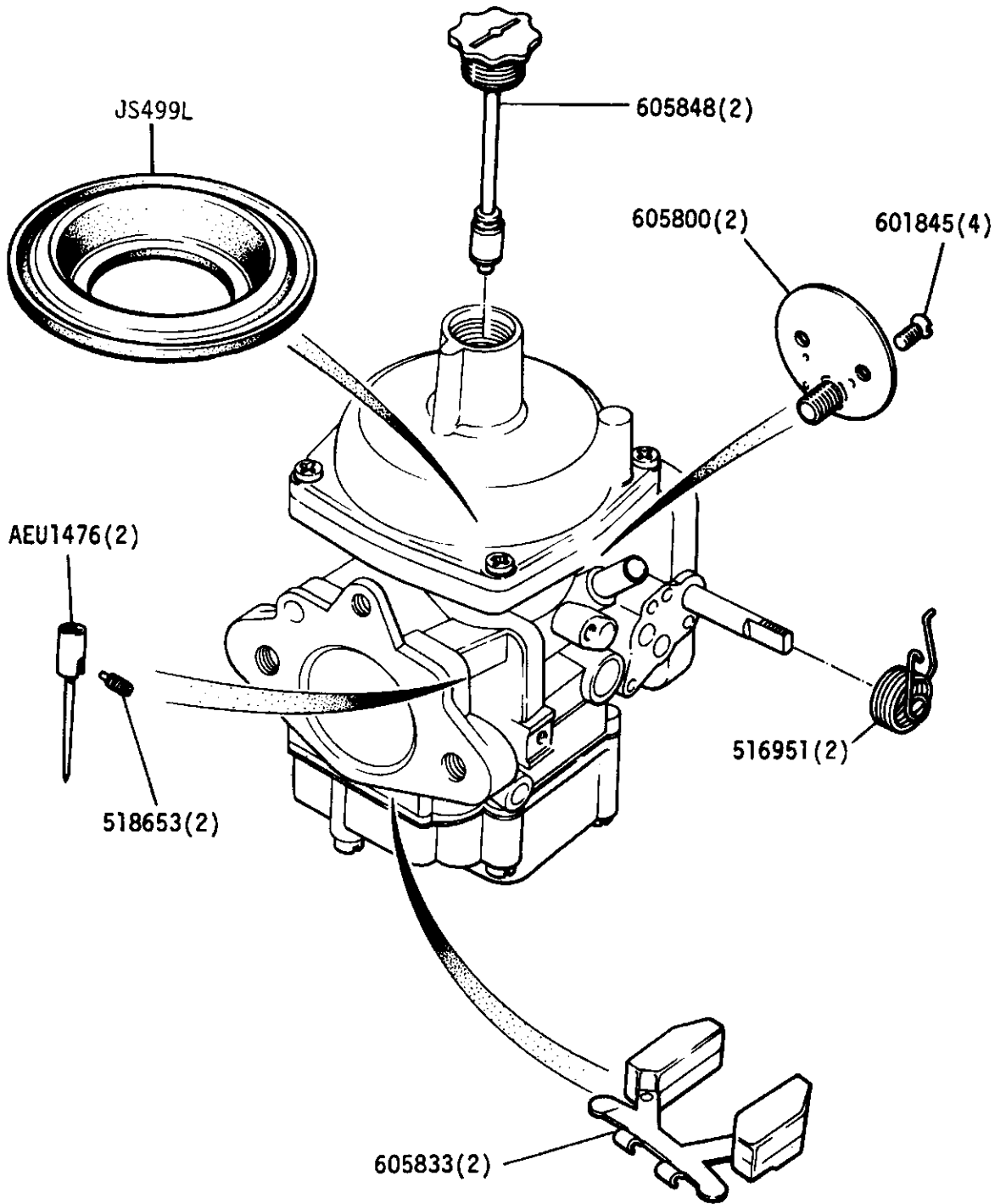


① 614891 supplied as 31" length cut off as required

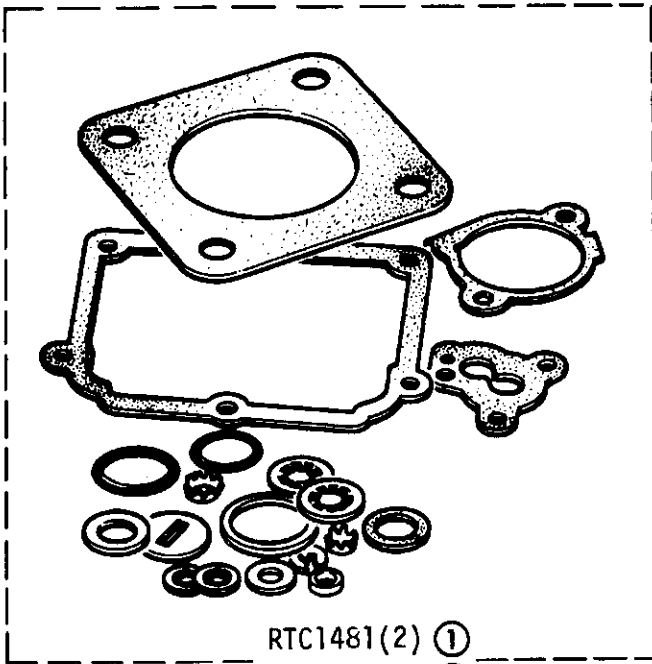
GROUP H
ENGINE - Carburettor components detoxed 109"V8



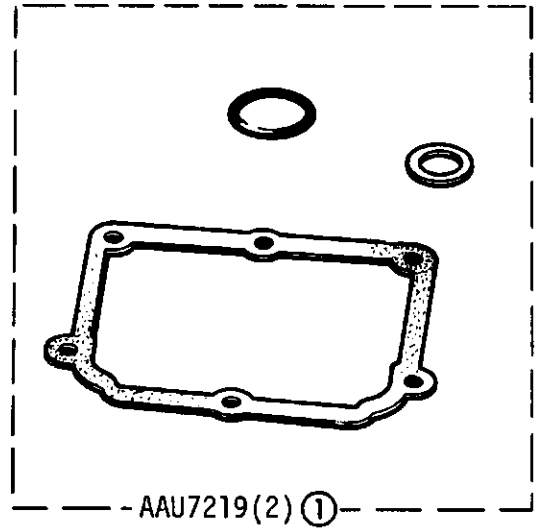
GROUP H
ENGINE - Carburettor components non-detoxed 109"V8



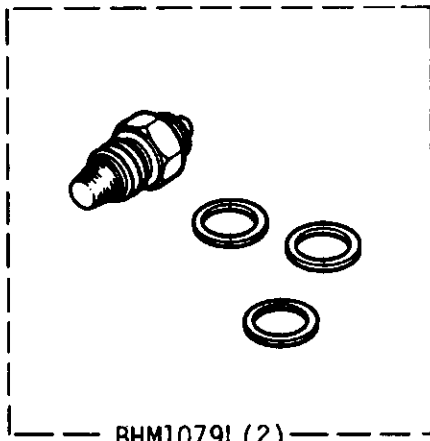
GROUP H
ENGINE - Carburettor gasket kits 109" V8



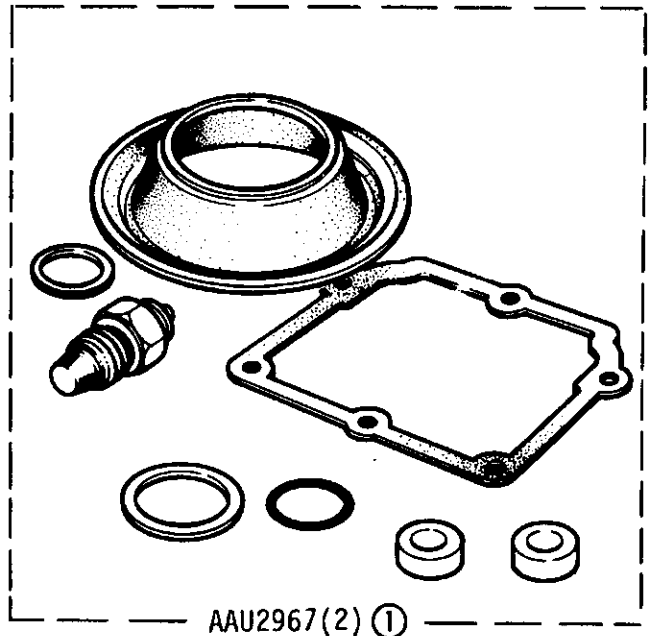
RTC1481(2) ①
AEU1589(2) ②



- AAU7219(2) ① -



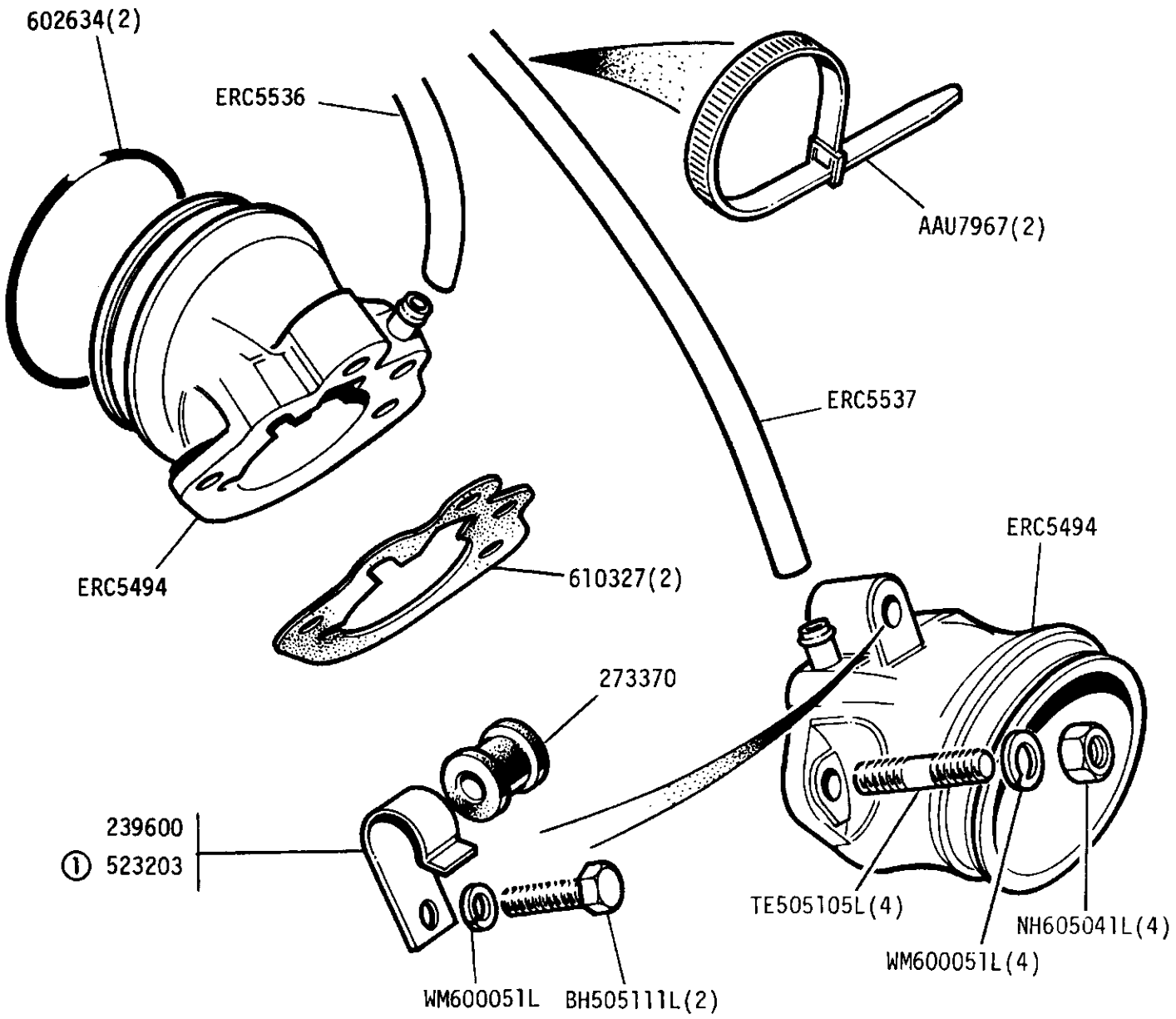
BHM1079L(2)



AAU2967(2) ①

- ① Detoxed
- ② Non detoxed

GROUP H
 ENGINE-AIR INTAKE ADAPTORS 109 V8



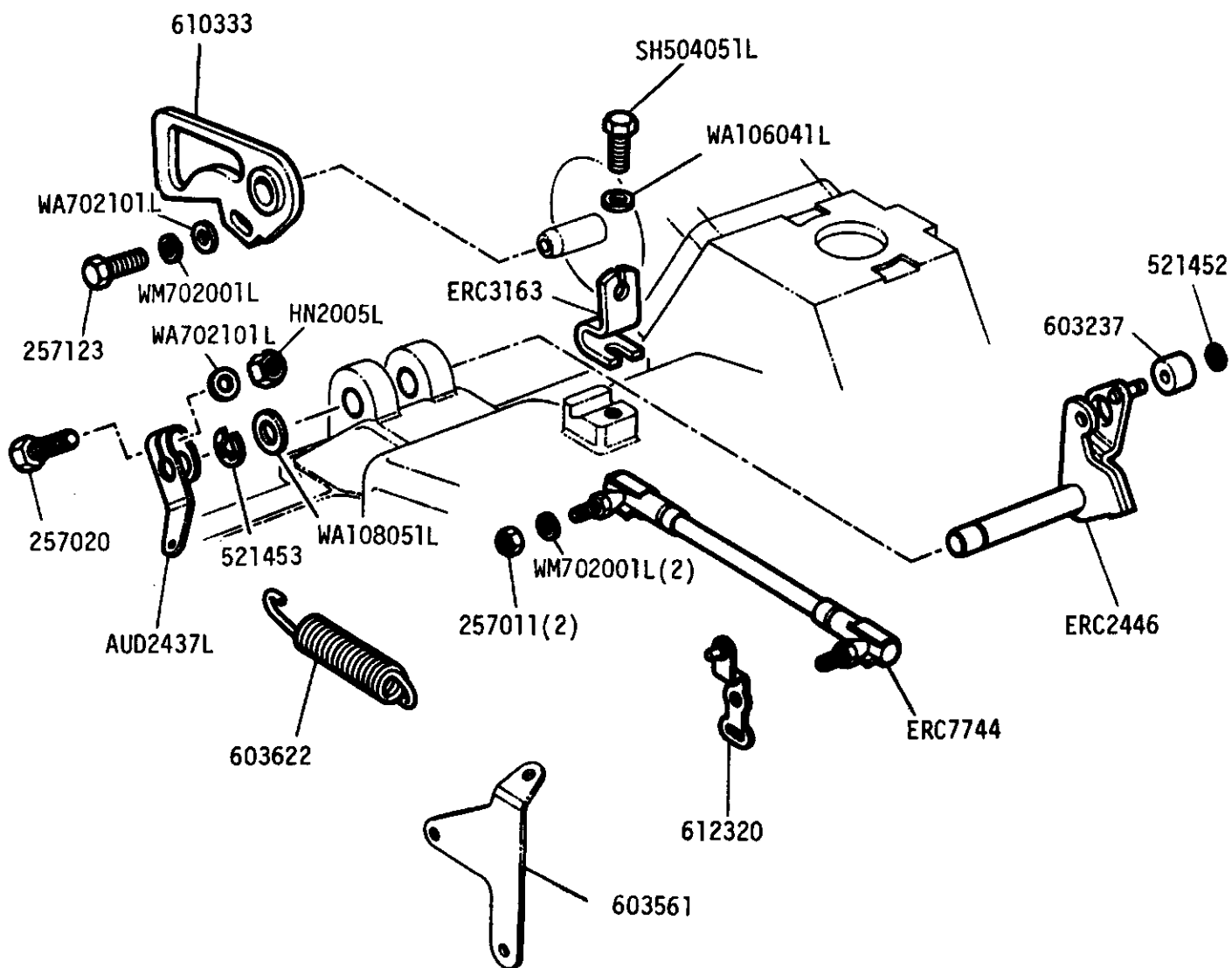
① Detoxed

LAND ROVER

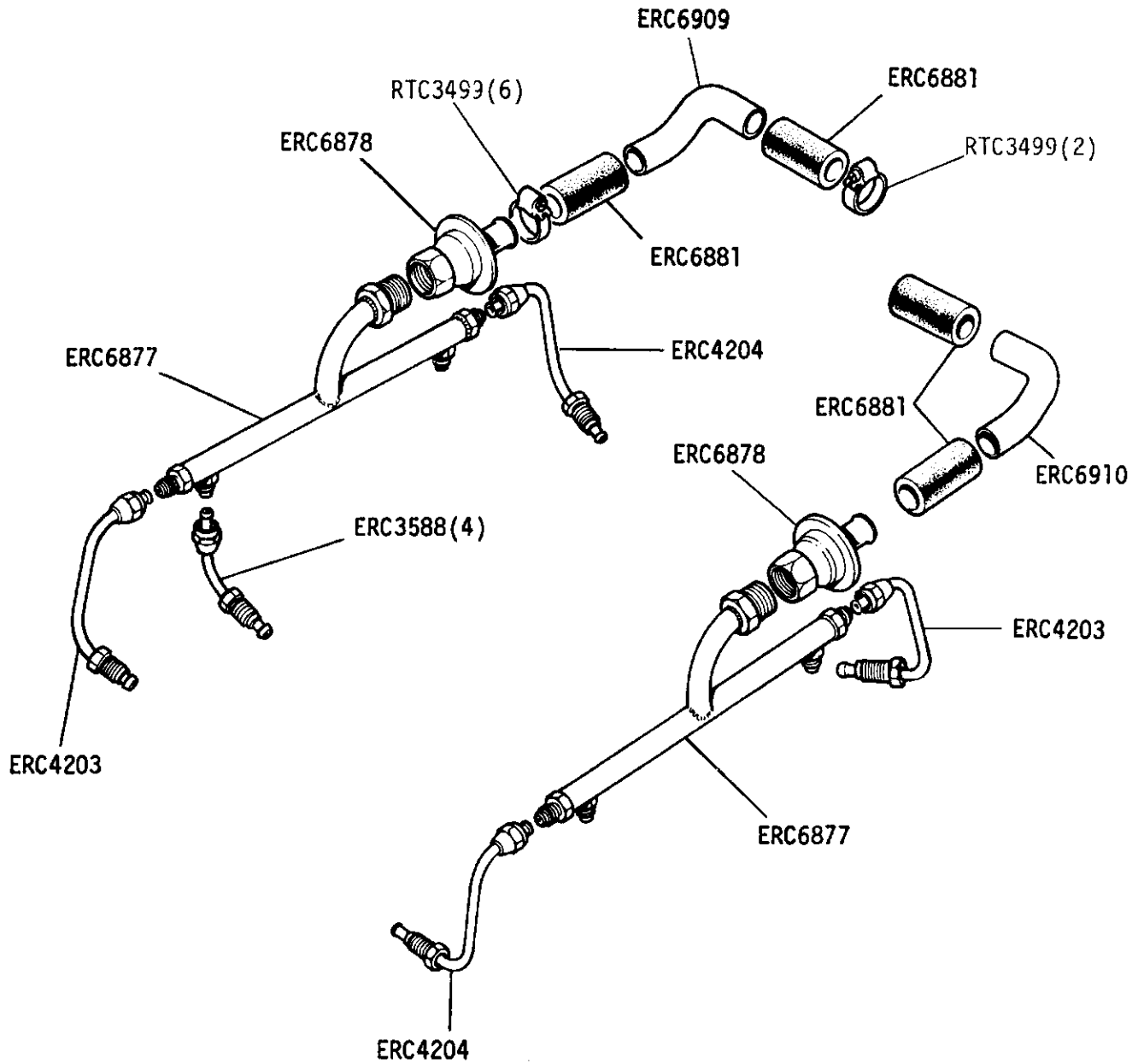
TM 11

VS4226

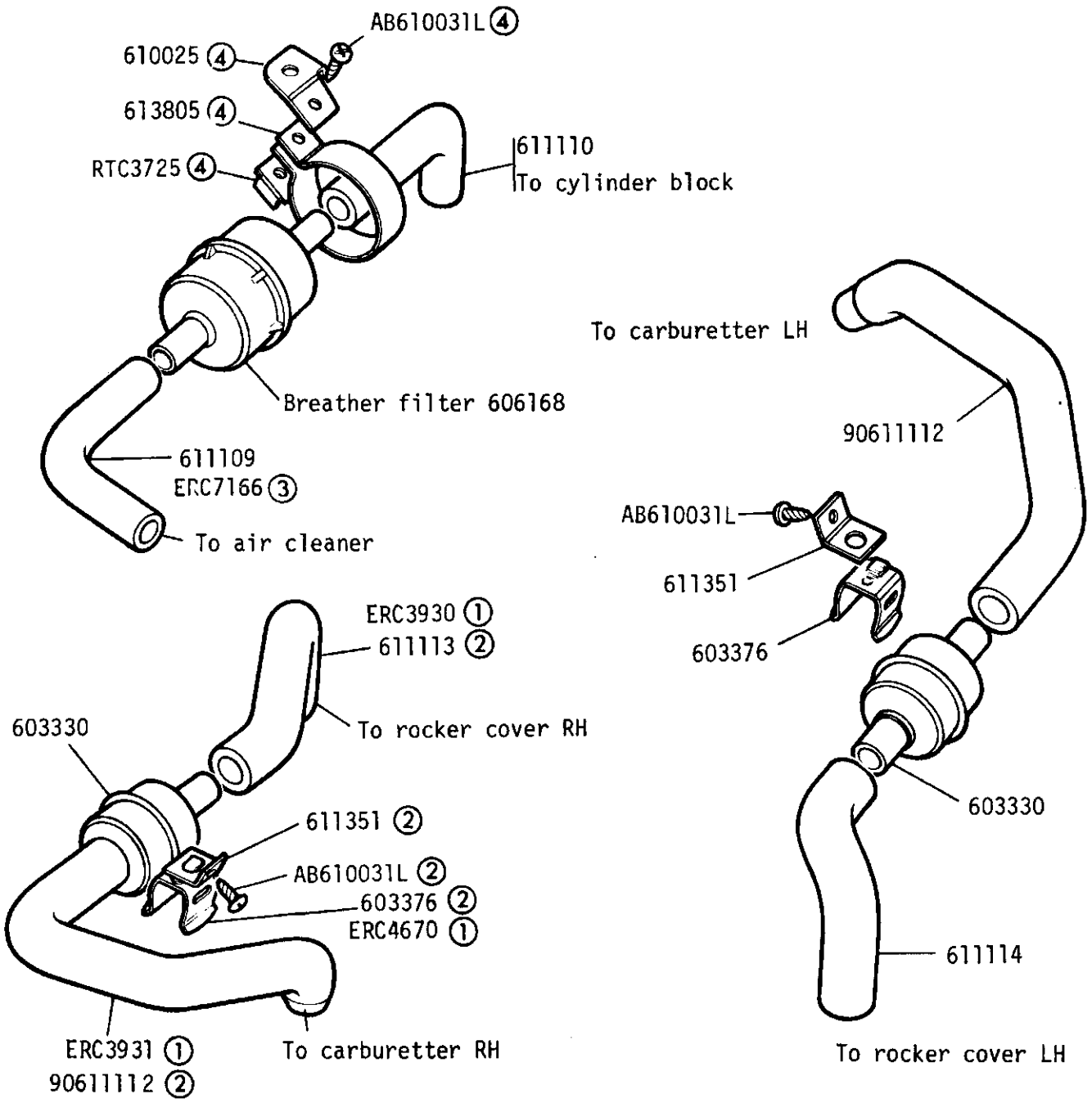
GROUP H
ENGINE - Throttle Linkage 109 V8



GROUP H
DETOXED ENGINE - Air Rails and Check Valve - 109V8 built to ECE15 03

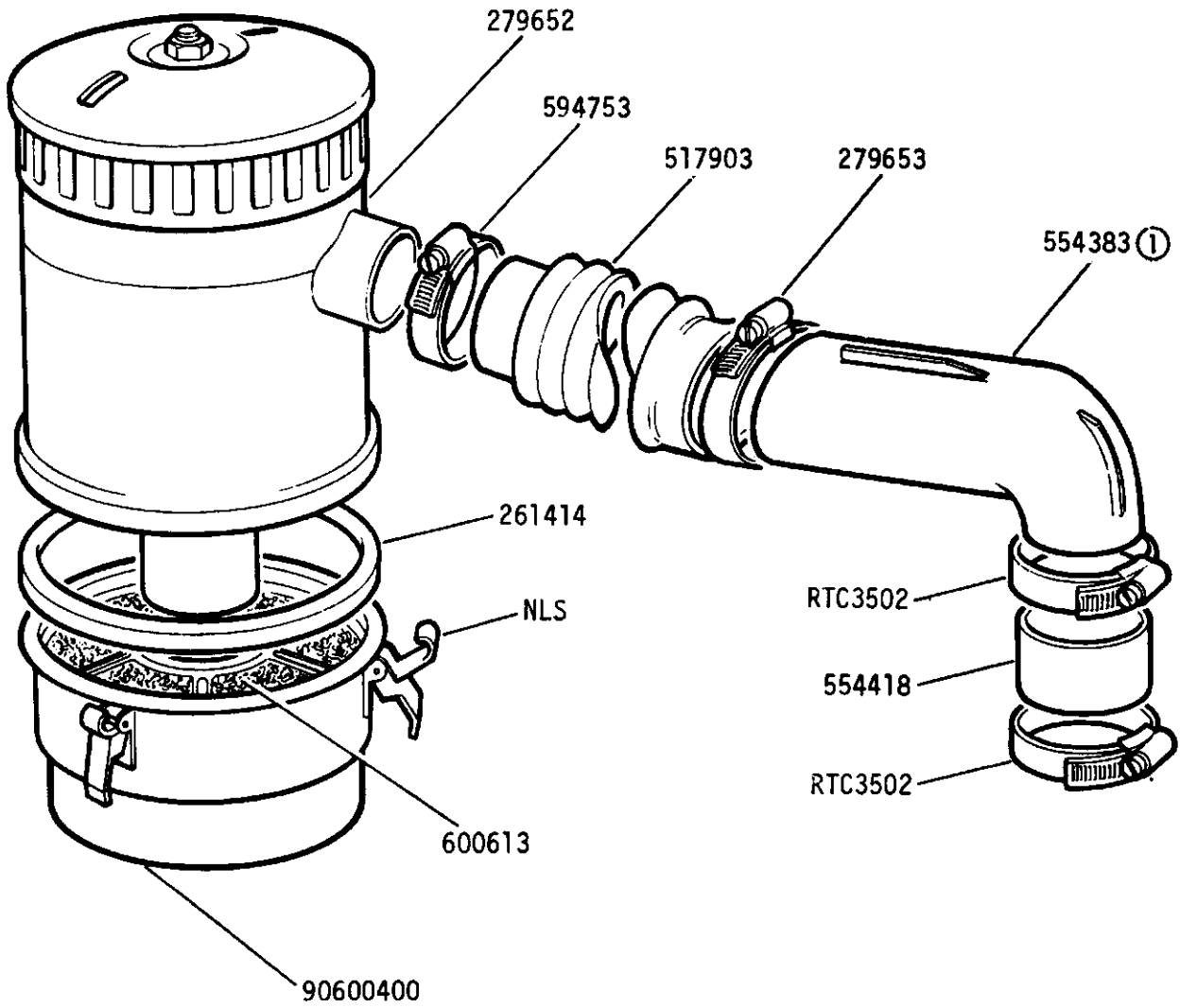


GROUP H
Breather Filter and Flame Traps 109V8



- ① Not detoxed
 - ② Detoxed
 - ③ Vehicles built to European detoxed ECE15-03
 - ④ Except vehicles built to ECE15-03
- LAND ROVER 1M 13 M890/ V

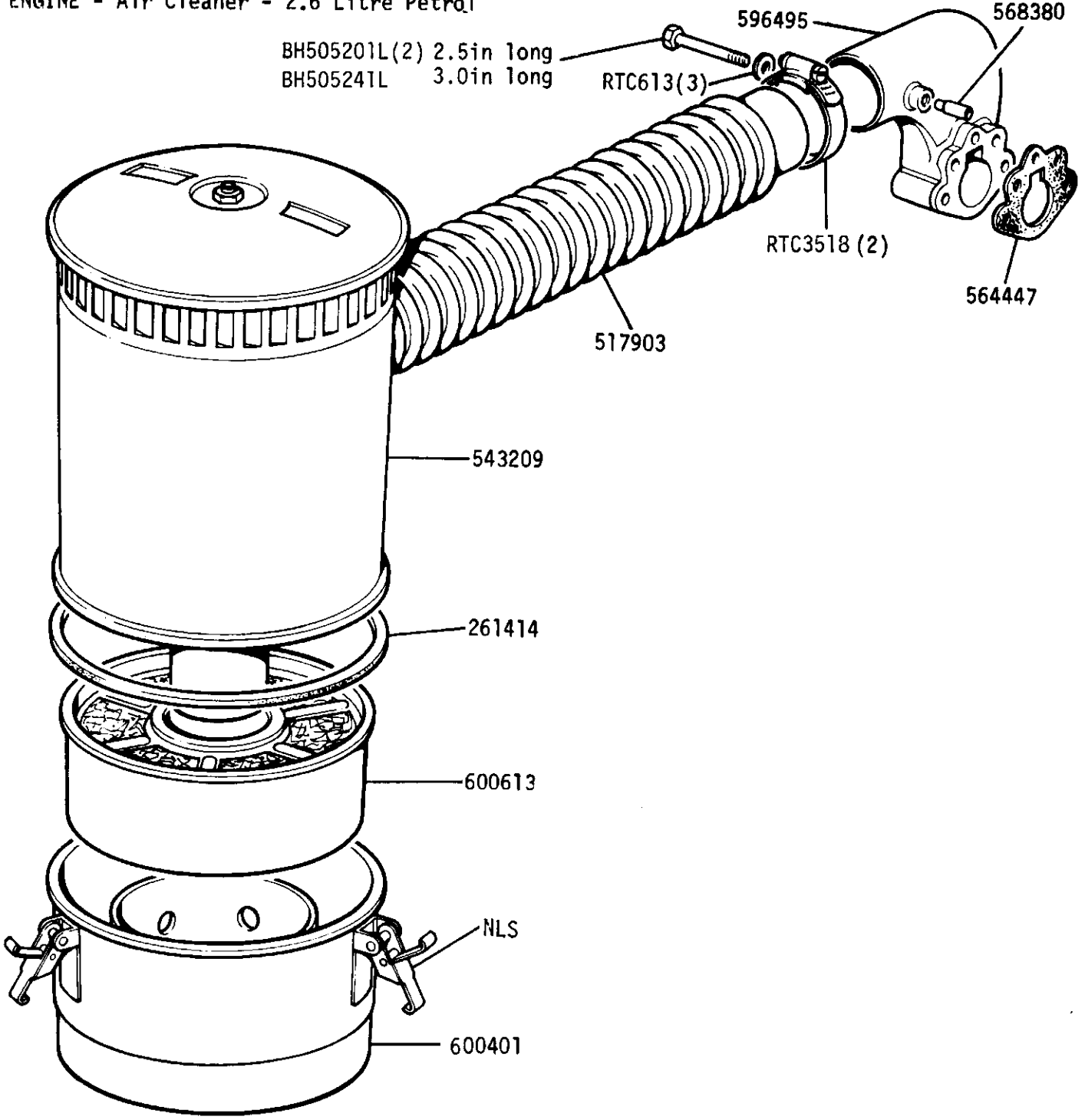
GROUP H
ENGINE - Air Cleaner 2½ Litre Petrol



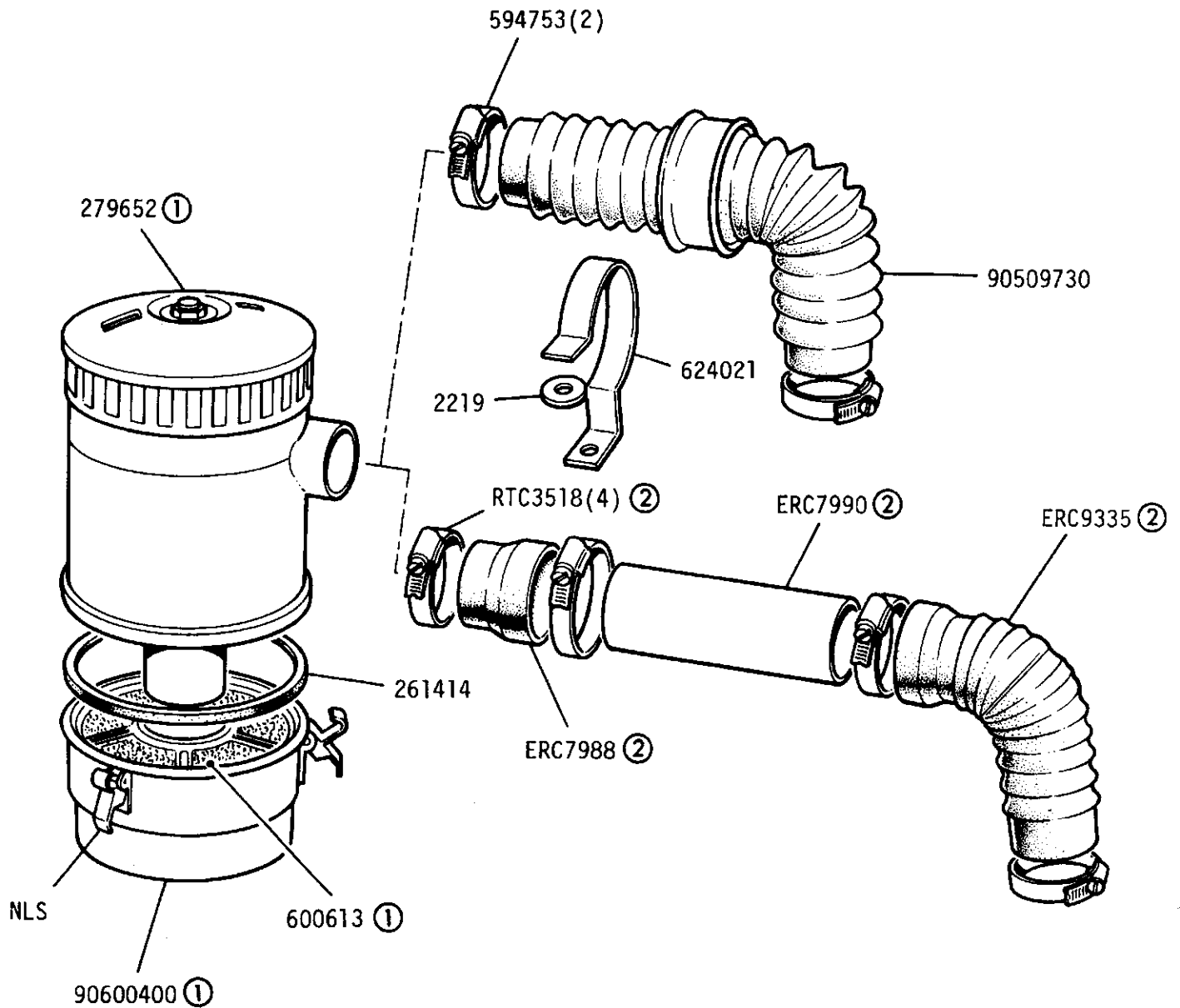
① Up to Engine suffix 'B' inclusive
From Engine suffix 'C' see frame 1C 09

GROUP. H
 ENGINE - Air Cleaner - 2.6 Litre Petrol

BH505201L(2) 2.5in long
 BH505241L 3.0in long



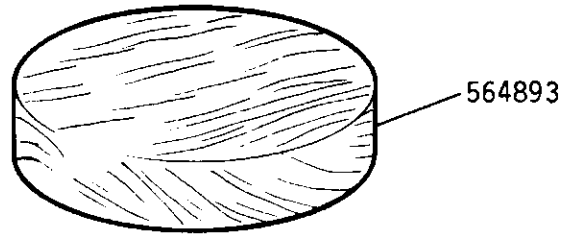
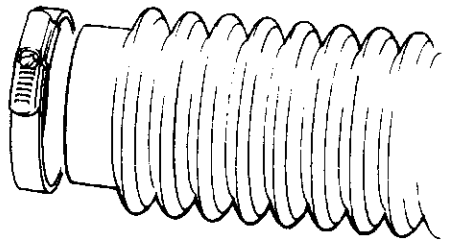
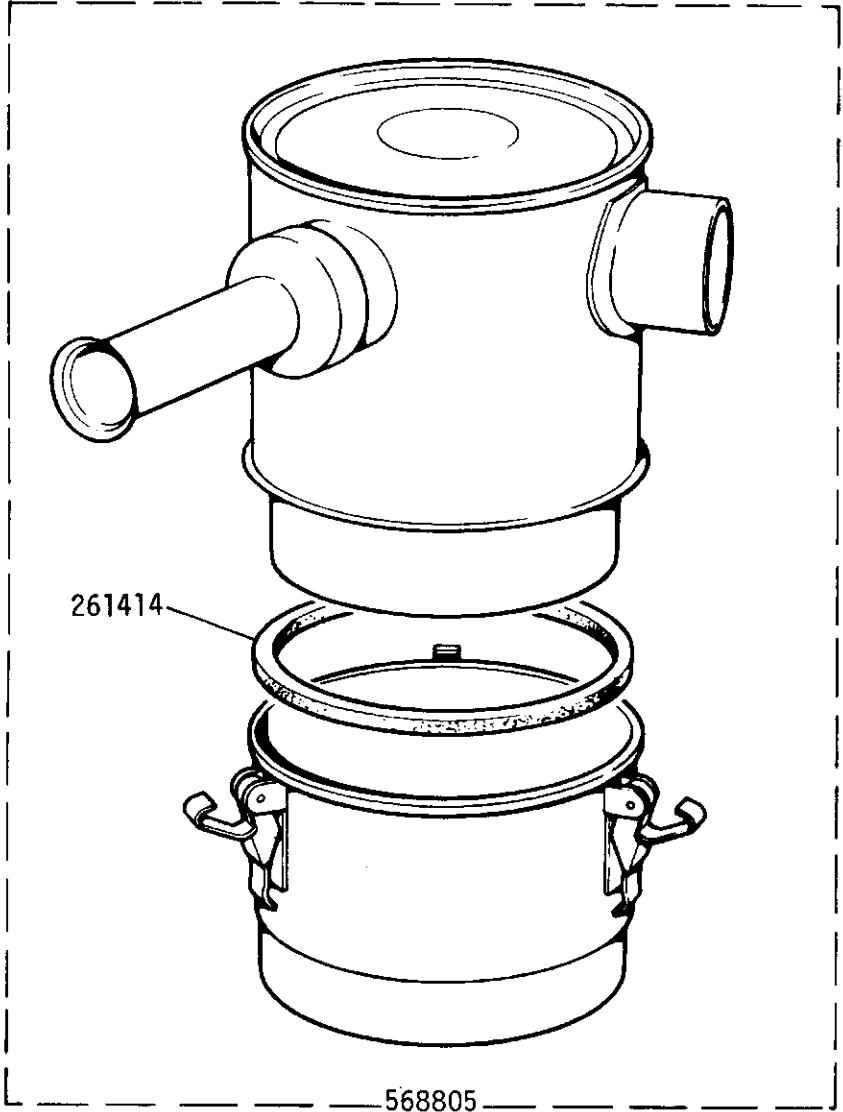
GROUP H
ENGINE - Air Cleaner 2½ Litre Diesel



① Except Switzerland

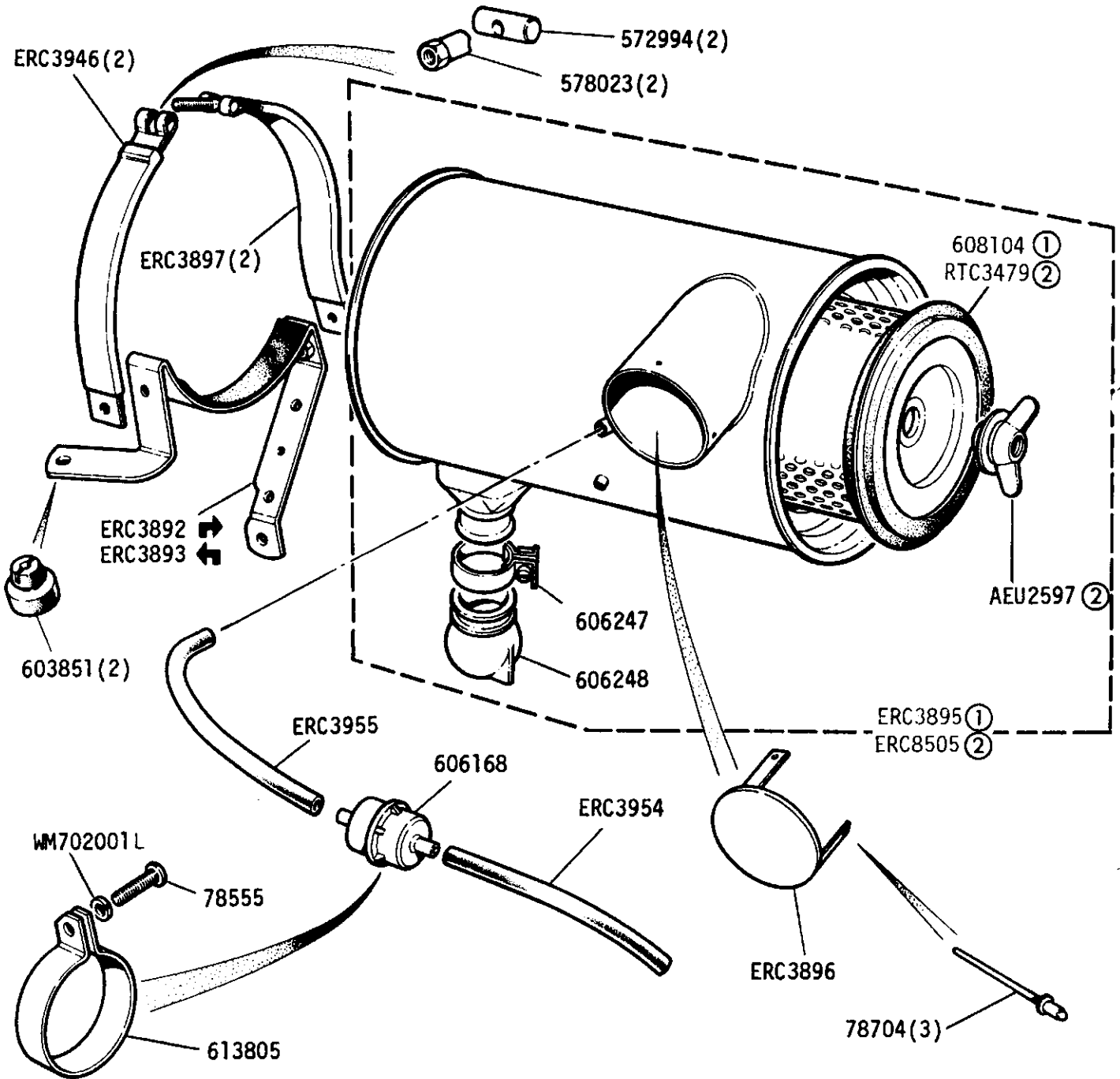
② Vehicles for U.K, Sweden, France, Denmark, Germany, Norway, Netherlands
from SALLBAG2AA176881 Fitted with 77/212/EEC Noise Regulations

GROUP H
ENGINE - Air Cleaner - 2½ Litre Diesel



Switzerland only

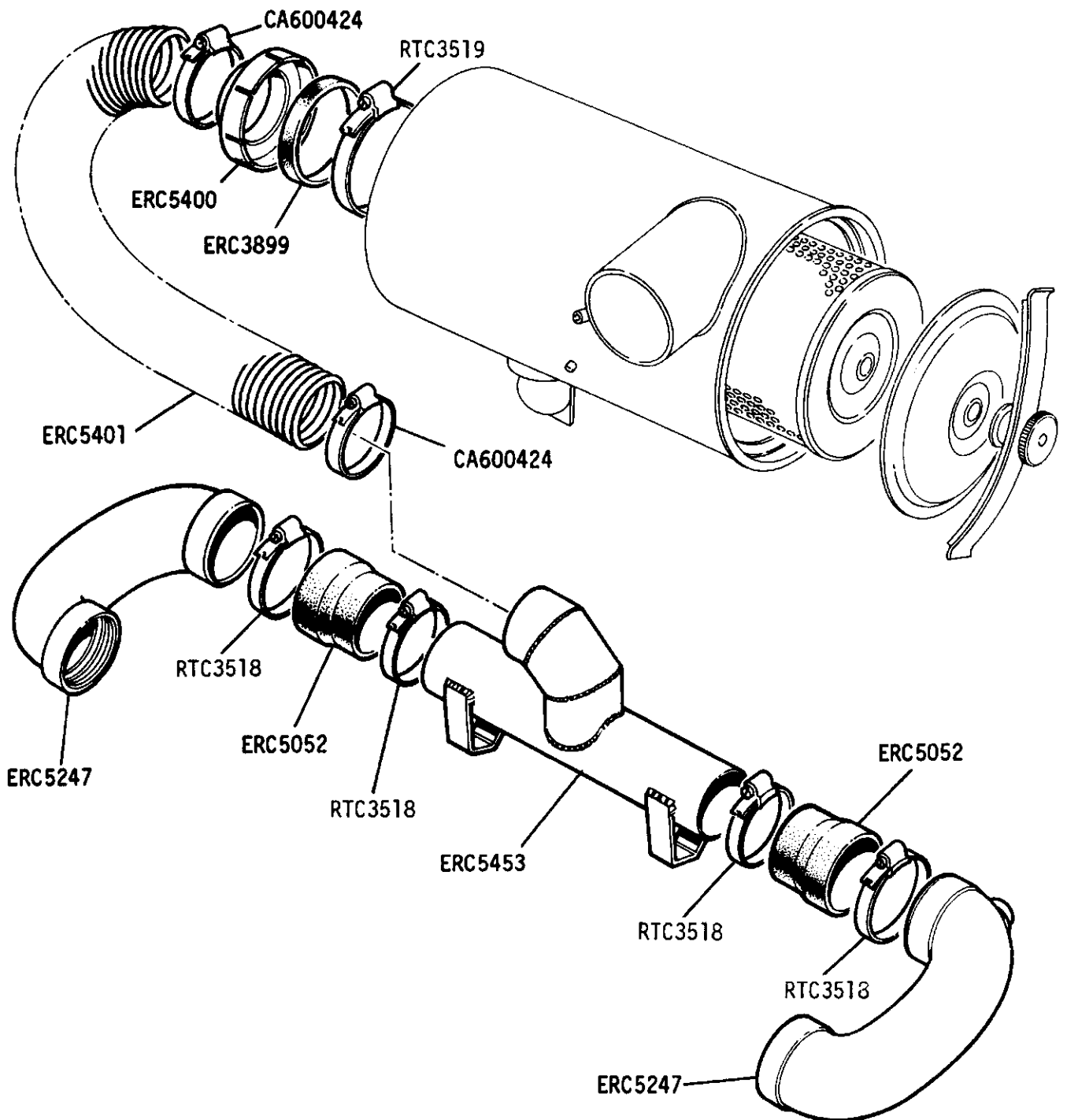
GROUP H
 FUEL SYSTEM - Air cleaner , 109V8, non-detoxed engine



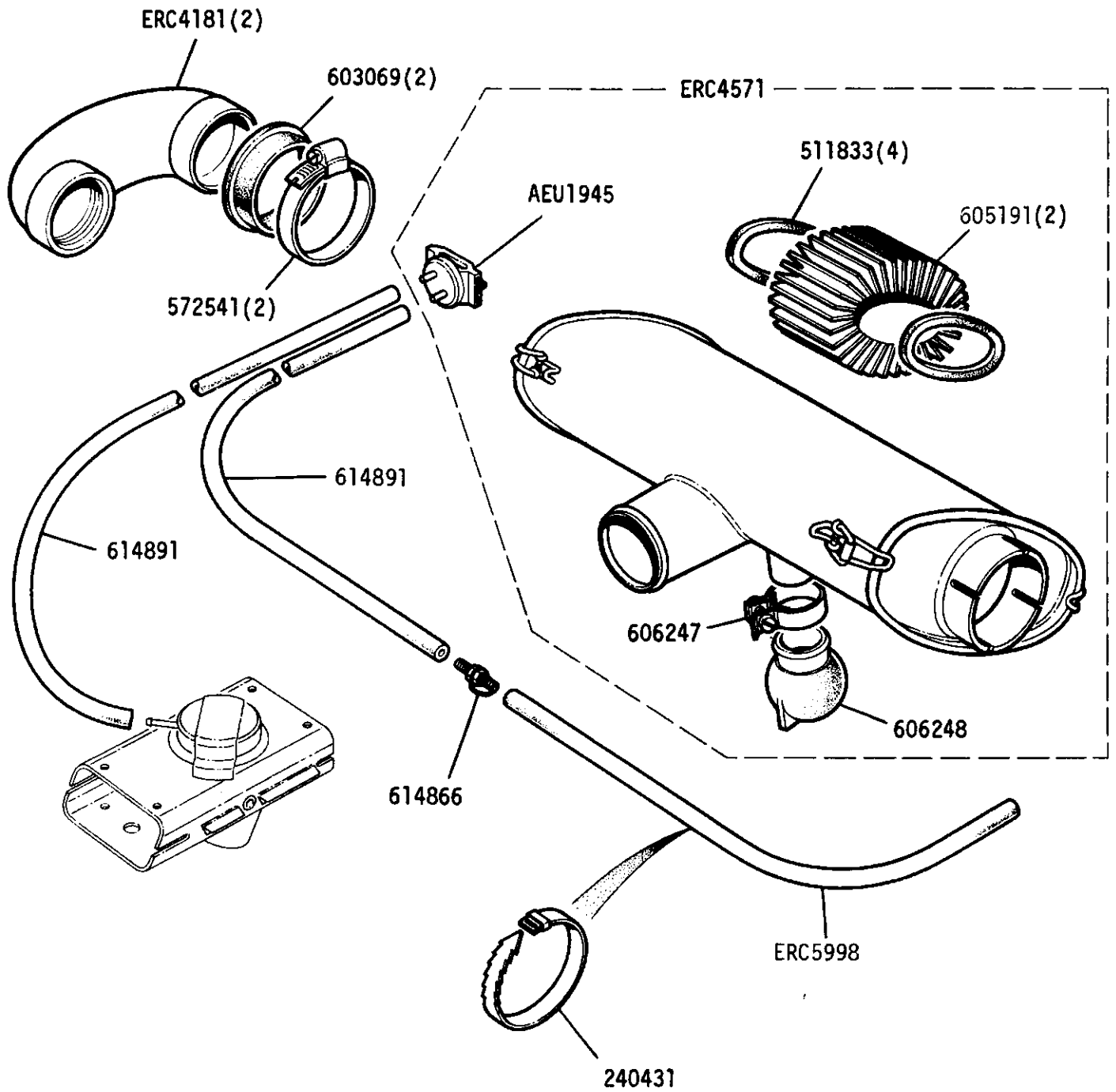
① Up to vehicle No. 186339
 ② From vehicle No. 186340 onwards.

LAND ROVER IN 04 VS3760

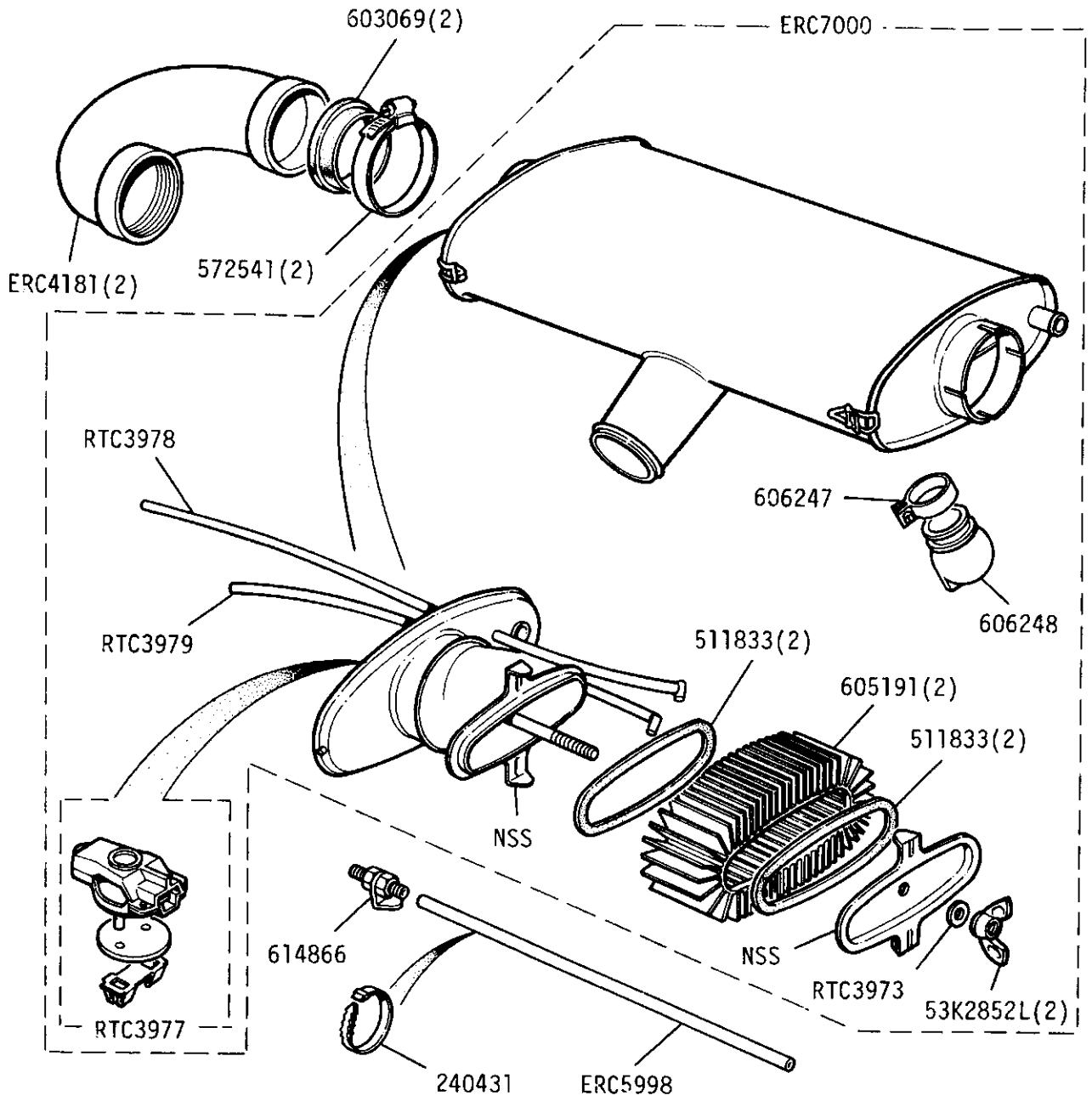
GROUP H
FUEL SYSTEM - Air cleaner, 109V8, non detoxed engine



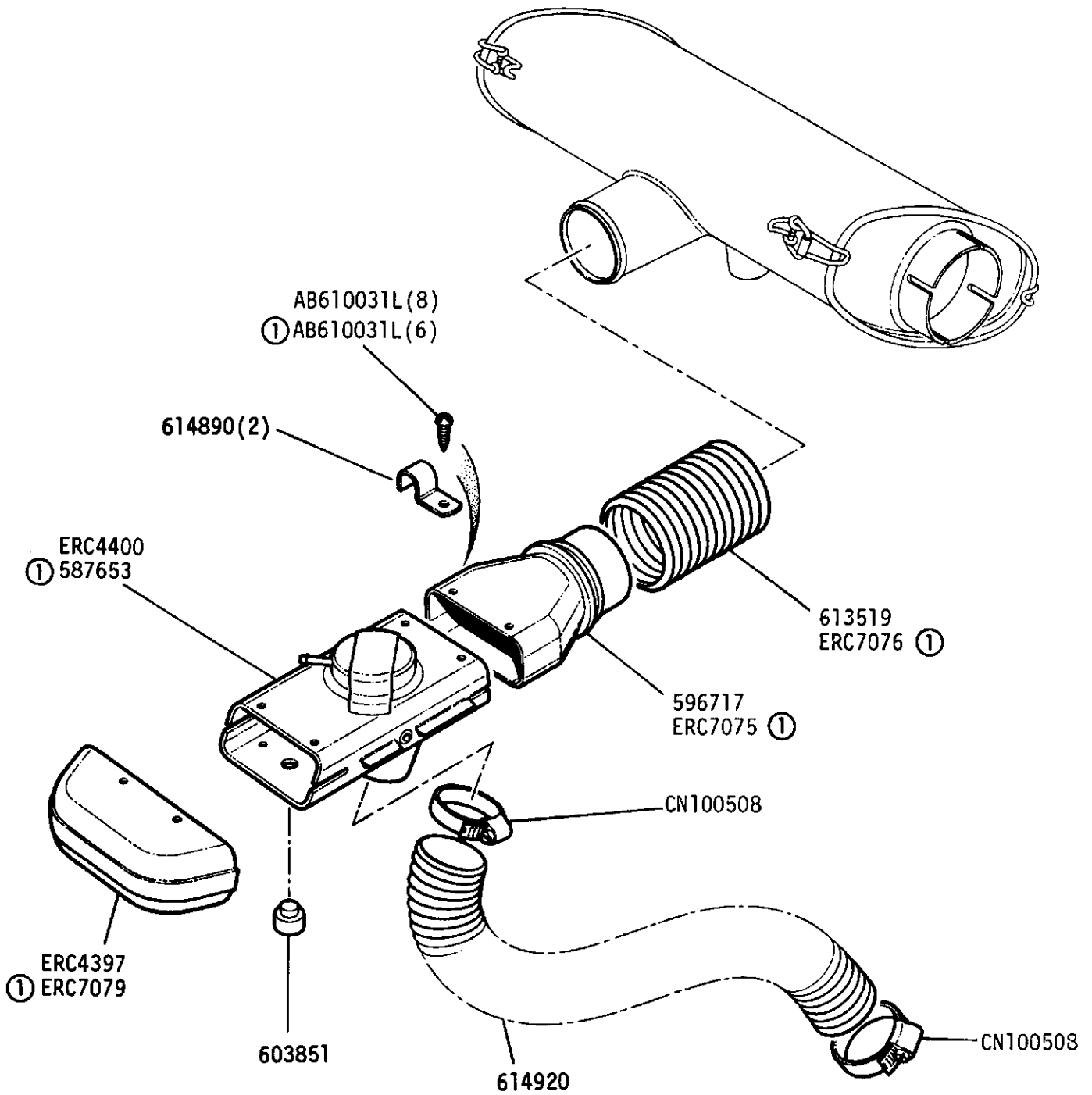
GROUP H
FUEL SYSTEM - Air cleaner, 109V8, detoxed engine - Except Germany, Norway, Switzerland



GROUP H
 FUEL SYSTEM - Air cleaner, 109V8, detoxed engine-Germany, Norway, Switzerland

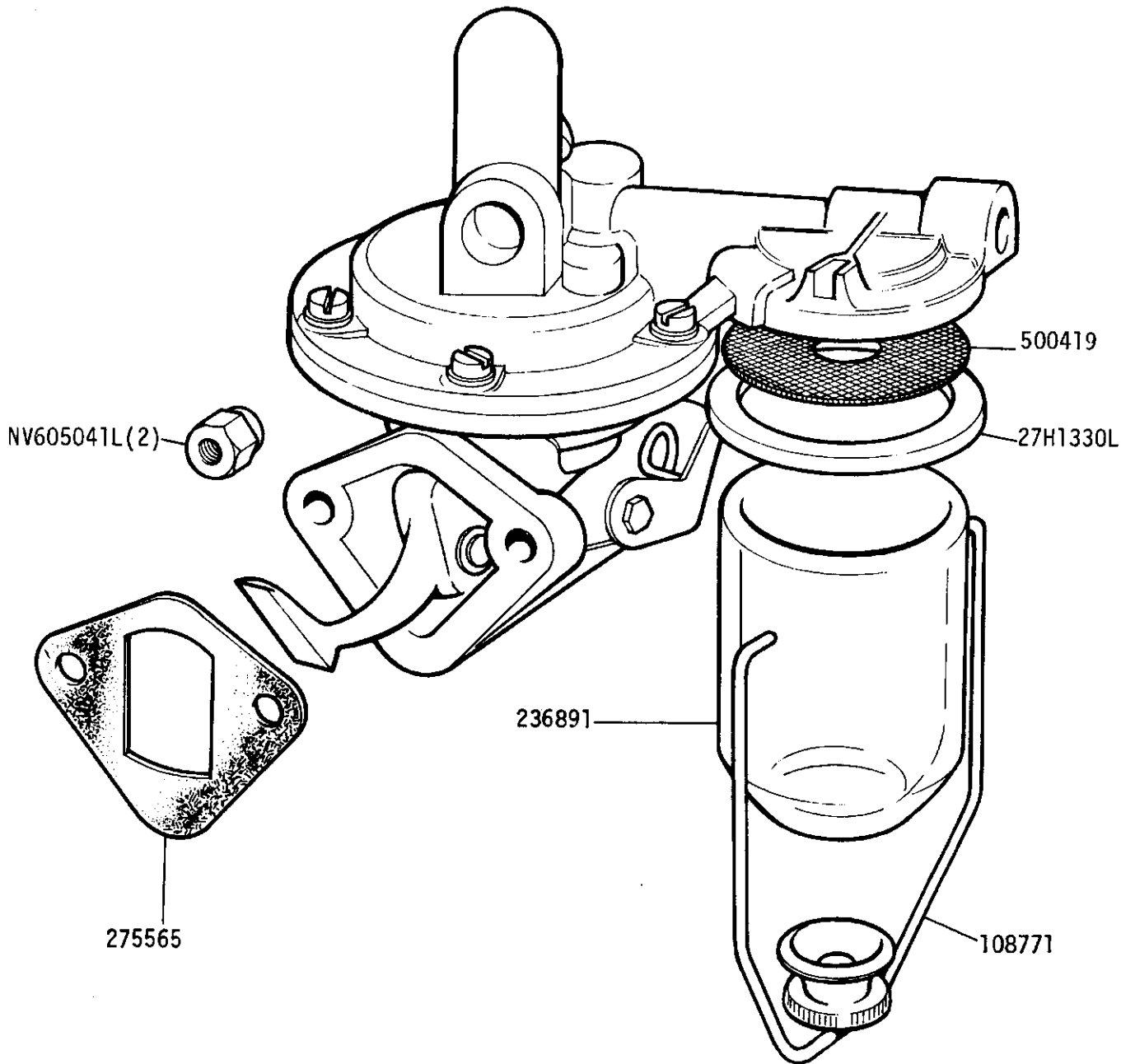


GROUP H
 FUEL SYSTEM - Air cleaner, 109V8, detoxed engine



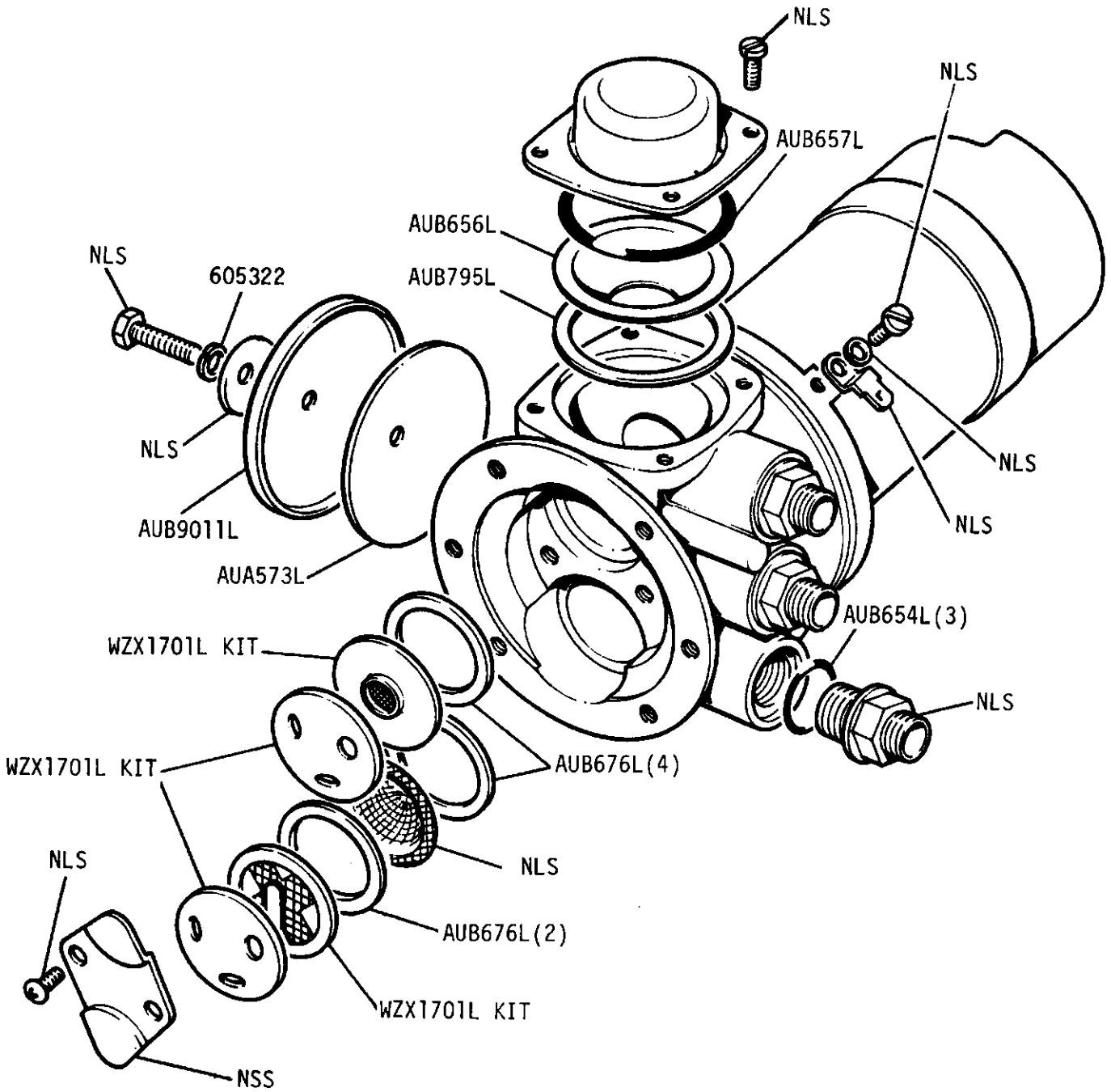
① Germany, Norway, Switzerland from August 1980
 to ECE 15.03 Regulations

GROUP H
ENGINE - Fuel Pump 2½ Litre Petrol



Fuel pump assembly 549761
Repair kit for fuel pump AEU2760
Overhaul kit for fuel pump 18G8246L

GROUP H
SU FUEL PUMP - Valve Body, 2.6 Litre Petrol, Vehicle Suffix 'A'

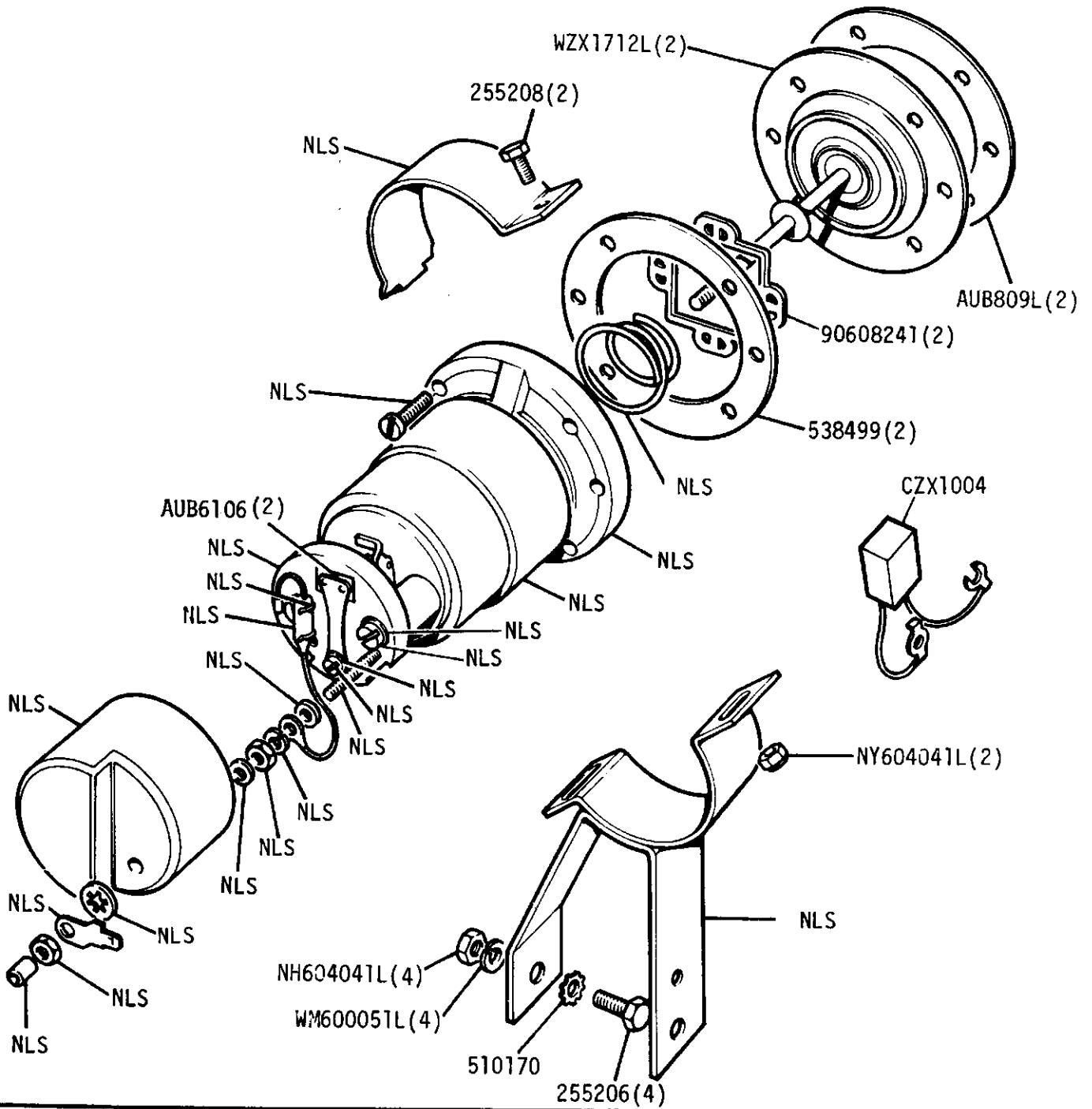


Fuel pump complete AZX1500

LAND ROVER 1N 07 2RE 237

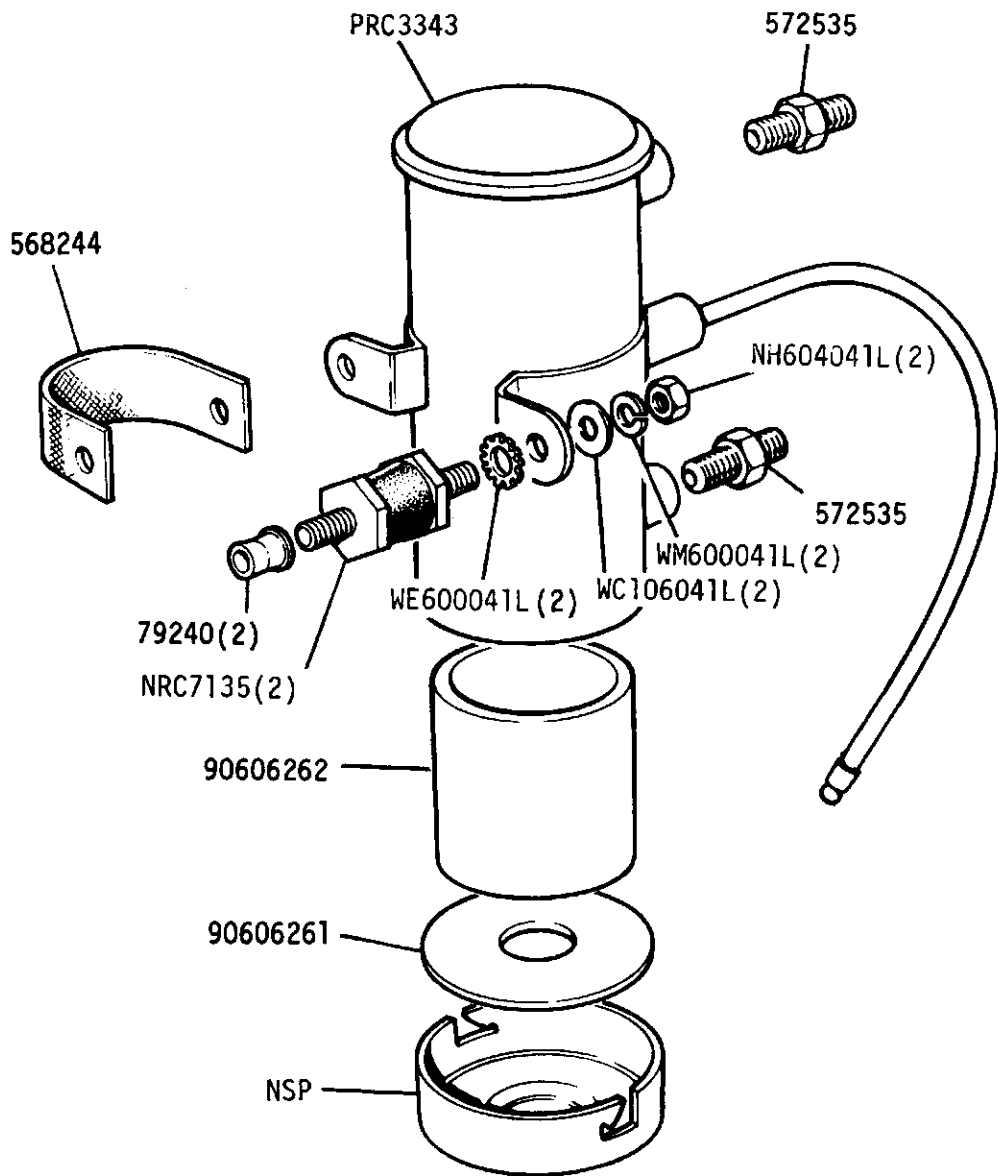
GROUP H

SU FUEL PUMP - Coil, Diaphragm and Pedestal 2.6 Litre Petrol - Vehicle Suffix 'A'



Fuel pump complete AZX1500

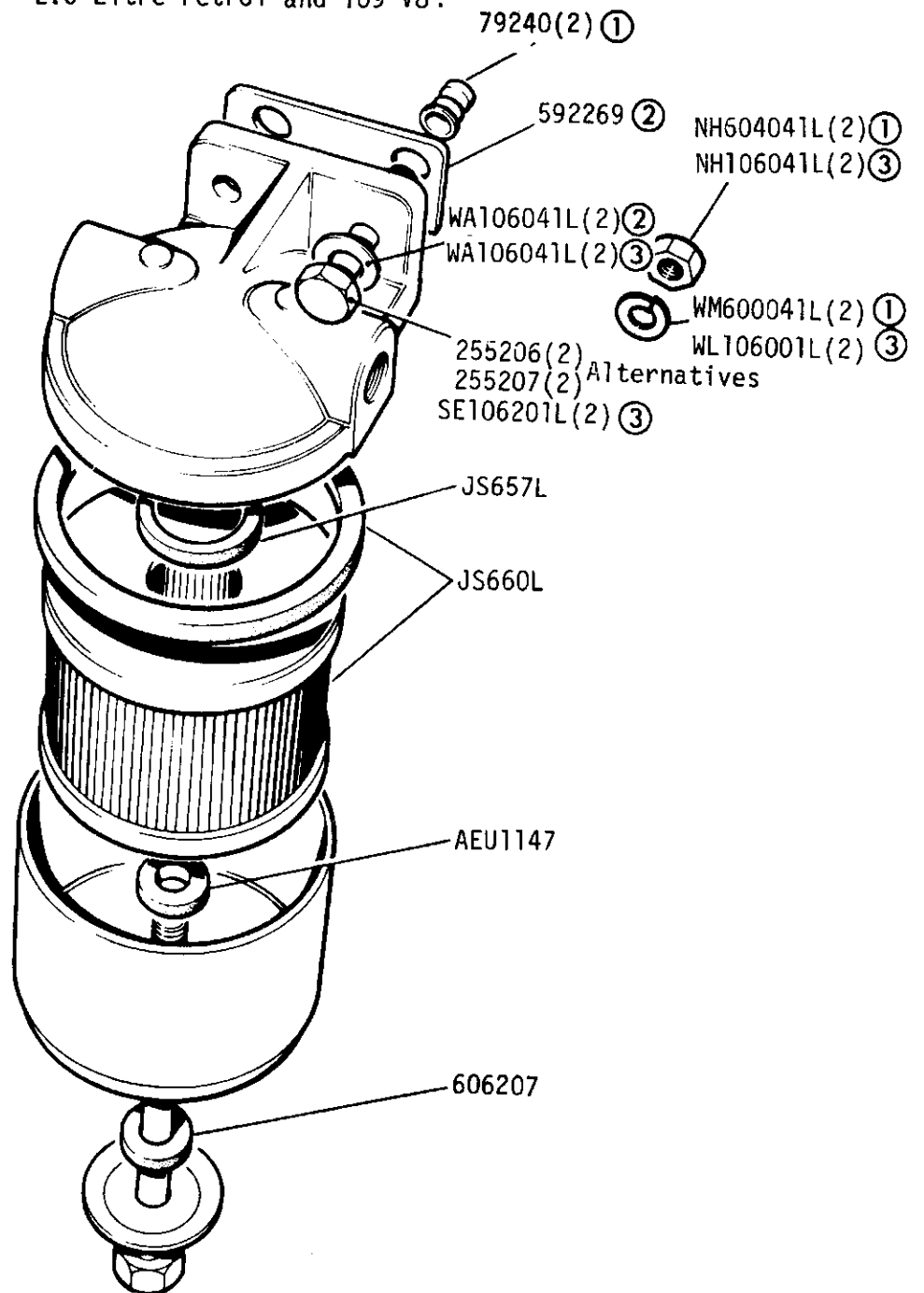
GROUP H
 FUEL SYSTEM - Electric fuel pump , 109V8



PRC3332 Earth lead
 C45099 Ratchet strap

GROUP H

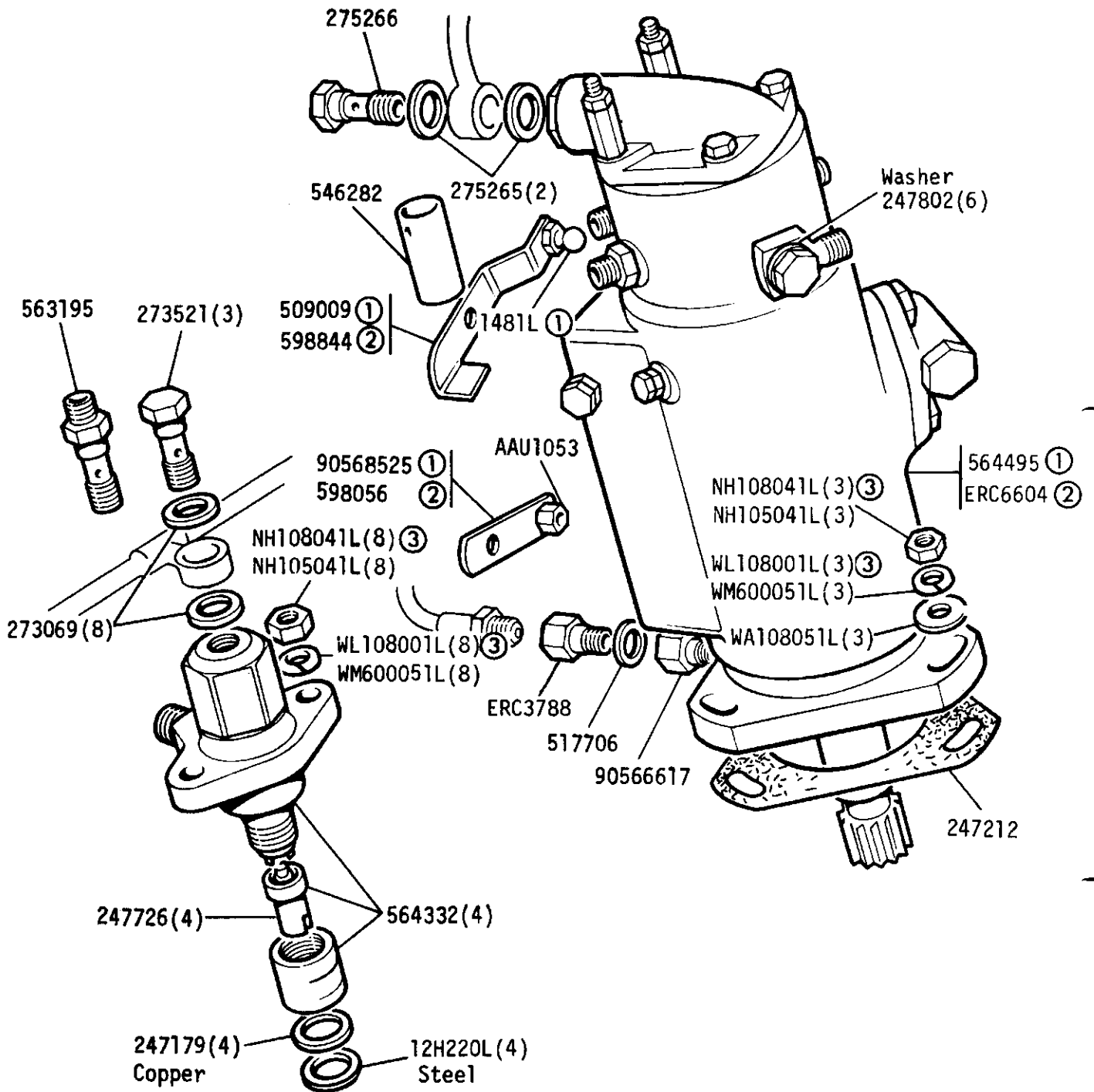
FUEL SYSTEM - Fuel Filter - 2.6 Litre Petrol and 109 V8.



Fuel filter complete 90577508

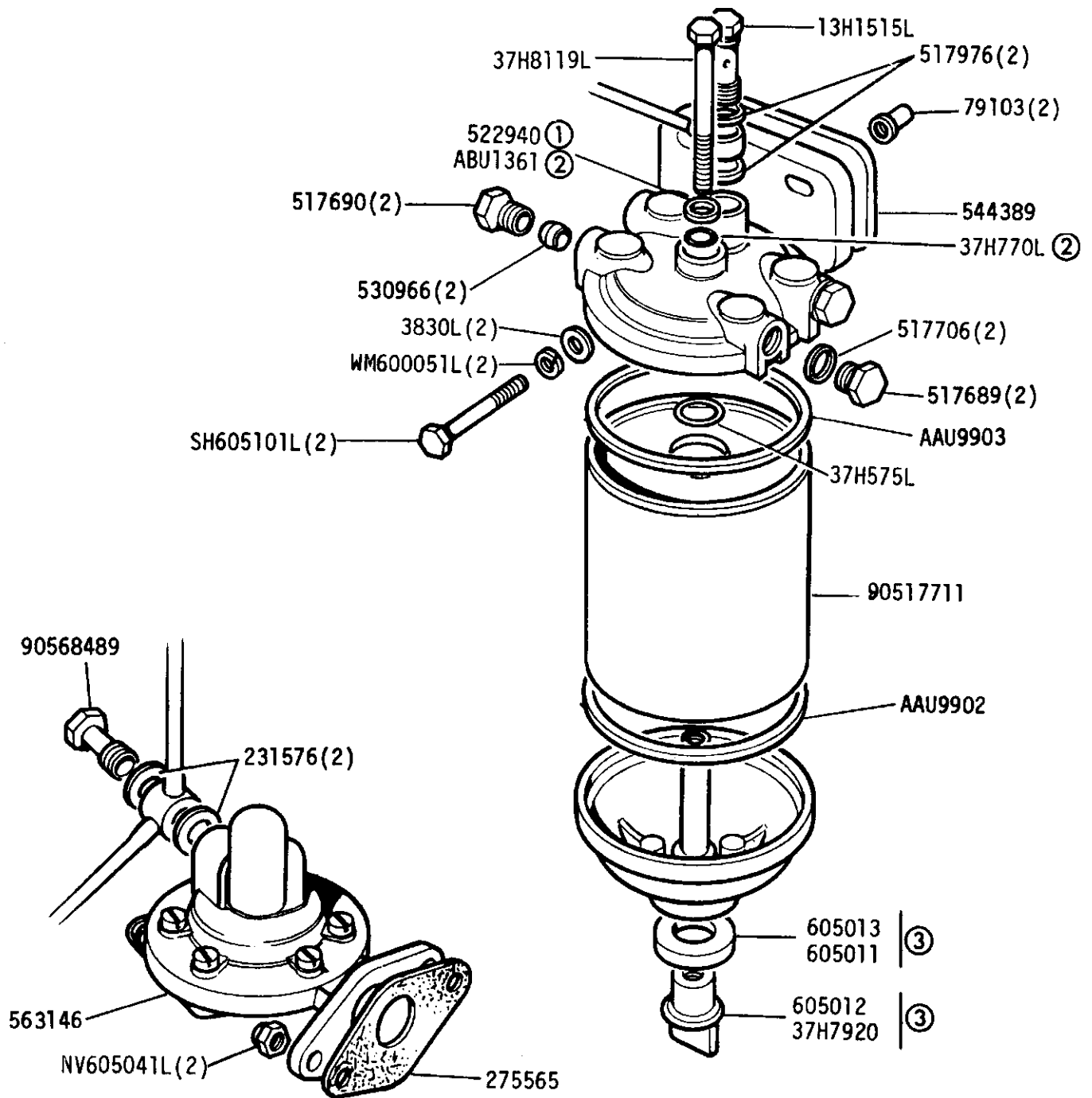
- ① Alternative fixings, check before ordering
- ② For use with bolt 255206 only
- ③ Fixings for 109 V8

GROUP H
ENGINE - Distributor Pump and Injector Nozzle 2½ Litre Diesel



- ① Rod operated throttle
- ② Cable operated throttle
- ③ From engine No.36619420B

GROUP H
 ENGINE - Fuel Pump and Filter 2½ Litre Diesel

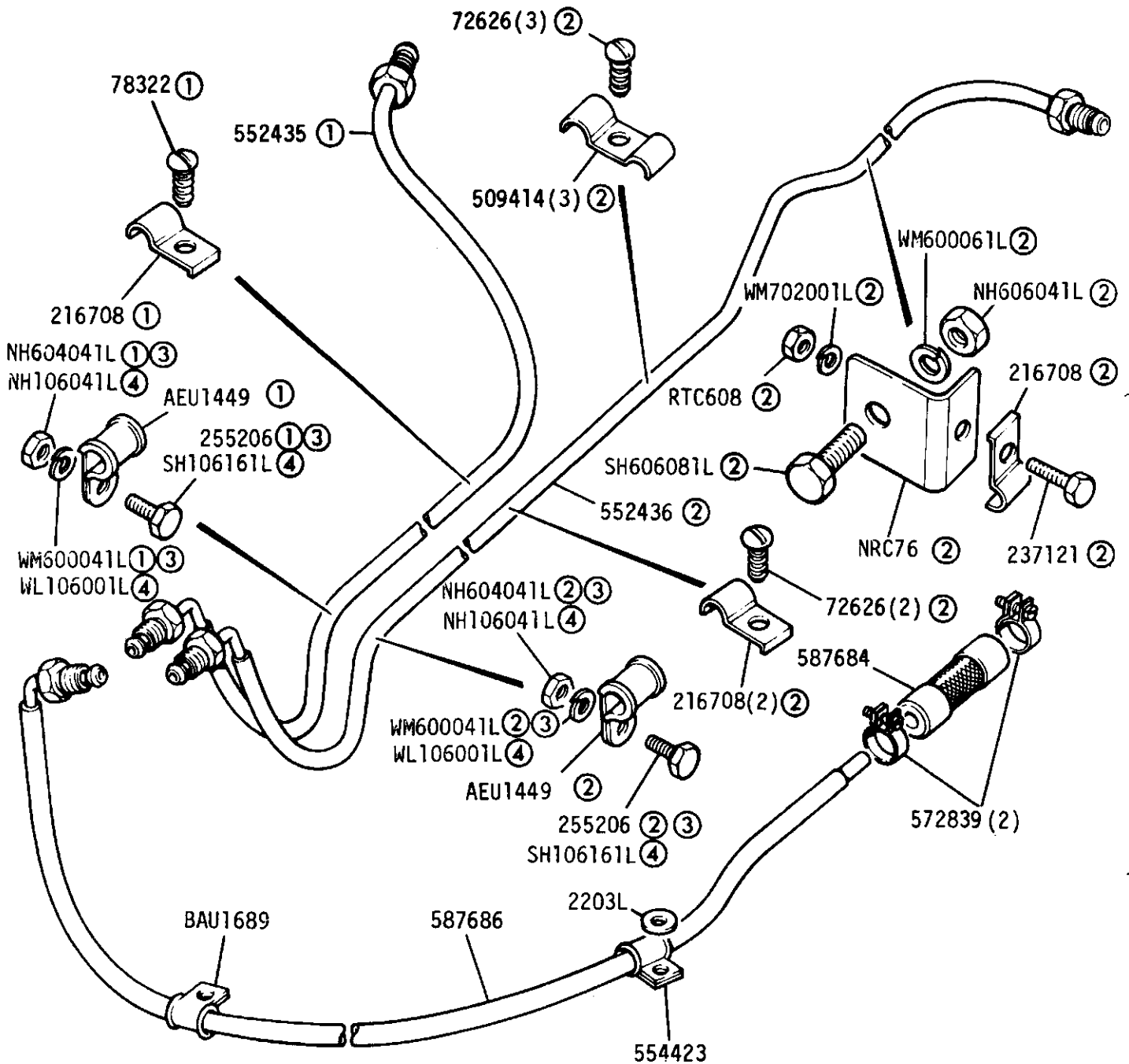


Fuel filter assembly 563190
 Repair kit for fuel pump AEU2760
 Overhaul kit for fuel pump 8G8845L

- ① Required with CAV filter part number 5836A400
- ② Required with CAV filter part number 5836B400
- ③ Alternatives

GROUP H

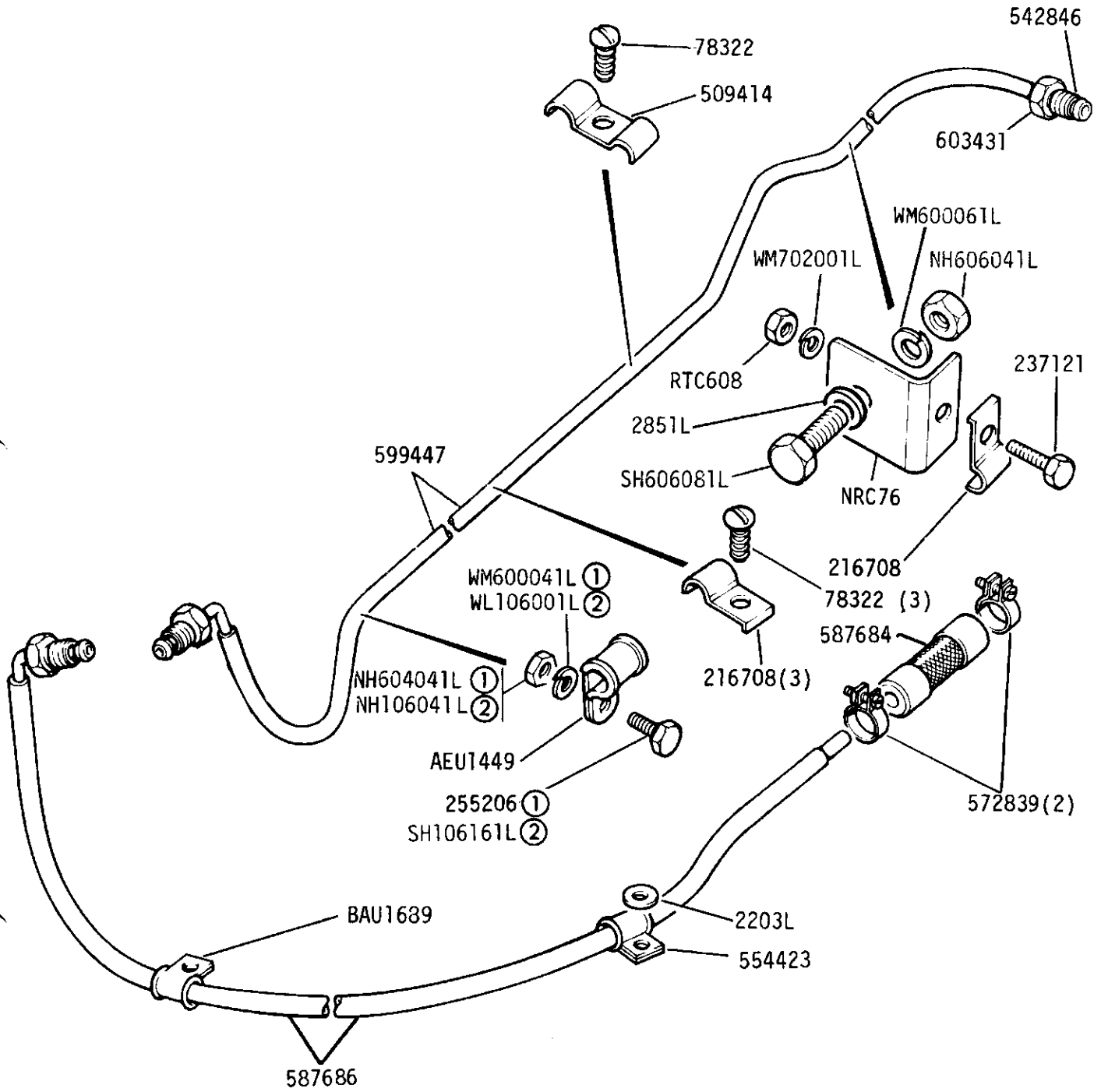
FUEL SYSTEM - Fuel Pipes. All 88in Petrol models inclusive - 109in 4 cyl. Petrol up to vehicle suffix 'B' inclusive



- ① Except 109 Station Wagon
- ② 109 Station Wagon
- ③ UNF
- ④ METRIC

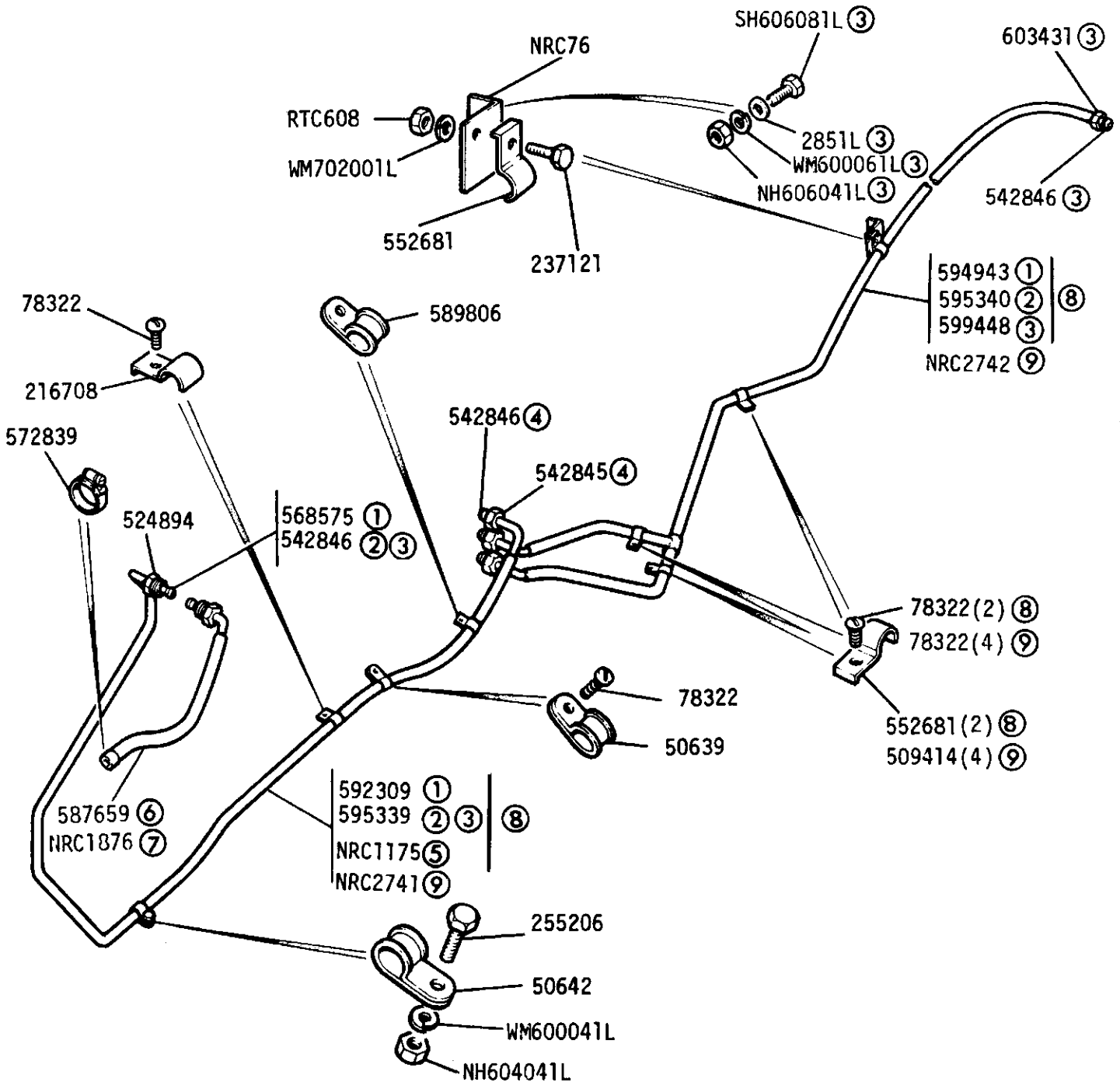
GROUP H

FUEL SYSTEM - Fuel Pipes all 109in 4cyl Petrol models from Vehicle suffix 'C' onwards



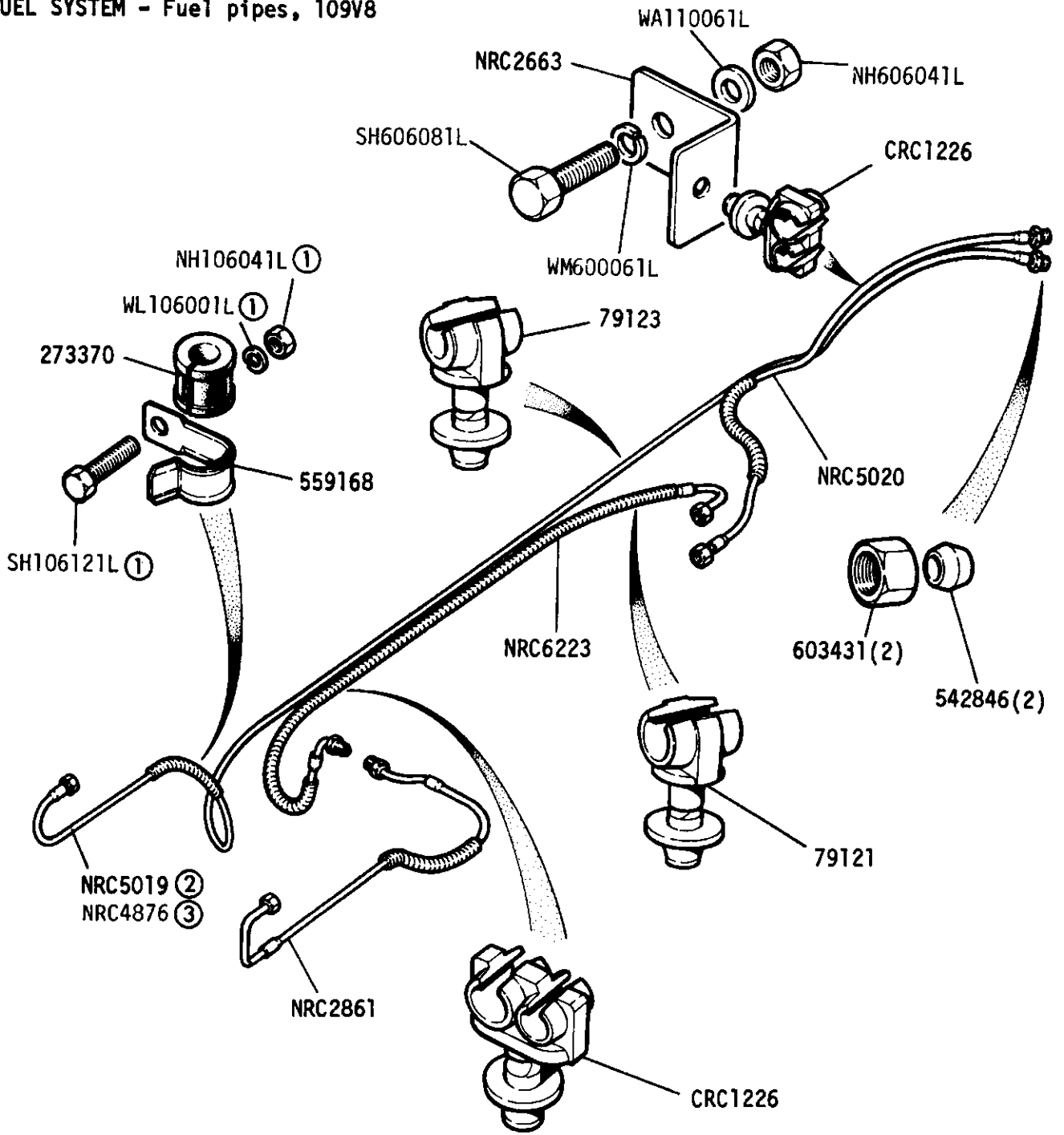
- ① UNF
- ② METRIC

GROUP H
 FUEL SYSTEM - Fuel Pipes - 2.6 Litre Petrol



- | | |
|---|--------------------------------|
| ① Up to vehicle suffix 'A' | ⑧ Horizontal mounted Fuel Pump |
| ② Vehicle 'suffix 'B'' | ⑨ Vertical mounted Fuel Pump |
| ③ Vehicle suffix 'C' onwards | |
| ④ 2 off from vehicle suffix 'B' onwards | |
| ⑤ For use with Petro-flex pipe NRC1876 | |
| ⑥ Up to October 1974 | |
| ⑦ From November 1974 onwards | |

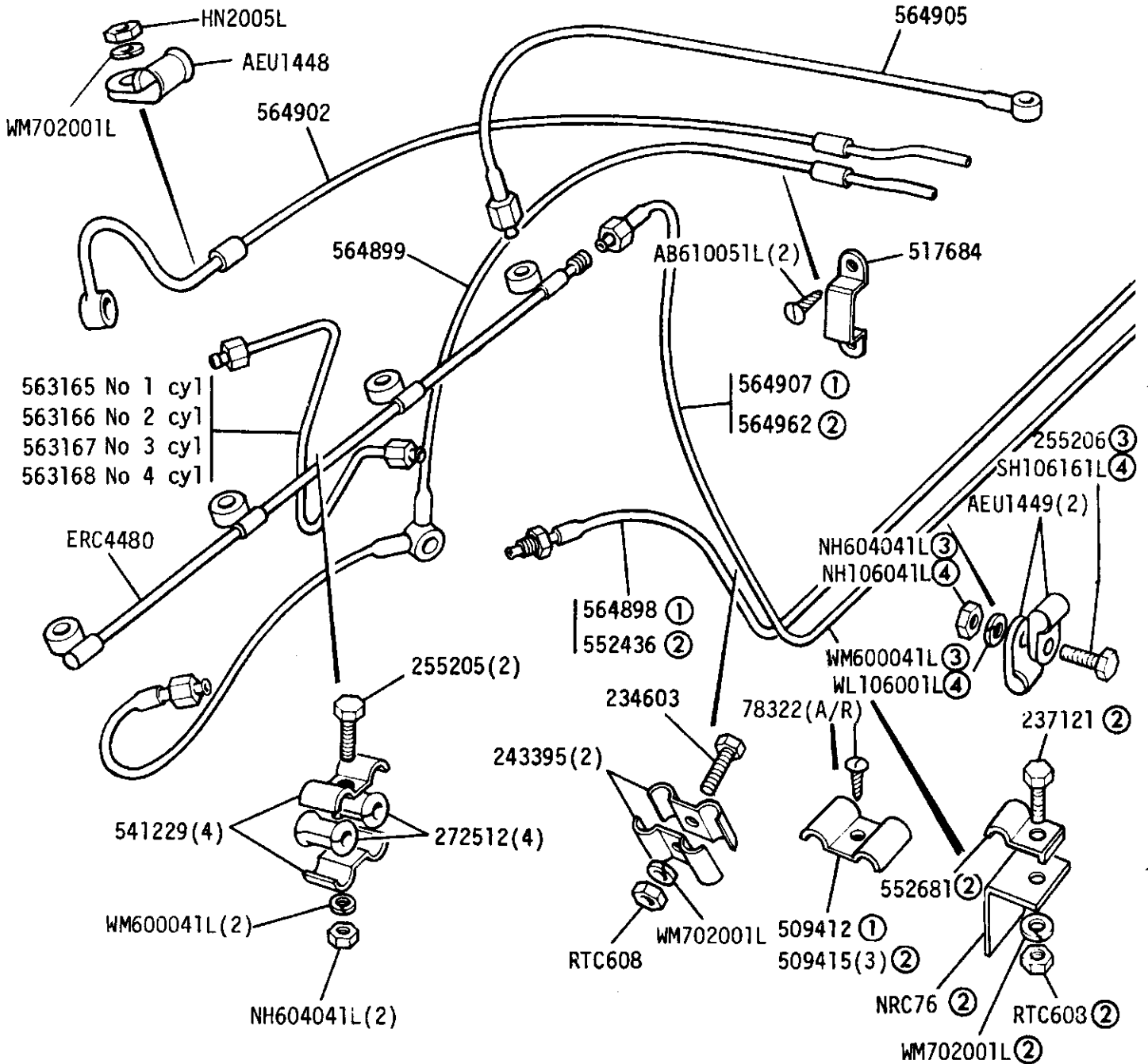
GROUP H
 FUEL SYSTEM - Fuel pipes, 109V8



- ① vehicles
- ② Upto February 1982
- ③ From March 1982

GROUP H

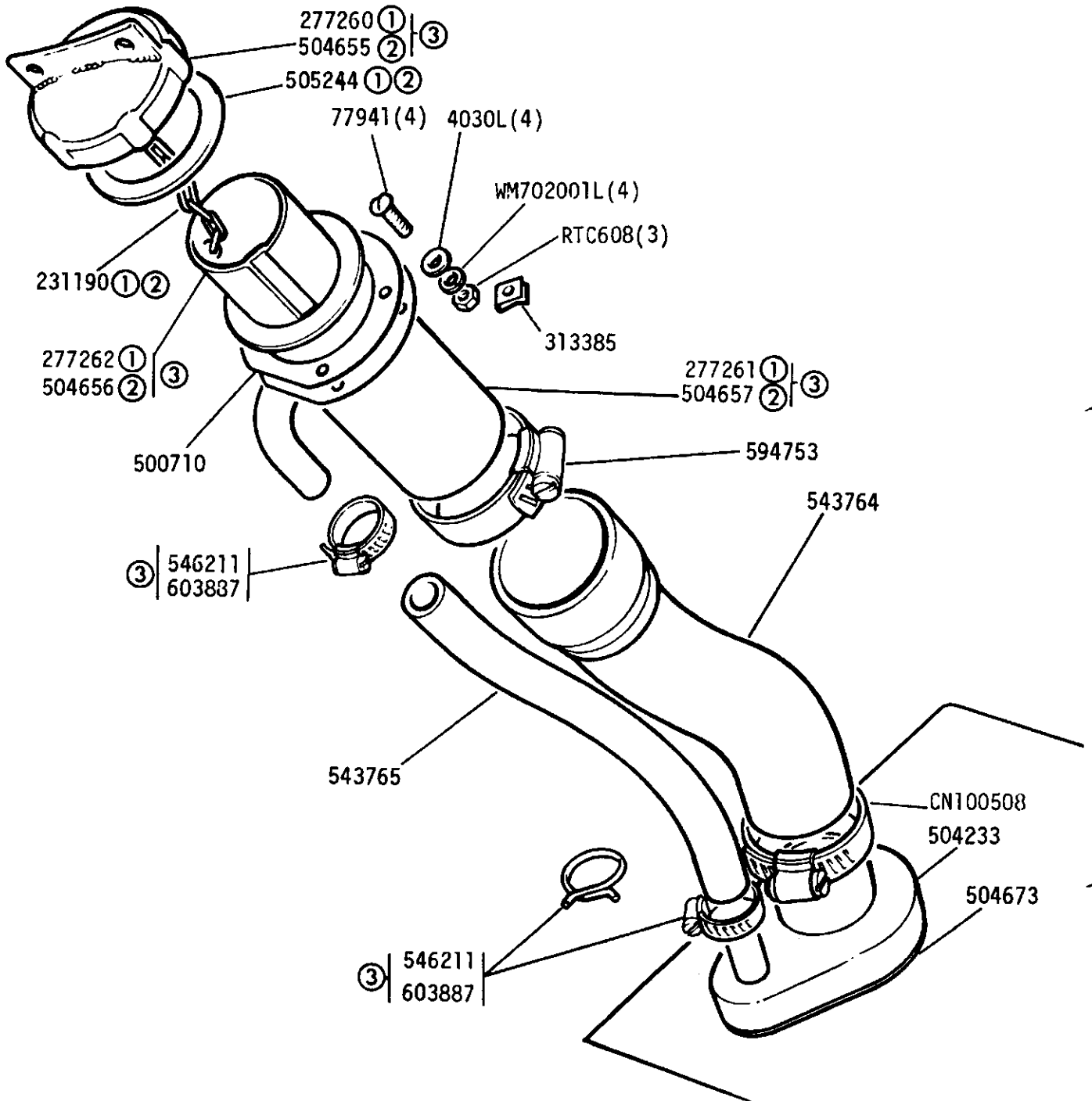
FUEL SYSTEM - Pipes - Fuel Injection all 88in 2½ Litre Diesel, 109in 2½ Litre Diesel up to Vehicle suffix 'B' inclusive



- ① Except 109 Station Wagon
- ② 109 Station Wagon
- ③ UNF
- ④ METRIC

GROUP H

FUEL SYSTEM - Fuel Filler - All 88in models inclusive. 109in 4cyl except Station Wagon up to Vehicle suffix 'B' inclusive

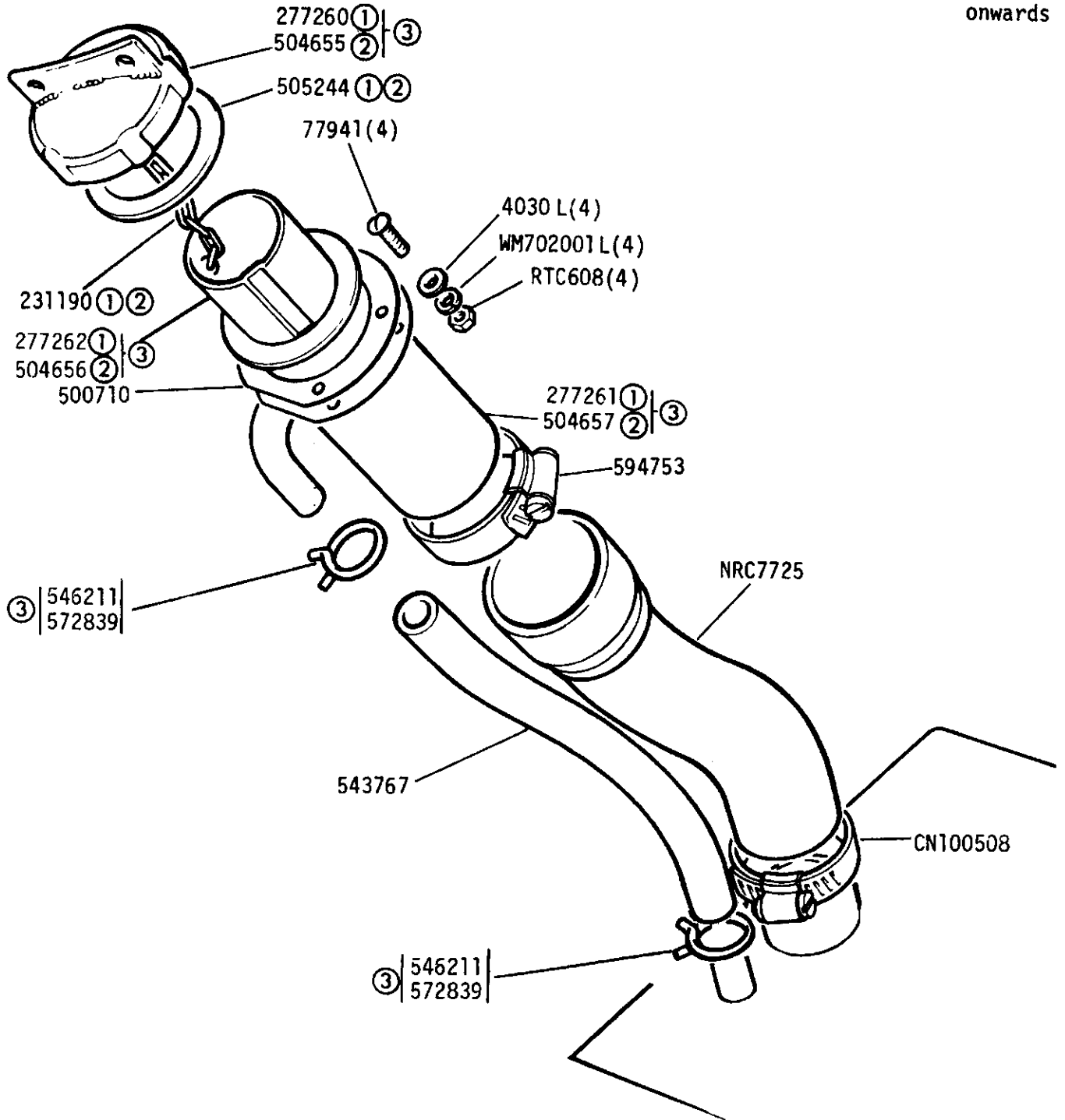


Filler tube complete 277259

- ① Required when stepped tube is fitted
- ② Required when plain tube is fitted
- ③ Alternatives-check before ordering

GROUP H

FUEL SYSTEM - Fuel Filler - 109in 4cyl except Station Wagon from Vehicle suffix 'C' onwards



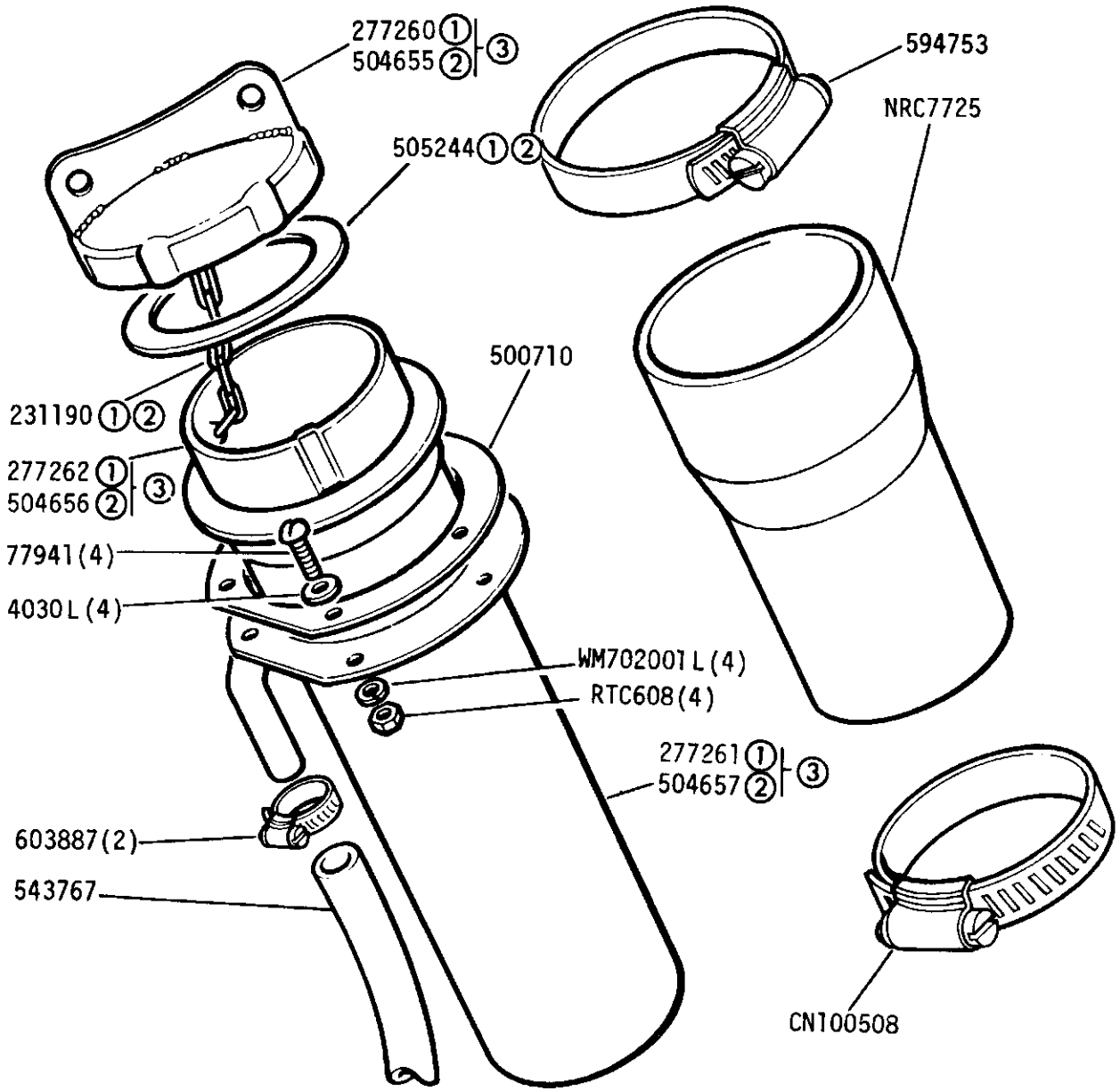
Filler tube complete 277259

① Required when stepped tube is fitted
 ② Required when plain tube is fitted
 ③ Alternatives-check before ordering

AND ROVER TN 14 4RE 117

GROUP H

FUEL SYSTEM - Fuel Filler 4cyl 109in Station Wagon up to Vehicle suffix 'B' inclusive



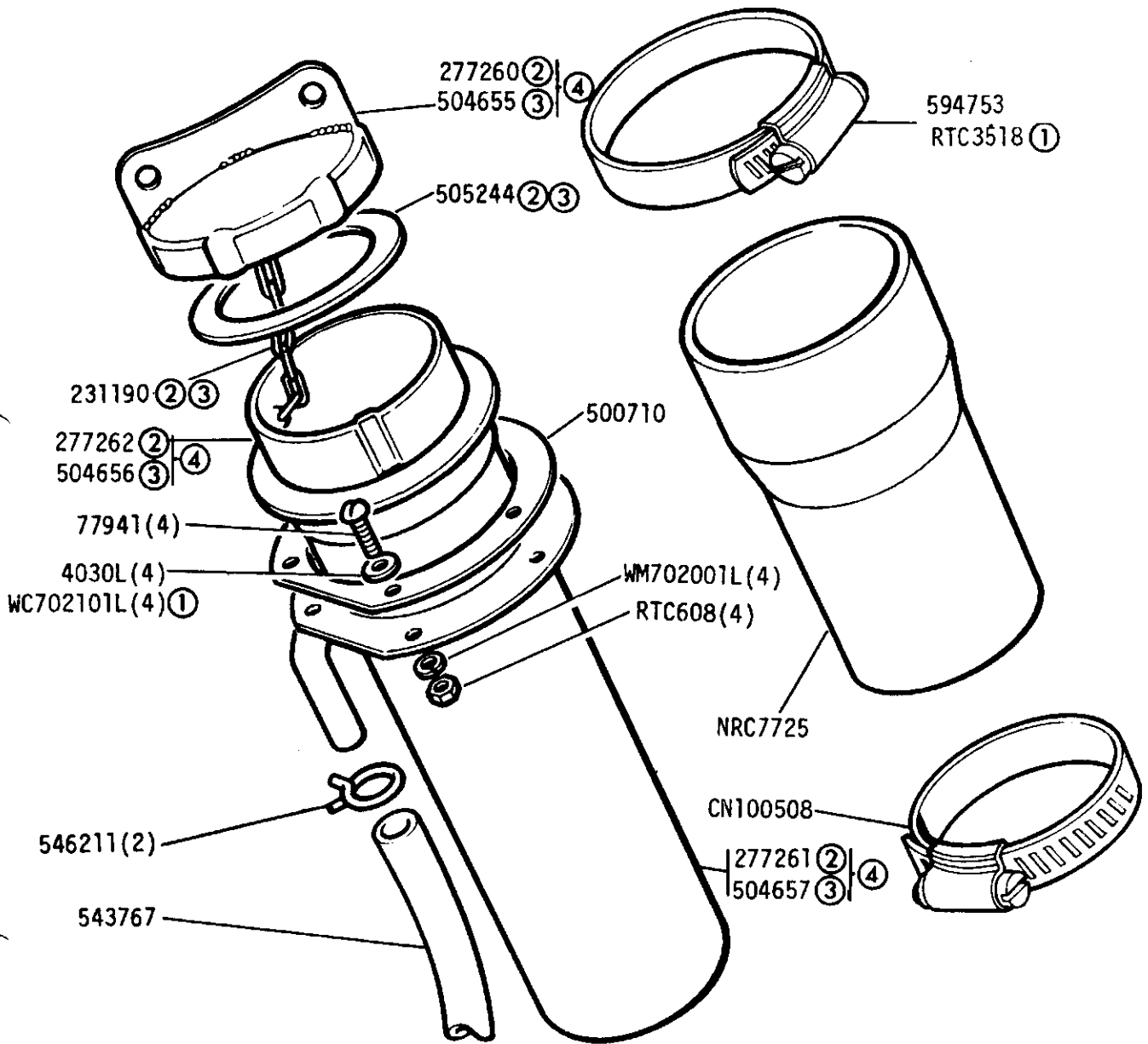
Filler tube complete 277259

- ① Required when stepped tube is fitted
- ② Required when plain tube is fitted
- ③ Alternatives-check before ordering

LAND ROVER 1N 15 2RE 29L

GROUP H

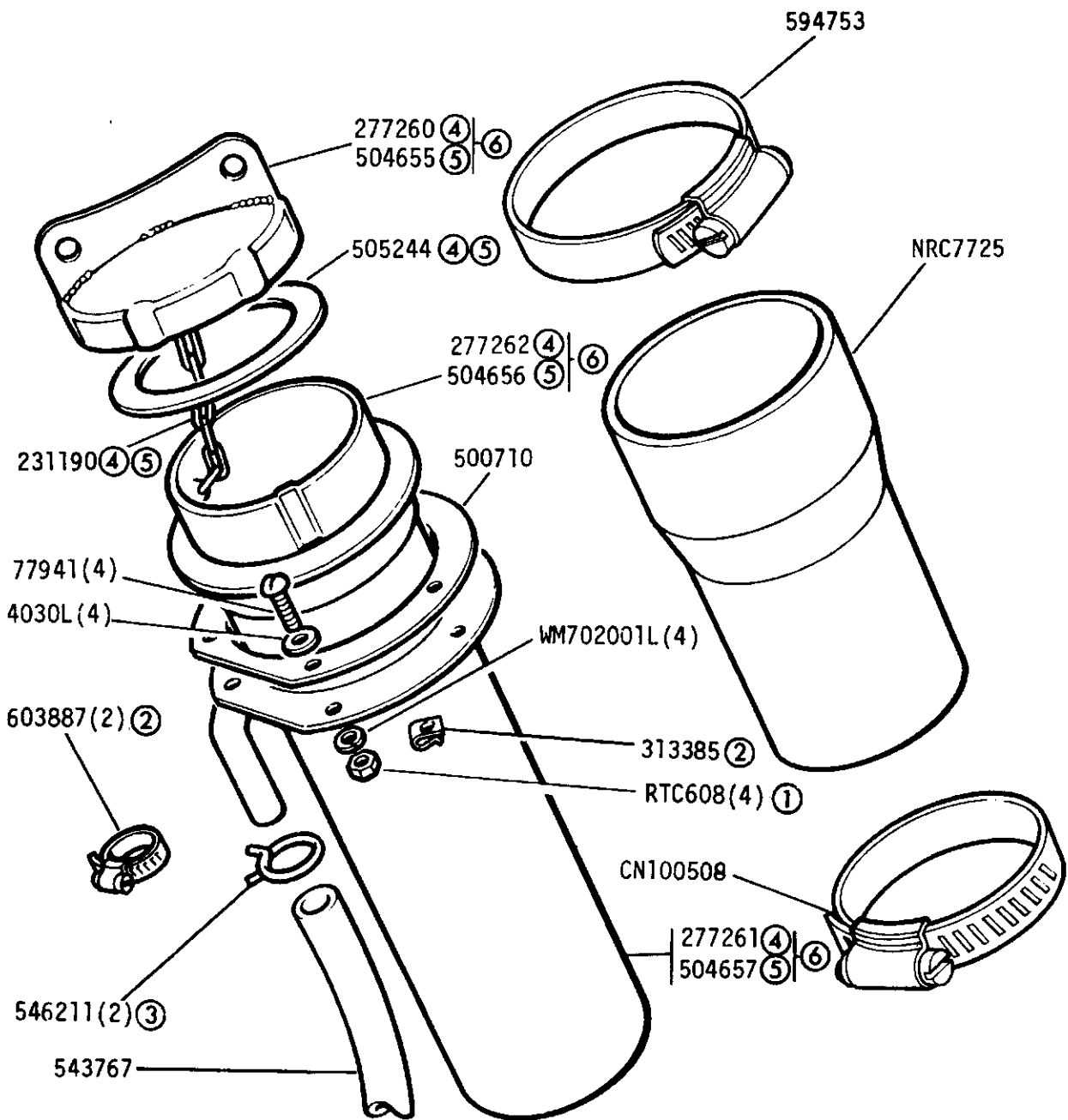
FUEL SYSTEM - Fuel Filler 4cyl 109in Station Wagon from Vehicle suffix 'C' onwards and 109in V8 vehicles



Filler tube complete 277259

- ① 109 V8 Vehicles
- ② Required when stepped tube is fitted
- ③ Required when plain tube is fitted
- ④ Alternatives-check before ordering

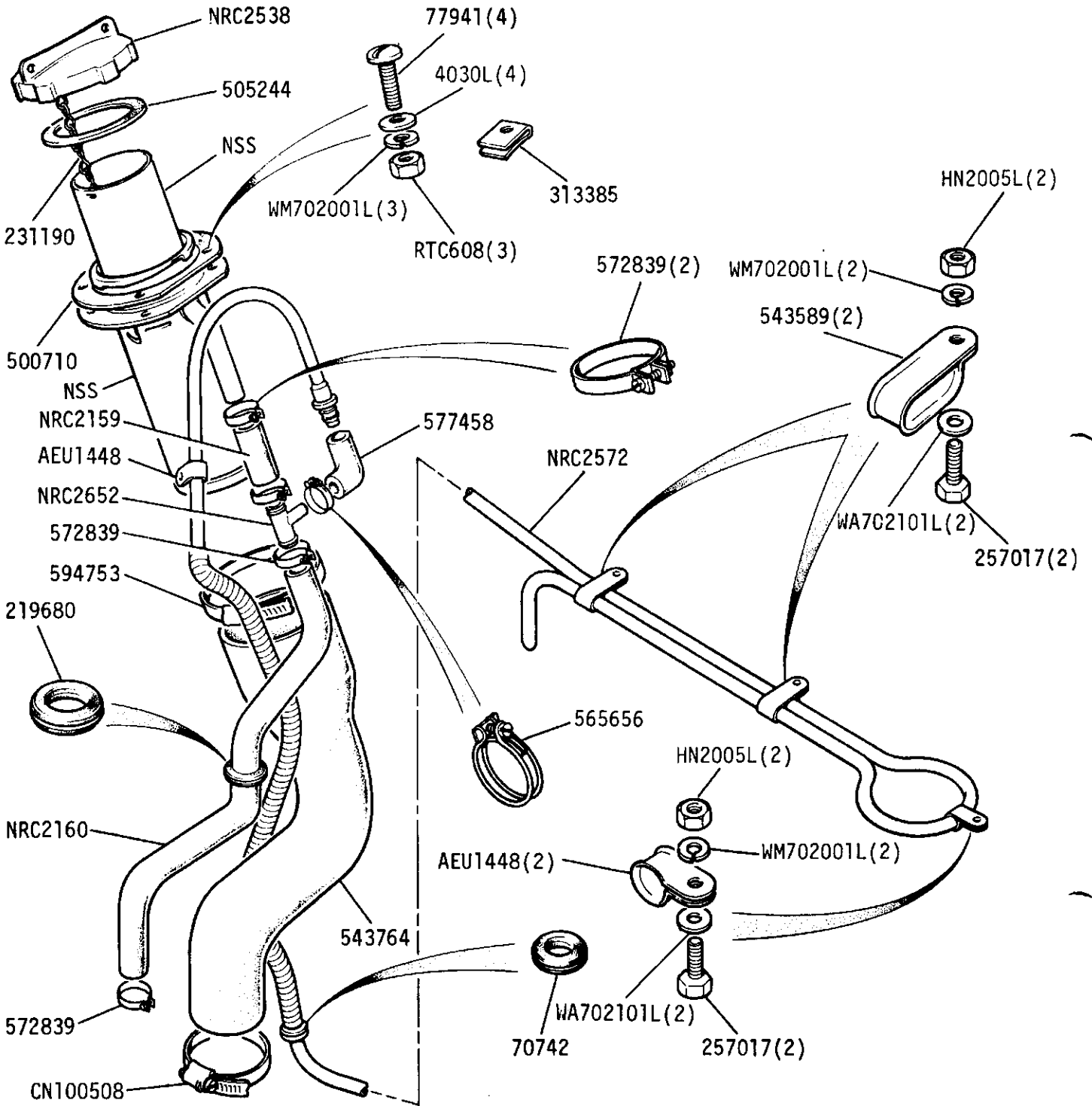
GROUP H
 FUEL SYSTEM - Fuel Filler - 2.6 Litre Petrol



Filler tube complete 277259
 ① Up to vehicle suffix 'B' 3 required
 ② Up to vehicle suffix 'B' inclusive
 ③ From vehicle suffix 'C' onwards
 ④ Required when stepped tube is fitted
 ⑤ Required when plain tube is fitted
 ⑥ Alternatives-check before ordering

LAND ROVER 1N 16 2RE 321

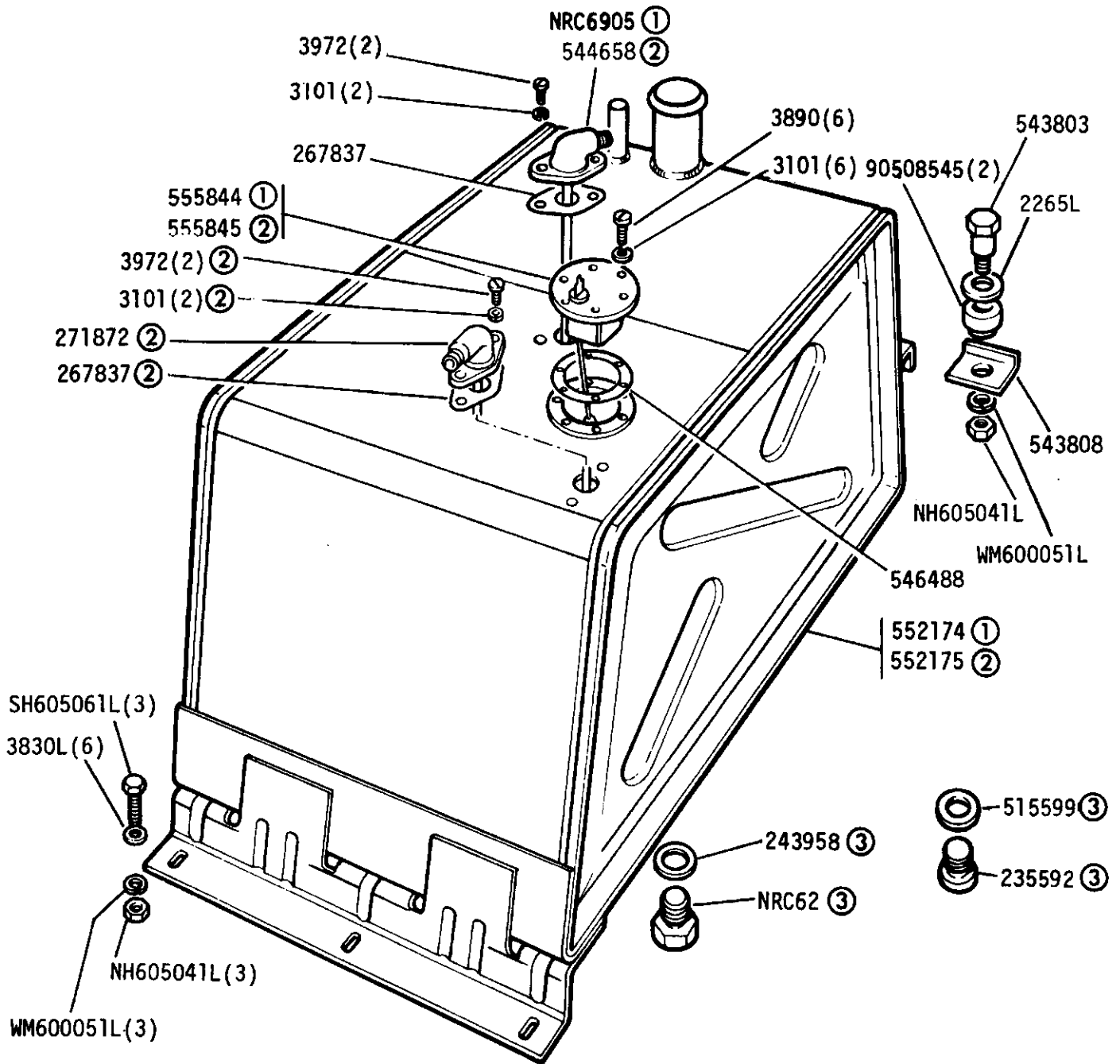
GROUP H
 FUEL SYSTEM - Fuel filler 88in



Filler tube complete NRC2536 for Italian market

GROUP H

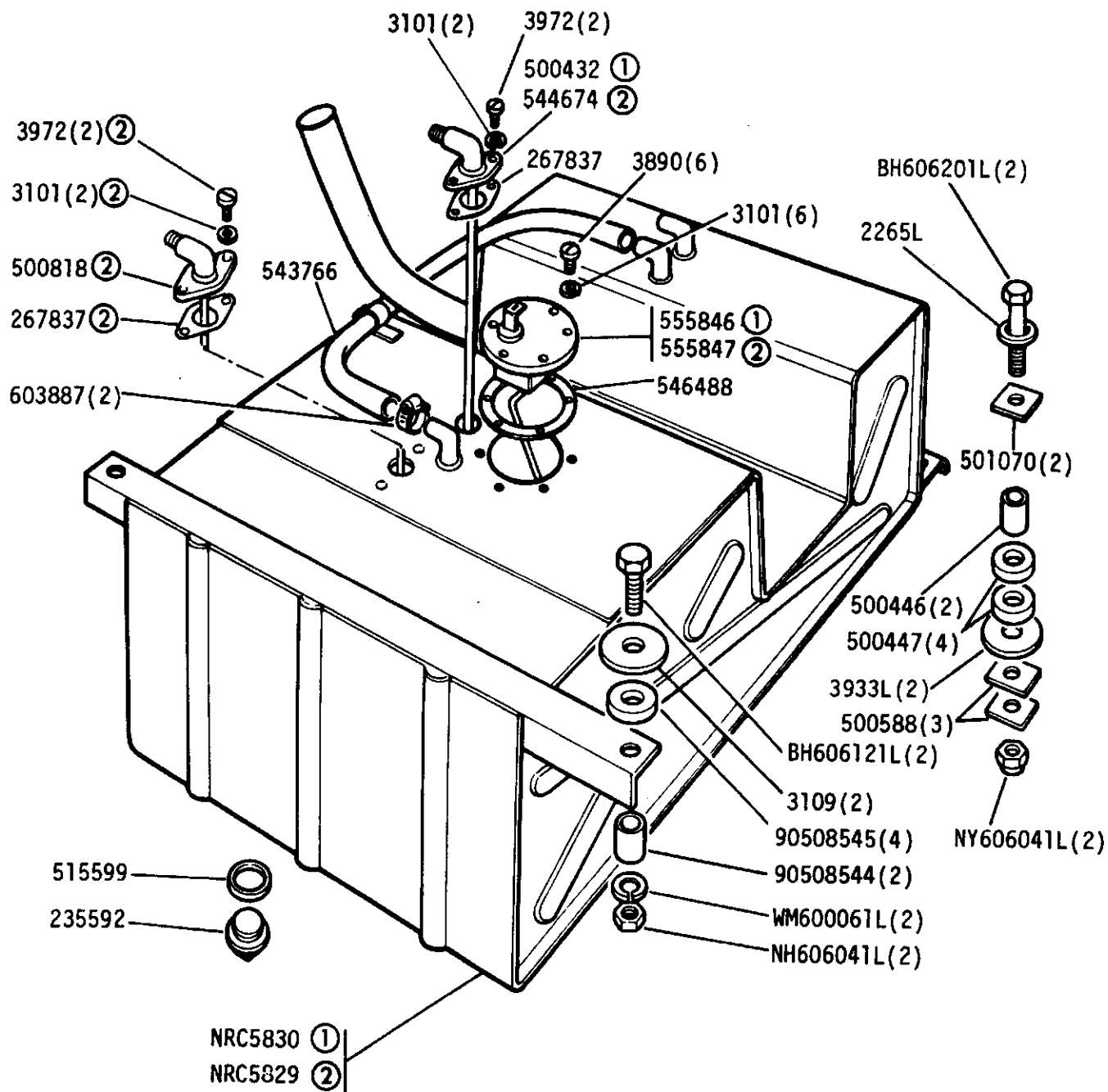
FUEL SYSTEM - Fuel tank. All 88in inclusive 109in 4 cyl. except Station Wagon up to Vehicle suffix 'B' inclusive



①	Petrol
②	Diesel
③	Alternatives

LAND ROVER 10 02 2RE 300

GROUP H
 FUEL SYSTEM - Fuel Tank - 109in 4cyl Station Wagon up to Vehicle suffix 'B' inclusive



- ① Petrol
- ② Diesel