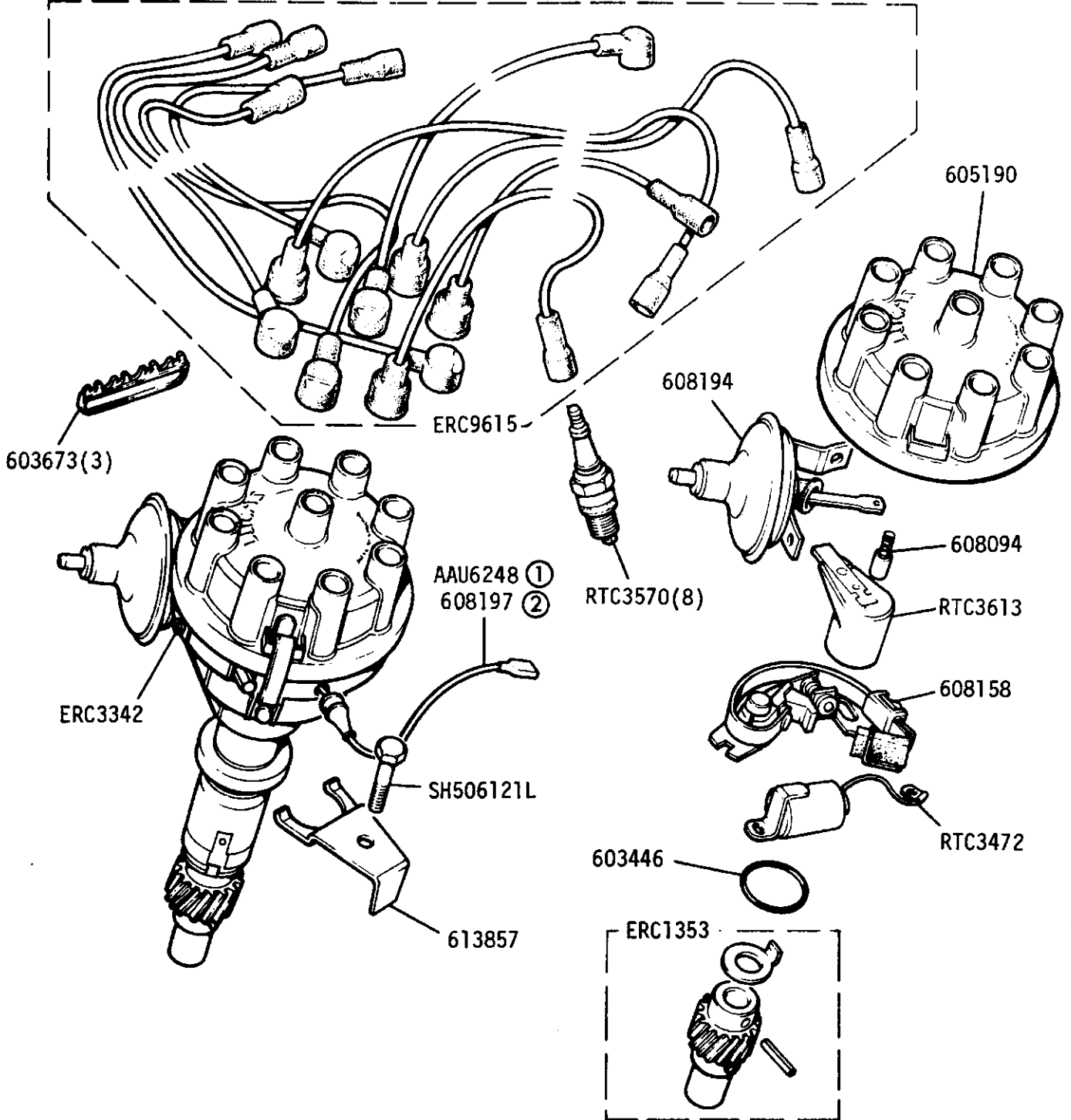


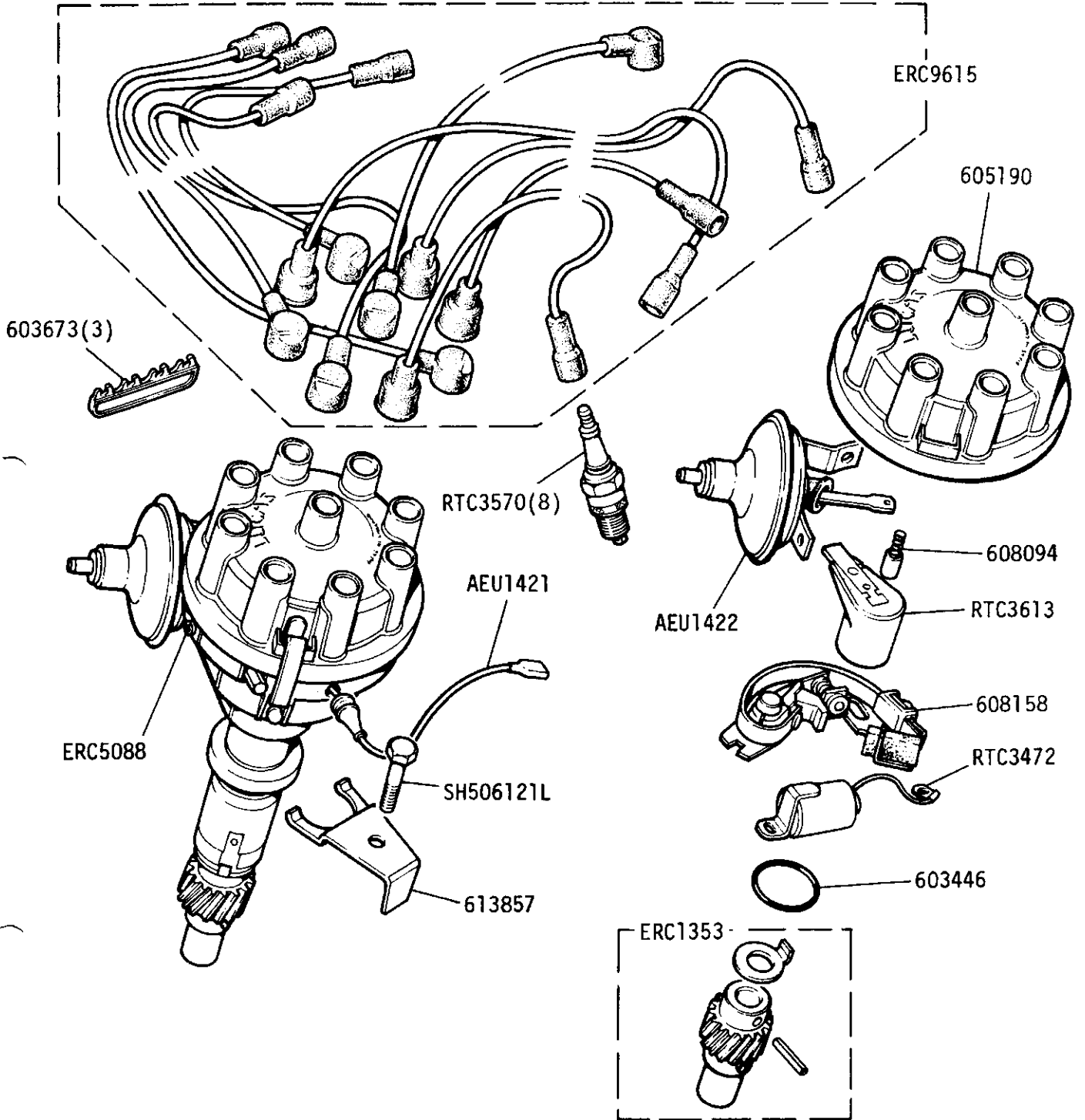
GROUP K
 ENGINE - Distributor and Ignition Harness (Non-Detoxed Engine) 109 V8



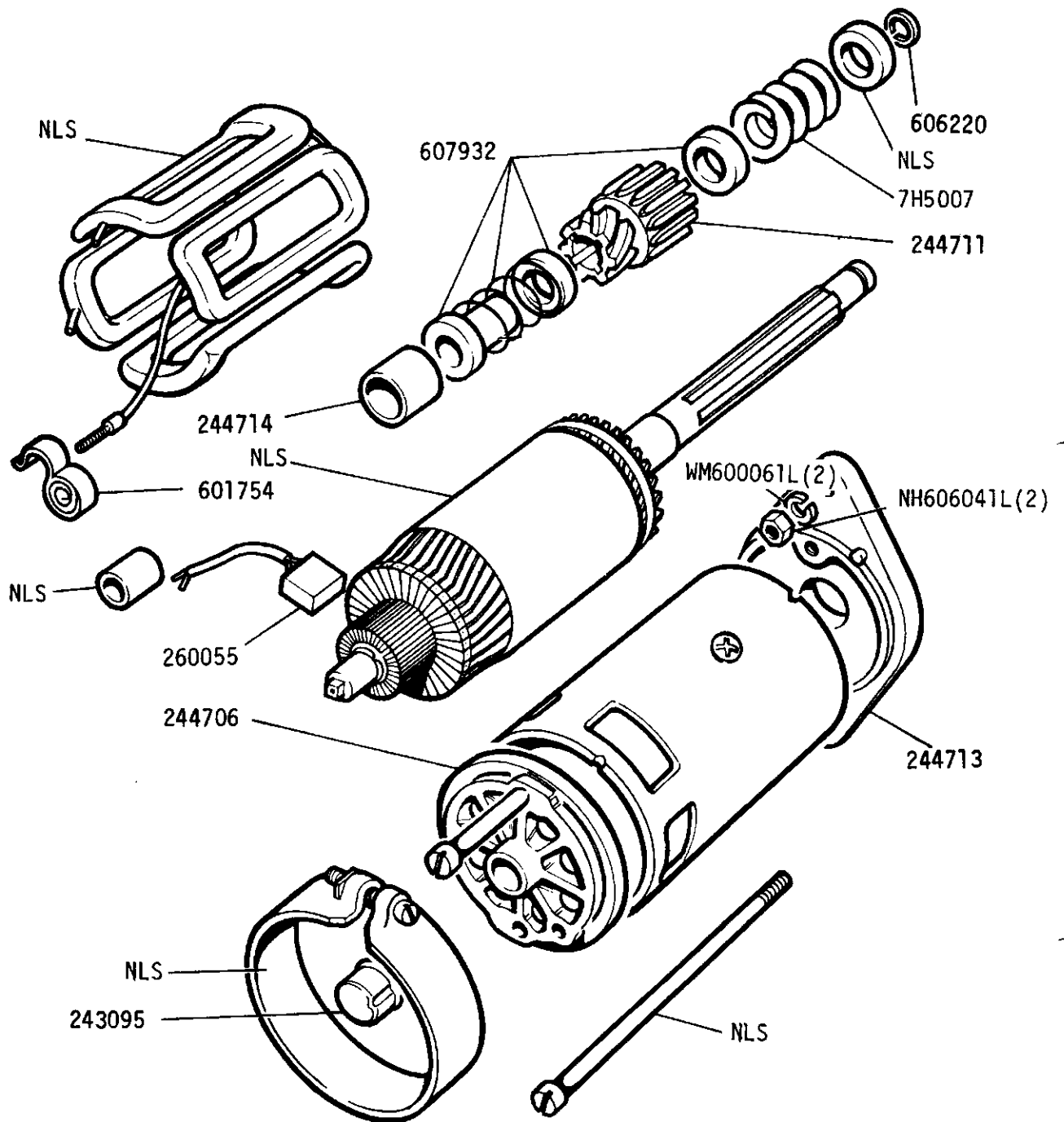
- | | | |
|---|---------------------------------------|----------------------------------|
| ① | 3 ³ / ₁₆ " long | Use with Lucas 41680 A and B |
| ② | 4" long | Use with Lucas 41680 D, E and F. |

GROUP K

ENGINE - Distributor and Ignition Harness (Detoxed Engine) 109 V8



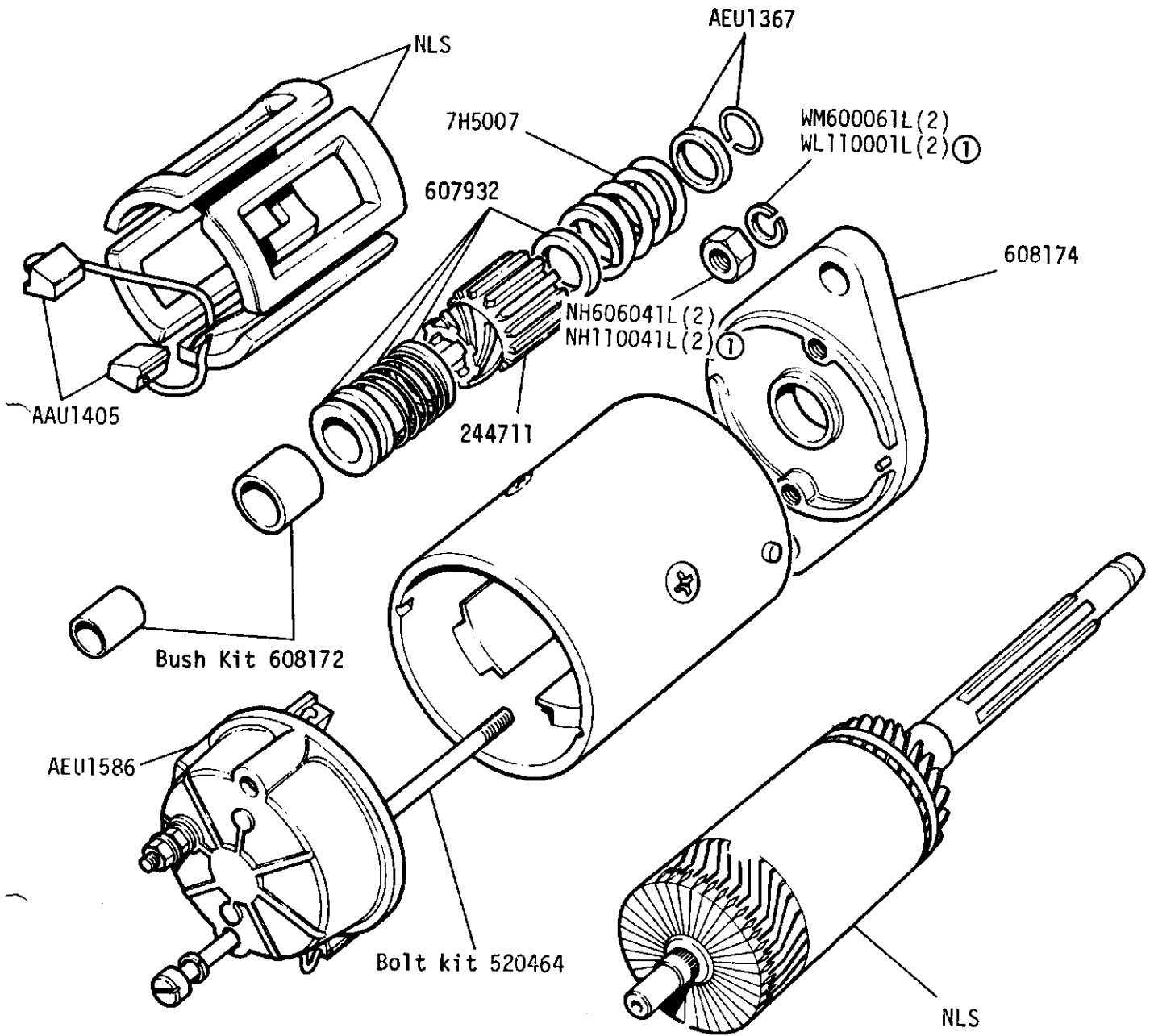
GROUP K
 ENGINE - Starter Motor 2½ Litre Petrol Type M418G



This Starter Motor Assembly is no longer available, now use RTC3854.
 Sundry parts kit 244718

GROUP K

ENGINE - Starter Motor 2½ Litre Petrol Type 2M100



Starter Motor Assembly RTC3854

Sundry Parts Kit 90608178

① From engine numbers 36123672B, 36407286B

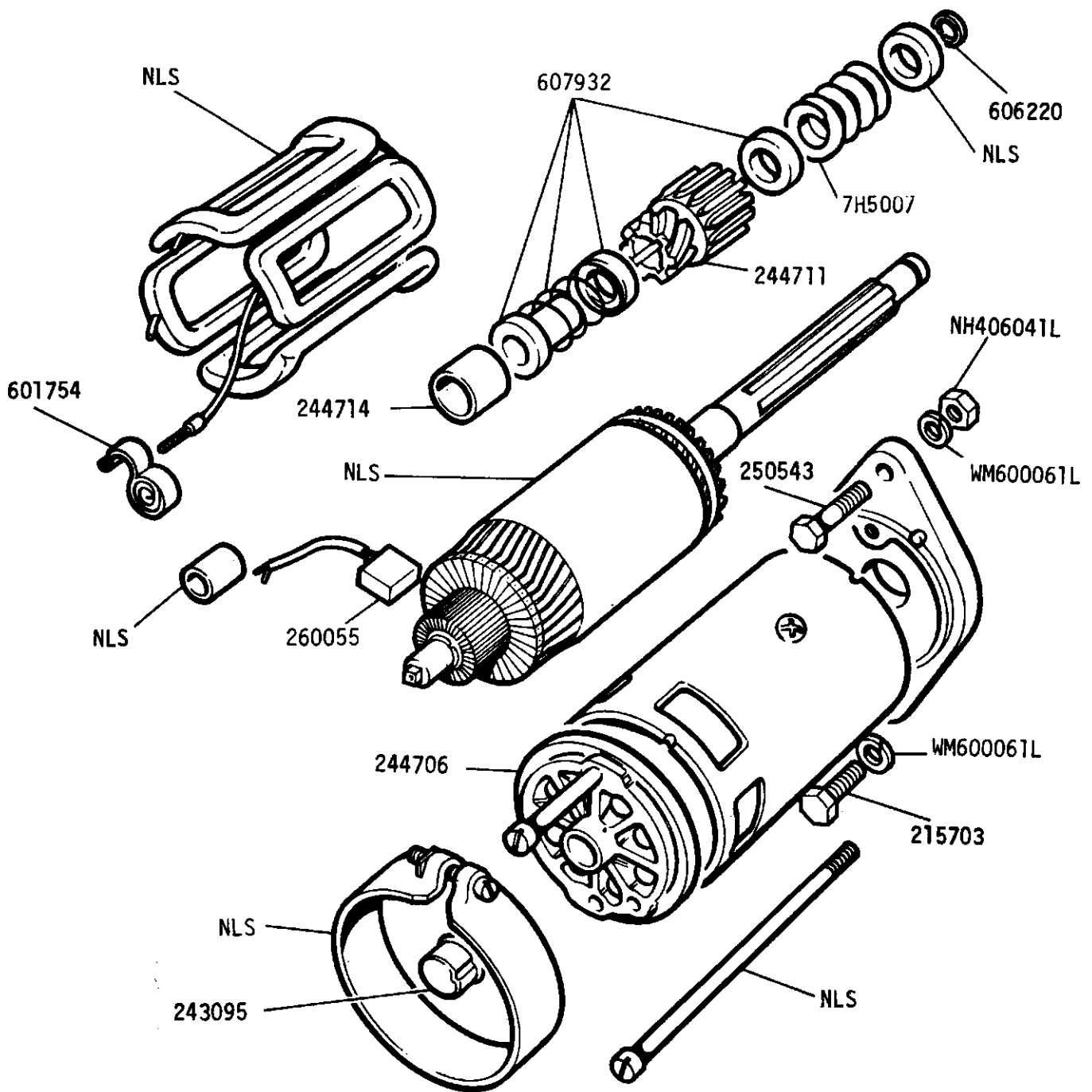


LAND ROVER

2E 07

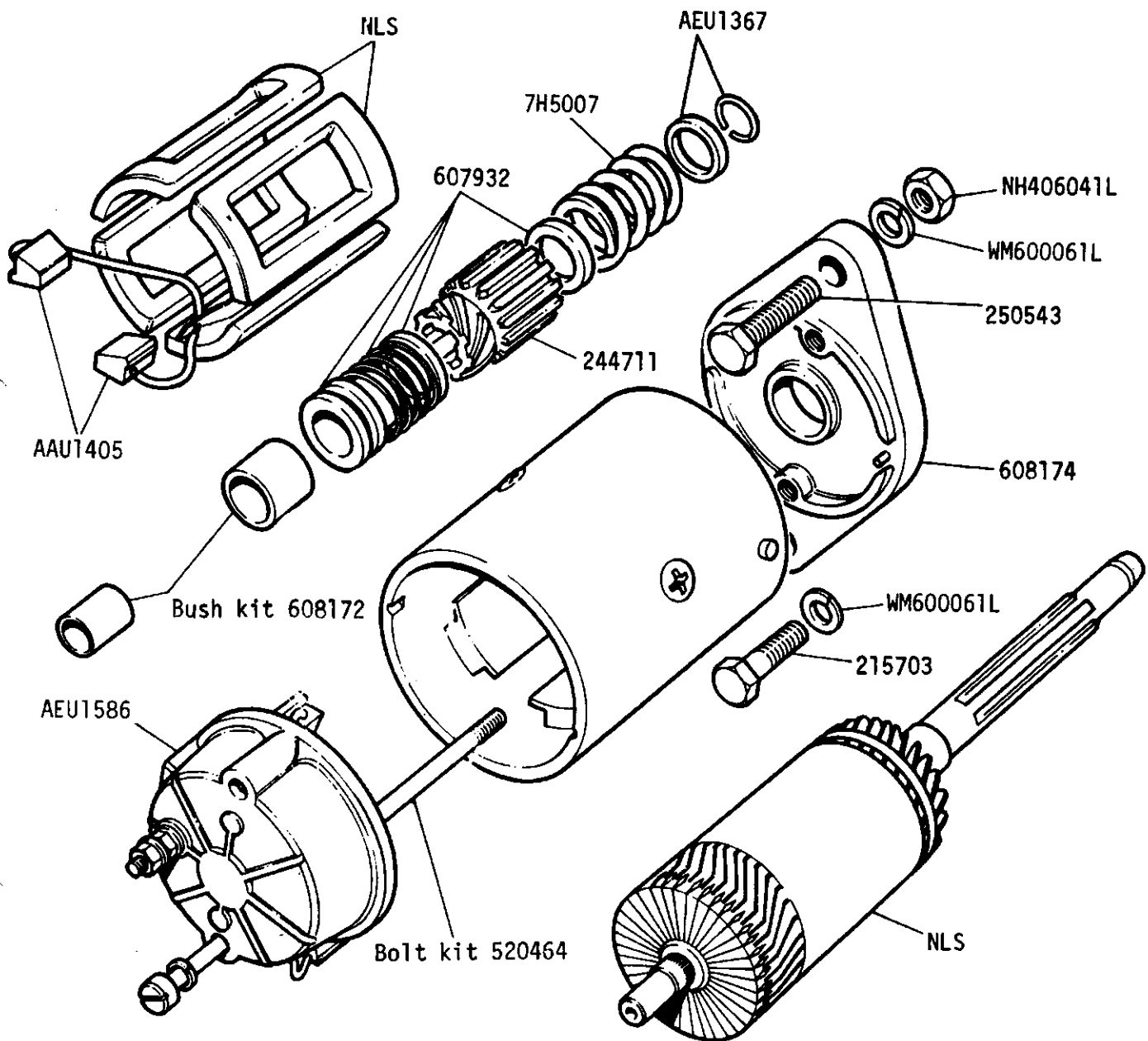
2RE 55

GROUP K
 ENGINE - Starter Motor 2.6 Litre Petrol Type M418G




This Starter Motor Assembly is no longer available, now use RTC3854.
 Sundry parts kit 244718

GROUP K
 ENGINE - Starter Motor 2.6 Litre Petrol Type 2M100



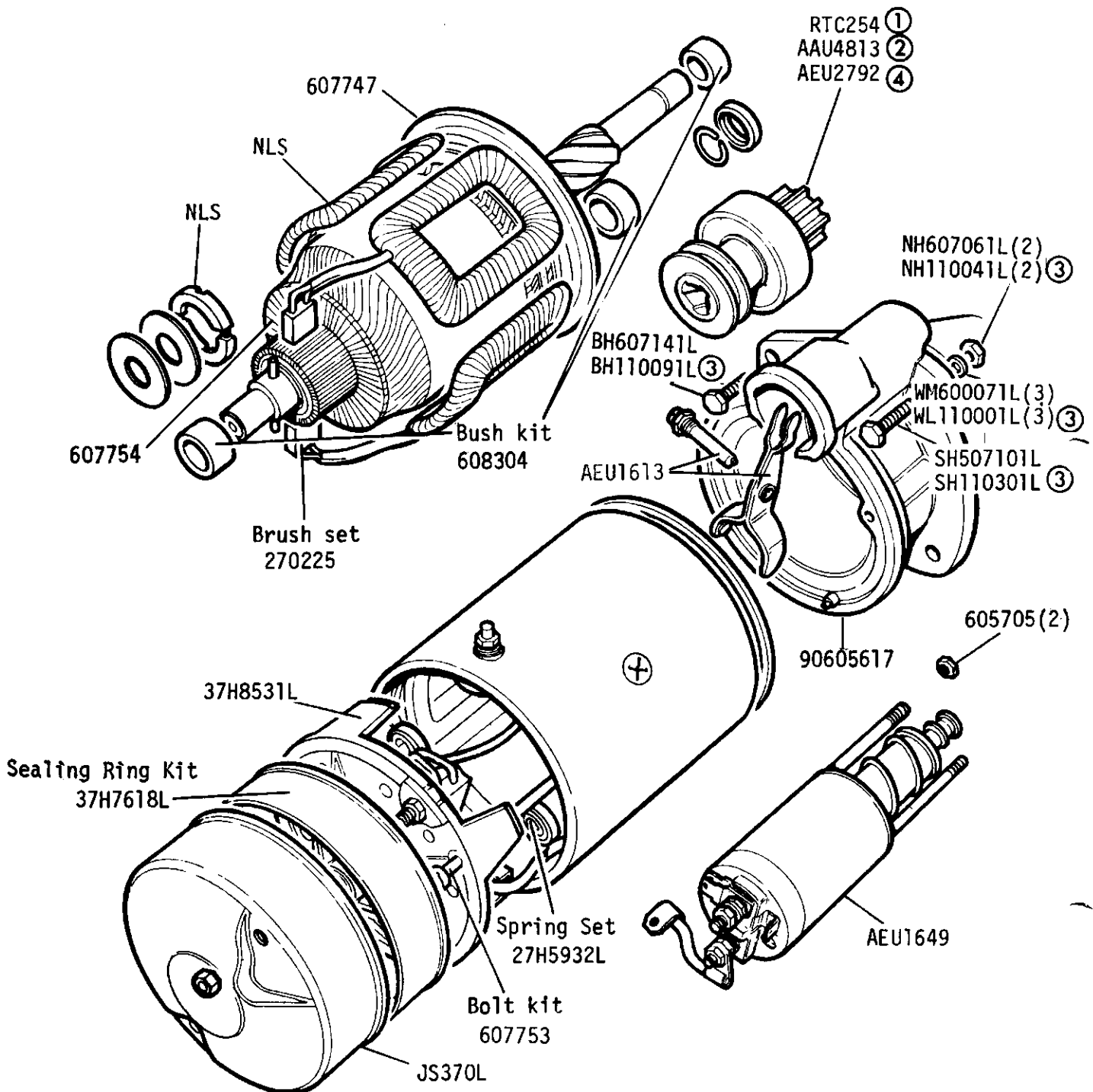
Starter Motor Assembly RTC3854
 Sundry Parts Kit 90608178

 LAND ROVER

2E 08


2RE 56

GROUP K
ENGINE - Starter Motor and Solenoid 2½ Litre Diesel



Starter motor complete RTC3857
 Sundry parts kit 605622
 Spindle and contact plate for starter solenoid 605653

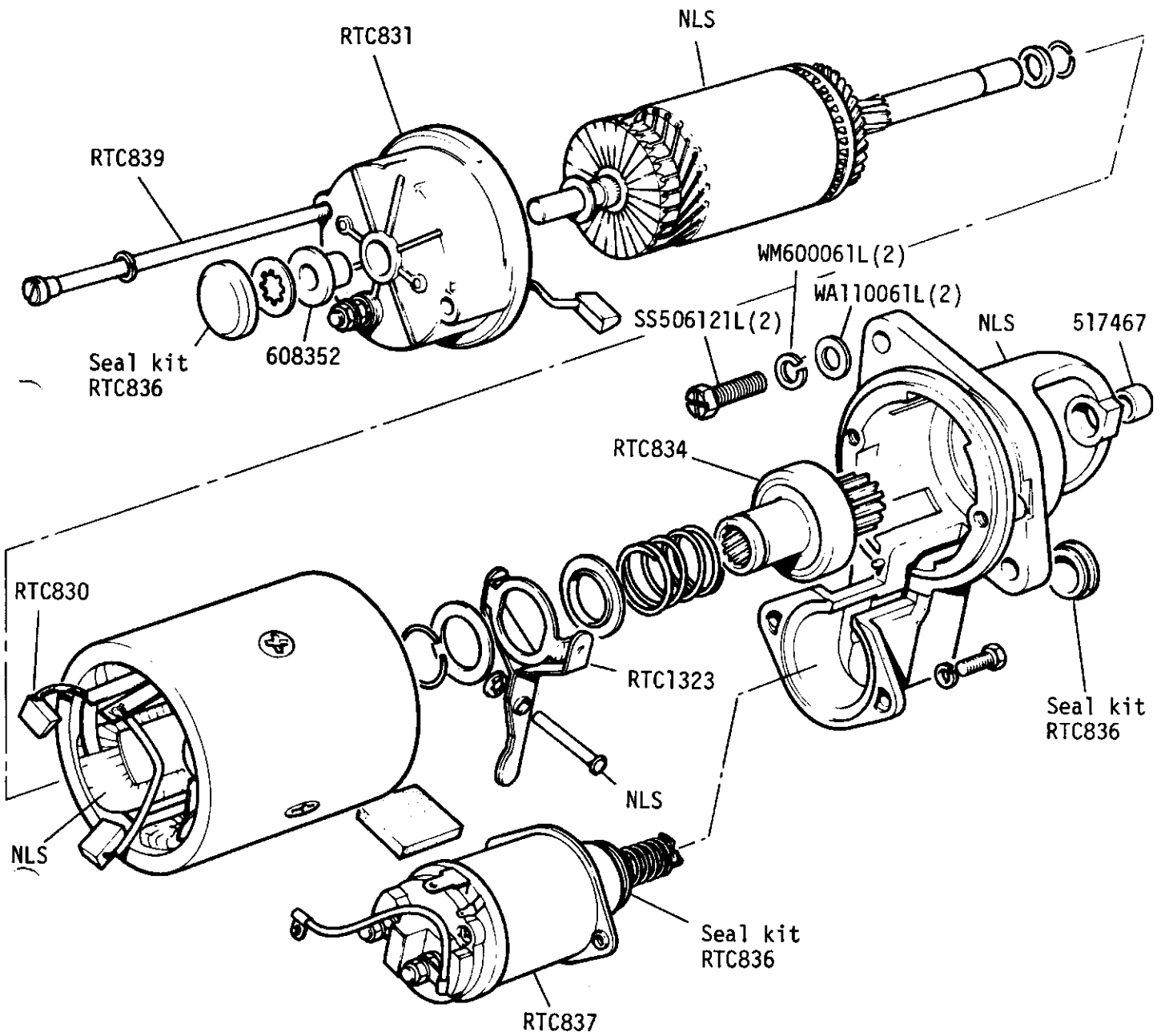
① For use with Starter 579487 Lucas 26321 A,B or C.
 ② For use with Starter 579487 Lucas 26321 D onwards.
 ③ From engine number 36619420B
 ④ For use with Starter RTC3857 Lucas 27425.

 LAND ROVER

2E 09

1RE T63

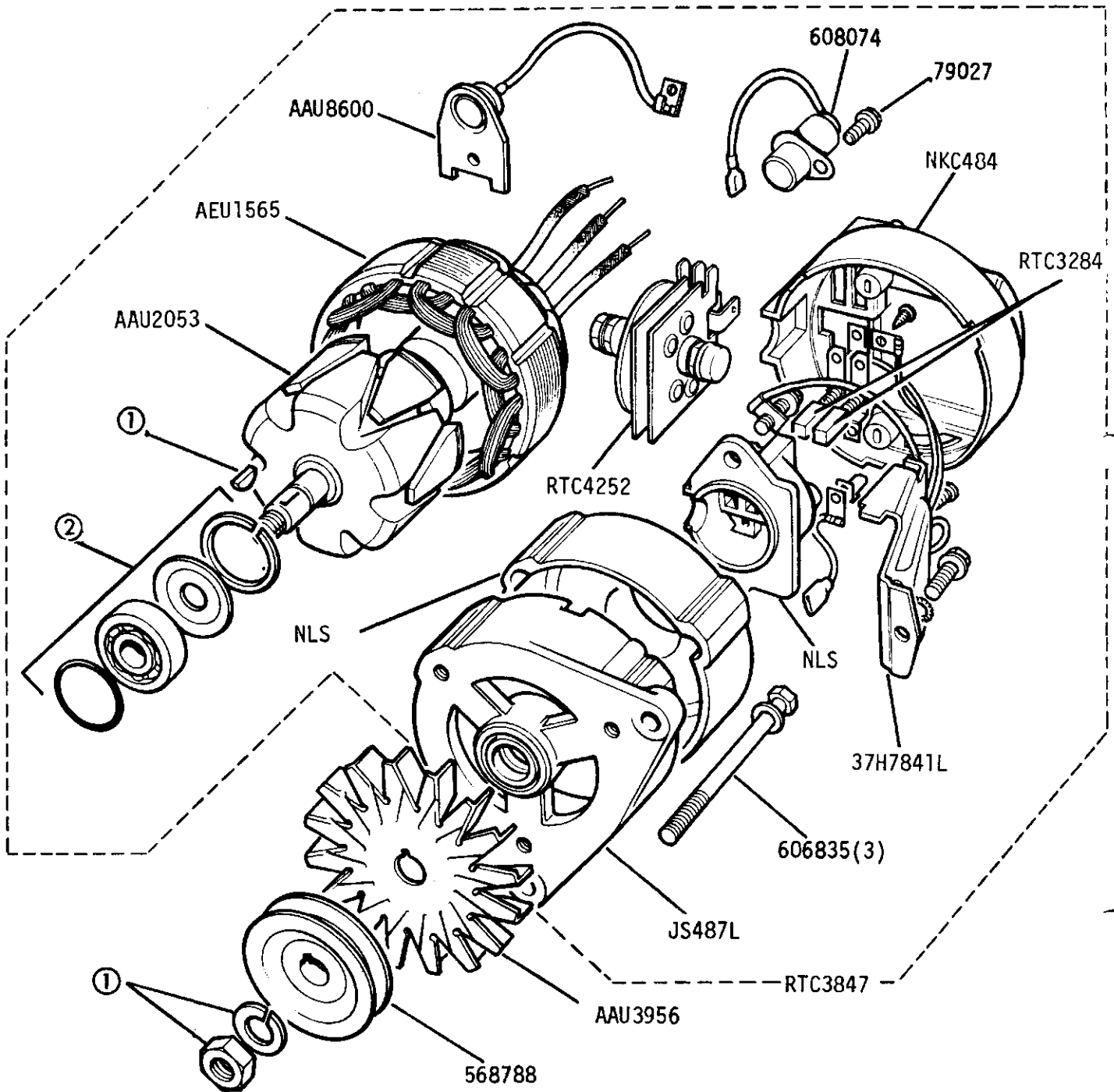
GROUP K
 STARTER MOTOR - Type 3M100, sealed 109 V8



Starter Motor Complete RTC3860
 Sundry Parts Kit 90608178

GROUP K

ENGINE - Alternator - 16ACR 12 Volt 34 Amp Machine Sensed
 2½ Litre Petrol Engine Suffix 'A'



① Sundry Parts Kit JS495L

Bearing Kits

② Slip Ring End 18G8620L
 Drive End 18G8619L 35mm Alternatives
 Drive End 518848 42mm



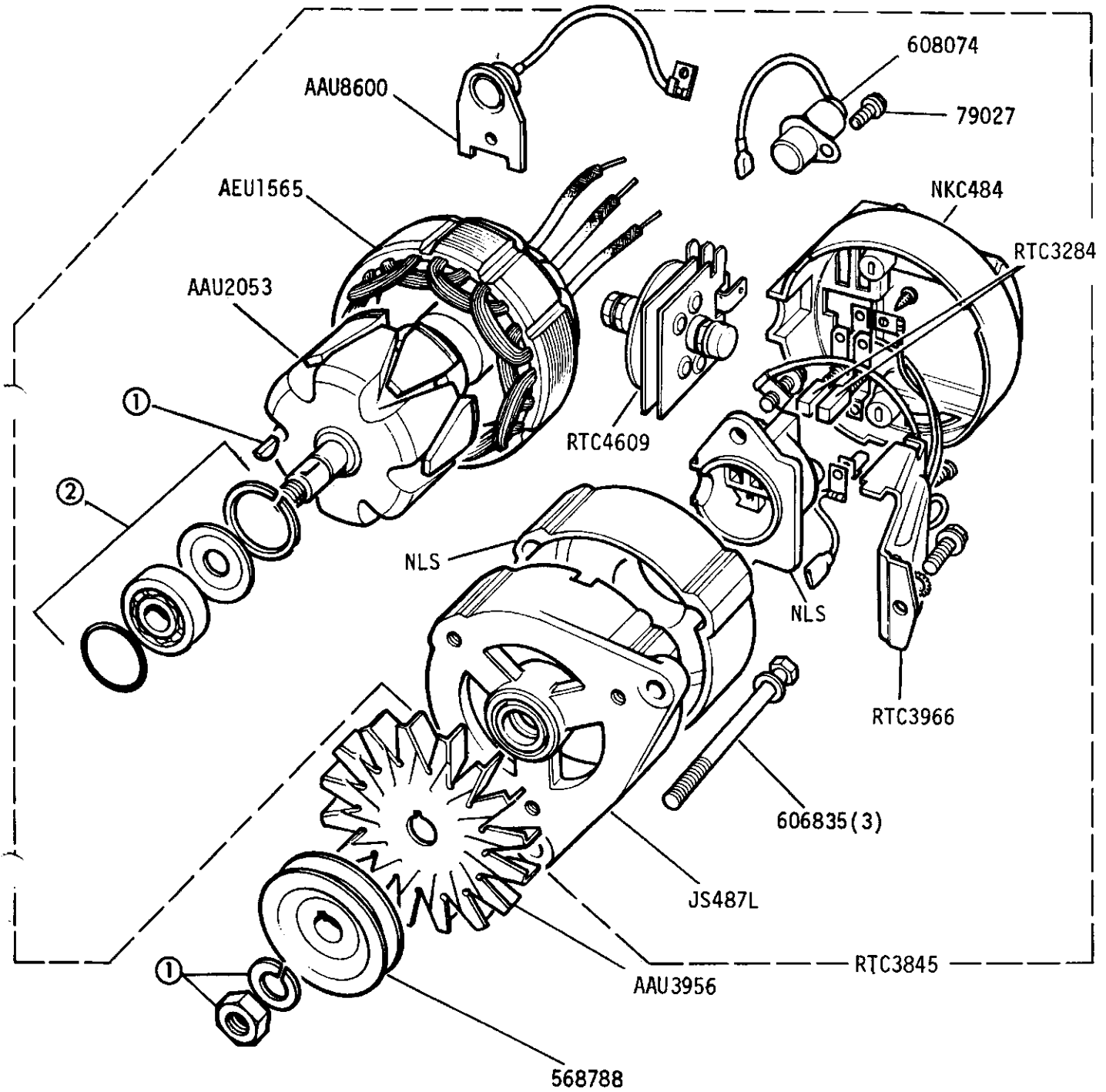
LAND ROVER

2E 10

1RE138

GROUP K

ENGINE - Alternator - 16 ACR 12 Volt 34 Amp Battery Sensed 2½ Litre Petrol
from Engine Suffix 'B' onwards



① Sundry Parts Kit JS495L

Bearing Kits:-

② Slip Ring End 18G8620L

Drive End 18G8619L

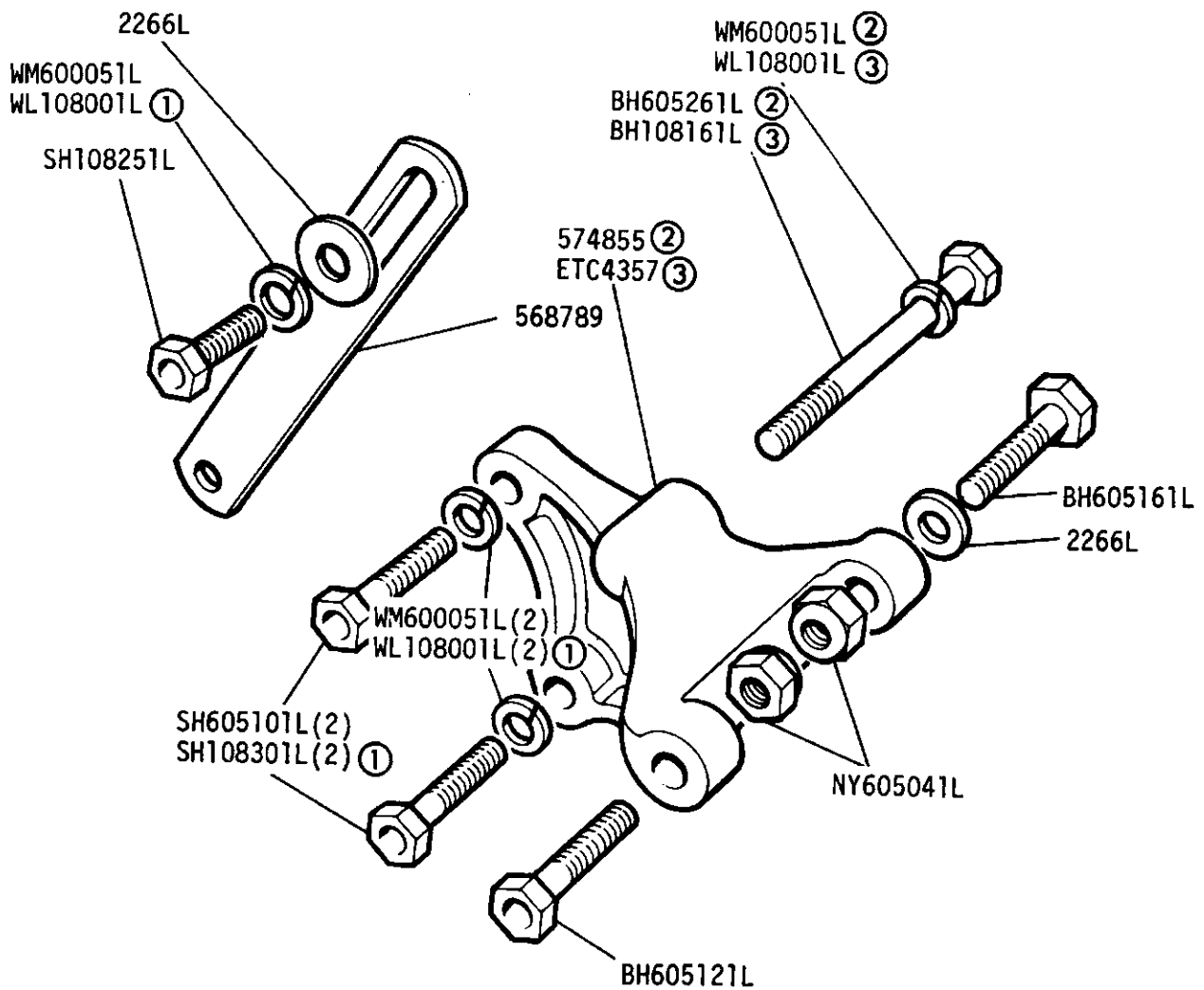


LAND ROVER

2E 10

3RE414

GROUP K
ENGINE - Alternator Fixings 2½ Litre Petrol

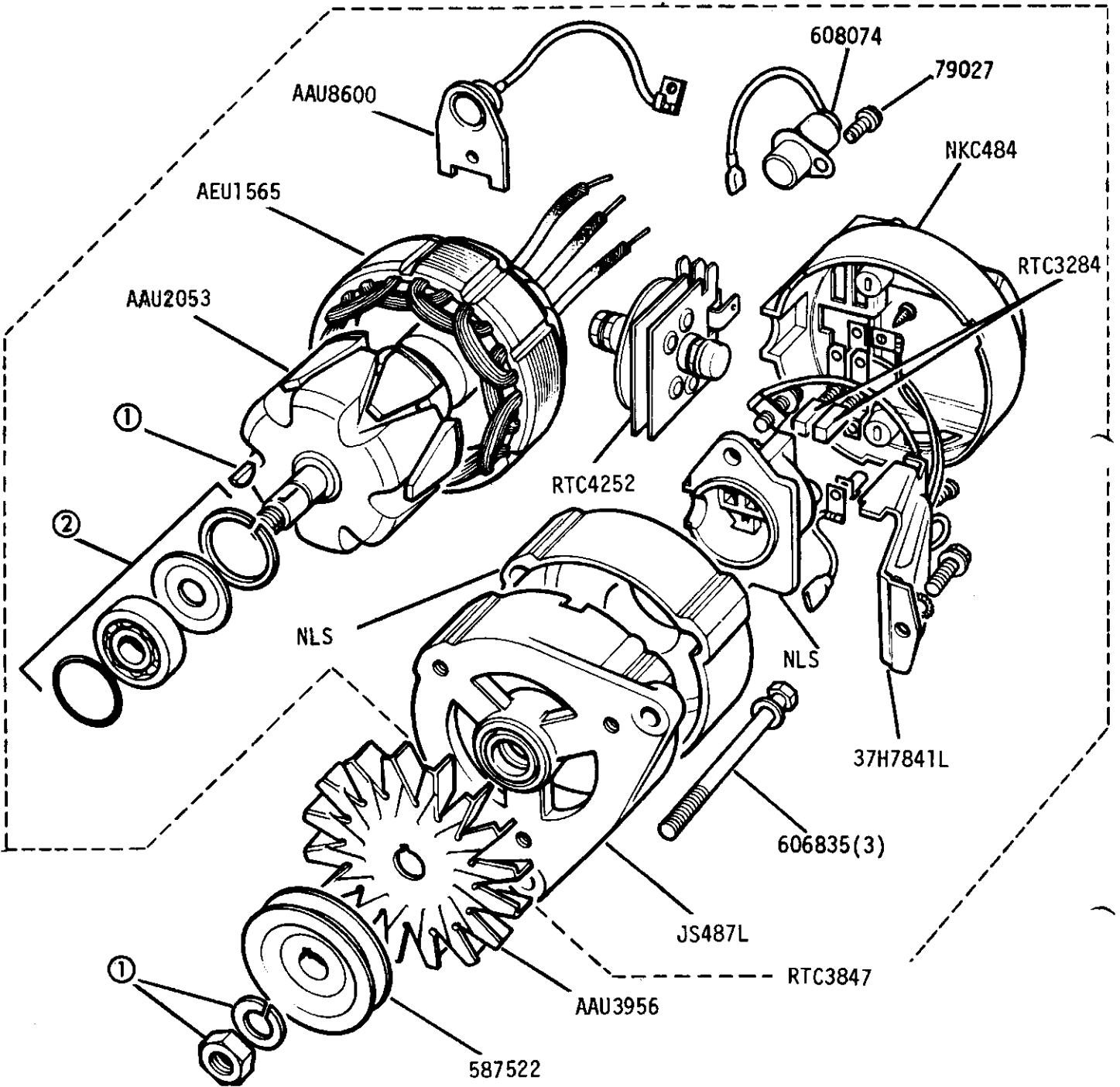


- ① From engine numbers 36123672B, 36407286B
- ② Engine prefix 901 and 904 and engines prefix 361 and 364 suffix A and B
- ③ Engines prefix 361 and 364 suffix 'C' onward



GROUP K

**ENGINE - Alternator - 16 ACR 12 Volt 34 Amp Machine Sensed
2.6 Litre Petrol Engine Suffix 'A'**



① Sundry Parts Kit JS495L

Bearing Kits

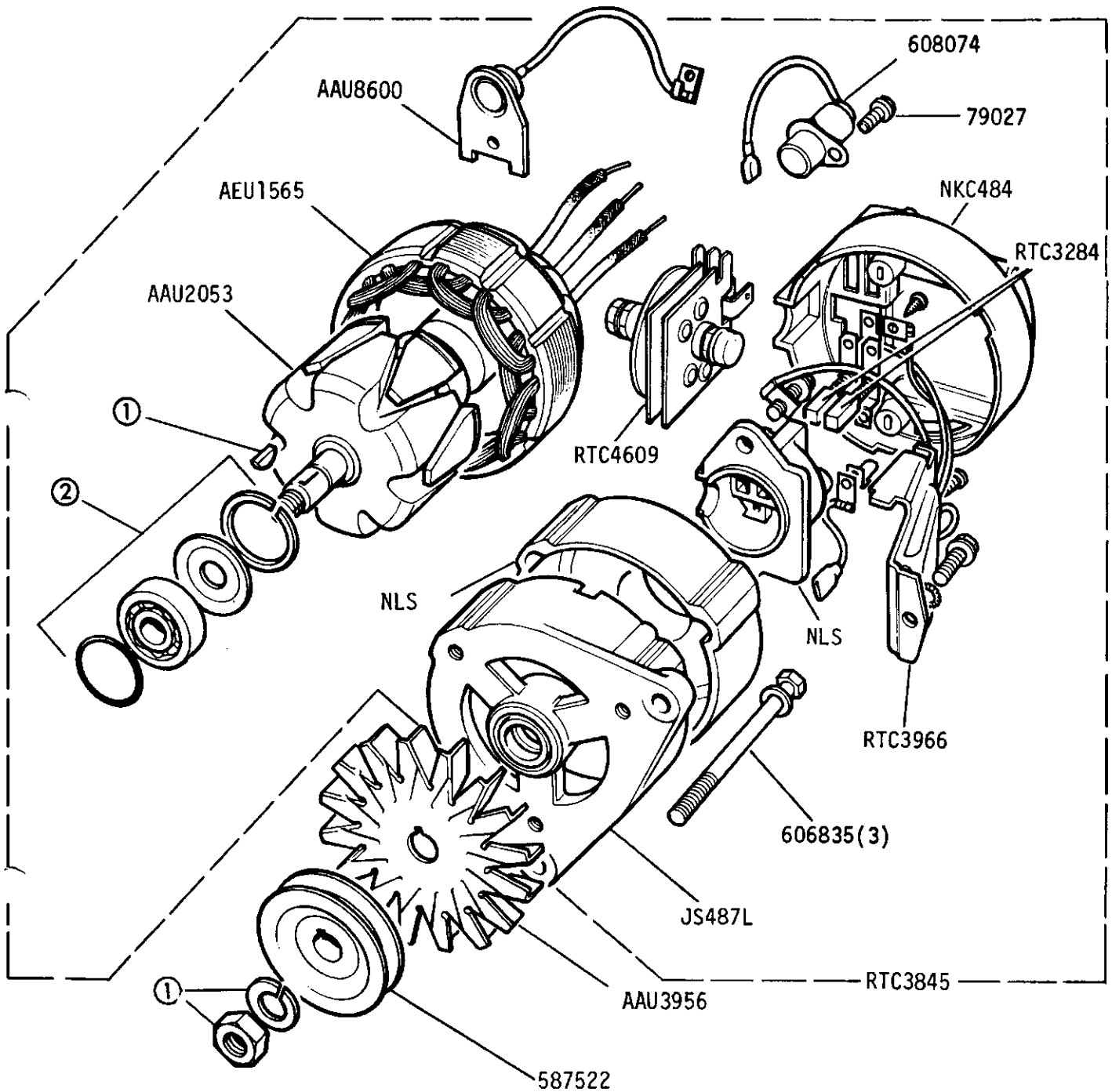
② Slip Ring End 18G8620L
Drive End 18G8619L 35mm
Drive End 518848 42mm

Alternatives



GROUP K

ENGINE - Alternator - 16 ACR 12 Volt 34 Amp Battery Sensed
2.6 Litre Petrol from Engine Suffix 'B' onwards



① Sundry Parts Kit JS495L

Bearing Kits:-

② Slip Ring End 18G8620L

Drive End 18G8619L

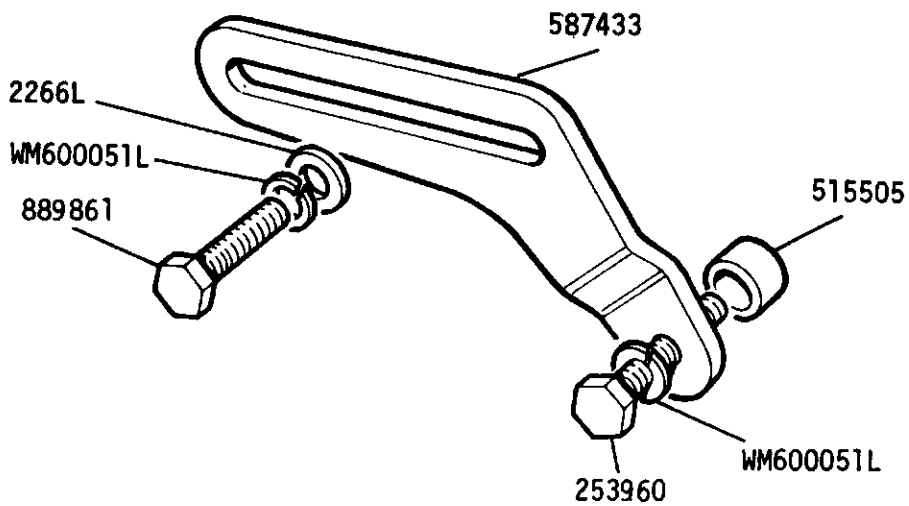
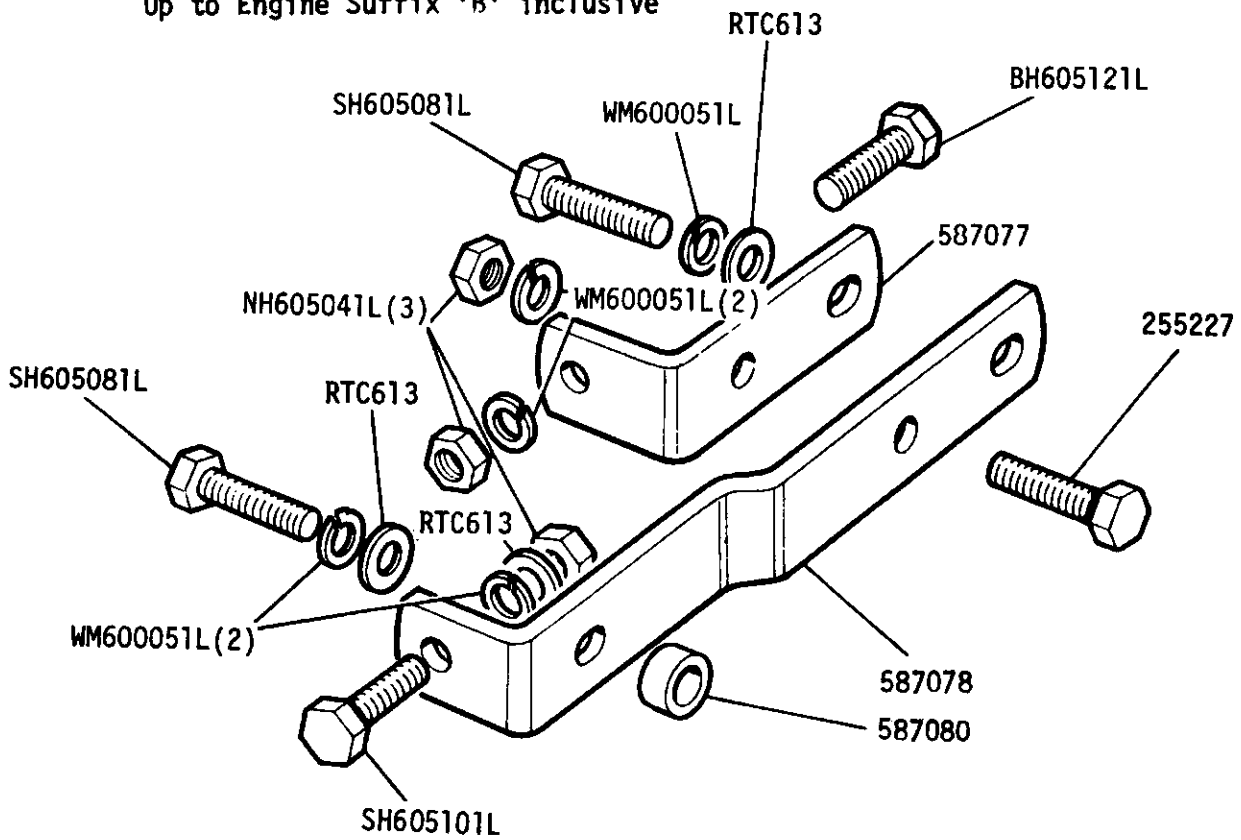


LAND ROVER

2E 12

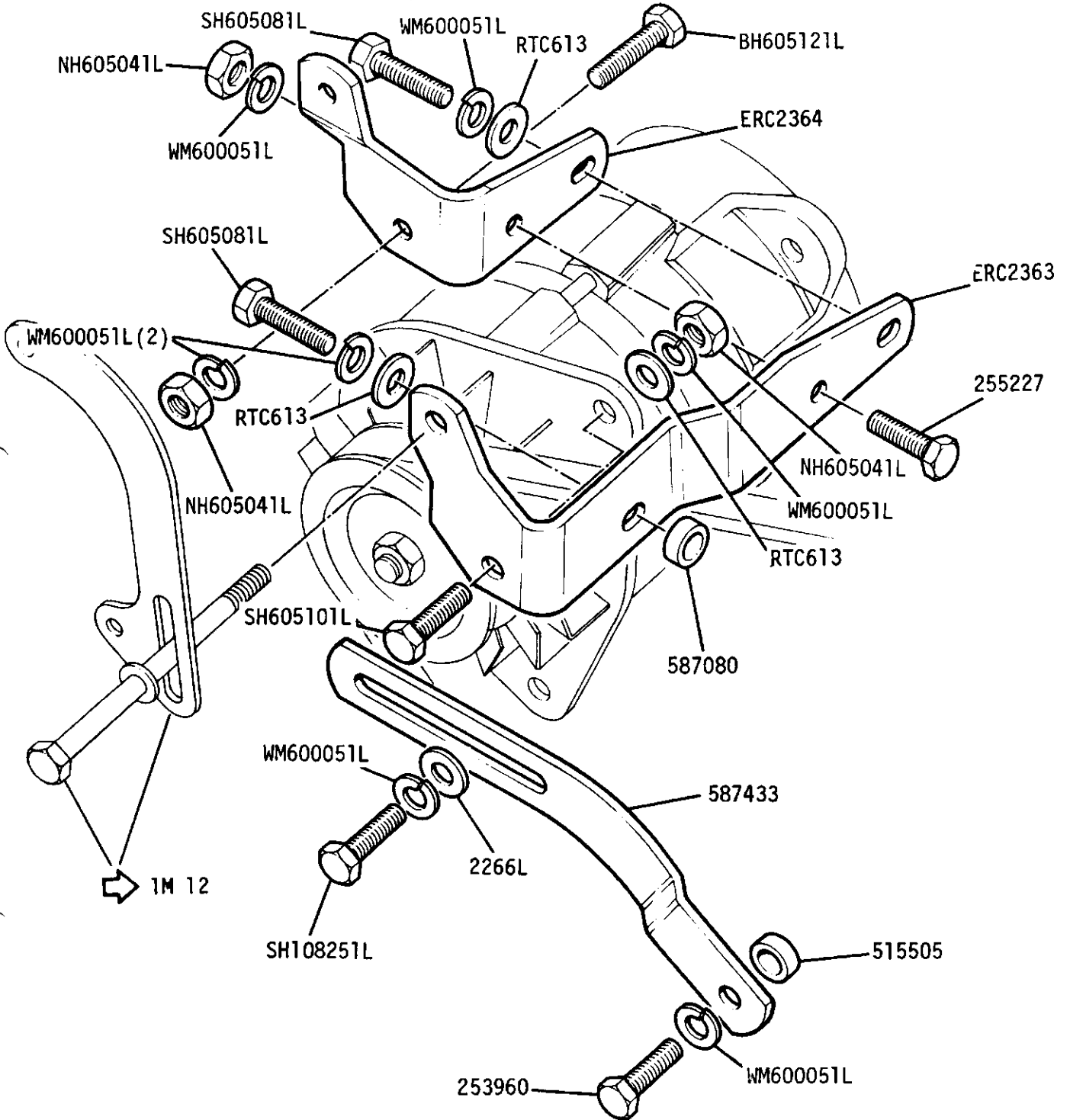
3RE414

GROUP K
ENGINE - Alternator Mountings 2.6 Litre Petrol
Up to Engine Suffix 'B' inclusive

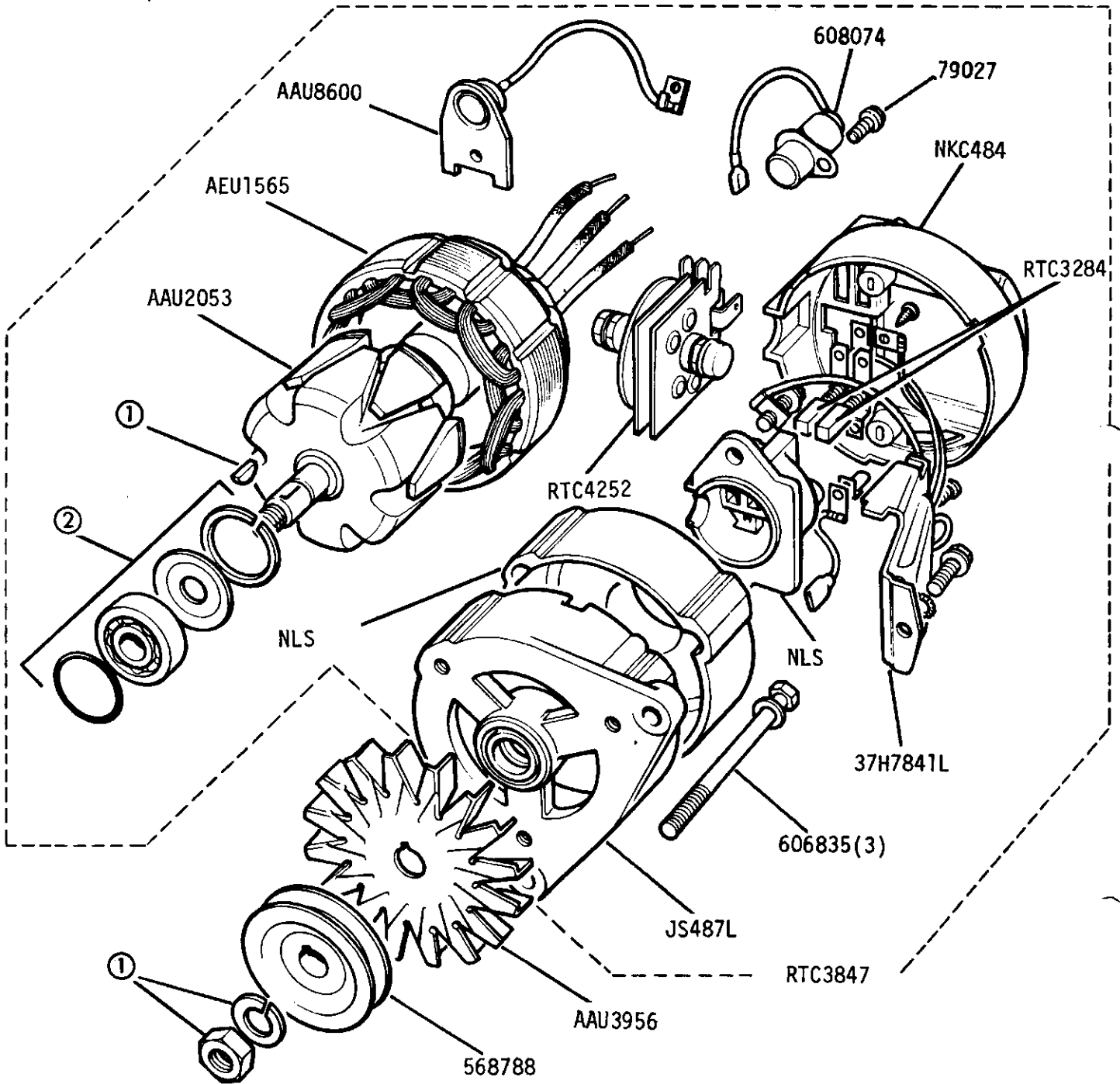


GROUP K

TOXED ENGINE - Alternator Mountings 2.6 Litre Petrol From Engine Suffix 'C' onwards



GROUP K
 ENGINE - Alternator - 16 ACR 12 Volt 34 Amp Machine Sensed
 2½ Litre Diesel Engine Suffix 'A'



① Sundry Parts Kit JS495L

Bearing Kits

② Slip Ring End 18G8620L
 Drive End 18G8619L 35mm
 Drive End 518848 42mm

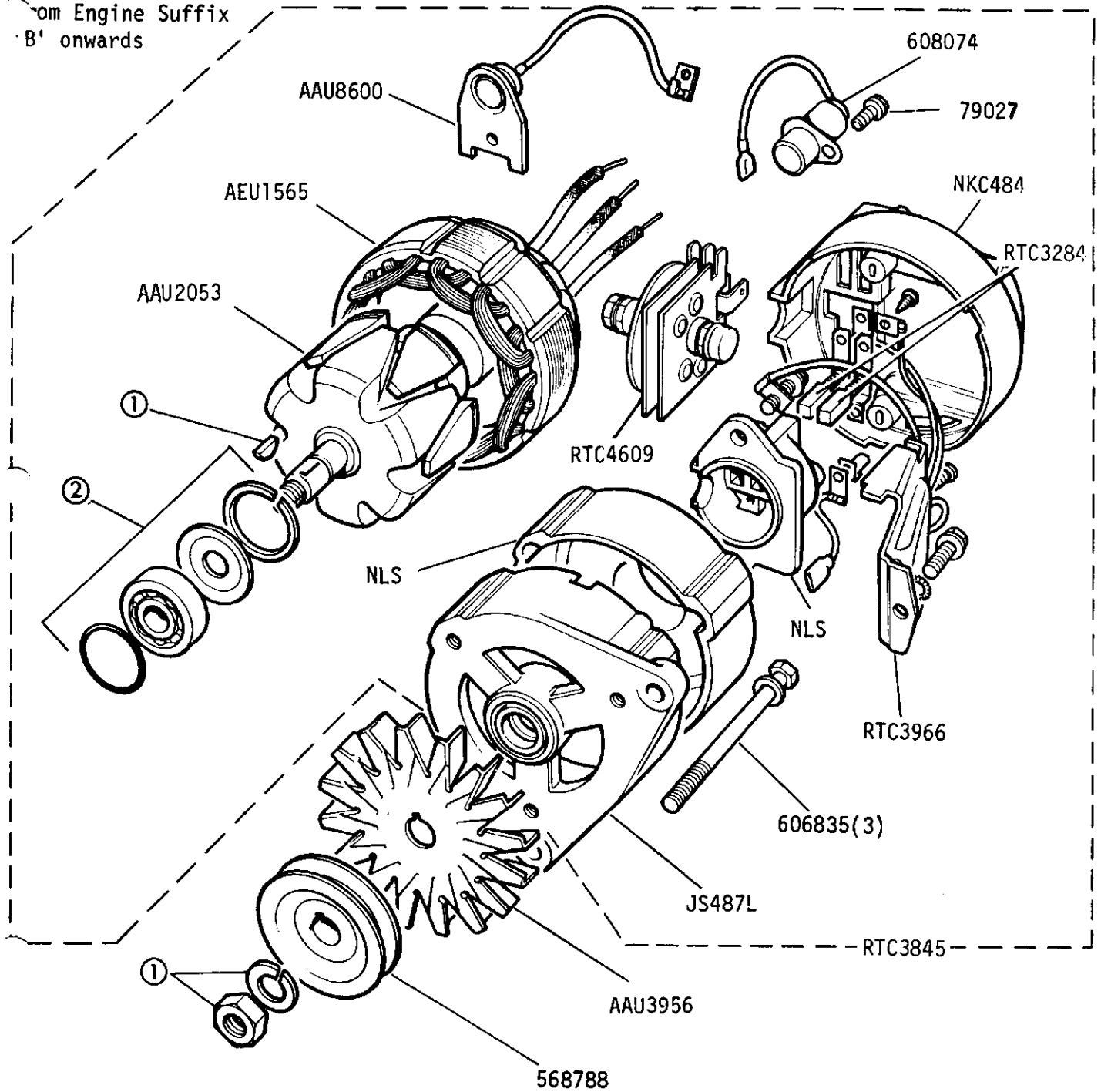
Alternatives



GROUP K

ENGINE - Alternator - 16ACR 12 Volt 34 Amp Battery Sensed 2½ Litre Diesel

From Engine Suffix
'B' onwards



① Sundry Parts Kit JS495L

Bearing Kits:-

② Slip Ring End 18G8620L

Drive End 18G8619L

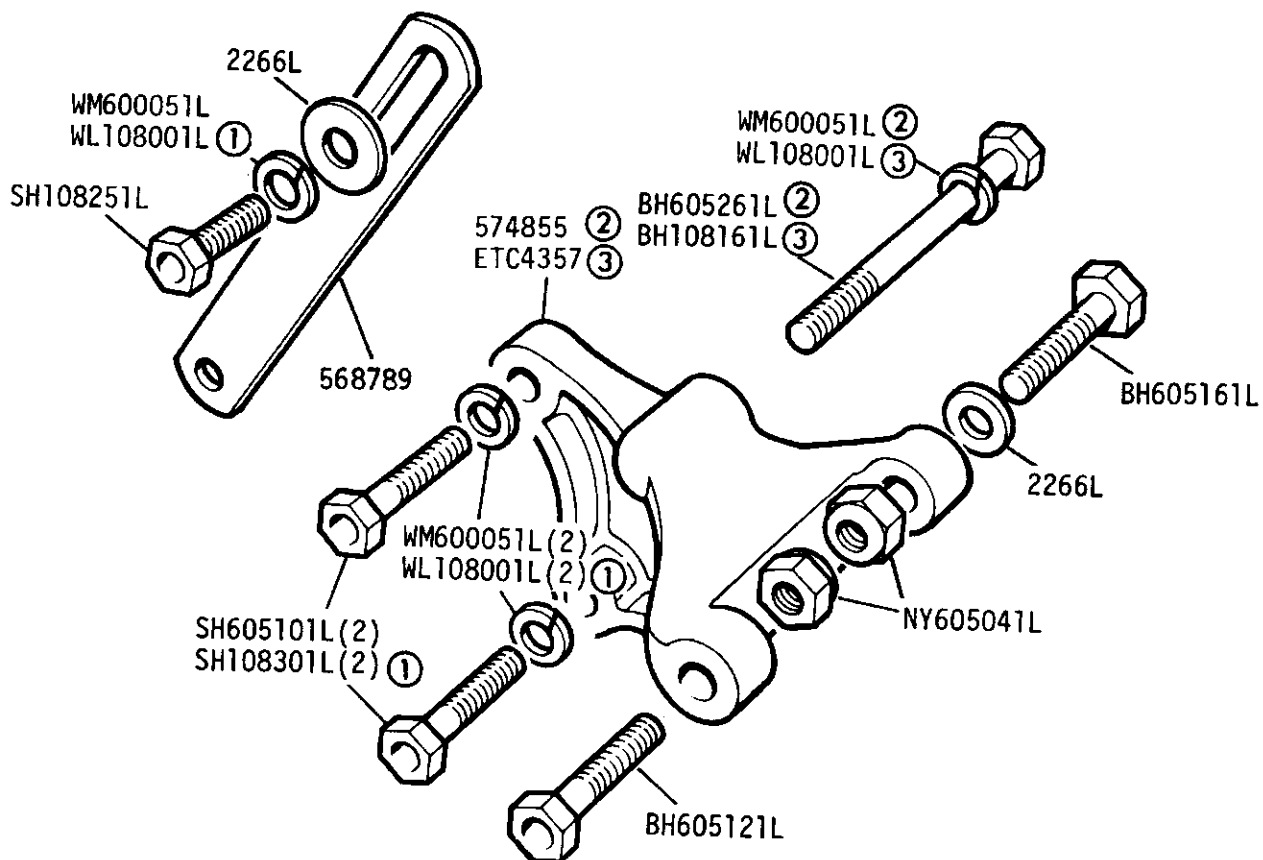


LAND ROVER

2E 14

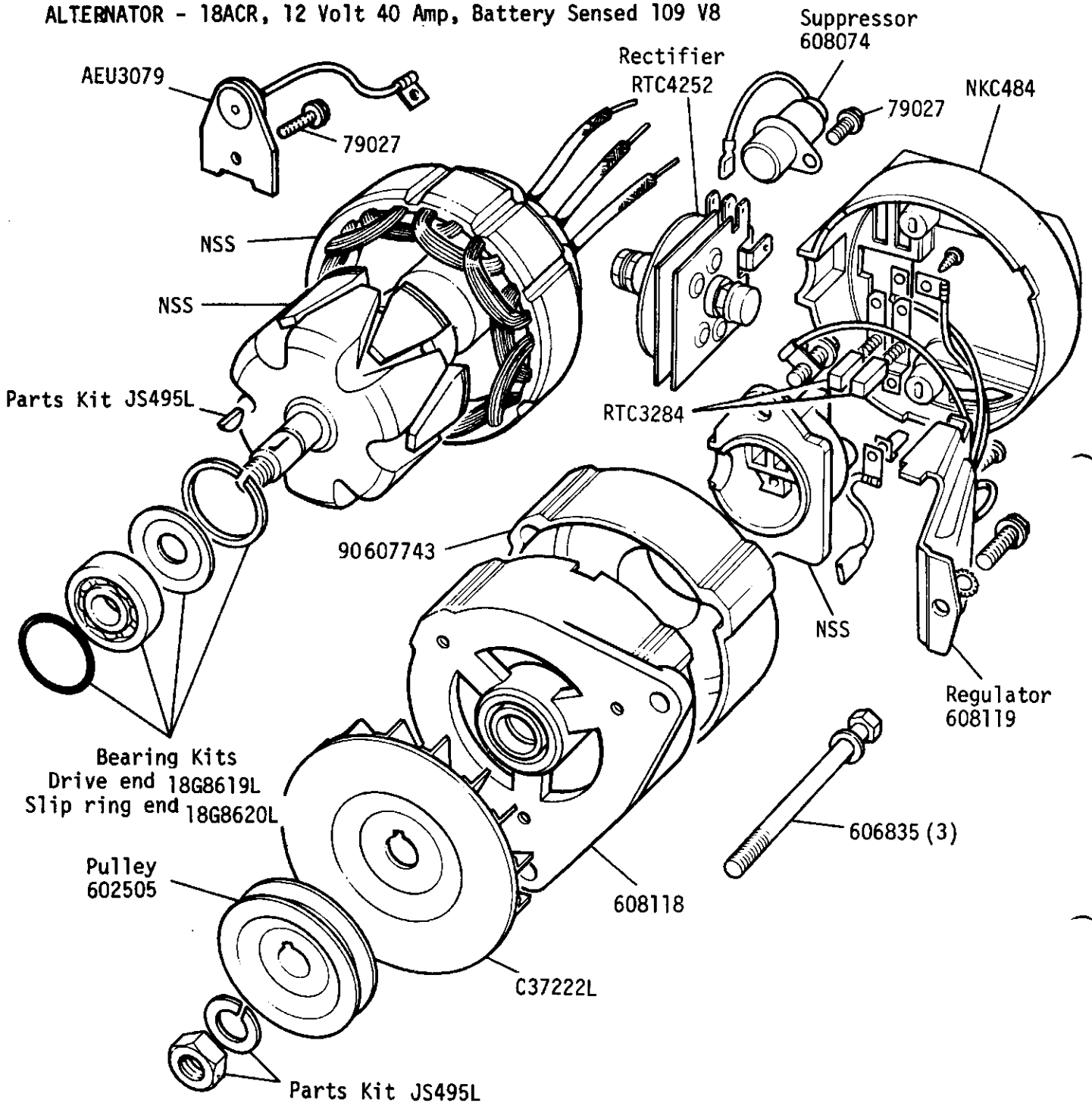
3RE414

GROUP K
ENGINE - Alternator Fixings 2½ Litre Diesel



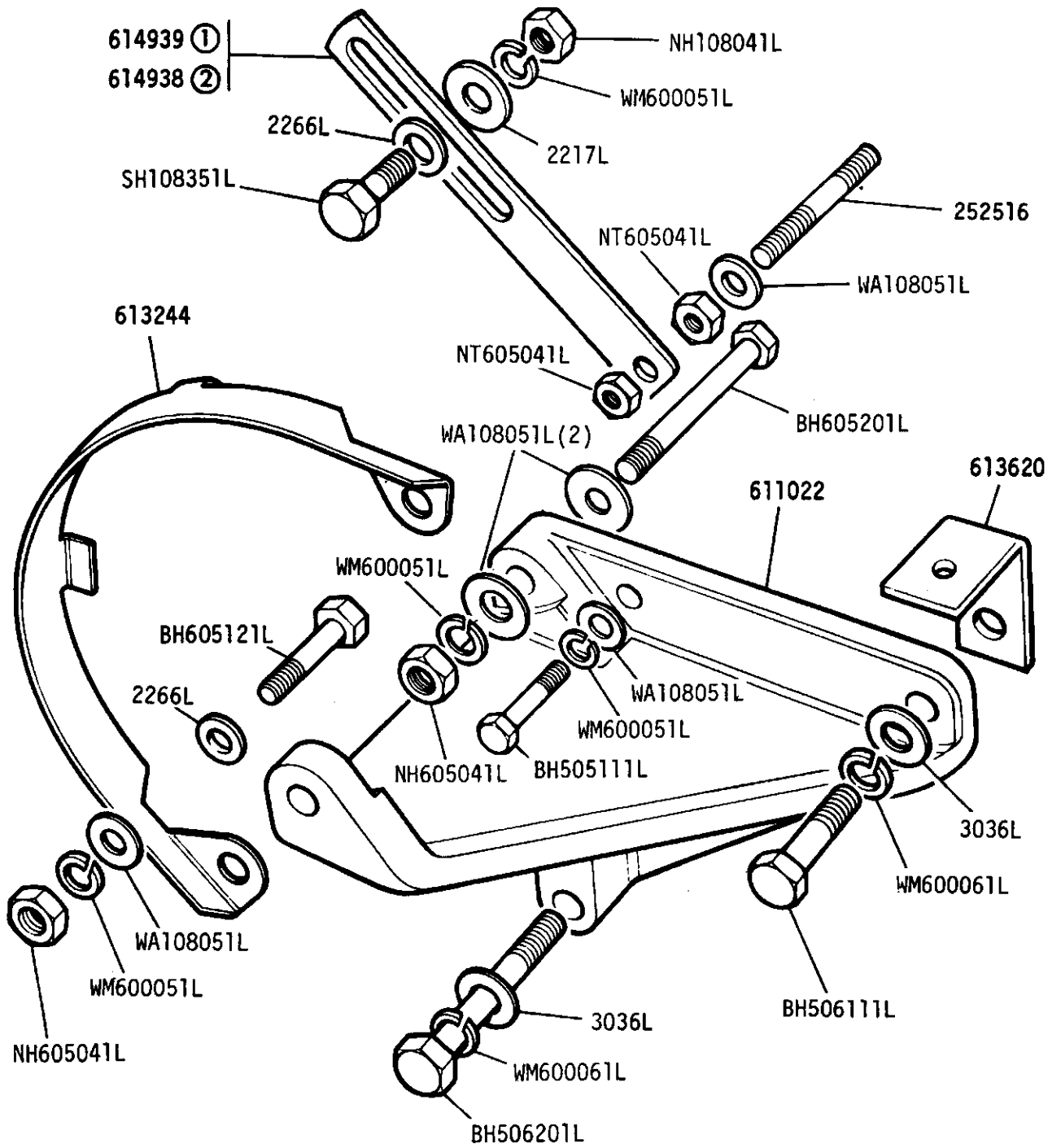
- ① From engine No.36619420B
- ② Engine prefix 906 and engine prefix 366 suffix A and B only
- ③ Engine prefix 366 suffix C only

**GROUP K
ALTERNATOR - 18ACR, 12 Volt 40 Amp, Battery Sensed 109 V8**



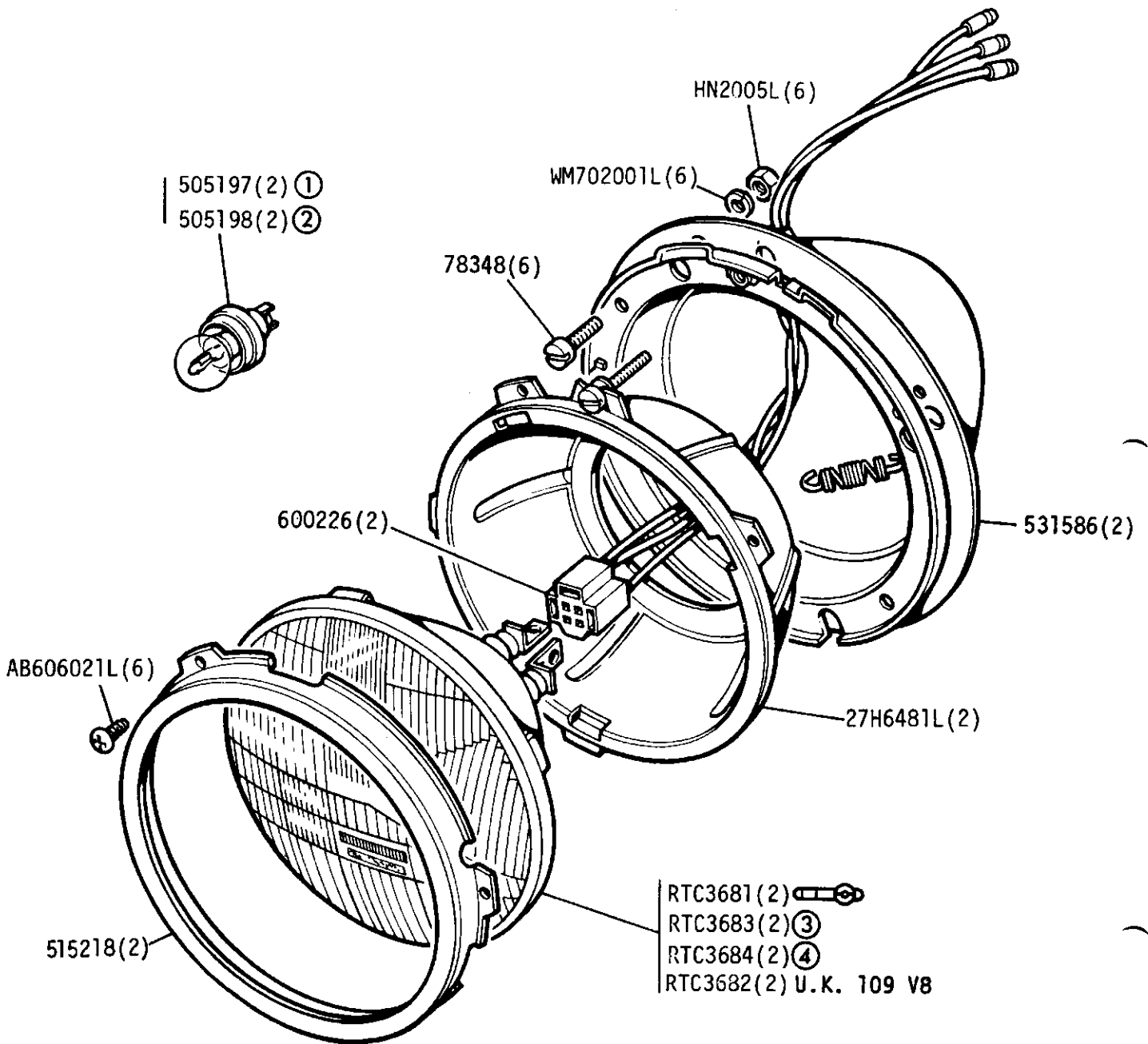
Alternator assembly RTC3851
Pulley and fan are not part of alternator assembly

GROUP K
ALTERNATOR - Brackets and Fixings 109 V8



- ① Detoxed engine
- ② Non-detoxed engine

GROUP K
ELECTRICAL - Headlamp

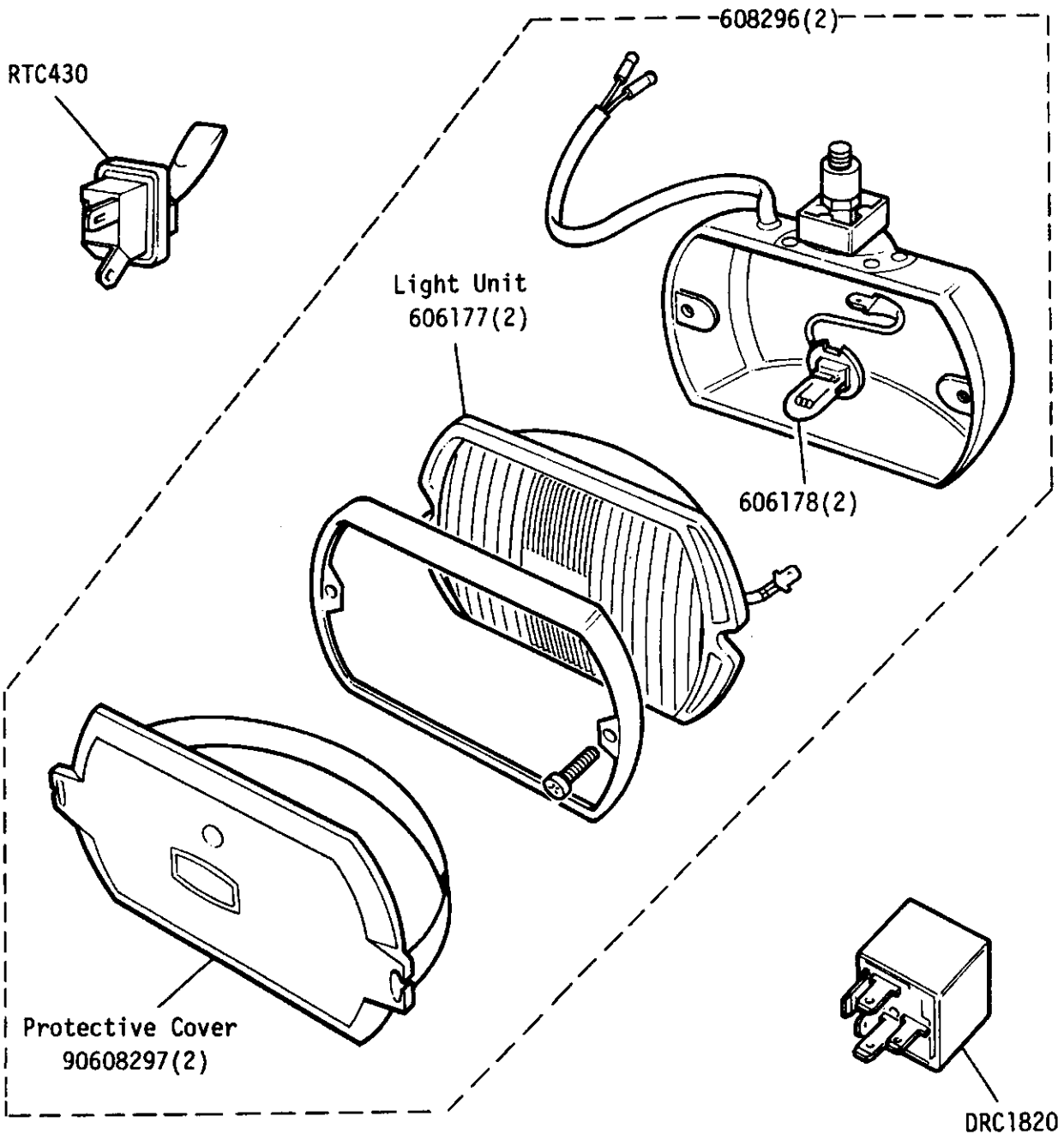


Headlamp Complete BHM7196L(2) 27H8207L(2) except Europe
 AEU1061(2) Europe AEU1355(2) U.K. 109 V8 AEU1061(2) LH Stg 109 V8

- ① Italy
- ② France
- ③ except Europe
- ④ Europe

GROUP K

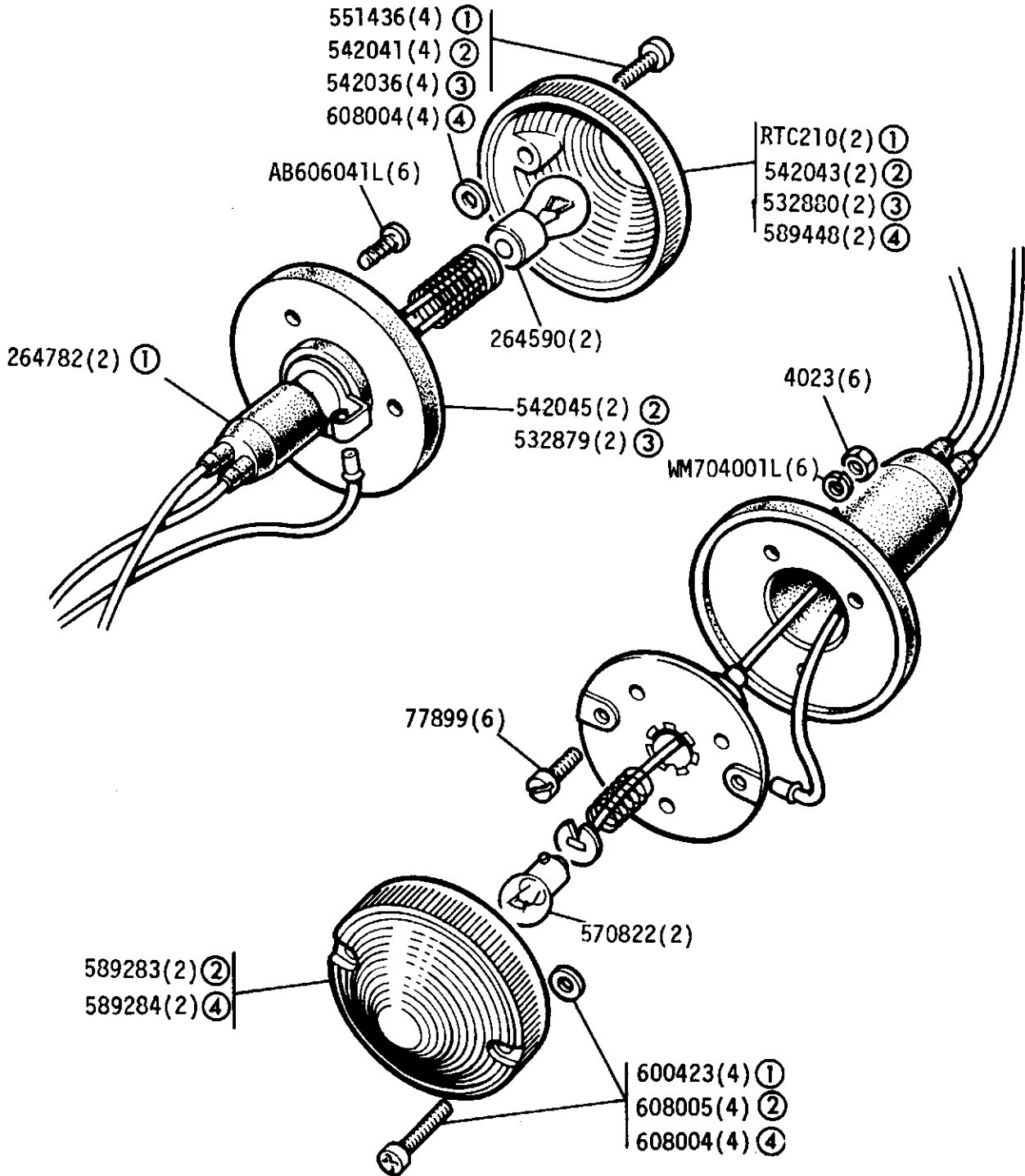
ELECTRICAL - Auxiliary Driving Lamps - 'County'



- ① 4 Cylinder
- ② 109V8

- Nameplate, "Auxiliary Main Beam" - PRC3760 ① ②
- Harness Assembly, Auxiliary Lamps - PRC3753 ① ②
- Cable Assembly, LH Lamp - PRC3755 ①
- Cable Assembly, RH Lamp - PRC3754 ①
- Cable Assembly, Auxiliary Lamps - PRC3754(2) ②
- Lead, Junction to LH Lamp - PRC3727 ②
- Bullet Connector - 536937 ① ②

GROUP K
ELECTRICAL - Stop/Tail and Side Lamps



Stop tail lamp complete 531684(2) ② ⑥ 532881(2) ③ ⑤ 589446(2) ④ ⑥ 589812(2) ① ⑦
Side lamp complete 589403(2) ② 589404(2) ④

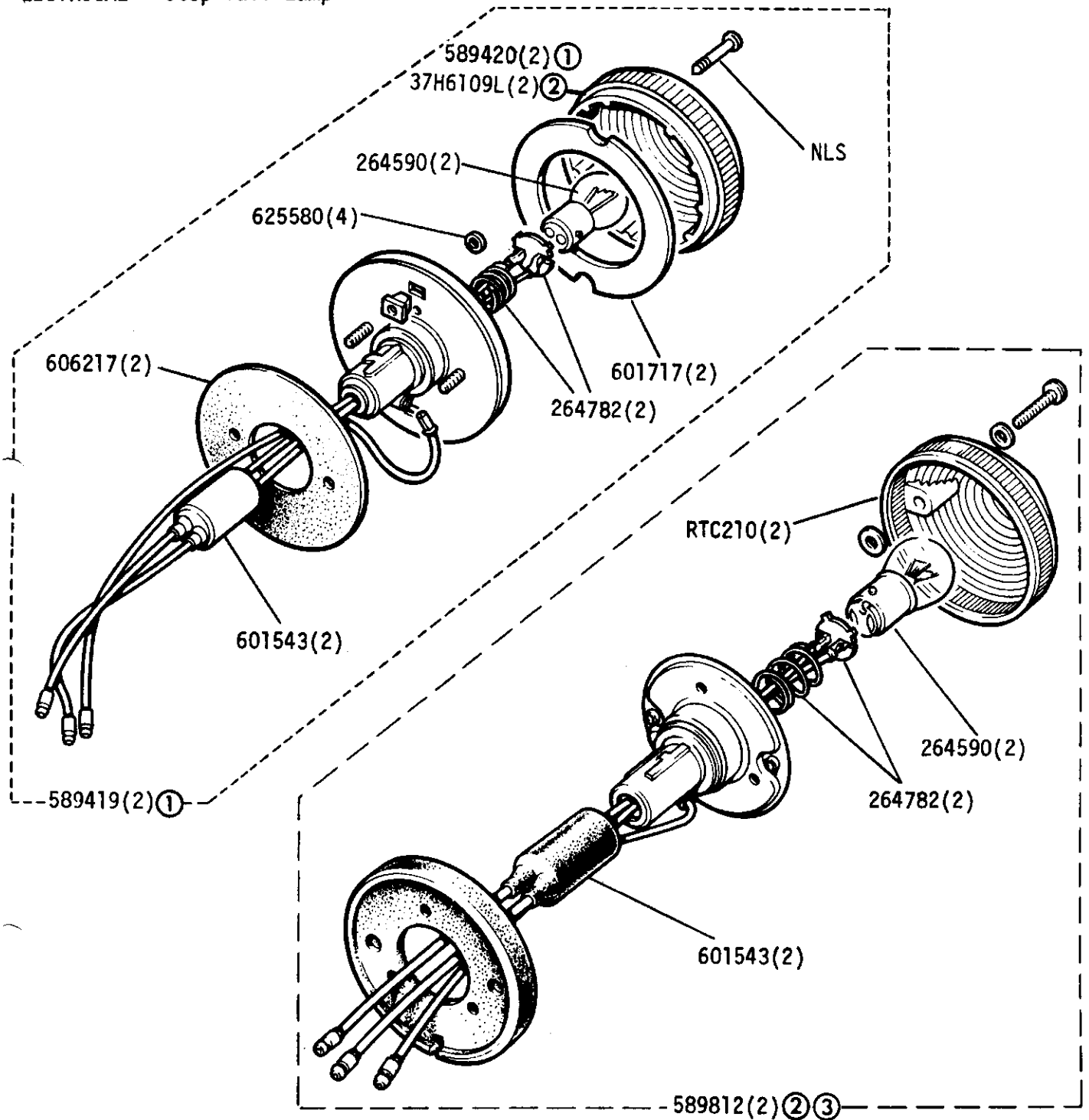
- ① Lucas
- ② Wipac
- ③ Sparto

Alternatives

- ④ L.E Perei
- ⑤ Up to December 1972
- ⑥ Up to August 1973 Home Market Only
- ⑦ France only

GROUP K

ELECTRICAL - Stop Tail Lamp

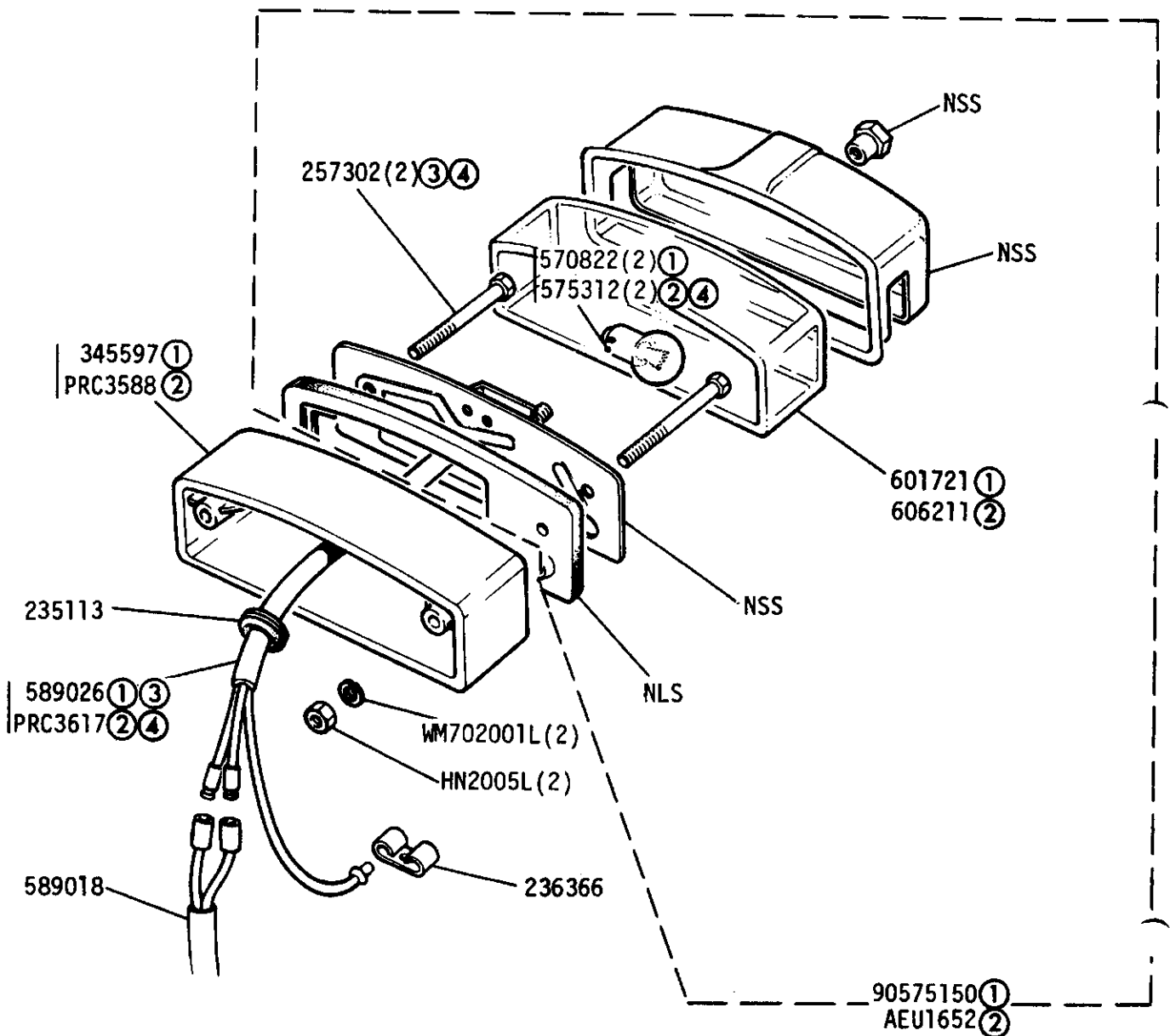


From September 1973 onwards

- ① L.E.Perei
- ② Lucas
- ③ H.C.P.U.

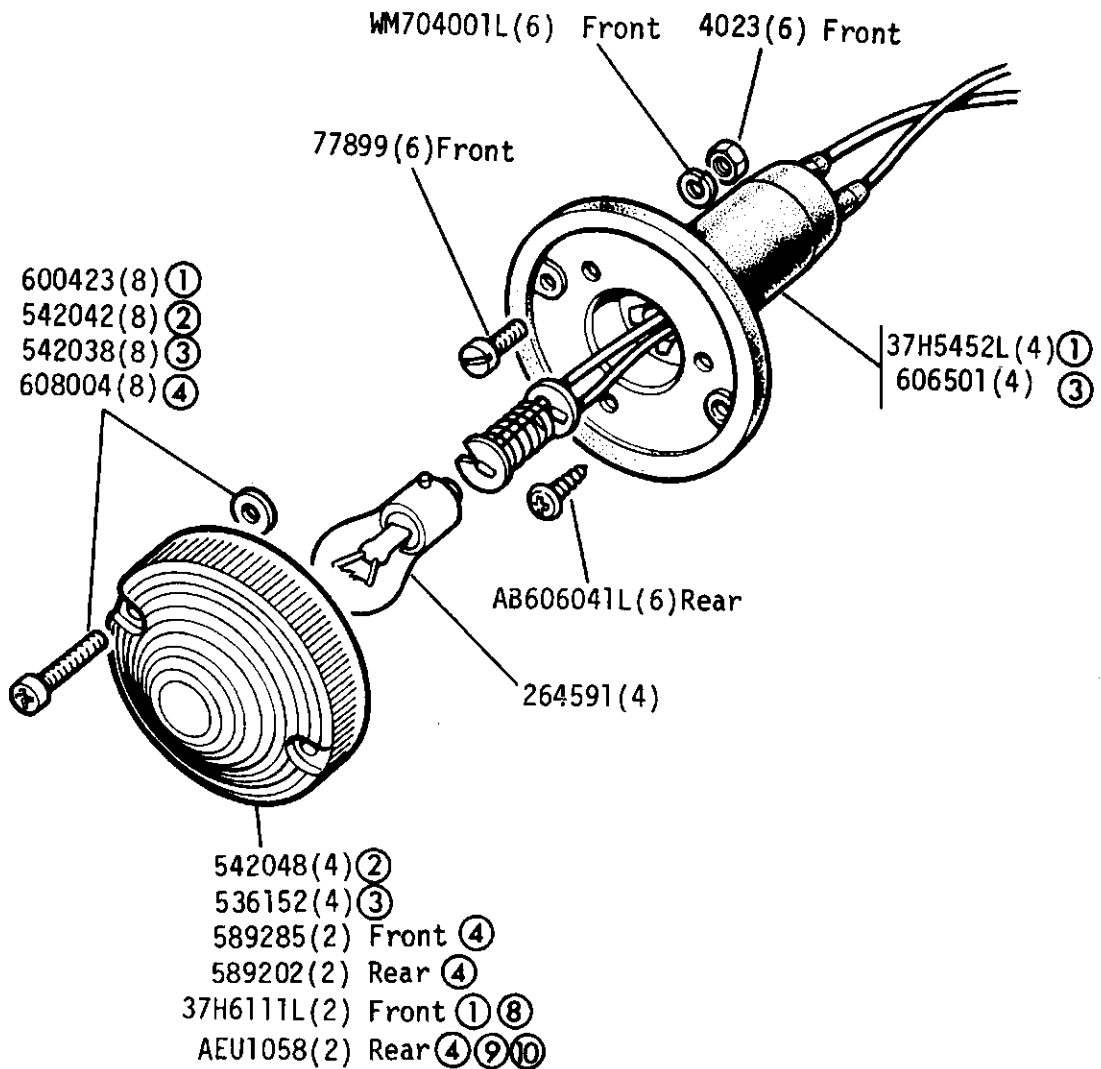
Alternatives

GROUP K
ELECTRICAL - Number plate lamp



- ① Except H.C.P.U.
- ② H.C.P.U.
- ③ Not Part Of 90575150
- ④ Not Part Of AEU1652

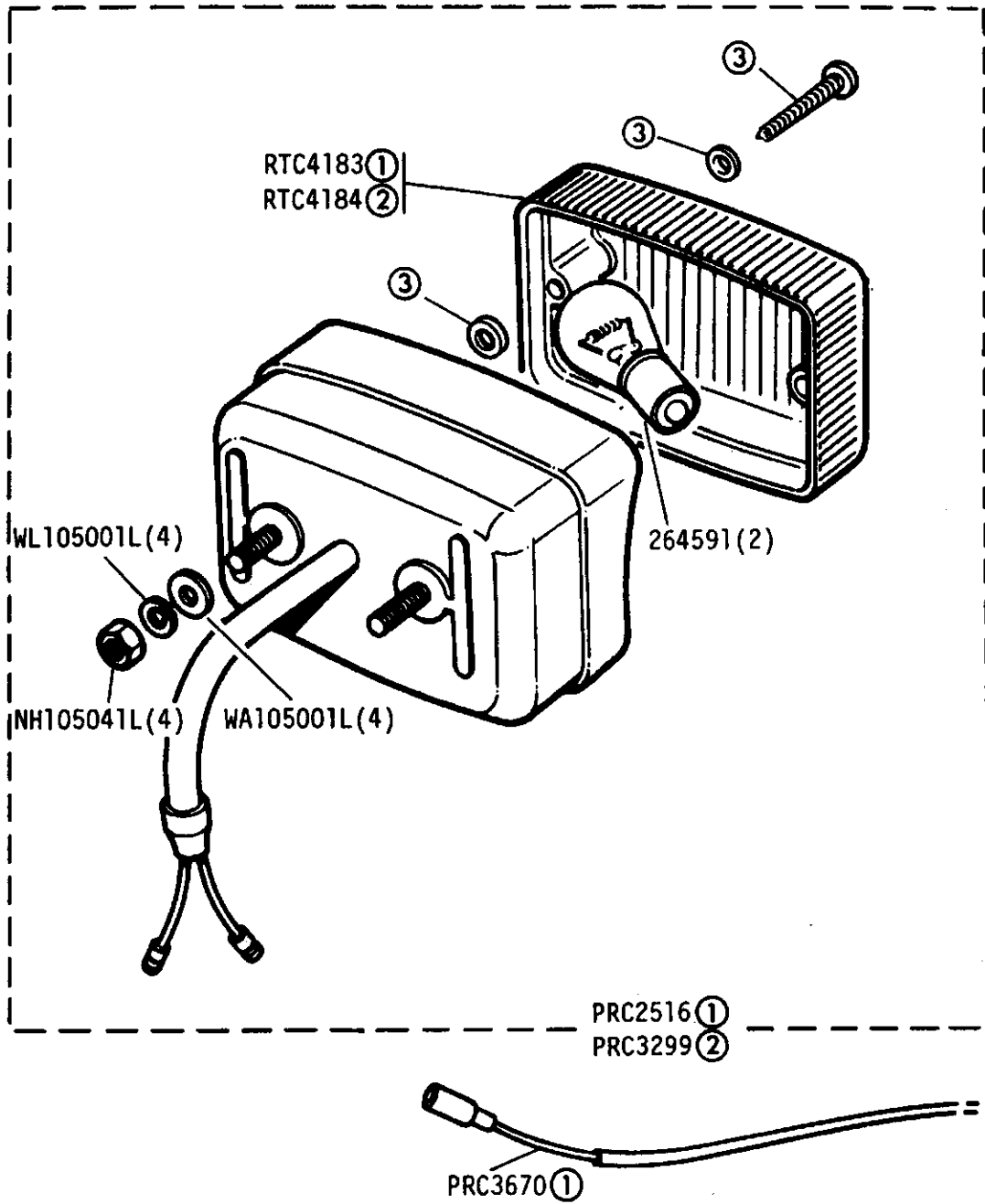
GROUP K
ELECTRICAL - Flasher Lamps



Flasher lamp complete 575123(4) ② ⑤ 575125(4) ③ ⑤ 589409(2) Front ④ ⑥
589414(2) Rear ④ ⑥ PRC39(2) Rear ④ ⑦ 575457(2) Front ① ⑧ PRC2774(2) Rear ④ ⑨ ⑩

- ① Lucas
- ② Wipac
- ③ Sparto
- ④ L.E. Perei
- ⑤ Up to December 1972
- ⑥ From January 1973 To Jan 1981
- ⑦ Australia only from January 1974 onwards
- ⑧ Optional
- ⑨ From February 1981 Onwards
- ⑩ H.C.P.U.

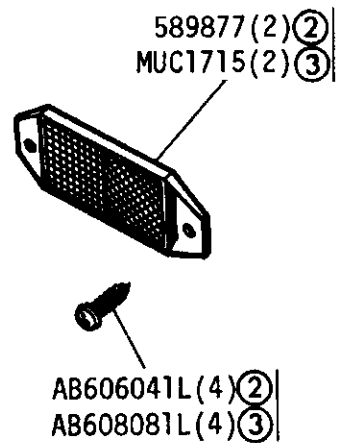
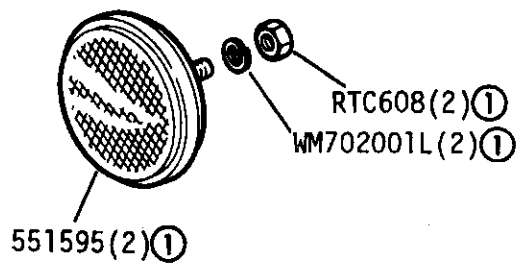
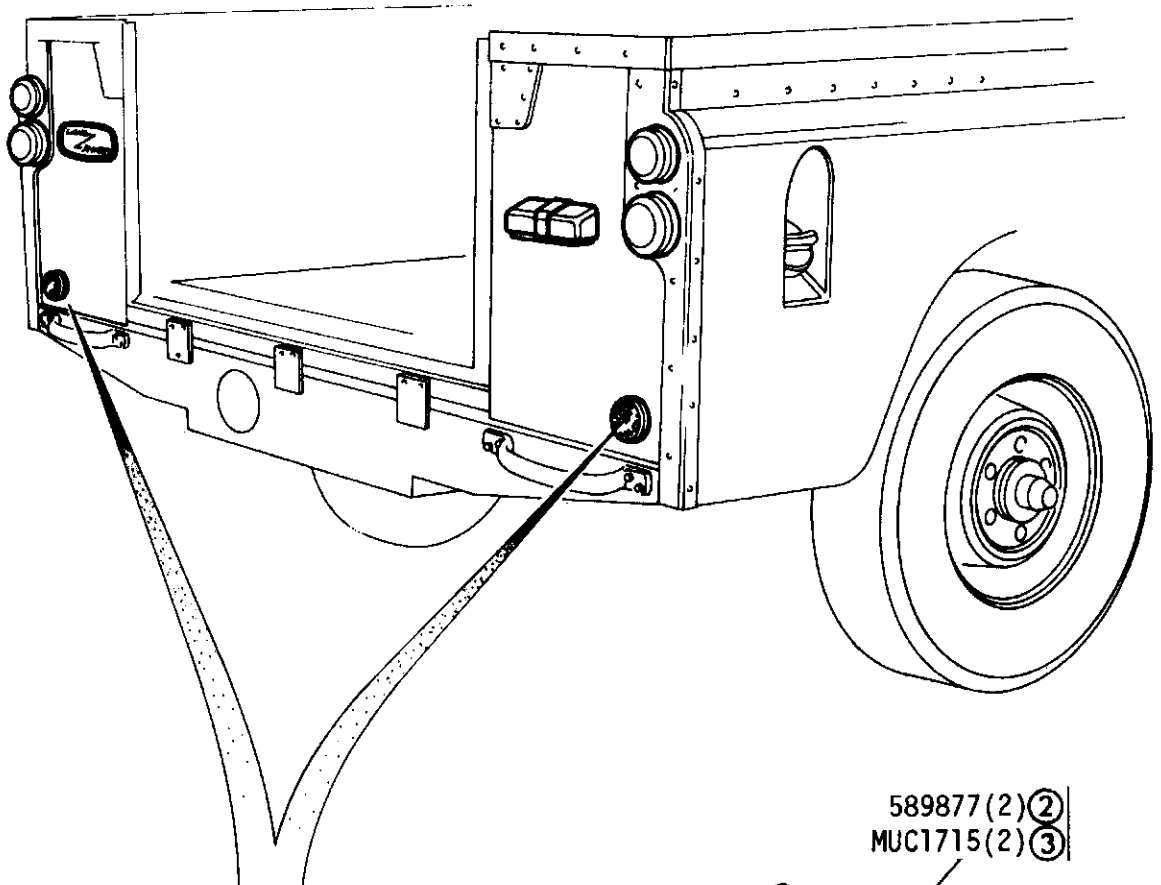
GROUP K
ELECTRICAL - Rear Fog and Reverse Lamps.



- ① Fog Lamp
- ② Reverse Lamp
- ③ Part of Screw kit RTC4185

Switch, rear Fog Lamp - PRC2627

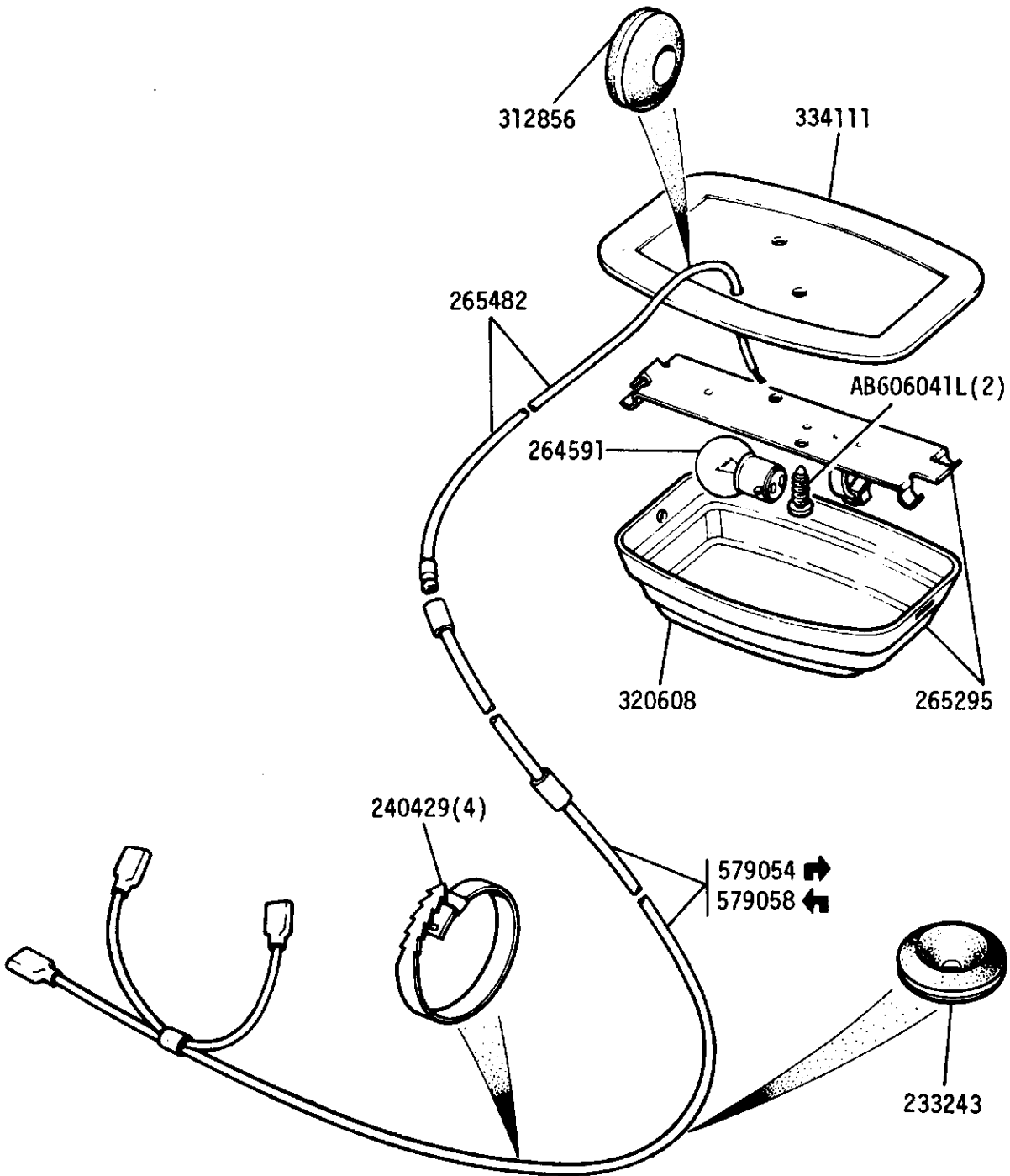
GROUP K
ELECTRICAL - Rear Reflectors



① Except H.C.P.U. upto August 1984
 ② H.C.P.U. only, upto August 1984
 ③ All vehicles from September 1984

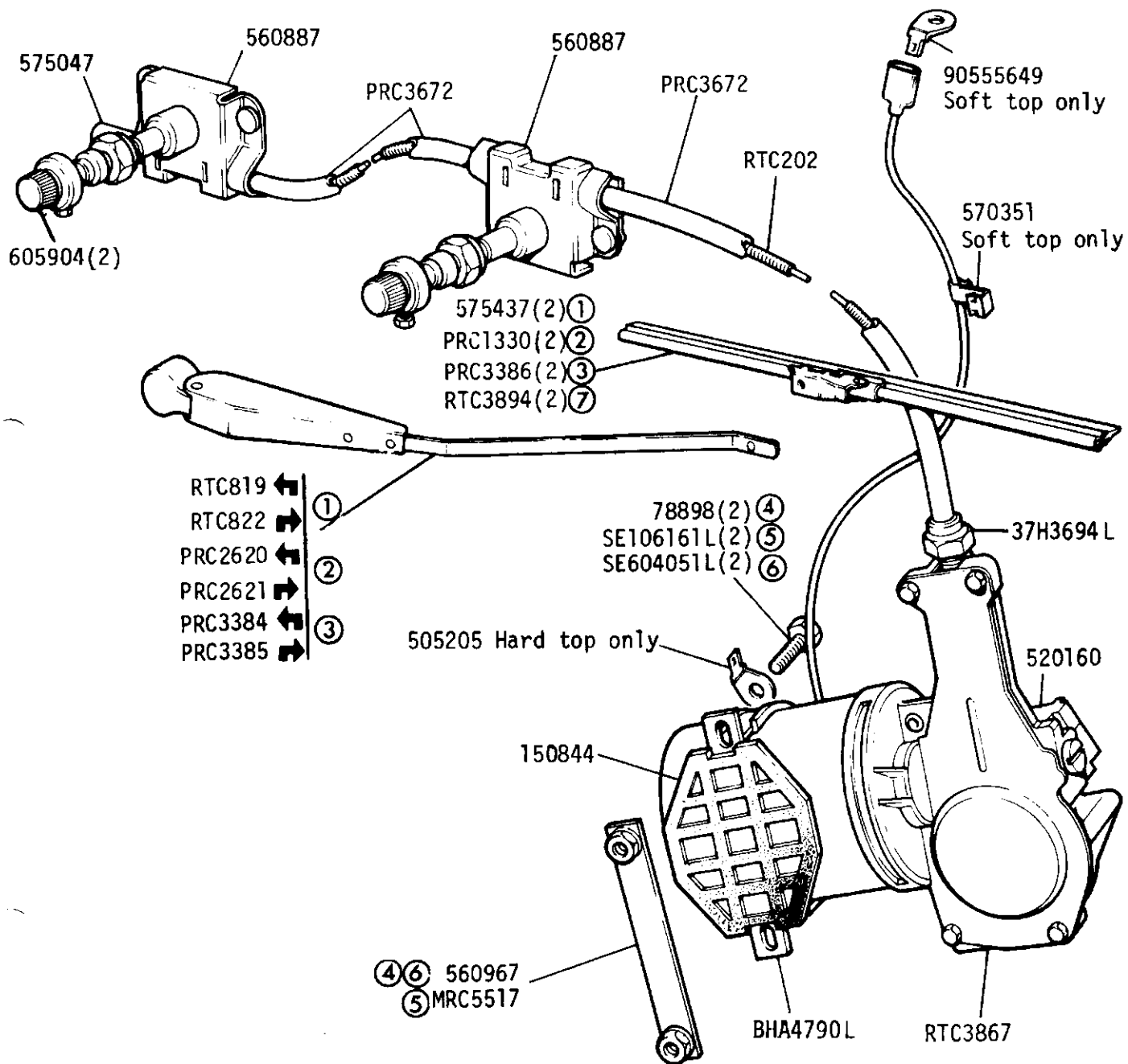
LAND ROVER 2F 05 TS5674

GROUP K
ELECTRICAL - Roof Lamp - Station Wagon.



See frame 2I 03 for Interior Mirror.

GROUP K
ELECTRICAL - Windscreen Wiper



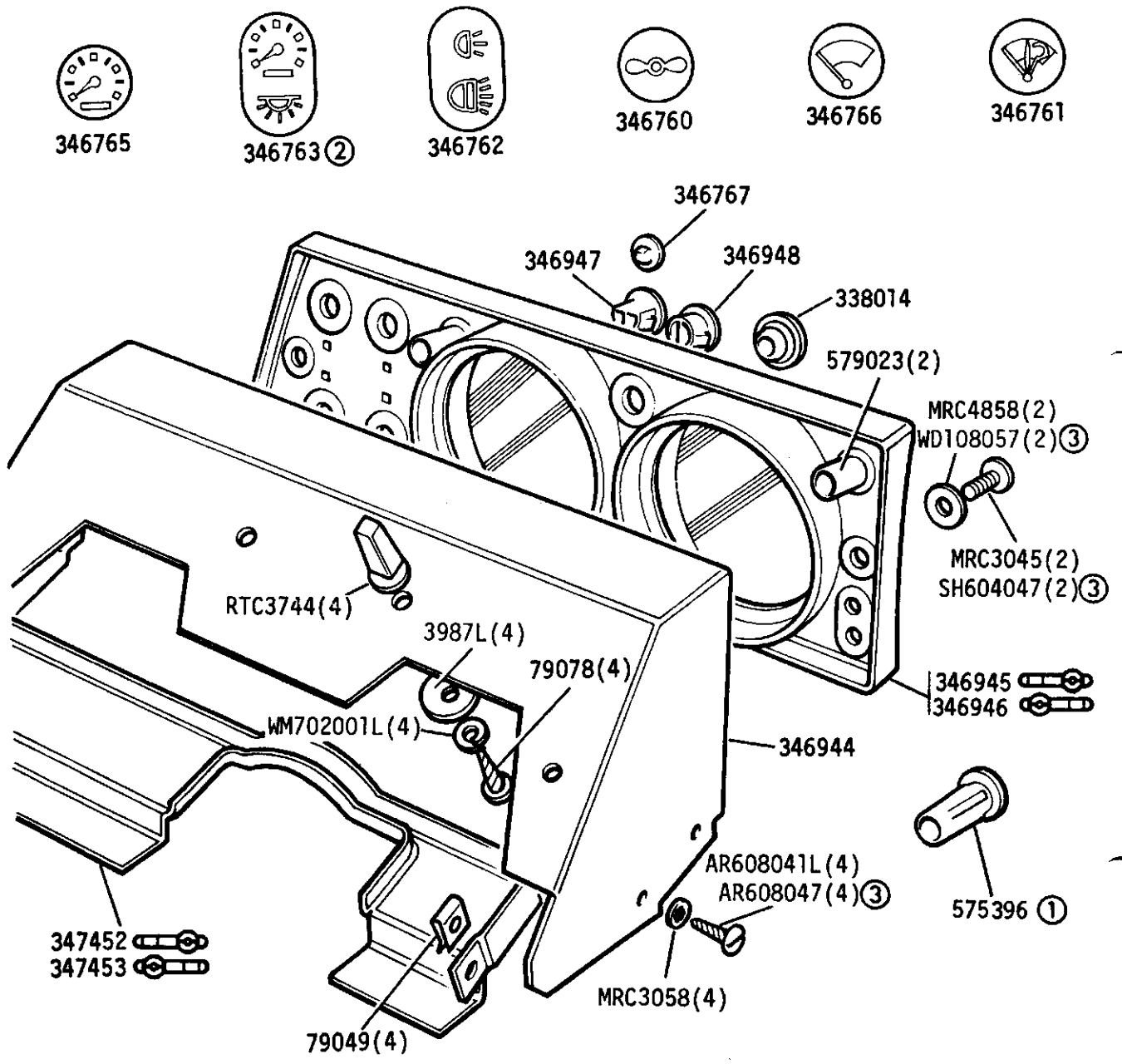
Shaft and gear for wiper motor 37H2736L

- | | |
|---------------------|-----------------------|
| ① Natural finish | Alternatives |
| ② Matt black finish | Check before ordering |
| ③ With 20° crank | |
| ④ Except 109 V8 | |

- ⑤ 109 V8 Regular
- ⑥ 109 V8 Station Wagon
- ⑦ 10" Black - (Spring type)

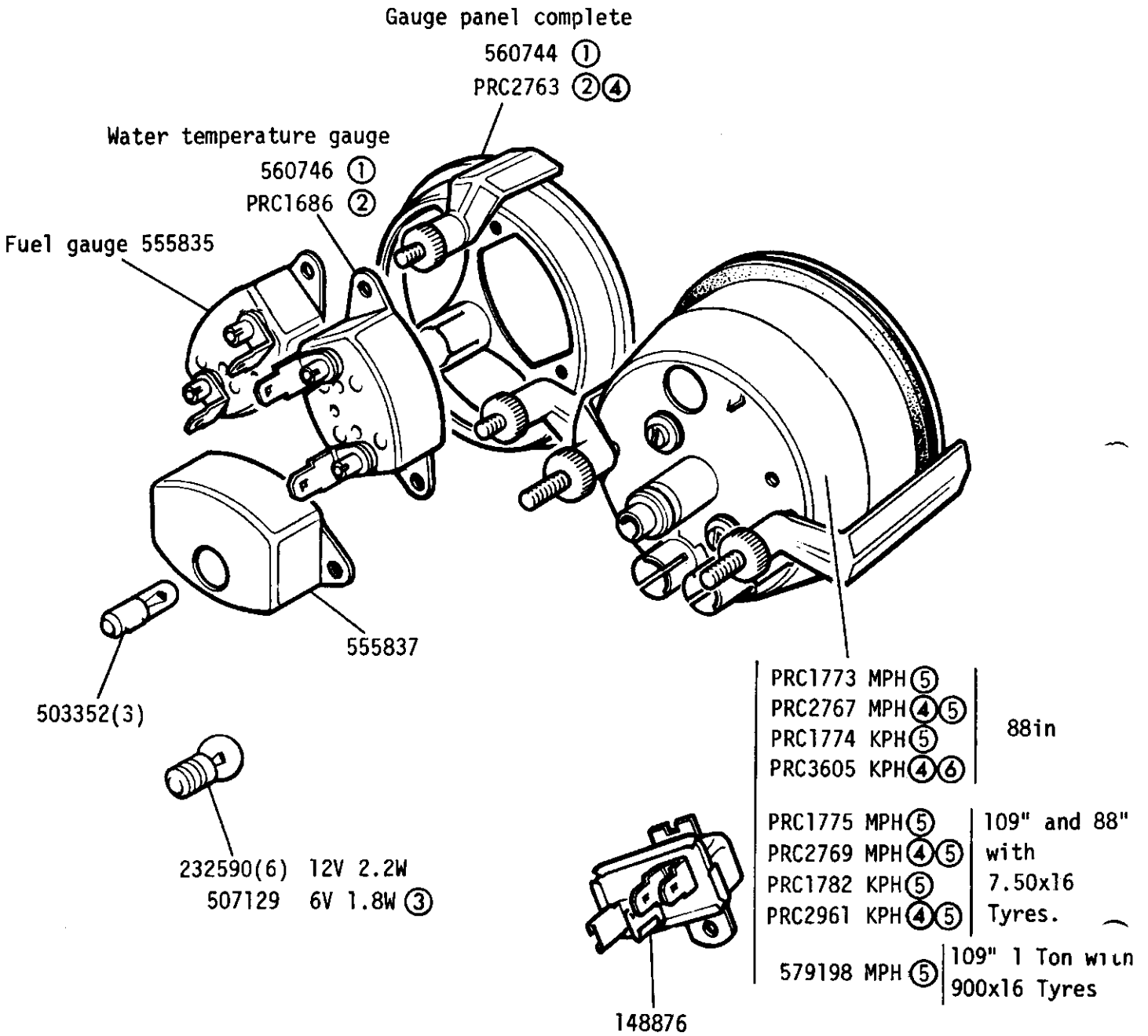
Brush kit for Wiper Motor - RTC198

GROUP K
ELECTRICAL - Instrument Panel



- ① Blue warning light Diesel
- ② Station Wagon only
- ③ Alternative fixings.

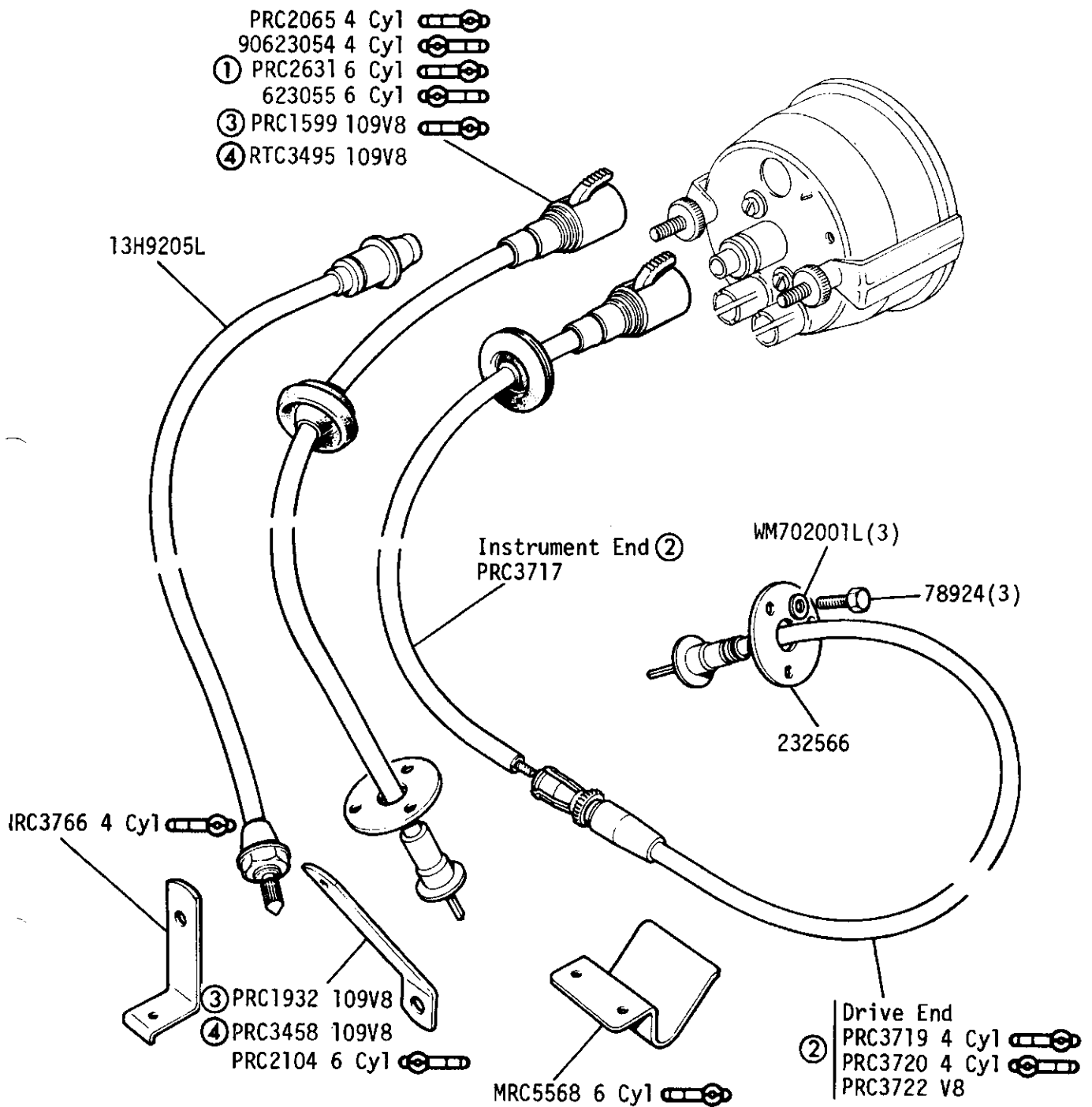
GROUP K
ELECTRICAL - Instruments




- ① Except 109 V8
- ② 109 V8
- ③ Diesel models - for heater plug warning light
- ④ Green Illumination
- ⑤ With Trip
- ⑥ Without Trip

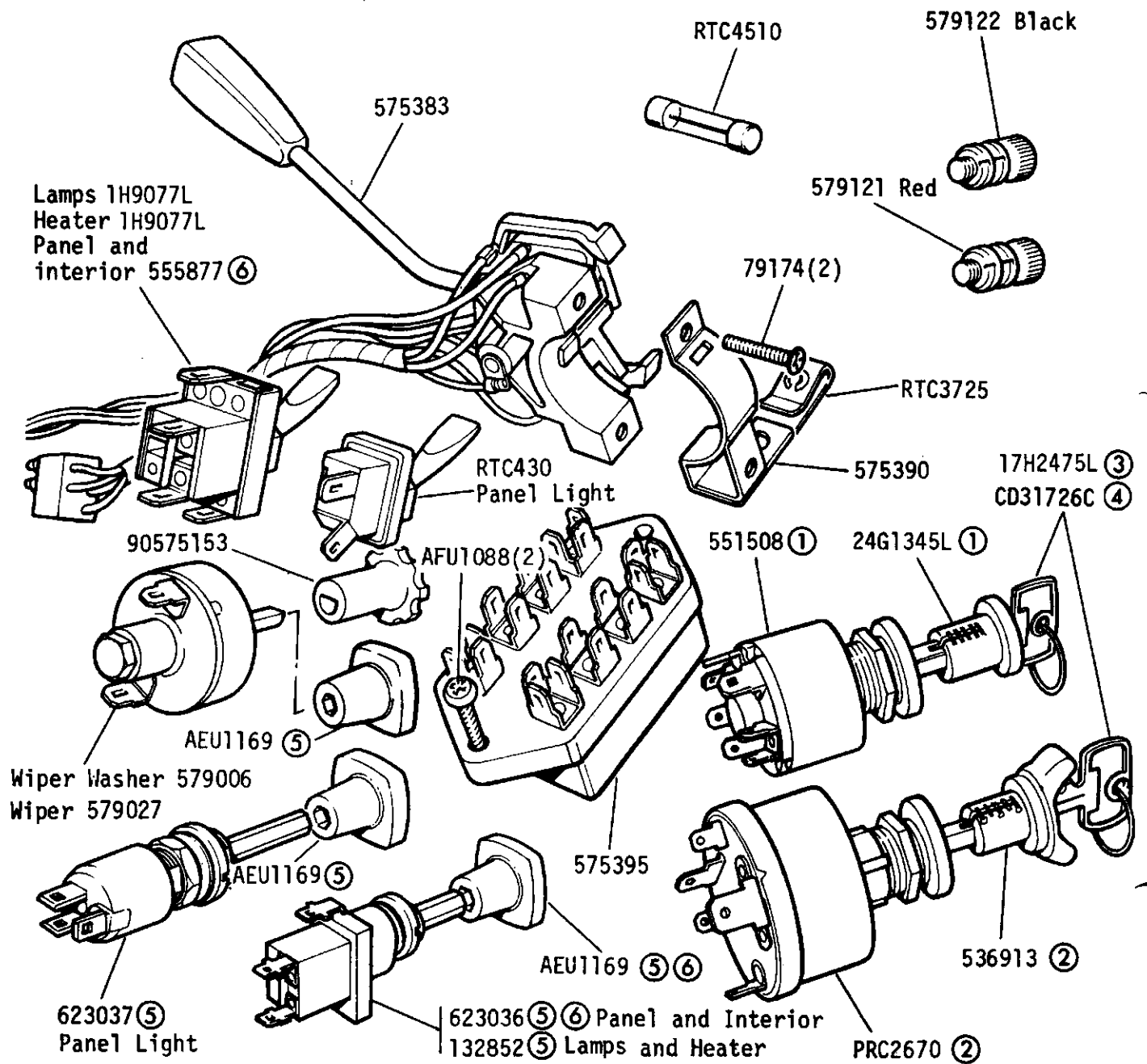
Plug, redundant hole :- 338014
(For use with PRC3605)

GROUP K
ELECTRICAL - Instruments



- | | |
|--|--|
| ① One piece speedometer drive cable | Double Clip, Speedometer Cable and Fuel Spill Pipe :- PRC3595(2) |
| ② Two piece speedometer drive cable | |
| ③ 109V8  Detoxed upto vehicle 158451 (January 1982) | |
| ④ All 109V8 from vehicle 158452 | |

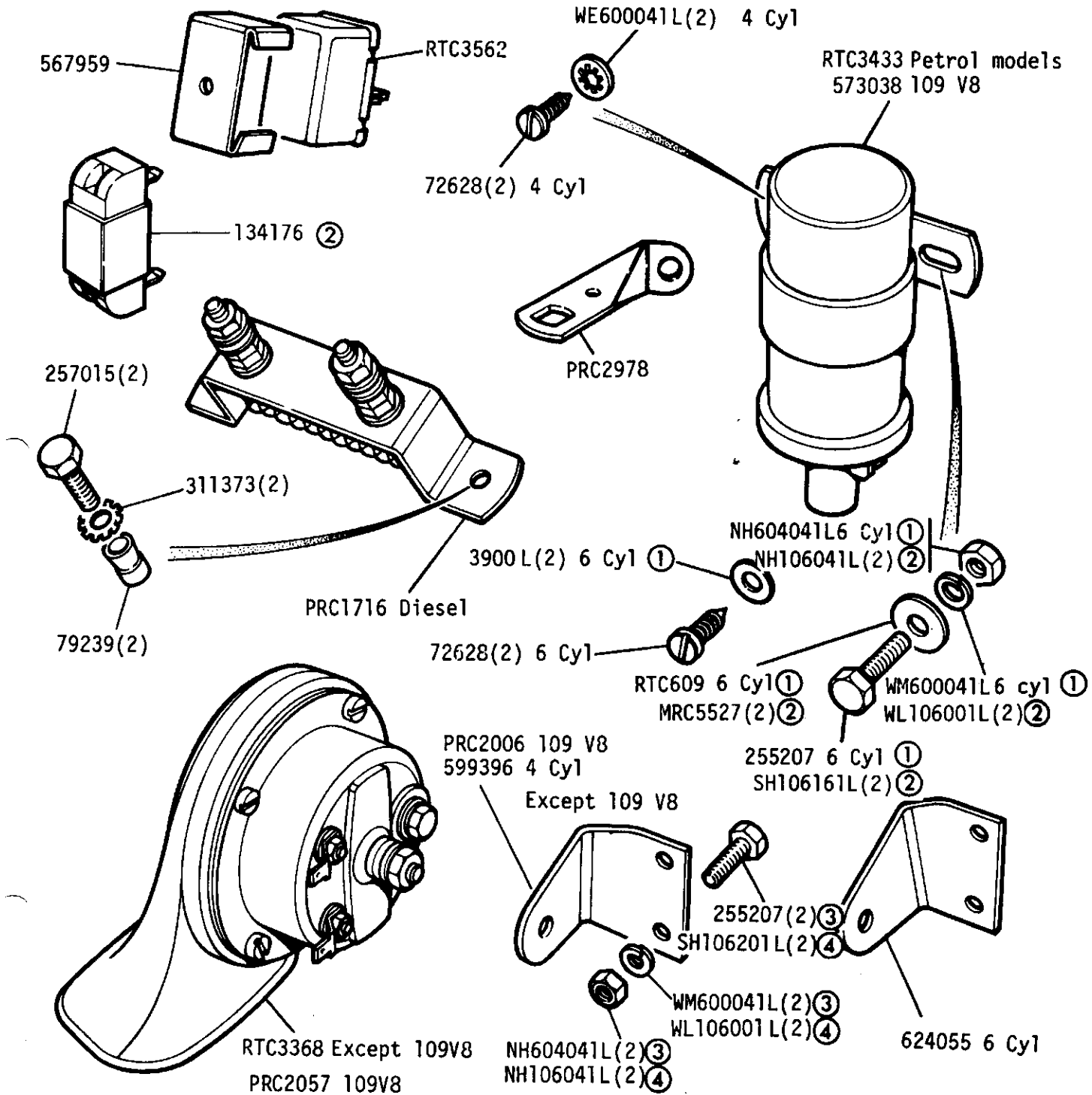
GROUP K
ELECTRICAL - Switches



- ① Petrol models
- ② Diesel models
- ③ Blank
- ④ Cut
- ⑤ Germany
- ⑥ Station Wagon

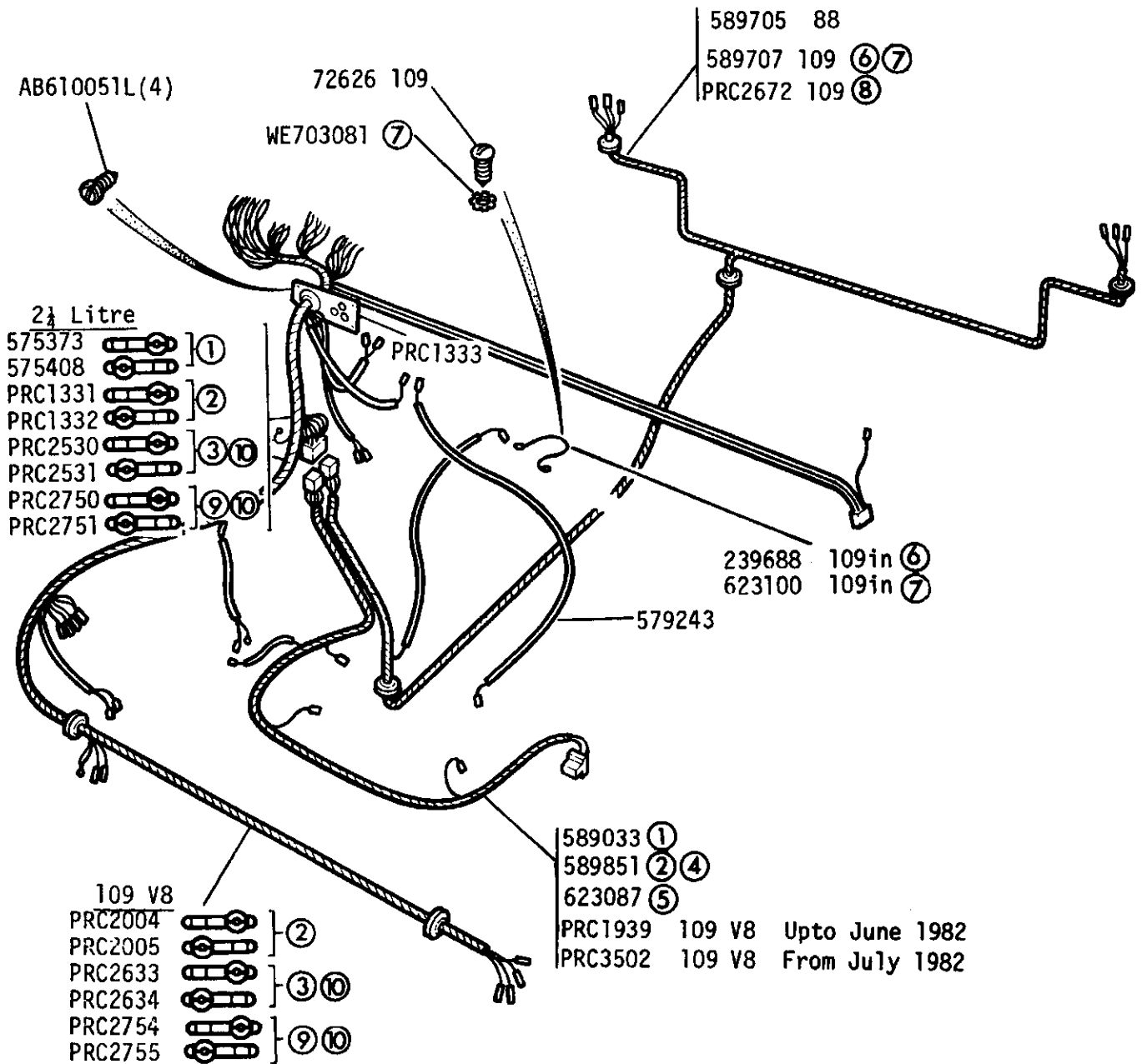
- Ballast resistor 109 V8 134176
- Relay for starter motor 109 V8 589665
- Ignition switch cover 109 V8 PRC2966
- Label Interior Lamp Switch - MRC8172
- Switch, rear Fog Lamp - PRC2627

GROUP K
ELECTRICAL - General



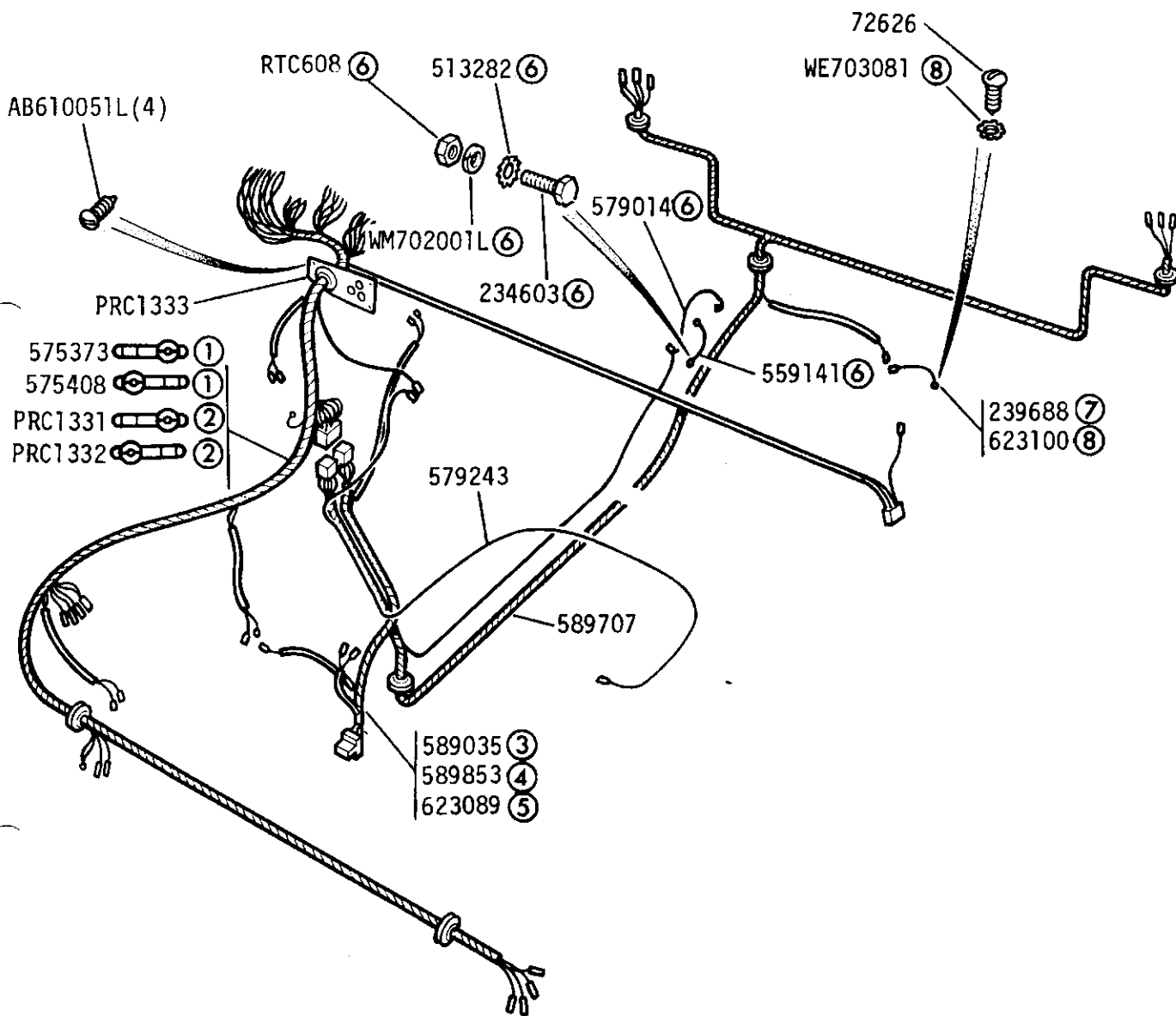
- ① Alternative fixings check before ordering
- ② 109 V8
- ③ UNF
- ④ METRIC

GROUP K
ELECTRICAL - Harnesses 2½ Litre Petrol and 109 V8



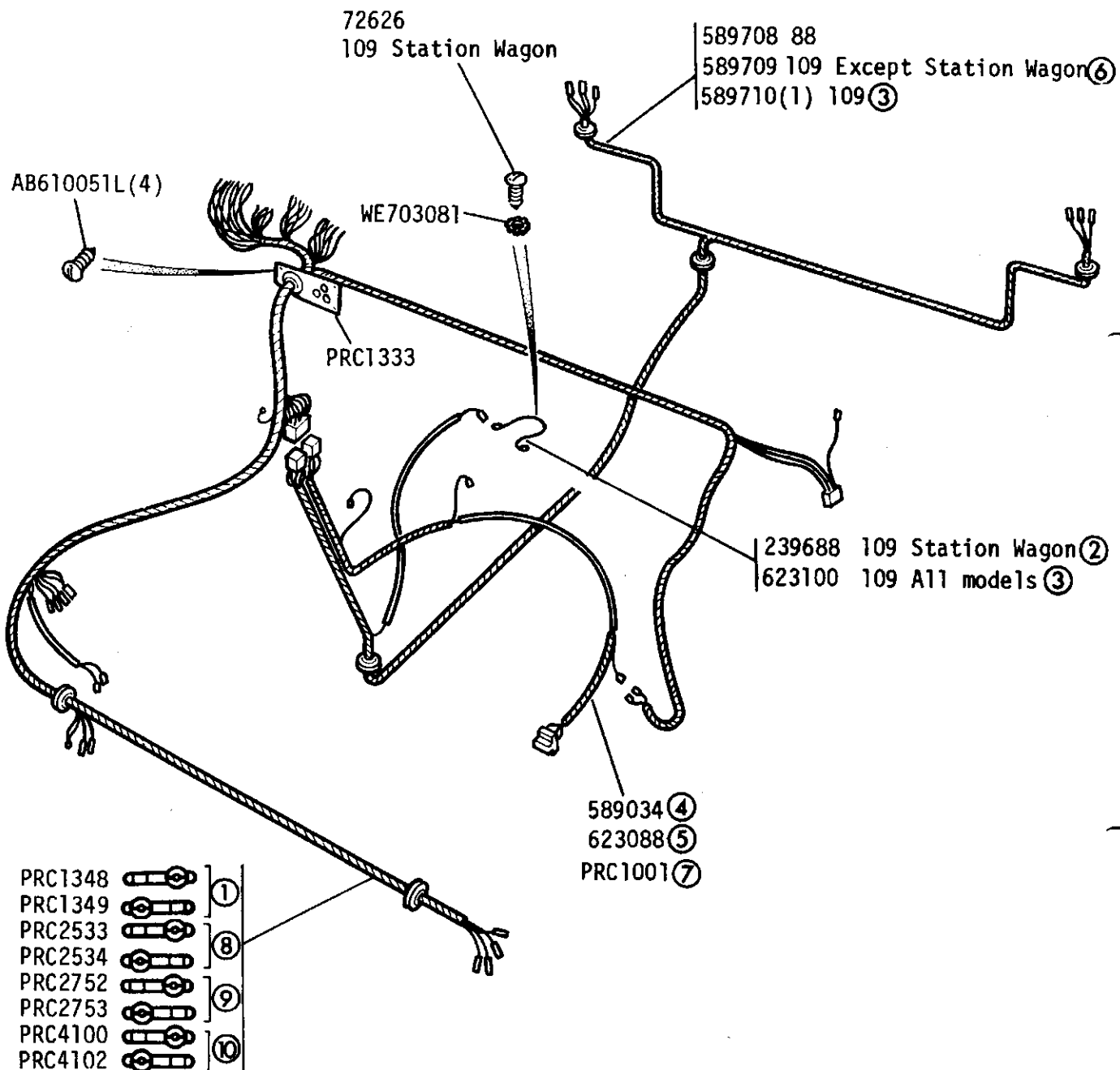
- ① Vehicles with choke thermostat warning switch
- ② Vehicles without choke thermostat warning switch - Up to Aug 1980
- ③ Vehicles without choke thermostat warning switch - From Sept 1980 to Jan.1983
- ④ All models up to engine suffix 'A'
- ⑤ All models from engine suffix 'B' onwards
- ⑥ 109 Station Wagon up to vehicle suffix 'B' inclusive
- ⑦ All 109 models from vehicle suffix 'C' onwards
- ⑧ 109 except Station Wagon up to vehicle suffix 'B' inclusive
- ⑨ From Feb. 1983
- ⑩ For vehicles with Rear Fog and Reverse Lamps

GROUP K
 ELECTRICAL - Harnesses 2.6 Litre Petrol



- ① Vehicles with choke thermostat warning switch
- ② Vehicles without choke thermostat warning switch
- ③ Up to April 1973
- ④ Engine suffix 'A'
- ⑤ From engine suffix 'B' onwards
- ⑥ Vehicle suffix 'A'
- ⑦ Vehicle suffix 'A' and 'B'
- ⑧ From vehicle suffix 'C' onwards

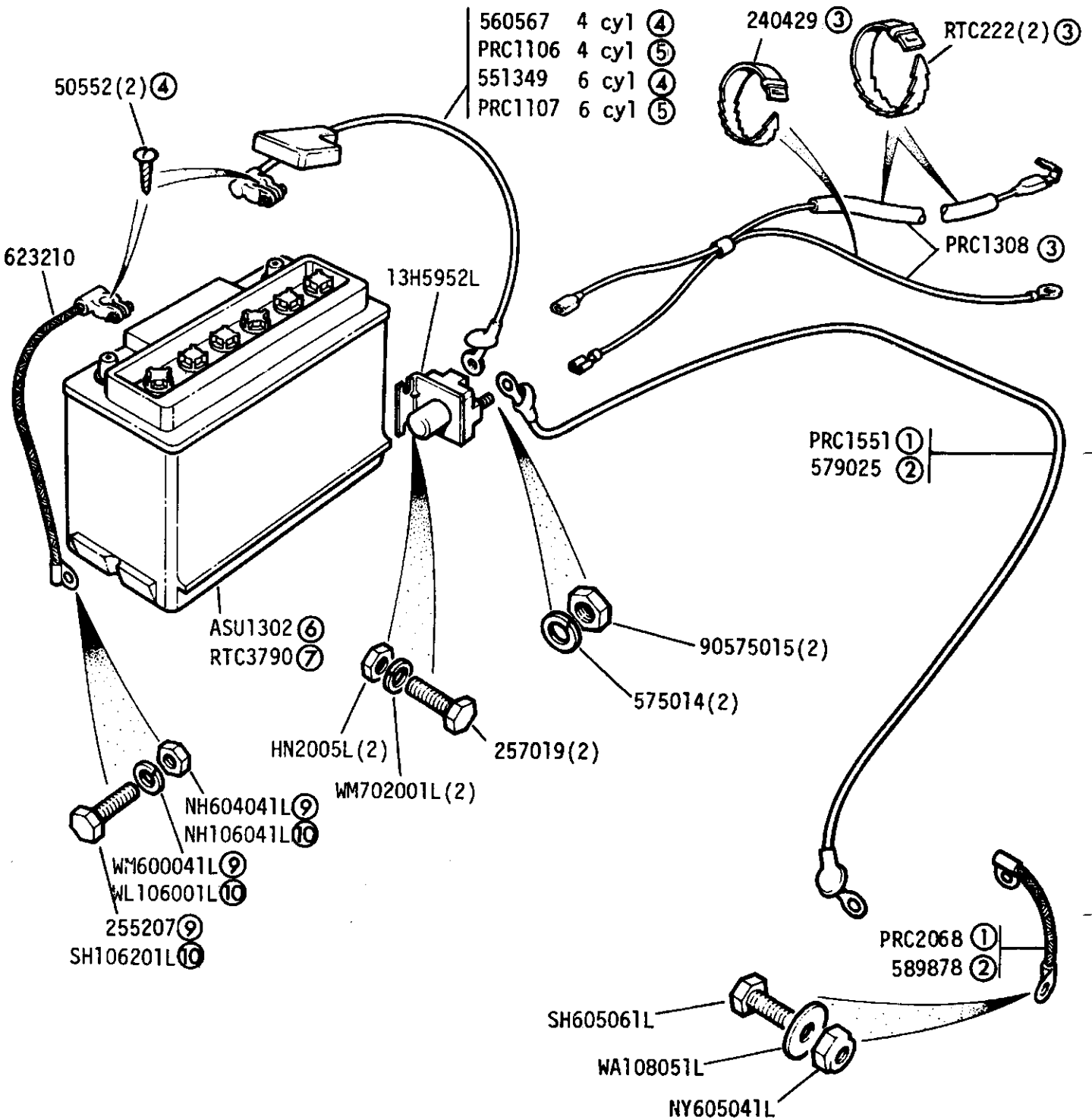
GROUP K
ELECTRICAL - Harnesses 2½ Litre Diesel



- | | |
|---|---|
| ① Vehicles with 3 hole grommet plate - Up to June 1980 | ⑩ December 1983 onwards (Ballast Resistor deleted) |
| ② 109 Station Wagon up to vehicle suffix 'B' inclusive | |
| ③ All 109 models from vehicle suffix 'C' onwards | |
| ④ All models engine suffix 'A' | |
| ⑤ All models engine suffix 'B' | |
| ⑥ 109 except Station Wagon up to vehicle suffix 'B' inclusive | |
| ⑦ All models from engine suffix 'C' onwards | |
| ⑧ July 1980 to January 1983 | |
| ⑨ February 1983 to November 1983 | |
- LAND ROVER 2F 11 1RE 293J

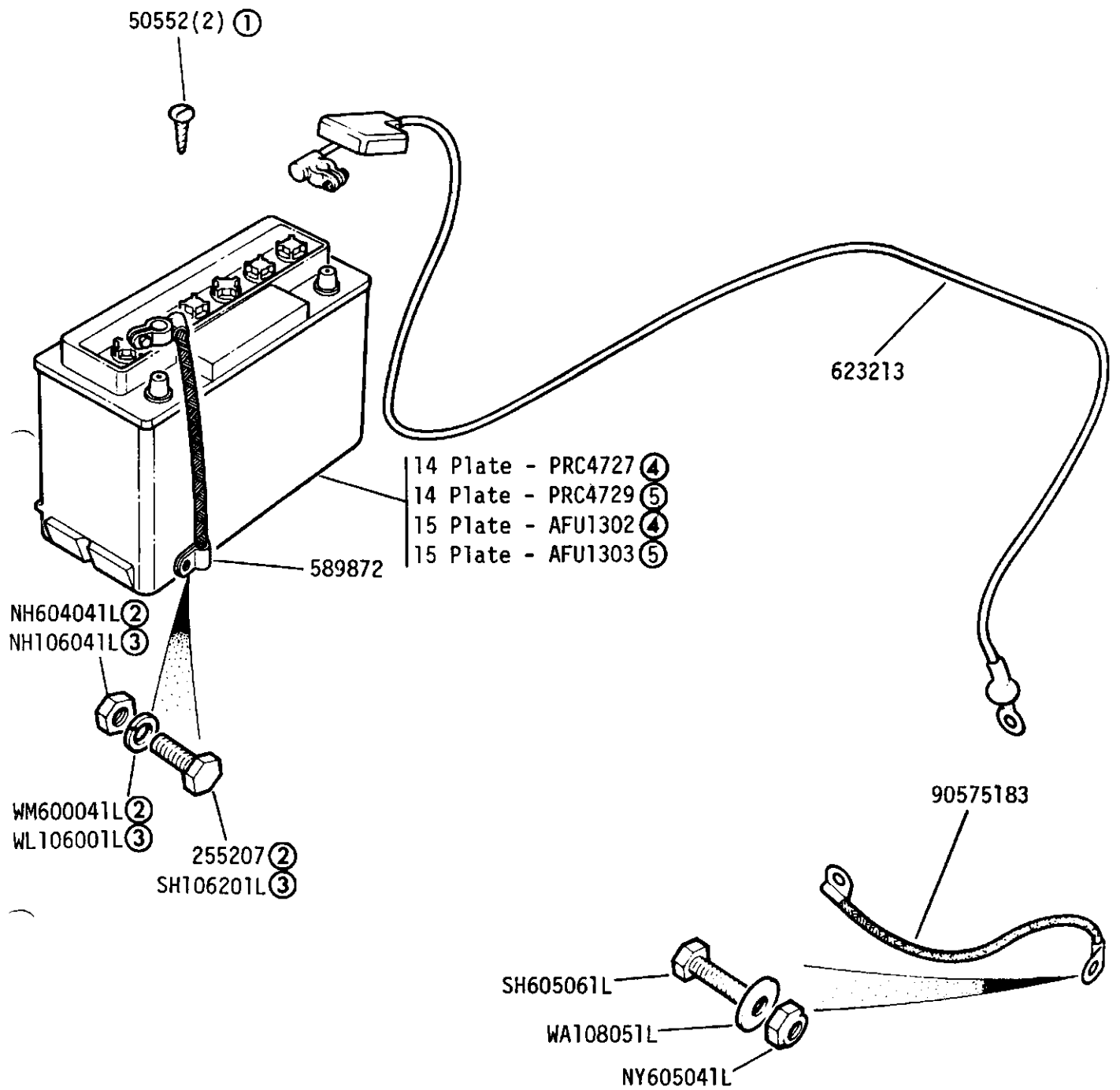
GROUP K

ELECTRICAL - Battery, Starter Solenoid and Cables - Petrol Models



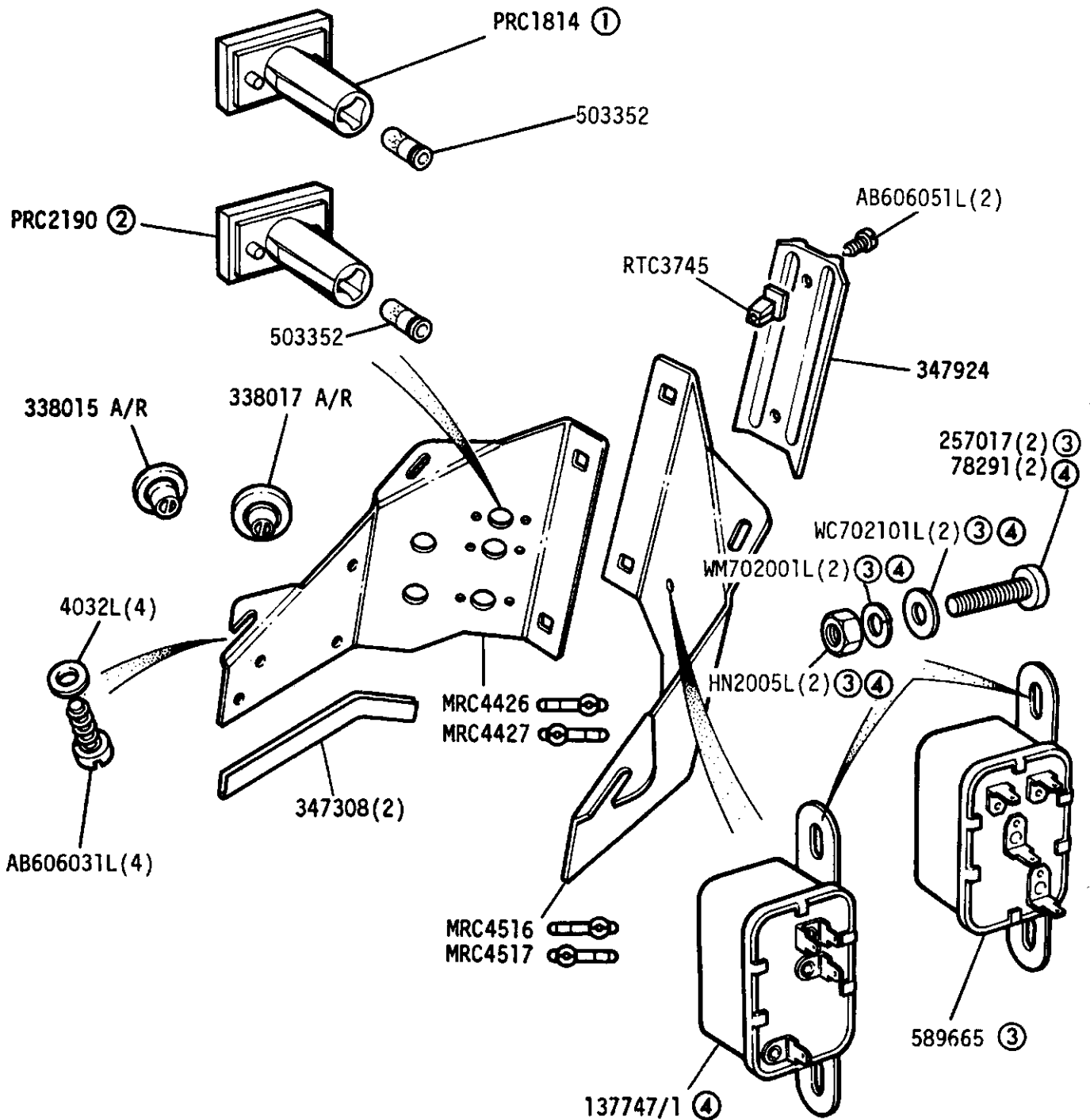
| | | |
|--|-------------|--|
| (1) 2½ Petrol | (9) UNF | |
| (2) 2.6 Petrol | (10) METRIC | |
| (3) 2.6 Petrol when Detoxed Engine is fitted | | |
| (4) Drive screw type | | Lead, battery earth PRC1598) |
| (5) Clamp type | | Lead, battery to solenoid PRC1597) 109 V8 |
| (6) Wet charged Battery | | Lead, engine to earth PRC3625) |
| (7) Dry charged Battery | | |

GROUP K
ELECTRICAL - Battery and Cables, Diesel Models



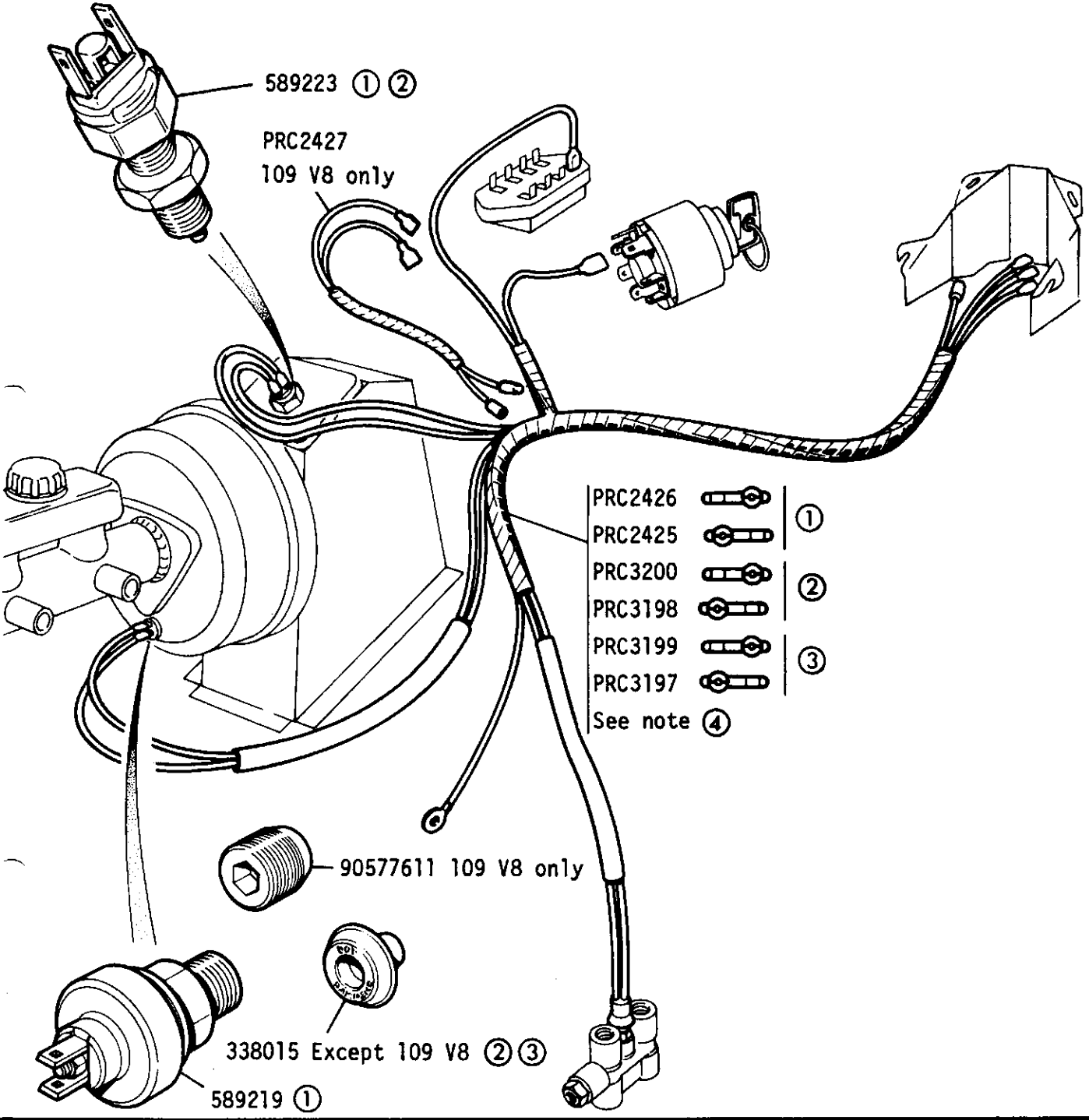
- ① For early type cable with drive screw connections
- ② UNF
- ③ METRIC
- ④ Wet charged Battery
- ⑤ Dry charged Battery

GROUP K
ELECTRICAL - Auxiliary instrument panel



- ① Lens - brake warning light (dual brakes system)
- ② Lens - differential warning light - 109V8 only
- ③ Relay - ignition switch - 109V8 only
- ④ Relay - brake warning (dual brakes system)

GROUP K
ELECTRICAL - Brake failure warning - dual brakes system



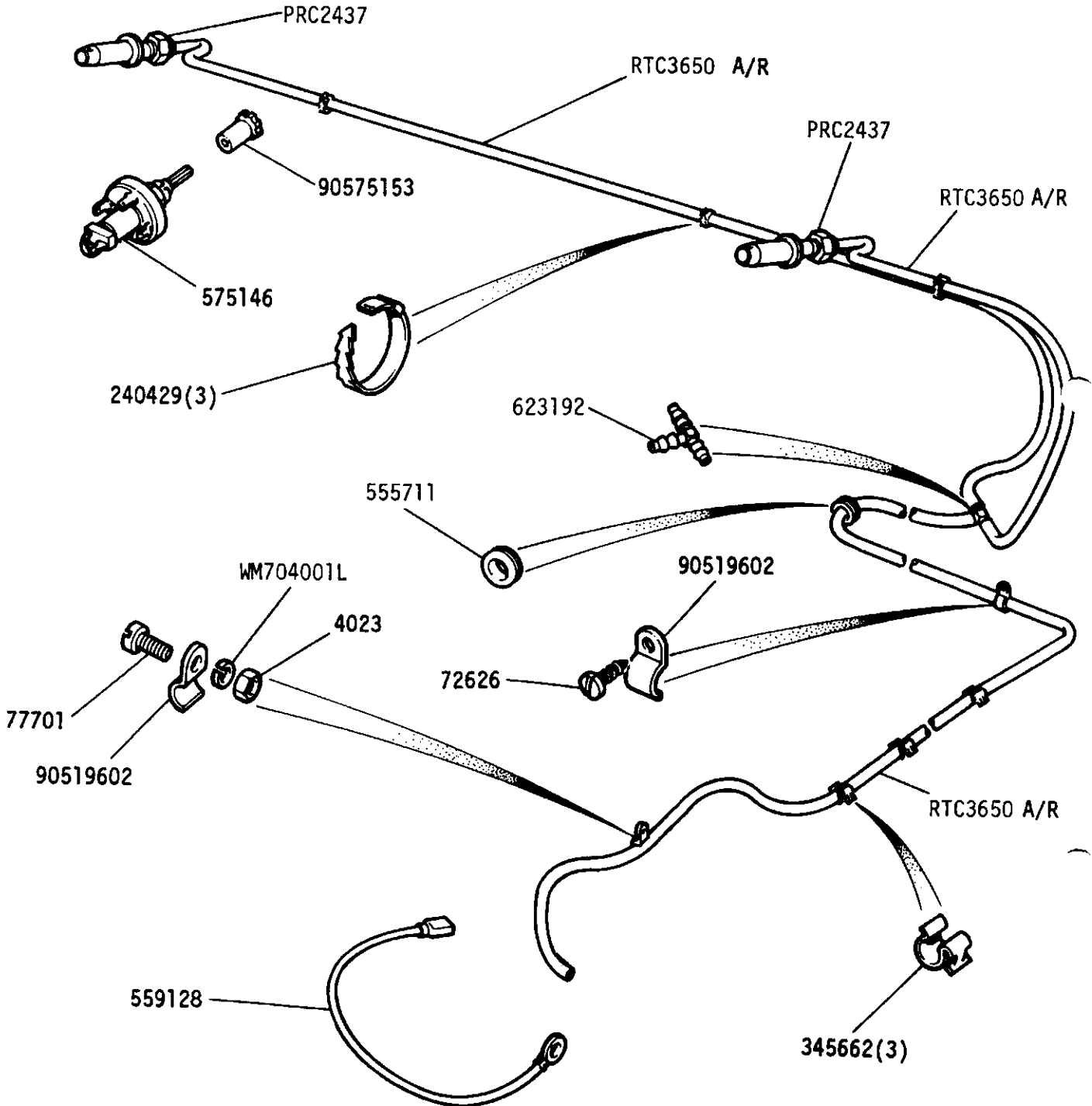
- ① Vehicles with pedal travel and vacuum loss switch
- ② Vehicles with pedal travel switch only
- ③ Vehicles without pedal travel or vacuum loss switches
- ④ Not applicable to 109 V8 (part of Main Harness)

R.184 GROUP K

AUDIBLE WARNING SAFETY HARNESS. 88" - SAUDI ARABIA ONLY.

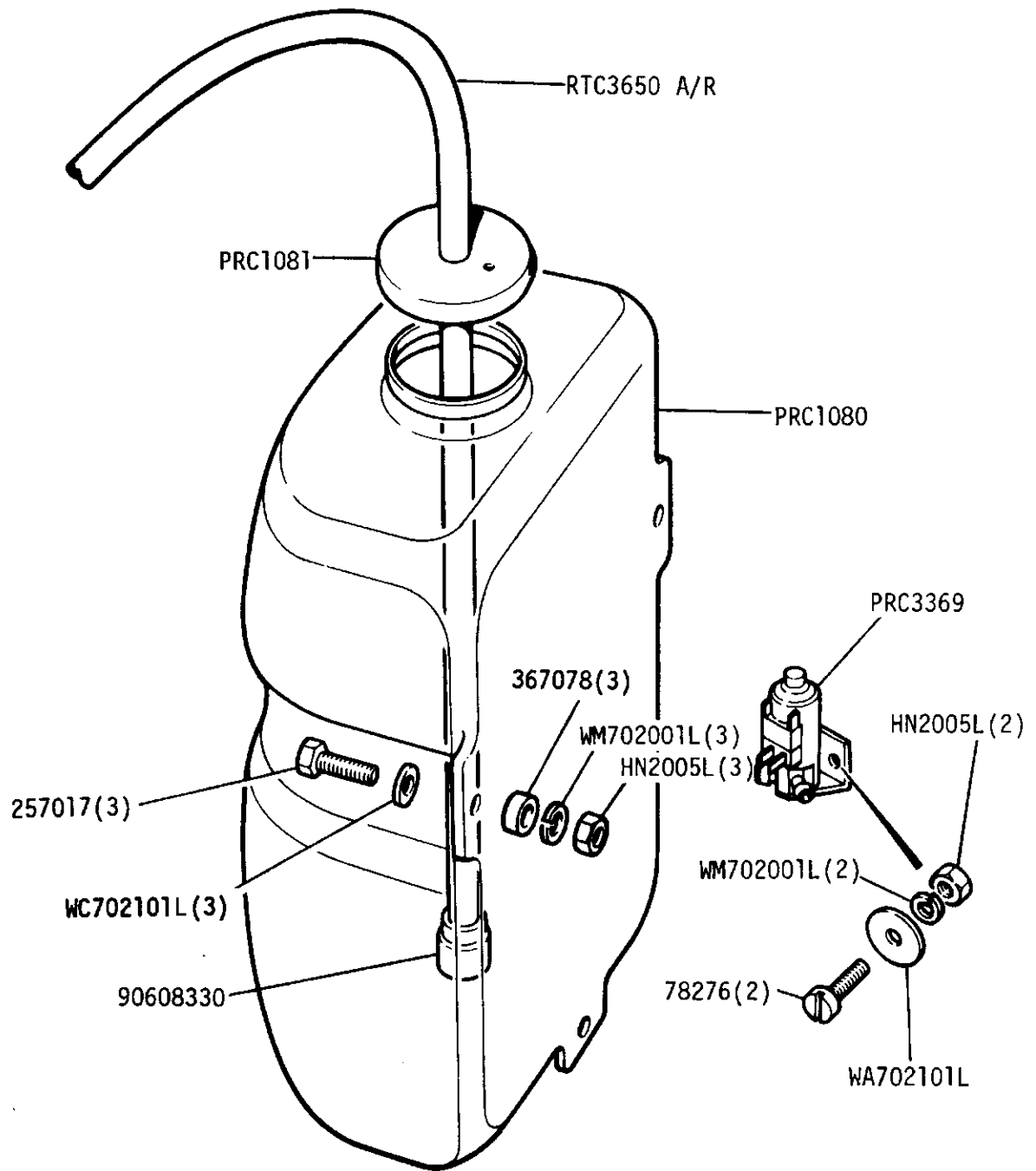
| PLATE | | | | | DESCRIPTION | QTY. | PART No. | REMARKS |
|-------|---|---|---|---|--|------|-----------|---------|
| REF. | 1 | 2 | 3 | 4 | | | | |
| | | | | | Cable Assembly - Seat Belt Warning | 1 | PRC4302 | |
| | | | | | Buzzer | 1 | PRC4299 | |
| | | | | | Mounting Clip - Buzzer | 1 | PRC4304 | |
| | | | | | Screw) Fixing | 1 | 257017 | |
| | | | | | Spring Washer) Mounting | 1 | WM702001L | |
| | | | | | Nut) Clip | 1 | HN2005L | |
| | | | | | Clip - Seat Buckle Leads to Locker Base | | | |
| | | | | | Panel | 3 | AFU2879 | |
| | | | | | Cable Tie - Seat Buckle Leads to Speedometer | | | |
| | | | | | Cable | 5 | C43640 | |

GROUP K
ELECTRICAL - Windscreen washer - tubing, jets and fixings

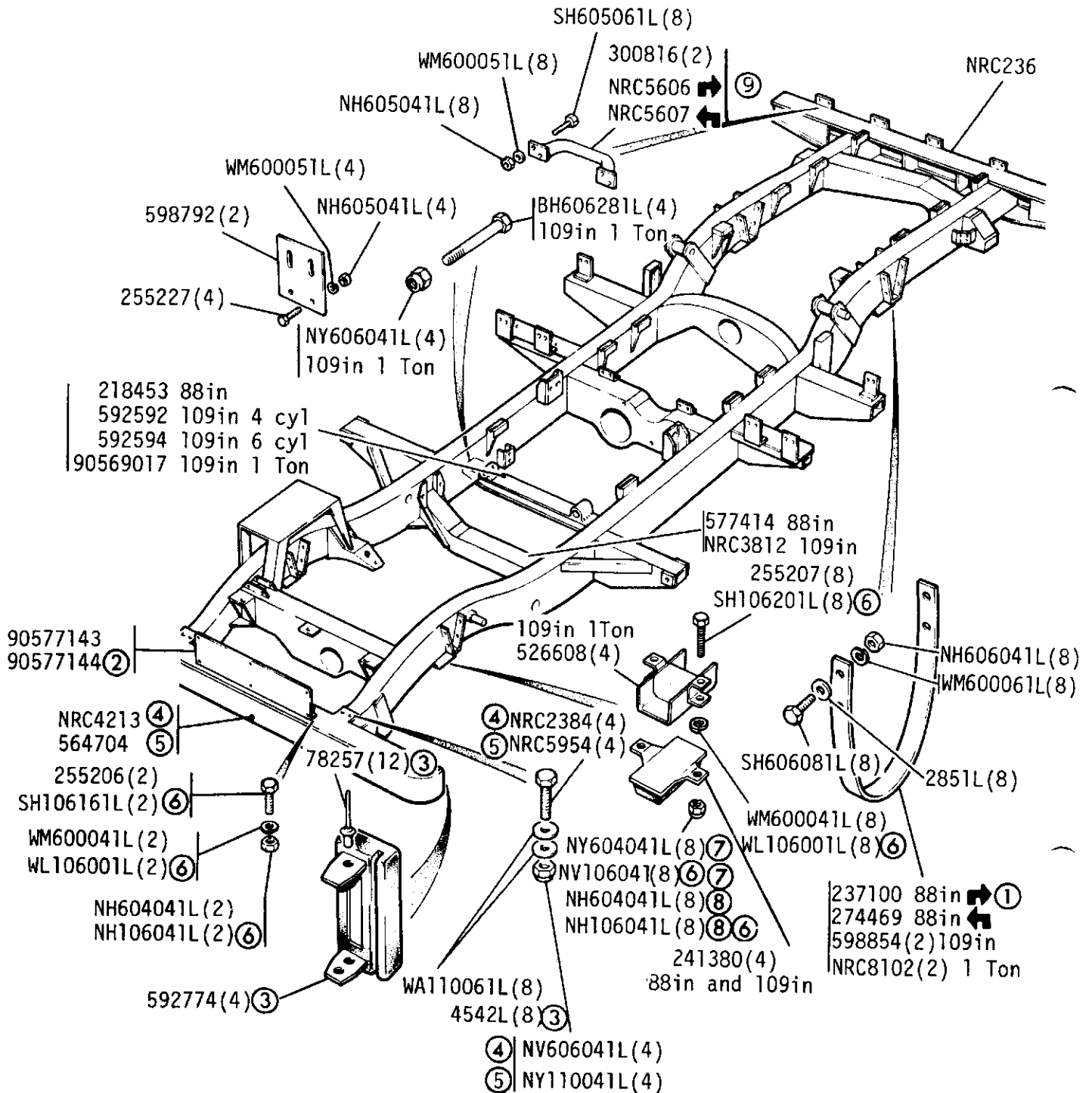


GROUP K

ELECTRICAL - Windscreen Washer Bottle and Tubing

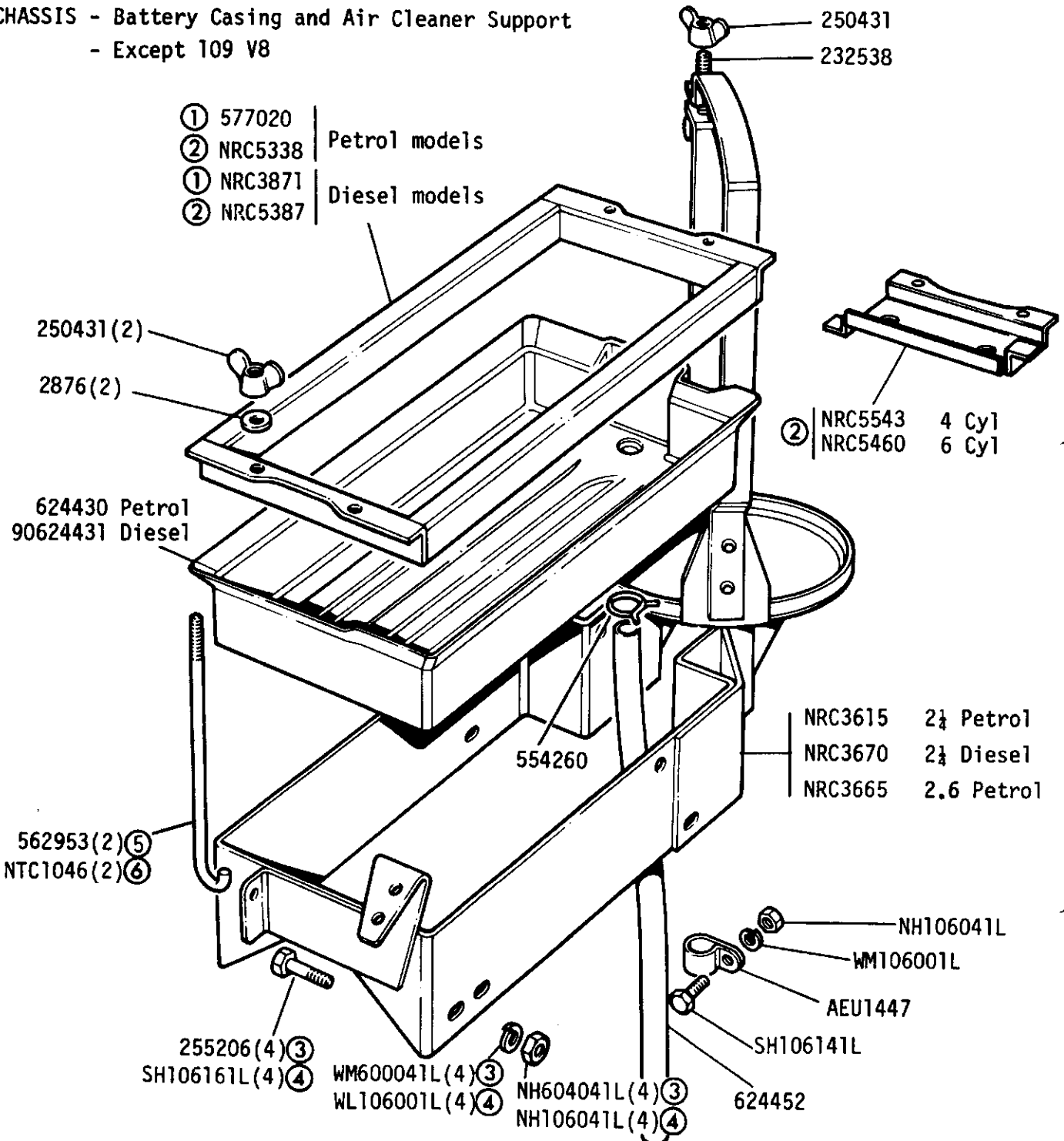


GROUP L
CHASSIS FRAME



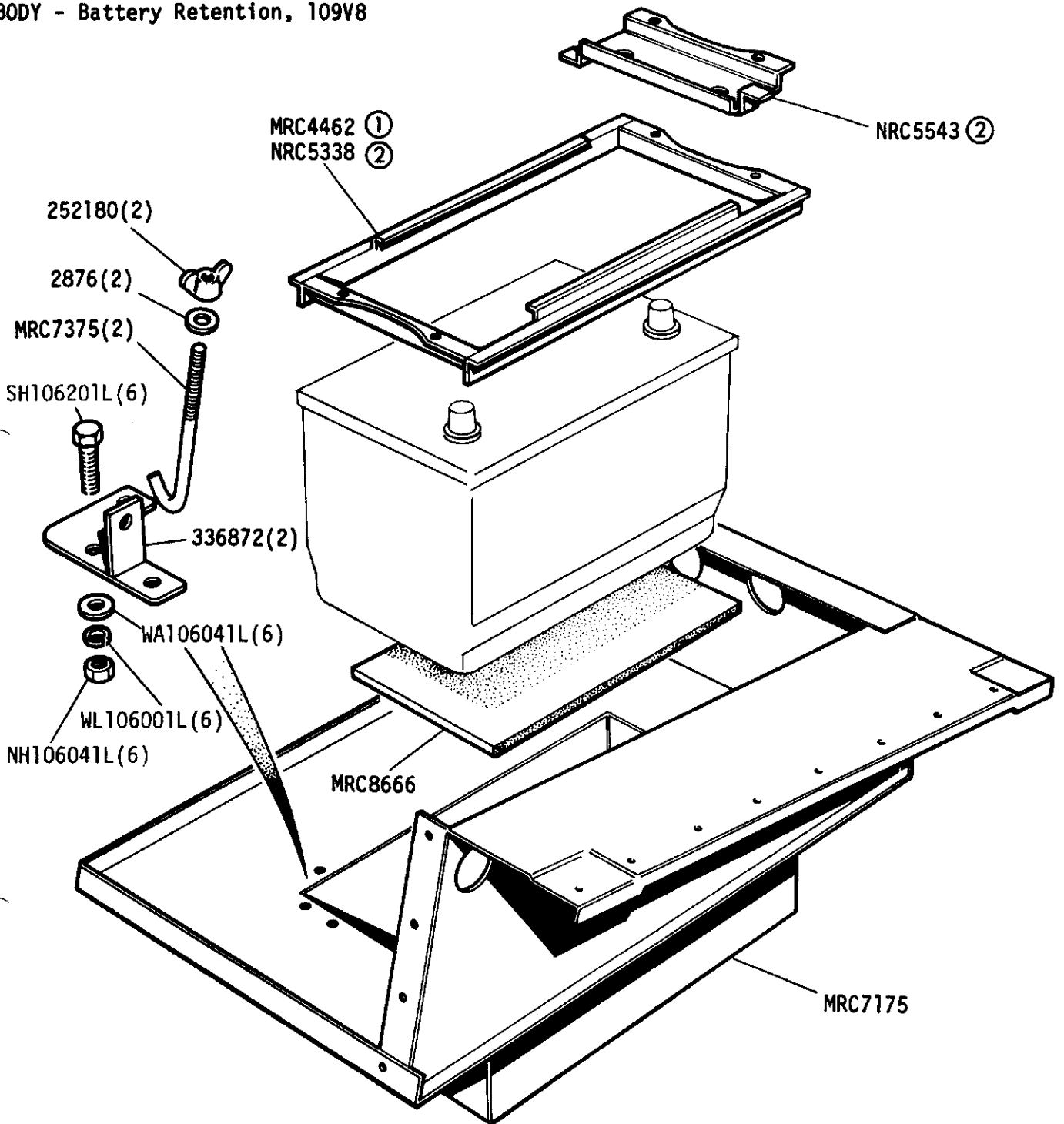
- | | |
|--|---|
| ① 2 required with two-piece axle casing | ⑦ 88in and 109in |
| ② Optional | ⑧ 109in 1 Ton |
| ③ Germany | Protection Pad, Front Bumper - NRC7439(2) ③ |
| ④ Up to May 1980 | Rivet, Pad to Bumper - 78248(8) ③ |
| ⑤ From June 1980 onwards | Cover, Bumper Bolt - NRC7571(8) ③ |
| ⑥ Metric | ⑨ Alternatives |
| Bracket, upper, front bumper mounting NRC4184) | |
| Bracket, lower, front bumper mounting NRC4336) | 109 V8 Up to May 1980 |
| LAND ROVER | |

GROUP L
CHASSIS - Battery Casing and Air Cleaner Support
 - Except 109 V8



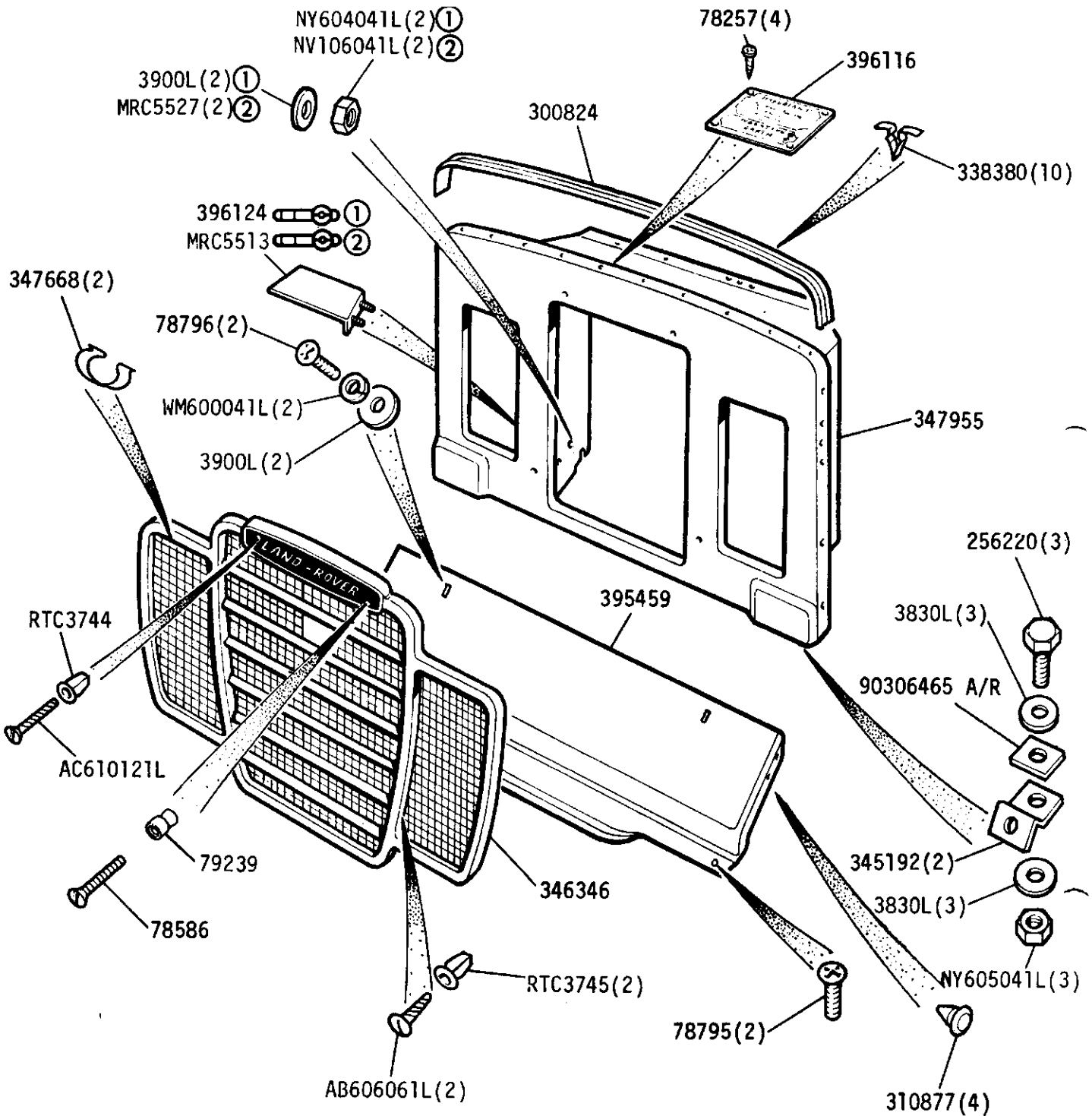
- ① Up to November 1980
- ② From December 1980
- ③ UNF
- ④ METRIC
- ⑤ Upto September 1984
- ⑥ From October 1984

GROUP L
 BODY - Battery Retention, 109V8



- ① Up to November 1980
- ② From December 1980

GROUP L
 BODY - Radiator Grille Except 109 V8



① UNF
 ② METRIC