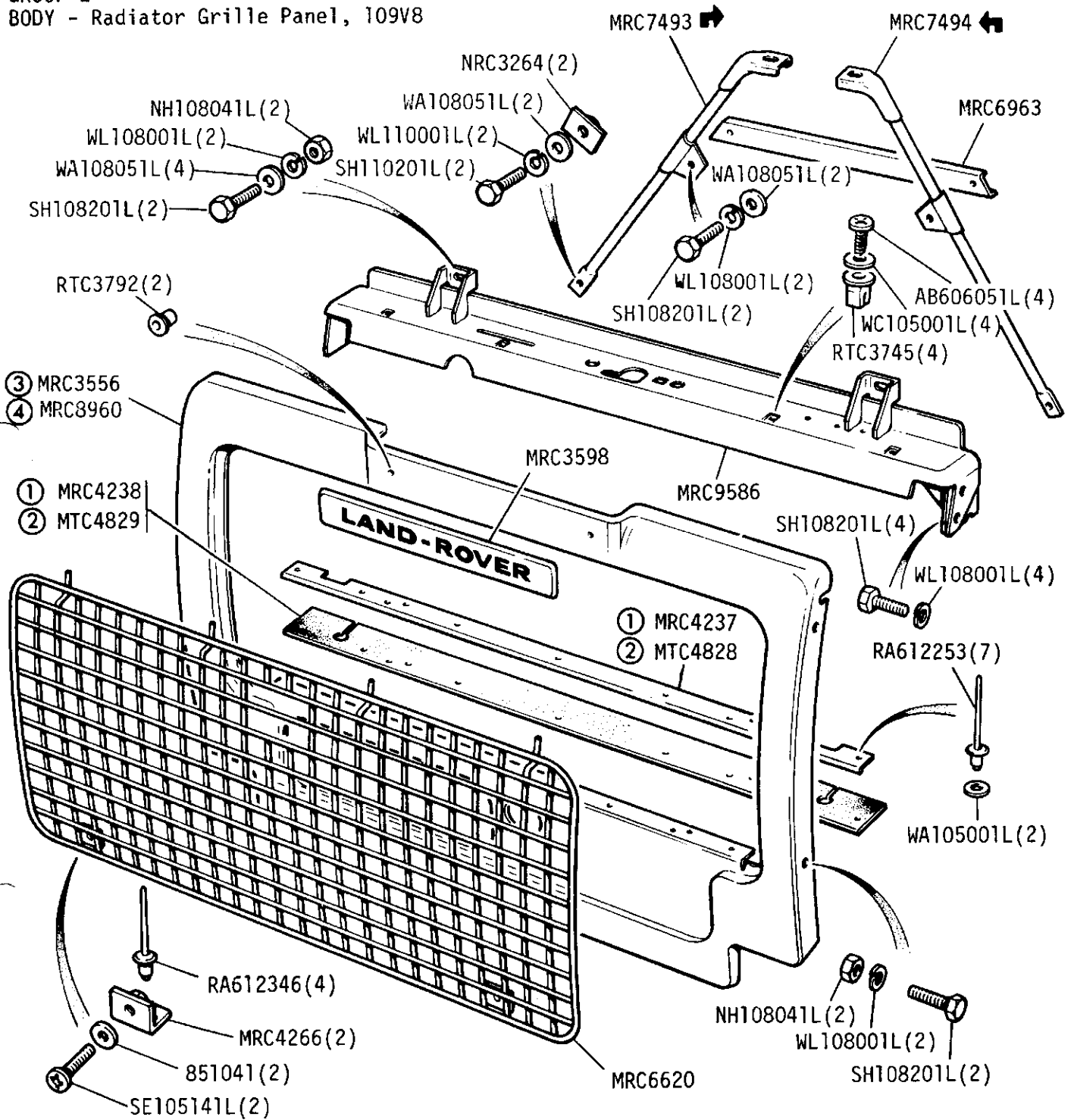
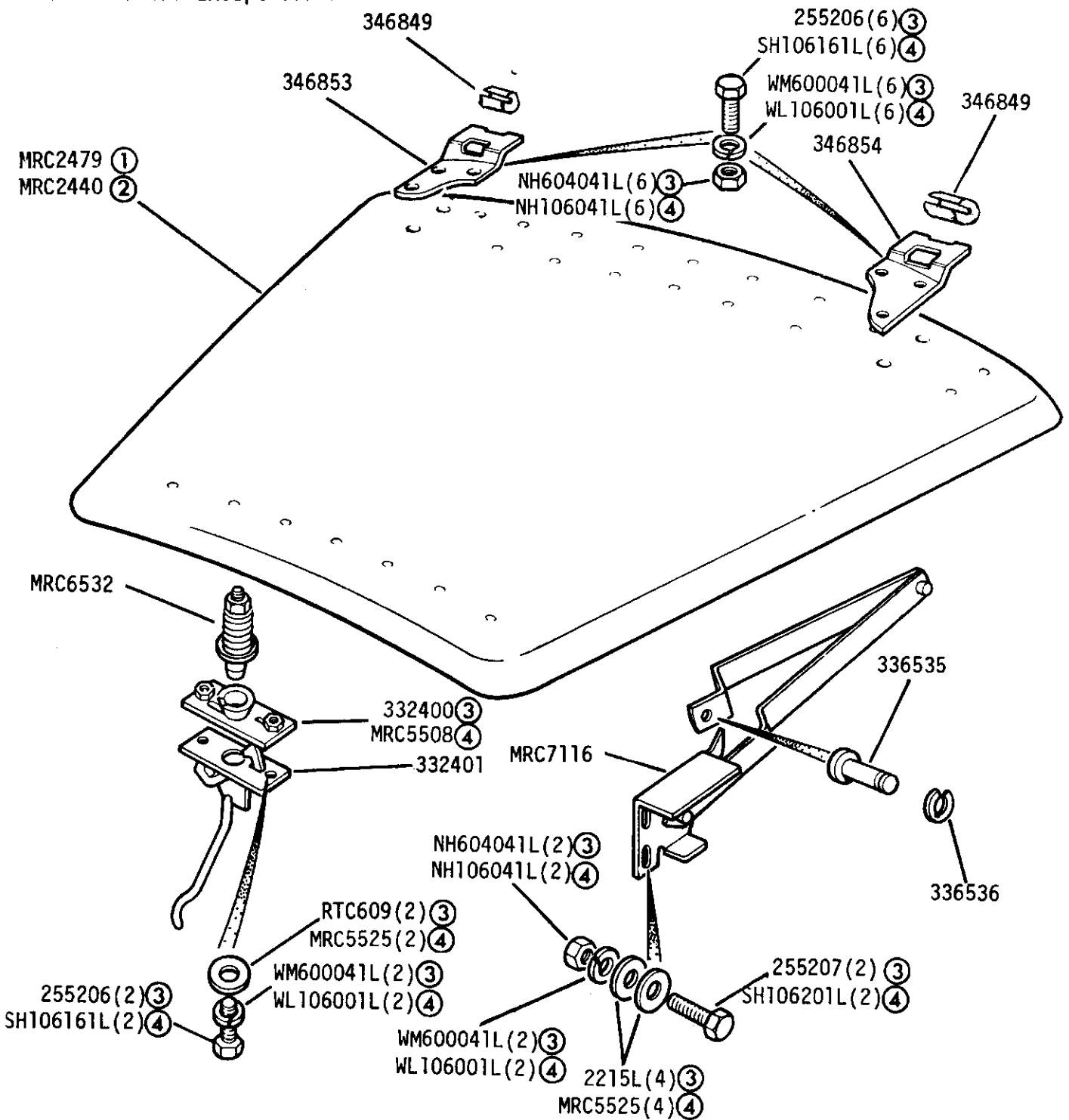


GROUP L  
 BODY - Radiator Grille Panel, 109V8



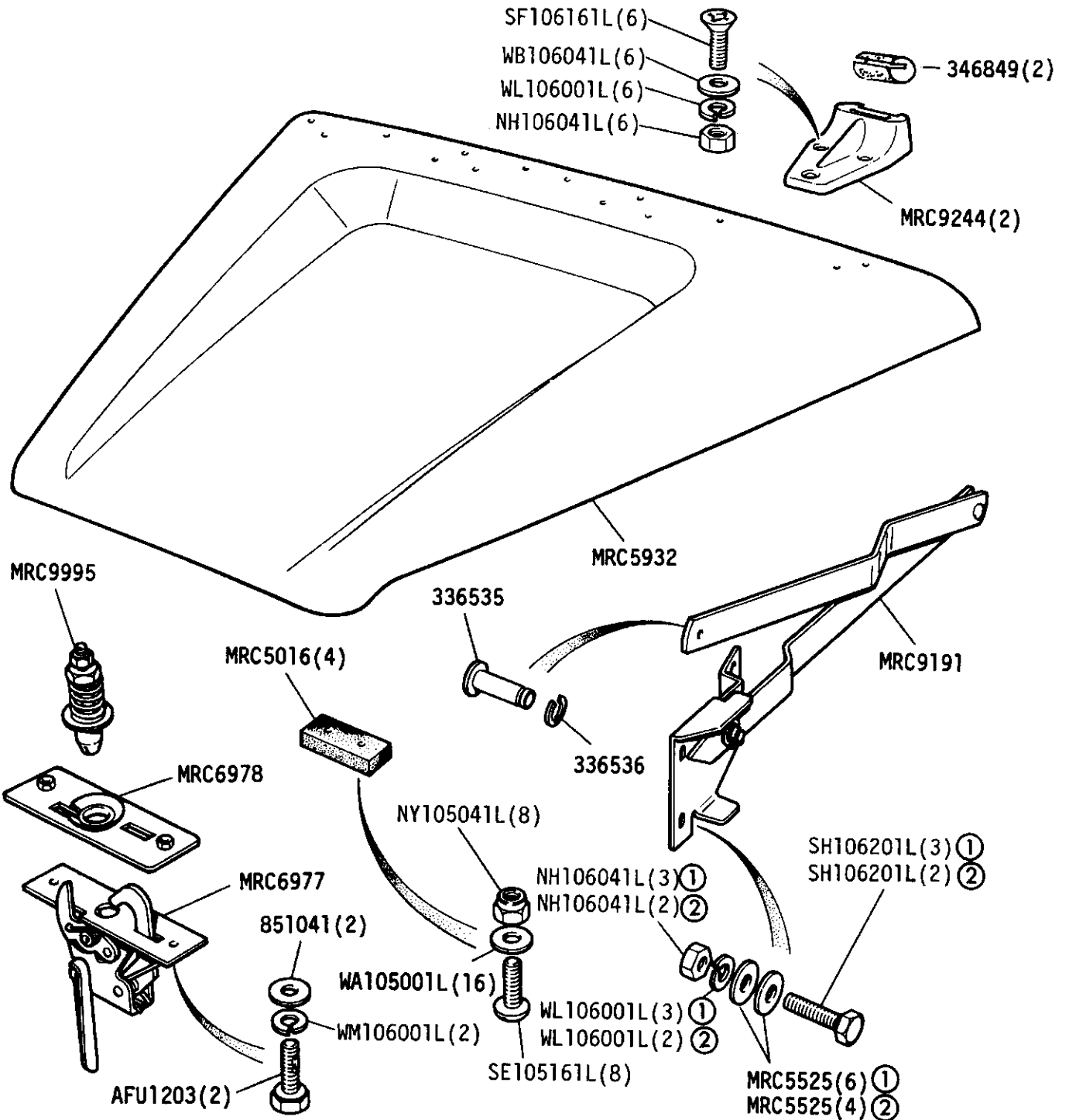
- |                          |                          |
|--------------------------|--------------------------|
| ① Up to June 1983        | MRC5589 Bonnet lock assy |
| ② From July 1983         | MRC6262 Key blank        |
| ③ Up to May 1980         |                          |
| ④ From June 1980 onwards |                          |

GROUP L  
 BODY - Bonnet Except 109 V8



- ① Plain type
- ② De-Luxe recessed. Optional
- ③ UNF
- ④ METRIC

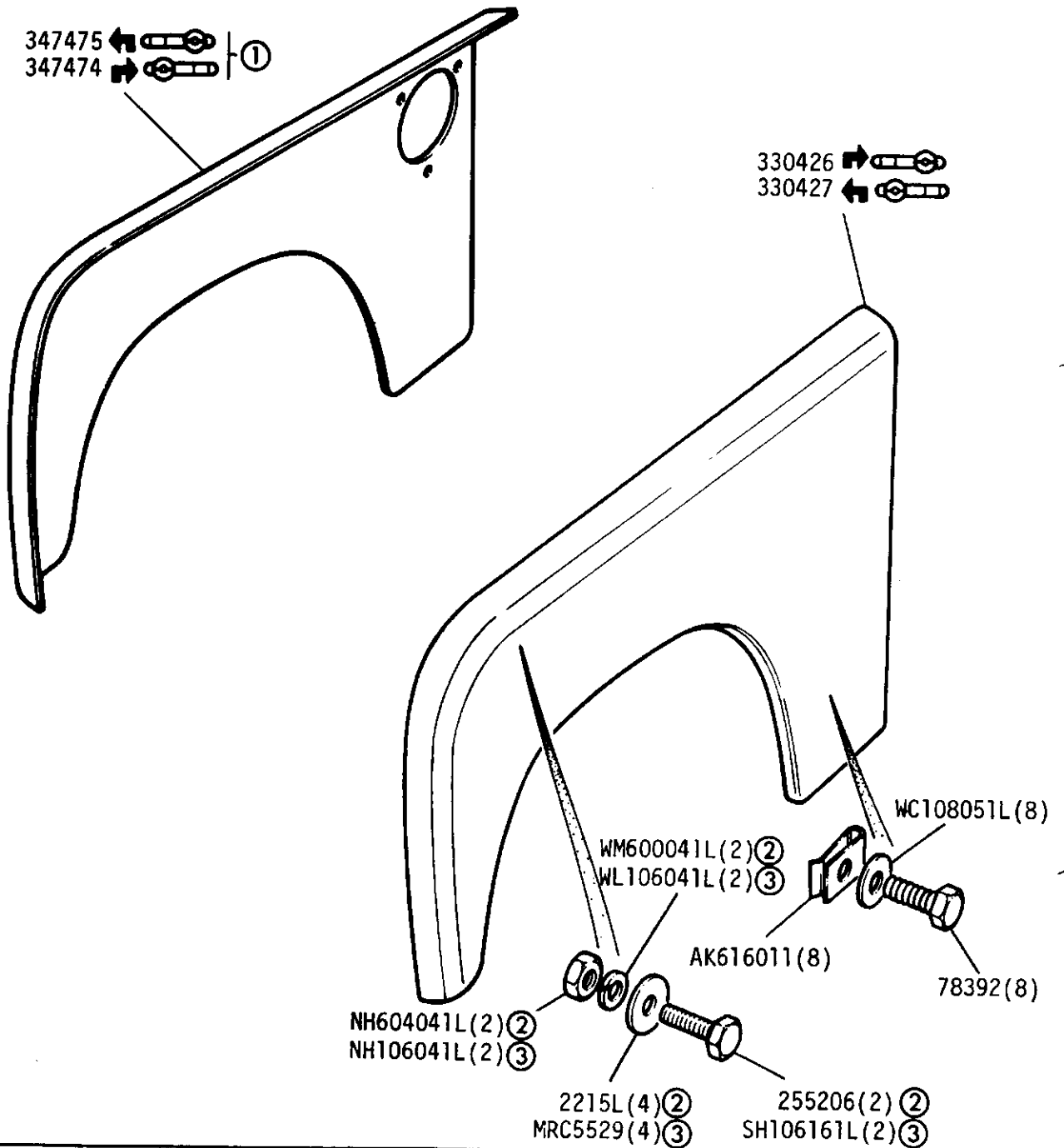
GROUP L  
 BODY - Bonnet, 109V8



① Except Station Wagon  
 ② Station Wagon

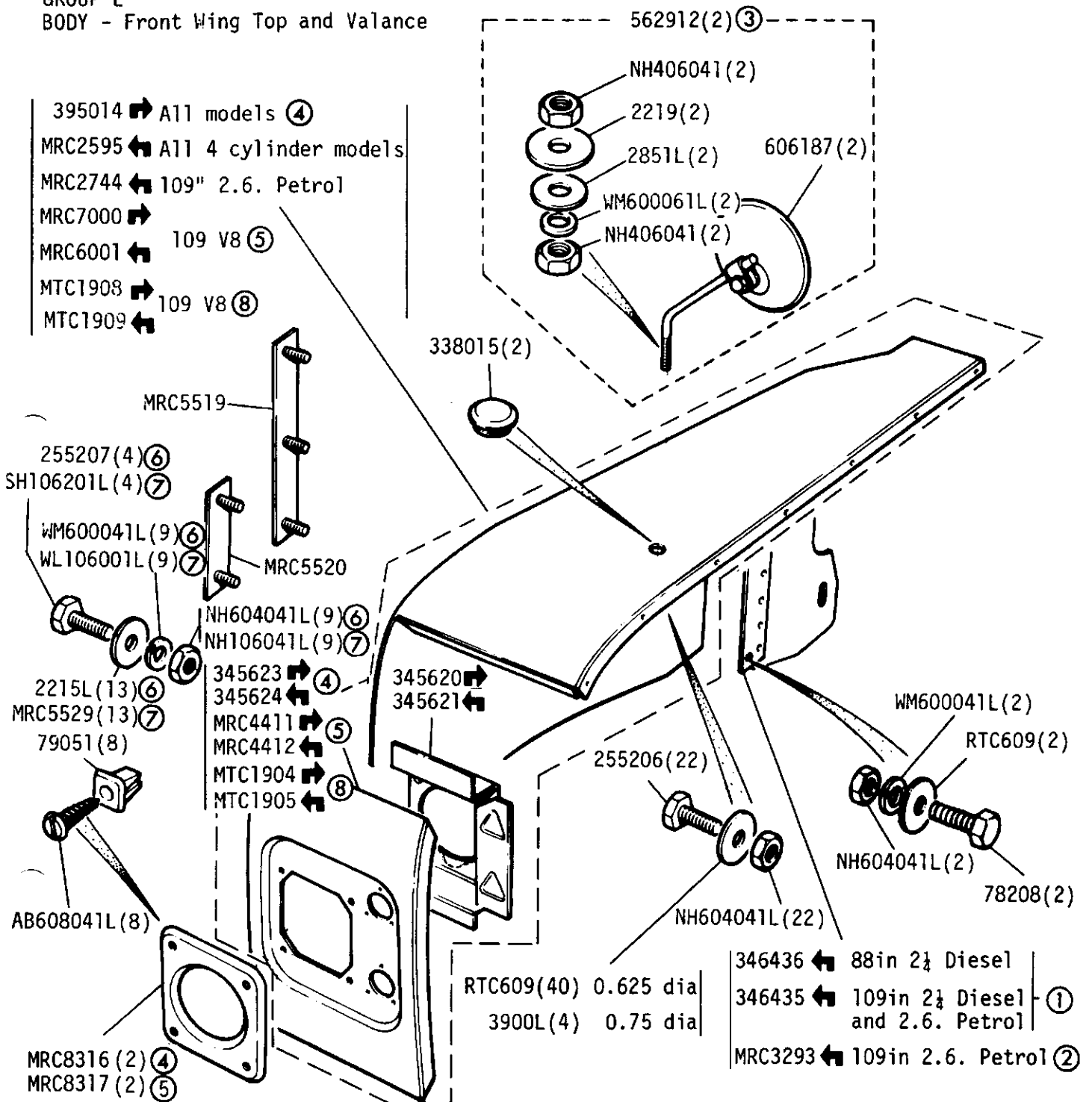
MRC6270:- Buffer - Bonnet (2)

GROUP L  
 BODY - Front Wings



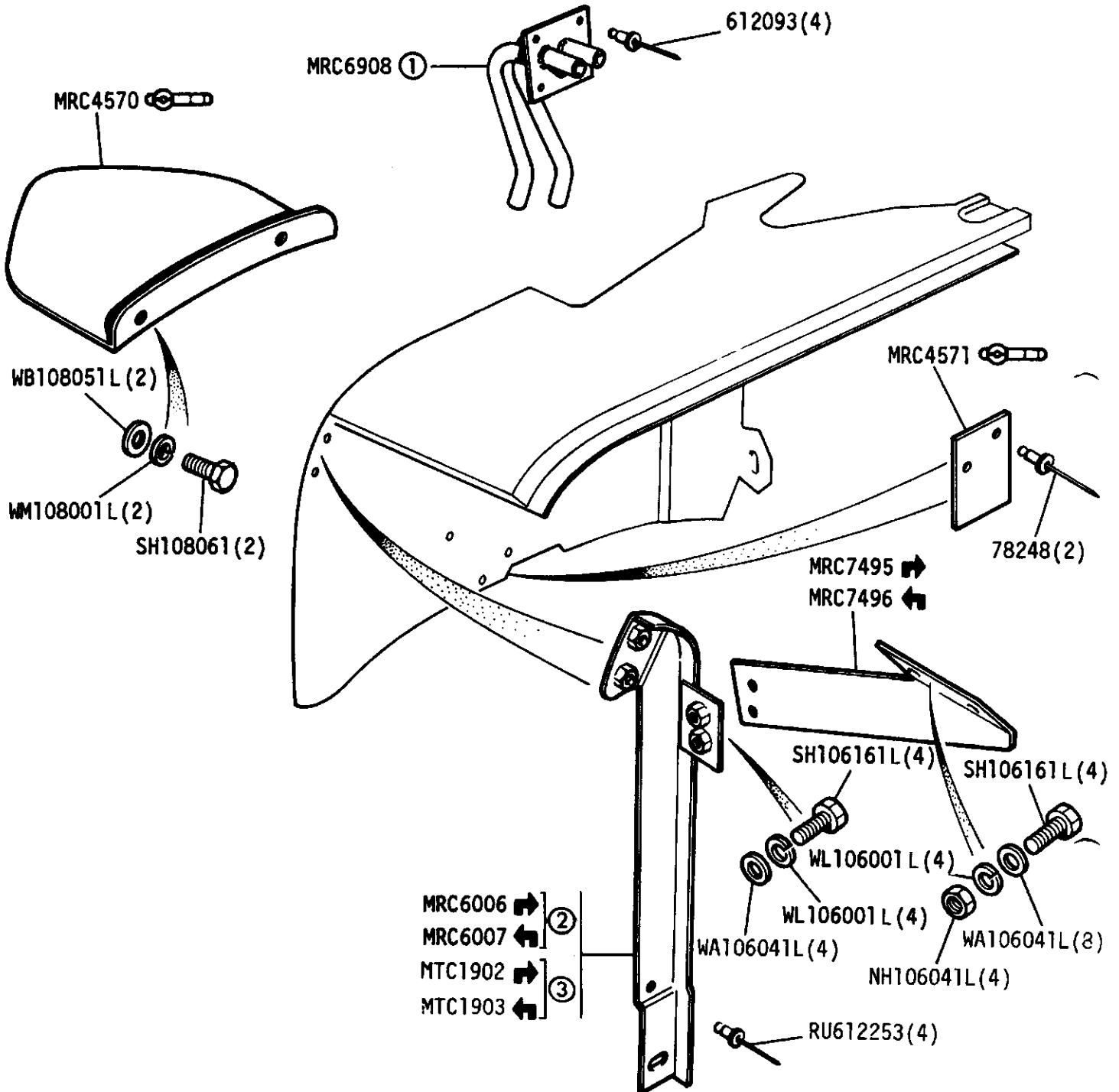
- ① With aperture for fresh air heater intake
- ② UNF
- ③ METRIC

GROUP L  
BODY - Front Wing Top and Valance



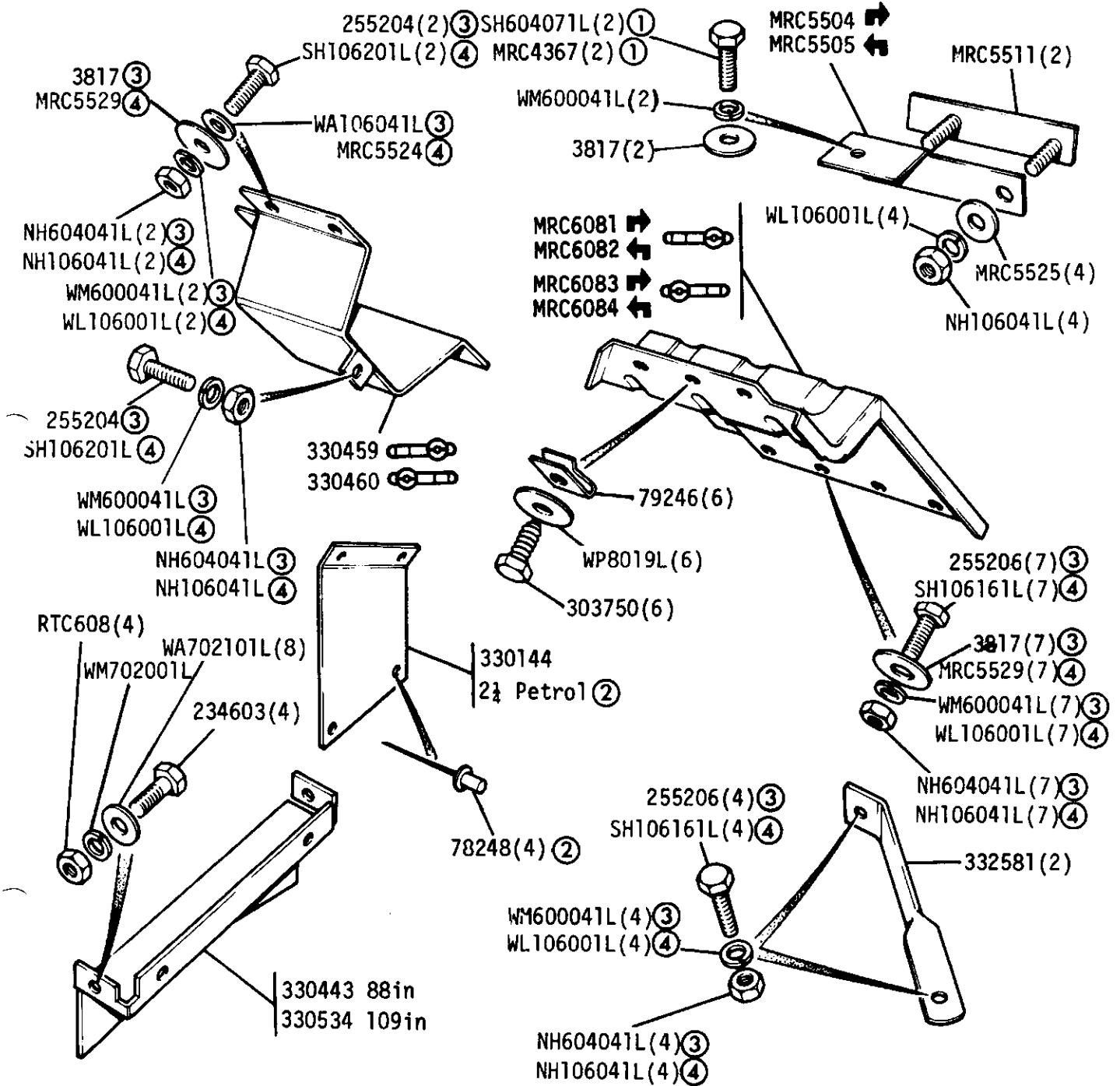
- ① Up to December 1974
- ② From January 1975 onwards
- ③ Up to November 1977 See frame 2I 03 for door mounted mirror
- ④ Except 109 V8
- ⑤ 109 V8 Upto SALLBCAV2AA188641
- ⑥ UNF
- ⑦ METRIC
- ⑧ 109 V8 From SALLBCAV2AA188642 onwards

GROUP L  
 BODY - Front wing fittings, 109V8 only



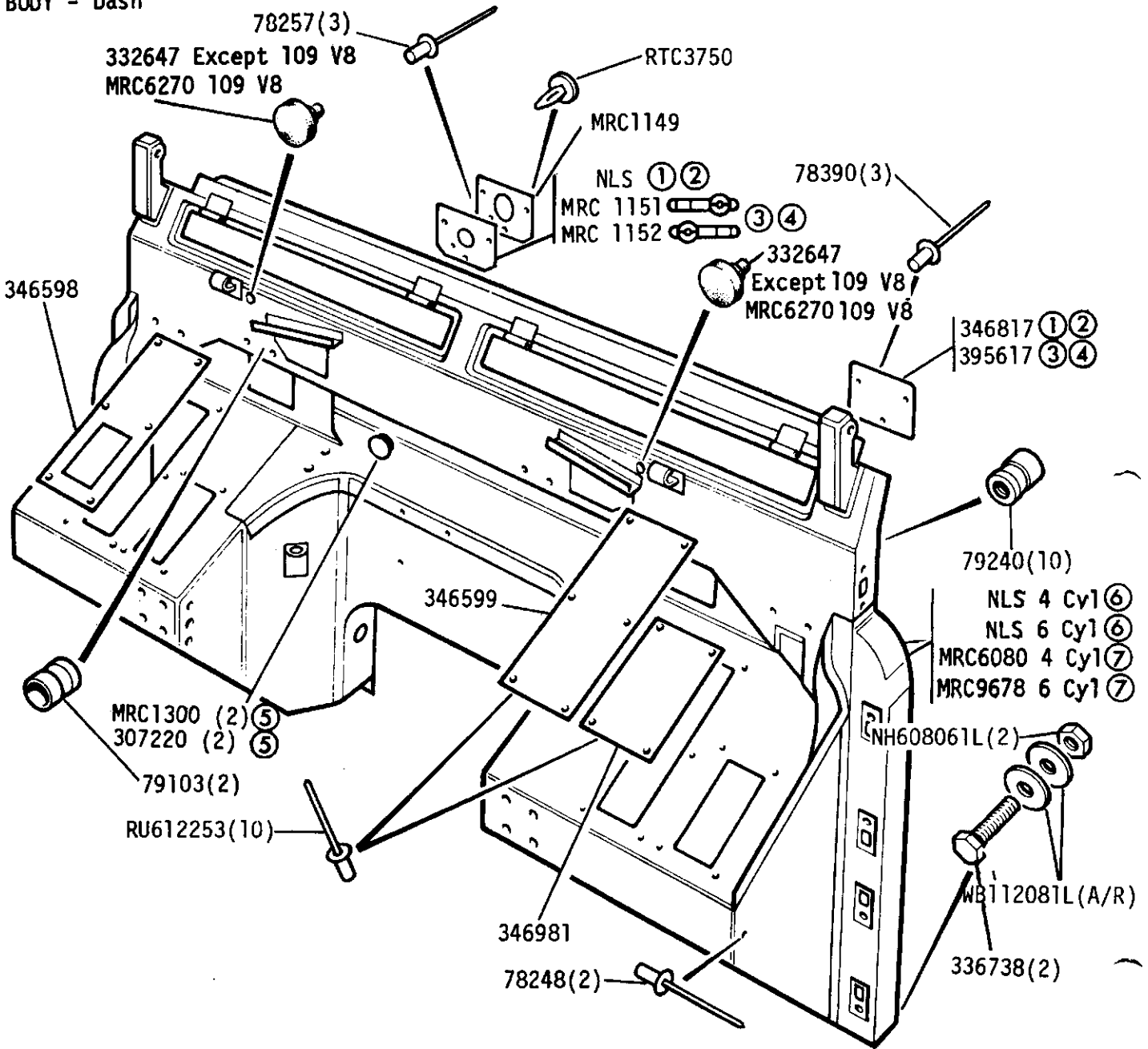
- |                                  |  |
|----------------------------------|--|
| ① RH wing only                   | Shim, wing to valance - MRC4037 (A/R)          |
| ② Up to SALLBCAV2AA188641        | Special bolt, Front wing to dash - AM605061(8) |
| ③ From SALLBCAV2AA188642 Onwards |  |

GROUP L  
BODY - Cover Panels - Front Wings



- ① Alternatives
- ② Early models only
- ③ UNF
- ④ METRIC

GROUP L  
BODY - Dash



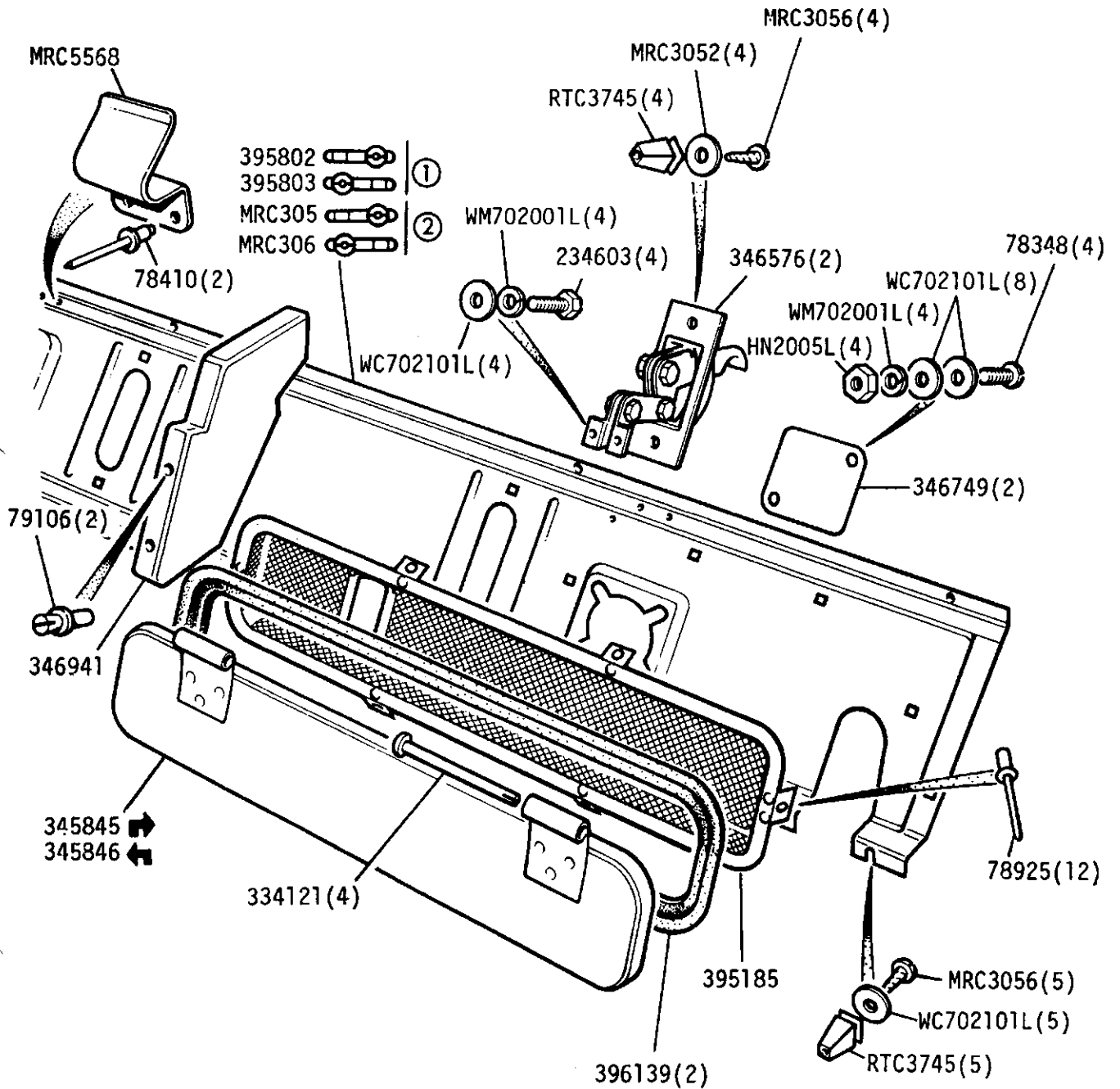
- ① 88 models up to August 1973
- ② 109 models up to vehicle suffix 'B' inclusive
- ③ 88 models from September 1973
- ④ 109 models from vehicle suffix 'C' onwards
- ⑤ Petrol models
- ⑥ Up to October 1975
- ⑦ From November 1975

Dash assembly MRC6080 109 V8  
Note-Dash assembly MRC6080  
can also be fitted to  
4 cyl vehicles  
see note on page 2G 10

MRC9563 Instruction plate, diff lock - 109 V8

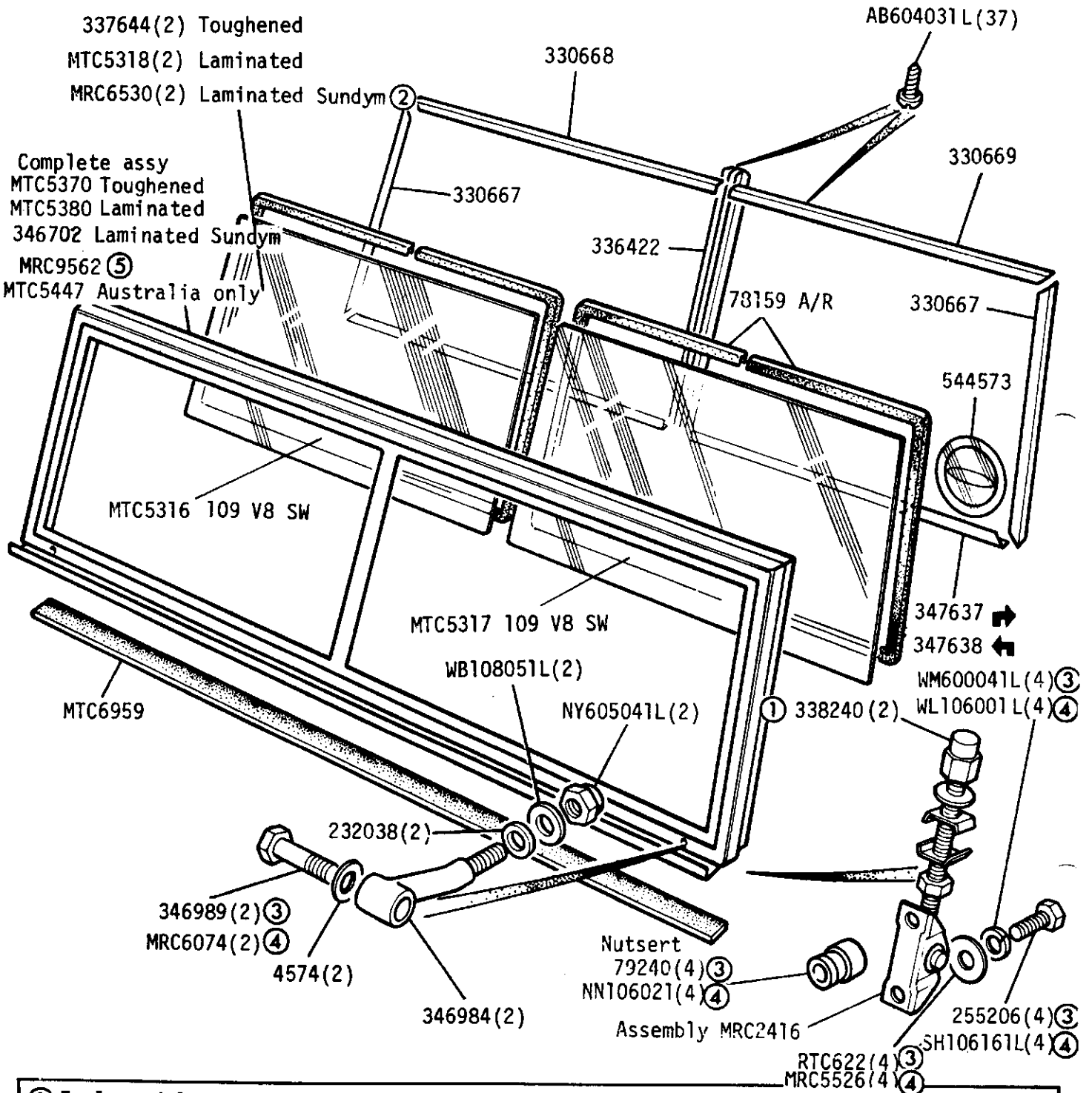


GROUP L  
 JY - Ventilator and Flyscreen



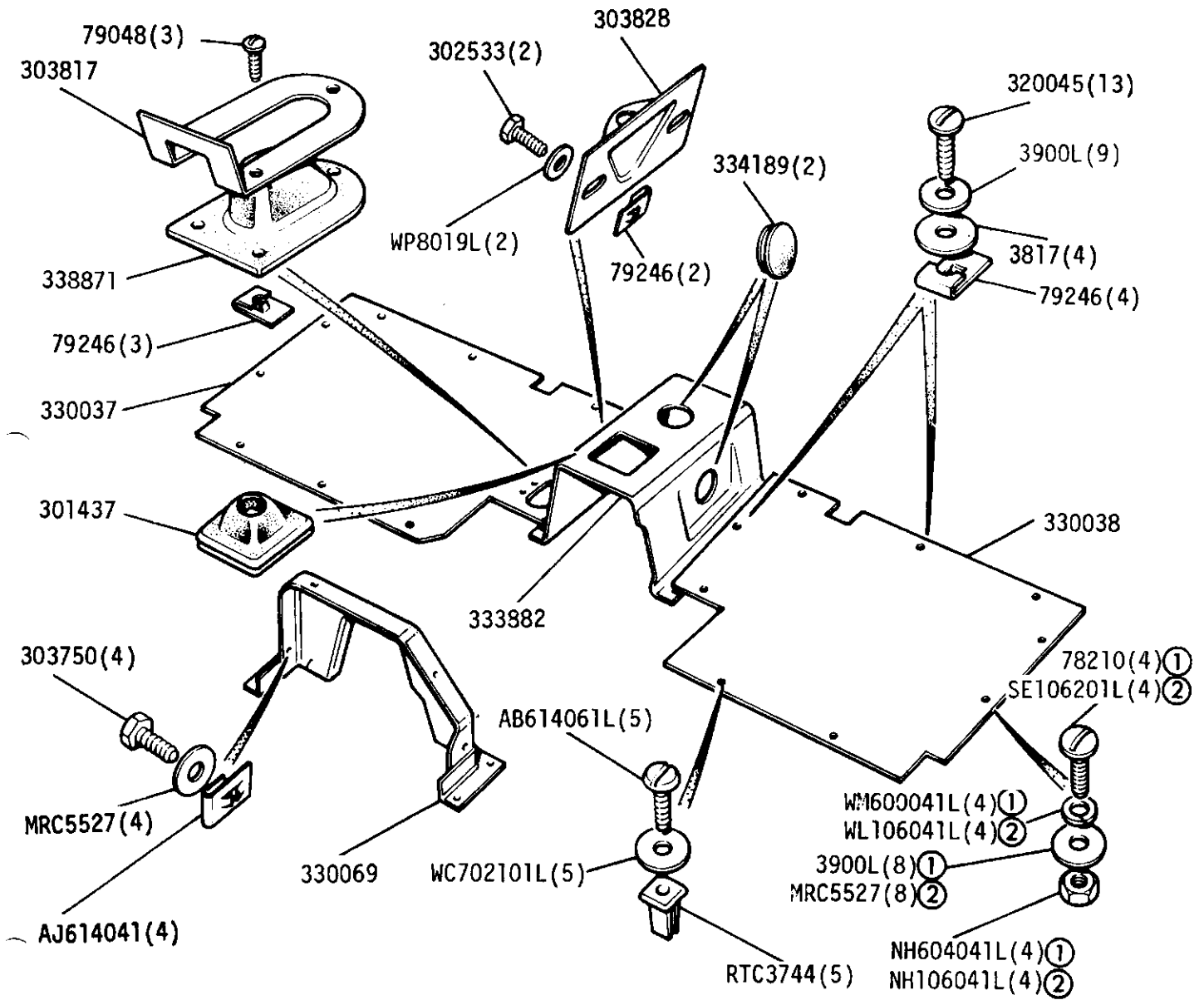
- ① Up to October 1975
- ② From November 1975 onwards

GROUP L  
BODY - Windscreen



- ① Early models
- ② Except 109 V8 SW
- ③ UNF
- ④ Metric
- ⑤ County Station Wagon and 109 V8

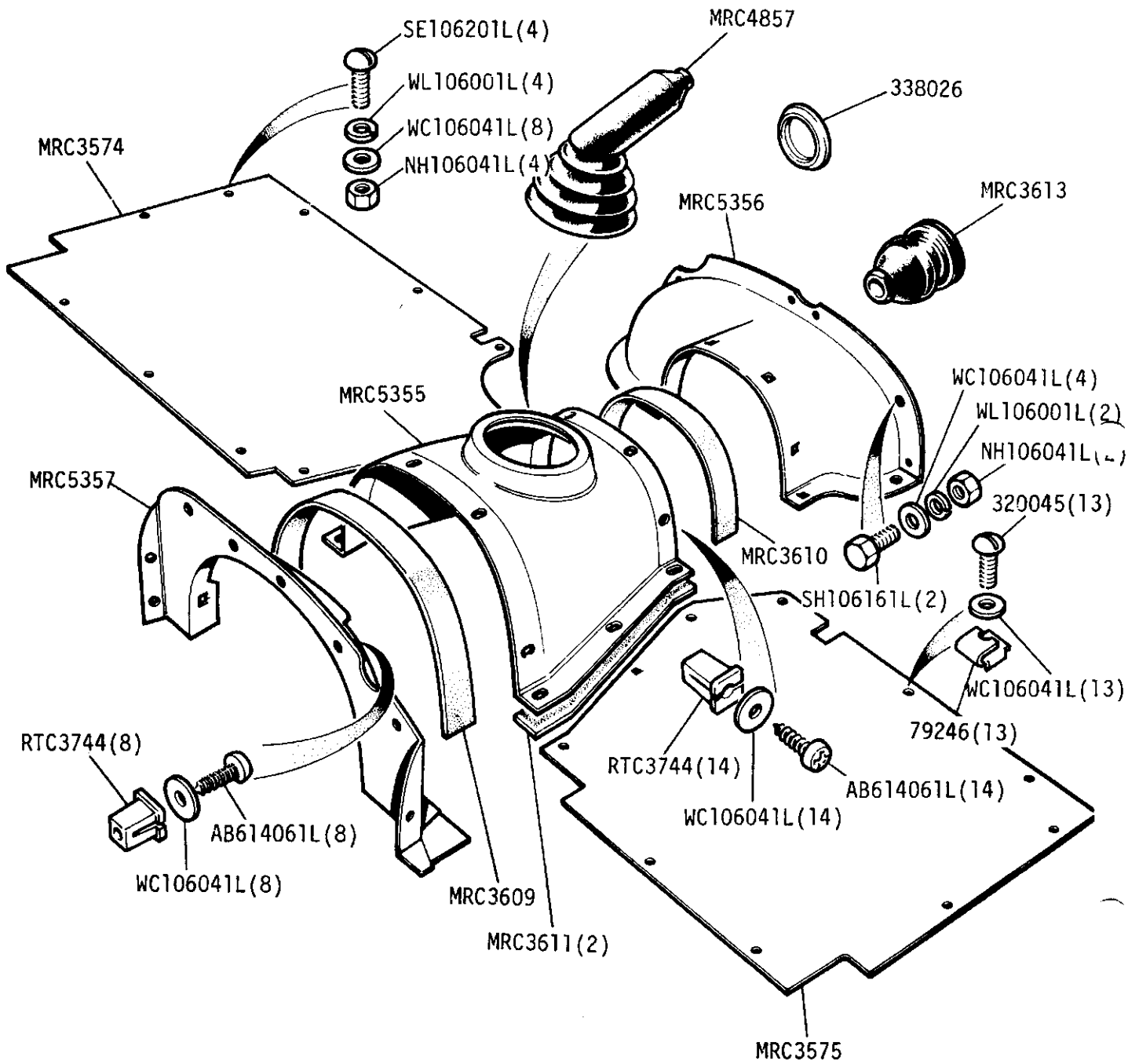
GROUP L  
 ODY - Front Floor 2½ Litre Petrol and Diesel



Note-When fitting MRC6080 Dash assembly  
 to 4 cyl vehicles, MRC4135 Bridge plate ) Also  
 MRC5357 Gearbox diaphragm panel ) required

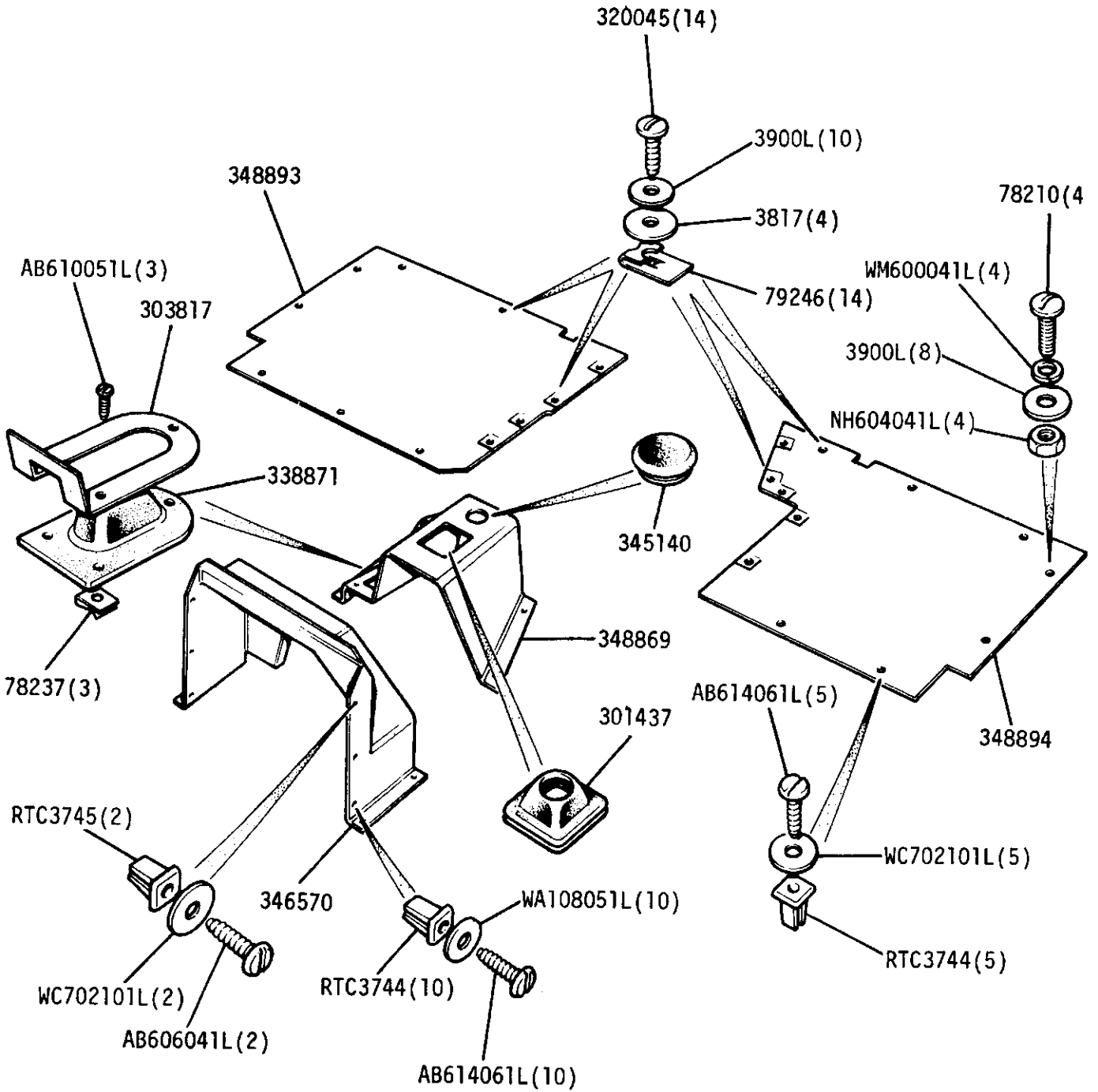
- ① UNF
- ② METRIC

GROUP L  
 BODY - Front floor 109 V8

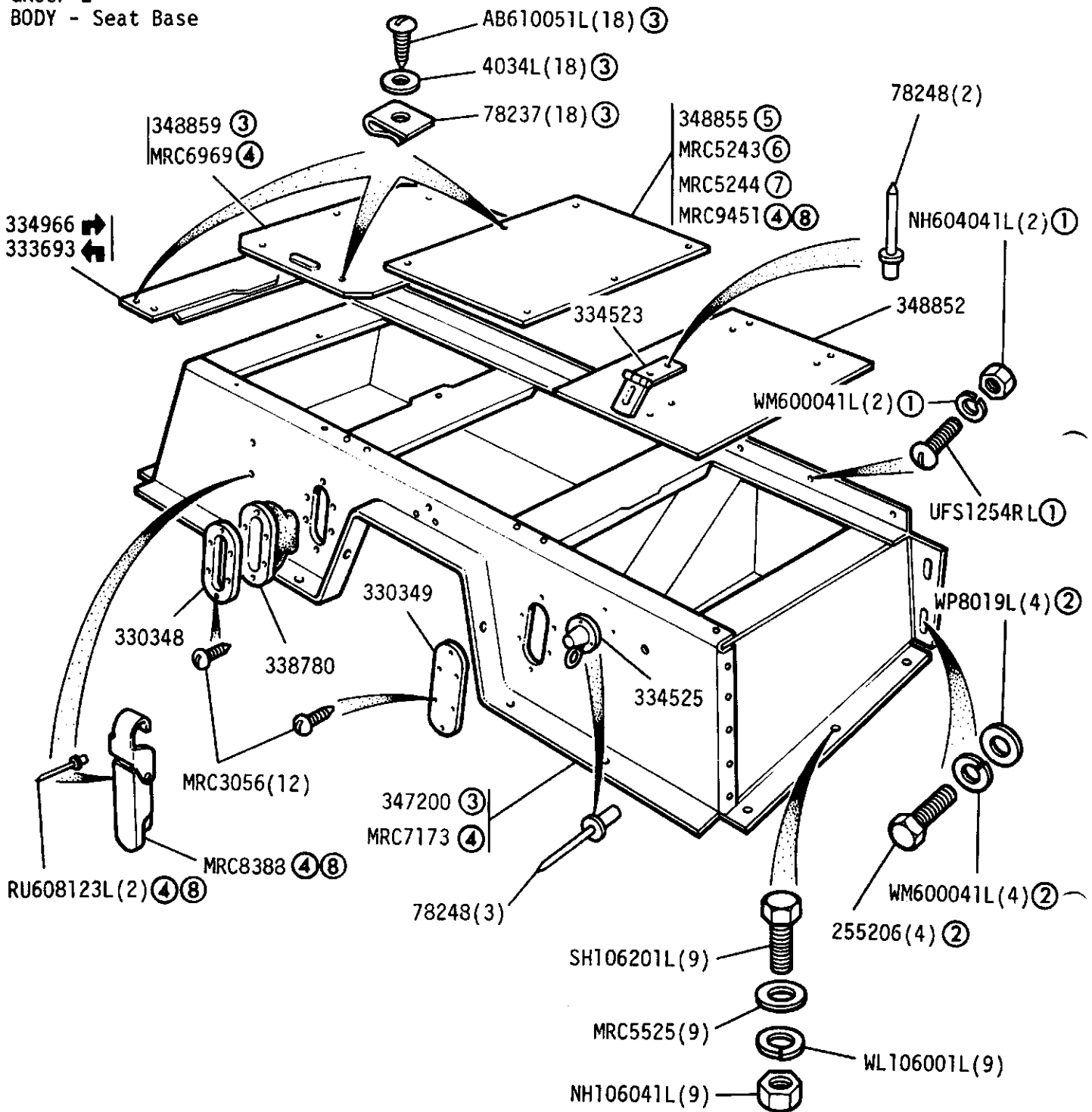


MRC7044 Cover - tunnel  
 MRC4447 Cover - dash centre

GROUP L  
 BODY - Front Floor 2.6 Litre Petrol

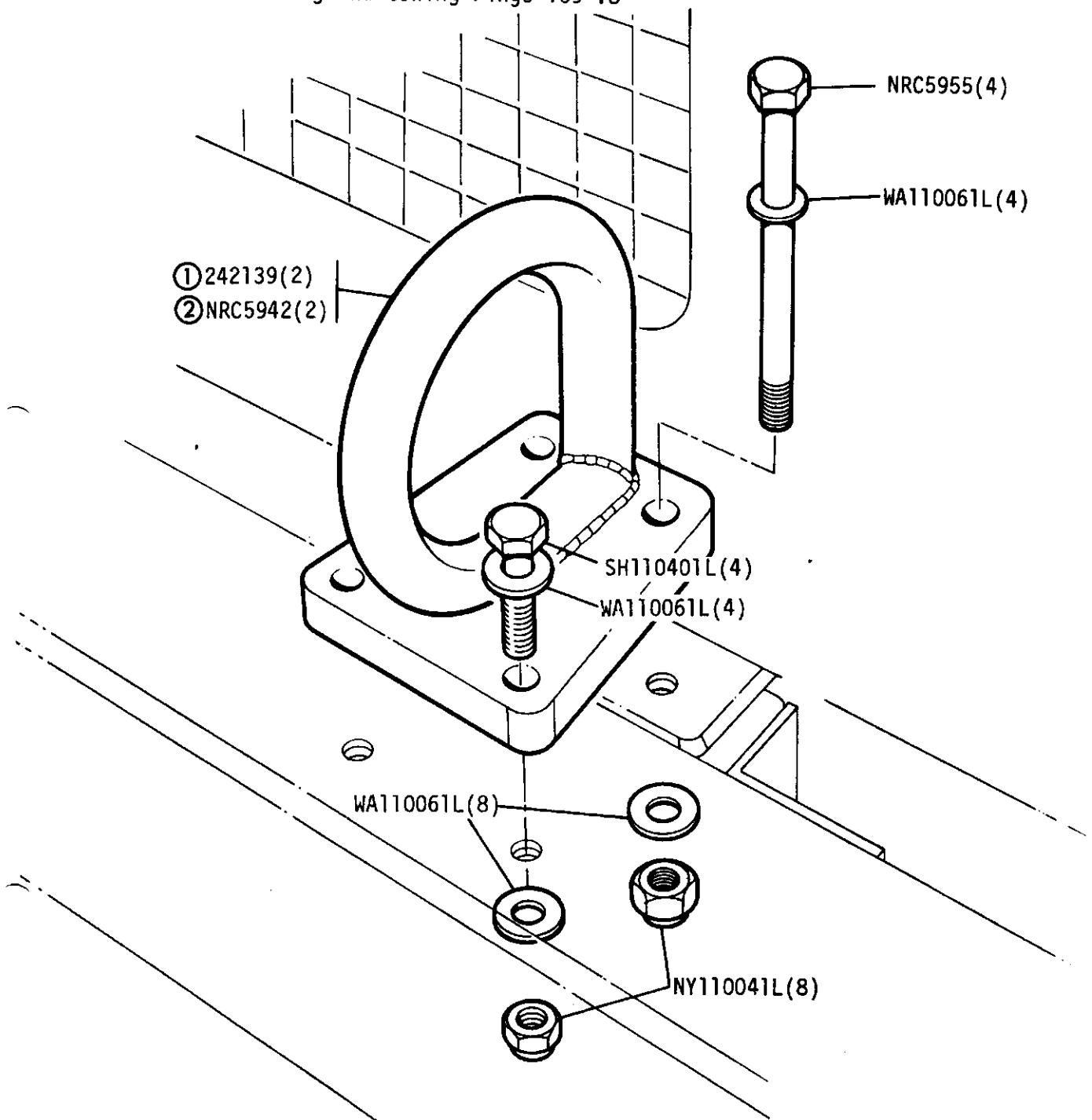


GROUP L  
BODY - Seat Base



- |  |   |
|--|---|
| ① For redundant holes in rear stiffener  | ⑧ Required when extra fuel tank is fitted.        |
| ② 109in Station Wagon                    |   |
| ③ Except 109 V8                          |   |
| ④ 109 V8                                 | 109 V8  |
| ⑤ Up to August 1982                      | Seat base assy (without LH side locker) - MRC7174 |
| ⑥ EEC vehicles from September 1982       | Battery base - MRC7175                            |
| ⑦ Non - EEC vehicles from September 1982 | Seal - battery compartment - MRC9477              |
|  | Locating angle - MRC8135                          |

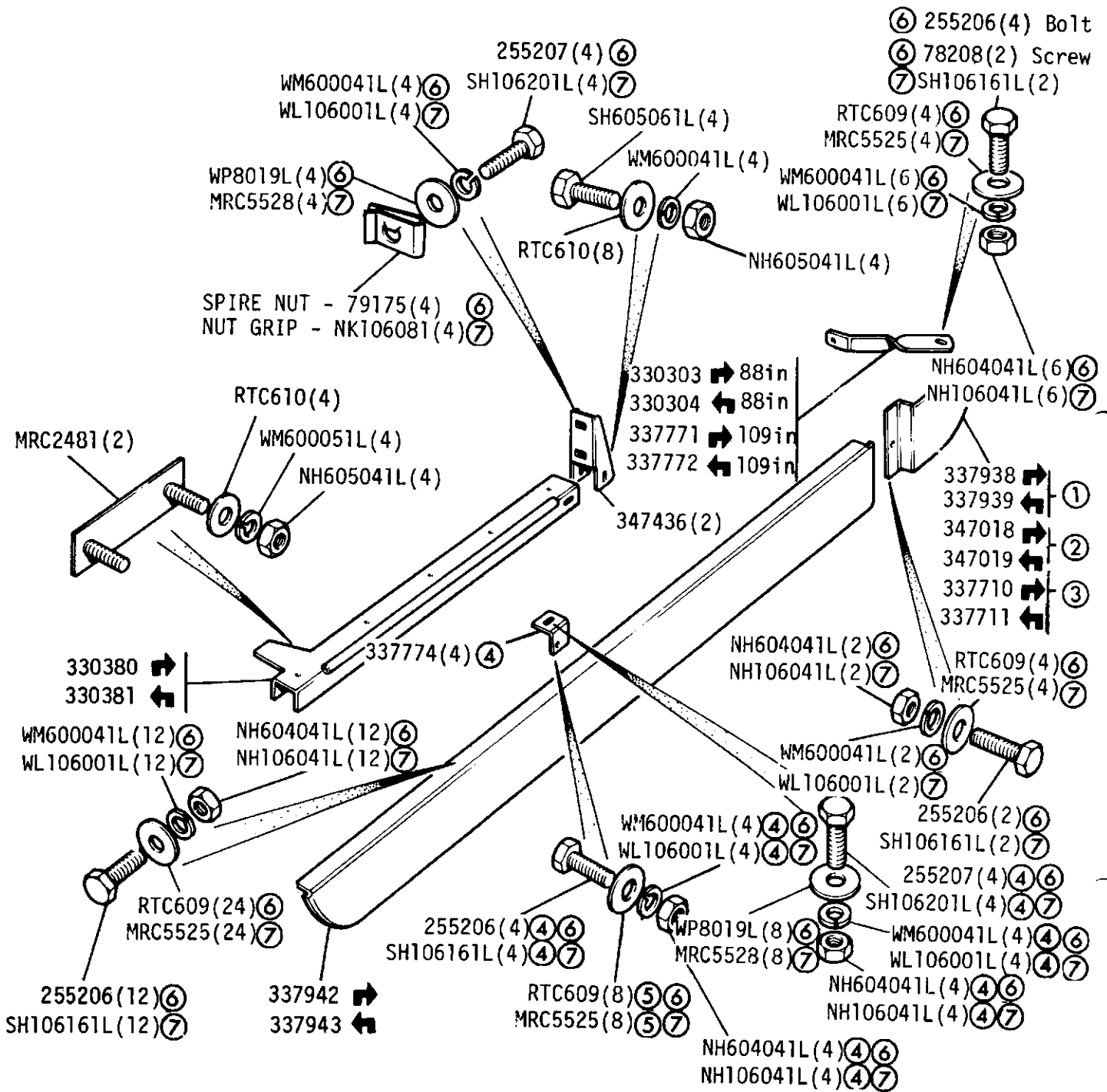
GROUP L  
CHASSIS - Front lifting and towing rings 109 V8



① Up to May 1980  
② From June 1980 Onwards

LAND ROVER 2G 12 T55291

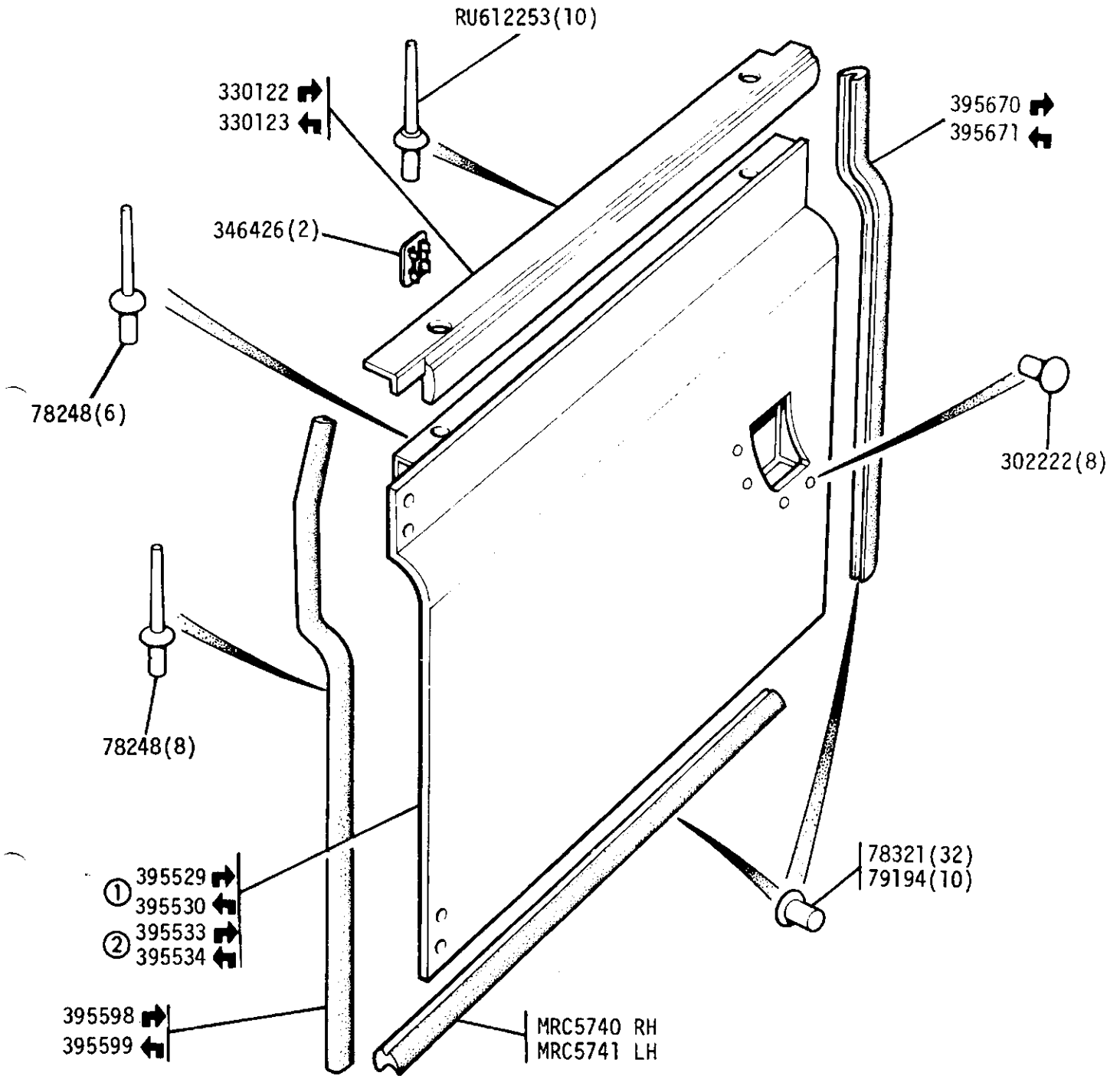
GROUP L  
BODY - Sill Panels



- ① 88in
- ② 109in
- ③ 109in Station Wagon
- ④ 6 off on 109in Station Wagon
- ⑤ 12 off on 109in Station Wagon
- ⑥ UNF
- ⑦ METRIC



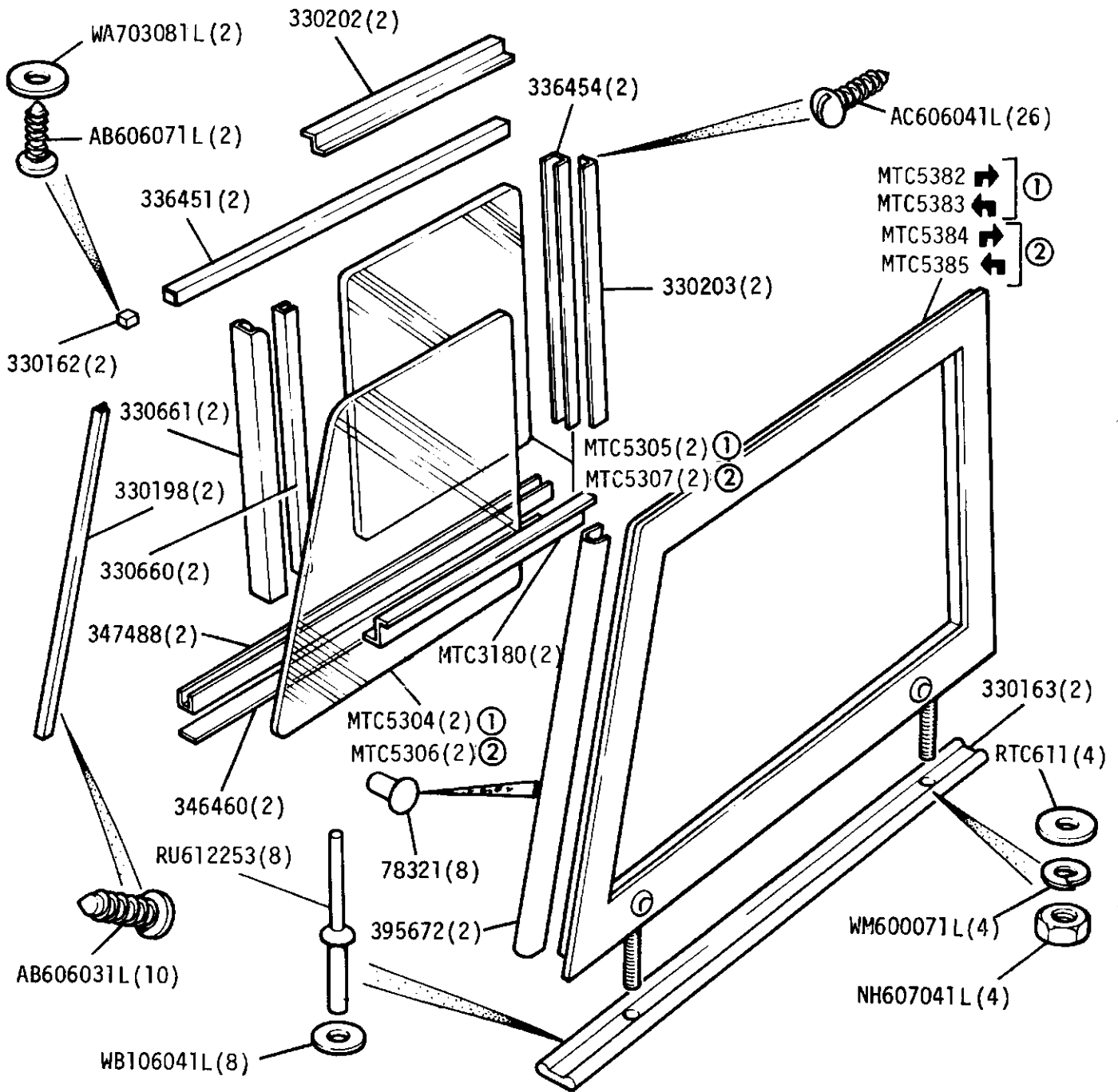
GROUP L  
BODY - Front Door



- ① EXCEPT 109 V8
- ② 109 V8

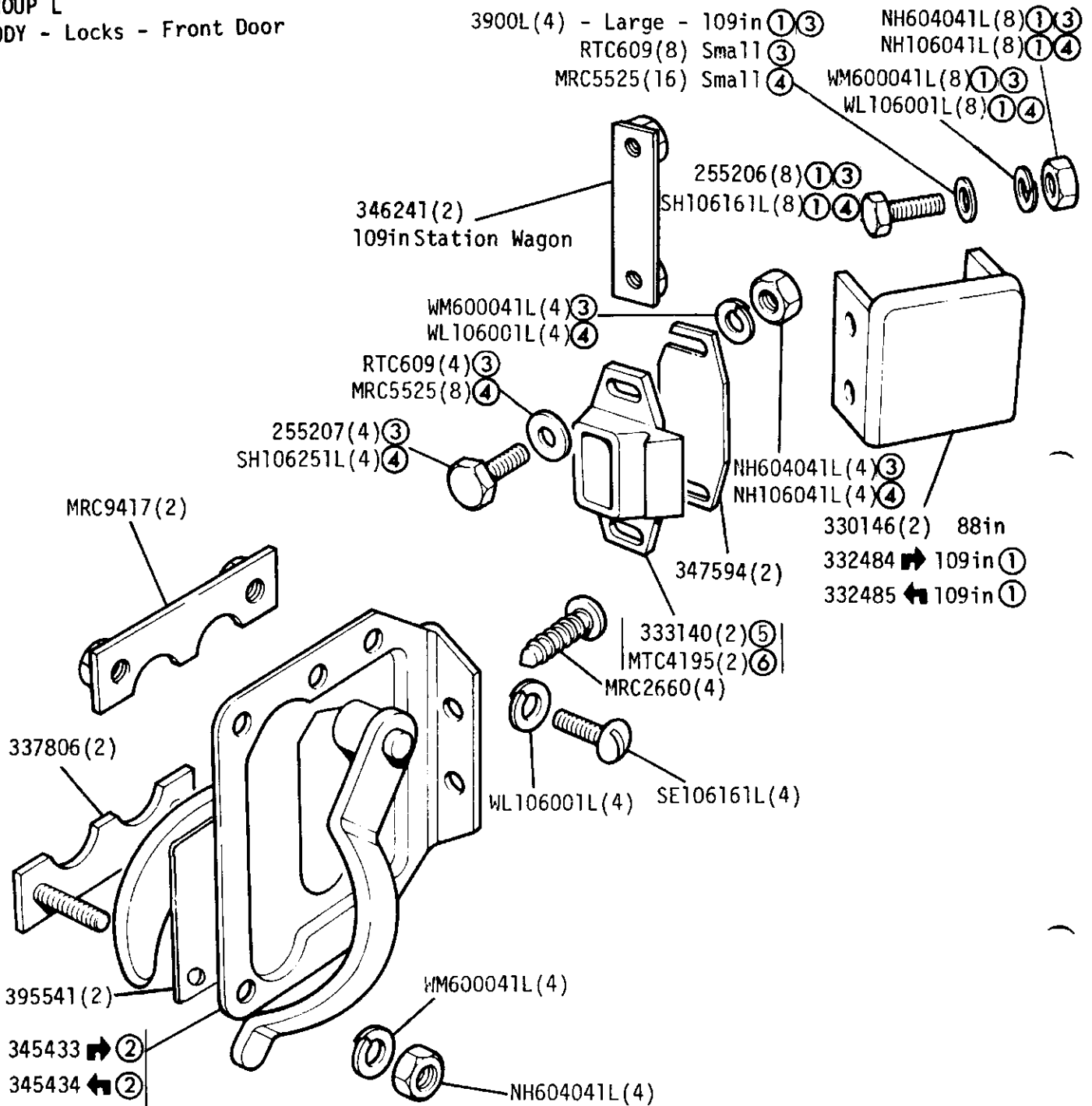
ONE PIECE DOOR SEALS RH MTC4112  
LH MTC4113

GROUP L  
 BODY - Windows, Channels and Side Screens - Front Door



- ① Clear glass
- ② Sundym glass

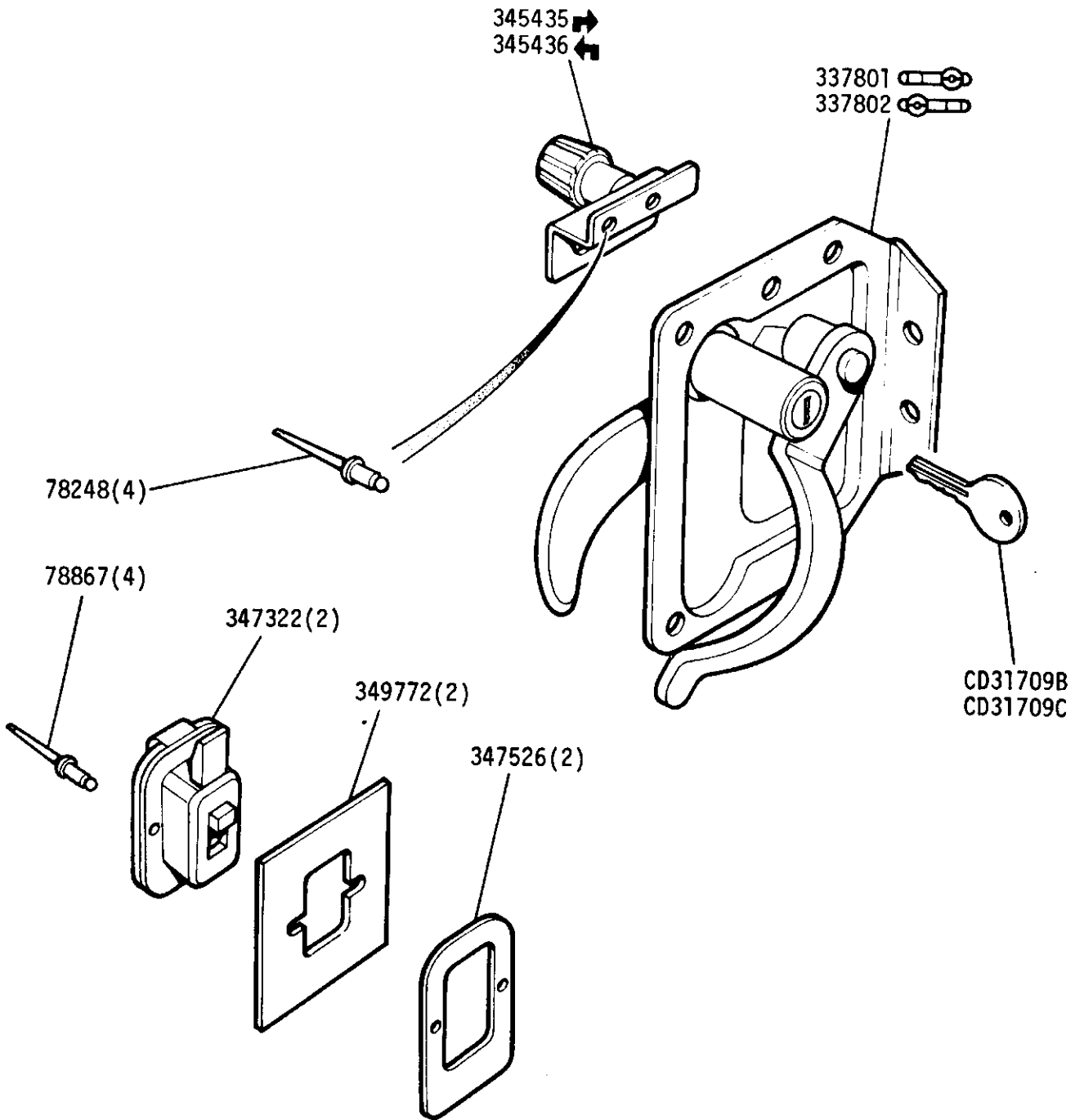
GROUP L  
BODY - Locks - Front Door



- ① Not required for 109in Station Wagon
- ② Alternative to key operated locks on adjacent frame
- ③ UNF
- ④ METRIC
- ⑤ Upto November 1981
- ⑥ From December 1981

GROUP L

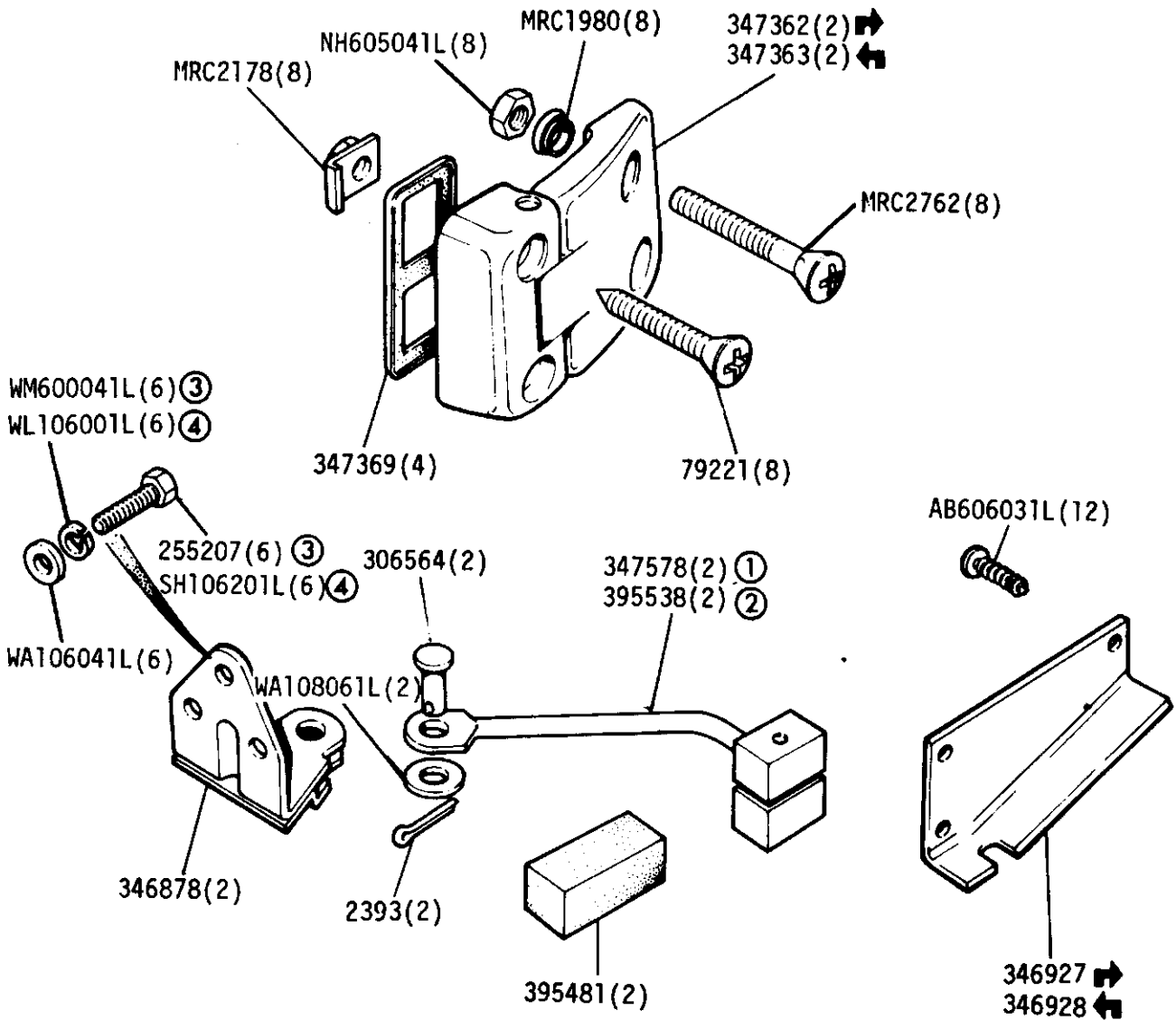
BQDY - Private locks and sliding window catch front doors



Alternative to locks on adjacent frame

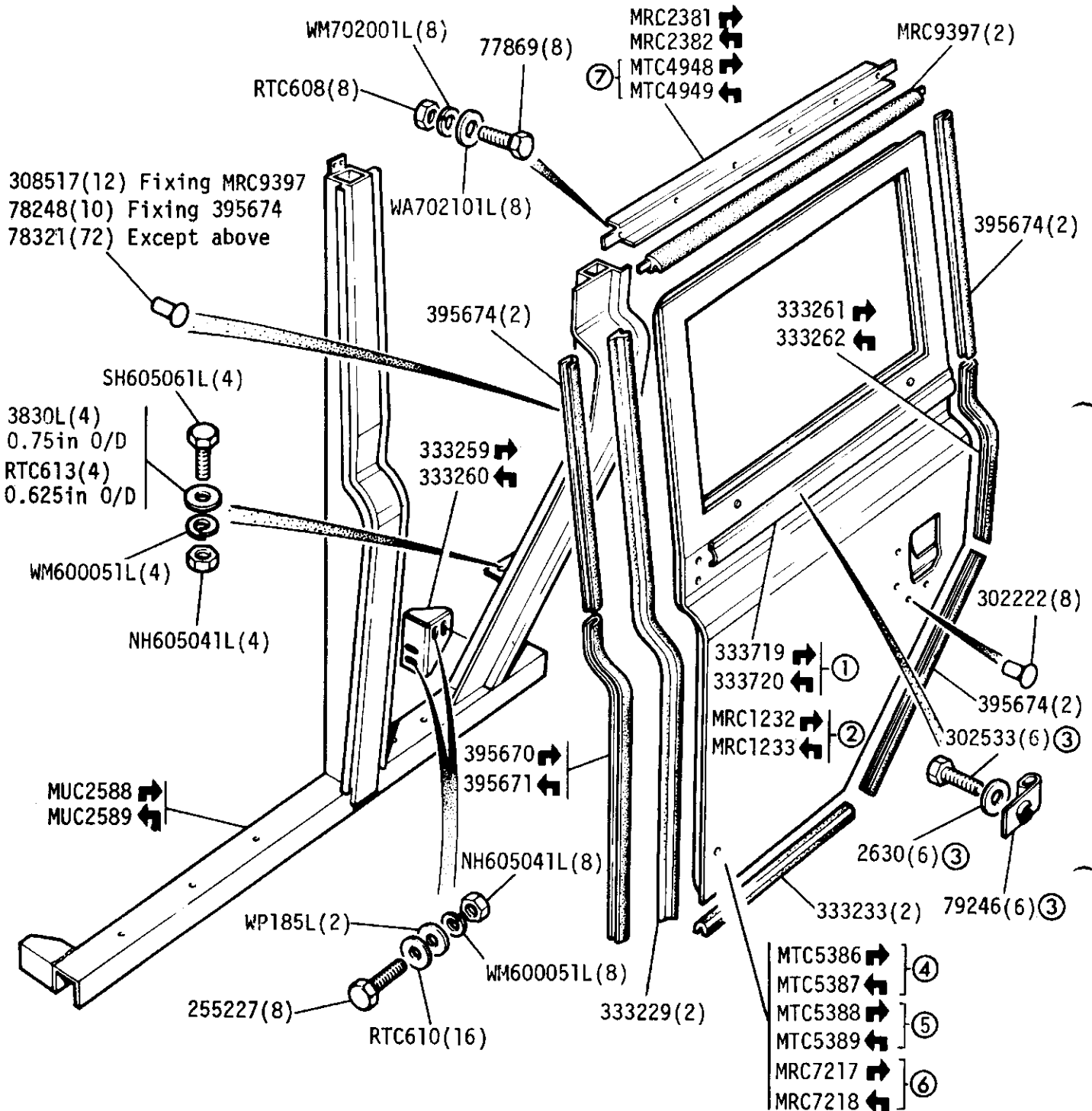
Seal, window catch - MTC3118(2)

GROUP L  
 BODY - Hinges and Straps - Front door



- ① Up to 19th September 1972
- ② From 20th September 1972 onwards
- ③ UNF
- ④ METRIC

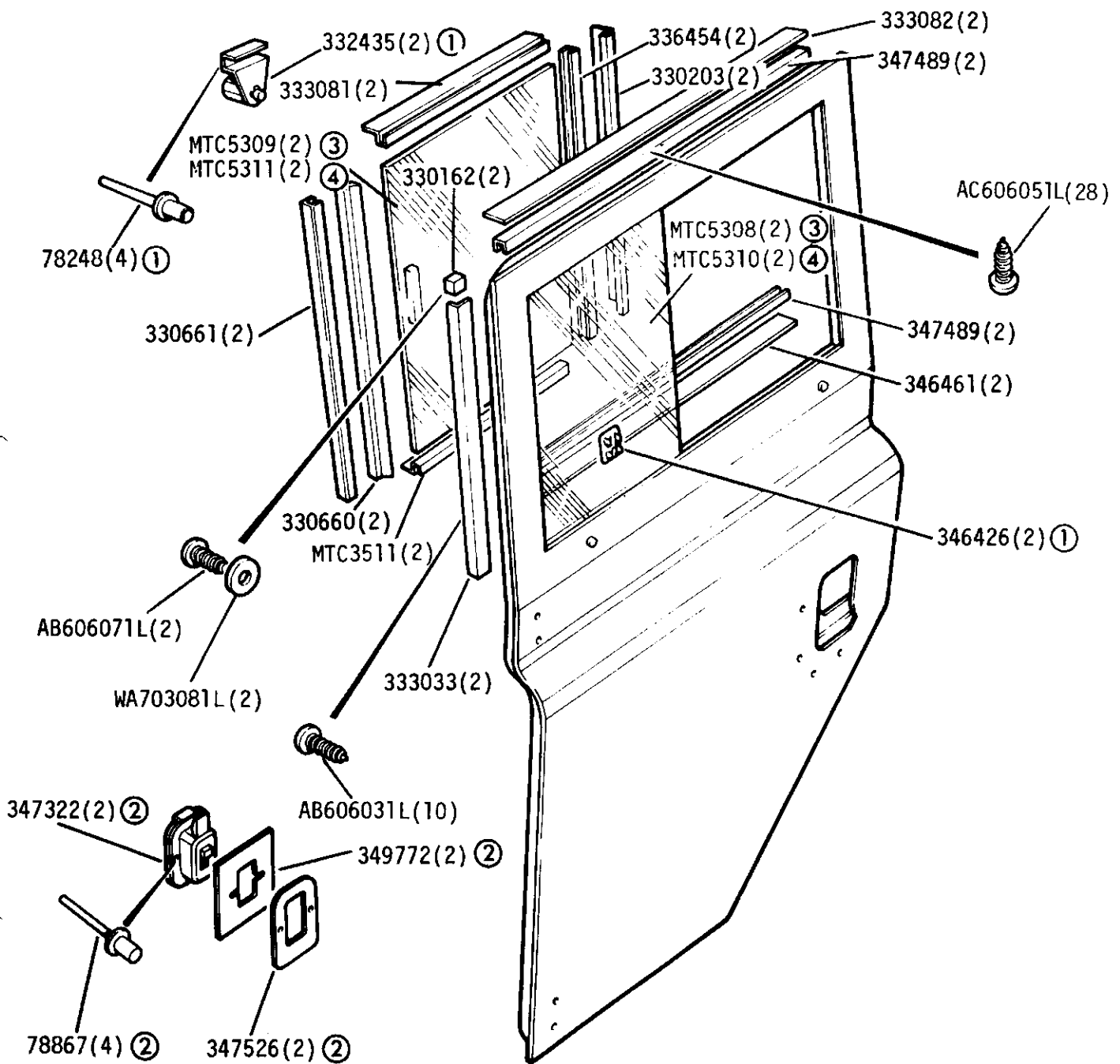
**GROUP L**  
**BODY - Rear Side Door and Frame - 109in Station Wagon**



- ① Mouldings with 4 fixing points
- ② Moulding with 3 fixing points
- ③ 6 off required with 3 fixing point mouldings
- ④ Except 109 V8
- ⑤ 109 V8
- ⑥ 109V8 'County' Station Wagon
- ⑦ For One Piece door seals

ONE PIECE DOOR SEALS MTC4114  
MTC4115

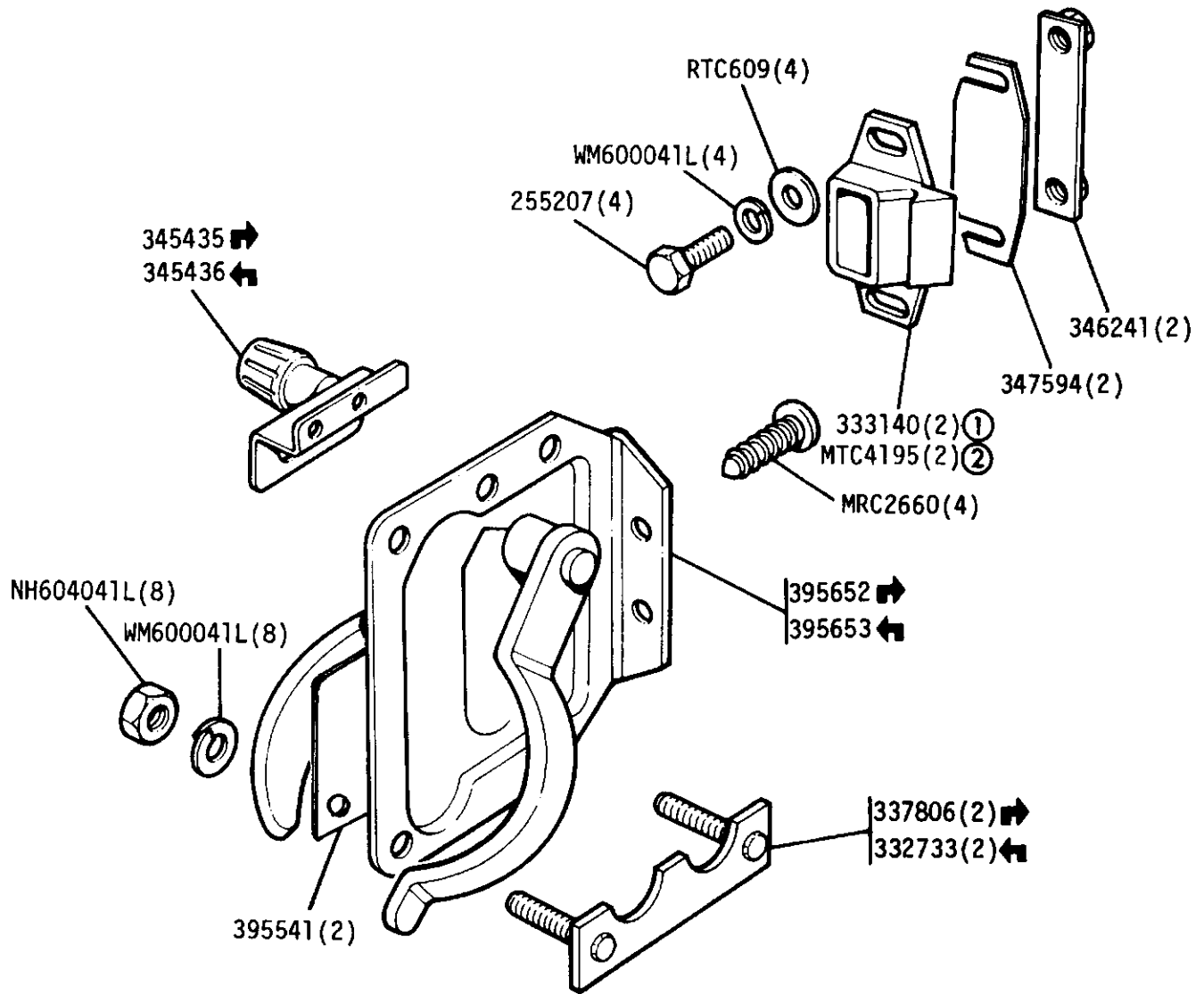
GROUP L  
 BODY - Sidescreen - Rear Side Door - 109in Station Wagon



- ① Up to August 1972
- ② From September 1972 onwards
- ③ Except 109 V8 SW
- ④ 109 V8 SW

Seal, window catch - MTC3118(2)

GROUP L  
 LOCKS - Rear Side Door - 109in Station Wagon

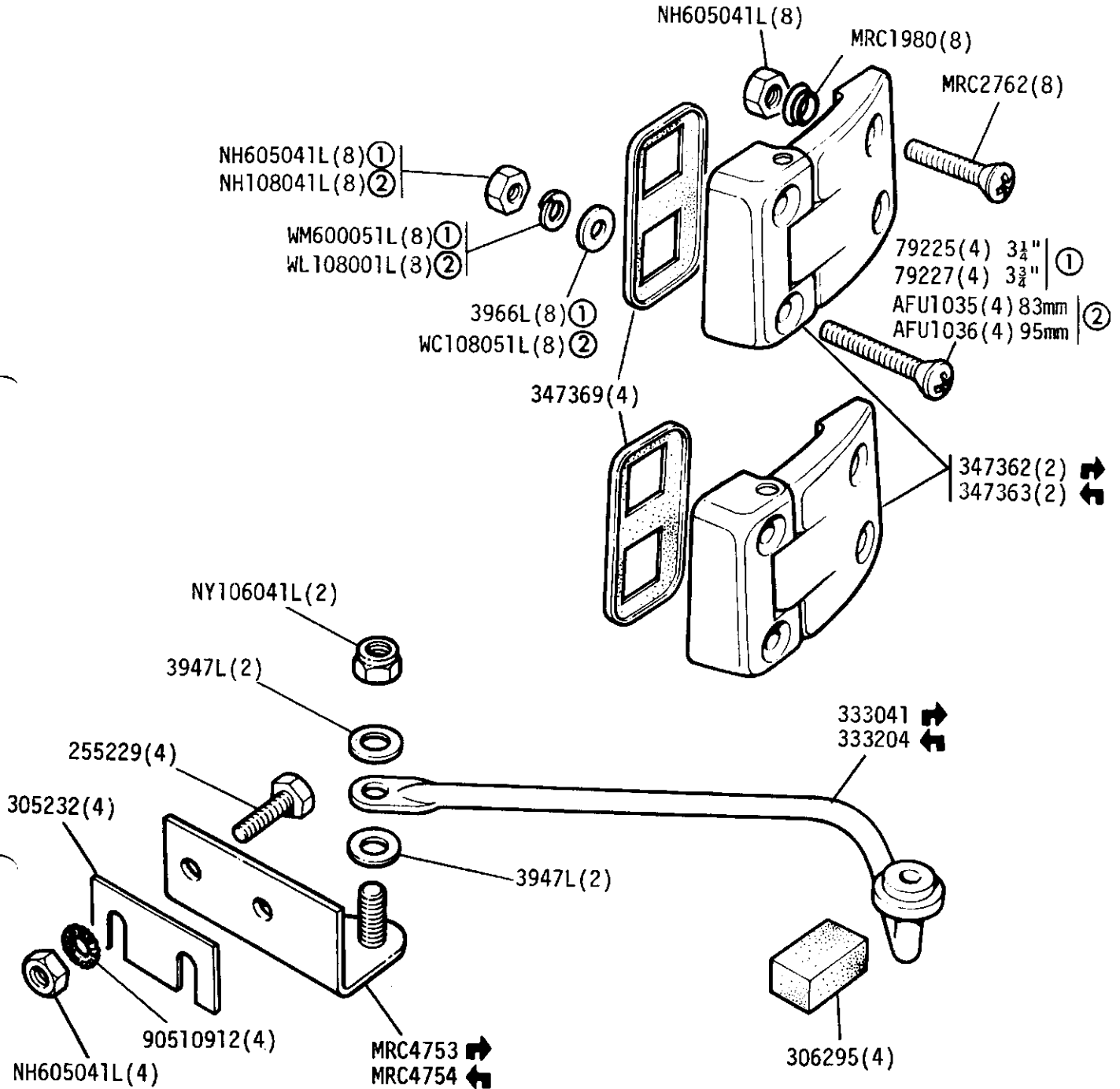


- ① Upto November 1981
- ② From December 1981



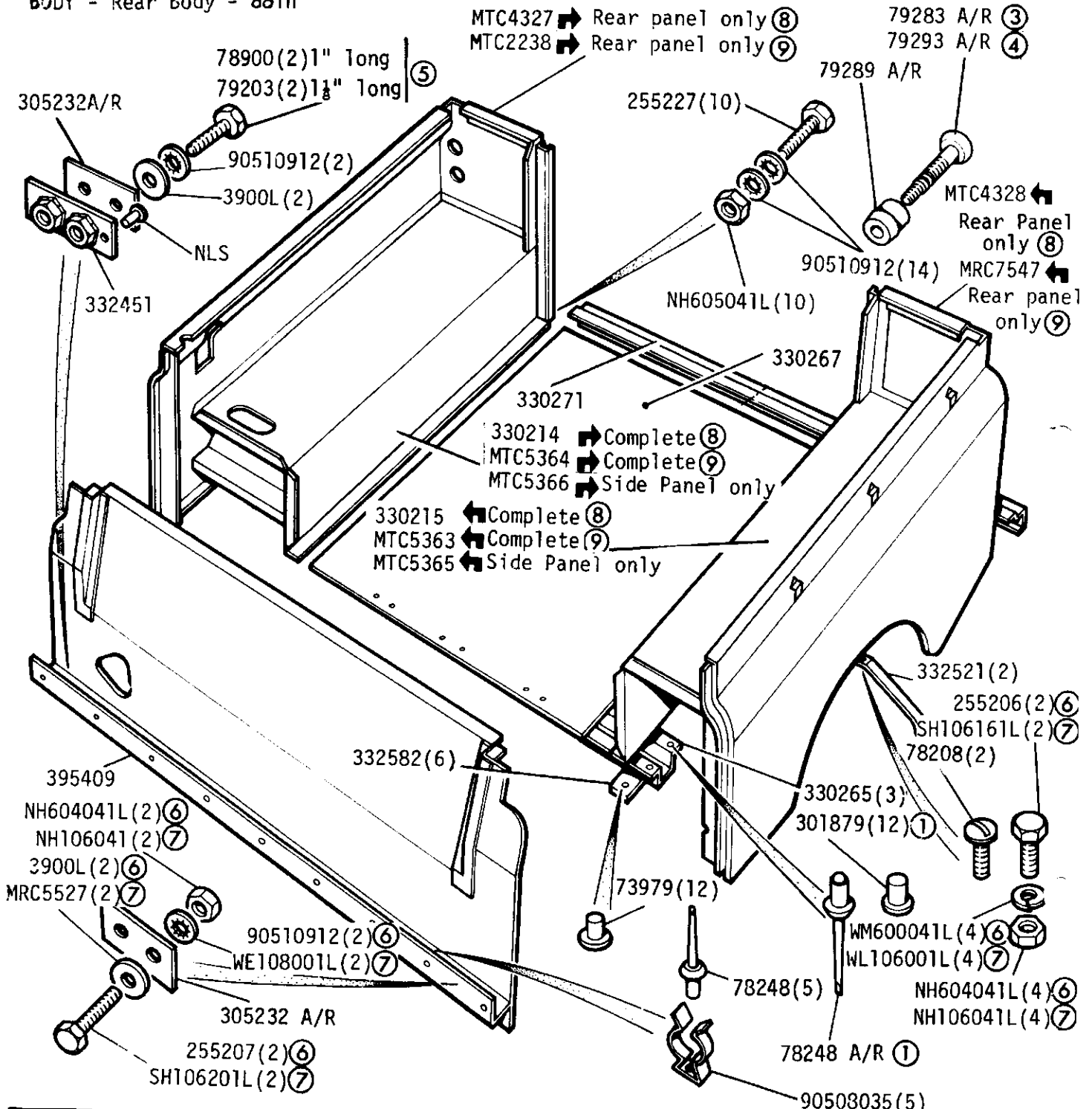
GROUP L

BODY - Hinges and Check Strap - Rear Side Doors - 109" Station Wagon



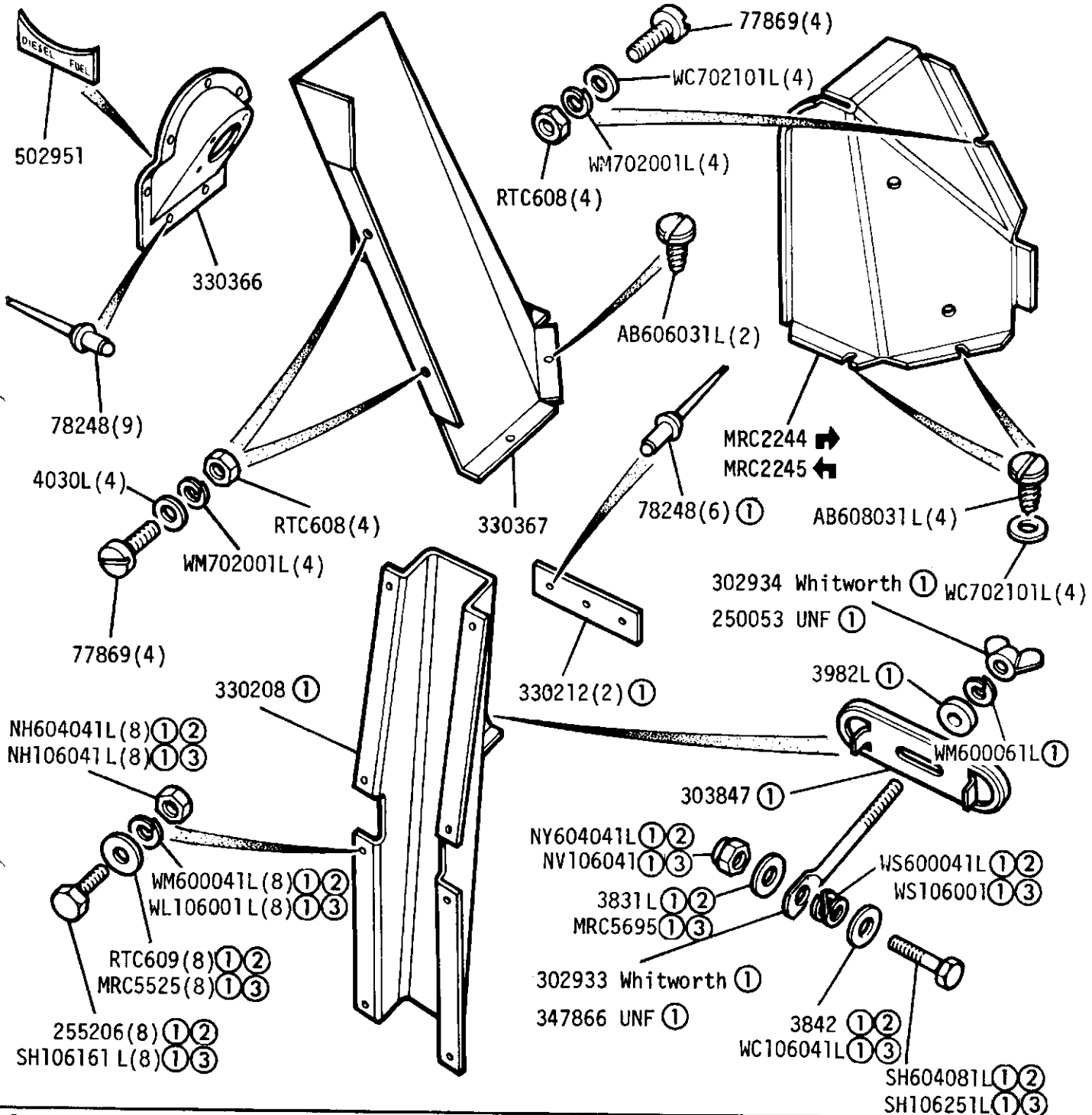
- ① UNF Fixings
- ② Metric Fixings

GROUP L  
BODY - Rear Body - 88in



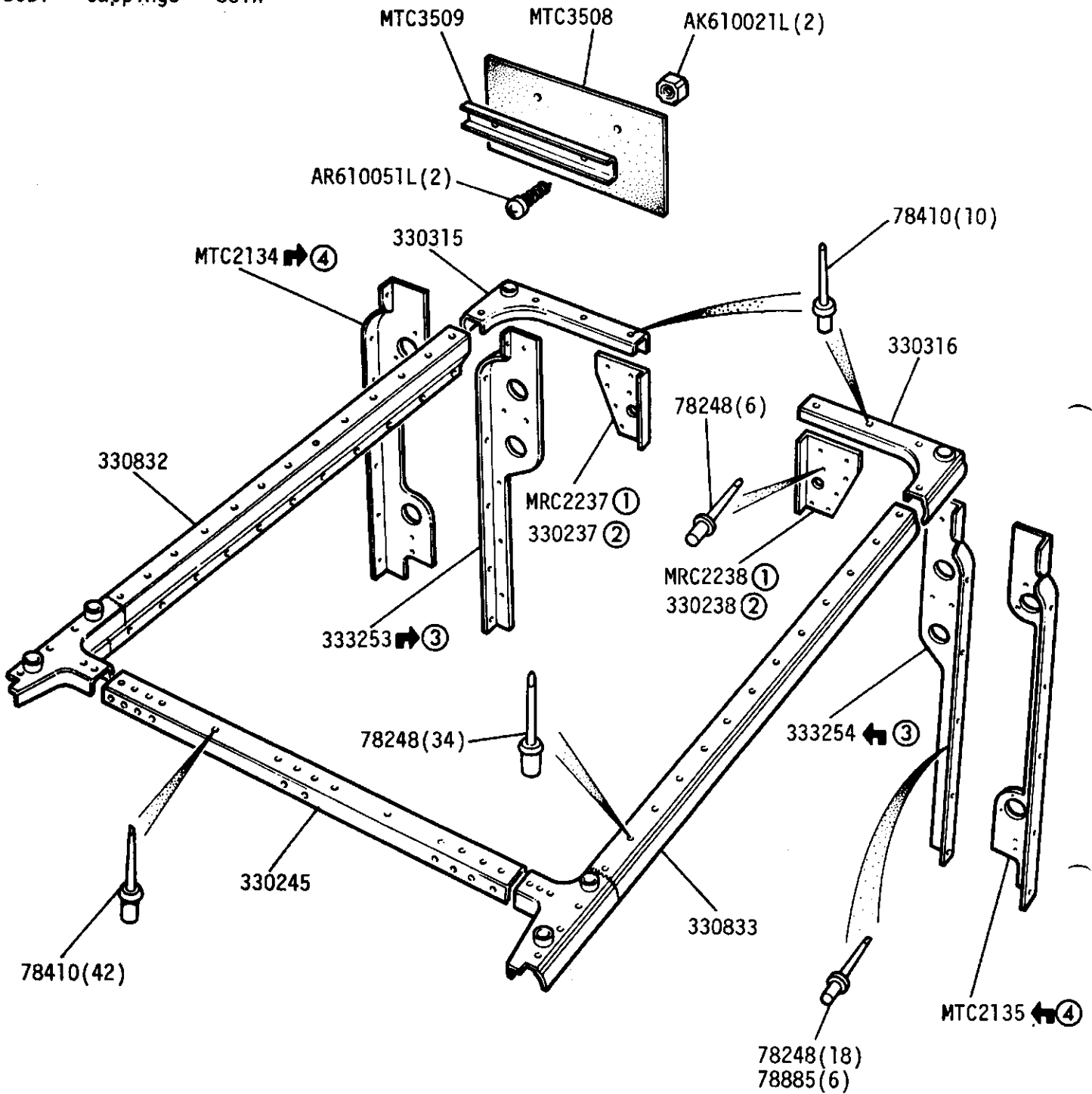
- |  |                                    |
|--|------------------------------------|
| Rear Body complete assembly 320863 (8) MTC5360 (9) | (8) Original tail lamp arrangement |
| (1) Rivets fitted up to July 1973                  | (9) Modified tail lamp arrangement |
| (2) Pins and Collars from August 1973 onwards      |                                    |
| (3) Dome head                                      |                                    |
| (4) Countersunk head                               |                                    |
| (5) Alternatives                                   |                                    |
| (6) UNF  |                                    |
| (7) METRIC   |                                    |

GROUP L  
 BODY - Cover Panels and Spare Wheel Clamp - Rear Body 88in



- |                        |   |
|------------------------|---|
| ① Except Station Wagon | Clip, harness retention - PRC3537                       |
| ② UNF                  | Plastic flange finisher,<br>harness protection - 570753 |
| ③ METRIC               | Jack retaining bracket - 367030                         |
| ④ Alternatives         | Rivet - RU612183(2)                                     |
|                        | Retention ring - 371144                                 |
|                        | Retention ring - NRC9101 ④                              |

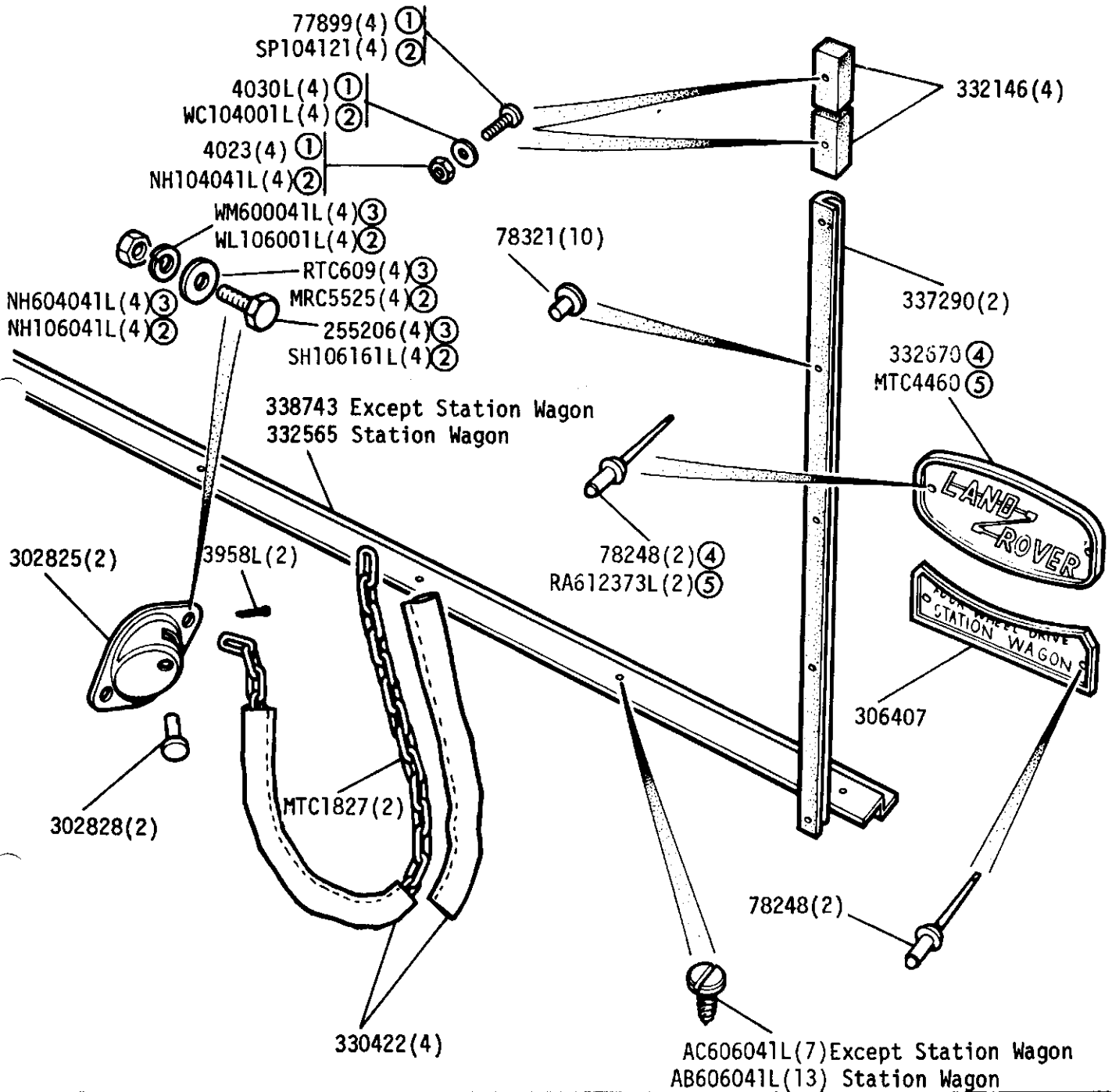
GROUP L  
 BODY - Cappings - 88in



- ① Except Station Wagon
- ② Station Wagon
- ③ Original tail lamp arrangement
- ④ Modified tail lamp arrangement

GROUP L

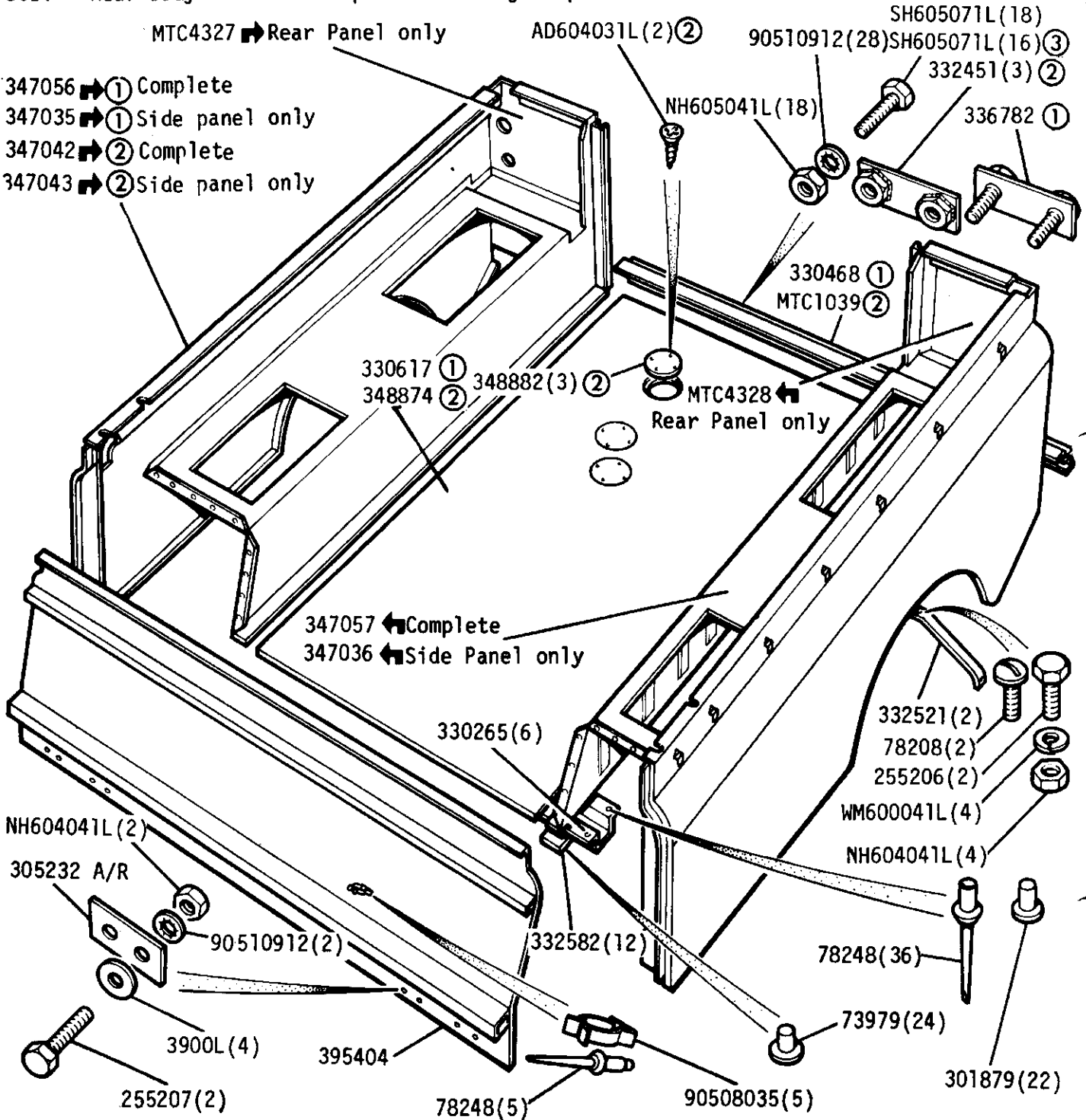
ROVER - Tailboard Fixings and Rear Name Plate - 88in



- |   |                |
|---|----------------|
| ① BA Fixings                            | ) Alternatives |
| ② Metric Fixings                        |                |
| ③ UNF Fixings                           | )              |
| ④ Fitted upto SALLDHAH7AA186336         |                |
| ⑤ Fitted from SALLDHAH7AA186337 onwards |                |

GROUP L

BODY - Rear Body - 109in except Station Wagon up to vehicle suffix 'B' inclusive

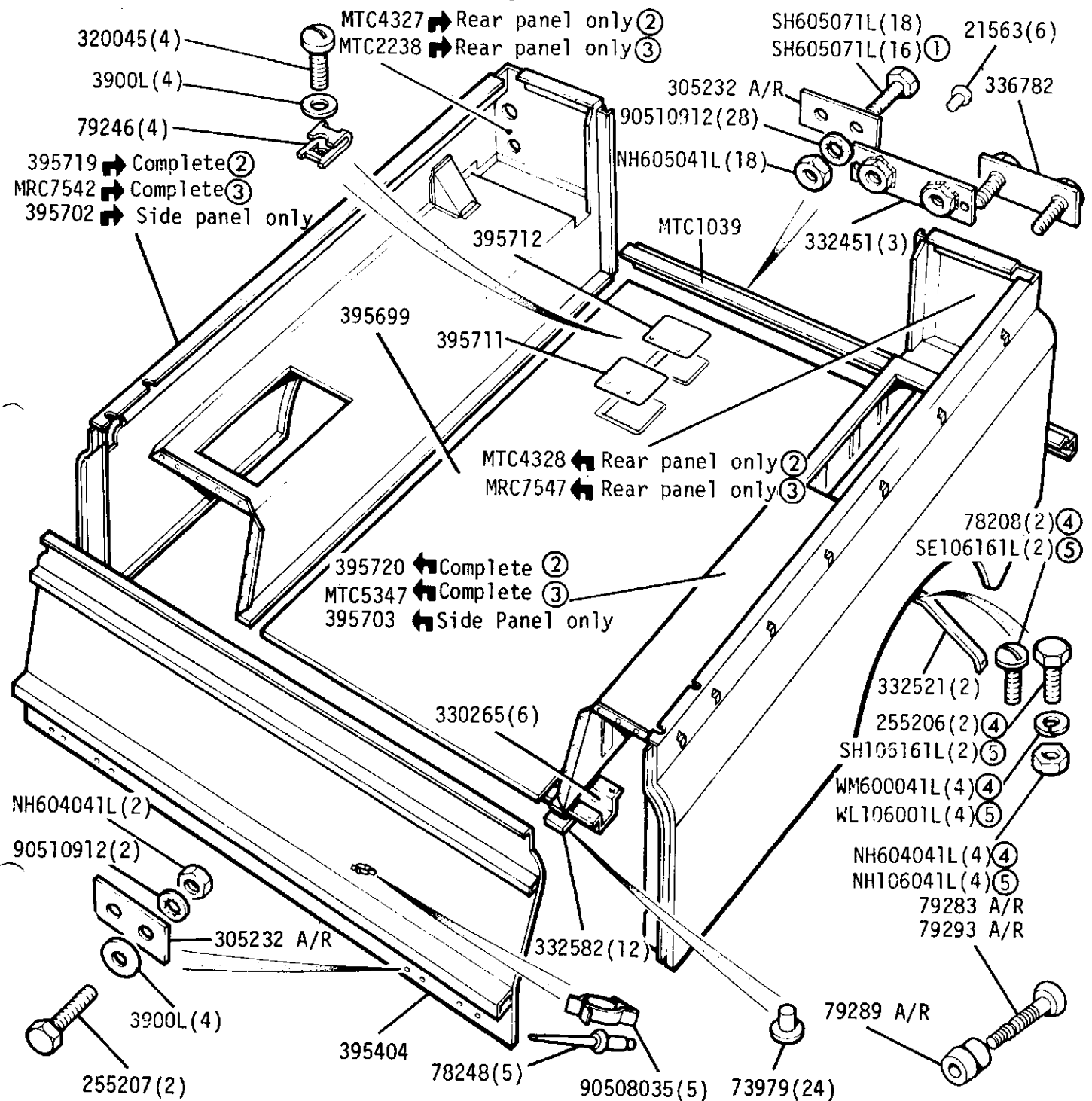


Rear body complete assembly 320861 4 Cylinder  
 Rear body complete assembly MTC5343 6 Cylinder

- ① 4 Cylinder
- ② 6 Cylinder
- ③ Required when additional fuel tank is fitted

GROUP L

BODY - Rear Body - 109in except Station Wagon from vehicle suffix 'C' onwards

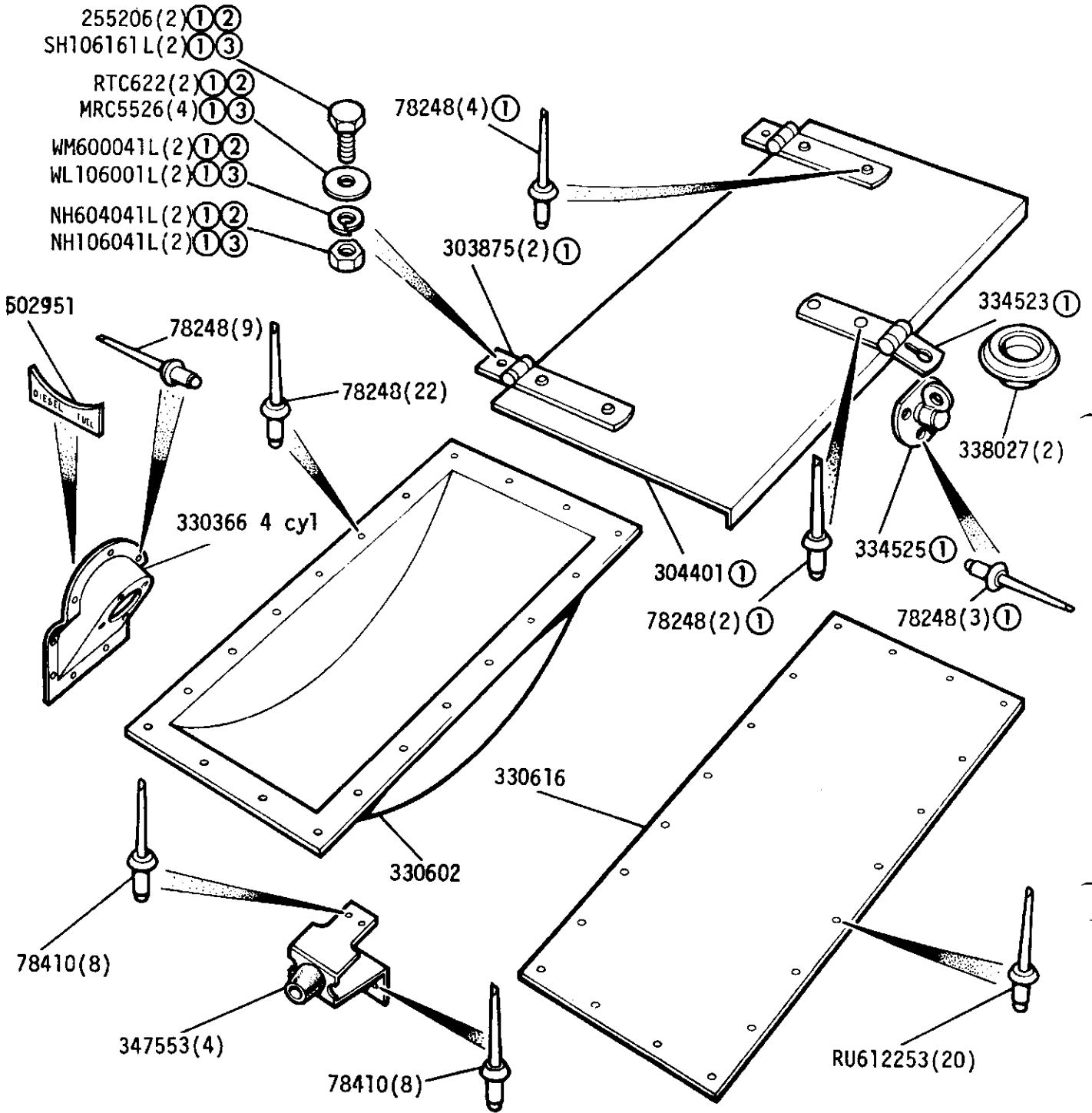


Rear body complete assembly MTC5343  
 Badge, Land-Rover V8, body side (2) MRC7425 109 V8

- ① Required when additional fuel tank is fitted
- ② Original tail lamp arrangement
- ③ Modified tail lamp arrangement
- ④ UNF
- ⑤ METRIC

GROUP L

BODY - Cover Panels - Rear Body - 109in except Station Wagon



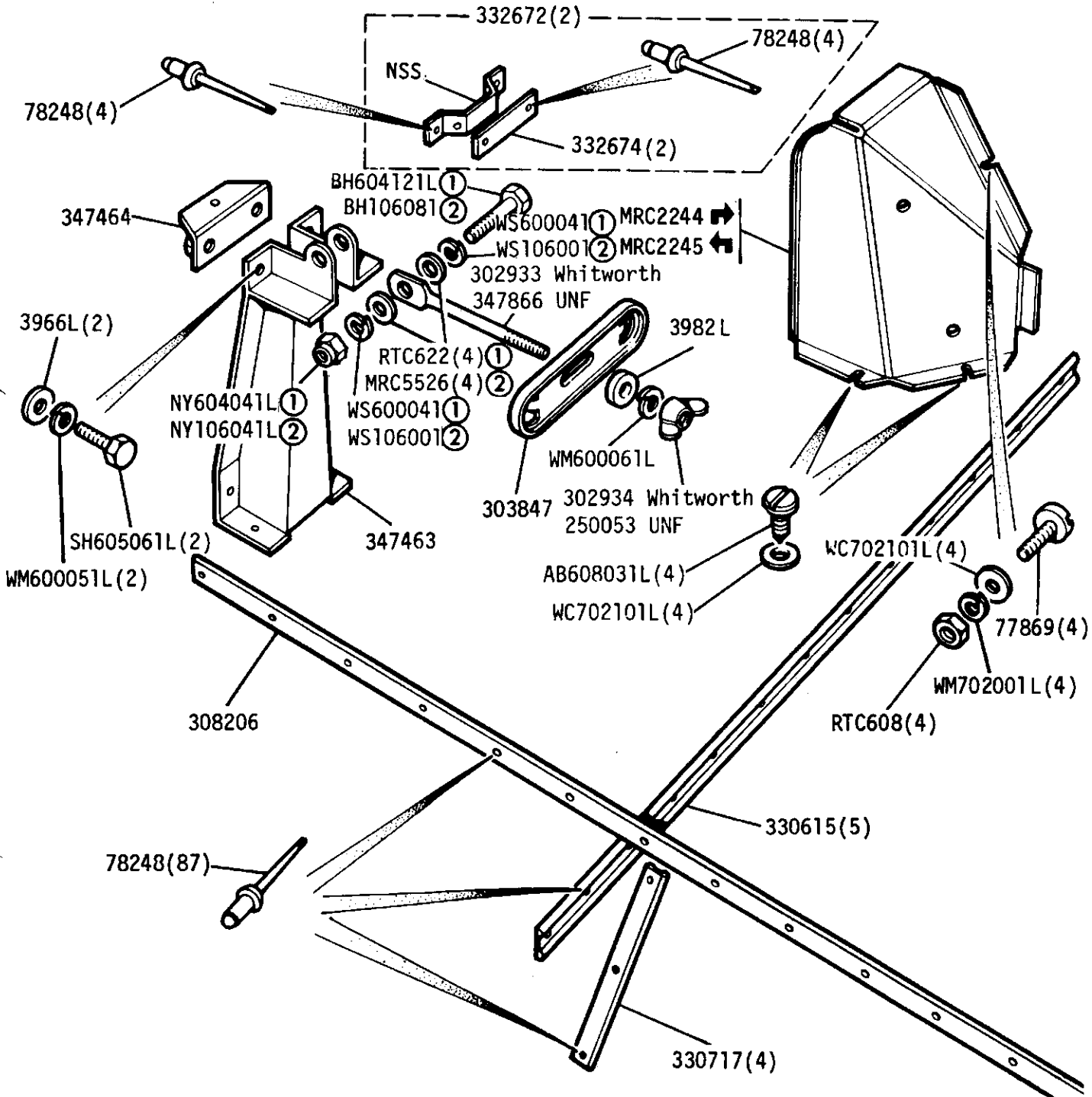
① Double quantities for 4 cylinder up to vehicle suffix 'B' inclusive	Clip, harness retention - PRC3537
② UNF	Plastic flange finisher, harness protection - 570753
③ METRIC	Jack retaining bracket - 367030
④ Alternatives	Rivet - RU612183(2)
	Retention ring - 371144 ④
	Retention ring - NRC9101 ④

LAND ROVER 2H 05 3RE 41



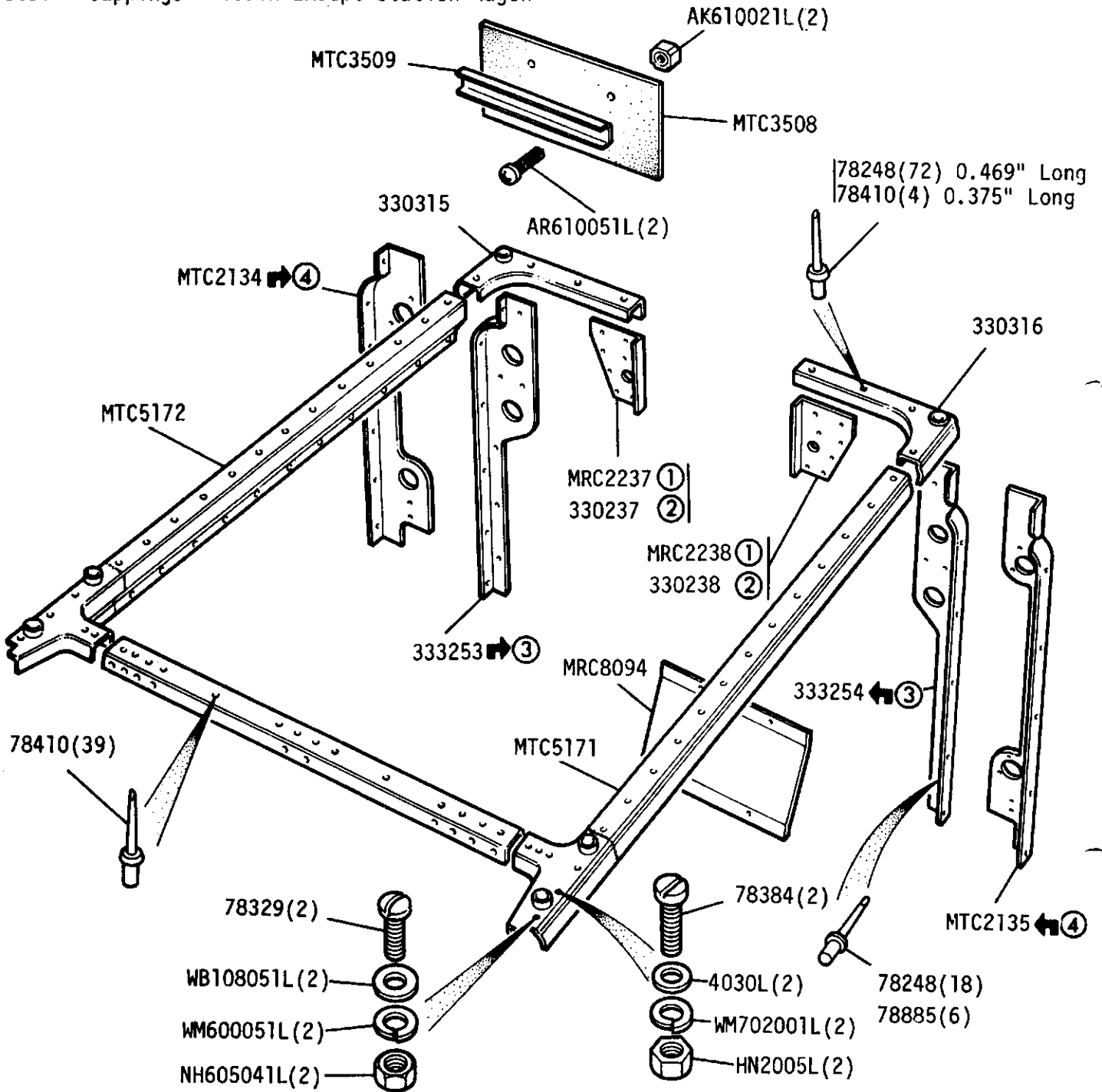
GROUP L

BODY - Spare Wheel Mounting and Rear Lamp Cover Panels - 109in except Station Wagon



- ① UNF
- ② METRIC

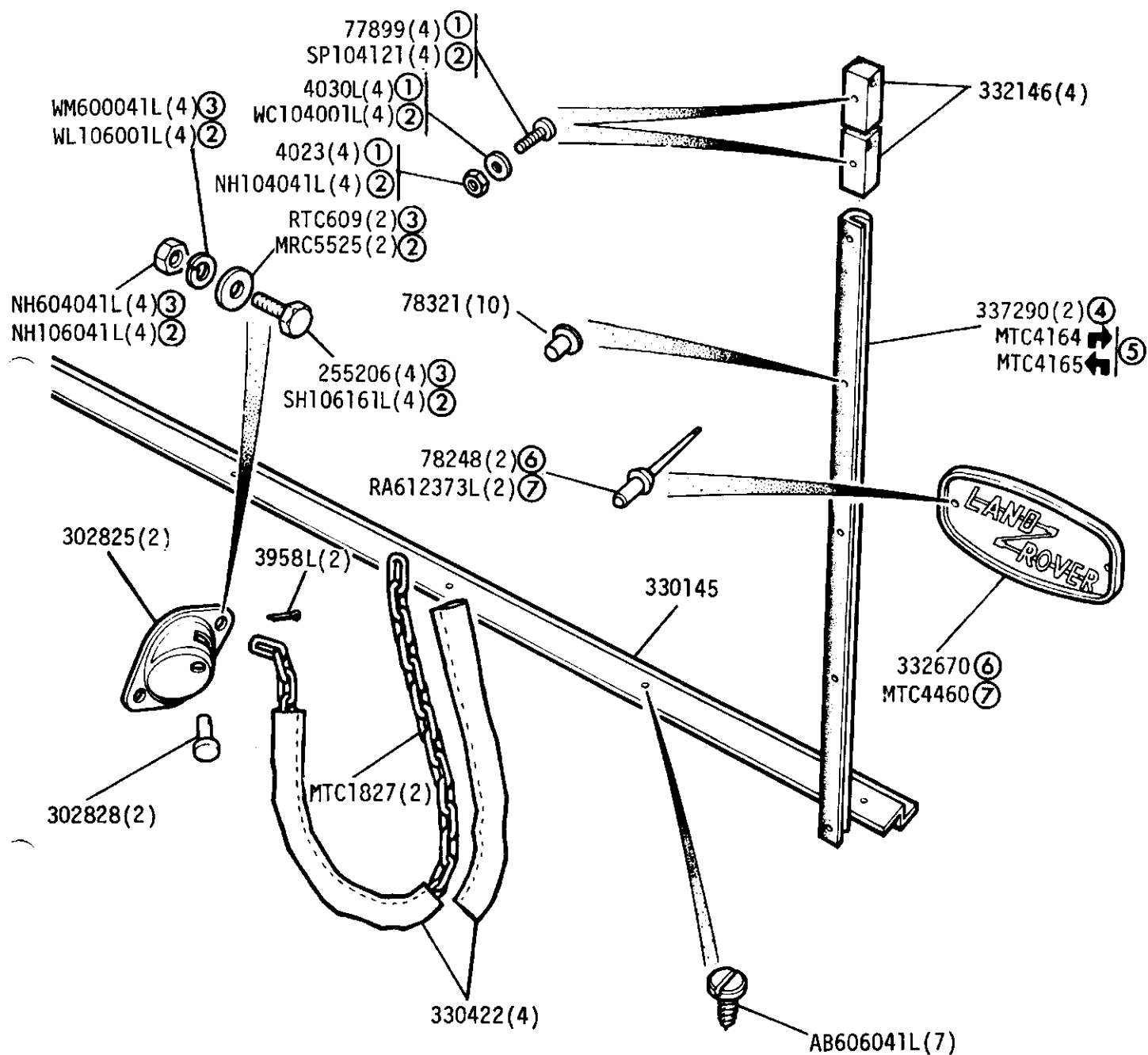
GROUP L  
 BODY - Cappings - 109in Except Station Wagon



- ① Except hard top with rear door
  - ② Hard top with rear door
  - ③ Original tail lamp arrangement
  - ④ Modified tail lamp arrangement
- LAND ROVER 2H 06 155297

GROUP L

BODY - Tailboard Fixings and Rear Nameplate - 109in except Station Wagon



Badge 'V8' rear end panel MRC7537 109 V8

① BA Fixings )  
 ② Metric Fixings ) Alternatives

③ UNF Fixings )

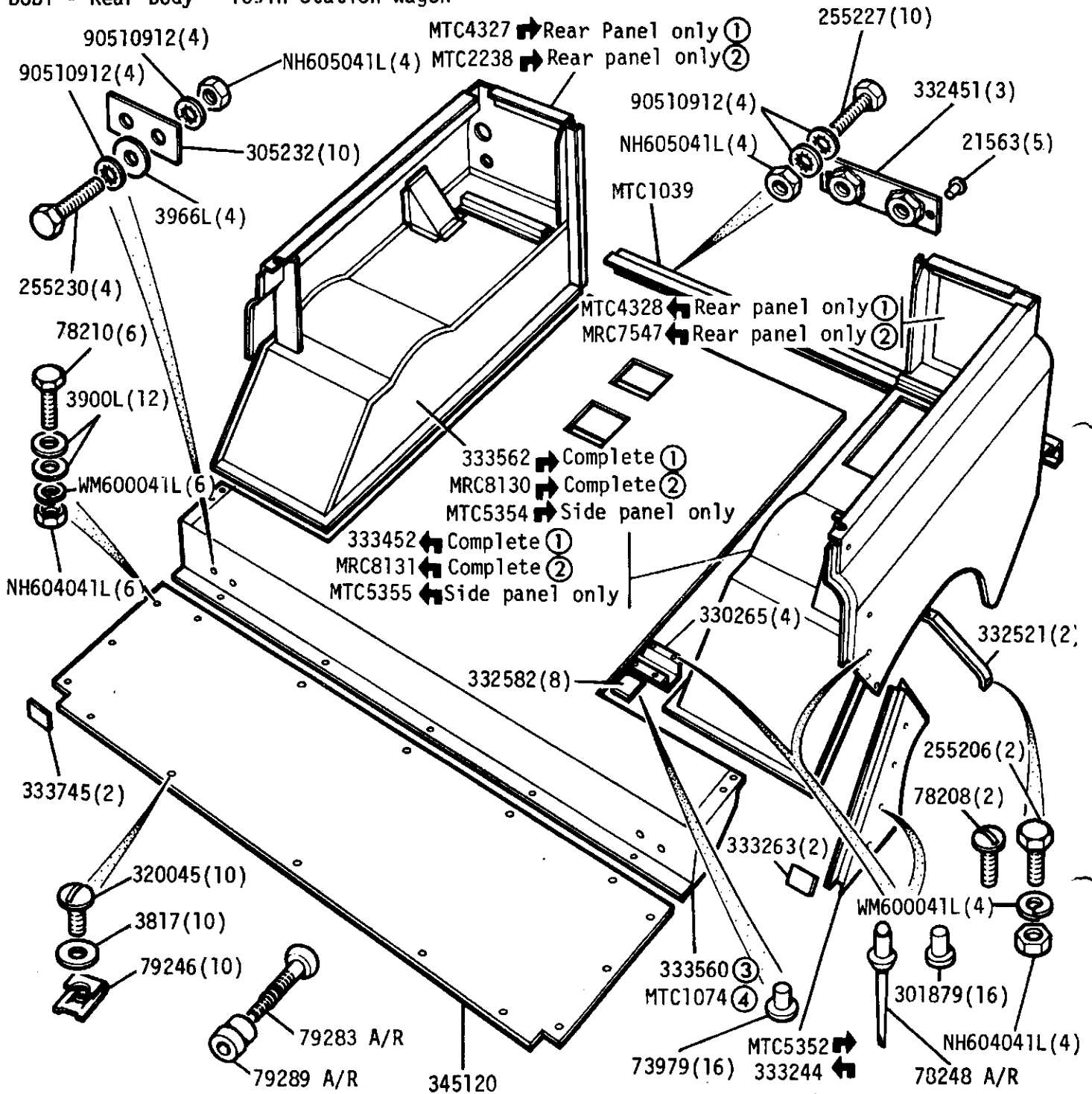
④ Upto December 1981

⑤ From January 1982 onwards

⑥ Fitted upto SALLDHAH7AA186336

⑦ Fitted from SALLDHAH7AA186337 onwards

GROUP L  
 BODY - Rear Body - 109in Station Wagon

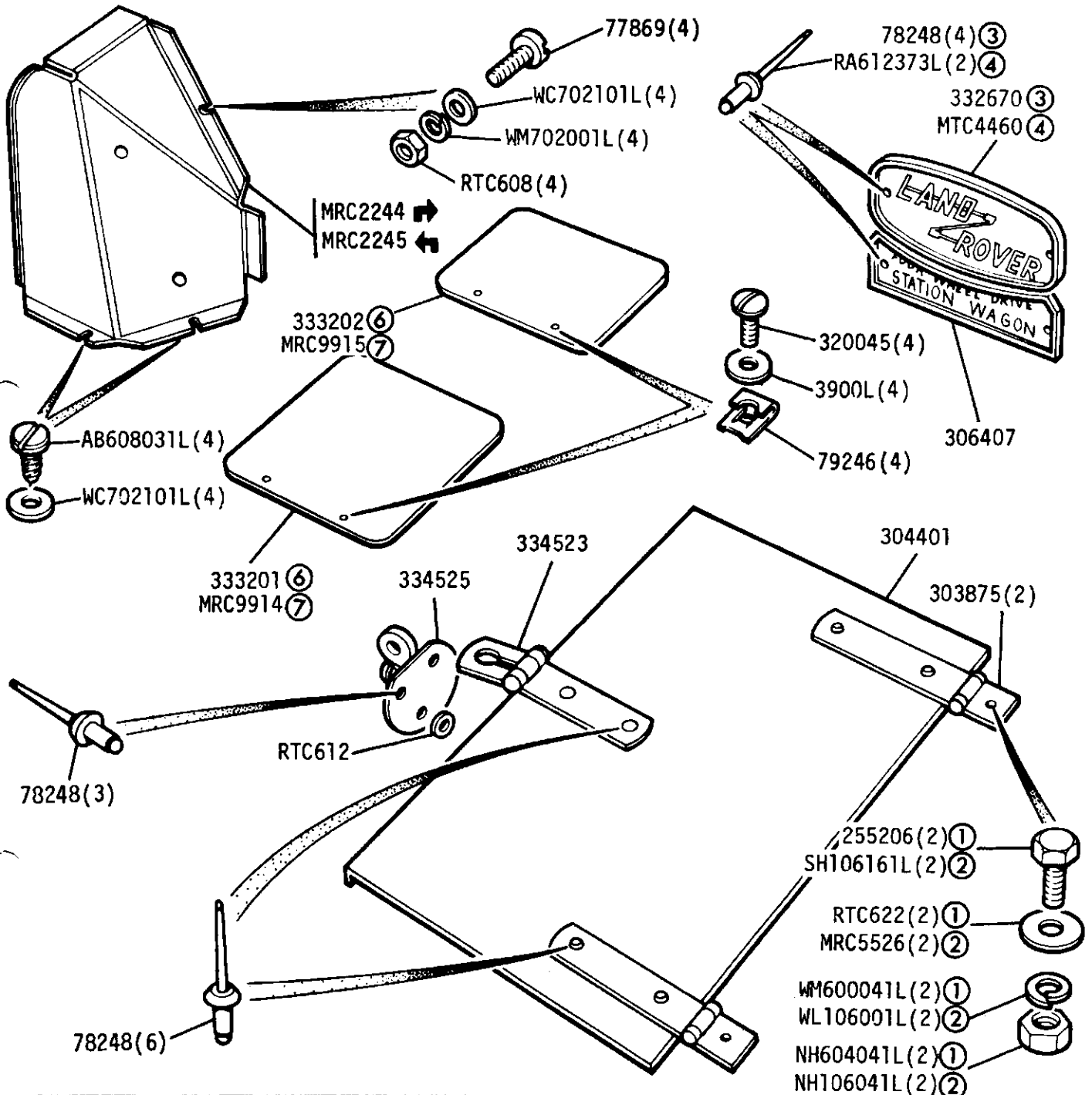


Rear body complete assembly 332983 ① MTC5359 ②  
 Badge, Land Rover V8 body side MRC7425(2) 109 V8

- ① Original tail lamp arrangement
- ② Modified tail lamp arrangement
- ③ Upto January 1981
- ④ From February 1981 onwards

GROUP L

BODY - Cover Panels - Rear Body - 109in Station Wagon



- ① UNF
- ② METRIC
- ③ Fitted upto SALLDHAH7AA186336
- ④ Fitted from SALLDHAH7AA186337 onwards
- ⑤ Alternatives
- ⑥ Up To December 1982
- ⑦ From January 1983

Badge 'V8', rear end panel - MRC7537 (109 V8)

Clip, harness retention - PRC3537

Plastic flange finisher,  
harness protection - 570753

Jack retaining bracket - 367030

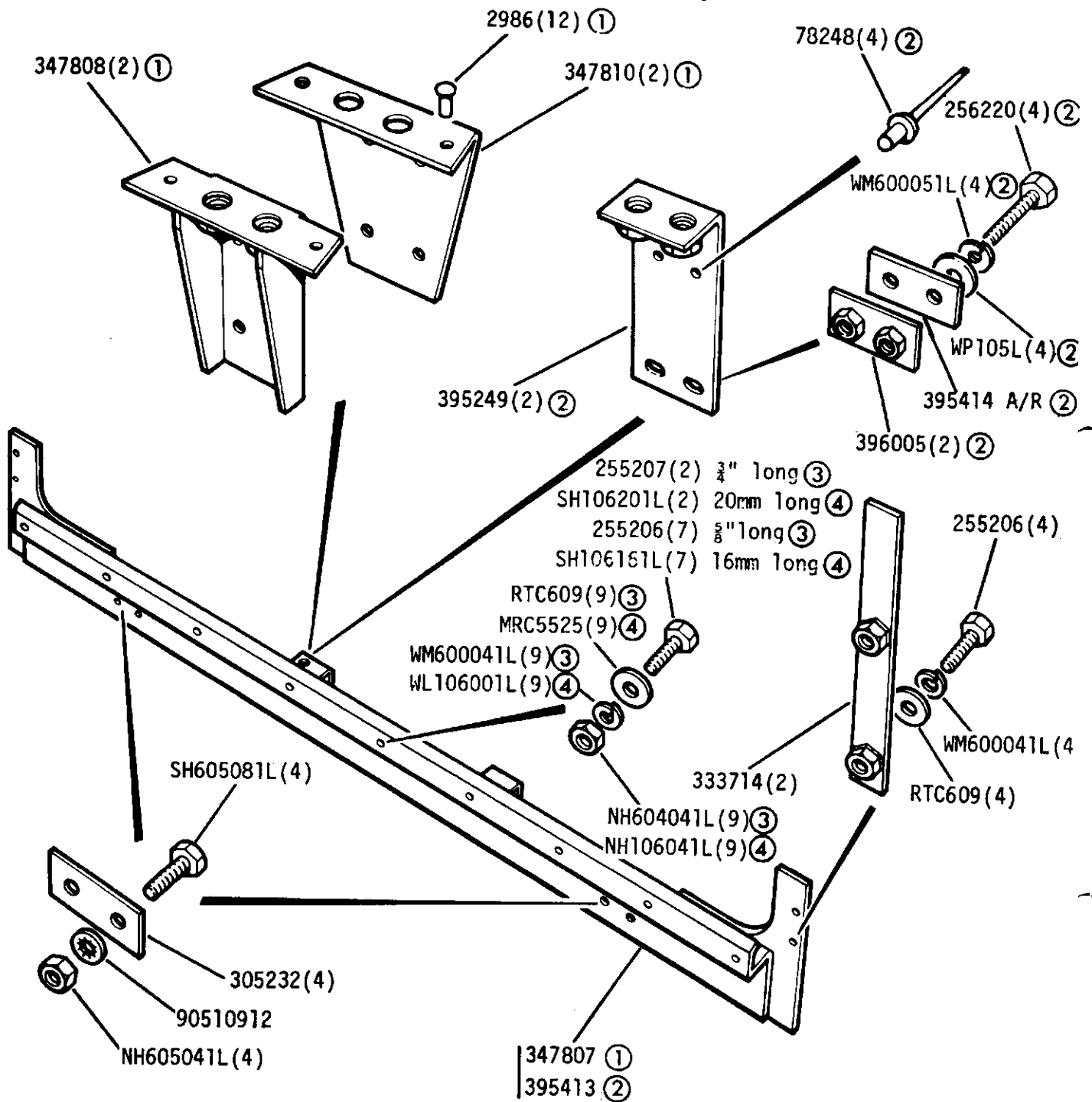
Rivet - RU612183(2)

Retention ring - 371144

Retention ring - NRC9101 ⑤

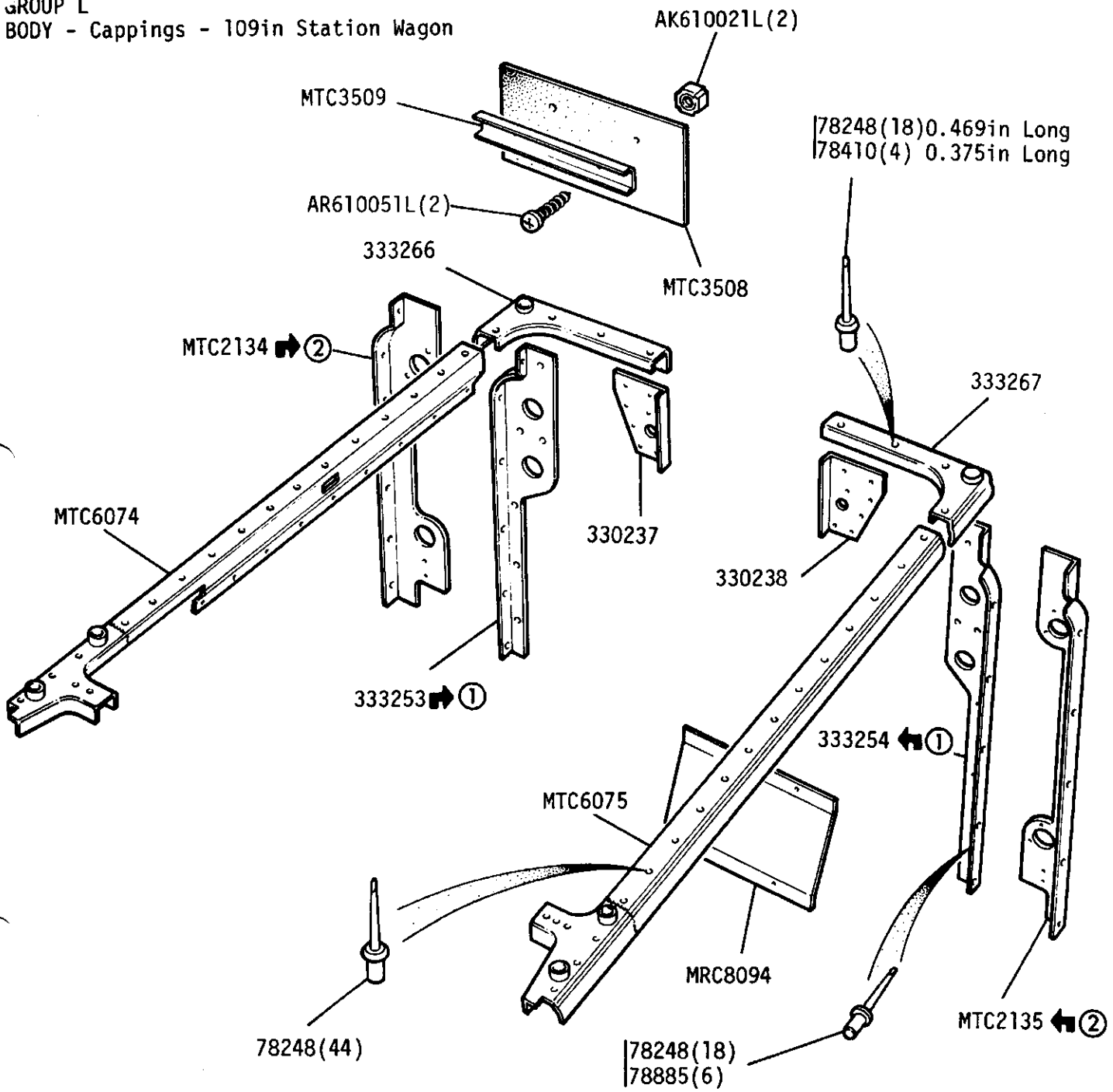
GROUP L

BODY - Toe Panel and Harness Brackets - 109 in Station Wagon



- ➔ ① Up to vehicle numbers 93100689, 93600336 and 94600372
- ➔ ② From vehicle numbers 93100690, 93600337 and 94600373 onwards
- ③ UNF
- ④ METRIC

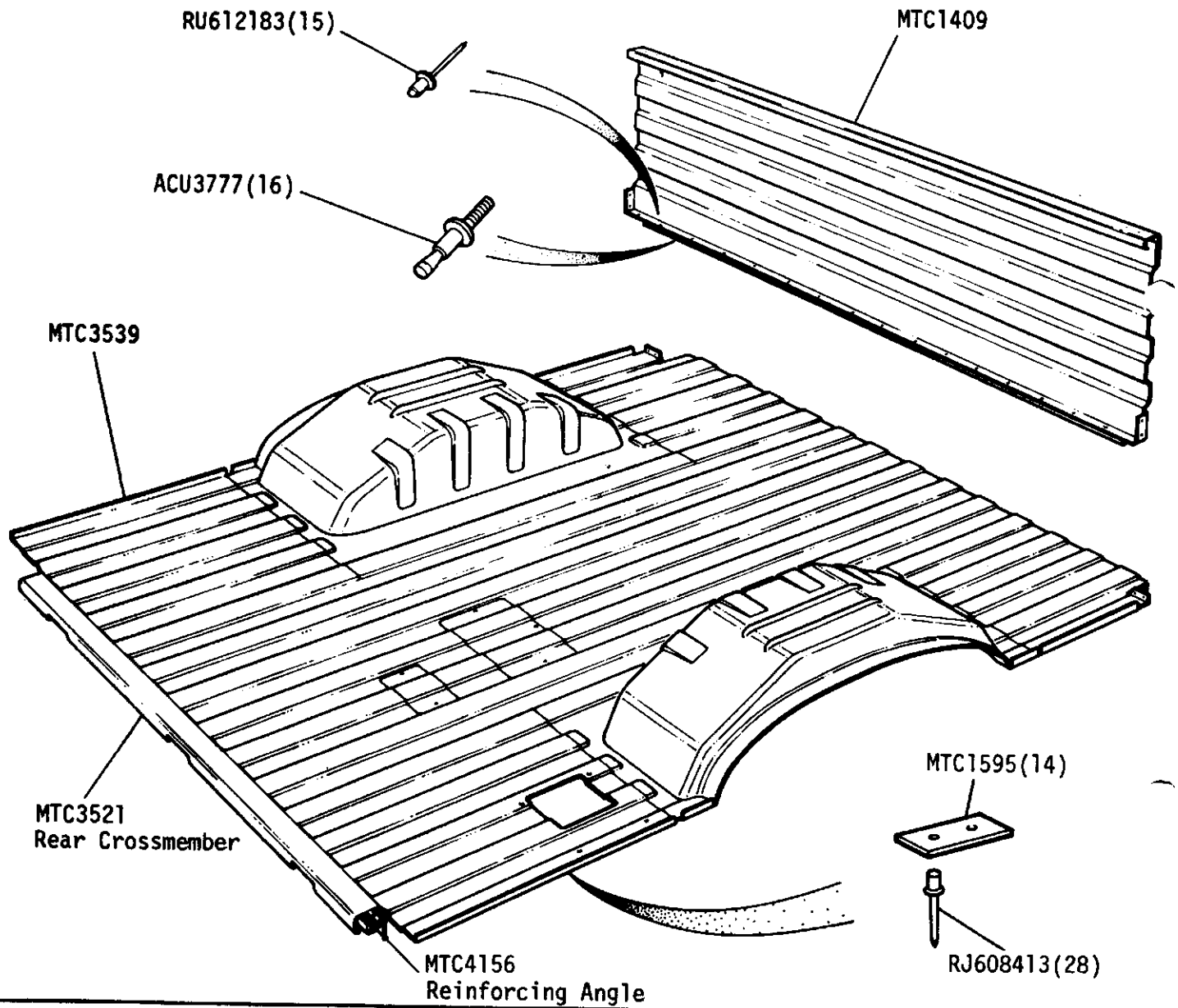
GROUP L  
 BODY - Cappings - 109in Station Wagon



- ① Original tail lamp arrangement
- ② Modified tail lamp arrangement

GROUP L

BODY - Bulkhead & Floor H.C.P.U.



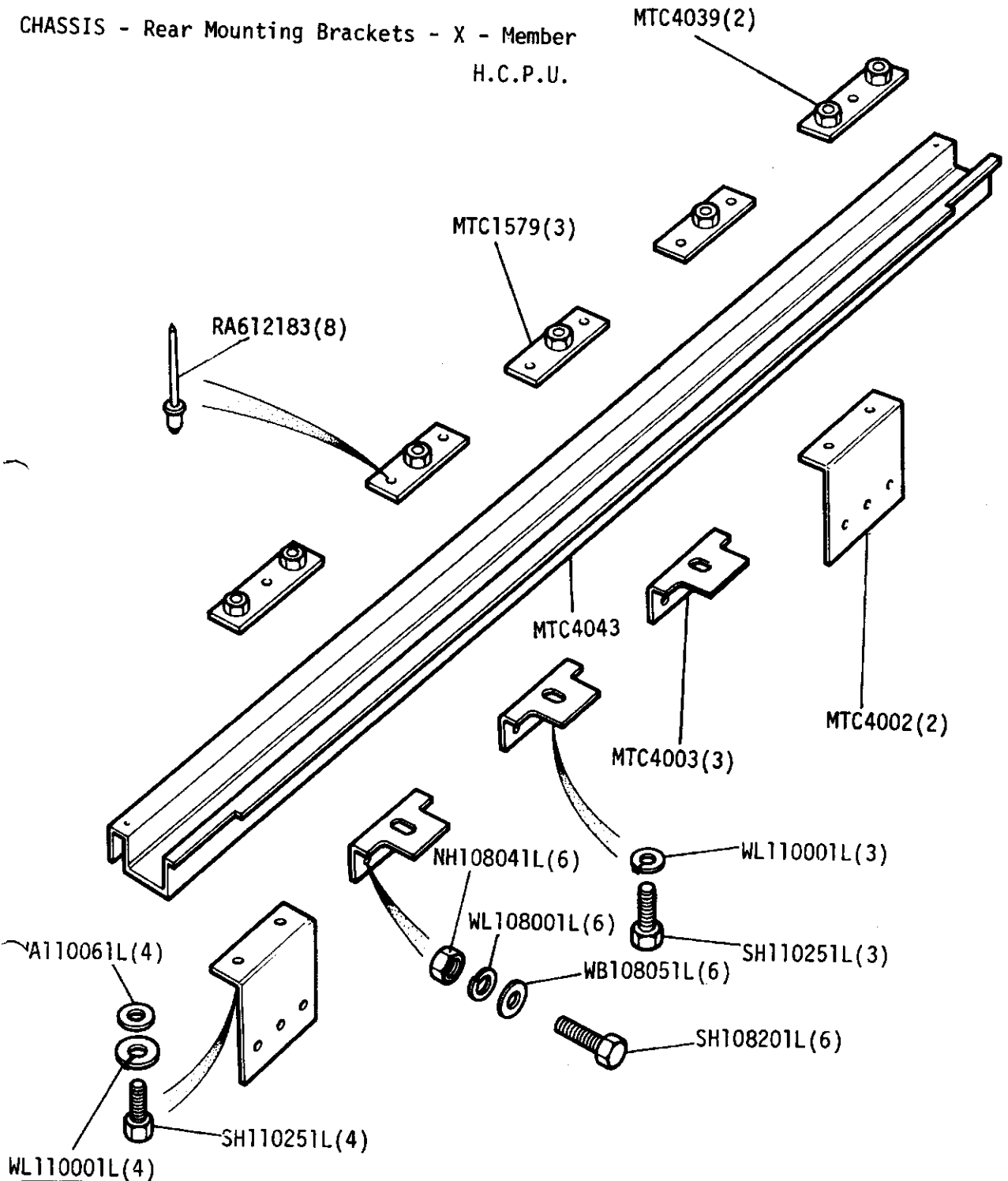
Rear body complete assembly - MTC3904

- Avdelok Bolt, rear crossmember - AAU6919(12)
- Collar, rear crossmember - AAU6774(12)
- Tee Bolt, rear crossmember - MTC3558(4)
- Plain Washer, rear crossmember - WA108051L(4)
- Nut, rear crossmember - NH108041L(4)
- Grommet, rear crossmember - 3H822L(2)

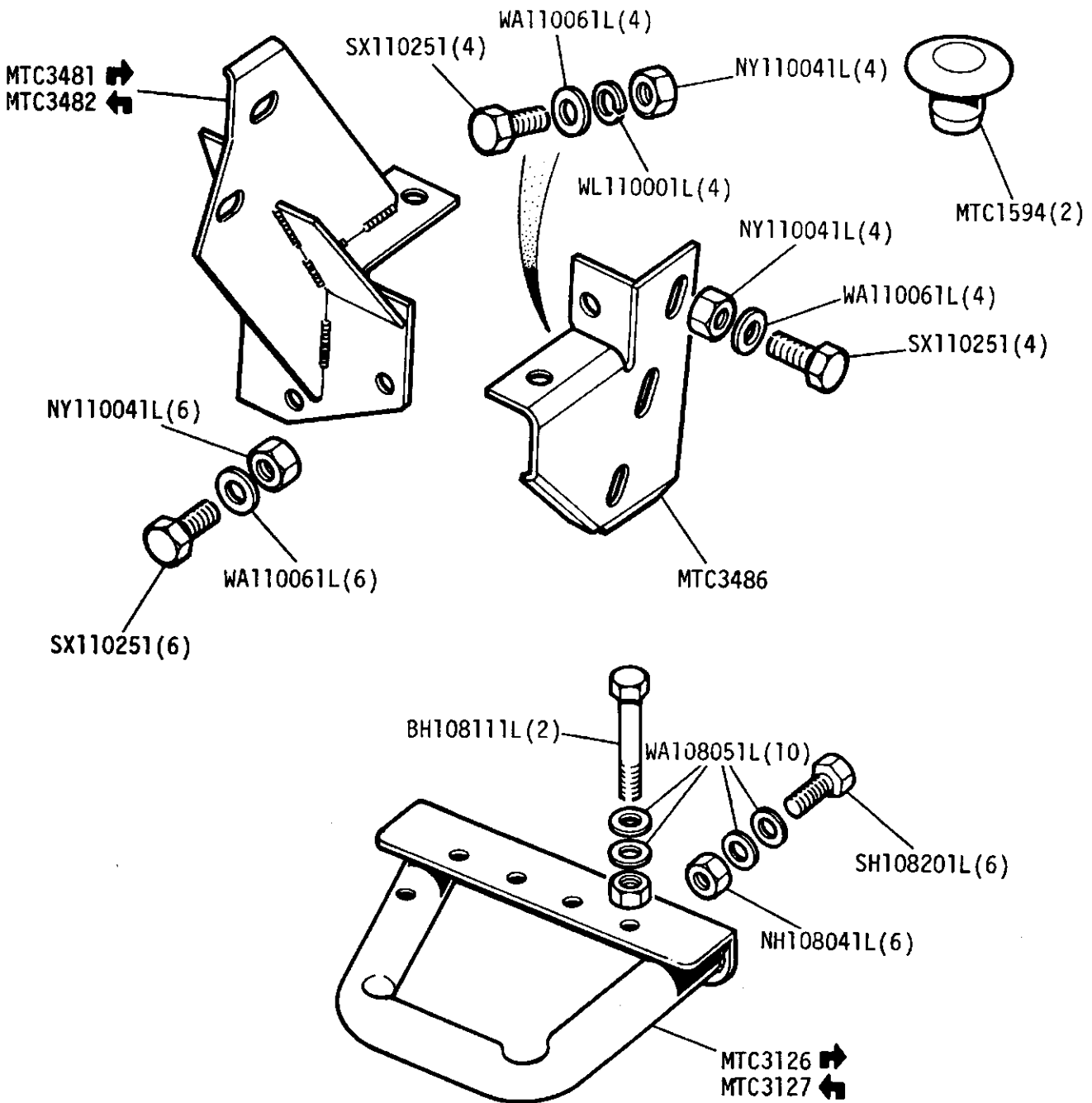


GROUP L

CHASSIS - Rear Mounting Brackets - X - Member  
H.C.P.U.



GROUP L  
 CHASSIS - Front and Rear Body Anchor and Rear Bumper Stops H.C.P.U.



GROUP L  
 BODY - Bodysides - H.C.P.U.

MTC5038 →  
 MTC5039 ←

AAU6774(20)

MTC1479(2)

MTC1481 →  
 MTC1482 ←

AAU6920(4)

AAU6774(4)

ACU1762(4)

ACU3530(20)

AAU6774(12)

ACU1161(12)

MTC3906

ACU1762(6)

MTC3907

AFU1841(2)

MTC3333(2)

AAU6774(32)

ACU1161(32)

AAU6774(2)

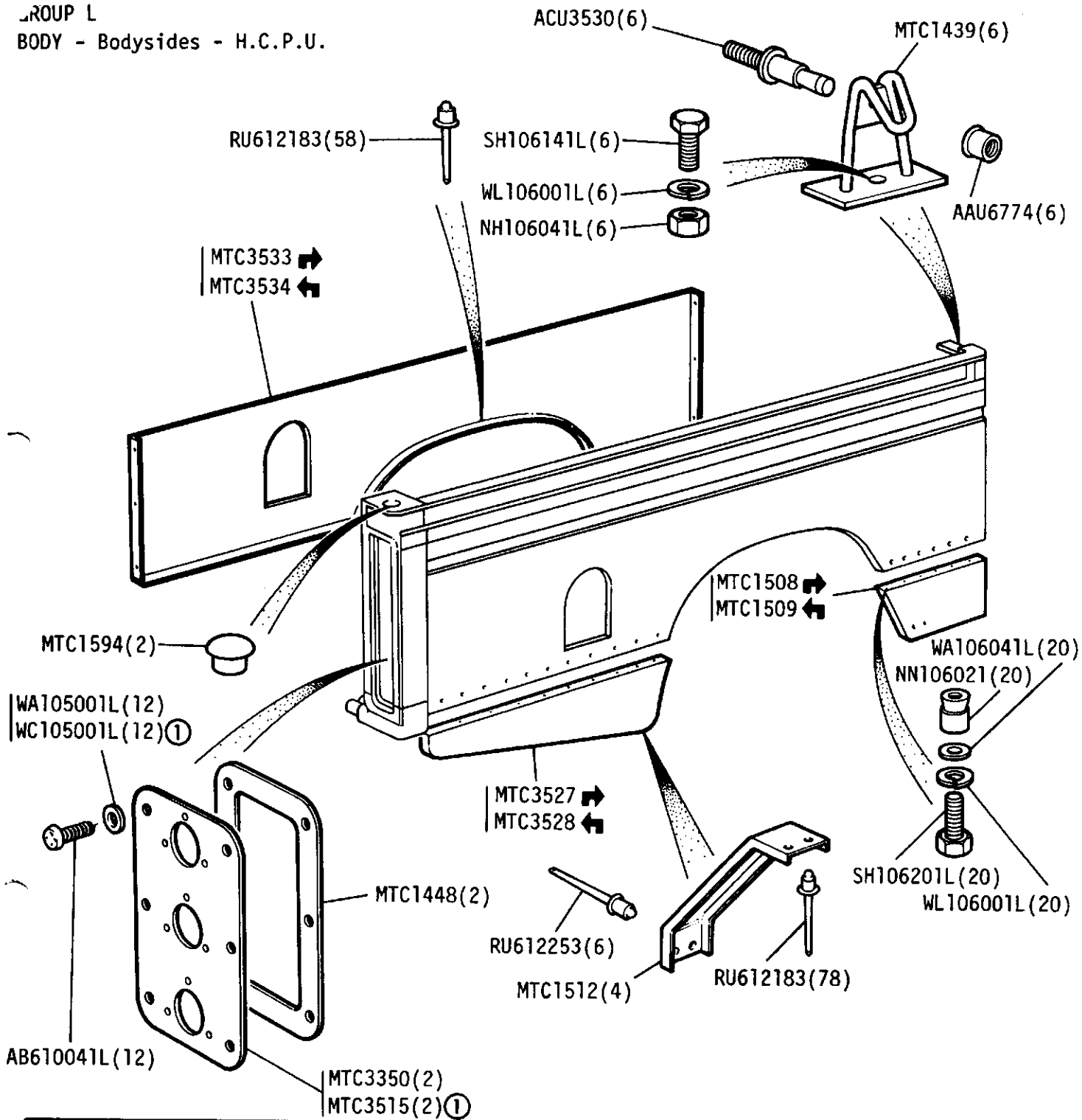
ACU2063(2)

RU612183(4)

AAU8182(6)

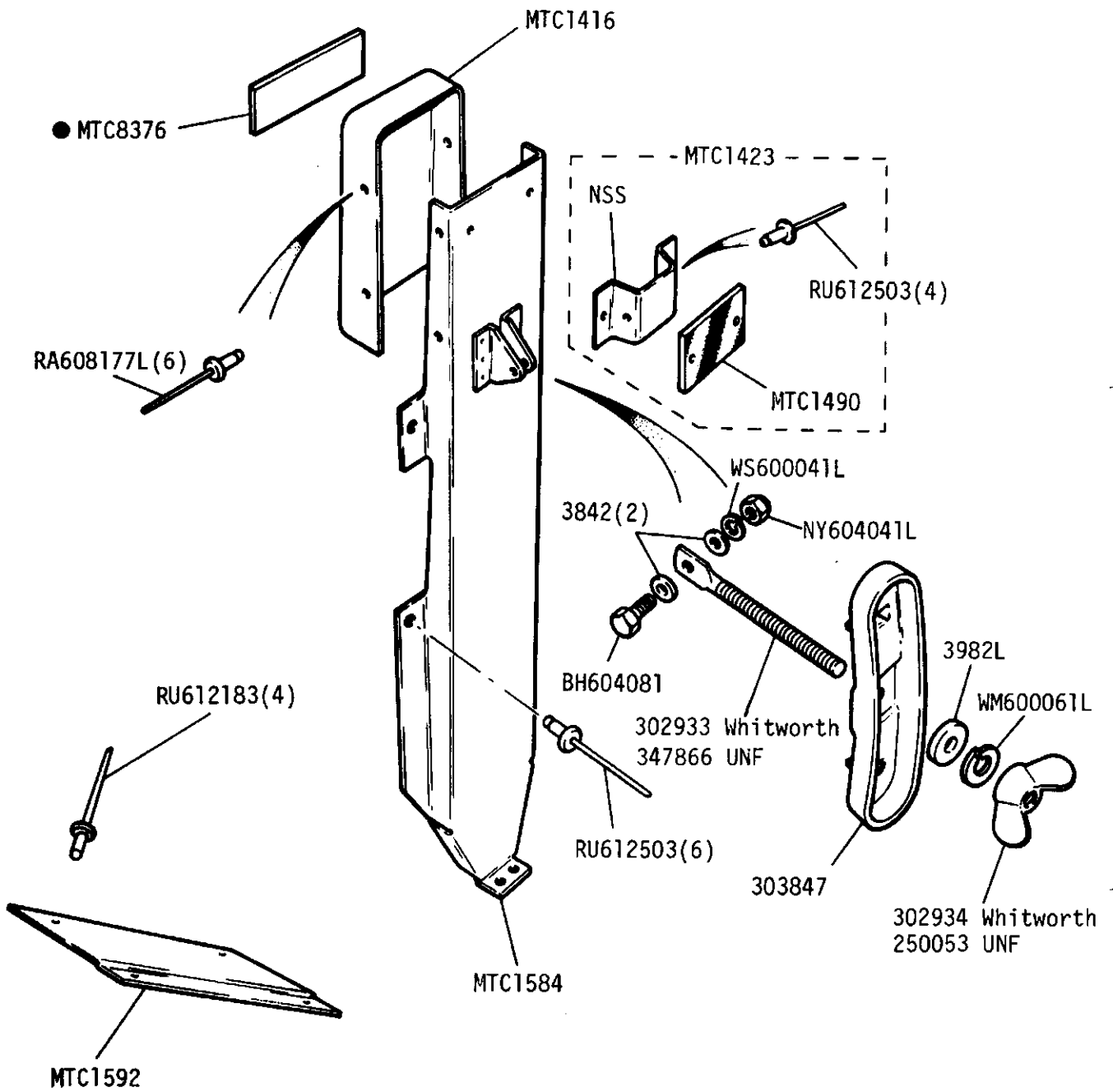
AAU6774(6)

GROUP L  
BODY - Bodysides - H.C.P.U.



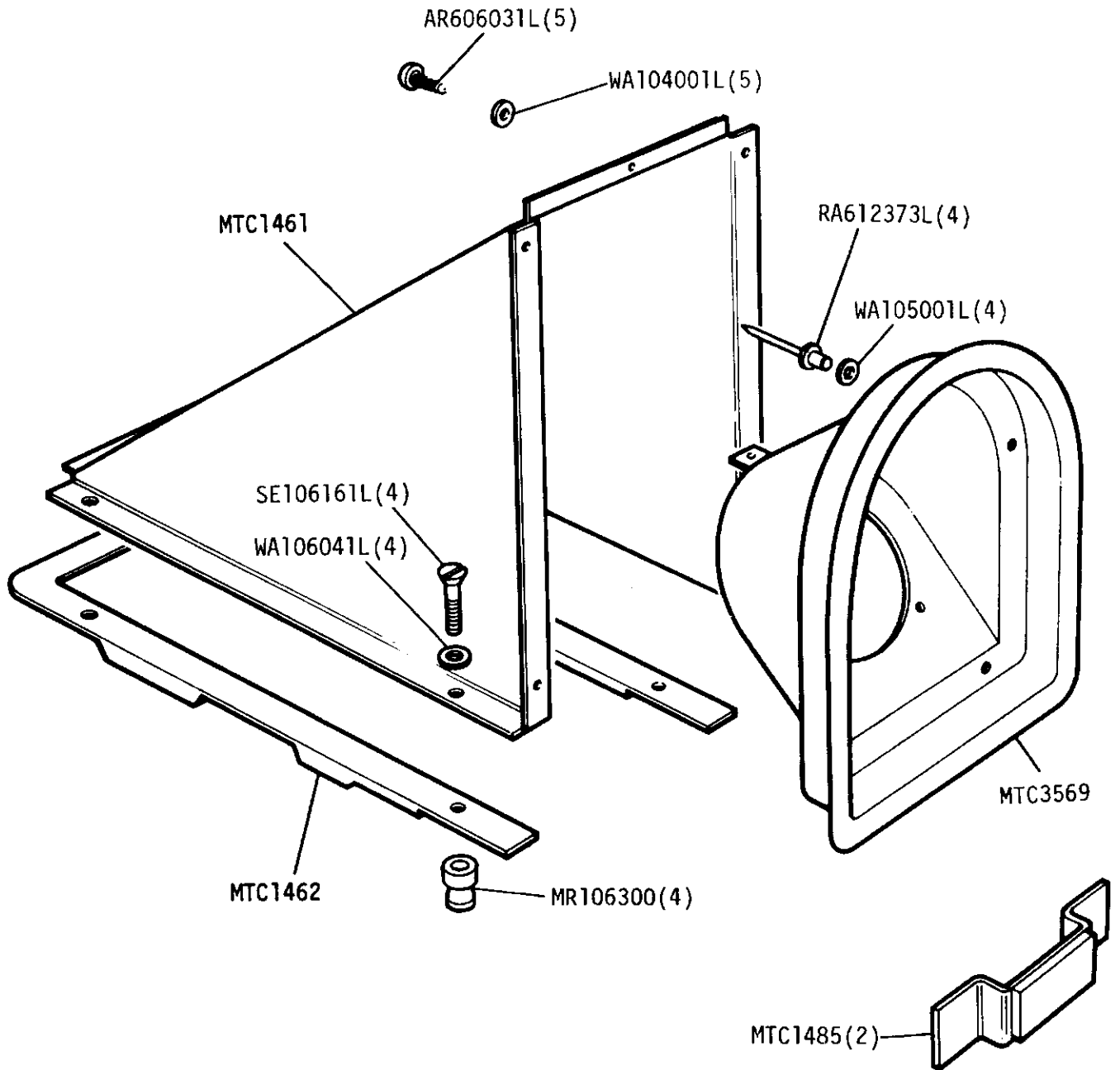
① Required when Fog or Reverse Lamps are fitted

GROUP L  
 BODY - Spare Wheel Mounting H.C.P.U.



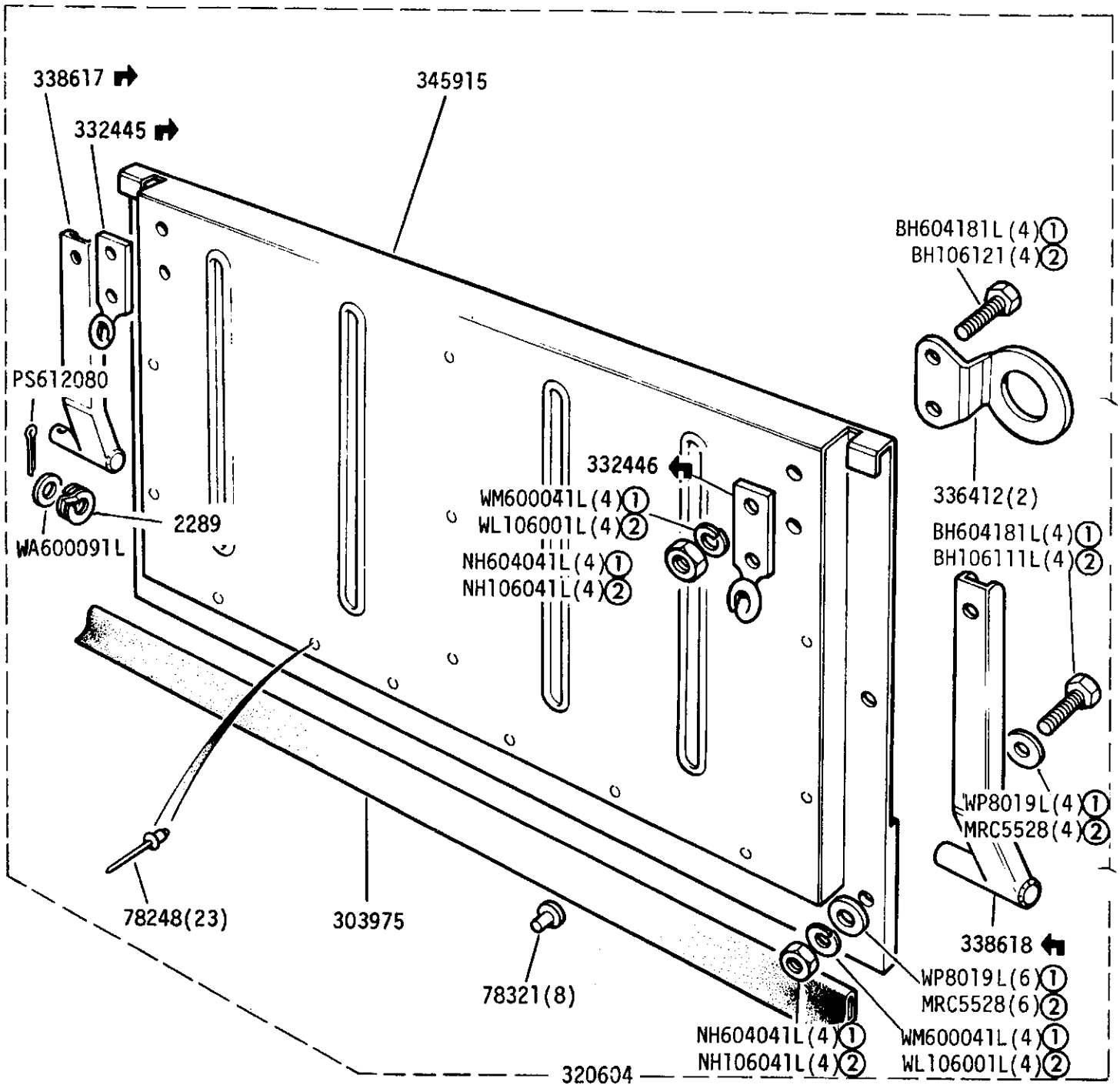
● Vehicles fitted with Hood assembly with side windows.

GROUP L  
BODY - Fuel Filler Cowl H.C.P.U.



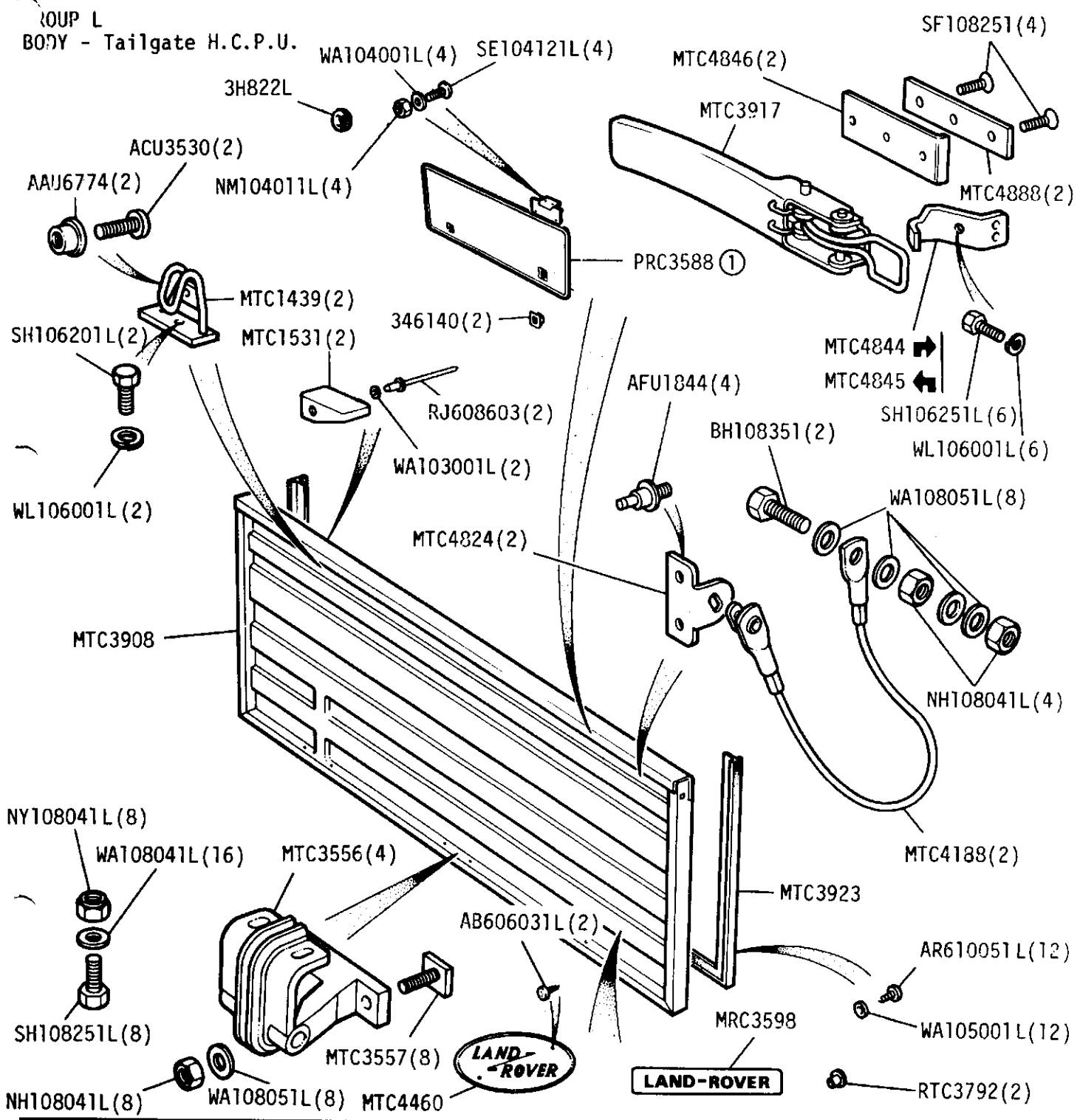
Label, "Diesel Fuel" - MTC4320

GROUP L  
 BODY - Tailboard Assembly



- ① UNF
- ② METRIC

GROUP L  
BODY - Tailgate H.C.P.U.

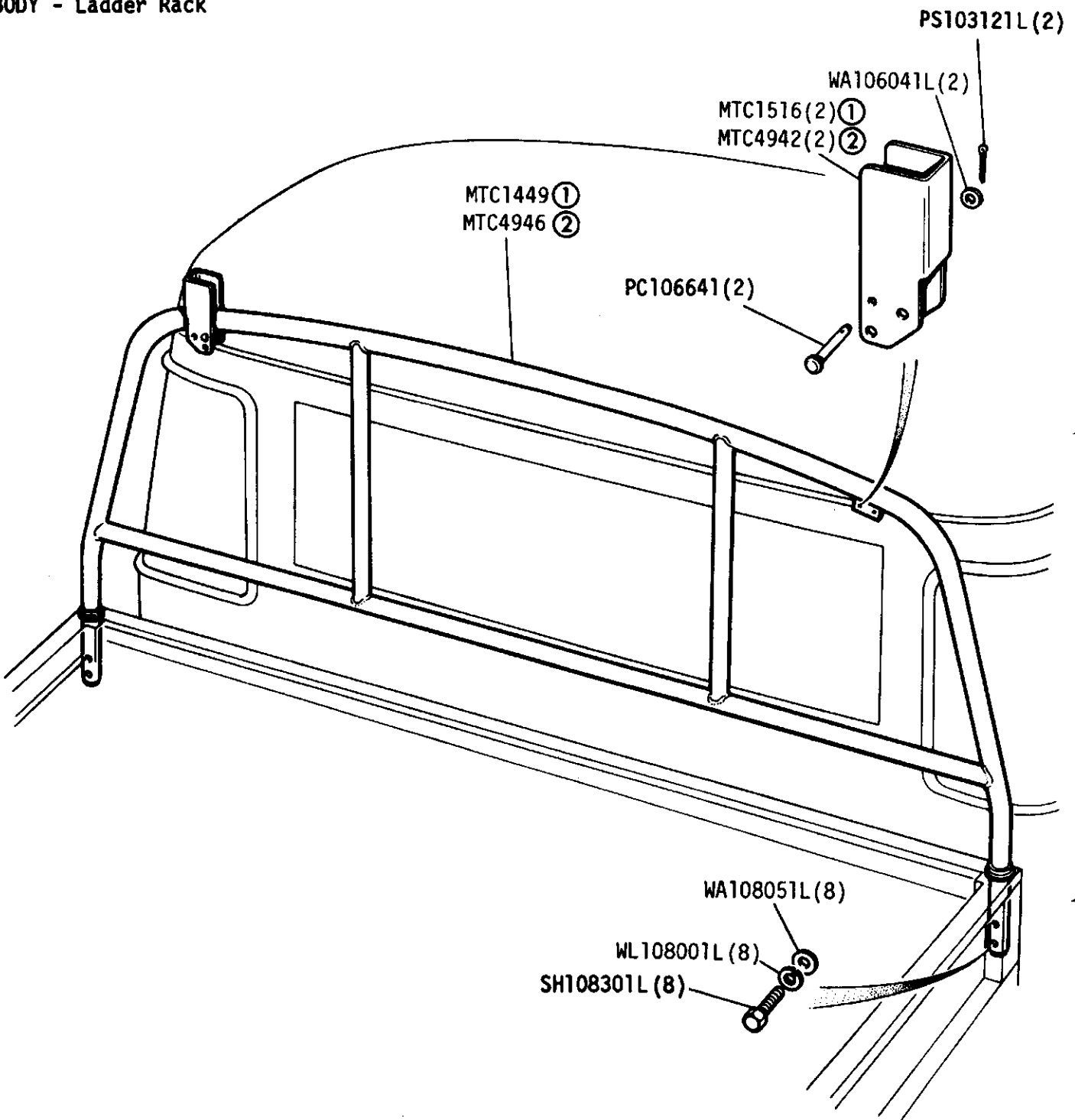


① Optional if required.



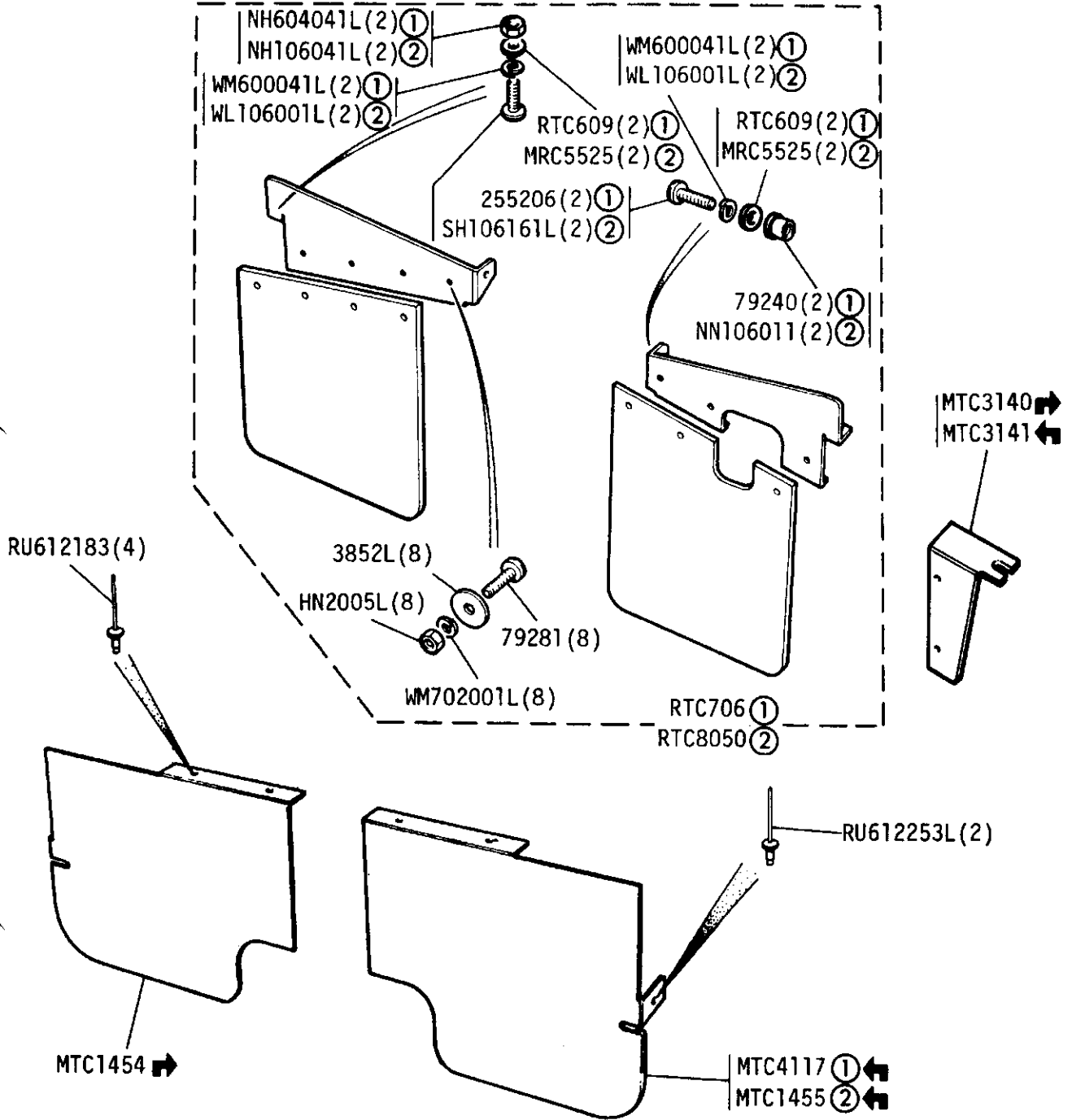
GROUP L

BODY - Ladder Rack



- ① Black Finish
- ② Galvanised Finish

ROUP N  
 BODY - Rear Wheelguards and Mudflaps - H.C.P.U.



- ① 4 Cylinder
- ② 109V8