

TECHNICAL INFORMATION



Sealing Cam Bore and Galley Plugs

No: 12/01/02/NAS
 Replaces 12/01/01/NAS
 Ref: 12/02/02/NAS
 Issue: 1
 Date: 10/11/02

AFFECTED VEHICLE RANGE:

Land Rover V-8	
Range Rover (LH)	All
Range Rover (LP)	All
Discovery (LJ)	All
Defender (LD)	All
Discovery Series II (LT)	All

SITUATION:

OIL LEAKAGE FROM THE CAM BORE AND GALLEY PLUGS

A customer may complain about oil seepage from the rear of the engine. The cam bore plug and cam galley plugs installed with early application technology may seep engine oil over the life of the vehicle.

RESOLUTION:

SEAL CAM BORE AND CAM GALLEY PLUG WITH LOCTITE® PRODUCTS

New sealing processes have been introduced into engine manufacturing that more effectively seal plugs. Seal and install a new cam bore plug where a leak has been identified or reseal the oil galley plugs if they are the source of the seepage.

PARTS INFORMATION:

602146	Cam Bore Plug	Qty 1
LRN24300	Loctite® 243	As Required
Locally Sourced		
• Loctite® 648	Product Number 21443	Cam Bore Plug Sealant
• Loctite® 243	Product Number 24077	Galley Plug Sealant

WARRANTY CLAIMS:

- 12.13.89/27 Time 0.10 hrs.
 Reseal oil gallery plug - with flywheel removed
- 12.13.89/26 Time 0.10 hrs.
 Reseal camshaft end plug - with flywheel removed

FAULT CODE: N

*Normal warranty policy and procedures apply.
 Material allowance is included in labor operation.*

TIB 12/01/02/NAS	CIRCULATE: TO	Service Mgr X	Warranty X	Workshop X	Body Shop X	Parts X
---------------------	------------------	------------------	---------------	---------------	----------------	------------

REPAIR PROCEDURE

SEAL OIL GALLEY PLUGS

1. If oil galley plugs have been determined to be the source of the oil leak, remove the old plug using an 8 mm Allen wrench. ("A" in Figure 1)
2. Clean all surfaces to ensure they are free of oil, old sealant and other contamination.
3. Apply Loctite® 243 to the threads of a galley plugs.
4. Install plugs and tighten to 55 Nm (40.5 lbf.ft.).
5. Allow Loctite to cure to manufacturer's specification.

SEAL CAM BORE PLUG

6. If cam bore plug has been determined to be the source of the oil leak ("B" in Figure 1), access and remove the old plug as follows:
 - Position a sharp chisel at the center of the plug to maximize clearance to camshaft. ("A" and "B" in Figure 2)
 - Pierce the plug
 - Protect the engine block and pry out the old plug.
7. Clean all surfaces to ensure they are free of oil, sealant and other contamination.
8. Apply Loctite® 648 to the edges of a new bore plug (602146).
9. Install new plug until the edge of the plug is flush with the block casting ("C" in Figure 2).
10. Allow Loctite to cure to manufacturer's specification.

Figure 1

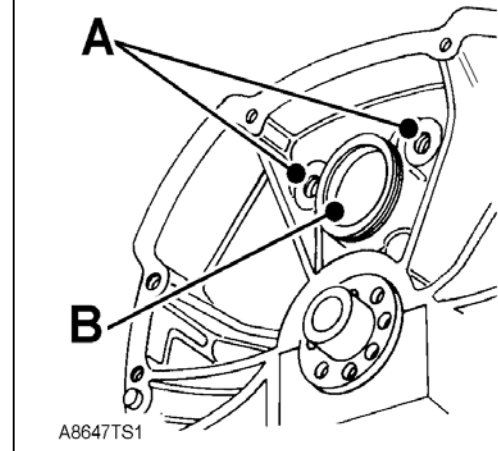


Figure 2

