

TECHNICAL INFORMATION



No: 54/01/01/NAS
Ref:
Issue: 1
Date: 03/02/01

Coil Spring Installation Care Points

AFFECTED VEHICLE RANGE:

DEFENDER	ALL
DISCOVERY SERIES I	ALL
DISCOVERY SERIES II	ALL

SITUATION:

COIL SPRING ORIENTATION AT INSTALLATION

Incorrect orientation of either front or rear axle coil springs replaced during a repair procedure could increase the tendency of the spring to capture road debris.

RESOLUTION:

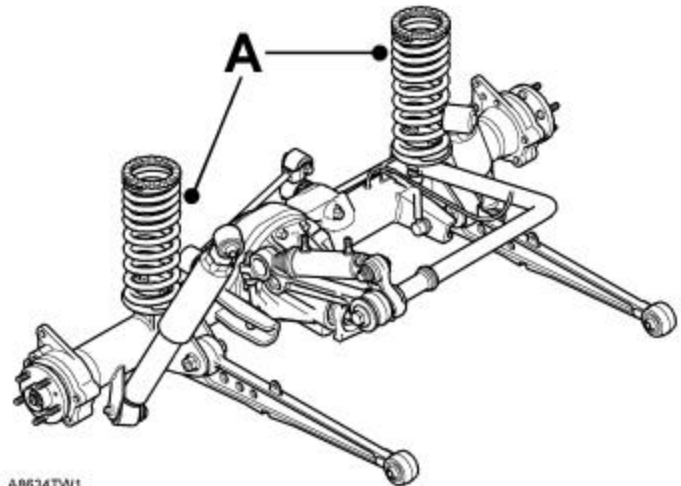
ENSURE THAT PROPER COIL SPRING ORIENTATION IS MAINTAINED

Whenever coil springs are removed or replaced during a repair, ensure that the correct spring orientation is observed during the installation process.

Front and rear springs must always be fitted as shown, with close coils uppermost (A in Figure 1). This will reduce the potential for debris to become trapped within the spring and permit easier access to the lower fasteners for the front shock absorber.

When installing a Defender or Discovery Series I rear spring, ensure that the spring is located firmly against the lower spring retainer plate. Rotate the spring in a clockwise direction until resistance by the retainer plate prevents further rotation.

Figure 1



A8634TW1

Discovery Series II Rear ACE Suspension Shown

PARTS INFORMATION:

Refer to parts catalog for vehicle under repair.

WARRANTY CLAIMS:

Refer to Labor time guide for vehicle under repair.

Normal warranty policy and procedures apply

TIB	CIRCULATE:	Service Mgr	Warranty	Workshop	Body Shop	Parts
54/01/01/NAS	TO	X	X	X	X	X