

# TECHNICAL INFORMATION



No: 76/11/99/NAS

Ref:

Issue: 4

Date: 07/30/99

## Dashboard Creaking Noise

### AFFECTED VEHICLE RANGE:

**DISCOVERY Series II (LT) Up to XA233801**

### SITUATION:

#### CREAK IN FRONT FACIA AREA

The molded hooks used to secure the leading edge of the air intake plenum to the windshield, and the windshield locating block can generate audible creaks.

### RESOLUTION:

#### ISOLATE PLENUM CLIPS AND REMOVE LOCATING BLOCKS



**NOTE: The use of tape to isolate the windscreen locating blocks as described in Issue 3 of this bulletin has been deleted. Locating blocks are to be removed and discarded.**

Upon customer complaint of the above symptom, remove windscreen support blocks and place felt pads in the mouths of the retaining hooks for the air intake plenum as described in the procedure below.

### PARTS INFORMATION:

LRN402S4A2K..... Felt Pad Set	Quantity as required
79086L ..... Trim Clips	Qty. 6

### INSTALLATION TIME:

76.46.89/36 ..... Time 0.5 hrs.  
Access air intake plenum remove locator blocks and isolate connector clips  
Material Allowance is incorporated into the process time allowance

**FAULT CODE: K**

*Normal warranty policy and procedures apply*

TIB	CIRCULATE:	Service Mgr	Warranty	Workshop	Body Shop	Parts
76/11/99/NAS	TO	X	X	X	X	X

## REPAIR PROCEDURE:

### DISASSEMBLY TO ACCESS CLIPS

1. Remove both A-post exterior trim finisher pieces as follows (Figure 1):
  - Push centers from three trim clips securing finisher to A-post.
  - Remove trim clip outers from finisher.
  - Release finisher from three spring clips.
  - Remove finisher.
2. Remove windscreen wiper arm components in the following sequence (Figure 2):
  - Caps from wiper arms
  - Nuts securing wiper arms to wiper linkage
  - Both wiper arms
  - Lock nuts from wiper linkage
  - Washer and rubber spacers
3. Remove two trim clips and center bolt, which secure the air intake plenum to body.
4. Remove plenum from the vehicle.
5. Remove and discard bottom windshield-locating blocks.

### CLIP ISOLATION AND ASSEMBLY

1. Place felt pads inside the plenum clips.
2. Install plenum into vehicle.
3. Carefully position plenum clips to windscreen ensuring that felt pads remain between the clips and the windscreen. (Figure 3)
4. Install trim clips and center bolt.
5. Install wiper arm assemblies as follows:
  - Position rubber spacers and washers onto wiper linkage.
  - Install lock nuts to wiper linkage and tighten to **7 Nm (5.2 lbf.ft.)**.
  - Install wiper arms to wiper linkage.
  - Install nuts securing arms to wiper linkage and tighten to **15 Nm (11lbf.ft.)**.
  - Install caps to wiper arms.
6. Install both trim finishers to A-posts and secure with spring clips.
7. Install six new trim clips (three 79086L to each A-post trim piece).

Figure 1

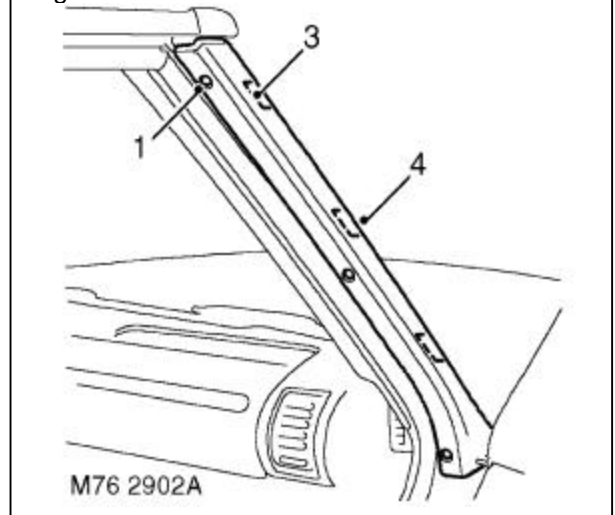


Figure 2

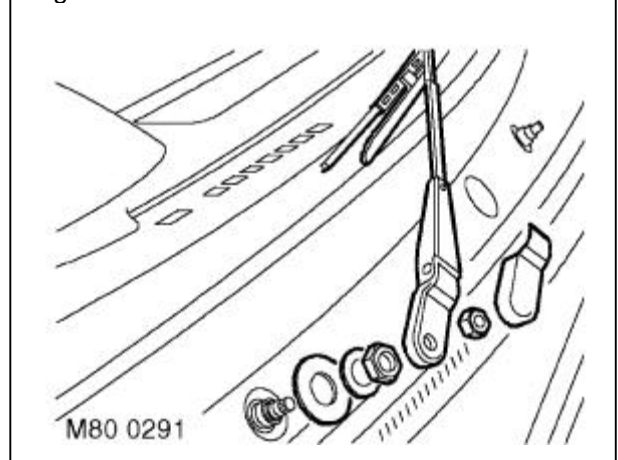


Figure 3

