

TECHNICAL INFORMATION



No: 76/21/99/NAS
 Ref:
 Issue: 1
 Date: 07/16/99

Front Seat Recline Trim Piece loose

AFFECTED VEHICLE RANGE:

DISCOVERY Series II (LT) Up To XA902786
 Up To XA206760

SITUATION:

FRONT SEAT RECLINE MECHANISM TRIM PIECE EXHIBITS POOR FIT.

A customer may complain of a loose or misaligned trim piece on the seat recline mechanism. This may be due to insufficient fastening of the trim piece to the seat frame.

RESOLUTION:

REPLACE TRIM PIECE WITH NEW SPECIFICATION PART

A new trim piece has been developed with a dowel peg fastener to ensure proper fit. These new specification components are factory installed on all vehicles produced after the above vin ranges, and can be fitted to earlier vehicles to correct fit problems.

PARTS INFORMATION:

HJI100050LPW	Recline Mechanism Trim Piece LH (Grey)	Qty. 1
HJI100050SUC.....	Recline Mechanism Trim Piece LH (Beige)	Qty. 1
HJI100040LPW	Recline Mechanism Trim Piece RH (Grey)	Qty. 1
HJI100040SUC.....	Recline Mechanism Trim Piece RH (Beige)	Qty. 1
HJX100270LPW.....	Dowel Peg Fastener (Grey)	Qty. 1 per side
HJX100270SUC	Dowel Peg Fastener (Beige)	Qty. 1 per side

WARRANTY CLAIMS:

78.55.01/81 Time 0.20 hrs.
 Replace a single recline mechanism trim piece.

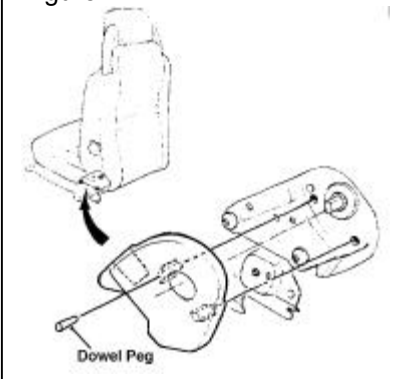
FAULT CODE: C

Normal warranty policy and procedures apply

REPAIR PROCEDURE

1. Adjust the seat to its rear-most position.
2. Remove the recline mechanism trim piece by pulling it away from the two stud locations in the seat frame.
3. Install the new specification trim piece as follows:
 - Locate the trim piece retaining studs.
 - Push the trim piece into the seat frame.
 - Insert the tapered dowel peg into the forward retaining stud, and press firmly.

Figure 1



TIB 76/21/99/NAS	CIRCULATE: TO	Service Mgr X	Warranty X	Workshop X	Body Shop X	Parts X
----------------------------	-------------------------	-------------------------	----------------------	----------------------	-----------------------	-------------------