



TECHNICAL INFORMATION

	
No: 76/14/99/NAS	
Ref:	
Issue: 1	
Date: 06/04/99	

Front Sill Button Rattle or Sticking

AFFECTED VEHICLE RANGE:

DISCOVERY Series II (LT) Rattle	Up to XA205501 Up to XA901861
DISCOVERY Series II (LT) Operation	After XA205502 After XA901862

SITUATION:

FRONT SILL BUTTON RATTLE OR STICKING

Owners of vehicles before the VIN split may experience a rattle noise from the front door top sill area. On vehicles after the specified VINs or on vehicles which have had a buffer installed which has not been lubricated, the sill button may bind or jam.

RESOLUTION:

ISOLATE SILL BUTTON AND LUBRICATE ISOLATION PAD

To resolve an owner complaint of sill button rattle, access the inner door mechanisms and install an anti-rattle pad between the sill button and door casing as described in the procedure below. On vehicles with factory install anti-rattle pads which experience sill button jamming, perform the same door panel removal procedure and lubricate the pad.

PARTS INFORMATION:

ETE100230	Foam Anti-Rattle Pads	Qty. 2
LRN25068.....	Castrol Red Rubber Grease	As Required

WARRANTY CLAIMS:

76.37.89/37Time **0.70 hrs.**
Install and lubricate anti-rattle pad – Left and Right Front Doors
or
Lubricate anti-rattle pad – Left and Right Front Doors
Material Allowance is incorporated into the time allowance.

FAULT CODE: K

Normal warranty policy and procedures apply

TIB 76/14/99/NAS	CIRCULATE: TO	Service Mgr X	Warranty X	Workshop X	Body Shop X	Parts X
----------------------------	--------------------------------	--------------------------------	-----------------------------	-----------------------------	------------------------------	--------------------------



REPAIR PROCEDURE:

REMOVE DOOR PANEL

1. Remove 2 screws securing handrail to door.
2. Remove screw securing door handle escutcheon to door.
3. Remove escutcheon.
4. Remove 4 screws securing pocket to door.
5. Carefully release 10 clips securing trim casing to door.
6. If fitted, disconnect multi-plug from upper door speaker.
7. Disconnect multi-plug from lower door speaker.
8. Remove trim from door.
9. Carefully release the water shedder in the area around the sill button.

INSTALL ANTI-RATTLE PAD AND LUBRICATE

1. If anti-rattle pad is not fitted, install foam pad in the door indentation behind the sill button rod as illustrated in Figure 2.
2. Apply a small amount of the red rubber grease onto the face of the foam pad.
3. Move the sill button up and down to insure that the lubricant is applied on the correct area and that there is an adequate amount.
4. Reposition water shedder.
5. Position trim casing to door and connect door speaker multi-plugs.
6. Secure trim casing to door with clips.
7. Install escutcheon onto door handle and secure with screw.
8. Install handrail to door and secure with screws.
9. Install door pocket and secure with screws.

Figure 1

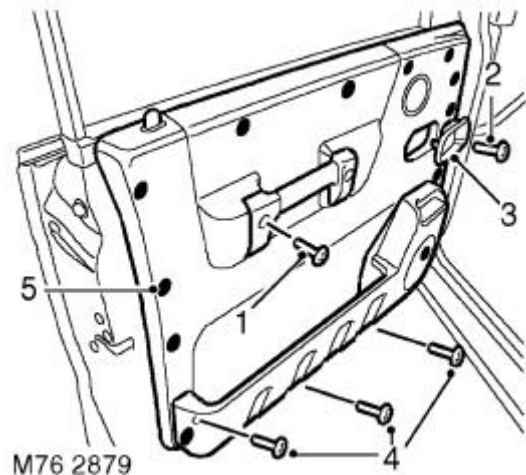


Figure 2

