

TECHNICAL INFORMATION



No: 76/03/01/NAS
Ref:
Issue: 1
Date: 06/01/01

Loose Armrest Bolts

AFFECTED VEHICLE RANGE:

| | | | |
|--------------------------|----------|----|----------|
| Discovery Series II (LT) | XA900012 | to | XA907212 |
| | XA200412 | to | 1A299999 |
| | 1A700000 | to | 1A718140 |

SITUATION:

LOOSE FRONT ARM RESTS

The customer may complain that the front armrest has come adrift or is loose on its fastening bolt. Incorrect armrest securing bolts may have been fitted during manufacture. Some bolts lack the correct patchlock material

RESOLUTION:

INSTALL NEW ATTACHMENT BOLTS

Installation of new bolts with the correct patch material will resolve the problem.

PARTS INFORMATION:

FS106107MAttachment Bolt Qty 2

WARRANTY CLAIMS:

71.10.89/28.....Time 0.25 hrs.
Install new patch lock bolts in both armrest locations

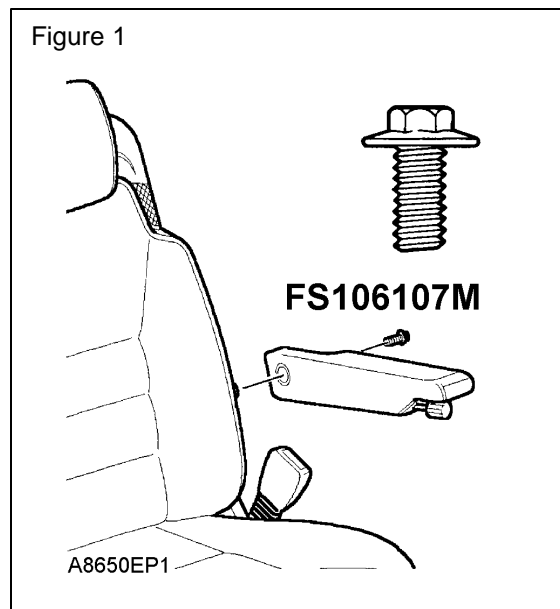
FAULT CODE: B

*Normal warranty policy and procedures apply.
Material allowance is included in labor operation.*

REPAIR PROCEDURE

REPLACE ARMREST BOLTS

1. Remove existing attachment bolts.
2. Install patchlock attachment bolts (FS106107M) in both armrest anchor locations.
3. Tighten each bolt to 10 Nm (88.5 lbf. in.).



| | | | | | | |
|----------------------------|-------------------------|-------------------------|----------------------|----------------------|-----------------------|-------------------|
| TIB 76/03/01/NAS | CIRCULATE: TO | Service Mgr X | Warranty X | Workshop X | Body Shop X | Parts X |
|----------------------------|-------------------------|-------------------------|----------------------|----------------------|-----------------------|-------------------|