



# TECHNICAL INFORMATION

 	No: 76/05/99/NAS
	Ref:
	Issue: 1
	Date: 04/23/99

## Lubricate Front Cup-holder

**AFFECTED VEHICLE RANGE:**  
**DISCOVERY Series II (LT) All**

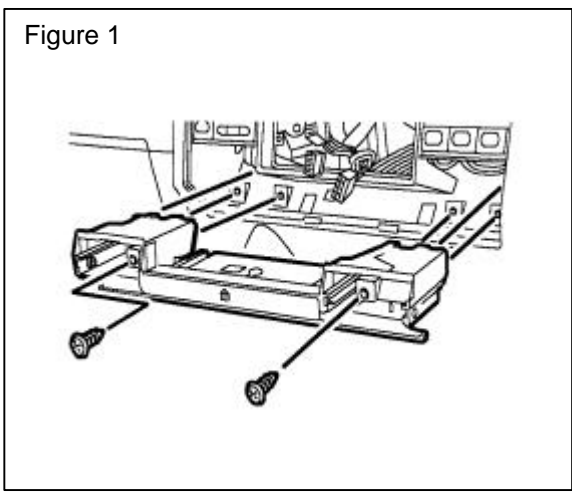
**SITUATION:**  
**SQUEAKS FROM CUP-HOLDER MECHANISM**  
 Customers may experience squeaking from the cup-holder during use.

**RESOLUTION:**  
**LUBRICATE CUP-HOLDER MECHANISM**  
 Upon customer complaint, verify source of squeak and perform procedure to lubricate cup-holder mechanism.

**PARTS INFORMATION:**  
**CYK100050 .....Krytox**

**WARRANTY CLAIMS:**  
**76.13.89/32 .....Time 0.30 hrs.**  
**Remove cup-holder and lubricate**  
**\$1.00 Material Allowance**  
**FAULT CODE: K**  
*Normal warranty policy and procedures apply*

- REPAIR PROCEDURE:**  
**REMOVE AND LUBRICATE**
1. Remove coin tray and ashtray.
  2. Remove 6 screws securing cup-holder assembly to dash panel (Figure 1).
  3. Remove cup-holder.
  4. Apply Krytox in the following locations:
    - In the gear teeth
    - Along each side of the sliders
    - At the pivots
  5. Check operation and lubricate other areas if required.



- INSTALL**
1. Position cup-holder assembly against dash panel and secure with screws.
  2. Install ash tray and coin tray assembly.
  3. Verify proper cup-holder operation after installation.

<b>TIB</b> 76/05/99/NAS	<b>CIRCULATE:</b> <b>TO</b>	<b>Service Mgr</b> <b>X</b>	<b>Warranty</b> <b>X</b>	<b>Workshop</b> <b>X</b>	<b>Body Shop</b> <b>X</b>	<b>Parts</b> <b>X</b>
----------------------------	--------------------------------	--------------------------------	-----------------------------	-----------------------------	------------------------------	--------------------------