

# TECHNICAL INFORMATION



No: 76/02/00/NAS  
Ref:  
Issue: 1  
Date: 04/07/00

## Tightening Support Strut Fasteners

### AFFECTED VEHICLE RANGE:

Discovery Series II (LT)

Up to XA 907212

Up to YA 263872

### SITUATION:

#### **KNOCKING SOUND FROM UNDER HOOD**

The customer may notice an intermittent knock from the front of the vehicle when driving over uneven surfaces. Insufficient torque on the support strut fasteners can permit movement of the struts causing the knock.

### RESOLUTION:

#### **TIGHTEN SUPPORT STRUT FASTENERS**

When the cause of the "knock" has been identified, follow the instructions in this TIB to apply proper torque to the support strut fasteners.

### PARTS INFORMATION:

None

### WARRANTY CLAIMS:

76.16.89/29.....Time 0.25 hrs.

Access support strut fasteners and torque to specification

**FAULT CODE: Z**

*Normal warranty policy and procedures apply*

### REPAIR PROCEDURE

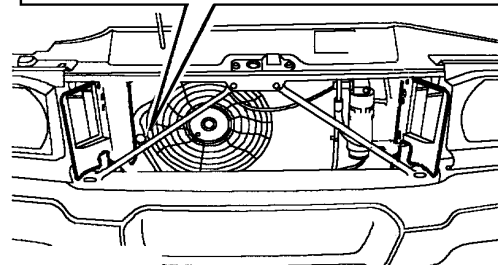
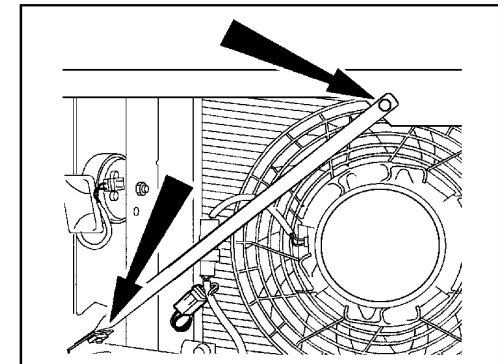
1. Remove the 3 quick screws securing the upper grille to the hood lock platform.



**NOTE: The Figure 1 illustration arrows the upper and lower fastener locations for the right side.**

2. Carefully hold grille forward just enough to gain access to both lower support strut fixing bolts.
3. Torque support strut fasteners on both sides as follows:
  - Using a suitably long extension and 10mm socket, apply a torque of **9Nm (80 lbf.in.)** to both lower support strut bolts.
  - Remove the extension and torque the upper strut bolts to **9Nm (80 lbf.in.)**.
4. Reposition grille and tighten the 3 grille quick screws.

Figure 1



TIB	CIRCULATE:	Service Mgr	Warranty	Workshop	Body Shop	Parts
76/02/00/NAS	TO	X	X	X	X	X