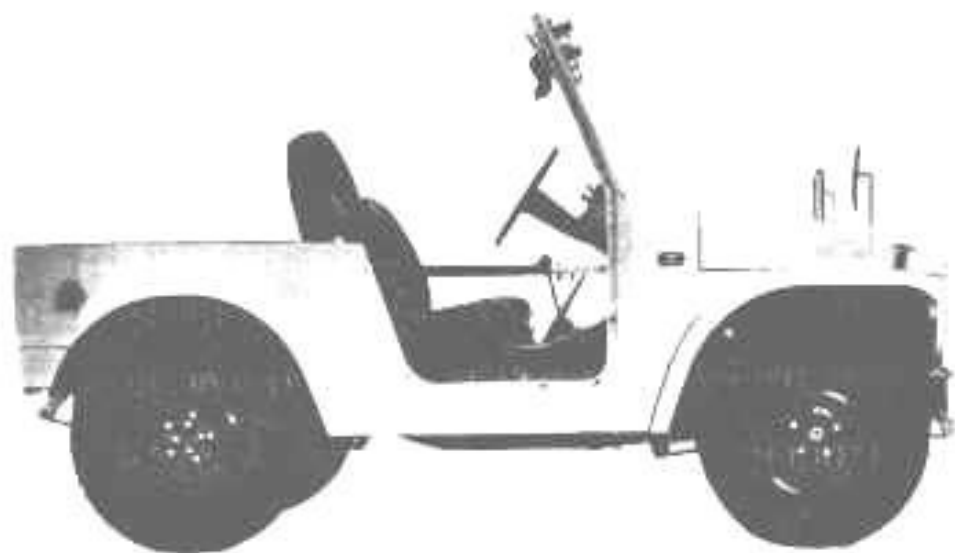
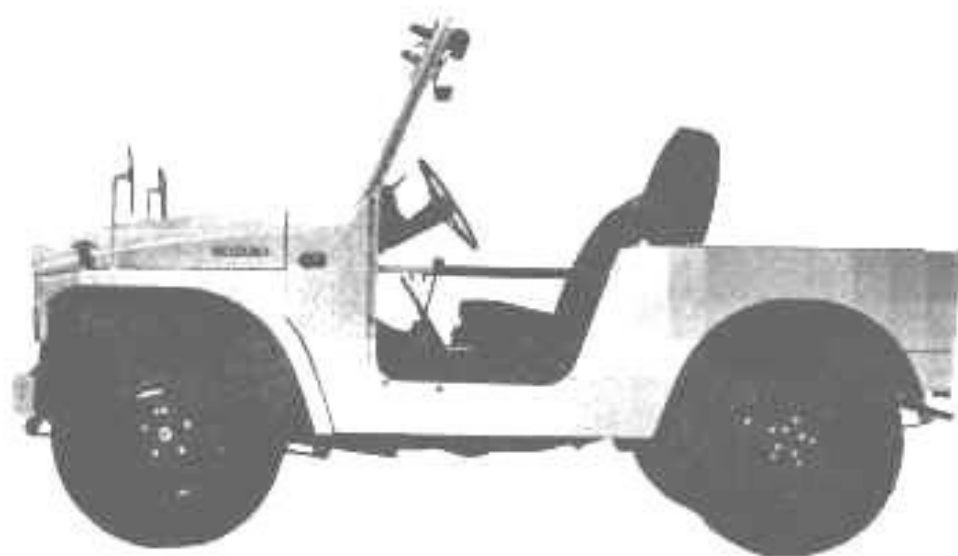


SUZUKI LJ10

SUZUKI LJ10





SUZUKI MOTOR CO., LTD.

Head Office P.O.Box 116. Hamamatsu Japan

SUZUKI LJ10 PARTS CATALOGUE

Printed in March, 1972.

Published in March, 1972.

Editor : SUZUKI MOTOR Co.,. LTD.

Export parts section

Reprint Prohibited

2. DIMENSIONS

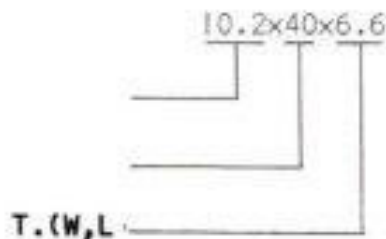
Dimensions of the parts in this catalogue are indicated in unit millimeters.

3. ABBREVIATIONS

Abbreviations used in this catalogue are as follows;

I.D.	Inside diameter	T	Thickness
O.D.	Outside diameter	L	Length
N.T	Number of teeth	W.	Width
OPT	: Optional	d.	Diameter of material
AR.	: As Requires	Ass'y	Assembly
B.No	: Body Number	Comp	Complete
B.No.~LJ10-12345 : Up to B.No. LJ10-12345			
B.No. LJ10-12345~ From B.No. LJ10-12345			

Figures in the remarks column show the dimensions of parts as follows;



LHD Shows the part used for the left handed drive vehicle

RHD : Shows the part used for the right handed drive vehicle

B. ON ISSUE TO NEW SPARE PARTS CATALOGUE

This parts catalogue was arranged to include modifications as of November 1970.

In case of modifications a new sheet will be issued.

Be sure to file with the related page.



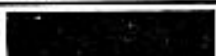


Once each year new catalogues will be issued, containing, of course, all prior modifications.

Upon receipt of each new issue the old catalogue should be destroyed.

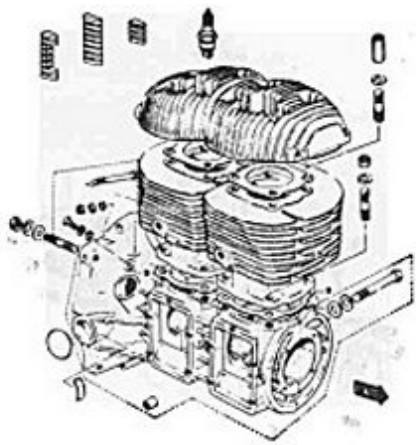
C. INSTRUCTION FOR ORDERING PARTS

1. The correct parts number and description of each part should be listed on the formal order sheet when ordering.
2. All paints are available at our parts department.
3. There may be a slight difference between the actual body color and the below printed color due to the printing ink,ect.

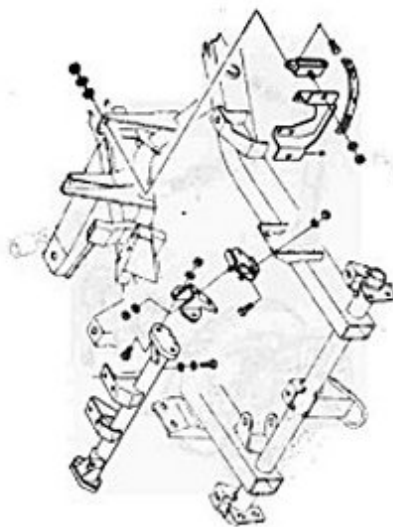
Colors used on SUZUKI LJ10R and LJ10L are as follows;

Color No.	Color Name	Mansel Color No.	Color
019	Black	N1	
072	Argill Gray	2.5PB 9/1	
144	Sunder Yellow		
191	Clarence Beige	4Y 6.7/2	
206	Albert Green	7.5Y 5.5/4	

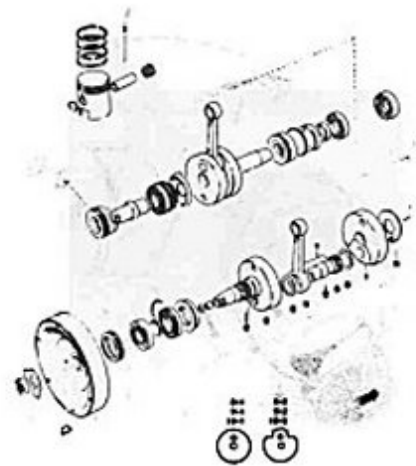
Fabric No.	Fabric Name	Fabric No.	Fabric Name
357	Black	405	White
382	Black		



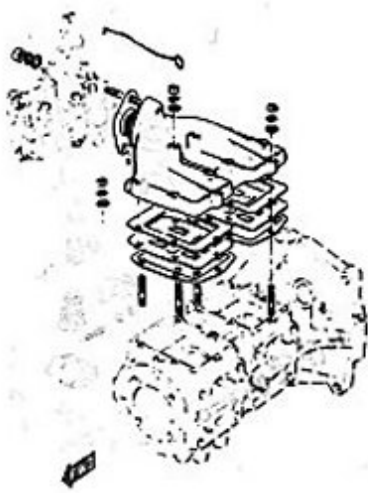
①



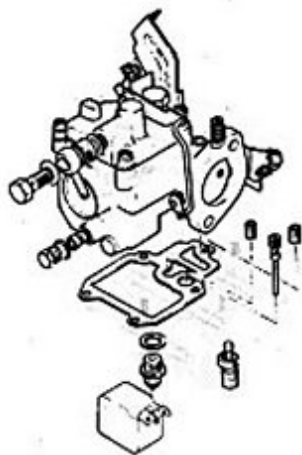
②



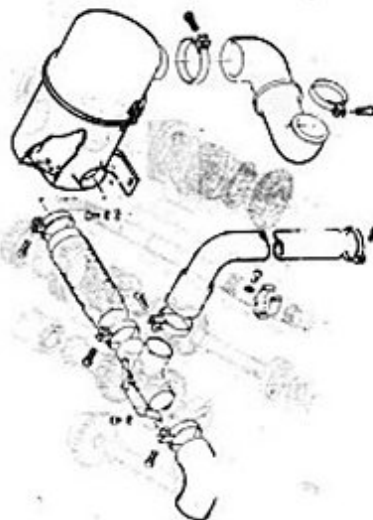
③



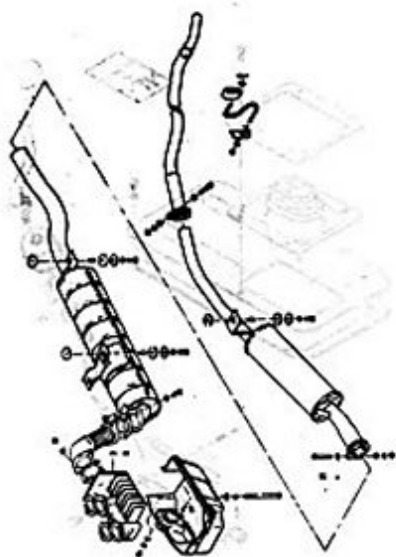
④



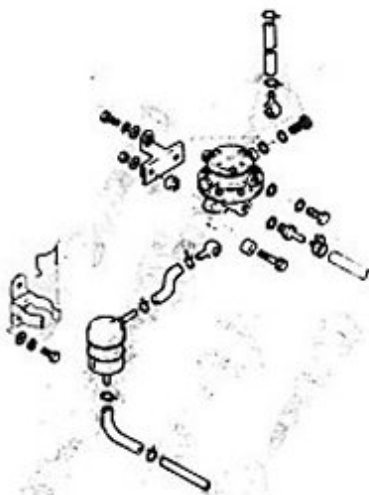
⑤



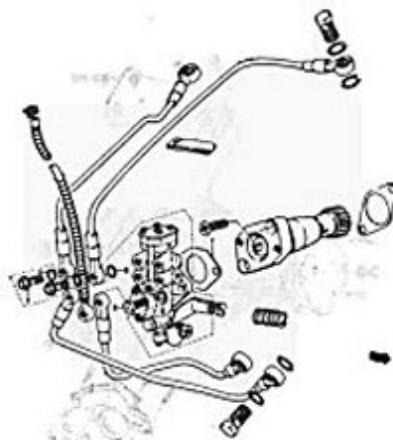
⑥



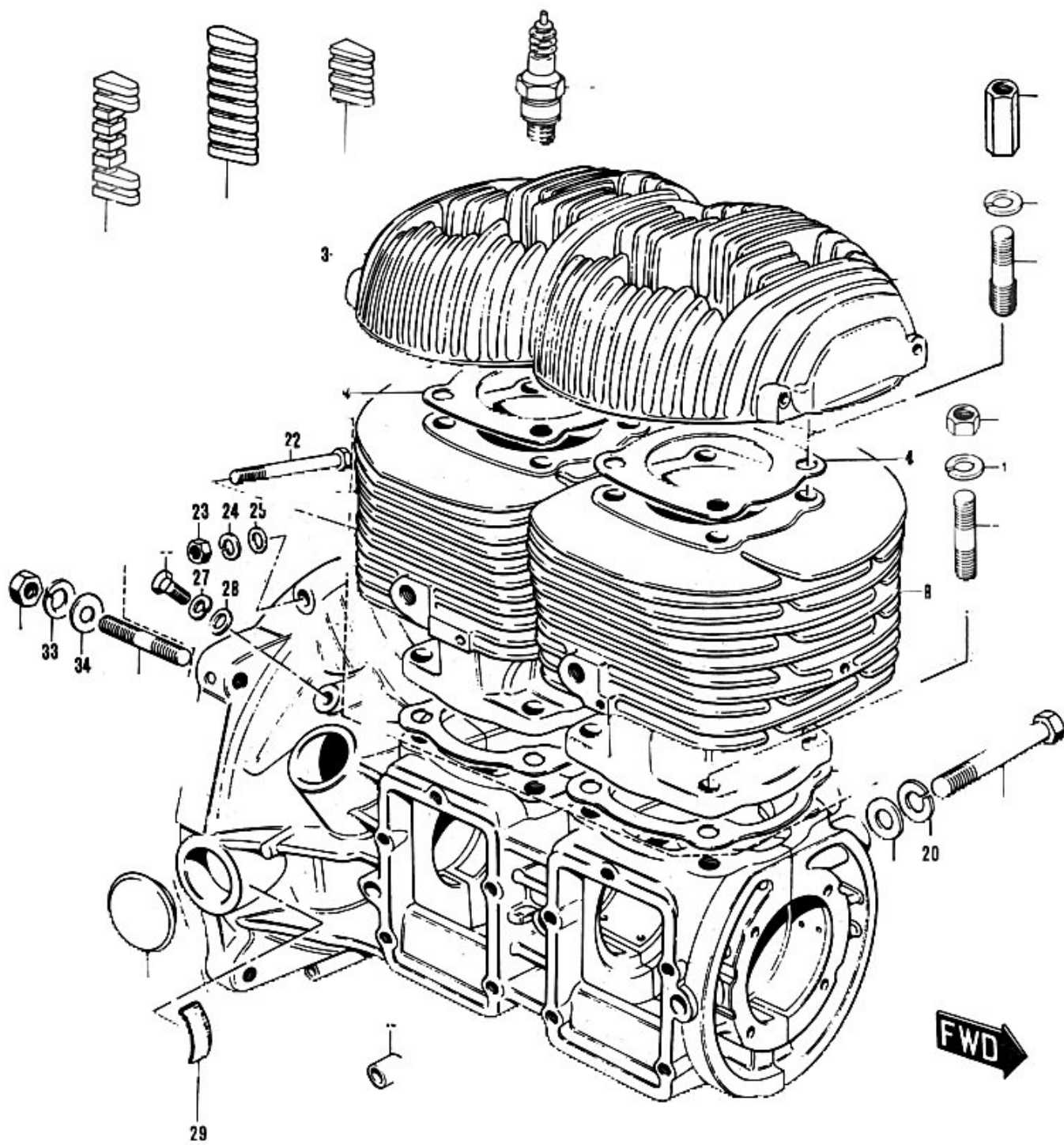
⑦



⑧



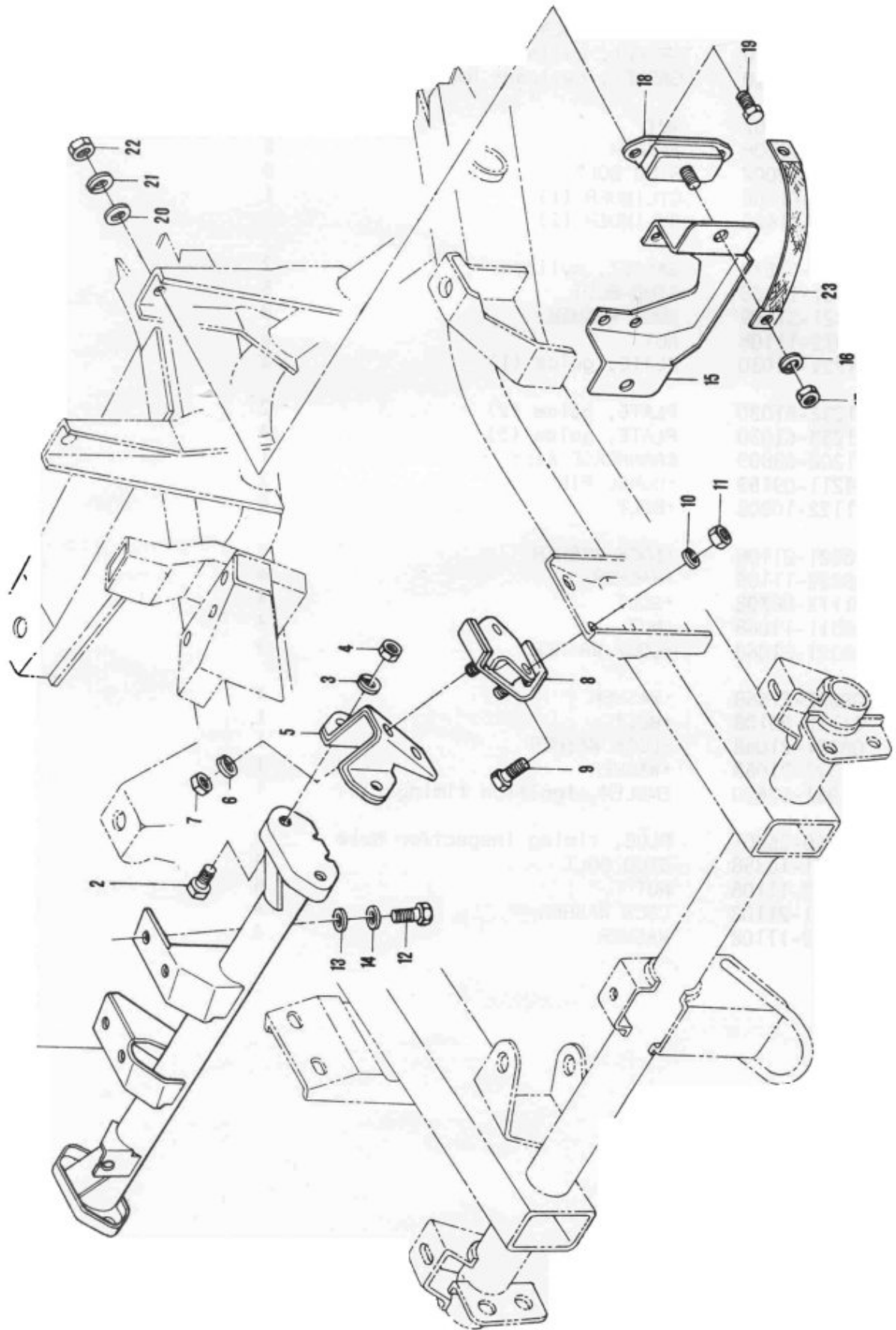
⑨



CYLINDER - CRANKCASE

Ref.No.	Part No.	Description	Q'ty	Remarks
1	09482-00050	SPARK PLUG ASSY	2	B7HS, NGK
2	11111-61401	CYLINDER HEAD (1)		
3	11121-61400	CYLINDER HEAD (2)		
4-1	11141-52540	GASKET, cylinder head	2	STD, ID:62
4-2	11141-52740	GASKET, cylinder head	2	OPT, ID:63
5	09159-10007	NUT	8	
6	08322-11108	WASHER	8	
7	09108-10002	STUD BOLT	8	
8	11210-61400	CYLINDER (1)		
9	11220-61400	CYLINDER (2)		
10	11241-52510	GASKET, cylinder	2	
11	01421-10308	STUD BOLT	8	
12	08321-31108	LOCK WASHER	8	
13	08312-11108	NUT	8	
14	11231-61030	PLATE, guide (1)	2	
15	11232-61030	PLATE, guide (2)	2	
16	11233-61030	PLATE, guide (3)	4	
17	11300-63809	CRANKCASE ASSY		
18	04211-09169	•DOWEL PIN	2	
19	01122-10808	•BOLT	6	
20	08321-21108	•LOCK WASHER	6	
21	08322-11108	•WASHER	6	
22	01112-06708	•BOLT	4	
23	08311-11068	•NUT	4	
24	08321-21068	•LOCK WASHER	4	
25	08322-21068	•WASHER	4	
26	01112-06108	•BOLT		
27	08321-21068	•LOCK WASHER		
28	08322-21068	•WASHER		
29	11951-52600	EMBLEM, ignition timing		
30	09250-26001	PLUG, timing inspection hole		
31	01421-10358	STUD BOLT	4	
32	08312-11108	NUT	4	
33	08321-21108	LOCK WASHER	4	
34	08322-11108	WASHER	4	

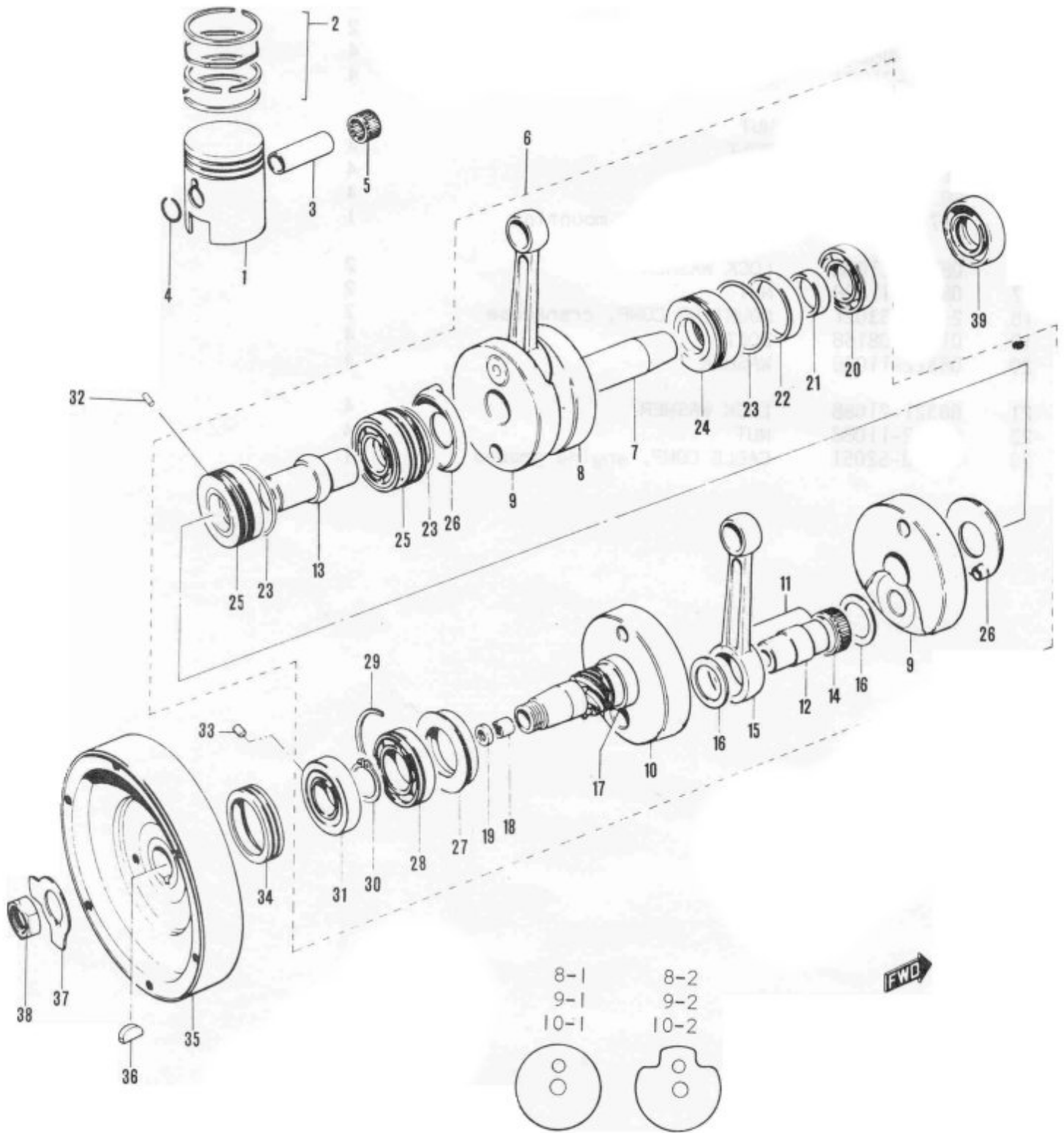
ENGINE MOUNTING



ENGINE MOUNTING

Ref.No.	Part No.	Description	Q'ty	Remarks
1	11630-59001	MEMBER COMP, front mounting		
2	01122-08258	BOLT	4	
3	08321-21088	LOCK WASHER	4	
4	08312-11088	NUT	4	
5	11640-63000	BRACKET COMP, mounting side	2	
6	08321-21088	LOCK WASHER	4	
7	08312-11088	NUT	4	
8	11610-59020	MOUNTING COMP, front	2	
9	01122-08208	BOLT	4	
10	08321-21088	LOCK WASHER	4	
11	08312-11088	NUT	4	
12	01122-08208	BOLT	4	
13	08322-11088	WASHER	4	
14	08321-21088	LOCK WASHER	4	
15	11741-63000	BRACKET, rear mounting		
16	08321-21088	LOCK WASHER	2	
17	08312-11088	NUT	2	
18	29610-63021	MOUNTING COMP, crankcase	2	
19	01122-08168	BOLT	4	
20	08322-11088	WASHER	4	
21	08321-21088	LOCK WASHER	4	
22	08312-11088	NUT	4	
23	33860-52051	CABLE COMP, engine ground	1	

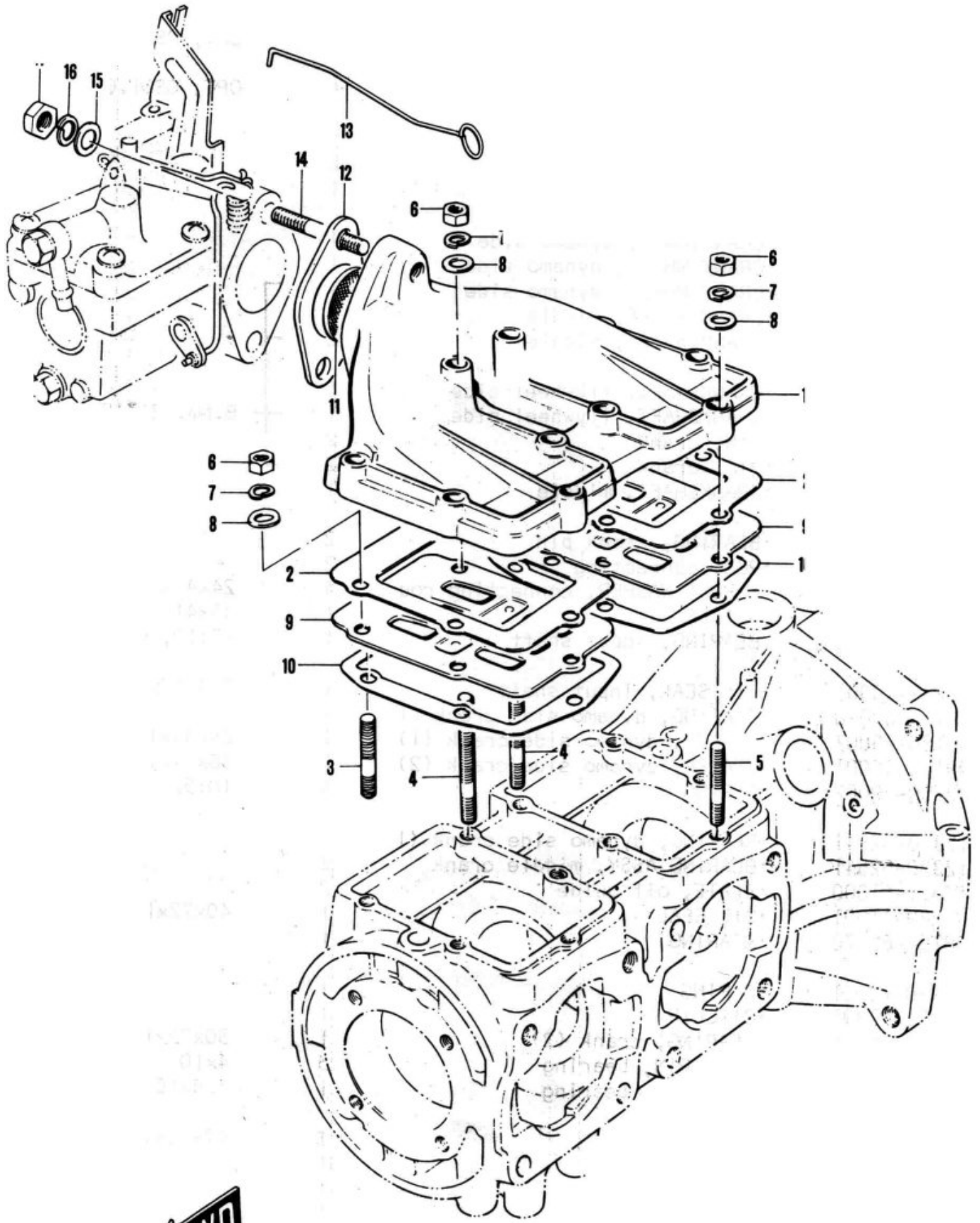
PISTON - CRANKSHAFT



PISTON - CRANKSHAFT

Ref.No.	Part No.	Description	Q'ty	Remarks	
1-1	12110-52301	PISTON COMP	2	STD	
1-2	12110-52710	PISTON COMP	2	OPT, OS:0.5	
1-3	12110-52720	PISTON COMP	2	OPT, OS:1.0	
2-1	12140-61841	RING SET, piston		STD	
2-2	12140-61842	RING SET, piston		OPT, OS:0.5	
2-3	12140-61843	RING SET, piston		OPT, OS:1.0	
3	12151-51030	PIN, piston	2		
4	09381-18002	CIRCLIP, piston pin	4		
5	09263-18002	BEARING, piston pin	2		
6	12002-61812	CRANKSHAFT ASSY			
7	12221-52002	•CRANKSHAFT, dynamo side			
8-1	12222-61001	•CRANK WHEEL, dynamo side			
8-2	12222-61000	•CRANK WHEEL, dynamo side			
9-1	12232-61001	•CRANK WHEEL, middle	2	} B.No.~21315	
9-2	12232-61000	•CRANK WHEEL, middle	2		
10-1	12240-61002	•CRANKSHAFT, flywheel side			
10-2	12240-61001	•CRANKSHAFT, flywheel side			
11	12211-61030	•PIN, crank	2		
12	12211-51030	•PIN, crank	2		
13	12231-51001	•CRANKSHAFT, middle			
14	09263-24009	•BEARING, crank pin	2		
15	12161-51000	•ROD, connecting	2		
16	09160-24009	•THRUST WASHER, connecting rod	4		24x41x1.0
17	12243-61000	•SPACER			35x41x12, B.No.-21316~
18	09263-10003	•BEARING, input shaft			ID:10, OD:15
19	09282-10001	•OIL SEAL, input shaft			9.4x17x5
20	08113-62050	•BEARING, dynamo side crank (1)			
21	09180-25007	•SPACER, dynamo side crank (1)		25x34x1	
22	09180-45001	•SPACER, dynamo side crank (2)		36x52x1	
23	09280-59002	•O RING	3	ID:52	
24	12310-52541	•BEARING, dynamo side crank)			
25	12320-52541	•BEARING ASSY, middle crank	2		
26	12511-51000	•PLATE, oil guide	2		
27	09289-41001	•OIL SEAL		40x72x10	
28	08164-62070	•BEARING			
29	09390-72001	•C RING			
30	08331-11395	•CIRCLIP			
31	09262-30010	•BEARING, crank (2)		30x72x16	
32	09261-04006	DOWEL PIN, bearing	3	4x10	
33	09261-05004	DOWEL PIN, bearing		5.5x10	
34	09283-48002	OIL SEAL		47x72x12	
35	12621-61000	FLYWHEEL			
36	08341-31059	KEY, woodruff			
37	09167-25005	WASHER			
38	09140-24003	NUT			
39	09283-25013	OIL SEAL		25x47x7	

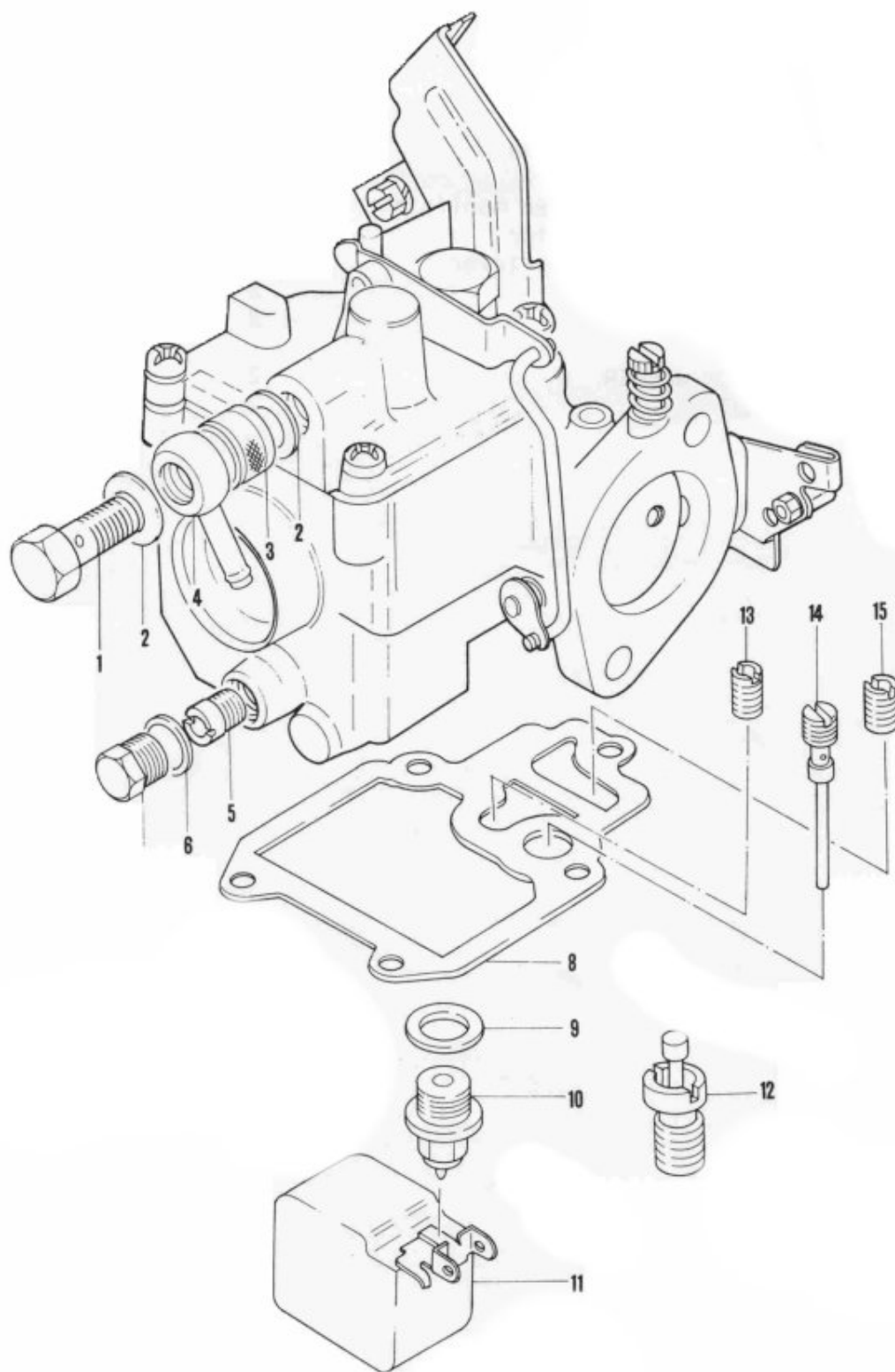
A. NLET



AIR INLET

Ref.No.	Part No.	Description	Q'ty	Remarks
1	13111-61004	MANIFOLD, inlet		
2	13121-51002	GASKET, inlet manifold	2	
3	01421-06308	STUD BOLT	6	
4	01421-06508	STUD BOLT	2	
5	01411-06308	STUD BOLT	2	
6	08311-11068	NUT	10	
7	08321-21068	LOCK WASHER	10	
8	08322-21068	WASHER	10	
9	13150-52510	VALVE ASSY, reed	2	
10	13156-51000	GASKET, reed valve	2	
11	13130-61000	INSULATOR, intake manifold		
12	13125-61000	GASKET, carburetor		
13	13192-61003	LINK, carburetor lever		
14	09108-08032	STUD BOLT	2	
15	08322-11088	WASHER	2	
16	08321-21088	LOCK WASHER	2	
17	08312-11088	NUT	2	

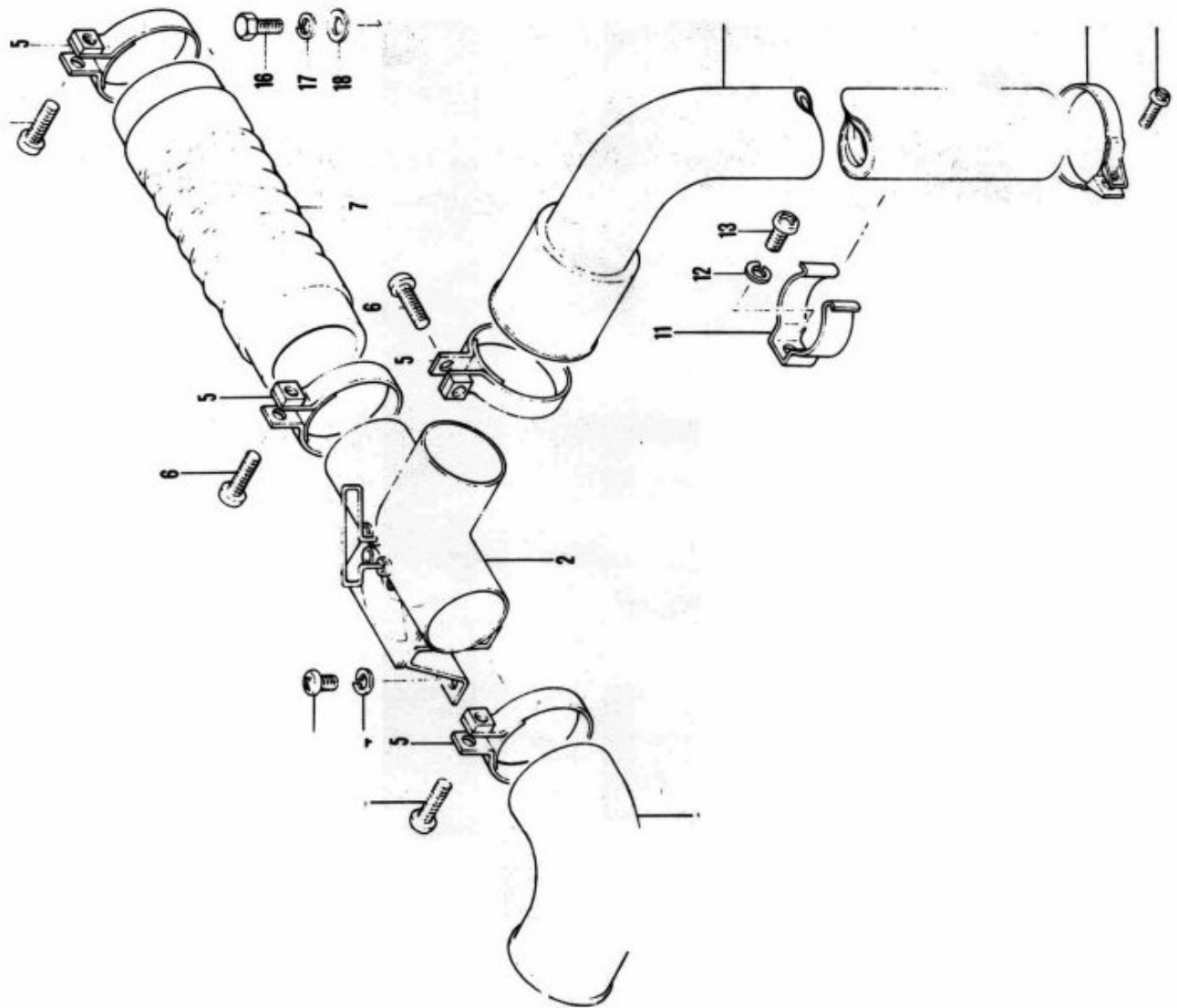
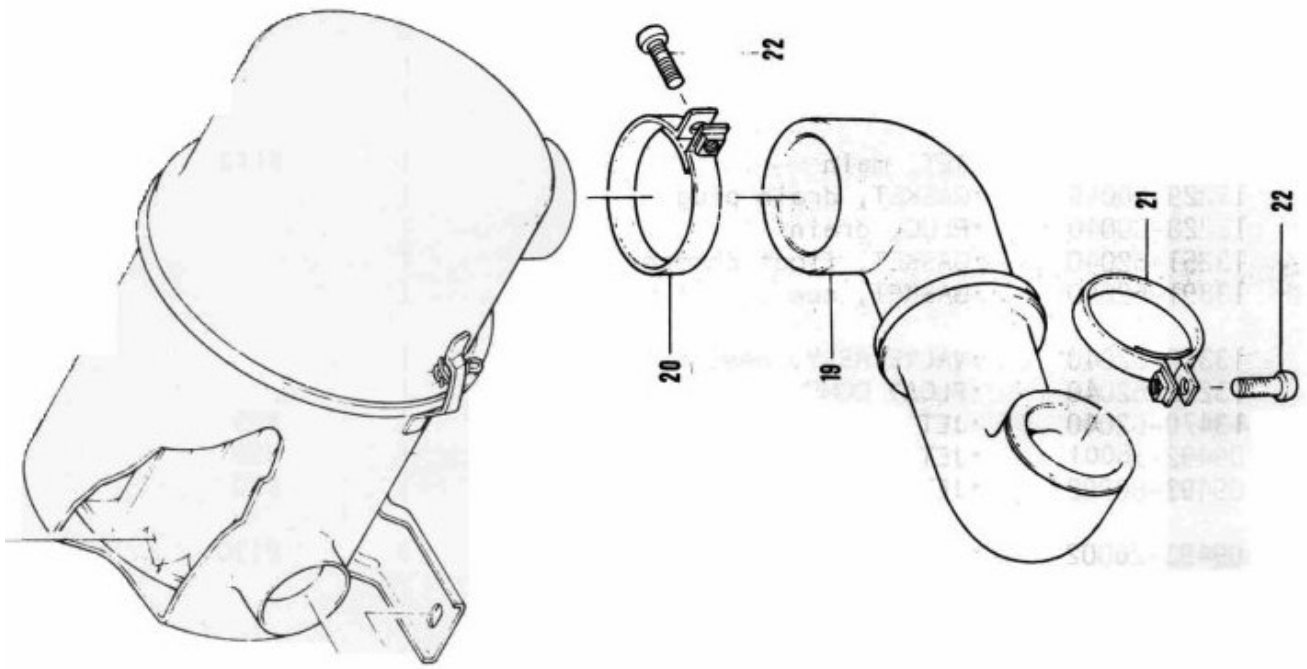
CARBURETOR



CARBURETOR

Ref.No.	Part No.	Description	Q'ty	Remarks
0-1	13200-63043	CARBURETOR ASSY		
1	13275-62040	•UNION BOLT		
2	13389-62040	•GASKET, union bolt	2	
3	13278-62040	•FILTER	1	
4	13274-62040	•NIPPLE, union		
5	09491-22009	•JET, main		#110
6	13229-60040	•GASKET, drain plug		
7	13228-60040	•PLUG, drain		
8	13251-62040	•GASKET, float chamber		
9	13391-62040	•GASKET, needle valve		
10	13370-62040	•VALVE ASSY, needle	1	
11	13252-62040	•FLOAT COMP	1	
12	13470-62040	•JET ASSY, power	1	#65
13	09492-38001	•JET, pilot	1	#50
14	09493-80002	•JET, main air		#80
15	09493-26002	•JET, pilot air		#130

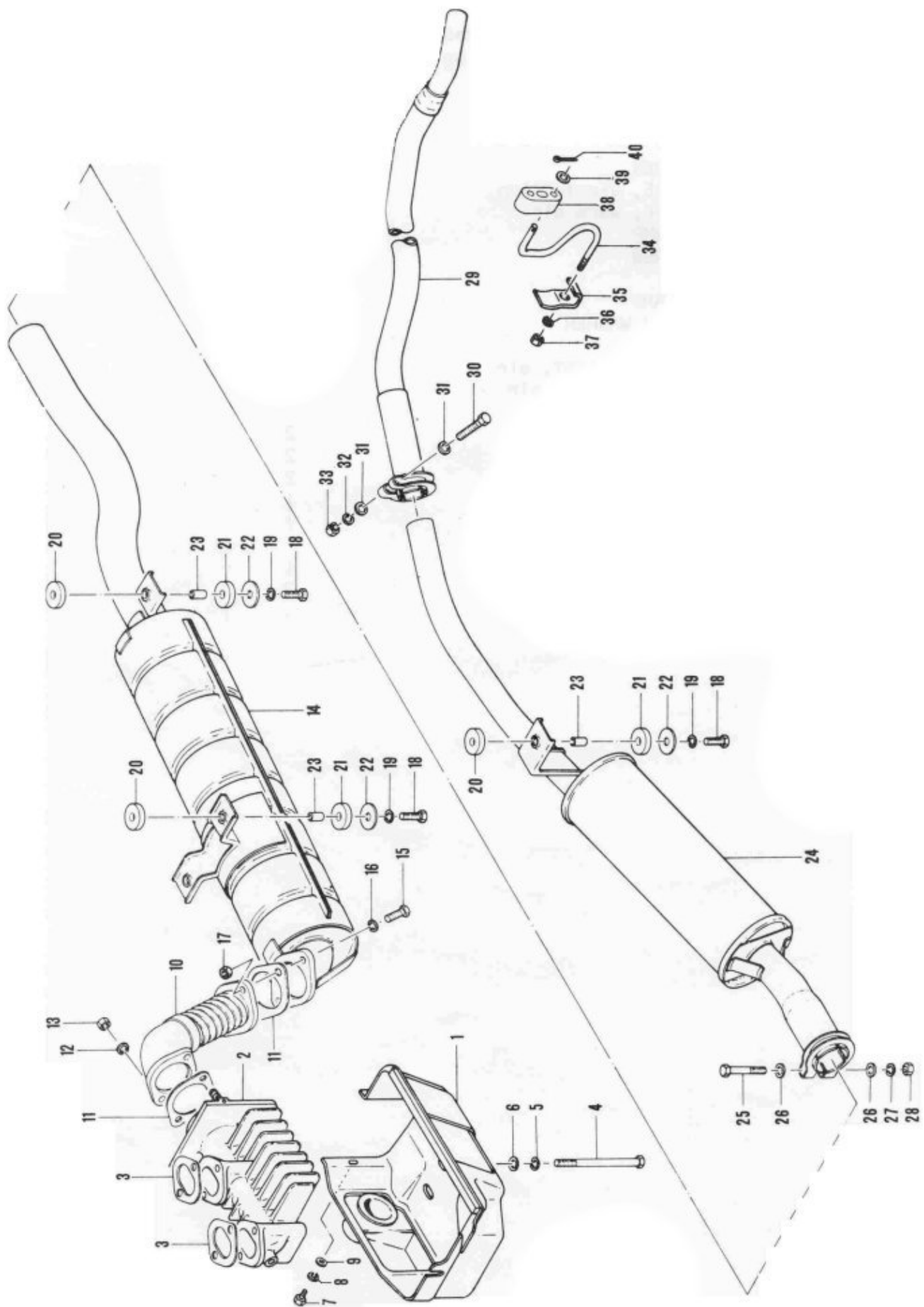
AIR CLEANER



AIR CLEANER

Ref.No.	Part No.	Description	Q'ty	Remarks
1	13878-63010	JOINT, air suction case		
2	13850-63661	CASE COMP, air suction		
3	02111-06087	SCREW	3	
4	08321-21068	LOCK WASHER	3	
5	09402-00139	CLAMP	4	
6	02111-05257	SCREW	4	
7	13870-63051	HOSE, air suction		
8	13840-63051	HOSE, warm air		
9	09402-00210	CLAMP		
10	02111-04168	SCREW		
11	09410-00027	CLAMP		
12	08321-21068	LOCK WASHER		
13	02112-06108	SCREW		
14	13700-63601	CLEANER ASSY, air		
15	13780-60011	FILTER COMP, air		
16	01122-08128	BOLT	2	
17	08321-21088	LOCK WASHER	2	
18	08322-11088	WASHER	2	
19	13881-63001	HOSE, carburetor	1	
20	09402-00119	CLAMP		
21	09402-00164	CLAMP		
22	02111-05257	SCREW	2	

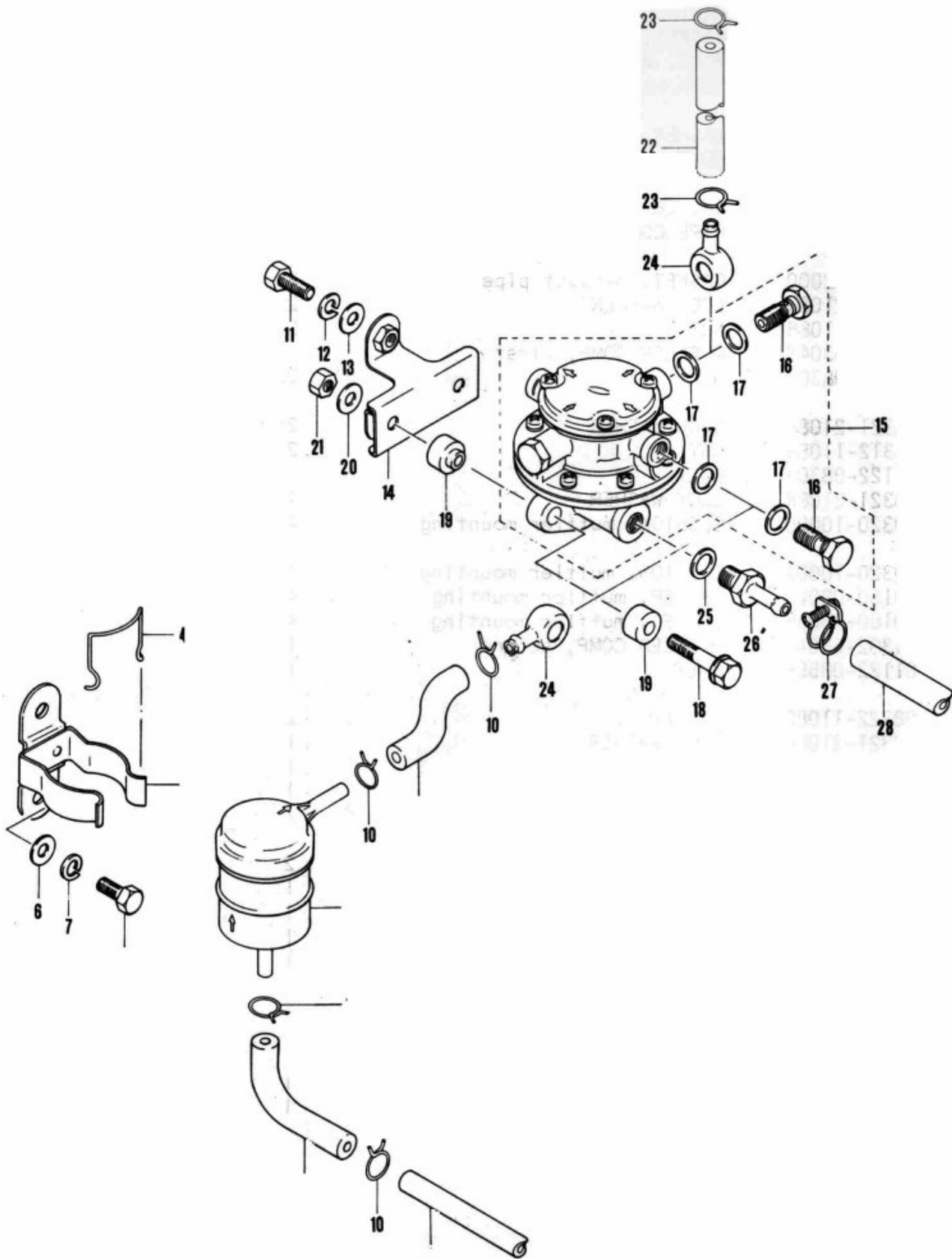
EXHAUST



EXHAUST

Ref.No.	Part No.	Description	Q'ty	Remarks
1	17340-63600	COVER COMP, exhaust		
2	14110-61000	MANIFOLD ASSY, exhaust		
3	14141-61410	GASKET, exhaust manifold	2	
4	09100-08065	BOLT, exhaust manifold (1)	4	8x123
5	08321-21088	LOCK WASHER	4	
6	08322-21088	WASHER	4	
7	09100-04101	BOLT	2	4x8
8	08321-21048	LOCK WASHER	2	
9	08322-21048	WASHER	2	
10	14150-63001	PIPE COMP, exhaust		
11	14181-52000	GASKET, exhaust pipe	2	
12	08321-21088	LOCK WASHER	2	
13	08312-11088	NUT	2	
14	14301-63042	MUFFLER COMP, first		
15	01122-08308	BOLT	2	
16	08321-21088	LOCK WASHER	2	
17	08312-11088	NUT	2	
18	01122-08308	BOLT	4	
19	08321-21088	LOCK WASHER	4	
20	09320-10006	CUSHION, muffler mounting)	4	
21	09320-10007	CUSHION, muffler mounting (2)	4	
22	09160-08028	WASHER, muffler mounting	4	
23	09180-08038	SPACER, muffler mounting	4	
24	14302-63041	MUFFLER COMP, second		
25	01122-08558	BOLT		
26	08322-11088	WASHER	2	
27	08321-21088	LOCK WASHER		
28	08312-11088	NUT		
29	14170-63001	PIPE COMP, tai		
30	01122-08558	BOLT		
31	08322-11088	WASHER	2	
32	08321-21088	LOCK WASHER		
33	08312-11088	NUT		
34	14721-63002	HOOK, tail pipe hanger		
35	14731-63003	PLATE, tail pipe hanger		
36	08321-21088	LOCK WASHER		
37	08312-11088	NUT		
38	14741-59030	STRAP, hanger		
39	08322-21088	WASHER		
40	04111-20158	COTTER PIN		

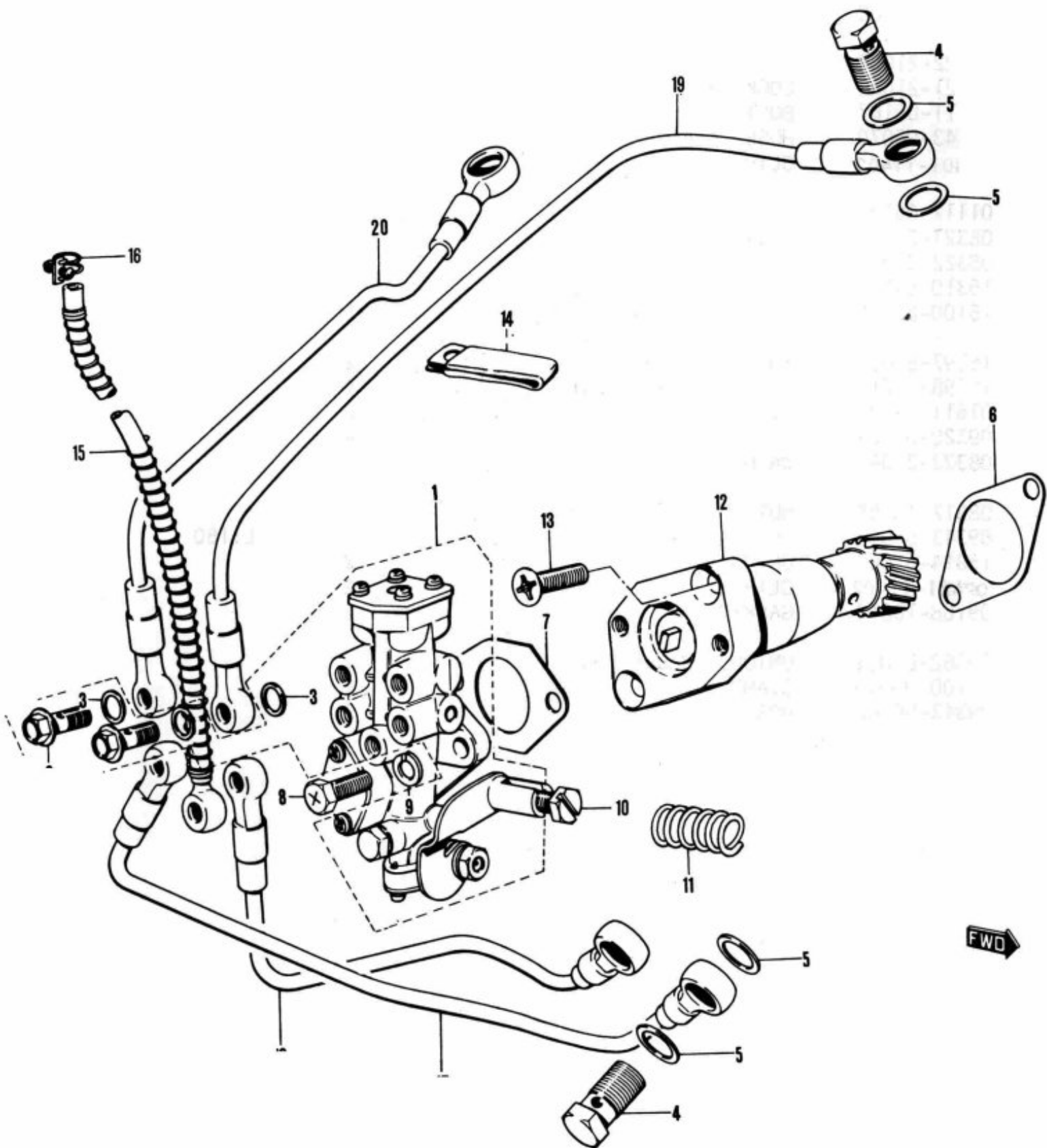
FUEL PUMP



FUEL PUMP

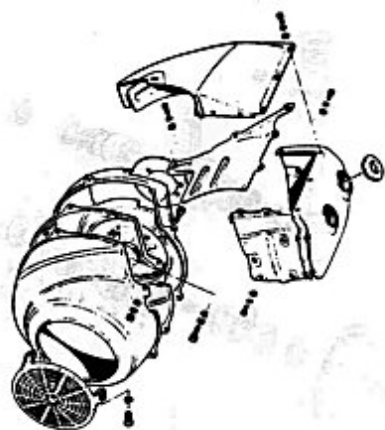
Ref.No.	Part No.	Description	Q'ty	Remarks
1	15810-63013	PIPE, fuel (1)		
2	09343-05084	HOSE, fuel (2)		L:80
3	15410-58030	FILTER COMP, fuel		
4	15429-65000	CLIP		
5	15420-63000	BRACKET, fuel filter		
6	08322-21068	WASHER	2	
7	08321-21068	LOCK WASHER	2	
8	01111-06167	BOLT	2	
9	09343-05070	HOSE, fuel		L:60
10	09401-11402	CLIP	4	
11	01112-06168	BOLT	2	
12	08321-21068	LOCK WASHER	2	
13	08322-21068	WASHER	2	
14	15310-63000	BRACKET, fuel pump	1	
15	15100-63010	PUMP ASSY, fuel	1	
16	15197-51010	•BOLT, banjo	2	
17	15198-51010	•GASKET, banjo bolt	4	
18	01511-06308	BOLT	2	
19	09320-05004	CUSHION	4	
20	08322-21068	WASHER	2	
21	08312-11068	NUT	2	
22	09343-05044	HOSE, fuel		L:180
23	15814-61000	UNION, fuel hose	2	
24	09401-11402	CLIP	2	
25	09108-10012	GASKET	2	
26	09362-09003	UNION, vacuum hose	2	
27	09400-14301	CLAMP	2	
28	09343-06006	HOSE, vacuum	2	

OIL PUMP OIL HOSE

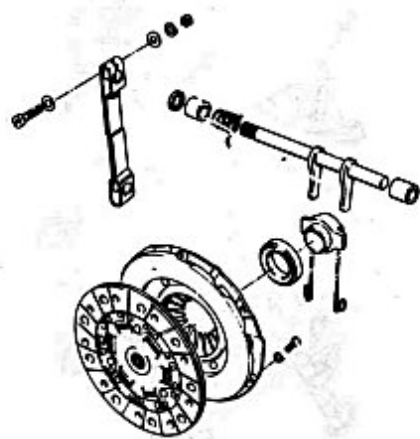


OIL PUMP - OIL HOSE

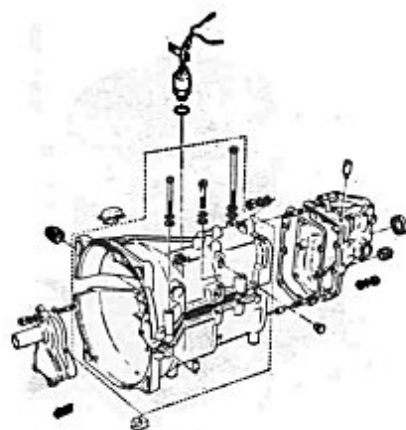
Ref.No.	Part No.	Description	Q'ty	Remarks
1	16101-61818	PUMP ASSY, oil	1	
2	09360-06010	•BOLT, union	5	
3	09168-06007	•GASKET, union bolt	10	6.2x10x1.0
4	16721-58000	NOZZLE, cylinder	4	
5	09168-10009	GASKET, cylinder nozzle	8	10x14x0.5
6	16385-55000	GASKET, oil pump (1)	1	
7	16732-52001	GASKET, oil pump (2)	1	
8	09128-06006	SCREW	2	
9	08321-21068	LOCK WASHER	2	
10	01112-06128	BOLT	1	
11	09440-14008	SPRING	1	
12	16770-61000	RETAINER SET, oil pump	1	
13	02121-16258	SCREW	2	
14	09403-00026	CLAMP, oil pump tube	2	
15	16810-61030	HOSE ASSY, oil tank	1	
16	09400-10301	CLAMP, oil tank hose	1	
17	16901-61030	HOSE, first crank oil	1	
18	16903-61030	HOSE, second crank oil	1	
19	16905-61030	HOSE, first cylinder oil	1	
20	16907-61030	HOSE, second cylinder oil	1	



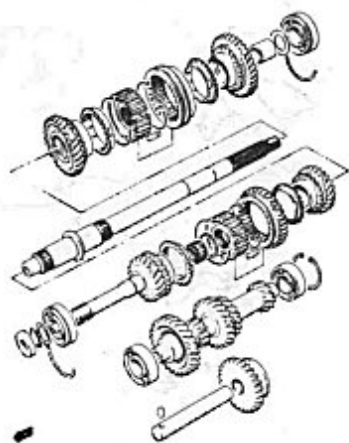
10



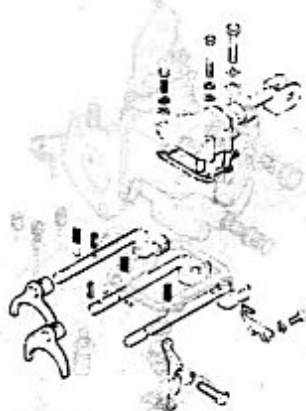
11



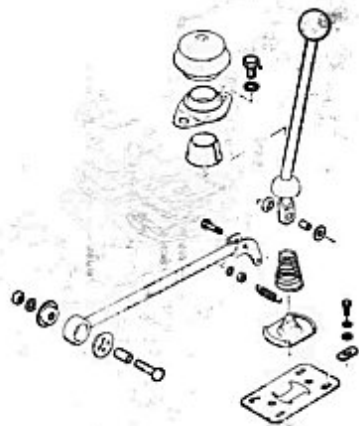
12



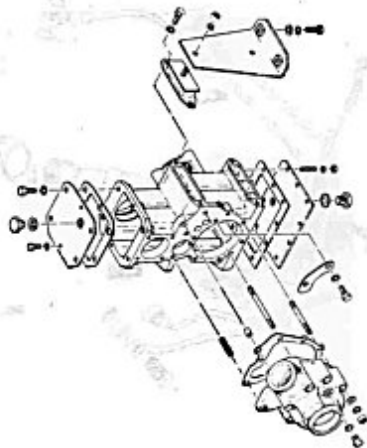
13



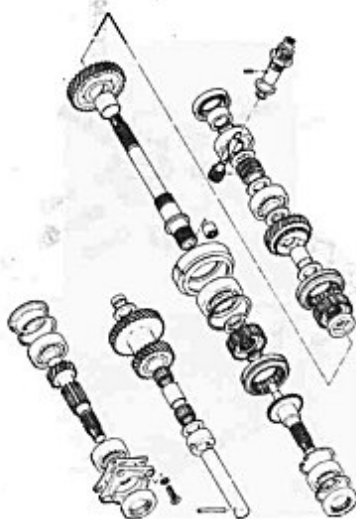
14



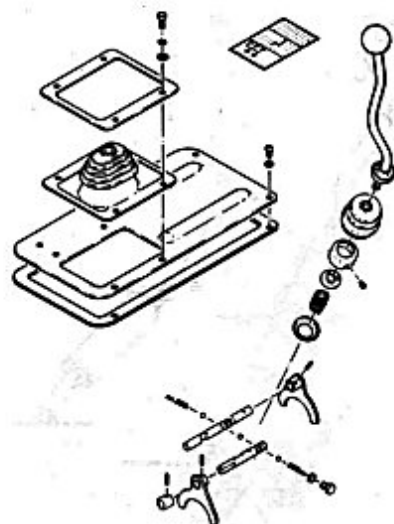
15



16

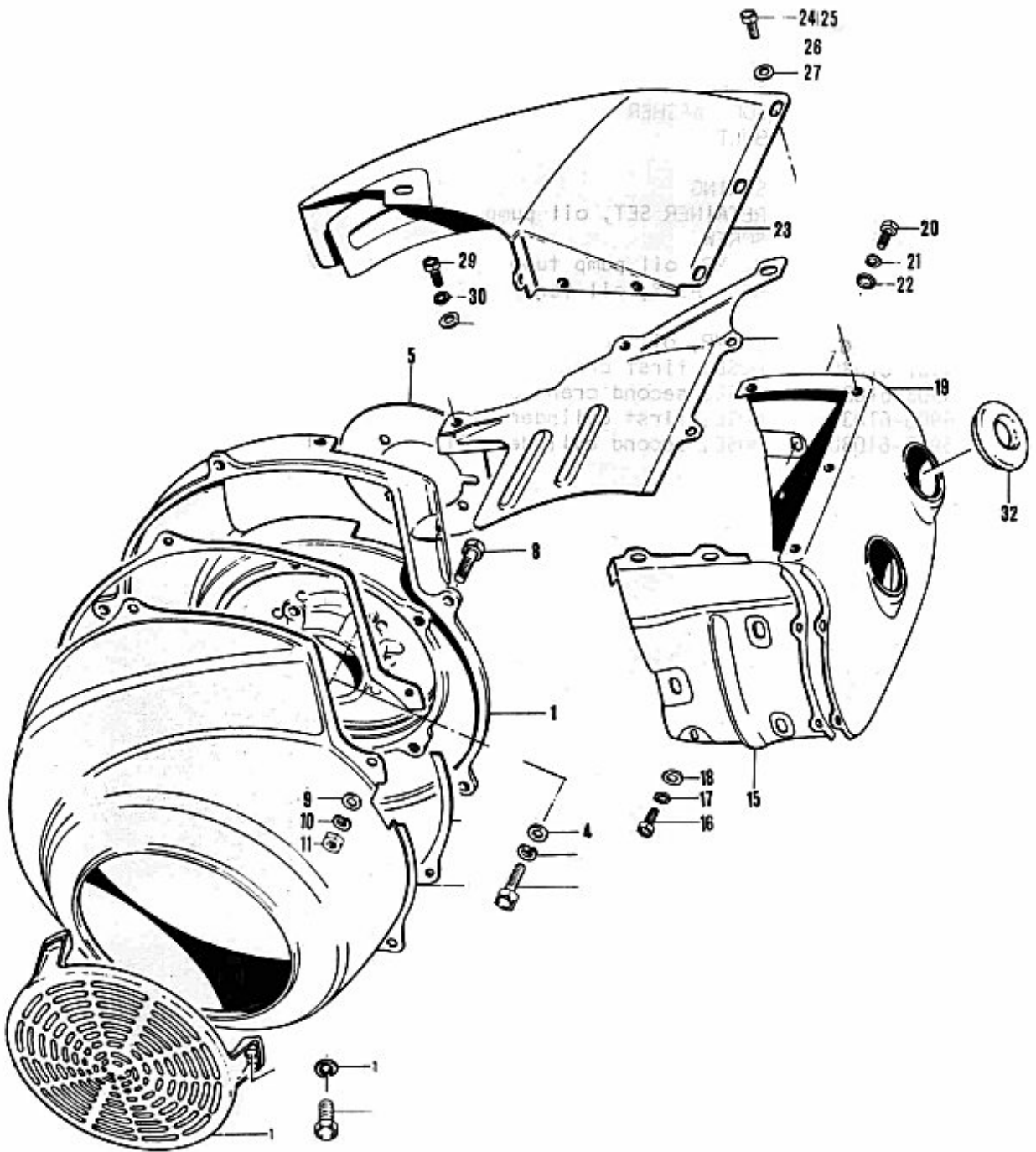


17



18

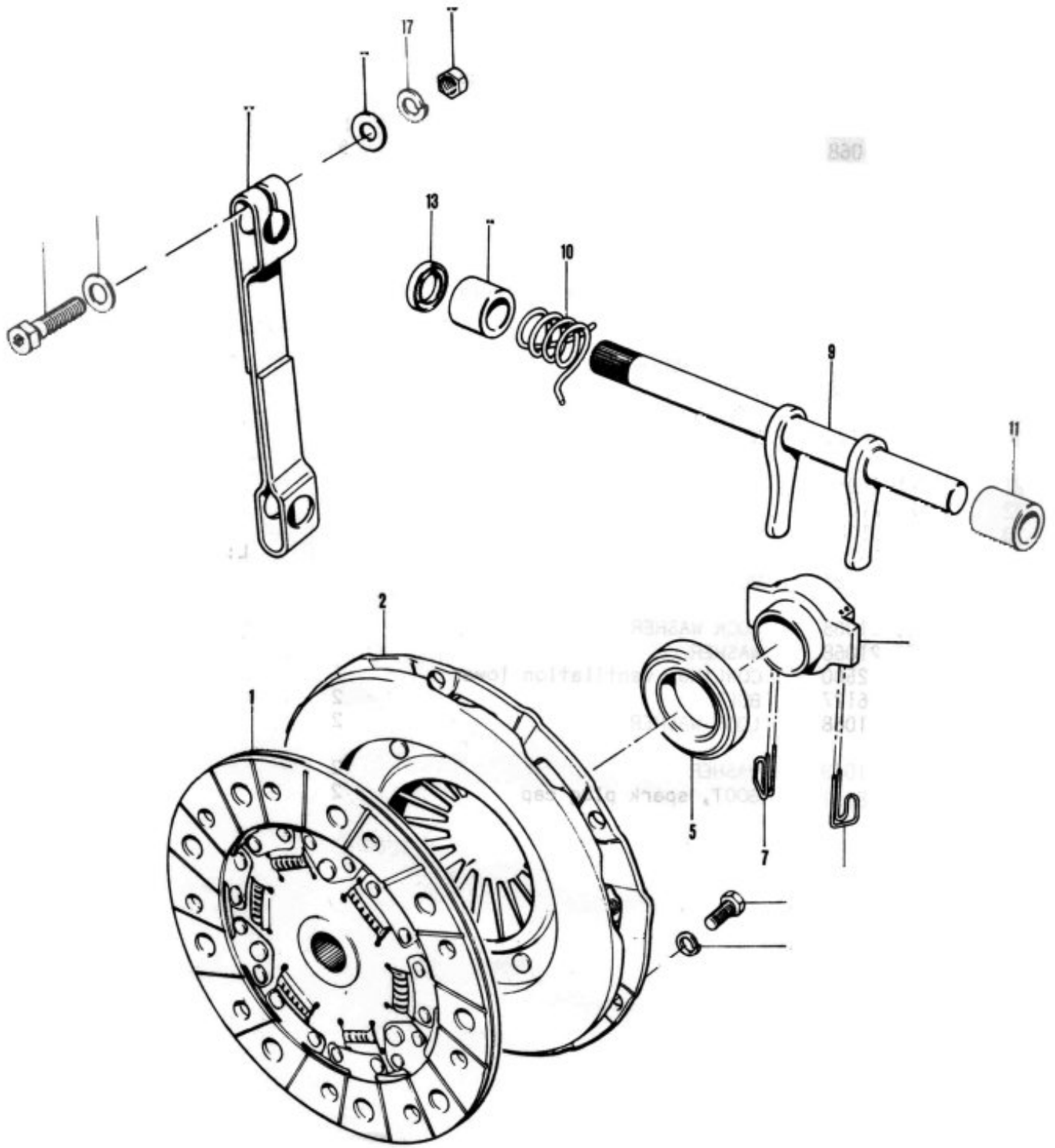
FAN COVER



FAN COVER

Ref.No.	Part No.	Description	Q'ty	Remarks
1	11351-52502	HOUSING, dynamo		
2	01112-06257	BOLT, dynamo housing	4	
3	08321-21068	LOCK WASHER	4	
4	09160-05008	WASHER	3	5.5x10x0.8
5	11359-52001	GASKET, dynamo housing		
6	17210-53000	CASE, engine-cooling fan	1	
7	17215-61000	PAD, engine cooling fan case		
8	01112-06167	BOLT	5	
9	08322-21068	WASHER	5	
10	08321-21068	LOCK WASHER	5	
11	08311-11068	NUT	5	
12	17221-61000	COVER, cooling fan case		
13	08321-21058	LOCK WASHER	3	
14	01111-05088	BOLT	3	
15	17230-61000	COWLING, ventilation front		
16	01112-06127	BOLT	3	
17	08321-21068	LOCK WASHER	6	
18	08322-21068	WASHER	6	
19	17240-61000	COWLING COMP, ventilation side		
20	01112-06128	BOLT	5	
21	08321-21068	LOCK WASHER	5	
22	08322-21068	WASHER	5	
23	17260-61000	COWLING, ventilation upper		
24	09100-06026	BOLT	2	L:14
25	01112-06127	BOLT	6	
26	08321-21068	LOCK WASHER	8	
27	08322-21068	WASHER	8	
28	17280-52500	COWLING, ventilation lower		
29	01112-06127	BOLT	2	
30	08321-21068	LOCK WASHER	2	
31	08322-21068	WASHER	2	
32	17299-58001	BOOT, spark plug cap	2	

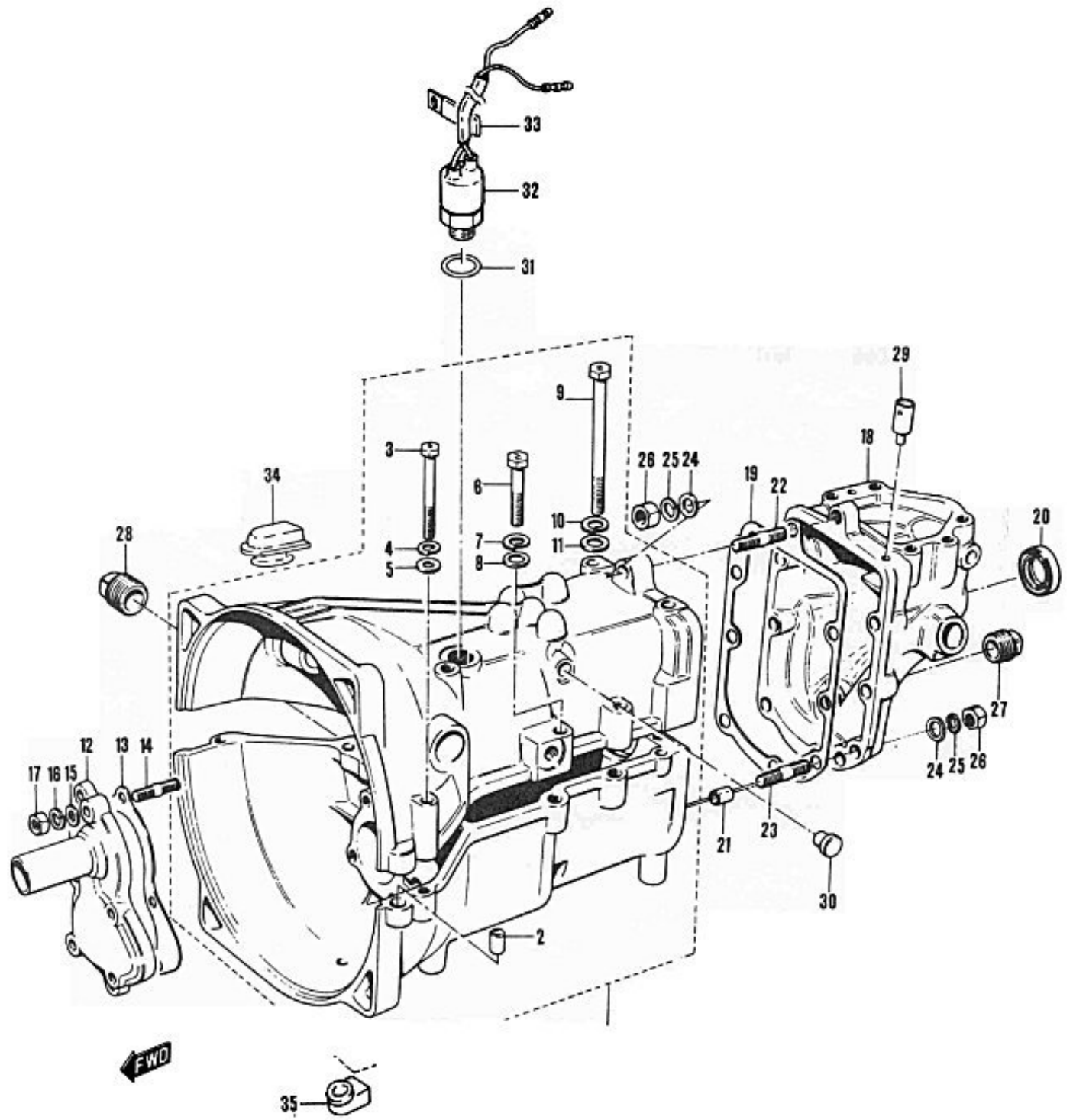
CLUTCH



CLUTCH

Ref.No.	Part No.	Description	Q'ty	Remarks
1	22400-63010	DISK COMP, clutch		
2	22100-52011	COVER ASSY, clutch		
3	01112-06167	BOLT	6	
4	08321-21068	LOCK WASHER	6	
5	09269-28001	BEARING, clutch release		28x49.6x14.5
6	09448-12002	RETAINER, bearing		
7	23181-59000	SPRING, bearing RH		
8	23180-59811	SPRING, bearing LH		
9	23260-60001	SHAFT COMP, clutch release		
10	09448-18008	SPRING		
11	09319-12008	BUSH, shaft (1)		12x20x22
12	09300-12004	BUSH, shaft (2)		12x20x20
13	09284-12005	OIL SEAL		12x20x4
14	23266-52000	ARM, clutch release		
15	01122-08358	BOLT		
16	08322-11088	WASHER		
17	08321-21088	LOCK WASHER		
18	08312-11088	NUT		

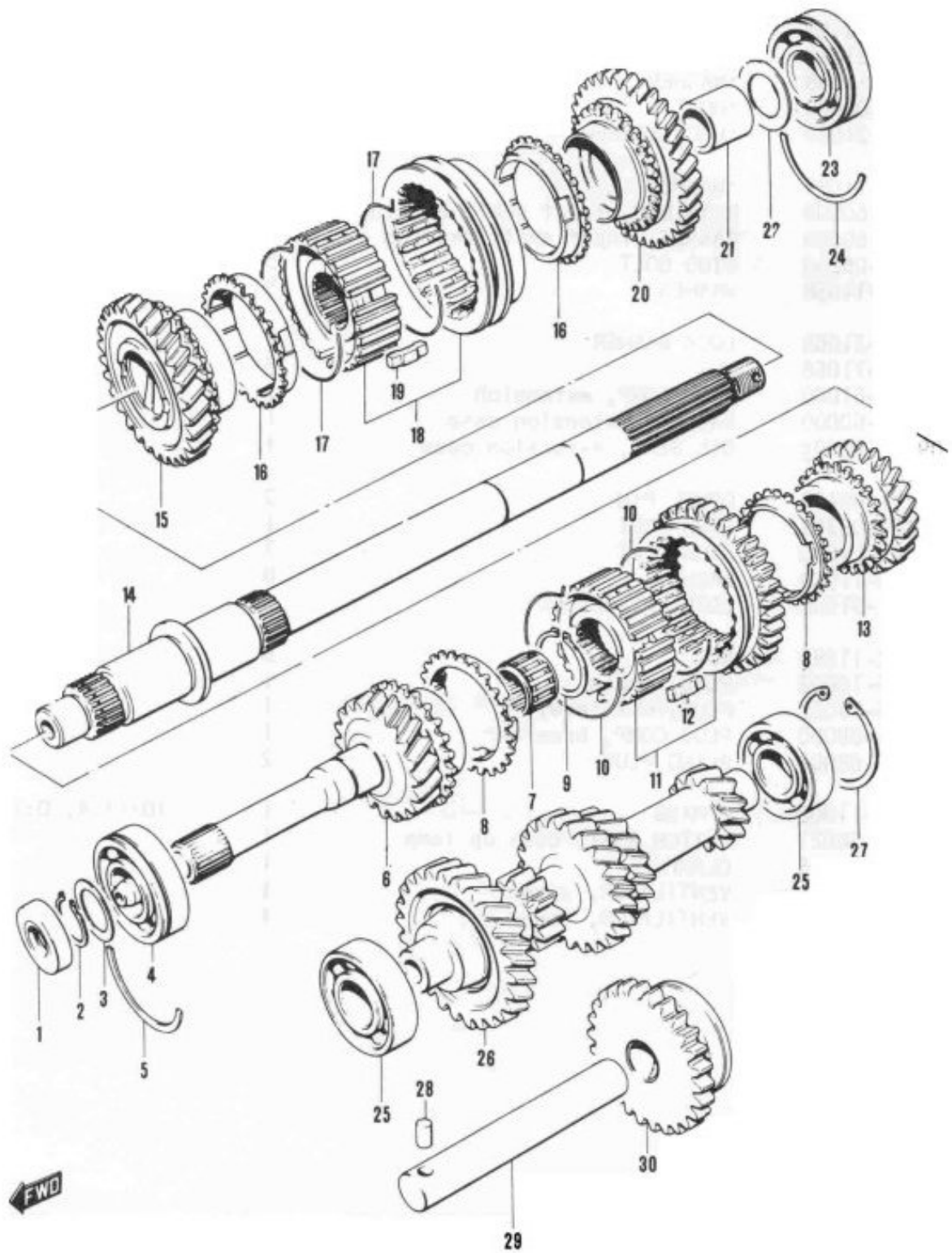
TRANSMISSION CASE



TRANSMISSION CASE

Ref.No.	Part No.	Description	Q'ty	Remarks
1	25715-60001	CASE ASSY, transmission		
2	04211-09149	•DOWEL PIN	2	
3	01112-06508	•BOLT	2	
4	08321-21068	•LOCK WASHER	2	
5	08322-21068	•WASHER	2	
6	01122-08458	•BOLT	4	
7	08321-21088	•LOCK WASHER	4	
8	08322-11088	•WASHER	4	
9	01122-08908	•BOLT	4	
10	08321-21088	•LOCK WASHER	4	
11	08322-11088	•WASHER	3	
12	24741-60000	RETAINER, input shaft bearing		
13	24781-60000	GASKET, input shaft bearing		
14	01421-06258	STUD BOLT	5	
15	08322-11068	WASHER	5	
16	08321-21068	LOCK WASHER	5	
17	08311-11068	NUT	5	
18	24770-61000	CASE COMP, extension		
19	24784-60000	GASKET, extension case		
20	09283-28005	OIL SEAL, extension case		
21	04211-09149	DOWEL PIN	2	
22	01411-08308	STUD BOLT		
23	01411-08358	STUD BOLT	7	
24	08322-11088	WASHER	8	
25	08321-31088	LOCK WASHER	8	
26	08312-11088	NUT	8	
27	09246-16002	PLUG, drain		
28	09246-16002	PLUG, oil level		
29	24821-09000	PLUG COMP, breather		
30	09250-08001	BLIND PLUG	2	
31	09280-11002	O RING		ID: .4, D: 9
32	37610-58021	SWITCH ASSY, back up lamp		
33	09403-00045	CLAMP		
34	24715-60571	VENTILATOR, upper		
35	24725-60020	VENTILATOR, lower		

TRANSMISSION



TRANSMISSION

Ref.No.	Part No.	Description	Q'ty	Remarks
1	09282-17002	OIL SEAL, input shaft		7x30x6
2	09380-17004	CIRCLIP, input shaft		
3	08312-17251	THRUST WASHER		
4	08163-62030	BEARING		
5	09390-40002	C RING, bearing		
6	24110-61001	SHAFT COMP, input		
7	09263-17002	BEARING, needle		
8	24431-59040	RING, high speed synchronizer	2	
9-1	08331-31219	CIRCLIP		B.No.~20591
9-2	09380-22001	CIRCLIP		
10	09388-00004	SPRING, synchronizer	2	
11	24400-63805	HUB SET, high speed synchronizer		
12	09422-05006	KEY, synchronizer	3	
13	24230-60000	GEAR COMP, main shaft third		B.No.~20591...both used Ref.No.9-2
14	24121-61002	SHAFT, transmission main		
15	24220-60001	GEAR COMP, main shaft second		
16	24432-58042	RING, low speed synchronizer	2	
17	09388-00007	SPRING, low speed synchronizer	2	
18	24402-58877	HUB SET, low speed synchronizer		
19	09422-05009	KEY, synchronizer	3	
20	24211-60003	GEAR, main shaft low		20x25x23
21	09300-20004	BUSH, main shaft low gear		
22	09160-20011	WASHER, main shaft low gear		
23	08163-63040	BEARING, main shaft		
24	09390-52003	C RING		
25	08113-62030	BEARING	2	
26	24130-61000	SHAFT COMP, counter	1	
27	09381-40001	CIRCLIP		
28	04221-05109	DOWEL PIN	SS 1	
29	24551-60000	SHAFT, reverse gear	SS 1	
30	24560-60000	GEAR COMP, reverse idlers	1	

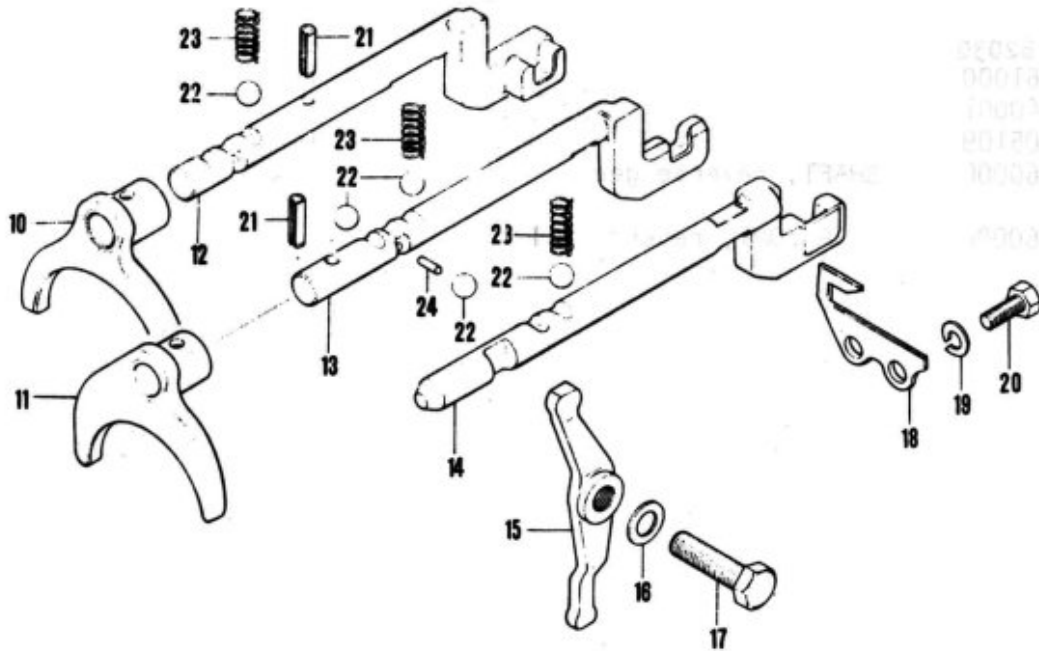
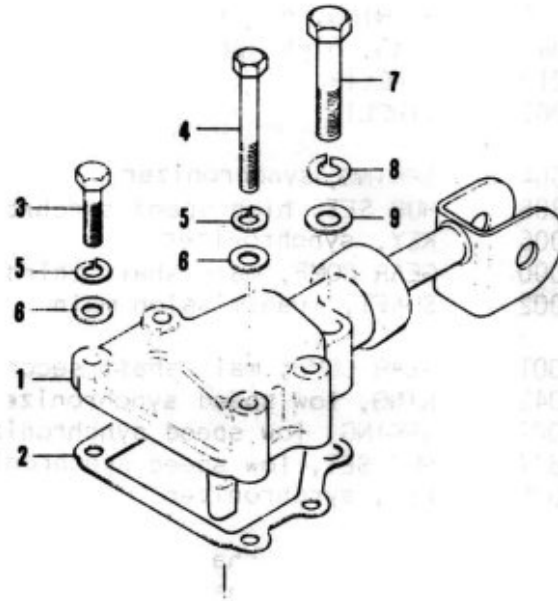
GEAR SHIFTING FORK

Remark

✓

dit. 7a

Aut. 1/71



GEAR SHIFTING FORK

Ref.No.	Part No.	Description	Q'ty	Remarks
1	25100-63001	LEVER ASSY, gear shift		
2	25185-60000	GASKET, gear shift lever case		
3	01112-06257	BOLT	2	
4	01112-06508	BOLT	2	
5	08321-21068	LOCK WASHER	4	
6	08322-21068	WASHER	4	
7	01122-08458	BOLT	1	
8	08321-21088	LOCK WASHER	1	
9	08322-11088	WASHER		
10	25210-69000	FORK, low speed shift		
11	25220-69000	FORK, high speed shift		
12	25410-63000	SHAFT, low speed shift fork		
13	25420-63000	SHAFT, high speed shift fork		
14	09404-06702	SHAFT, reverse gear shift fork		
15	25460-60003	LEVER, reverse gear shift		
16	09168-10007	GASKET] B.No.~ 69 ...both used
17	25711-60000	BOLT, reverse gear shift lever		
18	25481-63000	PLATE, shift fork shaft stop		
19	08321-21068	LOCK WASHER	2	
20	09100-06067	BOLT	2	
21	09205-04003	SPRING PIN	2	
22	09260-10001	BALL, gear shift locating	5	
23	09440-07005	SPRING, gear shift locating	3	
24	09261-03002	PIN,shifter shaft locating		

CHANGE REMOTE CONTROL

16

17

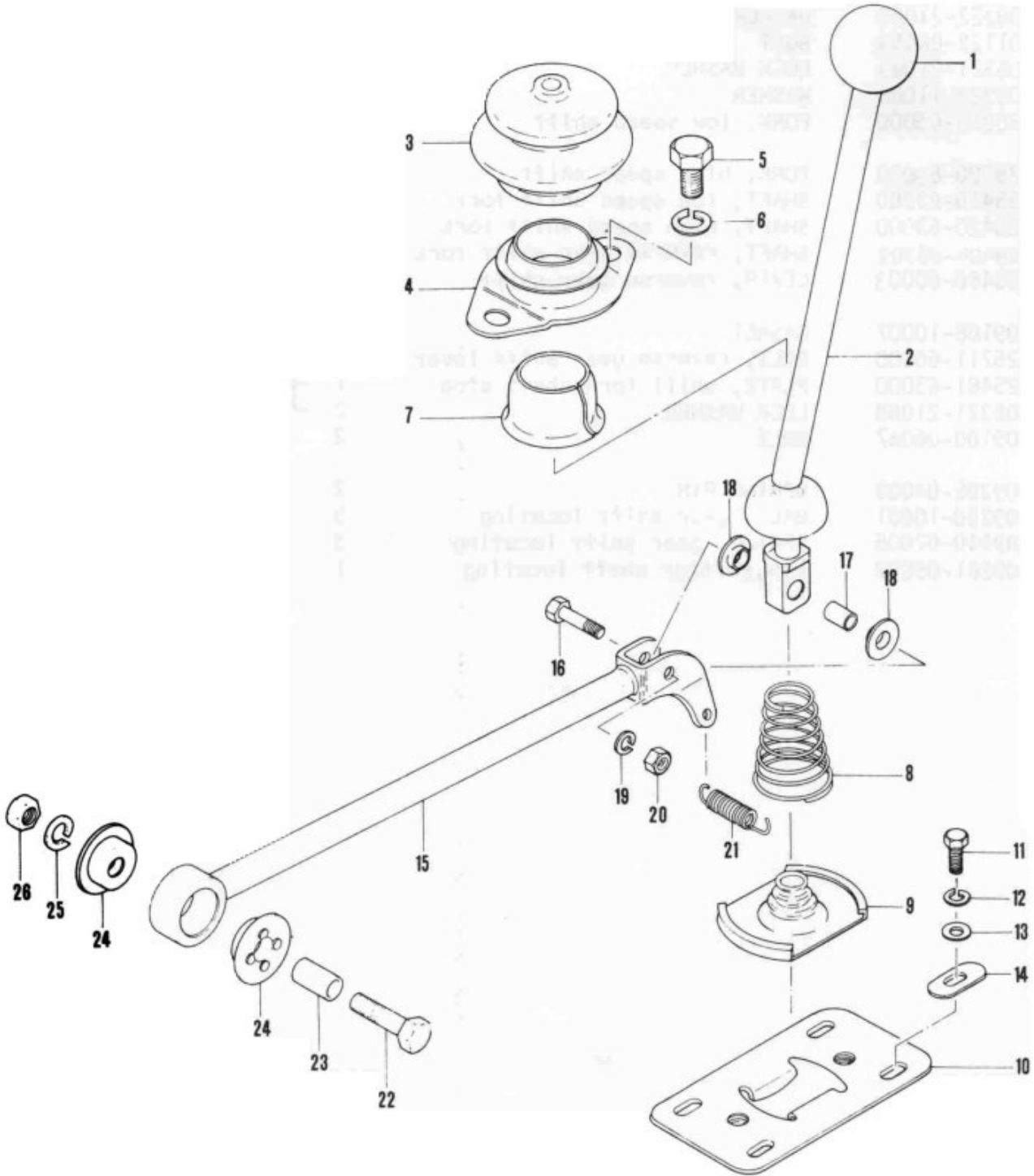
18

19

20

21

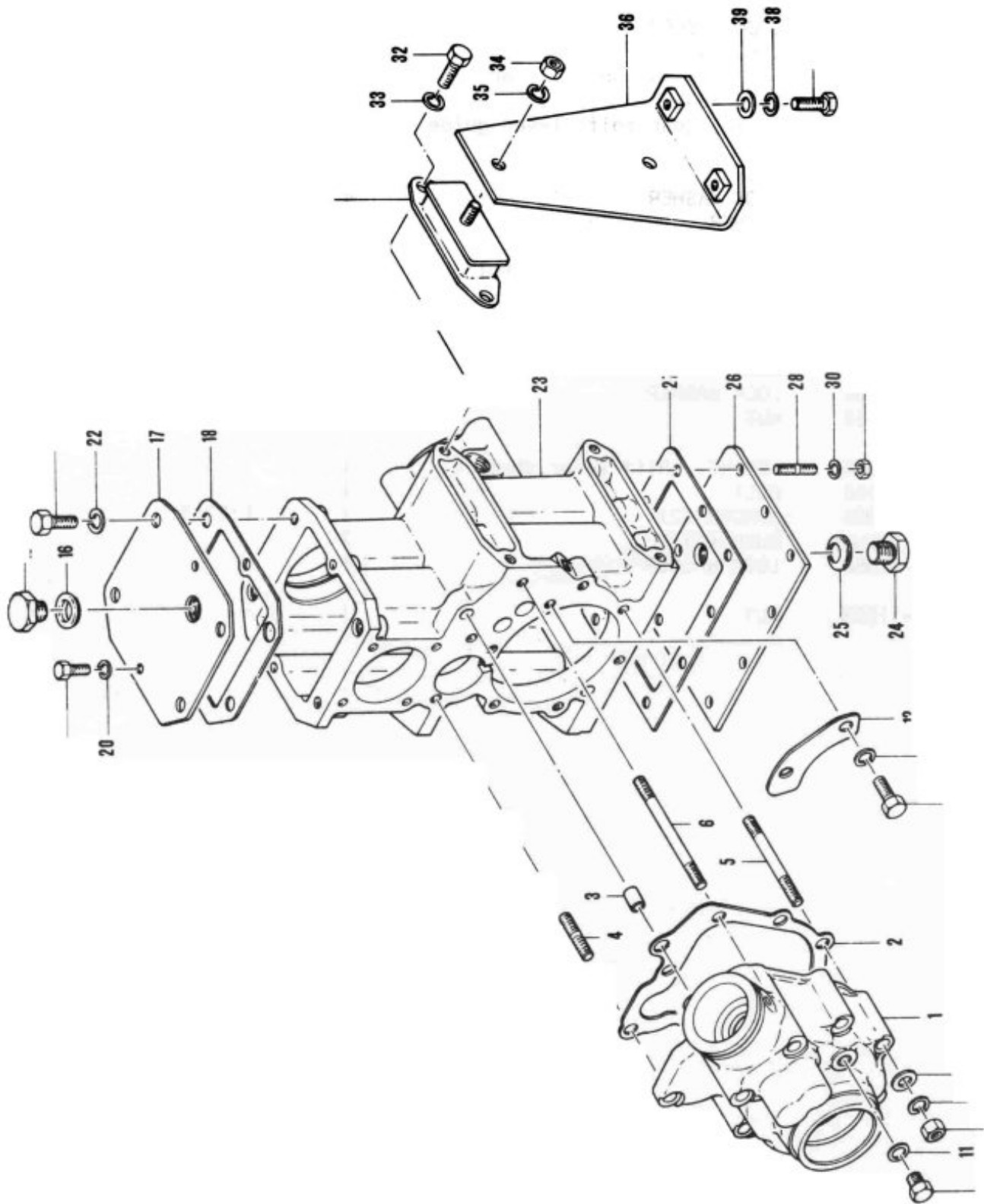
22
23
24



CHANGE REMOTE CONTROL

Ref.No.	Part No.	Description	Q'ty	Remarks
1	28113-63020	KNOB, gear shift lever		
2	28110-63002	LEVER COMP, gear shift		
3	28135-58000	BOOT, gear shift lever		
4	28180-58001	HOUSING, gear shift lever		
5	01122-10168	BOLT	2	
6	08321-21108	LOCK WASHER	2	
7	28115-58030	SEAT, gear shift lever	1	
8	09441-41002	SPRING, gear shift lever		
9	28136-58000	DUST SEAL		
10	28190-63000	PLATE, gear shift lever guide		
11	01112-06167	BOLT	4	
12	08321-21068	LOCK WASHER	4	
13	08322-21068	WASHER	4	
14	09169-07002	WASHER, guide plate	4	
15	28250-63001	SHAFT, gear shift control		
16	09100-06036	BOLT		
17	09180-06018	SPACER (1)		
18	09306-08002	BUSH (1)	2	
19	08321-21068	LOCK WASHER	1	
20	08311-31068	NUT		
21	09443-10008	SPRING, shift lever shaft		
22	01122-08358	BOLT	1	
23	09180-08053	SPACER (2)	1	L:22.5
24	28291-65000	BUSH (2)	2	
25	08321-21088	LOCK WASHER	1	
26	08312-11088	NUT		

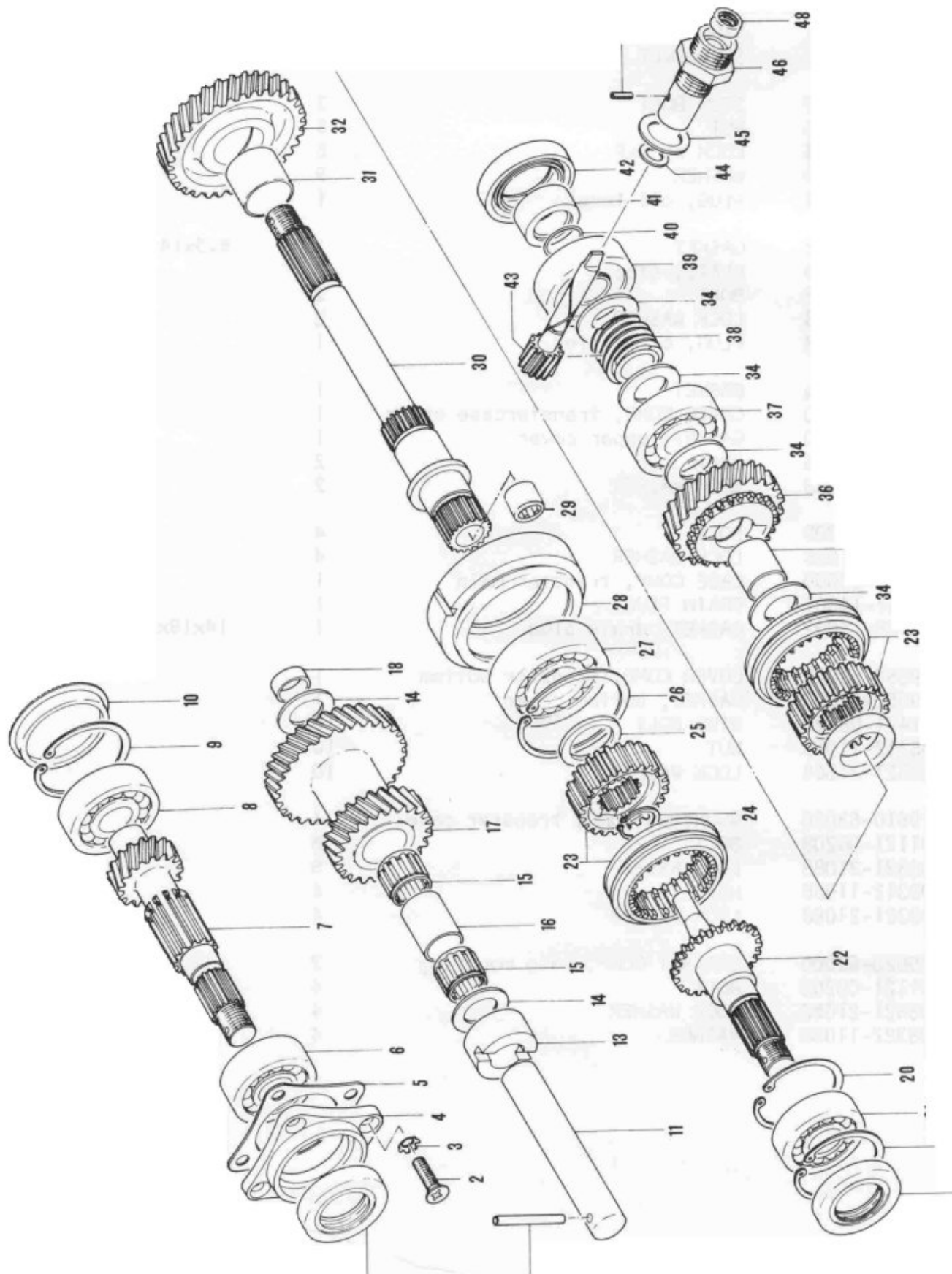
TRANSFER CASE



TRANSFER CASE

Ref.No.	Part No.	Description	Q'ty	Remarks
1	29520-63001	CASE COMP, transfer front		
2	29525-63001	GASKET, transfer front case		
3	04211-09129	DOWEL PIN	2	
4	01421-08208	STUD BOLT		
5	01421-08558	STUD BOLT	5	
6	01421-08758	STUD BOLT	2	
7	08312-11088	NUT	8	
8	08321-21088	LOCK WASHER	8	
9	08322-11088	WASHER	8	
10	01122-08128	PLUG, oil level		
11	09168-08008	GASKET		8.5x14x1
12	29351-63000	PLATE, stop	1	
13	01122-08208	BOLT	2	
14	08321-21088	LOCK WASHER	2	
15	09247-14008	PLUG, oil filler		
16	09168-14004	GASKET		
17	29540-63000	COVER COMP, transercase upper		
18	29545-63000	GASKET, upper cover		
19	01111-06168	BOLT	2	
20	08321-21068	LOCK WASHER	2	
21	01121-08208	BOLT	4	
22	08321-21088	LOCK WASHER	4	
23	29510-63000	CASE COMP, transfer main		
24	09247-14001	DRAIN PLUG		
25	09168-14002	GASKET, drain plug		4x19x2
26	29550-63000	COVER COMP, transfer bottom	1	
27	29552-63000	GASKET, bottom cover	1	
28	01421-06128	STUD BOLT	10	
29	08312-11068	NUT	10	
30	08321-21068	LOCK WASHER	10	
31	29610-63020	MOUNTING COMP, transfer case	4	
32	01121-08208	BOLT	8	
33	08321-21088	LOCK WASHER	8	
34	08312-11088	NUT	4	
35	08321-21088	LOCK WASHER	4	
36	29620-63000	BRACKET COMP, case mounting	2	
37	01121-08208	BOLT	4	
38	08321-21088	LOCK WASHER	4	
39	08322-11088	WASHER	4	

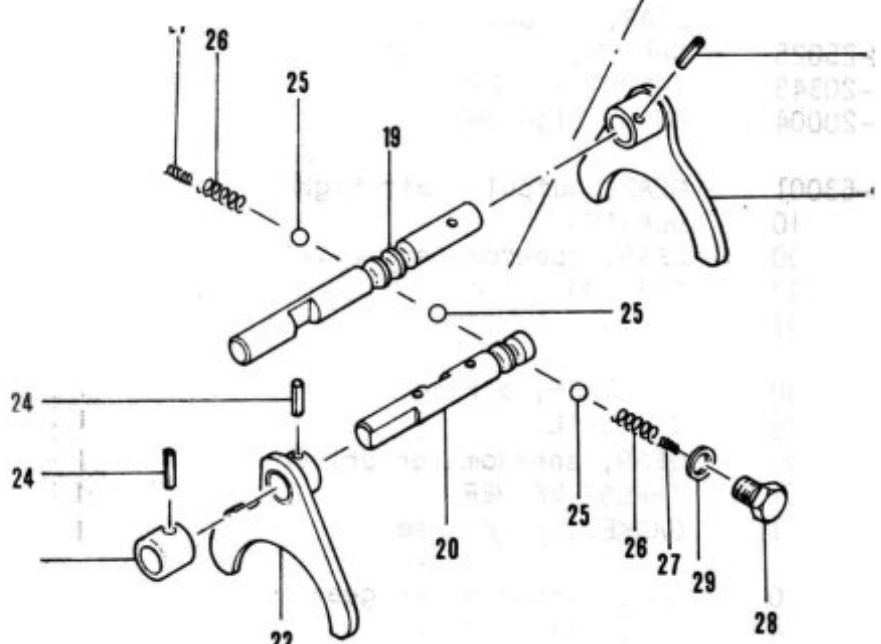
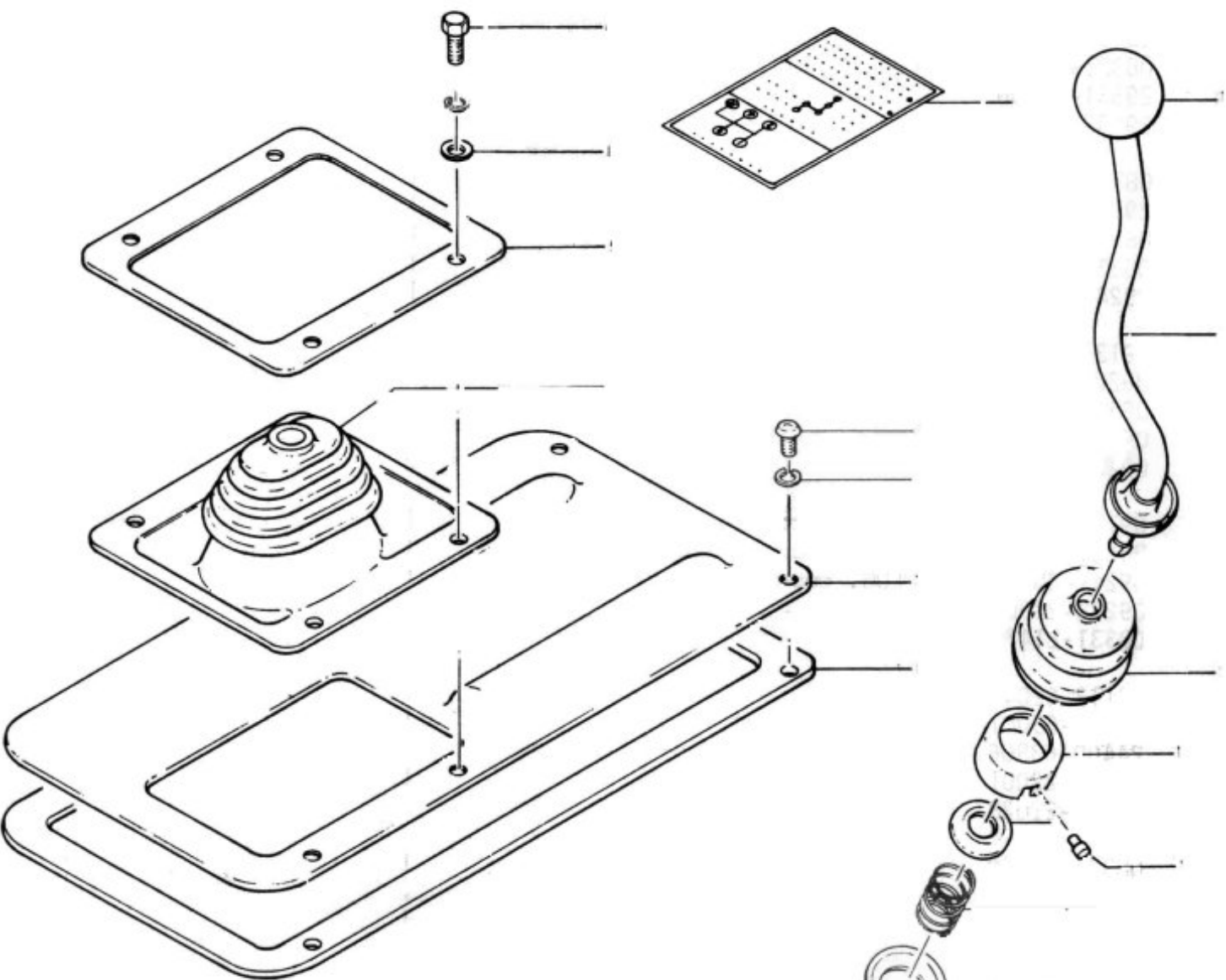
TRANSFER GEAR



TRANSFER GEAR

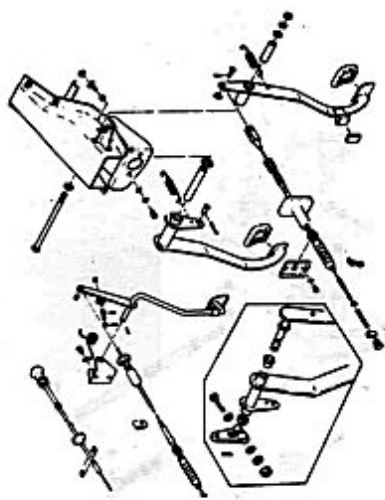
Ref.No.	Part No	Description	Q'ty	Remarks
1	09283-28003	OIL SEAL		28x47x8
2	02121-06208	SCREW	4	
3	08323-31068	TOOTHED WASHER	4	
4	29531-63000	RETAINER, bearing	1	
5	29532-63000	GASKET, retainer	1	
6	08113-62040	BEARING		
7	29111-63000	SHAFT, transfer input		
8	08113-63040	BEARING		
9	08331-21529	CIRCLIP		
10	09241-52002	PLUG, bearing		
11	29131-63000	SHAFT, counter gear		
12	09202-05012	STOPPER PIN		OD:5, L:10
13	09300-20009	BUSH, counter shaft		20x35x15.2
14	09160-20021	THRUST WASHER	2	20x34x3.8
15	09263-20010	BEARING	2	20x26x19.8
16	09180-20038	SPACER, counter gear shaft		20.1x24.2x29.8
17	29121-63001	GEAR, transfer counter		
18	09241-20001	PLUG, counter shaft		
19	09283-28003	OIL SEAL		28x47x8
20	08331-21479	CIRCLIP	2	
21	08113-62040	BEARING		
22	29151-63001	SHAFT, output front		
23	24400-63806	HUB SET, rear shaft	2	
24	09380-22001	CIRCLIP, clutch hub		
25	09180-25028	SPACER, clutch hub		
26	08331-21629	CIRCLIP		
27	08113-63050	BEARING		
28	29535-63001	RETAINER, bearing		
29	09263-10003	BEARING, needle		
30	29141-63001	SHAFT, output rear		
31	09300-25005	BUSH, low gear		
32	29211-63000	GEAR, output low		
33	09180-25025	SPACER, clutch hub		
34	08211-20345	THRUST WASHER	4	
35	09300-20004	BUSH, high gear		
36	29221-63001	GEAR, output shaft high		
37	08113-63040	BEARING		
38	29411-63000	GEAR, speedometer drive		
39	09262-20032	BEARING		
40	09280-19001	O RING		ID:18.8, d:1.9
41	29143-63000	RETAINER, o ring		
42	09283-32009	OIL SEAL		32x52x10
43	29421-63000	GEAR, speedometer driven		
44	08211-10161	THRUST WASHER		
45	09168-20001	GASKET, gear case		
46	26111-59000	CASE, speedometer gear		
47	09205-02004	PIN, driven gear		
48	09285-10001	OIL SEAL		10x16x5

RANSFER GEAR SH

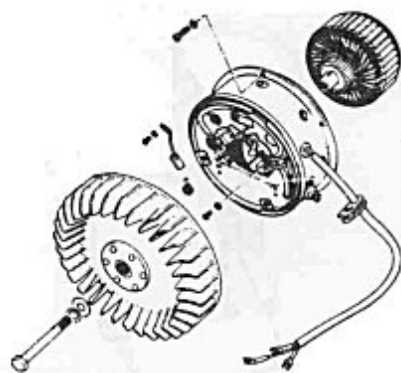


TRANSFER GEAR SHIFT

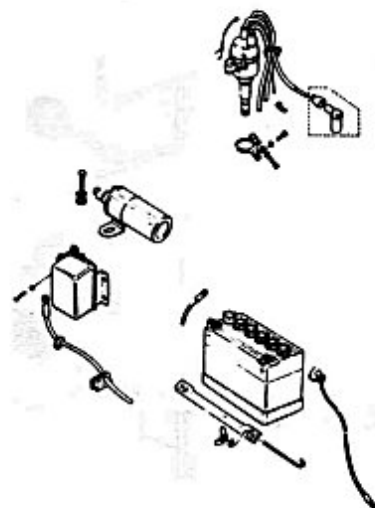
Ref.No.	Part No.	Description	Q'ty	Remarks
1	28381-6360 3	EMBLEM, gear shift		
2	28137-63000	COVER, gear shift lever		
3	28138-63000	FLANGE, gear shift lever cover	1	
4	01122-06208	BOLT	4	
5	08321-21068	LOCK WASHER	4	
6	08322-11068	WASHER	4	
7	66311-63000	LID, floor tunnel		
8	66312-63001	GASKET, floor lid	1	
9	02111-06128	SCREW	4	
10	08321-21068	LOCK WASHER	4	
11	28113-63020	KNOB, gear shift lever		
12	29340-63002	LEVER, transferegear control		
13	28135-63020	BOOTS		
14	28121-60000	SEAT, lever guide		
15	09209-06017	PIN		
16	28115-60000	SEAT, spring		
17	09440-20006	SPRING		
18	28116-60000	SEAT, control lever		
19	29331-63000	SHAFT, reduction shift		
20	29332-63000	SHAFT, front drive shift		
21	29320-63001	FORK, reduction shift		
22	29310-63000	FORK, front drive shift		
23	29314-63000	PIPE, lever stop		
24	09205-04003	SPRING PIN	3	
25	09260-10001	BALL	3	
26	09440-07005	SPRING, gear shift locating (1)	2	
27	09440-04001	SPRING, gear shift locating (2)	2	
28	09100-10004	PLUG, gear shift		
29	09168-10010	GASKET		



19



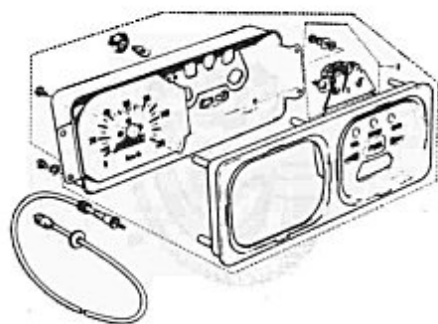
20



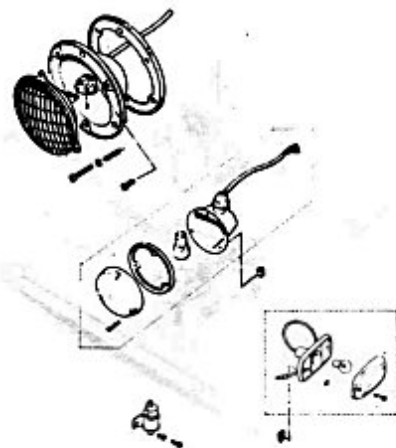
21



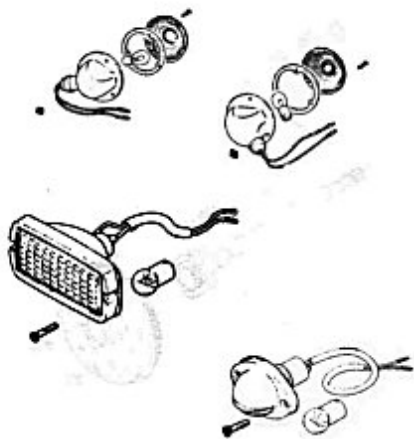
22



23



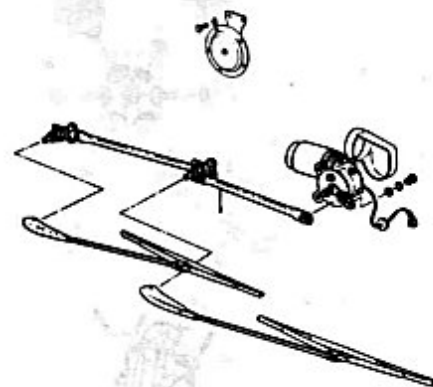
24



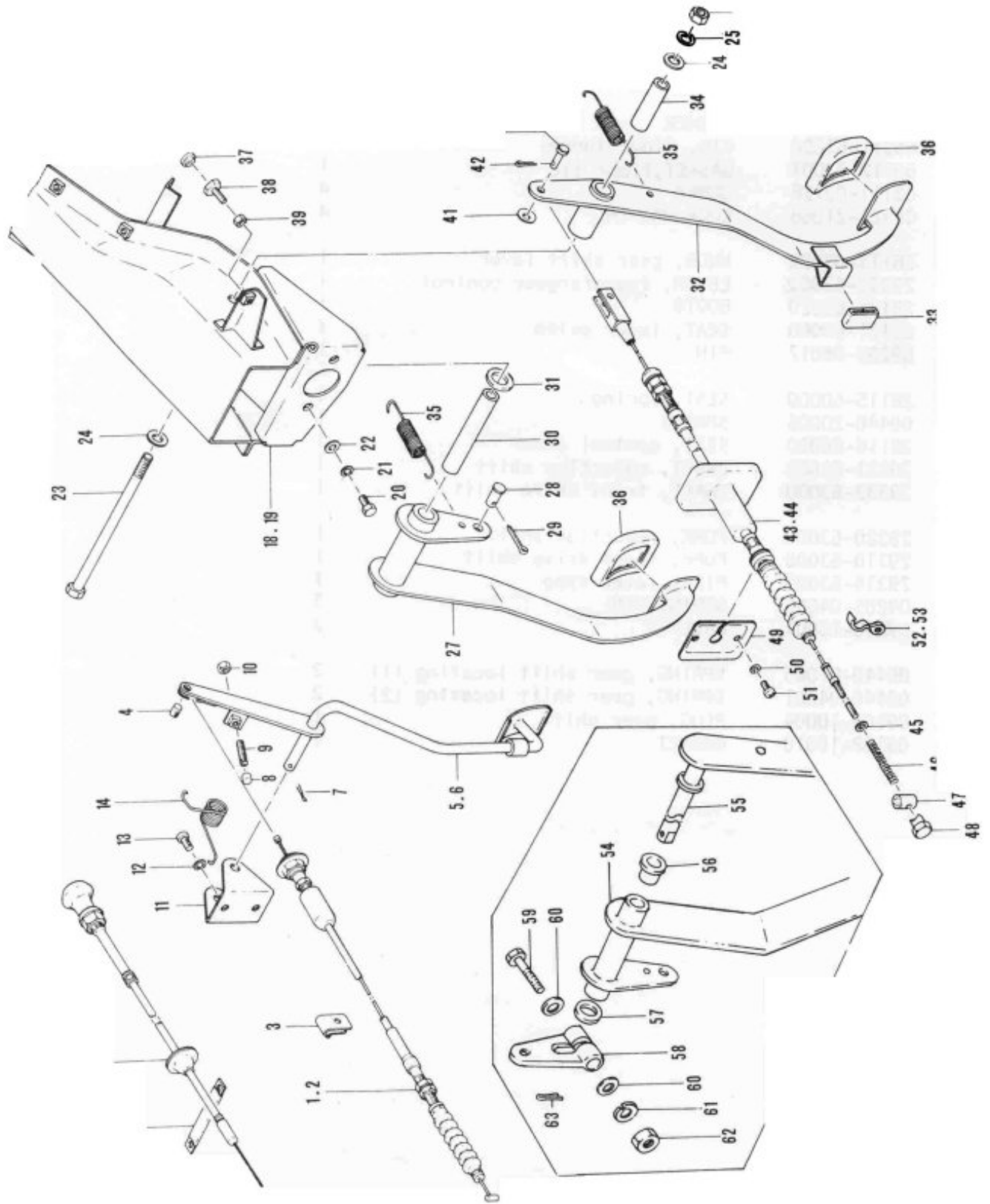
25



26

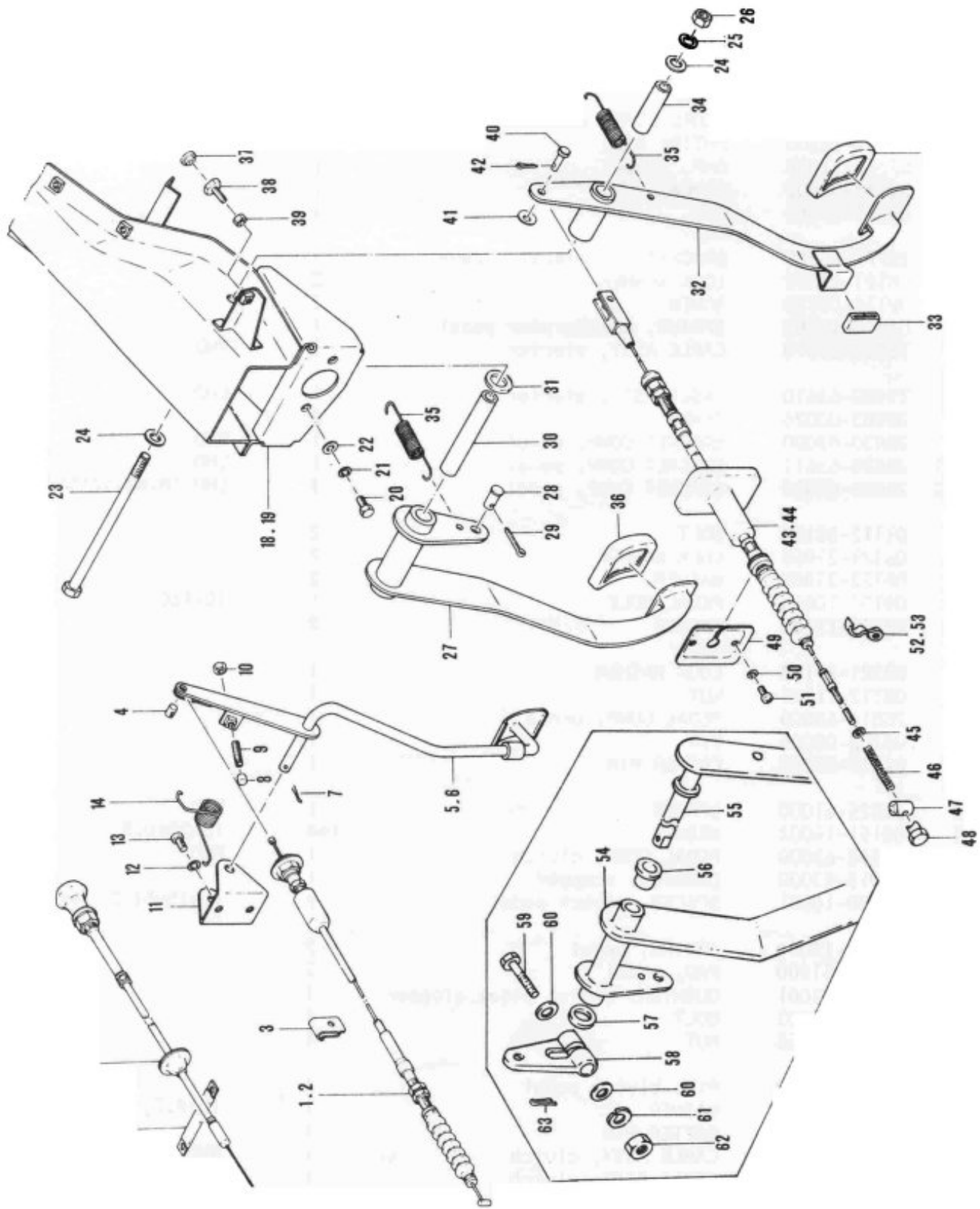


27



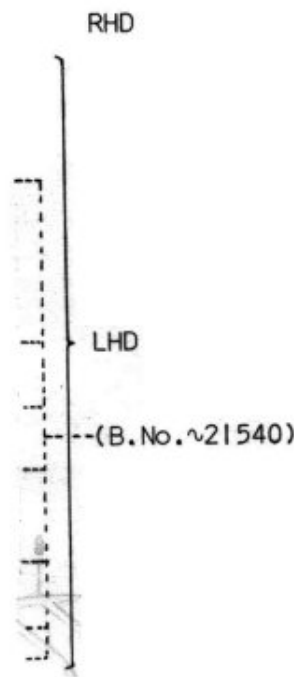
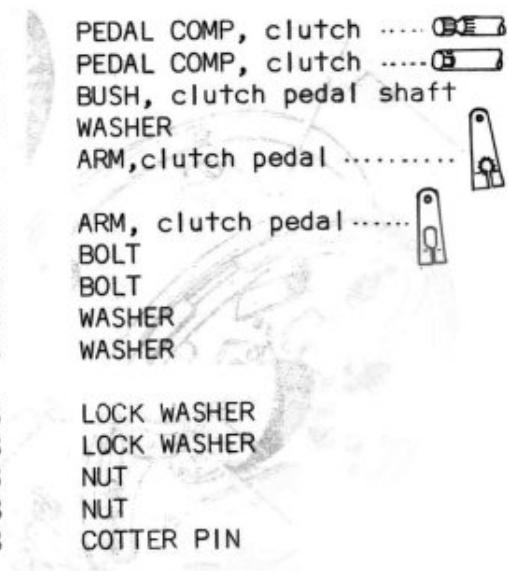
Ref.No.	Part No.	Description	Q'ty	Remarks
1	15910-63010	CABLE ASSY, accelerator		RHD
2	15910-63610	CABLE ASSY, accelerator		LHD
3	28773-61000	HOLDER, accelerator cable		
4	13683-51010	TERMINAL, accelerator cable		
5	28710-63611	PEDAL COMP, accelerator		
6	28710-63611	PEDAL COMP, accelerator		LHD
7	04111-20208	COTTER PIN		
8	52242-51000	CAP, screw		
9	09134-06002	SCREW		
10	08311-31068	NUT		
11	28771-63000	BRACKET, accelerator pedal		
12	08321-21068	LOCK WASHER	2	
13	02112-06128	SCREW	2	
14	09448-19003	SPRING, accelerator pedal		
15	15930-63010	CABLE ASSY, starter		RHD
16	15930-63610	CABLE ASSY, starter		
17	09403-00026	CLAMP	2	
18	28930-63000	BRACKET COMP, pedal		RHD
19-1	28930-63611	BRACKET COMP, pedal		LHD
19-2	28930-63610	BRACKET COMP, pedal		LHD (B.No.~21540)
20	01112-06128	BOLT	2	
21	08321-21068	LOCK WASHER	2	
22	08322-21068	WASHER	2	
23	09100-10056	PEDAL BOLT		10x160
24	08322-11108	WASHER	2	
25	08321-21108	LOCK WASHER		
26	08312-11108	NUT		
27	28810-63000	PEDAL COMP, brake		
28	09200-08006	PIN		
29	04111-25208	COTTER PIN		
30	28825-61000	SPACER		RHD
31	09161-16003	WASHER	~4	16x25x0.5
32	28850-63000	PEDAL COMP, clutch		RHD
33	28916-63000	CUSHION, stopper		
34	09180-10021	SPACER, clutch pedal		10x15x51.2 (RHD)
35	09443-13003	SPRING, pedal	2	
36	28911-51000	PAD, pedal	2	
37	09320-03001	CUSHION, clutch pedal stopper		
38	09119-06003	BOLT		
39	08311-31068	NUT		
40	09200-06009	PIN, clutch pedal		
41	09164-08002	WASHER		ID:8.2, OD:16
42	04111-20158	COTTER PIN		
43	23710-63011	CABLE ASSY, clutch		RHD, L:1526
44	23710-63610	CABLE ASSY, clutch		LHD, L:1595

FOOT PEDAL CABLE

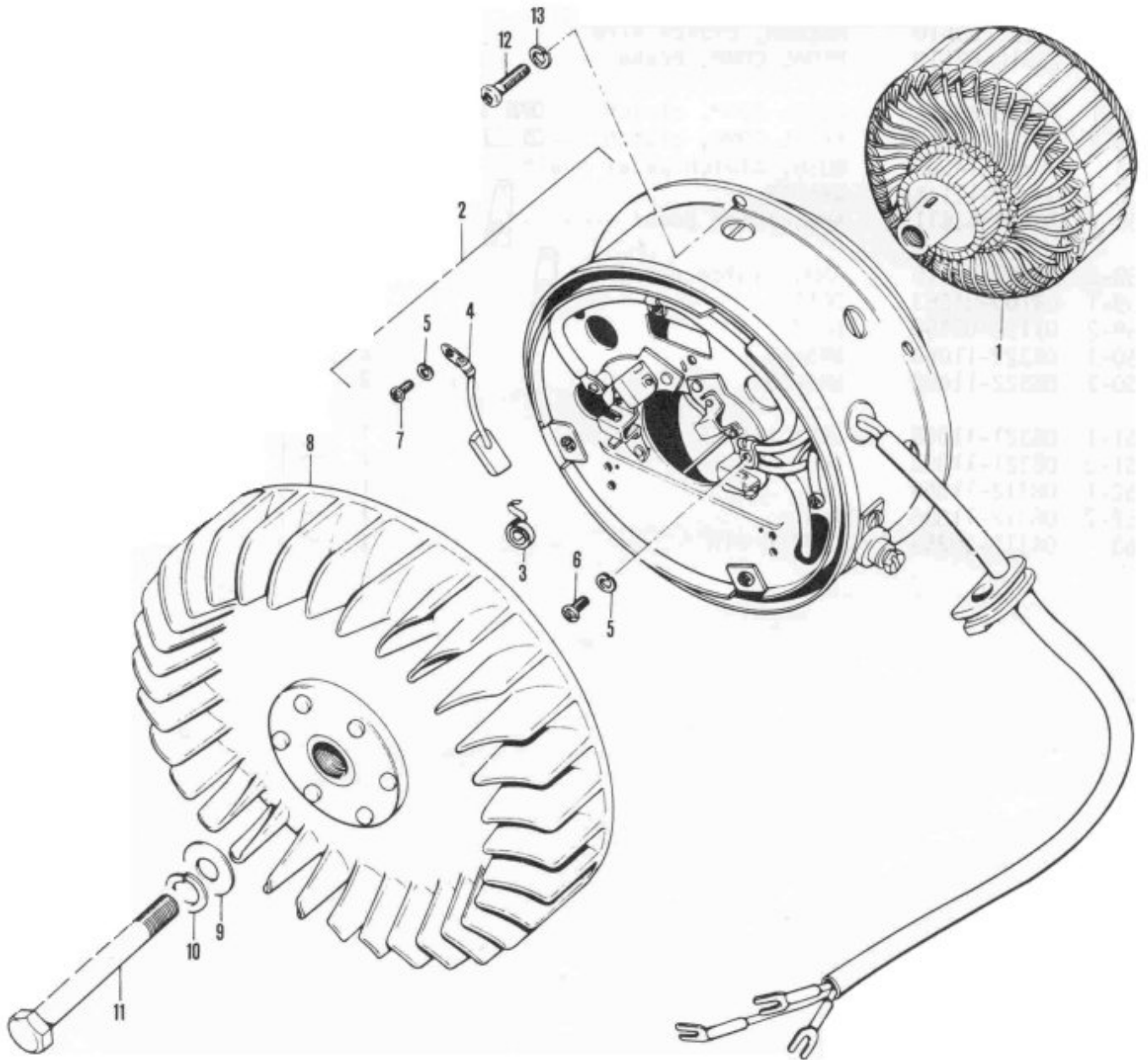


FOOT PEDAL - CABLE

Ref.No.	Part No.	Description	Q'ty	Remarks
45	08322-11068	WASHER		
46	09440-08001	SPRING, clutch cable		
47	09209-13003	PIN, joint		
48	09150-06001	NUT, joint		
49	28913-63000	COVER, clutch pedal dust seal		
50	08321-21058	LOCK WASHER	2	
51	02111-05107	SCREW	2	
52	23721-63001	HOLDER, clutch wire		RHD
53	23721-63610	HOLDER, clutch wire		
54	28810-63610	PEDAL COMP, brake		
55-1	28850-63611	PEDAL COMP, clutch		
55-2	28850-63610	PEDAL COMP, clutch		
56	09306-14004	BUSH, clutch pedal shaft	4	
57	08322-11148	WASHER		
58-1	28867-63611	ARM, clutch pedal		
58-2	28867-63610	ARM, clutch pedal		LHD
59-1	09100-06063	BOLT		
59-2	01122-08458	BOLT		
60-1	08322-11068	WASHER	2	
60-2	08322-11088	WASHER	2	(B.No.~21540)
61-1	08321-11068	LOCK WASHER		
61-2	08321-11088	LOCK WASHER		
62-1	08312-11068	NUT		
62-2	08312-11088	NUT		
63	04111-30258	COTTER PIN		

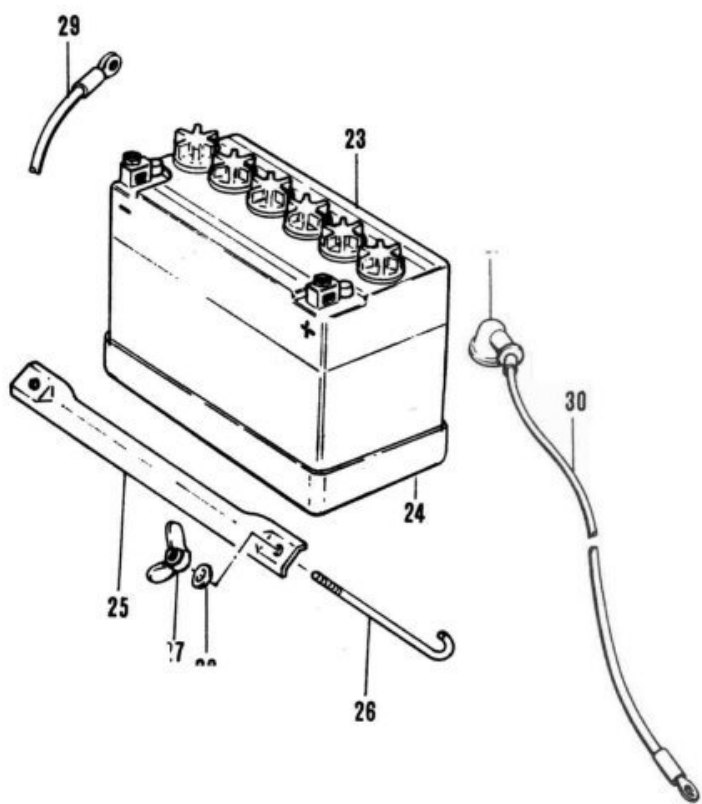
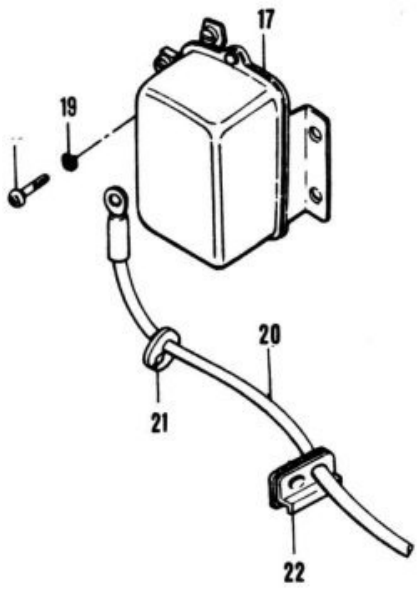
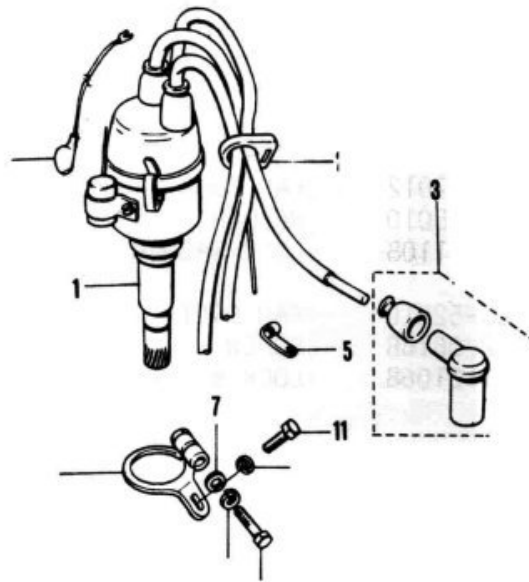


STATER GENERATOR



STARTER GENERATOR

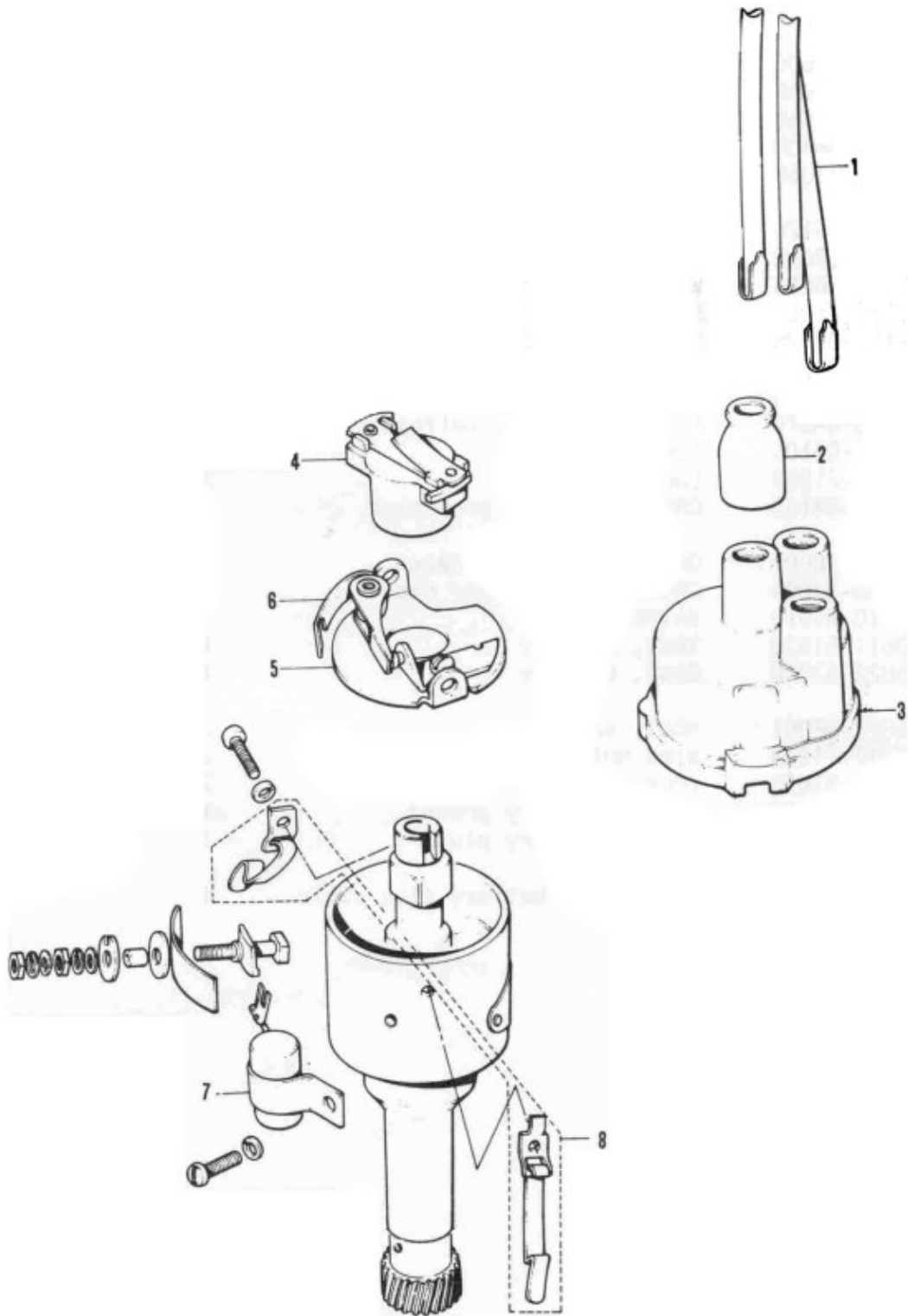
Ref.No.	Part No.	Description	Q'ty	Remarks
1	31710-52013	ARMATURE COMP		
2	31401-53511	STATOR ASSY		
3	31635-52010	*SPRING, brush	4	
4	31631-58700	*CARBON BRUSH	4	
5	08321-21048	*LOCK WASHER	4	
6	02111-04107	*SCREW	2	
7	02111-04058	*SCREW	2	
8	31761-52012	FAN COMP		
9	31767-58010	WASHER		
10	08321-21108	LOCK WASHER		
11	31763-52010	FAN BOLT		
12	02112-06168	SCREW	5	
13	08321-21068	LOCK WASHER	5	



VOLTAGE REGULATOR - IGNITION

Ref.No.	Part No.	Description	Q'ty	Remarks
1	33100-52510	DISTRIBUTOR ASSY		
2	33881-58002	CLAMP, high tension cord		
3	33500-69810	CAP ASSY, spark plug		
4	36810-52051	CORD COMP, distributor		
5	09403-05303	CLAMP, high tension cord		
6	33460-52500	CLAMP, distributor		
7	08322-11068	WASHER		
8	08321-21068	LOCK WASHER		
9	01112-06408	BOLT		
10	08321-21068	LOCK WASHER		
11	01112-06128	BOLT		
12	33410-52012	COIL ASSY, ignition		
13	09160-06003	WASHER, ignition	2	6.7x16x0.8
14	08321-21068	LOCK WASHER	2	
15	01112-06128	BOLT	2	
16	33418-51012	INSULATOR		
17	32500-64010	REGULATOR ASSY, voltage		
18	02112-06108	SCREW	3	
19	08321-21068	LOCK WASHER	3	
20	33821-54150	CABLE, starter generator		
21	09309-08001	GROMMET, wire harness		
22	09309-09004	GROMMET, generator cable		
23	33610-64010	BATTERY ASSY		12V, 24AH
24	33611-51020	TRAY, battery		
25	85822-63000	BAND, battery		
26	85821-58001	BOLT, battery	2	
27	08317-11058	WING NUT	2	
28	08321-21058	LOCK WASHER	2	
29	33851-52050	CABLE, battery ground		
30	33821-52054	CABLE, battery plus		
31	33816-65000	INSULATOR, battery plus cable		

DISTRIBUTOR INNER PARTS

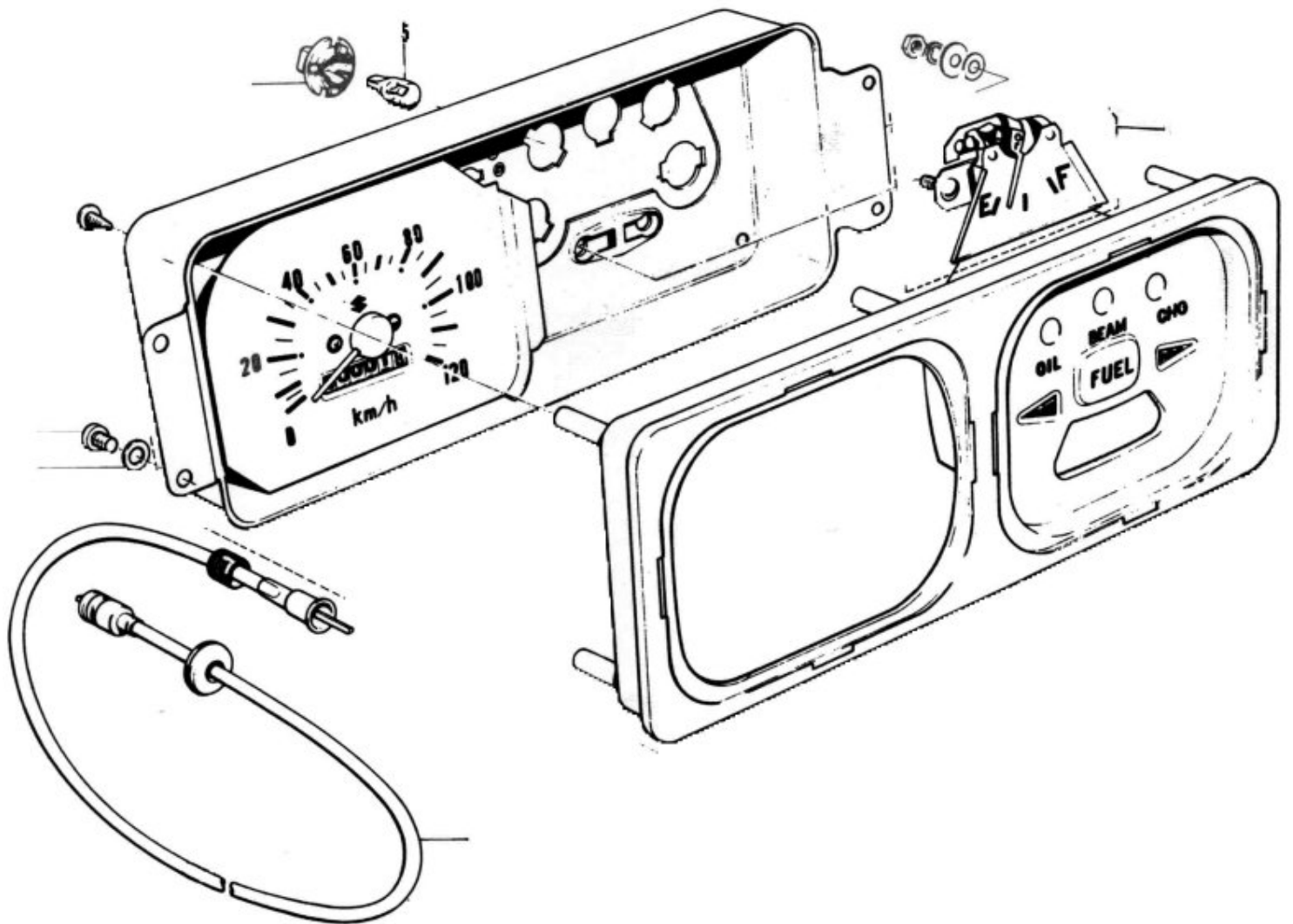


DISTRIBUTOR INNER PARTS

Ref.No.	Part No.	Description	Q'ty	Remarks
1	33710-53011	CORD COMP, high tension	3	
2	33322-52012	INSULATOR	3	
3	33321-52012	DISTRIBUTOR CAP		
4	33310-52010	ROTOR, distributor		
5	33100-52837	BREAKER ASSY		
6	33140-52011	•POINT ASSY, contact		
7	33261-52011	CONDENSER		
8	33250-52010	SPRING, cap retainer		

2-1

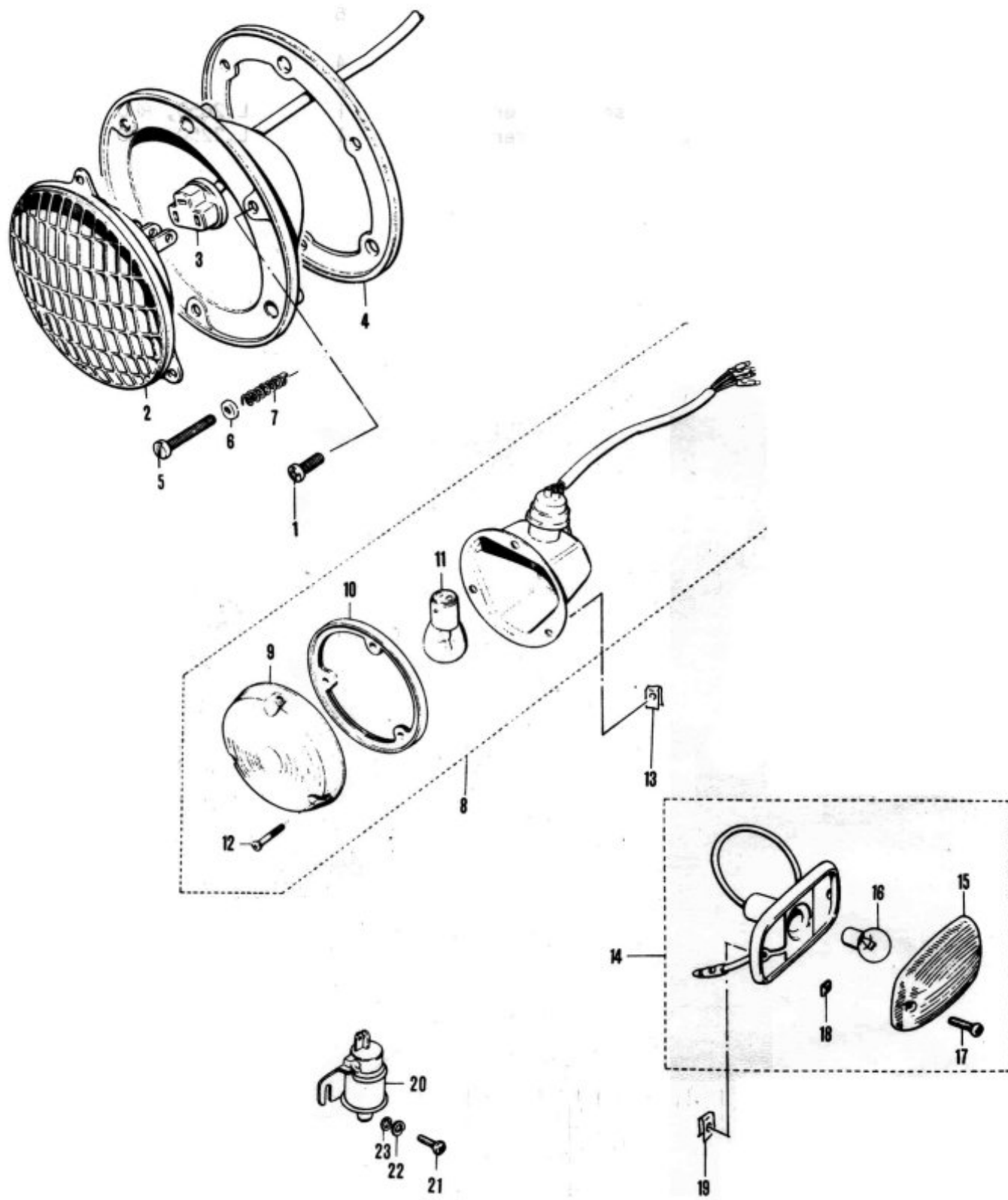
SPEEDOMETER



SPEEDOMETER

Ref.No.	Part No.	Description	Q'ty	Remarks
1	34100-61020	SPEEDOMETER ASSY		Kilo Scale
2	34100-58602	SPEEDOMETER ASSY		Mile Scale
3	34320-60010	•BODY ASSY, fuel meter		
4	34173-60010	•SOCKET, speedometer valve	6	
5	09471-12028	•VALVE, speedometer	6	
6	08322-21048	WASHER	4	
7	02111-04108	SCREW	4	
8	34910-63031	CABLE ASSY, speedometer		L:2650, RHD
9	34910-63610	CABLE ASSY, speedometer		L:2250, LHD

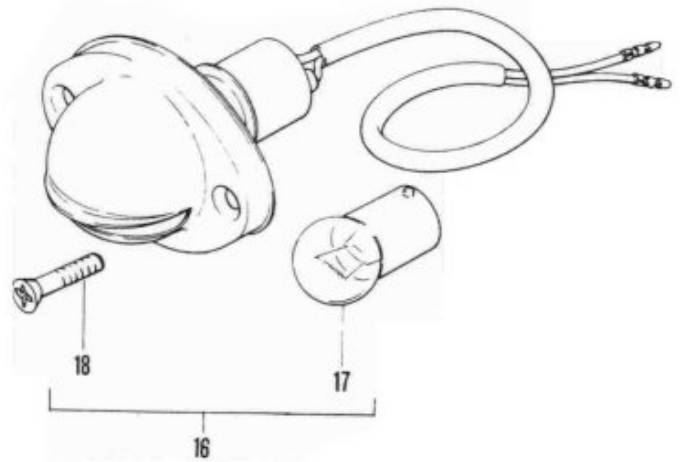
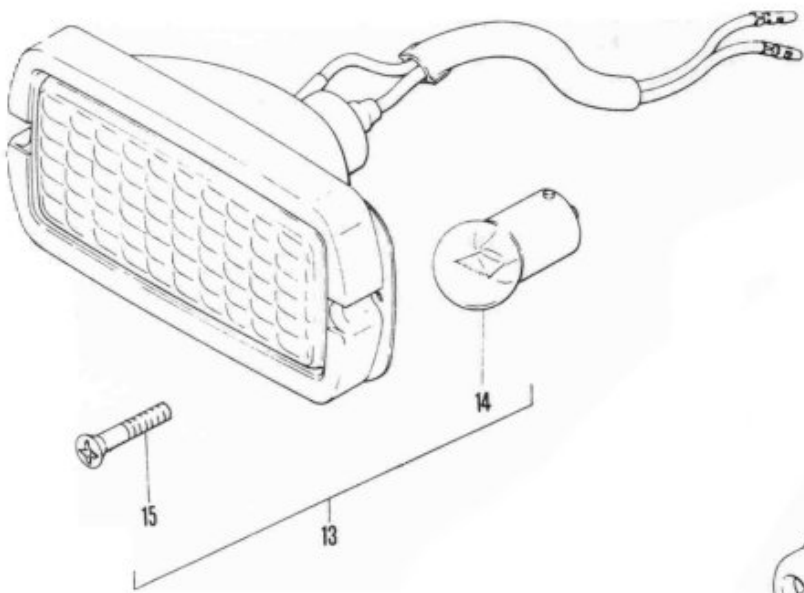
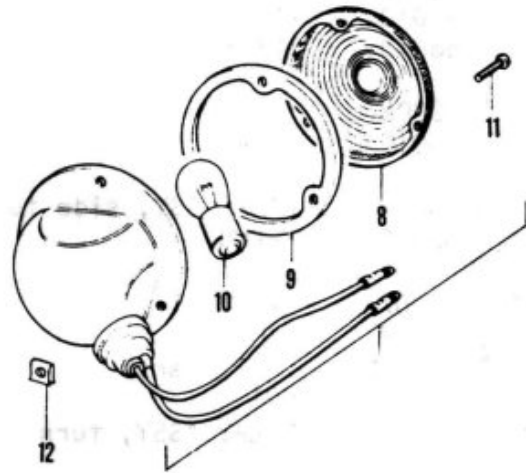
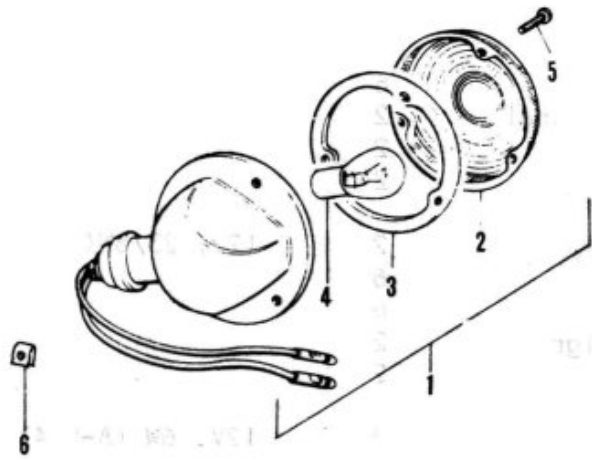
FRONT LAMP



FRONT LAMP

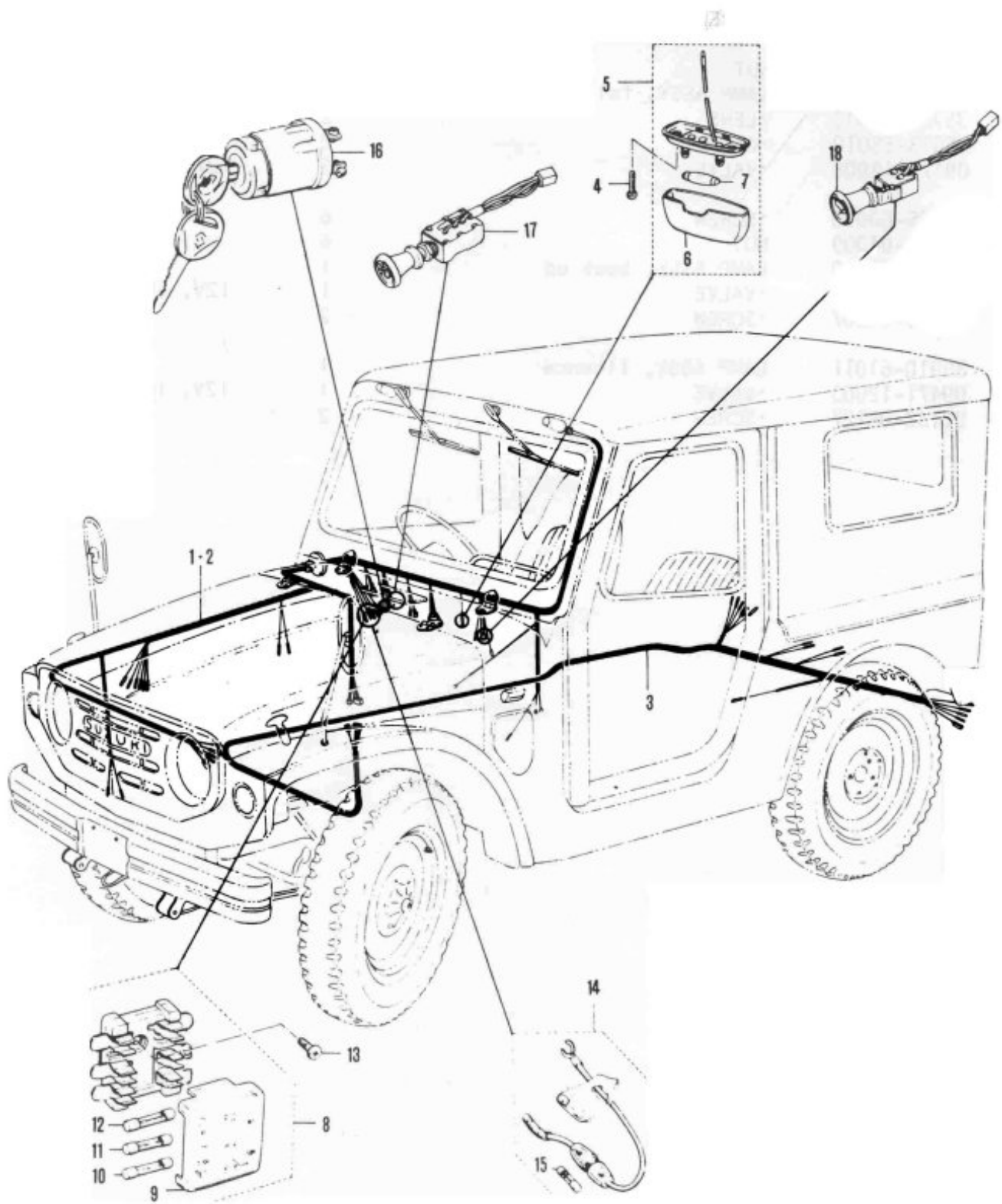
Ref.No.	Part No.	Description	Q'ty	Remarks
1	02111-05108	SCREW	6	
2	35121-52321	LAMP UNIT, sealed beam	2	
3	35170-53220	WIRE COMP, head lamp	2	
4	35142-53022	GASKET	2	
5	35151-52021	SCREW	6	
6	35157-52020	LOCK WASHER	6	
7	35154-52020	SPRING	6	
8	35601-63012	LAMP ASSY, front turn signal	2	
9	35612-58010	•LENS	2	
10	35613-58010	•GASKET	2	
11	09471-12002	•VALVE	2	12v, 23/8W(A-4879)
12	36425-60010	•SCREW	6	
13	09148-04009	NUT	6	
14	36410-58012	LAMP ASSY, side turn signal	2	
15	36412-60010	•LENS	2	
16	09471-12007	•VALVE	2	12V, 6W (A-524)
17	02113-04167	•SCREW	4	
18	36421-60011	•NUT, earth	2	
19	09148-04011	NUT	4	
20	38610-59010	RELAY ASSY, turn signal		
21	02111-06128	SCREW	2	
22	08322-21068	LOCK WASHER	2	
23	08322-21068	WASHER	2	

REAR LAMP



Ref.No.	Part No.	Description	Q'ty	Remarks
1	35603-61110	LAMP ASSY, tail/turn signal	2	
2	35652-53010	•LENS	2	
3	35613-58010	•GASKET	2	
4	09471-12002	•VALVE	2	12V, 23/8W(A-4879)
5	35665-60010	•SCREW	6	
6	09148-04009	NUT	6	
7	35801-61110	LAMP ASSY, tail stop	2	
8	35712-54013	•LENS	2	
9	35613-58010	•GASKET	2	
10	09471-12006	•VALVE	2	12V, 23W(A-4577A)
11	35665-60010	•SCREW	6	
12	09148-04009	NUT	6	
13	36250-61030	LAMP ASSY, back up		
14	09471-12003	•VALVE		12V, 10W(A-4125)
15	02133-04207	•SCREW	2	
16	35910-61011	LAMP ASSY, licence		
17	09471-12003	•VALVE		12V, 10W(A-4125)
18	02133-04127	•SCREW	2	

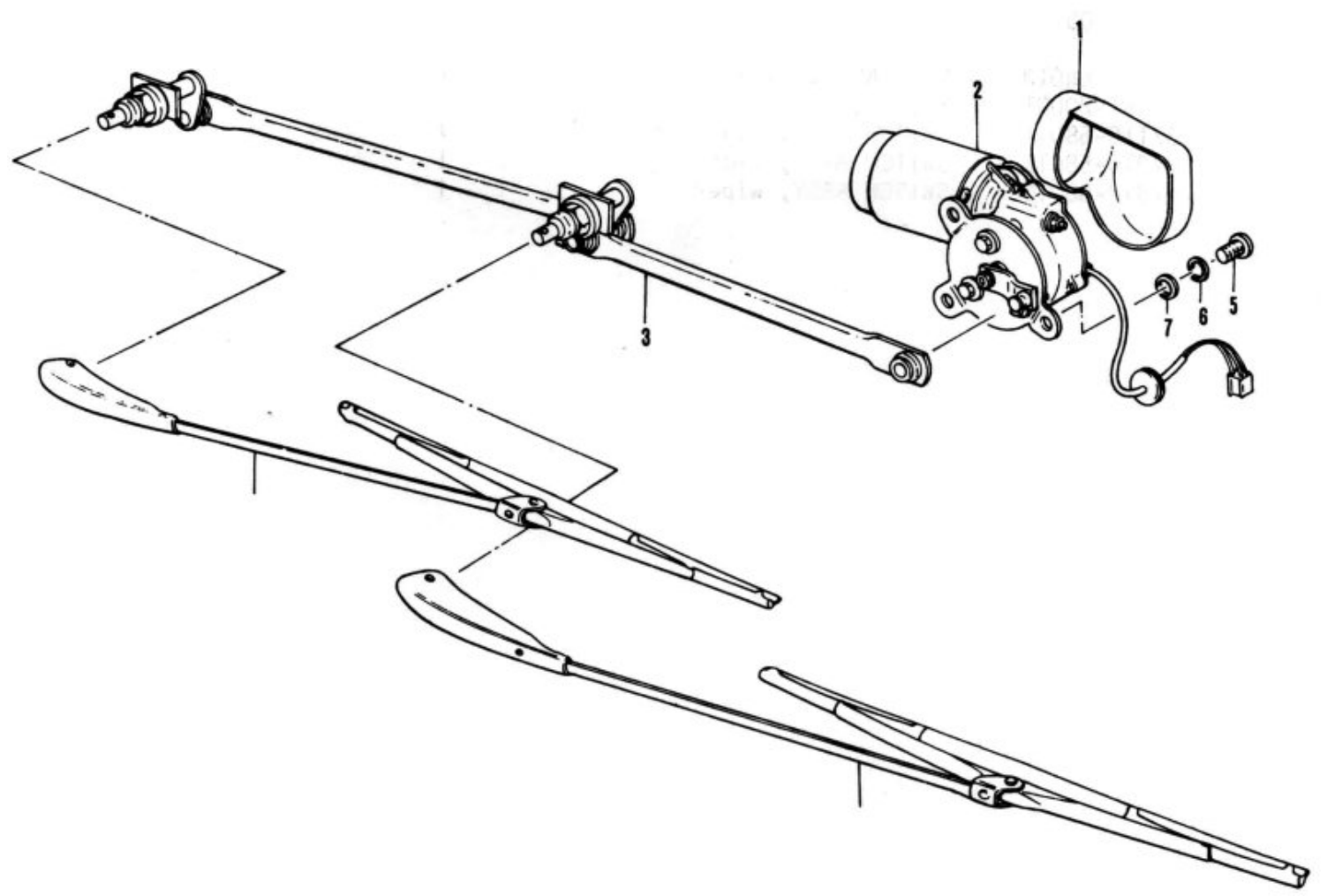
SWITCH - WIRING HARNESS



SWITCH - WIRING HARNESS

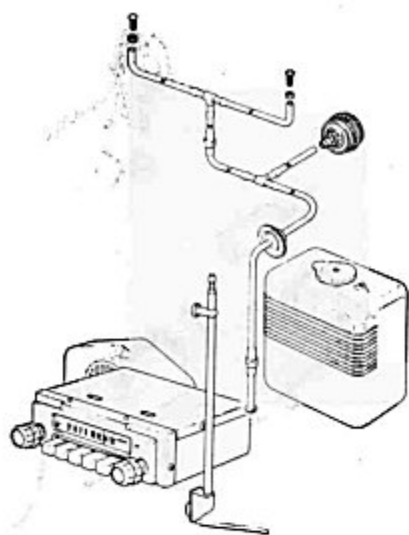
Ref.No.	Part No.	Description	Q'ty	Remarks
1-1	36610-63003	WIRING HARNESS (1)		RHD
1-2	36610-63002	WIRING HARNESS (1)		RHD, B.No.~21509
2-1	36610-63612	WIRING HARNESS (1)		LHD
2-2	36610-63610	WIRING HARNESS (1)		LHD, B.No.~21509
3	36620-63002	WIRING HARNESS (2)		
4	02111-04127	SCREW	2	
5	36210-51011	LAMP ASSY, room		
6	36212-51011	•LENS		
7	09471-12005	•VALVE		
8	36710-61020	BOX ASSY, fuse		
9	36717-51024	•COVER, fuse box		
10	09481-05001	•FUSE 5A		
11	09481-10001	•FUSE 10A		
12	09481-15001	•FUSE 15A		
13	02111-05127	SCREW		
14	36740-64010	CASE ASSY, fuse		
15	09481-20001	•FUSE 20A		
16	37110-58011	SWITCH ASSY, ignition		
17	37210-58012	SWITCH ASSY, lighting	1	
18	37310-58012	SWITCH ASSY, wiper	1	

WINDOW SHIELD WIPER HORN

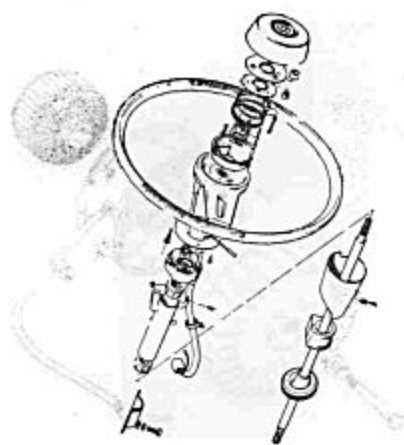


WINDOW SHIELD WIPER - HORN

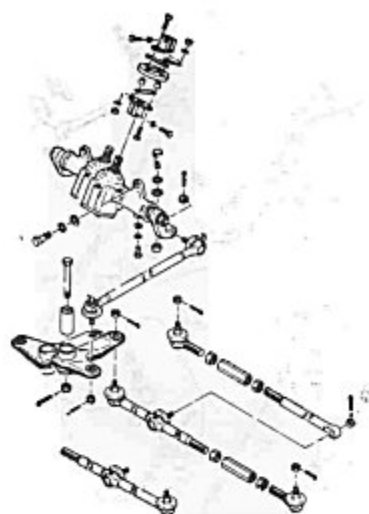
Ref.No.	Part No.	Description	Q'ty	Remarks
1	38280-63000	COVER, wiper motor		
2	38101-63822	MOTOR SET, wiper		
3	38102-63011	LINK ASSY, wiper	1	
4	38310-63040	WIPER/BLADE ASSY	2	
5	02112-06108	SCREW	3	
6	08321-21068	LOCK WASHER	3	
7	08322-21068	WASHER	3	
8	38500-58011	HORN ASSY		
9	01112-06128	BOLT	2	
10	08321-21068	LOCK WASHER	2	



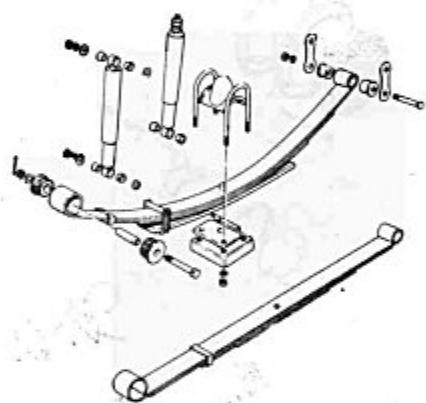
28



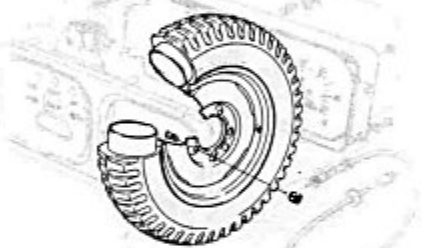
29



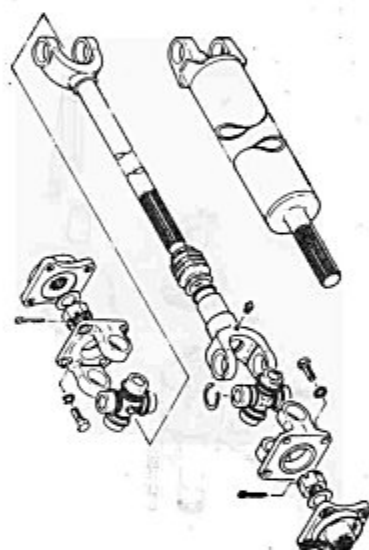
30



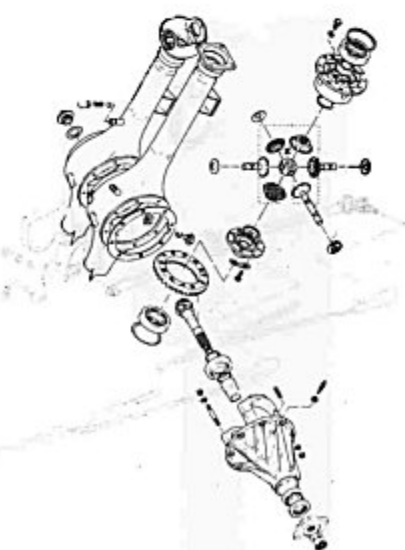
31



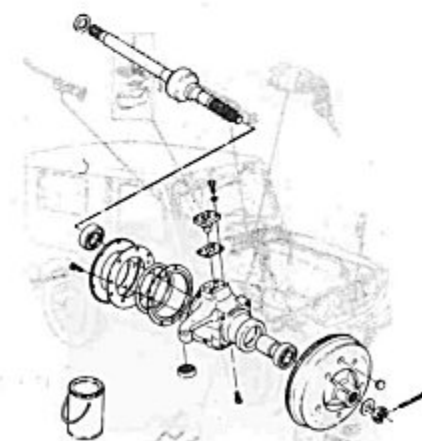
32



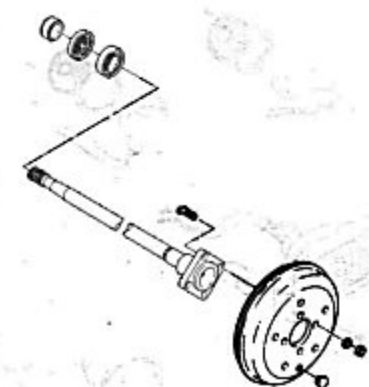
33



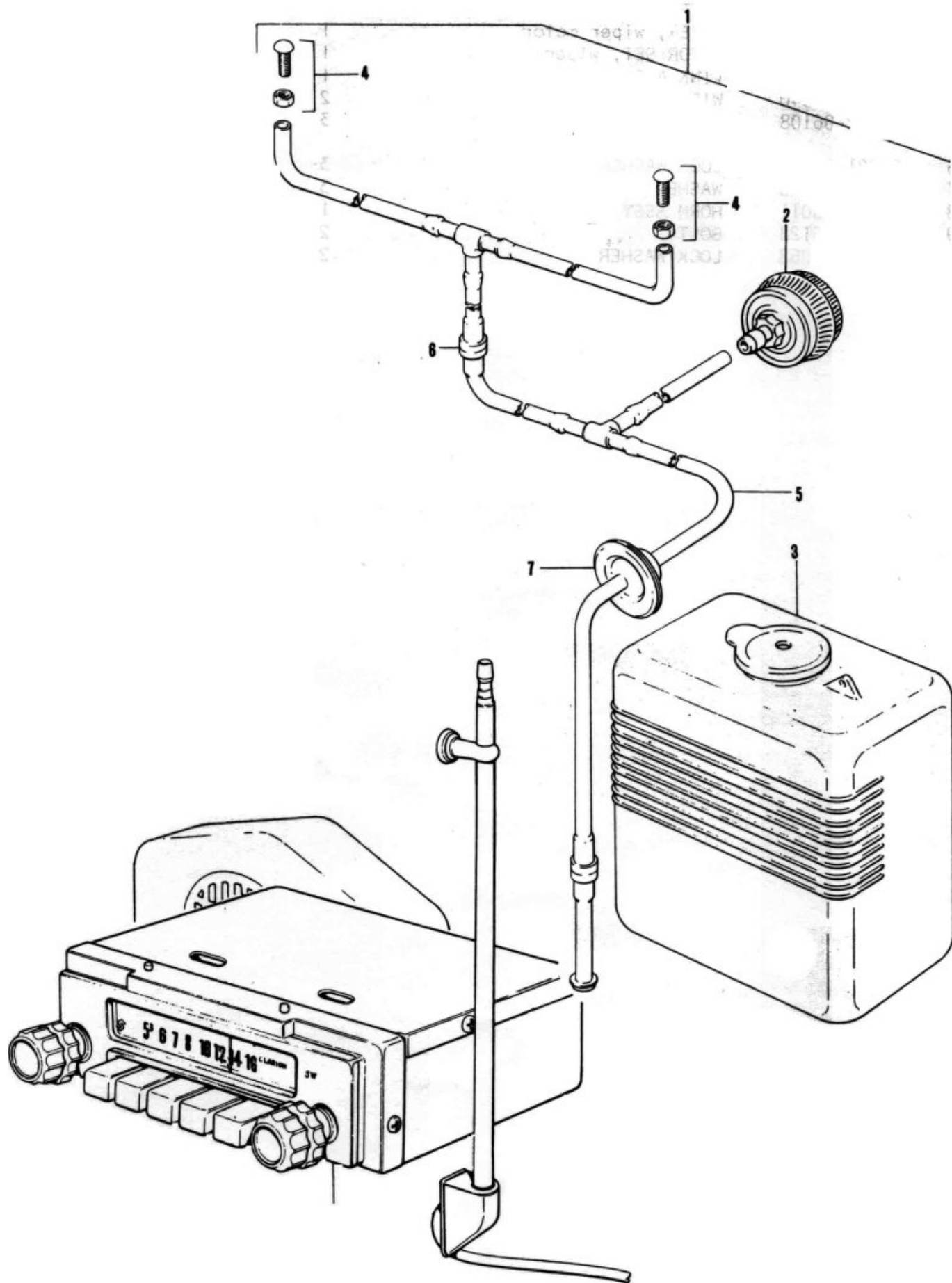
34



35



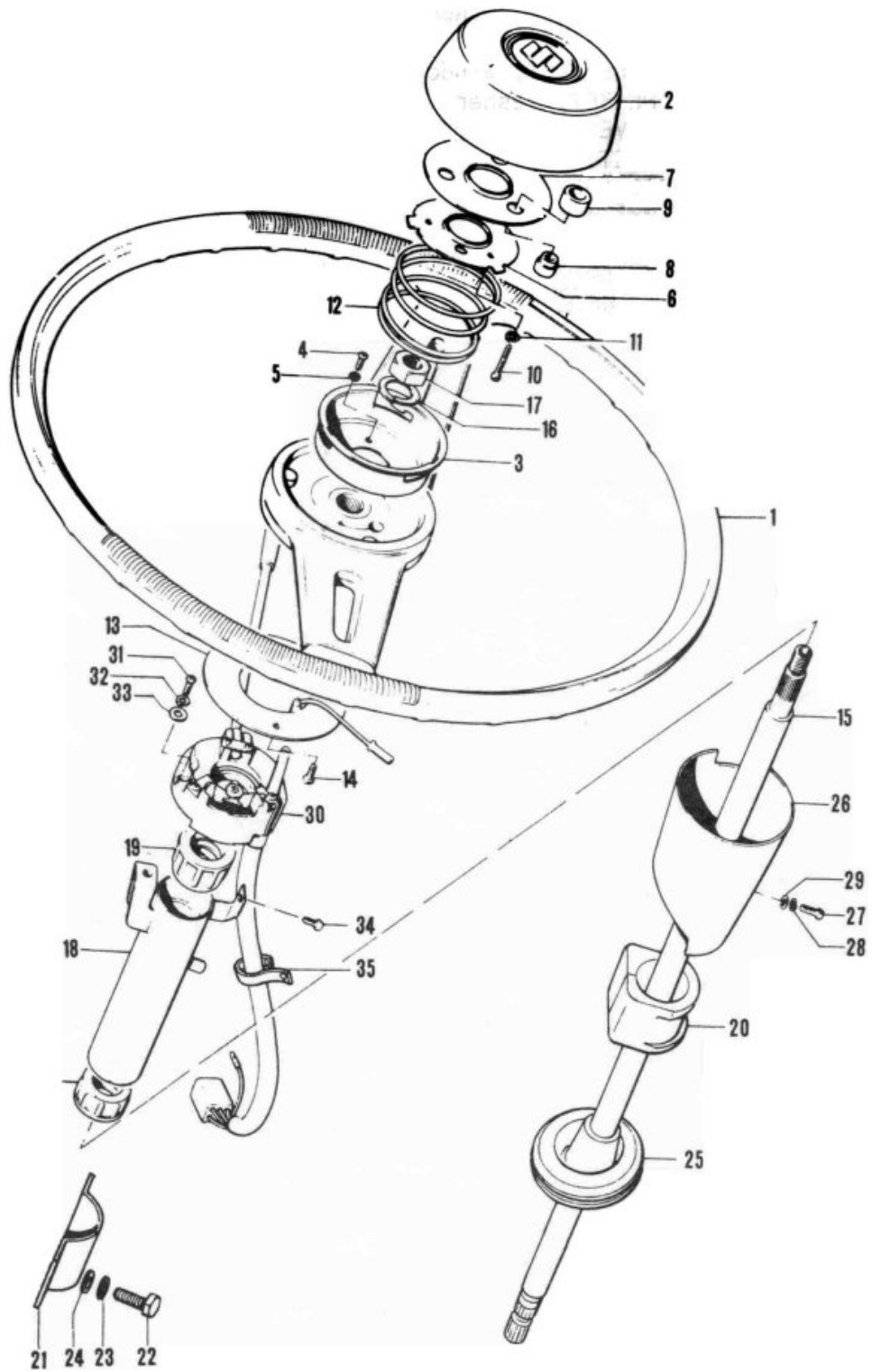
36



WINDOW SHIELD WASHER - RADIO

Ref.No.	Part No.	Description	Q'ty	Remarks
1-1	38400-63820	WASHER ASSY, window shield		
1-2	38400-63804	WASHER ASSY, window shield		B.No.~20623
2	38440-61824	•PUMP SET, washer		
3	38450-52854	•TANK SET, washer		
4-1	38480-58110	•NOZZLE ASSY, window shield	2	
4-2	38480-55011	•NOZZLE ASSY, window shield		B.No.~20623
5	38490-62806	•PIPE SET, washer		
6	38498-58111	••VALVE	2	
7	09308-05002	GROMMET		
8	39100-63700	RADIO ASSY		OPT

STEERING UNIT

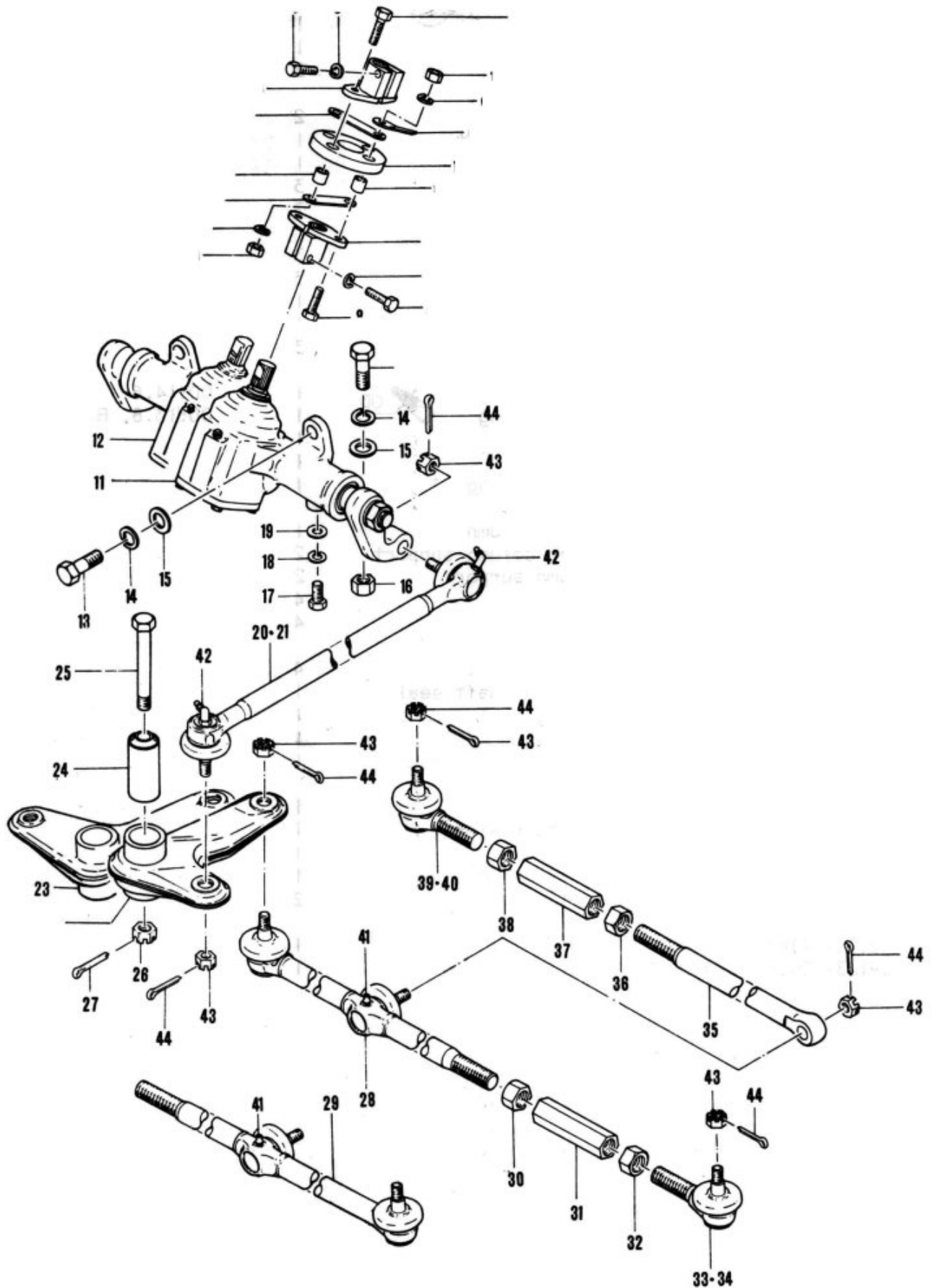


STEERING UNIT

Ref.No.	Part No.	Description	Q'ty	Remarks
1-1	48111-64010	WHEEL, steering		ID:13.5
1-2	48111-60010	WHEEL, steering		ID:12.5, B.No.~15197
2	48120-60100	BUTTON COMP, horn		
3	48141-60000	CUP, horn contact		
4	02111-03068	SCREW	2	
5	08321-21038	LOCK WASHER	2	
6	48142-60000	PLATE, horn button set		
7	48143-60000	PLATE, horn contact		
8	48144-60000	INSULATOR, contact plate	3	
9	48145-60000	CUSHION, horn contact	3	
10	02112-03168	SCREW	3	
11	08321-21038	LOCK WASHER	3	
12	48151-60000	SPRING, horn button		
13	48152-60000	RING, horn button spring		
14	03211-03108	SCREW	3	
15-1	48211-63001	SHAFT COMP, steering		OD:14.6
15-2	48211-63000	SHAFT COMP, steering		OD:13.8, B.No.~15197
16	08321-21128	LOCK WASHER		
17	08312-31128	NUT		
18	48310-63000	COLUMN COMP, steering		
19	48381-51040	BUSH, steering column		
20	48361-60000	BUSH, steering column support	2	
21	48351-63000	BRACKET, column support	2	
22	01112-06207	BOLT	4	
23	08321-21068	LOCK WASHER	4	
24	08322-21068	WASHER	4	
25	48491-63000	RUBBER, steering shaft seal		
26	48411-61080	COVER, steering		
27	02111-04107	SCREW		
28	08321-21048	LOCK WASHER		
29	08322-21048	WASHER		
30	37400-60011	SWITCH ASSY, turn signal		
31	03211-04108	SCREW		
32	08321-21048	LOCK WASHER		
33	08322-21048	WASHER	2	
34	02111-04168	SCREW		
35	09403-00026	CLAMP		



STEERING LINK

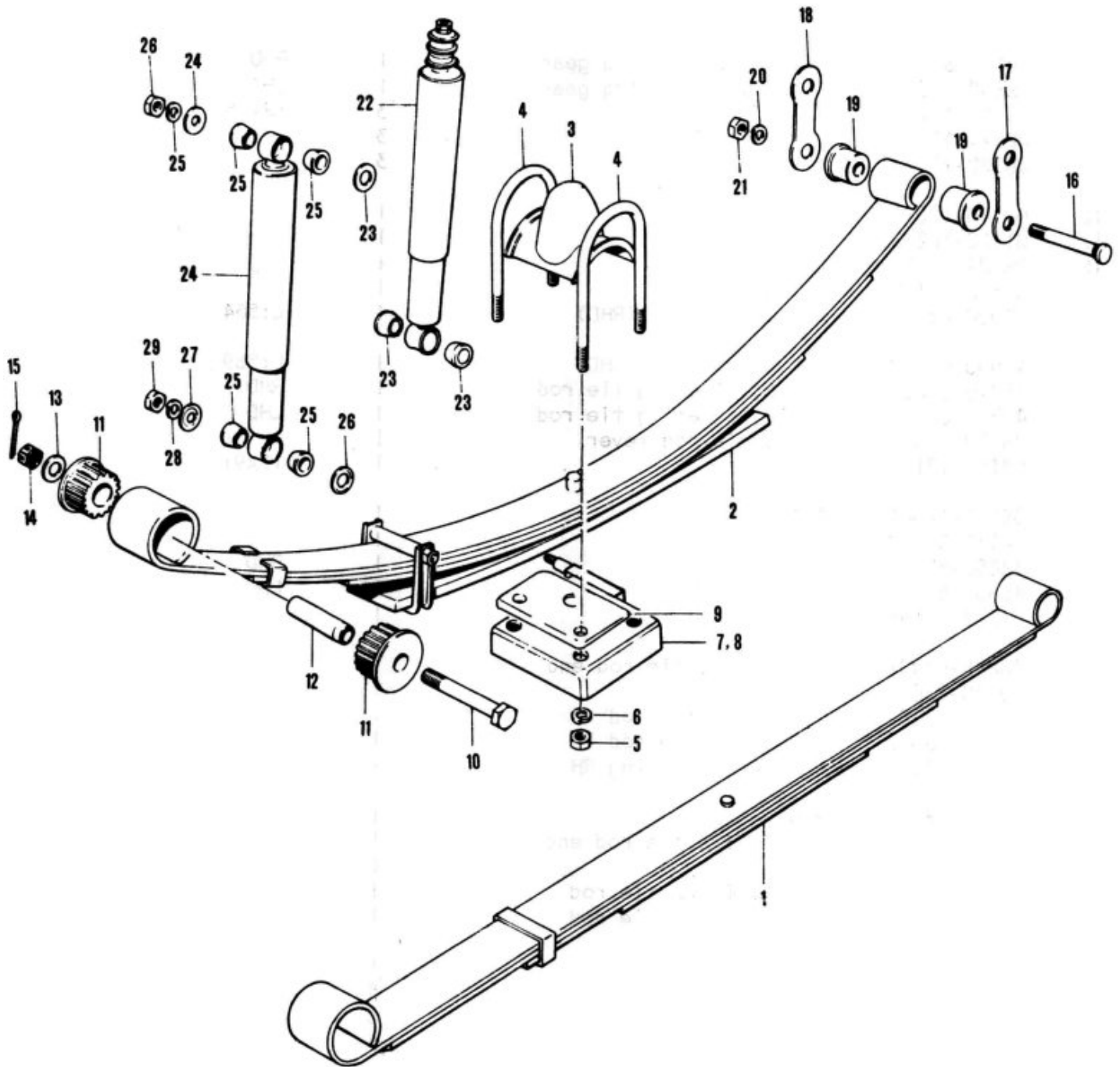


STEERING LINK

Ref.No.	Part No.	Description	Q'ty	Remarks
1	48250-70810	JOINT, steering rubber		
2	09180-08007	SPACER, steering joint	4	8x11x9
3	48270-52000	FLANGE, steering joint	2	
4	09100-08075	BOLT	2	
5	08321-31088	LOCK WASHER	2	
6	48283-51002	SPRING, horn earth		
7	48262-58000	PLATE, steering joint	2	
8	01122-08258	BOLT	4	
9	08321-31088	LOCK WASHER	4	
10	08312-11088	NUT	4	
11	48600-63040	BOX ASSY, steering gear		RHD
12	48600-63640	BOX ASSY, steering gear		LHD
13	09100-12111	BOLT	3	12x35
14	08321-31128	LOCK WASHER	3	
15	08322-11128	WASHER	3	
16	09140-12011	NUT		
17	01122-10208	BOLT		
18	08321-31108	LOCK WASHER		
19	08322-11108	WASHER		
20	48900-63000	ROD COMP, drag (RHD)		L:564
21	48900-63610	ROD COMP, drag (LHD)		L:569
22	48710-63002	LEVER, steering tie rod		RHD
23	48710-63610	LEVER, steering tie rod		LHD
24	09319-12011	BUSH, tie rod lever		
25	09101-12101	BOLT		12x91
26	09141-12001	NUT		
27	04111-30258	COTTER PIN	1	
28	48850-63001	TIE ROD, LH		RHD
29	48850-63610	TIE ROD, LH		LHD
30	08312-11168	NUT		
31	48836-63001	CONNECTER, tie rod end	1	
32	09140-16008	NUT	1	left screw
33	48820-63001	END COMP, tie rod LH		RHD
34	48820-63610	END COMP, tie rod LH		LHD
35	48831-63001	TIE ROD, steering RH		
36	09140-16008	NUT		left screw
37	48836-63001	CONNECTER, tie rod end		
38	08312-11168	NUT		
39	48810-63001	END COMP, RH tie rod		RHD
40	48820-63002	END COMP, RH tie rod		LHD
41	08351-21008	GREASE NIPPLE		
42	08351-31008	GREASE NIPPLE	5	
43	09141-10003	NUT	6	
44	04111-25208	COTTER PIN	6	

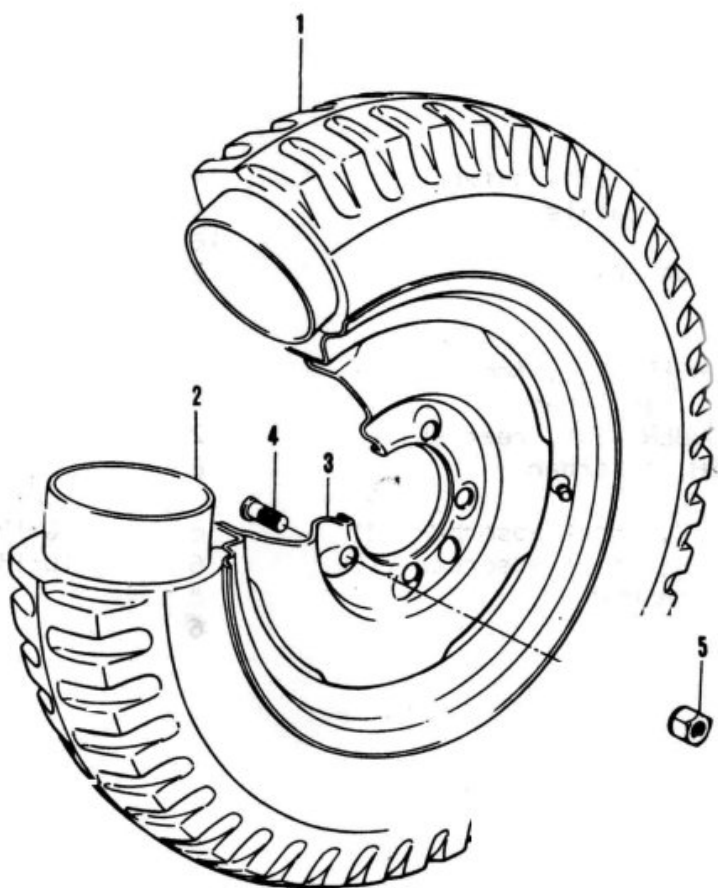
SUSPENSION

191



SUSPENSION

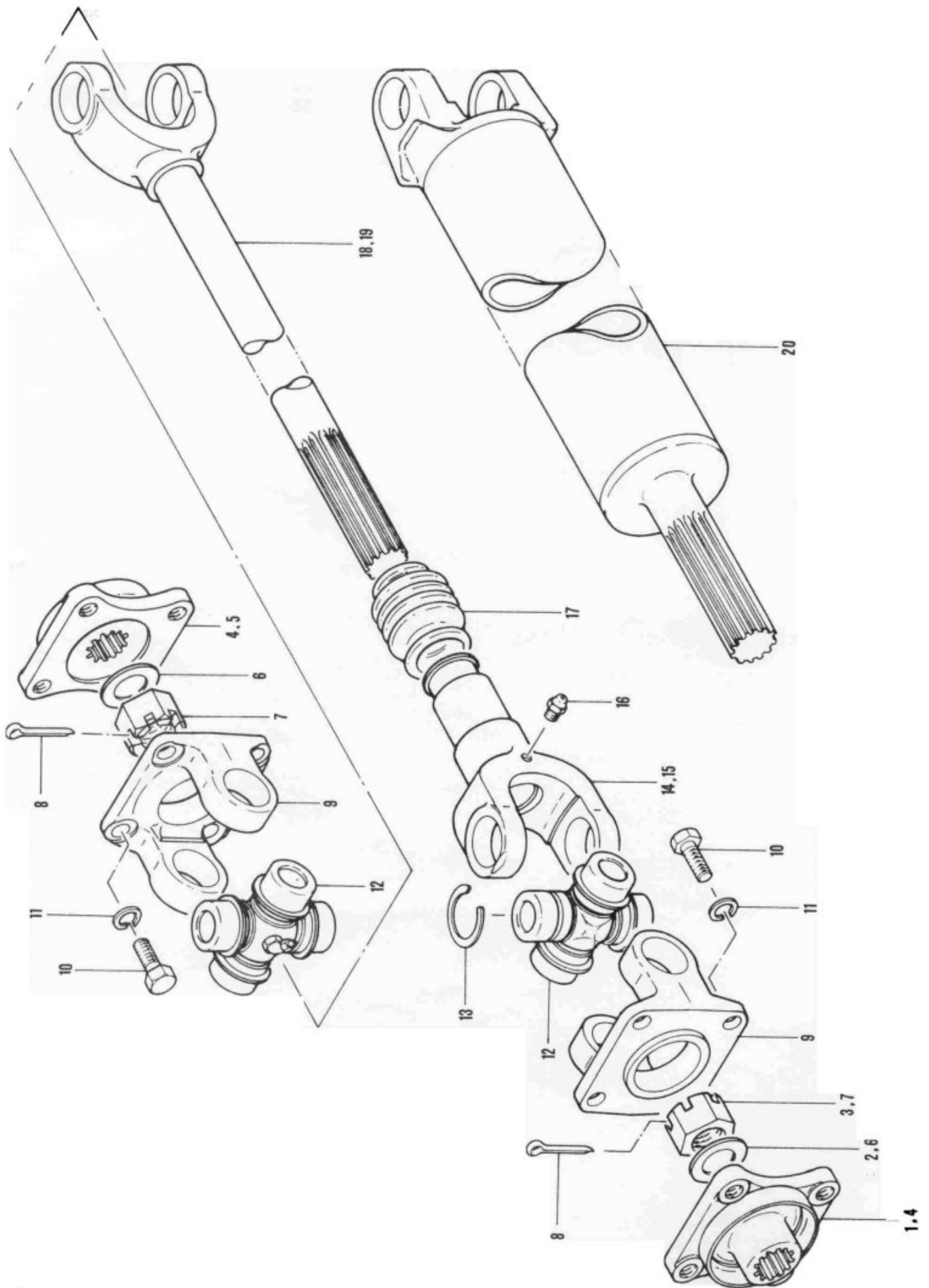
Ref.No.	Part No.	Description	Q'ty	Remarks
1	41110-63011	SPRING ASSY, front	2	
2	41310-63011	SPRING ASSY, rear	2	
3	42150-61040	BUMPER COMP, spring	4	
4	41411-61000	U BOLT	8	H:123
5	09140-10004	NUT	16	
6	08321-31108	LOCK WASHER	16	
7	41230-63000	SEAT COMP, spring RH	2	
8	41240-63000	SEAT COMP, spring LH	2	
9	45511-63700	SHIM, camber adjust	0~2	
10	09101-12105	BOLT	4	L:87
11	41331-62020	BUSH	8	
12	09180-12035	SPACER, spring	4	12x16x64.5
13	08322-11128	WASHER	4	
14	08314-41128	NUT	4	
15	04111-30258	COTTER PIN	4	
16	41463-52000	SHACKLE PIN	8	
17	41462-67000	PLATE, shackle outer	4	ID:13
18	41461-67000	PLATE, shackle inner	4	ID:10
19	09305-13002	BUSH	16	30x32
20	08321-31108	LOCK WASHER	8	
21	08312-11108	NUT	8	
22	41600-63010	ABSORBER ASSY, front shock	2	
23	41781-52010	•BUSH, absorber	4	
24	41700-63010	ABSORBER ASSY, rear shock	2	
25	41781-52010	•BUSH, absorber	8	
26	09164-17001	WASHER, shock absorber (2)	6	ID:17, OD:34
27	09164-13003	WASHER, shock absorber (1)	6	ID:13, OD:34
28	08321-31128	LOCK WASHER	6	
29	08312-11128	NUT	6	



WHEEL RIM - TIRE

Ref.No.	Part No.	Description	Q'ty	Remarks
1	43110-63031	TIRE	5	6.00-16, 4PR
2	43120-63030	TUBE	5	6.00-16
3	43210-63050	RIM ASSY, wheel	5	4.50E x 16
4	09119-12003	BOLT	20	
5	09140-12013	NUT	20	

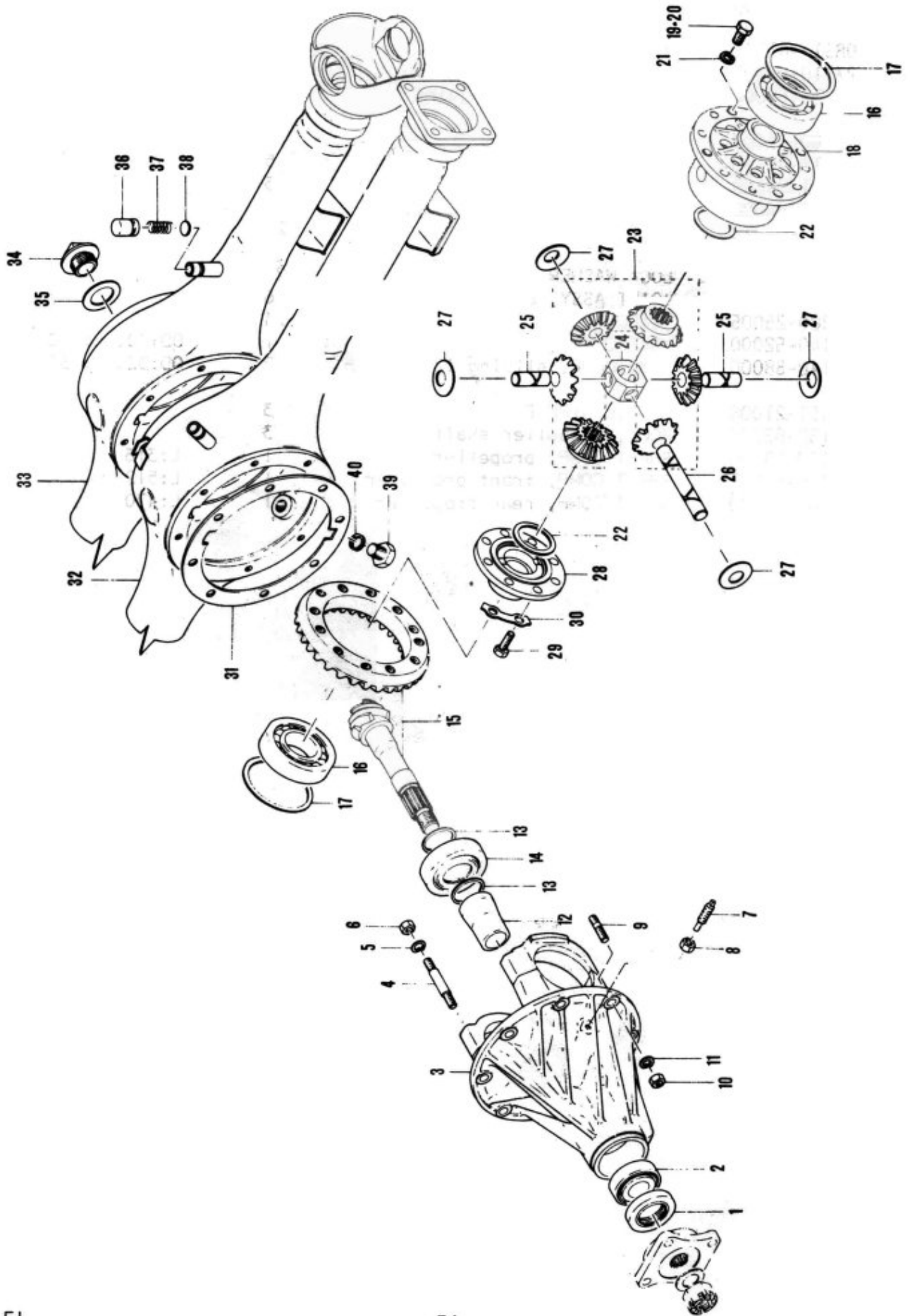
UNIVERSAL JOINT - DRIVE SHAFT



UNIVERSAL JOINT - DRIVE SHAFT

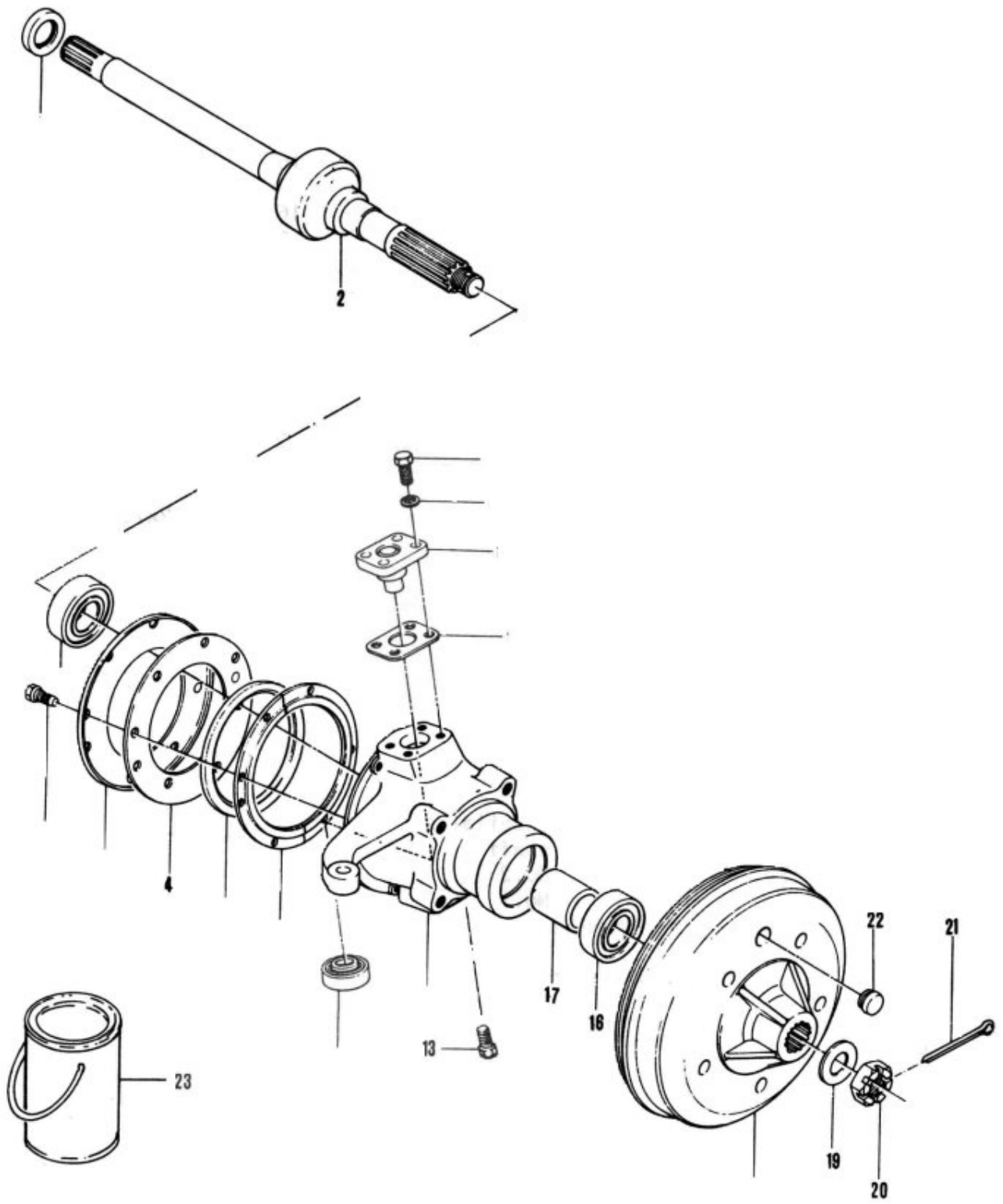
Ref.No.	Part No.	Description	Q'ty	Remarks
1	27110-61000	FLANGE, universal joint		ID:17.5(Transmission case)
2	09160-16006	WASHER		16x30x2.6
3	08314-41168	NUT		
4	27110-60001	FLANGE, universal joint	2	ID:20.5(Transfer case)
5	27110-63000	FLANGE, universal joint	2	(DIFF case)
6	09160-14009	WASHER	5	
7	08314-41148	NUT	5	
8	04111-30308	COTTER PIN	5	
9	27131-52000	YOKE, cross joint flange	5	
10	09100-08013	BOLT	24	
11	08321-21088	LOCK WASHER	24	
12	27201-58833	JOINT ASSY, universal	6	
13	09380-25005	*CIRCLIP	24	
14	27140-52000	YOKE COMP, sliding (1)		OD:30, L:110
15	27140-58000	YOKE COMP, sliding (2)	2	OD:32, L:130
16	08351-21008	GREASE NIPPLE	3	
17	27153-62020	BOOT, propeller shaft	3	
18	27170-63000	SHAFT COMP, propeller (1)		L:316
19	27150-63001	SHAFT COMP, front propeller		L:512
20	27160-63000	SHAFT COMP, rear propeller		L:470

DIFFERENTIAL GEAR



DIFFERENTIAL GEAR

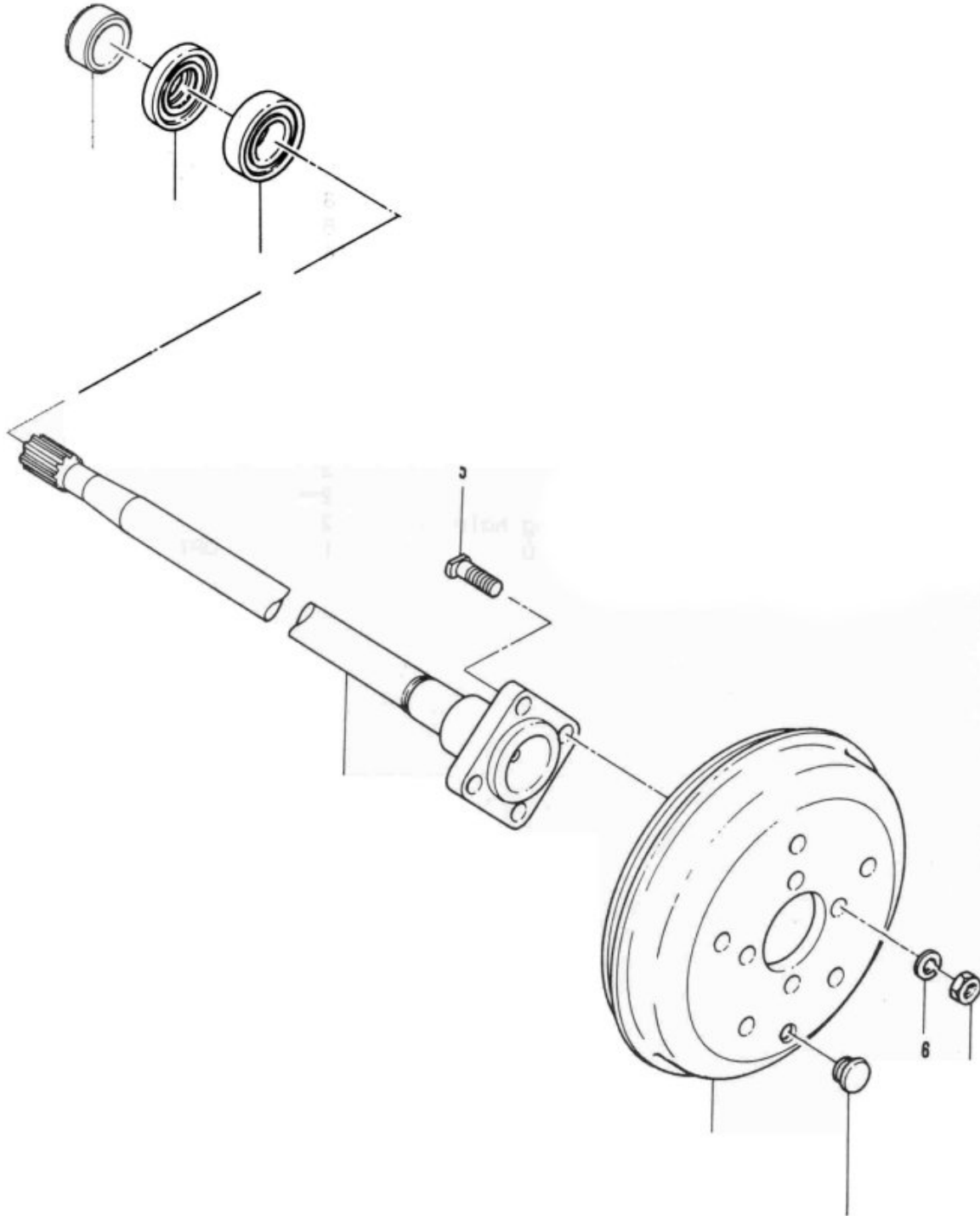
Ref.No.	Part No.	Description	Q'ty	Remarks
1	09283-28007	OIL SEAL, drive bevel pinion	2	
2	09265-20004	BEARING	2	
3	27400-63807	CARRIER SET, differential	2	
4	09108-08021	•STUD BOLT	8	
5	08321-31088	•LOCK WASHER	8	
6	08312-11088	•NUT	8	
7	27322-63001	THRUST BOL	2	
8	08312-31148	NUT	2	
9	09108-08025	STUD BOLT	16	
10	08312-11088	NUT	16	
11	08321-21088	LOCK WASHER	16	
12	27315-63000	SPACER, drive bevel pinion	2	L:37.5
13-1	09181-26001	SHIM (1)	AR	26x31.5x0.3
13-2	09181-26002	SHIM (2)	AR	26x31.5x0.03
13-3	09181-26003	SHIM (3)	AR	26x31.5x0.5
13-4	09181-26004	SHIM (4)	AR	26x32.5x0.05
13-5	09181-26005	SHIM (5)	AR	26x32.5x0.1
14	09265-25007	BEARING	2	
15	27302-63803	PINION SET, drive bevel gear	2	
16	08110-62070	BEARING, differential side	4	
17-1	09181-62003	SHIM (1)	AR	62x71.5x0.1
17-2	09181-62004	SHIM (2)	AR	62x71.5x0.3
17-3	09181-62005	SHIM (3)	AR	62x71.5x0.5
17-4	09181-62006	SHIM (4)	AR	62x71.5x0.15
18	27411-63002	CASE, differential LH	2	
19	09100-10065	BOLT	4	10x18.3
20	09100-10066	BOLT	20	10x17.3
21	09162-10001	LOCK WASHER	24	
22-1	08221-30405	THRUST WASHER (1)	AR	T:0.5
22-2	09160-30009	THRUST WASHER (2)	AR	T:0.8
23	27301-63802	GEAR SET, differential side	2	
24	27356-63000	JOINT, pinion shaft	2	
25	27355-63000	SHAFT, pinion No.2	4	L:37
26	27351-63000	SHAFT, pinion No.1	2	L:89
27	09160-15019	THRUST WASHER	8	ID:15.5, OD:30
28	27421-63000	CASE, differential RH	2	
29	01112-08208	BOLT	16	
30	09169-08007	LOCK WASHER	8	
31	27453-63000	GASKET, differential carrier	2	
32	46510-63011	HOUSING, rear axle		
33	46480-63011	HOUSING, front axle		
34	09247-25001	PLUG, oil level	2	
35	09168-25001	GASKET, oil level	2	
36	46541-52002	CAP, breather	2	
37	09440-12004	SPRING, breather	2	
38	46542-52000	VALVE, breather	2	
39	09247-12004	DRAIN PLUG	2	
40	09168-12001	GASKET, drain plug	2	12x20x1.0



FRONT AXLE

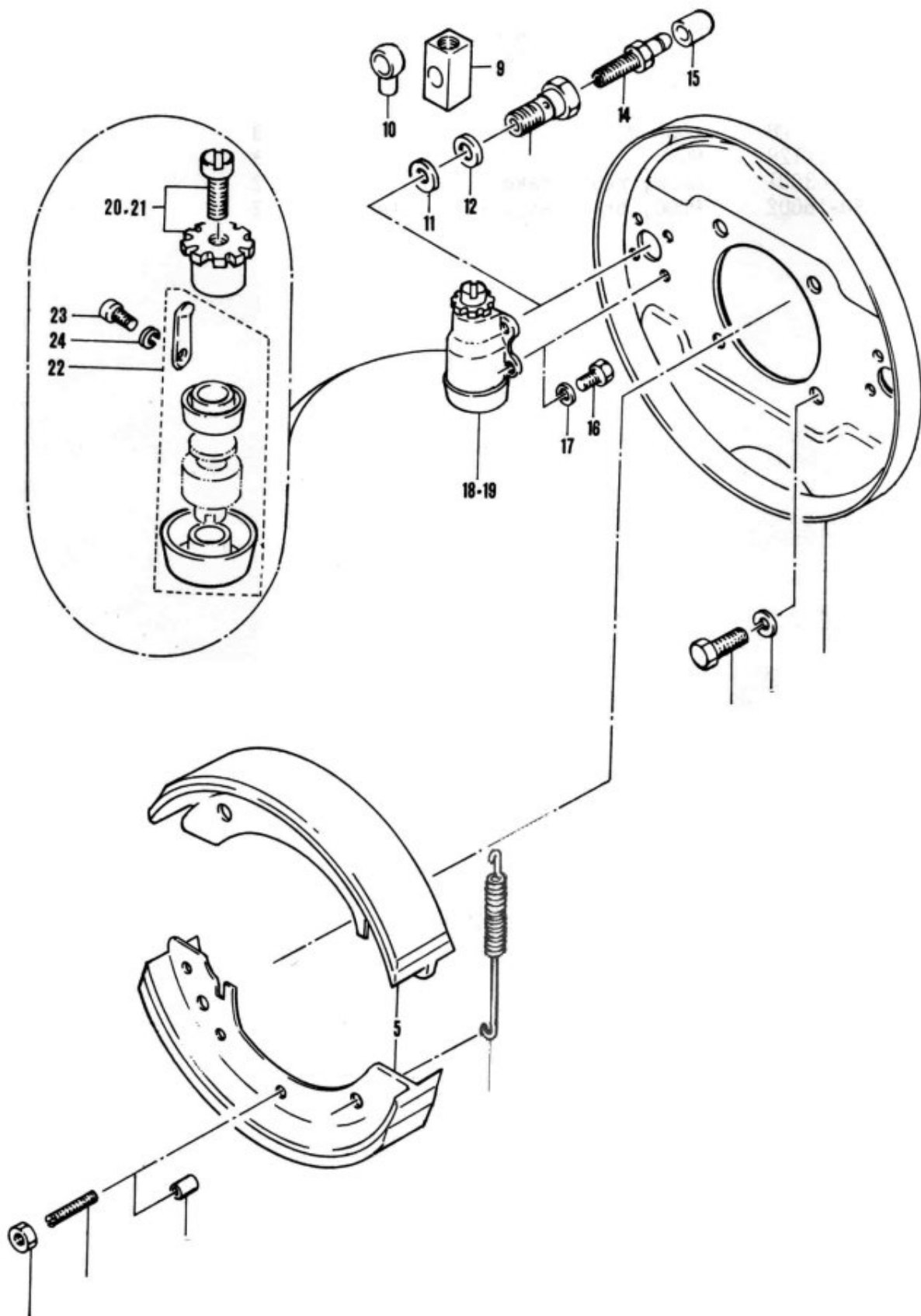
Ref.No.	Part No.	Description	Q'ty	Remarks
1	09283-26010	OIL SEAL	2	26x38x7
2	44101-63011	JOINT ASSY, front axle shaft	2	
3	45625-63001	COVER, oil seal	4	
4	45624-63001	PAD	2	
5	09285-00002	OIL SEAL	2	95x112x4.5
6	45623-63000	RETAINER, oil seal	4	
7	45626-63000	BOLT, joint seal	16	
8	45111-63000	KNUCKLE, steering RH		
9	45151-63000	KNUCKLE, steering LH	1	
10	45610-63000	KING PIN ASSY	4	
11-1	45621-63000	SHIM, king pin (1)	AR	T:0.5
11-2	45622-63000	SHIM, king pin (2)	AR	T:0.1
12	01122-08258	BOLT, king pin upper	8	
13	01122-08208	BOLT, king pin lower	8	
14	08321-31088	LOCK WASHER	16	
15	09265-15002	BEARING, king pin	4	
16	08133-62060	BEARING, front wheel	4	
17	09180-30009	SPACER, front wheel		
18	43511-63000	DRUM, front brake	2	L:40
19	09160-24011	WASHER	2	20x42x3.2
20	09141-24001	NUT	2	
21	04111-40458	COTTER PIN	2	
22	09250-15002	PLUG, brake adjusting hole	2	
23	99000-25040	SUZUKI SUPER GREASE D		

REAR AXLE



Ref.No.	Part No.	Description	Q'ty	Remarks
1	43485-60001	RETAINER RING, bearing	2	30x42x20
2	09283-42005	OIL SEAL	2	42x55x7.5
3	09262-30012	BEARING, rear wheel	2	30x62x16
4	44112-60002	SHAFT, rear axle	2	
5	09119-12003	BOLT, rear hub	8	L:33.5
6	08321-31128	LOCK WASHER	8	
7	08312-11128	NUT	8	
8	43551-63001	DRUM, rear brake	2	
9	09250-15002	PLUG, brake adjusting hole	2	

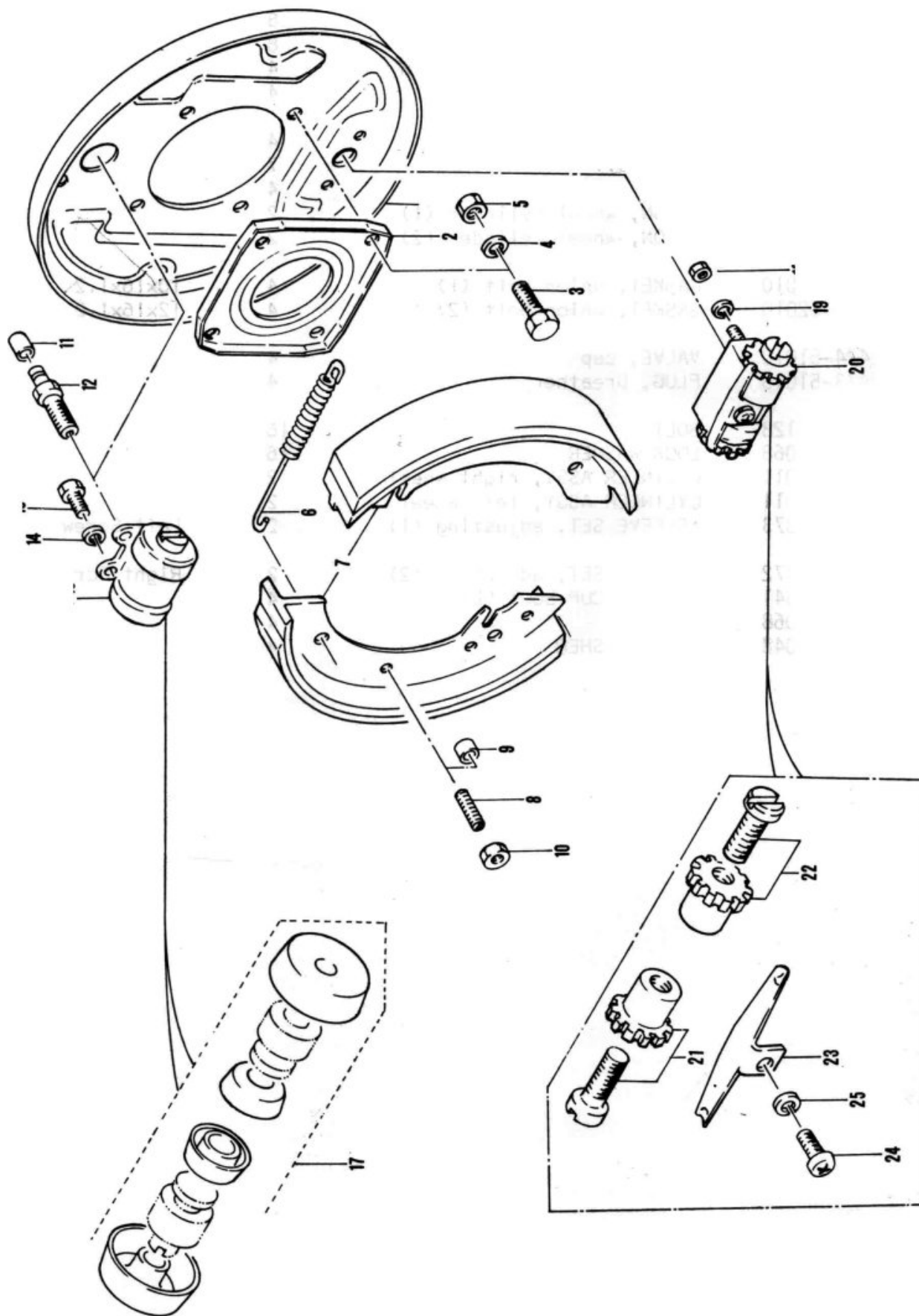
FRONT WHEEL BRAKE



FRONT WHEEL BRAKE

Ref.No.	Part No.	Description	Q'ty	Remarks
1	52111-55011	PLATE, front backing	2	
2	01122-08207	BOLT	8	
3	08321-31038	LOCK WASHER	8	
4	52231-55010	SPRING, brake shoe return	4	
5	52210-55010	SHOE COMP, brake	4	
6	52241-52010	BOLT, adjusting	4	
7	52241-52010	CAP, bolt	7	
8	08311-11068	NUT	4	
9	52471-55011	UNION, wheel cylinder (1)	2	
10	52481-52010	UNION, wheel cylinder (2)	2	
11	52475-52010	GASKET, union bolt (1)	4	10x16x1.2
12	52476-52010	GASKFT, union bolt (2)	4	12x16x1.2
14	52474-51010	VALVE, cap	4	
15	52473-51010	PLUG, breather	4	
16	01112-06128	BOLT	16	
17	08321-31068	LOCK WASHER	16	
18	52401-55011	CYLINDER ASSY, right wheel	2	
19	52402-55011	CYLINDER ASSY, left wheel	2	
20	52450-52873	*SLEEVE SET, adjusting (1)	2	Left Screw
21	52550-52872	*SLEEVE SET, adjusting (2)	2	Right Screw
22	52400-55841	*PISTON CUP BOOT SET	4	
23	02111-04068	*SCREW	4	
24	08321-21048	*LOCK WASHER	4	

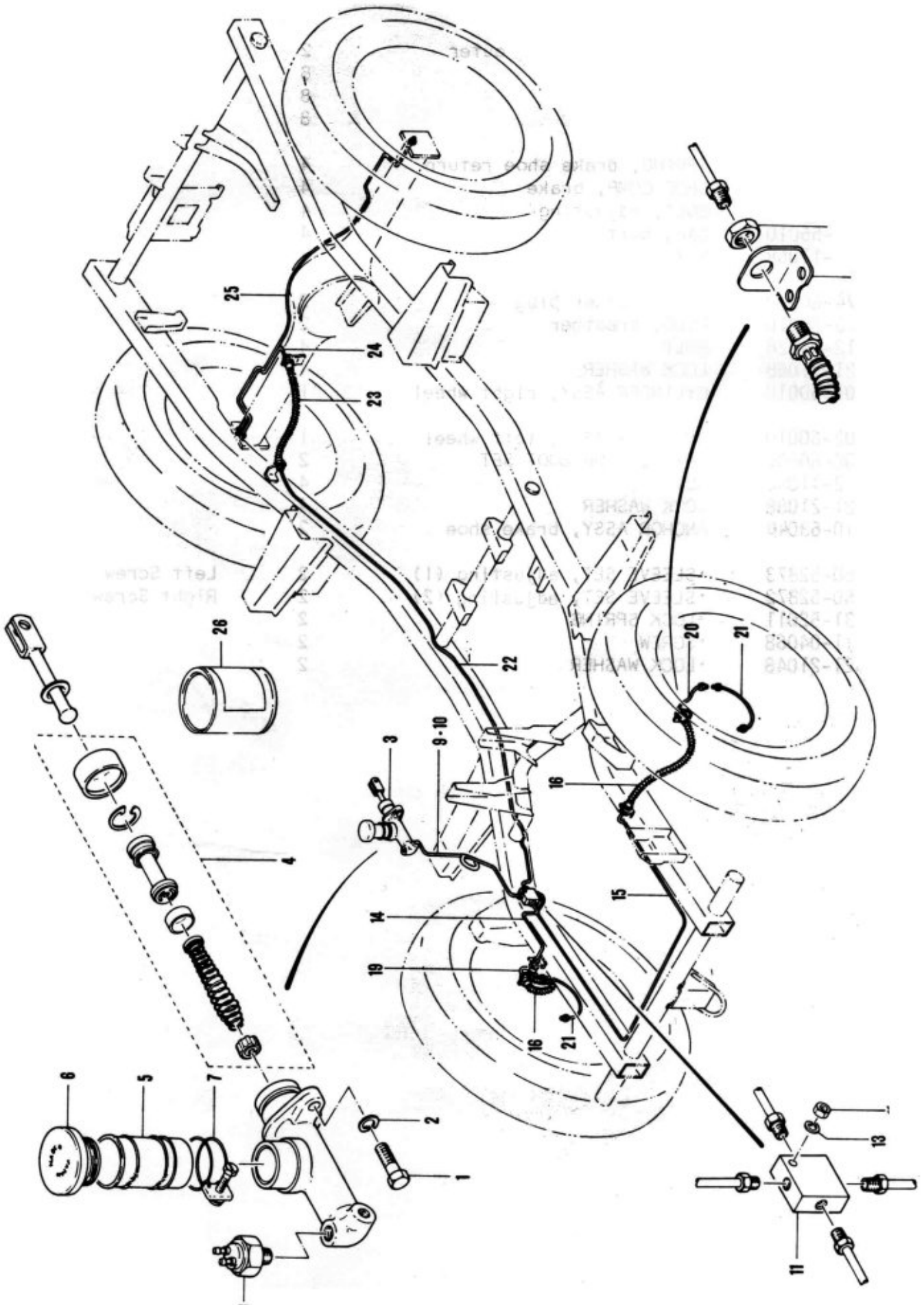
REAR WHEEL BRAKE



REAR WHEEL BRAKE

1	53001-63040	Plate rear backing
2	53821-60010	Retainer, bearing outer
3	53811-60010	Bolt
4	08321-31088	Lock Washer
5	08312-11088	Nut
6	52231-55010	Spring brake shoe return
7	52210-55010	Shoe Comp brake
8	52241-52010	Bolt adjusting
9	52242-55010	Cap bolt
10	08311-11068	Nut
11	52474-60010	Cap, breather plug
12	52473-60010	Plug, breather
13	01112-06128	Bolt
14	08321-31068	Lock Washer
15	53401-60010	Cylinder Assy., left wheel
16	53402-60010	Cylinder Assy., right wheel
17	52400-60806	.Piston Cup Boot Set
18	08312-11088	Nut
19	08321-21088	Lock washer
20	53610-63011	Anchor Assy. brake shoe
21	52450-52873	.Sleeve Set, adjusting (1)
22	52550-52872	.Sleeve Set, adjusting (2)
23	53631-52011	Lock Spring
24	02111-04068	Screw
25	08321-21048	Lock Washer

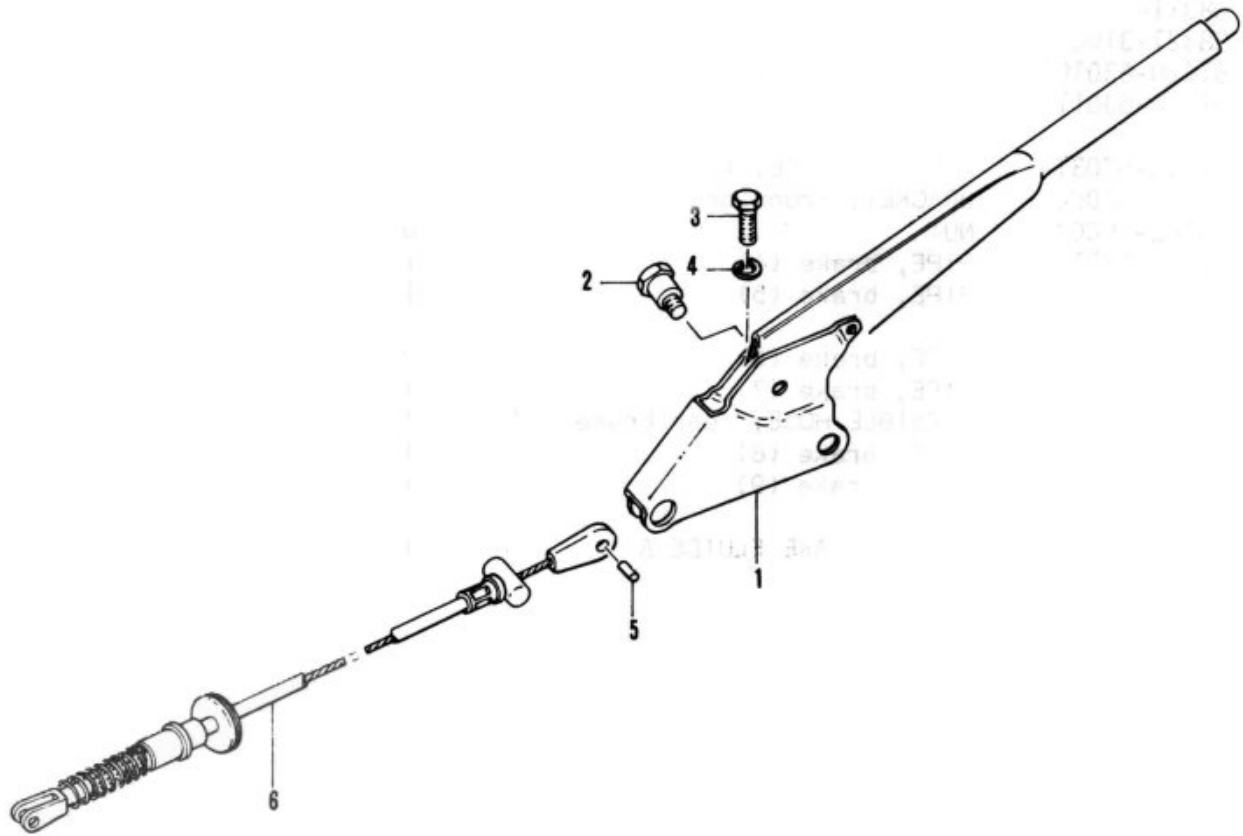
BRAKE PIPING



BRAKE PIPING

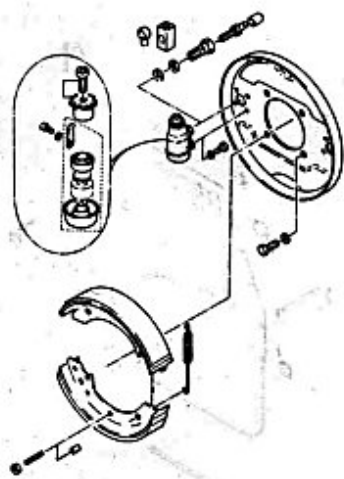
Ref.No.	Part No.	Description	Q'ty	Remarks
1	01122-08307	BOLT	2	
2	08321-21088	LOCK WASHER	2	
3	51100-52010	CYLINDER ASSY, master	1	
4	51100-63817	·PISTON KIT, master cylinder		
5	51211-52010	·RESERVER, master cylinder		
6	51220-52012	·CAP COMP, reserver		
7	51233-52010	·BAND, reserver set		
8	37740-51010	·SWITCH ASSY, stop lamp		
9	51400-63833	PIPE, brake (1)		RHD
10	51410-63610	PIPE, brake (1)		LHD
11	51630-52020	JOINT COMP, 4way		
12	08311-11068	NUT		
13	08321-31068	LOCK WASHER		
14	51420-63010	PIPE, brake (2)		L:200
15	51430-63011	PIPE, brake (3)		L:1450
16	51540-60031	FLEXIBLE HOSE, front brake	2	
17	51711-63000	BRACKET, front brake hose	2	
18	09140-16007	NUT	6	
19	51440-63010	PIPE, brake (4)		L:230
20	51450-63010	PIPE, brake (5)		L:230
21	51460-63010	PIPE, brake (6)	2	L:260
22	51470-63010	PIPE, brake (7)		L:1900
23	51560-61031	FLEXIBLE HOSE, rear brake		
24	51480-63010	PIPE, brake (8)		L:600
25	51480-61010	PIPE, brake (9)		L:730
26	99000-23020	SUZUKI BRAKE FLUIDE A		NET:1ℓ

PARKING BRAKE

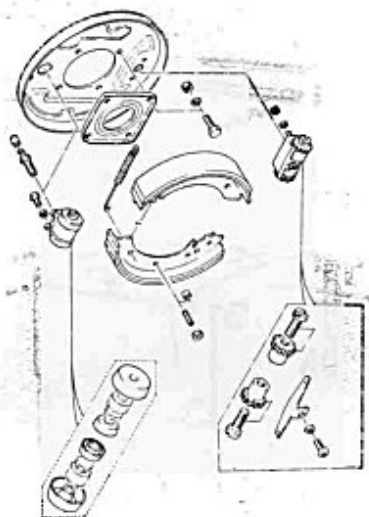


PARKING BRAKE

Ref.No.	Part No.	Description	Q'ty	Remarks
1	54500-63001	LEVER ASSY, parking		
2	54551-63000	BOLT		
3	01121-08168	BOLT		
4	08321-21088	LOCK WASHER	2	
5	09202-06003	PIN, parking cable		
6	54640-63011	CABLE COMP, parking	1	L:410



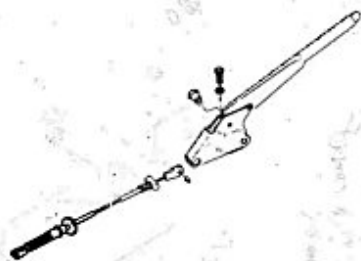
37



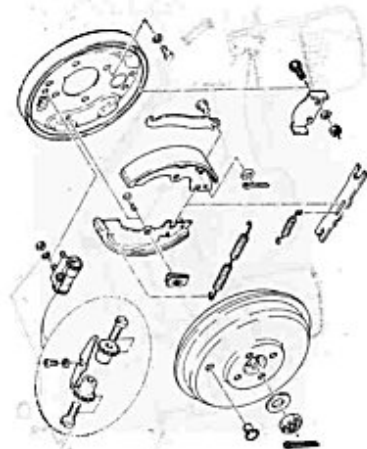
38



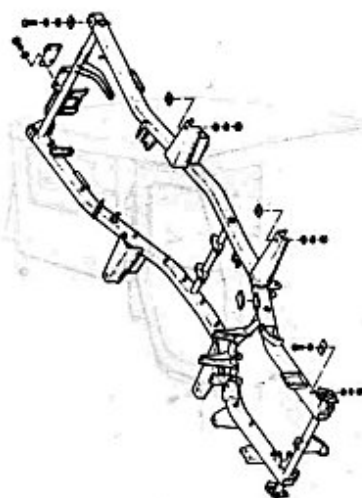
39



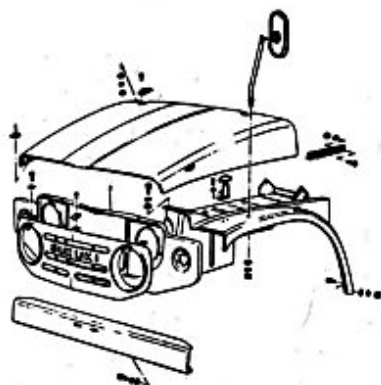
40



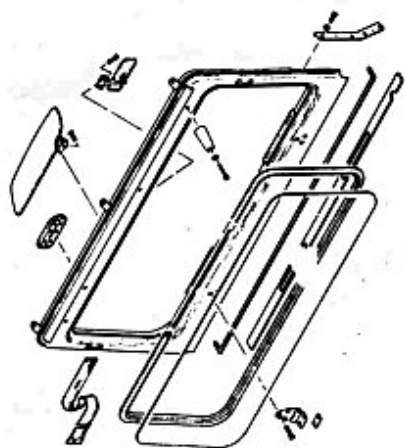
41



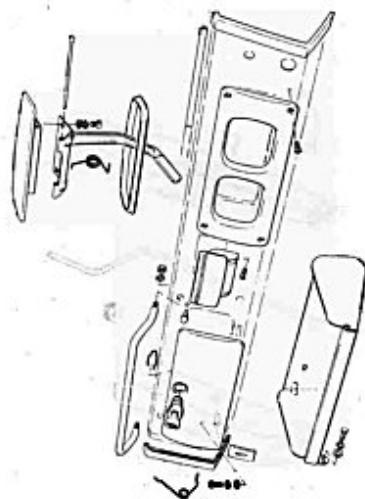
42



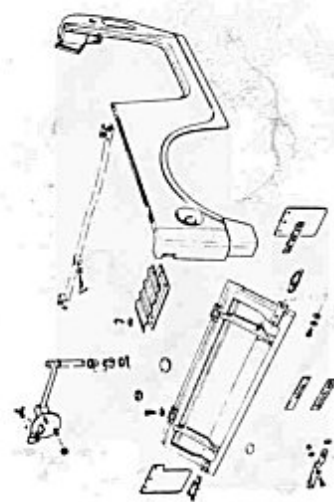
43



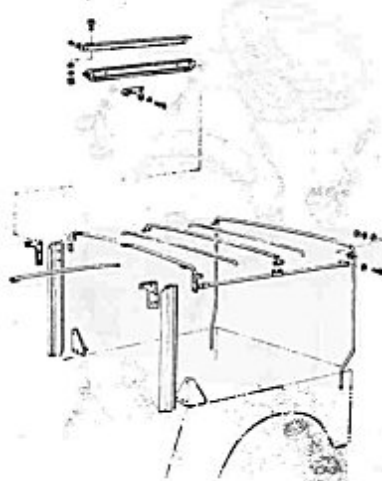
44



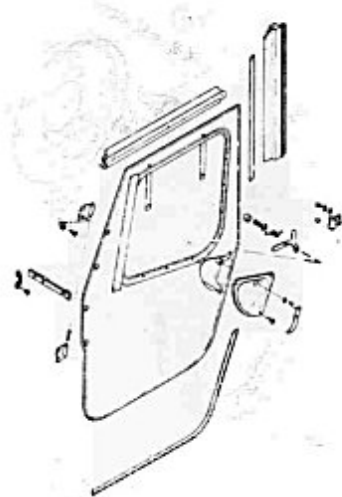
45



46



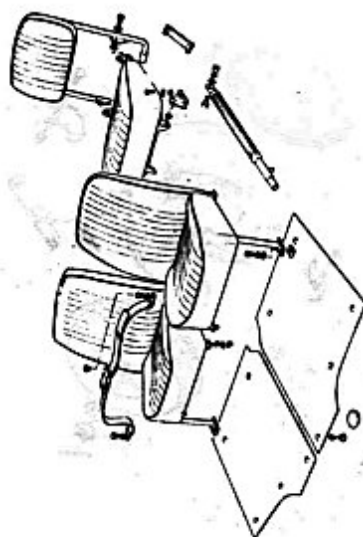
47



48



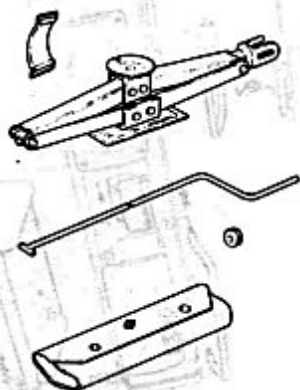
49



50



51



52