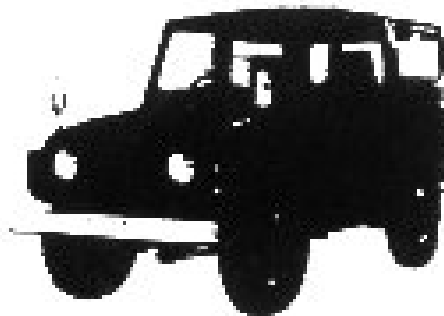


# SUZUKI LJ20



# \* SUZUKI LJ20V



# PREFACE

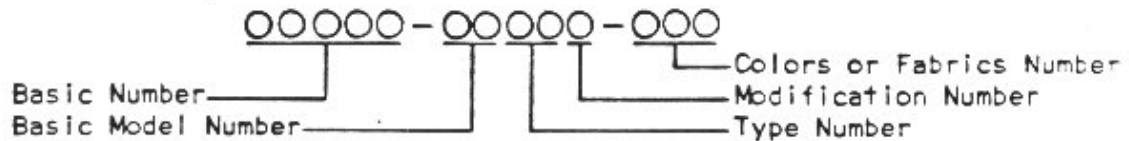
When it becomes necessary to replace parts on SUZUKI Vehicles, always use SUZUKI GENUINE PARTS which have passed a strict inspection which guarantees quality and performance.

This parts catalogue covers the list of all service parts for SUZUKI LJ20R, LJ20L, LJ20VR, LJ20VL.

## A. INSTRUCTIONS FOR QUOTING THE CATALOGUE

### 1. COMPOSITION OF THE PART NUMBER

#### 1-1. REGULAR PARTS

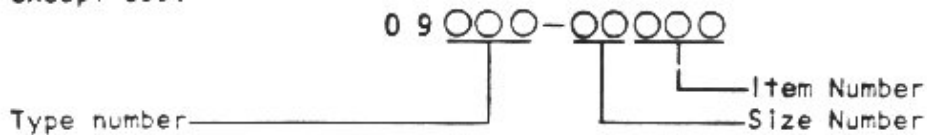


#### 1-2. STANDARD PARTS

Numbers of all standard parts begin with 0 except beginning with 09 or 000.

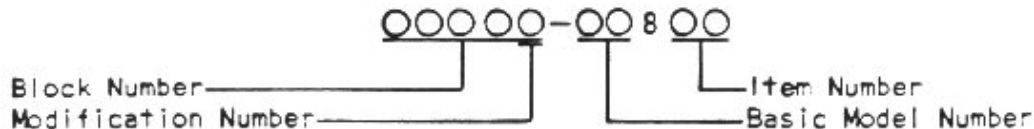
#### 1-3. SPECIAL STANDARD PARTS

Special standard parts are parts which are similar to standard parts but differ in some respect. All special standard parts numbers begin with 09 except 099.



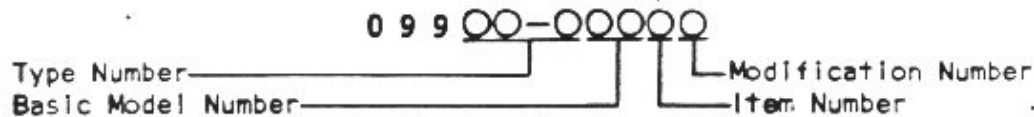
#### 1-4. PARTS ASSEMBLIES

The eight digit of numbers of parts assemblies is always 8.



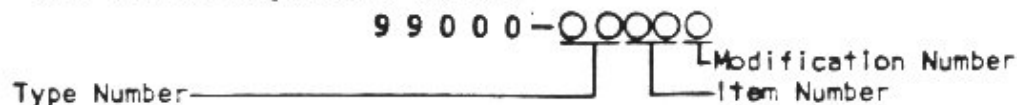
#### 1-5. SPECIAL TOOLS

Part Numbers begin with 099.



#### 1-6. MISCELLANEOUS

Part numbers begin with 99000.



## 2. DIMENSIONS

Dimensions of the parts in this catalogue are indicated in unit millimeters.

## 3. ABBREVIATIONS

Abbreviations used in this catalogue are as follows:

AR	: As required	L	: Length
ASSY	: Assembly	NT	: Number of teeth
F.No.	: Frame Number	OPT	: Optional
d.	: Diameter of material	OS	: Over size
ID	: Inside diameter	STD	: Standard
OD	: Outside diameter	T	: Thickness
LH	: Left hand side	W	: Width
RH	: Right hand side		

B.No.~123450 : Up to B.No.LJ20-123450

B.No.123450~ : From B.No.LJ20-123450

Figures in the remarks column show the dimensions of parts as follows:

$$\frac{12}{\text{ID}} \times \frac{34}{\text{OD}} \times \frac{5.6}{\text{T(or W, L)}}$$

## 4. INNER PARTS OF ASSEMBLY

Parts number which has a period mark (.) before its parts name shall be indicated its proper inner part of the relative assembly one.







## 5. MODIFICATION NOTICE

The parts bulletin will be sent to you as all occasions when changes in parts occur on machines except interchangeable modifications between new parts and old ones.

6. COLOR CHART

6-1. Colors used on SUZUKI LJ20R,LJ20L,LJ20VR,LJ20VL are as follows:

6-2. There may be a slight difference between the actual body color and the below printed color due to the printing ink, etc.

Color No.	Color Name	Mansel No.	Color	LJ20		LJ20V	
				R	L	R	L
019	Black	N1		0	0	0	0
072	Argil Gray	2.5PB 9/1		0	0	0	0
199	Sun Stone Cream	5Y 7.9/2		0	0		
228	Indy Ocher	2.5Y 6/8		0	0		
285	Sirius Green	7.5GY 3/2		0	0		
286	Alphald Beige	10YR 3.5/2				0	0

Leather No.	Leather Color	LJ20		LJ20V	
		R	L	R	L
357	Black	0	0	0	0
382	Black	0	0	0	0
397	Black	0	0	0	0
405	White	0	0	0	0
445	White			0	0

MILLIMETER → INCH CONVERSION CHART

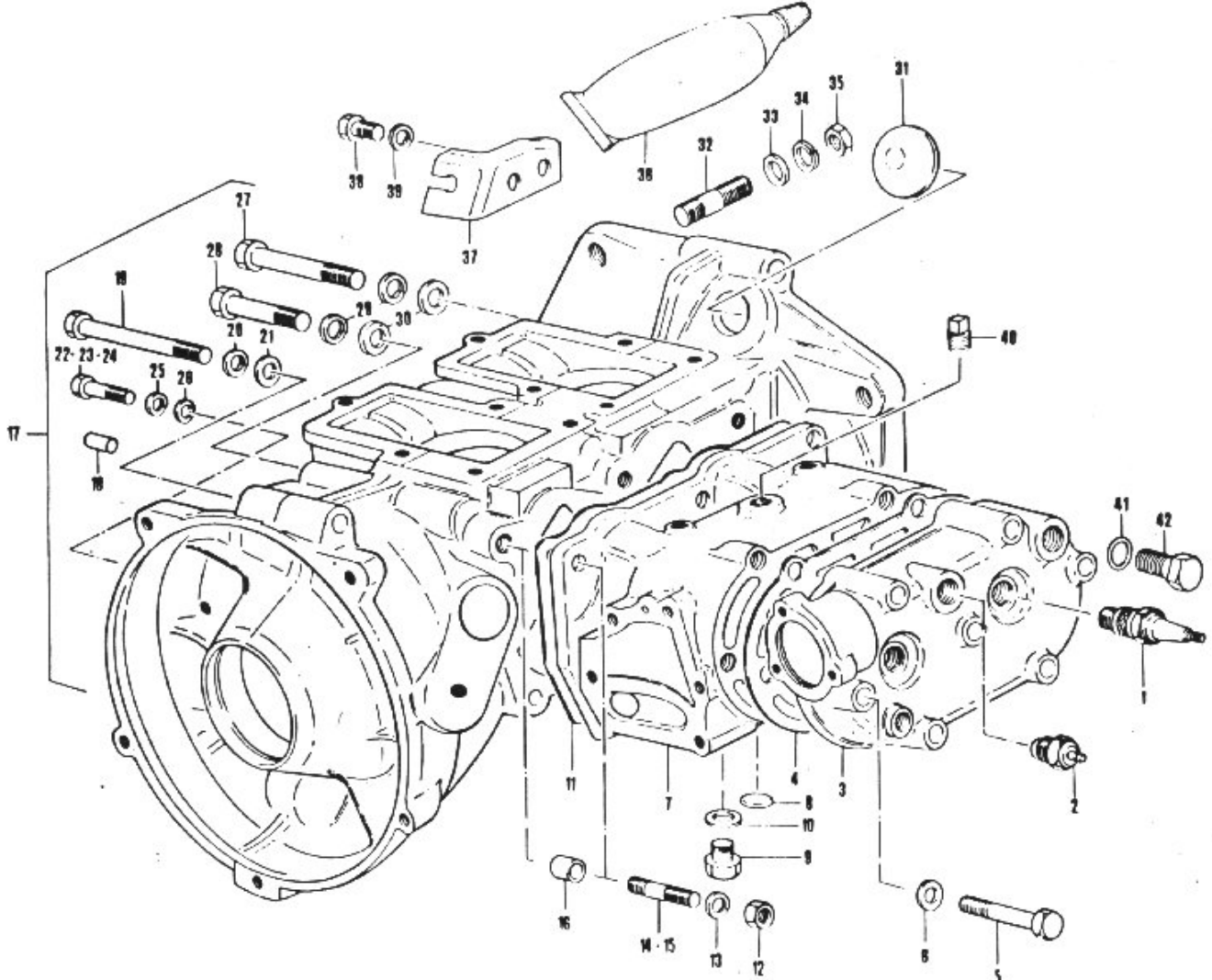
	0	1	2	3	4	5	6	7	8	9
00	.000	.039	.079	.118	.157	.197	.236	.276	.315	.354
10	.394	.433	.472	.512	.551	.591	.630	.669	.709	.748
20	.787	.827	.866	.906	.945	.984	1.024	1.063	1.102	1.142
30	1.181	1.220	1.260	1.299	1.339	1.378	1.417	1.457	1.496	1.535
40	1.575	1.614	1.654	1.693	1.732	1.772	1.811	1.850	1.890	1.929
50	1.969	2.008	2.047	2.087	2.126	2.165	2.205	2.244	2.283	2.323
60	2.362	2.402	2.441	2.480	2.520	2.559	2.598	2.638	2.677	2.717
70	2.756	2.795	2.835	2.874	2.913	2.953	2.992	3.031	3.071	3.110
80	3.150	3.189	3.228	3.268	3.307	3.346	3.386	3.425	3.465	3.504
90	3.543	3.583	3.622	3.661	3.701	3.740	3.780	3.819	3.858	3.898

How to Read

	0	1	2	3	4
00	---	---	---	---	---
10	---	---	---	---	---
20	---	---	---	0.906	---
30	---	---	---	---	---

23 millimeters equal 0.906 inch

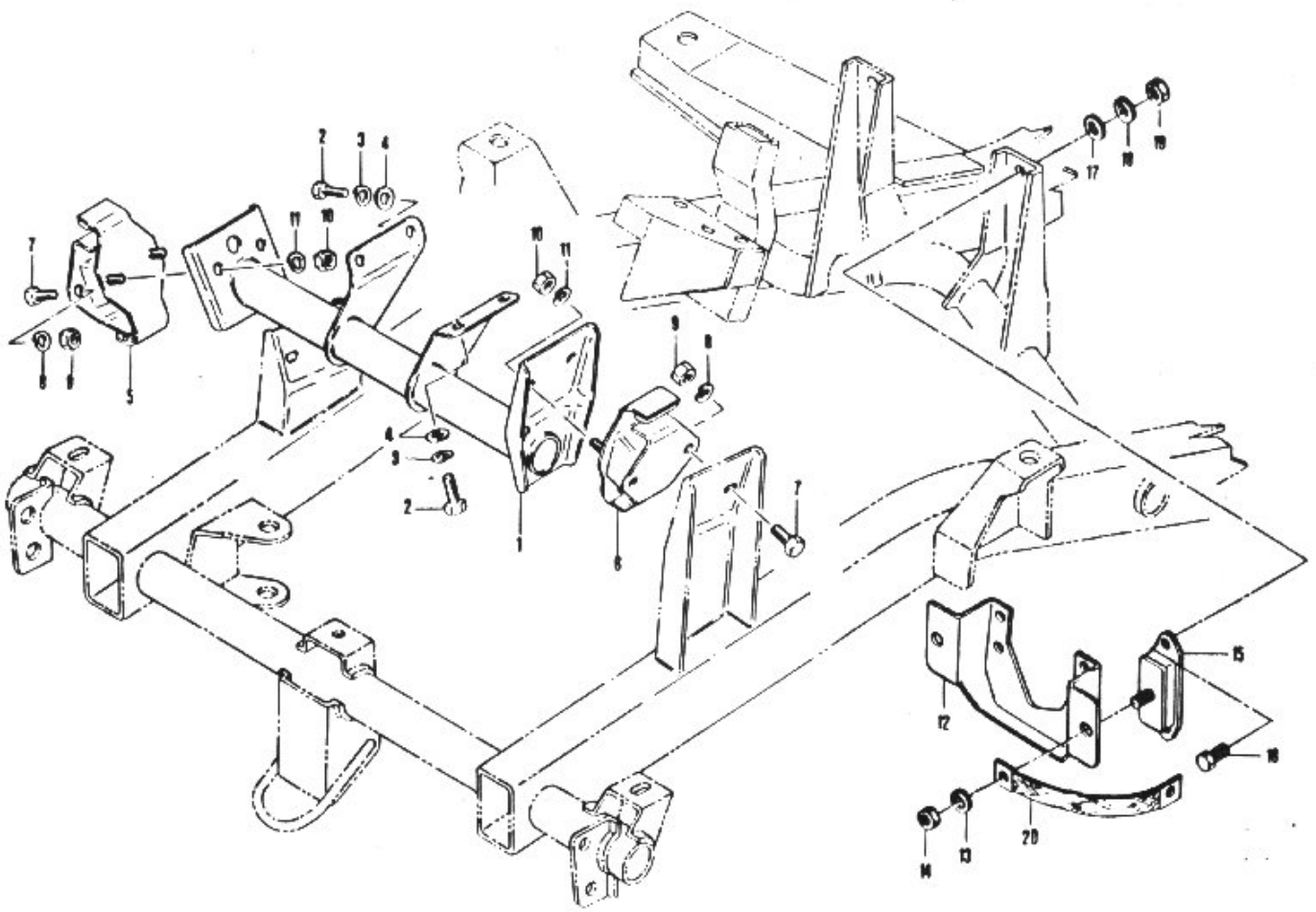




CYLINDER - CRANKCASE

## CYLINDER - CRANKCASE

Ref.No.	Part No.	Description	Q'ty				Remarks
			MP	KL	200	200	
1-1	09482-00059	SPARK PLUG ASSY	2	2	2	2	BP6HS, NGK
1-2	09482-00061	SPARK PLUG ASSY	2	2	2	2	W20FP, ND
2	<del>34850-65010</del>	GAUGE ASSY, water temperature	1	1	1	1	OPT
3	11111-67001	UNION, bypass outlet	1	1	1	1	
4-1	11141-67010	GASKET, cylinder head	1	1	1	1	
4-2	11141-67700	GASKET, cylinder head	1	1	1	1	OPT, OS
5	09103-10004	BOLT	7	7	7	7	
6	09160-10037	WASHER	7	7	7	7	10.5x22x2.3
7	11211-67001	CYLINDER	1	1	1	1	
8	09241-20002	•PLUG, cylinder	4	4	4	4	
9	09247-10001	PLUG, water drain	1	1	1	1	
10	09168-10014	GASKET	1	1	1	1	
11	11241-67040 -1	GASKET, cylinder	1	1	1	1	
12	08312-11088	NUT	6	6	6	6	
13	08321-31088	LOCK WASHER	6	6	6	6	
14	01421-08258	STUD BOLT (1)	4	4	4	4	
15	01421-08358	STUD BOLT (2)	2	2	2	2	
16	09206-11003	DOWEL PIN, cylinder	2	2	2	2	8x11x16
17	11300-67801	CRANKCASE ASSY	1	1	1	1	
18	04211-09169	•DOWEL PIN, crankcase	2	2	2	2	
19	01122-08908	•BOLT	2	2	2	2	
20	08321-21088	•LOCK WASHER	2	2	2	2	
21	08322-11088	•WASHER	2	2	2	2	
22	01112-06358	•BOLT	2	2	2	2	
23	01112-06458	•BOLT	3	3	3	3	
24	01112-06557	•BOLT	1	1	1	1	
25	08321-21068	•LOCK WASHER	6	6	6	6	
26	08322-21068	•WASHER	6	6	6	6	
27	09100-10067	•BOLT	2	2	2	2	
28	01122-10708	•BOLT	4	4	4	4	
29	08321-21108	•LOCK WASHER	6	6	6	6	
30	08322-11108	•WASHER	6	6	6	6	
31	09250-26002	PLUG, timing inspection hole	1	1	1	1	
32	01421-10358	STUD BOLT	4	4	4	4	
33	08322-11708	WASHER	4	4	4	4	
34	08321-21108	LOCK WASHER	4	4	4	4	
35	08312-11108	NUT	4	4	4	4	
36	99000-33010	LIQUID GASKET	1	1	1	1	OPT
37	23911-63000	BRACKET, clutch cable	1	1	1	1	
38	01122-08207	BOLT	2	2	2	2	
39	08321-21088	LOCK WASHER	2	2	2	2	
40	09246-16002	PLUG	1	1	1	1	
41	09168-16002	GASKET	1	1	1	1	16x22x2
42	01121-16208	PLUG	1	1	1	1	



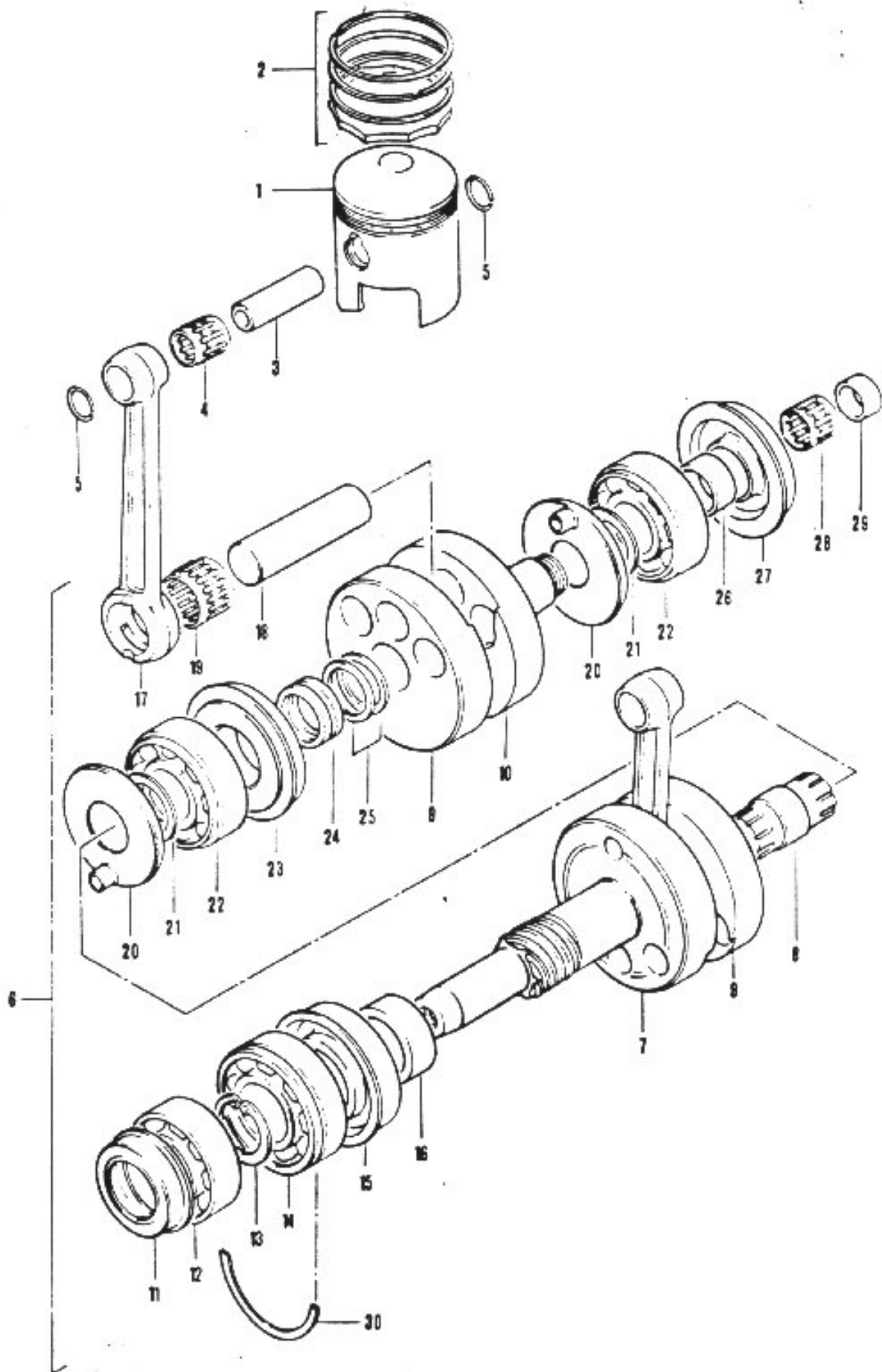
ENGINE MOUNTING



## ENGINE MOUNTING

Ref.No.	Part No.	Description	Q'ty				Remarks
			1	2	3	4	
1	11630-63002	MEMBER COMP, front mounting	1	1	1	1	
2	01122-08257	BOLT	4	4	4	4	
3	08321-21088	LOCK WASHER	4	4	4	4	
4	08322-11088	WASHER	4	4	4	4	
5	11610-63020	MOUNTING COMP, front right	1	1	1	1	
6	11620-63021	MOUNTING COMP, front left	1	1	1	1	
7	01122-08207	BOLT	4	4	4	4	
8	08321-21088	LOCK WASHER	4	4	4	4	
9	08312-11088	NUT	4	4	4	4	
10	08321-21088	LOCK WASHER	4	4	4	4	
11	08312-11088	NUT	4	4	4	4	
12	11741-63001	BRACKET, rear mounting	1	1	1	1	
13	08321-21088	LOCK WASHER	2	2	2	2	
14	08312-11088	NUT	2	2	2	2	
15	11710-63020	MOUNTING COMP, rear	2	2	2	2	
16	01112-08207	BOLT	4	4	4	4	
17	08322-11088	WASHER	4	4	4	4	
18	08321-21088	LOCK WASHER	4	4	4	4	
19	08312-11088	NUT	4	4	4	4	
20	33860-52051	CABLE COMP, engine ground	1	1	1	1	

# PISTON • CRANKSHAFT

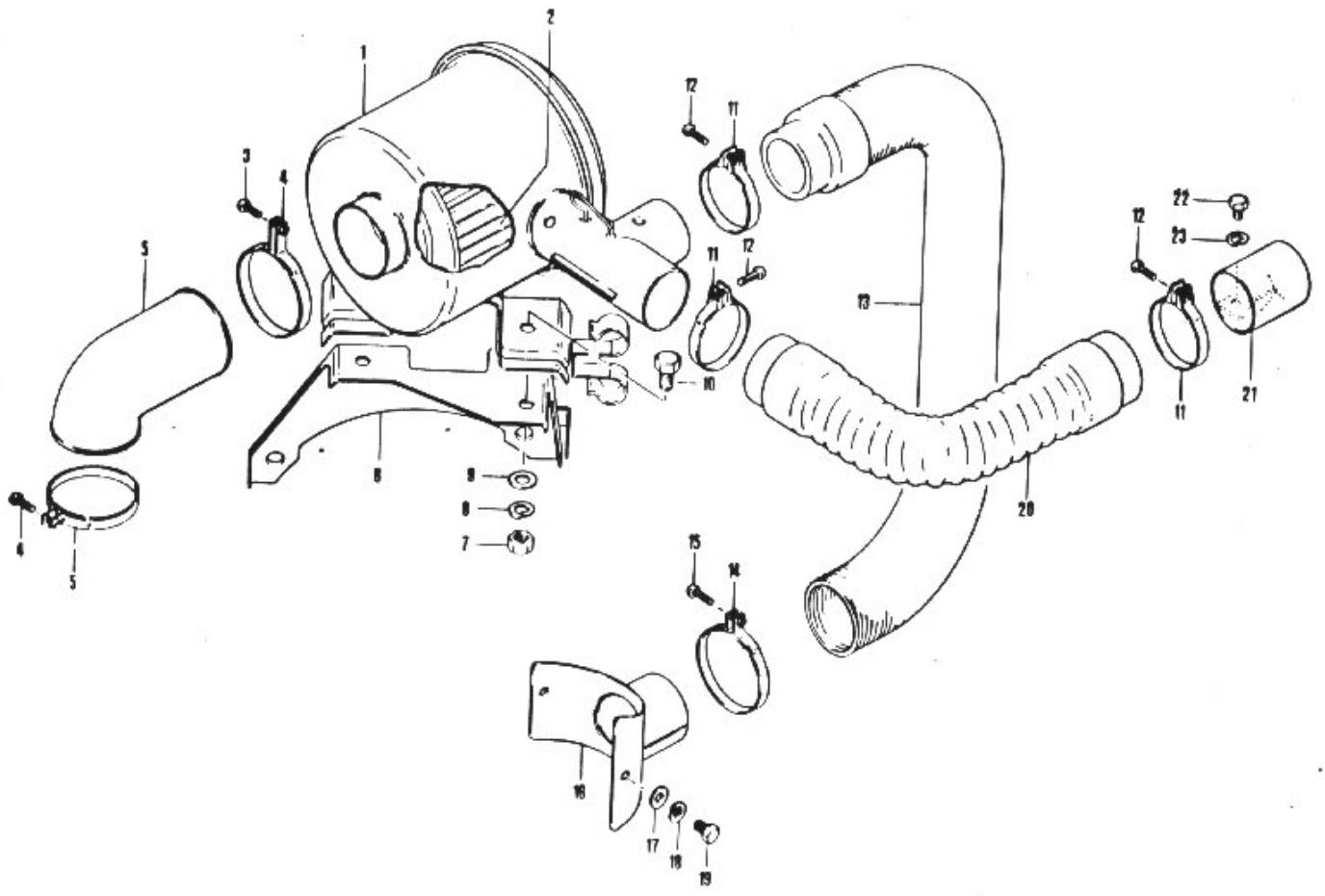


**PISTON · CRANKSHAFT**

Ref.No.	Part No.	Description	Q'ty				Remarks
			MR	NO.	MR	NO.	
**1-1	12110-67007	PISTON COMP	2	2	2	2	STD TWO RING STY
**1-2	12110-67007-050	PISTON COMP	2	2	2	2	0.5 OS } " " " " " "
**1-3	12110-67007-100	PISTON COMP	2	2	2	2	1.0 OS } " " " " " "
2-1	12140-67810	RING SET, piston	1	1	1	1	STD THREE RING ST
2-2	12140-67811	RING SET, piston	1	1	1	1	0.5 OS } " " " " " "
2-3	12140-67812	RING SET, piston	1	1	1	1	1.0 OS } " " " " " "
3	12151-67000	PIN, piston	2	2	2	2	
4	09263-16008	BEARING, piston pin	2	2	2	2	
5	09381-16001	CIRCLIP, piston pin	4	4	4	4	
6	12000-67803	CRANKSHAFT ASSY	1	1	1	1	
7	12221-67000	·CRANKSHAFT, front	1	1	1	1	
8	12231-67001	·CRANKSHAFT, middle	1	1	1	1	
9	12232-67000	·WHEEL, middle crank	2	2	2	2	
10	12241-67000	·CRANKSHAFT, rear	1	1	1	1	
11	09283-25052	·OIL SEAL, front	1	1	1	1	
12	09262-25033	·BEARING, front (1)	1	1	1	1	
13	08331-11359	·CIRCLIP	1	1	1	1	
14	09262-35001	·BEARING, front (2)	1	1	1	1	
15	09289-44003	·OIL SEAL	1	1	1	1	
16	09180-35003	·SPACER	1	1	1	1	
17	12161-67000	·ROD, connecting	2	2	2	2	
18	12211-67000	·PIN, crank	2	2	2	2	
19	09263-23001	·BEARING, crank pin	2	2	2	2	
20	12511-67000	·PLATE, oil guide	2	2	2	2	
21	09160-30016	·THRUST WASHER	2	2	2	2	
22	09262-30021	·BEARING, middle	2	2	2	2	
23	12311-67010	·RETAINER, middle	1	1	1	1	
24	12322-67010	·INNER RACE, middle crank seal	1	1	1	1	
25	12313-58012	·RING, middle crank seal	2	2	2	2	
26	09180-30011	·SPACER, crank rear	1	1	1	1	
27	09283-44005	·OIL SEAL	1	1	1	1	
28	09263-10001	·BEARING, input shaft	1	1	1	1	
29	09282-10001	·OIL SEAL, input shaft	1	1	1	1	
30	09390-72001	C RING	1	1	1	1	

**\*\*NOTE:** The above (2) two ring pistons must use the below listed (2) two ring style rings. Three ring style pistons are not longer available, piston rings and pistons must be replaced as a set.

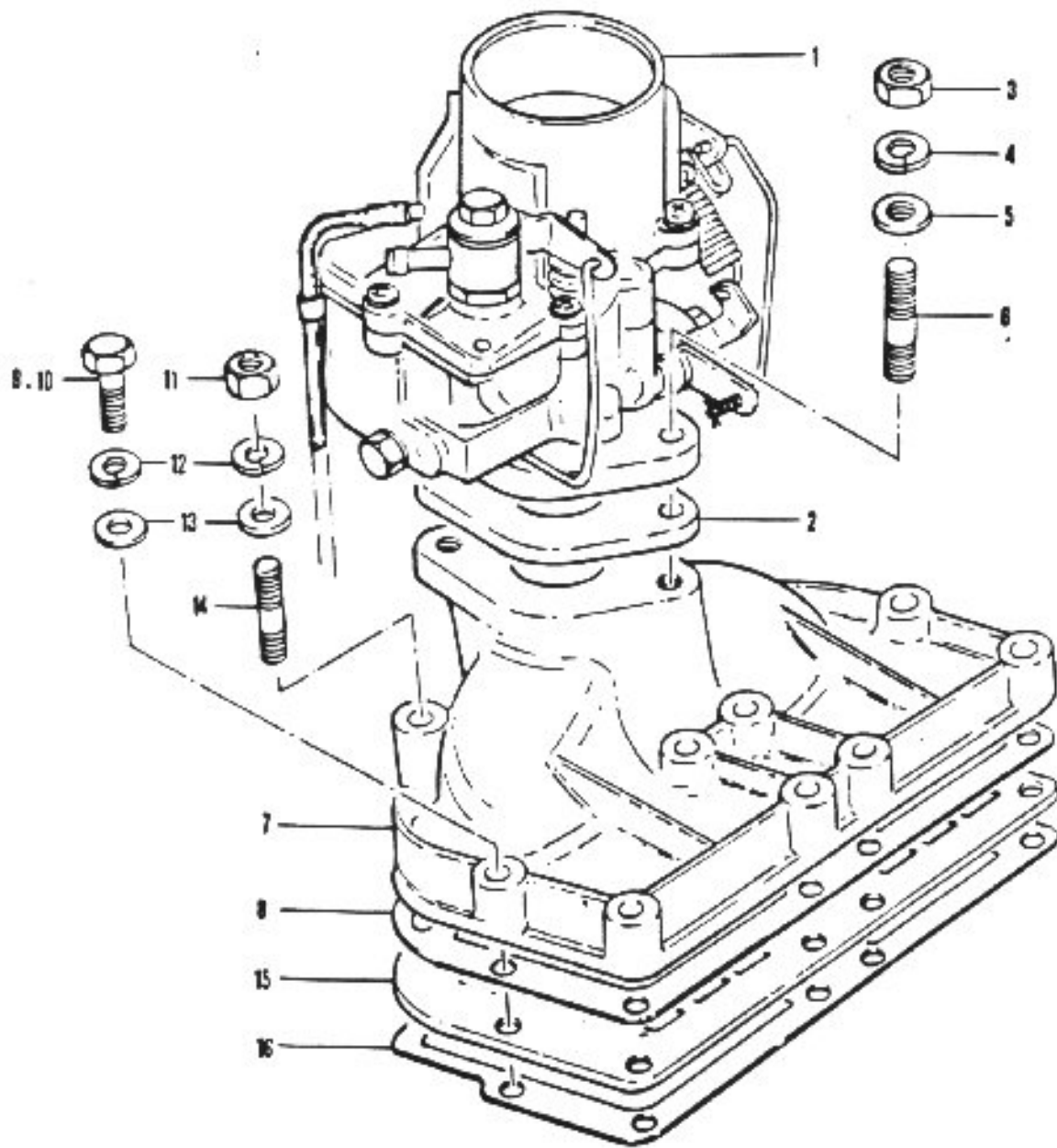
2-4	12140-67011	Ring Set	2	2	2	2	STD Two Ring Sty
2-5	12140-67011-050	Ring Set	2	2	2	2	0.5 OS
2-6	12140-67011-100	Ring Set	2	2	2	2	1.0 OS



## AIR CLEANER

Ref.No.	Part No.	Description	Q'ty				Remarks
			200	201	2000	2001	
1	13700-63600	CLEANER ASSY, air	1	1	1	1	
2	13780-67010	FILTER ELEMENT	1	1	1	1	
3	02111-04168	SCREW	2	2	2	2	
4	09402-00162	CLAMP	2	2	2	2	
5	13881-63032	HOSE, carburetor air Inlet	1	1	1	1	
6	13720-63001	BRACKET COMP, air cleaner	1	1	1	1	
7	08311-11088	NUT	2	2	2	2	
8	08321-21088	LOCK WASHER	2	2	2	2	
9	08322-11088	WASHER	2	2	2	2	
10	01112-08168	BOLT	2	2	2	2	
11	09402-00210	CLAMP	3	3	3	3	
12	02111-04168	SCREW	3	3	3	3	
13	13840-63054	HOSE COMP, warm air	1	1	1	1	
14	09402-00162	CLAMP	1	1	1	1	
15	02111-04168	SCREW	1	1	1	1	
16	14120-63000	COVER COMP, warm air	1	1	1	1	
17	08322-21068	WASHER	2	2	2	2	
18	08321-21068	LOCK WASHER	2	2	2	2	
19	01112-06108	WASHER	2	2	2	2	
20	13870-60550	HOSE COMP, air suction	1	1	1	1	
21	13851-63000	GUIDE, air suction pipe	1	1	1	1	
22	01111-06087	BOLT	1	1	1	1	
23	08321-21068	LOCK WASHER	1	1	1	1	

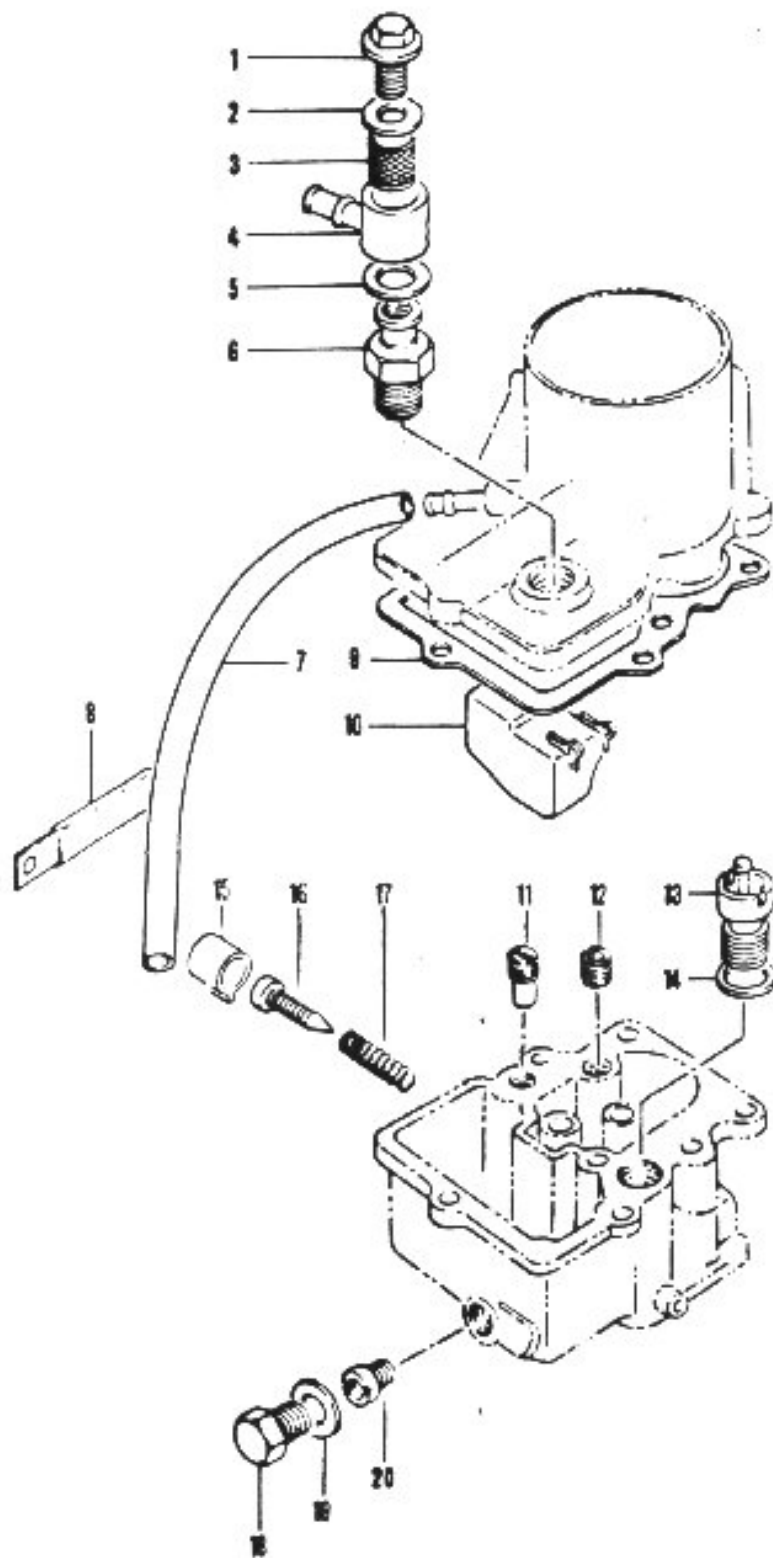
# AIR INLET • CARBURETOR



## AIR INLET • CARBURETOR

Ref.No.	Part No.	Description	Q'ty				Remarks
			20P	21.	20P	21V.	
1	13200-63045	CARBURETOR ASSY	1	1	1	1	
2	13120-60021	INSULATOR, carburetor	1	1	1	1	
3	08312-11088	NUT	2	2	2	2	
4	08321-21088	LOCK WASHER	2	2	2	2	
5	08322-11088	WASHER	2	2	2	2	
6	01421-08308	STUD BOLT	2	2	2	2	
7	13111-60500	MANIFOLE, intake	1	1	1	1	
8	13121-67000	GASKET, intake manifold	1	1	1	1	
9	01112-06358	BOLT	6	6	6	6	
10	01112-06557	BOLT	2	2	2	2	
11	08311-11068	NUT	2	2	2	2	
12	08321-21068	LOCK WASHER	9	9	9	9	
13	08322-21068	WASHER	9	9	9	9	
14	01421-06358	STUD BOLT	2	2	2	2	
15	13150-67010	VALVE ASSY, reed	1	1	1	1	
16	13156-67000	GASKET, reed valve	1	1	1	1	

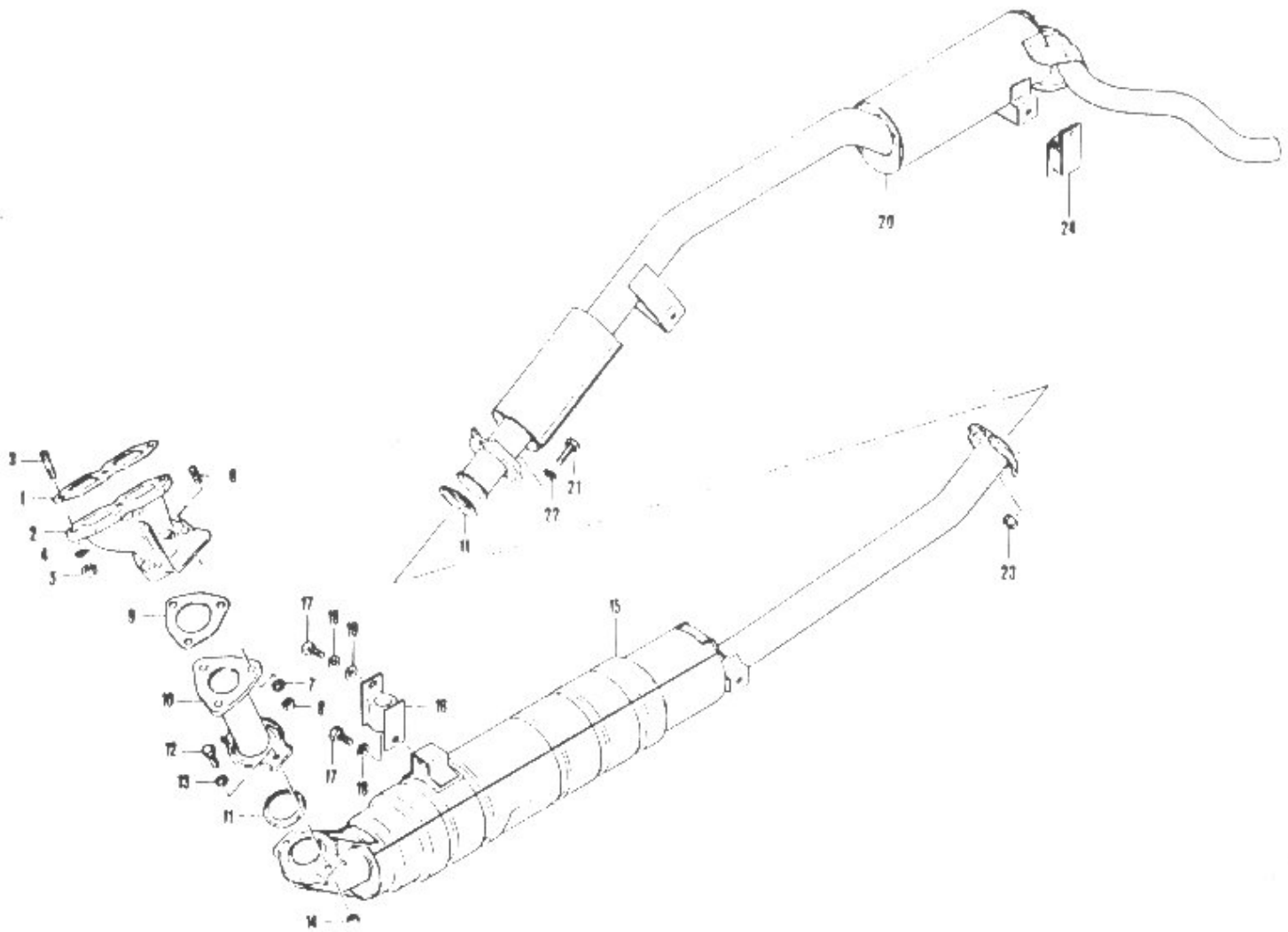
# CARBURETOR INNER PARTS





CARBURETOR INNER PARTS

Ref.No.	Part No.	Description	Q'ty				Remarks
			20A	20B	20C	20D	
1	13275-60040	UNION BOLT	1	1	1	1	
2	13278-60040	GASKET, union nipple (1)	1	1	1	1	
3	13276-60040	FILTER	1	1	1	1	
4	13274-60540	UNION NIPPLE	1	1	1	1	
5	13279-60040	GASKET, union nipple (2)	1	1	1	1	
6	13370-60040	VALVE COMP, needle	1	1	1	1	
7	13684-60540	TUBE, over flow	1	1	1	1	L:90
8	09403-00087	CLAMP	1	1	1	1	
9	13214-60540	GASKET	1	1	1	1	
10	13250-60040	FLOAT COMP	1	1	1	1	
11	09492-50006	SLOW JET	1	1	1	1	#51
12	09493-28004	AIR BLEED, slow	1	1	1	1	#140
13	13470-60541	JET ASSY, power	1	1	1	1	#55
14	13489-60040	WASHER	1	1	1	1	
15	13699-62990	CAP, idle limiter	1	1	1	1	
16	13267-60041	SCREW, idle adjust	1	1	1	1	
17	13688-60540	SPRING, adjust screw	1	1	1	1	
18	13228-60040	PLUG, float chamber drain	1	1	1	1	
19	13229-60040	GASKET, drain plug	1	1	1	1	
20	09491-24011	JET, main	1	1	1	1	#120

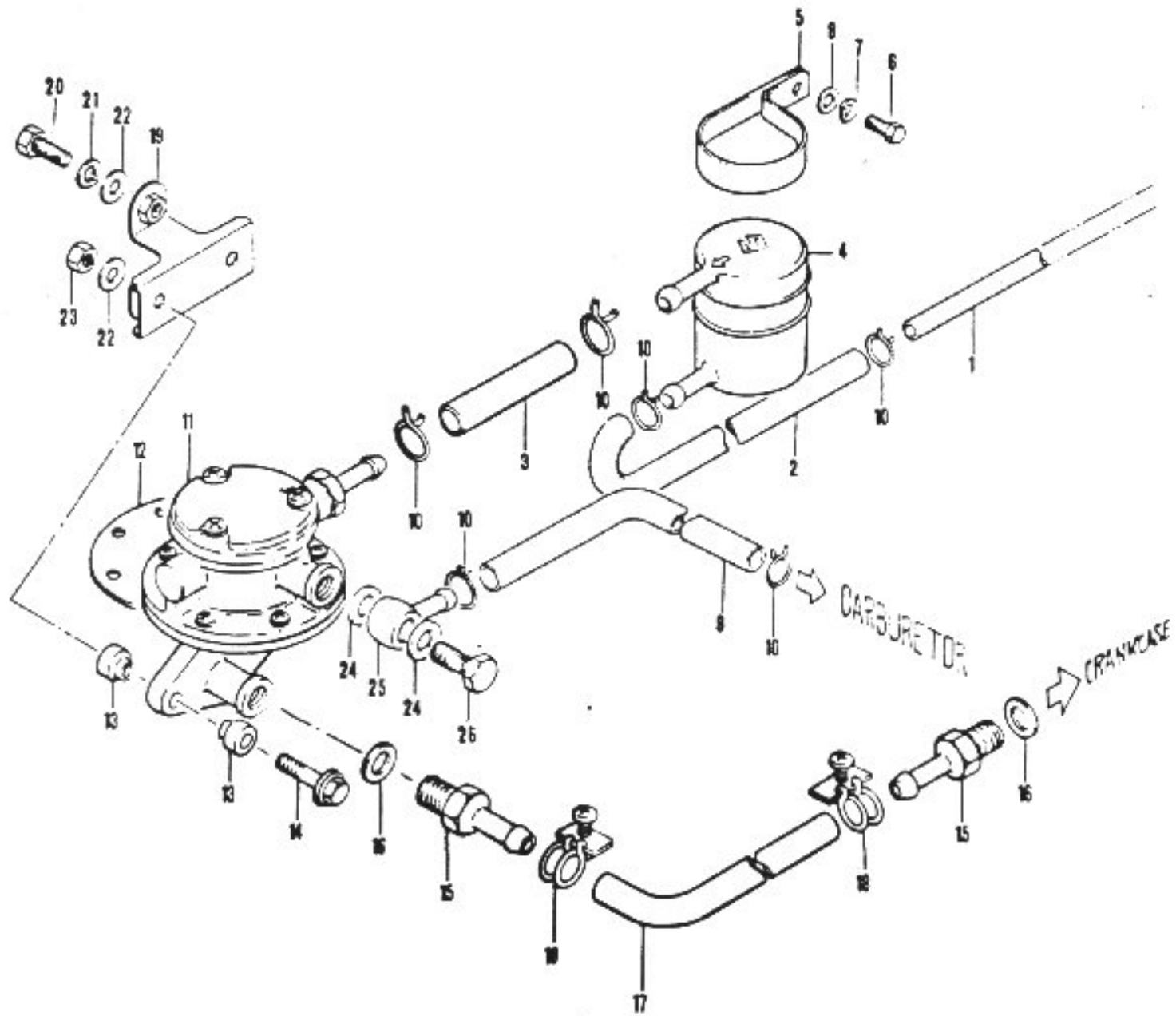


EXHAUST

## EXHAUST

Ref.No.	Part No.	Description	Q'ty				Remarks
			BP	DL	DP	DC	
1	14141-67040	GASKET, exhaust manifold	1	1	1	1	
2	14111-63003	MANIFOLD, exhaust	1	1	1	1	
3	01411-08258	STUD BOLT	3	3	3	3	
4	08321-21088	LOCK WASHER	3	3	3	3	
5	08312-11088	NUT	3	3	3	3	
6	01421-08206	STUD BOLT	3	3	3	3	
7	08321-21088	LOCK WASHER	3	3	3	3	
8	08312-11088	NUT	3	3	3	3	
9	14181-63000	GASKET, exhaust pipe	1	1	1	1	
10	14150-63040	PIPE COMP, exhaust	1	1	1	1	
11	14142-63000	GASKET, muffler joint	2	2	2	2	
12	01122-08257	BOLT	2	2	2	2	
13	08321-21088	LOCK WASHER	2	2	2	2	
14	09159-08001	NUT	2	2	2	2	
15	14301-63045	MUFFLER COMP, first	1	1	1	1	
16	14730-63020	MOUNTING COMP, muffler	3	3	3	3	
17	01122-08207	BOLT	8	8	8	8	
18	08321-21088	LOCK WASHER	8	8	8	8	
19	08322-11088	WASHER	4	4	4	4	
20	14302-63046	MUFFLER COMP, second	1	1	1	1	
21	01122-08257	BOLT	2	2	2	2	
22	08321-21088	LOCK WASHER	2	2	2	2	
23	09159-08001	NUT	2	2	2	2	
24	14770-67021	MOUNTING COMP, muffler tail	1	1	1	1	

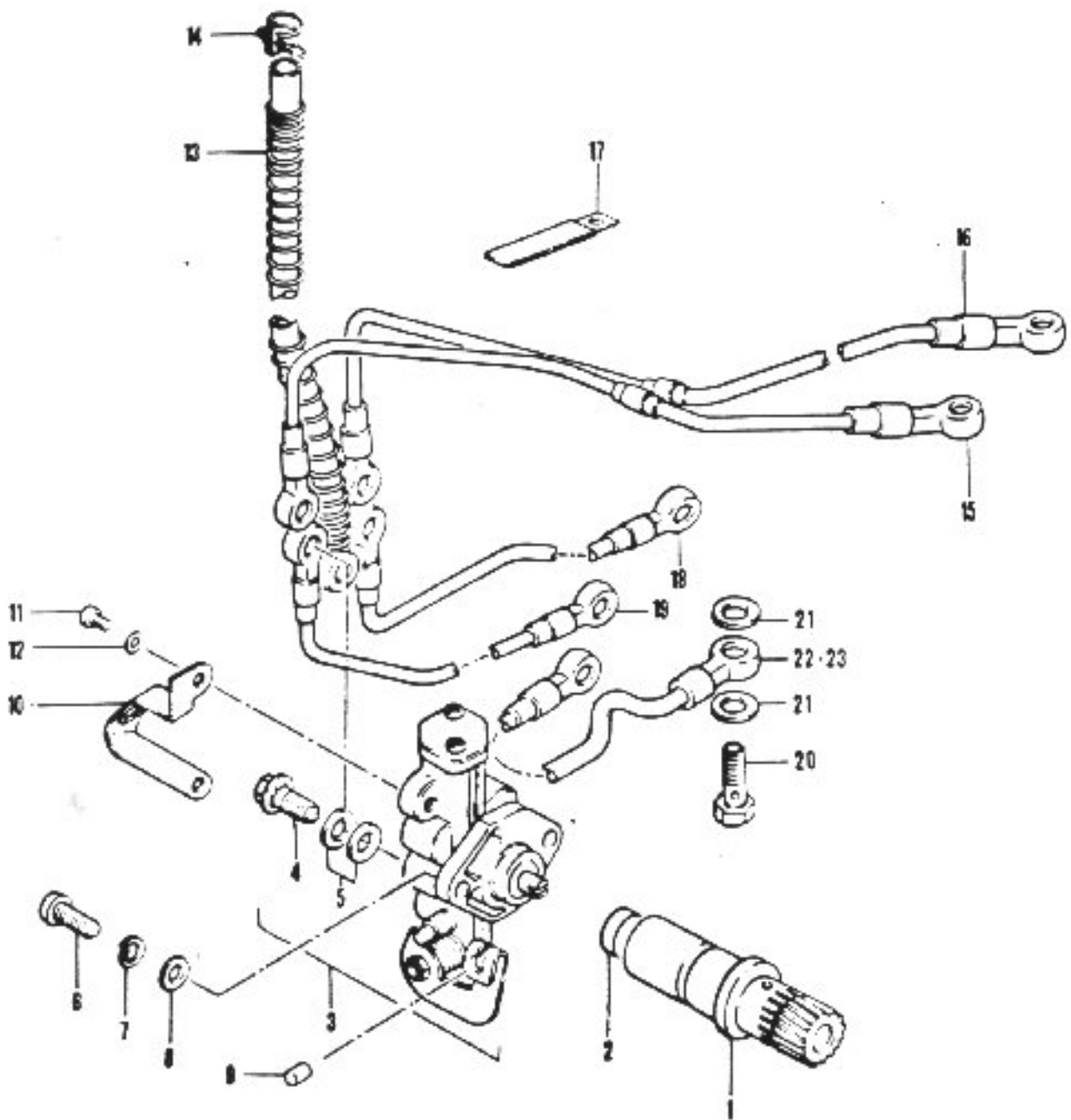
FUEL PUMP



## FUEL PUMP

Ref.No.	Part No.	Description	Q'ty				Remarks
			20F	20L	20VR	20VL	
1	15810-63015	PIPE ASSY, fuel (1)	1	1	1	1	
2	09343-05026	HOSE, fuel (2)	1	1	1	1	L:160
3	09343-05062	HOSE, fuel	2	2	2	2	L:50
4	15410-64030	FILTER COMP, fuel	1	1	1	1	
5	09402-00232	CLAMP	1	1	1	1	
6	01112-06167	BOLT	1	1	1	1	
7	08321-21068	LOCK WASHER	1	1	1	1	
8	08322-21068	WASHER	1	1	1	1	
9	09343-05071	HOSE, fuel	1	1	1	1	L:210
10	09386-11002	CLIP	6	6	6	6	
11	15100-67010	PUMP ASSY, fuel	1	1	1	1	
12	15170-58410	*DIAPHRAGM	1	1	1	1	
13	09320-05004	CUSHION, fuel pump	4	4	4	4	
14	01511-06308	BOLT	2	2	2	2	
15	09362-09003	UNION	2	2	2	2	
16	09168-10003	GASKET	2	2	2	2	10.5x14x1
17	09343-06010	HOSE, fuel pump vacuum	1	1	1	1	
18	09400-00031	CLAMP	2	2	2	2	
19	15310-63000	BRACKET COMP, fuel pump	1	1	1	1	
20	01112-06167	BOLT	2	2	2	2	
21	08321-21068	LOCK WASHER	2	2	2	2	
22	08322-21068	WASHER	4	4	4	4	
23	08311-11068	NUT	2	2	2	2	
24	15198-51010	GASKET	2	2	2	2	
25	09363-06003	UNION	1	1	1	1	
26	15197-51010	BANJO BOLT	1	1	1	1	

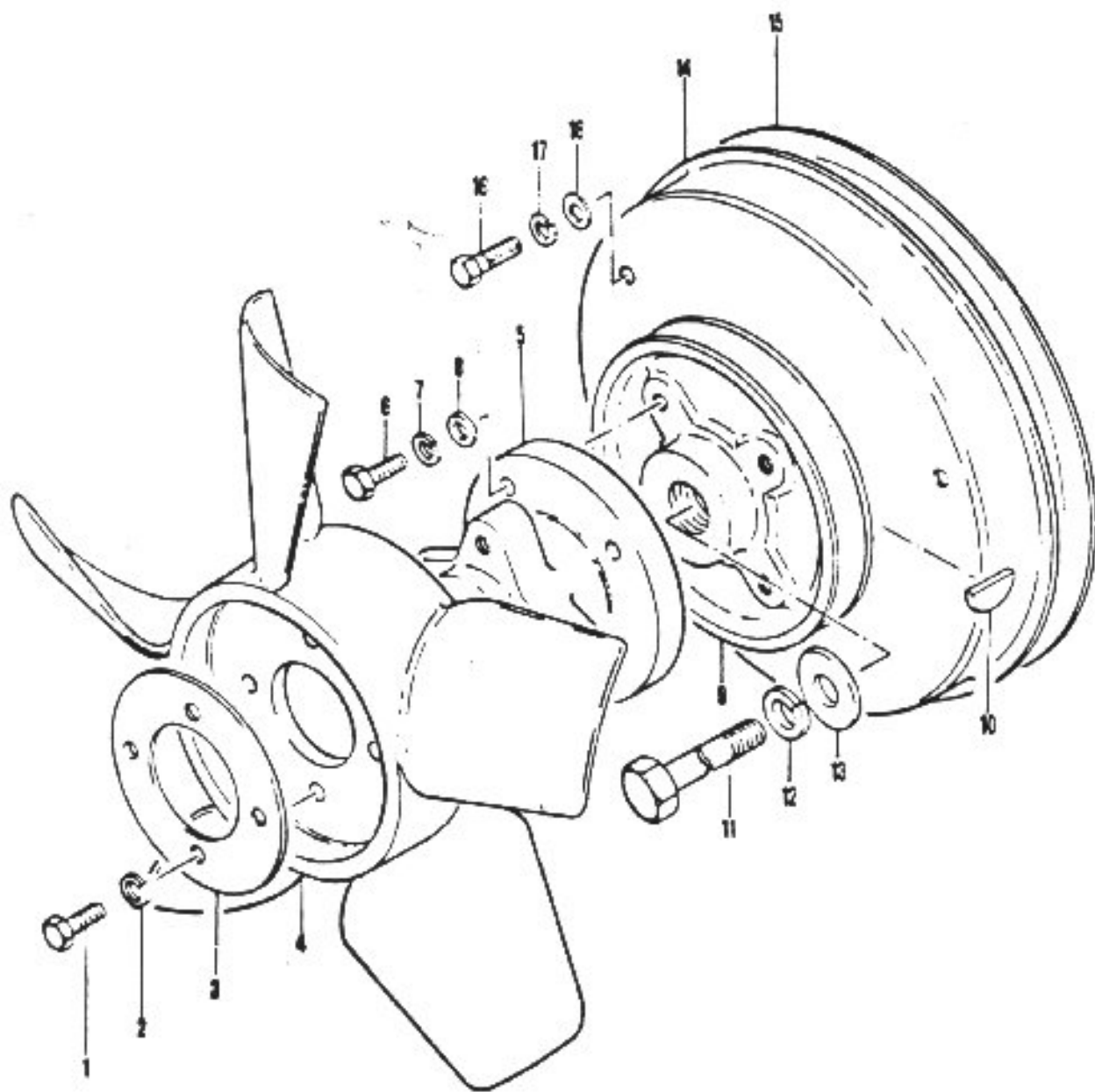
OIL PUMP



## OIL PUMP

Ref.No.	Part No.	Description	Q'ty				Remarks
			20	21	22	23	
1	16770-67000	GEAR ASSY, oil pump input	1	1	1	1	
2	09282-10001	-OIL SEAL	1	1	1	1	
3	16000-60841	OIL PUMP SET	1	1	1	1	
4	09360-06011	-UNION BOLT	5	5	5	5	M6, L:18
5	09168-06009	-GASKET		10			6.5x12x1.4
6	09119-06033	SCREW	2	2	2	2	
7	08321-21068	LOCK WASHER	2	2	2	2	
8	08322-11068	WASHER	2	2	2	2	
9	13683-51010	TERMINAL, cable	1	1	1	1	
10	16122-60500	BRACKET, oil pump cable	1	1	1	1	
11	02111-05127	SCREW	2	2	2	2	
12	08321-21058	LOCK WASHER	2	2	2	2	
13	16810-63031	HOSE ASSY, oil tank	1	1	1	1	
14	09400-00107	CLAMP	1	1	1	1	
15	16905-67030	HOSE ASSY, first cylinder oil	1	1	1	1	
16	16907-67030	HOSE ASSY, second cylinder oil	1	1	1	1	
17	09403-00069	CLAMP	1	1	1	1	
18	16901-67030	HOSE ASSY, first crank oil	1	1	1	1	
19	16903-67030	HOSE ASSY, second crank oil	1	1	1	1	
20	16721-58000	BOLT, oil hose	6	6	6	6	M10, L:20
21	09168-10014	GASKET		12			10.5x16x1.4
22	16908-67031	HOSE ASSY, oil return (1)	1	1	1	1	
23	16909-67031	HOSE ASSY, oil return (2)	1	1	1	1	

# COOLING FAN

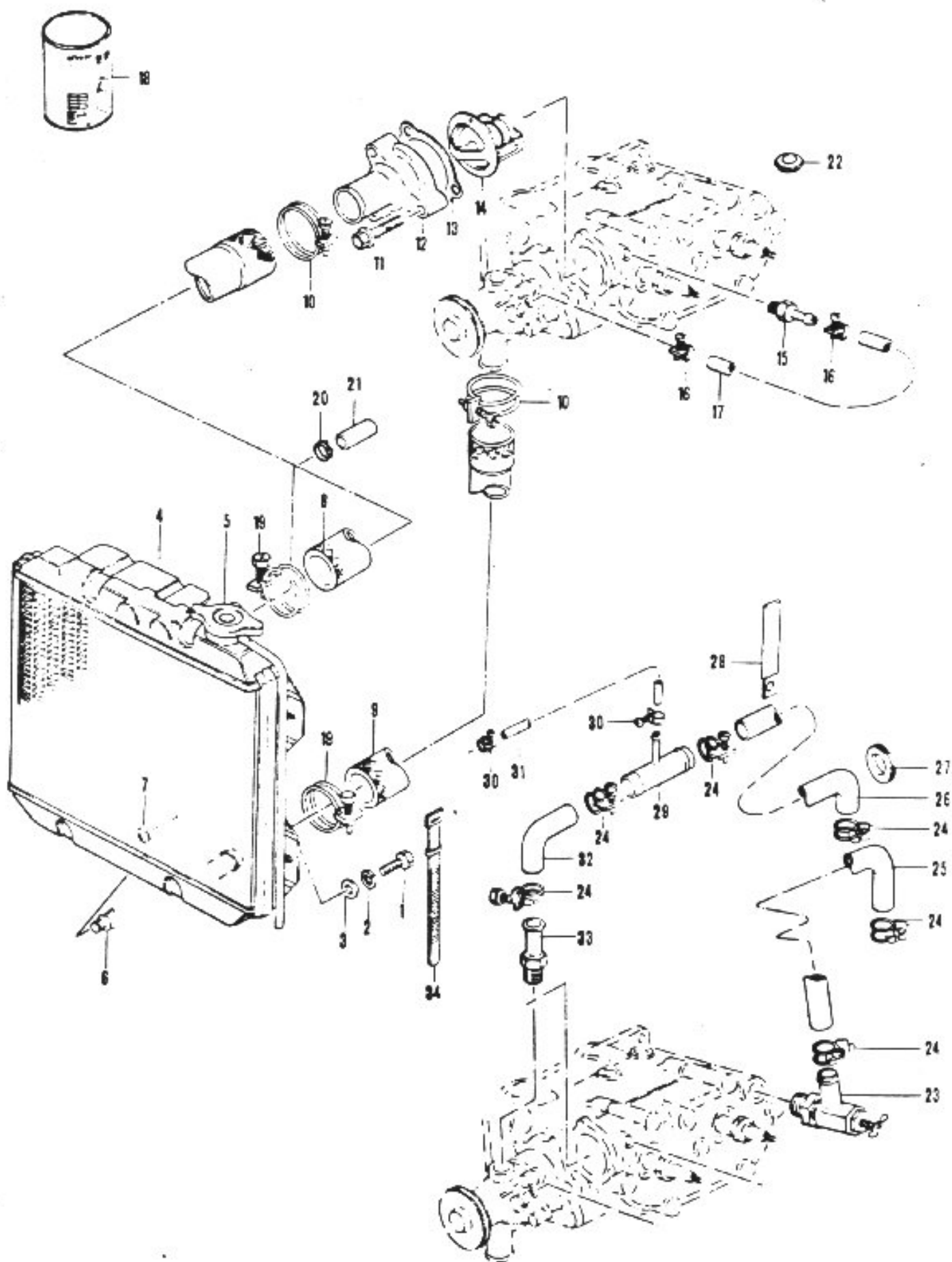




## COOLING FAN

Ref.No.	Part No.	Description	Q'ty				Remarks
			20R	20L	20V	21V	
1	01112-06207	BOLT	4	4	4	4	
2	08321-21068	LOCK WASHER	4	4	4	4	
3	17121-67000	WASHER, cooling fan	1	1	1	1	
4	17111-67000	FAN, engine cooling	1	1	1	1	
5	17131-67000	SHAFT, cooling fan	1	1	1	1	
6	01112-06257	BOLT	4	4	4	4	
7	08321-21068	LOCK WASHER	4	4	4	4	
8	08322-21068	WASHER	4	4	4	4	
9	12611-67000	PULLEY, crank shaft	1	1	1	1	
10	31762-52010	WOODRUFF KEY	1	1	1	1	
11	31765-58010	BOLT, generator	1	1	1	1	
12	08321-21108	LOCK WASHER	1	1	1	1	
13	31767-58010	WASHER	1	1	1	1	
14	17221-67000	COVER, generator	1	1	1	1	
15	17233-67010	GASKET, generator cover	1	1	1	1	
16	01112-06108	BOLT	3	3	3	3	
17	08321-21068	LOCK WASHER	3	3	3	3	
18	08322-21068	WASHER	3	3	3	3	

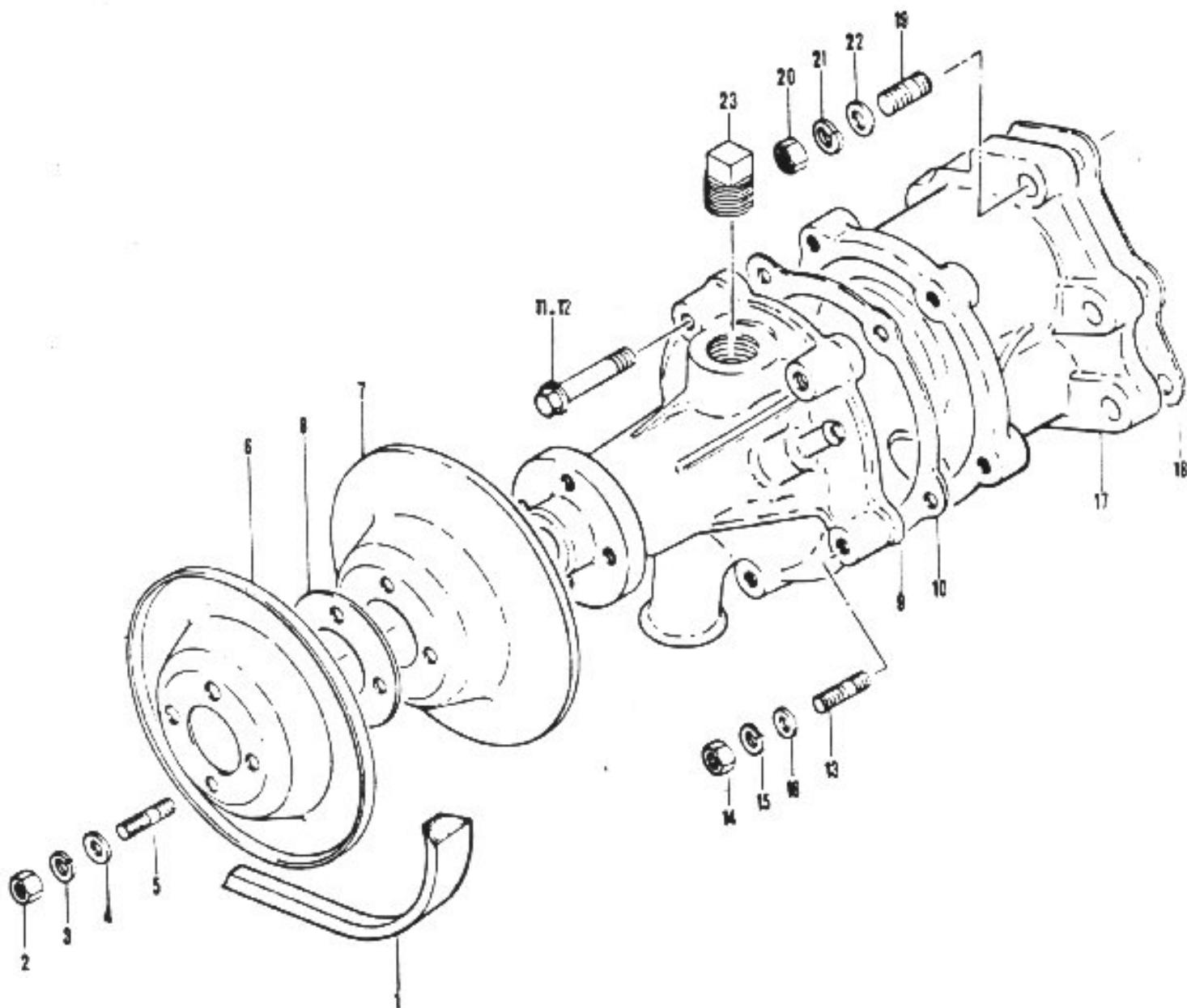
# RADIATOR - HOSE



## RADIATOR \* HOSE

Ref.No.	Part No.	Description	Q'ty				Remarks
			MR	ML	MR	ML	
1	01141-06168	BOLT	4	4	4	4	
2	08321-21068	LOCK WASHER	4	4	4	4	
3	08322-11068	WASHER	4	4	4	4	
4	17700-63010	RADIATOR ASSY	1	1	1	1	
5	17920-65010	*CAP RADIATOR	1	1	1	1	
6	17751-67010	*DRAIN PLUG	1	1	1	1	
7	17752-67010	*GASKET, drain plug	1	1	1	1	
8	17852-63020	HOSE, water	1	1	1	1	
9	17851-63020	HOSE, water (1)	1	1	1	1	
10	09400-00036	CLAMP	2	2	2	2	
11	01511-06308	BOLT	3	3	3	3	
12	17622-67000	CAP, thermostat	1	1	1	1	
13	17668-67040	GASKET	1	1	1	1	
14	17670-67021	THERMOSTAT COMP, water	1	1	1	1	
15	09362-09004	UNION, bypass outlet	1	1	1	1	
16	09400-00035	CLAMP	2	2	2	2	
17	17853-67030	HOSE, water bypass	1	1	1	1	
18	99000-24140	SUZUKI COOLANT		AR			OFT, NET:11
19	09400-00025	CLAMP	2	2	2	2	
20	09400-00107	CLAMP	1	1	1	1	
21	09251-04003	CAP	1	1	1	1	
22	09250-22004	PLUG	2	2	2	2	
23	17860-67010	VALVE COMP, heater	1	1	1	1	OFT
24	09400-00001	CLAMP	6	6	6	6	
25	17871-63020	HOSE, heater (1)	1	1	1	1	
26	17872-63020	HOSE, heater (2)	1	1	1	1	
27	09308-18002	GROMET	2	2	2	2	
28	17878-63000	CLAMP	1	1	1	1	
29	17890-60500	PIPE, joint	1	1	1	1	
30	09400-00107	CLAMP	2	2	2	2	
31	17874-67070	HOSE, heater (4)	1	1	1	1	
32	17873-60560	HOSE, heater (3)	1	1	1	1	
33	09362-16002	UNION	1	1	1	1	
34	09410-00023	CLAMP	1	1	1	1	

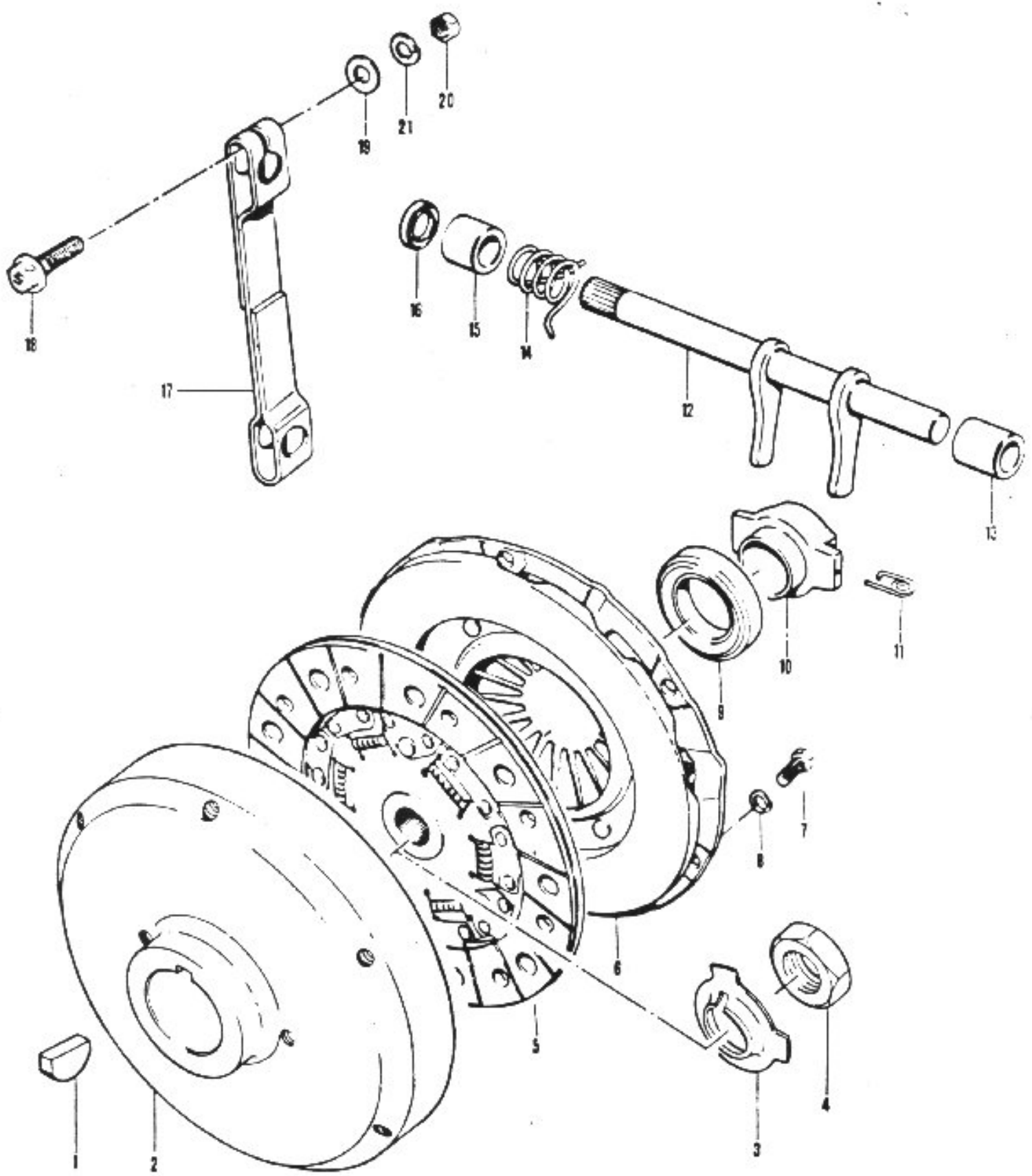
# WATER PUMP



## WATER PUMP

Ref.No.	Part No.	Description	Q'ty				Remarks
			1	2	3	4	
1	17521-67050	BELT, water pump	1	1	1	1	
2	08311-11068	NUT	4	4	4	4	
3	08321-21068	LOCK WASHER	4	4	4	4	
4	08322-21068	WASHER	4	4	4	4	
5	01411-06168	STUD BOLT	4	4	4	4	
6	17512-67000	PULLEY, water pump front	1	1	1	1	
7	17511-67000	PULLEY, water pump rear	1	1	1	1	
8	17513-67000	SHIM, pulley			AR		
9	17400-67020	PUMP ASSY, water	1	1	1	1	
10	17431-65000	GASKET, water pump	1	1	1	1	
11	01511-06308	BOLT	2	2	2	2	
12	01511-06508	BOLT	1	1	1	1	
13	01421-06308	STUD BOLT	2	2	2	2	
14	08312-11068	NUT	2	2	2	2	
15	08321-21068	LOCK WASHER	2	2	2	2	
16	08322-21068	WASHER	2	2	2	2	
17	17491-67000	SPACER, water pump	1	1	1	1	
18	17492-67010	GASKET, pump spacer	1	1	1	1	
19	01411-08258	STUD BOLT	5	5	5	5	
20	08312-11088	NUT	5	5	5	5	
21	08321-21088	LOCK WASHER	5	5	5	5	
22	08322-11088	WASHER	5	5	5	5	
23	09246-16001	PLUG	1	1	1	1	

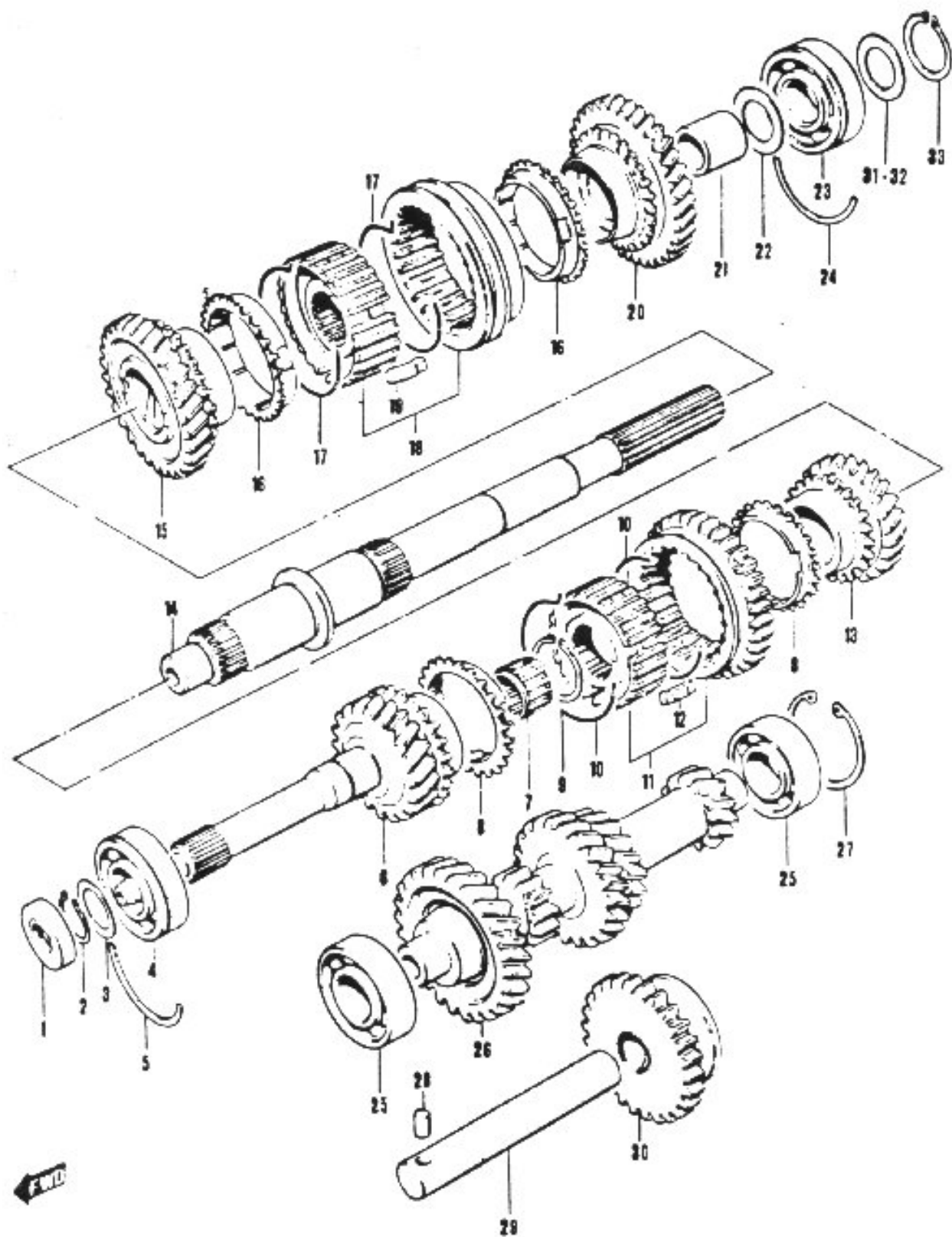
CLUTCH



## CLUTCH

Ref.No.	Part No.	Description	Q'ty				Remarks
			MR	ML	MRP	MLV	
1	08341-31059	KEY, flywheel	1	1	1	1	
2	12621-67000	FLYWHEEL	1	1	1	1	
3	09167-25005	LOCK WASHER	1	1	1	1	
4	09140-24003	NUT	1	1	1	1	
5	22400-63021	DISK COMP, clutch	1	1	1	1	
6	22100-52011	COVER ASSY, clutch	1	1	1	1	
7	01112-06167	BOLT	6	6	6	6	
8	08321-21068	LOCK WASHER	6	6	6	6	
9	09269-28001	BEARING, clutch release	1	1	1	1	
10	23161-60000	RETAINER, release bearing	1	1	1	1	
11	09448-12002	SPRING, clutch release bearing	2	2	2	2	
12	23260-60001	SHAFT COMP, clutch release	1	1	1	1	
13	09319-12008	BUSH, shaft (1)	1	1	1	1	12x20x22
14	09448-18008	SPRING, release lever return	1	1	1	1	
15	09300-12004	BUSH, shaft (2)	1	1	1	1	12x20x20
16	09284-12005	OIL SEAL, release shaft	1	1	1	1	
17	23266-60000	ARM, clutch release	1	1	1	1	
18	01511-08358	BOLT	1	1	1	1	
19	08322-11088	WASHER	1	1	1	1	
20	08312-11088	NUT	1	1	1	1	
21	08321-21088	LOCK WASHER	1	1	1	1	

# TRANSMISSION

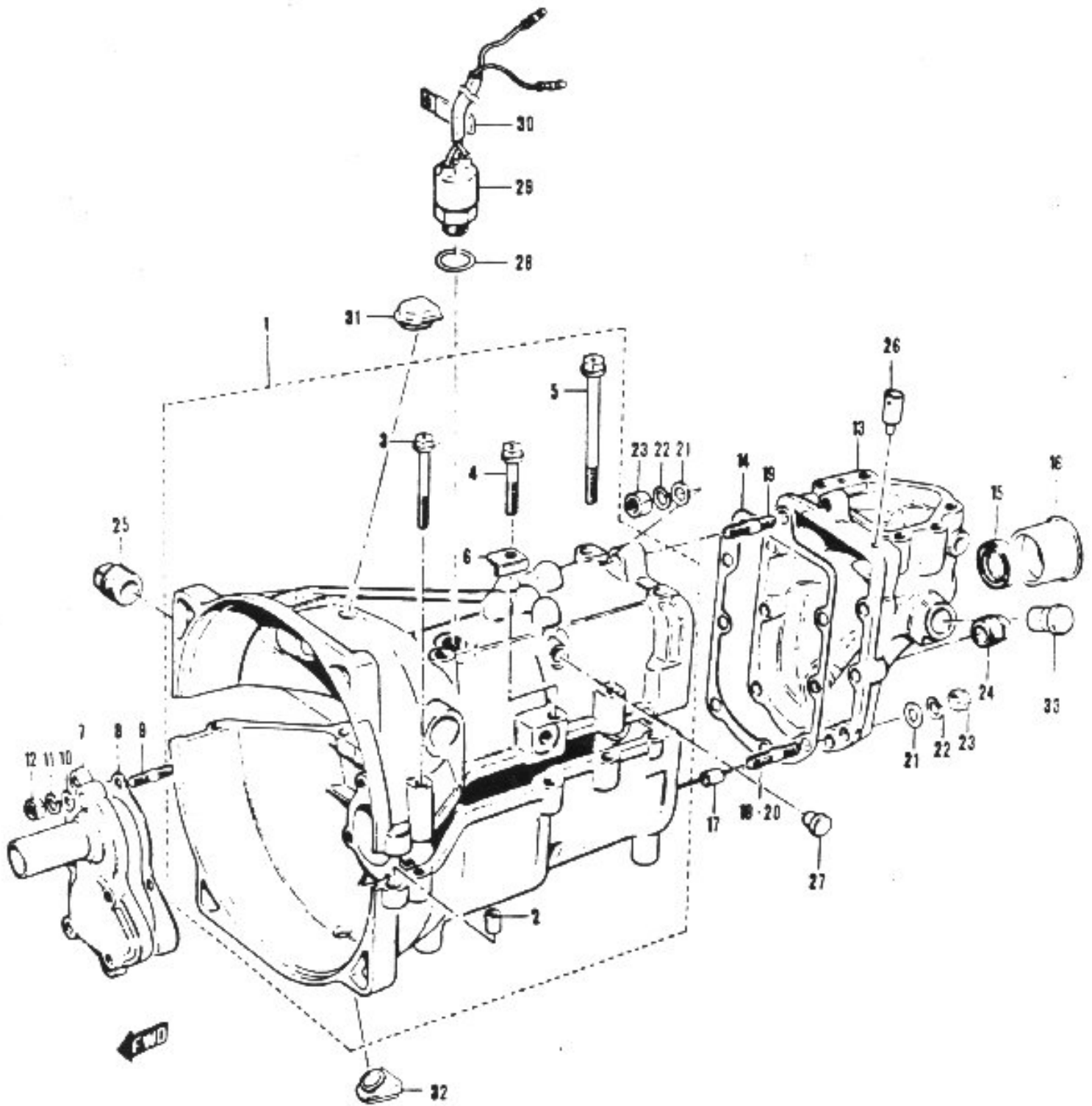




## TRANSMISSION

Ref.No.	Part No.	Description	Q'ty				Remarks	
			NR	NO.	NOV	NOV.		
1	09282-17002	OIL SEAL	1	1	1	1	17x30x6	
2	09380-17004	CIRCLIP	1	1	1	1		
3	08211-17251	THRUST WASHER	1	1	1	1		
4	08163-62030	BEARING	1	1	1	1		
5	09390-40002	C RING	1	1	1	1		
6	24110-61000	SHAFT COMP, transmission	1	1	1	1	ID:17.5, OD:22	
7	09263-17002	BEARING, needle roller	1	1	1	1		
8	24431-59040	RING, high speed synchronizer	2	2	2	2		
9	08331-11219	CIRCLIP	1	1	1	1		
10	09388-00004	SPRING, synchronizer	2	2	2	2		
11	24400-63805	HIGH SPEED HUB SET	1	1	1	1		
12	09422-05006	KEY, synchronizer	3	3	3	3		
13	24230-60000	GEAR COMP, main shaft third	1	1	1	1		
14	24121-63001	SHAFT, transmission main	1	1	1	1		
15	24220-60001	GEAR COMP, main shaft second	1	1	1	1		
16	24432-58042	RING, low speed synchronizer	2	2	2	2		
17	09388-00007	SPRING, low speed synchronizer	2	2	2	2		
18	24402-58877	LOW SPEED HUB SET	1	1	1	1		
19	09422-05009	KEY, synchronizer	3	3	3	3		
20	24211-60003	GEAR, main shaft low	1	1	1	1		
21	09300-20004	BUSH	1	1	1	1	20x25x23	
22-1	09160-20011	THRUST WASHER	1	1	1	1	20.5x34x1.5	
22-2	09160-20017	THRUST WASHER	1	1	1	1	20.5x34x1.2	
23	08163-63040	BEARING	1	1	1	1		
24	09390-52003	C RING	1	1	1	1		
25	08113-62030	BEARING	2	2	2	2		
26	24130-61000	SHAFT COMP, counter	1	1	1	1		
27	09381-40001	CIRCLIP	1	1	1	1		
28	06211-05103	DOWEL PIN	1	1	1	1		
29	24551-60000	SHAFT, reverse gear	1	1	1	1		
30	24560-60000	GEAR COMP, reverse idler	1	1	1	1		
31	09160-20018	THRUST WASHER	1	1	1	1		20x28x1.3
32	08211-20281	THRUST WASHER	1	1	1	1		
33	08331-11209	CIRCLIP	1	1	1	1		

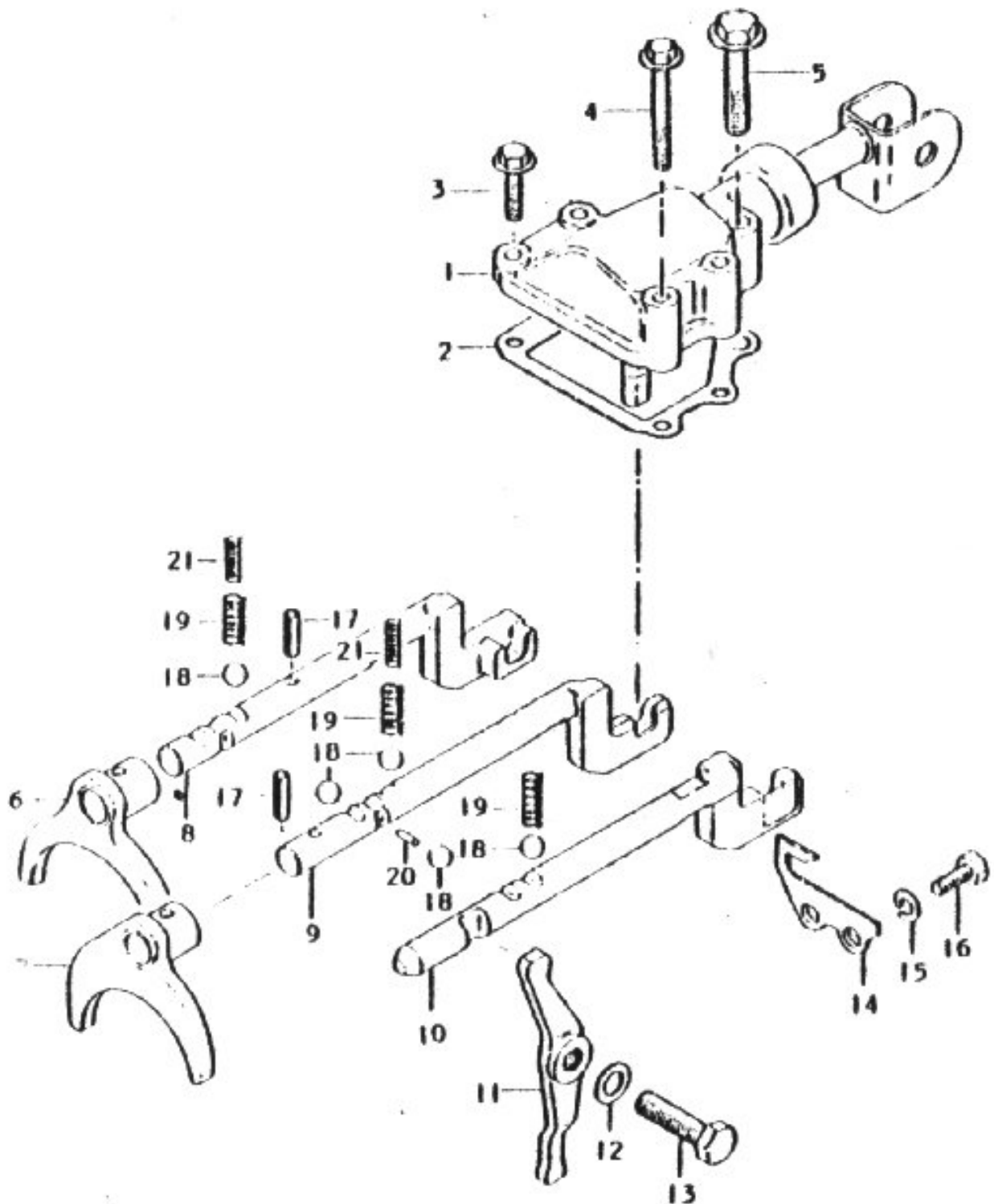
# TRANSMISSION CASE



## TRANSMISSION CASE

Ref.No.	Part No.	Description	Q'ty				Remarks
			MR	ML	MRP	MLL	
1	24700-60803	TRANSMISSION CASE SET	1	1	1	1	
2	04211-09169	•DOWEL PIN	2	2	2	2	
3	01512-06458	•BOLT (3)	2	2	2	2	
4	09103-08004	•BOLT (2)	4	4	4	4	M8, L:42
5	09103-08005	•BOLT (1)	4	4	4	4	M8, L:87
6	25715-60000	•COVER, bolt	1	1	1	1	
7	24741-60000	RETAINER, input shaft bearing	1	1	1	1	
8	24781-60000	GASKET	1	1	1	1	
9	01421-06258	STUD BOLT	5	5	5	5	
10	08322-11068	WASHER	5	5	5	5	
11	08321-21068	LOCK WASHER	5	5	5	5	
12	08311-11068	NUT	5	5	5	5	
13	24770-61001	CASE COMP, extension	1	1	1	1	
14	24784-60000	GASKET	1	1	1	1	
15	24780-60000	OIL SEAL, extension case	1	1	1	1	
16	24775-60000	COVER, extension case	1	1	1	1	
17	04211-09169	DOWEL PIN	2	2	2	2	
18	01421-08308	STUD BOLT (2)	1	1	1	1	
19	01421-08358	STUD BOLT (1)	3	3	3	3	
20	01421-08408	STUD BOLT (3)	4	4	4	4	
21	08322-11088	WASHER	8	8	8	8	
22	08321-31088	LOCK WASHER	8	8	8	8	
23	08312-11088	NUT	8	8	8	8	
24	09246-16003	PLUG, drain	1	1	1	1	
25	09246-16003	PLUG, oil level	1	1	1	1	
26	24821-09000	PLUG, breather	1	1	1	1	
27	09250-08001	PLUG	1	1	1	1	
28	09280-11002	O RING	1	1	1	1	ID:11.4, d:1.9
29	37610-64020	SWITCH ASSY, back up lamp	1	1	1	1	
30	09403-00045	CLAMP	1	1	1	1	
31	24715-60571	VENTILATOR, upper.	1	1	1	1	
32	24725-60020	VENTILATOR, lower	1	1	1	1	
33	09250-16007	PLUG	1	1	1	1	

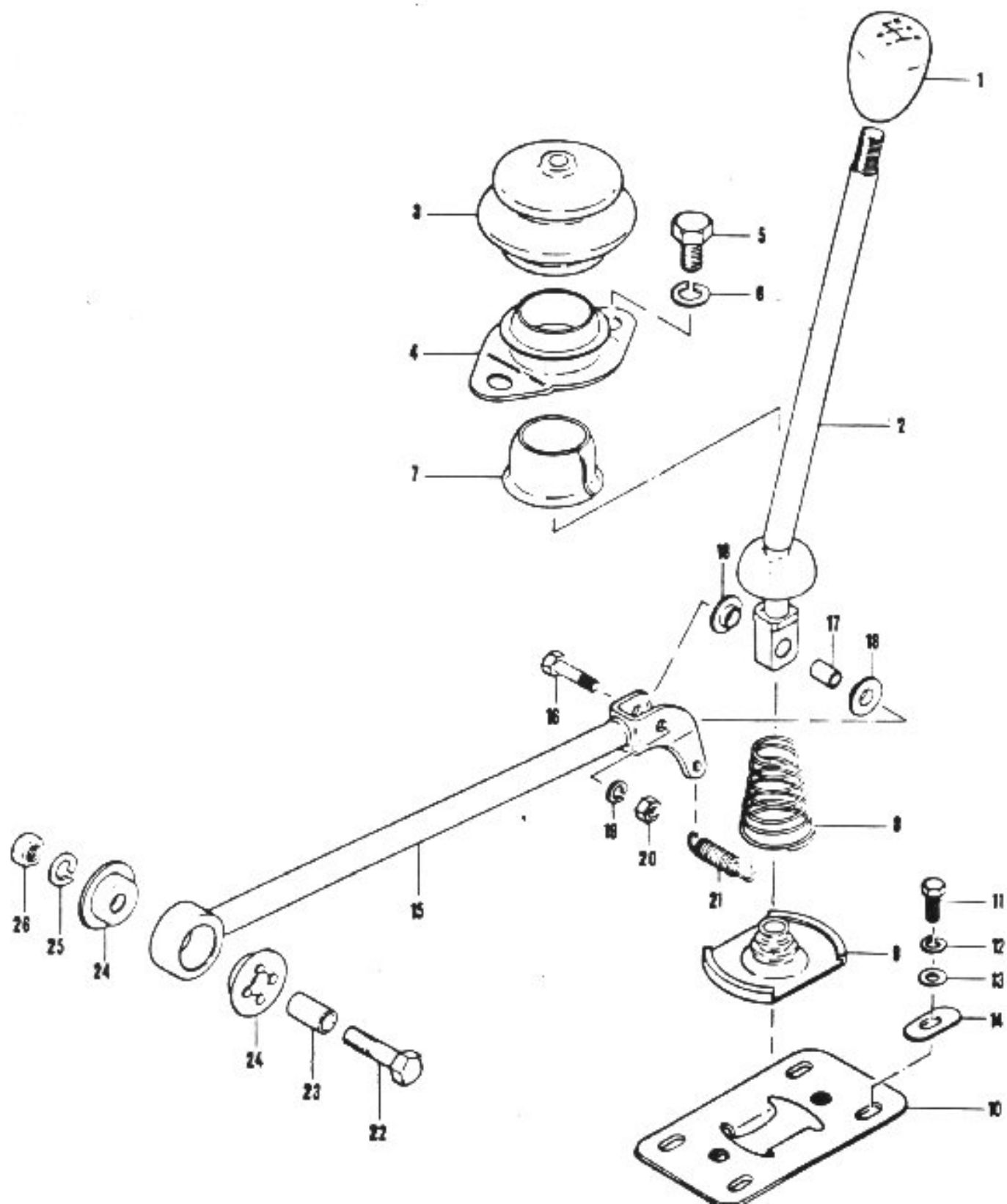
# GEAR SHIFTING FORK



## GEAR SHIFTING FORK

Ref.No.	Part No.	Description	Q'ty				Remarks
			29R	29L	29VR	29VL	
1	25100-63001	CASE COMP, gear shift lever	1	1	1	1	
2	25185-60500	GASKET, gear shift lever case	1	1	1	1	
3	01112-06257	BOLT	2	2	2	2	
4	01112-06458	BOLT	2	2	2	2	
5	08321-21068	LOCK WASHER	4	4	4	4	
6	08322-21068	WASHER	4	4	4	4	
7	01122-08507	BOLT	1	1	1	1	
8	08321-21088	LOCK WASHER	1	1	1	1	
9	08322-11088	WASHER	1	1	1	1	
10	25210-60000	FORK COMP, low speed gear	1	1	1	1	
11	25220-60000	FORK COMP, high speed gear	1	1	1	1	
12	25410-63000	SHAFT COMP, low speed gear	1	1	1	1	
13	25420-63000	SHAFT COMP, high speed gear	1	1	1	1	
14	25450-63002	SHAFT COMP, reverse gear	1	1	1	1	
15	25460-60000	LEVER COMP, reverse gear	1	1	1	1	
16	09168-10007	GASKET	1	1	1	1	10.1x16x1
17	25711-60000	BOLT	1	1	1	1	
18	25481-63000	PLATE	1	1	1	1	
19	08321-21068	LOCK WASHER	2	2	2	2	
20	09100-06067	BOLT	2	2	2	2	M6, L:14
21	09205-04003	SPRING PIN	2	2	2	2	
22	09260-10001	BALL, gear shift locating	5	5	5	5	
23	09440-07005	SPRING, gear shift locating	3	3	3	3	
24	09261-03002	ROLLER, shifter shaft locating	1	1	1	1	
25	09440-04019	SPRING, gear shift locating	2	2	2	2	

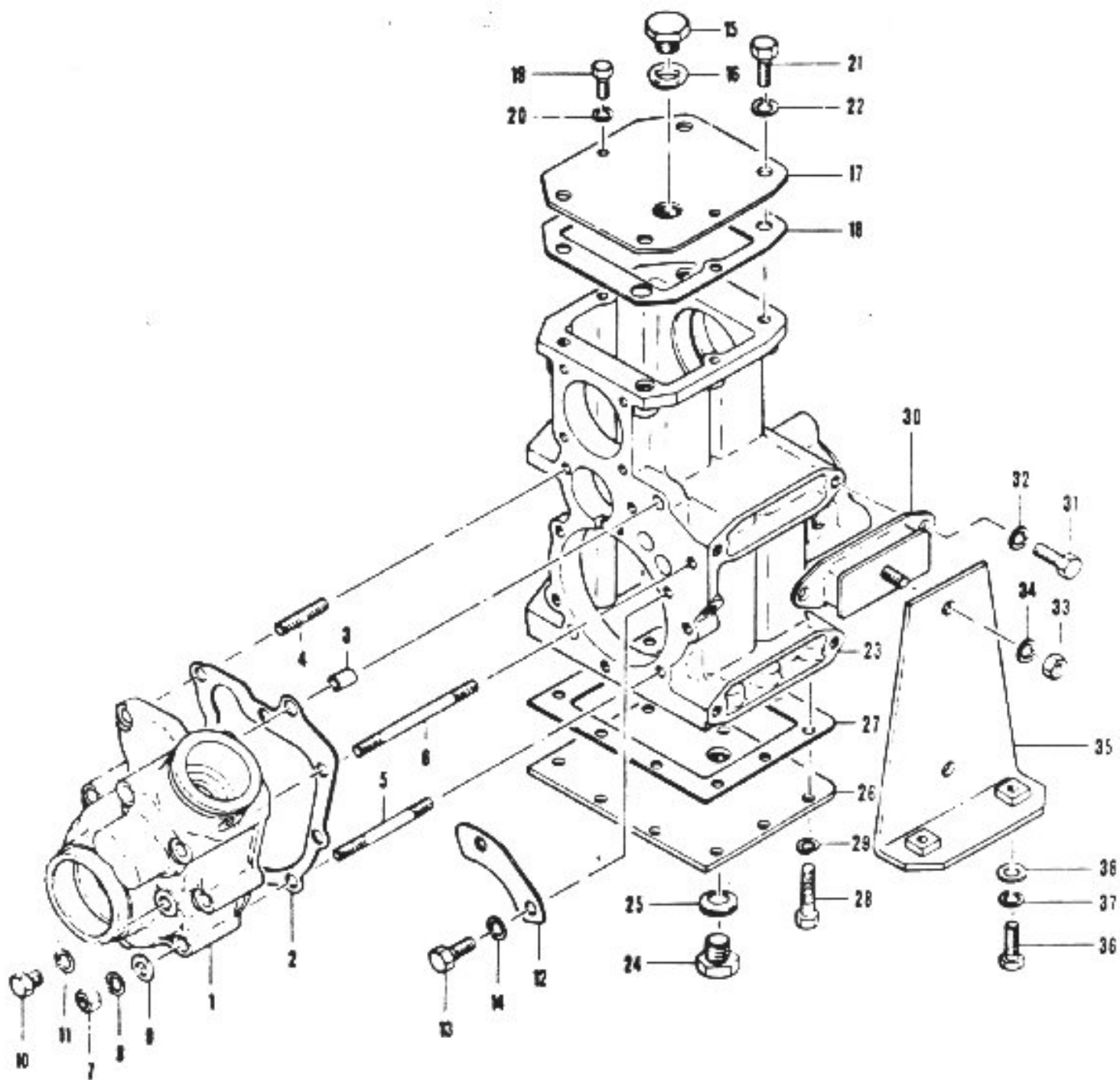
# CHANGE REMOTE CONTROL



## CHANGE REMOTE CONTROL

Ref.No.	Part No.	Description	Q'ty				Remarks
			20R	20L	20RP	20VL	
1	28113-64020	KNOB, gear shift lever	1	1	1	1	
2	28110-63002	LEVER COMP, gear shift control	1	1	1	1	
3	28135-63100	BOOT, gear shift control lever	1	1	1	1	
4	28180-63000	HOUSING COMP, control lever	1	1	1	1	
5	01122-10168	BOLT	2	2	2	2	
6	08321-21108	LOCK WASHER	2	2	2	2	
7	28115-64000	SEAT, gear shift control lever	1	1	1	1	
8	09441-41002	SPRING, gear shift control lever	1	1	1	1	
9	28136-58000	DUST SEAL	1	1	1	1	
10	28190-63000	PLATE COMP, lever guide	1	1	1	1	
11	01112-06167	BOLT	4	4	4	4	
12	08321-21068	LOCK WASHER	4	4	4	4	
13	08322-21068	WASHER	4	4	4	4	
14	09169-07002	WASHER	4	4	4	4	
15	28250-63002	SHAFT COMP, gear shift control	1	1	1	1	
16	09100-06036	BOLT	1	1	1	1	
17	09180-06018	SPACER (1)	1	1	1	1	6.1x8x12.4
18	09306-08002	BUSH (1)	2	2	2	2	
19	08321-21068	LOCK WASHER	1	1	1	1	
20	08311-11068	NUT	1	1	1	1	
21	09443-10011	SPRING, return	1	1	1	1	
22	01122-08358	BOLT	1	1	1	1	
23	09180-08053	SPACER (2)	1	1	1	1	8.2x11x22.5
24	28291-58000	BUSH (2)	2	2	2	2	
25	08321-21088	LOCK WASHER	1	1	1	1	

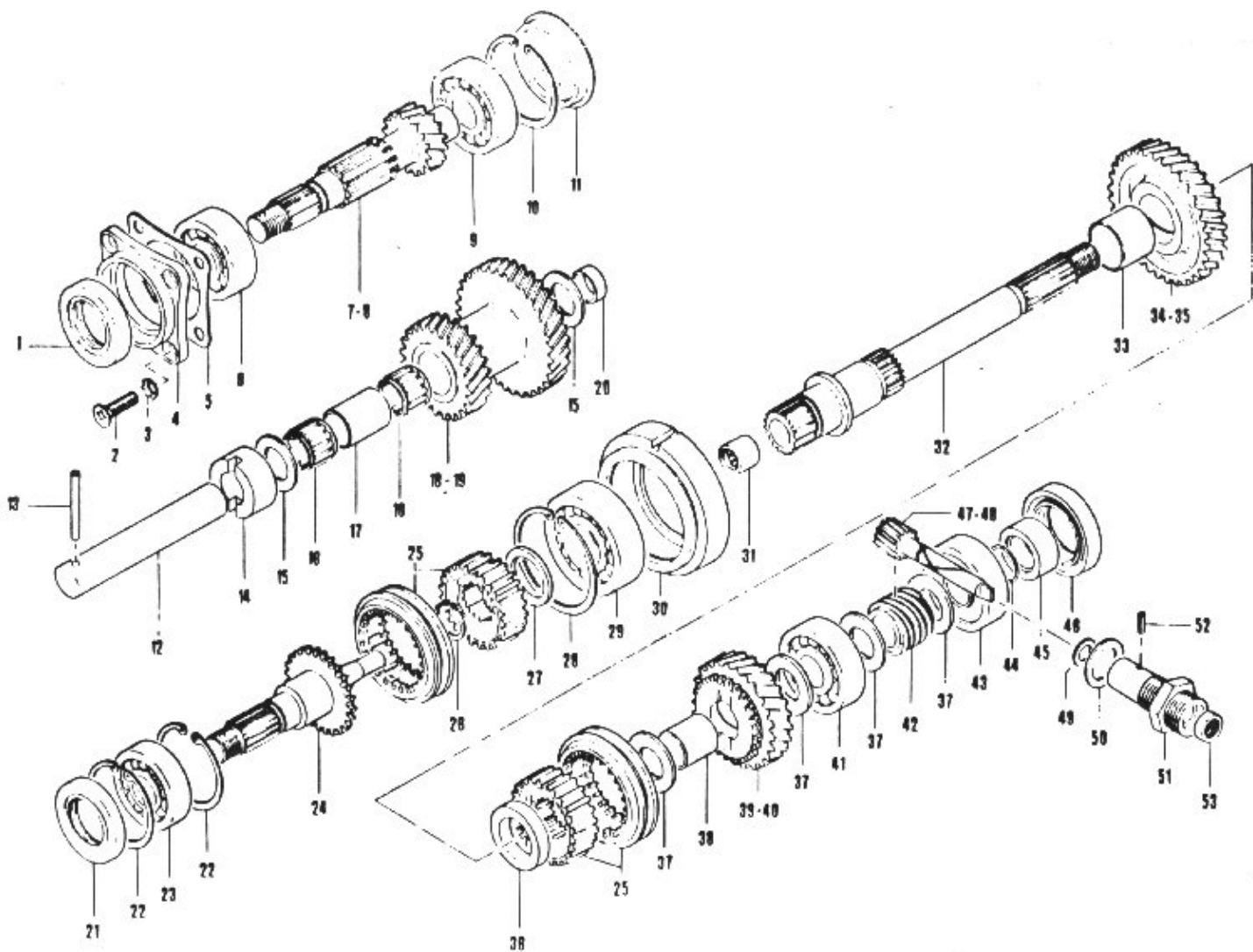
# TRANSFER CASE





## TRANSFER CASE

Ref.No.	Part No.	Description	Q'ty				Remarks
			MP	25.	25/2	25/3	
1	29520-63000	CASE COMP, transfer front	1	1	1	1	
2	29525-63000	GASKET	1	1	1	1	
3	04211-09129	DOWEL PIN	2	2	2	2	
4	01421-08208	STUD BOLT (1)	1	1	1	1	
5	01421-08558	STUD BOLT (2)	5	5	5	5	
6	01421-08758	STUD BOLT (3)	2	2	2	2	
7	08312-11088	NUT	8	8	8	8	
8	08321-21088	LOCK WASHER	8	8	8	8	
9	08322-11088	WASHER	8	8	8	8	
10	01122-08128	PLUG, oil level	1	1	1	1	
11	09168-08008	GASKET	1	1	1	1	8.2x14x1
12	29351-63000	PLATE, stop	1	1	1	1	
13	01122-08207	BOLT	2	2	2	2	
14	08321-21088	LOCK WASHER	2	2	2	2	
15	09247-14008	PLUG, oil filler	1	1	1	1	
16	09168-14002	GASKET	1	1	1	1	
17	29540-63000	COVER COMP, upper	1	1	1	1	
18	29545-63000	GASKET	1	1	1	1	
19	01112-06167	BOLT	2	2	2	2	
20	08321-21068	LOCK WASHER	2	2	2	2	
21	01122-08207	BOLT	4	4	4	4	
22	08321-21088	LOCK WASHER	4	4	4	4	
23	29510-63000	CASE COMP, transfer main	1	1	1	1	
24	09247-14001	PLUG, drain	1	1	1	1	
25	09168-14002	GASKET	1	1	1	1	14x19x2
26	29550-63000	COVER COMP, bottom	1	1	1	1	
27	29552-63000	GASKET	1	1	1	1	
28	01112-06167	BOLT		10			
29	08321-21068	LOCK WASHER		10			
30	29610-63021	MOUNTING COMP, transfer case	4	4	4	4	
31	01122-08207	BOLT	8	8	8	8	
32	08321-21088	LOCK WASHER	8	8	8	8	
33	08312-11088	NUT	4	4	4	4	
34	08321-21088	LOCK WASHER	4	4	4	4	
35	29620-63000	BRACKET COMP, mounting	2	2	2	2	
36	01122-08207	BOLT	4	4	4	4	
37	08321-21088	LOCK WASHER	4	4	4	4	
38	08322-11088	WASHER	4	4	4	4	

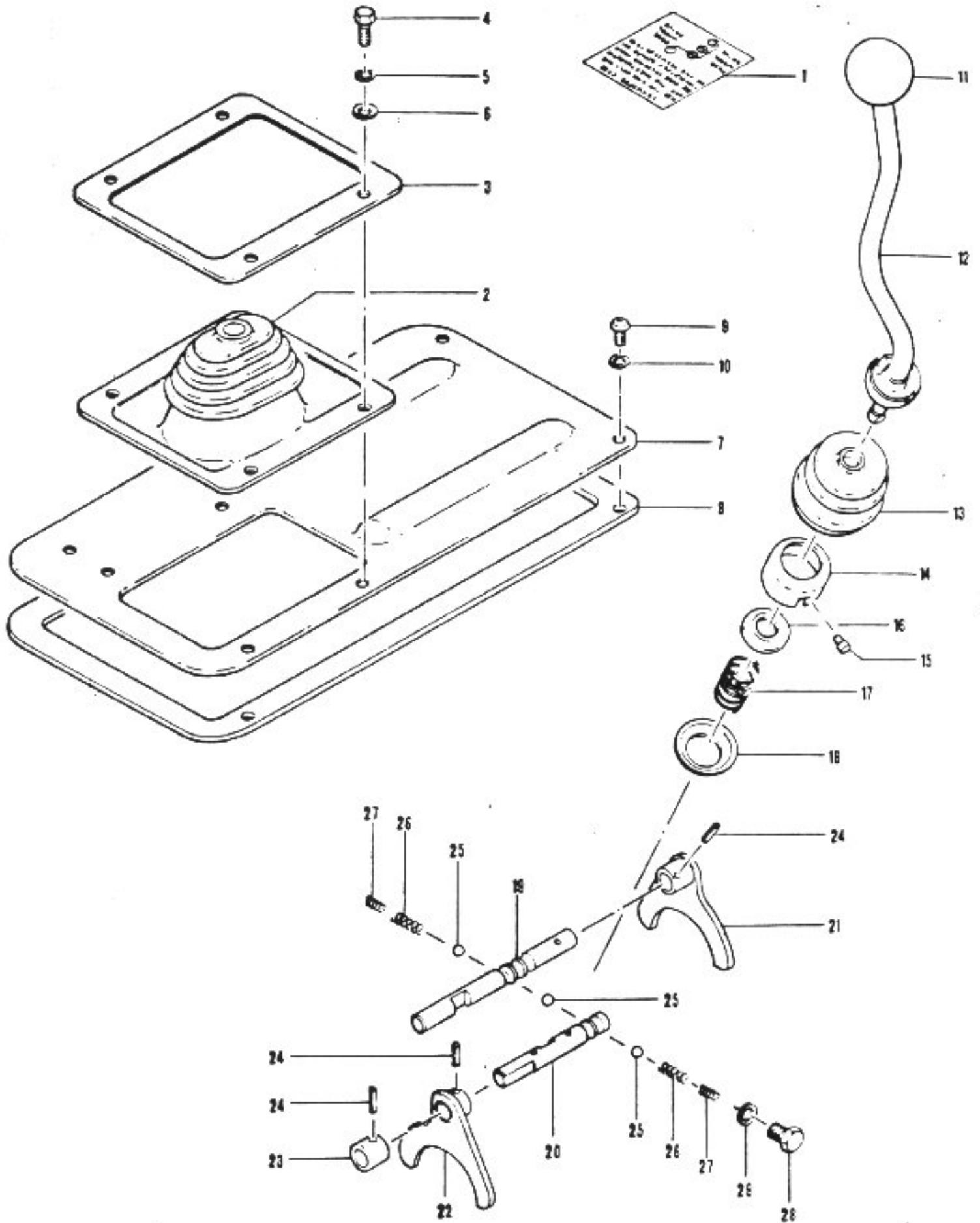


TRANSFER GEAR

## TRANSFER GEAR

Ref.No.	Part No.	Description	Q'ty				Remarks
			NO	IN	NEW	REV.	
1	09283-28003	OIL SEAL	1	1	1	1	28x47x8
2	02122-06208	SCREW	4	4	4	4	
3	08323-31068	TOOTHED WASHER	4	4	4	4	
4	29531-63000	RETAINER, input shaft bearing	1	1	1	1	
5	29532-63000	GASKET	1	1	1	1	
6	08113-62040	BEARING	1	1	1	1	
7	29111-63000	SHAFT, transfer input	1	1			} spline
8	29111-63100	SHAFT, transfer input			1	1	
9	09262-20009	BEARING	1	1	1	1	
10	08331-21529	CIRCLIP	1	1	1	1	
11	09241-52002	PLUG, bearing	1	1	1	1	
12	29131-63000	SHAFT, counter gear	1	1	1	1	
13	09202-05012	PIN, stopper	1	1	1	1	5x44
14	09300-20009	BUSH	1	1	1	1	20x35x15.2
15	09160-20021	THRUST WASHER	2	2	2	2	20x34x3.8
16	09263-20010	BEARING	2	2	2	2	20x26x19.8
17	09180-20038	SPACER	1	1	1	1	20.1x24.2x29.8
18	29121-63001	GEAR, transfer counter	1	1			
19	29121-63100	GEAR, transfer counter			1	1	
20	09241-20001	PLUG SHAFT	1	1	1	1	
21	09283-28003	OIL SEAL	1	1	1	1	28x47x8
22	08331-21479	CIRCLIP	2	2	2	2	
23	08113-62040	BEARING	1	1	1	1	
24	29151-63001	SHAFT, transfer output front	1	1	1	1	
25	24400-63806	REAR SHAFT HUB SET	2	2	2	2	
26	09380-22001	CIRCLIP	1	1	1	1	
27	09180-25028	SPACER	1	1	1	1	24x36x3.5
28	08331-21629	CIRCLIP	1	1	1	1	
29	08113-63050	BEARING	1	1	1	1	
30	29535-63000	RETAINER, bearing	1	1	1	1	
31	09263-10001	BEARING	1	1	1	1	
32	29141-63001	SHAFT, transfer output rear	1	1	1	1	
33	09300-25005	BUSH	1	1	1	1	25x30x24
34	29211-63001	GEAR, output shaft low	1	1			
35	29211-63100	GEAR, output shaft low			1	1	
36	09180-25025	SPACER	1	1	1	1	25.2x38x8.3
37	08211-20345	THRUST WASHER	4	4	4	4	
38	09300-20004	BUSH	1	1	1	1	20x25x23
39	29221-63000	GEAR, output shaft high	1	1			
40	29221-63100	GEAR, output shaft high			1	1	
41	09262-20009	BEARING	1	1	1	1	
42	29411-63100	GEAR, speedometer drive	1	1	1	1	
43	09262-20032	BEARING	1	1	1	1	
44	09280-19001	O RING	1	1	1	1	ID:18.8, d:1.9
45	29143-63000	RETAINER, O ring	1	1	1	1	20x32x16
46	09283-32009	OIL SEAL	1	1	1	1	32x52x10
47	29421-63001	GEAR, driven	1	1			
48	29421-63100	GEAR driven			1	1	
49	08211-10161	THRUST WASHER	1	1	1	1	
50	09168-20001	GASKET	1	1	1	1	20.5x30x1
51	26111-59000	CASE, speedometer gear	1	1	1	1	
52	09205-02004	PIN, driven gear	1	1	1	1	
53	09285-10001	OIL SEAL	1	1	1	1	10x16x5

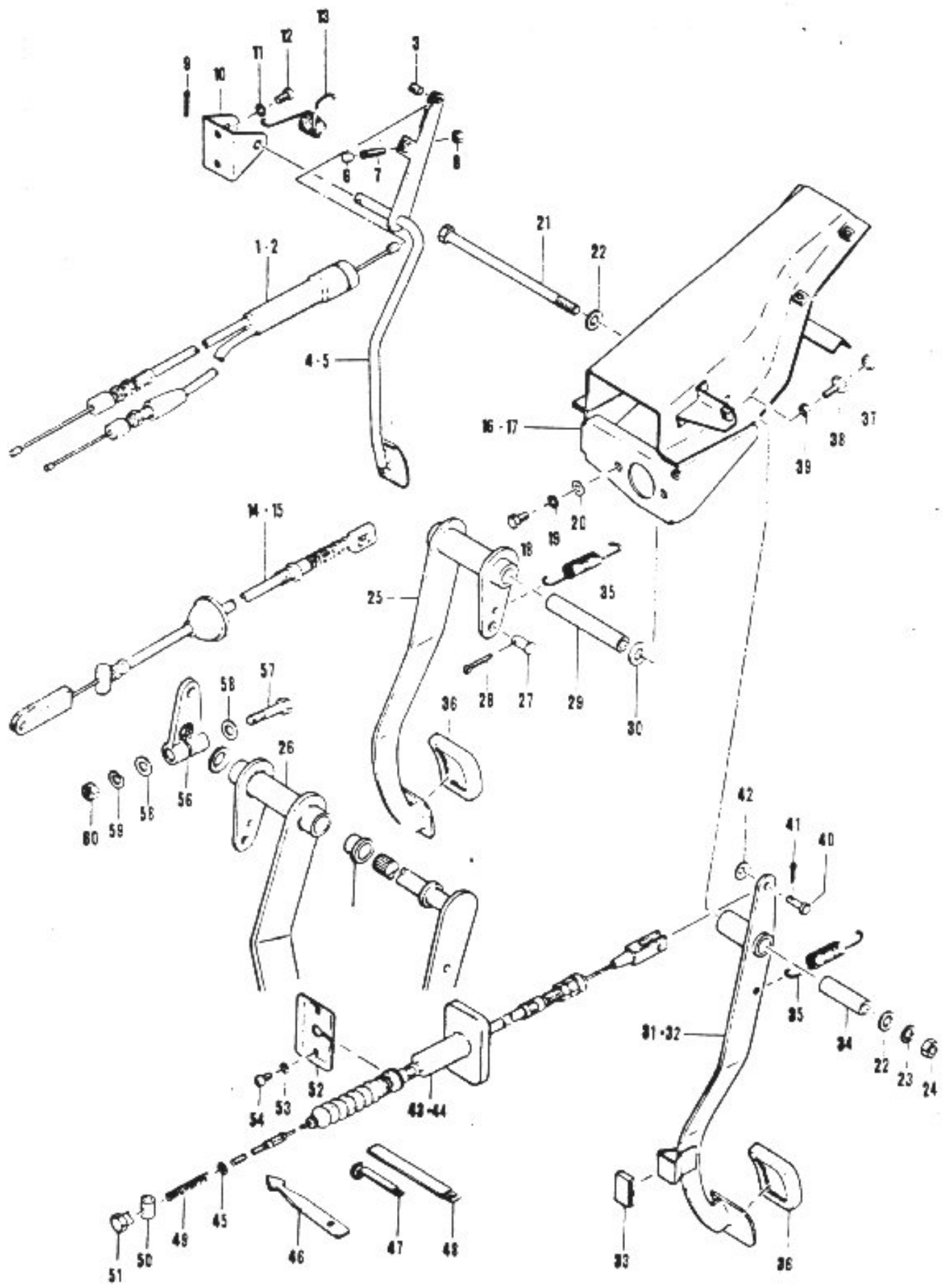
# TRANSFER GEAR SHIFT



## TRANSFER GEAR SHIFT

Ref.No.	Part No.	Description	Q'ty				Remarks
			20P	20L	20V	20VL	
1	28381-63602	EMBLEM, gear shift control	1	1	1	1	
2	28137-63000	COVER	1	1	1	1	
3	28138-63000	FLANGE	1	1	1	1	
4	02112-06208	SCREW	4	4	4	4	
5	08321-21068	LOCK WASHER	4	4	4	4	
6	08322-11068	WASHER	4	4	4	4	
7	66311-63000	LID, floor tunnel	1	1	1	1	
8	66312-63001	GASKET, floor tunnel lid	1	1	1	1	
9	02112-06128	SCREW	4	4	4	4	
10	08321-21068	LOCK WASHER	4	4	4	4	
11	28113-63020	KNOB	1	1	1	1	
12	29340-63001	LEVER COMP, gear control	1	1	1	1	
13	28135-63020	BOOTS	1	1	1	1	
14	28121-60000	SEAT, lever guide	1	1	1	1	
15	09209-06017	PIN	1	1	1	1	
16	28115-60000	SEAT, lever spring	1	1	1	1	
17	09440-20006	SPRING	1	1	1	1	
18	28116-60000	SEAT, control lever	1	1	1	1	
19	29331-63000	SHAFT, reduction shift	1	1	1	1	
20	29332-63000	SHAFT, front drive shift	1	1	1	1	
21	29320-63000	FORK COMP, reduction shift	1	1	1	1	
22	29310-63000	FORK COMP, front drive shift	1	1	1	1	
23	29314-63000	PIPE, lever stop	1	1	1	1	
24	09205-04003	SPRING PIN	3	3	3	3	
25	09260-10001	BALL	3	3	3	3	
26	09440-07005	SPRING, gear shift locating	2	2	2	2	
27	09440-04011	SPRING, gear shift locating	2	2	2	2	
28	09100-10004	PLUG, gear shift	1	1	1	1	
29	09168-10010	GASKET	1	1	1	1	

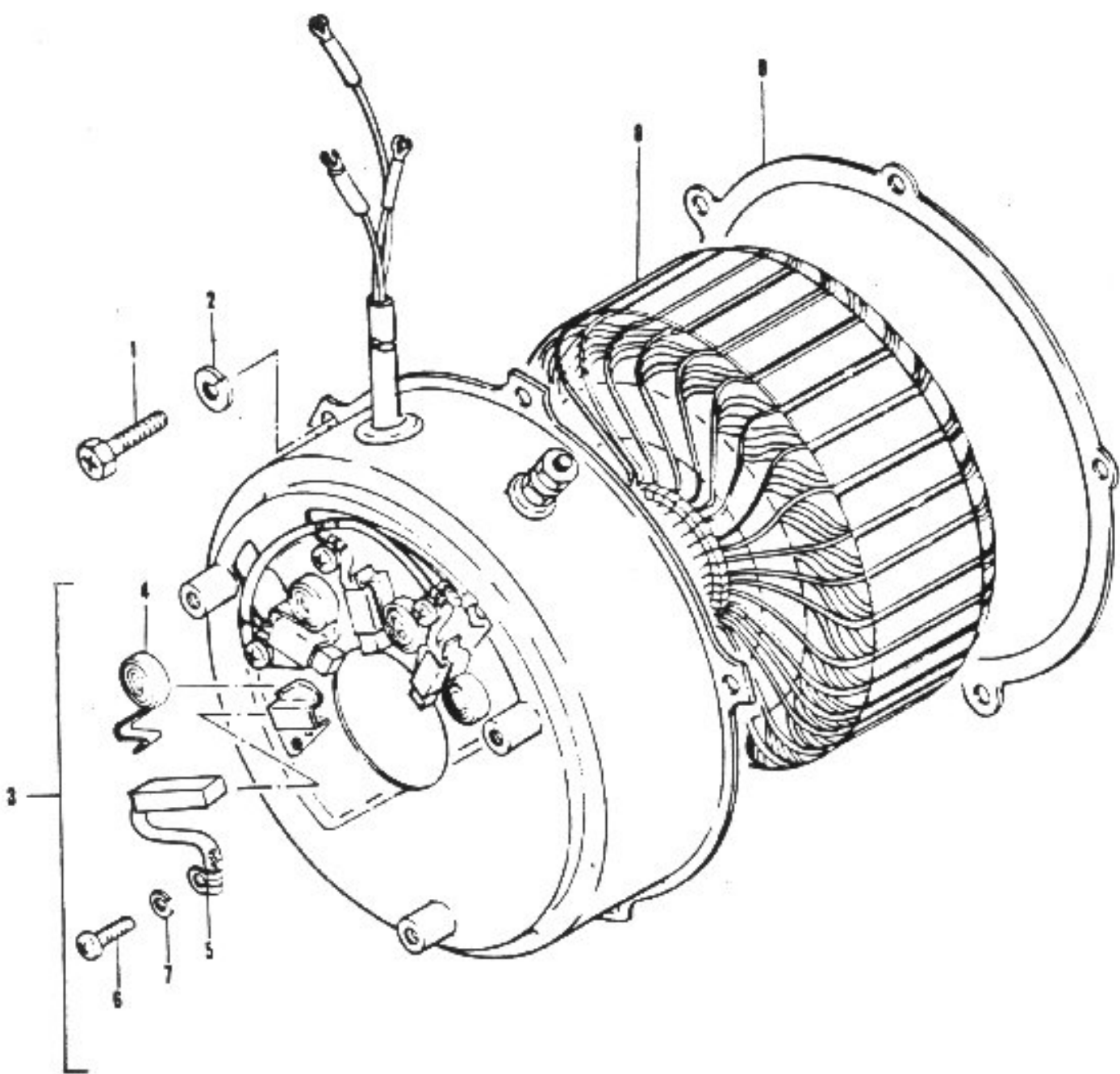
FOOT PEDAL • CABLE



FOOT PEDAL - CABLE

Ref.No.	Part No.	Description	Q'ty				Remarks
			MR	NO	2046	214	
1	15910-63011	CABLE ASSY, accelerator	1	1			
2	15910-63611	CABLE ASSY, accelerator		1	1		
3	13683-51010	TERMINAL, accelerator cable	1	1	1	1	
4	28710-63600	PEDAL COMP, accelerator	1	1			
5	28710-63611	PEDAL COMP, accelerator		1	1		
6	52242-51000	CAP	1	1	1	1	
7	09134-06002	SCREW	1	1	1	1	M6, L:30
8	08311-31068	NUT	1	1	1	1	
9	04111-20208	COTTERPIN	1	1	1	1	
10	28771-63000	BRACKET, accelerator pedal	1	1	1	1	
11	08321-21068	LOCK WASHER	2	2	2	2	
12	02112-06128	SCREW	2	2	2	2	
13	09448-19003	SPRING, accelerator pedal	1	1	1	1	
14	15930-63011	CABLE ASSY, starter	1	1			
15	15930-63611	CABLE ASSY, starter		1	1		
16	28930-63001	BRACKET COMP, pedal	1	1			
17	28930-63612	BRACKET COMP, pedal		1	1		
18	01112-06128	BOLT	2	2	2	2	
19	08321-21068	LOCK WASHER	2	2	2	2	
20	08322-21068	WASHER	2	2	2	2	
21	09100-10056	BOLT, pedal	1	1	1	1	M10, L:160
22	08322-11108	WASHER	2	2	2	2	
23	08321-21108	LOCK WASHER	1	1	1	1	
24	08312-11108	NUT	1	1	1	1	
25	28810-63001	PEDAL COMP, brake	1	1			
26	28810-63611	PEDAL COMP, brake		1	1		
27	09200-08006	PIN	1	1	1	1	
28	04111-25208	COTTER PIN	1	1	1	1	
29	28825-61000	SPACER	1	1	1	1	
30	09161-16003	WASHER			AR		
31	28850-63000	PEDAL COMP, clutch	1	1			
32	28850-63611	PEDAL COMP, clutch		1	1		
33	28916-63000	CUSHION, stopper	1	1	1	1	
34	09180-10021	SPACER	1	1	1	1	10x15x51.2
35	09443-13003	SPRING, pedal	2	2	2	2	
36	28911-51000	PAD, pedal	2	2	2	2	
37	09320-03001	CUSHION, clutch pedal stop	1	1	1	1	
38	09119-06003	BOLT	1	1	1	1	
39	08311-31068	NUT	1	1	1	1	
40	09200-06009	PIN, clutch pedal	1	1	1	1	
41	09164-08002	WASHER	1	1	1	1	ID:8.5, OD:16
42	04111-20158	COTTER PIN	1	1	1	1	
43	23710-63012	CABLE ASSY, clutch	1	1			
44	23710-63611	CABLE ASSY, clutch		1	1		
45	08322-11068	WASHER	1	1	1	1	
46	09410-00019	CLAMP, clutch cable	1	1	1	1	
47	09403-00114	CLAMP (1)		1	1		
48	09403-00058	CLAMP (2)		1	1		
49	09440-08001	SPRING	1	1	1	1	
50	09209-13003	PIN, joint	1	1	1	1	
51	09150-06001	NUT, joint	1	1	1	1	
52	28913-63000	COVER, dust seal	1	1	1	1	
53	08321-21058	LOCK WASHER	2	2	2	2	
54	02111-05107	SCREW	2	2	2	2	
55	09306-14004	BUSH		4	4		
56	28867-63611	ARM, clutch pedal shaft	1	1			
57	09100-06063	BOLT	1	1			
58	08322-11068	WASHER	2	2	2	2	
59	08321-21068	LOCK WASHER	1	1	1	1	
60	08311-11068	NUT	1	1	1	1	

STARTER GENERATOR

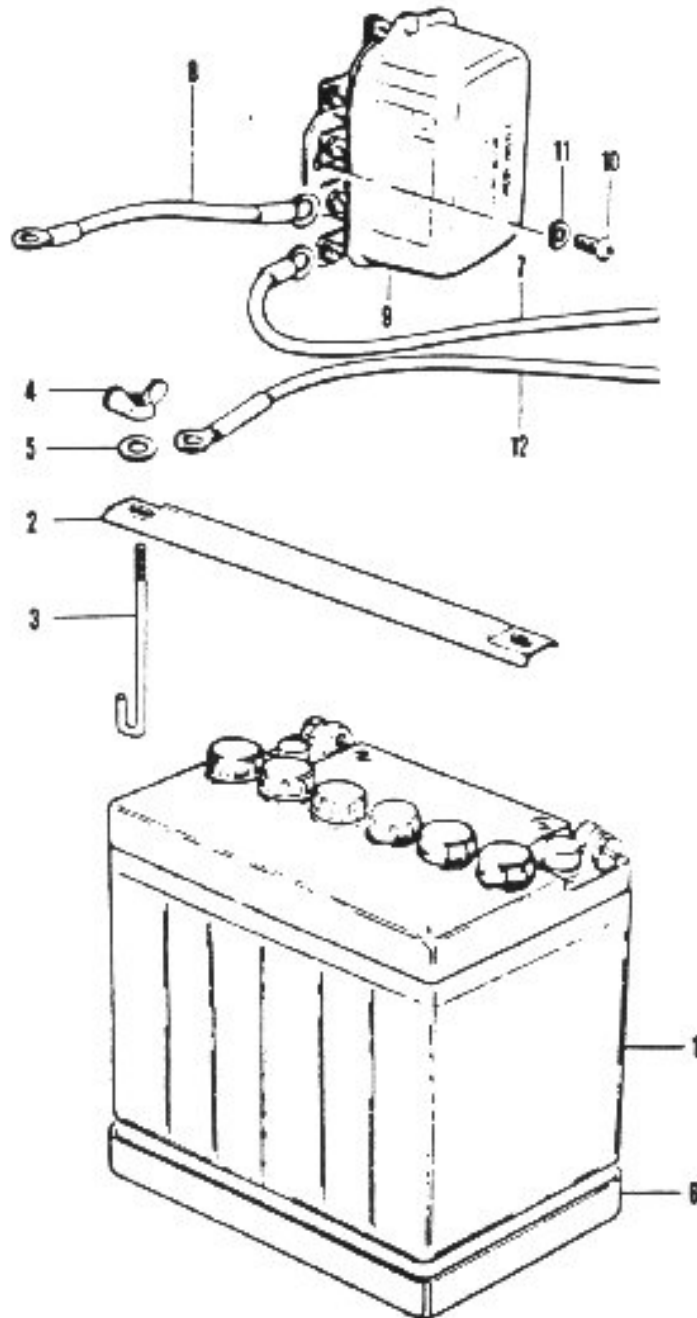




## STARTER GENERATOR

Ref.No.	Part No.	Description	Q'ty				Remarks
			20R	21L	20VR	21V.	
1	09128-06005	SCREW	5	5	5	5	
2	08321-21068	LOCK WASHER	5	5	5	5	
3	31401-63010	STATOR ASSY	1	1	1	1	
4	31635-52011	*SPRING, carbon brush	4	4	4	4	
5	31631-58012	*CARBON BRUSH	4	4	4	4	
6	02111-04067	*SCREW	4	4	4	4	
7	08321-21048	*LOCK WASHER	4	4	4	4	
8	31710-60510	ARMATURE COMP	1	1	1	1	
9	17232-67040	GASKET, stator	1	1	1	1	

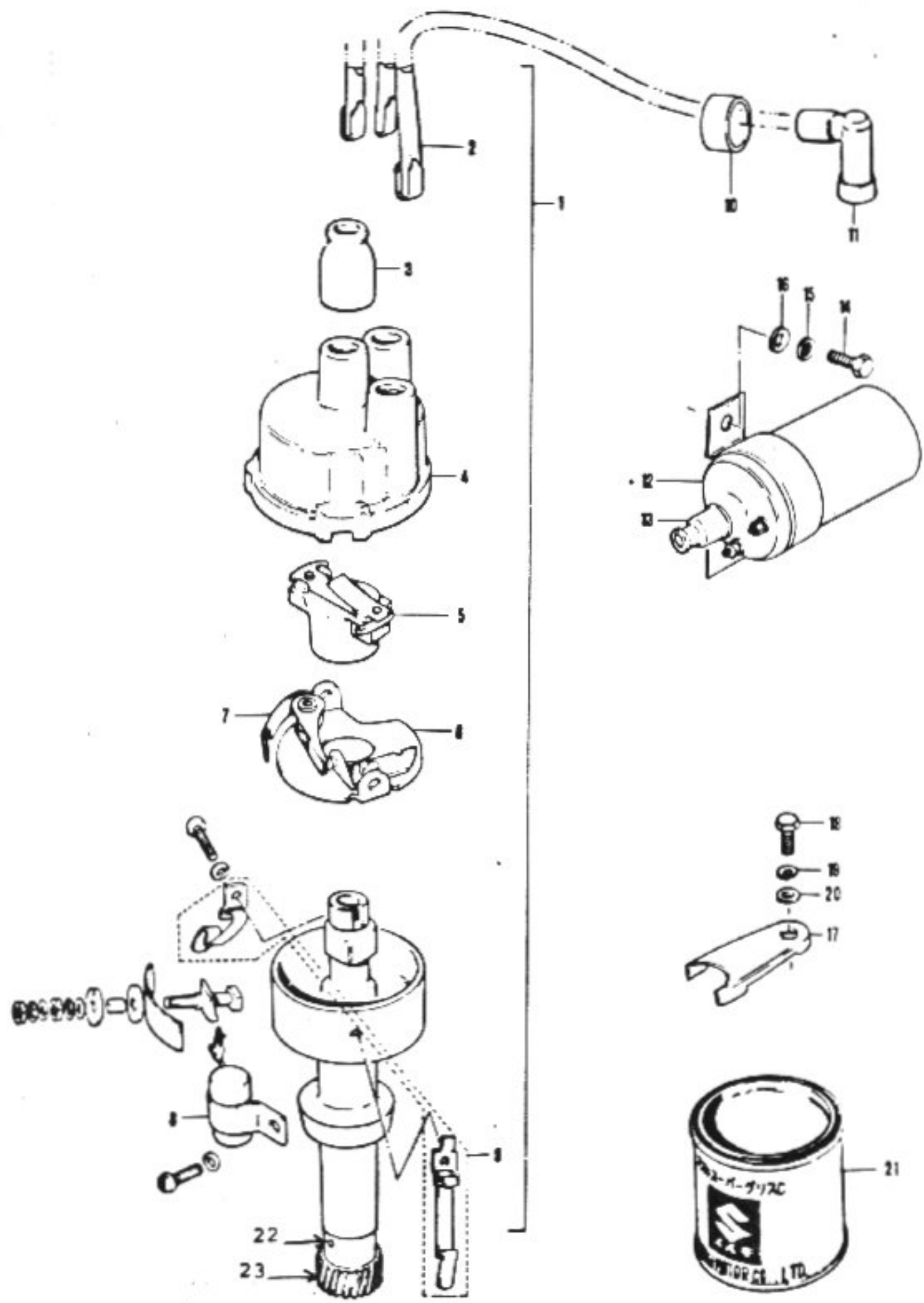
# BATTERY • REGULATOR



BATTERY REGULATOR

Ref.No.	Part No.	Description	Q'ty				Remarks
			MP	NO.	NOV	NOV	
1	33610-64010	BATTERY ASSY	1	1	1	1	12V, 24Ah YUASA
2	85822-63000	ANGLE, battery	1	1	1	1	
3	72729-64000	BOLT, battery	2	2	2	2	
4	08317-11058	WING NUT	2	2	2	2	
5	08321-21058	LOCK WASHER	2	2	2	2	
6	33661-51020	TRAY, battery	1	1	1	1	L:390
7	33851-52050	CABLE, battery ground	1	1	1	1	
8	33821-59050	CABLE, battery plus	1	1	1	1	
9	32500-64010	REGULATOR ASSY, voltage	1	1	1	1	
10	02112-06108	SCREW	3	3	3	3	
11	08321-21068	LOCK WASHER	3	3	3	3	
12	33811-63000	CABLE, starter generator	1	1	1	1	

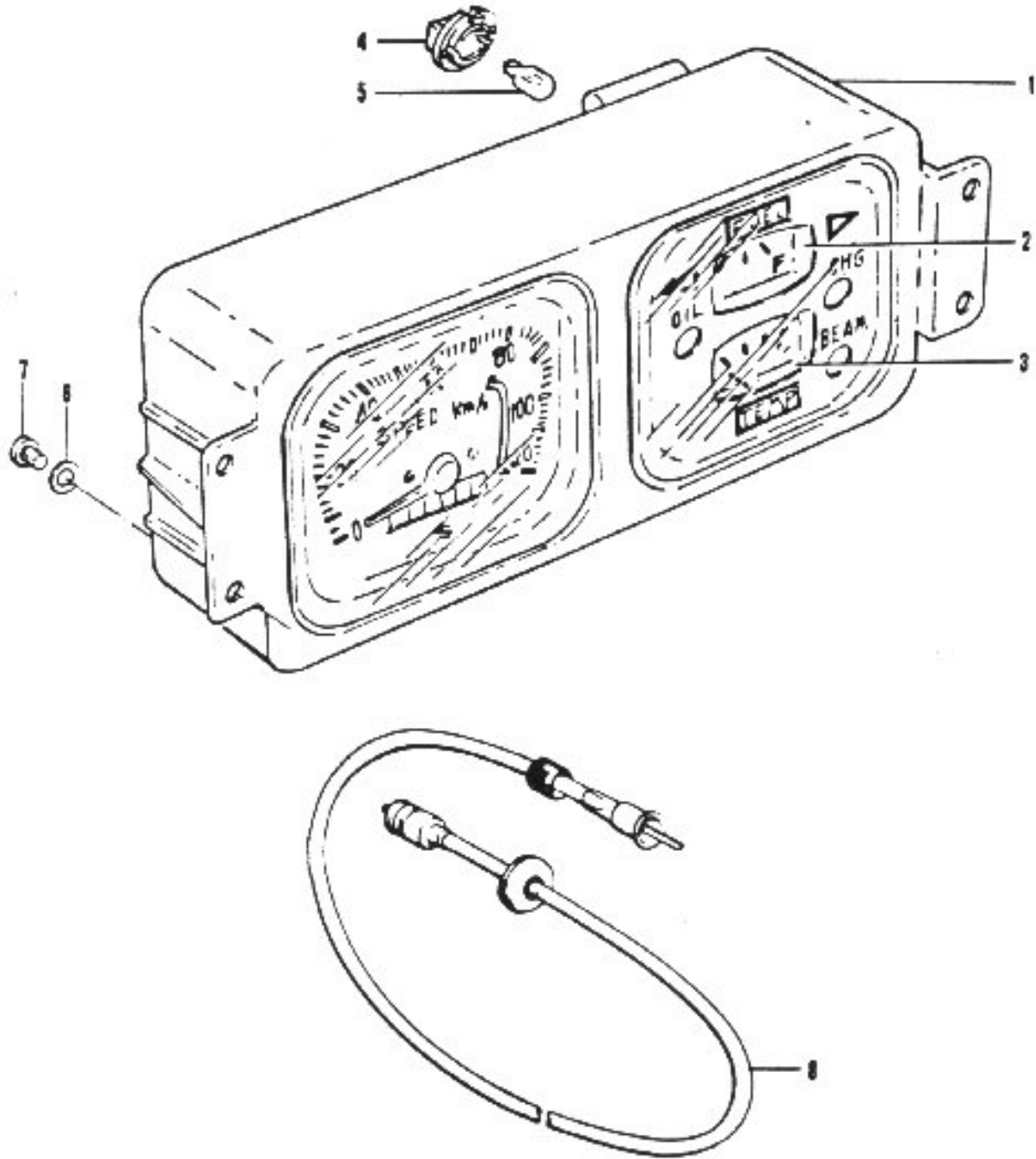
IGNITION



## IGNITION

Ref.No.	Part No.	Description	Q'ty				Remarks
			201	202	203	204	
1	33100-60510	DISTRIBUTOR ASSY	1	1	1	1	
2	33710-60510	•CORD COMP, high tension	3	3	3	3	
3	33322-52013	•INSULATOR, terminal	3	3	3	3	
4	33321-52012	•CAP, distributor	1	1	1	1	
5	33310-52010	•ROTOR COMP, distributor	1	1	1	1	
6	33102-60510	•BREAKER ASSY	1	1	1	1	
7	33140-60510	••POINT ASSY, contact	1	1	1	1	
8	33261-52011	•CONDENSER	1	1	1	1	
9	33250-60510	•SPRING ASSY, retainer	1	1	1	1	
10	33881-58001	CLAMP, high tension	1	1	1	1	
11	33500-52812	CAP ASSY, spark plug	3	3	3	3	
12	33410-52012	COIL ASSY, ignition	1	1	1	1	
13	33418-51012	INSULATOR, ignition coil	1	1	1	1	
14	01112-06128	BOLT	2	2	2	2	
15	08321-21068	LOCK WASHER	2	2	2	2	
16	09160-06003	WASHER	2	2	2	2	6.7x16x0.8
17	33461-65000	CLAMP, distributor	1	1	1	1	
18	01122-08257	BOLT	1	1	1	1	
19	08321-21088	LOCK WASHER	1	1	1	1	
20	08322-11088	WASHER	1	1	1	1	
21	99000-25030	GREASE	1	1	1	1	OPT
22	33268-67010	Distributor Driven Gear Pinl	1	1	1	1	
23	33267-67010	Distributor Driven Gear	1	1	1	1	

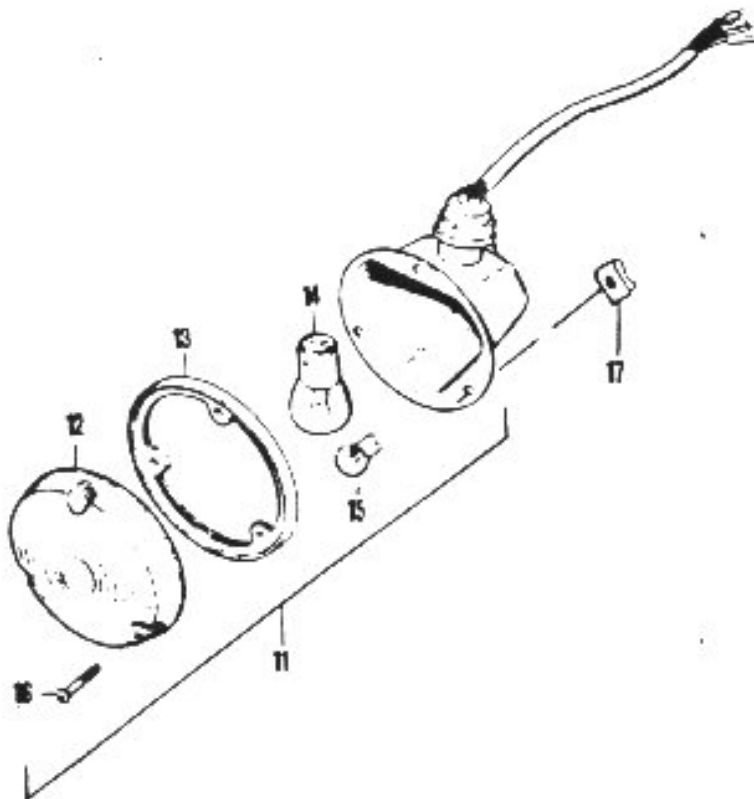
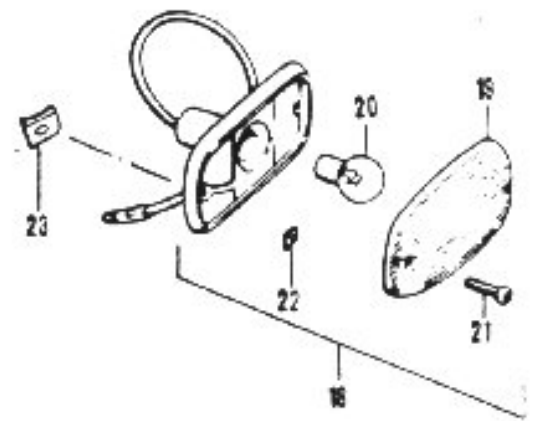
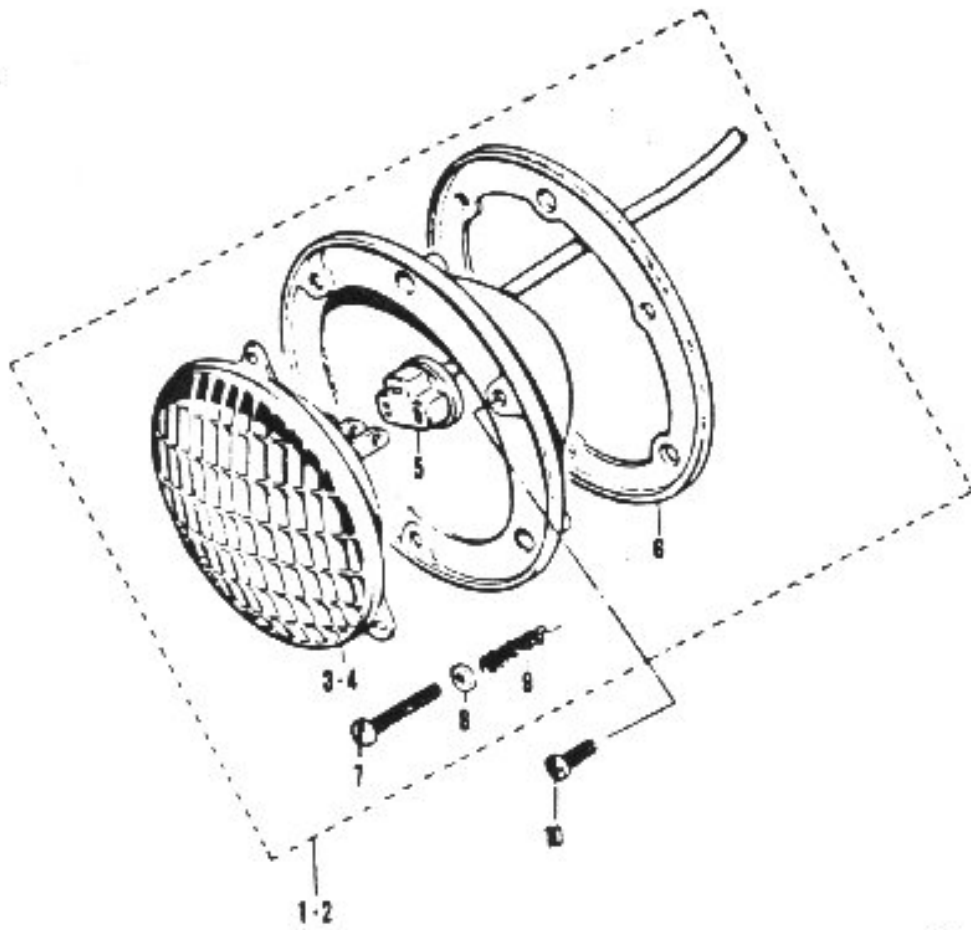
# SPEEDOMETER



## SPEEDOMETER

Ref.No.	Part No.	Description	Q'ty				Remarks
			201	202	203	204	
1-1	34100-63610	SPEEDOMETER ASSY	1	1	1	1	Mile
1-2	34100-65011	SPEEDOMETER ASSY	1	1	1	1	OPT Kilometer
2	34320-65010	•BODY ASSY, fuel meter	1	1	1	1	
3	34420-65010	•BODY ASSY, meter	1	1	1	1	
4	34173-60010	•SOCKET, speedometer valve	6	6	6	6	
5	09471-12028	•BULB	6	6	6	6	12V, 3W
6	08322-21048	WASHER	4	4	4	4	
7	02111-04107	SCREW	4	4	4	4	
8	34910-63031	CABLE ASSY, speedometer	1		1		
9	34910-63610	CABLE ASSY, speedometer		1		1	

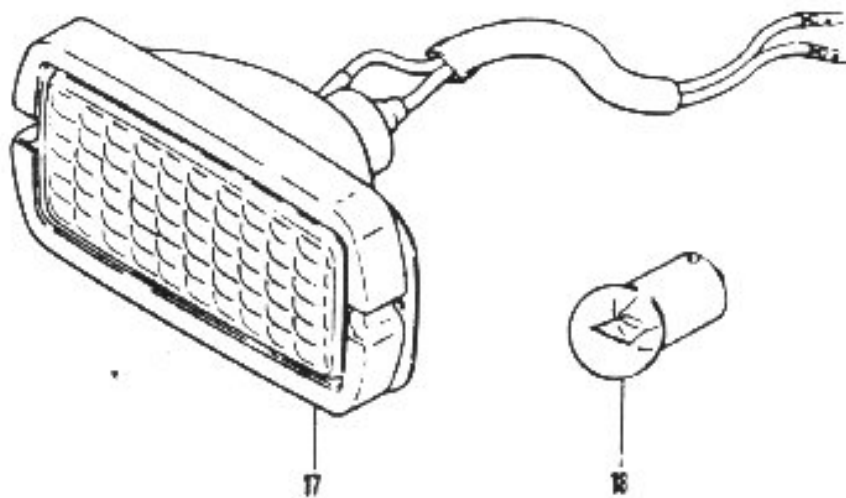
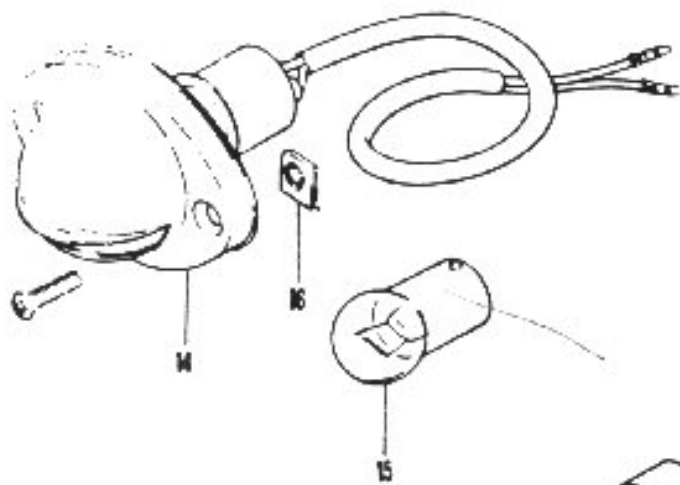
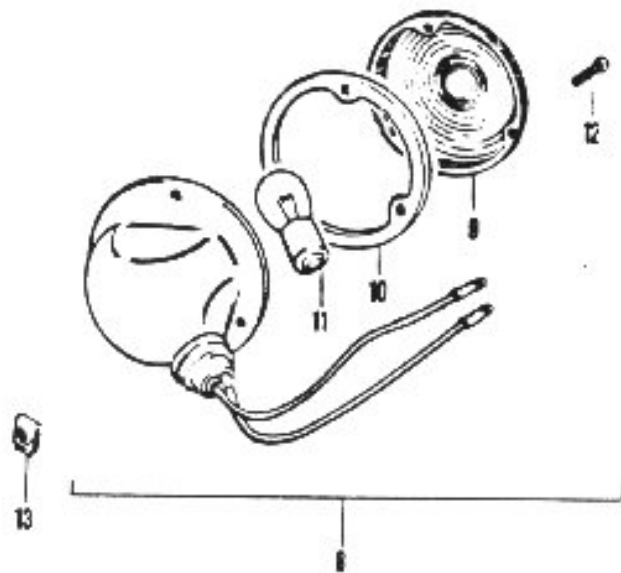
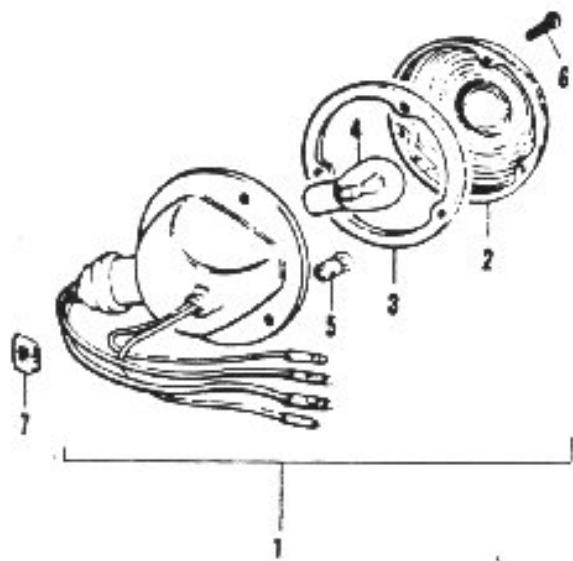
# FRONT LAMP





Ref.No.	Part No.	Description	Q'ty				Remarks
			201	202	203	204	
1	35100-53020	HEAD LAMP ASSY	2	2			
2	35100-53221	HEAD LAMP ASSY		2	2		
3	35121-53020	*SEALED BEAM UNIT	2	2			
4	35121-52321	*SEALED BEAM UNIT		2	2		
5	35170-53220	*LEAD WIRE	2	2	2	2	
6	35142-53022	*GASKET	2	2	2	2	
7	35151-52021	*SCREW	6	6	6	6	
8	35157-52020	*LOCK WASHER	6	6	6	6	
9	35154-51030	*SPRING	6	6	6	6	
10	02111-05107	SCREW	6	6	6	6	
11	35601-63012	LAMP ASSY, front turn signal	2	2	2	2	
12	35612-58010	*LENS	2	2	2	2	
13	35613-58010	*GASKET	2	2	2	2	
14	09471-12035	*BULB	2	2	2	2	12V, 23/8W(A-4879)
15	09471-12001	*PILOT BULB	2	2	2	2	12V, 3.4W(A-72A)
16	35665-60010	*SCREW	6	6	6	6	
17	09148-04009	NUT	6	6	6	6	
18	36410-58012	LAMP ASSY, side turn signal	2	2	2	2	
19	36412-60010	*LENS	2	2	2	2	
20	09471-12007	*BULB	2	2	2	2	12V, 6W(A-524)
21	36425-60010	*SCREW	4	4	4	4	
22	36421-60011	*EARTH NUT	2	2	2	2	
23	09148-04011	NUT	4	4	4	4	
24	38610-60010	RELAY ASSY, signal & four way	1	1	1	1	
25	02112-06128	SCREW	2	2	2	2	
26	08321-21068	LOCK WASHER	2	2	2	2	
27	08322-21068	WASHER	2	2	2	2	

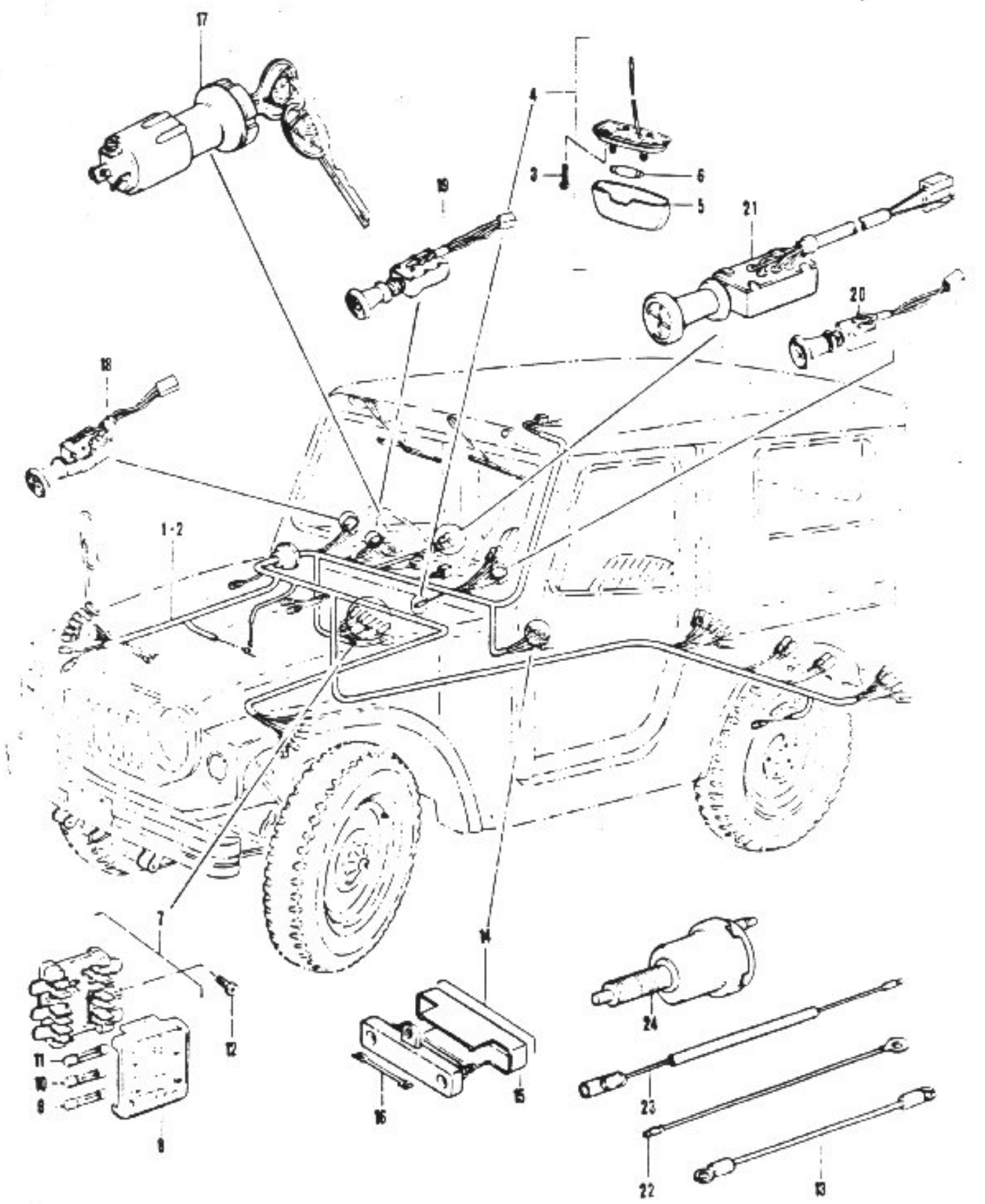
# REAR LAMP



REAR LAMP

Ref.No.	Part No.	Description	Q'ty				Remarks
			200	201	202	203	
1	35603-63010	LAMP ASSY, rear combination	2	2	2	2	
2	35652-53010	*LENS	2	2	2	2	
3	35613-58010	*GASKET	2	2	2	2	
4	09471-12035	*BULB	2	2	2	2	12V, 23/BW (A-4579)
5	09471-12001	*PILOT BULB	2	2	2	2	12V, 3.4W (A-72A)
6	35665-60010	*SCREW	6	6	6	6	
7	09148-04009	NUT	6	6	6	6	
8	35801-61110	LAMP ASSY, stop	2	2	2	2	
9	35712-54013	*LENS	2	2	2	2	
10	35613-58010	*GASKET	2	2	2	2	
11	09471-12006	*BULB	2	2	2	2	12V, 23W (A-4577A)
12	35665-60010	*SCREW	6	6	6	6	
13	09148-04009	NUT	6	6	6	6	
14	35910-64010	LAMP ASSY, licence	1	1	1	1	
15	09471-12003	*BULB	1	1	1	1	12V, 10W (A-4125)
16	09148-04011	NUT	2	2	2	2	
17	36250-61030	LAMP ASSY, back up	1	1	1	1	
18	09471-12003	*BULB	1	1	1	1	

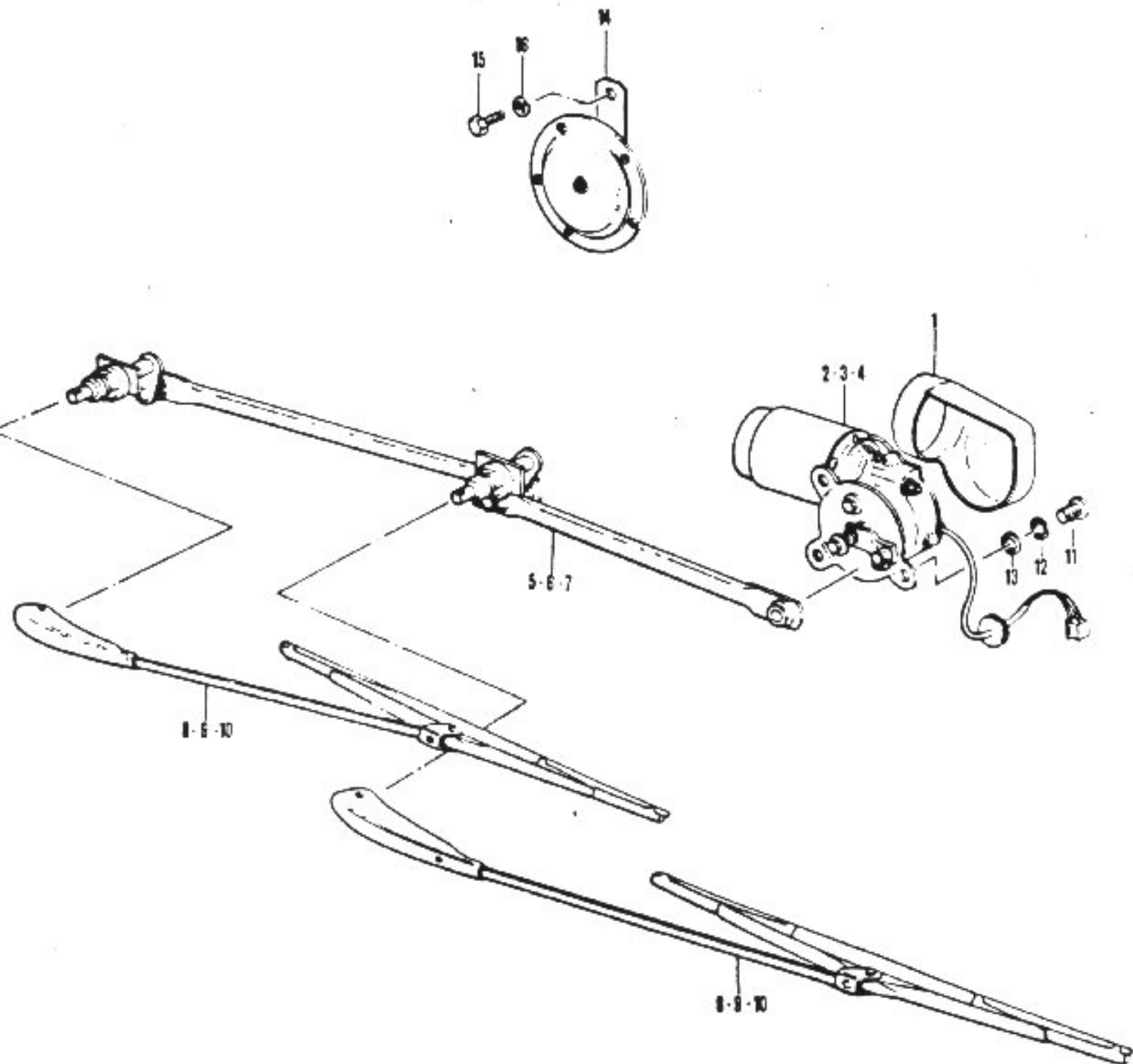
WIRING HARNESS • SWITCH



## WIRING HARNESS \* SWITCH

Ref.No.	Part No.	Description	Q'ty				Remarks
			200	200	200	200	
1	36610-63006	WIRING HARNESS	1	1			
2	36610-63614	WIRING HARNESS		1		1	
3	02111-04127	SCREW	2	2	2	2	
4	36210-51011	LAMP ASSY, room	1	1	1	1	
5	36212-51011	*LENS	1	1	1	1	
6	09471-12005	*BULB	1	1	1	1	12V, 5w
7	36710-61020	FUSE BOX ASSY	1	1	1	1	
8	36717-61020	*COVER, fuse box	1	1	1	1	
9	09481-05001	*FUSE 5A	1	1	1	1	
10	09481-10001	*FUSE 10A	1	1	1	1	
11	09481-15001	*FUSE 15A	1	1	1	1	
12	02111-05127	SCREW	1	1	1	1	
13	36747-64000	LEAD WIRE, fuse case	1	1	1	1	L:330
14	36740-65010	FUSE CASE ASSY	1	1	1	1	
15	36742-65010	*COVER, fuse case	1	1	1	1	
16	09481-30001	*FUSE 30A	1	1	1	1	
17	37110-58011	SWITCH ASSY, ignition	1	1	1	1	
18	37810-54011	SWITCH ASSY, four way	1	1	1	1	
19	37210-63010	SWITCH ASSY, lighting	1	1	1	1	
20	37310-58012	SWITCH ASSY, wiper	1	1	1	1	
21	37870-63010	SWITCH ASSY, heater fan	1	1	1	1	OPT
22	36890-63000	LEAD WIRE, heater fan case	1	1	1	1	L:250, OPT
23	36820-66000	LEAD WIRE, room lamp			1	1	L:1800
24	37740-66010	SWITCH ASSY, stop lamp	1	1	1	1	

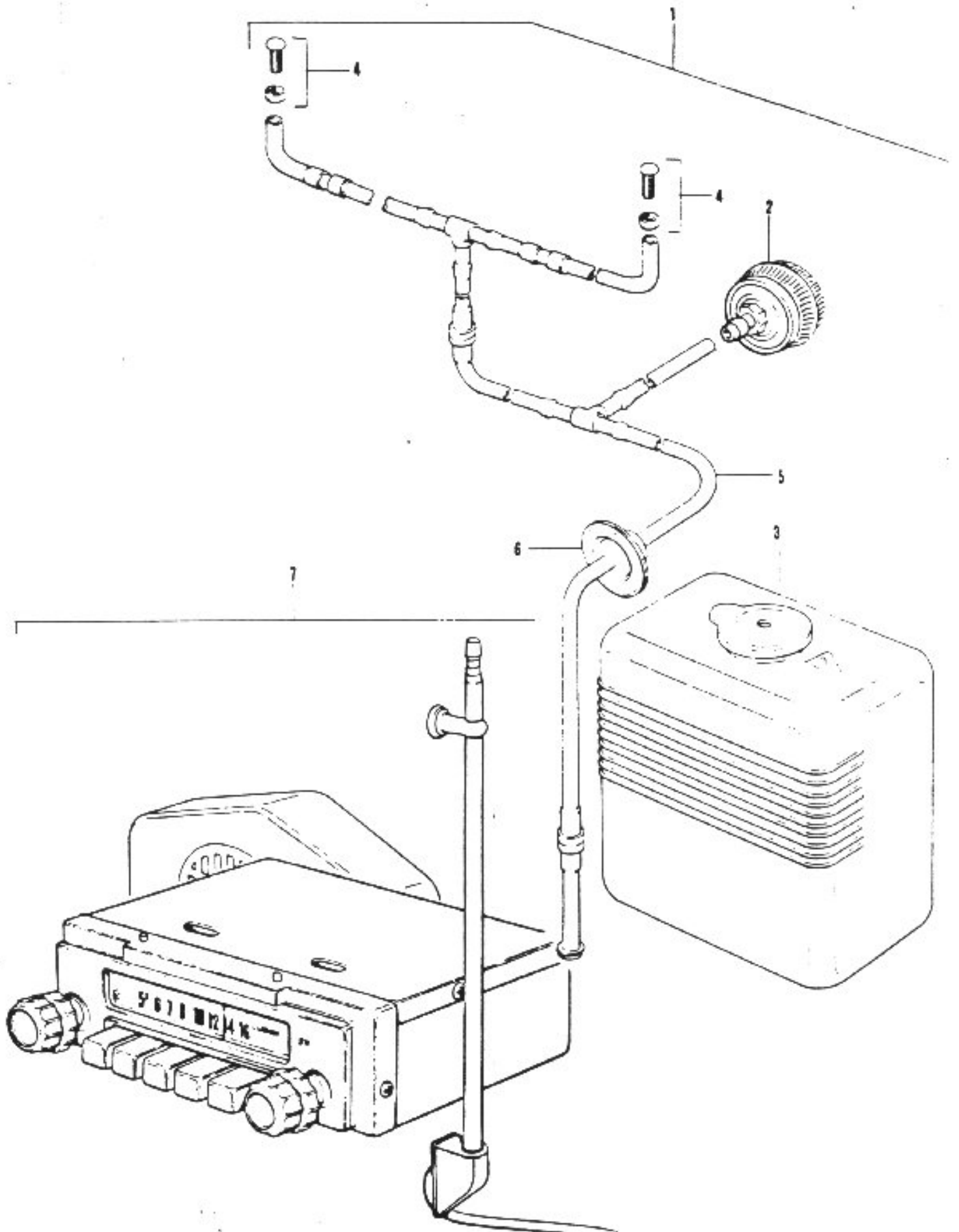
WINDOW SHIELD WIPER • HORN



WINDOW SHIELD WIPER - HORN

Ref.No.	Part No.	Description	Q'ty				Remarks
			20P	20L	20VR	20VL	
1	38280-63000	COVER COMP, wiper motor	1	1			
2	38000-63822	MOTOR SET, wiper	1	1			
3	38000-63825	MOTOR SET, wiper			1		
4	38000-63835	MOTOR SET, wiper				1	
5	38102-63010	LINK ASSY, wiper	1	1			
6	38102-63110	LINK ASSY, wiper			1		
7	38102-63630	LINK ASSY, wiper				1	
8	38310-63040	ARM & BLADE ASSY	2	2			
9	38310-63140	ARM & BLADE ASSY			2		
10	38310-63630	ARM & BLADE ASSY				2	
11	02112-06108	SCREW	3	3	4	4	
12	08321-21068	LOCK WASHER	3	3	4	4	
13	08322-21068	WASHER	3	3	4	4	
14	38500-64110	HORN ASSY	1	1	1	1	
15	01131-08128	BOLT	1	1	1	1	
16	08321-21088	LOCK WASHER	1	1	1	1	

# WINDOW SHIELD WASHER • RADIO

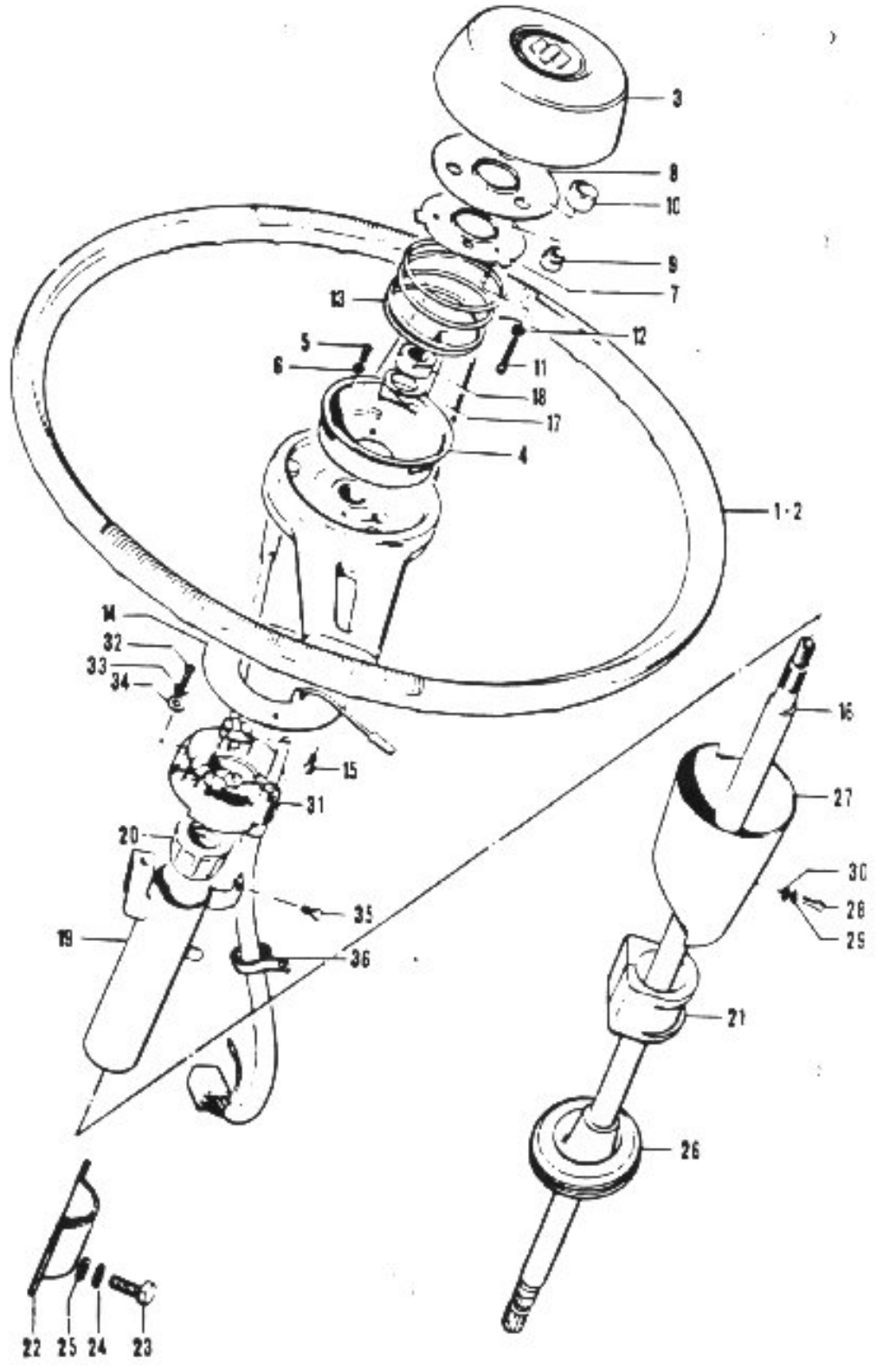




WINDOW SHIELD WASHER - RADIO

Ref.No.	Part No.	Description	Q'ty				Remarks
			20R	20L	20VR	20VL	
1	38400-63823	WINDOW SHIELD WASHER SET	1	1	1	1	ND exclude Ref.No.6
2	38440-61824	•PUMP SET	1	1	1	1	
3	38450-52854	•TANK SET	1	1	1	1	
4	38480-58110	•NOZZLE ASSY	2	2	2	2	
5	38490-63824	•PIPE SET	1	1	1	1	
6	09308-05002	GROMMET	1	1	1	1	OPT, CLARION
7	39100-63700	RADIO ASSY	1	1	1	1	

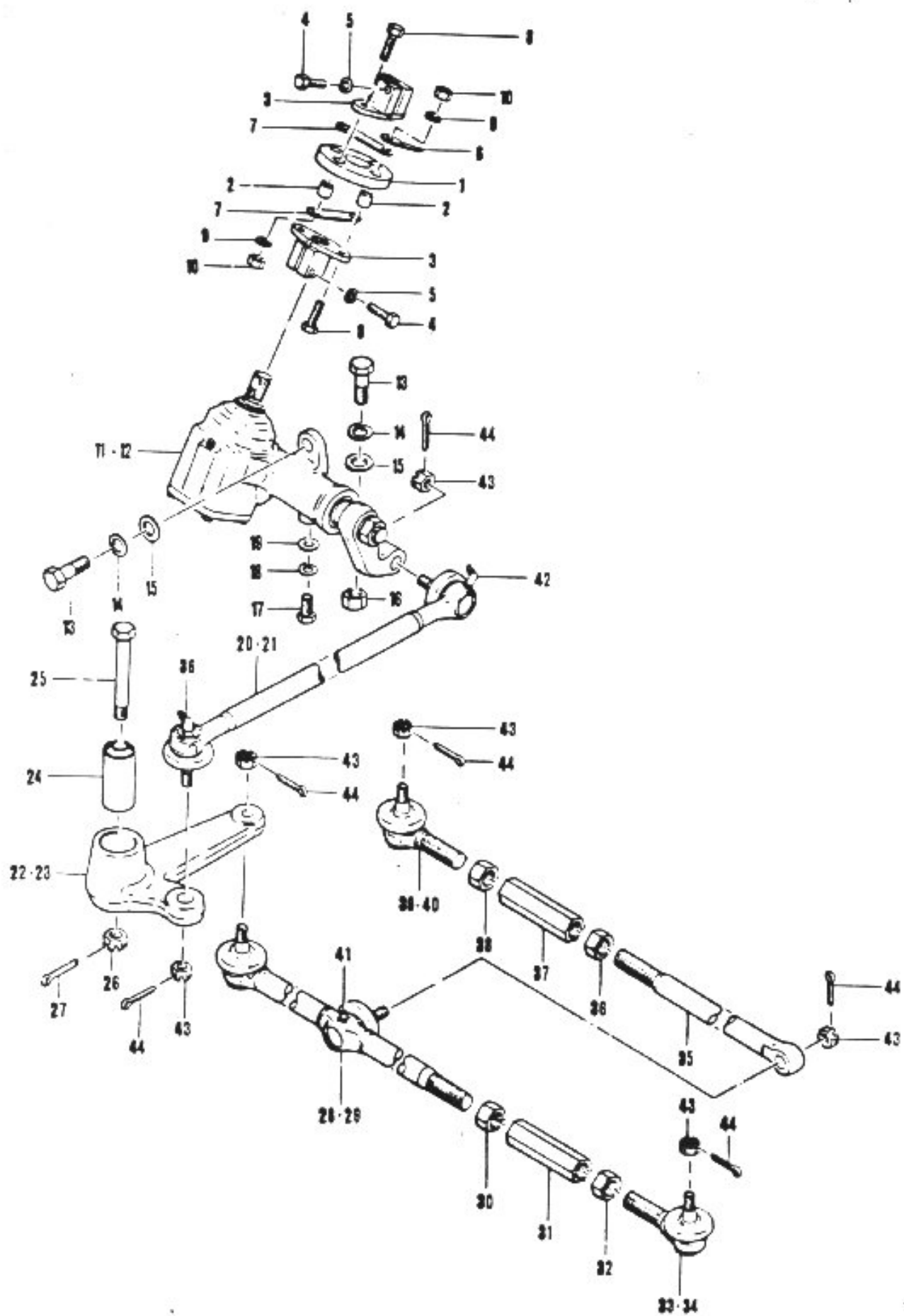
# STEERING UNIT



## STEERING UNIT

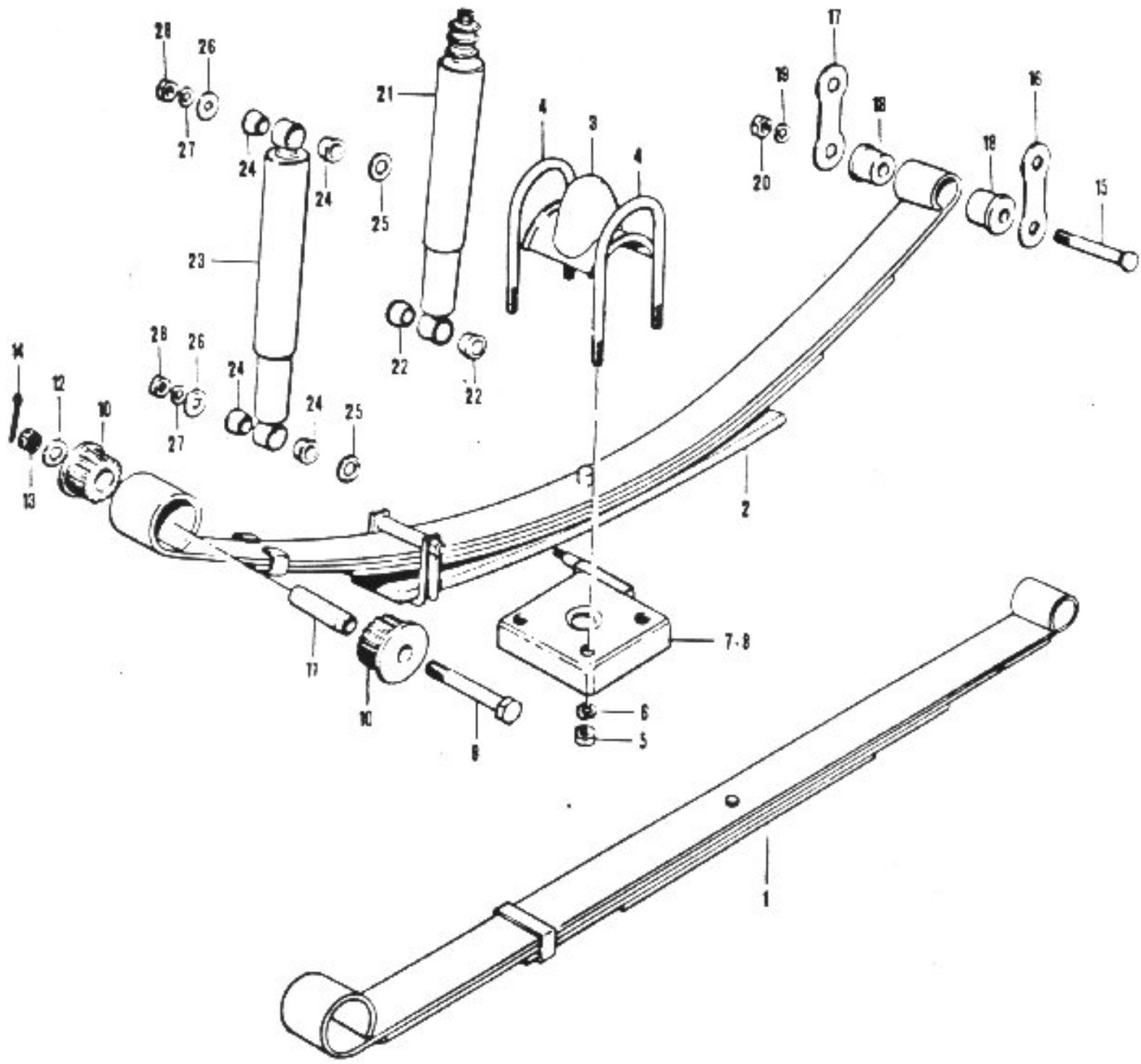
Ref.No.	Part No.	Description	Q'ty				Remarks
			NO	NO	NO	NO	
1	48111-64010	WHEEL, steering	1	1			
2	48111-65130	WHEEL, steering			1	1	
3	48120-60100	HORN BUTTON COMP	1	1	1	1	
4	48141-60000	CUP, horn contact	1	1	1	1	
5	02111-03067	SCREW	2	2	2	2	
6	08321-21038	LOCK WASHER	2	2	2	2	
7	48142-60000	SET PLATE, horn button	1	1	1	1	
8	45143-60000	PLATE, horn contact	1	1	1	1	
9	48144-60000	INSULATOR, contact plate	3	3	3	3	
10	48145-60000	CUSHION RUBBER	3	3	3	3	
11	02112-03168	SCREW	3	3	3	3	
12	08321-21038	LOCK WASHER	3	3	3	3	
13	48151-60000	SPRING, horn button	1	1	1	1	
14	48152-60000	SLIP RING, horn button	1	1	1	1	
15	03211-03108	SCREW	3	3	3	3	
16	48211-63001	SHAFT, steering	1	1	1	1	
17	08321-21128	LOCK WASHER	1	1	1	1	
18	08312-31128	NUT	1	1	1	1	
19	48310-63000	COLUMN COMP, steering	1	1	1	1	
20	48381-51040	BUSH	1	1	1	1	
21	48351-60000	BUSH	2	2	2	2	
22	48351-63000	BRACKET	2	2	2	2	
23	01112-06207	BOLT	4	4	4	4	
24	08321-21068	LOCK WASHER	4	4	4	4	
25	08322-21068	WASHER	4	4	4	4	
26	48491-63000	SEAL RUBBER	1	1	1	1	
27	48411-61080	COVER, steering	1	1	1	1	
28	02111-04107	SCREW	1	1	1	1	
29	08321-21048	LOCK WASHER	1	1	1	1	
30	08322-21048	WASHER	1	1	1	1	
31	37400-60011	SWITCH ASSY, signal & dimmer	1	1	1	1	
32	03211-04108	SCREW	1	1	1	1	
33	08321-21048	LOCK WASHER	1	1	1	1	
34	08322-21048	WASHER	1	1	1	1	
35	02111-05168	SCREW	1	1	1	1	
36	09403-00026	CLAMP	1	1	1	1	

# STEERING LINK



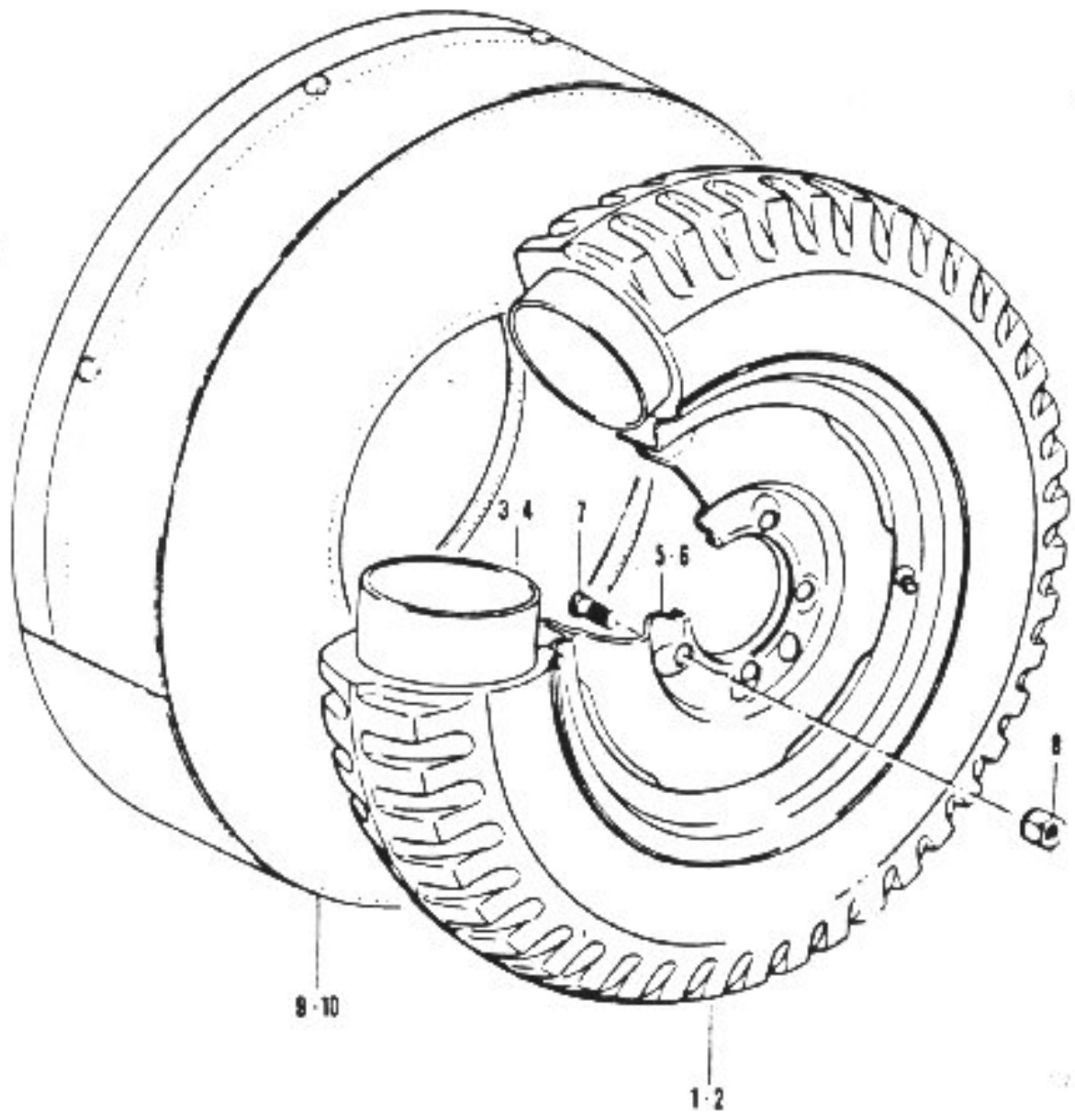
## STEERING LINK

Ref.No.	Part No.	Description	Q'ty				Remarks
			201	202	203	204	
1	48251-52000	RUBBER JOINT, steering	1	1	1	1	
2	09180-08007	SPACER	4	4	4	4	8x11x9
3	48270-52000	FLANGE COMP, rubber joint	2	2	2	2	
4	09100-08075	BOLT	2	2	2	2	
5	08321-31088	LOCK WASHER	2	2	2	2	
6	48283-51002	SPRING, horn earth	1	1	1	1	
7	48262-58000	PLATE, rubber joint	2	2	2	2	
8	01122-08257	BOLT	4	4	4	4	
9	08321-31088	LOCK WASHER	4	4	4	4	
10	08312-11088	NUT	4	4	4	4	
11	48600-63040	GEAR BOX ASSY, steering	1		1		
12	48600-63640	GEAR BOX ASSY, steering		1		1	
13	09100-12111	BOLT	3	3	3	3	M12, L:35
14	08321-31128	LOCK WASHER	3	3	3	3	
15	08322-11128	WASHER	3	3	3	3	
16	09140-12011	NUT	1	1	1	1	
17	01122-10208	BOLT	1	1	1	1	
18	08321-31108	LOCK WASHER	1	1	1	1	
19	08322-11108	WASHER	1	1	1	1	
20	48900-63000	DRAG ROD COMP, steering	1		1		
21	48900-63610	DRAG ROD COMP, steering		1		1	
22	48711-63002	LEVER COMP, tie rod	1		1		
23	48710-63610	LEVER COMP, tie rod		1		1	
24	09319-12011	BUSH	1	1	1	1	
25	09101-12101	BOLT	1	1	1	1	M12, L:91
26	09141-12001	NUT	1	1	1	1	
27	04111-30308	COTTER PIN	1	1	1	1	
28	48850-63001	TIE ROD COMP, steering	1		1		
29	48850-63610	TIE ROD COMP, steering		1		1	
30	08312-11168	NUT	1	1	1	1	
31	48836-63001	CONNECTOR, tie rod end	1	1	1	1	
32	09140-16008	NUT	1		1	1	LH threads
33	48820-63001	END COMP, steering tie rod LH	1		1		
34	48820-63001	END COMP, steering tie rod RH		1		1	
35	48831-63001	TIE ROD, steering RH	1	1	1	1	
36	09140-16008	NUT	1	1	1	1	LH threads
37	48836-63001	CONNECTOR, tie rod end	1	1	1	1	
38	08312-11168	NUT	1	1	1	1	
39	48810-63001	END COMP, steering tie rod RL	1		1		
40	48810-63001	END COMP, steering tie rod LH		1		1	
41	08351-21008	GREASE NIPPLE	1	1	1	1	
42	08351-31008	GREASE NIPPLE	2	2	2	2	
43	09141-10002	NUT	6	6	6	6	
44	04111-25208	COTTER PIN	6	6	6	6	



## SUSPENSION

Ref.No.	Part No.	Description	Q'ty				Remarks
			MR	XL	XLV	XLV	
1	41110-63011	SPRING ASSY, front	2	2	2	2	
2	41310-63012	SPRING ASSY, rear	2	2	2	2	
3	42150-61040	BUMPER COMP, spring	4	4	4	4	
4	41411-61000	U BOLT, rear spring	8	8	8	8	H:123
5	09140-10004	NUT			16		
6	08321-31108	LOCK WASHER			16		
7	41230-63000	SEAT COMP, spring RH	2	2	2	2	
8	41240-63000	SEAT COMP, spring LH	2	2	2	2	
9	09101-12105	BOLT	4	4	4	4	M12, L:87
10	41331-62020	BUSH	8	8	8	8	
11	09180-12035	SPACER	4	4	4	4	12x16x64.5
12	08322-11128	WASHER	4	4	4	4	
13	09141-12001	NUT	4	4	4	4	
14	04111-30308	COTTER PIN	4	4	4	4	
15	41463-52000	PIN, spring shackle	8	8	8	8	
16	41462-67000	PLATE, outer	4	4	4	4	ID:13
17	41461-67000	PLATE, inner	4	4	4	4	OD:10
18	09305-13002	BUSH			16		13x30x32
19	08321-31108	LOCK WASHER	8	8	8	8	
20	08312-11108	NUT	8	8	8	8	
21	41600-63010	SHOCK ABSORBER ASSY, front	2	2	2	2	
22	41781-52010	*RUBBER BUSH	4	4	4	4	
23	41700-63010	SHOCK ABSORBER ASSY, rear	2	2	2	2	
24	41781-52010	*RUBBER BUSH	8	8	8	8	
25	09164-17001	WASHER(2)	6	6	6	6	17x34
26	09164-13003	WASHER(1)	6	6	6	6	13x34
27	08321-31128	LOCK WASHER	6	6	6	6	
28	08312-11128	NUT	6	6	6	6	

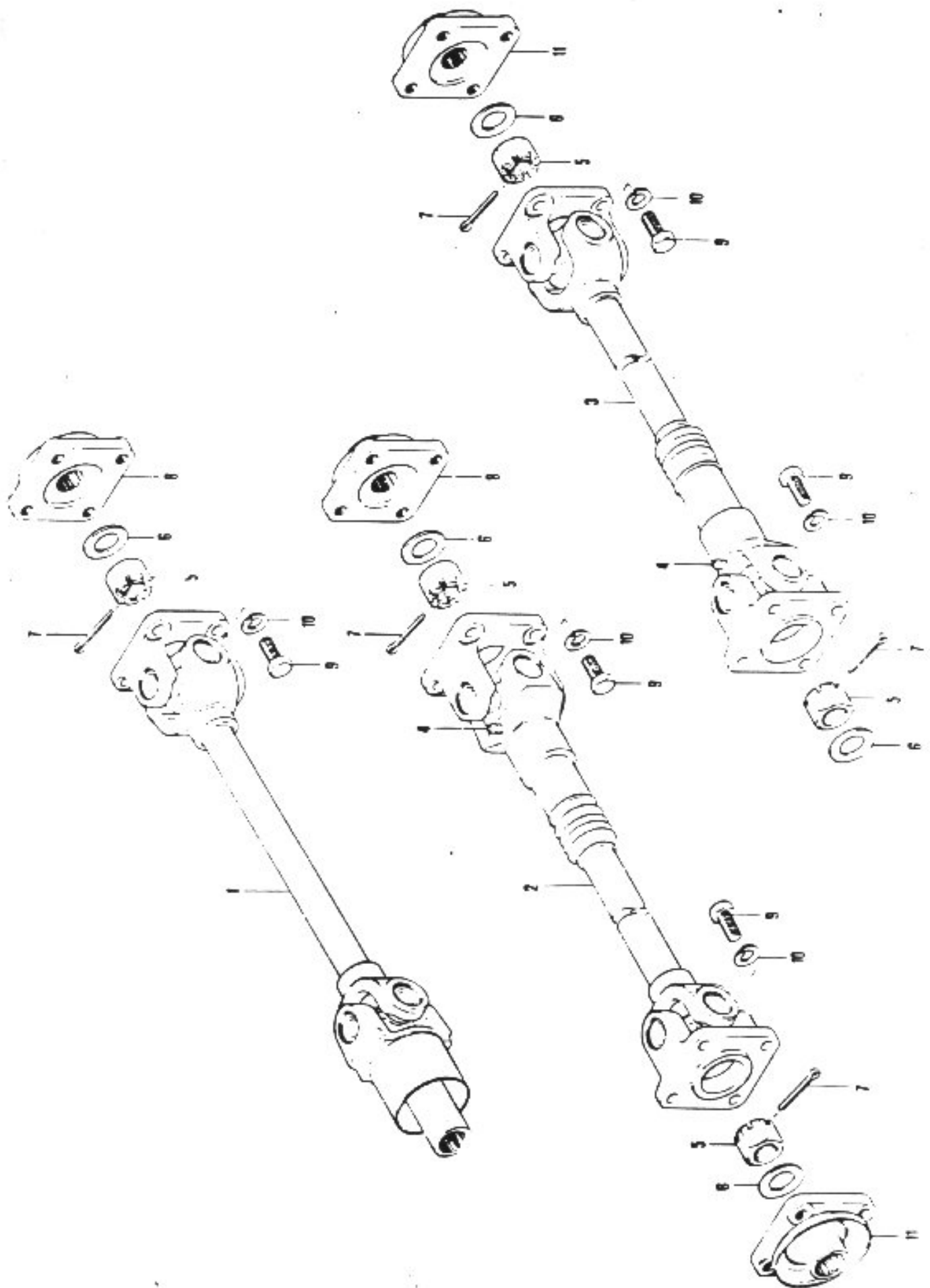




WHEEL RIM - TIRE

Ref.No.	Part No.	Description	Q'ty				Remarks	
			NR	XL	NR	XL		
1	43110-63031	TIRE	5	5			6.00-16-4PR	
2	43110-63130	TIRE			5	5		5.60-15-4PR
3	43120-63030	TUBE	5	5				6.00-16
4	43120-63130	TUBE			5	5		5.60-15
5	43210-63050	WHEEL ASSY	5	5				4.50Ex16
6	43210-63150	WHEEL ASSY			5	5		4.50Ex15
7	09119-12003	BOLT			20			
8	09140-12013	NUT			20			
9	69491-63720	TRIM, spare wheel	1	1				
10	69491-63710	TRIM, spare wheel			1	1		JOFT

# DRIVE SHAFT



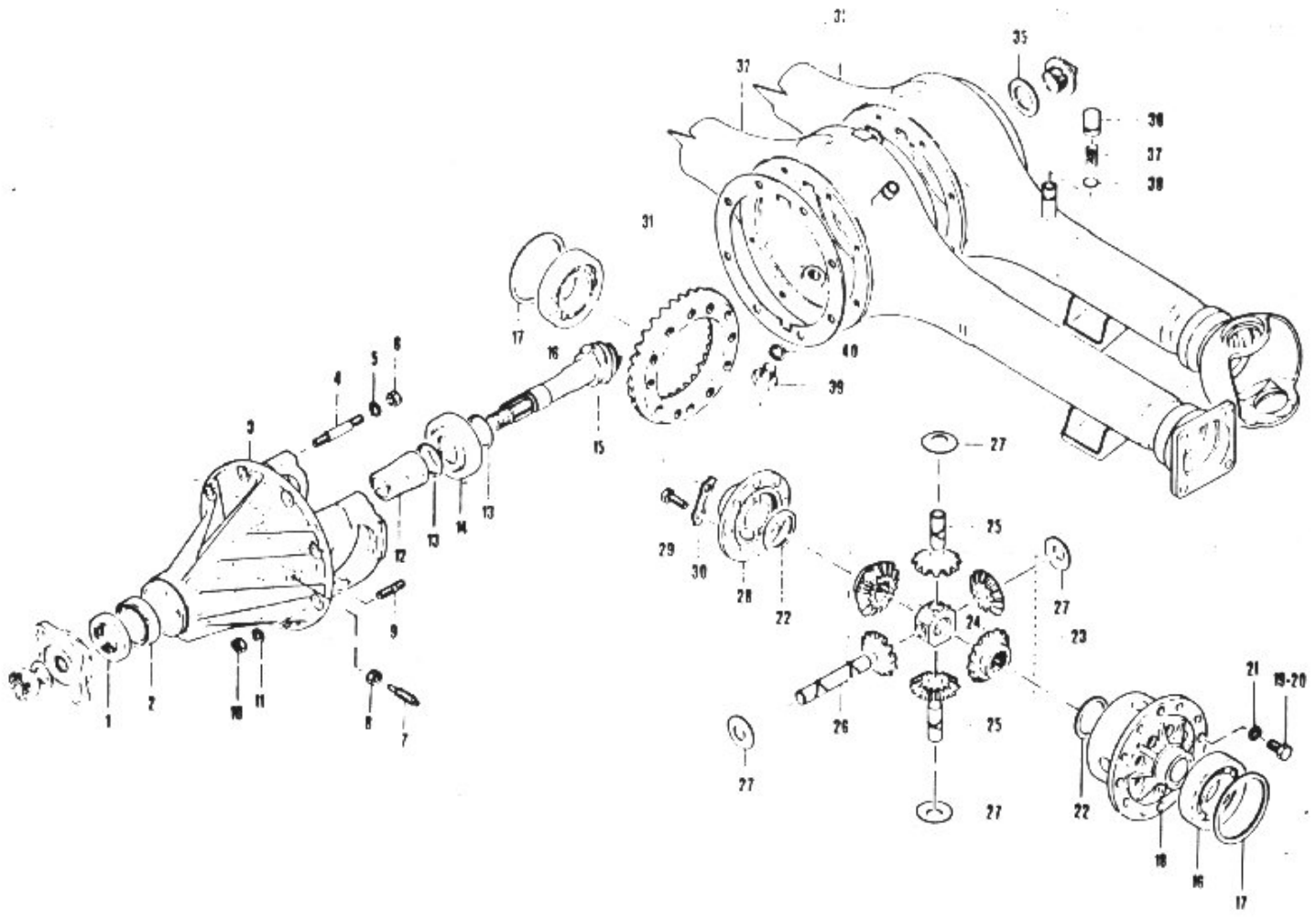
## DRIVE SHAFT

Ref.No.	Part No.	Description	Q'ty				Remarks
			MR	ML	MR	ML	
1	27101-63002	SHAFT ASSY, propeller (1)	1	1	1	1	
2	27102-63001	SHAFT ASSY, propeller (2)	1	1	1	1	see note 1
3	27103-63001	SHAFT ASSY, propeller (3)	1	1	1	1	see note 2
4	08351-21008	GREASE NIPPLE	2	2	2	2	
5	08314-41168	NUT	5	5	5	5	
6	09160-16006	WASHER	5	5	5	5	16.5x30x2.6
7	04111-30308	COTTER PIN	5	5	5	5	
8	27110-60500	FLANGE COMP, joint	2	2	2	2	
9	09100-08091	BOLT			20		
10	08321-21088	LOCK WASHER			20		
11	27110-63001	FLANGE COMP, joint	2	2	2	2	

Note 1 27102-63001 - Discontinued  
 Use 27100-63850 - Propeller Shaft - Qty 1  
 Use 27100-63891 - Yoke - Qty 1  
 Use 27183-62020 - Boot - Qty 1

Note 2 27103-63001 - Discontinued  
 Use 27100-63861 - Propeller Shaft - Qty 1  
 Use 27100-63891 - Yoke - Qty 1  
 Use 27153-62020 - Boot - Qty 1

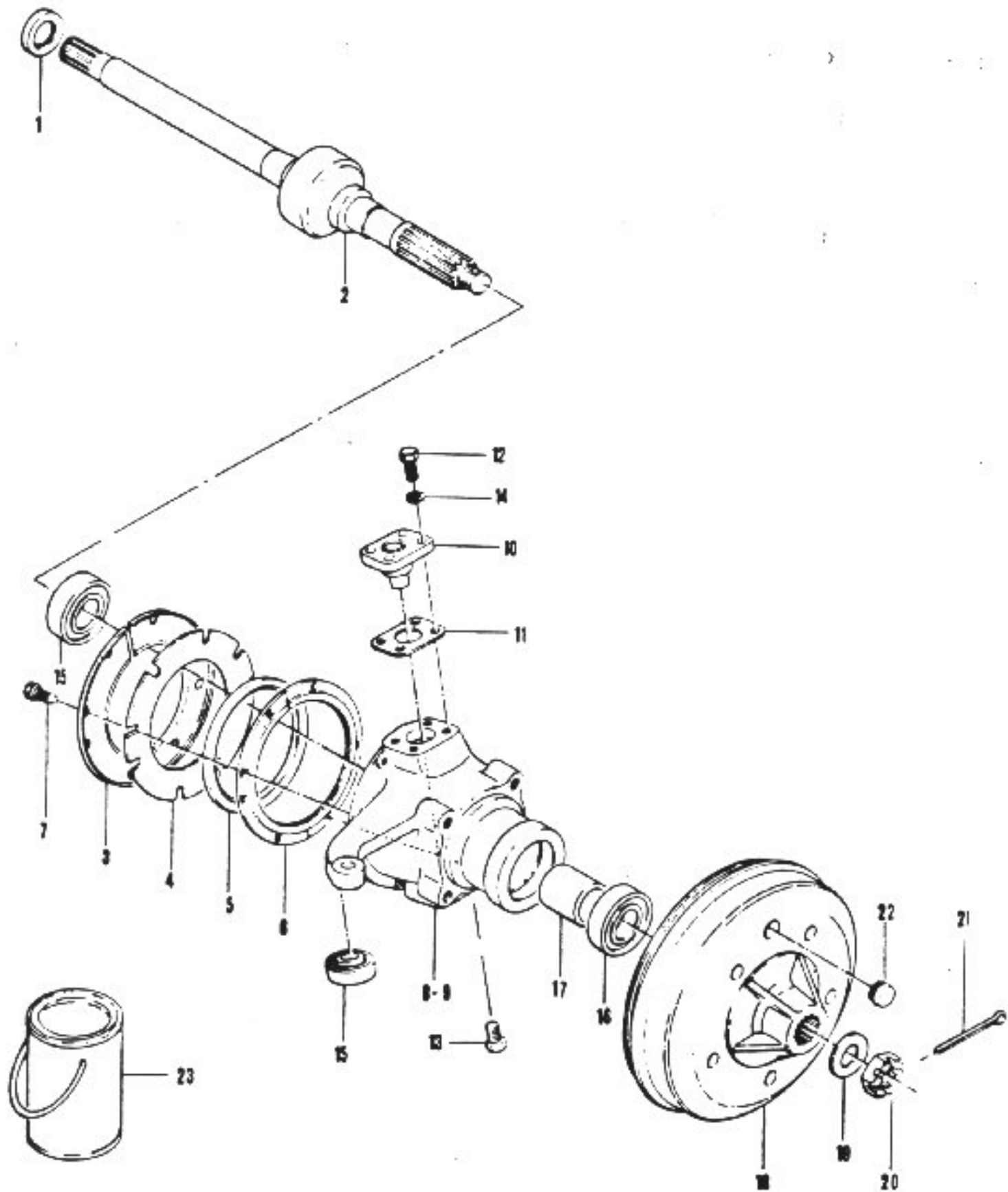
Shaft 1 = From transmission to transfer case.  
 Shaft 2 = From transfer case to rear axle.  
 Shaft 3 = From transfer case to front axle.



## DIFFERENTIAL GEAR

Ref.No.	Part No.	Description	Q'ty				Remarks
			MR	20.	20V	20V.	
1	09283-28007	OIL SEAL	2	2	2	2	26x52x10
2	09265-20004	BEARING	2	2	2	2	20x52x19
3	27400-63807	DIFFERENTIAL CARRIER SET	2	2	2	2	10:52
4	09108-08021	*STUD BOLT	8	8	8	8	
5	08321-31088	*LOCK WASHER	8	8	8	8	
6	08312-11088	*NUT	8	8	8	8	
7	27322-63001	THRUST BOLT	2	2	2	2	
8	08312-31148	NUT	2	2	2	2	
9	09108-08025	STUD BOLT			16		
10	08312-11088	NUT			16		
11	08321-21088	LOCK WASHER			16		
12	27315-63000	SPACER, drive bevel pinion	2	2	2	2	L:37.5
13-1	09181-26001	SHIM (1)			AR		26x32.5x0.3
13-2	09181-26002	SHIM (2)			AR		26x32.5x0.03
13-3	09181-26003	SHIM (3)			AR		26x32.5x0.5
13-4	09181-26004	SHIM (4)			AR		26x32.5x0.05
13-5	09181-26005	SHIM (5)			AR		26x32.5x0.1
14	09265-25007	BEARING	2	2	2	2	25x62x25
15	27302-63803	DRIVE BEVEL GEAR PINION SET	1	1	1	1	
16	08110-62070	BEARING, differential side	4	4	4	4	
17-1	09181-62003	SHIM (1)			AR		62x71.5x0.1
17-2	09181-62004	SHIM (2)			AR		62x71.5x0.3
17-3	09181-62005	SHIM (3)			AR		62x71.5x0.5
17-4	09181-62006	SHIM (4)			AR		62x71.5x0.15
18	27411-63002	CASE, differential LH	2	2	2	2	
19	09100-10065	BOLT	4	4	4	4	10x18.3
20	09100-10066	BOLT			20		10x17.3
21	09162-10001	LOCK WASHER			24		
22-1	08221-30405	THRUST WASHER (1)			AR		T:0.5
22-2	09160-30009	THRUST WASHER (2)			AR		T:0.8
23	27301-63802	DIFFERENTIAL SIDE GEAR SET	2	2	2	2	
24	27356-63000	JOINT	2	2	2	2	
25	27355-63000	SHAFT, pinion (2)	4	4	4	4	L:37
26	27351-63000	SHAFT, pinion (1)	2	2	2	2	L:89
27	09160-15019	THRUST WASHER	8	8	8	8	15.5x30x1
28	27421-63000	CASE, differential RH	2	2	2	2	
29	01112-08208	BOLT			16		
30	09169-08007	LOCK WASHER	8	8	8	8	
31	27453-63000	GASKET, differential carrier	2	2	2	2	
32	46510-63011	HOUSING COMP, rear axle	1	1	1	1	
33	46480-63700	HOUSING COMP, front axle	1	1	1	1	
34	09247-25001	PLUG, oil level	2	2	2	2	
35	09168-25001	GASKET	2	2	2	2	
36	46541-52002	CAP, breather	2	2	2	2	
37	09440-12004	SPRING, breather	2	2	2	2	
38	46542-52000	VALVE, breather	2	2	2	2	
39	09247-12003	PLUG, drain	2	2	2	2	
40	09168-12003	GASKET	2	2	2	2	12x78x! 2x2

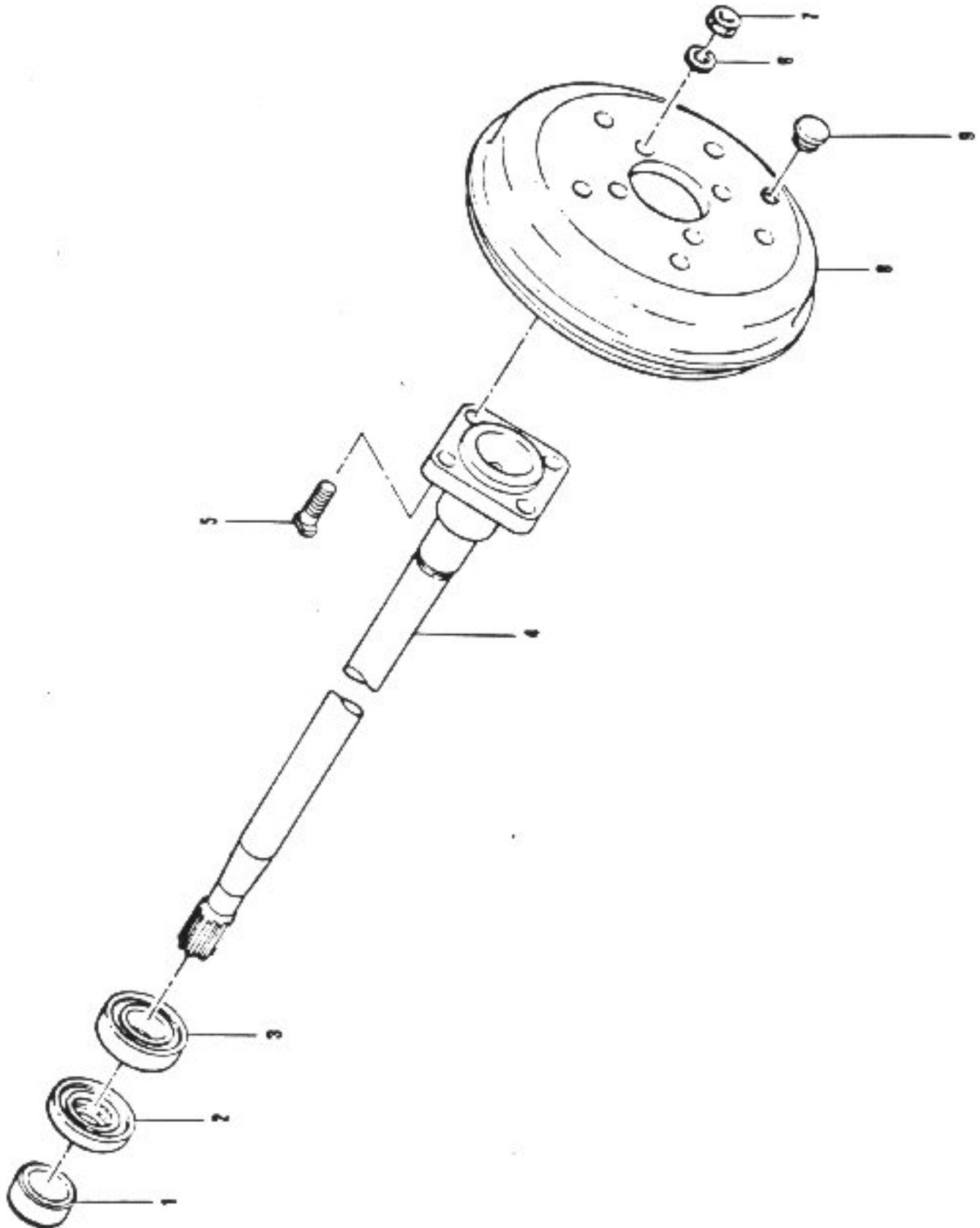
# FRONT AXLE



## FRONT AXLE

Ref.No.	Part No.	Description	Q'ty				Remarks
			NO	IN	REAR	FRONT	
1	09283-26010	OIL SEAL	2	2	2	2	26x38x7
2	44101-63011	JOINT ASSY, front axle shaft	2	2	2	2	
3	45625-63001	COVER, oil seal	4	4	4	4	
4	45624-63001	PAD	2	2	2	2	
5	09285-00002	OIL SEAL	2	2	2	2	
6	45623-63000	RETAINER, oil seal	4	4	4	4	
7	45626-63000	BOLT, joint seal			16		
8	45111-63000	KNUCKLE, steering RH	1	1	1	1	
9	45151-63000	KNUCKLE, steering LH	1	1	1	1	
10	45610-63000	KING PIN ASSY	4	4	4	4	
11-1	45621-63000	SHIM, king pin (1)			AR		T:0.5
11-2	45622-63000	SHIM, king pin (2)			AR		T:0.1
12	01122-08257	UPPER BOLT	8	8	8	8	
13	01122-08207	LOWER BOLT	8	8	8	8	
14	08321-31088	LOCK WASHER			16		
15	09265-15002	BEARING KING PIN	4	4	4	4	
16	08133-62060	BEARING, front wheel	4	4	4	4	
17	09180-30009	SPACER	2	2	2	2	L:40
18	43511-63000	DRUM, front brake	2	2	2	2	
19	09160-24011	WASHER	2	2	2	2	24x42x3.2
20	09141-24001	NUT	2	2	2	2	ID:24, 36O
21	04111-40458	COTTER PIN	2	2	2	2	2
22	09250-15002	PLUG	2	2	2	2	
23	99000-25040	SUZUKI SUPER GREASE	1	1	1	1	

REAR AXLE

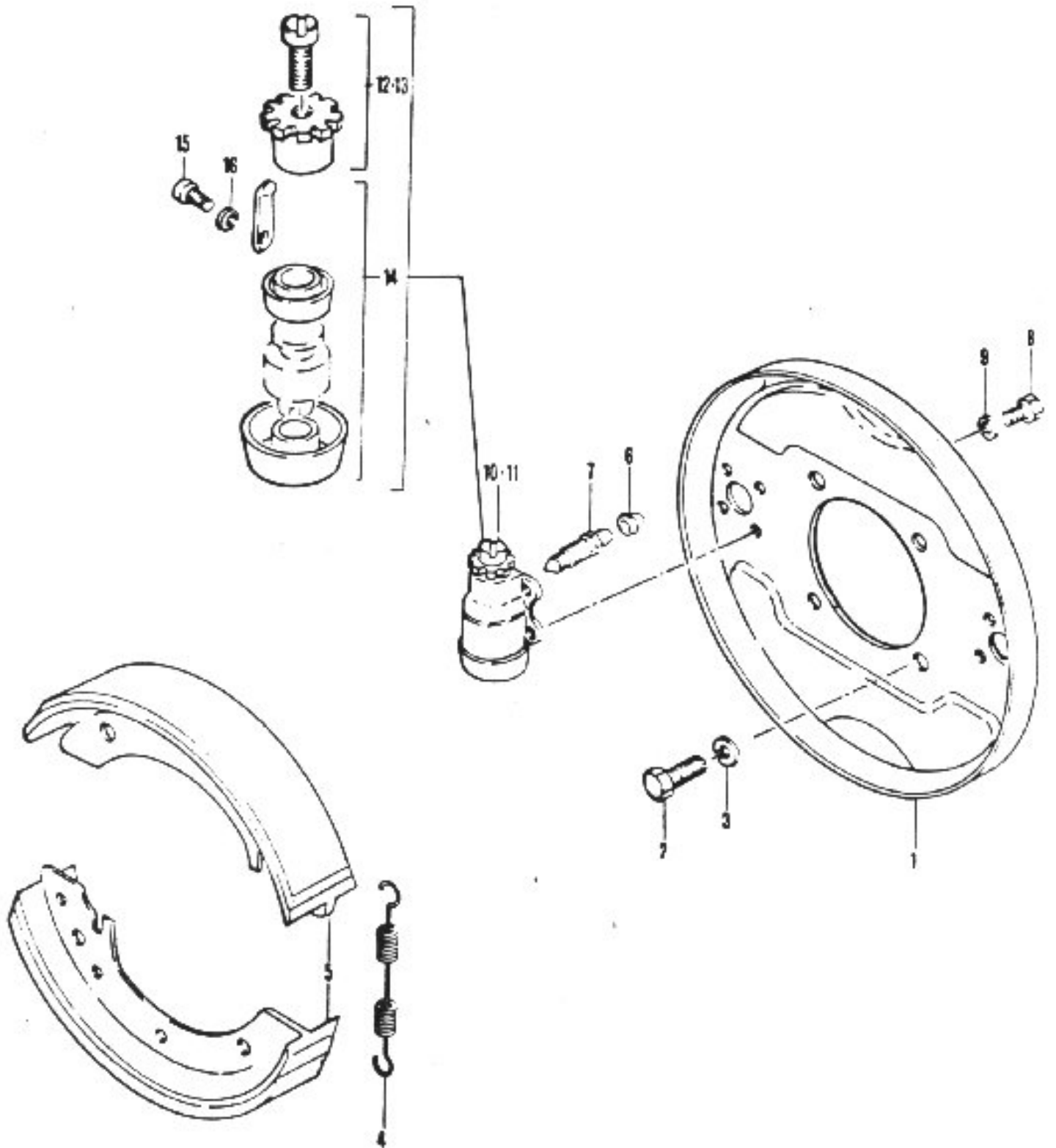




REAR AXLE

Ref.No.	Part No.	Description	Q'ty				Remarks
			20P	20L	20VR	20V	
1	43485-60001	RETAINER RING, bearing	2	2	2	2	30x42x20
2	09283-42005	OIL SEAL	2	2	2	2	42x55x7.5
3	09262-30012	BEARING, rear wheel	2	2	2	2	30x62x16
4	44112-60002	SHAFT, rear axle	2	2	2	2	
5	09119-12003	BOLT, rear hub	8	8	8	8	M12, L:33.5
6	08321-31128	LOCK WASHER	8	8	8	8	
7	08312-11128	NUT	8	8	8	8	
8	43551-63001	DRUM, rear brake	2	2	2	2	
9	09250-15002	PLUG	2	2	2	2	

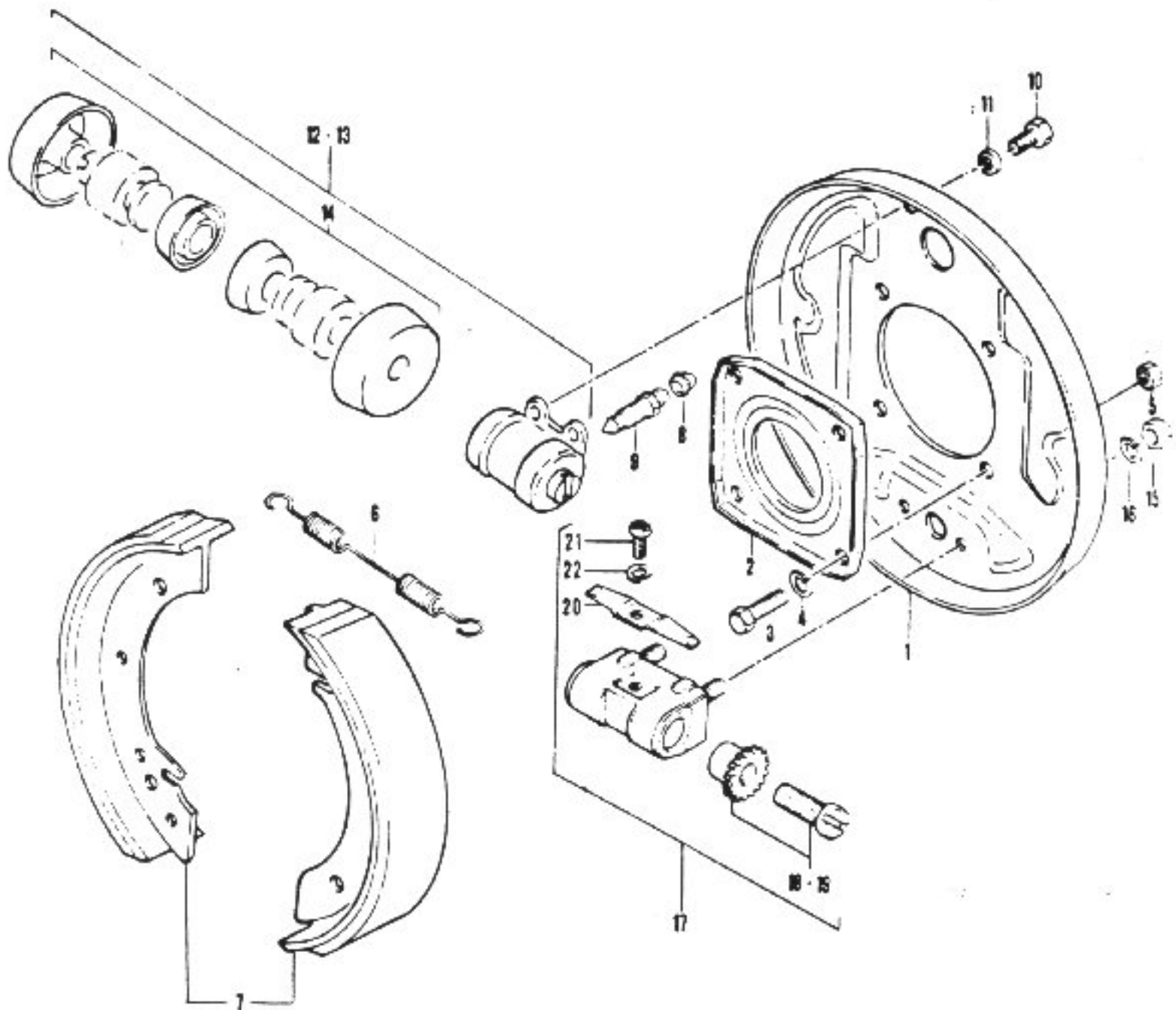
# FRONT WHEEL BRAKE



## FRONT WHEEL BRAKE

Ref.No.	Part No.	Description	Q'ty				Remarks
			RR	RL	FR	FL	
1	52111-63040	PLATE, front brake backing	2	2	2	2	
2	01122-08207	BOLT	8	8	8	8	
3	08321-31038	LOCK WASHER	8	8	8	8	
4	52231-63040	SPRING, shoe return	4	4	4	4	
5	52210-63040	SHOE COMP, brake	4	4	4	4	
6	52474-51010	CAP	4	4	4	4	
7	52473-58040	PLUG, breather	4	4	4	4	
8	01112-06128	BOLT			16		
9	08321-31068	LOCK WASHER			16		
10	52403-63040	CYLINDER SUB ASSY, RH	2	2	2	2	
11	52404-63040	CYLINDER SUB ASSY, LH	2	2	2	2	
12	52450-52873	*ADJUST SLEEVE SET	2	2	2	2	LH threads
13	52550-52872	*ADJUST SLEEVE SET	2	2	2	2	RH threads
14	52400-55841	*PISTON CUP BOOTS SET	4	4	4	4	
15	02111-04067	*SCREW	4	4	4	4	
16	08321-21048	*LOCK WASHER	4	4	4	4	

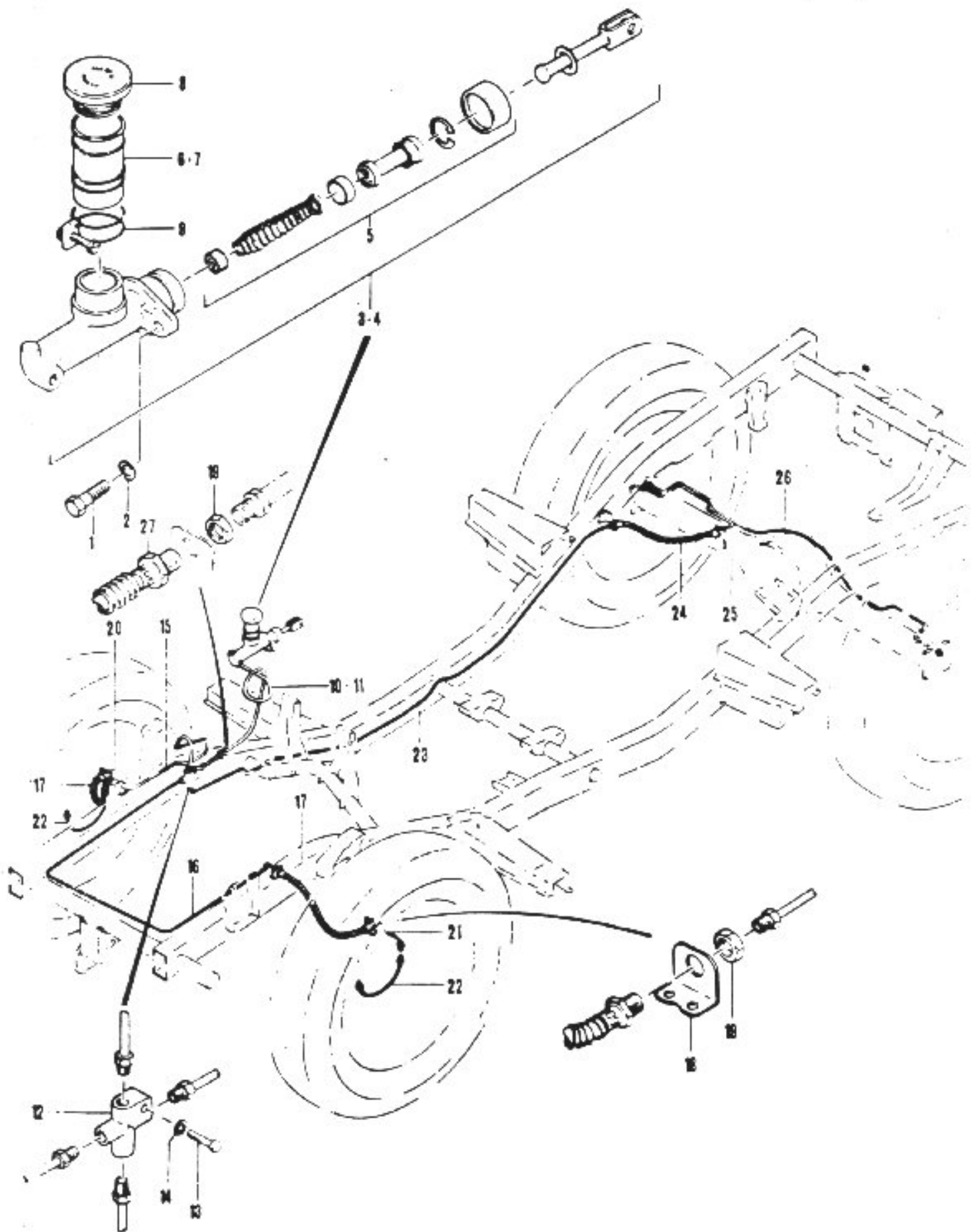
# REAR WHEEL BRAKE



REAR WHEEL BRAKE

Ref.No.	Part No.	Description	Q'ty				Remarks
			201	202	203	204	
1	53110-63040	PLATE COMP, backing	2	2	2	2	
2	53821-60010	RETAINER, bearing outer	2	2	2	2	
3	53811-60010	BOLT	8	8	8	8	
4	08321-31088	LOCK WASHER	8	8	8	8	
5	08312-12088	NUT	8	8	8	8	
6	52231-63040	SPRING, shoe return	4	4	4	4	
7	52210-63040	SHOE COMP, brake	4	4	4	4	
8	52474-60010	CAP	2	2	2	2	
9	52473-58040	PLUG, breather	2	2	2	2	
10	01112-06128	BOLT	4	4	4	4	
11	08321-31068	LOCK WASHER	4	4	4	4	
12	53401-63040	CYLINDER SUB ASSY, RH	1	1	1	1	
13	53402-63040	CYLINDER SUB ASSY, LH	1	1	1	1	
14	52400-60806	*PISTON CUP BOOTS SET	2	2	2	2	
15	08312-11088	NUT	4	4	4	4	
16	08321-31088	LOCK WASHER	4	4	4	4	
17	53610-63040	ANCHOR SUB ASSY, brake shoe	2	2	2	2	
18	52450-52873	*ADJUST SLEEVE SET	2	2	2	2	LH threads
19	52550-52872	*ADJUST SLEEVE SET	2	2	2	2	RH threads
20	53631-58040	*SPRING, rock	2	2	2	2	
21	02111-04067	*SCREW	2	2	2	2	
22	08321-21048	*LOCK WASHER	2	2	2	2	

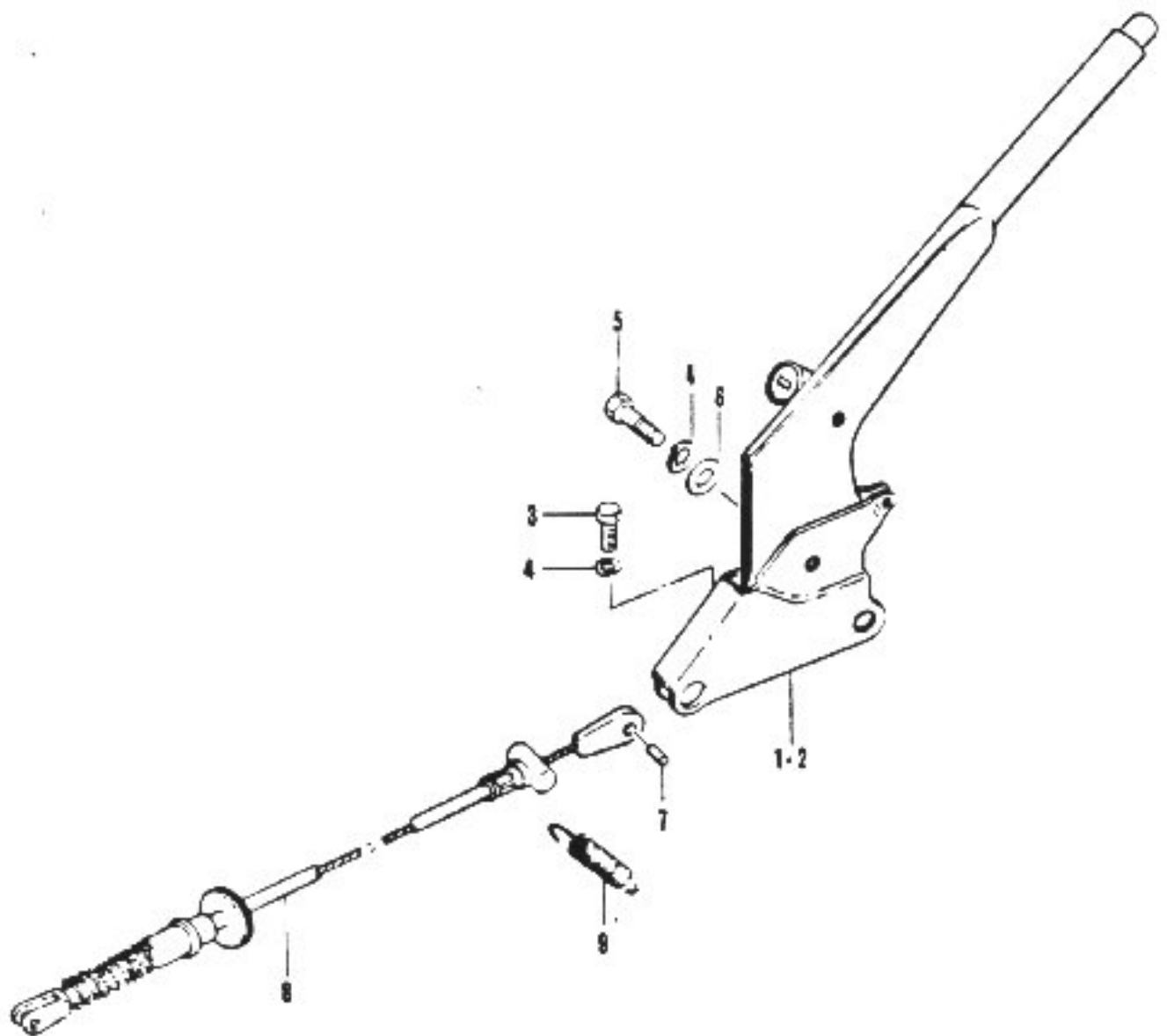
# BRAKE PIPING



## BRAKE PIPING

Ref.No.	Part No.	Description	Q'ty				Remarks
			20P	20L	20VP	20VL	
1	01121-08307	BOLT	2	2	2	2	
2	08321-31088	LOCK WASHER	2	2	2	2	
3	51100-63010	CYLINDER ASSY, brake master	1	1	1	1	NABCO NISSIN
4	51100-63041	CYLINDER ASSY, brake master	1	1	1	1	
5	51100-63817	*MASTER CYLINDER PISTON KIT	1	1	1	1	
6	51211-52010	*RESERVER, master cylinder	1	1	1	1	
7	51211-64040	*RESERVER, master cylinder	1	1	1	1	
8	51220-52012	*CAP COMP, reserver	1	1	1	1	
9	51233-52010	*SET BAND, reserver	1	1	1	1	
10	51410-63013	PIPE, brake (1)	1		1		
11	51410-63611	PIPE, brake (1)		1		1	
12	51630-52020	FOUR WAY JOINT COMP	1	1	1	1	
13	01112-06257	BOLT	1	1	1	1	
14	08321-31068	LOCK WASHER	1	1	1	1	
15	51420-63011	PIPE, brake (2)	1	1	1	1	
16	51430-63012	PIPE, brake (3)	1	1	1	1	
17	51540-60031	FLEXIBLE HOSE COMP, brake	2	2	2	2	
18	51711-63000	BRACKET, front brake hose	2	2	2	2	
19	09140-16007	NUT	7	7	7	7	
20	51440-63111	PIPE, brake (4)	1	1	1	1	
21	51450-63111	PIPE, brake (5)	1	1	1	1	
22	51460-63040	PIPE, brake (6)	2	2	2	2	
23	51470-63011	PIPE, brake (7)	1	1	1	1	
24	51560-61031	FLEXIBLE HOSE, brake	1	1	1	1	
25	51480-63011	PIPE, brake (8)	1	1	1	1	
26	51480-61010	PIPE, brake (9)	1	1	1	1	
27	51560-64030	FLEXIBLE HOSE, cylinder	1	1	1	1	

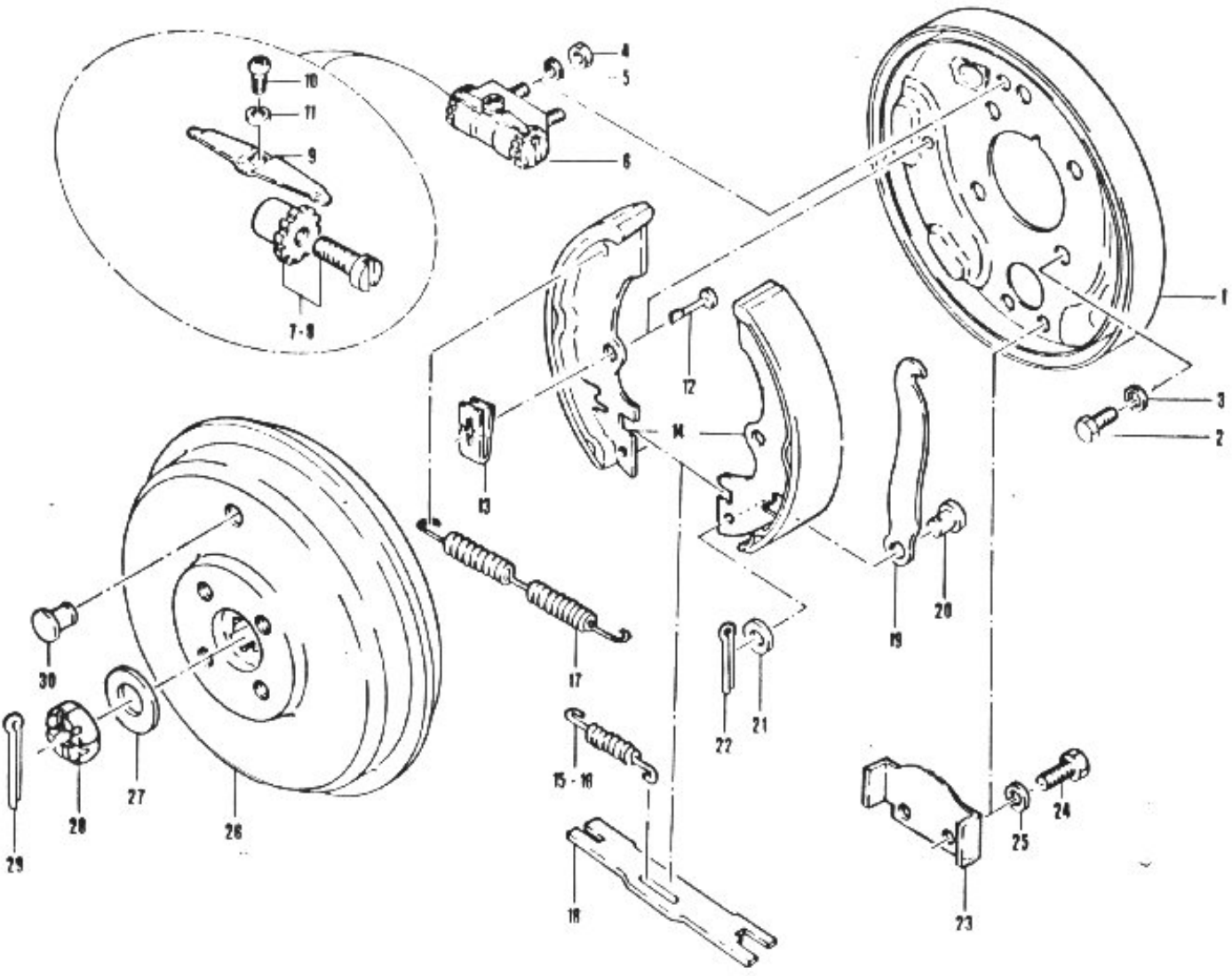
# PARKING BRAKE





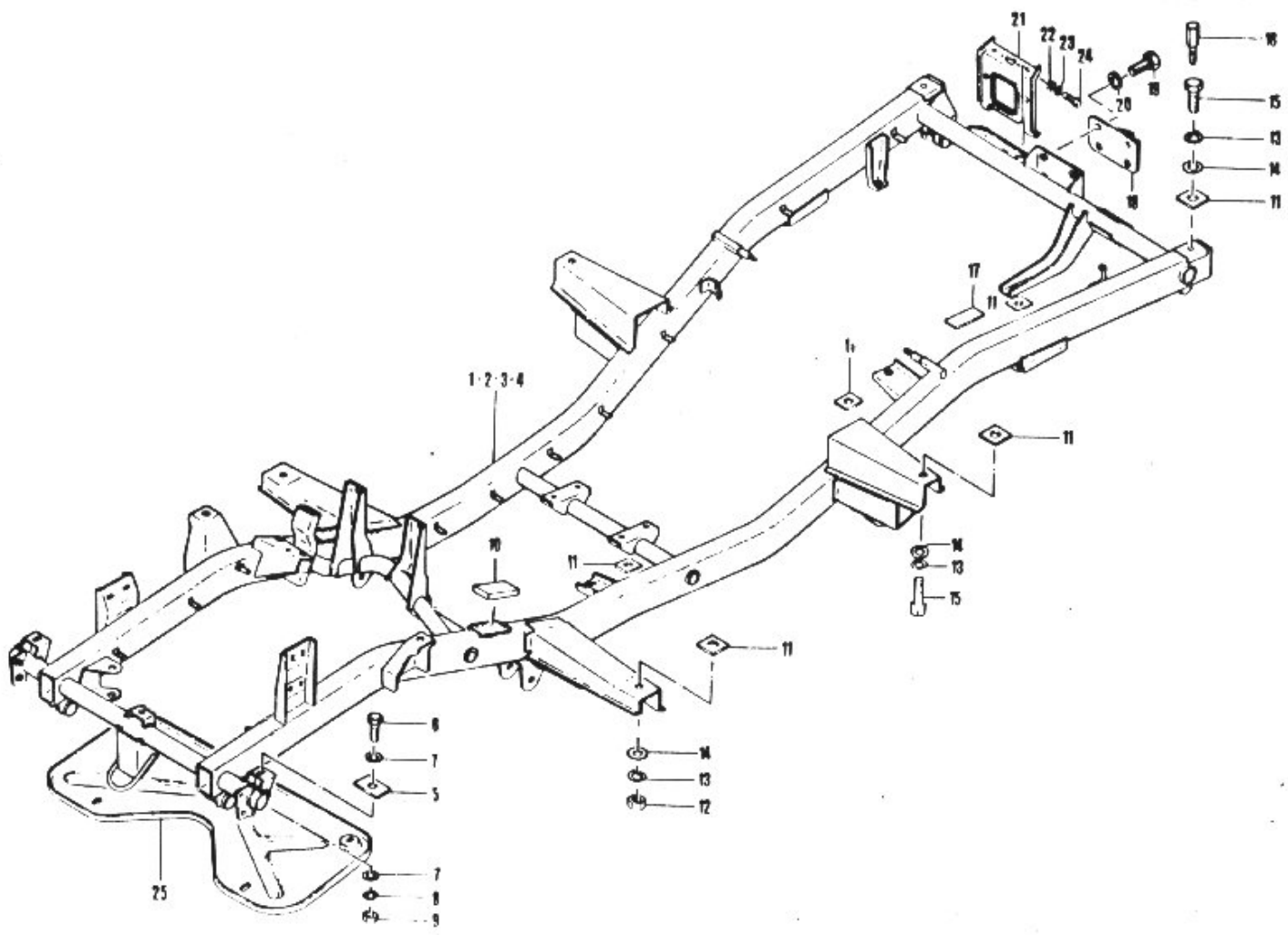
PARKING BRAKE

Ref.No.	Part No.	Description	Q'ty				Remarks
			NO	NO	NO	NO	
1	54500-63002	LEVER ASSY, center brake	1	1			
2	54500-63101	LEVER ASSY, center brake			1	1	
3	01122-08168	BOLT	1	1	1	1	
4	08321-21088	LOCK WASHER	2	2	2	2	
5	01122-08358	BOLT	1	1	1	1	
6	08322-11088	WASHER	1	1	1	1	
7	09202-06003	PIN, center cable	1	1	1	1	
8	54640-63012	CABLE COMP, center brake	1	1	1	1	L:424
9	09443-13001	SPRING	1	1	1	1	



CENTER BRAKE DRUM

Ref.No.	Part No.	Description	Q'ty				Remarks
			28	29	29A	29L	
1	53101-61040	BACK PLATE, center brake	1	1	1	1	
2	01122-08207	BOLT	4	4	4	4	
3	08321-31088	LOCK WASHER	4	4	4	4	
4	08312-11088	NUT	2	2	2	2	
5	08321-31088	LOCK WASHER	2	2	2	2	
6	53610-58040	ANCHOR SUB ASSY, brake shoe	1	1	1	1	
7	52450-60833	•ADJUST SLEEVE SET	1	1	1	1	LH threads
8	52550-60832	•ADJUST SLEEVE SET	1	1	1	1	RH threads
9	53631-52011	•SPRING, adjust lock	1	1	1	1	
10	02111-04067	•SCREW	1	1	1	1	
11	08321-21048	•LOCK WASHER	1	1	1	1	
12	52241-58040	PIN, shoe hold down	2	2	2	2	
13	52243-58040	SPRING, shoe hold down	2	2	2	2	
14	52210-60010	SHOE COMP, brake	2	2	2	2	
15	53235-60010	SPRING, return (1)	1	1	1	1	
16	53236-60010	SPRING, return (2)	1	1	1	1	
17	53231-60010	SPRING, return B	1	1	1	1	
18	53711-60010	STRUT, center brake shoe	1	1	1	1	
19	53721-58040	LEVER, center brake shoe	1	1	1	1	
20	53731-58040	PIN, center brake shoe lever	1	1	1	1	
21	53242-52010	WASHER	1	1	1	1	
22	04111-25158	COTTER PIN	1	1	1	1	
23	54741-63011	HOLE COVER	1	1	1	1	
24	01112-06128	BOLT	2	2	2	2	
25	08321-31068	LOCK WASHER	2	2	2	2	
26	43581-63000	DRUM, center brake	1	1	1	1	
27	09160-16006	WASHER	1	1	1	1	16.5x30x2.6
28	08314-41168	NUT	1	1	1	1	
29	04111-30308	BOTTER PIN	1	1	1	1	
30	09250-15002	PLUG					AR

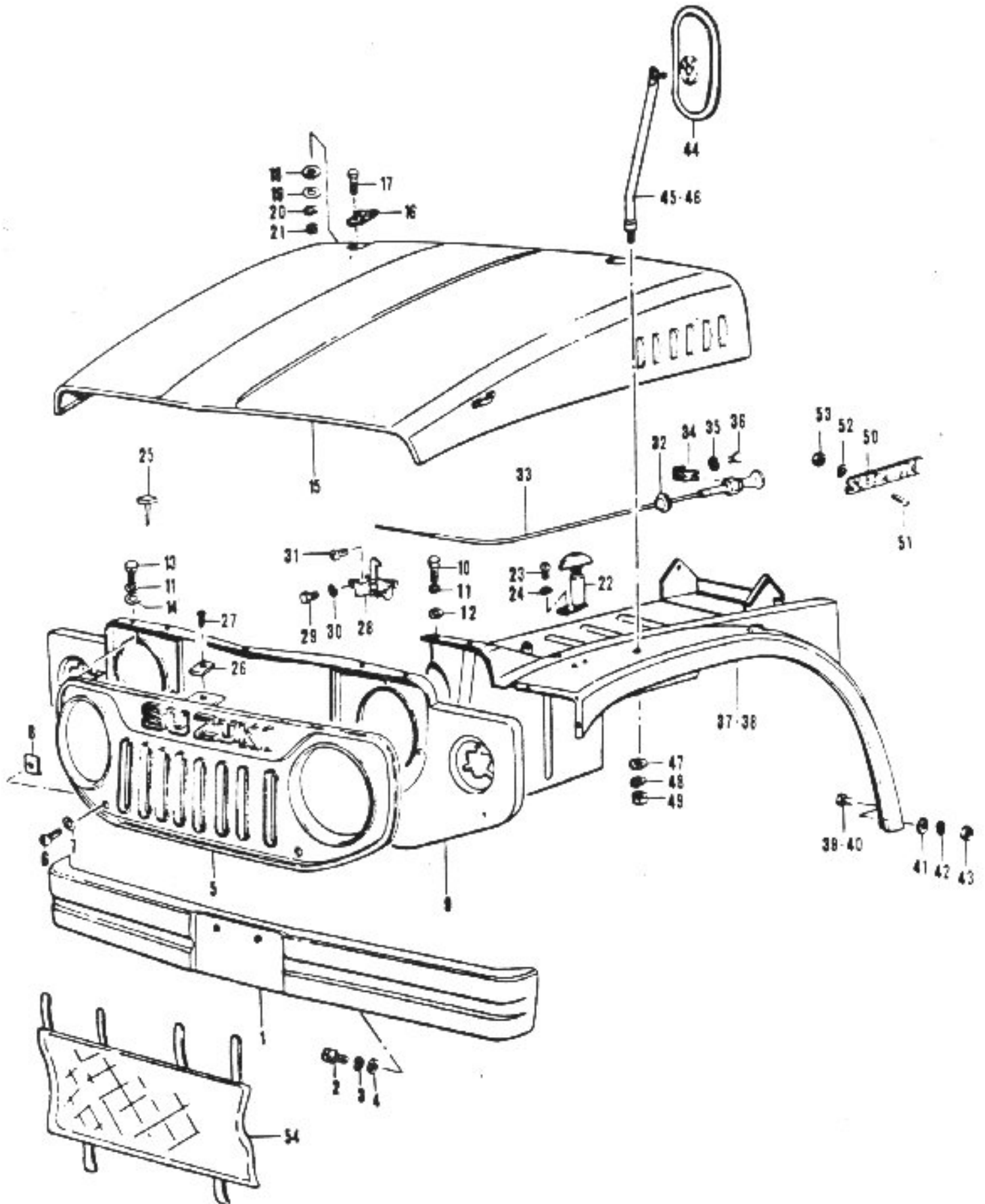


SHASSIS FRAME


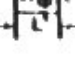
## SHASSIS FRAME

Ref.No.	Part No.	Description	Q'ty				Remarks
			20R	20L	20VP	20V.	
1	56000-63004	FLAME ASSY	1				
2	56000-63612	FLAME ASSY		1			
3	56000-63100	FLAME ASSY			1		
4	56000-63630	FLAME ASSY				1	
5	57311-63000	PAD, first mounting	3	3	3	3	
6	01122-08307	BOLT	3	3	3	3	
7	09160-08025	WASHER	6	6	6	6	8.5x24x2.3
8	08321-21088	LOCK WASHER	3	3	3	3	
9	08312-11088	NUT	3	3	3	3	
10	57321-63000	PAD, front floor	2	2	2	2	
11	57321-52000	PAD, body mounting			12		
12	09159-10001	NUT	2	2	2	2	
13	08321-21108	LOCK WASHER	6	6	6	6	
14	09160-10002	WASHER	8	8	8	8	10.5x30x3.2
15	01122-10307	BOLT	6	6	4	4	
16	57325-63100	BOLT			2	2	
17	57312-63000	PAD, P.T.O mounting	2	2	2	2	
18	57260-63000	HOOK COMF, rear	1	1	1	1	
19	01122-10258	BOLT	4	4	4	4	
20	08321-21108	LOCK WASHER	4	4	4	4	
21	56931-63000	BRACKET, rear licence	1	1	1	1	
22	08322-11068	WASHER	2	2	2	2	
23	08321-21068	LOCK WASHER	2	2	2	2	
24	01112-06167	BOLT	2	2	2	2	
25	56461-63000	PANEL, engine splash	1	1	1	1	

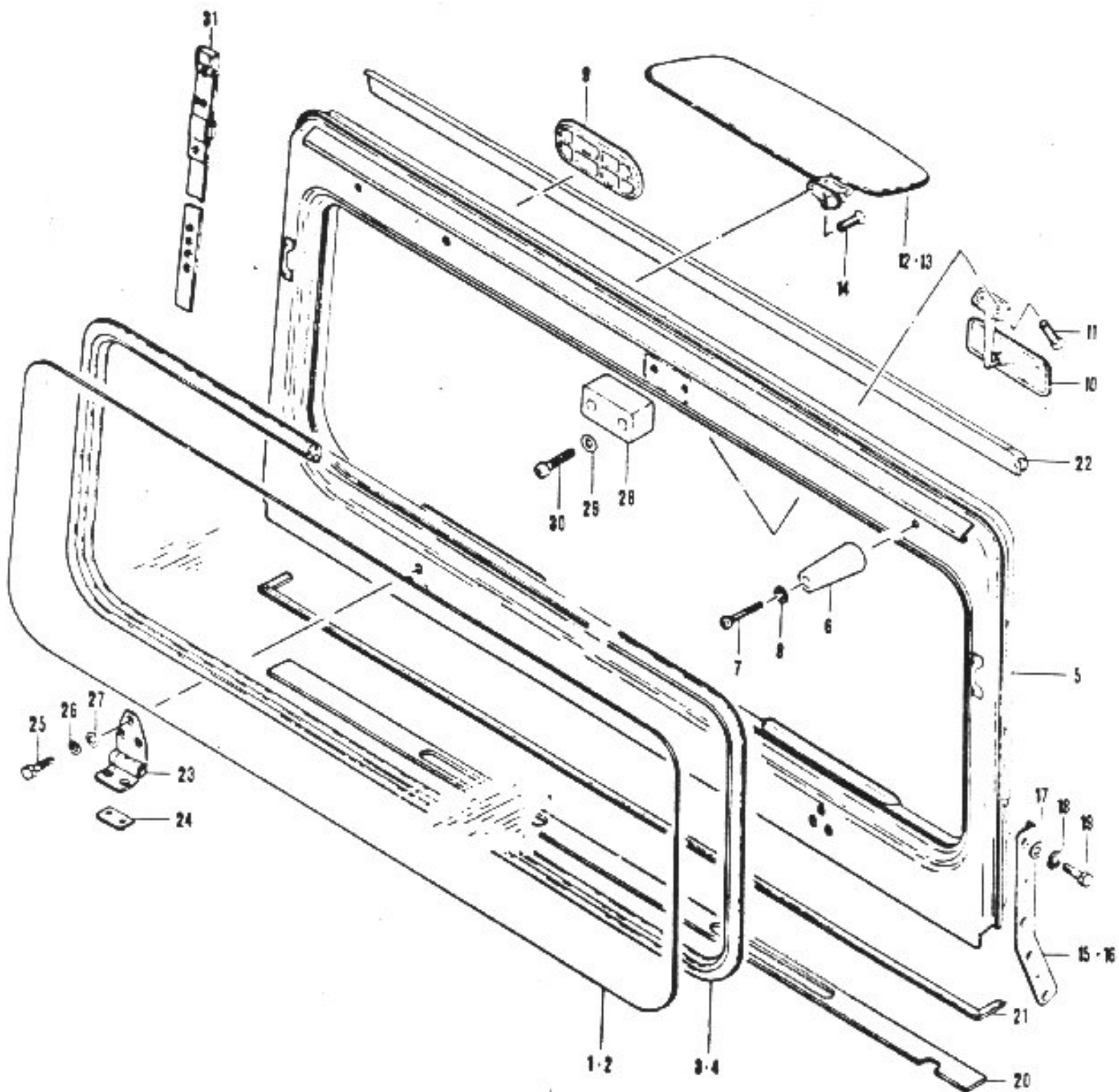
# FRONT BODY



## FRONT BODY

Ref.No.	Part No.	Description	Q'ty				Remarks
			OR	OL	VR	VL	
1	57410-63610-072	BUMPER, front	1	1	1	1	
2	01122-08168	BOLT	4	4	4	4	
3	08321-21008	LOCK WASHER	4	4	4	4	
4	08322-21008	WASHER	4	4	4	4	
5	61111-63001	FRONT GRILLE	1	1	1	1	
6	03212-05169	TAPPING SCREW	2	2	2	2	
7	09160-05022	WASHER	2	2	2	2	5.5x9.5x0.7
8	09148-05003	NUT	2	2	2	2	
9-1	61210-63004	PANEL, front	1	1	1	1	~LJ20-115827
9-2	61210-63200	PANEL, front	1	-	1	-	} LJ20-115828~
9-3	61210-63640	PANEL, front	-	1	-	1	
10	01112-06128	BOLT	6	6	6	6	
11	08321-21068	LOCK WASHER	8	8	8	8	
12	09160-06007	WASHER	6	6	6	6	6.5x10x1.6
13	01112-06168	BOLT	2	2	2	2	
14	08322-21068	WASHER	2	2	2	2	
15	61310-63002	PANEL, front hood	1	1	1	1	
16	61413-63000	PACKING	2	2	2	2	
17	61410-63000	HINGE, front hood	2	2	2	2	
18	01112-06168	BOLT	8	8	8	8	
19	08322-21068	WASHER	8	8	8	8	
20	09160-06019	WASHER	4	4	4	4	6.5x16x1.2
21	08321-21068	LOCK WASHER	4	4	4	4	
22	08311-11068	NUT	4	4	4	4	
23	61610-63000	LOCK, front hood	2	2	2	2	
24	09125-05026	SCREW	4	4	4	4	
25	08321-21068	LOCK WASHER	4	4	4	4	
26	09321-10008	STOPPER	4	4	4	4	
27-1	61372-63001	STOPPER, front hood	1	1	1	1	L:43 
27-2	69211-63100	STOPPER, front hood	1	1	1	1	L:70 
28	02141-06127	SCREW	1	1	1	1	
29	61570-63000	LOCK, hood center	1	1	1	1	
30	01112-06128	BOLT	2	2	2	2	
31	08321-21068	LOCK WASHER	2	2	2	2	
32	02111-05068	SCREW	1	1	1	1	
33	09308-05003	GRONNET	1	1	1	1	
34	61650-63010	CABLE, hood lock	1	1	1	1	
35	61621-63000	STOP, hood lock cable	1	1	1	1	
36	09160-06003	WASHER	1	1	1	1	6.7x16x0.8
37	09139-05102	SCREW	1	1	1	1	
38-1	61710-63003	PANEL, fender RH	1	1	1	1	} ~LJ20-115827
38-2	61710-63005	PANEL, fender RH	1	1	1	1	
39-1	61760-63002	PANEL, fender LH	1	1	1	1	
39-2	61760-63004	PANEL, fender LH	1	1	1	1	
40	01112-06128	BOLT	2	2	2	2	
41	01112-06168	BOLT				18	
42	09160-06007	WASHER				32	6.5x18x1.6
						34	
43	08321-21068	LOCK WASHER				20	
44	08311-11068	NUT				12	
						14	
45	86160-63030	MIRROR RH	1	1	1	1	
46	86160-63030	MIRROR LH	1	1	1	1	
47	86120-63031	RH STAY, rear view mirror	1	1	1	1	
48	86140-63031	LH STAY, rear view mirror	1	1	1	1	
49	09160-12030	WASHER	2	2	2	2	12.1x38x2.3
50	08321-21128	LOCK WASHER	2	2	2	2	
51	08313-11127	NUT	2	2	2	2	
52	86963-63600	EMBLEM	1	1	1	1	
53	02113-04007	SCREW	2	2	2	2	
54	08321-21048	LOCK WASHER	2	2	2	2	
55	08311-11048	NUT	2	2	2	2	
56	88610-63700	COVER, front grille	1	1	1	1	OPT

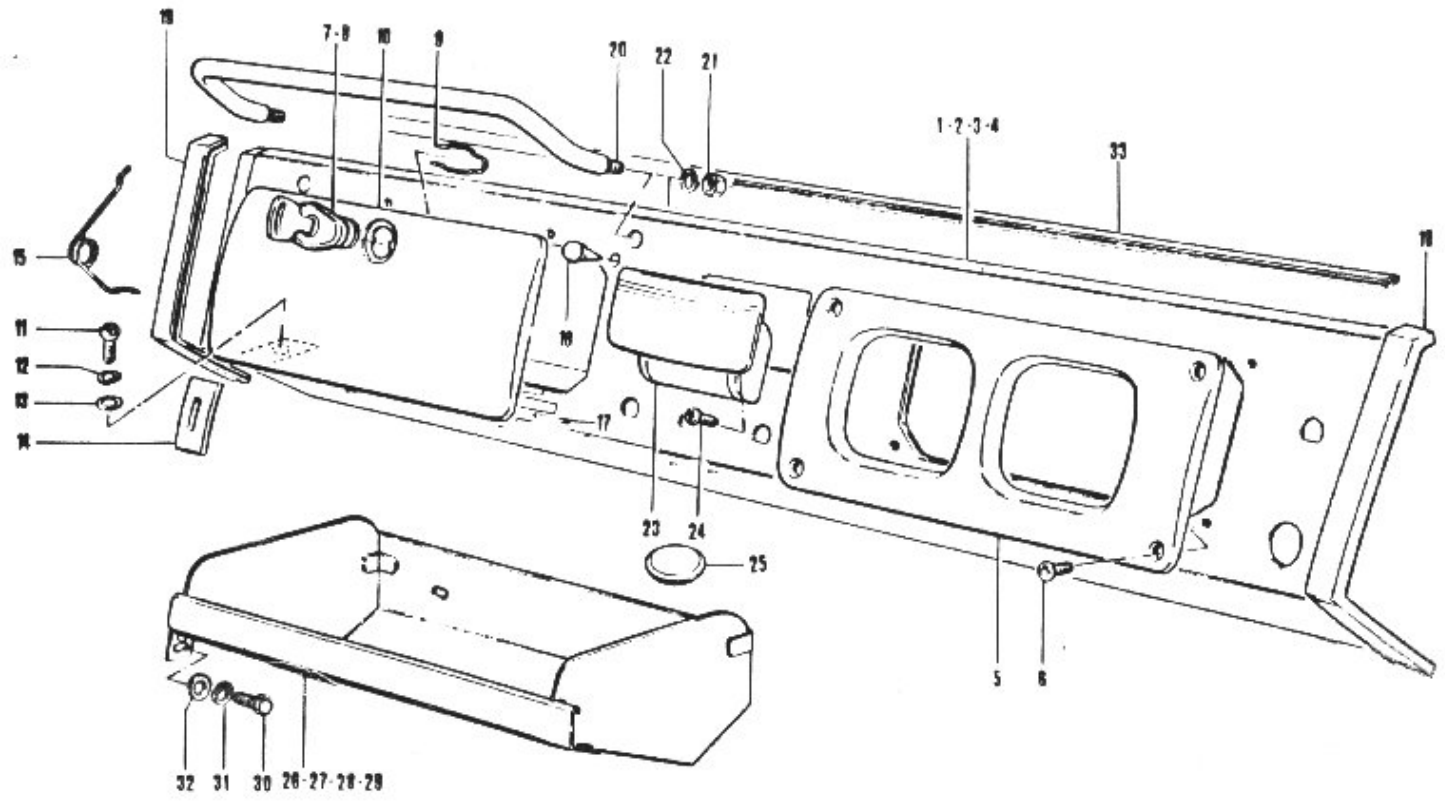
# FRONT WINDOW





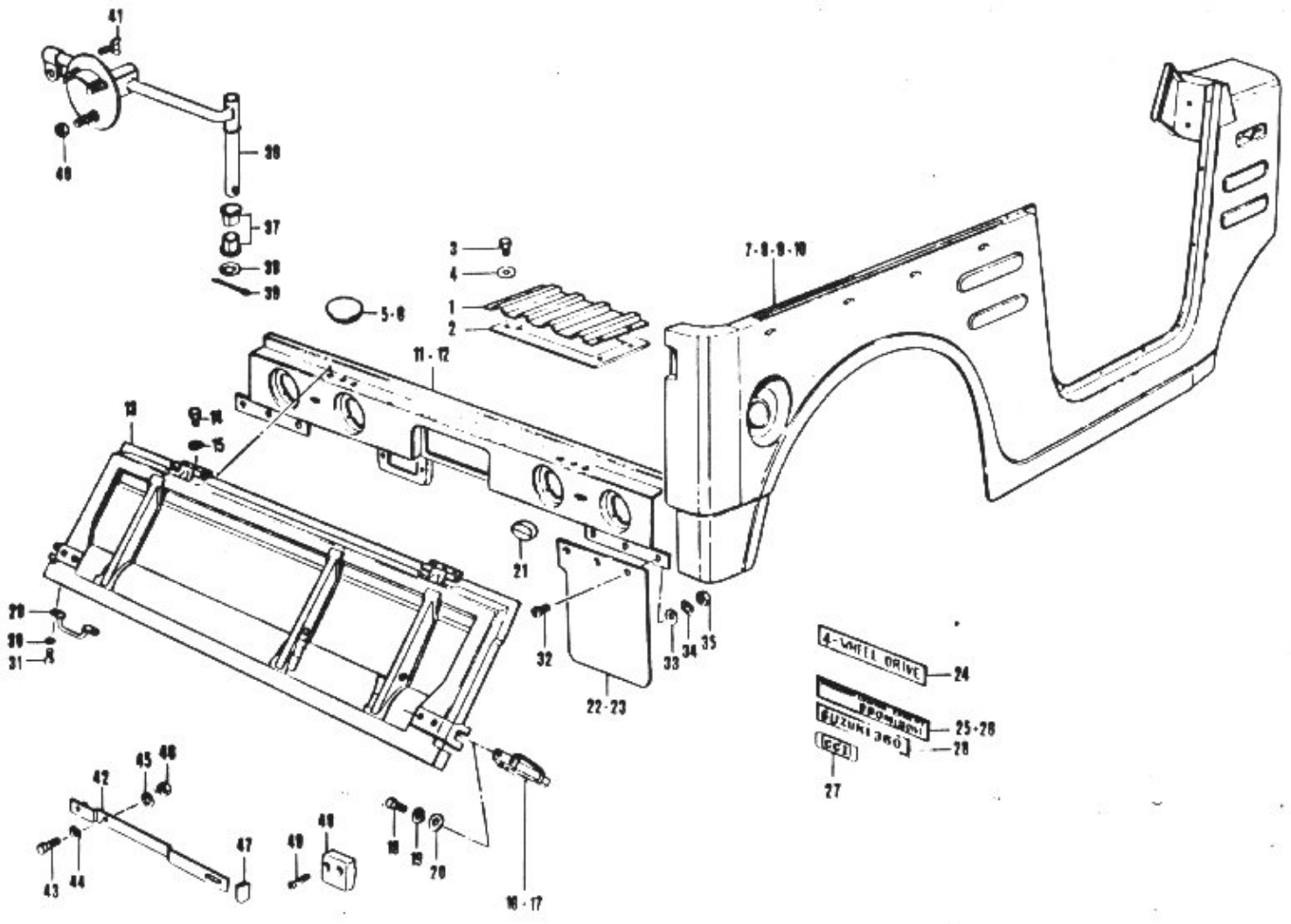
## FRONT WINDOW

Ref.No.	Part No.	Description	Q'ty		Remarks
			20K	20L 20VR 20V.	
1	63111-63002	GLASS, front windshield	1	1	} t:5 tempered glass (mass prot:t6.0) } t:6 laminated glass for T:5 glass
2	63111-63620	GLASS, front windshield		1	
3	63121-63002	WEATHERSTRIP, windshield	1	1	
4	63121-63620	WEATHERSTRIP, wind shield		1	
5	63300-63003	WINDOW ASSY, front	1	1	
6	63221-63000	CUSHION, front window	2	2	
7	02111-05357	SCREW	2	2	
8	08322-21058	WASHER	2	2	
9	63131-63000	CAP, wiper arm hole	1	1	
10	86103-58010	MIRROR ASSY, inside	1	1	1
11	02141-05087	SCREW	2	2	2
12	87401-63040	SUN VISOR ASSY	1	1	
13	87402-63040	SUN VISOR ASSY		1	1
14	02131-05087	SCREW	2	2	2
15	63225-63000	STOPPER, front window RH	1	1	
16	63226-63000	STOPPER, front window LH	1	1	
17	08322-21068	WASHER	8	8	
18	08321-21068	LOCK WASHER	8	8	
19	01112-06207	BOLT	8	8	
20	63222-63000	SEAT, front window	1	1	
21	63227-63000	WEATHERSTRIP, window under	1	1	
22	63228-63000	WEATHERSTRIP, window upper	1	1	
23	63210-63000	HINGE COMP, window	2	2	
24	63223-63000	PACKING	2	2	
25	01112-06207	BOLT	10		
26	08321-21068	LOCK WASHER	10		
27	08322-21068	WASHER	10		
28	71221-63100	CUSHION, front hood		1	1
29	08322-21058	WASHER		2	2
30	02111-05207	SCREW		2	2
31	93510-63701	BELT, front window	1	1	



# INSTRUMENT PANEL

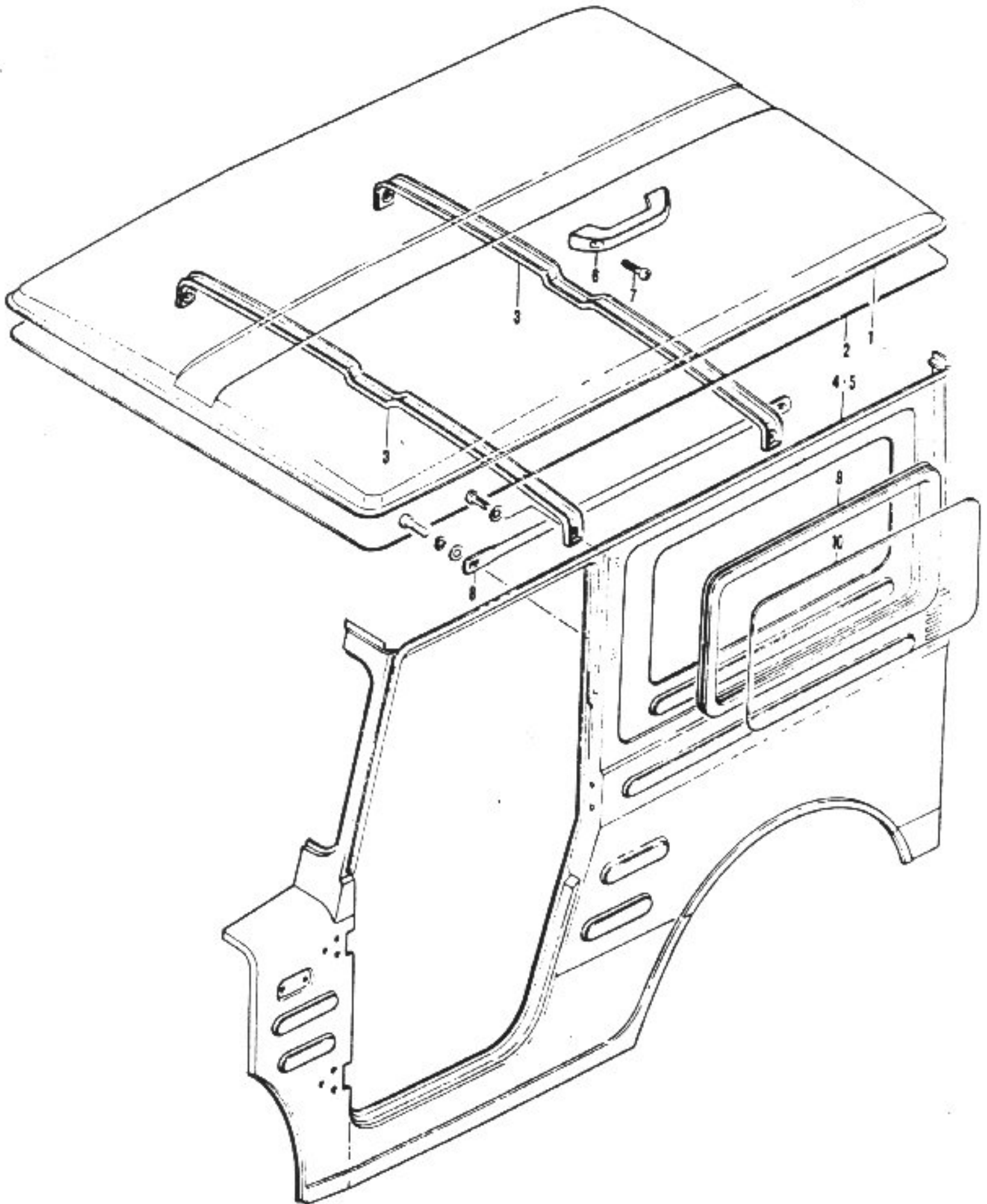
Ref.No.	Part No.	Description	Q'ty				Remarks
			205	206	207	208	
1	62320-63003	PANEL COMP, instrument front	1				
2	62320-63613	PANEL COMP, instrument front		1			
3	62320-63102	PANEL COMP, instrument front			1		
4	62320-63630	PANEL COMP, instrument front				1	
5	62450-63000	PAENL COMP, meter hood	1	1	1	1	
6	02131-05127	SCREW	4	4	4	4	
7	62580-63010	KEY ASSY, instrument panel lid	1	1			
8	62580-63110	KEY ASSY, instrument panel lid			1	1	
9	09384-22001	CLIP	1	1	1	1	
10	62530-63000	LID COMP, instrument panel	1	1	1	1	
11	02111-05107	SCREW	2	2	2	2	
12	08321-21058	LOCK WASHER	2	2	2	2	
13	08322-21058	WASHER	2	2	2	2	
14	62522-58100	RUBBER, glove box stay	1	1	1	1	
15	62536-63000	SPRING, instrument panel lid	1	1	1	1	
16	09321-05005	CUSHION	2	2	2	2	
17	09202-30009	PIN, instrument panel lid	2	2	2	2	
18	62672-63000	MOULDING, RH	1	1			
19	62673-63000	MOULDING, LH	1	1			
20	86210-63000	GRIP COMP, assistant	1	1			
21	08311-11088	NUT	2	2			
22	08321-21088	LOCK WASHER	2	2			
23	86370-55040	ASH TRAY COMP	1	1	1	1	
24	02131-04127	SCREW	2	2	2	2	
25	09250-30001	CAP, glove box	1				
26	87610-63001	TRAY COMP, package	1				
27	87610-63611	TRAY COMP, package		1			
28	87610-63101	TRAY COMP, package			1		
29	87610-63630	TRAY COMP, package				1	
30	01112-06167	BOLT	4	4	4	4	
31	08321-21068	LOCK WASHER	4	4	4	4	
32	09160-06006	WASHER	4	4	4	4	6.5x18x1.6
33	62674-63600	MOULDING, instrument panel	1	1			



REAR BODY

Ref.No.	Part No.	Description	Q'ty				Remarks
			MP	25.	25R	25L	
1	65631-63002	COVER, service hole	1	1	1	1	
2	65632-63002	COVER PAD, service hole	1	1	1	1	
3	01112-06167	BOLT	6	6	6	6	
4	08322-21068	WASHER	6	6	6	6	
5	09250-30001	CAP, rear floor	2	2	2	2	OD:30
6	09250-40002	CAP, rear floor	2	2	2	2	OD:40
7	68201-63003	PANEL ASSY, side body RH	1				
8	68201-63612	PANEL ASSY, side body RH		1			
9	68202-63003	PANEL ASSY, side body LH	1				
10	68202-63612	PANEL ASSY, side body LH		1			
11	65730-63600	TAILMEMBER COMP, floor	1	1			
12	65700-63620	GAIL MEMBER ASSY, floor			1	1	
13	73700-63611	REAR GATE COMP	1	1			
14	01112-06167	BOLT	4	4			
15	08321-21068	LOCK WASHER	4	4			
16	73910-52000	HANDLE COMP, RH	1	1			
17	73920-52000	HANDLE COMP, LH	1	1			
18	01112-06167	BOLT	4	4			
19	08321-21068	LOCK WASHER	4	4			
20	09160-06006	WASHER	4	4			6.5x18x1.6
21	73951-63000	OPENSTOPPER, rear gate	2				
22	57661-61100	FLAP, rear mud RH	1	1	1	1	} OPT
23	57662-63700	FLAP, rear mud LH	1	1	1	1	
24	86965-63001	EMBLEM, four drive	1	1	1	1	
25	86961-63600	EMBLEM, load indicator	1	1			
26	86961-63620	EMBLEM, load indicator			1	1	
27	68171-24000	EMBLEM, OCI	1	1	1	1	
28	86962-52300	EMBLEM, suzuki	1	1	1	1	
29	68442-63000	HOOK, rear	2	2			
30	08321-21058	LOCK WASHER	4	4			
31	21112-05168	SCREW	4	4			
32	02112-06168	SCREW	4	4	4	4	} OPT
33	09160-06030	WASHER	4	4	4	4	
34	08321-21068	LOCK WASHER	4	4	4	4	
35	08311-11068	NUT	4	4	4	4	
36	57220-63610	CARRIER COMP, tire	1	1			
37	57251-63610	BUSH	2	2			
38	57252-63610	WASHER	1	1			
39	04111-40558	COTTER PIN	1	1			
40	09140-12013	NUT	3	3			
41	57253-63610	BOLT	1	1			
42	56940-63600	STAY, licence plate	1	1	1	1	
43	01112-06207	BOLT	2	2	2	2	
44	08321-21068	LOCK WASHER	2	2	2	2	
45	08322-21068	WASHER	2	2	2	2	
46	08311-11068	NUT	2	2	2	2	
47	56948-63600	CUSHION	2	2	2	2	
48	73961-63610	CUSHION, spare tire	1	1			

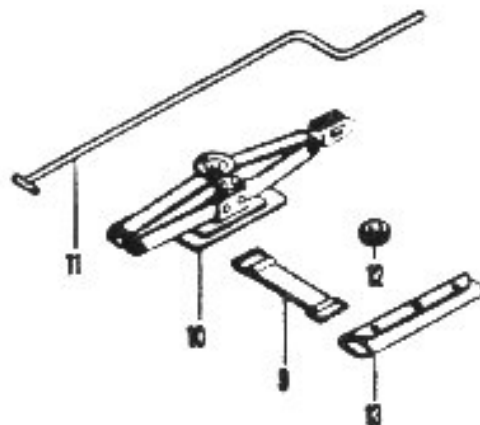
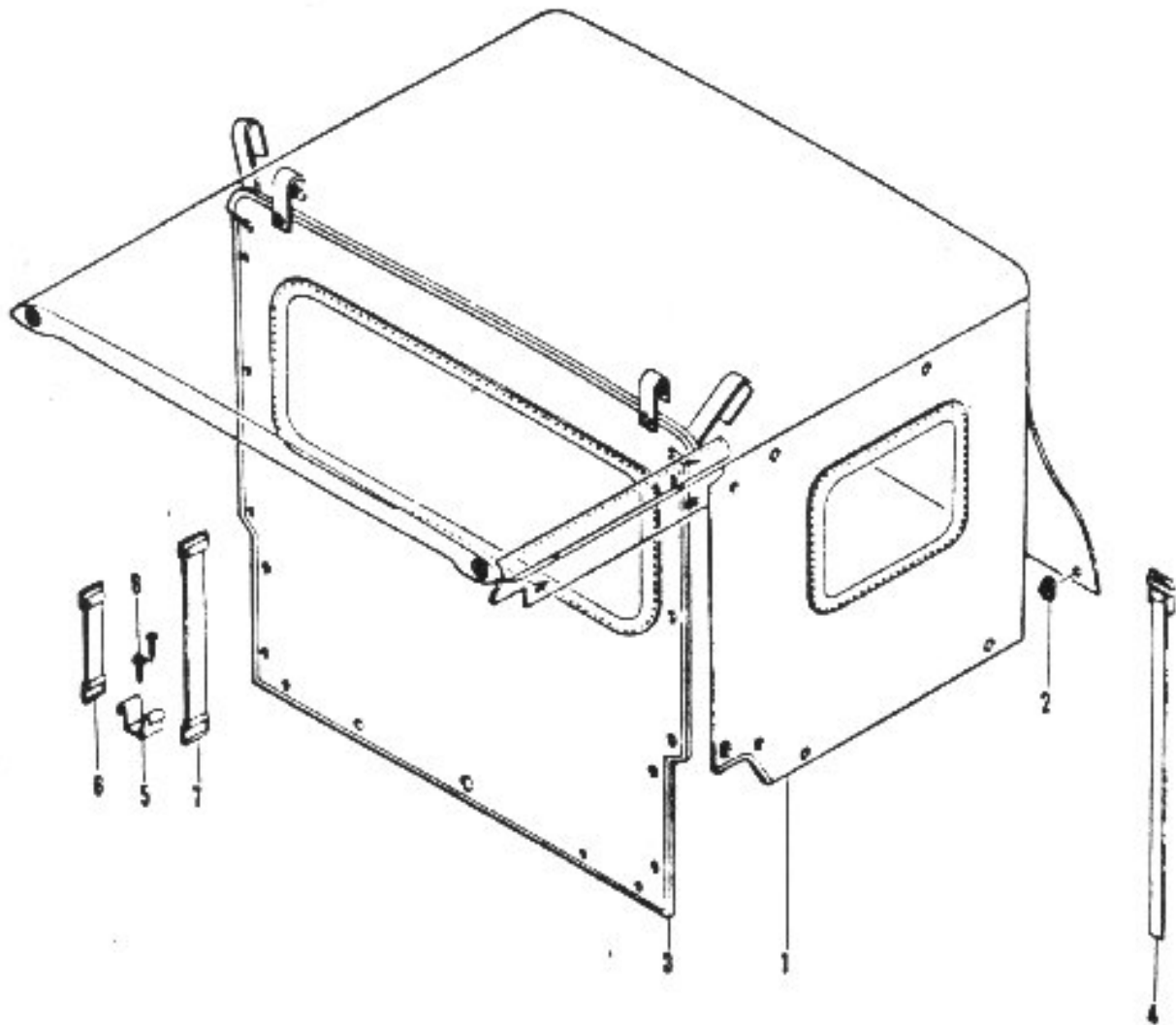
SIDE BODY (LJ20V)



## SIDE BODY (LJ20V)

Ref.No.	Part No.	Description	Q'ty		Remarks
			20P	20L 20VR 21V	
1	71111-63100	PANEL, roof	1	1	
2	71811-63100-445	HEADLINING, roof panel	1	1	
3	71140-63100	REINFORCEMENT COMP	1	1	
4	67008-63100	PANEL ASSY, side body RH	1		
5	67009-63100	PANEL ASSY, side body LH	1		
6	86211-66000	GRIP	2	2	] OPT
7	09125-06006	SCREW	4	4	
8	69311-63100	BAR, side window guard	1	1	
9	69121-63100	WEATHERSTRIP, window	2	2	
10	69111-63100	GLASS, side window	2	2	

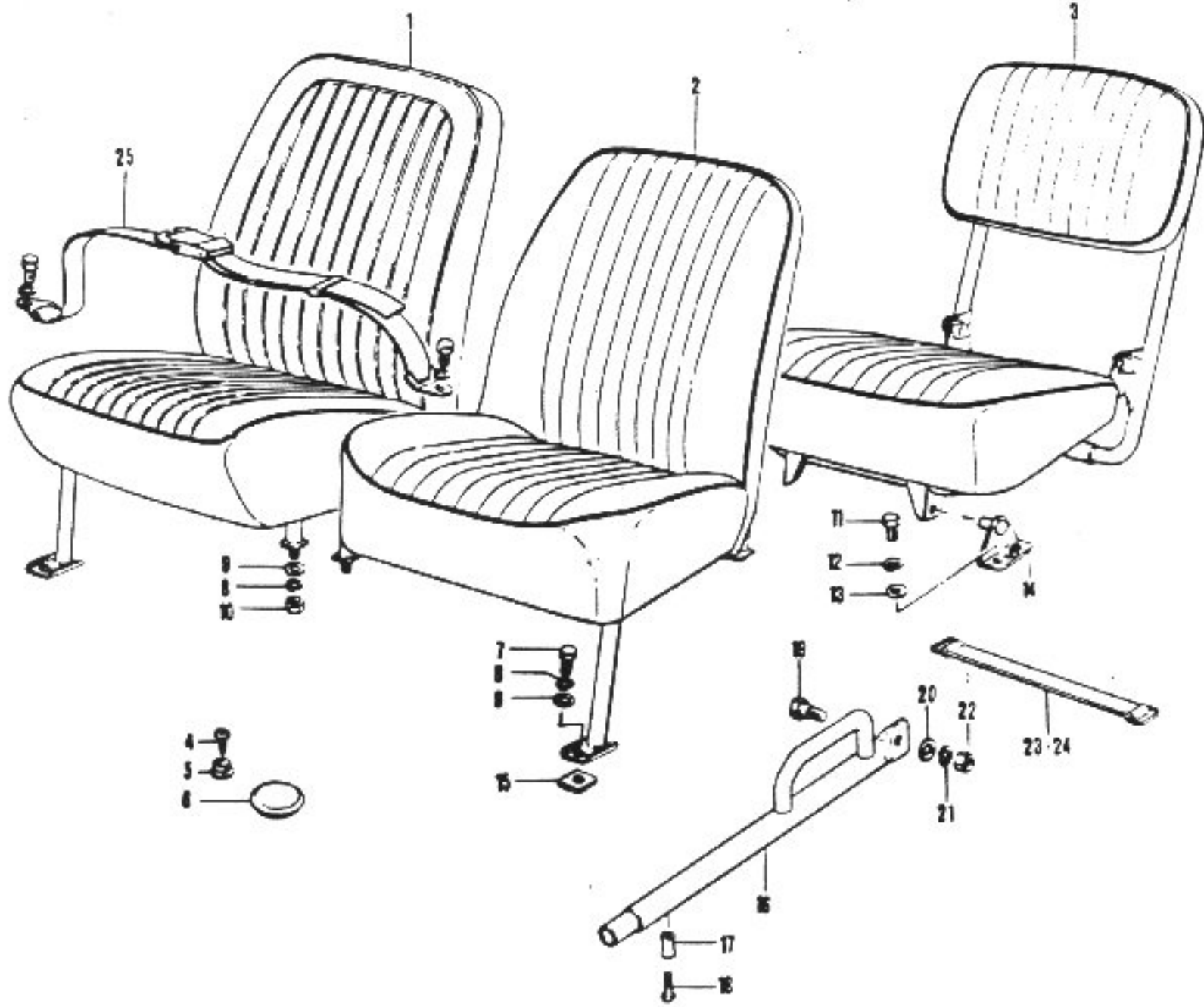
DOOR CURTAIN • SPARE TOOL





DOOR CURTAIN · SPARE TOOL

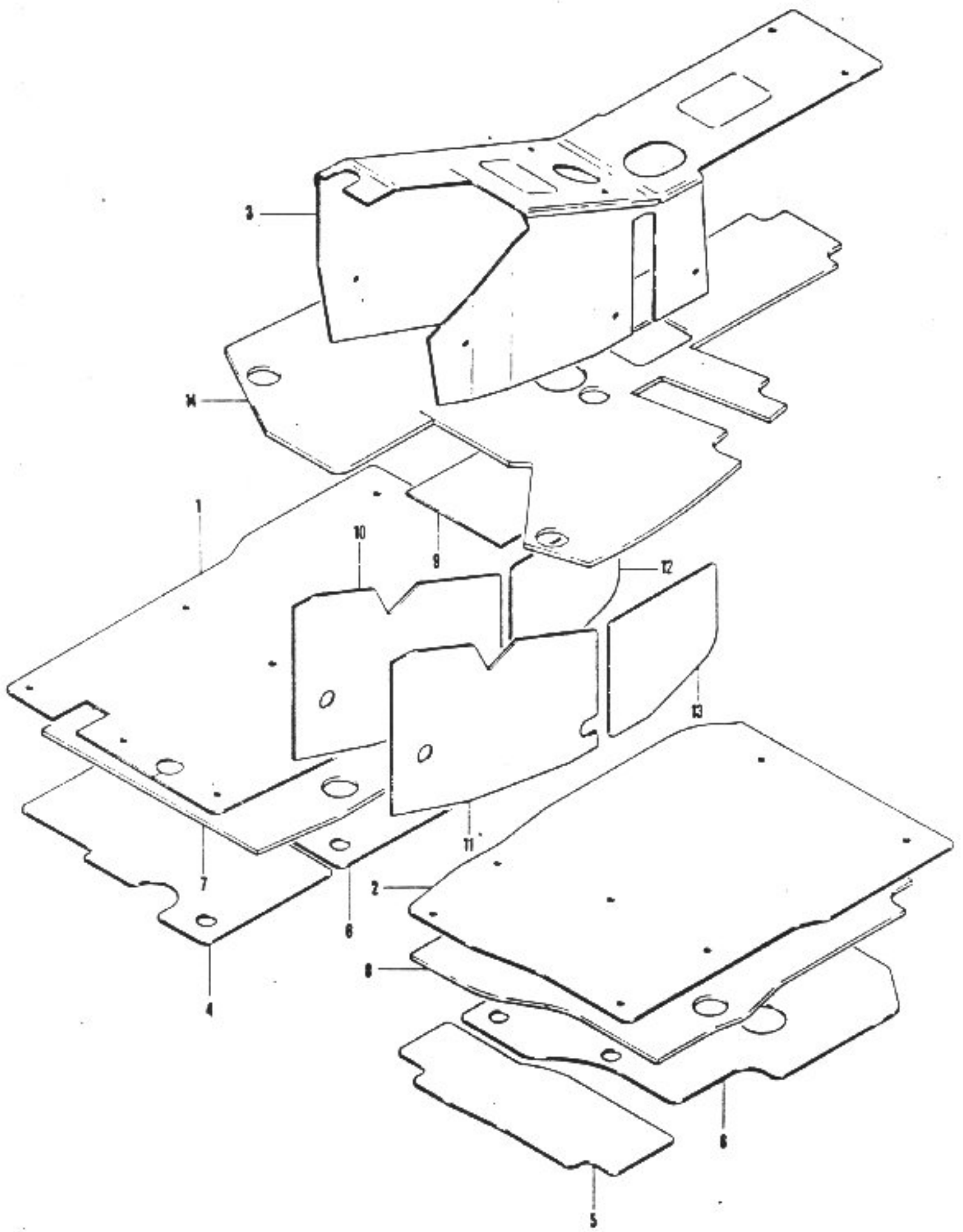
Ref.No.	Part No.	Description	Q'ty				Remarks
			TOP	MID	REAR	TOTAL	
1	71500-63023	TOP ASSY, deck	1	1			
2	71529-63020	-HOOK		20			
3	93410-63826	CENTER CURTAIN SET	1	1			OFT
4	93420-63700	BELT, top bow	2	2			
5	93431-63700	HOLDER	2	2			
6	09462-00034	BAND	2	2			
7	09462-00036	BAND	2	2			
8	03111-05108	SCREW	4	4			
9	09462-00015	BAND, jack	1	1	1	1	
10	09824-00012	JACK ASSY	1	1	1	1	
11	09824-00010	JACK, handle	1	1	1	1	
12	09308-12002	GROMET, jack handle	1	1	1	1	
13	09800-00130	TOOL ASSY	1	1	1	1	



## SEAT

Ref.No.	Part No.	Description	Q'ty				Remarks
			BA	BL	BR	BY	
1	80001-63022-641	SEAT ASSY, front RH	1	1	1	1	
2	80002-63022-357	SEAT ASSY, front LH	1	1	1	1	
3	80004-63020-357	SEAT ASSY, spare	1	1	1	1	OPT
4	09131-04001	SCREW			25		
5	66291-51000	MALE, front folir mat			25		
6	09250-40002	CAP, front folir			10		
7	01122-08168	BOLT	2	2	2	2	
8	08321-21088	LOCK WASHER	8	8	8	8	
9	08322-21088	WASHER	8	8	8	8	
10	08312-11088	NUT	6	6	6	6	
11	01112-06128	BOLT	4	4	4	4	
12	08321-21068	LOCK WASHER	4	4	4	4	
13	08322-21068	WASHER	4	4	4	4	
14	84311-63000	HINGE, spare seat	2	2	2	2	
15	81921-63000	PLATE, front seat stopper	2	2	2	2	
16	75900-63001	BAR ASSY, front gate	2	2			
17	75933-63001	COVER	2	2			
18	02112-06358	SCREW	2	2			
19	09111-06013	BOLT	2	2			
20	09160-07006	WASHER	2	2			7x14x1.6
21	08321-21068	LOCK WASHER	2	2			
22	08311-11068	NUT	2	2			
23	09462-00019	BAND, seat stopper	1	1			
24	09462-00009	BAND, seat stopper			1	1	
25	87301-63021-382	SEAT BELT ASSY, front	1	1	1	1	

FLOOR MAT - SILENCER



FLOOR MAT - SILENCER

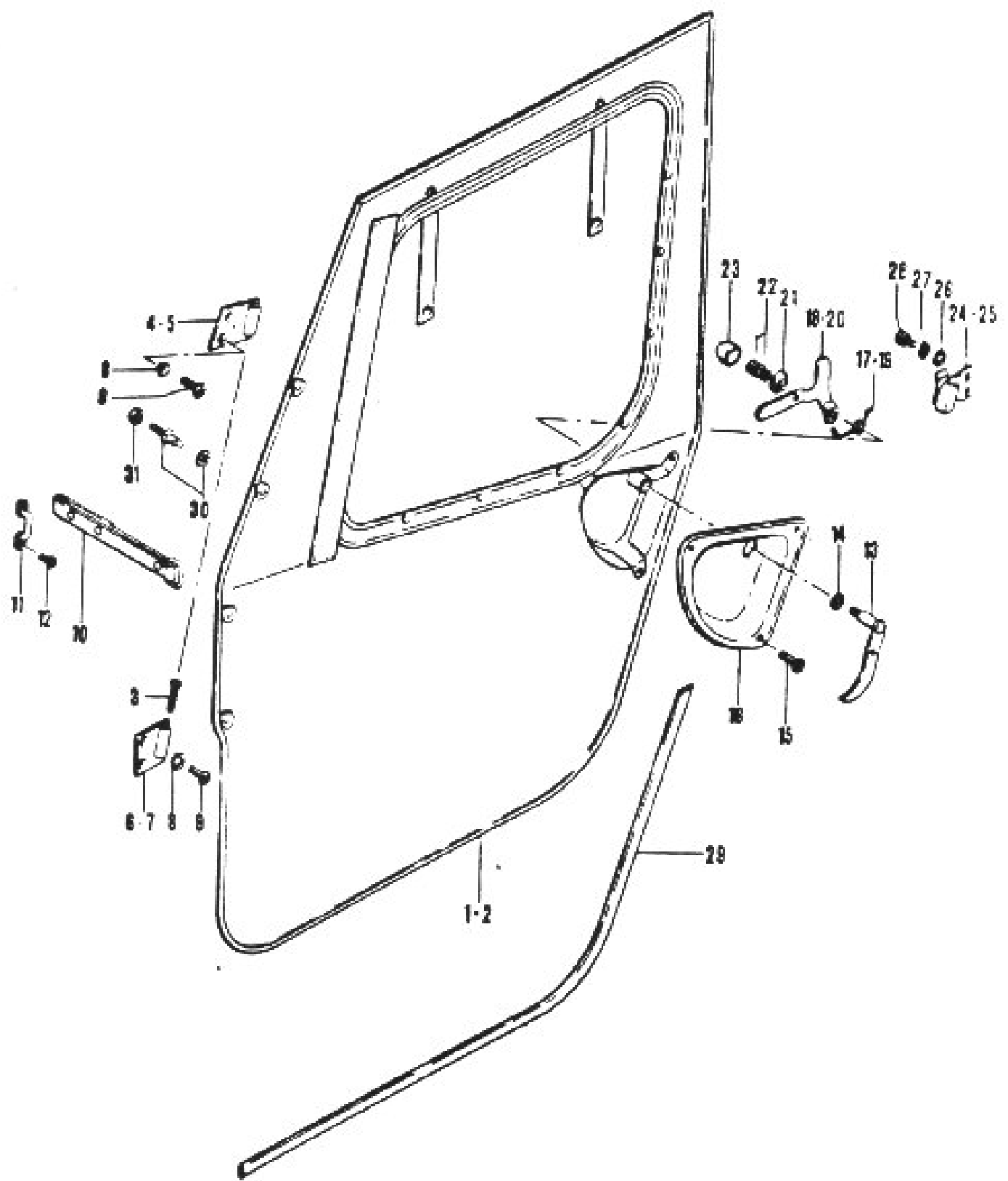
Ref.No.	Part No.	Description	Q'ty				Remarks
			201	202	203	204	
1	66111-63000-405	MAT, front floor RH	1	1	1	1	
2	66121-63000-405	MAT, front floor LH	1	1	1	1	
3	66130-63101-405	MAT COMP, front floor tunnel	1	1	1	1	
4	66411-63100	SILENCER, dash panel RH	1	1	1	1	
5	66421-63100	SILENCER, dash panel LH	1	1	1	1	
6	66211-63101	SILENCER, front floor front	2	2	2	2	
7	66231-63101	FELT, front floor RH	1	1	1	1	
8	66232-63101	FELT, front floor LH	1	1	1	1	
9	66215-63100	SILENCER, tunnel upper	1	1	1	1	
10	66213-63100	SILENCER, tunnel front RH	1	1	1	1	
11	66223-63100	SILENCER, tunnel front LH	1	1	1	1	
12	66214-63100	SILENCER, tunnel rear RH	1	1	1	1	
13	66224-63100	SILENCER, tunnel rear LH	1	1	1	1	
14	66233-63101	FELT, front floor tunnel	1	1	1	1	



FUEL TANK · OIL TANK

Ref.No.	Part No.	Description	Q'ty				Remarks
			NR	XL	NR	NR	
1	09462-00036	BAND, engine oil tank	2	2	2	2	
2	85511-63002	TANK, engine oil	1	1	1	1	
3	09402-00170	CLAMP	1	1	1	1	
4	02111-04168	SCREW	1	1	1	1	
5	85680-63001	HOSE COMP, breather	1	1	1	1	L:460
6	85674-60001	GASKET, oil level unit	1	1	1	1	
7	34830-62012	GAUGE ASSY, oil level	1	1	1	1	
8	85731-58070	FILTER, engine oil tank	1	1	1	1	
9	85673-58070	GASKET	1	1	1	1	
10	85711-60002	CAP, engine oil tank	1	1	1	1	
11-1	85410-59000	CAP ASSY, fuel tank filler	1	1	1	1	
11-2	85410-59700	CAP ASSY, fuel tank filler	1	1	1	1	OPT(KEY ATTACHES)
12	85382-63000	HOSE, breather (2)	1	1	1	1	
13	09400-00014	CLAMP (1)	1	1	1	1	
14	85372-63000	PIPE, fuel inlet joint	1	1	1	1	
15	09400-00020	CLAMP (2)	1	1	1	1	
16	09386-11001	CLIP	2	2	2	2	
17	85381-63000	HOSE, breather (1)	1	1	1	1	L:500
18	85461-63000	PROTECTOR	1	1	1	1	
19	08322-11068	WASHER	4	4	4	4	
20	08321-21068	LOCK WASHER	4	4	4	4	
21	01112-06128	BOLT	4	4	4	4	
22	85462-63001	PROTECTOR, lower	1	1	1	1	
23	08311-11068	NUT	2	2	2	2	
24	08322-11068	WASHER	4	4	4	4	
25	08321-21068	LOCK WASHER	2	2	2	2	
26	02112-06168	SCREW	2	2	2	2	
27	85100-63002	TANK ASSY, fuel	1	1	1	1	
28	09168-12001	GASKET	1	1	1	1	
29	09247-12101	PLUG, fuel tank	1	1	1	1	
30	08322-11088	WASHER	3	3	3	3	
31	08321-21088	LOCK WASHER	3	3	3	3	
32	01122-08207	BOLT	3	3	3	3	
33	02111-05127	SCREW	5	5	5	5	
34	09168-05001	WASHER	5	5	5	5	5x9.5x1.0
35	34810-62010	GAUGE ASSY, fuel level	1	1	1	1	
36	34825-51010	*GASKET	1	1	1	1	

# DOOR (OPT)

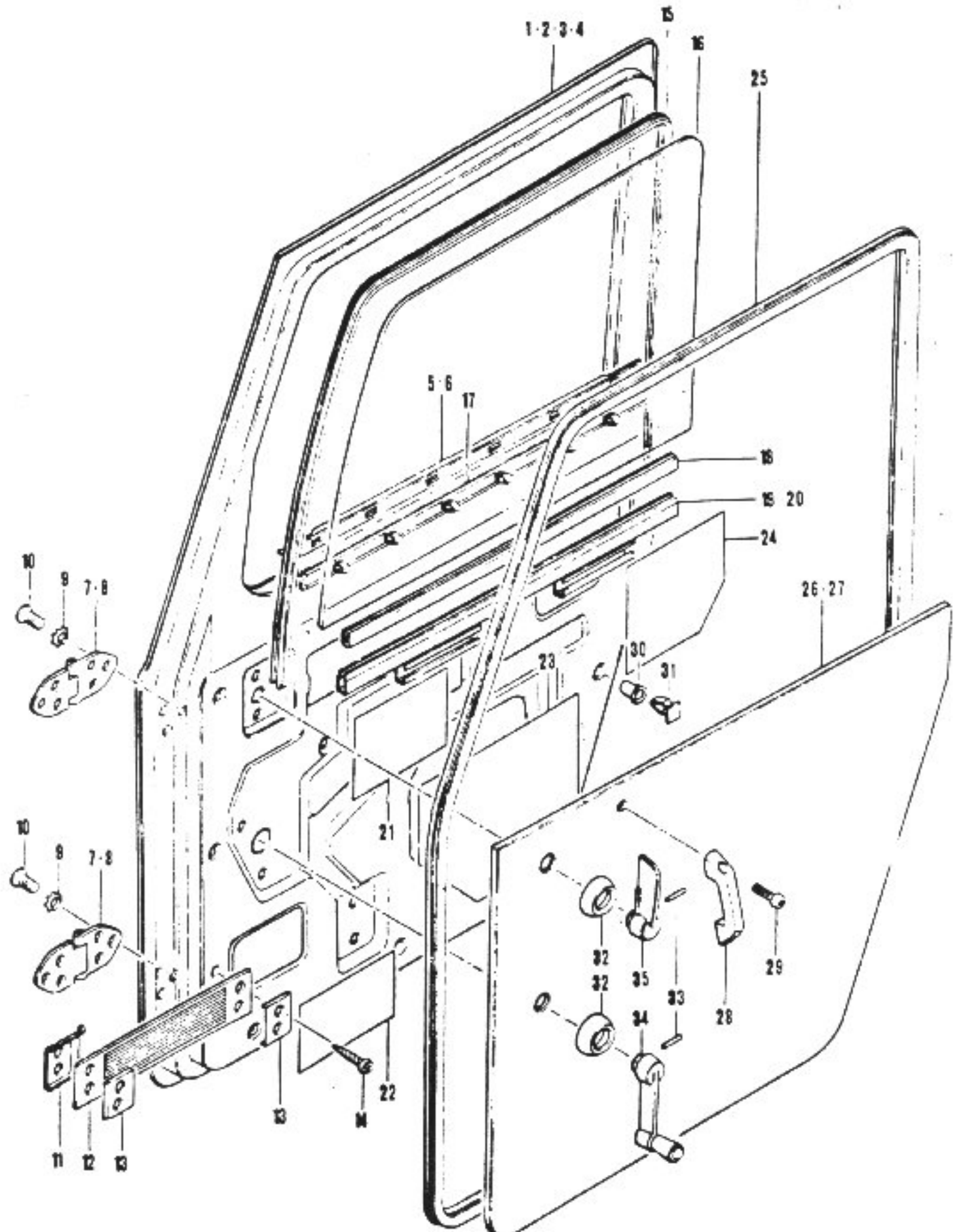




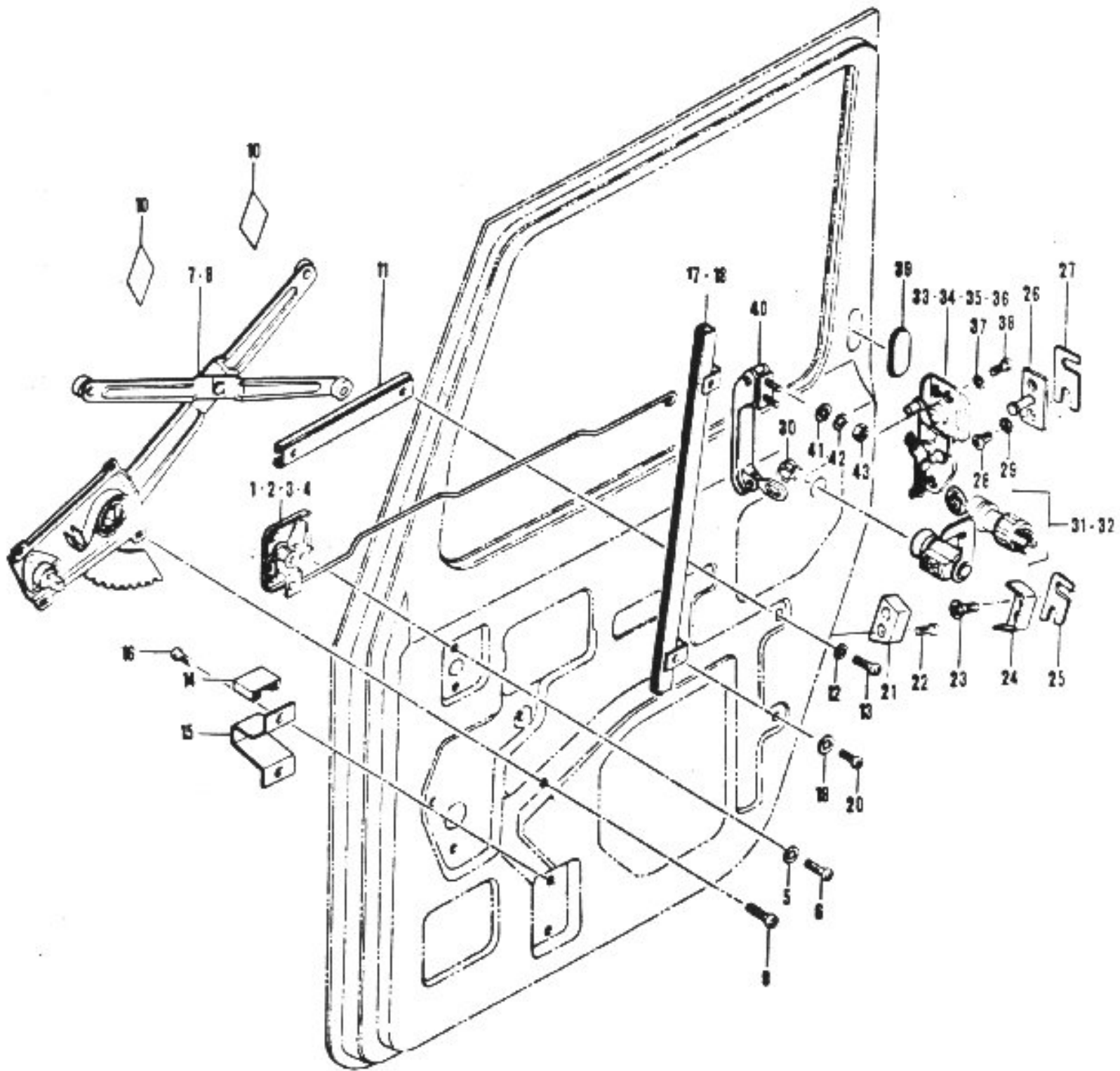
## DOOR(OPT)

Ref.No.	Part No.	Description	Q'ty		Remarks
			NR	ML	
1	79001-63022	DOOR ASSY, RH	1	1	
2	79002-63022	DOOR ASSY, LH	1	1	
3	79118-63001	PIPE, hinge male door	4	4	
4	76111-63001	HINGE FEMALE, upper RH	1	1	
5	76112-63001	HINGE FEMALE, upper LH	1	1	
6	76151-63001	HINGE FEMALE, lower RH	1	1	
7	76152-63001	HINGE FEMALE, lower LH	1	1	
8	08323-31068	LOCK WASHER	8	8	
9	02122-06168	SCREW	8	8	
10	76180-63020	STOPPER COMP, door open	2	2	
11	68442-63000	HOOK, door open stopper	2	2	
12	02111-05127	SCREW	4	4	
13	78210-63002	HANDLE COMP, outer	2	2	
14	09164-13002	WAVE WASHER	2	2	
15	02141-04107	SCREW	6	6	
16	79119-63001	COVER, lock bracket	2	2	
17	78232-63000	SPRING, handle RH	1	1	
18	78231-63003	HANDLE, inner RH	1	1	
19	78242-63000	SPRING, handle LH	1	1	
20	78241-63003	HANDLE, inner LH	1	1	
21	09169-07004	WASHER	2	2	
22	08311-11068	NUT	4	4	
23	79811-63000	CAP, door handle	2	2	
24	77811-63003	STRIKER, door lock RH	1	1	
25	77812-63003	STRIKER, door lock LH	1	1	
26	08322-11068	WASHER	4	4	
27	08321-21068	LOCK WASHER	4	4	
28	01112-06128	BOLT	4	4	
29	79211-63002	WEATHERSTRIP, door	2	2	
30	79100-63808	HOOK SET		14	
31	08311-11048	NUT		14	

DOOR • DOOR TRIM (LJ20V)



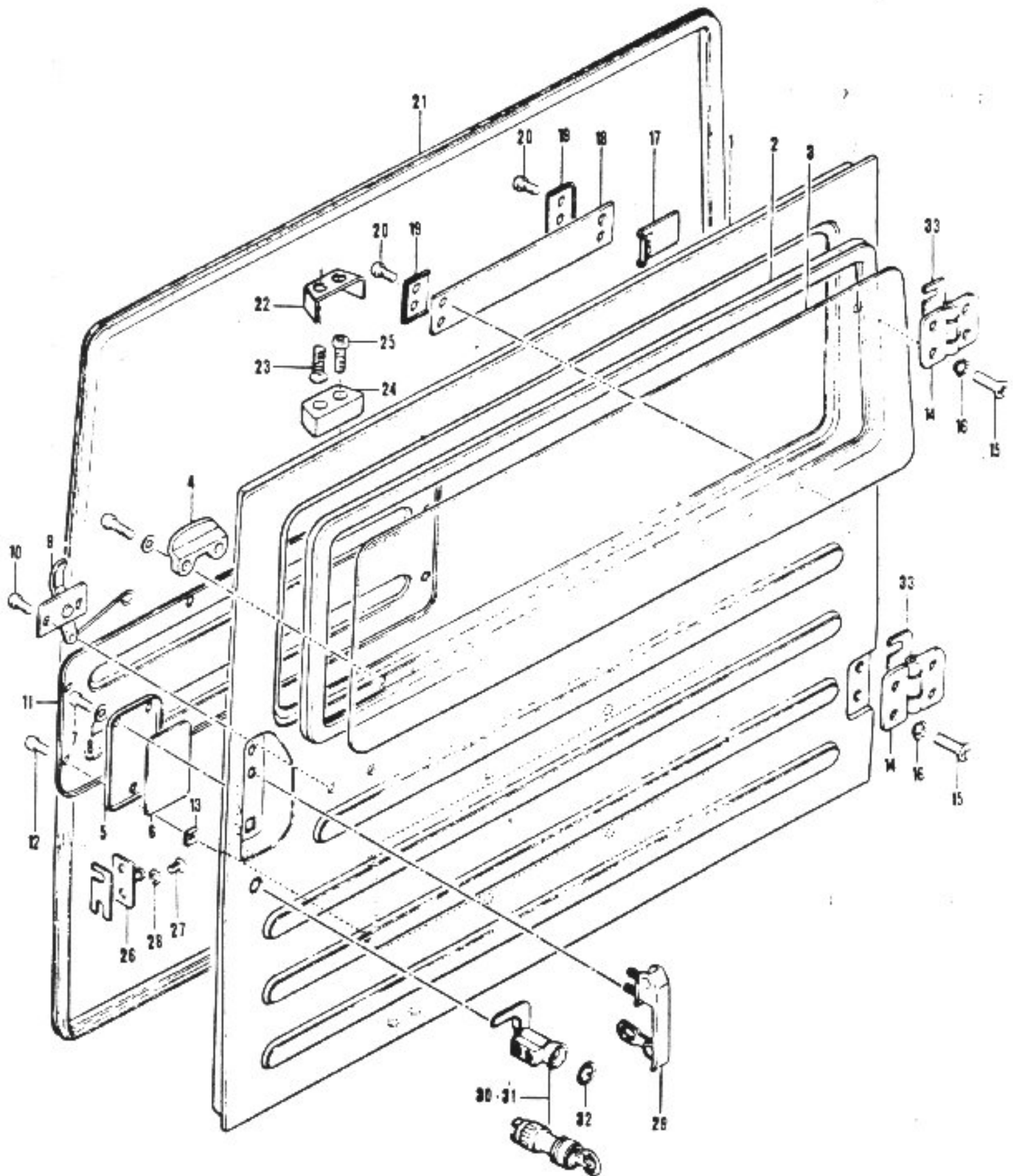
DOOR LOCK • DOOR HANDLE (LJ20V)



DOOR LOCK · DOOR HANDLE (LJ20V)

Ref.No.	Part No.	Description	Q'ty		Remarks
			FR	BACK	
1	77510-63120	REMOTE CONTROL ASSY, RH	1		
2	77510-63630	REMOTE CONTROL ASSY, RH		1	
3	77550-63120	REMOTE CONTROL ASSY, LH	1		
4	77550-63630	REMOTE CONTROL ASSY, LH		1	
5	08322-21058	WASHER	4	4	
6	02111-05107	SCREW	4	4	
7	78501-63120	REGULATOR ASSY, door RH	1	1	
8	78502-63120	REGULATOR ASSY, door LH	1	1	
9	02111-06087	SCREW	8	8	
10	77591-66000	PAD	4	4	
11	78991-63120	HOLDER, regulator roller	2	2	
12	08322-21068	WASHER	4	4	
13	02112-06128	SCREW	4	4	
14	79611-63100	RUBBER, door glass stop	2	2	
15	79612-63100	PLATE, door glass stop	2	2	
16	02112-06128	SCREW	4	4	
17	76641-63100	SASH, door rear RH	1	1	
18	76651-63100	SASH, door rear LH	1	1	
19	08322-21068	WASHER	4	4	
20	02112-06128	SCREW	4	4	
21	77751-63100	STOP MALE		2	
22	02112-06128	SCREW	4	4	
23	02122-06128	SCREW	4	4	
24	77751-63100	STOP FEMALE	2	2	
25	77891-63100	SPACER		AR	
26	77810-51021	STRIKER COMP, door lock	2	2	
27	77883-63100	SPACER		AR	
28	02121-08168	SCREW	4	4	
29	08323-31088	LOCK WASHER	4	4	
30	77481-51000	MOULDING, key cylinder hole	2	2	
31	70000-63827	DOOR LOCK KEY SET	1		
32	70000-63834	DOOR LOCK KEY SET		1	
33	77101-63120	LOCK ASSY, door RH	2	1	FRONT DOOR.BACK DOOR
34	77101-63630	LOCK ASSY, door RH		1	
35	77102-63120	LOCK ASSY, door LH	1		
36	77102-63630	LOCK ASSY, door LH		1	
37	08322-21068	WASHER	9	9	
38	02112-06128	SCREW	9	9	
39	79841-61000	CAP, service hole	3	3	
40	78110-63160	HANDLE COMP, outside	2	2	
41	08322-21068	WASHER	4	4	
42	08321-21068	LOCK WASHER	4	4	
43	08311-11068	NUT	4	4	

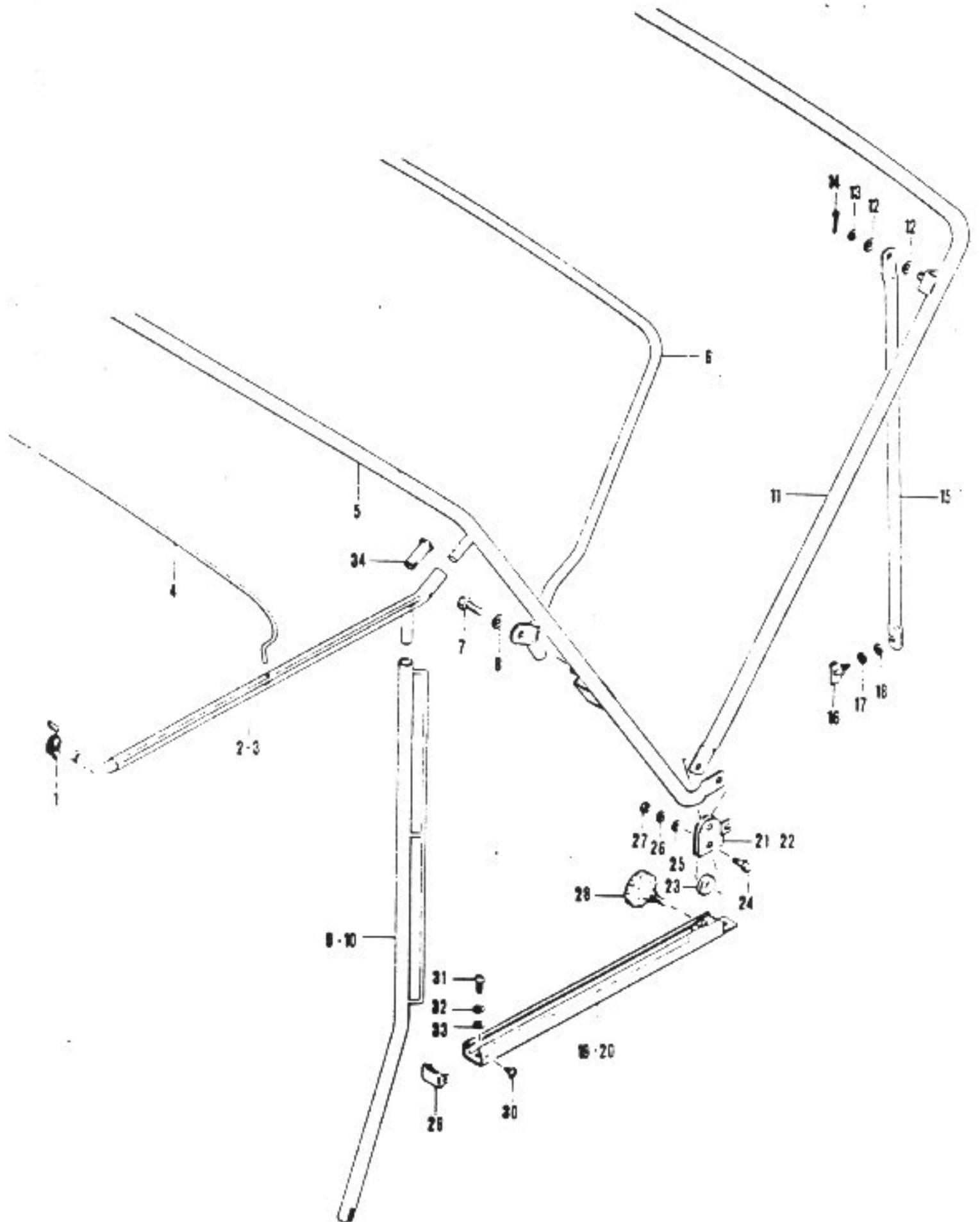
# BACK DOOR (LJ20V)



## BACK DOOR (LJ20V)

Ref.No.	Part No.	Description	Q'ty		Remarks
			RF	RF	
1	75700-63100	PANEL ASSY, back door	1	1	
2	72821-63100	WEATHERSTRIP, window	1	1	
3	72811-63100	GLASS, back window	1	1	
4	78271-51020	HANDLE, inside pull	1	1	
5	78411-63100	PLATE, service hole	1	1	
6	79821-63100	FILM, water proof	1	1	
7	02131-05127	SCREW	3	3	
8	08323-31058	LOCK WASHER	3	3	
9	77710-63120	REMOTE CONTROL ASSY, door lock	1	1	
10	02112-06128	SCREW	2	2	
11	75761-63100	LID, service hole	1	1	
12	03231-05128	TAPPING SCREW	8	8	
13	09148-05003	NUT	8	8	
14	76310-63100	HINGE COMP, back door	2	2	
15	02121-08168	SCREW	8	8	
16	08323-31088	WASHER	8	8	
17	76182-63100	PROTECTOR, weatherstrip	1	1	
18	76381-63100	BAND, open stopper	1	1	
19	76182-58001	GARNISH	2	2	
20	02131-05208	SCREW	4	4	
21	79241-63100	WEATHERSTRIP, back door	1	1	
22	77751-63100	STOP FEMALE	3	3	
23	02122-06128	SCREW	6	6	
24	77741-63100	STOP MALE	3	3	
25	02112-06168	SCREW	6	6	
26	77810-51021	STRIKER COMP, door lock	1	1	
27	02121-08168	SCREW	2	2	
28	08323-31088	LOCK WASHER	2	2	
29	78110-63160	HANDLE COMP, outside	1	1	
30	70000-63827	DOOR LOCK KEY SET	1		
31	70000-63834	DOOR LOCK KEY SET		1	
32	77481-51000	MOULDING, key cylinder hole	1	1	
33	77883-63100	SPACER, back door hinge		AR	

TOP BOW (OPT)

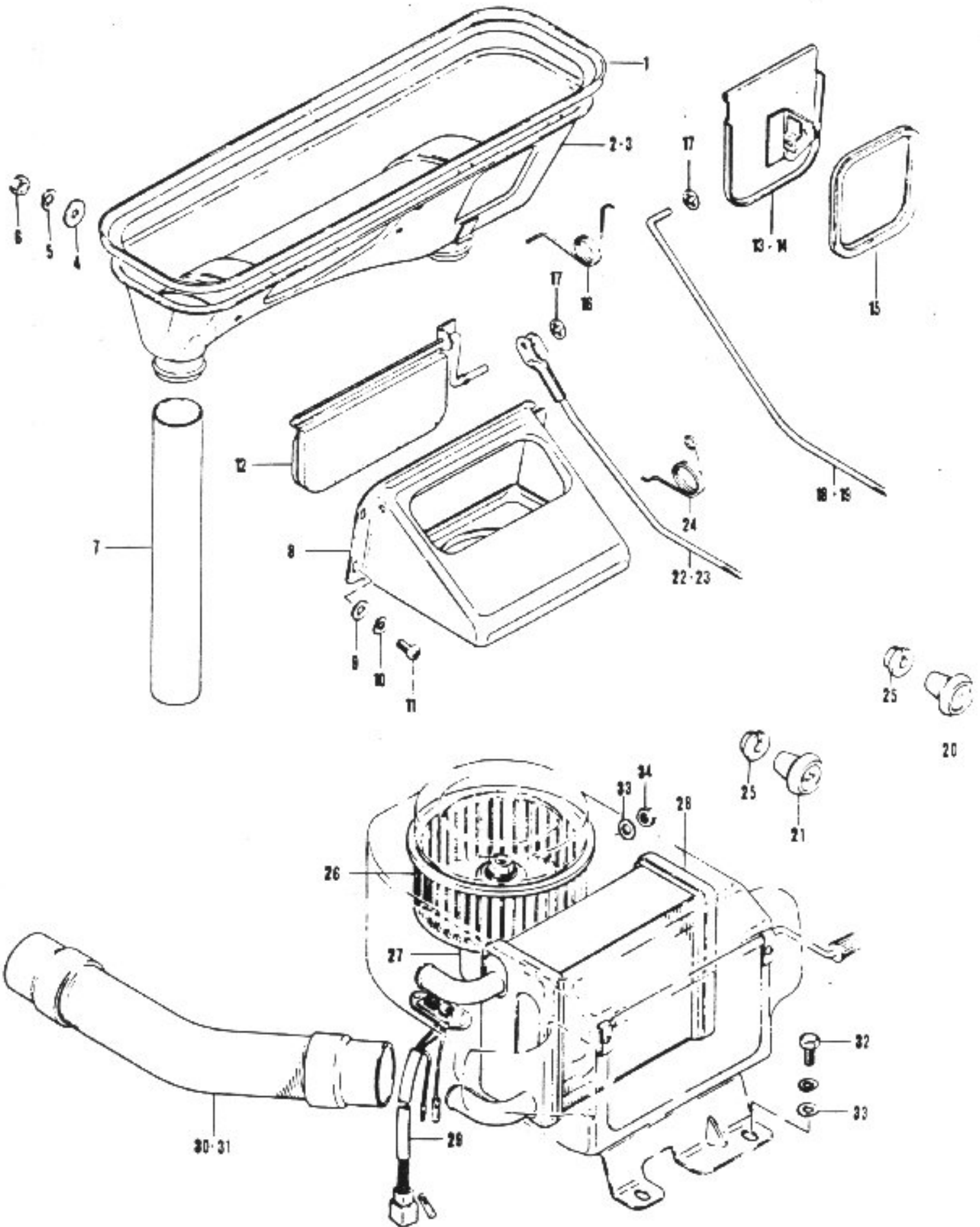


## TOP BOW (OPT)

Ref.No.	Part No.	Description	Q'ty		Remarks
			NO	IN	
1	71751-63000	SPRING, front rail	2	2	
2	71680-63000	RAIL COMP, front right	1	1	
3	71690-63000	RAIL COMP, front left	1	1	
4	71611-63000	TOP BOW, front	1	1	
5	71620-63000	TOP BOW COMP, front cross	1	1	
6	71630-63000	TOP BOW COMP, middle cross	1	1	
7	09100-08083	BOLT	2	2	
8	08322-11088	WASHER	2	2	
9	71660-63000	PIPE COMP, center right	1	1	
10	71670-63000	PIPE COMP, center left	1	1	
11	71650-63000	TOP BOW COMP, rear cross	1	1	
12	09164-08002	WAVE WASHER	4	4	
13	08322-11088	WASHER	2	2	
14	04111-25158	COTTER PIN	2	2	
15	71641-63000	HOLDER, rear top bow cross	2	2	
16	09119-06007	WING BOLT	2	2	
17	08321-21068	LOCK WASHER	2	2	
18	08322-21068	WASHER	2	2	
19	71710-63000	RAIL COMP, top bow right	1	1	
20	71720-63000	RAIL COMP, top bow left	1	1	
21	71730-63000	SLIDER COMP, top bow right	1	1	
22	71740-63000	SLIDER COMP, top bow left	1	1	
23	71752-63000	ROLLER	2	2	
24	71754-63000	BOLT, top bow slider	4	4	
25	08322-21068	WASHER	4	4	
26	08321-21068	LOCK WASHER	4	4	
27	08311-11068	NUT	4	4	
28	71753-63000	BOLT, top bow rail	2	2	
29	71755-63000	LID, top bow rail	2	2	
30	03141-05128	TAPPING SCREW	4	4	
31	02112-06208	SCREW	4	4	
32	08321-21068	LOCK WASHER	4	4	
33	08322-11068	WASHER	4	4	
34	71758-63000	BUSH	2	2	



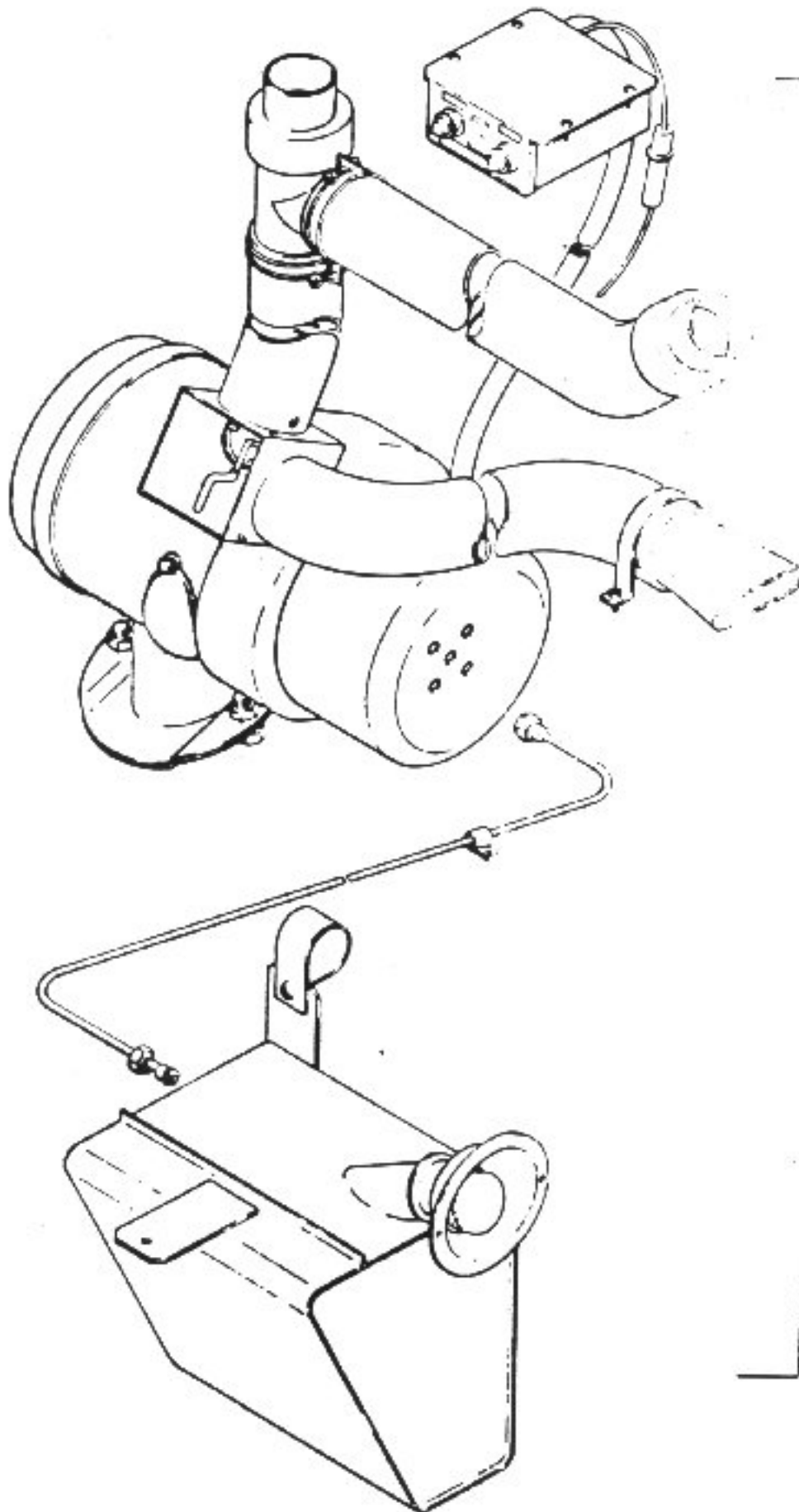
# VENTILATOR



VENTILATOR

Ref.No.	Part No.	Description	Q'ty				Remarks
			NO	NO	NO	NO	
1	62231-63000	WEATHERSTRIP	1	1	1	1	
2	62210-63001	BOX COMP, cowl ventilator	1		1		
3	62210-63610	BOX COMP, cowl ventilator		1		1	
4	09160-06006	WASHER	4	4	4	4	6.5x18x1.6
5	08321-21068	LOCK WASHER	7	7	7	7	
6	08311-11068	NUT	4	4	4	4	
7	62232-63000	PIPE	2	2	2	2	
8	62240-63000	PANEL COMP, control box	1	1	1	1	
9	08322-21058	WASHER	4	4	4	4	
10	08321-21058	LOCK WASHER	4	4	4	4	
11	02111-05127	SCREW	4	4	4	4	
12	62250-63000	BUTTERFLY COMP, control box	1	1	1	1	
13	62220-63000	BUTTERFLY COMP, ventilator	1		1		
14	62220-63610	BUTTERFLY COMP, ventilator		1		1	
15	62223-63000	WEATHERSTRIP, ventilator	1	1	1	1	
16	62224-63000	SPRING	1	1	1	1	
17	09148-04010	NUT	2	2	2	2	
18	62261-63000	ROD, side ventilator	1		1		
19	62261-63610	ROD, side ventilator		1		1	
20	62262-63600	KNOB	1	1	1	1	
21	62932-60010	KNOB	1	1	1	1	
22	62270-63000	ROD COMP, control box	1		1		
23	62270-63611	ROD COMP, control box		1		1	
24	62259-63000	SPRING	1	1	1	1	
25	09308-05012	GROMET	2	2	2	2	
26	88130-63010	FAN, heater	1	1	1	1	OPT
27	88120-63010	MOTOR ASSY	1	1	1	1	
28	88110-63010	HEATER UNIT ASSY	1	1	1	1	
29	88140-63010	RESISTANCE COMP	1	1	1	1	
30	88640-63052	HOSE COMP	1		1		
31	88640-63610	HOSE COMP		1		1	
32	01112-06167	BOLT	2	2	2	2	
33	08322-21068	WASHER	3	3	3	3	
34	08311-11068	NUT	1	1	1	1	

CAR HEATER (OPT)

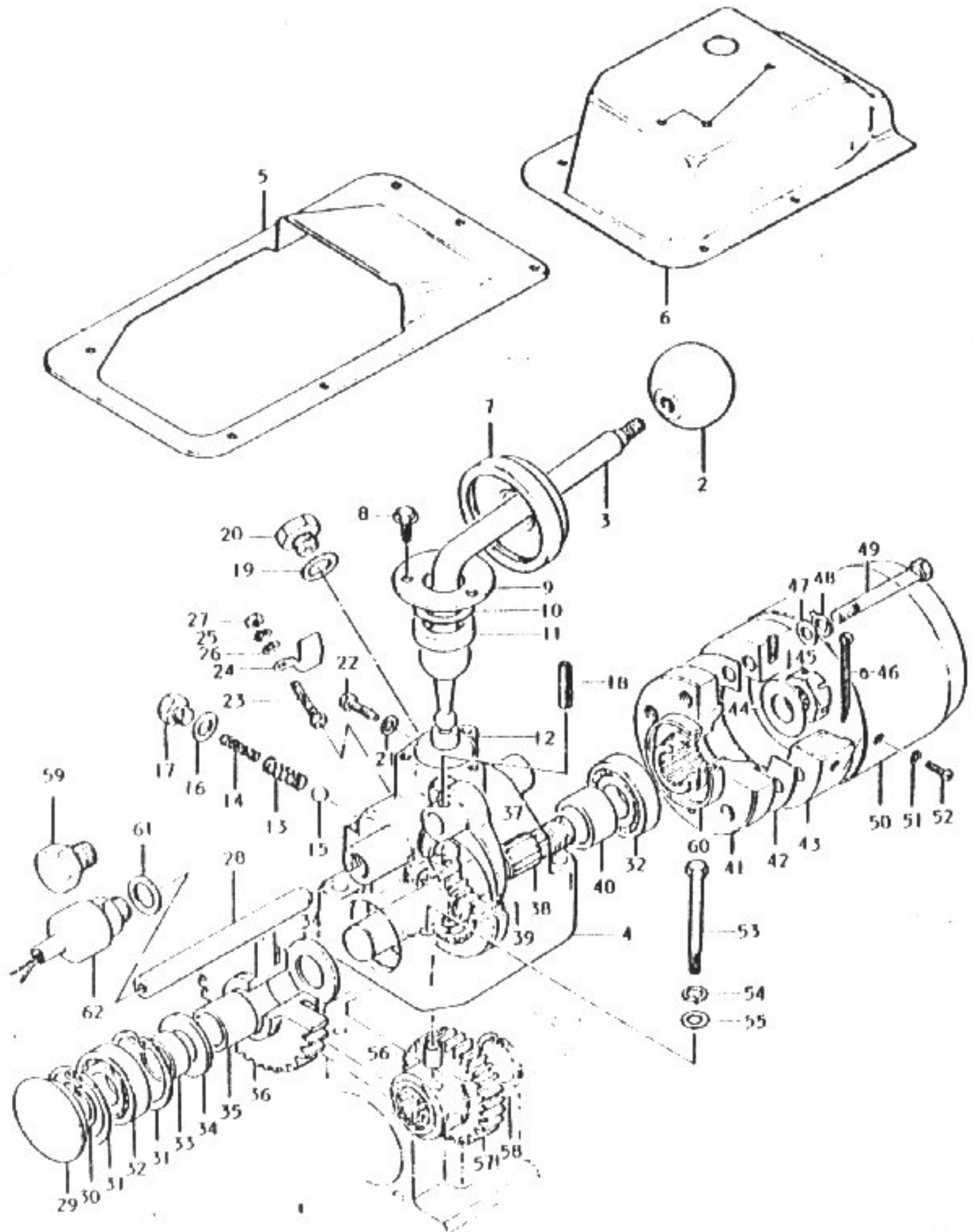


-- 1

CAR HEATER (OPT)

Ref.No.	Part No.	Description	Q'ty				Remarks
			OR	OL	VR	VL	
1	88000-63710	CAR HEATER ASSY	1	1	1	1	Burning type

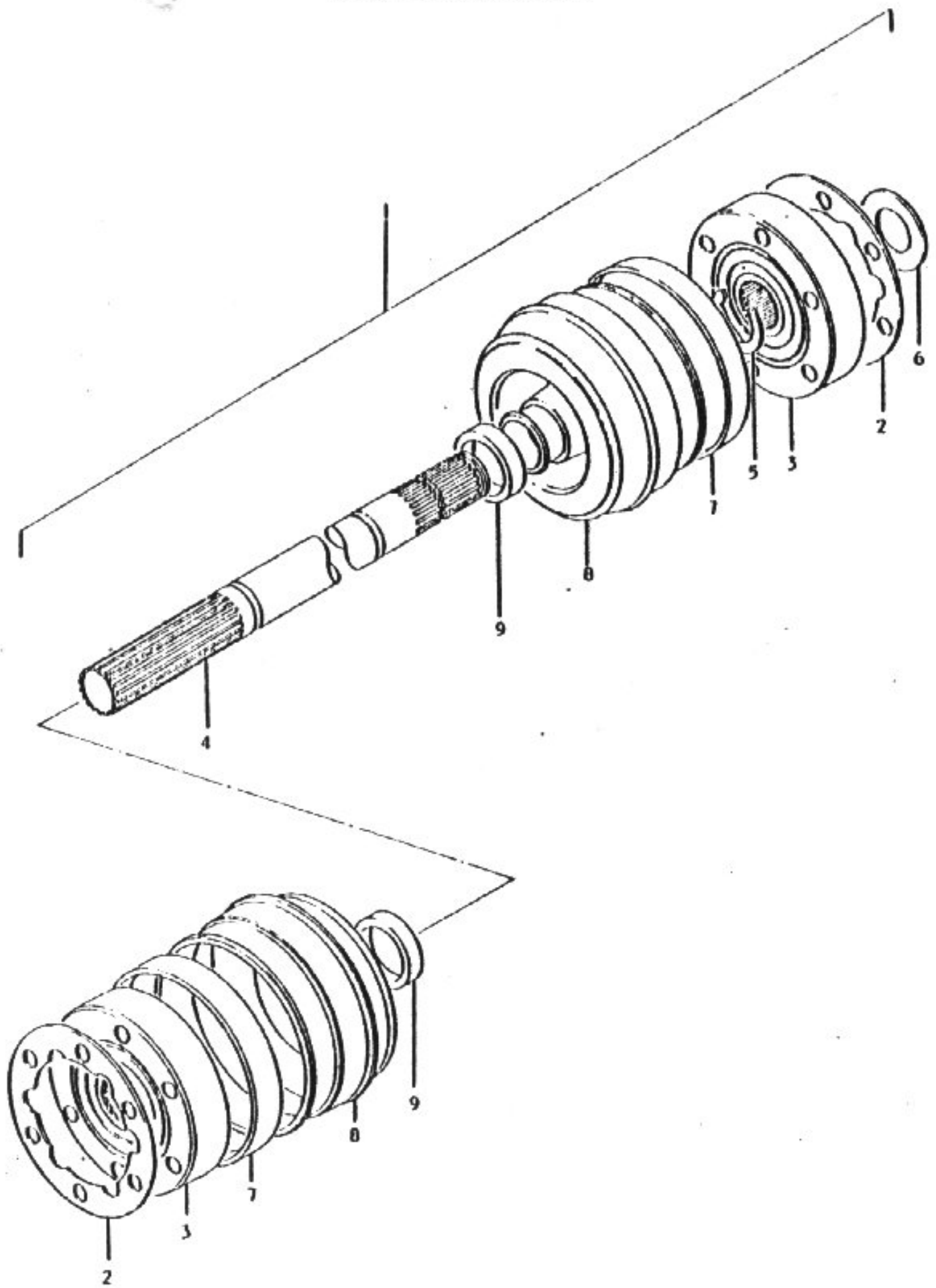
P.T.O SHIFT GEAR CASE (OPT)



P.T.O SHIFT GEAR CASE (OPT)

Ref.No.	Part No.	Description	Q'ty				Remarks
			OR	OL	VR	VL	
1	29800-63851	SHIFT GEAR CASE SET	1	1	1	1	Ref No.2-61
2	28113-63020	-KNOB	1	1	1	1	
3	28110-63700	-LEVER, gear shift	1	1	1	1	
4	29811-63702	-CASE, P.T.O	1	1	1	1	
5	91231-63701	-RID, tunnel	1	1	1	1	
6	91232-63701	-COVER, tunnel	1	1	1	1	
7	28135-63700	-BOOT, gear shift lever	1	1	1	1	
8	01511-06128	-BOLT COVER	3	3	3	3	
9	25125-63700	-COVER, gear shift lever	1	1	1	1	
10	09164-21001	-WAVE WASHER	1	1	1	1	
11	28116-63700	-SEAT, gear shift lever	1	1	1	1	
12	09305-10005	-BUSH, gear shift lever	1	1	1	1	
13	09440-07005	-SPRING	1	1	1	1	
14	09440-04011	-SPRING	1	1	1	1	
15	09260-10001	-BOWL	1	1	1	1	
16	09168-10012	-GASKET	1	1	1	1	
17	09100-10004	-PLUG	1	1	1	1	
18	09205-04003	-SPRING PIN	1	1	1	1	
19	09168-14004	-GASKET, plug	1	1	1	1	
20	09247-14008	-PLUG	1	1	1	1	
21	08321-21068	-WASHER	1	1	1	1	
22	09135-06004	-BOLT	1	1	1	1	
23	09100-06055	-BOLT	1	1	1	1	
24	29861-63700	-PLATE	1	1	1	1	
25	08321-21068	-LOCK WASHER	1	1	1	1	
26	08322-21068	-WASHER	1	1	1	1	
27	08311-11068	-NUT	1	1	1	1	
28	29831-63702	-SHAFT, gear shift fork	1	1	1	1	
29	09241-42001	-PLUG	1	1	1	1	
30	08331-11199	-CIRCLIP	1	1	1	1	
31	08331-21429	-CIRCLIP	2	2	2	2	
32	08113-60040	-BEARING	2	2	2	2	
33	29841-63700	-SPACER	1	1	1	1	
34	08211-20345	-THRUST WASHER	2	2	2	2	
35	09300-20004	-BUSH	1	1	1	1	
36	29820-63702	-GEAR, driven	1	1	1	1	
37	25221-63700	-FORK, gear shift	1	1	1	1	
38	29823-63701	-SHAFT	1	1	1	1	
39	24400-63806	-HUB SET	1	1	1	1	
40	29842-63700	-SPACER	1	1	1	1	
41	27111-63700	-FLANGE, shaft	1	1	1	1	
42	29853-63700	-GASKET	2	2	2	2	
43	27181-63701	-SPACER	1	1	1	1	
44	09160-16006	-WASHER	1	1	1	1	16.5x30x2.6
45	08314-41168	-NUT	1	1	1	1	

# P.T.O DRIVE SHAFT (OPT)

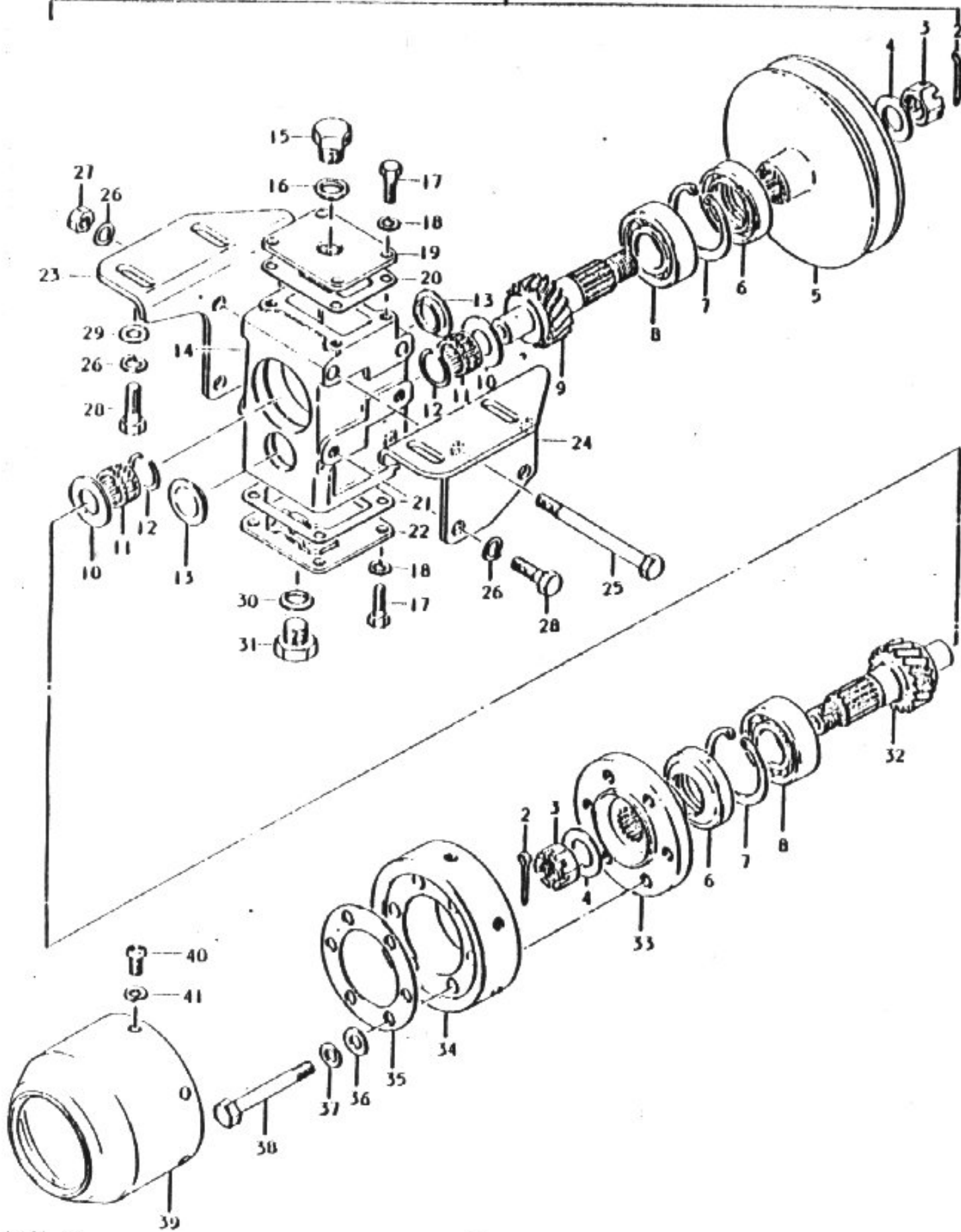


P.T.O DRIVE SHAFT (OPT)

Ref.No.	Part No.	Description	Q'ty				Remarks
			OR	OL	VR	VL	
1	29050-63711	SHAFT ASSY, ball joint	1	1	1	1	Ref.No.2~6
2	29853-63700	·GASKET	2	2	2	2	
3	27220-63710	·JOINT ASSY, ball	2	2	2	2	
4	29851-63710	·SHAFT ASSY, ball joint	1	1	1	1	
5	29054-63710	·C RING	1	1	1	1	
6	29852-63710	·E RING	1	1	1	1	
7	29856-63711	CLAMP	2	2	2	2	
8	29855-63711	BOOT	2	2	2	2	
9	29857-63710	CLAMP	2	2	2	2	



# P.T.O REAR GEAR CASE (OPT)



P.T.O REAR GEAR CASE (OPT)

Ref.No.	Part No.	Description	Q'ty				Remarks
			CR	OL	VR	VL	
1	29900-63851	REAR GEAR CASE SET	1	1	1	1	
2	04111-30308	·CUTTER PIN	2	2	2	2	
3	08314-41168	·NUT	2	2	2	2	
4	09160-16006	·WASHER	2	2	2	2	16.5x30x2.6
5	29901-63700	·PULLEY, P.T.O	1	1	1	1	
6	09283-29002	·OIL SEAL	2	2	2	2	
7	08331-21479	·CIRCLIP	2	2	2	2	
8	08110-62040	·BEARING	2	2	2	2	
9	29941-63700	·SHAFT, Input	1	1	1	1	
10	09160-17012	·THRUST WASHER	2	2	2	2	17x32x2.4
11	09263-17007	·BEARING	2	2	2	2	
12	09300-22004	·CIRCLIP	2	2	2	2	
13	09241-23001	·PLUG	2	2	2	2	
14	29911-63700	·CASE, P.T.O gear	1	1	1	1	
15	09247-14008	·PLUG	1	1	1	1	
16	09168-14004	·GASKET	1	1	1	1	
17	01112-06208	·BOLT	8	8	8	8	
18	08321-21068	·LOCK WASHER	8	8	8	8	
19	29920-63700	·COVER, upper	1	1	1	1	
20	29925-63700	·GASKET	1	1	1	1	
21	29935-63700	·GASKET	1	1	1	1	
22	29930-63700	·COVER, lower	1	1	1	1	
23	29961-63701	·BRACKET RL	1	1	1	1	
24	29971-63701	·BRACKET LH	1	1	1	1	
25	01122-08908	·BOLT	2	2	2	2	
26	08321-21088	·LOCK WASHER	8	8	8	8	
27	08312-11088	·NUT	2	2	2	2	
28	01122-08258	·BOLT	6	6	6	6	
29	08322-11088	·WASHER	4	4	4	4	
30	09168-14004	·GASKET	1	1	1	1	
31	09247-14001	·PLUG	1	1	1	1	
32	29951-63700	·SHAFT, output	1	1	1	1	
33	27111-63700	·FLANGE	1	1	1	1	
34	27181-63701	·SPACER	1	1	1	1	
35	29853-63700	·GASKET	1	1	1	1	
36	08322-21088	·WASHER	6	6	6	6	
37	08321-21088	·LOCK WASHER	6	6	6	6	
38	09100-08087	·BOLT	6	6	6	6	
39	29858-63710	·COVER	1	1	1	1	
40	08321-21068	·LOCK WASHER	3	3	3	3	
41	02112-06128	·SCREW	3	3	3	3	