





1995

SIDEKICK

OWNER'S MANUAL

Keep With Vehicle At All Times.
Contains Important Information
On Safety, Operation & Maintenance.

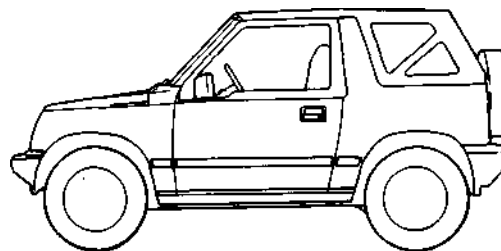
SUZUKI
Caring for Customers

Part No. 99011-60A26-03E
June, 1994  

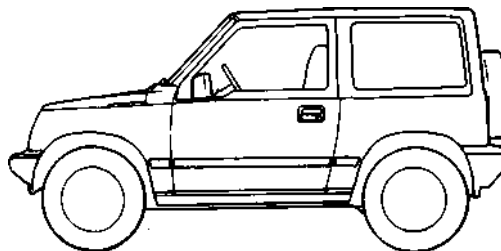
This owner's manual applies to the following models of the SIDEKICK series:

p

CANVAS TOP



2-DOOR HARDTOP



4-DOOR HARDTOP

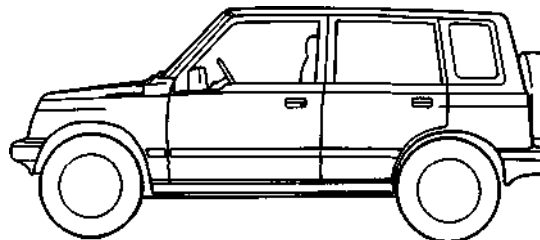


TABLE OF CONTENTS

FUEL RECOMMENDATION	1
BEFORE DRIVING	2
STEERING COLUMN CONTROLS	3
INSTRUMENT PANEL	4
OTHER CONTROLS AND EQUIPMENT	5
OPERATING YOUR VEHICLE	6
DRIVING TIPS	7
VEHICLE LOADING AND TOWING	8
INSPECTION AND MAINTENANCE	9
EMERGENCY SERVICE	10
APPEARANCE CARE	11
GENERAL INFORMATION Including "Reporting Safety Defects"	12
FUSES AND PROTECTED CIRCUITS	13
SPECIFICATIONS	14
INDEX	15

FOREWORD

This manual is an essential part of your vehicle and should be kept with the vehicle at all times. Please read this manual carefully and review it from time to time. It contains important information on safety"operation, and maintenance. It is especially important that this manual remain with the vehicle at the time of resale. The next owner will need this information also.

Your SUZUKI multipurpose vehicle is designed and built to be capable of performing both on pavement and off road. You should therefore remember that your vehicle is distinctly different from ordinary passenger cars in handling as well as in structure. As with other vehicles of this type, failure to operate this vehicle correctly may result in loss of control or an accident. Be sure to read "on-pavement" and "off-road" driving guidelines which follow. It is very important to familiarize yourself with the proper operation of this vehicle before you start driving.

IF YOU HAVE ANY PROBLEMS WITH YOUR SUZUKI:

Please review the New Vehicle Warranty Information booklet supplied with your Suzuki. Should you have a question or problem regarding the warranty or service of your vehicle, please take the following action:

Consult the Service Manager and the Owner of the Suzuki Automotive Dealership. Explain your problem and ask their assistance in resolving your problem. The Owner of the dealership is in the very best position to assist you as he or she is vitally concerned with your continued satisfaction.

If you are still in need of additional information, or if you are dissatisfied, request that your dealer arrange a meeting with your District Service Manager.

If, after doing so, you still require further assistance, and you purchased your Suzuki in the continental United States, please contact the American Suzuki Customer Relations Department at 1-800-934-0934 or write:

*American Suzuki Motor Corporation
Automotive Customer Relations
3251 East Imperial Highway
Brea, CA 92621-6722*

Please be certain to provide us with the following information: the model. Vehicle Identification Number, mileage, accessories involved, event dates, dealer name, dealer personnel consulted, your problem or question, and any other comments you have. When we receive your correspondence, we will be glad to contact the Owner of your dealership and assist in resolving your concern.

For owners outside the continental United States, please refer to the distributor's address listed in your Warranty Information booklet.

All information in this manual is based on the latest product information available at the time of publication. Due to improvements or other changes, there may be discrepancies between information in this manual and your vehicle. Suzuki reserves the right to make production changes at any time, without notice and without incurring any obligation to make the same or similar changes to vehicles previously built or sold.


SUZUKI MOTOR CORPORATION believes in conservation and protection of Earth's natural resources.

To that end, we encourage every vehicle owner to recycle, trade in, or properly dispose of, as appropriate, used motor oil, coolant, and other fluids; batteries; and tires.

SUZUKI MOTOR CORPORATION

IMPORTANT

WARNING/ CAUTION/NOTE

Please read this manual and follow its instructions carefully. To emphasize special information, the symbol  and the words WARNING, CAUTION, and NOTE have special meanings. Pay special attention to the messages highlighted by these signal words:

Indicates a potential hazard that could result in death or injury.

CAUTION

Indicates a potential hazard that could result in vehicle damage.

NOTE:

Indicates special information to make maintenance easier or instructions clearer.

MODIFICATION WARNING

Do not modify this vehicle. Modification could adversely affect safety, handling, performance, or durability and may violate governmental regulations. In addition, damage or performance problems resulting from modification may not be covered under warranty.

60A23-01000

FUEL RECOMMENDATION

Fuel recommendation.....1-1

60A23-02000

BEFORE DRIVING

Keys.....2-1

Door Locks.....2-1

Windows.....2-4

Mirrors.....2-5

Seat Adjustment.....2-7

Head Restraints.....2-9

Seat Belts and Child Restraint Systems.....2-10

FUEL RECOMMENDATION

60A23-01010

FUEL RECOMMENDATION



Your vehicle requires regular unleaded gasoline with a minimum rating of 87 pump octane (r+m/2 method). In some areas, the only fuels that are available are oxygenated fuels.

Oxygenated fuels which meet the minimum octane requirement and the requirements described below may be used in your vehicle without jeopardizing the New Vehicle Limited Warranty.

NOTE:

Oxygenated fuels are fuels which contain oxygen-carrying additives such as MTBE or alcohol.

Gasoline Containing MTBE

Unleaded gasoline containing MTBE (methyl tertiary butyl ether) may be used in your vehicle if the MTBE content is not greater than 15%. This oxygenated fuel does not contain alcohol.

Gasoline/Ethanol Blends

Blends of unleaded gasoline and ethanol (grain alcohol), also known as gasohol, may be used in your vehicle if the ethanol content is not greater than 10%.

Gasoline/Methanol Blends

Avoid using blends of unleaded gasoline and methanol (wood alcohol) whenever possible. Do NOT USE fuels containing more than 5% methanol under any circumstances. Fuel system damage or vehicle performance problems resulting from the use of such fuels are not the responsibility of SUZUKI and may not be covered under the New Vehicle Limited Warranty.

Fuels containing 5% or less methanol may be suitable for use in your vehicle if they contain cosolvents and corrosion inhibitors.

Fuel Pump Labeling

In some states, pumps that dispense oxygenated fuels are required to be labeled for the type and percentage of oxygenate and whether important additives are present. Such labels may provide enough information for you to determine if a particular blend of fuel meets the requirements listed above. In other areas, pumps may not be clearly labeled as to the content or type of oxygenate and additives. If you are not sure that the fuel you intend to use meets these requirements, check with the service station operator or the fuel supplier.

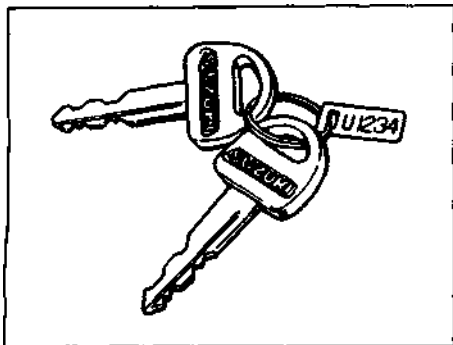
NOTE:

To help clean the air, SUZUKI recommends you use the oxygenated fuels. However, if you are not satisfied with the driveability or fuel economy of your vehicle when you are using an oxygenated fuel, switch back to the regular unleaded gasoline.

A CAUTION

Be careful not to spill fuel containing alcohol while refueling. Fuels containing alcohol can cause paint damage, which is not covered under the New Vehicle Limited Warranty.

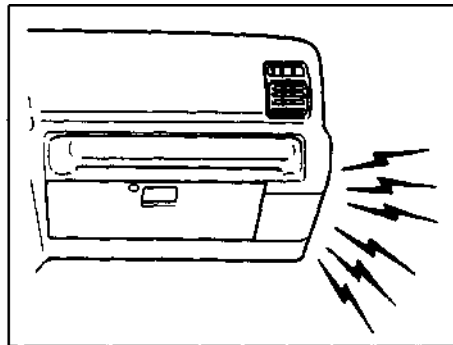
60A23 02010

KEYS

Your vehicle comes with a pair of identical keys. Keep the spare key in a safe place. One key can open all of the locks on the vehicle.

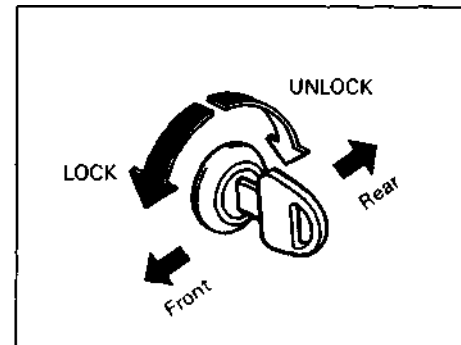
The key identification number is stamped on a metal tag provided with the keys. Keep the tag in a safe place. If you lose your keys, you will need this number to have new keys made. Write the number below for your future reference.

KEY NUMBER:

**Ignition Key Reminder**

A buzzer sounds to remind you to remove the ignition key if it is in the ignition switch when the driver's door is opened.

60A23-02020

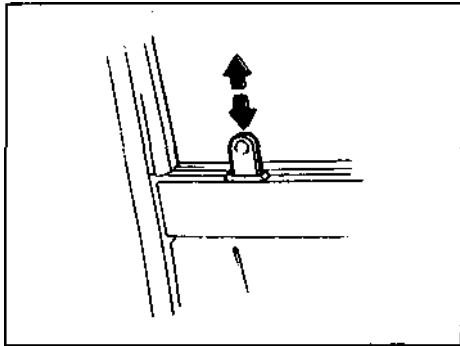
DOOR LOCKS**Side Door Locks**

To lock a front door from outside the vehicle:

- a) Insert the key and turn the top of the key toward the front of the vehicle, or
- b) Push in the lock knob and hold the door handle up as you close the door.

To unlock a front door from outside the vehicle, insert the key and turn the top of the key toward the rear of the vehicle.

BEFORE DRIVING

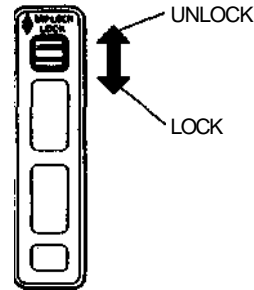


To lock a door from inside the vehicle, push down the lock knob. Pull up the lock knob to unlock the door.

- For 4-DOOR MODEL

To lock a rear side door from outside the vehicle, push in the lock knob and close the door. You do not need to hold the door handle up as you close the door.

2-door model

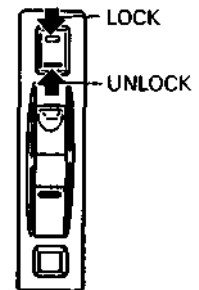


Power Door Locks (if Equipped)

The power door lock switch is located on the driver's side door panel. For vehicles with this feature, you can lock and unlock all side doors and rear door simultaneously by:

- a) Using the key in the driver's side door lock or in the rear door lock, or
- b) Operating the power door lock switch.
 - For 2-Door model
Pushing down on the switch locks both side doors and rear door, and pulling up on the switch unlocks both side doors and rear door.

4-door model

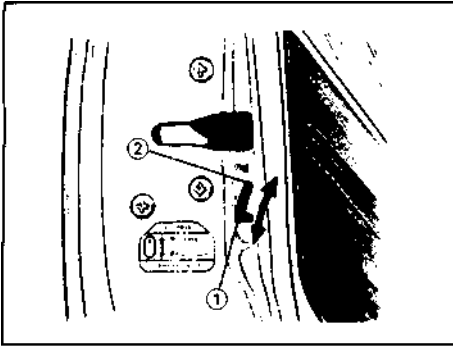


- For 4-Door model
Pushing the upper part of the switch locks all side doors and rear door, and pushing the lower part of the switch unlocks all side doors and rear door.

You can also lock all side doors and rear door by pushing in the door lock knob on the driver's door, but pulling up the lock knob on the driver's door will unlock the driver's door only.

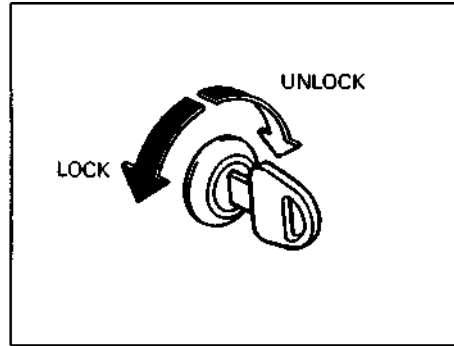
NOTE:

- * Using the key or moving the lock knob on the passenger's door will lock or unlock the passenger's door only.



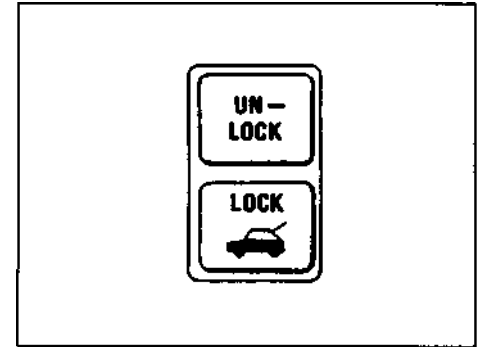
Child Lock System (If Equipped)

Each of the rear doors is equipped with a child lock which can be used to help prevent unwanted opening of the door from inside the vehicle. When the lock lever is in the "LOCK" position (1), the rear door can only be opened from outside. When the lock lever is in the "RELEASE" position (2), the rear door can be opened from inside or outside.



Rear Door Lock

To lock the rear door, insert the key and turn it counterclockwise. To unlock the door, turn the key clockwise.



Power Rear Door Lock (If Equipped)

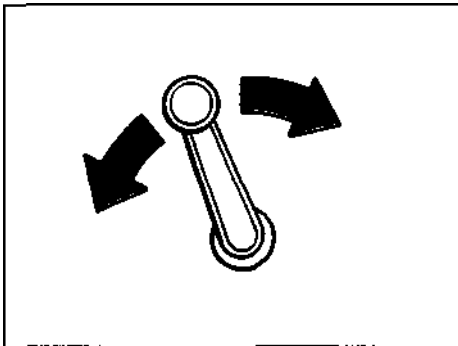
The power rear door lock buttons are located on the instrument panel. By pushing the appropriate button you can lock or unlock the rear door from inside the vehicle.

Always lock all doors when driving. Locking the doors helps to prevent occupants from being thrown from the vehicle in the event of an accident. It also helps prevent unintended opening of the doors.

BEFORE DRIVING

60A23-02030

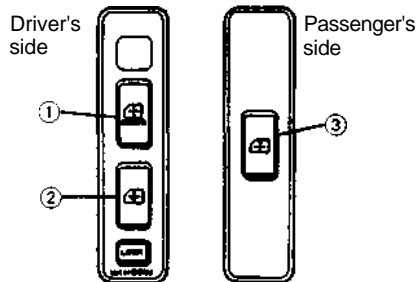
WINDOWS



Manual Window Control (If Equipped)

Raise or lower the door windows by turning the hand crank located on the door panel.

2-Door model



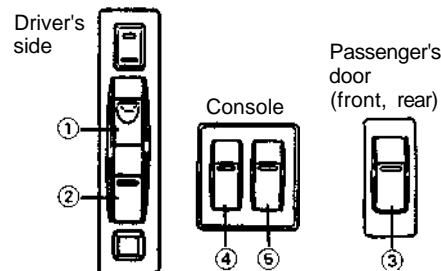
Power Window Controls (If Equipped)

The driver's door has a switch to operate the driver's window (C), and a switch to operate the front passenger's window (D). In 4-door models, the console between the front seats has switches (E), (F), to operate the rear left and right passenger windows, respectively.

The passenger's door only has a switch to operate the passenger's window (D). The power windows can only be operated when the ignition switch is in the "ON" position.

- For 2-Door model
To open a window, push the lower part of the switch and to close a window push the upper part of the switch.

4-Door model

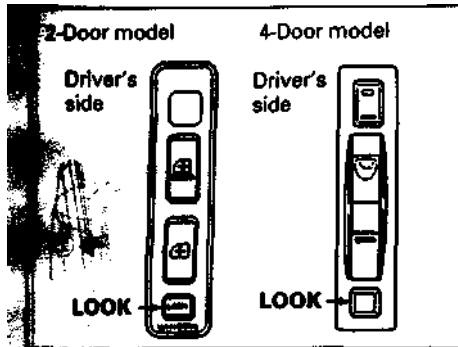


- For 4-Door model
To open a window, push the top part of the switch and to close the window lift up the top part of the switch.

The driver's window has an auto-down feature for added convenience (at toll booths or drive-through restaurants, for example). This means you can open the window without holding the window switch in the "Down" position. Press the driver's window switch completely down and release it. To it reaches the bottom, pull the switch up briefly.

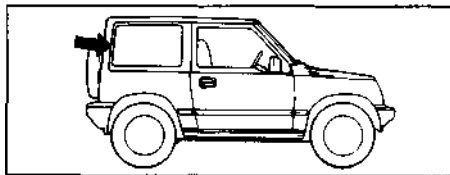
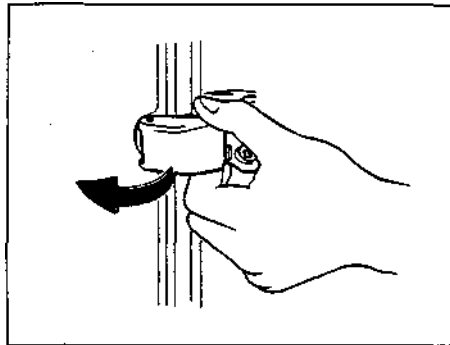
60A23-08040

MIRRORS

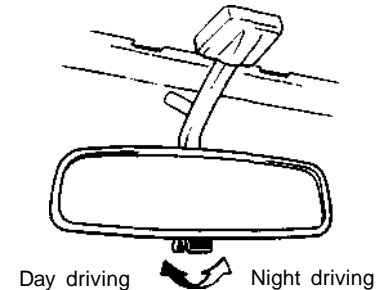


The driver's door also has a lock button for the passenger's window(s). When you push in the lock button, the passenger's window(s) can not be raised or lowered by operating either of the switches (2) or (3), and (4) or (5) in 4-door models. To restore normal operation, release the lock button by pushing on it again.

You should always push in the lock button when there are children in the vehicle. Children can be seriously injured if they get part of their body caught by the window during operation.

**Rear Side Window (2-door model)**

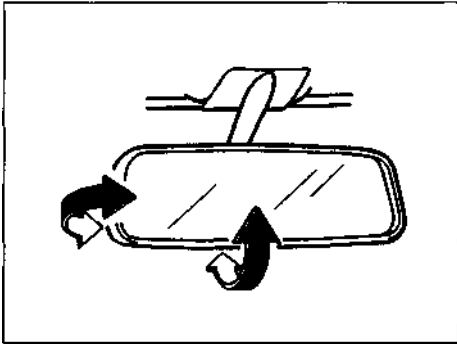
To open the rear side window, move the lock lever forward and outward. To close the window, pull the lever inward and rearward until it clicks into position.

**Day-Night Rearview Mirror (If Equipped)**

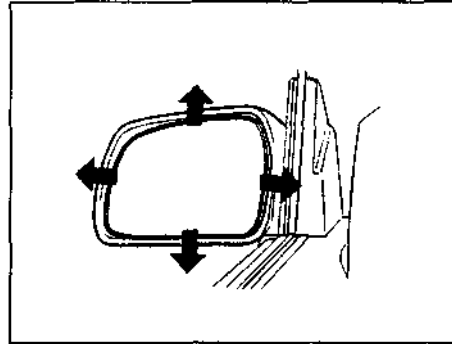
To adjust the inside rearview mirror, set the selector tab to the day position, then move the mirror up, down, or sideways to obtain the best view.

When driving at night, you can move the selector tab to the night position to reduce glare from the headlights of vehicles behind you.

BEFORE DRIVING



Always adjust the mirror with the selector set to the day position. Only use the night position if it is necessary to reduce glare from the headlights of vehicles behind you. Be aware that in this position you may not be able to see some objects that could be seen in the day position.

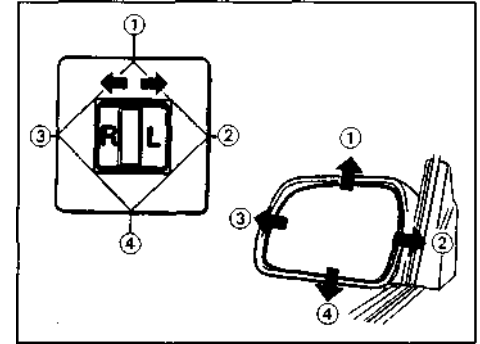


Outside Rearview Mirrors

Adjust the outside rearview mirrors so you can just see the side of your vehicle in the mirrors.

The passenger's side mirror is a convex (curved surface) mirror. Objects seen in this mirror will look smaller and appear farther away than when seen in a flat mirror.

Be careful when judging the size or distance of a vehicle or other object seen in the side convex mirror. Be aware that objects look smaller and appear farther away than when seen in a flat mirror.

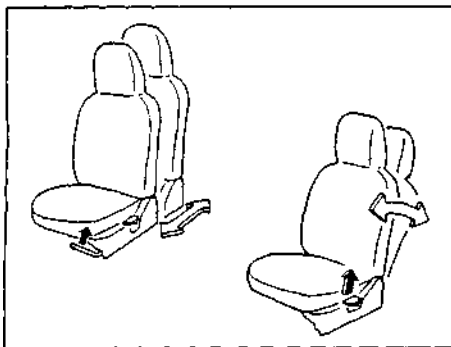


Power Mirror Control (If Equipped)

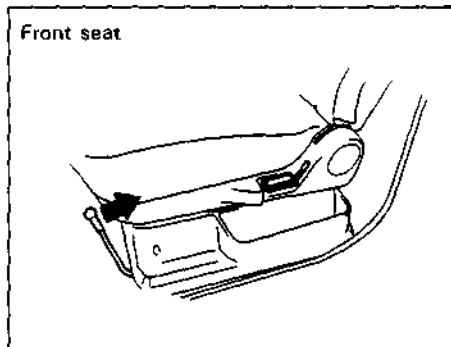
The switch to control the power rearview mirrors is located on the instrument panel. You can only adjust the mirrors when the ignition switch is in the "ON" position. To adjust the mirrors:

- 1) Move the selector switch to the left or right to select the mirror you wish to adjust.
- 2) Press the outer part of the switch that corresponds to the direction you wish to move the mirror.
- 3) Return the selector switch to the center position to help prevent unintended adjustment.

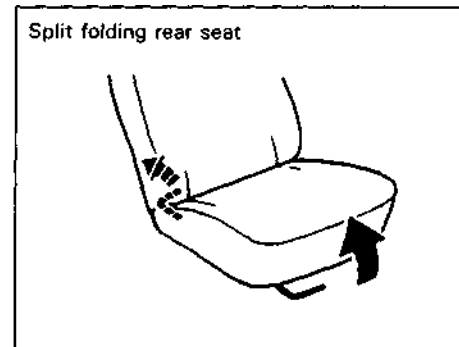
60A23-02050

SEAT ADJUSTMENT

Never attempt to adjust the driver's seat or seatback while driving. The seat or seatback could move unexpectedly, causing loss of control. Be sure that the driver's seat and seatback are properly adjusted before you start driving.

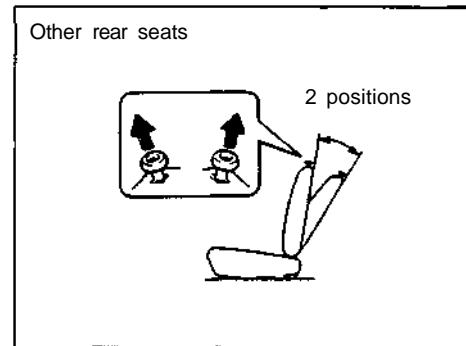
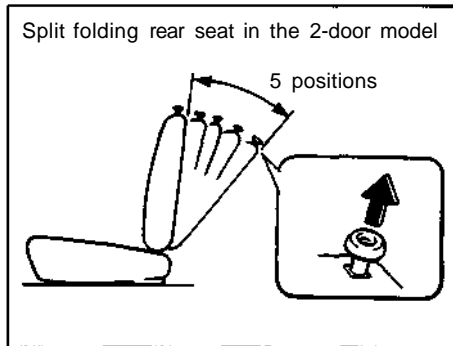
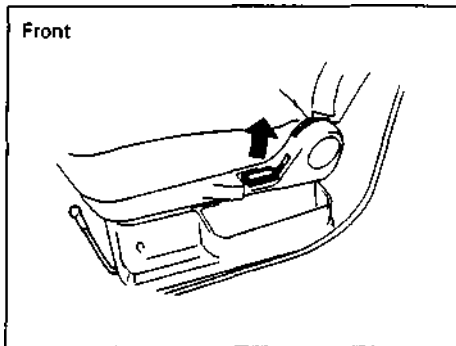
**Adjusting Seat Position**

The adjustment lever for each front seat is located under the front of the seat, on the outboard side. The adjustment levers for each split folding rear seat in the 2-door model are located under the front and rear of the seat, on the inboard side. To adjust the seat position, pull up on the adjustment lever and slide the seat forward or rearward. After adjustment, try to move the seat forward and rearward to ensure that it is securely latched.



To avoid excessive seat belt slack, which reduces the effectiveness of the seat belts as a safety device, make sure that the front seats and split folding rear seats are adjusted before the seat belts are fastened.

BEFORE DRIVING



r-1

Adjusting Seatbacks

The front and rear seatbacks can be adjusted to different angles. To adjust the seatback angle of front seats, pull up the lever on the outboard side of the seat, move the seatback to the desired position, and release the lever to lock the seatback in place.

To adjust the seatback angle of rear seats:

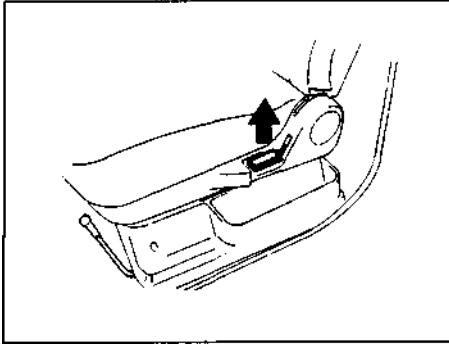
- a) Pull up the knob on the top of a split folding seat.
or
Pull up both knobs on the top of a one-piece seat.

- b) Move the seatback to one of the lock positions. Split folding seats in the 2-door model have five lock positions and other rear seats have two lock positions.
- c) Release the knob(s) to lock the seatback in position. After adjustment, try moving the seatback to make sure it is securely locked.

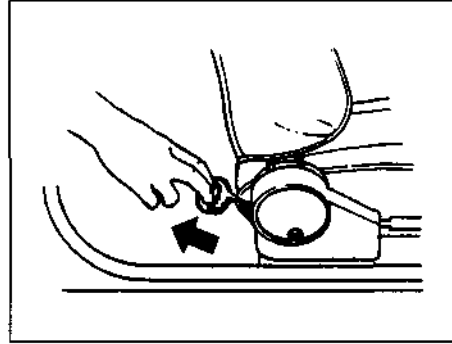
Seatbacks should always be in a fairly upright position when the vehicle is being used, or seat belt effectiveness may be reduced. Seat belts are designed to offer maximum protection when seatbacks are in the fully upright position.

60A23-02060

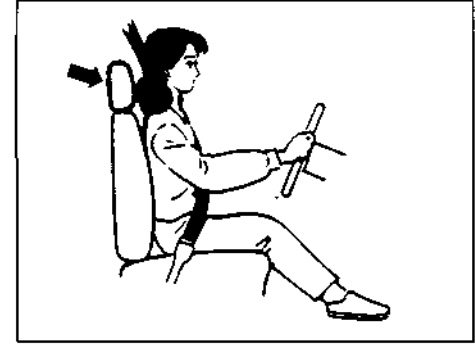
HEAD RESTRAINTS (If Equipped)

**Walk-In Type Seats (2-door model)**

The front seats are walk-in type seats, which move to provide easy entry to and exit from the rear seat(s). You can move a walk-in seat from outside the vehicle by pulling up the lever on the outboard side of the seat. You can move the front passenger's seat from inside the vehicle by pulling on the rear ring. When you release a walk-in seat, it will automatically slide forward and the seatback will fold forward.



Before returning a walk-in seat to its normal seating position, make sure that the feet of the passenger in the rear seat are out of the way. After returning the seat to its normal seating position, make sure it is securely latched.



Head restraints are designed to help reduce the risk of neck injuries in case of an accident.

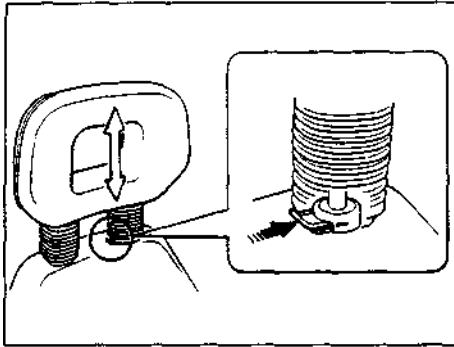
Adjust the head restraint to the position which places the top of the head restraint closest to the top of your ears.

- Never drive the vehicle with the head restraints removed.**
- * Do not attempt to adjust the head restraint while driving.**

BEFORE DRIVING

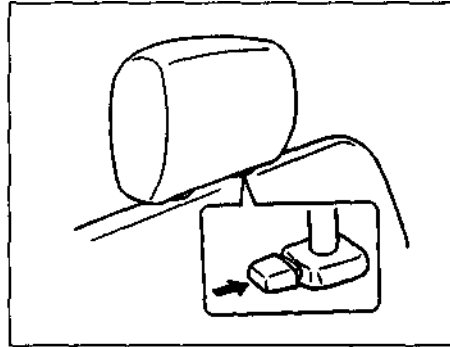
60A23-02070

SEAT BELTS AND CHILD RESTRAINT SYSTEMS

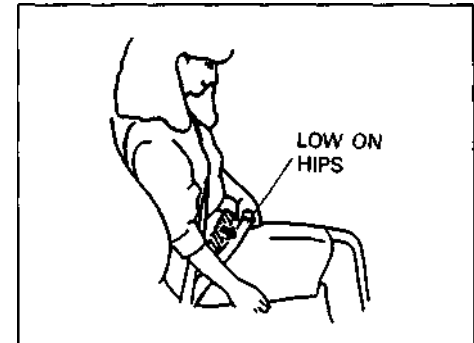
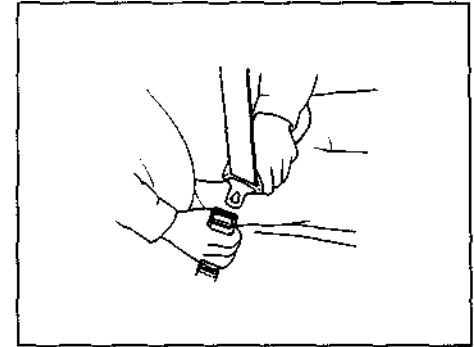


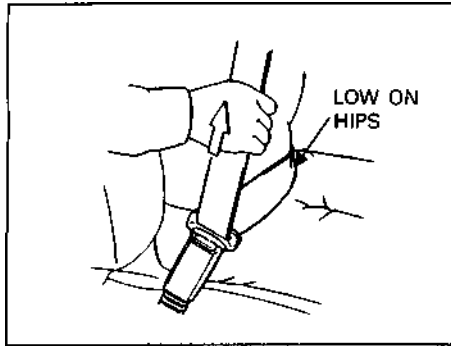
(For front seat in the 2-door model)
Pull upward on the restraint to raise it to the first position. To raise it higher (or to lower), pull upward on the restraint (or push it down) while pushing in the release.

(For front seat in the 4-door model)
To raise the head restraint, pull upward on the restraint until it clicks. To lower the restraint, push down on the restraint while holding in the lock lever. If a head restraint must be removed (for cleaning, replacement, etc.), push in the lock lever and pull the head restraint all the way out.



(For split rear seat in the 4-door model)
The head restraints do not have different height positions; they should remain fully inserted. If a head restraint must be removed (for cleaning, replacement, etc.), push in the release and pull the head restraint all the way out. To reinstall, fully insert the head restraint while pushing in the release.

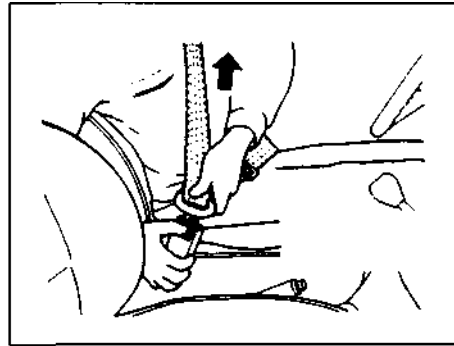




Front and Rear Lap-Shoulder Belts

Pull the buckle tongue attached to the seat belt across your body and press it into the buckle catch until you hear a "click". The buckle catch is located at the inboard side of the seat. To reduce the risk of sliding under the belt during a collision, position the lap portion of the belt across your lap as low on your hips as possible and adjust it to a snug fit by pulling the shoulder portion of the belt upward through the latch plate.

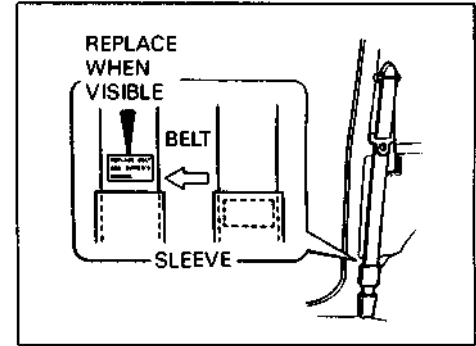
The length of the diagonal shoulder strap adjusts itself to allow freedom of movement. The seat belt has an emergency



locking retractor (ELR), which is designed to lock the seat belt only during a sudden stop or impact. To unfasten the belt, press the release button on the buckle catch.

NOTE:

The front passenger's seat belt and the rear seat belts have emergency locking retractors (ELRs) that can be temporarily converted to function as automatic locking retractors (ALRs). The ALR mode should be used if you need to secure a child restraint system in the seat. Refer to the CHILD RESTRAINT section for details.



Seat Belt Inspection

Periodically inspect the seat belts to make sure they work properly and are not damaged. Check the webbing, buckles, latch plates, retractors, anchorages, and guide loops. Replace any seat belts which do not work properly or are damaged.

The front passenger's seat lap-shoulder belt has a small loop of webbing lightly stitched into the belt under the plastic sleeve, as shown in the illustration. Periodically inspect the belt to see if the loop has been pulled out (making the "REPLACE BELT" label visible). If the "REPLACE BELT" label is visible, you must replace the belt to help restore optimum restraint system effectiveness.

BEFORE DRIVING

Be sure to inspect all seat belt assemblies after any collision. Any seat belt assembly which was in use during a collision (other than a very minor one) should be replaced, even if damage to the assembly is not obvious. Any seat belt assembly which was not in use during a collision should be replaced if it does not function properly or is damaged in any way.

Child Restraint Systems

Suzuki highly recommends that you use a child restraint system to restrain infants and small children. Many different types of child restraint systems are available; make sure that the restraint system you select meets Federal Motor Vehicle Safety Standards.

All child restraint systems are designed to be secured in vehicle seats by lap belts or the lap portion of lap-shoulder belts. Whenever possible, Suzuki recommends that child restraint systems be installed on the rear seat. According to accident statistics, children are safer when properly restrained in rear seating positions than in front seating positions.

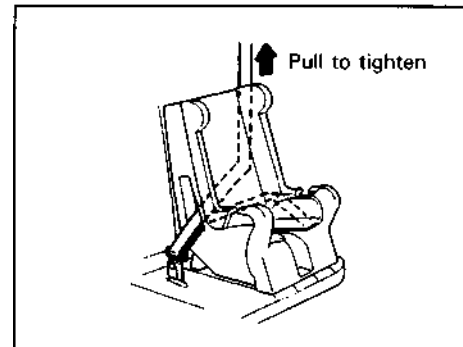
When using a child restraint in the front passenger's seat, adjust the passenger's seat as far back as possible.

Children could be endangered in a crash if their child restraints are not properly secured in the vehicle. When installing a child restraint system, be sure to follow the instructions below.

Installation-Child Restraint with no Top Strap

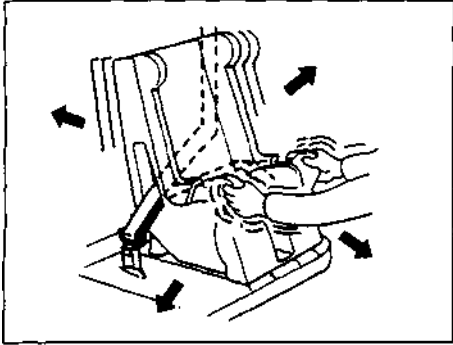
Install your child restraint system according to the instructions provided by the child restraint system manufacturer. If you install the child restraint system in the front seat, be sure to slide the seat to the rearmost position. After making sure that the seat belt is securely latched:

- 1) Pull all of the remaining webbing out of the retractor. You will hear a click, which means that the emergency locking retractor (ELR) has converted to function as an automatic locking retractor (ALR).
- 2) Allow the extra webbing to retract, and pull the webbing toward the retractor to take up any slack. Make sure that the lap portion of the belt is tight around the child restraint system and



the shoulder portion of the belt is positioned so that it can not interfere with the child's head or neck.

- 3) Make sure that the retractor has converted to the ALR mode by trying to pull webbing out of the retractor. If the retractor is in the ALR mode, the belt will be locked.
- If the retractor is not in the ALR mode, the child restraint system can move or tip over when your vehicle turns or stops abruptly.**
- 4) Try moving the child restraint system in all directions, to make sure it is securely installed. If you need to



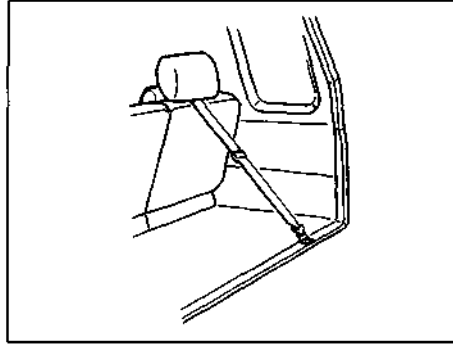
tighten the belt, pull more webbing toward the retractor.

When you unbuckle the seat belt and allow it to retract to a certain length, the retractor will automatically revert back to the normal ELR mode.

Installation—Child Restraint with Top Strap

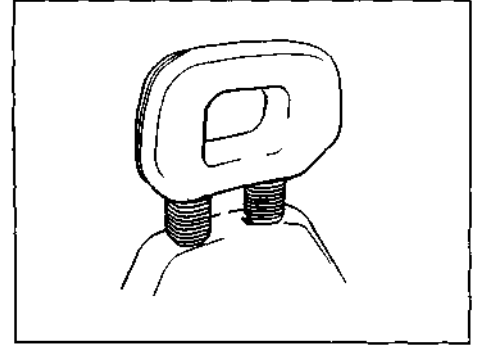
If you need to install a child restraint that requires a top strap, follow the instructions below:

- For 4-door model:
Have your dealer install the top strap anchor bracket for your child restraint system or contact your dealer for instructions on how to install the anchor



bracket. Anchorages are located on either side of the rear of the luggage compartment. Once the anchor bracket has been installed, install the child restraint system as follows:

- 1) Secure the child restraint on the rear seat using the procedure described above for securing a restraint system that does not require a top strap.
- 2) Hook the top strap to the anchor bracket and tighten the top strap according to the instructions provided by the child restraint system manufacturer. When routing the top strap, be sure to pass it between the head restraint and the rear seatback as shown.



For 2-door model

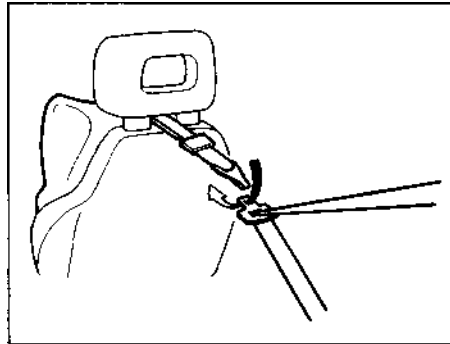
If the right front passenger's seat of your vehicle has an adjustable head restraint, you can install a child restraint which requires a top strap on the seat by following the instructions below. If the right front passenger's seat of your vehicle has an integrated head restraint, there is no place in your vehicle to install a child restraint which requires a top strap.

BEFORE DRIVING

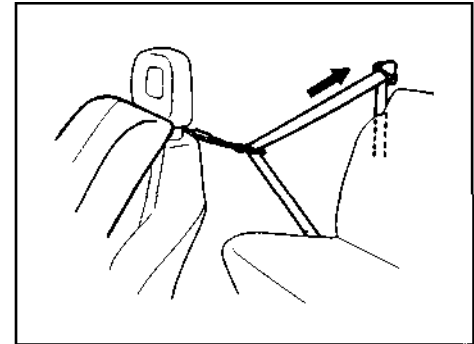
A child restraint which requires a top strap may only be installed in the right front passenger's seat. There is no place behind the rear seat to install a top strap anchor, so a child restraint that requires a top strap can not be properly secured in the rear seat. When a child restraint which requires a top strap is secured in the right front passenger's seat, no one can sit in the right rear seat position.

Install the child restraint system as follows:

- 1) Secure the child restraint on the right front passenger's seat using the procedure described above for securing a restraint system that does not require a top strap.



- 2) Pass the top strap between the head restraint and the seatback and snap the top strap hook through the hole on the latch plate of the right rear lap-shoulder belt.
- 3) Remove any slack from the top strap according to the instructions provided by the restraint system manufacturer.
- 4) Pull all of the remaining webbing out of the rear seat belt retractor. You will hear a click, which indicates that the retractor has converted to the ALR mode.



- 5) Allow the extra webbing to retract, and pull the webbing toward the retractor to take up any slack.
- 6) Make sure the child restraint is secured, and the top strap and webbing are tight.

To unhook the top strap, loosen the strap by tilting the seatback rearward.

- * Never allow persons to ride in the cargo area of a vehicle. In the event of an accident, there is a much greater risk of injury for persons who are not riding in a seat with their seat belt securely fastened.
- * Seat belts should always be adjusted so the lap portion of the belt is worn low across the pelvis, not across the waist. Shoulder straps should be worn on the outside shoulder only, and never under the arm. Seat belts should never be worn with the straps twisted and should be adjusted as tightly as is comfortable to provide the protection for which they have been designed. A slack belt will provide less protection than one which is snug.
- * Make sure that each seat belt buckle is inserted into the proper buckle catch. It is possible to cross the buckles in the rear seat.
- * Do not wear your seat belt over hard or breakable objects in your pockets or on your clothing. If an

(Continued)

(Continued)

- accident occurs, objects such as glasses, pens, etc. under the seat belt can cause injury.
- * Never use the same seat belt on more than one occupant and never attach a seat belt over an infant or child being held on an occupant's lap. Such seat belt use could cause serious injury in the event of an accident.
- * Pregnant women should use seat belts, although specific recommendations about restraint use should be made by the woman's physician.
- * Periodically inspect seat belt assemblies for excessive wear and damage. Seat belts should be replaced if webbing becomes frayed, contaminated, or damaged in any way. It is essential to replace the entire seat belt assembly after it has been worn in a severe impact, even if damage to the assembly is not obvious.
- * Infants and small children should never be transported unless they

(Continued)

(Continued)

- are properly restrained. Restrain systems for infants and small children can be purchased commercially and should be used. Make sure that the system you purchase meets Federal Motor Vehicle Safety Standards. Read and follow all the directions provided by the manufacturer.
- * Avoid contamination of seat belt webbing by polishes, oils, chemicals, and particularly battery acid. Cleaning may safely be carried out using mild soap and water.
- * For children, if the shoulder belt irritates the neck or face, move the child closer to the center of the vehicle.
- * Seatbacks should always be in a fairly upright position when the vehicle is being used, or seat belt effectiveness may be reduced. Seat belts are designed to offer maximum protection when seatbacks are in the fully upright position.

60A23-03000

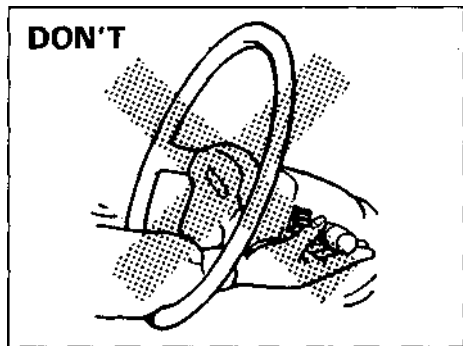
STEERING COLUMN CONTROLS

Ignition Switch.....	3-1
Lighting/Turn Signal Control Lever.....	3-3
Hazard Warning Switch.....	3-4
Windshield Wiper and Washer Lever.....	3-4
Tilt Steering Lock Lever (If Equipped).....	3-5
Cruise Control (If Equipped).....	3-6
Horn.....	3-7

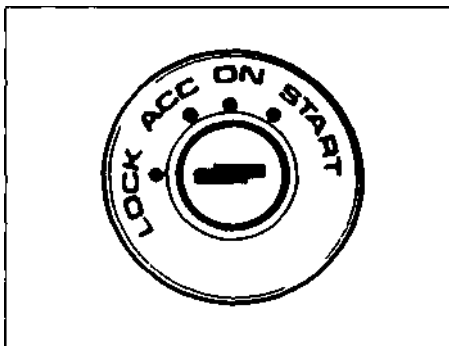
STEERING COLUMN CONTROLS

60A23-03010

IGNITION SWITCH



To avoid possible injury, do not operate controls by reaching through the steering wheel.

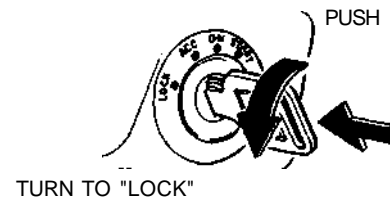


The ignition switch has the following four positions:

LOCK

This is the normal parking position. It is the only position in which the key can be removed.

MANUAL TRANSMISSION

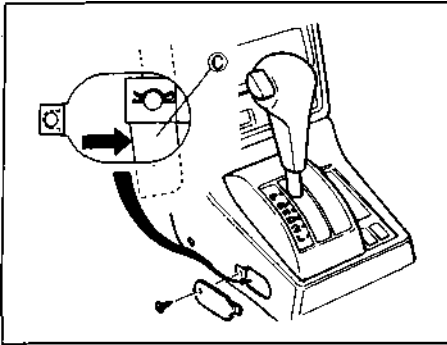


Manual Transmission Vehicles

You must push in the key to turn it to the "LOCK" position. It locks the ignition, and prevents normal use of the steering wheel after the key is removed.

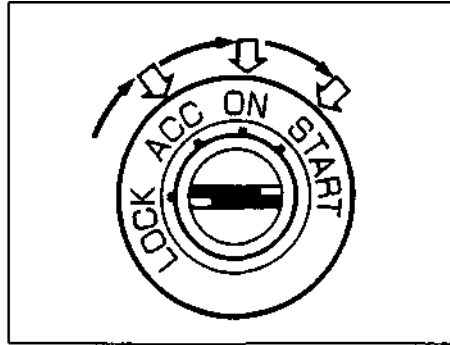
Automatic Transmission Vehicles

The shift lever must be in the "P" (Park) position to turn the key to the "LOCK" position. It locks the ignition and prevents normal use of the steering wheel and shift lever.



If the shift lever can not be shifted out of Park in the normal way, pushing the return plate © rearward with the key in the "ON" or "ACC" position will permit movement of the shift lever out of "P". (see "Emergency Shifting out of "P" (Park)" of "USING THE TRANSMISSION" in "OPERATING YOUR VEHICLE " section.). The shift lever can be moved back to "P" without pushing the return plate © rear ward.

To release the steering lock, insert the key and turn it clockwise to one of the other positions. If you have trouble turning the key to unlock the steering, try turning the steering wheel slightly to the right or left while turning the key.



ACC

Accessories such as the radio can operate, but the engine is off.

ON

This is the normal operating position. All electrical systems are on.

START

This is the position for starting the engine using the starter motor. The key should be released from this position as soon as the engine starts.

For manual transmission vehicles, never remove the ignition key while the vehicle is moving. The steering wheel will lock and you will not be able to steer the vehicle.

Do not leave children alone in a parked vehicle, and always remove the keys. Unattended children could cause accidental movement of the vehicle, which could result in severe personal injury.

A CAUTION

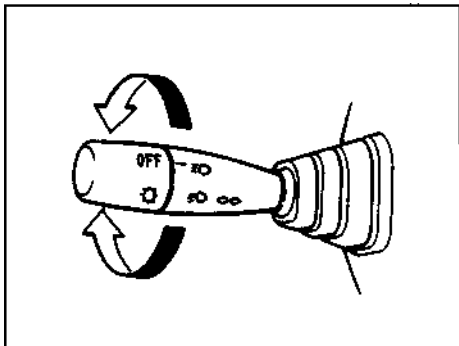
Do not turn the starter motor for more than five seconds at a time. If the engine does not start, wait five to ten seconds before trying again. If the engine does not start after several attempts, check the fuel and ignition systems or consult your SUZUKI dealer.

Do not leave the ignition switch in the "ON" position if the engine is not running or the battery will discharge.

STEERING COLUMN CONTROLS

60A23 03020

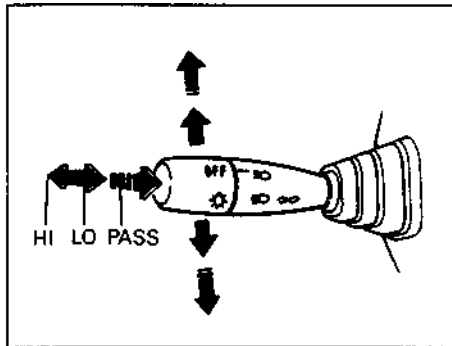
LIGHTING/TURN SIGNAL CONTROL LEVER



This control lever is located on the outboard side of the steering column. Operate the lever as described below.

Lighting Operation

To turn the lights on or off, twist the knob on the end of the lever. There are three positions: in the "OFF" position all lights are off; in the middle position the front parking lights, tail-lights, licence plate light, and instrument lights are on, but the headlights are off; in the third position the headlights come on in addition to the other lights.



With the headlights on, push the lever forward to switch to the high beams or pull the lever toward you to switch to the low beams. When the high beams are on, a light on the instrument panel will come on. To momentarily activate the high beams as a passing signal, pull the lever slightly toward you and release it when you have completed the signal.

Day time Running Light (D.R.L.) System (For Canada)

The headlights light, but are dimmer than the low beam, when the following three conditions are all met. Also, the D.R.L. indicator light on the instrument panel comes on.

Conditions for D.R.L. system operation:

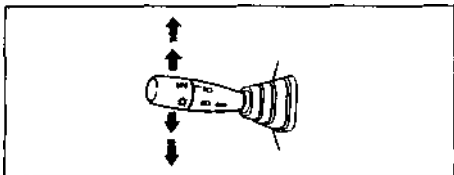
1. The engine is running.
2. The parking brake is released.
3. The lighting switch is at either the "OFF" or the "middle" position.

NOTE:

Be sure to turn the lighting switch to the third position at night or at any time of the day when driving or weather conditions require the headlights to operate at full brightness and the taillights to be on.

Lights "On" Reminder

A buzzer/chime sounds to remind you to turn off the lights if they are left on when the ignition switch is turned to the "OFF", "LOCK", or "ACCESSORY" position.



Turn Signal Operation

With the ignition switch in the "ON" position, move the lever up or down to activate the right or left turn signals.

Normal Turn Signal

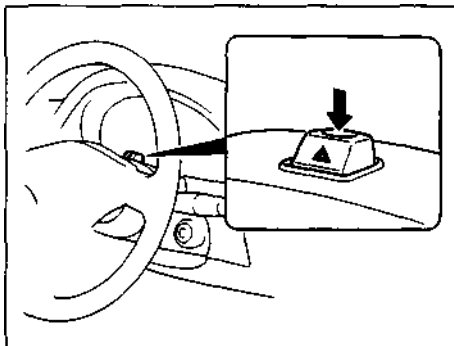
Move the lever all the way up to signal a right turn or all the way down to signal a left turn. When the turn is completed, the signal will cancel and the lever will return to its normal position.

Lane Change Signal

In some turns, such as changing lanes, the steering wheel is not turned far enough to cancel the turn signal. For convenience, you can flash the turn signal by moving the lever part way and holding it there. The lever will return to its normal position when you release it.

60A 23-03030

HAZARD WARNING SWITCH



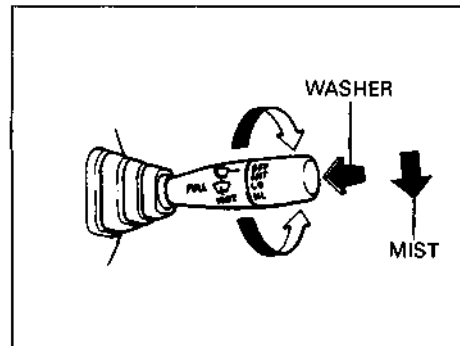
Push down the hazard warning switch to activate the hazard warning lights. All four turn signal lights and both turn signal indicators will flash simultaneously. To turn off the lights, push the switch again.

Use the hazard warning lights to warn other traffic during emergency parking or when your vehicle can otherwise become a traffic hazard.

STEERING COLUMN CONTROLS

60A23-03040

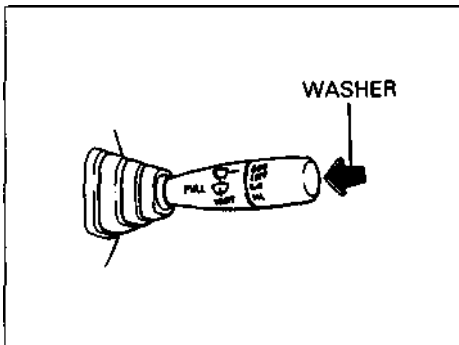
WINDSHIELD WIPER AND WASHER LEVER



Windshield Wipers

To turn the windshield wipers on, twist the knob on the end of the lever to one of the three operating positions. In the "INT" position (if equipped), the wipers operate intermittently (once every 3 to 5 seconds). The "INT" position is very convenient for driving in mist or light rain. In the "LO" position, the wipers operate at a steady low speed. In the "HIGH" position, the wipers operate at a steady high speed. To turn off the wipers, twist the knob back to the "OFF" position. To wipe mist off the windshield, you can operate the wipers for just a few cycles by pushing down on the wiper and washer lever. The wipers will operate without spraying washer fluid until you release the lever.

STEERING COLUMN CONTROLS



Windshield Washer

To spray windshield washer fluid, pull the lever toward you. The windshield wipers will automatically turn on at low speed if they are not already on and the "INT" position is equipped.

To prevent windshield icing in cold weather, turn on the defroster to heat the windshield before and during windshield washer use.

Do not use radiator antifreeze in the windshield washer reservoir. It can severely impair visibility when sprayed on the windshield, and can also damage your vehicle's paint.

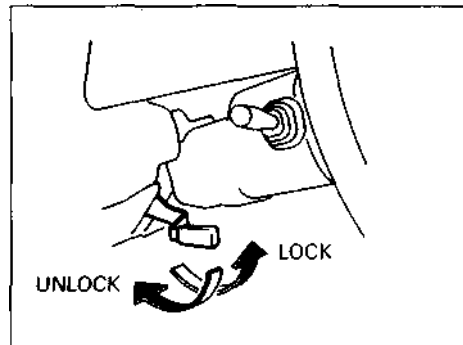
A CAUTION

To help prevent damage to windshield wiper and washer system components, you should take the following precautions:

- * Do not continue to hold in the lever when there is no windshield washer fluid being sprayed or the washer motor can be damaged.
- * Do not attempt to remove dirt from a dry windshield with the wipers or you can damage the windshield and the wiper blades. Always wet the windshield with washer fluid before operating the wipers.
- * Clear ice or packed snow from the wiper blades before using the wipers.
- * Check the washer fluid level regularly. Check it often when the weather is bad.
- * Only fill the washer fluid reservoir 3/4 full during cold weather to allow room for expansion if the temperature falls low enough to freeze the solution.

60A23-03050

TILT STEERING LOCK LEVER (If Equipped)



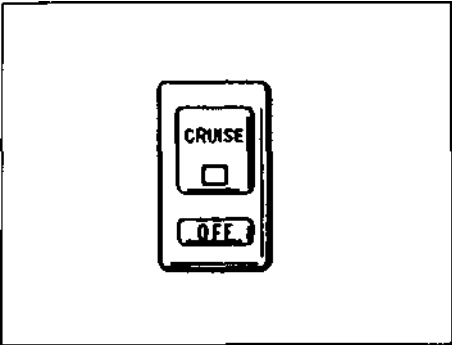
The tilt steering lock lever is located on the left side of the steering column. To adjust the steering wheel height:

- 1) Push down on the lock lever to unlock the steering column.
- 2) Tilt the steering wheel to the desired height and lock the steering column by pulling the lock lever all the way up.
- 3) Try moving the steering wheel up and down to make sure it is securely locked in position.

Never attempt to adjust the steering wheel height while the vehicle is moving or you could lose control of the vehicle.

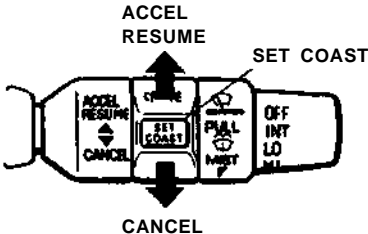
60A23-03060

CRUISE CONTROL (If Equipped)



To help avoid loss of vehicle control, do not use the cruise control system when driving in heavy traffic, on slippery or winding roads, or on steep downgrades.

The cruise control system allows you to maintain a steady speed without keeping your foot on the accelerator pedal. The controls for operating the cruise control system are on the windshield wiper lever and there is an on/off switch for the system on the instrument panel. When the system is on, an indicator light on the instrument panel switch will be lit. You can use the cruise control system at



speeds of about 25 mph (40 km/h) or higher.

To Set Cruising Speed

Turn on the cruise control system by pushing the "CRUISE" button on the instrument panel. Accelerate to the desired speed, push the "SET COAST" button on the control lever all the way in, and then slowly release the button. Take your foot off the accelerator pedal and the set speed will be maintained.

With the cruise control on, you can increase speed for passing by using the accelerator pedal. When you take your foot off the pedal, your vehicle will return to the set speed.

To Change Cruising Speed

To reset the cruise control to a slower speed, hold the "SET COAST" button in until the vehicle has slowed to the desired speed, then slowly release the button. The new speed will be maintained.

To reset the cruise control to a faster speed, use either of the following procedures:

- a) Turn the control lever to the "ACCEL RESUME" position and hold it there. Vehicle speed will steadily increase. When you release the lever, the new speed will be maintained.
b) Accelerate to the desired speed using the accelerator pedal and press the "SET COAST" button all the way in. When you slowly release the button, the new speed will be maintained.

To Cancel

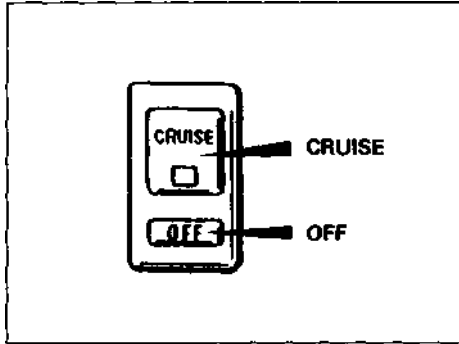
To cancel cruise control operation, use one of the following procedures:

- a) Slightly depress the brake pedal or clutch pedal, or turn the control lever to the "CANCEL" position. Cruise control operation will be cancelled until you reset a cruising speed using "ACCEL RESUME" or the "SET COAST" button.

STEERING COLUMN CONTROLS

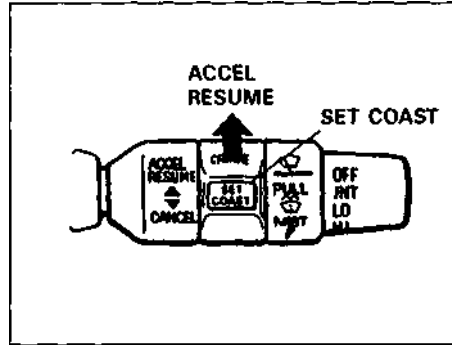
60A23-03070

HORN



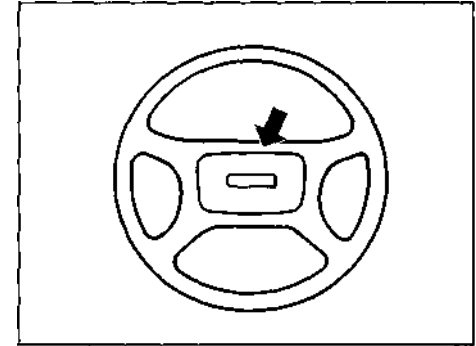
- b) Push the cruise control "OFF" button on the instrument panel. Cruise control operation will be cancelled until you turn on the system by pushing the "CRUISE" button and reset a cruising speed using the "SET COAST" button.

Cruise control operation will also be cancelled any time the vehicle speed falls below 25 mph (40 km/h). The cruise control system will be turned off each time the ignition switch is turned off.



To "Resume" a Previously Set Speed

After canceling cruise control operation without turning off the instrument panel switch, you can "resume" a previously set speed by accelerating to 25 mph (40 km/h) or more and holding the control lever in "ACCEL RESUME" position for about one second. When you release the lever the vehicle will accelerate to and maintain the previously set speed.



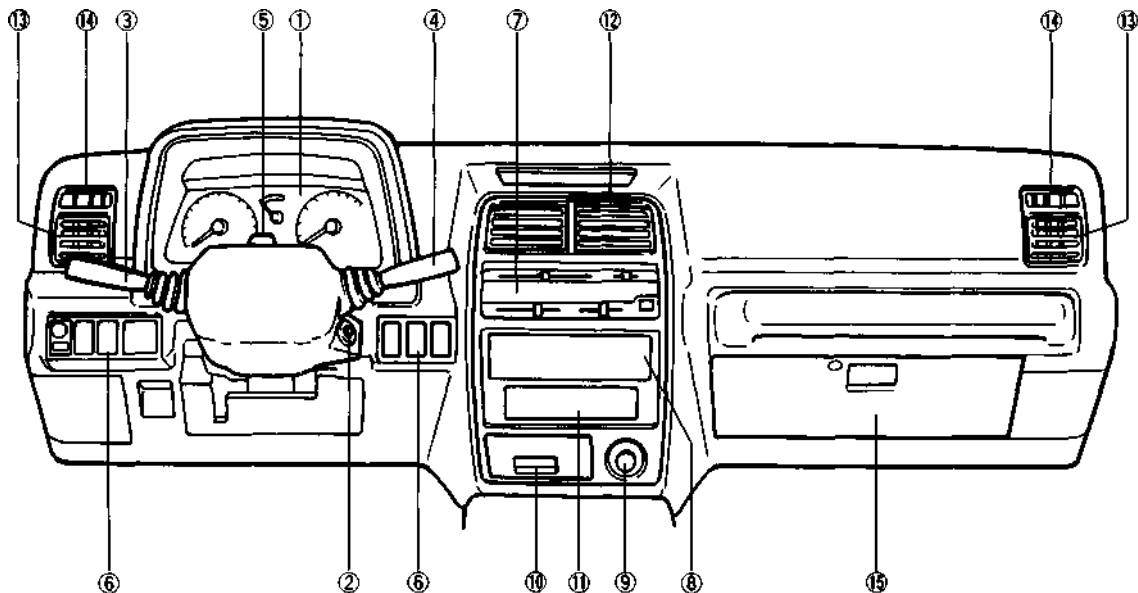
Press the center piece of the steering wheel to sound the horn. The horn will sound with the ignition switch in any position.

60A23-04000

INSTRUMENT PANEL

- Warning and Indicator Lights..... 4-3**
- Speedometer/Odometer/Tripmeter..... 4-6**
- Tachometer..... 4-6**
- Fuel Gauge..... 4-7**
- Temperature Gauge..... 4-7**
- Instrument Light Brightness Control..... 4-7**
- Rear Window Wiper/Washer Switch (If Equipped)..... 4-8**
- Rear Window Defroster Switch (If Equipped)..... 4-8**
- Cigarette Lighter and Ashtray..... 4-8**
- Clock (If Equipped)..... 4-9**
- Glove Box..... 4-9**
- Heater System..... 4-10**
- Air Conditioning System (If Equipped)..... 4-12**
- AM(/FM) Radio with Digital Display (If Equipped)..... 4-14**

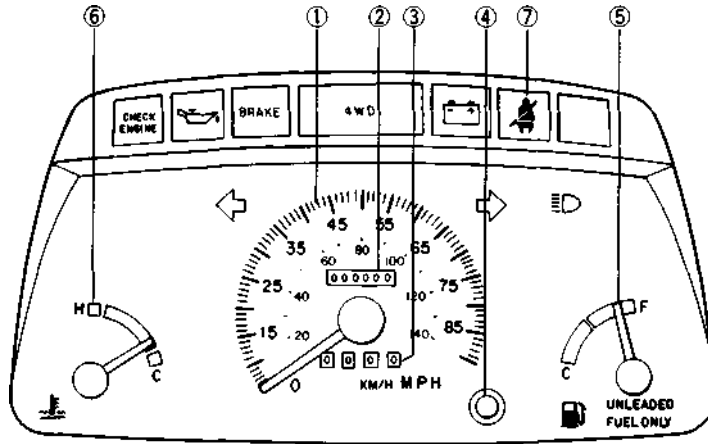
INSTRUMENT PANEL



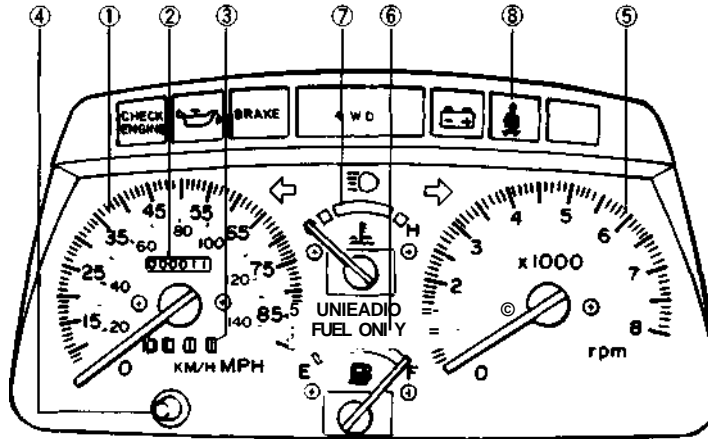
- ① Instrument cluster
- ② Ignition switch
- ③ Lighting switch/Turn signal and dimmer switch
- ④ Windshield wiper and washer switch
- ⑤ Hazard warning switch
- ⑥ Other switches (if equipped)
- ⑦ Heater control panel

- ⑧ Radio (if equipped)
- ⑨ Cigarette lighter (if equipped)
- ⑩ Ashtray
- ⑪ Clock (if equipped)
- ⑫ Center ventilator
- ⑬ Side ventilator
- ⑭ Side defroster
- ⑮ Glove box

INSTRUMENT PANEL



- ① Speedometer
- ② Odometer
- ③ Trip meter
- ④ Trip meter reset knob
- ⑤ Fuel gauge
- ⑥ Temperature gauge
- ⑦ Warning and indicator lights

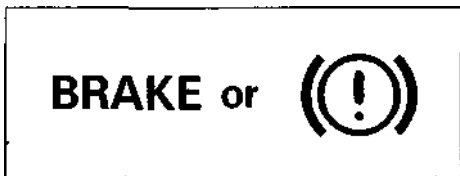


- ① Speedometer
- ② Odometer
- ③ Trip meter
- ④ Trip meter reset knob
- ⑤ Tachometer (if equipped)
- ⑥ Fuel gauge
- ⑦ Temperature gauge
- ⑧ Warning and indicator lights

INSTRUMENT PANEL

60A23-04010

WARNING AND INDICATOR LIGHTS



Brake System Warning Light

This light comes on briefly when the ignition switch is turned to the "ON" position. The light also comes on under the following four conditions: 1) when the ignition switch is turned to the "START" position, 2) when the parking brake is engaged, and 3) when the fluid in the brake fluid reservoir falls below the specified level, or 4) when there is malfunction in the rear wheel anti-lock brake system. The light should go out after starting the engine and fully releasing the parking brake, if the fluid level in the brake fluid reservoir is adequate.

If the brake system warning light comes on while you are driving the vehicle, it may mean that there is something wrong with the vehicle's brake system. If this happens, you should:

- 1) Pull off the road and stop carefully.

Remember that stopping distance may be longer, you may have to push harder on the pedal, and the pedal may go down farther than normal.

- 2) Test the brakes by carefully starting and stopping on the shoulder of the road.
- 3) If you determine that it is safe, drive cautiously at low speed to the nearest dealer for repairs,
or
- 4) Have the vehicle towed to the nearest dealer for repairs.

If any of the following conditions occur, you should immediately ask your SUZUKI dealer to inspect the brake system.

- * **If the brake system warning light does not go out after the engine has been started and the parking brake has been fully released.**
- * **If the brake system warning light does not come on when the ignition switch is turned to the "START" position.**
- * **If the brake system warning light comes on at any time during vehicle operation.**

NOTE

Because the disc brake system is self-adjusting, the fluid level will drop as the brake pads become worn.

Replenishing the brake fluid reservoir is considered normal periodic maintenance.



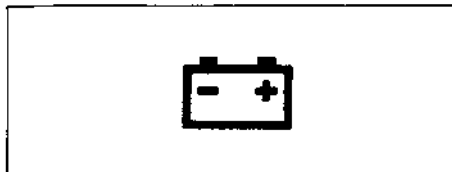
Oil Pressure Light

This light comes on when the ignition switch is turned on, and goes out when the engine is started. The light will come on and remain on if there is insufficient oil pressure. If the light comes on when driving, pull off the road as soon as you can and stop the engine. Check the oil level and add oil if necessary. If there is enough oil, the lubrication system should be inspected by your SUZUKI dealer before you drive the vehicle again.

CAUTION

If you operate the engine with this light on, severe engine damage can result.

Do not rely on the Oil Pressure Light to indicate the need to add oil. Be sure to periodically check the engine oil level.

**Charging Light**

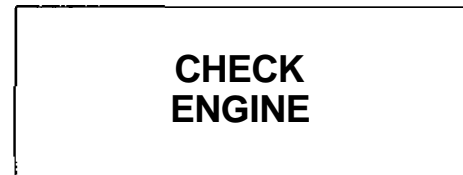
This light comes on when the ignition switch is turned on, and goes out when the engine is started. The light will come on and remain on if there is something wrong with the battery charging system. If the light comes on when the engine is running, the charging system should be inspected immediately by your SUZUKI dealer.

**Seat Belt Warning Light**

When the ignition switch is turned to the "ON" position, this light comes on for about 6 seconds to remind the occupants to fasten their seat belts.

At the same time the warning light is lit, a buzzer sounds as a reminder if the driver's seat belt is not buckled.

It is absolutely essential that the driver and passengers wear their seat belts at all times. Persons who are not wearing seat belts have a much greater risk of injury if an accident occurs. Make a regular habit of buckling your seat belt before putting the key in the ignition.

**Malfunction Indicator Lamp ("CHECK ENGINE")**

Your vehicle has a computer-controlled emission control system. A malfunction indicator lamp is provided on the instrument panel to indicate when it is necessary to have the emission control system serviced. The malfunction indicator lamp comes on when the ignition switch is turned on to let you know the bulb is working and goes out when the engine is started.

If the malfunction indicator lamp comes on when the engine is running, service to the emission control system is necessary. Bring the vehicle to your SUZUKI dealer to have the emission control system serviced.

INSTRUMENT PANEL

Continuing to drive the vehicle when the malfunction indicator lamp is on can cause permanent damage to the vehicle's emission control system, and can affect fuel economy and driveability.



POWER

"POWER" indicator light (if equipped)

When the ignition switch is turned to "ON" with the power mode selector switch turned to "N" (normal), this indicator comes on briefly to let you know the bulb is working.

When the power mode selector switch is turned to "P" (power) with the ignition switch in the "ON" position, this indicator comes on and remains on.



O/D OFF

"O/D OFF" indicator light (if equipped)

When the ignition switch is turned to "ON" with the 4-speed automatic transmission in the 4-speed mode (3-speeds plus overdrive), this light comes on briefly to let you know the bulb is working.

When the automatic transmission is converted to the 3-speed mode (overdrive is off) with the ignition switch in the "ON" position, this indicator comes on and stays on.



Turn Signal Indicators

When you turn on the left or right turn signals, the corresponding green arrow on the instrument panel will flash along with the respective turn signal lights.

When you turn on the hazard warning switch, both arrows will flash along with all of the turn signal lights.



High Beam Indicator Light

This indicator comes on when headlight high beams are turned on.

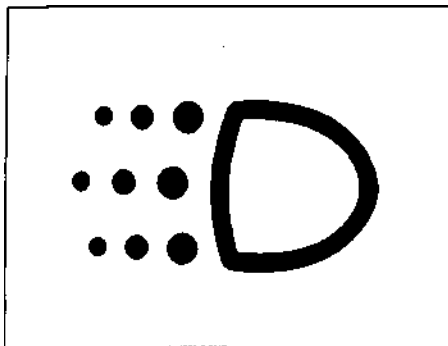


4WD

"4WD" Indicator Light (if equipped)

This indicator comes on when the ignition switch is in the "ON" position and the transfer lever is in one of the four-wheel drive positions; either "4H" or "4L".

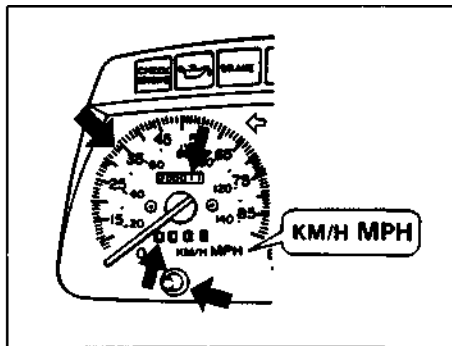
60A23-0W20

**SPEEDOMETER/ODOMETER/
TRIPMETER (if equipped)****Daytime Running Light (D.R.L.) Indicator
Light (For Canada)**

With the D.R.L. system, the headlights light, but are dimmer than the low beam, when the following three conditions are all met. Whenever the D.R.L. system is operating, the D.R.L. indicator light remains on.

Conditions for D.R.L. system operation

1. The engine is running.
2. The parking brake is released.
3. The lighting switch is at either the "OFF" or the "middle" position.

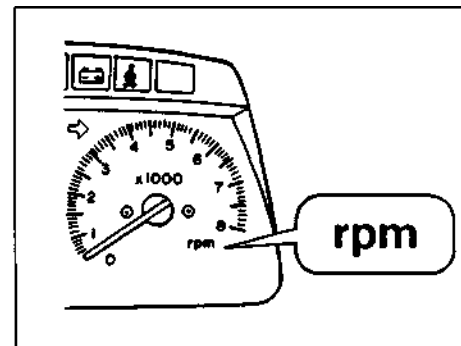


The speedometer indicates vehicle speed in km/h and miles/h. The odometer records the total distance the vehicle has been driven. The trip meter can be used to measure the distance traveled on short trips or between fuel stops. You can reset the tripmeter to zero by pushing the reset knob.

A CAUTION

Keep track of your odometer reading and check the maintenance schedule regularly for required services. Increased wear or damage to certain parts can result from failure to perform required services at the proper mileage intervals.

60A23-04030

TACHOMETER (if equipped)

The tachometer indicates engine speed in revolutions per minute,

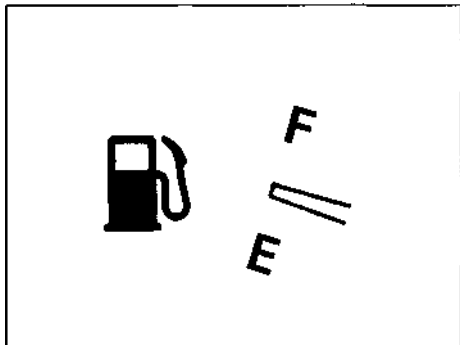
A CAUTION

Never drive with the engine speed indicator in the red zone or severe engine damage can result.

INSTRUMENT PANEL

60A23-04040

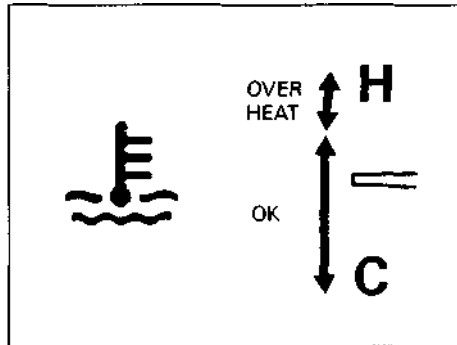
FUEL GAUGE



This gauge gives an approximate indication of the amount of gasoline in the fuel tank. "F" stands for full and "E" stands for empty.

60A23-04050

TEMPERATURE GAUGE



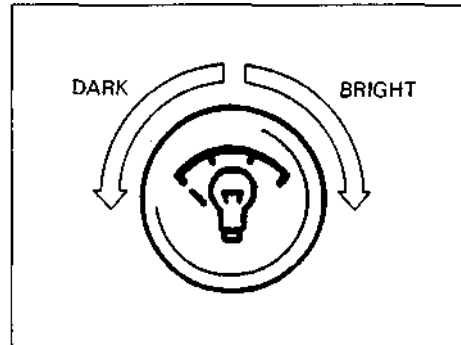
When the ignition switch is on, this gauge indicates the engine coolant temperature. Under normal driving conditions, the indicator should stay within the normal, acceptable temperature range between "H" and "C". If the indicator goes outside this range and approaches "H", overheating is indicated. Follow the instructions in the ENGINE OVERHEATING section.

A CAUTION

Continuing to drive the vehicle when engine overheating is indicated can result in severe engine damage.

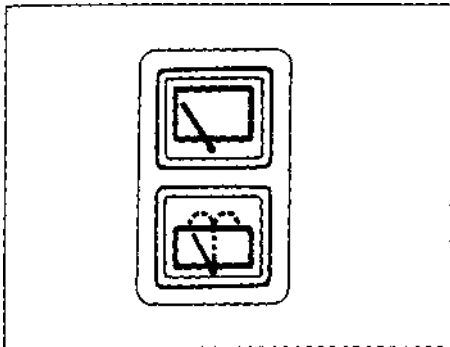
60A23-04060

INSTRUMENT LIGHT BRIGHTNESS CONTROL



Turn this control knob counterclockwise ; to dim the instrument lights and clockwise to brighten them.

REAR WINDOW WIPER/WASHER SWITCH (If Equipped)



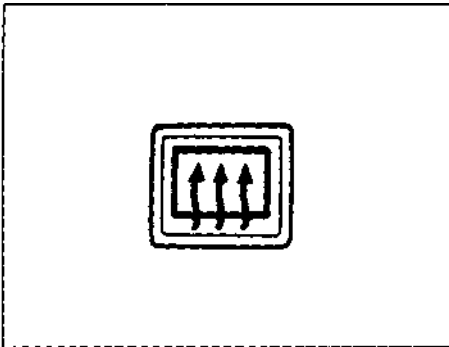
With the ignition switch in the "ON" position, push the top switch to turn on the rear wiper. To turn the wiper off, push the switch again.

To spray window washer fluid, hold in the bottom switch. Washer fluid will stop spraying when you release the switch.

CAUTION

Clear ice or snow from the rear window and rear wiper blade before using the rear wiper. Accumulated ice or snow could prevent the wiper blade from moving, causing damage to the wiper motor.

REAR WINDOW DEFROSTER SWITCH (If Equipped)

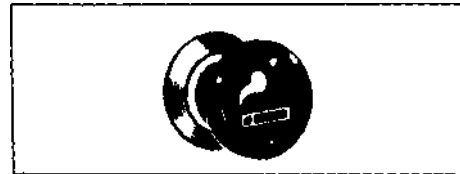


When the rear window is fogged, push this switch to clear the window. An indicator light below the switch will be lit when the defroster is on. The defroster will only work when the ignition switch is in the "ON" position. To turn off the defroster, push the switch again.

A CAUTION

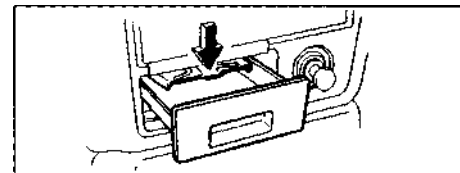
The rear window defroster uses a large amount of electricity. Be sure to turn off the defroster after the window has become clear.

CIGARETTE LIGHTER AND ASHTRAY



Cigarette Lighter (If Equipped)

To use the cigarette lighter, push it all the way into the receptacle and release it. It will automatically heat up and will pop out to its normal position when it is ready for use.



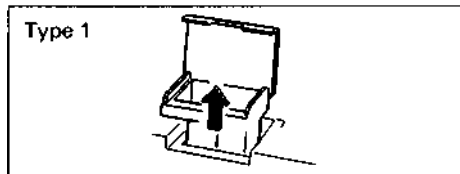
Ashtray

To remove the front panel ashtray for cleaning, push down on the metal plate, and pull the ashtray completely out of its holder.

INSTRUMENT PANEL

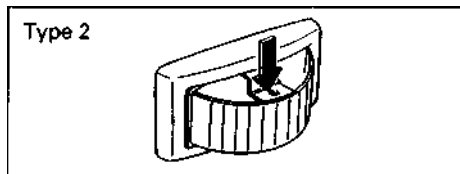
60A23-04100

CLOCK (if equipped)



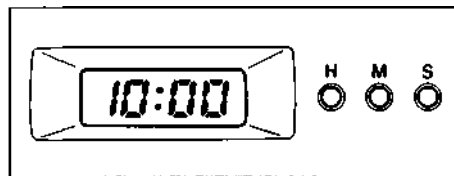
Your vehicle has either type 1 or type 2 rear ashtrays, as shown above. To remove a type 1 ashtray, simply pull it up. To remove a type 2 ashtray, push down on the tongue and pull the ashtray out of its holder.

Make sure tobacco is fully extinguished before closing the ashtrays. Never throw waste in the ashtrays: it could create a fire hazard.



60A23-04120

GLOVE BOX



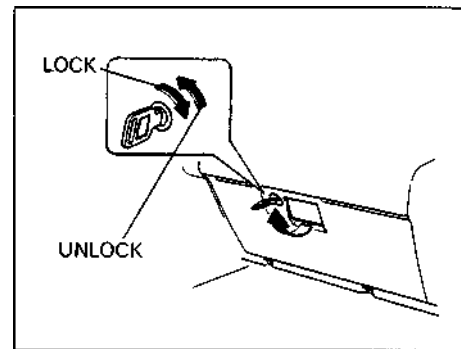
The clock operates as long as the battery remains connected and power is supplied to the system. To set the clock, follow the instructions below.

To set the minute display:

- Push the S knob to reset the minute display to zero. The hour display may also be affected when the minute display is reset. For example, times between 1:01-1:29 will be reset to 1:00 and times between 1:30-1:59 will be reset to 2:00.
- Push the M knob to advance the minute display.

To set the hour display:

Push the H knob to advance the hour display.



To open the glove box, pull the latch lever. To close it, push the lid until it latches securely. Lock the glove box by inserting the key and turning it clockwise and unlock the glove box by turning the key counterclockwise.

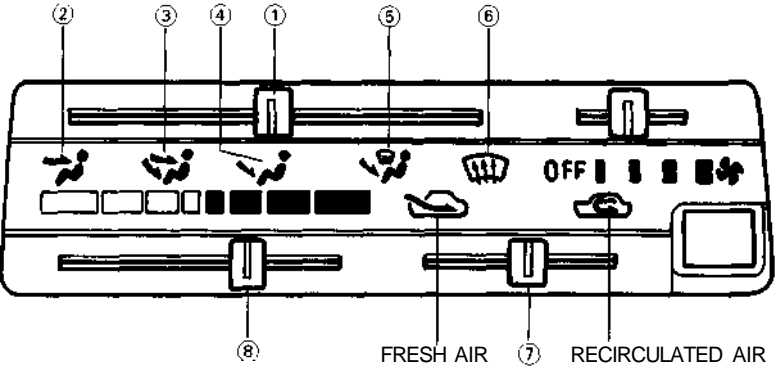
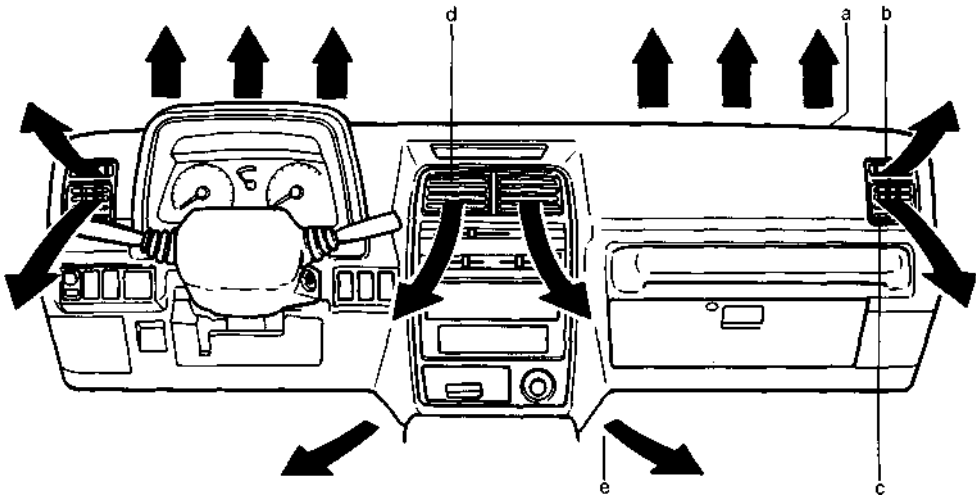
Never drive with the glove box lid open. It could cause injury if an accident occurs.

60A23-04130

HEATER SYSTEM

The heater system provides heating, defrosting, and ventilation.

- a. Windshield defroster
- b. Side defroster
- c. Side outlet
- d. Center outlet
- e. Floor outlet



INSTRUMENT PANEL

Description of Controls

Function Lever (1) : This lever is used to select one of the functions described below.



VENTILATION 2: Temperature-controlled air comes out of the center and side air outlets.



BI-LEVEL 3: Temperature-controlled air comes out of the floor outlets and cooler air comes out of the center and side outlets. When the temperature control lever is in the fully "COLD" position or fully "HOT" position, however, the air from the floor outlets and the air from the center and side outlets will be the same temperature.



HEATER 4 : Temperature-controlled air comes out of the floor outlets.



HEATER & DEFROST 5: Temperature-controlled air comes out of the floor outlets, the windshield defroster outlets, and the side defroster outlets.



DEFROST 6 : Temperature-controlled air comes out of the windshield defroster outlets and the side defroster outlets.

Air Intake Lever 7: This lever is used to select between circulating outside air (FRESH AIR) or recirculating inside air (RECIRCULATEDAIR).

Temperature Control Lever 8: This lever is used to control the temperature of the air that comes out of the air outlets.

Fan Lever 9 : This lever is used to turn on the fan and to select fan speed. There are five positions: OFF, LOW, MEDIUM, MEDIUM HIGH, and HIGH.

System Operating Instructions Natural Ventilation

Move the function lever to "VENTILATION", the air intake lever to "FRESH AIR", the temperature control lever to the desired temperature position, and the fan lever to "OFF". Fresh air will flow through the vehicle during driving.

Forced Ventilation

The lever settings are the same as for natural ventilation except you move the fan lever to a position other than "OFF".

Normal Heating (Using outside air)

Move the function lever to "HEATER", the air intake lever to "FRESH AIR", the temperature control lever to the desired temperature position, and the fan lever to the desired fan speed position. Moving the fan lever to a higher fan speed position increases heating efficiency.

Quick Heating (Using recirculated air)

The lever settings are the same as for normal heating except you move the air intake lever to "RECIRCULATED AIR". If you use this heating method for an extended period of time, the air in the vehicle can become contaminated and the windows can become cloudy. Therefore, use this method only for quick heating and change to the normal heating method as soon as possible.

60A23-04HO

AIR CONDITIONING SYSTEM (If Equipped)

Head Cooled/Feet Warmed Heating

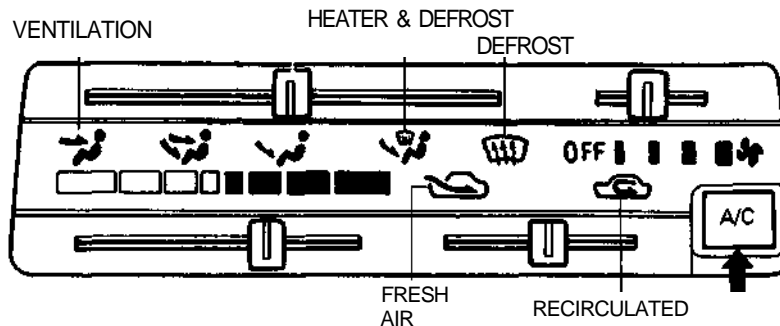
Move the function lever to "BI-LEVEL", the air intake lever to "FRESH AIR", the temperature control lever to the desired temperature position, and the fan lever to the desired fan speed position. Unless the temperature control lever is in the fully "COLD" position or fully "HOT" position, the air that comes out of the center and side outlets will be cooler than the air that comes out of the floor outlets.

Defrosting/Feet Warmed Heating

Move the function lever to "DEFROST & HEATER", the air intake lever to "FRESH AIR", the temperature control lever to the desired temperature position, and the fan lever to "HIGH". When the windshield has become clear, move the fan lever to the desired fan speed position.

Defrosting

Move the function lever to "DEFROST", the air intake lever to "FRESH AIR", the temperature control lever to the desired temperature position (Higher temperature provides more efficient defrosting.), and the fan lever to "HIGH". When the windshield has become clear, move the fan lever to the desired fan speed position.



If your vehicle is equipped with air conditioning, it will have an A/C button located to the right of the air intake lever. The air conditioning system can be used to provide cooling and dehumidifying, as described below. To turn on the air conditioning system, push in the A/C button and move the fan lever to a position other than "OFF". An indicator light will come on when the air conditioning system is on. To turn off the air conditioning system, push the A/C button again.

During operation of the air conditioner, you may notice slight changes in engine speed. These changes are normal, the system is designed so that the compressor turns on or off to maintain the desired temperature. Less operation of the compressor results in better fuel economy.

System Operating Instructions

Normal Cooling (Using outside air)

Push in the A/C button, move the function lever to "VENTILATION", the air intake lever to "FRESH AIR", the temperature control lever to the desired temperature position, and the fan lever to the desired fan speed position. Moving the fan lever to a higher fan speed position increases cooling efficiency.

Quick Cooling (Using recirculated air)

The lever settings are the same as for normal cooling except you move the air intake lever to "RECIRCULATED AIR". If you use this cooling method for an extended period of time, the air in the vehicle can become contaminated. Therefore, you should occasionally move the air intake lever to "FRESH AIR".

INSTRUMENT PANEL

NOTE

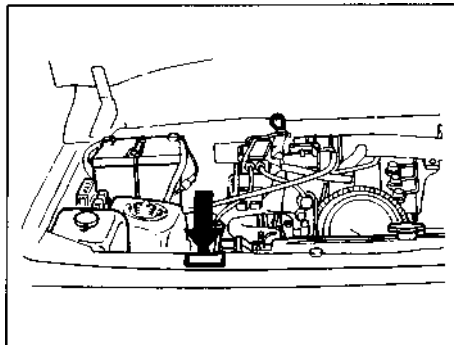
If your vehicle has been left in the sun with the windows closed, it will cool faster if you open the windows briefly while you operate the air conditioner with the air intake lever at "FRESH AIR" and the fan at high speed.

Dehumidifying

Push in the A/C button, move the function lever to the desired function position, the air intake lever to "FRESH AIR", the temperature control lever to the desired temperature position, and the fan lever to the desired fan speed position.

NOTE

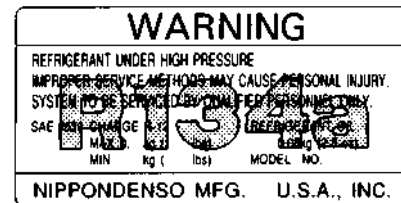
Because the air conditioner dehumidifies the air, turning it on will help keep the windows clear, even when blowing heated air using the DEFROST or HEATER & DEFROST functions.



NOTE

There are two types of air conditioning systems used in SUZUKI vehicles. One type uses refrigerant CFC-12, commonly called R-12; the other type uses the new refrigerant HFC-134a, commonly called R-134a. For each system, the correct refrigerant must be used. A label located on the right front side of the engine compartment identifies which refrigerant is used in your vehicle. If "R134a" is printed on the label, R-134a is used. If "R134a" is not printed on the label, R-12 is used.

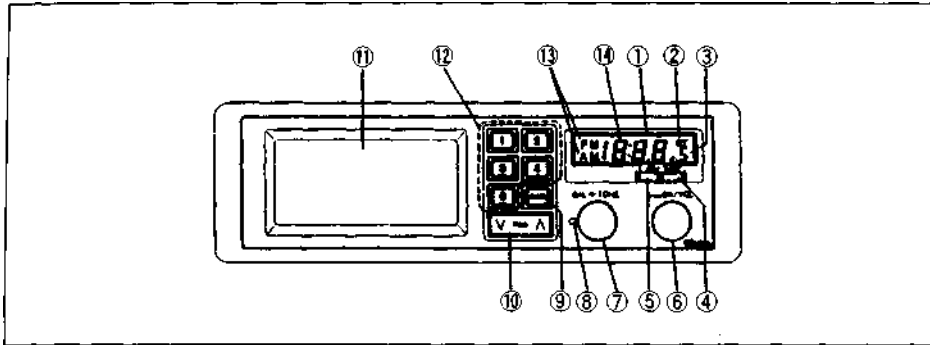
EXAMPLE



Using the wrong refrigerant may damage the air conditioning system. The two refrigerants cannot be mixed. Use R-134a if "R134a" is printed on the label in the engine compartment; use R-12 if "R134a" is not printed on the label.

60A23-04170

AM/(FM) RADIO WITH DIGITAL DISPLAY (If Equipped)



- ① Display
- ② ST indicator
- ③ Preset channel indicator
- ④ Display button
- ⑤ Time adjusting button
- ⑥ Power switch/Volume control
- ⑦ Tone control
- ⑧ Balance control
- ⑨ Band (AM/FM) select button (if equipped)
- ⑩ ▲ up ▼ down manual tuning (also used as seek button/minute ▲ and hour ▼ adjusting button)
- ⑪ Pocket
- ⑫ Preset button (1 to 5)
- ⑬ AM/FM indicator (if equipped)
- ⑭ Time/frequency digital display

Operation of Controls

Power Switch/Volume Control

Push the control knob to turn on the power. Push it again to turn the power off. Turn the knob clockwise to increase the volume and counterclockwise to reduce the volume.

Manual Tuning Button/Seek Tuning

Press the (▲) side of the button to tune to a higher frequency station. Press the (▼) side of the button to tune to a lower frequency station. The frequency changes by 9 KHz (AM) or 0.1 MHz (FM) at each push of the button. If you hold the button in, the frequency changes continuously.

If you hold one side of the **manual tuning** button down for longer than half a second, seek tuning is activated. The frequency increases (or decreases) and stops automatically when a station is received, even if you hold the button in. Press the button again to search for another station. If you press the button while the radio is searching for a station, seek tuning will be immediately canceled.

Display button

When this button is pressed, the radio frequency is displayed for five seconds, then the normal time display returns automatically.

Band Select Button

Press this button to select the desired band (AM or FM). The band being received is indicated by the AM/FM indicator. When the FM band is selected and a stereo broadcast is being received, the ST indicator will come on.

Preset Station Buttons

Press the button (1 to 5) to select a station that you have preset. The frequency corresponding to the selected preset station appears on the digital display.

Tone Control

Turning this control clockwise emphasizes treble tones and turning it counterclockwise emphasizes bass tones.

Balance Control

Turning this control clockwise emphasizes the volume of the right speaker and turning it counterclockwise emphasizes the volume of the left speaker.

How to Preset Stations

- 1) Using manual tuning or seek tuning, tune to the station you wish to preset.
- 2) Hold in one of the preset buttons for about two seconds. When the station is preset, the number of the preset channel appears on the preset channel indicator.
- 3) Repeat the above procedure to preset stations for the remaining channels, or to change stations that you have already preset.

How to Set the Time

To set the time, hold the time adjust button in and press the or side of the manual tuning button. Pressing the side of the button advances the hour display and pressing the side of the button advances the minute display.

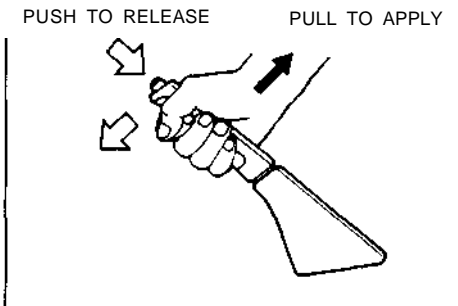
OTHER CONTROLS AND EQUIPMENT

Parking Brake Lever.....	5-1
Pedals.....	5-1
Gearshift Lever.....	5-2
Transfer Lever.....	5-3
Free-Wheeling Hubs.....	5-3
Fuel Filler Cap.....	5-5
Folding Seats.....	5-6
Canvas Top (If Equipped).....	5-8
Sun Visor.....	5-24
Interior Light Switch.....	5-24
Spot Light (If Equipped).....	5-25
Coat Hook (If Equipped).....	5-25
Assist Grips.....	5-26
Engine Hood.....	5-26
Frame Hooks.....	5-27
Tire Changing Tools.....	5-27

OTHER CONTROLS AND EQUIPMENT

60A23-05010

PARKING BRAKE LEVER



The parking brake lever is located between the seats. To set the parking brake, hold the brake pedal down and pull the parking brake lever all the way up. To release the parking brake, hold the brake pedal down, pull up slightly on the parking brake lever, push the button on the end of the lever with your thumb, and lower the lever to its original position.

For automatic transmission vehicles, always set the parking brake before moving the gearshift lever to the "P" (PARK) position. If you park on an incline and shift into "P" before you set the parking brake, the weight of the vehicle may make it difficult to shift out of "P" when you are ready to drive the vehicle. When preparing to drive the vehicle, move

the gearshift lever out of the "P" position before releasing the parking brake.

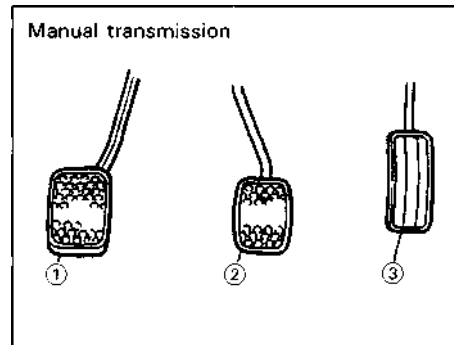
Never drive your vehicle with the parking brake set: rear brake effectiveness can be reduced from overheating, brake life may be shortened, or permanent brake damage may result.

If the parking brake does not hold the vehicle securely or does not fully release, have your vehicle inspected immediately by an authorized SUZUKI dealer.

Always set the parking brake fully before leaving your vehicle or it may roll, causing injury or damage. When parking, make sure the gearshift lever for manual transmission vehicles is in 1st gear or "R" (Reverse) and the gearshift lever for automatic transmission vehicles is in "P" (Park). Never leave the transfer lever in "N" (Neutral) when you are parked. Remember, even though the transmission is in gear or in Park, you must set the parking brake fully.

60A23-05020

PEDALS



Clutch Pedal ①

(For manual transmission)

The clutch pedal is used to disengage the drive to the wheels when starting the engine, stopping, or shifting the transmission lever or transfer lever. Depressing the pedal disengages the clutch.

A CAUTION

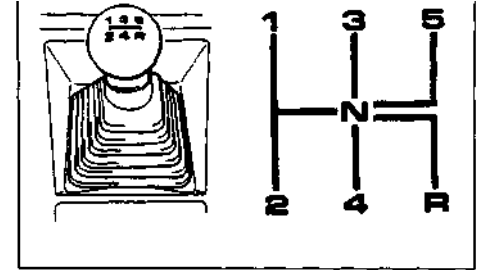
Do not drive with your foot resting on the clutch pedal. It could result in excessive clutch wear or clutch damage.

OTHER CONTROLS AND EQUIPMENT

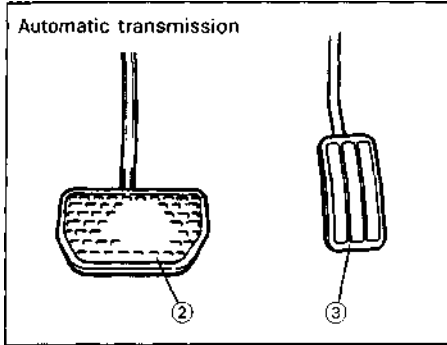
60A23-05030

GEARSHIFT LEVER

Manual Transmission



Your vehicle is equipped with either a manual transmission or automatic transmission. The gearshift lever for each transmission type is shown below. For details on how to use the transmission, refer to the USING THE TRANSMISSION in OPERATING YOUR VEHICLE section.



Brake Pedal ②

Your SUZUKI vehicle is equipped with front disc brakes and rear drum brakes. Depressing the brake pedal applies both sets of brakes.

You may hear occasional brake squeal when you apply the brakes. This is a normal condition caused by environmental factors such as cold, wet, snow, etc.

If brake squeal is excessive and occurs each time the brakes are applied, you should have the brakes checked by your SUZUKI dealer.

Do not "ride" the brakes by applying them continuously or resting your foot on the pedal. This will result in overheating of the brakes which could cause unpredictable braking action, longer stopping distances, or permanent brake damage.

Accelerator Pedal ③

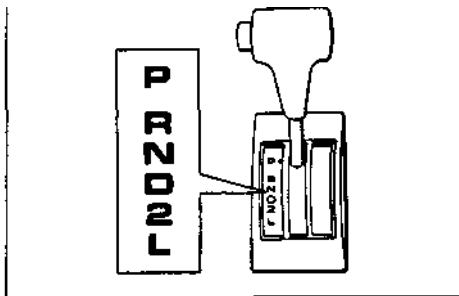
This pedal controls the speed of the engine. Depressing the accelerator pedal increases power output and speed.

OTHER CONTROLS AND EQUIPMENT

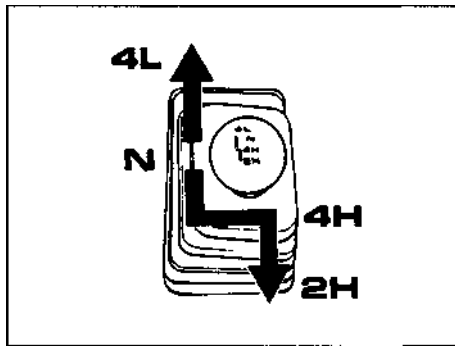
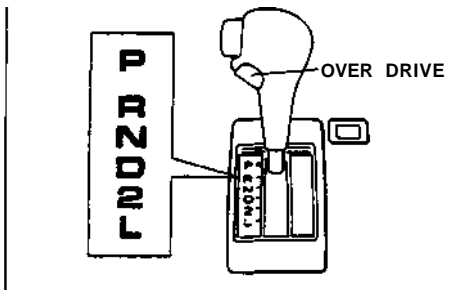
60A23-05040

TRANSFER LEVER (if equipped)

3 Speed Automatic Transmission



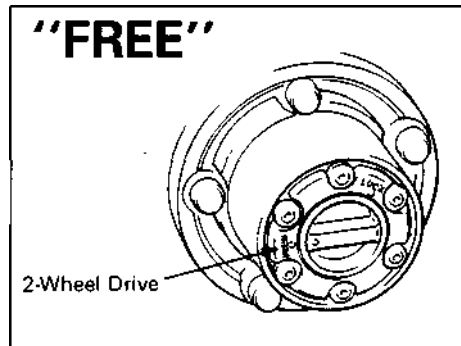
4-Speed Automatic Transmission



The transfer lever is used to change between 2-wheel drive and 4-wheel drive. For details on how to use the transfer lever, refer to the USING THE TRANSFER LEVER in OPERATING YOUR VEHICLE section.

60A23-05050

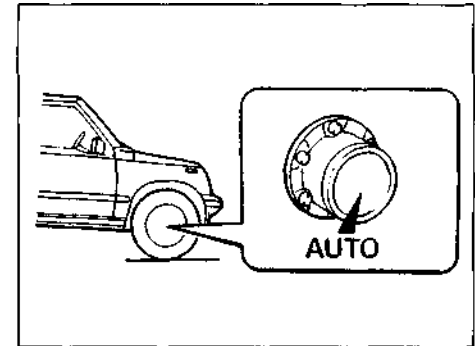
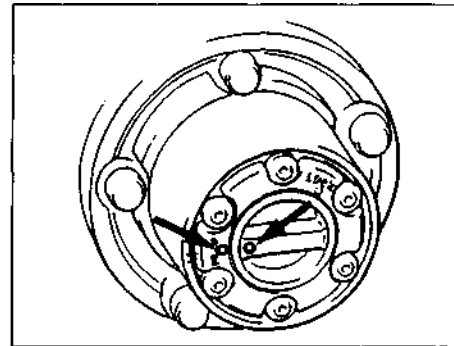
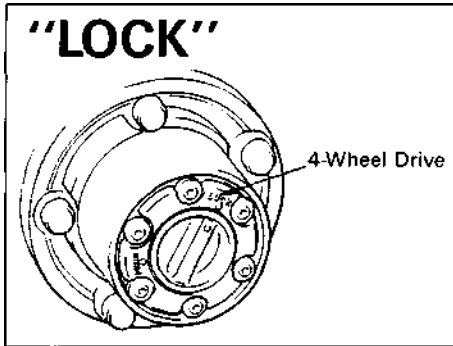
FREE-WHEELING HUBS (if equipped)



Manual Free-Wheeling Hubs

Turn both hub dials to the "FREE" position when you shift the transfer lever to 2H. Turning the hubs to the "FREE" position keeps the front axle components from rotating during 2-wheel drive operation. This provides improved fuel economy and reduces noise and wear.

Turn both hubs to the "LOCK" position when you shift the transfer lever to a 4-wheel drive position (4L or 4H). Turning the hubs to the "LOCK" position connects the drive system to the front wheels, enabling 4-wheel drive operation.



Automatic Free-Wheeling Hubs (If Equipped)

If your vehicle is equipped with automatic free-wheeling hubs, you can lock or unlock the hubs automatically, without getting out of the vehicle.

To lock the hubs:

- 1) Stop the vehicle completely.
- 2) Disengage the clutch and shift the transfer lever to one of the 4-wheel drive positions (4L or 4H).
- 3) Begin driving slowly. The hubs will lock automatically when you begin to drive the vehicle.

To unlock the hubs:

- 1) Stop the vehicle completely.
- 2) Disengage the clutch and shift the transfer lever to 2H.

If you do not set both hubs to the "LOCK" position when you shift the transfer lever to a 4-wheel drive position (4L or 4H), the vehicle will not operate in 4-wheel drive. As a result, you may not have the traction you expect on slippery surfaces and may lose control.

Be careful when you lock and unlock the hubs. They may be hot and could burn your fingers.

▲ CAUTION

About once a month you should drive a few miles with the hubs in the "LOCK" position and the transfer lever in the 2H position. This helps keep the operation of the free-wheeling mechanism smooth and provides lubrication to the front axle components.

When locking and unlocking a hub, turn the hub dial all the way until it stops and the two marks (•) are aligned. If you set a hub dial to a half-engaged position, the hub may be damaged when you drive the vehicle.

OTHER CONTROLS AND EQUIPMENT

60A23-05060

FUEL FILLER CAP

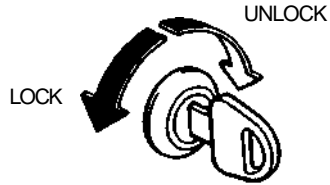
- 3) Drive the vehicle 4 or 5 feet in the opposite direction to the direction you were traveling before shifting to 2H. This will unlock the hubs.
- 4) Begin driving in 2-wheel drive.

When the automatic free-wheeling hubs are locked, you can alternately select 2-wheel drive and 4-wheel drive by shifting the transfer lever between 2H and 4H while driving, if the front wheels are in the straight-ahead position.

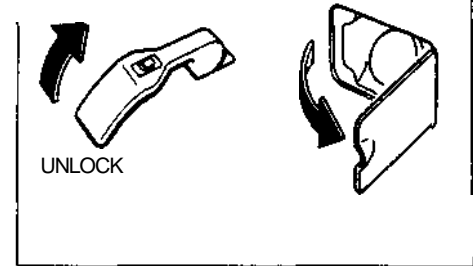
CAUTION

When accelerating from a stop with the transfer lever in one of the 4-wheel drive positions (4L or 4H), be sure to press the accelerator pedal down slowly, especially when traction is poor. If you try to accelerate too quickly, the automatic free-wheeling hubs may not lock, and you may hear a knocking sound. Continuing to hold the accelerator pedal down when this occurs can result in damage to the automatic free-wheeling hubs.

For fuel filler lid lock



For fuel filler lid opener



The fuel filler cap is located on the right rear side of the vehicle. There are three different types of fuel filler doors. One type can be opened by using the key, another type can be opened by pulling up the opener lever located under the front outboard end of the driver's seat, and the third type can simply be opened by hand.

To remove the fuel filler cap:

- 1) Open the fuel filler door. If the fuel filler door is not the type that can be opened by hand, you must either insert the key in the fuel filler door lock and turn it clockwise or pull up on the opener lever located under the front outboard end of the driver's seat.

- 2) Remove the cap by turning it counter-clockwise.

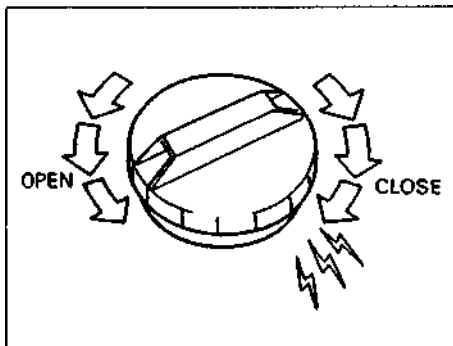
CAUTION

Remove the fuel filler cap slowly. The fuel may be under pressure and may spray out, causing injury.

To reinstall the fuel filler cap:

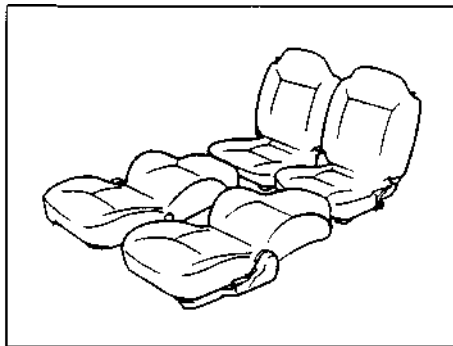
- 1) Turn the cap clockwise until you hear several clicks.
- 2) Close the fuel filler door. If the fuel filler door has a lock, turn the key counter-clockwise to lock the door.

60A23-05070

FOLDING SEATS

If you need to replace the fuel cap, use a genuine SUZUKI cap or its equivalent. Use of an improper cap can result in a malfunction of the fuel system or emission control system. It may also result in fuel leakage in the event of an accident.

Gasoline is extremely flammable. Do not smoke when refueling, and make sure there are no open flames or sparks in the area.

**Flat Folding Front Seats (if equipped)**

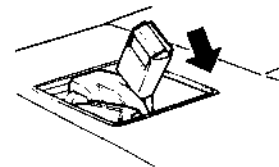
The front seats of your vehicle can be reclined fully back to provide a flat resting place. To fold back a front seat so it is flat:

- 1) Remove the head restraint.
- 2) Slide the seat fully forward.
- 3) Recline the seatback fully.

NOTE:

Refer to the *HEAD RESTRAINTS* section for details on how to raise the head restraint. Refer to the *SEAT ADJUSTMENT* section for details on how to slide the seat forward and how to recline the seatback.

Rear seat belt buckle



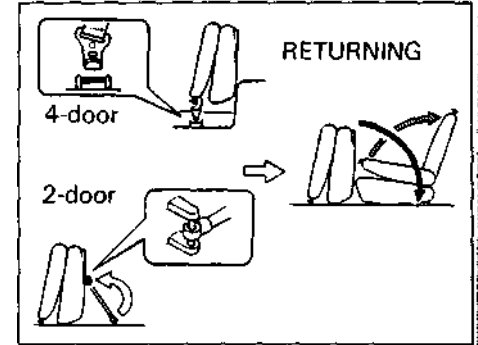
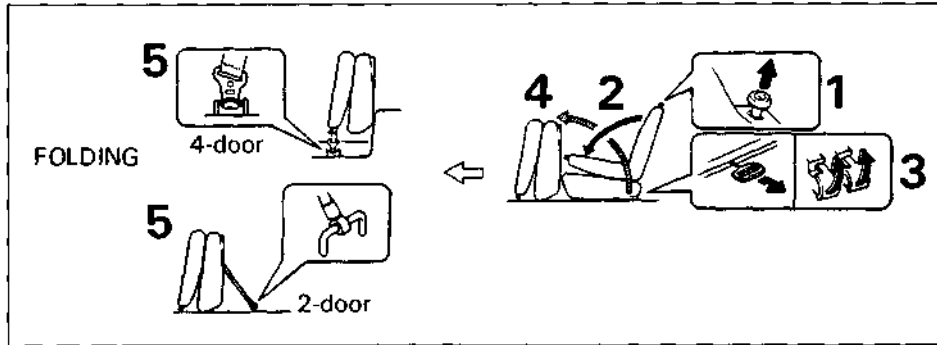
Never drive the vehicle with the front seats folded fully back. Seatbacks should always be in a fairly upright position when driving, or seat belt effectiveness may be reduced. Seat belts are designed to offer maximum protection when seatbacks are in the fully upright position.

Folding Rear Seats

The rear seat(s) of your vehicle can be folded forward to provide additional cargo space. To fold the rear seat(s) forward:

- 1) (2-door model) Fold down the seat belt buckles.

OTHER CONTROLS AND EQUIPMENT



- 2) Pull up the lock knob on the top of each split seat or pull up both lock knobs on the top of a one-piece seat, and fold the seatback(s) forward.
- 3) Pull up the lever on the rear inboard side of each split seat in the 2-door model or pull the center ring at the rear of other seats, and fold the seat(s) forward.
- 4) (For 2-door model)
Unhook the support rod from the bottom of the seat(s) and attach it (them) to the latch ring(s) on the floor of the vehicle.

(For 4-door model)
Hook the strap on the right side of the seatback to the floor loop.

NOTE:

If the front seats hinder movement of the rear seat, slide the front seats forward.

To return the seat(s) to the normal position, reverse the procedure used to fold the seat(s) forward. After returning the seat(s) to the normal position, try moving the seat and seatback to make sure they are securely latched.

When returning a rear seat to the normal position, make sure that movement of the seat is unobstructed and the seat and seatback are securely latched. If the seat is not securely latched, the seat belt will not provide

(Continued)

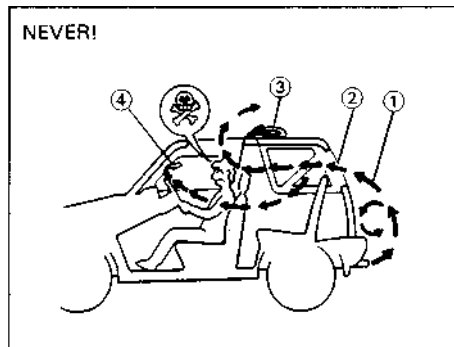
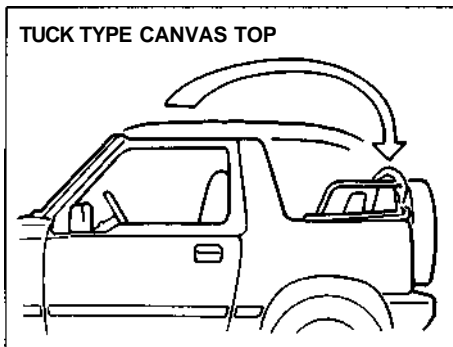
(Continued)

the protection for which it was designed, failure to securely latch the seat may result in severe personal injury.

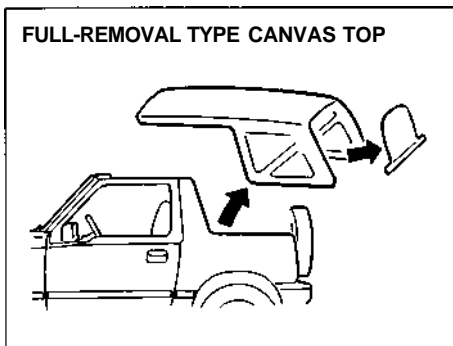
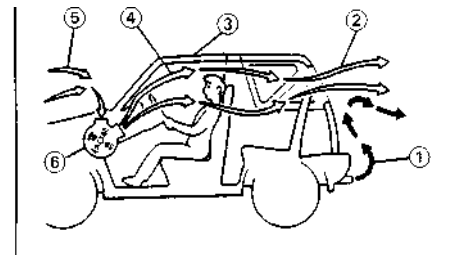
Luggage or other cargo should be stowed in the luggage compartment with the rear seat in an upright position, whenever possible. If you need to carry cargo in the passenger compartment with the rear seat back folded forward, be sure to secure the cargo or it may be thrown about, causing injury. Never pile cargo higher than the seatbacks.

60A23-05081

CANVAS TOP (If Equipped)



SHOULD YOU NEED TO OPEN THE REAR WINDOW



- ① Exhaust gas
- ② Rear window opened or removed
- ③ Folding sunroof opened
- ④ Side window glass slightly opened

- ① Exhaust gas
- ② Rear window opened or removed
- ③ Folding sunroof CLOSED
- ④ Side window CLOSED
- ⑤ FRESH AIR
- ⑥ Fan (HIGH SPEED)

There are two types of canvas tops, the tuck type and the full-removal type. Both types have two special features: a folding sunroof and a removable rear window. The tuck type top also has removable side windows.

The canvas top is provided only to offer some protection against undesirable weather conditions. It is not designed to hold occupants inside the vehicle, or to protect against the intrusion of foreign objects in the event of an accident. Wear your seat belt at all times.

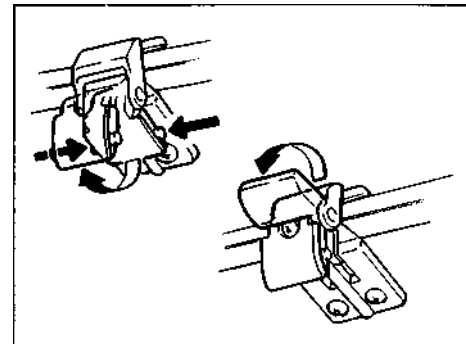
Do not modify the center pillar of your canvas top vehicle. Modification or damage can result in reduced occupant protection in the event of an accident. If the center pillar becomes damaged in any way, have it checked immediately by your SUZUKI dealer.

Avoid operating the vehicle with the rear window open or removed. If it is necessary to open or remove the rear window, make sure the folding sunroof and all windows are closed, and the fan is at high speed with the air intake lever set to "FRESH AIR". If you do not take this precaution, exhaust gas can enter the vehicle. Refer to the EXHAUST GAS WARNING section for details.

CAUTION

To help prevent damage to the canvas top, you should take the following precautions:

- * Avoid opening the folding sunroof or removing the canvas top when the temperature is below 41°F (5°C). Bending or folding the canvas in cold temperatures can cause damage to the canvas.
- * Do not run your canvas top vehicle through automatic car washes. The windows can be scratched or the canvas can be damaged.
- * Make sure that the rear and side windows are clean before tucking or removing the canvas top. If the windows are dirty, the dirt can scratch the windows when the top is folded.
- * Do not tap or beat the plastic windows to remove snow or dust when the temperature is below 41 °F (5°C). Tapping or beating the plastic windows in cold temperatures can damage the windows.
- * (For full-removal type top)
Be sure to fully open the rear window before you open the rear gate. Attempting to open the rear gate with the rear window not opened fully can damage the canvas top.

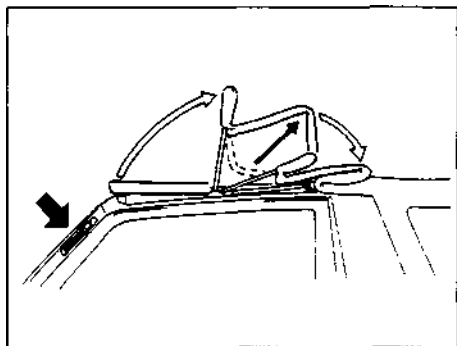


Opening and Closing the Folding Sunroof
(For both type canvas tops)

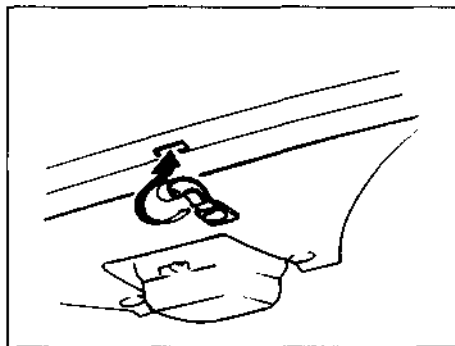
Never attempt to open or close the folding sunroof while driving. You may lose control of the vehicle or may damage the canvas top.

To open the folding sunroof, use the following procedure:

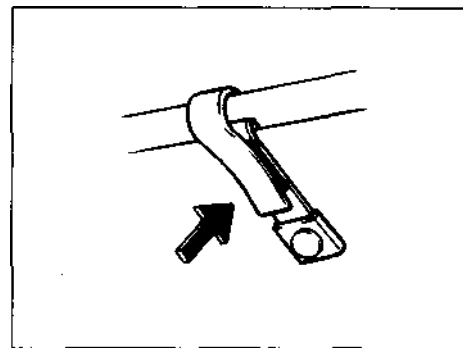
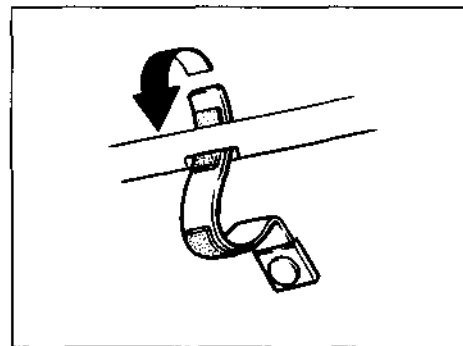
- 1) After lowering the sun visors, push in the lock buttons on the front latches and unhook the latches.



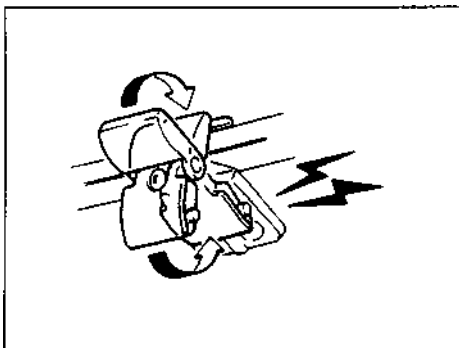
2) Push the radio antenna all the way in, then pull back the swing arm as shown in the illustration. Make sure that the canvas folds outward as shown.



3) Fasten the strap as shown in the illustration to hold the folded canvas in position.



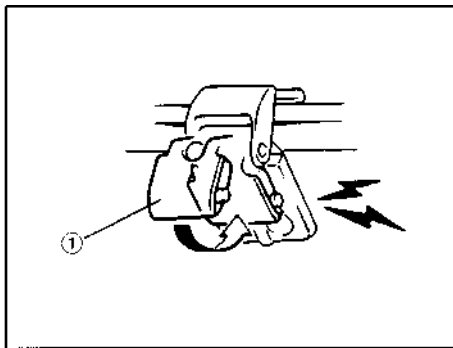
OTHER CONTROLS AND EQUIPMENT



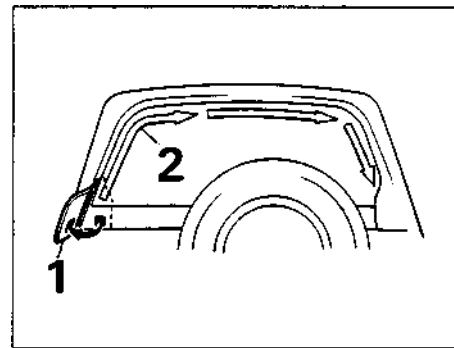
- 4) Refasten the front latches. Make sure that you hear a "click" when you close each of the latches; the "click" indicates that the latch has locked into place.

To close the folding sunroof, first unhook the front latches, then reverse the procedure used to open the sunroof. When closing the folding sunroof, pay attention to the following points:

- 1) Make sure that the canvas remains hooked to the swing arm at all attachment points when you pull the swing arm forward.



- 2) Make sure that you hear a "click" when you close each of the front latches; the "click" indicates that the latch has locked into place.



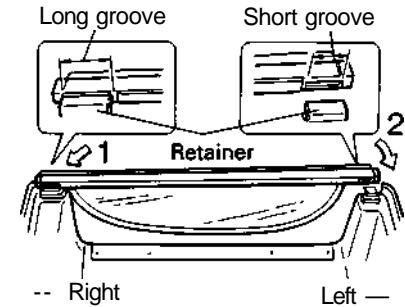
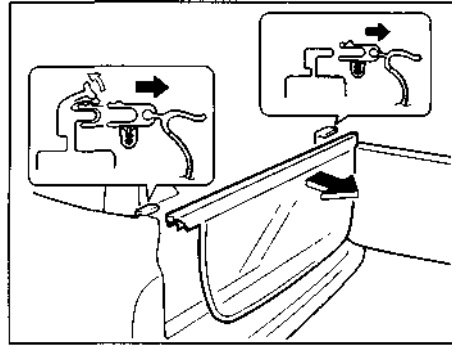
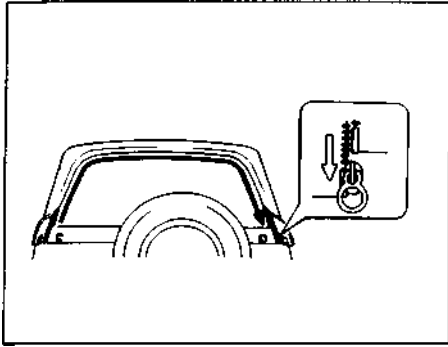
Opening and Closing the Rear Window (For both types canvas tops)

To open the rear window, unfasten the canvas flap at the bottom corner of the window and unzip the zipper. To close the rear window, zip the zipper all the way up and refasten the corner flap.

When closing the rear window, make sure that it is fully closed and the corner flap is fastened, or exhaust gas can enter the vehicle.

NOTE:

If it is hard to unzip the zipper, try lubricating it with a bar of soap.



Removing and Installing the Rear Window (For tuck type top)

The rear window of your vehicle is removable. This allows you to access the cargo area or to replace the window if it becomes deteriorated. To remove the rear window:

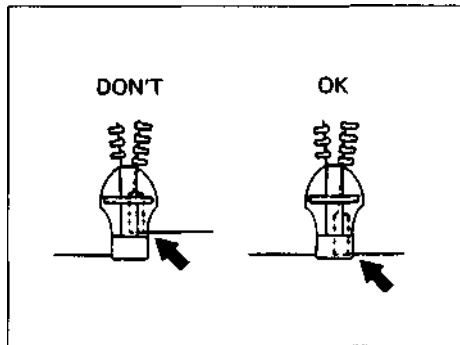
- 1) Open the rear gate fully.
- 2) Unfasten the canvas flaps at the lower corners of the rear window.
- 3) Unzip the zipper fully.

- 4) Hang down the rear window rearward.
- 5) Push up the rear window frame lock on the left end and pull the rear window frame rearward.
- 6) Slide the rear window sideward to remove it from the frame if necessary.

To install the rear window, reverse the procedure used to remove it. Make sure that:

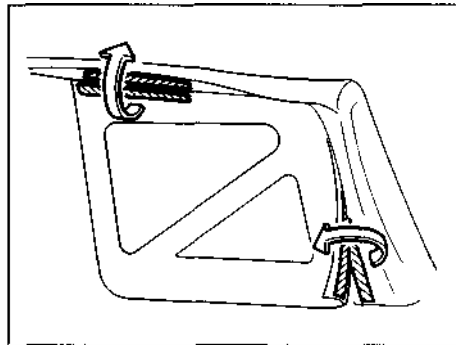
- 1) the long groove of the frame be installed to the right retainer first and then the short groove be installed to the left retainer,
- 2) the rear window be positioned by being slid right or left so the window fits the canvas top opening, and

OTHER CONTROLS AND EQUIPMENT



- 3) the end of the zipper is pushed all the way in (as shown in the illustration above) before zipping up the zipper.

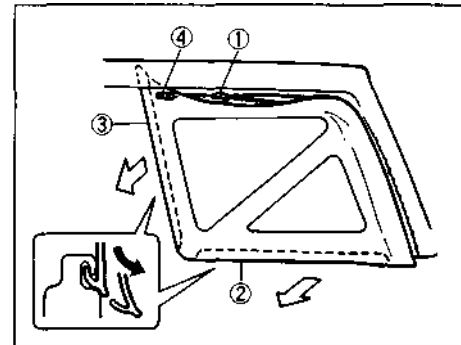
When installing the rear window, make sure that it is fully closed and both corner flaps are fastened, or exhaust gas can enter the vehicle.



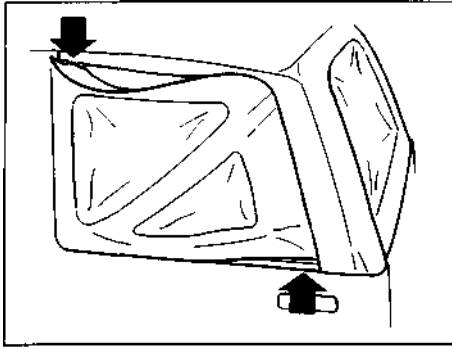
Removing and Installing the Side Window (For tuck type top)

To remove the side window:

- 1) Unfasten the top end and rear end of the side window.



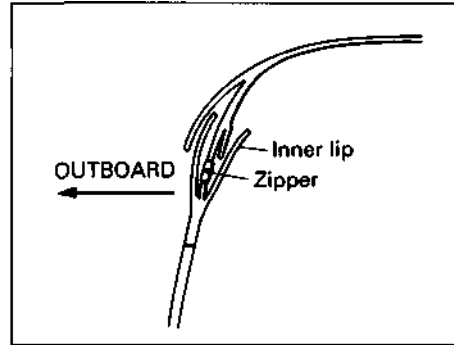
- 2) Unzip the zipper as far as it goes (to the position .
- 3) Unhook the bottom end and front end of the side window by pulling it down and forward.
- 4) Unzip the zipper fully and remove the side window.



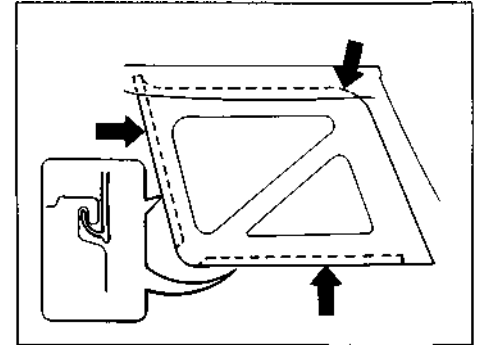
To install the side window, reverse the procedure used to remove it.

Be sure to:

- 1) put the rear bottom corner of the window on the rear part of the vehicle body temporarily to engage the zipper end,
- 2) push the end of the zipper all the way in, and

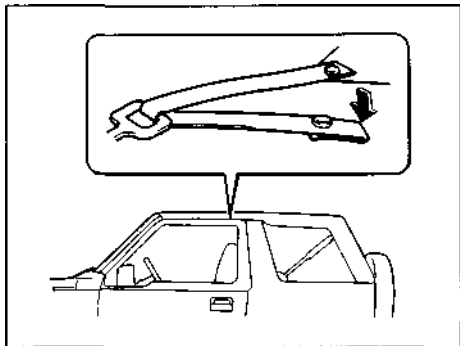


- 3) push in the inner lip of the side window inside the canvas top while zipping.



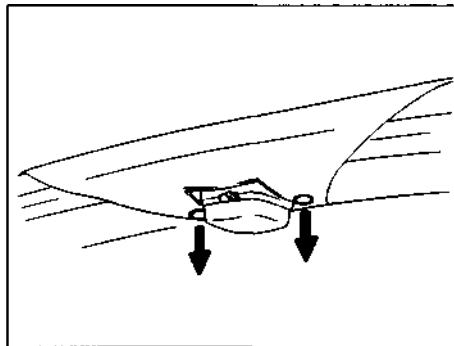
After completing installation, make sure that the front and bottom ends are securely hooked and the rear top end is under the canvas top.

OTHER CONTROLS AND EQUIPMENT

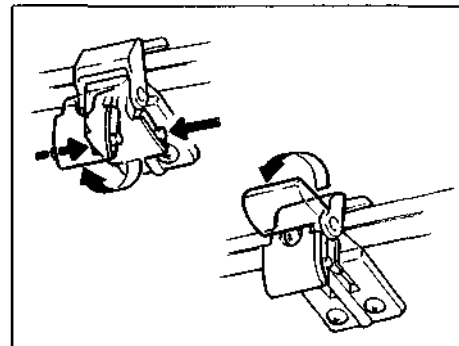


Opening and Closing the Canvas Top (For tuck type top)

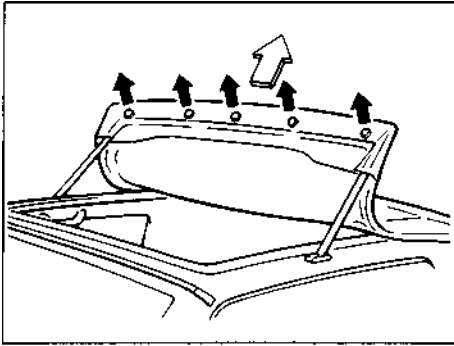
- 1) Remove the side windows of the canvas top.
- 2) Open the rear window and hang down it inside the luggage compartment.
- 3) Unfasten the snap of the roof side tension straps.



- 4) Unfasten the snaps that secure the canvas top to the roof piece.

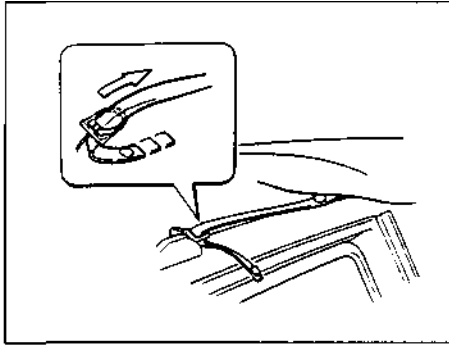


- 5) After lowering the sun visors, push in the lock buttons on the front latches and unhook the latches.

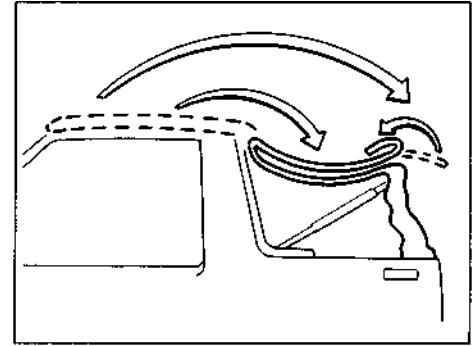


6) Pull back the swing arm, unfasten the five snaps that secure the canvas to the swing arm and remove the canvas from the swing arm.

Return the swing arm forward and hook it securely.

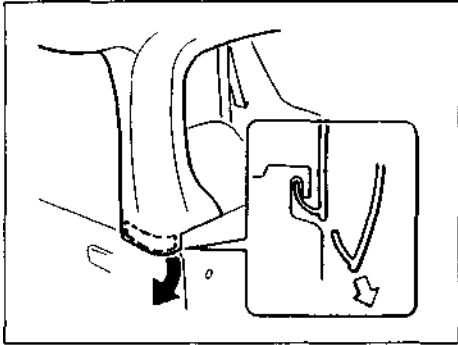


7) Pull the tension straps located above the door frame out through the plastic ring.



8) Lay the front half of the canvas top onto the rear half of the top and then, fold forward the portion that extends beyond the rear end of the top.

OTHER CONTROLS AND EQUIPMENT

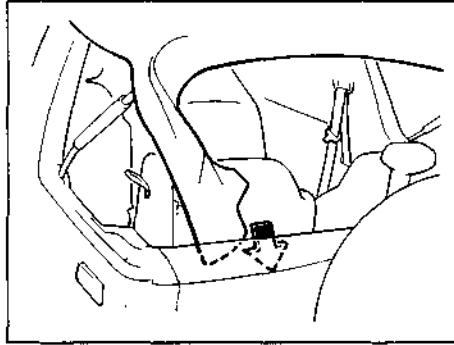


NOTE:
The following two procedures 9) and 10) are optional.

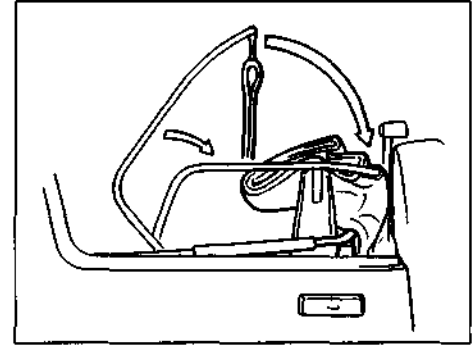
- 9) Detach the rear bottom corners of the canvas top by pulling the rear end of the bottom corner hook sideways and downward.

CAUTION

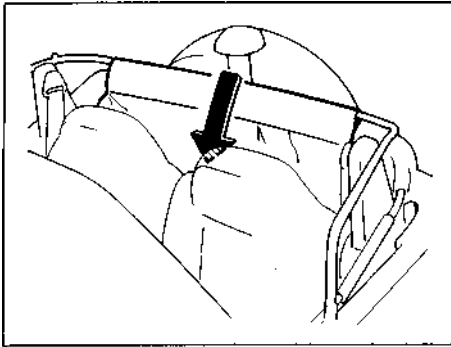
When hooking the bottom corner, makes sure it is completely hooked to the vehicle body or the hook can be damaged.



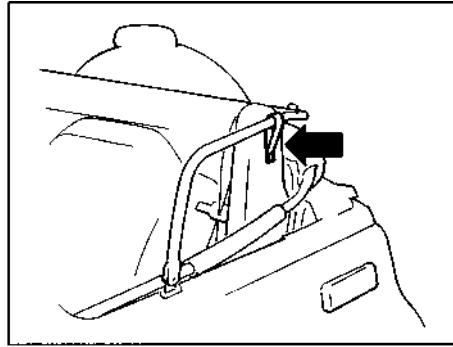
- 10) Put the rear bottom corners of the canvas top into the luggage compartment.



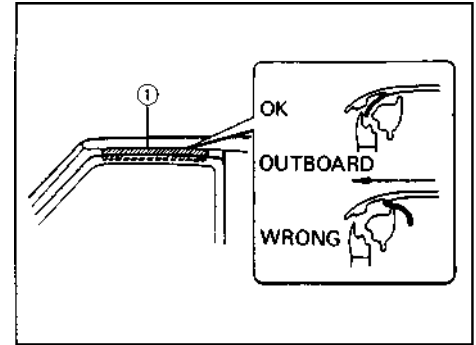
- 11) Lower the top bows.



12) Lower the folded canvas behind the rear seat back(s). Make sure that the rear seat belts around the shoulder anchor are clear from the folded canvas top.



13) Fix the upper top bow with the strap on the left seat belt shoulder anchor bracket.



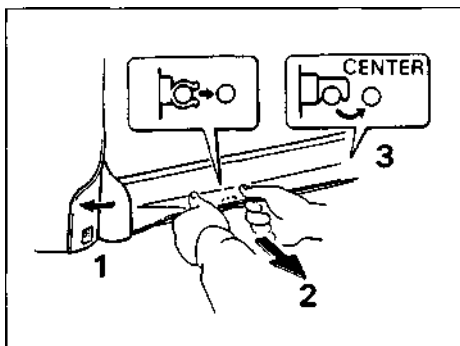
To raise the canvas top reverse the procedure used to lower it.

NOTE:
After installing the canvas top, make sure that the canvas extension ① is located outside the roof rail.

After lowering or raising the canvas top, make sure that the following parts are secured in place. Failure to properly secure these parts can cause personal injury or damage.

- * Swing arm
- * Top bow

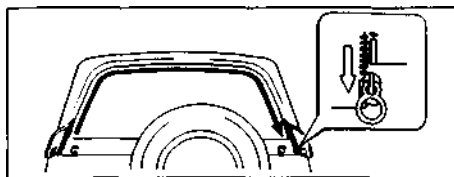
OTHER CONTROLS AND EQUIPMENT



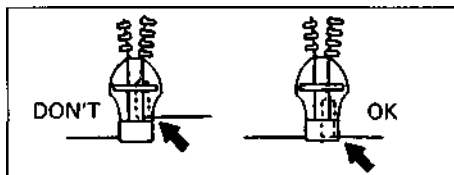
Removing and Installing the Rear Window (For full-removal type top)

The rear window of your vehicle is removable. This allows you to access the cargo area or to replace the window if it becomes deteriorated. To remove the rear window:

- 1) Unfasten the canvas flaps at the lower corners of the rear window.
- 2) Unhook the rear window frame from the rear gate. First pull the canvas at the bottom of the window straight back at both ends, then pull the window frame at the center of the window down and back.

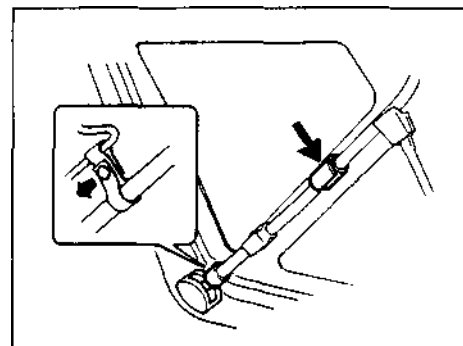


- 3) Unzip the zipper and remove the rear window-



To install the rear window, reverse the procedure used to remove it. Make sure that the end of the zipper is pushed all the way in (as shown in the illustration below) before zipping up the zipper.

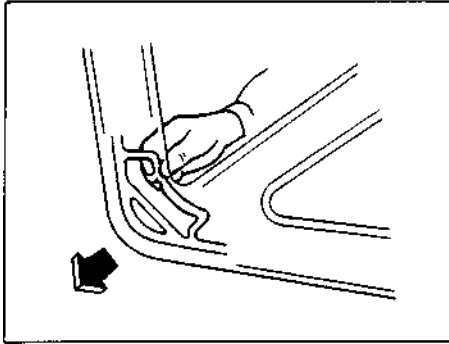
When installing the rear window, make sure that it is fully closed and both corner flaps are fastened, or exhaust gas can enter the vehicle.



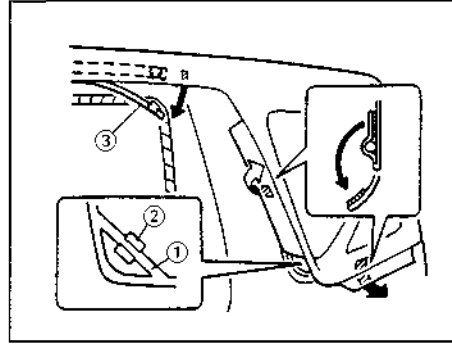
Removing and Installing the Canvas Top (For full-removal type top)

To remove the canvas top:

- 1) Remove the rear window as described under "Removing and Installing the Rear Window".
- 2) Unfasten the straps that secure the side windows to the top bow. Unsnap the straps that connect the side window frames to the top bow, unwrap the straps from around the top bow, and refasten the snaps.

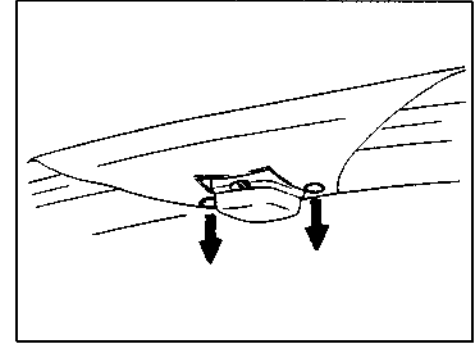


- 3) Unhook the side window frames at the front bottom corners by pushing out on the window frames from inside the vehicle.



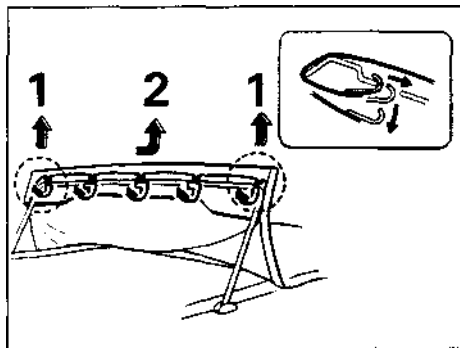
- ① Frame
- ② Hook
- ③ Tension belt

- 4) Unfasten the side window canvas from the side window frames as shown in the above illustration, then securely hook the frames back to the vehicle body.
- 5) Unsnap the tension straps located above the door frames.



- 6) Unfasten the snaps that secure the canvas top to the roof piece.
- 7) After lowering the sun visors, push in the lock buttons on the front latches and unhook the latches.

OTHER CONTROLS AND EQUIPMENT

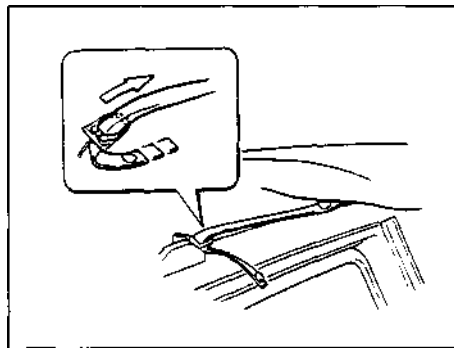


- 8) Pull back the swing arm, unhook the five hooks that secure the canvas to the swing arm, and remove the canvas from the swing arm.

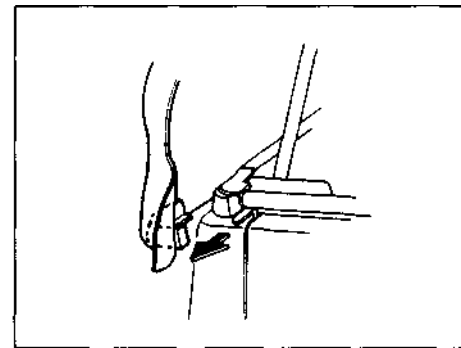
For easy removal, detach the two end hooks and both ends of the canvas first, then detach the middle hooks

A CAUTION

When reattaching the canvas to the swing arm, make sure that all of the hooks, especially the two end hooks, and both ends of the canvas are completely attached. Incomplete or improper installation of the canvas top may damage it.



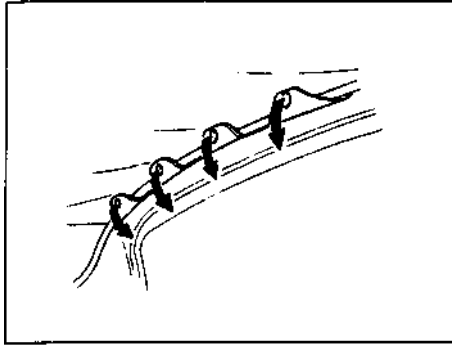
- 9) Pull the tension straps located above the door frames out through the resin rings.



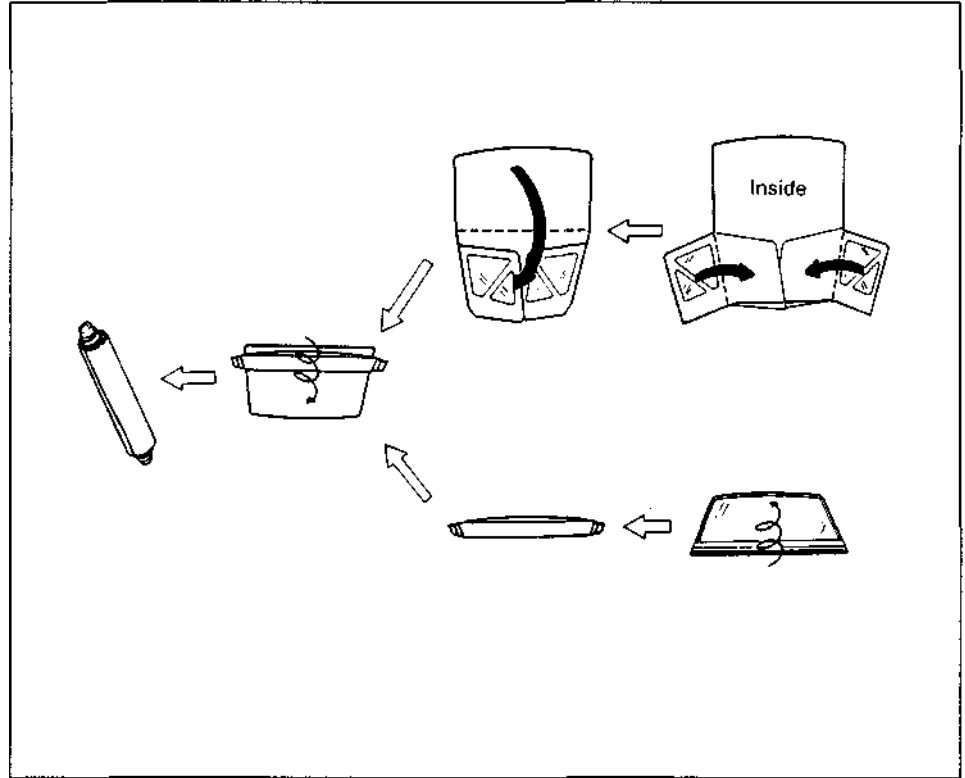
- 10) Slide out the corner pieces that secure the top to the rear corners of the vehicle body.

▲ CAUTION

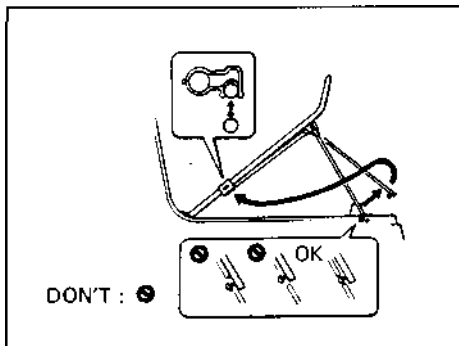
When installing the canvas top, make sure that the corner pieces are securely installed. An incorrectly installed corner piece could break.



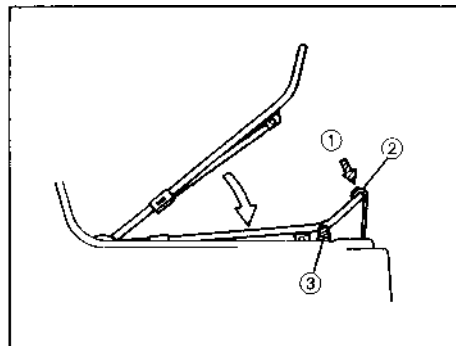
- 11) Unfasten the snaps that secure the top to the top bow, then completely remove the canvas top from the vehicle.
- 12) Place the canvas top and the rear window on a clean flat surface with the inside facing up, Fold, roll, and store them as shown in the illustration that follows. Before folding and rolling up the plastic windows, make sure that they are clean so they don't get scratched by dirt. If the plastic windows are stiff from being cold, and are difficult to roll up, place the canvas top and rear window in a warm place until they soften.



OTHER CONTROLS AND EQUIPMENT

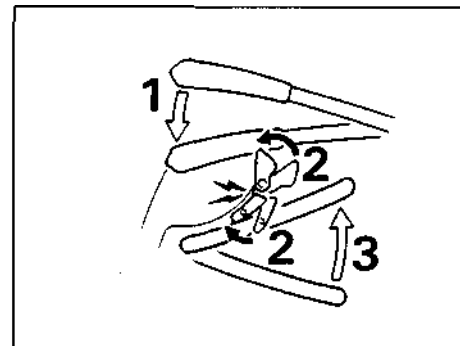


- 13) Remove the top bow support rods from the mounting holes. Be careful that the heads of the mounting lugs do not catch the edges of the mounting holes. Fold the support rods toward the top bow and fasten them securely to the top bow clamps.



- ① Snap
② Strap
③ Rubber support (if equipped)

Fold the top bow back and secure it to the vehicle by fastening the strap located at the center of the tailgate.

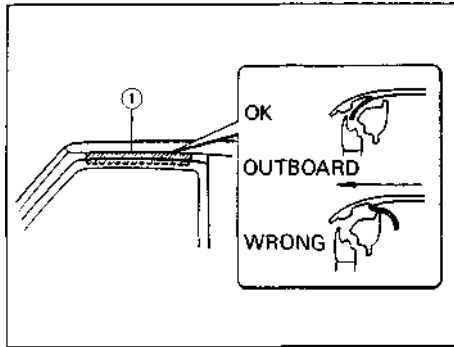


- 14) Pull the swing arm forward and lock it securely in place by fastening the front latches.

To install the canvas top, reverse the procedure used to remove it.

60A23-05090

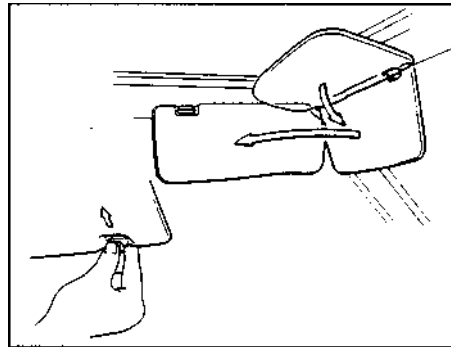
SUN VISOR

**NOTE:**

After installing the canvas top, make sure that the canvas extension ① is located outside the roof rail.

After removing or installing the canvas top, make sure that the following parts are secured in place. Failure to properly secure these parts can cause personal injury or damage.

- * Swing arm
- * Side window frames
- * Top bow
- * Top bow support rods



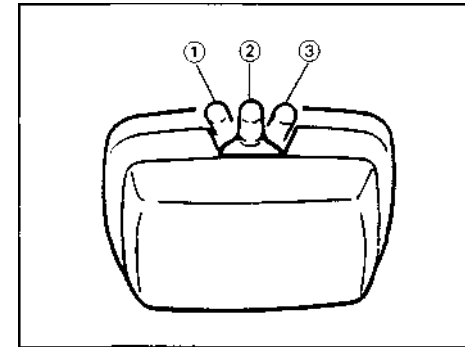
The sun visors can be pulled down to block glare coming through the windshield, or they can be unhooked and turned to the side to block glare coming through the side window.

CAUTION

When unhooking and hooking a sun visor, be sure to handle it by the hard plastic parts or the sun visor can be damaged.

60A 23-05100

INTERIOR LIGHT SWITCH



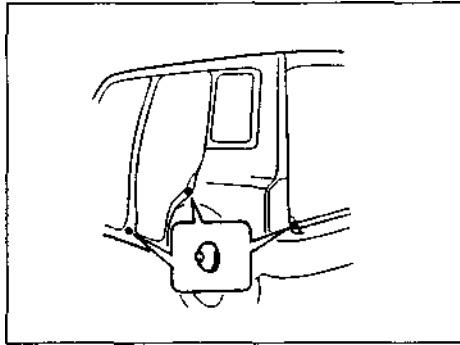
The interior light switch has three positions.

- ① The light comes on and stays on regardless of whether the door is open or closed.
- ② The light comes on when the door is opened.
- ③ The light remains off even when the door is opened.

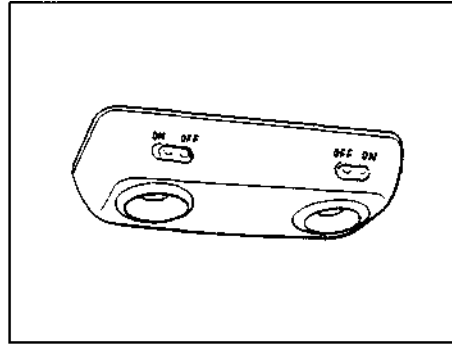
OTHER CONTROLS AND EQUIPMENT

60A23-05110

SPOT LIGHT (If Equipped)



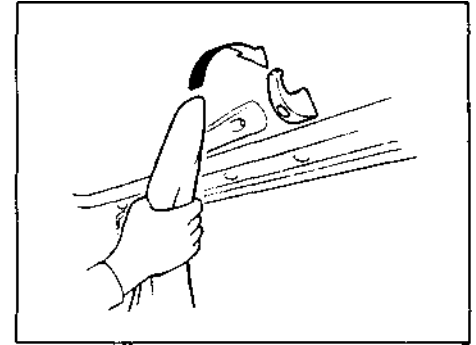
NOTE:
The number of doors involved in the lighting operation of the interior light depends on the vehicle specification. If there is a switch (rubber projection) at the door opening as shown, the door is involved in the lighting operation.



Push the outboard side of the switch to turn on the light.

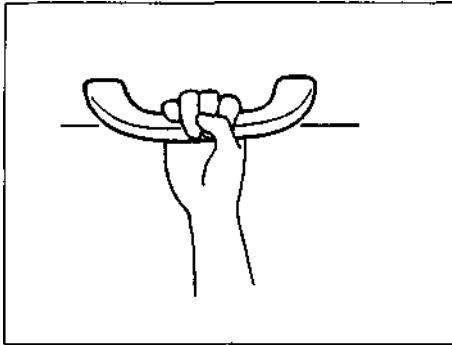
60A23-05120

COAT HOOK (If Equipped)



The coat hook is located on the roof panel behind the driver's seat.

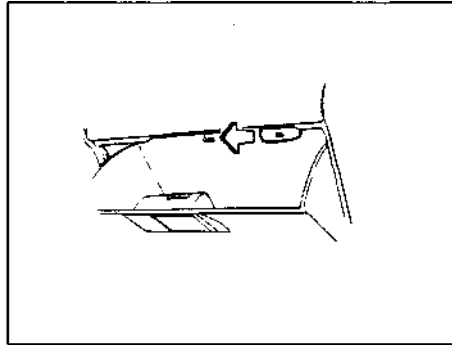
60A23-05130

ASSIST GRIPS (if equipped)

Assist grips are provided for passenger convenience.

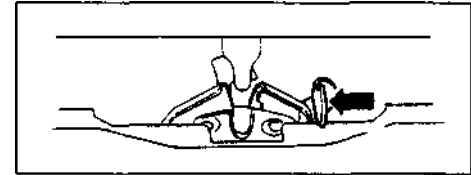
Do not hang items on the assist grips. They could obstruct the driver's view, resulting in an accident, or could be thrown about in an accident or abrupt maneuver, causing injury.

60A 2305140

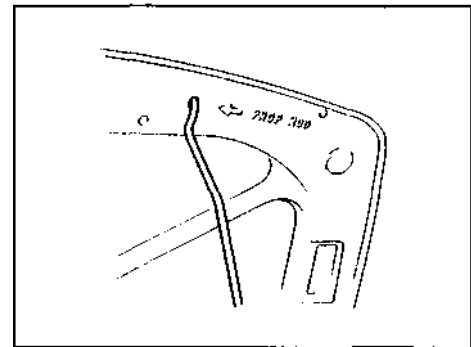
ENGINE HOOD

To open the engine hood:

- 1) Pull the hood release knob located inside the glove box. This will disengage the engine hood lock halfway.
- 2) Push the under-hood release lever sideways with your finger, as shown in the illustration. While pushing the lever, lift up the engine hood.
- 3) Continue to lift up the hood until it is high enough to support with the prop rod.



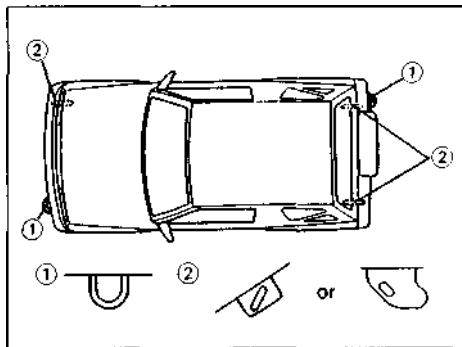
Make sure the hood is fully closed and latched before driving. If it is not, it can fly up unexpectedly during driving, obstructing your view and resulting in an accident.



OTHER CONTROLS AND EQUIPMENT

60A 23-05150

FRAME HOOKS

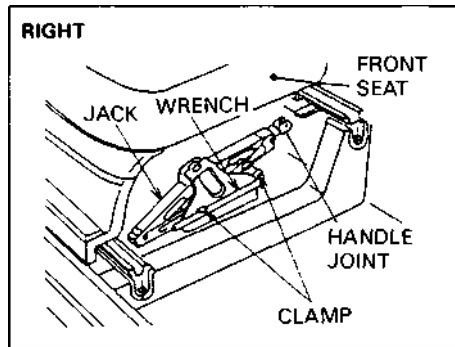


Frame hooks are provided at the front and rear of the vehicle.

Do not use the frame hooks to tow another vehicle or to have your vehicle towed on the road or highway. The hooks ① are designed for use in emergency situations only, such as if your vehicle or another vehicle gets stuck in deep mud or snow. The hooks ② are designed exclusively for transporting the vehicle.

60A2305160

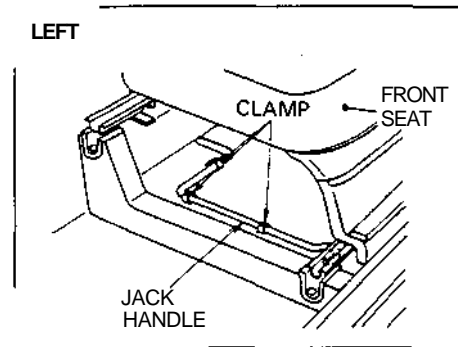
TIRE CHANGING TOOLS



The jack and wheel wrench are stowed under the right front seat and the jack handle is secured to the floor under the left front seat.

To remove the jack, turn its shaft counter-clockwise and pull the jack out of the storage bracket. To stow the jack, place it in the storage bracket with the handle joint pointing toward the left seat and turn the shaft clockwise until the jack is securely held in place.

LEFT



The jack should be used only to change wheels. It is important to read the jacking instructions in the EMERGENCY SERVICE section of this manual before attempting to use the jack.

After using the jack, jack handle, and wheel wrench, be sure to stow them securely or they can cause injury if an accident occurs.

60A23-06000

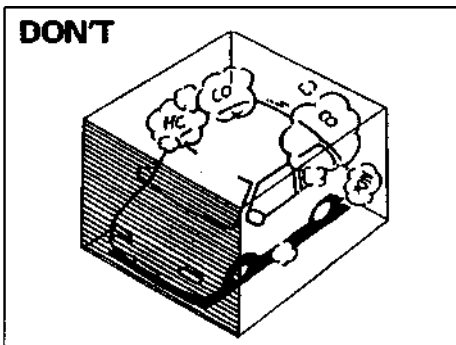
OPERATING YOUR VEHICLE

Exhaust Gas Warning.....	6-1
Daily Inspection Checklist.....	6-1
Starting the Engine.....	6-2
Using the Transmission.....	6-2
Using the Transfer Lever.....	6-8
Braking.....	6-9
Break-In.....	6-10
Catalytic Converter.....	6-10
Improving Fuel Economy.....	6-11

OPERATING YOUR VEHICLE

60A23 06010

EXHAUST GAS WARNING



Avoid breathing exhaust gases. Exhaust gases contain carbon monoxide, a potentially lethal gas that is colorless and odorless. Since carbon monoxide is difficult to detect by itself, be sure to take the following precautions to help prevent carbon monoxide from entering your vehicle.

- * Do not leave the engine running in garages or other confined areas.
- * Do not park with the engine running for a long period of time, even in an open area. If it is necessary to sit for a short time in a parked vehicle with the engine running,

(Continued)

(Continued)

- make sure the air intake lever is set to "FRESH AIR" and the fan is at high speed.
- * Avoid operating the vehicle with the rear door, tailgate, or rear window open. If it is necessary to operate the vehicle with the rear door, tailgate, or rear window open, make sure the folding sunroof (if equipped) and all windows are closed, and the fan is at high speed with the air intake lever set to "FRESH AIR".
- * To allow proper operation of your vehicle's ventilation system, keep the air inlet grille in front of the windshield clear of snow, leaves, or other obstructions at all times.
- * Keep the exhaust tailpipe area clear of snow and other material to help reduce the buildup of exhaust gases under the vehicle. This is particularly important when parked in blizzard conditions.
- * Have the exhaust system inspected periodically for damage and leaks. Any damage or leaks should be repaired immediately.

60A 23-06020

DAILY INSPECTION CHECKLIST

Before driving:

- 1) Make sure that windows, mirrors, lights, and reflectors are clean and unobstructed.
- 2) Check the tires.
- 3) Look for fluid, oil leaks.
- 4) Check the headlights, turn signal lights, brake lights and horn for proper operation.
- 5) Lock all doors.
- 6) Adjust the seat and adjustable head restraints (if equipped).
- 7) Check the brake pedal.
- 8) Adjust the mirrors.
- 9) Make sure that you and all passengers have properly fastened your seat belts.
- 10) Make sure that all warning lights come on as the key is turned to the "ON" or "START" position.
- 11) Check all gauges.
- 12) Make sure that the BRAKE system warning light goes off when the parking brake is released.

STARTING THE ENGINE

Before starting the engine:

- 1) Make sure the parking brake is set fully.
- 2) Manual Transmission — Shift into "N" (Neutral) and depress the clutch pedal all the way to the floor.

Hold it while starting the engine.

Automatic Transmission—If the shift lever is not in "P" (Park) position, shift into "P" (Park). (If you need to re-start the engine while the vehicle is moving, shift into "N".)

NOTE:

Automatic transmission vehicles have a starter interlock device which is designed to keep the starter from operating if the transmission is in any of the drive positions.

Make sure that the parking brake is set fully and the transmission is in Neutral (or Park for vehicles with an automatic transmission) before attempting to start the engine.

Starting a Cold Engine

With your foot off the accelerator pedal, crank the engine by turning the ignition key to "START". Release the key when the engine starts.

CAUTION

Stop turning the starter immediately after the engine has started or the starter system can be damaged.

Do not crank the engine for more than 5 seconds at a time. If the engine doesn't start on the first try, wait about 5—10 seconds before trying again.

If the engine does not start after 3 seconds of cranking, wait about 10 seconds, then try cranking the engine again with your foot off the accelerator pedal. You do not need to push the accelerator pedal to start the engine.

If the engine still does not start, try holding the accelerator pedal all the way to the floor while cranking. This should clear the engine if it is flooded.

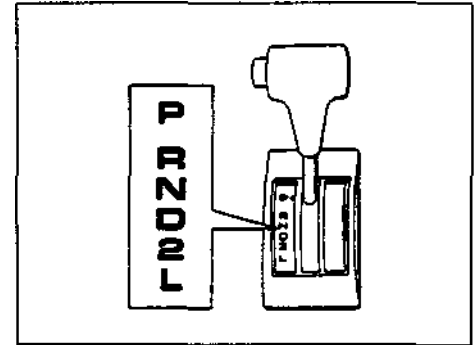
If you are unable to start the engine using this procedure, consult your SUZUKI dealer.

Starting a Warm Engine

Use the same procedure as for "Starting a Cold Engine".

OPERATING YOUR VEHICLE

USING THE TRANSMISSION



3-Speed Automatic Transmission

The gearshift lever has a lock mechanism to help prevent accidental shifting into or out of "P" (Park), into "R" (Reverse), from "D" (Drive) to "2" (Low 2), and from "2" (Low 2) to "L" (Low 1). To release the lock, push in the lock button on the left side of the gearshift lever before shifting. The shift lever is designed so that it can not be shifted out of the "P" position unless the ignition switch is in the "ON" position and the brake pedal is depressed at the time that you push in the shift lever lock button.

OPERATING YOUR VEHICLE

Always depress the brake pedal before shifting from "P" (Park) or "N" (Neutral) to a forward or reverse gear, to help prevent the vehicle from moving unexpectedly when you shift.

For all normal driving, shift the gearshift lever into "D" (Drive). Use the other gearshift lever positions as described below:

P (Park)

Use this position to lock the transmission with the transfer lever in gear when the vehicle is parked or when starting the engine. Shift into Park only when the vehicle is completely stopped.

R (Reverse)

Use this position to back the vehicle from a stop. Make sure that the vehicle is completely stopped before shifting into Reverse.

N (Neutral)

Use this position for starting the engine if the engine stalls and you need to restart it while the vehicle is moving. You may also shift into Neutral and depress the brake pedal to hold the vehicle stationary during idling.

D (Drive)

Use this position for all normal driving.

2 (Low 2)

Use this position to provide extra power when climbing hills, or to provide engine braking when going down hills. Do not shift into Low 2 at speeds greater than 65 mph (110 km/h) with the transfer lever in "2H" or "4H", and do not shift into Low 2 at speeds greater than 35 mph (55 km/h) with the transfer lever in "4L".

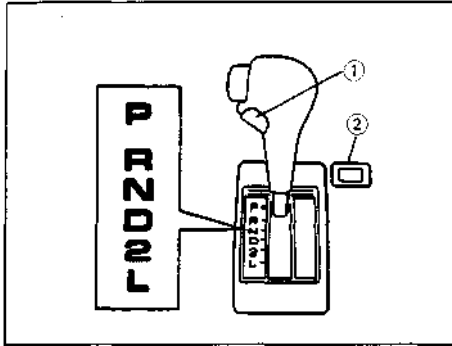
L (Low 1)

Use this position to provide maximum power when climbing steep hills or driving through deep snow or mud, or to provide maximum engine braking when going down steep hills. Do not shift into Low 1 at speeds greater than 40 mph (65 km/h) with the transfer lever in "2H" or "4H", and do not shift into Low 1 at speeds greater than 20 mph (35 km/h) with the transfer lever in "4L".

CAUTION

Be sure to take the following precautions to help avoid damage to the automatic transmission:

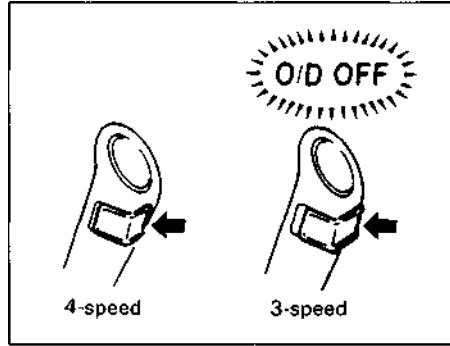
- * **Make sure that the vehicle is completely stopped before shifting into "P" or "R".**
- * **Do not shift from "P" or "N" to "R", "D", "2", or "L" when the engine is running above idle speed.**
- * **Do not rev the engine with the transmission in a drive position ("R", "D", "2", or "L") and the rear wheels not moving.**
- * **Do not use the accelerator pedal to hold the vehicle on a hill. Use the vehicle's brakes.**



- ① Overdrive off switch
- ② Power mode selector switch

4-Speed Automatic Transmission

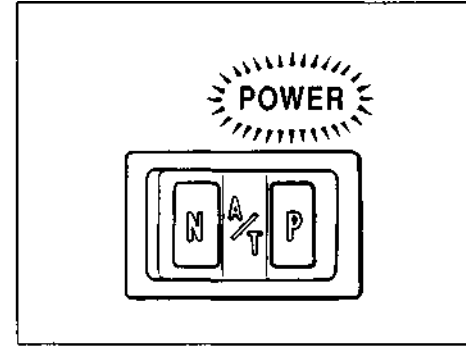
The transmission is a 4-speed (3-speed plus overdrive) automatic transmission. By operating the overdrive off switch, the transmission can be converted to a 3-speed automatic transmission that will not shift to the overdrive position. To convert the transmission to the 3-speed mode, push in the overdrive off switch and release it. The switch comes out and the "O/D OFF" indicator light in the instrument cluster comes on.



To return the transmission to the 4-speed mode, push in the overdrive off switch again. The switch remains in and the "O/D OFF" indicator light goes off.

NOTE:

With the transfer lever in the "4L" position, the 4-speed automatic transmission will remain in the 3-speed mode.



A power mode selector switch is fitted as well. When you need more power for climbing hills or quicker acceleration, turn the switch to "P" (power). The "POWER" indicator light in the instrument cluster comes on. For normal driving, turn the switch to "N" (normal). The "POWER" indicator light goes off.

The gearselector lever has a lock mechanism to help prevent accidental moving into or out of "P" (Park), into "R" (Reverse), from "D" (Drive) to "2" (Low 2), and from "2" (Low 2) to "L" (Low 1). To release the lock, push in the lock button on your side of the gear selector lever before shifting.

OPERATING YOUR VEHICLE

Always depress the brake pedal before changing from "P" (Park) or "N" (Neutral) to a forward or reverse gear, to help prevent the vehicle from moving unexpectedly when you change.

For all normal driving, make sure that the "O/D OFF" and "POWER" indicator lights are off, then put the gearselector lever into "D" (Drive). Use the other gearselector lever positions as described below:

P(Park)

Use this position to lock the transmission with the transfer lever in gear when the vehicle is parked or when starting the engine. Move into Park only when the vehicle is completely stationary.

R (Reverse)

Use this position to reverse the vehicle. Make sure that the vehicle is completely stationary before changing into Reverse.

N (Neutral)

Use this position for starting the engine if the engine stalls and you need to restart it while the vehicle is moving. You may also change into Neutral and depress the

brake pedal to hold the vehicle stationary during idling.

D (Drive)

Use this position for all normal driving.

2 (Low 2)

Use this position to provide extra power when climbing hills, or to provide engine braking when going down hills.

The transmission can not be downshifted into Low 2 gear at speeds greater than 62 mph (100 km/h) with the transfer lever in "2H" or "4H", and can not be shifted into Low 2 gear at speeds greater than 55 km/h (34 mph) with the transfer lever in "4L" even if the gearselector lever is shifted to 2 (Low 2) position.

L (Low 1)

Use this position to provide maximum power when climbing steep hills or driving through deep snow or mud, or to provide maximum engine braking when going down steep hills.

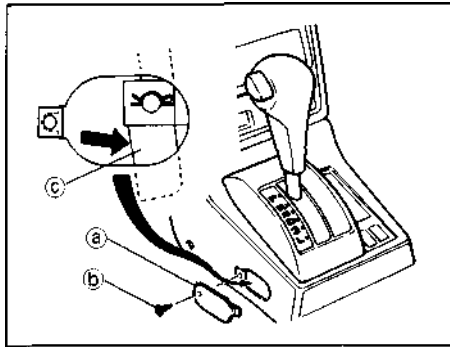
The transmission can not be downshifted into Low 1 gear at speeds greater than 32 mph (52 km/h) with the transfer lever in "2H" or "4H", and can not be shifted into Low 1 gear at speeds greater than

18 mph (29 km/h) with the transfer I in "4L" even if the gearselector lever is shifted to L (Low 1) position.



Be sure to take the following precautions to help avoid damage to the automatic transmission:

- * **Make sure that the vehicle is completely stationary before changing into "P" or "R".**
- * **Do not change from "?" or "N" to "R", "D", "2", or "L" when the engine is running above idle speed.**
- * **Do not rev the engine with the transmission in a drive position ("R", "D", "2", or "L") and the rear wheels not moving.**
- * **Do not use the accelerator to hold the vehicle on a hill. Use the vehicle's brakes.**



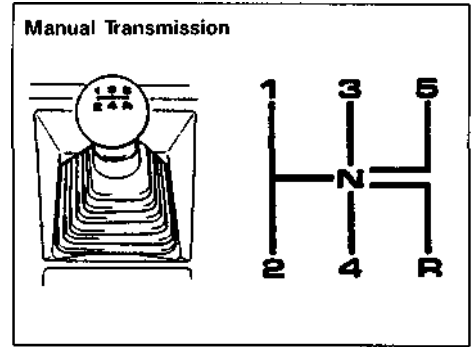
Emergency Shifting out of "P" (Park)

Vehicles with an automatic transmission have an electrically operated park-lock feature. If the vehicle's battery is discharged, or there is some other electrical failure, the automatic transmission cannot be shifted out of Park in the normal way. Jump starting may correct the condition. If not, follow the procedure described below. This procedure will permit shifting the transmission out of Park.

If you are unable to shift the transmission out of Park in the normal manner:

- 1) Be sure the parking brake is firmly applied.
- 2) Remove the access hole cover **a**; by unfastening the screw **b** with a Phillips Screwdriver.
- 3) If the engine is running, stop the engine.
- 4) Make sure the key is in the "ON" or "ACC" position.
- 5) Move the return plate **c** rearward until it stops.
- 6) While holding the return plate **c** in the rearward position, shift the transmission lever to the desired position.
- 7) Replace the access hole cover **a** and the screw **b**.

This procedure is for emergency use only. If repeated use of this procedure is necessary, or the procedure does not work as described, take the vehicle to your dealer for repair.



Manual Transmission Starting Off

To start off, push in the clutch pedal and shift into 1st gear. After releasing the parking brake, gradually release the clutch. When you hear a change in the engine's sound, slowly press the accelerator while continuing to gradually release the clutch.

Shifting

All forward gears are synchronized, which provides for quiet, easy shifting. Always push in the clutch pedal fully before shifting gears. For the best fuel economy and driveability, upshift and downshift as shown in the charts below.

OPERATING YOUR VEHICLE

2-Wheel drive model and transfer gear in "2H" or "4H" position

Upshifting	During Acceleration MPH (Km/h)	During Cruise MPH (Km/h)
1 - 2	15(24)	
2 - 3	*26 (42) **25 (40)	20 (32) - 26 (42)
3 - 4	*35 (56) **40 (64)	30 (48) - 35 (56)
4 - 5	45 (72)	39 (63) - 45 (72)
*: For Non-California emission specification vehicles **: For California emission specification vehicles To identify the California emission specification vehicle, see the Emission Compliance Label located under the engine hood.		

Downshifting	Recommended Shift Speed
5 - 4	38 MPH (61 Km/h)
4 - 3	26 MPH (42 Km/h)
3 - 2	19 MPH (31 Km/h)

Transfer gear in "4L" position

Gear Position	Speed Range
1st	0 MPH - 12 MPH (0 Km/h - 19 Km/h)
2nd	6 MPH - 22 MPH (10 Km/h - 35 Km/h)
3rd	9 MPH - 31 MPH (15 Km/h - 50 Km/h)
4th	12 MPH - 43 MPH (19 Km/h - 69 Km/h)
5th	25 MPH - 56 MPH (40 Km/h - 90 Km/h)

Reduce your speed and down-shift to a lower gear before going down a long or steep hill. Down-shifting will allow the engine to provide braking. Avoid riding the brakes or they may overheat, resulting in brake failure.

When driving on slippery roads, be sure to slow down before down-shifting. Large and sudden changes in engine speed may cause loss of traction, which could cause you to lose control.

Make sure that the vehicle is completely stopped before you shift into reverse.

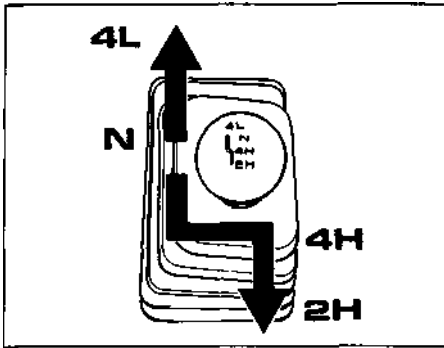


To help avoid clutch damage, do not use the clutch pedal as a foot-rest while driving or use the clutch to keep the vehicle stationary on a hill. Depress the clutch fully when shifting.

When changing gears or starting off, do not race the engine. Racing the engine can shorten engine life and prevent smooth shifting.

60A23-06050

USING THE TRANSFER LEVER (if equipped)



Description of Transfer Lever Positions 2H (2-Wheel Drive High Range)

In this position, engine power is supplied to the rear axle only. Use this position for normal driving on dry, hard surfaces.

4H (4-Wheel Drive High Range)

In this position, engine power is supplied to the front and rear axles at normal speed, providing greater traction than 2-wheel drive. Use this position for off-road driving, or for driving on slippery roads (wet, snowcovered, muddy, etc.)

N (Neutral)

In this position, engine power is not supplied to the front or rear axles. Only use this position for towing your vehicle, if manual free wheeling hubs are equipped.

4L (4-Wheel Drive Low Range)

In this position, engine power is supplied to the front and rear axles at reduced speed. Use this position for off-road driving on soft or slippery surfaces, or for climbing or descending steep, slippery hills.

Transfer Lever Operation

Shift the transfer lever according to the appropriate procedure described below:

From 2H to 4H

If your vehicle has manual free-wheeling hubs, make sure they are locked before shifting into "4H". If desired, you may shift the transfer lever while the vehicle is moving.

If your vehicle has automatic free-wheeling hubs, stop the vehicle completely, shift into "4H", then begin driving.

From 4H to 4L

Stop the vehicle completely, place the transmission in "N" (Neutral) or depress the clutch pedal fully (if equipped), then shift into "4L".

From 4L to 4H

Stop the vehicle completely, place the transmission in "N" (Neutral) or depress the clutch pedal fully (if equipped), then shift into "4H".

From 4H to 2H

If your vehicle has manual free-wheeling hubs, you may shift the transfer lever into "2H" while the vehicle is moving.

If your vehicle has automatic free-wheeling hubs, stop the vehicle completely, shift the transfer lever into "2H", and unlock the hubs as described in the "Automatic Free-Wheeling Hubs" section.

NOTE:

If your vehicle has an automatic transmission, it is recommended that you stop the engine when shifting the transfer lever between "4H" and "4L". If you shift the transfer lever between "4H" and "4L" with the engine running, be sure to shift using a quick, continuous motion, without pausing in Neutral.

A CAUTION

- * **Be sure to stop the vehicle completely when shifting the transfer lever between "4H" and "4L".**
- * **Do not operate the vehicle in "4H" or "4L" with the manual free-wheeling hubs in the "FREE" position.**
- * **If your vehicle has manual free-wheeling hubs, do not shift be-**

BRAKING

(Continued)

- tween "2H" and "4H" while driving unless the front wheels are in the straight-ahead position and the hubs are in the "LOCK" position.**
- * **If your vehicle has automatic free-wheeling hubs, be sure to stop the vehicle completely when shifting the transfer lever between "2H" and "4H".**
 - * **Do not operate your vehicle in "AH" or "4L" on dry, hard surfaces.**
 - * **Make sure that you have shifted completely into "4H" or "4L" by observing that the 4WD indicator is lit.**

Make sure that the transfer lever is fully engaged. Loss of power or transfer lever damage can result from failure to completely engage a position. Be sure to completely familiarize yourself with the gearshift operation of your vehicle.

The distance needed to bring any vehicle to a halt increases with the speed of the vehicle. The braking distance needed, for example, at 60 km/h (37 mph) will be approximately 4 times greater than the braking distance needed at 20 km/h (13 mph). Start to brake the vehicle when there is plenty of distance between your vehicle and the stopping point, and slow down gradually.

If water gets into the brake drums, brake performance may become poor and unpredictable. After driving through water or washing the underside of the vehicle, test the brakes while driving at a slow speed to see if they have maintained their normal effectiveness. If the brakes are less effective than normal, dry them by repeatedly applying the brakes while driving slowly until the brakes have regained their normal effectiveness.

Rear Wheel Anti-lock Brake System

The rear wheel anti-lock brake system minimizes locking of the rear wheels during severe braking or braking on slippery surfaces, helping you to maintain directional control. When the system senses that one of the rear wheels is about to lock, braking pressure to the rear wheels is automatically modulated.

NOTE:

For four-wheel drive models, the rear wheel anti-lock brake system only functions when the transfer lever is in the "2H" position.

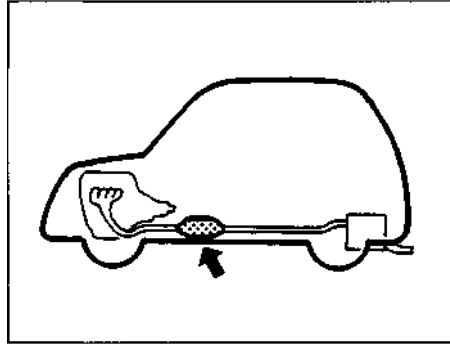
On loose surfaces where the wheels can easily lose traction (such as gravel, snow-covered roads, etc.), the stopping distance required for your vehicle may be greater than for a comparable vehicle with a conventional brake system. Allow for extra stopping distance when driving on loose surfaces.

The rear wheel anti-lock brake system will not compensate for bad road or weather conditions or poor driver judgement. Use good judgement and do not drive faster than conditions will safely allow.

BREAK-IN**A CAUTION**

The future performance and reliability of the engine depends on the care and restraint exercised during its early life. It is especially important to observe the following precautions during the initial 600 miles of vehicle operation.

- * After starting, do not race the engine. Warm it up gradually.
- * Avoid prolonged vehicle operation at a constant speed. Moving parts will break in better if you vary your speed.
- * Do not exceed 55 mph.
- * Start off from a stop slowly. Avoid full throttle starts.
- * Avoid hard stopping, especially during the first 200 miles (320 km) of driving.
- * Do not drive slowly with the transmission in a high gear.
- * Drive the vehicle at moderate engine speeds.
- * Do not tow a trailer during the first 600 miles of vehicle operation.

CATALYTIC CONVERTER

The purpose of the catalytic converter installed on your vehicle is to convert exhaust pollutants to harmless water vapor, carbon dioxide, and nitrogen. Use of leaded fuel in vehicles equipped with catalytic converters is prohibited by federal law, because lead deactivates the pollutant-reducing components of the catalyst system.

The converter is designed to last the life of the vehicle under normal usage and when unleaded fuel is used. No special maintenance is required on the converter. However, it is very important to keep the engine properly tuned. Engine misfiring, which can result from an improperly tuned engine, may cause overheating of

the catalyst. This may result in permanent heat damage to the catalyst and other vehicle components.

A CAUTION

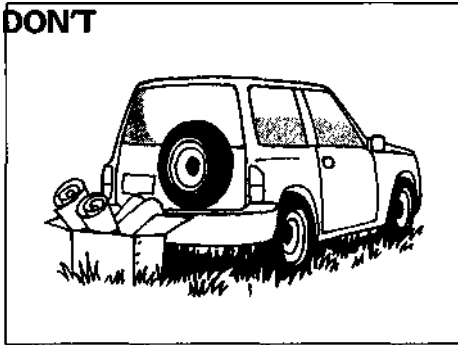
To minimize the possibility of catalyst or other vehicle damage:

- * Maintain the engine in the proper operating condition.
- * In the event of an engine malfunction, particularly one involving engine misfire or other apparent loss of performance, have the vehicle serviced promptly.
- * Do not shut off the engine or interrupt the ignition when the transmission is in gear and the vehicle is in motion.
- * Do not try to start the engine by pushing or towing the vehicle, or coasting down a hill.
- * Do not idle the engine with any spark plug wires disconnected or removed, such as during diagnostic testing.
- * Do not idle the vehicle for prolonged periods if idling seems rough or there are other malfunctions.
- * Do not allow the fuel tank to get near the empty level.

60A23-06090

IMPROVING FUEL ECONOMY

DON'T



Be careful where you park and drive; the catalytic converter and other exhaust components can get very hot. As with any vehicle, do not park or operate this vehicle in areas where combustible materials such as dry grass or leaves can come in contact with a hot exhaust system.

The following instructions will help you improve fuel economy.

Avoid excessive idling:

If you are to wait for more than a minute while you are parked, stop the engine and start it again later. When warming up a cold engine, allow the engine to idle until the temperature gauge pointer comes up to the "C" position. In this position, the engine is sufficiently warm for starting off.

Avoid "jackrabbit" starts:

Fast starts away from lights or stop signs will consume fuel unnecessarily and shorten engine life. Start off slowly.

Avoid unnecessary stops:

Avoid unnecessary deceleration and stopping. Try to maintain a slow, steady speed whenever possible. Slowing down and then accelerating again uses more fuel.

Keep a steady cruising speed:

Keep as constant a speed as road and traffic conditions will permit.

Keep the air cleaner clean:

A dirty air cleaner will cause the carburetion system to supply too much fuel to the engine for the amount of air being supplied. The result is waste of fuel due to incomplete fuel burning.

Keep weight to a minimum:

The heavier the load, the more fuel the vehicle consumes. Take out any luggage or cargo when it is not necessary.

Keep tire pressure correct:

Underinflation of the tires can waste fuel due to increased running resistance of the tires. Keep your tires inflated to the correct pressure shown on the label located below the driver's side door latch striker.

60A23-07000

DRIVING TIPS

Important Vehicle Characteristics to Know.....	7-1
On-Pavement Driving.....	7-2
Off-Road Driving.....	7-3

60A23-08000

VEHICLE LOADING AND TOWING

Vehicle Loading.....	8-1
Trailer Towing.....	8-2
Towing Your Vehicle (Recreational Towing).....	8-7

60A23-07010

IMPORTANT VEHICLE CHARACTERISTICS TO KNOW



Wear Your Seat Belts at All Times. The driver and all passengers should be properly restrained at all times, using the seatbelts provided. Refer to the "SEATBELTS AND CHILD RESTRAINT SYSTEMS" section for instructions on proper use of the seat belts.

Never drive while under the influence of alcohol or other drugs. Alcohol and drugs can seriously impair your ability to drive safely, greatly increasing the risk of injury to yourself and others. You should also avoid driving when you are tired, sick, irritated, or under stress.

Your multipurpose vehicle has handling characteristics that differ from those of a conventional passenger car. For the safety of you and your passengers, please read the following section very carefully.

Multipurpose vehicles such as your new SUZUKI have higher ground clearance and a narrower track than conventional passenger cars, to make them capable of performing in a wide variety of off-road applications. Specific design characteristics give them a higher center of gravity than ordinary cars. An advantage of the higher ground clearance is a better view of the road allowing you to anticipate problems. They are not designed for cornering at the same speed as conventional passenger cars any more than low-slung sports cars are designed to perform satisfactorily under off-road conditions. If at all possible, avoid sharp turns or abrupt maneuvers. As with other vehicles of this type, failure to operate this vehicle correctly may result in loss of control or vehicle rollover.

Important Differences Between Your Multipurpose Vehicle and Ordinary Passenger Cars

* **Higher Ground Clearance**

The higher ground clearance of your vehicle enables it to clear off-road obstacles, such as rocks and tree stumps, that ordinary passenger cars can not drive over. An unavoidable result of this higher ground clearance is that the vehicle also has a higher center of gravity. Consequently, your vehicle will handle differently than a vehicle with a lower center of gravity.

* **Shorter Wheelbase**

Along with its higher ground clearance, your vehicle has a shorter wheelbase and shorter front and rear overhangs than the typical passenger car. These features combine to allow you to drive your vehicle over hillcrests without hanging up on them or damaging the frame and chassis components. The shorter wheelbase also makes the steering of your vehicle more responsive than that of vehicles with longer wheelbases.

60A23-07020

ON-PAVEMENT DRIVING*** Narrower Body Width and Track**

Your vehicle is narrower than the average passenger car so that it can pass through tight spaces.

Without the essential characteristics described above: higher ground clearance, shorter wheelbase, and narrower body width and track - your vehicle could not provide you with excellent off road driving performance. However, it is also true that on-pavement driving, handling, and steering will be different from what drivers experience with a conventional passenger car.

Since you will often use your vehicle on paved roads, you should learn the guidelines below for your on-road driving.

*** Know Your Vehicle**

Take time to familiarize yourself with the unique handling characteristics of your vehicle by first driving around in an area away from traffic. Practice turning the vehicle at a variety of speeds and in different directions. Get a feel for the greater steering response that your vehicle has over a conventional car.

*** Wear Your Seat Belts at All Times**

The driver and all passengers should be properly restrained at all times, using the seat belts provided. Refer to the "SEAT BELTS AND CHILD RESTRAINT SYSTEMS" section for instructions on proper use of the seat belts.

*** Don't Make Sharp Turns**

As mentioned before, small multipurpose vehicles have specific design characteristics that allow them to perform in a wide variety of applications. These characteristics also change the cornering behavior relative to conventional passenger cars. Remember, small multipurpose vehicles have more

responsive steering and a higher center of gravity than conventional passenger cars. If at all possible, avoid making sharp turns in your vehicle.

*** Slow Down on Curves**

Learn to approach curves cautiously and at a conservative speed. Do not attempt to take curves at the same speeds that you would in a vehicle with a lower center of gravity. Just as you would not drive a sports car on a trail, you should not attempt to drive your vehicle around curves like a sports car.

*** Slow Down and Use Caution on Slippery Roads**

Under wet road conditions you should drive at a lower speed than on dry roads due to possible slippage of tires during braking. When driving on icy, snowcovered, or muddy roads, reduce your speed and avoid sudden acceleration, abrupt braking, or sharp steering movements. Use 4-wheel drive high range (4H) (if equipped) for better traction.

DRIVING TIPS

60A23-07030

OFF-ROAD DRIVING

Your vehicle has specific design characteristics for off-road driving. When you leave the pavement, you will encounter driving surfaces of all kinds which may change continually as you drive. In most cases, off-road driving requires the use of 4-wheel drive. If your vehicle is a 2-wheel drive vehicle, you should limit your off-road driving only to hard, flat, non-slippery surfaces. 2-wheel drive vehicles have far less traction on off-road surfaces than 4-wheel drive vehicles. It is important when driving off-road to follow the guidelines below.

* **Use Caution on Steep Inclines**

Always inspect hills before you attempt to drive up them. Know what is on the other side and how you will get back down. If you have any doubt that it is safe, do not attempt to drive over a hill. Never drive your vehicle up an extremely steep incline.

Coming down a steep hill can be trickier than getting up one. Keep the vehicle heading straight down the hill and use low gear. Do not lock the brakes. If the vehicle begins to slide, accelerate slightly to regain steering control.

* **Do Not Drive Across the Side of Hills**

Driving across the side of a hill can be extremely hazardous. Most of the vehicle's weight will be transferred to the downhill tires, which could result in the vehicle rolling sideways. Whenever possible, avoid this potential hazard. Also, if you have to exit your vehicle on a side-hill, always get out on the uphill side.

* **Wear Your Seatbelt at all Times**

You and your passengers should use the seatbelts at all times when driving off-road. For proper seat belt use, refer to the "Seat Belts and Child Restraint Systems" section in this manual.

* **Avoid Sudden Reactions in Mud, Ice, or Snow**

Be careful when off-road conditions are slick. Reduce your speed and avoid sudden movements of the vehicle. If your vehicle is a 2-wheel drive vehicle, do not drive in deep snow or mud. If your vehicle is a 4-wheel drive vehicle, be aware that driving in deep snow or mud can cause a loss of traction and an increase in the resistance to the vehicle's forward motion. Use 4WD low gear (4L) and maintain a steady but moderate speed with a light touch on the steering wheel and brakes.

If Your Vehicle Gets Stuck

If your vehicle gets stuck in snow, mud, or sand, follow the directions below:

- 1) Shift the transfer lever (if equipped) to "4L" (with the manual free-wheeling hubs in "LOCK" position, if equipped).
- 2) Shift the transmission back and forth between a forward range (or first gear for manual transmission) and reverse. This will create a rocking motion which may give you enough momentum to free the vehicle. Press gently on the accelerator to keep wheel spin to a minimum. Remove your foot from the accelerator while shifting.

Do not race the engine. Excessive wheel spin will cause the tires to dig deeper, making it more difficult to free the vehicle.

- 3) If your vehicle remains stuck after a few minutes of rocking, get another vehicle to pull you out.

Do not allow anyone to stand near the vehicle when you are rocking it, and do not spin the wheels faster than an indicated 25 mph (40 km/h) on the speedometer. Personal injury and/or vehicle damage may result from spinning the wheels too fast.

CAUTION

Do not continue rocking the vehicle for more than a few minutes. Prolonged rocking can cause engine overheating, transmission or transfer case damage, or tire damage.

In addition to following the driving tips in this section, it is important to observe the following precautions for on-road and off-road driving.

- * Driver and passengers should wear seat belts at all times.
- * Do not let anyone else drive your vehicle unless they are also aware of the vehicle characteristics and handling differences described in this section.
- * Avoid loaning your vehicle to anyone unless you accompany them.
- * Make sure your tires are in good condition and always maintain the specified tire pressure. Refer to "TIRES" in the "INSPECTION AND MAINTENANCE" section for details.
- * Do not use tires other than those specified by SUZUKI. Never use different sizes or types of tires on the front and rear wheels. For information regarding the specified tires, refer to the "SPECIFICATIONS" section.

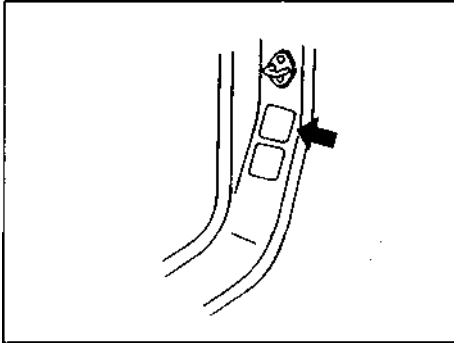
(Continued)

(Continued)

- * Never use oversized tires or special shocks and springs to raise (jack up) your vehicle. This will raise the center of gravity of the vehicle and change its handling characteristics.
- * After driving through water, mud, or sandy ground, test the brakes while driving at a slow speed to see if they have maintained their normal effectiveness. If the brakes are less effective than normal, dry them by repeatedly applying the brakes while driving slowly until the brakes have regained their normal effectiveness.
- * Do not use 4-wheel drive for normal driving on dry, hard surfaced roads.
- * After extended operation in mud, sand, or water, have the brakes inspected by your authorized SUZUKI dealer as soon as possible.

60A23-08010

VEHICLE LOADING



Your vehicle was designed for specific weight capacities. The weight capacities of your vehicle are indicated by the Gross Vehicle Weight Rating (GVWR) and the Gross Axle Weight Rating (GAWR, front and rear). The GVWR and GAWR (front and rear) are listed on the Safety Certification Label which is located below the driver's side door latch striker.

GVWR - Maximum permissible overall weight of the vehicle including the driver, passengers, and all cargo.

GAWR - (Front and Rear) Maximum permissible weight on an individual axle.

Actual weight of the loaded vehicle and actual loads at the front and rear axles can only be determined by weighing the vehicle. Compare these weights to the GVWR and GAWR (front and rear) listed on the Safety Certification Label. If the gross vehicle weight or the load on either axle exceeds these ratings, you must remove enough weight to bring the load down to the rated capacity.

Never overload your vehicle. The gross vehicle weight (sum of the weights of the loaded vehicle, driver, and passengers) must never exceed the Gross Vehicle Weight Rating (GVWR) listed on the Safety Certification Label. In addition, never distribute a load so that the weight on either the front or rear axle exceeds the Gross Axle Weight Rating (GAWR) listed on the Safety Certification Label.

Always distribute cargo evenly. To avoid personal injury or damage to your vehicle, always secure cargo to prevent it from shifting if the vehicle moves suddenly. Place heavier objects on the floor and as far forward in the cargo area as possible. Never pile cargo higher than the top of the seat backs.

VEHICLE LOADING AND TOWING

60A23-08020

TRAILER TOWING

You can use your SUZUKI to tow a light trailer (class 1), but you should always observe the requirements and recommendations in this section. If you intend to tow a trailer, it is essential to select a trailer and trailer towing equipment which are compatible. A reputable trailer dealer can help you.

CAUTION

Trailer towing puts additional stress on the engine, drive train and brakes of your vehicle. Never tow a trailer during the first 600 miles of vehicle operation.

CAUTION

Because towing a trailer puts additional stress on your vehicle, more frequent maintenance will be required than under normal driving conditions. Follow the schedule for Maintenance Recommended Under Severe Driving Conditions.

Hitches

Use only a trailer hitch bracket that is designed to bolt to the frame of your vehicle, and a class 1 hitch that is designed to bolt to this bracket. We recommend that you use a genuine SUZUKI trailer hitch bracket and trailer hitch (available as options), or equivalent.

Never use a bumper hitch or a hitch which attaches to the axle of your vehicle.

Safety Chains

Always attach safety chains between your vehicle and trailer. Cross safety chains under the tongue of the trailer so that the tongue will not drop to the road if the trailer becomes separated from the hitch. Follow the manufacturer's recommendation for attaching safety chains. Always leave just enough slack to permit full turning. Never allow safety chains to drag on the road.

Never attach safety chains to the bumper of your vehicle. Secure connections so that they can't come loose.

Trailer Lights

Make sure your trailer is equipped with lights which meet federal, state, and local requirements. Always check for the proper operation of all trailer lights before you start to tow.

Never splice trailer lights directly into your vehicle's electrical system, or electrical system damage may occur.

Brakes

If trailer brakes are used, you should follow all instructions provided by the manufacturer. Never tap into the brake system of your vehicle.

Tires

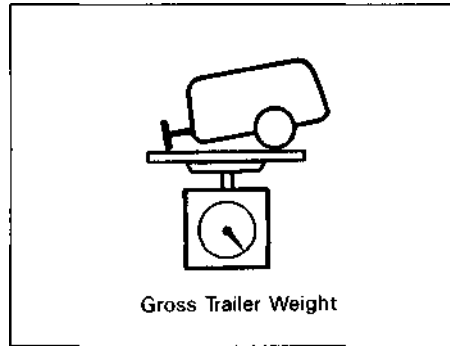
When towing a trailer, it is very important for your vehicle and trailer to have properly inflated tires. Your vehicle's tires should be inflated to the laden pressures listed on your vehicles Tire Inflation Pressure label. Inflate trailer tires according to the specifications provided by the trailer manufacturer.

Mirrors

Check to see if your vehicle's mirrors meet federal, state, and local requirements for mirrors used on towing vehicles. If they do not, you must install required mirrors before you tow.

Vehicle/Trailer Weight Limits

Before towing, you must make sure that gross trailer weight, gross combined weight, trailer tongue weight, gross vehicle weight, and gross axle weight (front and rear) are within specified limits as described below. You can measure vehicle and trailer weights using a vehicle scale and can measure tongue weight using a bathroom scale.

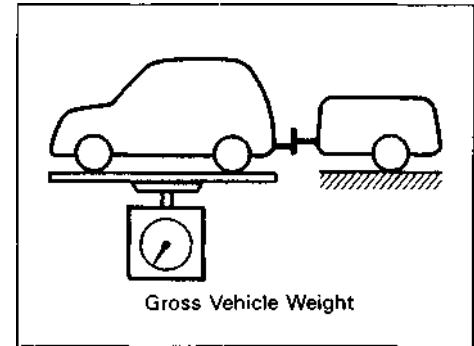


Gross Trailer Weight is the weight of the trailer plus all cargo in it (measured with the trailer disconnected from the towing vehicle). Gross trailer weight must never exceed:

2-Door Model - 1,000 pounds (450 kg)

4-Door Model - 1,500 pounds (680 kg)

If you have a 4-door model and intend to tow a trailer having a gross trailer weight greater than 1,000 pounds (450 kg), the trailer must be equipped with trailer brakes.



Gross Combined Weight is the weight of the fully loaded vehicle (including driver, passengers, and cargo) plus the weight of the fully loaded trailer. Gross combined weight must never exceed:

2-Door Model - 4,200 pounds

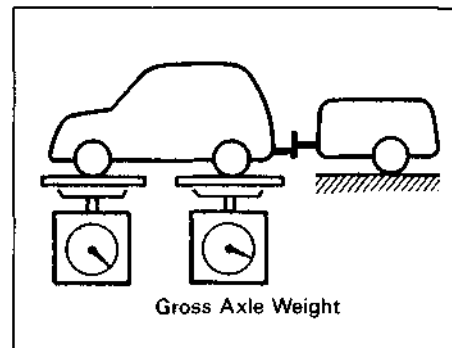
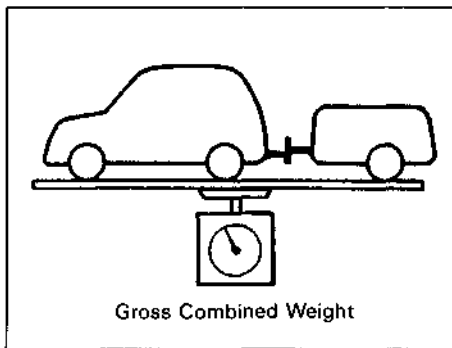
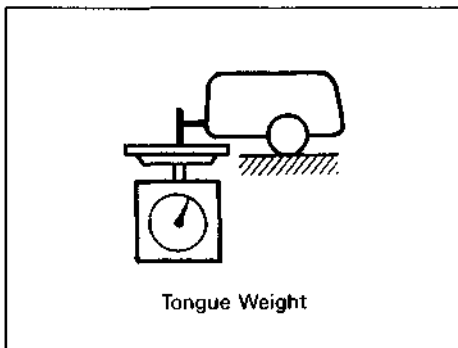
(1,905 kg)

4-Door Model - 4,600 pounds

(2,087 kg)

Tongue Weight is the downward force exerted on the hitch by the trailer coupler, with the trailer fully loaded and the coupler at its normal towing height. Cargo should be distributed so that tongue weight is approximately 10% of gross trailer weight.

VEHICLE LOADING AND TOWING



NOTE:

You can usually get tongue weight to be about 10% of gross trailer weight by placing about 60% of the total cargo weight in the front half of the trailer. You should measure gross trailer weight and tongue weight before towing, however, to make sure that your load is properly distributed.

Gross Vehicle Weight is the weight of the fully loaded vehicle (including driver, passengers and cargo) plus the trailer tongue weight. The gross vehicle weight must never exceed the Gross Vehicle Weight Rating (GVWR) listed on the Safety Certification Label.

Gross Axle Weight (Front and Rear) is the weight supported by an individual axle with the vehicle fully loaded and the trailer connected. Gross axle weight for the front and rear axles must never exceed the Gross Axle Weight Rating (GAWR) listed on the Safety Certification Label.

Improper distribution of cargo in your trailer may result in poor vehicle handling and swaying of the trailer. Always make sure that trailer tongue weight is about 10% of gross trailer weight. Failure to observe this requirement may result in an accident.

Additional Trailer Towing Warnings

Never overload your trailer or your vehicle. Gross trailer weight must never exceed 1,000 pounds (450 kg) for 2-door models or 1,500 pounds (680 kg) for 4-door models. Gross combined weight must never exceed 4,200 pounds (1,905 kg) for 2-door models or 4,600 pounds (2,087 kg) for 4 door models. Gross vehicle weight must never exceed the Gross Vehicle Weight Rating (GVWR) listed on the Safety Certification Label. Gross axle weight for the front and rear axles must not exceed the Gross Axle Weight Rating (GAWR) listed on the Safety Certification Label.

Do not tow a trailer having a gross trailer weight greater than 1,000 pounds (450 kg) unless the trailer is equipped with trailer brakes.

Connect trailer lights and hook up safety chains every time you tow.

Your vehicle will handle differently when towing a trailer. For your safety and the safety of others, you should observe the following precautions:

- * Practice turning, stopping, and backing up before you begin towing in traffic. Do not tow in traffic until you are confident that you can handle the vehicle and trailer safely.
- * Never exceed posted towing speed limits or 45 mph (72 km/h), whichever is lower.
- * Always have someone guide you when backing.
- * Allow adequate stopping distance. Stopping distance is increased when you tow a trailer. For each 10 mph (16 km/h) of speed, allow at least one vehicle and trailer length between you and the vehi-

(Continued)

(Continued)

cle ahead. Follow at a greater distance if roads are wet or slippery.

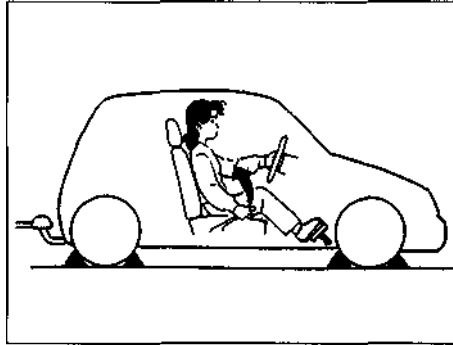
- * Slow down when making turns. Remember that a larger than normal turning radius is needed because the trailer wheels will be closer than the vehicle wheels to the inside of the turn.
- * Avoid sudden acceleration and stopping of the vehicle. Do not make quick maneuvers unless they are necessary.
- * Slow down in cross winds and be prepared for wind blasts from large passing vehicles.
- * Be careful when passing other vehicles. Be sure to allow enough room for your trailer before you change lanes, and signal well in advance.
- * Slow down and shift into a lower gear before you reach long or steep downhill grades. It is hazardous to attempt downshifting while you are descending a hill.

(Continued)

VEHICLE LOADING AND TOWING

(Continued)

- * Avoid "riding" the brakes. "Riding" the brakes could cause the brakes to overheat, resulting in reduced braking efficiency. Use engine braking as much as possible.
- * Because of the added trailer weight, your engine may overheat on hot days when going up long or steep hills. Pay attention to your engine temperature gauge. If it indicates overheating, pull off the road and stop in a safe place. Refer to the "ENGINE OVERHEATING" section for details on how to proceed.



When parking your vehicle and connected trailer, always use the following procedure:

- 1) Apply the vehicle's brakes firmly.
- 2) Have another person place wheel chocks under the wheels of the vehicle and the trailer while you are holding the brakes.
- 3) Slowly release the brakes until the wheel chocks absorb the load.
- 4) Fully engage the parking brake.
- 5) Manual Transmission - Shift into Reverse or first gear and turn off the engine.

(Continued)

(Continued)

Automatic Transmission - Shift into Park and turn off the engine.

When starting out after parking:

- 1) Push in the clutch (if equipped) and start the engine.
- 2) Depress the brake pedal, shift into gear, release the parking brake, and slowly pull away from the chocks.
- 3) Stop, apply the brakes firmly, and hold the brakes while you have another person remove the chocks.

60A23-08031

**TOWING YOUR VEHICLE
(RECREATIONAL TOWING)**

Your vehicle may be towed behind another vehicle (such as a motorhome), provided you use the proper towing method specified for your vehicle. The towing method you must use depends on the specifications of your vehicle: whether it is a 2-wheel drive (2WD) or 4-wheel drive (4WD) vehicle, whether it has an automatic transmission (A/T) or a manual transmission (M/T), and (for 4WD vehicles) whether it is equipped with manual free-wheeling hubs or automatic free-wheeling hubs.

Use the towing instruction table to select the proper towing method for your vehicle, and carefully follow the corresponding instructions. Be sure to use proper towing equipment designed for recreational towing and make sure that towing speed does not exceed 55 mph (90 km/h).

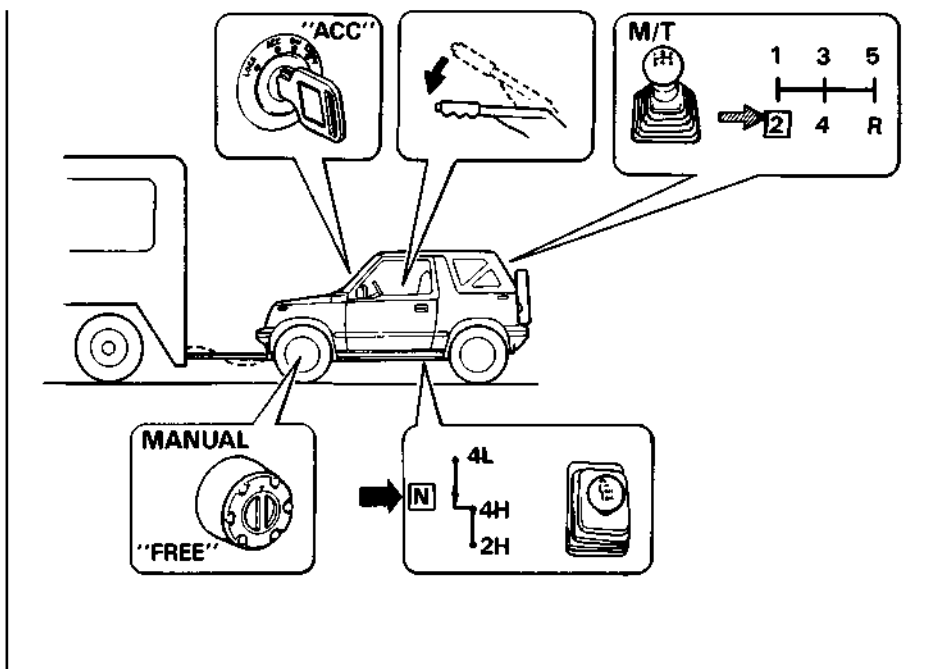
TOWING INSTRUCTION TABLE

DRIVE TRAIN	TRANSMISSION	FREE-WHEELING HUBS	TOWING METHOD
4WD	A/T (AUTO)	AUTO	D
		MANUAL	B C
	M/T (MANUAL)	AUTO	D
		MANUAL	A C
2WD	A/T		E
	M/T		E

VEHICLE LOADING AND TOWING

TOWING METHOD A

FOUR WHEELS ON THE GROUND

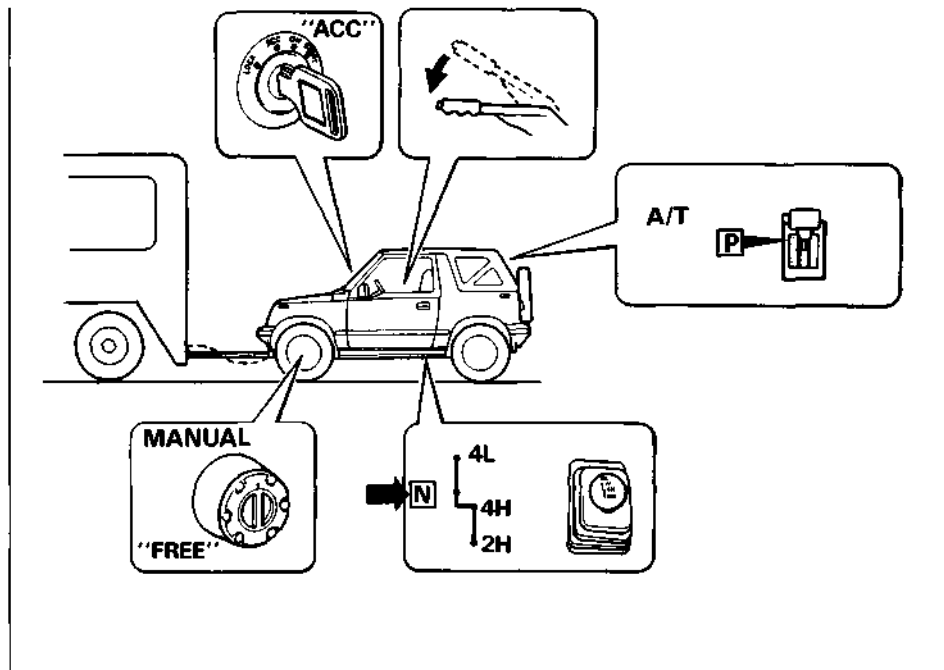


A : 4WD VEHICLES WITH MANUAL TRANSMISSION AND MANUAL FREE-WHEELING HUBS

- 1) Turn the ignition key to the "ACC" position to unlock the steering wheel.
- 2) Release the parking brake.
- 3) Shift into 2nd gear.
- 4) Shift the transfer lever into neutral.
- 5) Set the manual free-wheeling hubs to the "FREE" position.

Stop towing the vehicle every 200 miles (300 km). Leave the manual transmission in 2nd gear. With the transfer lever still in neutral, start the engine and rev it for about one minute with the clutch engaged to circulate oil in the transfer case.

TOWING METHOD B FOUR WHEELS ON THE GROUND



B : 4WD VEHICLES WITH AUTOMATIC TRANSMISSION AND MANUAL FREE-WHEELING HUBS

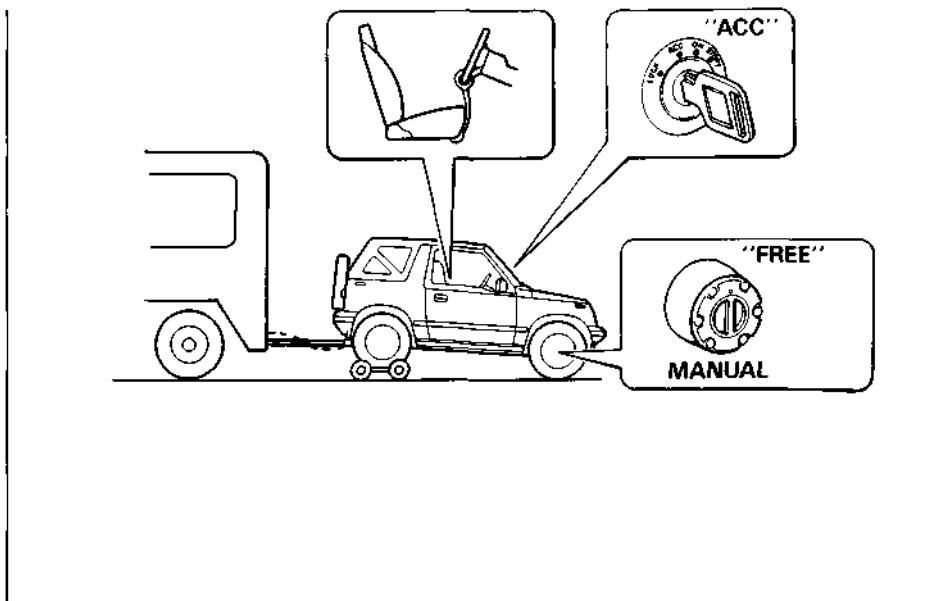
- 1) Turn the ignition key to the "ACC" position to unlock the steering wheel.
- 2) Release the parking brake.
- 3) Shift into "P" (park).
- 4) Shift the transfer lever into neutral.
- 5) Set the manual free-wheeling hubs to the "FREE" position.

Stop towing the vehicle every 200 miles (300 km). With the transfer lever still in neutral, start the engine, shift into "D" (drive) and rev the engine for about one minute to circulate oil in the transfer case. Make sure to shift into "P" (Park) before next towing.

VEHICLE LOADING AND TOWING

TOWING METHOD

FRONT WHEELS ON THE GROUND
AND REAR WHEELS ON A DOLLY.



C : 4WD VEHICLES WITH MANUAL FREE-WHEELING HUBS

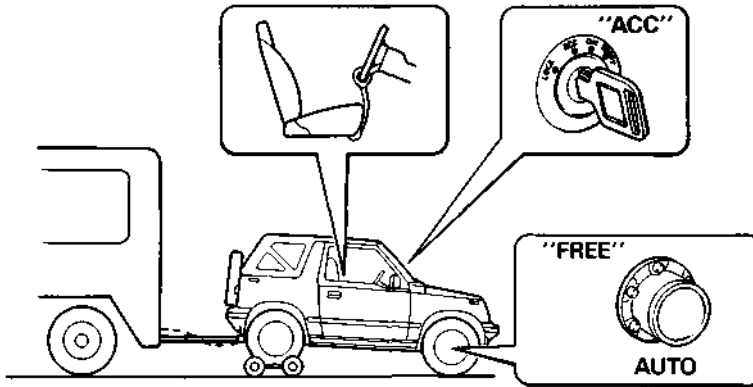
- 1) Secure the rear wheels on a towing dolly according to the instructions provided by the dolly manufacturer.
- 2) Set the manual free-wheeling hubs to the "FREE" position.
- 3) Turn the ignition key to the "ACC" position to unlock the steering wheel.
- 4) Make sure the front wheels are facing straight forward and secure the steering wheel with a steering wheel clamping device designed for towing.

▲ CAUTION

The steering column is not strong enough to withstand shocks transmitted from the front wheels during towing. Always unlock the steering wheel before towing.

TOWING METHOD

**FRONT WHEELS ON THE GROUND
AND REAR WHEELS ON A DOLLY.**



D : 4WD VEHICLES WITH AUTOMATIC FREE-WHEELING HUBS

- 1) Release the automatic free-wheeling hubs. (Refer to "Free-Wheeling Hubs" section)
- 2) Secure the rear wheels on a towing dolly according to the instructions provided by the dolly manufacturer.
- 3) Turn the ignition key to the "ACC" position to unlock the steering wheel.
- 4) Make sure the front wheels are facing straight forward and secure the steering wheel with a steering wheel clamping device designed for towing.

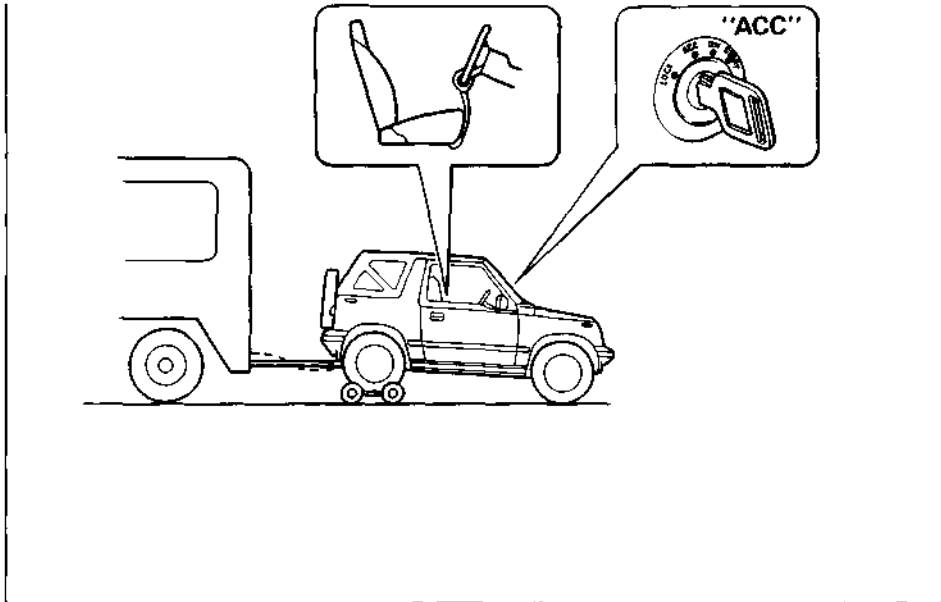
▲ CAUTION

The steering column is not strong enough to withstand shocks transmitted from the front wheels during towing. Always unlock the steering wheel before towing.

VEHICLE LOADING AND TOWING

TOWING METHOD E

FRONT WHEELS ON THE GROUND
AND REAR WHEELS ON A DOLLY.



E : 2WD VEHICLES

- 1) Secure the rear wheels on a towing dolly according to the instructions provided by the dolly manufacturer.
- 2) Turn the ignition key to the "ACC" position to unlock the steering wheel.
- 3) Make sure the front wheels are facing straight forward and secure the steering wheel with a steering wheel clamping device designed for towing.

The steering column is not strong enough to withstand shocks transmitted from the front wheels during towing. Always unlock the steering wheel before towing.

INSPECTION AND MAINTENANCE

Maintenance Schedule.....	9-1
Periodic Maintenance Schedule.....	9-2
Maintenance Recommended Under Severe Driving Conditions.....	9-5
Fan Belt.....	9-7
Engine Oil and Filter.....	9-7
Gear Oil.....	9-10
Automatic Transmission Fluid.....	9-13
Engine Coolant.....	9-14
Windshield Washer Fluid.....	9-16
Air Cleaner.....	9-16
Spark Plugs.....	9-17
Brakes.....	9-18
Steering Wheel.....	9-20
Clutch Pedal.....	9-21
Tires.....	9-21
Battery.....	9-24
Fuses.....	9-25
Bulb Replacement.....	9-26
Wiper Blades.....	9-30



You should take extreme care when working on your vehicle to prevent accidental injury. Here are a few precautions that you should be especially careful to observe:

- * Do not leave the engine running in garages or other confined areas.
- * When the engine is running, keep hands, clothing, tools, and other objects away from the moving fan and fan belt.
- * When it is necessary to do service work with the engine running, make sure that the parking brake is set fully and the transmission is in Neutral (for manual transmission vehicles) or Park (for automatic transmission vehicles).
- * Do not touch ignition wires or other ignition system parts when starting the engine or when the engine is running, or you could

(Continued)

(Continued)

- receive an electric shock.
- * Be careful not to touch hot exhaust components such as the manifold, pipes, and mufflers.
- * Do not allow smoking, sparks, or flames around gasoline or the battery. Flammable fumes are present.
- * Do not get under your vehicle if it is supported only with the portable jack provided in your vehicle.
- * Be careful not to cause accidental short circuits between the positive and negative battery terminals.
- * Keep used oil, engine coolant, and other fluids away from children and pets. Dispose of used fluids properly; never pour them on the ground, into sewers, etc.

NOTICE (For U.S.A.)

Maintenance, replacement or repair of the emission control devices and systems may be performed by any automobile repair establishment or individual using any part which has been certified under the provisions in the Clean Air Act sec. 207. (a) (2).

60A23-09010

MAINTENANCE SCHEDULE

The following table shows the times when you should perform regular maintenance on your vehicle. This table shows in miles, kilometers and months when you should perform inspections, adjustments, lubrication and other services. These intervals should be shortened if driving is usually done under severe conditions (refer to Maintenance Recommended Under Severe Conditions).

Suzuki recommends that maintenance on items marked with an asterisk (*) be performed by your authorized Suzuki dealer or a qualified service mechanic. If you are qualified, you may perform maintenance on the unmarked items by referring to the instructions in this section. If you are not sure whether you can successfully complete any of the unmarked maintenance jobs, ask your authorized Suzuki dealer to do the maintenance for you.

CAUTION

Whenever it becomes necessary to replace parts on your vehicle, it is recommended that you use genuine SUZUKI replacement parts or their equivalent.

60A23-09021

PERIODIC MAINTENANCE SCHEDULE

(For all models) **R:** Replae or change **I:** Inspect and correct or replace if necessary **L:** Lubricate

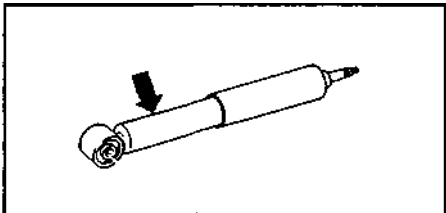
Interval: This interval should be judged by odometer reading or months, whichever comes first.

Interval	miles (x1,000)	7.5	15	22.5	30	37.5	45	52.5	60	67.5	75	82.5	90	97.5	105	112.5	120
Interval	Km (x1,000)	12.5	25	37.5	50	62.5	75	87.5	100	112.5	125	137.5	150	162.5	175	187.5	200
Interval	months	7.5	15	22.5	30	37.5	45	52.5	60	67.5	75	82.5	90	97.5	105	112.5	120

CHASSIS AND BODY

1.	Clutch (For manual transmission)																	
	Free play check, 'adjustment																	
*2.	Brake discs and pads	(front)																
	Brake drums and shoes	(rear)																
*3.	Brake hoses and pipes																	
4.	Brake fluid Level check, replacement									R								R
5.	Brake pedal Stroke check, *adjustment																	
6.	Parking brake lever and* cable																	
	Lever movement check,*adjustment																	
7.	Tires																	
*8.	Wheel discs and free wheeling hubs																	
*9.	Wheel bearings																	
*10.	Suspension system																	
*11.	Propeller shafts																	
*12.	Manual transmission oil																	
13.	Automatic transmission (A/T)	Fluid level																
		'Fluid change																
			Replace every 100,000 miles (166,000 km) — 4-speed A/T															
			No replacement required — 3-speed A/T															
		*Fluid hose																
*14.	Transfer and differential oil																	
15.	Steering system																	
	Steering wheel movement,	'linkage																
*16.	Power steering (if equipped)																	
17.	Door hinges																	

Item 9*1 — inspect for wear and proper lubrication.



The rear shock absorber is filled with high pressure gas. Never attempt to disassemble it or throw it into a fire. Avoid storing it near a heater or heating device. When scrapping the absorber, place it with its side down, and make a 3-mm-diameter hole in the area indicated by the arrow so the gas and oil can escape safely. Be careful when making the hole, or the gas may spurt out. It is advisable to cover the absorber with a vinyl bag having a 10-mm-diameter hole.

INSPECTION AND MAINTENANCE

NOTE:

California emission specification vehicles are
can be identified by checking the Emission
California emission specification vehicle.

R: Replace or change **I: Inspect and correct or replace if necessary**

L: Lubricate

(For Non-California emission specification vehicles)

Interval: This interval should be judged by
odometer reading or months, whichever
comes first.

miles	(x1,000)	7.5	15	22.5	30	37.5	45	52.5	60	67.5	75	82.5	90	97.5	105	112.5	120
Km	(x1,000)	12.5	25	37.5	50	62.5	75	87.5	100	112.5	125	137.5	150	162.5	175	187.5	200
months		7.5	15	22.5	30	37.5	45	52.5	60	67.5	75	82.5	90	97.5	105	112.5	120

ENGINE & EMISSION CONTROL

1.	Fan (Water pump) drive belt	—	—	—	I	—	—	—	R	—	—	—	I	—	—	—	R
	Tension check, 'adjustment, 'replacement																
* 2.	Camshaft timing belt	—	—	—	—	—	—	—		—	—	—	I	—	—	—	R
* 3.	Valve lash (clearance)	—	I	—	I	—	I	—		—	I	—	I	—	I	—	I
4.	Engine oil and oil filter	R	R	R	R	R	R	R	R	R	R	R	R	R	R	R	R
* 5.	Cooling system hoses and connections	—	—	—		—	—	—	I	—	—	—	I	—	—	—	I
6.	Engine coolant	—	—			—	—	—	R	—	—	—	R	—	—	—	R
* 7.	Exhaust pipes and mountings	—	—	—		—	—	—	I&(R)	—	—	—	I	—	—	—	I&(R)
* 8.	PCV valve																
* 9	Heated oxygen sensor																
*10.	Three way catalytic converter																
*11.	EVAP canister																
*12.	Emission-related hoses & tubes																
*13.	EGR system																
*14.	ECM & associated sensors																
*15.	Wiring harness and connections																
16.	Spark plugs				R	—	—	—	R	—	—	—	R	—	—	—	R
*17.	Distributor cap and rotor				—	—	—	—	I	—	—	—	—	—	—	—	I
*18.	Ignition wiring				—	—	—	—	R	—	—	—	—	—	—	—	R
*19.	Ignition timing				—	—	—	—		—	—	—	—	—	—	—	
*20.	Fuel tank cap					—	—	—	—	—	—	—	I	—	—	—	R
21.	Air cleaner filter element				R	—	—	—	R	—	—	—	R	—	—	—	R
*22.	Fuel filter					—	—	—	R	—	—	—	R	—	—	—	R
*23.	Fuel lines and connections					—	—	—	I	—	—	—	I	—	—	—	I
*24.	Idle speed		—		—		—	—		—		—		—		—	
*25.	Fuel injector																

Replace at 50,000 miles (83,000 km) and 100,000 miles (166,000 km)

Replace at 80,000 miles (133,000 km)

Inspect at 100,000 miles (166,000 km)

Replace at 100,000 miles (166,000 km)

Inspect at 50,000 miles (83,000 km) and 100,000 miles (166,000 km)

Inspect at 100,000 miles (166,000 km)

Inspect at 100,000 miles (166,000 km)

NOTE:

The maintenance services indicated by are recommended maintenance items.

Item 7 (R) is applicable to the exhaust mounting rubber only.

For Canada, Item 13 is a recommended maintenance item.

sold in California and in states which have adopted California emission standards. California emission specification vehicles Compliance Label under the hood. If the label indicated that the vehicle conforms to California regulations, the vehicle is a

(For California emission specification vehicles)

Interval: This interval should be judged by odometer reading or months, whichever comes first.

miles	(x1,000)	7.5	15	22.5	30	37.5	45	52.5	60	67.5	75	82.5	90	97.5	105	112.5	120
Km	(x1,000)	12.5	25	37.5	50	62.5	75	87.5	100	112.5	125	137.5	150	162.5	175	187.5	200
months		7.5	15	22.5	30	37.5	45	52.5	60	67.5	75	82.5	90	97.5	105	112.5	120

ENGINE & EMISSION CONTROL

1. Fan (Water pump) drive belt
Tension check, *adjustment, *replacement
- * 2. Camshaft timing belt
- * 3. Valve lash (clearance)
4. Engine oil and oil filter
- * 5. Cooling system hoses and connections
6. Engine coolant
- * 7. Exhaust pipes and mountings
- * 8. PCV valve
- * 9. Heated Oxygen sensor
- *10. Catalytic converter
- *11. Charcoal canister
- *12. Emission-related hoses & tubes
- *13. EGR system
- *14. ECM & associated sensors
- *15. Wiring harness and connections
16. Spark plugs
- *17. Distributor cap and rotor
- *18. Ignition wiring
- *19. Ignition timing
- *20. Fuel tank cap
21. Air cleaner filter element
- *22. Fuel filter
- *23. Fuel lines and connections
- *24. Idle speed
- *25. Fuel injector

—	—	—		—	—	—	—	—	R	—	—	—	—	—	—	—	—	R
—	—	—	—	—	—	—	—	—	R	—	—	—	I	—	—	—	—	R
*		—		—		—		—		—		—		—		—		
4.	R	R	R	R	R	R	R	R	R	R	R	R	R	R	R	R	R	R
*	—	—	—	I	—	—	—	—		—	—	—		—	—	—	—	
6.	—	—	—	I	—	—	—	—	R	—	—	—	R	—	—	—	—	R
*	—	—	—	I	—	—	—	—	R	(R)	—	—	—		—	—	—	I&(R)
*	—	—	—	—	—	—	—	—	Replace at 50,000 miles (83,000 km) and 100,000 miles (166,000 km)									—
*	—	—	—	—	—	—	—	—	Replace at 80,000 miles (133,000 Km)									—
*10.	—	—	—	—	—	—	—	—	Inspect at 100,000 miles (166,000 km)									—
*11.	—	—	—	—	—	—	—	—	Replace at 100,000 miles (166,000 km)									—
*12.	—	—	—	—	—	—	—	—	I	—	—	—	—	—	—	—	—	
*13.	—	—	—	—	—	—	—	—	Inspect at 50,000 miles (83,000 km) and 100,000 miles (166,000 km)									—
*14.	—	—	—	—	—	—	—	—	Inspect at 100,000 miles (166,000 km)									—
*15.	—	—	—	—	—	—	—	—	I	—	—	—	—	—	—	—	—	
16.	—	—	—	R	—	—	—	—	R	—	—	—	R	—	—	—	—	
*17.	—	—	—	—	—	—	—	—	I	—	—	—	—	—	—	—	—	
*18.	—	—	—	—	—	—	—	—	R	—	—	—	—	—	—	—	—	R
*19.	—	—	—	—	—	—	—	—	I	—	—	—	—	—	—	—	—	I
*20.	—	—	—	I	—	—	—	—	R	—	—	—	I	—	—	—	—	R
21.	—	—	—	R	—	—	—	—	R	—	—	—	I	—	—	—	—	R
*22.	—	—	—	I	—	—	—	—	R	—	—	—	I	—	—	—	—	R
*23.	—	—	—	I	—	—	—	—	I	—	—	—	I	—	—	—	—	I
*24.	—	—	—	I	—	—	—	—	I	—	—	—	I	—	—	—	—	I
*25.	—	—	—	I	—	—	—	—	I	—	—	—	I	—	—	—	—	I
Inspect at 100,000 miles (166,000 km)																		

NOTE:

The maintenance services indicated by are recommended maintenance items.
Item 7 (R) is applicable to the exhaust mounting rubber only.

INSPECTION AND MAINTENANCE

60A23-09030

MAINTENANCE RECOMMENDED UNDER SEVERE DRIVING CONDITIONS

If the vehicle is usually used under the conditions corresponding to any severe condition code given below, it is recommended that applicable maintenance operation be performed at the particular interval shown in the chart below.

Severe condition code

A - Towing a trailer

B - Repeated short trips

C - Driving on rough and/or muddy roads

D - Driving on dusty roads

E - Driving in extremely cold weather and/or on salted roads

F - Repeated short trips in extremely cold weather

Severe Condition Code	Maintenance	Maintenance Operation	Maintenance Interval
A—DEF	Engine oil and oil filter	R	Every 3,000 miles (5,000 km) or 3 months
ABC—E—	Exhaust pipes and mountings	I	Every 6,000 miles (10,000 km) or 6 months
—D—	Air cleaner filter element *1	I	Every 3,000 miles (5,000 km) or 3 months
		R	Every 15,000 miles (25,000 km) or 15 months
—E —	Distributor cap and Ignition wiring *2	I	Every 15,000 miles (25,000 km) or 15 months
ABCD—	Brake discs and pads (Front) Brake drums and shoes (Rear)	I	Every 6,000 miles (10,000 km) or 6 months
ABC—	Propeller shafts	I	Every 6,000 miles (10,000 km) or 6 months

NOTE:

I— Inspect and correct or replace if necessary

T— Tighten to the specified torque

R— Replace or change

L— Lubricate

*1 Inspect more frequently if the vehicle is used under dusty conditions.

*2 In areas where road salt is used, inspect and clean the distributor cap and ignition wiring more frequently.

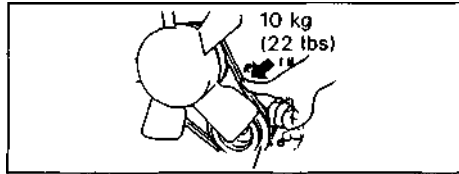
Severe Condition Code	Maintenance	Maintenance Operation	Maintenance Interval
A —C—	Manual transmission oil	R	Every 15,000 miles (25,000 km) or 15 months
ABC—	Automatic transmission (A/T) fluid	R	4-speed A/T Every 15,000 miles (25,000 km) or 15 months
			3-speed A/T Every 52,500 miles (87,500 km) or 52.5 months
A —C—	Transfer and differential oil	R	Every 15,000 miles (25,000 km) or 15 months
—C—	Bolts and nuts on chassis	T	Every 6,000 miles (10,000 km) or 6 months
—C—	Steering wheel free play, gear box oil and linkage	I	Every 3,000 miles (5,000 km) or 3 months
—CD—	Fan (water pump) drive belt	I	Every 15,000 miles (25,000 km) or 15 months

NOTE:*I — Inspect and correct or replace if necessary**T — Tighten to the specified torque**R — Replace or change**L — Lubricate*

INSPECTION AND MAINTENANCE

60A23-09040

FAN BELT



When the engine is running, keep hands, hair, clothing, tools, etc. away from the moving fan and fan belt.

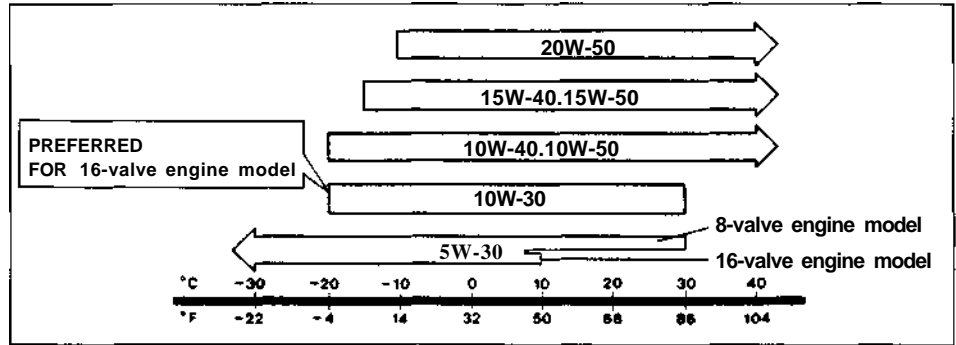
Make sure the fan belt tension is correct. If the belt is too loose, insufficient battery charging, engine overheating, or excessive belt wear can result. When you press the belt with your thumb midway between the pulleys, there should be a deflection according to the following chart.

6-8 mm (0.24-0.31 in.)

The fan belt should also be examined to ensure that it is not damaged. If the belt needs to be replaced or adjusted, have it done by your SUZUKI dealer.

60A23-09050

ENGINE OIL AND FILTER



Specified oil

Be sure that the engine oil you use comes under the API classification of SG or SH, or SH/ILSAC GF-1. Select the appropriate oil viscosity according to the above chart.

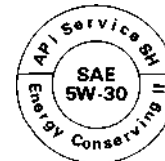
For 8-valve engine models

For temperatures below 32°F (0°C), we highly recommend you use SAE 5W-30 oil.

FOR 16-valve engine models

For temperatures above -4°F (-20°C), we highly recommend you use SAE 10W-30oil.

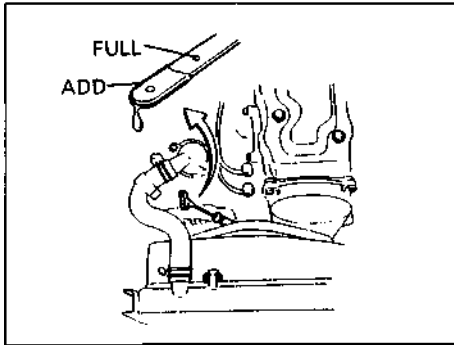
EXAMPLE



API MARK

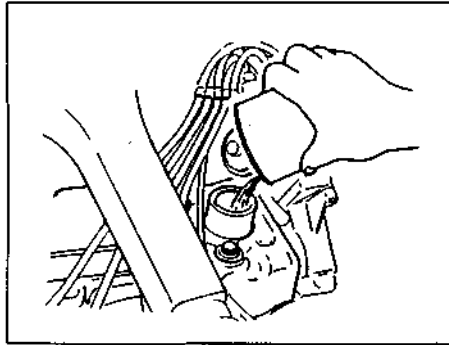


ILSAC MARK

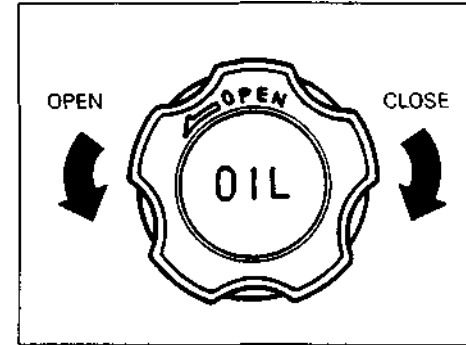


Oil Level Check

It is important to keep the engine oil at the correct level for proper lubrication of your vehicle's engine. Check the oil level with the vehicle on a level surface. The oil level indication may be inaccurate if the vehicle is on a slope. The oil level should be checked either before starting the engine or at least two or three minutes after stopping the engine.

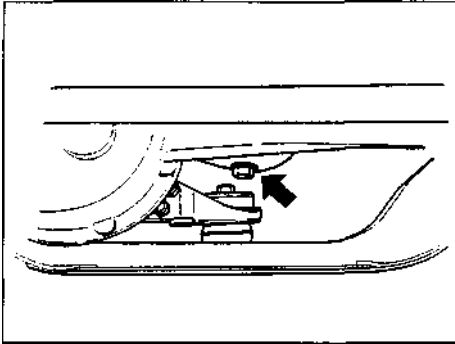


Pull out the oil dipstick, wipe oil off with a clean cloth, insert the dipstick all the way into the engine, then remove it again. The oil on the stick should be between the upper and lower limits shown on the stick. If the oil level indication is near the lower limit, add enough oil to raise the level to the upper limit.



Refilling

Remove the oil filler cap and pour oil slowly through the filler hole to bring the oil level to the upper limit on the dipstick. Be careful not to overfill. Too much oil is almost as bad as too little oil. After refilling, start the engine and allow it to idle for about a minute. Stop the engine, wait for two or three minutes and check the oil level again.



Changing Engine Oil and Filter

Drain the engine oil while the engine is still warm.

- 1) Remove the oil filler cap.
- 2) Place a drain pan under the drain plug.
- 3) Using a wrench, remove the drain plug and drain out the engine oil.

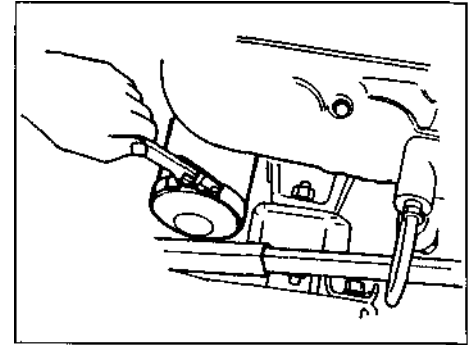
The engine oil temperature may be high enough to burn your fingers when the drain plug is loosened. Wait until the drain plug is cool enough to touch with your bare hands.

New and used oil can be hazardous. Children and pets may be harmed by swallowing new or used oil. Keep new and used oil and used oil filters away from children and pets. Continuous contact with used engine oil has been found to cause skin cancer in laboratory animals. Brief contact with used oil may irritate skin.

To minimize your exposure to used oil, wear a long-sleeve shirt and moisture-proof gloves (such as dishwashing gloves) when changing oil. If oil contacts your skin, wash thoroughly with soap and water. Launder any clothing or rags if wet with oil.

Recycle or properly dispose of used oil and filters.

- 4) Reinstall the drain plug and gasket. Tighten the plug with a wrench to 22.0 -28.5 lb-ft (3.0-4.0 kg-m).



Replace the oil filter.

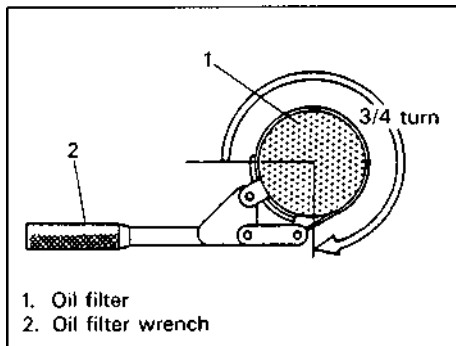
- 1) Using an oil filter wrench, turn the oil filter counterclockwise and remove it.
- 2) Using a clean rag, wipe off the mounting surface on the engine where the new filter will be seated.
- 3) Smear a little engine oil around the rubber gasket of the new oil filter.
- 4) Screw on the new filter by hand until the filter gasket contacts the mounting surface.

CAUTION

To tighten the oil filter properly, it is important to accurately identify the position at which the filter gasket first contacts the mounting surface.

60A23-09060

GEAR OIL



- 5) Tighten the filter 3/4 turn from the point of contact with the mounting surface (or to 8.5-11.5 lb-ft [1.2-1.6 kg-m]) using an oil filter wrench.

A CAUTION

To prevent oil leakage, make sure that the oil filter is tight, but do not over-tighten it.

Refill with oil and check for leaks.

- 1) Pour 4.5 quarts (4.2 liters) of oil through the filler hole and install the filler cap.
- 2) Start the engine and look carefully for leaks at the oil filter and drain plug. Run the engine at various speeds for at least 5 minutes.
- 3) Stop the engine and wait a few minutes. Check the oil level again and add oil if necessary. Check for leaks again.

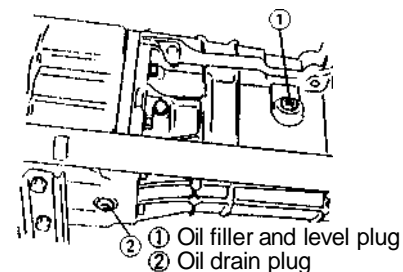
A CAUTION

When replacing the oil filter, it is recommended that you use a genuine SUZUKI replacement filter. If you use an after-market filter, make sure it is of equivalent quality and carefully follow the manufacturer's instructions and precautions.

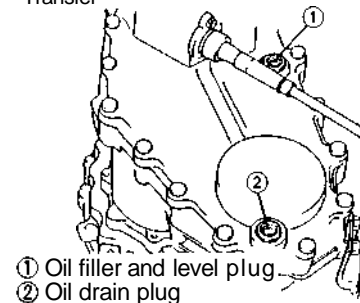
A CAUTION

Oil leaks from around the oil filter or drain plug indicate incorrect installation or gasket damage. If you find any leaks or are not sure that the filter has been properly tightened, have the vehicle inspected by your SUZUKI dealer.

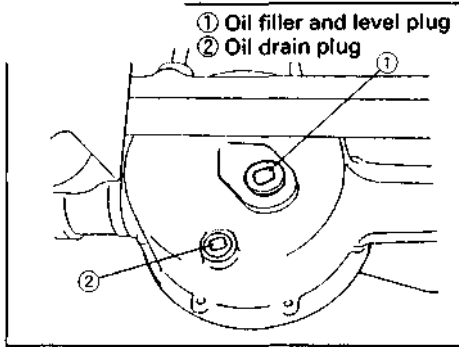
Manual Transmission



Transfer



INSPECTION AND MAINTENANCE

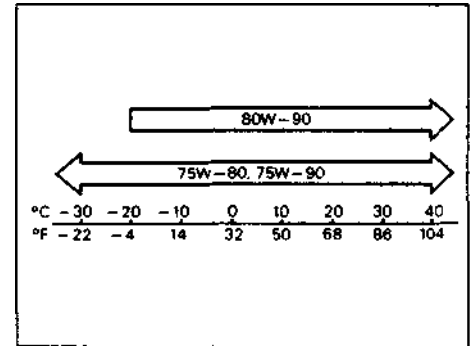
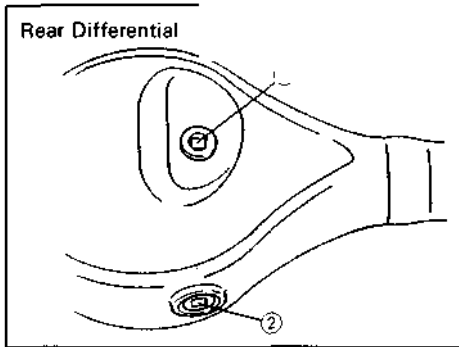


		API GRADE	CAPACITY
Transmission		GL-4	3.2 pt (1.5 liter)
*Transfer Case		GL-4	3.6 pt (1.7 liter)
Differential	*Front	GL-5 (Hypoid gear oil)	2.1 pt (1.0 liter)
	Rear	GL-5 (Hypoid gear oil)	4.6 pt (2.2 liter)

5* : (if equipped)

Specified Gear Oil

When replacing gear oil, use the appropriate viscosity, grade and quantity as shown in the charts below. We highly recommend you use SAE 75W-90 gear oil.



Gear Oil Level Check

The manual transmission, transfer gears and differentials (front and rear) are lubricated with gear oil. To check the gear oil level in any of the above locations, use the following procedure:

- 1) Park the vehicle on a level surface with the parking brake set.
- 2) Remove the oil filler plug ①.
- 3) Feel the inside of the hole with your finger. If the oil level comes up to the bottom of the plug hole, the oil level is correct. If so, reinstall the plug.
- 4) If the oil level is low, add gear oil through the filler plug hole ① until the oil level reaches the bottom of the filler hole.

Gear Oil Replacement

To change the gear oil in the manual transmission, transfer case or differential(s), use the following procedure:

- 1) Remove the oil filler plug ①.
- 2) Remove the drain plug ②, drain the oil, and reinstall the drain plug.
- 3) Pour new gear oil of the specified type through the filler hole until the oil level reaches the bottom of the filler hole.
- 4) Reinstall the filler plug.

After driving the vehicle, gear oil temperature may be high enough to burn you. Wait until the oil filler plug is cool enough to touch with your bare hands before inspecting or replacing gear oil.

A CAUTION

When tightening these plugs, apply sealing compound "Suzuki Bond No. 1215" or equivalent to the plug threads to prevent oil leakage, and tighten them to the specified torque shown below.

Tightening torque

Oil filler and drain plugs of manual transmission and transfer	13.5—20.0 lb-ft (1.8—2.8 kg-m)
Oil drain plug of front differential	
Oil filler plug of front differential	25.5—32.5 lb-ft (3.5—4.5 kg-m)
Oil filler plug of rear differential	25.5—36.0 lb-ft (3.5—5.0 kg-m)
Oil drain plug of rear differential	13.5—18.0 lb-ft (1.8—2.5 kg-m)

INSPECTION AND MAINTENANCE

60A23-09070

AUTOMATIC TRANSMISSION FLUID

Specified Fluid

Use an automatic transmission fluid equivalent to DEXRON®-III

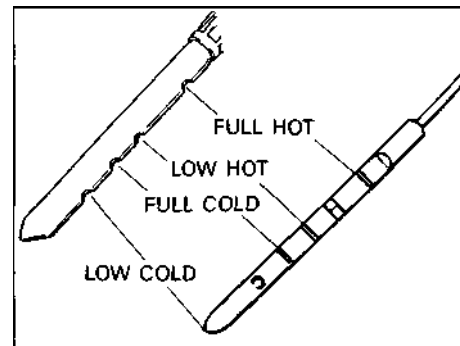
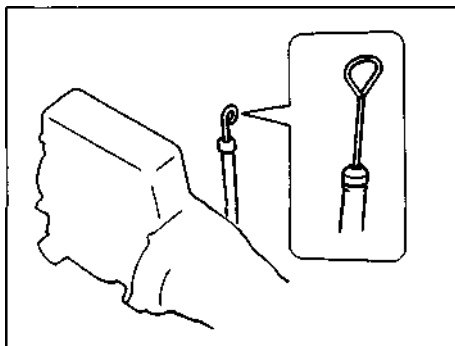
Fluid Level Check

Check the automatic transmission fluid level at each engine oil change. Driving with too much or too little fluid can damage the transmission.

You must check the fluid level with the engine running at slow idle, the vehicle on level ground, and the automatic transmission fluid at least at room temperature. To check the fluid level:

- 1) Set the parking brake and then start the engine in "P" (Park). Let it idle for two minutes.
- 2) With your foot on the brake pedal, move the selector lever through each gear, then move it back to the "P" (Park) position.

Be sure to depress the brake pedal when shifting the selector lever, or the vehicle can move suddenly.



NOTE:

Do not read the fluid level if you have just driven the vehicle for a long time at high speed, if you have driven in city traffic in hot weather, or if the vehicle has been pulling a trailer. Wait until the fluid cools down (about 30 minutes), or the fluid indicator will not be correct.

- 3) Remove the dipstick at the rear of the engine compartment near the distributor. Carefully touch the wet end of the dipstick to find out if the fluid is warm (at least room temperature). If it feels cold, replace the dipstick and drive the vehicle for at least five miles before checking again.

- 4) If the fluid is at room temperature or hotter, clean the dipstick and push it back in until the cap seats. Pull out the dipstick and read the fluid level.

The fluid level should be between the two marks in the cold range on the dipstick if the fluid is not hot (around 20°C/68°F for 3-speed automatic transmission or 25°C/77°F for 4-speed automatic transmission). If the fluid is hot (around 90°C/194°F for 3-speed automatic transmission or 75°C/167°F for 4-speed automatic transmission), the level should be between the two marks in the hot range on the dipstick.

60A23-09080

ENGINE COOLANT

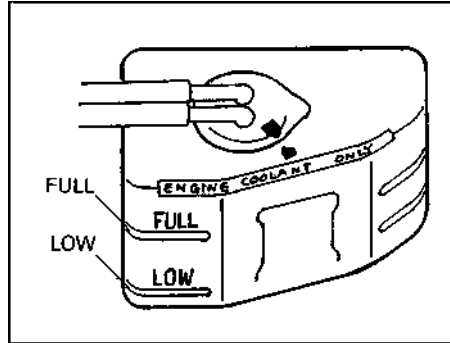
- 5) Add just enough specified fluid to fill the transmission to the proper level. It takes only 0.35 liters (0.62 Imp pt) for 3-speed automatic transmission or 0.3 liters (0.53 Imp pt) for 4-speed automatic transmission to raise the level from "LOW COLD" to "FULL COLD" with a room temperature transmission or from "LOW HOT" to "FULL HOT" with a hot transmission.

A CAUTION

After checking or adding oil, be sure to insert the dipstick securely.

Changing Oil

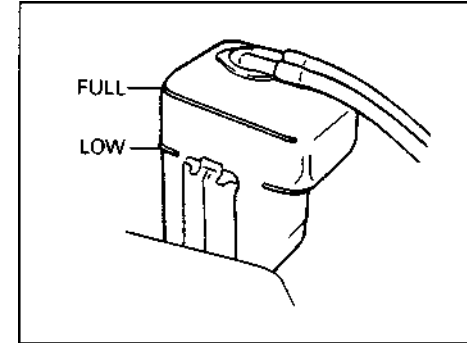
Since special procedures, materials, and tools are required to change the automatic transmission oil, it is recommended that you trust this job to your authorized SUZUKI dealer.

**Engine Coolant Level Check**

Check the engine coolant level at the reserve tank, not at the radiator. With the engine cool, the engine coolant level should be between the "FULL" and "LOW" marks.

Adding Engine Coolant

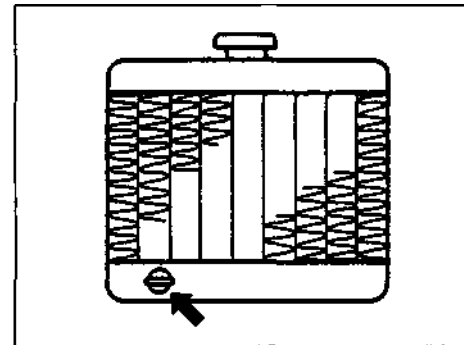
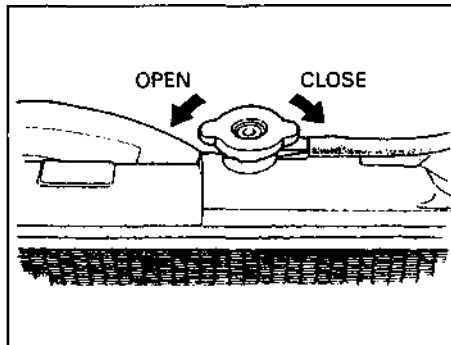
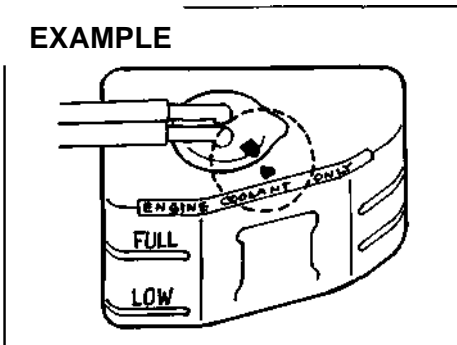
If the engine coolant level is below the "LOW" mark, more engine coolant should be added. Remove the reserve tank cap and add engine coolant until the reserve tank level reaches the "FULL" mark. Never fill the reserve tank above the "FULL" mark.

**A CAUTION**

When adding or replacing engine coolant, use a high quality ethylene glycol anti-freeze diluted with distilled water. The mixture you use should contain at least a 50% concentration of anti-freeze. If a 50% concentration does not provide adequate protection against freezing, follow the instructions on the anti-freeze container to obtain the desired freezing point.

(Continued)

EXAMPLE



A CAUTION

(Continued)

- * **When putting the cap on the reserve tank, line up the arrow on the cap and the arrow on the tank, or coolant can leak out.**

Engine Coolant Replacement

- 1) When the engine is cool, remove the radiator cap by turning it slowly to the left until a "stop" is felt. Do not press down while turning the cap. Wait until any pressure is released, then press down on the cap and continue turning it to the left.

It is hazardous to remove the radiator cap when the engine coolant temperature is high, because scalding fluid and steam may be blown out under pressure. Wait until the engine coolant temperature has lowered before removing the cap.

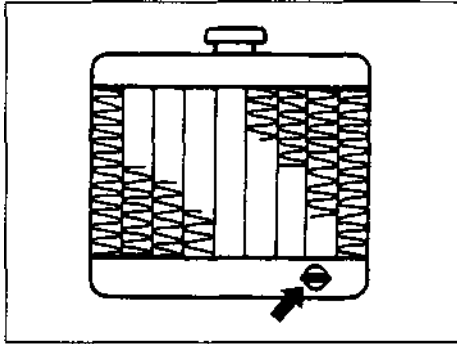
- 2) Remove the reservoir by lifting it up, and drain the reservoir completely.
- 3) Loosen the drain plug attached to the lower part of the radiator and drain the engine coolant into a suitable container.

60A23-09090

WINDSHIELD WASHER FLUID

60A2309100

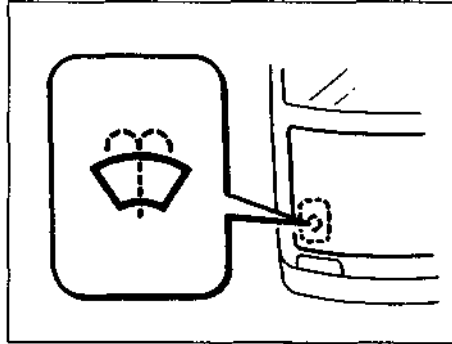
AIR CLEANER



- 4) Reinstall the reservoir and fill it with engine coolant to the "FULL" line.
- 5) Tighten the drain plug on the radiator, fill the radiator with engine coolant and install the radiator cap.
- 6) After filling, let the engine idle for about 2-3 minutes to get rid of air in the cooling system. Then, stop the engine.
- 7) Check the engine coolant level in the radiator again. If the level has gone down, add more engine coolant.

▲ CAUTION

The engine coolant must be replaced with the vehicle on level ground.

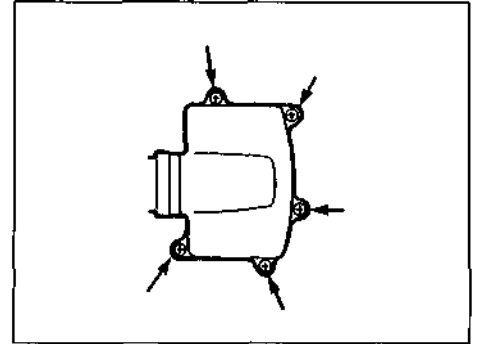


Check that there is washer fluid in the tank. Refill it if necessary. Use a good quality windshield washer fluid, diluted with water as necessary.

Do not use "anti-freeze" solution in the windshield washer reservoir. This can severely impair visibility when sprayed on the windshield, and also damage your vehicle's paint.

▲ CAUTION

Damage may result if the washer motor is operated with no fluid in the washer tank.



If the air cleaner is clogged with dust, there will be greater intake resistance, resulting in decreased power output and increased fuel consumption.

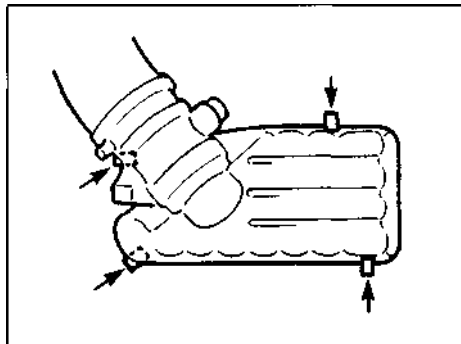
Take off the air cleaner cover.

Remove the element from the air cleaner. If it appears to be dirty, replace it with a new one.

INSPECTION AND MAINTENANCE

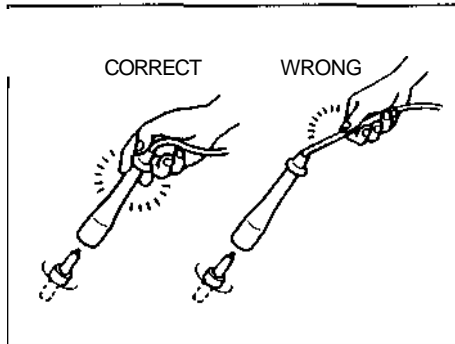
60A23-09110

SPARK PLUGS

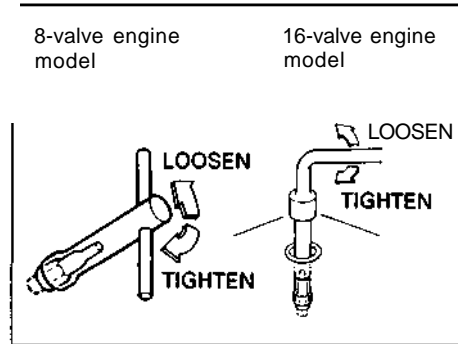


A CAUTION

The air cleaner element should be replaced every 30,000 miles (48,000 km). More frequent replacement is necessary when you drive under dusty conditions.



You should inspect spark plugs periodically for carbon deposits. When carbon accumulates on a spark plug, a strong spark may not be produced. Remove carbon deposits with a wire or pin and adjust the spark plug gap to 0.7-0.8 mm (0.028-0.031 in.).



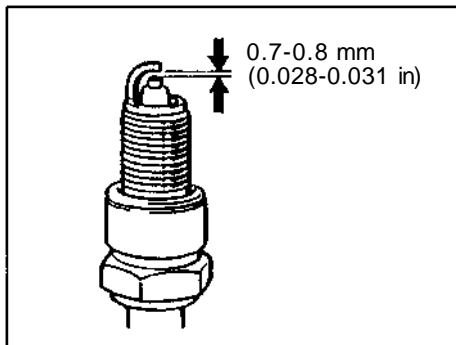
A CAUTION

When disconnecting the spark plug cables, pull on the boot, not on the cable itself. Pulling on the cable can damage it.

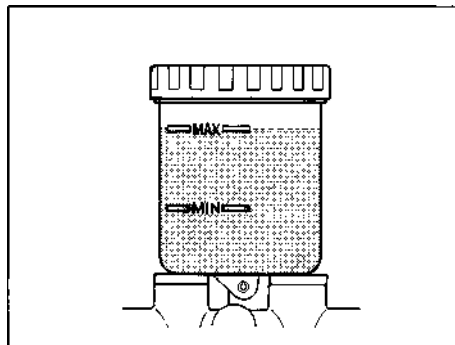
When installing the spark plugs, screw them in with your fingers to avoid stripping the threads. Tighten with a torque wrench to 20.0-30.0 N-m (2.0-3.0 kg-m, 15.0-22.0 ft-lb). Do not allow contaminants to enter the engine through the spark plug holes when the plugs are removed.

Never use spark plugs with the wrong thread size.

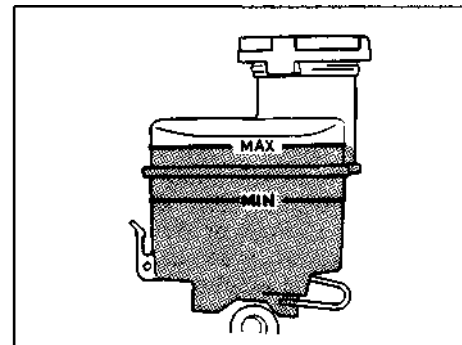
60A23-09120

BRAKES**CAUTION**

When replacing spark plugs, you should use the brand and type specified for your vehicle. For the specified plugs, refer to the "SPECIFICATIONS" section at the end of this book. If you wish to use a brand of spark plug other than the specified plugs, consult your SUZUKI dealer.

**Brake Fluid**

Check the brake fluid level by looking at the reservoir in the engine compartment. Check that the fluid level is between the "MAX" and "MIN" lines. If the brake fluid level is near the "MIN" line, fill it up to the "MAX" line with DOT-3 brake fluid.



Failure to follow the guidelines below can result in personal injury or serious damage to the brake system.

- * If the brake fluid in the reservoir drops below a certain level, the brake warning light on the instrument panel will come on (the engine must be running with the parking brake fully disengaged.) Should the light come on, immediately ask your SUZUKI dealer to inspect the brake system.
- * A rapid fluid loss indicates a leak in the brake system which should be inspected by your SUZUKI dealer immediately.

(Continued)

(Continued)

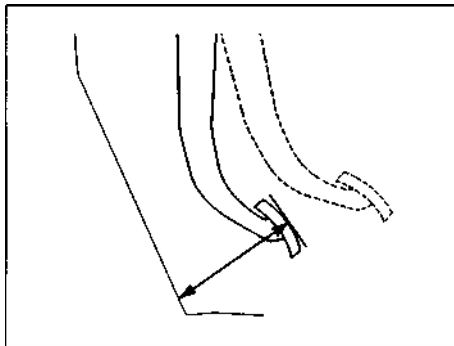
- * Brake fluid can harm your eyes and damage painted surfaces. Use caution when refilling the reservoir.
- * Do not use any fluid other than DOT-3 brake fluid. Do not use reclaimed fluid or fluid that has been stored in old or open containers. It is essential that foreign particles and other liquids are kept out of the brake fluid reservoir.

▲ CAUTION

The brake fluid should be replaced according to the maintenance schedule. Have the brake fluid replaced by your SUZUKI dealer.

NOTE:

With disc brakes, the fluid level can be expected to gradually fall as the brake pads wear.

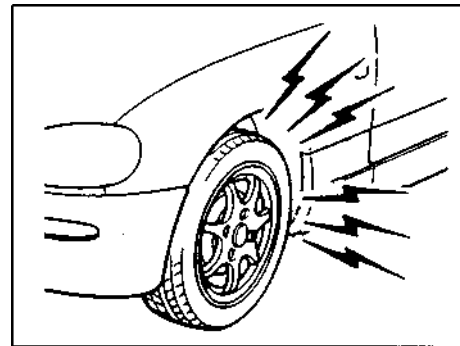


Brake Pedal

Measure the distance between the brake pedal and floor wall when the pedal is depressed with approximately 30 kg (66 lbs) of force. The minimum distance required is 5.1 in (130 mm). Since your vehicle's brake system is self-adjusting, there is no need for pedal adjustment. If the pedal to floor wall distance as measured above is less than the minimum distance required, have your vehicle inspected by your SUZUKI dealer.

NOTE:

When measuring the distance between the brake pedal and floor wall, be sure not to include the floor mat or rubber on the floor wall in your measurement.

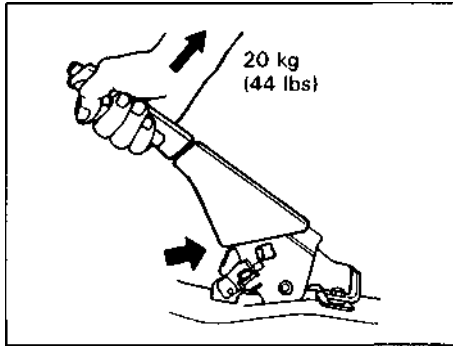


If you experience any of the following problems with your vehicle's brake system, have the vehicle inspected immediately by your SUZUKI dealer.

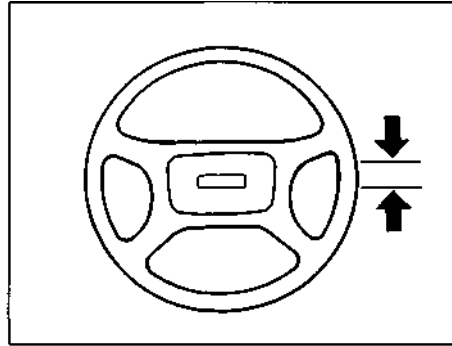
- * Poor braking performance
- * Uneven braking (Brakes not working uniformly on all wheels.)
- * Excessive pedal travel
- * Brake dragging
- * Excessive noise
- * Pedal pulsation (Pedal pulsates when pressed for braking.)

60A23-09130

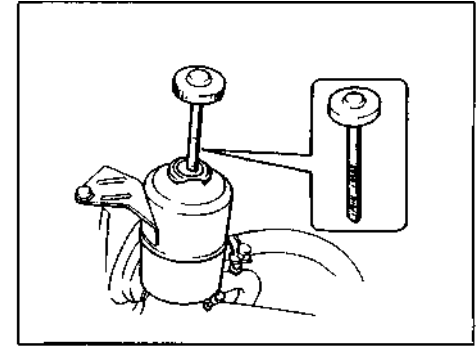
STEERING WHEEL

**Parking Brake Lever**

Check the parking brake for proper adjustment by counting the number of clicks made by the ratchet teeth as you slowly pull up on the parking brake lever to the point of full engagement. The parking brake lever should stop between the 7th and 9th ratchet tooth and the rear wheels should be securely locked. If the parking brake is not properly adjusted or the brakes drag after the lever has been fully released, have the parking brake inspected and/or adjusted by your SUZUKI dealer.



Check the play of the steering wheel by gently turning it from left to right and measuring the distance that it moves before you feel slight resistance. The play should be between 10-30 mm (0.4 -1.2 in). Check that the steering wheel turns easily and smoothly without rattling by turning it all the way to the right and to the left while driving very slowly in an open area. If the amount of free play is outside the specification or you find anything else to be wrong, an inspection must be performed by your SUZUKI dealer.

**Power Steering (if equipped)**

Check the steering box case, vane pump and hose connections for leaks or damage.

Power steering fluid

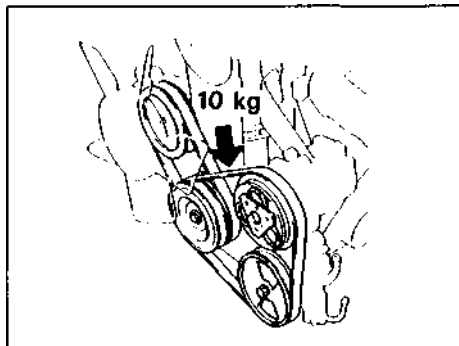
Check the fluid level on the dipstick when the fluid is cold (about room temperature), as described below:

- 1) Clean the filler cap and the reservoir tank around the filler cap.
- 2) Remove the filler cap by turning it counterclockwise and wipe the dipstick clean.
- 3) Reinstall the filler cap.
- 4) Remove the filler cap again and look at the fluid level. The level should be between the "MAX" and "MIN" lines.

INSPECTION AND MAINTENANCE

60A23-M140

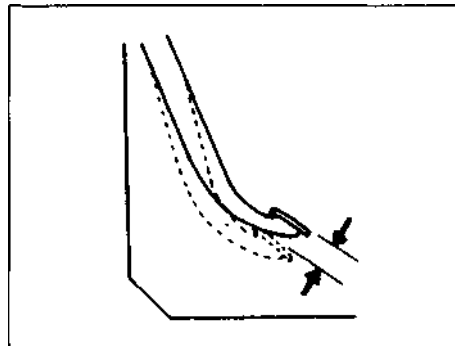
CLUTCH PEDAL



If the level is lower than the "MIN" line, add an automatic transmission fluid equivalent to DEXRON®-III. Do not overfill.

Power steering belt

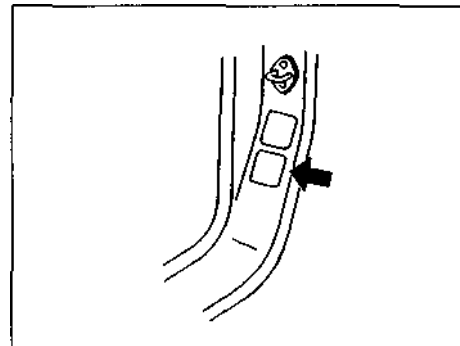
The tension of the belt should be such that there is a deflection of 6-9 mm (0.24-0.35 in) when you press your thumb midway between the pulleys. The belt should also be examined to ensure that it is not damaged. If necessary, have the belt adjusted or replaced by your SUZUKI dealer.



Measure the clutch pedal play by moving the clutch pedal with your hand and measuring the distance it moves until you feel slight resistance. The play in the clutch pedal should be between 15-25 mm (0.6-1.0 in). If the play is more or less than the above, or clutch dragging is felt with the pedal fully depressed, have the clutch inspected by your SUZUKI dealer.

60A 2309150

TIRES



The front and rear tire pressure specifications for your vehicle are listed on the Tire Inflation Pressure Label. Both the front and the rear tires should have a tire pressure of 23 psi (1.6 kg/cm).

Tire Inspection

Inspect your vehicle's tires periodically by performing the following checks:

- 1) Measure the air pressure with a tire gauge. Adjust the pressure if necessary.

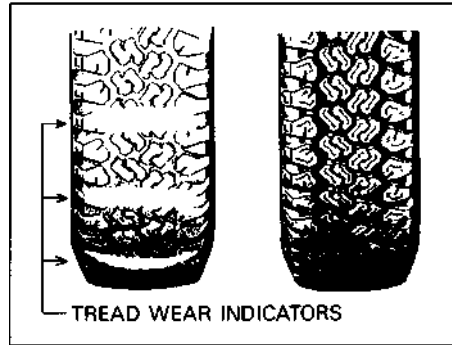
Air pressures should be checked when the tires are cold or you may get inaccurate readings.

Check the inflation pressure from time to time while inflating the tire gradually, until the specified pressure is obtained.

Never underinflate or overinflate the tires.

Underinflation can cause unusual handling characteristics or can cause the rim to slip on the tire bead, resulting in an accident or damage to the tire or rim.

Overinflation can cause the tire to burst, resulting in personal injury. Overinflation can also cause unusual handling characteristics which may result in an accident.



- 2) Check that the depth of the tread groove is more than 1.6 mm (0.06 in). To help you check this, the tires have molded-in tread wear indicators in the grooves. When the indicators appear on the tread surface, the remaining depth of the tread is 0.06 in (1.6 mm) or less and the tire should be replaced.
- 3) Check for abnormal wear, cracks and damage. Any tires with cracks or other damage should be replaced. If any tires show abnormal wear, have them inspected by your SUZUKI dealer.

Hitting curbs and running over rocks can damage tires and affect wheel alignment. Be sure to have tires and wheel alignment checked periodically by your SUZUKI dealer.

- 4) Check for loose wheel nuts.
- 5) Check that there are no nails, stones or other objects sticking into the tires.

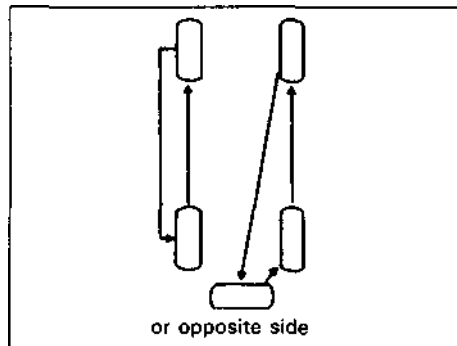
Your SUZUKI is equipped with tires which are all the same type and size. This is important to ensure proper steering and handling of the vehicle. Never mix tires of different size or type on the four wheels of your vehicle. The size and type of tires used should be only those approved by Suzuki Motor Corporation as standard or optional equipment for your vehicle.

INSPECTION AND MAINTENANCE

Replacing the wheels and tires equipped on your vehicle with certain combinations of aftermarket wheels and tires can significantly change the steering and handling characteristics of your vehicle. Therefore, use only those wheel and tire combinations approved by Suzuki Motor Corporation as standard or optional equipment for your vehicle.

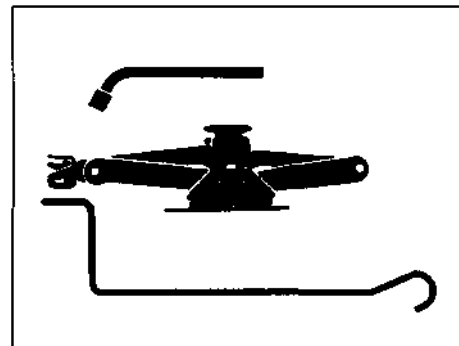
A CAUTION

Replacing the original tires with tires of a different size may result in false speedometer or odometer readings. Check with your SUZUKI dealer before purchasing replacement tires that differ in size from the original tires.



Tire Rotation

To avoid uneven wear of your tires and to prolong their life, rotate the tires as illustrated. Tires should be rotated every 7,500 miles (12,500 km) as recommended in the periodic maintenance schedule. After rotation, adjust front and rear tire pressures to the specification listed on your vehicle's Tire Inflation Pressure Label.

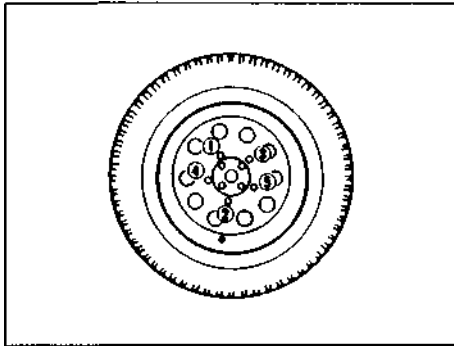


Changing Wheels

To change a wheel, use the following procedure:

- 1) Remove the jack, tools and spare wheel from the vehicle.
- 2) Loosen, but do not remove the wheel nuts.
- 3) Jack up the vehicle (follow the jacking instructions in the EMERGENCY SERVICE section in this manual)
- 4) Remove the wheel nuts and wheel.
- 5) Install the new wheel and replace the wheel nuts with their cone shaped end facing the wheel. Tighten each nut snugly by hand until the wheel is securely seated on the hub.

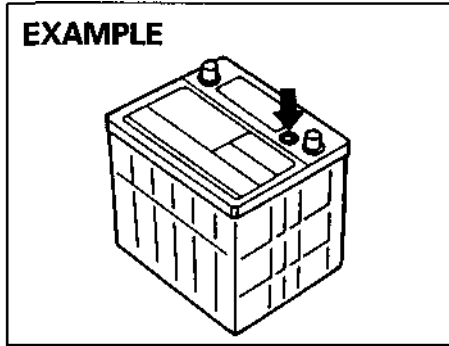
60A23-09160

BATTERY

- 6) Lower the jack and fully tighten the nuts (to 58.0-79.5 lb-ft [8.0-11.0 kg-m]) in a crisscross fashion with a wrench as shown in the illustration.

Snow Tires

SIDEKICK models are equipped with all-season tires which are designed for use in summer and most winter conditions. For improved traction in severe winter conditions, Suzuki recommends mounting radial snow tires on all four wheels. Snow tires must be the same size as the standard tires.

EXAMPLE

Batteries produce flammable hydrogen gas. Keep flames and sparks away from the battery or an explosion may occur. Never smoke when working in the vicinity of the battery.

When checking or servicing the battery, disconnect the negative cable. Be careful not to cause a short circuit by allowing metal objects to contact the battery posts and the vehicle at the same time.

To avoid harm to yourself or damage to your vehicle or battery, follow the jump starting instructions in the **EMERGENCY SERVICE** section of this manual if it is necessary to jump start your vehicle.

Your vehicle is equipped with a battery that requires infrequent maintenance. You will never have to add water. You should, however, periodically check the battery, battery terminals, and battery hold-down bracket for corrosion. Remove corrosion using a stiff brush and ammonia mixed with water, or baking soda mixed with water. After removing corrosion, rinse with clean water.

The test indicator on the top of the battery provides information on the condition of the battery.

If your vehicle is not going to be driven for a month or longer, disconnect the cable from the negative terminal of the battery to help prevent discharge.

INSPECTION AND MAINTENANCE

60A23-09170

FUSES

Your vehicle has three types of fuses, as described below:

Main Fuse - The main fuse takes current directly from the battery. If your vehicle has an air conditioner, its main fuse is a fusible link located at the battery positive terminal.

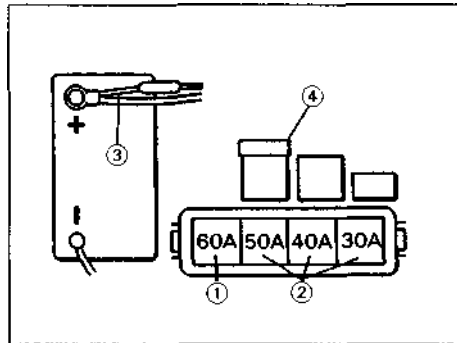
Primary Fuses - These fuses are between the main fuse and individual fuses, and are for electrical load groups.

Individual Fuses - These fuses are for individual electrical circuits.

For details on protected circuits, refer to the FUSES AND PROTECTED CIRCUITS section in this manual.

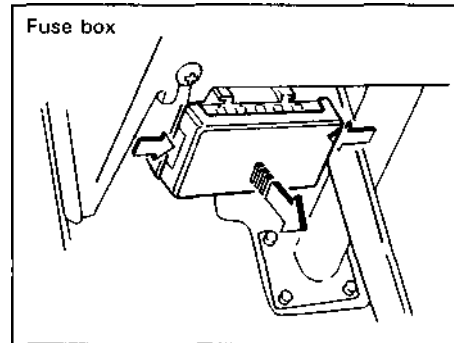
Main Fuse and Primary Fuses

The main fuse and primary fuses are located in the engine compartment. If the main fuse blows, no electrical component will function. If a primary fuse blows, no electrical component in the corresponding load group will function. When replacing the main fuse or a primary fuse, use a genuine SUZUKI replacement.



- ① Main fuse
- ② Primary fuse
- ③ A/C fusible link
- ④ A/C fuse

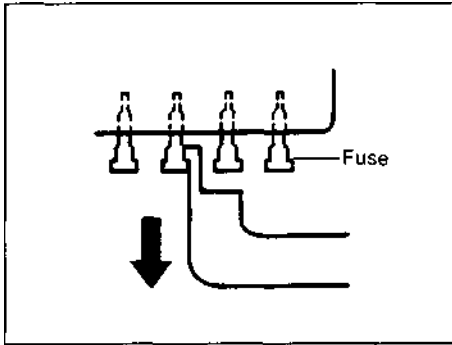
If the main fuse or a primary fuse blows, be sure to have your vehicle inspected by an authorized SUZUKI dealer. Always use a genuine SUZUKI replacement. Never use a substitute such as a wire even for a temporary fix, or extensive electrical damage and a fire can result.



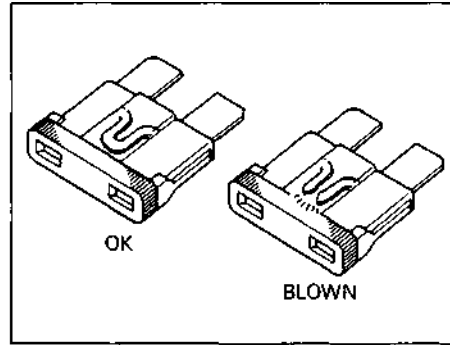
Fuse Box

The fuse box is located under the driver's side of the dashboard. Remove the fuse box cover by pushing in at both ends and pulling off the cover. To remove a fuse, hook the fuse with the end hook on the fuse box cover, and pull out the fuse.

BULB REPLACEMENT



Always be sure to replace a blown fuse with a fuse of the correct amperage. Never use a substitute such as aluminum foil or wire to replace a blown fuse. If you replace a fuse and the new one blows in a short period of time, you may have a major electrical problem. Have your vehicle inspected immediately by your SUZUKI dealer.

**NOTE:**

Make sure that the fuse box cover always carries four spare fuses, 10A, 15A, 20A and 25A.

Light bulbs can be hot enough to burn your finger right after being turned off. This is true especially for halogen headlight bulbs.

Replace the bulbs after they become cool enough.

The headlight bulbs are filled with pressurized halogen gas. They can burst and injure you if they are hit or dropped. Handle them carefully.

A CAUTION

The oils from your skin may cause a halogen bulb to overheat and burst when the lights are on. Grasp a new bulb with a clean cloth.

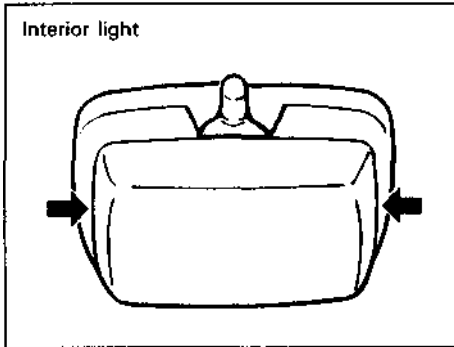
A CAUTION

Frequent replacement of a bulb indicates the need for an inspection of the electrical system. This should be carried out by your SUZUKI dealer.

NOTE:

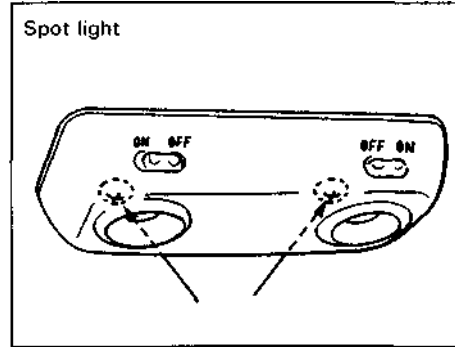
If it is difficult to replace headlight bulbs or clearance light bulbs due to underhood components trust this job to your dealer.

INSPECTION AND MAINTENANCE



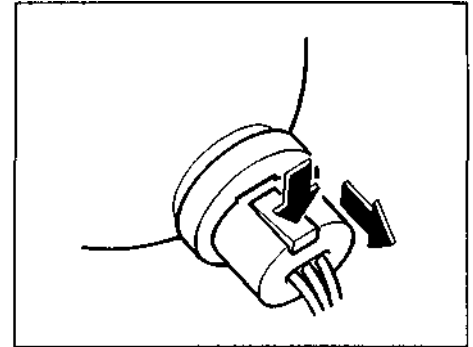
Interior Light

Press the lens at the positions indicated by the arrows and remove it. The bulb can be removed by simply pulling it out. When replacing the bulb, make sure that the contact springs are holding the bulb securely.



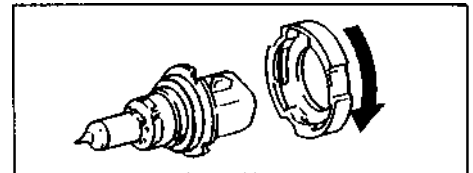
Spot Light (if equipped)

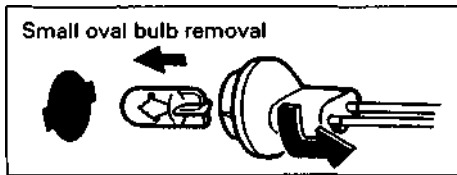
Remove the spot light housing by removing the two screws in front of the housing. The bulb can be removed by simply pulling it out. When replacing the bulb, make sure that the contact springs are holding the bulb securely.



Headlights

Open the engine hood. Push in the lock tab and unfasten the coupler. Remove the bulb holder by turning it counterclockwise. Replace the bulb with a new one, reinstall the bulb holder, and reconnect the coupler.

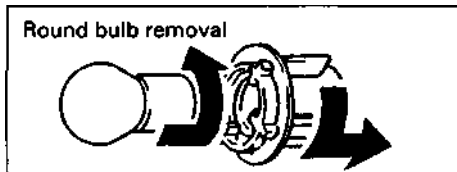




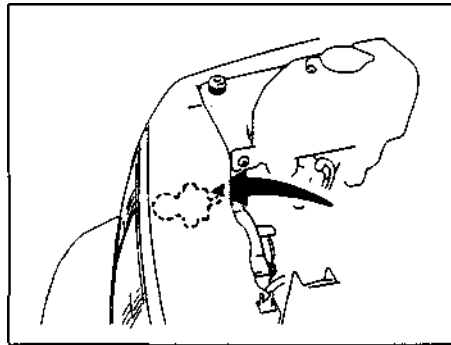
**Front Clearance/Turn Signal Light,
Tail/Stop/Back-up Combination Light,
Side Marker Light, License Plate Light**

Two types (small oval and round) of bulb are used for these lights. To remove and install a small oval bulb, simply pull out or push in the bulb.

To remove a round bulb from a bulb holder, push in the bulb and turn it counterclockwise. To install a new bulb, push it in and turn it clockwise.

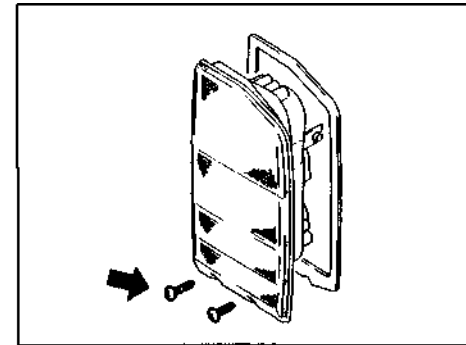


To remove a bulb holder from a light housing, turn the holder counterclockwise and pull it out. To install the holder, push the holder in and turn it clockwise. You can access the individual bulb holders as described below:



Front clearance/turn signal light

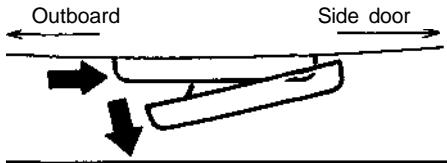
Open the engine hood. The bulb holder is located at the outboard side of the headlight.



Tail/stop/back-up combination light

Undo the two screws at the bottom end of the light housing and remove the housing.

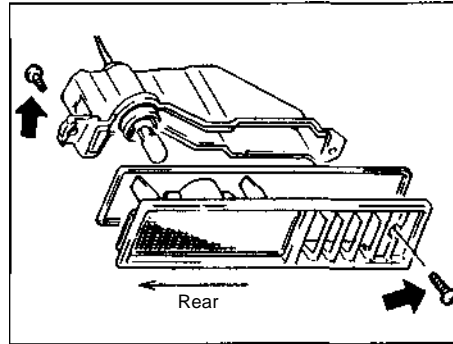
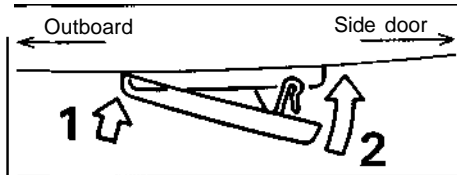
INSPECTION AND MAINTENANCE



Side marker light (except for rear light of 2-door hard top model)

To remove the light housing, pull out the outboard end (vehicle front or rear end) of the housing while pushing the housing toward the side door.

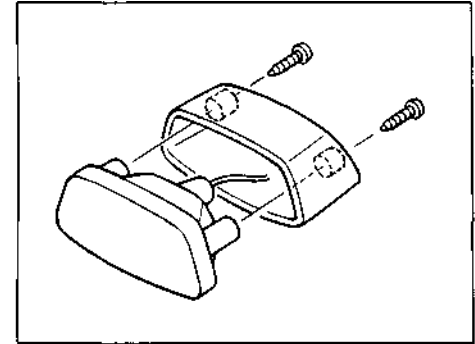
To install the housing, push in its outboard end, then push in the other end.



Side marker light (for rear light of 2-door hard top model)

Undo the screw securing the light housing to the vehicle body and remove the housing. Undo the other screw to disassemble the light housing.

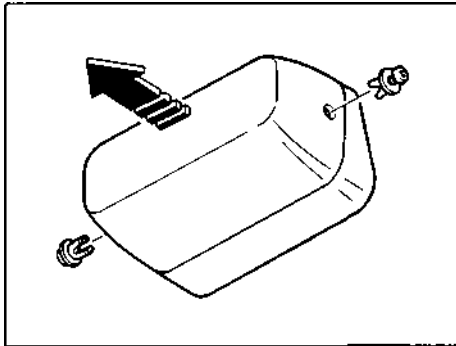
When installing the light housing to the vehicle body, first insert the groove of the housing rear end into the vehicle body panel edge.



High-mount stop light (for Canvas top model)

Undo the two screws and remove the housing.

60A25-09190

WIPER BLADES**High-mount stop light (for hard top model)**

Remove the two side pins and remove the cover.

License plate light

Undo the two screws holding the light housing and remove the housing.

If the wiper blades become brittle or damaged, or make streaks when wiping, replace the wiper blades.

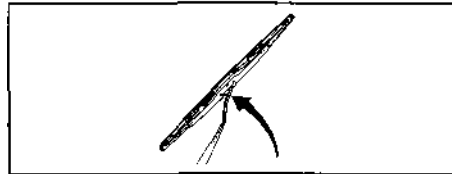
To install new wiper blades, follow the procedures below.

A CAUTION

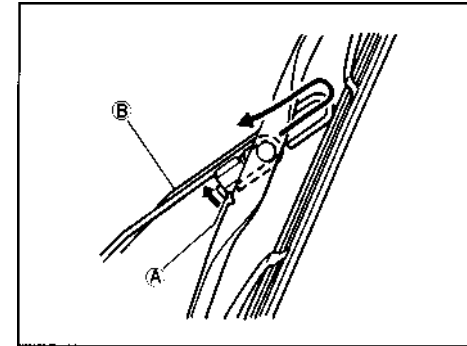
To avoid scratching or breaking the window, do not let the wiper arm strike the window while replacing the wiper blade.

NOTE:

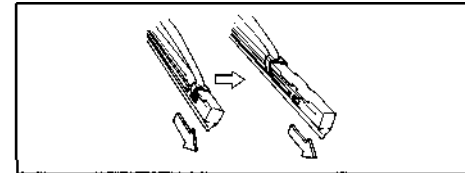
Some wiper blades may be different from the ones described here depending on vehicle specifications. If so, consult your SUZUKI dealer for proper replacement method.

**For windshield wipers and some rear wipers:**

1. Hold the wiper arm away from the window.

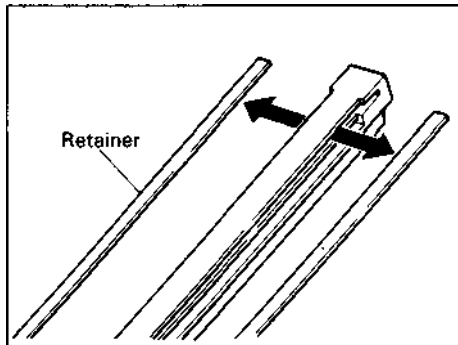


2. Squeeze lock lever A towards wiper arm f and remove the wiper frame from the arm as shown.

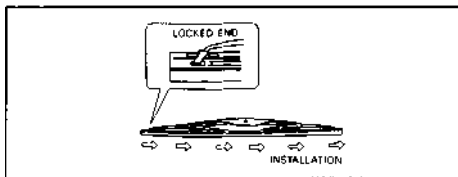


3. Pull the locked end of the wiper blade firmly to unlock the blade and slide the blade out as shown.

INSPECTION AND MAINTENANCE

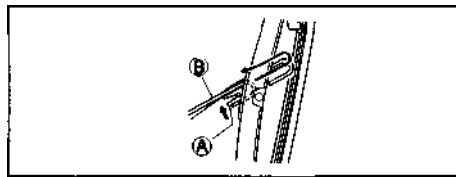


4. If the new blade is provided without the two metal retainers, move them from the old blade to the new one.



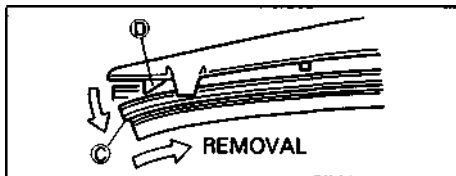
5. Install the new blade in the reverse order of removal, with the locked end positioned toward the wiper arm. Make sure the blade is properly retained by all the hooks. Grasp the blade near the locked end and pull in the direction of the arrows to lock the end into place.

6. Reinstall wiper frame to arm, making sure that the lock lever is snapped securely into the arm.

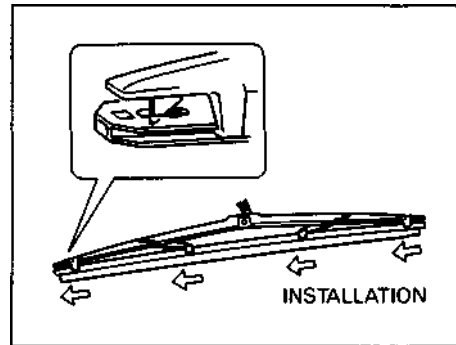


For some rear wipers:

1. Hold the arm away from the window.
2. Squeeze the lock piece (A) toward the wiper arm (B) and remove the wiper frame as shown.



3. Flex the locked end of blade (C) away from retainer (D) to unlock it and slide the blade out as shown.



Install the new blade in the reverse order of removal. Make sure that the blade is properly retained by all the hooks and the end is locked in place. Reinstall wiper frame to arm, making sure that the lock piece is snapped securely into the arm.

60A23-10000

EMERGENCY SERVICE

Jacking Instructions.....	10-1
Jump Starting Instructions.....	10-2
Towing a Disabled Vehicle.....	10-3
Emergency Remedies.....	10-3

60A23 11000

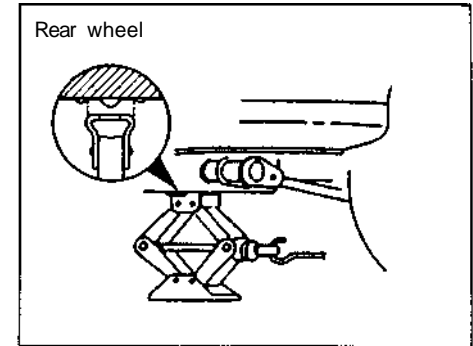
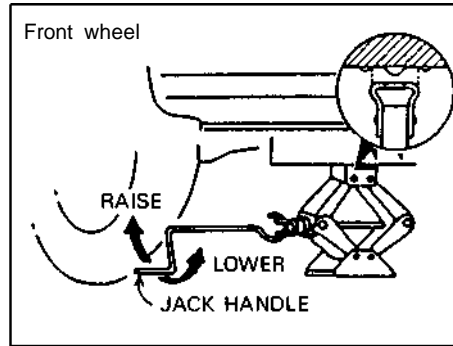
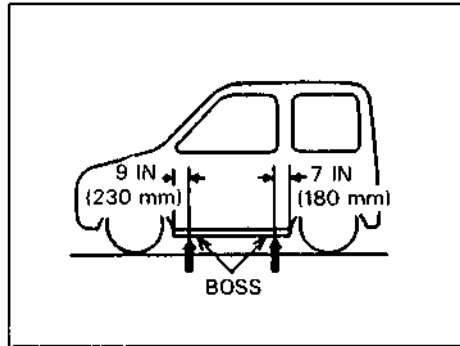
APPEARANCE CARE

Corrosion Prevention ,	11-1
Vehicle Cleaning.....,	11-2

EMERGENCY SERVICE

60A23-10010

JACKING INSTRUCTIONS



- 1) Place the vehicle on level, hard ground.
- 2) Set the parking brake firmly and shift into "P" (Park) if your vehicle has an automatic transmission, or shift into "R" (Reverse) if your vehicle has a manual transmission. Block the front and rear of the wheel diagonally opposite of the wheel being lifted.
- 3) Turn on the hazard warning flasher if your vehicle is near traffic.
- 4) Position the jack vertically and raise the jack by turning the jack handle clockwise until the jack head recess fits the frame boss.

- 5) Continue to raise the jack slowly and smoothly until the tire clears the ground. Do not raise the vehicle more than necessary.

Use the jack only to change wheels.
Never jack up the vehicle on an inclined surface.
Never raise the vehicle with the jack in a location other than under the frame boss near the wheel to be changed.
Make sure that the jack is raised at least 2 inches (51 mm) before it contacts the frame boss. Use of

(Continued)

the jack when it is within 2 inches of being fully collapsed may result in failure of the jack.

- * **Never get under the vehicle when it is supported by the jack.**
- * **Never run the engine when the vehicle is supported by the jack and never allow passengers to remain in the vehicle.**

JUMP STARTING INSTRUCTIONS

Never attempt to jump start your vehicle if the battery appears to be frozen. Batteries in this condition may explode or rupture if jump starting is attempted.

When making jumper cable connections, be certain that your hands and the jumper cables remain clear from pulleys, belts, or fans.

Batteries produce flammable hydrogen gas. Keep flames and sparks away from the battery or an explosion may occur. Never smoke when working in the vicinity of the battery.

If the booster battery you use for jump starting is installed in another vehicle, make sure the two vehicles are not touching each other.

If your battery discharges repeatedly, for no apparent reason, have your vehicle inspected by an authorized SUZUKI dealer.

(Continue!)

(Continued)

- * To avoid harm to yourself or damage to your vehicle or battery, follow the jump starting instructions below precisely and in order. If you are in doubt, call for qualified road service.

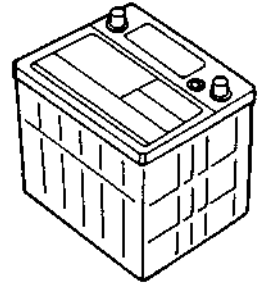
A CAUTION

Your vehicle should not be started by pushing or towing. This starting method could result in permanent damage to the catalytic converter. Use jumper cables to start a vehicle with a weak or run-down battery.

When jump starting your vehicle, use the following procedure:

- 1) Use only a 12 volt battery to jump start your vehicle. Position the good 12V battery close to your vehicle so that the jumper cables will reach both batteries. When using a battery installed on another vehicle, **DO NOT LET THE VEHICLES TOUCH**. Set the parking brakes fully on both vehicles.
- 2) Turn off all vehicle accessories, except those necessary for safety reasons (for example, headlights or hazard lights).

12V BATTERY



- 3) Make jumper cable connections as follows:
 - a) Connect one end of the first jumper cable to the positive (+) terminal of the discharged battery.
 - b) Connect the other end to the positive (+) terminal of the booster battery.
 - c) Connect one end of the second jumper cable to the negative (-) terminal of the booster battery.
 - d) Make the final connection to an unpainted, heavy metal part of the engine of the vehicle with the discharged battery.

If the Engine Overheats

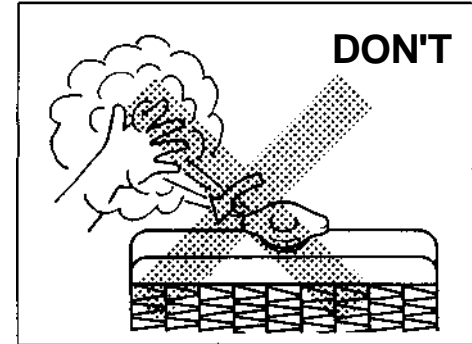
The engine could overheat temporarily under severe driving conditions. If the engine coolant temperature gauge indicates overheating during driving:

- 1) Turn off the air conditioner, if equipped.
- 2) Take the vehicle to a safe place and park.
- 3) Let the engine run at normal idle speed for a few minutes until the indicator is within the normal, acceptable temperature range shown by the white band between "H" and "C".

If you see or hear escaping steam, stop the vehicle in a safe place and immediately turn off the engine to let it cool. Do not open the hood when steam is present. When the steam can no longer be seen or heard, open the hood to see if the coolant is still boiling. If it is, you must wait until it stops boiling before you proceed.

If the temperature indication does not come down to within the normal, acceptable range:

- 1) Turn off the engine and check that the water pump belt and pulleys are not damaged or slipping. If any abnormality is found, correct it.
- 2) Check the coolant level in the reservoir. If it is found to be lower than the "LOW" line, look for leaks at the radiator, water pump, and radiator and heater hoses. If you locate any leaks that may have caused the overheating, do not run the engine until these problems have been corrected.
- 3) If you do not find a leak, carefully add coolant to the reservoir and then the radiator, if necessary. (Refer to "ENGINE COOLANT" in the "INSPECTION AND MAINTENANCE" section.)



It is hazardous to remove the radiator cap when the water temperature is high, because scalding fluid and steam may be blown out under pressure. The cap should only be taken off when the coolant temperature has lowered.

CORROSION PREVENTION

It is important to take good care of your vehicle to protect it from corrosion.

Listed below are instructions for how to maintain your vehicle to prevent corrosion. Please read and follow these instructions carefully.

Important Information About Corrosion Common causes of corrosion

- 1) Accumulation of road salt, dirt, moisture, or chemicals in hard to reach areas of the vehicle underbody or frame.
- 2) Chipping, scratches and any damage to treated or painted metal surfaces resulting from minor accidents or impact from stones and gravel.

Environmental conditions which accelerate corrosion

- 1) Road salt, dust control chemicals, sea air or industrial pollution will all accelerate the corrosion of metal.
- 2) High humidity will increase the rate of corrosion particularly when the temperature range is just above the freezing point.
- 3) Moisture in certain areas of a vehicle for an extended period of time may promote corrosion even though other body sections may be completely dry.

- 4) High temperatures will cause an accelerated rate of corrosion to parts of the vehicle which are not well ventilated to permit quick drying.

This information illustrates the necessity of keeping your vehicle (particularly the underbody) as clean and dry as possible. It is equally important to repair any damage to the paint or protective coatings as soon as possible.

How to Help Prevent Corrosion Wash your vehicle frequently

The best way to preserve the finish on your vehicle and to help avoid corrosion is to keep it clean with frequent washing.

Wash your vehicle at least once during the winter and once immediately after the winter. Keep your vehicle, particularly the underside, as clean and dry as possible.

If you frequently drive on salted roads, your vehicle should be washed at least once a month during the winter. If you live near the ocean, your vehicle should be washed at least once a month throughout the year.

Wash your vehicle immediately after using it off-road. For washing instructions, refer to the "VEHICLE CLEANING" section.

Remove foreign material deposits

Foreign material such as salts, chemicals, road oil or tar, tree sap, bird droppings and industrial fall-out may damage the finish of your vehicle if it is left on painted surfaces. Remove these types of deposits as quickly as possible. If these deposits are difficult to wash off, an additional cleaner may be required. Be sure that any cleaner you use is not harmful to painted surfaces and is specifically intended for your purposes. Follow the manufacturer's directions when using these special cleaners.

Foreign material can lodge between the fuel tank of your vehicle and the skid plate which covers it. You should periodically clean out any foreign material which has accumulated in this area, since it could create a fire hazard.

Repair finish damage

Carefully examine your vehicle for damage to the painted surfaces, especially if it is used off-road. Should you find any chips or scratches in the paint, touch them up immediately to prevent corrosion from starting. If the chips or scratches

have gone through to the bare metal, have a qualified body shop make the repair.

Keep passenger and cargo compartments clean

Moisture, dirt or mud can accumulate under the floor mats and may cause corrosion. Occasionally, check under these mats to ensure that this area is clean and dry. More frequent checks are necessary if the vehicle is used off road or in wet weather.

Certain cargo such as chemicals, fertilizers, cleaners, salts, etc, are extremely corrosive by nature. These products should be transported in sealed containers. If a spill or leak does occur, clean and dry the area immediately.

Use mud and gravel shields

The use of mud and gravel shields will help protect your vehicle, especially if you frequently drive on gravel or salted roads. Full-size shields, which extend as close to the road as is practical, are the best. The fittings for such shields should also be corrosion resistant. Please check with your authorized SUZUKI dealer for information on these shields.

Store your vehicle in a dry, well-ventilated area

Do not park your vehicle in a damp, poorly ventilated area. If you often wash your vehicle in the garage or if you frequently drive it in when wet, your garage may be damp. The high humidity in the garage may cause or accelerate corrosion. A wet vehicle may corrode even in a heated garage if the ventilation is poor.

Do not apply additional undercoating or rust preventive coating on or around exhaust system components such as the catalytic converter, exhaust pipes, etc. A fire could be started if the undercoating substance becomes overheated.

Cover your vehicle

If you can not regularly park your vehicle in a garage, we recommend you use a vehicle cover. Years of exposure to mid-day sun can cause the colors in paint, plastic parts, and fabrics to fade. Covering your vehicle with a high-quality, "breathable" vehicle cover can help protect the finish from the harmful UV rays in sunlight, and can reduce the amount of dust and air pollution reaching the surface. Your Suzuki dealer can help you select the right cover for your vehicle.



When cleaning the interior or exterior of the vehicle, NEVER USE flammable solvents such as lacquer thinners, gasoline, benzene or cleaning materials such as bleaches and strong household detergents. The materials could cause personal injury or damage to the vehicle.

Cleaning Interior Vinyl upholstery

Prepare a solution of soap or mild detergent mixed with warm water. Apply the solution to the vinyl with a sponge or soft cloth and let it soak for a few minutes to loosen dirt. Rub the surface with a clean, damp cloth to remove dirt and the soap solution. If some dirt still remains on the surface, repeat this procedure.

Fabric upholstery

Remove loose dirt with a vacuum cleaner. Using a mild soap solution, rub stained areas with a clean damp cloth. To remove soap, rub the areas again with a cloth dampened with water. Repeat this until the stain is removed, or use a commercial fabric cleaner for tougher stains. If you use a fabric cleaner, carefully follow the manufacturer's instructions and precautions.

Seat belts

Clean seat belts with a mild soap and water. Do not use bleach or dye on the belts. They may weaken the fabric in the belts.

Vinyl floor mats

Ordinary dirt can be removed from vinyl with water or mild soap. Use a brush to help loosen dirt. After dirt is loosened, rinse the mat thoroughly with water and dry it in the shade.

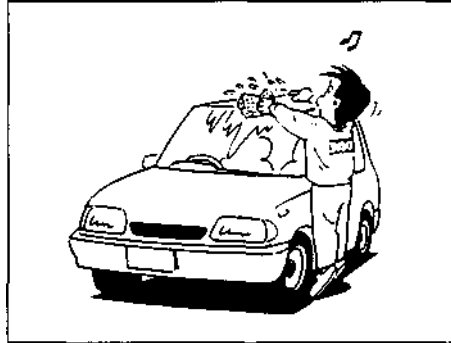
Carpets

Remove dirt and soil as much as possible with a vacuum cleaner. Using a mild soap solution, rub stained areas with a clean damp cloth. To remove soap, rub the areas again with a cloth dampened with water. Repeat this until the stain is removed, or use a commercial carpet cleaner for tougher stains. If you use a carpet cleaner, carefully follow the manufacturer's instructions and precautions.

Cleaning the Exterior

▲ CAUTION

It is important that your vehicle be kept clean and free from dirt. Failure to keep your vehicle clean may result in fading of the paint or corrosion to various parts of the vehicle body.



Washing



Never attempt to wash and wax your vehicle with the engine running.

When cleaning the underside of the body and fender, where there may be sharp-edged parts, you should wear gloves and a long-sleeved shirt to protect your hands and arms from being cut.

After washing your vehicle, carefully test the brakes before driving to make sure they have maintained their normal effectiveness.

When washing the vehicle, follow the instructions below:

- 1) Flush the underside of body and wheel housings with pressurized water to remove mud and debris. Use plenty of water.

A CAUTION

When washing the vehicle, avoid directing steam or hot water of more than 80°C (176°F) on plastic parts.

- 2) Remove dirt and mud from the body exterior with running water. You may use a soft sponge or brush. Do not use hard materials which can scratch the paint.
- 3) Wash the entire exterior with a mild detergent or car wash soap using a sponge or soft cloth. The sponge or cloth should be frequently soaked in the soap solution.

▲ CAUTION

When using a commercial car wash product, observe the cautions specified by the manufacturer. Never use strong household detergents or soaps.

APPEARANCE CARE

- 4) Once the dirt has been completely removed, rinse off the detergent with running water.
- 5) After rinsing, wipe off the vehicle body with a wet chamois or cloth and allow it to dry in the shade.
- 6) If your vehicle has a canvas top, special care should be taken to clean and preserve it.
 - a) After washing the canvas top, make sure it is completely dry before opening or removing.
 - b) If you use vinyl cleaner on the canvas top, do not allow any vinyl cleaner to run down and dry on the paint, leaving a streak.
 - c) Do not wash your canvas top at an automatic car wash.
 - d) Do not shower the canvas top with a strong spray of water, especially on the zippers and where the canvas meets the vehicle body.
 - e) When washing the plastic windows, follow the special directions outlined below.
- 7) Check carefully for damage to painted surfaces. If there is any damage, "touch-up" the damage following the procedure below:
 - a) Clean all damaged spots and allow them to dry.
 - b) Stir the paint and "touchup" the damaged spots lightly using a small brush.
 - c) Allow the paint to dry completely.

Cleaning plastic windows on canvas top

The plastic windows on the canvas top are so pliable that they can be scratched if special care is not taken. Care for your windows as outlined below:

- * To wipe off dust, use a soft cotton cloth dampened with clean water. Move the cloth in one direction. Never use a dry cloth.
- * To remove frost, snow or ice, use lukewarm water. Do not use a scraper or de-icing chemicals.
- * To wash the windows, be sure to use lukewarm or cold water. Do not use hot water or strong soap or detergents. Never use solvents such as alcohol or harsh cleaning agents. After thoroughly rinsing, wipe with a soft and slightly moist, clean cloth.
- * Never paste stickers, gummed labels or any tape to the windows. It is very hard to remove adhesives left on the windows after removing such stickers or labels.

Waxing

After washing the vehicle, waxing and polishing are recommended to further protect and beautify the paint.

- * Only use waxes and polishes of good quality.
- * When using waxes and polishes, observe the precautions specified by the manufacturers.

Other canvas top notes

The canvas top is weaker and less durable than a conventional top. It may leak during a strong rain. It may become deteriorated after a period of exposure to sunshine or cold weather. To keep your canvas top in good condition, SUZUKI recommends you keep your vehicle in a dry garage if possible. When the top is removed, store it in a clean, dry place.

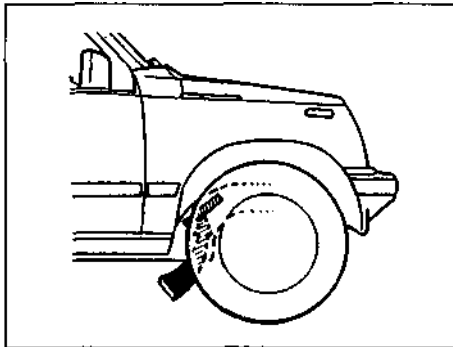
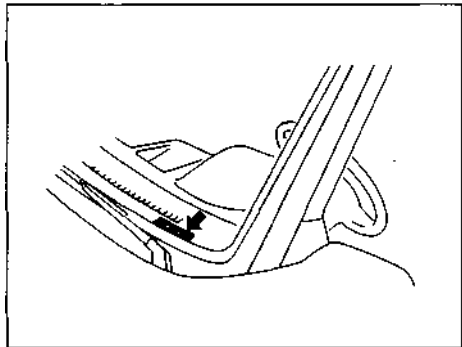
GENERAL INFORMATION

Identification Numbers.....	12-1
Safety Certification Label.....	12-2
Emission Compliance Label.....	12-2
Warranties.....	12-2
Reporting Safety Defects.....	12-3

GENERAL INFORMATION

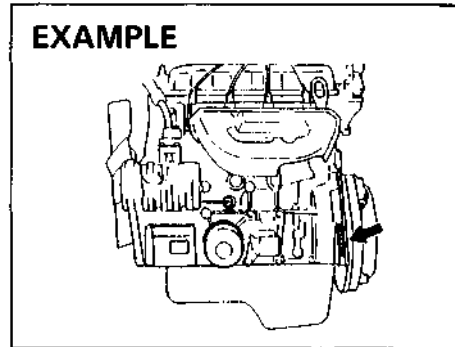
60A23-12010

IDENTIFICATION NUMBERS



Vehicle Identification Number

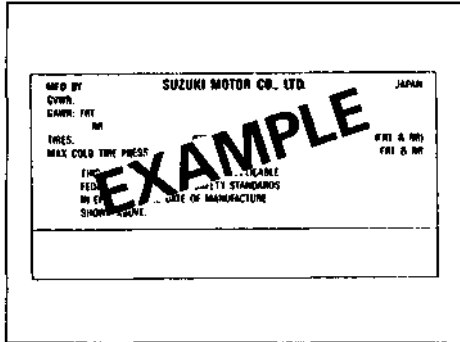
The vehicle Identification Number (VIN) may be found in the two locations shown in the above illustrations. This number is used to register the vehicle. It is also used to assist your dealer when ordering parts or referring to special service information.



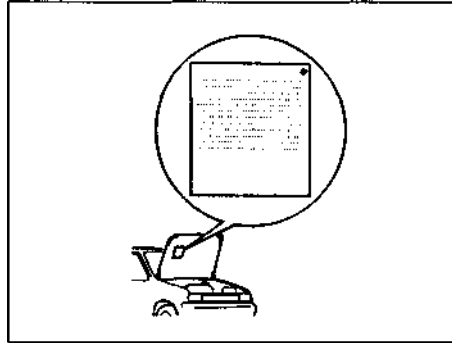
EXAMPLE

Engine Serial Number

The engine serial number is stamped on the cylinder block as shown in the above illustration.

SAFETY CERTIFICATION LABEL

This label contains important safety-related information about your vehicle. The label is located below the driver's side door latch striker.

**EMISSION COMPLIANCE LABEL
(For U.S.A)**

The EPA emission compliance label is located under the hood. It provides much of the information needed to perform an engine tune-up on your vehicle.

GENERAL INFORMATION**WARRANTIES**

The warranties covering your vehicle are explained in a separate New Vehicle Warranty Information booklet given to you at the time of sale. Please read this booklet carefully so you can understand your rights and responsibilities.

(For U.S.A.)

The following warranties are provided with your vehicle:

- New Vehicle Limited Warranty
- Limited Warranty For Suzuki Parts or Accessories
- Emission Components Defect Warranty
- Emission Performance Warranty

GENERAL INFORMATION

60A23-12050

REPORTING SAFETY DEFECTS

If you believe that your vehicle has a defect which could cause a crash or could cause injury or death, you should immediately inform the National Highway Traffic Safety Administration (NHTSA) in addition to notifying American Suzuki Motor Corp.

If NHTSA receives similar complaints, it may open an investigation, and if it finds that a safety defect exists in a group of vehicles, it may order a recall and remedy campaign. However, NHTSA cannot become involved in individual problems between you, your dealer, or American Suzuki Motor Corp.

To contact NHTSA, you may either call the Auto Safety Hotline toll-free at 1-800-424-9393 (or 366-0123 in Washington, D.C. area) or write to: NHTSA, U.S. Department of Transportation, Washington, D.C. 20590. You can also obtain other information about motor vehicle safety from the Hotline.

To contact American Suzuki, owners in the continental United States can call toll-free 1-800-934-0934, or write to:

American Suzuki Motor Corporation
Automotive Customer Relations
3251 East Imperial Highway
Brea, CA 92621-6722

For owners outside the continental United States, please refer to the distributor's address listed in your Warranty Information booklet.

FUSES AND PROTECTED CIRCUITS

FUSES AND FUSIBLE LINKS		
NAME	COLOR/SIZE (AMPS)	PROTECTED CIRCUIT
MAIN FUSE	YELLOW (60)	All Electric Load.
	RED (50)	CIGAR/RADIO, I.G. COIL/METER, WIPER/WASHER, REAR DEF, TURN/BACK, HEATER.
	GREEN (40)	HEAD-R, HEAD-L, TAIL/DOME, STOP/HORN, HAZARD.
	PINK (30)	Rear Wheel Anti-lock Brake System
HEAD-R	BLUE (15)	Right Side Headlamp.
HEAD-L	BLUE (15)	Left Side Headlamp, High Beam Indicator
TAIL/DOME	BLUE (15)	Dome Lamp, Rear Park/Rear/Marker, License Plate Lamp, Front Park/Front/Marker, Instrument Panel Illumination.
STOP/HORN	BLUE (15)	Stop Lamp Horn.
HAZARD	BLUE (15)	Hazard.
DOOR LOCK	YELLOW (20)	Door Lock Control.
CIGAR RADIO	YELLOW (20)	Cigar lighter, Radio.
I.G. COIL/METER	BLUE (15)	Ignition Coil, Distributor, Fuel Gage, Engine Coolant Temperature Gage, Fuel injection controller, Indicators; Oil/Temp./Fuel/Brake/Charging/Fasten Belts/Malfunction/Four Wheel Drive.
TURN/BACK	BLUE (15)	Turn Signal Flasher, Back Up Lamp.
WIPER/WASHER	BLUE (15)	Front Wiper and Washer/Rear Wiper and Washer.
REAR DEFG	BLUE (15)	Rear Defogger.
HEATER	CLEAR (25)	Heater Control.

FUSES AND PROTECTED CIRCUITS

FUSES AND FUSIBLE LINKS		
NAME	COLOR/SIZE (AMPS)	PROTECTED CIRCUIT
RWAL	YELLOW (20)	Rear Wheel Anti-Lock Brake System
FI	BLUE (15)	Electronic Fuel Injection System
AIR COND. MAIN FUSE	TAN 0.3 mm ² fusible link	Air conditioning.
*AIR COND.	YELLOW (20)	Air conditioning.

NOTE: *AC Fuse in engine compartment.

60A23-14000

SPECIFICATIONS

NOTE:

Specifications are subject to change without notice.

ITEM	CANVAS TOP	2-DOOR HARDTOP	4-DOOR HARDTOP
DIMENSIONS			
Overall length	3 620mm (142.5 in)	<	4 030mm (158.7 in)
Overall width	1 630mm (64.2 in)	<	1 635mm (64.4 in)
Overall height	4WD: 1 654mm (65.1 in)	<	1 690mm (66.5 in)
	2WD: 1 633mm (64.3 in)	–	1 668mm (65.7 in)
Wheel base	2 200mm (86.6 in)	<	2 480mm (97.6 in)
Tread,	front	<	<
	rear	1 400mm (55.1 in)	<
Ground clearance	4WD: 200mm (7.9 in)	<	<
	2WD: 192mm (7.6 in)		192mm (7.6 in)
WEIGHT			
Curb weight (4WD, A/T, 4-passenger) U.S.A. (with A/C, P/S)	DX: 1 135 kg (2 502 lbs)	–	DX: 1 259 kg (2 776 lbs)
Gross axle weight rating	See the safety certification label.		
Gross vehicle weight rating	See "SAFETY CERTIFICATION LABEL" in GENERAL INFORMATION section		

- 4WD | 4-wheel drive
- 2WD | 2-wheel drive
- A/T | Automatic transmission
- A/C | Air conditioning
- P/S | Power steering
- STD | Standard
- DX | Delux

SPECIFICATIONS

ITEM	ALL MODELS
ENGINE Type Number of cylinders Bore Stroke Piston displacement Compression ratio	G16A (8 valve SOHC) or G16B (16 valve SOHC) 4 75.0mm (2.95 in) 90.0mm (3.54 in) 1590cm ³ (1590cc, 97.0 cu.in) 8.9:1 . . . G16A, 9.5:1 . . . G16B
ELECTRICAL Ignition timing Standard spark plug Battery Fuses Headlight Turn signal light Side marker light Clearance light Tail/brake light Licence plate light Back-up light Interior light Meter pilot, warning, indicator lights High-mount stop light	G16A 8° B.T.D.C. G16B 5° B.T.D.C. G16A NIPPONDENSO W16EXR-U, NGK BPR5ES or BOSCH WR8DC G16B NIPPONDENSO K20PR-U, NGK BKR6E or BOSCH FR7DC 12V 55B24R (38AH)/5HR See "INSPECTION AND MAINTENANCE" and "FUSES AND PROTECTED CIRCUITS" sections 12V65/45W 12V 27W 12V3.8W 12V 8W 12V8/27W 12V 2cp 12V 27W 12V 5W 12V 1.4W 12V21cp

ITEM	ALL MODELS
<p>WHEEL Tire size, front and rear Tire pressure, front rear</p>	<p>P205/75R15 4WD, P195/75R15 2WD 160 kPa (1.60 kg/cm², 23 psi) 160 kPa (1.60 kg/cm², 23 psi)</p>
<p>STEERING Toe-in Camber angle Caster angle</p>	<p>2-6 mm (0.08-0.24 in) 0°30' 1°30'</p>
<p>CAPACITIES Coolant Fuel tank Engine oil Transmission oil Differential gear oil Front: Rear: Transfer gear box oil</p>	<p>Manual Transmission: 5.3 L (11.2/9.3 US/Imp pt) Automatic Transmission: 5.2 L (11.0/9.2 US/Imp pt) 42 L (11.1/9.2 US/Imp gal)2 DOOR 55 L (14.5/12.1 US/Imp gal).... 4 DOOR 4.5 L (9.5/7.9 US/Imp pt) (4.2 L (8.9 US pt).... Replaced with filter) Manual Transmission: 1.5 L (3.2/2.6 US/Imp pt).. 4WD 1.9 L (4.0/3.3 US/Imp pt).. 2WD 3-speed Automatic Transmission: 2.8 L (5.9/4.9 US/Imp pt) (Replaced when oil pan removal) 4-speed Automatic Transmission: 2.5 L (5.3/4.4 US/Imp pt) (when drained) 1.0 L (2.1/1.76 US/Imp pt).... 4WD 2.2 L (4.6A3.9 US/Imp pt) 1.7 L (3.6/3.0 US/Imp pt) 4WD</p>

INDEX

A

Accelerator Pedal.....	5-2
Adjusting Seat Position.....	2-7
Adjusting Seatbacks.....	2-8
Air Cleaner.....	9-16
Air Conditioning System.....	4-12
Ashtray.....	4-8
Assist Grips.....	5-26
Automatic Free-Wheeling Hubs.....	5-4
Automatic Transmission Fluid.....	9-13

B

Battery.....	9-24
Brake Pedal.....	5-2
Brake System Warning Light.....	4-3
Brakes.....	9-18
Braking.....	6-9
Break-In.....	6-10
Bulb Replacement.....	9-26

C

Canvas Top.....	5-8
Catalytic Converter.....	6-10
Charging Light.....	4-4
Child Lock System.....	2-3
Child Restraint Systems.....	2-12
Cigarette Lighter.....	4-8
Clock.....	4-9
Clutch Pedal.....	9-21
Clutch Pedal.....	5-1

Coat Hook.....	5-25
Corrosion Prevention.....	11-1

D

Daily Inspection Checklist.....	6-1
Day-Night Rearview Mirror.....	2-5
Door Locks.....	2-1

E

Emergency Remedies.....	10-3
Emission Compliance Label.....	12-2
Engine Coolant.....	9-14
Engine Hood.....	5-26
Engine Oil And Filter.....	9-7
Engine Serial Number.....	12-1
Ethanol.....	1-1
Exhaust Gas Warning.....	6-1

F

Fan Belt.....	9-7
Folding Seats.....	5-6
Frame Hooks.....	5-27
Free-Wheeling Hubs.....	5-3
Front and Rear Lap-Shoulder Belts.....	2-11
Fuel Economy.....	6-11
Fuel Filler Cap.....	5-5
Fuel Gauge.....	4-7
Fuel Recommendation.....	1-1
Fuses.....	9-25
Fuses and Protected Circuits.....	13-1

INDEX

G

Gear Oil.....	9-10
Gearshift Lever.....	5-2
Glove Box.....	4-9

H

Hazard Warning Switch.....	3-4
Head Restraints.....	2-9
Heater System.....	4-10
High Beam Indicator Light.....	4-5
High-mount Stop Light.....	9-30
Horn.....	3-7

I

Identification Numbers.....	12-1
Ignition Key Reminder.....	2-1
Ignition Switch.....	3-1
Important Vehicle Characteristics To Know.....	7-1
Inspection.....	9-0
Instrument Light Brightness Control.....	4-7
Instrument Panel.....	4-1
Interior Light Switch.....	5-24

J

Jacking Instructions.....	10-1
Jump Starting Instructions.....	10-2

K

Keys.....	2-1
-----------	-----

L

Lane Change Signal.....	3-4
Lighting Control Lever.....	3-3
Lights "On" Reminder.....	3-3

M

Maintenance.....	9-0
Maintenance Schedule.....	9-1
Malfunction Indicator Lamp.....	4-4
Manual Free-Wheeling Hubs.....	5-3
Manual Transmission.....	6-6
Manual Window Control.....	2-4
Methanol.....	1-1
Mirrors.....	2-5
MTBE.....	1-1

O

"O/D OFF" Indicator Light.....	4-5
Odometer.....	4-6
Oil Pressure Light.....	4-3
On-Pavement Driving.....	7-2
Outside Rearview Mirror.....	2-6

P

"POWER" Indicator Light.....	4-5
Parking Brake Lever.....	5-1
Periodic Maintenance Schedule.....	9-2
Power Door Locks.....	2-2
Power Mirror Control.....	2-6
Power Rear Door Lock.....	2-3

Power Steering.....9-20

P

Power Window Controls.....2-4

R

Radio.....4-18

Rear Door Lock.....2-3

Rear Side Window.....2-5

Rear Wheel Anti-Lock Brake System.....6-9

Rear Window Defroster Switch.....4-8

Rear Window Wiper/Washer Switch.....4-8

Reporting Safety Defects.....12-3

S

Safety Certification Label.....12-2

Seat Adjustment.....2-7

Seat Belt Warning Light.....4-4

Seat Belts.....2-10

Side Door Locks.....2-1

Snow Tires.....9-24

Spark Plugs.....9-17

Specifications.....14-1

Speedometer.....4-6

Spot Light.....5-25

Starting The Engine.....6-2

Steering Wheel.....9-20

Sun Visor.....5-24

T

Tachometer.....4-6

Temperature Gauge.....4-7

Tilt Steering Lock Lever.....3-5

Tire Changing Tools.....5-27

Tire Rotation.....9-23

Tires.....9-21

Towing.....8-2

Towing A Disabled Vehicle.....10-3

Towing Your Vehicle.....8-7

Trailer Towing.....8-2

Transfer Lever.....6-8

Transfer Lever.....5-3

Transmission.....6-2

Tripmeter.....4-6

Turn Signal Control Lever.....3-3

Turn Signal Indicators.....4-5

V

Vehicle Cleaning.....11-2

Vehicle Identification Number.....12-1

Vehicle Loading.....8-1

W

Walk-In Type Seats.....2-9

Warning And Indicator Lights.....4-3

Warranties.....12-2

Washing.....11-3

Windows.....2-4

Windshield Washer.....3-5

Windshield Washer Fluid.....9-16

Windshield Wipers.....3-6

15-3

INDEX

Wiper Blades.....	9-30
3-Speed Automatic Transmission.....	6-2
4-Speed Automatic Transmission.....	6-4
"4WD" Indicator Light.....	4-5

Prepared by

SUZUKI MOTOR CORPORATION

Automobile Department
Overseas Service Division

June, 1994

Part No. 99011-60A26-03E

Printed in Japan

TP160

50G 20-14000

SERVICE STATION INFORMATION

Fuel recommendation:

See page 1-1

Engine oil recommendation:

API (American Petroleum Institute)
SG or SH, or SH/ILSAC GF-1

For further details, see "ENGINE OIL AND FILTER" in the
"INSPECTION AND MAINTENANCE" section.

Brake and clutch fluid:

DOT3

Automatic transmission fluid:

An equivalent of DEXRON*-III.

Tire cold pressure:

See the "Tire Inflation Pressure Label" located on the driver's
door lock pillar.

Well, this is my contribution to all the **VITARA** owners...

Scanned and OCR'd with ABBY Finereader 7.0 Pro
by JimmyZ, Thassos, Greece...

2005-02-08