

ABBREVIATIONS USED IN THIS MANUAL

IN008-06

IN








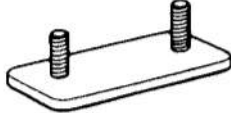


A/C	Air Conditioner
ACSD	Automatic Cold Start Device
Approx.	Approximately
BACS	Boost and Altitude Compensation Stopper
DP	Dash Pot
Ex.	Except
FL	Fusible Link
FIPG	Formed in Place Gasket
LH	Left-Hand
LHD	Left-Hand Drive
LST	Load Sensing Timer
MP	Multipurpose
OHC	Over Head Cam
O/S	Oversized
PCS	Power Control System
PCV	Positive Crankcase Ventilation
RH	Right-Hand
RHD	Right-Hand Drive
SSM	Special Service Materials
SST	Special Service Tools
STD	Standard
SW	Switch
TDC	Top Dead Center
U/S	Undersize
w/	With
w/o	Without

V03897

STANDARD BOLT TORQUE SPECIFICATIONS

IN008-01

HOW TO DETERMINE BOLT STRENGTH

	Mark	Class		Mark	Class
Hexagon head bolt	 <p>Bolt head No. 4</p> <p>4– 5– 6– 7– 8– 9– 10– 11–</p>	4T 5T 6T 7T 8T 9T 10T 11T	Stud bolt	 <p>No mark</p>	4T
	 <p>No mark</p>	4T			
Hexagon flange bolt w/ washer hexagon bolt	 <p>No mark</p>	4T	Welded bolt	 <p>Grooved</p>	6T
Hexagon head bolt	 <p>2 protruding lines</p>	5T			
Hexagon flange bolt w/ washer hexagon bolt	 <p>2 protruding lines</p>	6T	Welded bolt		4T
Hexagon head bolt	 <p>3 protruding lines</p>	7T			
Hexagon head bolt	 <p>4 protruding lines</p>	8T			

100078

SPECIFIED TORQUE FOR STANDARD BOLTS

Class	Diameter mm	Pitch mm	Specified torque					
			Hexagon head bolt			Hexagon flange bolt		
			N·m	kgf·cm	ft·lbf	N·m	kgf·cm	ft·lbf
4T	6	1	5	55	48 in.·lbf	6	60	52 in.·lbf
	8	1.25	12.5	130	9	14	145	10
	10	1.25	26	260	19	29	290	21
	12	1.25	47	480	35	53	540	39
	14	1.5	74	760	55	84	850	61
	16	1.5	115	1,150	83	—	—	—
5T	6	1	6.5	65	56 in.·lbf	7.5	75	65 in.·lbf
	8	1.25	15.5	160	12	17.5	175	13
	10	1.25	32	330	24	36	360	26
	12	1.25	59	600	43	65	670	48
	14	1.5	91	930	67	100	1,050	76
	16	1.5	140	1,400	101	—	—	—
6T	6	1	8	80	69 in.·lbf	9	90	78 in.·lbf
	8	1.25	19	195	14	21	210	15
	10	1.25	39	400	29	44	440	32
	12	1.25	71	730	53	80	810	59
	14	1.5	110	1,100	80	125	1,250	90
	16	1.5	170	1,750	127	—	—	—
7T	6	1	10.5	110	8	12	120	9
	8	1.25	25	260	19	28	290	21
	10	1.25	52	530	38	58	590	43
	12	1.25	95	970	70	105	1,050	76
	14	1.5	145	1,500	108	165	1,700	123
	16	1.5	230	2,300	166	—	—	—
8T	8	1.25	29	300	22	33	330	24
	10	1.25	61	620	45	68	690	50
	12	1.25	110	1,100	80	120	1,250	90
9T	8	1.25	34	340	25	37	380	27
	10	1.25	70	710	51	78	790	57
	12	1.25	125	1,300	94	140	1,450	105
10T	8	1.25	38	390	28	42	430	31
	10	1.25	78	800	58	88	890	64
	12	1.25	140	1,450	105	155	1,600	116
11T	8	1.25	42	430	31	47	480	35
	10	1.25	87	890	64	97	990	72
	12	1.25	155	1,600	116	175	1,800	130

ENGINE

ENGINE MECHANICAL	EG- 2	OIL PRESSURE CHECK	EG-247
DESCRIPTION	EG- 2	OIL AND FILTER REPLACEMENT	EG-248
OPERATION	EG- 2	OIL PUMP	EG-250
PREPARATION	EG- 4	OIL COOLER	EG-259
TROUBLESHOOTING	EG- 8	OIL NOZZLE	EG-264
TUNE-UP	EG-14	SERVICE SPECIFICATIONS	EG-266
COMPRESSION CHECK	EG-29		
TIMING BELT	EG-31		
TIMING GEAR	EG-40		
CYLINDER HEAD	EG-57		
CYLINDER BLOCK	EG-87		
SERVICE SPECIFICATIONS	EG-118		
TURBOCHARGER SYSTEM	EG-124		
DESCRIPTION	EG-124		
OPERATION	EG-125		
PREPARATION	EG-126		
PRECAUTION	EG-127		
TROUBLESHOOTING	EG-128		
TURBOCHARGER	EG-130		
TURBO PRESSURE SENSOR	EG-140		
SERVICE SPECIFICATIONS	EG-142		
FUEL SYSTEM	EG-143		
DESCRIPTION	EG-143		
OPERATION	EG-144		
PREPARATION	EG-146		
FUEL FILTER	EG-148		
FUEL HEATER SYSTEM	EG-150		
INJECTION NOZZLE	EG-152		
INJECTION PUMP	EG-160		
POWER CONTROL SYSTEM	EG-222		
SERVICE SPECIFICATIONS	EG-224		
COOLING SYSTEM	EG-230		
DESCRIPTION	EG-230		
OPERATION	EG-230		
PREPARATION	EG-232		
COOLANT CHECK AND REPLACEMENT	EG-233		
WATER PUMP	EG-234		
THERMOSTAT	EG-239		
RADIATOR	EG-241		
SERVICE SPECIFICATIONS	EG-243		
LUBRICATION SYSTEM	EG-244		
DESCRIPTION	EG-244		
OPERATION	EG-244		
PREPARATION	EG-246		

