

VIN PLATE DECODING INFORMATION

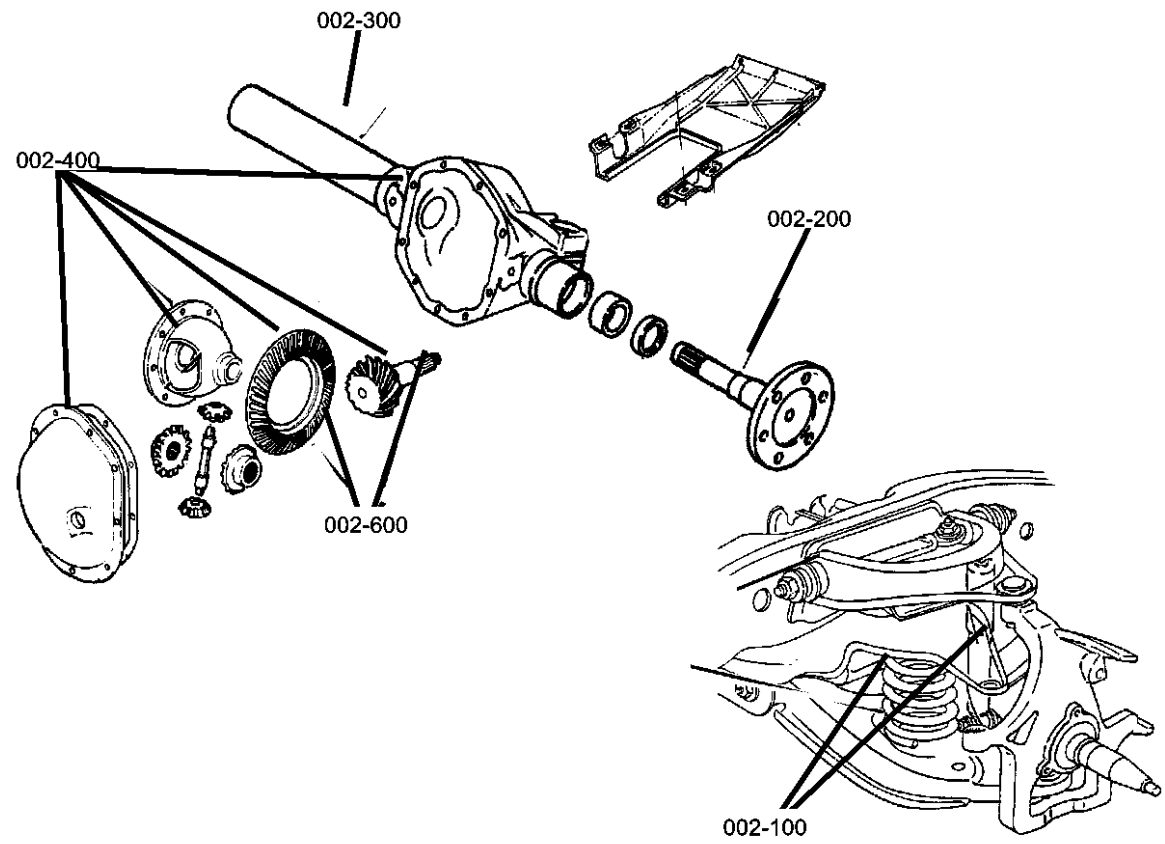
1	2	3	4	5	6	7	8	9	10	11	12 thru 17
Country	Make	Vehicle Type	Other	Line	Series	Body Style	Engine	Check Digit	Model Year	Assy. Plant	Sequence No.

The following table interprets the VIN Plate position shown above.

Position	Interpretation	Codes = Description
1	Country of Origin	1 = Built In United States by Chrysler Corporation
2	Assembler	J = Jeep
3	Vehicle Type	4 = Multipurpose Passenger Vehicle
4	GVWR & Pass. Safety	D = 0 - 1360 kg (0 - 3000 lbs) E = 1360 - 1814 kg (3001 - 4000 lbs) F = 1815 - 2267 kg (4001 - 5000 lbs) G = 2268 - 2721 kg (5001 - 6000 lbs) H = 2722 - 3175 kg (6001 - 7000 lbs)
5	Vehicle Line	Y = Wrangler (LHD) 4x4
6	Series	1 = Sport 2 = Wrangler SE 4 = Sahara
7	Body Style	9 = TJ - 77
8	Engine	P = 2.5L Gas Unleaded (EPE) S = 4.0L Gas Unleaded (ERH)
9	Check Digit	0 = Check Digit
10	Model Year	W = 1998 4 = 2004 5 = 2005 X = 1999
11	Assembly Plant	P = Toledo #2
12 thru 17	Vehicle Build Sequence	Model Year Assembly Sequence

Group - 2

Front Suspension & Drive



Group - 2 Front Suspension & Drive

Illustration Title

Group-Fig. No.

Front Suspension

Suspension,Front,Springs,Control Arms,Shocks and Track Bar Fig. 2 - 110
 Bar,Front Stabilizer Fig. 2 - 120

Front Axle Drive Shafts

Shafts,Front Axle Fig. 2 - 210

Front Axle Housing

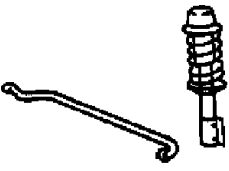
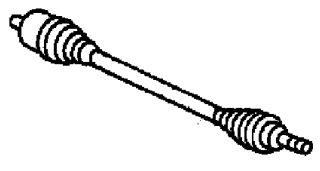
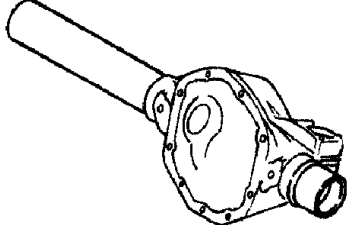
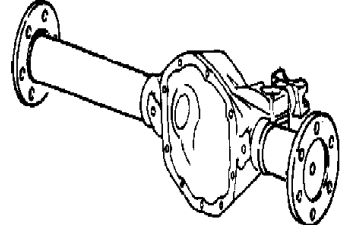
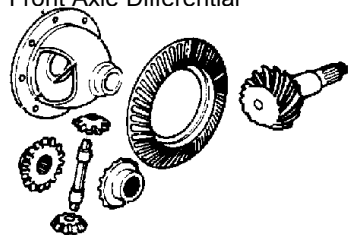
Housing,Front Axle Fig. 2 - 310

Front Axle Assembly

Axle Assembly,Front Fig. 2 - 410

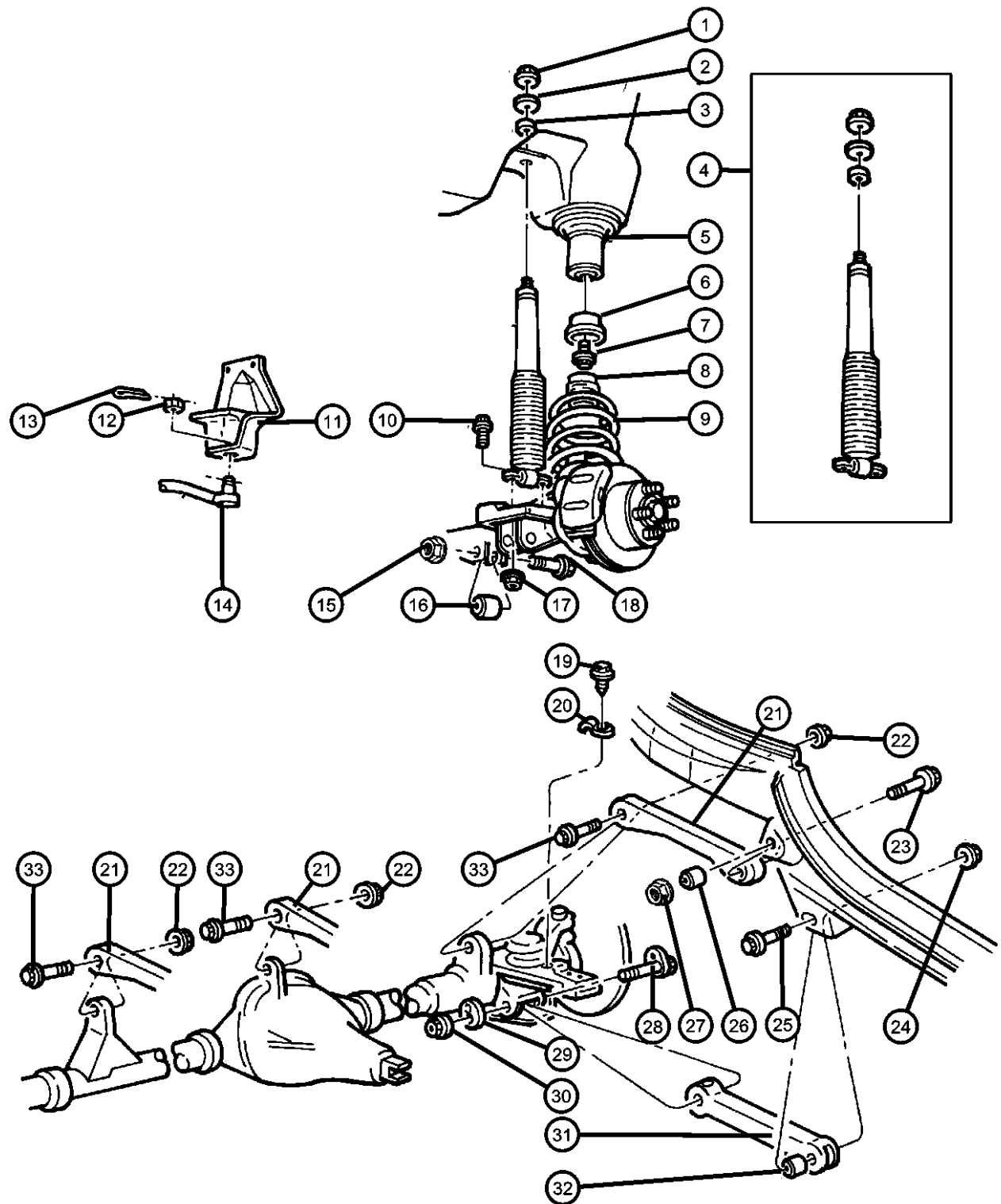
Front Axle Differential

Differential,Front Axle Fig. 2 - 610

<p>002-100 Front Suspension</p> 	<p>002-200 Front Axle Drive Shafts</p> 	<p>002-300 Front Axle Housing</p> 	<p>002-400 Front Axle Assembly</p> 
<p>002-600 Front Axle Differential</p> 			

Suspension,Front,Springs,Control Arms,Shocks and Track Bar

Figure 2-110



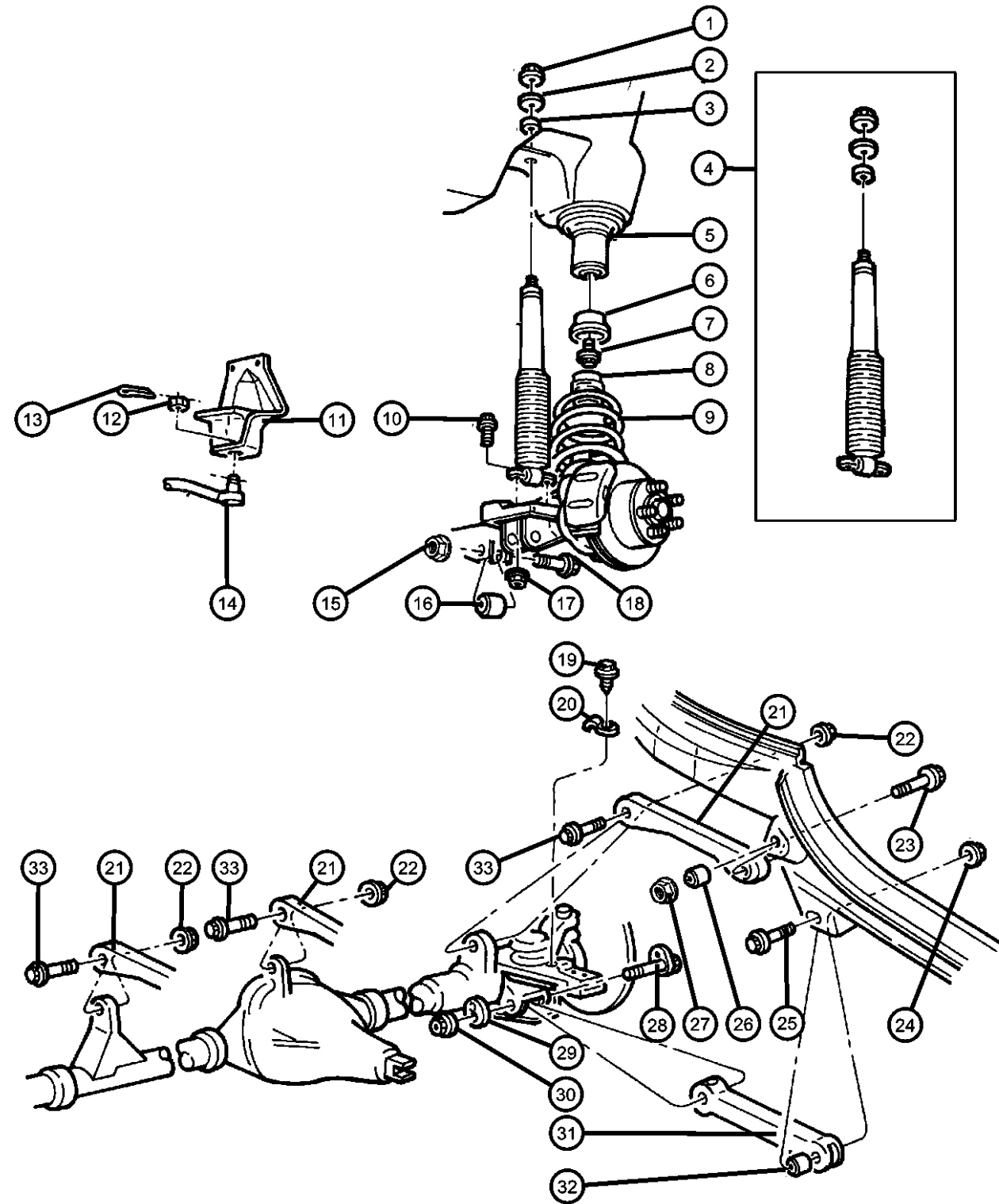
ITEM	PART NUMBER	QTY	LINE	SERIES	BODY	ENGINE	TRANS	TRIM	DESCRIPTION
Note:Sales Codes; [SDA]=Gas Charged/Normal Duty [SDU]=High Pressure Gas Charged [ZBD] Through [ZPG] = Spring Sales Codes will be found on Vehicle Identification Number [VIN] Sales Code Listing									
1	06502556	2							NUT, Hex, M10-1.5, Shock, Mounting
2	52005574	2							RETAINER, Shock Absorber, Shock, Mounting
3	52087768	2							GROMMET, Shock Absorber, Shock, Mounting
4									SHOCK ABSORBER PACKAGE, Suspension, Front
	04886533AC	2							[SDU]
	0SGR5128								Rancho Shock
	04897567AA	2							[SDA]
	0SGR5128								Rancho Shock
	0SGR5239								Rancho Shock
	0SG23196								Mopar V-Line Alternative Part
5	52087767	2							ISOLATOR, SpringUpper
6	52087635	2							CUP, Jounce BumperUpper
7	06100402	2							BOLT, Hex Head, M10x35, Jounce Bumper Cup, Mounting
8	52087992	2							BUMPER, JounceUpper
9									SPRING, Front Coil
	52088126AB	1							[ZBD,ZPD]
	52088127AB	1							[ZBE,ZPE]
	52088128AB	1							[ZBF,ZPF]
	52088129AB	1							[ZBG,ZPG]
10	06502555	4							BOLT, M8x1.25x30, Shock, Mounting
11	06502555	4							BRACKET, Track Bar to Rail, Purchase Frame, (NOT SERVICED)
12	06034358	1							NUT, Hex, .50-20, Track Bar to Frame, Mounting
13	06034358	1							PIN, Cotter, M3.2x36, (NOT SERVICED)
14									BAR, Track
	52088430	1						U	
	52088432	1						J	

WRANGLER (TJ)

SERIES	LINE	BODY	ENGINE	TRANSMISSION
L = Low Line	J = JEEP - 4WD U = JEEP - 4WD (RHD)	77 = OPEN BODY 2-DOOR	EPE = ENGINE - 2.5L POWER TECH I-4 Cyl. ERH = ENGINE - 4.0L POWER TECH I-6	DDQ = TRANSMISSION - 5-SPEED MANUAL DGD = TRANSMISSION - 3-SPD. AUTOMATIC,30RH DGG = TRANSMISSION - 3-SPD. AUTOMATIC,32RH

AR = use ase required - = Non illustrated part

Suspension,Front,Springs,Control Arms,Shocks and Track Bar
Figure 2-110



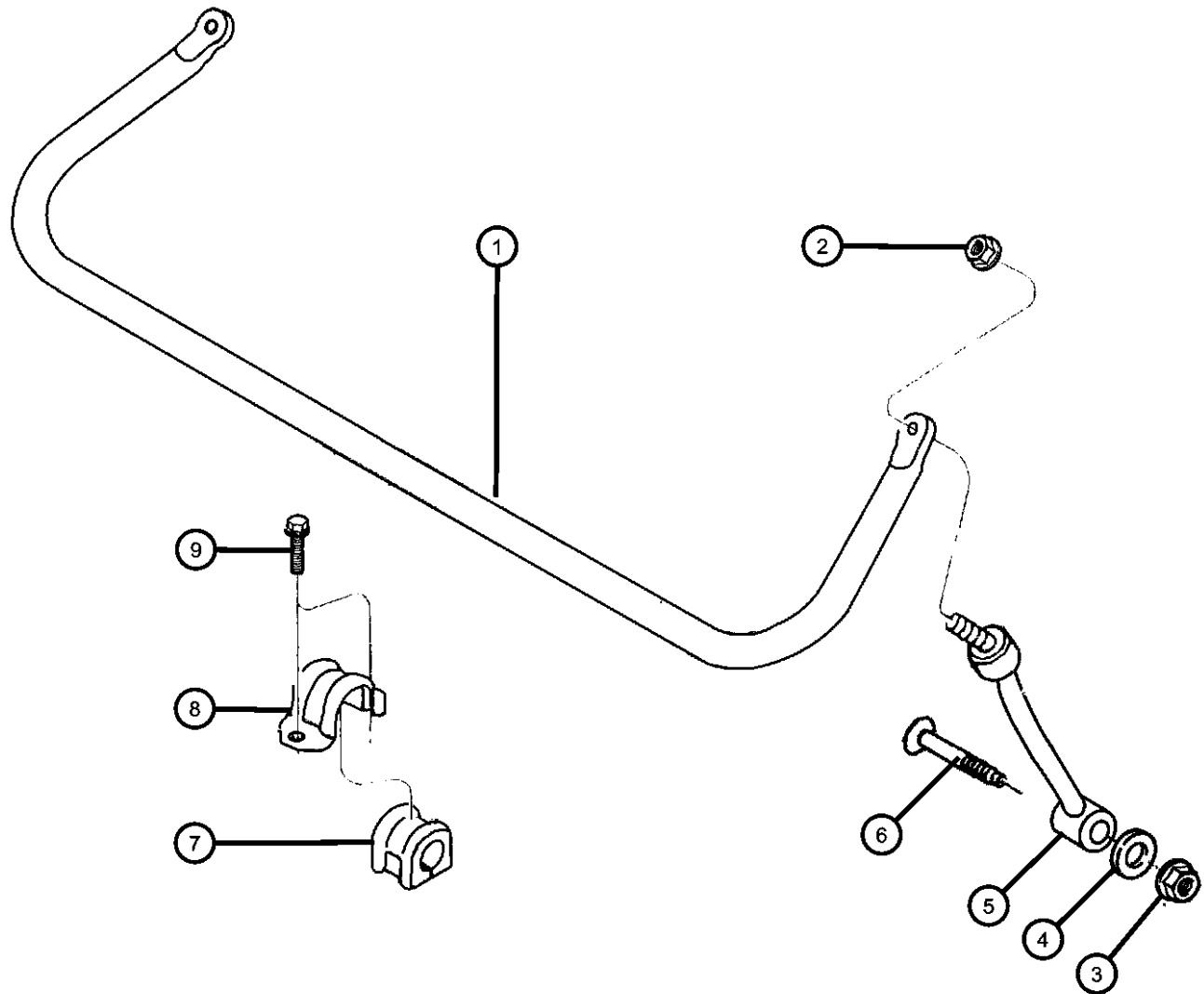
ITEM	PART NUMBER	QTY	LINE	SERIES	BODY	ENGINE	TRANS	TRIM	DESCRIPTION
15									NUT, Hex Flange Lock, M14x1.50
	06502561	1	J						Track Bar to Axle, Mounting
	52087888	1	U						Track Bar to Axle, Mounting
16									BUSHING, Track Bar
	52088431	1	U						
		1	J						
17	06101695	4							NUT, Hex Flange Lock, Shock, Mounting
18	06503981	1							SCREW, Truss Head, M10x1.5x75, Track Bar to Axle, Mounting
19	06502468	2							SCREW, Hex Flange Head, M8x1.25x20, Coil Spring Retainer, Mounting
20	52005917	1							BRACKET, Spring, Coil Spring Retainer, Mounting
21	52087711	2							ARM, Control, with Bushing, Upper
22	11506007	2							NUT, Hex Flange, M10x1.5, UCA to Axle, Mounting
23	06503085	2							BOLT, Hex Flange Head, M10x1.50x78.20, UCA to Frame, Mounting
24	06502698	4							NUT, Hex Flange Lock, LCA to Frame, Mounting
25	06502963	2							BOLT, Hex Flange Head, M14x2.00x105.00, LCA to Frame, Mounting
26	52087852	2							BUSHING, Control Arm, UCA to Frame
27	06503648	2							NUT AND RETAINER, Hex Flange Locking, M10 x 1.50, UCA to Frame, Mounting
28	06504238	2							BOLT AND WASHER, Hex Head, M14 x 2.00 x 111.6, LCA to Axle, Mounting
29	06504236	2							WASHER, M14, LCA to Axle, Mounting
30	06503841	2							NUT, Hex, M14-2, LCA to Axle, Mounting
31	52088654	2							ARM, Control, with Bushing, Lower
32	52088433	4							BUSHING, Control Arm, LCA to Frame
33	06505154AA	2							BOLT, M10x1.50x75.00, UCA to Axle, Mounting

WRANGLER (TJ)

SERIES	LINE	BODY	ENGINE	TRANSMISSION
L = Low Line	J = JEEP - 4WD U = JEEP - 4WD (RHD)	77 = OPEN BODY 2-DOOR	EPE = ENGINE - 2.5L POWER TECH I-4 Cyl. ERH = ENGINE - 4.0L POWER TECH I-6	DDQ = TRANSMISSION - 5-SPEED MANUAL DGD = TRANSMISSION - 3-SPD. AUTOMATIC,30RH DGG = TRANSMISSION - 3-SPD. AUTOMATIC,32RH

AR = use ase required - = Non illustrated part

Bar,Front Stabilizer
Figure 2-120



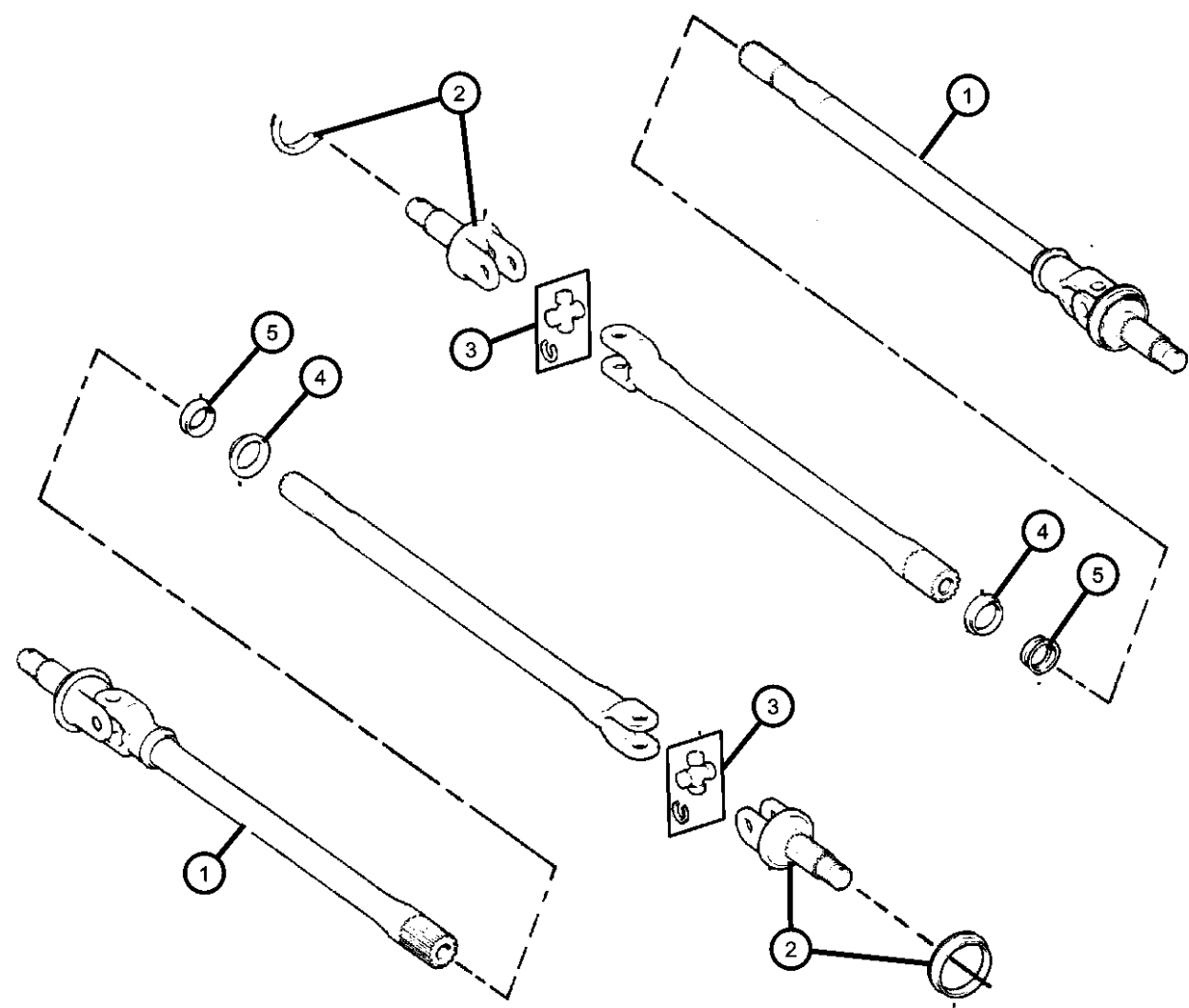
ITEM	PART NUMBER	QTY	LINE	SERIES	BODY	ENGINE	TRANS	TRIM	DESCRIPTION
1	52087824	1							STABILIZER BAR, Front
2	06502979	2							NUT AND WASHER, Hex, M10x1.5
3	06502697	2							NUT, Hex Flange Lock, M12x1.75
4	06502697	2							WASHER, ID 13.07 OD 40.00 THK 3.50, (NOT SERVICED)
5	52087771AB	2							LINK, Sway Eliminator
6	06505465AA	2							SCREW, Truss Head, M12x1.75x70
7	52088378	2							BUSHING, Stabilizer Bar
8	52037710	2							RETAINER, Stabilizer Bar Grommet
9	06102037AA	4							SCREW AND WASHER, Hex Head, M10x1.50x35

WRANGLER (TJ)

SERIES	LINE	BODY	ENGINE	TRANSMISSION
L = Low Line	J = JEEP - 4WD U = JEEP - 4WD (RHD)	77 = OPEN BODY 2-DOOR	EPE = ENGINE - 2.5L POWER TECH I-4 Cyl. ERH = ENGINE - 4.0L POWER TECH I-6	DDQ = TRANSMISSION - 5-SPEED MANUAL DGD = TRANSMISSION - 3-SPD. AUTOMATIC,30RH DGG = TRANSMISSION - 3-SPD. AUTOMATIC,32RH

AR = use ase required - = Non illustrated part

**Shafts,Front Axle
Figure 2-210**



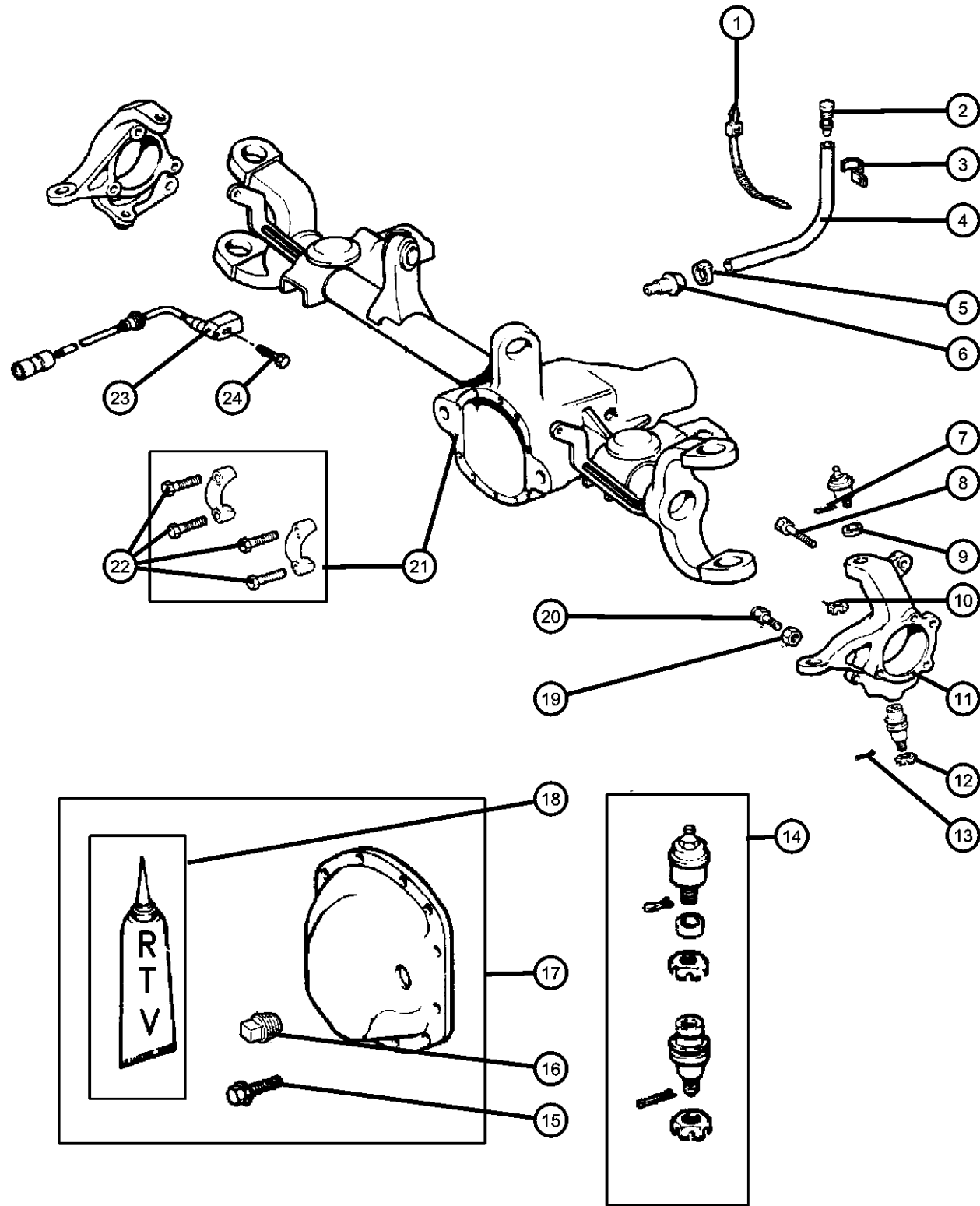
ITEM	PART NUMBER	QTY	LINE	SERIES	BODY	ENGINE	TRANS	TRIM	DESCRIPTION
Note:Sales Codes; [EP0]=Engines - All 2.5L 4 Cylinder Gas [ER0]=Engines - All 4.0L 6 Cylinder Gas									
1									SHAFT, Axle
	04874302	1	U						[BGA], Right
		1	J						[BGA], Right
	04874303	1	U						[BGA], Left
		1	J						[BGA], Left
	04874306	1	J						[BGK], Right
	04874307	1	J						[BGK], Left
2									SHAFT, Stub
	04728984	1	J						[BGK], Right or Left
	83500184	1	J						[BGA], Right or Left
		1	U						[BGA], Right or Left
3									U JOINT, Front Axle
	04137757	2	J						
		2	U						
4									SLINGER, Oil
	04882135	2	U						
		2	J						
5									SEAL, Axle Drive Shaft
	04874477	2	U						
		2	J						

WRANGLER (TJ)

SERIES	LINE	BODY	ENGINE	TRANSMISSION
L = Low Line	J = JEEP - 4WD U = JEEP - 4WD (RHD)	77 = OPEN BODY 2-DOOR	EPE = ENGINE - 2.5L POWER TECH I-4 Cyl. ERH = ENGINE - 4.0L POWER TECH I-6	DDQ = TRANSMISSION - 5-SPEED MANUAL DGD = TRANSMISSION - 3-SPD. AUTOMATIC,30RH DGG = TRANSMISSION - 3-SPD. AUTOMATIC,32RH

AR = use ase required - = Non illustrated part

Housing,Front Axle
Figure 2-310



ITEM	PART NUMBER	QTY	LINE	SERIES	BODY	ENGINE	TRANS	TRIM	DESCRIPTION
------	-------------	-----	------	--------	------	--------	-------	------	-------------

Note:Sales Codes defined below;
 ER0=Engines - All 4.0L 6 Cylinder Gas
 J=Left Hand Drive
 U=Right Hand Drive

1	J4175376	1							STRAP, Tie
2	J5352955	1							VENT, AxleUpper
3	J0140780	1							CLIP, Wrap Around
4	HFV00516	1							HOSE, Fuel And Vapor, 25 Foot Roll 5/16"
5	06503573	1							CLIP
6									VENT, Axle
	83504653	1			U				
		1			J				
7									PIN, Cotter, M4x40.00
	11010069	1			J				
		1			U				
8									BOLT
	34201535	6			U				
		6			J				
9									RING, Ball Joint
	83500203	2			U				
		2			J				
10									NUT, Hex Slotted
	J0125258	2			U				
		2			J				
11									KNUCKLE, Front
	52067576	1			U				Right
		1			J				Right
	52067577	1			U				Left
		1			J				Left
12									NUT
	J8123318	2			U				
		2			J				
13									PIN, Cotter, M4x40.00
	11010069	6			U				

WRANGLER (TJ)

SERIES LINE
 L = Low Line J = JEEP - 4WD
 U = JEEP - 4WD (RHD)

BODY
 77 = OPEN BODY 2-DOOR

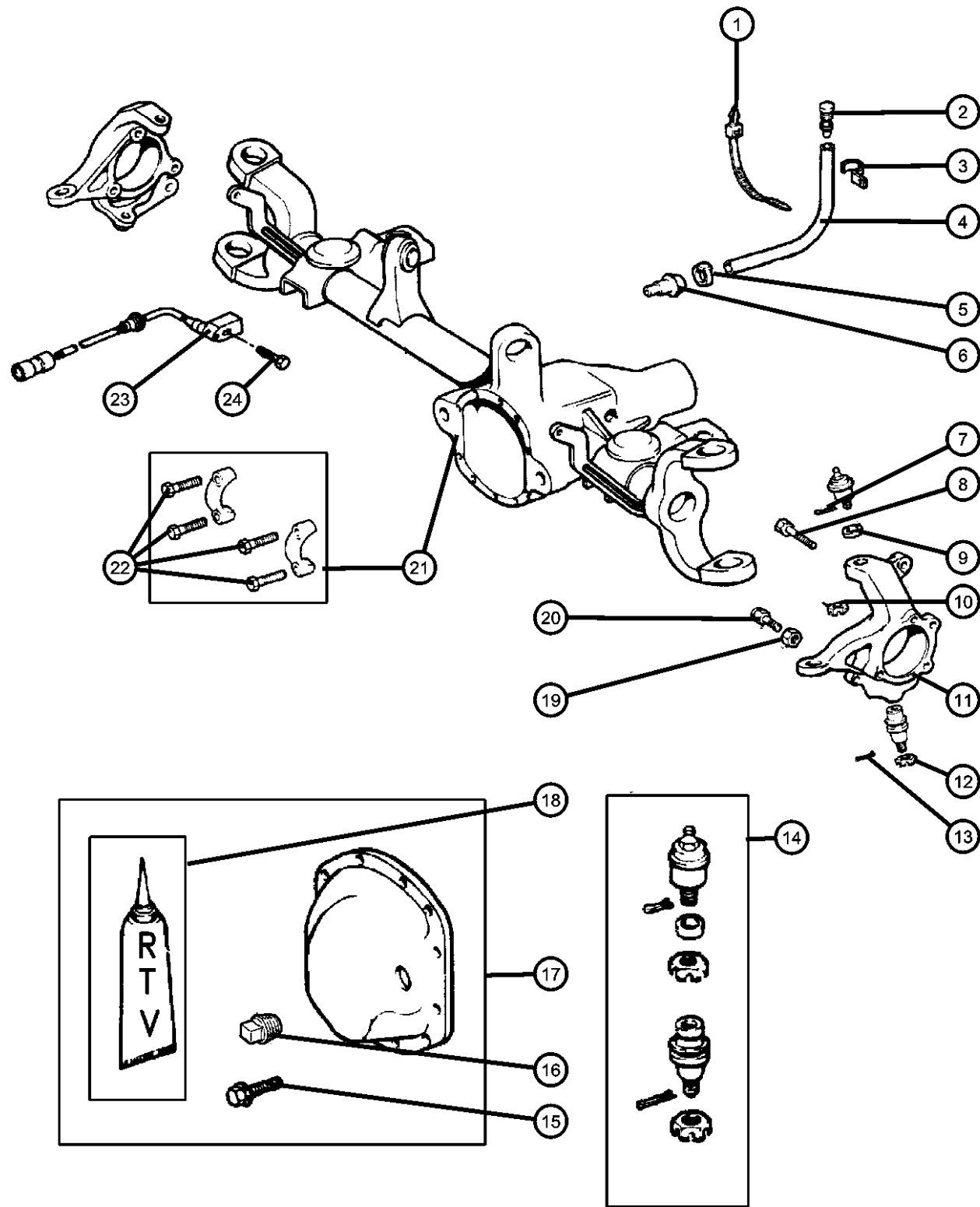
ENGINE
 EPE = ENGINE - 2.5L POWER TECH I-4 Cyl.
 ERH = ENGINE - 4.0L POWER TECH I-6

TRANSMISSION
 DDQ = TRANSMISSION - 5-SPEED MANUAL
 DGD = TRANSMISSION - 3-SPD. AUTOMATIC,30RH
 DGG = TRANSMISSION - 3-SPD. AUTOMATIC,32RH

AR = use ase required - = Non illustrated part

1999 TJ

Housing,Front Axle
Figure 2-310



ITEM	PART NUMBER	QTY	LINE	SERIES	BODY	ENGINE	TRANS	TRIM	DESCRIPTION
14	83500202	6	J						BALL JOINT KIT, Knuckle
15	02954031	1	J						BOLT, Differential Cover
		1	U						
		10	U						
16	J4004751	10	J						PLUG, Differential Cover
		1	J						
		1	U						
17	04713451	1	U						COVER, Differential
		1	J						
18	05010884AA	1				ER0	DBB		SEALANT, RTV
19	S0114494	2	U						NUT, Steering Knuckle
		2	J						
20	01791701	2	U						BOLT, Steering Knuckle Stop
		2	J						
21	04864840	1	J						HOUSING, Axle
	04864904	1	U						
22	04897482AB	4	U						BOLT, Differential
		4	J						
23	56027727	2	J						SENSOR, Anti-Lock Brakes
24	83504920	2	J						BOLT

WRANGLER (TJ)

SERIES LINE
L = Low Line J = JEEP - 4WD
U = JEEP - 4WD (RHD)

BODY
77 = OPEN BODY 2-DOOR

ENGINE
EPE = ENGINE - 2.5L POWER
TECH I-4 Cyl.
ERH = ENGINE - 4.0L
POWER TECH I-6

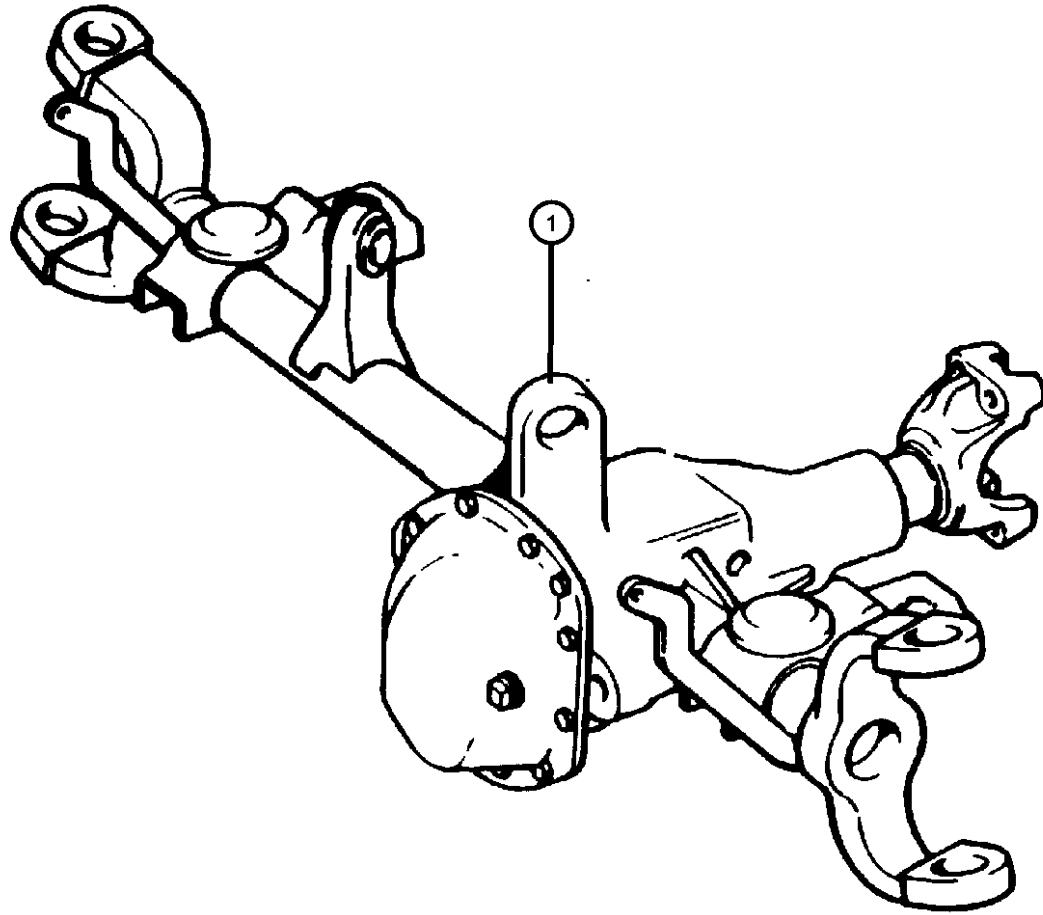
TRANSMISSION
DDQ = TRANSMISSION - 5-SPEED
MANUAL
DGD = TRANSMISSION - 3-SPD.
AUTOMATIC,30RH
DGG = TRANSMISSION - 3-SPD.
AUTOMATIC,32RH

AR = use ase required - = Non illustrated part

1999 TJ

Axle Assembly,Front
Figure 2-410

ITEM	PART NUMBER	QTY	LINE	SERIES	BODY	ENGINE	TRANS	TRIM	DESCRIPTION
1									AXLE, Service Front
	04864841	1	J						[DME] with Tag 52099200AB,52111033AB
	04864852	1	J						[DMM] with Tag# 52099198AB,52099227AB
	04864910	1	J						[DMF] with Tag# 52099226AB
	04882155	1	U						[DMM] with Tag# 52099454AC
	04882337	1	U						[DME] with Tag# 52099450AC



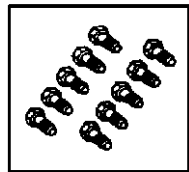
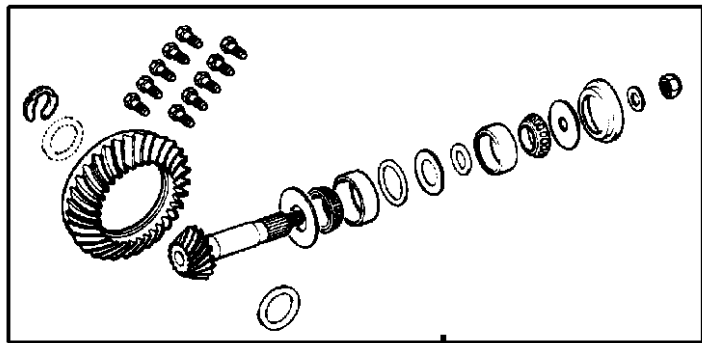
WRANGLER (TJ)

SERIES	LINE	BODY	ENGINE	TRANSMISSION
L = Low Line	J = JEEP - 4WD U = JEEP - 4WD (RHD)	77 = OPEN BODY 2-DOOR	EPE = ENGINE - 2.5L POWER TECH I-4 Cyl. ERH = ENGINE - 4.0L POWER TECH I-6	DDQ = TRANSMISSION - 5-SPEED MANUAL DGD = TRANSMISSION - 3-SPD. AUTOMATIC,30RH DGG = TRANSMISSION - 3-SPD. AUTOMATIC,32RH

AR = use ase required - = Non illustrated part

1999 TJ

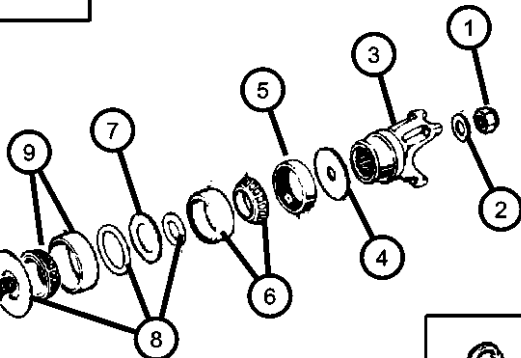
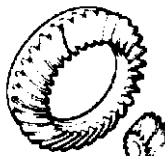
Differential, Front Axle
Figure 2-610



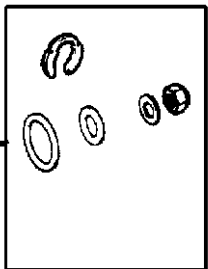
11

10

12



8



13

14

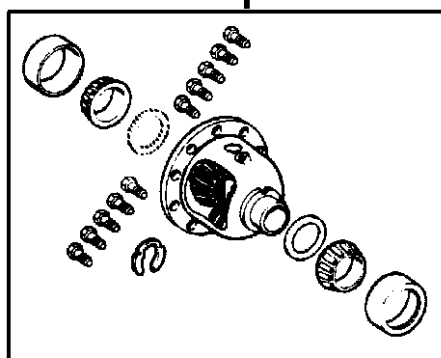
15

16

17

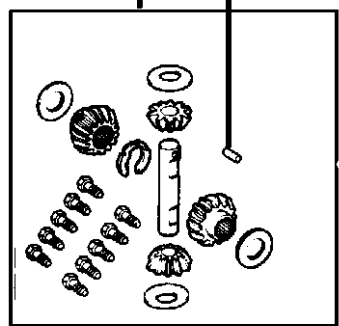
18

19



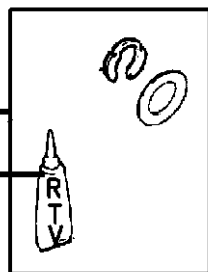
20

21



14

22



ITEM	PART NUMBER	QTY	LINE	SERIES	BODY	ENGINE	TRANS	TRIM	DESCRIPTION
21		1	J						PIN, Differential Shaft
	01791563	1	J						
		1	U						
22	05010884AA	1				EP0, ER0	DG0		SEALANT, RTV

WRANGLER (TJ)

SERIES	LINE	BODY	ENGINE	TRANSMISSION
L = Low Line	J = JEEP - 4WD U = JEEP - 4WD (RHD)	77 = OPEN BODY 2-DOOR	EPE = ENGINE - 2.5L POWER TECH I-4 Cyl. ERH = ENGINE - 4.0L POWER TECH I-6	DDQ = TRANSMISSION - 5-SPEED MANUAL DGD = TRANSMISSION - 3-SPD. AUTOMATIC, 30RH DGG = TRANSMISSION - 3-SPD. AUTOMATIC, 32RH

AR = use ase required - = Non illustrated part

Group - 3

Rear Axle

Group - 3 Rear Axle

Group-Fig. No.

Illustration Title

Rear Axle

Axle Assembly, Rear Fig. 3 - 110

Differential and Housing

Housing,Rear Axle,Dana 35/194MM [DRJ] Fig. 3 - 210

Housing,Rear Axle,Dana 44/226MM [DRK] Fig. 3 - 220

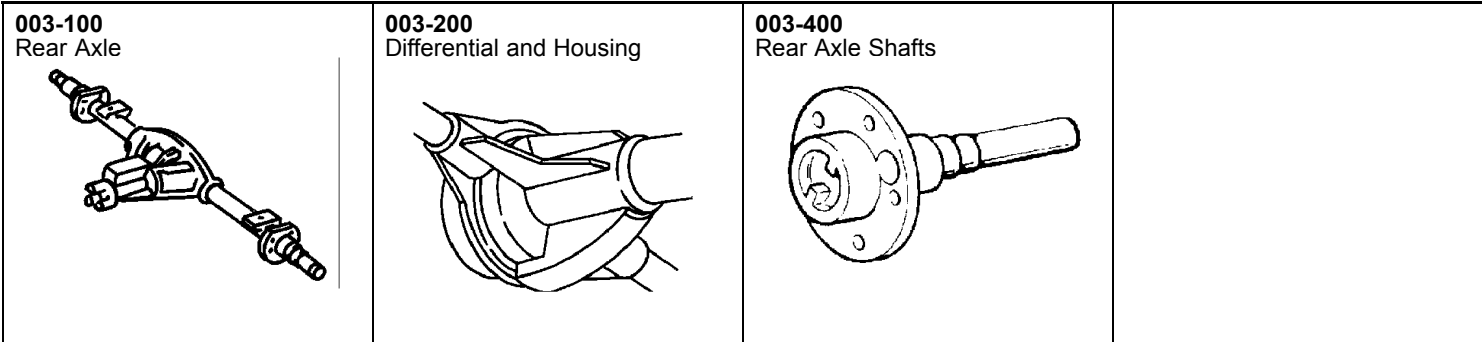
Differential,With and Without Trac-Lok [DSA] Dana 35/194MM [DRJ] Fig. 3 - 230

Differential With Trac-Lok [DSA] Dana 44/226MM [DRK] Fig. 3 - 240

Rear Axle Shafts

Shaft,Rear Axle,Dana 35/194MM [DRJ] Fig. 3 - 410

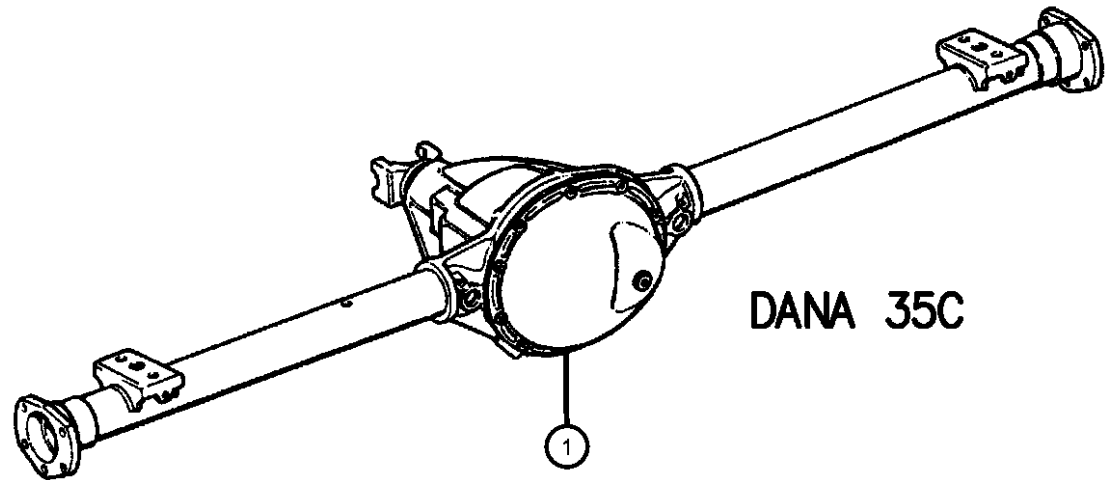
Shaft,Rear Axle,Dana 44/226MM [DRK] Fig. 3 - 420



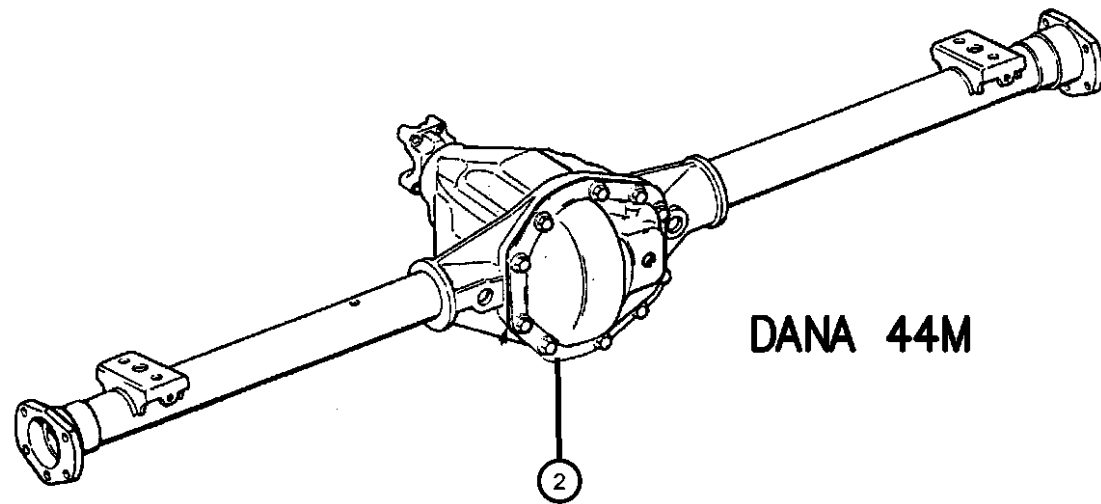
Axle Assembly, Rear
Figure 3-110

ITEM	PART NUMBER	QTY	LINE	SERIES	BODY	ENGINE	TRANS	TRIM	DESCRIPTION
------	-------------	-----	------	--------	------	--------	-------	------	-------------

Note:Sales Codes;
[DME]=Axle Ratio - 3.73
[DMF]=Axle Ratio - 4.11
[DMM]=Axle Ratio - 3.07
[DRJ]=Axle - Rear,Dana M35/194MM
[DRK]=Axle - Rear,Dana 44/226MM
[DSA]=Axle - Trac-Lok Differential



DANA 35C



DANA 44M

1	04897235AA	1	J						AXLE, Service Rear [DRJ,DME,DSA] Tag 52111030AA
		1	J						[DRJ,DME,DSA] Tag 52111929AB
	04897237AA	1	J						[DRJ,DMM,DSA] Tag 52111764AB
	04897240AA	1	J						[DRJ,DMF] Tag #52111762Ab
	04897242AA	1	J						[DRJ,DME] Tag 52111763AB
	04897249AA	1	J						[DRJ,DMM] Tag 52111758AB
		1	J						[DRJ,DMM] Tag 52111760AB
	04897261AA	1	J						[DRJ,DMF,DSA] Tag 52111766AB
2	04897290AA	1	U						AXLE, Service Rear [DRK,DMM,DSA] Tag 52111750AB
	04897291AA	1	U						[DRK,DME,DSA] Tag 52111751AB
	05003375AA	1	J						[DRK,DME,DSA] Tag 52111032AA

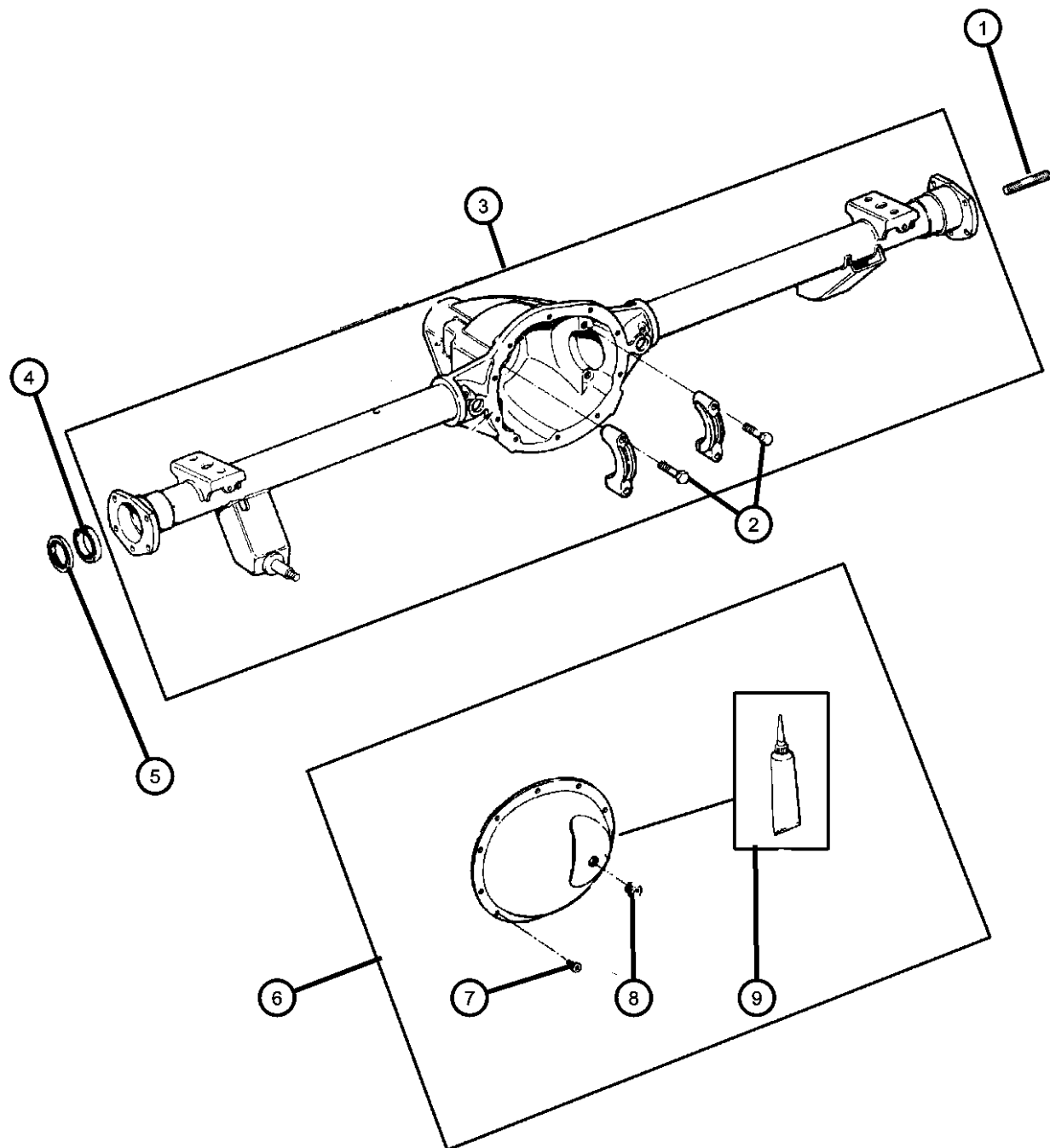
WRANGLER (TJ)

SERIES	LINE	BODY	ENGINE	TRANSMISSION
L = Low Line	J = JEEP - 4WD U = JEEP - 4WD (RHD)	77 = OPEN BODY 2-DOOR	EPE = ENGINE - 2.5L POWER TECH I-4 Cyl. ERH = ENGINE - 4.0L POWER TECH I-6	DDQ = TRANSMISSION - 5-SPEED MANUAL DGD = TRANSMISSION - 3-SPD. AUTOMATIC,30RH DGG = TRANSMISSION - 3-SPD. AUTOMATIC,32RH

AR = use ase required - = Non illustrated part

Housing,Rear Axle,Dana 35/194MM [DRJ]

Figure 3-210



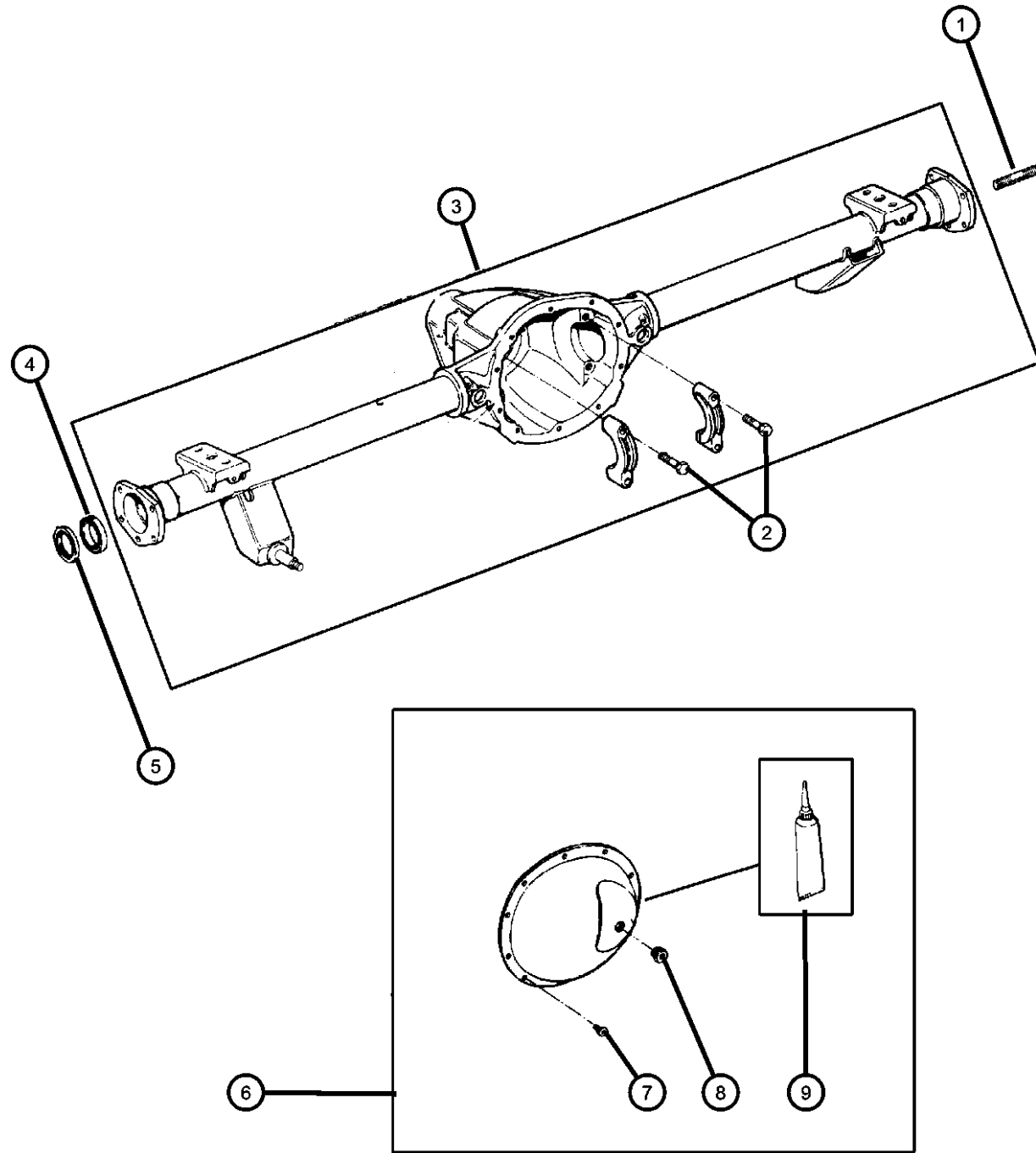
ITEM	PART NUMBER	QTY	LINE	SERIES	BODY	ENGINE	TRANS	TRIM	DESCRIPTION
Note:Sales Codes; [DRJ]=Axle - Rear,Dana M35/194MM									
1	04897234AA	8	J						BOLT, Backing Plate to Axle Housing
2	04897482AB	4	J						BOLT, Differential, Carrier Cap Retaining
3	04897233AA	1	J						HOUSING, Axle, Includes Items 1,2,4
4	J8134586	2	J						BEARING, Axle Shaft
5	04856336	1	J						SEAL, Axle Drive Shaft
6	05252493	1	J						COVER, Differential
7	J4006708	10	J						SCREW, Pan Head, .312-18x.56, Differential Cover, Mounting
8	05252504	1	J						PLUG, Differential Cover
9	05010884AA	1							SEALANT, RTV

WRANGLER (TJ)

SERIES	LINE	BODY	ENGINE	TRANSMISSION
L = Low Line	J = JEEP - 4WD U = JEEP - 4WD (RHD)	77 = OPEN BODY 2-DOOR	EPE = ENGINE - 2.5L POWER TECH I-4 Cyl. ERH = ENGINE - 4.0L POWER TECH I-6	DDQ = TRANSMISSION - 5-SPEED MANUAL DGD = TRANSMISSION - 3-SPD. AUTOMATIC,30RH DGG = TRANSMISSION - 3-SPD. AUTOMATIC,32RH

AR = use ase required - = Non illustrated part

Housing,Rear Axle,Dana 44/226MM [DRK]
Figure 3-220



ITEM	PART NUMBER	QTY	LINE	SERIES	BODY	ENGINE	TRANS	TRIM	DESCRIPTION
Note:Sales Codes; [DRK]=Axle - Rear,Dana 44/226MM									
1	J0994313	8	J						STUD Axle Housing to Backing Plate, Mounting
		1	U						Axle Housing to Backing Plate, Mounting
2	J4006553	4	J						BOLT, Differential Carrier Cap Retaining
		4	U						Carrier Cap Retaining
3	04882348	1	U						HOUSING, Axle Includes Items 1,2
	04882840	1	J						Includes Items 1,2
4	83503064	2	J						BEARING, Axle
		2	U						
5	83503063	2	J						SEAL, Axle Drive Shaft
		2	U						
6	83505549	1	J						COVER, Differential
		1	U						
7	J4006708	10	J						SCREW, Pan Head, .312-18x.56 Differential Cover, Mounting
		10	U						Differential Cover, Mounting
8	05252504	1	U						PLUG, Differential Cover
		1	J						
9	05010884AA	1							SEALANT, RTV

WRANGLER (TJ)

SERIES

L = Low Line

LINE

J = JEEP - 4WD

U = JEEP - 4WD (RHD)

BODY

77 = OPEN BODY 2-DOOR

ENGINE

EPE = ENGINE - 2.5L POWER
TECH I-4 Cyl.

ERH = ENGINE - 4.0L
POWER TECH I-6

TRANSMISSION

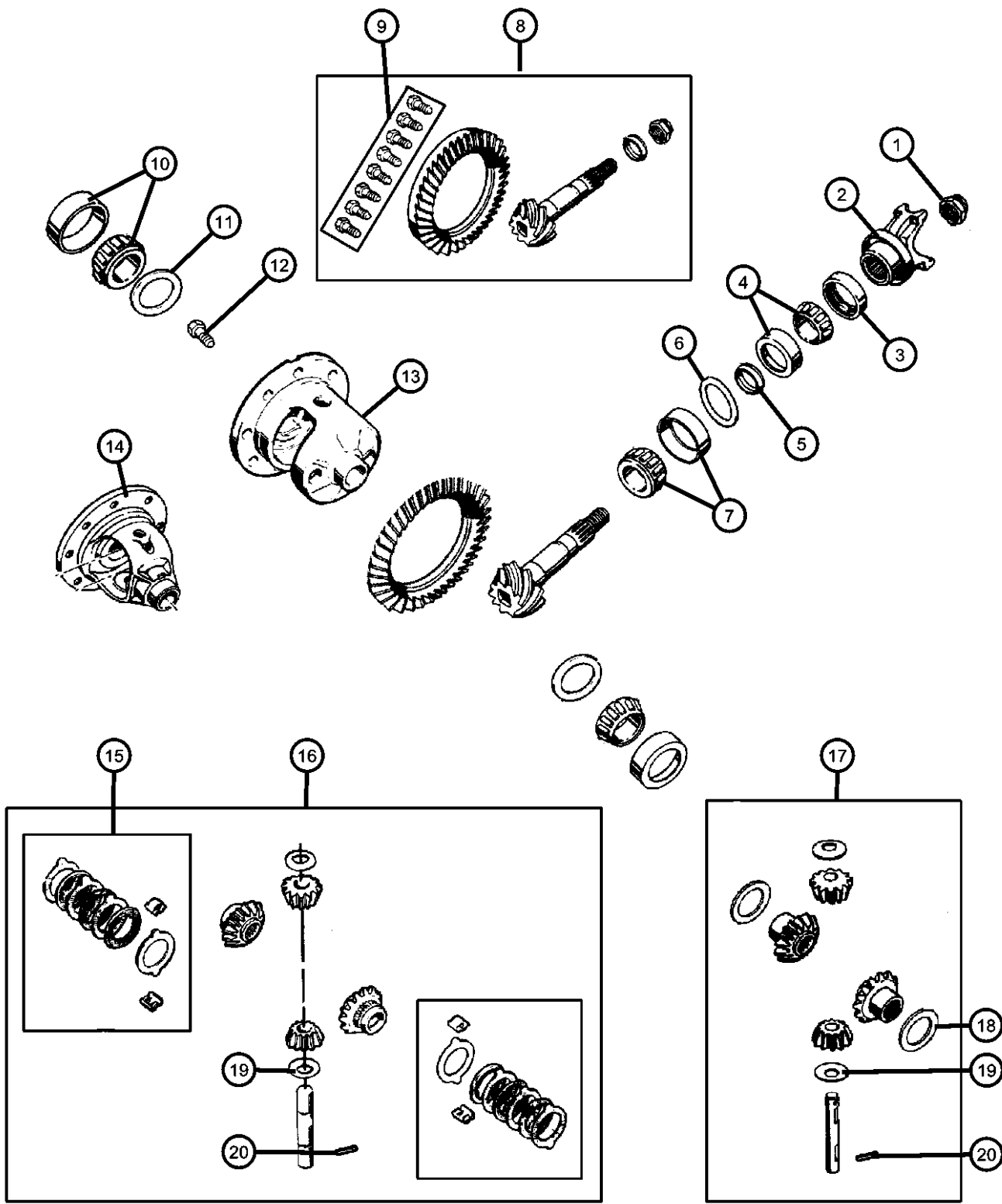
DDQ = TRANSMISSION - 5-SPEED
MANUAL

DGD = TRANSMISSION - 3-SPD.
AUTOMATIC,30RH
DGG = TRANSMISSION - 3-SPD.
AUTOMATIC,32RH

AR = use ase required - = Non illustrated part

1999 TJ

Differential, With and Without Trac-Lok [DSA] Dana 35/194MM [DRJ]
Figure 3-230



ITEM	PART NUMBER	QTY	LINE	SERIES	BODY	ENGINE	TRANS	TRIM	DESCRIPTION
------	-------------	-----	------	--------	------	--------	-------	------	-------------

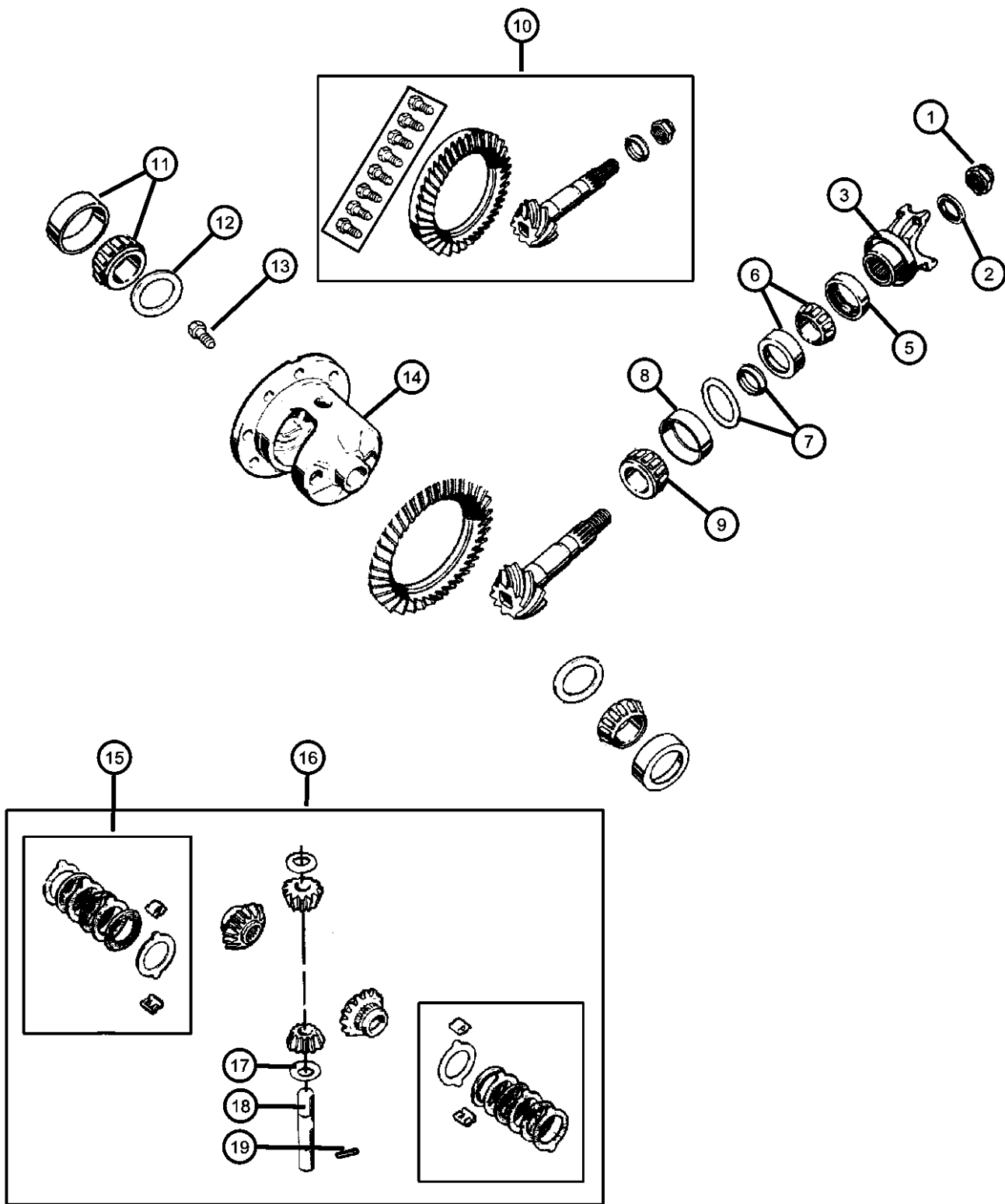
Note: Sales Codes;
 [DME]=Axle Ratio - 3.73
 [DMF]=Axle Ratio - 4.11
 [DMM]=Axle Ratio - 3.07
 [DRJ]=Axle - Rear, Dana 35/194MM
 [DSA]=Axle - Anti-Spin Differential

1	04720895	1	J						NUT, Pinion Yoke
2	04897025AA	1	J						YOKE, Axle
3	83504946	1	J						SEAL, Drive Pinion
4	05252508	1	J						BEARING, Drive Pinion, Bearing and Cup, Front
5	J3175779	1	J						SPACER, Drive Pinion Bearing, Crush
6	04720922	1	J						SHIM KIT, Pinion Shaft
7	05252507	1	J						BEARING, Drive Pinion, Bearing and Cup, Rear
8									GEAR KIT, Ring And Pinion
	04761678	1	J						[DME]
	83504938	1	J						[DMF]
	83505472	1	J						[DMM]
9	04720891	1	J						BOLT KIT, Consists of 10-5252503 Drive Gear Screws
10	J8126500	1	J						BEARING, Differential, Consists of 2 Bearings and 2 Cups
11	83503004	1	J						SHIM KIT, Differential
12	05252503	10	J						SCREW, Drive Gear, Ring Gear, Mounting
13									CASE, Differential
	05252496	1	J						[DME,DMF] with [DSA] with Internal Parts
	05252512	1	J						[DMM] with [DSA] with Internal Parts
14									CASE, Differential
	04740833	1	J						[DMM] without [DSA] with Internal Parts
	04740834	1	J						[DME,DMF] without [DSA] with Internal Parts
15	05252506	1	J						DISC AND PLATE KIT, Differential, with [DSA]
16	04773010	1	J						GEAR KIT, Center Differential, with [DSA]
17	04740670	1	J						GEAR KIT, Center Differential, without [DSA]

WRANGLER (TJ)
 SERIES LINE BODY ENGINE TRANSMISSION
 L = Low Line J = JEEP - 4WD 77 = OPEN BODY 2-DOOR EPE = ENGINE - 2.5L POWER DDQ = TRANSMISSION - 5-SPEED
 U = JEEP - 4WD (RHD) ERH = ENGINE - 4.0L POWER TECH I-6 MANUAL
 DGD = TRANSMISSION - 3-SPD.
 DGG = TRANSMISSION - 3-SPD.
 AUTOMATIC, 30RH
 AUTOMATIC, 32RH

AR = use ase required - = Non illustrated part

Differential With Trac-Lok [DSA] Dana 44/226MM [DRK]
Figure 3-240



ITEM	PART NUMBER	QTY	LINE	SERIES	BODY	ENGINE	TRANS	TRIM	DESCRIPTION
Note:Sales Codes; [DME]=Axle Ratio - 3.73 [DMM]=Axle Ratio - 3.07 [DRK]=Axle - Rear,Dana 44/226MM [DSA]=Axle - Anti-Spin Differential									
1									NUT, Pinion Yoke
	01791575	1	J						
		1	U						
2									WASHER, Pinion Yoke
	01791576	1	J						
		1	U						
3									YOKE, Axle
	04897026AA	1	J						
		1	U						
-4		1							SLINGER, Drive Pinion, (NOT REQUIRED)
5									SEAL, Drive Pinion
	04746772	1	J						
		1	U						
6									BEARING, Drive Pinion
	J8124052	1	J						Bearing and Cup, Front
		1	U						Bearing and Cup, Front
7									SHIM KIT, Pinion Shaft
	J8129221	1	J						
		1	U						
8									CUP, Bearing Inner
	00698413	1	J						Rear
		1	U						Rear
9									BEARING, Drive Pinion
	J0807266	1	J						Rear
		1	U						Rear
10									GEAR KIT, Ring And Pinion
	04882352	1	J						[DME]
		1	U						[DME]
	83504197	1	U						[DMM]
11									BEARING, Differential Case

WRANGLER (TJ)

SERIES LINE
L = Low Line J = JEEP - 4WD
U = JEEP - 4WD (RHD)

BODY
77 = OPEN BODY 2-DOOR

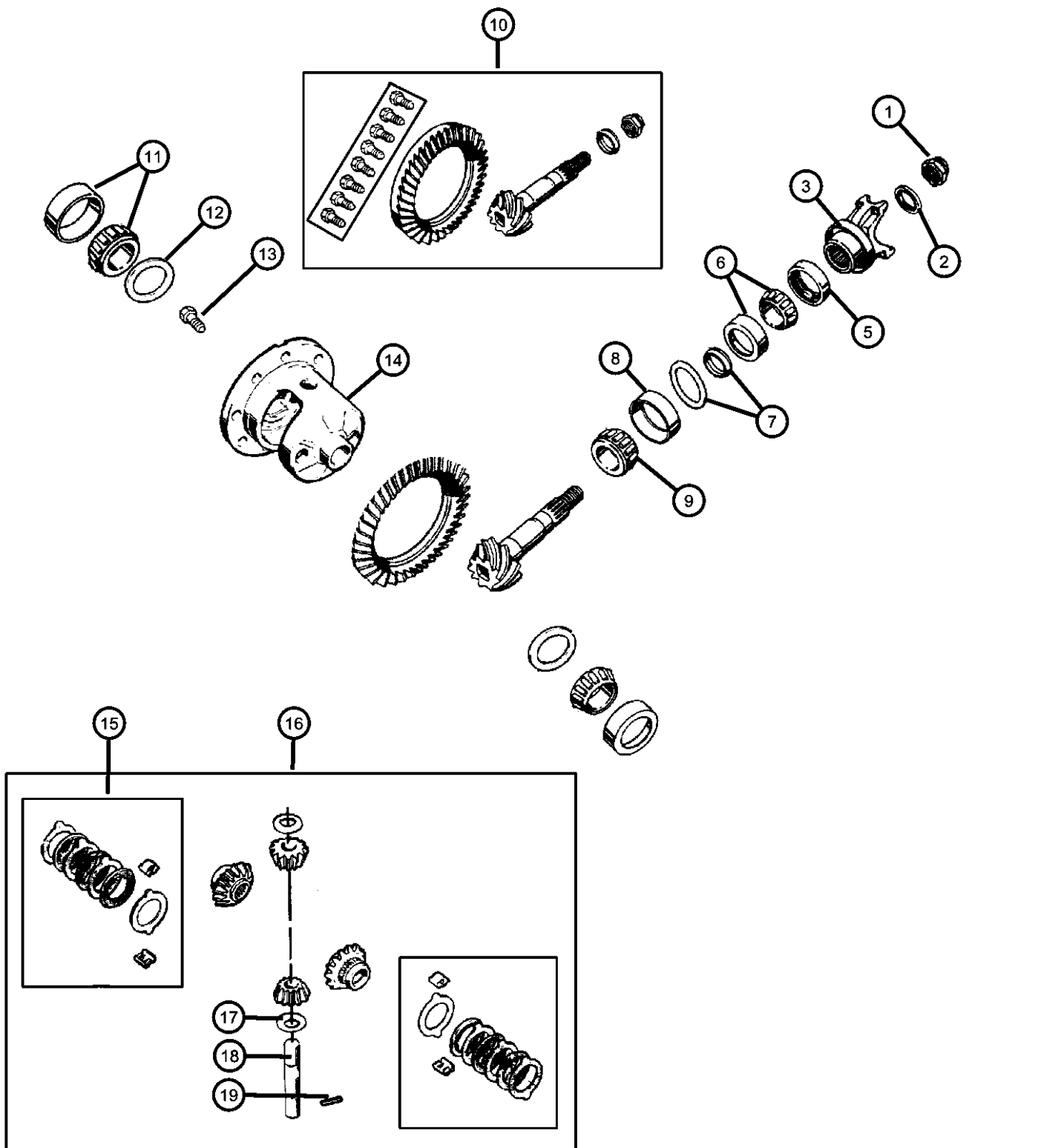
ENGINE
EPE = ENGINE - 2.5L POWER TECH I-4 Cyl.
ERH = ENGINE - 4.0L POWER TECH I-6

TRANSMISSION
DDQ = TRANSMISSION - 5-SPEED MANUAL
DGD = TRANSMISSION - 3-SPD. AUTOMATIC,30RH
DGG = TRANSMISSION - 3-SPD. AUTOMATIC,32RH

AR = use ase required - = Non illustrated part

1999 TJ

Differential With Trac-Lok [DSA] Dana 44/226MM [DRK]
Figure 3-240



ITEM	PART NUMBER	QTY	LINE	SERIES	BODY	ENGINE	TRANS	TRIM	DESCRIPTION
	04746733	1	J						Consists of 2 Bearings and 2 Cups
		1	U						Consists of 2 Bearings and 2 Cups
12	J8129222	1	J						SHIM KIT, Differential
		1	U						
13	05252503	10	J						SCREW, Drive Gear
		10	U						Ring Gear, Mounting
14	83505431	1	J						CASE, Differential
		1	U						with Internal Parts
15	J0994345	1	J						DISC AND PLATE KIT, Differential
		1	U						with Internal Parts
16	83505432	1	J						GEAR KIT, Center Differential
		1	U						
17	01791561	2	J						WASHER, Pinion Thrust
		2	U						
18	83503069	1	J						SHAFT, Differential
		1	U						
19	05252502	1	J						PIN, Differential Shaft
		1	U						

WRANGLER (TJ)

SERIES	LINE	BODY	ENGINE	TRANSMISSION
L = Low Line	J = JEEP - 4WD U = JEEP - 4WD (RHD)	77 = OPEN BODY 2-DOOR	EPE = ENGINE - 2.5L POWER TECH I-4 Cyl. ERH = ENGINE - 4.0L POWER TECH I-6	DDQ = TRANSMISSION - 5-SPEED MANUAL DGD = TRANSMISSION - 3-SPD. AUTOMATIC, 30RH DGG = TRANSMISSION - 3-SPD. AUTOMATIC, 32RH

AR = use ase required - = Non illustrated part

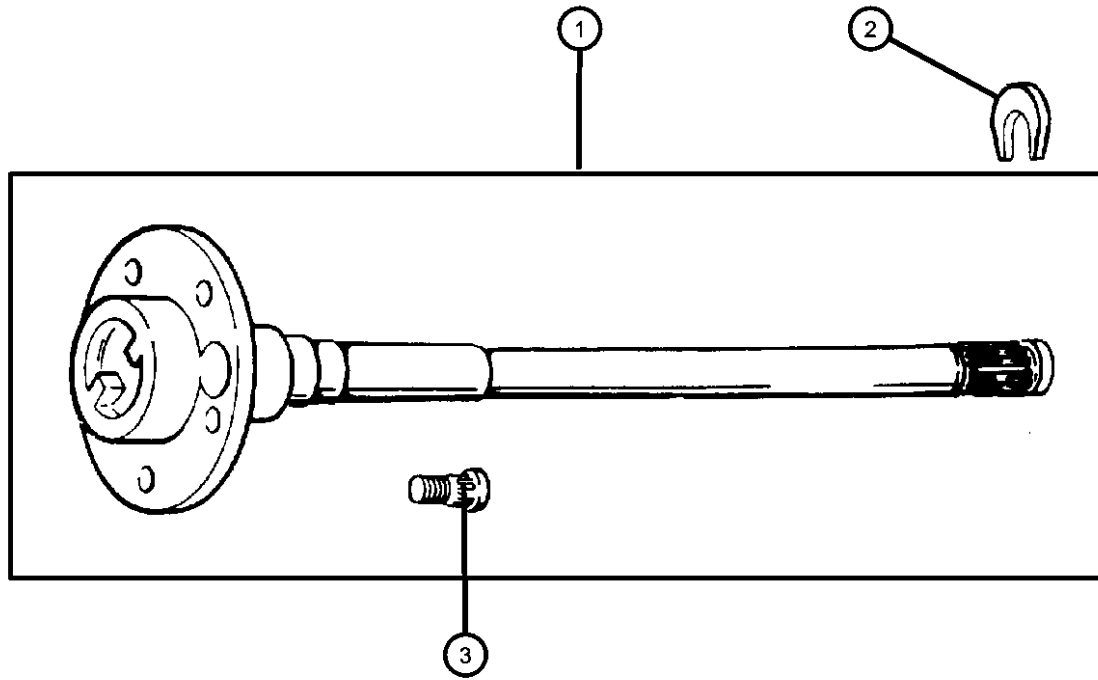
1999 TJ

**Shaft,Rear Axle,Dana 35/194MM [DRJ]
Figure 3-410**

ITEM	PART NUMBER	QTY	LINE	SERIES	BODY	ENGINE	TRANS	TRIM	DESCRIPTION
------	-------------	-----	------	--------	------	--------	-------	------	-------------

Note:Sales Codes;
[DRJ]=Axle - Rear,Dana 35/194MM

1									SHAFT, Axle
	04713192	1	J						Right
	04713193	1	J						Left
2	05252505	1	J						RETAINER, Axle ShaftRight or Left
3	05011312AA	10	J						STUD, Hub, Wheel



WRANGLER (TJ)

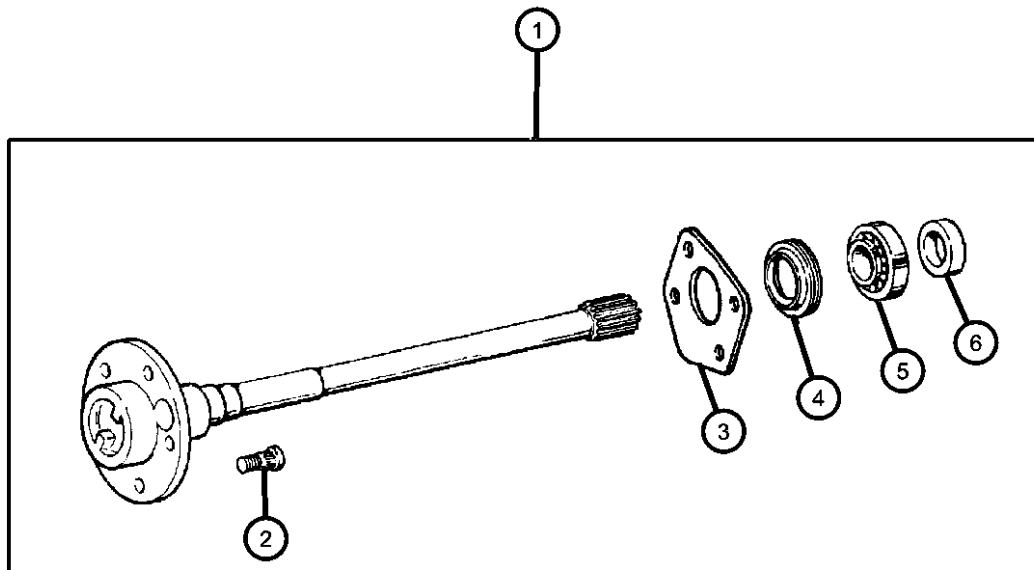
SERIES	LINE	BODY	ENGINE	TRANSMISSION
L = Low Line	J = JEEP - 4WD U = JEEP - 4WD (RHD)	77 = OPEN BODY 2-DOOR	EPE = ENGINE - 2.5L POWER TECH I-4 Cyl. ERH = ENGINE - 4.0L POWER TECH I-6	DDQ = TRANSMISSION - 5-SPEED MANUAL DGD = TRANSMISSION - 3-SPD. AUTOMATIC,30RH DGG = TRANSMISSION - 3-SPD. AUTOMATIC,32RH

AR = use ase required - = Non illustrated part

1999 TJ

**Shaft,Rear Axle,Dana 44/226MM [DRK]
Figure 3-420**

ITEM	PART NUMBER	QTY	LINE	SERIES	BODY	ENGINE	TRANS	TRIM	DESCRIPTION
Note:Sales Codes; [DRK]=Axle - Rear,Dana 44/226MM									
1									SHAFT, Axle
	04882350	1	J						Right
		1	U						Right
	04882351	1	J						Left
		1	U						Left
2									STUD, Hub
	05011312AA	10	J						Wheel
		10	U						Wheel
3									RETAINER, Axle Shaft Seal
	05010811AA	2	J						
		2	U						
4									SEAL, Axle Drive Shaft
	83503063	2	J						
		2	U						
5									BEARING, Axle
	83503064	2	J						
		2	U						
6									RING, Axle Shaft
	83503077	2	J						
		2	U						



WRANGLER (TJ)

SERIES	LINE	BODY	ENGINE	TRANSMISSION
L = Low Line	J = JEEP - 4WD U = JEEP - 4WD (RHD)	77 = OPEN BODY 2-DOOR	EPE = ENGINE - 2.5L POWER TECH I-4 Cyl. ERH = ENGINE - 4.0L POWER TECH I-6	DDQ = TRANSMISSION - 5-SPEED MANUAL DGD = TRANSMISSION - 3-SPD. AUTOMATIC,30RH DGG = TRANSMISSION - 3-SPD. AUTOMATIC,32RH

AR = use ase required - = Non illustrated part

Group - 4

Parking Brake

Group - 4 Parking Brake

Group-Fig. No.

Illustration Title

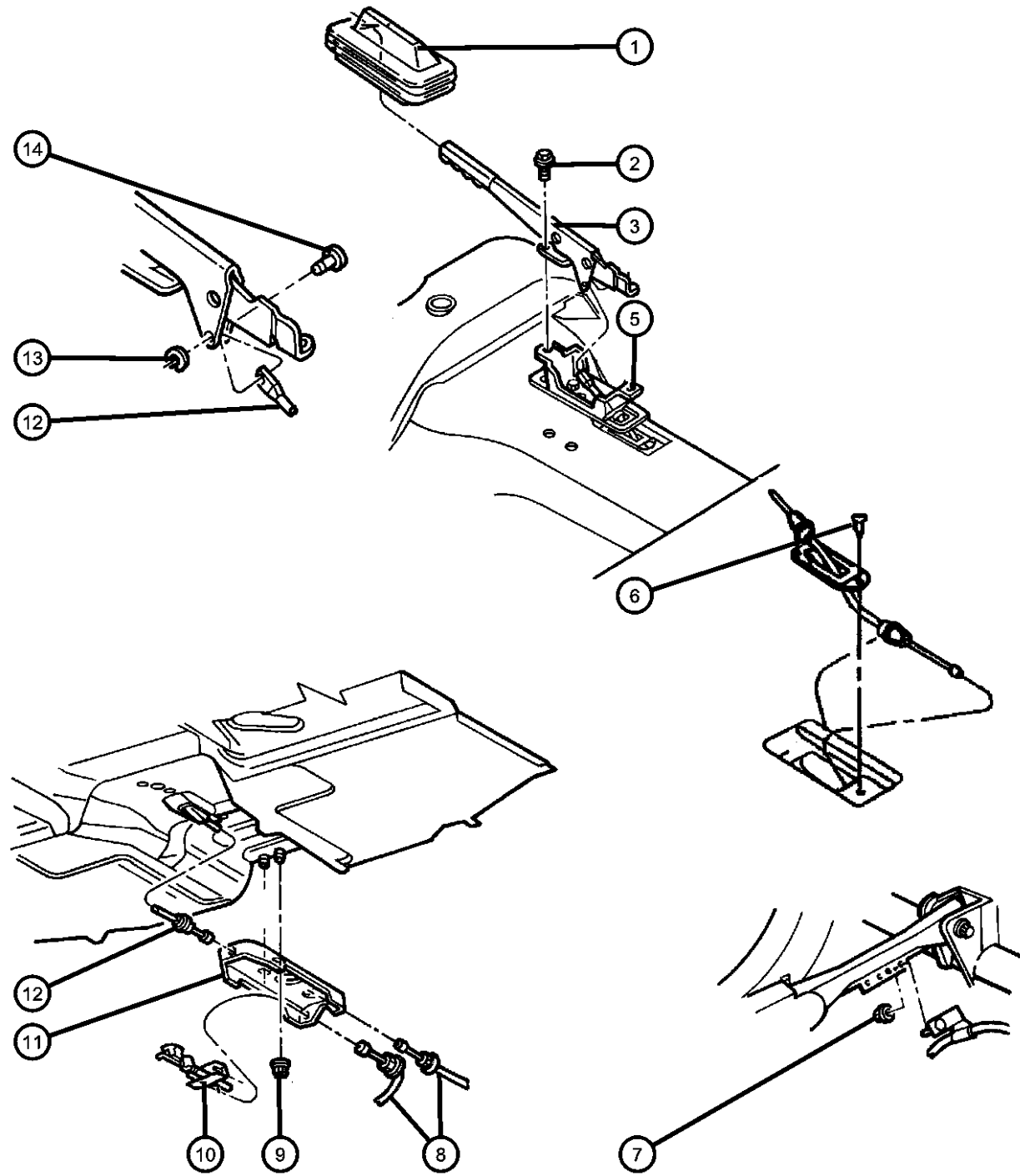
Parking Brake Lever and Cables

Parking Brake Lever and Cables..... Fig. 4 - 110

004-100 Parking Brake Lever and Cables			
--	--	--	--



Parking Brake Lever and Cables
Figure 4-110



ITEM	PART NUMBER	QTY	LINE	SERIES	BODY	ENGINE	TRANS	TRIM	DESCRIPTION
1	52078891	1							BOOT, Parking Brake Lever, Without [CUF]
2	34201686	2							BOLT, Hex Flange Head, M12x1.18x35, Park Brake Lever to Bracket, Mounting
3	52128203AB	1							LEVER, Park Brake
4	52127960	1							SWITCH, Parking Brake
5									BRACKET, Parking Lever
	52128191	1							[CUM]
	52128204	1							[CUF]
6	00153644	3							SCREW, .190-16x.500, Parking Brake Cable Seal to Floor Pan, Mounting
7	06101695	1							NUT, Hex Flange Lock, Rear Park Brake Cable to UCA, Mounting
8									CABLE, Parking Brake
	52008362	1			J				Right Rear
		1			U				Right Rear
	52008363	1			J				Left Rear
		1			U				Left Rear
9	06505245AA	2							NUT, M8x1.25, Parking Brake Support Bracket to Floor Pan, Mounting
10	52009527	1							TENSIONER, Parking Brake Cable, Adjusting
11	52127952AB	1							BRACKET, Cable, Cable and Equalizer Support, Mounting
12	52128206AC	1							CABLE, Parking BrakeFront
13	52078012	1							CLIP, Parking Brake Cable, Locking
14	52078010	1							PIN, Parking Brake HandleMounting

WRANGLER (TJ)

SERIES	LINE	BODY	ENGINE	TRANSMISSION
L = Low Line	J = JEEP - 4WD U = JEEP - 4WD (RHD)	77 = OPEN BODY 2-DOOR	EPE = ENGINE - 2.5L POWER TECH I-4 Cyl. ERH = ENGINE - 4.0L POWER TECH I-6	DDQ = TRANSMISSION - 5-SPEED MANUAL DGD = TRANSMISSION - 3-SPD. AUTOMATIC, 30RH DGG = TRANSMISSION - 3-SPD. AUTOMATIC, 32RH

AR = use ase required - = Non illustrated part

Group - 5

Service Brakes

Group - 5 Service Brakes

Group-Fig. No.

Illustration Title

Front Brakes

Front Brakes Fig. 5 - 110

Rear Brakes

Rear Drum Brakes Fig. 5 - 210

Power Brake Booster

Power Brake Booster Fig. 5 - 310

Brake Master Cylinder

Master Cylinder Fig. 5 - 410

Brake Lines and Hoses

Hydraulic Control Unit Fig. 5 - 510

Brake Lines and Hoses,Front,LHD Without ABS Fig. 5 - 520

Brake Lines and Hoses,Front,RHD,Without ABS Fig. 5 - 530

Brake Lines and Hoses,Rear,LHD,RHD,Without ABS Fig. 5 - 540

Brake Lines and Hoses,Front,LHD,With ABS Fig. 5 - 550

Brake Lines and Hoses,Rear,LHD,With ABS Fig. 5 - 560

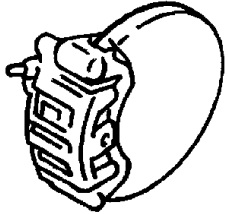
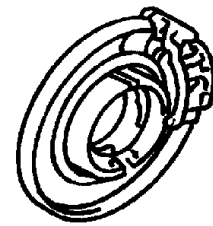
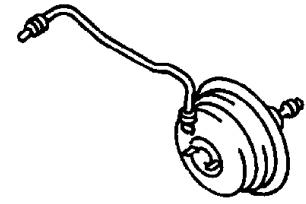
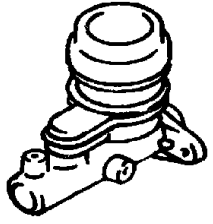
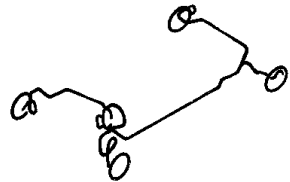

Rear Axle Brake Sensor Wiring Brackets and Fasteners Fig. 5 - 570

Front Axle Brake Sensor Wiring Brackets and Fasteners Fig. 5 - 580

Brake Pedals

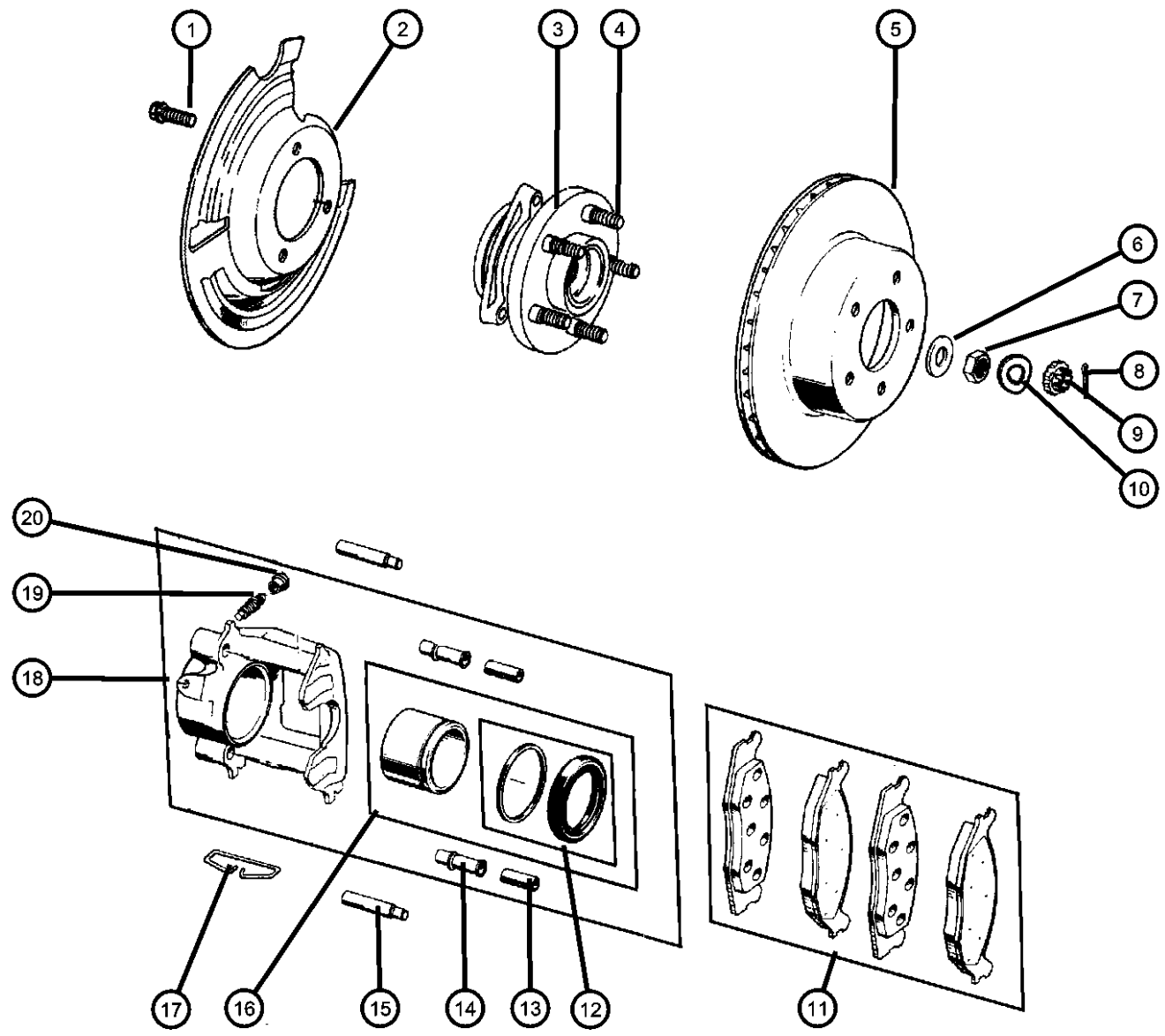
Brake Pedal,LHD Fig. 5 - 610

Brake Pedal,RHD Fig. 5 - 620

<p>005-100 Front Brakes</p> 	<p>005-200 Rear Brakes</p> 	<p>005-300 Power Brake Booster</p> 	<p>005-400 Brake Master Cylinder</p> 
<p>005-500 Brake Lines and Hoses</p> 	<p>005-600 Brake Pedals</p> 		

Front Brakes
Figure 5-110

ITEM	PART NUMBER	QTY	LINE	SERIES	BODY	ENGINE	TRANS	TRIM	DESCRIPTION
1									BOLT
	34201535	6	U						
		6	J						
2									SHIELD, Brake
	52005476	1	J						Right
		1	U						Right
	52005477	1	J						Left
		1	U						Left
3									HUB AND BEARING, Brake
	05016458AA	2	U						Full Cast Rotor (1999)
		2	J						Full Cast Rotor (1999)
	53007449AB	2	U						Composite Rotor (1997-1999)
		2	J						Composite Rotor (1997-1999)
4									STUD, Hub
	06036194AA	10	U						Full Cast Rotor (1999)
		10	J						Full Cast Rotor (1999)
	53007463	10	U						Composite Rotor (1997-1999)
		10	J						Composite Rotor (1997-1999)
5									ROTOR, Brake
	52008440	2	J						Composite Rotor (1997-1999)
	V5015965AB								Mopar V-Line Alternative Brake Rotors
		2	U						Composite Rotor (1997-1999)
	V5015965AB								Mopar V-Line Alternative Brake Rotors
	52008440AB	2	U						Full Cast Rotor (1999)
	VCCA6434								Make It Ceramic Brake Kit (w/Cast Rotors)
	V5016434AB								Mopar V-Line Alternative Brake Rotors
	VXJ16434								Make It New Brake Kits (w/Cast Rotors)
		2	J						Full Cast Rotor (1999)
	VCCA6434								Make It Ceramic Brake Kit (w/Cast Rotors)
	V5016434AB								Mopar V-Line Alternative Brake Rotors
	VXJ16434								Make It New Brake Kits (w/Cast Rotors)



WRANGLER (TJ)

SERIES

L = Low Line

LINE

J = JEEP - 4WD

U = JEEP - 4WD (RHD)

BODY

77 = OPEN BODY 2-DOOR

ENGINE

EPE = ENGINE - 2.5L POWER TECH I-4 Cyl.

ERH = ENGINE - 4.0L POWER TECH I-6

TRANSMISSION

DDQ = TRANSMISSION - 5-SPEED MANUAL

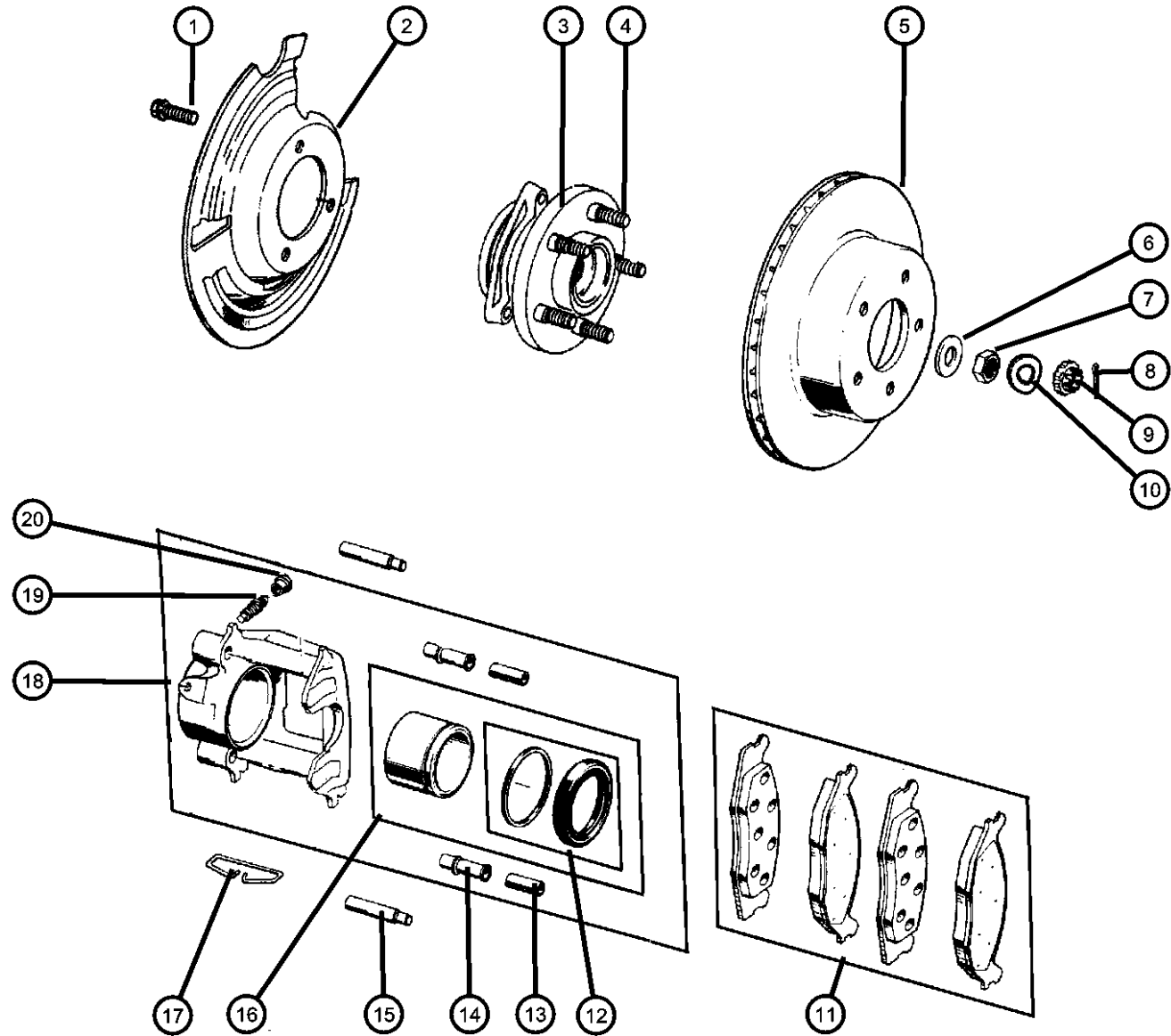
DGD = TRANSMISSION - 3-SPD. AUTOMATIC, 30RH

DGG = TRANSMISSION - 3-SPD. AUTOMATIC, 32RH

AR = use ase required - = Non illustrated part

1999 TJ

Front Brakes
Figure 5-110



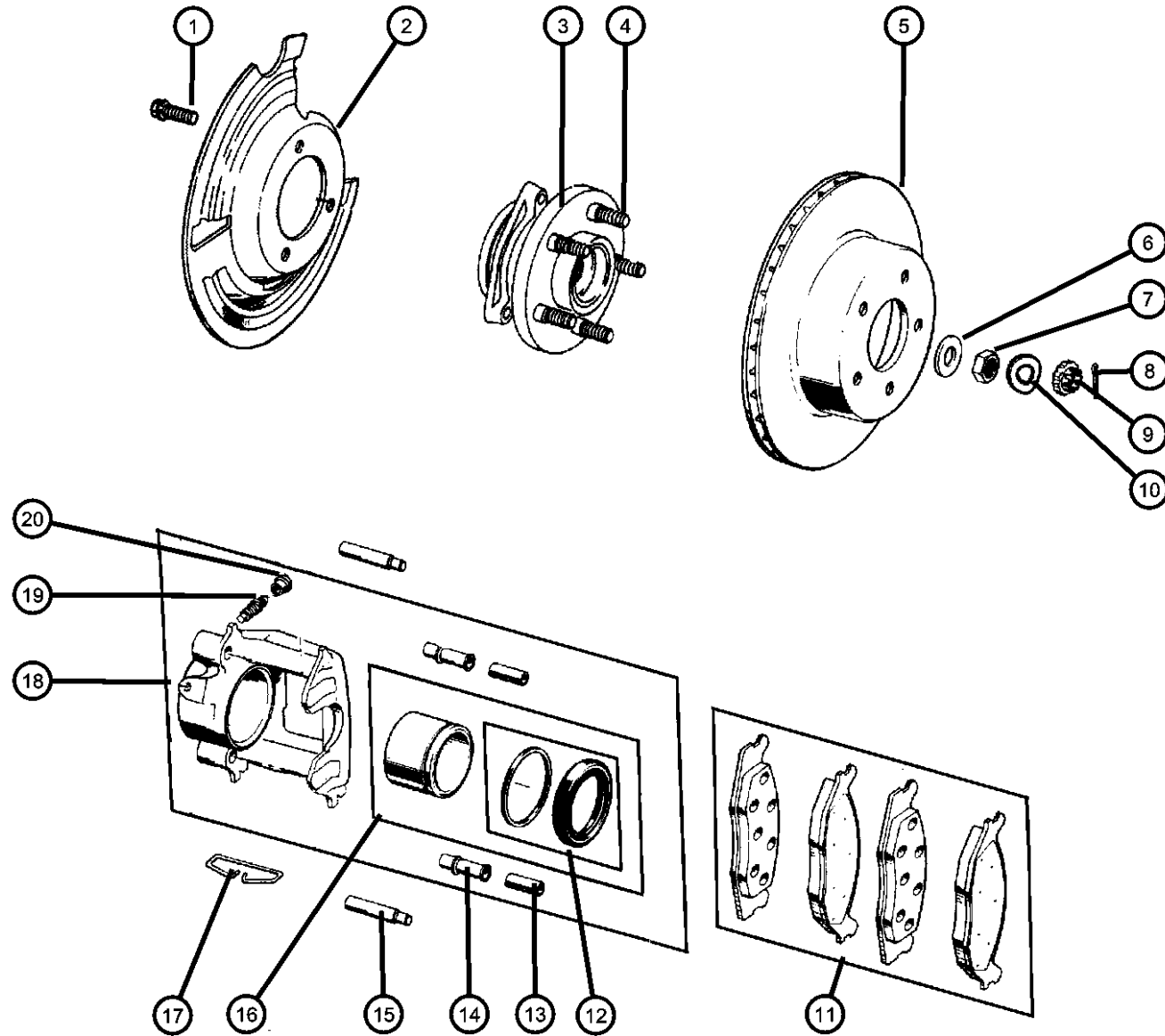
ITEM	PART NUMBER	QTY	LINE	SERIES	BODY	ENGINE	TRANS	TRIM	DESCRIPTION
6	J4200096	2	U						WASHER, Flat
7	J4200095	2	J						NUT, Hex
8	11010069	2	U						PIN, Cotter, M4x40.00
9	J4200097	2	U						RETAINER, Hub Nut
10	04740749	2	U						WASHER, Wave
11	04883344AC VE101344 V1010058AB BHKH5605 BHKH5066 VK298584AA V3010058 VXJ15965AB VCXJ5965AB VE101344 V1010058AB BHKH5605	1	J						PAD KIT, Front Disc Brake Mopar V-Line Alternative Part E.U. R-90 Regulation Compliant Mopar V-Line Alternative Part Disc Hardware Mopar V-Line Alternative Part Caliper Bolts Mopar Loaded Brake Caliper Kit (2 Calipers, Brake Friction) Mopar V-Line Alternative Part Ceramic Make It New Brake Kits (w/Composite Rotors) Make It Ceramic Brake Kit (w/Composite Rotors) Mopar V-Line Alternative Part E.U. R-90 Regulation Compliant Mopar V-Line Alternative Part Disc Hardware

WRANGLER (TJ)

SERIES	LINE	BODY	ENGINE	TRANSMISSION
L = Low Line	J = JEEP - 4WD U = JEEP - 4WD (RHD)	77 = OPEN BODY 2-DOOR	EPE = ENGINE - 2.5L POWER TECH I-4 Cyl. ERH = ENGINE - 4.0L POWER TECH I-6	DDQ = TRANSMISSION - 5-SPEED MANUAL DGD = TRANSMISSION - 3-SPD. AUTOMATIC,30RH DGG = TRANSMISSION - 3-SPD. AUTOMATIC,32RH

AR = use ase required - = Non illustrated part

Front Brakes
Figure 5-110



ITEM	PART NUMBER	QTY	LINE	SERIES	BODY	ENGINE	TRANS	TRIM	DESCRIPTION
	BHKH5066								Mopar V-Line Alternative Part Caliper Bolts
	VK298584AA								Mopar Loaded Brake Caliper Kit (2 Calipers, Brake Friction)
	V3010058								Mopar V-Line Alternative Part Ceramic
	VXJ15965AB								Make It New Brake Kits (w/Composite Rotors)
	VCXJ5965AB								Make It Ceramic Brake Kit (w/Composite Rotors)
12									BOOT AND SEAL, Disc Brake
	J8133852	1	U						
		1	J						
13									BUSHING, Disc Brake Caliper
	04383471	2	U						
		2	J						
14									SLEEVE, Disc Brake Caliper
	04423573	2	U						
		2	J						
15									PIN, Caliper
	05253000	4	U						
		4	J						
16									PISTON, Brake
	05252614	1	J						
		1	U						
17									CLIP, Brake Caliper
	J3239865	1	U						
		1	J						
18									CALIPER, Disc Brake
	05252984	1	J						Right
	R5252984								Mopar Remanufactured Part
	VK298584AA								Mopar Loaded Brake Caliper Kit (2 Calipers, Brake Friction)
		1	U						Right
	R5252984								Mopar Remanufactured Part
	VK298584AA								Mopar Loaded Brake Caliper Kit (2 Calipers, Brake Friction)

WRANGLER (TJ)

SERIES LINE
L = Low Line J = JEEP - 4WD
U = JEEP - 4WD (RHD)

BODY
77 = OPEN BODY 2-DOOR

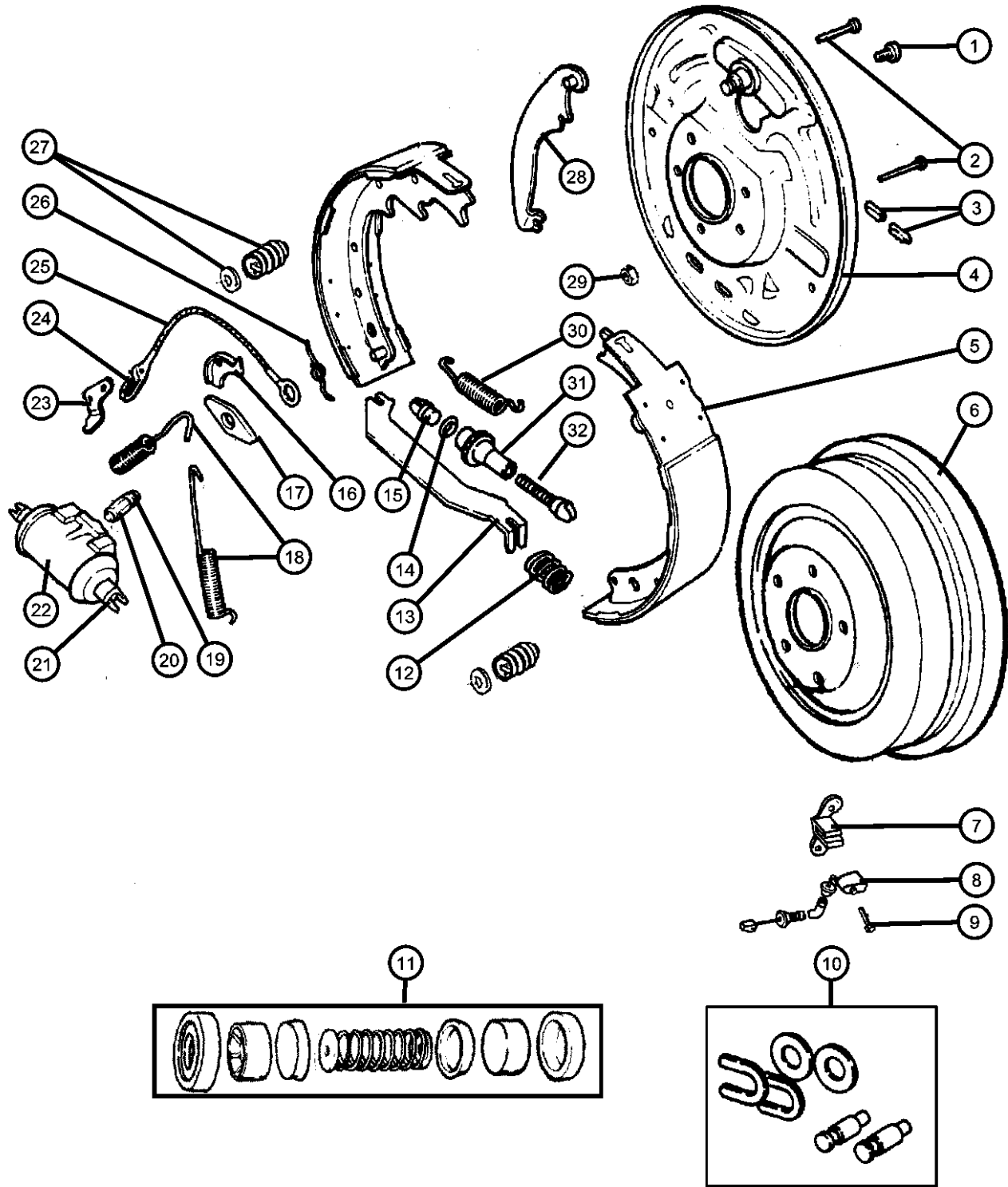
ENGINE
EPE = ENGINE - 2.5L POWER TECH I-4 Cyl.
ERH = ENGINE - 4.0L POWER TECH I-6

TRANSMISSION
DDQ = TRANSMISSION - 5-SPEED MANUAL
DGD = TRANSMISSION - 3-SPD. AUTOMATIC, 30RH
DGG = TRANSMISSION - 3-SPD. AUTOMATIC, 32RH

AR = use ase required - = Non illustrated part

1999 TJ

Rear Drum Brakes
Figure 5-210



ITEM	PART NUMBER	QTY	LINE	SERIES	BODY	ENGINE	TRANS	TRIM	DESCRIPTION
------	-------------	-----	------	--------	------	--------	-------	------	-------------

Note:Sales Codes;
[BGA]=Brakes,- Power Front Disc/Rear Drum
[BGK]=Brakes - 4-Wheel Antilock

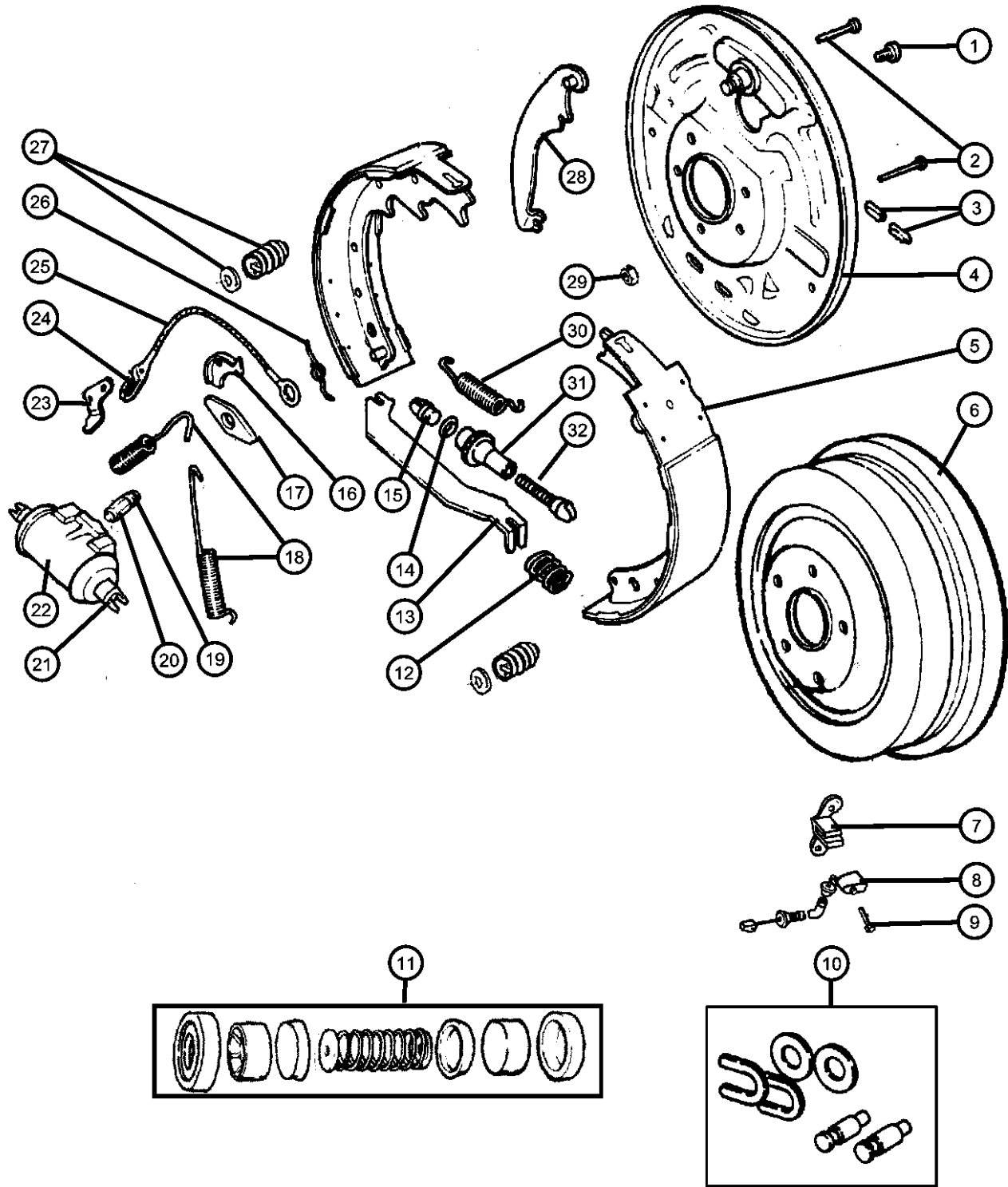
1									BOLT, Hex Head
	06028921	2	J						Wheel Cylinder, Mounting
		2	U						Wheel Cylinder, Mounting
2									PIN, Brake Shoe Hold Down
	02260548	2	U						
		2	J						
3									PLUG, Brake Adjusting Hole
	04238721	1	U						
		1	J						
4									PLATE, Brake Backing
	04856718AB	1	J						[BGK], Right
	04856719AB	1	J						[BGK], Left
	05017760AA	1	J						[BGA], Right
		1	U						[BGA], Right
	05017761AA	1	J						[BGA], Left
		1	U						[BGA], Left
5									SHOE AND LINING KIT, Drum
	04723367AB	1	U						
	BHKH7265								Mopar V-Line Alternative Part All In One Drum Combi Kits
	BHKH2526								Mopar V-Line Alternative Part Drum Self Adjuster Kit Left
	BHKH2527								Mopar V-Line Alternative Part Drum Self Adjuster Kit
	V2010367AB								Mopar V-Line Alternative Part
		1	J						
	BHKH7265								Mopar V-Line Alternative Part All In One Drum Combi Kits
	BHKH2526								Mopar V-Line Alternative Part Drum Self Adjuster Kit Left
	BHKH2527								Mopar V-Line Alternative Part Drum Self Adjuster Kit
	V2010367AB								Mopar V-Line Alternative Part
6									DRUM, Brake
	52005350	2	J						

WRANGLER (TJ)

SERIES	LINE	BODY	ENGINE	TRANSMISSION
L = Low Line	J = JEEP - 4WD U = JEEP - 4WD (RHD)	77 = OPEN BODY 2-DOOR	EPE = ENGINE - 2.5L POWER TECH I-4 Cyl. ERH = ENGINE - 4.0L POWER TECH I-6	DDQ = TRANSMISSION - 5-SPEED MANUAL DGD = TRANSMISSION - 3-SPD. AUTOMATIC,30RH DGG = TRANSMISSION - 3-SPD. AUTOMATIC,32RH

AR = use ase required - = Non illustrated part

Rear Drum Brakes
Figure 5-210



ITEM	PART NUMBER	QTY	LINE	SERIES	BODY	ENGINE	TRANS	TRIM	DESCRIPTION
7		2	U						BRACKET, Brake Sensor
	56026766	1	J						Right
	56026767	1	J						Left
8									SENSOR, Anti-Lock Brakes
	56027728	1	J						Right
	56027729	1	J						Left
9	83504920	2	J						BOLT, Anti-Lock Brake Sensor, Mounting
10									HARDWARE PACKAGE, Rear Brake
	04049681	1	J						
		1	U						
11									REPAIR KIT, Wheel Cylinder
	05252630	1	U						
		1	J						
12									STRUT, Parking Brake
	04713590	1	U						
		1	J						
13									WASHER, Adjuster Button
	06027559	1	U						
		1	J						
14									BUTTON, Rear Brake Auto Adjust
	02944586	1	U						
		1	J						
15									GUIDE, Brake Adjusting Cable
	02260793	1	U						
		1	J						
16									PLATE, Brake Shoe Guide
	04313075	1	U						
		1	J						
17									SPRING, Brake Shoe Return
	02881676	2	U						
		2	J						

WRANGLER (TJ)

SERIES LINE
L = Low Line J = JEEP - 4WD
U = JEEP - 4WD (RHD)

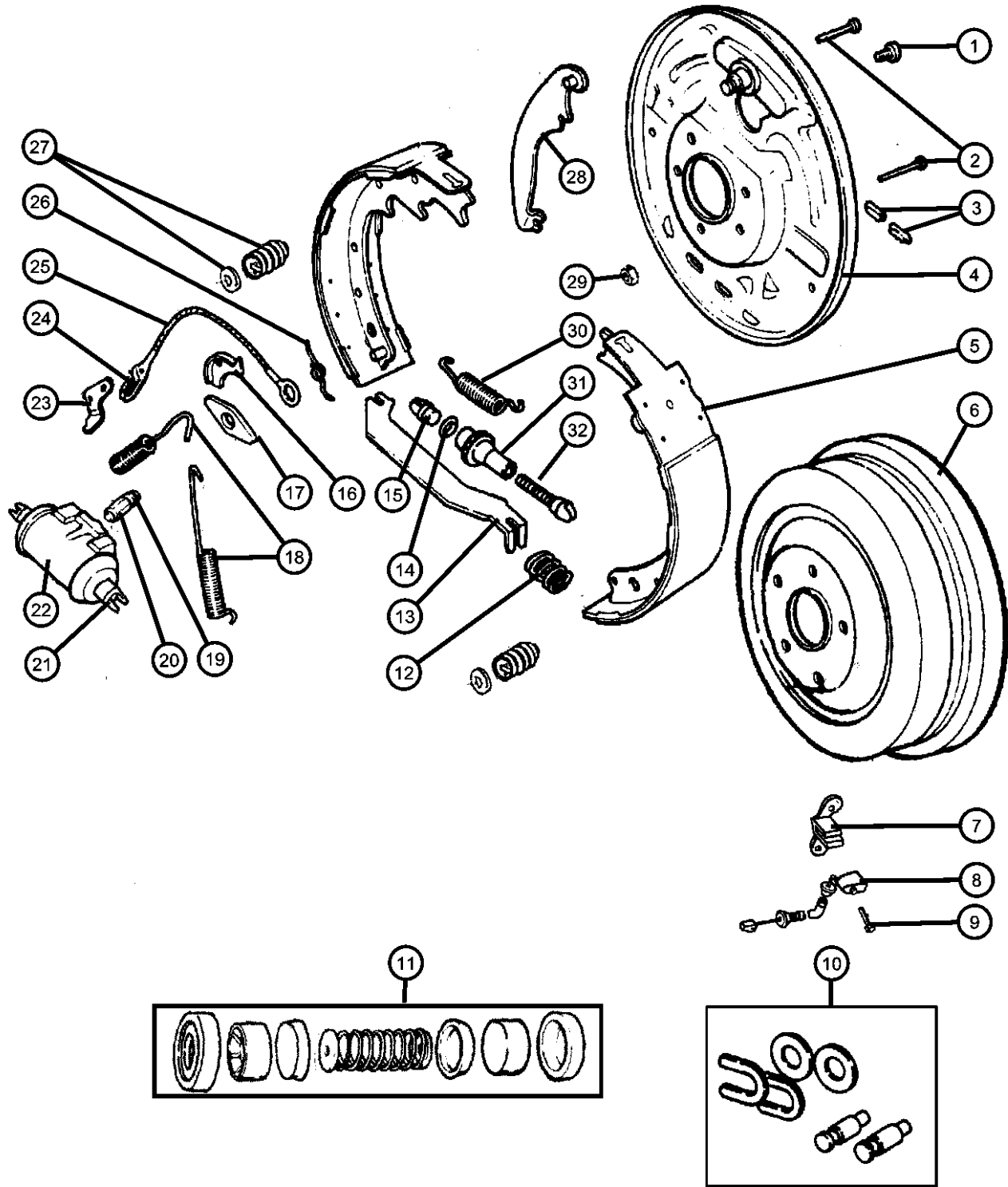
BODY
77 = OPEN BODY 2-DOOR

ENGINE
EPE = ENGINE - 2.5L POWER TECH I-4 Cyl.
ERH = ENGINE - 4.0L POWER TECH I-6

TRANSMISSION
DDQ = TRANSMISSION - 5-SPEED MANUAL
DGD = TRANSMISSION - 3-SPD. AUTOMATIC, 30RH
DGG = TRANSMISSION - 3-SPD. AUTOMATIC, 32RH

AR = use ase required - = Non illustrated part

Rear Drum Brakes
Figure 5-210



ITEM	PART NUMBER	QTY	LINE	SERIES	BODY	ENGINE	TRANS	TRIM	DESCRIPTION
18									CAP, Bleeder
	04238717	1	U						
		1	J						
19									SCREW, Bleeder
	03766674	1	U						
		1	J						
20		1							LINK, Brake, Purchase Wheel Cylinder, (NOT SERVICED)
21									CYLINDER, Wheel
	04423601	1	U						
	V2103601AA								Mopar V-Line Alternative Part Wheel Cylinder
		1	J						
	V2103601AA								Mopar V-Line Alternative Part Wheel Cylinder
22									LEVER, Park Brake Adjusting
	04761759	1	U						
		1	J						
23									SPRING, Adjuster Cable
	03461660	1	U						
		1	J						
24									CABLE, Brake Automatic Adjuster
	03461662	1	U						
		1	J						
25									SPRING, Brake Auto Adjuster Lever
	02944580	1	U						Right
		1	J						Right
	02944581	1	U						Left
		1	J						Left
26									SPRING, Brake Shoe Hold Down
	04313062	2	U						
		2	J						
27									LEVER, Park Brake
	04313810	1	U						Right
		1	J						Right

WRANGLER (TJ)

SERIES LINE
L = Low Line J = JEEP - 4WD
U = JEEP - 4WD (RHD)

BODY
77 = OPEN BODY 2-DOOR

ENGINE
EPE = ENGINE - 2.5L POWER TECH I-4 Cyl.
ERH = ENGINE - 4.0L POWER TECH I-6

TRANSMISSION
DDQ = TRANSMISSION - 5-SPEED MANUAL
DGD = TRANSMISSION - 3-SPD. AUTOMATIC, 30RH
DGG = TRANSMISSION - 3-SPD. AUTOMATIC, 32RH

AR = use ase required - = Non illustrated part

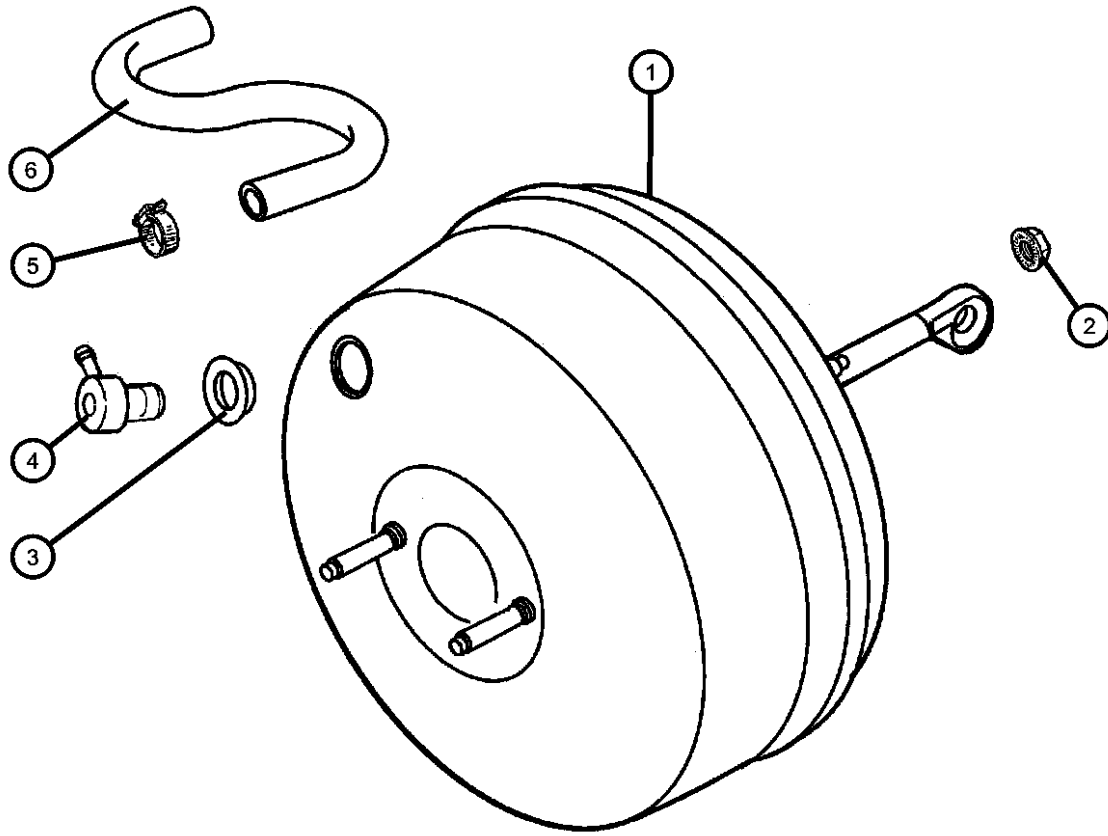
1999 TJ

**Power Brake Booster
Figure 5-310**

ITEM	PART NUMBER	QTY	LINE	SERIES	BODY	ENGINE	TRANS	TRIM	DESCRIPTION
------	-------------	-----	------	--------	------	--------	-------	------	-------------

Note:Sales Codes;
[EP0]=Engines - All 2.5L 4 Cylinder Gas
[ER0]=Engines - All 4.0L 6 Cylinder Gas

1	04798158	1							BOOSTER, Power Brake
2	J4003909	4							NUT, Hex Flange With Serration, Booster to Dash, Mounting
3	04723640	1							GROMMET, Brake Booster Check Valve
4	04584098	1							VALVE, Brake Booster Check
5	02448770	2							CLAMP, Hose
6									HOSE, Brake Booster
	03879277	1	J						[ER0]
	52008715AB	1	U						[EP0]
	52128229	1	J						[EP0]
	52128389AA	1	U						[ER0]



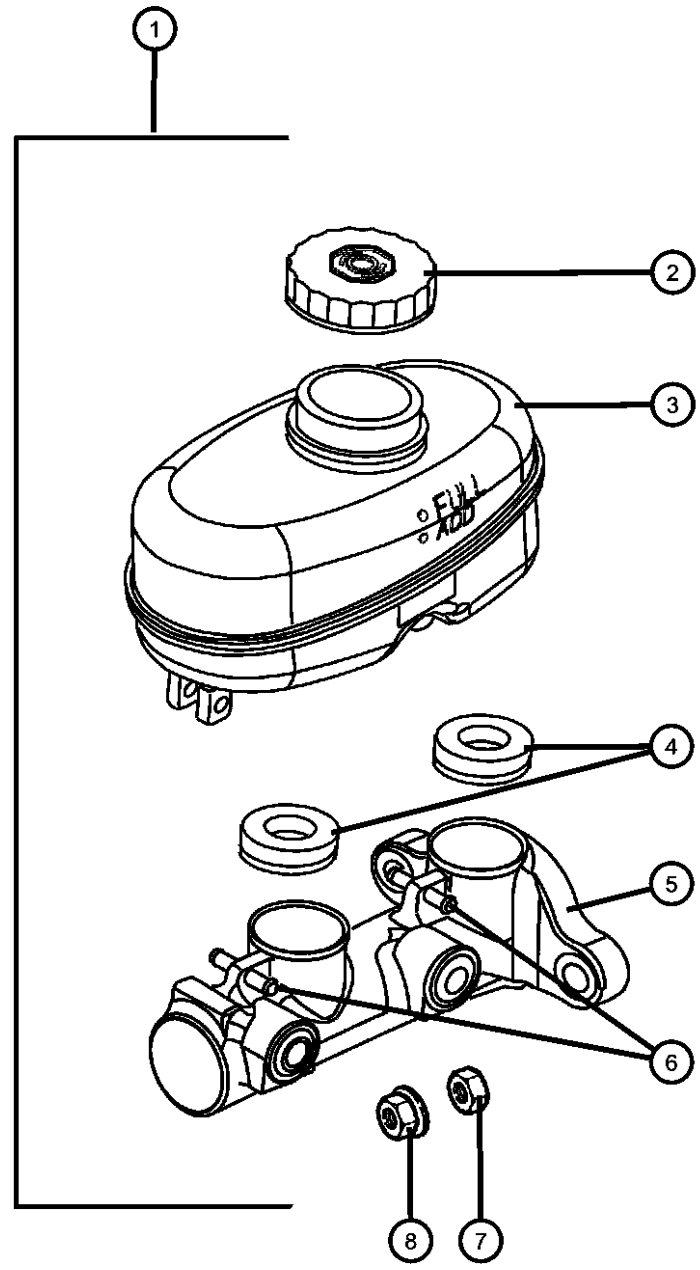
WRANGLER (TJ)

SERIES	LINE	BODY	ENGINE	TRANSMISSION
L = Low Line	J = JEEP - 4WD U = JEEP - 4WD (RHD)	77 = OPEN BODY 2-DOOR	EPE = ENGINE - 2.5L POWER TECH I-4 Cyl. ERH = ENGINE - 4.0L POWER TECH I-6	DDQ = TRANSMISSION - 5-SPEED MANUAL DGD = TRANSMISSION - 3-SPD. AUTOMATIC,30RH DGG = TRANSMISSION - 3-SPD. AUTOMATIC,32RH

AR = use ase required - = Non illustrated part

1999 TJ

Master Cylinder
Figure 5-410



ITEM	PART NUMBER	QTY	LINE	SERIES	BODY	ENGINE	TRANS	TRIM	DESCRIPTION
1	04798157 R4798157	1							MASTER CYLINDER, Brake Mopar Remanufactured Part
2	04683656	1							CAP, Master Cylinder Reservoir
3	04761943	1							RESERVOIR, Brake Master Cylinder
4	04723389	2							GROMMET, Master Cylinder ReservoirMounting
5	04723395	1							SEAL, Master Cylinder To BoosterMounting
6	04723394	1							PIN, Master Cylinder ReservoirMounting
7	J4003909	2							NUT, Hex Flange With Serration, Master Cylinder to Brake Booster Stud, Mounting
8	34201711	2							NUT, Hex Flange, M8x1.25, Combination Valve Bracket to Master Cylinder Stud, Mounting

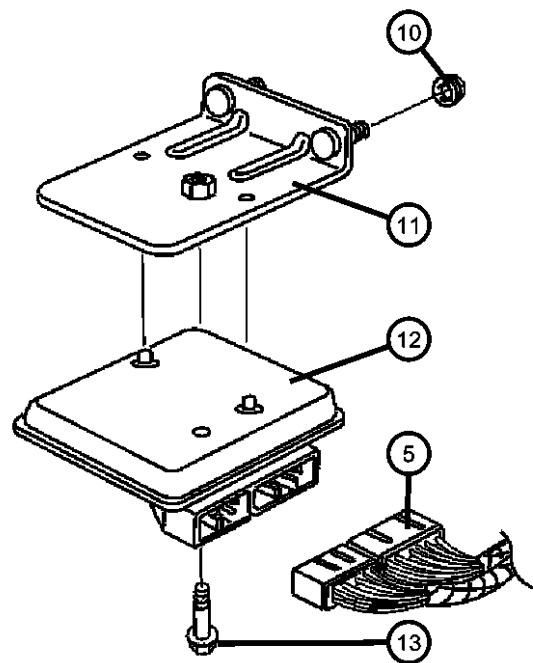
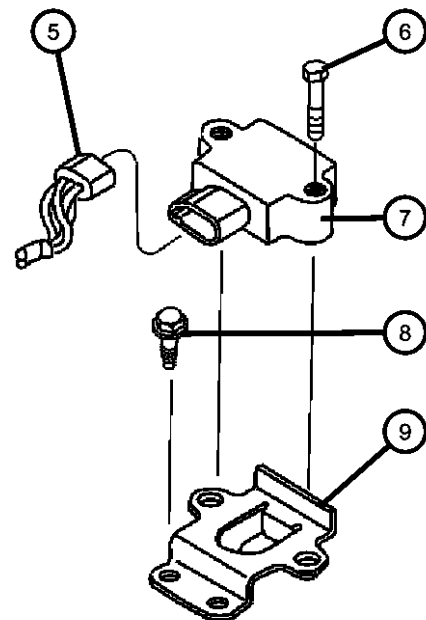
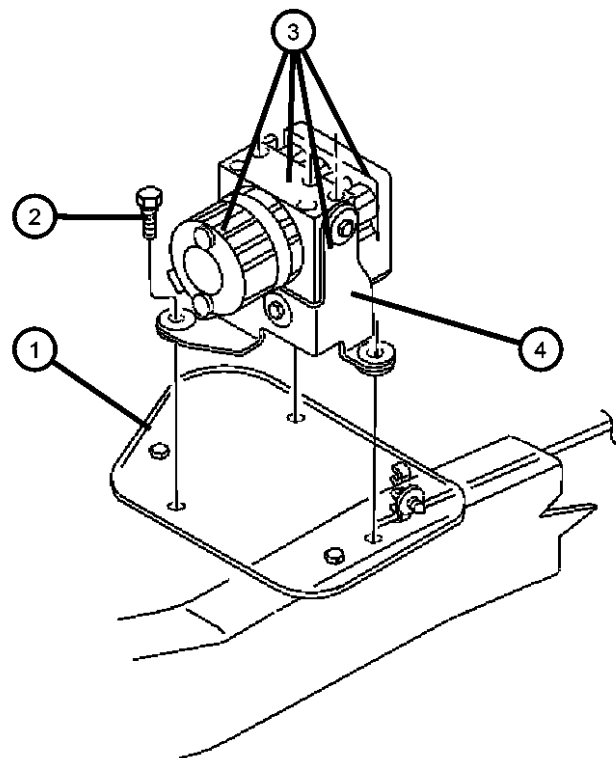
WRANGLER (TJ)

SERIES	LINE	BODY	ENGINE	TRANSMISSION
L = Low Line	J = JEEP - 4WD U = JEEP - 4WD (RHD)	77 = OPEN BODY 2-DOOR	EPE = ENGINE - 2.5L POWER TECH I-4 Cyl. ERH = ENGINE - 4.0L POWER TECH I-6	DDQ = TRANSMISSION - 5-SPEED MANUAL DGD = TRANSMISSION - 3-SPD. AUTOMATIC,30RH DGG = TRANSMISSION - 3-SPD. AUTOMATIC,32RH

AR = use ase required - = Non illustrated part

1999 TJ

**Hydraulic Control Unit
Figure 5-510**



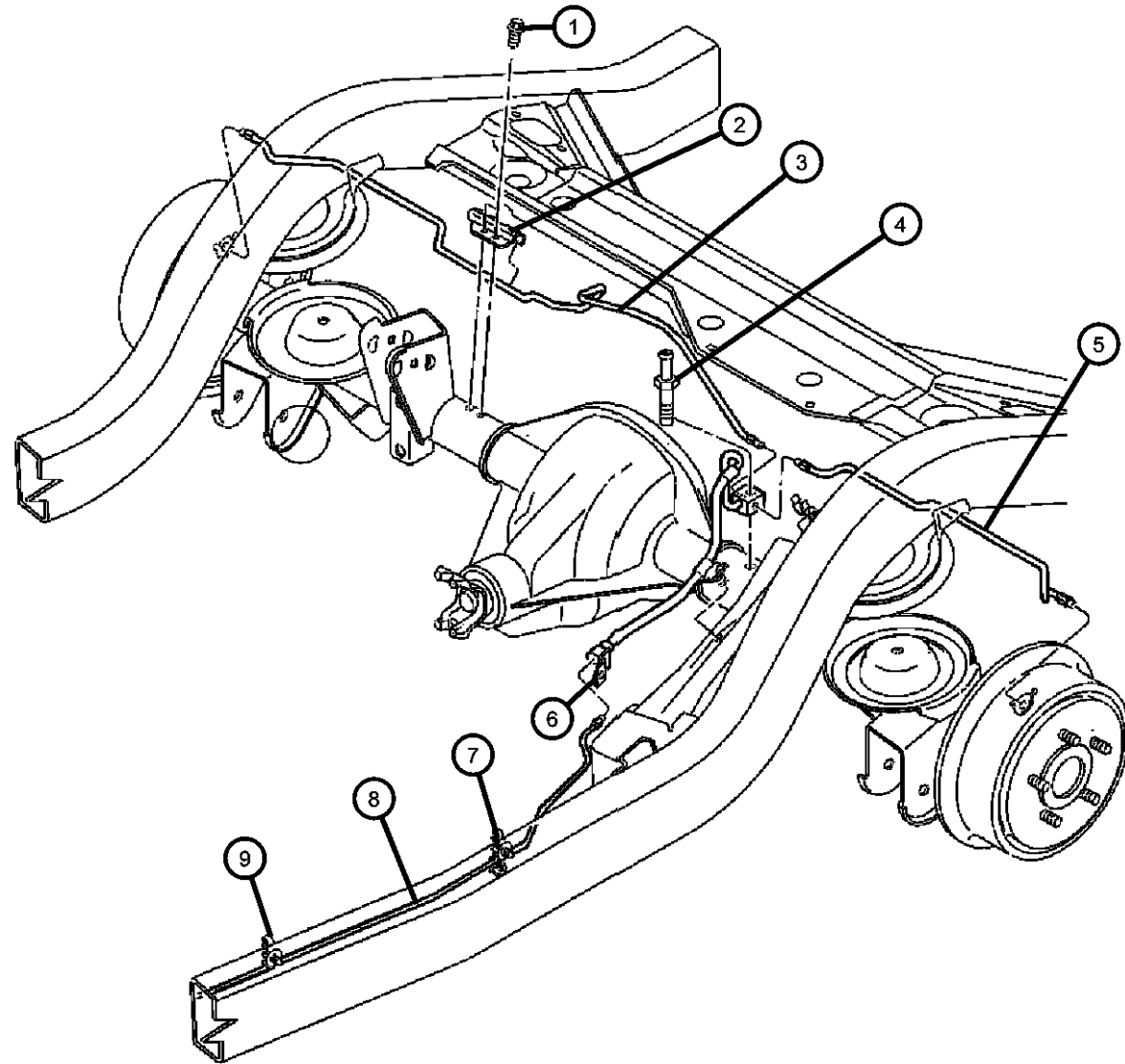
ITEM	PART NUMBER	QTY	LINE	SERIES	BODY	ENGINE	TRANS	TRIM	DESCRIPTION
1	55176141	1	J						BRACKET, Abs control unit Mounting
	55176142	1	U						Mounting
2	34201888	3							SCREW, Hex Head, HCU to Bracket, Mounting
3	52127930	1							CONTROL UNIT, Anti-Lock Brake
4	52008401	1							BRACKET, Brake Control Unit
5	52008401	1							WIRING, Engine Compartment, See Group 8, (NOT SERVICED)
6	06035991AA	2							SCREW, Hex Flange Head, ABS Acceleration Switch, Mounting
7	56006315AB	1							SWITCH, ABS Acceleration
8	56006315AB	1							SCREW, Hex Flange Head Tapping, .190-16x.750, (NOT SERVICED)
9	56027944	1							BRACKET, Anti-Lock Brake Switch, Acceleration, Mounting
10	56027944	1							NUT AND SEALER, .250-20, (NOT SERVICED)
11	56027878	1							BRACKET, ModuleMounting
12	56027271AB	1							MODULE, Anti-Lock Brake System
13	56027271AB	1							SCREW, Hex Head, M6x1x30, (NOT SERVICED)

WRANGLER (TJ)

SERIES	LINE	BODY	ENGINE	TRANSMISSION
L = Low Line	J = JEEP - 4WD U = JEEP - 4WD (RHD)	77 = OPEN BODY 2-DOOR	EPE = ENGINE - 2.5L POWER TECH I-4 Cyl. ERH = ENGINE - 4.0L POWER TECH I-6	DDQ = TRANSMISSION - 5-SPEED MANUAL DGD = TRANSMISSION - 3-SPD. AUTOMATIC, 30RH DGG = TRANSMISSION - 3-SPD. AUTOMATIC, 32RH

AR = use ase required - = Non illustrated part

Brake Lines and Hoses,Rear,LHD,RHD,Without ABS
Figure 5-540



ITEM	PART NUMBER	QTY	LINE	SERIES	BODY	ENGINE	TRANS	TRIM	DESCRIPTION
Note:Sales Codes; [DRJ]=Dana M35/194MM Rear Axle [DRK]=Dana 44/226MM Rear Axle									
1	34201912	2							SCREW, Self Tapping, M6x1x14, Brake Tube Shield to Axle Tube, Mounting
2	52128189	1							SHIELD, Brake Line, Rear Axle
3									TUBE, Brake
	52008402	1							[DRJ], Right
	52009092	1							[DRK], Right
4	04137696	1							SCREW, Brake Tee, .437-20x2.07, Axle Vent and Brake Tee, Mounting
5									TUBE, Brake
	52008403	1							[DRJ], Left
	52009093	1							[DRK], Left
6	52008391	1							HOSE, BrakeRear
7	34202371	2							CLIP, Quad Tubes, As Required, Mounting
8									TUBE, Brake
	52008385	1			J				Proportioning Valve to Brake Hose, Rear
	52008982AC	1			U				Tube Coupling to Brake Hose, Rear
9	52007995	3							CLIP, Five Way Fastener, As Required, Mounting

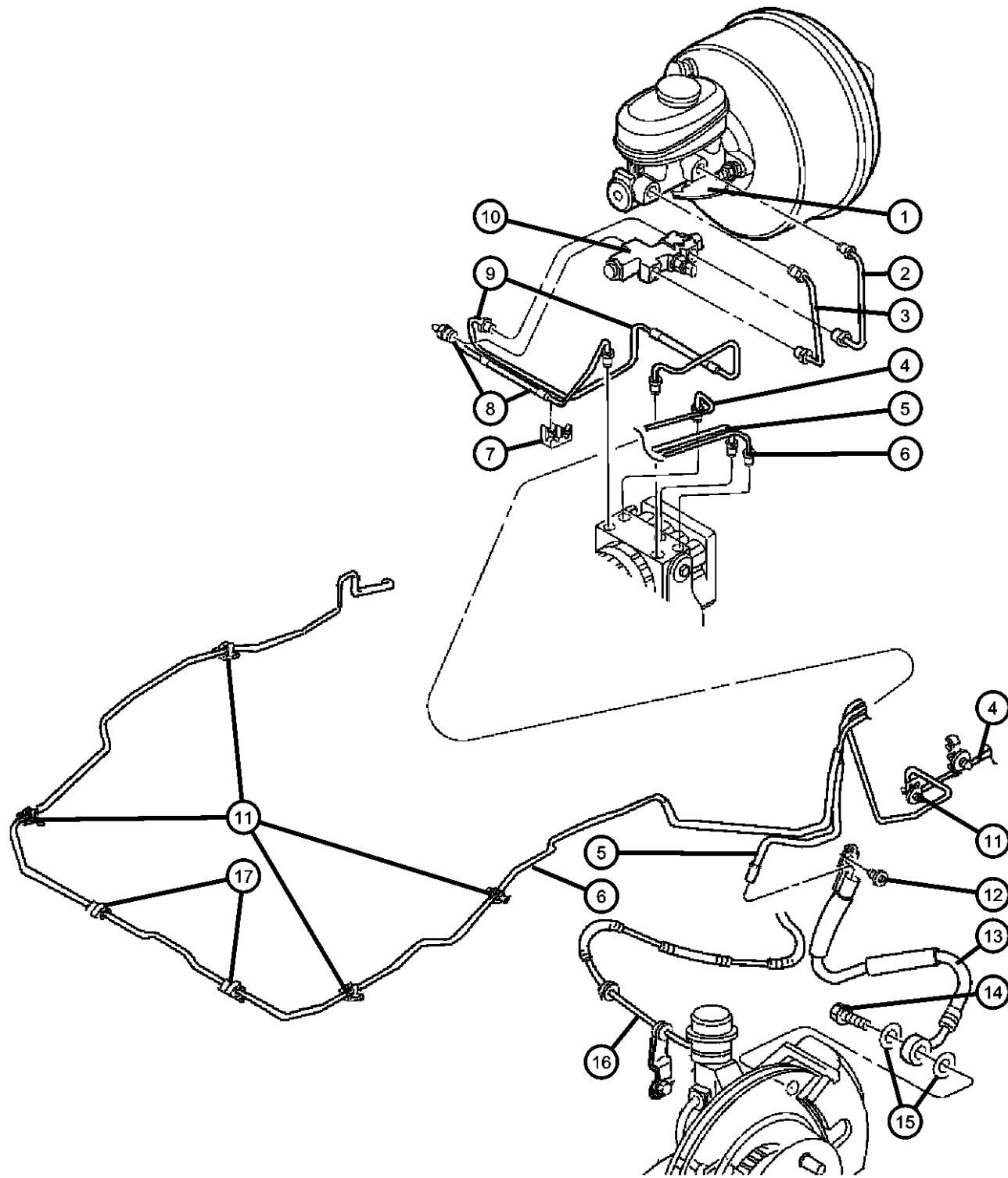
WRANGLER (TJ)

SERIES	LINE	BODY	ENGINE	TRANSMISSION
L = Low Line	J = JEEP - 4WD U = JEEP - 4WD (RHD)	77 = OPEN BODY 2-DOOR	EPE = ENGINE - 2.5L POWER TECH I-4 Cyl. ERH = ENGINE - 4.0L POWER TECH I-6	DDQ = TRANSMISSION - 5-SPEED MANUAL DGD = TRANSMISSION - 3-SPD. AUTOMATIC,30RH DGG = TRANSMISSION - 3-SPD. AUTOMATIC,32RH

AR = use ase required - = Non illustrated part

1999 TJ

Brake Lines and Hoses,Front,LHD,With ABS
Figure 5-550



ITEM	PART NUMBER	QTY	LINE	SERIES	BODY	ENGINE	TRANS	TRIM	DESCRIPTION
1	52127970	1							BRACKET, Brake ValveMounting
2	52008399	1							TUBE, Brake, Master Cylinder to Proportioning Valve, Secondary
3	52008398	1							TUBE, Brake, Master Cylinder to Proportioning Valve, Primary
4	52008386	1	J						TUBE, Brake, HCU to Brake Hose, Rear
5	52008545	1	J						TUBE, Brake, HCU to Brake Front Hose, Left
6	52008544AB	1	J						TUBE, Brake, HCU to Brake Front Hose, Right
7	52008940	1							CLIP, Brake Line
8	52008640	1	J						HOSE, Brake, Proportioning Valve to HCU, Primary
9	52008641	1	J						HOSE, Brake, Proportioning Valve to HCU, Secondary
10	52008549	1							VALVE, Proportioning
11	34202688	5	J						CLIP, Latch&Line, Brake Line to Frame, Mounting
12	34201670	2							SCREW, Pan Head, M8-1.25x13, Front brake Hose to Frame, Mounting
13									HOSE, Brake
	52008674	1							Right
	V1128674AA								Mopar V-Line Alternative Brake Hoses and Tubes
	52008675	1							Left
	V1128675AA								Mopar V-Line Alternative Brake Hoses and Tubes
14	J4006700	2							BOLT, Banjo, To Caliper, Mounting
15	J3237672	4							GASKET, Brake Hose To CaliperMounting
16	56027727	2	J						SENSOR, Anti-Lock BrakesRight or Left
17	52128175	2							CLIP, Brake Attaching Tube, 3 Way, Double Tube Brake line, Mounting
-18	04641780	2							STRAP, Tie, Speed Sensor to Convolute Tubing, Right or Left

WRANGLER (TJ)

SERIES	LINE	BODY	ENGINE	TRANSMISSION
L = Low Line	J = JEEP - 4WD U = JEEP - 4WD (RHD)	77 = OPEN BODY 2-DOOR	EPE = ENGINE - 2.5L POWER TECH I-4 Cyl. ERH = ENGINE - 4.0L POWER TECH I-6	DDQ = TRANSMISSION - 5-SPEED MANUAL DGD = TRANSMISSION - 3-SPD. AUTOMATIC,30RH DGG = TRANSMISSION - 3-SPD. AUTOMATIC,32RH

AR = use ase required - = Non illustrated part

**Rear Axle Brake Sensor Wiring Brackets and Fasteners
Figure 5-570**

ITEM	PART NUMBER	QTY	LINE	SERIES	BODY	ENGINE	TRANS	TRIM	DESCRIPTION
Note; Sales Codes: [BGK]=4-Wheel Anti-Lock Brakes									
1	52008391	1							HOSE, BrakeRear
2	56026757	1							BRACKET, ABS Sensor, To Left Rear Axle UCA Bracket, Mounting
3	34201912	4							SCREW, Self Tapping, M6x1x14, ABS Sensor Bracket, Mounting
4	52008920	1							BRACKET, ABS Sensor, To Left Rear UCA, Mounting
5	06502711	1							BOLT, Rear Brake Hose to Frame, Mounting
6	52008919	1							BRACKET, ABS Sensor, To Left Rear Frame Rail, Mounting
7	06101695	1							NUT, Hex Flange Lock, ABS Sensor Bracket to UCA, Mounting
8	06101695	1							NUT, Hex Flange Lock, Rear Brake Hose to UCA, Mounting
9									SENSOR, Anti-Lock Brakes
	56027728	1			J				Right
	56027729	1			J				Left

WRANGLER (TJ)

SERIES	LINE	BODY	ENGINE	TRANSMISSION
L = Low Line	J = JEEP - 4WD U = JEEP - 4WD (RHD)	77 = OPEN BODY 2-DOOR	EPE = ENGINE - 2.5L POWER TECH I-4 Cyl. ERH = ENGINE - 4.0L POWER TECH I-6	DDQ = TRANSMISSION - 5-SPEED MANUAL DGD = TRANSMISSION - 3-SPD. AUTOMATIC,30RH DGG = TRANSMISSION - 3-SPD. AUTOMATIC,32RH

AR = use ase required - = Non illustrated part

Front Axle Brake Sensor Wiring Brackets and Fasteners
Figure 5-580

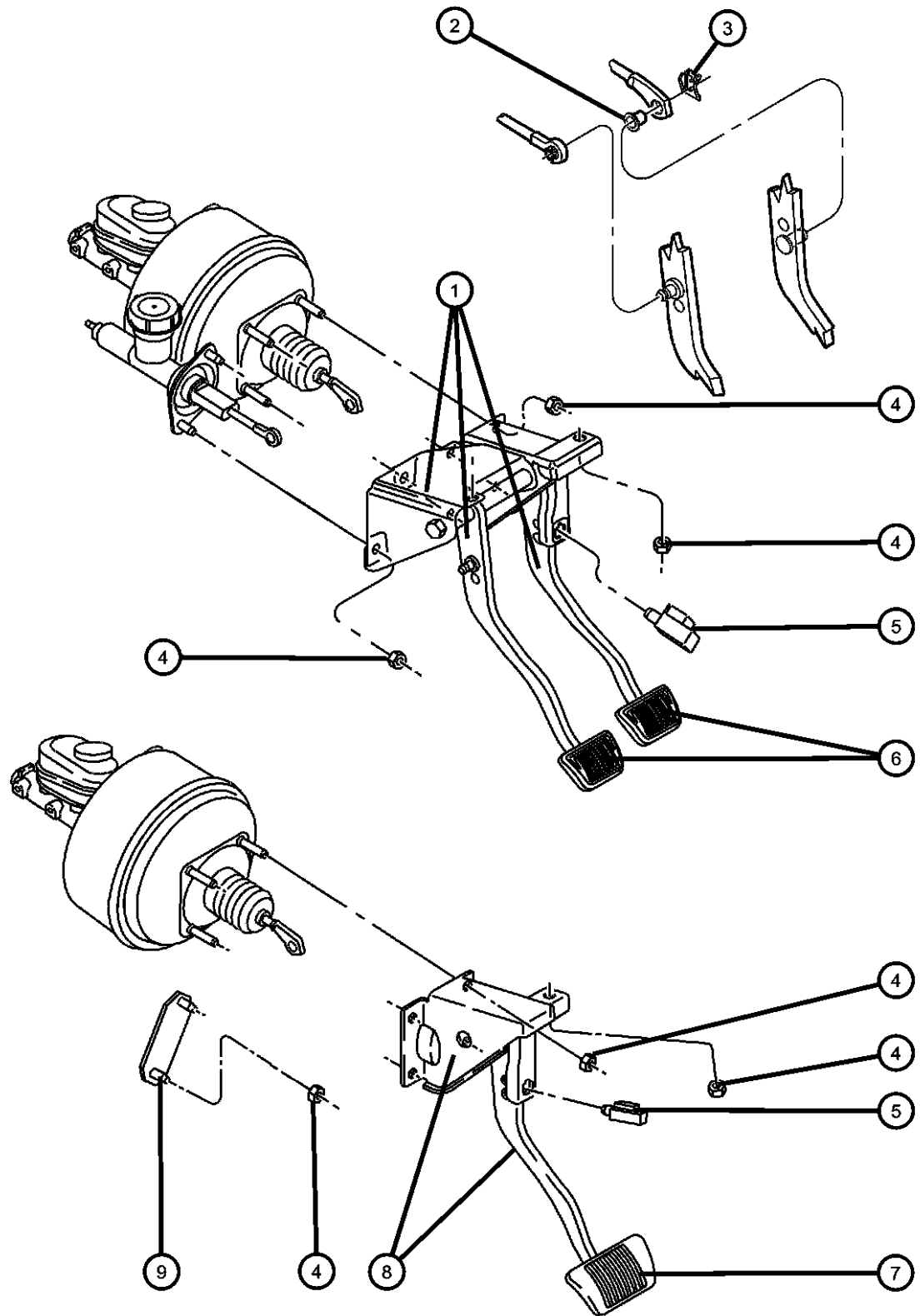
ITEM	PART NUMBER	QTY	LINE	SERIES	BODY	ENGINE	TRANS	TRIM	DESCRIPTION
1	56027727	2	J						SENSOR, Anti-Lock Brakes
2									BRACKET, Shock Absorber
	52008780	1							Sensor Wire Mounting, Outboard, Right
	52008781	1							Sensor Wire Mounting, Outboard, Left
3	34201912	4							SCREW, Self Tapping, M6x1x14, Inboard and Outboard Sensor Bracket, Mounting
4									BRACKET, Shock Absorber
	52008884	1							Sensor Wire Mounting, Inboard, Right
	52008885	1							Sensor Wire Mounting, Inboard, Left
5	52128162	4							RETAINER, Push On, Sensor Wire Wrap Around, Right or Left
6	52128162	4							CLIP, Sensor, (NOT SERVICED)
7	06503254	2							SCREW, Hex Head, Sensor Wire Clip to Frame, Mounting
8									STRAP, Tie
	04641780	2							Sensor Wiring to Convolute Tubing, Right
		1							Sensor Wiring to Convolute Tubing, Left

WRANGLER (TJ)

SERIES	LINE	BODY	ENGINE	TRANSMISSION
L = Low Line	J = JEEP - 4WD U = JEEP - 4WD (RHD)	77 = OPEN BODY 2-DOOR	EPE = ENGINE - 2.5L POWER TECH I-4 Cyl. ERH = ENGINE - 4.0L POWER TECH I-6	DDQ = TRANSMISSION - 5-SPEED MANUAL DGD = TRANSMISSION - 3-SPD. AUTOMATIC,30RH DGG = TRANSMISSION - 3-SPD. AUTOMATIC,32RH

AR = use ase required - = Non illustrated part

Brake Pedal,LHD
Figure 5-610



ITEM	PART NUMBER	QTY	LINE	SERIES	BODY	ENGINE	TRANS	TRIM	DESCRIPTION
------	-------------	-----	------	--------	------	--------	-------	------	-------------

Note: DBB= All Manual Transmissions—DG0=All Automatic Transmissions

1	52128017AB	1	J						PEDAL, Brake And Clutch, [DBB]
2	04446361	1							BUSHING, Hydraulic Clutch Actuator
3	06035334	1							CLIP, Brake Push Rod
4	J4003909	2							NUT, Hex Flange With Serration
		1							Clutch Master Cylinder/Clutch Hole Cover, Mounting
		1							[DG0] Brake Pedal Support Bracket, Mounting
		2							[DBB] Brake Pedal Support Bracket, Mounting
		4							Booster to Dash, Mounting
5	04671336	1							SWITCH, Stop Lamp
6	52002750	2	J						PAD, Pedal, [DBB]
7	04779027	1	J						PAD, Pedal, [DG0]
8	52129008AE	1	J						PEDAL, Brake, [DG0]
9	52104013	1							COVER, Master Cylinder, Clutch-Used With [DG0]

WRANGLER (TJ)

SERIES LINE
L = Low Line J = JEEP - 4WD
U = JEEP - 4WD (RHD)

BODY
77 = OPEN BODY 2-DOOR

ENGINE
EPE = ENGINE - 2.5L POWER TECH I-4 Cyl.
ERH = ENGINE - 4.0L POWER TECH I-6

TRANSMISSION
DDQ = TRANSMISSION - 5-SPEED MANUAL
DGD = TRANSMISSION - 3-SPD. AUTOMATIC,30RH
DGG = TRANSMISSION - 3-SPD. AUTOMATIC,32RH

AR = use ase required - = Non illustrated part

1999 TJ

Group - 6

Clutch

Group - 6 Clutch

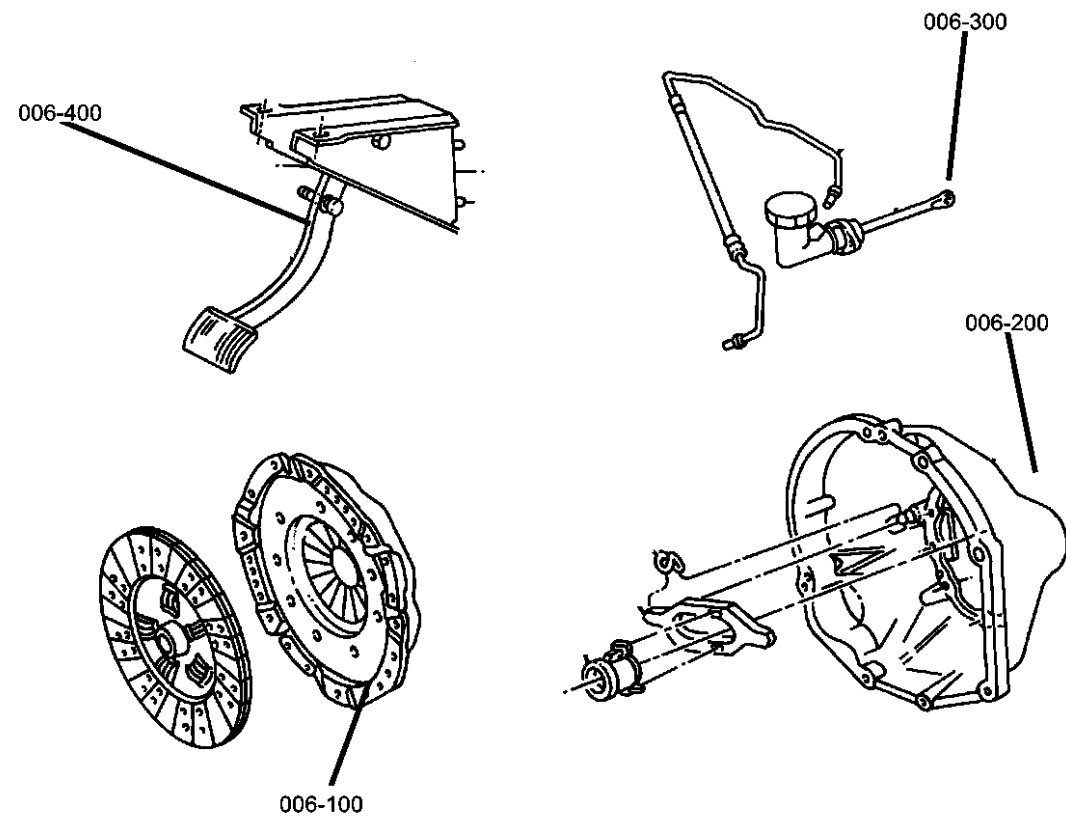


Illustration Title

Group-Fig. No.

Clutch

Clutch Assembly Fig. 6 - 110

Clutch Housing

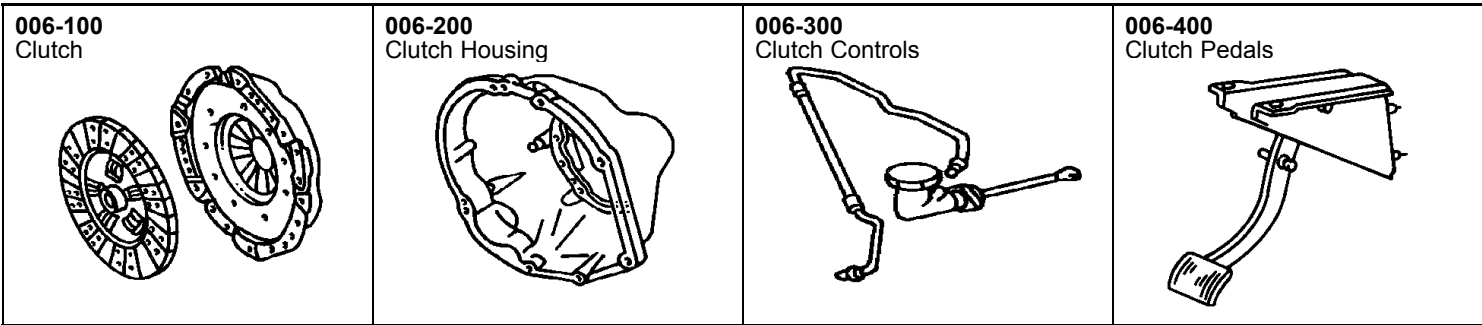
Housing and Pan,Clutch..... Fig. 6 - 210

Clutch Controls

Controls,Hydraulic Clutch..... Fig. 6 - 310

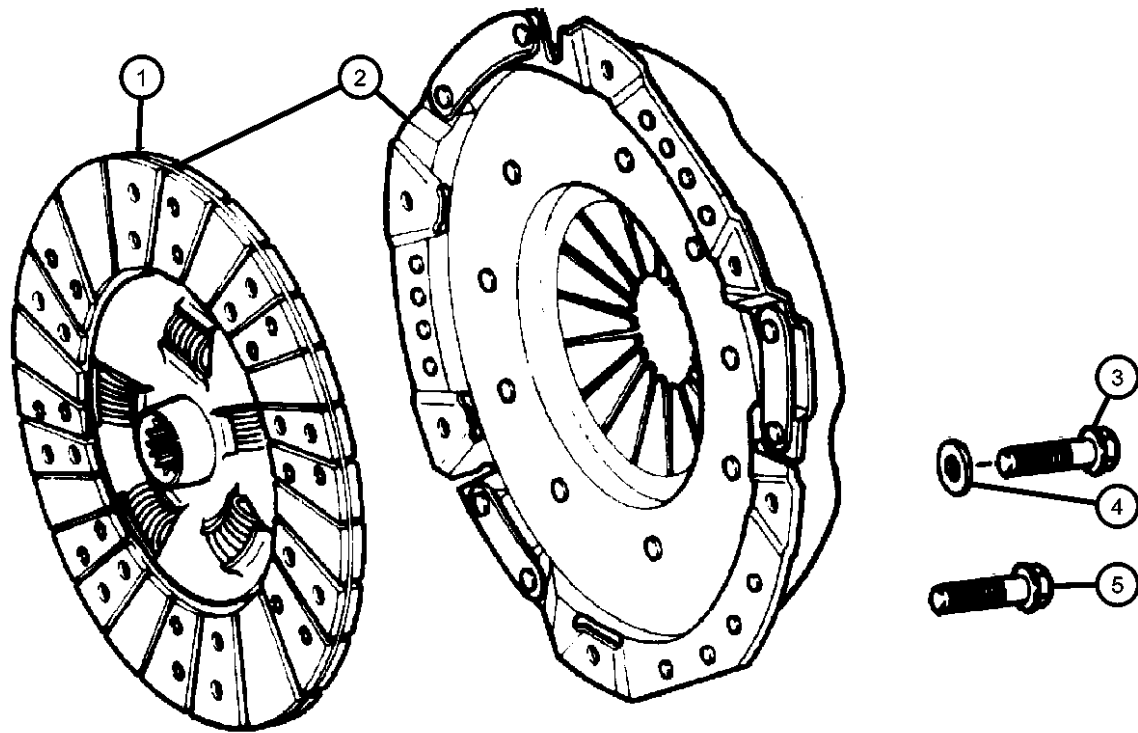
Clutch Pedals

Pedal,Clutch Fig. 6 - 410



**Clutch Assembly
Figure 6-110**

ITEM	PART NUMBER	QTY	LINE	SERIES	BODY	ENGINE	TRANS	TRIM	DESCRIPTION
NOTE:Sales Codes: [DBB]=All Manual Transmissions [EP0]=All 2.5L 4 Cylinder Gas Engines [ER0]=All V6 Engines									
1	53008259	1				ER0	DBB		DISC, Clutch
2									CLUTCH KIT, Pressure Plate and Disc
	04874175	1				ER0	DBB		Mopar V-Line Alternative Part
	V9900103								Mopar V-Line Alternative Part
	52107570	1				EP0	DBB		Mopar V-Line Alternative Part
	V9900104								Mopar V-Line Alternative Part
3	34201373	6				EP0	DBB		BOLT, Hex Head, M8x1.25x22, Pressure Plate to Flywheel, Mounting
4	11500221	6				EP0	DBB		WASHER, Flat, Pressure Plate to Flywheel, Mounting
5	06035626	6				ER0	DBB		BOLT, Hex Flange Head, Pressure Plate to Flywheel, Mounting

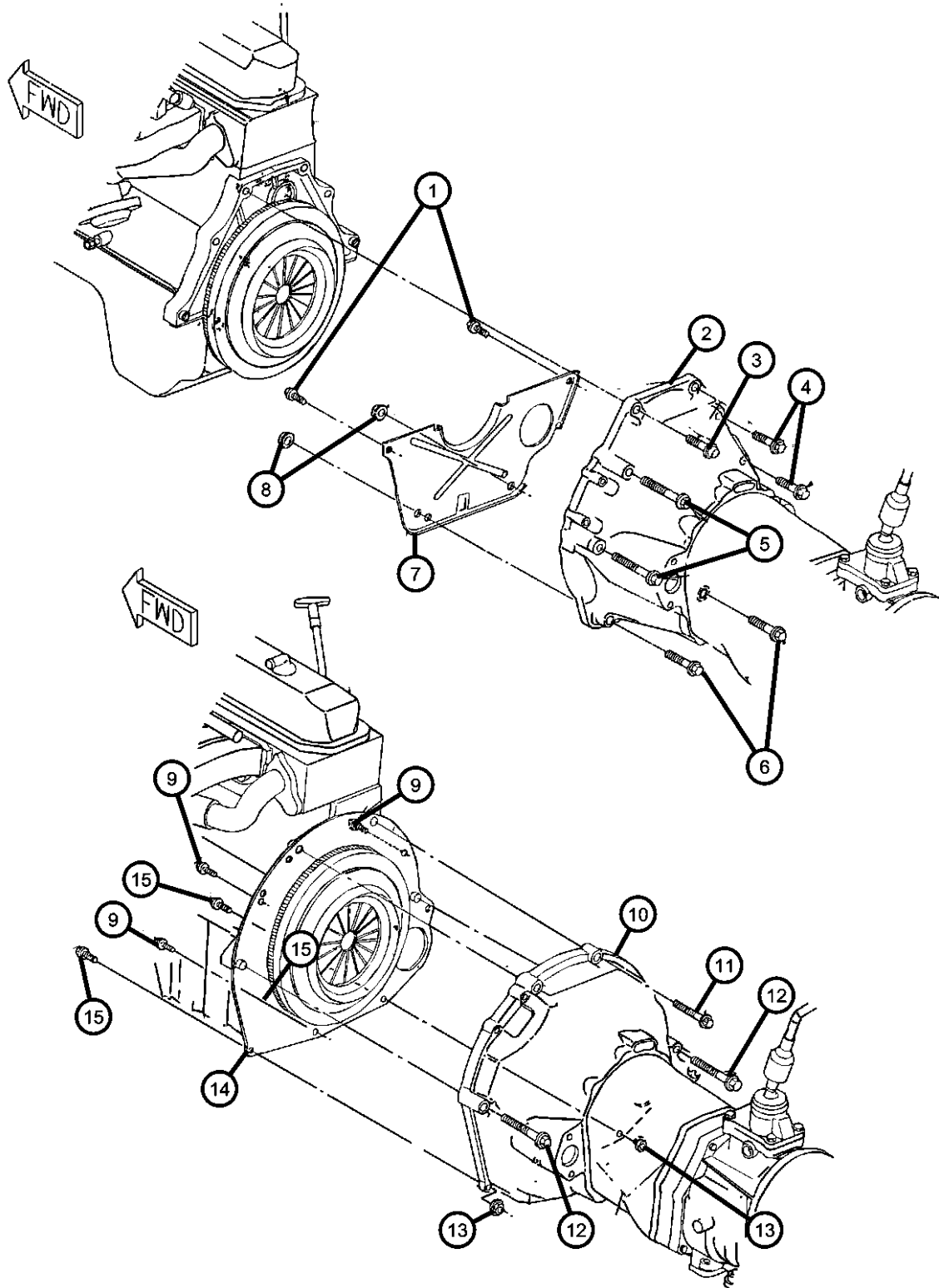


WRANGLER (TJ)

SERIES	LINE	BODY	ENGINE	TRANSMISSION
L = Low Line	J = JEEP - 4WD U = JEEP - 4WD (RHD)	77 = OPEN BODY 2-DOOR	EPE = ENGINE - 2.5L POWER TECH I-4 Cyl. ERH = ENGINE - 4.0L POWER TECH I-6	DDQ = TRANSMISSION - 5-SPEED MANUAL DGD = TRANSMISSION - 3-SPD. AUTOMATIC,30RH DGG = TRANSMISSION - 3-SPD. AUTOMATIC,32RH

AR = use ase required - = Non illustrated part

Housing and Pan,Clutch
Figure 6-210



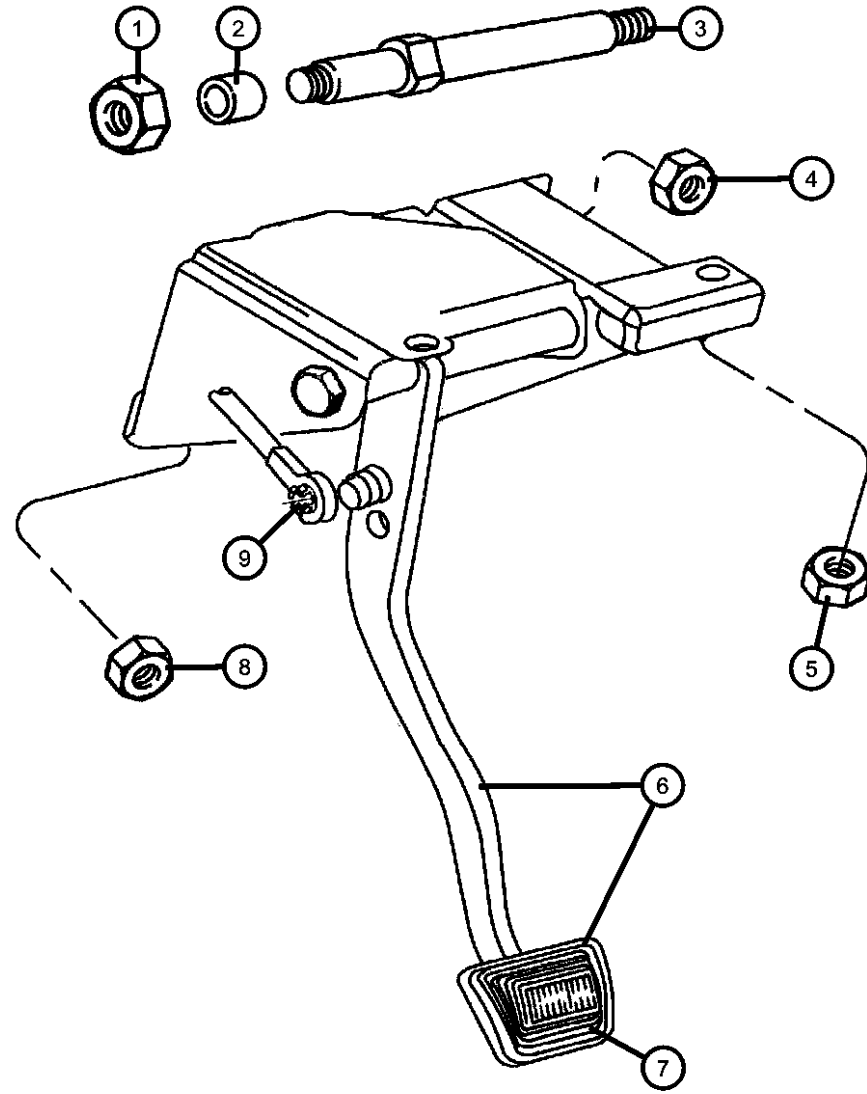
ITEM	PART NUMBER	QTY	LINE	SERIES	BODY	ENGINE	TRANS	TRIM	DESCRIPTION
NOTE:Sales Codes: [DBB]=All Manual Transmissions [EP0]=All 2.5L 4 Cylinder Gas Engines [ER0]=All V6 Engines									
1	11500986	2				EP0	DBB		BOLT, Hex Flange Head, M8x2.12x16, Dust Cover to Clutch Housing, Mounting
2	52104000	1				EP0	DBB		HOUSING, Clutch
3	06100345	2				EP0	DBB		SCREW AND WASHER, Hex Flange Head, M12x1.75x45, Clutch Housing to Block, Mounting
4	11504922	2				EP0	DBB		BOLT, Hex Head, M12x1.75x50, Clutch Housing to Block, Mounting
5	34201837	2				EP0	DBB		BOLT, Hex Flange Head, M12x1.75x90, Clutch Housing to Block, Mounting
6	11505098	2				EP0	DBB		BOLT, Hex Flange Head, M12x1.75x60, Dust Cover to Clutch Housing, Mounting
7	53003382	1				EP0	DBB		SHIELD, Clutch Housing Dust
8	06502697	2				EP0, ER0	DBB		NUT, Hex Flange Lock, M12x1.75, Lower Dust Cover to Transmission, Mounting
9	11500986	3				ER0	DBB		BOLT, Hex Flange Head, M8x2.12x16, Dust Cover to Clutch Housing, Mounting
10	52107552	1				ER0	DBB		HOUSING, Clutch
11	J4007389	2				ER0	DBB		BOLT, Torx, Clutch Housing to Block, Mounting
12	J4007411	2				ER0	DBB		SCREW, Clutch Housing to Engine Dowell, Mounting
13	06502697	2				EP0, ER0	DBB		NUT, Hex Flange Lock, M12x1.75, Lower Dust Cover to Transmission, Mounting
14	53004473AB	1				ER0	DBB		SPACER, Clutch Housing
15	11504922	2				ER0	DBB		BOLT, Hex Head, M12x1.75x50, Lower Dust Cover to Transmission, Mounting

WRANGLER (TJ)

SERIES	LINE	BODY	ENGINE	TRANSMISSION
L = Low Line	J = JEEP - 4WD U = JEEP - 4WD (RHD)	77 = OPEN BODY 2-DOOR	EPE = ENGINE - 2.5L POWER TECH I-4 Cyl. ERH = ENGINE - 4.0L POWER TECH I-6	DDQ = TRANSMISSION - 5-SPEED MANUAL DGD = TRANSMISSION - 3-SPD. AUTOMATIC,30RH DGG = TRANSMISSION - 3-SPD. AUTOMATIC,32RH

AR = use ase required - = Non illustrated part

Pedal,Clutch
Figure 6-410



ITEM	PART NUMBER	QTY	LINE	SERIES	BODY	ENGINE	TRANS	TRIM	DESCRIPTION
DBB = All Manual Transmissions									
1	06502585	1	U				DBB		NUT Clutch and Brake Pedal Shaft, Mounting
		1	J				DBB		Clutch and Brake Pedal Shaft, Mounting
2	04294639	4	U				DBB		BUSHING, Clutch and Brake Pedal Shaft, Mounting
		4	J				DBB		Shaft, Mounting
3		4							SHAFT, Clutch and Brake Pedal Pivot, Serviced in Brake and Clutch Pedal, (NOT SERVICED),
4	J4003909	4							NUT, Hex Flange With Serration, Brake Master Cylinder and Booster to Dash, Mounting
5	J4003909	2					DBB		NUT, Hex Flange With Serration, Brake Pedal Support Bracket Rear, Mounting
6									PEDAL, Brake And Clutch
	52128017AB	1	J				DBB		Includes Brake Pedal
	52128052AB	1	U				DBB		Includes Brake Pedal
7									PAD, Pedal
	52002750	2	U				DBB		Brake or Clutch
		2	J				DBB		Brake or Clutch
8	J4003909	2							NUT, Hex Flange With Serration, Clutch Master Cylinder to Dash, Mounting
9	04446361	1							BUSHING, Hydraulic Clutch Actuator

WRANGLER (TJ)

SERIES	LINE	BODY	ENGINE	TRANSMISSION
L = Low Line	J = JEEP - 4WD U = JEEP - 4WD (RHD)	77 = OPEN BODY 2-DOOR	EPE = ENGINE - 2.5L POWER TECH I-4 Cyl. ERH = ENGINE - 4.0L POWER TECH I-6	DDQ = TRANSMISSION - 5-SPEED MANUAL DGD = TRANSMISSION - 3-SPD. AUTOMATIC,30RH DGG = TRANSMISSION - 3-SPD. AUTOMATIC,32RH

AR = use ase required - = Non illustrated part

Group - 7

Cooling

Group - 7 Cooling

Illustration Title

Group-Fig. No.

Radiator and Related Parts

Radiator And Related Parts Fig. 7 - 110

Water Pump and Related Parts

Water Pump Fig. 7 - 205

Tank, Coolant Engine

Tank, Coolant Recovery Fig. 7 - 302

Pulleys and Related Parts

Drive Pulleys..... Fig. 7 - 405

Drive Belts

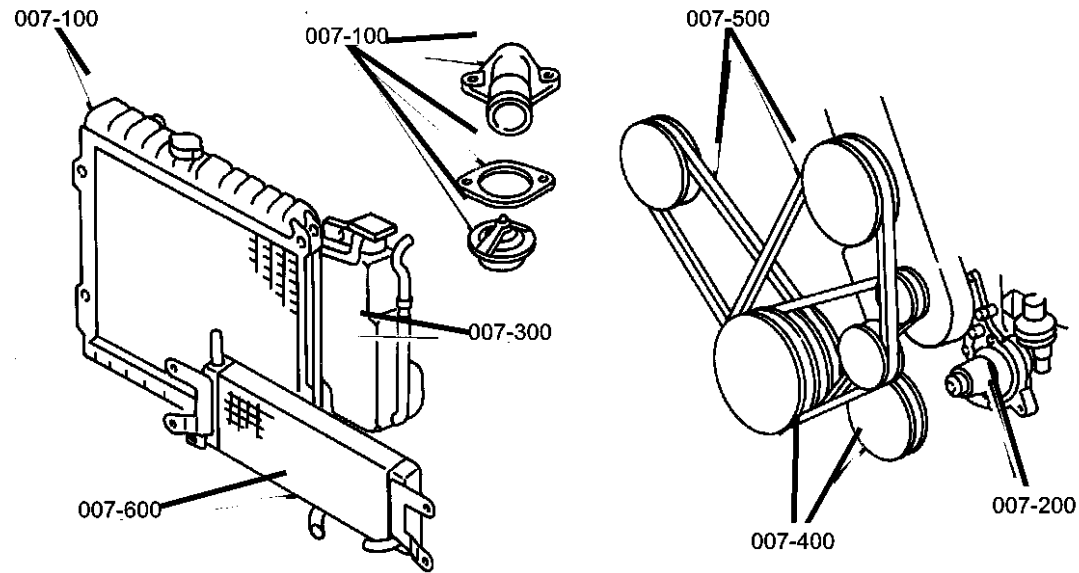
Drive Belts Fig. 7 - 505

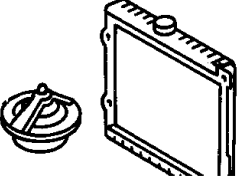
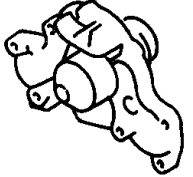
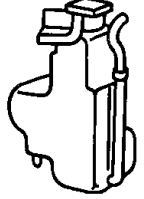
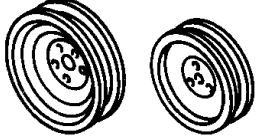
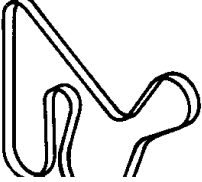
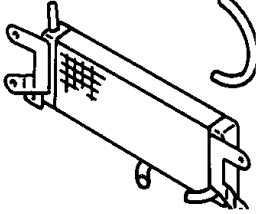
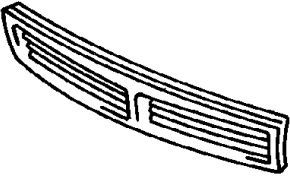
Lines, Transmission Oil Cooler

Oil Cooler Lines Fig. 7 - 605

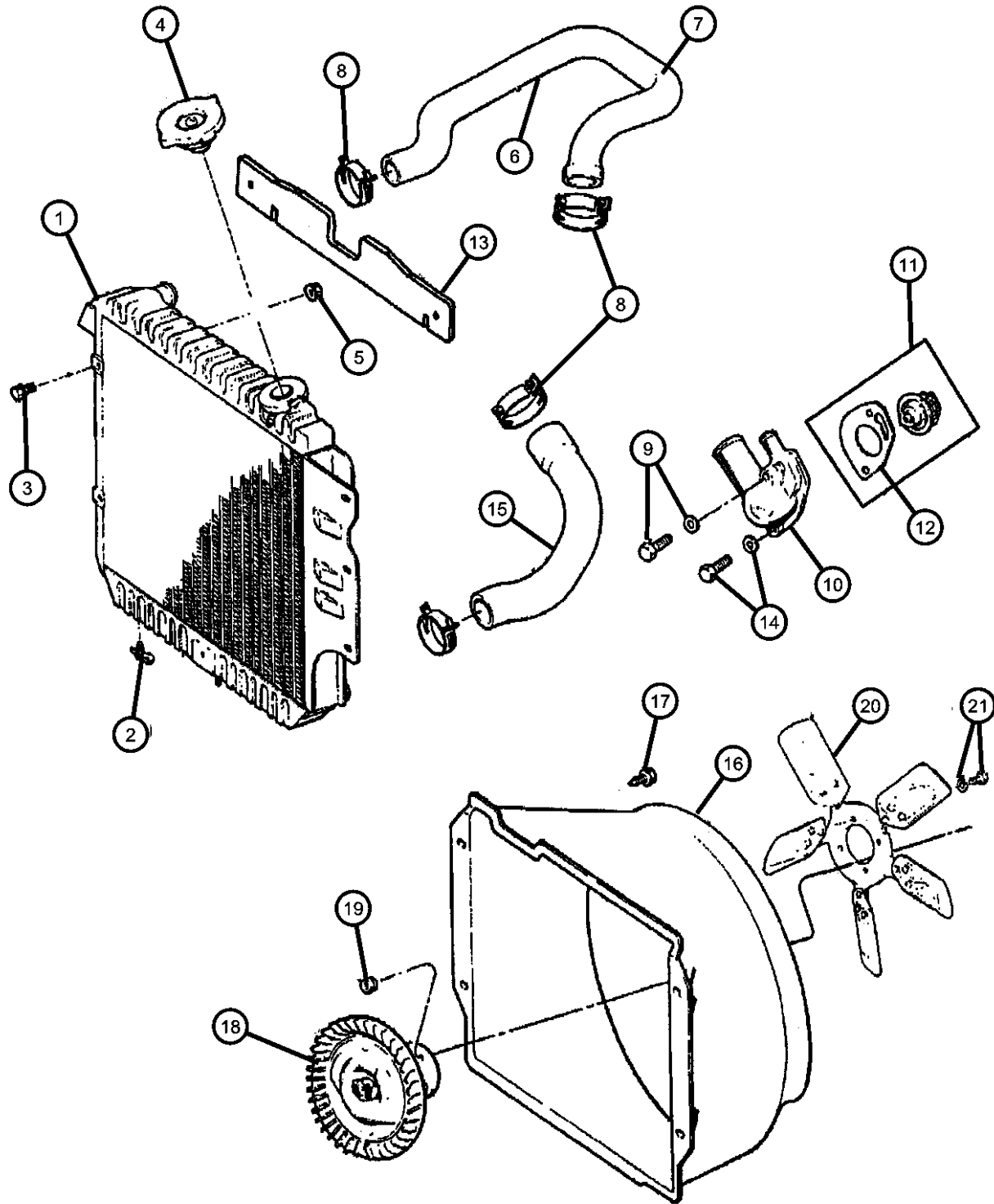
Grilles

Grille And Related Parts Fig. 7 - 705



<p>007-100 Radiator and Related Parts</p> 	<p>007-200 Water Pump and Related Parts</p> 	<p>007-300 Tank, Coolant Engine</p> 	<p>007-400 Pulleys and Related Parts</p> 
<p>007-500 Drive Belts</p> 	<p>007-600 Lines, Transmission Oil Cooler</p> 	<p>007-700 Grilles</p> 	

**Radiator And Related Parts
Figure 7-110**



ITEM	PART NUMBER	QTY	LINE	SERIES	BODY	ENGINE	TRANS	TRIM	DESCRIPTION
12	53020547AB	1				EP0, ER0			GASKET, Thermostat
13	55036369	1							SEAL, Condenser
14	06034927	1				EP0, ER0			SCREW AND WASHER, Hex Head, .312-18x.970
15									HOSE, Radiator To Pump
	52028265	1	J			ER0			
	52028141	1				EP0			
	52028143	1	U			ER0			
16									SHROUD, Fan
	52027925	1	J			ER0			
	52027926	1	J			EP0			
	52028127	1	U			ER0			
	52028128	1	U			EP0			
17	06035064	4				EP0, ER0			SCREW AND WASHER, Hex Head, .25-20x.875
18									DRIVE, Fan
	52004266	1				EP0			
	52027892	1				ER0			
19	00154591	4				EP0, ER0			NUT AND WASHER, Hex, .312-18
20									FAN, Cooling
	52004266	1				EP0			
	52027893	1				ER0			
	52079654AC	1				ER0	DG0		Fix for TSB 07-06-0
21	06034860	4				EP0, ER0			BOLT AND WASHER, Implement Attaching

WRANGLER (TJ)

SERIES	LINE	BODY	ENGINE	TRANSMISSION
L = Low Line	J = JEEP - 4WD U = JEEP - 4WD (RHD)	77 = OPEN BODY 2-DOOR	EPE = ENGINE - 2.5L POWER TECH I-4 Cyl. ERH = ENGINE - 4.0L POWER TECH I-6	DDQ = TRANSMISSION - 5-SPEED MANUAL DGD = TRANSMISSION - 3-SPD. AUTOMATIC, 30RH DGG = TRANSMISSION - 3-SPD. AUTOMATIC, 32RH

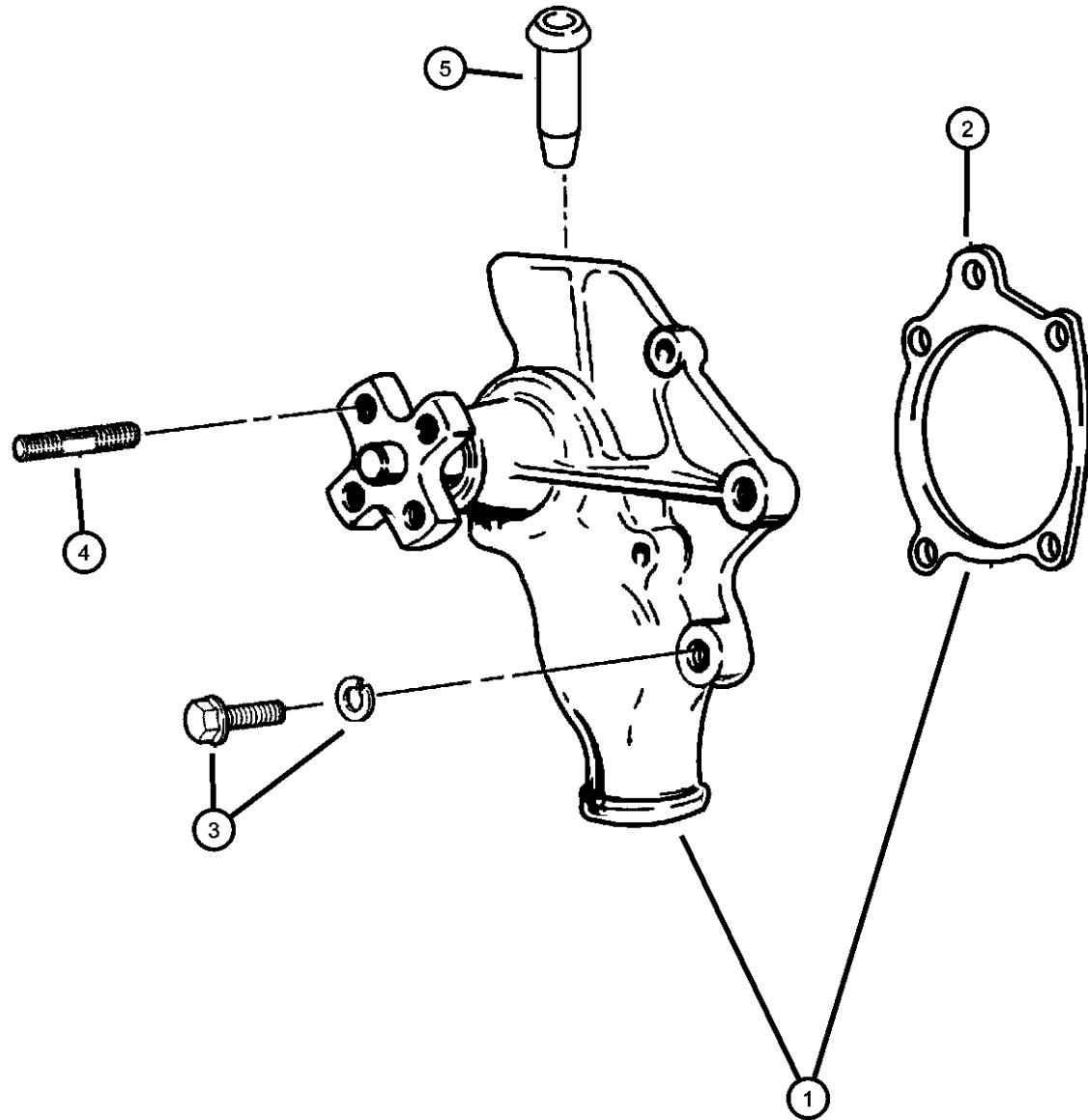
AR = use ase required - = Non illustrated part

**Water Pump
Figure 7-205**

ITEM	PART NUMBER	QTY	LINE	SERIES	BODY	ENGINE	TRANS	TRIM	DESCRIPTION
------	-------------	-----	------	--------	------	--------	-------	------	-------------

Note: Sales Code EP0 = 2.5L Gas Engine
Note: Sales Code ER0 = 4.0L Gas Engine

1	04626054AD	1				EP0, ER0			PUMP PACKAGE, Water
2	53010419	1				EP0, ER0			GASKET, Water Pump
3	J4004455	1							SCREW AND WASHER, Hex Head, .312-18x1.12
4	J4006714	4				EP0, ER0			STUD, .312-18/.312-24x1.250
5	53007978	1				EP0, ER0			TUBE, Water Pump Heater Return, Pump Heater Return



WRANGLER (TJ)

SERIES	LINE	BODY	ENGINE	TRANSMISSION
L = Low Line	J = JEEP - 4WD U = JEEP - 4WD (RHD)	77 = OPEN BODY 2-DOOR	EPE = ENGINE - 2.5L POWER TECH I-4 Cyl. ERH = ENGINE - 4.0L POWER TECH I-6	DDQ = TRANSMISSION - 5-SPEED MANUAL DGD = TRANSMISSION - 3-SPD. AUTOMATIC, 30RH DGG = TRANSMISSION - 3-SPD. AUTOMATIC, 32RH

AR = use ase required - = Non illustrated part

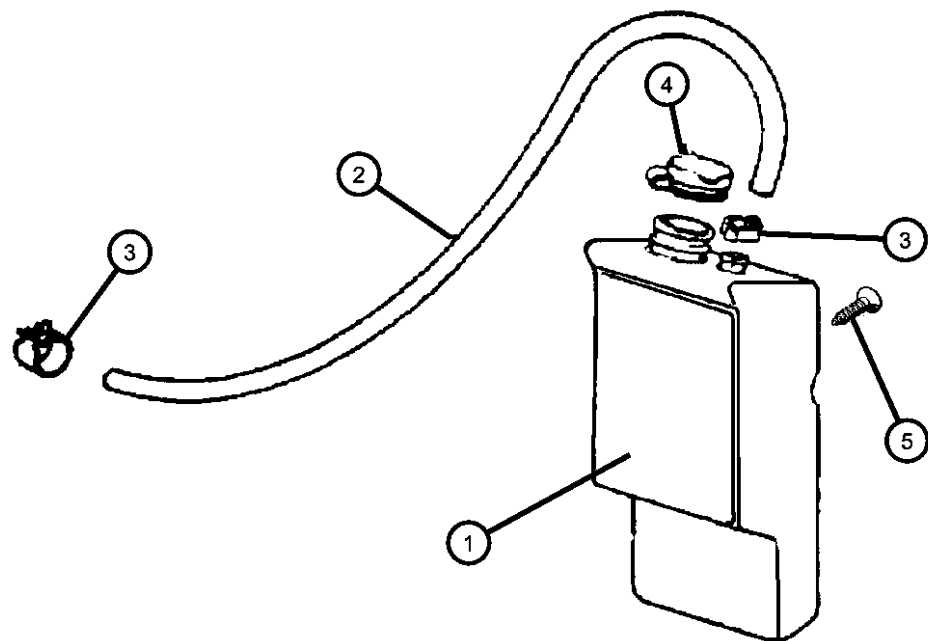
1999 TJ

**Tank, Coolant Recovery
Figure 7-302**

ITEM	PART NUMBER	QTY	LINE	SERIES	BODY	ENGINE	TRANS	TRIM	DESCRIPTION
------	-------------	-----	------	--------	------	--------	-------	------	-------------

Note: Sales Code EP0 = 2.5L Gas Engine
Note: Sales Code ER0 = 4.0L Gas Engine

1	52028068AB	1				EP0, ER0			BOTTLE, Coolant Recovery
2	52028068AB	1							HOSE, 5/8" I.D. 50 Foot Roll, (DNS), (NOT SERVICED)
3	52028068AB	1							CLAMP, (NOT SERVICED)
4	52079331	1				EP0, ER0			CAP, Coolant Reserve Tank
5	52079331	1							SCREW, (NOT SERVICED)



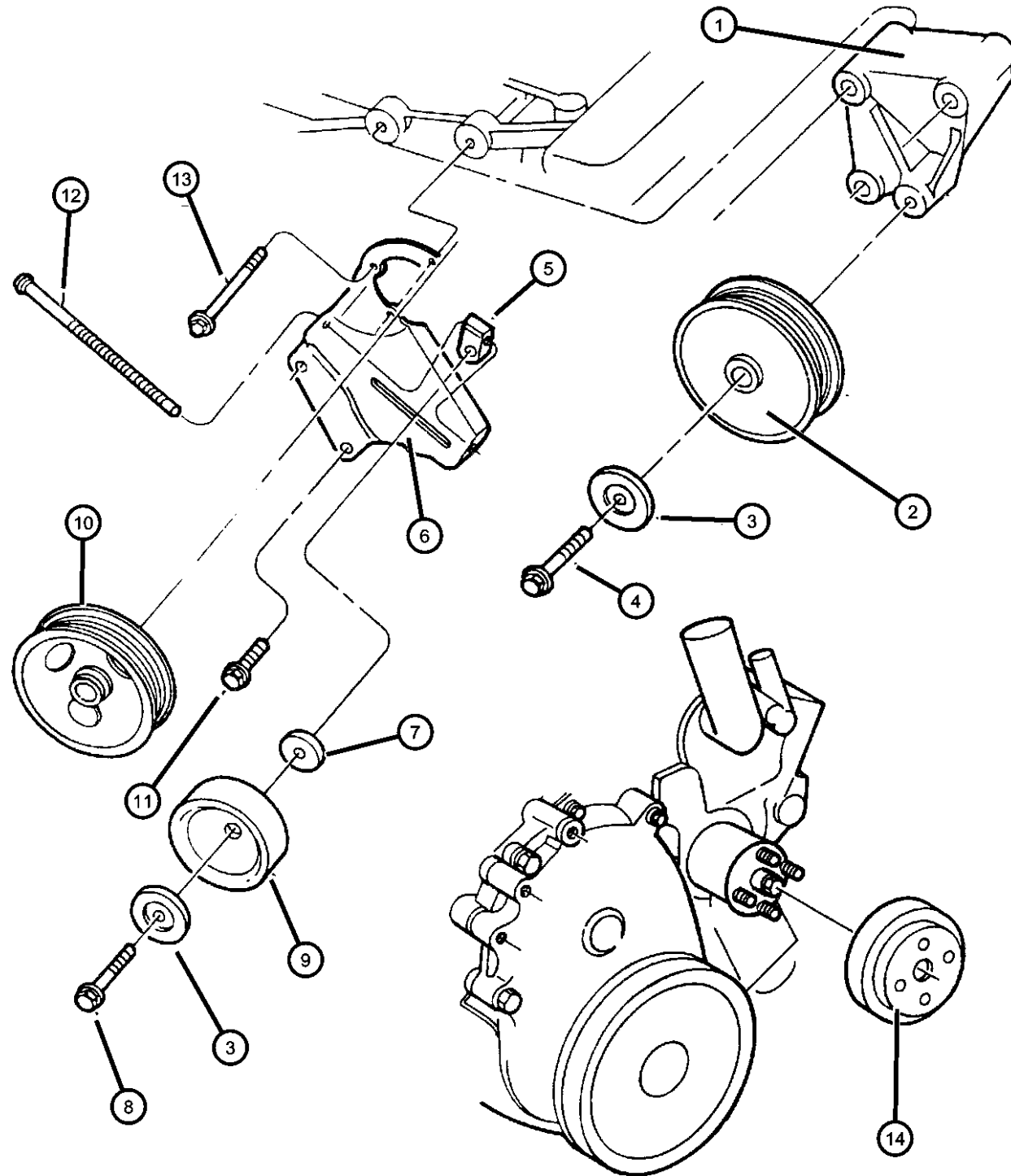
WRANGLER (TJ)

SERIES	LINE	BODY	ENGINE	TRANSMISSION
L = Low Line	J = JEEP - 4WD U = JEEP - 4WD (RHD)	77 = OPEN BODY 2-DOOR	EPE = ENGINE - 2.5L POWER TECH I-4 Cyl. ERH = ENGINE - 4.0L POWER TECH I-6	DDQ = TRANSMISSION - 5-SPEED MANUAL DGD = TRANSMISSION - 3-SPD. AUTOMATIC, 30RH DGG = TRANSMISSION - 3-SPD. AUTOMATIC, 32RH

AR = use ase required - = Non illustrated part

1999 TJ

Drive Pulleys
Figure 7-405



ITEM	PART NUMBER	QTY	LINE	SERIES	BODY	ENGINE	TRANS	TRIM	DESCRIPTION
Note: Sales Code EP0 = 2.5L Gas Engine									
Note: Sales Code ER0 = 4.0L Gas Engine									
1	53010202	1	J			EP0, ER0			BRACKET, Idler Pulley
2	53010230	1				EP0, ER0			PULLEY, Idler
3	33002201	1				EP0, ER0			BUSHING, Idler Pulley, Belt Tensioner Pulley
4	06504239	1				EP0, ER0			SCREW AND WASHER, M10x1.5x40
5	53010149	1				EP0, ER0			COLLAR, Tensioner Adjustment
6	53010148	1				EP0, ER0			BRACKET, Tensioner
7	06503230	1				EP0, ER0			SPACER, Belt Tensioner, Pulley
8	34202029	1				EP0, ER0			BOLT, Hex Flange Head, M10x1.50x50
9	04792112	1				EP0, ER0			PULLEY, Idler, Tensioning
10	53010258AB	1				EP0, ER0			PULLEY, Power Steering Pump
11	53010258AB	1							SCREW, (NOT SERVICED)
12	06503198	1				EP0, ER0			BOLT, Adjusting Bracket
13	06503198	1							SCREW, (NOT SERVICED)
14	53007154	1				EP0, ER0			PULLEY, Water Pump

WRANGLER (TJ)

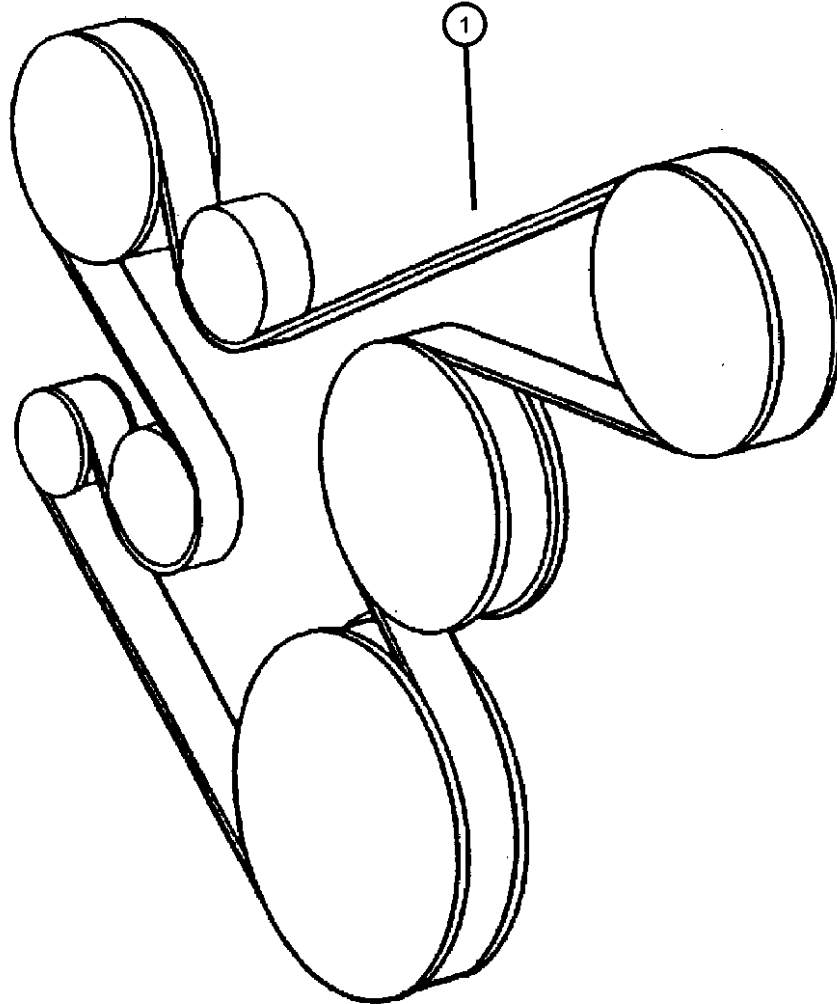
SERIES	LINE	BODY	ENGINE	TRANSMISSION
L = Low Line	J = JEEP - 4WD U = JEEP - 4WD (RHD)	77 = OPEN BODY 2-DOOR	EPE = ENGINE - 2.5L POWER TECH I-4 Cyl. ERH = ENGINE - 4.0L POWER TECH I-6	DDQ = TRANSMISSION - 5-SPEED MANUAL DGD = TRANSMISSION - 3-SPD. AUTOMATIC, 30RH DGG = TRANSMISSION - 3-SPD. AUTOMATIC, 32RH

AR = use ase required - = Non illustrated part

1999 TJ

**Drive Belts
Figure 7-505**

ITEM	PART NUMBER	QTY	LINE	SERIES	BODY	ENGINE	TRANS	TRIM	DESCRIPTION
Note: Sales Code EP0 = 2.5L Gas Engine Note: Sales Code ER0 = 4.0L Gas Engine									
1									BELT, Accessory Drive
	53010150	1	J			EP0, ER0			With Air Conditioning
	53010234	1	U			EP0, ER0			With Air Conditioning
	53010254	1	J			EP0, ER0			Without A/C, Without Power Steering
	53010257	1	J			EP0, ER0			Without A/C, With Power Steering
-2									LABEL, Belt Routing
	53010298	1	J			EP0, ER0			
	53013005AB	1	U			EP0, ER0			

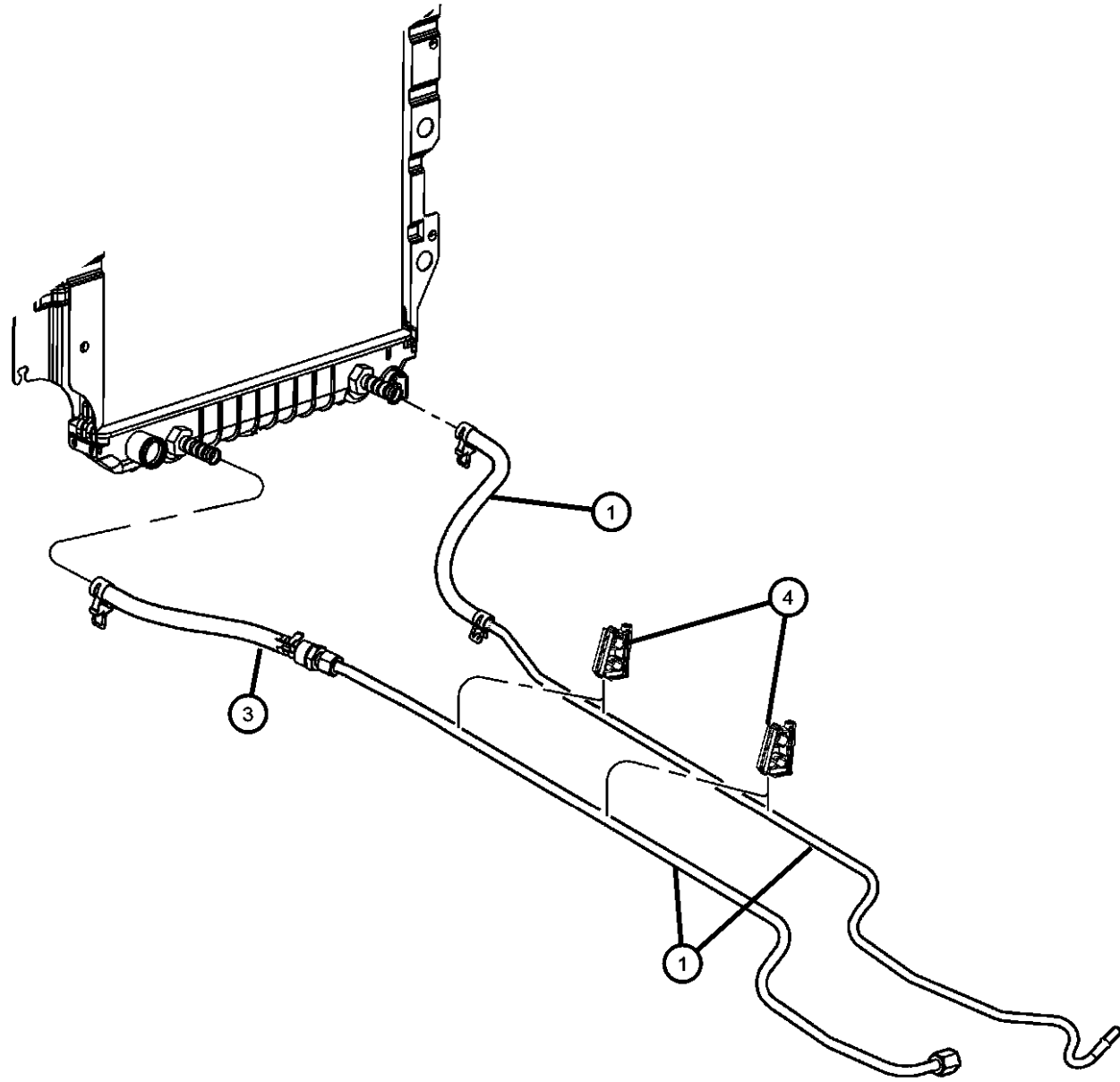


WRANGLER (TJ)

SERIES	LINE	BODY	ENGINE	TRANSMISSION
L = Low Line	J = JEEP - 4WD U = JEEP - 4WD (RHD)	77 = OPEN BODY 2-DOOR	EPE = ENGINE - 2.5L POWER TECH I-4 Cyl. ERH = ENGINE - 4.0L POWER TECH I-6	DDQ = TRANSMISSION - 5-SPEED MANUAL DGD = TRANSMISSION - 3-SPD. AUTOMATIC, 30RH DGG = TRANSMISSION - 3-SPD. AUTOMATIC, 32RH

AR = use ase required - = Non illustrated part

**Oil Cooler Lines
Figure 7-605**



ITEM	PART NUMBER	QTY	LINE	SERIES	BODY	ENGINE	TRANS	TRIM	DESCRIPTION
Note: Sales Code DG0 = All Auto Trans Note: Sales Code EP0 = 2.5L Gas Engine Note: Sales Code ER0 = 4.0L Gas Engine									
1									LINE, Oil Cooler Return
	52079638	1				EP0	DG0		
	52118606	1				ER0	DG0		
-2									VALVE, Oil Cooler Pressure
	52028463AB	1				EP0	DG0		
		1	J			ER0	DG0		
		1	U			ER0	DG0		
3									TUBE AND HOSE, Oil Cooler
	52079687	1				EP0	DG0		
	52079688	1	J			ER0	DG0		
	52079689	1	U			ER0	DG0		
4	52118067	2				EP0	DG0		BRACKET, Transmission Oil Cooler, Cooler Lines to Oil Pan

WRANGLER (TJ)

SERIES	LINE	BODY	ENGINE	TRANSMISSION
L = Low Line	J = JEEP - 4WD U = JEEP - 4WD (RHD)	77 = OPEN BODY 2-DOOR	EPE = ENGINE - 2.5L POWER TECH I-4 Cyl. ERH = ENGINE - 4.0L POWER TECH I-6	DDQ = TRANSMISSION - 5-SPEED MANUAL DGD = TRANSMISSION - 3-SPD. AUTOMATIC, 30RH DGG = TRANSMISSION - 3-SPD. AUTOMATIC, 32RH

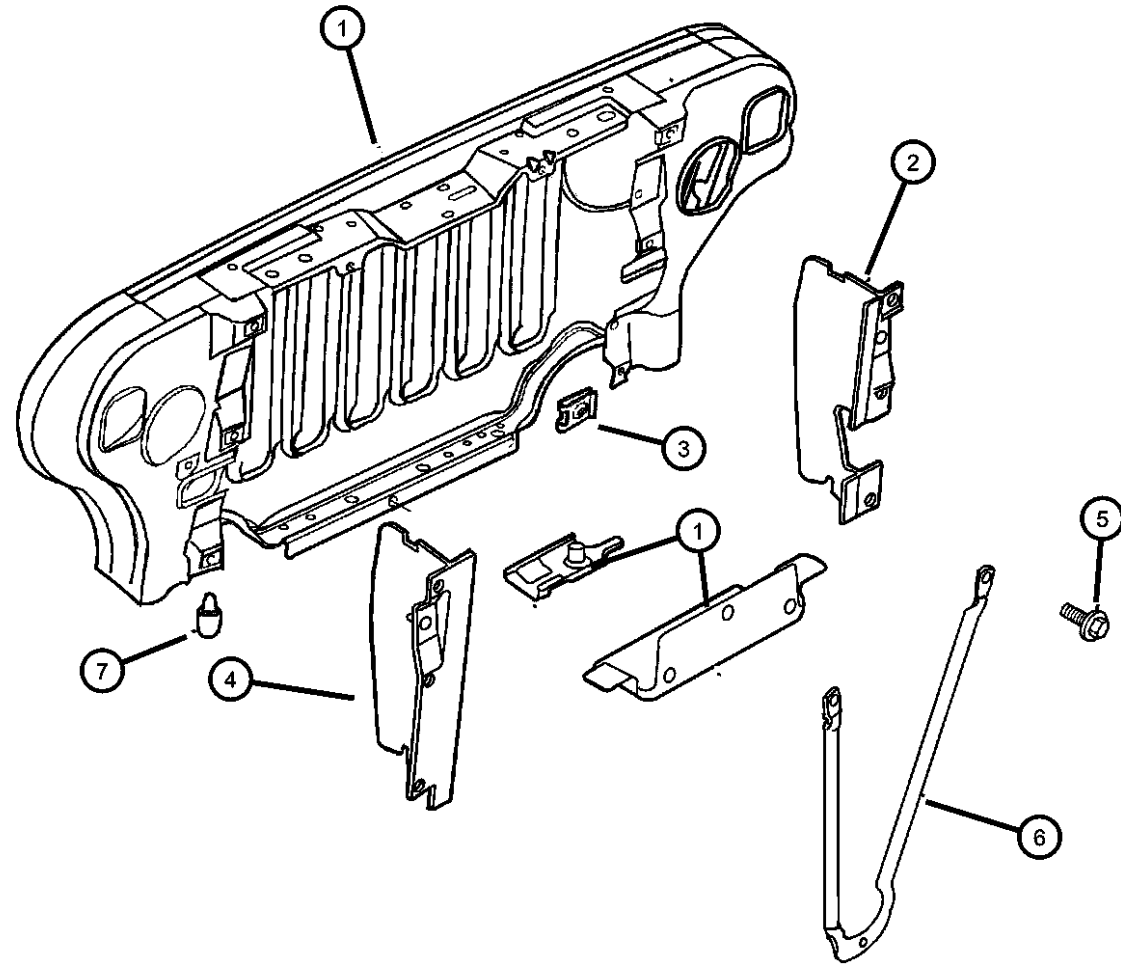
AR = use ase required - = Non illustrated part

**Grille And Related Parts
Figure 7-705**

ITEM	PART NUMBER	QTY	LINE	SERIES	BODY	ENGINE	TRANS	TRIM	DESCRIPTION
------	-------------	-----	------	--------	------	--------	-------	------	-------------

Note: Sales Code EP0 = 2.5L Gas Engine
Note: Sales Code ER0 = 4.0L Gas Engine

1	55174594AC	1							PANEL, Radiator Closure
2	55036866AC	1							SEAL, Condenser, Condenser to Grille,Right
3	55036866AC	1							U-NUT, Multi-Thread Spring, 1/4-20, (NOT REQUIRED)
4	55036867	1							SEAL, Condenser, Condenser to Grille, Left
5	06100548	3							BOLT AND CONED WASHER, Hex Head, M6x20x12.5
6	55176218	1							BRACE, Radiator, Radiator Guard
7	55176181AB	2							ISOLATOR, Front End Sheet Metal



WRANGLER (TJ)

SERIES	LINE	BODY	ENGINE	TRANSMISSION
L = Low Line	J = JEEP - 4WD U = JEEP - 4WD (RHD)	77 = OPEN BODY 2-DOOR	EPE = ENGINE - 2.5L POWER TECH I-4 Cyl. ERH = ENGINE - 4.0L POWER TECH I-6	DDQ = TRANSMISSION - 5-SPEED MANUAL DGD = TRANSMISSION - 3-SPD. AUTOMATIC,30RH DGG = TRANSMISSION - 3-SPD. AUTOMATIC,32RH

AR = use ase required - = Non illustrated part

1999 TJ

Group - 8

Electrical

Group - 8 Electrical

Illustration Title

Group-Fig. No.

Starters

Starter Fig. 8 - 105

Alternators

Alternator Fig. 8 - 205

Distributor

Distributor 2.5L Engine Fig. 8 - 305

Distributor 4.0L Engine Fig. 8 - 310

Modules

Modules Fig. 8 - 405

Relays

Power Distribution Center Relays and Fuses Fig. 8 - 505

Fuse Block relays and fuses Fig. 8 - 510

Sensors

Sensors Fig. 8 - 605

Single Board Engine Controllers

Single Board Engine Controllers (JTEC Module) Fig. 8 - 705

Switches

Switches Fig. 8 - 805

Horns

Horns Fig. 8 - 905

Battery Tray and Cables

Battery Tray & Cables Fig. 8 - 1005

Lamps - Front, Rear and Courtesy

Lamps--Front Fig. 8 - 1105

Lamps--Rear Fig. 8 - 1110

Lamps--Cargo-Dome-Courtesy Fig. 8 - 1115

Bulbs & Sockets Fig. 8 - 1120

Wiring-Engine & Related Parts

Wiring--Engine & Related Parts Fig. 8 - 1205

Wiring-Headlamp to Dash

Wiring--Headlamp / Dash Panel Fig. 8 - 1305

Wiring-Instrument Panel

Wiring Instrument Panel & Fuses Fig. 8 - 1405

Wiring-Body & Accessories

Wiring--Body & Accessory Fig. 8 - 1505

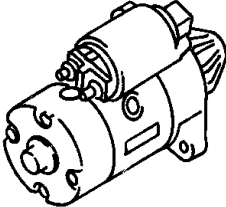
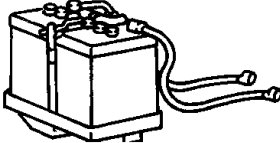
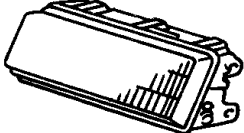
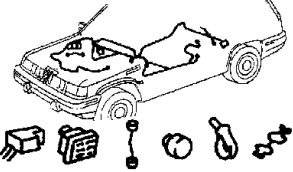


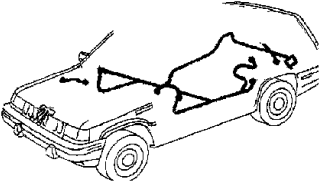
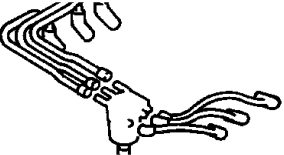
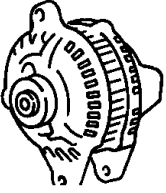
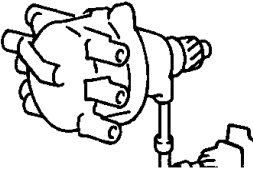
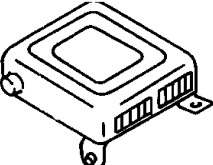
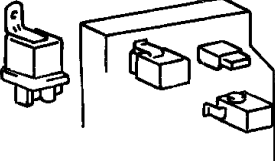
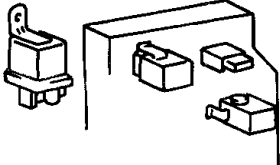
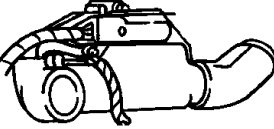
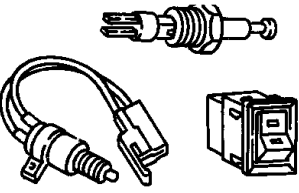
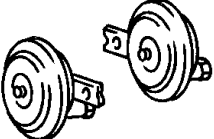
Wiring Repair

Wiring Repair Packages Fig. 8 - 1605

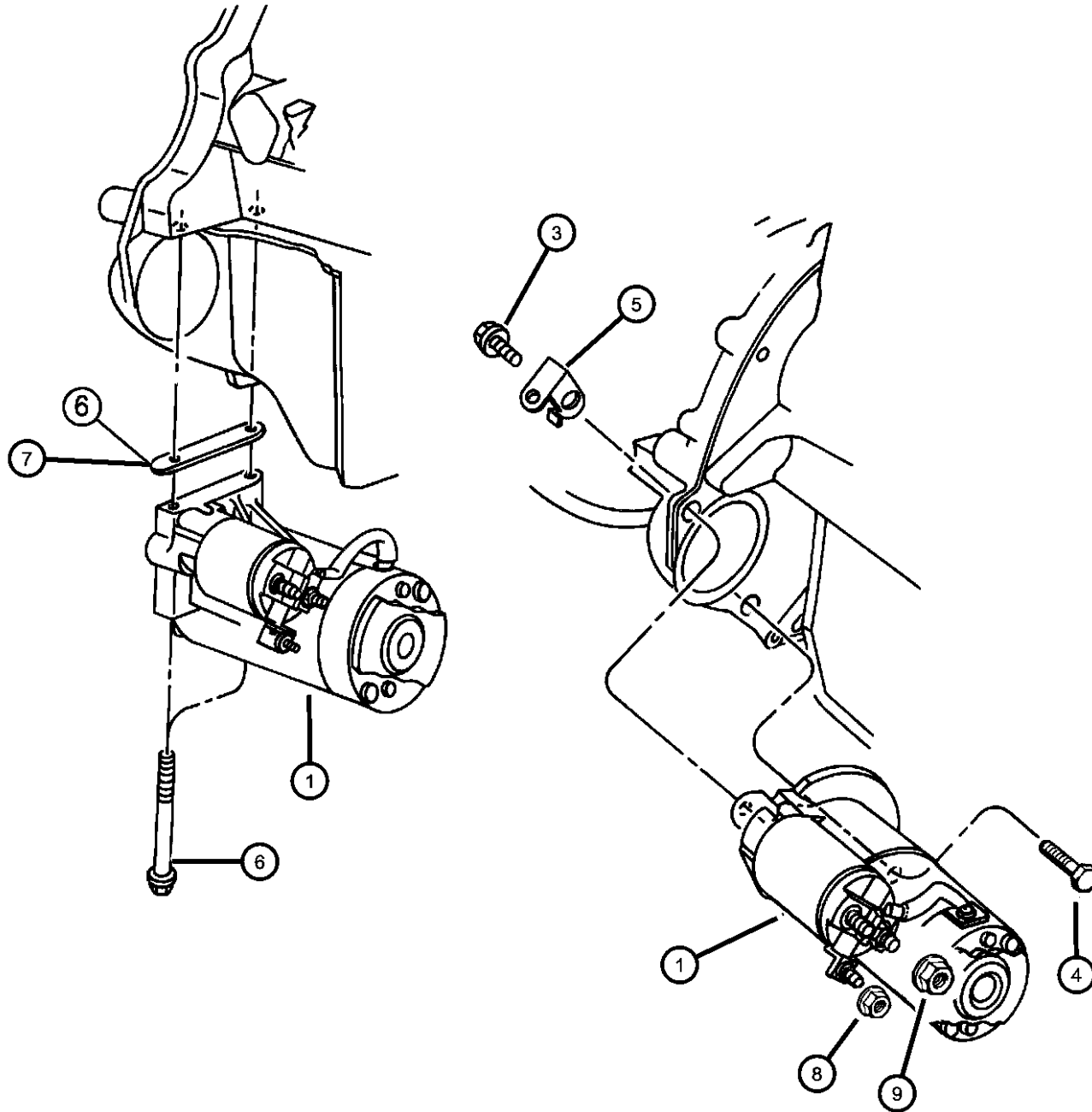
Power Distribution Center Repair Fig. 8 - 1610

Spark Plugs-Cables-Coils

Spark Plug--Cables--Coils Fig. 8 - 1905

<p>008-100 Starters</p> 	<p>008-1000 Battery Tray and Cables</p> 	<p>008-1100 Lamps - Front, Rear and Courtesy</p> 	<p>008-1200 Wiring-Engine & Related Parts</p> 
<p>008-1300 Wiring-Headlamp to Dash</p> 	<p>008-1400 Wiring-Instrument Panel</p> 	<p>008-1500 Wiring-Body & Accessories</p> 	<p>008-1600 Wiring Repair</p> <p>WIRING REPAIR PKG.</p>
<p>008-1900 Spark Plugs-Cables-Coils</p> 	<p>008-200 Alternators</p> 	<p>008-300 Distributor</p> 	<p>008-400 Modules</p> 
<p>008-500 Relays</p> 	<p>008-600 Sensors</p> 	<p>008-700 Single Board Engine Controllers</p> 	<p>008-800 Switches</p> 
<p>008-900 Horns</p> 			

Starter
Figure 8-105



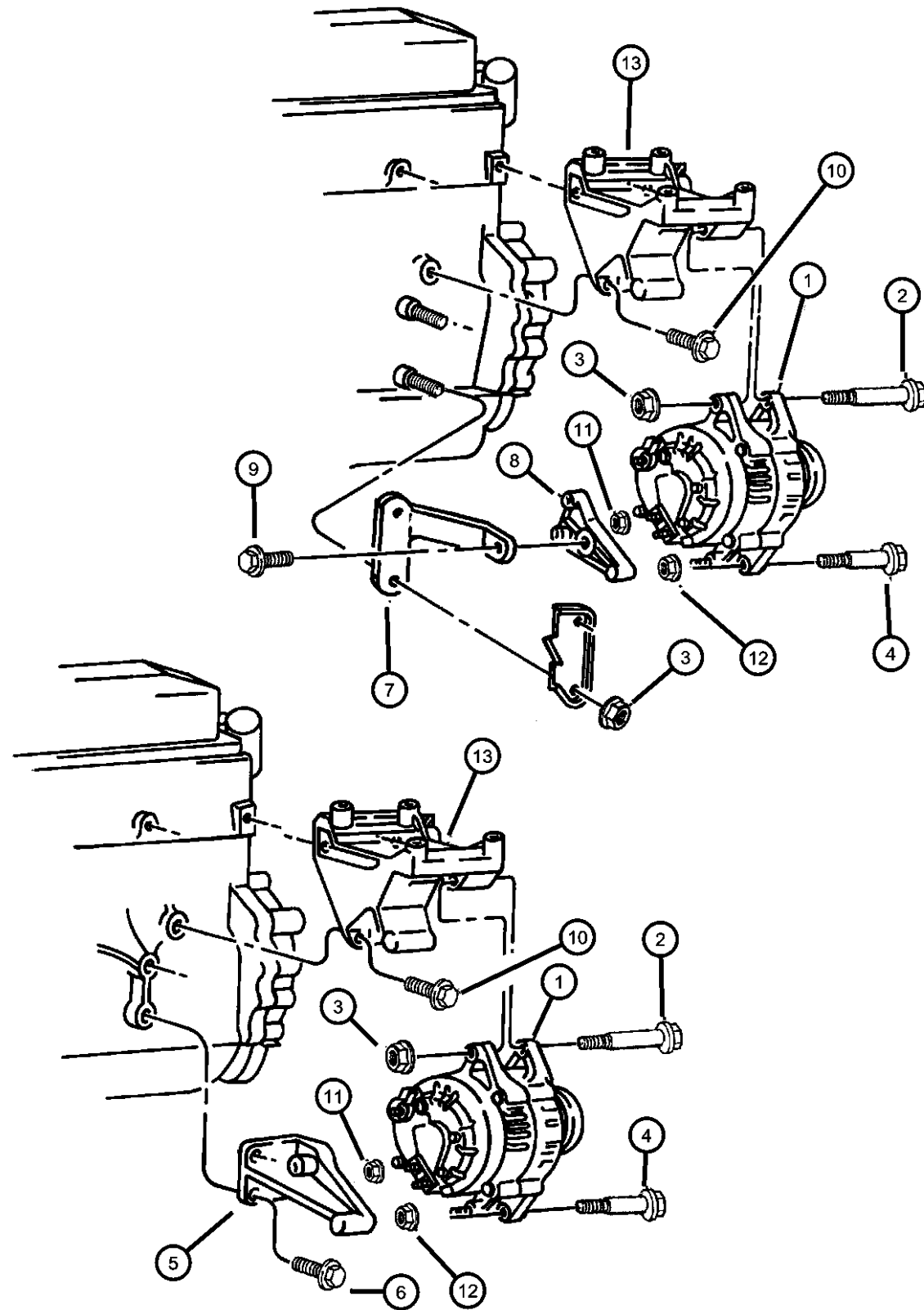
ITEM	PART NUMBER	QTY	LINE	SERIES	BODY	ENGINE	TRANS	TRIM	DESCRIPTION
EP0=2.5L Engine ER0=4.0L Engine									
1									STARTER
	56041012AB	1				ER0			Mopar Remanufactured Part
	R6041012AC								
	56041013AB	1				EP0			
-2	56041013AB	1							STARTER PACKAGE, (NOT REQUIRED)
3	06503699	1				ER0			SCREW AND WASHER, Hex Head, M10x1.5x28
4	J4006192	1				ER0			BOLT AND WASHER, Hex Head, .375-16x1.75
5	04524342	4							CLIP
6	06035607	2				EP0			SCREW, Starter Motor
7	J3241711	AR				EP0			SHIM, Starter Motor
8	J3241711	AR							NUT, (M5x0.80) Not Serviced ***, (NOT SERVICED)
9	J3241711	AR							NUT, (M8x1.25) Not Serviced ***, (NOT SERVICED)

WRANGLER (TJ)

SERIES	LINE	BODY	ENGINE	TRANSMISSION
L = Low Line	J = JEEP - 4WD U = JEEP - 4WD (RHD)	77 = OPEN BODY 2-DOOR	EPE = ENGINE - 2.5L POWER TECH I-4 Cyl. ERH = ENGINE - 4.0L POWER TECH I-6	DDQ = TRANSMISSION - 5-SPEED MANUAL DGD = TRANSMISSION - 3-SPD. AUTOMATIC, 30RH DGG = TRANSMISSION - 3-SPD. AUTOMATIC, 32RH

AR = use ase required - = Non illustrated part

**Alternator
Figure 8-205**



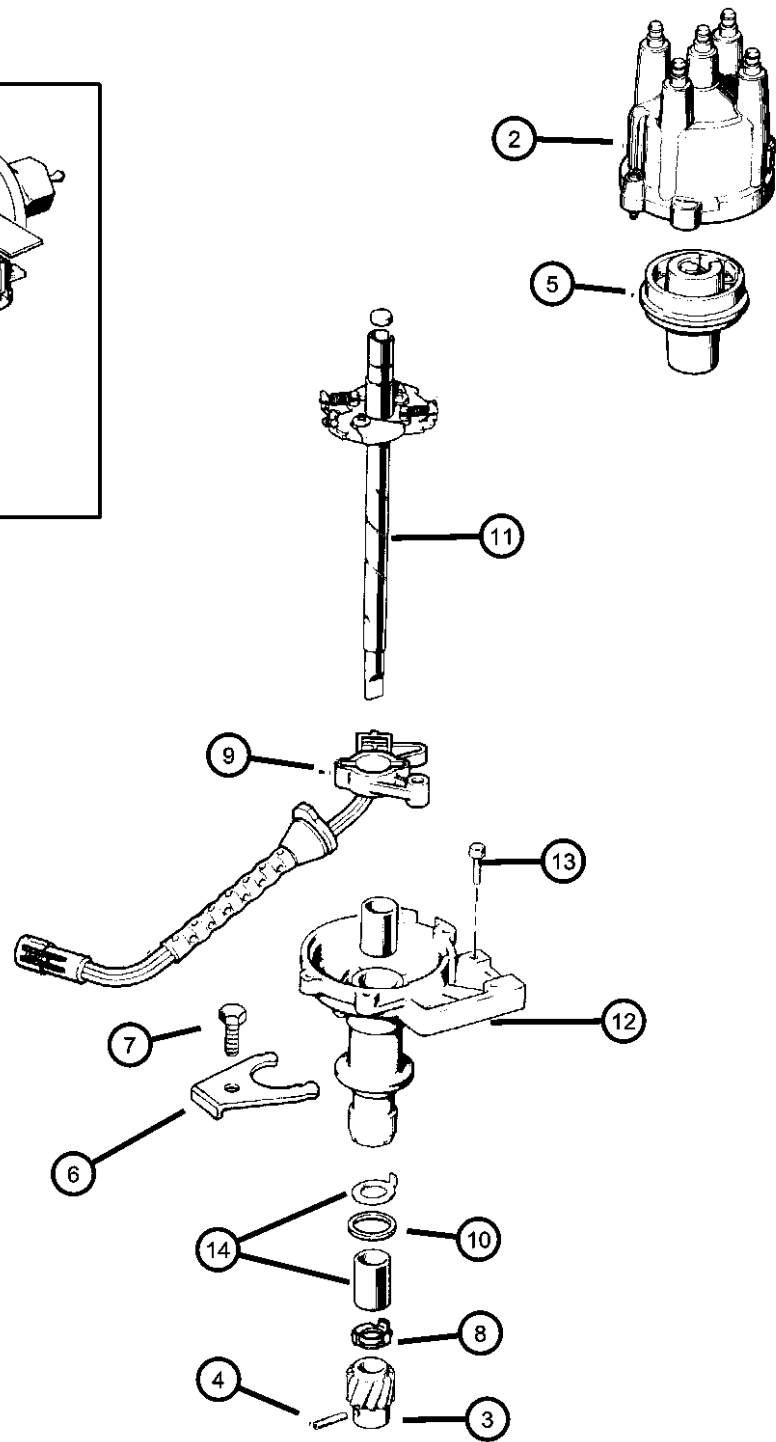
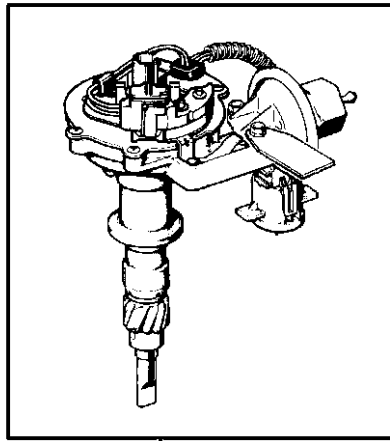
ITEM	PART NUMBER	QTY	LINE	SERIES	BODY	ENGINE	TRANS	TRIM	DESCRIPTION
[BAH] = 81 AMP [BAU] = 117 AMP [EPO] = 2.5L Engine [ERO] = 4.0L Engine [ERH] = 4.0L Power Tech Engine									
1									ALTERNATOR
	56005684AB	1				EP0, ERO			[BAH]
	56005685AC	1				EP0, ERO			[BAU]
2	06502134	1				EP0, ERO			BOLT, Hex Flange Head, M10x1.50x110
3	06502135	1				EP0, ERO			NUT, Hex Flange, M10x1.5
4	06502136	1	J			EP0, ERO			BOLT, Hex Flange Head, M10x1.50x55
5	53007606	1	J			ERO			BRACKET, Alternator, Rear Mounting
6	06025063	3	J			EP0, ERO			SCREW AND WASHER, .375-16x1.125
7	53007506	1	J			EP0			BRACKET, Alternator, Rear Mounting
8	53007604	1	J			EP0			BRACKET, Alternator, Rear Mounting
9	06502144	1	J			EP0			SCREW AND WASHER, Hex Head, M10x1.5x25
10	06033949	2				EP0, ERO			BOLT, Hex Head, .375-16x2.50
11	06502690	2				EP0, ERO			NUT, Plastic Inserted Self Locking, M4 x 0.70
12	06502691	3				EP0, ERO			NUT, Hex Flange Lock, M6x1
13									BRACKET, Alternator And Compressor
	53010224AB	1	J			EP0, ERO			
	53013281AB	1	U			EP0, ERO			

WRANGLER (TJ)

SERIES	LINE	BODY	ENGINE	TRANSMISSION
L = Low Line	J = JEEP - 4WD U = JEEP - 4WD (RHD)	77 = OPEN BODY 2-DOOR	EPE = ENGINE - 2.5L POWER TECH I-4 Cyl. ERH = ENGINE - 4.0L POWER TECH I-6	DDQ = TRANSMISSION - 5-SPEED MANUAL DGD = TRANSMISSION - 3-SPD. AUTOMATIC, 30RH DGG = TRANSMISSION - 3-SPD. AUTOMATIC, 32RH

AR = use ase required - = Non illustrated part

Distributor 2.5L Engine Figure 8-305



ITEM	PART NUMBER	QTY	LINE	SERIES	BODY	ENGINE	TRANS	TRIM	DESCRIPTION
EP0=2.5L Engines ER0=4.0L Engines DGD=3 Speed Automatic Transmissions									
1	56041033	1				EP0			DISTRIBUTOR, Engine
2	53006152AB	1				EP0			CAP, Distributor
3	83504635	1				EP0			GEAR, Distributor Drive
4	09422127	1				EP0			ROLL PIN, .19x.75
5	56027019	1				EP0			ROTOR, Distributor
6	33004242	1				EP0, ER0			CLAMP, Distributor
7	06033479	6				EP0	DGD		BOLT, Hex Head, .25-28x1-5/8
8	53009078	1				EP0			WASHER, Distributor Gear
9	56041030	1				EP0			SWITCHPLATE, Distributor
10	J3181288	1				EP0, ER0			GASKET, Distributor
11	J3181288	1							SHAFT, Distributor, Serviced w/Distributor, (NOT SERVICED)
12	J3181288	1							HOUSING, Distributor, Serviced w/Distributor, (NOT SERVICED)
13	J3181288	1							SCREW, (NOT SERVICED)
14	J3181288	1							SPACER, Distributor, Serviced w/Distributor, (NOT SERVICED)

WRANGLER (TJ)

SERIES

L = Low Line

LINE

J = JEEP - 4WD

U = JEEP - 4WD (RHD)

BODY

77 = OPEN BODY 2-DOOR

ENGINE

EPE = ENGINE - 2.5L POWER TECH I-4 Cyl.

ERH = ENGINE - 4.0L POWER TECH I-6

TRANSMISSION

DDQ = TRANSMISSION - 5-SPEED MANUAL

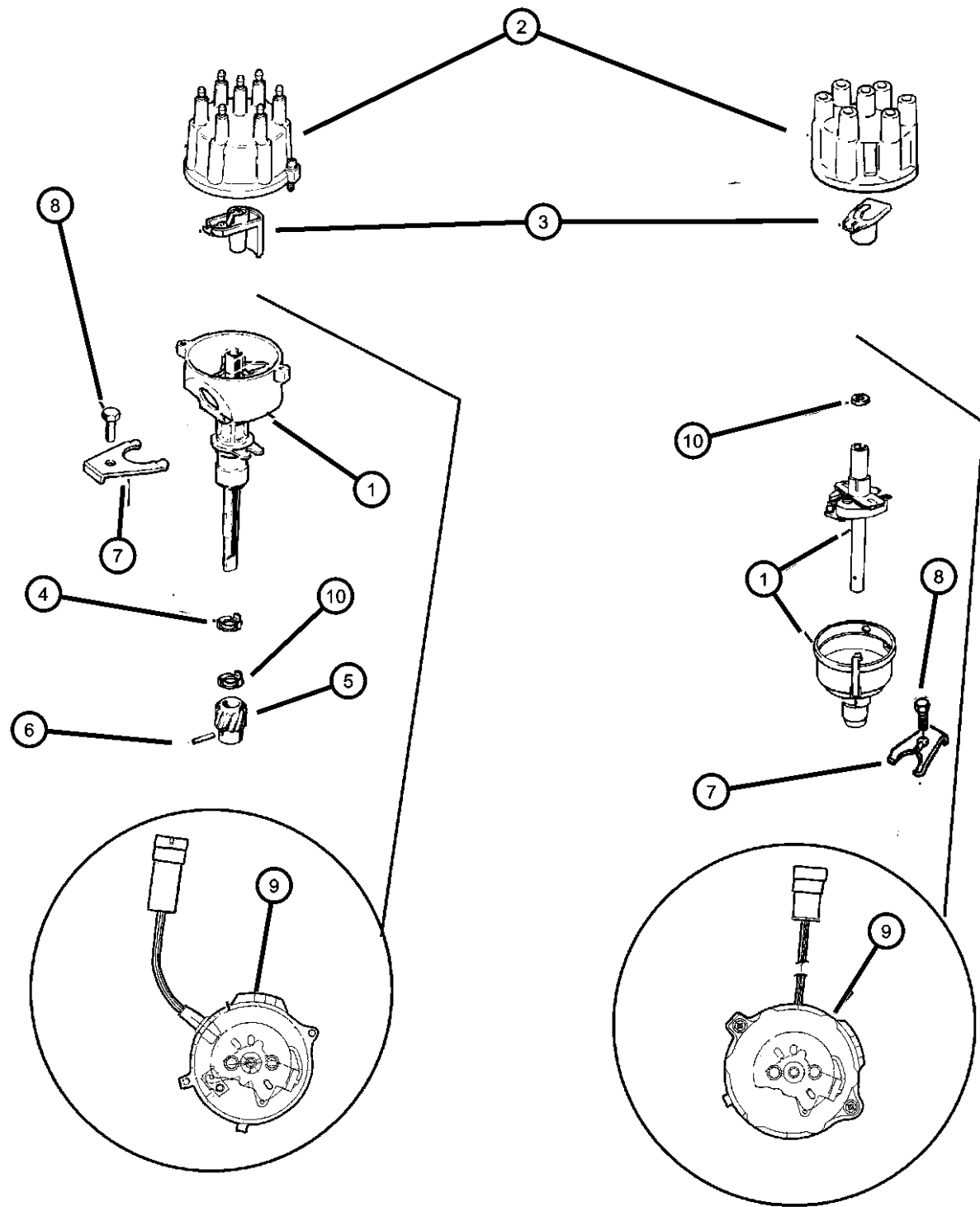
DGD = TRANSMISSION - 3-SPD. AUTOMATIC, 30RH

DGG = TRANSMISSION - 3-SPD. AUTOMATIC, 32RH

AR = use ase required - = Non illustrated part

1999 TJ

**Distributor 4.0L Engine
Figure 8-310**



ITEM	PART NUMBER	QTY	LINE	SERIES	BODY	ENGINE	TRANS	TRIM	DESCRIPTION
EP0=2.5L Engines ER0=4.0L Engines DGG=3 Speed Automatic Transmissions									
1	56041034	1				ER0			DISTRIBUTOR, Engine
2	56026876	1				ER0			CAP, Distributor
3	56027019	1				ER0			ROTOR, Distributor
4	33004594	1				ER0			WASHER, Distributor Gear
5	83504635	1				ER0			GEAR, Distributor Drive
6	09422127	1				ER0			ROLL PIN, .19x.75
7	33004242	1				EP0, ER0			CLAMP, Distributor
8	06033479	6				ER0	DGG		BOLT, Hex Head, .25-28x1-5/8
9	56041030	1				ER0			SWITCHPLATE, Distributor
10	33004594	1				ER0			WASHER, Distributor Gear

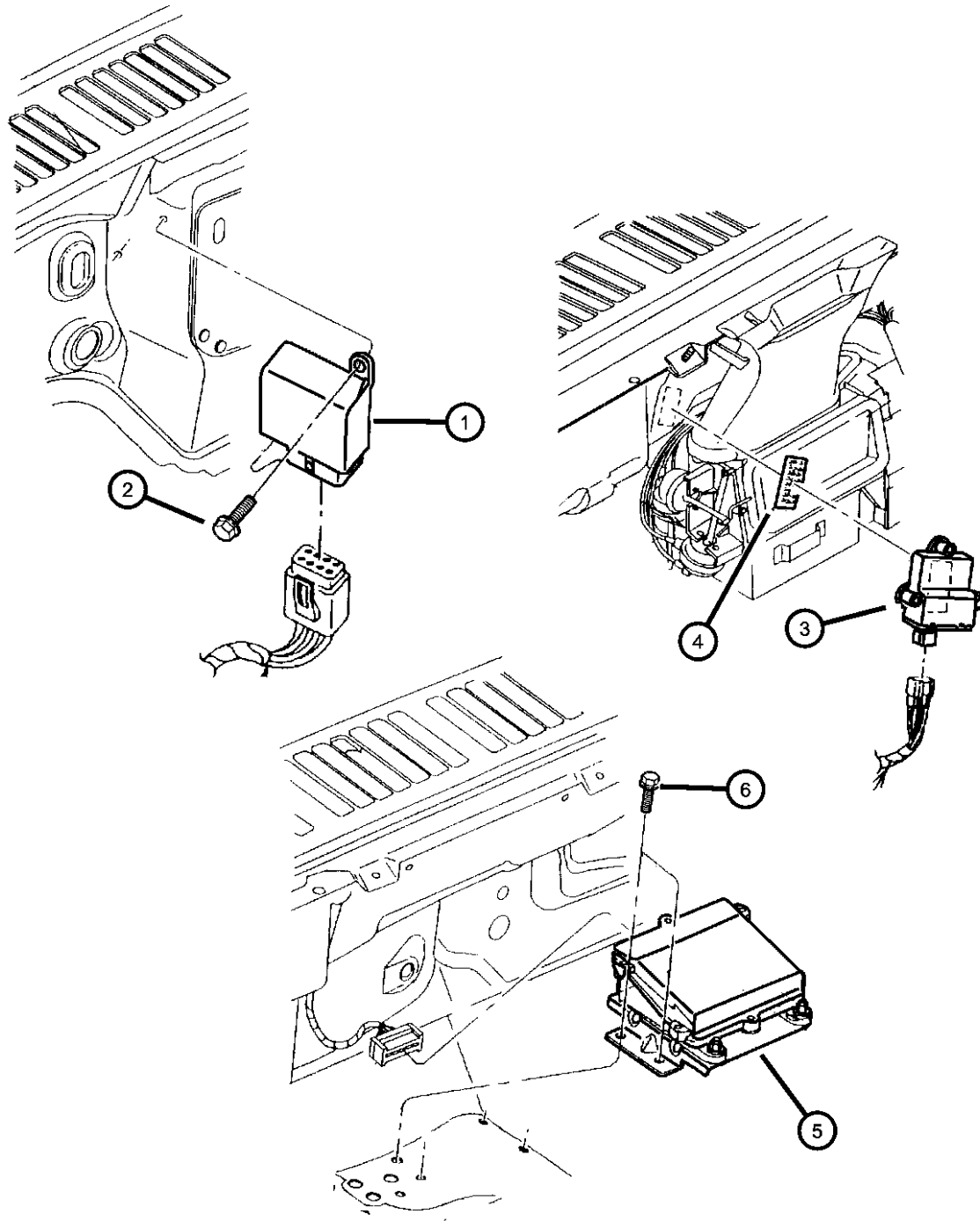
WRANGLER (TJ)

SERIES	LINE	BODY	ENGINE	TRANSMISSION
L = Low Line	J = JEEP - 4WD U = JEEP - 4WD (RHD)	77 = OPEN BODY 2-DOOR	EPE = ENGINE - 2.5L POWER TECH I-4 Cyl. ERH = ENGINE - 4.0L POWER TECH I-6	DDQ = TRANSMISSION - 5-SPEED MANUAL DGD = TRANSMISSION - 3-SPD. AUTOMATIC, 30RH DGG = TRANSMISSION - 3-SPD. AUTOMATIC, 32RH

AR = use ase required - = Non illustrated part

Modules
Figure 8-405

ITEM	PART NUMBER	QTY	LINE	SERIES	BODY	ENGINE	TRANS	TRIM	DESCRIPTION
1	56004262	1							MODULE, Daytime Running Lamp, Daytime Running Lamp
2	56004262	1							SCREW, 250-14x.625 (Not Serviced) ***, (NOT SERVICED)
3	56009712AC	1							MODULE, Security Alarm
4	56009712AC	1							VELCRO PLATE, Trim Panel, (serviced In Assembly), (NOT SERVICED)
5	56010105AD	1							MODULE, Air Bag Control
6	56010105AD	1							SCREW, M6.3x1.81x20.00, (NOT SERVICED)



WRANGLER (TJ)

SERIES

L = Low Line

LINE

J = JEEP - 4WD

U = JEEP - 4WD (RHD)

BODY

77 = OPEN BODY 2-DOOR

ENGINE

EPE = ENGINE - 2.5L POWER TECH I-4 Cyl.

ERH = ENGINE - 4.0L POWER TECH I-6

TRANSMISSION

DDQ = TRANSMISSION - 5-SPEED MANUAL

DGD = TRANSMISSION - 3-SPD. AUTOMATIC, 30RH

DGG = TRANSMISSION - 3-SPD. AUTOMATIC, 32RH

AR = use ase required - = Non illustrated part

1999 TJ

**Fuse Block relays and fuses
Figure 8-510**

ITEM	PART NUMBER	QTY	LINE	SERIES	BODY	ENGINE	TRANS	TRIM	DESCRIPTION
1	000MAX40	1							BLOCK, Fuse, Serviced in Cross Body Harness, (NOT SERVICED)
2	000ATM10	2							FUSE, Mini, 10 AMP, Red
3	000ATM20	1					DG0		FUSE, Mini, 20 AMP, Yellow

WRANGLER (TJ)

SERIES

L = Low Line

LINE

J = JEEP - 4WD

U = JEEP - 4WD (RHD)

BODY

77 = OPEN BODY 2-DOOR

ENGINE

EPE = ENGINE - 2.5L POWER TECH I-4 Cyl.

ERH = ENGINE - 4.0L POWER TECH I-6

TRANSMISSION

DDQ = TRANSMISSION - 5-SPEED MANUAL

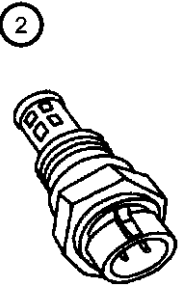
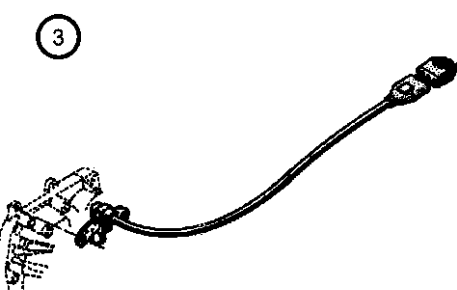
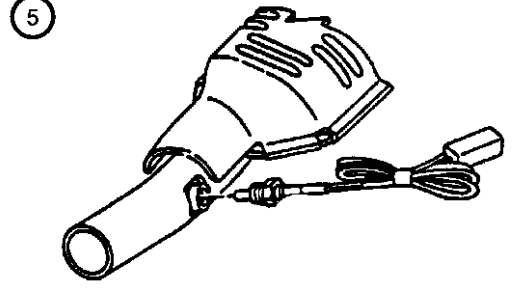
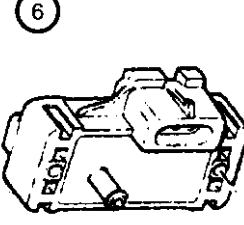
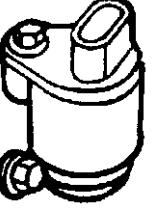
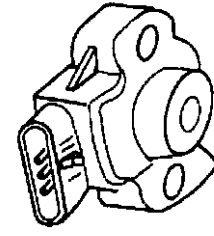
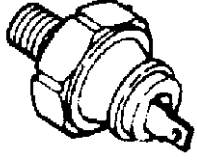
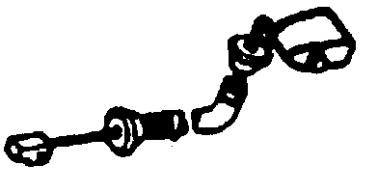
DGD = TRANSMISSION - 3-SPD. AUTOMATIC,30RH

DGG = TRANSMISSION - 3-SPD. AUTOMATIC,32RH

AR = use ase required - = Non illustrated part

1999 TJ

Sensors
Figure 8-605

ITEM	PART NUMBER	QTY	LINE	SERIES	BODY	ENGINE	TRANS	TRIM	DESCRIPTION
<div style="display: flex; justify-content: space-around;"> <div style="text-align: center;">  <p>2</p> </div> <div style="text-align: center;">  <p>3</p> </div> </div>									
<div style="display: flex; justify-content: space-around;"> <div style="text-align: center;">  <p>5</p> </div> <div style="text-align: center;">  <p>6</p> </div> <div style="text-align: center;">  <p>7</p> </div> </div>									
<div style="display: flex; justify-content: space-around;"> <div style="text-align: center;">  <p>9</p> </div> <div style="text-align: center;">  <p>10</p> </div> <div style="text-align: center;">  <p>11</p> </div> </div>									
<div style="display: flex; justify-content: space-around;"> <div style="text-align: center;"> <p>12</p> </div> <div style="text-align: center;"> <p>13</p> </div> </div>									

EP0=2.5L Engine
ER0=4.0L Engine
DGG= Automatic Transmission 3 Speed
DGD=Automatic Transmission 3 Speed
DBB= Manual Transmission

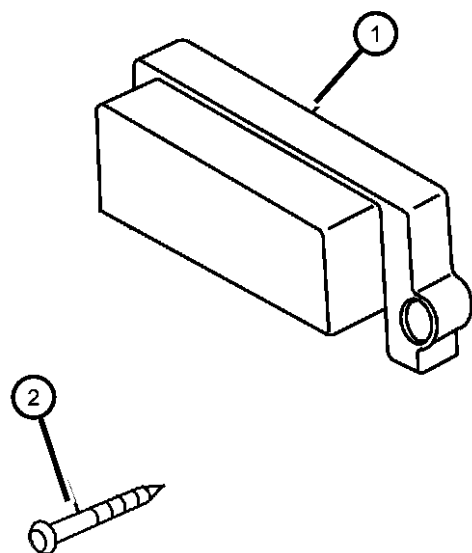
-1	56027872	1				EP0, ER0			SENSOR, Air Temperature
2	56027873	1				EP0, ER0			SENSOR, Coolant Temperature
3									SENSOR, Crankshaft Position
	56041819AA	1				EP0			
	56041820AA	1				ER0	DBB		
-4	04897321AA	1				ER0	DG0		SENSOR PACKAGE, Crankshaft Position
5									SENSOR, Oxygen
	56041212AE	1				ER0			Before Catalyst
	56041213AF	1				EP0			Before Catalyst
	56041213AG	1				EP0, ER0			After Catalyst
6	56029405	1				EP0, ER0			SENSOR, MAP
7	56027905	1							SENSOR, Vehicle Speed
-8									O RING
	01556385	1				EP0	DGD		
		1				ER0	DGG		
	56028182	1							Blue
9									SENSOR, Throttle Position
	04874371AC	1				ER0			
		1				EP0			
10	56028807AA	1				EP0, ER0			SENDING UNIT, Oil Pressure
11									SENSOR, Anti-Lock Brakes
	56027727	2			J				Front
	56027728	1			J				Rear (Right)
	56027729	1			J				Rear (Left)
-12	06503520	2				EP0, ER0	DBB		BOLT AND WASHER, Hex Head, M7x1.00x25, Crank Sensor Attaching
-13	34202536	2				EP0	DGD		STUD, .312-18x2.26, Crank Sensor Mounting

WRANGLER (TJ)

SERIES	LINE	BODY	ENGINE	TRANSMISSION
L = Low Line	J = JEEP - 4WD U = JEEP - 4WD (RHD)	77 = OPEN BODY 2-DOOR	EPE = ENGINE - 2.5L POWER TECH I-4 Cyl. ERH = ENGINE - 4.0L POWER TECH I-6	DDQ = TRANSMISSION - 5-SPEED MANUAL DGD = TRANSMISSION - 3-SPD. AUTOMATIC, 30RH DGG = TRANSMISSION - 3-SPD. AUTOMATIC, 32RH

AR = use ase required - = Non illustrated part

**Single Board Engine Controllers (JTEC Module)
Figure 8-705**



ITEM	PART NUMBER	QTY	LINE	SERIES	BODY	ENGINE	TRANS	TRIM	DESCRIPTION
EP0=2.5L Engine ER0=4.0L Engine DG0=Automatic Transmission DBB= Manual Transmission									
1									MODULE, Powertrain Control
	56041457AC	1				EP0	DBB		FEDERAL
	56041458AC	1				EP0	DBB		CALIFORNIA
	56041459AC	1				EP0	DBB		EUROPE
	56041460AC	1				EP0	DBB		LEADED FUEL
	56041461AC	1				EP0	DG0		FEDERAL
	56041462AC	1				EP0	DG0		CALIFORNIA
	56041463AC	1				EP0	DG0		EUROPE
	56041465AC	1				ER0	DBB		FEDERAL
	56041466AC	1				ER0	DBB		CALIFORNIA
	56041467AC	1				ER0	DBB		EUROPE
	56041468AC	1				ER0	DBB		LEADED FUEL
	56041469AC	1				ER0	DG0		FEDERAL
	56041470AC	1				ER0	DG0		CALIFORNIA
	56041471AC	1				ER0	DG0		EUROPE
	56041472AC	1				ER0	DG0		LEADED FUEL
2	56041472AC	1							SCREW, (.190-16x1.75) Not Serviced ***, (NOT SERVICED),
-3	56041472AC	1							COVER, Module, (NOT REQUIRED)

WRANGLER (TJ)

SERIES	LINE	BODY	ENGINE	TRANSMISSION
L = Low Line	J = JEEP - 4WD U = JEEP - 4WD (RHD)	77 = OPEN BODY 2-DOOR	EPE = ENGINE - 2.5L POWER TECH I-4 Cyl. ERH = ENGINE - 4.0L POWER TECH I-6	DDQ = TRANSMISSION - 5-SPEED MANUAL DGD = TRANSMISSION - 3-SPD. AUTOMATIC, 30RH DGG = TRANSMISSION - 3-SPD. AUTOMATIC, 32RH

AR = use ase required - = Non illustrated part

Switches
Figure 8-805

ITEM	PART NUMBER	QTY	LINE	SERIES	BODY	ENGINE	TRANS	TRIM	DESCRIPTION
<p>EP0=2.5L Engine ER0=4.0L Engine DG0=Automatic Transmissions DBB= Manual Transmissions DDK=5 Speed Manual Transmissions Heavy Duty DDQ=5 Speed Manual Transmissions</p>									
1	56009640AB	1							SWITCH, Headlamp Leveling
-2									RETAINER, Headlamp Switch
	56021893AA	1	J						Threaded nut switch mounting
		1	U						Threaded nut switch mounting
3									SWITCH, Fog Lamp
	05080861AA	1							Front
	56007248	1							Rear (EUROPE)
-4									BULB AND SOCKET
	04874122AB	1							Graphic Illumination
		1							Switch On Indicator
-5	56007285	1							PLUG, Wiring
-6	06034949	3							SCREW
7	06034949	3							CAP, Cigar Lighter, (NOT REQUIRED)
8	56007250	1							SWITCH, Electric Back Light
-9									BULB AND SOCKET
	04874122AB	1							Switch On Indicator
	04874123	1							Wedge Type T1
-10	56007329	1							PLUG, Switch Opening
11	56007249	1							SWITCH, Wiper and Washer, Rear
12	56007314AC	1							BEZEL, Cigar Lighter, Bezel for EBL, Fog Lamp, Rear Wiper Switches
-13	56008994	1							COVER, Switch, Wiper POD
-14	56007329	1							PLUG, Switch Opening
15	04671336	1							SWITCH, Stop Lamp
16									SWITCH, Windshield Wiper
	04661942	1					DG0		
		1					DBB		
-17									SWITCH, Intermittent Wiper

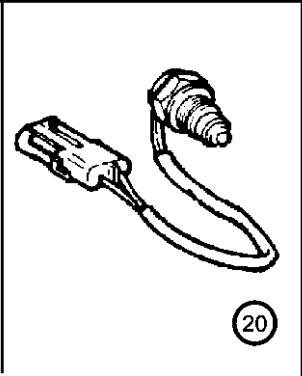
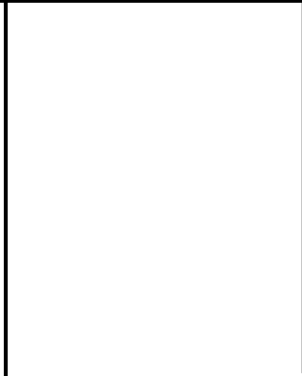
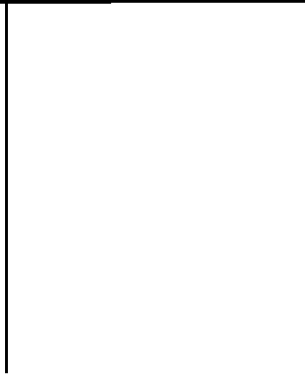
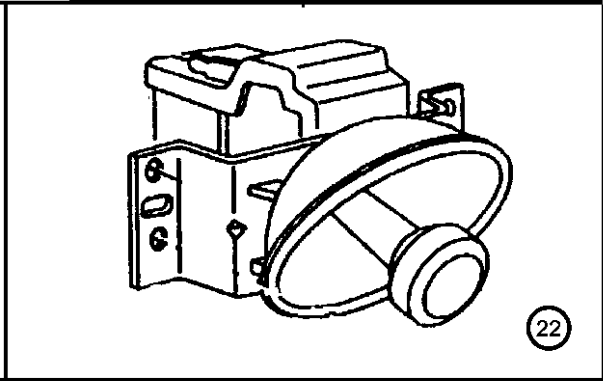
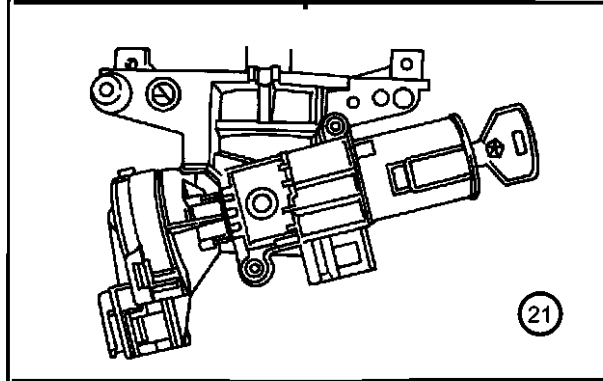
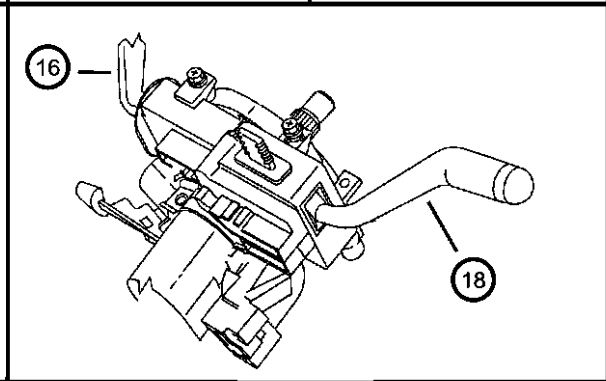
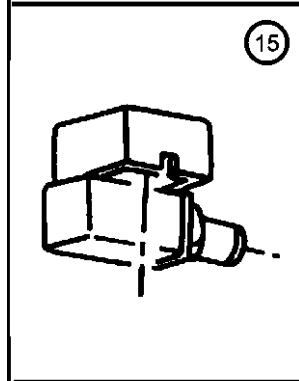
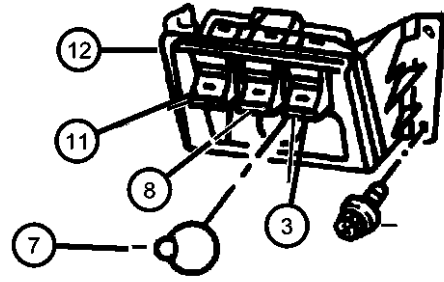
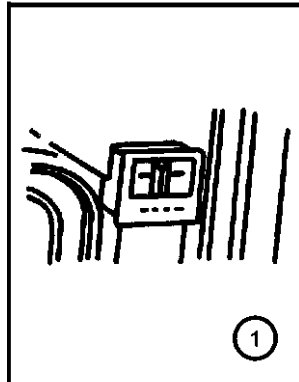
WRANGLER (TJ)

SERIES	LINE	BODY	ENGINE	TRANSMISSION
L = Low Line	J = JEEP - 4WD U = JEEP - 4WD (RHD)	77 = OPEN BODY 2-DOOR	EPE = ENGINE - 2.5L POWER TECH I-4 Cyl. ERH = ENGINE - 4.0L POWER TECH I-6	DDQ = TRANSMISSION - 5-SPEED MANUAL DGD = TRANSMISSION - 3-SPD. AUTOMATIC, 30RH DGG = TRANSMISSION - 3-SPD. AUTOMATIC, 32RH

AR = use ase required - = Non illustrated part

Switches
Figure 8-805

ITEM	PART NUMBER	QTY	LINE	SERIES	BODY	ENGINE	TRANS	TRIM	DESCRIPTION
18	04793313	1					DG0		SWITCH, Multifunction
		1					DBB		
	56009135	1					DG0		
		1					DBB		
-19	04863839	1						CONNECTOR PACKAGE, Beam Select Switch	
20								SWITCH, Back Up Lamp	
21	83500629	1				EP0	DDQ		SWITCH, Ignition
		1				ER0	DDK		
22	04565326	1					DG0		SWITCH, Headlamp
		1					DBB		
-23	56009869AB	1	J						SWITCH, Clutch Starter Interlock
		1	U						
-24	56009047	1	J				DBB		SWITCH, Power Steering
		1	U				DBB		
-25	56027906AB	1	J			EP0			SWITCH, A/C Cycling
-26	04897614AA	1	U			EP0			SWITCH, Door Ajar
		1	U			ER0			
-27	04687558	2							KNOB AND SHAFT, Headlamp Switch
-28	56009032	1							SWITCH, Blower Control
-29	04897760AA	1	J						SWITCH, Anti Lock Brake Accelarat, G Switch
	56006315AB	1							
-30	56007530AD	1							Right
	56007531AD	1							Left



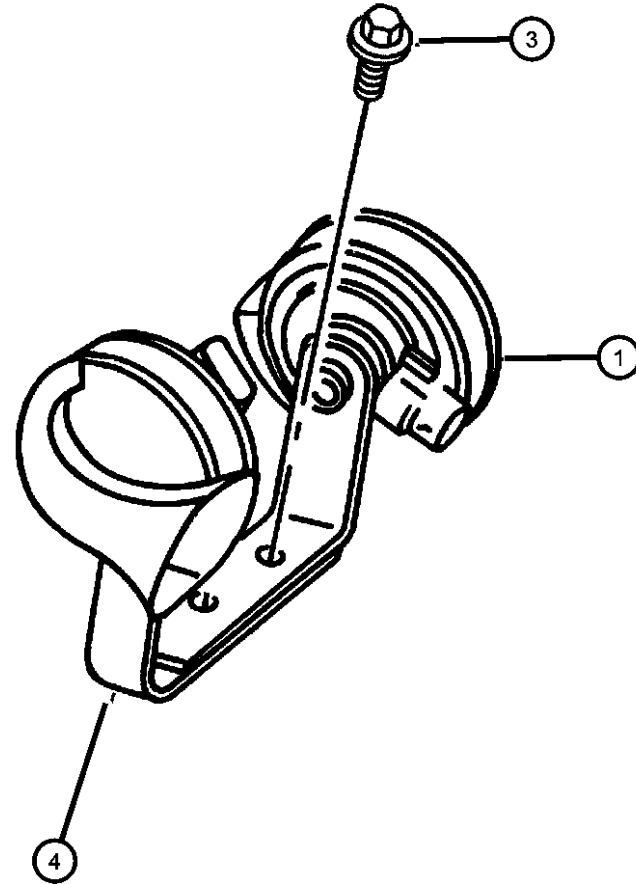
WRANGLER (TJ)

SERIES	LINE	BODY	ENGINE	TRANSMISSION
L = Low Line	J = JEEP - 4WD U = JEEP - 4WD (RHD)	77 = OPEN BODY 2-DOOR	EPE = ENGINE - 2.5L POWER TECH I-4 Cyl. ERH = ENGINE - 4.0L POWER TECH I-6	DDQ = TRANSMISSION - 5-SPEED MANUAL DGD = TRANSMISSION - 3-SPD. AUTOMATIC, 30RH DGG = TRANSMISSION - 3-SPD. AUTOMATIC, 32RH

AR = use ase required - = Non illustrated part

Horns
Figure 8-905

ITEM	PART NUMBER	QTY	LINE	SERIES	BODY	ENGINE	TRANS	TRIM	DESCRIPTION
1	56009769AB	1							HORN, Duel
-2	56009768AC	1							HORN, High Note, (EUROPE)
3	56009768AC	1							SCREW, Tap, M8x1.25x22, (NOT SERVICED)
4	56009768AC	1							BRACKET, Horn Mounting (Serviced In Assembly Item # 1), (NOT SERVICED)



WRANGLER (TJ)

SERIES

L = Low Line

LINE

J = JEEP - 4WD

U = JEEP - 4WD (RHD)

BODY

77 = OPEN BODY 2-DOOR

ENGINE

EPE = ENGINE - 2.5L POWER TECH I-4 Cyl.

ERH = ENGINE - 4.0L POWER TECH I-6

TRANSMISSION

DDQ = TRANSMISSION - 5-SPEED MANUAL

DGD = TRANSMISSION - 3-SPD. AUTOMATIC, 30RH

DGG = TRANSMISSION - 3-SPD. AUTOMATIC, 32RH

AR = use ase required - = Non illustrated part

1999 TJ

Battery Tray & Cables
Figure 8-1005

ITEM	PART NUMBER	QTY	LINE	SERIES	BODY	ENGINE	TRANS	TRIM	DESCRIPTION
------	-------------	-----	------	--------	------	--------	-------	------	-------------

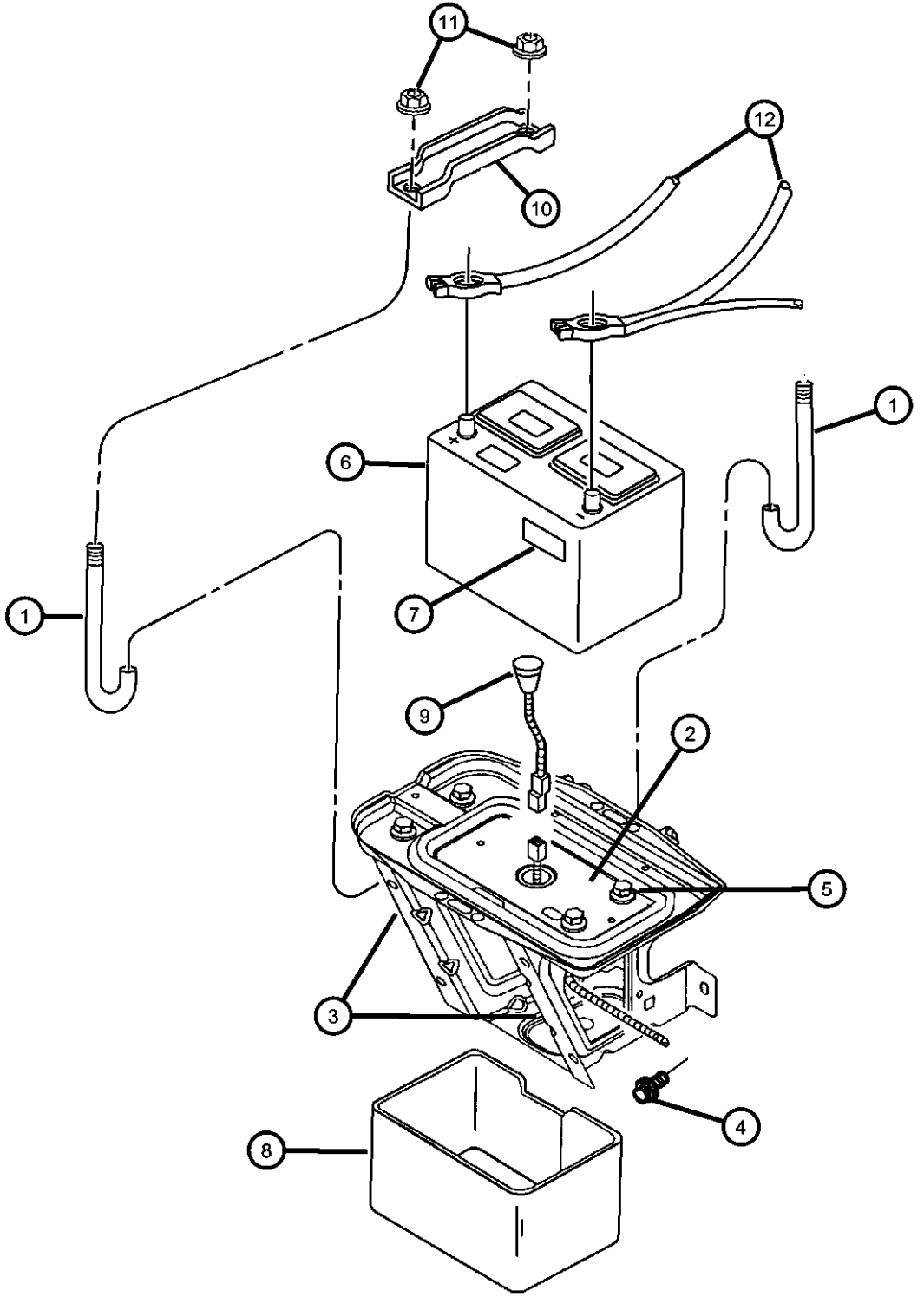
EP0=2.5L Engine
ER0=4.0L Engine
EN0=2.5L 4 Cylinder Turbo Diesel Engine

1	55026434	2							ROD, Battery, Side Hold Down
2	55174728	1							TRAY, Battery
	0VU01205								Repair Battery Terminal End Top Post (Ten Per Box)
	0VU01207								Repair Battery Terminal End Side Post (Ten Per Box)
3									REINFORCEMENT, Battery Tray
	55174782	1							Right
	55174783	1							Left
4	06100583	4							BOLT AND CONED WASHER, Hex Head, M8x25x20
5	00180077	1							BOLT, Hex Head, 5/16x18x3/4
6	00180077	1							BATTERY, See MOPAR Battery Catalog), (NOT SERVICED)
7									LABEL, Battery
	04793062	1				EP0, ER0			
	56041046	1							Canada
8	56027073AB	1				EP0, ER0			COVER, Battery
9	56027332	1							SENSOR, Battery Temperature
10	55014361	1							BRACKET, Battery Hold Down, Top
11	06025007	2							NUT AND WASHER, Hex, .312-18
12									WIRING, Battery
	56041445AB	1	J			EP0			
	56041446AB	1	J			ER0			
	56041447AB	1	U			EP0			
	56041448AB	1	U			ER0			
-13	55176426AB	1	J						PROTECTOR, Wiring
-14	04641780	1							STRAP, Tie

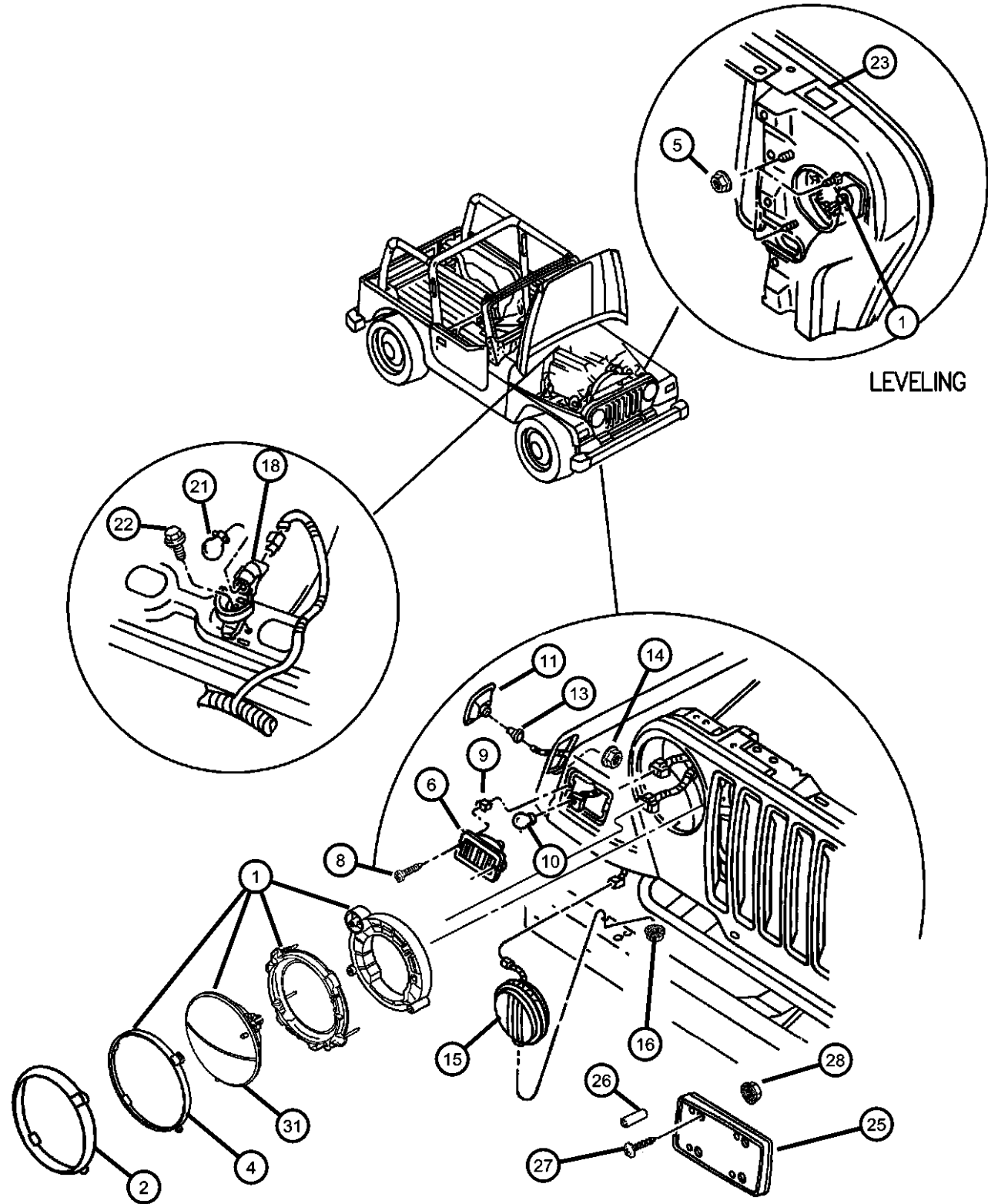
WRANGLER (TJ)

SERIES	LINE	BODY	ENGINE	TRANSMISSION
L = Low Line	J = JEEP - 4WD U = JEEP - 4WD (RHD)	77 = OPEN BODY 2-DOOR	EPE = ENGINE - 2.5L POWER TECH I-4 Cyl. ERH = ENGINE - 4.0L POWER TECH I-6	DDQ = TRANSMISSION - 5-SPEED MANUAL DGD = TRANSMISSION - 3-SPD. AUTOMATIC, 30RH DGG = TRANSMISSION - 3-SPD. AUTOMATIC, 32RH

AR = use ase required - = Non illustrated part



Lamps--Front
Figure 8-1105



ITEM	PART NUMBER	QTY	LINE	SERIES	BODY	ENGINE	TRANS	TRIM	DESCRIPTION
EPO=2.5L Engine ERO=4.0L Engine									
1									HEADLAMP
	55055032AB	1							7' Round, Right
	55055033AB	1							7' Round, Left
2									BEZEL, Headlamp
	55055046	1							Chrome, Right
	55055047	1							Chrome, Left
-3	04874380	1			U				HEADLAMP, (SOUTH AFRICA)
4	04874378	1							RETAINER, Headlamp Bulb
5	06101443	6							NUT AND WASHER, Hex, M5x.80
6	55055020AC	2							LAMP, Park and Turn Signal, Park & Turn Signal
-7	04399900	2							SOCKET, Park, Turn, and Side Lamp
8	06035977AA	4							SCREW, Tapping, .164-18x.625, Headlamp Bezel mounting
9	J4000141	4							NUT, Square, .286x.355, Headlamp Bezel mounting
10	00154851AA	2							BULB, 3157
11									LAMP, Side Marker
	55155628AB	1							Right
	55155629AB	1							Left
-12									LAMP, Side Repeater
	55155460AB	1							Right
	55155461AB	1							Left
13	00153624	2							BULB, W3W, (Side Repeater)
14	00153624	2							NUT, (NOT SERVICED)
15	55055095AC	2							LAMP, Fog
16	06100052	2							NUT AND WASHER, Hex, M8x1.25
-17	04864773	2							RETAINER, Fog Lamp Bulb
18	56021441	1							LAMP, Underhood
-19	56021441	1							SHIELD, Underhood Lamp, (NOT REQUIRED)
-20	56021441	1							LENS, Lamp Module, (NOT SERVICED)
21	L0000561	1							BULB, 561

WRANGLER (TJ)

SERIES LINE
L = Low Line J = JEEP - 4WD
U = JEEP - 4WD (RHD)

BODY
77 = OPEN BODY 2-DOOR

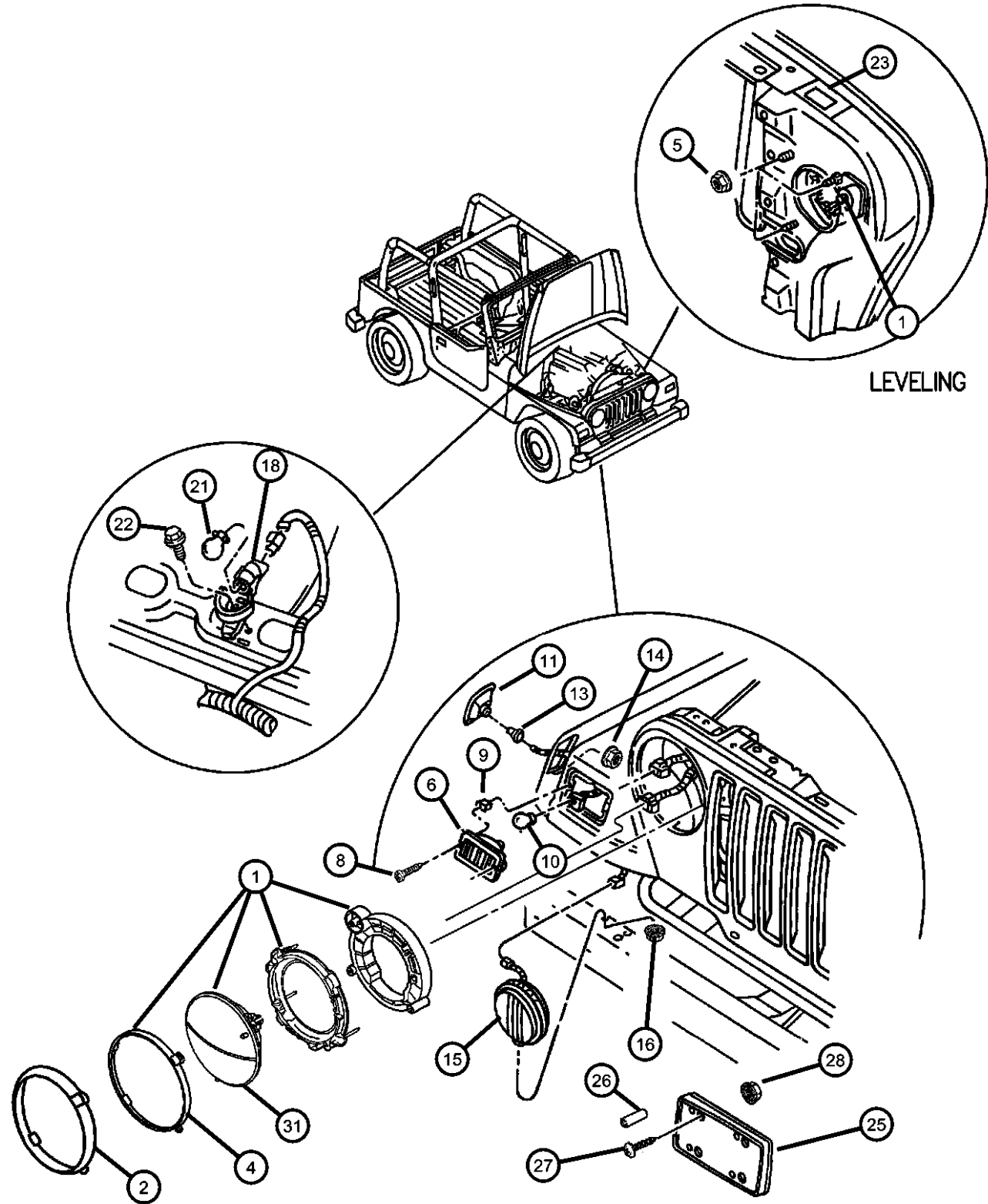
ENGINE
EPE = ENGINE - 2.5L POWER TECH I-4 Cyl.
ERH = ENGINE - 4.0L POWER TECH I-6

TRANSMISSION
DDQ = TRANSMISSION - 5-SPEED MANUAL
DGD = TRANSMISSION - 3-SPD. AUTOMATIC, 30RH
DGG = TRANSMISSION - 3-SPD. AUTOMATIC, 32RH

AR = use ase required - = Non illustrated part

1999 TJ

Lamps--Front
Figure 8-1105



ITEM	PART NUMBER	QTY	LINE	SERIES	BODY	ENGINE	TRANS	TRIM	DESCRIPTION
22	L0000561	1							SCREW, [.190-16x.625], (NOT SERVICED)
23	05263188	1							LABEL, Headlamp Leveling, h/Lamp Leveling System (AUSTRALIA, SOUTH AFRICA, SOUTH KOREA, UNITED KINGDOM, UNITED KINGDOM MARKET PACKAGE)
-24	04874382	1	J						ACTUATOR, Headlamp
25	55155764AB	1							BRACKET, License Plate, Export
26	06030441	3				EP0, ER0			PIN, Retainer
27	06030441	3							SCREW, M6X1.00X16.00, (NOT SERVICED)
28	06030441	3							NUT, M6x1.00, (NOT SERVICED)
-29	56042559AA	1							LAMP, Courtesy, I/Panel Harness
-30	04863839	1							CONNECTOR PACKAGE, Beam Select Switch
31	L0HJ6024 P0046024ST	1							HEADLAMP, Seal Beam (H6024) SilverStar

WRANGLER (TJ)

SERIES LINE
L = Low Line J = JEEP - 4WD
U = JEEP - 4WD (RHD)

BODY
77 = OPEN BODY 2-DOOR

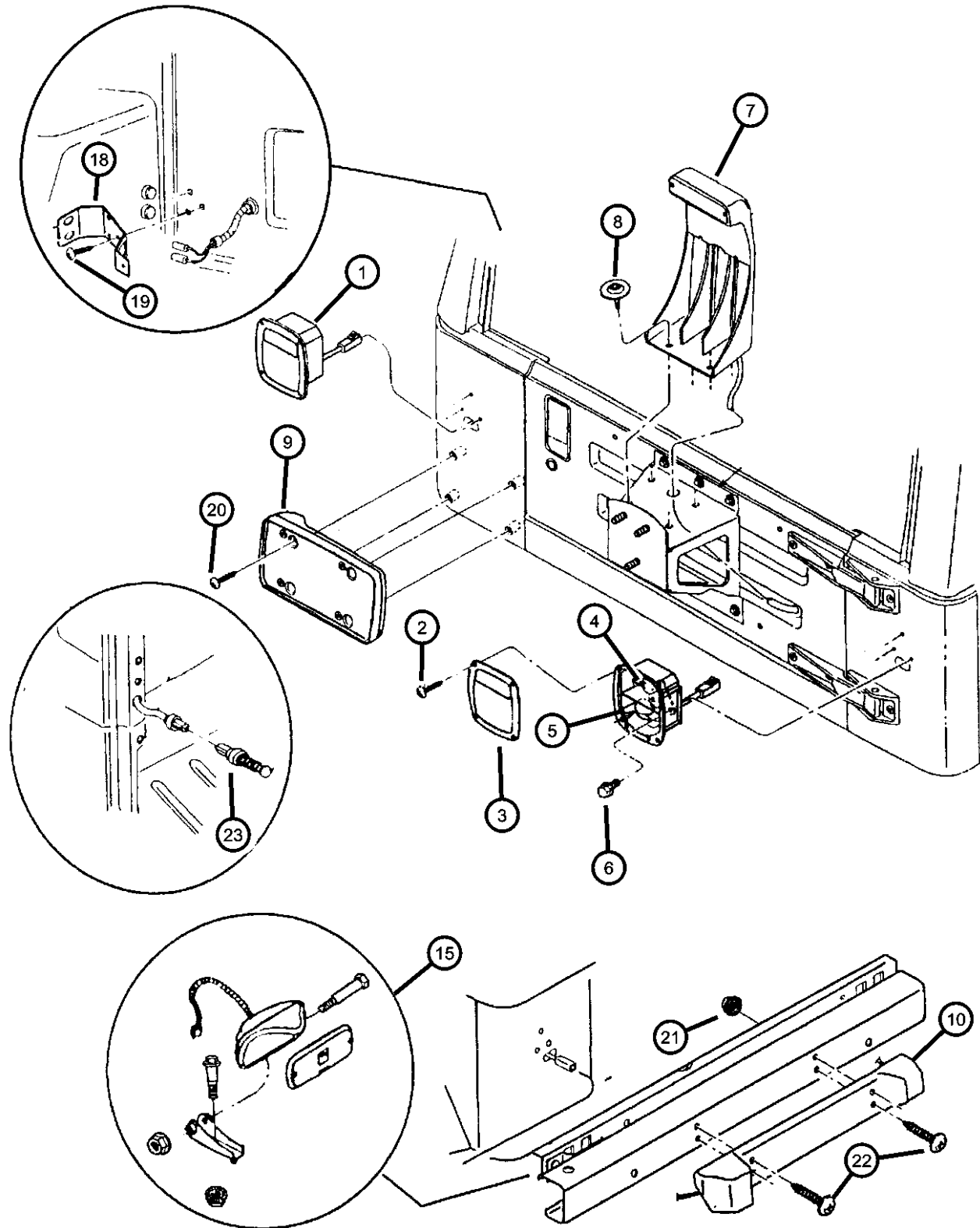
ENGINE
EPE = ENGINE - 2.5L POWER TECH I-4 Cyl.
ERH = ENGINE - 4.0L POWER TECH I-6

TRANSMISSION
DDQ = TRANSMISSION - 5-SPEED MANUAL
DGD = TRANSMISSION - 3-SPD. AUTOMATIC, 30RH
DGG = TRANSMISSION - 3-SPD. AUTOMATIC, 32RH

AR = use ase required - = Non illustrated part

1999 TJ

Lamps--Rear
Figure 8-1110



ITEM	PART NUMBER	QTY	LINE	SERIES	BODY	ENGINE	TRANS	TRIM	DESCRIPTION
1	55155624AB	2							LAMP, Tail Stop Turn
	56018648AC	1							EUROPE
	56018649AC	1							Right
									Left
2	00154632	8							SCREW, Pan Head, .164-18x.625, Lens attaching
3									LENS, Taillamp
	04856459	2							Export
	56006514	1							Except Export
4	L0001156	1							BULB, 1156, Tail Lamp Back-Up (Single Filament)
5	L0002057	1							BULB, 2057, Tail Lamp Stop & Turn (Double Filament)
6	L0002057	1							SCREW/WASHER, (NOT SERVICED)
7	55055280AB	1							LAMP, High Mounted Stop
8	55055280AB	1							SCREW AND WASHER, Hex Head, .312-18x1.00, (NOT SERVICED)
9	55174994	1							BRACKET, License Plate
10	55175106AB	1							BRACKET, LICENSE Mounting, (EUROPE)
-11	55055278	2							LAMP, License
-12	55155767AB	1							BRACKET, License LampExport
-13	00153625	2							BULB, W10/5
-14	55155619	2							LENS, License Lamp
15	55055273	1							LAMP, Fog, Europe (Rear) Red
-16	00153622	1							BULB, P-25-1
-17	04864772	1							LENS, Fog Lamp, Rear Fog Lamp, Red, EXPORT
18	56009056	1							CLAMP, Contact Button
19	00154631	3							SCREW, Pan Head, .190-16x.5
20	00154631	3							SCREW, M6x1x20, (NOT SERVICED)
21	00154631	3							NUT, M6x1.00, (NOT SERVICED)
22	00154631	3							SCREW, M6X1.00X16.00, (NOT SERVICED)
23	04687558	2							SWITCH, Door Ajar

WRANGLER (TJ)

SERIES LINE
L = Low Line J = JEEP - 4WD
U = JEEP - 4WD (RHD)

BODY
77 = OPEN BODY 2-DOOR

ENGINE
EPE = ENGINE - 2.5L POWER
TECH I-4 Cyl.
ERH = ENGINE - 4.0L
POWER TECH I-6

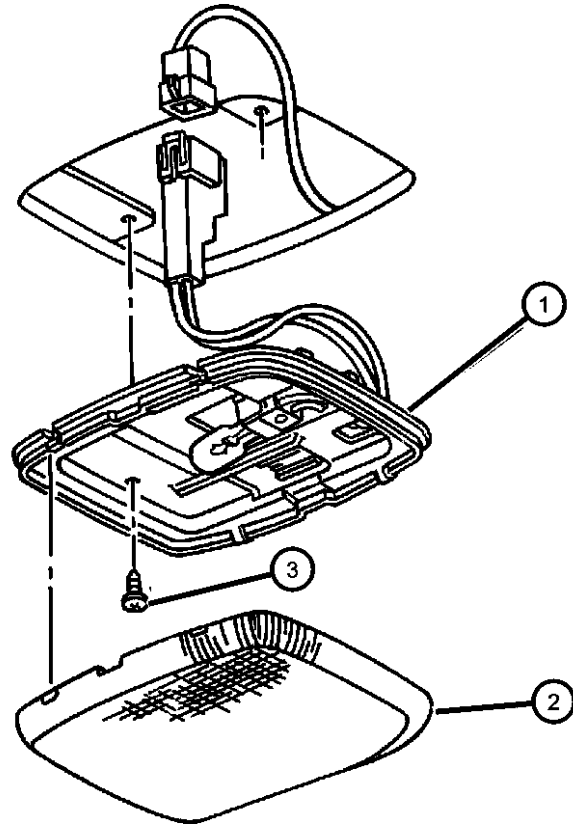
TRANSMISSION
DDQ = TRANSMISSION - 5-SPEED
MANUAL
DGD = TRANSMISSION - 3-SPD.
AUTOMATIC,30RH
DGG = TRANSMISSION - 3-SPD.
AUTOMATIC,32RH

AR = use ase required - = Non illustrated part

1999 TJ

Lamps--Cargo-Dome-Courtesy
Figure 8-1115

ITEM	PART NUMBER	QTY	LINE	SERIES	BODY	ENGINE	TRANS	TRIM	DESCRIPTION
1	56007264	1							BEZEL, Dome Lamp, With Dome Lamp for Sound Bar
2	56007265	1							LENS, Dome Lamp, For Sound Bar
3	56007265	1							Dome Lamp
									SCREW, (NOT SERVICED)
-4	J0959978	1							LENS, Dome Lamp, Liftgate Courtesy Lamp
-5	J0959999	1							HOUSING, Dome and Reading Lamp, Liftgate Courtesy Lamp



WRANGLER (TJ)

SERIES	LINE	BODY	ENGINE	TRANSMISSION
L = Low Line	J = JEEP - 4WD U = JEEP - 4WD (RHD)	77 = OPEN BODY 2-DOOR	EPE = ENGINE - 2.5L POWER TECH I-4 Cyl. ERH = ENGINE - 4.0L POWER TECH I-6	DDQ = TRANSMISSION - 5-SPEED MANUAL DGD = TRANSMISSION - 3-SPD. AUTOMATIC, 30RH DGG = TRANSMISSION - 3-SPD. AUTOMATIC, 32RH

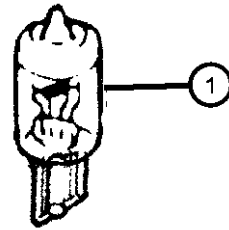
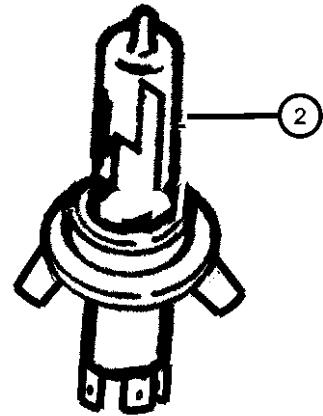
AR = use ase required - = Non illustrated part

1999 TJ

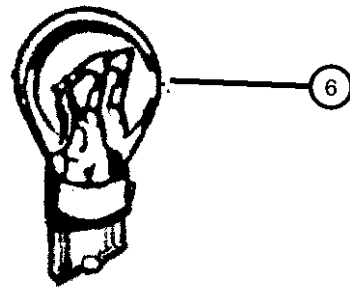
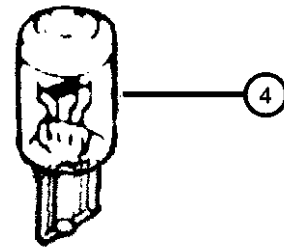
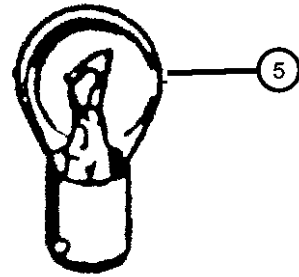
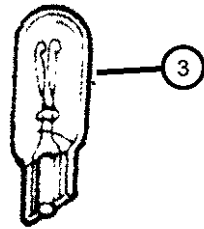
Bulbs & Sockets
Figure 8-1120

ITEM	PART NUMBER	QTY	LINE	SERIES	BODY	ENGINE	TRANS	TRIM	DESCRIPTION
------	-------------	-----	------	--------	------	--------	-------	------	-------------

DG0=Automatic Transmission



1	00153620	1	J						BULB, 8/4 Front Fender
		1	U						Side Repeater
2	00153621	1	J						BULB, Headlamp
3	00153621	1							BULB, 168, (NOT REQUIRED)
4	00154883AA	1							BULB, 921
5	00154883AA	1							BULB, 1003, (NOT REQUIRED)
6	00154851AA	2							BULB, 3157
-7	L0000658	1					DG0		BULB, 658
-8	04874122AB	1							BULB AND SOCKET, Graphic Illumination
-9	04874122AB	1							BULB AND SOCKET Switch On Indicator
	04874123	1							Switch on Indicator
-10	05013829AA	1							BULB, Heater and A/C Control



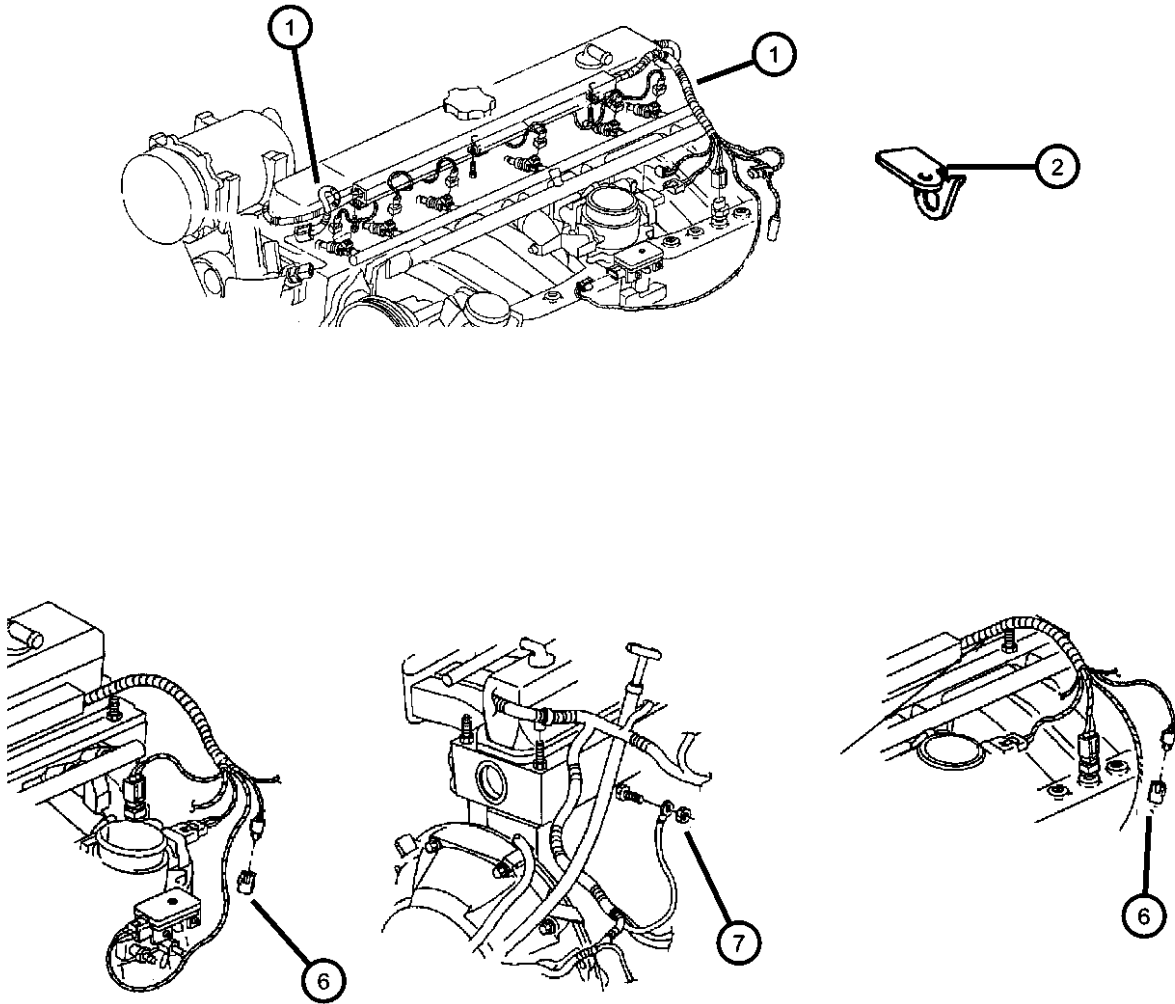
WRANGLER (TJ)

SERIES	LINE	BODY	ENGINE	TRANSMISSION
L = Low Line	J = JEEP - 4WD U = JEEP - 4WD (RHD)	77 = OPEN BODY 2-DOOR	EPE = ENGINE - 2.5L POWER TECH I-4 Cyl. ERH = ENGINE - 4.0L POWER TECH I-6	DDQ = TRANSMISSION - 5-SPEED MANUAL DGD = TRANSMISSION - 3-SPD. AUTOMATIC,30RH DGG = TRANSMISSION - 3-SPD. AUTOMATIC,32RH

AR = use ase required - = Non illustrated part

1999 TJ

**Wiring--Engine & Related Parts
Figure 8-1205**



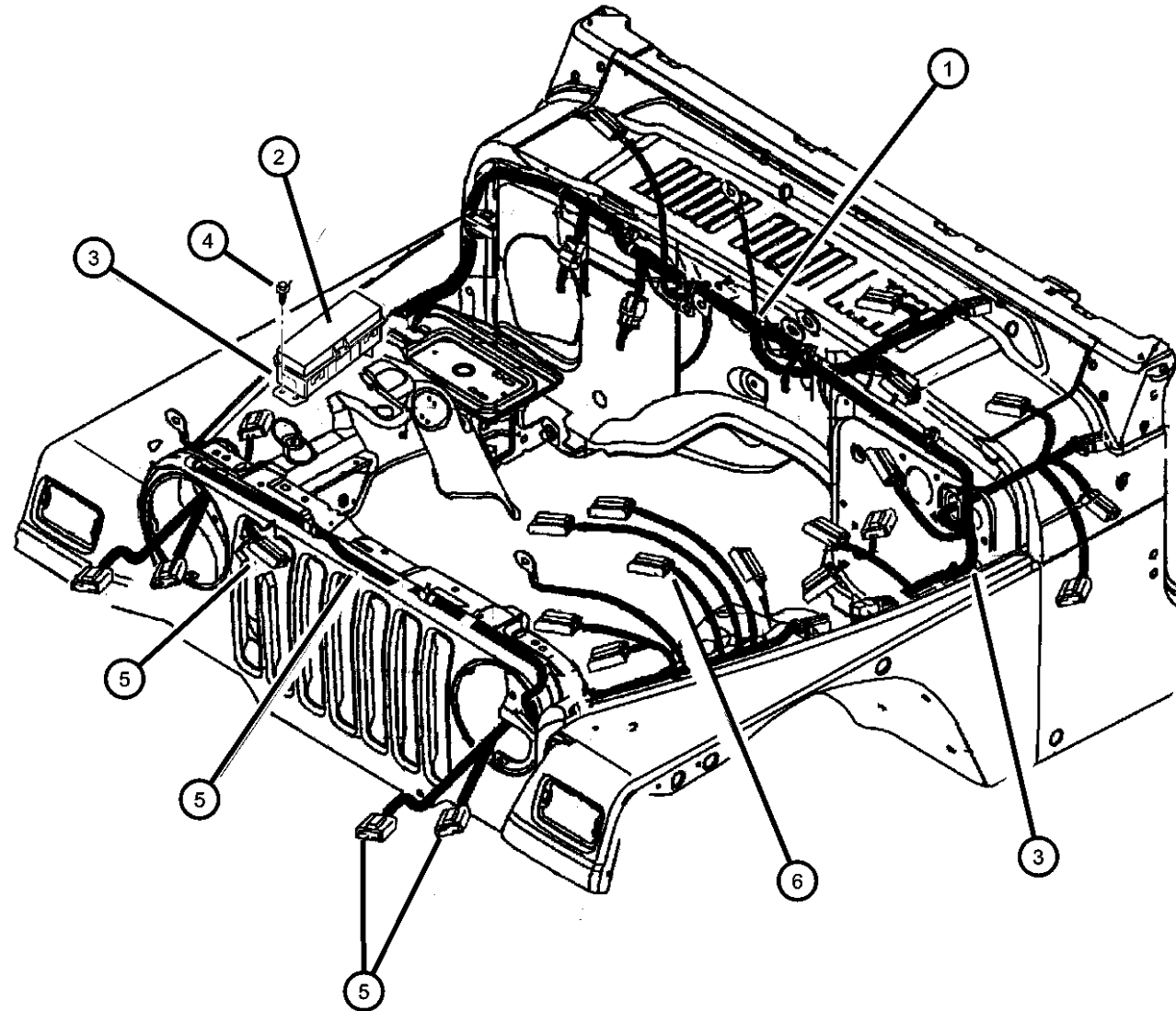
ITEM	PART NUMBER	QTY	LINE	SERIES	BODY	ENGINE	TRANS	TRIM	DESCRIPTION
EP0=2.5L Engine ER0=4.0L Engine EN0=2.5L 4 Cylinder Turbo Diesel Engine DG0=Automatic Transmissions DBB= Manual Transmissions DDQ=Manual Transmissions									
1									WIRING, Engine, Transmission Wiring Included w/o ABS
	56041440AD	1	U			ER0			
	56041441AB	1	U			EP0			
	56041442AD	1	J			ER0			w/ABS
	56041443AD	1	J			ER0			w/o ABS
	56041444AB	1	J			EP0			
2	53008550	1							CLIP, Wire Attaching
-3	56018581	1				ER0	DBB		STRAP, Tie, Wiring & Clip
-4									WIRING, Transmission Jumper
	56010211AB	1					DBB		w/Manual Transmission
	56010212AB	1					DG0		w/Automatic Transmission
-5	56009433	2							CAP, Screw Cover
6	56009087	1				EP0, ER0			PLUG, Oxygen Sensor, ASSEMBLY, O2 Sensor (Downstream) (MIDDLE EAST, MIDDLE EAST PACKAGE)
7	56009087	1							NUT AND WASHER, .312-18, (NOT SERVICED)
-8	04688733	1				EP0, ER0			INSULATOR, 4 Way Female, O2 Sensor Plug (MIDDLE EAST, MIDDLE EAST PKGE.) *** 1997

WRANGLER (TJ)

SERIES	LINE	BODY	ENGINE	TRANSMISSION
L = Low Line	J = JEEP - 4WD U = JEEP - 4WD (RHD)	77 = OPEN BODY 2-DOOR	EPE = ENGINE - 2.5L POWER TECH I-4 Cyl. ERH = ENGINE - 4.0L POWER TECH I-6	DDQ = TRANSMISSION - 5-SPEED MANUAL DGD = TRANSMISSION - 3-SPD. AUTOMATIC, 30RH DGG = TRANSMISSION - 3-SPD. AUTOMATIC, 32RH

AR = use ase required - = Non illustrated part

Wiring--Headlamp / Dash Panel
Figure 8-1305



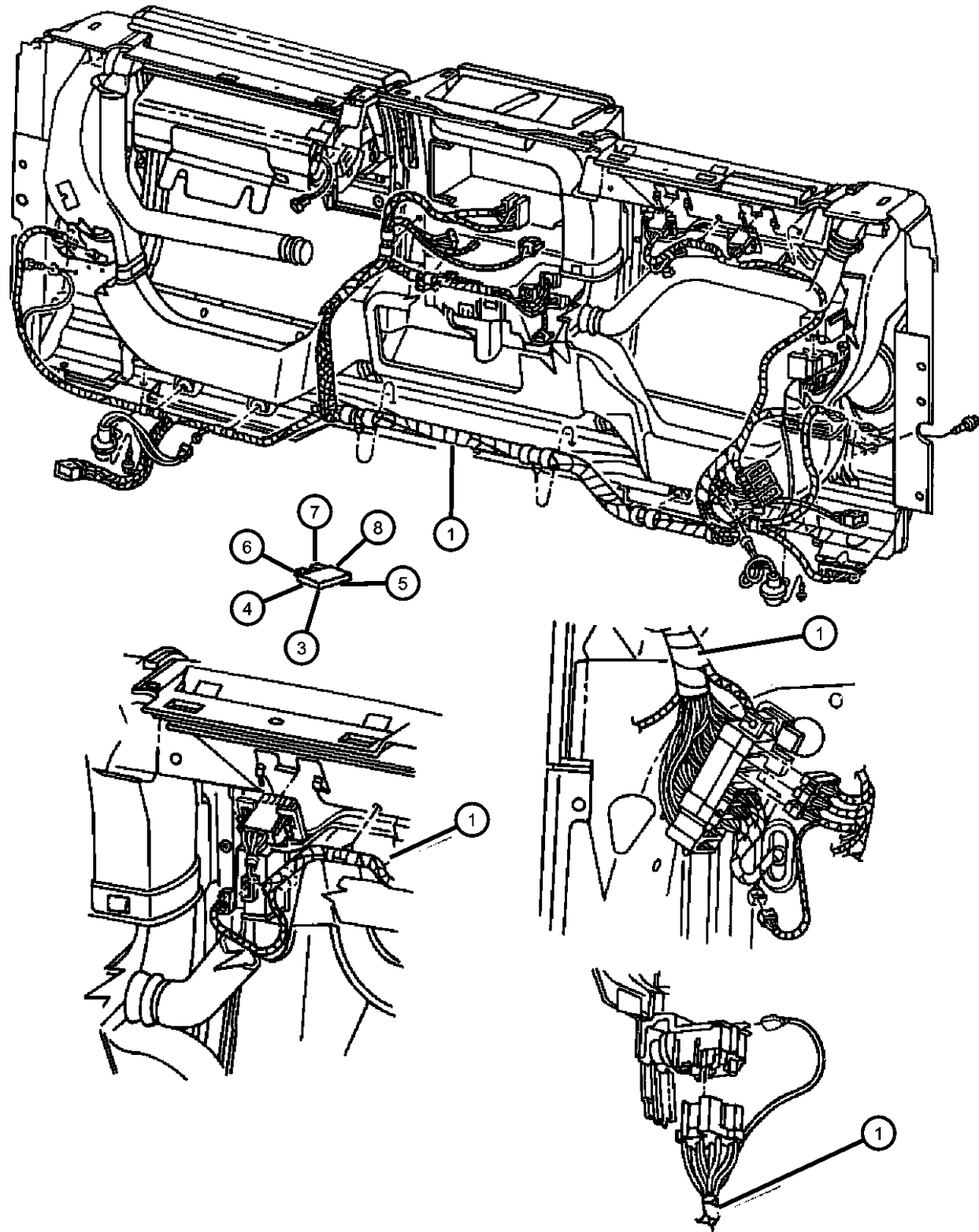
ITEM	PART NUMBER	QTY	LINE	SERIES	BODY	ENGINE	TRANS	TRIM	DESCRIPTION
EP0=2.5L Engine ER0=4.0L Engine									
1									WIRING, Dash Panel
	56009635AI	1	U			ER0, EP0			Without ABS
	56009980AG	1	J			EP0, ER0			With Daytime Running Lamps
	56009981AG	1	J			ER0			With Daytime Running Lamps, ABS
	56010282AG	1	J			ER0			With ABS
	56010285AE	1	J			EP0, ER0			[BGA]
	56010350AE	1	J			EP0, ER0			Without ABS
2									COVER, Power Distribution Center
	56009713AC	AR							Top
	56038201	AR							Bottom
3	56008843	1							BRACKET, Power Distribution Center
4	56008843	1							SCREW, M6.3x1.81x20, Tapping (M6.3x1.81x20.00) Not Serv., (NOT SERVICED)
5									WIRING, Headlamp
	56010280AD	1				EP0, ER0			(EUROPE)
	56009921AB	1				EP0, ER0			w/Dual Foglamp
	56010278AD	1				EP0, ER0			w/o Dual Foglamp
6	56010278AD	1							WIRING, Park Lamp Jumper, (NOT SERVICED),
-7	56009901AA	1	U						BRACKET, Wiring Harness, Battery & Engine
-8	04863839	1							CONNECTOR PACKAGE, Beam Select Switch

WRANGLER (TJ)

SERIES	LINE	BODY	ENGINE	TRANSMISSION
L = Low Line	J = JEEP - 4WD U = JEEP - 4WD (RHD)	77 = OPEN BODY 2-DOOR	EPE = ENGINE - 2.5L POWER TECH I-4 Cyl. ERH = ENGINE - 4.0L POWER TECH I-6	DDQ = TRANSMISSION - 5-SPEED MANUAL DGD = TRANSMISSION - 3-SPD. AUTOMATIC, 30RH DGG = TRANSMISSION - 3-SPD. AUTOMATIC, 32RH

AR = use ase required - = Non illustrated part

Wiring Instrument Panel & Fuses
Figure 8-1405



ITEM	PART NUMBER	QTY	LINE	SERIES	BODY	ENGINE	TRANS	TRIM	DESCRIPTION
ER0=4.0L Engine DG0=Automatic Transmission									
1									WIRING, Instrument Panel
	56010104AF	1	J						Soft Top
	56010108AF	1	J						Hard Top
	56010131AF	1	J						(EUROPE)
	56010205AF	1	U						(EUROPE)
-2	56009391AF	1							LABEL, Fuse Block
3	56009391AF	1							FUSE, Standard, 30 Amp, Light Green, (NOT REQUIRED)
4	06101486	1							FUSE, Mini, 10 AMP, Red
5	06101488	1					DG0		FUSE, Mini, 20 AMP, Yellow
6	06101488	1							FUSE, Maxi, 20 AMP, Yellow, (NOT REQUIRED)
7	06101488	1							FUSE, Maxi, 30 Amp, Green, (NOT REQUIRED)
8	000MAX40	1							FUSE, Maxi, 40 AMP, Amber
-9									FLASHER
	56009339	1							USA/CANADA
	56009345	1							EUROPE

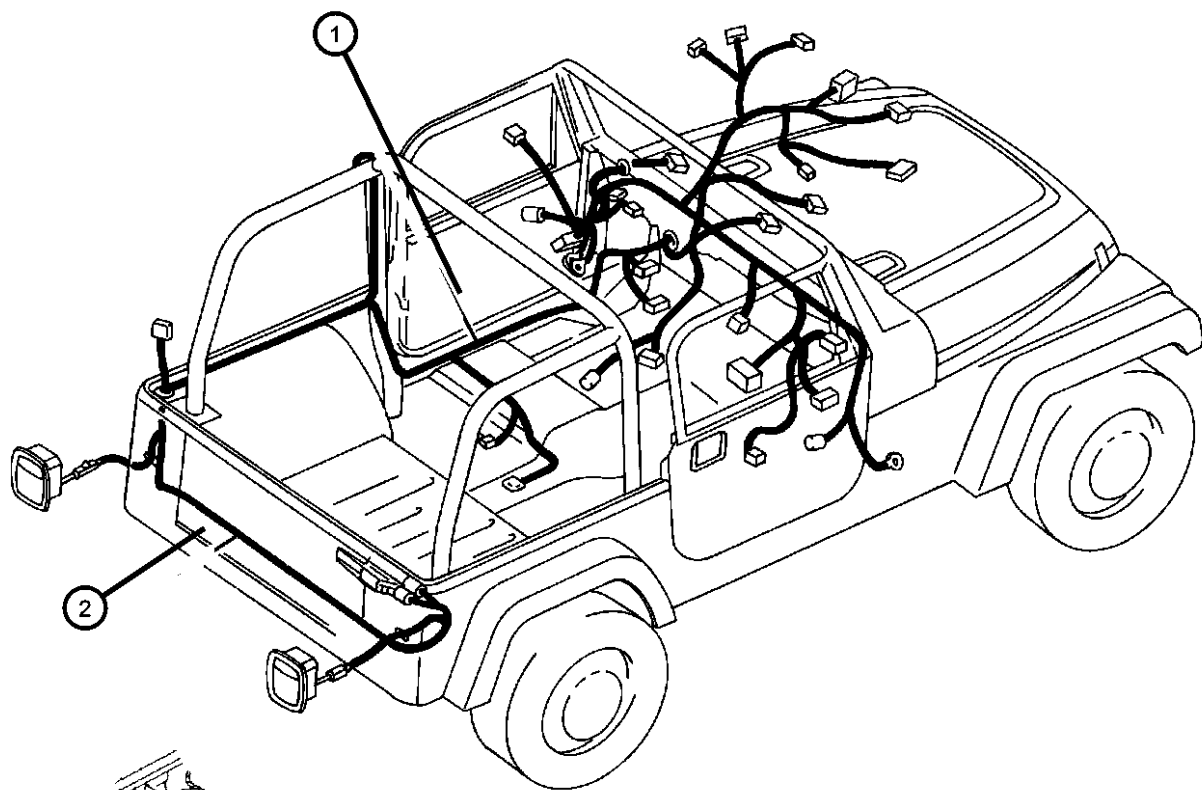
WRANGLER (TJ)

SERIES	LINE	BODY	ENGINE	TRANSMISSION
L = Low Line	J = JEEP - 4WD U = JEEP - 4WD (RHD)	77 = OPEN BODY 2-DOOR	EPE = ENGINE - 2.5L POWER TECH I-4 Cyl. ERH = ENGINE - 4.0L POWER TECH I-6	DDQ = TRANSMISSION - 5-SPEED MANUAL DGD = TRANSMISSION - 3-SPD. AUTOMATIC, 30RH DGG = TRANSMISSION - 3-SPD. AUTOMATIC, 32RH

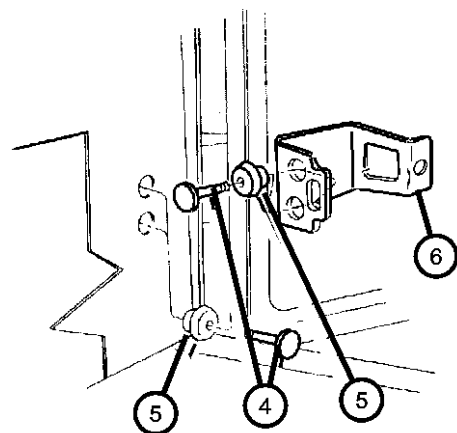
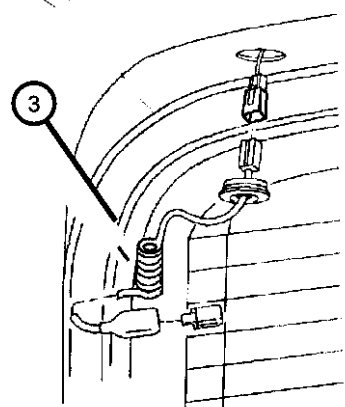
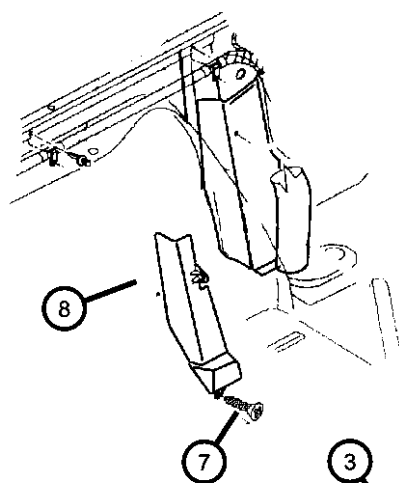
AR = use ase required - = Non illustrated part

Wiring--Body & Accessory
Figure 8-1505

ITEM	PART NUMBER	QTY	LINE	SERIES	BODY	ENGINE	TRANS	TRIM	DESCRIPTION
------	-------------	-----	------	--------	------	--------	-------	------	-------------



-18	56009924AB	1							WIRING, Control, Cruise, (NOT REQUIRED)
-19	56009896AA	1							WIRING, Soundbar Adapter, Soundbar (Jumper) EUROPE ***
-20	56009939AA	1							WIRING, Jumper
-21	56009333AB	3							CLIP, Wire Attaching (Clip)
-22	56009338AB	3							RIVET



WRANGLER (TJ)

SERIES	LINE	BODY	ENGINE	TRANSMISSION
L = Low Line	J = JEEP - 4WD U = JEEP - 4WD (RHD)	77 = OPEN BODY 2-DOOR	EPE = ENGINE - 2.5L POWER TECH I-4 Cyl. ERH = ENGINE - 4.0L POWER TECH I-6	DDQ = TRANSMISSION - 5-SPEED MANUAL DGD = TRANSMISSION - 3-SPD. AUTOMATIC, 30RH DGG = TRANSMISSION - 3-SPD. AUTOMATIC, 32RH

AR = use ase required - = Non illustrated part

1999 TJ

**Wiring Repair Packages
Figure 8-1605**

ITEM	PART NUMBER	QTY	LINE	SERIES	BODY	ENGINE	TRANS	TRIM	DESCRIPTION
-1	05013930AA	1							WIRING PACKAGE, Underhood Connector Repair, For Electrical Connector Repair Information visit the World Wide Web at http://dto.vftis.com/mopar/disclaimer.asp
-2	04863839	1							CONNECTOR PACKAGE, Beam Select Switch

For Electrical Connector Repair Information visit the World Wide Web at

<http://dto.vftis.com/mopar/disclaimer.asp>

WRANGLER (TJ)

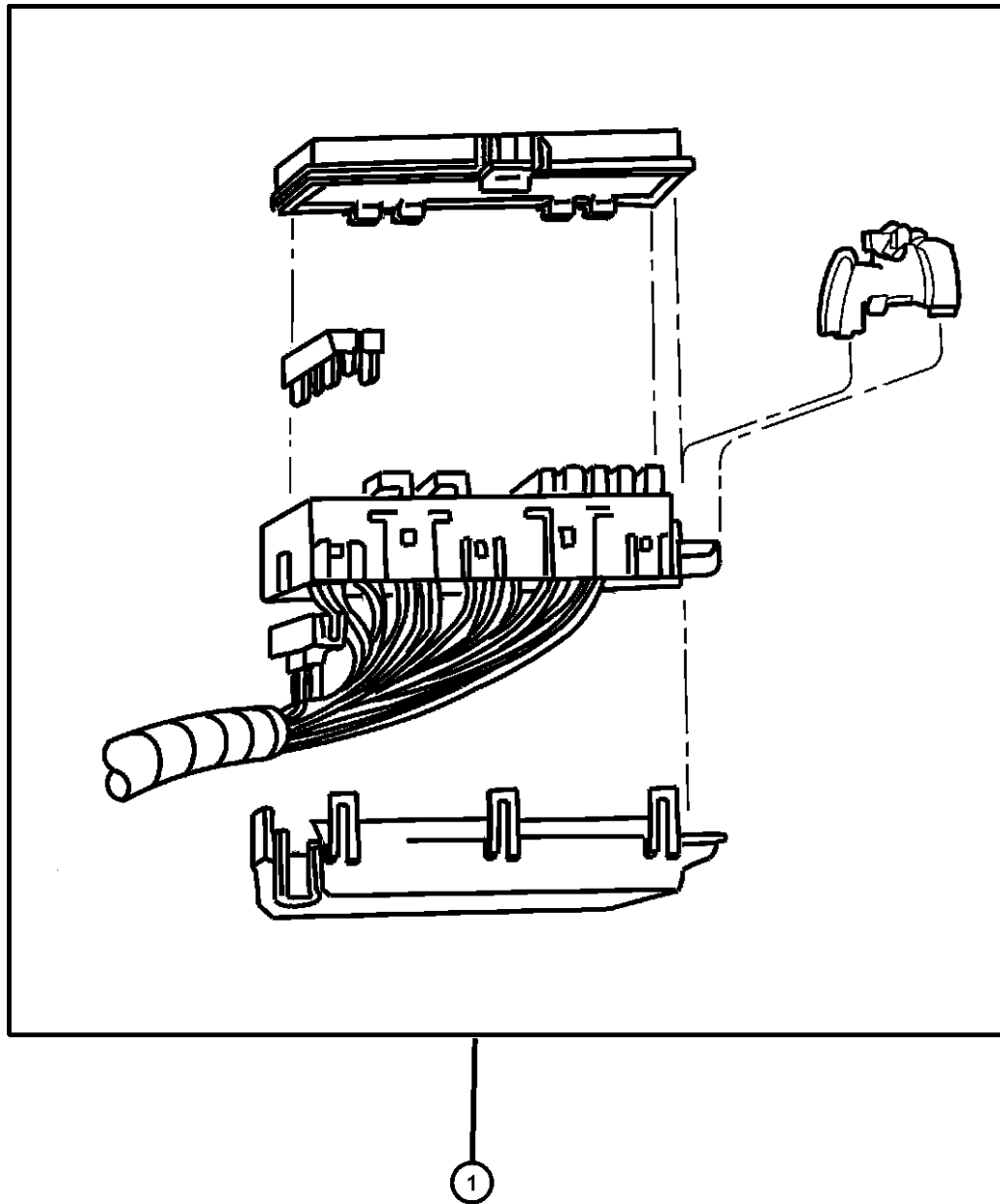
SERIES	LINE	BODY	ENGINE	TRANSMISSION
L = Low Line	J = JEEP - 4WD U = JEEP - 4WD (RHD)	77 = OPEN BODY 2-DOOR	EPE = ENGINE - 2.5L POWER TECH I-4 Cyl. ERH = ENGINE - 4.0L POWER TECH I-6	DDQ = TRANSMISSION - 5-SPEED MANUAL DGD = TRANSMISSION - 3-SPD. AUTOMATIC,30RH DGG = TRANSMISSION - 3-SPD. AUTOMATIC,32RH

AR = use ase required - = Non illustrated part

1999 TJ

**Power Distribution Center Repair
Figure 8-1610**

ITEM	PART NUMBER	QTY	LINE	SERIES	BODY	ENGINE	TRANS	TRIM	DESCRIPTION
1	05014460AA	1							REPAIR KIT, Power Distribution Center



WRANGLER (TJ)

SERIES

L = Low Line

LINE

J = JEEP - 4WD

U = JEEP - 4WD (RHD)

BODY

77 = OPEN BODY 2-DOOR

ENGINE

EPE = ENGINE - 2.5L POWER TECH I-4 Cyl.

ERH = ENGINE - 4.0L POWER TECH I-6

TRANSMISSION

DDQ = TRANSMISSION - 5-SPEED MANUAL

DGD = TRANSMISSION - 3-SPD. AUTOMATIC, 30RH

DGG = TRANSMISSION - 3-SPD. AUTOMATIC, 32RH

AR = use ase required - = Non illustrated part

Group - 08A

Instrument Panel and Radios and Consoles

Group - 08A Instrument Panel and Radios and Consoles

Group-Fig. No.

Illustration Title

Instrument Panel

Instrument Panel Fig. 08A - 110

Instrument Panel Cluster

Instrument Cluster..... Fig. 08A - 210

Radio, Antenna, and Speakers

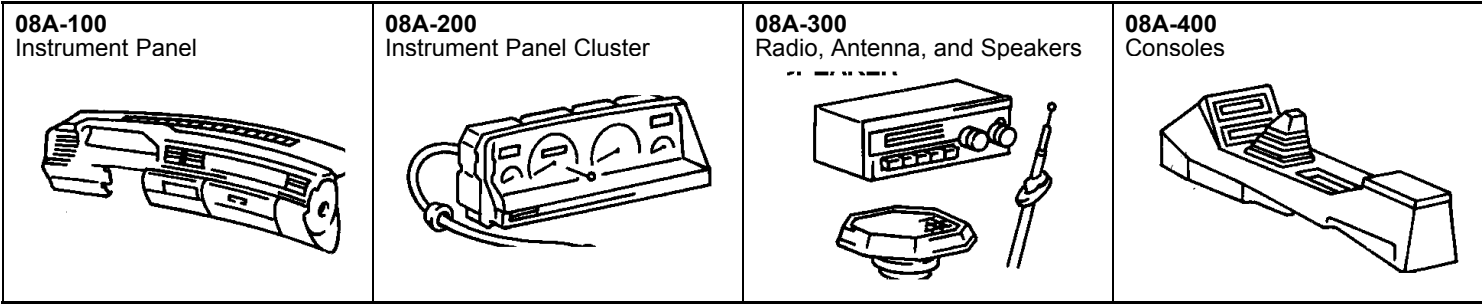
Radio..... Fig. 08A - 315

Antenna..... Fig. 08A - 320

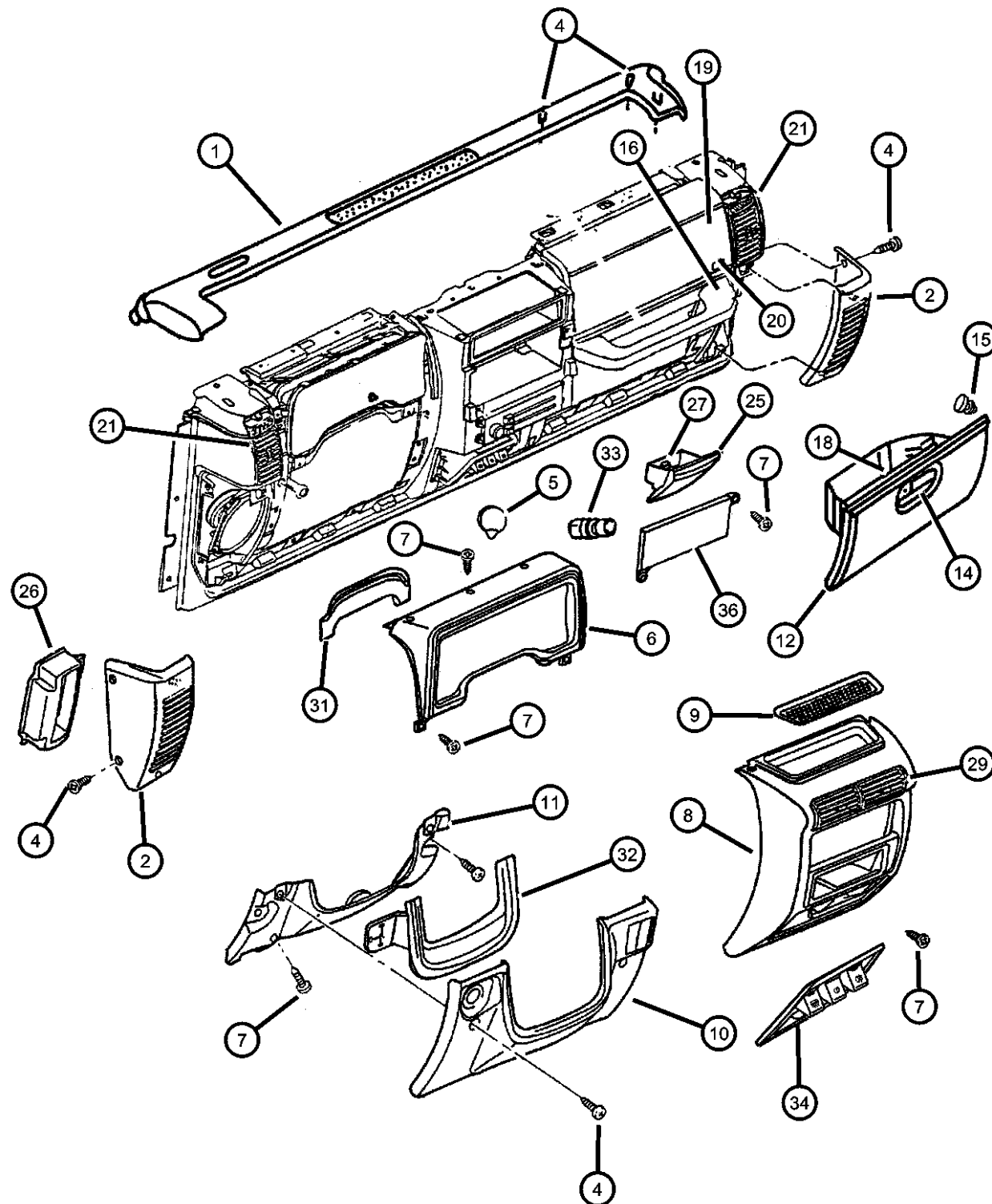
Speakers..... Fig. 08A - 325

Consoles

Consoles Full & Mini Fig. 08A - 410



Instrument Panel
Figure 08A-110



ITEM	PART NUMBER	QTY	LINE	SERIES	BODY	ENGINE	TRANS	TRIM	DESCRIPTION
1	5EU50LAZAB	1							COVER, Instrument Panel Agate
	5EU50RK5AB	1							Tan/Agate
2	5DP16LAZ	1							BEZEL, Speaker Agate, Right
	5DP16RK5	1							Tan/Agate, Right
	5DP17LAZ	1							Agate, Left
	5DP17RK5	1							Tan/Agate, Left
-3	04524342	4							CLIP, Speaker Bezel to I/Panel
4	06035369	6							SCREW, Piercing, .164-15x1.25, Bezel Mounting (.164-15x1.00)
5	06035369	6							CAP, Cigar Lighter, (NOT REQUIRED)
6	5FK58TAZ	1							BEZEL, Instrument Cluster, Agate
7	06034949	5							SCREW
8	5FK57TAZ	1							BEZEL, Instrument Panel, Center, (Agate) Black Ash Tray Clip Included
9	55115652	1							MAT, Instrument Panel, Center Tray Rubber Insert
10	5DN91LAZAB	1							COVER, Instrument Panel, Steering Column Opening Agate
	5DN91RK5AB	1							Tan/Agate
11	55115187	1							PANEL, Knee Blocker, I/Panel Steering Column Cover
12	5DP56LAZAC	1							GLOVE BOX, Instrument Panel Agate
	5DP56RK5AC	1							Tan/Agate
-13	55037355	1			J				STRAP, Glove Box Door Stop
		1			U				
14	5EM28LAZ	1							LATCH, Glovebox Agate
	5EM28RK5	1							Tan/Agate
15	55037225	2							BUMPER, Glove Box Door
16	5DP52LAZ	1			J				HANDLE, Grab, I/Panel Agate

WRANGLER (TJ)

SERIES

L = Low Line

LINE

J = JEEP - 4WD

U = JEEP - 4WD (RHD)

BODY

77 = OPEN BODY 2-DOOR

ENGINE

EPE = ENGINE - 2.5L POWER
TECH I-4 Cyl.

ERH = ENGINE - 4.0L
POWER TECH I-6

TRANSMISSION

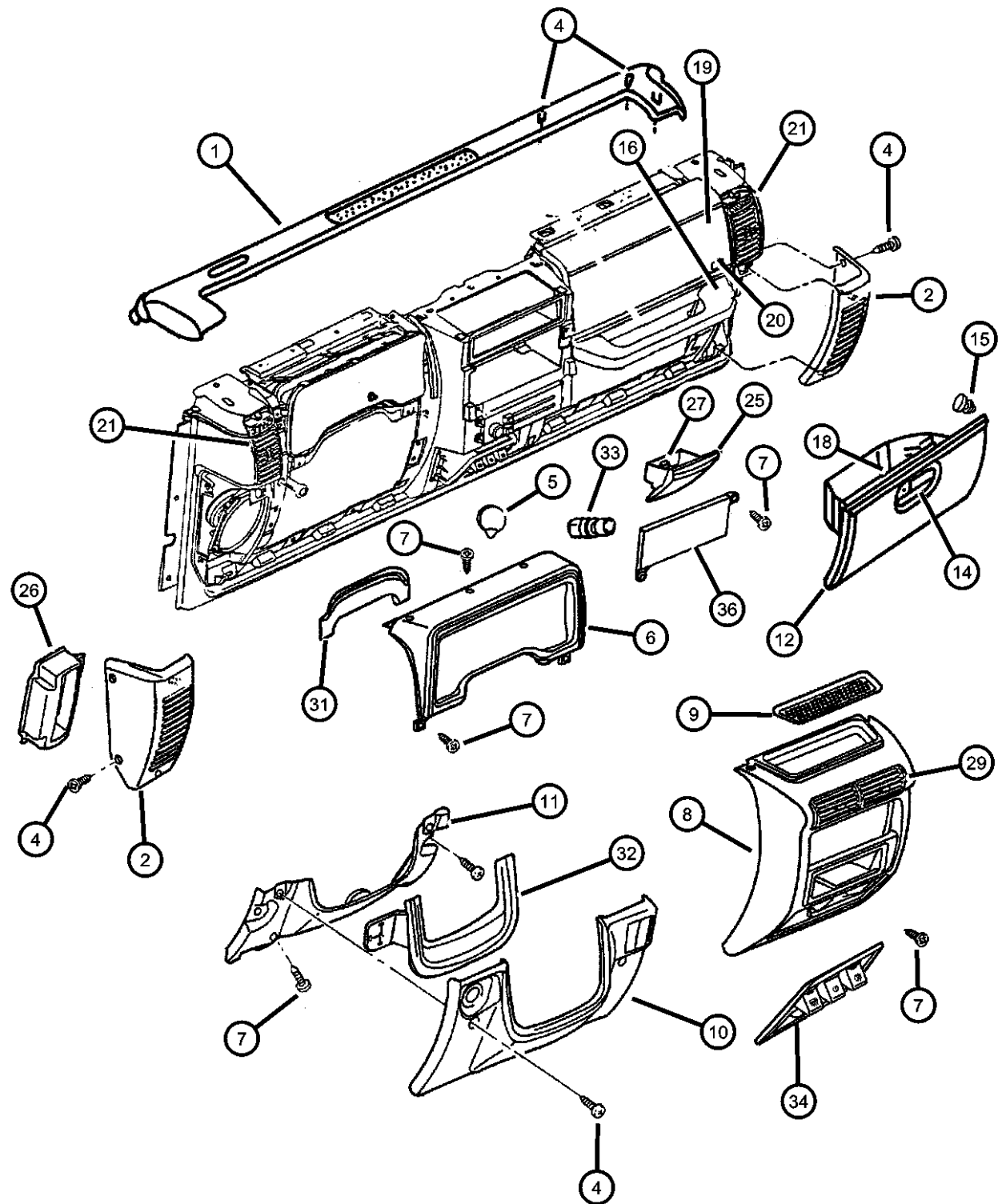
DDQ = TRANSMISSION - 5-SPEED
MANUAL

DGD = TRANSMISSION - 3-SPD.
AUTOMATIC, 30RH
DGG = TRANSMISSION - 3-SPD.
AUTOMATIC, 32RH

AR = use ase required - = Non illustrated part

1999 TJ

Instrument Panel
Figure 08A-110



ITEM	PART NUMBER	QTY	LINE	SERIES	BODY	ENGINE	TRANS	TRIM	DESCRIPTION
	5DP52RK5	1	J						Agate
	5EE11LAZ	1	J						Tan/Agate
	5EE11RK5	1	J						Tan/Agate
-17	5EE11LAZ	1	J						HANDLE, Grab, Bezel Only
	5EE11RK5	1	J						Agate
	5EE11RK5	1	J						Agate
	5EE11RK5	1	J						Tan/Agate
	5EE11RK5	1	J						Tan/Agate
18	55115170	1	J						STRIKER, Glove Box Door Latch
	55115170	1	J						STRIKER, Glove Box Door Latch
	55115170	1	J						STRIKER, Glove Box Door Latch
19	55314982AC	1	J						AIR BAG, Passenger
	55314982AC	1	J						AIR BAG, Passenger
	55314982AC	1	J						AIR BAG, Passenger
	55314982AC	1	J						AIR BAG, Passenger
20	5DU38LAZ	1	J						DOOR, Passenger Air Bag
	5DU38LAZ	1	J						DOOR, Passenger Air Bag
	5DU38LAZ	1	J						DOOR, Passenger Air Bag
	5DU38LAZ	1	J						DOOR, Passenger Air Bag
	5DU38RK5	1	J						Agate
	5DU38RK5	1	J						Agate
	5DU38RK5	1	J						Tan/Agate
	5DU38RK5	1	J						Tan/Agate
21	5DP54TAZ	1	J						OUTLET, Air Conditioning & Heater
	5DP54TAZ	1	J						OUTLET, Air Conditioning & Heater
	5DP54TAZ	1	J						OUTLET, Air Conditioning & Heater
	5DP54TAZ	1	J						OUTLET, Air Conditioning & Heater
	5DP55TAZ	1	J						Agate, Right
	5DP55TAZ	1	J						Agate, Right
	5DP55TAZ	1	J						Agate, Left
	5DP55TAZ	1	J						Agate, Left
-22	0SU441K5AA	1	J						PANEL, Instrument
	0SU441K5AA	1	J						PANEL, Instrument
	0SU441K5AA	1	J						PANEL, Instrument
	0SU441K5AA	1	J						PANEL, Instrument
	0SU44LAZAA	1	J						Tan/Agate
	0SU44LAZAA	1	J						Agate
	0SU451K5AA	1	J						Tan/Agate
	0SU451K5AA	1	J						Agate
	0SU45LAZAA	1	J						Tan/Agate
	0SU45LAZAA	1	J						Agate
-23	5EM26LAZAB	1	J						PANEL, Instrument, Cosmetic
	5EM26LAZAB	1	J						Repair Panel
	5EM26LAZAB	1	J						Agate
	5EM26LAZAB	1	J						Agate
	5EM26RK5AB	1	J						Tan/Agate
	5EM26RK5AB	1	J						Tan/Agate

WRANGLER (TJ)

SERIES LINE
L = Low Line J = JEEP - 4WD
U = JEEP - 4WD (RHD)

BODY
77 = OPEN BODY 2-DOOR

ENGINE
EPE = ENGINE - 2.5L POWER
TECH I-4 Cyl.
ERH = ENGINE - 4.0L
POWER TECH I-6

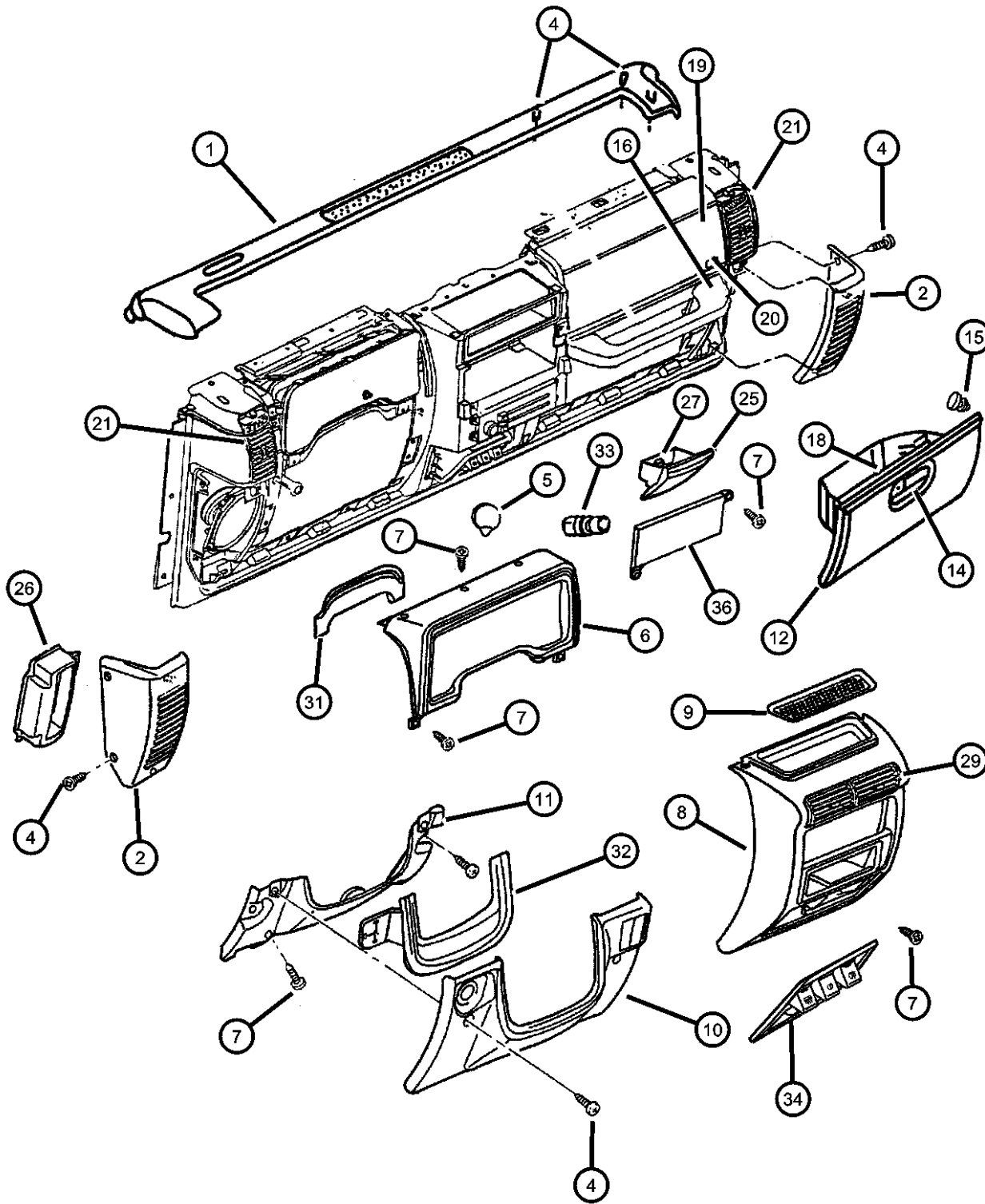
TRANSMISSION
DDQ = TRANSMISSION - 5-SPEED
MANUAL
DGD = TRANSMISSION - 3-SPD.
AUTOMATIC, 30RH
DGG = TRANSMISSION - 3-SPD.
AUTOMATIC, 32RH

AR = use ase required - = Non illustrated part

1999 TJ

Instrument Panel
Figure 08A-110

ITEM	PART NUMBER	QTY	LINE	SERIES	BODY	ENGINE	TRANS	TRIM	DESCRIPTION
									Tan/Agate
-24	06503698	6	U						SCREW AND WASHER, Truss Head, M6-1.00x30.00, I/Panel to Body Cowl
25	5FK62TAZ	1							ASH RECEIVER, Instrument Panel, Agate
26	56009426	2							BAFFLE, Speaker, I/Panel Speaker
27	55033543	1							SPRING, Ash Receiver
-28	06035859	AR							CLIP, Speaker, Ash Receiver Mounting
29	5FS10TAZ	2							OUTLET, Air Conditioning & Heater
-30	06503175	5							CLIP, Quarter Panel, I/Panel
31	06503175	5							FILLER, I/P To A Pillar, FILLER, Gap (Serviced in Item # 5), (NOT SERVICED)
32	06503175	5							FILLER, I/P To A Pillar, FILLER, Gap (Serviced In Item # 9), (NOT SERVICED)
33	04685370	1							KNOB AND ELEMENT, Cigar Lighter, w/Element, Cigar Lighter
34	56007314AC	1							BEZEL, Cigar Lighter, Bezel & Plug, Switch & Cigar Lighter
-35	56007330	1							PLUG, Switch Opening
36	04372399	1							COVER, Radio Opening, I/Panel Radio Opening
-37	06503698	6							SCREW AND WASHER, Truss Head, M6-1.00x30.00, I/Panel to Cowl Attaching

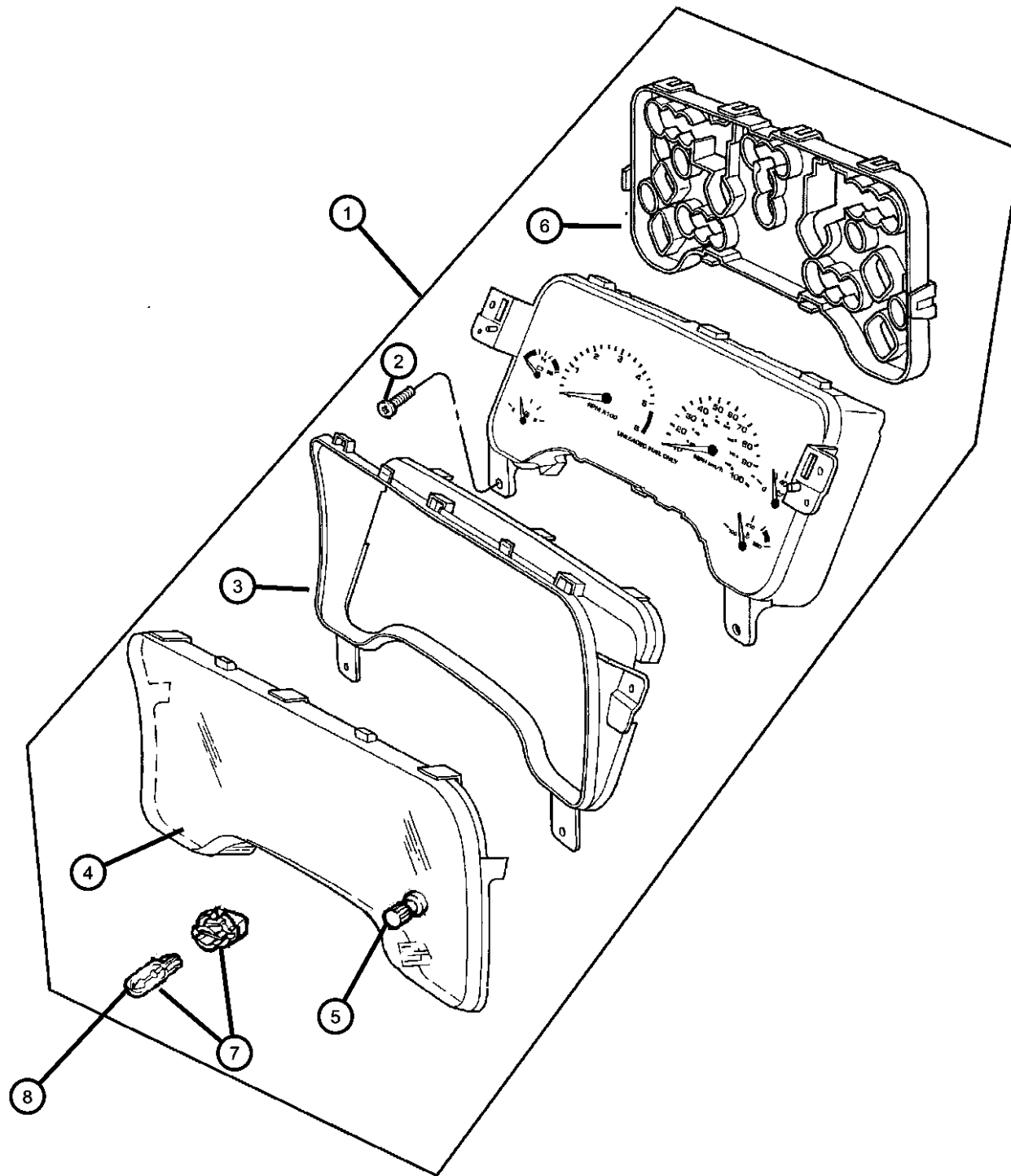


WRANGLER (TJ)

SERIES	LINE	BODY	ENGINE	TRANSMISSION
L = Low Line	J = JEEP - 4WD U = JEEP - 4WD (RHD)	77 = OPEN BODY 2-DOOR	EPE = ENGINE - 2.5L POWER TECH I-4 Cyl. ERH = ENGINE - 4.0L POWER TECH I-6	DDQ = TRANSMISSION - 5-SPEED MANUAL DGD = TRANSMISSION - 3-SPD. AUTOMATIC, 30RH DGG = TRANSMISSION - 3-SPD. AUTOMATIC, 32RH

AR = use ase required - = Non illustrated part

**Instrument Cluster
Figure 08A-210**



ITEM	PART NUMBER	QTY	LINE	SERIES	BODY	ENGINE	TRANS	TRIM	DESCRIPTION
1									CLUSTER, Repair Center for Replacement
	56009170AC	1							(Before 02/01/99) 2.5L & 4.0L Engines w/100 MPH, Nippon Seiki
	56009170AE	1							After 01/31/99) 2.5L & 4.0L Engines w/100 MPH (Huntsville w/Stamp # 7910)
	56009171AC	1							(Before 02/01/99) 2.5L & 4.0L Engines w/180 KPH, Nippon Seiki
	56009171AE	1							After 01/31/99) 2.5L & 4.0L Engines w/180 KPH (Huntsville w/Stamp # 7910)
	56009172AC	1	U						(Before 02/01/99) 2.5L & 4.0L Engines w/110 MPH, Nippon Seiki (United Kingdom)
	56009172AE	1	U						After 01/31/99) 2.5L & 4.0L Engines w/110 MPH (UNITED KINGDOM) Huntsville w/Stamp # 7910
	56009174AC	1	U						(Before 02/01/99) 2.5L & 4.0L Engines w/180 KPH, Nippon Seiki (Europe)
	56009174AE	1	U						After 01/31/99) 2.5L & 4.0L Engines w/180 KPH (EUROPE) Huntsville w/Stamp # 7910
2	06034949	4							SCREW
3	04874344	1							MASK, Instrument Cluster
4	04874345	1	U						LENS, Cluster
5	04874346	1	U						GROMMET, Speedometer Trip Reset
6	04874348	1	U						COVER, Cluster
7	04874349	5							BULB AND SOCKET
8	L000PC74	10							BULB, PC74

WRANGLER (TJ)

SERIES

L = Low Line

LINE

J = JEEP - 4WD

U = JEEP - 4WD (RHD)

BODY

77 = OPEN BODY 2-DOOR

ENGINE

EPE = ENGINE - 2.5L POWER TECH I-4 Cyl.

ERH = ENGINE - 4.0L POWER TECH I-6

TRANSMISSION

DDQ = TRANSMISSION - 5-SPEED MANUAL

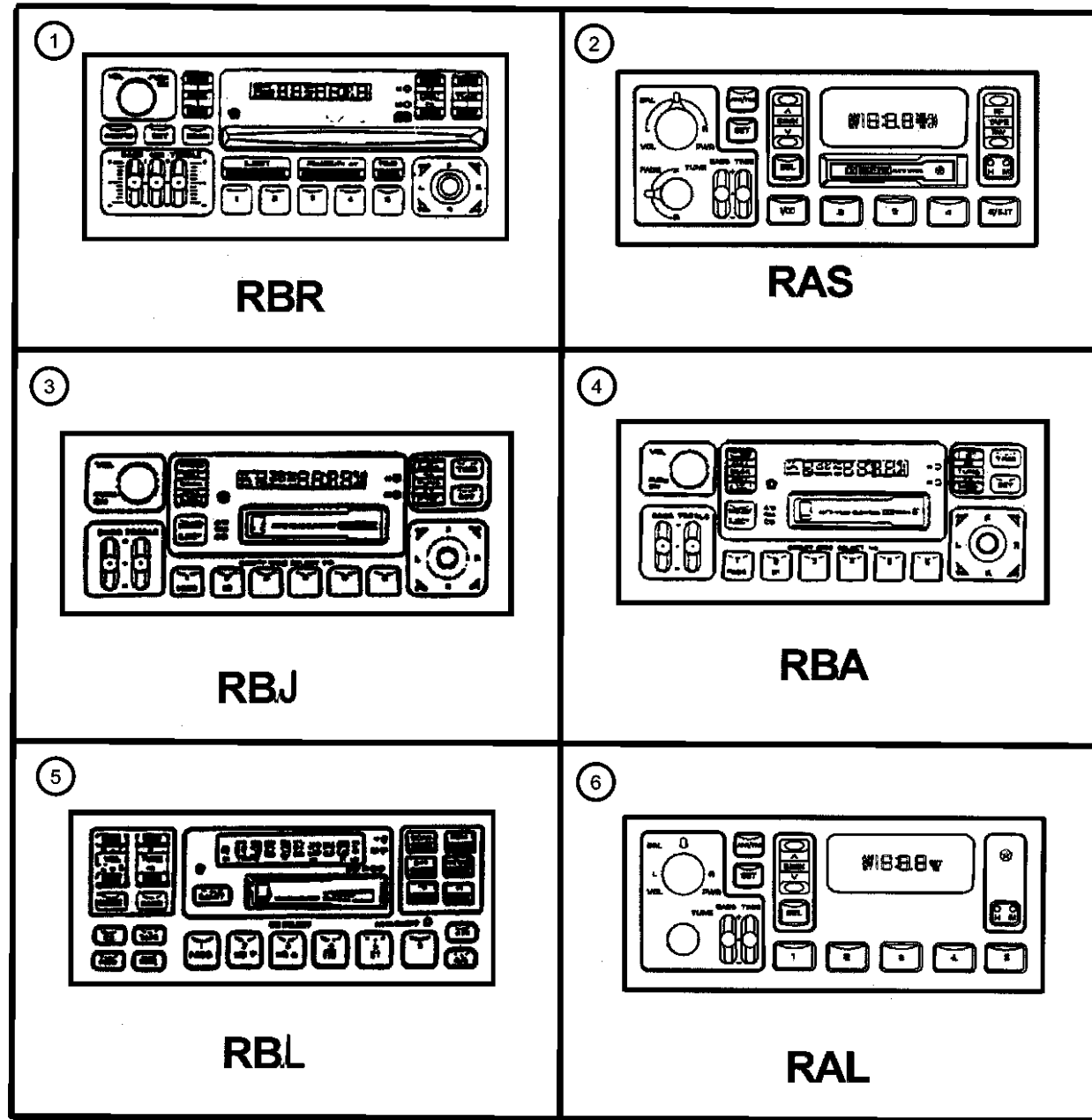
DGD = TRANSMISSION - 3-SPD. AUTOMATIC,30RH

DGG = TRANSMISSION - 3-SPD. AUTOMATIC,32RH

AR = use ase required - = Non illustrated part

1999 TJ

Radio
Figure 08A-315



ITEM	PART NUMBER	QTY	LINE	SERIES	BODY	ENGINE	TRANS	TRIM	DESCRIPTION
RAL=AM/FM Stereo RAS=AM/FM Cassette RBA=AM/FM w/Cassette & CD Changer Control (Australia, Europe, Middle East & Taiwan) RBJ=Midline AM/FM w/Cassette & CD Changer Control (Japan) RBL=AM/FM w/ Cassette & CD Changer Control (EUROPE) RBR=AM/FM w/CD & Equalizer									
1	04704373AD	1							RADIO, AM/FM with CD and Equalizer, (RBR)
2	04858556AD	1							RADIO, AM/FM Cassette, (RAS) w/4 Speakers & Soundbar
3	04704393AD	1	U						RADIO, AM/FM with CD, (RBJ) EUROPE
4	04704392AD	1							RADIO, AM/FM with CD, (RBA)
5	05269484AB	1							RADIO, (RBL) EUROPE
6	04858560AD	1							RADIO, AM/FM Stereo (RAL) w/ 4 Speakers w/Sound Bar
	04858562AD	1							(RAL) w/2 Speakers
-7	56009159	1							STRAP, Ground, Radio Rear
-8	56009160	1							STRAP, Ground, Engine/Frame
-9	56009161	1							STRAP, Ground, Engine/Body/Hood

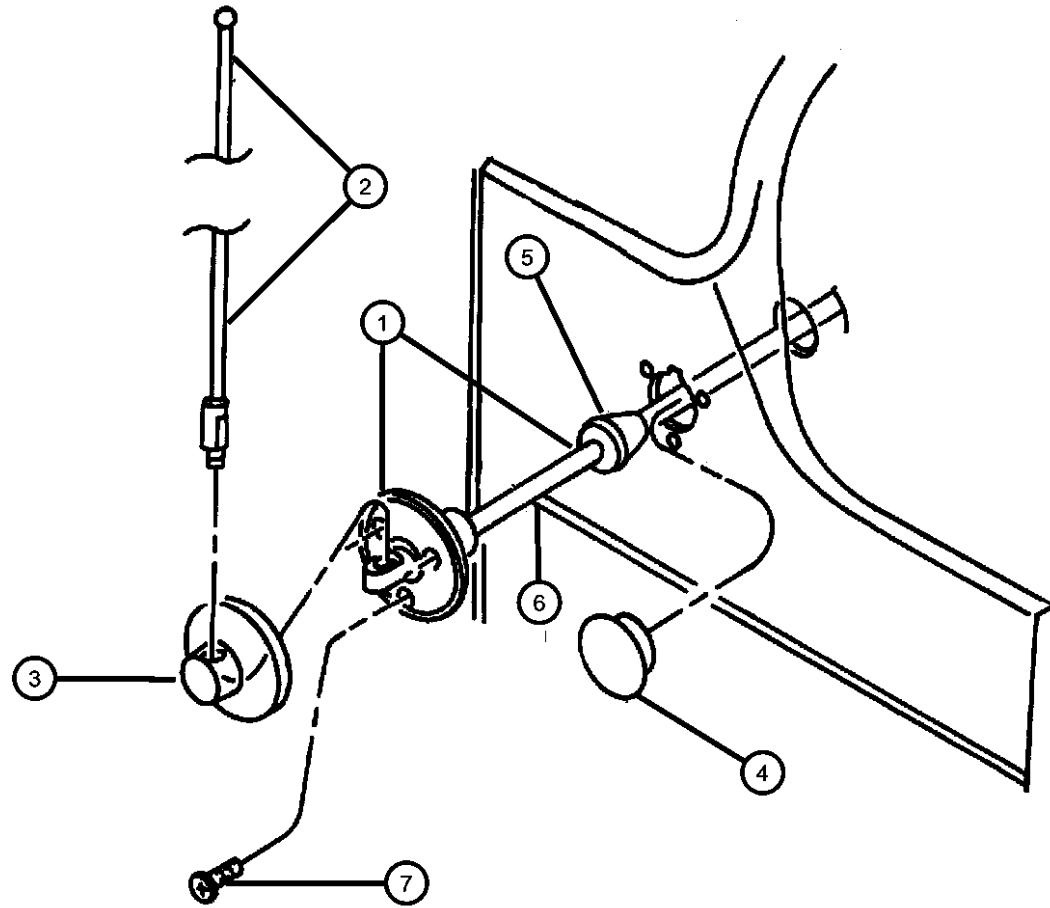
WRANGLER (TJ)

SERIES	LINE	BODY	ENGINE	TRANSMISSION
L = Low Line	J = JEEP - 4WD U = JEEP - 4WD (RHD)	77 = OPEN BODY 2-DOOR	EPE = ENGINE - 2.5L POWER TECH I-4 Cyl. ERH = ENGINE - 4.0L POWER TECH I-6	DDQ = TRANSMISSION - 5-SPEED MANUAL DGD = TRANSMISSION - 3-SPD. AUTOMATIC, 30RH DGG = TRANSMISSION - 3-SPD. AUTOMATIC, 32RH

AR = use ase required - = Non illustrated part

**Antenna
Figure 08A-320**

ITEM	PART NUMBER	QTY	LINE	SERIES	BODY	ENGINE	TRANS	TRIM	DESCRIPTION
1	56008788	1							ANTENNA, Base Cable And Bracket
2	56009081	1							MAST, Antenna
3	56038504	1							COVER, Antenna Opening
4	56008929	1							PLUG, Antenna Hole
5	56008929	1							GROMMET, Antenna, (NOT SERVICED)
6	56008786	1							CABLE, Antenna
7	56008786	1							SCREW, .164-18x.75, (NOT SERVICED)



WRANGLER (TJ)

SERIES

LINE

BODY

ENGINE

TRANSMISSION

L = Low Line

J = JEEP - 4WD

77 = OPEN BODY 2-DOOR

EPE = ENGINE - 2.5L POWER TECH I-4 Cyl.

DDQ = TRANSMISSION - 5-SPEED MANUAL

U = JEEP - 4WD (RHD)

ERH = ENGINE - 4.0L POWER TECH I-6

DGD = TRANSMISSION - 3-SPD. AUTOMATIC,30RH

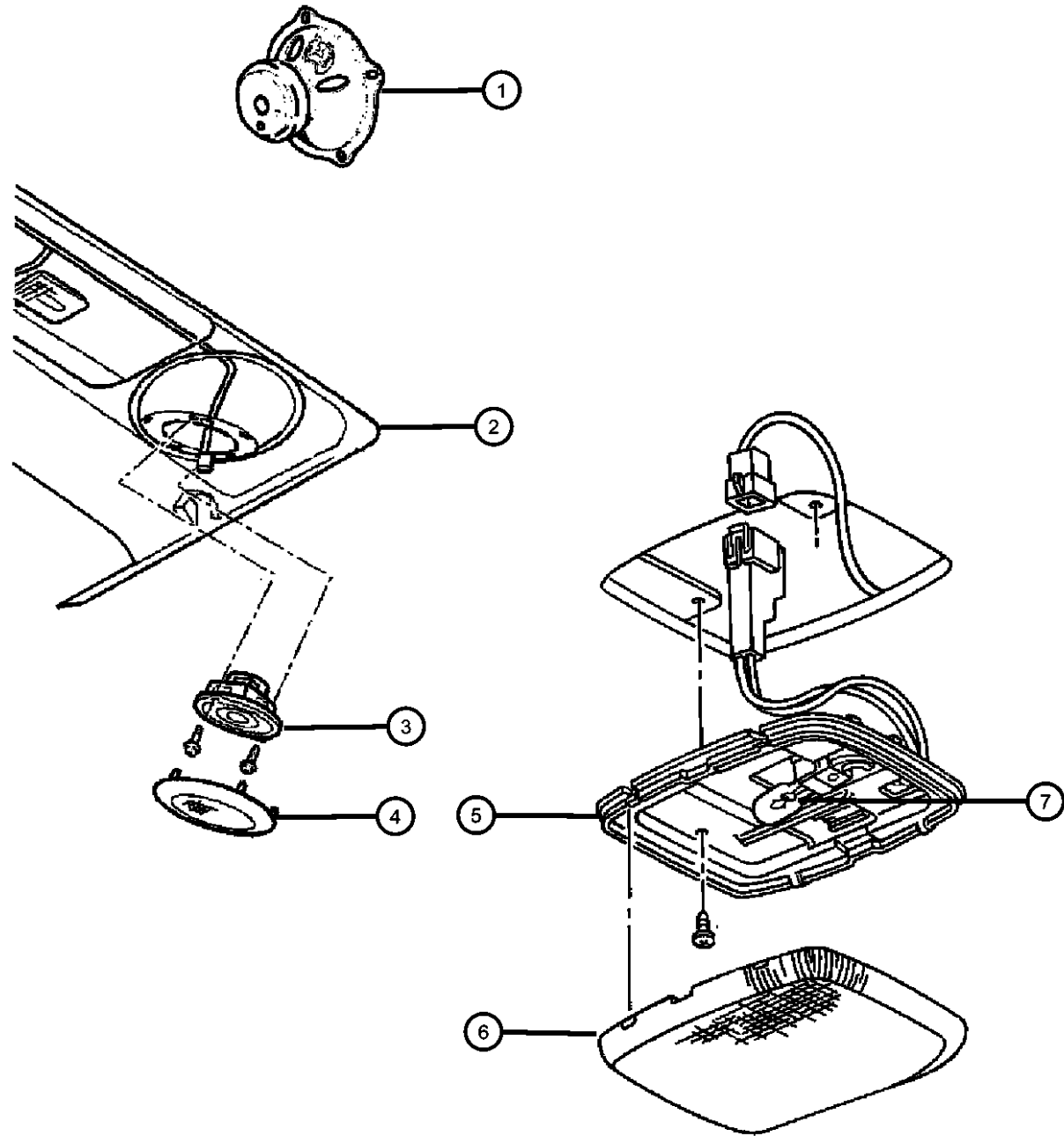
DGG = TRANSMISSION - 3-SPD. AUTOMATIC,32RH

AR = use ase required - = Non illustrated part

1999 TJ

**Speakers
Figure 08A-325**

ITEM	PART NUMBER	QTY	LINE	SERIES	BODY	ENGINE	TRANS	TRIM	DESCRIPTION
1	56008795AB	2							SPEAKER, Instrument Panel
2	04874294	1							COVER, Soundbar
3	56038566AB	2							SPEAKER, 5.25"
4	04874296AB	2							GRILLE, Speaker
5	56007264	1							BEZEL, Dome Lamp
6	56007265	1							LENS, Dome Lamp
7	L0000912	1							BULB, 912



WRANGLER (TJ)

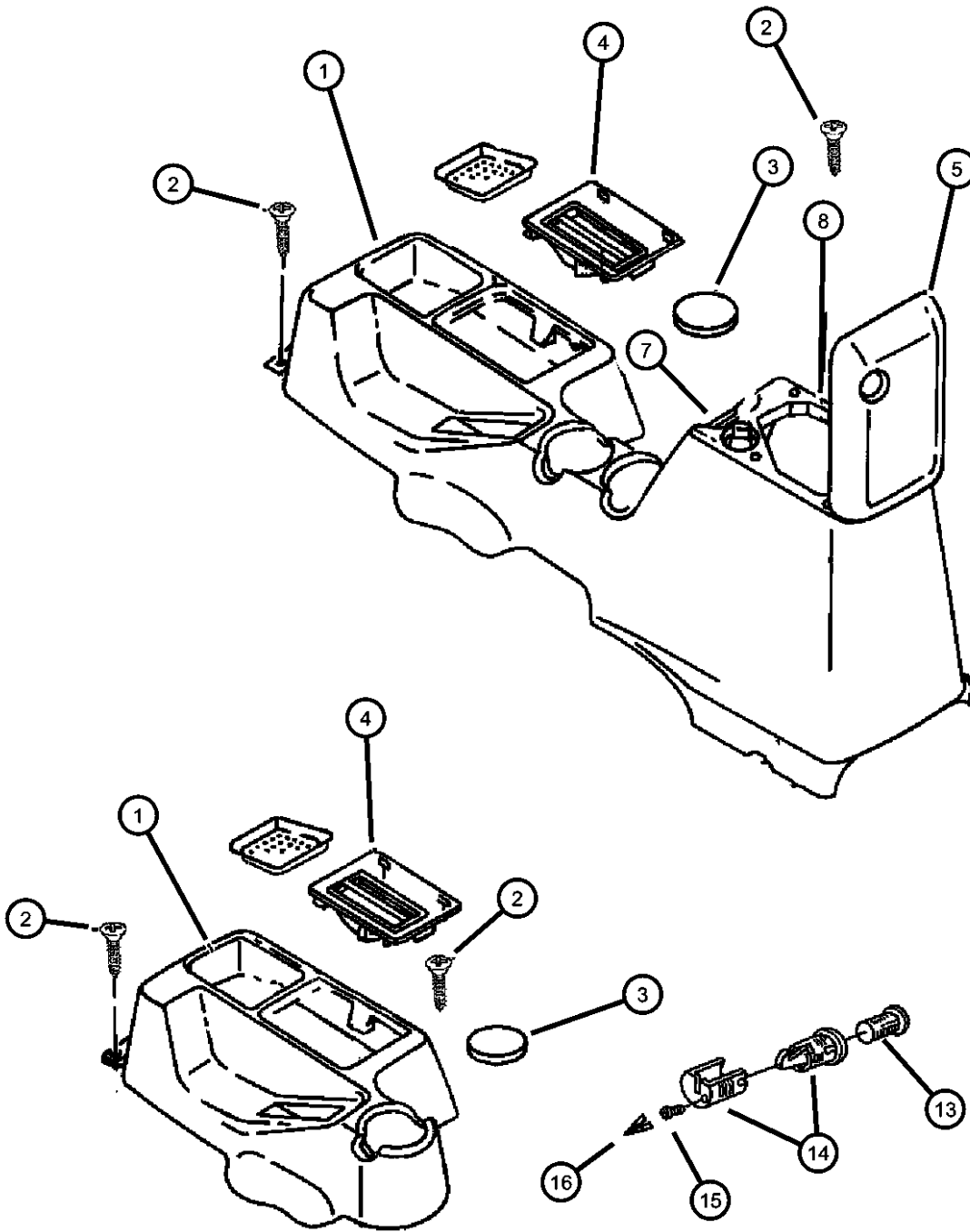
SERIES LINE
 L = Low Line J = JEEP - 4WD
 U = JEEP - 4WD (RHD)

BODY
 77 = OPEN BODY 2-DOOR

ENGINE
 EPE = ENGINE - 2.5L POWER TECH I-4 Cyl.
 ERH = ENGINE - 4.0L POWER TECH I-6

TRANSMISSION
 DDQ = TRANSMISSION - 5-SPEED MANUAL
 DGD = TRANSMISSION - 3-SPD. AUTOMATIC, 30RH
 DGG = TRANSMISSION - 3-SPD. AUTOMATIC, 32RH

Consoles Full & Mini
Figure 08A-410



ITEM	PART NUMBER	QTY	LINE	SERIES	BODY	ENGINE	TRANS	TRIM	DESCRIPTION
1									CONSOLE, Floor, w/Passenger Disarm Switch
	0SJ861AZAA	1							Mini (Agate)
	0SJ871AZAA	1							Full (Agate)
	0SJ871K5AA	1							Full (Tan/Agate)
2	0SJ871K5AA	1							SCREW, 0.190-16x.875, (NOT SERVICED),
3	55115669	2							MAT, Floor, Console Floor Cupholder
4									BEZEL AND DIAL, Gearshift Lever
	55115570AB	1			J				
	55115571AB	1			U				
5									LID, Center Console Storage
	0LC51LAZ	1							Outer (Agate)
	0LC51RK5	1							Outer (Tan/Agate)
	0LC52LAZAB	1							Inner (Agate)
	0LC52RK5AB	1							Inner (Tan Agate)
	5FW18RK5AB	1							
-6	04732098AB	1							HINGE, Floor Console Lid
7	04732098AB	1							STRIKER, Console Lid Catch, Serviced in Console, (NOT SERVICED)
8	55037380AA	1							SEAL, Lid
-9	5GL51DX9AB	1							BEZEL, Floor Console, Passenger Airbag Disarm Switch (Black)
-10	56010056AA	1							SWITCH, Passenger Airbag Disarm
-11	55315000AB	1							PLUG, Cover, w/Tether
-12	55315000AB	1							HOLDER, Coin, (NOT REQUIRED)
13	04746305	1							CYLINDER, Console Lock
14	04741954	1							LATCH, Storage Bin Lid
15	04741954	1							SCREW, (NOT SERVICED)
16	55037252	1							LATCH, Armrest Lid, Latch clamp

WRANGLER (TJ)

SERIES	LINE	BODY	ENGINE	TRANSMISSION
L = Low Line	J = JEEP - 4WD U = JEEP - 4WD (RHD)	77 = OPEN BODY 2-DOOR	EPE = ENGINE - 2.5L POWER TECH I-4 Cyl. ERH = ENGINE - 4.0L POWER TECH I-6	DDQ = TRANSMISSION - 5-SPEED MANUAL DGD = TRANSMISSION - 3-SPD. AUTOMATIC, 30RH DGG = TRANSMISSION - 3-SPD. AUTOMATIC, 32RH

AR = use ase required - = Non illustrated part

Group - 9

Engine Mounting

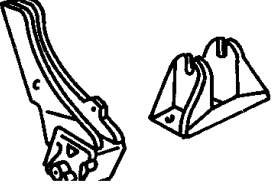
Group - 9 Engine Mounting

Group-Fig. No.

Illustration Title

Engine Mounting

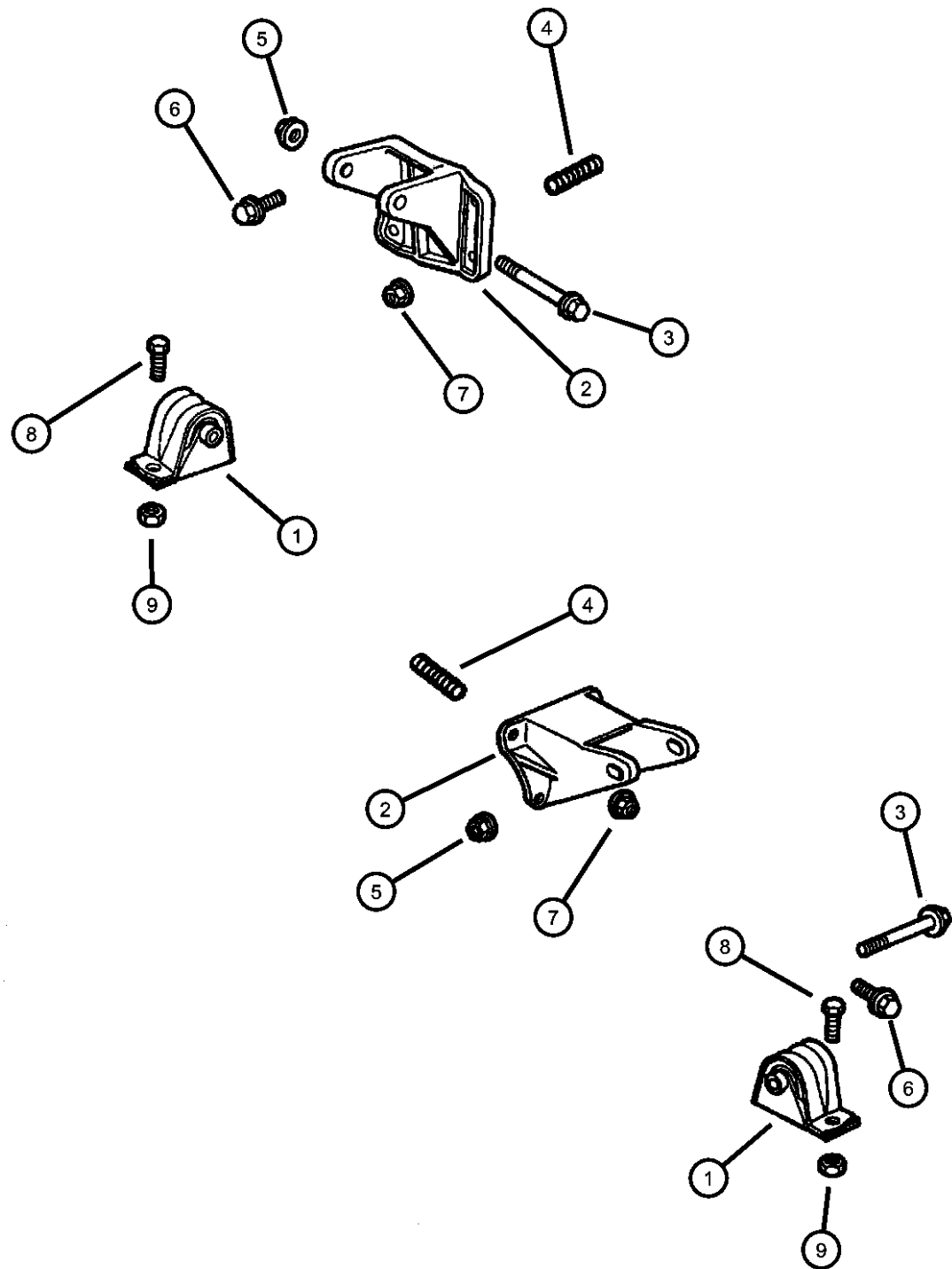
Engine Mounting, Front.....	Fig. 9 - 110
Engine Mounting, Rear.....	Fig. 9 - 120
Engine Mounting, Front.....	Fig. 9 - 130
Engine Mounting, Rear.....	Fig. 9 - 140

<p>009-100 Engine Mounting</p> 			
--	--	--	--

Engine Mounting, Front
Figure 9-110

ITEM	PART NUMBER	QTY	LINE	SERIES	BODY	ENGINE	TRANS	TRIM	DESCRIPTION
------	-------------	-----	------	--------	------	--------	-------	------	-------------

Note; EP0= All 2.5L Engines
ER0- All 4.0L Engines



1	52019276AB	2				EP0			INSULATOR, Engine Mount
2									BRACKET, Engine Mount
	52018696	1				EP0			Right
	52018697	1				EP0			Left
3	34202606	2				EP0, ER0			BOLT, Hex Head
4	06033883	3				EP0			STUD, .375-16x2.00"
5	06502697	2							NUT, Hex Flange Lock, M12x1.75
6	06034989	5				EP0			SCREW, Hex Head, .375-16x1.125
7	00152474	3				EP0			NUT, Hex Flange Lock, .375-16
8	06502137	2							BOLT, Hex Flange Head, M10x1.50x35
9	06502137	2							NUT, Hex Flange, M10x1.5, (NOT REQUIRED)
-10	06502696	2							NUT, Hex Flange Lock, M14x1.50

WRANGLER (TJ)

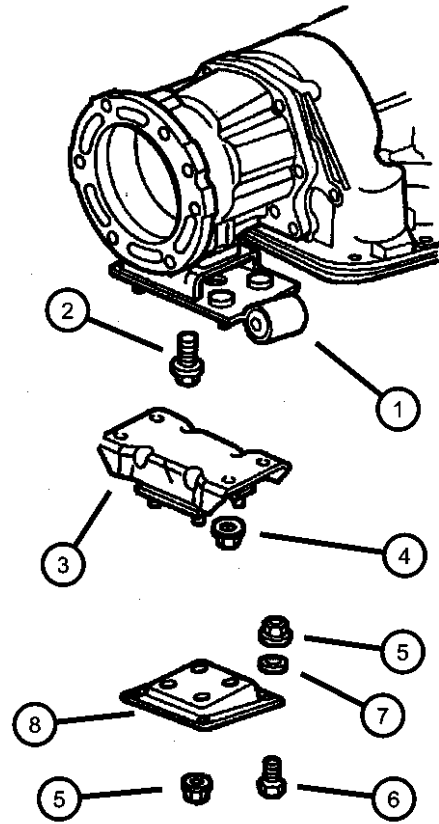
SERIES	LINE	BODY	ENGINE	TRANSMISSION
L = Low Line	J = JEEP - 4WD U = JEEP - 4WD (RHD)	77 = OPEN BODY 2-DOOR	EPE = ENGINE - 2.5L POWER TECH I-4 Cyl. ERH = ENGINE - 4.0L POWER TECH I-6	DDQ = TRANSMISSION - 5-SPEED MANUAL DGD = TRANSMISSION - 3-SPD. AUTOMATIC, 30RH DGG = TRANSMISSION - 3-SPD. AUTOMATIC, 32RH

AR = use ase required - = Non illustrated part

1999 TJ

Engine Mounting, Rear
Figure 9-120

ITEM	PART NUMBER	QTY	LINE	SERIES	BODY	ENGINE	TRANS	TRIM	DESCRIPTION
Note; DDQ= 5 Speed Manual Transmission DG0= All Automatic Transmissions EP0= All 2.5L Engines									
1									BRACKET, Transmission Mount
	52058548	1					DG0		
	52058618	1				EP0	DDQ		
2	52058618	1							BOLT, .437-14x1.120, (NOT SERVICED)
3	52058551AB	1							MOUNT, Transmission
4	06502337	4							NUT, M10x1.5
5	06100517	4							NUT, Hex Flange Lock, M8 Phosphate
6	06100517	4							BOLT, M8x1.25x25.00, (NOT SERVICED)
7	06100517	4							WASHER, (NOT SERVICED)
8	52058863	1					DG0		BRACKET, Transmission Mount



WRANGLER (TJ)

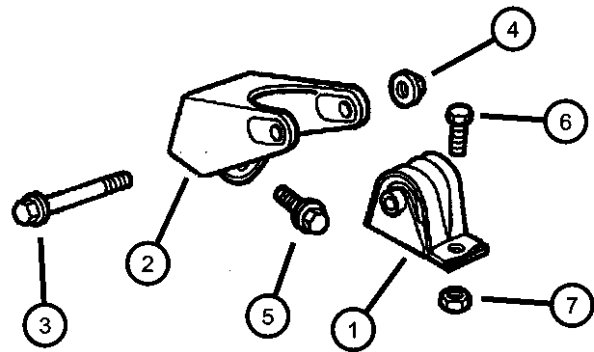
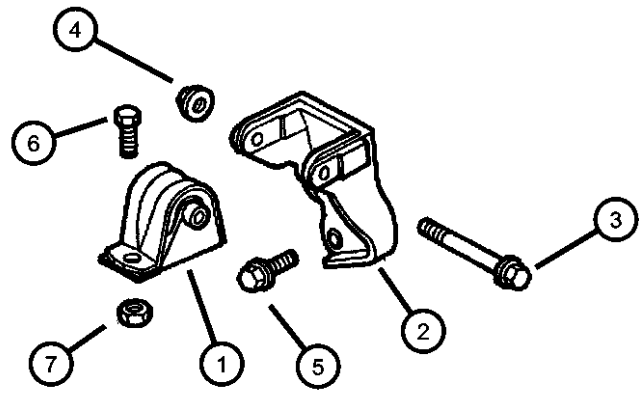
SERIES	LINE	BODY	ENGINE	TRANSMISSION
L = Low Line	J = JEEP - 4WD U = JEEP - 4WD (RHD)	77 = OPEN BODY 2-DOOR	EPE = ENGINE - 2.5L POWER TECH I-4 Cyl. ERH = ENGINE - 4.0L POWER TECH I-6	DDQ = TRANSMISSION - 5-SPEED MANUAL DGD = TRANSMISSION - 3-SPD. AUTOMATIC,30RH DGG = TRANSMISSION - 3-SPD. AUTOMATIC,32RH

AR = use ase required - = Non illustrated part

1999 TJ

Engine Mounting, Front
Figure 9-130

ITEM	PART NUMBER	QTY	LINE	SERIES	BODY	ENGINE	TRANS	TRIM	DESCRIPTION
Note; EP0= All 2.5L Engines ER0= All 4.0L Engines									
1	52019278AB	2				ER0			INSULATOR, Engine Mount
2									BRACKET, Engine Mount
	52020270	1				ER0			Right
	52040269AB	1				ER0			Left
3	34202606	2				EP0, ER0			BOLT, Hex Head
4	06502697	2							NUT, Hex Flange Lock, M12x1.75
5	06034989	6				ER0			SCREW, Hex Head, .375-16x1.125
6	06502137	2							BOLT, Hex Flange Head, M10x1.50x35
7	06502137	2							NUT, Hex Flange, M10x1.5, (NOT REQUIRED)
-8	06502696	2							NUT, Hex Flange Lock, M14x1.50



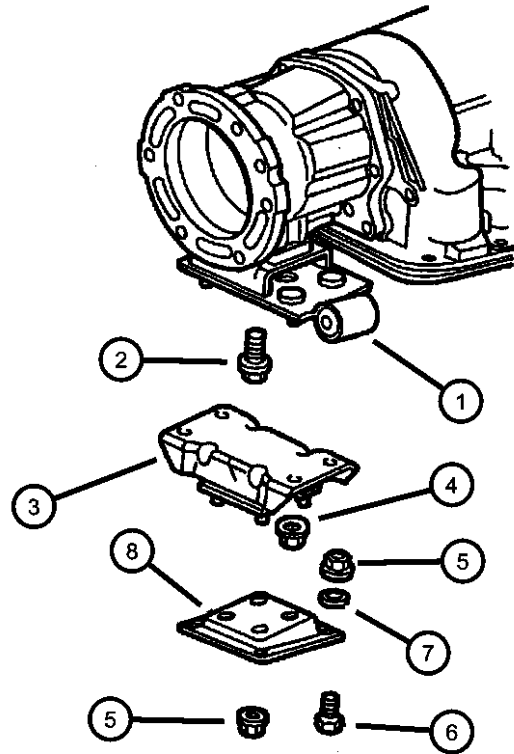
WRANGLER (TJ)

SERIES	LINE	BODY	ENGINE	TRANSMISSION
L = Low Line	J = JEEP - 4WD U = JEEP - 4WD (RHD)	77 = OPEN BODY 2-DOOR	EPE = ENGINE - 2.5L POWER TECH I-4 Cyl. ERH = ENGINE - 4.0L POWER TECH I-6	DDQ = TRANSMISSION - 5-SPEED MANUAL DGD = TRANSMISSION - 3-SPD. AUTOMATIC, 30RH DGG = TRANSMISSION - 3-SPD. AUTOMATIC, 32RH

AR = use ase required - = Non illustrated part

Engine Mounting, Rear
Figure 9-140

ITEM	PART NUMBER	QTY	LINE	SERIES	BODY	ENGINE	TRANS	TRIM	DESCRIPTION
Note; DDQ= 5 Speed Manual Transmission DG0= All Automatic Transmissions ER0= All 4.0L Engines									
1									BRACKET, Transmission Mount
	52058546	1				ER0	DD0		
	52058548	1					DG0		
2	52058548	1							BOLT, .437-14x1.120, (NOT SERVICED)
3	52058551AB	1							MOUNT, Transmission
4	06502337	4							NUT, M10x1.5
5	06100517	4							NUT, Hex Flange Lock, M8 Phosphate
6	06100517	4							BOLT, M8x1.25x25.00, (NOT SERVICED)
7	06100517	4							WASHER, (NOT SERVICED)
8	52058863	1					DG0		BRACKET, Transmission Mount



WRANGLER (TJ)

SERIES	LINE	BODY	ENGINE	TRANSMISSION
L = Low Line	J = JEEP - 4WD U = JEEP - 4WD (RHD)	77 = OPEN BODY 2-DOOR	EPE = ENGINE - 2.5L POWER TECH I-4 Cyl. ERH = ENGINE - 4.0L POWER TECH I-6	DDQ = TRANSMISSION - 5-SPEED MANUAL DGD = TRANSMISSION - 3-SPD. AUTOMATIC,30RH DGG = TRANSMISSION - 3-SPD. AUTOMATIC,32RH

AR = use ase required - = Non illustrated part

1999 TJ

Group - 2.5L4

Engine 2.5L Four Cylinder

Group - 2.5L4 Engine 2.5L Four Cylinder

Illustration Title

Group-Fig. No.

Cylinder Head

Cylinder Head Fig. 2.5L4 - 210

Cylinder Block

Cylinder Block Fig. 2.5L4 - 310

Crankshaft, Piston and Drive Plate

Crankshaft, Piston and Torque Converter Fig. 2.5L4 - 410

Camshafts & Valves

Camshaft and Valves Fig. 2.5L4 - 510

Timing Belt and Cover

Timing Cover Fig. 2.5L4 - 610

Engine Oiling

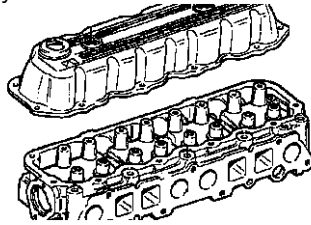
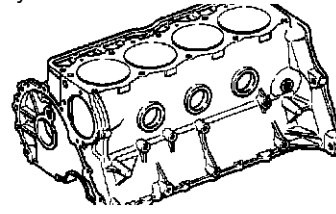
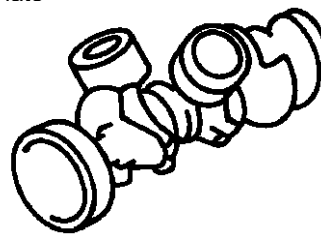
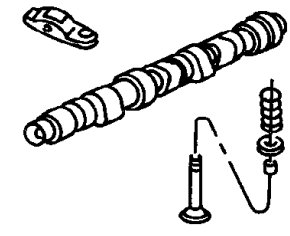
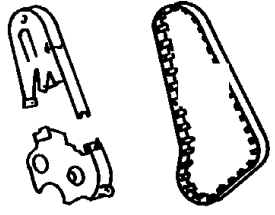
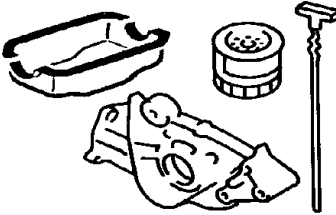
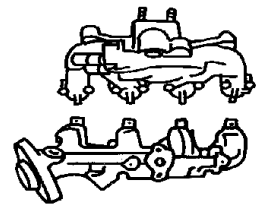
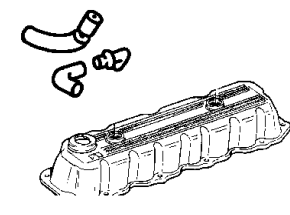
Engine Oiling Fig. 2.5L4 - 710

Manifolds

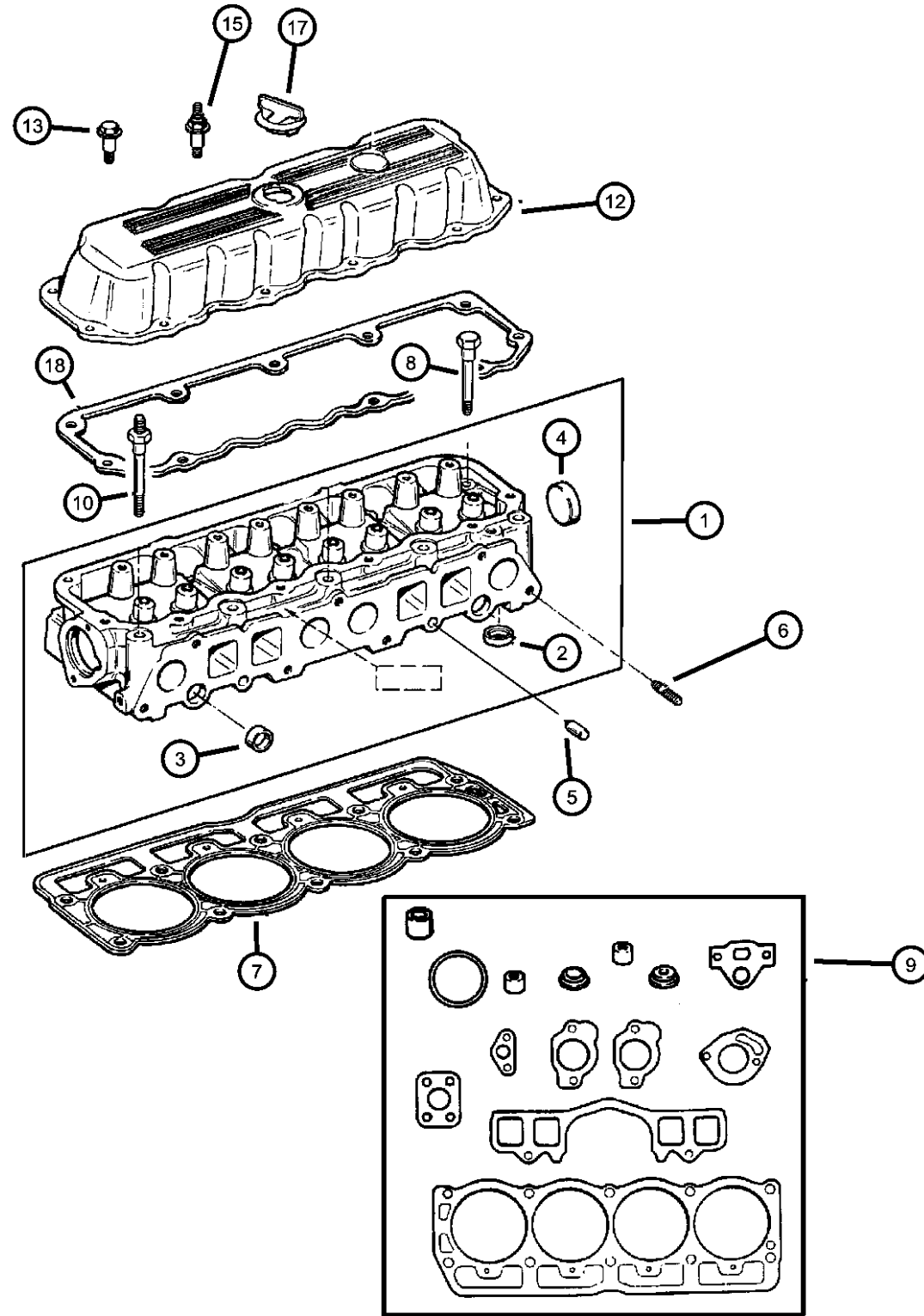
Manifold, Intake and Exhaust Fig. 2.5L4 - 810

Crankcase Ventilation

Crankcase Ventilation Fig. 2.5L4 - 910

<p>2.5L4-200 Cylinder Head</p> 	<p>2.5L4-300 Cylinder Block</p> 	<p>2.5L4-400 Crankshaft, Piston and Drive Plate</p> 	<p>2.5L4-500 Camshafts & Valves</p> 
<p>2.5L4-600 Timing Belt and Cover</p> 	<p>2.5L4-700 Engine Oiling</p> 	<p>2.5L4-800 Manifolds</p> 	<p>2.5L4-900 Crankcase Ventilation</p> 

**Cylinder Head
Figure 2.5L4-210**



ITEM	PART NUMBER	QTY	LINE	SERIES	BODY	ENGINE	TRANS	TRIM	DESCRIPTION
------	-------------	-----	------	--------	------	--------	-------	------	-------------

Note; DBB= All Manual Transmissions
 DG0= All Automatic Transmissions
 EP0= All 2.5L Engines
 ER0= All 4.0L Engines

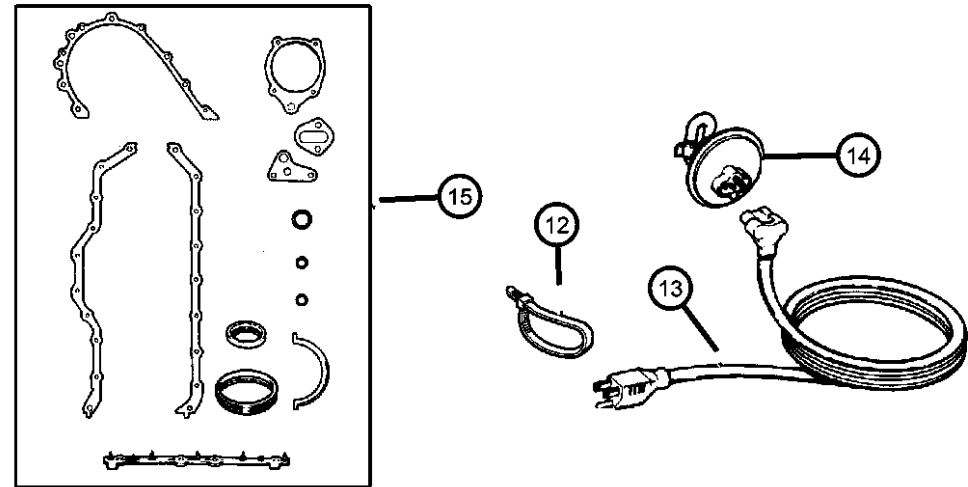
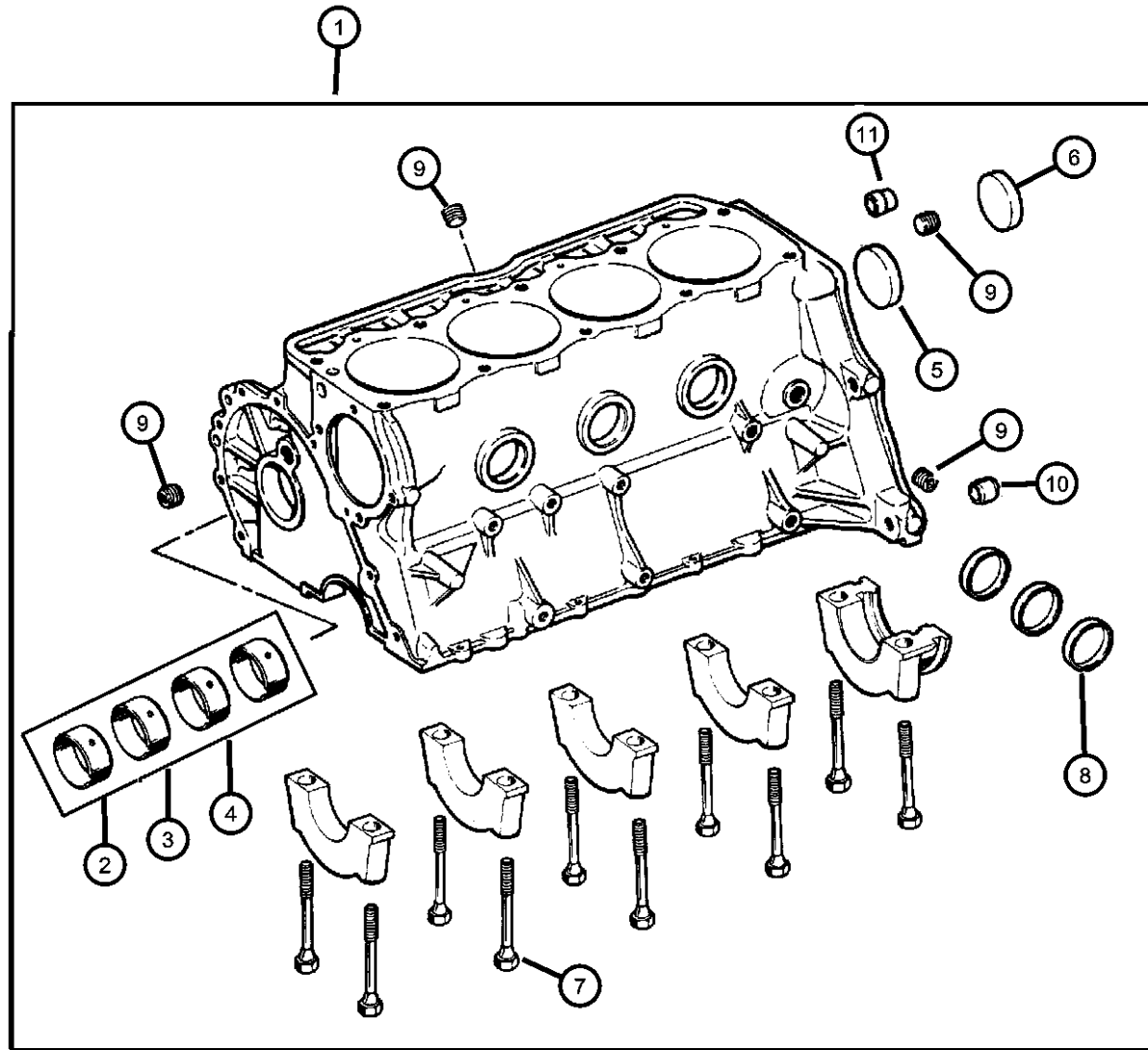
1	33007115AB	1				EP0			HEAD, Cylinder
2	33007142	4				EP0			SEAT, Exhaust Valve
3	J3172319	4				EP0			PLUG, Cylinder Block Oil Hole
4	J3105394	1				EP0			PLUG, Cylinder Block Oil Hole
5	J3172318	2				EP0, ER0			DOWEL, Cylinder Head To Intake
6	06036193AA	2				EP0, ER0			STUD, .375-16/.375-24x1.75
7	53009549AB	1				EP0			GASKET, Cylinder Head
8	06035514	5				EP0			BOLT, Cylinder Head
9									GASKET PACKAGE, Engine
	04798992AC	1				EP0	DBB		
		1				EP0	DG0		
10	06035516	4				EP0			STUD, Double Ended, .50-13/.437-14x6.00
-11	06036162AA	1				EP0			STUD, Double Ended, [.50-13/.437-14x6.0]
12	53010428AB	1				EP0			COVER, Cylinder Head
13	53010428AB	1							BOLT, Hex Head, .250-20x1.130, (NOT REQUIRED)
-14	06035566	1				EP0			BOLT, Hex Flange Head, .250-20x1.00
15	06035566	1							BOLT, Hex Flange Pilot Point, .250-20x1.97, (NOT REQUIRED)
-16	06035968AA	10				EP0			STUD, .250-20x2.00
17	53020555	1				EP0			CAP, Oil Filler
18	53020555	1							GASKET, Cylinder Cover, RTV Sealant, (NOT SERVICED)

WRANGLER (TJ)

SERIES	LINE	BODY	ENGINE	TRANSMISSION
L = Low Line	J = JEEP - 4WD U = JEEP - 4WD (RHD)	77 = OPEN BODY 2-DOOR	EPE = ENGINE - 2.5L POWER TECH I-4 Cyl. ERH = ENGINE - 4.0L POWER TECH I-6	DDQ = TRANSMISSION - 5-SPEED MANUAL DGD = TRANSMISSION - 3-SPD. AUTOMATIC, 30RH DGG = TRANSMISSION - 3-SPD. AUTOMATIC, 32RH

AR = use ase required - = Non illustrated part

Cylinder Block
Figure 2.5L4-310



ITEM	PART NUMBER	QTY	LINE	SERIES	BODY	ENGINE	TRANS	TRIM	DESCRIPTION
------	-------------	-----	------	--------	------	--------	-------	------	-------------

Note; DBB= All Manual Transmissions
 DG0= All Automatic Transmissions
 EP0= All 2.5L Engines
 ER0= All 4.0L Engines

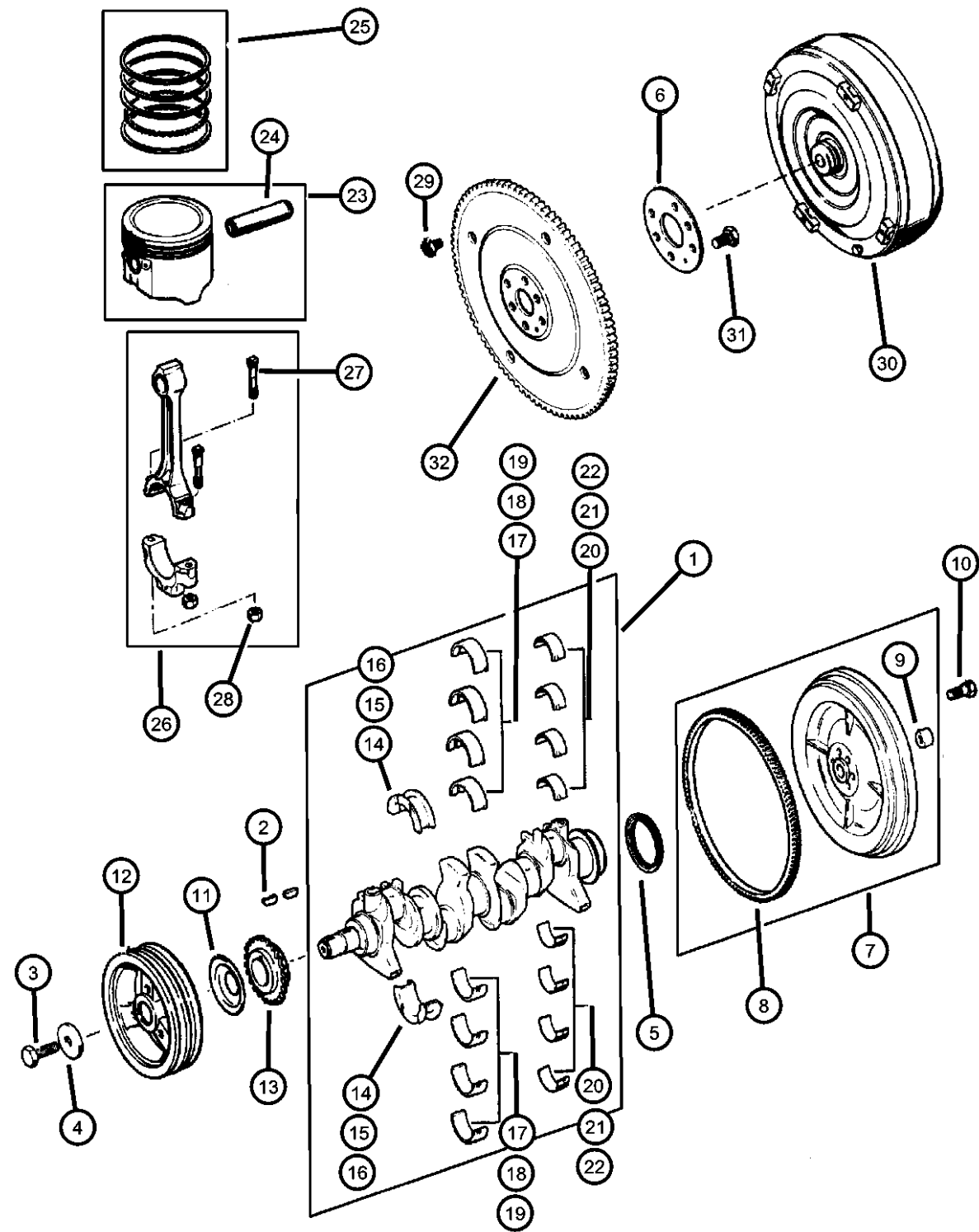
1	04856744	1				EP0			BLOCK, Short
2	04856744	1							BEARING KIT, Camshaft, Standard, (NOT REQUIRED)
3	04636985AB	1				EP0			BEARING PACKAGE, Camshaft, Standard Size
4	04636985AB	1							BEARING KIT, Camshaft, .010 Oversize, (NOT REQUIRED)
5	J3172313	1				EP0			PLUG, Camshaft
6	53020465	1				EP0			PLUG, Cylinder Block
7	J4006948	10				EP0			BOLT, Hex Head, .50-13x2.97
8	J4006580	3				EP0			PLUG, Cylinder Block Oil Hole
9	06034166	3				EP0			PLUG, Cylinder Block Oil Hole
10	J4006953	1				EP0			DOWEL, Block To Cylinder Head
11	J3241332	1				EP0			DOWEL, Clutch Housing To Block
12	04641780	3				EP0, ER0			STRAP, Tie
13	56016834	1				EP0, ER0			CORD, Engine Block Heater
14	56026888	1				EP0			HEATER, Engine Block
15	04713023AC	1				EP0			GASKET PACKAGE, Engine

WRANGLER (TJ)

SERIES	LINE	BODY	ENGINE	TRANSMISSION
L = Low Line	J = JEEP - 4WD U = JEEP - 4WD (RHD)	77 = OPEN BODY 2-DOOR	EPE = ENGINE - 2.5L POWER TECH I-4 Cyl. ERH = ENGINE - 4.0L POWER TECH I-6	DDQ = TRANSMISSION - 5-SPEED MANUAL DGD = TRANSMISSION - 3-SPD. AUTOMATIC, 30RH DGG = TRANSMISSION - 3-SPD. AUTOMATIC, 32RH

AR = use ase required - = Non illustrated part

Crankshaft, Piston and Torque Converter
Figure 2.5L4-410



ITEM	PART NUMBER	QTY	LINE	SERIES	BODY	ENGINE	TRANS	TRIM	DESCRIPTION
------	-------------	-----	------	--------	------	--------	-------	------	-------------

Note; DBB= All Manual Transmissions
DGD= 3 Speed Automatic Transmission 30RH
DGO= All Automatic Transmissions
EP0= All 2.5L Engines
ER0= All 4.0L Engines

1									CRANKSHAFT
	04713051	1				EP0	DBB		
		1				EP0	DGO		
2	06034749	1				EP0, ER0			KEY, Crankshaft Sprocket
3	00182776	1				EP0, ER0			BOLT
4	J3230155	1				EP0, ER0			WASHER, Plain
5	33004143	1				EP0			SEAL, Rear Main Crankshaft
6	52117830	1				EP0	DGO		ADAPTER, Torque Converter
7	53020578	1				EP0	DBB		FLYWHEEL
8	J3241718	1				EP0	DBB		GEAR, Ring
9	J3250005	1				EP0	DBB		BEARING, Pilot
10	J4007123	6				EP0	DBB		BOLT, Flywheel
11	J3173076	1				EP0, ER0			SLINGER, Oil
12	33002879	1				EP0			DAMPER, Crankshaft
13	33004020	1				EP0			GEAR, Crankshaft
14	83507084	1				EP0, ER0			BEARING PACKAGE, Crankshaft Thrust, Standard Size
15	83507086	AR				EP0, ER0			BEARING PACKAGE, Crankshaft Thrust, .001" Undersize
16	83507090	AR				EP0, ER0			BEARING PACKAGE, Crankshaft Thrust, .010" Undersize
17	83507079	4				EP0			BEARING PACKAGE, Crankshaft, Standard
18	83507080	AR				EP0, ER0			BEARING PACKAGE, Crankshaft, .001 Undersize
19	83507083	AR				EP0, ER0			BEARING PACKAGE, Crankshaft, .010 Undersize
20	83500300	8				EP0			BEARING KIT, Connecting Rod, Standard
21	83501397	AR				EP0, ER0			BEARING KIT, Connecting Rod, .001 Undersize
22	83500301	AR				EP0, ER0			BEARING KIT, Connecting Rod, .010 Undersize
23									PISTON PIN AND ROD
	04798329	4				EP0			B Size, 3.8746

WRANGLER (TJ)

SERIES LINE
L = Low Line J = JEEP - 4WD
U = JEEP - 4WD (RHD)

BODY
77 = OPEN BODY 2-DOOR

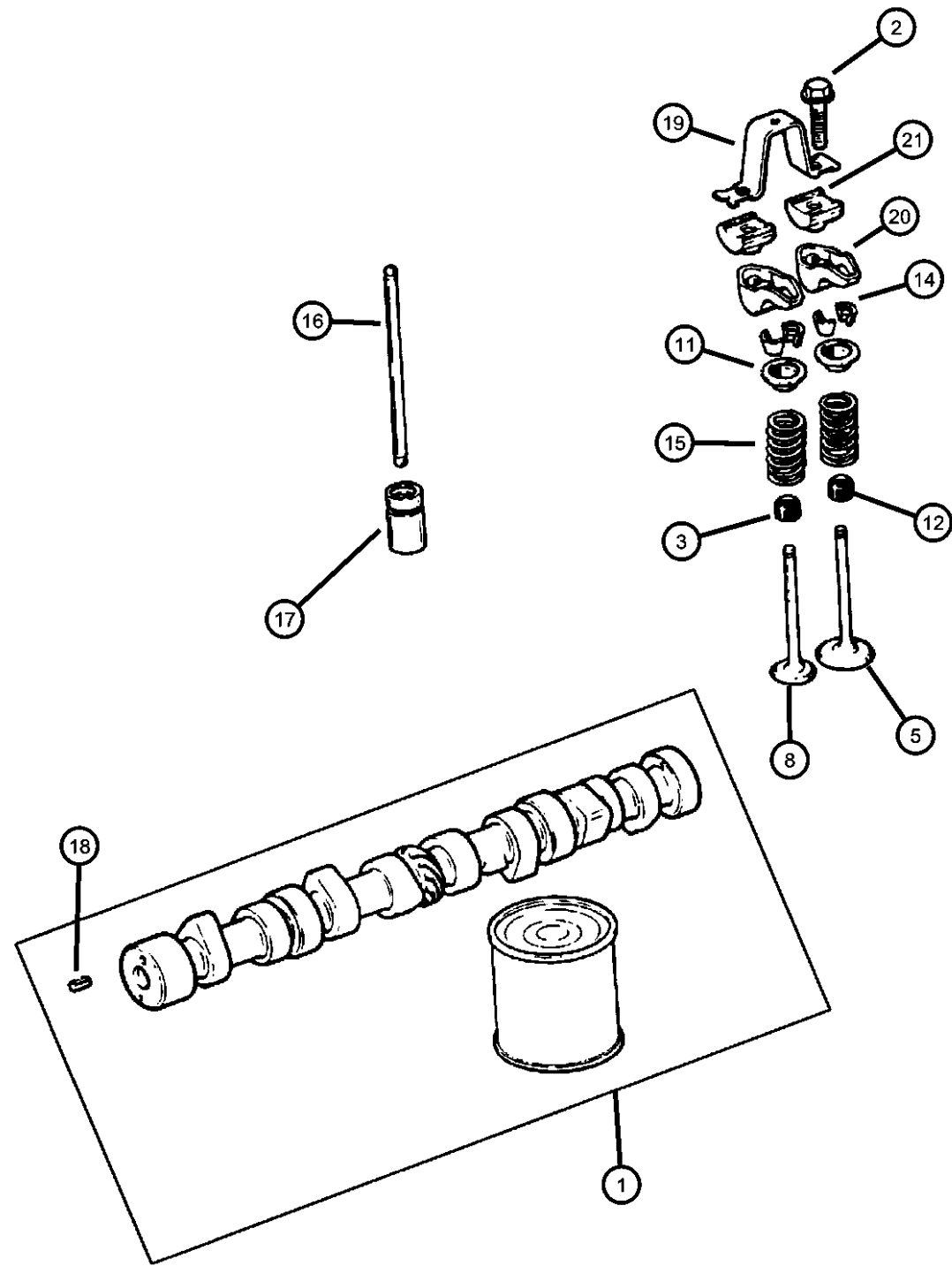
ENGINE
EPE = ENGINE - 2.5L POWER TECH I-4 Cyl.
ERH = ENGINE - 4.0L POWER TECH I-6

TRANSMISSION
DDQ = TRANSMISSION - 5-SPEED MANUAL
DGD = TRANSMISSION - 3-SPD. AUTOMATIC, 30RH
DGG = TRANSMISSION - 3-SPD. AUTOMATIC, 32RH

AR = use ase required - = Non illustrated part

1999 TJ

Camshaft and Valves
Figure 2.5L4-510



ITEM	PART NUMBER	QTY	LINE	SERIES	BODY	ENGINE	TRANS	TRIM	DESCRIPTION
Note; EP0= All 2.5L Engines ERO= All 4.0L Engines									
1	53020497	1				EP0			CAMSHAFT, Engine
2	J9425708	8				EP0			BOLT, Hex Flange Head, .312-18x1.25
3	53009887	4				EP0			SEAL, Valve Guide
-4	33002733	AR				EP0, ERO			SEAL, Valve Guide, .015" Oversize
5	53010512AA	4				EP0			VALVE, Intake, Standard
-6	53010512AA	4							VALVE, Intake, .003" O/S, (NOT REQUIRED)
-7	53010512AA	4							VALVE, Intake, .015" O/S, (NOT REQUIRED)
8	53010513AA	4				EP0			VALVE, Exhaust, Standard
-9	53010513AA	4							VALVE, Exhaust, .003" O/S, (NOT REQUIRED)
-10	53010513AA	4							VALVE, Exhaust, .015 Oversize, (NOT REQUIRED)
11	53010514AA	8				EP0			RETAINER, Valve Spring
12	53009886	4				EP0			SEAL, Valve Guide
-13	33003016	AR				EP0, ERO			SEAL, Valve Guide, .015" Oversize
14	53010515AA	16				EP0			LOCK, Valve Spring Retainer
15	53010388	8				EP0			SPRING, Valve
16	J3241709	8				EP0			PUSH ROD, FRONT SUSPENSION
17	04740269	8				EP0			TAPPET, Valve
18	J0456384	1				EP0			DOWEL, Camshaft Sprocket
19	J3236513	4				EP0			BRIDGE, Rocker Arm
20	J3242393	8				EP0			ROCKER ARM, Valve
21	J3235090	8				EP0			PIVOT, Rocker Arm

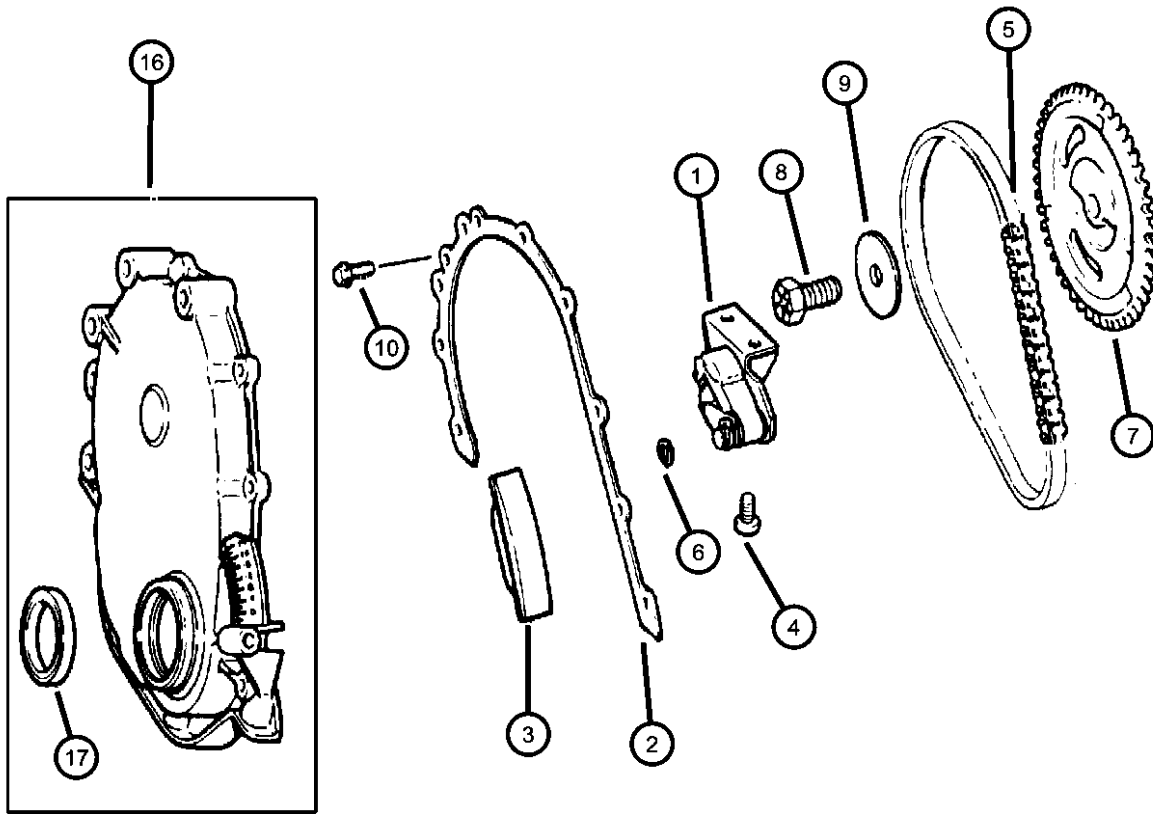
WRANGLER (TJ)

SERIES	LINE	BODY	ENGINE	TRANSMISSION
L = Low Line	J = JEEP - 4WD U = JEEP - 4WD (RHD)	77 = OPEN BODY 2-DOOR	EPE = ENGINE - 2.5L POWER TECH I-4 Cyl. ERH = ENGINE - 4.0L POWER TECH I-6	DDQ = TRANSMISSION - 5-SPEED MANUAL DGD = TRANSMISSION - 3-SPD. AUTOMATIC, 30RH DGG = TRANSMISSION - 3-SPD. AUTOMATIC, 32RH

AR = use ase required - = Non illustrated part

Timing Cover
Figure 2.5L4-610

ITEM	PART NUMBER	QTY	LINE	SERIES	BODY	ENGINE	TRANS	TRIM	DESCRIPTION
Note; EP0= All 2.5L Engines ER0= All 4.0L Engines									
1	33003421	1				EP0			TENSIONER, Belt
2	53020487	1				EP0, ER0			GASKET, Front Cover
3	33003446	1				EP0, ER0			SNUBBER, Timing Chain
4	J4006708	2				EP0			SCREW, Pan Head, .312-18x.56
5	J3242300	1				EP0			CHAIN, Timing
6	J3242300	1							CLIP, Serviced in Tensioner Assembly, (NOT SERVICED)
7	J3242280	1				EP0			GEAR, Camshaft
8	J3243156	1				EP0			BOLT, Hex Flange Head, .50-20x1.38
9	J3173284	1				EP0			WASHER, Flat, .206 Diameter
10	J3173284	1							BOLT, Hex Head, .25-20x.75, (NOT REQUIRED)
-11	J3173284	1							BOLT, Hex Head Shoulder, .312-18x1.56, (NOT REQUIRED)
-12	J3173284	1							BOLT, Hex Flange Head, .250-20x1.24, (NOT REQUIRED)
-13	06035893	5				EP0, ER0			BOLT, Hex
-14	06035894	2				EP0, ER0			SCREW
-15	06035895	1				EP0, ER0			SCREW
16	53020222	1				EP0, ER0			COVER, Timing Belt
17	33004681	1				EP0, ER0			SEAL, Front Main Crankshaft



WRANGLER (TJ)

SERIES LINE
L = Low Line J = JEEP - 4WD
U = JEEP - 4WD (RHD)

BODY
77 = OPEN BODY 2-DOOR

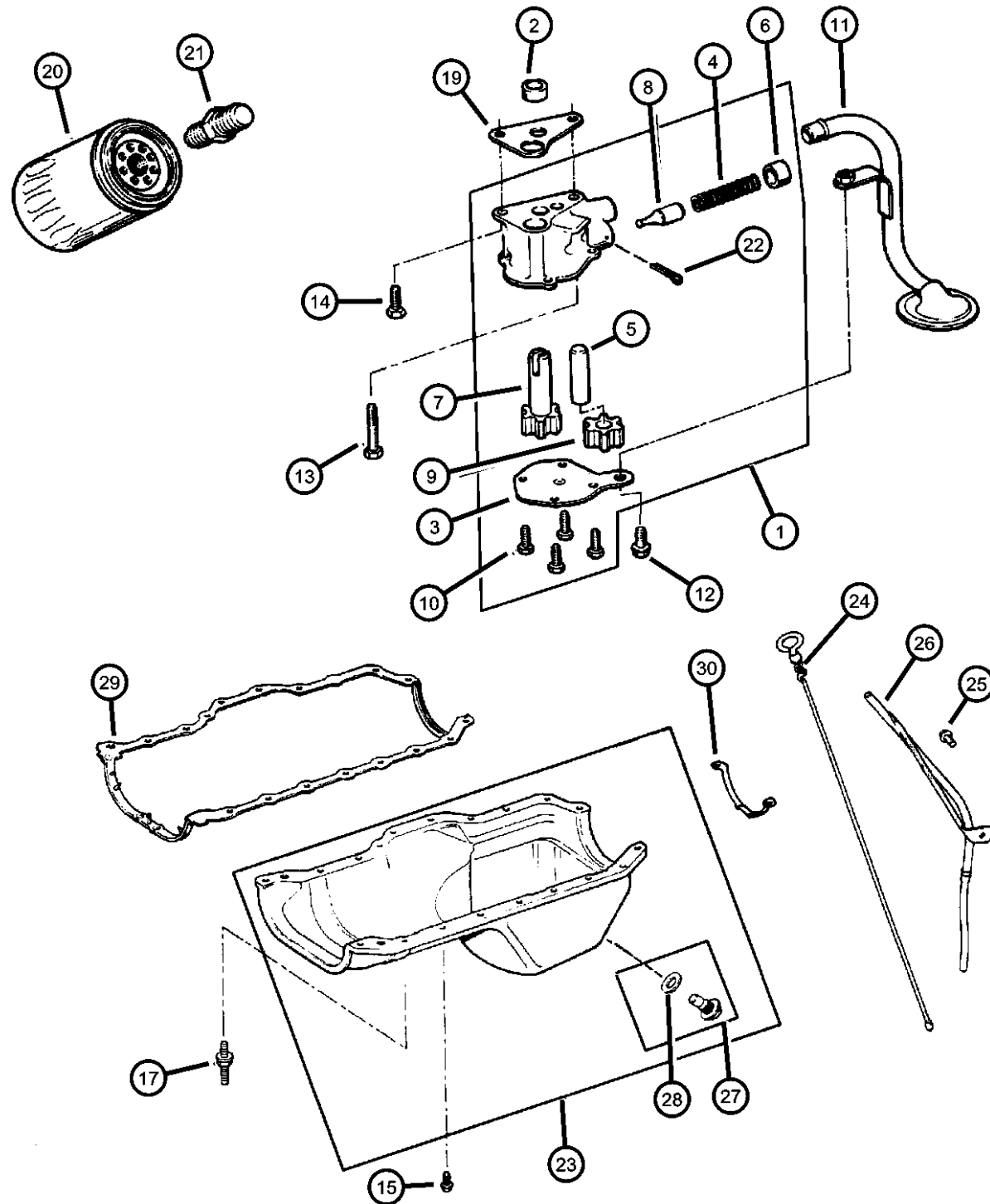
ENGINE
EPE = ENGINE - 2.5L POWER TECH I-4 Cyl.
ERH = ENGINE - 4.0L POWER TECH I-6

TRANSMISSION
DDQ = TRANSMISSION - 5-SPEED MANUAL
DGD = TRANSMISSION - 3-SPD. AUTOMATIC, 30RH
DGG = TRANSMISSION - 3-SPD. AUTOMATIC, 32RH

AR = use ase required - = Non illustrated part

1999 TJ

**Engine Oiling
Figure 2.5L4-710**



ITEM	PART NUMBER	QTY	LINE	SERIES	BODY	ENGINE	TRANS	TRIM	DESCRIPTION
------	-------------	-----	------	--------	------	--------	-------	------	-------------

Note; EP0= All 2.5L Engines
ERO= All 4.0L Engines

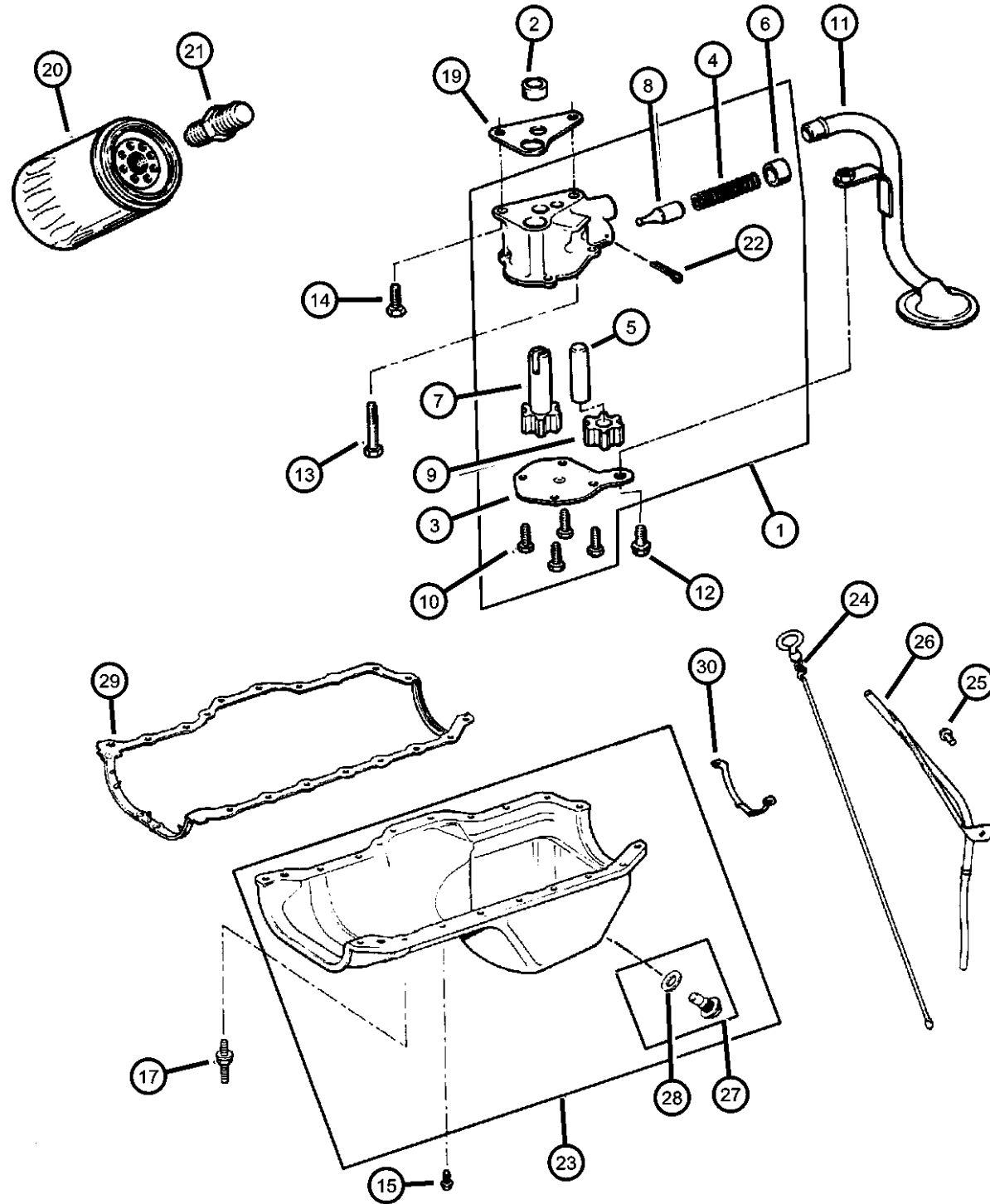
1	J3241399	1				EP0			PUMP, Engine Oil
2	J4005149	1				EP0, ERO			DOWEL, Oil Pump
3	J3241733	1				EP0			COVER, Engine Oil Pump
4	J3239668	1				EP0			SPRING, Oil Pressure Relief Valve
5	J3171956	1				EP0			SHAFT, Oil Pump
6	J3171958	1				EP0			RETAINER, Oil Release Valve
7	J3172334	1				EP0			GEAR, Oil Pump
8	J3188661	1				EP0			PLUNGER, Oil Pressure Relief Valve
9	J3196843	1				EP0			GEAR, Oil Pump Driven
10	J9416852	4				EP0			SCREW, Hex Flange Head, .25-20x.50
11	53020564	1				EP0			TUBE, Oil Pump Inlet
12	53020564	1							BOLT, .312-18x.625, (NOT SERVICED)
13	00154593	1				EP0, ERO			SCREW, Hex Head Coned, .312-18x2.625
14	06022235	1				EP0, ERO			BOLT AND WASHER, Hex Head, .312-18x1.00
15	06034732	13				EP0			SCREW AND WASHER, Hex Head, .25-20x.545
-16	06034483	3				EP0			SCREW, Hex Head Coned, .312-18x.875
17	06034734	6				EP0			BOLT, Double Stud Hex, .250-20x1.437 & .250-20 x.700
-18	06034733	1				EP0			STUD, .312-18/.250-20x1.680
19	J3172332	1				EP0, ERO			GASKET, Oil Pump
20	05281090	1				EP0, ERO			FILTER, Engine Oil
	0FE00292								Canadian Aftermarket Part
	05281090BA								BULK PACK (12)
	77060018								Performance Mobil 1, 15W - 50 Tri-Synthetic Engine Oil-Recommended Fill for 6.1L & 8.3L
	P5007323								Performance Mobil 1, 5W - 30 Tri-Synthetic Engine Oil, Quart
21	53007563	1				EP0, ERO			CONNECTOR, Oil Filter
22	J0271448	1				EP0			PIN, Roll, 5/32" x 1.00"

WRANGLER (TJ)

SERIES	LINE	BODY	ENGINE	TRANSMISSION
L = Low Line	J = JEEP - 4WD U = JEEP - 4WD (RHD)	77 = OPEN BODY 2-DOOR	EPE = ENGINE - 2.5L POWER TECH I-4 Cyl. ERH = ENGINE - 4.0L POWER TECH I-6	DDQ = TRANSMISSION - 5-SPEED MANUAL DGD = TRANSMISSION - 3-SPD. AUTOMATIC, 30RH DGG = TRANSMISSION - 3-SPD. AUTOMATIC, 32RH

AR = use ase required - = Non illustrated part

Engine Oiling
Figure 2.5L4-710



ITEM	PART NUMBER	QTY	LINE	SERIES	BODY	ENGINE	TRANS	TRIM	DESCRIPTION
23	53020560	1				EP0			PAN, Engine Oil
24	53010444AB	1				EP0			INDICATOR, Engine Oil Level
25	06035664	1				EP0, ER0			STUD, .312-18x1.560
26	53010343	1				EP0			TUBE, Oil Filler
27	06035417	1				EP0			PLUG, Oil Drain
28	06035417	1							GASKET, Oil Drain Plug, Serviced in Plug, (NOT SERVICED)
29	53007567	1				EP0			GASKET, Oil Pan
30	J3243116	1				EP0			SUPPORT, Engine Oil Pan

WRANGLER (TJ)

SERIES	LINE	BODY	ENGINE	TRANSMISSION
L = Low Line	J = JEEP - 4WD U = JEEP - 4WD (RHD)	77 = OPEN BODY 2-DOOR	EPE = ENGINE - 2.5L POWER TECH I-4 Cyl. ERH = ENGINE - 4.0L POWER TECH I-6	DDQ = TRANSMISSION - 5-SPEED MANUAL DGD = TRANSMISSION - 3-SPD. AUTOMATIC, 30RH DGG = TRANSMISSION - 3-SPD. AUTOMATIC, 32RH

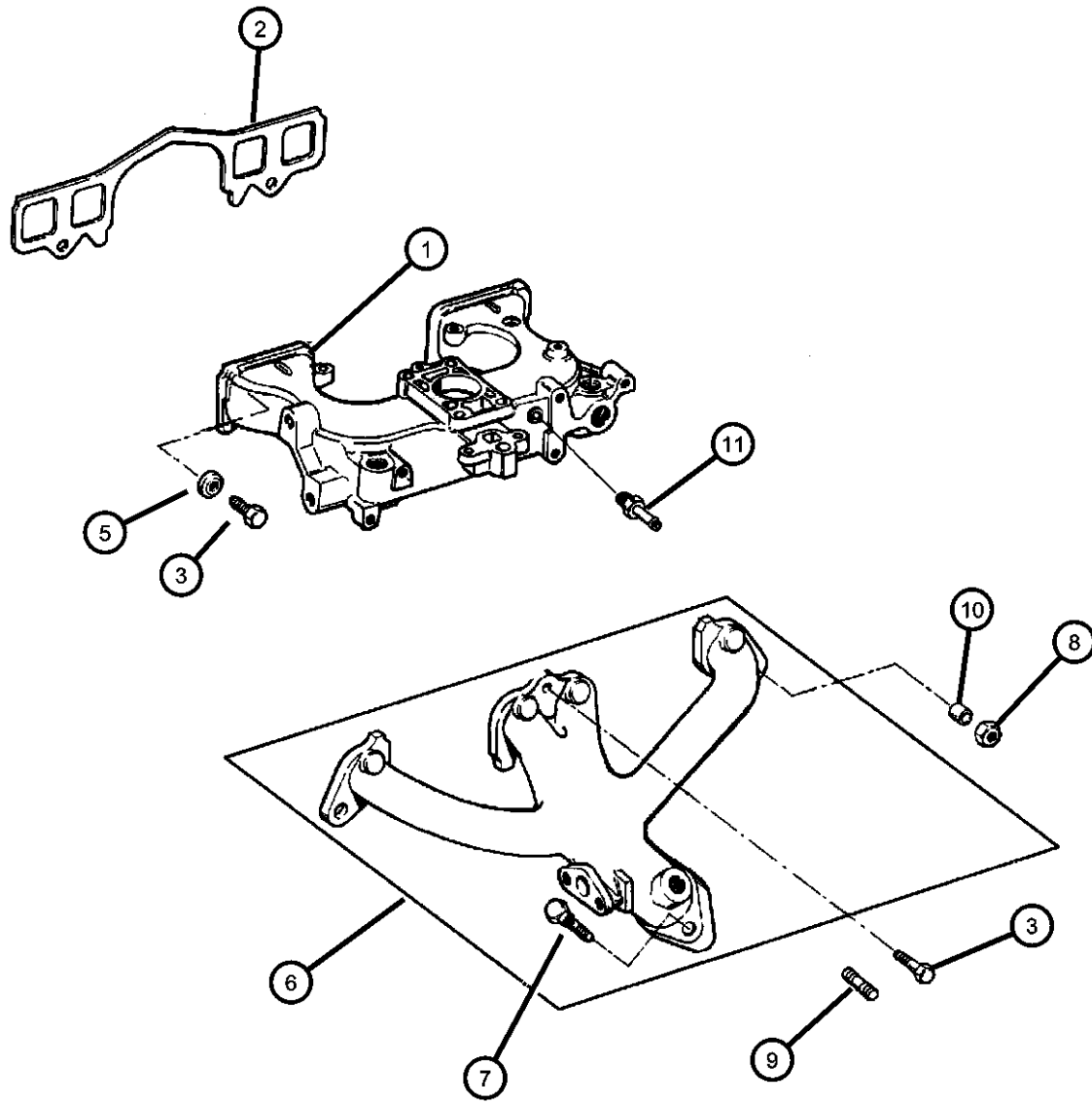
AR = use ase required - = Non illustrated part

**Manifold, Intake and Exhaust
Figure 2.5L4-810**

ITEM	PART NUMBER	QTY	LINE	SERIES	BODY	ENGINE	TRANS	TRIM	DESCRIPTION
------	-------------	-----	------	--------	------	--------	-------	------	-------------

Note; EP0= All 2.5L Engines
ER0= All 4.0L Engines

1	53010245	1				EP0			MANIFOLD, Intake
2	53020112	1				EP0			GASKET, Intake Manifold
3	53020112	1							BOLT, Hex Head, .375-16x1.25, (NOT REQUIRED)
-4	06036045AA	4				EP0			BOLT AND RETAINER, Hex Head
5	33004255	2				EP0			WASHER, Manifold Retaining
6	53008860	1				EP0			MANIFOLD, Exhaust
7	J4007109	2				EP0			STUD, .375-16x1.69
8	06034984	2				EP0, ER0			NUT, Hex Flange Lock, .375-24
9	06036193AA	2				EP0, ER0			STUD, .375-16/.375-24x1.75
10	33003332	2				EP0			SPACER, Exhaust Manifold
11	04854194	1				EP0			FITTING, Vacuum



WRANGLER (TJ)

SERIES	LINE	BODY	ENGINE	TRANSMISSION
L = Low Line	J = JEEP - 4WD U = JEEP - 4WD (RHD)	77 = OPEN BODY 2-DOOR	EPE = ENGINE - 2.5L POWER TECH I-4 Cyl. ERH = ENGINE - 4.0L POWER TECH I-6	DDQ = TRANSMISSION - 5-SPEED MANUAL DGD = TRANSMISSION - 3-SPD. AUTOMATIC,30RH DGG = TRANSMISSION - 3-SPD. AUTOMATIC,32RH

AR = use ase required - = Non illustrated part

1999 TJ

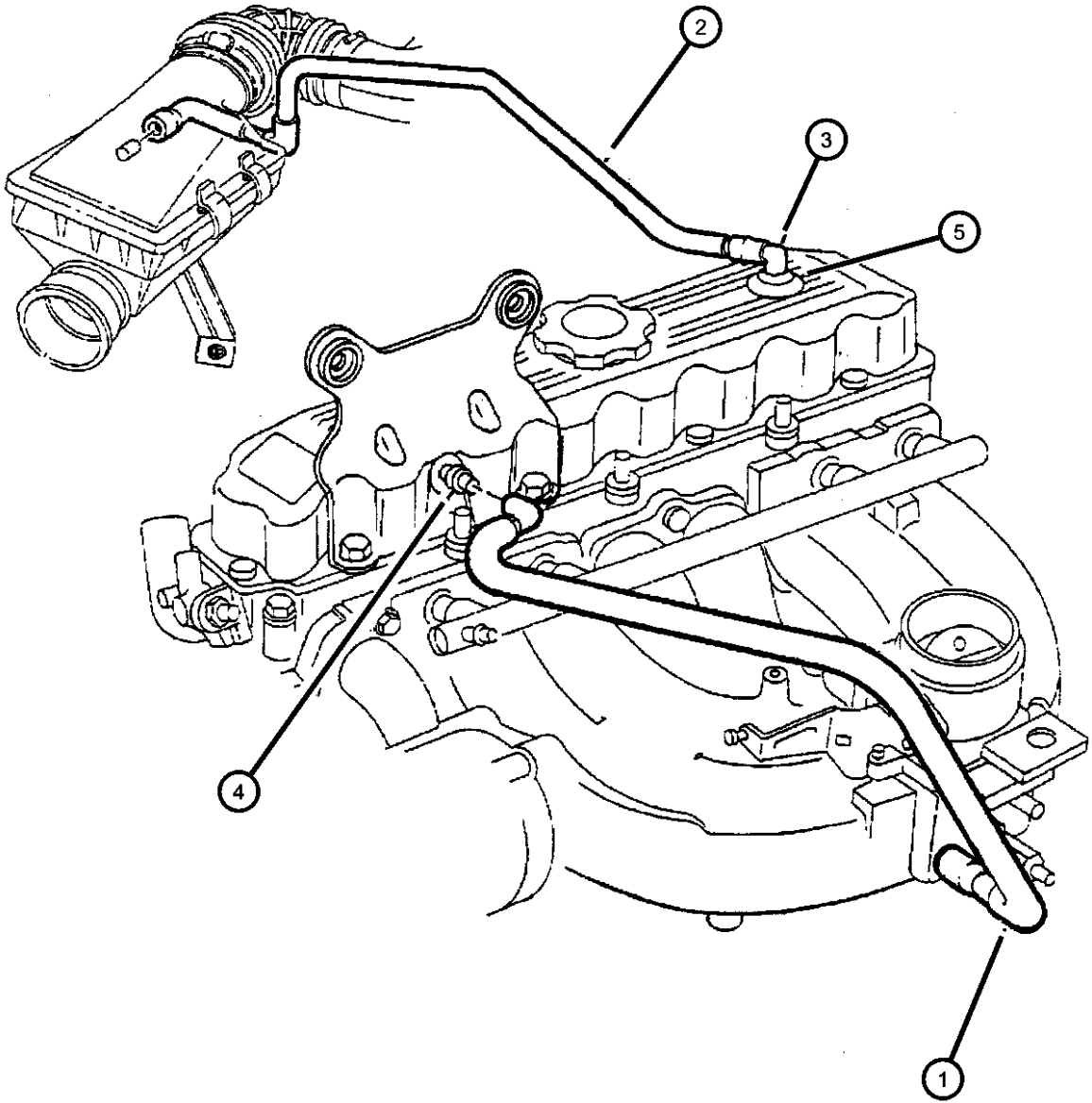
Crankcase Ventilation

Figure 2.5L4-910

ITEM	PART NUMBER	QTY	LINE	SERIES	BODY	ENGINE	TRANS	TRIM	DESCRIPTION
------	-------------	-----	------	--------	------	--------	-------	------	-------------

Note; EP0= All 2.5L Engines
 ERO= All 4.0L Engines

1	04854072	1				EP0			TUBE, Vent
2	53030614	1				EP0			TUBE, Crankcase Vent Valve
3	53030497	1				EP0, ERO			FITTING, Crankcase Vent Tube
4	33004175	1				EP0			CONNECTOR, Vacuum Hose
5	02946079	1				EP0			GROMMET, Crankcase Vent



WRANGLER (TJ)

SERIES	LINE	BODY	ENGINE	TRANSMISSION
L = Low Line	J = JEEP - 4WD U = JEEP - 4WD (RHD)	77 = OPEN BODY 2-DOOR	EPE = ENGINE - 2.5L POWER TECH I-4 Cyl. ERH = ENGINE - 4.0L POWER TECH I-6	DDQ = TRANSMISSION - 5-SPEED MANUAL DGD = TRANSMISSION - 3-SPD. AUTOMATIC, 30RH DGG = TRANSMISSION - 3-SPD. AUTOMATIC, 32RH

AR = use ase required - = Non illustrated part

Group - 4.0L

Engine 4.0L Six Cylinder

Group - 4.0L Engine 4.0L Six Cylinder

Illustration Title

Group-Fig. No.

Cylinder Head

Cylinder Head Fig. 4.0L - 210

Cylinder Block

Cylinder Block Fig. 4.0L - 310

Crankshaft, Piston and Torque Converter

Crankshaft, Piston and Torque Converter Fig. 4.0L - 410

Camshafts & Valves

Camshaft and Valves Fig. 4.0L - 510

Timing Belt and Cover

Timing Cover Fig. 4.0L - 610

Engine Oiling

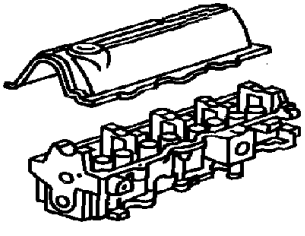
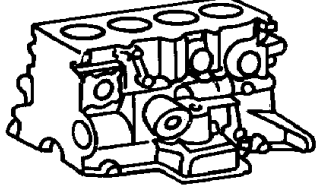
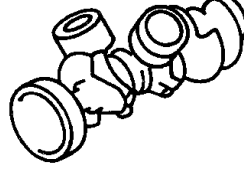
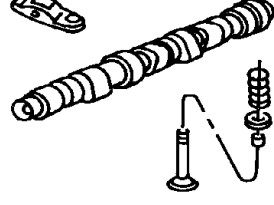
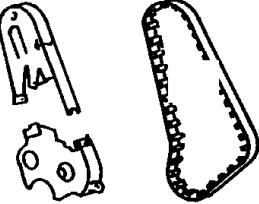
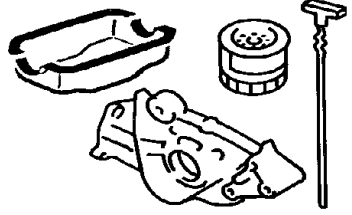
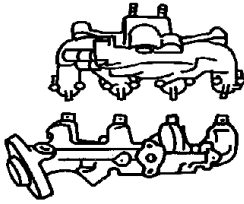
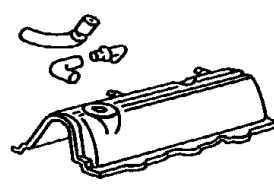
Engine Oiling Fig. 4.0L - 710

Manifolds

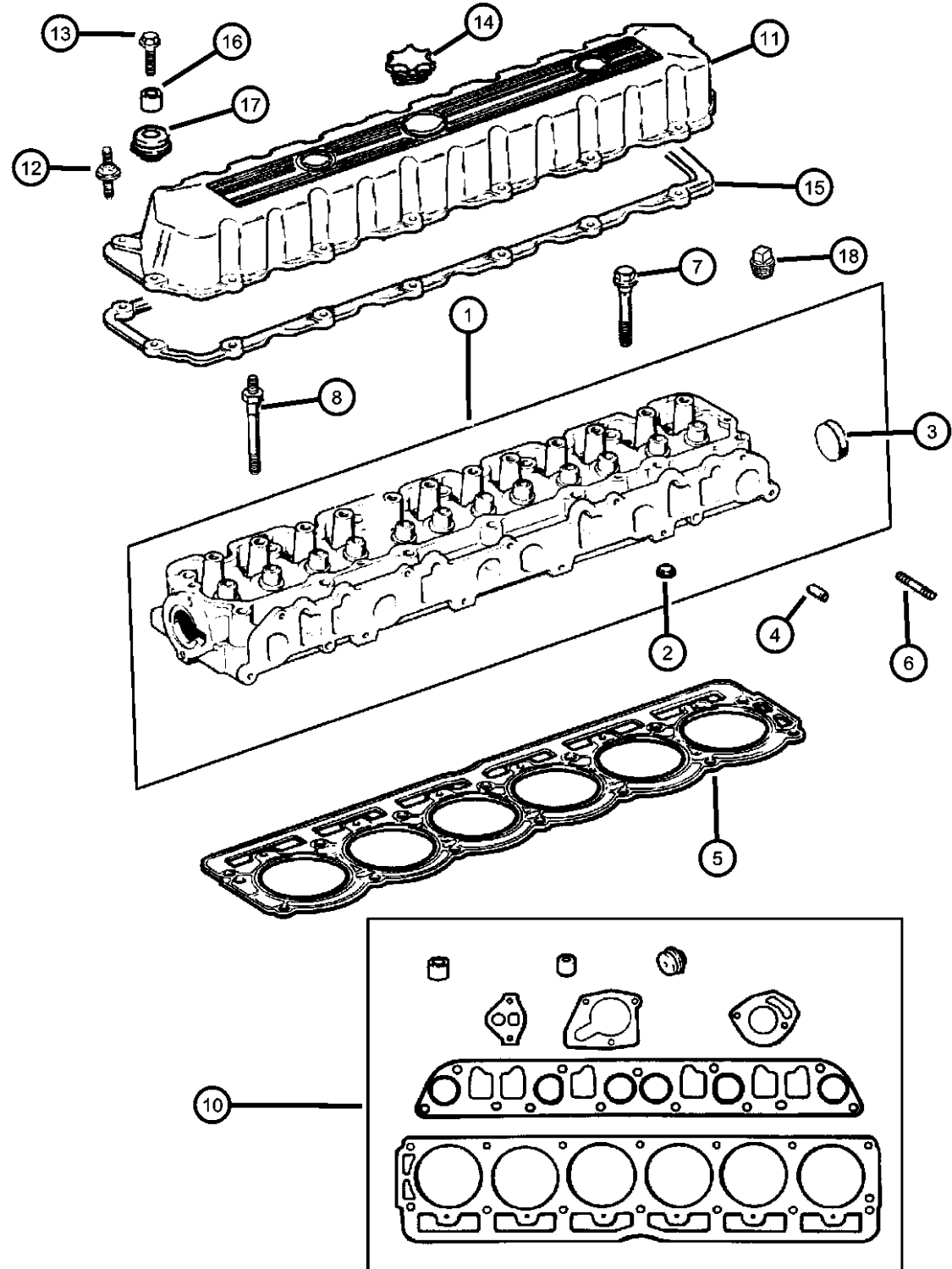
Manifold, Intake and Exhaust Fig. 4.0L - 810

Crankcase Ventilation

Crankcase Ventilation Fig. 4.0L - 910

<p>4.0L-200 Cylinder Head</p> 	<p>4.0L-300 Cylinder Block</p> 	<p>4.0L-400 Crankshaft, Piston and Torque Converter</p> 	<p>4.0L-500 Camshafts & Valves</p> 
<p>4.0L-600 Timing Belt and Cover</p> 	<p>4.0L-700 Engine Oiling</p> 	<p>4.0L-800 Manifolds</p> 	<p>4.0L-900 Crankcase Ventilation</p> 

**Cylinder Head
Figure 4.0L-210**



ITEM	PART NUMBER	QTY	LINE	SERIES	BODY	ENGINE	TRANS	TRIM	DESCRIPTION
------	-------------	-----	------	--------	------	--------	-------	------	-------------

Note; DBB= All Manual Transmissions
 DG0= All Automatic Transmissions
 EP0= All 2.5L Engines
 ER0= All 4.0L Engines

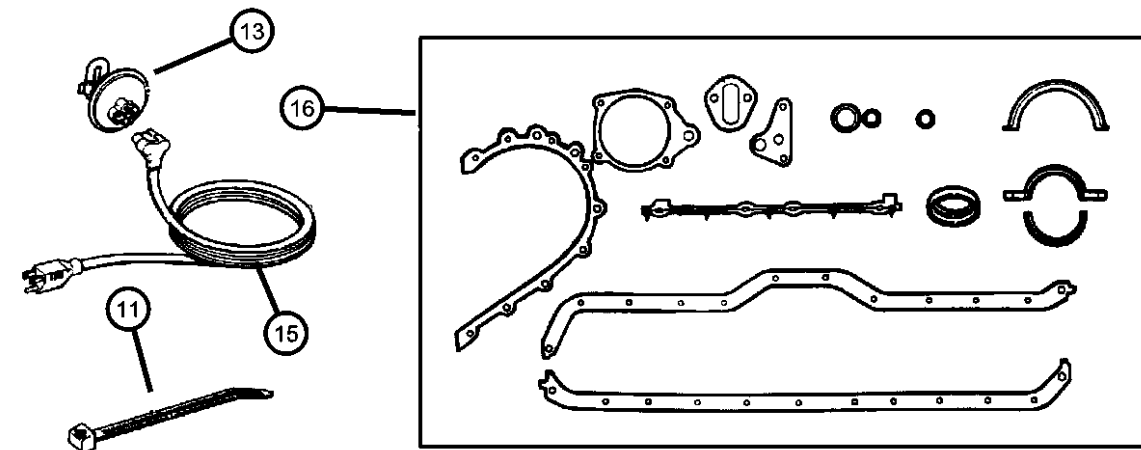
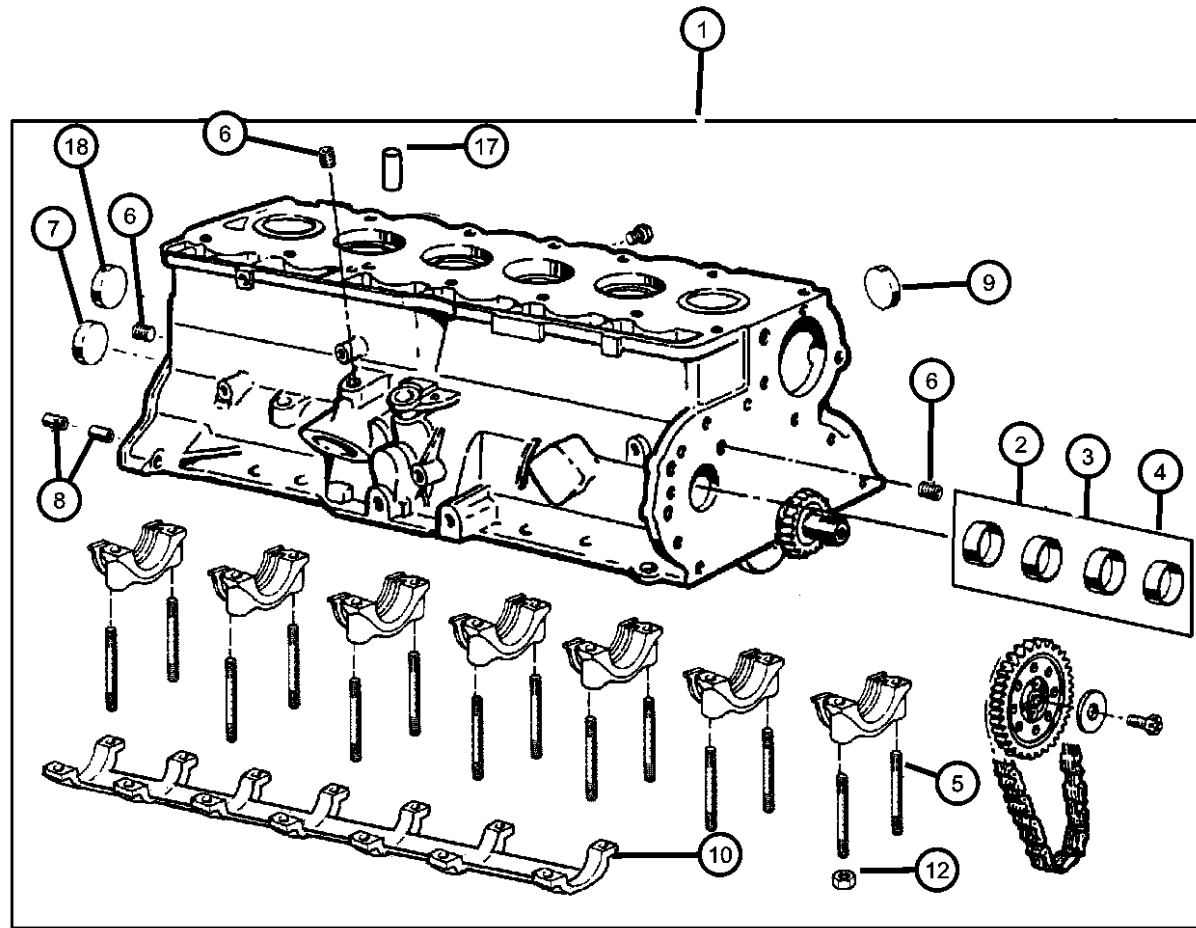
1	53020622AB	1				ER0			HEAD, Cylinder
2	J4007434	4				ER0			PLUG, Cylinder Block Oil Hole
3	J3105394	1				ER0			PLUG, Cylinder Block Oil Hole
4	J3172318	2				EP0, ER0			DOWEL, Cylinder Head To Intake
5	53020754AB	1				ER0			GASKET, Cylinder Head
6	06036193AA	2				EP0, ER0			STUD, .375-16/.375-24x1.75
7									BOLT, Cylinder Head
	06035514	5				ER0			w/o Dome Head
	06035515	2				ER0			w/Dome Head
8	06035516	6				ER0			STUD, Double Ended, .50-13/.437-14x6.00
-9	06036162AA	1				ER0			STUD, Double Ended, [.50-13/.437-14x6.0]
10									GASKET PACKAGE, Engine
	04636982AC	1				ER0	DBB		
		1				ER0	DG0		
11	53020323	1				ER0			COVER, Cylinder Head
12	06035968AA	7				ER0			STUD, .250-20x2.00
13	06035566	8				ER0			BOLT, Hex Flange Head, .250-20x1.00
14	04777536	1				ER0			CAP, Oil Filler
15	53020758AC	1				ER0			GASKET, Valve Cover
16	53020598AB	15				ER0			SLEEVE, Torque Limiter
17	53010424	15				ER0			GROMMET, Insulator
18	53010424	15							PLUG, Pipe, .125-27x3.50, (NOT REQUIRED)

WRANGLER (TJ)

SERIES	LINE	BODY	ENGINE	TRANSMISSION
L = Low Line	J = JEEP - 4WD U = JEEP - 4WD (RHD)	77 = OPEN BODY 2-DOOR	EPE = ENGINE - 2.5L POWER TECH I-4 Cyl. ERH = ENGINE - 4.0L POWER TECH I-6	DDQ = TRANSMISSION - 5-SPEED MANUAL DGD = TRANSMISSION - 3-SPD. AUTOMATIC, 30RH DGG = TRANSMISSION - 3-SPD. AUTOMATIC, 32RH

AR = use ase required - = Non illustrated part

**Cylinder Block
Figure 4.0L-310**



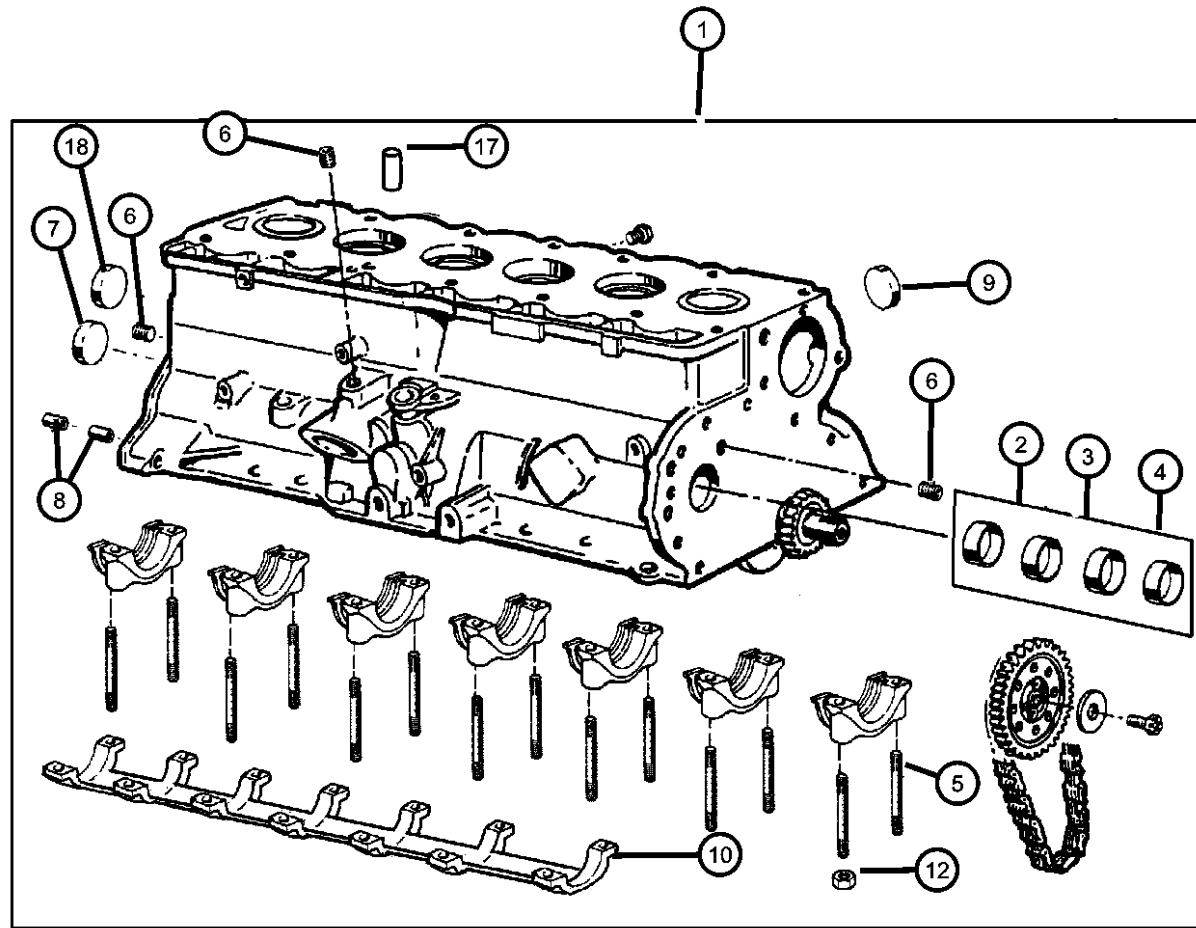
ITEM	PART NUMBER	QTY	LINE	SERIES	BODY	ENGINE	TRANS	TRIM	DESCRIPTION
Note; DBB= All Manual Transmissions DG0= All Automatic Transmissions EP0= All 2.5L Engines ER0= All 4.0L Engines									
1	05013116AA	1				ER0	DBB		BLOCK, Short Contains: Crank, Rods, Pistons, Rings, Cam Bearings, Timing Chain, Sprockets
	R9640421AA								Mopar Remanufactured Short Block
	R2640469AB								Mopar Remanufactured Long Block w/ Head(s)
		1				ER0	DG0		Contains: Crank, Rods, Pistons, Rings, Cam Bearings, Timing Chain, Sprockets
	R9640421AA								Mopar Remanufactured Short Block
	R2640469AB								Mopar Remanufactured Long Block w/ Head(s)
2		1							BEARING KIT, Camshaft, Standard, (NOT REQUIRED),
3	04636985AB	1				ER0			BEARING PACKAGE, Camshaft, Standard Size
4	04636985AB	1							BEARING KIT, Camshaft, .010 Oversize, (NOT REQUIRED)
5	06035207	14				ER0			STUD, .500-13/375-16x3.97
6									PLUG, Cylinder Block Oil Hole
	06034166	3				ER0			
	J4200413	2				EP0, ER0			
7	J3172313	1				EP0			PLUG, Camshaft
8	J4005148	2				ER0			DOWEL, Transmission
9	J3105394	6				ER0			PLUG, Cylinder Block Oil Hole
10	53020566	1				ER0			BRACE, Main Bearing Cap
11	04641780	1							STRAP, Tie
12	00152474	14				ER0			NUT, Hex Flange Lock, .375-16
13	00152474	14							HEATER, Engine Block, (NOT REQUIRED)
-14	82201506	1				ER0			HEATER PACKAGE, Engine Block
15	56016834	1				EP0, ER0			CORD, Engine Block Heater
16	04740008AC	1				ER0			GASKET PACKAGE, Engine

WRANGLER (TJ)

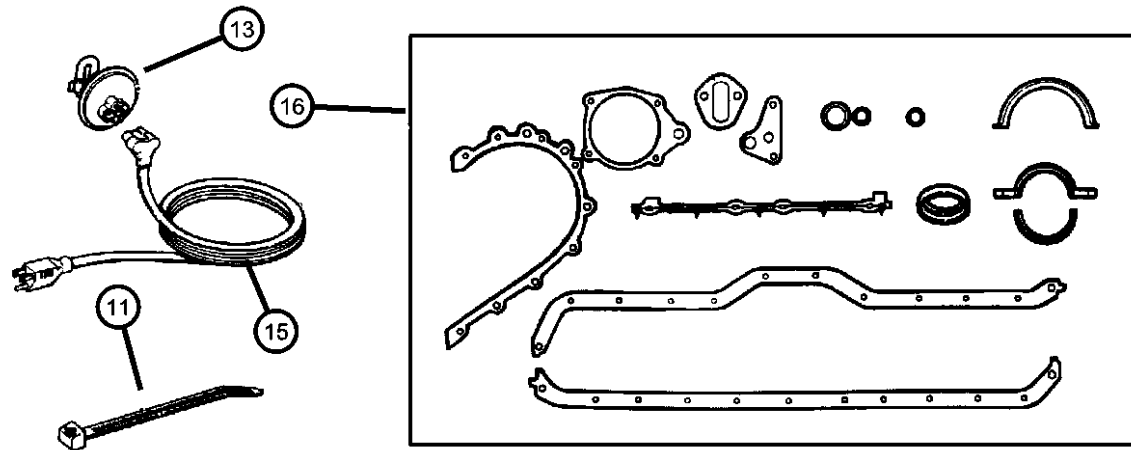
SERIES	LINE	BODY	ENGINE	TRANSMISSION
L = Low Line	J = JEEP - 4WD U = JEEP - 4WD (RHD)	77 = OPEN BODY 2-DOOR	EPE = ENGINE - 2.5L POWER TECH I-4 Cyl. ERH = ENGINE - 4.0L POWER TECH I-6	DDQ = TRANSMISSION - 5-SPEED MANUAL DGD = TRANSMISSION - 3-SPD. AUTOMATIC, 30RH DGG = TRANSMISSION - 3-SPD. AUTOMATIC, 32RH

AR = use ase required - = Non illustrated part

Cylinder Block
Figure 4.0L-310



ITEM	PART NUMBER	QTY	LINE	SERIES	BODY	ENGINE	TRANS	TRIM	DESCRIPTION
17	00141215	2				ER0			DOWEL, .312 x .500
18	53020465	1				ER0			PLUG, Cylinder Block



WRANGLER (TJ)

SERIES

LINE

BODY

ENGINE

TRANSMISSION

L = Low Line

J = JEEP - 4WD

77 = OPEN BODY 2-DOOR

EPE = ENGINE - 2.5L POWER TECH I-4 Cyl.

DDQ = TRANSMISSION - 5-SPEED MANUAL

U = JEEP - 4WD (RHD)

ERH = ENGINE - 4.0L POWER TECH I-6

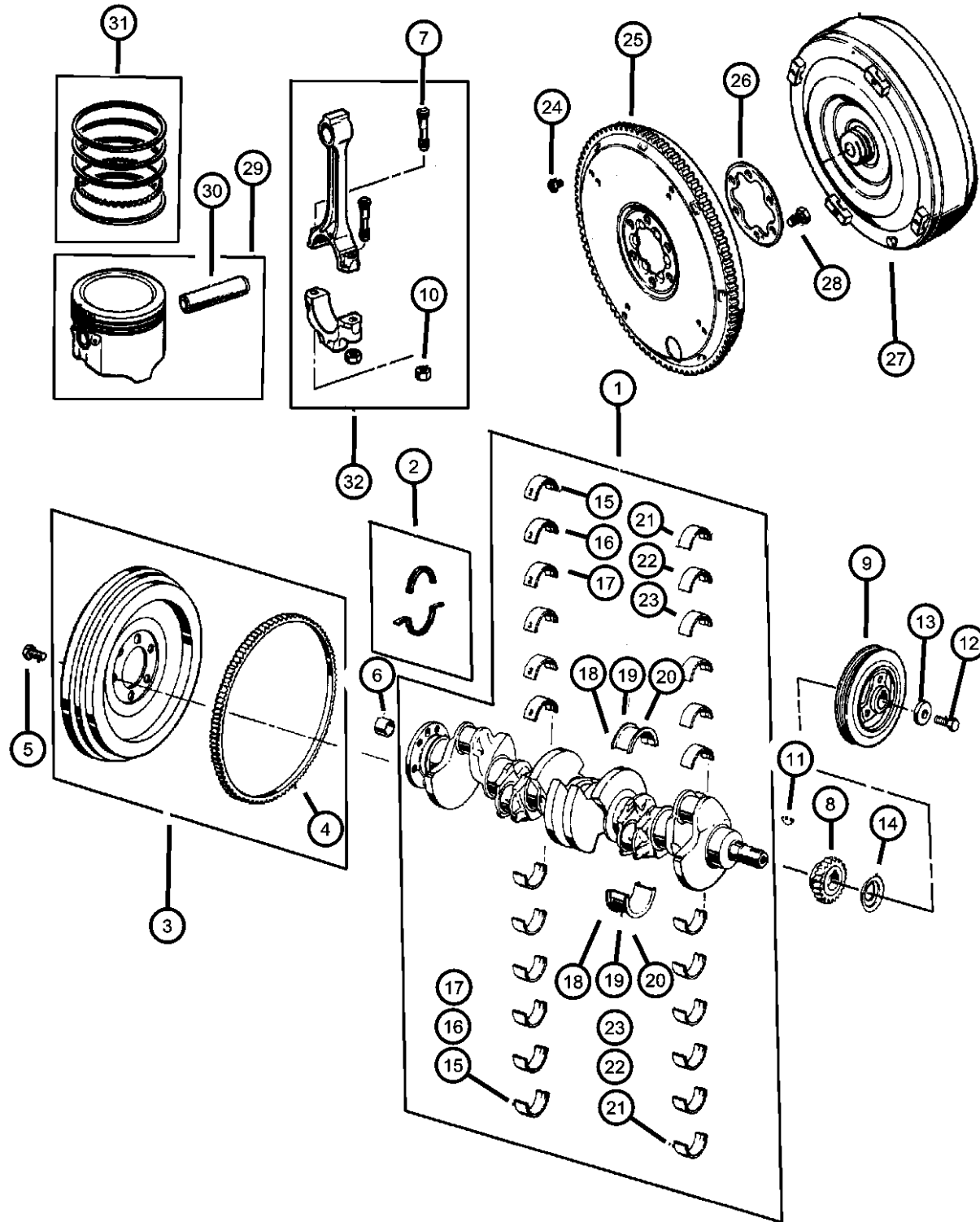
DGD = TRANSMISSION - 3-SPD. AUTOMATIC, 30RH

DGG = TRANSMISSION - 3-SPD. AUTOMATIC, 32RH

AR = use ase required - = Non illustrated part

1999 TJ

Crankshaft, Piston and Torque Converter
Figure 4.0L-410



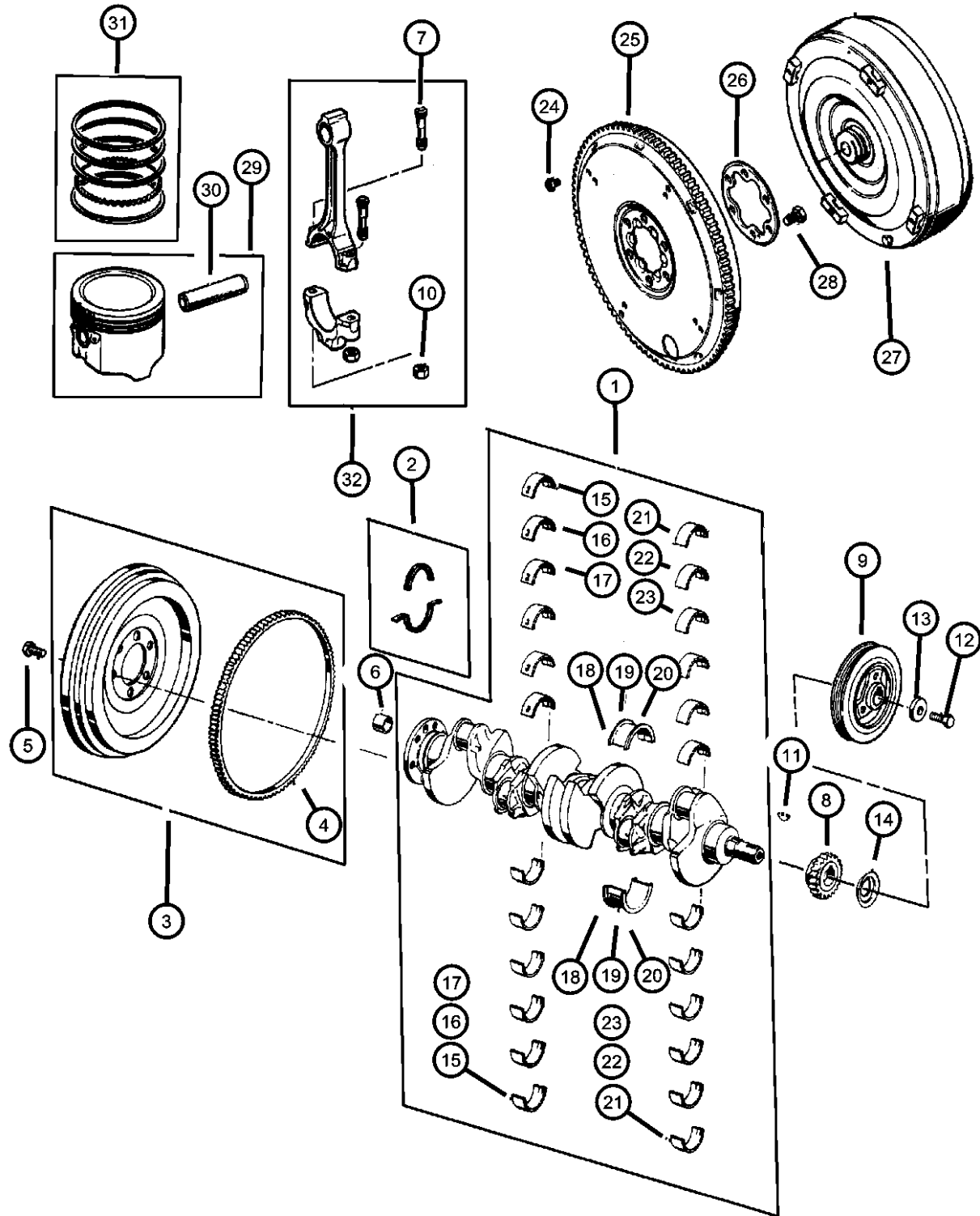
ITEM	PART NUMBER	QTY	LINE	SERIES	BODY	ENGINE	TRANS	TRIM	DESCRIPTION
Note; DBB= All Manual Transmissions DG0= All Automatic Transmissions EP0= All 2.5L Engines ER0= All 4.0L Engines									
1	04864726	1				ER0			CRANKSHAFT
2	04778126	1				ER0			SEAL PACKAGE, Crankshaft
3	53020519	1				ER0	DBB		FLYWHEEL
4	J3179741	1				ER0	DBB		GEAR, Ring
5	J3170524	6				ER0	DBB		BOLT, Flywheel
6									BEARING, Pilot
	53009180AB	1				ER0	DBB		Sleeve and Bearing
	53009181	1				ER0	DBB		Bearing
7	53020123	12				ER0			BOLT, Connecting Rod
8	53020443	1				ER0			GEAR, Crankshaft
9	33002920	1				ER0			DAMPER, Crankshaft
10	J4006385	12				ER0			NUT, Hex Flange, .3437-24
11	06034749	1				EP0, ER0			KEY, Crankshaft Sprocket
12	00182776	1				EP0, ER0			BOLT
13	J3230155	1				EP0, ER0			WASHER, Plain
14	J3173076	1				EP0, ER0			SLINGER, Oil
15	83507079	6				ER0			BEARING PACKAGE, Crankshaft, Standard
16	83507080	AR				EP0, ER0			BEARING PACKAGE, Crankshaft, .001 Undersize
17	83507083	AR				EP0, ER0			BEARING PACKAGE, Crankshaft, .010 Undersize
18	83507084	1				EP0, ER0			BEARING PACKAGE, Crankshaft Thrust, Standard Size
19	83507086	AR				EP0, ER0			BEARING PACKAGE, Crankshaft Thrust, .001" Undersize
20	83507090	AR				EP0, ER0			BEARING PACKAGE, Crankshaft Thrust, .010" Undersize
21	83500300	12				ER0			BEARING KIT, Connecting Rod, Standard
22	83501397	AR				EP0, ER0			BEARING KIT, Connecting Rod, .001 Undersize
23	83500301	AR				EP0, ER0			BEARING KIT, Connecting Rod, .010 Undersize
24	01949765	4	J			ER0	DG0		SCREW, Hex Head Header Point, .312-24x.44
25	52118257	1				ER0	DG0		PLATE, Drive Plate

WRANGLER (TJ)

SERIES	LINE	BODY	ENGINE	TRANSMISSION
L = Low Line	J = JEEP - 4WD U = JEEP - 4WD (RHD)	77 = OPEN BODY 2-DOOR	EPE = ENGINE - 2.5L POWER TECH I-4 Cyl. ERH = ENGINE - 4.0L POWER TECH I-6	DDQ = TRANSMISSION - 5-SPEED MANUAL DGD = TRANSMISSION - 3-SPD. AUTOMATIC, 30RH DGG = TRANSMISSION - 3-SPD. AUTOMATIC, 32RH

AR = use ase required - = Non illustrated part

Crankshaft, Piston and Torque Converter
Figure 4.0L-410



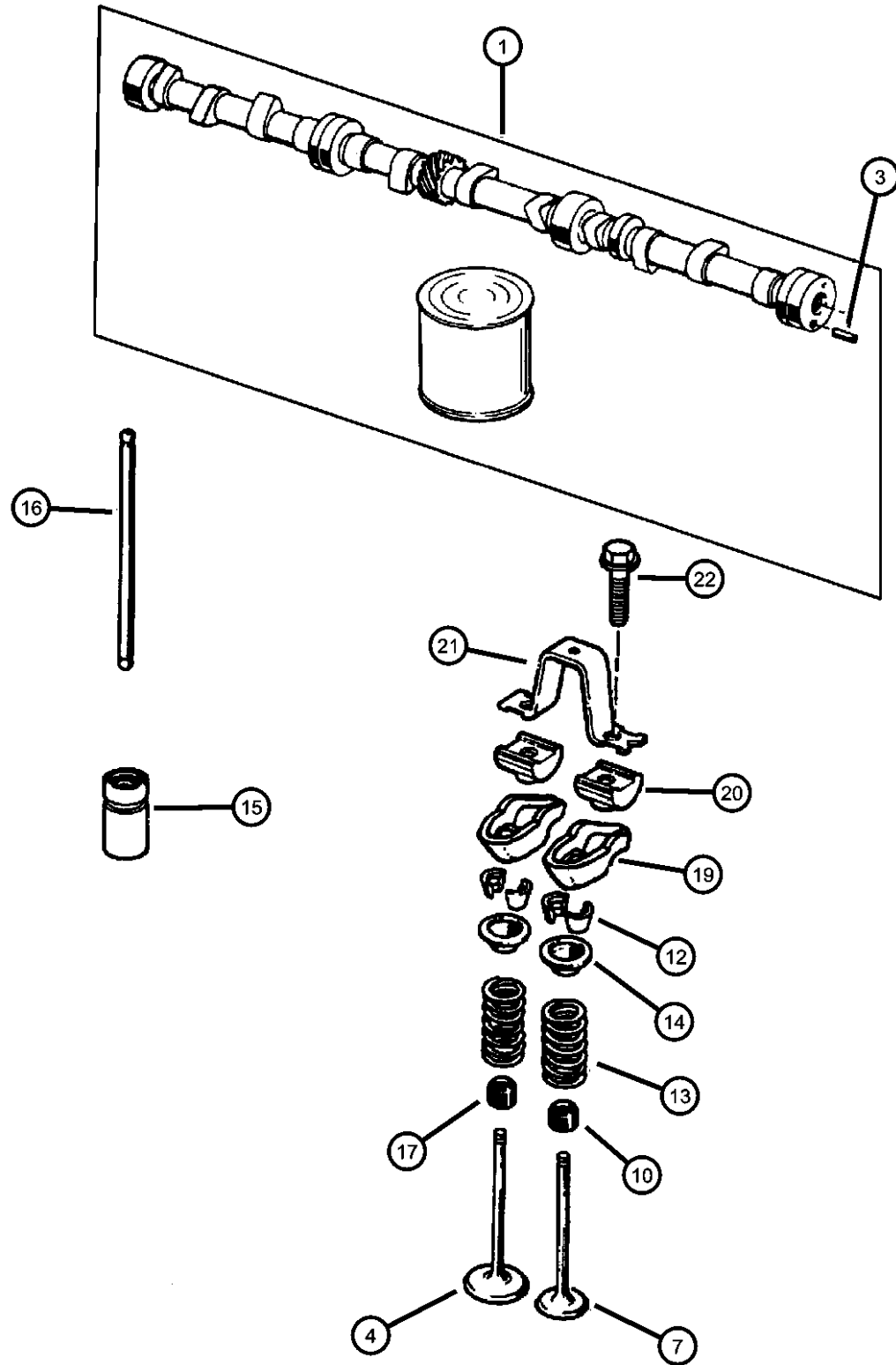
ITEM	PART NUMBER	QTY	LINE	SERIES	BODY	ENGINE	TRANS	TRIM	DESCRIPTION
26	J3214094	1				ER0	DG0		PLATE, Drive Plate Backing
27	04736596 R4736596	1				ER0	DG0		TORQUE CONVERTER Mopar Remanufactured Part
28	J3151407	6				ER0	DG0		BOLT, Hex Head, .50-20x.56
29	04798329	6				ER0			PISTON PIN AND ROD B Size, 3.8742
	04798330	6				ER0			C Size, 3.8746
	04798331	6				ER0			D Size, 3.8750
	04798332	6				ER0			E Size, 3.8754
	04798333	6				ER0			F Size, 3.8758
30	04798333	6							PIN, Piston, Serviced in Piston Assembly, (NOT SERVICED), RING PACKAGE, Piston, Standard Size Complete Engine
31	04798878	1				ER0	DBB		
		1				ER0	DG0		
32		1							ROD, Connecting, Serviced in Piston Assembly, (NOT SERVICED)

WRANGLER (TJ)

SERIES	LINE	BODY	ENGINE	TRANSMISSION
L = Low Line	J = JEEP - 4WD U = JEEP - 4WD (RHD)	77 = OPEN BODY 2-DOOR	EPE = ENGINE - 2.5L POWER TECH I-4 Cyl. ERH = ENGINE - 4.0L POWER TECH I-6	DDQ = TRANSMISSION - 5-SPEED MANUAL DGD = TRANSMISSION - 3-SPD. AUTOMATIC, 30RH DGG = TRANSMISSION - 3-SPD. AUTOMATIC, 32RH

AR = use ase required - = Non illustrated part

Camshaft and Valves
Figure 4.0L-510



ITEM	PART NUMBER	QTY	LINE	SERIES	BODY	ENGINE	TRANS	TRIM	DESCRIPTION
Note; EP0= All 2.5L Engines ER0= All 4.0L Engines									
1		1							CAMSHAFT, Engine, (NOT REQUIRED)
-2	53010448AA	1				ER0			CAMSHAFT
3	53010448AA	1							DOWEL, Camshaft Sprocket, (NOT REQUIRED)
4	53010512AA	6				ER0			VALVE, Intake, Standard
-5	53010512AA	6							VALVE, Intake, .003" O/S, (NOT REQUIRED)
-6	53010512AA	6							VALVE, Intake, .015" O/S, (NOT REQUIRED)
7	53010513AA	6				ER0			VALVE, Exhaust, Standard
-8	53010513AA	6							VALVE, Exhaust, .003" O/S, (NOT REQUIRED)
-9	53010513AA	6							VALVE, Exhaust, .015 Oversize, (NOT REQUIRED)
10	53009887	6				ER0			SEAL, Valve Guide
-11	33002733	AR				EP0, ER0			SEAL, Valve Guide, .015" Oversize
12	53010515AA	24				ER0			LOCK, Valve Spring Retainer
13	53010388	12				ER0			SPRING, Valve
14	53010514AA	12				ER0			RETAINER, Valve Spring
15	04740269	12				ER0			TAPPET, Valve
16	33002986	12				ER0			PUSH ROD, Valve
17	53009886	6				ER0			SEAL, Valve Guide
-18	33003016	AR				EP0, ER0			SEAL, Valve Guide, .015" Oversize
19	J3242393	12				ER0			ROCKER ARM, Valve
20	J3235090	12				ER0			PIVOT, Rocker Arm
21	J3236513	6				ER0			BRIDGE, Rocker Arm
22	J9425708	12				ER0			BOLT, Hex Flange Head, .312-18x1.25

WRANGLER (TJ)

SERIES LINE
L = Low Line J = JEEP - 4WD
U = JEEP - 4WD (RHD)

BODY
77 = OPEN BODY 2-DOOR

ENGINE
EPE = ENGINE - 2.5L POWER TECH I-4 Cyl.
ERH = ENGINE - 4.0L POWER TECH I-6

TRANSMISSION
DDQ = TRANSMISSION - 5-SPEED MANUAL
DGD = TRANSMISSION - 3-SPD. AUTOMATIC, 30RH
DGG = TRANSMISSION - 3-SPD. AUTOMATIC, 32RH

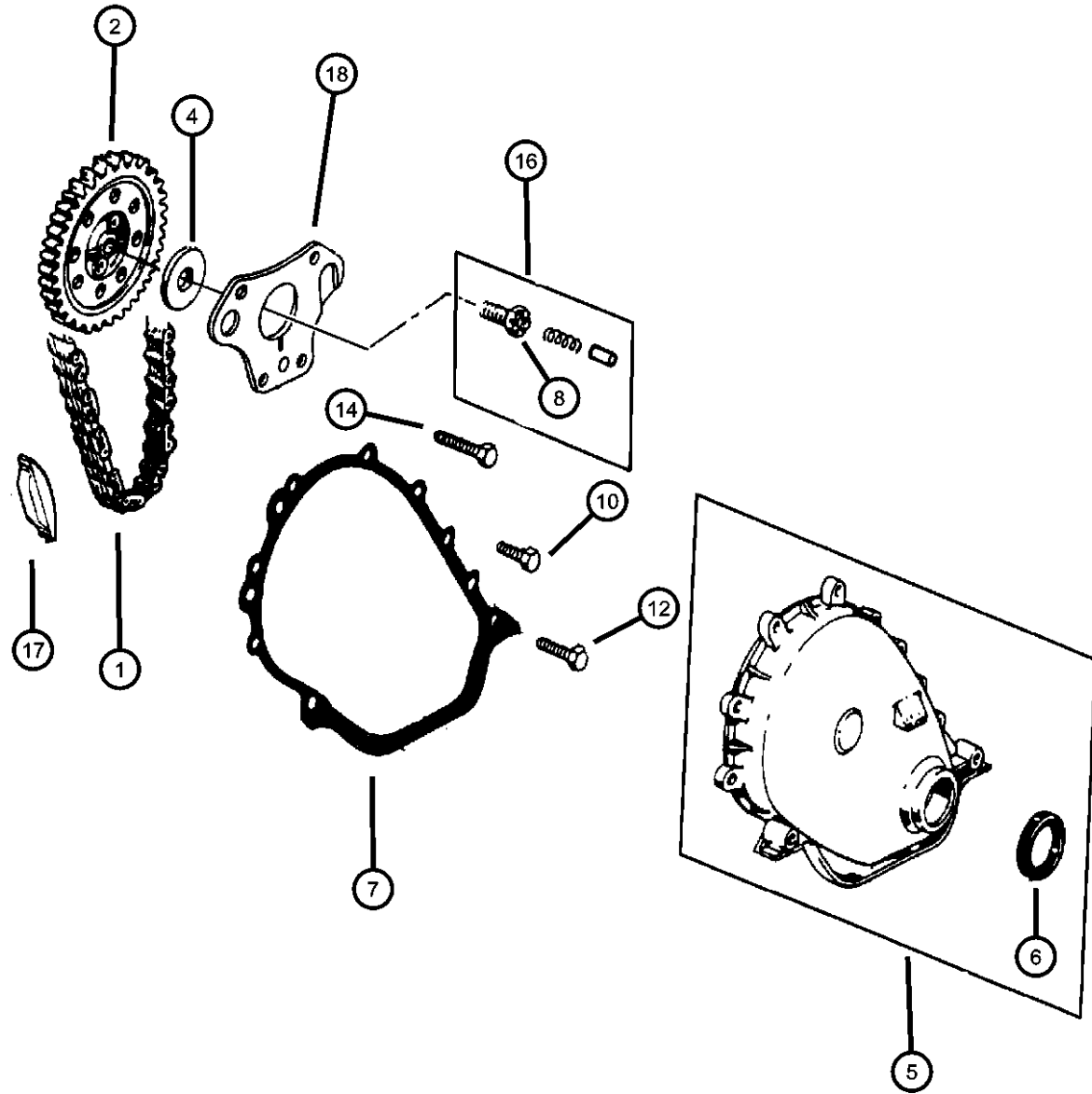
AR = use ase required - = Non illustrated part

1999 TJ

**Timing Cover
Figure 4.0L-610**

ITEM	PART NUMBER	QTY	LINE	SERIES	BODY	ENGINE	TRANS	TRIM	DESCRIPTION
------	-------------	-----	------	--------	------	--------	-------	------	-------------

Note; EP0= All 2.5L Engines
ER0= All 4.0L Engines



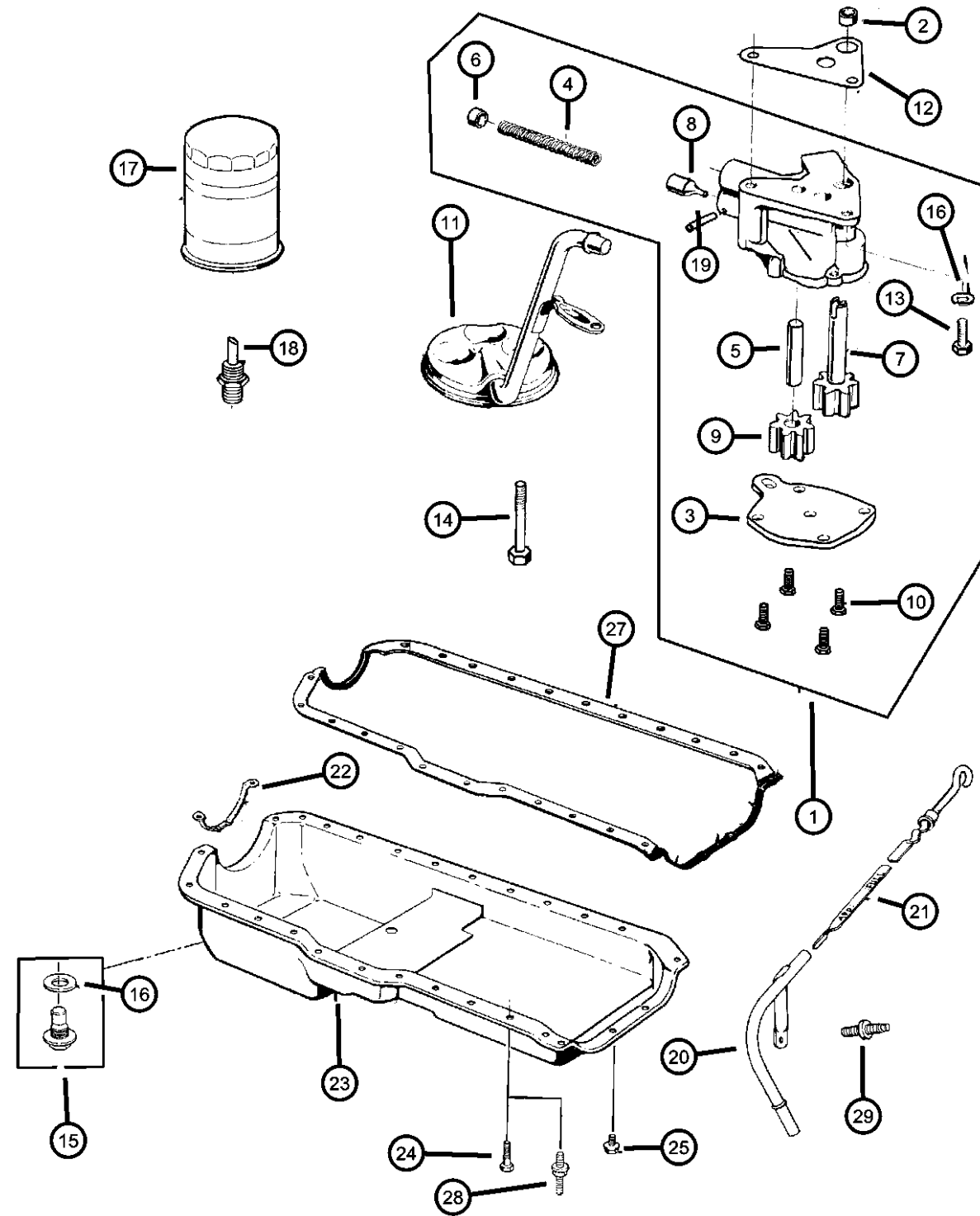
-1	05189875AA	1				ER0			CHAIN PACKAGE, Timing
2	53020444	1				ER0			CHAIN, Timing
3	53020444	1							GEAR, Camshaft, (NOT SERVICED)
-4	53010400	1				ER0			SPROCKET, Camshaft
5	53010400	1							WASHER, Flat, .206 Diameter, (NOT SERVICED)
6	53020222	1				EP0, ER0			COVER, Timing Belt
7	33004681	1				EP0, ER0			SEAL, Front Main Crankshaft
8	53020487	1				EP0, ER0			GASKET, Front Cover
9	53020487	1							BOLT, Hex Flange Head, .50-20x1.38, (NOT SERVICED)
-10	06024030	1				ER0			SCREW AND WASHER, Hex
11	06024030	1							BOLT, Hex Head, .25-20x.75, (NOT SERVICED)
-12	06035893	5				EP0, ER0			BOLT, Hex
13	06035893	5							BOLT, Hex Flange Head, .250-20x1.24, (NOT SERVICED)
-14	06035895	1				EP0, ER0			SCREW
15	06035895	1							BOLT, Hex Head Shoulder, .312-18x1.56, (NOT SERVICED)
-16	06035894	2				EP0, ER0			SCREW
17	06035894	2							PIN PACKAGE, Camshaft Thrust, (NOT SERVICED)
18	33003446	1				EP0, ER0			SNUBBER, Timing Chain
19	53010401	1				ER0			PLATE, Camshaft Thrust
-20	06035975AA	2				ER0			SCREW, Pan Head

WRANGLER (TJ)

SERIES	LINE	BODY	ENGINE	TRANSMISSION
L = Low Line	J = JEEP - 4WD U = JEEP - 4WD (RHD)	77 = OPEN BODY 2-DOOR	EPE = ENGINE - 2.5L POWER TECH I-4 Cyl. ERH = ENGINE - 4.0L POWER TECH I-6	DDQ = TRANSMISSION - 5-SPEED MANUAL DGD = TRANSMISSION - 3-SPD. AUTOMATIC, 30RH DGG = TRANSMISSION - 3-SPD. AUTOMATIC, 32RH

AR = use ase required - = Non illustrated part

**Engine Oiling
Figure 4.0L-710**



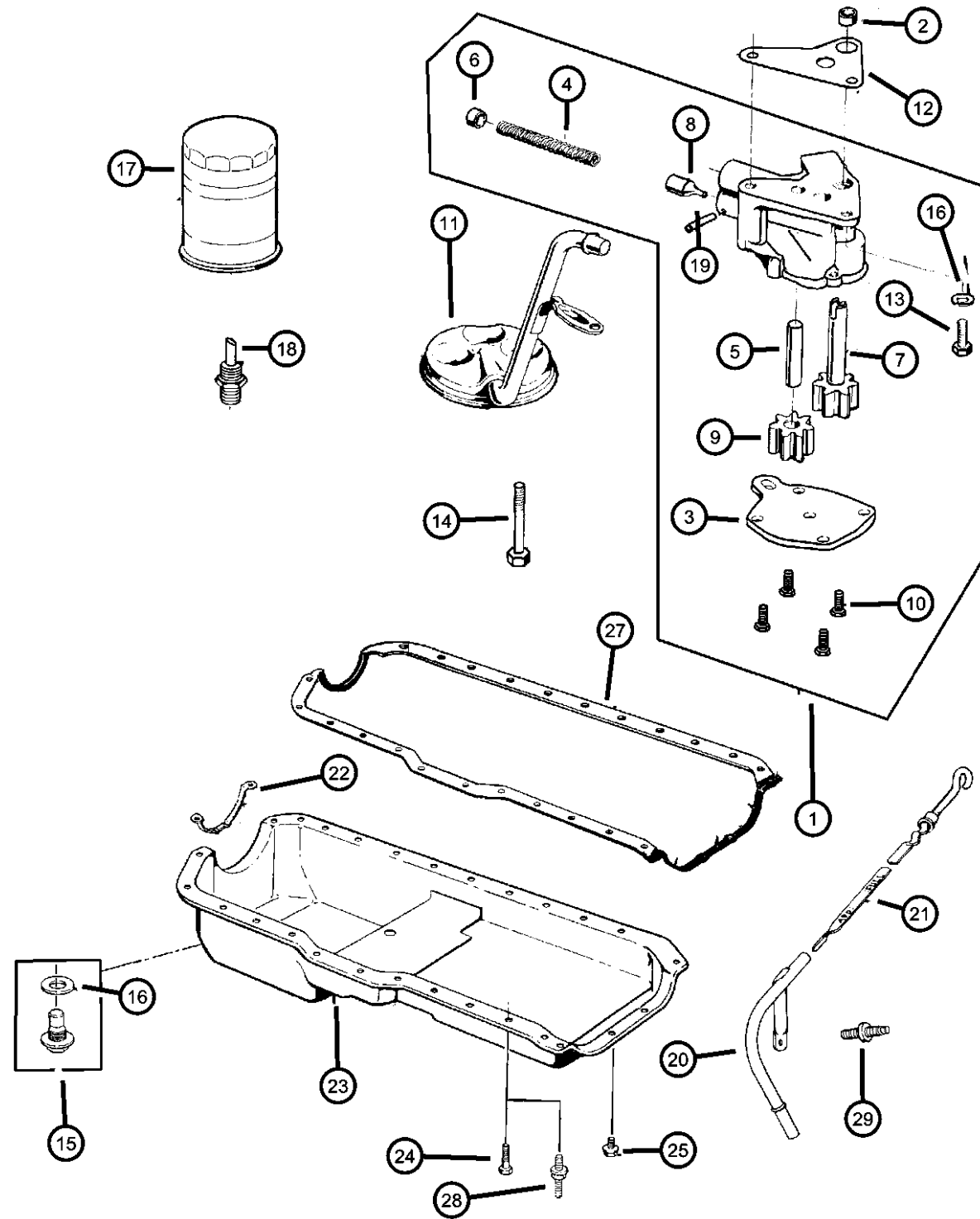
ITEM	PART NUMBER	QTY	LINE	SERIES	BODY	ENGINE	TRANS	TRIM	DESCRIPTION
Note; EP0= All 2.5L Engines ER0= All 4.0L Engines									
1	J3241399	1				ER0			PUMP, Engine Oil
2	J4005149	1				EP0, ER0			DOWEL, Oil Pump
3	J3241733	1				ER0			COVER, Engine Oil Pump
4	J3239668	1				ER0			SPRING, Oil Pressure Relief Valve
5	J3171956	1				ER0			SHAFT, Oil Pump
6	J3171958	1				ER0			RETAINER, Oil Release Valve
7	J3172334	1				ER0			GEAR, Oil Pump
8	J3188661	1				ER0			PLUNGER, Oil Pressure Relief Valve
9	J3196843	1				ER0			GEAR, Oil Pump Driven
10	J9416852	4				ER0			SCREW, Hex Flange Head, .25-20x.50
11	33002696	1				ER0			TUBE, Oil Pump Inlet
12	J3172332	1				EP0, ER0			GASKET, Oil Pump
13	06022235	1				EP0, ER0			BOLT AND WASHER, Hex Head, .312-18x1.00
14	00154593	1				EP0, ER0			SCREW, Hex Head Coned, .312-18x2.625
15	06035417	1				ER0			PLUG, Oil Drain
16	06035417	1							GASKET, Oil Drain Plug, Serviced in Plug, (NOT SERVICED)
17	05281090	1				EP0, ER0			FILTER, Engine Oil
	0FE00292								Canadian Aftermarket Part
	05281090BA								BULK PACK (12)
	77060018								Performance Mobil 1, 15W - 50 Tri-Synthetic Engine Oil- Recommended Fill for 6.1L & 8.3L
	P5007323								Performance Mobil 1, 5W - 30 Tri-Synthetic Engine Oil, Quart
18	53007563	1				EP0, ER0			CONNECTOR, Oil Filter
19	J0271448	1				ER0			PIN, Roll, 5/32" x 1.00"
20	53020782	1				ER0			TUBE, Oil Filler
21	53010445	1				ER0			INDICATOR, Engine Oil Level
22	53010511AA	1				ER0			SUPPORT, Engine Oil Pan
23	53020833AB	1				ER0			PAN, Engine Oil

WRANGLER (TJ)

SERIES	LINE	BODY	ENGINE	TRANSMISSION
L = Low Line	J = JEEP - 4WD U = JEEP - 4WD (RHD)	77 = OPEN BODY 2-DOOR	EPE = ENGINE - 2.5L POWER TECH I-4 Cyl. ERH = ENGINE - 4.0L POWER TECH I-6	DDQ = TRANSMISSION - 5-SPEED MANUAL DGD = TRANSMISSION - 3-SPD. AUTOMATIC, 30RH DGG = TRANSMISSION - 3-SPD. AUTOMATIC, 32RH

AR = use ase required - = Non illustrated part

Engine Oiling
Figure 4.0L-710



ITEM	PART NUMBER	QTY	LINE	SERIES	BODY	ENGINE	TRANS	TRIM	DESCRIPTION
24	06034732	16				ER0			SCREW AND WASHER, Hex Head, .25-20x.545
25	06034483	3				ER0			SCREW, Hex Head Coned, .312-18x.875
-26	06034733	1				ER0			STUD, .312-18/.250-20x1.680
27	53007568	1				ER0			GASKET, Oil Pan
28	06034734	8				ER0			BOLT, Double Stud Hex, .250-20x1.437 & .250-20 x.700
29	06035664	1				EP0, ER0			STUD, .312-18x1.560

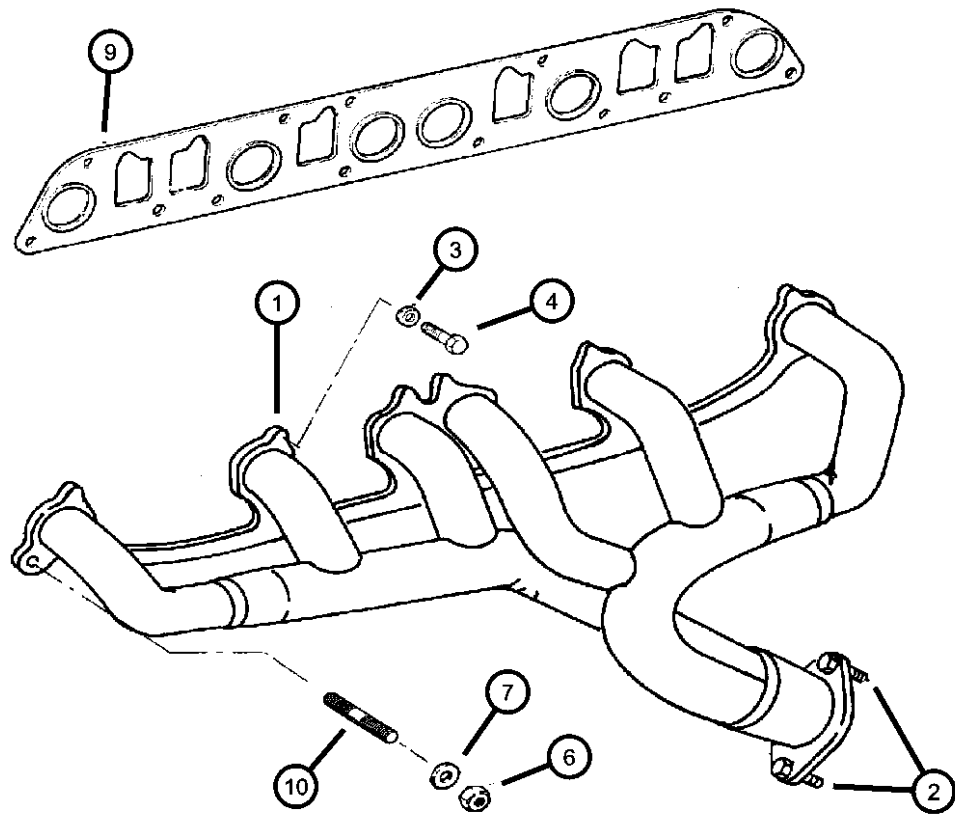
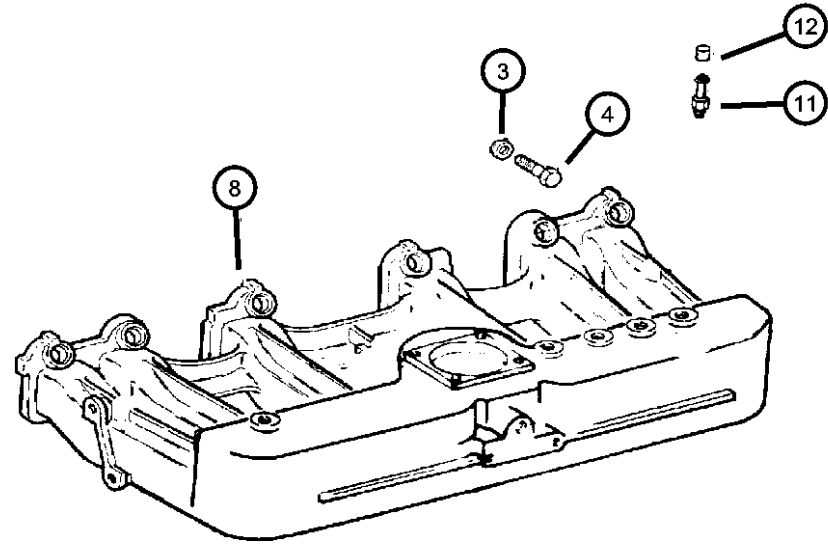
WRANGLER (TJ)

SERIES	LINE	BODY	ENGINE	TRANSMISSION
L = Low Line	J = JEEP - 4WD U = JEEP - 4WD (RHD)	77 = OPEN BODY 2-DOOR	EPE = ENGINE - 2.5L POWER TECH I-4 Cyl. ERH = ENGINE - 4.0L POWER TECH I-6	DDQ = TRANSMISSION - 5-SPEED MANUAL DGD = TRANSMISSION - 3-SPD. AUTOMATIC, 30RH DGG = TRANSMISSION - 3-SPD. AUTOMATIC, 32RH

AR = use ase required - = Non illustrated part

**Manifold, Intake and Exhaust
Figure 4.0L-810**

ITEM	PART NUMBER	QTY	LINE	SERIES	BODY	ENGINE	TRANS	TRIM	DESCRIPTION
Note; EP0= All 2.5L Engines ER0= All 4.0L Engines									
1	04883385	1				ER0			MANIFOLD, Exhaust
2	J4007109	2				ER0			STUD, .375-16x1.69
3	33004255	2				ER0			WASHER, Manifold Retaining
4	33004255	2							BOLT, Hex Head, .375-16x1.25, (NOT REQUIRED)
-5	06036045AA	8				ER0			BOLT AND RETAINER, Hex Head
6	06034984	2				EP0, ER0			NUT, Hex Flange Lock, .375-24
7	33004255	2				ER0			WASHER, Manifold Retaining
8	04854197AA	1				ER0			MANIFOLD, Intake
9	53010238	1				ER0			GASKET, Intake/Exhaust Manifold
10	06036193AA	2				EP0, ER0			STUD, .375-16/.375-24x1.75
11	06036193AA	2							FITTING, Vacuum, 90 Degree, (NOT REQUIRED)
12	06036193AA	2							PLUG, Pipe, (NOT REQUIRED)



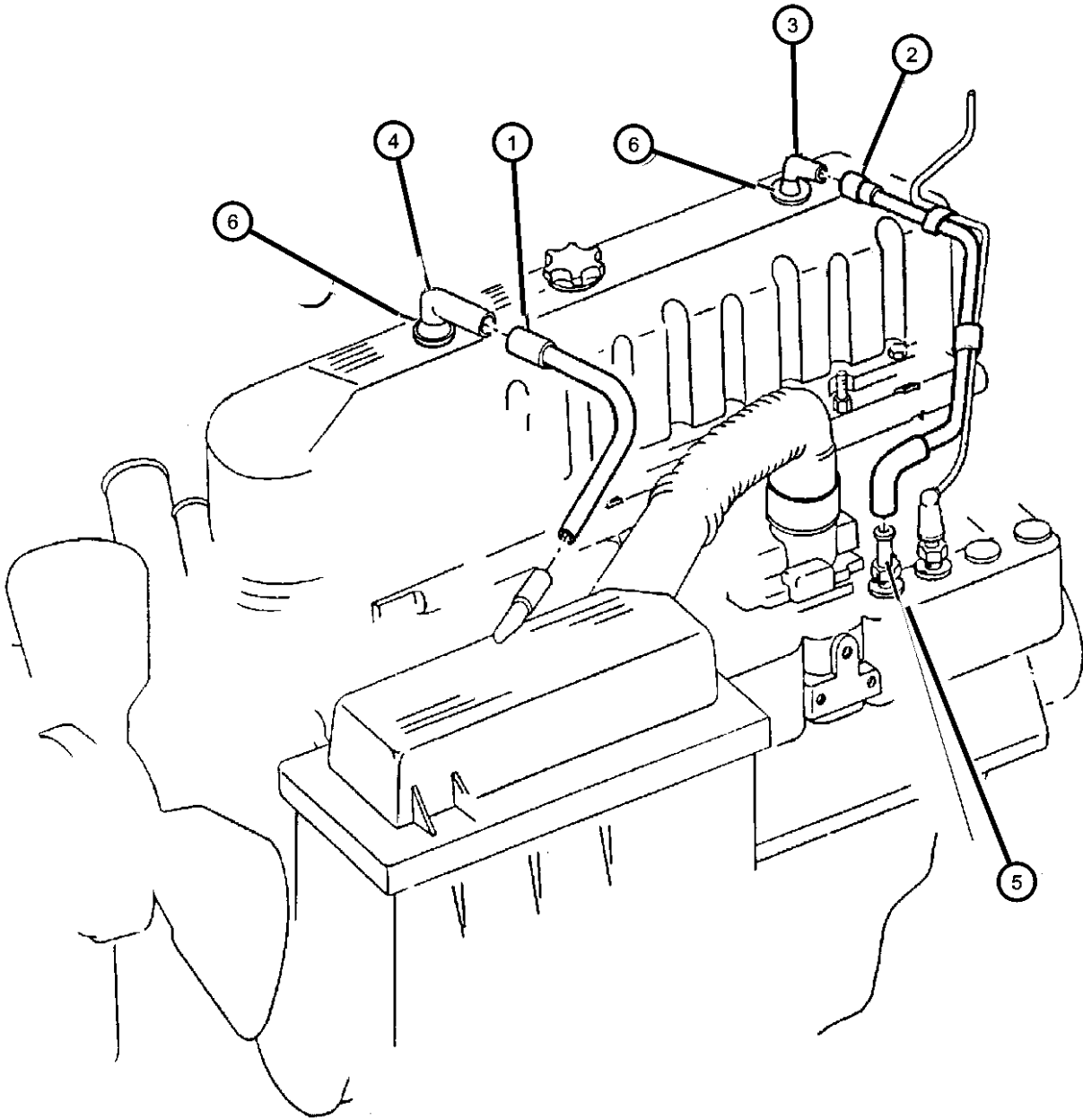
WRANGLER (TJ)

SERIES	LINE	BODY	ENGINE	TRANSMISSION
L = Low Line	J = JEEP - 4WD U = JEEP - 4WD (RHD)	77 = OPEN BODY 2-DOOR	EPE = ENGINE - 2.5L POWER TECH I-4 Cyl. ERH = ENGINE - 4.0L POWER TECH I-6	DDQ = TRANSMISSION - 5-SPEED MANUAL DGD = TRANSMISSION - 3-SPD. AUTOMATIC, 30RH DGG = TRANSMISSION - 3-SPD. AUTOMATIC, 32RH

AR = use ase required - = Non illustrated part

**Crankcase Ventilation
Figure 4.0L-910**

ITEM	PART NUMBER	QTY	LINE	SERIES	BODY	ENGINE	TRANS	TRIM	DESCRIPTION
Note; EP0= All 2.5L Engines ER0= All 4.0L Engines									
1	53030615	1				ER0			TUBE, Crankcase Vent Valve
2	04854265	1				ER0			TUBE, Crankcase Vent To Intake Manifold
3	53030495	1				ER0			TUBE, Crankcase Vent To Air Cleaner
4	53030497	1				EP0, ER0			FITTING, Crankcase Vent Tube
5	04854194	1				ER0			FITTING, Vacuum
6	02946079	1				EP0			GROMMET, Crankcase Vent



WRANGLER (TJ)

SERIES	LINE	BODY	ENGINE	TRANSMISSION
L = Low Line	J = JEEP - 4WD U = JEEP - 4WD (RHD)	77 = OPEN BODY 2-DOOR	EPE = ENGINE - 2.5L POWER TECH I-4 Cyl. ERH = ENGINE - 4.0L POWER TECH I-6	DDQ = TRANSMISSION - 5-SPEED MANUAL DGD = TRANSMISSION - 3-SPD. AUTOMATIC, 30RH DGG = TRANSMISSION - 3-SPD. AUTOMATIC, 32RH

AR = use ase required - = Non illustrated part

Group - 11

Exhaust

Group - 11 Exhaust

Group-Fig. No.

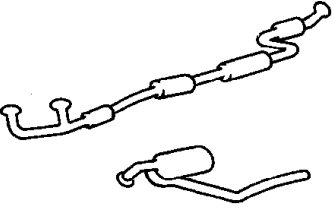
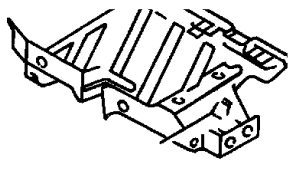
Illustration Title

Exhaust System

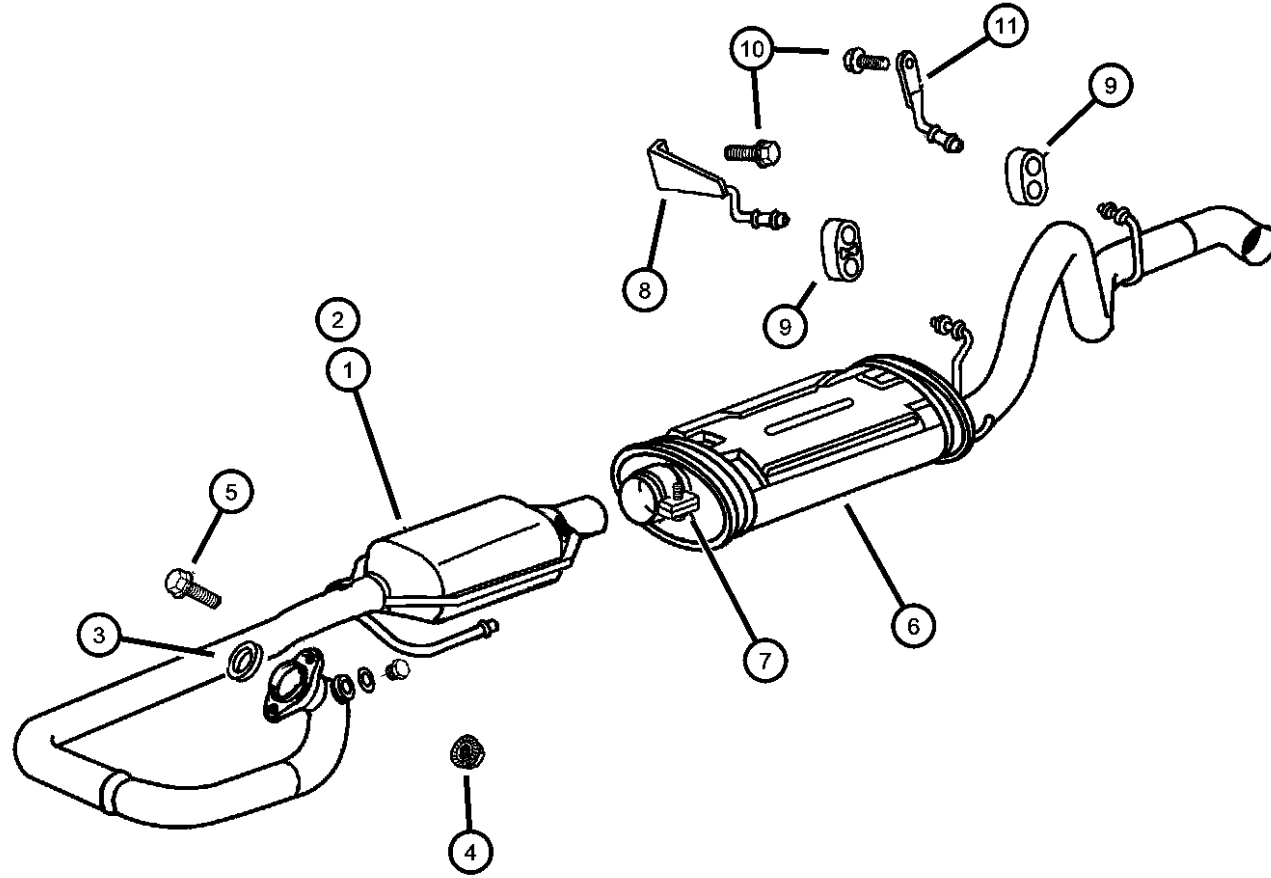
Exhaust System Fig. 11 - 110

Heat Shields

Heat Shields Fig. 11 - 210

<p>011-100 Exhaust System</p> 	<p>011-200 Heat Shields</p> 		
---	--	--	--

**Exhaust System
Figure 11-110**



ITEM	PART NUMBER	QTY	LINE	SERIES	BODY	ENGINE	TRANS	TRIM	DESCRIPTION
Note; DBB= All Manual Transmissions DG0= All Automatic Transmissions EP0= All 2.5L Engines ER0= All 4.0L Engines									
1	52018933AC E0015841	1				EP0	DBB, DG0		PIPE AND CONVERTER, Exhaust Mopar V-Line Alternative Part Direct Fit Converter
2	52018933AC E0015841	1				EP0	DBB, DG0		CONVERTER, Catalytic Federal, Europe Mopar V-Line Alternative Part Direct Fit Converter
	52018934AD E0015841	1				ER0	DBB, DG0		Federal Mopar V-Line Alternative Part Direct Fit Converter
	52020064AE E0015841	1				ER0	DBB, DG0		California Mopar V-Line Alternative Part Direct Fit Converter
	52101129AA E0015841	1				EP0	DBB, DG0		California Mopar V-Line Alternative Part Direct Fit Converter
3	52005431 E0031598	1				ER0			SEAL, Exhaust Mopar V-Line Alternative Part
4	J4005142	2				EP0, ER0			NUT, Hex Flange Lock
5	J4007109	2				ER0			STUD, .375-16x1.69
6	52019241AC E0021337 E0017345 E0054227	1				ER0			MUFFLER AND TAILPIPE, Exhaust Except Australia Mopar V-Line Alternative Part Muffler Dynomax Cat Back Single Exhaust Mopar V-Line Alternative Part Tailpipe
	52019241AD	1				ER0			Australia
	52019242AB	1				EP0			
7	52101040	1				EP0			CLAMP, Exhaust
		1				ER0			
8	52019408	1							HANGER, Muffler
9	52101035	2							INSULATOR, Exhaust

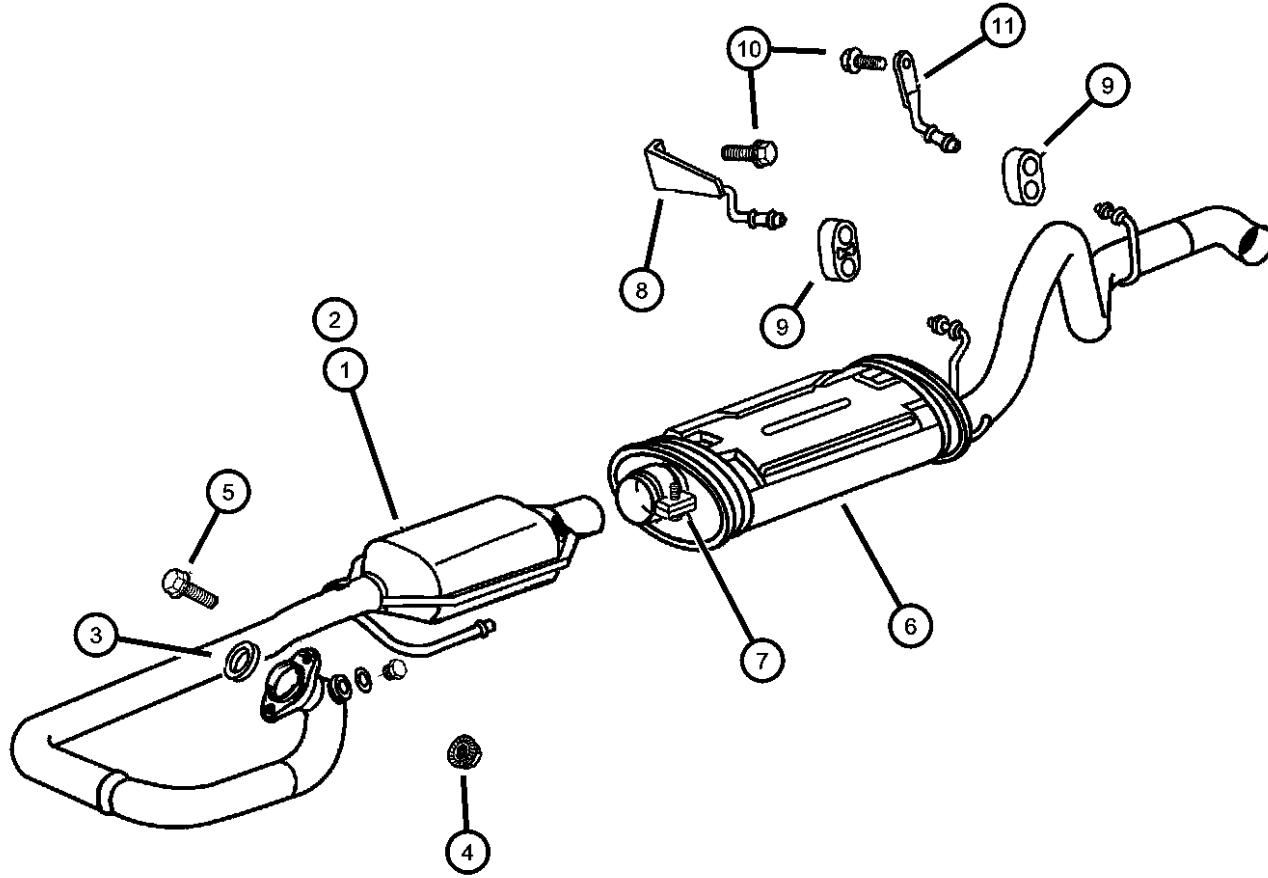
WRANGLER (TJ)

SERIES	LINE	BODY	ENGINE	TRANSMISSION
L = Low Line	J = JEEP - 4WD U = JEEP - 4WD (RHD)	77 = OPEN BODY 2-DOOR	EPE = ENGINE - 2.5L POWER TECH I-4 Cyl. ERH = ENGINE - 4.0L POWER TECH I-6	DDQ = TRANSMISSION - 5-SPEED MANUAL DGD = TRANSMISSION - 3-SPD. AUTOMATIC, 30RH DGG = TRANSMISSION - 3-SPD. AUTOMATIC, 32RH

AR = use ase required - = Non illustrated part

Exhaust System
Figure 11-110

ITEM	PART NUMBER	QTY	LINE	SERIES	BODY	ENGINE	TRANS	TRIM	DESCRIPTION
10	J4001933	4							SCREW, Hex Flange Head, .312-x18x.875
11	52019413	1							HANGER, Exhaust
-12									RESONATOR, Exhaust
	52020050AB	1				EP0	DBB		
	52021000AB	1				ER0			



WRANGLER (TJ)

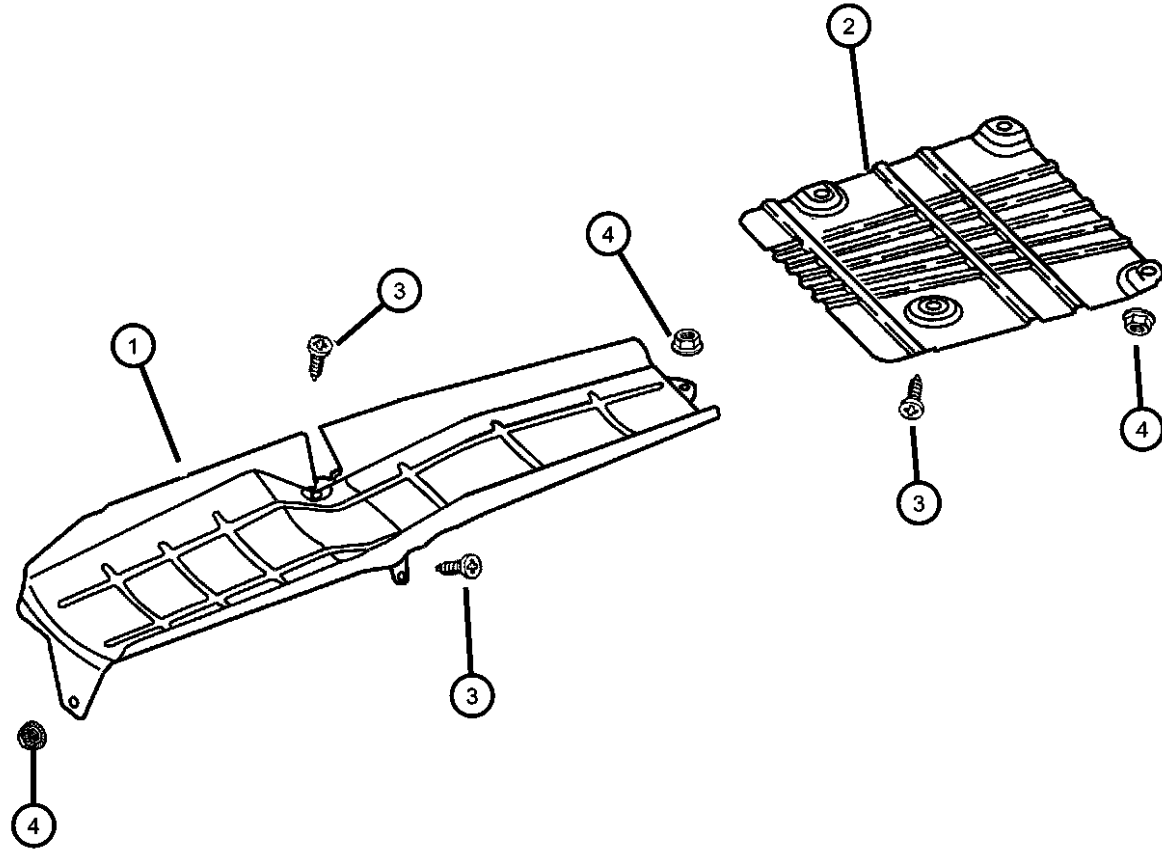
SERIES	LINE	BODY	ENGINE	TRANSMISSION
L = Low Line	J = JEEP - 4WD U = JEEP - 4WD (RHD)	77 = OPEN BODY 2-DOOR	EPE = ENGINE - 2.5L POWER TECH I-4 Cyl. ERH = ENGINE - 4.0L POWER TECH I-6	DDQ = TRANSMISSION - 5-SPEED MANUAL DGD = TRANSMISSION - 3-SPD. AUTOMATIC, 30RH DGG = TRANSMISSION - 3-SPD. AUTOMATIC, 32RH

AR = use ase required - = Non illustrated part

1999 TJ

Heat Shields
Figure 11-210

ITEM	PART NUMBER	QTY	LINE	SERIES	BODY	ENGINE	TRANS	TRIM	DESCRIPTION
1	55176694AD	1							SHIELD, Muffler
2	55176205	1							SHIELD, Muffler
3	55176205	1							SCREW, .250-20x.625, (NOT SERVICED)
4	J0120375	4							NUT, Hex, .250-20



WRANGLER (TJ)

SERIES

LINE

BODY

ENGINE

TRANSMISSION

L = Low Line

J = JEEP - 4WD

77 = OPEN BODY 2-DOOR

EPE = ENGINE - 2.5L POWER TECH I-4 Cyl.

DDQ = TRANSMISSION - 5-SPEED MANUAL

U = JEEP - 4WD (RHD)

ERH = ENGINE - 4.0L POWER TECH I-6

DGD = TRANSMISSION - 3-SPD. AUTOMATIC, 30RH

DGG = TRANSMISSION - 3-SPD. AUTOMATIC, 32RH

AR = use ase required - = Non illustrated part

1999 TJ

Group - 13

Frames and Bumpers

Group - 13 Frames and Bumpers

Group-Fig. No.

Illustration Title

Frames

Frame Fig. 13 - 110

Front Bumper and Fascia

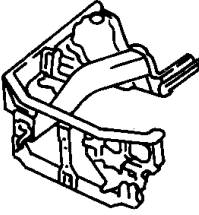
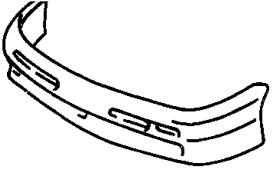


Bumper, Front Fig. 13 - 210

Rear Bumper and Fascia

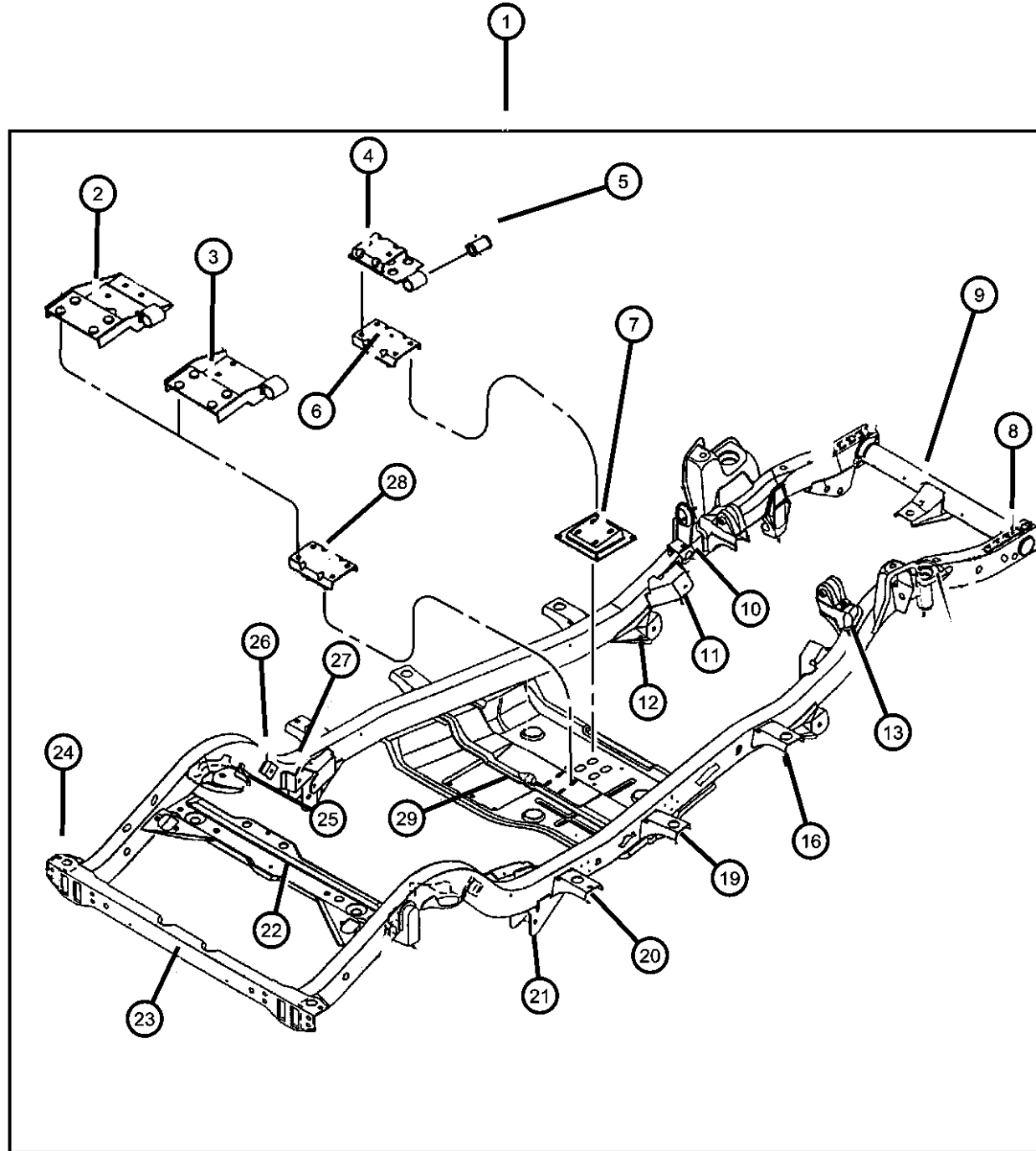
Bumper, Rear Fig. 13 - 310

Body Hold Down

Body Mounting Hardware Fig. 13 - 510

<p>013-100 Frames</p> 	<p>013-200 Front Bumper and Fascia</p> 	<p>013-300 Rear Bumper and Fascia</p> 	<p>013-500 Body Hold Down</p> 
--	---	---	--

Frame
Figure 13-110



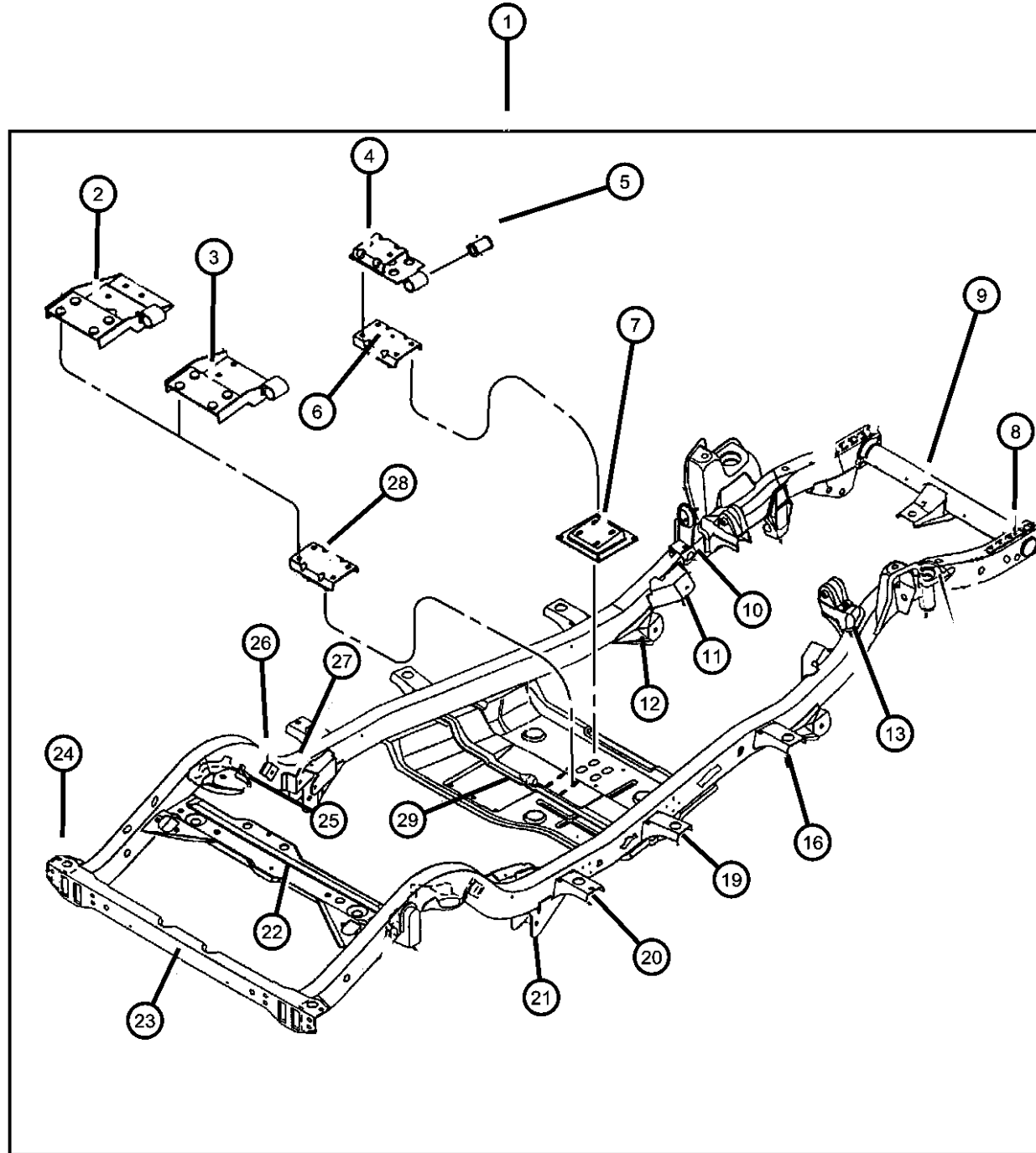
ITEM	PART NUMBER	QTY	LINE	SERIES	BODY	ENGINE	TRANS	TRIM	DESCRIPTION
Note: Sales Code EP0 = 2.5L Gas Engine Note: Sales Code ER0 = 4.0L Gas Engine									
1									FRAME, Chassis
	52058811AC	1	J						w/4.0L Eng.
	52058813AC	1	J						w/2.5L Eng.
	52058815AC	1	U						w/4.0L Eng.
	52058817AC	1	U						w/2.5L Eng.
2	52058618	1							BRACKET, Transmission Mount, Trans. Support
3	52058546	1							BRACKET, Transmission Mount, Trans. Support
4	52058548	1							BRACKET, Transmission Mount, Trans. Support
5	52085085	1							BUSHING, Exhaust Hanger
6	52058551AB	1							MOUNT, Transmission, Trans. Support
7	52058863	1							BRACKET, Transmission Mount, Trans. Supprt
8									PLATE, Suspension
	52058430	2	J						
		2	U						
9									CROSSMEMBER, Underbody
	05003819AA	1	J						
		1	U						
10									BRACKET, Frame Rail
	52058893	1	J						
	52058894	1	U						
11									BRACKET, Frame Rail
	52058160AB	1	J						Right
		1	U						Right
	52058161AB	1	J						Left
		1	U						Left
12									BRACKET, Frame Rail
	52058090	1	J						Right
		1	U						Right
	52058091	1	J						Left
		1	U						Left

WRANGLER (TJ)

SERIES	LINE	BODY	ENGINE	TRANSMISSION
L = Low Line	J = JEEP - 4WD U = JEEP - 4WD (RHD)	77 = OPEN BODY 2-DOOR	EPE = ENGINE - 2.5L POWER TECH I-4 Cyl. ERH = ENGINE - 4.0L POWER TECH I-6	DDQ = TRANSMISSION - 5-SPEED MANUAL DGD = TRANSMISSION - 3-SPD. AUTOMATIC, 30RH DGG = TRANSMISSION - 3-SPD. AUTOMATIC, 32RH

AR = use ase required - = Non illustrated part

Frame
Figure 13-110



ITEM	PART NUMBER	QTY	LINE	SERIES	BODY	ENGINE	TRANS	TRIM	DESCRIPTION
13									BRACKET, Engine Mount
	52058864	1	J						Upper, w/4.0L Eng., Right
		1	U						Upper, w/4.0L Eng., Right
	52058865	1	J						Upper, w/4.0L Eng., Left
		1	U						Upper, w/4.0L Eng., Left
	52058870	1	J						Upper, w/2.5L Eng., Right
		1	U						Upper, w/2.5L Eng., Right
	52058871	1	J						Upper, w/2.5L Eng., Left
		1	U						Upper, w/2.5L Eng., Left
-14									REINFORCEMENT, Engine Mount
	52058846	1	J						Right
		1	U						Right
	52058847	1	J						Left
		1	U						Left
-15									REINFORCEMENT, Engine Mount
	52058845	1	J						Left
		1	U						Left
	52058911	1	J						Right
		1	U						Right
16									BRACKET, Frame
	05003831AA	4	J						
		4	U						
-17									SCREW, Hex Flange Head
	06035836	6	J						
		6	U						
-18									NUT
	06035739	6	J						
		6	U						
19									BRACKET, Frame
	05003831AA	4	J						
		4	U						
20									BRACKET, Frame
	05003836AA	2	J						

WRANGLER (TJ)

SERIES

LINE

BODY

ENGINE

TRANSMISSION

L = Low Line

J = JEEP - 4WD

77 = OPEN BODY 2-DOOR

EPE = ENGINE - 2.5L POWER

DDQ = TRANSMISSION - 5-SPEED

U = JEEP - 4WD (RHD)

TECH I-4 Cyl.

MANUAL

ERH = ENGINE - 4.0L

DGD = TRANSMISSION - 3-SPD.

POWER TECH I-6

AUTOMATIC, 30RH

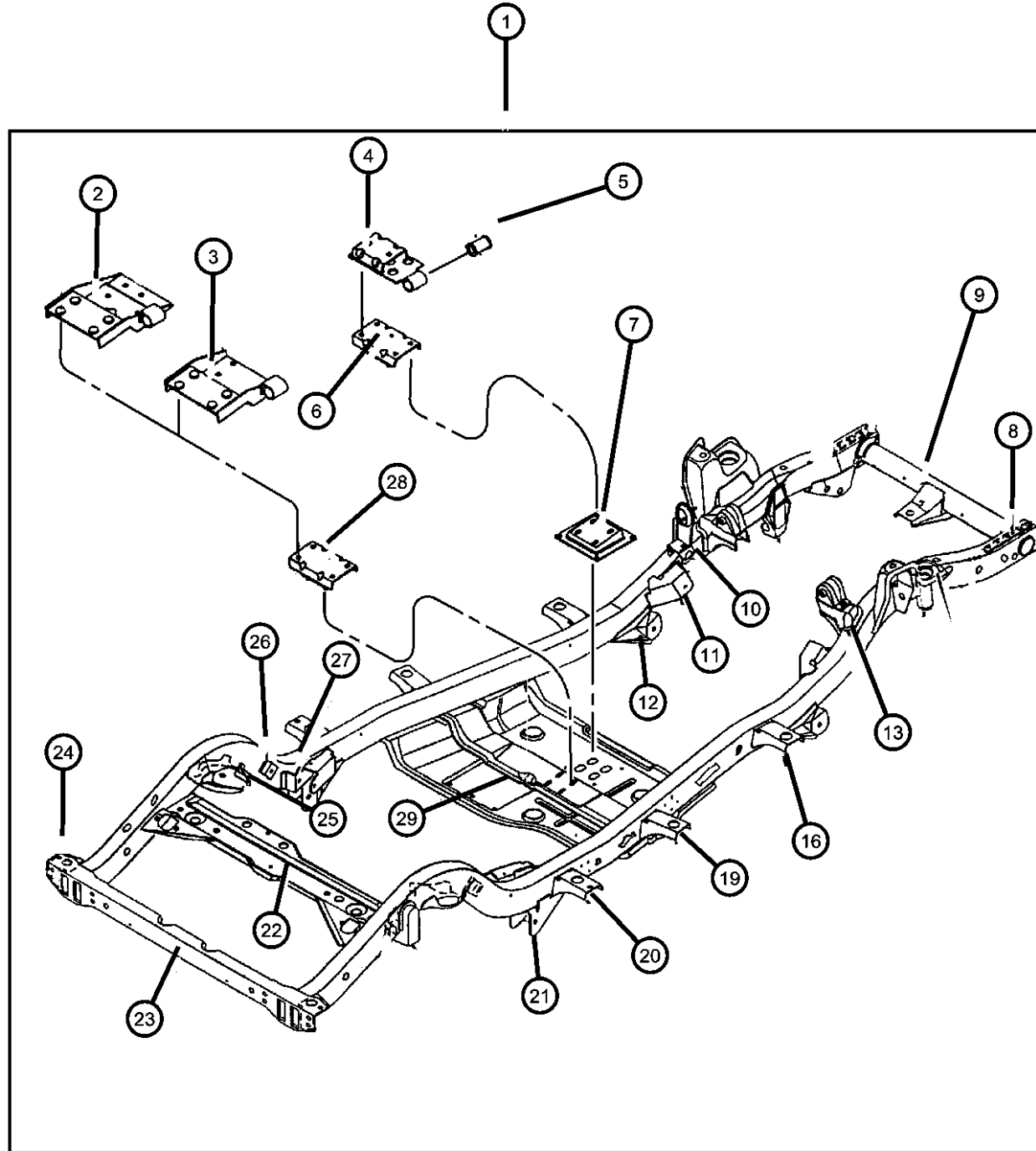
DGG = TRANSMISSION - 3-SPD.

AUTOMATIC, 32RH

AR = use ase required - = Non illustrated part

1999 TJ

Frame
Figure 13-110



ITEM	PART NUMBER	QTY	LINE	SERIES	BODY	ENGINE	TRANS	TRIM	DESCRIPTION
		2	U						
21									BRACKET, Frame Rail
	05003832AA	1	J						Right
		1	U						Right
	05003833AA	1	J						Left
		1	U						Left
22									CROSSMEMBER, Intermediate Rear
	52058136	1	J						
		1	U						
23									CROSSMEMBER, Rear Frame
	52058121AB	1	J						
		1	U						
24									REINFORCEMENT, Crossmember
	52058772	1	J						Right
		1	U						Right
	52058773	1	J						Left
		1	U						Left
25									BRACKET, Frame Rail
	52058420	1	J						Spring Mtg., Right
		1	U						Spring Mtg., Right
	52058421	1	J						Spring Mtg., Left
		1	U						Spring Mtg., Left
26									BRACKET, Stabilizer Bar
	52058632	2	J						
		2	U						
27									BRACKET, Upper Control Arm
	52058466AB	1	J						Right
		1	U						Right
	52058467AB	1	J						Left
		1	U						Left
28	52058551AB	1							MOUNT, Transmission, Trans. Support
29									SKID PLATE, Support

WRANGLER (TJ)

SERIES LINE
L = Low Line J = JEEP - 4WD
U = JEEP - 4WD (RHD)

BODY
77 = OPEN BODY 2-DOOR

ENGINE
EPE = ENGINE - 2.5L POWER TECH I-4 Cyl.
ERH = ENGINE - 4.0L POWER TECH I-6

TRANSMISSION
DDQ = TRANSMISSION - 5-SPEED MANUAL
DGD = TRANSMISSION - 3-SPD. AUTOMATIC, 30RH
DGG = TRANSMISSION - 3-SPD. AUTOMATIC, 32RH

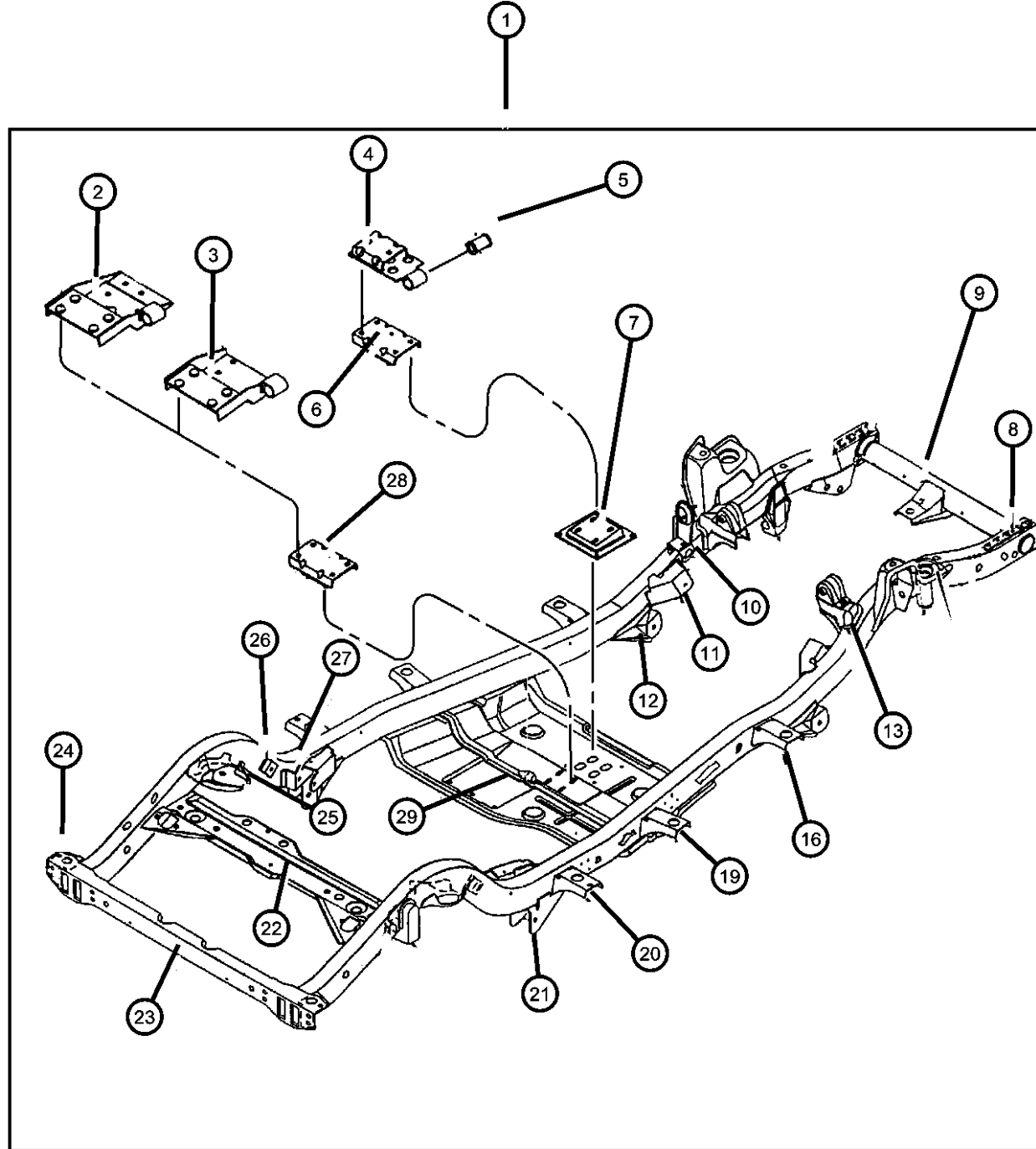
AR = use ase required - = Non illustrated part

1999 TJ

Frame
Figure 13-110

ITEM	PART NUMBER	QTY	LINE	SERIES	BODY	ENGINE	TRANS	TRIM	DESCRIPTION
------	-------------	-----	------	--------	------	--------	-------	------	-------------

52058133AC	1	J							
	1	U							



WRANGLER (TJ)

SERIES LINE BODY
 L = Low Line J = JEEP - 4WD
 U = JEEP - 4WD (RHD)

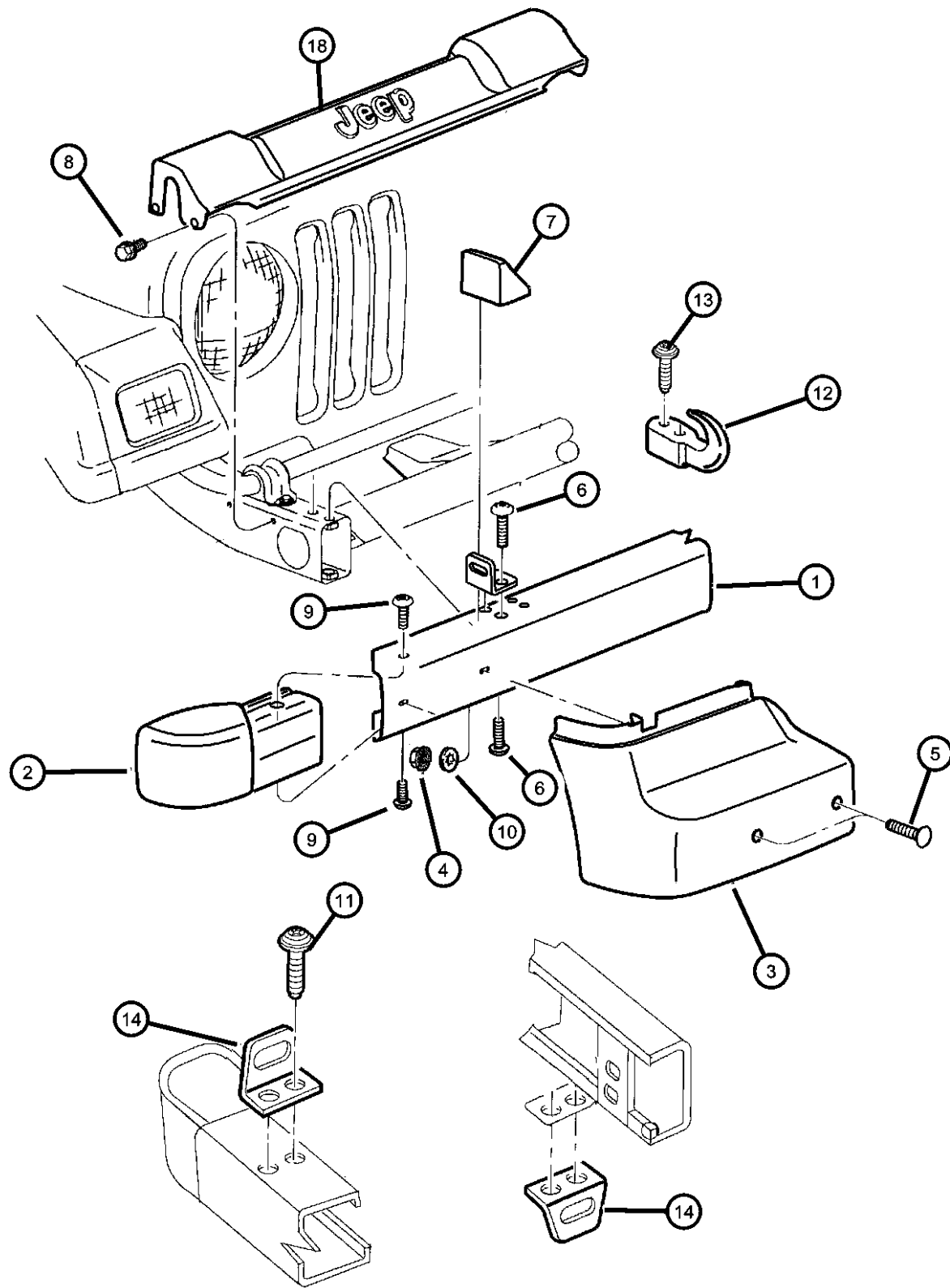
BODY
 77 = OPEN BODY 2-DOOR

ENGINE
 EPE = ENGINE - 2.5L POWER
 TECH I-4 Cyl.
 ERH = ENGINE - 4.0L
 POWER TECH I-6

TRANSMISSION
 DDQ = TRANSMISSION - 5-SPEED
 MANUAL
 DGD = TRANSMISSION - 3-SPD.
 AUTOMATIC, 30RH
 DGG = TRANSMISSION - 3-SPD.
 AUTOMATIC, 32RH

AR = use ase required - = Non illustrated part

Bumper, Front
Figure 13-210



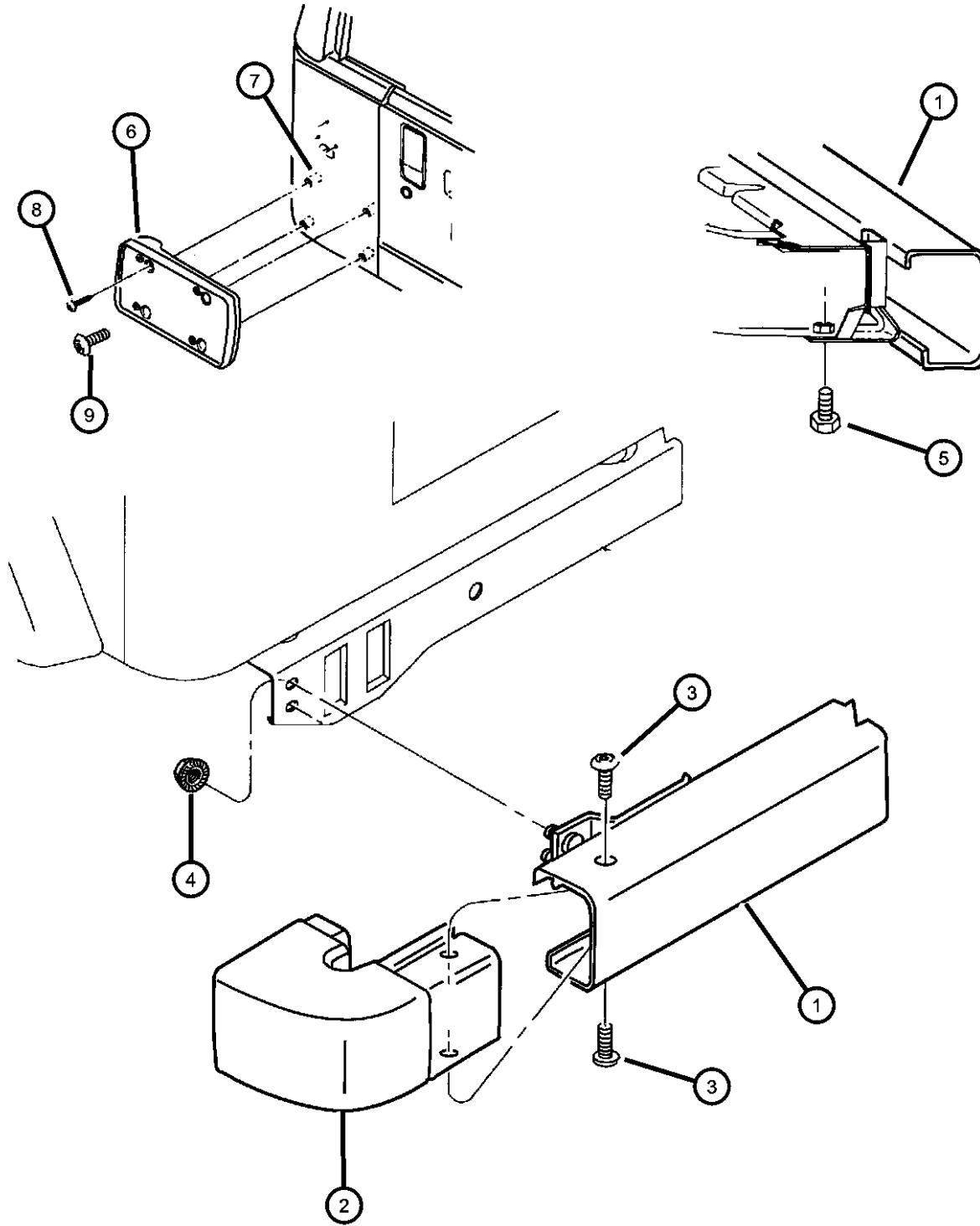
ITEM	PART NUMBER	QTY	LINE	SERIES	BODY	ENGINE	TRANS	TRIM	DESCRIPTION
1	5ED16JX8AD	1							BAR, Bumper Front - Painted
2									EXTENSION, Bumper
	55155756AA	1							Right
	55155757AA	1							Left
	55155762AA	1							Export, Right
	55155763AA	1							Export, Left
3									COVER, Bumper
	55155667AE	1							
	55155668AB	1							Export, Right
	55155669AB	1							Export, Left
4	06504723	4							BOLT
5	06504723	4							SCREW, Pan Head, (NOT SERVICED)
6	06504723	4							CAP, (NOT SERVICED)
7	06035052	4							SCREW AND WASHER, Hex Flange Head Tapping, .25-20x.625
8	06504212	2							SCREW, Large Round Washer Head Lock, M6x1.00x20.00
9	06100840	4							NUT, Spring
10	06101447	4							NUT AND WASHER, M6x1.00
11	06101447	4							SCREW, (NOT SERVICED)
12									HOOK, Tow
	52059015	1							Left
	52059016	1							Right
13	52059016	1							SCREW, (NOT SERVICED)
14									HOOK, Tow
	52059015	1							Left Front
	52059016	1							Right Front
	52059379AA	1							Rear
-15	06036060AA	4							SCREW
-16	06504662	4							RETAINER, Push On
-17	06504662	4							NUT, (NOT SERVICED)
18	55155667AF	1							COVER, Bumper
-19	52000240AC	2							GUARD, Bumper
-20	J4006126	2							NUT, Plastic

WRANGLER (TJ)

SERIES	LINE	BODY	ENGINE	TRANSMISSION
L = Low Line	J = JEEP - 4WD U = JEEP - 4WD (RHD)	77 = OPEN BODY 2-DOOR	EPE = ENGINE - 2.5L POWER TECH I-4 Cyl. ERH = ENGINE - 4.0L POWER TECH I-6	DDQ = TRANSMISSION - 5-SPEED MANUAL DGD = TRANSMISSION - 3-SPD. AUTOMATIC, 30RH DGG = TRANSMISSION - 3-SPD. AUTOMATIC, 32RH

AR = use ase required - = Non illustrated part

Bumper, Rear
Figure 13-310



ITEM	PART NUMBER	QTY	LINE	SERIES	BODY	ENGINE	TRANS	TRIM	DESCRIPTION
1	5ED18JX8AB	1							BAR, Bumper Rear - Black
	5EY03JX8AE	1							Export
2	55155760AA	1							EXTENSION, Bumper
	55155761AA	1							Right
	55155762AA	1							Left
	55155763AA	1							Export, Right
	55155763AA	1							Export, Left
3	06504212	2							SCREW, Large Round Washer Head Lock, M6x1.00x20.00
4	06504212	2							NUT, Hex, .437-14, (NOT REQUIRED)
5	06504212	2							SCREW, (NOT SERVICED)
6	55174994	1							BRACKET, License Plate, License Plate Mtg.
7	06504662	4							RETAINER, Push On
8	06504662	4							SCREW, (NOT SERVICED)
9	34201686	2							BOLT, Hex Flange Head, M12x1.18x35
-10	52059379AA	1							HOOK, Tow

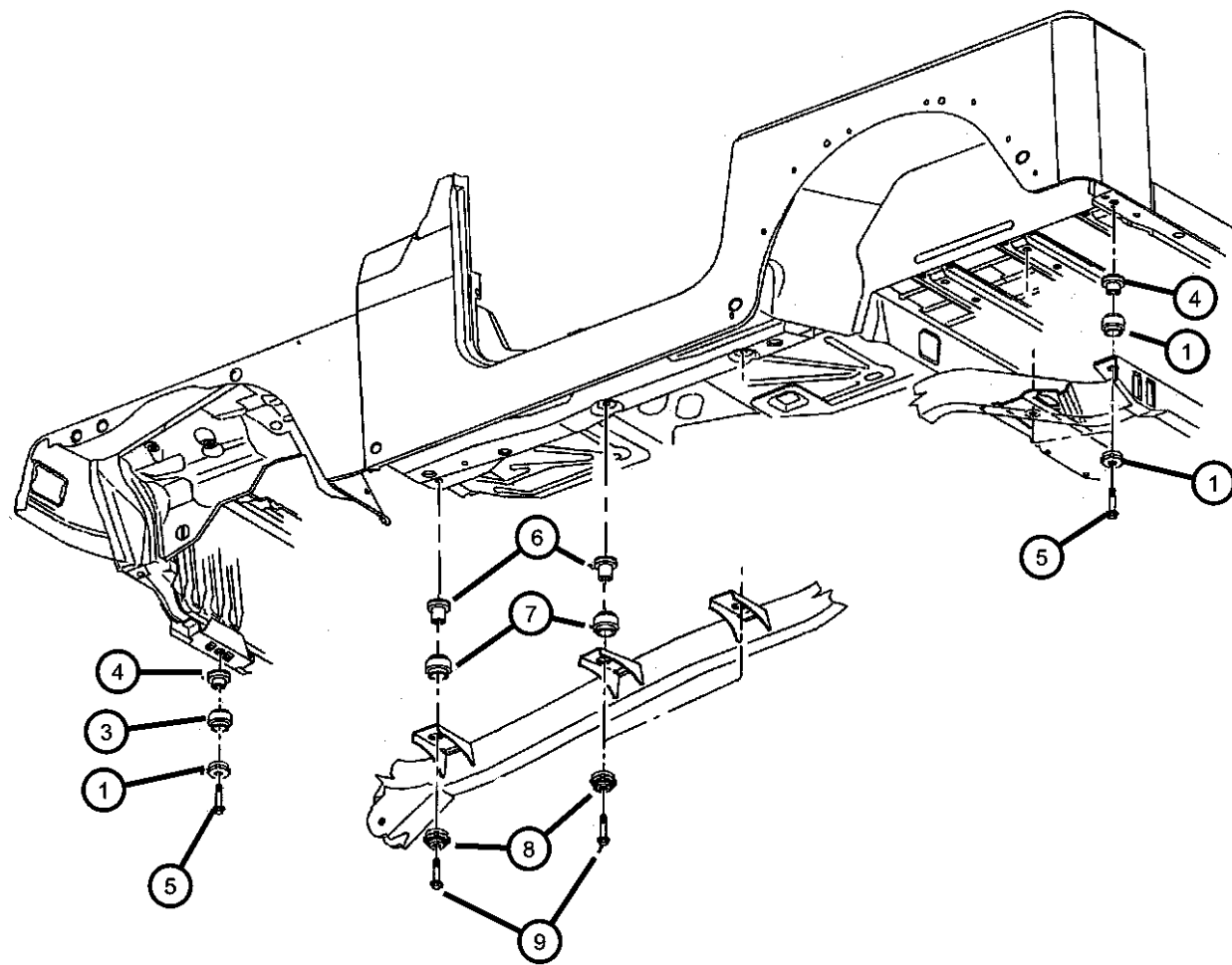
WRANGLER (TJ)

SERIES	LINE	BODY	ENGINE	TRANSMISSION
L = Low Line	J = JEEP - 4WD U = JEEP - 4WD (RHD)	77 = OPEN BODY 2-DOOR	EPE = ENGINE - 2.5L POWER TECH I-4 Cyl. ERH = ENGINE - 4.0L POWER TECH I-6	DDQ = TRANSMISSION - 5-SPEED MANUAL DGD = TRANSMISSION - 3-SPD. AUTOMATIC, 30RH DGG = TRANSMISSION - 3-SPD. AUTOMATIC, 32RH

AR = use ase required - = Non illustrated part

**Body Mounting Hardware
Figure 13-510**

ITEM	PART NUMBER	QTY	LINE	SERIES	BODY	ENGINE	TRANS	TRIM	DESCRIPTION
1	52001961	6							RETAINER, Body Mount
-2	06035438	1							SCREW
3	55176179	5							INSULATOR, Body Hold Down
4	55176178	5							INSULATOR, Body Hold Down
5	55176178	5							SCREW, .437-14x.75, Use J4007412, (NOT SERVICED)
6	52002661	5							RETAINER, Body Mount
7	55176177AB	6							INSULATOR, Body Hold Down
8	55176180	6							INSULATOR, Body Hold Down
9	J4007571	6							SCREW, Hex Flange Head, .50-13x3.75



WRANGLER (TJ)

SERIES	LINE	BODY	ENGINE	TRANSMISSION
L = Low Line	J = JEEP - 4WD U = JEEP - 4WD (RHD)	77 = OPEN BODY 2-DOOR	EPE = ENGINE - 2.5L POWER TECH I-4 Cyl. ERH = ENGINE - 4.0L POWER TECH I-6	DDQ = TRANSMISSION - 5-SPEED MANUAL DGD = TRANSMISSION - 3-SPD. AUTOMATIC, 30RH DGG = TRANSMISSION - 3-SPD. AUTOMATIC, 32RH

AR = use ase required - = Non illustrated part

1999 TJ

Group - 14

Fuel

Group - 14 Fuel

Group-Fig. No.

Illustration Title

Tank, Fuel

Fuel Tank Fig. 14 - 110

Fuel Tank Filler Tube

Fuel Filler Tube Fig. 14 - 210

Fuel Lines

Fuel Lines, Front Fig. 14 - 310

Fuel Lines, Rear Fig. 14 - 320

Fuel Lines, Front Fig. 14 - 335

Fuel Lines, Rear Fig. 14 - 340

Fuel Rail

Fuel Injection System Fig. 14 - 410

Fuel Pump and Sending Unit

Fuel Module Fig. 14 - 510

Throttle Body

Throttle Body Fig. 14 - 610

Throttle Controls

Throttle Controls Fig. 14 - 710

Air Cleaner

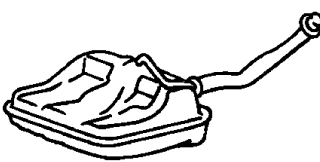
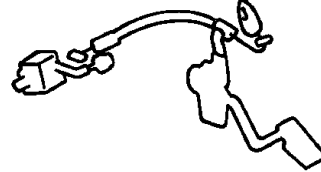

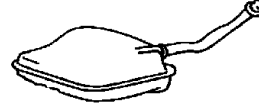
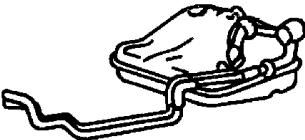
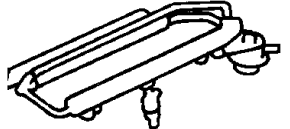
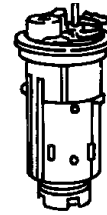

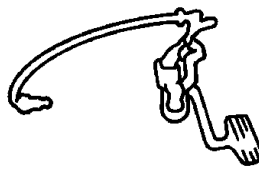
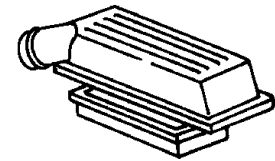
Air Cleaner Fig. 14 - 810

Speed Control

Speed Control Fig. 14 - 1010

Accelerator Pedal

Accelerator Pedal Fig. 14 - 1110

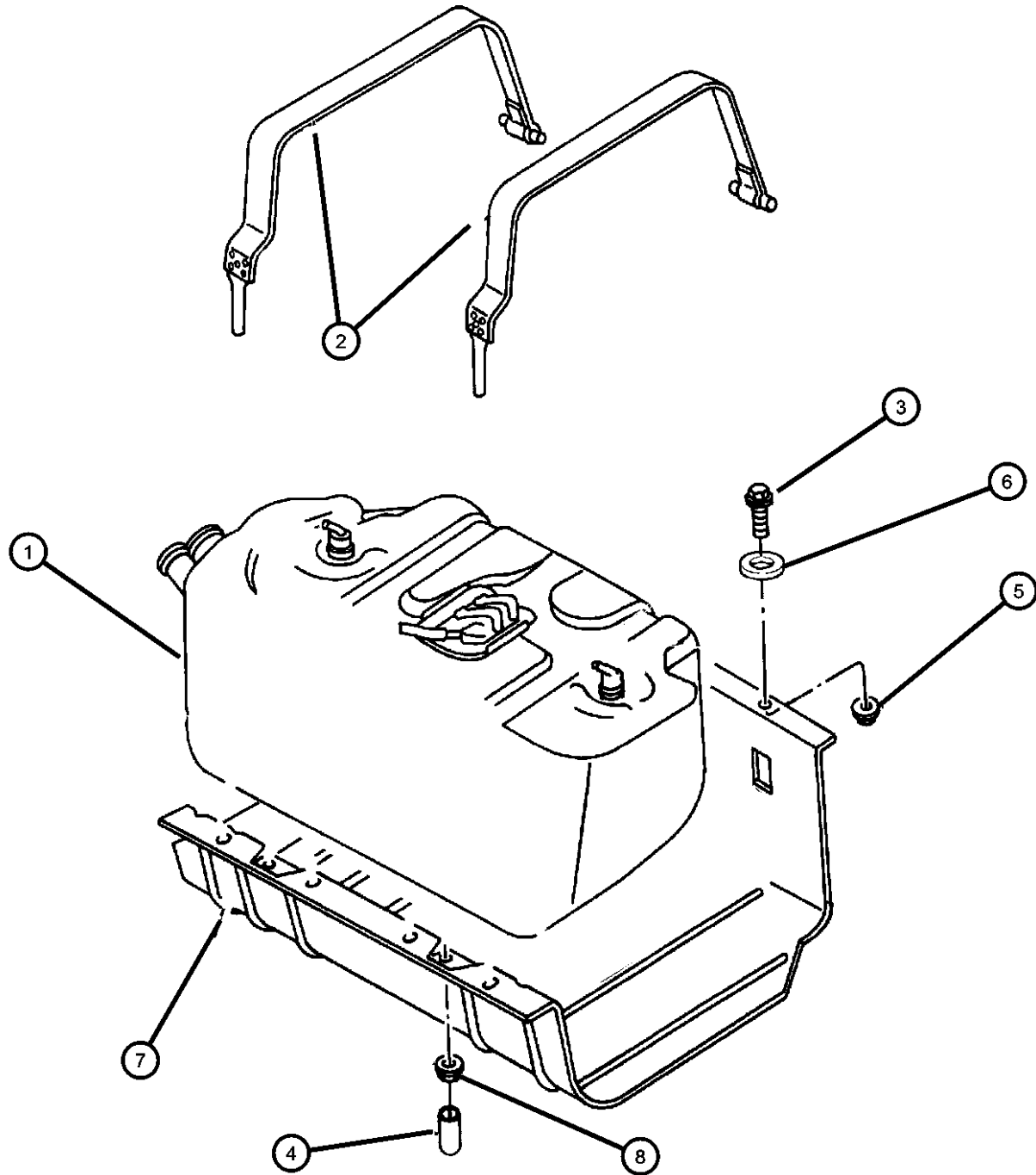
<p>014-100 Tank, Fuel</p> 	<p>014-1000 Speed Control</p> 	<p>014-1100 Accelerator Pedal</p> 	<p>014-200 Fuel Tank Filler Tube</p> 
<p>014-300 Fuel Lines</p> 	<p>014-400 Fuel Rail</p> 	<p>014-500 Fuel Pump and Sending Unit</p> 	<p>014-600 Throttle Body</p> 
<p>014-700 Throttle Controls</p> 	<p>014-800 Air Cleaner</p> 		

**Fuel Tank
Figure 14-110**

ITEM	PART NUMBER	QTY	LINE	SERIES	BODY	ENGINE	TRANS	TRIM	DESCRIPTION
------	-------------	-----	------	--------	------	--------	-------	------	-------------

NOTE: EP0=All 2.5L Gas Engines
ER0= All 4.0L Gas Engines

1	52018687AB	1				EP0, ER0			TANK, Fuel 15 Gallon
	52018768AB	1				EP0, ER0			19 Gallon
2	52100235	2							STRAP, Fuel Tank
3	J4005819	7							BOLT, .312-18x.750
4	52018098	2							CAP, Support Strap Stud
5	J4003954	7							NUT, Hex
6	J4005293	7							RETAINER, Push In Type M6.3 Hole
7	52100219	1							PLATE, Skid
8	J4003587	2							NUT, Hex



WRANGLER (TJ)

SERIES	LINE	BODY	ENGINE	TRANSMISSION
L = Low Line	J = JEEP - 4WD U = JEEP - 4WD (RHD)	77 = OPEN BODY 2-DOOR	EPE = ENGINE - 2.5L POWER TECH I-4 Cyl. ERH = ENGINE - 4.0L POWER TECH I-6	DDQ = TRANSMISSION - 5-SPEED MANUAL DGD = TRANSMISSION - 3-SPD. AUTOMATIC, 30RH DGG = TRANSMISSION - 3-SPD. AUTOMATIC, 32RH

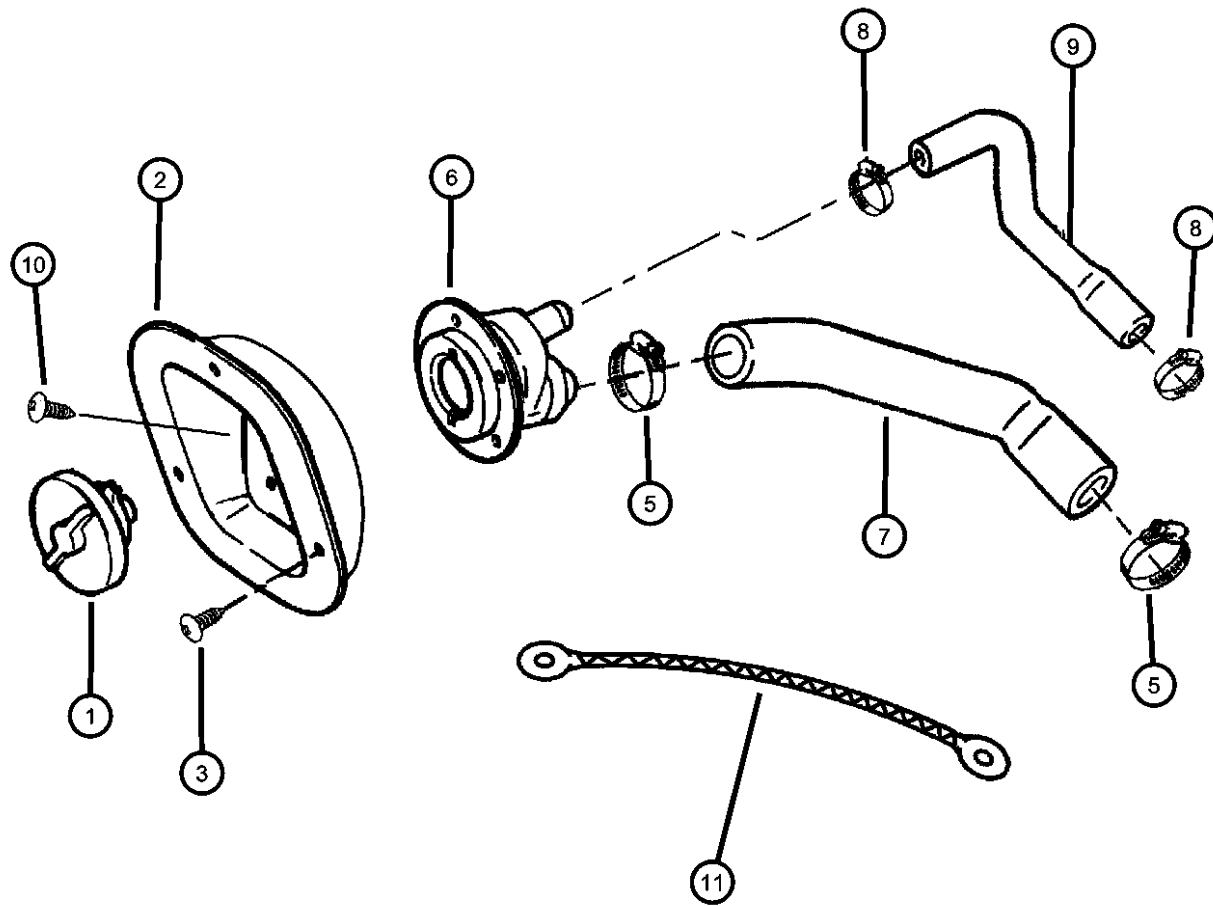
AR = use ase required - = Non illustrated part

1999 TJ

Fuel Filler Tube
Figure 14-210

ITEM	PART NUMBER	QTY	LINE	SERIES	BODY	ENGINE	TRANS	TRIM	DESCRIPTION
------	-------------	-----	------	--------	------	--------	-------	------	-------------

Note; EP0= All 2.5L Engines
ER0= All 4.0L Engines



1	52100116AB	1							CAP, Fuel Filler Non Locking, Export
		1							Non Locking, Canada
	52127863AB	1							Non Locking, Federal
	82202338	1							Locking
2	52127675AB	1							HOUSING, Fuel Filler
3	52127675AB	1							SCREW, [.190-16x.500], (NOT SERVICED)
-4	00153651	4							SCREW AND WASHER, .190-16x.500
5	06502090	1				EP0, ER0			CLAMP, Hose
6									TUBE, Fuel Filler
	52079325	1				EP0, ER0			Export
	52079325AB	1				EP0, ER0			Federal, Canada, Europe
	52079326	1				EP0, ER0			Leaded Gas
7	52100032AD	1				EP0, ER0			HOSE, Fuel Filler
8	J3203077	1				EP0, ER0			CLAMP, Hose
9	52100033AD	1				EP0, ER0			HOSE, Fuel Tank Vent
10	00153832	4							SCREW, .190-16x1.00
11	52100212	1				EP0, ER0			STRAP, Ground

WRANGLER (TJ)

SERIES LINE
L = Low Line J = JEEP - 4WD
U = JEEP - 4WD (RHD)

BODY
77 = OPEN BODY 2-DOOR

ENGINE
EPE = ENGINE - 2.5L POWER TECH I-4 Cyl.
ERH = ENGINE - 4.0L POWER TECH I-6

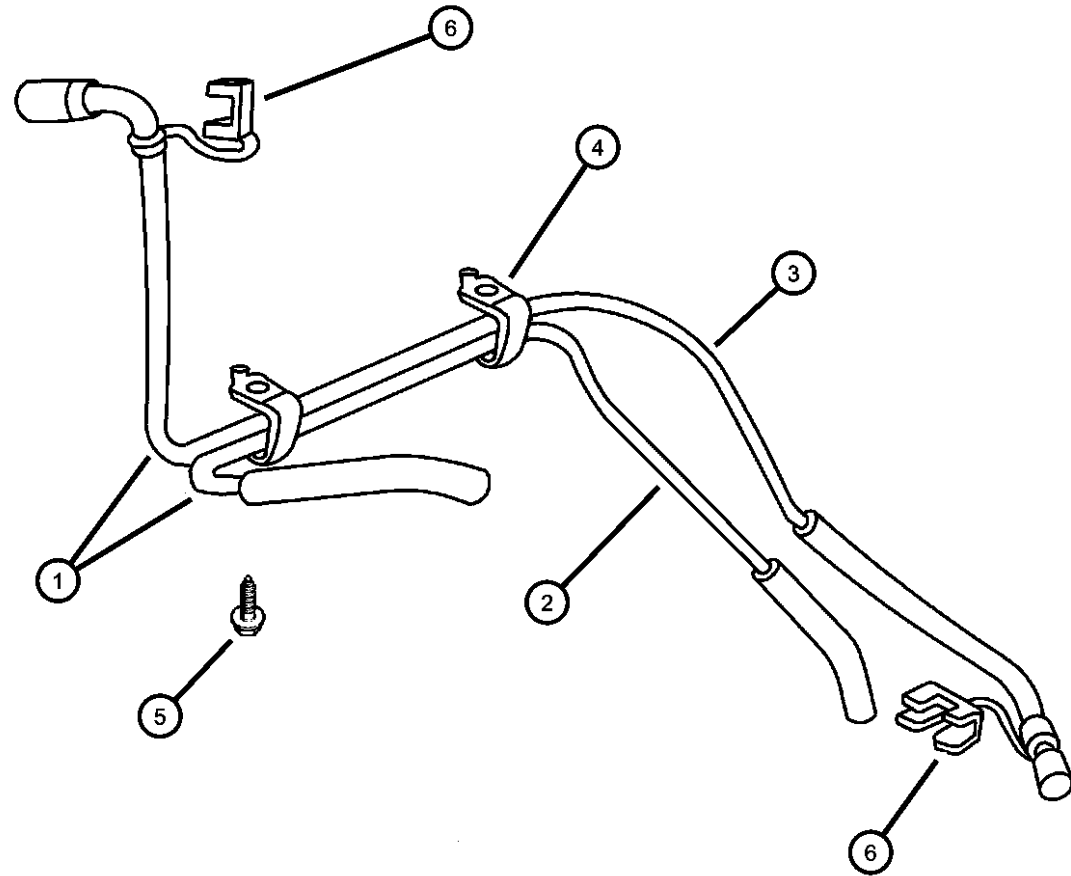
TRANSMISSION
DDQ = TRANSMISSION - 5-SPEED MANUAL
DGD = TRANSMISSION - 3-SPD. AUTOMATIC, 30RH
DGG = TRANSMISSION - 3-SPD. AUTOMATIC, 32RH

AR = use ase required - = Non illustrated part

1999 TJ

Fuel Lines, Front
Figure 14-310

ITEM	PART NUMBER	QTY	LINE	SERIES	BODY	ENGINE	TRANS	TRIM	DESCRIPTION
Note: All 2.5L Engines									
1	52100278AE	1				EPO			BUNDLE, Fuel Line
2	52127628AB	1				EPO			TUBE, Fuel
3	52127628AB	1							TUBE, Fuel Vapor, Serviced in Fuel Bundle, (NOT SERVICED)
4	52127628AB	1							CLIP, Fuel Line, (NOT SERVICED)
5	06101786	2				EPO			SCREW, Self Tapping, M6x1x15
6	52127788	2				EPO			CLIP, Fuel Line



WRANGLER (TJ)

SERIES	LINE	BODY	ENGINE	TRANSMISSION
L = Low Line	J = JEEP - 4WD U = JEEP - 4WD (RHD)	77 = OPEN BODY 2-DOOR	EPE = ENGINE - 2.5L POWER TECH I-4 Cyl. ERH = ENGINE - 4.0L POWER TECH I-6	DDQ = TRANSMISSION - 5-SPEED MANUAL DGD = TRANSMISSION - 3-SPD. AUTOMATIC, 30RH DGG = TRANSMISSION - 3-SPD. AUTOMATIC, 32RH

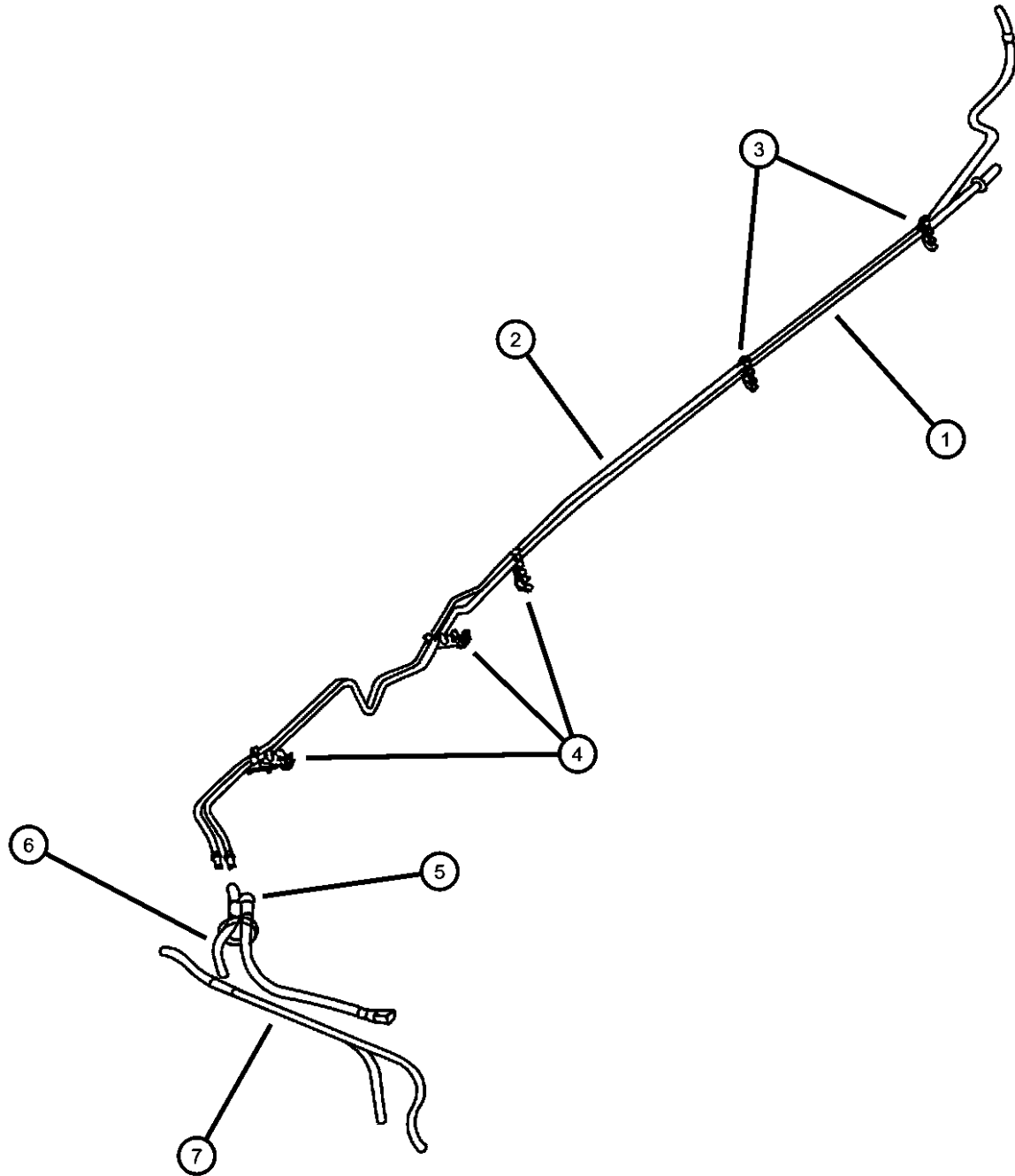
AR = use ase required - = Non illustrated part

Fuel Lines, Rear
Figure 14-320

ITEM	PART NUMBER	QTY	LINE	SERIES	BODY	ENGINE	TRANS	TRIM	DESCRIPTION
------	-------------	-----	------	--------	------	--------	-------	------	-------------

Note; EP0= All 2.5L Engines
ER0= All 4.0L Engines

1	52127502	1				EP0, ER0			TUBE, Fuel Supply
2	52127601	1				EP0, ER0			TUBE, Fuel Vapor
3	34202371	2				EP0, ER0			CLIP, Quad Tubes
4	52007995	3				EP0, ER0			CLIP, Five Way Fastener
5	52100167	1				EP0, ER0			BUNDLE, Fuel Line
6	HFV00316	1				EP0, ER0			HOSE, Fuel And Vapor, 25 Foot Roll 3/16"
7	52100185AB	1				EP0, ER0			HOSE, Fuel Vapor



WRANGLER (TJ)

SERIES	LINE	BODY	ENGINE	TRANSMISSION
L = Low Line	J = JEEP - 4WD U = JEEP - 4WD (RHD)	77 = OPEN BODY 2-DOOR	EPE = ENGINE - 2.5L POWER TECH I-4 Cyl. ERH = ENGINE - 4.0L POWER TECH I-6	DDQ = TRANSMISSION - 5-SPEED MANUAL DGD = TRANSMISSION - 3-SPD. AUTOMATIC, 30RH DGG = TRANSMISSION - 3-SPD. AUTOMATIC, 32RH

AR = use ase required - = Non illustrated part

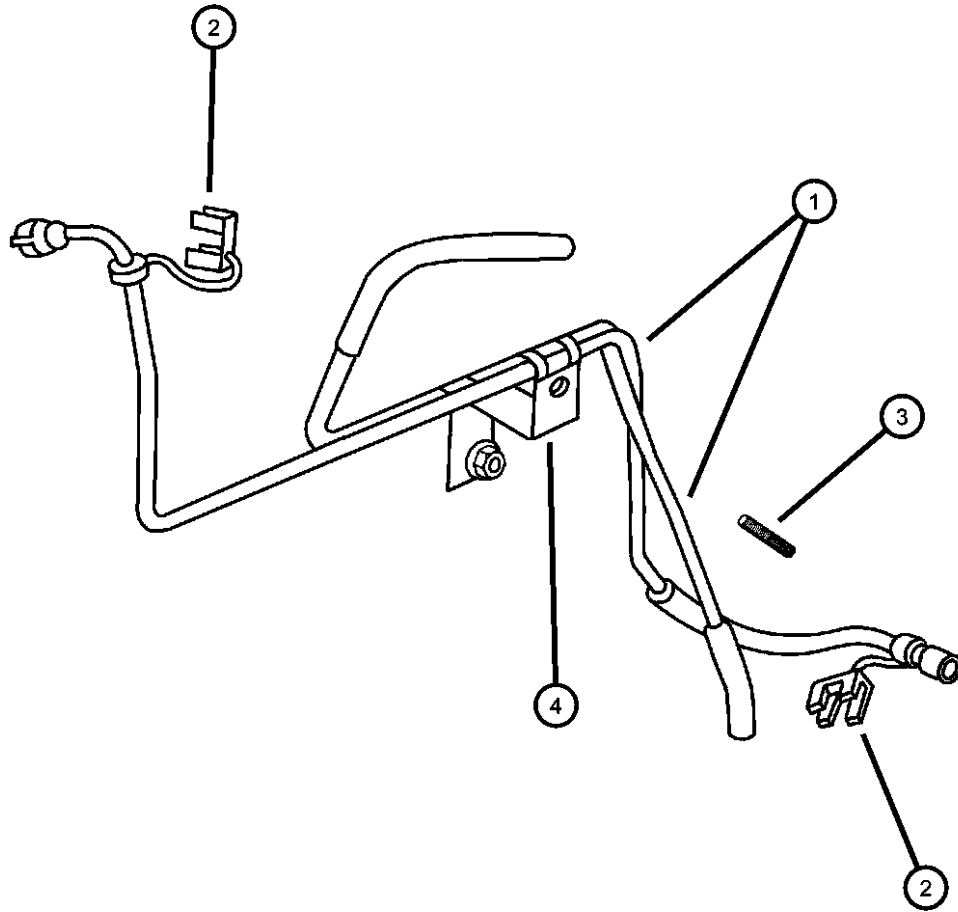
1999 TJ

Fuel Lines, Front
Figure 14-335

ITEM	PART NUMBER	QTY	LINE	SERIES	BODY	ENGINE	TRANS	TRIM	DESCRIPTION
------	-------------	-----	------	--------	------	--------	-------	------	-------------

Note; ER0= All 4.0L Engines

1	52100272AF	1				ER0			BUNDLE, Fuel Line
2	52127788	2				ER0			CLIP, Fuel Line
3	06505600AA	1				ER0			STUD
4	06505600AA	1							BRACKET, (NOT SERVICED)



WRANGLER (TJ)

SERIES	LINE	BODY	ENGINE	TRANSMISSION
L = Low Line	J = JEEP - 4WD U = JEEP - 4WD (RHD)	77 = OPEN BODY 2-DOOR	EPE = ENGINE - 2.5L POWER TECH I-4 Cyl. ERH = ENGINE - 4.0L POWER TECH I-6	DDQ = TRANSMISSION - 5-SPEED MANUAL DGD = TRANSMISSION - 3-SPD. AUTOMATIC, 30RH DGG = TRANSMISSION - 3-SPD. AUTOMATIC, 32RH

AR = use ase required - = Non illustrated part

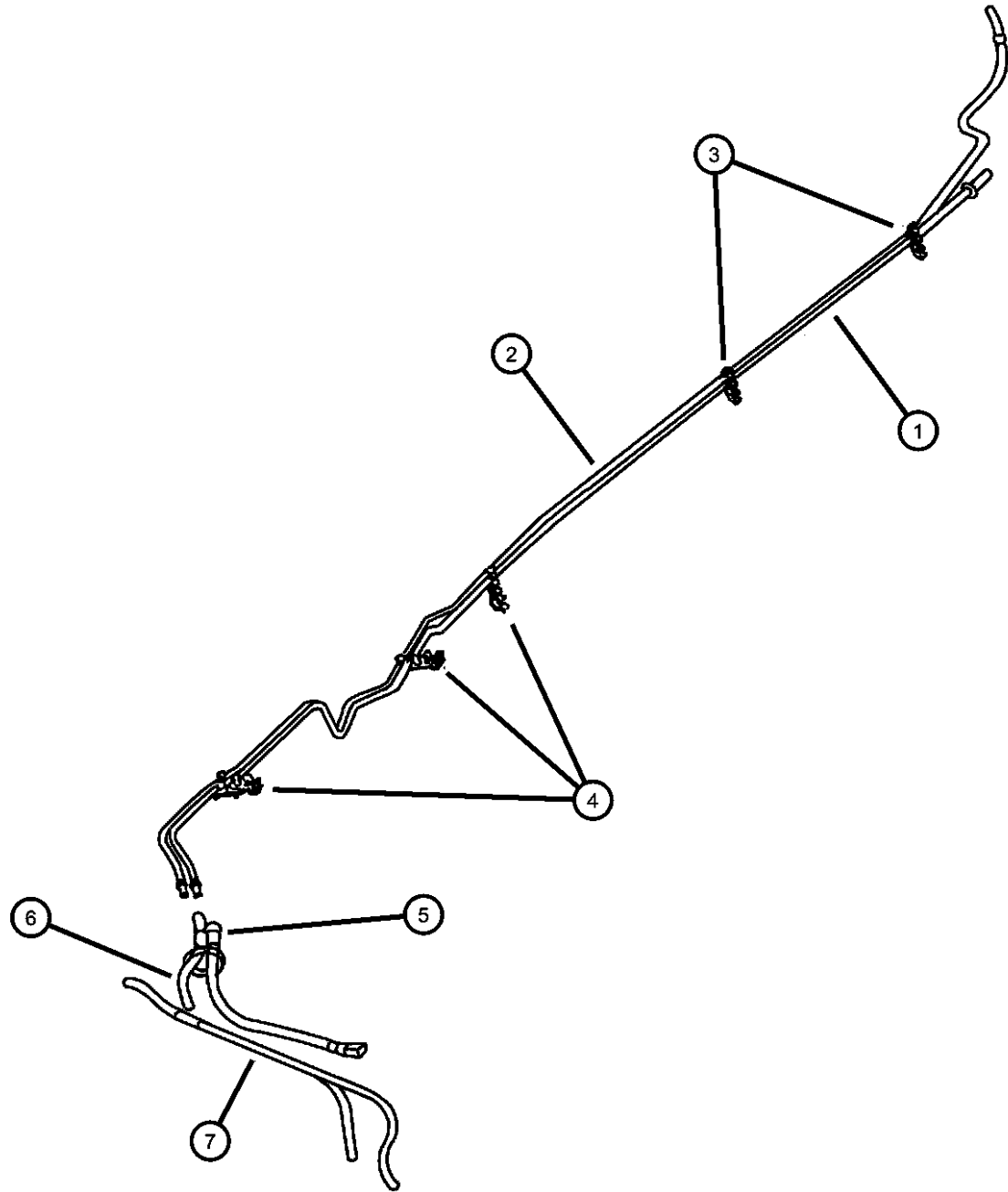
1999 TJ

Fuel Lines, Rear
Figure 14-340

ITEM	PART NUMBER	QTY	LINE	SERIES	BODY	ENGINE	TRANS	TRIM	DESCRIPTION
------	-------------	-----	------	--------	------	--------	-------	------	-------------

Note; EP0= All 2.5L Engines
ER0= All 4.0L Engines

1	52127502	1				EP0, ER0			TUBE, Fuel Supply
2	52127601	1				EP0, ER0			TUBE, Fuel Vapor
3	34202371	2				EP0, ER0			CLIP, Quad Tubes
4	52007995	3				EP0, ER0			CLIP, Five Way Fastener
5	52100167	1				EP0, ER0			BUNDLE, Fuel Line
6	HFV00316	1				EP0, ER0			HOSE, Fuel And Vapor, 25 Foot Roll 3/16"
7	52100185AB	1				EP0, ER0			HOSE, Fuel Vapor



WRANGLER (TJ)

SERIES	LINE	BODY	ENGINE	TRANSMISSION
L = Low Line	J = JEEP - 4WD U = JEEP - 4WD (RHD)	77 = OPEN BODY 2-DOOR	EPE = ENGINE - 2.5L POWER TECH I-4 Cyl. ERH = ENGINE - 4.0L POWER TECH I-6	DDQ = TRANSMISSION - 5-SPEED MANUAL DGD = TRANSMISSION - 3-SPD. AUTOMATIC, 30RH DGG = TRANSMISSION - 3-SPD. AUTOMATIC, 32RH

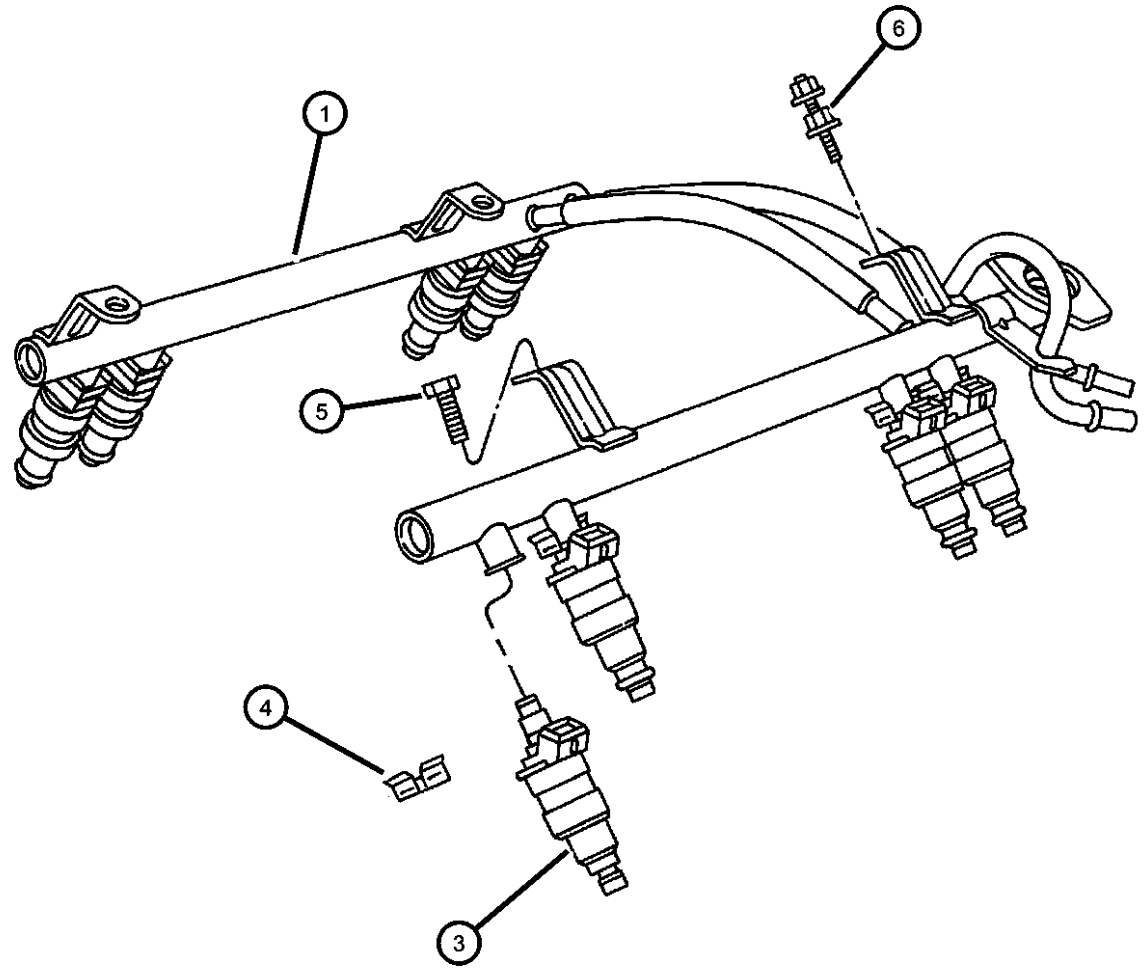
AR = use ase required - = Non illustrated part

1999 TJ

Fuel Injection System
Figure 14-410

ITEM	PART NUMBER	QTY	LINE	SERIES	BODY	ENGINE	TRANS	TRIM	DESCRIPTION
------	-------------	-----	------	--------	------	--------	-------	------	-------------

Note; EP0= All 2.5L Engines
ER0= All 4.0L Engines



1									RAIL, Fuel
	05013157AA	1				EP0			
	53030699	1				ER0			
-2	53030699	1							RAIL PACKAGE, Fuel, (NOT REQUIRED)
3									INJECTOR, Fuel
	04854181	6				ER0			
	53030778	4				EP0			
4									CLIP, Fuel Injector
	04418257	6				ER0			
		4				EP0			
5	06501979	3				ER0			SCREW AND WASHER, Hex Head, M6x1x17
6	06502086	2				EP0			STUD
-7	06502647	2				ER0			STUD, M6x1.00x44
-8									CAP
	05018781AA	1				EP0			Diagnostic Port
		1				ER0			Diagnostic Port

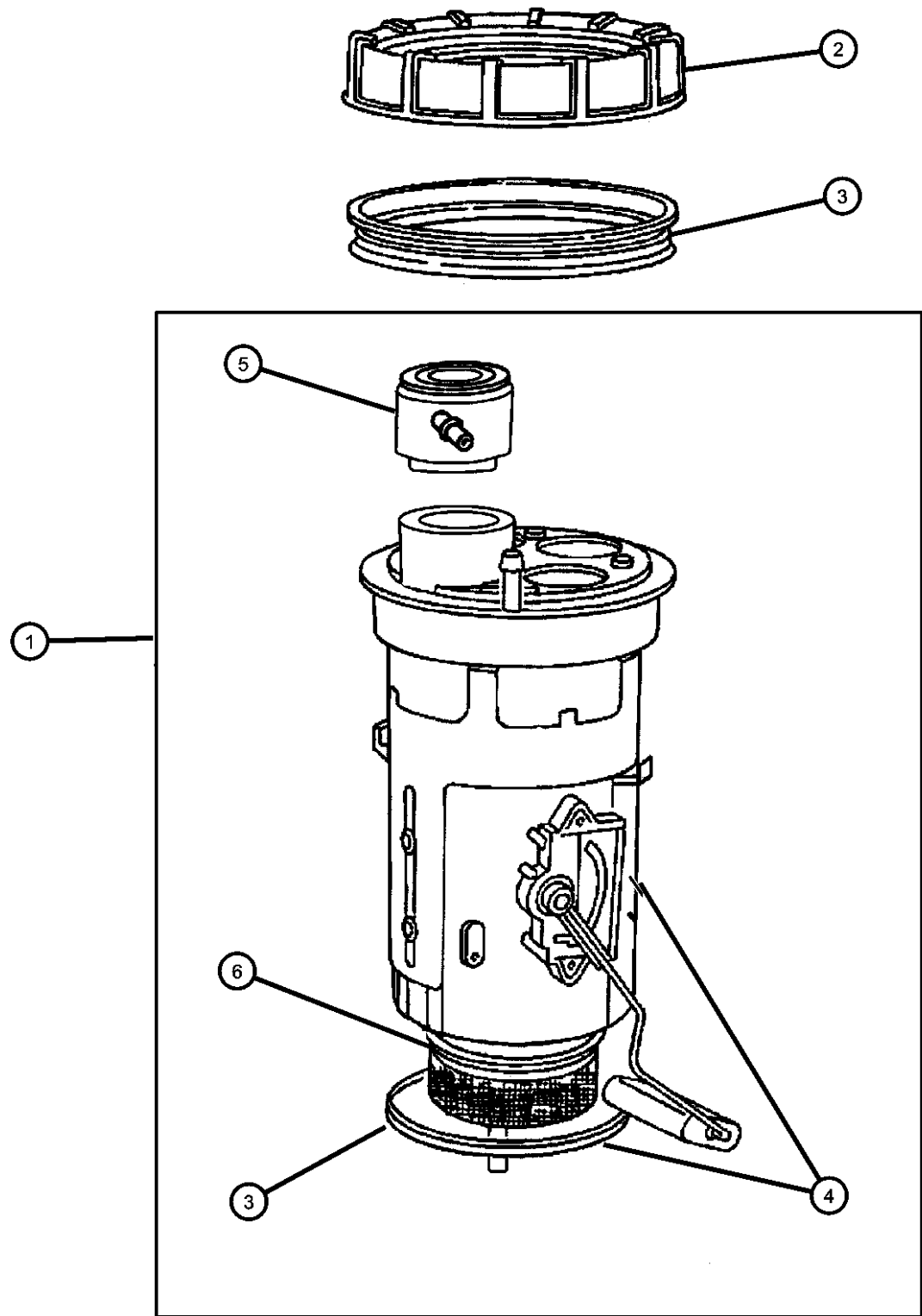
WRANGLER (TJ)

SERIES	LINE	BODY	ENGINE	TRANSMISSION
L = Low Line	J = JEEP - 4WD U = JEEP - 4WD (RHD)	77 = OPEN BODY 2-DOOR	EPE = ENGINE - 2.5L POWER TECH I-4 Cyl. ERH = ENGINE - 4.0L POWER TECH I-6	DDQ = TRANSMISSION - 5-SPEED MANUAL DGD = TRANSMISSION - 3-SPD. AUTOMATIC, 30RH DGG = TRANSMISSION - 3-SPD. AUTOMATIC, 32RH

AR = use ase required - = Non illustrated part

Fuel Module
Figure 14-510

ITEM	PART NUMBER	QTY	LINE	SERIES	BODY	ENGINE	TRANS	TRIM	DESCRIPTION
Note; EP0= All 2.5L Engines ER0= All 4.0L Engines									
1	05012951AB	1				EP0, ER0			MODULE PACKAGE, Fuel Tank 15 Gallon
	05012952AB	1				EP0, ER0			19 Gallon
2	52005389	1				EP0, ER0			NUT, Fuel Pump Module
3	52018808	1				EP0, ER0			SEAL, Fuel Pump and Level Unit
4	04897756AD	1				EP0, ER0			LEVEL UNIT PACKAGE, Fuel 15 Gallon
	04897757AC	1				EP0, ER0			19 Gallon
5	04798301	1				EP0, ER0			FILTER, Fuel
6	04798301	1							FILTER, Fuel Module, Serviced in Module Assembly, (NOT SERVICED)



WRANGLER (TJ)

SERIES

L = Low Line

LINE

J = JEEP - 4WD

U = JEEP - 4WD (RHD)

BODY

77 = OPEN BODY 2-DOOR

ENGINE

EPE = ENGINE - 2.5L POWER
TECH I-4 Cyl.

ERH = ENGINE - 4.0L
POWER TECH I-6

TRANSMISSION

DDQ = TRANSMISSION - 5-SPEED
MANUAL

DGD = TRANSMISSION - 3-SPD.
AUTOMATIC,30RH

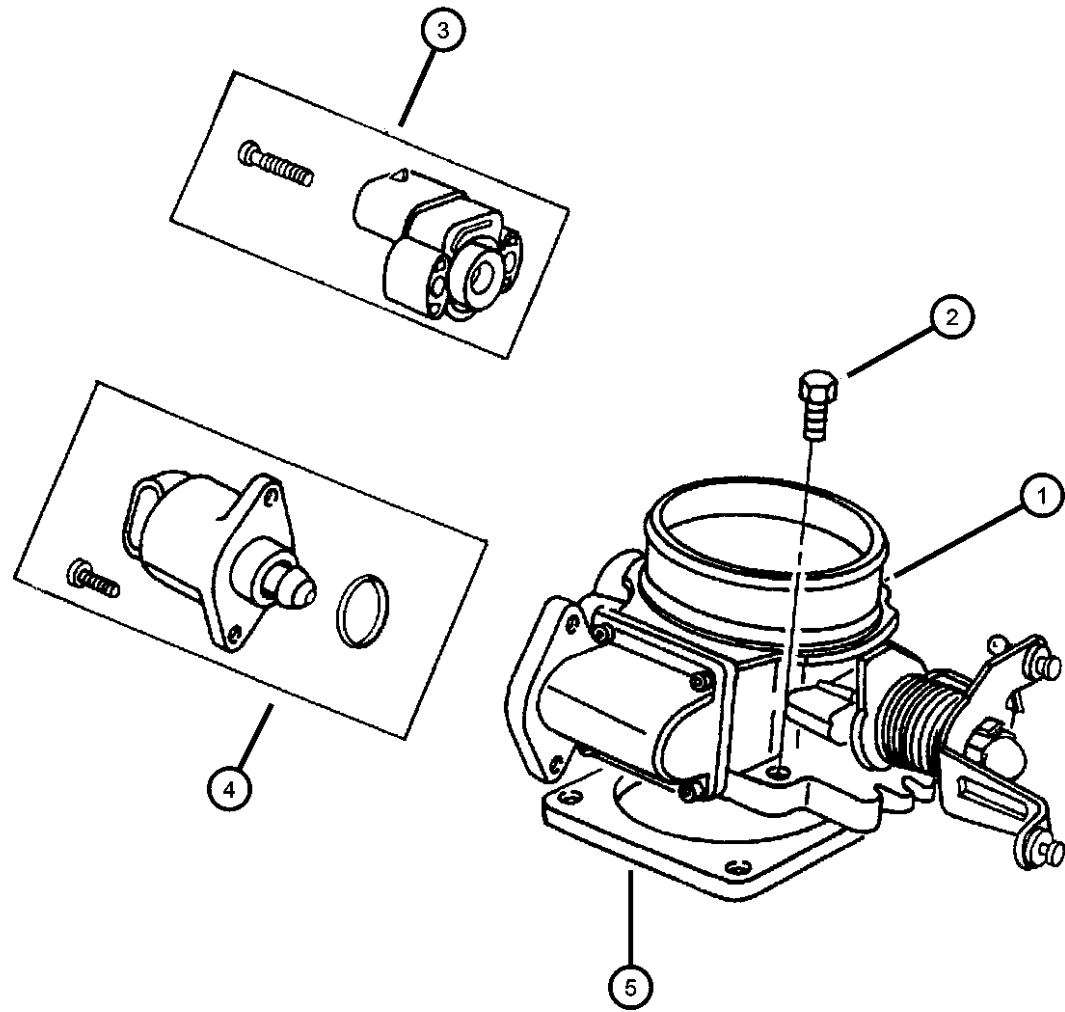
DGG = TRANSMISSION - 3-SPD.
AUTOMATIC,32RH

AR = use ase required - = Non illustrated part

1999 TJ

Throttle Body Figure 14-610

ITEM	PART NUMBER	QTY	LINE	SERIES	BODY	ENGINE	TRANS	TRIM	DESCRIPTION
Note; EP0= All 2.5L Engines ER0= All 4.0L Engines									
1									THROTTLE BODY
	53032016AD	1				EP0			
	53032023AC	1				ER0			
2	06503929	4				EP0, ER0			SCREW AND WASHER, Coned Pilot, M6x1x30
3									SENSOR, Throttle Position
	04874371AC	1				ER0			
		1				EP0			
4									MOTOR, Air Idle Speed
	04874373	1				ER0			
		1				EP0			
5	53007543	1				EP0, ER0			GASKET, Throttle Body
-6	53009672	1				EP0, ER0			CONNECTOR, Emission Hose



WRANGLER (TJ)

SERIES

L = Low Line

LINE

J = JEEP - 4WD

U = JEEP - 4WD (RHD)

BODY

77 = OPEN BODY 2-DOOR

ENGINE

EPE = ENGINE - 2.5L POWER TECH I-4 Cyl.

ERH = ENGINE - 4.0L POWER TECH I-6

TRANSMISSION

DDQ = TRANSMISSION - 5-SPEED MANUAL

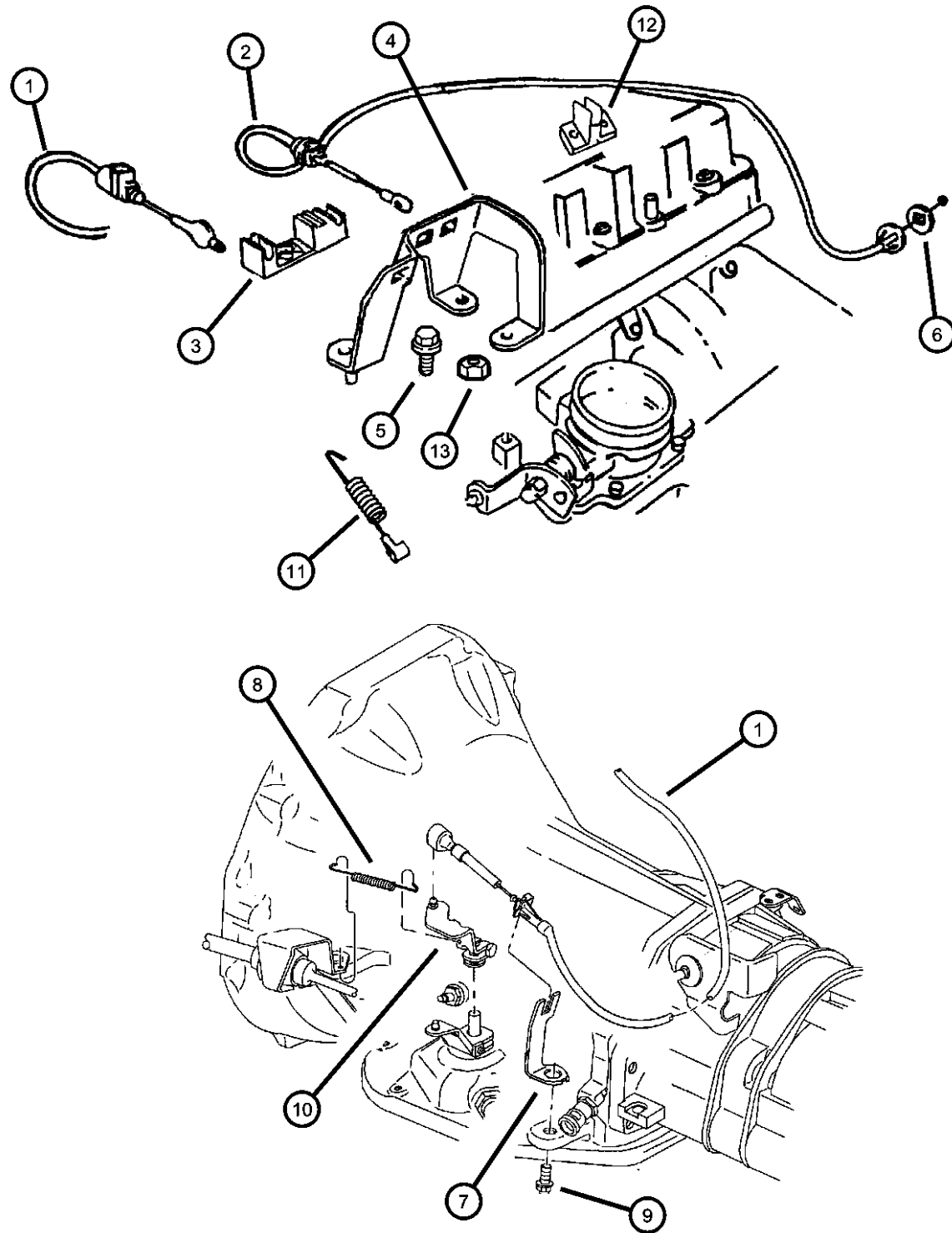
DGD = TRANSMISSION - 3-SPD. AUTOMATIC, 30RH

DGG = TRANSMISSION - 3-SPD. AUTOMATIC, 32RH

AR = use ase required - = Non illustrated part

1999 TJ

Throttle Controls
Figure 14-710



Note; DBB= All Manual Transmissions
DG0= All Automatic Transmissions
EP0= All 2.5L Engines
ER0= All 4.0L Engines

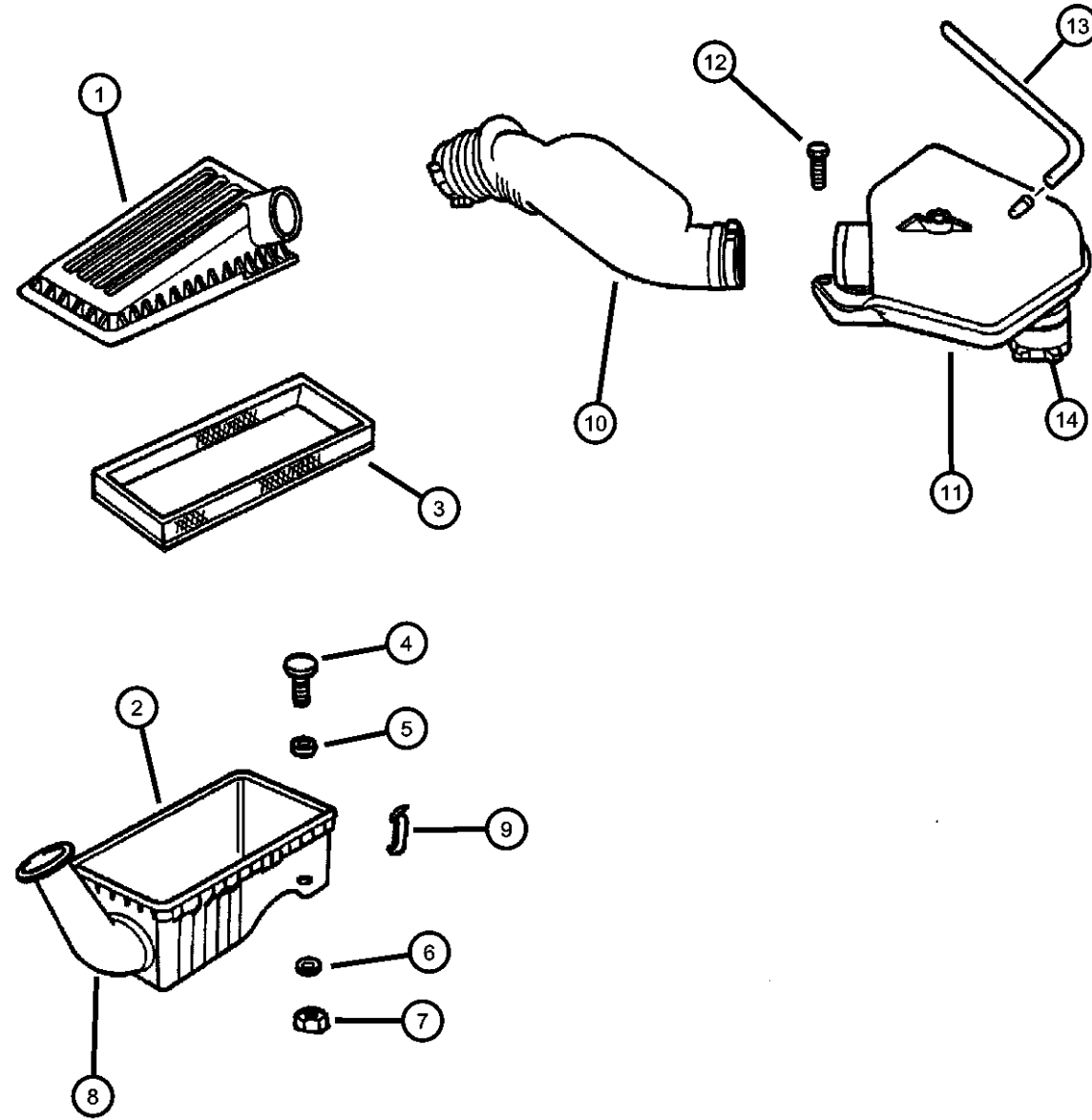
ITEM	PART NUMBER	QTY	LINE	SERIES	BODY	ENGINE	TRANS	TRIM	DESCRIPTION
1	52104031	1				EP0, ER0	DG0		CABLE, Throttle Valve
2	04854137	1				EP0, ER0			CABLE, Accelerator
3									GUIDE, Accelerator Cable
	52079029	1				ER0			
	53007620	1				EP0			
4									BRACKET, Accelerator Cable
	53007485	1				EP0			
	53013160AA	1				ER0			
5									SCREW AND WASHER, Hex Head, M6x17
	06501979	3				ER0			
		2				EP0			
6		2							PLUG, Access Hole, (NOT REQUIRED)
7	52078867	1				EP0, ER0	DG0		BRACKET, Cable
8	53009055	1				EP0, ER0	DG0		SPRING, Throttle Valve Return
9	00181112	1				EP0, ER0	DG0		SCREW AND WASHER, .375-16x1.00
10	52078723AB	1				EP0, ER0	DG0		LEVER, Throttle Valve
11	52078102AB	1				EP0, ER0	DBB		SPRING, Throttle Return
12	52078987	1	J			ER0			GUIDE, Accelerator Cable
13	06100047	1				EP0			NUT AND WASHER, Hex Nut-Coned Washer, M6 x 1.00

WRANGLER (TJ)

SERIES	LINE	BODY	ENGINE	TRANSMISSION
L = Low Line	J = JEEP - 4WD U = JEEP - 4WD (RHD)	77 = OPEN BODY 2-DOOR	EPE = ENGINE - 2.5L POWER TECH I-4 Cyl. ERH = ENGINE - 4.0L POWER TECH I-6	DDQ = TRANSMISSION - 5-SPEED MANUAL DGD = TRANSMISSION - 3-SPD. AUTOMATIC, 30RH DGG = TRANSMISSION - 3-SPD. AUTOMATIC, 32RH

AR = use ase required - = Non illustrated part

**Air Cleaner
Figure 14-810**



ITEM	PART NUMBER	QTY	LINE	SERIES	BODY	ENGINE	TRANS	TRIM	DESCRIPTION
Note; EP0= All 2.5L Engines ER0= All 4.0L Engines									
1	04797775	1				EP0, ER0			COVER, Air Cleaner
2	04797776	1				EP0, ER0			BODY, Air Cleaner
3	04797777	1				EP0, ER0			FILTER, Air
	77060007								Performance Cold Air System, TJ, 1997-2003, 4.0L
	P4510473								Performance Air Filter, TJ, 1997-2002, 4.0L
4	04797779	3				EP0, ER0			STUD
5	04797778	3				EP0, ER0			GROMMET, Air Cleaner Bracket
6	04797781	3				EP0, ER0			WASHER
7	34201358	3				EP0, ER0			NUT AND WASHER, Hex Nut-Sealing Washer, M6 x 1.00
8	04797782	1				EP0, ER0			DUCT, Air Cleaner
9	04797836	5				EP0, ER0			CLIP, Air Inlet Grille
10									HOSE, Air Cleaner
	53030610	1				EP0			
	53030611	1				ER0			
11	53030759	1				EP0			RESONATOR, Air Cleaner
12	06504503	2				EP0			SCREW, Hex Flange Head
13									TUBE, Crankcase Vent Valve
	53030614	1				EP0			
	53030615	1				ER0			
14	53032086AA	1				EP0			CLAMP

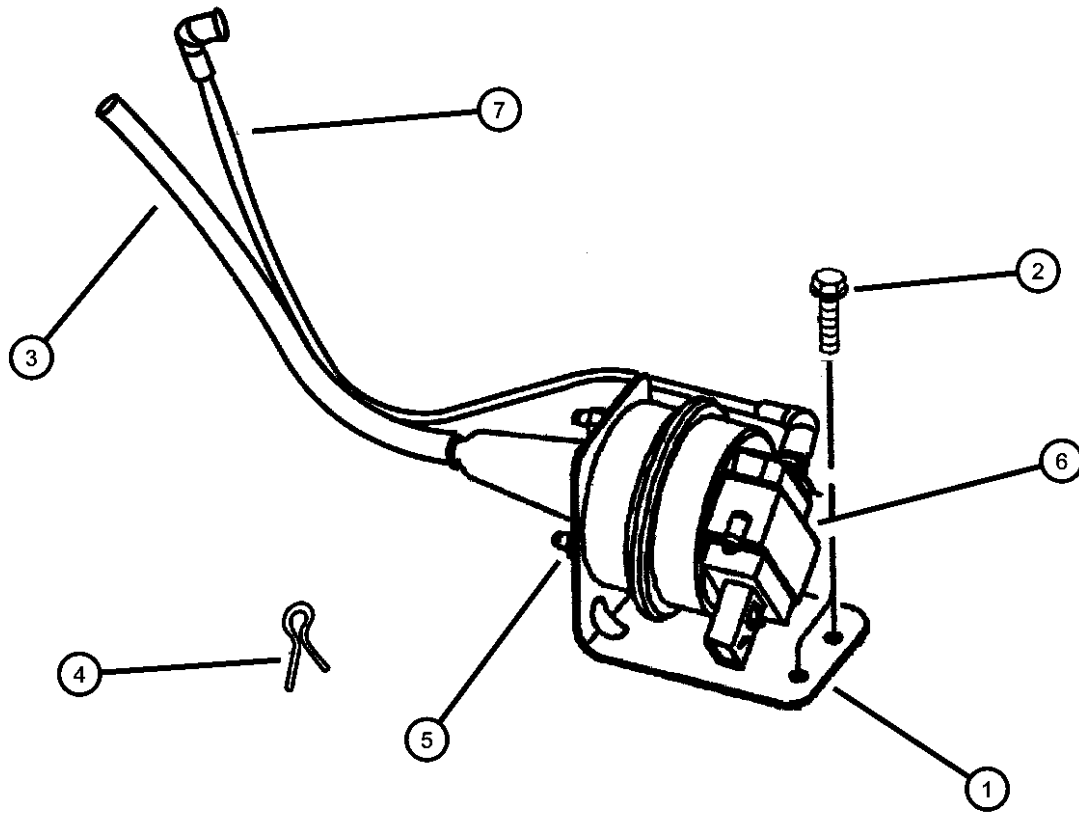
WRANGLER (TJ)

SERIES	LINE	BODY	ENGINE	TRANSMISSION
L = Low Line	J = JEEP - 4WD U = JEEP - 4WD (RHD)	77 = OPEN BODY 2-DOOR	EPE = ENGINE - 2.5L POWER TECH I-4 Cyl. ERH = ENGINE - 4.0L POWER TECH I-6	DDQ = TRANSMISSION - 5-SPEED MANUAL DGD = TRANSMISSION - 3-SPD. AUTOMATIC, 30RH DGG = TRANSMISSION - 3-SPD. AUTOMATIC, 32RH

AR = use ase required - = Non illustrated part

**Speed Control
Figure 14-1010**

ITEM	PART NUMBER	QTY	LINE	SERIES	BODY	ENGINE	TRANS	TRIM	DESCRIPTION
1									BRACKET, Speed Control Servo
	04854155	1	J						
	53013058AA	1	U						
2	53013058AA	1							SCREW, M6x1.00x20.00, (NOT SERVICED)
3									CABLE, Speed Control
	04854156	1	J						
	53013059AA	1	U						
4									CLIP, Cable
	06025867	1	J						
		1	U						
5									NUT, Hex Flange Serration, M6x1
	06502493	2	J						
		2	U						
6									SERVO, Speed Control
	04669979	1	J						
		1	U						
7									HARNESS, Speed Control Vacuum
	53013010AA	1	J						
	53013063AA	1	U						



WRANGLER (TJ)

SERIES	LINE	BODY	ENGINE	TRANSMISSION
L = Low Line	J = JEEP - 4WD U = JEEP - 4WD (RHD)	77 = OPEN BODY 2-DOOR	EPE = ENGINE - 2.5L POWER TECH I-4 Cyl. ERH = ENGINE - 4.0L POWER TECH I-6	DDQ = TRANSMISSION - 5-SPEED MANUAL DGD = TRANSMISSION - 3-SPD. AUTOMATIC, 30RH DGG = TRANSMISSION - 3-SPD. AUTOMATIC, 32RH

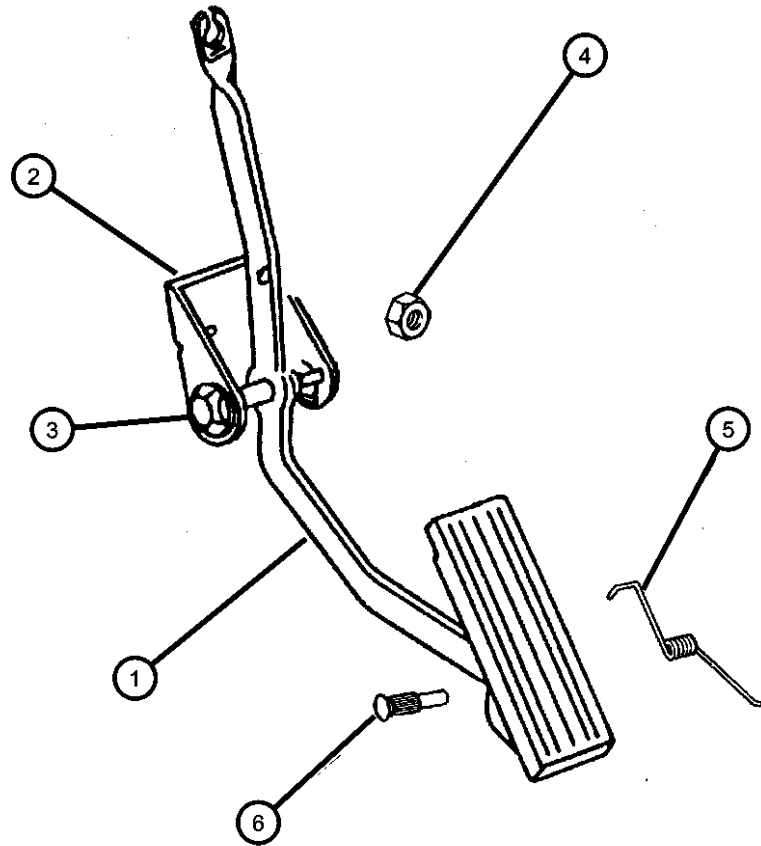
AR = use ase required - = Non illustrated part

1999 TJ

**Accelerator Pedal
Figure 14-1110**

ITEM	PART NUMBER	QTY	LINE	SERIES	BODY	ENGINE	TRANS	TRIM	DESCRIPTION
------	-------------	-----	------	--------	------	--------	-------	------	-------------

Note; EP0= All 2.5L Engines
ER0= All 4.0L Engines



1									PEDAL, Accelerator
	52078714	1	J			EP0, ER0			
	52078715	1	U			EP0, ER0			
2	52078715	1							BRACKET, Accelerator Cable, Serviced in Pedal Assembly, (NOT SERVICED)
3									BUSHING, Accelerator Pedal
	52078653	2	J			EP0, ER0			
		2	U			EP0, ER0			
4	34201680	2							NUT, Hex Flange, M6x1
5									SPRING, Torsion
	53030874	1	J			EP0, ER0			
		1	U			EP0, ER0			
6									PIN, Accelerator Pedal Mtg.
	52079019	1	J			EP0, ER0			
		1	U			EP0, ER0			

WRANGLER (TJ)

SERIES	LINE	BODY	ENGINE	TRANSMISSION
L = Low Line	J = JEEP - 4WD U = JEEP - 4WD (RHD)	77 = OPEN BODY 2-DOOR	EPE = ENGINE - 2.5L POWER TECH I-4 Cyl. ERH = ENGINE - 4.0L POWER TECH I-6	DDQ = TRANSMISSION - 5-SPEED MANUAL DGD = TRANSMISSION - 3-SPD. AUTOMATIC,30RH DGG = TRANSMISSION - 3-SPD. AUTOMATIC,32RH

AR = use ase required - = Non illustrated part

1999 TJ

Group - 16

Propeller Shafts and U-Joints

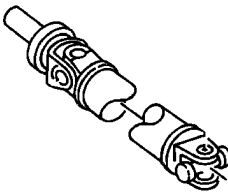
Group - 16 Propeller Shafts and U-Joints

Group-Fig. No.

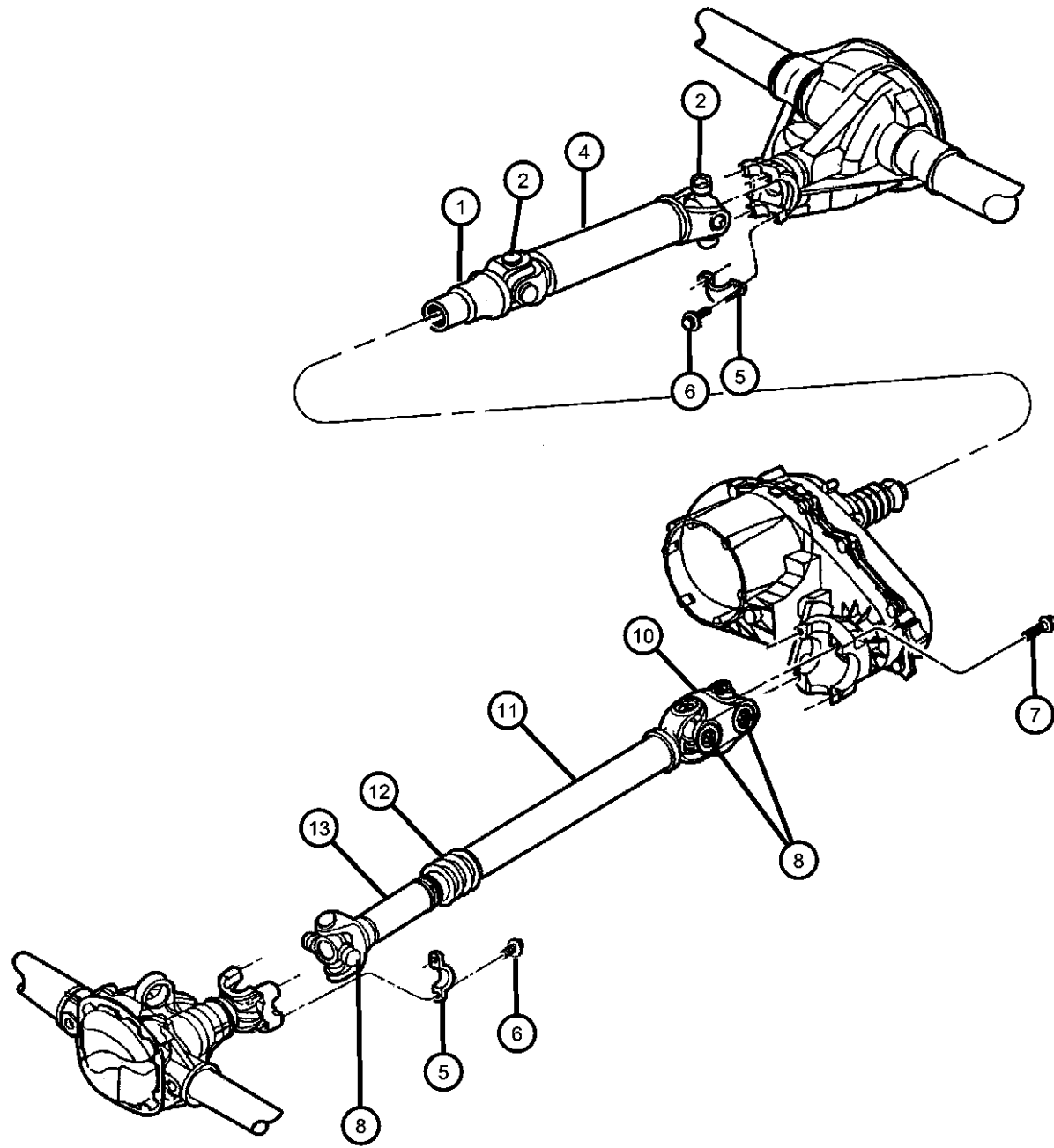
Illustration Title

Propeller Shaft

Propeller Shaft, Front and Rear..... Fig. 16 - 110

<p>016-100 Propeller Shaft</p> 			
--	--	--	--

**Propeller Shaft,Front and Rear
Figure 16-110**



ITEM	PART NUMBER	QTY	LINE	SERIES	BODY	ENGINE	TRANS	TRIM	DESCRIPTION
------	-------------	-----	------	--------	------	--------	-------	------	-------------

Note: EP0=All 2.5L 4 Cylinder Gas Engines—ER0=All 4.0L 6 Cylinders Gas Engines—DBB=All Manual Transmissions—DG0=All Automatic Tran

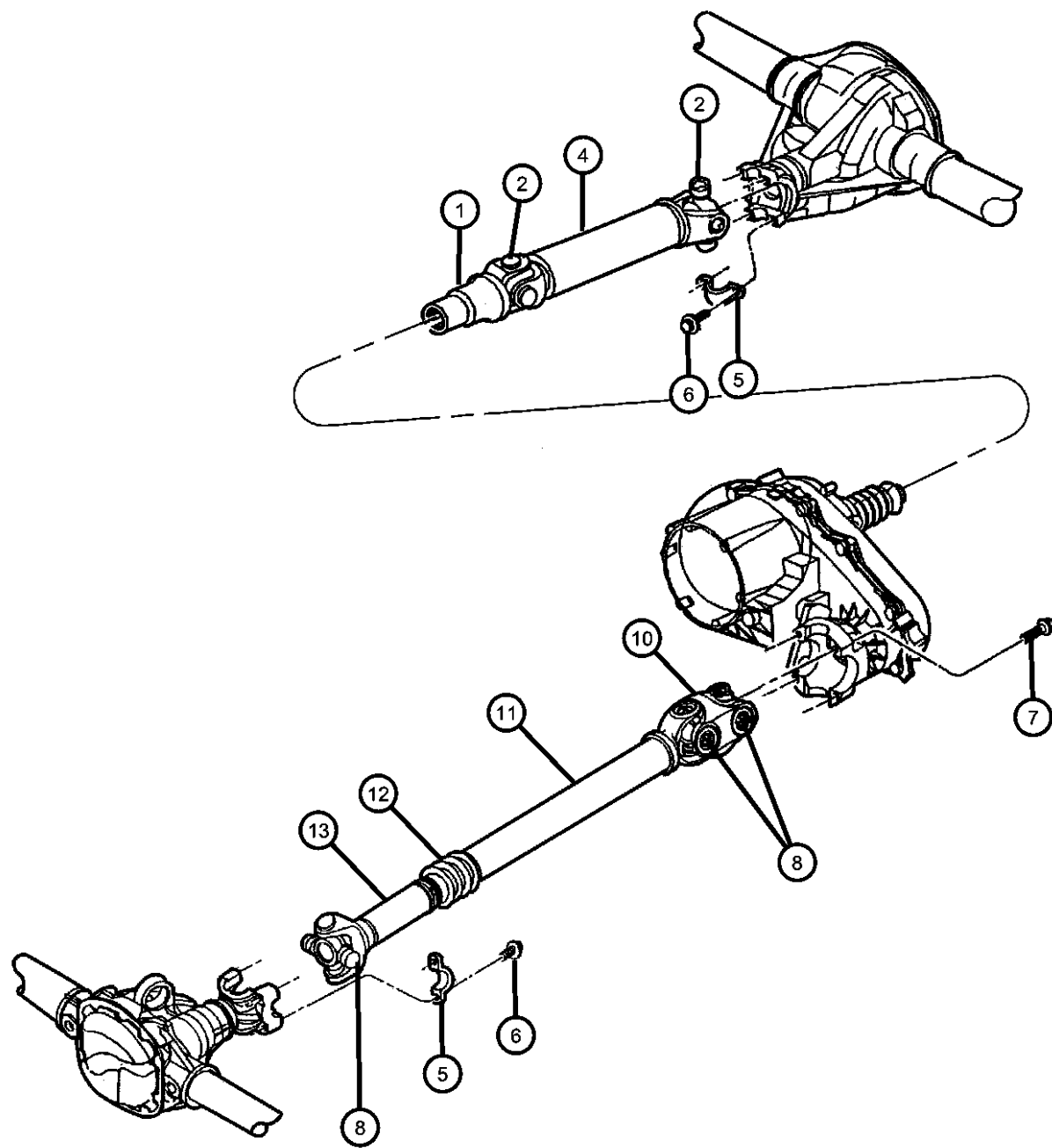
1									YOKE, Drive Shaft
	04882714	1				EP0			[DRJ]
		1				ER0	DG0		[DRJ]
		1				ER0	DBB		[DRJ]
		1				EP0			[DRK]
		1				ER0	DG0		[DRK]
		1				ER0	DBB		[DRK]
2									U-JOINT
	04882793	2				EP0			[DRJ]
		2				ER0	DG0		[DRJ]
		2				ER0	DBB		[DRJ]
		2				EP0			[DRK]
		2				ER0	DG0		[DRK]
		2				ER0	DBB		[DRK]
-3									RING, U Joint
	J3207886	4				EP0			[DRJ]
		4				ER0	DG0		[DRJ]
		4				ER0	DBB		[DRJ]
		4				EP0			[DRK]
		4				ER0	DG0		[DRK]
		4				ER0	DBB		[DRK]
4									SHAFT, Drive, Rear 1-Piece
	52098783AB	1				EP0			[DRJ]
		1				ER0	DG0		[DRJ]
	52098784AB	1				ER0	DBB		[DRJ]
	52098785AB	1				EP0			[DRK]
		1				ER0	DG0		[DRK]
	52098787AB	1				ER0	DBB		[DRK]
5	J3240553	2							STRAP, Prop Shaft
6	J4006928	4							BOLT
7	06034966	4							BOLT, .312-24x1.170
8									U-JOINT
	04882793	3				ER0	DBB		

WRANGLER (TJ)

SERIES	LINE	BODY	ENGINE	TRANSMISSION
L = Low Line	J = JEEP - 4WD U = JEEP - 4WD (RHD)	77 = OPEN BODY 2-DOOR	EPE = ENGINE - 2.5L POWER TECH I-4 Cyl. ERH = ENGINE - 4.0L POWER TECH I-6	DDQ = TRANSMISSION - 5-SPEED MANUAL DGD = TRANSMISSION - 3-SPD. AUTOMATIC,30RH DGG = TRANSMISSION - 3-SPD. AUTOMATIC,32RH

AR = use ase required - = Non illustrated part

Propeller Shaft, Front and Rear
Figure 16-110



ITEM	PART NUMBER	QTY	LINE	SERIES	BODY	ENGINE	TRANS	TRIM	DESCRIPTION
		3				EP0			
		3				ER0	DG0		
-9	J3207886	4				EP0			RING, U Joint
		4				ER0	DG0		
		4				ER0	DBB		
10	J8130296	1				EP0			YOKE, Drive Shaft
		1				ER0	DG0		
		1				ER0	DBB		
11	52098377	1				ER0	DBB		SHAFT, Drive Front
	52098378	1				EP0			Front
		1				ER0	DG0		Front
12	05012793AA	1				EP0			BOOT, Driveshaft
		1				ER0	DG0		
		1				ER0	DBB		
13	05010030AA	1				EP0			YOKE, Drive Shaft
		1				ER0	DG0		
		1				ER0	DBB		

WRANGLER (TJ)

SERIES

L = Low Line

LINE

J = JEEP - 4WD

U = JEEP - 4WD (RHD)

BODY

77 = OPEN BODY 2-DOOR

ENGINE

EPE = ENGINE - 2.5L POWER
TECH I-4 Cyl.

ERH = ENGINE - 4.0L
POWER TECH I-6

TRANSMISSION

DDQ = TRANSMISSION - 5-SPEED
MANUAL

DGD = TRANSMISSION - 3-SPD.
AUTOMATIC, 30RH
DGG = TRANSMISSION - 3-SPD.
AUTOMATIC, 32RH

AR = use ase required - = Non illustrated part

1999 TJ

Group - 17

Rear Suspension

Group - 17 Rear Suspension

Group-Fig. No.

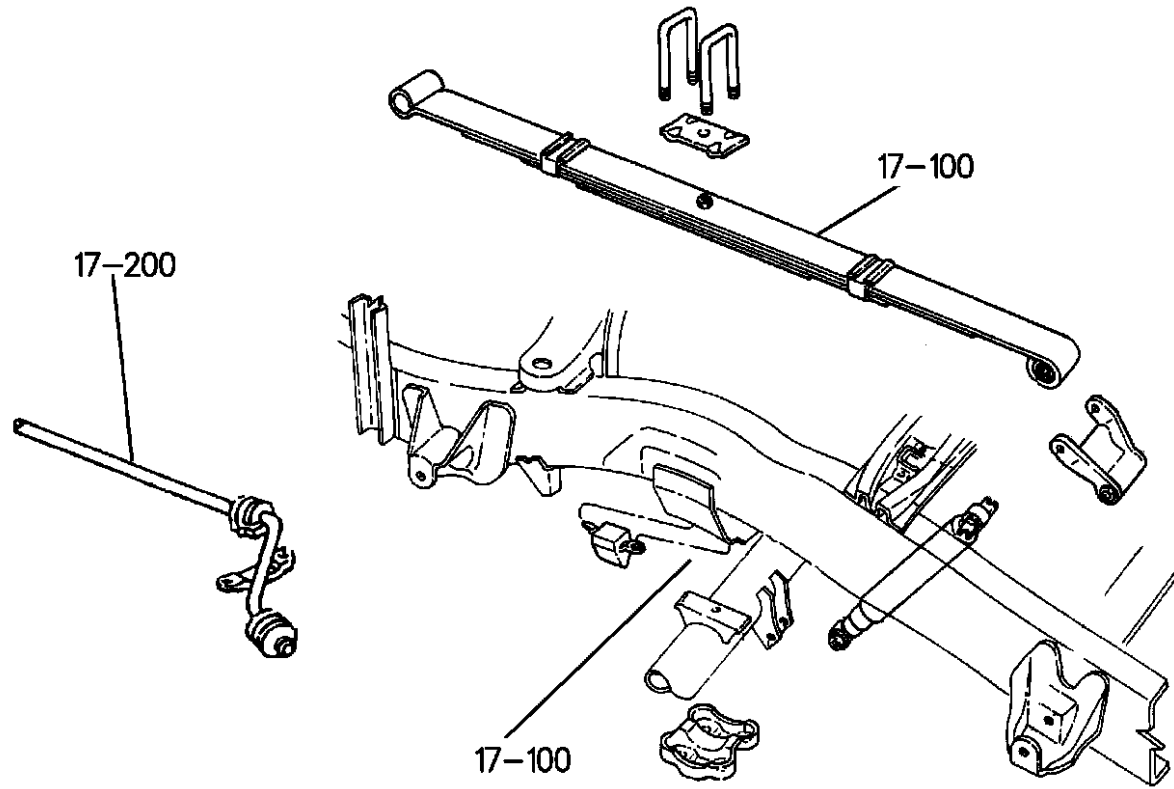
Illustration Title

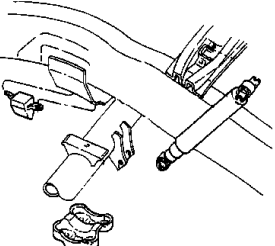
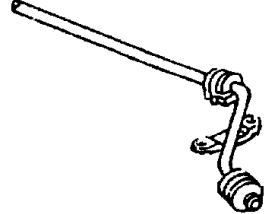
Rear Suspension

Suspension,Rear,With Shocks,Springs and Track Bar.....Fig. 17 - 110

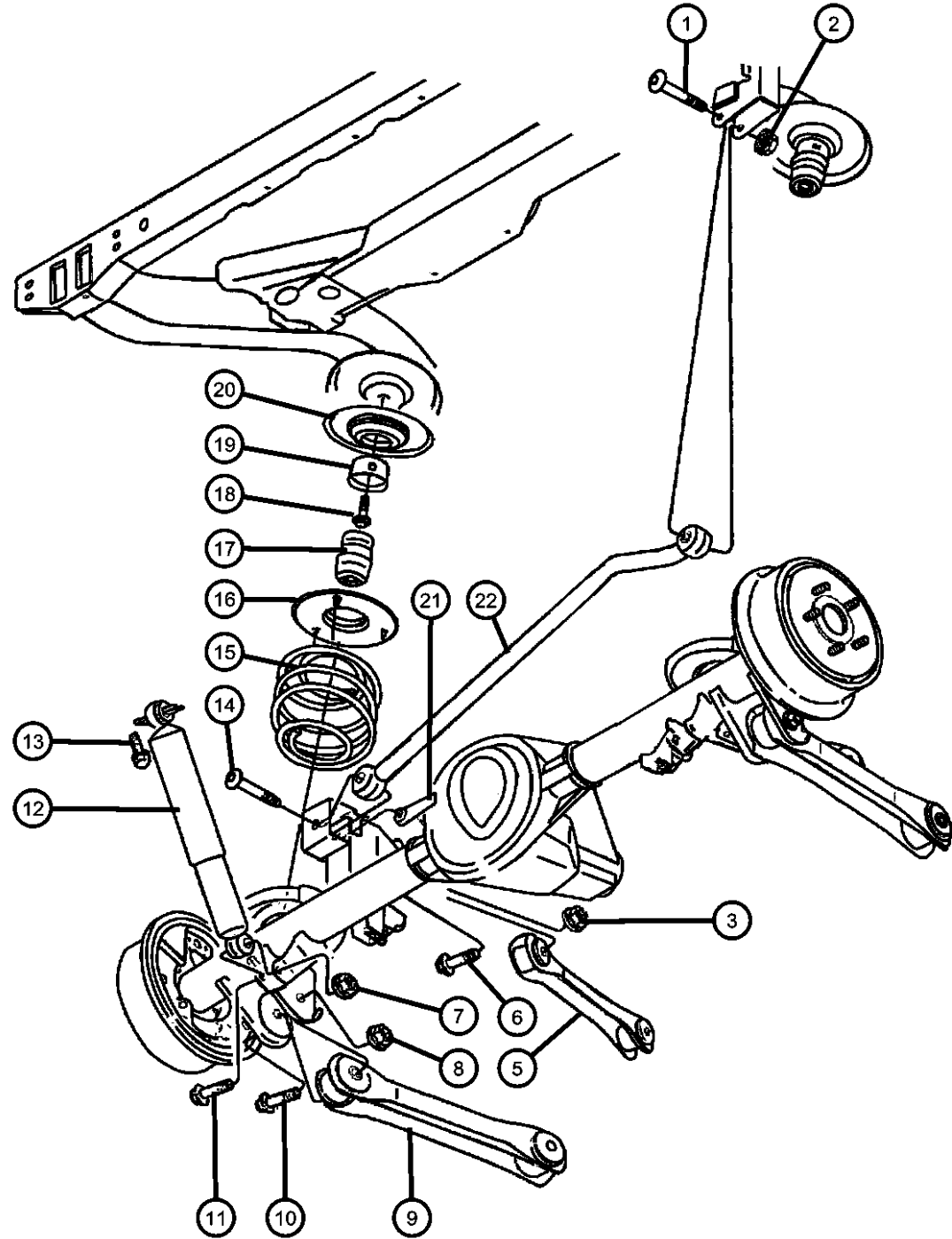
Rear Stabilizer

Stabilizer, Rear.....Fig. 17 - 210



<p>017-100 Rear Suspension</p> 	<p>017-200 Rear Stabilizer</p> 		
--	---	--	--

Suspension,Rear,With Shocks,Springs and Track Bar
Figure 17-110



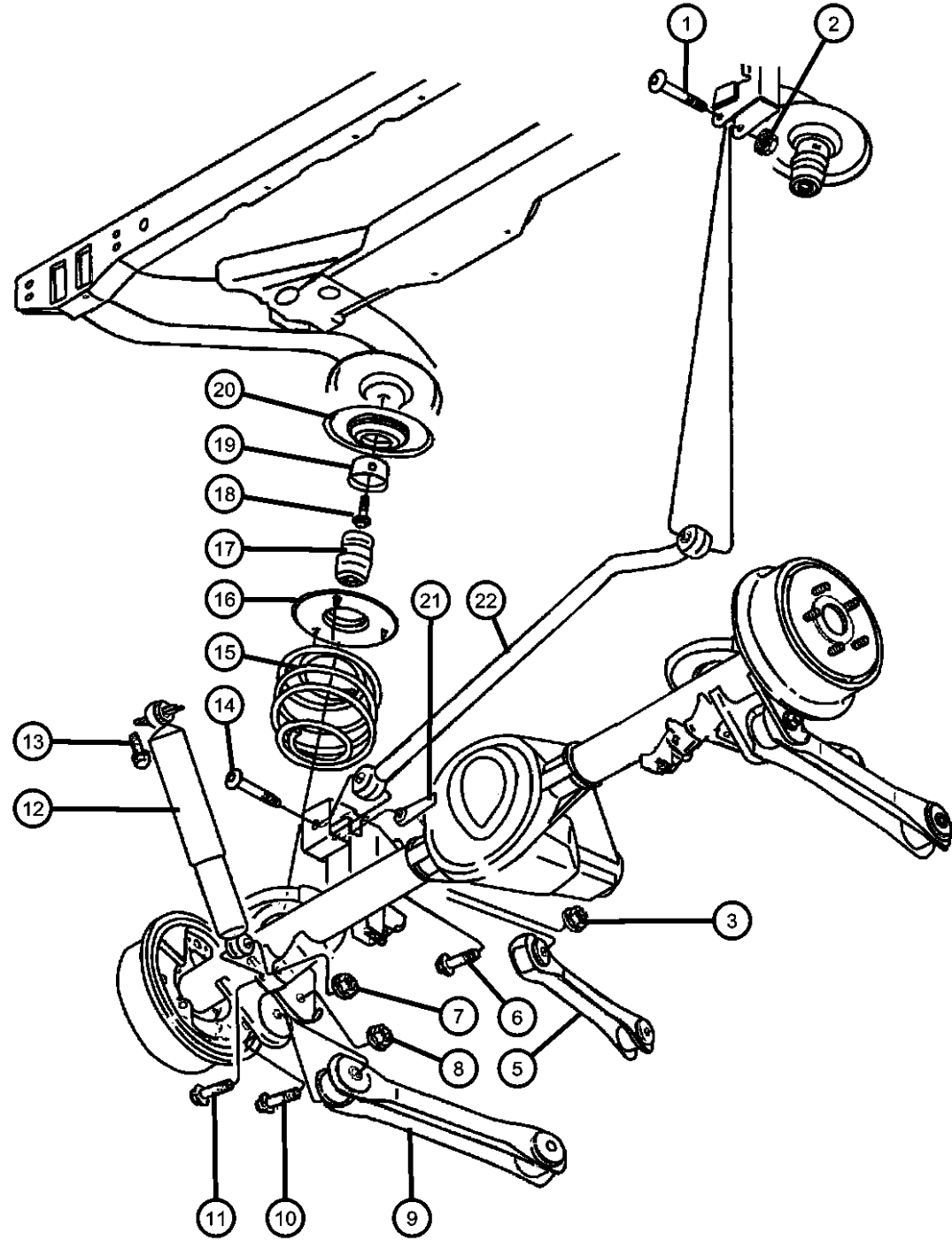
ITEM	PART NUMBER	QTY	LINE	SERIES	BODY	ENGINE	TRANS	TRIM	DESCRIPTION
1	06503982	1							SCREW, Hex Flange Head, M12x1.75x80, Track Bar to Frame, Mounting
2	06502697	1							NUT, Hex Flange Lock, M12x1.75, Track Bar to Frame, Mounting
3	06502696	2							NUT, Hex Flange Lock, M14x1.50, UCA to Axle, Mounting
4	06503648	2							NUT AND RETAINER, Hex Flange Locking, M10 x 1.50, UCA to Frame, Mounting
5	52088520	2							ARM, Control, Upper, Right or Left
6	06503085	4							BOLT, Hex Flange Head, M10x1.50x78.20, UCA to Frame or Axle, Mounting
7	06502697	2							NUT, Hex Flange Lock, M12x1.75, Shock Mounting, Lower
8	06502698	4							NUT, Hex Flange Lock, LCA to Frame or Axle, Mounting
9	52088654	2							ARM, Control, Lower, Right or Left
10	06502963	4							BOLT, Hex Flange Head, M14x2.00x105.00, LCA to Frame or Axle, Mounting
11	06502473	2							BOLT, Hex Flange Head, M12x1.75x65, Shock Mounting, Lower
12	52087835AB	2							SHOCK ABSORBER, Suspension, Rear [SDA]
	0SGR5240								Rancho Shock
	0SG23306								Mopar V-Line Alternative Part
	52088651AH	2							[SDU]
	0SGR5240								Rancho Shock
13	34202467	4							SCREW, Hex Head, M8x1.25x30, Shock Mounting, Upper
14	06505467AA	1							SCREW, Truss Head, M12x1.75x80, Track Bar to Axle, Mounting
15	52089102	1							SPRING, Rear Coil [ZAT,ZNT]
	52089103	1							[ZAU,ZNU]
	52089104	1							[ZAV,ZNV]
	52090105AA	1							[ZAW,ZNW]
16	52087866	2							ISOLATOR, SpringLower

WRANGLER (TJ)

SERIES	LINE	BODY	ENGINE	TRANSMISSION
L = Low Line	J = JEEP - 4WD U = JEEP - 4WD (RHD)	77 = OPEN BODY 2-DOOR	EPE = ENGINE - 2.5L POWER TECH I-4 Cyl. ERH = ENGINE - 4.0L POWER TECH I-6	DDQ = TRANSMISSION - 5-SPEED MANUAL DGD = TRANSMISSION - 3-SPD. AUTOMATIC,30RH DGG = TRANSMISSION - 3-SPD. AUTOMATIC,32RH

AR = use ase required - = Non illustrated part

Suspension,Rear,With Shocks,Springs and Track Bar
Figure 17-110



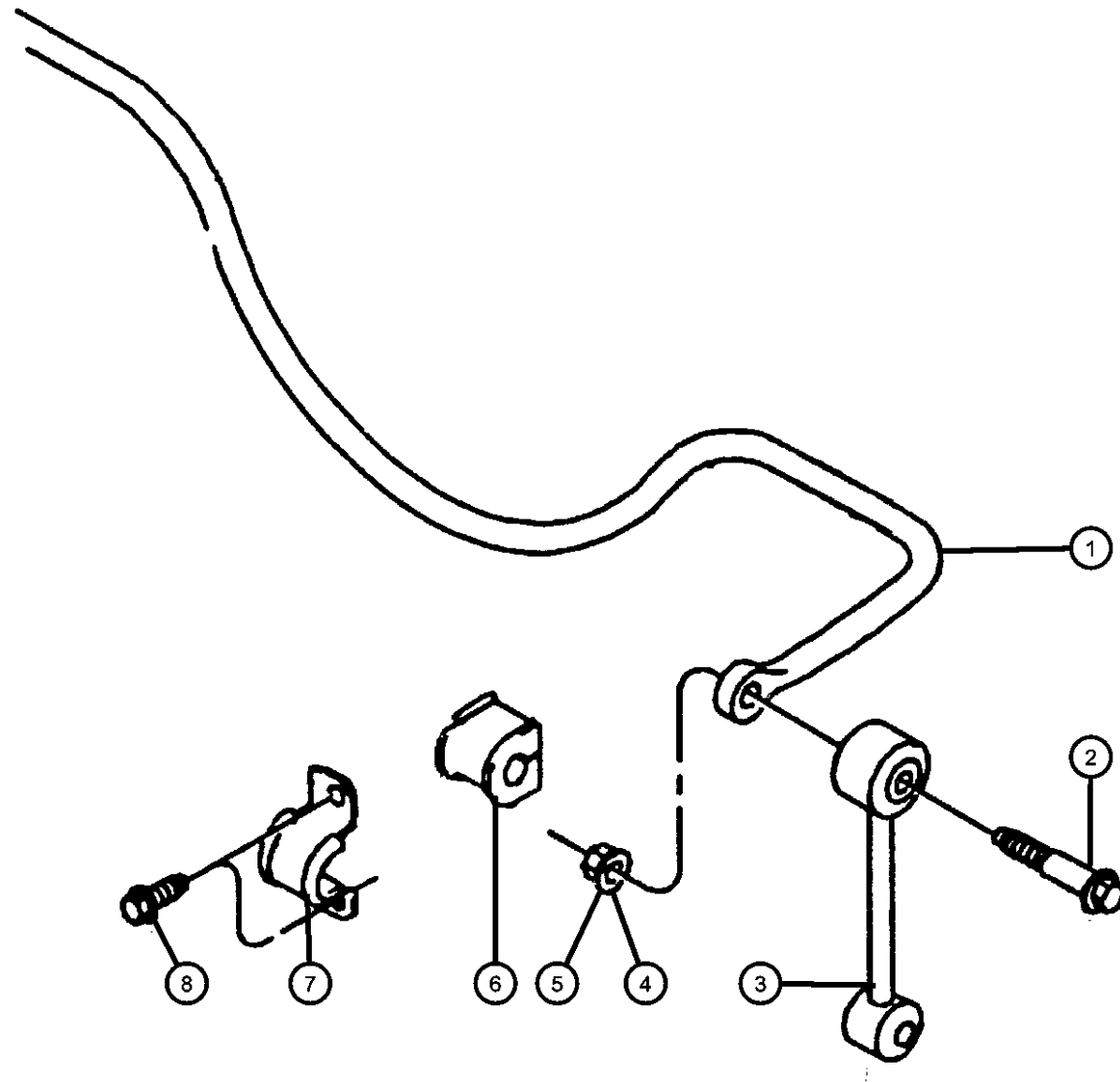
ITEM	PART NUMBER	QTY	LINE	SERIES	BODY	ENGINE	TRANS	TRIM	DESCRIPTION
17	52087992	2							BUMPER, Jounce
18	06100402	2							BOLT, Hex Head, M10x35, Jounce Bumper Cup, Mounting
19	52087635	2							CUP, Jounce Bumper
20	52087832	2							ISOLATOR, SpringUpper
21									NUT, Hex Flange Lock, M12x1.75
	06502697	1	U						Track Bar to Axle, Mounting
	06503652	1	J						Track Bar to Axle, Mounting
22									BAR, Track
	52087878	1	J						
	52088175	1	U						

WRANGLER (TJ)

SERIES	LINE	BODY	ENGINE	TRANSMISSION
L = Low Line	J = JEEP - 4WD U = JEEP - 4WD (RHD)	77 = OPEN BODY 2-DOOR	EPE = ENGINE - 2.5L POWER TECH I-4 Cyl. ERH = ENGINE - 4.0L POWER TECH I-6	DDQ = TRANSMISSION - 5-SPEED MANUAL DGD = TRANSMISSION - 3-SPD. AUTOMATIC,30RH DGG = TRANSMISSION - 3-SPD. AUTOMATIC,32RH

AR = use ase required - = Non illustrated part

Stabilizer, Rear
Figure 17-210



ITEM	PART NUMBER	QTY	LINE	SERIES	BODY	ENGINE	TRANS	TRIM	DESCRIPTION
1	52088002	1							BAR, Rear Sway
2									SCREW, Shoulder, M10x1.50x66.00
	06503726	2							Sway Bar to Link, Mounting
		2							Sway Bar Link to Frame, Mounting
3	52087863	2							LINK, Sway EliminatorMounting
4	06502696	2							NUT, Hex Flange Lock, M14x1.50, Sway Bar to Link, Mounting
5	06503648	2							NUT AND RETAINER, Hex Flange Locking, M10 x 1.50, Sway Bar Link to Frame, Mounting
6	52088125	2							BUSHING, Stabilizer BarMounting
7	52087865	2							RETAINER, Stabilizer Bar GrommetMounting
8	06503571	4							SCREW AND WASHER, M10x1.50x35, Sway Bar to Axle, Mounting

WRANGLER (TJ)

SERIES	LINE	BODY	ENGINE	TRANSMISSION
L = Low Line	J = JEEP - 4WD U = JEEP - 4WD (RHD)	77 = OPEN BODY 2-DOOR	EPE = ENGINE - 2.5L POWER TECH I-4 Cyl. ERH = ENGINE - 4.0L POWER TECH I-6	DDQ = TRANSMISSION - 5-SPEED MANUAL DGD = TRANSMISSION - 3-SPD. AUTOMATIC, 30RH DGG = TRANSMISSION - 3-SPD. AUTOMATIC, 32RH

AR = use ase required - = Non illustrated part

1999 TJ

Group - 19

Steering

Group - 19 Steering

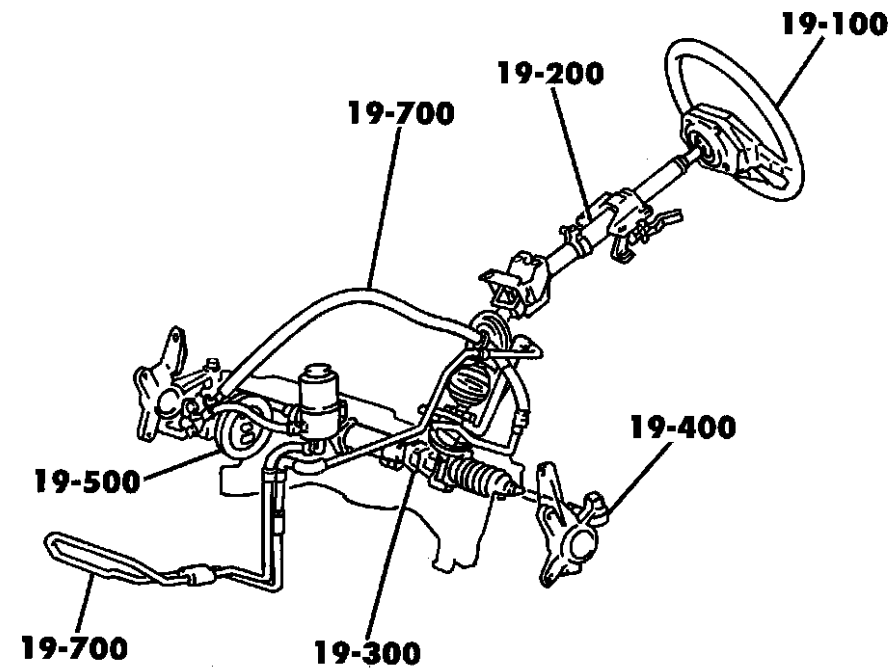


Illustration Title

Group-Fig. No.

Steering Wheel

Wheel, Steering Fig. 19 - 110

Steering Column

Column, Steering Upper and Lower Fig. 19 - 210

Steering Gear

Gear, Power Steering Fig. 19 - 320

Steering Linkage

Linkage and Damper Fig. 19 - 410

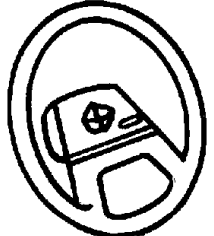
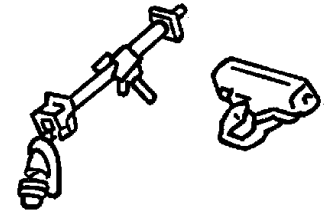
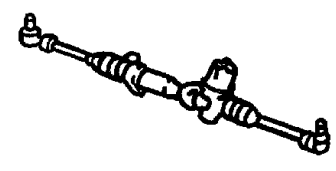
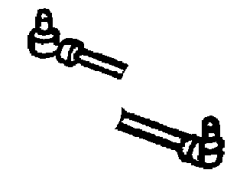
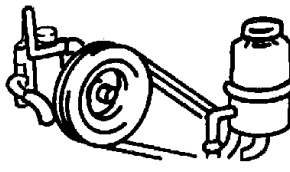

Power Steering Pump

Pump, Power Steering Fig. 19 - 510

Power Steering Hoses

Hoses and Reservoir, Power Steering Wrangler, w/2.5L Engine Fig. 19 - 710

Hoses and Reservoir, Power Steering Wrangler, w/4.0L Engine Fig. 19 - 720

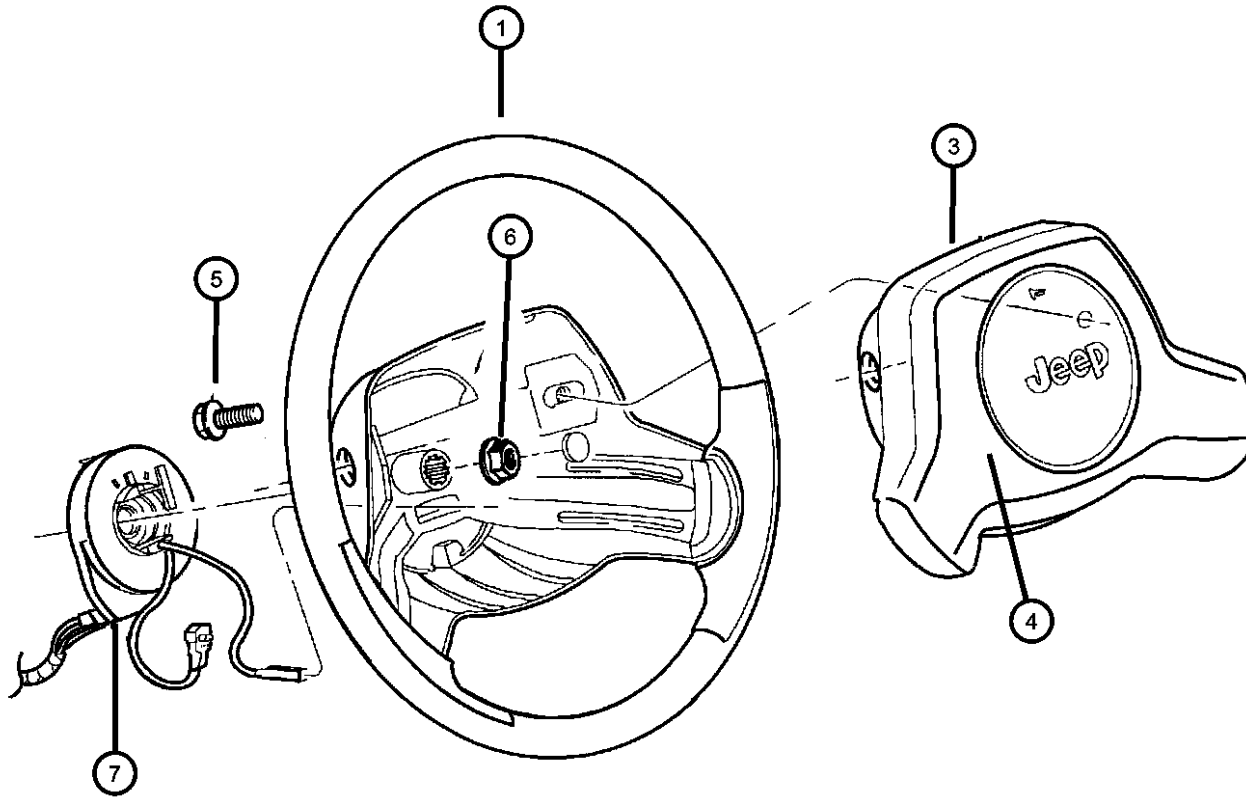
<p>019-100 Steering Wheel</p> 	<p>019-200 Steering Column</p> 	<p>019-300 Steering Gear</p> 	<p>019-400 Steering Linkage</p> 
<p>019-500 Power Steering Pump</p> 	<p>019-700 Power Steering Hoses</p> 		

Wheel, Steering
Figure 19-110

ITEM	PART NUMBER	QTY	LINE	SERIES	BODY	ENGINE	TRANS	TRIM	DESCRIPTION
------	-------------	-----	------	--------	------	--------	-------	------	-------------

Note: If Horn Switch is defective, you must replace the AIR BAG COVER WITH SWITCH and not the AIR BAG MODULE ASSEMBLY itself.
Note:

DBB = All Manual Transmissions
SCE = Steering Wheel-2-Spoke Soft
SCG = Steering Wheel-Leather Wrapped
NHM = Speed Control



1									WHEEL, Steering
	5DY22LAZAC	1							Agate,[SCG+NHM]
	5GK431AZAA	1							Agate,[SCE]
	5GL441AZAA	1							Agate,[SCG-NHM]
-2									SWITCH, Speed Control
	56007530AD	1							Right
	56007531AD	1							Left
3	5GC51LAZAB	1							AIR BAG, Driver, with Horn Switthes
4	04798182	1							COVER, Air Bag Module, Includes Horn Switch
5	06503262	2							SCREW, Hex Flange Head, M6x1.00x20.00
6	06505248AA	1						DBB	NUT, Hex Flange Lock, Steering Wheel Attaching
7									CLOCKSPRING
	56009070AB	1							w/o Speed Control
	56009071AB	1							w/Speed Control

WRANGLER (TJ)

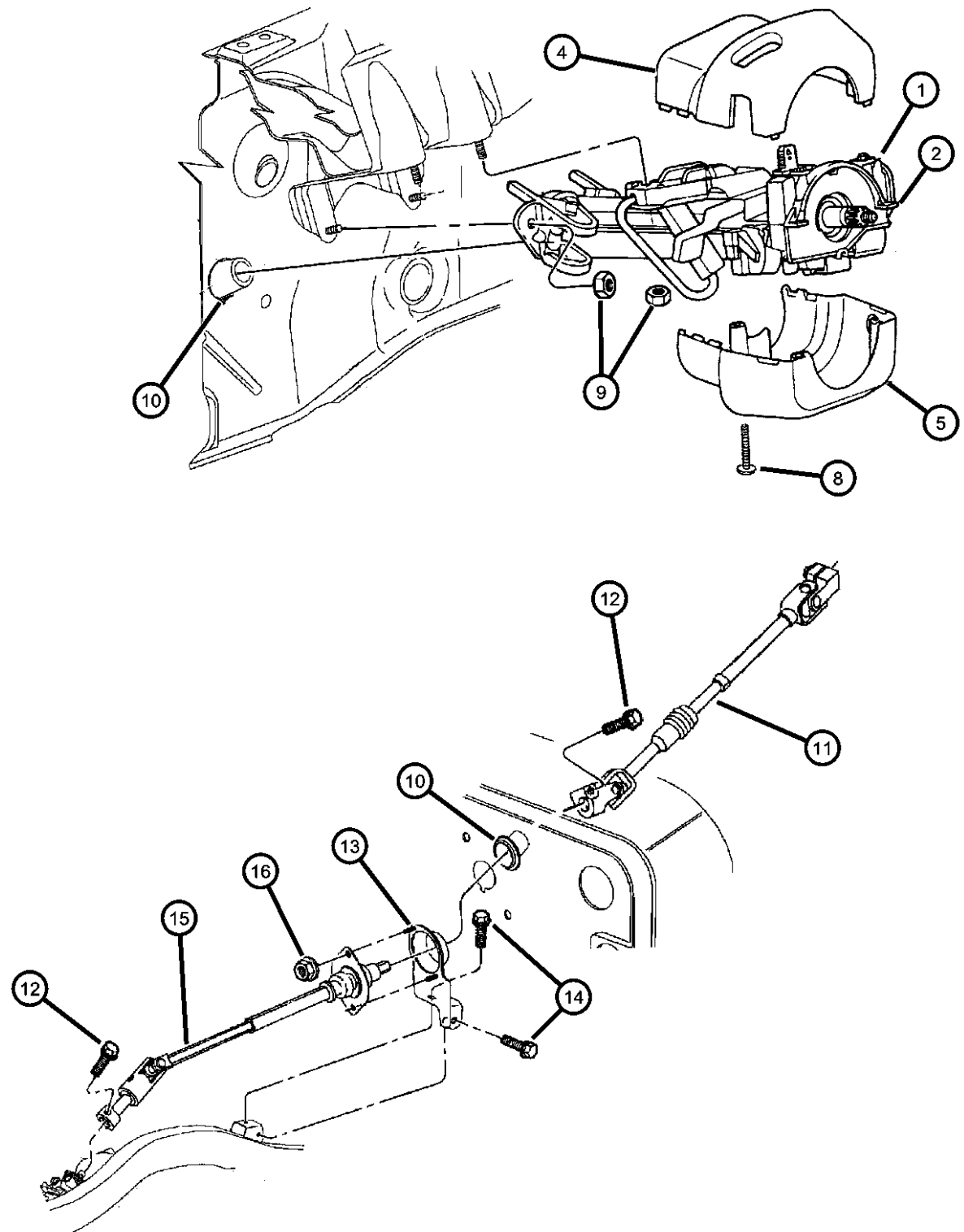
SERIES	LINE	BODY	ENGINE	TRANSMISSION
L = Low Line	J = JEEP - 4WD U = JEEP - 4WD (RHD)	77 = OPEN BODY 2-DOOR	EPE = ENGINE - 2.5L POWER TECH I-4 Cyl. ERH = ENGINE - 4.0L POWER TECH I-6	DDQ = TRANSMISSION - 5-SPEED MANUAL DGD = TRANSMISSION - 3-SPD. AUTOMATIC,30RH DGG = TRANSMISSION - 3-SPD. AUTOMATIC,32RH

AR = use ase required - = Non illustrated part

1999 TJ

**Column, Steering Upper and Lower
Figure 19-210**

ITEM	PART NUMBER	QTY	LINE	SERIES	BODY	ENGINE	TRANS	TRIM	DESCRIPTION
------	-------------	-----	------	--------	------	--------	-------	------	-------------



Note:

DBB = All Manual Transmissions

DG0 = All Automatic Transmissions

EP0 = All 2.5L 4 Cyl Gas Engines

ER0 = All 4.0L 6 Cyl Gas Engines

** Column Shrouds For Early Production Must Have Upper and Lower Changed.

1									COLUMN, Steering, Tilt
	04897814AC	1					DG0		
	04897816AC	1					DBB		
2									COLUMN, Steering, Non tilt
	04897818AB	1					DG0		
	04897820AB	1					DBB		
-3									LEVER, Tilt Column Release
	04690267AC	1					DG0		
		1					DBB		
4									SHROUD, Steering Column
	5FV70LAZAC	1					DG0		Without Tilt Steering
	5FV71LAZAC	1					DBB		With Tilt Steering, Upper
		1					DG0		With Tilt Steering, Upper
	5FV74LAZAC	1					DBB		Without Tilt Steering, Upper
		1					DG0		Without Tilt Steering, Upper
5									SHROUD, Steering Column
	5FV70LAZAC	1					DG0		
	5FV76LAZAC	1					DBB		
-6	55314965AB	1							TRIM RING, Ignition Key Cylinder, Without Halo Light
-7	52079332	1					DG0		SHIELD, Steering Column
8	06035434	3							SCREW AND WASHER, Pan Head, [.164-18x1.25]
9	06501279	2							NUT, Hex Flange Lock, M8x1.25
10	55314949	1							SEAL, Steering Column Shaft, Intermediate Shaft Dash Panel
11	52080012AC	1							SHAFT, Intermediate, Upper
12	06503210	3							SCREW, Hex Flange Head, M10x1.5x35., Intermediate Shaft Connection
13									BRACKET, Intermediate Shaft
	52058841	1	J			ER0			

WRANGLER (TJ)

SERIES

L = Low Line

LINE

J = JEEP - 4WD

U = JEEP - 4WD (RHD)

BODY

77 = OPEN BODY 2-DOOR

ENGINE

EPE = ENGINE - 2.5L POWER TECH I-4 Cyl.

ERH = ENGINE - 4.0L POWER TECH I-6

TRANSMISSION

DDQ = TRANSMISSION - 5-SPEED MANUAL

DGD = TRANSMISSION - 3-SPD. AUTOMATIC, 30RH

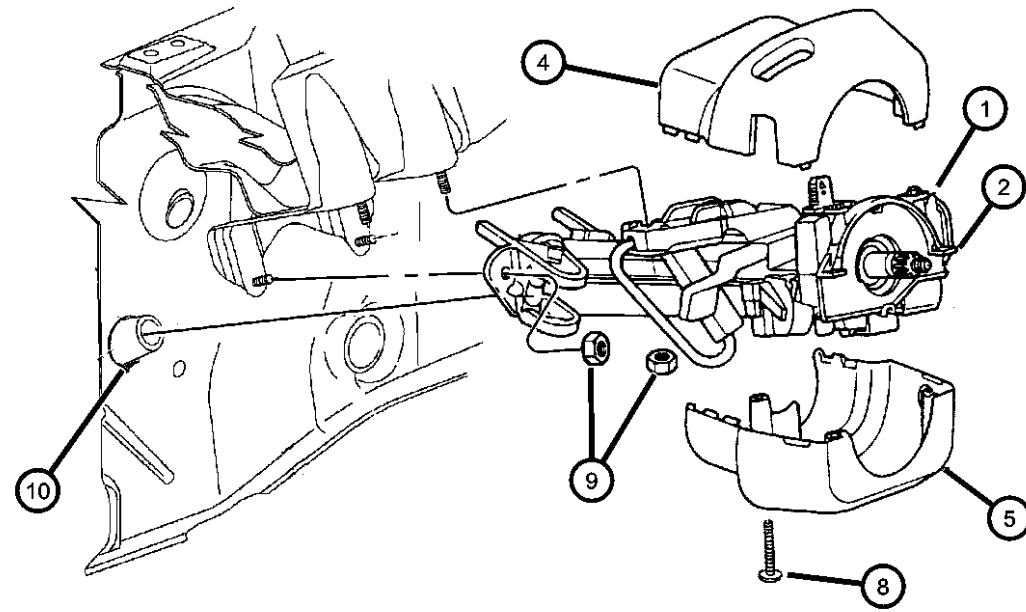
DGG = TRANSMISSION - 3-SPD. AUTOMATIC, 32RH

AR = use ase required - = Non illustrated part

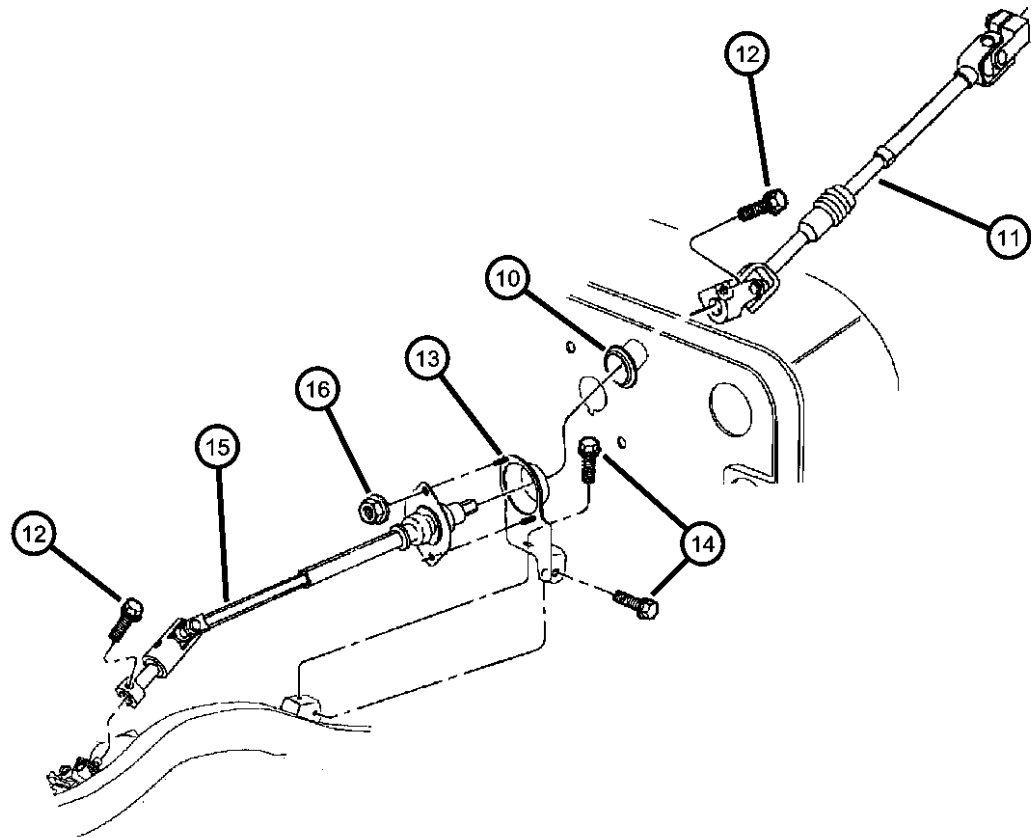
1999 TJ

Column, Steering Upper and Lower
Figure 19-210

ITEM	PART NUMBER	QTY	LINE	SERIES	BODY	ENGINE	TRANS	TRIM	DESCRIPTION
------	-------------	-----	------	--------	------	--------	-------	------	-------------



	52058854	1	U			ER0			
	52058855	1	J			EP0			
	52058856AB	1	U			EP0			
14	06504153	2							SCREW AND WASHER, Hex Head, M10x1.5x35
15									SHAFT, Intermediate Power Steering
	52078705	1							
	52078804	1							
16	06100516	2							NUT, Hex Flange Lock, M6 Phosphate



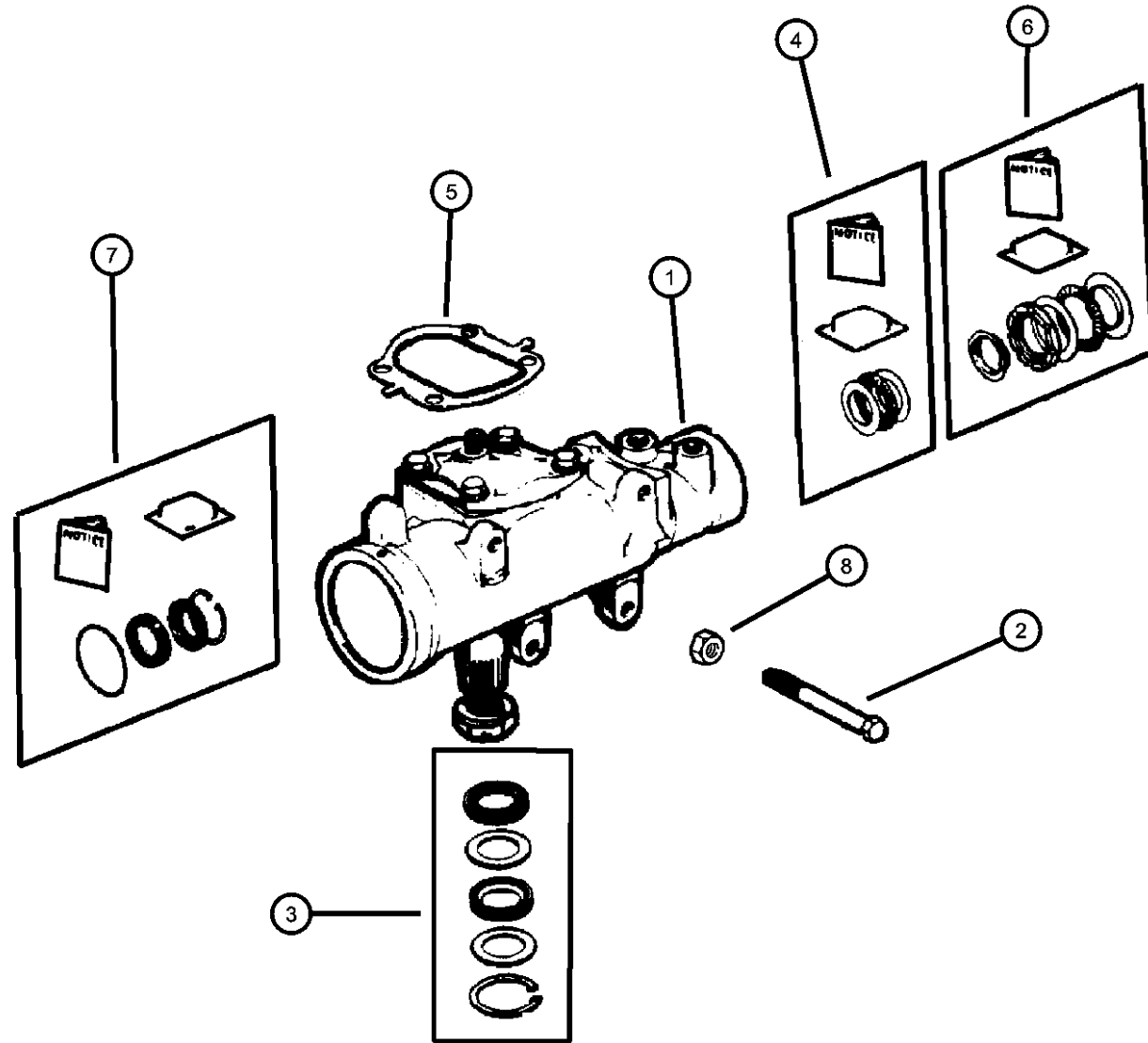
WRANGLER (TJ)

SERIES	LINE	BODY	ENGINE	TRANSMISSION
L = Low Line	J = JEEP - 4WD U = JEEP - 4WD (RHD)	77 = OPEN BODY 2-DOOR	EPE = ENGINE - 2.5L POWER TECH I-4 Cyl. ERH = ENGINE - 4.0L POWER TECH I-6	DDQ = TRANSMISSION - 5-SPEED MANUAL DGD = TRANSMISSION - 3-SPD. AUTOMATIC, 30RH DGG = TRANSMISSION - 3-SPD. AUTOMATIC, 32RH

AR = use ase required - = Non illustrated part

1999 TJ

**Gear, Power Steering
Figure 19-320**



ITEM	PART NUMBER	QTY	LINE	SERIES	BODY	ENGINE	TRANS	TRIM	DESCRIPTION
Note: EP0 = All 2.5L 4 Cyl Gas Engines ER0 = All 4.0L 6 Cyl Gas Engines									
1									GEAR, Power Steering
	52089046AB	1	J						LHD
	52089079AB	1	U						RHD
2	06036087AA	3							SCREW AND WASHER
3									SEAL KIT, Steering gear pitman shaft
	04470365	1	J						
		1	U						
4									REPAIR KIT, Thrust Bearing, Steering Gear
	04897000AA	1	J						
		1	U						
5									SEAL, Steering Gear Cover
	03893558	1	J						
		1	U						
6	04886349AA	1	U						SEAL KIT, Steering gear adjuster plug
7									SEAL KIT, Steering gear end plug
	03893557	1	J						
		1	U						
8	06101467	1				EP0, ER0			NUT, Hex Flange, M8x1.25

WRANGLER (TJ)

SERIES

LINE

BODY

ENGINE

TRANSMISSION

L = Low Line

J = JEEP - 4WD

77 = OPEN BODY 2-DOOR

EPE = ENGINE - 2.5L POWER TECH I-4 Cyl.

DDQ = TRANSMISSION - 5-SPEED MANUAL

U = JEEP - 4WD (RHD)

ERH = ENGINE - 4.0L POWER TECH I-6

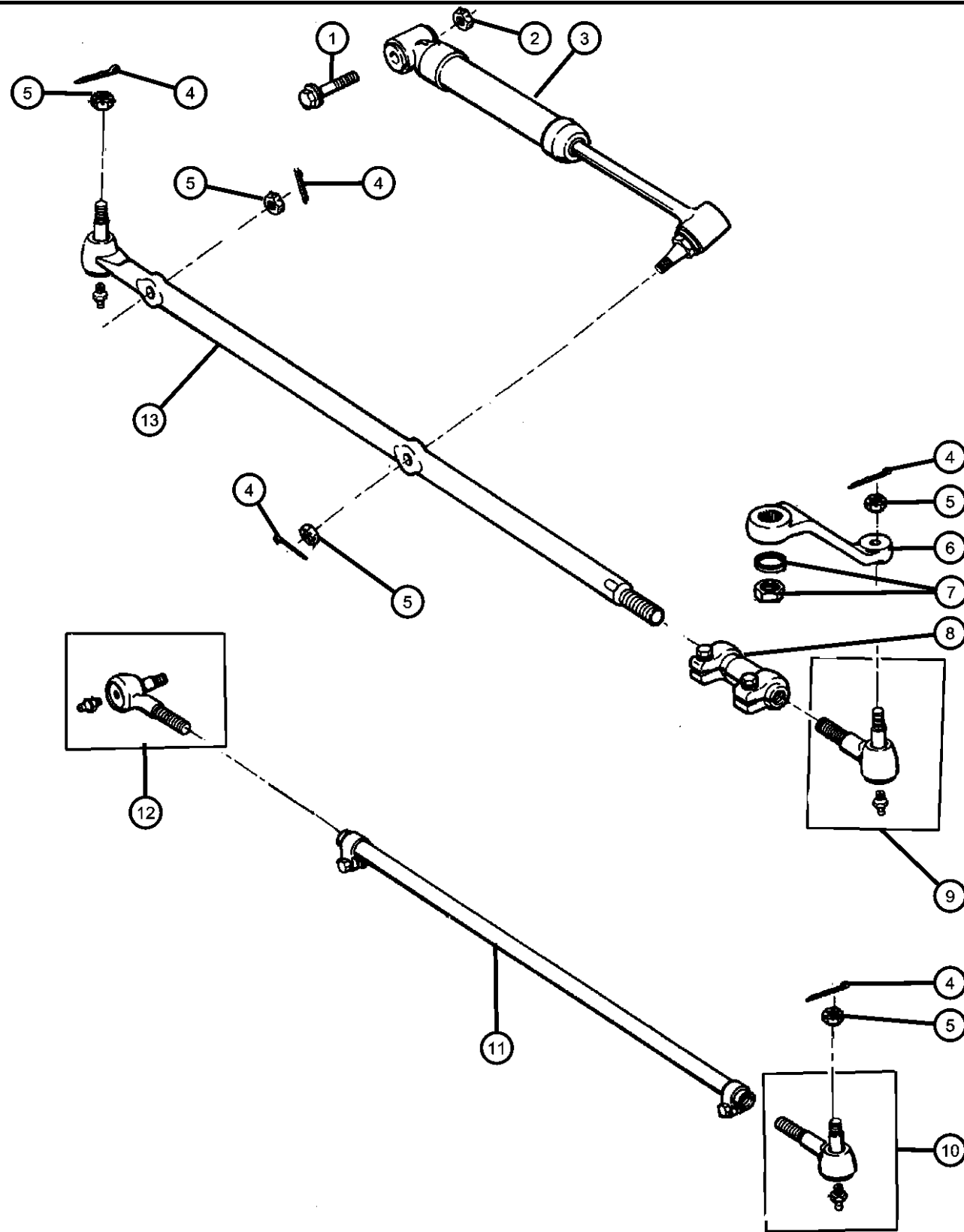
DGD = TRANSMISSION - 3-SPD. AUTOMATIC, 30RH

DGG = TRANSMISSION - 3-SPD. AUTOMATIC, 32RH

AR = use ase required - = Non illustrated part

1999 TJ

Linkage and Damper
Figure 19-410



ITEM	PART NUMBER	QTY	LINE	SERIES	BODY	ENGINE	TRANS	TRIM	DESCRIPTION
1	06502473	1							BOLT, Hex Flange Head, M12x1.75x65, Steering Damper to Axle Bracket, Mounting
2	06502697	1							NUT, Hex Flange Lock, M12x1.75, Steering Damper to Axle Bracket, Mounting
3									DAMPER, Steering Linkage
	52087827AB	1	J						
	52087956AB	1	U						
4	52087956AB	1							PIN, Cotter, (NOT SERVICED)
5									NUT, Hex, .50-20
	06034358	1							Damper Stud to Drag Link, Mounting
		1							Drag Link to Pitman Arm, Mounting
		1							Tie Rod to Drag Link, Mounting
		1							Tie Rod to Knuckle, Mounting
		1							Drag Link to Knuckle, Mounting
6									ARM, Pitman
	52038337	1	J						
	52038338	1	U						
7	52038338	1							NUT AND WASHER, Must Purchase Gear Box Assembly, (NOT SERVICED)
8									TUBE, Tie Rod
	52005742	1	U						
	52037536	1	J						
9									SOCKET
									Inner
	52005739	1	U						Inner
		1	J						
10									SOCKET, Tie Rod, Outer
	52005741	1	U						
		1	J						
11									TUBE, Tie Rod
	52005743	1	U						
	52087674	1	J						
12									SOCKET, Tie Rod, Inner
	52005740	1	U						

WRANGLER (TJ)

SERIES LINE
L = Low Line J = JEEP - 4WD
U = JEEP - 4WD (RHD)

BODY
77 = OPEN BODY 2-DOOR

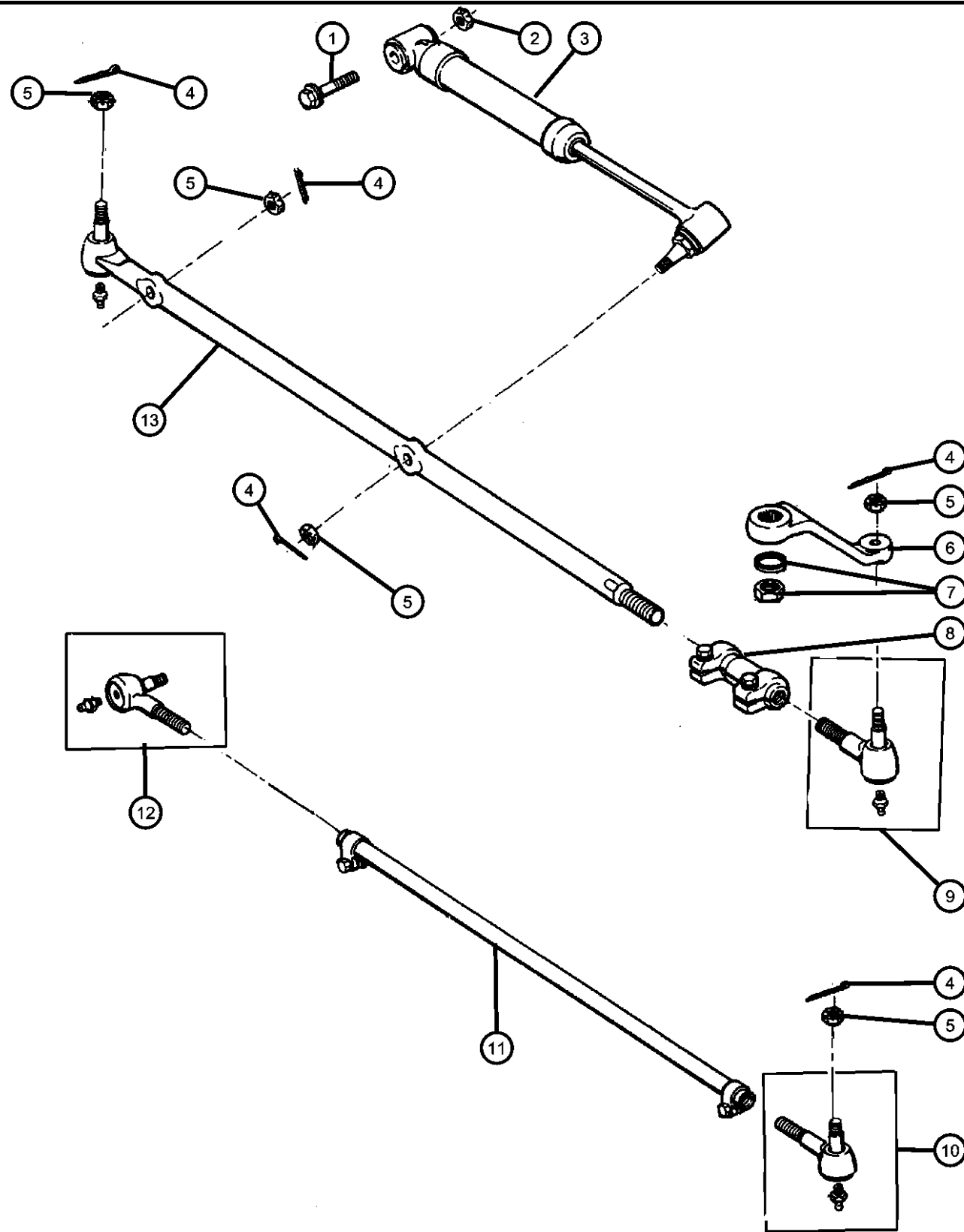
ENGINE
EPE = ENGINE - 2.5L POWER TECH I-4 Cyl.
ERH = ENGINE - 4.0L POWER TECH I-6

TRANSMISSION
DDQ = TRANSMISSION - 5-SPEED MANUAL
DGD = TRANSMISSION - 3-SPD. AUTOMATIC, 30RH
DGG = TRANSMISSION - 3-SPD. AUTOMATIC, 32RH

AR = use ase required - = Non illustrated part

1999 TJ

Linkage and Damper
Figure 19-410



ITEM	PART NUMBER	QTY	LINE	SERIES	BODY	ENGINE	TRANS	TRIM	DESCRIPTION
13		1	J						SOCKET, Drag Link
	52006582	1	U						Outer
	52087887	1	J						Outer

WRANGLER (TJ)

SERIES LINE
L = Low Line J = JEEP - 4WD
U = JEEP - 4WD (RHD)

BODY
77 = OPEN BODY 2-DOOR

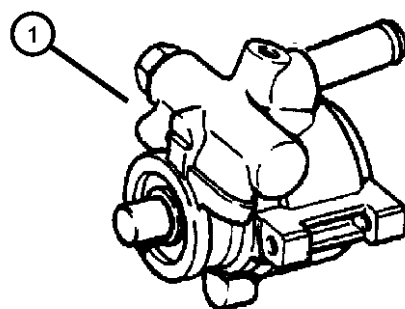
ENGINE
EPE = ENGINE - 2.5L POWER
TECH I-4 Cyl.
ERH = ENGINE - 4.0L
POWER TECH I-6

TRANSMISSION
DDQ = TRANSMISSION - 5-SPEED
MANUAL
DGD = TRANSMISSION - 3-SPD.
AUTOMATIC,30RH
DGG = TRANSMISSION - 3-SPD.
AUTOMATIC,32RH

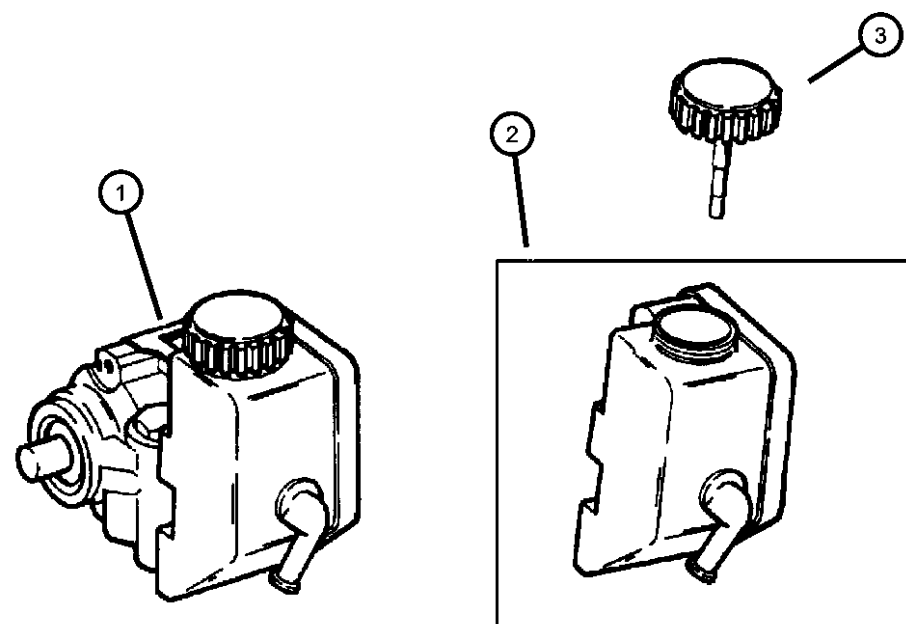
AR = use ase required - = Non illustrated part

Pump, Power Steering
Figure 19-510

ITEM	PART NUMBER	QTY	LINE	SERIES	BODY	ENGINE	TRANS	TRIM	DESCRIPTION
Note: EP0 = All 2.5L 4 Cyl Gas Engines ER0 = All 4.0L 6 Cyl Gas Engines									
1	52087871AD	1				ER0			PUMP, Power Steering
	R2087871AD								Mopar Remanufactured Part
	52088018	1				EP0			
	R2088018								Mopar Remanufactured Part
2	52087713AB	1				EP0			RESERVOIR, Power Steering Pump
3	04694766	1				EP0			CAP, Power Steering Pump



W/2.5L



W/4.0L

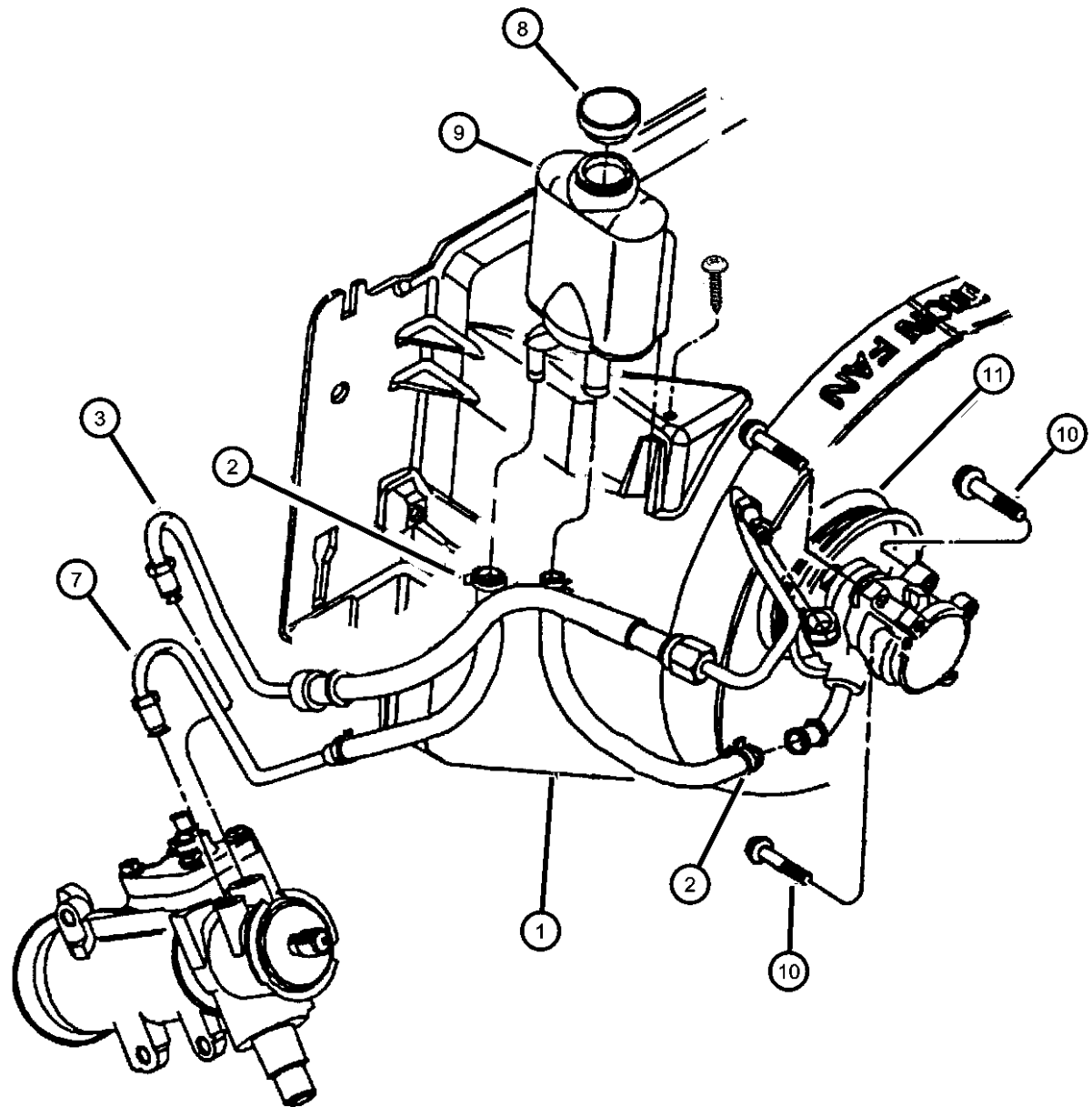
WRANGLER (TJ)

SERIES	LINE	BODY	ENGINE	TRANSMISSION
L = Low Line	J = JEEP - 4WD U = JEEP - 4WD (RHD)	77 = OPEN BODY 2-DOOR	EPE = ENGINE - 2.5L POWER TECH I-4 Cyl. ERH = ENGINE - 4.0L POWER TECH I-6	DDQ = TRANSMISSION - 5-SPEED MANUAL DGD = TRANSMISSION - 3-SPD. AUTOMATIC, 30RH DGG = TRANSMISSION - 3-SPD. AUTOMATIC, 32RH

AR = use ase required - = Non illustrated part

1999 TJ

Hoses and Reservoir, Power Steering Wrangler, w/2.5L Engine
Figure 19-710



ITEM	PART NUMBER	QTY	LINE	SERIES	BODY	ENGINE	TRANS	TRIM	DESCRIPTION
Note: EP0 = All 2.5L 4 Cyl Gas Engines ER0 = All 4.0L 6 Cyl Gas Engines									
1	52088541	1				EP0			HOSE, Power Steering Reservoir
2	02448761	1	U			ER0			CLAMP, Hose
		1	U			EP0			
		1	J			EP0			
		1	J			ER0			
3									HOSE, Power Steering Pressure
	52087825AB	1	U			EP0			
	52088548AB	1	J			EP0			(w/O-rings #5205254)
-4	34201888	1	U						SCREW, Hex Head, Clamp, M8x1.25x25.00
-5	06035358	1	U						CLIP, Oil Cooler Tube, Single Tube (MIDDLE EAST)
-6	04486273	1	U						BRACKET, Power Steering Hose, Double Tube
7									HOSE, Power Steering Return
	52087795	1	U			EP0			
	52087926	1	J			EP0			
8	04694766	1				EP0			CAP, Power Steering Pump
9	52087713AB	1				EP0			RESERVOIR, Power Steering Pump
10	06502425	3				EP0, ER0			SCREW AND WASHER, Hex Head, M8x1.25x95
11	53010258AB	1				EP0, ER0			PULLEY, Power Steering Pump

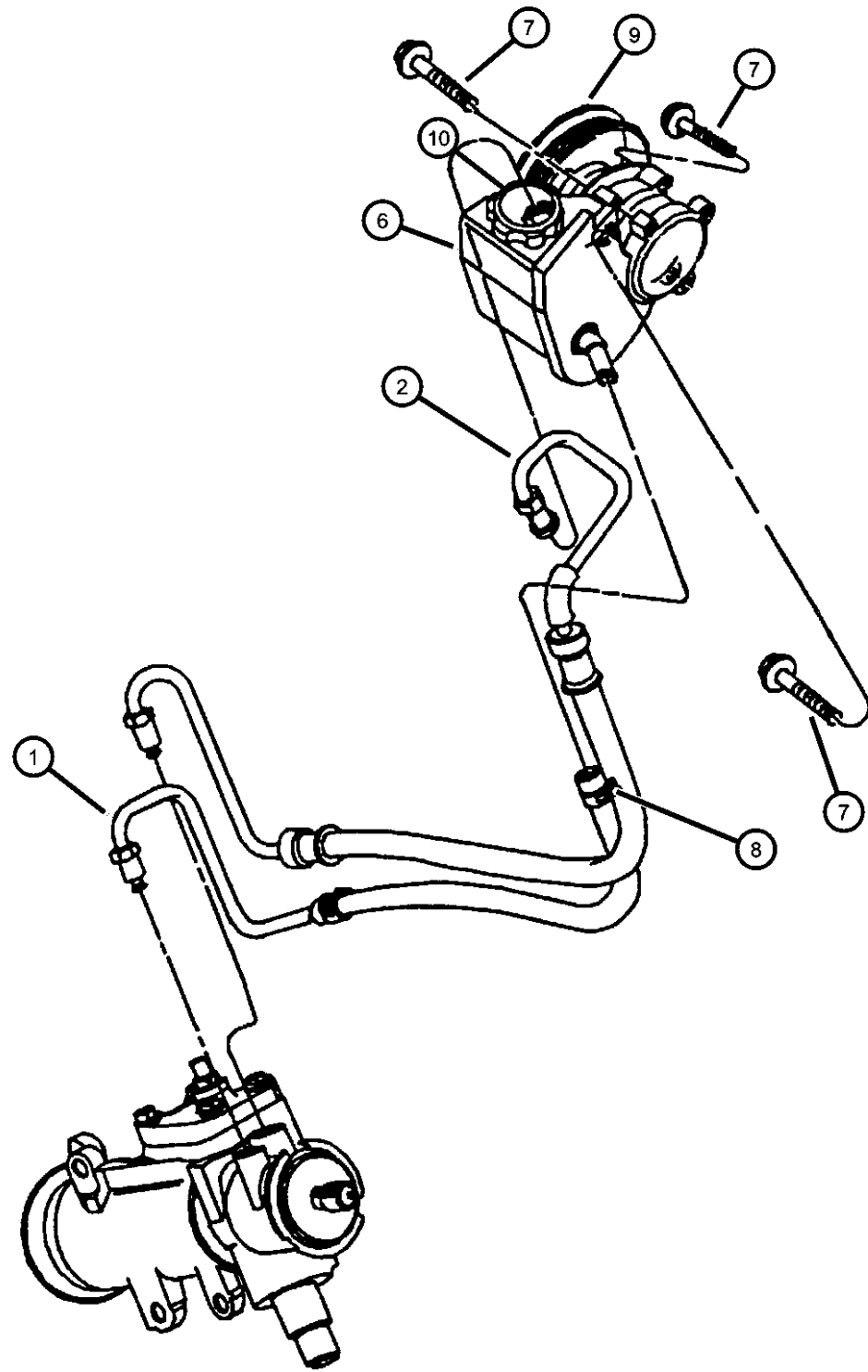
WRANGLER (TJ)

SERIES	LINE	BODY	ENGINE	TRANSMISSION
L = Low Line	J = JEEP - 4WD U = JEEP - 4WD (RHD)	77 = OPEN BODY 2-DOOR	EPE = ENGINE - 2.5L POWER TECH I-4 Cyl. ERH = ENGINE - 4.0L POWER TECH I-6	DDQ = TRANSMISSION - 5-SPEED MANUAL DGD = TRANSMISSION - 3-SPD. AUTOMATIC, 30RH DGG = TRANSMISSION - 3-SPD. AUTOMATIC, 32RH

AR = use ase required - = Non illustrated part

1999 TJ

Hoses and Reservoir, Power Steering Wrangler, w/4.0L Engine
Figure 19-720



ITEM	PART NUMBER	QTY	LINE	SERIES	BODY	ENGINE	TRANS	TRIM	DESCRIPTION
Note: EP0 = All 2.5L 4 Cyl Gas Engines ER0 = All 4.0L 6 Cyl Gas Engines									
1									HOSE, Power Steering Return
	52038423	1	J			ER0			
	52038424	1	U			ER0			
2									HOSE, Power Steering Pressure
	52087902	1	J			ER0			
	52087903	1	U			ER0			
-3									SCREW, Hex Head
	34201888	1	U						Clamp RHD, M8x1.25x25.00
		3							
-4	06035358	1	U						CLIP, Oil Cooler Tube, Single Line, (MIDDLE EAST)
-5	52002044	1	U						CLIP, Oil Tube, Double Line
6	04694766	1				EP0			CAP, Power Steering Pump
7	06502425	3				EP0, ER0			SCREW AND WASHER, Hex Head, M8x1.25x95
8									CLAMP, Hose
	02448761	1	U			ER0			
		1	U			EP0			
		1	J			EP0			
		1	J			ER0			
9	53010258AB	1				EP0, ER0			PULLEY, Power Steering Pump
10	04897287AA	1				ER0			CAP, Power Steering Reservoir

WRANGLER (TJ)

SERIES	LINE	BODY	ENGINE	TRANSMISSION
L = Low Line	J = JEEP - 4WD U = JEEP - 4WD (RHD)	77 = OPEN BODY 2-DOOR	EPE = ENGINE - 2.5L POWER TECH I-4 Cyl. ERH = ENGINE - 4.0L POWER TECH I-6	DDQ = TRANSMISSION - 5-SPEED MANUAL DGD = TRANSMISSION - 3-SPD. AUTOMATIC, 30RH DGG = TRANSMISSION - 3-SPD. AUTOMATIC, 32RH

AR = use ase required - = Non illustrated part

1999 TJ

Group - 30RH

Automatic Transmission 3 Speed

Group - 30RH Automatic Transmission 3 Speed

Illustration Title

Group-Fig. No.

Transmission Assembly

Transmission 30RH (DGD) Fig. 30RH - 110

Case and Extension

Case and Related Parts 30RH (DGD)..... Fig. 30RH - 210

Oil Pump

Oil Pump 30RH (DGD)..... Fig. 30RH - 310

Gear Train

Clutch, Front and Rear 30RH (DGD) Fig. 30RH - 410

Output Shaft 30RH (DGD)..... Fig. 30RH - 420

Bands, Reverse and Kickdown

Bands 30RH (DGD)..... Fig. 30RH - 510

Governor

Governor 30RH (DGD) Fig. 30RH - 610

Valve Body

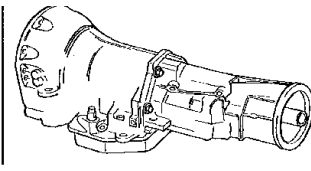
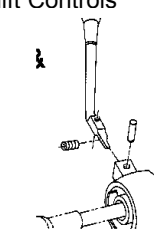
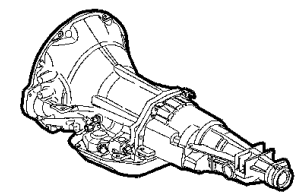

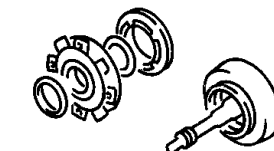
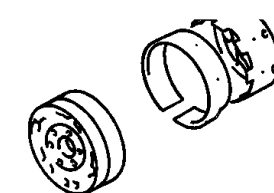
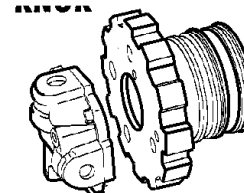
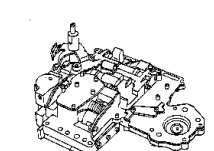
Valve Body 30RH (DGD) Fig. 30RH - 710

Servos 30RH (DGD) Fig. 30RH - 720

Parking Sprag 30RH (DGD)..... Fig. 30RH - 730

Gearshift Controls

Gearshift Controls 30RH (DGD) Fig. 30RH - 1230

<p>30RH-100 Transmission Assembly</p> 	<p>30RH-1200 Gearshift Controls</p> 	<p>30RH-200 Case and Extension</p> 	<p>30RH-300 Oil Pump</p> 
<p>30RH-400 Gear Train</p> 	<p>30RH-500 Bands, Reverse and Kickdown</p> 	<p>30RH-600 Governor</p> 	<p>30RH-700 Valve Body</p> 

Transmission 30RH (DGD)
Figure 30RH-110

ITEM	PART NUMBER	QTY	LINE	SERIES	BODY	ENGINE	TRANS	TRIM	DESCRIPTION
------	-------------	-----	------	--------	------	--------	-------	------	-------------

Note:

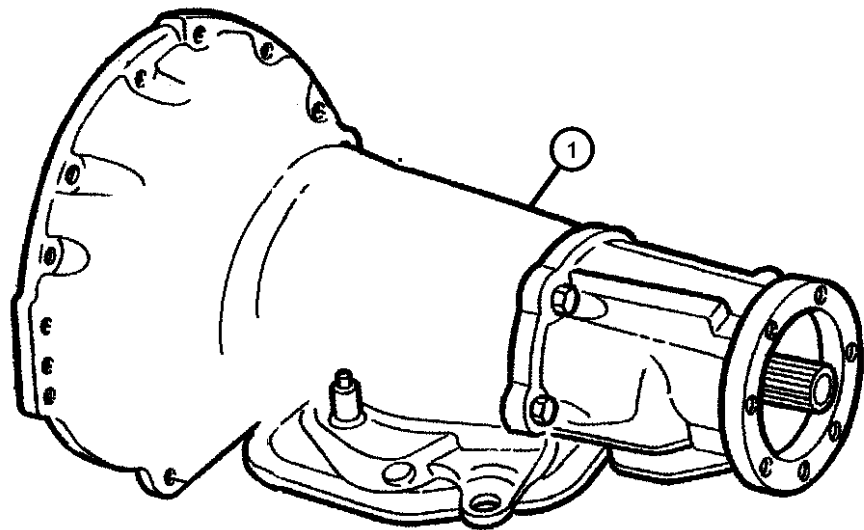
DGD = 3 Speed Automatic Transmission 30RH

DG0 = All Automatic Transmissions

EPE = 2.5L SMPi Magnum 4 Cyl Engine

EPO = All 2.5L 4 Cyl Gas Engines

1	05013401AA	1				EPO	DGD		TRANSMISSION PACKAGE, 52119811AA (package contains 52119811AA transmission, K4736388 Converter, K6501099 Bolts)
---	------------	---	--	--	--	-----	-----	--	---



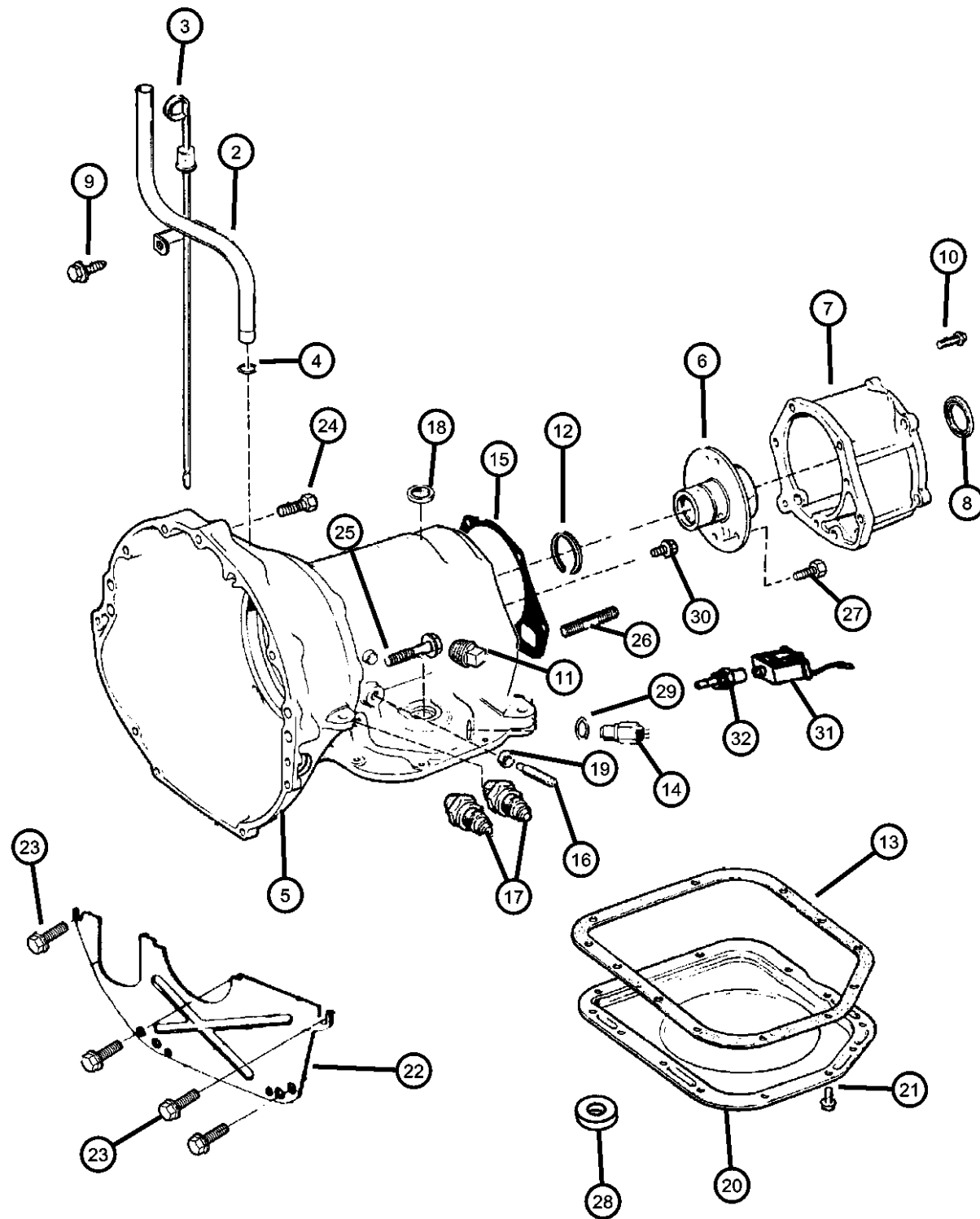
WRANGLER (TJ)

SERIES	LINE	BODY	ENGINE	TRANSMISSION
L = Low Line	J = JEEP - 4WD U = JEEP - 4WD (RHD)	77 = OPEN BODY 2-DOOR	EPE = ENGINE - 2.5L POWER TECH I-4 Cyl. ERH = ENGINE - 4.0L POWER TECH I-6	DDQ = TRANSMISSION - 5-SPEED MANUAL DGD = TRANSMISSION - 3-SPD. AUTOMATIC, 30RH DGG = TRANSMISSION - 3-SPD. AUTOMATIC, 32RH

AR = use ase required - = Non illustrated part

1999 TJ

**Case and Related Parts 30RH (DGD)
Figure 30RH-210**



ITEM	PART NUMBER	QTY	LINE	SERIES	BODY	ENGINE	TRANS	TRIM	DESCRIPTION
-1	04883957AA	1				EP0	DGD		SEAL AND GASKET PACKAGE, Transmission
2	52104244AB	1				EP0	DG0		TUBE, Transmission Oil Filler
3	52104240AB	1				EP0, ER0	DG0		INDICATOR, Transmission Fluid Level
4	52118629	1				EP0, ER0	DG0		SEAL, Oil Filler Tube
5	52118593	1				EP0	DGD		CASE, Transmission
6	04431433	1				EP0	DGD		SUPPORT, Output Shaft
7	52118076	1				EP0	DGD		ADAPTER, Transmission
8	04269956	1				EP0	DGD		SEAL, Adapter
9	J4001701	11					DG0		SCREW, Hex Self Tapping, .19-16x.50
10	06030849	5				EP0	DGD		SCREW AND WASHER, Hex Head Locking, .375-16x1.375
11	06028095	1				EP0	DGD		PLUG, Pressure Check
12	06033480	1				EP0	DGD		SNAP RING, Reverse Drum
13	04295875	1				EP0	DGD		GASKET, Oil Pan
14	56028181	1				EP0	DGD		SWITCH, Neutral, Safety, Back Up
15	02466954	1				EP0	DGD		GASKET, Transmission Case
16	06036141AA	1				EP0	DGD		SCREW
17	52028471	1				EP0	DGD		CONNECTOR, Oil Cooler Tube, .375 Tube x .25 Thread
18	04505098	1				EP0	DGD		SEAL, Manual Shift Valve, 1.25 OD
19	04505098	1							NUT, (NOT SERVICED)
20	52118802	1				EP0	DGD		PAN, Transmission Oil
21	04723548	14				EP0	DGD		SCREW AND WASHER, Hex Head, .312-18x.625
22	52118408	1				EP0	DGD		COVER, Transmission Converter
23	11502628	2					DGD		BOLT, Hex Flange Head, M8x1.25x30
24	11504922	1				EP0	DGD		BOLT, Hex Head, M12x1.75x50
25	34201837	1				EP0	DGD		BOLT, Hex Flange Head, M12x1.75x90, M12x1.75x90.00

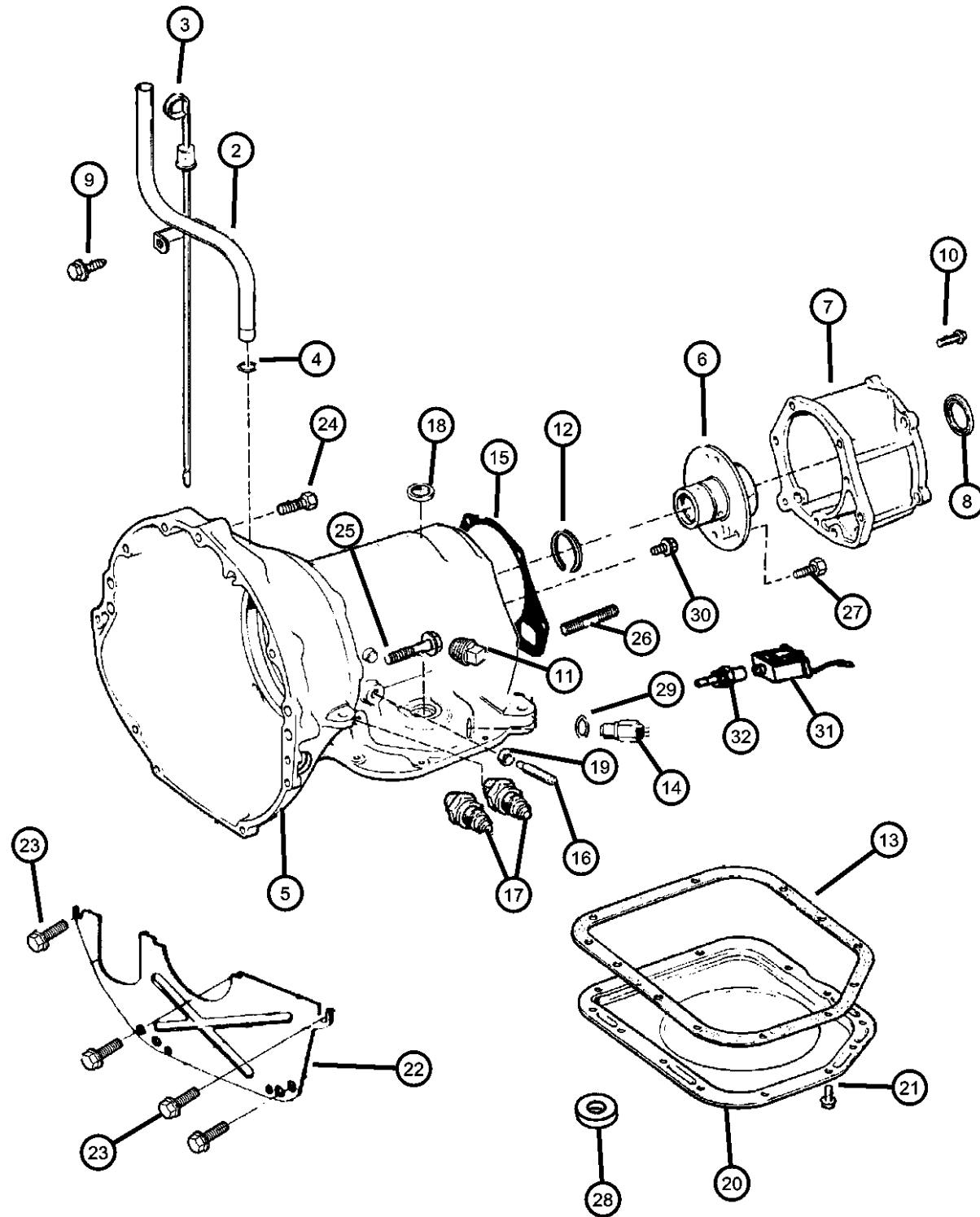
WRANGLER (TJ)

SERIES	LINE	BODY	ENGINE	TRANSMISSION
L = Low Line	J = JEEP - 4WD U = JEEP - 4WD (RHD)	77 = OPEN BODY 2-DOOR	EPE = ENGINE - 2.5L POWER TECH I-4 Cyl. ERH = ENGINE - 4.0L POWER TECH I-6	DDQ = TRANSMISSION - 5-SPEED MANUAL DGD = TRANSMISSION - 3-SPD. AUTOMATIC, 30RH DGG = TRANSMISSION - 3-SPD. AUTOMATIC, 32RH

AR = use ase required - = Non illustrated part

Case and Related Parts 30RH (DGD)
Figure 30RH-210

ITEM	PART NUMBER	QTY	LINE	SERIES	BODY	ENGINE	TRANS	TRIM	DESCRIPTION
26	06033157	1				EP0	DGD		STUD, .375-16x2.312
27	06033479	6				EP0	DGD		BOLT, Hex Head, .25-28x1-5/8
28	03681601	1				EP0	DGD		MAGNET, Transmission
29	02408143	1					DG0		WASHER, Switch
30	06033616	5				EP0	DGD		SCREW, Hex Flange Head, .25-28x.875
31	52118595	1				EP0	DGD		SOLENOID, Transmission
32	56038235	1				EP0	DGD		CONNECTOR, Wiring

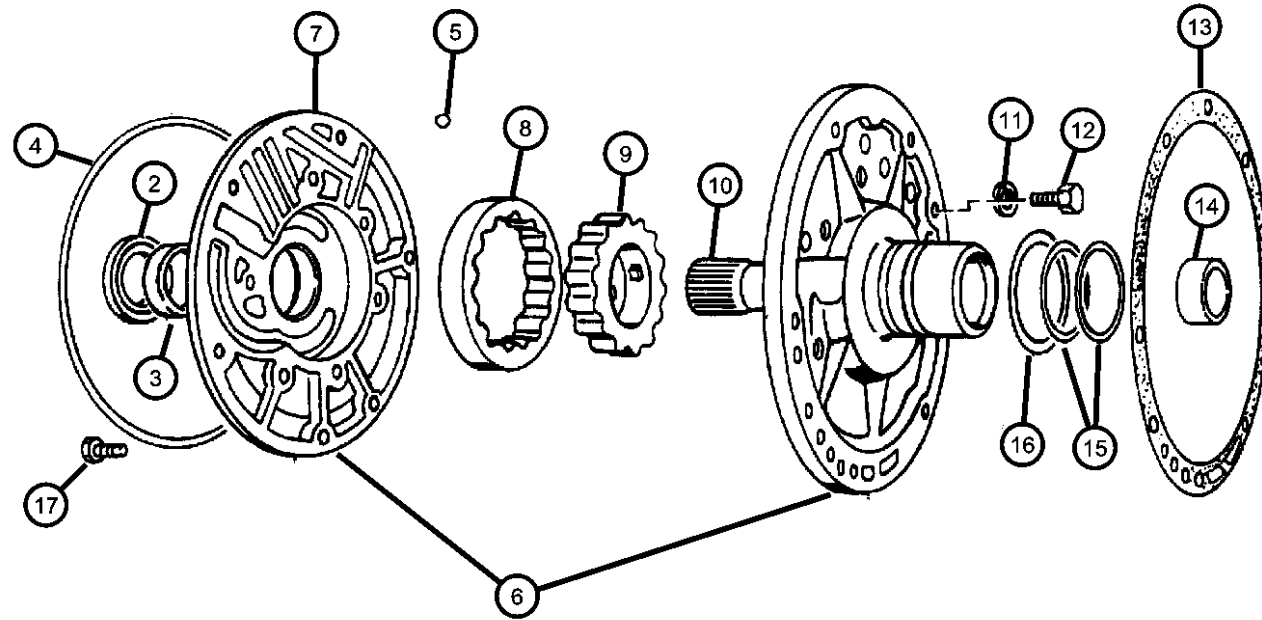


WRANGLER (TJ)

SERIES	LINE	BODY	ENGINE	TRANSMISSION
L = Low Line	J = JEEP - 4WD U = JEEP - 4WD (RHD)	77 = OPEN BODY 2-DOOR	EPE = ENGINE - 2.5L POWER TECH I-4 Cyl. ERH = ENGINE - 4.0L POWER TECH I-6	DDQ = TRANSMISSION - 5-SPEED MANUAL DGD = TRANSMISSION - 3-SPD. AUTOMATIC, 30RH DGG = TRANSMISSION - 3-SPD. AUTOMATIC, 32RH

AR = use ase required - = Non illustrated part

**Oil Pump 30RH (DGD)
Figure 30RH-310**



ITEM	PART NUMBER	QTY	LINE	SERIES	BODY	ENGINE	TRANS	TRIM	DESCRIPTION
-1	04713108	1				EP0	DGD		GASKET AND SEAL PACKAGE, Transmission Oil Pump
2	04412475	1				EP0	DGD		SEAL, Impeller Hub, 57.25mm OD
3	02466796	1				EP0	DGD		BUSHING, Front Pump
4	02204709	1				EP0	DGD		SEAL, Front Pump Housing
5	02204709	1							BALL, Valve Body Check, (NOT SERVICED)
6	52118267	1				EP0	DGD		PUMP, Transmission Oil
7	52118267	1							HOUSING, Pump, (NOT SERVICED)
8	52118267	1							ROTOR, Oil Pump, (NOT SERVICED)
9	52118267	1							ROTOR, Oil Pump, (NOT SERVICED)
10	52118267	1							SHAFT, Oil Pump, (NOT SERVICED)
11	52118267	1							LOCK WASHER, (NOT SERVICED)
12	00179815	6				EP0	DGD		SCREW, Hex Head, .312-18x.687
13	52118266	1				EP0	DGD		GASKET, Transmission Oil Pump
14	04058635	1				EP0	DGD		BUSHING, Reaction Shaft
15	04471874	2				EP0	DGD		SEAL, Ring Reaction Support, 2 1/16 O.D.
16	04617786	1				EP0	DGD		THRUST WASHER, Front Clutch
17	06023943	6				EP0	DGD		SCREW AND WASHER, Hex Flange Head, .312-18x1.375

Note:

DGD = 3 Speed Automatic Transmission 30RH

DG0 = All Automatic Transmissions

EPE = 2.5L SMPi Magnum 4 Cyl Engine

EP0 = All 2.5L 4 Cyl Gas Engines

WRANGLER (TJ)

SERIES

L = Low Line

LINE

J = JEEP - 4WD

U = JEEP - 4WD (RHD)

BODY

77 = OPEN BODY 2-DOOR

ENGINE

EPE = ENGINE - 2.5L POWER TECH I-4 Cyl.

ERH = ENGINE - 4.0L POWER TECH I-6

TRANSMISSION

DDQ = TRANSMISSION - 5-SPEED MANUAL

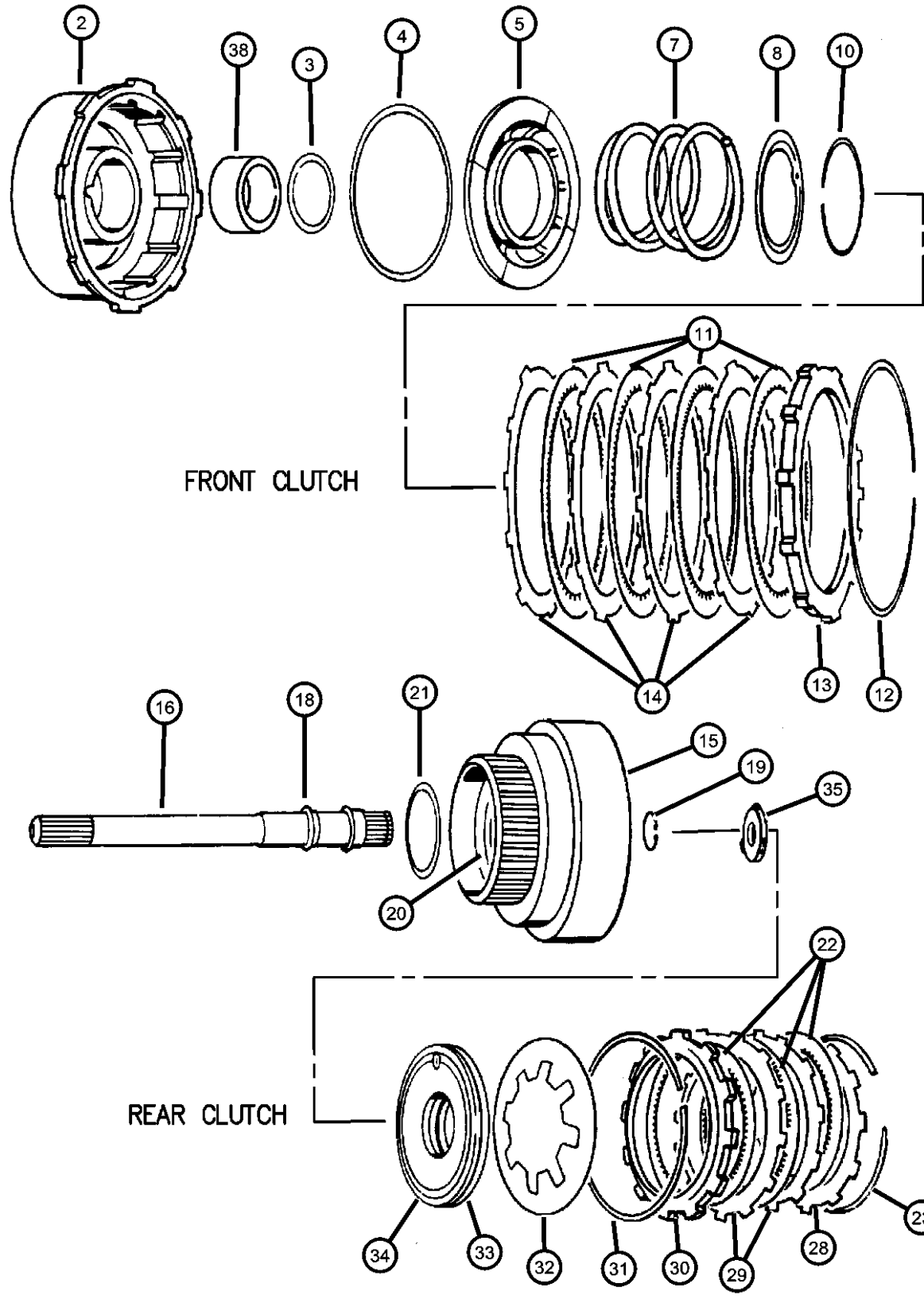
DGD = TRANSMISSION - 3-SPD. AUTOMATIC, 30RH

DGG = TRANSMISSION - 3-SPD. AUTOMATIC, 32RH

AR = use ase required - = Non illustrated part

1999 TJ

Clutch, Front and Rear 30RH (DGD)
Figure 30RH-410



ITEM	PART NUMBER	QTY	LINE	SERIES	BODY	ENGINE	TRANS	TRIM	DESCRIPTION
-1	05252926	1				EP0	DGD		SEAL PACKAGE, Transmission Clutch
2	04531285	1				EP0	DGD		RETAINER AND BUSHING, Transmission Front Clutch
3	03515176	1				EP0	DGD		SEAL, Front Clutch Piston
4	04058487	1				EP0	DGD		SEAL, Front Piston Clutch
5	04617154	1				EP0	DGD		PISTON, Clutch
-6	00147483	1				EP0	DGD		CHECK BALL, Dia-.187
7	03515054	1				EP0	DGD		SPRING, Front Clutch
8	04617516AB	1				EP0	DGD		RETAINER, Transmission Front Clutch Piston Spring
-9	00147483	1				EP0	DGD		CHECK BALL, Dia-.187
10	01942400	1				ER0	DGG		SNAP RING
11	04617362	4				EP0	DGD		DISC, Direct Clutch
12	03410571	1				ER0	DGG		SNAP RING
13	04617176	1				EP0	DGD		PLATE, Transmission Clutch Reaction
14	01942403AB	2				EP0	DGD		PLATE, Clutch Separator
15	04505195	1				EP0	DGD		RETAINER, Transmission Rear Clutch
16	04505195	1							SHAFT, Input, (NOT SERVICED)
-17	00147483	1				EP0	DGD		CHECK BALL, Dia-.187
18	01401221	1				EP0	DGD		SEAL, Input Shaft
19	06022859	1				EP0	DGD		SNAP RING, .890625
20	04028333	1				EP0	DGD		SEAL, Rear Clutch, 1.50 ODx.009 Thk
21	04617786	1				EP0	DGD		THRUST WASHER, Front Clutch
22	04713880	3				EP0	DGD		DISC, Clutch
23	04130761	1				ER0	DGG		SNAP RING
-24	04539121	1				EP0	DGD		SNAP RING, Rear Clutch, .076
-25	04539122	1				EP0	DGD		SNAP RING, Rear Clutch, .098
-26	04539123	1				EP0	DGD		SNAP RING, Rear Clutch, .095
-27	04539124	1				EP0	DGD		SNAP RING, Rear Clutch, .107

WRANGLER (TJ)

SERIES LINE
L = Low Line J = JEEP - 4WD
U = JEEP - 4WD (RHD)

BODY
77 = OPEN BODY 2-DOOR

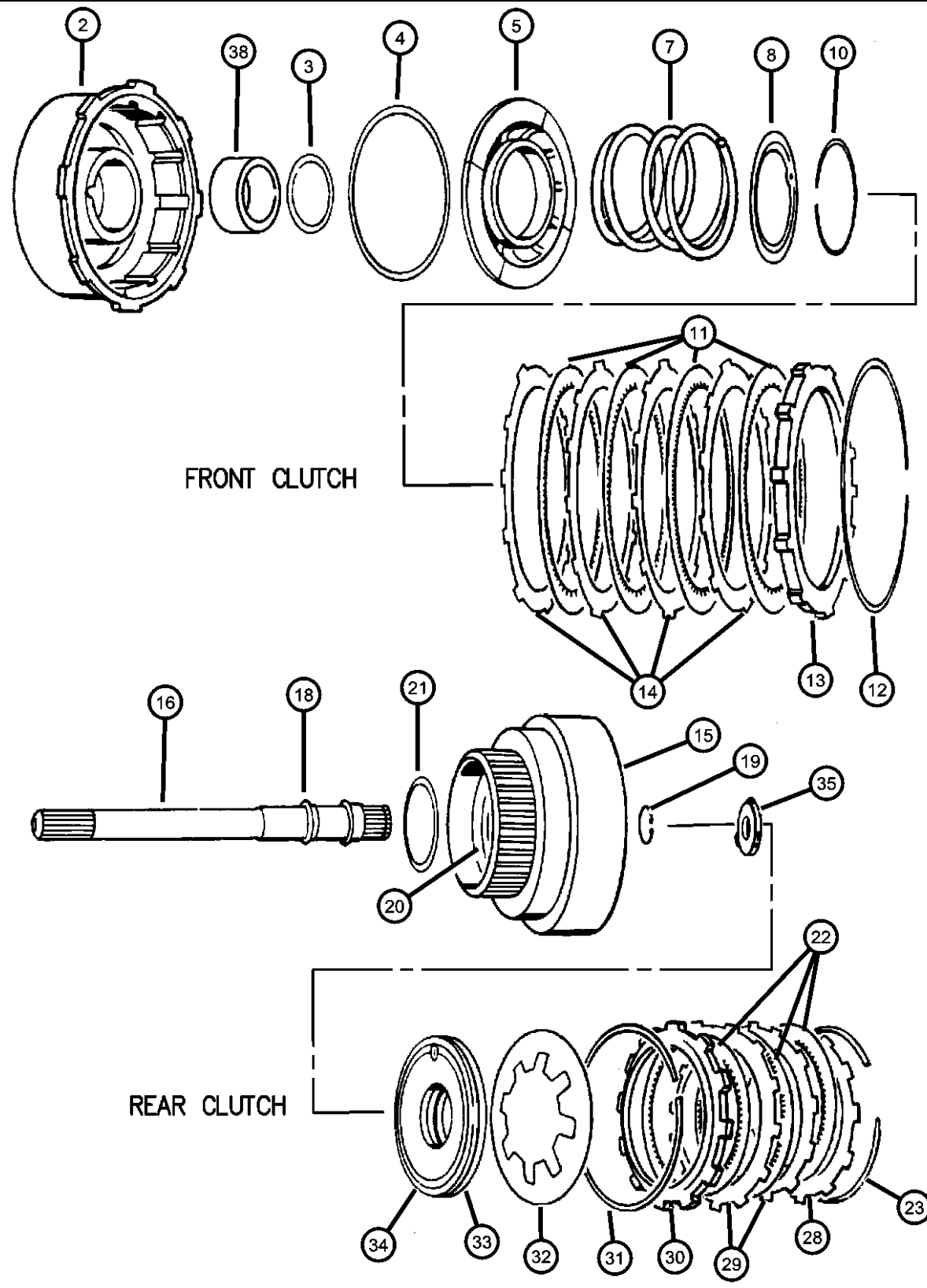
ENGINE
EPE = ENGINE - 2.5L POWER TECH I-4 Cyl.
ERH = ENGINE - 4.0L POWER TECH I-6

TRANSMISSION
DDQ = TRANSMISSION - 5-SPEED MANUAL
DGD = TRANSMISSION - 3-SPD. AUTOMATIC, 30RH
DGG = TRANSMISSION - 3-SPD. AUTOMATIC, 32RH

AR = use ase required - = Non illustrated part

1999 TJ

Clutch, Front and Rear 30RH (DGD)
Figure 30RH-410



ITEM	PART NUMBER	QTY	LINE	SERIES	BODY	ENGINE	TRANS	TRIM	DESCRIPTION
28	04617176	1				EP0	DGD		PLATE, Transmission Clutch Reaction
29	01942403AB	2				EP0	DGD		PLATE, Clutch Separator
30	02466281	1				EP0	DGD		PLATE, Clutch Pressure
31	02466283	1				EP0	DGD		SPRING, Rear Clutch
32	04728487	1				EP0	DGD		SPRING, Rear Clutch Piston
33	02538510	1				EP0	DGD		SEAL, Rear Clutch Piston
34	03515716	1				EP0	DGD		PISTON, Clutch
35	04505185	1				EP0	DGD		THRUST WASHER, Output Shaft, Gray .052
-36	04505186	1				EP0	DGD		THRUST WASHER, Output Shaft, Red .068
-37	04505187	1				EP0	DGD		THRUST WASHER, Output Shaft, Green .083
38	04617157	1				EP0	DGD		BUSHING, Front Clutch

WRANGLER (TJ)

SERIES LINE
L = Low Line J = JEEP - 4WD
U = JEEP - 4WD (RHD)

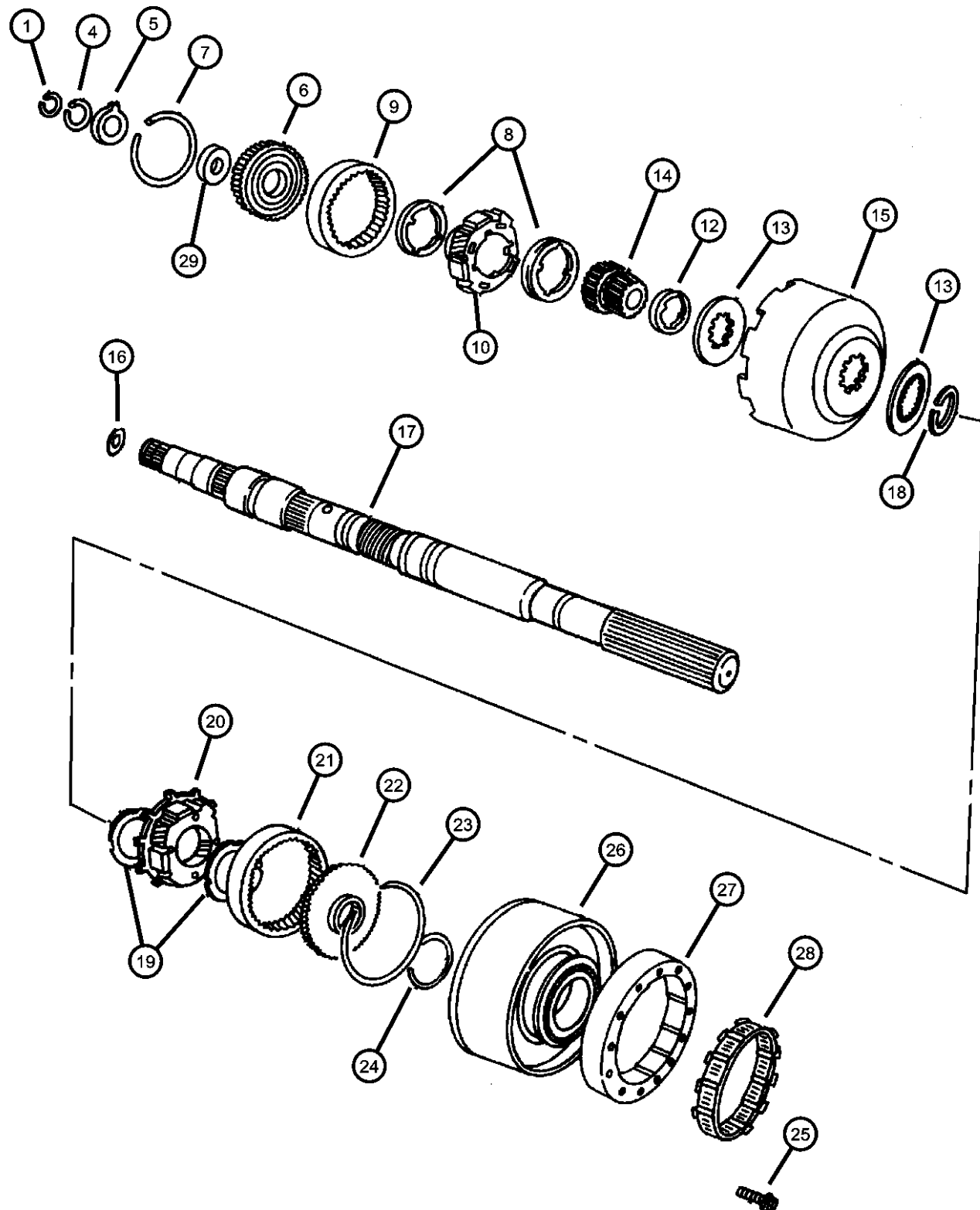
BODY
77 = OPEN BODY 2-DOOR

ENGINE
EPE = ENGINE - 2.5L POWER TECH I-4 Cyl.
ERH = ENGINE - 4.0L POWER TECH I-6

TRANSMISSION
DDQ = TRANSMISSION - 5-SPEED MANUAL
DGD = TRANSMISSION - 3-SPD. AUTOMATIC, 30RH
DGG = TRANSMISSION - 3-SPD. AUTOMATIC, 32RH

AR = use ase required - = Non illustrated part

**Output Shaft 30RH (DGD)
Figure 30RH-420**



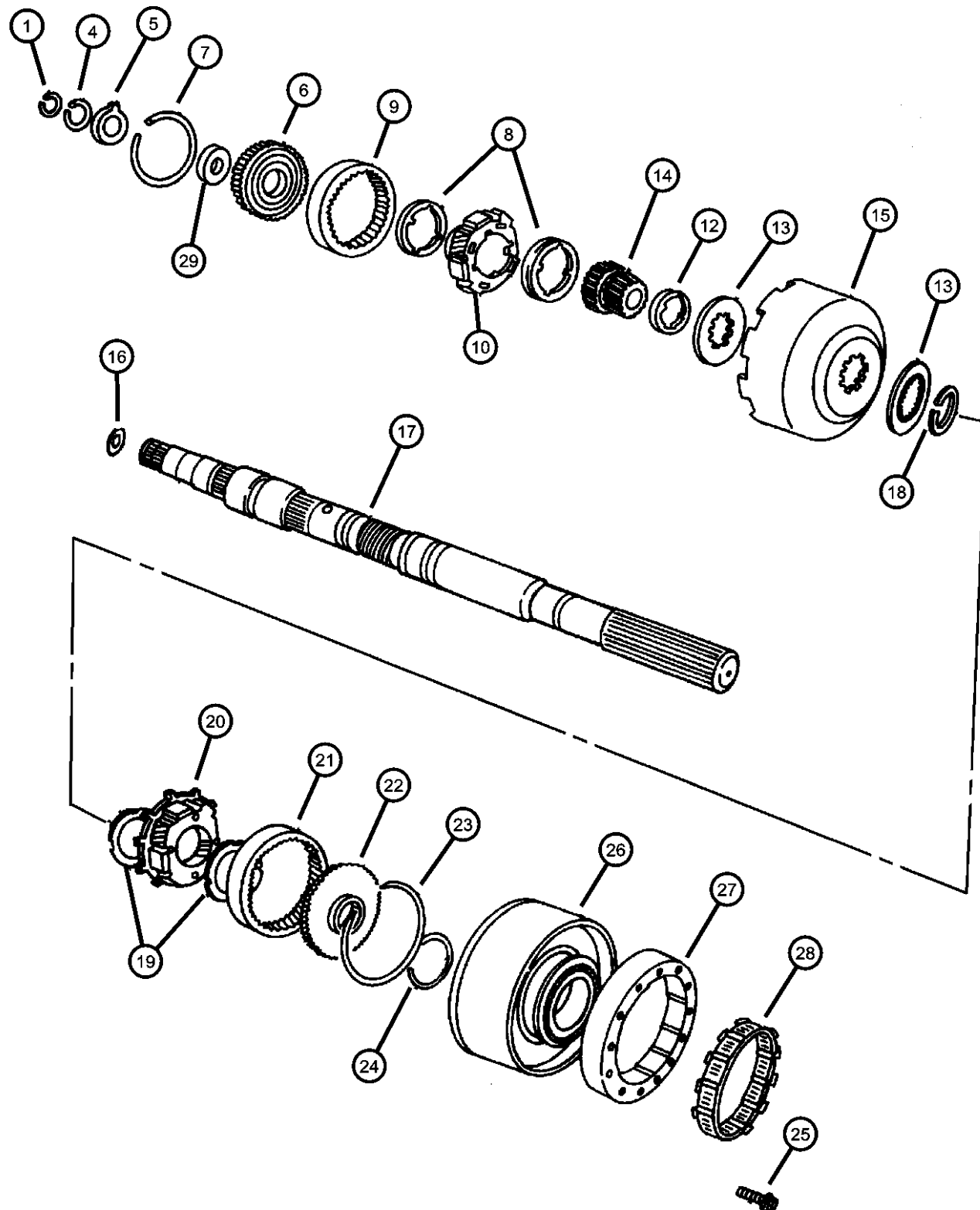
ITEM	PART NUMBER	QTY	LINE	SERIES	BODY	ENGINE	TRANS	TRIM	DESCRIPTION
1	06026289	1				EP0	DGD		SNAP RING, .946 ID
-2	06030938	1				EP0	DGD		SNAP RING
-3	06030404	1				EP0	DGD		SNAP RING, Output Shaft, 1.029 OD
4	06030576	1				EP0	DGD		SNAP RING, Annulus Gear, 1.375 ID
5	03681969	1				EP0	DGD		THRUST WASHER, Annulus Gear
6	04617774	1				EP0	DGD		SUPPORT, Annulus Gear
7	06030576	1				EP0	DGD		SNAP RING, Annulus Gear, 1.375 ID
8	04130518	2				EP0	DGD		THRUST WASHER, Planetary Carrier
9	04130512	1				EP0	DGD		GEAR, Front Annulus
10	04130514	1				EP0	DGD		CARRIER, Planetary Pinion
-11	03681949	8				EP0	DGD		THRUST WASHER, Planet Pinion
12	04130736	1				EP0	DGD		SPACER, Sun Gear
13	04471566	2				EP0	DGD		PLATE, Transmission Module
14	04130685	1				EP0	DGD		GEAR, Sun
15	04531288	1				EP0	DGD		SHELL, Sun Gear
16	04505188	1				EP0	DGD		PLATE, Transmission Module
17	04617320	1				EP0	DGD		MAINSHAFT, Transmission
18	01942439	1				EP0	DGD		SNAP RING, Sun Gear Shell
19	03681935	1				EP0	DGD		THRUST WASHER, Planetary Carrier
20	04431438	1				EP0	DGD		CARRIER, Planetary Pinion
21	03743184	1				EP0	DGD		GEAR, Rear Annulus
22	03515501	1				EP0	DGD		SUPPORT, Annulus Gear
23	01942444	1				EP0	DGD		SNAP RING
24	06033480	1				EP0	DGD		SNAP RING, Reverse Drum
25	06033616	5				EP0	DGD		SCREW, Hex Flange Head, .25-28x.875
26	04637956	1				EP0	DGD		DRUM PACKAGE, Transmission
27	04431690	1				EP0	DGD		CAM, Overrunning Clutch

WRANGLER (TJ)

SERIES	LINE	BODY	ENGINE	TRANSMISSION
L = Low Line	J = JEEP - 4WD U = JEEP - 4WD (RHD)	77 = OPEN BODY 2-DOOR	EPE = ENGINE - 2.5L POWER TECH I-4 Cyl. ERH = ENGINE - 4.0L POWER TECH I-6	DDQ = TRANSMISSION - 5-SPEED MANUAL DGD = TRANSMISSION - 3-SPD. AUTOMATIC, 30RH DGG = TRANSMISSION - 3-SPD. AUTOMATIC, 32RH

AR = use ase required - = Non illustrated part

Output Shaft 30RH (DGD)
Figure 30RH-420



ITEM	PART NUMBER	QTY	LINE	SERIES	BODY	ENGINE	TRANS	TRIM	DESCRIPTION
28	04431432	1				EP0	DGD		CLUTCH, Overrunning
29	04617775	1				EP0	DGD		PLATE, Annulus Gear Thrust

WRANGLER (TJ)

SERIES

L = Low Line

LINE

J = JEEP - 4WD

U = JEEP - 4WD (RHD)

BODY

77 = OPEN BODY 2-DOOR

ENGINE

EPE = ENGINE - 2.5L POWER TECH I-4 Cyl.

ERH = ENGINE - 4.0L POWER TECH I-6

TRANSMISSION

DDQ = TRANSMISSION - 5-SPEED MANUAL

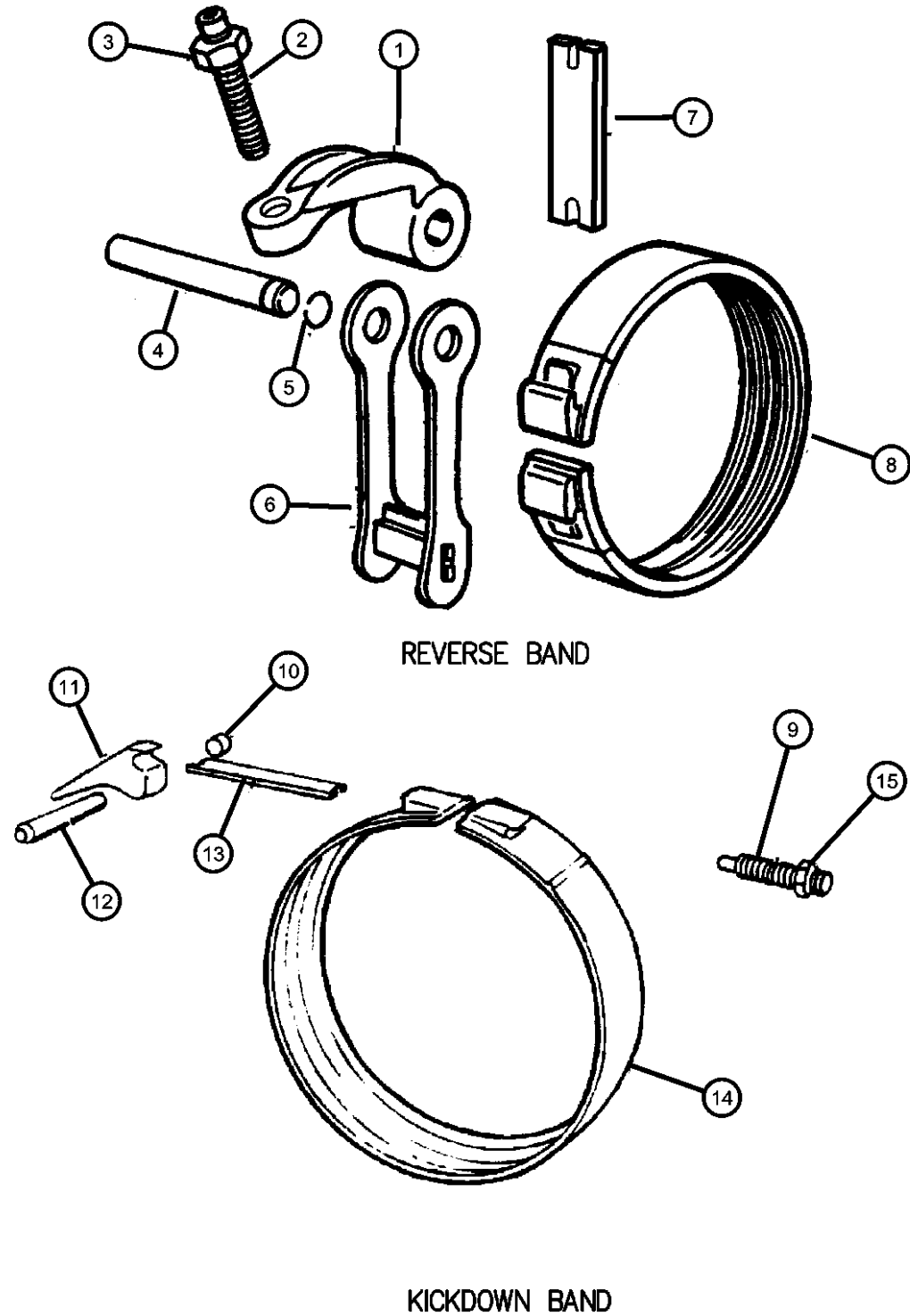
DGD = TRANSMISSION - 3-SPD. AUTOMATIC, 30RH

DGG = TRANSMISSION - 3-SPD. AUTOMATIC, 32RH

AR = use ase required - = Non illustrated part

1999 TJ

**Bands 30RH (DGD)
Figure 30RH-510**



ITEM	PART NUMBER	QTY	LINE	SERIES	BODY	ENGINE	TRANS	TRIM	DESCRIPTION
------	-------------	-----	------	--------	------	--------	-------	------	-------------

Note:
DGD = 3 Speed Automatic Transmission 30RH
DGO = All Automatic Transmissions
EPE = 2.5L SMPi Magnum 4 Cyl Engine
EPO = All 2.5L 4 Cyl Gas Engines

1	03681139	1				EPO	DGD		LEVER, Reverse Band
2	06030704	1				EPO	DGD		SCREW, Cap, .437-20x1.812
3	00271506	1				EPO	DGD		NUT, Hex, .42-20
4	03410102	1				EPO	DGD		SHAFT, Reverse Band
5	06030657	1				EPO	DGD		O RING, Steering Gear
6	02464439	1				EPO	DGD		LINK, Transmission Reverse Band
7	03515589	1				EPO	DGD		STRUT, Reverse Band
8	04431405	1				EPO	DGD		BAND, Reverse
9	06036141AA	1				EPO	DGD		SCREW
10	06036141AA	1							PLUG, (NOT SERVICED)
11	02125067	1				EPO	DGD		LEVER, Kickdown
12	04531181	1				EPO	DGD		SHAFT, Band Lever
13	03515084	1				EPO	DGD		STRUT, Kickdown Band
14	04617849	1				EPO	DGD		BAND, Kickdown
15	00124934	1				EPO	DGD		NUT, Hex Jam, .50-20

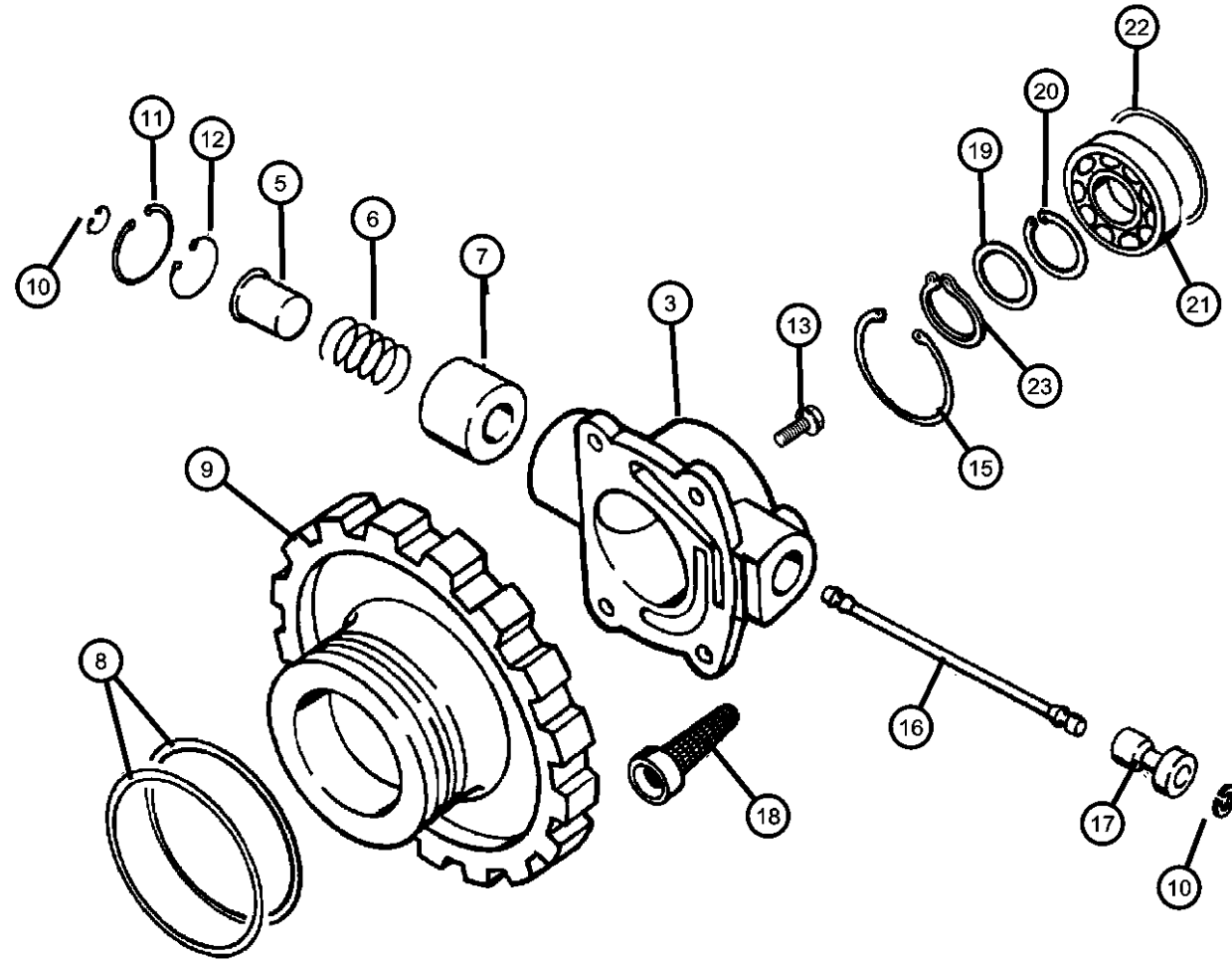
WRANGLER (TJ)

SERIES	LINE	BODY	ENGINE	TRANSMISSION
L = Low Line	J = JEEP - 4WD U = JEEP - 4WD (RHD)	77 = OPEN BODY 2-DOOR	EPE = ENGINE - 2.5L POWER TECH I-4 Cyl. ERH = ENGINE - 4.0L POWER TECH I-6	DDQ = TRANSMISSION - 5-SPEED MANUAL DGD = TRANSMISSION - 3-SPD. AUTOMATIC, 30RH DGG = TRANSMISSION - 3-SPD. AUTOMATIC, 32RH

AR = use ase required - = Non illustrated part

1999 TJ

**Governor 30RH (DGD)
Figure 30RH-610**



ITEM	PART NUMBER	QTY	LINE	SERIES	BODY	ENGINE	TRANS	TRIM	DESCRIPTION
-1	04883956AA	1				EP0	DGD		GASKET AND SEAL PACKAGE, Governor
-2	04728460	1				EP0	DGD		BODY PACKAGE, Governor
3	04728460	1							BODY, Governor, (NOT SERVICED)
-4	52117938	1				EP0	DGD		WEIGHT KIT, Transmission Governor
5	52117938	1							INNER, Inner, (NOT SERVICED)
6	52117938	1							SPRING, Governor Valve, (NOT SERVICED)
7	52117938	1							WEIGHT, Governor, (NOT SERVICED)
8	01942109	1				EP0	DGD		SEAL, Governor
9	03743518	1				EP0	DGD		SUPPORT, Governor
10	01638461	2				EP0	DGD		SNAP RING
11	06031392	1				EP0	DGD		SNAP RING, Brake Master Cylinder
12	06034723	1				EP0	DGD		SNAP RING, Governor, .675 x .025
13	06031613	2				EP0	DGD		BOLT, Hex Head, .25-20x.68
-14	06034788	2				EP0	DGD		BOLT, Hex Head, .25-20x1.33
15	06027271	1				EP0	DGD		SNAP RING, Governor, 1.156
16	01556082	1				EP0	DGD		SHAFT, Governor
17	04617064	1				EP0	DGD		VALVE, Governor
18	03743519	1				EP0	DGD		FILTER, Transmission Governor
19	04617799	1				EP0	DGD		SPACER, Output Shaft
20	06025668	1				EP0	DGD		SNAP RING, 1.150" Free Diameter
21	04130537	1				EP0	DGD		BEARING, Output Shaft
22	06032739	1				EP0	DGD		O RING, Output Shaft Bearing, Transmission
23	06025668	1				EP0	DGD		SNAP RING, 1.150" Free Diameter

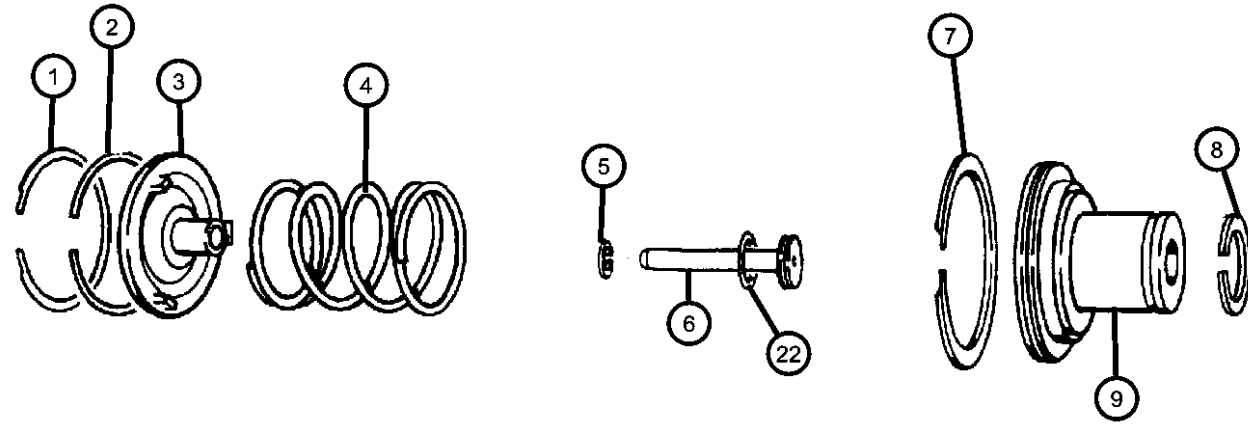
Note:
DGD = 3 Speed Automatic Transmission 30RH
DG0 = All Automatic Transmissions
EPE = 2.5L SMPi Magnum 4 Cyl Engine
EP0 = All 2.5L 4 Cyl Gas Engines

WRANGLER (TJ)

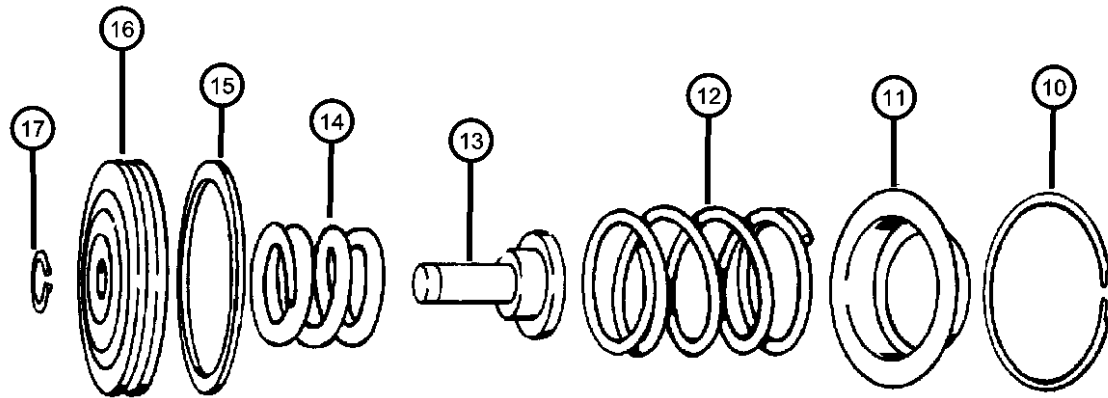
SERIES	LINE	BODY	ENGINE	TRANSMISSION
L = Low Line	J = JEEP - 4WD U = JEEP - 4WD (RHD)	77 = OPEN BODY 2-DOOR	EPE = ENGINE - 2.5L POWER TECH I-4 Cyl. ERH = ENGINE - 4.0L POWER TECH I-6	DDQ = TRANSMISSION - 5-SPEED MANUAL DGD = TRANSMISSION - 3-SPD. AUTOMATIC, 30RH DGG = TRANSMISSION - 3-SPD. AUTOMATIC, 32RH

AR = use ase required - = Non illustrated part

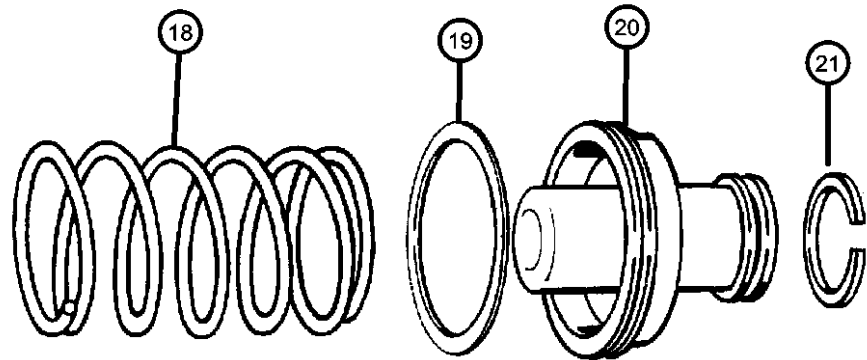
Servos 30RH (DGD)
Figure 30RH-720



KICKDOWN SERVO



LOW AND REVERSE SERVO



ACCUMULATOR PISTON AND SPRING

ITEM	PART NUMBER	QTY	LINE	SERIES	BODY	ENGINE	TRANS	TRIM	DESCRIPTION
1	01942486	1				EP0	DGD		SNAP RING
2	03743014	1				EP0	DGD		SEAL, Kickdown Servo
3	01942485	1				EP0	DGD		GUIDE, Kickdown Servo
4	01942485	1							SPRING, Kickdown Servo Piston, (NOT SERVICED)
5	06031392	1				EP0	DGD		SNAP RING, Brake Master Cylinder
6	04058943	1				EP0	DGD		ROD, Kickdown Servo Piston
7	03743014	1				EP0	DGD		SEAL, Kickdown Servo
8	01636470	1				EP0	DGD		SEAL, Servo Piston
9	04058942	1				EP0	DGD		PISTON, Kickdown Servo
10	02464464	1				EP0	DGD		SNAP RING
11	02464463	1				EP0	DGD		RETAINER, Transmission Rear Clutch
12	02801274	1				EP0	DGD		SPRING, Reverse Servo Piston
13	52118741	1				EP0	DGD		PLUG, Reverse Servo Piston
14	03743580	1				EP0	DGD		SPRING, Reverse Servo Piston
15	04202864	1				EP0	DGD		SEAL, Reverse Servo Piston
16	52118744	1				EP0	DGD		PISTON, Reverse Servo
17	06027153	1				EP0	DGD		SNAP RING, .435 ID
18	04531259	1				EP0	DGD		SPRING, Transmission Accumulator
19	03743013	1				EP0	DGD		SEAL, Piston Accumulator
20	03743650	1				EP0	DGD		PISTON, Accumulator
21	03743010	1				EP0	DGD		SEAL, Piston Accumulator
22	06031410	1				EP0	DGD		O RING, Trans Kickdown Servo

Note:
DGD = 3 Speed Automatic Transmission 30RH
DGO = All Automatic Transmissions
EPE = 2.5L SMPi Magnum 4 Cyl Engine
EPO = All 2.5L 4 Cyl Gas Engines

WRANGLER (TJ)

SERIES LINE
L = Low Line J = JEEP - 4WD
U = JEEP - 4WD (RHD)

BODY
77 = OPEN BODY 2-DOOR

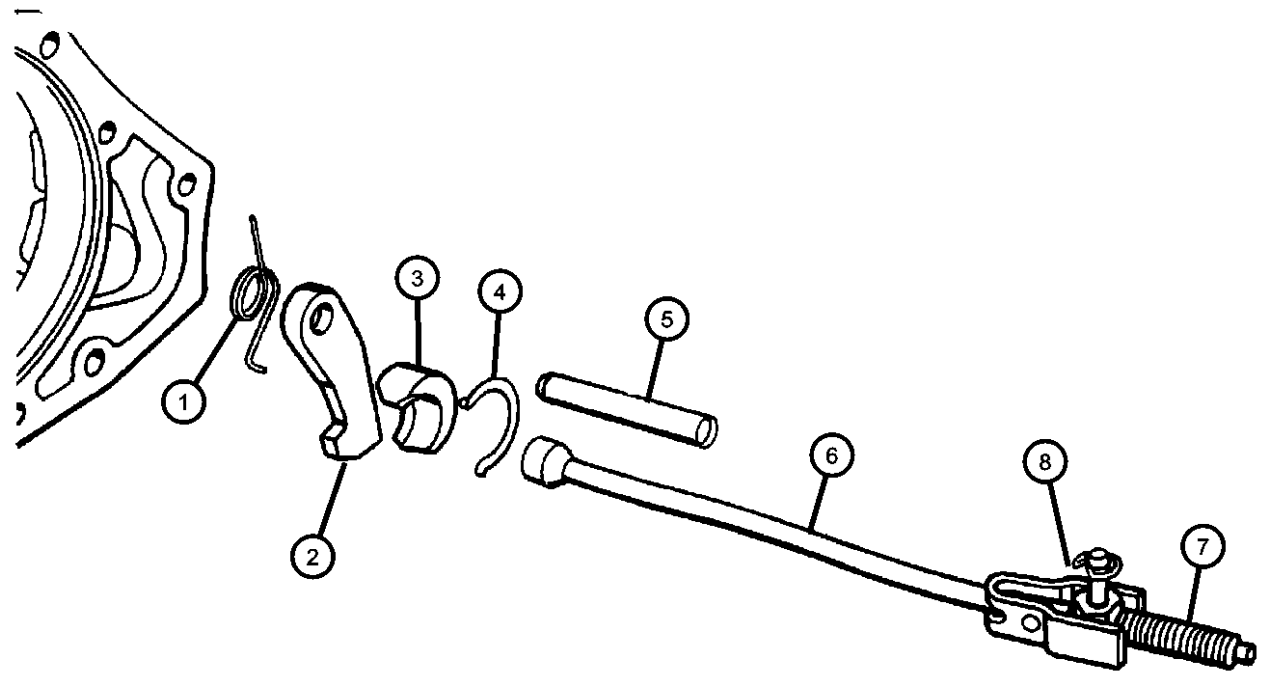
ENGINE
EPE = ENGINE - 2.5L POWER TECH I-4 Cyl.
ERH = ENGINE - 4.0L POWER TECH I-6

TRANSMISSION
DDQ = TRANSMISSION - 5-SPEED MANUAL
DGD = TRANSMISSION - 3-SPD. AUTOMATIC, 30RH
DGG = TRANSMISSION - 3-SPD. AUTOMATIC, 32RH

AR = use ase required - = Non illustrated part

1999 TJ

**Parking Sprag 30RH (DGD)
Figure 30RH-730**



ITEM	PART NUMBER	QTY	LINE	SERIES	BODY	ENGINE	TRANS	TRIM	DESCRIPTION
Note: DGD = 3 Speed Automatic Transmission 30RH DG0 = All Automatic Transmissions EPE = 2.5L SMPi Magnum 4 Cyl Engine EP0 = All 2.5L 4 Cyl Gas Engines									
1	02466909	1				EP0	DGD		SPRING, Parking Sprag
2	04471415	1				EP0	DGD		SPRAG, Transmission Parking
3	02538042	1				EP0	DGD		PLUG, Parking Sprag
4	02538034	1				EP0	DGD		SNAP RING, Transmission
5	02466892	1				EP0	DGD		SHAFT, Parking Sprag
6	02466906	1				EP0	DGD		ROD, Parking Sprag
7	02466906	1							SPRING, Parking Sprag Return, (NOT SERVICED)
8	06035256	1				EP0	DGD		SNAP RING, Rod

WRANGLER (TJ)

SERIES	LINE	BODY	ENGINE	TRANSMISSION
L = Low Line	J = JEEP - 4WD U = JEEP - 4WD (RHD)	77 = OPEN BODY 2-DOOR	EPE = ENGINE - 2.5L POWER TECH I-4 Cyl. ERH = ENGINE - 4.0L POWER TECH I-6	DDQ = TRANSMISSION - 5-SPEED MANUAL DGD = TRANSMISSION - 3-SPD. AUTOMATIC, 30RH DGG = TRANSMISSION - 3-SPD. AUTOMATIC, 32RH

AR = use ase required - = Non illustrated part

**Gearshift Controls 30RH (DGD)
Figure 30RH-1230**

ITEM	PART NUMBER	QTY	LINE	SERIES	BODY	ENGINE	TRANS	TRIM	DESCRIPTION
------	-------------	-----	------	--------	------	--------	-------	------	-------------

Note:
 DBB = All Manual Transmissions
 DG0 = All Automatic Transmissions
 EPE = 2.5L SMPi Magnum 4 Cyl Engine
 EP0 = All 2.5L 4 Cyl Gas Engines
 ERH = 4.0L Power Tech Engine
 ER0 = All 4.0L 6 Cyl Gas Engines

1	52104028	1					DG0		HANDLE, Gearshift, Lever
2	53000211	1					DG0		BUTTON, Gearshift Knob
3	53000865	1					DG0		LEVER, Gearshift
4	53000866	1					DG0		SPRING, Button Return
5	52077561	1					DG0		CAP, Gearshift Handle Button
6	06501648	4					DG0		SCREW, Hex Flange Head, M8x1.25x25.00
7									BEZEL AND DIAL, Gearshift Lever
	55115570AB	1	J				DG0		
	55115571AB	1	U				DG0		
8	52104144	1					DG0		CABLE, Park Interlock
9									SEAL, Shift Housing
	53000659	1	J				DG0		
		1	U				DG0		
10									HOUSING, Shift Lever
	52078551AB	1	J				DG0		
	52078841AB	1	U				DG0		
11	52104142	1					DG0		CABLE, Shift
12	53000704	1					DG0		COVER, Gearshift, Shift Housing
13	J4001701	9					DBB		SCREW, Hex Self Tapping, .19-16x.50, 10-16 x 1/2"
14	04641780	1				EP0, ER0	DG0		STRAP, Tie
15	52078255	1					DG0		BRACKET, Shift Cable, Shift Cable Mtg.
16	52078255	1					DG0		SCREW AND WASHER, Truss Head, .312-18x.750, (NOT SERVICED)
17	52079168AB	1				EP0, ER0	DG0		LEVER, Manual Control
18	03681227	1				EP0	DGD		LEVER, Throttle Valve
19	06028114	1					DG0		NUT, Hex, .437-14
20	06028114	1							SPRING, Pawl Return, (NOT SERVICED)

WRANGLER (TJ)

SERIES	LINE	BODY	ENGINE	TRANSMISSION
L = Low Line	J = JEEP - 4WD U = JEEP - 4WD (RHD)	77 = OPEN BODY 2-DOOR	EPE = ENGINE - 2.5L POWER TECH I-4 Cyl. ERH = ENGINE - 4.0L POWER TECH I-6	DDQ = TRANSMISSION - 5-SPEED MANUAL DGD = TRANSMISSION - 3-SPD. AUTOMATIC, 30RH DGG = TRANSMISSION - 3-SPD. AUTOMATIC, 32RH

AR = use ase required - = Non illustrated part

1999 TJ

Group - 32RH

Automatic Transmission 3 Speed

Group - 32RH Automatic Transmission 3 Speed

Illustration Title

Group-Fig. No.

Transmission Assembly

Transmission 32RH (DGG)..... Fig. 32RH - 110

Case and Extension

Case and Related Parts 32RH (DGG)..... Fig. 32RH - 210

Oil Pump

Oil Pump 32RH (DGG) Fig. 32RH - 310

Gear Train

Clutch, Front and Rear 32RH (DGG) Fig. 32RH - 410

Output Shaft 32RH (DGG)..... Fig. 32RH - 420

Bands, Reverse and Kickdown

Bands 32RH (DGG)..... Fig. 32RH - 510

Governor

Governor 32RH (DGG) Fig. 32RH - 610

Valve Body

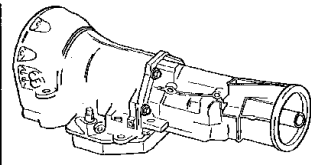
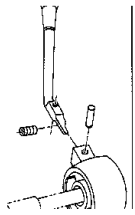
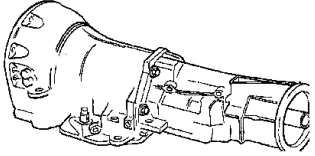

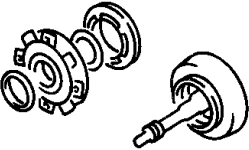
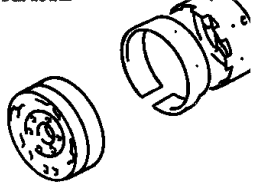
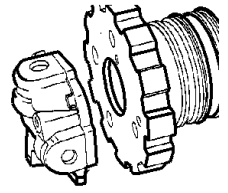
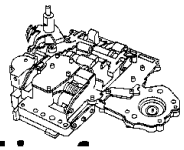
Valve Body 32RH (DGG) Fig. 32RH - 710

Servos 32RH (DGG) Fig. 32RH - 720

Parking Sprag 32RH (DGG)..... Fig. 32RH - 730

Gearshift Controls

Gearshift Controls 32RH (DGG) Fig. 32RH - 1230

<p>32RH-100 Transmission Assembly</p> 	<p>32RH-1200 Gearshift Controls</p> 	<p>32RH-200 Case and Extension</p> 	<p>32RH-300 Oil Pump</p> 
<p>32RH-400 Gear Train</p> 	<p>32RH-500 Bands, Reverse and Kickdown</p> 	<p>32RH-600 Governor</p> 	<p>32RH-700 Valve Body</p> 

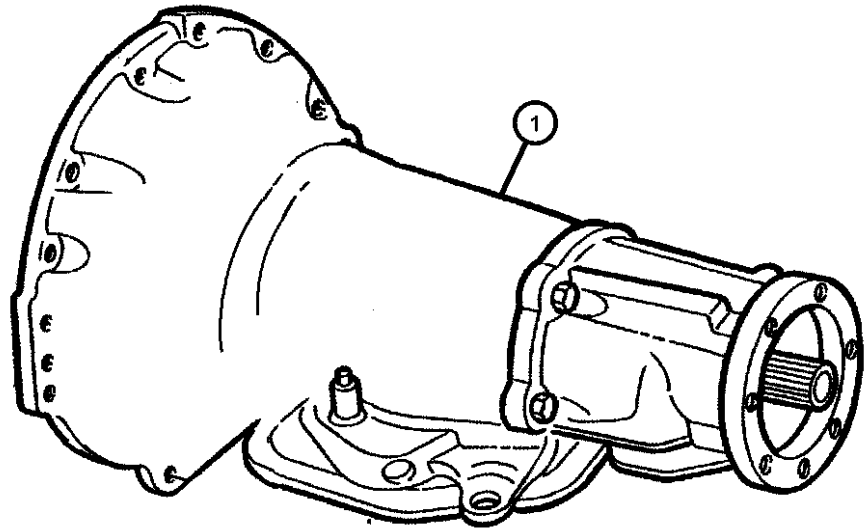
Transmission 32RH (DGG)
Figure 32RH-110

T67-110

ITEM	PART NUMBER	QTY	LINE	SERIES	BODY	ENGINE	TRANS	TRIM	DESCRIPTION
------	-------------	-----	------	--------	------	--------	-------	------	-------------

Note:
DGG = 3 Speed Automatic Transmission 32RH
DG0 = All Automatic Transmissions
ERH = 4.0L Power Tech Engine
ER0 = All 4.0L 6 Cyl Gas Engines

1	05013402AA	1				ER0	DGG		TRANSMISSION PACKAGE, 52119813AA (Package contains, 52119813AA transmission, K4736596 Converter, K1949765 Bolts)
---	------------	---	--	--	--	-----	-----	--	--



WRANGLER (TJ)

SERIES	LINE	BODY	ENGINE	TRANSMISSION
L = Low Line	J = JEEP - 4WD U = JEEP - 4WD (RHD)	77 = OPEN BODY 2-DOOR	EPE = ENGINE - 2.5L POWER TECH I-4 Cyl. ERH = ENGINE - 4.0L POWER TECH I-6	DDQ = TRANSMISSION - 5-SPEED MANUAL DGD = TRANSMISSION - 3-SPD. AUTOMATIC, 30RH DGG = TRANSMISSION - 3-SPD. AUTOMATIC, 32RH

AR = use ase required - = Non illustrated part

1999 TJ

**Case and Related Parts 32RH (DGG)
Figure 32RH-210**

ITEM	PART NUMBER	QTY	LINE	SERIES	BODY	ENGINE	TRANS	TRIM	DESCRIPTION
------	-------------	-----	------	--------	------	--------	-------	------	-------------

Note:
 DDK = 5 Speed Heavy Duty Transmission
 DGG = 3 Speed Automatic Transmission 32RH
 DG0 = All Automatic Transmissions
 EPE = 2.5L SMPI Magnum 4 Cyl Engine
 EP0 = All 2.5L 4 Cyl Gas Engines
 ERH = 4.0L Power Tech Engine
 ER0 = All 4.0L 6 Cyl Gas Engines

-1	04883957AA	1				ER0	DGG		SEAL AND GASKET PACKAGE, Transmission
2	52104243AB	1				ER0	DG0		TUBE, Transmission Oil Filler
3	52104240AB	1				EP0, ER0	DG0		INDICATOR, Transmission Fluid Level
4	52118629AB	1				EP0, ER0	DG0		SEAL, Oil Filler Tube
5									CASE, Transmission
	05252034	1				ER0	DDK		
	52118344	1				ER0	DGG		
6	04431433	1				ER0	DGG		SUPPORT, Output Shaft
7	52118076	1				ER0	DGG		ADAPTER, Transmission
8	04269956	1				ER0	DGG		SEAL, Adapter
9	06030849	5				ER0	DGG		SCREW AND WASHER, Hex Head Locking, .375-16x1.375
10	06028095	1				ER0	DGG		PLUG, Pressure Check
11	06033480	1				ER0	DGG		SNAP RING, Reverse Drum
12	04295875	1				ER0	DGG		GASKET, Oil Pan
13	56028181	1				ER0	DGG		SWITCH, Neutral, Safety, Back Up
14	02466954	1				ER0	DGG		GASKET, Transmission Case
15	06036141AA	1				ER0	DGG		SCREW
16	52028471	1				ER0	DGG		CONNECTOR, Oil Cooler Tube, .375 Tube x .25 Thread
17	04505098	1				ER0	DGG		SEAL, Manual Shift Valve, 1.25 OD
18	00124934	1				ER0	DGG		NUT, Hex Jam, .50-20
19	52118802	1				ER0	DGG		PAN, Transmission Oil
20	04723548	14				ER0	DGG		SCREW AND WASHER, Hex Head, .312-18x.625
21	52118136	1				ER0	DG0		COVER, Converter
22	06035031	3				ER0	DG0		SCREW AND WASHER, Hex Head, .312-18x.625, 5/16-18 x 5/8"
23	J3237847	1				ER0	DG0		SPACER, Clutch Housing

WRANGLER (TJ)

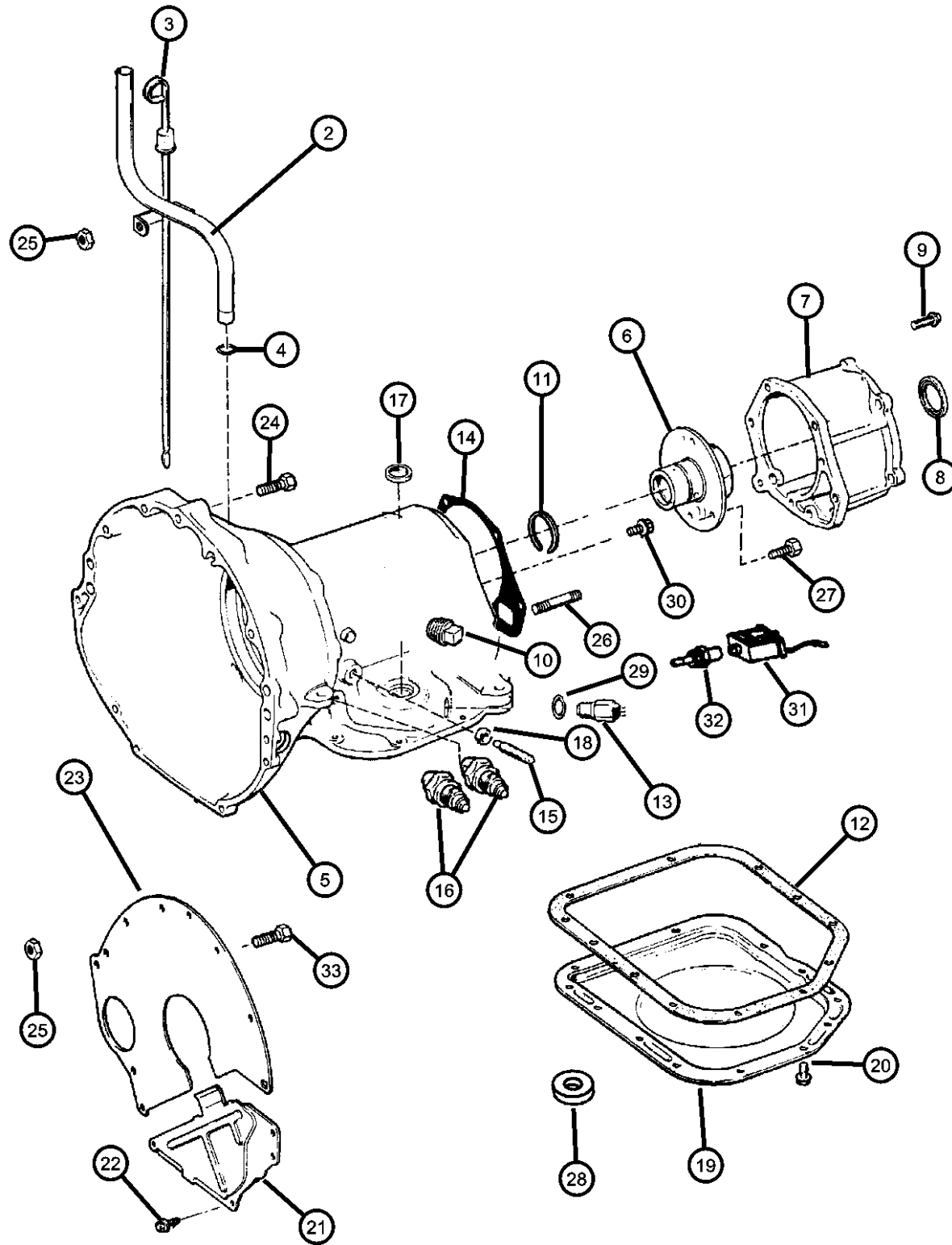
SERIES	LINE	BODY	ENGINE	TRANSMISSION
L = Low Line	J = JEEP - 4WD U = JEEP - 4WD (RHD)	77 = OPEN BODY 2-DOOR	EPE = ENGINE - 2.5L POWER TECH I-4 Cyl. ERH = ENGINE - 4.0L POWER TECH I-6	DDQ = TRANSMISSION - 5-SPEED MANUAL DGD = TRANSMISSION - 3-SPD. AUTOMATIC, 30RH DGG = TRANSMISSION - 3-SPD. AUTOMATIC, 32RH

AR = use ase required - = Non illustrated part

1999 TJ

Case and Related Parts 32RH (DGG)
Figure 32RH-210

ITEM	PART NUMBER	QTY	LINE	SERIES	BODY	ENGINE	TRANS	TRIM	DESCRIPTION
24	J4004370	2				ER0	DG0		BOLT AND WASHER, Hex Head, .437-14x2.75
25	J0219422	2				ER0	DG0		NUT, Hex
26	06033157	1				ER0	DGG		STUD, .375-16x2.312
27	06033479	6				ER0	DGG		BOLT, Hex Head, .25-28x1-5/8
28	03681601	1				ER0	DGG		MAGNET, Transmission
29	02408143	1					DG0		WASHER, Switch
30	06033616	5				ER0	DGG		SCREW, Hex Flange Head, .25-28x.875
31	52118595	1				ER0	DGG		SOLENOID, Transmission
32	56038235	1				ER0	DGG		CONNECTOR, Wiring
33	00153371	3				ER0	DG0		BOLT, Hex Head, .375-16x2.25



WRANGLER (TJ)

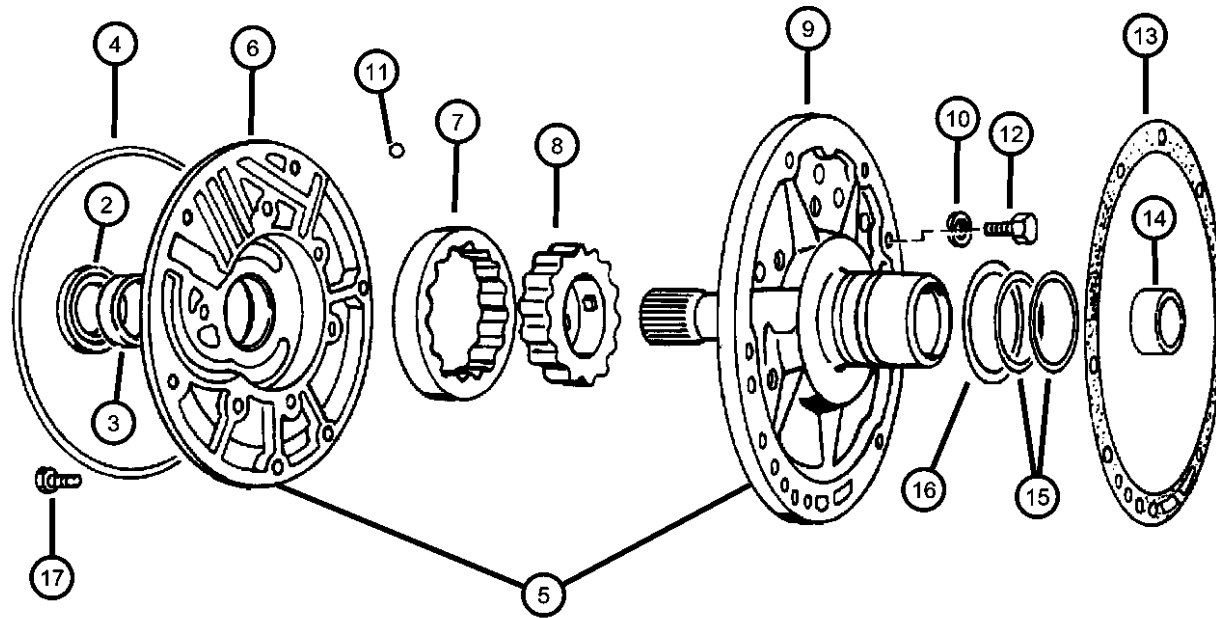
SERIES	LINE	BODY	ENGINE	TRANSMISSION
L = Low Line	J = JEEP - 4WD U = JEEP - 4WD (RHD)	77 = OPEN BODY 2-DOOR	EPE = ENGINE - 2.5L POWER TECH I-4 Cyl. ERH = ENGINE - 4.0L POWER TECH I-6	DDQ = TRANSMISSION - 5-SPEED MANUAL DGD = TRANSMISSION - 3-SPD. AUTOMATIC, 30RH DGG = TRANSMISSION - 3-SPD. AUTOMATIC, 32RH

AR = use ase required - = Non illustrated part

**Oil Pump 32RH (DGG)
Figure 32RH-310**

ITEM	PART NUMBER	QTY	LINE	SERIES	BODY	ENGINE	TRANS	TRIM	DESCRIPTION
-1	04713108	1				ER0	DGG		GASKET AND SEAL PACKAGE, Transmission Oil Pump
2	04412475	1				ER0	DGG		SEAL, Impeller Hub, 57.25mm OD
3	02466796	1				ER0	DGG		BUSHING, Front Pump
4	02204709	1				ER0	DGG		SEAL, Front Pump Housing
5	52118267	1				ER0	DGG		PUMP, Transmission Oil
6	52118267	1							HOUSING, Pump, (NOT SERVICED)
7	52118267	1							ROTOR, Oil Pump, (NOT SERVICED)
8	52118267	1							ROTOR, Oil Pump, (NOT SERVICED)
9	52118267	1							SHAFT, Oil Pump, (NOT SERVICED)
10	52118267	1							WASHER, (NOT SERVICED)
11	52118267	1							BALL, Valve Body Check, (NOT SERVICED)
12	00179815	6				ER0	DGG		SCREW, Hex Head, .312-18x.687
13	52118266	1				ER0	DGG		GASKET, Transmission Oil Pump
14	04058635	1				ER0	DGG		BUSHING, Reaction Shaft
15	04471874	2				ER0	DGG		SEAL, Ring Reaction Support, 2 1/16 O.D.
16	04617786	AR				ER0			THRUST WASHER, Front Clutch
17	06023943	6				ER0	DGG		SCREW AND WASHER, Hex Flange Head, .312-18x1.375

Note:
DGG = 3 Speed Automatic Transmission 32RH
DG0 = All Automatic Transmissions
ERH = 4.0L Power Tech Engine
ER0 = All 4.0L 6 Cyl Gas Engines

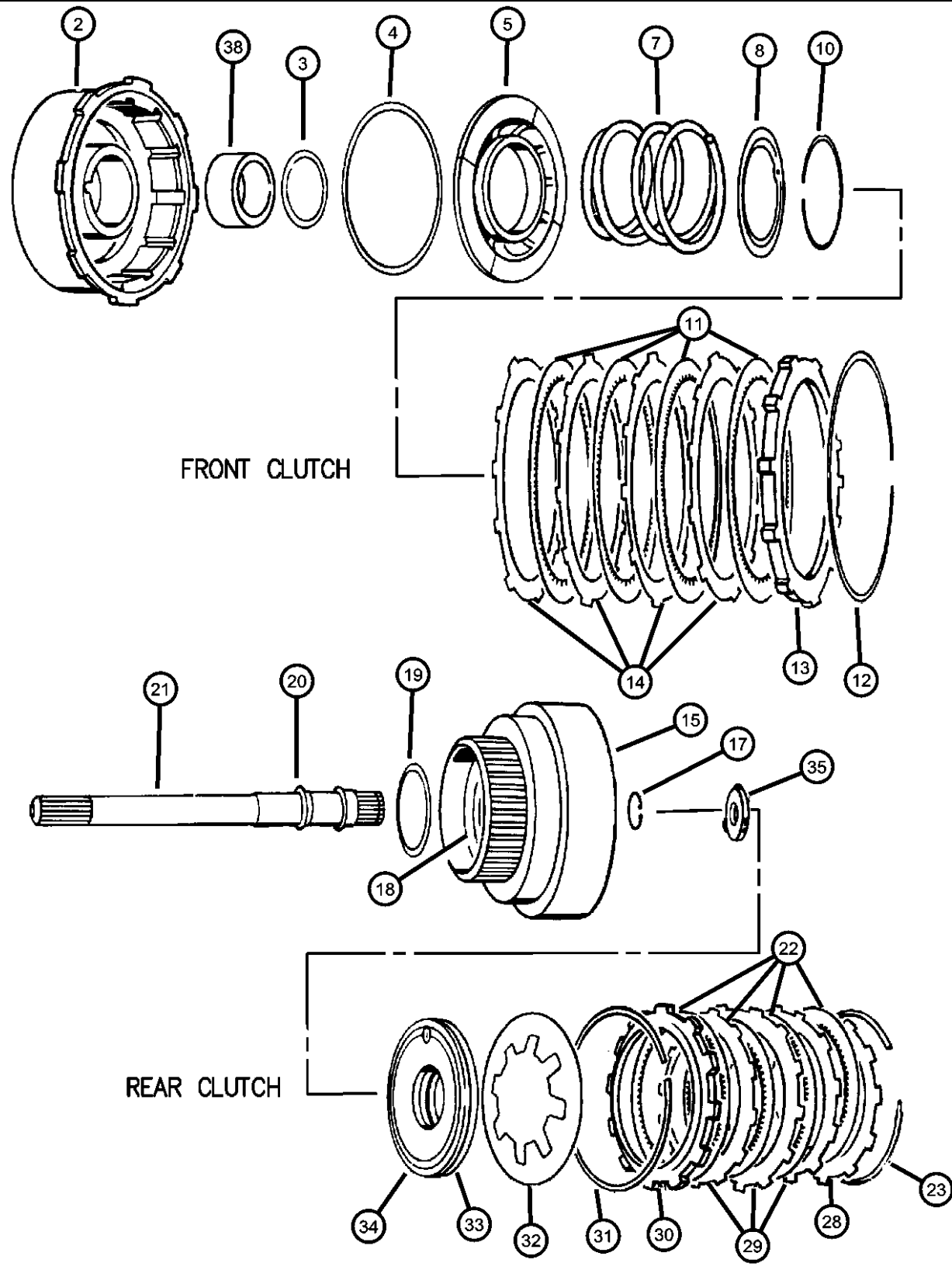


WRANGLER (TJ)

SERIES	LINE	BODY	ENGINE	TRANSMISSION
L = Low Line	J = JEEP - 4WD U = JEEP - 4WD (RHD)	77 = OPEN BODY 2-DOOR	EPE = ENGINE - 2.5L POWER TECH I-4 Cyl. ERH = ENGINE - 4.0L POWER TECH I-6	DDQ = TRANSMISSION - 5-SPEED MANUAL DGD = TRANSMISSION - 3-SPD. AUTOMATIC, 30RH DGG = TRANSMISSION - 3-SPD. AUTOMATIC, 32RH

AR = use ase required - = Non illustrated part

**Clutch, Front and Rear 32RH (DGG)
Figure 32RH-410**



ITEM	PART NUMBER	QTY	LINE	SERIES	BODY	ENGINE	TRANS	TRIM	DESCRIPTION
-1	05252926	1				ER0	DGG		SEAL PACKAGE, Transmission Clutch
2	04531285	1				ER0	DGG		RETAINER AND BUSHING, Transmission Front Clutch
3	03515176	1				ER0	DGG		SEAL, Front Clutch Piston
4	04058487	1				ER0	DGG		SEAL, Front Piston Clutch
5	03515716	1				ER0	DGG		PISTON, Clutch
-6	00147483	1				ER0	DGG		CHECK BALL, Dia-.187
7	03515054	1				ER0	DGG		SPRING, Front Clutch
8	04617516AB	1				ER0	DGG		RETAINER, Transmission Front Clutch Piston Spring
-9	00147483	1				ER0	DGG		CHECK BALL, Dia-.187
10	01638461	2				ER0	DGG		SNAP RING
11	04617362	4				ER0	DGG		DISC, Direct Clutch
12	03410571	1				ER0	DGG		SNAP RING
13	04617176	1				ER0	DGG		PLATE, Transmission Clutch Reaction
14	01942403AB	4				ER0	DGG		PLATE, Clutch Separator
15	04505199	1				ER0	DGG		RETAINER, Transmission Rear Clutch
-16	00147483	1				ER0	DGG		CHECK BALL, Dia-.187
17	06022859	1				ER0	DGG		SNAP RING, .890625
18	04028333	1				ER0	DGG		SEAL, Rear Clutch, 1.50 ODx.009 Thk
19	04617786	AR				ER0			THRUST WASHER, Front Clutch
20	01401221	1				ER0	DGG		SEAL, Input Shaft
21	04505189	1				ER0	DGG		INPUT SHAFT, Transmission
22	04713880	4				ER0	DGG		DISC, Clutch
23	04130761	1				ER0	DGG		SNAP RING
-24	04539121	1				ER0	DGG		SNAP RING, Rear Clutch, .076
-25	04539123	1				ER0	DGG		SNAP RING, Rear Clutch, .095
-26	04539122	1				ER0	DGG		SNAP RING, Rear Clutch, .098
-27	04539124	1				ER0	DGG		SNAP RING, Rear Clutch, .107

WRANGLER (TJ)

SERIES LINE
L = Low Line J = JEEP - 4WD
U = JEEP - 4WD (RHD)

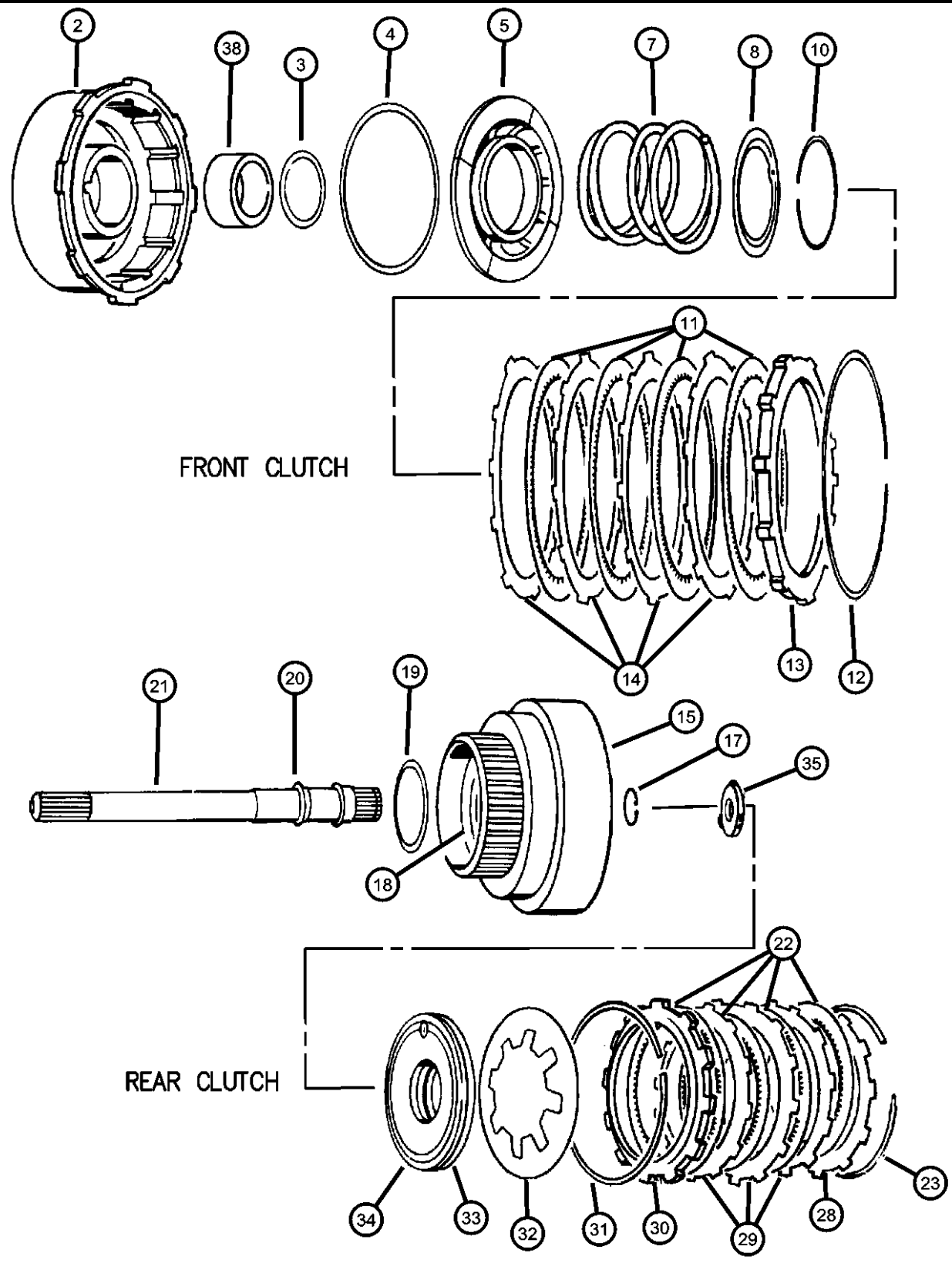
BODY
77 = OPEN BODY 2-DOOR

ENGINE
EPE = ENGINE - 2.5L POWER TECH I-4 Cyl.
ERH = ENGINE - 4.0L POWER TECH I-6

TRANSMISSION
DDQ = TRANSMISSION - 5-SPEED MANUAL
DGD = TRANSMISSION - 3-SPD. AUTOMATIC, 30RH
DGG = TRANSMISSION - 3-SPD. AUTOMATIC, 32RH

AR = use ase required - = Non illustrated part

Clutch, Front and Rear 32RH (DGG)
Figure 32RH-410



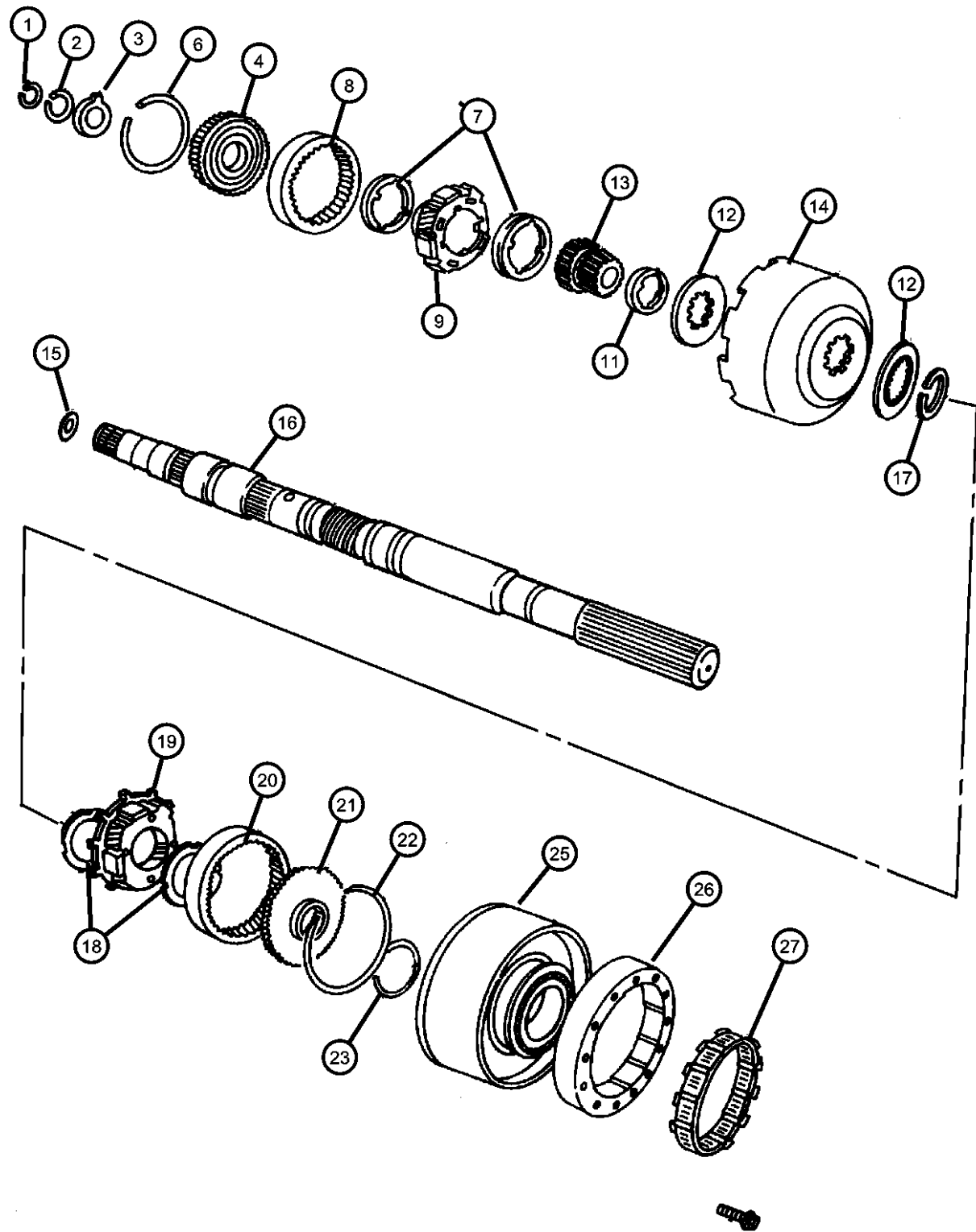
ITEM	PART NUMBER	QTY	LINE	SERIES	BODY	ENGINE	TRANS	TRIM	DESCRIPTION
28	04617176	1				ER0	DGG		PLATE, Transmission Clutch Reaction
29	01942403AB	3				ER0	DGG		PLATE, Clutch Separator
30	02466281	1				ER0	DGG		PLATE, Clutch Pressure
31	02466283	1				ER0	DGG		SPRING, Rear Clutch
32	04728487	1				ER0	DGG		SPRING, Rear Clutch Piston
33	02538510	1				ER0	DGG		SEAL, Rear Clutch Piston
34	03515716	1				ER0	DGG		PISTON, Clutch
35	04505185	1				ER0	DGG		THRUST WASHER, Output Shaft, Gray .052
-36	04505186	1				ER0	DGG		THRUST WASHER, Output Shaft, Red .068
-37	04505187	1				ER0	DGG		THRUST WASHER, Output Shaft, Green .083
38	04617157	1				ER0	DGG		BUSHING, Front Clutch
-39	04617159	1				ER0	DGG		BUSHING, Rear Clutch

WRANGLER (TJ)

SERIES	LINE	BODY	ENGINE	TRANSMISSION
L = Low Line	J = JEEP - 4WD U = JEEP - 4WD (RHD)	77 = OPEN BODY 2-DOOR	EPE = ENGINE - 2.5L POWER TECH I-4 Cyl. ERH = ENGINE - 4.0L POWER TECH I-6	DDQ = TRANSMISSION - 5-SPEED MANUAL DGD = TRANSMISSION - 3-SPD. AUTOMATIC, 30RH DGG = TRANSMISSION - 3-SPD. AUTOMATIC, 32RH

AR = use ase required - = Non illustrated part

**Output Shaft 32RH (DGG)
Figure 32RH-420**



ITEM	PART NUMBER	QTY	LINE	SERIES	BODY	ENGINE	TRANS	TRIM	DESCRIPTION
1	06026289	1				ER0	DGG		SNAP RING, .946 ID
2	06030576	1				ER0	DGG		SNAP RING, Annulus Gear, 1.375 ID
3	03681969	1				ER0	DGG		THRUST WASHER, Annulus Gear
4	04617774	1				ER0	DGG		SUPPORT, Annulus Gear
-5	06030576	1				ER0	DGG		SNAP RING, Annulus Gear, 1.375 ID
6	06035238	1				ER0	DGG		SNAP RING
7	04130518	2				ER0	DGG		THRUST WASHER, Planetary Carrier
8	04130512	1				ER0	DGG		GEAR, Front Annulus
9	04130514	1				ER0	DGG		CARRIER, Planetary Pinion
-10	03681949	8				ER0	DGG		THRUST WASHER, Planet Pinion
11	04130736	1				ER0	DGG		SPACER, Sun Gear
12	04471566	2				ER0	DGG		PLATE, Transmission Module
13	04130685	1				ER0	DGG		GEAR, Sun
14	04531288	1				ER0	DGG		SHELL, Sun Gear
15	04505188	1				ER0	DGG		PLATE, Transmission Module
16	04617320	1				ER0	DGG		MAINSHAFT, Transmission
17	01942439	1				ER0	DGG		SNAP RING, Sun Gear Shell
18	03681935	1				ER0	DGG		THRUST WASHER, Planetary Carrier
19	04431438	1				ER0	DGG		CARRIER, Planetary Pinion
20	03743184	1				ER0	DGG		GEAR, Rear Annulus
21	03515501	1				ER0	DGG		SUPPORT, Annulus Gear
22	01942444	1				ER0	DGG		SNAP RING
23	06033480	1				ER0	DGG		SNAP RING, Reverse Drum
-24	06033616	5				ER0	DGG		SCREW, Hex Flange Head, .25-28x.875
25	04637956	1				ER0	DGG		DRUM PACKAGE, Transmission
26	04431690	1				ER0	DGG		CAM, Overrunning Clutch
27	04431432	1				ER0	DGG		CLUTCH, Overrunning

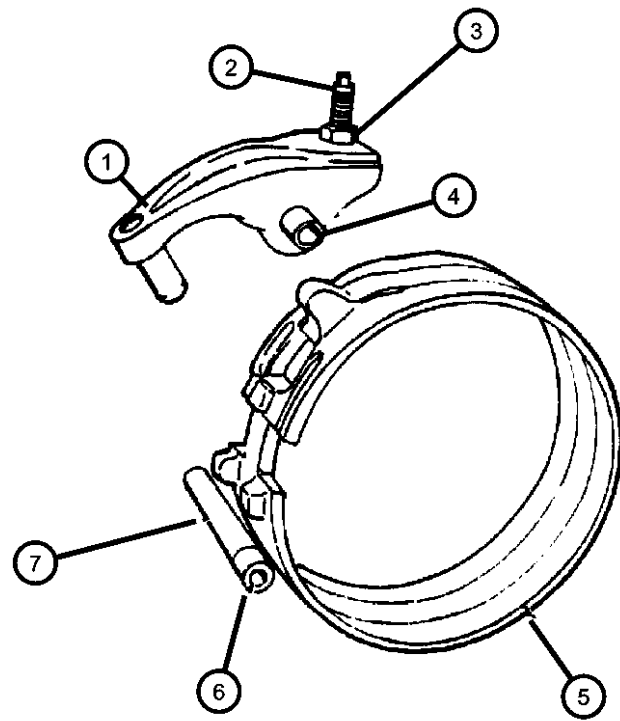
Note:
DGG = 3 Speed Automatic Transmission 32RH
DG0 = All Automatic Transmissions
ERH = 4.0L Power Tech Engine
ER0 = All 4.0L 6 Cyl Gas Engines

WRANGLER (TJ)

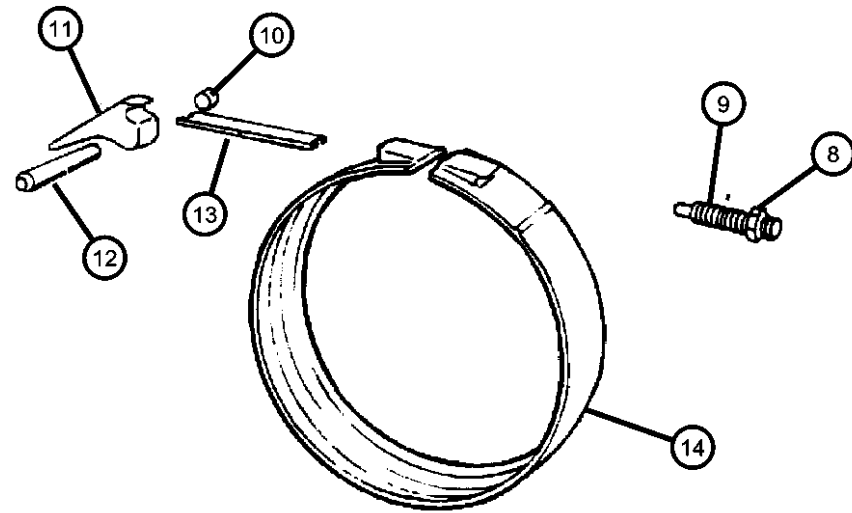
SERIES	LINE	BODY	ENGINE	TRANSMISSION
L = Low Line	J = JEEP - 4WD U = JEEP - 4WD (RHD)	77 = OPEN BODY 2-DOOR	EPE = ENGINE - 2.5L POWER TECH I-4 Cyl. ERH = ENGINE - 4.0L POWER TECH I-6	DDQ = TRANSMISSION - 5-SPEED MANUAL DGD = TRANSMISSION - 3-SPD. AUTOMATIC, 30RH DGG = TRANSMISSION - 3-SPD. AUTOMATIC, 32RH

AR = use ase required - = Non illustrated part

**Bands 32RH (DGG)
Figure 32RH-510**



REVERSE BAND



KICKDOWN BAND

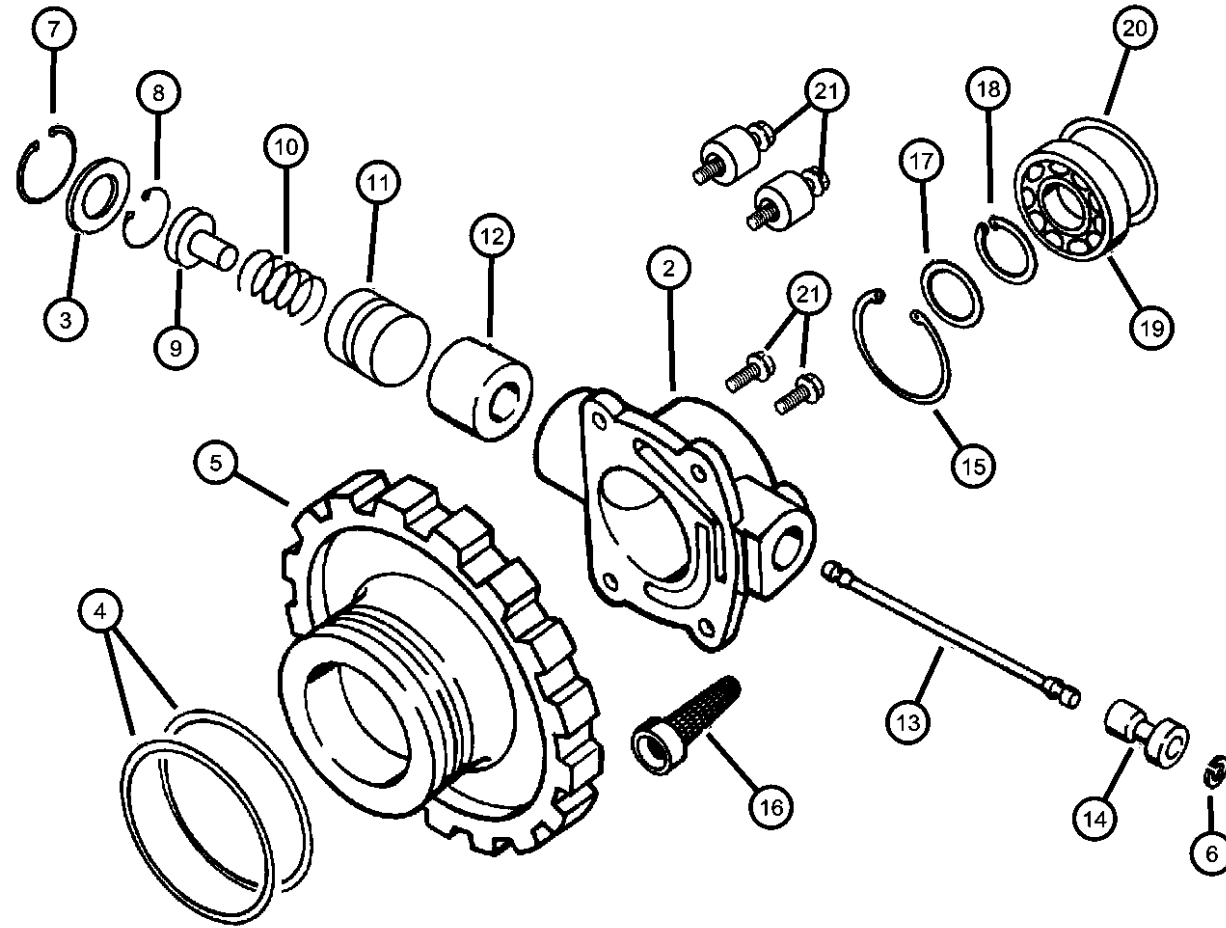
ITEM	PART NUMBER	QTY	LINE	SERIES	BODY	ENGINE	TRANS	TRIM	DESCRIPTION
Note: DGG = 3 Speed Automatic Transmission 32RH DG0 = All Automatic Transmissions ERH = 4.0L Power Tech Engine ER0 = All 4.0L 6 Cyl Gas Engines									
1	04202764AB	1				ER0	DGG		LEVER, Reverse Band
2	02538472	1				ER0	DGG		SCREW, Trans Reverse Band Adjusting, .375-24-1.88
3	00114942	1				ER0	DGG		NUT, Hex, .375-24
4	03410102	1				ER0	DGG		SHAFT, Reverse Band
5	04431406	1				ER0	DGG		BAND, Reverse
6	06030657	1				ER0	DGG		O RING, Steering Gear
7	03410102	1				ER0	DGG		SHAFT, Reverse Band
8	00124934	1				ER0	DGG		NUT, Hex Jam, .50-20
9	06036141AA	1				ER0	DGG		SCREW
10	06036141AA	1							PLUG, (NOT SERVICED)
11	02124666	1				ER0	DGG		LEVER, Kickdown
12	04531181	1				ER0	DGG		SHAFT, Band Lever
13	03515084	1				ER0	DGG		STRUT, Kickdown Band
14	04617849	1				ER0	DGG		BAND, Kickdown

WRANGLER (TJ)

SERIES	LINE	BODY	ENGINE	TRANSMISSION
L = Low Line	J = JEEP - 4WD U = JEEP - 4WD (RHD)	77 = OPEN BODY 2-DOOR	EPE = ENGINE - 2.5L POWER TECH I-4 Cyl. ERH = ENGINE - 4.0L POWER TECH I-6	DDQ = TRANSMISSION - 5-SPEED MANUAL DGD = TRANSMISSION - 3-SPD. AUTOMATIC, 30RH DGG = TRANSMISSION - 3-SPD. AUTOMATIC, 32RH

AR = use ase required - = Non illustrated part

**Governor 32RH (DGG)
Figure 32RH-610**



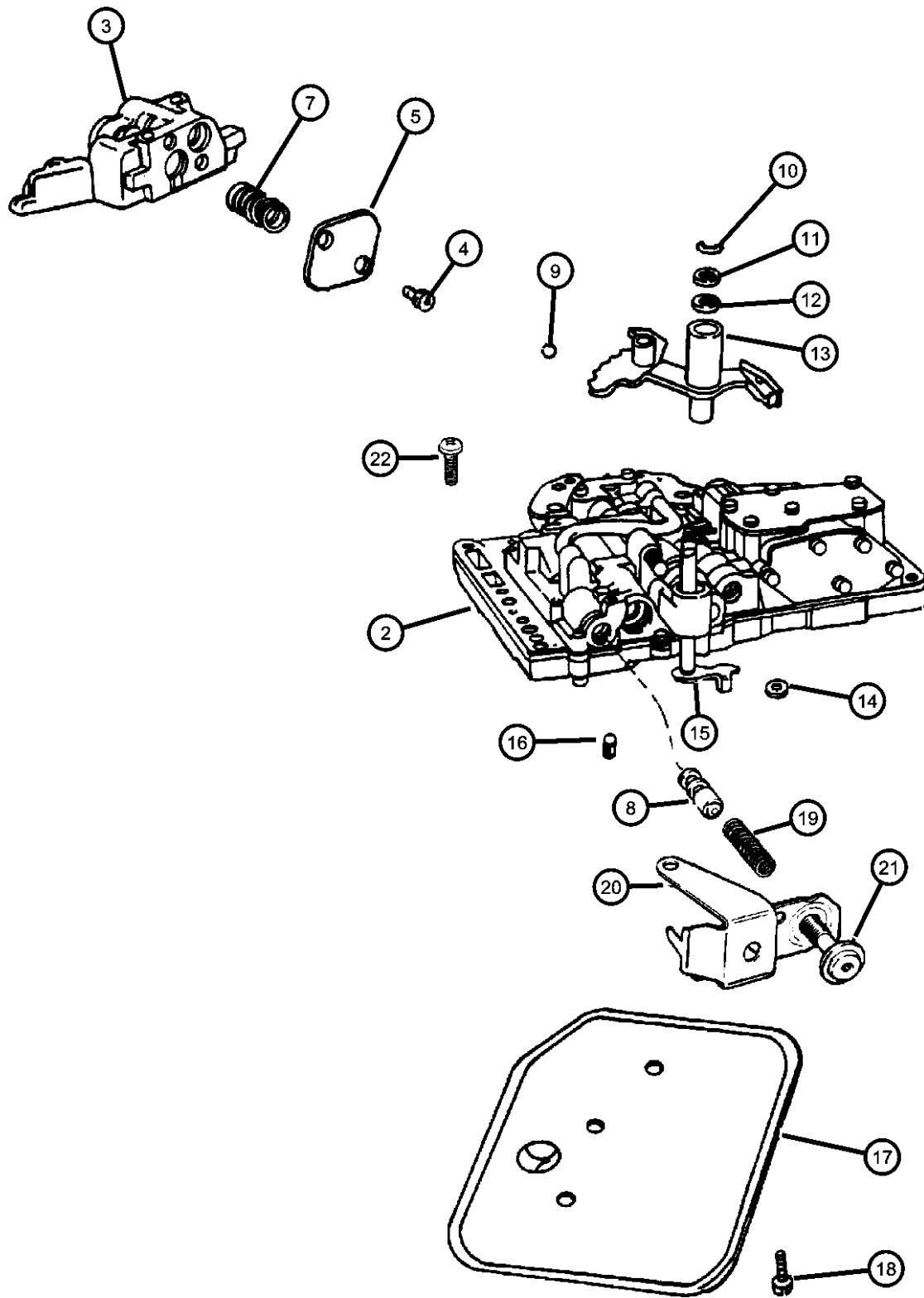
ITEM	PART NUMBER	QTY	LINE	SERIES	BODY	ENGINE	TRANS	TRIM	DESCRIPTION
-1	04728460	1				ER0	DGG		BODY PACKAGE, Governor
2	04728460	1							BODY, Governor, (NOT SERVICED)
3	04728460	1							RETAINER, (NOT SERVICED)
4	01942109	1				ER0	DGG		SEAL, Governor
5	03743518	1				ER0	DGG		SUPPORT, Governor
6	01638461	2				ER0	DGG		SNAP RING
7	06031392	1				ER0	DGG		SNAP RING, Brake Master Cylinder
8	06034723	1				ER0	DGG		SNAP RING, Governor, .675 x .025
9	04617883	1				ER0	DGG		WEIGHT KIT, Transmission Governor
10	04617883	1							SPRING, Governor Valve, ., (NOT SERVICED)
11	04617883	1							WEIGHT, Governor, (NOT SERVICED)
12	04617883	1							WEIGHT, Governor, (NOT SERVICED)
13	01556082	1				ER0	DGG		SHAFT, Governor
14	04617064	1				ER0	DGG		VALVE, Governor
15	06027271	1				ER0	DGG		SNAP RING, Governor, 1.156
16	03743519	1				ER0	DGG		FILTER, Transmission Governor
17	04617799	1				ER0	DGG		SPACER, Output Shaft
18	06025668	1				ER0	DGG		SNAP RING, 1.150" Free Diameter
19	04130537	1				ER0	DGG		BEARING, Output Shaft
20	06032739	1				ER0	DGG		O RING, Output Shaft Bearing, Transmission
21	06031613	4				ER0	DGG		BOLT, Hex Head, .25-20x.68
-22	04883956AA	1				ER0	DGG		GASKET AND SEAL PACKAGE, Governor

Note:
DGG = 3 Speed Automatic Transmission 32RH
DGD = 3 Speed Automatic Transmission 30RH
DGO = All Automatic Transmissions
EPE = 2.5L SMPI Magnum 4 Cyl Engine
EPO = All 2.5L 4 Cyl Gas Engines
ERH = 4.0L Power Tech Engine
ER0 = All 4.0L 6 Cyl Gas Engines

WRANGLER (TJ)				
SERIES	LINE	BODY	ENGINE	TRANSMISSION
L = Low Line	J = JEEP - 4WD U = JEEP - 4WD (RHD)	77 = OPEN BODY 2-DOOR	EPE = ENGINE - 2.5L POWER TECH I-4 Cyl. ERH = ENGINE - 4.0L POWER TECH I-6	DDQ = TRANSMISSION - 5-SPEED MANUAL DGD = TRANSMISSION - 3-SPD. AUTOMATIC, 30RH DGG = TRANSMISSION - 3-SPD. AUTOMATIC, 32RH

AR = use ase required - = Non illustrated part

Valve Body 32RH (DGG)
Figure 32RH-710



ITEM	PART NUMBER	QTY	LINE	SERIES	BODY	ENGINE	TRANS	TRIM	DESCRIPTION
-1	04713105	1				ER0	DGG		GASKET AND SEAL PACKAGE, Valve Body
2	52118617	1				ER0	DGG		BODY, Transfer Plate
3	52118617	1							VALVE, Valve Body, (NOT SERVICED)
4	52118617	1							SCREW, (NOT SERVICED)
5	52118617	1							PLATE, (NOT SERVICED)
-6	52118617	1							SCREW, (NOT SERVICED)
7	52118617	1							SPRING, Lock Up Valve, (NOT SERVICED)
8	04505036	1				ER0	DGG		VALVE, Trans Lockup Switch
9	00147488	1				ER0	DGG		BALL, Manual Lever Detent, .343 Diameter
10	06035208	2				ER0	DGG		SNAP RING
11	02538062	1				ER0	DGG		WASHER, Manual Valve Lever
12	02466548	1				ER0	DGG		SEAL, Valve Lever Shift
13	04617439	1				ER0	DGG		LEVER, Manual Valve
14	04505098	1				ER0	DGG		SEAL, Manual Shift Valve, 1.25 OD
15									LEVER, Throttle Valve
	03681227	1				ER0	DGG		
	52078723AB	1				EP0, ER0	DG0		
16	03878313	1				ER0	DGG		SCREEN, Transmission Regulator Valve
17	03515996	1				ER0	DGG		FILTER, Valve Body
18	06033826	3				ER0	DGG		SCREW AND WASHER, Oil Filter Mounting, Fillester Head .190-24x2.500
19	04130492	1				ER0	DGG		SPRING, Switch Valve
20	04130492	1							BRACKET, (NOT SERVICED)
21	06030609	1				ER0	DGG		SCREW, Cap Head Lock, .312-24x1.25
22	06030609	1							SCREW, .190-24 x 1", (NOT SERVICED)

WRANGLER (TJ)

SERIES LINE
L = Low Line J = JEEP - 4WD
U = JEEP - 4WD (RHD)

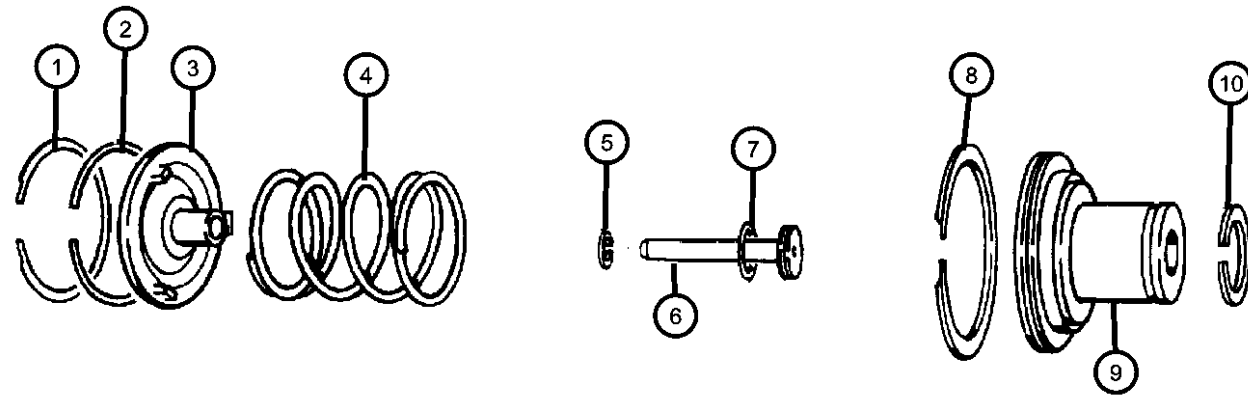
BODY
77 = OPEN BODY 2-DOOR

ENGINE
EPE = ENGINE - 2.5L POWER TECH I-4 Cyl.
ERH = ENGINE - 4.0L POWER TECH I-6

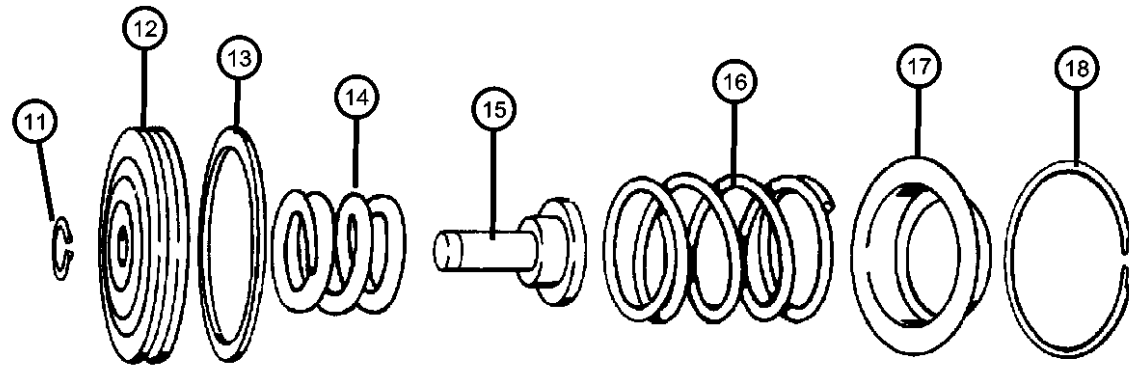
TRANSMISSION
DDQ = TRANSMISSION - 5-SPEED MANUAL
DGD = TRANSMISSION - 3-SPD. AUTOMATIC, 30RH
DGG = TRANSMISSION - 3-SPD. AUTOMATIC, 32RH

AR = use ase required - = Non illustrated part

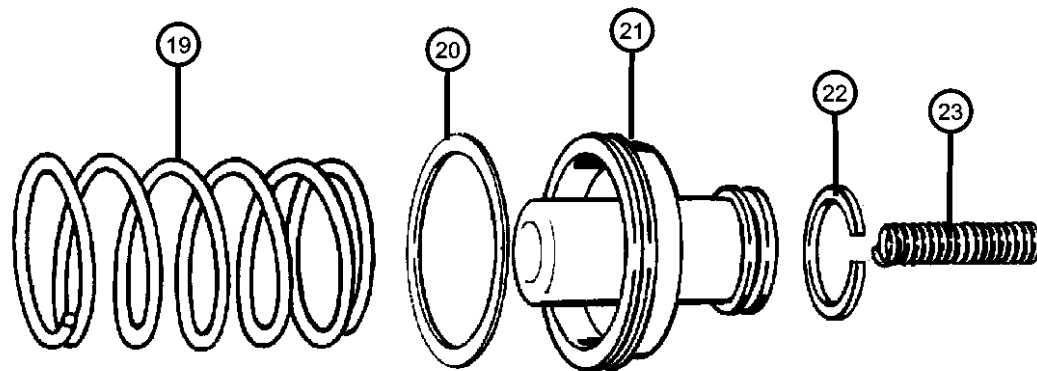
Servos 32RH (DGG)
Figure 32RH-720



KICKDOWN SERVO



LOW AND REVERSE SERVO



ITEM	PART NUMBER	QTY	LINE	SERIES	BODY	ENGINE	TRANS	TRIM	DESCRIPTION
1	06028863	1				ER0	DGG		SNAP RING, Kickdown, 2.377
2	04295966	1				ER0	DGG		SEAL, Servo Guide
3	03410332	1				ER0	DGG		GUIDE, Kickdown Servo
4	04531119	1				ER0	DGG		SPRING, Kickdown Servo Piston
5	06031392	1				ER0	DGG		SNAP RING, Brake Master Cylinder
6	04058780	1				ER0	DGG		ROD, Kickdown Servo Piston
7	06028864	1				ER0	DGG		O RING, Kick Down Servo
8	04295966	1				ER0	DGG		SEAL, Servo Guide
9	04058777	1				ER0	DGG		PISTON, Kickdown Servo
10	03743033	1				ER0	DGG		SEAL, Kickdown Servo
11	06027153	1				ER0	DGG		SNAP RING, .435 ID
12	52118744	1				ER0	DGG		PISTON, Reverse Servo
13	04202864	1				ER0	DGG		SEAL, Reverse Servo Piston
14	02801274	1				ER0	DGG		SPRING, Reverse Servo Piston
15	52118740AB	1				ER0	DGG		PLUG, Reverse Servo Piston
16	02801274	1				ER0	DGG		SPRING, Reverse Servo Piston
17	02464463	1				ER0	DGG		RETAINER, Transmission Rear Clutch
18	02464464	1				ER0	DGG		SNAP RING
19	03515114	1				ER0	DGG		SPRING, Accumulator
20	03743013	1				ER0	DGG		SEAL, Piston Accumulator
21	03743650	1				ER0	DGG		PISTON, Accumulator
22	03743010	1				ER0	DGG		SEAL, Piston Accumulator
23	03515114	1				ER0	DGG		SPRING, Accumulator

Note:

DGG = 3 Speed Automatic Transmission 32RH

DG0 = All Automatic Transmissions

ERH = 4.0L Power Tech Engine

ER0 = All 4.0L 6 Cyl Gas Engines

WRANGLER (TJ)

SERIES

L = Low Line

LINE

J = JEEP - 4WD

U = JEEP - 4WD (RHD)

BODY

77 = OPEN BODY 2-DOOR

ENGINE

EPE = ENGINE - 2.5L POWER TECH I-4 Cyl.

ERH = ENGINE - 4.0L POWER TECH I-6

TRANSMISSION

DDQ = TRANSMISSION - 5-SPEED MANUAL

DGD = TRANSMISSION - 3-SPD. AUTOMATIC, 30RH

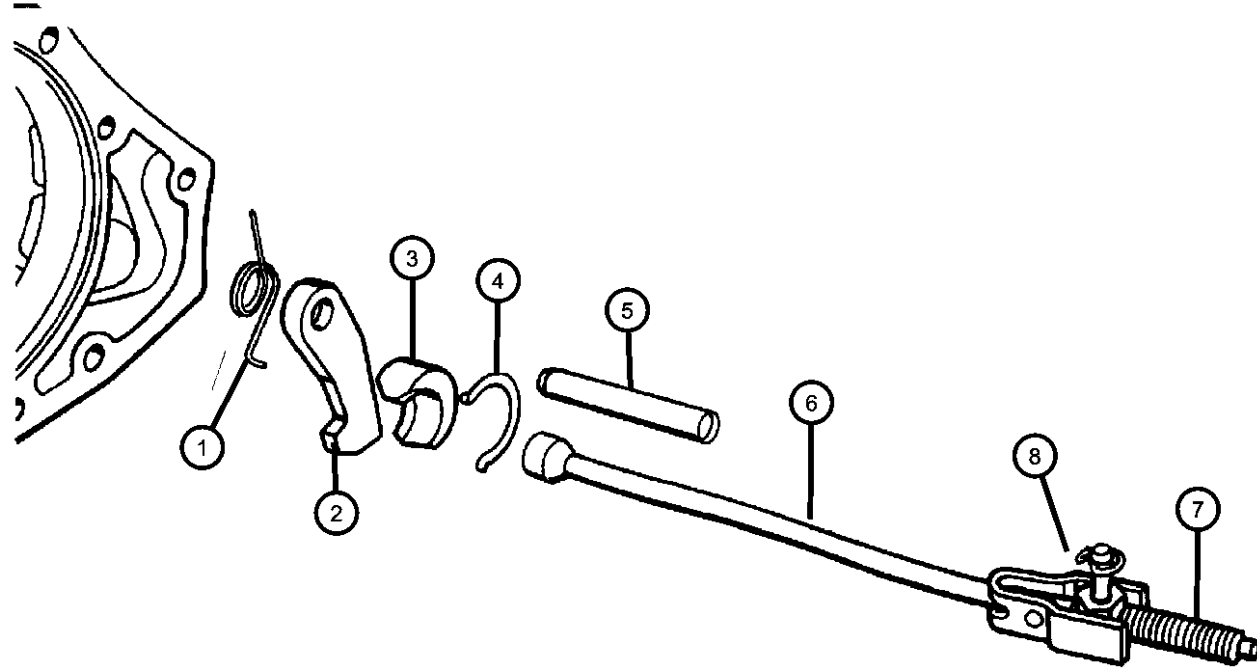
DGG = TRANSMISSION - 3-SPD. AUTOMATIC, 32RH

AR = use ase required - = Non illustrated part

1999 TJ

**Parking Sprag 32RH (DGG)
Figure 32RH-730**

ITEM	PART NUMBER	QTY	LINE	SERIES	BODY	ENGINE	TRANS	TRIM	DESCRIPTION
Note: DGG = 3 Speed Automatic Transmission 32RH DG0 = All Automatic Transmissions ERH = 4.0L Power Tech Engine ER0 = All 4.0L 6 Cyl Gas Engines									
1	02466909	1				ER0	DGG		SPRING, Parking Sprag
2	04471415	1				ER0	DGG		SPRAG, Transmission Parking
3	02538042	1				ER0	DGG		PLUG, Parking Sprag
4	02538034	1				ER0	DGG		SNAP RING, Transmission
5	02466892	1				ER0	DGG		SHAFT, Parking Sprag
6	02466906	1				ER0	DGG		ROD, Parking Sprag
7	02466906	1							SPRING, (NOT SERVICED)
8	06035256	1				ER0	DGG		SNAP RING, Rod



WRANGLER (TJ)

SERIES	LINE	BODY	ENGINE	TRANSMISSION
L = Low Line	J = JEEP - 4WD U = JEEP - 4WD (RHD)	77 = OPEN BODY 2-DOOR	EPE = ENGINE - 2.5L POWER TECH I-4 Cyl. ERH = ENGINE - 4.0L POWER TECH I-6	DDQ = TRANSMISSION - 5-SPEED MANUAL DGD = TRANSMISSION - 3-SPD. AUTOMATIC, 30RH DGG = TRANSMISSION - 3-SPD. AUTOMATIC, 32RH

AR = use ase required - = Non illustrated part

1999 TJ

**Gearshift Controls 32RH (DGG)
Figure 32RH-1230**

ITEM	PART NUMBER	QTY	LINE	SERIES	BODY	ENGINE	TRANS	TRIM	DESCRIPTION
------	-------------	-----	------	--------	------	--------	-------	------	-------------

Note:
DGG = 3 Speed Automatic Transmission 32RH
DG0 = All Automatic Transmissions
EPE = 2.5L SMPi Magnum 4 Cyl Engine
EP0 = All 2.5L 4 Cyl Gas Engines
ERH = 4.0L Power Tech Engine
ER0 = All 4.0L 6 Cyl Gas Engines

1	52104028	1					DG0		HANDLE, Gearshift
2	53000211	1					DG0		BUTTON, Gearshift Knob
3	53000865	1					DG0		LEVER, Gearshift
4	53000866	1					DG0		SPRING, Button Return
5	52077561	1					DG0		CAP, Gearshift Handle Button
6	06501648	4					DG0		SCREW, Hex Flange Head, M8x1.25x25.00
7									BEZEL AND DIAL, Gearshift Lever
	55115570AB	1	J				DG0		
	55115571AB	1	U				DG0		
8	52104144	1					DG0		CABLE, Park Interlock
9	52104144	1							SEAL, (NOT SERVICED)
10									HOUSING, Shift Lever
	52078551AB	1	J				DG0		
	52078841AB	1	U				DG0		
11	52104142	1					DG0		CABLE, Shift
12	53000704	1					DG0		COVER, Gearshift
13	J4001701	11					DG0		SCREW, Hex Self Tapping, .19-16x.50
14	04641780	1							STRAP, Tie
15	52078255	1					DG0		BRACKET, Shift Cable
16	52078255	1							BOLT, (NOT SERVICED)
17	52079168AB	1				EPE, ER0	DG0		LEVER, Manual Control
18	52078723AB	1				EPE, ER0	DG0		LEVER, Throttle Valve
19	06028114	1					DG0		NUT, Hex, .437-14
20									SPRING, Pawl Return
	53003350	1	J				DG0		
		1	U				DG0		

WRANGLER (TJ)

SERIES LINE
L = Low Line J = JEEP - 4WD
U = JEEP - 4WD (RHD)

BODY
77 = OPEN BODY 2-DOOR

ENGINE
EPE = ENGINE - 2.5L POWER TECH I-4 Cyl.
ERH = ENGINE - 4.0L POWER TECH I-6

TRANSMISSION
DDQ = TRANSMISSION - 5-SPEED MANUAL
DGD = TRANSMISSION - 3-SPD. AUTOMATIC, 30RH
DGG = TRANSMISSION - 3-SPD. AUTOMATIC, 32RH

AR = use ase required - = Non illustrated part

1999 TJ

Group - AISIN

Manual Transmission 5 Speed

Group - AISIN Manual Transmission 5 Speed

Group-Fig. No.

Illustration Title

Transmission Assembly

Transmission (DDQ) Fig. AISIN - 110

Case and Extension

Case and Extension AX5 (DDQ) Fig. AISIN - 210

Case and Related Parts AX15 (DDQ) Fig. AISIN - 215

Gear Train

Gear Train AX5 (DDQ) Fig. AISIN - 410

Gear Train AX15 (DDQ) Fig. AISIN - 415

Reverse Idler AX 15 (DDQ) Fig. AISIN - 420

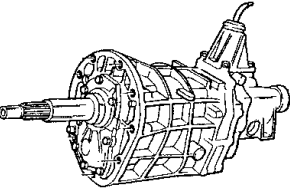
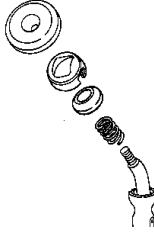
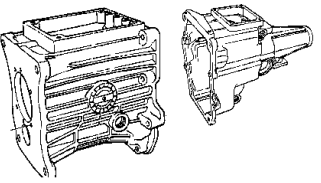
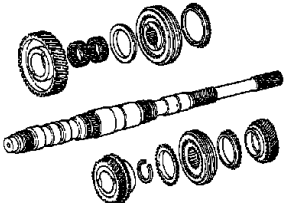
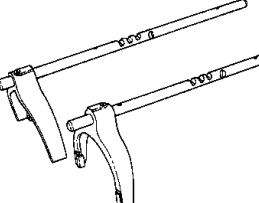
Forks and Rails

Forks AX5 (DDQ) Fig. AISIN - 910

Forks AX15 (DDQ) Fig. AISIN - 915

Gearshift Controls

Gearshift Controls (DDQ) Fig. AISIN - 1210

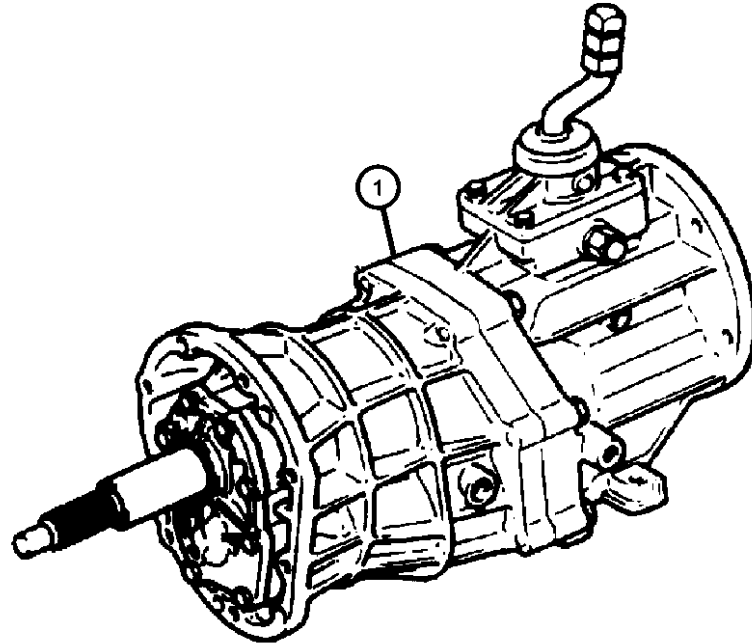
<p>AISIN-100 Transmission Assembly</p> 	<p>AISIN-1200 Gearshift Controls</p> 	<p>AISIN-200 Case and Extension</p> 	<p>AISIN-400 Gear Train</p> 
<p>AISIN-900 Forks and Rails</p> 			

Transmission (DDQ)
Figure AISIN-110

ITEM	PART NUMBER	QTY	LINE	SERIES	BODY	ENGINE	TRANS	TRIM	DESCRIPTION
------	-------------	-----	------	--------	------	--------	-------	------	-------------

Note:
EP0 = All 2.5L 4 Cyl Gas Engines
ER0 = All 4.0L 6 Cyl Gas Engines
DDQ = Manual Transmission 5 Speed

1									TRANSMISSION, 5 Speed
	52104548	1				EP0	DDQ		
	52108118AB	1				ER0	DDQ		



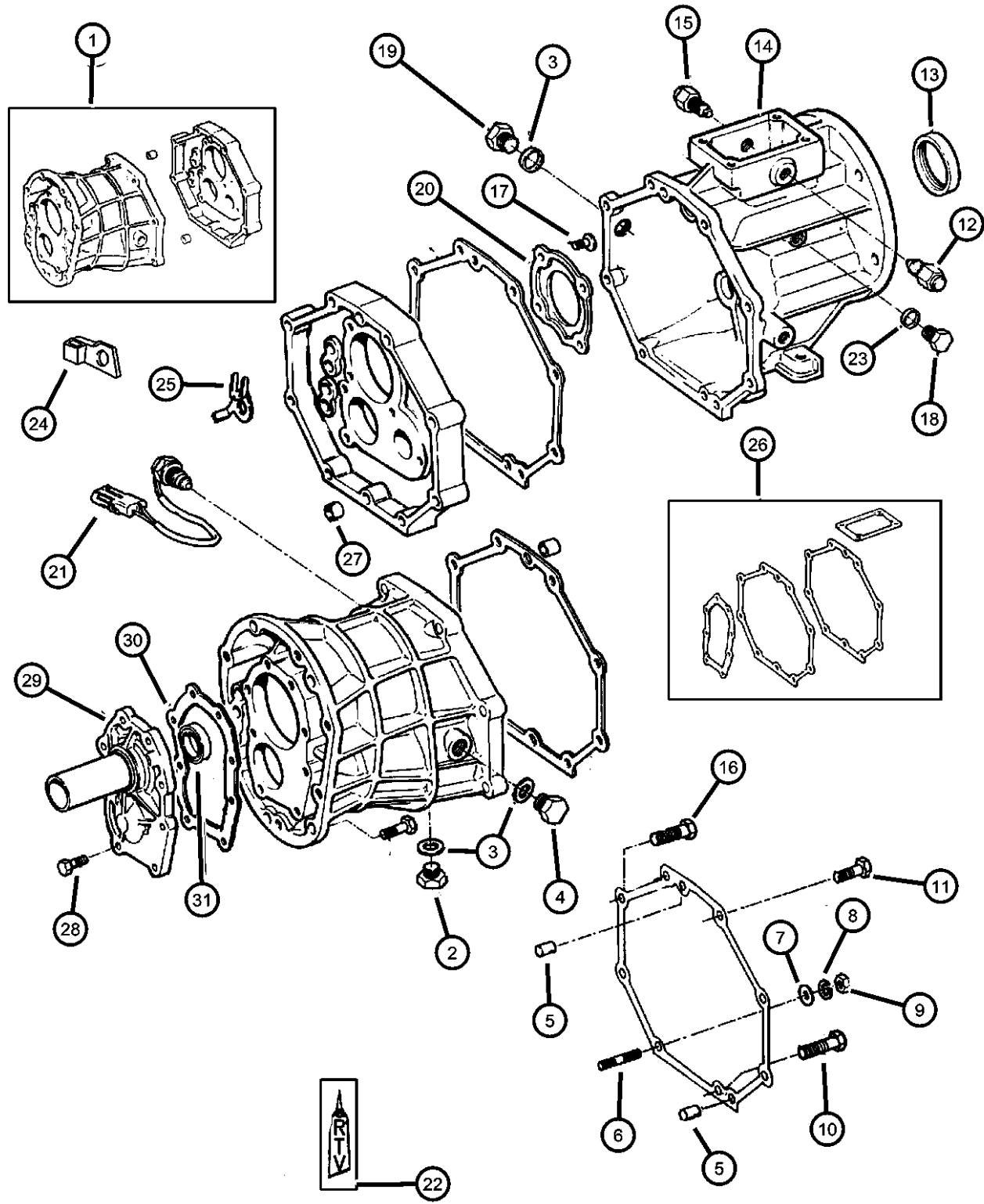
WRANGLER (TJ)

SERIES	LINE	BODY	ENGINE	TRANSMISSION
L = Low Line	J = JEEP - 4WD U = JEEP - 4WD (RHD)	77 = OPEN BODY 2-DOOR	EPE = ENGINE - 2.5L POWER TECH I-4 Cyl. ERH = ENGINE - 4.0L POWER TECH I-6	DDQ = TRANSMISSION - 5-SPEED MANUAL DGD = TRANSMISSION - 3-SPD. AUTOMATIC,30RH DGG = TRANSMISSION - 3-SPD. AUTOMATIC,32RH

AR = use ase required - = Non illustrated part

1999 TJ

Case and Extension AX5 (DDQ)
Figure AISIN-210



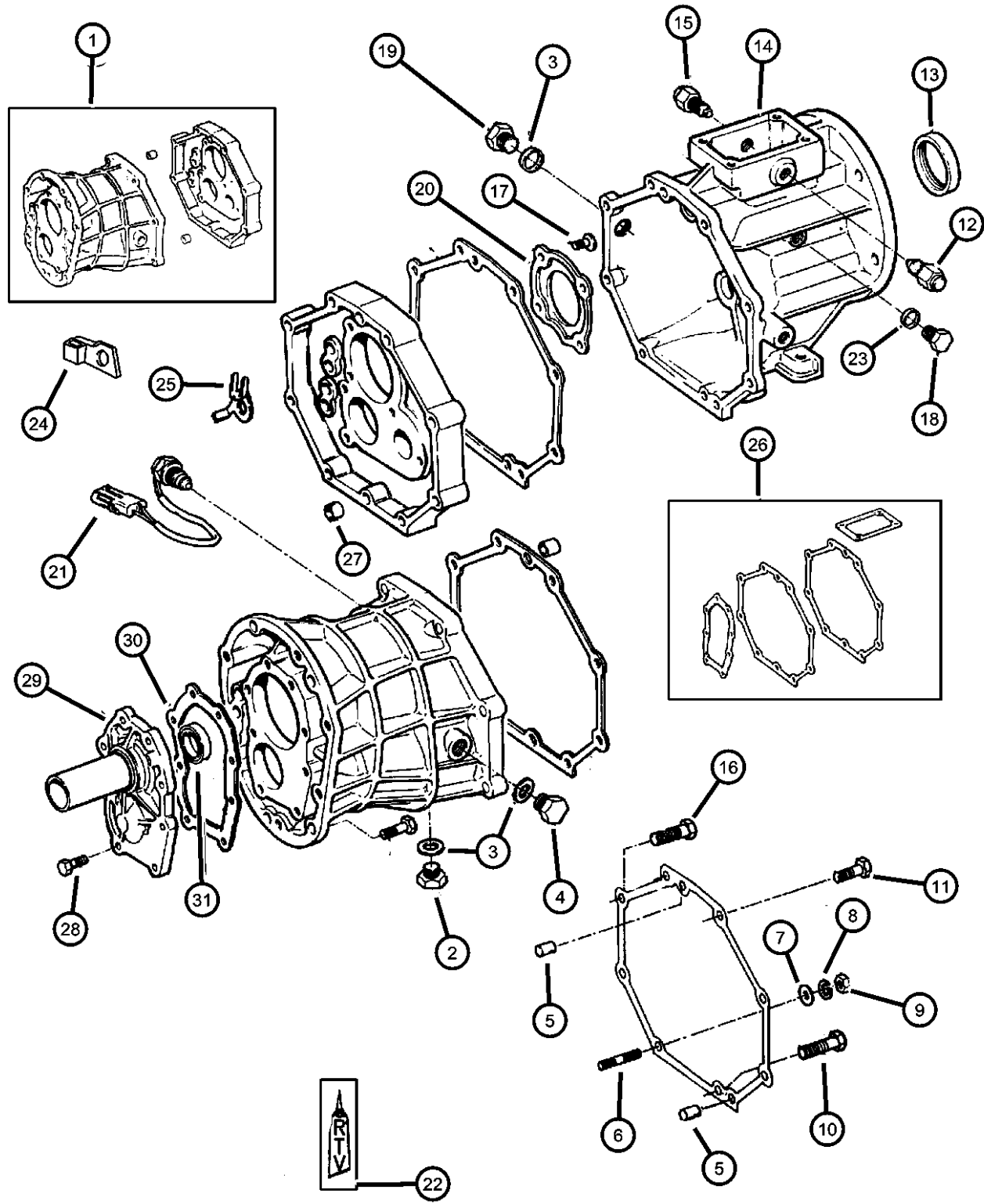
ITEM	PART NUMBER	QTY	LINE	SERIES	BODY	ENGINE	TRANS	TRIM	DESCRIPTION
1	04897581AA	1				EP0	DDQ		CASE, Transmission
2	04543303	1				EP0	DDQ		PLUG, Differential Drain
3									GASKET, Drain Plug
	83500513	2				EP0	DDQ		
		1				EP0	DDQ		
4	83500509	1				EP0	DDQ		PLUG, Oil Fill
5	83500504	4				EP0	DDQ		PIN, Locating
6	83500618	1				EP0	DDQ		STUD, Double Ended, M10x1.25x98
7	83500627	1				EP0	DDQ		WASHER, Flat
8	83500626	1				EP0	DDQ		WASHER, Lock
9	83500625	1				EP0	DDQ		NUT, Transmission Case
10	83503547	1				EP0	DDQ		BOLT
11	83503549	4				EP0	DDQ		BOLT
12	83500516	1				EP0	DDQ		PIN, Reverse Restrict
13	83503108	1				EP0	DDQ		SEAL, Adapter
14	04897133AA	1				EP0	DDQ		ADAPTER, Transfer Case
15	83500515	1				EP0	DDQ		PIN, Reverse
16	83503548	1				EP0	DDQ		BOLT
17	83500511	4				EP0	DDQ		SCREW, Manual Transmission
18	83503109	AR				EP0	DDQ		CAP, Detent
19	83500623	1				EP0	DDQ		PLUG, Oil Fill
20	83506034	1				EP0	DDQ		RETAINER, Bearing
21	83500629	1				EP0	DDQ		SWITCH, Back Up Lamp
22	04318025	1				EP0	DDQ		SEALANT, RTV
23	83500540	1				EP0	DDQ		PIN, Shift Shaft
24	83500631	1				EP0	DDQ		CLAMP, Transmission
25	83503551	1				EP0	DDQ		CLAMP, Transmission
26	83500632	1				EP0	DDQ		GASKET, Transmission
27	05003663AA	2				EP0	DDQ		PIN, Locating
28	34201818	5				EP0	DDQ		SCREW, Hex Head, M8x1.25x25
29	04746025	1				EP0	DDQ		RETAINER, Bearing

Note:
DDQ = 5 Speed Manual Transmission
EP0 = All 2.5L 4 Cyl Gas Engines

WRANGLER (TJ)			
SERIES	LINE	BODY	ENGINE
L = Low Line	J = JEEP - 4WD U = JEEP - 4WD (RHD)	77 = OPEN BODY 2-DOOR	EPE = ENGINE - 2.5L POWER TECH I-4 Cyl. ERH = ENGINE - 4.0L POWER TECH I-6
			TRANSMISSION
			DDQ = TRANSMISSION - 5-SPEED MANUAL DGD = TRANSMISSION - 3-SPD. AUTOMATIC, 30RH DGG = TRANSMISSION - 3-SPD. AUTOMATIC, 32RH

AR = use ase required - = Non illustrated part

Case and Extension AX5 (DDQ)
Figure AISIN-210



ITEM	PART NUMBER	QTY	LINE	SERIES	BODY	ENGINE	TRANS	TRIM	DESCRIPTION
------	-------------	-----	------	--------	------	--------	-------	------	-------------

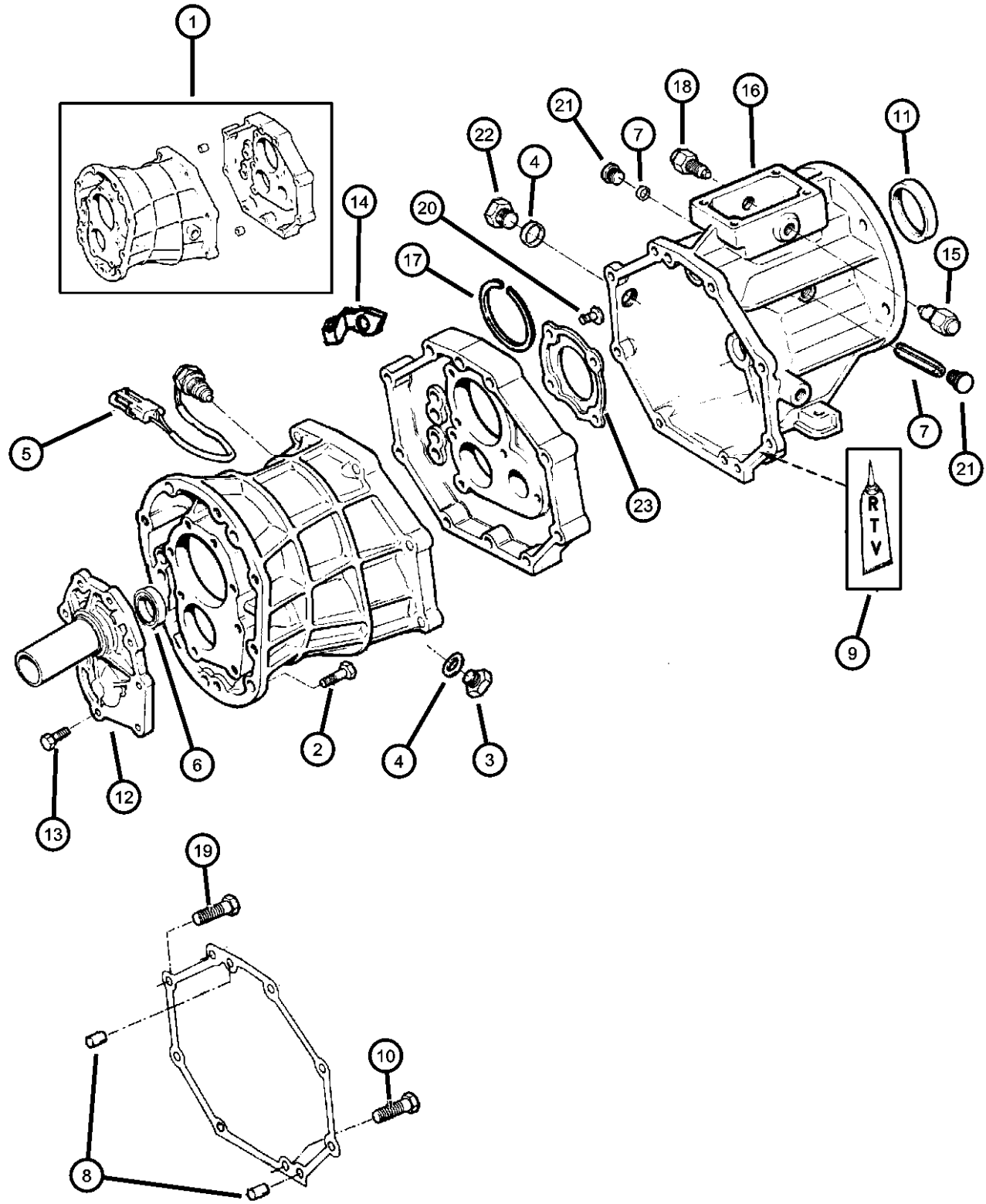
30	83500505	1				EP0	DDQ		GASKET, Input Gear Retainer
31	83506045	1				EP0	DDQ		SEAL, Main Shaft

WRANGLER (TJ)

SERIES	LINE	BODY	ENGINE	TRANSMISSION
L = Low Line	J = JEEP - 4WD U = JEEP - 4WD (RHD)	77 = OPEN BODY 2-DOOR	EPE = ENGINE - 2.5L POWER TECH I-4 Cyl. ERH = ENGINE - 4.0L POWER TECH I-6	DDQ = TRANSMISSION - 5-SPEED MANUAL DGD = TRANSMISSION - 3-SPD. AUTOMATIC, 30RH DGG = TRANSMISSION - 3-SPD. AUTOMATIC, 32RH

AR = use ase required - = Non illustrated part

Case and Related Parts AX15 (DDQ)
Figure AISIN-215



ITEM	PART NUMBER	QTY	LINE	SERIES	BODY	ENGINE	TRANS	TRIM	DESCRIPTION
1	05252034	1				ER0	DDQ		CASE, Transmission
2	06503299	9					DBB		BOLT, Hex Head, (M10x1.25x34mm)
3	04543303	1				ER0	DDQ		PLUG, Differential Drain
4	83500513	1				ER0	DDQ		GASKET, Drain Plug
5	83500629	1				ER0	DDQ		SWITCH, Back Up Lamp
6	05252053	1				ER0	DDQ		SEAL, Front Retainer
7	83500540	1				ER0	DDQ		PIN, Shift Shaft
8	83500504	1				ER0	DDQ		PIN, Locating
9	05010884AA	1				ER0	DDQ		SEALANT, RTV
10	04746274	1				ER0	DDQ		BOLT, Transmission Case
11	83503108	1				ER0	DDQ		SEAL, Adapter
12	04636382	1				ER0	DDQ		RETAINER, Bearing
13	34201818	8				ER0	DDK		SCREW, Hex Head, M8x1.25x25
14	83500631	1				ER0	DDQ		CLAMP, Transmission
15	83500516	1				ER0	DDQ		PIN, Reverse Restrict
16	04636373	1				ER0	DDQ		ADAPTER, Transfer Case
17	83506221	1				ER0	DDQ		SNAP RING
18	05252039	1				ER0	DDQ		PIN, Reverse
19	83503548	1				ER0	DDQ		BOLT
20	34201818	5				EPO	DDQ		SCREW, Hex Head, M8x1.25x25
21	83503109	AR				ER0			CAP, Detent
22	83500623	1				ER0	DDQ		PLUG, Oil Fill
23	05252036	1				ER0	DDQ		RETAINER, Output Shaft Rear Bearing

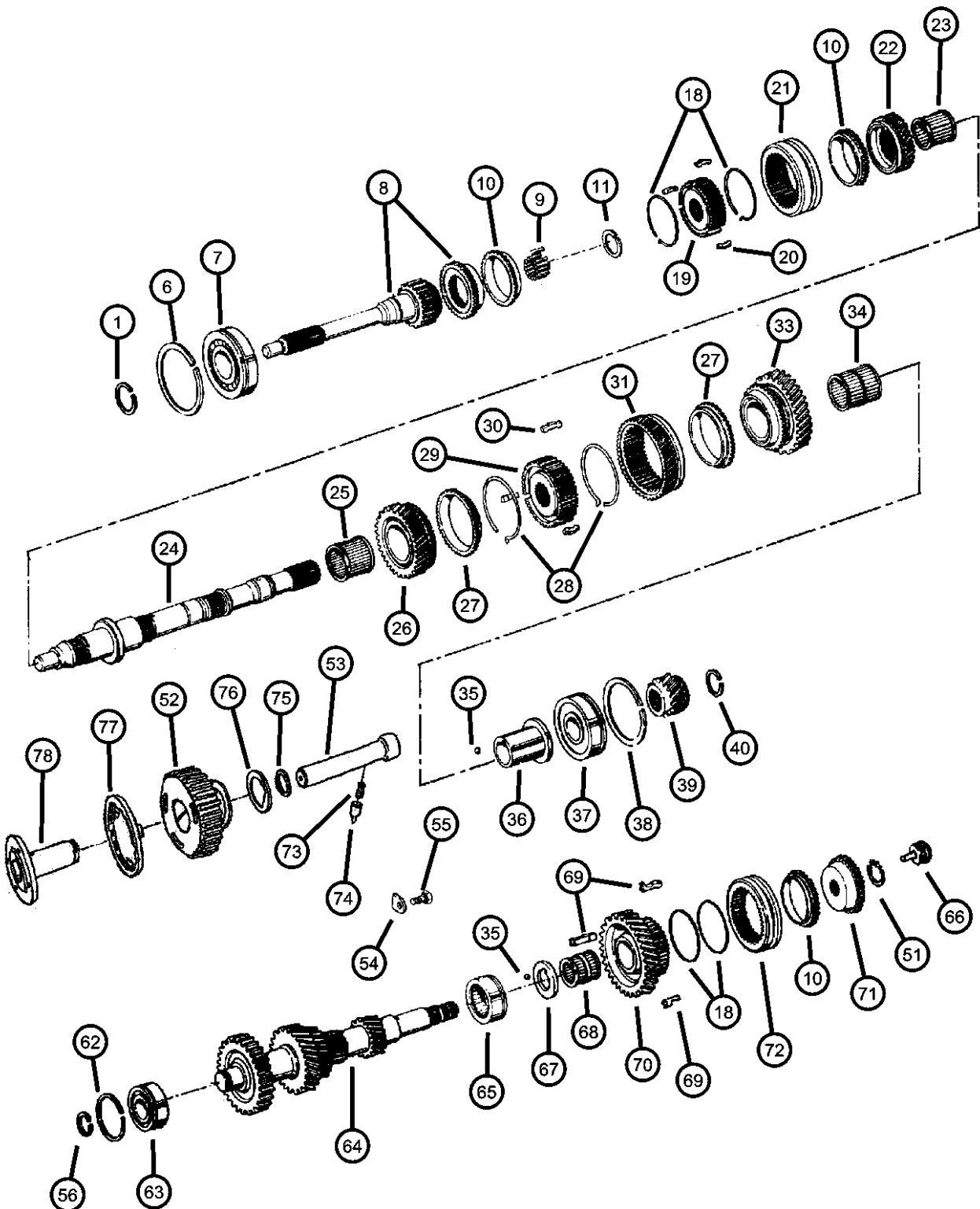
Note:
ER0 = All 4.0L 6 Cyl Gas Engines
DDK = 5 Speed Heavy Duty Manual Transmission
DDQ = Manual Transmission 5 Speed
DBB = All Manual Transmissions

WRANGLER (TJ)				
SERIES	LINE	BODY	ENGINE	TRANSMISSION
L = Low Line	J = JEEP - 4WD U = JEEP - 4WD (RHD)	77 = OPEN BODY 2-DOOR	EPE = ENGINE - 2.5L POWER TECH I-4 Cyl. ERH = ENGINE - 4.0L POWER TECH I-6	DDQ = TRANSMISSION - 5-SPEED MANUAL DGD = TRANSMISSION - 3-SPD. AUTOMATIC, 30RH DGG = TRANSMISSION - 3-SPD. AUTOMATIC, 32RH

AR = use ase required - = Non illustrated part

Gear Train AX5 (DDQ)

Figure AISIN-410



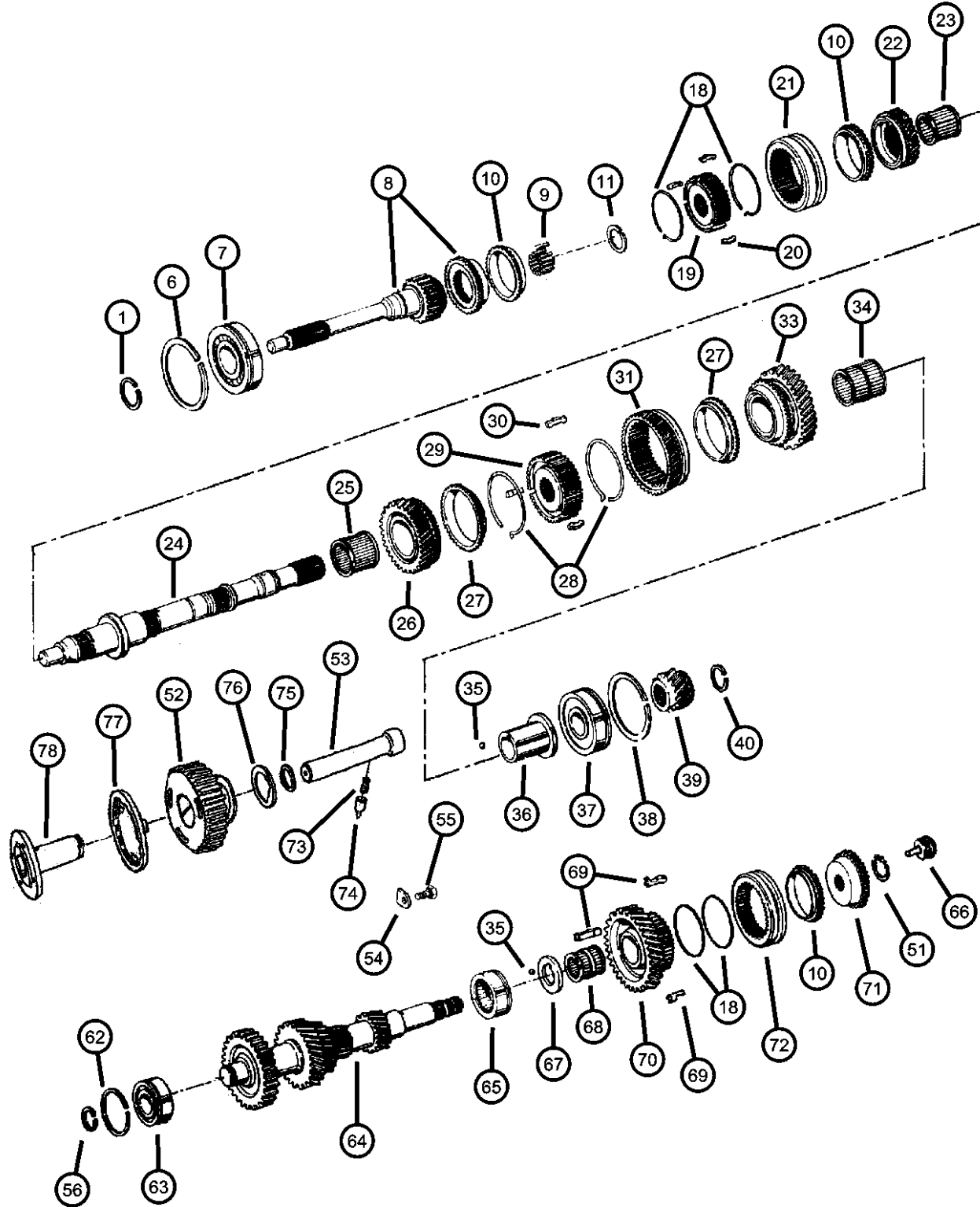
ITEM	PART NUMBER	QTY	LINE	SERIES	BODY	ENGINE	TRANS	TRIM	DESCRIPTION
31	04897101AA	1				EP0	DDQ		GEAR, Reverse
-32	04897102AA	1				EP0	DDQ		GEAR, Reverse Idler, For Transmission Stamp # [52104548]
33	83506017	1				EP0	DDQ		GEAR, First
34	83506031	1				EP0	DDQ		BEARING, First Gear
35	83500573	2				EP0	DDQ		BALL, Reverse
36	83506026	1				EP0	DDQ		RACE, First Gear
37	83506030	1				EP0	DDQ		BEARING, Mainshaft
38	83500613	1				EP0	DDQ		SNAP RING
39	83500971	1				EP0	DDQ		GEAR, Fifth
40	83500587	1				EP0	DDQ		SNAP RING, Mainshaft, 2.67-2.72mm
-41	83500588	1				EP0	DDQ		SNAP RING, Mainshaft, 2.73-2.78mm
-42	83500589	1				EP0	DDQ		SNAP RING, Mainshaft, 2.79-2.84mm
-43	83500590	1				EP0	DDQ		SNAP RING, Mainshaft, 2.85-2.90mm
-44	83500591	1				EP0	DDQ		SNAP RING, Mainshaft, 2.91-2.96mm
-45	83500592	1				EP0	DDQ		SNAP RING, Mainshaft, 2.97-3.02mm
-46	83500593	1				EP0	DDQ		SNAP RING, Mainshaft, 3.03-3.08mm
-47	83500594	1				EP0	DDQ		SNAP RING, Mainshaft, 3.09-3.14mm
-48	83500595	1				EP0	DDQ		SNAP RING, Mainshaft, 3.15-3.20mm
-49	83500596	1				EP0	DDQ		SNAP RING, Mainshaft, 3.21-3.26mm
-50	83500597	1				EP0	DDQ		SNAP RING, Mainshaft
51	83506035	1				EP0	DDQ		SNAP RING PACKAGE, Transmission
52	04897102AA	1				EP0	DDQ		GEAR, Reverse Idler
53	04897104AA	1				EP0	DDQ		IDLER SHAFT, Transmission
54	04883380AA	1				EP0	DDQ		STOPPER, Idler Shaft
55	83500615	1				EP0	DDQ		BOLT AND LOCK WASHER, Hex Head, M8x1.25x20
56	83500581	1				EP0	DDQ		SNAP RING, Cluster Gear, 2.05mm
-57	83500582	1				EP0	DDQ		SNAP RING, Cluster Gear, 2.10-2.15mm

WRANGLER (TJ)

SERIES	LINE	BODY	ENGINE	TRANSMISSION
L = Low Line	J = JEEP - 4WD U = JEEP - 4WD (RHD)	77 = OPEN BODY 2-DOOR	EPE = ENGINE - 2.5L POWER TECH I-4 Cyl. ERH = ENGINE - 4.0L POWER TECH I-6	DDQ = TRANSMISSION - 5-SPEED MANUAL DGD = TRANSMISSION - 3-SPD. AUTOMATIC, 30RH DGG = TRANSMISSION - 3-SPD. AUTOMATIC, 32RH

AR = use ase required - = Non illustrated part

**Gear Train AX5 (DDQ)
Figure AISIN-410**



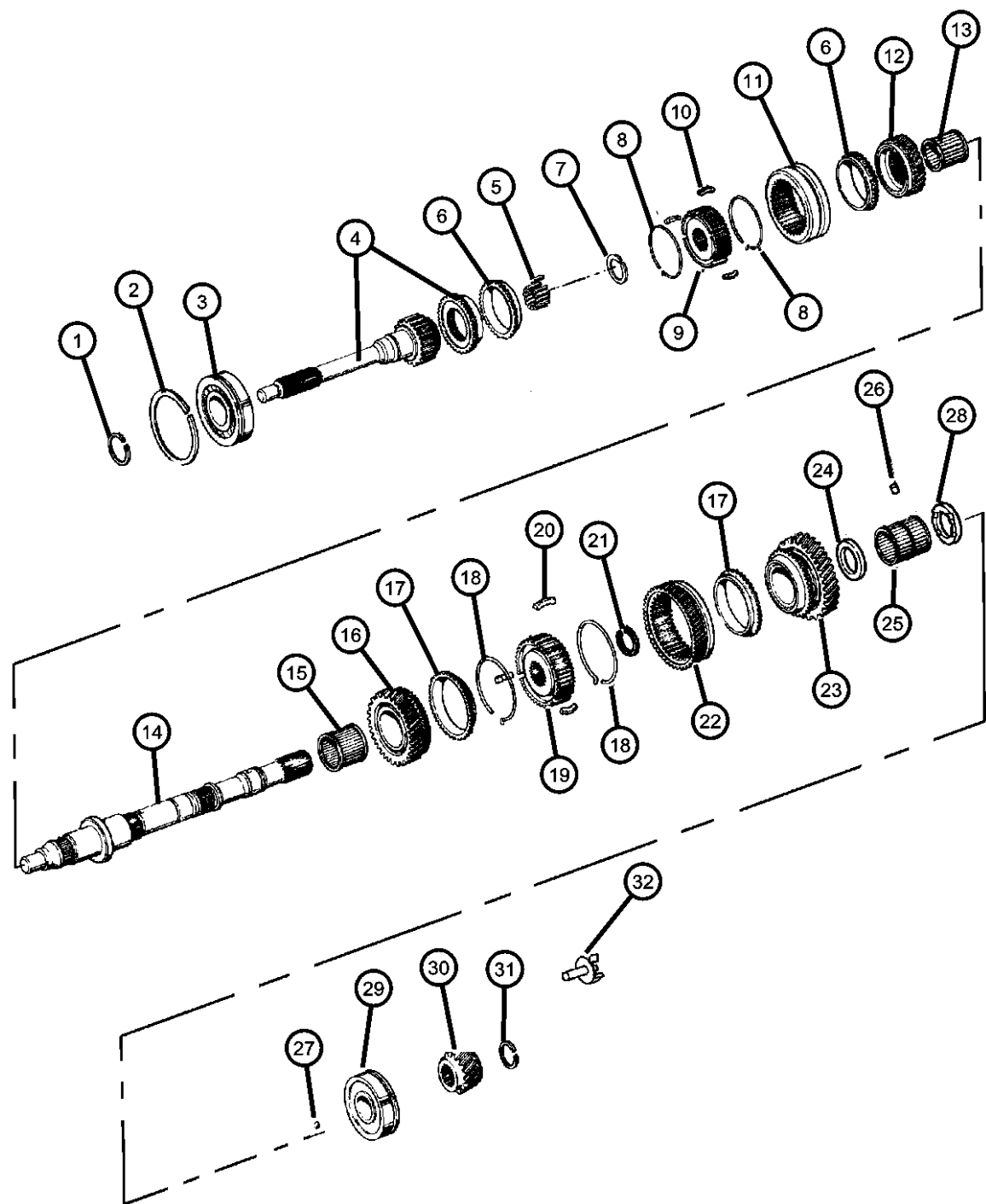
ITEM	PART NUMBER	QTY	LINE	SERIES	BODY	ENGINE	TRANS	TRIM	DESCRIPTION
-58	83500583	1				EP0	DDQ		SNAP RING, Cluster Gear, 2.15mm
-59	83500584	1				EP0	DDQ		SNAP RING, Cluster Gear, 2.20mm
-60	83500585	1				EP0	DDQ		SNAP RING, Cluster Gear, 2.25mm
-61	83500586	1				EP0	DDQ		SNAP RING, Cluster Gear, 2.30mm
62	83500612	1				EP0	DDQ		SNAP RING
63	83506032	1				EP0	DDQ		BEARING, Cluster Gear
64	04897103AA	1				EP0	DDQ		GEAR, Countershaft
65	83506033	1				EP0	DDQ		BEARING, Cluster Gear
66	83500646	1				EP0	DDQ		PIPE, Oil Receiver
67	83506025	1				EP0	DDQ		THRUST WASHER, Fourth Gear
68	83500644	2				EP0	DDQ		NEEDLE BEARING, Fifth Gear
69	83500641	3				EP0	DDQ		KEY, Synchronizer
70	83506022	1				EP0	DDQ		GEAR, Countershaft Fifth
71	83506024	1				EP0	DDQ		GEAR, Fifth Splined
72	04746657	1				EP0	DDQ		SLEEVE, Synchronizer
73	04897110AA	1				EP0	DDQ		SPRING, Compression
74	04897109AA	1				EP0	DDQ		PIN
75	04897112AA	1				EP0	DDQ		RING, Snap
76	04897108AA	1				EP0	DDQ		PLATE, Transmission Idler Shaft
77	04897111AA	1				EP0	DDQ		RING, Transmission
78	04897107AA	1				EP0	DDQ		RACE, Idler Gear

WRANGLER (TJ)

SERIES	LINE	BODY	ENGINE	TRANSMISSION
L = Low Line	J = JEEP - 4WD U = JEEP - 4WD (RHD)	77 = OPEN BODY 2-DOOR	EPE = ENGINE - 2.5L POWER TECH I-4 Cyl. ERH = ENGINE - 4.0L POWER TECH I-6	DDQ = TRANSMISSION - 5-SPEED MANUAL DGD = TRANSMISSION - 3-SPD. AUTOMATIC,30RH DGG = TRANSMISSION - 3-SPD. AUTOMATIC,32RH

AR = use ase required - = Non illustrated part

**Gear Train AX15 (DDQ)
Figure AISIN-415**



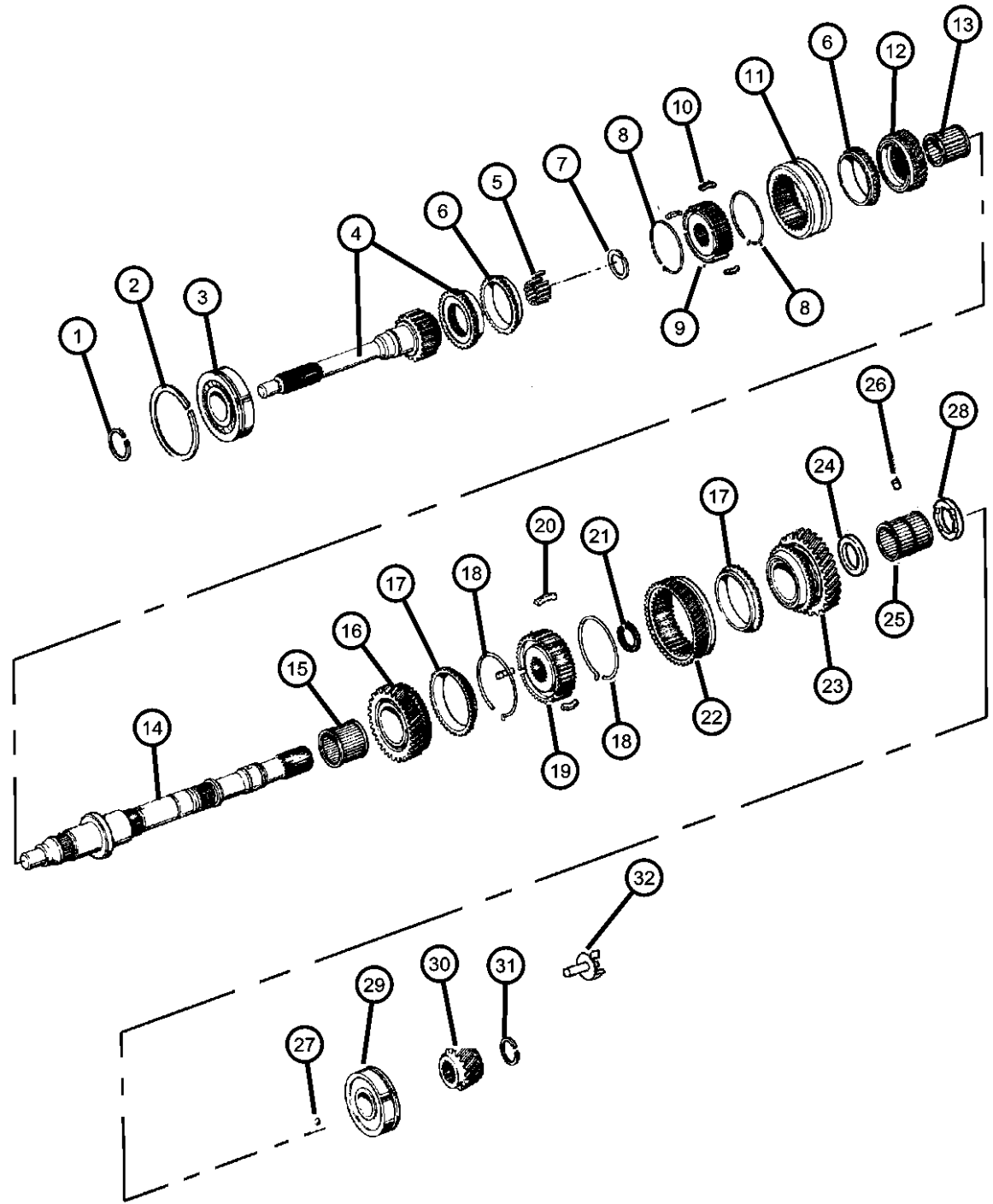
ITEM	PART NUMBER	QTY	LINE	SERIES	BODY	ENGINE	TRANS	TRIM	DESCRIPTION
12	04897047AA	1				ER0	DDQ		GEAR, Third
13	83506077	1				ER0	DDQ		NEEDLE BEARING, Third Gear
14	83506243	1				ER0	DDQ		SHAFT, Output
15	83506076	1				ER0	DDQ		NEEDLE BEARING, Second Gear
16	04636369	1				ER0	DDQ		GEAR, Second
17	83506252	1				ER0	DDQ		STOP RING, Synchronizer
18	83506254	1				ER0	DDQ		SPRING, Synchronizer Key
19	83506247	1				ER0	DDQ		HUB, Synchronizer
20	83506250	1				ER0	DDQ		KEY, Synchronizer
21									SNAP RING
	83506093	1				ER0	DDQ		STAMPED B (X=2.35mm/2.40mm)
	83506094	1				ER0	DDQ		STAMPED C (X=2.40mm/2.45mm)
	83506095	1				ER0	DDQ		STAMPED D (X=2.45mm/2.50mm)
	83506096	1				ER0	DDQ		STAMPED E (X=2.50mm/2.55mm)
	83506097	1				ER0	DDQ		STAMPED F (X=2.55mm/2.60mm)
	83506098	1				ER0	DDQ		STAMPED G (X=2.60mm/2.65mm)
22	05252082	1				ER0	DDQ		GEAR, Reverse
23	04636368	1				ER0	DDQ		GEAR, First
24	83506280	1				ER0	DDQ		SPACER, Output Shaft
25	83506075	1				ER0	DDQ		NEEDLE BEARING, First Gear
26	83506008	1				ER0	DDQ		PIN, Mainshaft
27	83500573	1				ER0	DDQ		BALL, Reverse
28	83506246	1				ER0	DDQ		THRUST WASHER, First Gear
29	83506073	1				ER0	DDQ		BEARING, Output Shaft
30	05252083	1				ER0	DDQ		GEAR, Fifth
31									SNAP RING
	83506268	1				ER0	DDQ		STAMPED A (X=2.75mm/2.80mm)
	83506269	1				ER0	DDQ		STAMPED B (X=2.80mm/2.85mm)
	83506270	1				ER0	DDQ		STAMPED C (X=2.85mm/2.90mm)

WRANGLER (TJ)

SERIES	LINE	BODY	ENGINE	TRANSMISSION
L = Low Line	J = JEEP - 4WD U = JEEP - 4WD (RHD)	77 = OPEN BODY 2-DOOR	EPE = ENGINE - 2.5L POWER TECH I-4 Cyl. ERH = ENGINE - 4.0L POWER TECH I-6	DDQ = TRANSMISSION - 5-SPEED MANUAL DGD = TRANSMISSION - 3-SPD. AUTOMATIC, 30RH DGG = TRANSMISSION - 3-SPD. AUTOMATIC, 32RH

AR = use ase required - = Non illustrated part

**Gear Train AX15 (DDQ)
Figure AISIN-415**



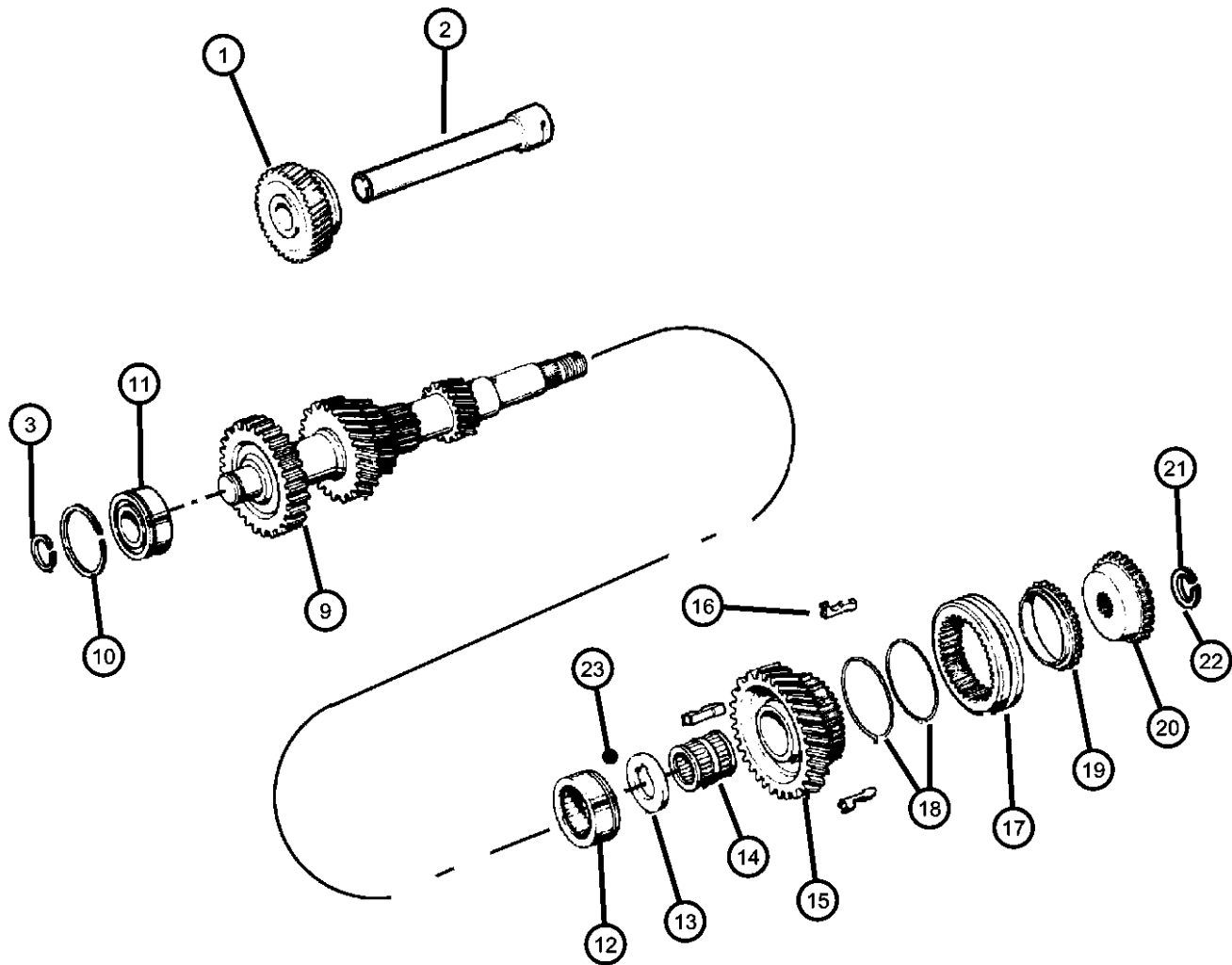
ITEM	PART NUMBER	QTY	LINE	SERIES	BODY	ENGINE	TRANS	TRIM	DESCRIPTION
	83506271	1				ER0	DDQ		STAMPED D (X=2.90mm/2.95mm)
	83506272	1				ER0	DDQ		STAMPED E (X=2.95mm/3.00mm)
	83506273	1				ER0	DDQ		STAMPED F (X=3.00mm/3.05mm)
	83506274	1				ER0	DDQ		STAMPED G (X=3.05mm/3.10mm)
	83506275	1				ER0	DDQ		STAMPED H (X=3.10mm/3.15mm)
	83506276	1				ER0	DDQ		STAMPED I (X=3.15mm/3.20mm)
	83506277	1				ER0	DDQ		STAMPED J (X=3.20mm/3.25mm)
	83506278	1				ER0	DDQ		STAMPED K (X=3.25mm/3.30mm)
	83506279	1				ER0	DDQ		STAMPED L (X=3.30mm/3.35mm)
32	83500646	1				ER0	DDQ		PIPE, Oil Receiver

WRANGLER (TJ)

SERIES	LINE	BODY	ENGINE	TRANSMISSION
L = Low Line	J = JEEP - 4WD U = JEEP - 4WD (RHD)	77 = OPEN BODY 2-DOOR	EPE = ENGINE - 2.5L POWER TECH I-4 Cyl. ERH = ENGINE - 4.0L POWER TECH I-6	DDQ = TRANSMISSION - 5-SPEED MANUAL DGD = TRANSMISSION - 3-SPD. AUTOMATIC, 30RH DGG = TRANSMISSION - 3-SPD. AUTOMATIC, 32RH

AR = use ase required - = Non illustrated part

**Reverse Idler AX 15 (DDQ)
Figure AISIN-420**



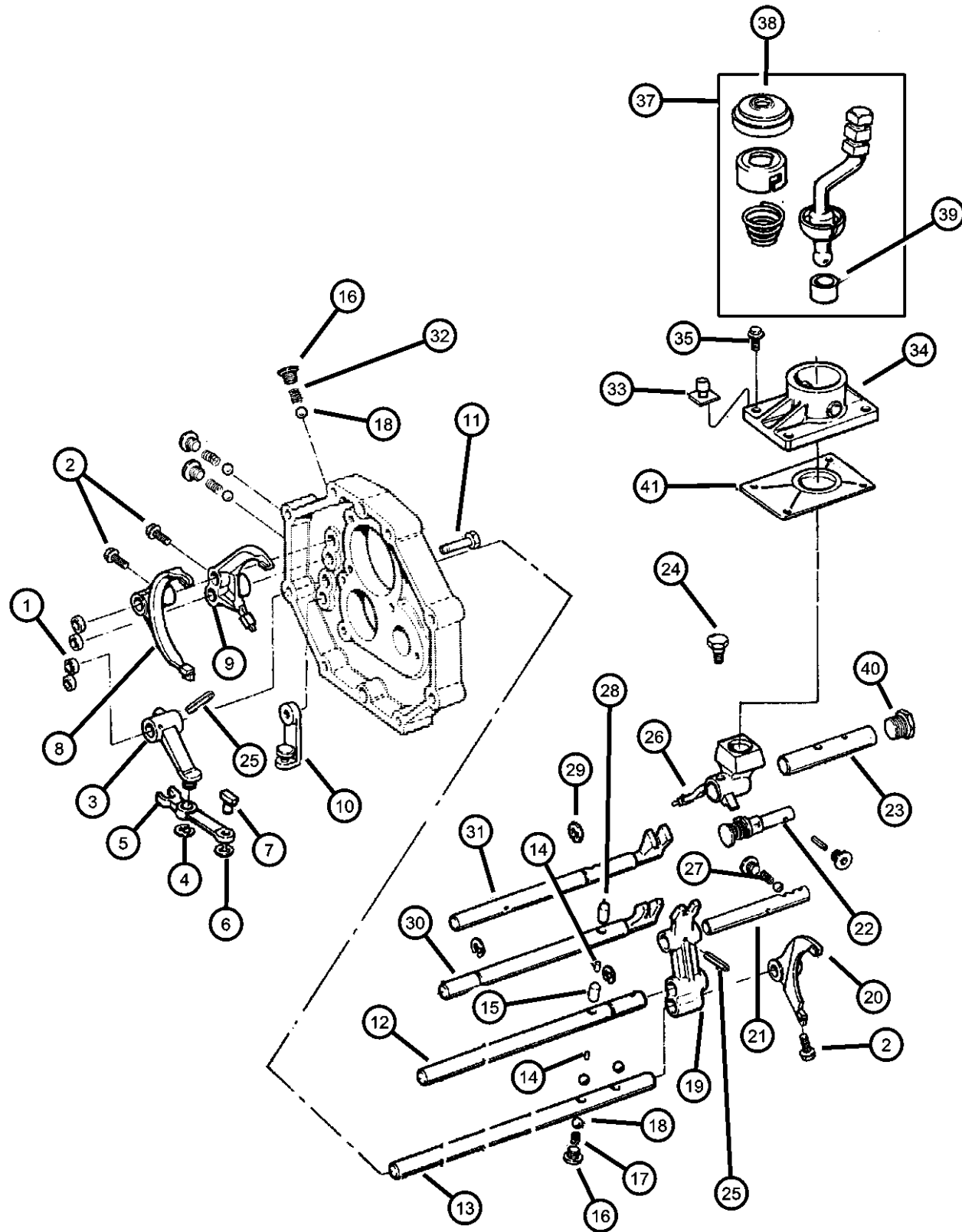
ITEM	PART NUMBER	QTY	LINE	SERIES	BODY	ENGINE	TRANS	TRIM	DESCRIPTION
Note: DDQ = 5 Speed Manual Transmission EP0 = All 2.5L 4 Cyl Gas Engines ER0 = All 4.0L 6 Cyl Gas Engines									
1	05252084	1				ER0	DDQ		GEAR, Reverse Idler
2	83506258	1				ER0	DDQ		IDLER SHAFT, Transmission
3									SNAP RING
	83506081	1				ER0	DDQ		STAMPED A (X=2.05mm/2.10mm)
	83506082	1				ER0	DDQ		STAMPED B (X=2.10mm/2.15mm)
	83506083	1				ER0	DDQ		STAMPED C (X=2.15mm/2.20mm)
	83506084	1				ER0	DDQ		STAMPED D (X=2.20mm/2.25mm)
	83506085	1				ER0	DDQ		STAMPED E (X=2.25mm/2.30mm)
-4	83500607	1				EP0	DDQ		SNAP RING, Input Shaft, 2.10mm
-5	83500608	1				EP0	DDQ		SNAP RING, Input Shaft, 2.15mm
-6	83500609	1				EP0	DDQ		SNAP RING, Input Shaft, 2.20mm
-7	83500610	1				EP0	DDQ		SNAP RING, Input Shaft, 2.25mm
-8	83500611	1				EP0	DDQ		SNAP RING, Input Shaft, 2.30mm
9	04636371	1				ER0	DDQ		GEAR, Countershaft
10	83506220	1				ER0	DDQ		SNAP RING
11	83506259	1				ER0	DDQ		BEARING, Countershaft
12	83506080	1				ER0	DDQ		NEEDLE BEARING, Countershaft
13	83506245	1				ER0	DDQ		THRUST WASHER, Fifth Gear
14	83506079	1				ER0	DDQ		NEEDLE BEARING, Fifth Gear
15	04637527	1				ER0	DDQ		GEAR, Countershaft Fifth
16	04637532	1				ER0	DDQ		KEY, Synchronizer
17	83506257	1				ER0	DDQ		SLEEVE, Synchronizer
18	04637534	1				ER0	DDQ		SPRING, Synchronizer
19	04637533	1				ER0	DDQ		STOP RING, Synchronizer
20	83506242	1				ER0	DDQ		GEAR, Fifth Splined
21									SNAP RING
	83506260	1				ER0	DDQ		STAMPED A (X=2.80mm/2.85mm)
	83506261	1				ER0	DDQ		STAMPED B (X=2.85mm/2.90mm)

WRANGLER (TJ)

SERIES	LINE	BODY	ENGINE	TRANSMISSION
L = Low Line	J = JEEP - 4WD U = JEEP - 4WD (RHD)	77 = OPEN BODY 2-DOOR	EPE = ENGINE - 2.5L POWER TECH I-4 Cyl. ERH = ENGINE - 4.0L POWER TECH I-6	DDQ = TRANSMISSION - 5-SPEED MANUAL DGD = TRANSMISSION - 3-SPD. AUTOMATIC, 30RH DGG = TRANSMISSION - 3-SPD. AUTOMATIC, 32RH

AR = use ase required - = Non illustrated part

Forks AX5 (DDQ)
Figure AISIN-910



ITEM	PART NUMBER	QTY	LINE	SERIES	BODY	ENGINE	TRANS	TRIM	DESCRIPTION
------	-------------	-----	------	--------	------	--------	-------	------	-------------

Note:
DDK = 5 Speed Heavy Duty Manual Transmission
DDQ = 5 Speed Manual Transmission
EPE = 2.5L SMPi MAGNUM 4 Cyl Engine
EPO = All 2.5L 4 Cyl Gas Engines

1	83500503	4				EPO	DDQ		PLUG, Shift Rail
2	83502664	3				EPO	DDQ		BOLT, Shift Fork
3	83500526	1				EPO	DDQ		FORK, Transmission
4	83500547	1				EPO	DDQ		SNAP RING
5	04897099AA	1				EPO	DDQ		ARM, Reverse Shift
6	83500547	1				EPO	DDQ		SNAP RING
7	04897100AA	1				EPO	DDQ		SHOE, Shift Lever
8	04740236	1				EPO	DDQ		FORK PACKAGE, Shift
9	83502662	1				EPO	DDQ		FORK, Transmission
10	83500531	1				EPO	DDQ		BRACKET, Reverse Arm
11	83500549	2				EPO	DDQ		BOLT, Bearing Retainer
12	04746659	1				EPO	DDQ		SHAFT, Gear Shift Fork, Number 3
13	04746660	1				EPO	DDQ		SHAFT, Gear Shift Fork, Number 4
14	83500537	2				EPO	DDQ		PIN, Shift Shaft
15	83500541	1				EPO	DDQ		PIN, Interlock, 21.6mm
16	83500524	1				EPO	DDQ		PLUG, Transmission
17	83500638	1				EPO	DDQ		SPRING, Compression Shift
18	83500542	7				EPO	DDQ		BALL, Gearshift Fork Lock
19	04746658	1				EPO	DDQ		HEAD, Shifter Shaft
20	04746656	1				EPO	DDQ		FORK, Transmission
21	83500536	1				EPO	DDQ		SHAFT, Selector
22	83500515	1				EPO	DDQ		PIN, Reverse
23	83500514	1				EPO	DDQ		SHAFT, Shift Lever
24	83506036	1				EPO	DDQ		BOLT
25	83500540	1				EPO	DDQ		PIN, Shift Shaft
26	83500636	1				EPO	DDQ		HOUSING, Shift Lever
27	83500544	1				EPO	DDQ		SPRING, Compression
28	83500543	1				EPO	DDQ		PIN, Interlock, 30.3mm
29	83506054	1				EPO	DDQ		SNAP RING
30	83506055	1				EPO	DDQ		SHAFT, Selector

WRANGLER (TJ)

SERIES LINE
L = Low Line J = JEEP - 4WD
U = JEEP - 4WD (RHD)

BODY
77 = OPEN BODY 2-DOOR

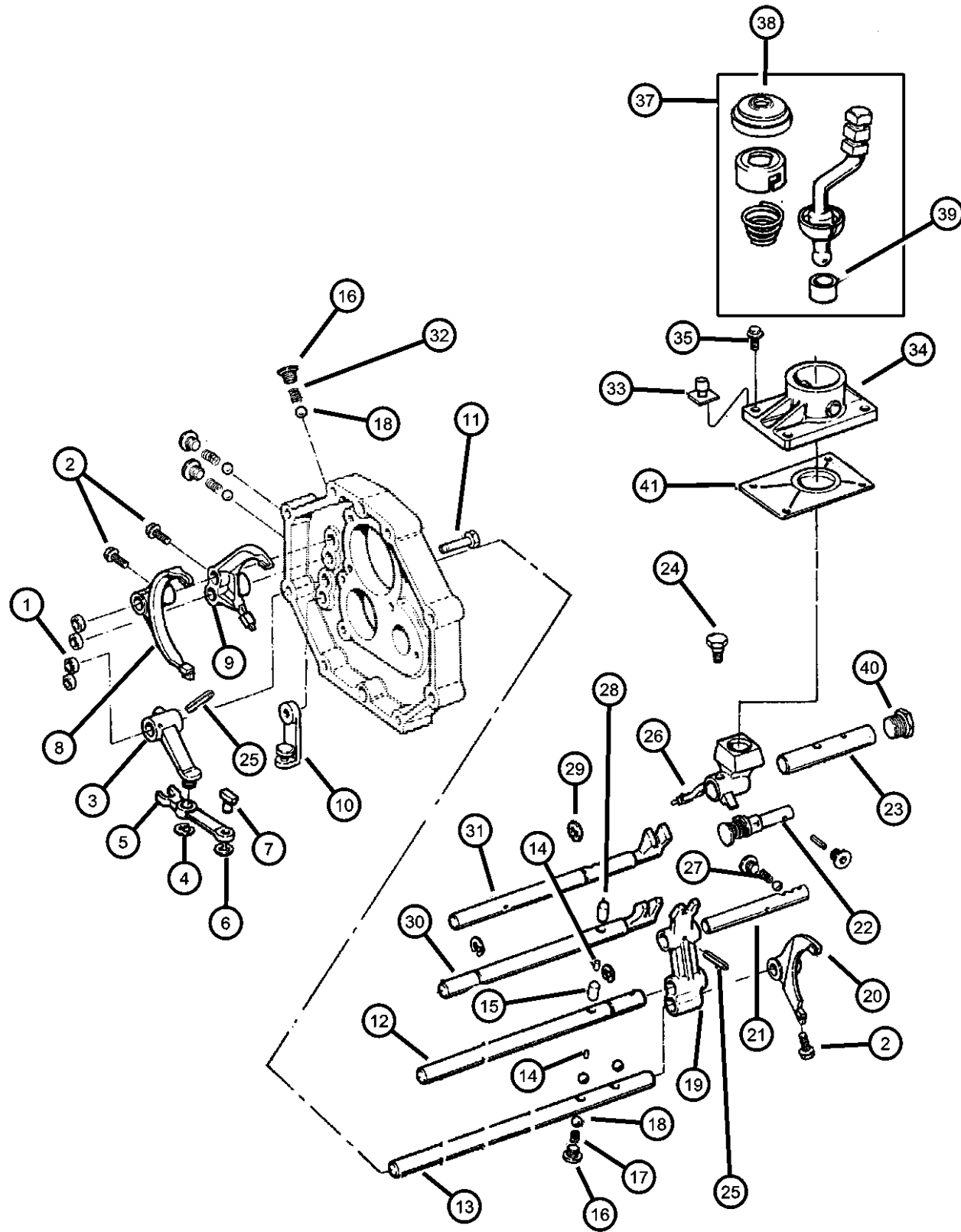
ENGINE
EPE = ENGINE - 2.5L POWER TECH I-4 Cyl.
ERH = ENGINE - 4.0L POWER TECH I-6

TRANSMISSION
DDQ = TRANSMISSION - 5-SPEED MANUAL
DGD = TRANSMISSION - 3-SPD. AUTOMATIC, 30RH
DGG = TRANSMISSION - 3-SPD. AUTOMATIC, 32RH

AR = use ase required - = Non illustrated part

1999 TJ

Forks AX5 (DDQ)
Figure AISIN-910



ITEM	PART NUMBER	QTY	LINE	SERIES	BODY	ENGINE	TRANS	TRIM	DESCRIPTION
31	83506047	1				EP0	DDQ		SHAFT, Selector
32	83500545	3				EP0	DDQ		SPRING, Compression Detent
33	04864215	1				EP0	DDQ		CAP, Vent
34	04864211	1				EP0	DDQ		RETAINER, Transmission
35	83503107	2				EP0	DDQ		BOLT
-36	83500525	2				EP0	DDQ		BOLT AND LOCK WASHER, Hex Head, M8x1.25x30
37	04882436	1				EP0	DDQ		LEVER, Gearshift
38	83500520	1				EP0	DDQ		BOOT, Gearshift
39	83500519	1				EP0	DDQ		BUSHING, Shift Lever
40	83503109	AR				EP0	DDQ		CAP, Detent
41	04864216	1				EP0	DDQ		SHIELD, Transmission

WRANGLER (TJ)

SERIES LINE
L = Low Line J = JEEP - 4WD
U = JEEP - 4WD (RHD)

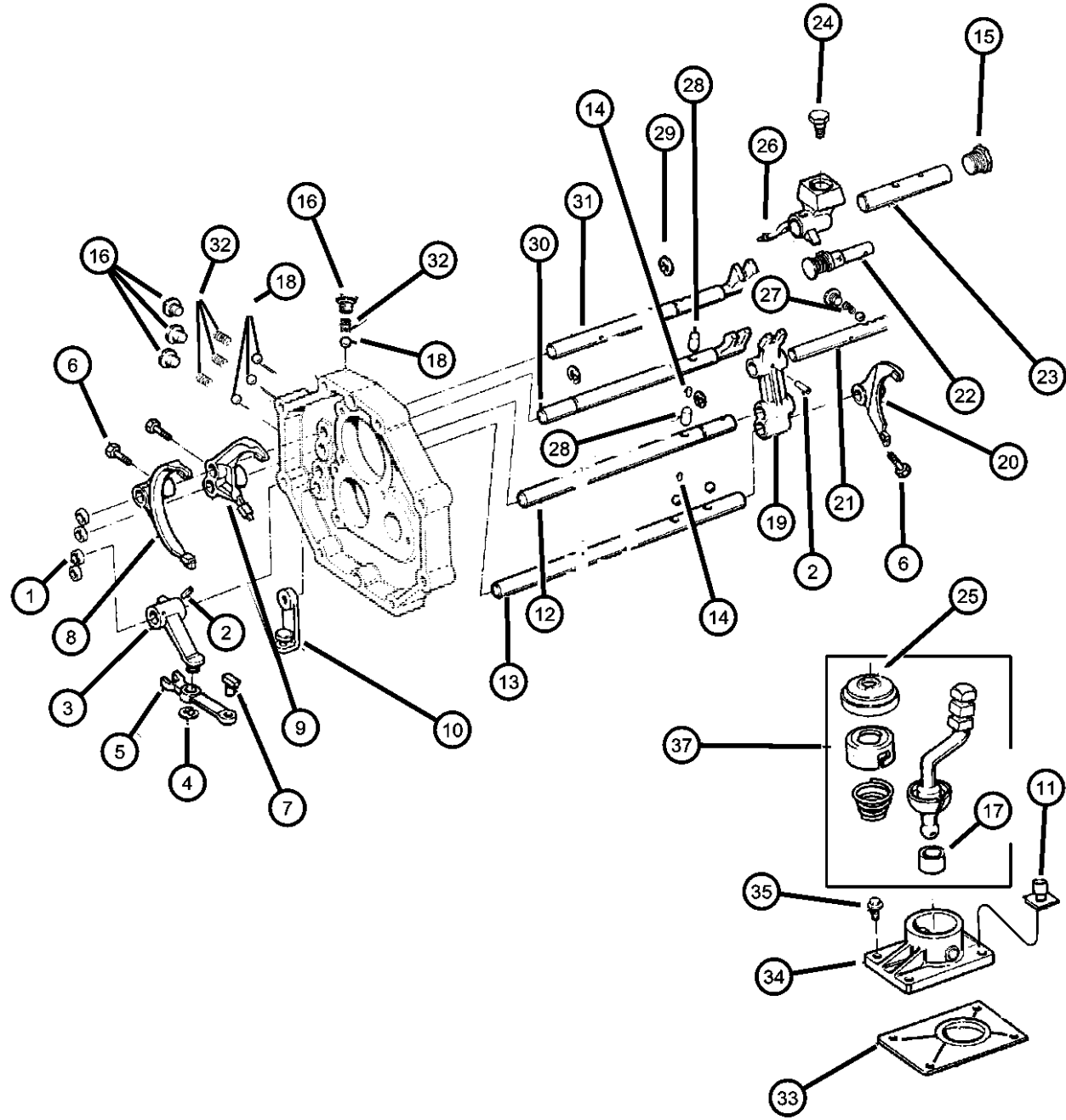
BODY
77 = OPEN BODY 2-DOOR

ENGINE
EPE = ENGINE - 2.5L POWER TECH I-4 Cyl.
ERH = ENGINE - 4.0L POWER TECH I-6

TRANSMISSION
DDQ = TRANSMISSION - 5-SPEED MANUAL
DGD = TRANSMISSION - 3-SPD. AUTOMATIC, 30RH
DGG = TRANSMISSION - 3-SPD. AUTOMATIC, 32RH

AR = use ase required - = Non illustrated part

Forks AX15 (DDQ)
Figure AISIN-915



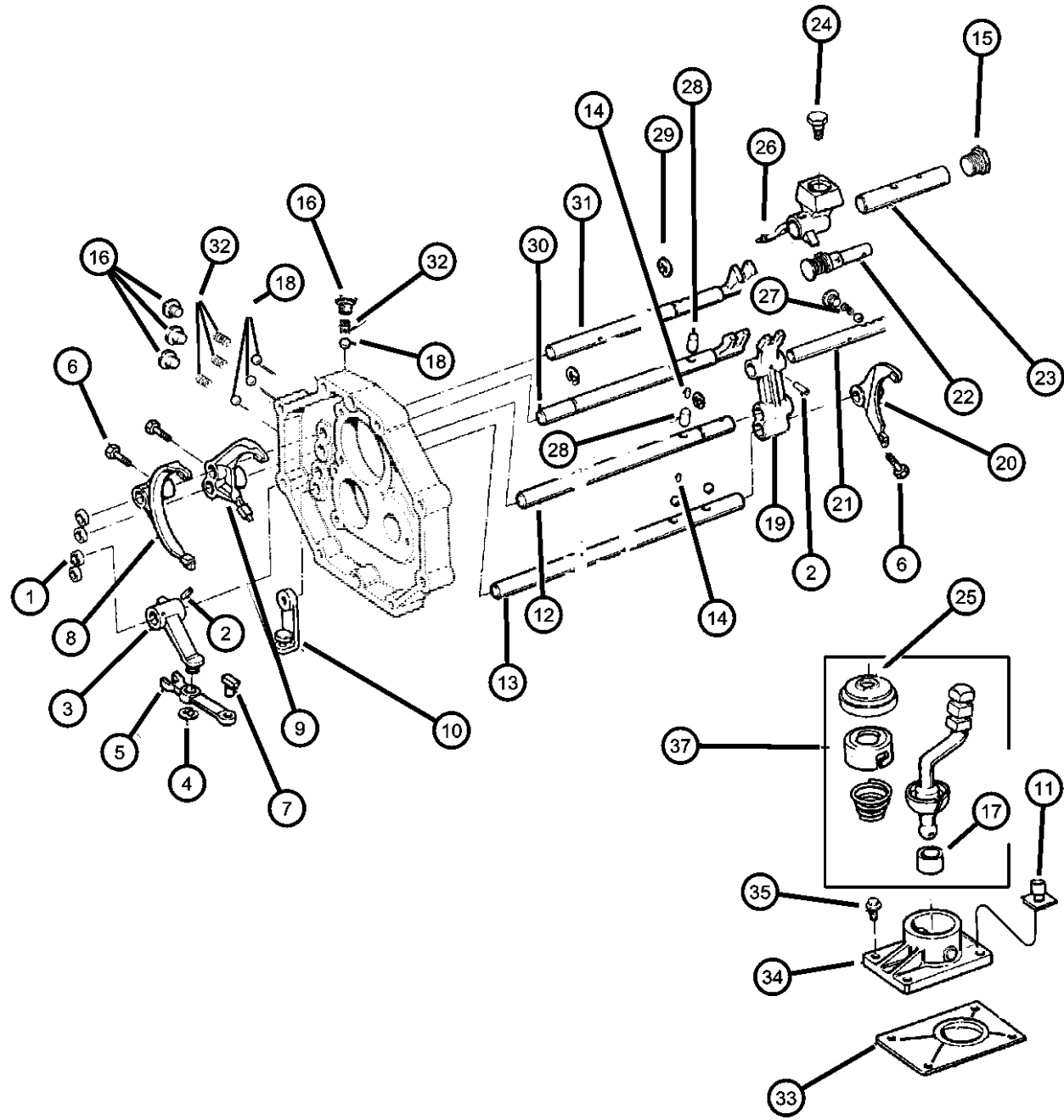
ITEM	PART NUMBER	QTY	LINE	SERIES	BODY	ENGINE	TRANS	TRIM	DESCRIPTION
Note: DDQ = 5 Speed Manual Transmission ER0 = All 4.0L 6 Cyl Gas Engines									
1	83500503	1				ER0	DDQ		PLUG, Shift Rail
2	83500540	1				ER0	DDQ		PIN, Shift Shaft
3	05252056	1				ER0	DDQ		FORK, Transmission
4	83500548	1				ER0	DDQ		SNAP RING
5	05252060	1				ER0	DDQ		ARM, Reverse Shift
6	05252214	1				ER0	DDQ		BOLT AND WASHER, Gear Shift Fork
7	05252062	1				ER0	DDQ		SHOE, Shift Lever
8	05252058	1				ER0	DDQ		FORK, Transmission
9	05252057	1				ER0	DDQ		FORK, Transmission
10	05252063	1				ER0	DDQ		BRACKET, Reverse Shift Rod
11	04864223	1				ER0	DDQ		CAP, Vent
12	05252070	1				ER0	DDQ		SHAFT, Gear Shift Fork, Number 3
13	05252071	1				ER0	DDQ		SHAFT, Gear Shift Fork, Number 4
14	83500537	1				ER0	DDQ		PIN, Shift Shaft
15	83503109	1				ER0	DDQ		CAP, Detent
16	83500524	1				ER0	DDQ		PLUG, Transmission
17	83500519	1				ER0	DDQ		BUSHING, Shift Lever
18	83500542	1				ER0	DDQ		BALL, Gearshift Fork Lock
19	05252064	1				ER0	DDQ		HEAD, Shifter Shaft
20	05252059	1				ER0	DDQ		FORK, Transmission
21	05252065	1				ER0	DDQ		SHAFT, Gear Shift Fork, Number 5
22	83500635	1				ER0	DDQ		PIN, Reverse
23	05252037	1				ER0	DDQ		SHAFT, Shift Lever
24	34201373	6				EP0	DBB		BOLT, Hex Head, M8x1.25x22
25	83500520	1				ER0	DDQ		BOOT, Gearshift
26	05252041	1				ER0	DDQ		HOUSING, Shift Lever
27	83500544	1				ER0	DDQ		SPRING, Compression
28	83500543	1				ER0	DDQ		PIN, Interlock, 30.3mm
29	05252076	1				ER0	DDQ		SNAP RING
30	05252066	1				ER0	DDQ		SHAFT, Gear Shift Fork, Number 1
31	05252068	1				ER0	DDQ		SHAFT, Gear Shift Fork, Number 2

WRANGLER (TJ)

SERIES	LINE	BODY	ENGINE	TRANSMISSION
L = Low Line	J = JEEP - 4WD U = JEEP - 4WD (RHD)	77 = OPEN BODY 2-DOOR	EPE = ENGINE - 2.5L POWER TECH I-4 Cyl. ERH = ENGINE - 4.0L POWER TECH I-6	DDQ = TRANSMISSION - 5-SPEED MANUAL DGD = TRANSMISSION - 3-SPD. AUTOMATIC, 30RH DGG = TRANSMISSION - 3-SPD. AUTOMATIC, 32RH

AR = use ase required - = Non illustrated part

Forks AX15 (DDQ)
Figure AISIN-915



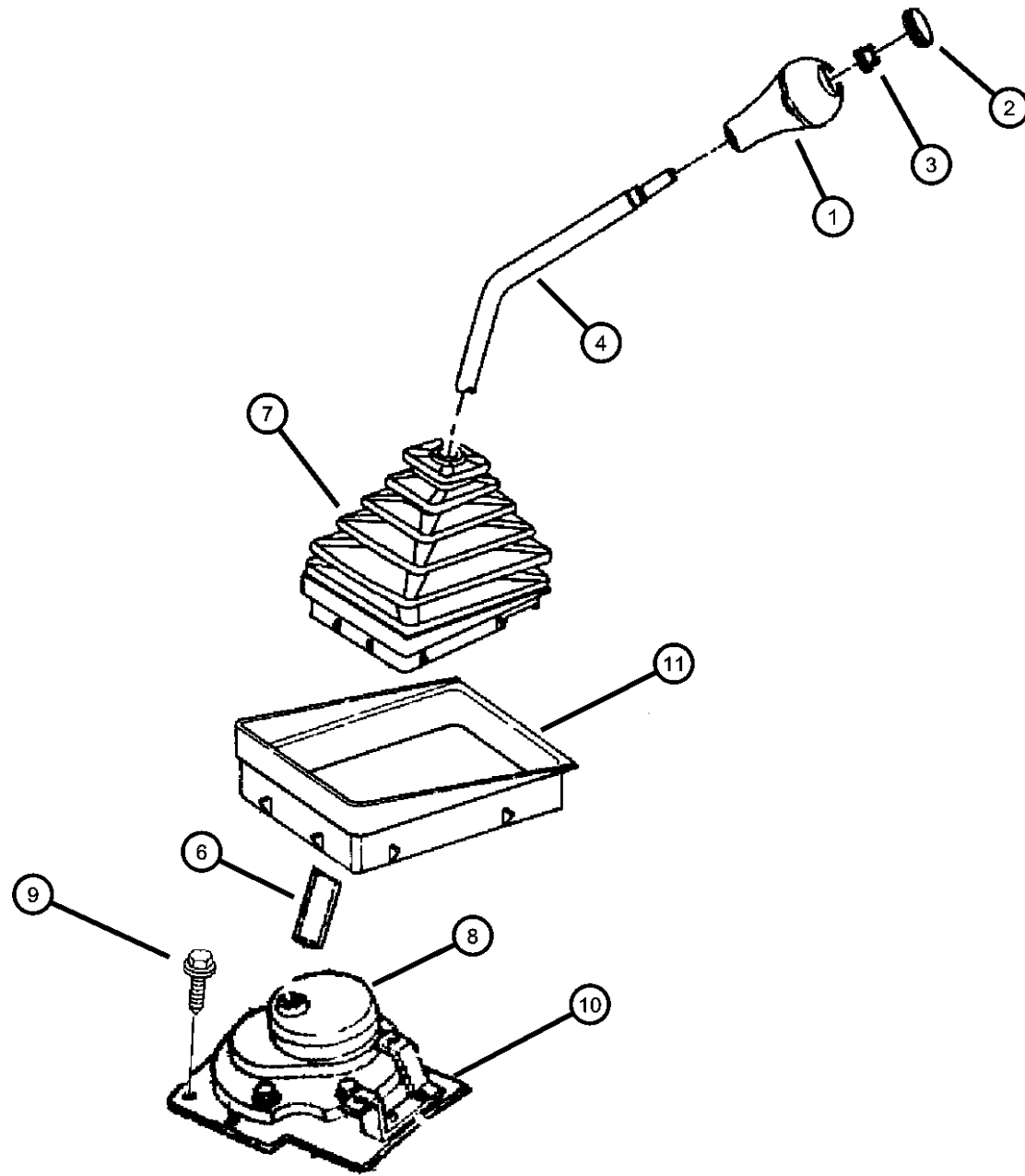
ITEM	PART NUMBER	QTY	LINE	SERIES	BODY	ENGINE	TRANS	TRIM	DESCRIPTION
32	05252075	1				ER0	DDQ		SPRING, Compression
33	04864224	1				ER0	DDQ		SHIELD, Transmission
34	04864222	1				ER0	DDQ		RETAINER, Transmission Control Shift
35	83500525	1				ER0	DDQ		BOLT AND LOCK WASHER, Hex Head, M8x1.25x30
-36	05252211	1				ER0	DDQ		BOLT, Gearshift Retainer
37	04882436	1				ER0	DDQ		LEVER, Gearshift

WRANGLER (TJ)

SERIES	LINE	BODY	ENGINE	TRANSMISSION
L = Low Line	J = JEEP - 4WD U = JEEP - 4WD (RHD)	77 = OPEN BODY 2-DOOR	EPE = ENGINE - 2.5L POWER TECH I-4 Cyl. ERH = ENGINE - 4.0L POWER TECH I-6	DDQ = TRANSMISSION - 5-SPEED MANUAL DGD = TRANSMISSION - 3-SPD. AUTOMATIC, 30RH DGG = TRANSMISSION - 3-SPD. AUTOMATIC, 32RH

AR = use ase required - = Non illustrated part

**Gearshift Controls (DDQ)
Figure AISIN-1210**



ITEM	PART NUMBER	QTY	LINE	SERIES	BODY	ENGINE	TRANS	TRIM	DESCRIPTION
Note: DBB = All Manual Transmissions									
1	52104174	1					DBB		KNOB, Gearshift
2	04446921	1					DBB		INSERT, Transmission Shift Knob
3	06502556	1					DBB		NUT, Hex, M10-1.5
4	52078576	1	J				DBB		LEVER, Gearshift
-5	52078579	1	U				DBB		LEVER, Gearshift
6	52104012	1					DBB		TUBE, Governor Support
7	52078558	1					DBB		BOOT, Gear Shift Lever
8	52078970	1					DBB		BOOT, Inner Gearshift
9	11502843	4					DBB		SCREW, Hex Flange Head, M4.2x1.41x13.00
10	52078971	1					DBB		COVER, Floor Pan
11	53000056	1					DBB		BEZEL, Gearshift Lever Boot

WRANGLER (TJ)

SERIES	LINE	BODY	ENGINE	TRANSMISSION
L = Low Line	J = JEEP - 4WD U = JEEP - 4WD (RHD)	77 = OPEN BODY 2-DOOR	EPE = ENGINE - 2.5L POWER TECH I-4 Cyl. ERH = ENGINE - 4.0L POWER TECH I-6	DDQ = TRANSMISSION - 5-SPEED MANUAL DGD = TRANSMISSION - 3-SPD. AUTOMATIC, 30RH DGG = TRANSMISSION - 3-SPD. AUTOMATIC, 32RH

AR = use ase required - = Non illustrated part

Group - 231

Transfer Case Model 231 [DHJ, DHK, DHN]

Group - 231 Transfer Case Model 231 [DHJ, DHK, DHN]

Illustration Title

Group-Fig. No.

Transfer Case Assembly

Transfer Case Command Trac (DHN) Fig. 231 - 110

Case and Related Parts

Case and Related Parts Command Trac (DHN) Fig. 231 - 210

Gear Train

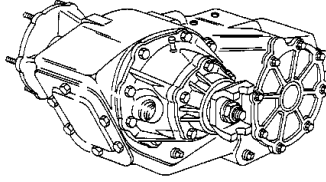

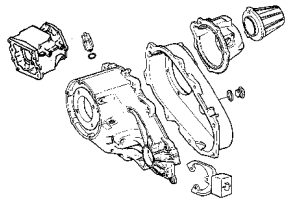
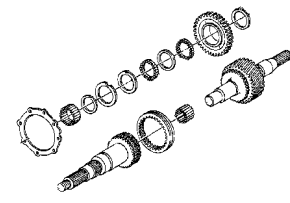
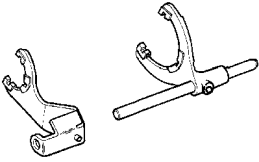
Gear Train Command Trac (DHN) Fig. 231 - 410

Fork and Rails

Forks and Rails Command Trac (DHN) Fig. 231 - 910

Gearshift Controls

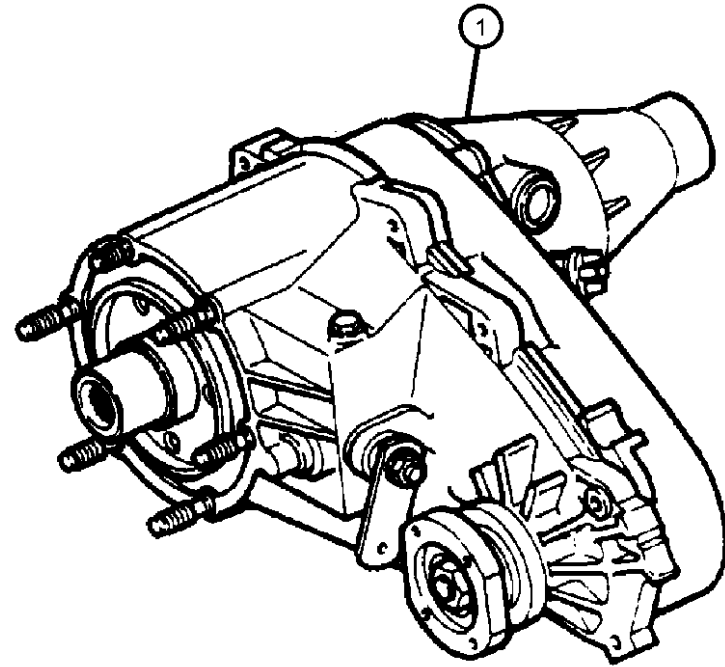
Gearshift Controls Command Trac (DHN) Fig. 231 - 1210

<p>231-100 Transfer Case Assembly</p> 	<p>231-1200 Gearshift Controls</p> 	<p>231-200 Case and Related Parts</p> 	<p>231-400 Gear Train</p> 
<p>231-900 Fork and Rails</p> 			

**Transfer Case Command Trac (DHN)
Figure 231-110**

ITEM	PART NUMBER	QTY	LINE	SERIES	BODY	ENGINE	TRANS	TRIM	DESCRIPTION
------	-------------	-----	------	--------	------	--------	-------	------	-------------

Note:
 DDQ = 5 Speed Manual Transmission
 DG0 = All Automatic Transmissions
 EN0 = All 4 Cyl Turbo Diesel Engines
 EP0 = All 2.5L 4 Cyl Gas Engines
 ER0 = All 4.0L 6 Cyl Gas Engines



1									TRANSFER CASE, NV231
	52099211	1				EP0, ER0	DG0		Mopar Remanufactured Part
	R2099211								Mopar Remanufactured Part
	52099364	1				EP0	DDQ		Mopar Remanufactured Part
	R2099310								Mopar Remanufactured Part
	52111005AA	1				ER0	DBB		

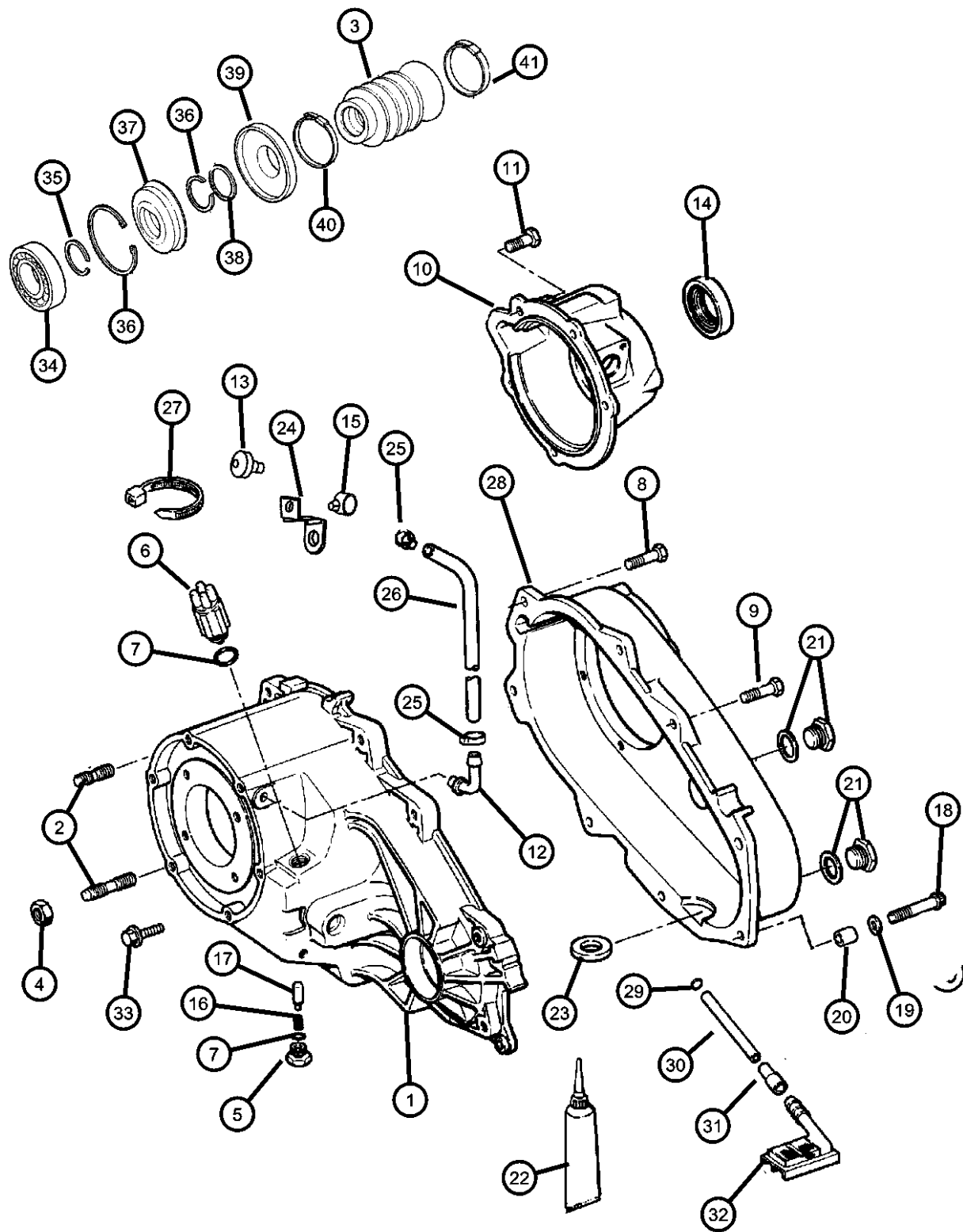
WRANGLER (TJ)

SERIES	LINE	BODY	ENGINE	TRANSMISSION
L = Low Line	J = JEEP - 4WD U = JEEP - 4WD (RHD)	77 = OPEN BODY 2-DOOR	EPE = ENGINE - 2.5L POWER TECH I-4 Cyl. ERH = ENGINE - 4.0L POWER TECH I-6	DDQ = TRANSMISSION - 5-SPEED MANUAL DGD = TRANSMISSION - 3-SPD. AUTOMATIC, 30RH DGG = TRANSMISSION - 3-SPD. AUTOMATIC, 32RH

AR = use ase required - = Non illustrated part

1999 TJ

**Case and Related Parts Command Trac (DHN)
Figure 231-210**



ITEM	PART NUMBER	QTY	LINE	SERIES	BODY	ENGINE	TRANS	TRIM	DESCRIPTION
------	-------------	-----	------	--------	------	--------	-------	------	-------------

Note:
 DBB = All Manual Transmissions
 DDQ = 5 Speed Manual Transmission
 DGG = 32RH 3 Speed Automatic Transmission
 DG0 = All Automatic Transmissions
 ENC = 2.5L 4 Cyl Turbo Diesel Engine
 EN0 = All 4 Cyl Turbo Diesel Engines
 EPE = 2.5L SMPi MAGNUM 4 Cyl Engine
 EP0 = All 2.5L 4 Cyl Gas Engines
 ERH = 4.0L Power Tech Engine
 ER0 = All 4.0L 6 Cyl Gas Engines

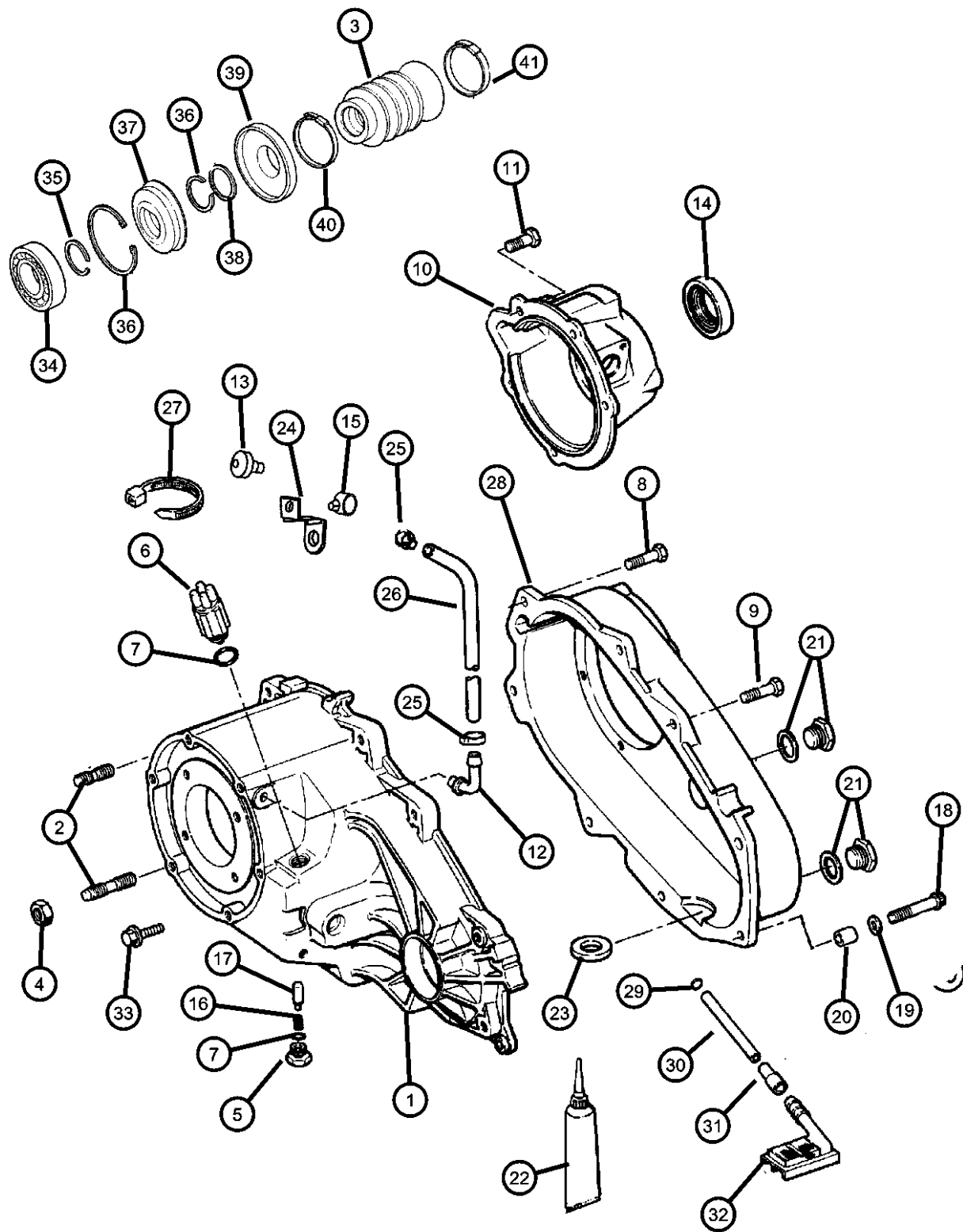
1									CASE, Transfer Front
	04798111	1				EP0, ER0	DG0		
		1				EP0	DDQ		
		1				ER0	DBB		
2									STUD, M10x1.54x36
	04505365	6				EP0, ER0	DG0		
		6				EP0	DDQ		Case Front
		6				ER0	DBB		
3									BOOT, Driveshaft
	04798123	1				EP0	DDQ		
		1				EP0, ER0	DG0		
		1				ER0	DBB		
4									NUT AND CONED WASHER, Hex, .375-24
	J4006681	6				EP0	DD0		Transfer Case
		6				EP0	DG0		Transfer Case
		6				ER0			Transfer Case
5									SCREW
	04886473AA	1				EP0	DDQ		
		1				EP0, ER0	DG0		
		1				ER0	DBB		
6									SWITCH, Transfer Case Mode
	J8134473	1				EP0	DDQ		
		1				EP0, ER0	DG0		
		1				ER0	DBB		
7									SEAL, Vacuum Switch
	04338956	2				EP0	DDQ		

WRANGLER (TJ)

SERIES	LINE	BODY	ENGINE	TRANSMISSION
L = Low Line	J = JEEP - 4WD U = JEEP - 4WD (RHD)	77 = OPEN BODY 2-DOOR	EPE = ENGINE - 2.5L POWER TECH I-4 Cyl. ERH = ENGINE - 4.0L POWER TECH I-6	DDQ = TRANSMISSION - 5-SPEED MANUAL DGD = TRANSMISSION - 3-SPD. AUTOMATIC, 30RH DGG = TRANSMISSION - 3-SPD. AUTOMATIC, 32RH

AR = use ase required - = Non illustrated part

**Case and Related Parts Command Trac (DHN)
Figure 231-210**



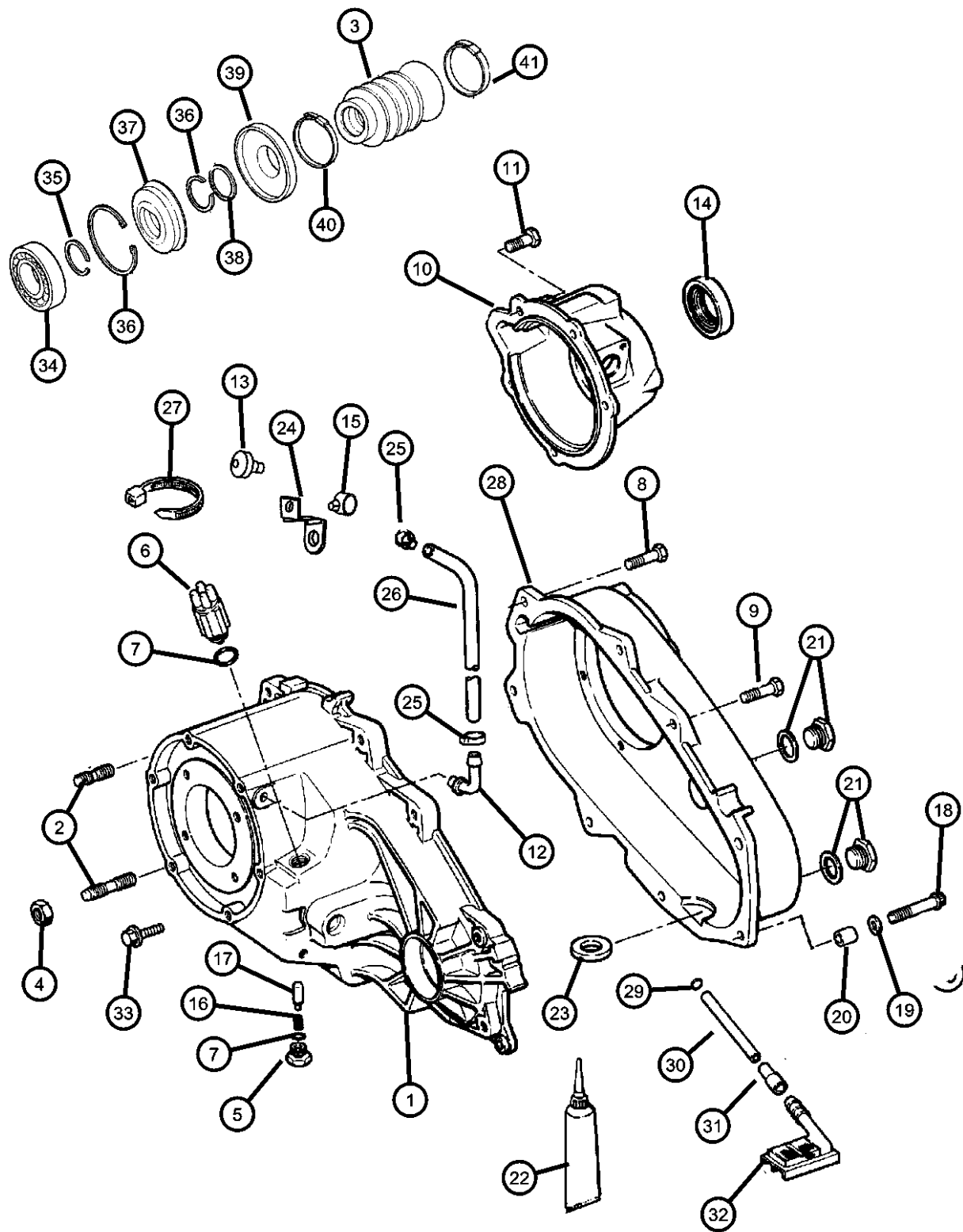
ITEM	PART NUMBER	QTY	LINE	SERIES	BODY	ENGINE	TRANS	TRIM	DESCRIPTION
	04210614	1				EP0, ER0	DG0		
		1				EP0	DDQ		
19	04210983	1				EP0, ER0	DG0		WASHER, Flat
		1				EP0	DDQ		
20	04116310	1				EP0, ER0	DG0		DOWEL, Transfer Case
		1				EP0	DDQ		
21	04856641	2				EP0	DDQ		PLUG, Oil Fill
		2				EP0, ER0	DG0		
		2				ER0	DBB		
22	05010884AA	1				EP0	DDQ		SEALANT, RTV
		1				EP0, ER0	DG0		
23	03681601	1				EP0, ER0	DG0		MAGNET, Transmission
		1				EP0	DDQ		
24	52098522	1				EP0, ER0			BRACKET, Tube, Vent Tube
25	06502081	2							CLAMP, Oil Cooler Line
26	HFV00516	1							HOSE, Fuel And Vapor, 25 Foot Roll 5/16"
27	J3693058	1	J						STRAP, Retaining (J) Model
		1	U						(U) Model
28	04886222AA	1				EP0	DDQ		CASE, Transfer Rear, Rear
29	04338942	1				EP0	DDQ		SEAL, Oil, Oil
30	04338941	1				EP0, ER0	DG0		TUBE, Oil Pickup
		1				EP0	DDQ		Oil
31	04338944	1				EP0	DDQ		CONNECTOR, Oil Tube Pickup
		1				EP0, ER0	DG0		
32									FILTER, Transfer Case Oil

WRANGLER (TJ)

SERIES	LINE	BODY	ENGINE	TRANSMISSION
L = Low Line	J = JEEP - 4WD U = JEEP - 4WD (RHD)	77 = OPEN BODY 2-DOOR	EPE = ENGINE - 2.5L POWER TECH I-4 Cyl. ERH = ENGINE - 4.0L POWER TECH I-6	DDQ = TRANSMISSION - 5-SPEED MANUAL DGD = TRANSMISSION - 3-SPD. AUTOMATIC, 30RH DGG = TRANSMISSION - 3-SPD. AUTOMATIC, 32RH

AR = use ase required - = Non illustrated part

Case and Related Parts Command Trac (DHN)
Figure 231-210



ITEM	PART NUMBER	QTY	LINE	SERIES	BODY	ENGINE	TRANS	TRIM	DESCRIPTION
	04338943	1				EP0, ER0	DG0		
33	04798121	1				EP0	DDQ		CLAMP, Boot
	04798121	1				EP0, ER0	DG0		
34	04338892	1				EP0, ER0	DG0		BEARING
	04338892	1				EP0	DDQ		
35	04798116	1				EP0, ER0	DG0		SNAP RING
	04798116	1				EP0	DDQ		
	04798116	1				ER0	DBB		
36	J8134488	2				EP0, ER0	DG0		SNAP RING
	J8134488	2				EP0	DDQ		
	J8134488	2				ER0	DBB		
37	04798117	1				EP0, ER0	DG0		SEAL, Output
	04798117	1				EP0	DDQ		
	04798117	1				ER0	DBB		
38	04798118	1				EP0	DDQ		WASHER
	04798118	1				EP0, ER0	DG0		
	04798118	1				ER0	DBB		
39	04798119	1				EP0	DDQ		SLINGER, Oil
	04798119	1				EP0, ER0	DG0		
	04798119	1				ER0	DBB		
40	04798121	1				EP0	DDQ		CLAMP, Boot
	04798121	1				EP0, ER0	DG0		
	04798121	1				ER0	DBB		
41									CLAMP, Boot

WRANGLER (TJ)

SERIES LINE
L = Low Line J = JEEP - 4WD
U = JEEP - 4WD (RHD)

BODY
77 = OPEN BODY 2-DOOR

ENGINE
EPE = ENGINE - 2.5L POWER
TECH I-4 Cyl.
ERH = ENGINE - 4.0L
POWER TECH I-6

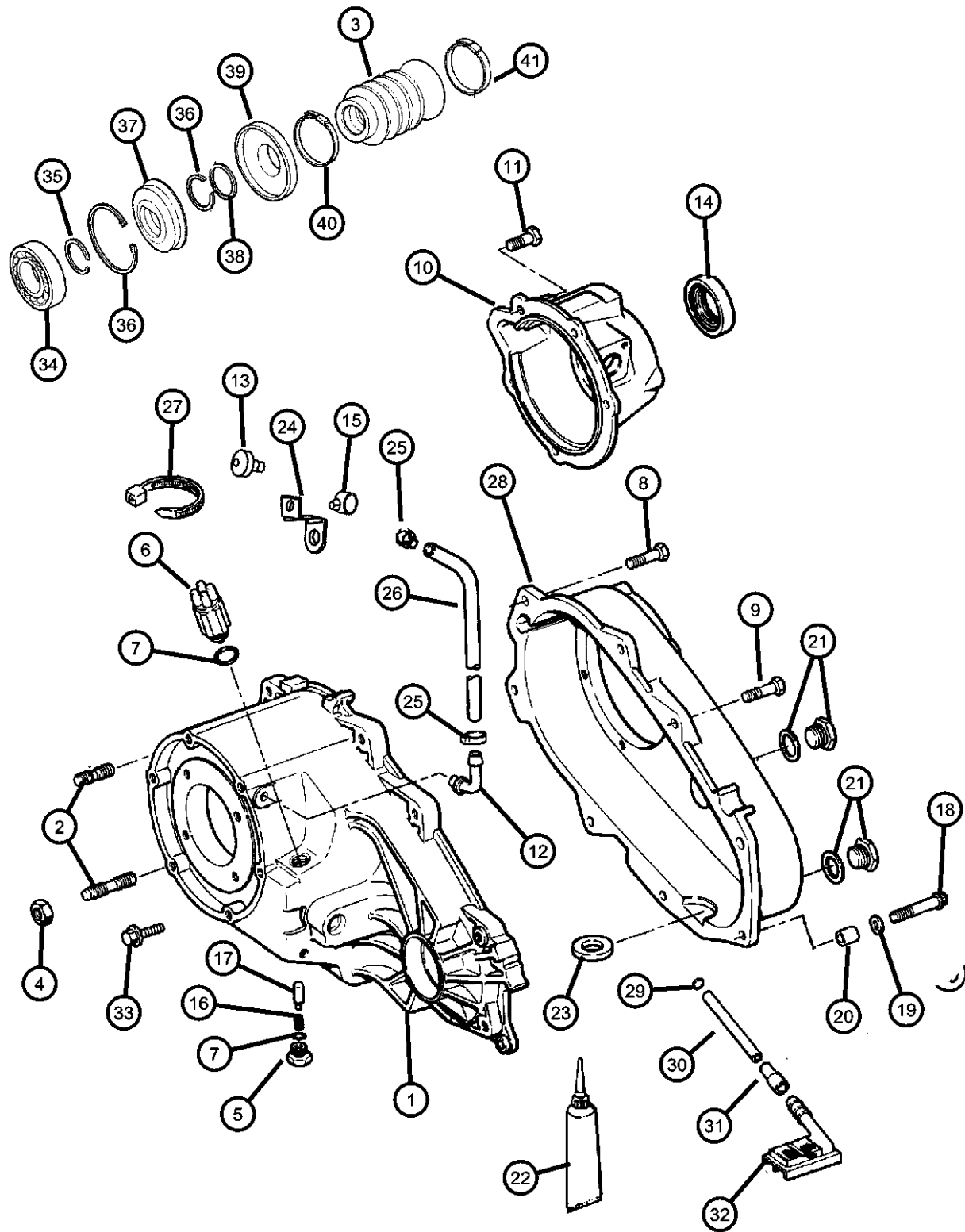
TRANSMISSION
DDQ = TRANSMISSION - 5-SPEED
MANUAL
DGD = TRANSMISSION - 3-SPD.
AUTOMATIC, 30RH
DGG = TRANSMISSION - 3-SPD.
AUTOMATIC, 32RH

AR = use ase required - = Non illustrated part

1999 TJ

Case and Related Parts Command Trac (DHN)
Figure 231-210

ITEM	PART NUMBER	QTY	LINE	SERIES	BODY	ENGINE	TRANS	TRIM	DESCRIPTION
------	-------------	-----	------	--------	------	--------	-------	------	-------------



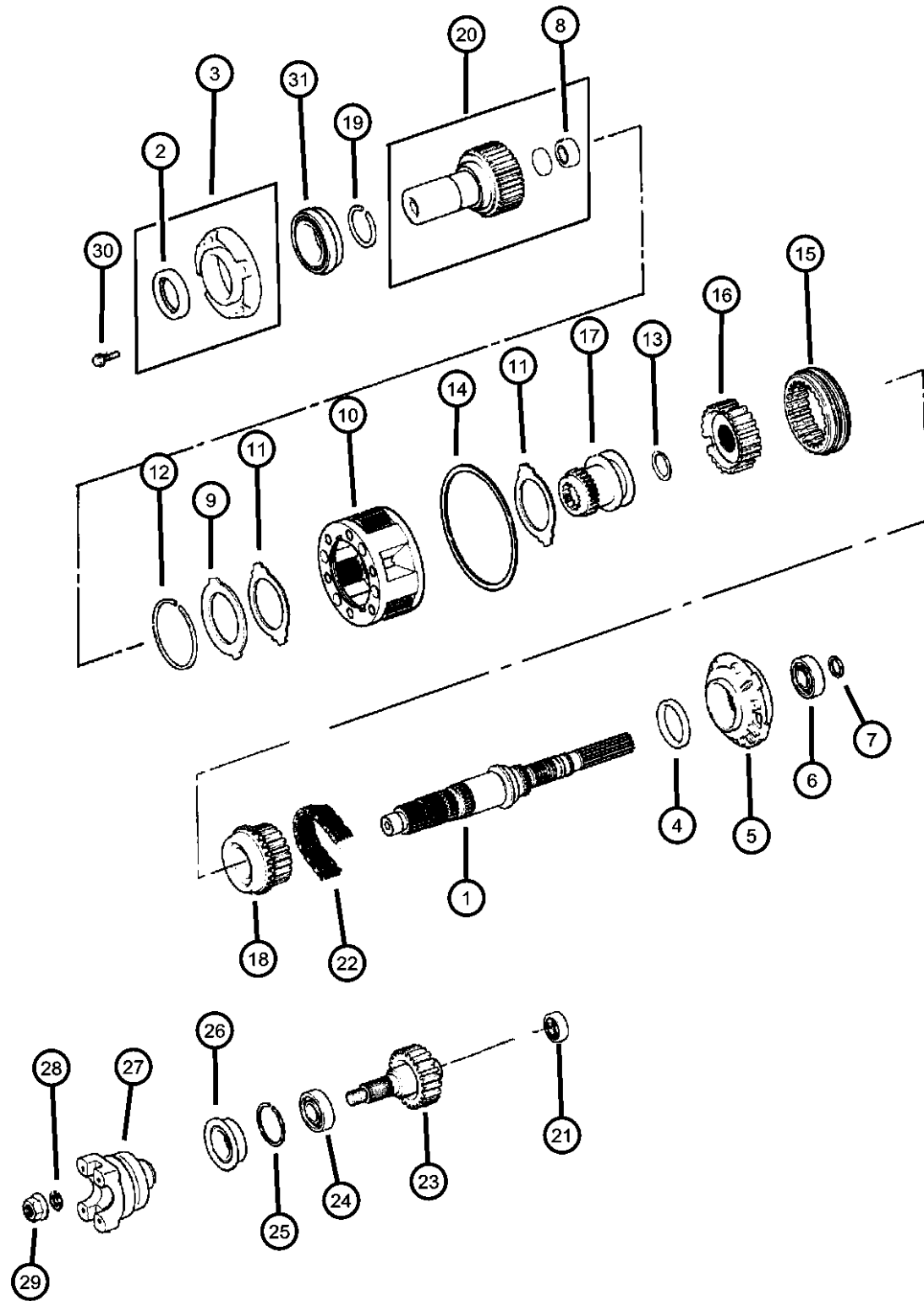
	04798122	1				EP0	DDQ		
		1				EP0, ER0	DG0		
		1				ER0	DBB		

WRANGLER (TJ)

SERIES	LINE	BODY	ENGINE	TRANSMISSION
L = Low Line	J = JEEP - 4WD U = JEEP - 4WD (RHD)	77 = OPEN BODY 2-DOOR	EPE = ENGINE - 2.5L POWER TECH I-4 Cyl. ERH = ENGINE - 4.0L POWER TECH I-6	DDQ = TRANSMISSION - 5-SPEED MANUAL DGD = TRANSMISSION - 3-SPD. AUTOMATIC, 30RH DGG = TRANSMISSION - 3-SPD. AUTOMATIC, 32RH

AR = use ase required - = Non illustrated part

**Gear Train Command Trac (DHN)
Figure 231-410**



ITEM	PART NUMBER	QTY	LINE	SERIES	BODY	ENGINE	TRANS	TRIM	DESCRIPTION
------	-------------	-----	------	--------	------	--------	-------	------	-------------

Note:
 DDQ = 5 Speed Manual Transmission
 DG0 = All Automatic Transmissions
 ENC = 2.5L 4 Cyl Turbo Diesel Engine
 EN0 = All 4 Cyl Turbo Diesel Engines
 EPE = 2.5L SMPI MAGNUM 4 Cyl Engine
 EP0 = All 2.5L 4 Cyl Gas Engines
 ERH = 4.0L Power Tech Engine
 ER0 = All 4.0L 6 Cyl Gas Engines

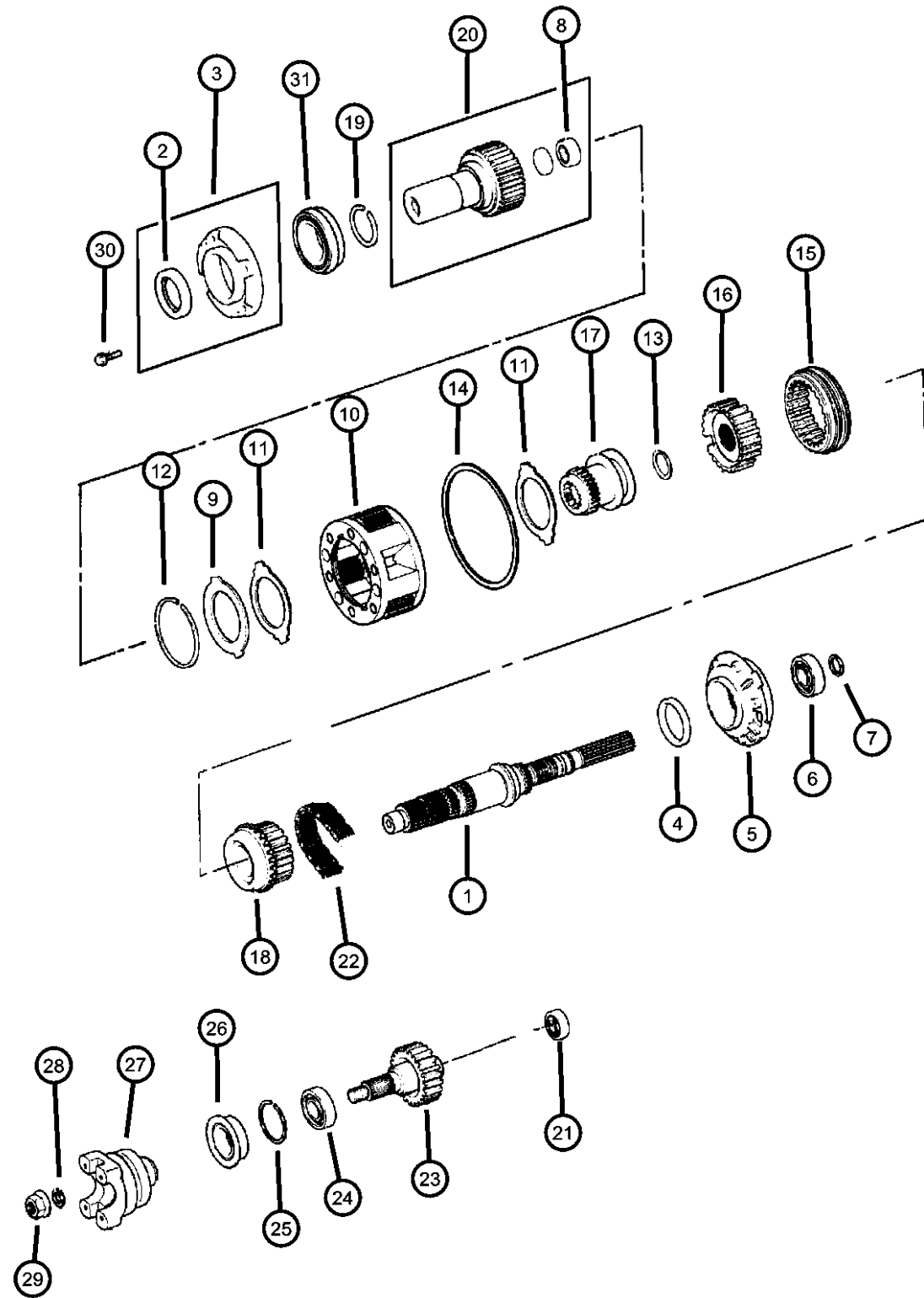
1									MAINSHAFT, Transfer Case
	04798114	1				EP0, ER0	DG0		
		1				EP0	DDQ		
2									SEAL, Input Gear
	04167929	1				EP0	DDQ		Input
		1				EP0, ER0	DG0		
3									EXTENSION, Transfer Case
	04338973	1				EP0, ER0	DG0		
		1				EP0	DDQ		
4									SEAL, Main Shaft
	04210603	1				EP0	DDQ		Oil
		1				EP0, ER0	DG0		
5									PUMP, Transfer Case Oil
	04338936	1				EP0	DDQ		Oil Pump
		1				EP0, ER0	DG0		
6									BEARING
	04338892	1				EP0, ER0	DG0		
		1				EP0	DDQ		
7									SNAP RING
	J8134488	2				EP0, ER0	DG0		
		2				EP0	DDQ		
		2				ER0	DBB		
8									BEARING, Input Shaft
	83503507	1				EP0, ER0	DG0		
		1				EP0	DDQ		Pilot
9									RING
	04338909	1				EP0, ER0	DG0		

WRANGLER (TJ)

SERIES	LINE	BODY	ENGINE	TRANSMISSION
L = Low Line	J = JEEP - 4WD U = JEEP - 4WD (RHD)	77 = OPEN BODY 2-DOOR	EPE = ENGINE - 2.5L POWER TECH I-4 Cyl. ERH = ENGINE - 4.0L POWER TECH I-6	DDQ = TRANSMISSION - 5-SPEED MANUAL DGD = TRANSMISSION - 3-SPD. AUTOMATIC, 30RH DGG = TRANSMISSION - 3-SPD. AUTOMATIC, 32RH

AR = use ase required - = Non illustrated part

**Gear Train Command Trac (DHN)
Figure 231-410**



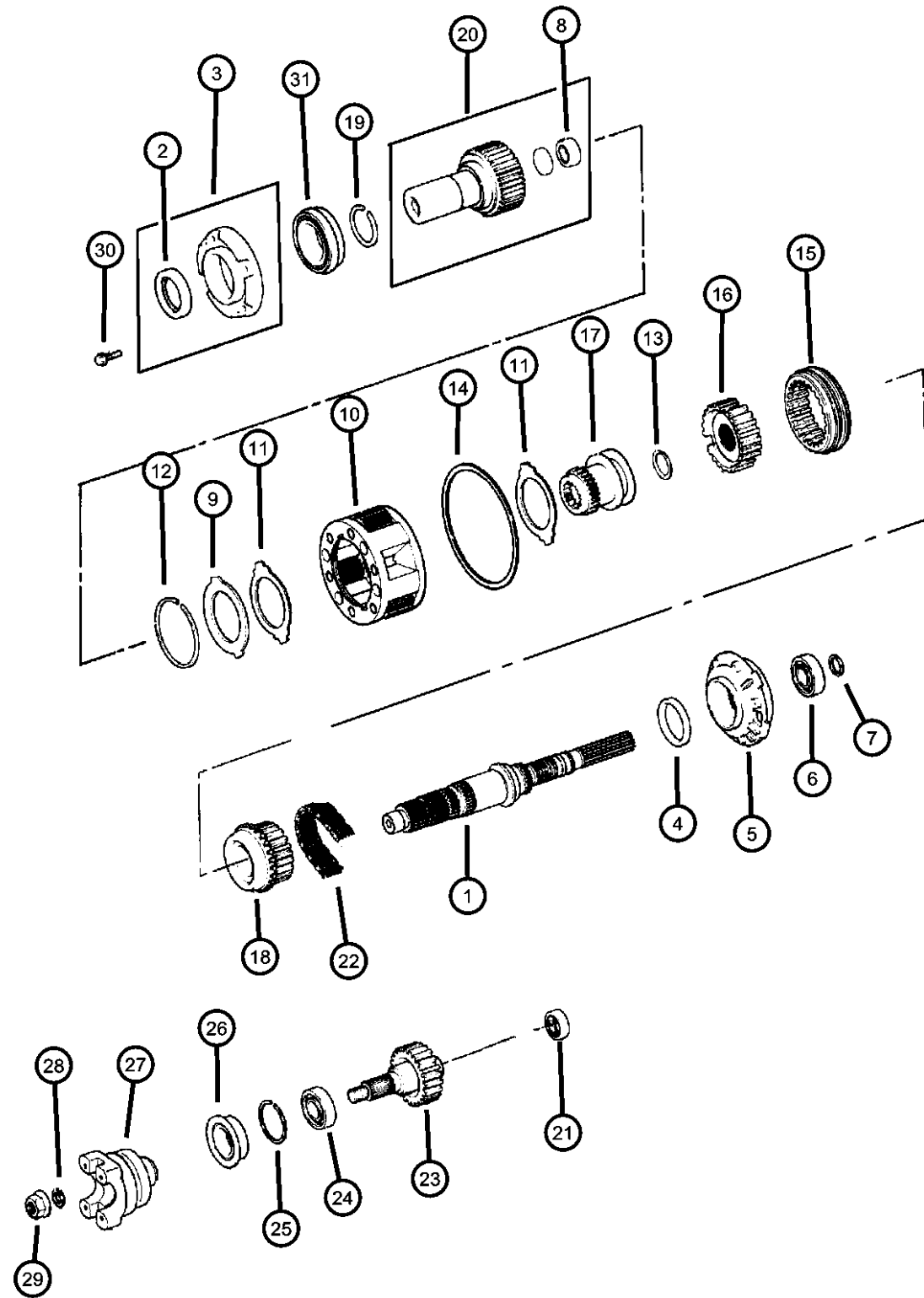
ITEM	PART NUMBER	QTY	LINE	SERIES	BODY	ENGINE	TRANS	TRIM	DESCRIPTION
		1				EP0	DDQ		Strut Retaining
10	04796903	1				EP0	DDQ		GEAR, Low Range Planetary
		1				EP0, ER0	DG0		Planetary Transfer Case
11	04338908	2				EP0, ER0	DG0		THRUST WASHER, Planetary Carrier
		2				EP0	DDQ		
		2				ER0	DBB		
12	04338910	1				EP0, ER0	DG0		SNAP RING
		1				EP0	DDQ		Snap, Planetary Carrier
13	04338933	1				EP0, ER0	DG0		SNAP RING
		1				EP0	DDQ		Retaining
14	04219065	1				EP0, ER0	DG0		SNAP RING, Annulus Gear
		1				EP0	DDQ		Annulus
15	04796909	1				EP0, ER0	DG0		SLEEVE, Mode Synchronizer
		1				EP0	DDQ		
16	04741240	1				EP0, ER0	DG0		HUB, Synchronizer Mode
		1				EP0	DDQ		
17	04797013	1				EP0	DDQ		SLEEVE, Range Fork
		1				EP0, ER0	DG0		Range Shift
18	04796908	1				EP0, ER0	DG0		SPROCKET, Transfer Case
		1				EP0	DDQ		Drive
19	03821558	1				EP0, ER0	DG0		SNAP RING
		1				EP0	DDQ		
		1				ER0	DBB		

WRANGLER (TJ)

SERIES	LINE	BODY	ENGINE	TRANSMISSION
L = Low Line	J = JEEP - 4WD U = JEEP - 4WD (RHD)	77 = OPEN BODY 2-DOOR	EPE = ENGINE - 2.5L POWER TECH I-4 Cyl. ERH = ENGINE - 4.0L POWER TECH I-6	DDQ = TRANSMISSION - 5-SPEED MANUAL DGD = TRANSMISSION - 3-SPD. AUTOMATIC, 30RH DGG = TRANSMISSION - 3-SPD. AUTOMATIC, 32RH

AR = use ase required - = Non illustrated part

**Gear Train Command Trac (DHN)
Figure 231-410**



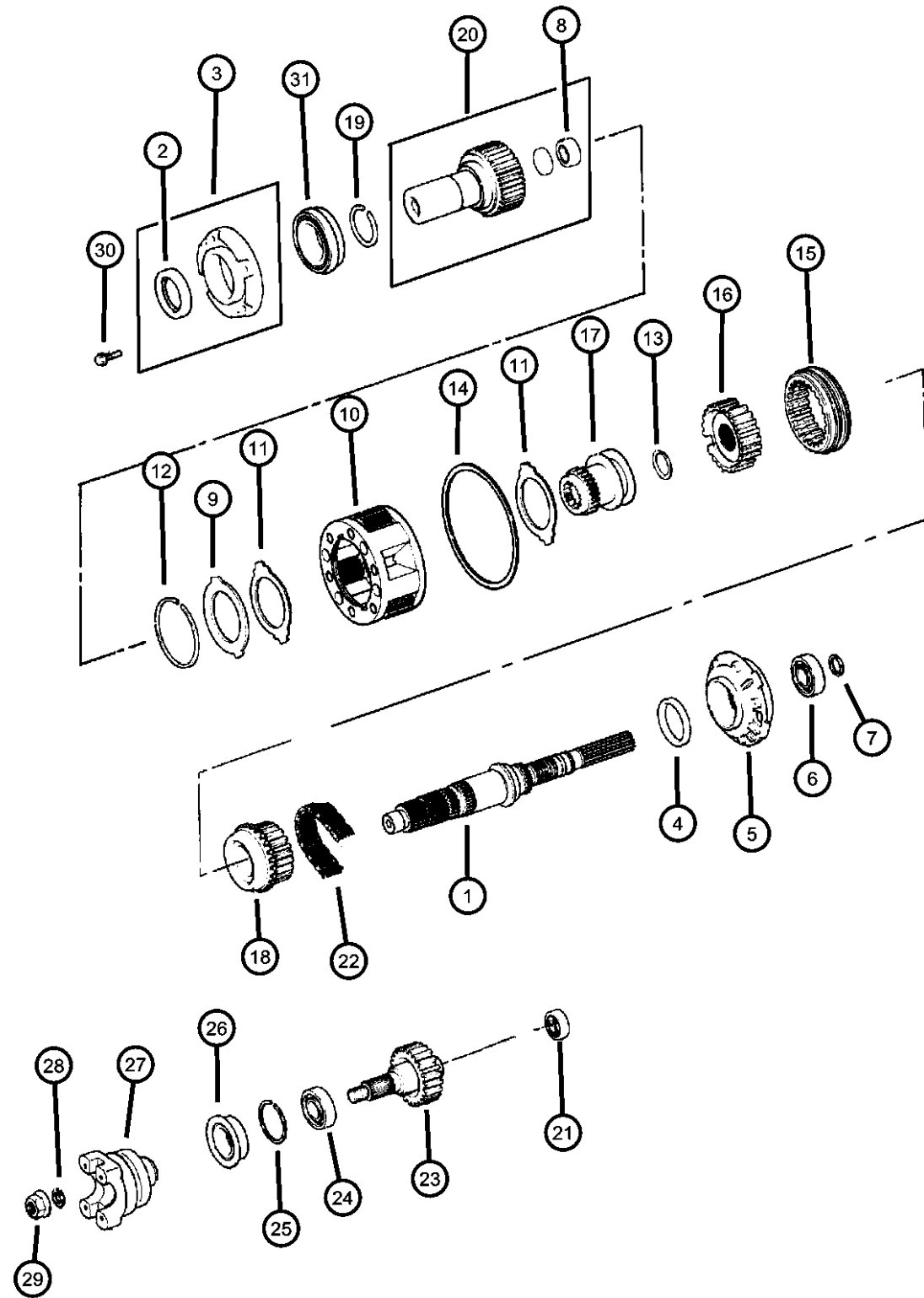
ITEM	PART NUMBER	QTY	LINE	SERIES	BODY	ENGINE	TRANS	TRIM	DESCRIPTION
20	04796956	1				EP0	DDQ		GEAR, Input
	04796965	1				EP0, ER0	DG0		
21	04269189	1				EP0	DDQ		BEARING, Output Shaft Front Output Rear
		1				EP0, ER0	DG0		
22	04338935	1				EP0	DDQ		CHAIN, Transfer Case Drive Transfer
		1				EP0, ER0	DG0		
23	04338934	1				EP0	DDQ		OUTPUT SHAFT, Transfer Case Output, 231 Transfer Case
		1				EP0, ER0	DG0		
24	04338892	1				EP0, ER0	DG0		BEARING
		1				EP0	DDQ		Output Shaft Front SNAP RING, Bearing
25	04338894	1				EP0, ER0	DG0		
		1				EP0	DDQ		Retaining SEAL, Input
26	04798112	1				EP0, ER0	DG0		
		1				EP0	DDQ		
		1				ER0	DBB		
27	04798120	1				EP0, ER0	DG0		YOKE, Transfer Case Output
		1				EP0	DDQ		
28	04446487	1				EP0	DDQ		WASHER, Flat Yoke
		1				EP0, ER0	DG0		
29	04446488	1				EP0	DDQ		NUT, Hex Flange Front Output Shaft Yoke
		1				EP0, ER0	DG0		
30	06500318	9				EP0, ER0	DG0		BOLT

WRANGLER (TJ)

SERIES	LINE	BODY	ENGINE	TRANSMISSION
L = Low Line	J = JEEP - 4WD U = JEEP - 4WD (RHD)	77 = OPEN BODY 2-DOOR	EPE = ENGINE - 2.5L POWER TECH I-4 Cyl. ERH = ENGINE - 4.0L POWER TECH I-6	DDQ = TRANSMISSION - 5-SPEED MANUAL DGD = TRANSMISSION - 3-SPD. AUTOMATIC, 30RH DGG = TRANSMISSION - 3-SPD. AUTOMATIC, 32RH

AR = use ase required - = Non illustrated part

**Gear Train Command Trac (DHN)
Figure 231-410**



ITEM	PART NUMBER	QTY	LINE	SERIES	BODY	ENGINE	TRANS	TRIM	DESCRIPTION
31		9				EP0	DDQ		BEARING, Input Gear
	04746155	1				EP0, ER0	DG0		
		1				EP0	DDQ		

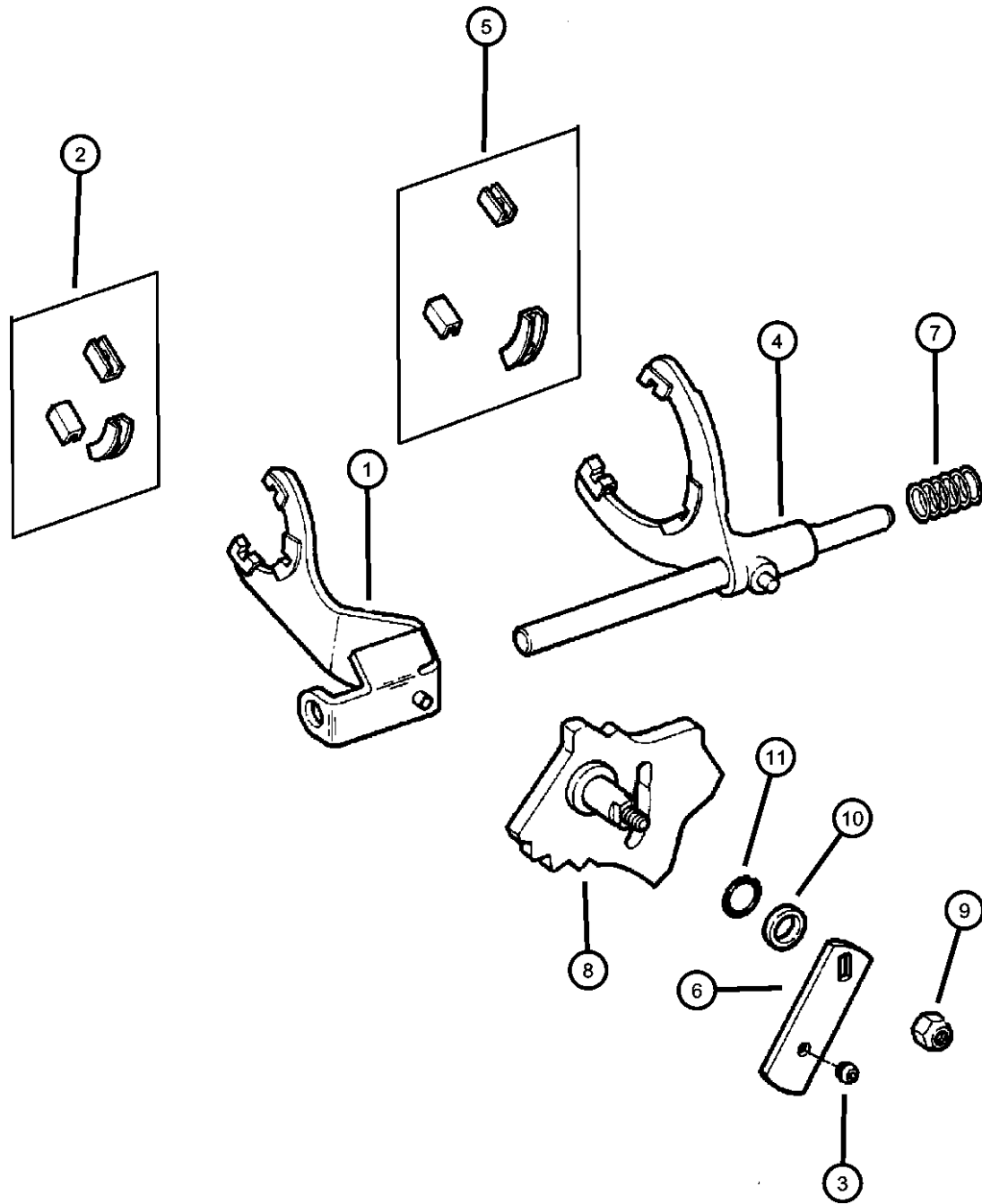
WRANGLER (TJ)

SERIES	LINE	BODY	ENGINE	TRANSMISSION
L = Low Line	J = JEEP - 4WD U = JEEP - 4WD (RHD)	77 = OPEN BODY 2-DOOR	EPE = ENGINE - 2.5L POWER TECH I-4 Cyl. ERH = ENGINE - 4.0L POWER TECH I-6	DDQ = TRANSMISSION - 5-SPEED MANUAL DGD = TRANSMISSION - 3-SPD. AUTOMATIC, 30RH DGG = TRANSMISSION - 3-SPD. AUTOMATIC, 32RH

AR = use ase required - = Non illustrated part

Forks and Rails Command Trac (DHN)
Figure 231-910

ITEM	PART NUMBER	QTY	LINE	SERIES	BODY	ENGINE	TRANS	TRIM	DESCRIPTION
	00152345	1				EP0, ER0	DG0		
		1				EP0	DDQ		
10	04167964	1				EP0, ER0	DG0		RETAINER, Rear Clutch
		1				EP0	DDQ		Transfer Case Sector
11	04167963	1				EP0, ER0	DG0		SEAL, O-Ring
		1				EP0	DDQ		Sector Seal

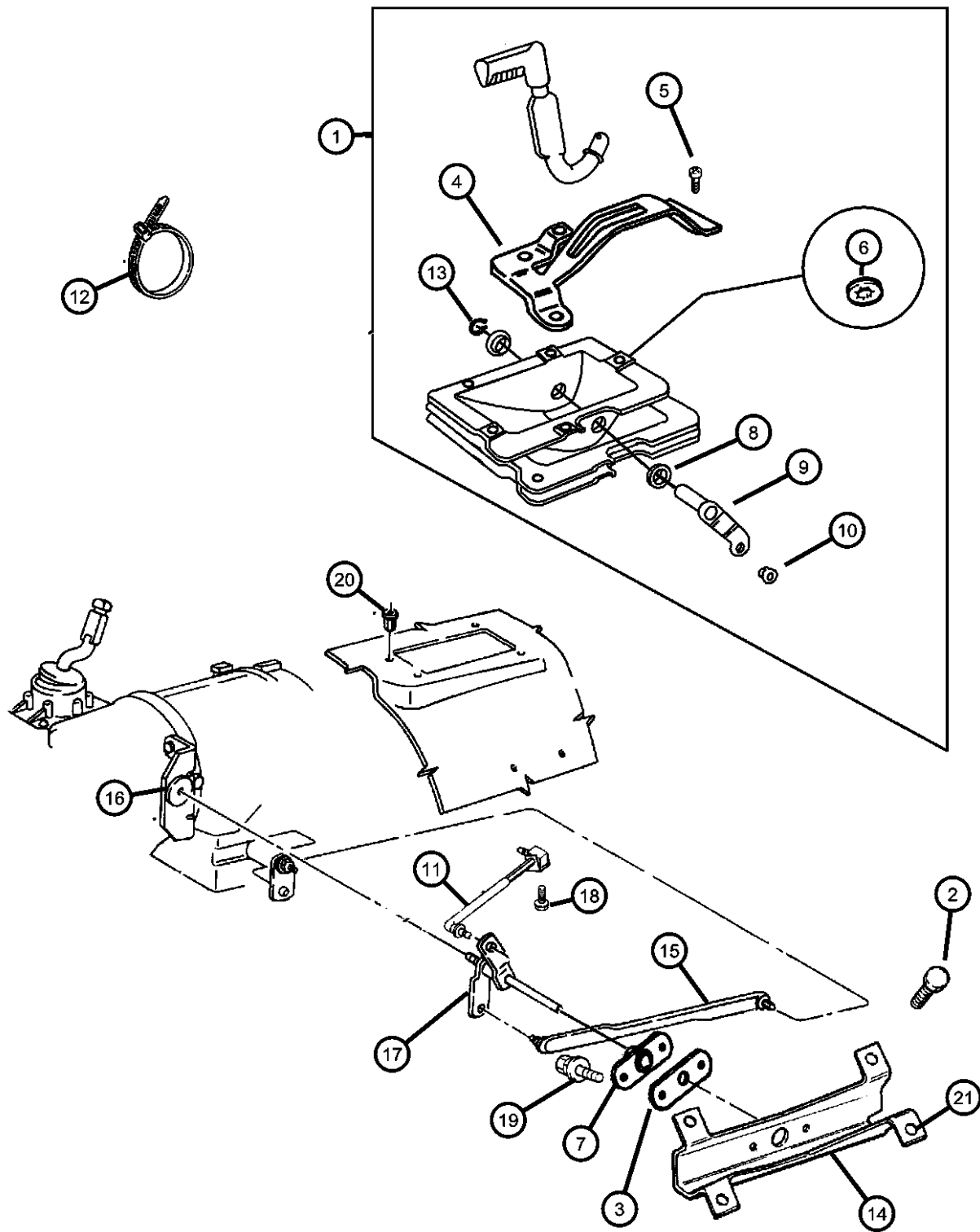


WRANGLER (TJ)

SERIES	LINE	BODY	ENGINE	TRANSMISSION
L = Low Line	J = JEEP - 4WD U = JEEP - 4WD (RHD)	77 = OPEN BODY 2-DOOR	EPE = ENGINE - 2.5L POWER TECH I-4 Cyl. ERH = ENGINE - 4.0L POWER TECH I-6	DDQ = TRANSMISSION - 5-SPEED MANUAL DGD = TRANSMISSION - 3-SPD. AUTOMATIC,30RH DGG = TRANSMISSION - 3-SPD. AUTOMATIC,32RH

AR = use ase required - = Non illustrated part

**Gearshift Controls Command Trac (DHN)
Figure 231-1210**



ITEM	PART NUMBER	QTY	LINE	SERIES	BODY	ENGINE	TRANS	TRIM	DESCRIPTION
------	-------------	-----	------	--------	------	--------	-------	------	-------------

Note:
 DBB = All Manual Transmissions
 DG0 = All Automatic Transmissions
 ENC = 2.5L 4 Cyl Turbo Diesel Engine
 EN0 = All 4 Cyl Turbo Diesel Engines
 EPE = 2.5L SMPi MAGNUM 4 Cyl Engine
 EP0 = All 2.5L 4 Cyl Gas Engines
 ERH = 4.0L Power Tech Engine
 ER0 = All 4.0L 6 Cyl Gas Engines

1									SHIFTER, Transfer Case
	52104080AC	1	J						
	52104081AC	1	U						
2	06503811	4							BOLT, Hex Head, M6x1.00x20.00, M6x1.00x20.00
3	53005154	1							GASKET, Gearshift Control Rod
4	53005154	1							GATE, Transfer Case Shifter, (NOT REQUIRED), (NOT SERVICED)
5	53005154	1							SCREW, Hex Head, M5x0.8x16.00, (NOT REQUIRED), (NOT SERVICED)
6	06100839	2							NUT, Push, M5
7	52078134	1							BEARING, Transfer Case Shift
8									BUSHING, Shift Control
	53000639	2	J						
		2	U						
9									LEVER, Transfer Case Shifter
	53005150AB	1	J						
		1	U						
10									GROMMET, Control Rod Front
	03575333	AR	J						
		AR	U						
11	52104073	1							ROD, Gear Shift Control, Transfer Case, Shift
12									STRAP, Retaining
	J3693058	1	J						
		1	U						
13									SNAP RING
	11505389	1	U						
		1	J						

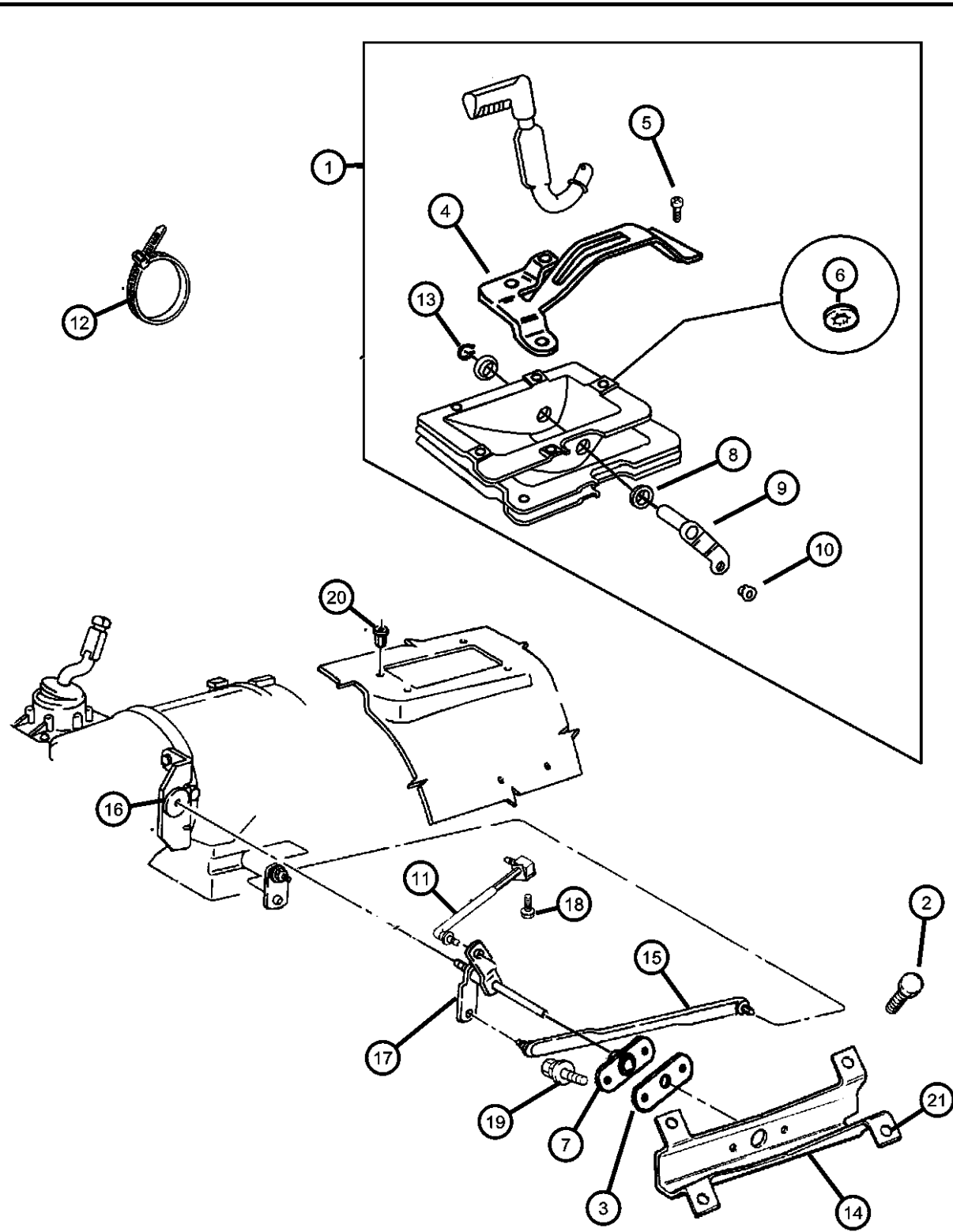
WRANGLER (TJ)

SERIES	LINE	BODY	ENGINE	TRANSMISSION
L = Low Line	J = JEEP - 4WD U = JEEP - 4WD (RHD)	77 = OPEN BODY 2-DOOR	EPE = ENGINE - 2.5L POWER TECH I-4 Cyl. ERH = ENGINE - 4.0L POWER TECH I-6	DDQ = TRANSMISSION - 5-SPEED MANUAL DGD = TRANSMISSION - 3-SPD. AUTOMATIC, 30RH DGG = TRANSMISSION - 3-SPD. AUTOMATIC, 32RH

AR = use ase required - = Non illustrated part

1999 TJ

**Gearshift Controls Command Trac (DHN)
Figure 231-1210**



ITEM	PART NUMBER	QTY	LINE	SERIES	BODY	ENGINE	TRANS	TRIM	DESCRIPTION
14	52104017AB	1							BRACKET, Torque Shaft
15									ROD, Gear Shift Control, Transfer Case
	52078603	1					DG0		
		1				EP0	DBB		
16									BRACKET, Torque Shaft
	52078706	1					DG0		
		1				EP0	DBB		
	52078910	1					DBB		
		1				ER0	DBB		
17	52078872	1							ROD, Gear Shift Control, Transfer Case
18									BOLT, Hex Flange Head, .312-18x.625
	J9419683	1				EP0			
		1							
19	34201381	2							SCREW, Hex Flange Head Tapping, M6x1.00x20.00
20	06504601	5							NUT, Rivet Round, M5x0.80x11.09
21	52104014	4							GROMMET

WRANGLER (TJ)

SERIES	LINE	BODY	ENGINE	TRANSMISSION
L = Low Line	J = JEEP - 4WD U = JEEP - 4WD (RHD)	77 = OPEN BODY 2-DOOR	EPE = ENGINE - 2.5L POWER TECH I-4 Cyl. ERH = ENGINE - 4.0L POWER TECH I-6	DDQ = TRANSMISSION - 5-SPEED MANUAL DGD = TRANSMISSION - 3-SPD. AUTOMATIC, 30RH DGG = TRANSMISSION - 3-SPD. AUTOMATIC, 32RH

AR = use ase required - = Non illustrated part

Group - 21P

Speedometer Pinions

Group - 21P Speedometer Pinions

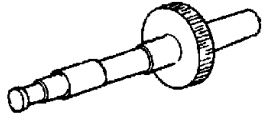
Group-Fig. No.

Illustration Title

Speedometer Pinions

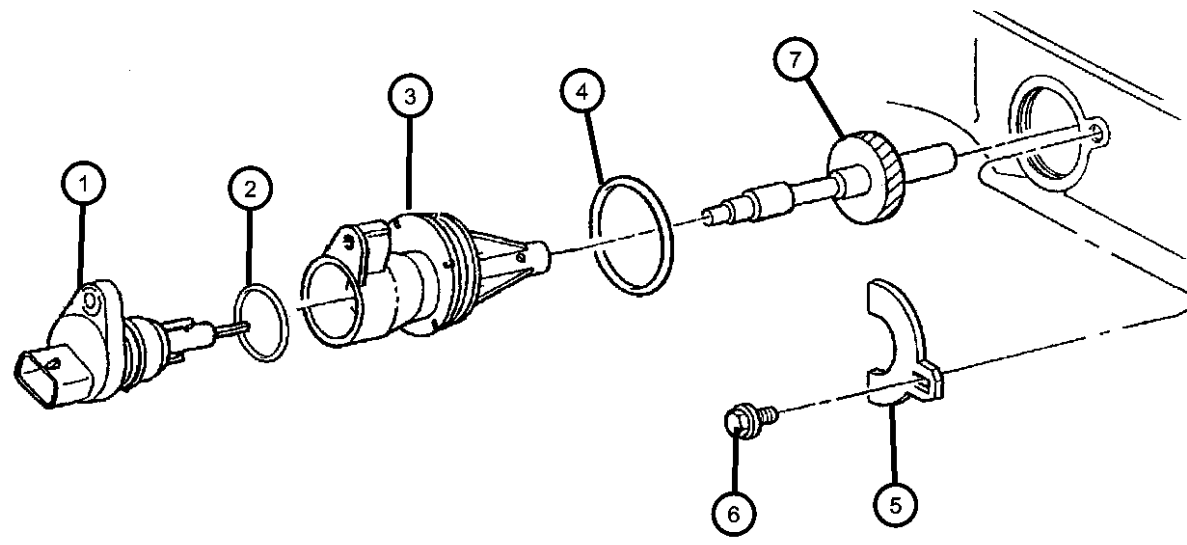
Speedometer Pinion And Housing..... Fig. 21P - 110

21P-100
Speedometer Pinions



**Speedometer Pinion And Housing
Figure 21P-110**

ITEM	PART NUMBER	QTY	LINE	SERIES	BODY	ENGINE	TRANS	TRIM	DESCRIPTION
1	56027905	1							SENSOR, Vehicle Speed
2	56028182	1							O RING
3	52069315	1							HOUSING, Speedometer Drive Gear
4	06035709	1							O RING, Trans Speedo Adapter
5	02892399	1							CLAMP, Speedometer
6	00180077	1							BOLT, Hex Head, 5/16x18x3/4
7									PINION, Speedometer Drive
	52067628	1							3.07 AXLE RATIO, 28 Teeth, 30x9.5R15 Wrangler OWL
	52067629	1							3.07 AXLE RATIO, 29Teeyh. All 225/245 Tires.
	52067630	1							3.07 AXLE RATIO, 30 Teeth, P225/70R16 BSW VSB All,All 215 Tires.
	52067631	1							3.07 AXLE RATIO, 31 Teeth, All 205 Tires.
	52067634	1							3.73 AXLE RATIO, 34 Teeth, 30x9.5R15 Wrangler OWL Goodyear Tires.
	52067636	1							3.73 AXLE RATIO, 36 Teeth, P225/70R16 BSW VSB All(.P225/75R15 OWL Wrangler.P215/75R1 Wrangler.P215/75R15 OWL All TER. Goodyear .)
	52067637	1							3.73 AXLE RATIO, 37 Teeth, P205/75R15 Wrangler RT, Goodyear Tires
	52067639	1							4.11 AXLE RATIO, 39 Teeth,All 225/245 Tires
	52067640	1							4.11 AXLE RATIO, 40 Teeth, All 215 Tires. P225/70R16 BSW VSB All.
	52067641	1							4.11 AXLE RATIO, 41 Teeth, All 205 Tires.



WRANGLER (TJ)

SERIES	LINE	BODY	ENGINE	TRANSMISSION
L = Low Line	J = JEEP - 4WD U = JEEP - 4WD (RHD)	77 = OPEN BODY 2-DOOR	EPE = ENGINE - 2.5L POWER TECH I-4 Cyl. ERH = ENGINE - 4.0L POWER TECH I-6	DDQ = TRANSMISSION - 5-SPEED MANUAL DGD = TRANSMISSION - 3-SPD. AUTOMATIC,30RH DGG = TRANSMISSION - 3-SPD. AUTOMATIC,32RH

AR = use ase required - = Non illustrated part

Group - 22

Wheels, Covers and Jacks

Group - 22 Wheels, Covers and Jacks

Illustration Title

Group-Fig. No.

Wheels and Hardware

Wheels Fig. 22 - 110

Wheel Covers and Center Caps


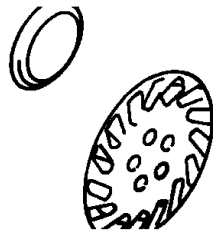
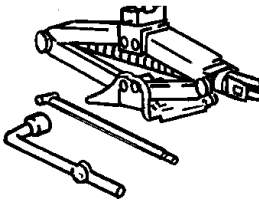
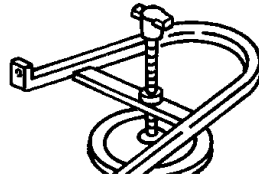
Caps And Covers Fig. 22 - 210

Jack Stowage

Jack And Storage Fig. 22 - 310

Spare Tire Stowage

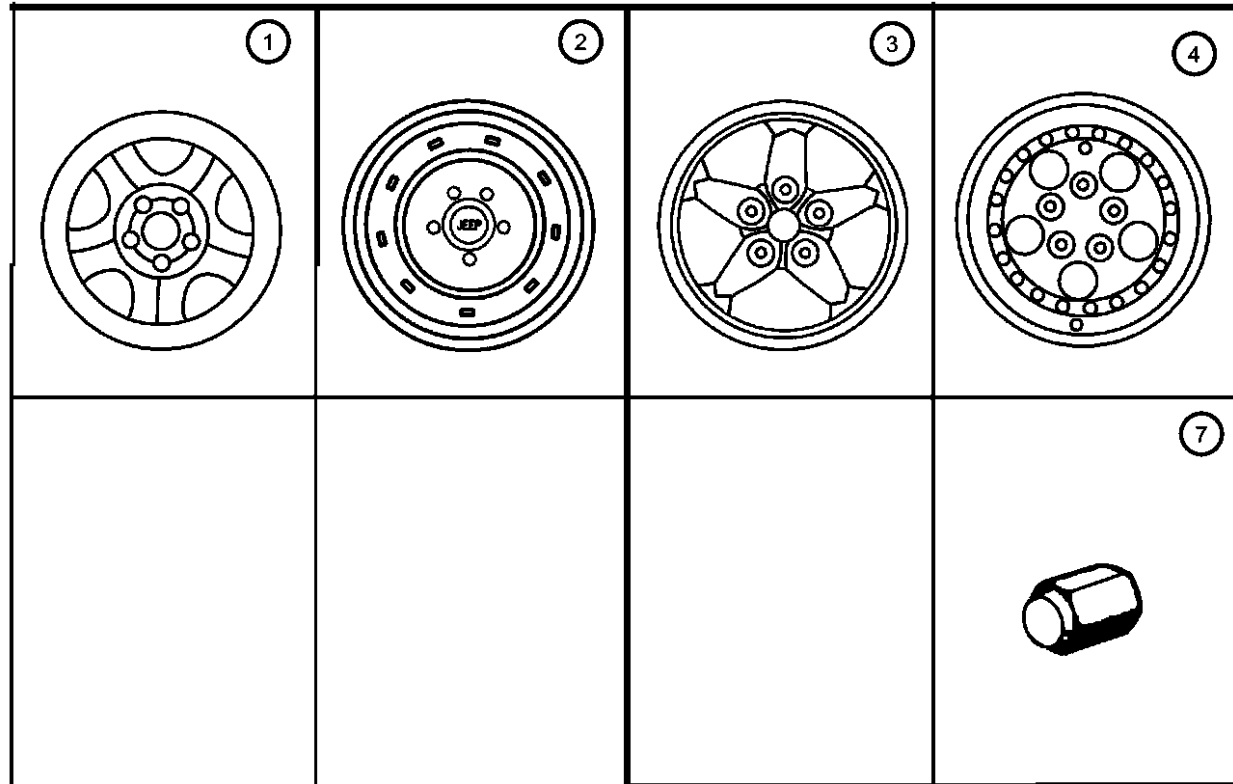
Wheel, Spare Tailgate Mounted..... Fig. 22 - 410

<p>022-100 Wheels and Hardware</p> 	<p>022-200 Wheel Covers and Center Caps</p> 	<p>022-300 Jack Stowage</p> 	<p>022-400 Spare Tire Stowage</p> 
---	--	---	--

Wheels
Figure 22-110

ITEM	PART NUMBER	QTY	LINE	SERIES	BODY	ENGINE	TRANS	TRIM	DESCRIPTION
------	-------------	-----	------	--------	------	--------	-------	------	-------------

Note: Sales Code WJK = 15x6.0 Steel Wheels
 Note: Sales Code WJ5 = 15x7.0 Steel Wheels
 Note: Sales Code WJ1 = 15x7.0 Aluminum Wheels
 Note: Sales Code WJ9 = 15x8.0 Aluminum Wheels
 Note: Sales Code WJU = 16x8.0 Aluminum Wheels



1	52088140	1							WHEEL, Steel, 15x6 JJ Steel (WJK)
2									WHEEL, Steel
	5FV63S4A	4							15x6 JJ Steel ((WJ5)(Up To 5-1-99)
	5FV63S4AAB	4							15x6 JJ Steel ((WJ5)(After 5-1-99)
3	5DR19TAE	4							WHEEL, Aluminum, 15x7 Aluminum (WJ1)
4	52088157	4							WHEEL, Aluminum, 15x8 Aluminum (WJ9)
-5	5GC81TAEAA	4							WHEEL, Aluminum, 15x8 Aluminum (WJX)
-6	5FG56PAK	4							WHEEL, Aluminum, Stamped USA, 5FG56PAKAB Stamped Italy, 16x7 Aluminum (WJU)
7	J4006956	22							NUT, Wheel, .50x20, Capped Wheel

WRANGLER (TJ)

SERIES	LINE	BODY	ENGINE	TRANSMISSION
L = Low Line	J = JEEP - 4WD U = JEEP - 4WD (RHD)	77 = OPEN BODY 2-DOOR	EPE = ENGINE - 2.5L POWER TECH I-4 Cyl. ERH = ENGINE - 4.0L POWER TECH I-6	DDQ = TRANSMISSION - 5-SPEED MANUAL DGD = TRANSMISSION - 3-SPD. AUTOMATIC,30RH DGG = TRANSMISSION - 3-SPD. AUTOMATIC,32RH

AR = use ase required - = Non illustrated part

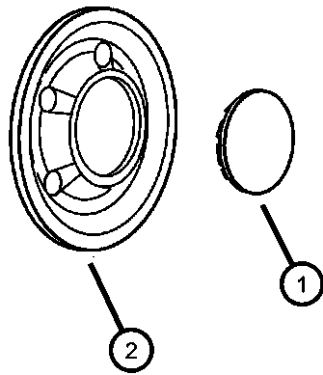
1999 TJ

Caps And Covers
Figure 22-210

ITEM	PART NUMBER	QTY	LINE	SERIES	BODY	ENGINE	TRANS	TRIM	DESCRIPTION
------	-------------	-----	------	--------	------	--------	-------	------	-------------

Note: Sales Code WJ9 = 15x8.0 Aluminum Wheels
 Note: Sales Code WJ5 = 15x7.0 Steel Wheels
 Note: Sales Code WJ1 = 15x7.0 Aluminum Wheels
 Note: Sales Code WJ9 = 15x8.0 Aluminum Wheels

1									CAP, Wheel Center
	52002971	1							[WJ9]
	5CF34L4A	4							[WJ5]
	5DY07TAE	4							[WJ1]
2	52089008	4							CAP, Wheel Center, [WJK]
-3	5CF97L3X	4							CAP, Wheel Center, Brushed Aluminum "Jeep" Name, [WJX]



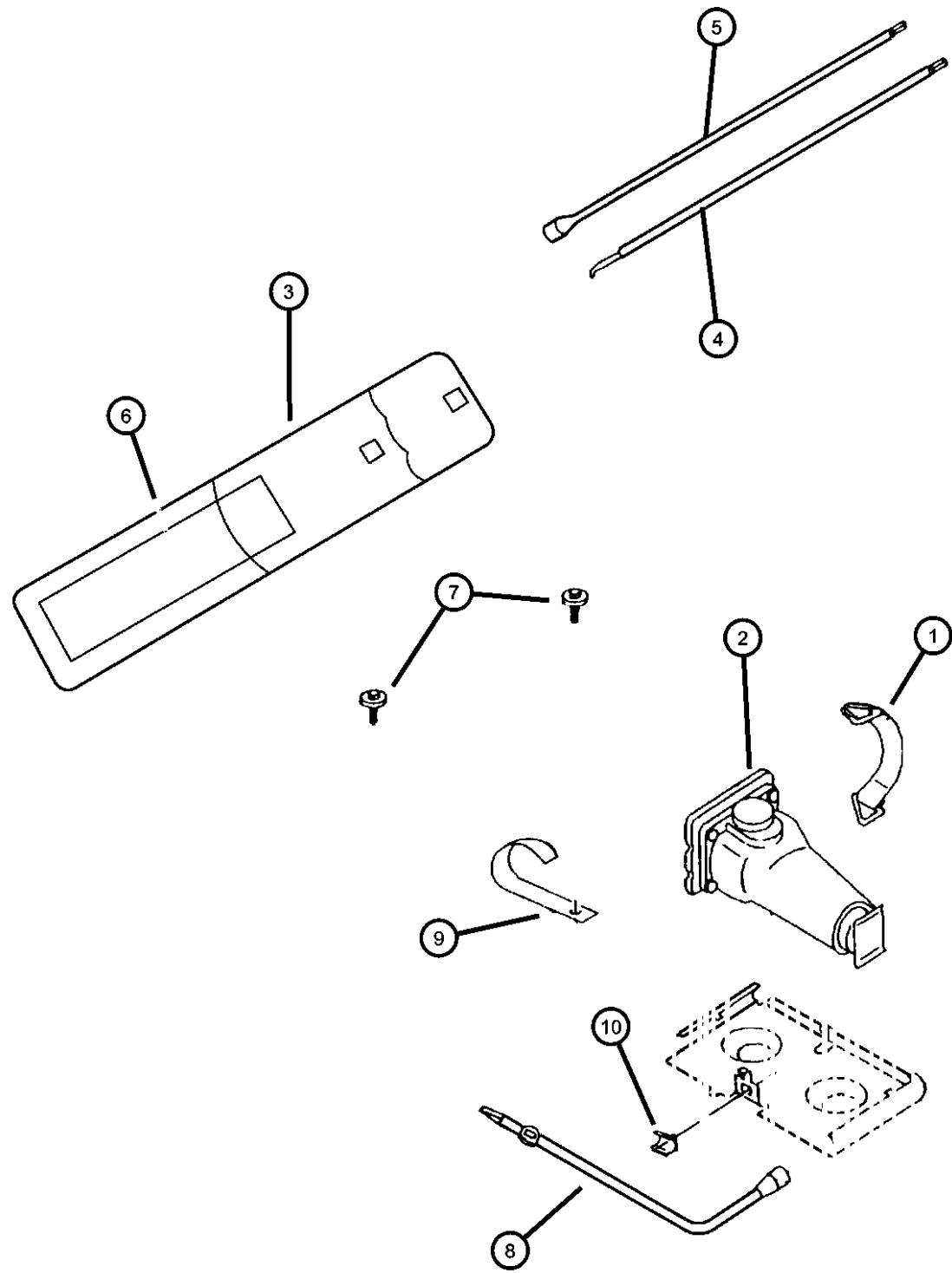
WRANGLER (TJ)

SERIES	LINE	BODY	ENGINE	TRANSMISSION
L = Low Line	J = JEEP - 4WD U = JEEP - 4WD (RHD)	77 = OPEN BODY 2-DOOR	EPE = ENGINE - 2.5L POWER TECH I-4 Cyl. ERH = ENGINE - 4.0L POWER TECH I-6	DDQ = TRANSMISSION - 5-SPEED MANUAL DGD = TRANSMISSION - 3-SPD. AUTOMATIC, 30RH DGG = TRANSMISSION - 3-SPD. AUTOMATIC, 32RH

AR = use ase required - = Non illustrated part

1999 TJ

Jack And Storage
Figure 22-310



ITEM	PART NUMBER	QTY	LINE	SERIES	BODY	ENGINE	TRANS	TRIM	DESCRIPTION
1	52038254	1							STRAP, Jack Storage
2	52058912AB	1							JACK
3	52059162AB	1							BAG, Jack Tool Storage
4	52058905AB	1							EXTENSION, Jack Handle
5	52088133AB	1							HANDLE, Jack
6	52088133AB	1							LABEL, Serviced in #3, (NOT SERVICED)
7	06504616	2							SCREW, M4.2x1.41
8	52058907	1							WRENCH, Wheel Lug Nut
9	52059047	2							STRAP, Jack Tool Storage
10	06504697	1							CLIP, Lug Wrench

WRANGLER (TJ)

SERIES

L = Low Line

LINE

J = JEEP - 4WD

U = JEEP - 4WD (RHD)

BODY

77 = OPEN BODY 2-DOOR

ENGINE

EPE = ENGINE - 2.5L POWER TECH I-4 Cyl.

ERH = ENGINE - 4.0L POWER TECH I-6

TRANSMISSION

DDQ = TRANSMISSION - 5-SPEED MANUAL

DGD = TRANSMISSION - 3-SPD. AUTOMATIC,30RH

DGG = TRANSMISSION - 3-SPD. AUTOMATIC,32RH

AR = use ase required - = Non illustrated part

1999 TJ

Group - 23D

Wiper/Lock Cylinder and Keys

Group - 23D Wiper/Lock Cylinder and Keys

Group-Fig. No.

Illustration Title

Lock Cylinders and Keys

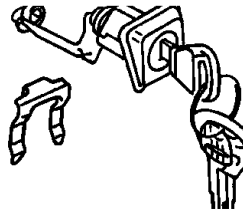
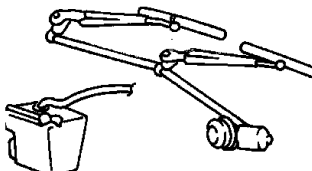
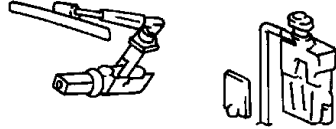
Lock Cylinders & KeysFig. 23D - 105

Windshield Wiper and Washer Systems

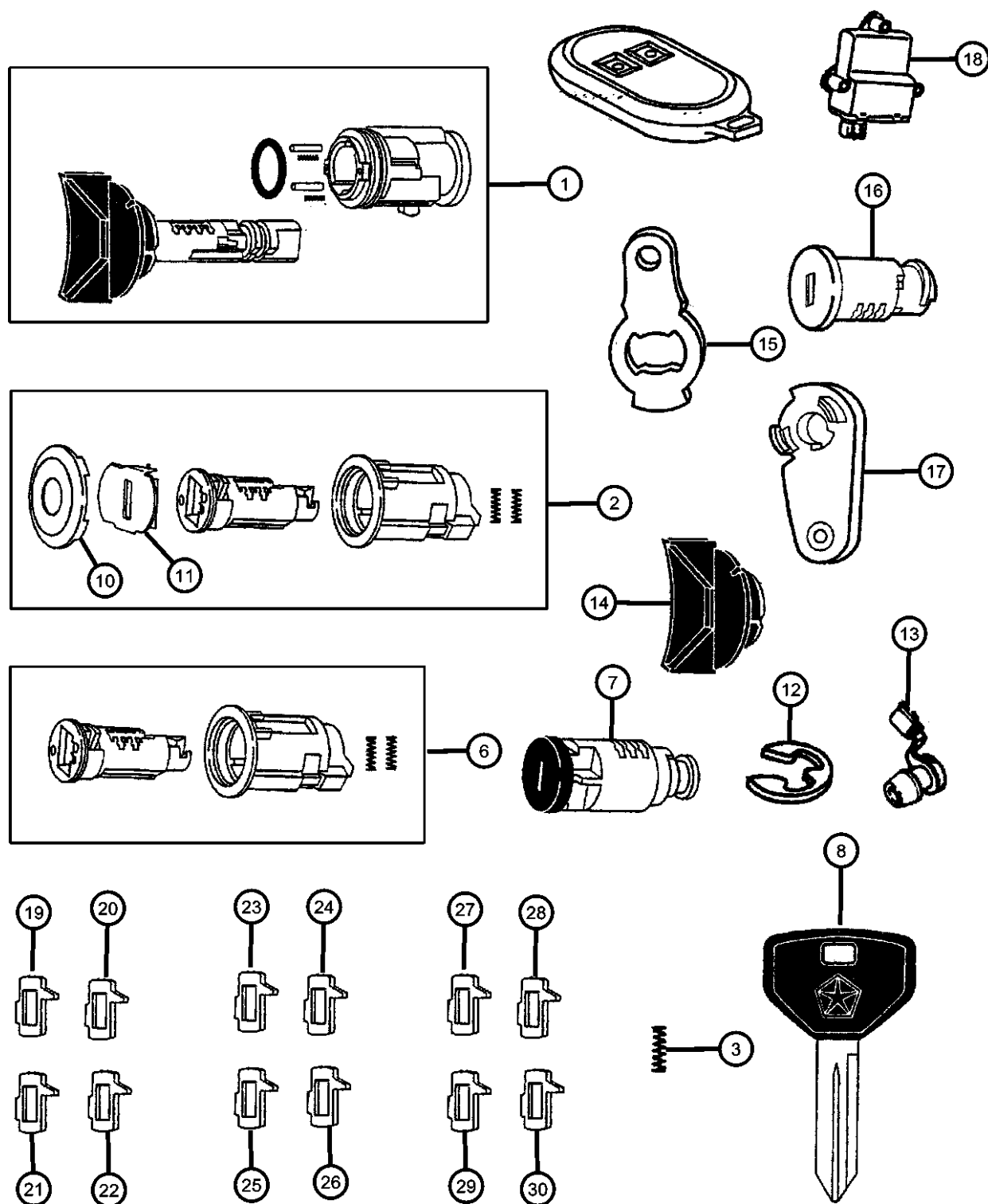
Wiper System.....Fig. 23D - 205

Rear Wiper and Washer System

Rear Wiper SystemFig. 23D - 305

23D-100 Lock Cylinders and Keys 	23D-200 Windshield Wiper and Washer Systems 	23D-300 Rear Wiper and Washer System 	
---	--	--	--

Lock Cylinders & Keys
Figure 23D-105



NOTE: ALL CYLINDERS ARE UNCODED

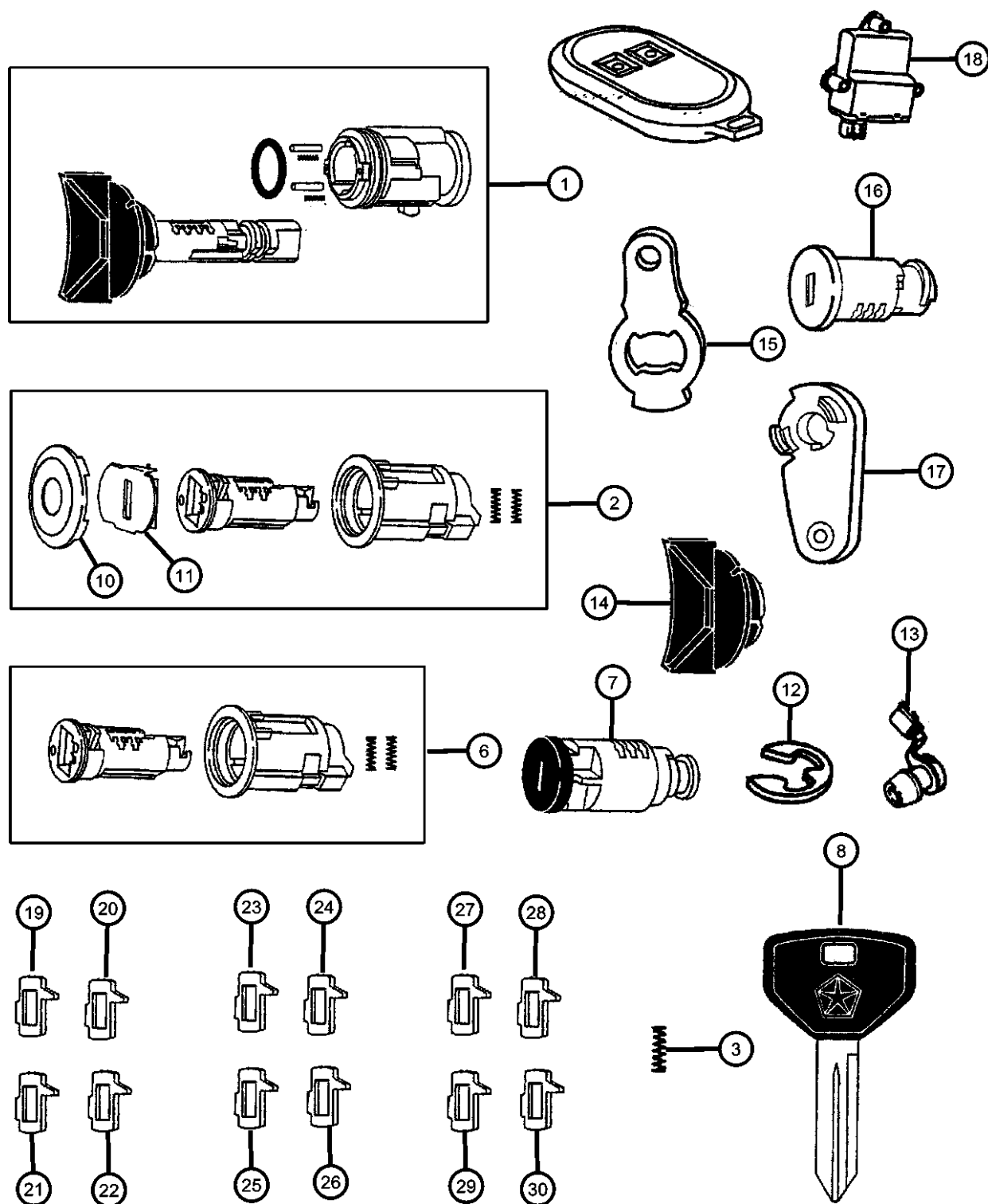
ITEM	PART NUMBER	QTY	LINE	SERIES	BODY	ENGINE	TRANS	TRIM	DESCRIPTION
1	05003843AA	1							CYLINDER, Ignition Lock
2	04778123	1							CYLINDER, Door Lock
3	04378793	1							SPRING, Cylinder Return
4	55074799	1							GASKET, Door Lock Cylinder, Black, Door Lock Cylinder (Black)
5									RETAINER, Door Lock Cylinder
	02583377	1							Half Door
	55176401	2							Full Door
6	04746904	1							LOCK CYLINDER, Decklid, Black
7	04746315	AR							CYLINDER, Glove Box Lock
8	04746316	2							KEY, Blank
-9									KEY, Master
	05010366AA	2							Penta Star Logo
	05013807AA	2							Century 'Jeep' Logo
10	05257148	1							CAP, Door Lock Cylinder, Black
11	04778150	1							SHUTTER, Door, Deck and Liftgate, Bright
12	06026125	1							CLIP, Retainer
13									CLIP, Latch
	04658444	1							Purple
	04658445	1							Orange
14	04658445	1							KNOB, Ignition Cylinder, Black Plastic, 1998 Serviced w/Cylinder, (NOT REQUIRED),
15	55075824	1							LEVER, Door Lock Cylinder, Tailgate
16	04746305	1							CYLINDER, Console Lock
17	55076307	1							LEVER, Door Lock
18	56009712AC	1							MODULE, Security Alarm
19	04778117	1							TUMBLER, Door and Deck Number 1, Wide
20	04778118	1							TUMBLER, Door and Deck Number 2, Wide
21	04778119	1							TUMBLER, Door and Deck Number 3, Wide
22	04778120	1							TUMBLER, Door and Deck Number 4, Wide

WRANGLER (TJ)

SERIES	LINE	BODY	ENGINE	TRANSMISSION
L = Low Line	J = JEEP - 4WD U = JEEP - 4WD (RHD)	77 = OPEN BODY 2-DOOR	EPE = ENGINE - 2.5L POWER TECH I-4 Cyl. ERH = ENGINE - 4.0L POWER TECH I-6	DDQ = TRANSMISSION - 5-SPEED MANUAL DGD = TRANSMISSION - 3-SPD. AUTOMATIC, 30RH DGG = TRANSMISSION - 3-SPD. AUTOMATIC, 32RH

AR = use ase required - = Non illustrated part

Lock Cylinders & Keys
Figure 23D-105



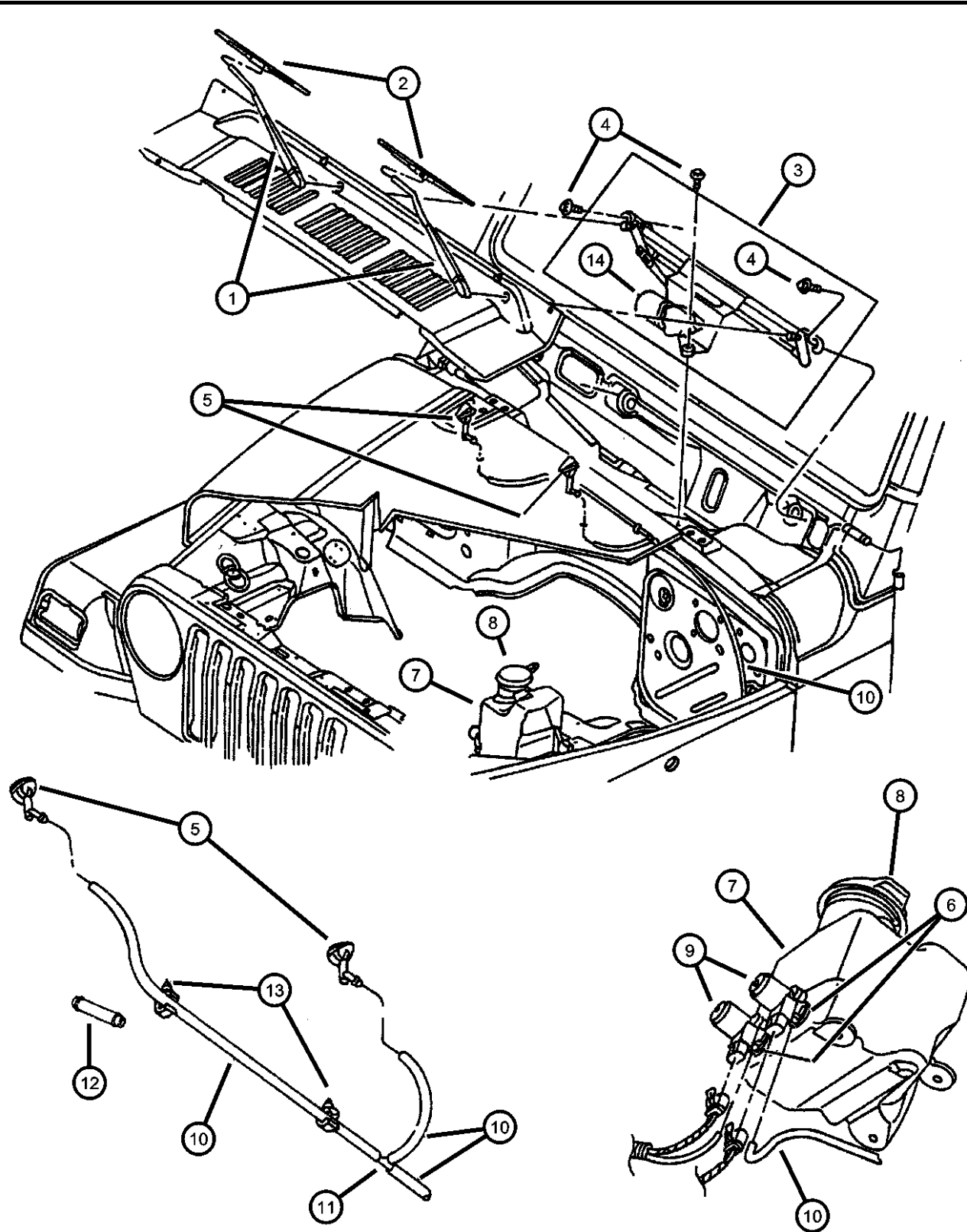
ITEM	PART NUMBER	QTY	LINE	SERIES	BODY	ENGINE	TRANS	TRIM	DESCRIPTION
23	05010879AA	1							TUMBLER, Ignition Number 1, Sidebar
24	05010880AA	1							TUMBLER, Ignition Number 2, Sidebar
25	05010881AA	1							TUMBLER, Ignition Number 3, Sidebar
26	05010882AA	1							TUMBLER, Ignition Number 4, Sidebar
27	05257132	1							TUMBLER, Ignition Number 1, use with console and glove box cylinders
28	05257133	AR							TUMBLER, Ignition Number 2, use with console and glove box cylinders
29	05257134	AR							TUMBLER, Ignition Number 3, use with console and glove box cylinders
30	05257135	1							TUMBLER, Ignition Number 4, use with console and glove box cylinders
-31	04778148	1							CYLINDER, Deck Lid Lock

WRANGLER (TJ)

SERIES	LINE	BODY	ENGINE	TRANSMISSION
L = Low Line	J = JEEP - 4WD U = JEEP - 4WD (RHD)	77 = OPEN BODY 2-DOOR	EPE = ENGINE - 2.5L POWER TECH I-4 Cyl. ERH = ENGINE - 4.0L POWER TECH I-6	DDQ = TRANSMISSION - 5-SPEED MANUAL DGD = TRANSMISSION - 3-SPD. AUTOMATIC, 30RH DGG = TRANSMISSION - 3-SPD. AUTOMATIC, 32RH

AR = use ase required - = Non illustrated part

**Wiper System
Figure 23D-205**



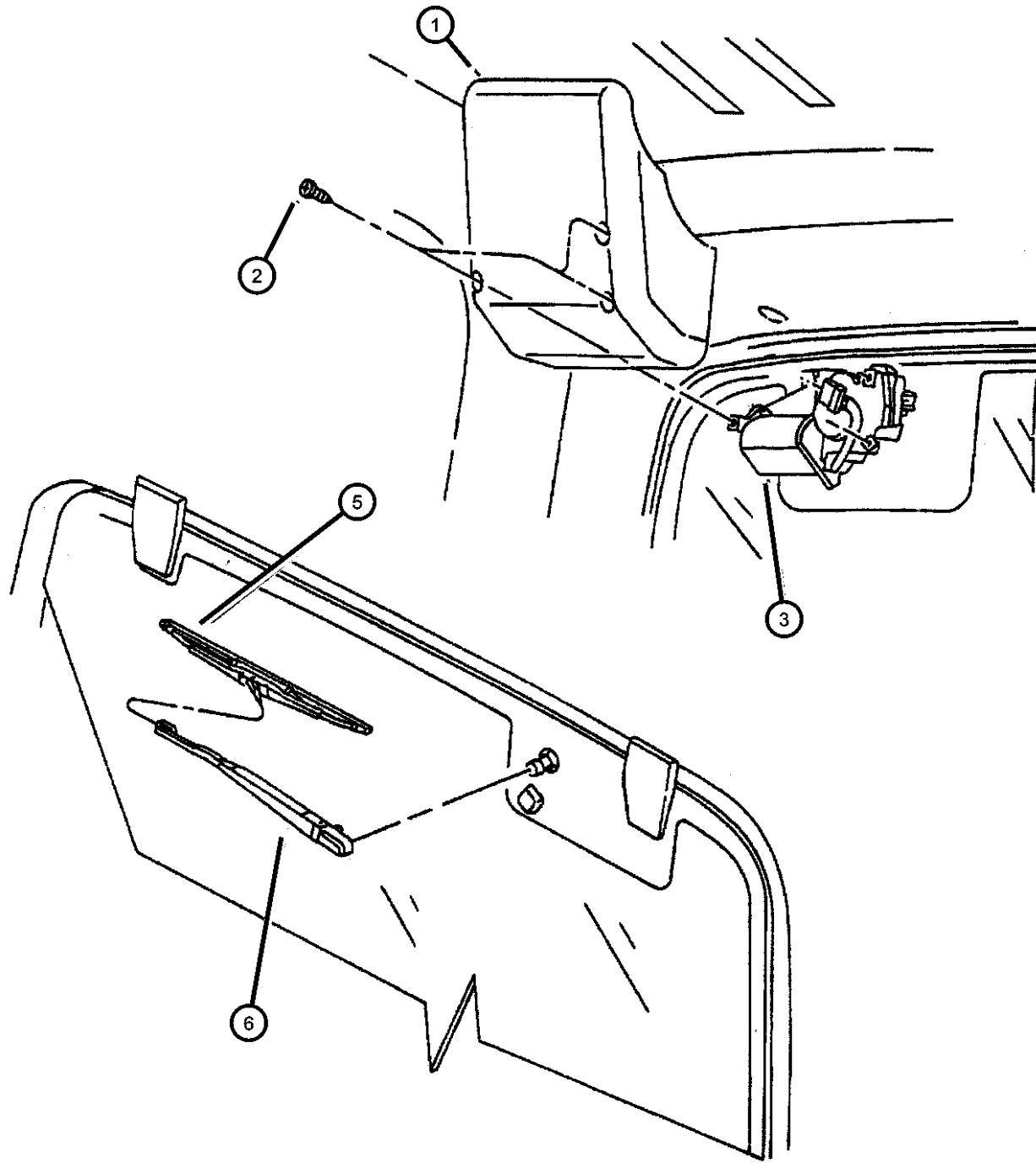
ITEM	PART NUMBER	QTY	LINE	SERIES	BODY	ENGINE	TRANS	TRIM	DESCRIPTION
1									ARM, Wiper
	55155658	2	J						
	55155659	2	U						
2	55154762	2							BLADE, Wiper, Wiper
	WBW00013AD								Mopar Alternative Winter Wiper Blades
	WB000013AE								Mopar V-Line Alternative Part
3									MODULE, Wiper
	55154766	1	J						
	55154768	1	U						
4	06100568	3							BOLT AND WASHER, Implement Attaching
5	55154938	2							NOZZLE, Washer, Windshield
6	04798779	1							GROMMET, Windshield Washer Pump
7									RESERVOIR, Washer
	04874393	1							w/Dual Pump
	04874394	1							w/Single Pump
8	04874395	1							CAP, Washer Reservoir Filler, w/Gasket
9	04797695	1							PUMP, Washer, Windshield
10	HWV00532	1							HOSE, Washer And Vacuum, 50 Foot Roll 5/32"
11	J3210891	1							TEE, Washer Hose
12	04805010	2							CHECK VALVE, Washer
13	05288255	2							CLIP, Hood Washer Hose
14									MOTOR, Wiper
	04864892	1	J						Windshield Wiper
	R4864892								Mopar Remanufactured Part
		1	U						Windshield Wiper
	R4864892								Mopar Remanufactured Part

WRANGLER (TJ)

SERIES	LINE	BODY	ENGINE	TRANSMISSION
L = Low Line	J = JEEP - 4WD U = JEEP - 4WD (RHD)	77 = OPEN BODY 2-DOOR	EPE = ENGINE - 2.5L POWER TECH I-4 Cyl. ERH = ENGINE - 4.0L POWER TECH I-6	DDQ = TRANSMISSION - 5-SPEED MANUAL DGD = TRANSMISSION - 3-SPD. AUTOMATIC, 30RH DGG = TRANSMISSION - 3-SPD. AUTOMATIC, 32RH

AR = use ase required - = Non illustrated part

Rear Wiper System
Figure 23D-305



ITEM	PART NUMBER	QTY	LINE	SERIES	BODY	ENGINE	TRANS	TRIM	DESCRIPTION
1	55155030	1							COVER, Wiper Motor
2	55155030	1							SCREW, 164-18X.750 (Not Serviced), (NOT SERVICED)
3	55155322AB R5155322AB	1							MOTOR, Wiper Mopar Remanufactured Part
-4	04883521AA	1							NUT, Rear Wiper Motor
5	55155445 WBW00018AD WB000018AE	1							BLADE, Wiper Mopar Alternative Winter Wiper Blades Mopar V-Line Alternative Part
6	55155660	1							ARM, Wiper, Rear Wiper
-7	55176464	1							GROMMET, Wiper Motor And Bracket
-8	04883520AA	1							NOZZLE, Liftgate Washer
-9	55155457	1							CHECK VALVE, Washer
-10	56003982	1							PLUG, Sealing
-11	55154545	1							WASHER, Between Glass & Motor
-12	55154556	1							SPACER, Wiper Motor, Triangle Shaped
-13	56003682	1							NUT, Hex Flange, M16

WRANGLER (TJ)

SERIES

L = Low Line

LINE

J = JEEP - 4WD

U = JEEP - 4WD (RHD)

BODY

77 = OPEN BODY 2-DOOR

ENGINE

EPE = ENGINE - 2.5L POWER TECH I-4 Cyl.

ERH = ENGINE - 4.0L POWER TECH I-6

TRANSMISSION

DDQ = TRANSMISSION - 5-SPEED MANUAL

DGD = TRANSMISSION - 3-SPD. AUTOMATIC, 30RH

DGG = TRANSMISSION - 3-SPD. AUTOMATIC, 32RH

AR = use ase required - = Non illustrated part

1999 TJ

Group - 24

Air Conditioning & Heater

Group - 24 Air Conditioning & Heater

Group-Fig. No.

Illustration Title

Air Conditioner and Heater Units

Hevac Unit Fig. 24 - 110

Air Conditioner and Heater Plumbing

Hoses, Heater 2.5L Engine..... Fig. 24 - 205
 Hoses, Heater 2.5L Engine, RHD..... Fig. 24 - 210
 Hoses, Heater 4.0L Engine, LHD Fig. 24 - 215
 Hoses, Heater 4.0L Engine, RHD..... Fig. 24 - 220
 Plumbing, Hevac 2.5L Engine..... Fig. 24 - 225
 Plumbing, Hevac 2.5L Engine, Rhd..... Fig. 24 - 230
 Plumbing, Hevac 4.0L Engine..... Fig. 24 - 235
 Plumbing, Hevac 4.0L Engine, Rhd..... Fig. 24 - 240
 Seals, A/c Condenser..... Fig. 24 - 245

Air Conditioner and Heater Controls

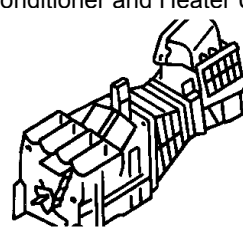
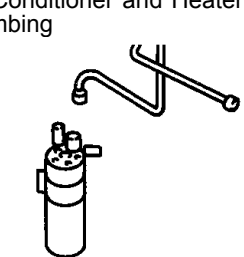
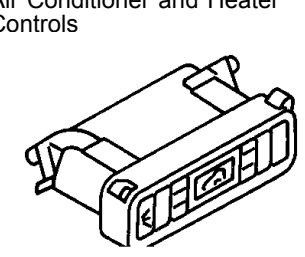
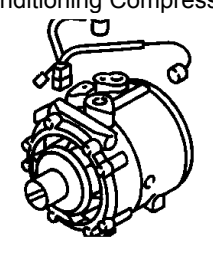
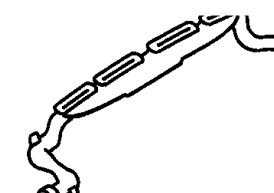
Control, Heater And A/c Fig. 24 - 310

Air Conditioning Compressor

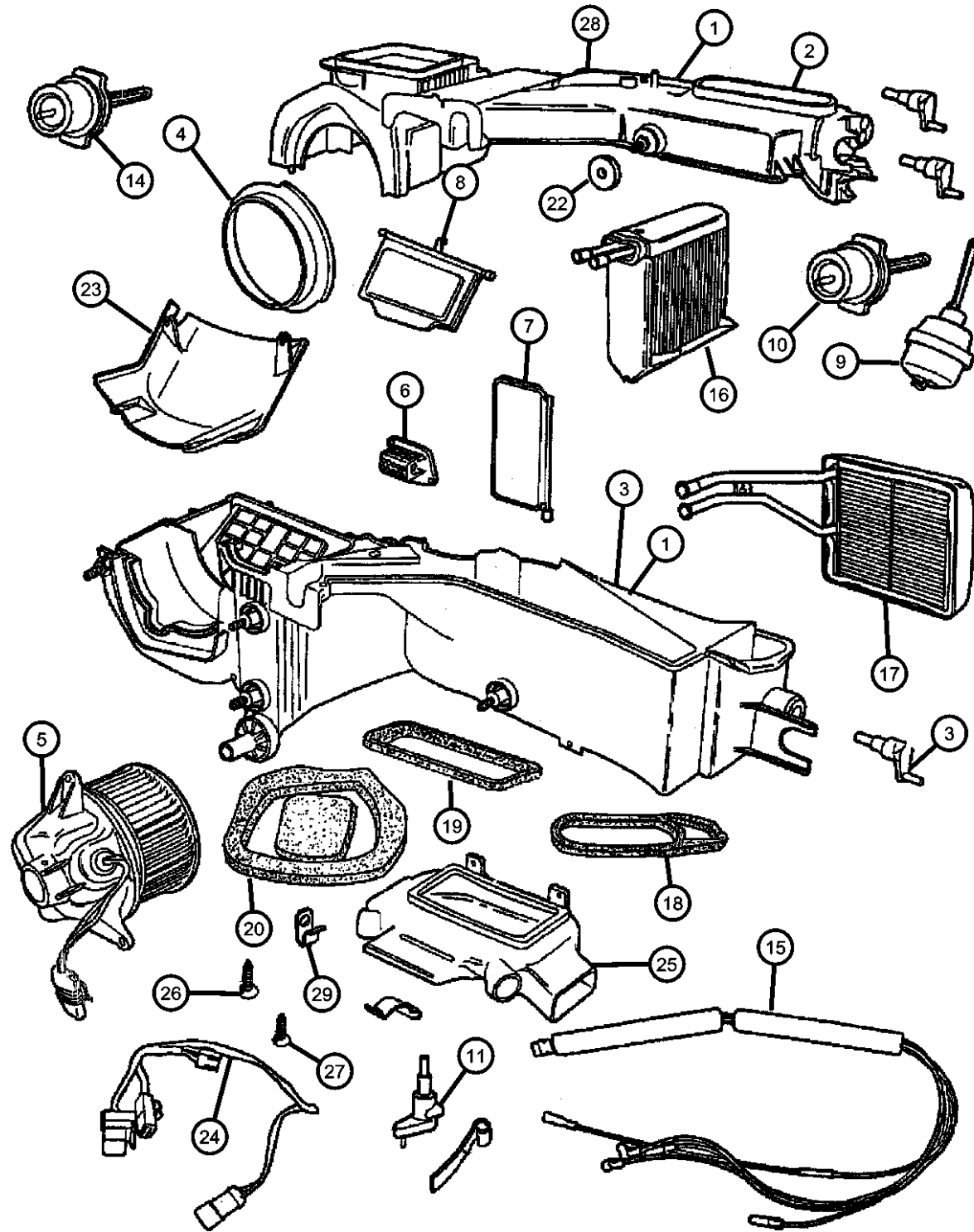
Compressor, A/c..... Fig. 24 - 410

Air Ducts and Outlets

Ducts, Heater And A/c Fig. 24 - 610

<p>024-100 Air Conditioner and Heater Units</p> 	<p>024-200 Air Conditioner and Heater Plumbing</p> 	<p>024-300 Air Conditioner and Heater Controls</p> 	<p>024-400 Air Conditioning Compressor</p> 
<p>024-600 Air Ducts and Outlets</p> 			

Hevac Unit
Figure 24-110



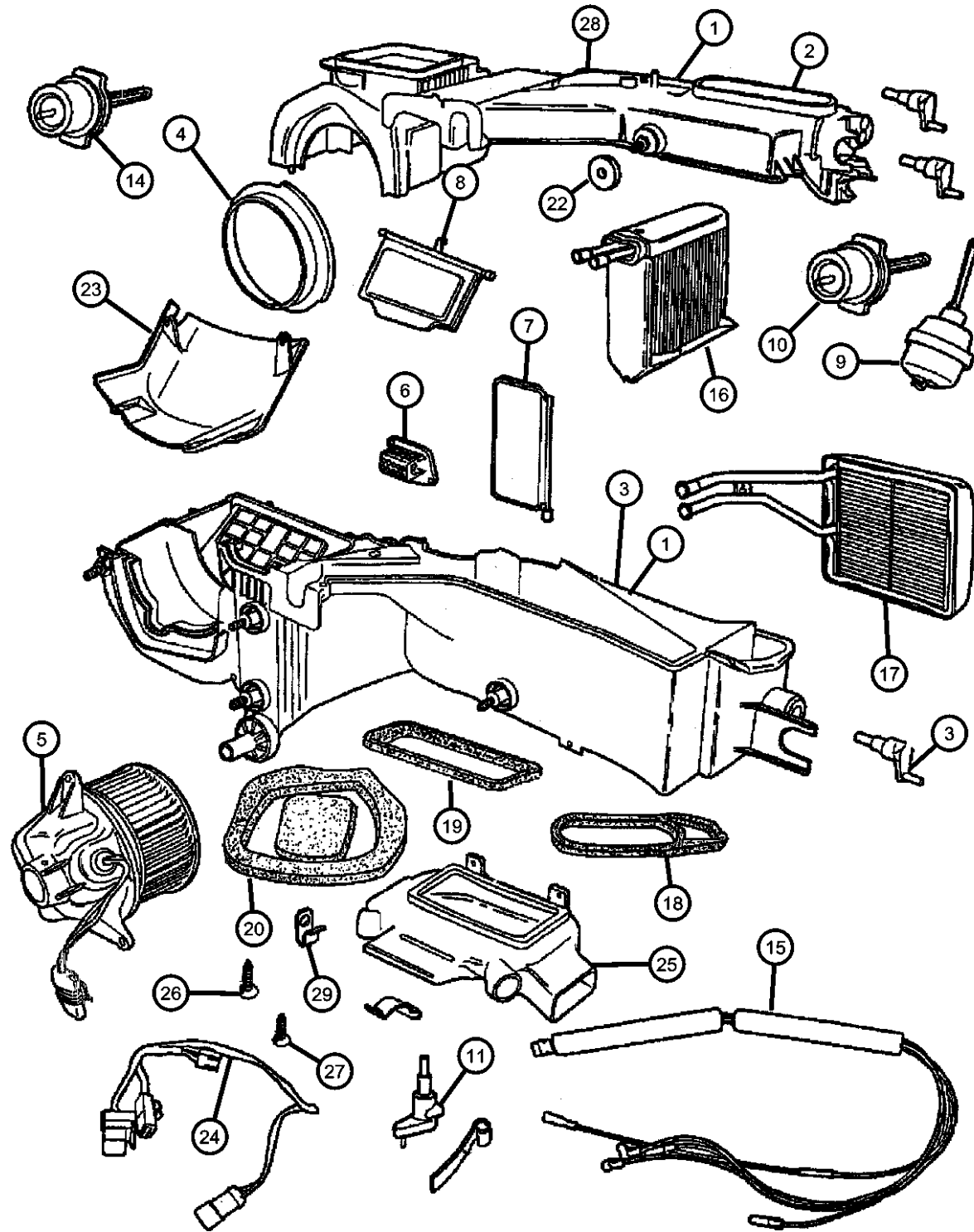
ITEM	PART NUMBER	QTY	LINE	SERIES	BODY	ENGINE	TRANS	TRIM	DESCRIPTION
1	05013731AA	1	J						HOUSING, Heater Upper
	05013734AA	1	U						Upper
	05013736AA	1	J						Lower
	05013739AA	1	U						Lower
2	05013730AA	1	J						HOUSING, A/C Upper Includes panel door, panel door lever, defrost door, defrost door lever
	05013733AA	1	U						
3	05013738AA	1	U						HOUSING, A/C Lower with A/C
	05014859AA	1	J						without A/C
	05014860AA	1	J						
4	04338909	1				EP0, ER0			RING
		1				EP0			
	04864951	1	J						Venturi
		1	U						Venturi
5	04864956	1	U						BLOWER
	04886150AA	1	J						
6	04864957	1	J						RESISTOR, Blower Motor
		1	U						
7	04897610AA	1	J						DOOR, Blend Air
	04897611AA	1	U						
8	04864992	1	J						DOOR, Fresh Air
	04864993	1	U						
9	04864994	1	J						ACTUATOR, Vacuum
		1	U						
10									ACTUATOR, Vacuum

WRANGLER (TJ)

SERIES	LINE	BODY	ENGINE	TRANSMISSION
L = Low Line	J = JEEP - 4WD U = JEEP - 4WD (RHD)	77 = OPEN BODY 2-DOOR	EPE = ENGINE - 2.5L POWER TECH I-4 Cyl. ERH = ENGINE - 4.0L POWER TECH I-6	DDQ = TRANSMISSION - 5-SPEED MANUAL DGD = TRANSMISSION - 3-SPD. AUTOMATIC, 30RH DGG = TRANSMISSION - 3-SPD. AUTOMATIC, 32RH

AR = use ase required - = Non illustrated part

Hevac Unit
Figure 24-110



ITEM	PART NUMBER	QTY	LINE	SERIES	BODY	ENGINE	TRANS	TRIM	DESCRIPTION
	04864995	2	J						
		2	U						
11									ACTUATOR, Blend Door
	05013741AA	1	U						
		1	J						Electric
-12									ADAPTER, Blend Door, A/C and Heater
	05013742AA	1	J						
	05013743AA	1	U						
-13	05013745AA	1	J						BRACKET, Blend Door Adapter, A/C and Heater
14									ACTUATOR, Vacuum
	04864996	1	J						
		1	U						
15									HARNESS, Heater Vacuum
	04864998AB	1	J						
		1	U						
16									EVAPORATOR KIT, A/C
	04864999AC	1	J						
	V9900019								Mopar V-Line Alternative Part
	04874044AC	1	U						
17									CORE, Heater
	04874045	1	J						
	04874046	1	U						
18									SEAL, Defroster Duct
	04874064	1	J						
	04874066	1	U						
19									SEAL, Vent
	04874068	1	J						
		1	U						
20									SEAL, Drain To Dash with Air Conditioning
	04874069AB	1	J						
	04874070AB	1	U						with Air Conditioning
-21									SEAL, Drain Tube

WRANGLER (TJ)

SERIES

LINE

BODY

ENGINE

TRANSMISSION

L = Low Line

J = JEEP - 4WD

77 = OPEN BODY 2-DOOR

EPE = ENGINE - 2.5L POWER TECH I-4 Cyl.

DDQ = TRANSMISSION - 5-SPEED MANUAL

U = JEEP - 4WD (RHD)

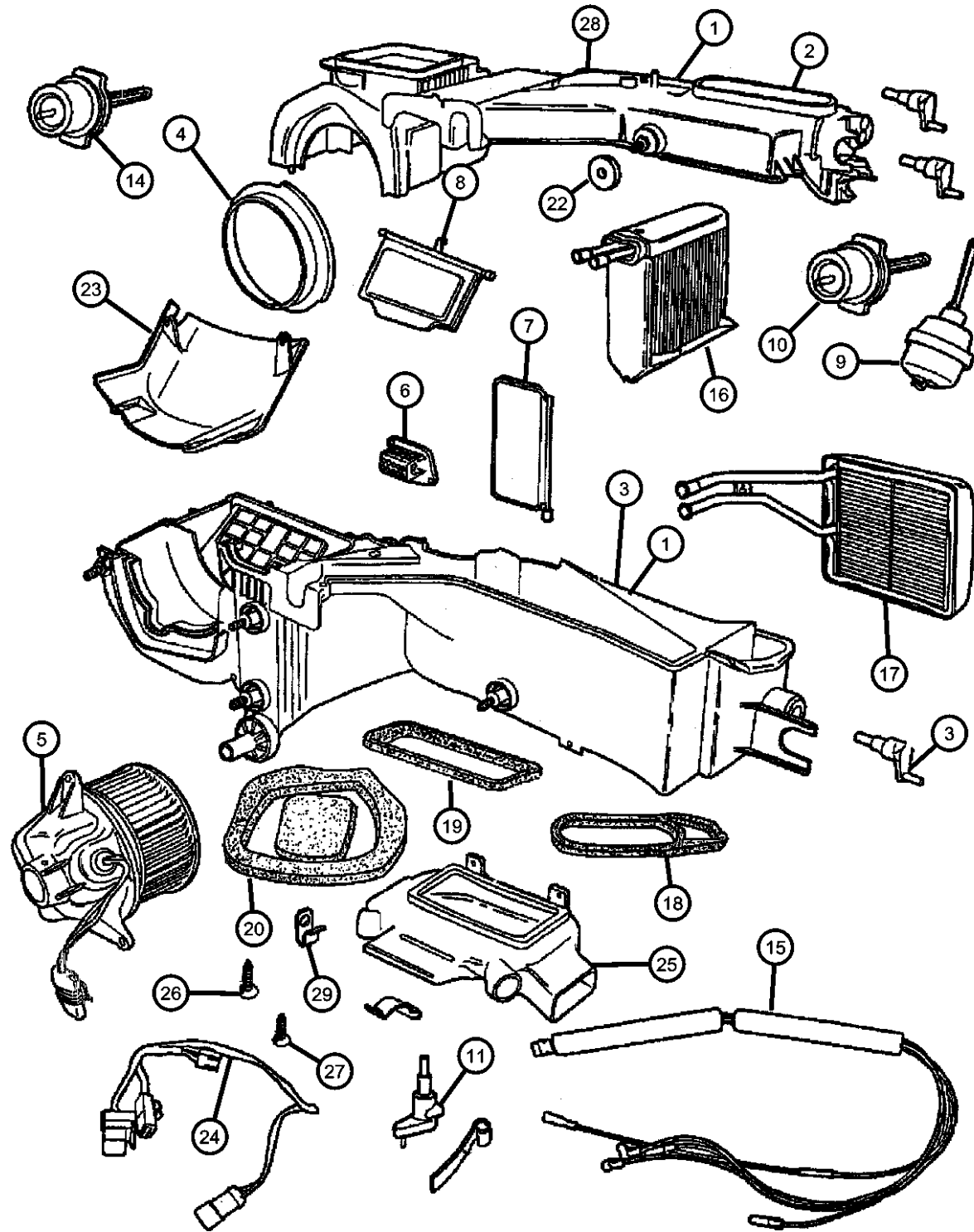
ERH = ENGINE - 4.0L POWER TECH I-6

DGD = TRANSMISSION - 3-SPD. AUTOMATIC, 30RH
DGG = TRANSMISSION - 3-SPD. AUTOMATIC, 32RH

AR = use ase required - = Non illustrated part

1999 TJ

Hevac Unit
Figure 24-110



ITEM	PART NUMBER	QTY	LINE	SERIES	BODY	ENGINE	TRANS	TRIM	DESCRIPTION
	04874071AB	1	J						without Air Conditioning
	04874072AB	1	U						without Air Conditioning
22									WASHER, Sealing
	06031087	5	J						
		5	U						
23									COVER, Recirculating Valve
	04874078	1	J						
	04874079	1	U						
24									WIRING, Air Conditioning Module
	05013744AA	1	J						
		1	U						
25									DUCT, Floor Distribution
	04874088	1	J						
	04874089	1	U						
26									SCREW, Hex Head, M4.8-1.59x19
	04734227	15	J						
		15	U						
27									SCREW
	09419322	1	J						
		1	U						
28									CLIP, A/C Heater Housing
	04644388	4	J						
		4	U						
29									CLIP, Air Conditioning, 25mm Diameter
	04644127	1	J						
		1	U						

WRANGLER (TJ)

SERIES

L = Low Line

LINE

J = JEEP - 4WD

U = JEEP - 4WD (RHD)

BODY

77 = OPEN BODY 2-DOOR

ENGINE

EPE = ENGINE - 2.5L POWER TECH I-4 Cyl.

ERH = ENGINE - 4.0L POWER TECH I-6

TRANSMISSION

DDQ = TRANSMISSION - 5-SPEED MANUAL

DGD = TRANSMISSION - 3-SPD. AUTOMATIC, 30RH

DGG = TRANSMISSION - 3-SPD. AUTOMATIC, 32RH

AR = use ase required - = Non illustrated part

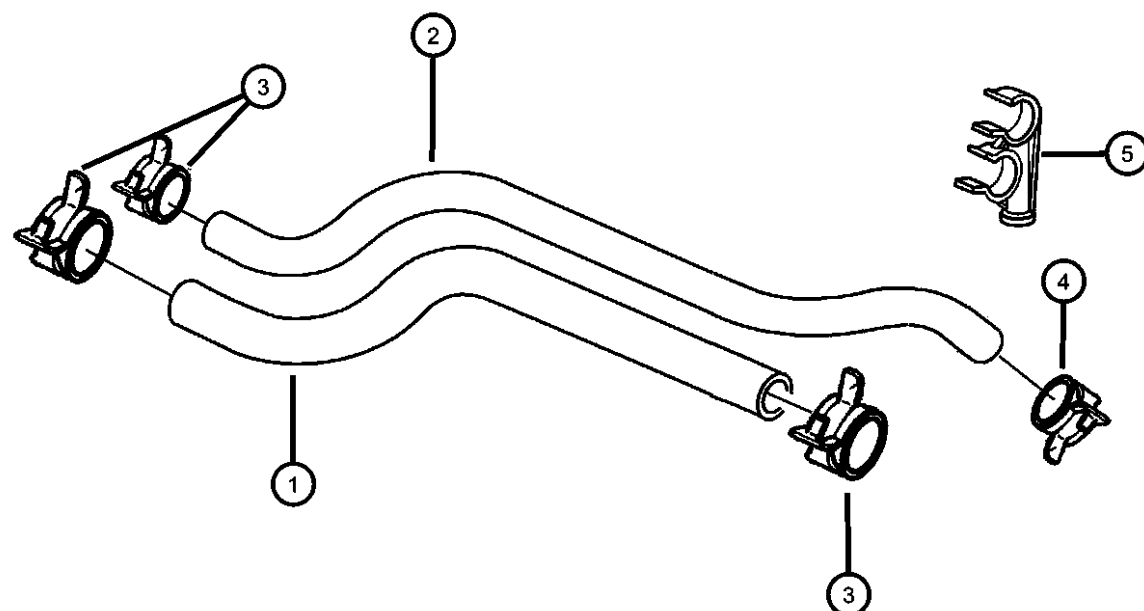
1999 TJ

Hoses, Heater 2.5L Engine
Figure 24-205

ITEM	PART NUMBER	QTY	LINE	SERIES	BODY	ENGINE	TRANS	TRIM	DESCRIPTION
------	-------------	-----	------	--------	------	--------	-------	------	-------------

Note: Sales Code EP0 = 2.5L Gas Engine

1	55036348	1	J			EP0			HOSE, Heater Supply
2	55036344	1	J			EP0			HOSE, Heater Return, Return
3	06502017	2	J			ER0			CLAMP, Heater Hose
4	06502018	2	J			EP0			CLAMP, Hose, M28.9 x 1.60
5	55035933	1	J			EP0, ER0			BRACKET, Hose



97J24 205

WRANGLER (TJ)

SERIES LINE
L = Low Line J = JEEP - 4WD
U = JEEP - 4WD (RHD)

BODY
77 = OPEN BODY 2-DOOR

ENGINE
EPE = ENGINE - 2.5L POWER TECH I-4 Cyl.
ERH = ENGINE - 4.0L POWER TECH I-6

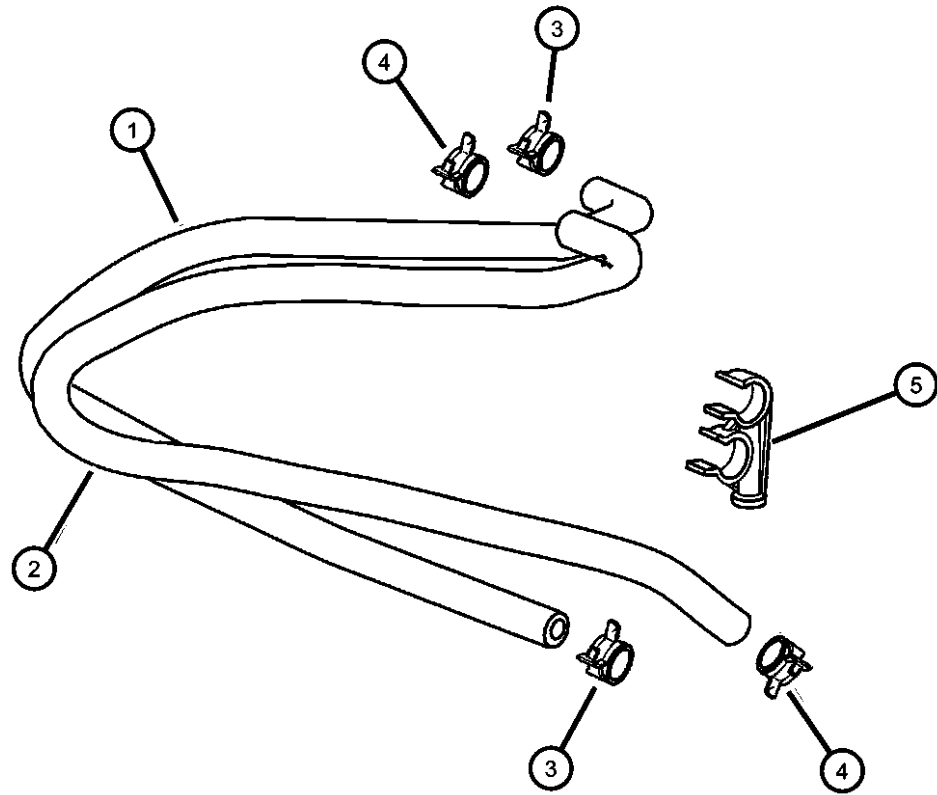
TRANSMISSION
DDQ = TRANSMISSION - 5-SPEED MANUAL
DGD = TRANSMISSION - 3-SPD. AUTOMATIC, 30RH
DGG = TRANSMISSION - 3-SPD. AUTOMATIC, 32RH

AR = use ase required - = Non illustrated part

1999 TJ

Hoses, Heater 2.5L Engine, RHD
Figure 24-210

ITEM	PART NUMBER	QTY	LINE	SERIES	BODY	ENGINE	TRANS	TRIM	DESCRIPTION
Note: Sales Code EP0 = 2.5L Gas Engine									
1	55036481	1	U			EP0			HOSE, Heater Return, Return
2	55036379	1	U			EP0			HOSE, Heater Supply, Supply
3	06502017	2	J			ER0			CLAMP, Heater Hose
4	06502018	2	J			EP0			CLAMP, Hose, M28.9 x 1.60
5	55035933	2	U			EP0, ER0			BRACKET, Hose



WRANGLER (TJ)

SERIES	LINE	BODY	ENGINE	TRANSMISSION
L = Low Line	J = JEEP - 4WD U = JEEP - 4WD (RHD)	77 = OPEN BODY 2-DOOR	EPE = ENGINE - 2.5L POWER TECH I-4 Cyl. ERH = ENGINE - 4.0L POWER TECH I-6	DDQ = TRANSMISSION - 5-SPEED MANUAL DGD = TRANSMISSION - 3-SPD. AUTOMATIC, 30RH DGG = TRANSMISSION - 3-SPD. AUTOMATIC, 32RH

AR = use ase required - = Non illustrated part

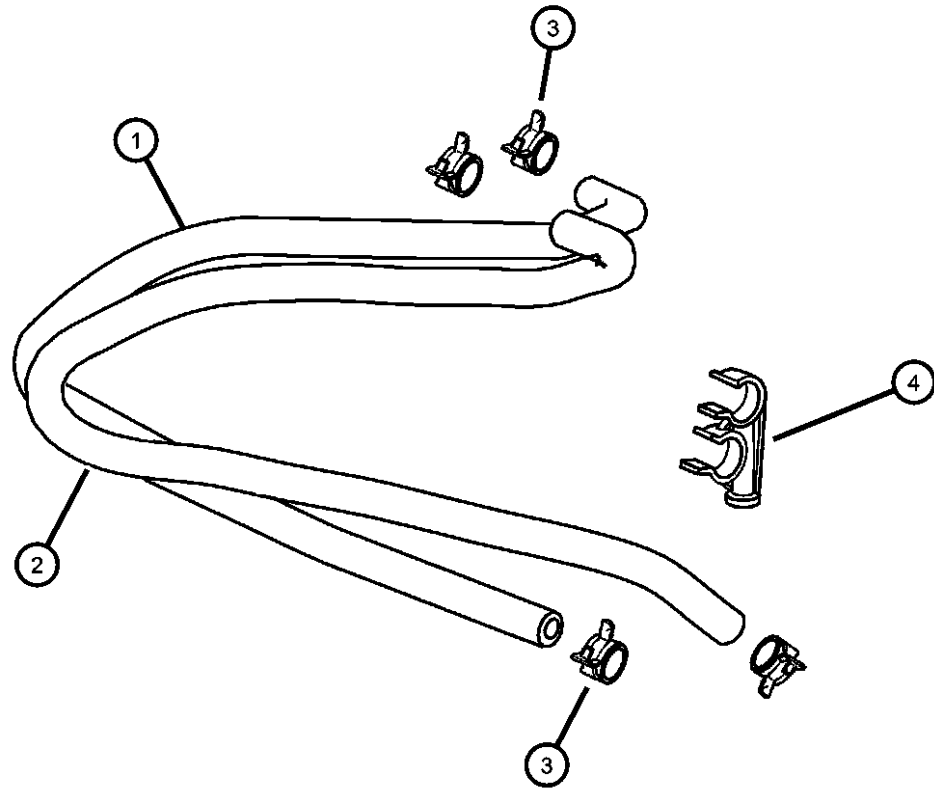
1999 TJ

Hoses, Heater 4.0L Engine, LHD
Figure 24-215

ITEM	PART NUMBER	QTY	LINE	SERIES	BODY	ENGINE	TRANS	TRIM	DESCRIPTION
------	-------------	-----	------	--------	------	--------	-------	------	-------------

Note: Sales Code ER0 = 4.0L Gas Engine

1	55036345	1	J			ER0			HOSE, Heater Return
2	55036976	1	J			ER0			HOSE, Heater, Supply
3	06502017	2	J			ER0			CLAMP, Heater Hose
4	55035933	2	U			EP0, ER0			BRACKET, Hose



WRANGLER (TJ)

SERIES	LINE	BODY	ENGINE	TRANSMISSION
L = Low Line	J = JEEP - 4WD U = JEEP - 4WD (RHD)	77 = OPEN BODY 2-DOOR	EPE = ENGINE - 2.5L POWER TECH I-4 Cyl. ERH = ENGINE - 4.0L POWER TECH I-6	DDQ = TRANSMISSION - 5-SPEED MANUAL DGD = TRANSMISSION - 3-SPD. AUTOMATIC, 30RH DGG = TRANSMISSION - 3-SPD. AUTOMATIC, 32RH

AR = use ase required - = Non illustrated part

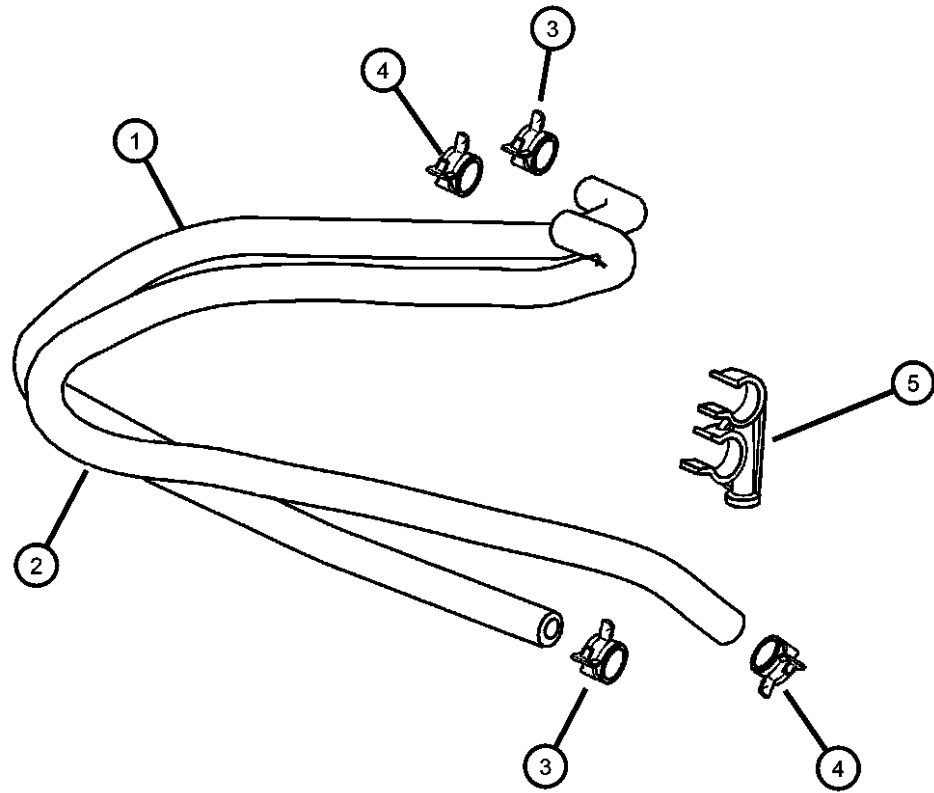
1999 TJ

Hoses, Heater 4.0L Engine, RHD
Figure 24-220

ITEM	PART NUMBER	QTY	LINE	SERIES	BODY	ENGINE	TRANS	TRIM	DESCRIPTION
------	-------------	-----	------	--------	------	--------	-------	------	-------------

Note: Sales Code ER0 = 4.0L Gas Engine

1	55036382	1	U			ER0			HOSE, Heater Return, Return
2	55036380	1	U			ER0			HOSE, Heater Supply, Supply
3	06502017	2	J			ER0			CLAMP, Heater Hose
4	06502018	2	J			EP0			CLAMP, Hose, M28.9 x 1.60
5	55035933	2	U			EP0, ER0			BRACKET, Hose



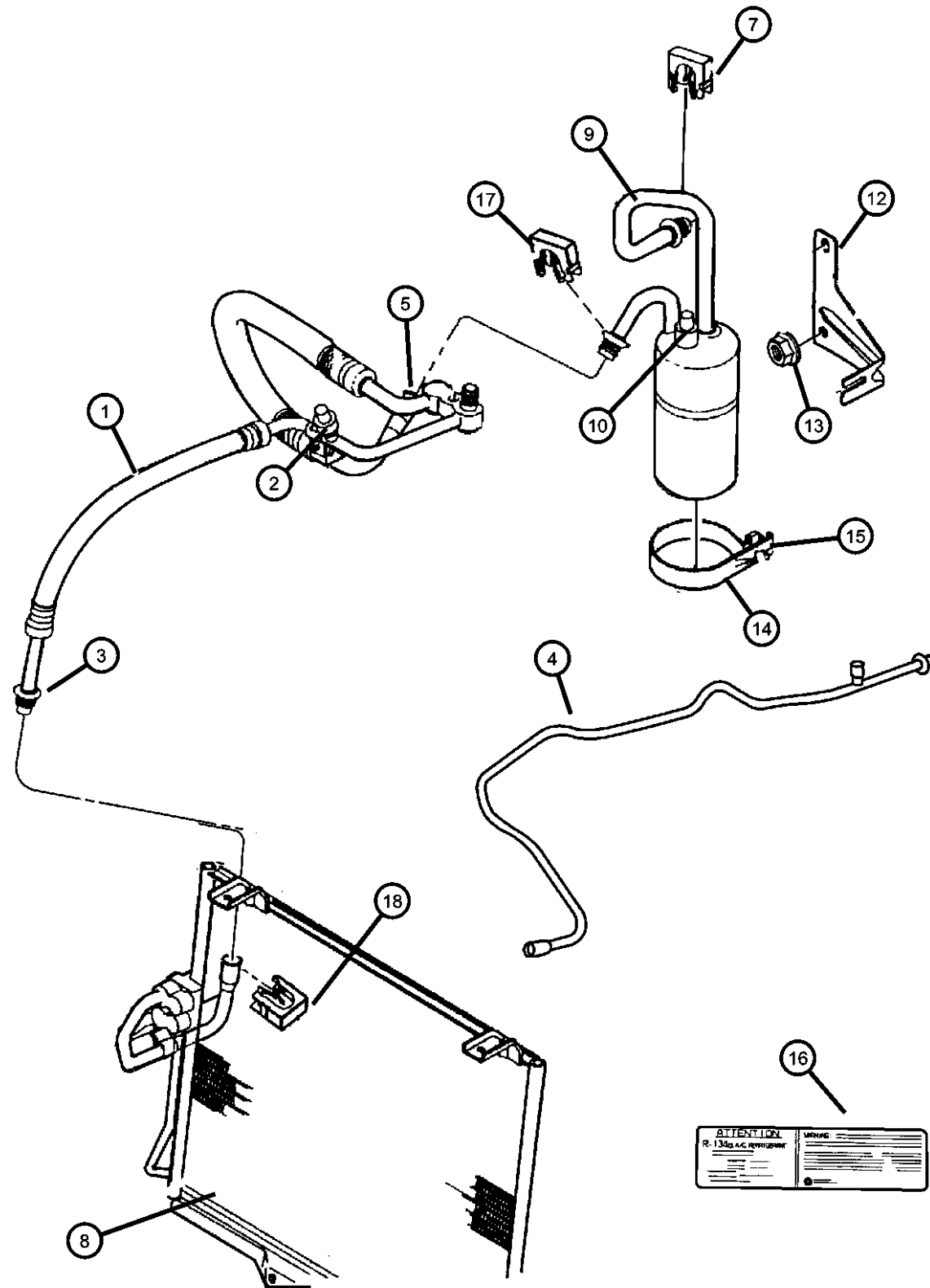
WRANGLER (TJ)

SERIES	LINE	BODY	ENGINE	TRANSMISSION
L = Low Line	J = JEEP - 4WD U = JEEP - 4WD (RHD)	77 = OPEN BODY 2-DOOR	EPE = ENGINE - 2.5L POWER TECH I-4 Cyl. ERH = ENGINE - 4.0L POWER TECH I-6	DDQ = TRANSMISSION - 5-SPEED MANUAL DGD = TRANSMISSION - 3-SPD. AUTOMATIC, 30RH DGG = TRANSMISSION - 3-SPD. AUTOMATIC, 32RH

AR = use ase required - = Non illustrated part

1999 TJ

Plumbing, Hevac 2.5L Engine
Figure 24-225



ITEM	PART NUMBER	QTY	LINE	SERIES	BODY	ENGINE	TRANS	TRIM	DESCRIPTION
------	-------------	-----	------	--------	------	--------	-------	------	-------------

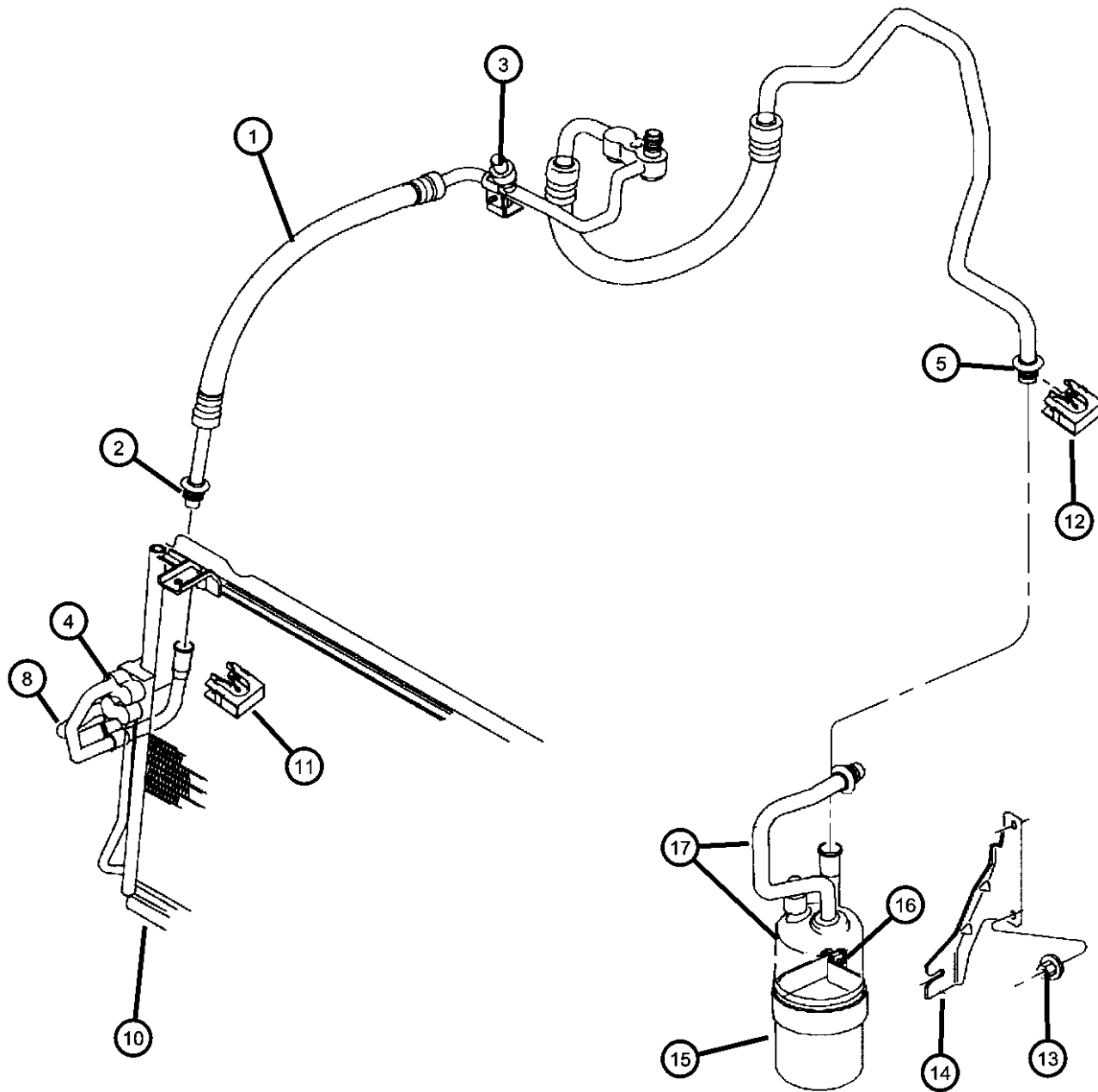
Note: Sales Code EP0 = 2.5L Gas Engine

1	55037435AB	1				EP0			LINE, A/C Discharge
2	04897617AA	1	J			EP0			SWITCH, A/C High Pressure Cut Off
3	04740401	2	J			EP0			O RING, A/C Suction Line
4	55037439AB	1	J			EP0, ER0			LINE, A/C Liquid
5	04741705	2	J			EP0			O RING, A/C Liquid Line
-6	04723029	1	J			EP0			VALVE, A/C Discharge Line Check
7	55036022	1	J						CLIP, A/C Liquid Line
8	55037482AC	1	J			EP0, ER0			CONDENSER, Air Conditioning
9	55037441AA	1	J			EP0			ACCUMULATOR, Suction Line
10	04897614AA	1	J			EP0			SWITCH, A/C Cycling
-11	04723029	1	J			EP0			VALVE, A/C Discharge Line Check
12	55036303	1	J			EP0, ER0			BRACKET, Accumulator
13	55036303	1							NUT, (NOT SERVICED)
14	55036206AB	1							BAND, Accumulator Retaining, Accumulator Support
15	55036206AB	1							SCREW, (NOT SERVICED)
16	55036352	1							LABEL, Refrigerant, Charge
17									CLIP, A/C Quick Disconnect
	04596152	3	J						Quick (Suction) Connect
	04596153	2							CLIP, A/C Quick Disconnect, (Discharge) Connect
18	04596153	2							

WRANGLER (TJ)				
SERIES	LINE	BODY	ENGINE	TRANSMISSION
L = Low Line	J = JEEP - 4WD U = JEEP - 4WD (RHD)	77 = OPEN BODY 2-DOOR	EPE = ENGINE - 2.5L POWER TECH I-4 Cyl. ERH = ENGINE - 4.0L POWER TECH I-6	DDQ = TRANSMISSION - 5-SPEED MANUAL DGD = TRANSMISSION - 3-SPD. AUTOMATIC, 30RH DGG = TRANSMISSION - 3-SPD. AUTOMATIC, 32RH

AR = use ase required - = Non illustrated part

Plumbing, Hevac 2.5L Engine, Rhd
Figure 24-230



ITEM	PART NUMBER	QTY	LINE	SERIES	BODY	ENGINE	TRANS	TRIM	DESCRIPTION
------	-------------	-----	------	--------	------	--------	-------	------	-------------

Note: Sales Code EP0 = 2.5L Gas Engine

1	55037435AB	1				EP0			LINE, A/C Discharge
2	04740401	2	U			EP0, ER0			O RING, A/C Suction Line
3	04897617AA	1				EP0			SWITCH, A/C High Pressure Cut Off
4	55036292	1	U			EP0, ER0			LINE, A/C Liquid
5	04741705	2				EP0			O RING, A/C Liquid Line
-6	55036782AB	2	U			EP0, ER0			RETAINER, A/C Supply Line, Supply Line
-7	55036022	2	U						CLIP, A/C Liquid Line, Liquid Line
8	55037502AB	1	U			EP0, ER0			TUBE, A/C Liquid Line
-9	04723029	1				EP0			VALVE, A/C Discharge Line Check
10	55037483AC	1	U			EP0, ER0			CONDENSER, Air Conditioning
11	04596152	4	U						CLIP, A/C Quick Disconnect
12	04596153	2							CLIP, A/C Quick Disconnect
13	04596153	2							NUT, (NOT SERVICED)
14	55036304	1	U						BRACKET, Accumulator
15	55036206AB	1							BAND, Accumulator Retaining, Accumulator Support
16	55036206AB	1							SCREW, (NOT SERVICED)
17	55037442AA	1	U			EP0, ER0			ACCUMULATOR, Suction Line

WRANGLER (TJ)

SERIES	LINE	BODY	ENGINE	TRANSMISSION
L = Low Line	J = JEEP - 4WD U = JEEP - 4WD (RHD)	77 = OPEN BODY 2-DOOR	EPE = ENGINE - 2.5L POWER TECH I-4 Cyl. ERH = ENGINE - 4.0L POWER TECH I-6	DDQ = TRANSMISSION - 5-SPEED MANUAL DGD = TRANSMISSION - 3-SPD. AUTOMATIC, 30RH DGG = TRANSMISSION - 3-SPD. AUTOMATIC, 32RH

AR = use ase required - = Non illustrated part

1999 TJ

Plumbing, Hevac 4.0L Engine
Figure 24-235

ITEM	PART NUMBER	QTY	LINE	SERIES	BODY	ENGINE	TRANS	TRIM	DESCRIPTION
------	-------------	-----	------	--------	------	--------	-------	------	-------------

Note: Sales Code ER0 = 4.0L Gas Engine

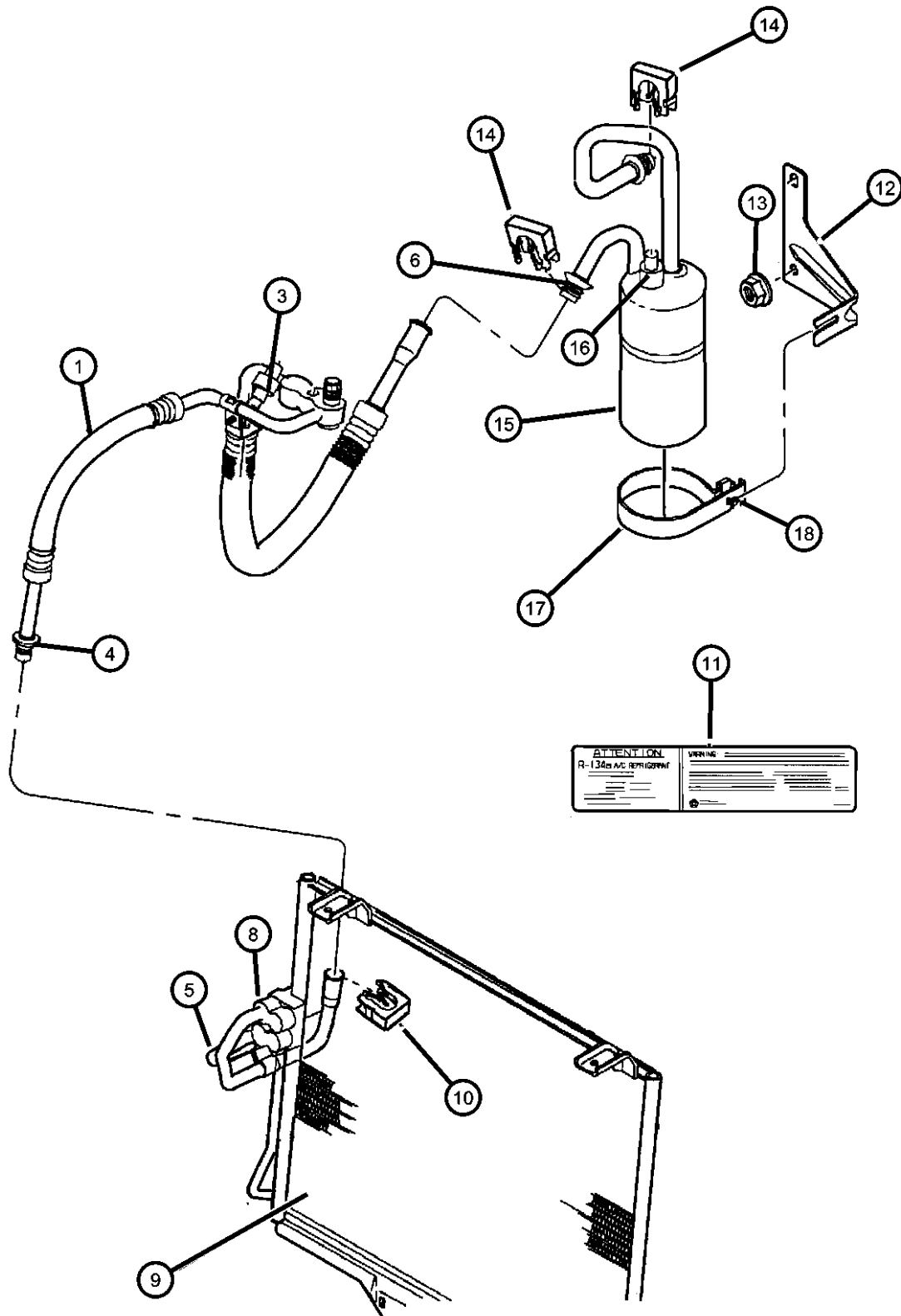
1	55037437AB	1				ER0			LINE, A/C Discharge
-2	04796666	1	J			ER0			O RING, A/C Discharge Line
3	04897617AA	1	J			ER0			SWITCH, A/C High Pressure Cut Off
4									O RING, A/C Suction Line
	04740401	2	J			ER0			To Compressor
	04796667	2	U			ER0			To Compressor
		3	J			ER0			To Compressor
5	55037439AA	1	J			EP0, ER0			LINE, A/C Liquid
6	04741705	2	J			ER0			O RING, A/C Liquid Line
-7	04882334	1	J			EP0, ER0			VALVE, A/C Discharge Line Check
8	55036022	1	J						CLIP, A/C Liquid Line
9	55037482AC	1	J			EP0, ER0			CONDENSER, Air Conditioning
10	04596152	3	J						CLIP, A/C Quick Disconnect
11	55036352	1							LABEL, Refrigerant, Charge
12	55036303	1	J			EP0, ER0			BRACKET, Accumulator
13	55036303	1							NUT, (NOT SERVICED)
14	04596152	3	J						CLIP, A/C Quick Disconnect
15	55037440AA	1	J			ER0			ACCUMULATOR, Suction Line
16	04897614AA	1	J			ER0			SWITCH, A/C Cycling
17	55036206AB	1							BAND, Accumulator Retaining, Accumulator Support
18	55036206AB	1							SCREW, (NOT SERVICED)

WRANGLER (TJ)

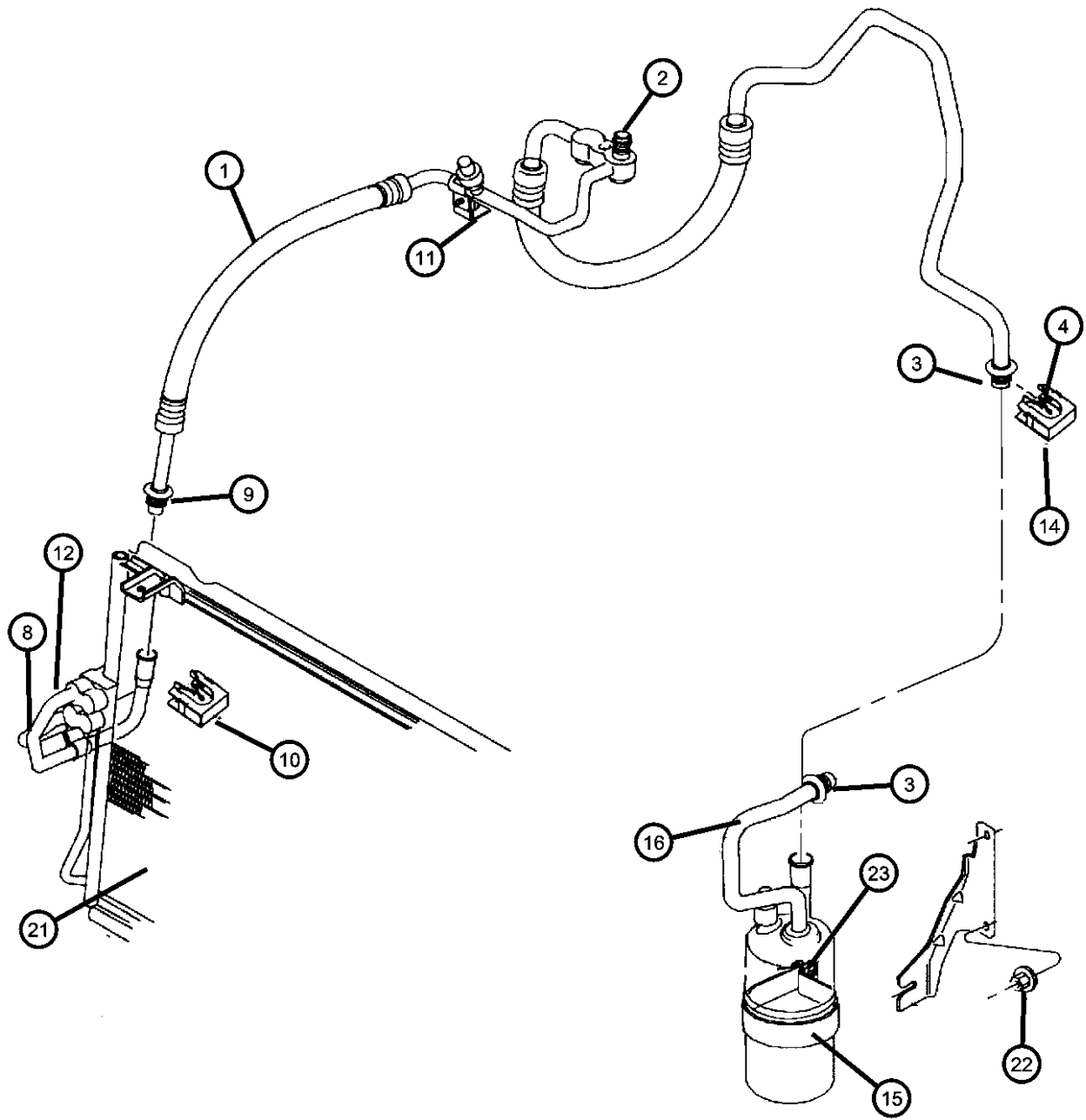
SERIES	LINE	BODY	ENGINE	TRANSMISSION
L = Low Line	J = JEEP - 4WD U = JEEP - 4WD (RHD)	77 = OPEN BODY 2-DOOR	EPE = ENGINE - 2.5L POWER TECH I-4 Cyl. ERH = ENGINE - 4.0L POWER TECH I-6	DDQ = TRANSMISSION - 5-SPEED MANUAL DGD = TRANSMISSION - 3-SPD. AUTOMATIC, 30RH DGG = TRANSMISSION - 3-SPD. AUTOMATIC, 32RH

AR = use ase required - = Non illustrated part

1999 TJ



Pluming, Hevac 4.0L Engine, Rhd
Figure 24-240



ITEM	PART NUMBER	QTY	LINE	SERIES	BODY	ENGINE	TRANS	TRIM	DESCRIPTION
------	-------------	-----	------	--------	------	--------	-------	------	-------------

Note: Sales Code ER0 = 4.0L Gas Engine

1	55037437AB	1				ER0			LINE, A/C Discharge
2	04897617AA	1				ER0			SWITCH, A/C High Pressure Cut Off
3	04796565	1				ER0			O RING, A/C Discharge Line
4	04728856	1	J			ER0			SPRING, Quick Disconnect
-5	04723029	1				ER0			VALVE, A/C Discharge Line Check
-6	04882139	1				ER0			O RING, High Pressure
-7	04741705	2				ER0			O RING, A/C Liquid Line
8	55036292	1	U			EP0, ER0			LINE, A/C Liquid
9	04741705	2				ER0			O RING, A/C Liquid Line
10	55036022	2	U						CLIP, A/C Liquid Line
11	55036782AB	2	U			EP0, ER0			RETAINER, A/C Supply Line
12	55037502AB	1	U			EP0, ER0			TUBE, A/C Liquid Line
-13	04596153	2							CLIP, A/C Quick Disconnect
14	55036304	1	U						BRACKET, Accumulator
15	55036206AB	1							BAND, Accumulator Retaining, Support
16	55037442AA	1	U			EP0, ER0			ACCUMULATOR, Suction Line
-17	04740401	2	U			EP0, ER0			O RING, A/C Suction Line
-18	04723399	1	U			EP0, ER0			SPRING, Suction Line Coupling
-19	04723029	1				ER0			VALVE, A/C Discharge Line Check
-20	04596152	4	U						CLIP, A/C Quick Disconnect
21	55037483AC	1	U			EP0, ER0			CONDENSER, Air Conditioning
22	55037483AC	1							NUT, (NOT SERVICED)
23	55037483AC	1							SCREW, (NOT SERVICED)

WRANGLER (TJ)

SERIES	LINE	BODY	ENGINE	TRANSMISSION
L = Low Line	J = JEEP - 4WD U = JEEP - 4WD (RHD)	77 = OPEN BODY 2-DOOR	EPE = ENGINE - 2.5L POWER TECH I-4 Cyl. ERH = ENGINE - 4.0L POWER TECH I-6	DDQ = TRANSMISSION - 5-SPEED MANUAL DGD = TRANSMISSION - 3-SPD. AUTOMATIC, 30RH DGG = TRANSMISSION - 3-SPD. AUTOMATIC, 32RH

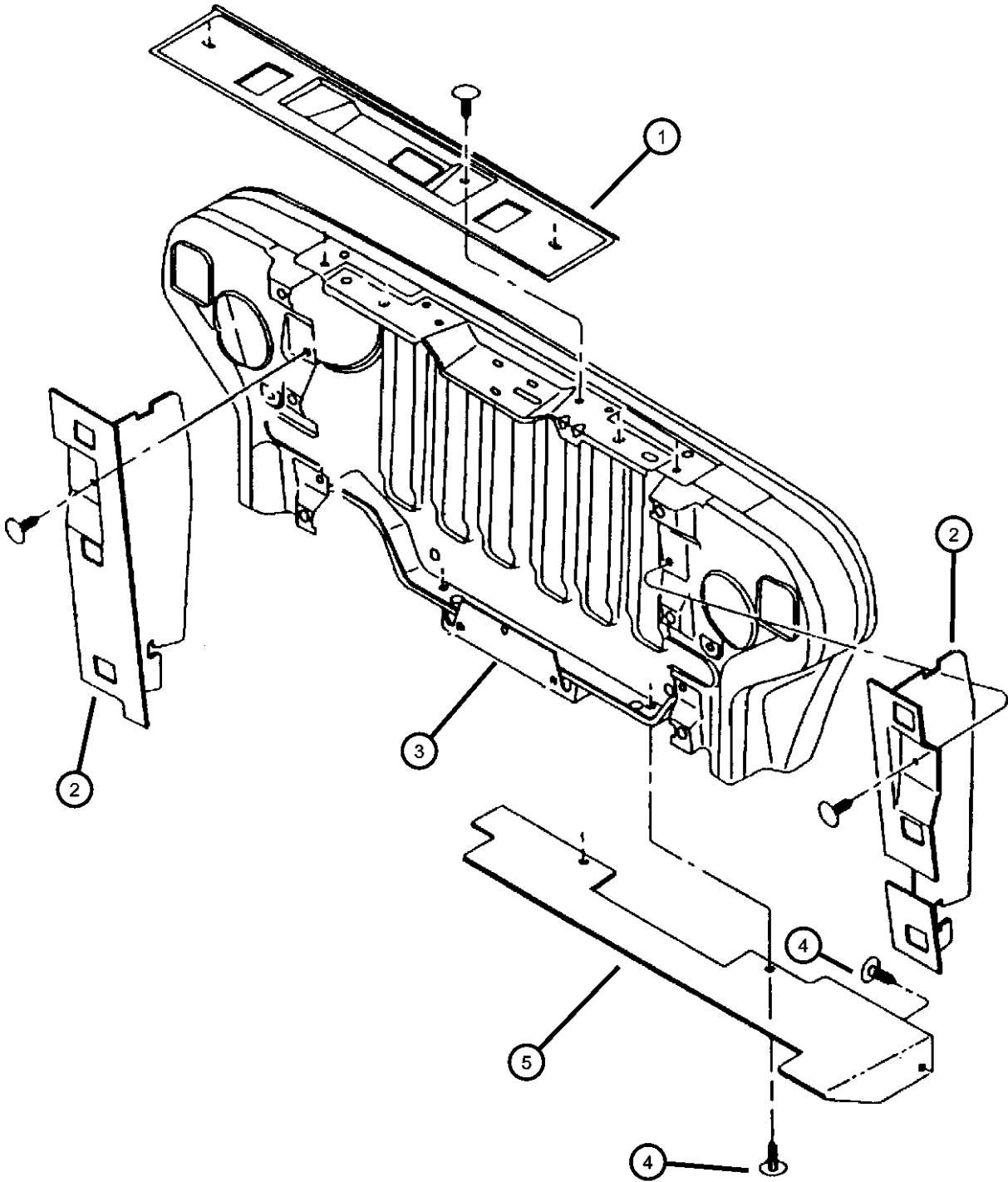
AR = use ase required - = Non illustrated part

1999 TJ

Seals, A/c Condenser

Figure 24-245

ITEM	PART NUMBER	QTY	LINE	SERIES	BODY	ENGINE	TRANS	TRIM	DESCRIPTION
1	55036369	1							SEAL, Condenser
2	55036866AC	1							SEAL, Condenser
3	55036867	1							SEAL, Condenser, Condenser to Grille
4	06030441	12							PIN, Retainer, Push
5	55036369	1							SEAL, Condenser, Lower

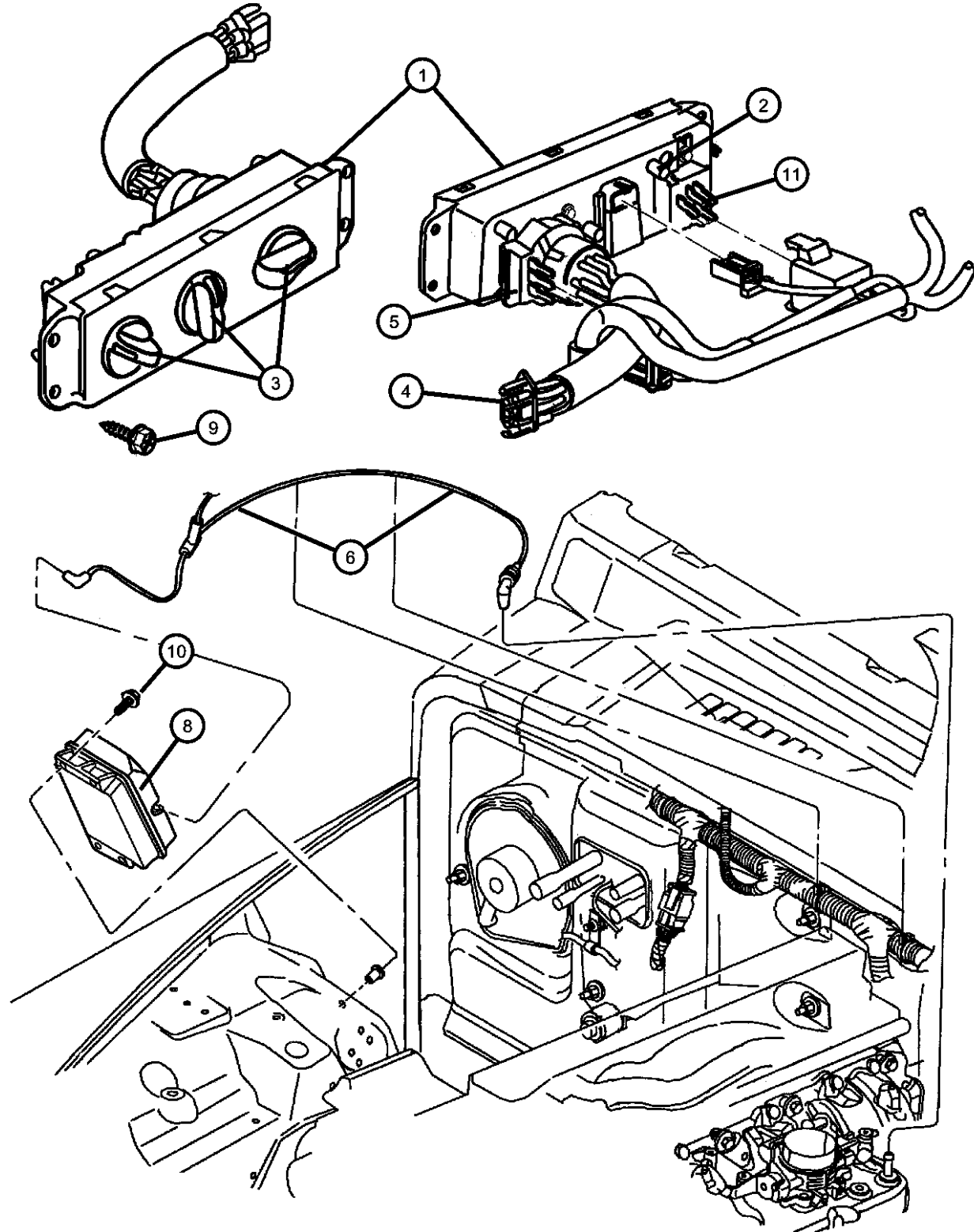


WRANGLER (TJ)

SERIES	LINE	BODY	ENGINE	TRANSMISSION
L = Low Line	J = JEEP - 4WD U = JEEP - 4WD (RHD)	77 = OPEN BODY 2-DOOR	EPE = ENGINE - 2.5L POWER TECH I-4 Cyl. ERH = ENGINE - 4.0L POWER TECH I-6	DDQ = TRANSMISSION - 5-SPEED MANUAL DGD = TRANSMISSION - 3-SPD. AUTOMATIC, 30RH DGG = TRANSMISSION - 3-SPD. AUTOMATIC, 32RH

AR = use ase required - = Non illustrated part

Control, Heater And A/c
Figure 24-310



ITEM	PART NUMBER	QTY	LINE	SERIES	BODY	ENGINE	TRANS	TRIM	DESCRIPTION
------	-------------	-----	------	--------	------	--------	-------	------	-------------

Note: Sales Code EP0 = 2.5L Gas Engine
Note: Sales Code ER0 = 4.0L Gas Engine

1	55037472AB	1							CONTROL UNIT, Air Conditioning without A/C
	55037473AB	1							with A/C
2	05013829AA	1							BULB, Heater and A/C Control
3	05011218AB	3							KNOB, A/C And Heater Control - Rotary
4									HARNES, A/C And Heater Vacuum
	05013830AA	1							without A/C
	05013831AA	1							with A/C
5									SWITCH, A/C and Heater Vacuum
	05013832AA	1							without A/C
	05013833AA	1							with A/C
6									HOSE AND VALVE, Vacuum
	55036353AC	1	U			EP0			
	55037393AC	1	J			EP0			
	55037491AC	1	U			ER0			
	55037500AB	1	J			ER0			
-7	55037314	1	J						CLIP, Vacuum Harness
8	55035614	1							RESERVOIR, Vacuum, Cruise Control
9	06034205	1							SCREW, Pan Head, .19-32x.625
10	06034949	4							SCREW, M4.2x1.69x19.05
11	05011214AA	1							SWITCH, Blower Control

WRANGLER (TJ)

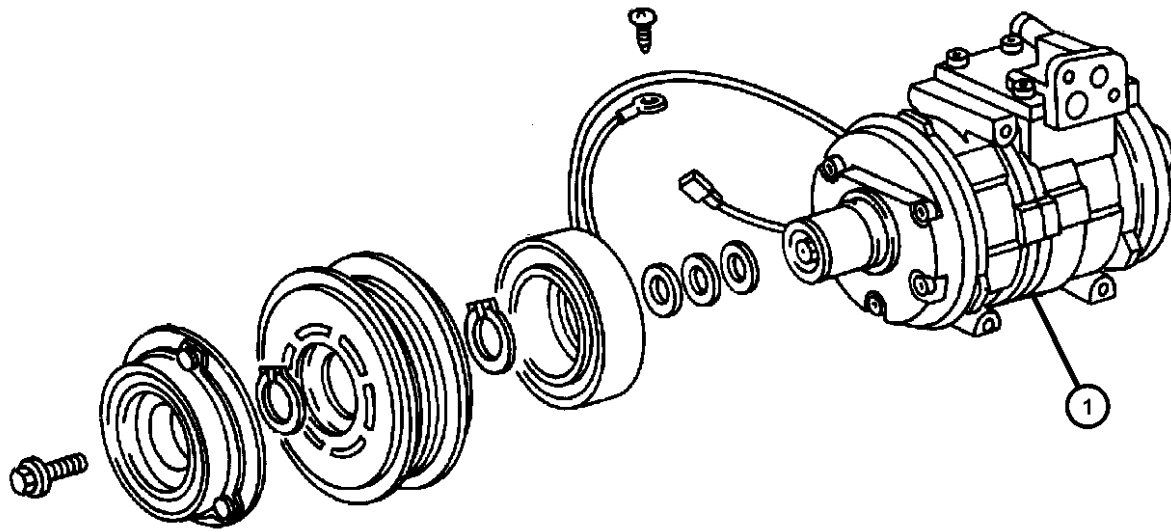
SERIES	LINE	BODY	ENGINE	TRANSMISSION
L = Low Line	J = JEEP - 4WD U = JEEP - 4WD (RHD)	77 = OPEN BODY 2-DOOR	EPE = ENGINE - 2.5L POWER TECH I-4 Cyl. ERH = ENGINE - 4.0L POWER TECH I-6	DDQ = TRANSMISSION - 5-SPEED MANUAL DGD = TRANSMISSION - 3-SPD. AUTOMATIC, 30RH DGG = TRANSMISSION - 3-SPD. AUTOMATIC, 32RH

AR = use ase required - = Non illustrated part

1999 TJ

Compressor, A/c
Figure 24-410

ITEM	PART NUMBER	QTY	LINE	SERIES	BODY	ENGINE	TRANS	TRIM	DESCRIPTION
Note: Sales Code ER0 = 4.0 L Engine									
1	55037432AA	1				EP0, ER0			COMPRESSOR, Air Conditioning
-2	05014093AA	1				EP0, ER0			MANIFOLD KIT, A/C Compressor
-3	04728854	1				EP0, ER0			SEAL, Manifold To Compressor
-4	05264457	1				EP0, ER0			BOLT KIT, A/C Compressor Manifold
-5	05003681AA	1				EP0, ER0			COIL, Air Conditioning Clutch
-6	04720834	1				EP0, ER0			PULLEY HUB KIT, A/C Compressor
-7	05264454	1				EP0, ER0			SNAP RING KIT, A/C Clutch
-8	82300102	1				EP0, ER0			LUBRICANT, Oil, 75w90



WRANGLER (TJ)

SERIES

LINE

BODY

ENGINE

TRANSMISSION

L = Low Line

J = JEEP - 4WD

77 = OPEN BODY 2-DOOR

EPE = ENGINE - 2.5L POWER TECH I-4 Cyl.

DDQ = TRANSMISSION - 5-SPEED MANUAL

U = JEEP - 4WD (RHD)

ERH = ENGINE - 4.0L POWER TECH I-6

DGD = TRANSMISSION - 3-SPD. AUTOMATIC, 30RH

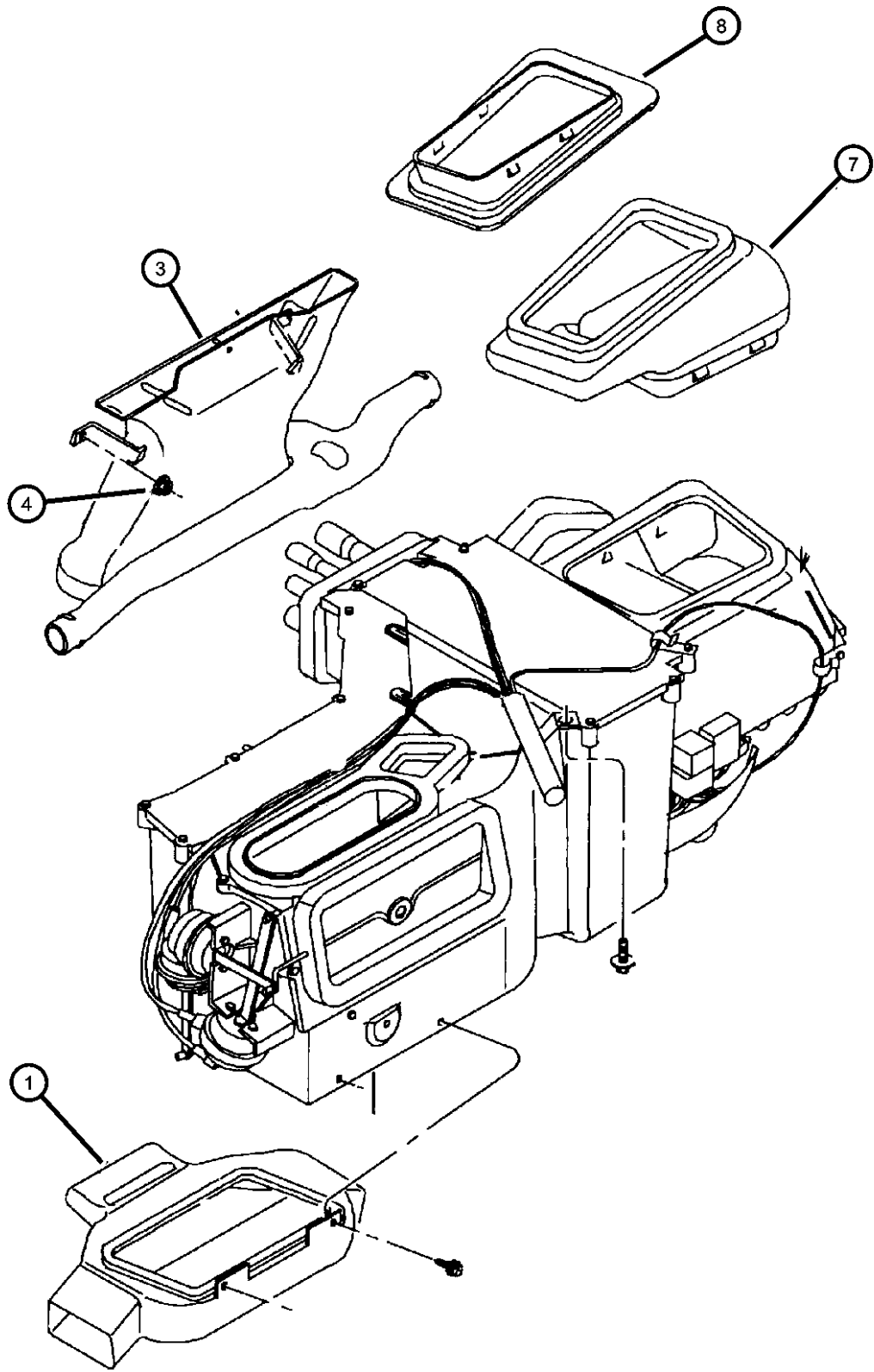
DGG = TRANSMISSION - 3-SPD. AUTOMATIC, 32RH

AR = use ase required - = Non illustrated part

1999 TJ

Ducts, Heater And A/c
Figure 24-610

ITEM	PART NUMBER	QTY	LINE	SERIES	BODY	ENGINE	TRANS	TRIM	DESCRIPTION
1	04874088	1	J						DUCT, Floor Distribution
	04874089	1	U						
2	55115158	1	J						DUCT, A/C Outlet
	55115715	1	U						
3	55115161	1	J						DUCT, Defroster
4	06100839	2							NUT, Push, M5
-5	55115576	1	U						DUCT, Door Demister
	55115577	1	J						
-6	55036308	1	U						ADAPTER, Demister
	55036309	1	J						
7	55115157	1	J						DUCT, Fresh Air
8	55036474	1	J						COLLAR, Plenum Plenum Panel Air Inlet
	55036497	1	U						



WRANGLER (TJ)

SERIES

L = Low Line

LINE

J = JEEP - 4WD

U = JEEP - 4WD (RHD)

BODY

77 = OPEN BODY 2-DOOR

ENGINE

EPE = ENGINE - 2.5L POWER TECH I-4 Cyl.

ERH = ENGINE - 4.0L POWER TECH I-6

TRANSMISSION

DDQ = TRANSMISSION - 5-SPEED MANUAL

DGD = TRANSMISSION - 3-SPD. AUTOMATIC, 30RH

DGG = TRANSMISSION - 3-SPD. AUTOMATIC, 32RH

AR = use ase required - = Non illustrated part

1999 TJ

Group - 25

Emission Systems

Group - 25 Emission Systems

Illustration Title

Group-Fig. No.

Emission Labels

Emission Labels Fig. 25 - 110

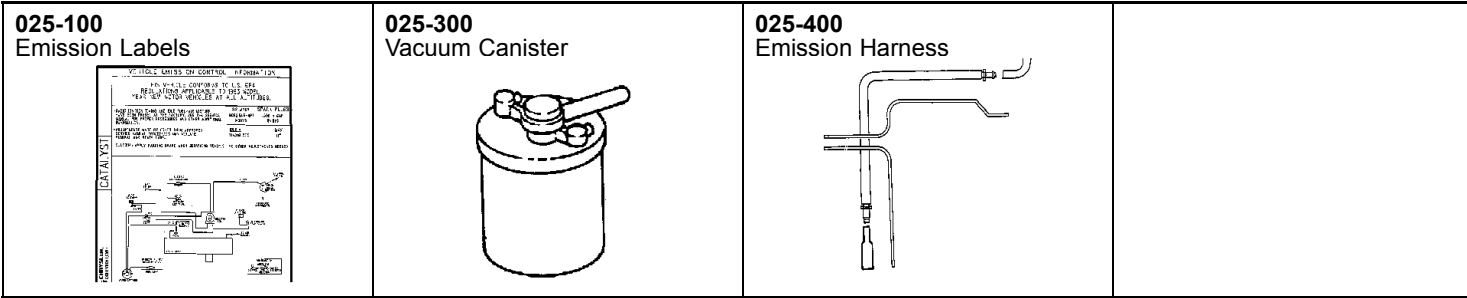
Vacuum Canister

Vacuum Canister Fig. 25 - 315

Emission Harness

Emission Control Vacuum Harness Fig. 25 - 410

Leak Detection Pump Fig. 25 - 420

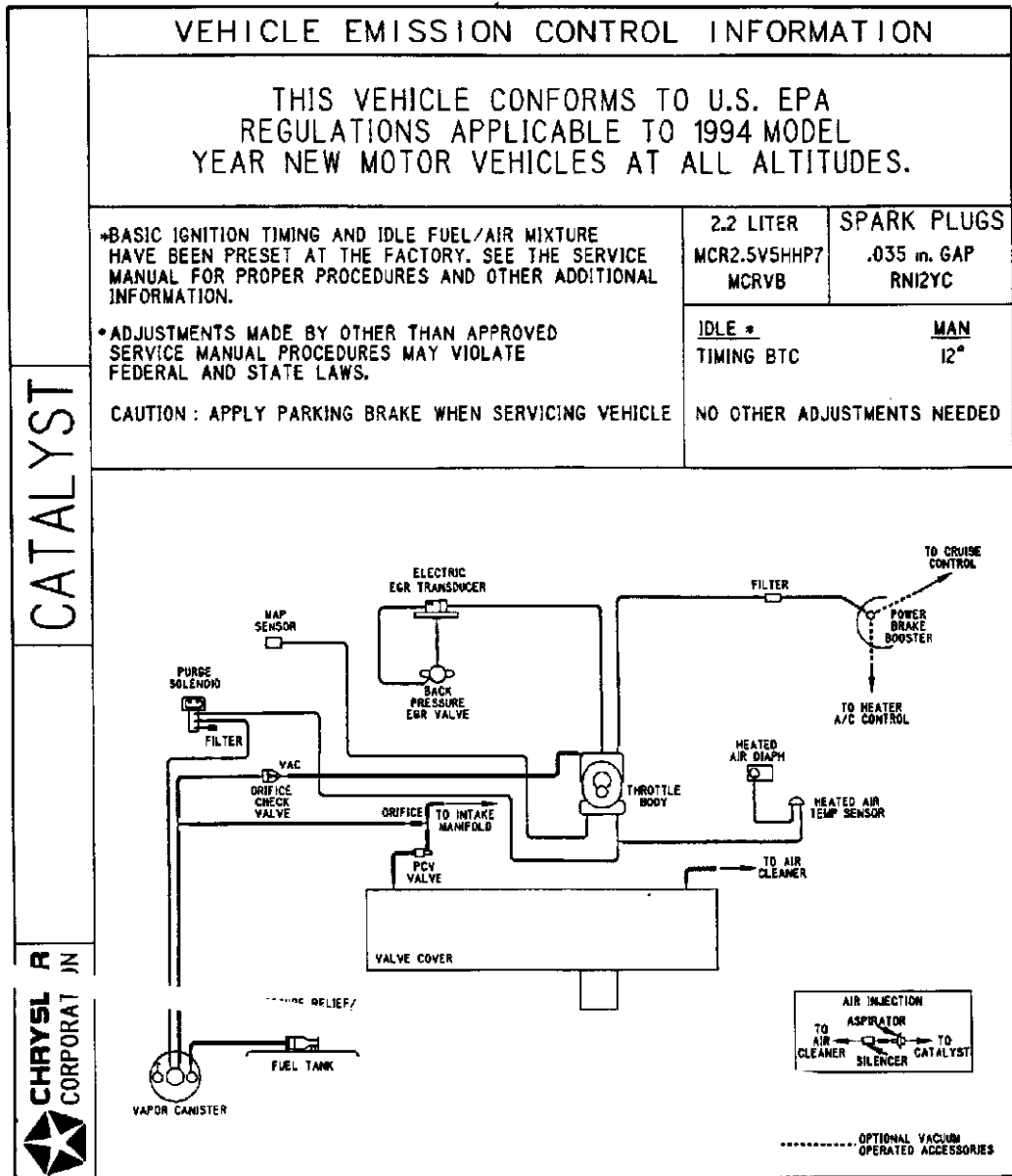


Emission Labels
Figure 25-110

ITEM	PART NUMBER	QTY	LINE	SERIES	BODY	ENGINE	TRANS	TRIM	DESCRIPTION
------	-------------	-----	------	--------	------	--------	-------	------	-------------

Note; DBB= All Manual Transmissions
 DG0= All Automatic Transmissions
 EPE= 2.5L Power Tech I-4
 ERH= 4.0L Power Tech I-6

1									LABEL, Emission
	53031824AA	1				EPE			Federal
	53031825AA	1				EPE			Canada
	53031827AA	1				EPE			California
	53031828AA	1				EPE			Europe
	53031829AA	1				ERH			Federal
	53031831AA	1				ERH			California
	53031832AA	1				ERH			Europe



WRANGLER (TJ)

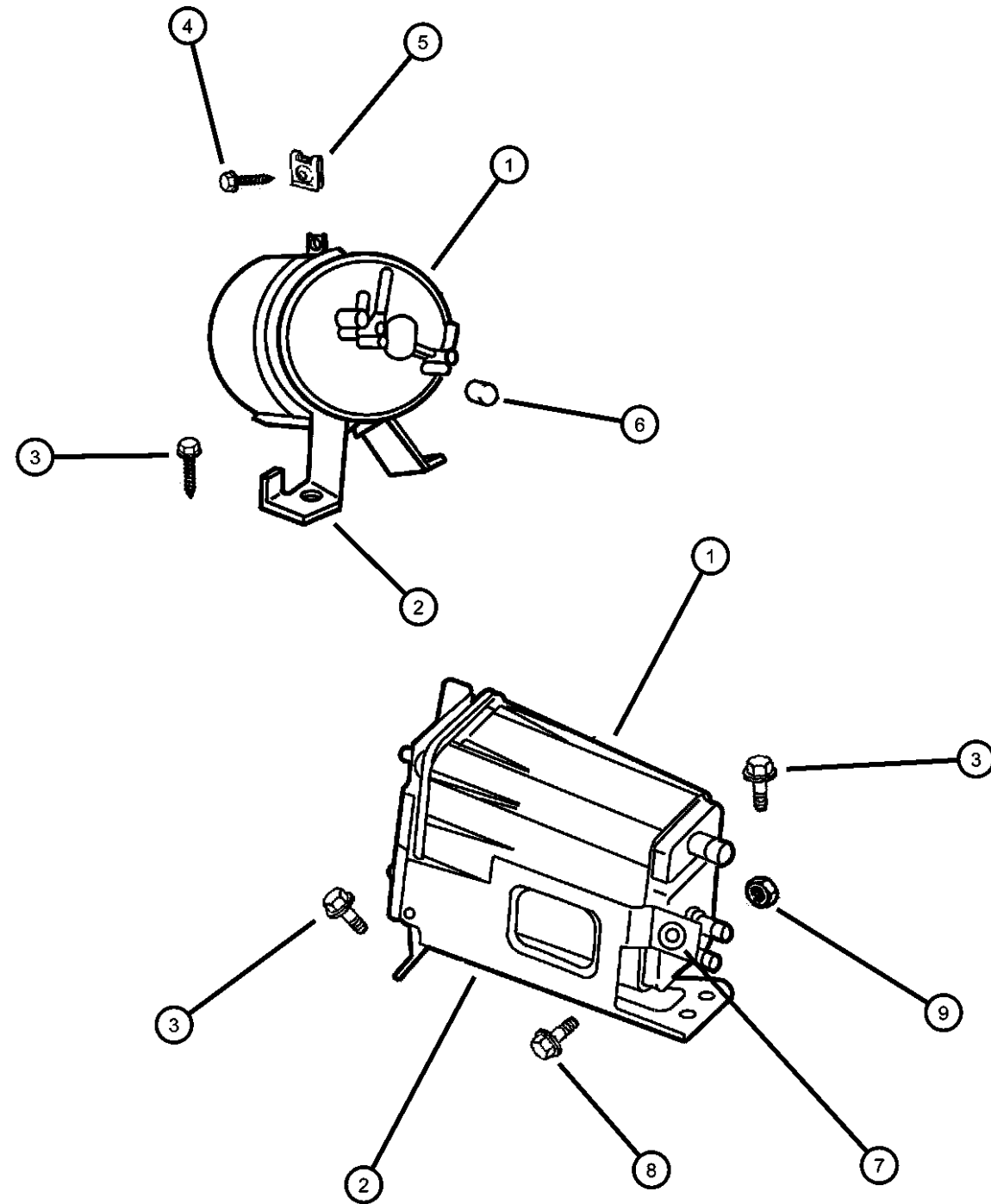
SERIES	LINE	BODY	ENGINE	TRANSMISSION
L = Low Line	J = JEEP - 4WD U = JEEP - 4WD (RHD)	77 = OPEN BODY 2-DOOR	EPE = ENGINE - 2.5L POWER TECH I-4 Cyl. ERH = ENGINE - 4.0L POWER TECH I-6	DDQ = TRANSMISSION - 5-SPEED MANUAL DGD = TRANSMISSION - 3-SPD. AUTOMATIC, 30RH DGG = TRANSMISSION - 3-SPD. AUTOMATIC, 32RH

AR = use as required - = Non illustrated part

Vacuum Canister
Figure 25-315

ITEM	PART NUMBER	QTY	LINE	SERIES	BODY	ENGINE	TRANS	TRIM	DESCRIPTION
------	-------------	-----	------	--------	------	--------	-------	------	-------------

Note; EP0= All 2.5L Engines
ER0= All 4.0L Engines



1	53030838	1				EP0, ER0			CANISTER, Vapor Federal, California
	53031904AB	1				EP0, ER0			Europe, Leaded Gas
2	53013031AB	1				EP0, ER0			BRACKET, Vapor Canister Federal, California
	53030617AC	1				EP0, ER0			Europe, Leaded Gas
3	53030617AC	1							SCREW, M6x1.00x20.00, (NOT SERVICED),
4	06035399	1				EP0, ER0			SCREW, .25-20
5	00153355	1				EP0, ER0			U-NUT, .25-20
6	04192074	1				EP0, ER0			CAP, Vapor Canister
7	04669177	2				EP0, ER0			GROMMET, Air Cleaner Bracket
8	06101452	1				EP0, ER0			SCREW AND WASHER, Hex Head, M8x1.25x20
9	06101467	1				EP0, ER0			NUT, Hex Flange, M8x1.25

WRANGLER (TJ)

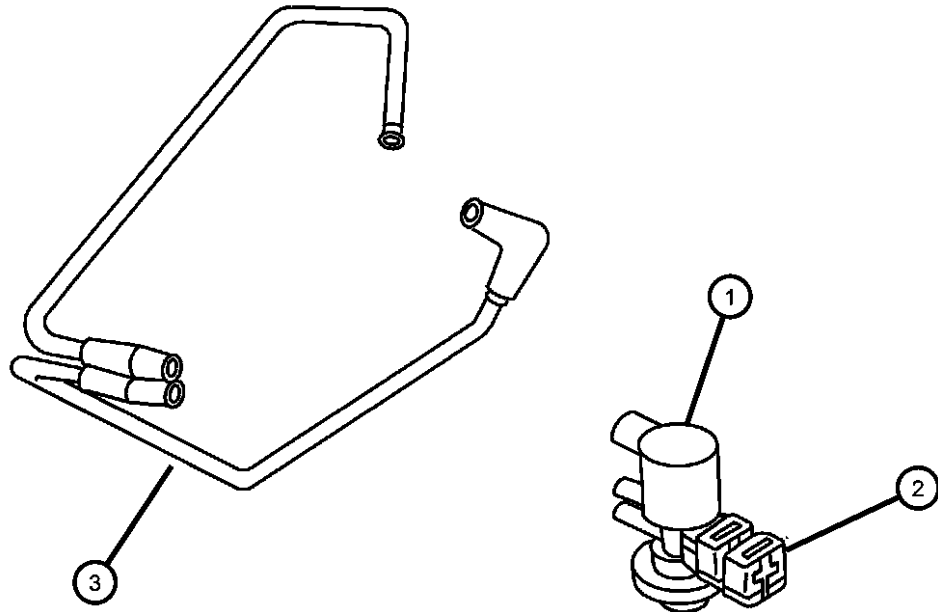
SERIES	LINE	BODY	ENGINE	TRANSMISSION
L = Low Line	J = JEEP - 4WD U = JEEP - 4WD (RHD)	77 = OPEN BODY 2-DOOR	EPE = ENGINE - 2.5L POWER TECH I-4 Cyl. ERH = ENGINE - 4.0L POWER TECH I-6	DDQ = TRANSMISSION - 5-SPEED MANUAL DGD = TRANSMISSION - 3-SPD. AUTOMATIC, 30RH DGG = TRANSMISSION - 3-SPD. AUTOMATIC, 32RH

AR = use ase required - = Non illustrated part

1999 TJ

**Emission Control Vacuum Harness
Figure 25-410**

ITEM	PART NUMBER	QTY	LINE	SERIES	BODY	ENGINE	TRANS	TRIM	DESCRIPTION
Note; EP0= All 2.5L Engines ER0= All 4.0L Engines									
1	04669475AB	1				EP0, ER0			SOLENOID, Duty Cycle Purge
2	04796704	1				EP0, ER0			BRACKET, Duty Cycle Purge Solenoid, w/Bushing
3									HARNESS, Vacuum Canister Purge
	04854134AC	1				ER0			Federal, California
	04854160	1				EP0			Leaded Fuel
	04854163AB	1				ER0			Leaded Fuel
-4	04591090	1				EP0			PORT, Emission Testing



WRANGLER (TJ)

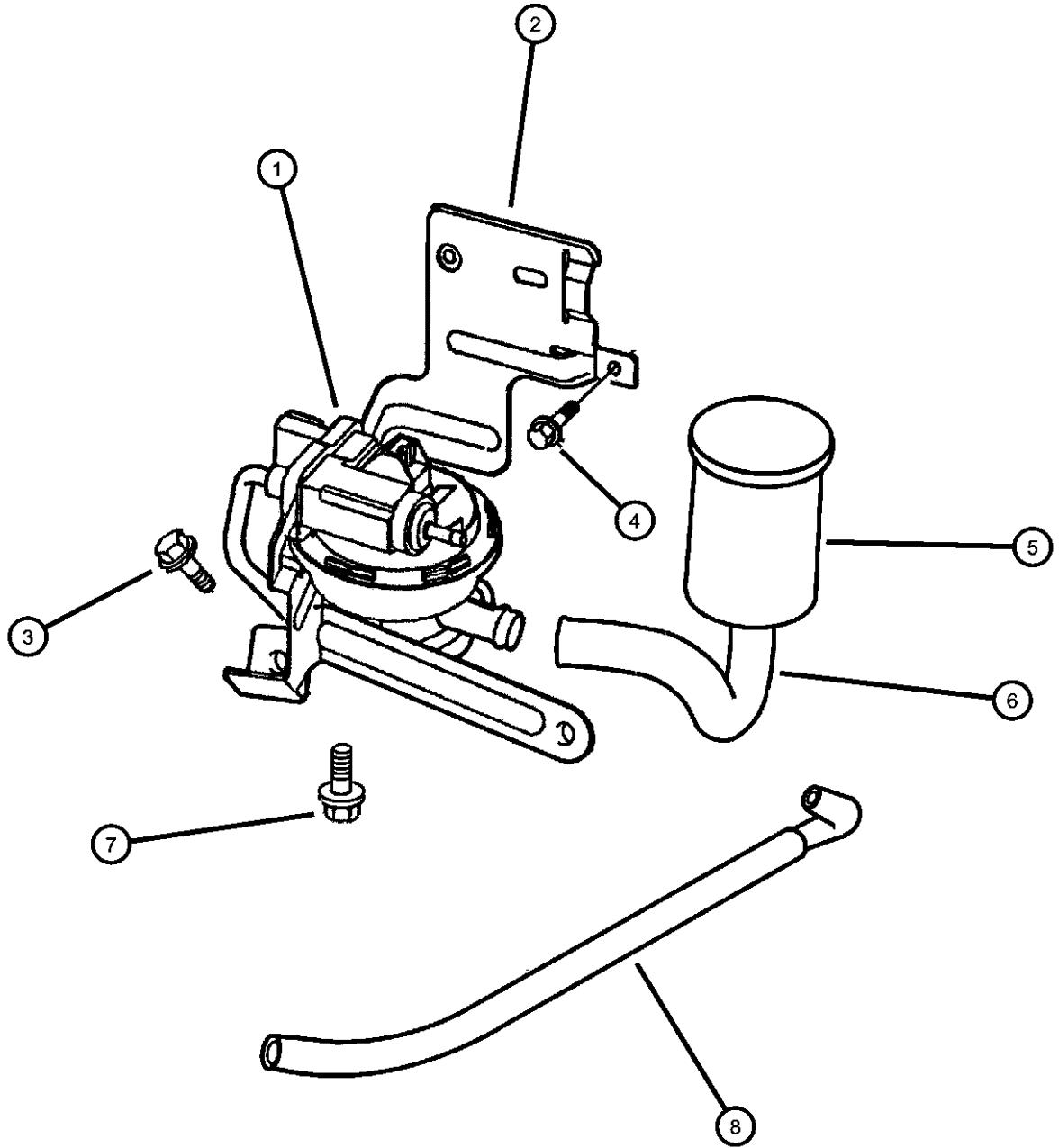
SERIES	LINE	BODY	ENGINE	TRANSMISSION
L = Low Line	J = JEEP - 4WD U = JEEP - 4WD (RHD)	77 = OPEN BODY 2-DOOR	EPE = ENGINE - 2.5L POWER TECH I-4 Cyl. ERH = ENGINE - 4.0L POWER TECH I-6	DDQ = TRANSMISSION - 5-SPEED MANUAL DGD = TRANSMISSION - 3-SPD. AUTOMATIC, 30RH DGG = TRANSMISSION - 3-SPD. AUTOMATIC, 32RH

AR = use ase required - = Non illustrated part

1999 TJ

**Leak Detection Pump
Figure 25-420**

ITEM	PART NUMBER	QTY	LINE	SERIES	BODY	ENGINE	TRANS	TRIM	DESCRIPTION
Note; EP0= All 2.5L Engines ER0= All 4.0L Engines									
1	53013114AA	1				EP0, ER0			PUMP, Leak Detection
2	04854172	1				EP0, ER0			BRACKET, Leak Detection Pump
3	04854172	1							SCREW, M6x1.00x20.00, (NOT SERVICED)
4	04854172	1							SCREW, M6x1.00x11.00, (NOT SERVICED)
5	04612901	1				EP0, ER0			FILTER, Leak Detection Pump
6	04854195	1				EP0, ER0			HOSE, Leak Detection Pump
7	06035482	3				EP0, ER0			SCREW, Tapping, .19-16x.375
8	04854195AC	1				EP0, ER0			HOSE, Leak Detection Pump to Canister
-9	53013034AB	1				ER0			TUBE, LDP to Intake Manifold



WRANGLER (TJ)

SERIES	LINE	BODY	ENGINE	TRANSMISSION
L = Low Line	J = JEEP - 4WD U = JEEP - 4WD (RHD)	77 = OPEN BODY 2-DOOR	EPE = ENGINE - 2.5L POWER TECH I-4 Cyl. ERH = ENGINE - 4.0L POWER TECH I-6	DDQ = TRANSMISSION - 5-SPEED MANUAL DGD = TRANSMISSION - 3-SPD. AUTOMATIC, 30RH DGG = TRANSMISSION - 3-SPD. AUTOMATIC, 32RH

AR = use ase required - = Non illustrated part

Group - DTJ

Doors and Related Parts

Group - DTJ Doors and Related Parts

Illustration Title

Group-Fig. No.

Front Door

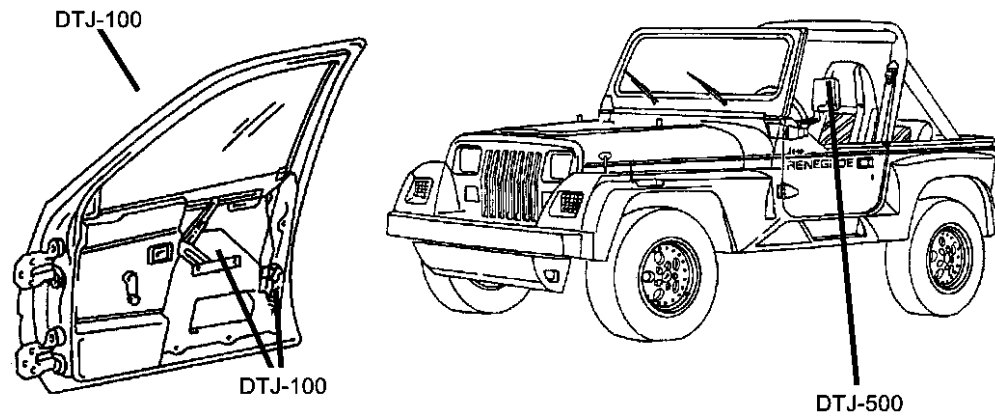
Door, Full Front Shell And Hinges	Fig. DTJ - 110
Door, Full Front Glass And Regulator	Fig. DTJ - 120
Door, Full Front Lock And Controls	Fig. DTJ - 130
Door, Half Front Shell And Hinges	Fig. DTJ - 160
Door, Half Front Lock And Controls	Fig. DTJ - 170

Exterior Mirror

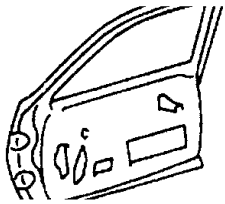
Mirror, Exterior	Fig. DTJ - 510
------------------------	----------------

Weatherstrips and Seals

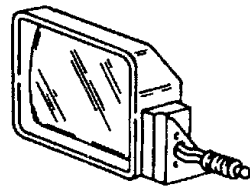
Door Weatherstrips And Runs	Fig. DTJ - 610
-----------------------------------	----------------



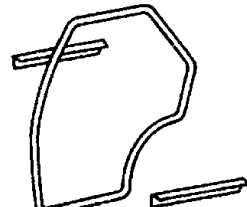
DTJ-100
Front Door



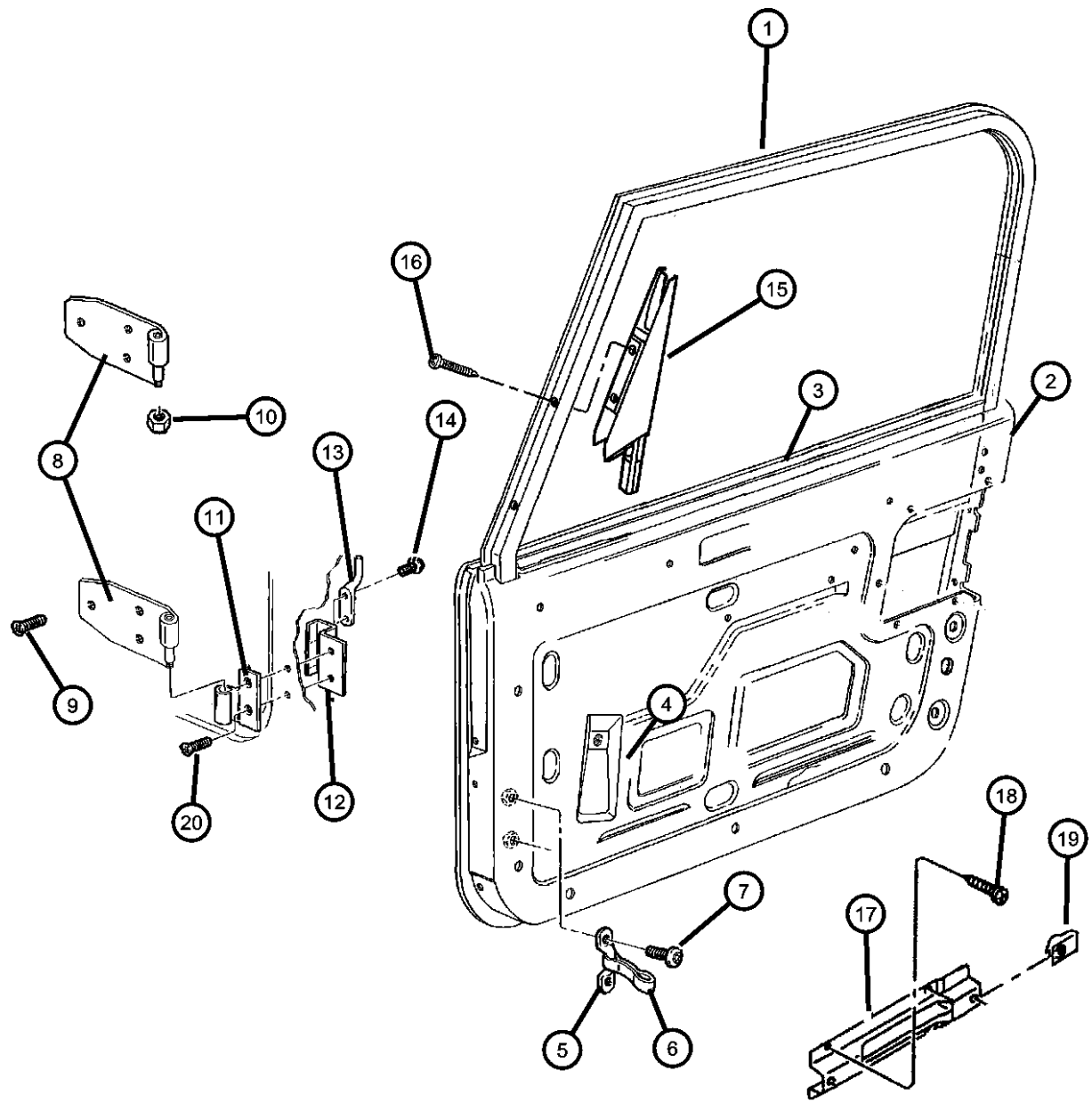
DTJ-500
Exterior Mirror



DTJ-600
Weatherstrips and Seals



**Door, Full Front Shell And Hinges
Figure DTJ-110**



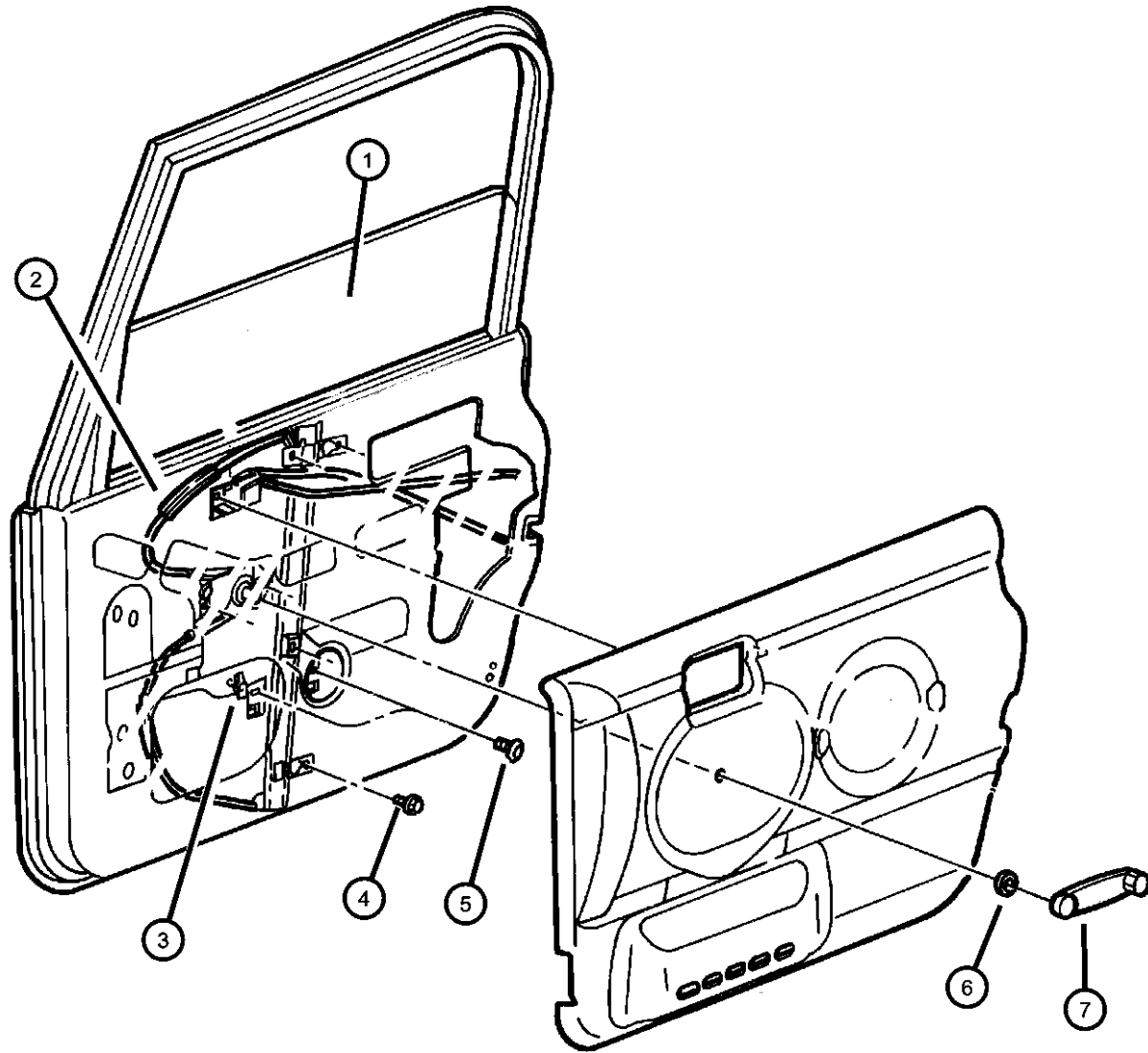
ITEM	PART NUMBER	QTY	LINE	SERIES	BODY	ENGINE	TRANS	TRIM	DESCRIPTION
1	04864668AB	1							DOOR, Front, Complete Right
	04864669AB	1							Left
2	55176536AB	1							DOOR, Front, Shell Right
	55176537AB	1							Left
3	55176540	1							PANEL, Door Outer Right
	55176541	1							Left
4	55175786AD	1							WATERSHIELD, Front Door Right
	55175787AD	1							Left
5	55013666	1							FOOTMAN LOOP, Hold Down
6	55176339	2							CHECK, Front Door
7	06036102AA	2							SCREW, .19-24.50
8	55176366	1							HINGE, Door Half Lower Right
	55176367	1							Lower Left
	55176368	1							Upper Right
	55176369	1							Upper Left
9	06504443	12							SCREW
10	06504417	4							NUT, Hex, M8x1.25
11	55075560	1							HINGE, Body Half Lower Body Half, Right
	55075561	1							Lower Body Half, Left
12	J5459281	2							TAPPING PLATE, Door Hinge Body Half
13	J5459286	2							PIN, Restraint Strap, Check Strap
14	06501979	2							SCREW AND WASHER, Hex Head, M6x1x17
15	55176568AB	1							PANEL, Door Outer Sail, Right
	55176569AB	1							Sail, Left
16	55176569AB	1							SCREW, (NOT SERVICED),
17	55175848AC	2							BRACKET, Grab Handle

WRANGLER (TJ)

SERIES	LINE	BODY	ENGINE	TRANSMISSION
L = Low Line	J = JEEP - 4WD U = JEEP - 4WD (RHD)	77 = OPEN BODY 2-DOOR	EPE = ENGINE - 2.5L POWER TECH I-4 Cyl. ERH = ENGINE - 4.0L POWER TECH I-6	DDQ = TRANSMISSION - 5-SPEED MANUAL DGD = TRANSMISSION - 3-SPD. AUTOMATIC, 30RH DGG = TRANSMISSION - 3-SPD. AUTOMATIC, 32RH

AR = use ase required - = Non illustrated part

**Door, Full Front Glass And Regulator
Figure DTJ-120**



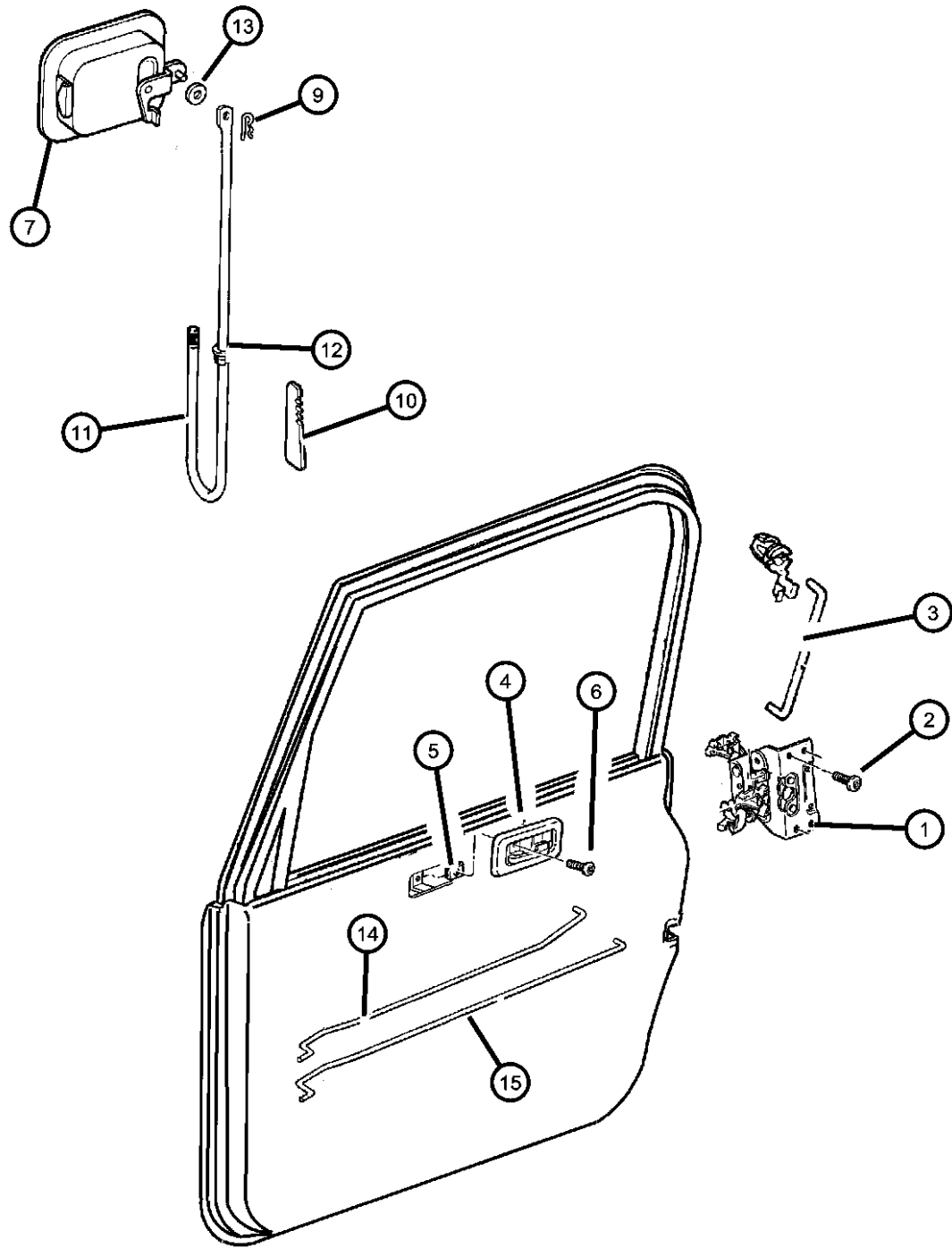
ITEM	PART NUMBER	QTY	LINE	SERIES	BODY	ENGINE	TRANS	TRIM	DESCRIPTION
1									GLASS, Door
	55175324	1							Right
	DD09069GTN								Collision Replacement Glass
	55175325	1							Left
	DD09070GTN								Collision Replacement Glass
2									REGULATOR, Front Door Window
	55076024	1							Right
	55076025	1							Left
3	55176412	4							GROMMET, Body
4	55176412	4							SCREW, (NOT SERVICED)
5	06035224	4							SCREW, Pan Head Special, .25x10x.625
6	55076218	2							SPACER, Door Handle
7	0FW80PX9	2							HANDLE, Window Regulator, Glass Regulator

WRANGLER (TJ)

SERIES	LINE	BODY	ENGINE	TRANSMISSION
L = Low Line	J = JEEP - 4WD U = JEEP - 4WD (RHD)	77 = OPEN BODY 2-DOOR	EPE = ENGINE - 2.5L POWER TECH I-4 Cyl. ERH = ENGINE - 4.0L POWER TECH I-6	DDQ = TRANSMISSION - 5-SPEED MANUAL DGD = TRANSMISSION - 3-SPD. AUTOMATIC,30RH DGG = TRANSMISSION - 3-SPD. AUTOMATIC,32RH

AR = use ase required - = Non illustrated part

Door, Full Front Lock And Controls
Figure DTJ-130



ITEM	PART NUMBER	QTY	LINE	SERIES	BODY	ENGINE	TRANS	TRIM	DESCRIPTION
1	55075990AC	1							LATCH, Front Door Right
	55075991AC	1							Left
2	06033876	6							SCREW, Tapping, M6.3x1.8x38.1, Latch
3	55075989	2							LINK, Latch Locking
4	55176476AB	1							HANDLE, Inside Release Right
	55176477AB	1							Left
5	06503998	2							NUT, U Multi Thread, M5 x .80
6	06505026AA	2							SCREW, M5x16, Remote Control
7									HANDLE, Exterior Door Right
	55176382AE	1							Left
	55176383AE	1							Right
-8	06505026AA	2							SCREW, M5x16
9	J4005122	2							PIN, Hitch, Exterior Handle Rod
10	55076221	4							KEEPER, Outside Handle
11									LINK, Latch Release Exterior Handle to Latch, Right
	55075992	1							Exterior Handle to Latch, Left
	55075993	1							Right
12	55176399	2							BUSHING, Door Handle
13	55176399	2							WASHER, (NOT SERVICED)
14									LINK, Door Latch Right
	55176628AB	1							Left
	55176629AB	1							Right
15									LINK, Door Latch Right
	55176630	1							Left
	55176631	1							Right

WRANGLER (TJ)

SERIES

L = Low Line

LINE

J = JEEP - 4WD

U = JEEP - 4WD (RHD)

BODY

77 = OPEN BODY 2-DOOR

ENGINE

EPE = ENGINE - 2.5L POWER
TECH I-4 Cyl.

ERH = ENGINE - 4.0L
POWER TECH I-6

TRANSMISSION

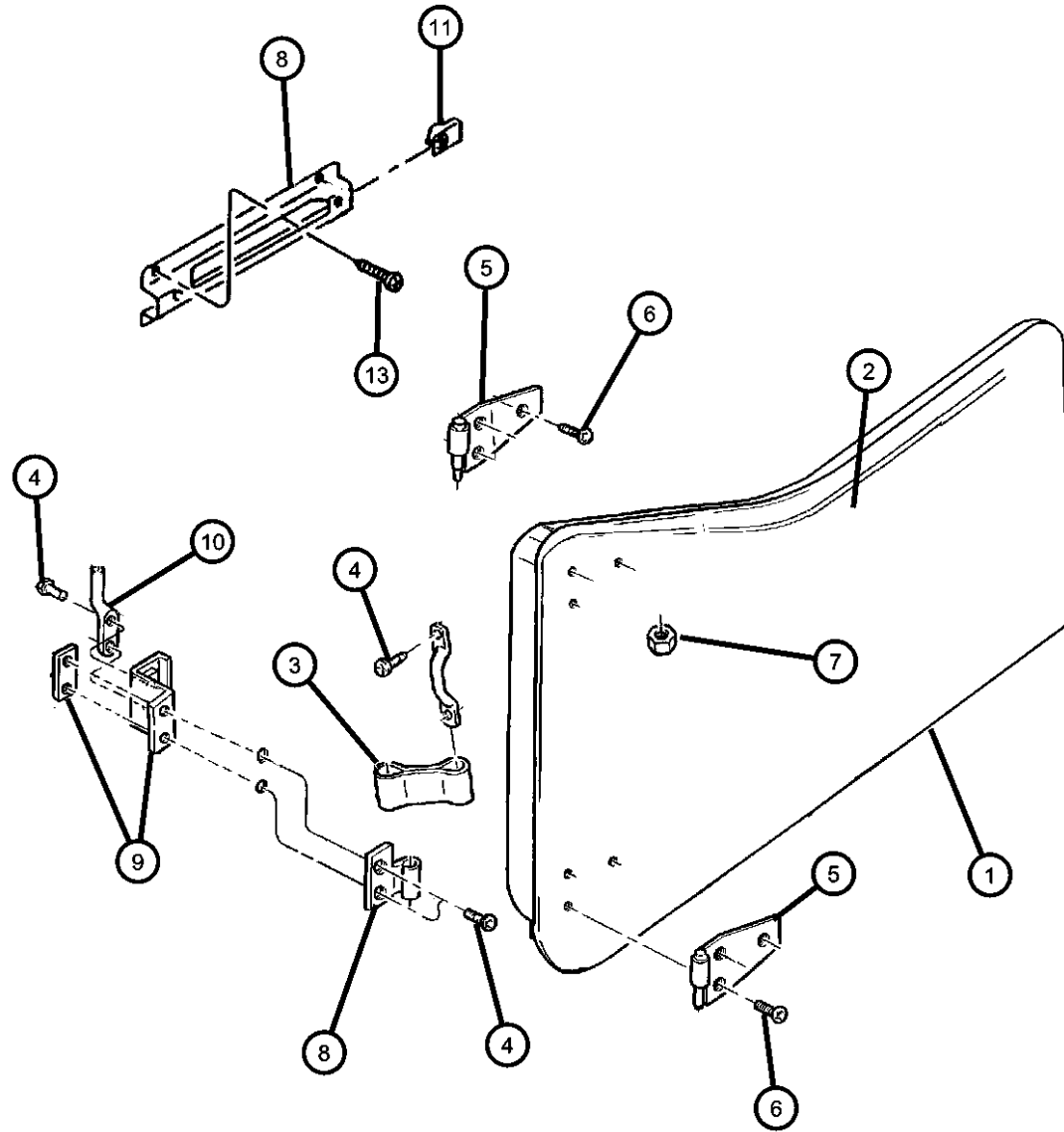
DDQ = TRANSMISSION - 5-SPEED
MANUAL

DGD = TRANSMISSION - 3-SPD.
AUTOMATIC, 30RH
DGG = TRANSMISSION - 3-SPD.
AUTOMATIC, 32RH

AR = use ase required - = Non illustrated part

1999 TJ

**Door, Half Front Shell And Hinges
Figure DTJ-160**



ITEM	PART NUMBER	QTY	LINE	SERIES	BODY	ENGINE	TRANS	TRIM	DESCRIPTION
1									DOOR, Front
	55174846	1							Right
	55174847	1							Left
2									PANEL, Door Outer
	55175196	1							Right
	55175197	1							Left
3	55176339	2							CHECK, Front Door
4	06036102AA	4							SCREW, .19-24.50
5									HINGE, Door Half
	55176366	1							Lower, Right
	55176367	1							Lower, Left
	55176368	1							Upper, Right
	55176369	1							Upper, Left
6	06504443	12							SCREW
7	06504417	4							NUT, Hex, M8x1.25
8									HINGE, Body Half
	55075560	1							Lower Body Half, Right
	55075561	1							Lower Body Half, Left
9	J5459281	2							TAPPING PLATE, Door Hinge Body Half
10	J5459286	2							PIN, Restraint Strap
11	06504993AA	4							NUT
12	55175849AC	2							BRACKET, Grab Handle
13	55175849AC	2							SCREW, (NOT SERVICED)
14	55013666	2							FOOTMAN LOOP, Hold Down
15	06035757	4							SCREW

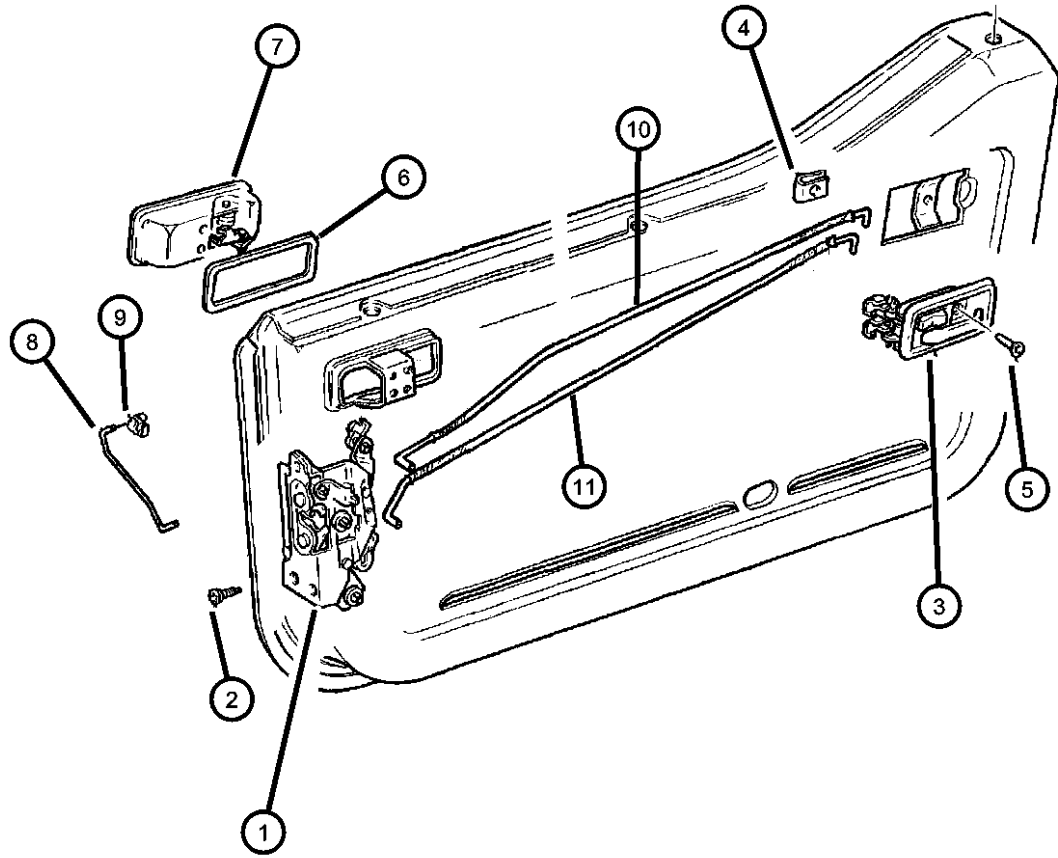
WRANGLER (TJ)

SERIES	LINE	BODY	ENGINE	TRANSMISSION
L = Low Line	J = JEEP - 4WD U = JEEP - 4WD (RHD)	77 = OPEN BODY 2-DOOR	EPE = ENGINE - 2.5L POWER TECH I-4 Cyl. ERH = ENGINE - 4.0L POWER TECH I-6	DDQ = TRANSMISSION - 5-SPEED MANUAL DGD = TRANSMISSION - 3-SPD. AUTOMATIC,30RH DGG = TRANSMISSION - 3-SPD. AUTOMATIC,32RH

AR = use ase required - = Non illustrated part

Door, Half Front Lock And Controls
Figure DTJ-170

ITEM	PART NUMBER	QTY	LINE	SERIES	BODY	ENGINE	TRANS	TRIM	DESCRIPTION
1	55075982	1							LATCH, Front Door Right
	55075983	1							Left
2	06033876	6							SCREW, Tapping, M6.3x1.8x38.1, Latch
3	55176476AB	1							HANDLE, Inside Release Right
	55176477AB	1							Left
4	55075974AB	2							LINK, Latch Locking
5	06505026AA	2							SCREW, M5x16
6	J3743608	2							SEAL, Handle, Exterior Handle
7	55176548AB	1							HANDLE, Exterior Door Right
	55176549AB	1							Left
8	55075976	1							LINK, Latch Release Right
	55075977	1							Left
9	06503998	2							NUT, U Multi Thread, M5 x .80
10	55176626	1							LINK, Door Latch Right
	55176627	1							Left
11	55176624	1							LINK, Door Latch Right
	55176625	1							Left



WRANGLER (TJ)

SERIES

L = Low Line

LINE

J = JEEP - 4WD

U = JEEP - 4WD (RHD)

BODY

77 = OPEN BODY 2-DOOR

ENGINE

EPE = ENGINE - 2.5L POWER
TECH I-4 Cyl.

ERH = ENGINE - 4.0L
POWER TECH I-6

TRANSMISSION

DDQ = TRANSMISSION - 5-SPEED
MANUAL

DGD = TRANSMISSION - 3-SPD.
AUTOMATIC,30RH
DGG = TRANSMISSION - 3-SPD.
AUTOMATIC,32RH

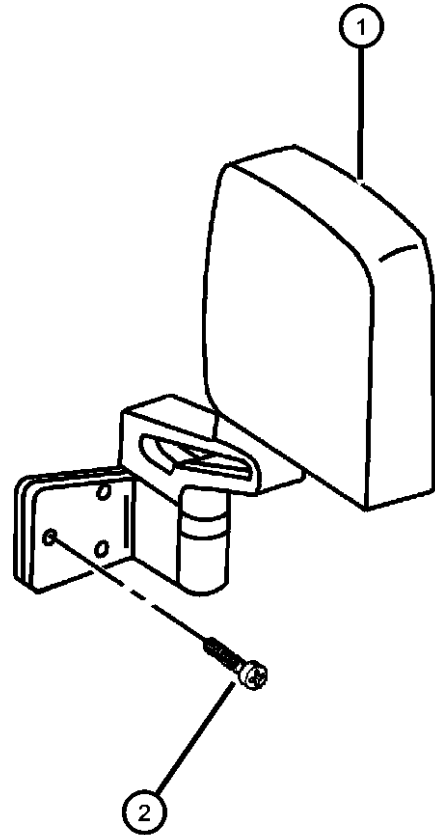
AR = use ase required - = Non illustrated part

1999 TJ

**Mirror, Exterior
Figure DTJ-510**

ITEM	PART NUMBER	QTY	LINE	SERIES	BODY	ENGINE	TRANS	TRIM	DESCRIPTION
------	-------------	-----	------	--------	------	--------	-------	------	-------------

Note: Sales Code GSE = Mirror Right
 Note: Sales Code GRE = Mirror Left
 Note: Sales Code GSV = Mirror Right Manual
 Note: Sales Code GRV = Mirror Left Manual



1									MIRROR, Outside Rearview
	55154882	1	J						GSV, Right
	55154883	1	J						GRV, Left
	55155588	1	J						Middle East, Right
	55155589	1	J						Middle East, Left
2	06034566	6							SCREW, Tapping Flange Head, .25-20x.875, Mirror

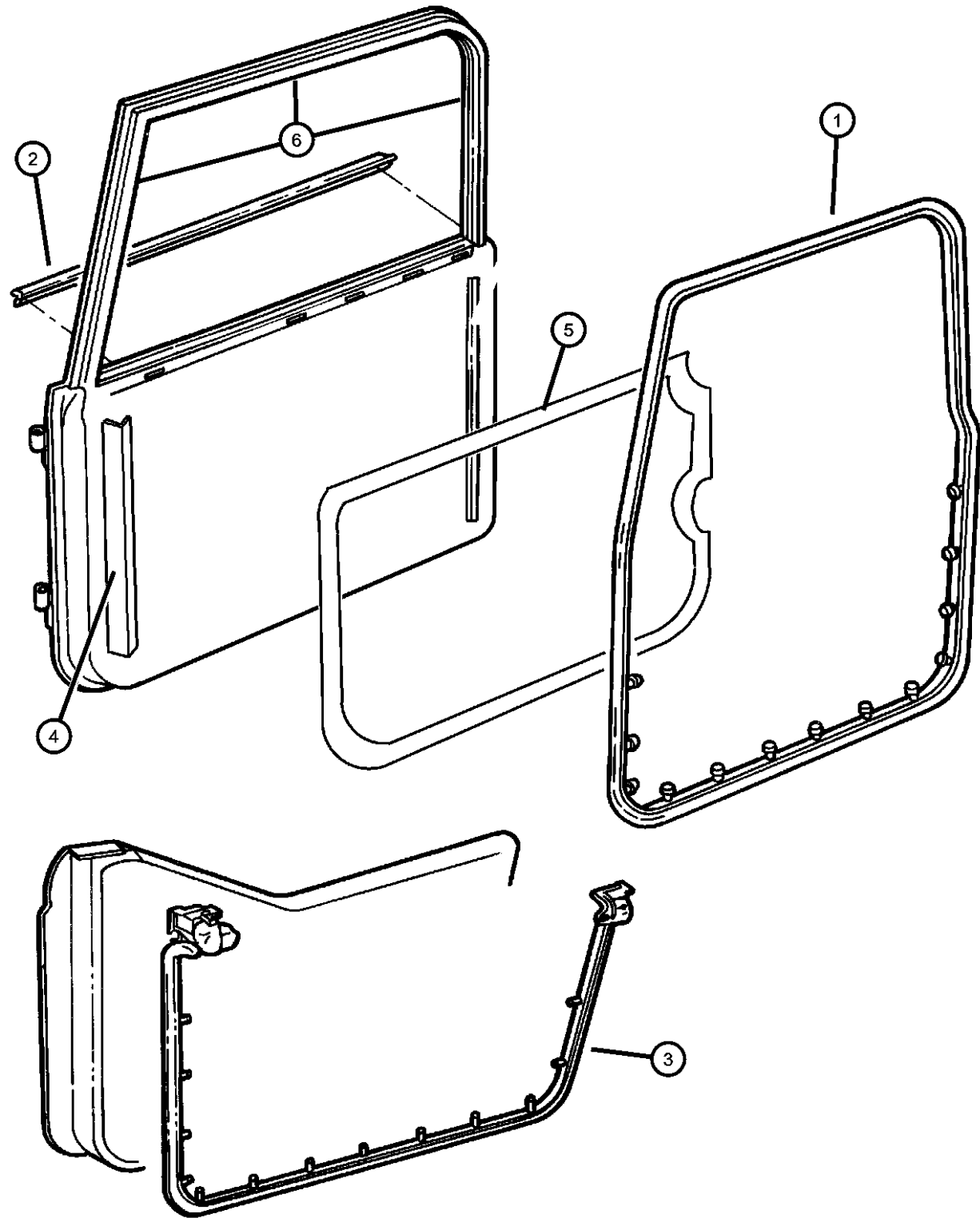
WRANGLER (TJ)

SERIES	LINE	BODY	ENGINE	TRANSMISSION
L = Low Line	J = JEEP - 4WD U = JEEP - 4WD (RHD)	77 = OPEN BODY 2-DOOR	EPE = ENGINE - 2.5L POWER TECH I-4 Cyl. ERH = ENGINE - 4.0L POWER TECH I-6	DDQ = TRANSMISSION - 5-SPEED MANUAL DGD = TRANSMISSION - 3-SPD. AUTOMATIC,30RH DGG = TRANSMISSION - 3-SPD. AUTOMATIC,32RH

AR = use ase required - = Non illustrated part

1999 TJ

**Door Weatherstrips And Runs
Figure DTJ-610**



ITEM	PART NUMBER	QTY	LINE	SERIES	BODY	ENGINE	TRANS	TRIM	DESCRIPTION
1	55176514AF	1							WEATHERSEAL, Full Door To Body Right
	55176515AF	1							Left
2	55176564AC	1							WEATHERSTRIP, Door Belt Right
	55176565AC	1							Left
3	55254894AF	1							WEATHERSTRIP, Front Door Right
	55254895AF	1							Left
4	55175750AB	2							WEATHERSTRIP, Glass Channel RunFront
5	55175786AD	1							WATERSHIELD, Front Door Right
	55175787AD	1							Left
6	55175226AB	2							WEATHERSTRIP, Glass Channel Run

WRANGLER (TJ)

SERIES	LINE	BODY	ENGINE	TRANSMISSION
L = Low Line	J = JEEP - 4WD U = JEEP - 4WD (RHD)	77 = OPEN BODY 2-DOOR	EPE = ENGINE - 2.5L POWER TECH I-4 Cyl. ERH = ENGINE - 4.0L POWER TECH I-6	DDQ = TRANSMISSION - 5-SPEED MANUAL DGD = TRANSMISSION - 3-SPD. AUTOMATIC, 30RH DGG = TRANSMISSION - 3-SPD. AUTOMATIC, 32RH

AR = use ase required - = Non illustrated part

Group - ETJ

Exterior Ornamentation

Group - ETJ Exterior Ornamentation

Illustration Title

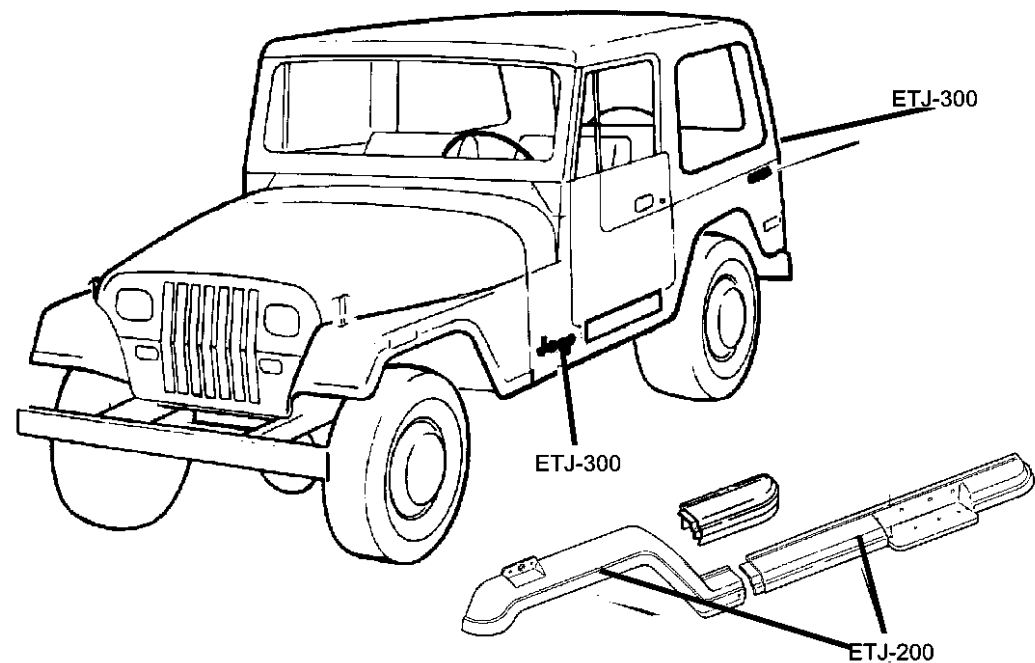
Group-Fig. No.

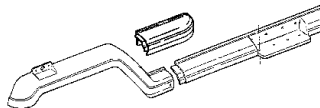
Moldings and Ornamentation

Moldings..... Fig. ETJ - 210

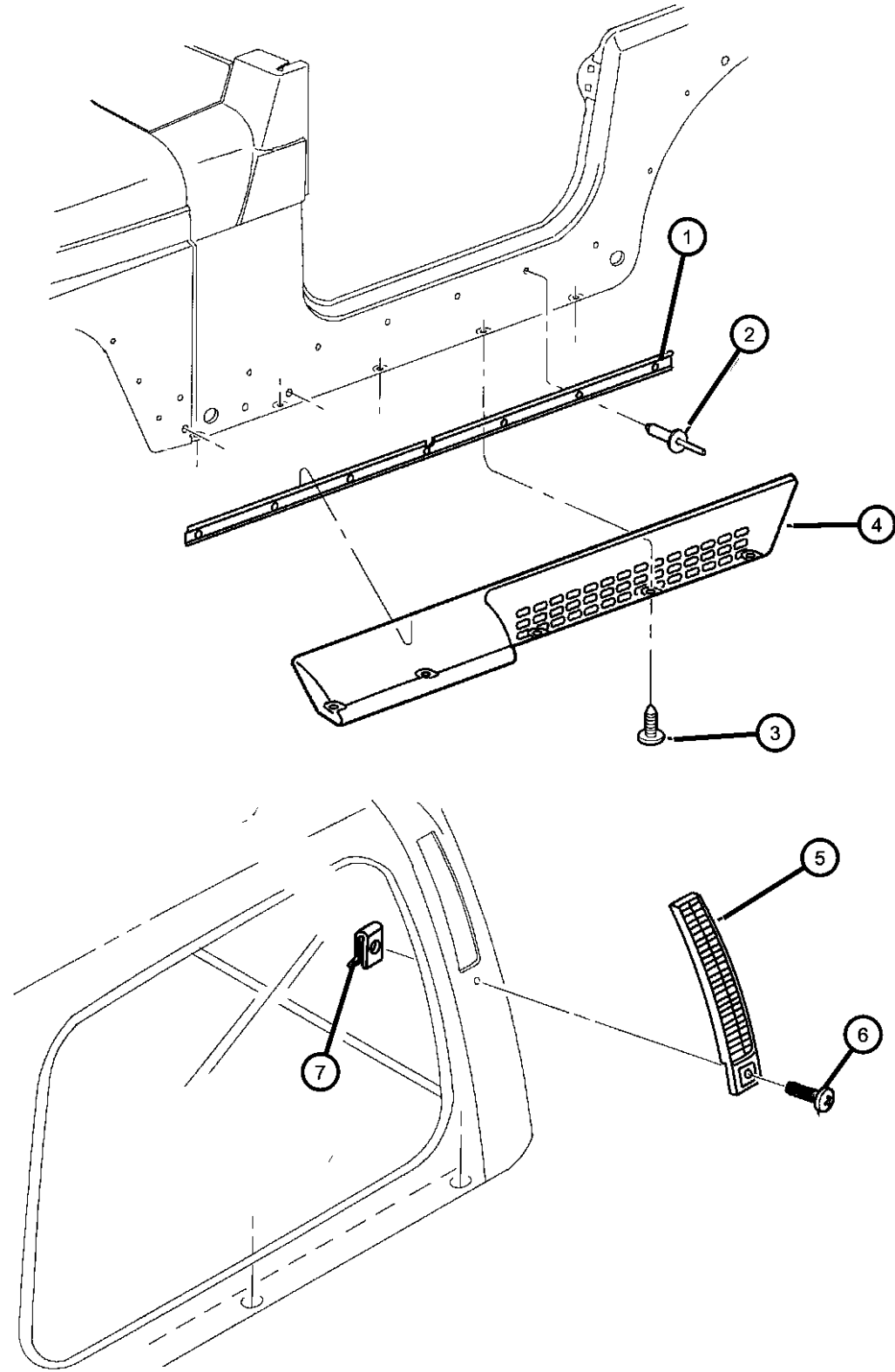
Decals and Tapestripes

Decals..... Fig. ETJ - 310



<p>ETJ-200 Moldings and Ornamentation</p> 	<p>ETJ-300 Decals and Tapestripes</p> <p>JEEP</p> <p>WRANGLER</p>		
---	--	--	--

**Mouldings
Figure ETJ-210**



ITEM	PART NUMBER	QTY	LINE	SERIES	BODY	ENGINE	TRANS	TRIM	DESCRIPTION
1	55174995AB	2							RAIL, Sill Molding Hanger
2	34201597	14							RIVET, Dome Head Blind, .1875x.625
3	06030441	2	J						PIN, Retainer
4									MOLDING, Body Side, Service Dealer Paint
	5DS76TX8	1							Lower Sill, Right
	5DS77TX8	1							Lower Sill, Left
5									EXHAUSTER, Front Door
	55036306	1							Right
	55036307	1							Left
6	55036307	1							SCREW, (NOT SERVICED)
7	55036307	1							NUT, (NOT SERVICED)

WRANGLER (TJ)

SERIES LINE
 L = Low Line J = JEEP - 4WD
 U = JEEP - 4WD (RHD)

BODY
 77 = OPEN BODY 2-DOOR

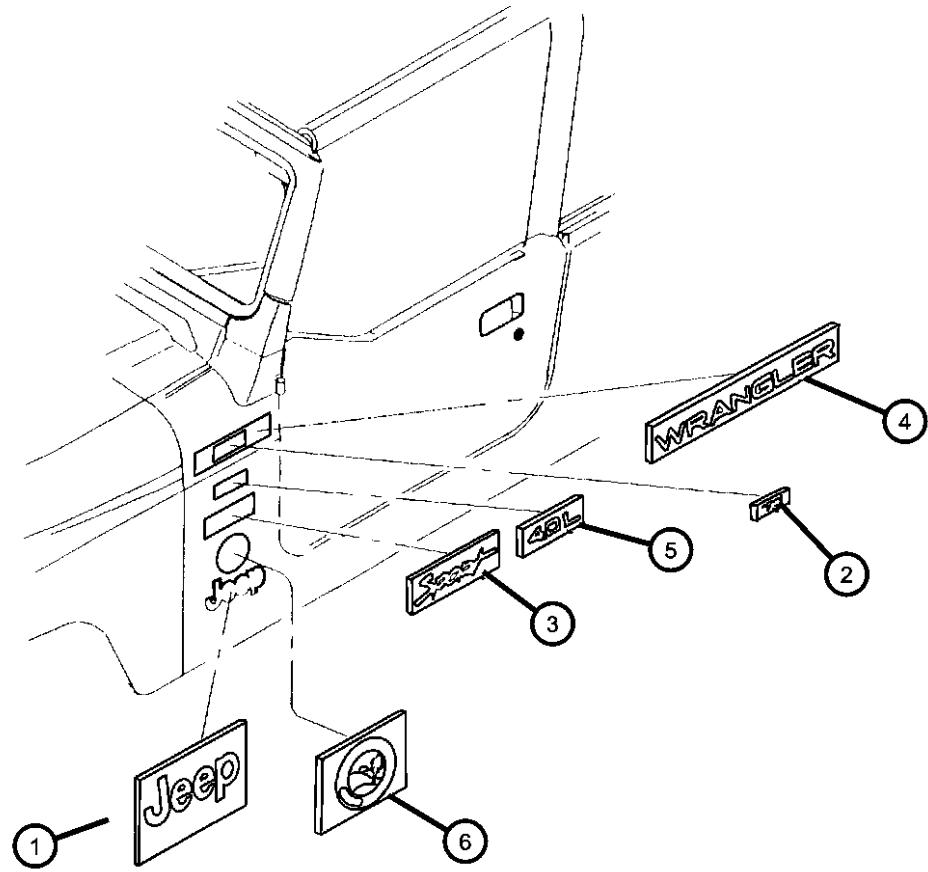
ENGINE
 EPE = ENGINE - 2.5L POWER
 TECH I-4 Cyl.
 ERH = ENGINE - 4.0L
 POWER TECH I-6

TRANSMISSION
 DDQ = TRANSMISSION - 5-SPEED
 MANUAL
 DGD = TRANSMISSION - 3-SPD.
 AUTOMATIC, 30RH
 DGG = TRANSMISSION - 3-SPD.
 AUTOMATIC, 32RH

AR = use ase required - = Non illustrated part

1999 TJ

**Decals
Figure ETJ-310**



ITEM	PART NUMBER	QTY	LINE	SERIES	BODY	ENGINE	TRANS	TRIM	DESCRIPTION
1	5FC84TA2	2							DECAL, Bodyside, JEEP [KWP]
	5FC84TA9	2							[KWR]
2	5FE56TA2	2							DECAL [KVP]
	5FE56TA9	2							[KVR]
3	5FC81HA2	2							DECAL, Bodyside, SPORT [KFP]
	5FC81HA9	2							[KFR]
4	5FC83TA2	2							DECAL, Bodyside, Wrangler [KXP]
	5FC83TA9	2							[KXR]
5	5FC85TA2	2							DECAL, 4.0L High Output [KYP]
	5FC85TA9	2							[KYR]
6	5FE52WGK	2							DECAL, Sahara, [KBT]
-7	55155566	2							PROTECTOR, Door Opening, Lower Door

WRANGLER (TJ)

SERIES	LINE	BODY	ENGINE	TRANSMISSION
L = Low Line	J = JEEP - 4WD U = JEEP - 4WD (RHD)	77 = OPEN BODY 2-DOOR	EPE = ENGINE - 2.5L POWER TECH I-4 Cyl. ERH = ENGINE - 4.0L POWER TECH I-6	DDQ = TRANSMISSION - 5-SPEED MANUAL DGD = TRANSMISSION - 3-SPD. AUTOMATIC, 30RH DGG = TRANSMISSION - 3-SPD. AUTOMATIC, 32RH

AR = use ase required - = Non illustrated part

Group - ITJ

Interior Trim

Group - ITJ Interior Trim

Illustration Title

Group-Fig. No.

Headliner and Visor

Sunvisors Fig. ITJ - 110

Carpet

Carpets And Interior Trim Panels Fig. ITJ - 310

Door Trim Panels- Front and Rear

Door Trim Panels Half Doors & Full Doors Fig. ITJ - 410

Front Seats and Attaching Parts

Front Seats Fig. ITJ - 510

Rear Seats and Attaching Parts

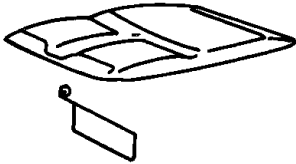
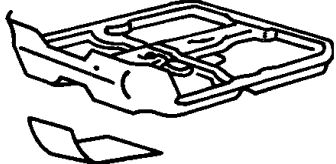
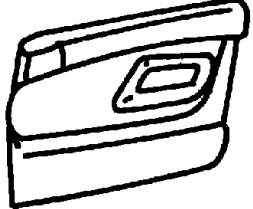
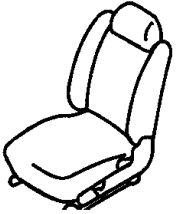
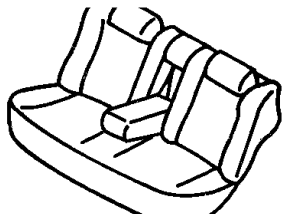
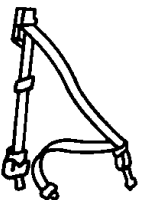
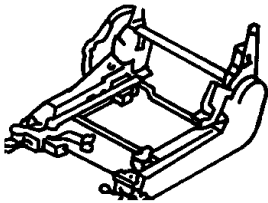
Seat Assemblies, Seat Covers Rear Seat Wrangler Fig. ITJ - 610

Seat Belts-Front and Rear

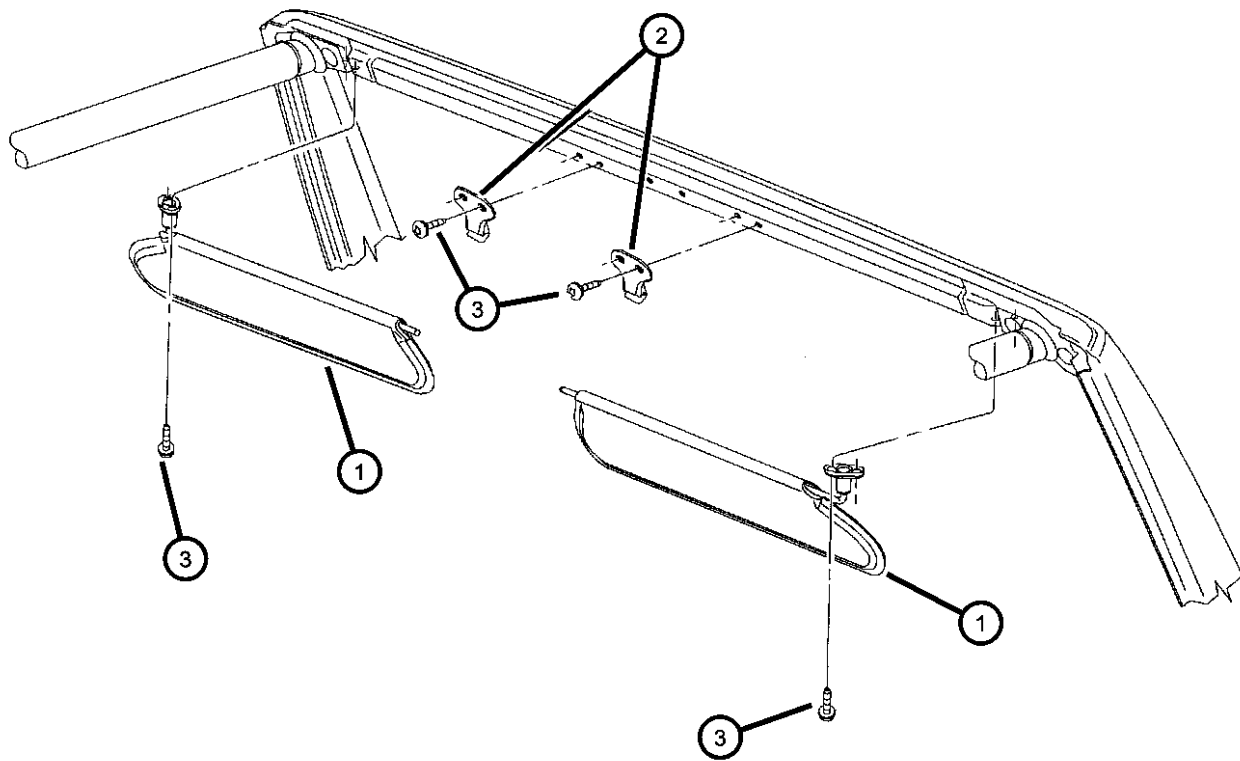
Seat Belts Wrangler Fig. ITJ - 710

Adjusters, Covers, Shields, and Risers

Seat Assemblies, Adjusters, Recliners Fig. ITJ - 810

<p>ITJ-100 Headliner and Visor</p> 	<p>ITJ-300 Carpet</p> 	<p>ITJ-400 Door Trim Panels- Front and Rear</p> 	<p>ITJ-500 Front Seats and Attaching Parts</p> 
<p>ITJ-600 Rear Seats and Attaching Parts</p> 	<p>ITJ-700 Seat Belts-Front and Rear</p> 	<p>ITJ-800 Adjusters, Covers, Shields, and Risers</p> 	

**Sunvisors
Figure ITJ-110**



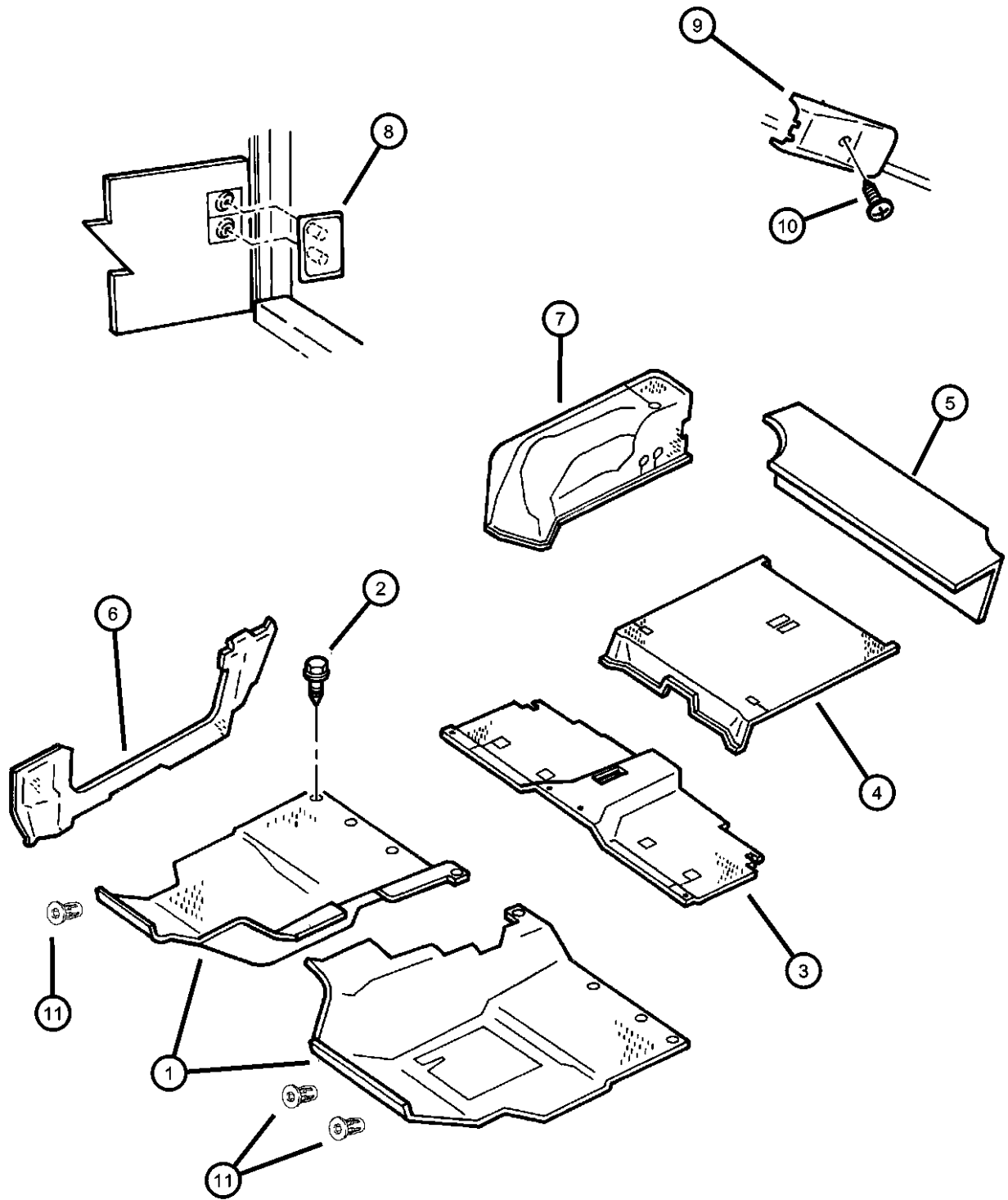
ITEM	PART NUMBER	QTY	LINE	SERIES	BODY	ENGINE	TRANS	TRIM	DESCRIPTION
1									VISOR
	5EP34LAZAE	1	J					*O0	Agate, Right
	5EP34RK5AE	1	J					*O0	Camel, Right
	5EP35LAZAE	1	J					*O0	Agate, Left
	5EP35RK5AE	1	J					*O0	Camel, Left
	5FP02LAZAE	1	U					*O0	Agate, Right
	5FP02RK5AE	1	U					*O0	Camel, Right
	5FP03LAZAE	1	U					*O0	Agate, Left
	5FP03RK5AE	1	U					*O0	Camel, Left
2	55217264AB	2							SUPPORT, Visor
3	55217264AB	2							SCREW, .164-18x.75, (NOT SERVICED)
-4	55217264AB	2							LABEL, Transfer Case Shift, (NOT REQUIRED)
-5	55217264AB	2							LABEL, Airbag, (NOT REQUIRED)
-6									LABEL, Air Bag Warning
	04787437AA	2	J						English/French 5 Points
	55315001AA	1	J						CANADA, Passenger Airbag Disarm Warning

WRANGLER (TJ)

SERIES	LINE	BODY	ENGINE	TRANSMISSION
L = Low Line	J = JEEP - 4WD U = JEEP - 4WD (RHD)	77 = OPEN BODY 2-DOOR	EPE = ENGINE - 2.5L POWER TECH I-4 Cyl. ERH = ENGINE - 4.0L POWER TECH I-6	DDQ = TRANSMISSION - 5-SPEED MANUAL DGD = TRANSMISSION - 3-SPD. AUTOMATIC,30RH DGG = TRANSMISSION - 3-SPD. AUTOMATIC,32RH

AR = use ase required - = Non illustrated part

Carpets And Interior Trim Panels
Figure ITJ-310



ITEM	PART NUMBER	QTY	LINE	SERIES	BODY	ENGINE	TRANS	TRIM	DESCRIPTION
1									CARPET, Front Floor
	5FV51LAZAB	1	J					*00	Agate, Left
	5FV51VK9AB	1	J					*00	Tan, Left
	5FW14LAZAD	1	U					*00	Agate, Right
	5FW14VK9AD	1	U					*00	Tan, Right
	5FW15LAZAB	1	U					*00	Agate, Left
	5FW15VK9AB	1	U					*00	Tan, Left
	5FW50LAZAD	1	J					*00	Agate, Right
	5FW50VK9AD	1	J					*00	Tan, Right
2	J4007545	2							SCREW AND WASHER, Snap Head, .164-18x.375
3									CARPET, Rear Floor
	5FV48LAZ	1						*00	Agate, With Full Console
	5FV48VK9	1						*00	Tan, With Full Console
	5FV49LAZ	1						*00	Agate, With Mini Console
	5FV49VK9	1						*00	Tan, With Mini Console
4									CARPET, Cargo Floor
	5FW16LAZ	1						*00	Agate
	5FW16VK9	1						*00	Tan
5									PANEL, Add A Trunk
	5FV251AZAB	1						*00	Mist Gray
	5FV251K9AB	1						*00	Saddle
6									CARPET, Floor
	5GA74VK9AB	1						*00	Right
	5GA75VK9AB	1						*00	Left
7									CARPET, Wheelhouse
	5FV16LAZAC	1						*00	Agate, Right
	5FV16VK9AC	1						*00	Tan, Right
	5FV17LAZAC	1						*00	Agate
	5FV17VK9AC	1						*00	Tan, Left
8	5FV17VK9AC	1							COVER, Wheelhouse Carpet, (NOT REQUIRED),
9	55217099	1							COVER, Contact Button
10	55217099	1							SCREW, .164-18x.500, (NOT SERVICED)
11									NUT, Push On

WRANGLER (TJ)

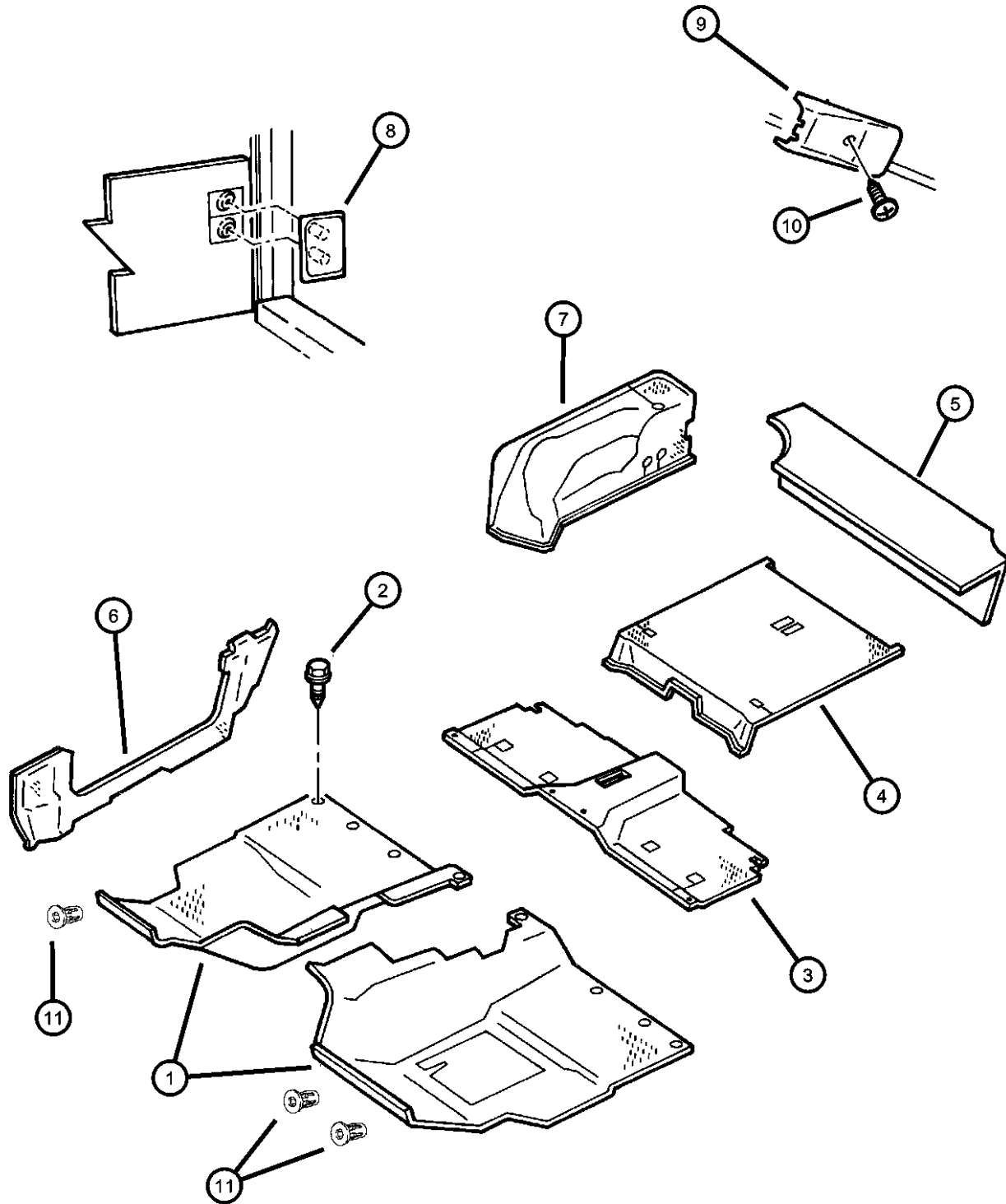
SERIES	LINE	BODY	ENGINE	TRANSMISSION
L = Low Line	J = JEEP - 4WD U = JEEP - 4WD (RHD)	77 = OPEN BODY 2-DOOR	EPE = ENGINE - 2.5L POWER TECH I-4 Cyl. ERH = ENGINE - 4.0L POWER TECH I-6	DDQ = TRANSMISSION - 5-SPEED MANUAL DGD = TRANSMISSION - 3-SPD. AUTOMATIC, 30RH DGG = TRANSMISSION - 3-SPD. AUTOMATIC, 32RH

AR = use ase required - = Non illustrated part

Carpets And Interior Trim Panels
Figure ITJ-310

ITEM	PART NUMBER	QTY	LINE	SERIES	BODY	ENGINE	TRANS	TRIM	DESCRIPTION
------	-------------	-----	------	--------	------	--------	-------	------	-------------

	06503274	5	U						
		4	J						



WRANGLER (TJ)

SERIES	LINE
L = Low Line	J = JEEP - 4WD U = JEEP - 4WD (RHD)

BODY
77 = OPEN BODY 2-DOOR

ENGINE
EPE = ENGINE - 2.5L POWER TECH I-4 Cyl.
ERH = ENGINE - 4.0L POWER TECH I-6

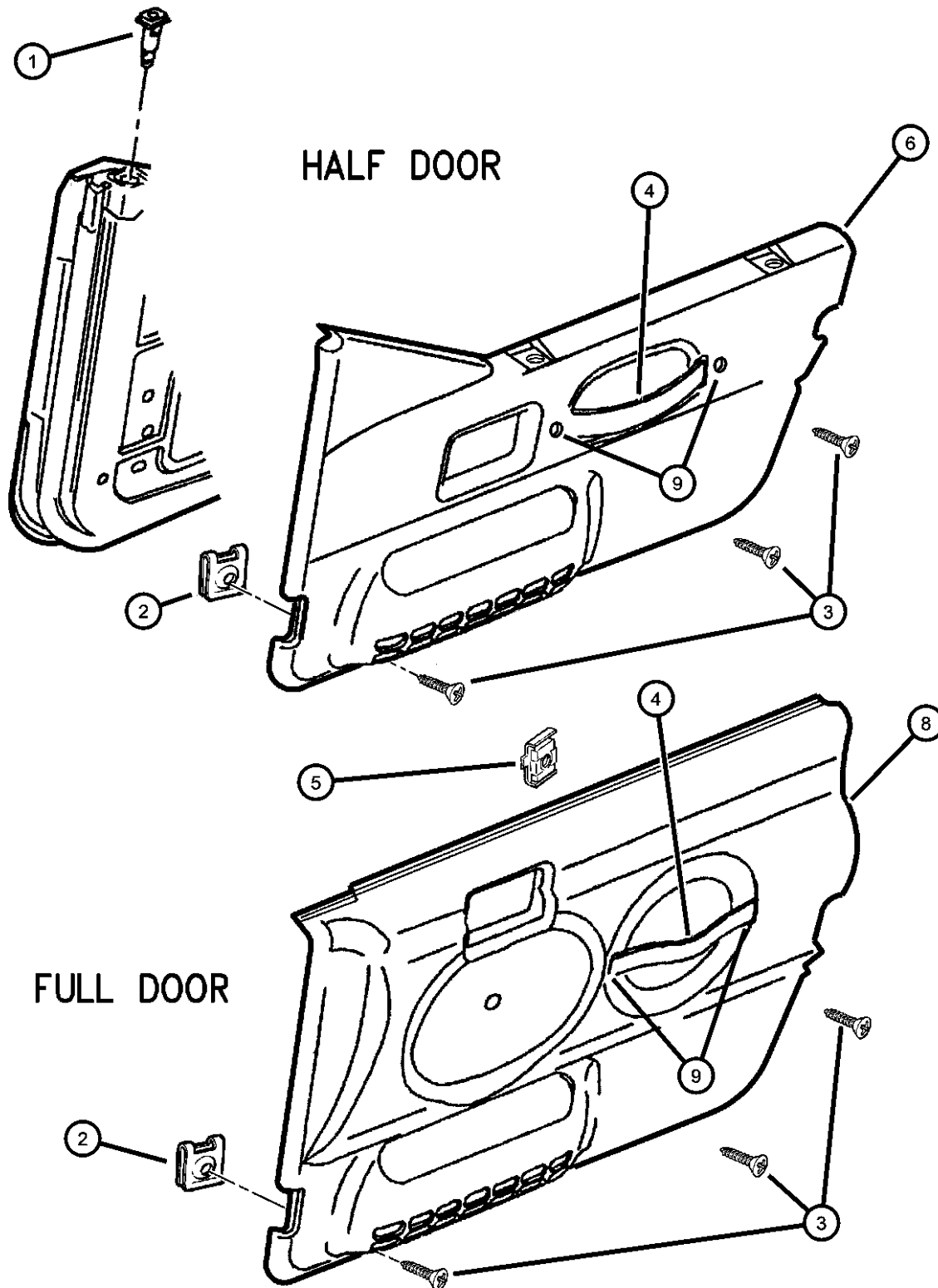
TRANSMISSION
DDQ = TRANSMISSION - 5-SPEED MANUAL
DGD = TRANSMISSION - 3-SPD. AUTOMATIC, 30RH
DGG = TRANSMISSION - 3-SPD. AUTOMATIC, 32RH

AR = use ase required - = Non illustrated part

1999 TJ

Door Trim Panels Half Doors & Full Doors

Figure ITJ-410



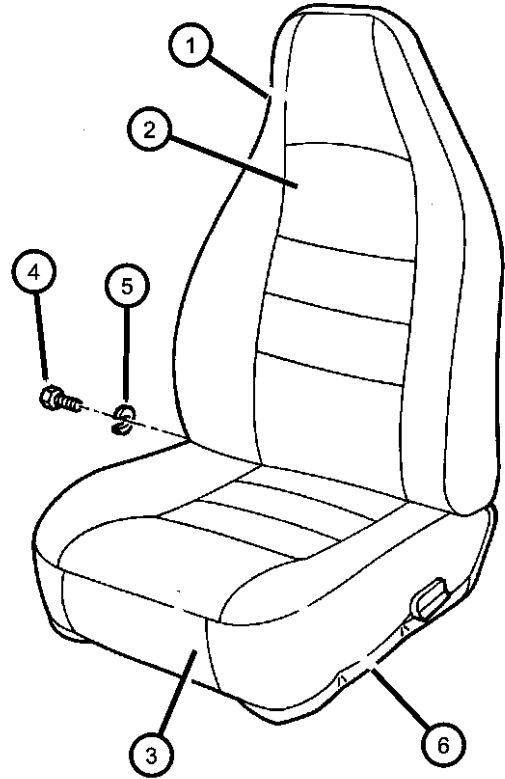
ITEM	PART NUMBER	QTY	LINE	SERIES	BODY	ENGINE	TRANS	TRIM	DESCRIPTION
1	5EJ64LAZ	6						*00	GROMMET, Door Window Stabilizer
	5EJ64RK5	6						*00	Agate
2	34201872	4							NUT, Snap In, M4.2 x 1.41, Door Trim Mounting
3	06504617	6							SCREW, M4.2-1.41x13
4	5ES43TAZ	1						*00	HANDLE, Door Interior
5	06504993AA	4							NUT
6	5DY641K5AB	1						*00	PANEL, Door Trim
	5DY64LAZAB	1						*00	Camel, Right
	5DY651K5AB	1						*00	Agate, Right
	5DY65LAZAB	1						*00	Camel, Left
-7	5FP84LAZ	4						*00	Agate, Left
	5FP84RK5	4						*00	PIN, Push
8	5DY661K5	1						*00	PANEL, Door Trim
	5DY66LAZ	1						*00	Camel, Right
	5DY671K5	1						*00	Agate, Right
	5DY67LAZ	1						*00	Camel, Left
9	06035747	2						*00	Agate, Left
								*00	SCREW, M4.2-1.41x13

WRANGLER (TJ)

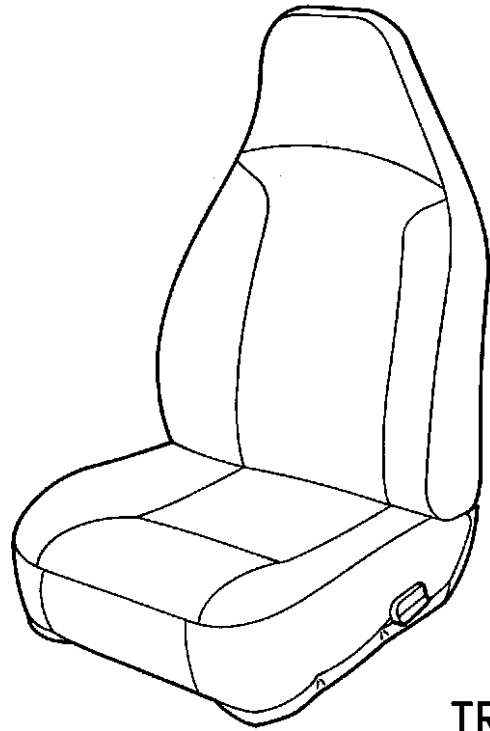
SERIES	LINE	BODY	ENGINE	TRANSMISSION
L = Low Line	J = JEEP - 4WD U = JEEP - 4WD (RHD)	77 = OPEN BODY 2-DOOR	EPE = ENGINE - 2.5L POWER TECH I-4 Cyl. ERH = ENGINE - 4.0L POWER TECH I-6	DDQ = TRANSMISSION - 5-SPEED MANUAL DGD = TRANSMISSION - 3-SPD. AUTOMATIC, 30RH DGG = TRANSMISSION - 3-SPD. AUTOMATIC, 32RH

AR = use ase required - = Non illustrated part

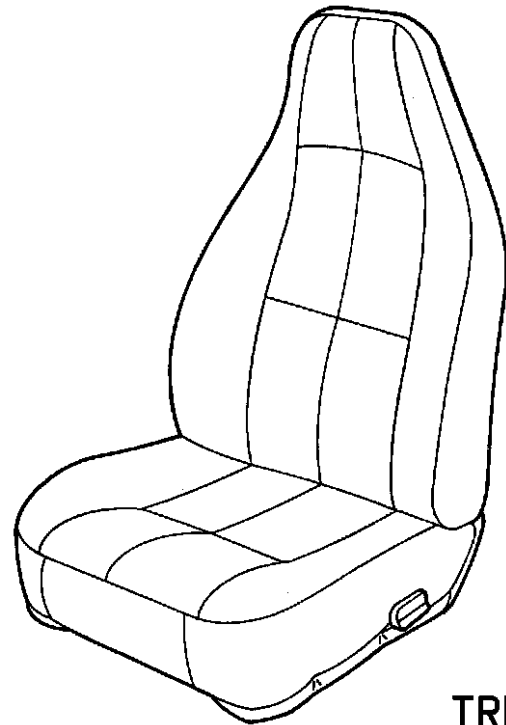
Front Seats
Figure ITJ-510



TRIM D6 & J6



TRIM K5



TRIM M5

ITEM	PART NUMBER	QTY	LINE	SERIES	BODY	ENGINE	TRANS	TRIM	DESCRIPTION
1									SEAT BACK, Front
	0SG661KGAA	1						*M5	Moss, Passenger
	0SG671KGAA	1						*M5	Moss, Driver
	0SG681KGAA	1	J					*M5	Moss, Passenger, Export
	0SG701AZAA	1						*J6	Agate, Passenger
		1						*D6	Agate, Passenger
	0SG701K5AA	1						*J6	Camel, Passenger
		1						*D6	Camel, Passenger
	0SG711AZAA	1						*J6	Agate, Without Easy Entry, Driver
		1						*D6	Agate, Without Easy Entry, Driver
	0SG711K5AA	1						*J6	Camel, Without Easy Entry, Driver
		1						*D6	Camel, Without Easy Entry, Driver
	0SG721AZAA	1	J					*J6	Agate, Passenger, Export
		1	U					*J6	Agate, Passenger, Export
		1	J					*D6	Agate, Passenger, Export
		1	U					*D6	Agate, Passenger, Export
	0SG721K5AA	1	J					*J6	Camel, Passenger, Export
		1	U					*J6	Camel, Passenger, Export
		1	J					*D6	Camel, Passenger, Export
		1	U					*D6	Camel, Passenger, Export
	0SG731AZAA	1	J					*J6	Agate, With Easy Entry, Driver, Export
		1	U					*J6	Agate, With Easy Entry, Driver, Export
	0SG731K5AA	1	J					*J6	Camel, With Easy Entry, Driver, Export
		1	U					*J6	Camel, With Easy Entry, Driver, Export
	0SG761AZAA	1						*K5	Agate, Passenger
	0SG761K5AA	1						*K5	Camel, Passenger
	0SG771AZAA	1						*K5	Agate, With Easy Entry, Driver
	0SG771K5AA	1						*K5	Camel, With Easy Entry, Driver
	0SG781AZAA	1	J					*K5	Agate, Passenger, Export
		1	U					*K5	Agate, Passenger, Export
	0SG781K5AA	1	J					*K5	Camel, Passenger, Export

WRANGLER (TJ)

SERIES LINE
L = Low Line J = JEEP - 4WD
U = JEEP - 4WD (RHD)

BODY
77 = OPEN BODY 2-DOOR

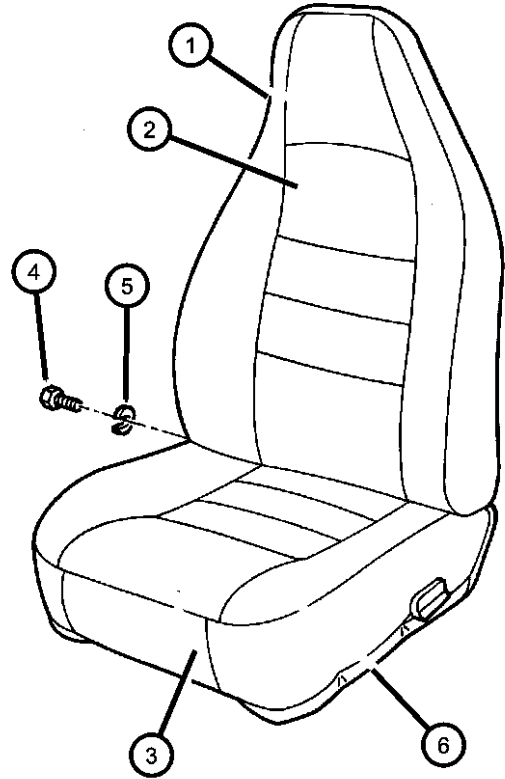
ENGINE
EPE = ENGINE - 2.5L POWER TECH I-4 Cyl.
ERH = ENGINE - 4.0L POWER TECH I-6

TRANSMISSION
DDQ = TRANSMISSION - 5-SPEED MANUAL
DGD = TRANSMISSION - 3-SPD. AUTOMATIC, 30RH
DGG = TRANSMISSION - 3-SPD. AUTOMATIC, 32RH

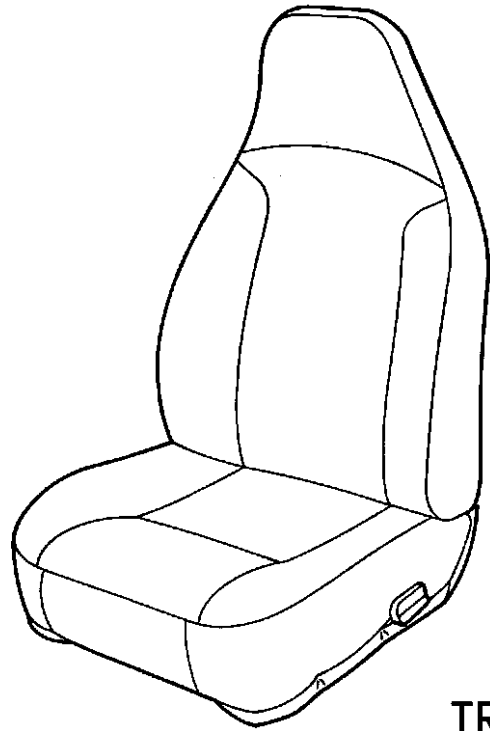
AR = use ase required - = Non illustrated part

1999 TJ

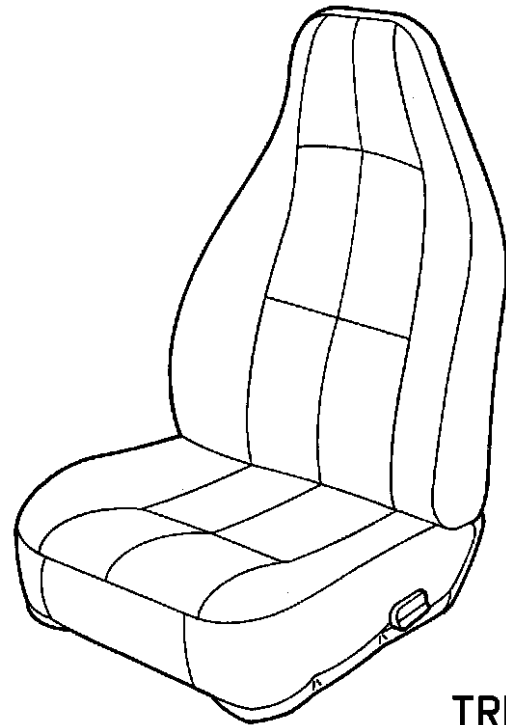
Front Seats
Figure ITJ-510



TRIM D6 & J6



TRIM K5



TRIM M5

ITEM	PART NUMBER	QTY	LINE	SERIES	BODY	ENGINE	TRANS	TRIM	DESCRIPTION
		1	U					*K5	Camel, Passenger, Export
2									COVER, Front Seat Back
	0SG791AZAA	1	J					*J6	Agate, With Easy Entry, Driver, Export
		1	U					*J6	Agate, With Easy Entry, Driver, Export
		1	J					*D6	Agate, With Easy Entry, Driver, Export
		1	U					*D6	Agate, With Easy Entry, Driver, Export
	0SG791K5AA	1	J					*J6	Camel, With Easy Entry, Driver, Export
		1	U					*J6	Camel, With Easy Entry, Driver, Export
		1	J					*D6	Camel, With Easy Entry, Driver, Export
		1	U					*D6	Camel, With Easy Entry, Driver, Export
	0SG801KGAA	1						*M5	Moss, Passenger
	0SG811KGAA	1						*M5	Moss, Driver
	0SG821AZAA	1						*J6	Agate, Passenger
		1						*D6	Agate, Passenger
	0SG821K5AA	1						*J6	Camel, Passenger
		1						*D6	Camel, Passenger
	0SG831AZAA	1						*J6	Agate, Without Easy Entry, Driver
		1						*D6	Agate, Without Easy Entry
	0SG831K5AA	1						*J6	Camel, Without Easy Entry
		1						*D6	Camel, Without Easy Entry
	0SG841AZAA	1						*K5	Agate, Passenger
	0SG841K5AA	1						*K5	Camel, Passenger
	0SG851AZAA	1						*K5	Agate, With Easy Entry, Driver
	0SG851K5AA	1						*K5	Camel, With Easy Entry, Driver
3									COVER AND PAD, Cushion
	0PY521KG	1						*M5	Moss, Right
	0PY531KG	1						*M5	Moss, Left
	0PY581AZ	1						*K5	Agate, Right
	0PY581K5	1						*K5	Camel, Right
	0PY591AZ	1						*K5	Agate, Left

WRANGLER (TJ)

SERIES LINE
L = Low Line J = JEEP - 4WD
U = JEEP - 4WD (RHD)

BODY
77 = OPEN BODY 2-DOOR

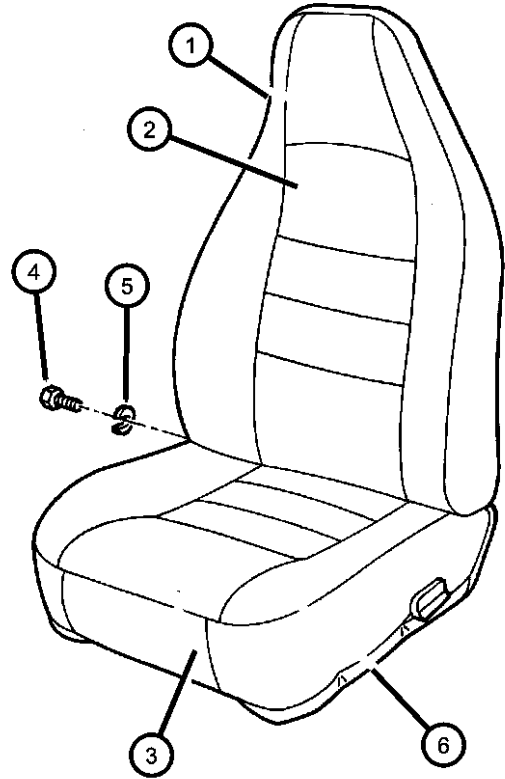
ENGINE
EPE = ENGINE - 2.5L POWER TECH I-4 Cyl.
ERH = ENGINE - 4.0L POWER TECH I-6

TRANSMISSION
DDQ = TRANSMISSION - 5-SPEED MANUAL
DGD = TRANSMISSION - 3-SPD. AUTOMATIC, 30RH
DGG = TRANSMISSION - 3-SPD. AUTOMATIC, 32RH

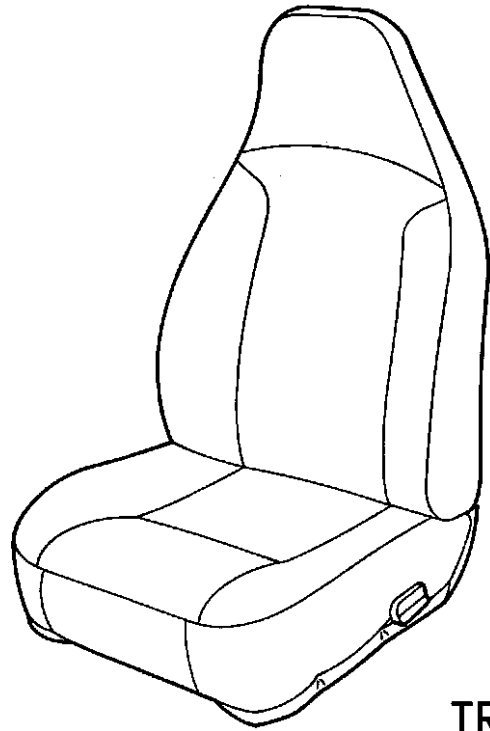
AR = use ase required - = Non illustrated part

1999 TJ

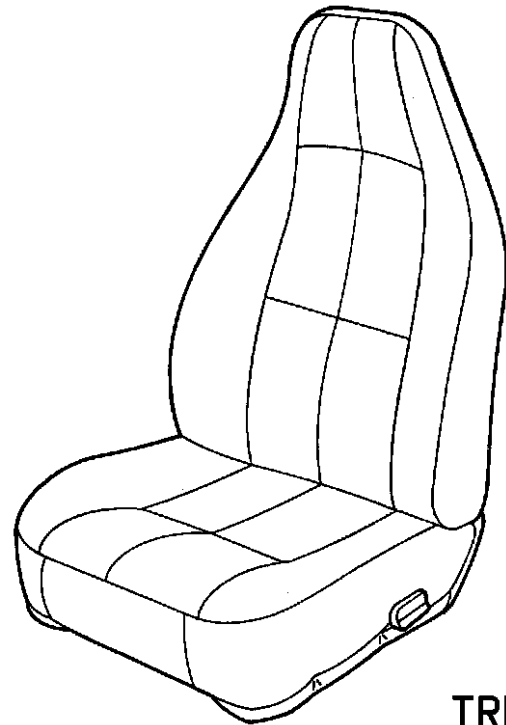
Front Seats
Figure ITJ-510



TRIM D6 & J6



TRIM K5



TRIM M5

ITEM	PART NUMBER	QTY	LINE	SERIES	BODY	ENGINE	TRANS	TRIM	DESCRIPTION
	0PY591K5	1						*K5	Camel, Left
	0RZ661AZAA	1						*J6	Agate, Right
		1						*D6	Agate, Right
	0RZ661K5AA	1						*J6	Camel, Right
		1						*D6	Camel, Right
	0RZ671AZAA	1						*J6	Agate, Left
		1						*D6	Agate, Left
	0RZ671K5AA	1						*J6	Camel, Left
		1						*D6	Camel, Left
4									BOLT, Shoulder, I.B.-Back To Cushion-Pivot
	04797554	1						*D6	
		1						*J6	
		1						*K5	
		1						*M5	
5									U-NUT, Seat Back
	04713982	2						*D6	Without Easy Entry
		1						*J6	Without Easy Entry
		1						*K5	Without Easy Entry
		1						*M5	Without Easy Entry
	04874145	1						*M5	With Easy Entry
		1						*K5	With Easy Entry
		1						*D6	With Easy Entry
		1						*J6	With Easy Entry
6									FRAME, Front Seat
	05012160AA	1		J				*M5	Right
		1		U				*M5	Right
		1		J				*K5	Right
		1		U				*K5	Right
		1		J				*J6	Right
		1		U				*J6	Right
		1		J				*D6	Right
		1		U				*D6	Right
	05012161AA	1						*D6	Left

WRANGLER (TJ)

SERIES LINE
L = Low Line J = JEEP - 4WD
U = JEEP - 4WD (RHD)

BODY
77 = OPEN BODY 2-DOOR

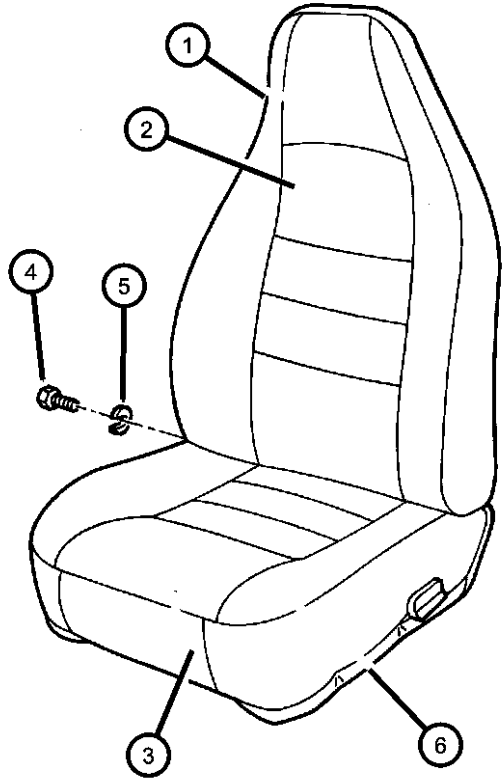
ENGINE
EPE = ENGINE - 2.5L POWER TECH I-4 Cyl.
ERH = ENGINE - 4.0L POWER TECH I-6

TRANSMISSION
DDQ = TRANSMISSION - 5-SPEED MANUAL
DGD = TRANSMISSION - 3-SPD. AUTOMATIC, 30RH
DGG = TRANSMISSION - 3-SPD. AUTOMATIC, 32RH

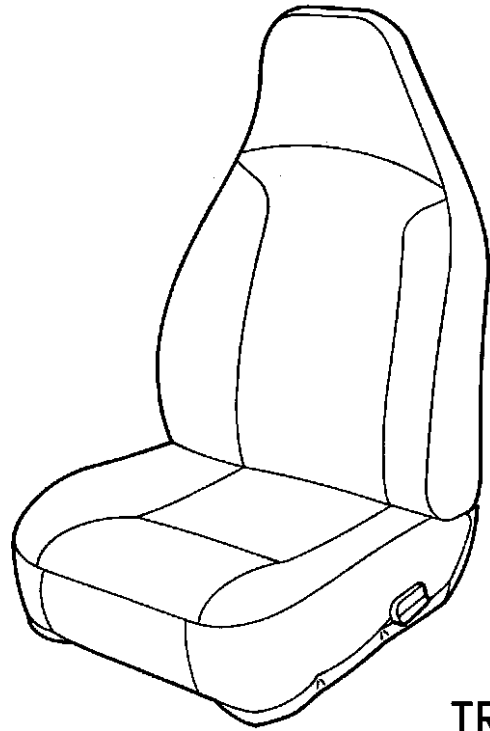
AR = use ase required - = Non illustrated part

1999 TJ

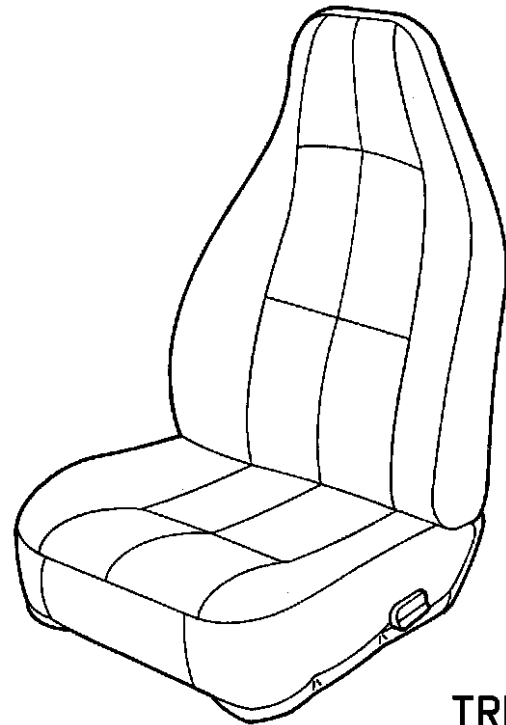
Front Seats
Figure ITJ-510



TRIM D6 & J6



TRIM K5



TRIM M5

ITEM	PART NUMBER	QTY	LINE	SERIES	BODY	ENGINE	TRANS	TRIM	DESCRIPTION
		1						*J6	Left
		1						*K5	Left
		1						*M5	Left
-7	06502137	2							BOLT, Hex Flange Head, M10x1.50x35

WRANGLER (TJ)

SERIES LINE
L = Low Line J = JEEP - 4WD
U = JEEP - 4WD (RHD)

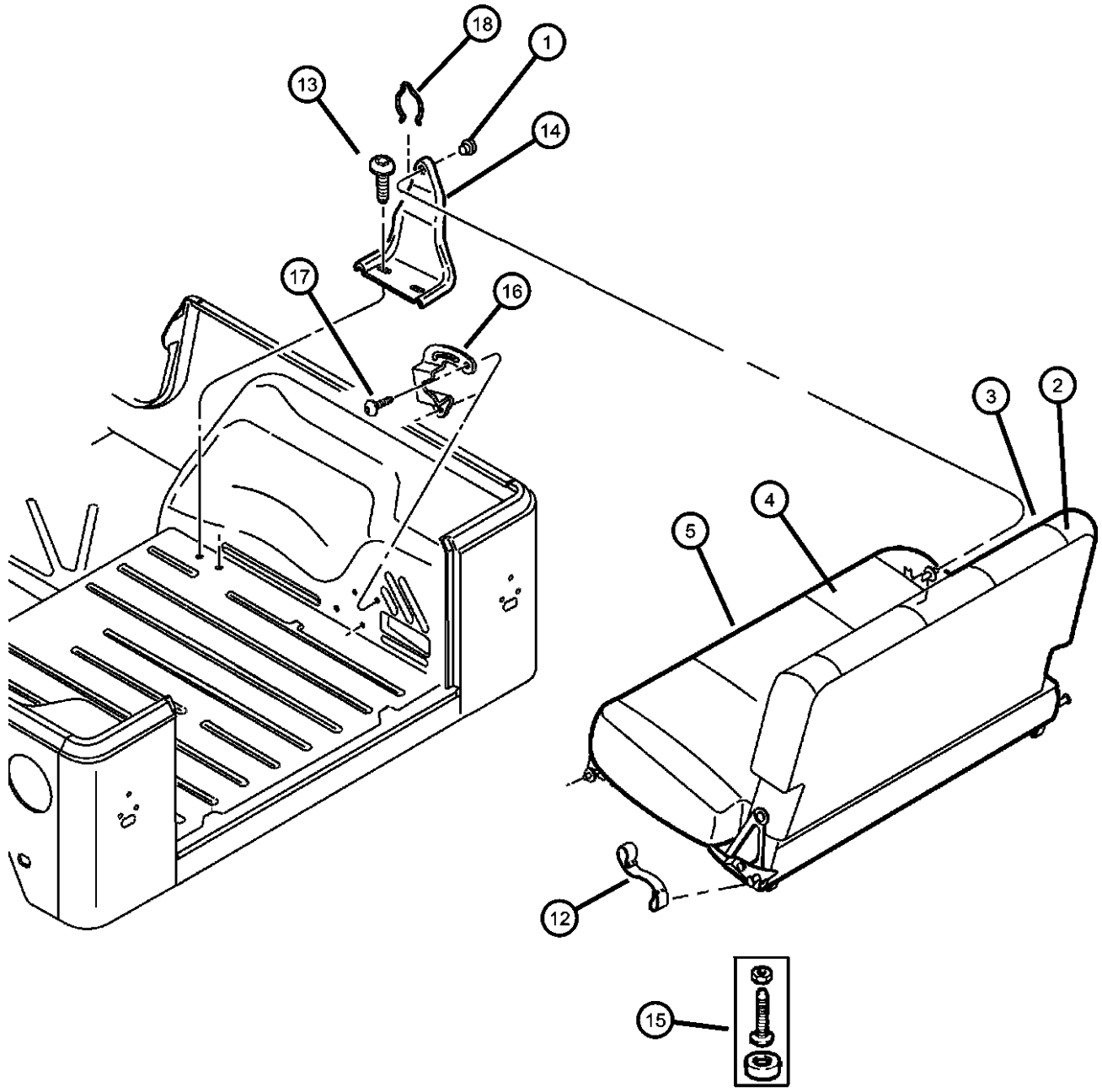
BODY
77 = OPEN BODY 2-DOOR

ENGINE
EPE = ENGINE - 2.5L POWER TECH I-4 Cyl.
ERH = ENGINE - 4.0L POWER TECH I-6

TRANSMISSION
DDQ = TRANSMISSION - 5-SPEED MANUAL
DGD = TRANSMISSION - 3-SPD. AUTOMATIC, 30RH
DGG = TRANSMISSION - 3-SPD. AUTOMATIC, 32RH

AR = use ase required - = Non illustrated part

**Seat Assemblies, Seat Covers Rear Seat Wrangler
Figure ITJ-610**



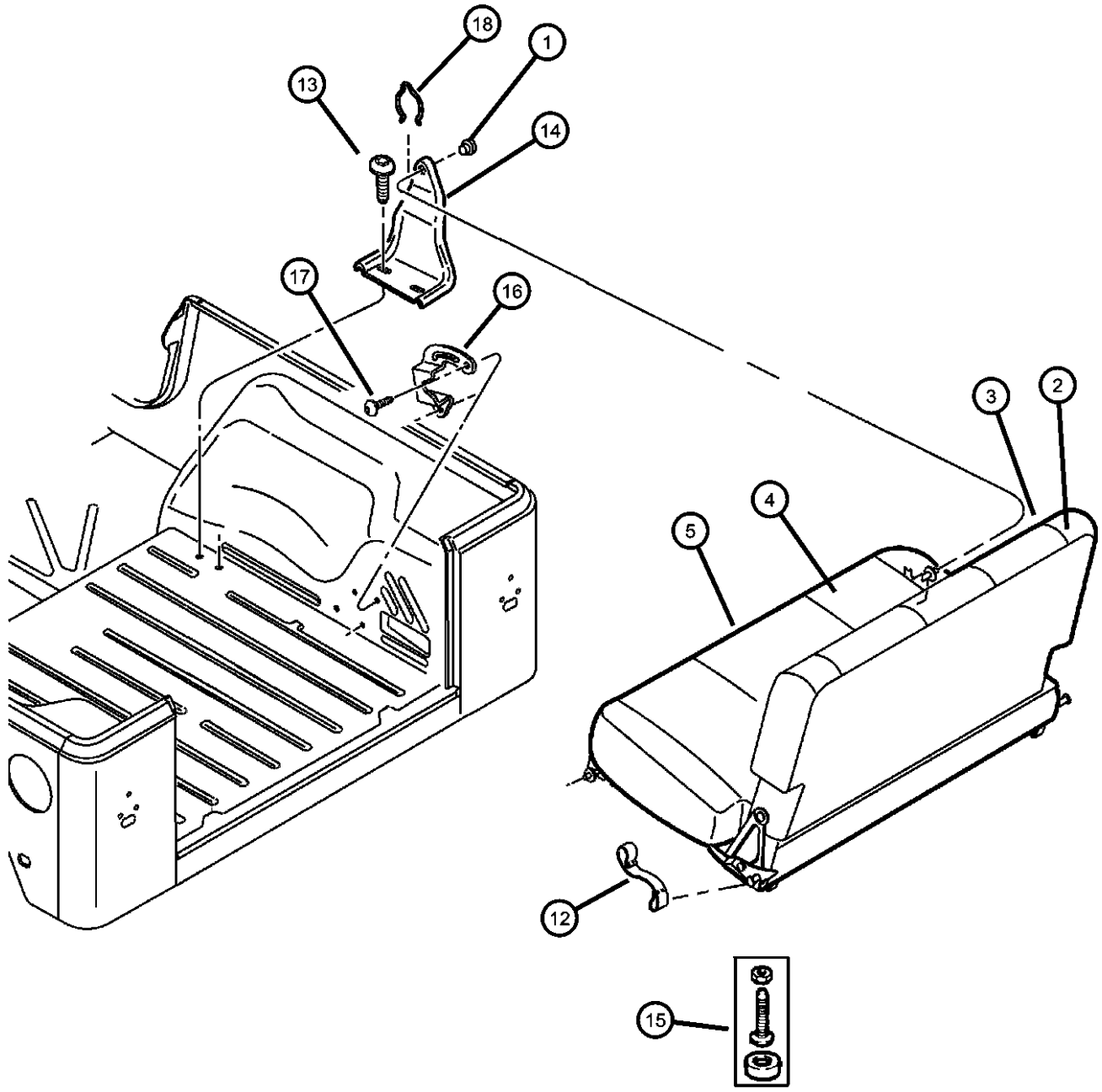
ITEM	PART NUMBER	QTY	LINE	SERIES	BODY	ENGINE	TRANS	TRIM	DESCRIPTION
Trim Code "D6" does not come with a rear seat.									
1	05103469AA	1							BUSHING, Pivot
2									COVER, Rear Seat Back
	0PY701KG	1						*M5	Dark Green
	0PY831AZ	1						*K5	Agate
	0PY831K5	1						*K5	Camel
	0PY871AZ	1						*J6	Agate
	0PY871K5	1						*J6	Camel
3									SEAT BACK, Rear
	0PY431KG	1						*M5	Dark Green
	0PY481AZ	1						*K5	Agate
	0PY481K5	1						*K5	Camel
	0PY501AZ	1						*J6	Agate
	0PY501K5	1						*J6	Camel
4									COVER, Rear Seat Cushion
	0RH461KGAA	1						*M5	Dark Green
	0RH471AZAA	1						*K5	Agate
	0RH471K5AA	1						*K5	Camel
	0RH481AZAA	1						*J6	Agate
	0RH481K5AA	1						*J6	Camel
5									CUSHION, Rear Seat
	0RH111KGAA	1						*M5	Dark Green
	0RH131AZAA	1						*K5	Agate
	0RH131K5AA	1						*K5	Camel
	0RH391AZAA	1						*J6	Agate
	0RH391K5AA	1						*J6	Camel
-6									LEVER, Rear Seat Release
	04713794	1						*K5	
		1						*J6	
		1						*M5	
-7		1							RIVNUT, Seat Latch Cover, (NOT REQUIRED)
-8		1							SPRING, Seat Release Lever
	04713795	1						*K5	

WRANGLER (TJ)

SERIES	LINE	BODY	ENGINE	TRANSMISSION
L = Low Line	J = JEEP - 4WD U = JEEP - 4WD (RHD)	77 = OPEN BODY 2-DOOR	EPE = ENGINE - 2.5L POWER TECH I-4 Cyl. ERH = ENGINE - 4.0L POWER TECH I-6	DDQ = TRANSMISSION - 5-SPEED MANUAL DGD = TRANSMISSION - 3-SPD. AUTOMATIC, 30RH DGG = TRANSMISSION - 3-SPD. AUTOMATIC, 32RH

AR = use ase required - = Non illustrated part

**Seat Assemblies, Seat Covers Rear Seat Wrangler
Figure ITJ-610**



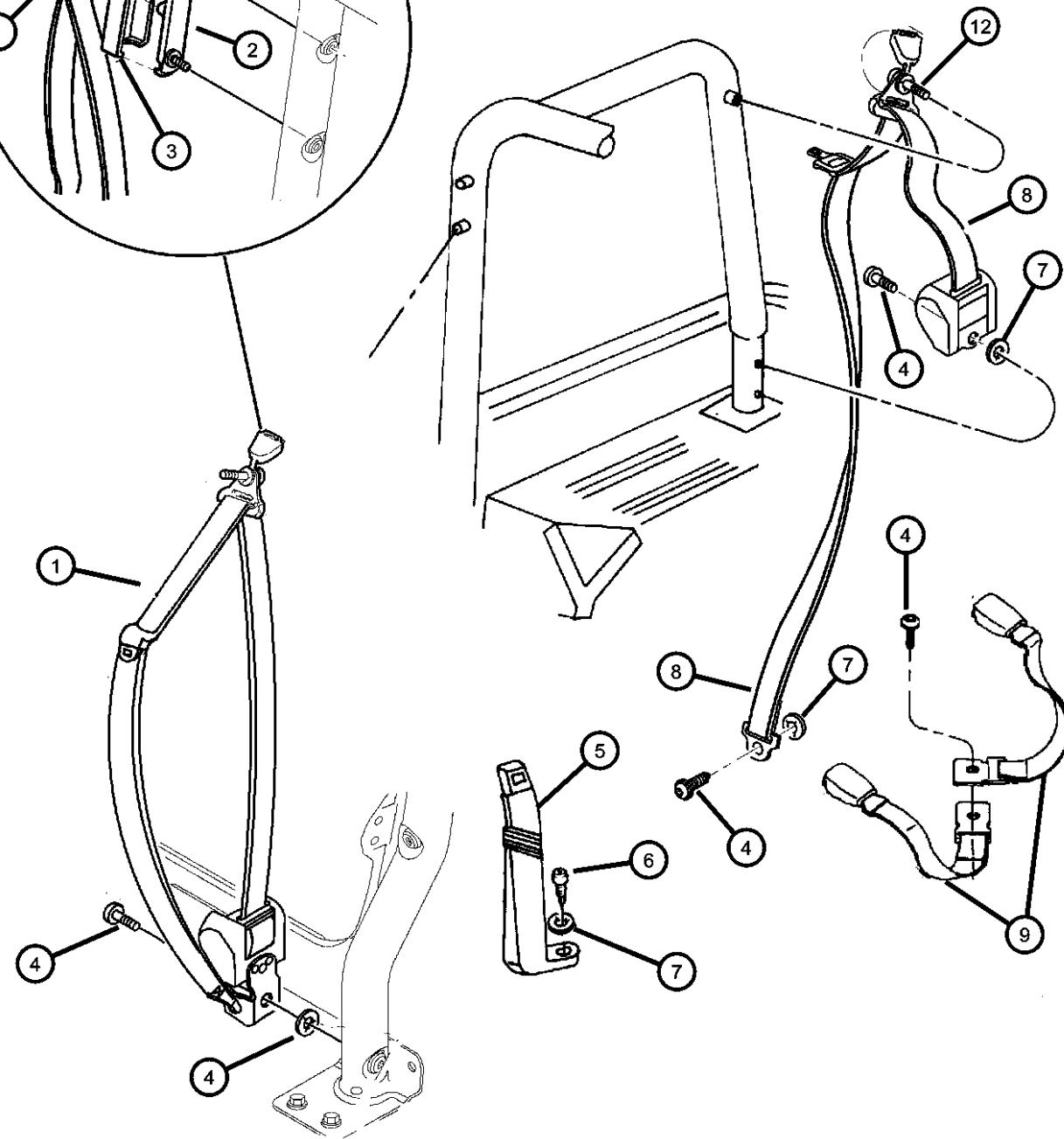
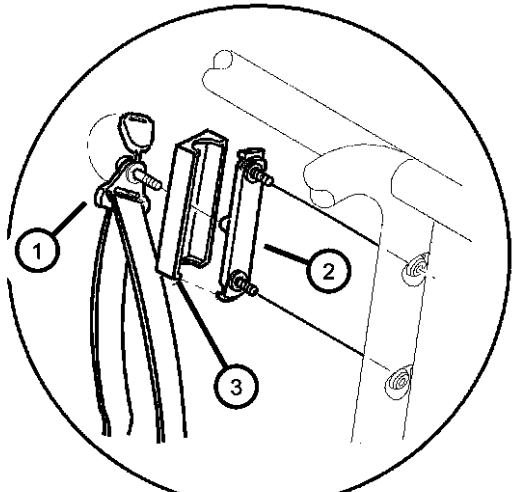
ITEM	PART NUMBER	QTY	LINE	SERIES	BODY	ENGINE	TRANS	TRIM	DESCRIPTION
		1						*J6	
		1						*M5	
-9									WASHER, Rear Seat Pivot, Black Nylon
	04713799	2						*M5	
		2						*K5	
		2						*J6	
-10									BOLT, Shoulder
	04638585	3						*M5	
		3						*K5	
		3						*J6	
-11									U-NUT, Seat Back, Used with Bolt 4638585
	04713982	4						*M5	
		4						*K5	
		4						*J6	
12	55196450	1							STRAP, Retaining
13	06500664	2							SCREW AND WASHER, Hex Head, M8x1.25x35
14									BRACKET, Rear Seat Pivot
	55217130AB	1							Right
	55217131AB	1							Left
15									BUMPER, Seat
	04874151	3						*M5	Cushion Base
		3						*K5	Cushion Base
		3						*J6	Cushion Base
16									BRACKET, Seat Latch
	55217128	1							Right
	55217129	1							Left
17	06034564	1							SCREW, Pan Head, .312-18x1
18	06504571	2							PIN, Rear Seat

WRANGLER (TJ)

SERIES	LINE	BODY	ENGINE	TRANSMISSION
L = Low Line	J = JEEP - 4WD U = JEEP - 4WD (RHD)	77 = OPEN BODY 2-DOOR	EPE = ENGINE - 2.5L POWER TECH I-4 Cyl. ERH = ENGINE - 4.0L POWER TECH I-6	DDQ = TRANSMISSION - 5-SPEED MANUAL DGD = TRANSMISSION - 3-SPD. AUTOMATIC, 30RH DGG = TRANSMISSION - 3-SPD. AUTOMATIC, 32RH

AR = use ase required - = Non illustrated part

Seat Belts Wrangler Figure ITJ-710



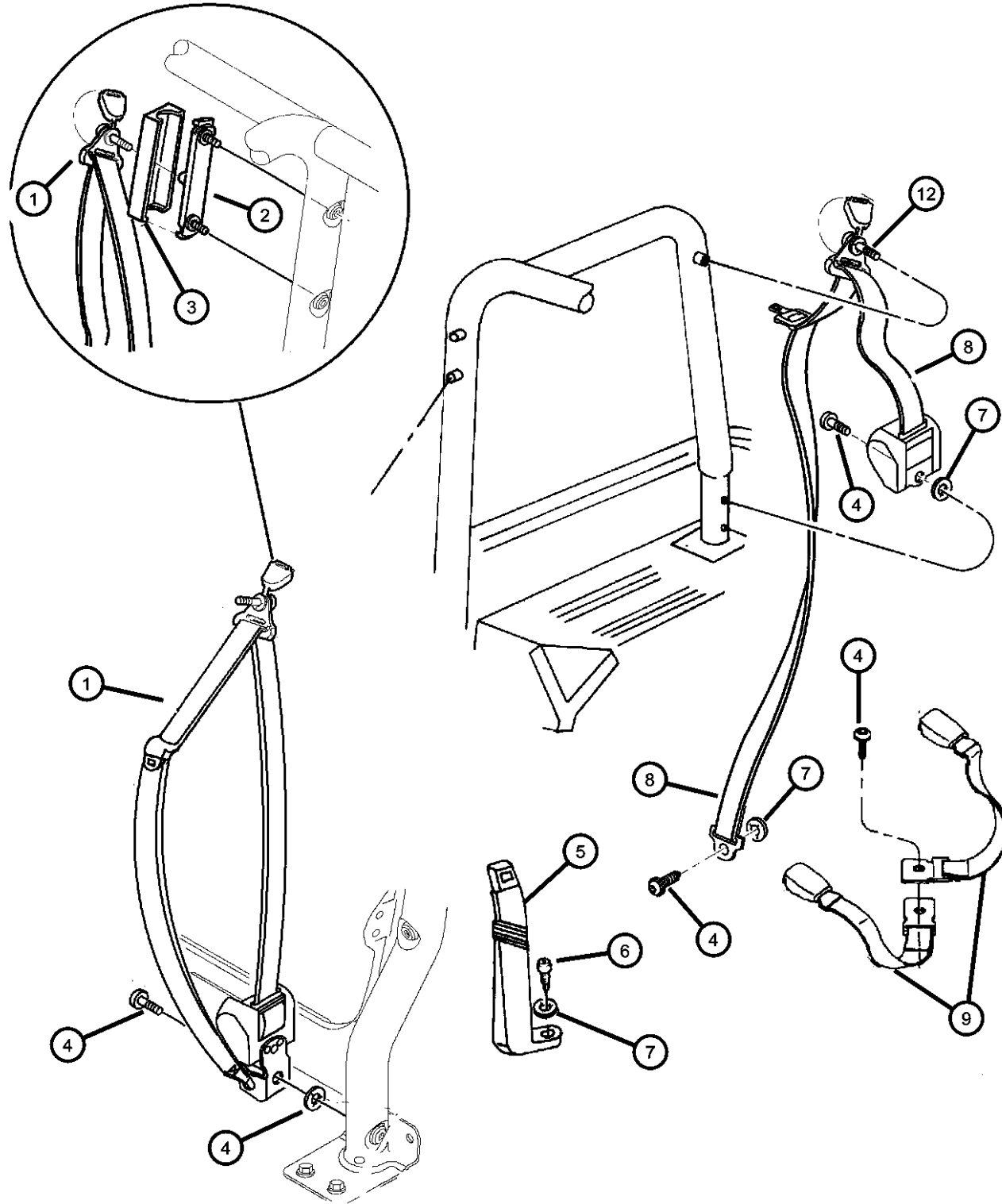
ITEM	PART NUMBER	QTY	LINE	SERIES	BODY	ENGINE	TRANS	TRIM	DESCRIPTION
1	5EV70LAZAB	1						*O0	SEAT BELT, Retractor Right
	5EV71LAZAB	1						*O0	Left
	5EV72LAZAB	1						*O0	Right, Export
	5EV73LAZAB	1						*O0	Left, Export
	55217173AB	2							ADJUSTER, Seat Belt Turning Loop
3	5EZ70TAZ	2						*O0	COVER, Turning Loop
4	06036187AA	2							SCREW, Pan Head
5	5FU06LAZ	1						*D6	SEAT BELT, Buckle Half Right
		1						*J6	Right
		1						*K5	Right
	5FU07LAZ	1						*D6	Left
		1						*J6	Left
		1						*K5	Left
	5FU08LAZ	1	U					*M5	Left, Export
		1	U					*K5	Left, Export
		1	U					*J6	Left, Export
		1	U					*D6	Left, Export
		1	J					*M5	Left, Export
		1	J					*K5	Left, Export
	5FV34LAZ	1	J					*J6	Left, Export
		1	J					*D6	Left, Export
		1	U					*M5	Right, Export
1		U					*K5	Right, Export	
1		U					*J6	Right, Export	
1		U					*D6	Right, Export	
6	04874129	2						*M5	BOLT, Seat Belt
		2						*K5	
		2						*J6	
		2						*D6	
		2							
7	04798898	2						*M5	WASHER, Seat Belt Attaching

WRANGLER (TJ)

SERIES	LINE	BODY	ENGINE	TRANSMISSION
L = Low Line	J = JEEP - 4WD U = JEEP - 4WD (RHD)	77 = OPEN BODY 2-DOOR	EPE = ENGINE - 2.5L POWER TECH I-4 Cyl. ERH = ENGINE - 4.0L POWER TECH I-6	DDQ = TRANSMISSION - 5-SPEED MANUAL DGD = TRANSMISSION - 3-SPD. AUTOMATIC, 30RH DGG = TRANSMISSION - 3-SPD. AUTOMATIC, 32RH

AR = use ase required - = Non illustrated part

Seat Belts Wrangler
Figure ITJ-710



ITEM	PART NUMBER	QTY	LINE	SERIES	BODY	ENGINE	TRANS	TRIM	DESCRIPTION
		2						*K5	
		2						*J6	
		2						*D6	
8									SEAT BELT, Rear Outer
	5EV62LAZAB	2						*O0	
	5EV66LAZAB	2						*O0	Export
9	5FX94LAZAA	1						*O0	SEAT BELT, Buckle Half
-10	04740415	1							EXTENDER, Seat Belt
-11									SCREW, Button Head, .375-24x.62, Front Traveling Inboard Buckle Mounting
	06035115	1						*D6	
		1						*J6	
		1						*K5	
		1						*M5	
12	06036294AA	2						*O0	BOLT, Shoulder

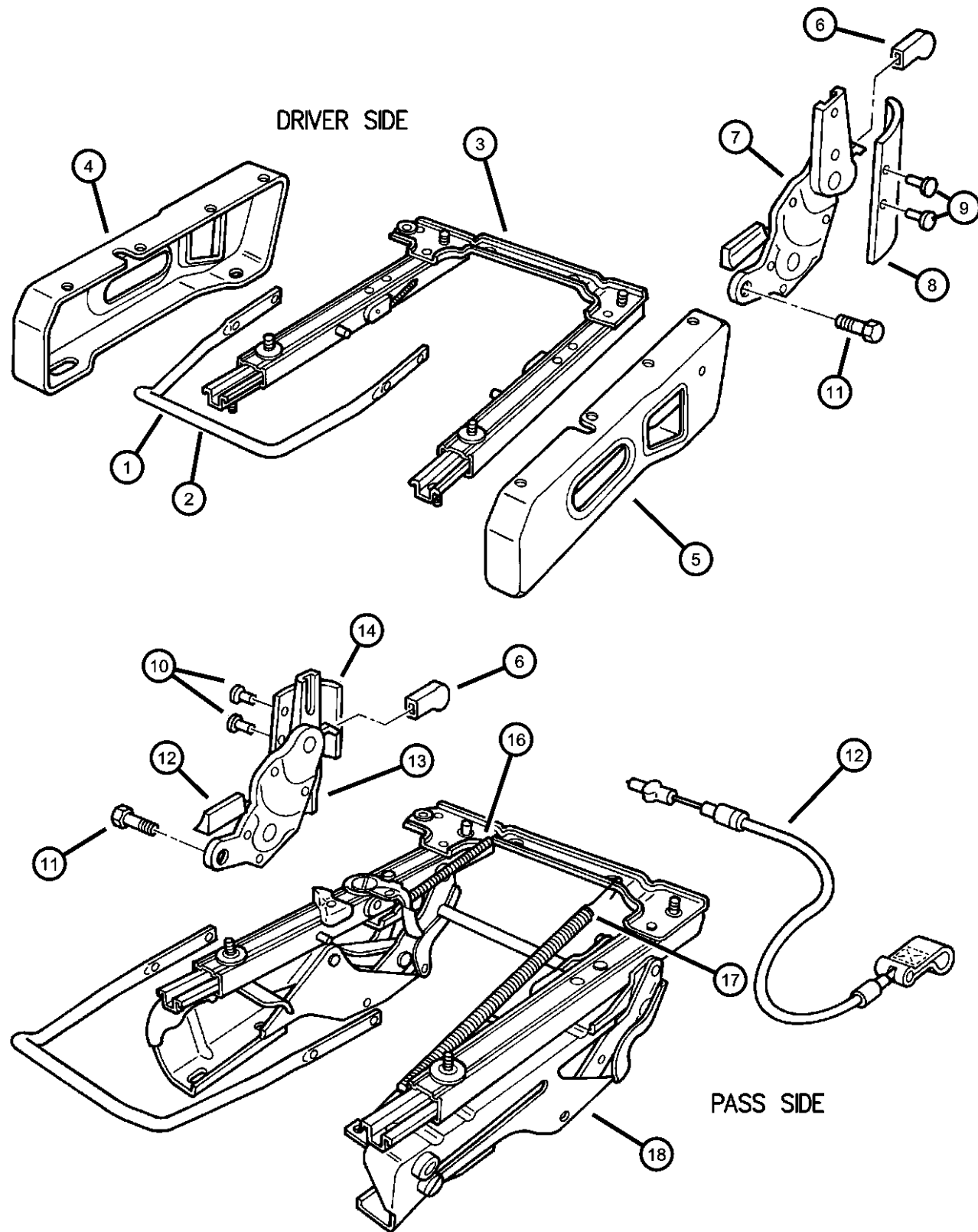
WRANGLER (TJ)

SERIES	LINE	BODY	ENGINE	TRANSMISSION
L = Low Line	J = JEEP - 4WD U = JEEP - 4WD (RHD)	77 = OPEN BODY 2-DOOR	EPE = ENGINE - 2.5L POWER TECH I-4 Cyl. ERH = ENGINE - 4.0L POWER TECH I-6	DDQ = TRANSMISSION - 5-SPEED MANUAL DGD = TRANSMISSION - 3-SPD. AUTOMATIC, 30RH DGG = TRANSMISSION - 3-SPD. AUTOMATIC, 32RH

AR = use ase required - = Non illustrated part

1999 TJ

Seat Assemblies, Adjusters, Recliners
Figure ITJ-810



ITEM	PART NUMBER	QTY	LINE	SERIES	BODY	ENGINE	TRANS	TRIM	DESCRIPTION
1	05014288AA	1						*D6	HANDLE, Towel Bar
		1						*J6	Right
		1						*K5	Right
		1						*M5	Right
	05014756AA	1						*M5	Left
		1						*K5	Left
		1						*J6	Left
		1						*D6	Left
2		1							HANDLE, (NOT REQUIRED)
3	04874120	1						*J6	ADJUSTER, Manual Seat
		1						*D6	Driver
	04874143	1						*M5	Passenger
		1						*K5	Passenger
4	05014290AA	1							RISER, Seat
		1						*D6	Inboard, Driver
		1						*J6	Inboard, Driver
5	05014291AA	1							RISER, Seat
		1						*J6	Outboard, Driver
		1						*D6	Outboard, Driver
6	04796720	1							KNOB, Seat Recliner
		1						*D6	
		1						*J6	
		1						*M5	
		1						*K5	
7	04874113	1							RECLINER, Front Seat Back
		1						*M5	Driver
		1						*K5	Driver
		1						*J6	Driver
		1						*D6	Driver
	05012149AA	1			U			*K5	
		1			U			*J6	
		1			J			*J6	Driver, Export

WRANGLER (TJ)

SERIES LINE
L = Low Line J = JEEP - 4WD
U = JEEP - 4WD (RHD)

BODY
77 = OPEN BODY 2-DOOR

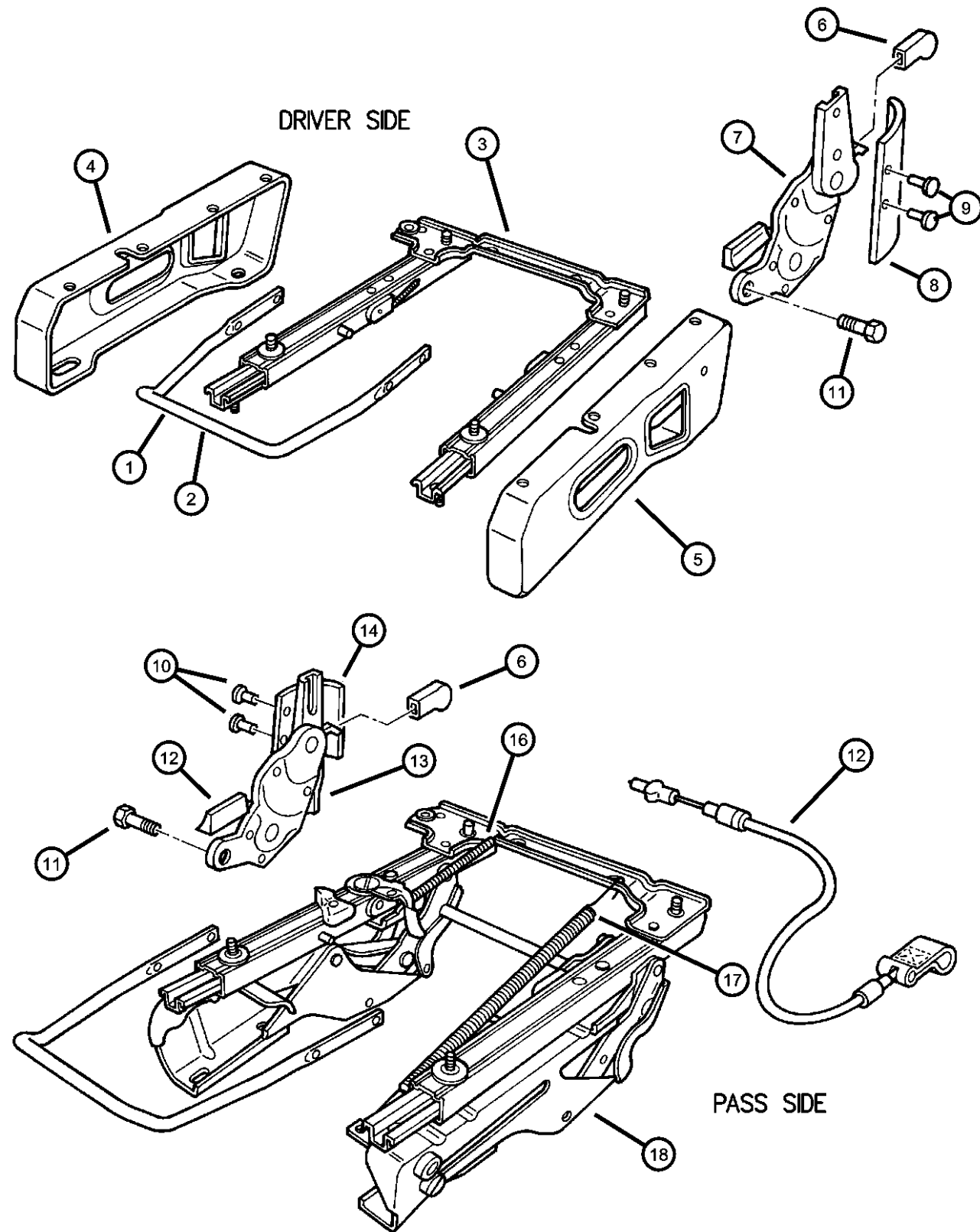
ENGINE
EPE = ENGINE - 2.5L POWER TECH I-4 Cyl.
ERH = ENGINE - 4.0L POWER TECH I-6

TRANSMISSION
DDQ = TRANSMISSION - 5-SPEED MANUAL
DGD = TRANSMISSION - 3-SPD. AUTOMATIC, 30RH
DGG = TRANSMISSION - 3-SPD. AUTOMATIC, 32RH

AR = use ase required - = Non illustrated part

1999 TJ

Seat Assemblies, Adjusters, Recliners
Figure ITJ-810



ITEM	PART NUMBER	QTY	LINE	SERIES	BODY	ENGINE	TRANS	TRIM	DESCRIPTION
8	04874117	1						*M5	SHIELD SIDE, Seat With Easy Entry
		1						*K5	With Easy Entry
		1						*J6	With Easy Entry
		1						*D6	With Easy Entry
9	04874111	2						*M5	SCREW, M4.2-1.41x13
		2	J					*K5	
		2						*J6	
		2						*D6	
10	04720768	4						*M5	BOLT, Recliner to Seat Back
		4						*K5	
		4						*J6	
		4						*D6	
11	04796793	4						*M5	BOLT, Recliner To Cushion, Front Seat
		4						*K5	
		4						*J6	
		4						*D6	
12	05014292AA	1						*M5	CABLE, Seat Adjuster, Recliner, Easy Entry, Includes Strap
		1						*K5	Cable And Pull Strap
		1						*J6	Cable And Pull Strap
		1						*D6	Cable And Pull Strap
13	04874112	1						*M5	RECLINER, Front Seat Back
		1						*K5	Passenger
		1						*J6	Passenger
		1						*D6	Passenger
	05012148AA	1	U					*J6	Passenger, Export
		1	J					*J6	Passenger, Export

WRANGLER (TJ)

SERIES LINE
L = Low Line J = JEEP - 4WD
U = JEEP - 4WD (RHD)

BODY
77 = OPEN BODY 2-DOOR

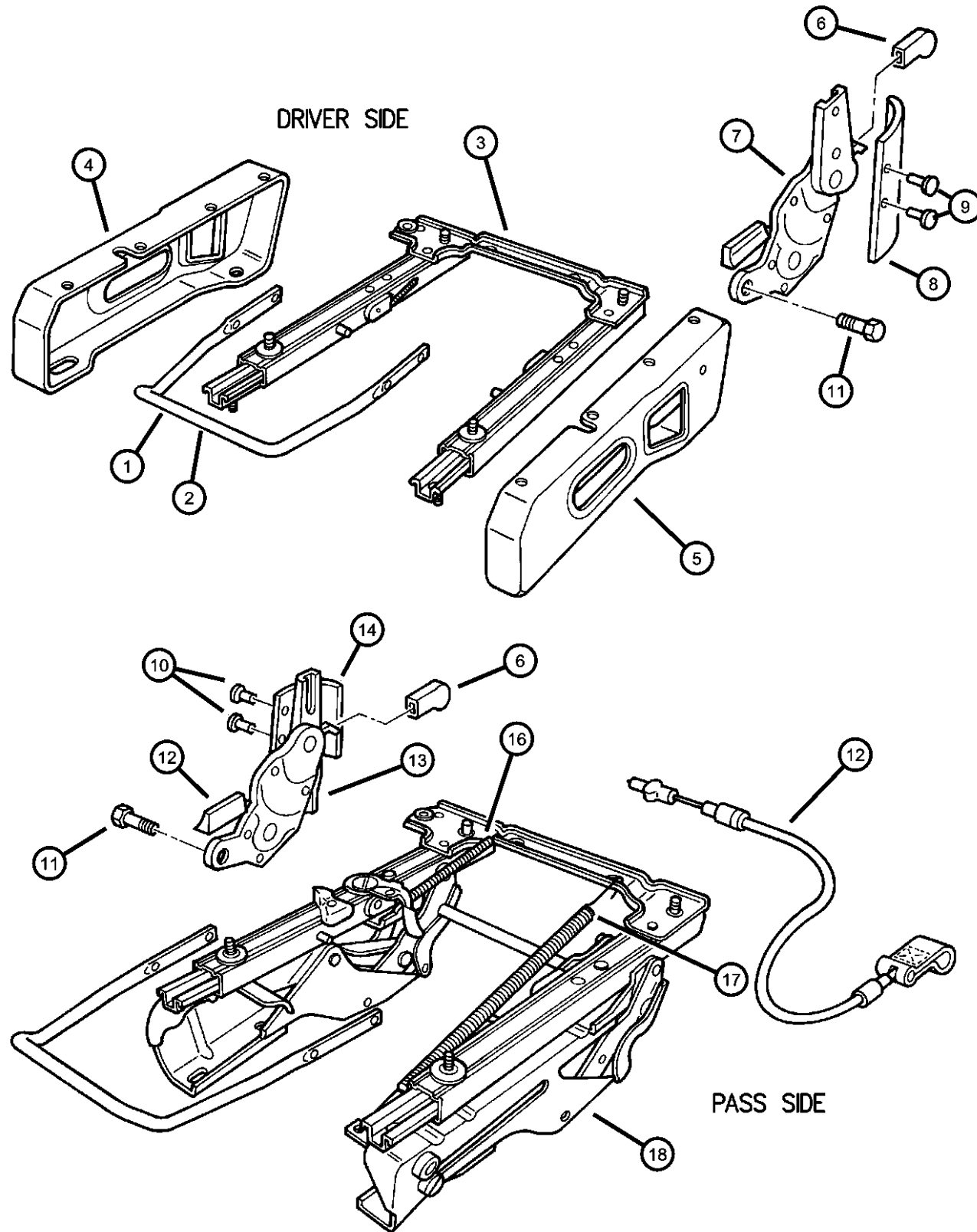
ENGINE
EPE = ENGINE - 2.5L POWER
TECH I-4 Cyl.
ERH = ENGINE - 4.0L
POWER TECH I-6

TRANSMISSION
DDQ = TRANSMISSION - 5-SPEED
MANUAL
DGD = TRANSMISSION - 3-SPD.
AUTOMATIC, 30RH
DGG = TRANSMISSION - 3-SPD.
AUTOMATIC, 32RH

AR = use ase required - = Non illustrated part

1999 TJ

Seat Assemblies, Adjusters, Recliners
Figure ITJ-810



ITEM	PART NUMBER	QTY	LINE	SERIES	BODY	ENGINE	TRANS	TRIM	DESCRIPTION
14	04874116	1	U					*K5	Passenger, Export SHIELD SIDE, Seat
		1						*M5	Easy Entry Cable
		1						*K5	Easy Entry Cable
		1						*J6	Easy Entry Cable
		1						*D6	Easy Entry Cable
-15	04874111	1						*D6	SCREW, M4.2-1.41x13
		1						*J6	
		1						*K5	
		1						*M5	
16	04874266	1							SPRING, Seat Lever Return
		1						*M5	Short
		1						*K5	Short
		1						*J6	Short
		1						*D6	Short
17	04874267	1							SPRING, Seat Release Lever
		1						*M5	Long
		1						*K5	Long
		1						*J6	Long
		1						*D6	Long
	05012162AA	1	J					*M5	Long, Export
		1	U					*M5	Long, Export
		1	J					*K5	Long, Export
		1	U					*K5	Long, Export
		1	J					*J6	Long, Export
		1	U					*J6	Long, Export
		1	J					*D6	Long, Export
		1	U					*D6	Long, Export
18	04874143	1							ADJUSTER, Manual Seat
		1						*M5	Passenger
		1						*K5	Passenger
		1						*J6	Passenger

WRANGLER (TJ)

SERIES LINE
 L = Low Line J = JEEP - 4WD
 U = JEEP - 4WD (RHD)

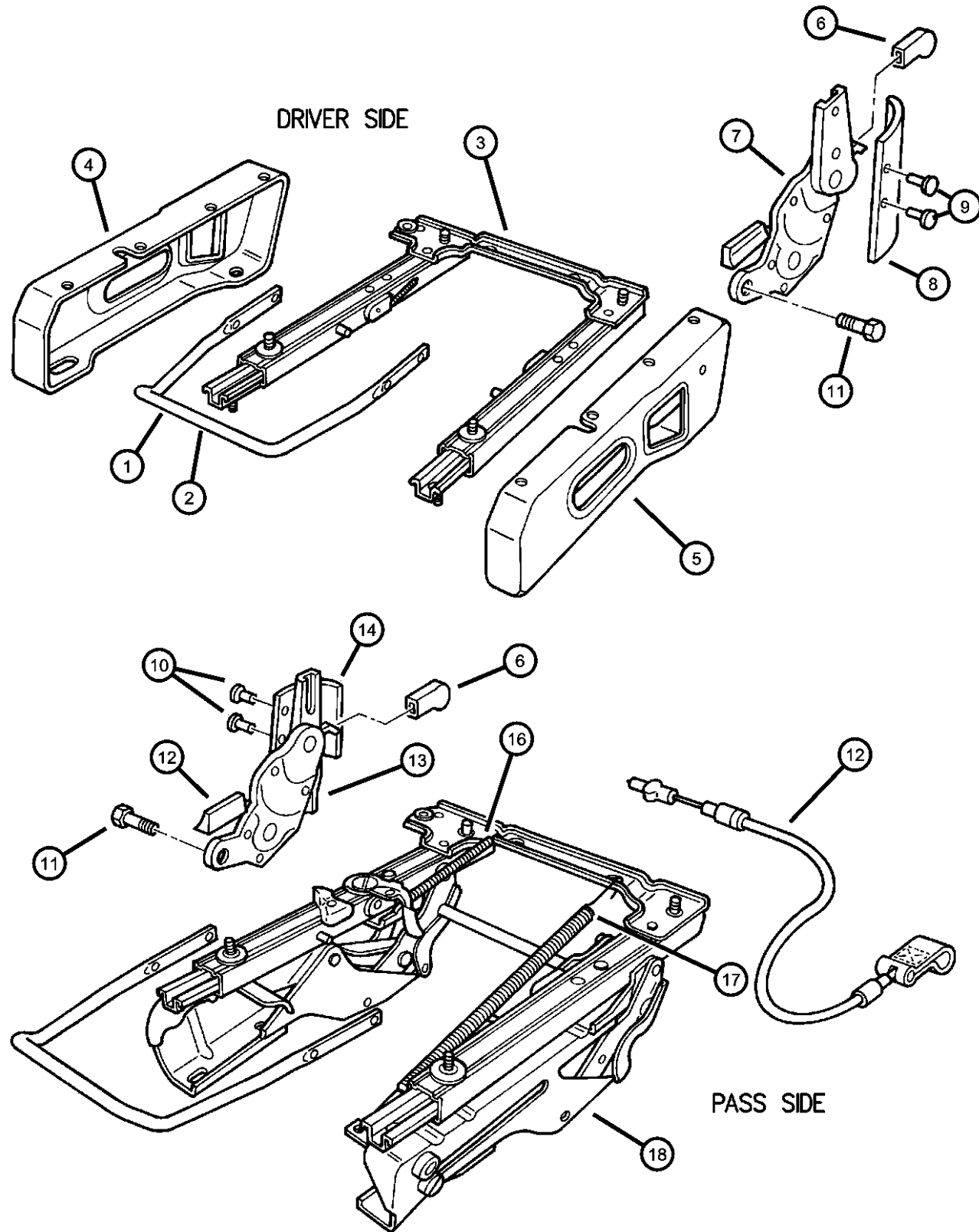
BODY
 77 = OPEN BODY 2-DOOR

ENGINE
 EPE = ENGINE - 2.5L POWER TECH I-4 Cyl.
 ERH = ENGINE - 4.0L POWER TECH I-6

TRANSMISSION
 DDQ = TRANSMISSION - 5-SPEED MANUAL
 DGD = TRANSMISSION - 3-SPD. AUTOMATIC, 30RH
 DGG = TRANSMISSION - 3-SPD. AUTOMATIC, 32RH

AR = use ase required - = Non illustrated part

Seat Assemblies, Adjusters, Recliners Figure ITJ-810



ITEM	PART NUMBER	QTY	LINE	SERIES	BODY	ENGINE	TRANS	TRIM	DESCRIPTION
		1						*D6	Passenger
	04874144	1						*M5	Driver
		1						*K5	Driver
		1						*J6	Driver
		1						*D6	Driver
	05012150AA	1	J					*M5	Right, Export
		1	U					*M5	Right, Export
		1	J					*K5	Right, Export
		1	U					*K5	Right, Export
		1	J					*J6	Right, Export
		1	U					*J6	Right, Export
		1	J					*D6	Right, Export
	05012151AA	1	U					*D6	Right, Export
		1	J					*M5	Left, Export
		1	U					*M5	Left, Export
		1	J					*K5	Left, Export
		1	U					*K5	Left, Export
		1	J					*J6	Left, Export
		1	U					*J6	Left, Export
		1	J					*D6	Left, Export
		1	U					*D6	Left, Export
-19	04886308AA	1							CABLE, Seat Adjuster, Seat Track
		1						*M5	28 Inches Long, (Also Serviced in 4874143)
		1						*K5	28 Inches Long, (Also Serviced in 4874143)
		1						*J6	28 Inches Long, (Also Serviced in 4874143)
		1						*D6	28 Inches Long, (Also Serviced in 4874143)
	04886309AA	1						*M5	40 Inches Long, (Also Serviced in 4874144)
		1						*K5	40 Inches Long, (Also Serviced in 4874144)
		1						*J6	40 Inches Long, (Also Serviced in 4874144)
		1						*D6	40 Inches Long, (Also Serviced in 4874144)

WRANGLER (TJ)

SERIES LINE
 L = Low Line J = JEEP - 4WD
 U = JEEP - 4WD (RHD)

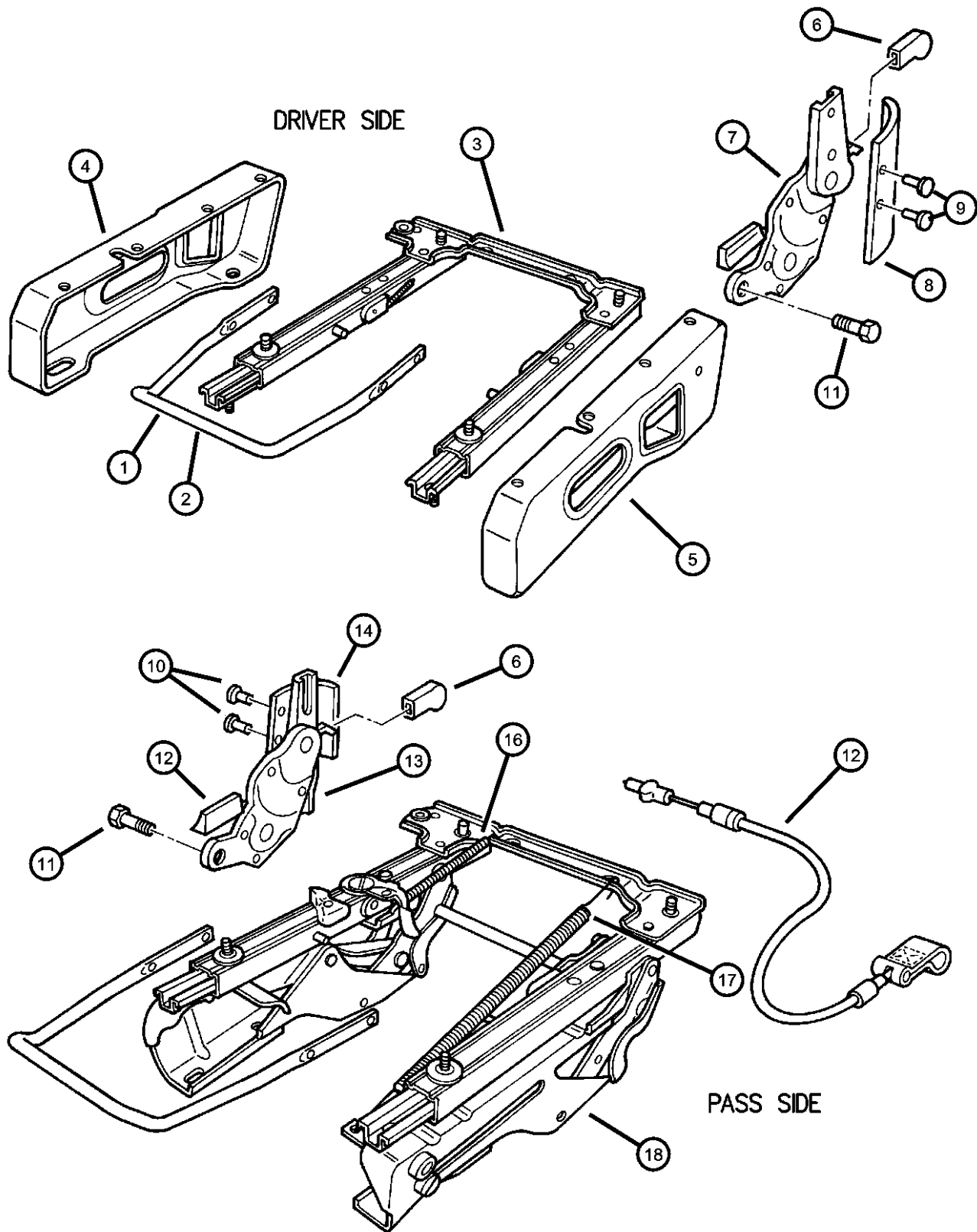
BODY
 77 = OPEN BODY 2-DOOR

ENGINE
 EPE = ENGINE - 2.5L POWER TECH I-4 Cyl.
 ERH = ENGINE - 4.0L POWER TECH I-6

TRANSMISSION
 DDQ = TRANSMISSION - 5-SPEED MANUAL
 DGD = TRANSMISSION - 3-SPD. AUTOMATIC, 30RH
 DGG = TRANSMISSION - 3-SPD. AUTOMATIC, 32RH

AR = use ase required - = Non illustrated part

Seat Assemblies, Adjusters, Recliners
Figure ITJ-810



ITEM	PART NUMBER	QTY	LINE	SERIES	BODY	ENGINE	TRANS	TRIM	DESCRIPTION
	05012163AA	1	J					*M5	Also Serviced in 5012150AA & 5012151AA, Contained Within Seat Track, Export
		1	U					*M5	Also Serviced in 5012150AA & 5012151AA, Contained Within Seat Track, Export
		1	J					*K5	Also Serviced in 5012150AA & 5012151AA, Contained Within Seat Track, Export
		1	U					*K5	Also Serviced in 5012150AA & 5012151AA, Contained Within Seat Track, Export
		1	J					*J6	Also Serviced in 5012150AA & 5012151AA, Contained Within Seat Track, Export
		1	U					*J6	Also Serviced in 5012150AA & 5012151AA, Contained Within Seat Track, Export
		1	J					*D6	Also Serviced in 5012150AA & 5012151AA, Contained Within Seat Track, Export
		1	U					*D6	Also Serviced in 5012150AA & 5012151AA, Contained Within Seat Track, Export
-20	J4006832	2							BOLT, Pan Head, .437-20x1.375

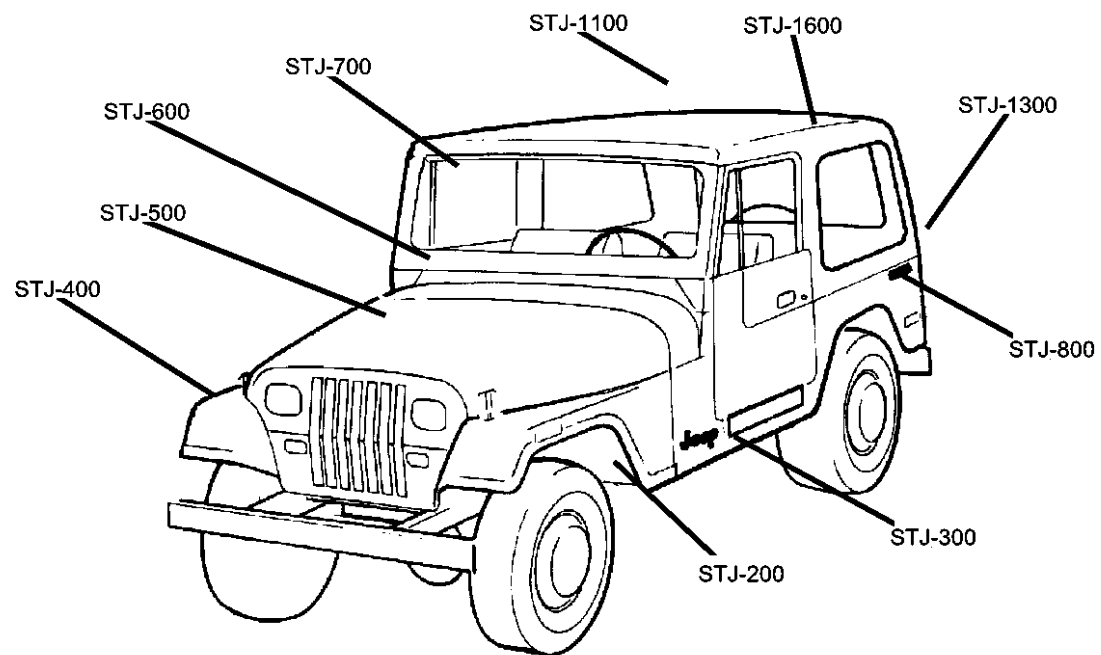
WRANGLER (TJ)

SERIES	LINE	BODY	ENGINE	TRANSMISSION
L = Low Line	J = JEEP - 4WD U = JEEP - 4WD (RHD)	77 = OPEN BODY 2-DOOR	EPE = ENGINE - 2.5L POWER TECH I-4 Cyl. ERH = ENGINE - 4.0L POWER TECH I-6	DDQ = TRANSMISSION - 5-SPEED MANUAL DGD = TRANSMISSION - 3-SPD. AUTOMATIC, 30RH DGG = TRANSMISSION - 3-SPD. AUTOMATIC, 32RH

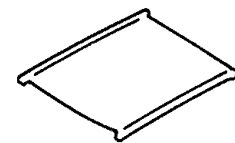
AR = use ase required - = Non illustrated part

Group - STJ

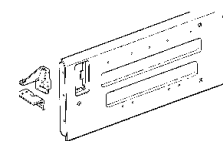
Body Sheet Metal Except Doors



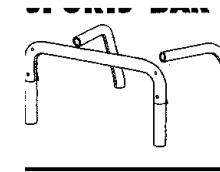
STJ-1100
Roof - Hard & Soft Top



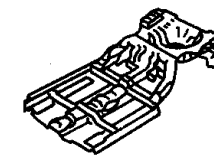
STJ-1300
Tailgate



STJ-1600
Luggage Rack



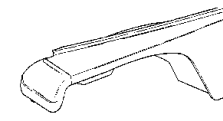
STJ-200
Floor Pans



STJ-300
Plugs



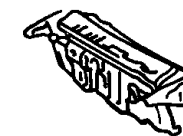
STJ-400
Front Fenders



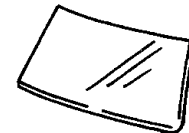
STJ-500
Hood and Hood Release



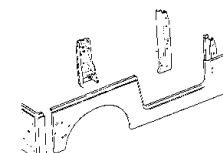
STJ-600
Cowl and Dash Panel



STJ-700
Glass and Rear View Mirror



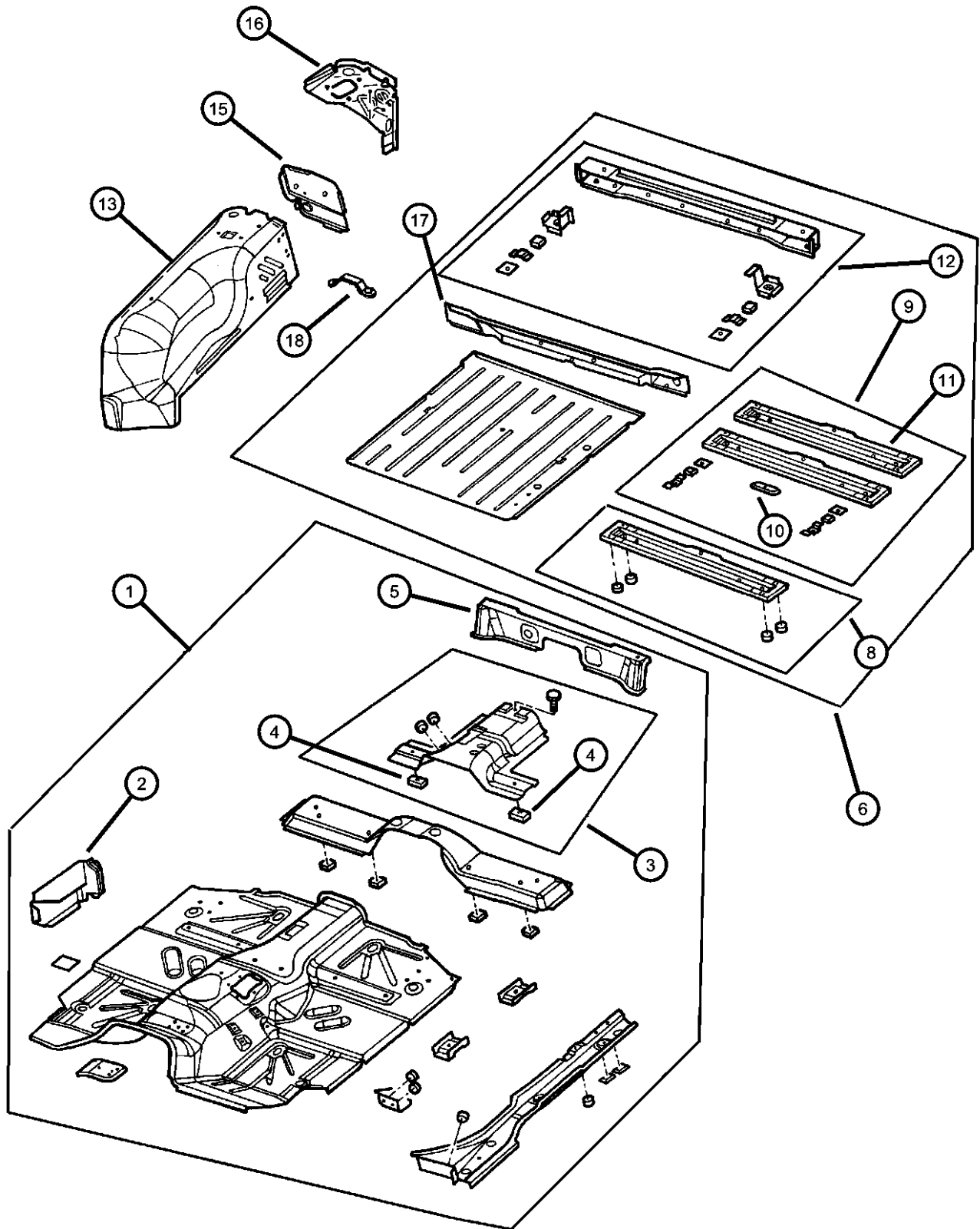
STJ-800
Aperture Panel



Group - STJ Body Sheet Metal Except Doors

Illustration Title	Group-Fig. No.
Floor Pans	
Pan, Floor Front And Rear	Fig. STJ - 210
Plugs	
Plugs	Fig. STJ - 310
Front Fenders	
Fender And Flare, Front Wrangler	Fig. STJ - 410
Hood and Hood Release	
Hood, Lock, Catches.....	Fig. STJ - 510
Cowl and Dash Panel	
Panels, Cowl And Dash Wrangler	Fig. STJ - 610
Glass and Rear View Mirror	
Glass, Windshield, Backlite, Quarter Windshield Frame, Hinges.....	Fig. STJ - 710
Aperture Panel	
Panels, Body Side Wrangler	Fig. STJ - 810
Roof - Hard & Soft Top	
Soft Top And Windows Wrangler.....	Fig. STJ - 1110
Top Enclosure, Hard	Fig. STJ - 1120
Tailgate	
Tailgate Wrangler.....	Fig. STJ - 1310
Add-a-Trunk	Fig. STJ - 1320
Luggage Rack	
Sport Bar Wrangler.....	Fig. STJ - 1610

Pan, Floor Front And Rear
Figure STJ-210



ITEM	PART NUMBER	QTY	LINE	SERIES	BODY	ENGINE	TRANS	TRIM	DESCRIPTION
1	55346185AC	1							PAN, Floor
2									PANEL, Cowl Side
	55174828	1							Right
	55174829AB	1							Left
3	55175209	1							REINFORCEMENT, Park Brake Mounting
4	06033150	2							NUT PLATE, .25-20
5	55174809AB	1							RISER, Seat
6	55174811	1							PAN, Floor
-7	06035880	2	U						NUT, Rivet, Child Restraint, AUSTRALIA
8	55176240	1							CROSSMEMBER, Seat Belt Mount
9	55176241	1							CROSSMEMBER, Underbody, Body Mount #4
10	04490835AB	1							REINFORCEMENT, Shoulder Belt
11	55176237	1							CROSSMEMBER, Rear Floor
12	55175788AC	1							SILL, Rear
13									PANEL, Wheelhouse
	55175230AC	1							Right
	55175231AC	1							Left
-14	04490111	1							TAPPING PLATE, Also Serviced in Panel, Wheelhouse
15									PANEL, Rear Closure
	55176526AC	1							Horseshoe Shaped, Right
	55176527AC	1							As Illustrated, Left
16									REINFORCEMENT, Wheelhouse
	55175064AB	1							Right
	55175065AB	1							Left
17	55175790	1							PANEL, Rear Body Closing, Lower Center Panel
18	55013668	8							CHECK, Front Door

WRANGLER (TJ)

SERIES LINE
L = Low Line J = JEEP - 4WD
U = JEEP - 4WD (RHD)

BODY
77 = OPEN BODY 2-DOOR

ENGINE
EPE = ENGINE - 2.5L POWER TECH I-4 Cyl.
ERH = ENGINE - 4.0L POWER TECH I-6

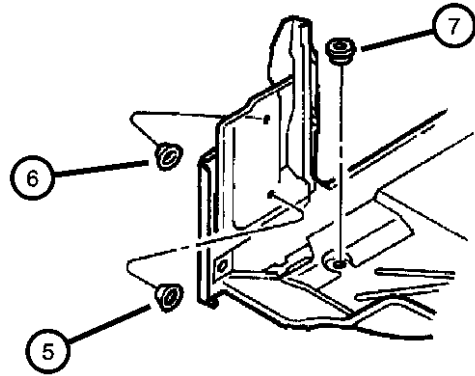
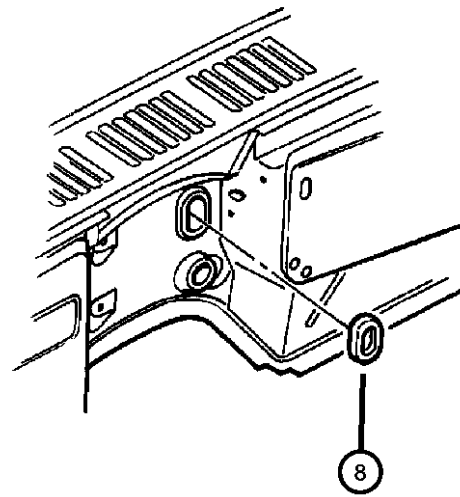
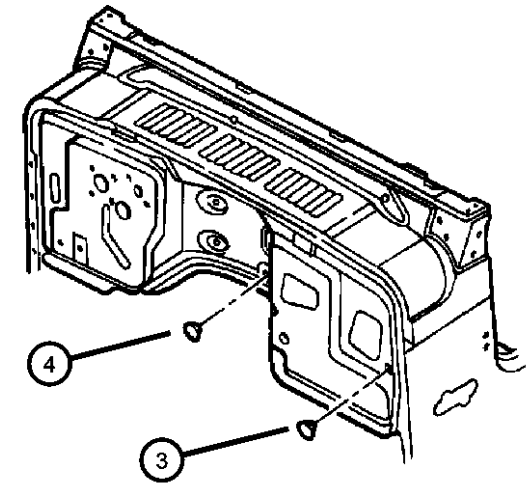
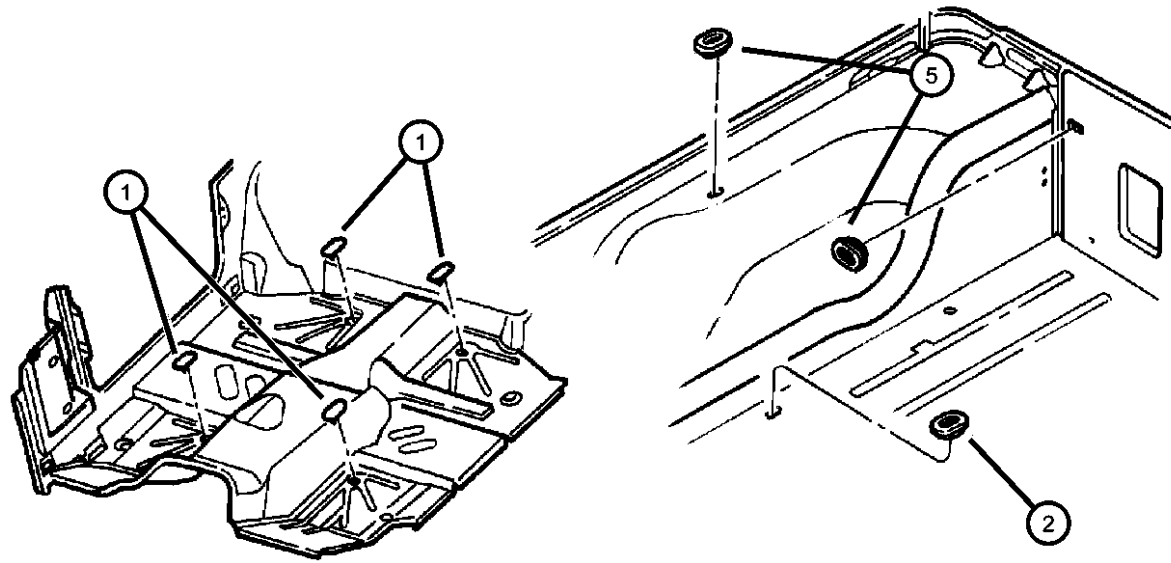
TRANSMISSION
DDQ = TRANSMISSION - 5-SPEED MANUAL
DGD = TRANSMISSION - 3-SPD. AUTOMATIC, 30RH
DGG = TRANSMISSION - 3-SPD. AUTOMATIC, 32RH

AR = use ase required - = Non illustrated part

1999 TJ

Plugs
Figure STJ-310

ITEM	PART NUMBER	QTY	LINE	SERIES	BODY	ENGINE	TRANS	TRIM	DESCRIPTION
1	04586055	8							PLUG, Floor PanFront
2	06004507	2							PLUG, Body, 25.4mm x 38.1mm, Rubber, Rear Floor Pan
3	02424864	1							PLUG, Body, 1.75 Diameter
4	04780194	AR							PLUG, Dash Panel Rear Body Wiring
5	01774076	2							PLUG
6	55176729AA	2							PLUG, Cowl Side
7	04646855	2							PLUG, Floor Pan
8	04646855	2							PLUG, Body, 4.0mm X 76.4mm, (NOT SERVICED)



WRANGLER (TJ)

SERIES

L = Low Line

LINE

J = JEEP - 4WD
U = JEEP - 4WD (RHD)

BODY

77 = OPEN BODY 2-DOOR

ENGINE

EPE = ENGINE - 2.5L POWER TECH I-4 Cyl.
ERH = ENGINE - 4.0L POWER TECH I-6

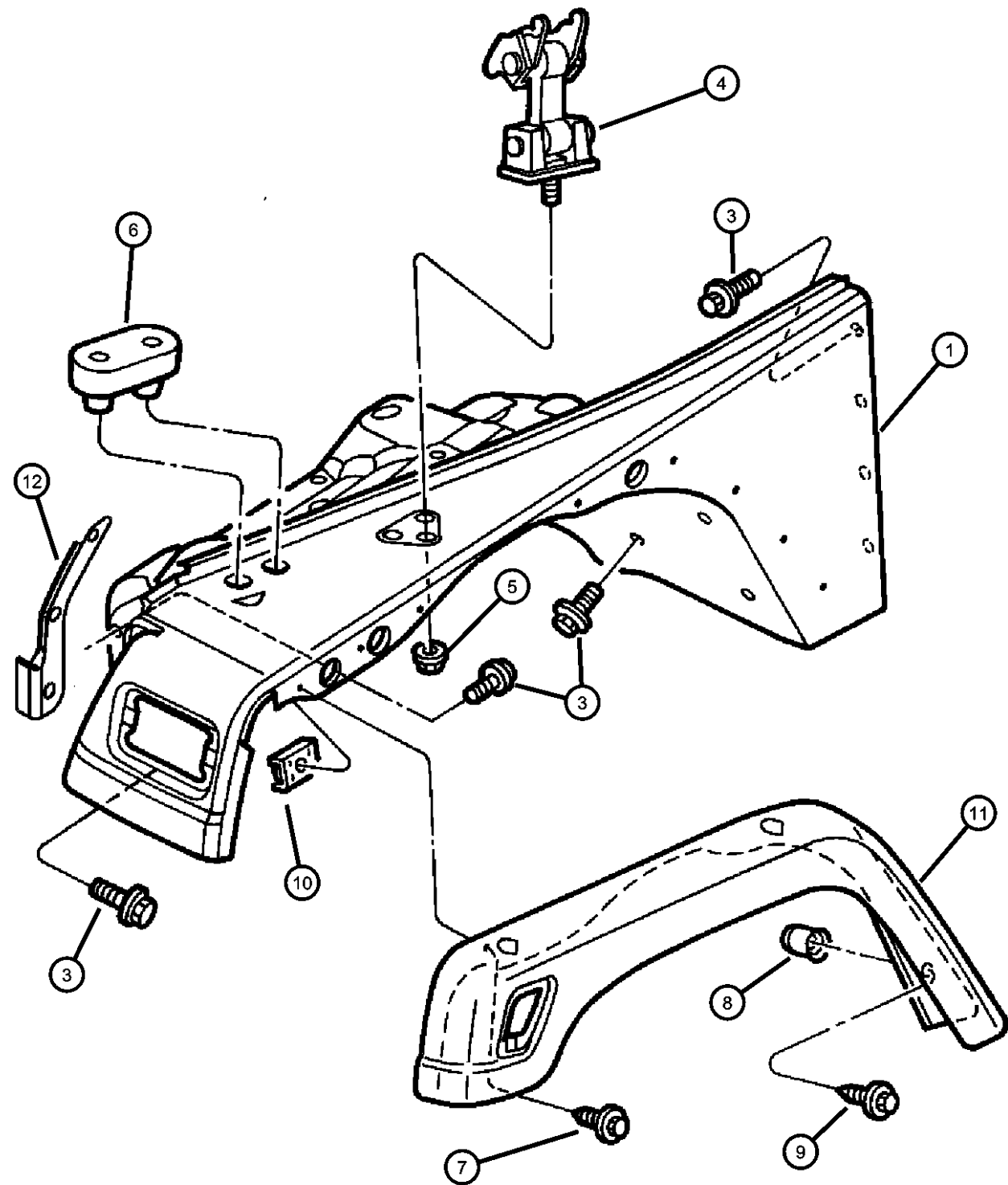
TRANSMISSION

DDQ = TRANSMISSION - 5-SPEED MANUAL
DGD = TRANSMISSION - 3-SPD. AUTOMATIC, 30RH
DGG = TRANSMISSION - 3-SPD. AUTOMATIC, 32RH

AR = use ase required - = Non illustrated part

1999 TJ

Fender And Flare, Front Wrangler
Figure STJ-410



ITEM	PART NUMBER	QTY	LINE	SERIES	BODY	ENGINE	TRANS	TRIM	DESCRIPTION
1									PANEL, Fender
	05003950AB	1							Right
	05003951AB	1							Left
-2	55174658	2							SHIELD, SplashFront
3	06100583	8							BOLT AND CONED WASHER, Hex Head, M8x25x20
4	55176636AD	2							CATCH, Hood
5	06101445	2							NUT AND WASHER, Hex Nut-Coned Washer, M8 x 1.25
6	J4007541	2							BUMPER, Fender, Oblong Head in Front Fender as Hood Cushion
7	J4007541	2							SCREW AND WASHER, [.190-16x.750], (NOT SERVICED)
8	06504601	6							NUT, Rivet Round, M5x0.80x11.09, M5x0.80x11.09
9	06504601	6							SCREW AND WASHER, M5x.080x20.00, (NOT SERVICED)
10									NUT, Plastic
	J4004868	14							Front
		10							Rear
11									EXTENSION, Fender
	0QP94DX8	1							[K5X], Black, High Gloss, SAHARA, Right
	0QP94DX9	1							[K5Z], Black, Flat, SAHARA, Right
	0QP94SG8	1							[K5G], Forest Green, SAHARA, Right
	0QP94SW1	1							[K5W], White, SAHARA, Right
	0QP94WTD	1							[K5S], Sand, SAHARA, Right
	0QP95DX8	1							[K5X], Black, High Gloss, SAHARA, Left
	0QP95DX9	1							[K5Z], Black, Flat, SAHARA, Left
	0QP95SG8	1							[K5G], Forest Green, SAHARA, Left
	0QP95SW1	1							[K5W], White, SAHARA, Left
	0QP95WTD	1							[K5S], Sand, SAHARA, Left
	55254918	1							[K30], Black, Textured, Right
	55254919	1							[K30], Black, Textured, Left
12									REINFORCEMENT, Fender

WRANGLER (TJ)

SERIES LINE
L = Low Line J = JEEP - 4WD
U = JEEP - 4WD (RHD)

BODY
77 = OPEN BODY 2-DOOR

ENGINE
EPE = ENGINE - 2.5L POWER TECH I-4 Cyl.
ERH = ENGINE - 4.0L POWER TECH I-6

TRANSMISSION
DDQ = TRANSMISSION - 5-SPEED MANUAL
DGD = TRANSMISSION - 3-SPD. AUTOMATIC, 30RH
DGG = TRANSMISSION - 3-SPD. AUTOMATIC, 32RH

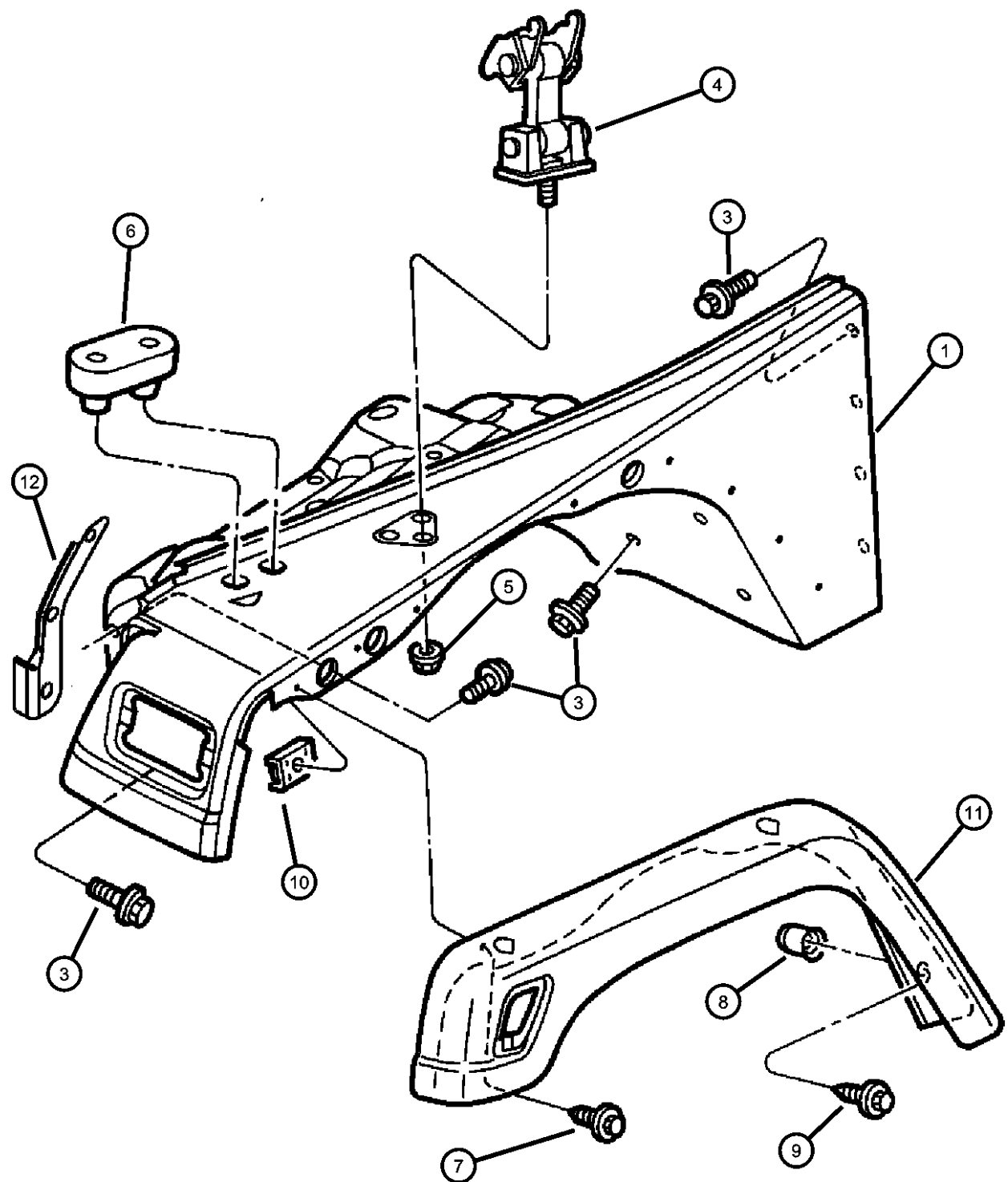
AR = use ase required - = Non illustrated part

1999 TJ

Fender And Flare, Front Wrangler
Figure STJ-410

ITEM	PART NUMBER	QTY	LINE	SERIES	BODY	ENGINE	TRANS	TRIM	DESCRIPTION
------	-------------	-----	------	--------	------	--------	-------	------	-------------

	55176456AB	1							Right
	55176457AB	1							Left



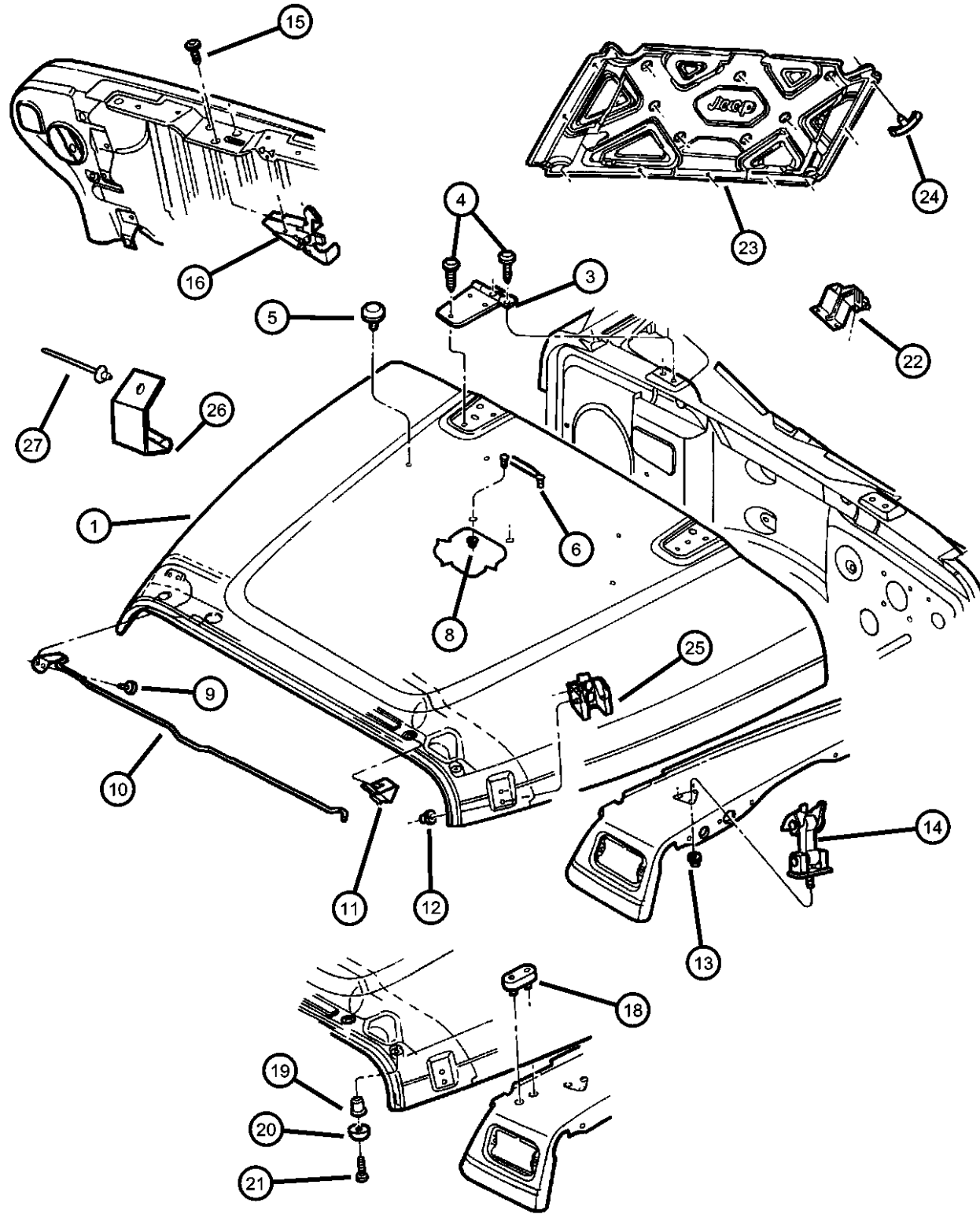
WRANGLER (TJ)

SERIES	LINE	BODY	ENGINE	TRANSMISSION
L = Low Line	J = JEEP - 4WD U = JEEP - 4WD (RHD)	77 = OPEN BODY 2-DOOR	EPE = ENGINE - 2.5L POWER TECH I-4 Cyl. ERH = ENGINE - 4.0L POWER TECH I-6	DDQ = TRANSMISSION - 5-SPEED MANUAL DGD = TRANSMISSION - 3-SPD. AUTOMATIC, 30RH DGG = TRANSMISSION - 3-SPD. AUTOMATIC, 32RH

AR = use ase required - = Non illustrated part

1999 TJ

Hood, Lock, Catches
Figure STJ-510



ITEM	PART NUMBER	QTY	LINE	SERIES	BODY	ENGINE	TRANS	TRIM	DESCRIPTION
1	55176594AC	1							HOOD
-2	55176589	AR							SHIM
3	55075559	2							HINGE, Hood
4	06503154	6							SCREW AND WASHER, Round Head, M8x1.25x20
5	55075590	2							BUMPER, Hood
6	55176422	1							BRACKET, Windshield Hold Down
-7	06036102AA	2							SCREW, .19-24.50
8	06502028	2							NUT AND WASHER, Hex Nut-Coned Washer, M4 x 0.70
9	06034980	2							SCREW, Pan Head, .19-24x.437, Hood Prop Rod Mounting
10	55176635AB	1							ROD, Hood Prop
11	55075480AC	1							CLIP, Prop Rod
12	06504030	4							NUT AND WASHER, Hex, M6x1
13	06101445	2							NUT AND WASHER, Hex Nut-Coned Washer, M8 x 1.25
14	55176636AD	2							CATCH, Hood
15	55176636AD	2							SCREW AND WASHER, (NOT SERVICED)
16	55176731AE	1							HOOK, Hood Safety Catch
-17	55176732AB	1							SPRING, Hood Pop Up
18	J4007541	2							BUMPER, Fender, Oblong
19	J4005237	2							NUT, Hex, .19-32x430, Well Type Hood Bumper support, .190-32x.430
20	55176291	2							BUMPER, Steel Insert
21	06034205	2							SCREW, Pan Head, .19-32x.625, Hood Bumper Support, .190-32.620
22	55175096	2							REINFORCEMENT, Hood Hinge
23	55175096	2							INSULATION, Hood, (NOT SERVICED)
24	55175096	2							RETAINER, Hood Insulation, .415x.690, (NOT SERVICED)
25	55176428AC	2							BRACKET, Hood Catch
26	55032768	1							SKID PLATE, Secondary Hood Catch
27	06500787	1							RIVET, M5x11.30

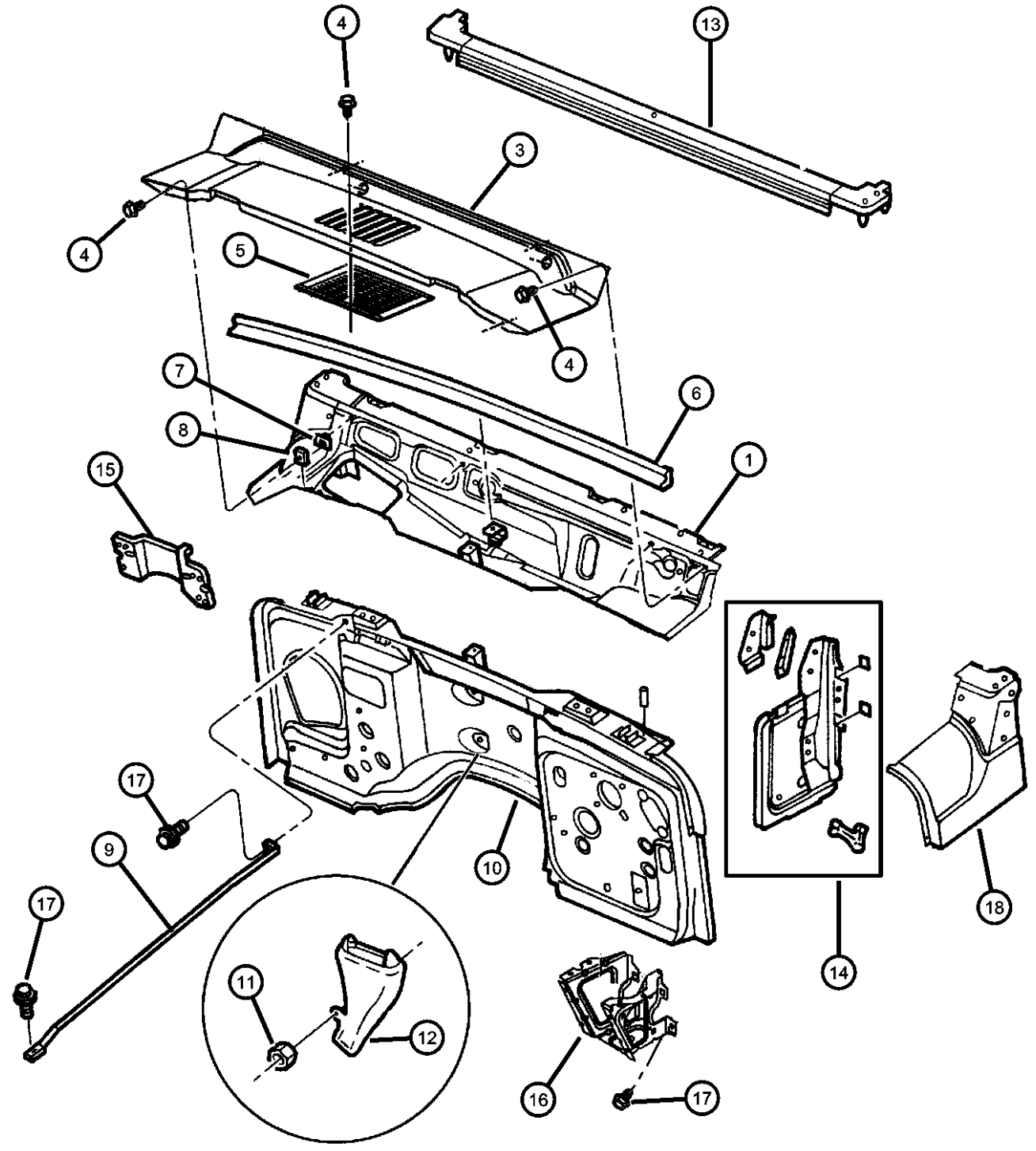
WRANGLER (TJ)

SERIES	LINE	BODY	ENGINE	TRANSMISSION
L = Low Line	J = JEEP - 4WD U = JEEP - 4WD (RHD)	77 = OPEN BODY 2-DOOR	EPE = ENGINE - 2.5L POWER TECH I-4 Cyl. ERH = ENGINE - 4.0L POWER TECH I-6	DDQ = TRANSMISSION - 5-SPEED MANUAL DGD = TRANSMISSION - 3-SPD. AUTOMATIC, 30RH DGG = TRANSMISSION - 3-SPD. AUTOMATIC, 32RH

AR = use ase required - = Non illustrated part

1999 TJ

**Panels, Cowl And Dash Wrangler
Figure STJ-610**



ITEM	PART NUMBER	QTY	LINE	SERIES	BODY	ENGINE	TRANS	TRIM	DESCRIPTION
1	55174624AB	1	J						PANEL, Cowl
	55174625AB	1	U						
-2	55037488AB	1	U						SEAL, Plenum Drain
	55037489AB	1	J						
3	55174636AB	1	J						GRILLE, Cowl Panel
	55174637AC	1	U						
4	55174637AC	1							SCREW, .164-15x1.21, (NOT SERVICED)
5	55037422AA	1							SCREEN, Cowl
6	55174640	1							WEATHERSTRIP, Hood to Cowl
7	06505366AA	4	J						NUT, Snap In
		4	U						
8	00152490	3	J						NUT, Spring, .16-18
		3	U						
9	55176588	2							BRACKET, Dash Panel to Plenum
10	55174644AB	1	J						PANEL, Dash
	55174645AB	1	U						
11	06500284	1							NUT, Hex, M6x1.00
12	55176555	1							DRAIN, Heater and A/C
13	55176566AE	1							WEATHERSTRIP, Windshield to Cowl
14	55176092	1	J						PANEL, Cowl Side
		1	U						Upper, Right
	55176093	1	J						Upper, Right
		1	U						Upper, Left
		1	U						Upper, Left
15	55176011	1	J						BRACKET, Module
	55176099	1	U						

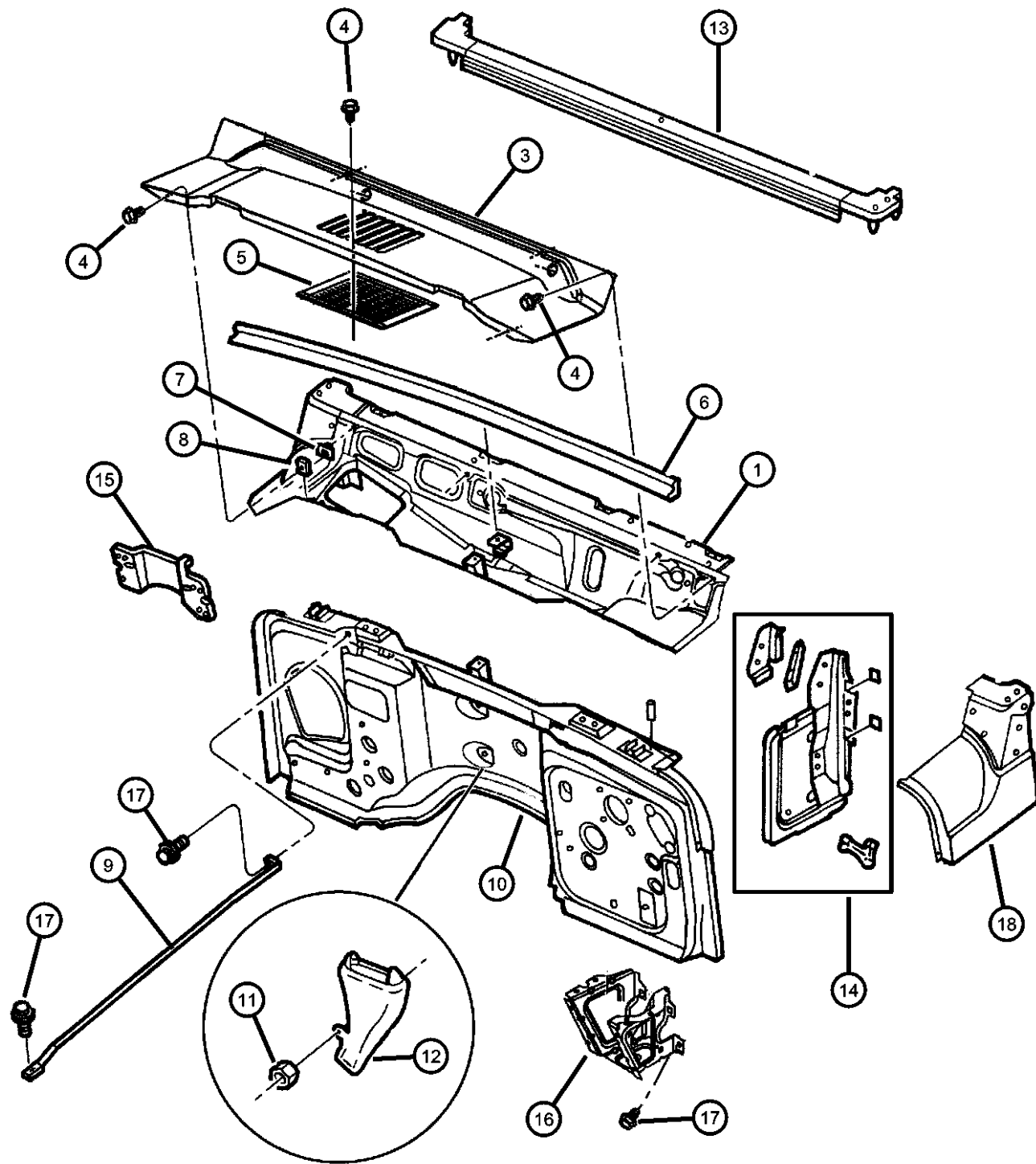
WRANGLER (TJ)

SERIES	LINE	BODY	ENGINE	TRANSMISSION
L = Low Line	J = JEEP - 4WD U = JEEP - 4WD (RHD)	77 = OPEN BODY 2-DOOR	EPE = ENGINE - 2.5L POWER TECH I-4 Cyl. ERH = ENGINE - 4.0L POWER TECH I-6	DDQ = TRANSMISSION - 5-SPEED MANUAL DGD = TRANSMISSION - 3-SPD. AUTOMATIC, 30RH DGG = TRANSMISSION - 3-SPD. AUTOMATIC, 32RH

AR = use ase required - = Non illustrated part

Panels, Cowl And Dash Wrangler
Figure STJ-610

ITEM	PART NUMBER	QTY	LINE	SERIES	BODY	ENGINE	TRANS	TRIM	DESCRIPTION
------	-------------	-----	------	--------	------	--------	-------	------	-------------



16	55174782	1							REINFORCEMENT, Battery Tray Right
	55174783	1							Left
17	06100583	6							BOLT AND CONED WASHER, Hex Head, M8x25x20
18	06100583	6							PANEL, Cowl Top, Serviced in Panel Body Side, (NOT SERVICED)

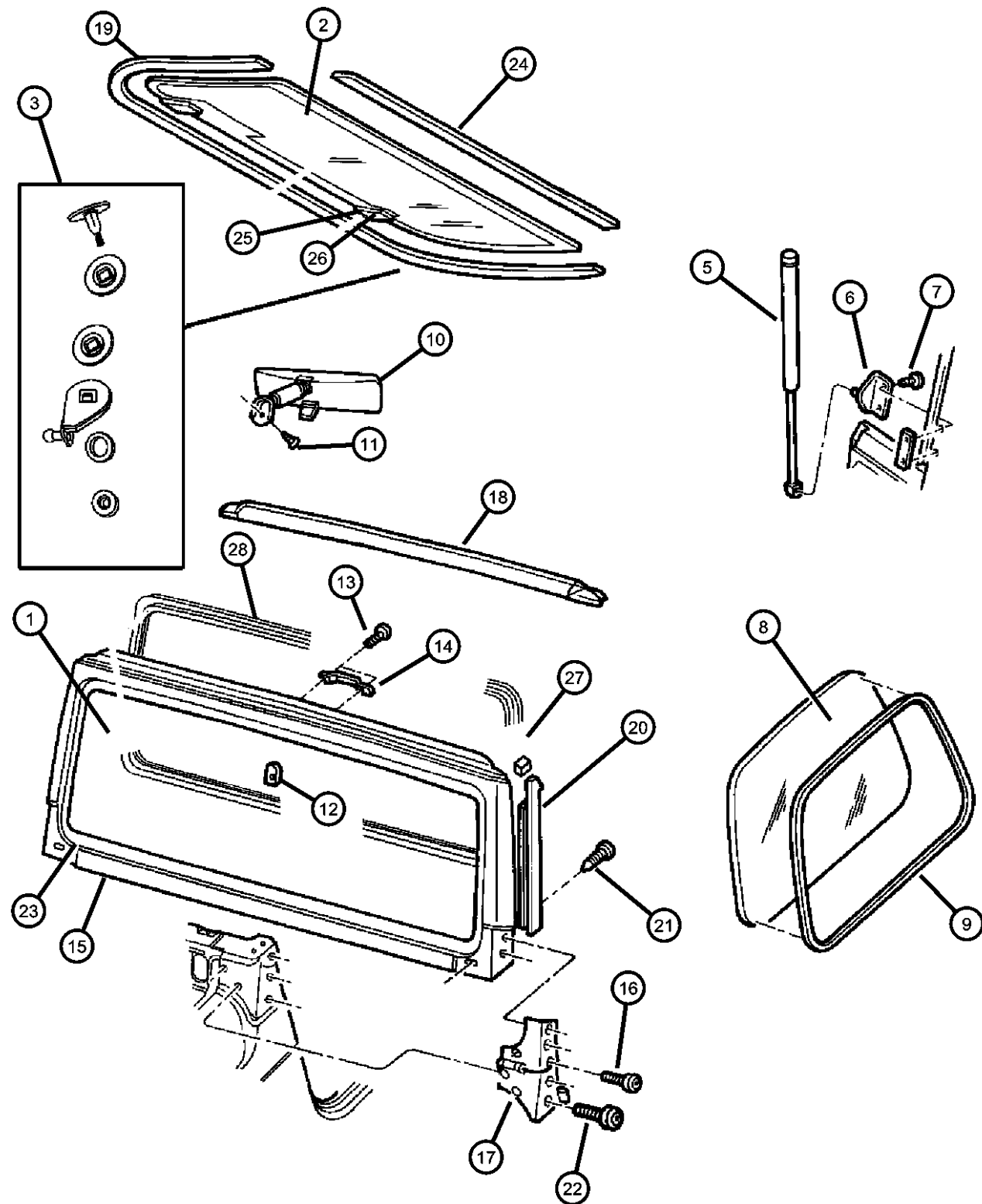
WRANGLER (TJ)

SERIES	LINE	BODY	ENGINE	TRANSMISSION
L = Low Line	J = JEEP - 4WD U = JEEP - 4WD (RHD)	77 = OPEN BODY 2-DOOR	EPE = ENGINE - 2.5L POWER TECH I-4 Cyl. ERH = ENGINE - 4.0L POWER TECH I-6	DDQ = TRANSMISSION - 5-SPEED MANUAL DGD = TRANSMISSION - 3-SPD. AUTOMATIC, 30RH DGG = TRANSMISSION - 3-SPD. AUTOMATIC, 32RH

AR = use ase required - = Non illustrated part

1999 TJ

Glass, Windshield, Backlite, Quarter Windshield Frame, Hinges
Figure STJ-710



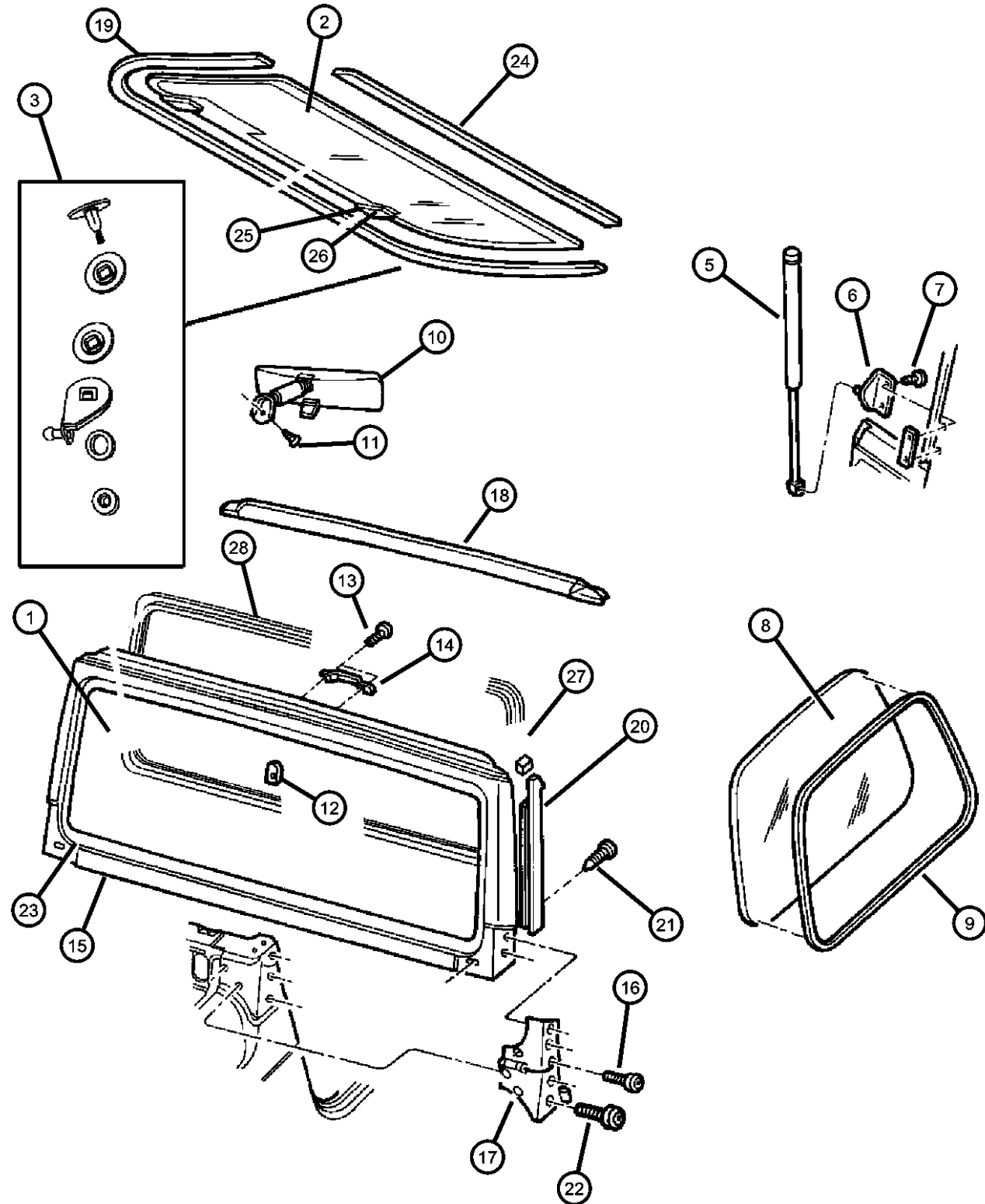
ITEM	PART NUMBER	QTY	LINE	SERIES	BODY	ENGINE	TRANS	TRIM	DESCRIPTION
1	55135127	1							WINDSHIELD
2									BACKLITE
	04883306	1							Tint, Heated
	04883306AB	1							Privacy, Heated
	04883307	1							Tinted
3									BRACKET, Ballstud
	04883497AA	1							Left
	04883496AA	1							Right
-4	04883496AA	1							BRACKET, Ballstud, (NOT SERVICED)
5	55076310AB	2							PROP, Liftgate
	G0004249AB								Mopar V-Line Alternative Part
6	55076311	2							BALL STUD, Body Side
7	55076311	2							SCREW, M6x1.00x20.00, (NOT SERVICED)
8									GLASS, Quarter Window
	55176278	1							Tinted, Right
	DQ09075GTN								Collision Replacement Glass
	55176279	1							Tinted, Left
	DQ09076GTN								Collision Replacement Glass
	55176306	1							Privacy, Right
	DQ09071YPN								Collision Replacement Glass
	55176307	1							Privacy, Left
	DQ09072YPN								Collision Replacement Glass
9	55176577	2							MOLDING, Quarter Window
10	55009784	1							MIRROR, Inside Rear View
11	J4005766	1							SCREW, Pan Head, .164-32x.460
12	J3657374	1							SUPPORT, Rear View Mirror
13	J3657374	1							SCREW, .190-24x.500, (NOT SERVICED)
14	55013666	1							FOOTMAN LOOP, Hold Down
15	55174607AB	1							PANEL, Windshield Frame
16	06035898	2							SCREW AND WASHER, Truss Head, .312-18x1.12
17									HINGE, Door
	55075702AC	1							Right

WRANGLER (TJ)

SERIES	LINE	BODY	ENGINE	TRANSMISSION
L = Low Line	J = JEEP - 4WD U = JEEP - 4WD (RHD)	77 = OPEN BODY 2-DOOR	EPE = ENGINE - 2.5L POWER TECH I-4 Cyl. ERH = ENGINE - 4.0L POWER TECH I-6	DDQ = TRANSMISSION - 5-SPEED MANUAL DGD = TRANSMISSION - 3-SPD. AUTOMATIC, 30RH DGG = TRANSMISSION - 3-SPD. AUTOMATIC, 32RH

AR = use ase required - = Non illustrated part

Glass, Windshield, Backlite, Quarter Windshield Frame, Hinges
Figure STJ-710



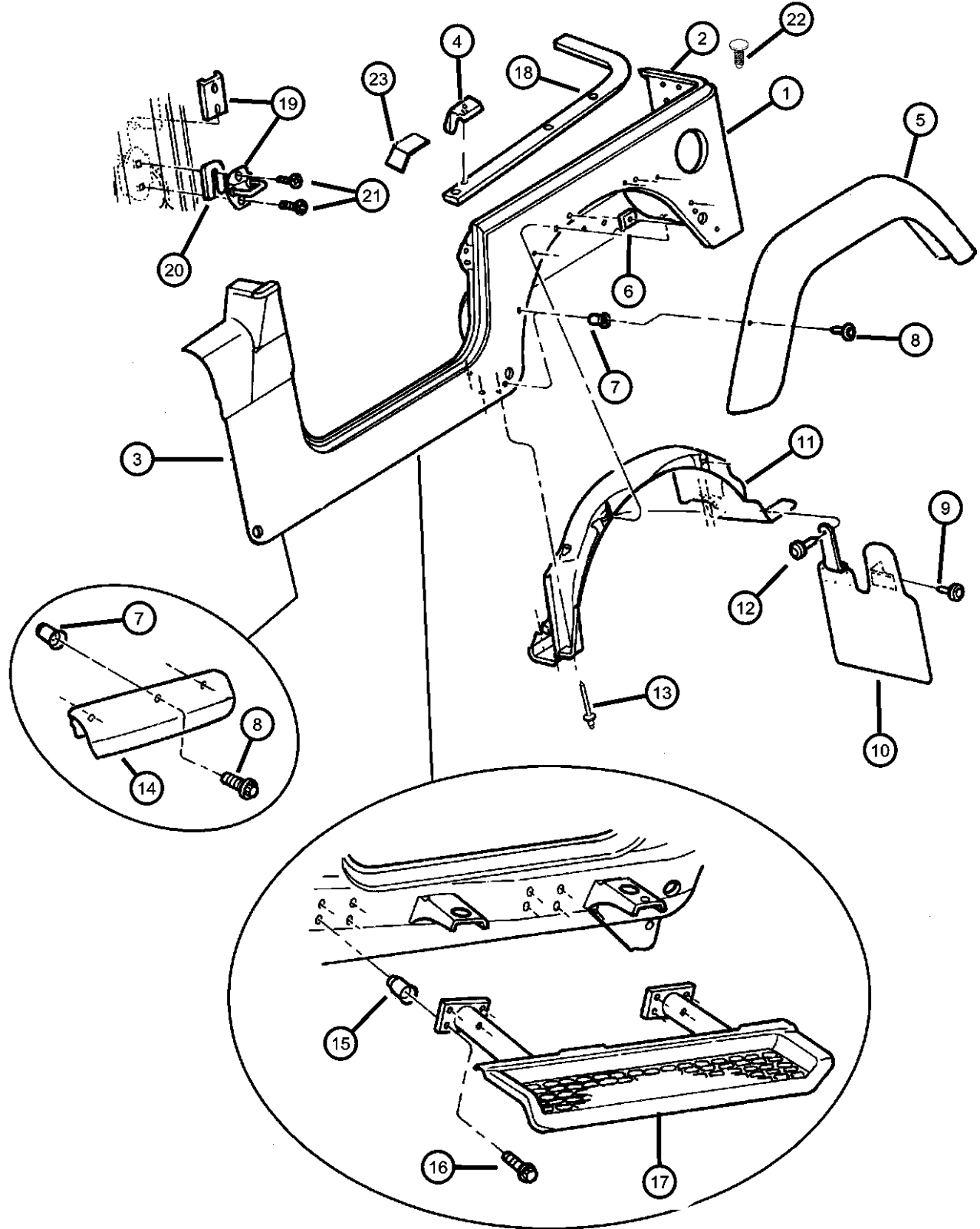
ITEM	PART NUMBER	QTY	LINE	SERIES	BODY	ENGINE	TRANS	TRIM	DESCRIPTION
	55075703AC	1							Left
18	55176512AE	1							SEAL, Header Opening
19	55175041AD	1							WEATHERSEAL, LIFTGATE
20									WEATHERSTRIP, Front Door
	55176618AB	1							Right
	55176619AB	1							Left
21	06035369	6							SCREW, Piercing, .164-15x1.25, .164-15x1.00
22	06035757	8							SCREW
23	55176567AB	1							MOLDING, Windshield Reveal
24	55175042	1							WEATHERSTRIP, Backlite
25									HINGE, Liftglass
	05013722AA	1							Right
	05013723AA	1							Left
26	06100568	3							BOLT AND WASHER, Implement Attaching, Liftglass Hinge Screw
27	06100568	3							SEAL, Header Top And Side Rail, (NOT SERVICED)
28	55176430AC	1							MOLDING, Windshield Garnish
-29	55009433	1							GASKET, Hinge To Glass
-30	55009434	1							BUSHING, Hinge to Glass
-31	55009788	1							SEAL, Hinge To Glass
-32	J4007384	1							NUT AND WASHER, Hex
-33	55019378	1							CAP, Hinge Cover
-34	55176464	1							GROMMET, Wiper Motor And Bracket
-35	55176421	2							TAPE, Anti Chip

WRANGLER (TJ)

SERIES	LINE	BODY	ENGINE	TRANSMISSION
L = Low Line	J = JEEP - 4WD U = JEEP - 4WD (RHD)	77 = OPEN BODY 2-DOOR	EPE = ENGINE - 2.5L POWER TECH I-4 Cyl. ERH = ENGINE - 4.0L POWER TECH I-6	DDQ = TRANSMISSION - 5-SPEED MANUAL DGD = TRANSMISSION - 3-SPD. AUTOMATIC, 30RH DGG = TRANSMISSION - 3-SPD. AUTOMATIC, 32RH

AR = use ase required - = Non illustrated part

**Panels, Body Side Wrangler
Figure STJ-810**



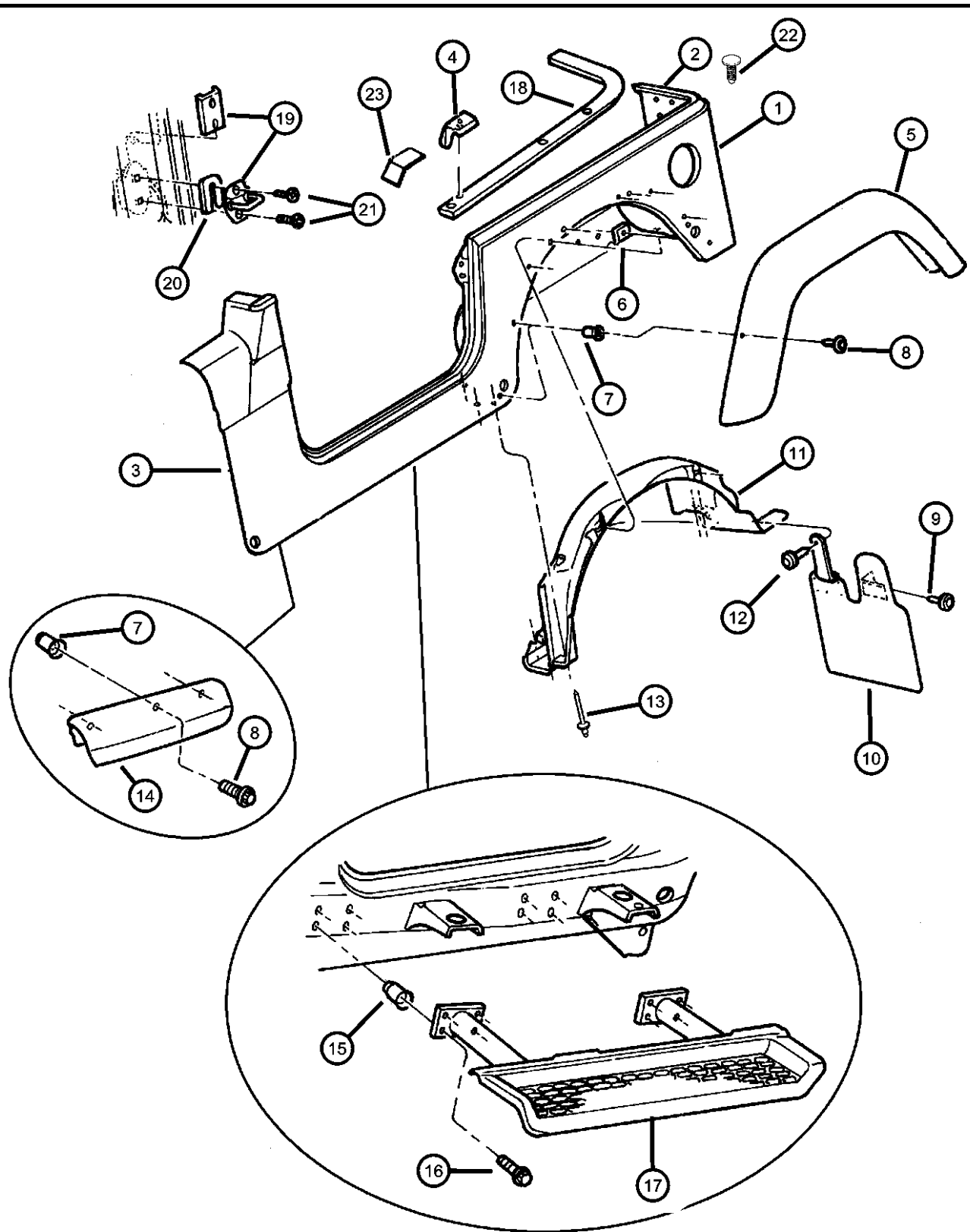
ITEM	PART NUMBER	QTY	LINE	SERIES	BODY	ENGINE	TRANS	TRIM	DESCRIPTION
1	04874196AB	1							PANEL, Body Side Right
	04874197AB	1							Left
2	55175664	1							PANEL, Rear Corner Right
	55175665	1							Left
3	55175024	1							REINFORCEMENT, Side Panel
4	55176524AB	1							SEAL, Mucket Right
	55176525AB	1							Left
5	55175726	1							EXTENSION, Wheel House Black, Textured, Right
	55175727	1							Black, Textured, Left
	5DS74DX9	1							Black, Flat, SAHARA, Right
	5DS74SG8	1							Forest Green, SAHARA, Right
	5DS74TW1	1							White, SAHARA, Right
	5DS74TX8	1							Black High Gloss, SAHARA, Right
	5DS74WTD	1							Sand, SAHARA, Right
	5DS75DX9	1							Black, Flat, SAHARA, Left
	5DS75SG8	1							Forest Green, SAHARA, Left
	5DS75TW1	1							White, SAHARA, Left
	5DS75TX8	1							Black High Gloss, SAHARA, Left
	5DS75WTD	1							Sand, SAHARA, Left
6	J4004868	14							NUT, Plastic Front
		10							Rear
7	06504601	10							NUT, Rivet Round, M5x0.80x11.09
8	06504601	10							SCREW AND WASHER, M5X.80X20.00, (NOT SERVICED)
9	06504601	10							SCREW, (.190-16x.750), (NOT SERVICED)
10	55155696AA	1							SHIELD, Splash 1 Piece Design, After 1-16-97, Right
	55155697AA	1							1 Piece Design, After 1-16-97, Left

WRANGLER (TJ)

SERIES	LINE	BODY	ENGINE	TRANSMISSION
L = Low Line	J = JEEP - 4WD U = JEEP - 4WD (RHD)	77 = OPEN BODY 2-DOOR	EPE = ENGINE - 2.5L POWER TECH I-4 Cyl. ERH = ENGINE - 4.0L POWER TECH I-6	DDQ = TRANSMISSION - 5-SPEED MANUAL DGD = TRANSMISSION - 3-SPD. AUTOMATIC, 30RH DGG = TRANSMISSION - 3-SPD. AUTOMATIC, 32RH

AR = use ase required - = Non illustrated part

Panels, Body Side Wrangler
Figure STJ-810



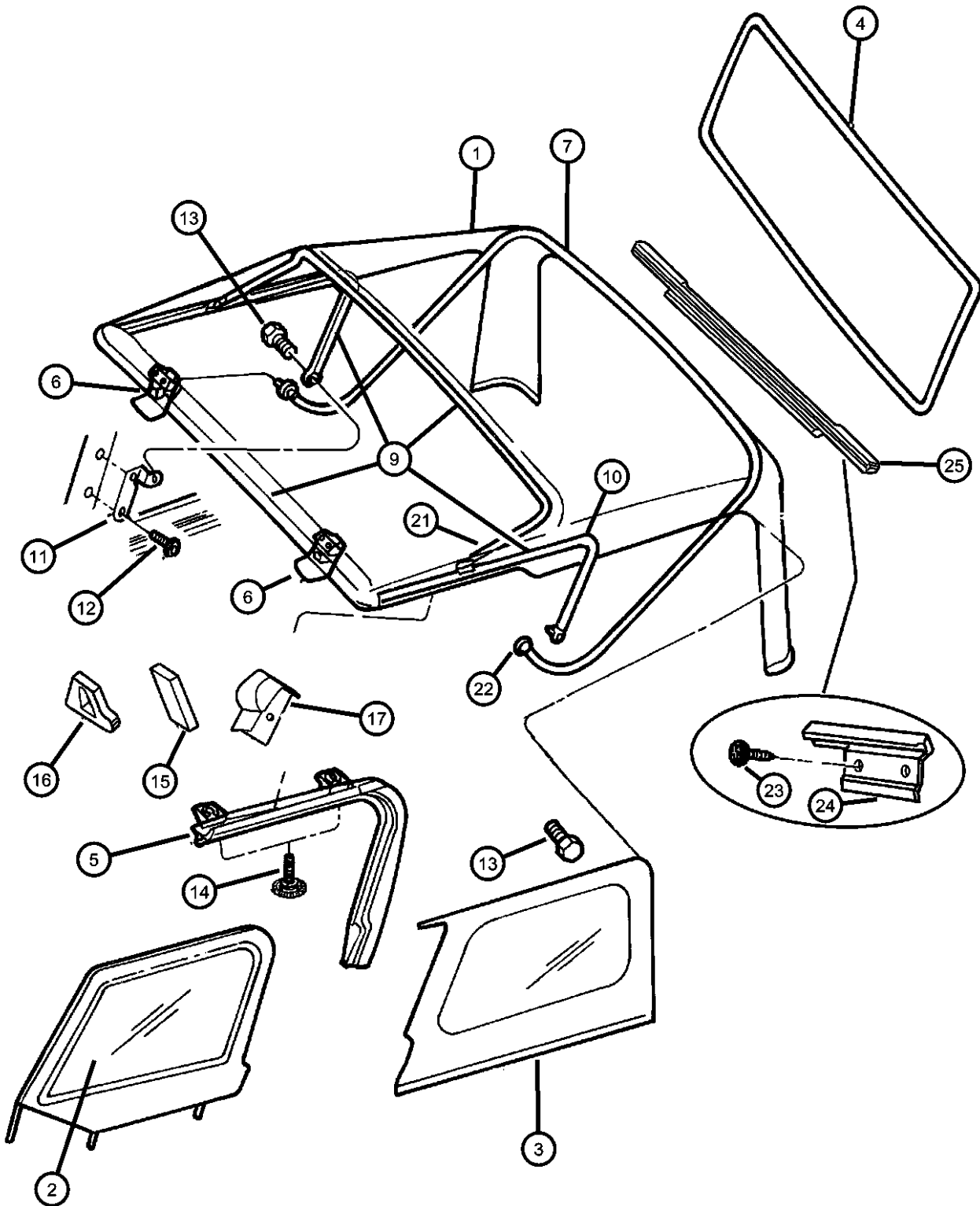
ITEM	PART NUMBER	QTY	LINE	SERIES	BODY	ENGINE	TRANS	TRIM	DESCRIPTION
11									SHIELD, Splash, Liner, Rear Wheelhouse
	55155632AB	1							Right
	55155633AB	1							Left
12	55155633AB	1							RIVET, (.250x.492), (NOT SERVICED)
13	06030441	10							PIN, Retainer
14									EXTENSION, Fender
	55254928	1							Black, Flat, SPORT, Right
	55254929	1							Black, Flat, SPORT, Left
	5DV12DX9	1							Black, Flat, SAHARA, Right
	5DV13DX9	1							Black, Flat, SAHARA, Left
15	06504397	14							NUT, M8-1.25
16	06501648	14							SCREW, Hex Flange Head, M8x1.25x25.00, Side Step
17									STEP PAD, Side Step
	55175158	1							Right
	55175159	1							Left
18									RETAINER, Belt Rail
	55175754AB	1							Right
	55175755AB	1							Left
19	04520288	2							STRIKER, Door Latch, Door Latch
20									SPACER, Door Latch Striker
	04520289	AR							
	55075483	AR							2.0/2.5 Thick
21	06503120	4							SCREW AND WASHER, Button Head Torx, M8x1.25x39.50
22	06504662	4							RETAINER, Push On
23	06504662	4							FOAM BLOCK, Upper B-Pillar, (NOT REQUIRED)

WRANGLER (TJ)

SERIES	LINE	BODY	ENGINE	TRANSMISSION
L = Low Line	J = JEEP - 4WD U = JEEP - 4WD (RHD)	77 = OPEN BODY 2-DOOR	EPE = ENGINE - 2.5L POWER TECH I-4 Cyl. ERH = ENGINE - 4.0L POWER TECH I-6	DDQ = TRANSMISSION - 5-SPEED MANUAL DGD = TRANSMISSION - 3-SPD. AUTOMATIC, 30RH DGG = TRANSMISSION - 3-SPD. AUTOMATIC, 32RH

AR = use ase required - = Non illustrated part

**Soft Top And Windows Wrangler
Figure STJ-1110**



ITEM	PART NUMBER	QTY	LINE	SERIES	BODY	ENGINE	TRANS	TRIM	DESCRIPTION
------	-------------	-----	------	--------	------	--------	-------	------	-------------

NOTE: Vehicles purchased with the Dual Top option [Hard Top & Soft Top Sales Code AEM] are shipped from the production plant with the kits containing the following items:

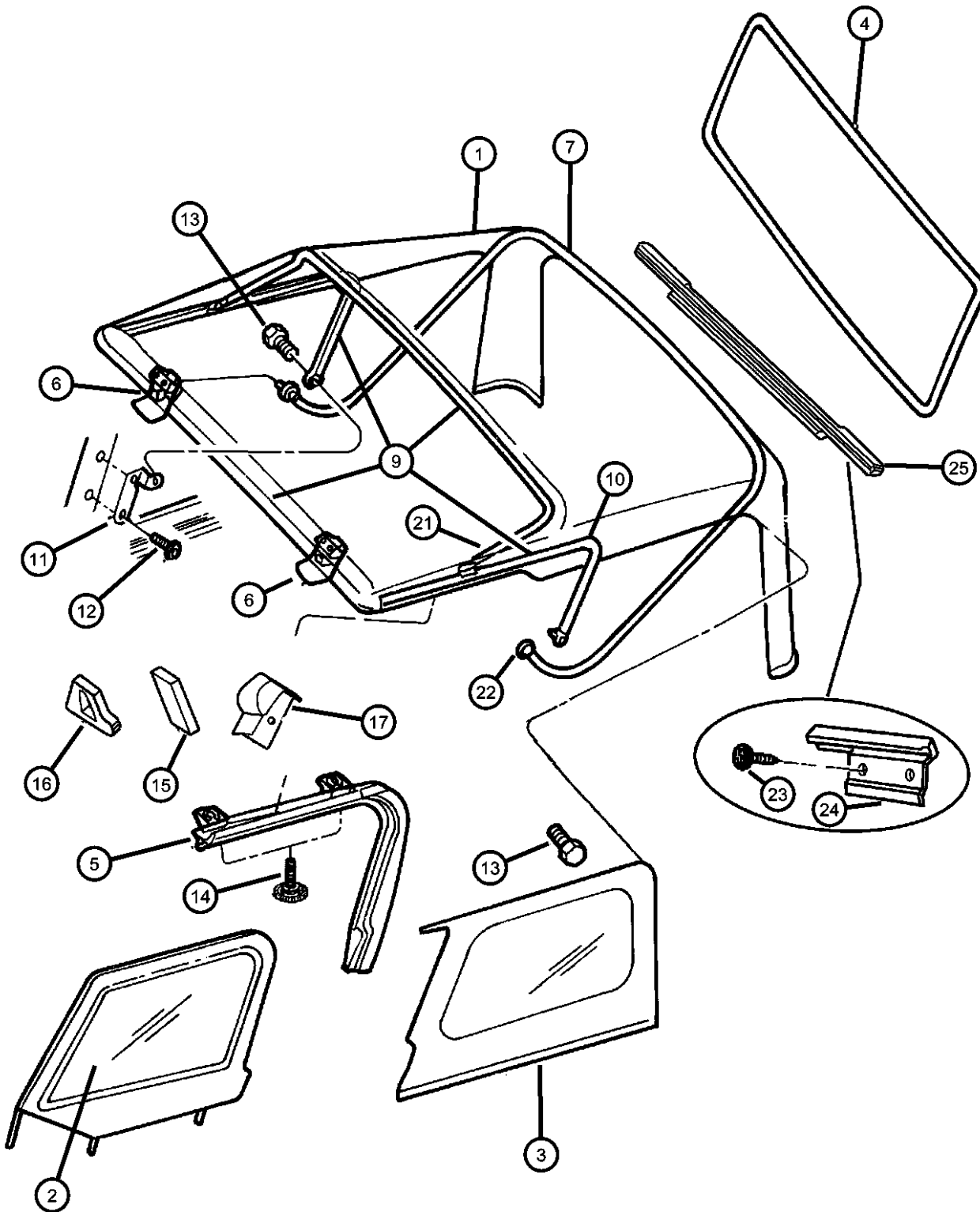
1	5FM99TW1AB	1							COVER, Soft Top White
	5FM99TX7AB	1							Black
	5FM99VK9AB	1							Tan
2	5FV22BX7AE	1							WINDOW, Half Door Soft Top Black, Right
	5FV22SW1AE	1							White, Right
	5FV22VK9AE	1							Tan, Right
	5FV23BX7AE	1							Black, Left
	5FV23SW1AE	1							White, Left
	5FV23VK9AE	1							Tan, Left
3	5EZ00BX7AB	1							WINDOW, Quarter Black, Right
	5EZ00SW1AB	1							White, Right
	5EZ00VK9AB	1							Tan, Right
	5EZ01BX7AB	1							Black, Left
	5EZ01SW1AB	1							White, Left
	5EZ01VK9AB	1							Tan, Left
4	5EZ03SW1AB	1							WINDOW, Tailgate White
	5EZ03VK9AB	1							Tan
	5EZ03BX7AB	1							Black
5	55175858AD	1							FRAME, Door Glass Right
	55175859AD	1							Left
6	55176287	2							LATCH AND BASE, Folding Top
7	55176442AB	1							BOW, Folding Top, Number 3
-8	04778470	1							SNAP KIT, Soft Top, Male, Soft Top Cover Attaching, Bow #3
9	04874281	1							BOW, Folding Top, Number 1, And Number 2, With Pivot, Includes Front Header
10	55176206	2							BUMPER, Rubber, Number 2 Bow Rest
11									BRACKET, Soft Top Bow 1 & 3

WRANGLER (TJ)

SERIES	LINE	BODY	ENGINE	TRANSMISSION
L = Low Line	J = JEEP - 4WD U = JEEP - 4WD (RHD)	77 = OPEN BODY 2-DOOR	EPE = ENGINE - 2.5L POWER TECH I-4 Cyl. ERH = ENGINE - 4.0L POWER TECH I-6	DDQ = TRANSMISSION - 5-SPEED MANUAL DGD = TRANSMISSION - 3-SPD. AUTOMATIC, 30RH DGG = TRANSMISSION - 3-SPD. AUTOMATIC, 32RH

AR = use ase required - = Non illustrated part

Soft Top And Windows Wrangler
Figure STJ-1110



ITEM	PART NUMBER	QTY	LINE	SERIES	BODY	ENGINE	TRANS	TRIM	DESCRIPTION
	55175802	1							Right
	55175803	1							Left
12	06503267	4							SCREW, Round Head, M6x1x25
13	06035797	4							SCREW, Shoulder, .190-24x.625
14	55176198	4							PIN, Release Lever
15	55176198	4							SEAL, Door, Also Serviced in Frame Door Glass, (NOT SERVICED)
16									SEAL, A-Pillar Blocker
	05012298AA	1							Right
	05012299AA	1							Left
17									SEAL, Header Top And Side Rail
	05012300AA	1							Right
	05012301AA	1							Left
-18	55176444	1							STRAP, Retaining, 2 Bow to 3 Bow Connect
-19	04897190AA	1							PULL STRAP KIT, Attaches to Zipper Pull, Contains 5 Straps
-20									BOOT, Folding Top
	5FZ85BX7AA	1							Black
	5FZ85SW1AA	1							White
	5FZ85VK9AA	1							Tan
21	55175813	1							KNUCKLE, Rear
22	55176064	2							KNUCKLE, Rear
23	55176064	2							SCREW AND WASHER, [.164-18x.625], (NOT SERVICED)
24									CLIP, Tailgate Opening
	55176738AA	1							Right
	55176739AA	1							Left
25	55176736AB	1							RETAINER, Soft Top Rail
-26	55177245AA	1							TOOL, Wrench, Torx

WRANGLER (TJ)

SERIES LINE
L = Low Line J = JEEP - 4WD
U = JEEP - 4WD (RHD)

BODY
77 = OPEN BODY 2-DOOR

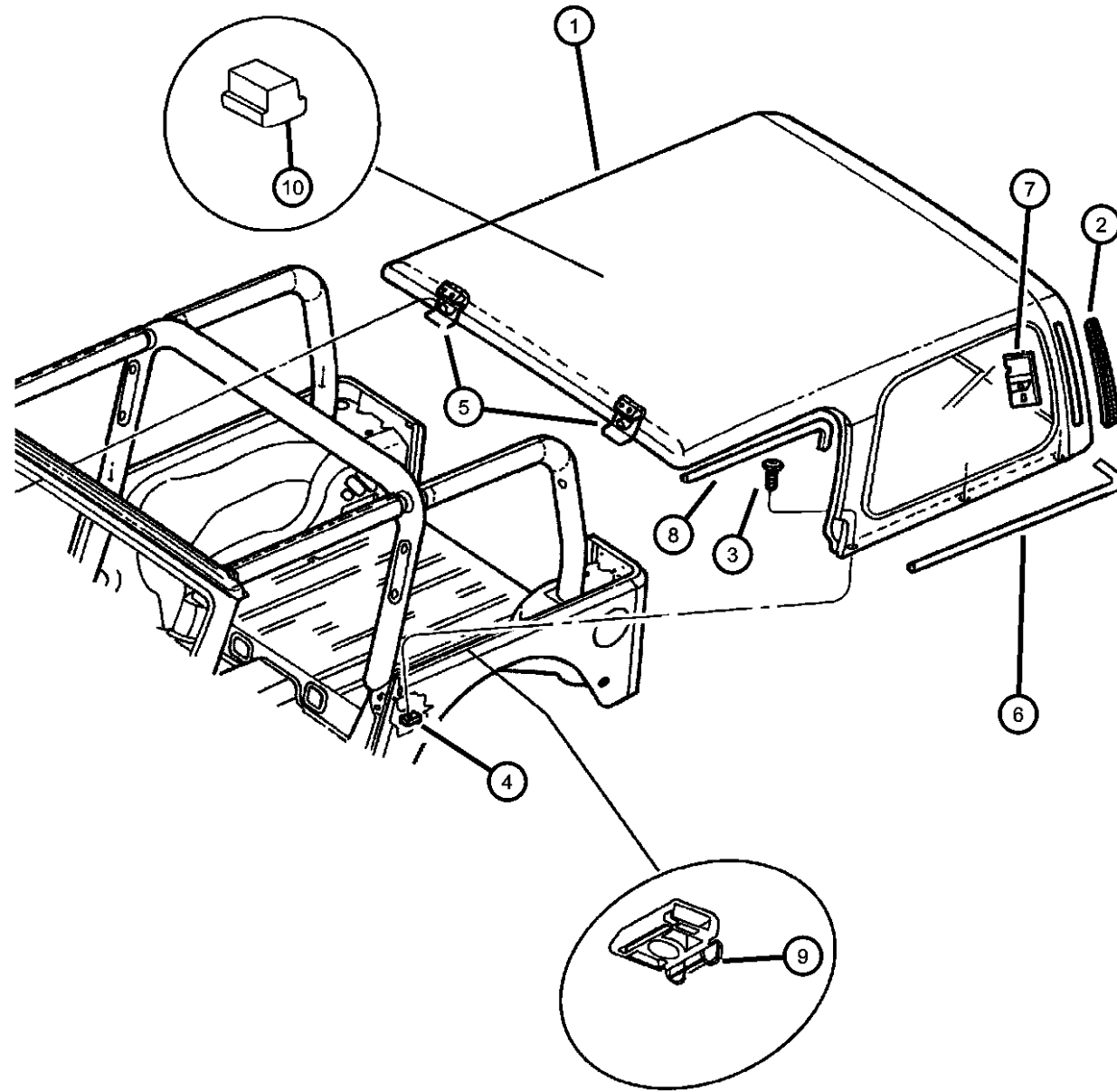
ENGINE
EPE = ENGINE - 2.5L POWER TECH I-4 Cyl.
ERH = ENGINE - 4.0L POWER TECH I-6

TRANSMISSION
DDQ = TRANSMISSION - 5-SPEED MANUAL
DGD = TRANSMISSION - 3-SPD. AUTOMATIC, 30RH
DGG = TRANSMISSION - 3-SPD. AUTOMATIC, 32RH

AR = use ase required - = Non illustrated part

1999 TJ

Top Enclosure, Hard
Figure STJ-1120



ITEM	PART NUMBER	QTY	LINE	SERIES	BODY	ENGINE	TRANS	TRIM	DESCRIPTION
1	5GN27BX7AA	1							HARDTOP, Shell Only Black
	5GN27SW1AA	1							White
	5GN27VK9AA	1							Tan
2	55036306	1							EXHAUSTER, Front Door Right
	55036307	1							Left
3	06035627	4							SCREW AND WASHER, Truss Head, .312-18x1.12
4	06036084AA	6							NUT, .312-18
5	55175816	2							LATCH AND BASE, Folding Top
6	55176372AB	1							SEAL, Enclosure To Body Right
	55176373AB	1							Left
7	55176190	1							COVER, Wiring Protector
8	55176190	1							MOLDING, Door Window Opening, (NOT REQUIRED)
9	55176746AB	4							RETAINER, Folding Top Deck Closure
10	55176466	2							BUMPER, Upper Slam
-11	55177245AA	1							TOOL, Wrench, Torx

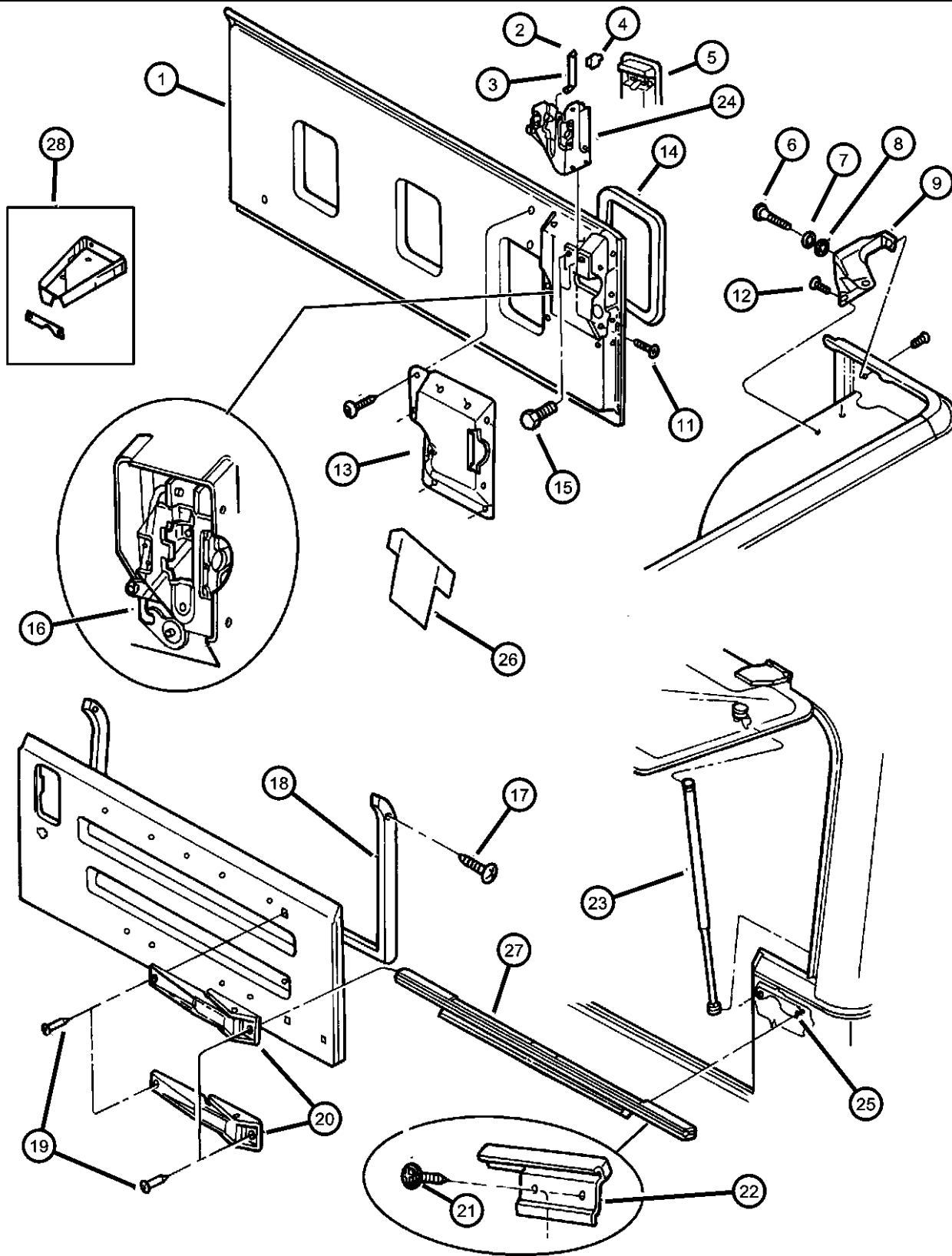
WRANGLER (TJ)

SERIES	LINE	BODY	ENGINE	TRANSMISSION
L = Low Line	J = JEEP - 4WD U = JEEP - 4WD (RHD)	77 = OPEN BODY 2-DOOR	EPE = ENGINE - 2.5L POWER TECH I-4 Cyl. ERH = ENGINE - 4.0L POWER TECH I-6	DDQ = TRANSMISSION - 5-SPEED MANUAL DGD = TRANSMISSION - 3-SPD. AUTOMATIC, 30RH DGG = TRANSMISSION - 3-SPD. AUTOMATIC, 32RH

AR = use ase required - = Non illustrated part

1999 TJ

Tailgate Wrangler
Figure STJ-1310



ITEM	PART NUMBER	QTY	LINE	SERIES	BODY	ENGINE	TRANS	TRIM	DESCRIPTION
1	55176340AC	1							TAILGATE
2	55008127AB	1							ROD, Tailgate Handle to Latch
3	55008127AB	1							SLEEVE, Anti-Rattle, Handle to Latch Rod, (NOT SERVICED)
4	J4004532	1							CLIP, Rod End, Attach Lock Cylinder Rod
5	55176547	1							HANDLE, Liftgate
6	55076217	1							PIN, Latch Striker
7	55033620	AR							WASHER, Flat, .490x1.14x.060
8	55074800	AR							WASHER, Striker Latch
9	55176450AC	1							BRACKET, Tailgate Striker
-10	J4006303	2							RIVET, Dome Head Blind, .125x.275
11	J4007536	3							SCREW AND WASHER, Tapping, .312-18x.120
12	06505070AA	4							SCREW, Pan Head
13	55176533AB	1							COVER, Tailgate Latch
14	J3743608	1							SEAL, Handle, Outside Door Handle
15	06034980	2							SCREW, Pan Head, .19-24x.437
16	55076011	1							LINK, Key Cylinder To Latch
17	55076011	1							SCREW, .164-18x.625, (NOT SERVICED)
18	55175043AC	1							WEATHERSEAL, Tailgate
19	06035493	8							SCREW
20	55075567	2							HINGE, Tailgate
21	55075567	2							SCREW AND WASHER, .164-18x.625, (NOT SERVICED)
22									CLIP, Tailgate Opening
	55176738AA	1							Right
	55176739AA	1							Left
23	55076310AB	2							PROP, Liftgate
	G0004249AB								Mopar V-Line Alternative Part
24	55074947AB	1							LATCH, Tailgate
25	55176615	2							PLATE, Tailgate Latch
26	55025280	1							WATERSHIELD, Tailgate Latch
27	55176736AB	1							RETAINER, Soft Top Rail

WRANGLER (TJ)

SERIES LINE
L = Low Line J = JEEP - 4WD
U = JEEP - 4WD (RHD)

BODY
77 = OPEN BODY 2-DOOR

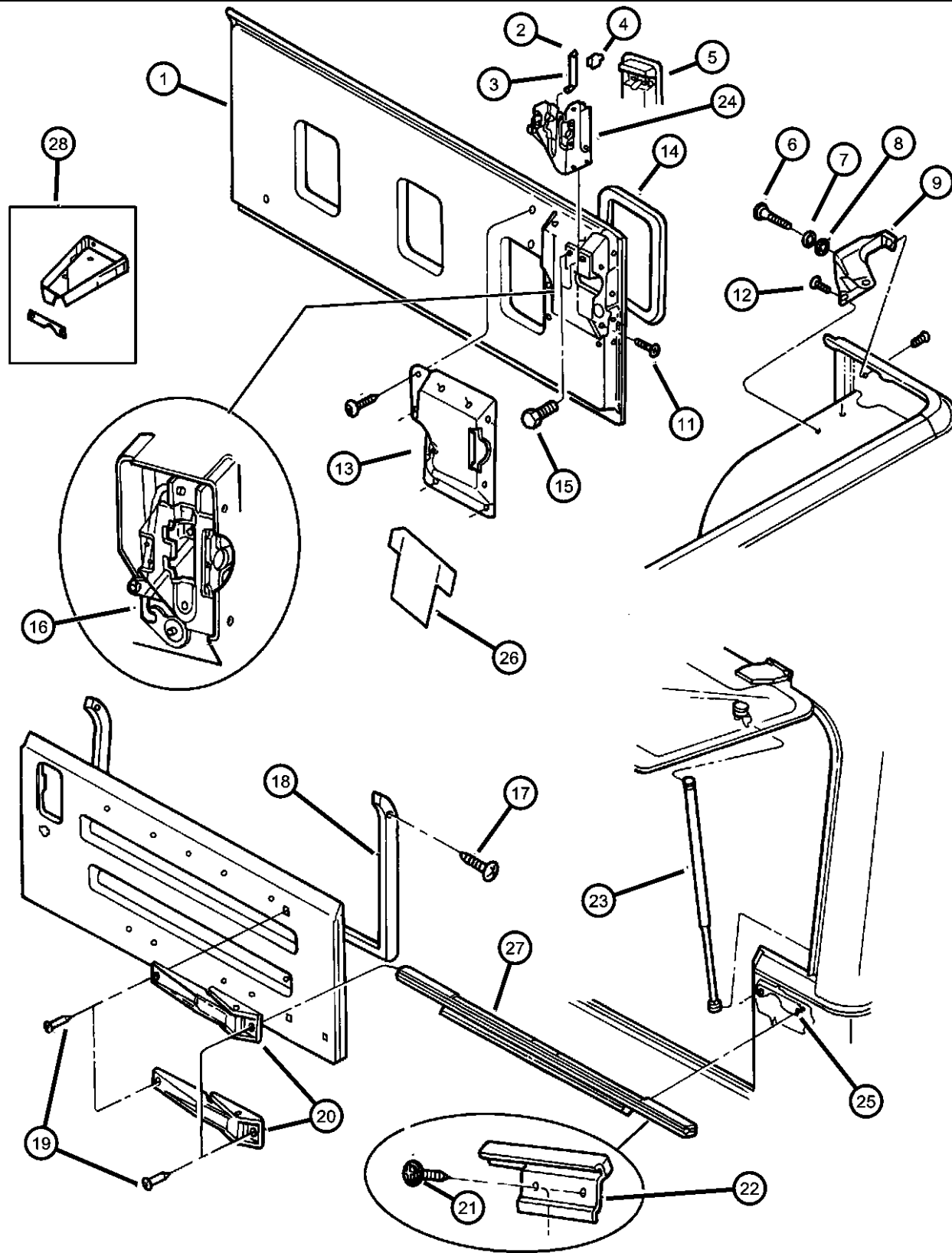
ENGINE
EPE = ENGINE - 2.5L POWER TECH I-4 Cyl.
ERH = ENGINE - 4.0L POWER TECH I-6

TRANSMISSION
DDQ = TRANSMISSION - 5-SPEED MANUAL
DGD = TRANSMISSION - 3-SPD. AUTOMATIC, 30RH
DGG = TRANSMISSION - 3-SPD. AUTOMATIC, 32RH

AR = use ase required - = Non illustrated part

1999 TJ

Tailgate Wrangler
Figure STJ-1310



ITEM	PART NUMBER	QTY	LINE	SERIES	BODY	ENGINE	TRANS	TRIM	DESCRIPTION
------	-------------	-----	------	--------	------	--------	-------	------	-------------

28	55175668	1							REINFORCEMENT, Tailgate Hinge
-29	J4004455	1							SCREW AND WASHER, Hex Head, .312-18x1.12

WRANGLER (TJ)

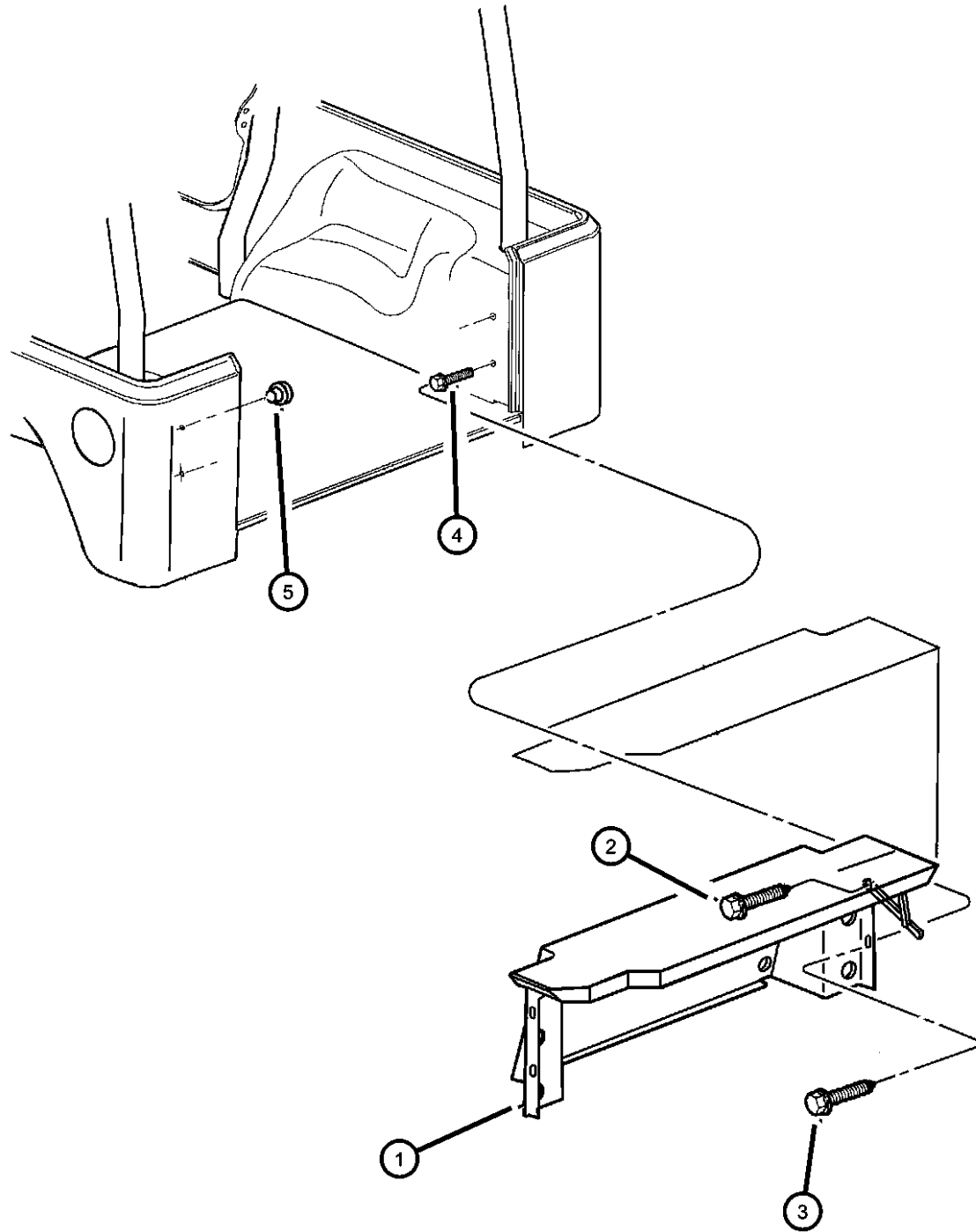
SERIES	LINE	BODY	ENGINE	TRANSMISSION
L = Low Line	J = JEEP - 4WD U = JEEP - 4WD (RHD)	77 = OPEN BODY 2-DOOR	EPE = ENGINE - 2.5L POWER TECH I-4 Cyl. ERH = ENGINE - 4.0L POWER TECH I-6	DDQ = TRANSMISSION - 5-SPEED MANUAL DGD = TRANSMISSION - 3-SPD. AUTOMATIC, 30RH DGG = TRANSMISSION - 3-SPD. AUTOMATIC, 32RH

AR = use ase required - = Non illustrated part

1999 TJ

**Add-a-Trunk
Figure STJ-1320**

ITEM	PART NUMBER	QTY	LINE	SERIES	BODY	ENGINE	TRANS	TRIM	DESCRIPTION
1	5FV251AZ	1							PANEL, Add A Trunk Agate
	5FV251K9	1							Tan
2	55216140	1							THUMBSCREW, M6x1-17
3	06101719	3							SCREW AND WASHER, Tapping, M6-1.0x20.0
4	06503245	4							NUT/RIVET, Cooler To Closure Panel, M6x1.00
5	06503245	4							PLUG, (NOT SERVICED)

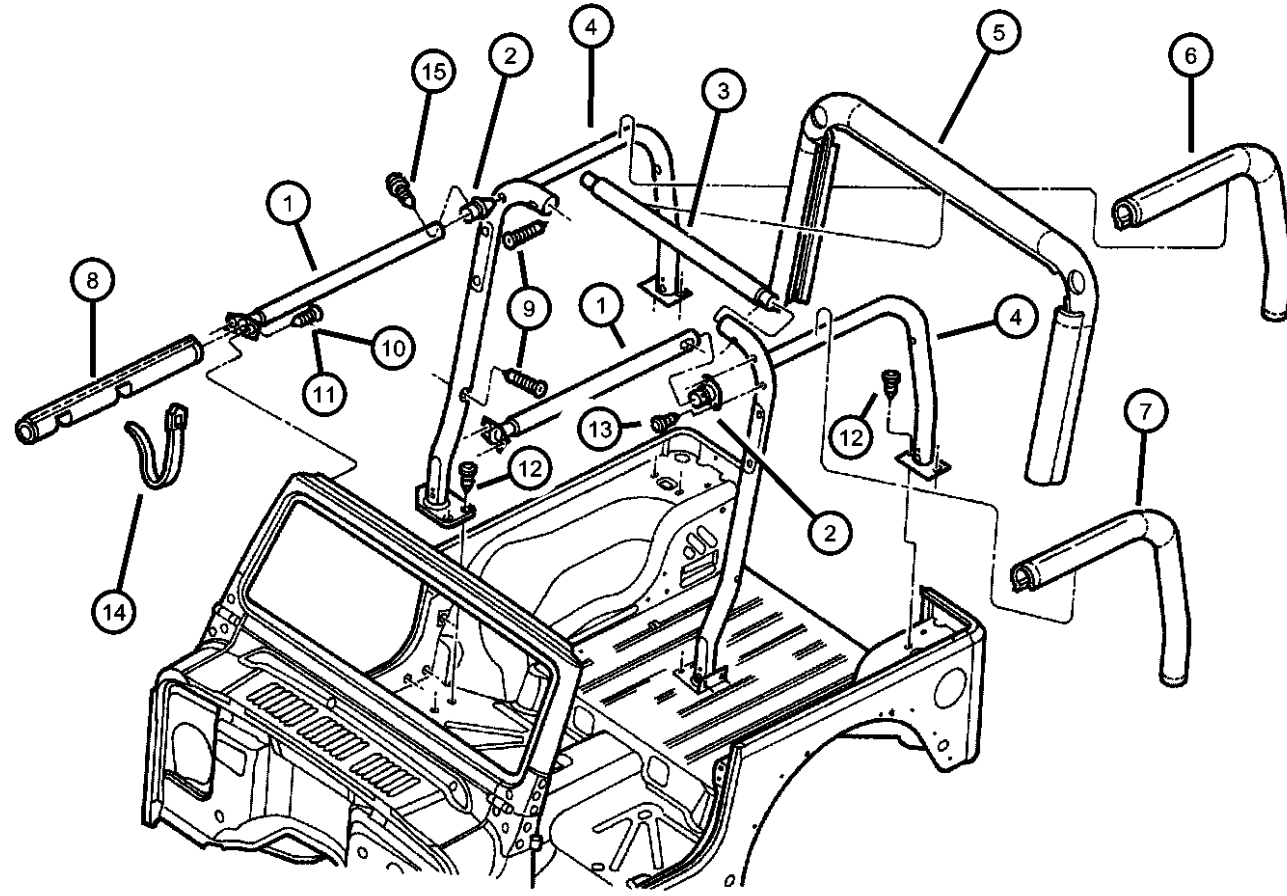


WRANGLER (TJ)

SERIES	LINE	BODY	ENGINE	TRANSMISSION
L = Low Line	J = JEEP - 4WD U = JEEP - 4WD (RHD)	77 = OPEN BODY 2-DOOR	EPE = ENGINE - 2.5L POWER TECH I-4 Cyl. ERH = ENGINE - 4.0L POWER TECH I-6	DDQ = TRANSMISSION - 5-SPEED MANUAL DGD = TRANSMISSION - 3-SPD. AUTOMATIC,30RH DGG = TRANSMISSION - 3-SPD. AUTOMATIC,32RH

AR = use ase required - = Non illustrated part

**Sport Bar Wrangler
Figure STJ-1610**



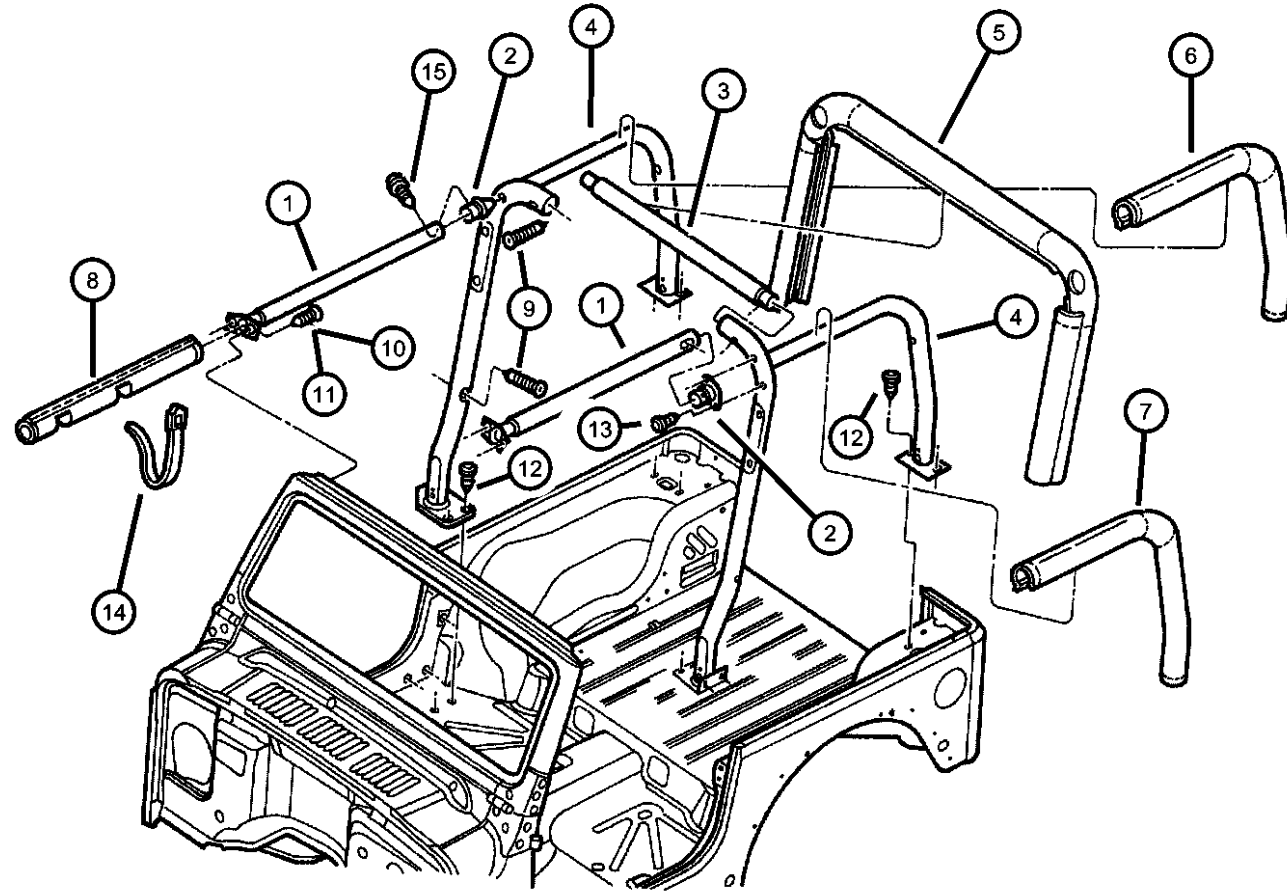
ITEM	PART NUMBER	QTY	LINE	SERIES	BODY	ENGINE	TRANS	TRIM	DESCRIPTION
1	55176504AC	1							SIDE BAR, Sport Bar Right
	55176505AC	1							Left
2	55176506	1							BRACKET, Side Right
	55176507	1							Left
3	55176022	1							BAR, Sport, Center
4	55176488	1							BAR, Sport Right
	55176489	1							Left
5	5FU79LAZAC	1							PAD, Sport Bar, Center Agate
	5FU79RK5AC	1							Camel
	5GA16LAZAB	1							Agate, Export
6	5FU81LAZ	1							PAD, Sport Bar, Right Agate, Without Speakers
	5FU81RK5	1							Camel, Without Speakers
	5FV08LAZ	1							Agate, With Speakers
	5FV08RK5	1							Camel, With Speakers
	5GA17LAZAA	1							Agate, Without Speakers, Export
7	5FU83LAZ	1							PAD, Sport Bar, Left Agate, Without Speakers
	5FU83RK5	1							Camel, Without Speakers
	5FV09LAZ	1							Agate, With Speakers
	5FV09RK5	1							Camel, With Speakers
	5GA18LAZAA	1							Agate, Without Speakers, Export
8	5EH59RK5	2							COVER, Side Bar Camel
	5EH59TAZ	2							Agate
9	06035969AA	2							SCREW, Pan Head, .437-20x1.150
10	06035969AA	2							SCREW, (NOT REQUIRED)
11	06504050	4							SCREW, M8x1.25x25
12	06035935AA	12							SCREW AND WASHER
13	06035935AA	12							SCREW, M8x1.25x30, (NOT SERVICED)

WRANGLER (TJ)

SERIES	LINE	BODY	ENGINE	TRANSMISSION
L = Low Line	J = JEEP - 4WD U = JEEP - 4WD (RHD)	77 = OPEN BODY 2-DOOR	EPE = ENGINE - 2.5L POWER TECH I-4 Cyl. ERH = ENGINE - 4.0L POWER TECH I-6	DDQ = TRANSMISSION - 5-SPEED MANUAL DGD = TRANSMISSION - 3-SPD. AUTOMATIC, 30RH DGG = TRANSMISSION - 3-SPD. AUTOMATIC, 32RH

AR = use ase required - = Non illustrated part

**Sport Bar Wrangler
Figure STJ-1610**



ITEM	PART NUMBER	QTY	LINE	SERIES	BODY	ENGINE	TRANS	TRIM	DESCRIPTION
14	55015916	5							STRAP, Side Bar Hold Down
15	06035970AA	2							SCREW, Pan Head, .437-20x1.150
-16									SHIELD, Sport Bar
	5FC98LAZ	1							Agate, Export
	5FC98RK5	1							Camel, Export
-17	06035912	4							NUT, Snap In, .164-18
-18	06504665	4							PLUG, Push Lock

WRANGLER (TJ)

SERIES	LINE	BODY	ENGINE	TRANSMISSION
L = Low Line	J = JEEP - 4WD U = JEEP - 4WD (RHD)	77 = OPEN BODY 2-DOOR	EPE = ENGINE - 2.5L POWER TECH I-4 Cyl. ERH = ENGINE - 4.0L POWER TECH I-6	DDQ = TRANSMISSION - 5-SPEED MANUAL DGD = TRANSMISSION - 3-SPD. AUTOMATIC, 30RH DGG = TRANSMISSION - 3-SPD. AUTOMATIC, 32RH

AR = use ase required - = Non illustrated part