

VIN PLATE DECODING INFORMATION

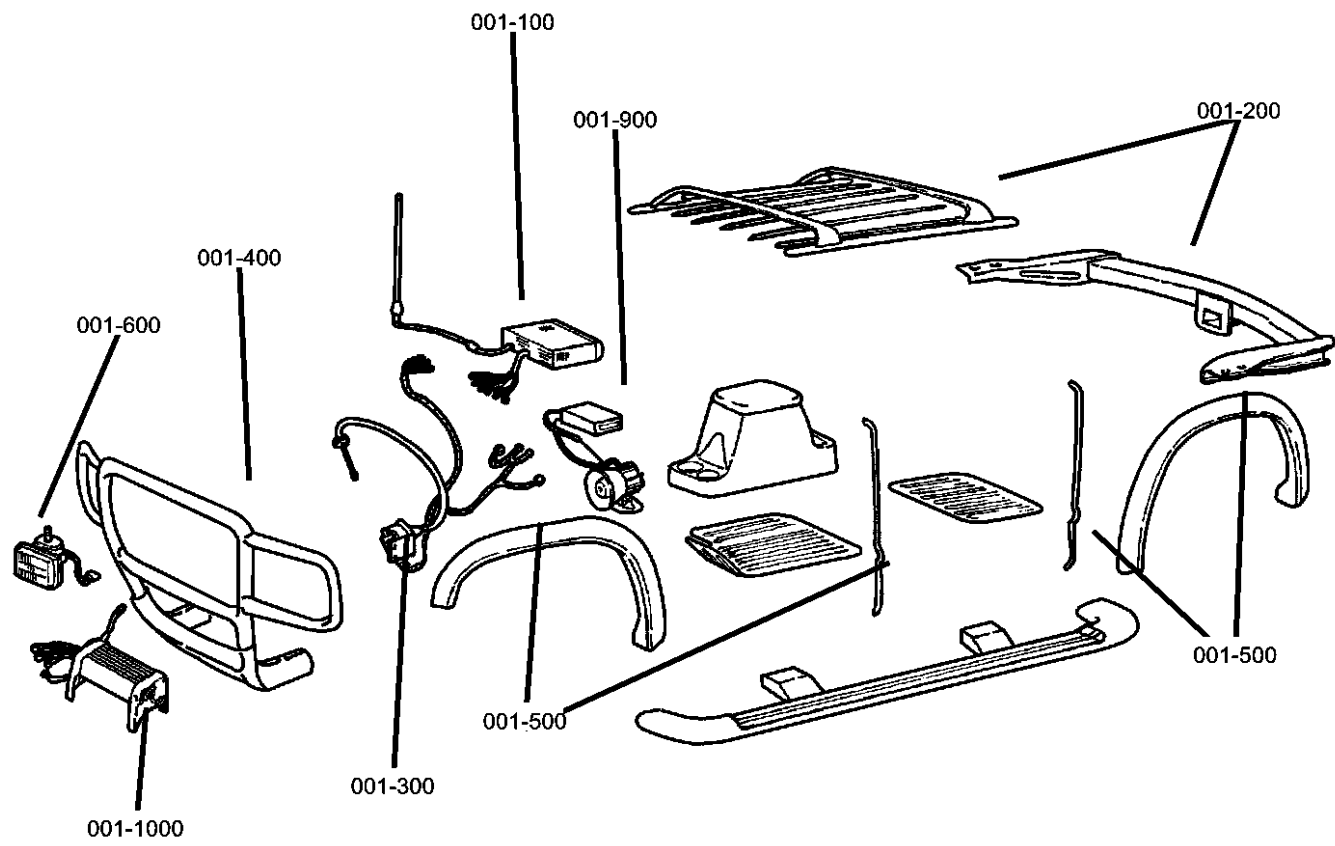
| | | | | | | | | | | | |
|---------|------|--------------|-------|------|--------|------------|--------|-------------|------------|-------------|--------------|
| 1 | 2 | 3 | 4 | 5 | 6 | 7 | 8 | 9 | 10 | 11 | 12 thru 17 |
| Country | Make | Vehicle Type | Other | Line | Series | Body Style | Engine | Check Digit | Model Year | Assy. Plant | Sequence No. |

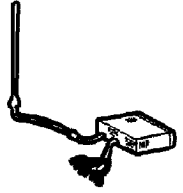
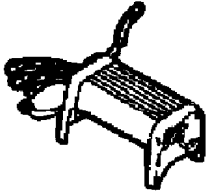
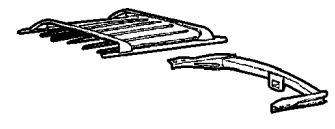

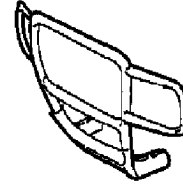

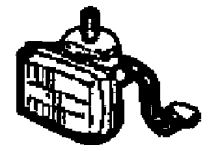

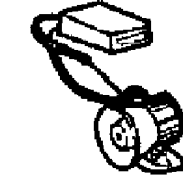
The following table interprets the VIN Plate position shown above.

| Position | Interpretation | Codes = Description |
|------------|------------------------|---|
| 1 | Country of Origin | 1 = Built in U.S by DaimlerChrysler Corporation |
| 2 | Assembler | J = Jeep |
| 3 | Vehicle Type | 4 = Multipurpose Passenger Vehicle |
| 4 | GVWR & Pass. Safety | D = 0-1360 kg (1-3000 lbs) E = 1361-1814 kg (3001-4000 lbs) F = 1815-2267 kg (4001-5000 lbs) G = 2268-2721 kg (5001-6000 lbs) H = 2722-3175 kg (6001-7000 lbs) J = 3176-3628 kg (7001-8000 lbs) K = 3629-4082 kg (8001-9000 lbs) L = 4083-4535 kg (9001-10000 lbs) M = 4536-6350 kg (10001-14000 lbs) |
| 5 | Vehicle Line | 2 = Grand Cherokee 4x2 (LHD) 7 = Grand Cherokee 4x2 (RHD) W = Grand Cherokee 4x4 (LHD) 8 = Grand Cherokee 4x4 (RHD) |
| 6 | Series | 4 = Laredo - High Line 5 = Limited - Premium |
| 7 | Body Style | 8 = 4 Dr. Sport Utility |
| 8 | Engine | 4 = 3.1L 5 Cyl. Turbo Diesel (EXA) S = 4.0L 6 Cyl. Gas (ERH) N = 4.7L 8 Cyl. Gas (EVA) |
| 9 | Check Digit | 0 = Check Digit 0 = Check Digit |
| 10 | Model Year | Y = 2000 |
| 11 | Assembly Plant | C = Jefferson Assembly Y = Steyr Assembly |
| 12 thru 17 | Vehicle Build Sequence | Model Year Assembly Sequence |

Group - 1

Component Parts for Mopar Accessories

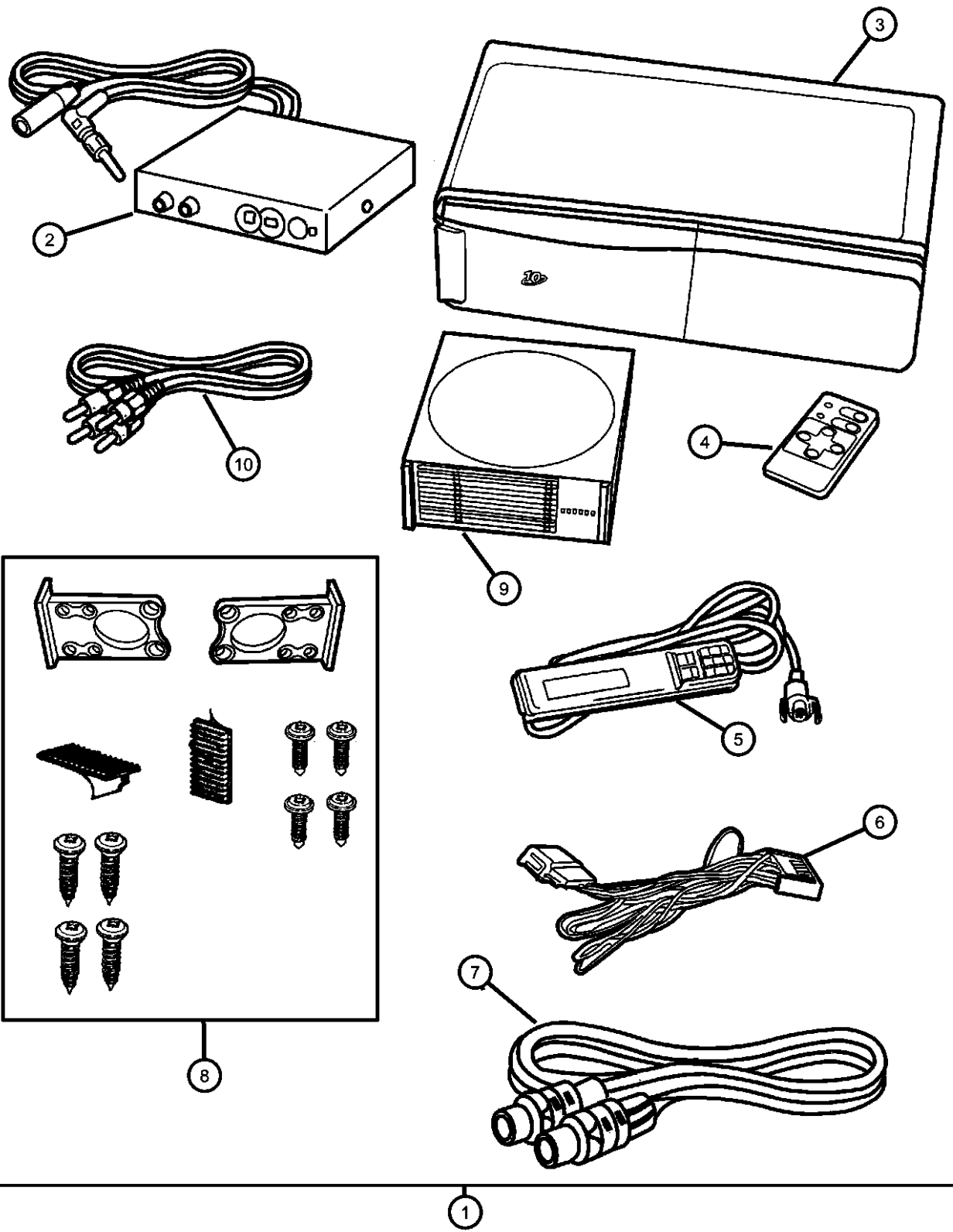


| | | | |
|---|--|--|---|
| <p>001-100 Audio & Electronics</p>  | <p>001-1000 4 - Wheeling & Off Road</p>  | <p>001-200 Carriers & Cargo Hauling</p>  | <p>001-300 Driving Convenience</p>  |
| <p>001-400 Exterior Appearance</p>  | <p>001-500 Exterior Protection</p>  | <p>001-600 Fog Lights & Electrical</p>  | <p>001-800 Interior Storage</p>  |
| <p>001-900 Security</p>  | | | |

Group - 1 Component Parts for Mopar Accessories

| Illustration Title | Group-Fig. No. |
|--|----------------|
| Audio & Electronics | |
| Player Kit - FM Modulated..... | Fig. 1 - 110 |
| Player Kit..... | Fig. 1 - 115 |
| Navigation Kit..... | Fig. 1 - 140 |
| Carriers & Cargo Hauling | |
| Carrier Kit - Basket Type..... | Fig. 1 - 210 |
| Carrier Kit - Multipurpose..... | Fig. 1 - 215 |
| Carrier Kit - Canoe..... | Fig. 1 - 220 |
| Carrier Kit - Water Sports..... | Fig. 1 - 222 |
| Bike Carrier - Roof Mount..... | Fig. 1 - 230 |
| Bike Carrier - Roof Mount Upright Style..... | Fig. 1 - 235 |
| Bike Carrier - Fold Down Mount..... | Fig. 1 - 240 |
| Bike Carrier - Hitch Mount..... | Fig. 1 - 245 |
| Carrier Kit - Ski (4 Pair)..... | Fig. 1 - 250 |
| Wiring Package (Trailer Tow)..... | Fig. 1 - 255 |
| Box Kit - Storage (Interior)..... | Fig. 1 - 260 |
| Cooler Package - Power Steering..... | Fig. 1 - 265 |
| Luggage Carrier - Roof Mount..... | Fig. 1 - 274 |
| Driving Convenience | |
| Mounting Kit - Cellular Phone..... | Fig. 1 - 310 |
| Filter Kit - Cabin Air..... | Fig. 1 - 315 |
| Exterior Appearance | |
| Brush Guards..... | Fig. 1 - 410 |
| Grille Guards..... | Fig. 1 - 412 |
| Running Boards..... | Fig. 1 - 430 |
| Side Step Kit..... | Fig. 1 - 432 |
| Exterior Protection | |
| Shield Kit, Air Front..... | Fig. 1 - 510 |
| Plate Package - Skid..... | Fig. 1 - 515 |
| Fog Lights & Electrical | |
| Heater Kit..... | Fig. 1 - 610 |
| Light Pkg - Fog..... | Fig. 1 - 615 |
| Interior Storage | |
| Console Package - Rear..... | Fig. 1 - 810 |
| Security | |
| Module - Security Alarm..... | Fig. 1 - 910 |
| 4 - Wheeling & Off Road | |
| Guard, Rock Rails..... | Fig. 1 - 1010 |

Player Kit - FM Modulated
Figure 1-110



| ITEM | PART NUMBER | QTY | LINE | SERIES | BODY | ENGINE | TRANS | TRIM | DESCRIPTION |
|------|-------------|-----|------|--------|------|--------|-------|------|-------------|
|------|-------------|-----|------|--------|------|--------|-------|------|-------------|

NOTE: CD Changer sold only in Player Kit # 82204094

| | | | | | | | | | |
|----|------------|---|------|--|----|--|--|--|---|
| 1 | 82204094 | 1 | J, T | | 74 | | | | PLAYER KIT, CD Changer - 10 Disc, Consists of: RF Modulator, Power Cord w/Supression, NIN Cord, RCA Cords, Hand Held Remote, Brackets with Mounting Hardware and Operating Manual, 10 Disc Magazine, FM Modulated MODULATOR, FM Changer |
| 2 | 04883248 | 1 | J, T | | 74 | | | | CHANGER, CD, (NOT SERVICED) |
| 3 | 04883248 | 1 | | | | | | | CONTROLLER, CD Wireless |
| 4 | 04883250 | 1 | J, T | | 74 | | | | CONTROLLER, CD Wired |
| 5 | 04883249 | 1 | J, T | | 74 | | | | ADAPTOR, A/C |
| 6 | 04465117AB | 1 | J, T | | 74 | | | | CABLE, Din, 5-Meter Length |
| 7 | 04883251 | 1 | J, T | | 74 | | | | HARDWARE KIT, Mounting, Consists of: 2-Multi-Position Mounting Brackets, 4-Machine Screws, 4-Self-Tapping Screws, 1-Adhesive Backed Velcro Pad (Hook Side), 1-Adhesive Backed Velcro Pad (Loop Side), 1-Double-Sided Foam Tape |
| 8 | 04883253 | 1 | J, T | | 74 | | | | MAGAZINE, CD Changer, 10 Disc |
| 9 | 04882371AB | 1 | J, T | | 74 | | | | CABLE, CD Changer, RCA 5-Meter Length |
| 10 | 04883252 | 1 | J, T | | 74 | | | | |

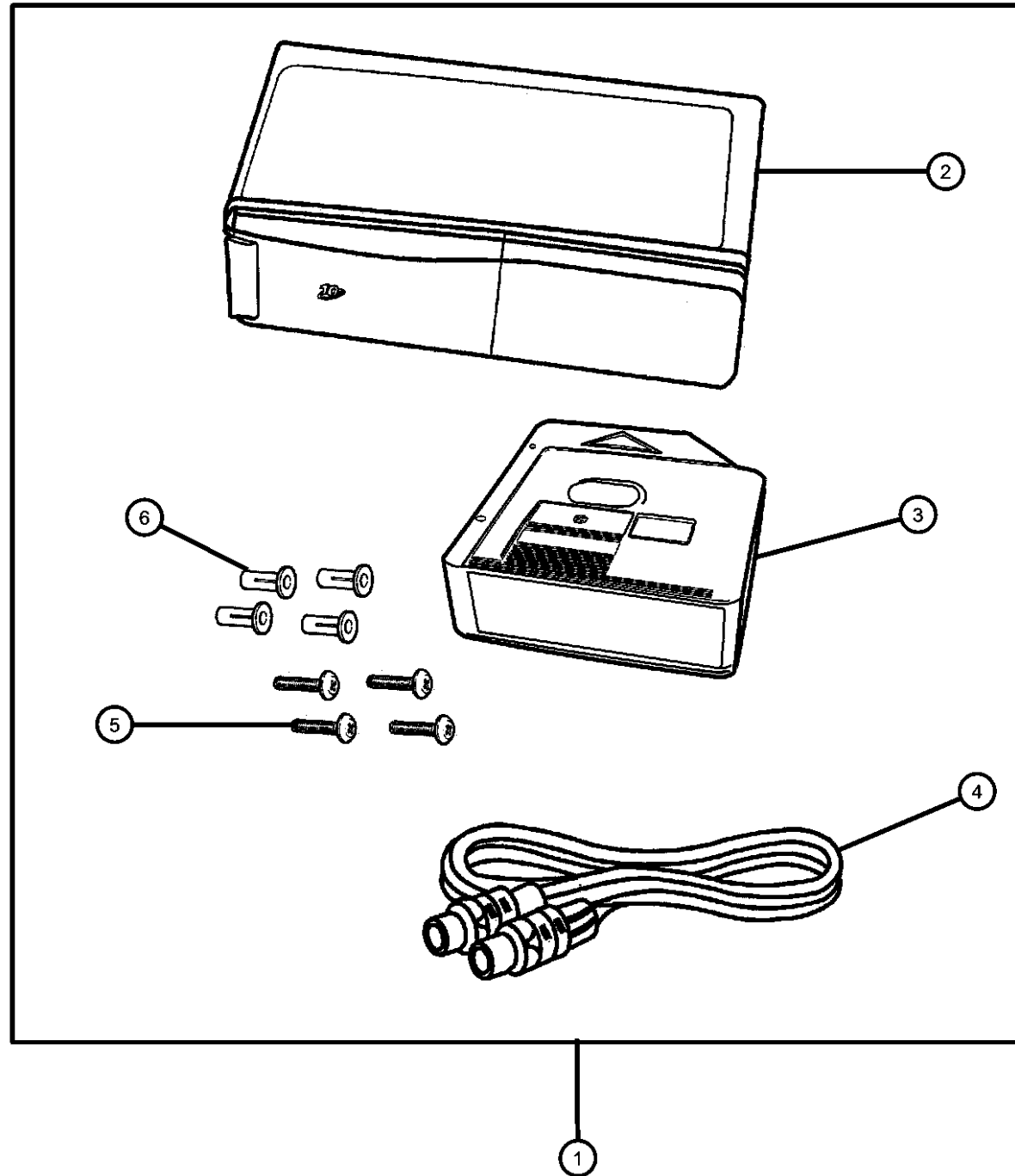
GRAND CHEROKEE (WJ)

| | | | | |
|-------------|----------------------|------------------------|--|---|
| SERIES | LINE | BODY | ENGINE | TRANSMISSION |
| H = Laredo | T = JEEP - 2WD | 74 = 4 Door (105.9 WB) | ERH = ENGINE - 4.0L POWER TECH I-6 | DG4 = TRANSMISSION-MULTI-SPEED AUTO, 45RFE |
| P = Limited | J = JEEP - 4WD | | EVA = ENGINE- 4.7L V8 MPI | DGW = TRANSMISSION - 4-SPD. AUTOMATIC, 44RE |
| | U = JEEP - 4WD (RHD) | | EXA = ENGINE - 3.1L 5 CYL TURBO DIESEL | DGK = TRANSMISSION - 4-SPD. AUTOMATIC, 42RE |
| | | | | DGO = ALL AUTOMATIC TRANSMISSIONS |

AR = use ase required - = Non illustrated part

Player Kit
Figure 1-115

| ITEM | PART NUMBER | QTY | LINE | SERIES | BODY | ENGINE | TRANS | TRIM | DESCRIPTION |
|------|-------------|-----|------|--------|------|--------|-------|------|---|
| 1 | 82204627 | 1 | J, T | | 74 | | | | PLAYER KIT, CD Changer - 10 Disc, Consists of: Items 2 thru 6 |
| 2 | 56042129AC | 1 | J, T | | 74 | | | | CHANGER, CD |
| 3 | 04858564 | 1 | J, T | | 74 | | | | MAGAZINE, CD Changer, 10 Disc |
| 4 | 05013661AA | 1 | J, T | | 74 | | | | CABLE, Din |
| 5 | 06100047 | 4 | | | | | | | NUT AND WASHER, Hex Nut-Coned Washer, M6 x 1.00 |
| 6 | 06505002AA | 4 | | | | | | | STUD |



GRAND CHEROKEE (WJ)

SERIES
H = Laredo
P = Limited

LINE
T = JEEP - 2WD
J = JEEP - 4WD
U = JEEP - 4WD (RHD)

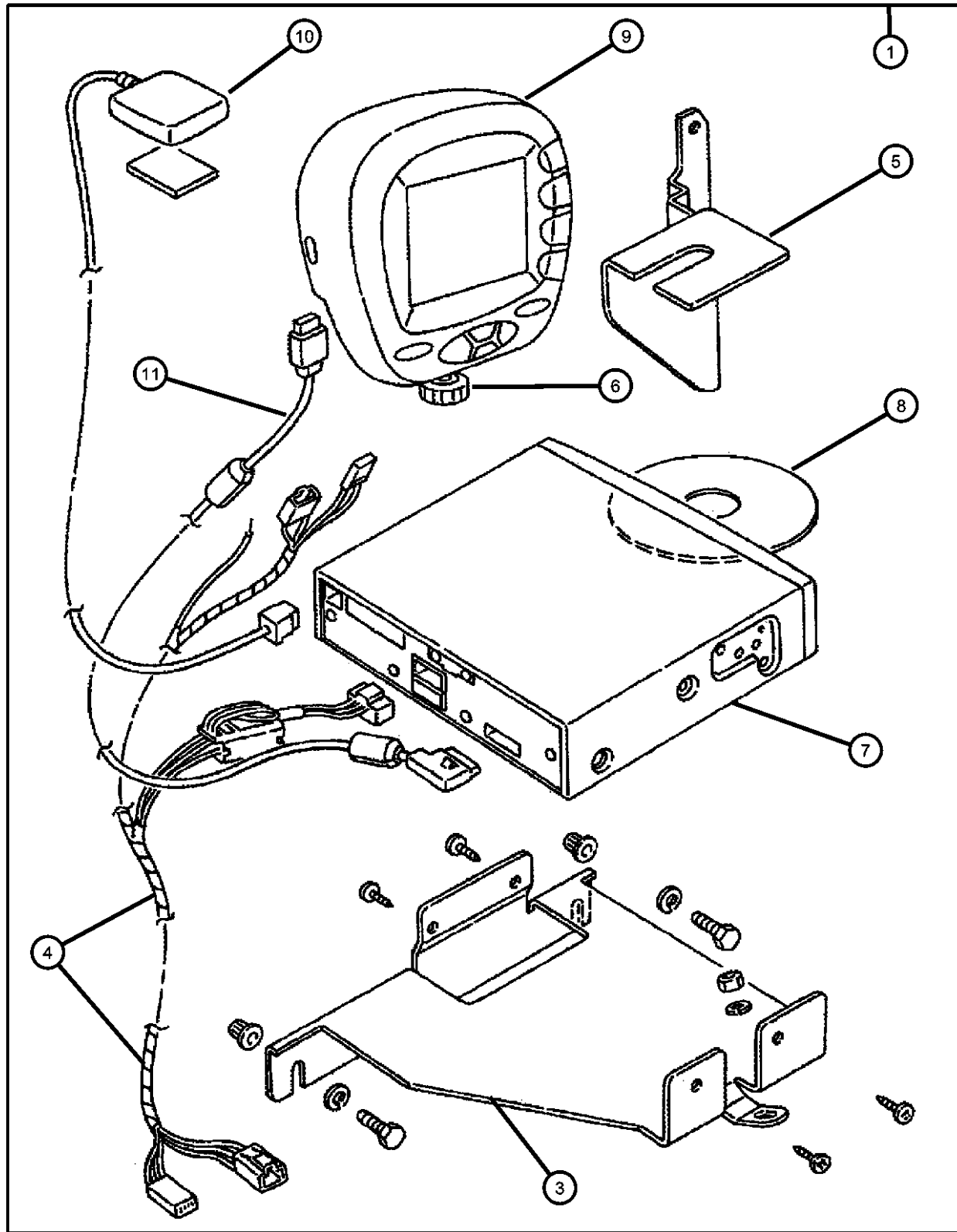
BODY
74 = 4 Door (105.9 WB)

ENGINE
ERH = ENGINE - 4.0L POWER TECH I-6
EVA = ENGINE- 4.7L V8 MPI
EXA = ENGINE - 3.1L 5 CYL TURBO DIESEL

TRANSMISSION
DG4 = TRANSMISSION-MULTI-SPEED AUTO, 45RFE
DGW = TRANSMISSION - 4-SPD. AUTOMATIC, 44RE
DGK = TRANSMISSION - 4-SPD. AUTOMATIC, 42RE
DGO = ALL AUTOMATIC TRANSMISSIONS

AR = use ase required - = Non illustrated part

Navigation Kit
Figure 1-140



| ITEM | PART NUMBER | QTY | LINE | SERIES | BODY | ENGINE | TRANS | TRIM | DESCRIPTION |
|------|-------------|-----|------|--------|------|--------|-------|------|--|
| 1 | | | | | | | | | NAVIGATION KIT, Vehicle |
| | 82205773 | 1 | J, T | | 74 | | | | Western U.S. |
| | 82205774 | 1 | J, T | | 74 | | | | Central U.S. |
| | 82205775 | 1 | J, T | | 74 | | | | Eastern U.S. |
| -2 | 82203459 | 1 | J, T | | 74 | | | | INSTALL KIT, Vehicle Navigation System, Also in Navigation Kit - Consists of: Bracket Display, Bracket Navigation Controller, Wiring, plus Mounting Hardware, Thumb Screw and Instructions |
| 3 | 05017423AA | 1 | J, T | | 74 | | | | BRACKET, Navigation Controller, (Also Serviced in Install Kit) |
| 4 | 05017421AA | 1 | J, T | | 74 | | | | WIRING, Navigation System, (Also Serviced in Install Kit) |
| 5 | 05017422AA | 1 | J, T | | 74 | | | | BRACKET, Navigation Display, (Also Serviced in Install Kit) |
| 6 | 05017434AA | 1 | J, T | | 74 | | | | SCREW, Thumb, (Also Serviced in Install Kit) |
| 7 | 05017419AA | 1 | J, T | | 74 | | | | CONTROLLER, Vehicle Navigation |
| 8 | | | | | | | | | COMPACT DISC, Navigation |
| | 05017415AA | 1 | J, T | | 74 | | | | Western U.S. |
| | 05017416AA | 1 | J, T | | 74 | | | | Central U.S. |
| | 05017417AA | 1 | J, T | | 74 | | | | Eastern U.S. |
| 9 | 05017418AA | 1 | J, T | | 74 | | | | MODULE, Navigation Display |
| 10 | 05017420AA | 1 | J, T | | 74 | | | | ANTENNA, Global Positioning |
| 11 | 05017433AA | 1 | J, T | | 74 | | | | WIRING, Navigation Display |

GRAND CHEROKEE (WJ)

SERIES
H = Laredo
P = Limited

LINE
T = JEEP - 2WD
J = JEEP - 4WD
U = JEEP - 4WD (RHD)

BODY
74 = 4 Door (105.9 WB)

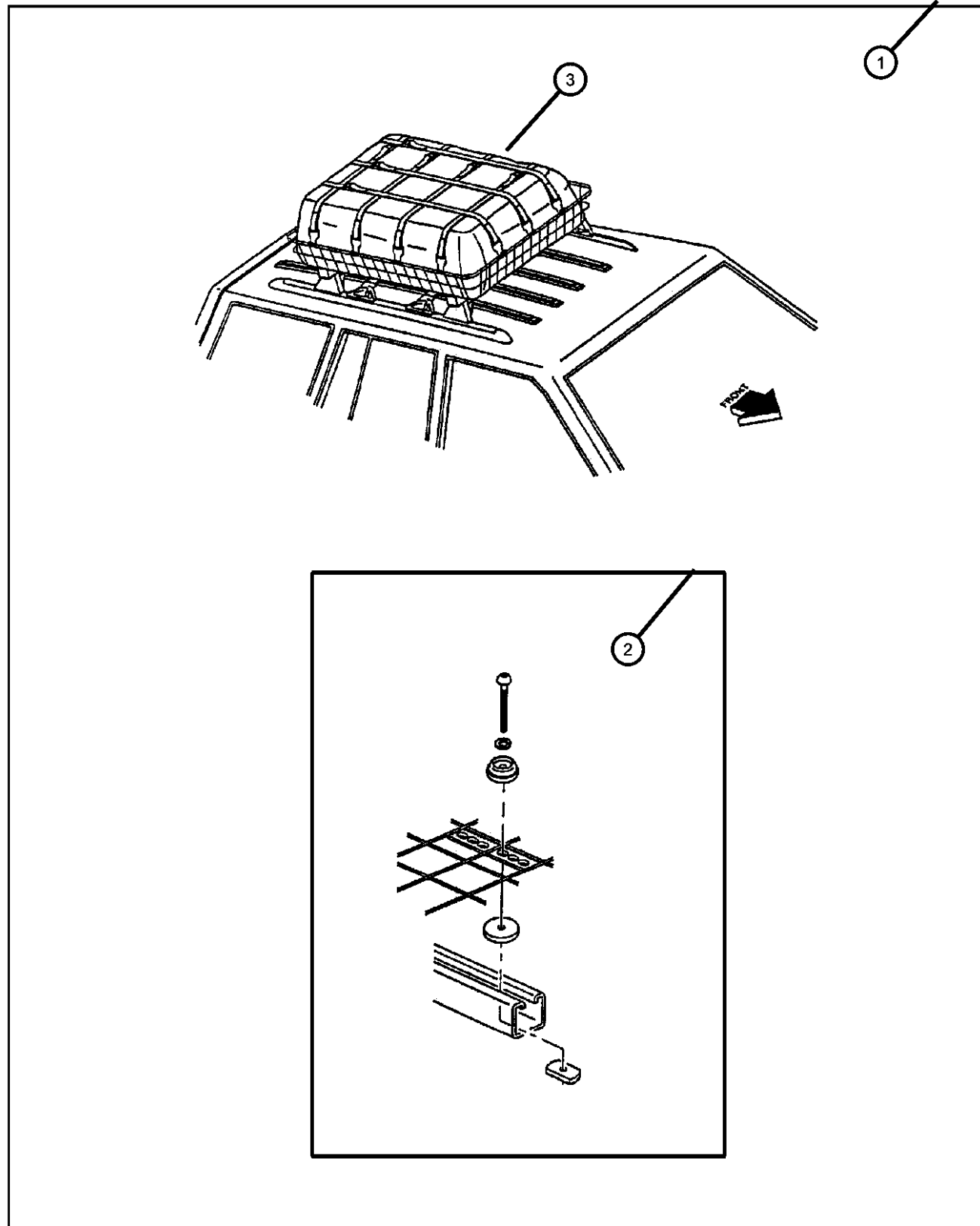
ENGINE
ERH = ENGINE - 4.0L POWER TECH I-6
EVA = ENGINE- 4.7L V8 MPI
EXA = ENGINE - 3.1L 5 CYL TURBO DIESEL

TRANSMISSION
DG4 = TRANSMISSION-MULTI-SPEED AUTO, 45RFE
DGW = TRANSMISSION - 4-SPD. AUTOMATIC, 44RE
DGK = TRANSMISSION - 4-SPD. AUTOMATIC, 42RE
DGO = ALL AUTOMATIC TRANSMISSIONS

AR = use ase required - = Non illustrated part

2000 WJ

Carrier Kit - Basket Type
Figure 1-210



| ITEM | PART NUMBER | QTY | LINE | SERIES | BODY | ENGINE | TRANS | TRIM | DESCRIPTION |
|------|-------------|-----|------|--------|------|--------|-------|------|-------------|
|------|-------------|-----|------|--------|------|--------|-------|------|-------------|

NOTE: Use only with Sport Utility Bar

NOTE; Hardware Kit also contained in Carrier Kit.

| | | | | | | | | | |
|---|------------|---|------|--|----|--|--|--|-------------------------|
| 1 | 82204697 | 1 | J, T | | 74 | | | | CARRIER KIT, Basket |
| 2 | 05016389AA | 1 | J, T | | 74 | | | | HARDWARE KIT, Accessory |
| 3 | 82204857 | 1 | J, T | | 74 | | | | NET KIT, Cargo |

GRAND CHEROKEE (WJ)

SERIES
H = Laredo
P = Limited

LINE
T = JEEP - 2WD
J = JEEP - 4WD
U = JEEP - 4WD (RHD)

BODY
74 = 4 Door (105.9 WB)

ENGINE
ERH = ENGINE - 4.0L
POWER TECH I-6
EVA = ENGINE- 4.7L V8 MPI
EXA = ENGINE - 3.1L 5 CYL
TURBO DIESEL

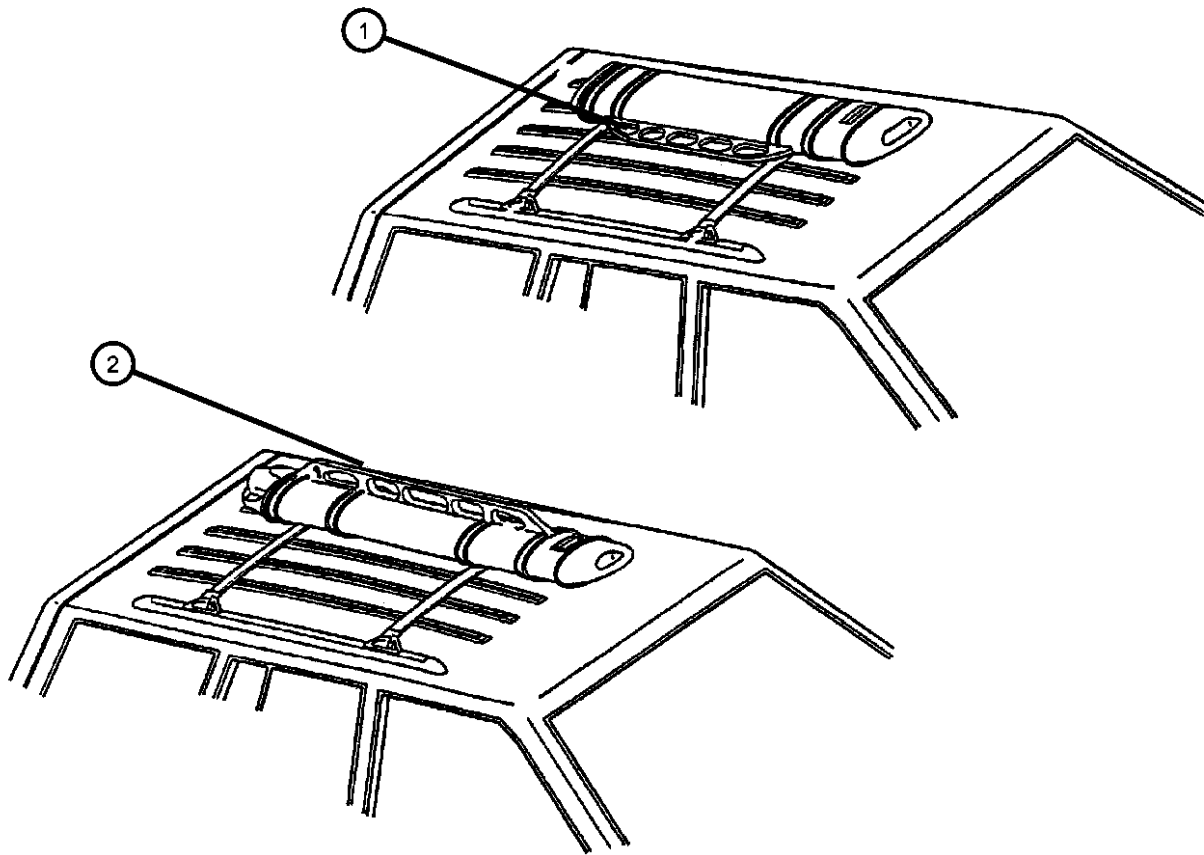
TRANSMISSION
DG4 = TRANSMISSION-MULTI-
SPEED AUTO, 45RFE
DGW = TRANSMISSION - 4-SPD.
AUTOMATIC,44RE
DGK = TRANSMISSION - 4-SPD.
AUTOMATIC,42RE
DGO = ALL AUTOMATIC
TRANSMISSIONS

AR = use ase required - = Non illustrated part

2000 WJ

Carrier Kit - Multipurpose
Figure 1-215

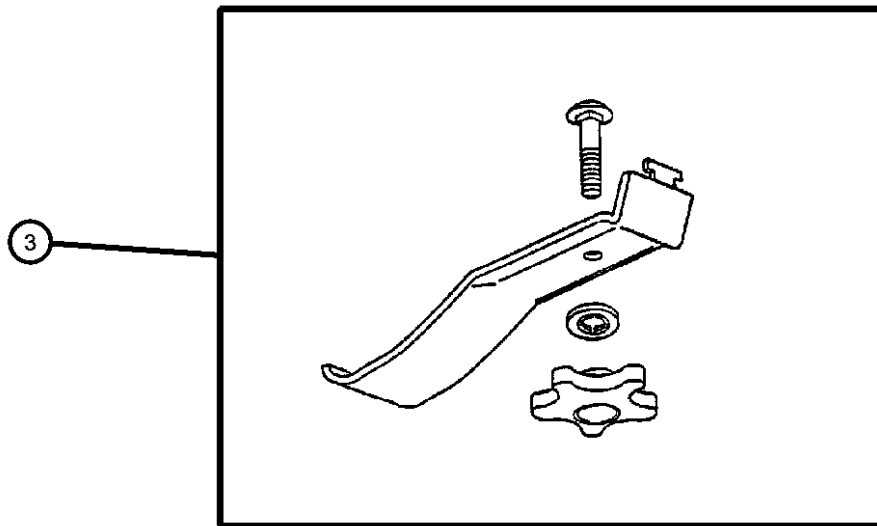
| ITEM | PART NUMBER | QTY | LINE | SERIES | BODY | ENGINE | TRANS | TRIM | DESCRIPTION |
|------|-------------|-----|------|--------|------|--------|-------|------|-------------|
|------|-------------|-----|------|--------|------|--------|-------|------|-------------|



NOTE: Use only with Sport Utility Bar
 NOTE: Carrier Kits - Multipurpose: Skis or Fishing Pole
 Snow Board or Surfboard
 NOTE: Hardware Kit also contained in Carrier Kit

| | | | | | | | | | |
|----|------------|---|------|--|----|--|--|--|--|
| 1 | 82204699 | 1 | J, T | | 74 | | | | |
| 2 | 82204698 | 1 | J, T | | 74 | | | | |
| 3 | 05016509AA | 1 | J, T | | 74 | | | | |
| -4 | 05016617AA | 1 | J, T | | 74 | | | | |

CARRIER KIT, Wind/Surf Boards,
 For Snowboard or Surfboard
 CARRIER KIT, Ski, For Skis,
 Fishing Poles
 HARDWARE KIT, Accessory,
 Consists of: 1-Carriage Bolt,
 1-Retaining Knob, 1-Retaining
 Washer, 1-Attachment Bracket
 LOCK KIT, Carrier, Consists of:
 2-Locks keyed the same



GRAND CHEROKEE (WJ)

| | |
|-------------|----------------------|
| SERIES | LINE |
| H = Laredo | T = JEEP - 2WD |
| P = Limited | J = JEEP - 4WD |
| | U = JEEP - 4WD (RHD) |

| |
|------------------------|
| BODY |
| 74 = 4 Door (105.9 WB) |

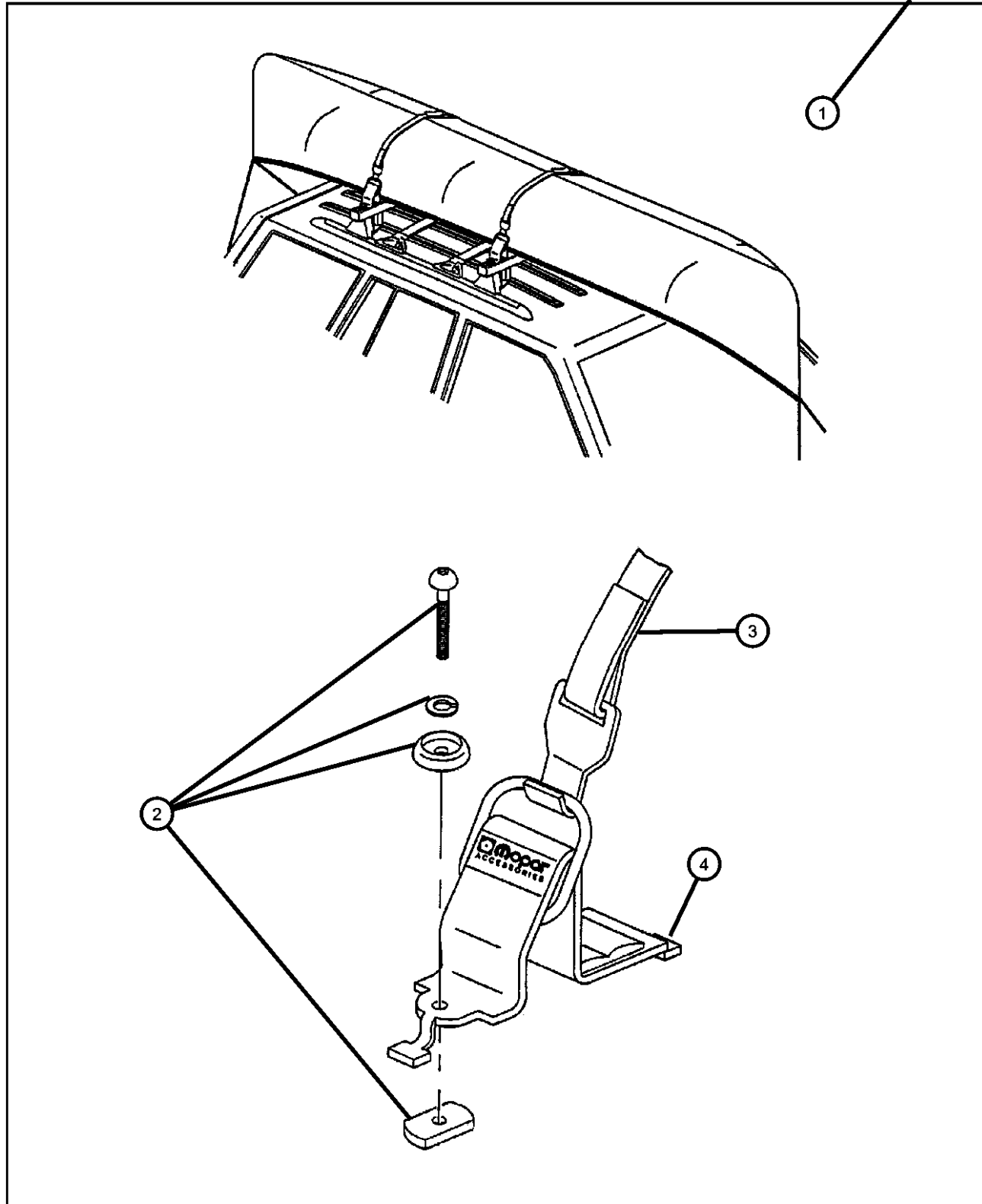
| |
|---------------------------|
| ENGINE |
| ERH = ENGINE - 4.0L |
| POWER TECH I-6 |
| EVA = ENGINE- 4.7L V8 MPI |
| EXA = ENGINE - 3.1L 5 CYL |
| TURBO DIESEL |

| |
|-----------------------------|
| TRANSMISSION |
| DG4 = TRANSMISSION-MULTI- |
| SPEED AUTO, 45RFE |
| DGW = TRANSMISSION - 4-SPD. |
| AUTOMATIC,44RE |
| DGK = TRANSMISSION - 4-SPD. |
| AUTOMATIC,42RE |
| DGO = ALL AUTOMATIC |
| TRANSMISSIONS |

AR = use ase required - = Non illustrated part

2000 WJ

Carrier Kit - Canoe
Figure 1-220



| ITEM | PART NUMBER | QTY | LINE | SERIES | BODY | ENGINE | TRANS | TRIM | DESCRIPTION |
|------|-------------|-----|------|--------|------|--------|-------|------|-------------|
|------|-------------|-----|------|--------|------|--------|-------|------|-------------|

NOTE: Use only with Sport Utility Bar
 NOTE: Hardware Kit also contained in Carrier Kit

| | | | | | | | | | |
|---|------------|---|------|--|----|--|--|--|---|
| 1 | 82204700 | 1 | J, T | | 74 | | | | CARRIER KIT, Water Sports |
| 2 | 05016389AA | 1 | J, T | | 74 | | | | HARDWARE KIT, Accessory, Consists of: 4-25MM Button Head Screws, 4-30MM Button Head Screws, 4-Lock Washers, 4-Dome Washers, 4-Rubber Washers, 4-T-Nuts |
| 3 | 05016511AA | 1 | J, T | | 74 | | | | STRAP, Cargo Tie Down |
| 4 | 05016510AA | 1 | J, T | | 74 | | | | BRACKET, Cargo Tie Down |

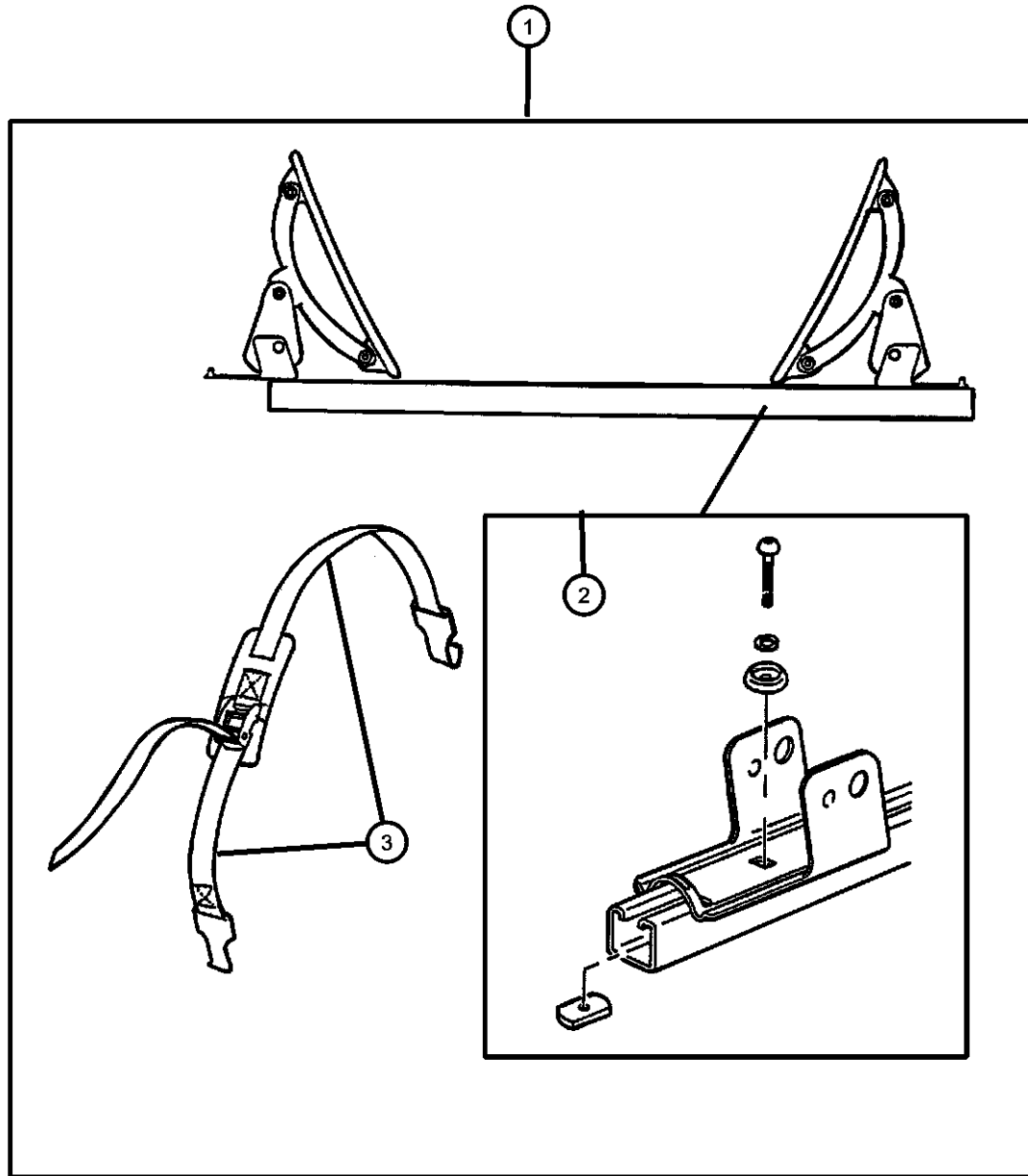
GRAND CHEROKEE (WJ)

| SERIES | LINE | BODY | ENGINE | TRANSMISSION |
|-------------|----------------------|------------------------|---|--|
| H = Laredo | T = JEEP - 2WD | 74 = 4 Door (105.9 WB) | ERH = ENGINE - 4.0L POWER TECH I-6 | DG4 = TRANSMISSION-MULTI- SPEED AUTO, 45RFE |
| P = Limited | J = JEEP - 4WD | | EVA = ENGINE- 4.7L V8 MPI | DGW = TRANSMISSION - 4-SPD. AUTOMATIC,44RE |
| | U = JEEP - 4WD (RHD) | | EXA = ENGINE - 3.1L 5 CYL TURBO DIESEL | DGK = TRANSMISSION - 4-SPD. AUTOMATIC,42RE |
| | | | | DGO = ALL AUTOMATIC TRANSMISSIONS |

AR = use ase required - = Non illustrated part

Carrier Kit - Water Sports
Figure 1-222

| ITEM | PART NUMBER | QTY | LINE | SERIES | BODY | ENGINE | TRANS | TRIM | DESCRIPTION |
|------|-------------|-----|------|--------|------|--------|-------|------|---|
| 1 | 82204701 | 1 | J, T | | 74 | | | | CARRIER KIT, Water Sports |
| 2 | 05016389AA | 1 | J, T | | 74 | | | | HARDWARE KIT, Accessory, Consists of: 4- 25MM Button Head Screws, 4-30MM Button Head Screws, 4-Lock Washers, 4-Dome Washers, 4-Rubber Washers and 4- T-Nuts. |
| 3 | 05016511AA | 1 | J, T | | 74 | | | | STRAP, Cargo Tie Down |



GRAND CHEROKEE (WJ)

SERIES
H = Laredo
P = Limited

LINE
T = JEEP - 2WD
J = JEEP - 4WD
U = JEEP - 4WD (RHD)

BODY
74 = 4 Door (105.9 WB)

ENGINE
ERH = ENGINE - 4.0L
POWER TECH I-6
EVA = ENGINE- 4.7L V8 MPI
EXA = ENGINE - 3.1L 5 CYL
TURBO DIESEL

TRANSMISSION
DG4 = TRANSMISSION-MULTI-
SPEED AUTO, 45RFE
DGW = TRANSMISSION - 4-SPD.
AUTOMATIC,44RE
DGK = TRANSMISSION - 4-SPD.
AUTOMATIC,42RE
DGO = ALL AUTOMATIC
TRANSMISSIONS

AR = use ase required - = Non illustrated part

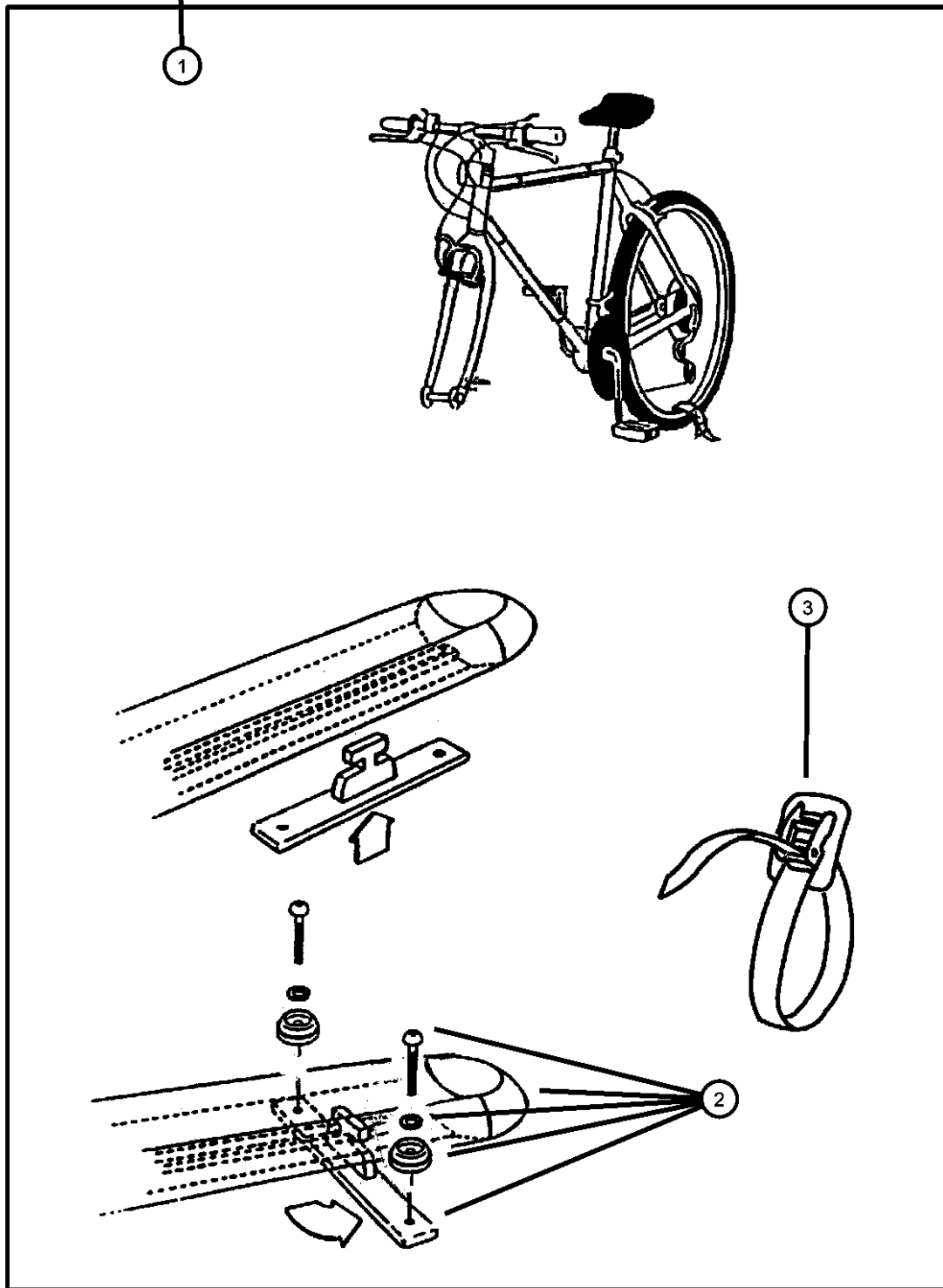
2000 WJ

Bike Carrier - Roof Mount
Figure 1-230

| ITEM | PART NUMBER | QTY | LINE | SERIES | BODY | ENGINE | TRANS | TRIM | DESCRIPTION |
|------|-------------|-----|------|--------|------|--------|-------|------|-------------|
|------|-------------|-----|------|--------|------|--------|-------|------|-------------|

NOTE: Hardware Kit also contained in Carrier Kit.

| | | | | | | | | | |
|---|------------|---|------|--|----|--|--|--|---|
| 1 | 82300585 | 1 | J, T | | 74 | | | | CARRIER KIT, Bike, Fork - Mount |
| 2 | 05016512AA | 1 | J, T | | 74 | | | | HARDWARE KIT, Accessory, Contains: 2 T-Slot Bars, 4 Round Dome Washers, 4 M6x1.00x16MM Machine Screws, 2 M6 Lockwashers |
| 3 | 05016513AA | 1 | J, T | | 74 | | | | STRAP, Cargo Tie Down, Contains: 2 Straps |



GRAND CHEROKEE (WJ)

SERIES
H = Laredo
P = Limited

LINE
T = JEEP - 2WD
J = JEEP - 4WD
U = JEEP - 4WD (RHD)

BODY
74 = 4 Door (105.9 WB)

ENGINE
ERH = ENGINE - 4.0L
POWER TECH I-6
EVA = ENGINE- 4.7L V8 MPI
EXA = ENGINE - 3.1L 5 CYL
TURBO DIESEL

TRANSMISSION
DG4 = TRANSMISSION-MULTI-
SPEED AUTO, 45RFE
DGW = TRANSMISSION - 4-SPD.
AUTOMATIC,44RE
DGK = TRANSMISSION - 4-SPD.
AUTOMATIC,42RE
DGO = ALL AUTOMATIC
TRANSMISSIONS

AR = use ase required - = Non illustrated part

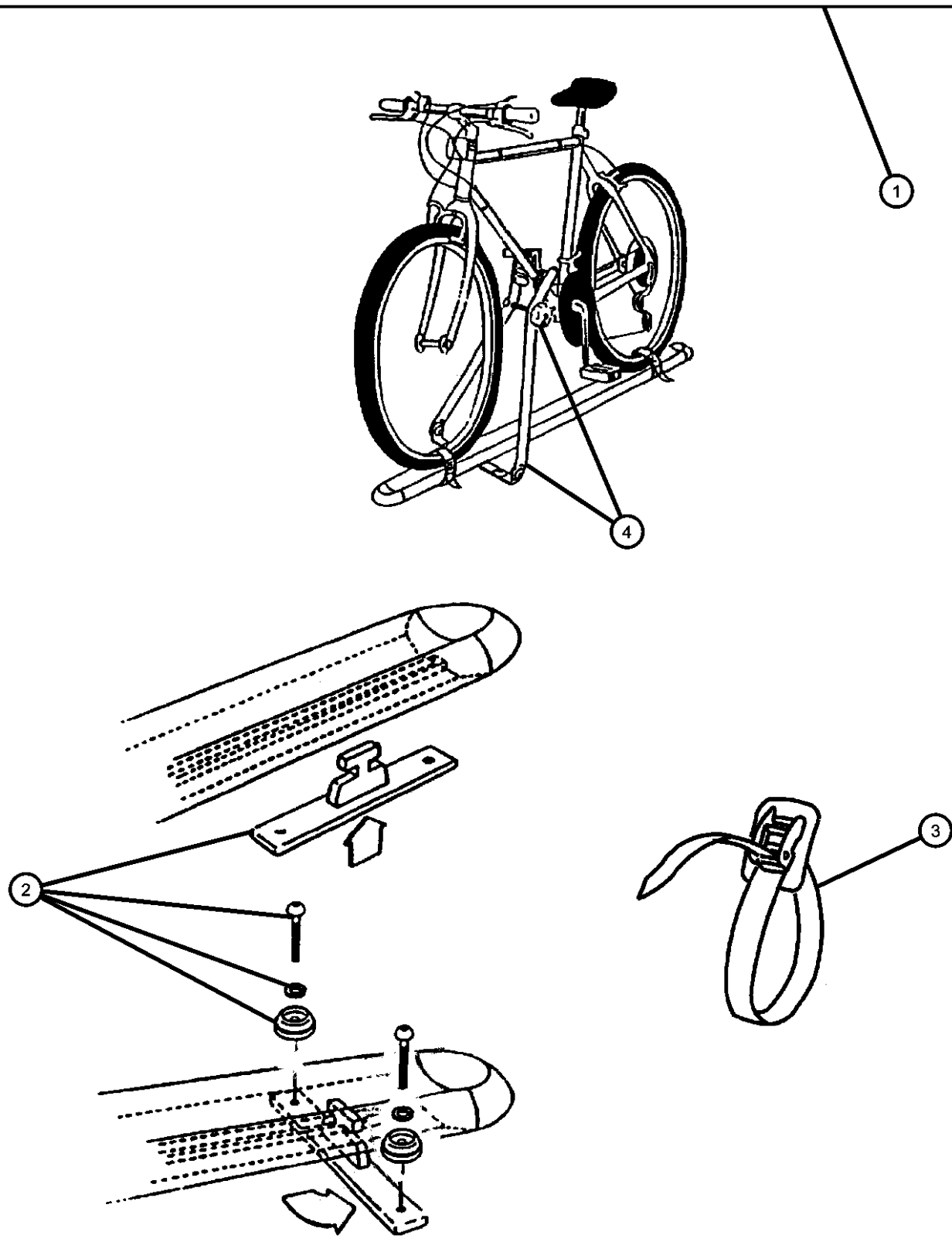
2000 WJ

**Bike Carrier - Roof Mount Upright Style
Figure 1-235**

| ITEM | PART NUMBER | QTY | LINE | SERIES | BODY | ENGINE | TRANS | TRIM | DESCRIPTION |
|------|-------------|-----|------|--------|------|--------|-------|------|-------------|
|------|-------------|-----|------|--------|------|--------|-------|------|-------------|

NOTE: Hardware Kit also contained in Carrier Kit.

| | | | | | | | | | |
|---|------------|---|------|--|----|--|--|--|--|
| 1 | 82203471 | 1 | J, T | | 74 | | | | CARRIER KIT, Bike |
| 2 | 05016512AA | 1 | J, T | | 74 | | | | HARDWARE KIT, Accessory, Consists of: 2-T-Slot Bars, 4-Round Dome Washers, 4-M6x1.00x16MM Machine Screws, 2-M6 Lockwashers |
| 3 | 05016513AA | 1 | J, T | | 74 | | | | STRAP, Cargo Tie Down, Consists of: 2- Adjustable Straps, this carrier only requires one. |
| 4 | 05018194AA | 1 | J, T | | 74 | | | | HARDWARE KIT, Bike Carrier |



GRAND CHEROKEE (WJ)

SERIES
H = Laredo
P = Limited

LINE
T = JEEP - 2WD
J = JEEP - 4WD
U = JEEP - 4WD (RHD)

BODY
74 = 4 Door (105.9 WB)

ENGINE
ERH = ENGINE - 4.0L
POWER TECH I-6
EVA = ENGINE- 4.7L V8 MPI
EXA = ENGINE - 3.1L 5 CYL
TURBO DIESEL

TRANSMISSION
DG4 = TRANSMISSION-MULTI-
SPEED AUTO, 45RFE
DGW = TRANSMISSION - 4-SPD.
AUTOMATIC,44RE
DGK = TRANSMISSION - 4-SPD.
AUTOMATIC,42RE
DGO = ALL AUTOMATIC
TRANSMISSIONS

AR = use ase required - = Non illustrated part

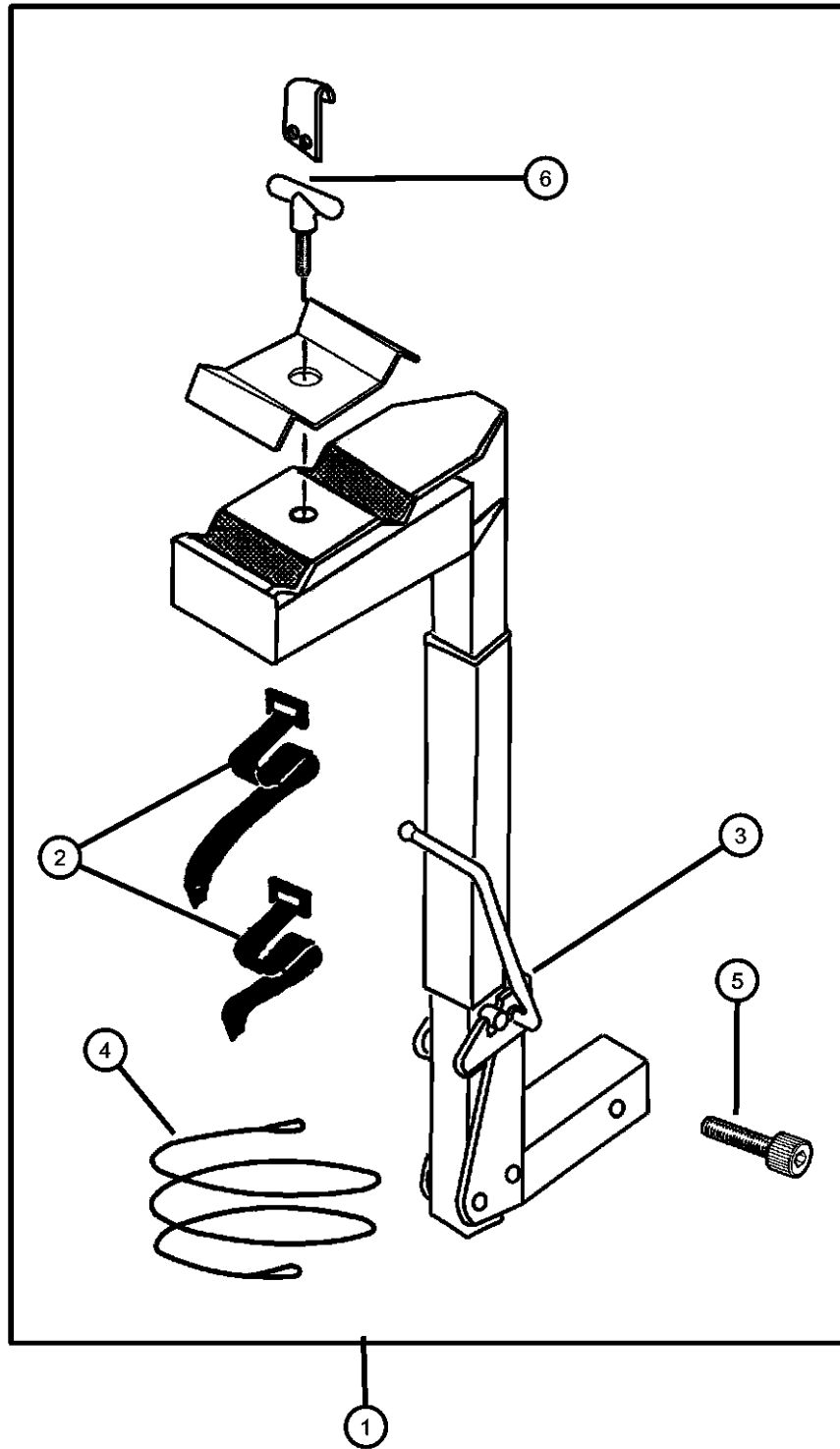
2000 WJ

Bike Carrier - Fold Down Mount
Figure 1-240

| ITEM | PART NUMBER | QTY | LINE | SERIES | BODY | ENGINE | TRANS | TRIM | DESCRIPTION |
|------|-------------|-----|------|--------|------|--------|-------|------|-------------|
|------|-------------|-----|------|--------|------|--------|-------|------|-------------|

NOTE: Folds down for access to rear hatch, has anti theft bolts.

| | | | | | | | | | |
|---|------------|---|------|--|----|--|--|--|---|
| 1 | 82204453 | 1 | J, T | | 74 | | | | CARRIER KIT, Bike, 2-Bike |
| 2 | 04762880 | 1 | | | | | | | STRAP KIT, Velcro, Consists of 1-Long and 1-Short Strap |
| 3 | 04762881 | 1 | | | | | | | STRAP KIT, Bike Carrier Latch, Consists of 1-Rubber Strap |
| 4 | 04762882 | 1 | | | | | | | LOCK KIT, Bike Carrier Handle |
| 5 | 05016776AA | 1 | J, T | | 74 | | | | BOLT KIT, Security |
| 6 | 05016610AA | 1 | J, T | | 74 | | | | HARDWARE KIT, Accessory, T-Handle |



GRAND CHEROKEE (WJ)

SERIES LINE
H = Laredo T = JEEP - 2WD
P = Limited J = JEEP - 4WD
 U = JEEP - 4WD (RHD)

BODY
74 = 4 Door (105.9 WB)

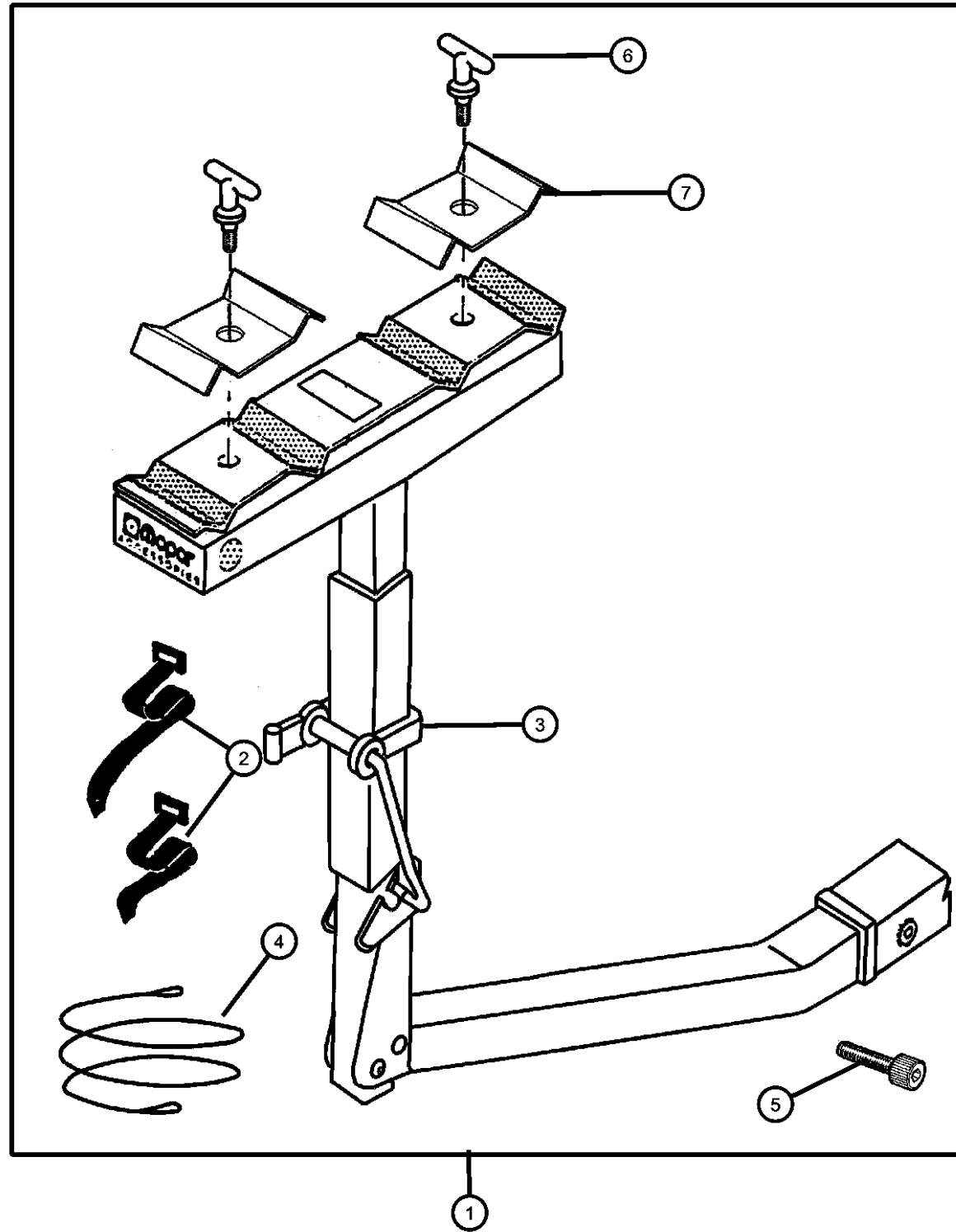
ENGINE
ERH = ENGINE - 4.0L
POWER TECH I-6
EVA = ENGINE- 4.7L V8 MPI
EXA = ENGINE - 3.1L 5 CYL
TURBO DIESEL

TRANSMISSION
DG4 = TRANSMISSION-MULTI-
SPEED AUTO, 45RFE
DGW = TRANSMISSION - 4-SPD.
AUTOMATIC,44RE
DGK = TRANSMISSION - 4-SPD.
AUTOMATIC,42RE
DGO = ALL AUTOMATIC
TRANSMISSIONS

AR = use ase required - = Non illustrated part

2000 WJ

Bike Carrier - Hitch Mount
Figure 1-245



| ITEM | PART NUMBER | QTY | LINE | SERIES | BODY | ENGINE | TRANS | TRIM | DESCRIPTION |
|------|-------------|-----|------|--------|------|--------|-------|------|--|
| 1 | 82204328 | 1 | J, T | | 74 | | | | CARRIER KIT, Bike, Consists of: Items 2 thru 7 |
| 2 | 04762880 | 1 | J, T | | 74 | | | | STRAP KIT, Velcro, Consists of: 1-Long and 1-Short Strap |
| 3 | 04762881 | 1 | | | | | | | STRAP KIT, Bike Carrier Latch, Consists of: 1-Rubber Strap |
| 4 | 04762882 | 1 | | | | | | | LOCK KIT, Bike Carrier Handle |
| 5 | 05016776AA | 1 | J, T | | 74 | | | | BOLT KIT, Security, Bolt & Wrench |
| 6 | 05016610AA | 1 | J, T | | 74 | | | | HARDWARE KIT, Accessory, T-Handle |
| 7 | 05016657AA | 1 | J, T | | 74 | | | | HARDWARE KIT, Accessory, 2 Clamps Required |

GRAND CHEROKEE (WJ)

SERIES
H = Laredo
P = Limited

LINE
T = JEEP - 2WD
J = JEEP - 4WD
U = JEEP - 4WD (RHD)

BODY
74 = 4 Door (105.9 WB)

ENGINE
ERH = ENGINE - 4.0L POWER TECH I-6
EVA = ENGINE- 4.7L V8 MPI
EXA = ENGINE - 3.1L 5 CYL TURBO DIESEL

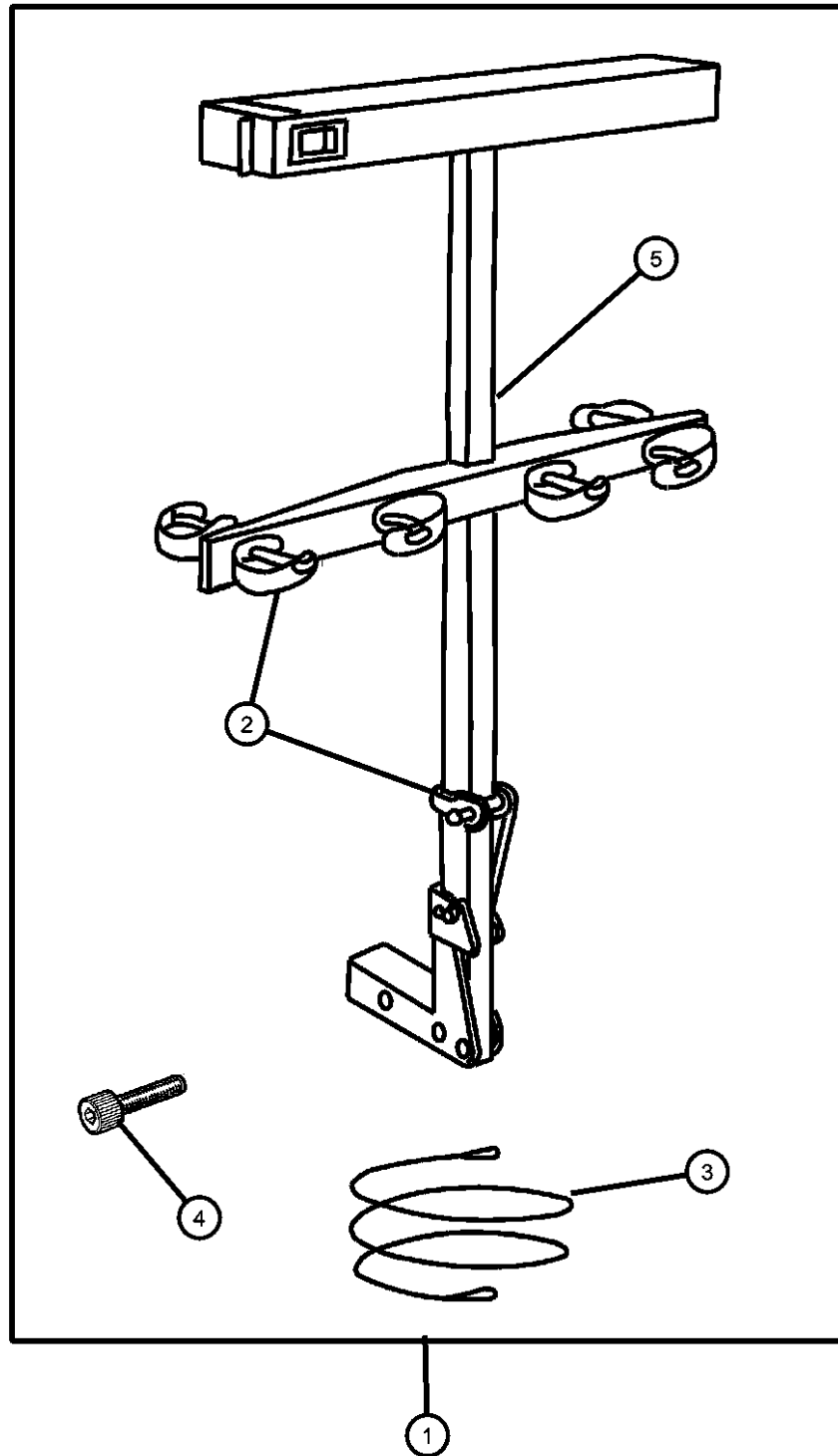
TRANSMISSION
DG4 = TRANSMISSION-MULTI-SPEED AUTO, 45RFE
DGW = TRANSMISSION - 4-SPD. AUTOMATIC, 44RE
DGK = TRANSMISSION - 4-SPD. AUTOMATIC, 42RE
DGO = ALL AUTOMATIC TRANSMISSIONS

AR = use ase required - = Non illustrated part

2000 WJ

Carrier Kit - Ski (4 Pair)
Figure 1-250

| ITEM | PART NUMBER | QTY | LINE | SERIES | BODY | ENGINE | TRANS | TRIM | DESCRIPTION |
|------|-------------|-----|------|--------|------|--------|-------|------|-------------------------------|
| 1 | | | | | | | | | CARRIER KIT, Ski - 4 Pair |
| | 82204454 | 1 | J, T | | 74 | | | | 1.25' Receiver |
| | 82204455 | 1 | J, T | | 74 | | | | 2' Receiver |
| 2 | 05016775AA | 1 | J, T | | 74 | | | | STRAP KIT, Bike Carrier Latch |
| 3 | 04762882 | 1 | | | | | | | LOCK KIT, Bike Carrier Handle |
| 4 | 05016776AA | 1 | J, T | | 74 | | | | BOLT KIT, Security |
| 5 | 05016610AA | 1 | J, T | | 74 | | | | HARDWARE KIT, Accessory |



GRAND CHEROKEE (WJ)

SERIES
H = Laredo
P = Limited

LINE
T = JEEP - 2WD
J = JEEP - 4WD
U = JEEP - 4WD (RHD)

BODY
74 = 4 Door (105.9 WB)

ENGINE
ERH = ENGINE - 4.0L
POWER TECH I-6
EVA = ENGINE- 4.7L V8 MPI
EXA = ENGINE - 3.1L 5 CYL
TURBO DIESEL

TRANSMISSION
DG4 = TRANSMISSION-MULTI-
SPEED AUTO, 45RFE
DGW = TRANSMISSION - 4-SPD.
AUTOMATIC,44RE
DGK = TRANSMISSION - 4-SPD.
AUTOMATIC,42RE
DGO = ALL AUTOMATIC
TRANSMISSIONS

AR = use ase required - = Non illustrated part

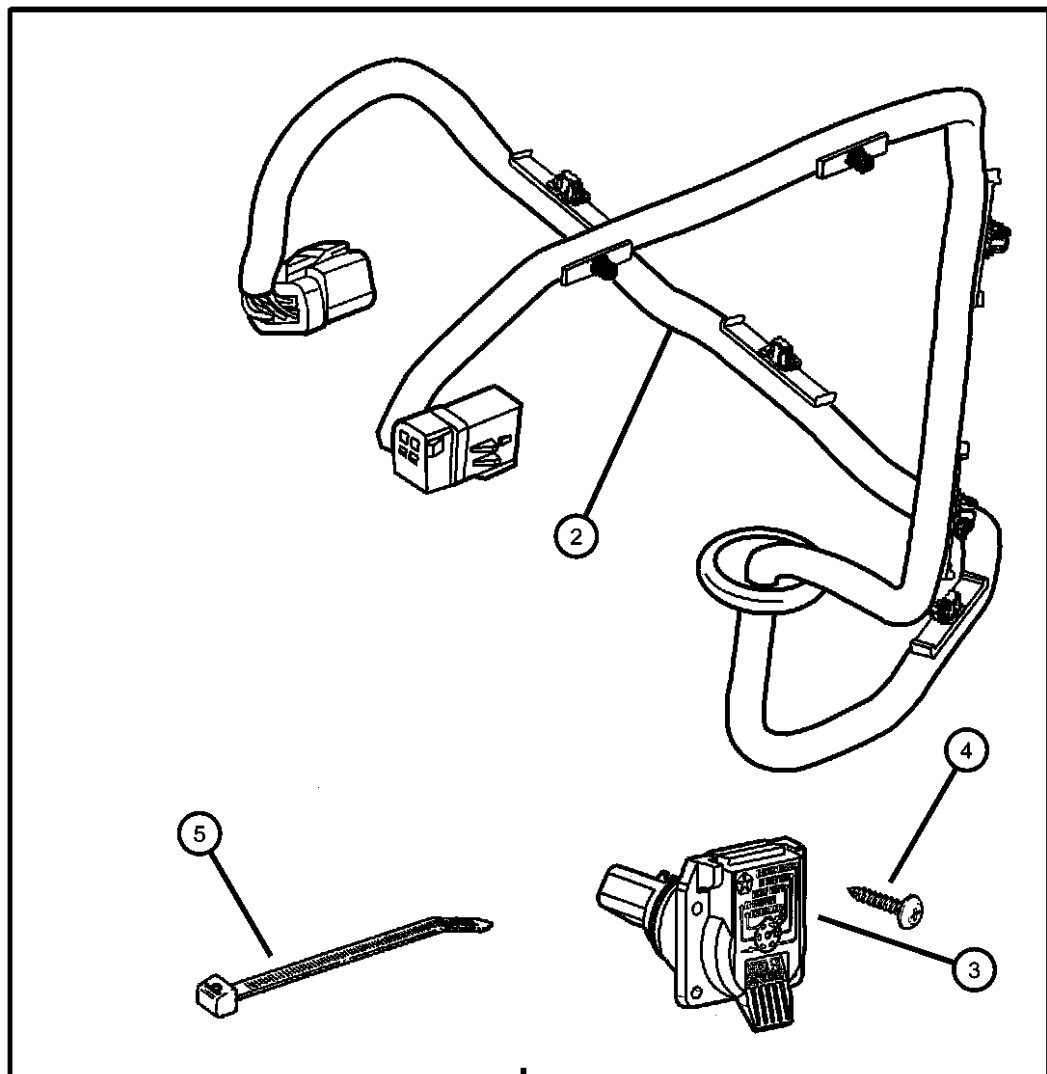
2000 WJ

**Wiring Package (Trailer Tow)
Figure 1-255**

| ITEM | PART NUMBER | QTY | LINE | SERIES | BODY | ENGINE | TRANS | TRIM | DESCRIPTION |
|------|-------------|-----|------|--------|------|--------|-------|------|-------------|
|------|-------------|-----|------|--------|------|--------|-------|------|-------------|

NOTE: Trailer Tow Wire Harness Kit: 7-way round trailer connector, plugs into 10-way connector.
NOTE: Trailer Tow Wiring Package 82204725 consists of Items 1 thru 4.

| | | | | | | | | | |
|---|------------|---|------|--|----|--|--|--|---|
| 1 | 82204725 | 1 | J, T | | 74 | | | | WIRING PACKAGE, Trailer Tow, Consists of: Items 2 thru 5 |
| 2 | 56042239AE | 1 | J, T | | 74 | | | | WIRING, Trailer Tow |
| 3 | 56038366AB | 1 | J, T | | 74 | | | | CONNECTOR, 7 Way |
| 4 | 00154633 | 1 | J, T | | 74 | | | | SCREW, .164-18x.625 |
| 5 | 06016155 | 1 | J, T | | 74 | | | | STRAP, Tie |



1

GRAND CHEROKEE (WJ)

| | |
|-------------|----------------------|
| SERIES | LINE |
| H = Laredo | T = JEEP - 2WD |
| P = Limited | J = JEEP - 4WD |
| | U = JEEP - 4WD (RHD) |

| |
|------------------------|
| BODY |
| 74 = 4 Door (105.9 WB) |

| |
|---|
| ENGINE |
| ERH = ENGINE - 4.0L POWER TECH I-6 |
| EVA = ENGINE- 4.7L V8 MPI |
| EXA = ENGINE - 3.1L 5 CYL TURBO DIESEL |

| |
|--|
| TRANSMISSION |
| DG4 = TRANSMISSION-MULTI- SPEED AUTO, 45RFE |
| DGW = TRANSMISSION - 4-SPD. AUTOMATIC,44RE |
| DGK = TRANSMISSION - 4-SPD. AUTOMATIC,42RE |
| DGO = ALL AUTOMATIC TRANSMISSIONS |

AR = use ase required - = Non illustrated part

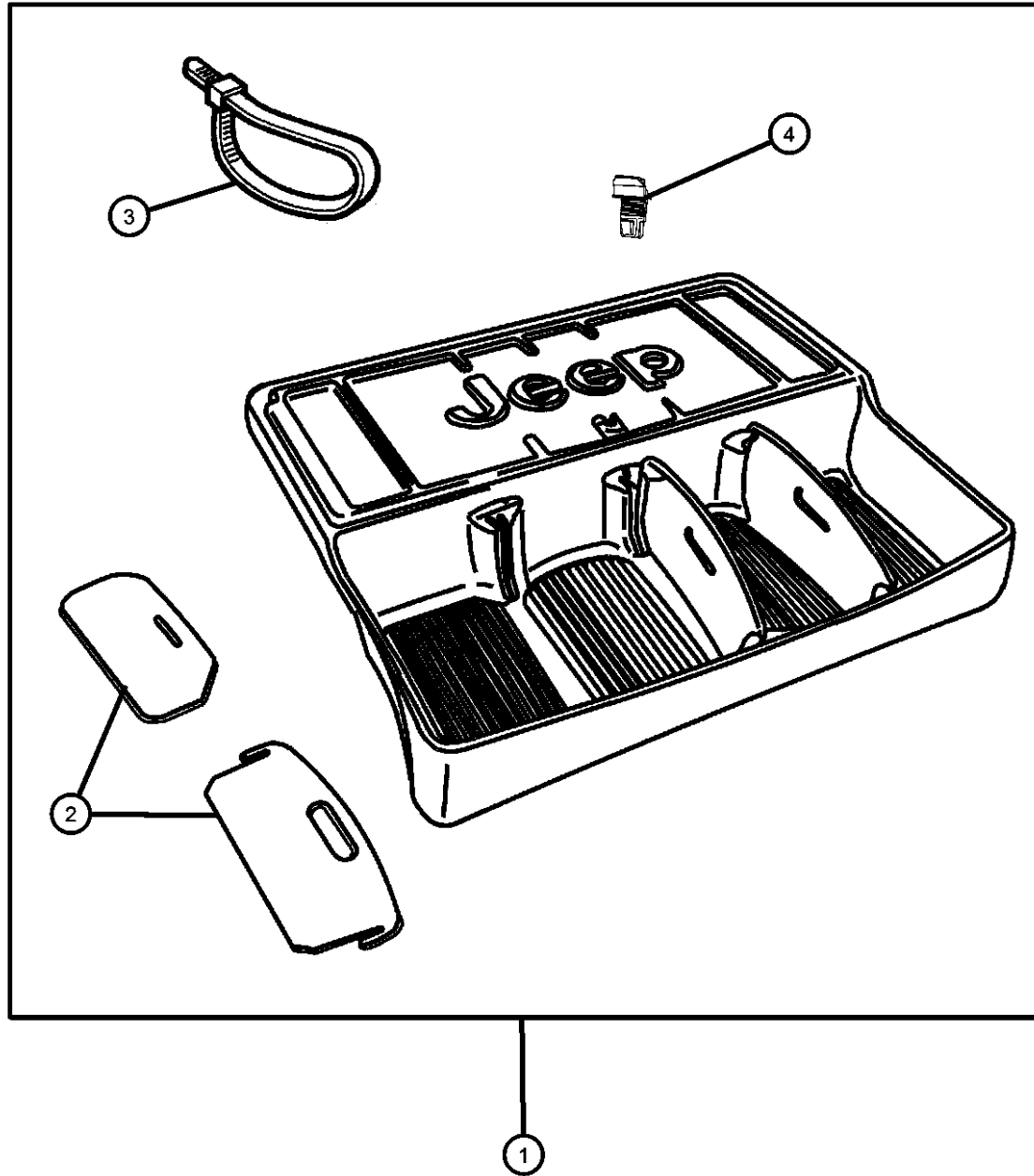
2000 WJ

Box Kit - Storage (Interior)
Figure 1-260

| ITEM | PART NUMBER | QTY | LINE | SERIES | BODY | ENGINE | TRANS | TRIM | DESCRIPTION |
|------|-------------|-----|------|--------|------|--------|-------|------|-------------|
|------|-------------|-----|------|--------|------|--------|-------|------|-------------|

NOTE: Mounts Behind Rear Seat. Box is approximately 45" W/18"D/8"H. The tray is located between the box & liftgate - Molded unit has

| | | | | | | | | | |
|---|------------|---|------|--|----|--|--|--|--|
| 1 | 82205010 | 1 | J, T | | 74 | | | | BOX KIT, Storage-Interior, Consists of: Items 2 thru 4 |
| 2 | 05016544AA | 1 | J, T | | 74 | | | | DIVIDER KIT, Cargo, Drop-in Dividers: 4 Total: 2-Front, 2-Rear |
| 3 | 05016545AA | 1 | J, T | | 74 | | | | STRAP, Cargo Tie Down, Used to Attach Box to Load Floor |
| 4 | 05016546AA | 1 | J, T | | 74 | | | | LOCK KIT, Storage, Consists of: Keys & Cylinder |



GRAND CHEROKEE (WJ)

| SERIES | LINE |
|-------------|----------------------|
| H = Laredo | T = JEEP - 2WD |
| P = Limited | J = JEEP - 4WD |
| | U = JEEP - 4WD (RHD) |

| BODY |
|------------------------|
| 74 = 4 Door (105.9 WB) |

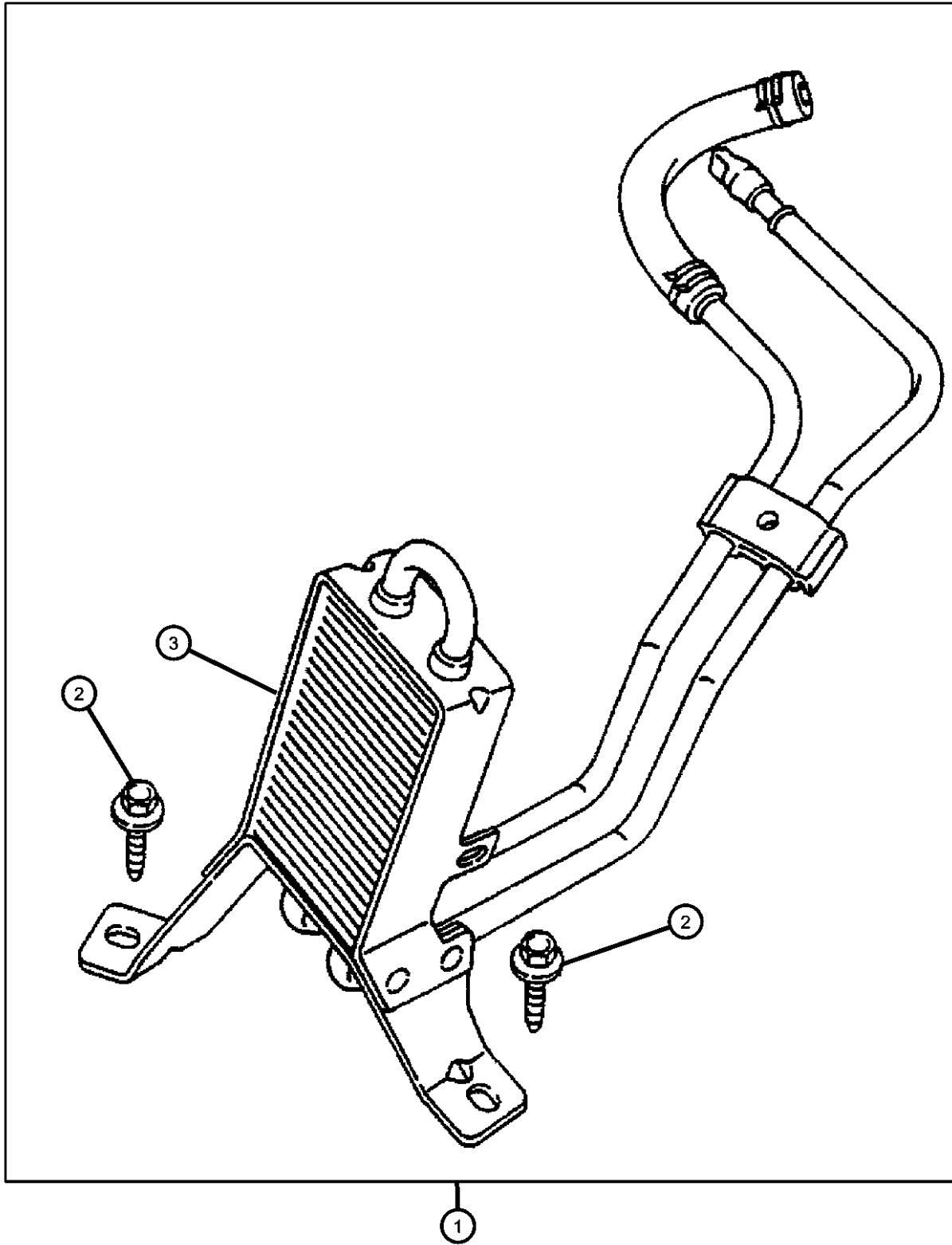
| ENGINE |
|--|
| ERH = ENGINE - 4.0L POWER TECH I-6 |
| EVA = ENGINE- 4.7L V8 MPI |
| EXA = ENGINE - 3.1L 5 CYL TURBO DIESEL |

| TRANSMISSION |
|--|
| DG4 = TRANSMISSION-MULTI-SPEED AUTO, 45RFE |
| DGW = TRANSMISSION - 4-SPD. AUTOMATIC,44RE |
| DGK = TRANSMISSION - 4-SPD. AUTOMATIC,42RE |
| DGO = ALL AUTOMATIC TRANSMISSIONS |

AR = use ase required - = Non illustrated part

2000 WJ

**Cooler Package - Power Steering
Figure 1-265**



| ITEM | PART NUMBER | QTY | LINE | SERIES | BODY | ENGINE | TRANS | TRIM | DESCRIPTION |
|------|-------------|-----|------|--------|------|--------|-------|------|-------------|
|------|-------------|-----|------|--------|------|--------|-------|------|-------------|

NOTE: Required for Trailer Towing with 4.7L Engine

| | | | | | | | | | |
|---|------------|---|------|--|----|--|--|--|---|
| 1 | 82204498 | 1 | J, T | | 74 | | | | COOLER PACKAGE, Power Steering |
| 2 | 06101777 | 1 | J, T | | 74 | | | | SCREW, Hex Flange Head Tapping, M6x1.00x20.00 |
| 3 | 52088618AB | 1 | J, T | | 74 | | | | COOLER, Power Steering |

GRAND CHEROKEE (WJ)

SERIES
H = Laredo
P = Limited

LINE
T = JEEP - 2WD
J = JEEP - 4WD
U = JEEP - 4WD (RHD)

BODY
74 = 4 Door (105.9 WB)

ENGINE
ERH = ENGINE - 4.0L POWER TECH I-6
EVA = ENGINE- 4.7L V8 MPI
EXA = ENGINE - 3.1L 5 CYL TURBO DIESEL

TRANSMISSION
DG4 = TRANSMISSION-MULTI-SPEED AUTO, 45RFE
DGW = TRANSMISSION - 4-SPD. AUTOMATIC, 44RE
DGK = TRANSMISSION - 4-SPD. AUTOMATIC, 42RE
DGO = ALL AUTOMATIC TRANSMISSIONS

AR = use ase required - = Non illustrated part

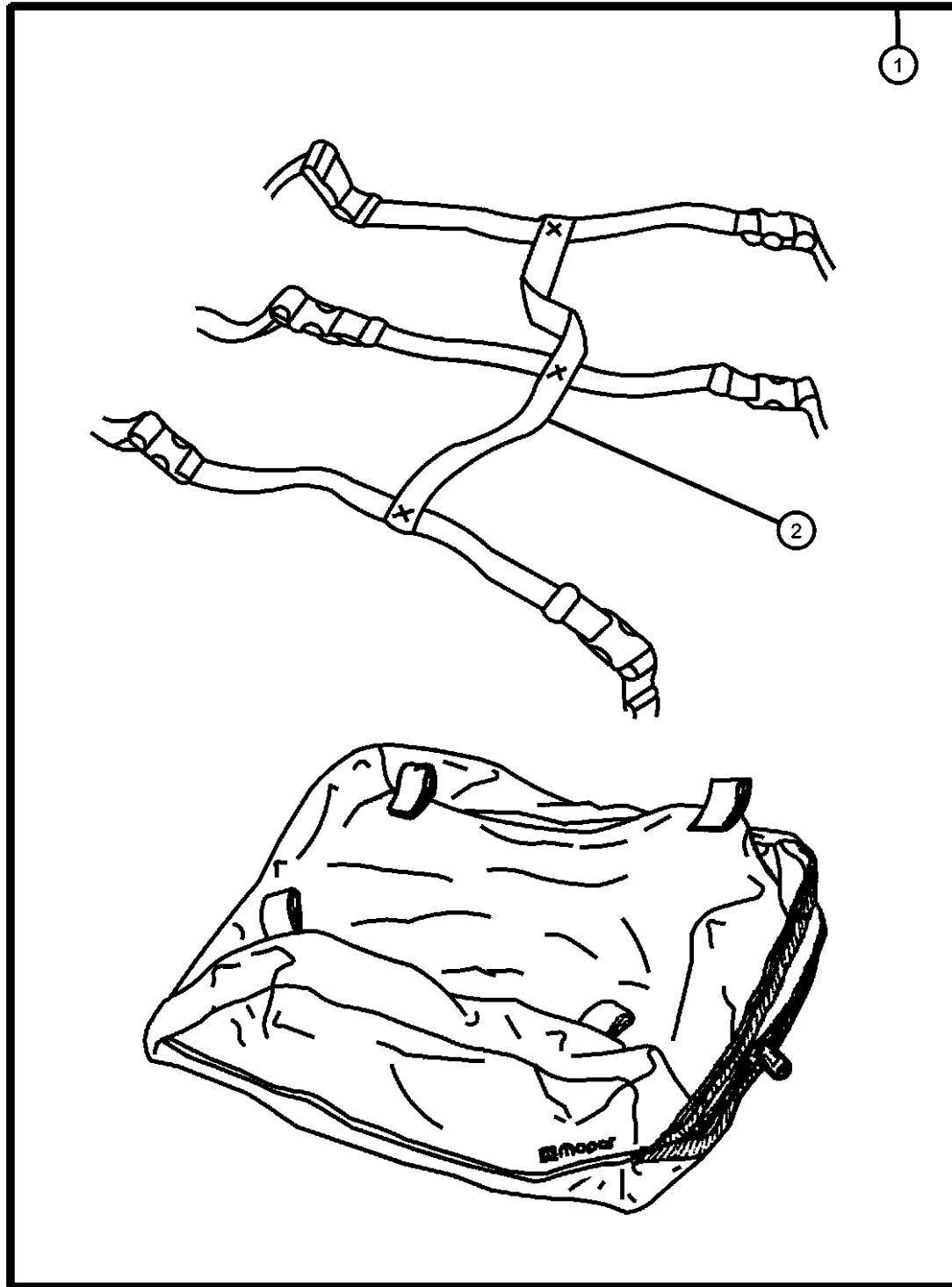
2000 WJ

Luggage Carrier - Roof Mount
Figure 1-274

| ITEM | PART NUMBER | QTY | LINE | SERIES | BODY | ENGINE | TRANS | TRIM | DESCRIPTION |
|------|-------------|-----|------|--------|------|--------|-------|------|-------------|
|------|-------------|-----|------|--------|------|--------|-------|------|-------------|

NOTE: Requires Roof Rack.

| | | | | | | | | | |
|---|------------|---|------|--|----|--|--|--|----------------------------|
| 1 | 82204344 | 1 | J, T | | 74 | | | | CARRIER KIT, Luggage |
| 2 | 05066332AA | 1 | J, T | | 74 | | | | STRAP KIT, Luggage Carrier |



GRAND CHEROKEE (WJ)

SERIES
H = Laredo
P = Limited

LINE
T = JEEP - 2WD
J = JEEP - 4WD
U = JEEP - 4WD (RHD)

BODY
74 = 4 Door (105.9 WB)

ENGINE
ERH = ENGINE - 4.0L
POWER TECH I-6
EVA = ENGINE- 4.7L V8 MPI
EXA = ENGINE - 3.1L 5 CYL
TURBO DIESEL

TRANSMISSION
DG4 = TRANSMISSION-MULTI-
SPEED AUTO, 45RFE
DGW = TRANSMISSION - 4-SPD.
AUTOMATIC,44RE
DGK = TRANSMISSION - 4-SPD.
AUTOMATIC,42RE
DGO = ALL AUTOMATIC
TRANSMISSIONS

AR = use ase required - = Non illustrated part

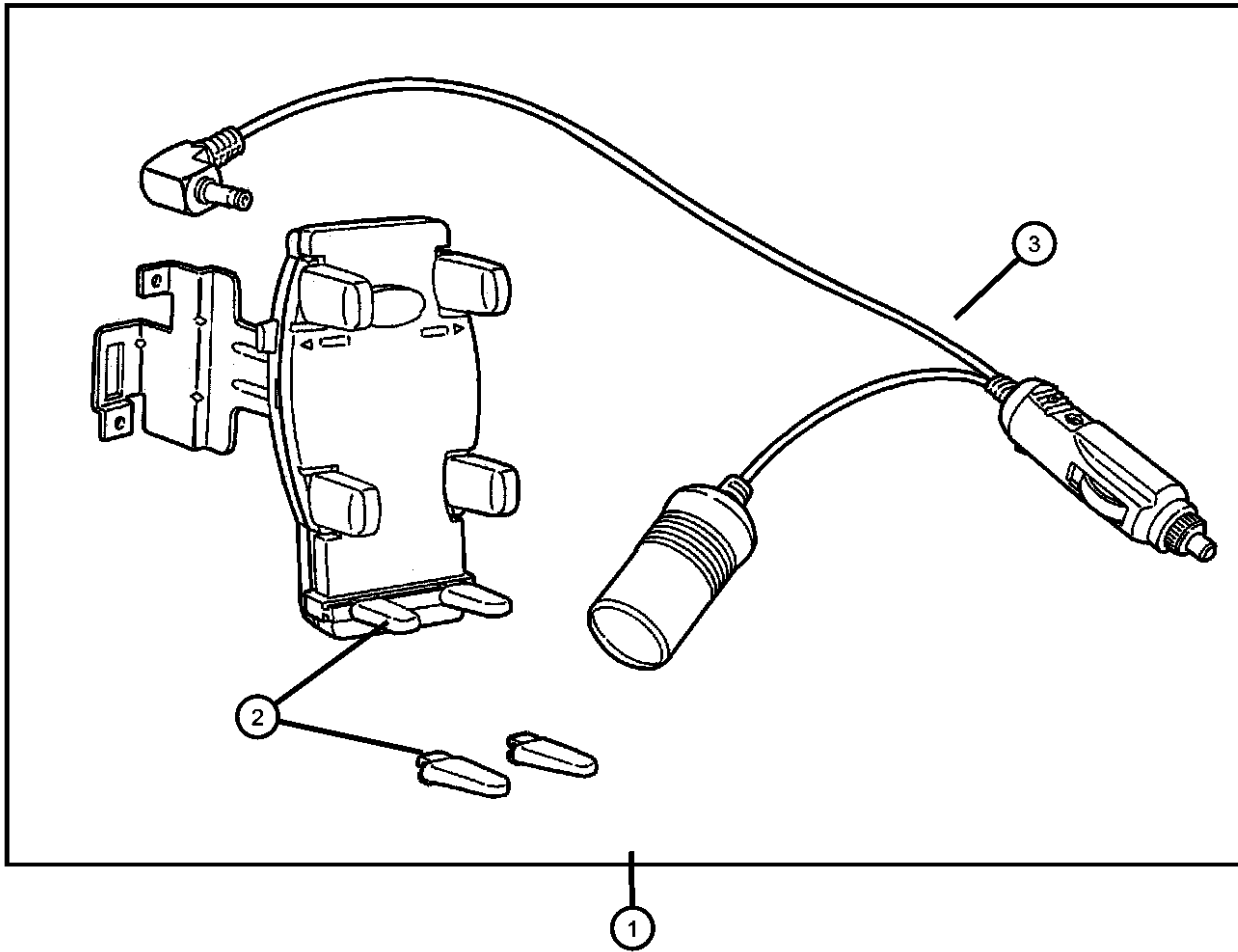
2000 WJ

Mounting Kit - Cellular Phone
Figure 1-310

| ITEM | PART NUMBER | QTY | LINE | SERIES | BODY | ENGINE | TRANS | TRIM | DESCRIPTION |
|------|-------------|-----|------|--------|------|--------|-------|------|-------------|
|------|-------------|-----|------|--------|------|--------|-------|------|-------------|

NOTE: Smart Holder and Bracket Assy. with Jeep Logo, Bracket to be black powder coated low gloss.
 NOTE: Holds any wireless handset. Installs to instrument panel.

| | | | | | | | | | |
|---|------------|---|------|--|----|--|--|--|---|
| 1 | 82204332 | 1 | | | | | | | MOUNTING KIT, Cellular Phone, Consists of: Smart Holder, Bracket Assy., Power Cord, Extra Set of Long Support Feet. |
| 2 | 05016520AA | 1 | J, T | | 74 | | | | HARDWARE KIT, Accessory, Consists of: Long & Short Support Feet. |
| 3 | 05016536AA | 1 | | | | | | | CORD, Cellular Phone, 18' Long 'Y' Accessory Feed to Plug in another 12V Accessory. |



GRAND CHEROKEE (WJ)

SERIES
 H = Laredo
 P = Limited

LINE
 T = JEEP - 2WD
 J = JEEP - 4WD
 U = JEEP - 4WD (RHD)

BODY
 74 = 4 Door (105.9 WB)

ENGINE
 ERH = ENGINE - 4.0L POWER TECH I-6
 EVA = ENGINE- 4.7L V8 MPI
 EXA = ENGINE - 3.1L 5 CYL TURBO DIESEL

TRANSMISSION
 DG4 = TRANSMISSION-MULTI-SPEED AUTO, 45RFE
 DGW = TRANSMISSION - 4-SPD. AUTOMATIC, 44RE
 DGK = TRANSMISSION - 4-SPD. AUTOMATIC, 42RE
 DGO = ALL AUTOMATIC TRANSMISSIONS

AR = use ase required - = Non illustrated part

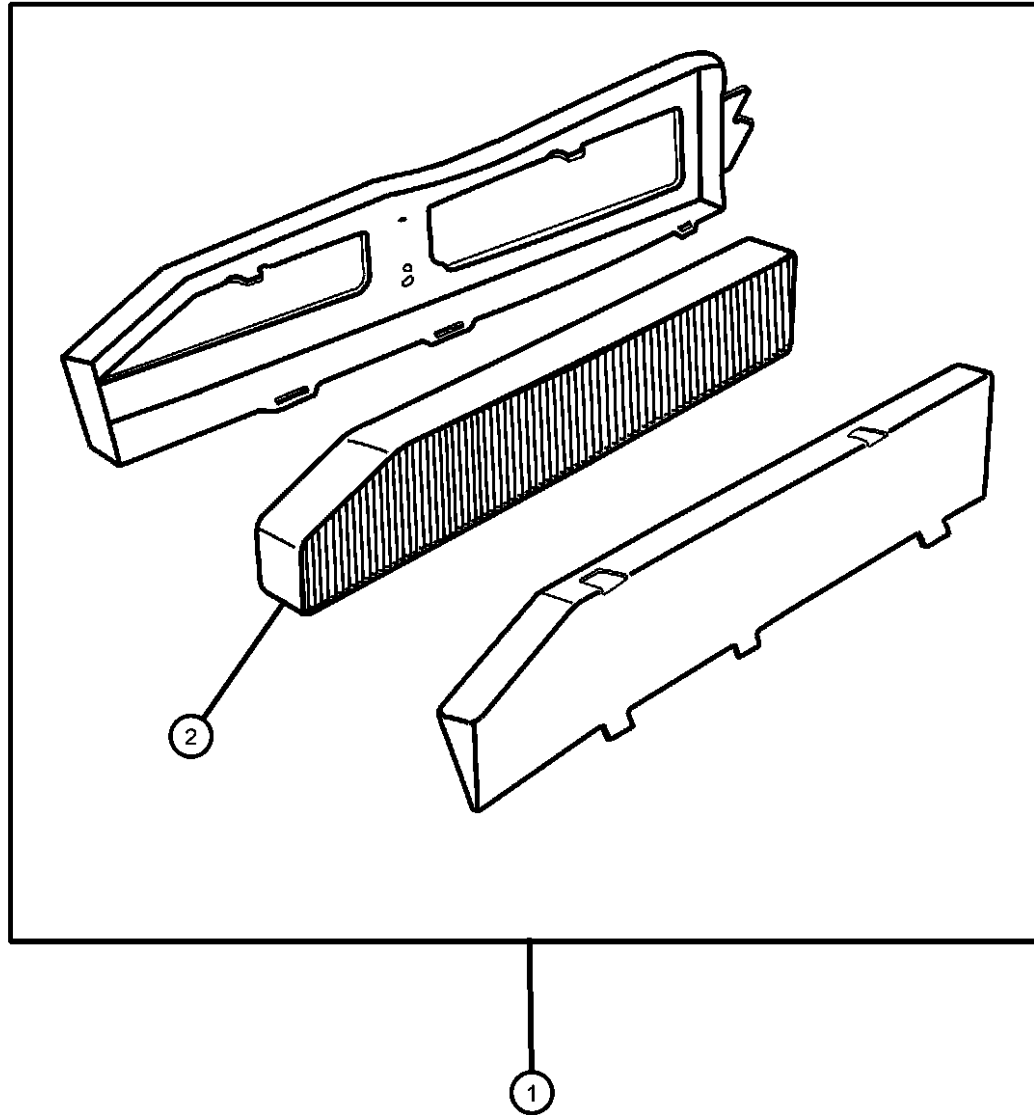
2000 WJ

Filter Kit - Cabin Air
Figure 1-315

| ITEM | PART NUMBER | QTY | LINE | SERIES | BODY | ENGINE | TRANS | TRIM | DESCRIPTION |
|------|-------------|-----|------|--------|------|--------|-------|------|-------------|
|------|-------------|-----|------|--------|------|--------|-------|------|-------------|

NOTE: Triple layer filters install in the fresh air intake within the plenum area. Reduces pollen, mold & other allergens.
NOTE: Heating, ventilating & air conditioning continue to function as designed. Recommended service 2yrs/24,000 miles.

| | | | | | | | | | |
|---|------------|---|------|--|----|--|--|--|-----------------------|
| 1 | 82204691 | 1 | J, T | | 74 | | | | FILTER KIT, Cabin Air |
| 2 | 05013595AA | 1 | J, T | | 74 | | | | FILTER, Air |



GRAND CHEROKEE (WJ)

SERIES
H = Laredo
P = Limited

LINE
T = JEEP - 2WD
J = JEEP - 4WD
U = JEEP - 4WD (RHD)

BODY
74 = 4 Door (105.9 WB)

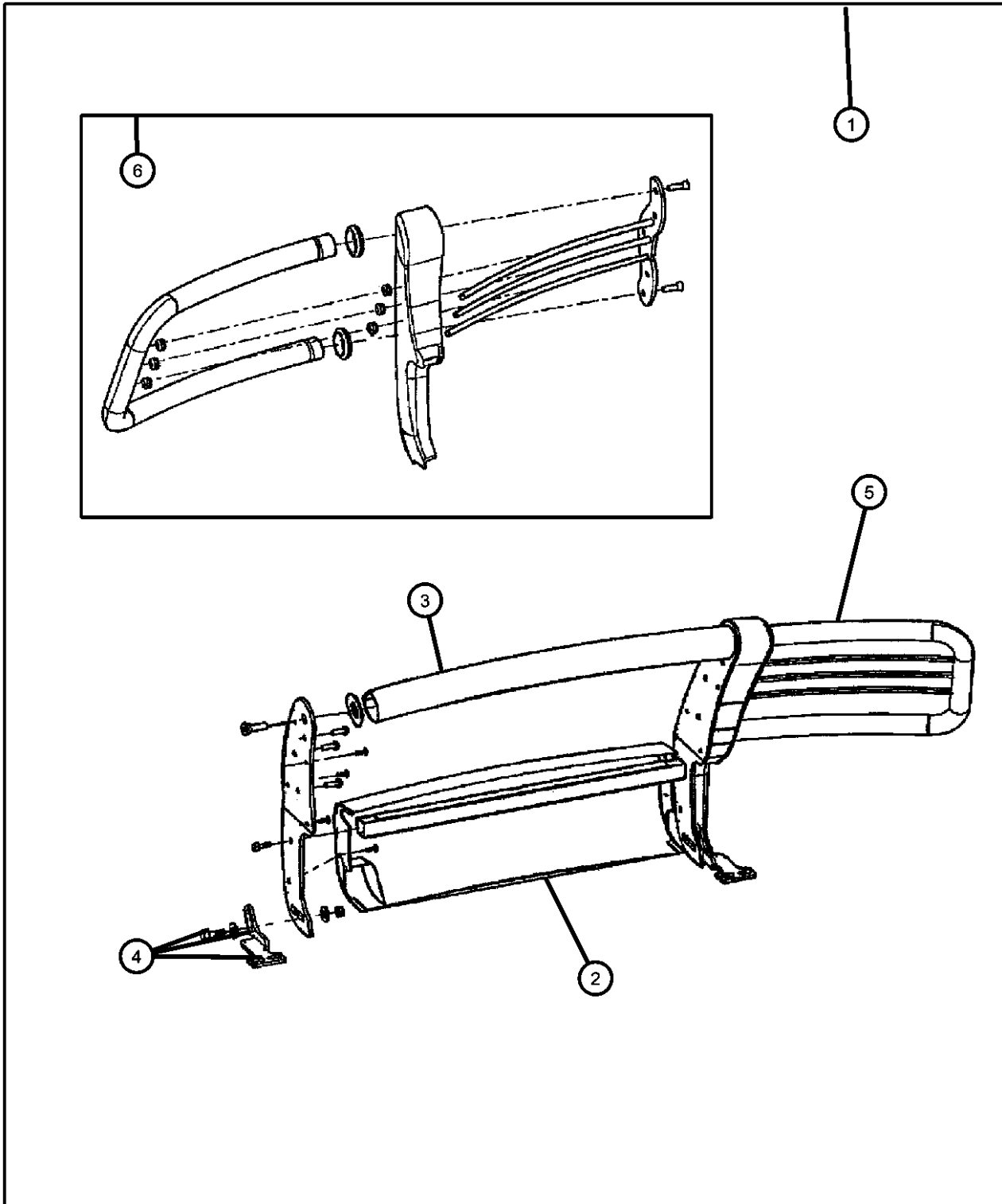
ENGINE
ERH = ENGINE - 4.0L
POWER TECH I-6
EVA = ENGINE- 4.7L V8 MPI
EXA = ENGINE - 3.1L 5 CYL
TURBO DIESEL

TRANSMISSION
DG4 = TRANSMISSION-MULTI-
SPEED AUTO, 45RFE
DGW = TRANSMISSION - 4-SPD.
AUTOMATIC, 44RE
DGK = TRANSMISSION - 4-SPD.
AUTOMATIC, 42RE
DGO = ALL AUTOMATIC
TRANSMISSIONS

AR = use ase required - = Non illustrated part

2000 WJ

Brush Guards
Figure 1-410



| ITEM | PART NUMBER | QTY | LINE | SERIES | BODY | ENGINE | TRANS | TRIM | DESCRIPTION |
|------|-------------|-----|------|--------|------|--------|-------|------|---|
| 1 | 82205161 | 1 | J, T | | 74 | | | | GUARD KIT, Brush Medium Driftwood |
| | 82205162 | 1 | J, T | | 74 | | | | Black Steel |
| | 82205163 | 1 | J, T | | 74 | | | | Natural Aluminum |
| | 82205164 | 1 | J, T | | 74 | | | | Chromed Steel |
| | 82205223 | 1 | J, T | | 74 | | | | Dark Gray [XS9] |
| 2 | 05016829AA | 1 | J, T | | 74 | | | | COVER, Grille Guard Lower Black |
| | 05016830AA | 1 | J, T | | 74 | | | | Driftwood |
| | 05016832AA | 1 | J, T | | 74 | | | | Dark Gray |
| 3 | 05016833AA | 1 | J, T | | 74 | | | | CROSS BAR, Grille Guard, Chrome |
| 4 | 05016849AA | 1 | J, T | | 74 | | | | BRACKET KIT, Brush/Grille Guard |
| 5 | 05016858AA | 1 | J, T | | 74 | | | | GUARD, Brush - Right Side Medium Driftwood |
| | 05016860AA | 1 | J, T | | 74 | | | | Black |
| | 05016862AA | 1 | J, T | | 74 | | | | Natural Aluminum |
| | 05016864AA | 1 | J, T | | 74 | | | | Chromed |
| | 05016866AA | 1 | J, T | | 74 | | | | Dark Gray [XS9] |
| 6 | 05016861AA | 1 | J, T | | 74 | | | | GUARD, Brush - Left Side Black |
| | 05016863AA | 1 | J, T | | 74 | | | | Natural Aluminum |
| | 05016865AA | 1 | J, T | | 74 | | | | Chromed |
| | 05016867AA | 1 | J, T | | 74 | | | | Dark Gray [XS9] |

GRAND CHEROKEE (WJ)

SERIES LINE
H = Laredo T = JEEP - 2WD
P = Limited J = JEEP - 4WD
 U = JEEP - 4WD (RHD)

BODY
74 = 4 Door (105.9 WB)

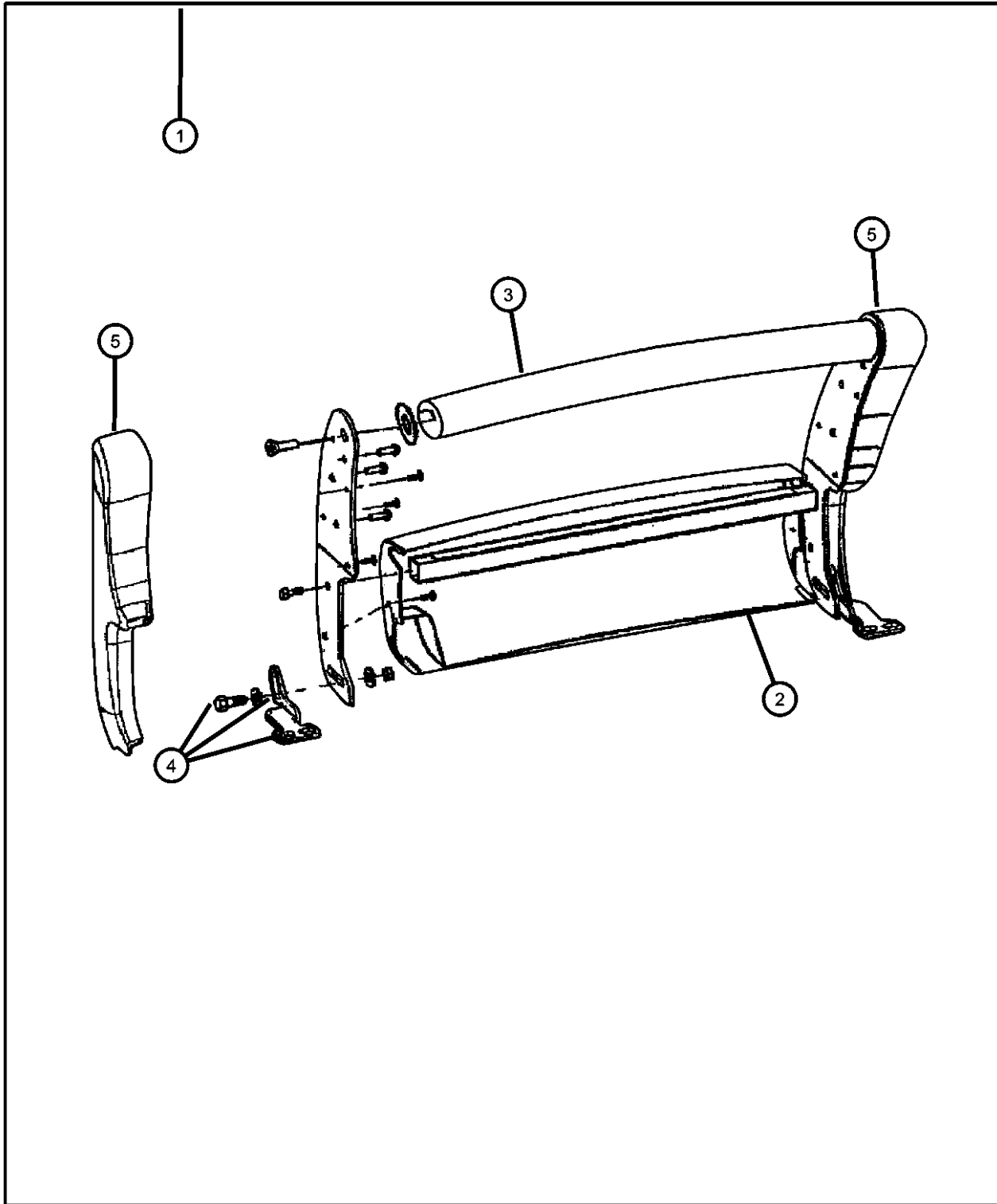
ENGINE
ERH = ENGINE - 4.0L
POWER TECH I-6
EVA = ENGINE- 4.7L V8 MPI
EXA = ENGINE - 3.1L 5 CYL
TURBO DIESEL

TRANSMISSION
DG4 = TRANSMISSION-MULTI-
SPEED AUTO, 45RFE
DGW = TRANSMISSION - 4-SPD.
AUTOMATIC, 44RE
DGK = TRANSMISSION - 4-SPD.
AUTOMATIC, 42RE
DGO = ALL AUTOMATIC
TRANSMISSIONS

AR = use ase required - = Non illustrated part

2000 WJ

Grille Guards
Figure 1-412



| ITEM | PART NUMBER | QTY | LINE | SERIES | BODY | ENGINE | TRANS | TRIM | DESCRIPTION |
|------|-------------|-----|------|--------|------|--------|-------|------|-------------|
|------|-------------|-----|------|--------|------|--------|-------|------|-------------|

NOTE: Bracket Kit also includes 2-Upper Stiffener Brackets.

| | | | | | | | | | |
|---|------------|---|------|--|----|--|--|--|---------------------------------|
| 1 | | | | | | | | | GUARD KIT, Grille |
| | 82204590 | 1 | J, T | | 74 | | | | Chromed Steel |
| | 82204591 | 1 | J, T | | 74 | | | | Natural Aluminum |
| | 82204592 | 1 | J, T | | 74 | | | | Black Steel |
| | 82204594 | 1 | J, T | | 74 | | | | Medium Driftwood |
| | 82205222 | 1 | J, T | | 74 | | | | Dark Gray |
| 2 | | | | | | | | | COVER, Grille Guard Lower |
| | 05016829AA | 1 | J, T | | 74 | | | | Black |
| | 05016830AA | 1 | J, T | | 74 | | | | Driftwood |
| | 05016832AA | 1 | J, T | | 74 | | | | Dark Gray |
| 3 | 05016833AA | 1 | J, T | | 74 | | | | CROSS BAR, Grille Guard, Chrome |
| 4 | 05016849AA | 1 | J, T | | 74 | | | | BRACKET KIT, Brush/Grille Guard |
| 5 | | | | | | | | | COVER, Grille Guard Side |
| | 05016834AA | 1 | J, T | | 74 | | | | Black, Right |
| | 05016835AA | 1 | J, T | | 74 | | | | Black, Left |
| | 05016836AA | 1 | J, T | | 74 | | | | Driftwood, Right |
| | 05016837AA | 1 | J, T | | 74 | | | | Driftwood, Left |
| | 05016840AA | 1 | J, T | | 74 | | | | Dark Gray, Right |
| | 05016841AA | 1 | J, T | | 74 | | | | Dark Gray, Left |

GRAND CHEROKEE (WJ)

SERIES LINE
H = Laredo T = JEEP - 2WD
P = Limited J = JEEP - 4WD
U = JEEP - 4WD (RHD)

BODY
74 = 4 Door (105.9 WB)

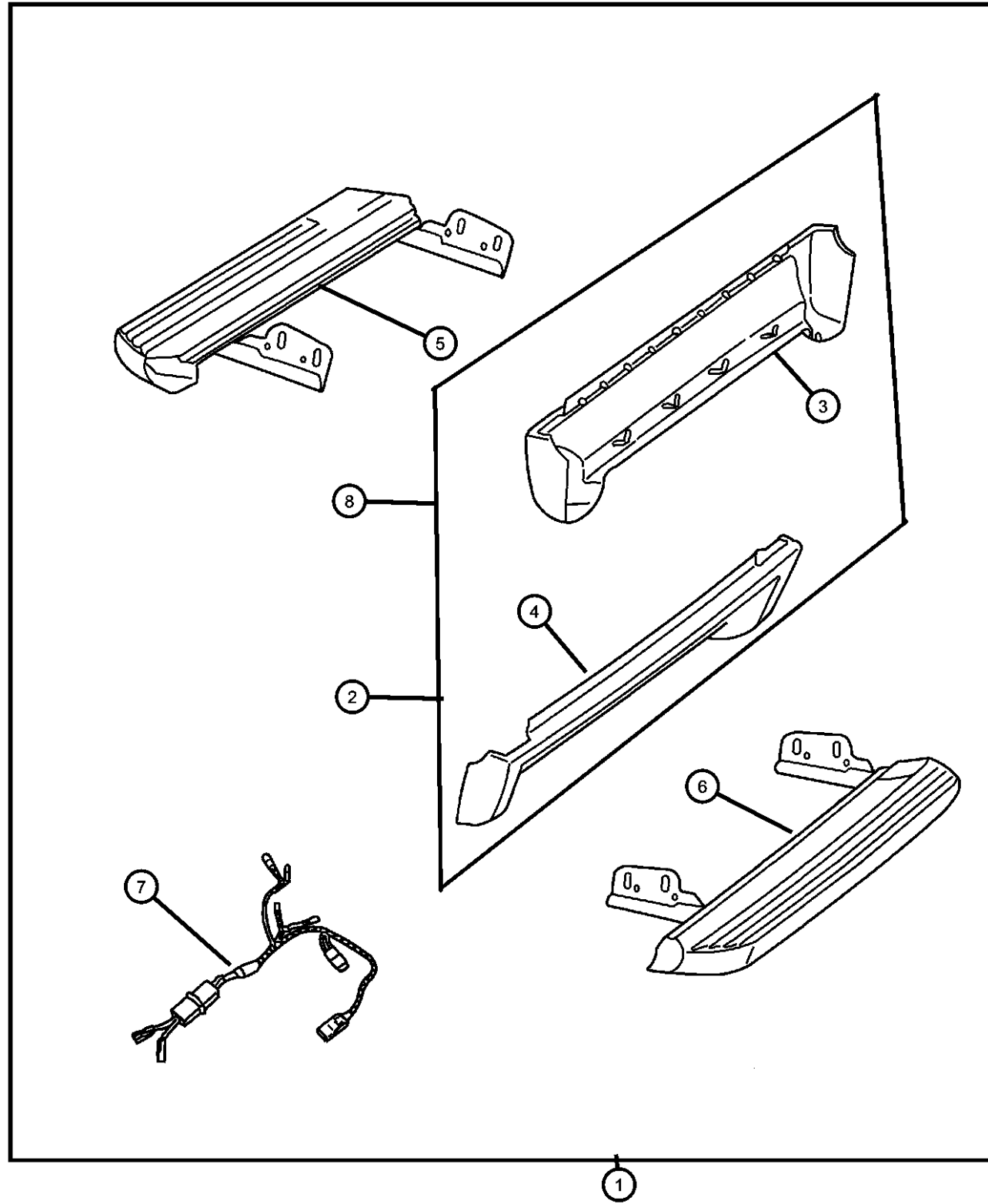
ENGINE
ERH = ENGINE - 4.0L POWER TECH I-6
EVA = ENGINE- 4.7L V8 MPI
EXA = ENGINE - 3.1L 5 CYL TURBO DIESEL

TRANSMISSION
DG4 = TRANSMISSION-MULTI-SPEED AUTO, 45RFE
DGW = TRANSMISSION - 4-SPD. AUTOMATIC, 44RE
DGK = TRANSMISSION - 4-SPD. AUTOMATIC, 42RE
DGO = ALL AUTOMATIC TRANSMISSIONS

AR = use ase required - = Non illustrated part

2000 WJ

Running Boards
Figure 1-430



| ITEM | PART NUMBER | QTY | LINE | SERIES | BODY | ENGINE | TRANS | TRIM | DESCRIPTION |
|------|-------------|-----|------|--------|------|--------|-------|------|---|
| 1 | 82204577 | 1 | J, T | | 74 | | | | RUNNING BOARD KIT, Full |
| 2 | 82205219 | 1 | | | 74 | | | | CLADDING KIT, Running Board, Laredo, without Lights |
| 3 | | | | | | | | | CLADDING, Running Board, Right Side |
| | 05016348AA | 1 | J, T | | 74 | | | | Right Hand, without Lights, Limited |
| | 05016350AA | 1 | J, T | | 74 | | | | Right Hand, with Lights, Limited |
| | 05016586AA | 1 | J, T | | 74 | | | | Right Hand, without Lights, Laredo |
| | 05016592AA | 1 | J, T | | 74 | | | | Right Hand, with Lights, Laredo |
| 4 | | | | | | | | | CLADDING, Running Board, Left Side |
| | 05016349AA | 1 | J, T | | 74 | | | | Left Hand without Lights, Limited |
| | 05016351AA | 1 | J, T | | 74 | | | | Left Hand with Lights, Limited |
| | 05016587AA | 1 | J, T | | 74 | | | | Left Hand, without Lights, Laredo |
| | 05016593AA | 1 | | | 74 | | | | Left Hand, with Lights, Laredo |
| 5 | 05016364AA | 1 | J, T | | 74 | | | | RUNNING BOARD, Right Side |
| 6 | 05016365AA | 1 | J, T | | 74 | | | | RUNNING BOARD, Left Side |
| 7 | 05016347AA | 1 | J, T | | 74 | | | | MODULE, Running Board Light |
| 8 | | | | | | | | | CLADDING KIT, Lowerside |
| | 82205723 | 1 | J, T | | 74 | | | | Limited, with Lights (Shale Green) |
| | 82205724 | 1 | J, T | | 74 | | | | Limited, with Lights, (Silverstone) |
| | 82205725 | 1 | J, T | | 74 | | | | Limited, without Lights, (Shale Green) |
| | 82205726 | 1 | J, T | | 74 | | | | Limited, without Lights, (Silverstone) |

GRAND CHEROKEE (WJ)

SERIES
H = Laredo
P = Limited

LINE
T = JEEP - 2WD
J = JEEP - 4WD
U = JEEP - 4WD (RHD)

BODY
74 = 4 Door (105.9 WB)

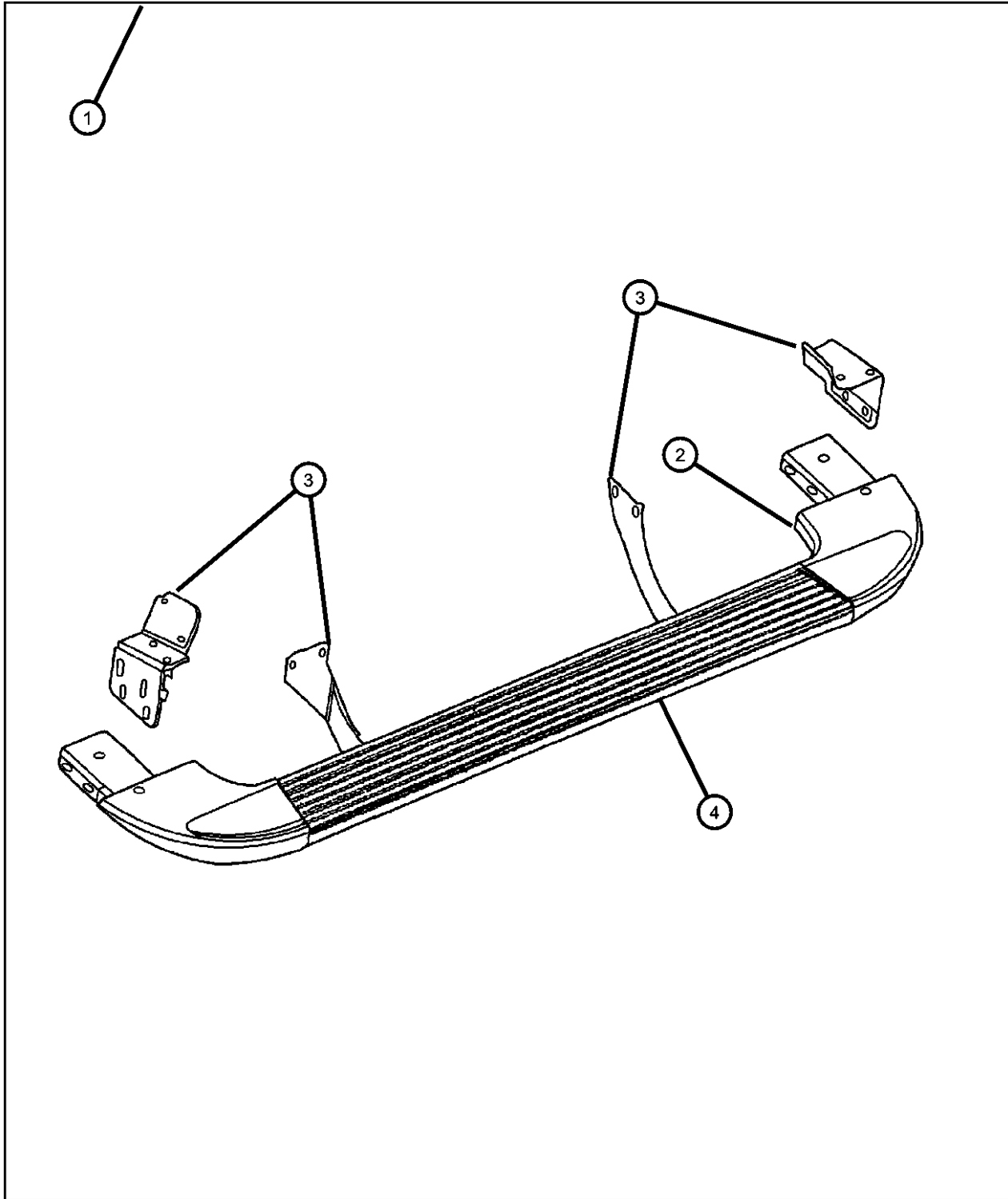
ENGINE
ERH = ENGINE - 4.0L POWER TECH I-6
EVA = ENGINE- 4.7L V8 MPI
EXA = ENGINE - 3.1L 5 CYL TURBO DIESEL

TRANSMISSION
DG4 = TRANSMISSION-MULTI-SPEED AUTO, 45RFE
DGW = TRANSMISSION - 4-SPD. AUTOMATIC, 44RE
DGK = TRANSMISSION - 4-SPD. AUTOMATIC, 42RE
DGO = ALL AUTOMATIC TRANSMISSIONS

AR = use ase required - = Non illustrated part

2000 WJ

**Side Step Kit
Figure 1-432**



| ITEM | PART NUMBER | QTY | LINE | SERIES | BODY | ENGINE | TRANS | TRIM | DESCRIPTION |
|------|-------------|-----|------|--------|------|--------|-------|------|-------------|
|------|-------------|-----|------|--------|------|--------|-------|------|-------------|

NOTE: Step Kit will service either Right or Left Side. Support Brackets vary from side to side and by Trim Level and must be ordered separately if needed.

| | | | | | | | | | |
|---|------------|---|------|--|----|--|--|--|--|
| 1 | | | | | | | | | STEP KIT, Tubular Side |
| | 82204595 | 1 | J, T | | 74 | | | | Laredo only (Chrome) |
| | 82204596 | 1 | J, T | | 74 | | | | Laredo only (Driftwood) |
| | 82204598 | 1 | J, T | | 74 | | | | Laredo only (Black) |
| | 82204599 | 1 | J, T | | 74 | | | | Laredo only (Aluminum) |
| | 82204767 | 1 | J, T | | 74 | | | | Limited only (Chrome) |
| | 82204768 | 1 | J, T | | 74 | | | | Limited only (Black) |
| | 82204769 | 1 | J, T | | 74 | | | | Limited only (Aluminum) |
| 2 | | | | | | | | | STEP KIT, Side, Must Order Support Brackets Separately |
| | 05016656AA | 1 | J, T | | 74 | | | | Use with 82204595, 82204767 (Chrome) |
| | 05016658AA | 1 | J, T | | 74 | | | | Use with 82204598, 82204768 (Black) |
| | 05016659AA | 1 | J, T | | 74 | | | | Use with 82204596 (Driftwood) |
| | 05016660AA | 1 | J, T | | 74 | | | | Use with 82204599, 82204769 (Aluminum) |
| 3 | | | | | | | | | BRACKET KIT, Side Step |
| | 05016662AA | 1 | J, T | | 74 | | | | Use with 82204767, 82204768, 82204769 Limited only |
| | 05016663AA | 1 | J, T | | 74 | | | | Use with 82204767, 82204769 82204768 Limited only |
| | 05016664AA | 1 | J, T | | 74 | | | | Use with 82204595, 82204596, 82204598, 82204599 Laredo only |
| | 05016665AA | 1 | J, T | | 74 | | | | Use with 82204595, 82204596, 82204598, 82204599 Laredo only. |
| 4 | 05016655AA | 1 | J, T | | 74 | | | | STEP PAD, Side Step, Fits Both Sides |

GRAND CHEROKEE (WJ)

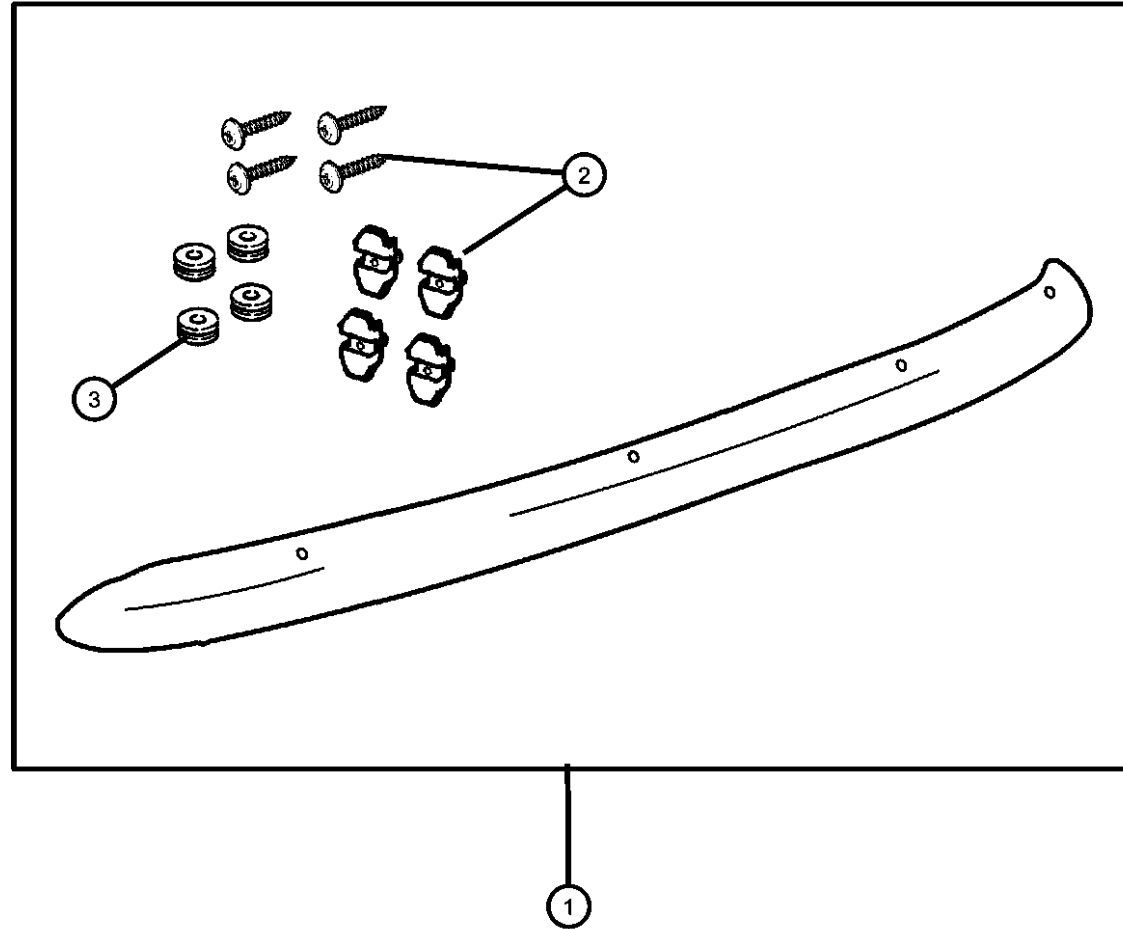
| | | | | |
|-------------|----------------------|------------------------|--|--|
| SERIES | LINE | BODY | ENGINE | TRANSMISSION |
| H = Laredo | T = JEEP - 2WD | 74 = 4 Door (105.9 WB) | ERH = ENGINE - 4.0L POWER TECH I-6 | DG4 = TRANSMISSION-MULTI-SPEED AUTO, 45RFE |
| P = Limited | J = JEEP - 4WD | | EVA = ENGINE- 4.7L V8 MPI | DGW = TRANSMISSION - 4-SPD. AUTOMATIC,44RE |
| | U = JEEP - 4WD (RHD) | | EXA = ENGINE - 3.1L 5 CYL TURBO DIESEL | DGK = TRANSMISSION - 4-SPD. AUTOMATIC,42RE |
| | | | | DGO = ALL AUTOMATIC TRANSMISSIONS |

AR = use ase required - = Non illustrated part

2000 WJ

Shield Kit, Air Front
Figure 1-510

| ITEM | PART NUMBER | QTY | LINE | SERIES | BODY | ENGINE | TRANS | TRIM | DESCRIPTION |
|---|-------------|-----|------|--------|------|--------|-------|------|---|
| NOTE: Shield Kit - Color Smoke, Material Lexan. | | | | | | | | | |
| 1 | 82204314 | 1 | J, T | | 74 | | | | SHIELD KIT, Air - Front |
| 2 | 05016373AA | 1 | J, T | | 74 | | | | RETAINER, Accessories, Consists of: 4-Plastic Retainers, 4-Screws to hold deflector to underside of sheet metal of hood |
| 3 | 05014754AA | 1 | J, T | | 74 | | | | SPACER, Air Deflector |



GRAND CHEROKEE (WJ)

SERIES
H = Laredo
P = Limited

LINE
T = JEEP - 2WD
J = JEEP - 4WD
U = JEEP - 4WD (RHD)

BODY
74 = 4 Door (105.9 WB)

ENGINE
ERH = ENGINE - 4.0L POWER TECH I-6
EVA = ENGINE- 4.7L V8 MPI
EXA = ENGINE - 3.1L 5 CYL TURBO DIESEL

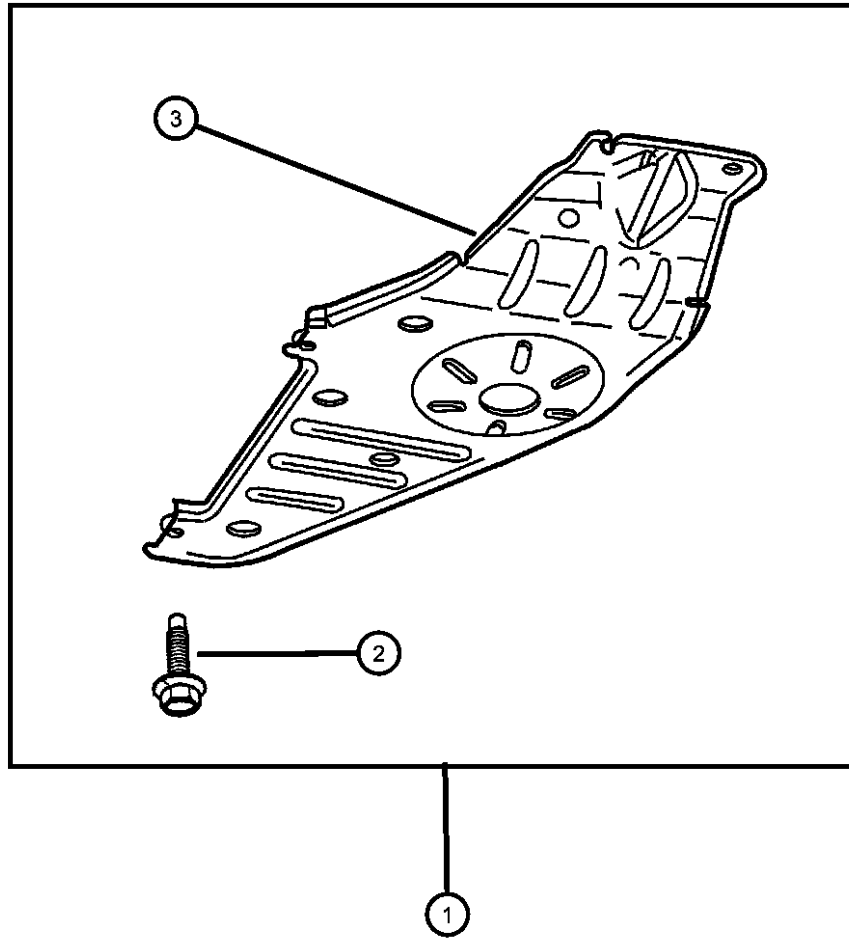
TRANSMISSION
DG4 = TRANSMISSION-MULTI-SPEED AUTO, 45RFE
DGW = TRANSMISSION - 4-SPD. AUTOMATIC,44RE
DGK = TRANSMISSION - 4-SPD. AUTOMATIC,42RE
DGO = ALL AUTOMATIC TRANSMISSIONS

AR = use ase required - = Non illustrated part

2000 WJ

Plate Package - Skid
Figure 1-515

| ITEM | PART NUMBER | QTY | LINE | SERIES | BODY | ENGINE | TRANS | TRIM | DESCRIPTION |
|------|-------------|-----|------|--------|------|--------|-------|------|-------------------------------------|
| 1 | 82204489 | 1 | J | | 74 | | | | PLATE PACKAGE, Skid - Transfer Case |
| 2 | 06503571 | 1 | J | | 74 | | | | SCREW AND WASHER, M10x1.50x35 |
| 3 | 52058922 | 1 | J | | 74 | | | | SKID PLATE, Transfer Case |
| -4 | 52100376AB | 1 | J, T | | 74 | | | | SKID PLATE, Fuel Tank |
| -5 | 82204488 | 1 | J, T | | 74 | | | | PLATE PACKAGE, Skid - Front |



GRAND CHEROKEE (WJ)

SERIES
H = Laredo
P = Limited

LINE
T = JEEP - 2WD
J = JEEP - 4WD
U = JEEP - 4WD (RHD)

BODY
74 = 4 Door (105.9 WB)

ENGINE
ERH = ENGINE - 4.0L POWER TECH I-6
EVA = ENGINE- 4.7L V8 MPI
EXA = ENGINE - 3.1L 5 CYL TURBO DIESEL

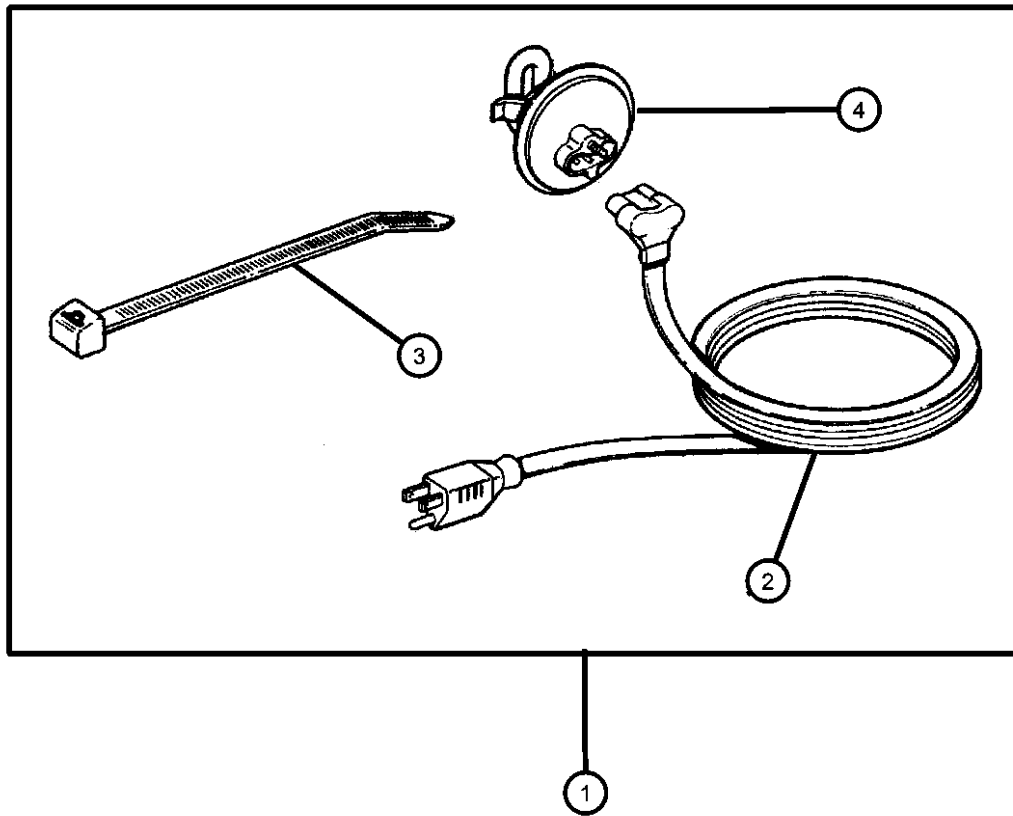
TRANSMISSION
DG4 = TRANSMISSION-MULTI-SPEED AUTO, 45RFE
DGW = TRANSMISSION - 4-SPD. AUTOMATIC, 44RE
DGK = TRANSMISSION - 4-SPD. AUTOMATIC, 42RE
DGO = ALL AUTOMATIC TRANSMISSIONS

AR = use ase required - = Non illustrated part

2000 WJ

Heater Kit
Figure 1-610

| ITEM | PART NUMBER | QTY | LINE | SERIES | BODY | ENGINE | TRANS | TRIM | DESCRIPTION |
|------|-------------|-----|------|--------|------|--------|-------|------|--|
| 1 | 82201506 | 1 | J, T | | 74 | | | | HEATER PACKAGE, Engine Block Consists of: Block Heater & Cord Set. Fits all 4.0L V6 Engines |
| | 82203640 | 1 | J, T | | 74 | | | | Consists of: Block Heater & Cord Set. Fits all 4.7L V8 Engines |
| 2 | 56027117 | 1 | J, T | | 74 | | | | CORD, Engine Block Heater 4.7L V8 Engines |
| | J5752677 | 1 | J, T | | 74 | | | | 4.0L V6 Engines |
| 3 | 04641780 | 1 | J, T | | 74 | | | | STRAP, Tie 4.0L V6 Engines |
| | 56008876 | 1 | J, T | | 74 | | | | 4.7L V8 Engines |
| 4 | 53009803 | 1 | J, T | | 74 | | | | HEATER, Engine Block 4.0L V6 Engines |
| | 56041304AB | 1 | J, T | | 74 | | | | 4.7L V8 Engines |



GRAND CHEROKEE (WJ)

SERIES
H = Laredo
P = Limited

LINE
T = JEEP - 2WD
J = JEEP - 4WD
U = JEEP - 4WD (RHD)

BODY
74 = 4 Door (105.9 WB)

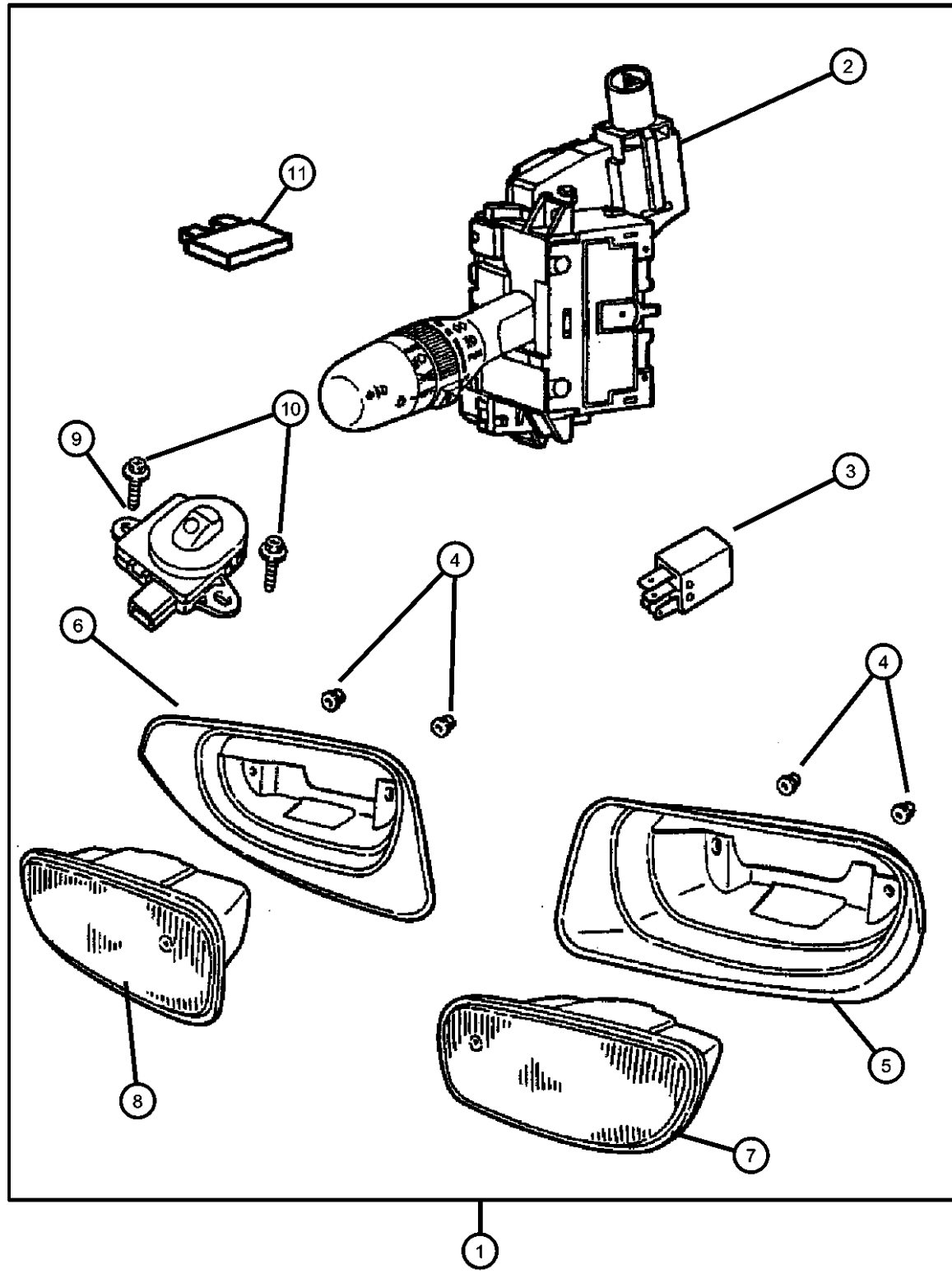
ENGINE
ERH = ENGINE - 4.0L
POWER TECH I-6
EVA = ENGINE- 4.7L V8 MPI
EXA = ENGINE - 3.1L 5 CYL
TURBO DIESEL

TRANSMISSION
DG4 = TRANSMISSION-MULTI-
SPEED AUTO, 45RFE
DGW = TRANSMISSION - 4-SPD.
AUTOMATIC,44RE
DGK = TRANSMISSION - 4-SPD.
AUTOMATIC,42RE
DGO = ALL AUTOMATIC
TRANSMISSIONS

AR = use ase required - = Non illustrated part

2000 WJ

Light Pkg - Fog
Figure 1-615



| ITEM | PART NUMBER | QTY | LINE | SERIES | BODY | ENGINE | TRANS | TRIM | DESCRIPTION |
|------|-------------|-----|------|--------|------|--------|-------|------|--|
| 1 | 82204837 | 1 | J, T | | 74 | | | | LIGHT PACKAGE, Fog |
| 2 | 56042302AE | 1 | J, T | | 74 | | | | SWITCH, Multifunction |
| 3 | 04671168 | 1 | J, T | | 74 | | | | RELAY, Mini |
| 4 | 34201358 | 4 | J, T | | 74 | | | | NUT AND WASHER, Hex Nut-Sealing Washer, M6 x 1.00 |
| 5 | 82205214 | 1 | J, T | | 74 | | | | BEZEL, Fog LampRight Hand |
| 6 | 82205215 | 1 | J, T | | 74 | | | | BEZEL, Fog LampLeft Hand |
| 7 | 55155137 | 1 | J, T | | 74 | | | | LAMP, Fog, Use Replacement Bulb 00154834, Left |
| 8 | 55155136 | 1 | J, T | | 74 | | | | LAMP, Fog, Use Replacement Bulb 00154834, Right |
| 9 | 56042584AA | 1 | J, T | | 74 | | | | SENSOR, Headlamp |
| 10 | 06101946 | 1 | J, T | | 74 | | | | SCREW, Tapping |
| 11 | 000ATM20 | 1 | J, T | | 74 | | | | FUSE, Mini, 20 AMP, Yellow |

GRAND CHEROKEE (WJ)

SERIES
H = Laredo
P = Limited

LINE
T = JEEP - 2WD
J = JEEP - 4WD
U = JEEP - 4WD (RHD)

BODY
74 = 4 Door (105.9 WB)

ENGINE
ERH = ENGINE - 4.0L
POWER TECH I-6
EVA = ENGINE- 4.7L V8 MPI
EXA = ENGINE - 3.1L 5 CYL
TURBO DIESEL

TRANSMISSION
DG4 = TRANSMISSION-MULTI-
SPEED AUTO, 45RFE
DGW = TRANSMISSION - 4-SPD.
AUTOMATIC,44RE
DGK = TRANSMISSION - 4-SPD.
AUTOMATIC,42RE
DGO = ALL AUTOMATIC
TRANSMISSIONS

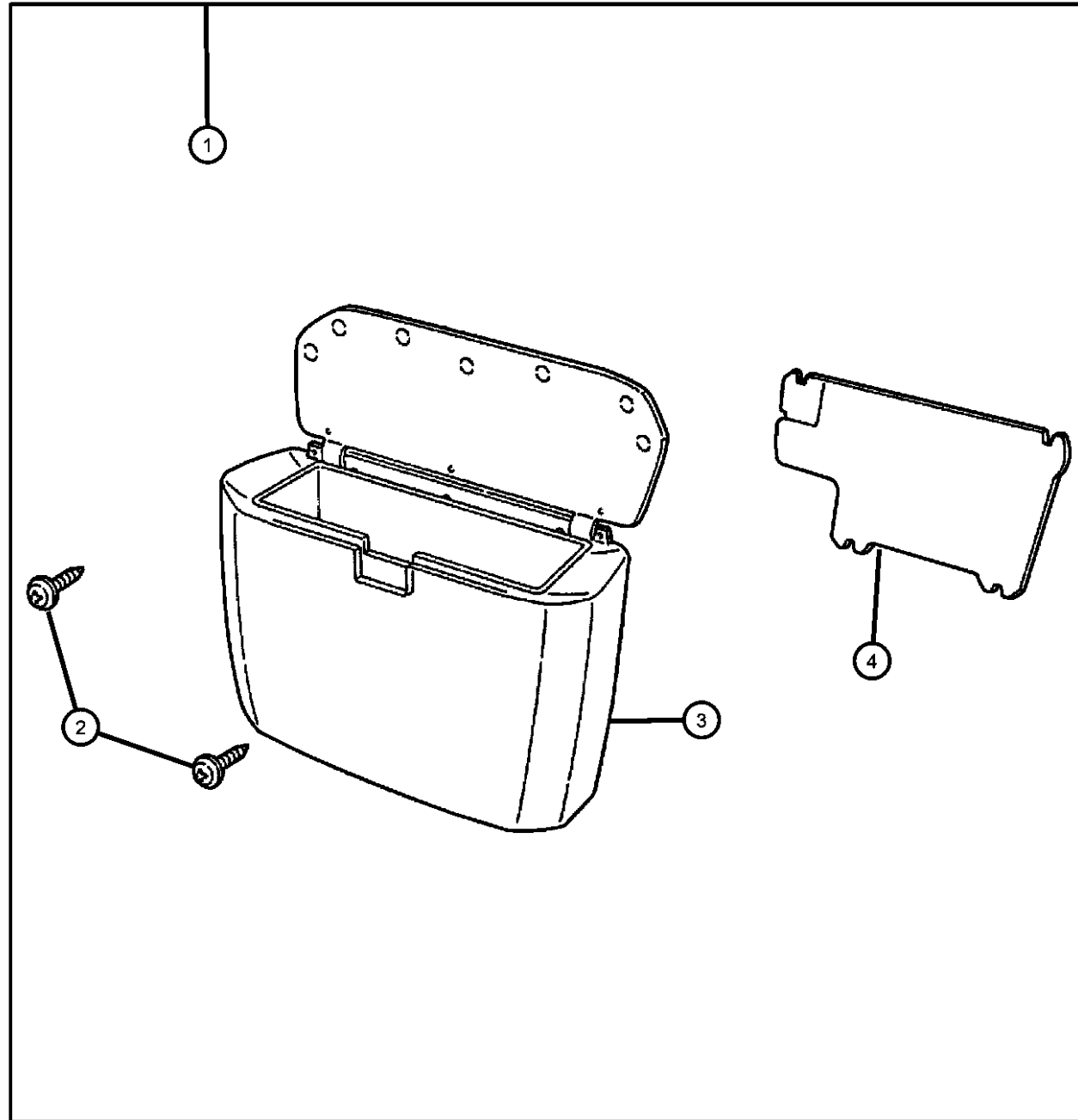
AR = use ase required - = Non illustrated part

2000 WJ

Console Package - Rear
Figure 1-810

| ITEM | PART NUMBER | QTY | LINE | SERIES | BODY | ENGINE | TRANS | TRIM | DESCRIPTION |
|------|-------------|-----|------|--------|------|--------|-------|------|-------------|
|------|-------------|-----|------|--------|------|--------|-------|------|-------------|

NOTE: For CD Changer. Rear Right Quarter Panel.



| | | | | | | | | | |
|---|------------|---|------|--|----|--|--|--|-----------------------|
| 1 | | | | | | | | | CONSOLE PACKAGE, Rear |
| | 82204624 | 1 | J, T | | 74 | | | | Taupe |
| | 82204625 | 1 | J, T | | 74 | | | | Camel |
| | 82204626 | 1 | J, T | | 74 | | | | Agate |
| 2 | 00153921 | 1 | J, T | | 74 | | | | SCREW |
| 3 | | | | | | | | | BIN, Storage |
| | 5FW371K5AB | 1 | J, T | | 74 | | | | Camel |
| | 5FW371AZAD | 1 | | | | | | | Agate |
| | 5FW371L5AD | 1 | | | | | | | Taupe |
| 4 | | | | | | | | | COVER, Bolt |
| | 5FY38LAZAA | 1 | | | | | | | Agate |
| | 5FY38RK5AA | 1 | | | | | | | Camel |
| | 5FY38WL5AA | 1 | | | | | | | Taupe |

GRAND CHEROKEE (WJ)

SERIES
H = Laredo
P = Limited

LINE
T = JEEP - 2WD
J = JEEP - 4WD
U = JEEP - 4WD (RHD)

BODY
74 = 4 Door (105.9 WB)

ENGINE
ERH = ENGINE - 4.0L
POWER TECH I-6
EVA = ENGINE- 4.7L V8 MPI
EXA = ENGINE - 3.1L 5 CYL
TURBO DIESEL

TRANSMISSION
DG4 = TRANSMISSION-MULTI-
SPEED AUTO, 45RFE
DGW = TRANSMISSION - 4-SPD.
AUTOMATIC,44RE
DGK = TRANSMISSION - 4-SPD.
AUTOMATIC,42RE
DGO = ALL AUTOMATIC
TRANSMISSIONS

AR = use ase required - = Non illustrated part

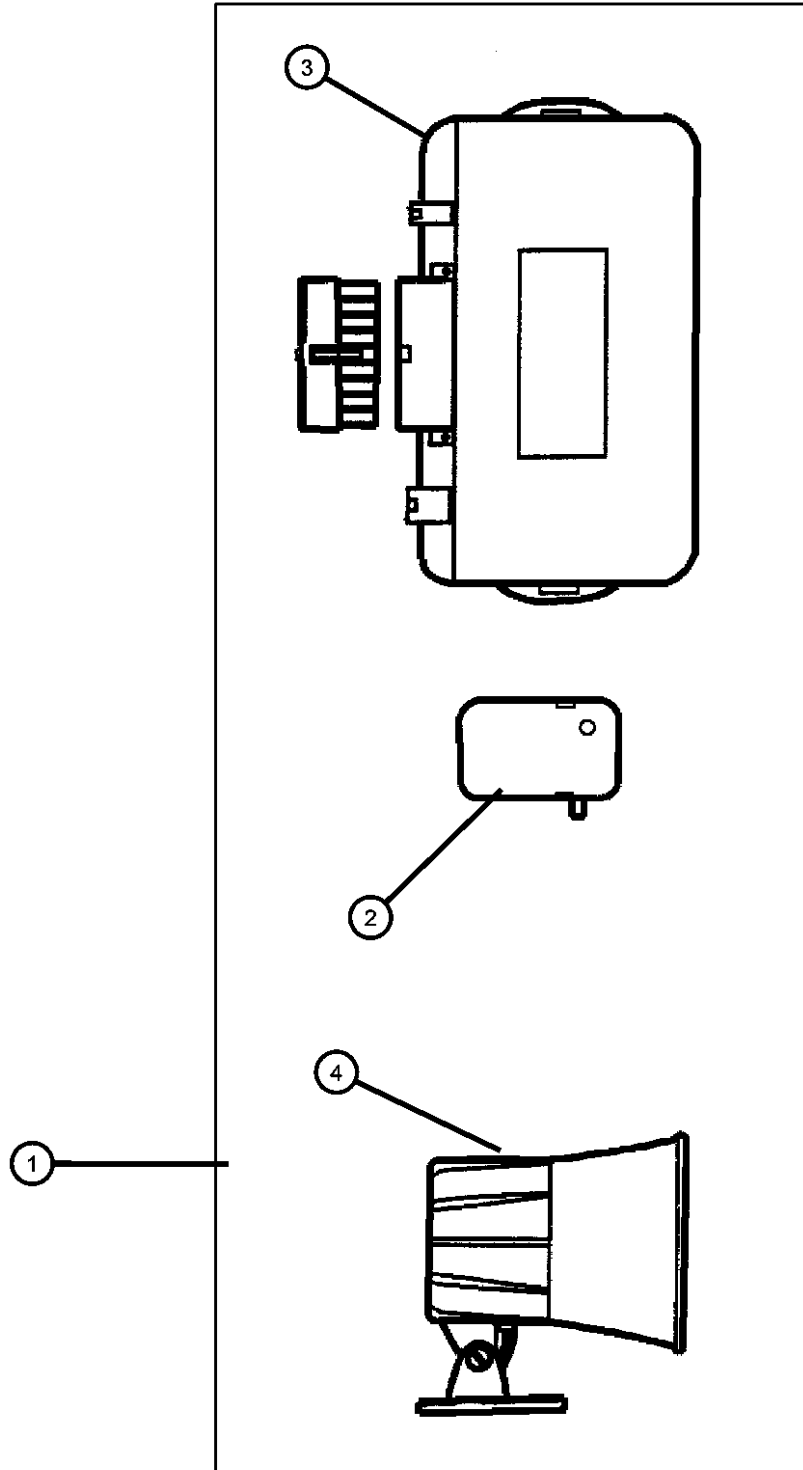
2000 WJ

**Module - Security Alarm
Figure 1-910**

| ITEM | PART NUMBER | QTY | LINE | SERIES | BODY | ENGINE | TRANS | TRIM | DESCRIPTION |
|------|-------------|-----|------|--------|------|--------|-------|------|-------------|
|------|-------------|-----|------|--------|------|--------|-------|------|-------------|

NOTE: Order Wiring separately.

| | | | | | | | | | |
|---|------------|---|------|--|----|--|--|--|-------------------------------|
| 1 | 82204268 | 1 | J, T | | 74 | | | | MODULE, Security Alarm |
| 2 | 04886261AB | 1 | J, T | | 74 | | | | SENSOR, Shock, With Connector |
| 3 | 05011619AA | 1 | J, T | | 74 | | | | MODULE, Security Alarm |
| 4 | 82203198 | 1 | J, T | | 74 | | | | SIREN, Alarm |



GRAND CHEROKEE (WJ)

| | | | | |
|-------------|----------------------|------------------------|--|--|
| SERIES | LINE | BODY | ENGINE | TRANSMISSION |
| H = Laredo | T = JEEP - 2WD | 74 = 4 Door (105.9 WB) | ERH = ENGINE - 4.0L POWER TECH I-6 | DG4 = TRANSMISSION-MULTI-SPEED AUTO, 45RFE |
| P = Limited | J = JEEP - 4WD | | EVA = ENGINE- 4.7L V8 MPI | DGW = TRANSMISSION - 4-SPD. AUTOMATIC,44RE |
| | U = JEEP - 4WD (RHD) | | EXA = ENGINE - 3.1L 5 CYL TURBO DIESEL | DGK = TRANSMISSION - 4-SPD. AUTOMATIC,42RE |
| | | | | DGO = ALL AUTOMATIC TRANSMISSIONS |

AR = use ase required - = Non illustrated part

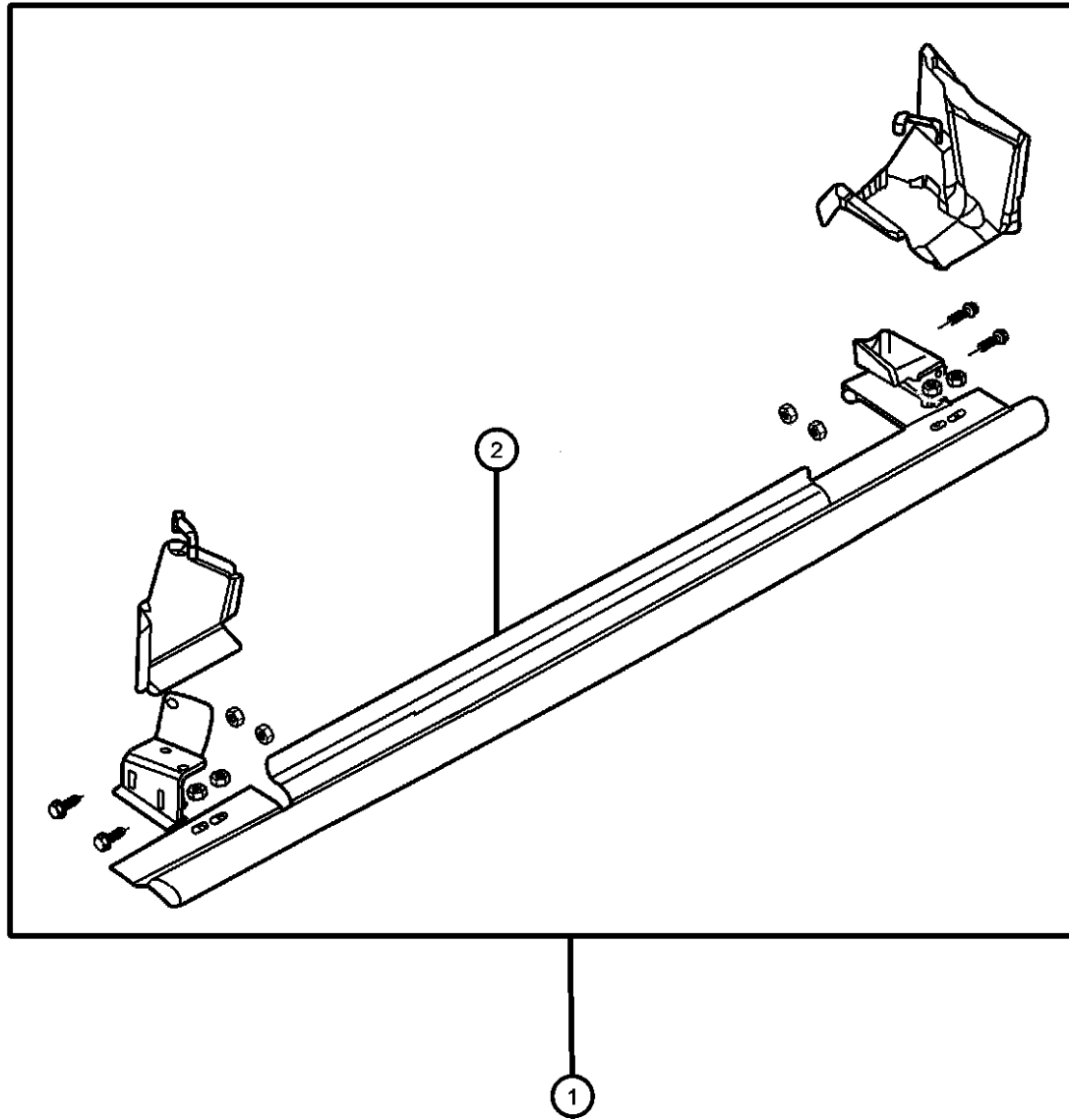
2000 WJ

Guard, Rock Rails
Figure 1-1010

| ITEM | PART NUMBER | QTY | LINE | SERIES | BODY | ENGINE | TRANS | TRIM | DESCRIPTION |
|------|-------------|-----|------|--------|------|--------|-------|------|-------------|
|------|-------------|-----|------|--------|------|--------|-------|------|-------------|

NOTE: Brackets and Mounting Hardware Included.

| | | | | | | | | | |
|---|------------|---|------|--|----|--|--|--|---------------------|
| 1 | | | | | | | | | GUARD KIT, Bodyside |
| | 82204660 | 1 | J, T | | 74 | | | | Laredo |
| | 82204661 | 1 | J, T | | 74 | | | | Limited |
| 2 | | | | | | | | | GUARD, Bodyside |
| | 05016850AA | 1 | J, T | | 74 | | | | Laredo, Right Hand |
| | 05016851AA | 1 | J, T | | 74 | | | | Laredo, Left Hand |
| | 05017516AA | 1 | J, T | | 74 | | | | Limited, Right Hand |
| | 05017517AA | 1 | J, T | | 74 | | | | Limited, Left Hand |



GRAND CHEROKEE (WJ)

SERIES
H = Laredo
P = Limited

LINE
T = JEEP - 2WD
J = JEEP - 4WD
U = JEEP - 4WD (RHD)

BODY
74 = 4 Door (105.9 WB)

ENGINE
ERH = ENGINE - 4.0L
POWER TECH I-6
EVA = ENGINE- 4.7L V8 MPI
EXA = ENGINE - 3.1L 5 CYL
TURBO DIESEL

TRANSMISSION
DG4 = TRANSMISSION-MULTI-
SPEED AUTO, 45RFE
DGW = TRANSMISSION - 4-SPD.
AUTOMATIC,44RE
DGK = TRANSMISSION - 4-SPD.
AUTOMATIC,42RE
DGO = ALL AUTOMATIC
TRANSMISSIONS

AR = use ase required - = Non illustrated part

2000 WJ

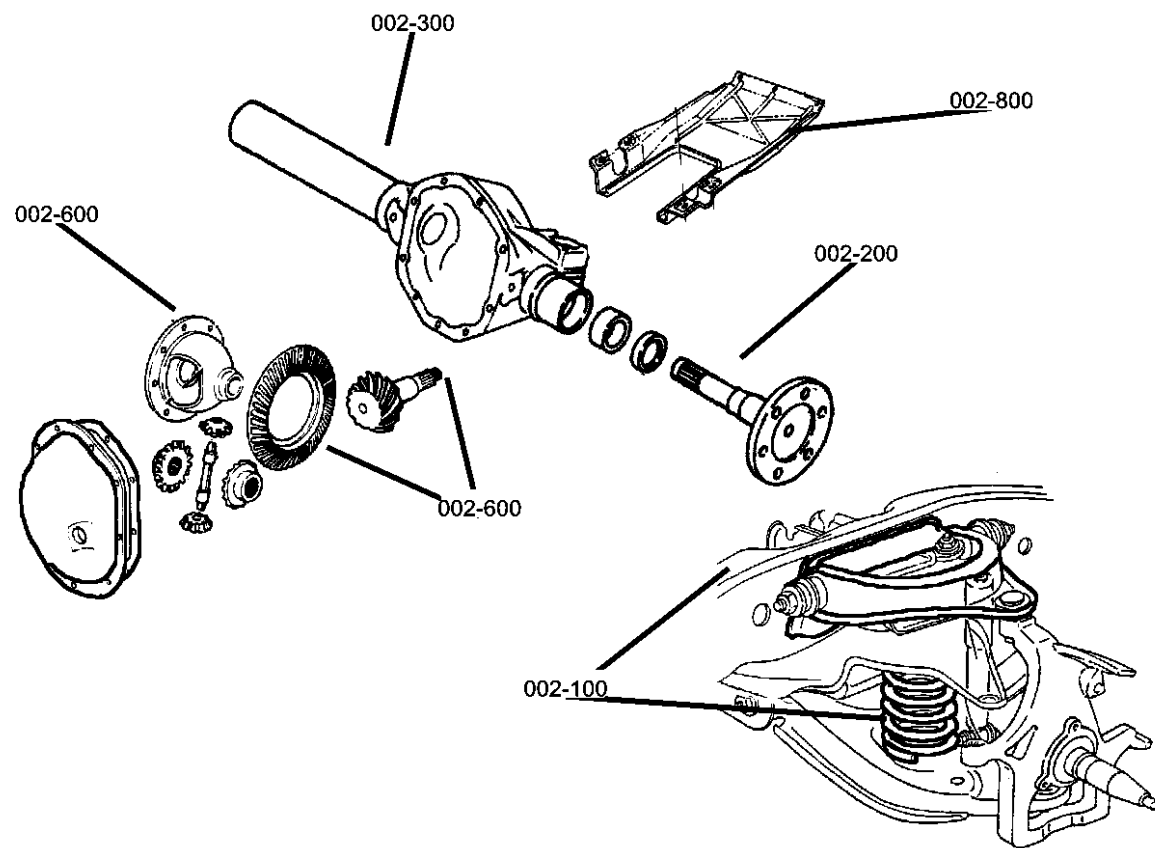
Group - 2

Front Suspension & Drive

Group - 2 Front Suspension & Drive

Illustration Title

Group-Fig. No.



Front Suspension

| | |
|--|--------------|
| Suspension, Front Springs With Control Arms and Shocks | Fig. 2 - 110 |
| Front Stabilizer Bar and Track Bar | Fig. 2 - 120 |

Front Axle Drive Shafts

| | |
|-------------------------|--------------|
| Front Axle Shafts | Fig. 2 - 210 |
|-------------------------|--------------|

Front Axle Housing

| | |
|--|--------------|
| Housing Front Axle 2 Wheel Drive | Fig. 2 - 310 |
| Housing Front Axle 4 Wheel Drive | Fig. 2 - 320 |

Front Axle Assembly

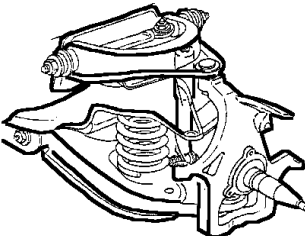
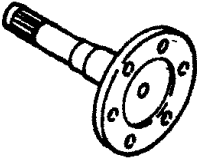
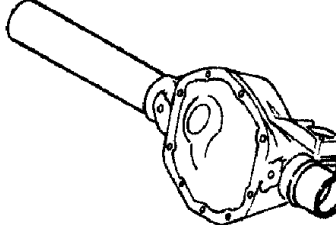
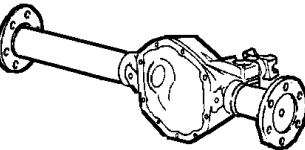
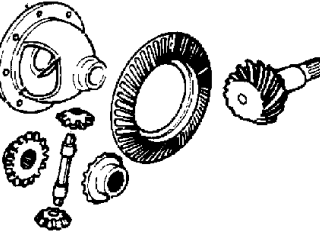
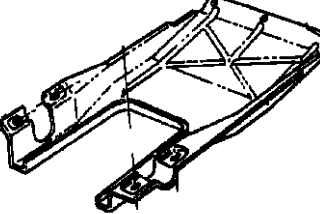
| | |
|---------------------------|--------------|
| Front Axle Assembly | Fig. 2 - 410 |
|---------------------------|--------------|

Front Axle Differential

| | |
|--------------------------------|--------------|
| Differential, Front Axle | Fig. 2 - 610 |
|--------------------------------|--------------|

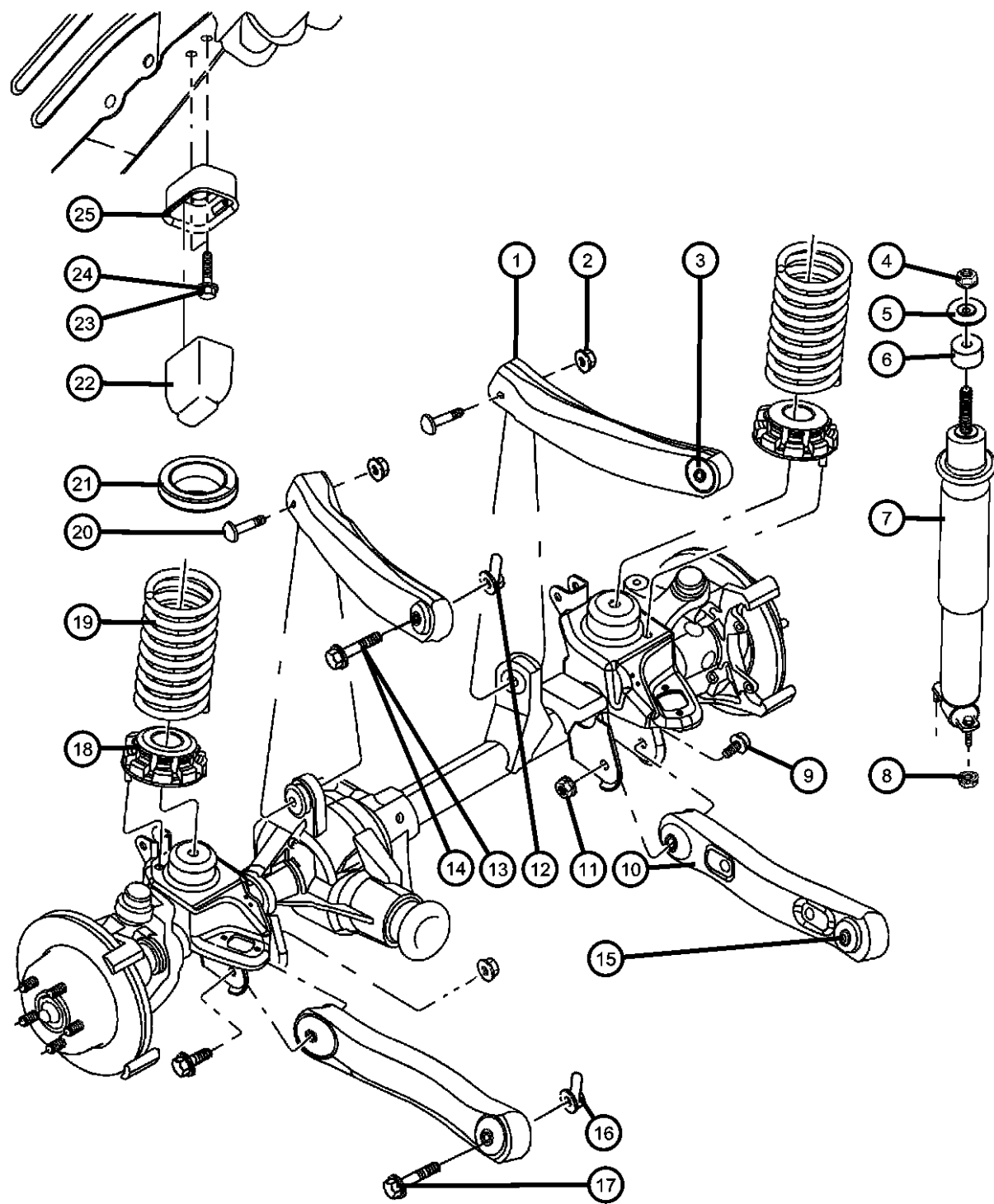
Front Axle Skid Plate

| | |
|------------------------------|--------------|
| Skid Plate, Front Axle | Fig. 2 - 810 |
|------------------------------|--------------|

| | | | |
|--|---|---|---|
| <p>002-100 Front Suspension</p>  | <p>002-200 Front Axle Drive Shafts</p>  | <p>002-300 Front Axle Housing</p>  | <p>002-400 Front Axle Assembly</p>  |
| <p>002-600 Front Axle Differential</p>  | <p>002-800 Front Axle Skid Plate</p>  | | |

Suspension, Front Springs With Control Arms and Shocks

Figure 2-110



| ITEM | PART NUMBER | QTY | LINE | SERIES | BODY | ENGINE | TRANS | TRIM | DESCRIPTION |
|--|-------------|-----|------|--------|------|--------|-------|------|---|
| Note: Sales Codes; [ER0]=Engines - All 4.0L 6 Cylinder Gas [EV0]=Engines - All 4.7L Gas [EX0]=Engines - ALL 3.0/3.1L Turbo Diesel [SDA]=Suspension - Quadra Coil [SDU]=Heavy Duty Suspension [SDJ]=Firm Suspension [ZKE] To [ZZG]=Spring Sales Codes will be found on Vehicle Identification Number [VIN] Sales Code Listing. | | | | | | | | | |
| 1 | 52088208AC | 2 | | | | | | | ARM, Control, With 1 Sill End Bushing, Upper |
| 2 | 06502696 | 2 | | | | | | | NUT, Hex Flange Lock, M14x1.50 |
| | | | | | | | | | UCA to Axle-C,M,U Market, Mounting |
| | | | | | | | | | UCA to Axle and Sill-B Market, Mounting |
| 3 | 52088214 | 2 | | | | | | | BUSHING, Control Arm, To Sill |
| 4 | 06506443AA | 2 | | | | | | | NUT, Nylock Hex, M10x1.5, Shock Mounting, Upper |
| 5 | 52088517 | 2 | | | | | | | RETAINER, Shock Absorber, Shock Mounting, Upper |
| 6 | 52088289AB | 2 | | | | | | | GROMMET, Shock AbsorberUpper |
| 7 | | | | | | | | | SHOCK ABSORBER PACKAGE, Suspension, Front |
| | 05014175AA | 2 | | | | | | | [SDU] B Market |
| | 05014730AB | 2 | | | | | | | [SDA] C M U Market |
| | G0060052 | | | | | | | | Mopar V-Line Alternative Part |
| | 0SGR5128 | | | | | | | | Rancho Shock |
| | 05014731AB | 2 | | | | | | | [SDA] B Market |
| | 05014732AB | 2 | | | | | | | [SDU] C M U Market |
| | G0060052 | | | | | | | | Mopar V-Line Alternative Part |
| | 0SGR5128 | | | | | | | | Rancho Shock |
| | 05015361AC | 2 | | | | | | | [SDJ] B Market |
| 8 | 06101695 | 4 | | | | | | | NUT, Hex Flange Lock, Shock Mounting, Lower |
| 9 | 06505214AA | 2 | | | | | | | SCREW, Hex Flange Head, M14x2.00x114, LCA to Axle, Mounting |
| 10 | 52088217AB | 2 | | | | | | | ARM, Control, With Bushings, Lower |
| 11 | | | | | | | | | NUT, Hex Flange Lock |

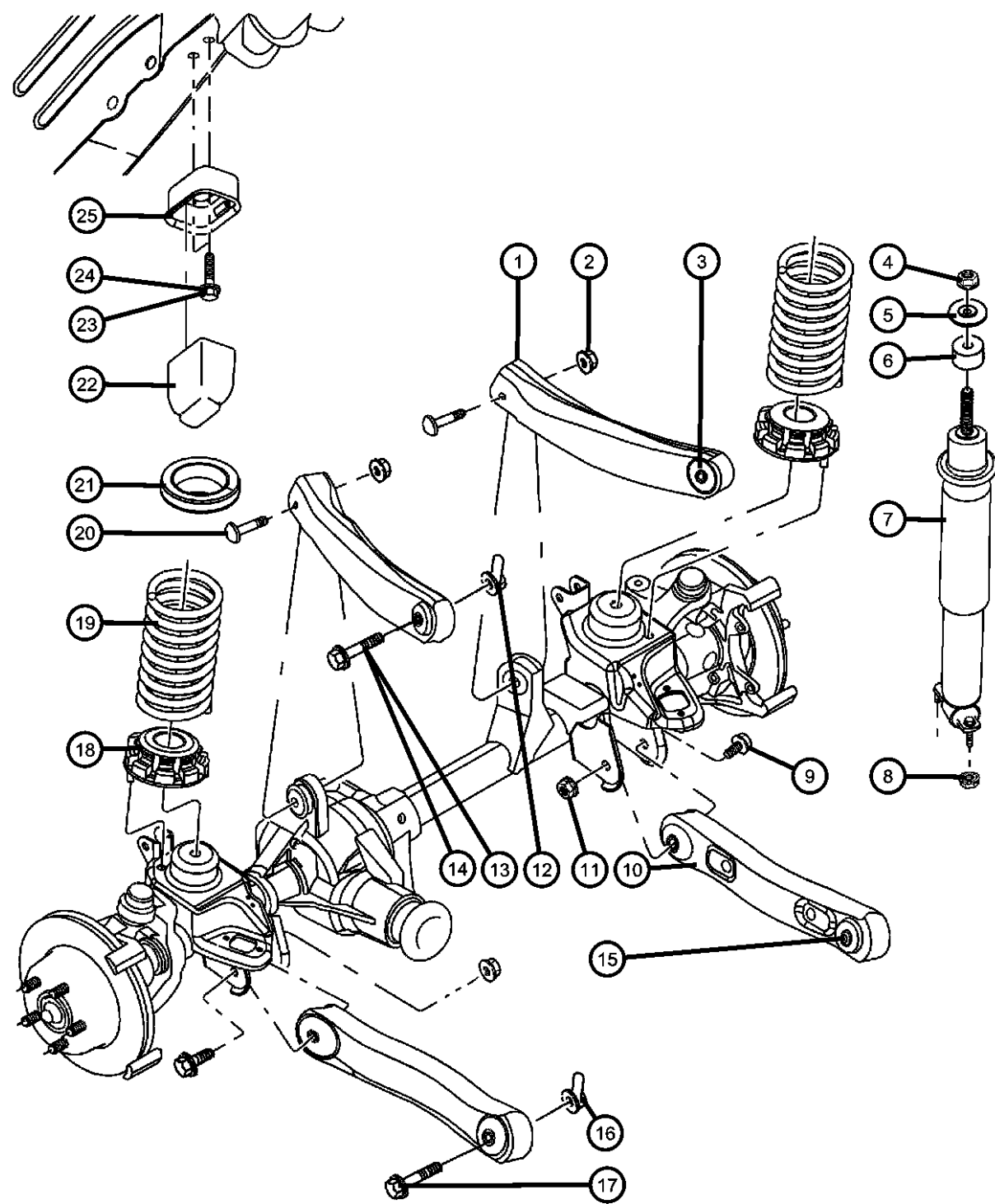
GRAND CHEROKEE (WJ)

| | | | | |
|-------------|----------------------|------------------------|--|---|
| SERIES | LINE | BODY | ENGINE | TRANSMISSION |
| H = Laredo | T = JEEP - 2WD | 74 = 4 Door (105.9 WB) | ERH = ENGINE - 4.0L POWER TECH I-6 | DG4 = TRANSMISSION-MULTI-SPEED AUTO, 45RFE |
| P = Limited | J = JEEP - 4WD | | EVA = ENGINE- 4.7L V8 MPI | DGW = TRANSMISSION - 4-SPD. AUTOMATIC, 44RE |
| | U = JEEP - 4WD (RHD) | | EXA = ENGINE - 3.1L 5 CYL TURBO DIESEL | DGK = TRANSMISSION - 4-SPD. AUTOMATIC, 42RE |
| | | | | DGO = ALL AUTOMATIC TRANSMISSIONS |

AR = use ase required - = Non illustrated part

Suspension,Front Springs With Control Arms and Shocks

Figure 2-110



| ITEM | PART NUMBER | QTY | LINE | SERIES | BODY | ENGINE | TRANS | TRIM | DESCRIPTION |
|------|-------------|-----|------|--------|------|----------|-------|------|--|
| | 06502698 | 4 | | | | | | | LCA to Axle-B Market, Mounting |
| | | 3 | | | | | | | LCA to Axle-C M U Market, Mounting |
| 12 | 06505438AA | 2 | | | | | | | NUT, Hex, M10-1.5, UCA to Sill-C,M,U Market, Mounting |
| 13 | 06505472AA | 2 | | | | | | | SCREW, Hex Flange Head, M10x1.50x81, UCA to Sill-C,M,U Market, Mounting |
| 14 | 06505654AA | 2 | | | | | | | SCREW, UCA to Sill-B Market |
| 15 | 52088220 | 2 | | | | | | | BUSHING, Control Arm, LCA to Sill |
| 16 | 06505439AA | 1 | | | | | | | NUT AND RETAINER, Hex Flange Locking, M14 x 2.00, LCA to Right Sill-C M U Market, Mounting |
| 17 | 06506033AA | 2 | | | | | | | BOLT, Hex Flange Head, M14x2.00x105.00, LCA to Sill, Mounting |
| 18 | 52088401 | 2 | | | | | | | ISOLATOR, Front Suspension SpringLower |
| 19 | | | | | | | | | SPRING, Front Coil |
| | 52088262 | 1 | | | | | | | [ZKE,ZYE] Code KE |
| | 52088263 | 1 | | | | | | | [ZKF,ZYF] Code KF |
| | 52088264 | 1 | | | | | | | [ZKG,ZYG] Code KG |
| | 52088265 | 1 | | | | | | | [ZKH,ZYH] Code KH |
| | 52088267 | 1 | | | | | | | [ZLE,ZZE] Code LE |
| | 52088268 | 1 | | | | | | | [ZLF,ZZF] Code LF |
| | 52088269 | 1 | | | | | | | [ZKI,ZYI] Code KJ |
| | 52089421 | 1 | | | | | | | [ZLG,ZZG] Code LG |
| 20 | 06505306AA | 2 | | | | | | | SCREW, Truss Head, M10x1.5x70, UCA to Axle, Mounting |
| 21 | 52088257AB | 2 | | | | | | | ISOLATOR, Front Suspension SpringUpper |
| 22 | 52088256 | 2 | | | | | | | BUMPER, JounceUpper |
| 23 | 06100584 | 4 | | | | ER0, EV0 | | | SCREW AND WASHER, Hex Head, M8x1.25x30, [ER0,EV0]-Jounce Bumper Cup, Mounting |
| 24 | 06100588 | 4 | | | | EX0 | | | SCREW, Hex Head, M8x1.25x50, [EX0] B Market-Jounce Bumper Cup and Spacer, Mounting |
| 25 | 52088254 | 2 | | | | | | | CUP, Jounce BumperUpper |

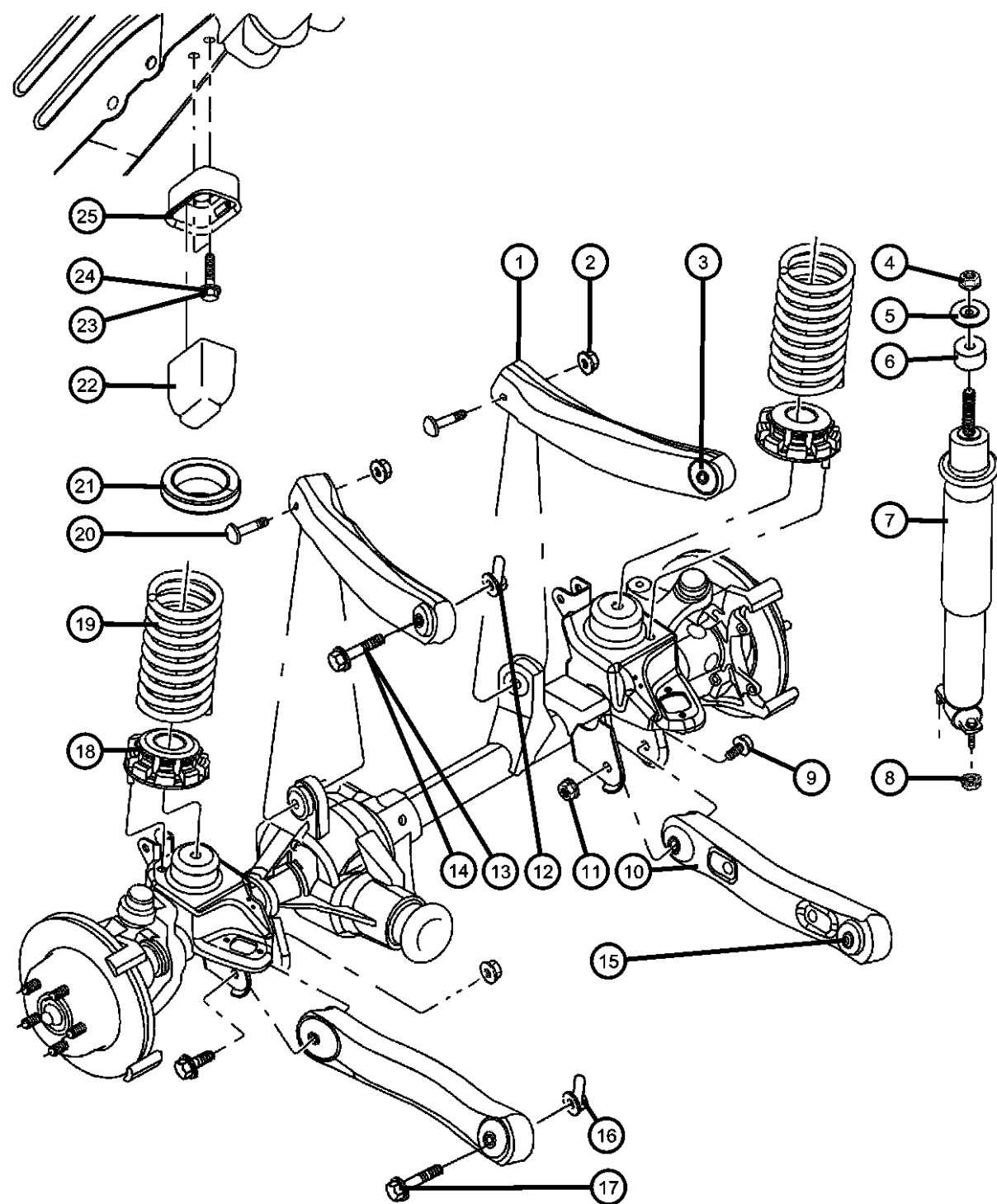
GRAND CHEROKEE (WJ)

| | | | | |
|-------------|----------------------|------------------------|--|--|
| SERIES | LINE | BODY | ENGINE | TRANSMISSION |
| H = Laredo | T = JEEP - 2WD | 74 = 4 Door (105.9 WB) | ERH = ENGINE - 4.0L POWER TECH I-6 | DG4 = TRANSMISSION-MULTI-SPEED AUTO, 45RFE |
| P = Limited | J = JEEP - 4WD | | EVA = ENGINE- 4.7L V8 MPI | DGW = TRANSMISSION - 4-SPD. AUTOMATIC,44RE |
| | U = JEEP - 4WD (RHD) | | EXA = ENGINE - 3.1L 5 CYL TURBO DIESEL | DGK = TRANSMISSION - 4-SPD. AUTOMATIC,42RE |
| | | | | DGO = ALL AUTOMATIC TRANSMISSIONS |

AR = use ase required - = Non illustrated part

Suspension,Front Springs With Control Arms and Shocks

Figure 2-110



| ITEM | PART NUMBER | QTY | LINE | SERIES | BODY | ENGINE | TRANS | TRIM | DESCRIPTION |
|------|-------------|-----|------|--------|------|--------|-------|------|-------------|
|------|-------------|-----|------|--------|------|--------|-------|------|-------------|

| | | | | | | | | | |
|-----|----------|---|------|--|--|-----|--|--|---------------------------------------|
| -26 | 52088259 | 2 | J, U | | | EX0 | | | SPACER, Jounce Bumper |
| | 52088350 | 2 | | | | | | | [EX0] B Market, Upper [SDU], Upper |

GRAND CHEROKEE (WJ)

| SERIES | LINE |
|-------------|----------------------|
| H = Laredo | T = JEEP - 2WD |
| P = Limited | J = JEEP - 4WD |
| | U = JEEP - 4WD (RHD) |

| BODY |
|------------------------|
| 74 = 4 Door (105.9 WB) |

| ENGINE |
|--|
| ERH = ENGINE - 4.0L POWER TECH I-6 |
| EVA = ENGINE- 4.7L V8 MPI |
| EXA = ENGINE - 3.1L 5 CYL TURBO DIESEL |

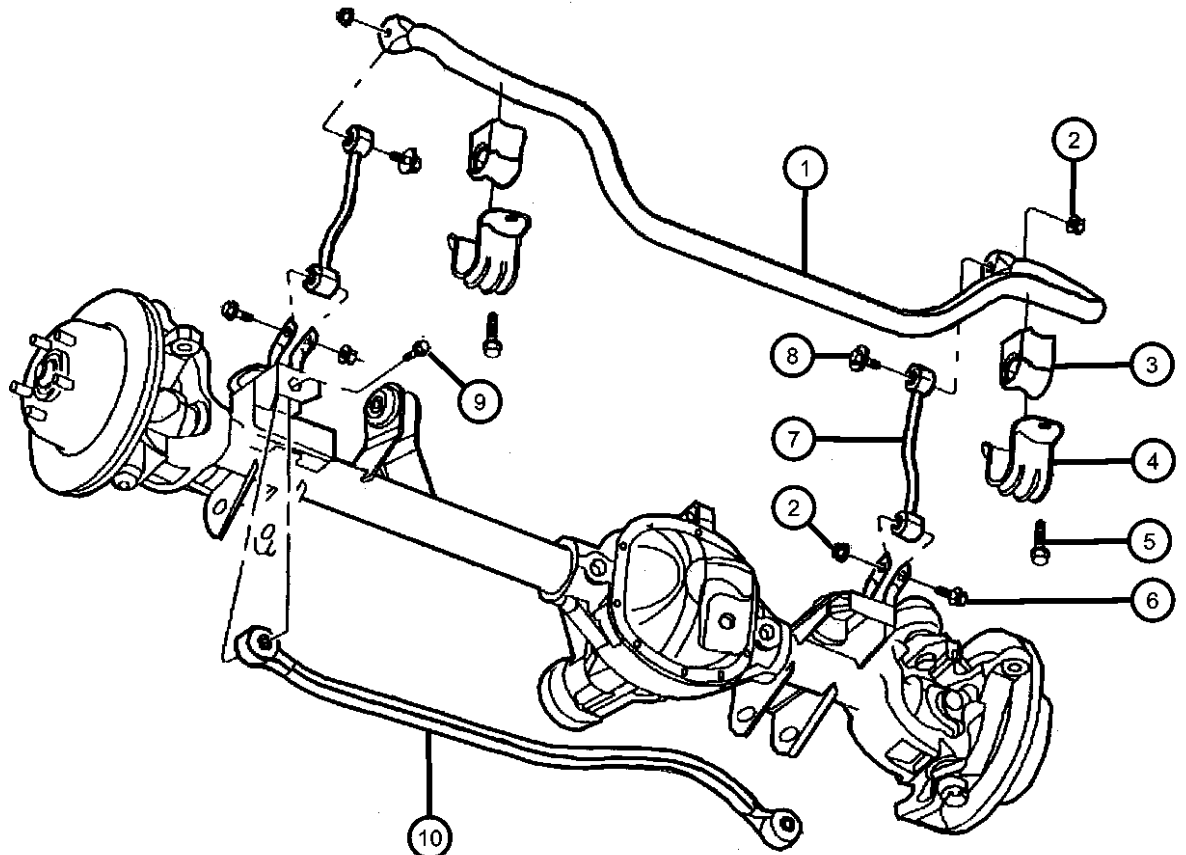
| TRANSMISSION |
|--|
| DG4 = TRANSMISSION-MULTI-SPEED AUTO, 45RFE |
| DGW = TRANSMISSION - 4-SPD. AUTOMATIC,44RE |
| DGK = TRANSMISSION - 4-SPD. AUTOMATIC,42RE |
| DGO = ALL AUTOMATIC TRANSMISSIONS |

AR = use ase required - = Non illustrated part

**Front Stabilizer Bar and Track Bar
Figure 2-120**

| ITEM | PART NUMBER | QTY | LINE | SERIES | BODY | ENGINE | TRANS | TRIM | DESCRIPTION |
|------|-------------|-----|------|--------|------|--------|-------|------|-------------|
|------|-------------|-----|------|--------|------|--------|-------|------|-------------|

ER0=ALL 4.0L Engine 6 Cyl Gas—EV0=4.7L Engine Gas—EX0 = ALL 3.0/3.1L Turbo Diesel Engine—J=4 WD-Left Hand Drive—T=2 WD-Left H



| | | | | | | | | | |
|-----|------------|---|--|------|--|----------|--|--|---|
| 1 | | | | | | | | | BAR, Front Sway |
| | 52088281 | 1 | | | | ER0, EV0 | | | |
| | 52088587 | 1 | | | | EX0 | | | |
| 2 | 06502697 | 4 | | | | | | | NUT, Hex Flange Lock, M12x1.75 |
| 3 | 52088284AC | 2 | | | | | | | BUSHING, Stabilizer Bar |
| 4 | 52088285 | 2 | | | | | | | RETAINER, Stabilizer Bar Grommet |
| 5 | 06502936 | 4 | | | | | | | SCREW AND WASHER, Hex Head Pilot Point, M12x1.75x45 |
| 6 | 06502473 | 2 | | | | | | | BOLT, Hex Flange Head, M12x1.75x65 |
| 7 | 52088283 | 2 | | | | | | | LINK, Sway Eliminator |
| 8 | 06505353AA | 2 | | | | | | | SCREW AND WASHER, M12x1.75x60 |
| 9 | | | | | | | | | SCREW, Hex Flange Head, M12x1.75x80 |
| | 06503982 | 1 | | J, T | | | | | Track Bar to Axle, Mounting |
| | | 1 | | U | | | | | Track Bar to Axle, Mounting |
| 10 | | | | | | | | | TRACK BAR, Front |
| | 52088296 | 1 | | U | | | | | |
| | 52088305AB | 1 | | J | | | | | |
| | | 1 | | T | | | | | |
| -11 | 06505324AA | 1 | | | | | | | BOLT AND RETAINER, M12x1.75x80, Track Bar to Body, Mounting |
| -12 | 06502697 | 1 | | | | | | | NUT, Hex Flange Lock, M12x1.75, Track Bar to Body, Mounting |

GRAND CHEROKEE (WJ)

| | | | | |
|-------------|----------------------|------------------------|--|--|
| SERIES | LINE | BODY | ENGINE | TRANSMISSION |
| H = Laredo | T = JEEP - 2WD | 74 = 4 Door (105.9 WB) | ERH = ENGINE - 4.0L POWER TECH I-6 | DG4 = TRANSMISSION-MULTI-SPEED AUTO, 45RFE |
| P = Limited | J = JEEP - 4WD | | EVA = ENGINE- 4.7L V8 MPI | DGW = TRANSMISSION - 4-SPD. AUTOMATIC,44RE |
| | U = JEEP - 4WD (RHD) | | EXA = ENGINE - 3.1L 5 CYL TURBO DIESEL | DGK = TRANSMISSION - 4-SPD. AUTOMATIC,42RE |
| | | | | DGO = ALL AUTOMATIC TRANSMISSIONS |

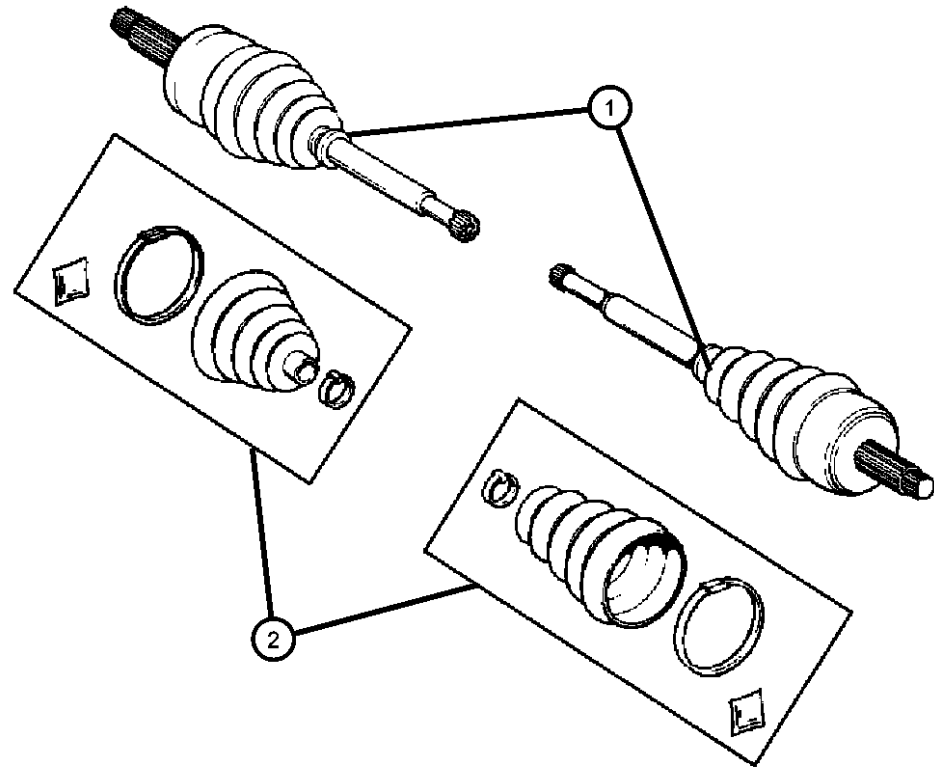
AR = use ase required - = Non illustrated part

2000 WJ

**Front Axle Shafts
Figure 2-210**

| ITEM | PART NUMBER | QTY | LINE | SERIES | BODY | ENGINE | TRANS | TRIM | DESCRIPTION |
|------|-------------|-----|------|--------|------|--------|-------|------|-------------|
|------|-------------|-----|------|--------|------|--------|-------|------|-------------|

NOTE: DSB=Vari-Lok Progressive Axle—J=Left Hand Drive—U=Right Hand Drive



| | | | | | | | | | |
|---|------------|---|---|--|--|--|--|--|----------------------|
| 1 | | | | | | | | | SHAFT, Axle |
| | 05012456AB | 1 | J | | | | | | Without DSB, Right |
| | | 1 | U | | | | | | Without DSB, Right |
| | 05012457AB | 1 | J | | | | | | Without DSB, Left |
| | | 1 | U | | | | | | Without DSB, Left |
| | 05012748AB | 1 | J | | | | | | With DSB, Right |
| | | 1 | U | | | | | | With DSB, Right |
| | 05012749AB | 1 | J | | | | | | With DSB, Left |
| | | 1 | U | | | | | | With DSB, Left |
| 2 | | | | | | | | | BOOT KIT, Half Shaft |
| | 04796233 | 1 | U | | | | | | |
| | | 1 | J | | | | | | |

GRAND CHEROKEE (WJ)

| | |
|-------------|----------------------|
| SERIES | LINE |
| H = Laredo | T = JEEP - 2WD |
| P = Limited | J = JEEP - 4WD |
| | U = JEEP - 4WD (RHD) |

| |
|------------------------|
| BODY |
| 74 = 4 Door (105.9 WB) |

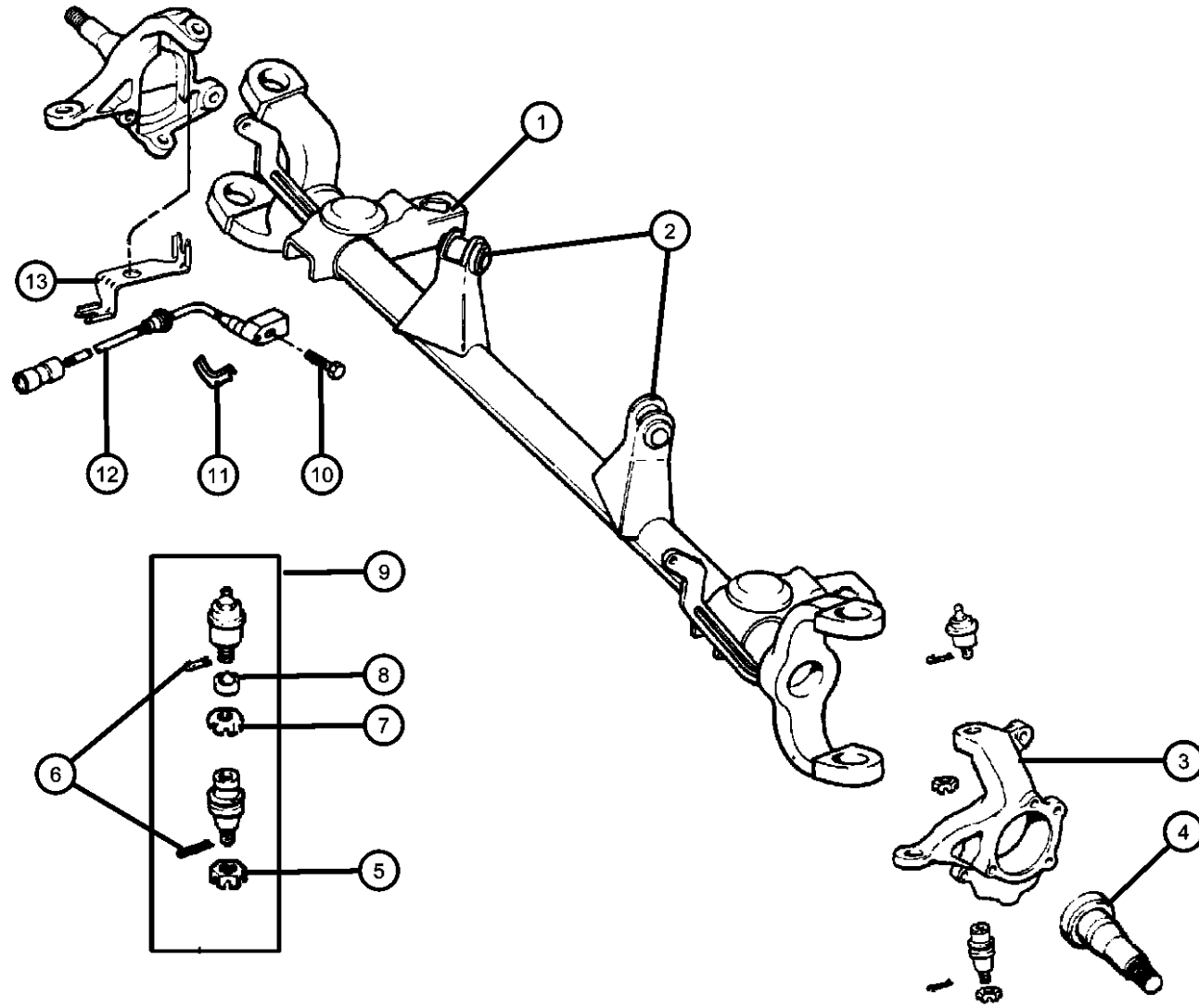
| |
|---|
| ENGINE |
| ERH = ENGINE - 4.0L POWER TECH I-6 |
| EVA = ENGINE- 4.7L V8 MPI |
| EXA = ENGINE - 3.1L 5 CYL TURBO DIESEL |

| |
|--|
| TRANSMISSION |
| DG4 = TRANSMISSION-MULTI- SPEED AUTO, 45RFE |
| DGW = TRANSMISSION - 4-SPD. AUTOMATIC,44RE |
| DGK = TRANSMISSION - 4-SPD. AUTOMATIC,42RE |
| DGO = ALL AUTOMATIC TRANSMISSIONS |

AR = use ase required - = Non illustrated part

2000 WJ

Housing Front Axle 2 Wheel Drive
Figure 2-310



| ITEM | PART NUMBER | QTY | LINE | SERIES | BODY | ENGINE | TRANS | TRIM | DESCRIPTION |
|---------------------|-------------|-----|------|--------|------|--------|-------|------|---|
| T=LHD-2 Wheel Drive | | | | | | | | | |
| 1 | 05012433AA | 1 | T | | | | | | HOUSING, Axle |
| 2 | 52088214 | 2 | T | | | | | | BUSHING, Control ArmUpper |
| 3 | | | | | | | | | KNUCKLE, Front |
| | 05011976AA | 1 | T | | | | | | Right |
| | 05011977AA | 1 | T | | | | | | Left |
| 4 | 05012438AA | 2 | T | | | | | | SHAFT, Dummy, Includes ABS Tone Ring |
| 5 | J8123318 | 2 | T | | | | | | NUT, Lower Ball Joint Mounting |
| 6 | 11010069 | 2 | T | | | | | | PIN, Cotter, M4x40.00 |
| 7 | J0125258 | 2 | T | | | | | | NUT, Hex Slotted, Upper Ball Joint Mounting |
| 8 | 83500203 | 1 | T | | | | | | RING, Ball Joint, Upper |
| 9 | 05012432AA | 2 | T | | | | | | BALL JOINT KIT, Knuckle |
| 10 | 05012434AA | 2 | T | | | | | | BOLT, Sensor Mounting |
| 11 | | | | | | | | | BRACKET, Brake Sensor Wire |
| | 05014324AA | 1 | T | | | | | | Right |
| | 05014325AA | 1 | T | | | | | | Left |
| 12 | | | | | | | | | SENSOR, Wheel Speed |
| | 56041316AB | 1 | T | | | | | | Right |
| | 56041317AB | 1 | T | | | | | | Left |
| 13 | | | | | | | | | BRACKET, Brake Sensor |
| | 56026766 | 1 | T | | | | | | Right |
| | 56026767 | 1 | T | | | | | | Left |

GRAND CHEROKEE (WJ)

SERIES
H = Laredo
P = Limited

LINE
T = JEEP - 2WD
J = JEEP - 4WD
U = JEEP - 4WD (RHD)

BODY
74 = 4 Door (105.9 WB)

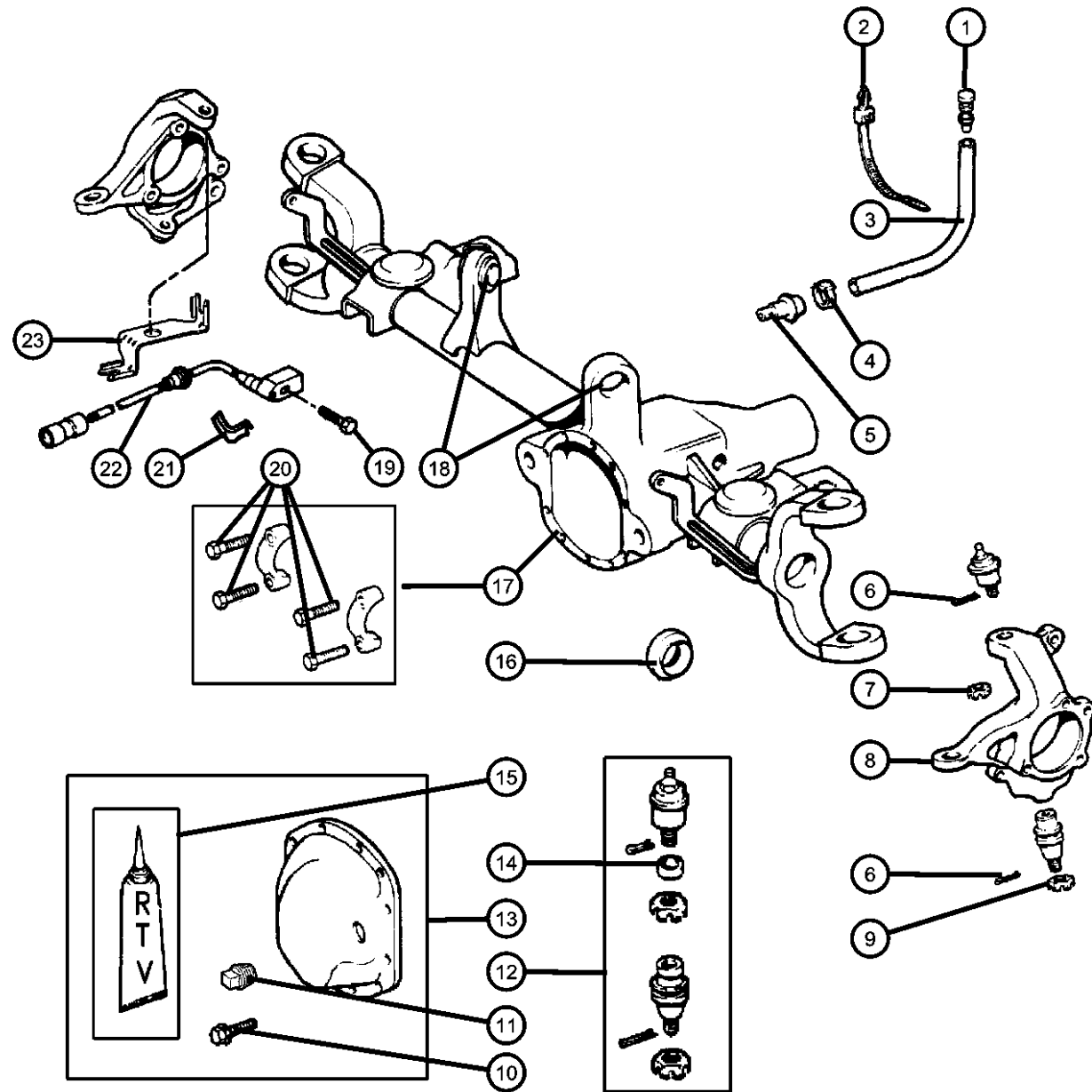
ENGINE
ERH = ENGINE - 4.0L POWER TECH I-6
EVA = ENGINE- 4.7L V8 MPI
EXA = ENGINE - 3.1L 5 CYL TURBO DIESEL

TRANSMISSION
DG4 = TRANSMISSION-MULTI-SPEED AUTO, 45RFE
DGW = TRANSMISSION - 4-SPD. AUTOMATIC,44RE
DGK = TRANSMISSION - 4-SPD. AUTOMATIC,42RE
DGO = ALL AUTOMATIC TRANSMISSIONS

AR = use ase required - = Non illustrated part

2000 WJ

Housing Front Axle 4 Wheel Drive
Figure 2-320



| ITEM | PART NUMBER | QTY | LINE | SERIES | BODY | ENGINE | TRANS | TRIM | DESCRIPTION |
|--|-------------|-----|------|--------|------|--------|-------|------|--|
| NOTE: J=Left Hand Drive-4 Wheel Drive—U=Right Hand Drive-4 Wheel Drive | | | | | | | | | |
| 1 | 52099257AA | 1 | J, U | | | | | | VENT, Axle, (Cap), Upper |
| 2 | J4175376 | 1 | J, U | | | | | | STRAP, Tie |
| 3 | HFV00516 | 1 | J, U | | | | | | HOSE, Fuel And Vapor, 25 Foot Roll 5/16" |
| 4 | 06503573 | 1 | | | | | | | CLIP, Lower |
| 5 | | | | | | | | | VENT, Axle Lower |
| | 05017482AA | 1 | U | | | | | | Lower |
| | | 1 | J | | | | | | Lower |
| 6 | | | | | | | | | PIN, Cotter, M4x40.00 |
| | 11010069 | 2 | U | | | | | | Upper And Lower |
| | | 2 | J | | | | | | Upper And Lower |
| 7 | | | | | | | | | NUT, Hex Slotted |
| | J0125258 | 1 | U | | | | | | Upper Ball Joint Mounting |
| | | 1 | J | | | | | | Upper Ball Joint Mounting |
| 8 | | | | | | | | | KNUCKLE, Front |
| | 05011976AA | 1 | J | | | | | | Right |
| | 05011977AA | 1 | J | | | | | | Left |
| | 05012516AA | 1 | U | | | | | | Right |
| | 05012517AA | 1 | U | | | | | | Left |
| 9 | | | | | | | | | NUT |
| | J8123318 | 1 | U | | | | | | Lower Ball Joint Mounting |
| | | 1 | J | | | | | | Lower Ball Joint Mounting |
| 10 | | | | | | | | | BOLT, Differential Cover |
| | 02954031 | 10 | J | | | | | | |
| | | 10 | U | | | | | | |
| 11 | | | | | | | | | PLUG, Differential Cover |
| | J4004751 | 1 | U | | | | | | |
| | | 1 | J | | | | | | |
| 12 | | | | | | | | | BALL JOINT KIT, Knuckle |
| | 05012432AA | 2 | J | | | | | | |
| | | 2 | U | | | | | | |
| 13 | | | | | | | | | COVER, Differential |

GRAND CHEROKEE (WJ)

SERIES
H = Laredo
P = Limited

LINE
T = JEEP - 2WD
J = JEEP - 4WD
U = JEEP - 4WD (RHD)

BODY
74 = 4 Door (105.9 WB)

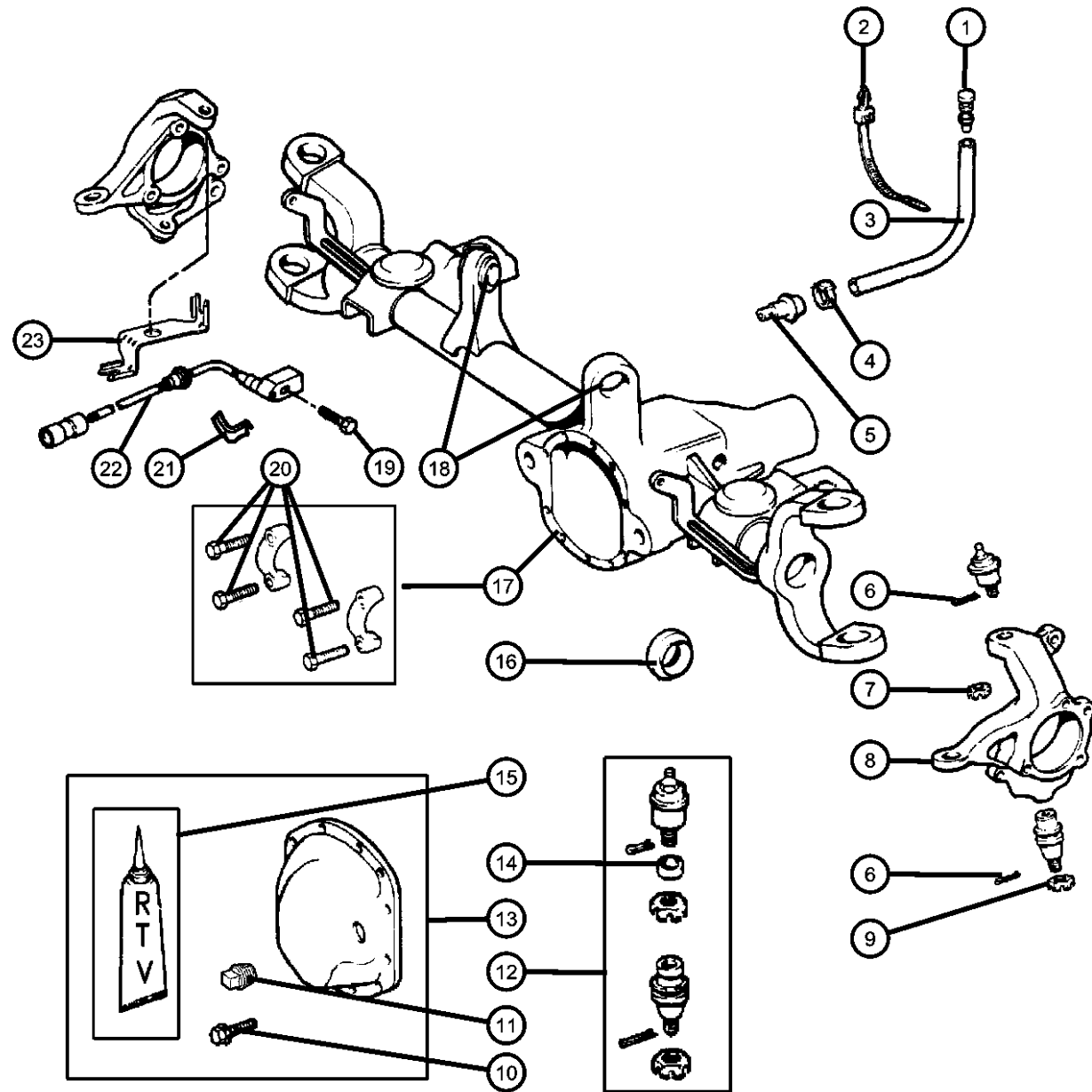
ENGINE
ERH = ENGINE - 4.0L POWER TECH I-6
EVA = ENGINE- 4.7L V8 MPI
EXA = ENGINE - 3.1L 5 CYL TURBO DIESEL

TRANSMISSION
DG4 = TRANSMISSION-MULTI-SPEED AUTO, 45RFE
DGW = TRANSMISSION - 4-SPD. AUTOMATIC, 44RE
DGK = TRANSMISSION - 4-SPD. AUTOMATIC, 42RE
DGO = ALL AUTOMATIC TRANSMISSIONS

AR = use ase required - = Non illustrated part

2000 WJ

Housing Front Axle 4 Wheel Drive
Figure 2-320



| ITEM | PART NUMBER | QTY | LINE | SERIES | BODY | ENGINE | TRANS | TRIM | DESCRIPTION |
|------|-------------|-----|------|--------|------|--------|-------|------|---|
| | 05012451AA | 1 | U | | | | | | Consist 1-Cover,10 Cover Screws |
| | | 1 | J | | | | | | Consist 1-Cover,10 Cover Screws |
| 14 | | | | | | | | | RING, Ball Joint |
| | 83500203 | 1 | U | | | | | | Upper |
| | | 1 | J | | | | | | Upper |
| 15 | 05010884AA | 1 | | | | | | | SEALANT, RTV |
| 16 | | | | | | | | | SEAL, Axle Drive Shaft |
| | 04874477 | 2 | J | | | | | | |
| | | 2 | U | | | | | | |
| 17 | | | | | | | | | HOUSING, Axle |
| | 05012445AA | 1 | J | | | | | | |
| | 05012512AA | 1 | U | | | | | | |
| 18 | 52088214 | 2 | | | | | | | BUSHING, Control Arm, Upper |
| 19 | | | | | | | | | BOLT |
| | 05012434AA | 2 | U | | | | | | Sensor Mounting |
| | | 2 | J | | | | | | Sensor Mounting |
| 20 | 04897482AB | 4 | | | | | | | BOLT, Differential, Side Bearing Cap Mounting |
| 21 | | | | | | | | | BRACKET, Brake Sensor Wire |
| | 05014324AA | 1 | U | | | | | | Right |
| | | 1 | J | | | | | | Right |
| | 05014325AA | 1 | U | | | | | | Left |
| | | 1 | J | | | | | | Left |
| 22 | | | | | | | | | SENSOR, Wheel Speed |
| | 56041316AB | 1 | U | | | | | | Right |
| | | 1 | J | | | | | | Right |
| | 56041317AB | 1 | U | | | | | | Left |
| | | 1 | J | | | | | | Left |
| 23 | | | | | | | | | BRACKET, Brake Sensor |
| | 56026766 | 1 | J | | | | | | Right |
| | | 1 | U | | | | | | Right |

GRAND CHEROKEE (WJ)

SERIES
H = Laredo
P = Limited

LINE
T = JEEP - 2WD
J = JEEP - 4WD
U = JEEP - 4WD (RHD)

BODY
74 = 4 Door (105.9 WB)

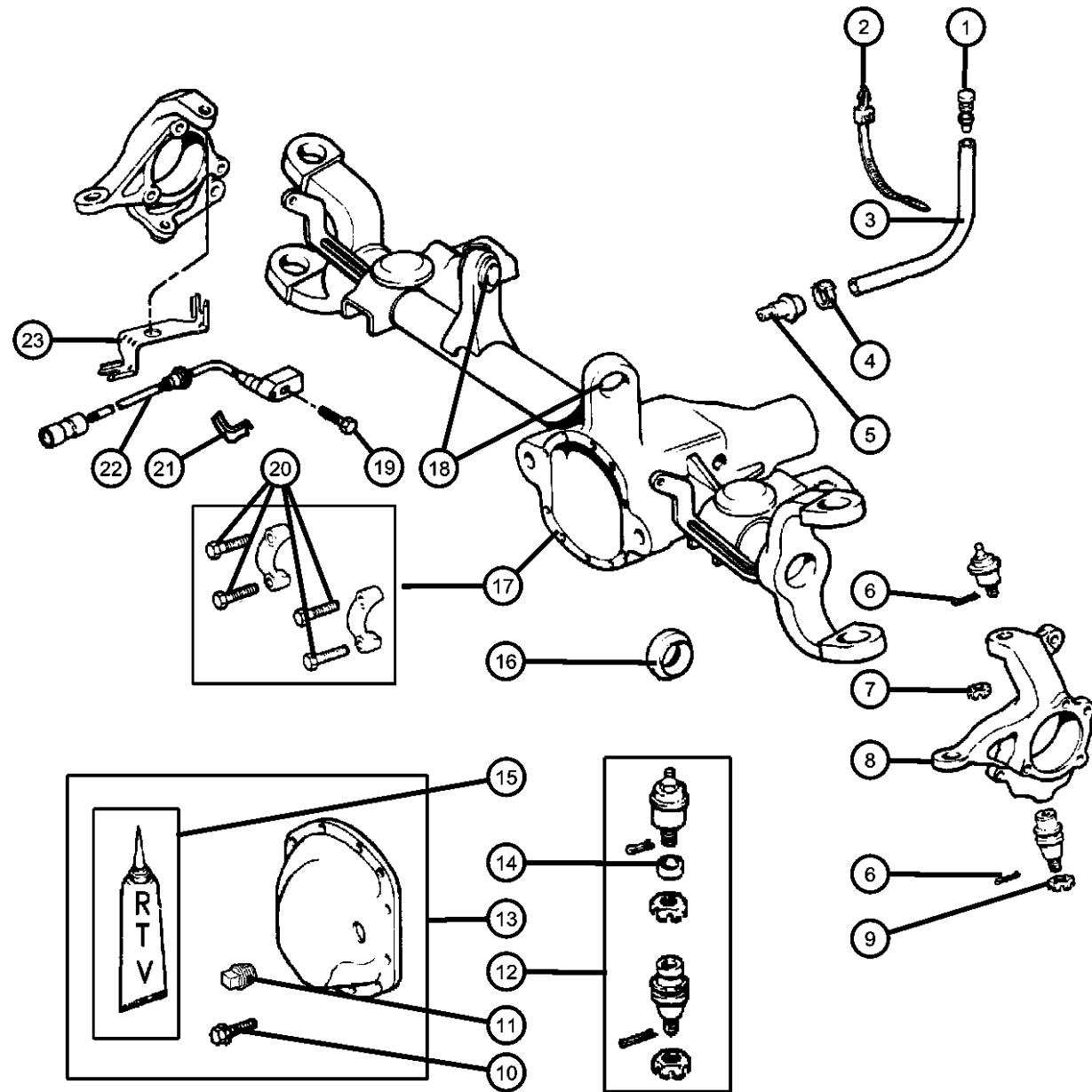
ENGINE
ERH = ENGINE - 4.0L POWER TECH I-6
EVA = ENGINE- 4.7L V8 MPI
EXA = ENGINE - 3.1L 5 CYL TURBO DIESEL

TRANSMISSION
DG4 = TRANSMISSION-MULTI-SPEED AUTO, 45RFE
DGW = TRANSMISSION - 4-SPD. AUTOMATIC,44RE
DGK = TRANSMISSION - 4-SPD. AUTOMATIC,42RE
DGO = ALL AUTOMATIC TRANSMISSIONS

AR = use ase required - = Non illustrated part

2000 WJ

Housing Front Axle 4 Wheel Drive
Figure 2-320



| ITEM | PART NUMBER | QTY | LINE | SERIES | BODY | ENGINE | TRANS | TRIM | DESCRIPTION |
|------|-------------|-----|------|--------|------|--------|-------|------|-------------|
|------|-------------|-----|------|--------|------|--------|-------|------|-------------|

| | | | | | | | | | |
|--|----------|---|---|--|--|--|--|--|------|
| | 56026767 | 1 | J | | | | | | Left |
| | | 1 | U | | | | | | Left |

GRAND CHEROKEE (WJ)

SERIES
H = Laredo
P = Limited

LINE
T = JEEP - 2WD
J = JEEP - 4WD
U = JEEP - 4WD (RHD)

BODY
74 = 4 Door (105.9 WB)

ENGINE
ERH = ENGINE - 4.0L
POWER TECH I-6
EVA = ENGINE- 4.7L V8 MPI
EXA = ENGINE - 3.1L 5 CYL
TURBO DIESEL

TRANSMISSION
DG4 = TRANSMISSION-MULTI-
SPEED AUTO, 45RFE
DGW = TRANSMISSION - 4-SPD.
AUTOMATIC,44RE
DGK = TRANSMISSION - 4-SPD.
AUTOMATIC,42RE
DGO = ALL AUTOMATIC
TRANSMISSIONS

AR = use ase required - = Non illustrated part

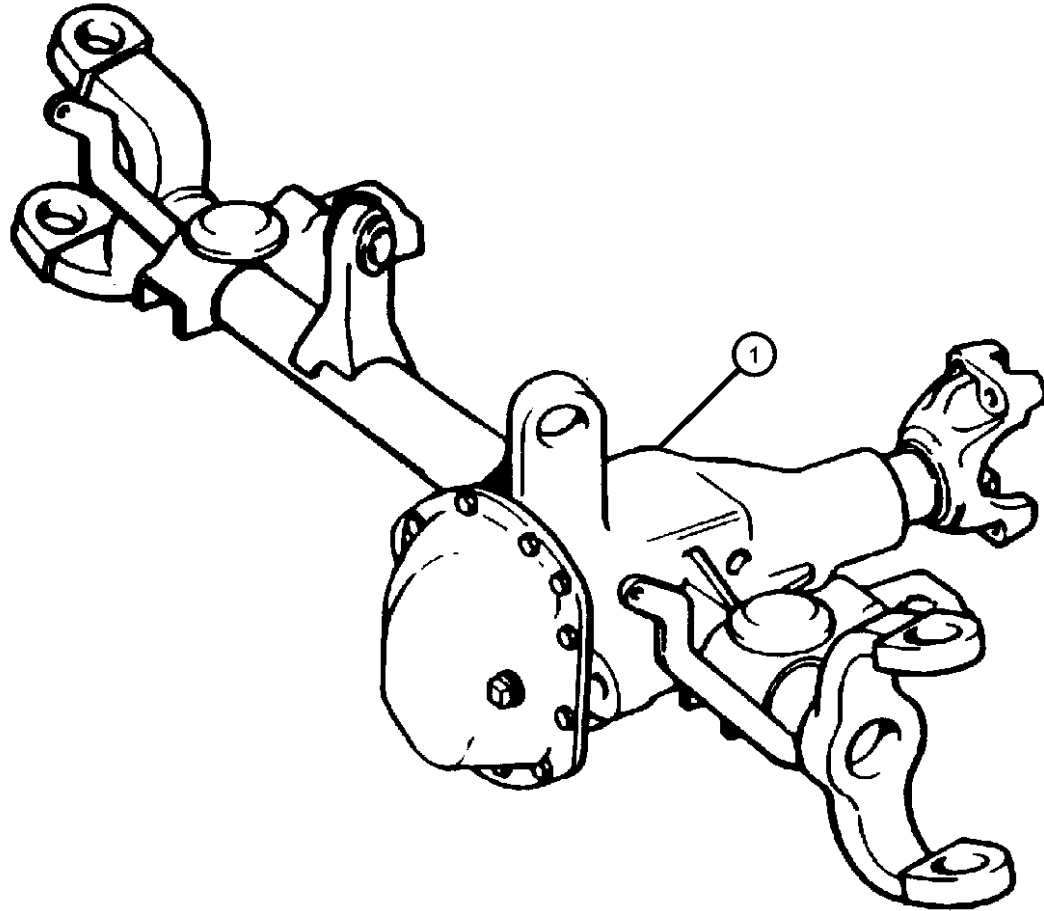
**Front Axle Assembly
Figure 2-410**

| ITEM | PART NUMBER | QTY | LINE | SERIES | BODY | ENGINE | TRANS | TRIM | DESCRIPTION |
|------|-------------|-----|------|--------|------|--------|-------|------|-------------|
|------|-------------|-----|------|--------|------|--------|-------|------|-------------|

NOTE: J=Left Hand Drive—U=Right Hand Drive—DSB=Vari-Lok Progressive Axle

1

| | | | | | | | | | |
|--|------------|---|---|--|--|--|--|--|--|
| | 05012446AA | 1 | J | | | | | | AXLE, Service Front [DHF,DHP,DME] |
| | 05012480AA | 1 | J | | | | | | [DHF,DHP,DMD] |
| | 05012513AA | 1 | U | | | | | | [DHF,DME] |
| | 05012520AA | 1 | J | | | | | | [DHF,DME,DSB] |
| | 04874468 | | | | | | | | Mopar SAE 80W-90 Gear Lube Quart Bottle |
| | 68003054AA | | | | | | | | Mopar SAE 80W-90 Gear Lube 16 Gallon Keg |
| | 04874469 | | | | | | | | Mopar SAE 75W-140 Synthetic Gear and Axle Lube Quart |
| | 68003055AA | | | | | | | | Mopar SAE 75W-140 Synthetic Gear and Axle Lube 16 Gallon Keg |
| | 05012774AA | 1 | U | | | | | | [DHF,DME,DSB] |
| | 05014403AA | 1 | J | | | | | | [DHF,DMT] |
| | 05014404AA | 1 | J | | | | | | [DHF,DMT,DSB] |
| | 05016423AA | 1 | U | | | | | | [DHF,DMT] |
| | 05016425AA | 1 | U | | | | | | [DHF,DMT,DSB] |



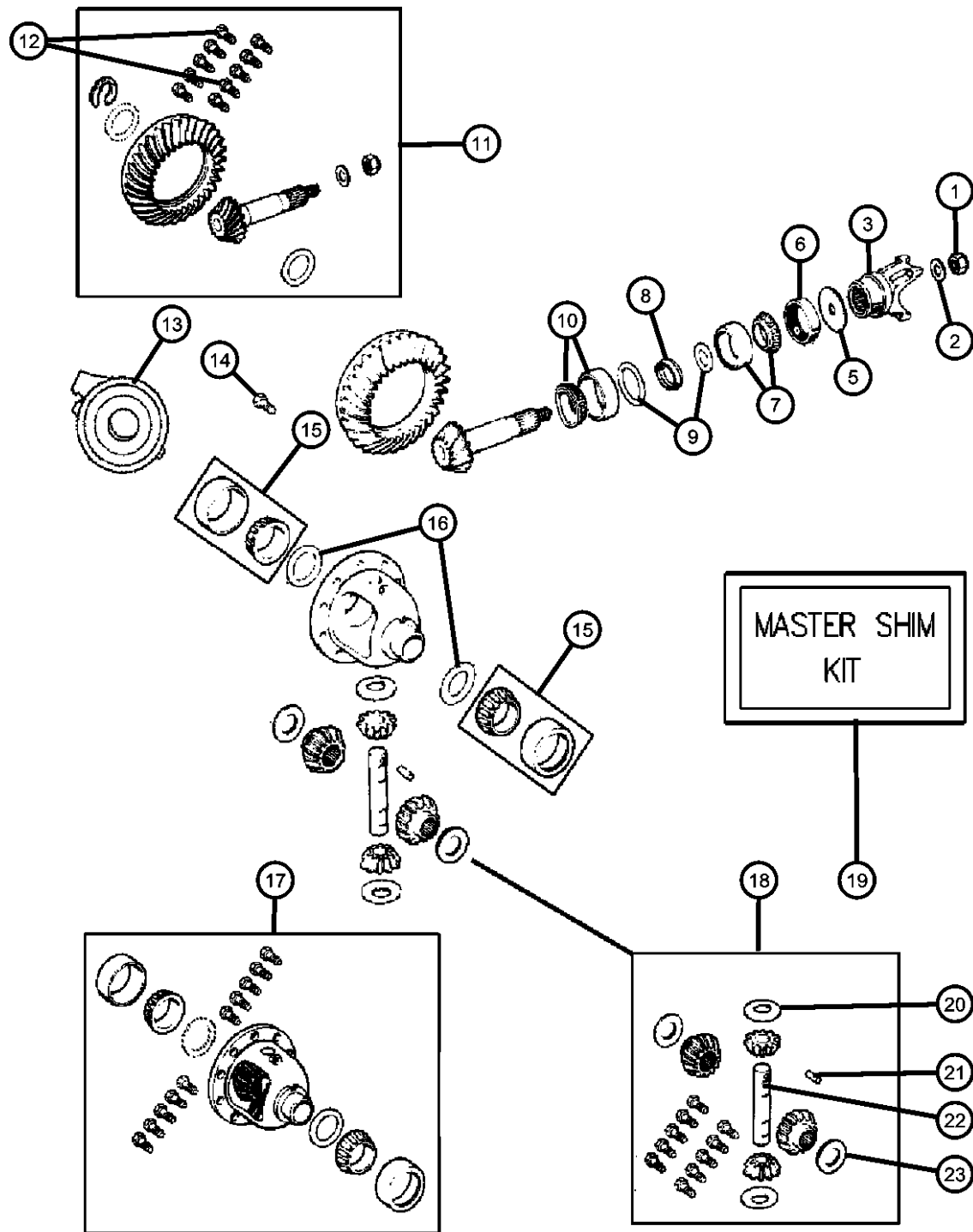
GRAND CHEROKEE (WJ)

| | | | | |
|-------------|----------------------|------------------------|---|--|
| SERIES | LINE | BODY | ENGINE | TRANSMISSION |
| H = Laredo | T = JEEP - 2WD | 74 = 4 Door (105.9 WB) | ERH = ENGINE - 4.0L POWER TECH I-6 | DG4 = TRANSMISSION-MULTI- SPEED AUTO, 45RFE |
| P = Limited | J = JEEP - 4WD | | EVA = ENGINE- 4.7L V8 MPI | DGW = TRANSMISSION - 4-SPD. AUTOMATIC,44RE |
| | U = JEEP - 4WD (RHD) | | EXA = ENGINE - 3.1L 5 CYL TURBO DIESEL | DGK = TRANSMISSION - 4-SPD. AUTOMATIC,42RE |
| | | | | DGO = ALL AUTOMATIC TRANSMISSIONS |

AR = use ase required - = Non illustrated part

2000 WJ

**Differential, Front Axle
Figure 2-610**



| ITEM | PART NUMBER | QTY | LINE | SERIES | BODY | ENGINE | TRANS | TRIM | DESCRIPTION |
|---|-------------|-----|------|--------|------|--------|-------|------|---|
| Note:Sales Codes; [DMD]=Axle Ratio 3.55 [DME]=Axle Ratio 3.73 [DMT]=Axle Ratio 3.90 [DSB]=Axle - Vari-Lok Progressive Front | | | | | | | | | |
| 1 | | | | | | | | | NUT, Pinion Yoke |
| | 01791575 | 1 | J | | | | | | Except [DMT] Nut Only |
| | | 1 | U | | | | | | Except [DMT] Nut Only |
| | 05017755AA | 1 | J | | | | | | [DMT] Nut With Washer |
| | | 1 | U | | | | | | [DMT] Nut With Washer |
| 2 | | | | | | | | | WASHER, Pinion Yoke |
| | 01791576 | 1 | J | | | | | | Except [DMT] Washer Only |
| | | 1 | U | | | | | | Except [DMT] Washer Only |
| 3 | | | | | | | | | YOKE, Axle |
| | 05012444AA | 1 | J | | | | | | |
| | | 1 | U | | | | | | |
| -4 | | | | | | | | | O RING, Pinion Flange |
| | 05012453AA | 1 | J | | | | | | Fits Over Hub of Axle Yoke |
| | | 1 | U | | | | | | Fits Over Hub of Axle Yoke |
| 5 | | | | | | | | | SLINGER, Drive Pinion |
| | 04031974 | 1 | J | | | | | | |
| | | 1 | U | | | | | | |
| 6 | | | | | | | | | SEAL, Drive Pinion |
| | 05012454AB | 1 | J | | | | | | |
| | | 1 | U | | | | | | |
| 7 | | | | | | | | | BEARING, Drive Pinion |
| | 05252508 | 1 | J | | | | | | Bearing and Cup, Front |
| | | 1 | U | | | | | | Bearing and Cup, Front |
| 8 | | | | | | | | | SPACER |
| | 04864845 | 1 | J | | | | | | Crush |
| | | 1 | U | | | | | | Crush |
| 9 | | | | | | | | | SHIM, Drive Pinion Bearing, Replacement Individual PINION Shims for Master Shim Kit 5017134AA. |

GRAND CHEROKEE (WJ)

SERIES
H = Laredo
P = Limited

LINE
T = JEEP - 2WD
J = JEEP - 4WD
U = JEEP - 4WD (RHD)

BODY
74 = 4 Door (105.9 WB)

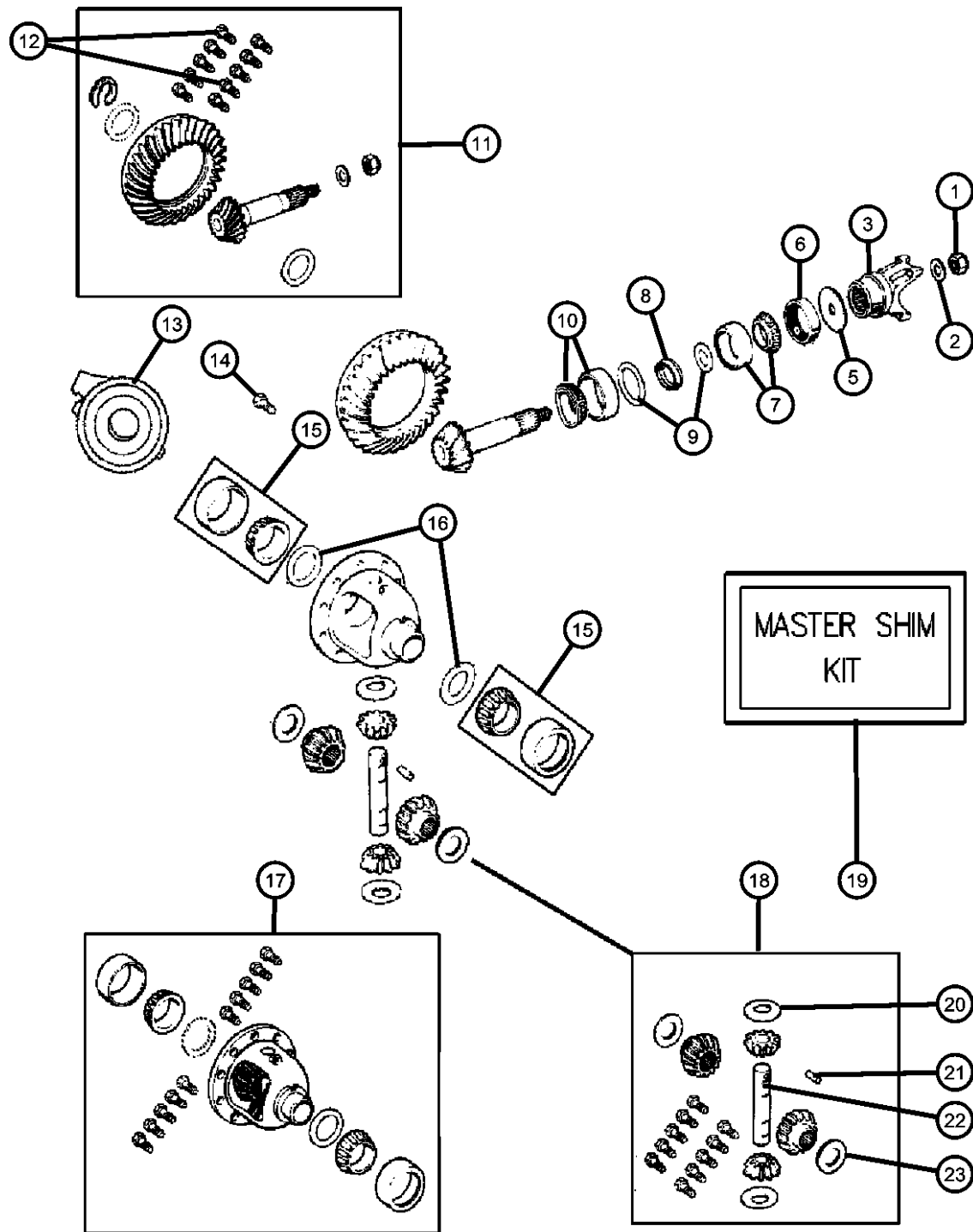
ENGINE
ERH = ENGINE - 4.0L
POWER TECH I-6
EVA = ENGINE- 4.7L V8 MPI
EXA = ENGINE - 3.1L 5 CYL
TURBO DIESEL

TRANSMISSION
DG4 = TRANSMISSION-MULTI-
SPEED AUTO, 45RFE
DGW = TRANSMISSION - 4-SPD.
AUTOMATIC,44RE
DGK = TRANSMISSION - 4-SPD.
AUTOMATIC,42RE
DGO = ALL AUTOMATIC
TRANSMISSIONS

AR = use ase required - = Non illustrated part

2000 WJ

Differential, Front Axle
Figure 2-610



| ITEM | PART NUMBER | QTY | LINE | SERIES | BODY | ENGINE | TRANS | TRIM | DESCRIPTION |
|------|-------------|-----|------|--------|------|--------|-------|------|-------------|
| | 05017139AA | 1 | J | | | | | | [.052'] |
| | | 1 | U | | | | | | [.052'] |
| | 05017140AA | 1 | J | | | | | | [.053'] |
| | | 1 | U | | | | | | [.053'] |
| | 05017141AA | 1 | J | | | | | | [.054'] |
| | | 1 | U | | | | | | [.054'] |
| | 05017142AA | 1 | J | | | | | | [.055'] |
| | | 1 | U | | | | | | [.055'] |
| | 05017143AA | 1 | J | | | | | | [.056'] |
| | | 1 | U | | | | | | [.056'] |
| | 05017144AA | 1 | J | | | | | | [.057'] |
| | | 1 | U | | | | | | [.057'] |
| | 05017145AA | 1 | J | | | | | | [.058'] |
| | | 1 | U | | | | | | [.058'] |
| | 05017146AA | 1 | J | | | | | | [.059'] |
| | | 1 | U | | | | | | [.059'] |
| | 05017149AA | 1 | J | | | | | | [.060'] |
| | | 1 | U | | | | | | [.060'] |
| | 05017150AA | 1 | J | | | | | | [.061'] |
| | | 1 | U | | | | | | [.061'] |
| | 05017151AA | 1 | J | | | | | | [.062'] |
| | | 1 | U | | | | | | [.062'] |
| | 05017152AA | 1 | J | | | | | | [.063'] |
| | | 1 | U | | | | | | [.063'] |
| | 05017153AA | 1 | J | | | | | | [.064'] |
| | | 1 | U | | | | | | [.064'] |
| | 05017154AA | 1 | J | | | | | | [.065'] |
| | | 1 | U | | | | | | [.065'] |
| | 05017155AA | 1 | J | | | | | | [.066'] |
| | | 1 | U | | | | | | [.066'] |
| | 05017156AA | 1 | J | | | | | | [.067'] |
| | | 1 | U | | | | | | [.067'] |

GRAND CHEROKEE (WJ)

SERIES
H = Laredo
P = Limited

LINE
T = JEEP - 2WD
J = JEEP - 4WD
U = JEEP - 4WD (RHD)

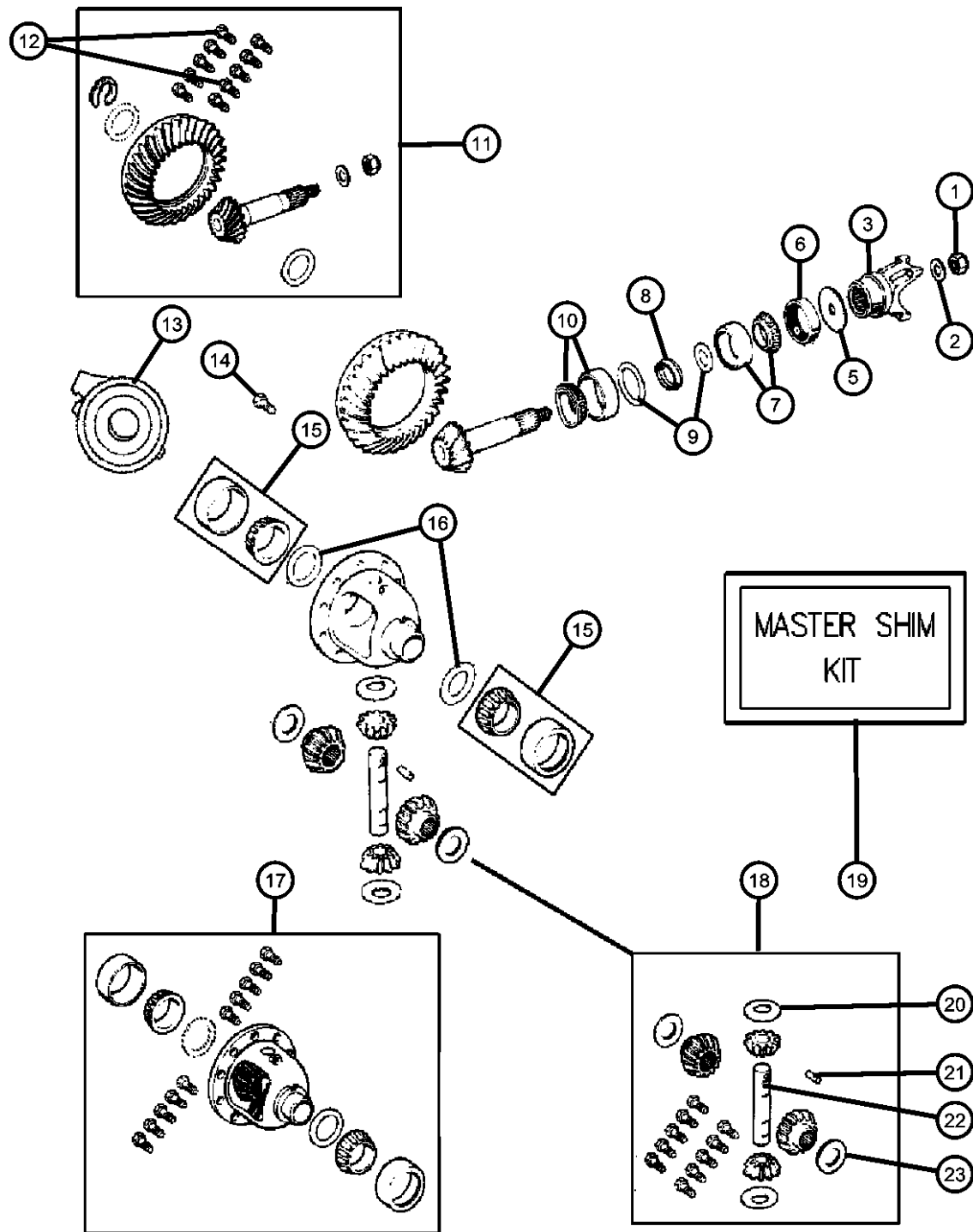
BODY
74 = 4 Door (105.9 WB)

ENGINE
ERH = ENGINE - 4.0L
POWER TECH I-6
EVA = ENGINE- 4.7L V8 MPI
EXA = ENGINE - 3.1L 5 CYL
TURBO DIESEL

TRANSMISSION
DG4 = TRANSMISSION-MULTI-
SPEED AUTO, 45RFE
DGW = TRANSMISSION - 4-SPD.
AUTOMATIC, 44RE
DGK = TRANSMISSION - 4-SPD.
AUTOMATIC, 42RE
DGO = ALL AUTOMATIC
TRANSMISSIONS

AR = use ase required - = Non illustrated part

Differential, Front Axle
Figure 2-610



| ITEM | PART NUMBER | QTY | LINE | SERIES | BODY | ENGINE | TRANS | TRIM | DESCRIPTION |
|------|-------------|-----|------|--------|------|--------|-------|------|--|
| 10 | J8126499 | 1 | J | | | | | | BEARING, Drive Pinion |
| | | 1 | U | | | | | | Bearing and Cup, Rear |
| 11 | 05012447AA | 1 | U | | | | | | Bearing and Cup, Rear |
| | | 1 | J | | | | | | GEAR KIT, Ring And Pinion |
| | | 1 | U | | | | | | [DME] |
| | 05012476AA | 1 | J | | | | | | [DME] |
| | 05014402AA | 1 | J | | | | | | [DMD] |
| | | 1 | J | | | | | | [DMT] |
| | | 1 | U | | | | | | [DMT] |
| 12 | | | | | | | | | BOLT KIT |
| | 04720891 | 1 | U | | | | | | Consists of 10-5252503 Screws |
| | | 1 | J | | | | | | Consists of 10-5252503 Screws |
| 13 | | | | | | | | | PLENUM, Differential |
| | 05012725AA | 1 | J | | | | | | [DSB] |
| | | 1 | U | | | | | | [DSB] |
| 14 | | | | | | | | | SCREW, Drive Gear |
| | 05252503 | 10 | J | | | | | | Mounting |
| | | 10 | U | | | | | | Mounting |
| 15 | | | | | | | | | BEARING, Differential |
| | J8126500 | 1 | U | | | | | | Consists of 2 Bearings and 2 Cups |
| | | 1 | J | | | | | | Consists of 2 Bearings and 2 Cups |
| 16 | | | | | | | | | SHIM, Differential Bearing, Replacement Individual DIFFERENTIAL Shims for Master Kit 5017134AA |
| | 05017218AA | 1 | J | | | | | | [.109'] |
| | | 1 | U | | | | | | [.109'] |
| | 05017219AA | 1 | J | | | | | | [.110'] |
| | | 1 | U | | | | | | [.110'] |
| | 05017220AA | 1 | J | | | | | | [.111'] |
| | | 1 | U | | | | | | [.111'] |
| | 05017221AA | 1 | J | | | | | | [.112'] |

GRAND CHEROKEE (WJ)

SERIES LINE
H = Laredo T = JEEP - 2WD
P = Limited J = JEEP - 4WD
U = JEEP - 4WD (RHD)

BODY
74 = 4 Door (105.9 WB)

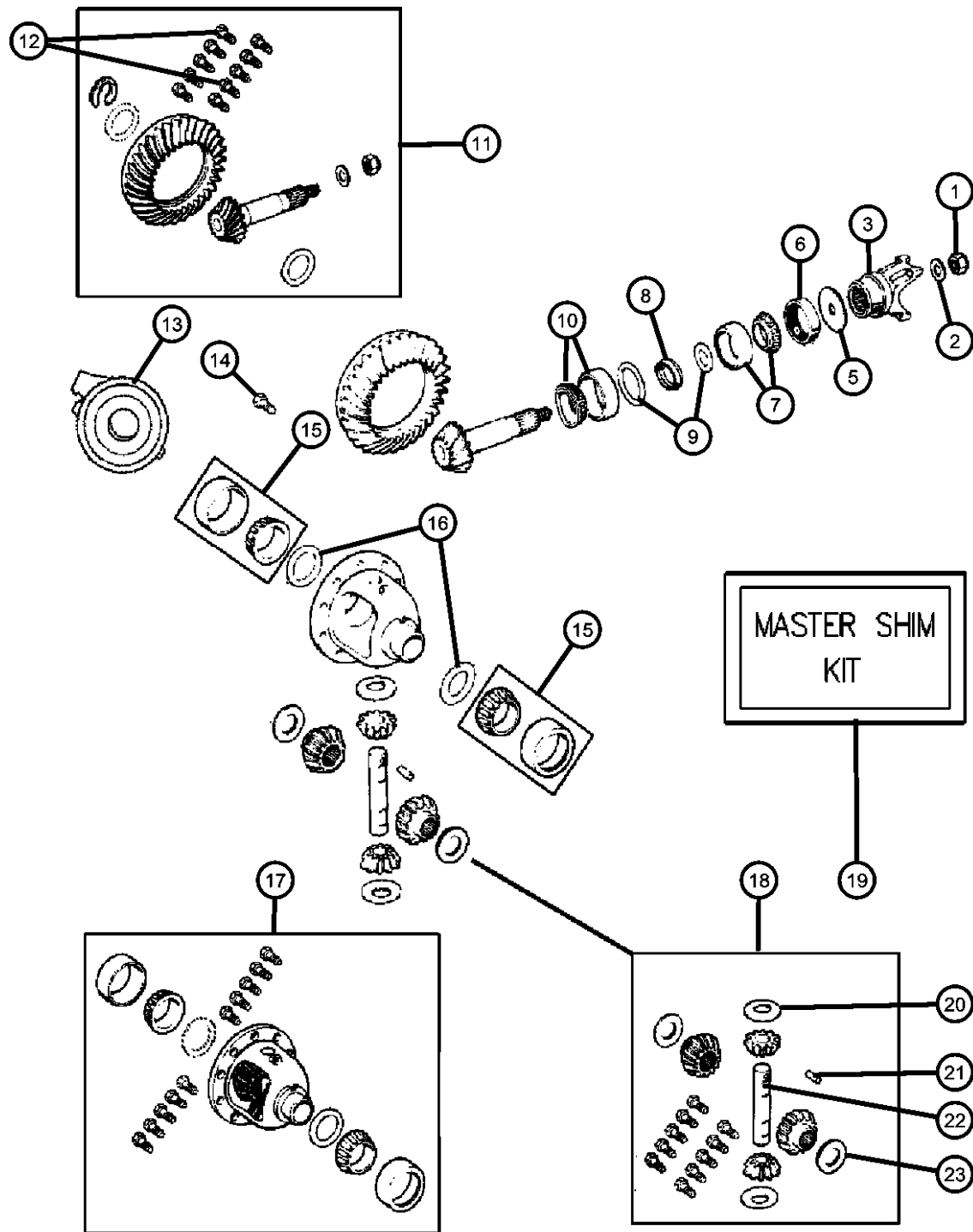
ENGINE
ERH = ENGINE - 4.0L POWER TECH I-6
EVA = ENGINE- 4.7L V8 MPI
EXA = ENGINE - 3.1L 5 CYL TURBO DIESEL

TRANSMISSION
DG4 = TRANSMISSION-MULTI-SPEED AUTO, 45RFE
DGW = TRANSMISSION - 4-SPD. AUTOMATIC, 44RE
DGK = TRANSMISSION - 4-SPD. AUTOMATIC, 42RE
DGO = ALL AUTOMATIC TRANSMISSIONS

AR = use ase required - = Non illustrated part

2000 WJ

Differential, Front Axle
Figure 2-610



| ITEM | PART NUMBER | QTY | LINE | SERIES | BODY | ENGINE | TRANS | TRIM | DESCRIPTION |
|------|-------------|-----|------|--------|------|--------|-------|------|-------------|
| | | 1 | U | | | | | | [.112'] |
| | 05017222AA | 1 | J | | | | | | [.113'] |
| | | 1 | U | | | | | | [.113'] |
| | 05017223AA | 1 | J | | | | | | [.114'] |
| | | 1 | U | | | | | | [.114'] |
| | 05017224AA | 1 | J | | | | | | [.115'] |
| | | 1 | U | | | | | | [.115'] |
| | 05017225AA | 1 | J | | | | | | [.116'] |
| | | 1 | U | | | | | | [.116'] |
| | 05017226AA | 1 | J | | | | | | [.117'] |
| | | 1 | U | | | | | | [.117'] |
| | 05017227AA | 1 | J | | | | | | [.118'] |
| | | 1 | U | | | | | | [.118'] |
| | 05017228AA | 1 | J | | | | | | [.119'] |
| | | 1 | U | | | | | | [.119'] |
| | 05017229AA | 1 | J | | | | | | [.120'] |
| | | 1 | U | | | | | | [.120'] |
| | 05017230AA | 1 | J | | | | | | [.121'] |
| | | 1 | U | | | | | | [.121'] |
| | 05017231AA | 1 | J | | | | | | [.122'] |
| | | 1 | U | | | | | | [.122'] |
| | 05017232AA | 1 | J | | | | | | [.123'] |
| | | 1 | U | | | | | | [.123'] |
| | 05017233AA | 1 | J | | | | | | [.124'] |
| | | 1 | U | | | | | | [.124'] |
| | 05017234AA | 1 | J | | | | | | [.125'] |
| | | 1 | U | | | | | | [.125'] |
| | 05017235AA | 1 | J | | | | | | [.126'] |
| | | 1 | U | | | | | | [.126'] |
| | 05017236AA | 1 | J | | | | | | [.127'] |
| | | 1 | U | | | | | | [.127'] |
| | 05017237AA | 1 | J | | | | | | [.128'] |

GRAND CHEROKEE (WJ)

SERIES LINE
 H = Laredo T = JEEP - 2WD
 P = Limited J = JEEP - 4WD
 U = JEEP - 4WD (RHD)

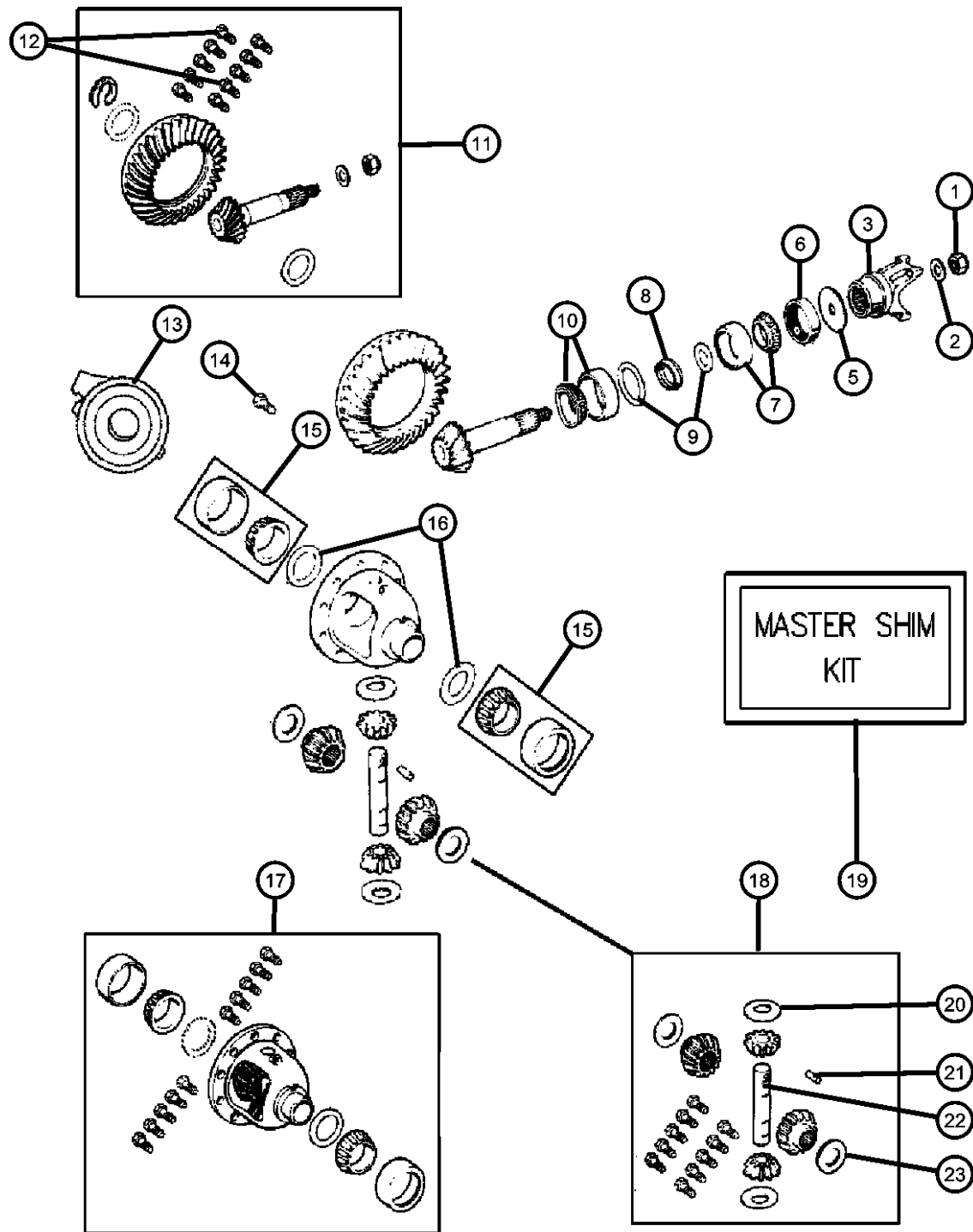
BODY
 74 = 4 Door (105.9 WB)

ENGINE
 ERH = ENGINE - 4.0L
 POWER TECH I-6
 EVA = ENGINE - 4.7L V8 MPI
 EXA = ENGINE - 3.1L 5 CYL
 TURBO DIESEL

TRANSMISSION
 DG4 = TRANSMISSION-MULTI-
 SPEED AUTO, 45RFE
 DGW = TRANSMISSION - 4-SPD.
 AUTOMATIC, 44RE
 DGK = TRANSMISSION - 4-SPD.
 AUTOMATIC, 42RE
 DGO = ALL AUTOMATIC
 TRANSMISSIONS

AR = use ase required - = Non illustrated part

Differential, Front Axle
Figure 2-610



| ITEM | PART NUMBER | QTY | LINE | SERIES | BODY | ENGINE | TRANS | TRIM | DESCRIPTION |
|------|-------------|-----|------|--------|------|--------|-------|------|-------------|
| | | 1 | U | | | | | | [.128'] |
| | 05017238AA | 1 | J | | | | | | [.129'] |
| | | 1 | U | | | | | | [.129'] |
| | 05017239AA | 1 | J | | | | | | [.130'] |
| | | 1 | U | | | | | | [.130'] |
| | 05017240AA | 1 | J | | | | | | [.131'] |
| | | 1 | U | | | | | | [.131'] |
| | 05017241AA | 1 | J | | | | | | [.132'] |
| | | 1 | U | | | | | | [.132'] |
| | 05017242AA | 1 | J | | | | | | [.133'] |
| | | 1 | U | | | | | | [.133'] |
| | 05017243AA | 1 | J | | | | | | [.134'] |
| | | 1 | U | | | | | | [.134'] |
| | 05017244AA | 1 | J | | | | | | [.135'] |
| | | 1 | U | | | | | | [.135'] |
| | 05017245AA | 1 | J | | | | | | [.136'] |
| | | 1 | U | | | | | | [.136'] |
| | 05017246AA | 1 | J | | | | | | [.137'] |
| | | 1 | U | | | | | | [.137'] |
| | 05017247AA | 1 | J | | | | | | [.138'] |
| | | 1 | U | | | | | | [.138'] |
| | 05017248AA | 1 | J | | | | | | [.139'] |
| | | 1 | U | | | | | | [.139'] |
| | 05017249AA | 1 | J | | | | | | [.140'] |
| | | 1 | U | | | | | | [.140'] |
| | 05017250AA | 1 | J | | | | | | [.141'] |
| | | 1 | U | | | | | | [.141'] |
| | 05017251AA | 1 | J | | | | | | [.142'] |
| | | 1 | U | | | | | | [.142'] |
| | 05017252AA | 1 | J | | | | | | [.143'] |
| | | 1 | U | | | | | | [.143'] |
| | 05017253AA | 1 | J | | | | | | [.144'] |

GRAND CHEROKEE (WJ)

SERIES LINE
 H = Laredo T = JEEP - 2WD
 P = Limited J = JEEP - 4WD
 U = JEEP - 4WD (RHD)

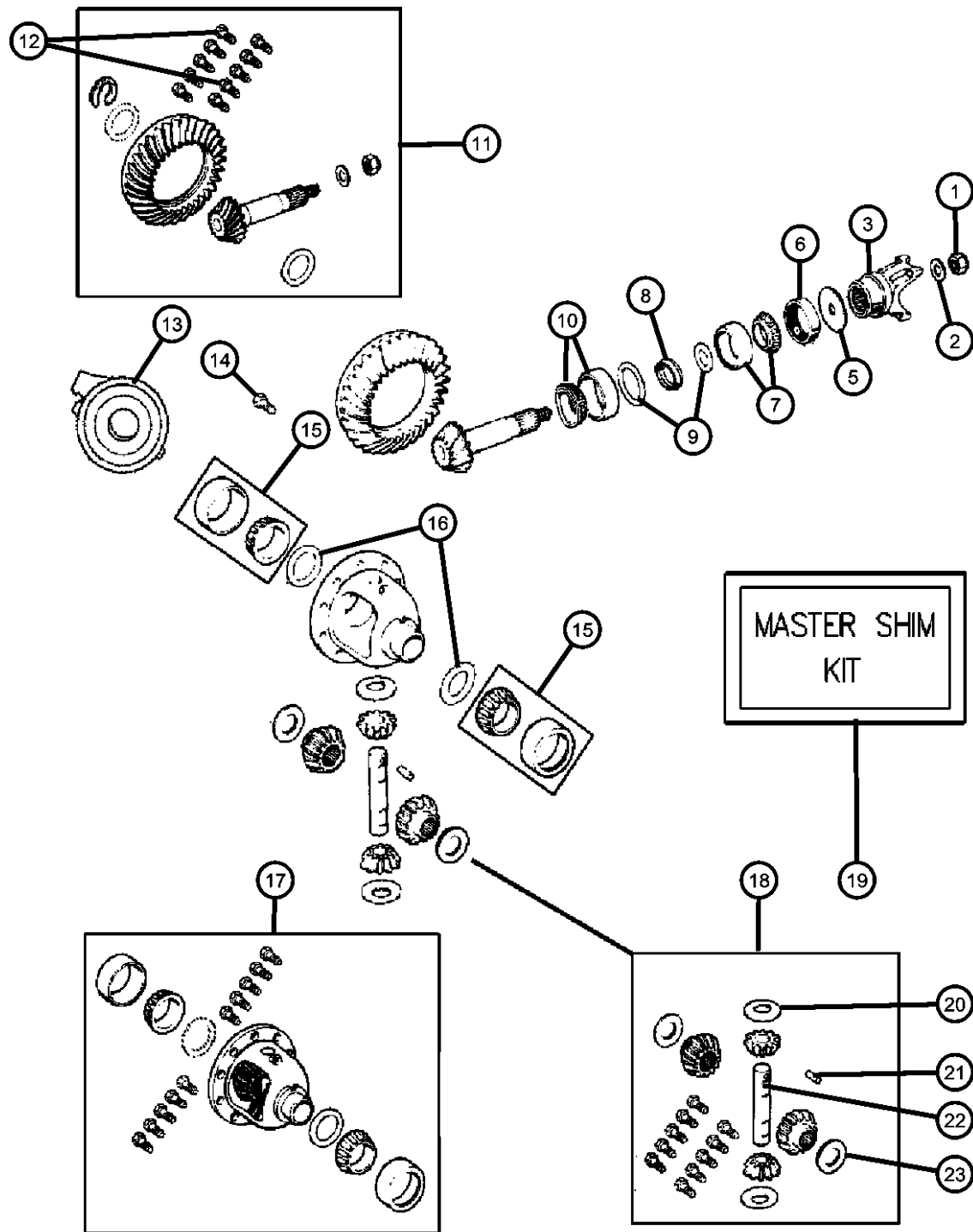
BODY
 74 = 4 Door (105.9 WB)

ENGINE
 ERH = ENGINE - 4.0L
 POWER TECH I-6
 EVA = ENGINE- 4.7L V8 MPI
 EXA = ENGINE - 3.1L 5 CYL
 TURBO DIESEL

TRANSMISSION
 DG4 = TRANSMISSION-MULTI-
 SPEED AUTO, 45RFE
 DGW = TRANSMISSION - 4-SPD.
 AUTOMATIC,44RE
 DGK = TRANSMISSION - 4-SPD.
 AUTOMATIC,42RE
 DGO = ALL AUTOMATIC
 TRANSMISSIONS

AR = use ase required - = Non illustrated part

Differential, Front Axle
Figure 2-610



| ITEM | PART NUMBER | QTY | LINE | SERIES | BODY | ENGINE | TRANS | TRIM | DESCRIPTION |
|------|-------------|-----|------|--------|------|--------|-------|------|---|
| | | 1 | U | | | | | | [.144'] |
| | 05017254AA | 1 | J | | | | | | [.145'] |
| | | 1 | U | | | | | | [.145'] |
| | 05017255AA | 1 | J | | | | | | [.146'] |
| | | 1 | U | | | | | | [.146'] |
| | 05017256AA | 1 | J | | | | | | [.147'] |
| | | 1 | U | | | | | | [.147'] |
| | 05017257AA | 1 | J | | | | | | [.148'] |
| | | 1 | U | | | | | | [.148'] |
| 17 | | | | | | | | | CASE, Differential |
| | 05012477AA | 1 | J | | | | | | [DMD] With Internal Parts |
| | 05012519AA | 1 | J | | | | | | [DME,DMT,DSB] With Internal Parts |
| | | 1 | U | | | | | | [DME,DMT,DSB] With Internal Parts |
| | 05252590 | 1 | J | | | | | | [DME,DMT] With Internal Parts |
| | | 1 | U | | | | | | [DME,DMT] With Internal Parts |
| 18 | | | | | | | | | GEAR KIT, Center Differential |
| | 05252591 | 1 | U | | | | | | Without [DSB] |
| | | 1 | J | | | | | | Without [DSB] |
| 19 | | | | | | | | | SHIM KIT, Differential, Master Shim Kit for the Complete Differential including All PINION Shims and all DIFFERENTIAL Shims. |
| | 05017134AA | 1 | J | | | | | | Master Shim Kit, Pinion and Differential-Contains 25 Pinion Shims in .001' increments from .048' to .072' and 45 Differential Case Shims from .109' to .153'. The Kit comes in a plastic box. |
| | | 1 | U | | | | | | Master Shim Kit, Pinion and Differential-Contains 25 Pinion Shims in .001' increments from .048' to .072' and 45 Differential Case Shims from .109' to .153'. The Kit comes in a plastic box. |
| 20 | | | | | | | | | WASHER, Pinion Gear |

GRAND CHEROKEE (WJ)

SERIES
H = Laredo
P = Limited

LINE
T = JEEP - 2WD
J = JEEP - 4WD
U = JEEP - 4WD (RHD)

BODY
74 = 4 Door (105.9 WB)

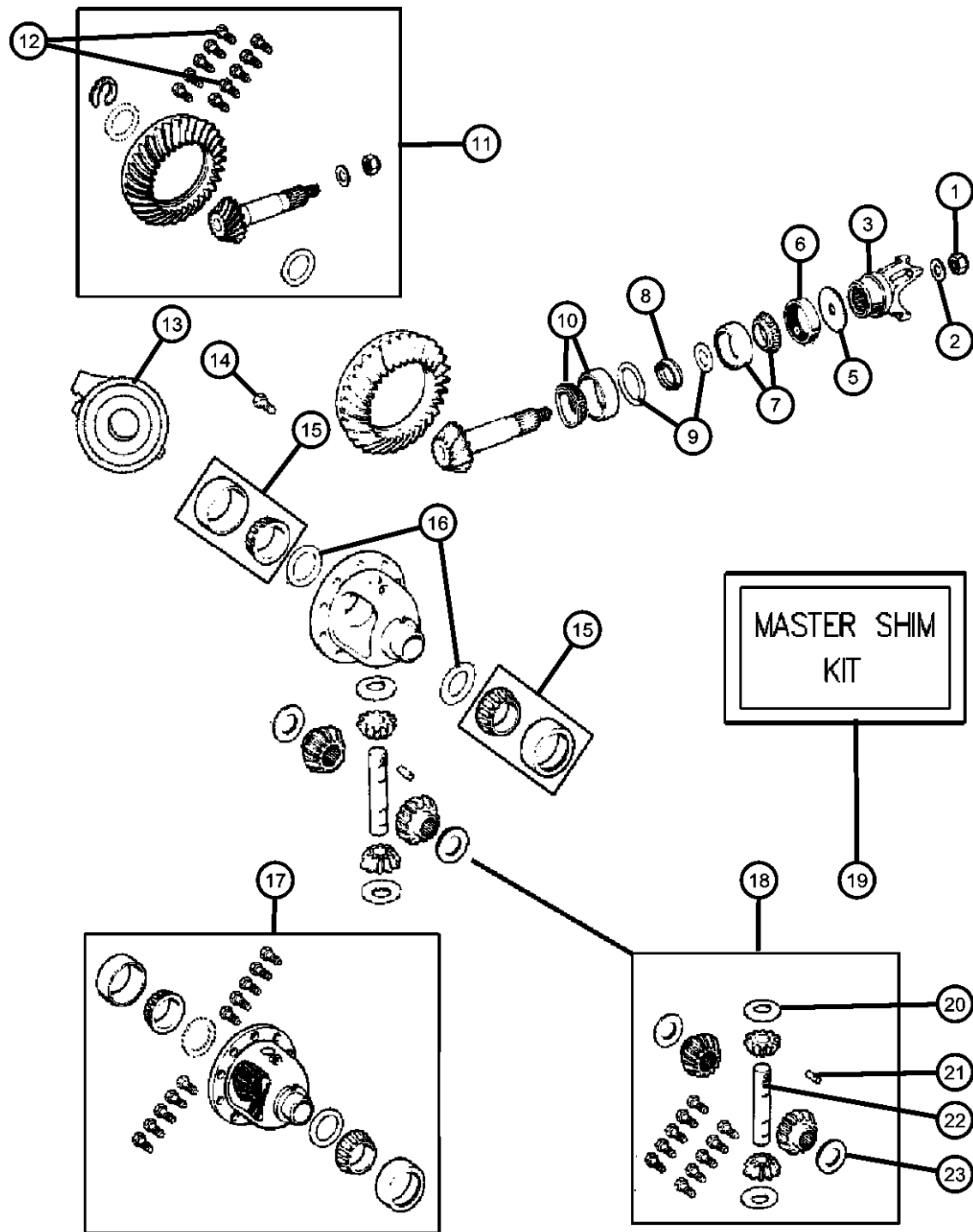
ENGINE
ERH = ENGINE - 4.0L POWER TECH I-6
EVA = ENGINE - 4.7L V8 MPI
EXA = ENGINE - 3.1L 5 CYL TURBO DIESEL

TRANSMISSION
DG4 = TRANSMISSION-MULTI-SPEED AUTO, 45RFE
DGW = TRANSMISSION - 4-SPD. AUTOMATIC, 44RE
DGK = TRANSMISSION - 4-SPD. AUTOMATIC, 42RE
DGO = ALL AUTOMATIC TRANSMISSIONS

AR = use ase required - = Non illustrated part

2000 WJ

Differential, Front Axle
Figure 2-610



| ITEM | PART NUMBER | QTY | LINE | SERIES | BODY | ENGINE | TRANS | TRIM | DESCRIPTION |
|------|-------------|-----|------|--------|------|--------|-------|------|-------------------------|
| | J8120831 | 2 | J | | | | | | Without [DSB], Thrust |
| | | 2 | U | | | | | | Without [DSB], Thrust |
| 21 | 01791563 | 1 | U | | | | | | PIN, Differential Shaft |
| | | 1 | J | | | | | | Without [DSB] |
| 22 | 05003840AA | 1 | J | | | | | | SHAFT, Differential |
| | | 1 | U | | | | | | Without [DSB] |
| 23 | J8133724 | 2 | J | | | | | | WASHER, Side Gear |
| | | 2 | U | | | | | | Without [DSB], Thrust |

GRAND CHEROKEE (WJ)

SERIES
H = Laredo
P = Limited

LINE
T = JEEP - 2WD
J = JEEP - 4WD
U = JEEP - 4WD (RHD)

BODY
74 = 4 Door (105.9 WB)

ENGINE
ERH = ENGINE - 4.0L
POWER TECH I-6
EVA = ENGINE- 4.7L V8 MPI
EXA = ENGINE - 3.1L 5 CYL
TURBO DIESEL

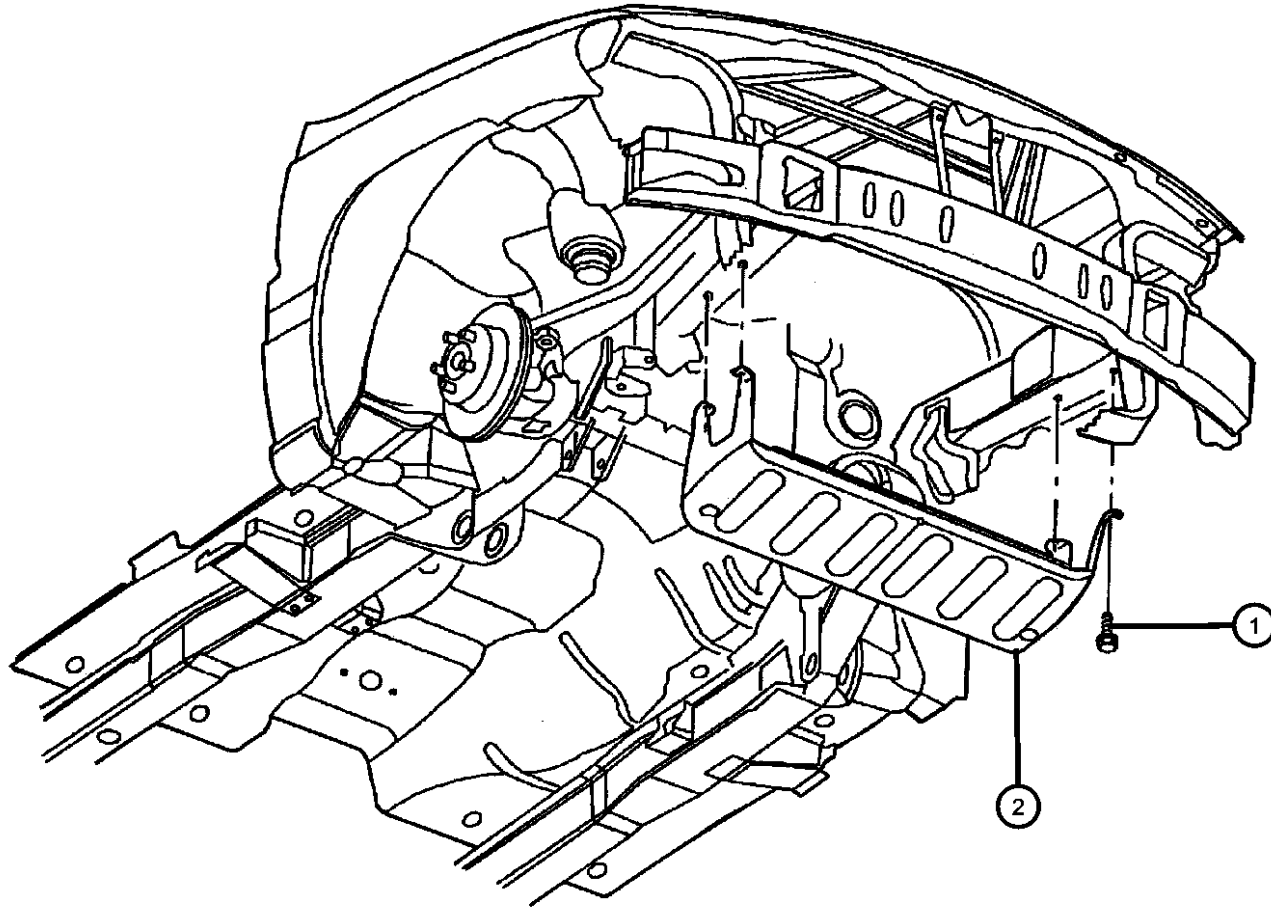
TRANSMISSION
DG4 = TRANSMISSION-MULTI-
SPEED AUTO, 45RFE
DGW = TRANSMISSION - 4-SPD.
AUTOMATIC, 44RE
DGK = TRANSMISSION - 4-SPD.
AUTOMATIC, 42RE
DGO = ALL AUTOMATIC
TRANSMISSIONS

AR = use ase required - = Non illustrated part

2000 WJ

**Skid Plate, Front Axle
Figure 2-810**

| ITEM | PART NUMBER | QTY | LINE | SERIES | BODY | ENGINE | TRANS | TRIM | DESCRIPTION |
|--|-------------|-----|------|--------|------|----------|-------|------|--|
| NOTES:ERO =4.0L 6Cyl Gas Engine— EVO =4.7L Engine Gas Engine—E XO =3.0/3.1L Turbo Diesel Engine—J=Left Hand Drive—U=Right Hand Drive | | | | | | | | | |
| 1 | 06505961AA | 4 | J, U | | | | | | SCREW AND WASHER, Hex Head, M10x1.5x40 |
| 2 | | | | | | | | | SKID PLATE, Front |
| | 52058923 | 1 | J, U | | | ERO, EVO | | | |
| | 52059165AA | 1 | J, U | | | EX0 | | | |



GRAND CHEROKEE (WJ)

| | | | | |
|-------------|----------------------|------------------------|--|--|
| SERIES | LINE | BODY | ENGINE | TRANSMISSION |
| H = Laredo | T = JEEP - 2WD | 74 = 4 Door (105.9 WB) | ERH = ENGINE - 4.0L POWER TECH I-6 | DG4 = TRANSMISSION-MULTI-SPEED AUTO, 45RFE |
| P = Limited | J = JEEP - 4WD | | EVA = ENGINE- 4.7L V8 MPI | DGW = TRANSMISSION - 4-SPD. AUTOMATIC,44RE |
| | U = JEEP - 4WD (RHD) | | EXA = ENGINE - 3.1L 5 CYL TURBO DIESEL | DGK = TRANSMISSION - 4-SPD. AUTOMATIC,42RE |
| | | | | DGO = ALL AUTOMATIC TRANSMISSIONS |

AR = use ase required - = Non illustrated part

2000 WJ

Group - 3

Rear Axle

Group - 3 Rear Axle

Illustration Title

Group-Fig. No.

Rear Axle

Axle Assembly,Rear,Dana 35C/194MM [DRM] and Dana 44/226M [DRK] Fig. 3 - 110

Differential and Housing

Housing,Rear Axle,Dana 35C/194MM [DRM]..... Fig. 3 - 210

Housing,Rear Axle,Dana 44/226MM [DRK]..... Fig. 3 - 220

Differential,With and Without Trac-Lok [DSA] Dana M35/194MM [DRM] Fig. 3 - 230

Differential,Without Trac-Lok [DSA],Dana 44/226MM [DRK] Fig. 3 - 240

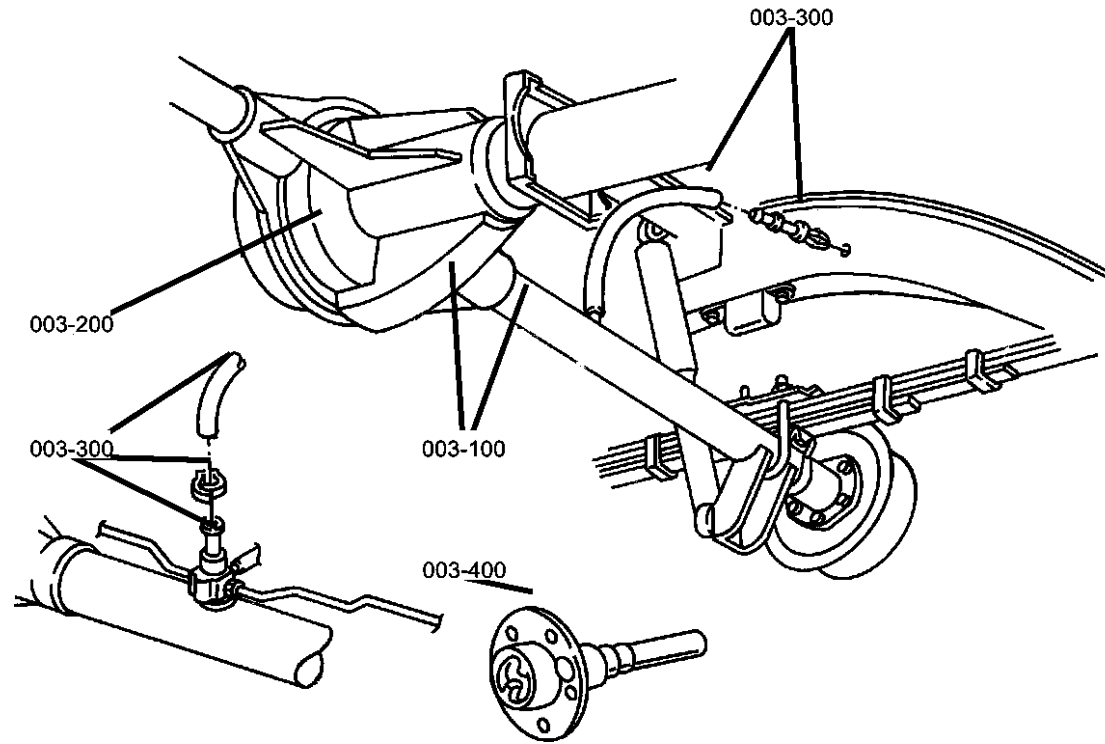
Differential,With Trac-Lok [DSA] or Vari-Lok Progressive [DSC],Dana Model 44/226MM [DRK] Fig. 3 - 250

Rear Axle Vent

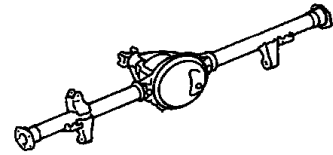
Rear Axle Vent Fig. 3 - 310

Rear Axle Shafts

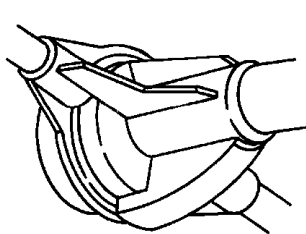
Shaft,Rear Axle..... Fig. 3 - 410



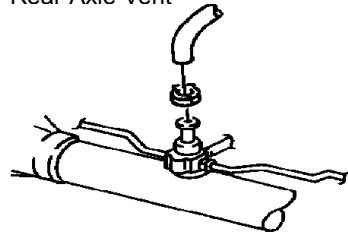
003-100
Rear Axle



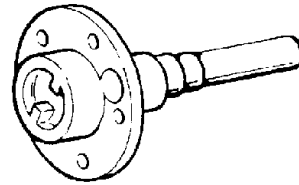
003-200
Differential and Housing



003-300
Rear Axle Vent



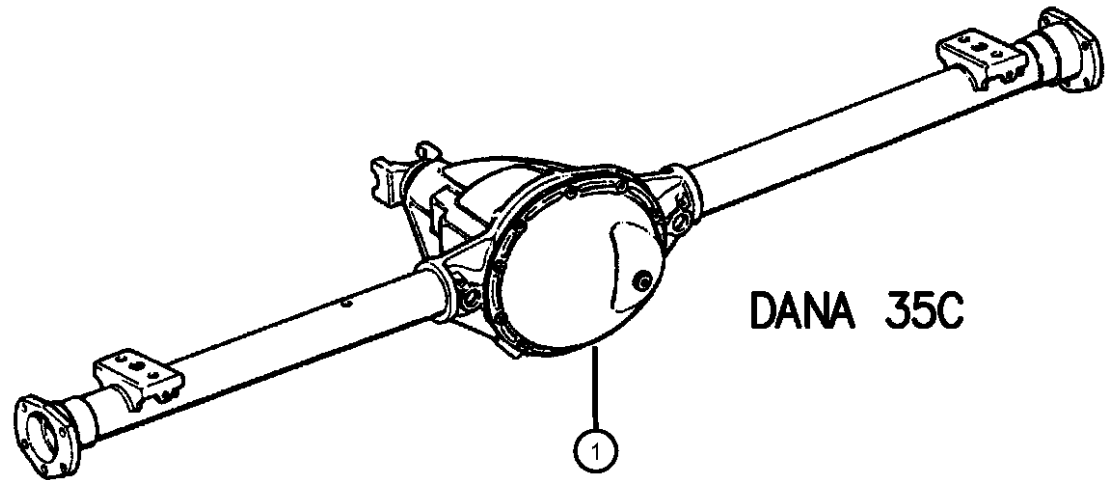
003-400
Rear Axle Shafts



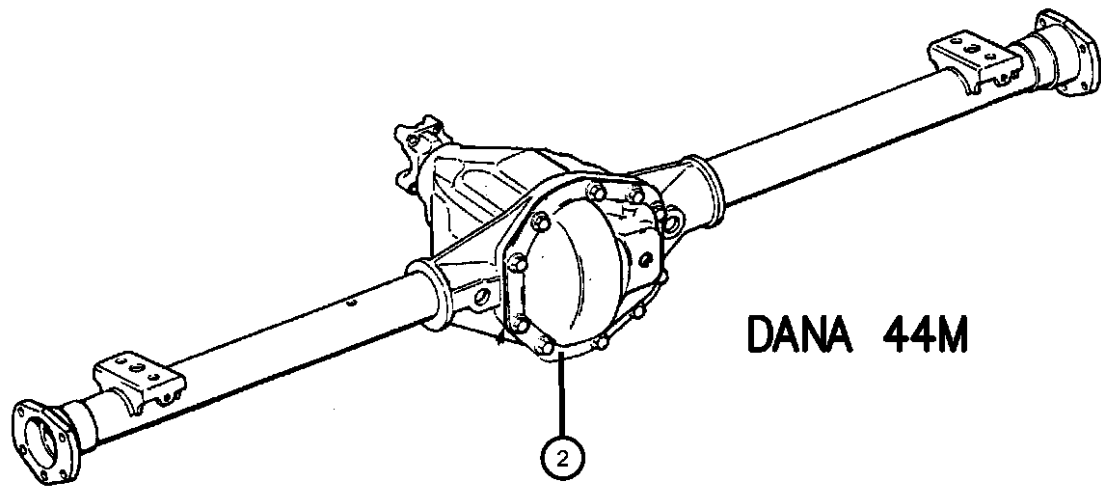
**Axle Assembly,Rear,Dana 35C/194MM [DRM] and Dana 44/226M [DRK]
Figure 3-110**

| ITEM | PART NUMBER | QTY | LINE | SERIES | BODY | ENGINE | TRANS | TRIM | DESCRIPTION |
|------|-------------|-----|------|--------|------|--------|-------|------|-------------|
|------|-------------|-----|------|--------|------|--------|-------|------|-------------|

Note:Sales Codes;
 [DMD]=Axle Ratio - 3.55
 [DME]=Axle Ratio - 3.73
 [DRK]=Axle - Rear,Dana 44/226MM
 [DRM]=Axle - Rear,Dana 35C/194MM
 [DSA]=Axle - Trac-Lok Differential
 [DSC]=Axles - Vari-Lok Progressive



DANA 35C



DANA 44M

| | | | | | | | | | |
|---|------------|---|--|--|--|--|--|--|---------------------------------------|
| 1 | | | | | | | | | AXLE, Service Rear |
| | 05012812AA | 1 | | | | | | | [DRM,DME] withTag# 52099430AC |
| | 05012829AA | 1 | | | | | | | [DRM,DMD] withTag# 52099433AC |
| | 05012832AA | 1 | | | | | | | [DRM,DME,DSA] with Tag# 52111996AC |
| 2 | | | | | | | | | AXLE, Service Rear |
| | 05012843AA | 1 | | | | | | | [DRK,DME] withTag# 52099429AC |
| | 05012853AA | 1 | | | | | | | [DRK,DME,DSA] withTag# 52111995AC |
| | 05012868AA | 1 | | | | | | | [DRK,DME,DSC] withTag# 52099426AC |
| | 05014364AA | 1 | | | | | | | [DRK,DMT,DSC] withTag# 52111202AB |
| | 05015075AA | 1 | | | | | | | [DRK,DMT] with Tag# 52111203AA |

GRAND CHEROKEE (WJ)

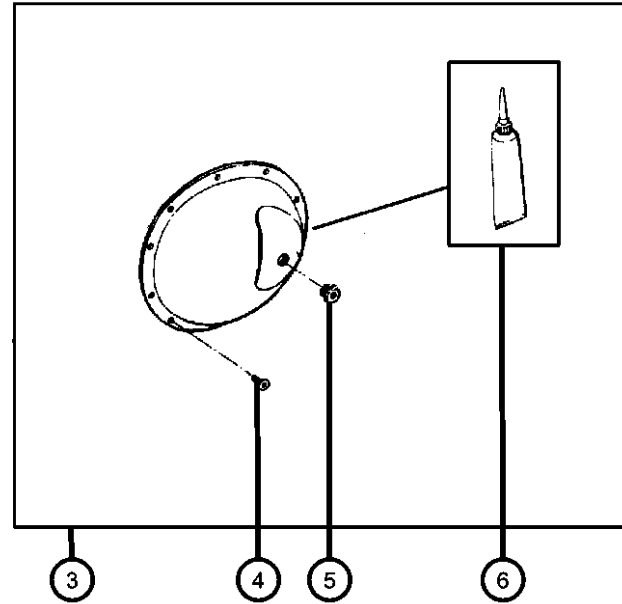
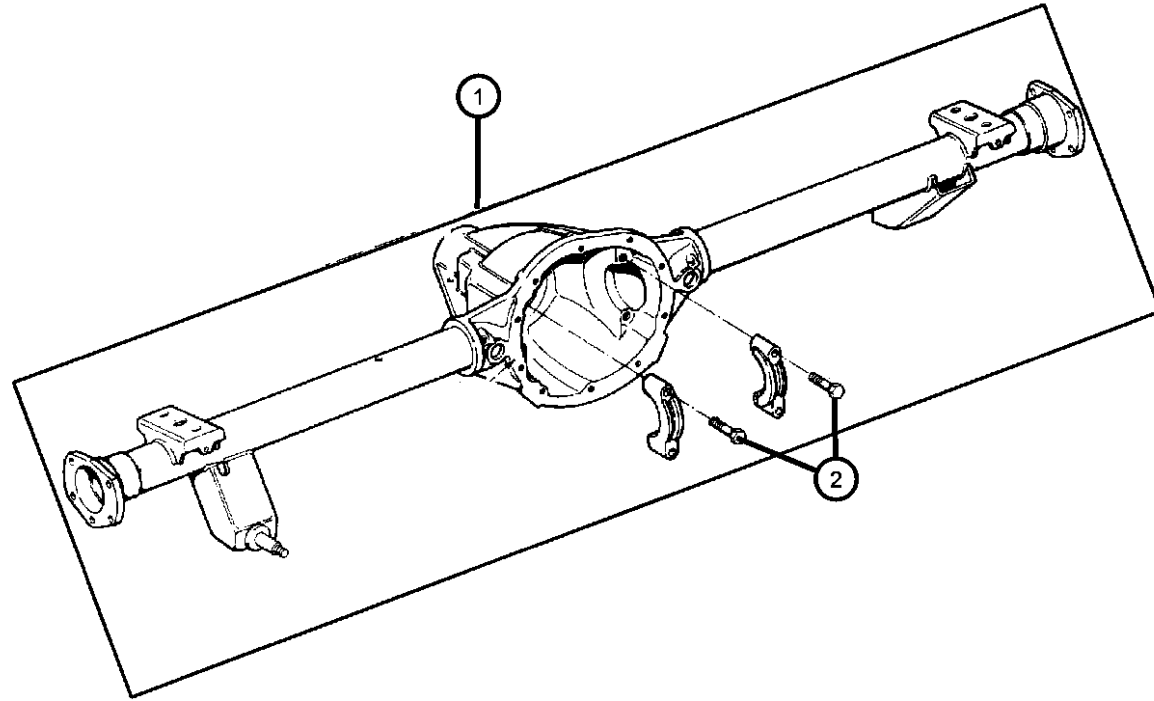
| SERIES | LINE | BODY | ENGINE | TRANSMISSION |
|-------------|----------------------|------------------------|---|--|
| H = Laredo | T = JEEP - 2WD | 74 = 4 Door (105.9 WB) | ERH = ENGINE - 4.0L POWER TECH I-6 | DG4 = TRANSMISSION-MULTI- SPEED AUTO, 45RFE |
| P = Limited | J = JEEP - 4WD | | EVA = ENGINE- 4.7L V8 MPI | DGW = TRANSMISSION - 4-SPD. AUTOMATIC,44RE |
| | U = JEEP - 4WD (RHD) | | EXA = ENGINE - 3.1L 5 CYL TURBO DIESEL | DGK = TRANSMISSION - 4-SPD. AUTOMATIC,42RE |
| | | | | DGO = ALL AUTOMATIC TRANSMISSIONS |

AR = use ase required - = Non illustrated part

2000 WJ

Housing,Rear Axle,Dana 35C/194MM [DRM]
Figure 3-210

| ITEM | PART NUMBER | QTY | LINE | SERIES | BODY | ENGINE | TRANS | TRIM | DESCRIPTION |
|------|-------------|-----|------|--------|------|--------|-------|------|---|
| 1 | 05012805AA | 1 | | | | | | | HOUSING, Axle |
| 2 | 04897482AB | 4 | | | | | | | BOLT, Differential, Carrier Cap, Mounting |
| 3 | 05012811AA | 1 | | | | | | | COVER, Differential |
| 4 | J4006708 | 10 | | | | | | | SCREW, Pan Head, .312-18x.56 |
| 5 | 05252504 | 1 | | | | | | | PLUG, Differential Cover |
| 6 | 05010884AA | 1 | | | | | | | SEALANT, RTV |



GRAND CHEROKEE (WJ)

SERIES
H = Laredo
P = Limited

LINE
T = JEEP - 2WD
J = JEEP - 4WD
U = JEEP - 4WD (RHD)

BODY
74 = 4 Door (105.9 WB)

ENGINE
ERH = ENGINE - 4.0L
POWER TECH I-6
EVA = ENGINE- 4.7L V8 MPI
EXA = ENGINE - 3.1L 5 CYL
TURBO DIESEL

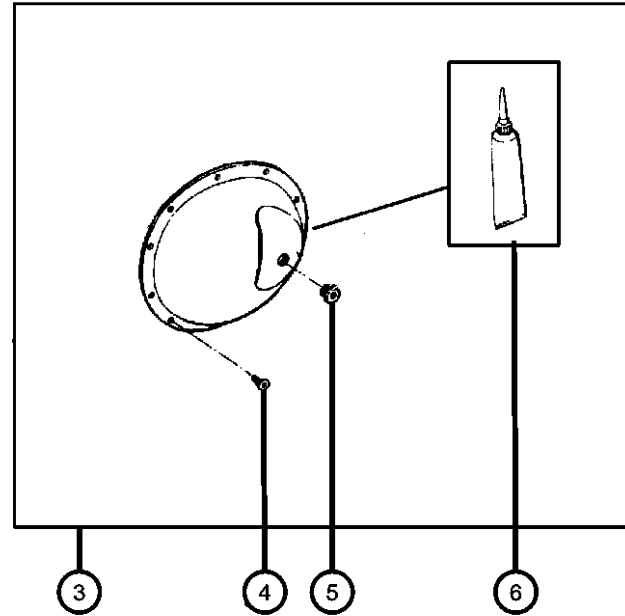
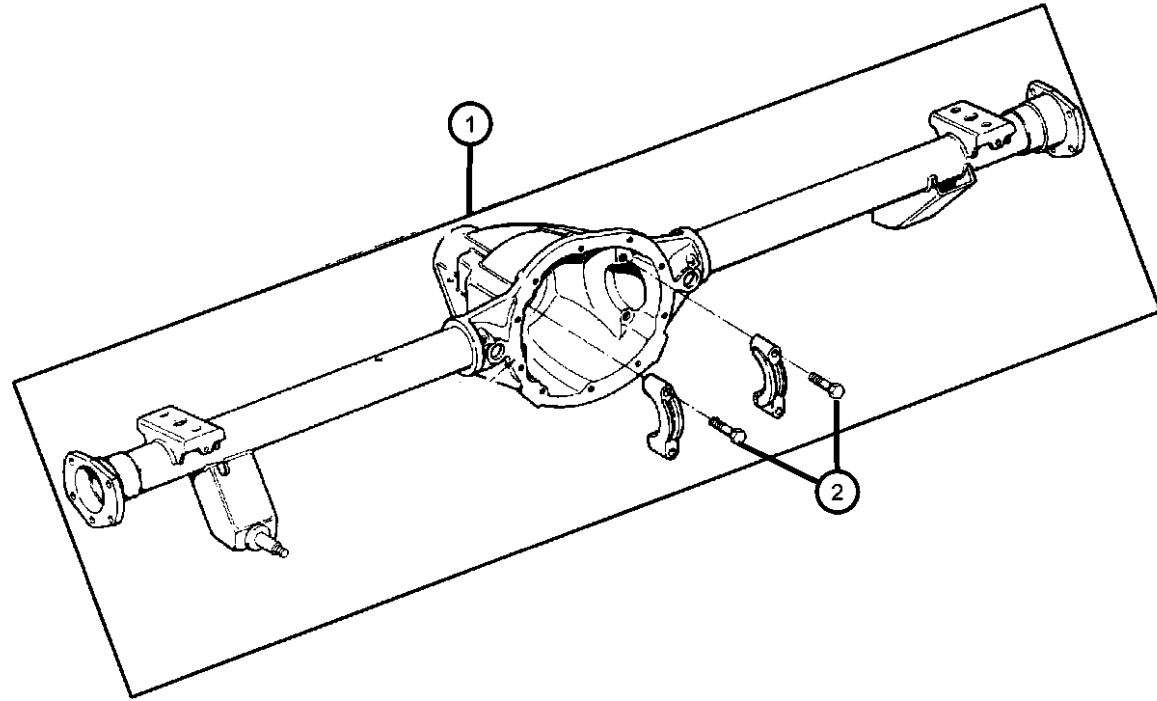
TRANSMISSION
DG4 = TRANSMISSION-MULTI-
SPEED AUTO, 45RFE
DGW = TRANSMISSION - 4-SPD.
AUTOMATIC,44RE
DGK = TRANSMISSION - 4-SPD.
AUTOMATIC,42RE
DGO = ALL AUTOMATIC
TRANSMISSIONS

AR = use ase required - = Non illustrated part

2000 WJ

Housing,Rear Axle,Dana 44/226MM [DRK]
Figure 3-220

| ITEM | PART NUMBER | QTY | LINE | SERIES | BODY | ENGINE | TRANS | TRIM | DESCRIPTION |
|------|-------------|-----|------|--------|------|--------|-------|------|--|
| 1 | 05012837AA | 1 | | | | | | | HOUSING, Axle |
| 2 | 05012879AA | 4 | | | | | | | BOLT, Differential, Carrier Cap, Mounting |
| 3 | 05012842AA | 1 | | | | | | | COVER, Differential |
| 4 | J4006708 | 10 | | | | | | | SCREW, Pan Head, .312-18x.56, Differential Cover, Mounting |
| 5 | 05252504 | 1 | | | | | | | PLUG, Differential Cover |
| 6 | 05010884AA | 1 | | | | | | | SEALANT, RTV |



GRAND CHEROKEE (WJ)

SERIES
H = Laredo
P = Limited

LINE
T = JEEP - 2WD
J = JEEP - 4WD
U = JEEP - 4WD (RHD)

BODY
74 = 4 Door (105.9 WB)

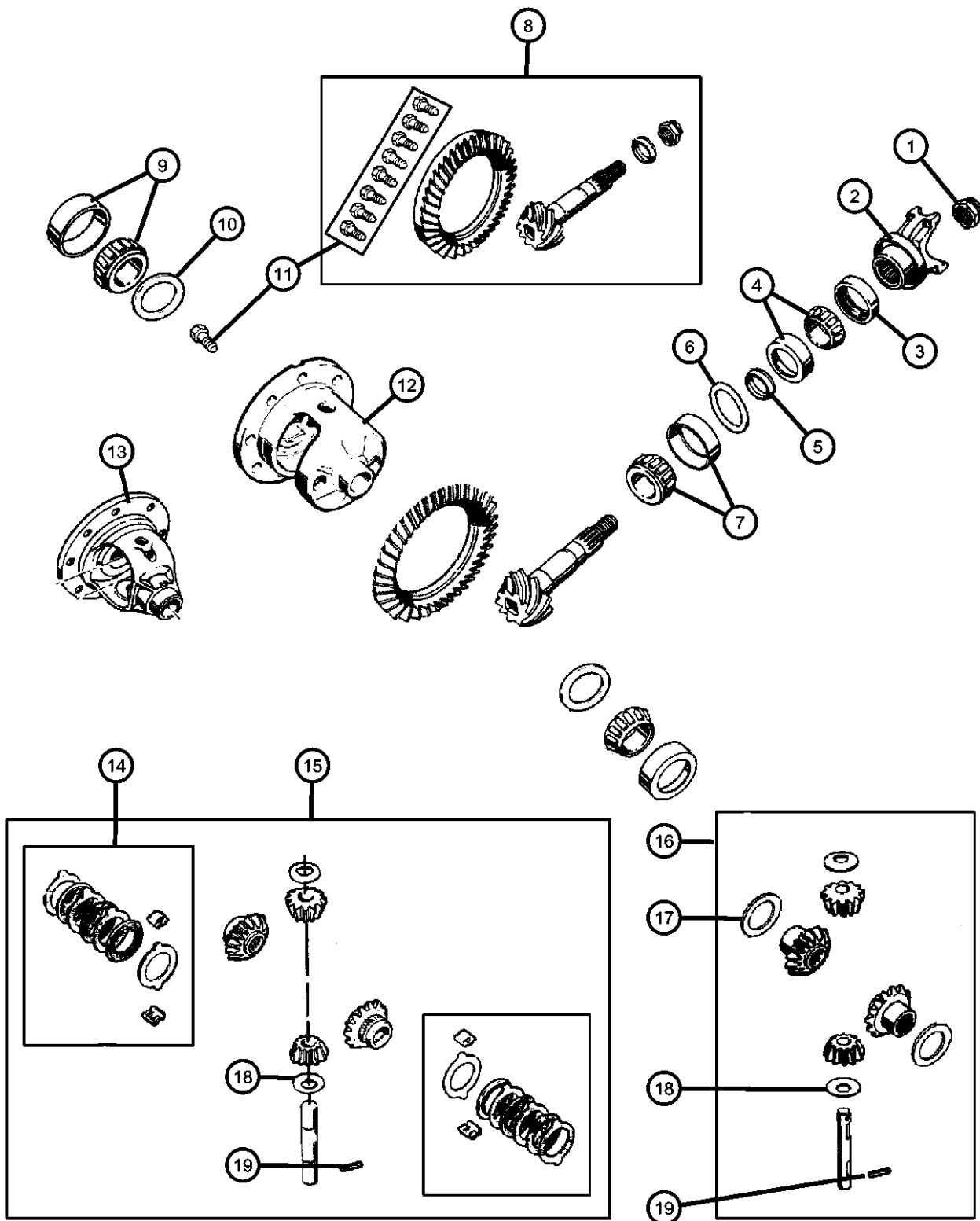
ENGINE
ERH = ENGINE - 4.0L
POWER TECH I-6
EVA = ENGINE- 4.7L V8 MPI
EXA = ENGINE - 3.1L 5 CYL
TURBO DIESEL

TRANSMISSION
DG4 = TRANSMISSION-MULTI-
SPEED AUTO, 45RFE
DGW = TRANSMISSION - 4-SPD.
AUTOMATIC,44RE
DGK = TRANSMISSION - 4-SPD.
AUTOMATIC,42RE
DGO = ALL AUTOMATIC
TRANSMISSIONS

AR = use ase required - = Non illustrated part

2000 WJ

Differential, With and Without Trac-Lok [DSA] Dana M35/194MM [DRM]
Figure 3-230



| ITEM | PART NUMBER | QTY | LINE | SERIES | BODY | ENGINE | TRANS | TRIM | DESCRIPTION |
|------|-------------|-----|------|--------|------|--------|-------|------|-------------|
|------|-------------|-----|------|--------|------|--------|-------|------|-------------|

Note: Sales Codes;
 [DMD]=Axle Ratio 0.355
 [DME]=Axle Ratio - 3.73
 [DRM]=Axle - Rear, Dana 35/194MM
 [DSA]=Axle - Anti-Spin Differential

| | | | | | | | | | |
|----|------------|---|--|--|--|--|--|--|--|
| 1 | 04720895 | 1 | | | | | | | NUT, Pinion Yoke |
| 2 | 05012806AA | 1 | | | | | | | YOKE, Axle |
| 3 | 05012813AA | 1 | | | | | | | SEAL, Drive Pinion |
| 4 | 05252508 | 1 | | | | | | | BEARING, Drive Pinion, Bearing and Cup, Front |
| 5 | 05012809AA | 1 | | | | | | | SPACER, Drive Pinion Bearing, Crush |
| 6 | 04720922 | 1 | | | | | | | SHIM KIT, Pinion Shaft |
| 7 | 05252507 | 1 | | | | | | | BEARING, Drive Pinion, Bearing and Cup, Rear |
| 8 | | | | | | | | | GEAR KIT, Ring And Pinion |
| | 05012807AB | 1 | | | | | | | [DME] |
| | 05012828AB | 1 | | | | | | | [DMD] |
| 9 | J8126500 | 1 | | | | | | | BEARING, Differential, Consists of 2 Bearings and 2 Cups |
| 10 | 83503004 | 1 | | | | | | | SHIM KIT, Differential |
| 11 | 05012810AA | 1 | | | | | | | BOLT KIT |
| 12 | 05012831AA | 1 | | | | | | | CASE, Differential, [DME, DSA] With Internal Parts |
| 13 | 05012808AB | 1 | | | | | | | CASE, Differential, [DMD, DME] With Internal Parts |
| 14 | 05252506 | 1 | | | | | | | DISC AND PLATE KIT, Differential, With [DSA] |
| 15 | 04773010 | 1 | | | | | | | GEAR KIT, Center Differential, With [DSA] |
| 16 | 04740670 | 1 | | | | | | | GEAR KIT, Center Differential, Without [DSA] |
| 17 | J8120832 | 2 | | | | | | | WASHER, Side Gear, Without [DSA], Thrust |
| 18 | J8120831 | 2 | | | | | | | WASHER, Pinion Gear, With or Without [DSA], Thrust |
| 19 | 05252502 | 1 | | | | | | | PIN, Differential Shaft, With or Without [DSA] |

GRAND CHEROKEE (WJ)

SERIES LINE
 H = Laredo T = JEEP - 2WD
 P = Limited J = JEEP - 4WD
 U = JEEP - 4WD (RHD)

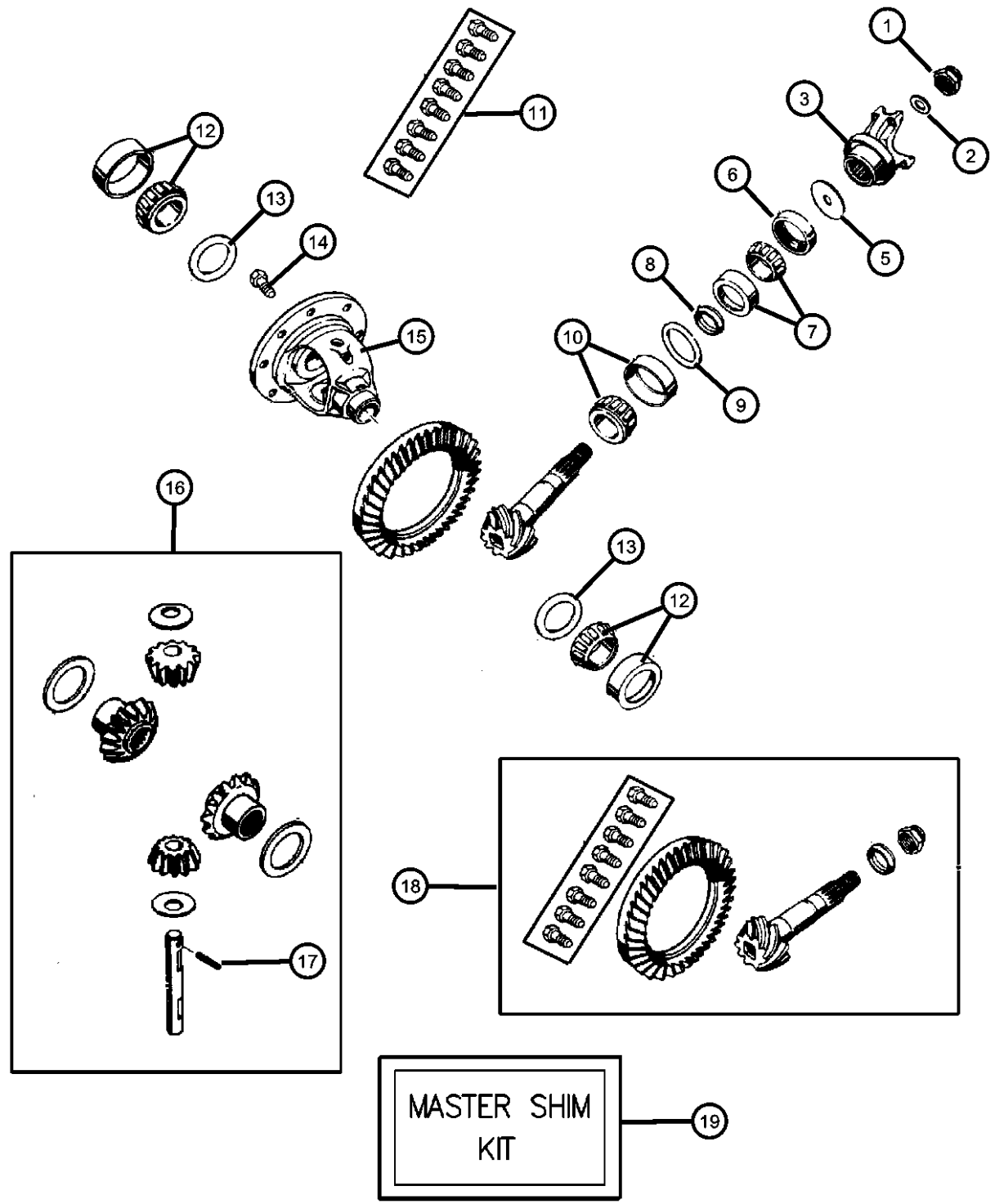
BODY
 74 = 4 Door (105.9 WB)

ENGINE
 ERH = ENGINE - 4.0L POWER TECH I-6
 EVA = ENGINE - 4.7L V8 MPI
 EXA = ENGINE - 3.1L 5 CYL TURBO DIESEL

TRANSMISSION
 DG4 = TRANSMISSION-MULTI-SPEED AUTO, 45RFE
 DGW = TRANSMISSION - 4-SPD. AUTOMATIC, 44RE
 DGK = TRANSMISSION - 4-SPD. AUTOMATIC, 42RE
 DGO = ALL AUTOMATIC TRANSMISSIONS

AR = use ase required - = Non illustrated part

**Differential,Without Trac-Lok [DSA],Dana 44/226MM [DRK]
Figure 3-240**

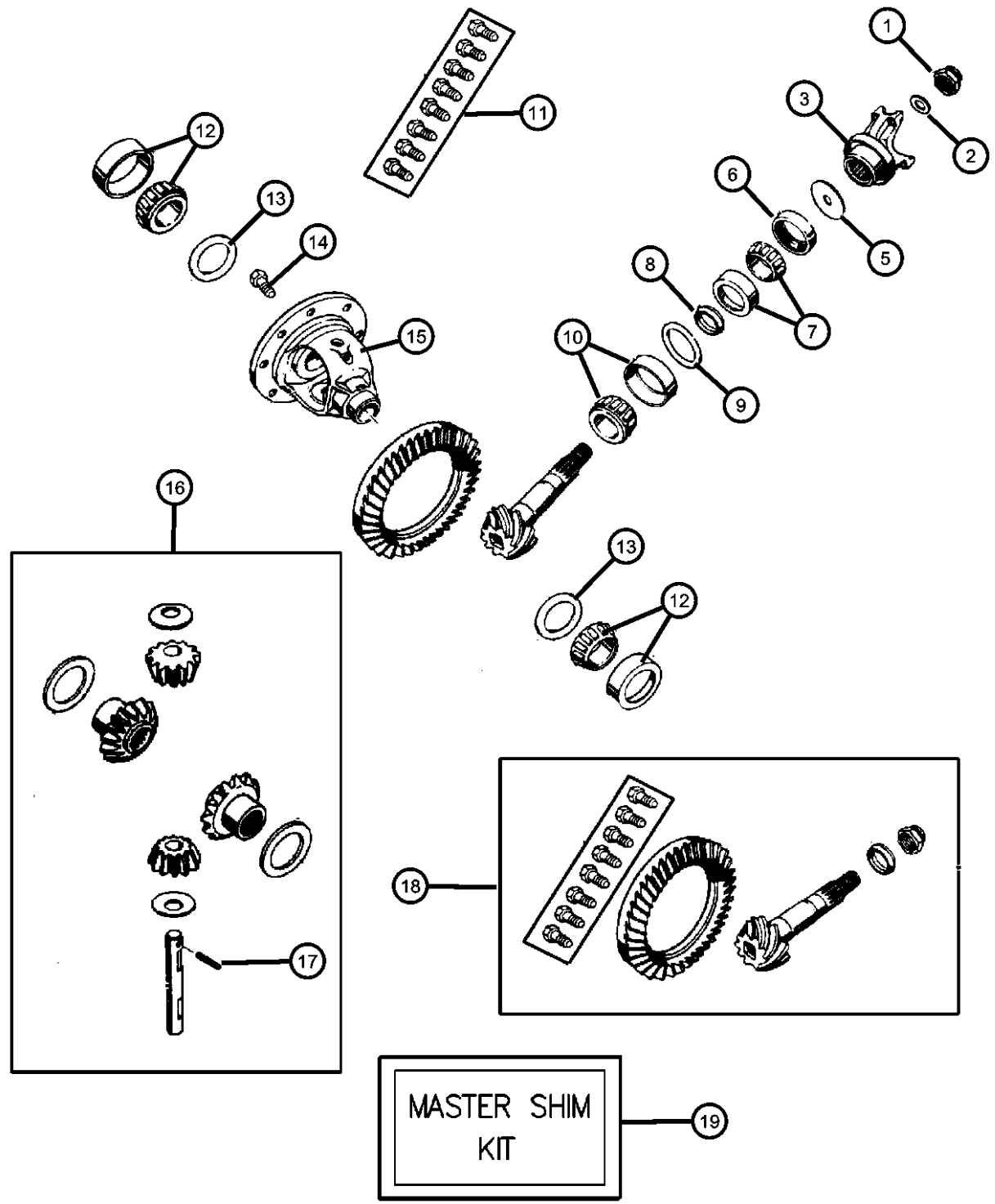


| ITEM | PART NUMBER | QTY | LINE | SERIES | BODY | ENGINE | TRANS | TRIM | DESCRIPTION |
|--|-------------|-----|------|--------|------|--------|-------|------|---|
| Note:Sales Codes; [DME]=Axle Ratio - 3.73 [DMT]=Axle Ratio - 3.90 [DRK]=Axle - Rear,Dana 44/226MM [DSA]=Anti-Spin Differential,Rear Axle | | | | | | | | | |
| 1 | 01795173 | 1 | | | | | | | NUT, Pinion Yoke |
| 2 | 01795175 | 1 | | | | | | | WASHER, Pinion Yoke |
| 3 | | | | | | | | | YOKE, Axle |
| | 05012840AA | 1 | | | | | | | [DME] |
| | 05015003AA | 1 | | | | | | | [DMT] |
| -4 | 05012847AA | 1 | | | | | | | O RING, Pinion Flange, Fits Over Hub of Axle Yoke |
| 5 | 04746867 | 1 | | | | | | | SLINGER, Drive Pinion |
| 6 | 05012846AA | 1 | | | | | | | SEAL, Drive Pinion |
| 7 | 04864210 | 1 | | | | | | | BEARING, Drive Pinion, Bearing and Cup, Front |
| 8 | 04864214 | 1 | | | | | | | SPACER, Drive Pinion Bearing, Crush |
| 9 | | | | | | | | | SHIM, Drive Pinion Bearing |
| | 05017332AA | 1 | | | | | | | .040' |
| | 05017333AA | 1 | | | | | | | .041' |
| | 05017334AA | 1 | | | | | | | .042' |
| | 05017335AA | 1 | | | | | | | .043' |
| | 05017336AA | 1 | | | | | | | .044' |
| | 05017337AA | 1 | | | | | | | .045' |
| | 05017338AA | 1 | | | | | | | .046' |
| | 05017339AA | 1 | | | | | | | .047' |
| | 05017340AA | 1 | | | | | | | .048' |
| | 05017341AA | 1 | | | | | | | .049' |
| | 05017342AA | 1 | | | | | | | .050' |
| | 05017343AA | 1 | | | | | | | .051' |
| | 05017344AA | 1 | | | | | | | .052' |
| | 05017345AA | 1 | | | | | | | .053' |
| | 05017346AA | 1 | | | | | | | .054' |
| 10 | 04746979 | 1 | | | | | | | BEARING, Drive Pinion, Bearing and Cup, Rear |

| | | | | |
|----------------------------|----------------------|------------------------|--|--|
| GRAND CHEROKEE (WJ) | | BODY | ENGINE | TRANSMISSION |
| SERIES | LINE | 74 = 4 Door (105.9 WB) | ERH = ENGINE - 4.0L POWER TECH I-6 | DG4 = TRANSMISSION-MULTI-SPEED AUTO, 45RFE |
| H = Laredo | T = JEEP - 2WD | | EVA = ENGINE- 4.7L V8 MPI | DGW = TRANSMISSION - 4-SPD. AUTOMATIC,44RE |
| P = Limited | J = JEEP - 4WD | | EXA = ENGINE - 3.1L 5 CYL TURBO DIESEL | DGK = TRANSMISSION - 4-SPD. AUTOMATIC,42RE |
| | U = JEEP - 4WD (RHD) | | | DGO = ALL AUTOMATIC TRANSMISSIONS |

AR = use ase required - = Non illustrated part

Differential, Without Trac-Lok [DSA], Dana 44/226MM [DRK]
Figure 3-240



| ITEM | PART NUMBER | QTY | LINE | SERIES | BODY | ENGINE | TRANS | TRIM | DESCRIPTION |
|------|-------------|-----|------|--------|------|--------|-------|------|---|
| 11 | 04720891 | 1 | | | | | | | BOLT KIT Contains 10- 3/8-24 x.827' Ring Gear Bolts |
| | 05012810AC | 1 | | | | | | | Contains 10- 7/16-20 x.750' Ring Gear Bolts |
| 12 | 04864213 | 1 | | | | | | | BEARING, Differential, Consists of 2 Bearing and 2 Cups |
| 13 | | | | | | | | | SHIM, Differential Bearing |
| | 05017347AA | 1 | | | | | | | .103' |
| | 05017348AA | 1 | | | | | | | .104' |
| | 05017349AA | 1 | | | | | | | .105' |
| | 05017350AA | 1 | | | | | | | .106' |
| | 05017351AA | 1 | | | | | | | .107' |
| | 05017352AA | 1 | | | | | | | .108' |
| | 05017353AA | 1 | | | | | | | .109' |
| | 05017354AA | 1 | | | | | | | .110' |
| | 05017355AA | 1 | | | | | | | .111' |
| | 05017356AA | 1 | | | | | | | .112' |
| | 05017357AA | 1 | | | | | | | .113' |
| | 05017358AA | 1 | | | | | | | .114' |
| | 05017359AA | 1 | | | | | | | .115' |
| | 05017360AA | 1 | | | | | | | .116' |
| | 05017361AA | 1 | | | | | | | .117' |
| | 05017362AA | 1 | | | | | | | .118' |
| | 05017363AA | 1 | | | | | | | .119' |
| | 05017364AA | 1 | | | | | | | .120' |
| | 05017365AA | 1 | | | | | | | .121' |
| | 05017366AA | 1 | | | | | | | .122' |
| | 05017367AA | 1 | | | | | | | .123' |
| | 05017368AA | 1 | | | | | | | .124' |
| | 05017369AA | 1 | | | | | | | .125' |
| | 05017370AA | 1 | | | | | | | .126' |
| | 05017371AA | 1 | | | | | | | .127' |
| | 05017372AA | 1 | | | | | | | .128' |

GRAND CHEROKEE (WJ)

SERIES LINE
H = Laredo T = JEEP - 2WD
P = Limited J = JEEP - 4WD
U = JEEP - 4WD (RHD)

BODY
74 = 4 Door (105.9 WB)

ENGINE
ERH = ENGINE - 4.0L
POWER TECH I-6
EVA = ENGINE- 4.7L V8 MPI
EXA = ENGINE - 3.1L 5 CYL
TURBO DIESEL

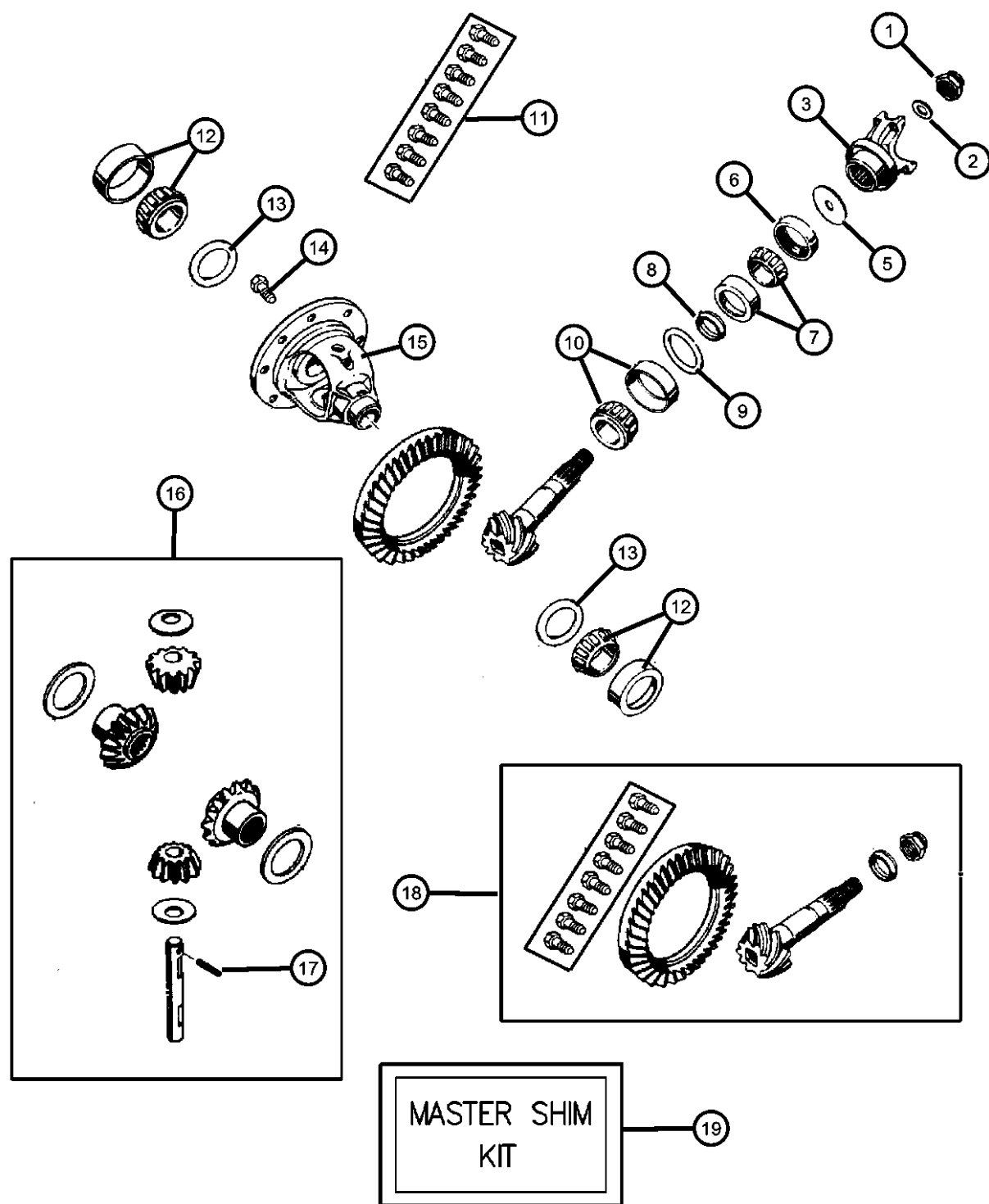
TRANSMISSION
DG4 = TRANSMISSION-MULTI-
SPEED AUTO, 45RFE
DGW = TRANSMISSION - 4-SPD.
AUTOMATIC, 44RE
DGK = TRANSMISSION - 4-SPD.
AUTOMATIC, 42RE
DGO = ALL AUTOMATIC
TRANSMISSIONS

AR = use ase required - = Non illustrated part

2000 WJ

Differential, Without Trac-Lok [DSA], Dana 44/226MM [DRK]

Figure 3-240



| ITEM | PART NUMBER | QTY | LINE | SERIES | BODY | ENGINE | TRANS | TRIM | DESCRIPTION |
|------|-------------|-----|------|--------|------|--------|-------|------|---|
| | 05017373AA | 1 | | | | | | | .129' |
| | 05017374AA | 1 | | | | | | | .130' |
| | 05017375AA | 1 | | | | | | | .131' |
| | 05017376AA | 1 | | | | | | | .132' |
| | 05017377AA | 1 | | | | | | | .133' |
| | 05017378AA | 1 | | | | | | | .134' |
| | 05017383AA | 1 | | | | | | | .135' |
| | 05017384AA | 1 | | | | | | | .136' |
| | 05017385AA | 1 | | | | | | | .137' |
| | 05017386AA | 1 | | | | | | | .138' |
| | 05017387AA | 1 | | | | | | | .139' |
| | 05017388AA | 1 | | | | | | | .140' |
| | 05017389AA | 1 | | | | | | | .141' |
| | 05017390AA | 1 | | | | | | | .142' |
| | 05017391AA | 1 | | | | | | | .143' |
| | 05017392AA | 1 | | | | | | | .144' |
| | 05017393AA | 1 | | | | | | | .145' |
| | 05017394AA | 1 | | | | | | | .146' |
| | 05017395AA | 1 | | | | | | | .147' |
| | 05017396AA | 1 | | | | | | | .148' |
| | 05017397AA | 1 | | | | | | | .149' |
| | 05017398AA | 1 | | | | | | | .150' |
| | 05017399AA | 1 | | | | | | | .151' |
| | 05017400AA | 1 | | | | | | | .152' |
| | 05017401AA | 1 | | | | | | | .153' |
| | 05017402AA | 1 | | | | | | | .154' |
| | 05017403AA | 1 | | | | | | | .155' |
| 14 | 05252503 | 1 | | | | | | | SCREW, Drive Gear, 3/8-24 x.827' |
| 15 | | | | | | | | | Ring Gear Bolt |
| | | | | | | | | | CASE, Differential |
| | 04856357 | 1 | | | | | | | Uses 3/8-24 x.827' Ring Gear Bolts-with Internal Parts |
| | 05019855AA | 1 | | | | | | | Uses 7/16-20 x.750' Ring Gear Bolts-with Internal Parts |

GRAND CHEROKEE (WJ)

| SERIES | LINE |
|-------------|----------------------|
| H = Laredo | T = JEEP - 2WD |
| P = Limited | J = JEEP - 4WD |
| | U = JEEP - 4WD (RHD) |

| BODY |
|------------------------|
| 74 = 4 Door (105.9 WB) |

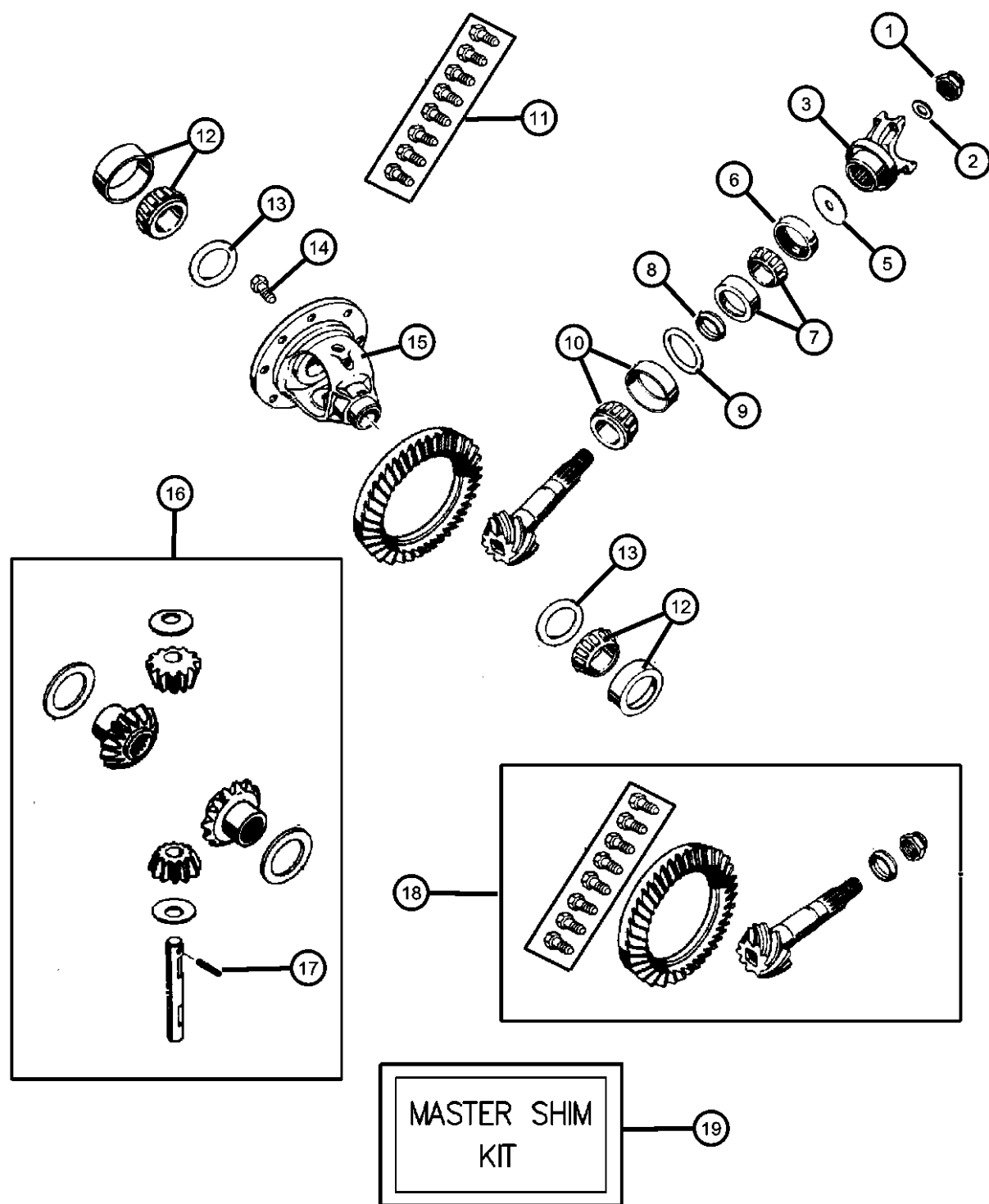
| ENGINE |
|--|
| ERH = ENGINE - 4.0L POWER TECH I-6 |
| EVA = ENGINE- 4.7L V8 MPI |
| EXA = ENGINE - 3.1L 5 CYL TURBO DIESEL |

| TRANSMISSION |
|---|
| DG4 = TRANSMISSION-MULTI-SPEED AUTO, 45RFE |
| DGW = TRANSMISSION - 4-SPD. AUTOMATIC, 44RE |
| DGK = TRANSMISSION - 4-SPD. AUTOMATIC, 42RE |
| DGO = ALL AUTOMATIC TRANSMISSIONS |

AR = use ase required - = Non illustrated part

Differential, Without Trac-Lok [DSA], Dana 44/226MM [DRK]

Figure 3-240



| ITEM | PART NUMBER | QTY | LINE | SERIES | BODY | ENGINE | TRANS | TRIM | DESCRIPTION |
|------|-------------|-----|------|--------|------|--------|-------|------|--|
| 16 | 04856366 | 1 | | | | | | | GEAR KIT, Center Differential |
| 17 | 05015223AA | 1 | | | | | | | PIN, Differential Shaft |
| 18 | 05012841AA | 1 | | | | | | | GEAR KIT, Ring And Pinion |
| | 05014357AA | 1 | | | | | | | 3.73 Ratio-with 3/8-24 x.827' Ring Gear Bolts |
| | 05019854AA | 1 | | | | | | | 3.91 Ratio-with 3/8-24 x.827' Ring Gear Bolts |
| | 05019869AA | 1 | | | | | | | 3.73 Ratio-with 7/16-20 x.750' Ring Gear Bolts |
| | 05019869AA | 1 | | | | | | | 3.91 Ratio-with 7/16-20 x.750' Ring Gear Bolts |
| 19 | 05017215AA | 1 | | | | | | | SHIM KIT, Differential, Master Shim Kit-Contains Items 9,13 |

GRAND CHEROKEE (WJ)

SERIES LINE
 H = Laredo T = JEEP - 2WD
 P = Limited J = JEEP - 4WD
 U = JEEP - 4WD (RHD)

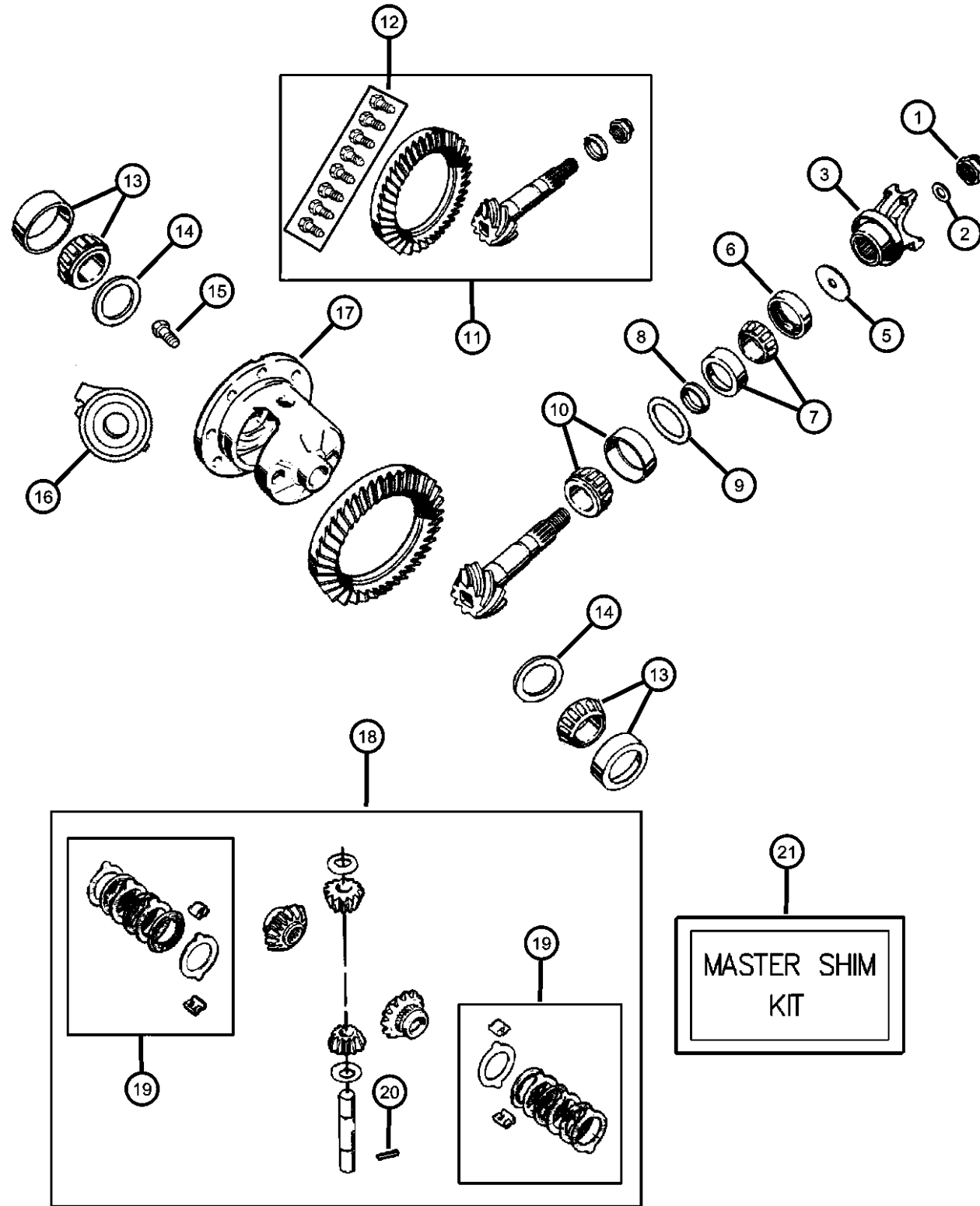
BODY
 74 = 4 Door (105.9 WB)

ENGINE
 ERH = ENGINE - 4.0L
 POWER TECH I-6
 EVA = ENGINE- 4.7L V8 MPI
 EXA = ENGINE - 3.1L 5 CYL
 TURBO DIESEL

TRANSMISSION
 DG4 = TRANSMISSION-MULTI-
 SPEED AUTO, 45RFE
 DGW = TRANSMISSION - 4-SPD.
 AUTOMATIC, 44RE
 DGK = TRANSMISSION - 4-SPD.
 AUTOMATIC, 42RE
 DGO = ALL AUTOMATIC
 TRANSMISSIONS

AR = use ase required - = Non illustrated part

Differential,With Trac-Lok [DSA] or Vari-Lok Progressive [DSC],Dana Model 44/226MM [DRK]
Figure 3-250



| ITEM | PART NUMBER | QTY | LINE | SERIES | BODY | ENGINE | TRANS | TRIM | DESCRIPTION |
|------|-------------|-----|------|--------|------|--------|-------|------|-------------|
|------|-------------|-----|------|--------|------|--------|-------|------|-------------|

Note:Sales Codes;
[DME]=Axle Ratio - 3.73
[DMT]=Axle Ratio - 3.90
[DRK]=Axle - Rear,Dana 44/226MM
[DSA]=Anti-Spin Differential,Rear Axle
NOTES:
DSA=Trac-Lok Differential—
DSC=Vari-Lok Differential
[DSC]=Axles - Vari-Lok Progressive

| | | | | | | | | | |
|----|------------|---|--|--|--|--|--|--|--|
| 1 | 01795173 | 1 | | | | | | | NUT, Pinion Yoke |
| 2 | 01795175 | 1 | | | | | | | WASHER, Pinion Yoke |
| 3 | | | | | | | | | YOKE, Axle |
| | 05012840AA | 1 | | | | | | | [DME] |
| | 05015003AA | 1 | | | | | | | [DMT] |
| -4 | 05012847AA | 1 | | | | | | | O RING, Pinion Flange, Fits Over Hub of Axle Yoke |
| 5 | 04746867 | 1 | | | | | | | SLINGER, Drive Pinion |
| 6 | 05012846AA | 1 | | | | | | | SEAL, Drive Pinion |
| 7 | 04864210 | 1 | | | | | | | BEARING, Drive Pinion, Bearing and Cup, Front |
| 8 | 04864214 | 1 | | | | | | | SPACER, Drive Pinion Bearing, Crush |
| 9 | | | | | | | | | SHIM, Drive Pinion Bearing, Replacement Individual PINION Shims for Master Shim Kit 5017215AA. |
| | 05017332AA | 1 | | | | | | | .040' |
| | 05017333AA | 1 | | | | | | | .041' |
| | 05017334AA | 1 | | | | | | | .042' |
| | 05017335AA | 1 | | | | | | | .043' |
| | 05017336AA | 1 | | | | | | | .044' |
| | 05017337AA | 1 | | | | | | | .045' |
| | 05017338AA | 1 | | | | | | | .046' |
| | 05017339AA | 1 | | | | | | | .047' |
| | 05017340AA | 1 | | | | | | | .048' |
| | 05017341AA | 1 | | | | | | | .049' |
| | 05017342AA | 1 | | | | | | | .050' |
| | 05017343AA | 1 | | | | | | | .051' |

GRAND CHEROKEE (WJ)

SERIES LINE
H = Laredo T = JEEP - 2WD
P = Limited J = JEEP - 4WD
U = JEEP - 4WD (RHD)

BODY
74 = 4 Door (105.9 WB)

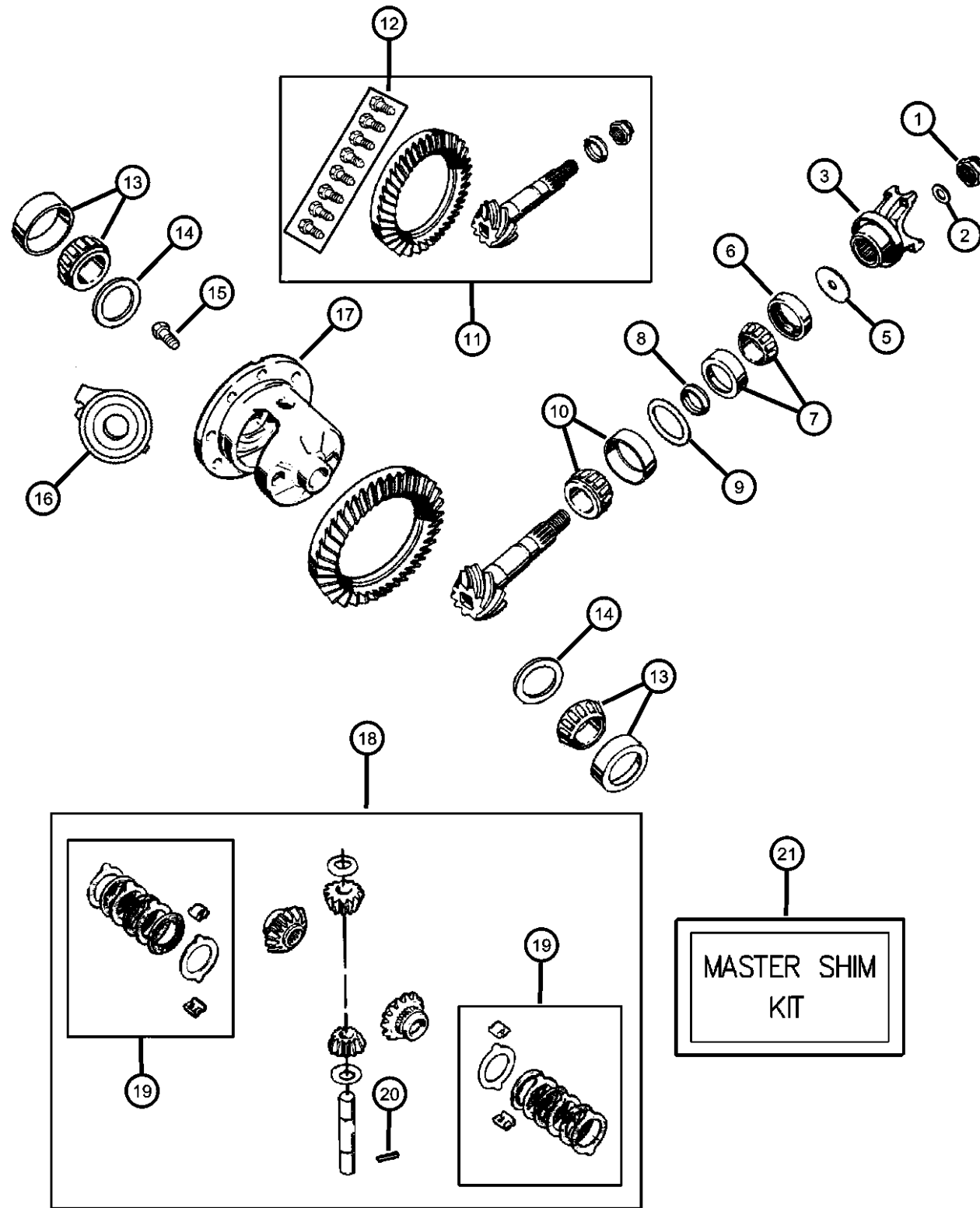
ENGINE
ERH = ENGINE - 4.0L
POWER TECH I-6
EVA = ENGINE- 4.7L V8 MPI
EXA = ENGINE - 3.1L 5 CYL
TURBO DIESEL

TRANSMISSION
DG4 = TRANSMISSION-MULTI-SPEED AUTO, 45RFE
DGW = TRANSMISSION - 4-SPD. AUTOMATIC,44RE
DGK = TRANSMISSION - 4-SPD. AUTOMATIC,42RE
DGO = ALL AUTOMATIC TRANSMISSIONS

AR = use ase required - = Non illustrated part

2000 WJ

Differential, With Trac-Lok [DSA] or Vari-Lok Progressive [DSC], Dana Model 44/226MM [DRK]
Figure 3-250



| ITEM | PART NUMBER | QTY | LINE | SERIES | BODY | ENGINE | TRANS | TRIM | DESCRIPTION |
|------|-------------|-----|------|--------|------|--------|-------|------|---|
| | 05017344AA | 1 | | | | | | | .052' |
| | 05017345AA | 1 | | | | | | | .053' |
| | 05017346AA | 1 | | | | | | | .054' |
| 10 | 04746979 | 1 | | | | | | | BEARING, Drive Pinion, Bearing and Cup, Rear |
| 11 | | | | | | | | | GEAR KIT, Ring And Pinion |
| | 05012841AA | 1 | | | | | | | [DME] with 3/8-24 x .827' Ring Gear Bolts |
| | 05014357AA | 1 | | | | | | | [DMT] with 3/8-24 x .827' Ring Gear Bolts |
| | 05019854AB | 1 | | | | | | | [DME] with 7/16-20 x .750' Ring Gear Bolts |
| | 05019869AA | 1 | | | | | | | [DMT] with 7/16-20 x .750' Ring Gear Bolts |
| 12 | | | | | | | | | BOLT KIT |
| | 04720891 | 1 | | | | | | | Contains 10- 3/8-24 x .827' Ring Gear Bolts |
| | 05012810AC | 1 | | | | | | | Contains 10- 7/16-20 x .750' Ring Gear Bolts |
| 13 | 04864213 | 1 | | | | | | | BEARING, Differential, Consists of 2 Bearings and 2 Cups |
| 14 | | | | | | | | | SHIM, Differential Bearing, Replacement Individual DIFFERENTIAL Shims for Master Shim Kit 5017215AA |
| | 05017347AA | 1 | | | | | | | .103' |
| | 05017348AA | 1 | | | | | | | .104' |
| | 05017349AA | 1 | | | | | | | .105' |
| | 05017350AA | 1 | | | | | | | .106' |
| | 05017351AA | 1 | | | | | | | .107' |
| | 05017352AA | 1 | | | | | | | .108' |
| | 05017353AA | 1 | | | | | | | .109' |
| | 05017354AA | 1 | | | | | | | .110' |
| | 05017355AA | 1 | | | | | | | .111' |
| | 05017356AA | 1 | | | | | | | .112' |
| | 05017357AA | 1 | | | | | | | .113' |
| | 05017358AA | 1 | | | | | | | .114' |
| | 05017359AA | 1 | | | | | | | .115' |

GRAND CHEROKEE (WJ)

SERIES LINE
 H = Laredo T = JEEP - 2WD
 P = Limited J = JEEP - 4WD
 U = JEEP - 4WD (RHD)

BODY
 74 = 4 Door (105.9 WB)

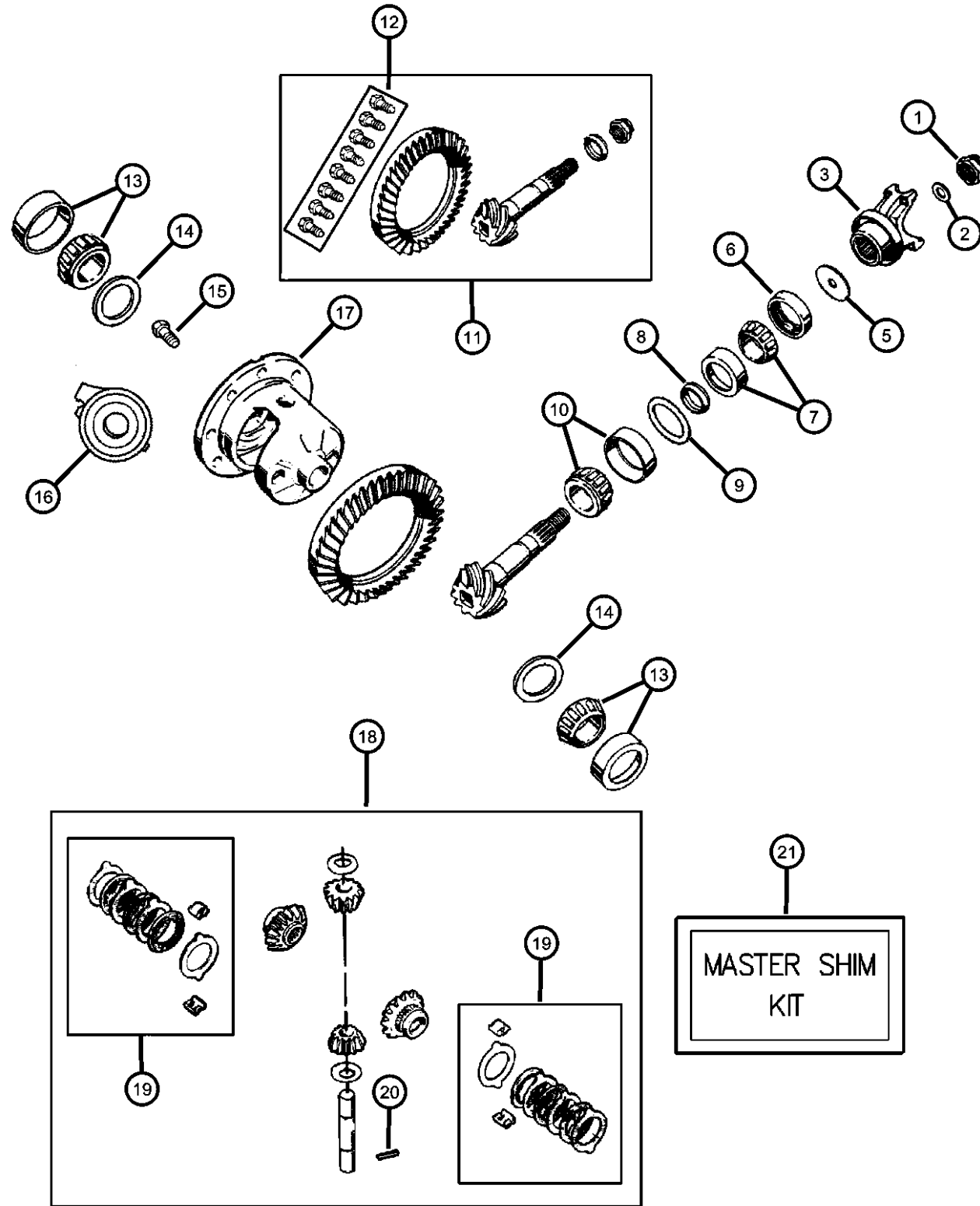
ENGINE
 ERH = ENGINE - 4.0L
 POWER TECH I-6
 EVA = ENGINE - 4.7L V8 MPI
 EXA = ENGINE - 3.1L 5 CYL
 TURBO DIESEL

TRANSMISSION
 DG4 = TRANSMISSION-MULTI-SPEED AUTO, 45RFE
 DGW = TRANSMISSION - 4-SPD. AUTOMATIC, 44RE
 DGK = TRANSMISSION - 4-SPD. AUTOMATIC, 42RE
 DGO = ALL AUTOMATIC TRANSMISSIONS

AR = use ase required - = Non illustrated part

2000 WJ

Differential, With Trac-Lok [DSA] or Vari-Lok Progressive [DSC], Dana Model 44/226MM [DRK]
Figure 3-250



| ITEM | PART NUMBER | QTY | LINE | SERIES | BODY | ENGINE | TRANS | TRIM | DESCRIPTION |
|------|-------------|-----|------|--------|------|--------|-------|------|-------------|
| | 05017360AA | 1 | | | | | | | .116' |
| | 05017361AA | 1 | | | | | | | .117' |
| | 05017362AA | 1 | | | | | | | .118' |
| | 05017363AA | 1 | | | | | | | .119' |
| | 05017364AA | 1 | | | | | | | .120' |
| | 05017365AA | 1 | | | | | | | .121' |
| | 05017366AA | 1 | | | | | | | .122' |
| | 05017367AA | 1 | | | | | | | .123' |
| | 05017368AA | 1 | | | | | | | .124' |
| | 05017369AA | 1 | | | | | | | .125' |
| | 05017370AA | 1 | | | | | | | .126' |
| | 05017371AA | 1 | | | | | | | .127' |
| | 05017372AA | 1 | | | | | | | .128' |
| | 05017373AA | 1 | | | | | | | .129' |
| | 05017374AA | 1 | | | | | | | .130' |
| | 05017375AA | 1 | | | | | | | .131' |
| | 05017376AA | 1 | | | | | | | .132' |
| | 05017377AA | 1 | | | | | | | .133' |
| | 05017378AA | 1 | | | | | | | .134' |
| | 05017383AA | 1 | | | | | | | .135' |
| | 05017384AA | 1 | | | | | | | .136' |
| | 05017385AA | 1 | | | | | | | .137' |
| | 05017386AA | 1 | | | | | | | .138' |
| | 05017387AA | 1 | | | | | | | .139' |
| | 05017388AA | 1 | | | | | | | .140' |
| | 05017389AA | 1 | | | | | | | .141' |
| | 05017390AA | 1 | | | | | | | .142' |
| | 05017391AA | 1 | | | | | | | .143' |
| | 05017392AA | 1 | | | | | | | .144' |
| | 05017393AA | 1 | | | | | | | .145' |
| | 05017394AA | 1 | | | | | | | .146' |
| | 05017395AA | 1 | | | | | | | .147' |

GRAND CHEROKEE (WJ)

SERIES LINE
 H = Laredo T = JEEP - 2WD
 P = Limited J = JEEP - 4WD
 U = JEEP - 4WD (RHD)

BODY
 74 = 4 Door (105.9 WB)

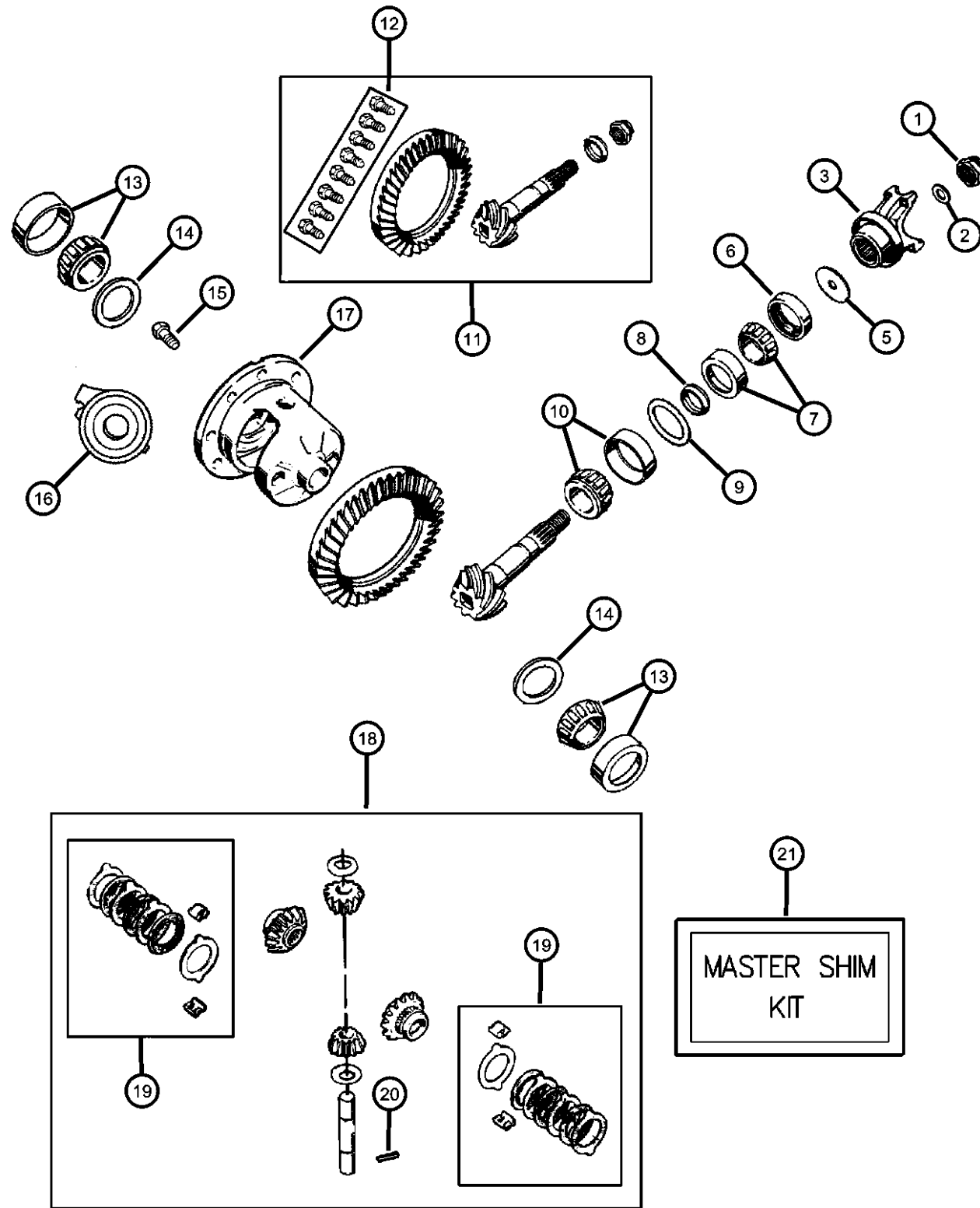
ENGINE
 ERH = ENGINE - 4.0L
 POWER TECH I-6
 EVA = ENGINE - 4.7L V8 MPI
 EXA = ENGINE - 3.1L 5 CYL
 TURBO DIESEL

TRANSMISSION
 DG4 = TRANSMISSION-MULTI-
 SPEED AUTO, 45RFE
 DGW = TRANSMISSION - 4-SPD.
 AUTOMATIC, 44RE
 DGK = TRANSMISSION - 4-SPD.
 AUTOMATIC, 42RE
 DGO = ALL AUTOMATIC
 TRANSMISSIONS

AR = use ase required - = Non illustrated part

2000 WJ

Differential, With Trac-Lok [DSA] or Vari-Lok Progressive [DSC], Dana Model 44/226MM [DRK]
Figure 3-250



| ITEM | PART NUMBER | QTY | LINE | SERIES | BODY | ENGINE | TRANS | TRIM | DESCRIPTION |
|------|-------------|-----|------|--------|------|--------|-------|------|---|
| | 05017396AA | 1 | | | | | | | .148' |
| | 05017397AA | 1 | | | | | | | .149' |
| | 05017398AA | 1 | | | | | | | .150' |
| | 05017399AA | 1 | | | | | | | .151' |
| | 05017400AA | 1 | | | | | | | .152' |
| | 05017401AA | 1 | | | | | | | .153' |
| | 05017402AA | 1 | | | | | | | .154' |
| | 05017403AA | 1 | | | | | | | .155' |
| 15 | 05252503 | 10 | | | | | | | SCREW, Drive Gear, 3/8-24 x .827' Ring Gear Bolts |
| 16 | 05012870AA | 1 | | | | | | | PLENUM, Differential, [DSC] |
| 17 | | | | | | | | | CASE, Differential |
| | 04856355 | 1 | | | | | | | [DSA]-Uses 3/8-24 x .827' Ring Gear Bolts-with Internal Parts |
| | 05012869AA | 1 | | | | | | | [DSC]-Uses 3/8-24 x .827' Ring Gear Bolts-with Internal Parts |
| | 05019867AA | 1 | | | | | | | [DSC]-Uses 7/16-20 x .750' Ring Gear Bolts-with Internal Parts |
| | 05019868AA | 1 | | | | | | | [DSA]-Uses 7/16-20 x .750' Ring Gear Bolts-with Internal Parts |
| 18 | 04856372 | 1 | | | | | | | GEAR KIT, Center Differential, [DSA] |
| 19 | 04626720 | 1 | | | | | | | DISC AND PLATE KIT, Differential, [DSA] |
| 20 | 05015223AA | 1 | | | | | | | PIN, Differential Shaft, [DSA] |
| 21 | 05017215AA | 1 | | | | | | | SHIM KIT, Differential, Master Shim Kit for the Complete Differential containing PINION Shims and DIFFERENTIAL Shims., Master Shim Kit-Complete- Includes Items 9,14 |

GRAND CHEROKEE (WJ)

| | | | | |
|-------------|----------------------|------------------------|---|--|
| SERIES | LINE | BODY | ENGINE | TRANSMISSION |
| H = Laredo | T = JEEP - 2WD | 74 = 4 Door (105.9 WB) | ERH = ENGINE - 4.0L POWER TECH I-6 | DG4 = TRANSMISSION-MULTI- SPEED AUTO, 45RFE |
| P = Limited | J = JEEP - 4WD | | EVA = ENGINE- 4.7L V8 MPI | DGW = TRANSMISSION - 4-SPD. AUTOMATIC, 44RE |
| | U = JEEP - 4WD (RHD) | | EXA = ENGINE - 3.1L 5 CYL TURBO DIESEL | DGK = TRANSMISSION - 4-SPD. AUTOMATIC, 42RE |
| | | | | DGO = ALL AUTOMATIC TRANSMISSIONS |

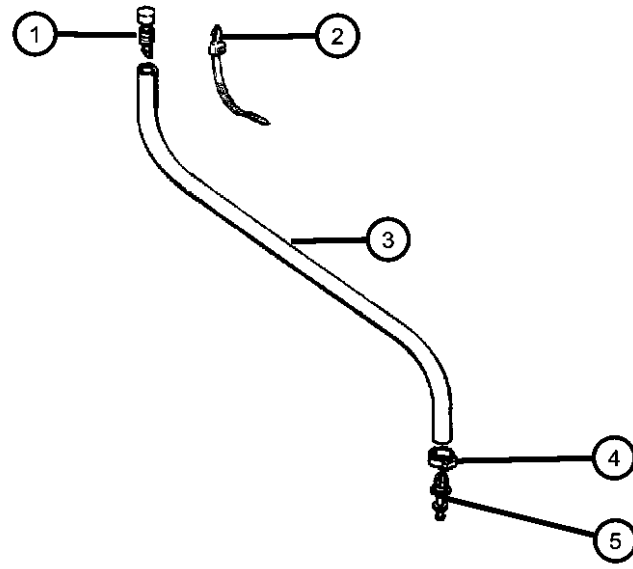
AR = use ase required - = Non illustrated part

**Rear Axle Vent
Figure 3-310**

| ITEM | PART NUMBER | QTY | LINE | SERIES | BODY | ENGINE | TRANS | TRIM | DESCRIPTION |
|------|-------------|-----|------|--------|------|--------|-------|------|-------------|
|------|-------------|-----|------|--------|------|--------|-------|------|-------------|

NOTES:ER0=4.0L 6 Cylinder Engine—EV0=4.7L Gas Engine—EX0=3.0/3.1L Turbo Diesel

| | | | | | | | | | |
|---|------------|---|--|--|--|--|--|--|--|
| 1 | J5352955 | 1 | | | | | | | VENT, Axle, Upper |
| 2 | 06016076 | 1 | | | | | | | TIE STRAP |
| 3 | | | | | | | | | HOSE, Axle Vent |
| | 52098655AB | 1 | | | | | | | ER0,EV0 |
| | 52100413AA | 1 | | | | | | | EX0 |
| 4 | 06503573 | 1 | | | | | | | CLIP, Lower Clamp to Screw |
| 5 | 04137696 | 1 | | | | | | | SCREW, Brake Tee, .437-20x2.07, Double Ended Stud |



GRAND CHEROKEE (WJ)

| | | | | |
|-------------|----------------------|------------------------|---|--|
| SERIES | LINE | BODY | ENGINE | TRANSMISSION |
| H = Laredo | T = JEEP - 2WD | 74 = 4 Door (105.9 WB) | ERH = ENGINE - 4.0L POWER TECH I-6 | DG4 = TRANSMISSION-MULTI- SPEED AUTO, 45RFE |
| P = Limited | J = JEEP - 4WD | | EVA = ENGINE- 4.7L V8 MPI | DGW = TRANSMISSION - 4-SPD. AUTOMATIC,44RE |
| | U = JEEP - 4WD (RHD) | | EXA = ENGINE - 3.1L 5 CYL TURBO DIESEL | DGK = TRANSMISSION - 4-SPD. AUTOMATIC,42RE |
| | | | | DGO = ALL AUTOMATIC TRANSMISSIONS |

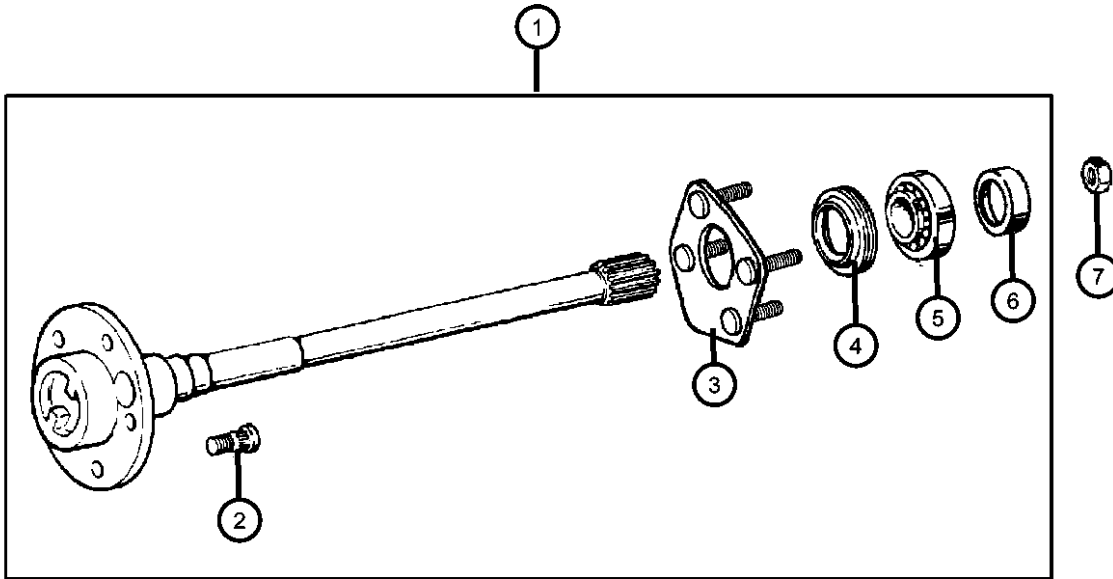
AR = use ase required - = Non illustrated part

2000 WJ

Shaft,Rear Axle
Figure 3-410

| ITEM | PART NUMBER | QTY | LINE | SERIES | BODY | ENGINE | TRANS | TRIM | DESCRIPTION |
|------|-------------|-----|------|--------|------|--------|-------|------|-------------|
|------|-------------|-----|------|--------|------|--------|-------|------|-------------|

Note:Sales Codes;
[DRK]=Axle - Rear,Dana 44/226MM
[DRM]=Axle - Rear,Dana 35C/194MM
[DSA]=Axle - Trac-Lok Differential
[DSC]=Axles - Vari-Lok Progressive



| | | | | | | | | | |
|---|------------|----|--|--|--|--|--|--|--|
| 1 | | | | | | | | | SHAFT, Axle |
| | 05012820AA | 1 | | | | | | | [DRM], Right |
| | 05012821AA | 1 | | | | | | | [DRM], Left |
| | 05012850AA | 1 | | | | | | | [DRK], Right |
| | | 1 | | | | | | | [DRK,DSA], Right |
| | 05012851AA | 1 | | | | | | | [DRK], Left |
| | | 1 | | | | | | | [DRK,DSA], Left |
| | 05012872AA | 1 | | | | | | | [DRK,DSC], Right |
| | 05012873AA | 1 | | | | | | | [DRK,DSC], Left |
| 2 | 52098680 | 10 | | | | | | | STUD, WheelMounting |
| 3 | 05012827AA | 2 | | | | | | | RETAINER, Axle Shaft Seal |
| 4 | 05012824AA | 2 | | | | | | | SEAL, Axle Drive Shaft |
| 5 | 05012825AA | 2 | | | | | | | BEARING, Axle Shaft |
| 6 | 83503054 | 2 | | | | | | | RING, Axle Shaft |
| 7 | 06034988 | 8 | | | | | | | NUT, Hex Lock, .375-24, Axle Shaft Seal Retainer, Mounting |

GRAND CHEROKEE (WJ)

SERIES LINE
H = Laredo T = JEEP - 2WD
P = Limited J = JEEP - 4WD
U = JEEP - 4WD (RHD)

BODY
74 = 4 Door (105.9 WB)

ENGINE
ERH = ENGINE - 4.0L
POWER TECH I-6
EVA = ENGINE- 4.7L V8 MPI
EXA = ENGINE - 3.1L 5 CYL
TURBO DIESEL

TRANSMISSION
DG4 = TRANSMISSION-MULTI-
SPEED AUTO, 45RFE
DGW = TRANSMISSION - 4-SPD.
AUTOMATIC,44RE
DGK = TRANSMISSION - 4-SPD.
AUTOMATIC,42RE
DGO = ALL AUTOMATIC
TRANSMISSIONS

AR = use ase required - = Non illustrated part

2000 WJ

Group - 4

Parking Brake

Group - 4 Parking Brake

Group-Fig. No.

Illustration Title

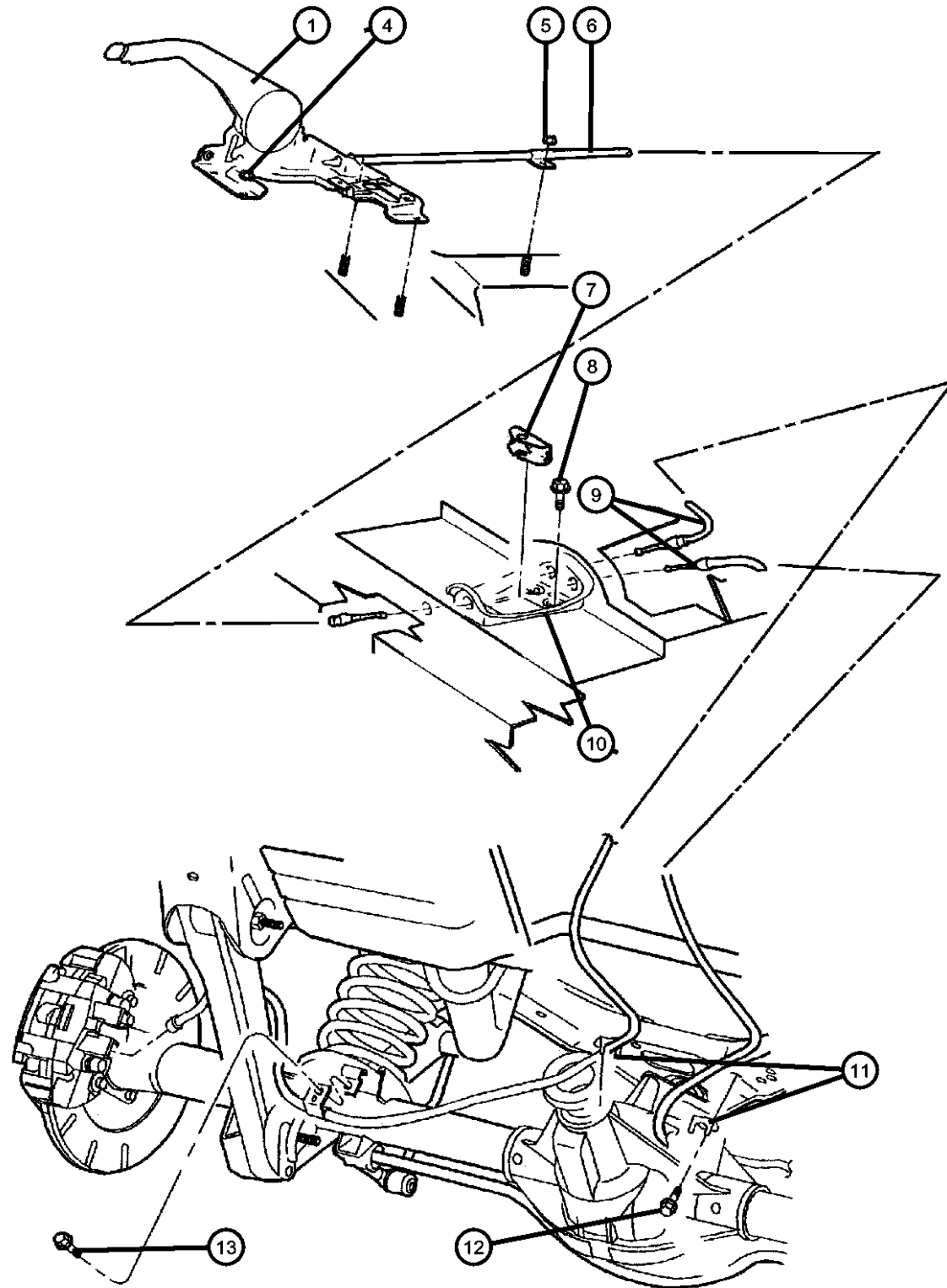
Parking Brake Lever and Cables

Lever And Cable - Parking Brake Fig. 4 - 110
Rear Disc Parking Brake Assembly..... Fig. 4 - 120

004-100
Parking Brake Lever and Cables



Lever And Cable - Parking Brake
Figure 4-110



| ITEM | PART NUMBER | QTY | LINE | SERIES | BODY | ENGINE | TRANS | TRIM | DESCRIPTION |
|------|-------------|-----|------|--------|------|--------|-------|------|---|
| 1 | 52128246AF | 1 | | | | | | | LEVER, Park Brake |
| -2 | 52127960 | 1 | | | | | | | SWITCH, Parking Brake |
| -3 | 05016265AA | 1 | | | | | | | COVER, Parking Brake |
| 4 | 06505245AA | 4 | | | | | | | NUT, M8x1.25, Park Brake Lever Assembly, Mounting |
| 5 | 06101802 | 1 | | | | | | | NUT, Park Brake Cable, Mounting |
| 6 | 52128243AA | 1 | | | | | | | CABLE, Parking BrakeFront |
| 7 | 52128126 | 1 | | | | | | | EQUALIZER, Parking Brake Cable |
| 8 | 06502734 | 3 | | | | | | | SCREW, M6x1x20, Cable Bracket, Mounting |
| 9 | | | | | | | | | CABLE, Parking Brake |
| | 52128118AC | 1 | | | | | | | Right, Rear |
| | 52128119AC | 1 | | | | | | | Left, Rear |
| 10 | 52128236AB | 1 | | | | | | | BRACKET, Cable, Park Brake Reaction |
| 11 | 52128224AB | 2 | | | | | | | BRACKET, Cable, UCA, Mounting |
| 12 | 06505242AA | 2 | | | | | | | SCREW, Bracket to UCA, Mounting |
| 13 | 06505242AA | 2 | | | | | | | SCREW, Hex Head Tapping, M6x1x20, (NOT SERVICED) |

GRAND CHEROKEE (WJ)

SERIES
H = Laredo
P = Limited

LINE
T = JEEP - 2WD
J = JEEP - 4WD
U = JEEP - 4WD (RHD)

BODY
74 = 4 Door (105.9 WB)

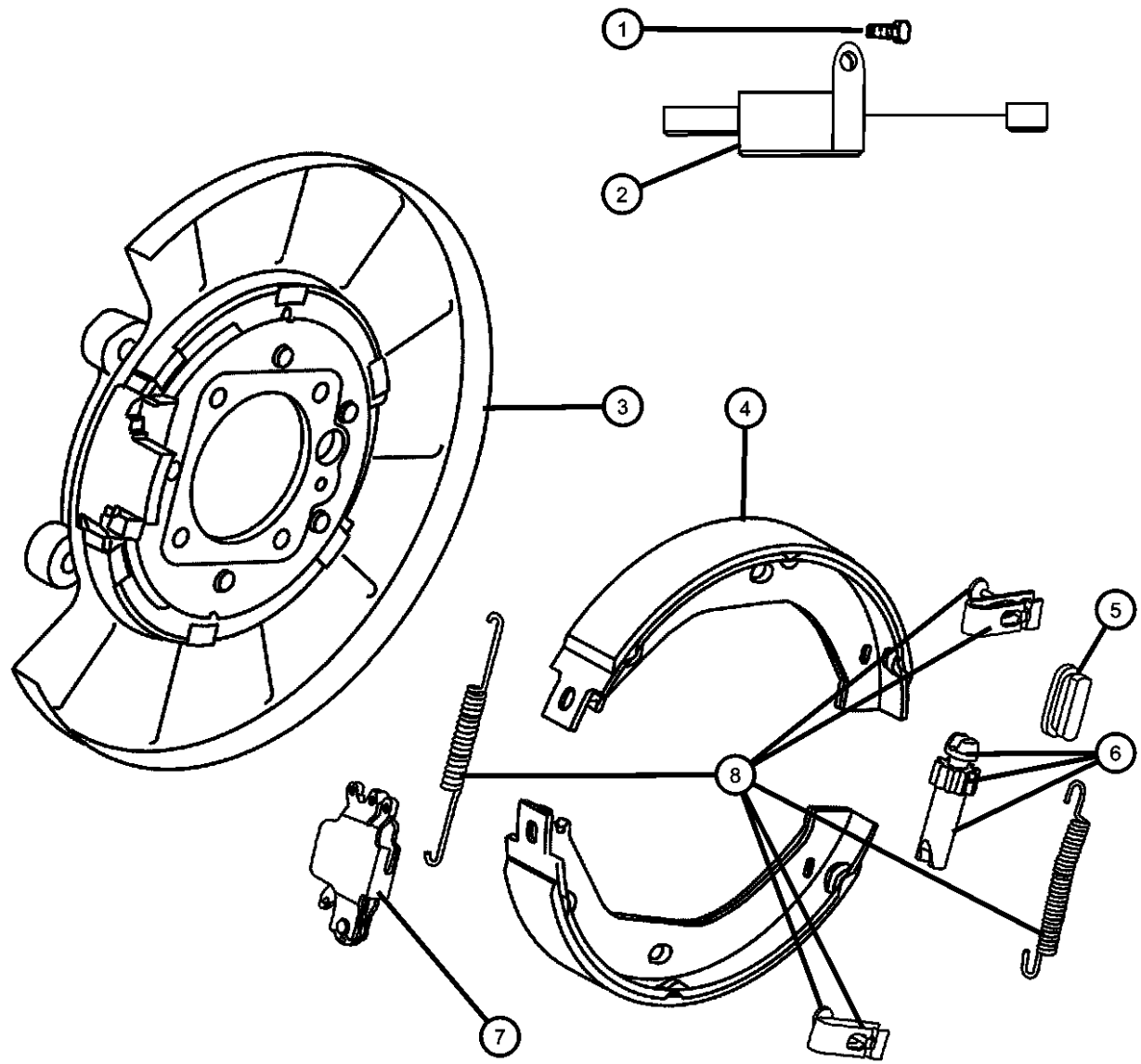
ENGINE
ERH = ENGINE - 4.0L POWER TECH I-6
EVA = ENGINE- 4.7L V8 MPI
EXA = ENGINE - 3.1L 5 CYL TURBO DIESEL

TRANSMISSION
DG4 = TRANSMISSION-MULTI-SPEED AUTO, 45RFE
DGW = TRANSMISSION - 4-SPD. AUTOMATIC,44RE
DGK = TRANSMISSION - 4-SPD. AUTOMATIC,42RE
DGO = ALL AUTOMATIC TRANSMISSIONS

AR = use ase required - = Non illustrated part

2000 WJ

**Rear Disc Parking Brake Assembly
Figure 4-120**



| ITEM | PART NUMBER | QTY | LINE | SERIES | BODY | ENGINE | TRANS | TRIM | DESCRIPTION |
|------|-------------|-----|------|--------|------|--------|-------|------|-------------|
|------|-------------|-----|------|--------|------|--------|-------|------|-------------|

Note: 5014038AA Spring Kit , contains 2 Brake Shoe Hold Down Pins, 2 Parking Brake Hold Down Clips, 1 Park Brake Shoe Return Spring Upper and 1 Lower

| | | | | | | | | | |
|---|------------|---|--|--|--|--|--|--|--|
| 1 | 05012814AA | 2 | | | | | | | BOLT, ABS SensorRight or Left |
| 2 | 56041308AA | 1 | | | | | | | SENSOR, Wheel Speed Right |
| | 56041509AA | 1 | | | | | | | Left |
| 3 | 05011982AA | 1 | | | | | | | PLATE, Brake BackingRight or Left |
| 4 | 05011988AA | 1 | | | | | | | SHOE AND LINING KIT, Parking BrakeRight & Left |
| | BHKP7306 | | | | | | | | Mopar Parking Brake Hardware Kit |
| 5 | 05012354AA | 2 | | | | | | | PLUG, Brake Adjusting HoleRight or Left |
| 6 | 05011993AA | 1 | | | | | | | ADJUSTER, Parking BrakeRight or Left |
| 7 | 05011994AA | 1 | | | | | | | LEVER, Park BrakeRight or Left |
| 8 | 05014038AA | 1 | | | | | | | SPRING KIT, Brake Shoe Hold Down, See Note At Top of Page, Right or Left |

GRAND CHEROKEE (WJ)

| | |
|-------------|----------------------|
| SERIES | LINE |
| H = Laredo | T = JEEP - 2WD |
| P = Limited | J = JEEP - 4WD |
| | U = JEEP - 4WD (RHD) |

| |
|------------------------|
| BODY |
| 74 = 4 Door (105.9 WB) |

| |
|---|
| ENGINE |
| ERH = ENGINE - 4.0L POWER TECH I-6 |
| EVA = ENGINE- 4.7L V8 MPI |
| EXA = ENGINE - 3.1L 5 CYL TURBO DIESEL |

| |
|--|
| TRANSMISSION |
| DG4 = TRANSMISSION-MULTI- SPEED AUTO, 45RFE |
| DGW = TRANSMISSION - 4-SPD. AUTOMATIC,44RE |
| DGK = TRANSMISSION - 4-SPD. AUTOMATIC,42RE |
| DGO = ALL AUTOMATIC TRANSMISSIONS |

AR = use ase required - = Non illustrated part

2000 WJ

Group - 5

Service Brakes

Group - 5 Service Brakes

Illustration Title

Group-Fig. No.

Front Brakes

Front Disc Brake Caliper 'Continental Teves' and Rotor Fig. 5 - 110
 Front Disc Brake Caliper 'Akebono' and Rotor Fig. 5 - 120

Rear Brakes

Rear Disc Brake Caliper Fig. 5 - 210

Power Brake Booster

Power Brake Booster Fig. 5 - 310

Brake Master Cylinder

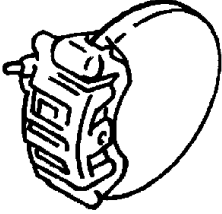
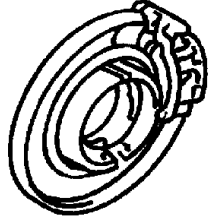
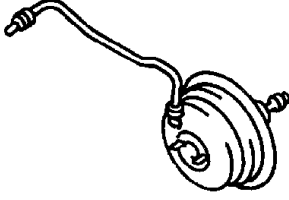
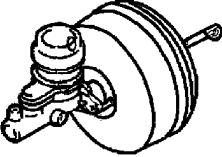
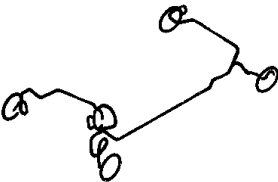

Master Cylinder, Brake Fig. 5 - 410
 Hydraulic Control Unit Fig. 5 - 420

Brake Lines and Hoses

Lines and Hoses, Right Front Fig. 5 - 510
 Brake Lines and Hoses, Left Front and Chassis Fig. 5 - 520
 Front Brake Hoses Fig. 5 - 530
 Brake Lines and Hoses, Rear Fig. 5 - 540

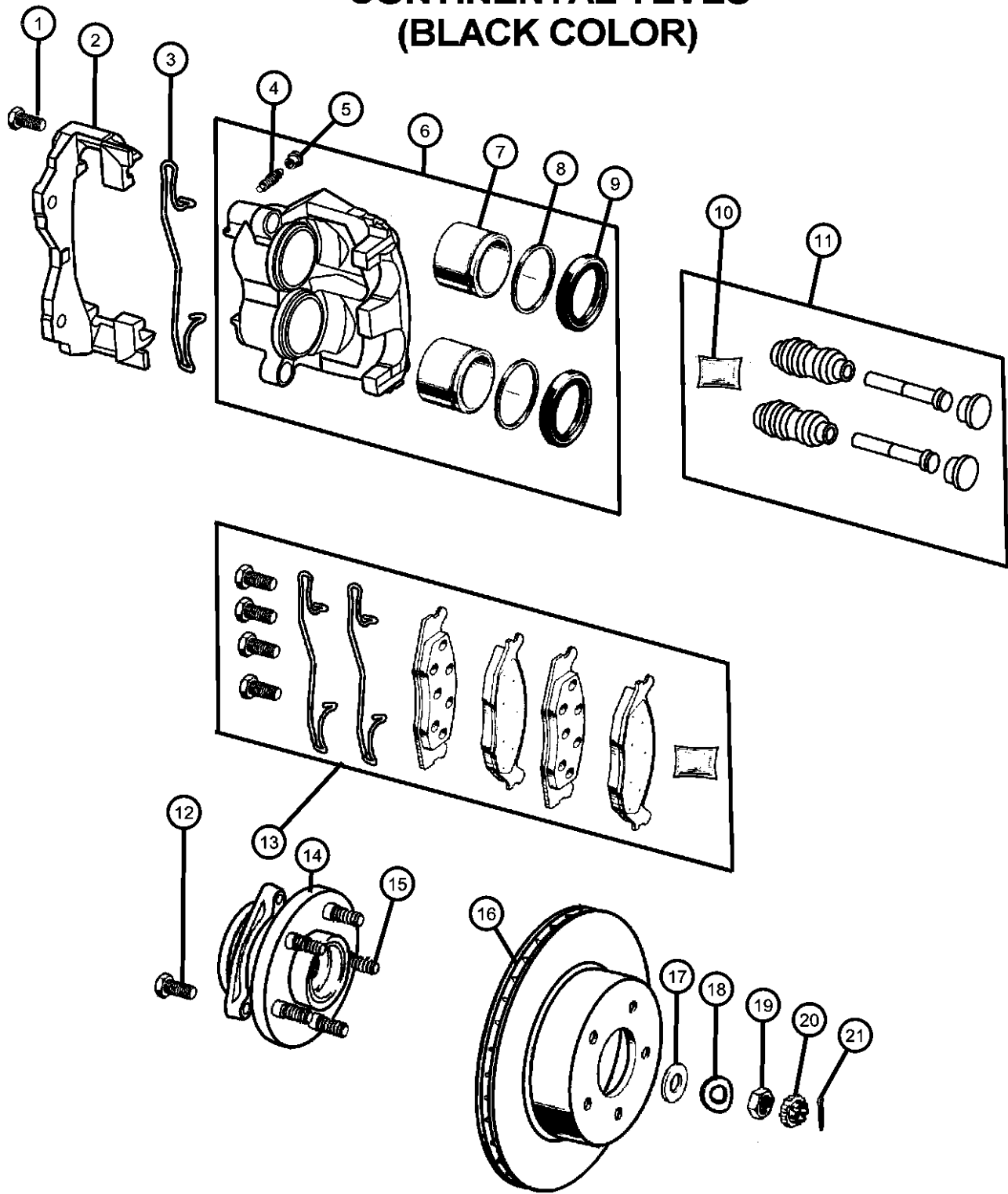
Brake Pedals

Brake Pedal & Bracket Fig. 5 - 610

| | | | |
|--|--|--|---|
| <p>005-100 Front Brakes</p>  | <p>005-200 Rear Brakes</p>  | <p>005-300 Power Brake Booster</p>  | <p>005-400 Brake Master Cylinder</p>  |
| <p>005-500 Brake Lines and Hoses</p>  | <p>005-600 Brake Pedals</p>  | | |

**Front Disc Brake Caliper 'Continental Teves' and Rotor
Figure 5-110**

**"CONTINENTAL TEVES"
(BLACK COLOR)**



| ITEM | PART NUMBER | QTY | LINE | SERIES | BODY | ENGINE | TRANS | TRIM | DESCRIPTION |
|------|-------------|-----|------|--------|------|--------|-------|------|-----------------------------------|
| 1 | 05012437AA | 4 | U | | | | | | BOLT Caliper Bracket, Mounting |
| | | 4 | J | | | | | | Caliper Bracket, Mounting |
| | | 4 | T | | | | | | Caliper Bracket, Mounting |
| 2 | 05011979AA | 1 | T | | | | | | BRACKET Caliper, Mounting |
| | | 1 | U | | | | | | Caliper, Mounting |
| | | 1 | J | | | | | | Caliper, Mounting |
| 3 | 05011971AA | 1 | J | | | | | | SPRING, Brake Shoe Hold Down |
| | | 1 | U | | | | | | |
| | | 1 | T | | | | | | |
| 4 | 04126879 | 1 | U | | | | | | BLEEDER SCREW, Brake |
| | | 1 | J | | | | | | |
| | | 1 | T | | | | | | |
| 5 | 04126733 | 1 | U | | | | | | CAP, Bleeder |
| | | 1 | J | | | | | | |
| | | 1 | T | | | | | | |
| 6 | 05011972AA | 1 | U | | | | | | CALIPER, Disc Brake |
| | | 1 | J | | | | | | Right |
| | | 1 | T | | | | | | Right |
| | 05011973AA | 1 | J | | | | | | Right |
| | | 1 | U | | | | | | Left |
| | | 1 | T | | | | | | Left |
| | | 1 | T | | | | | | Left |
| 7 | 05011983AA | 2 | J | | | | | | PISTON, Brake |
| | | 2 | U | | | | | | |
| | | 2 | T | | | | | | |
| 8 | 05011984AA | 2 | U | | | | | | SEAL, Caliper Piston |

GRAND CHEROKEE (WJ)

SERIES
H = Laredo
P = Limited

LINE
T = JEEP - 2WD
J = JEEP - 4WD
U = JEEP - 4WD (RHD)

BODY
74 = 4 Door (105.9 WB)

ENGINE
ERH = ENGINE - 4.0L
POWER TECH I-6
EVA = ENGINE- 4.7L V8 MPI
EXA = ENGINE - 3.1L 5 CYL
TURBO DIESEL

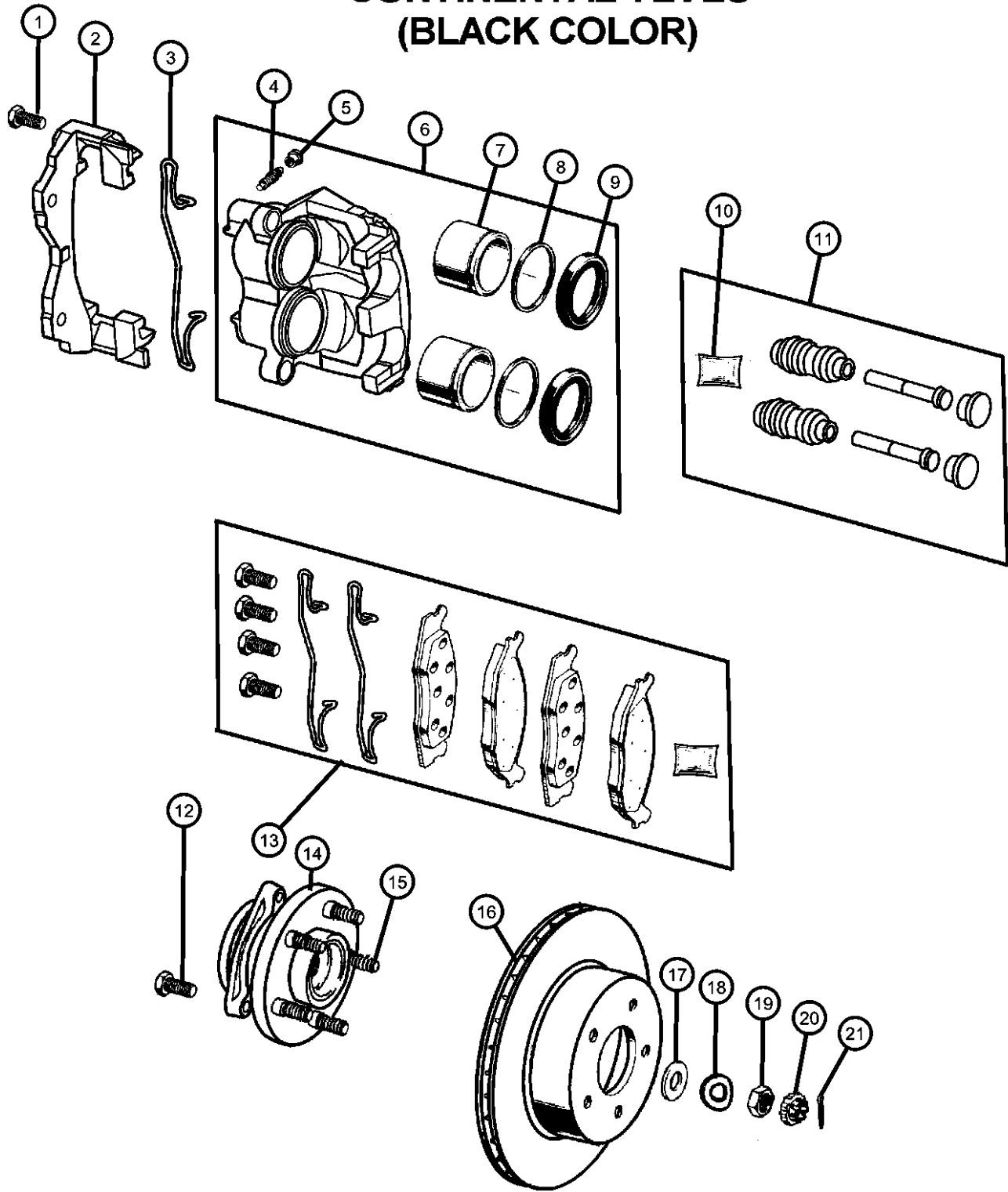
TRANSMISSION
DG4 = TRANSMISSION-MULTI-
SPEED AUTO, 45RFE
DGW = TRANSMISSION - 4-SPD.
AUTOMATIC,44RE
DGK = TRANSMISSION - 4-SPD.
AUTOMATIC,42RE
DGO = ALL AUTOMATIC
TRANSMISSIONS

AR = use ase required - = Non illustrated part

2000 WJ

**Front Disc Brake Caliper 'Continental Teves' and Rotor
Figure 5-110**

**"CONTINENTAL TEVES"
(BLACK COLOR)**



| ITEM | PART NUMBER | QTY | LINE | SERIES | BODY | ENGINE | TRANS | TRIM | DESCRIPTION |
|------|-------------|-----|------|--------|------|--------|-------|------|---|
| | | 2 | J | | | | | | |
| | | 2 | T | | | | | | |
| 9 | | | | | | | | | BOOT, Brake Piston |
| | 05011985AA | 2 | J | | | | | | |
| | | 2 | U | | | | | | |
| | | 2 | T | | | | | | |
| 10 | 05011987AA | 1 | | | | | | | GREASE, Packet |
| 11 | | | | | | | | | PIN KIT, Disc Brake |
| | 05011981AA | 1 | T | | | | | | |
| | | 1 | U | | | | | | |
| | | 1 | J | | | | | | |
| 12 | | | | | | | | | BOLT |
| | 05012436AA | 6 | U | | | | | | Hub and Bearing, Mounting |
| | | 6 | J | | | | | | Hub and Bearing, Mounting |
| | | 6 | T | | | | | | Hub and Bearing, Mounting |
| 13 | | | | | | | | | PAD KIT, Front Disc Brake |
| | 05018592AA | 1 | T | | | | | | |
| | VOET3592 | | | | | | | | Make It Original Brake Kit |
| | V3013592 | | | | | | | | Mopar V-Line Alternative Part Ceramic |
| | BHKH5649 | | | | | | | | Mopar V-Line Alternative Part Disc Hardware |
| | BHKH5025 | | | | | | | | Mopar V-Line Alternative Part Caliper Bolts |
| | V1013592AB | | | | | | | | Mopar V-Line Alternative Part |
| | VWJT3592 | | | | | | | | Mopar V-Line Alternative Part |
| | VHDWJ592 | | | | | | | | Make It New Brake Kits |
| | | 1 | J | | | | | | Keep It New |
| | VOET3592 | | | | | | | | Make It Original Brake Kit |
| | V3013592 | | | | | | | | Mopar V-Line Alternative Part Ceramic |
| | BHKH5649 | | | | | | | | Mopar V-Line Alternative Part Disc Hardware |
| | BHKH5025 | | | | | | | | Mopar V-Line Alternative Part Caliper Bolts |

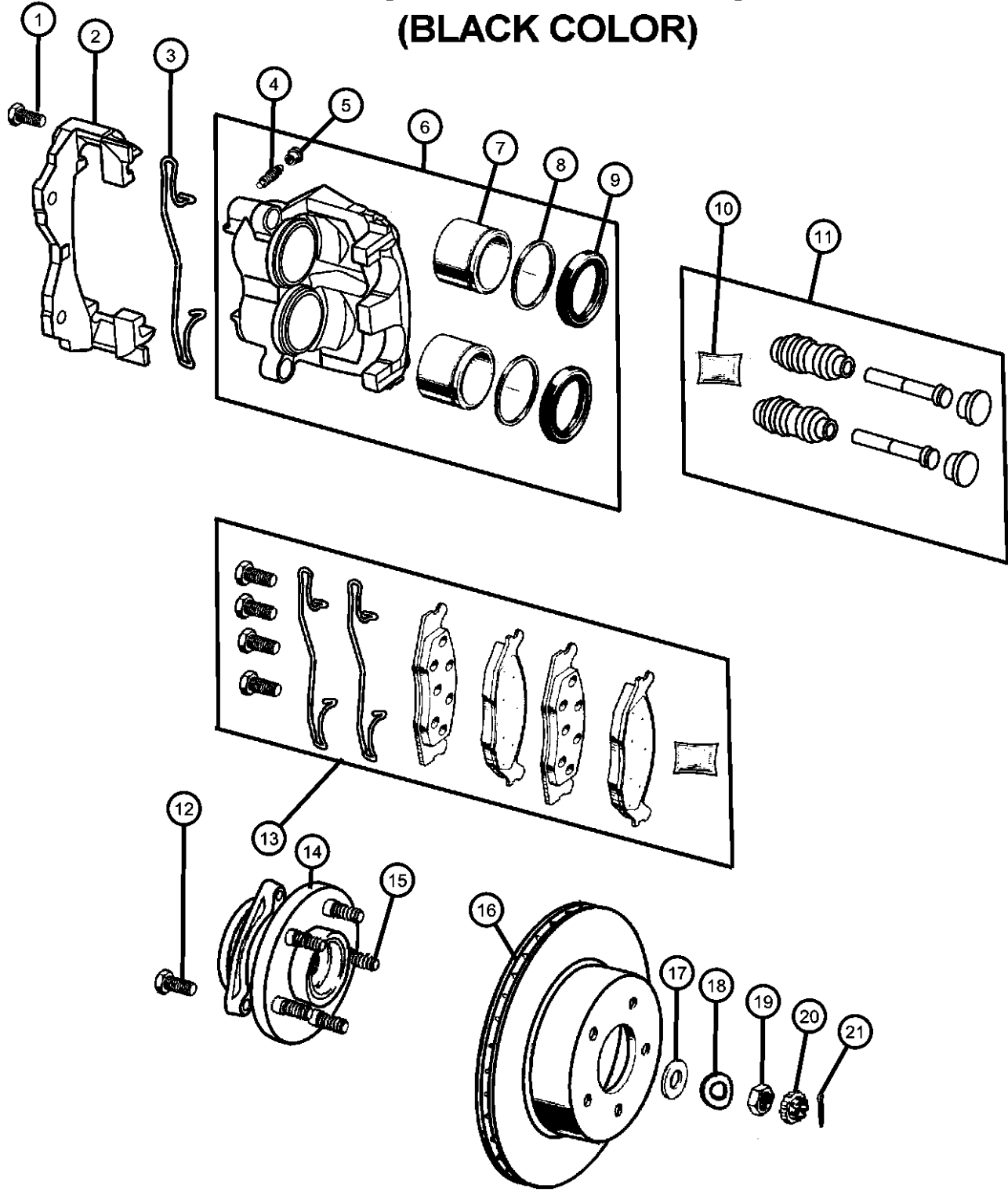
GRAND CHEROKEE (WJ)

| | | | | |
|---------------|----------------------|------------------------|--|---|
| SERIES | LINE | BODY | ENGINE | TRANSMISSION |
| H = Laredo | T = JEEP - 2WD | 74 = 4 Door (105.9 WB) | ERH = ENGINE - 4.0L POWER TECH I-6 | DG4 = TRANSMISSION-MULTI-SPEED AUTO, 45RFE |
| P = Limited | J = JEEP - 4WD | | EVA = ENGINE- 4.7L V8 MPI | DGW = TRANSMISSION - 4-SPD. AUTOMATIC, 44RE |
| | U = JEEP - 4WD (RHD) | | EXA = ENGINE - 3.1L 5 CYL TURBO DIESEL | DGK = TRANSMISSION - 4-SPD. AUTOMATIC, 42RE |
| | | | | DGO = ALL AUTOMATIC TRANSMISSIONS |

AR = use ase required - = Non illustrated part

**Front Disc Brake Caliper 'Continental Teves' and Rotor
Figure 5-110**

**"CONTINENTAL TEVES"
(BLACK COLOR)**



| ITEM | PART NUMBER | QTY | LINE | SERIES | BODY | ENGINE | TRANS | TRIM | DESCRIPTION |
|------|-------------|-----|------|--------|------|--------|-------|------|--|
| | V1013592AB | | | | | | | | Mopar V-Line Alternative Part |
| | VWJT3592 | | | | | | | | Make It New Brake Kits |
| | VHDWJ592 | | | | | | | | Keep It New |
| | | 1 | U | | | | | | |
| | VOET3592 | | | | | | | | Make It Original Brake Kit |
| | V3013592 | | | | | | | | Mopar V-Line Alternative Part Ceramic |
| | BHKH5649 | | | | | | | | Mopar V-Line Alternative Part Disc Hardware |
| | BHKH5025 | | | | | | | | Mopar V-Line Alternative Part Caliper Bolts |
| | V1013592AB | | | | | | | | Mopar V-Line Alternative Part |
| | VWJT3592 | | | | | | | | Make It New Brake Kits |
| | VHDWJ592 | | | | | | | | Keep It New |
| 14 | | | | | | | | | HUB AND BEARING, Brake |
| | 52098679AB | 2 | J | | | | | | |
| | | 2 | T | | | | | | |
| | | 2 | U | | | | | | |
| 15 | | | | | | | | | BOLT, Hub and Rotor |
| | 06036388AA | 5 | U | | | | | | 15.3mm Around Serations, Right & Left |
| | | 5 | J | | | | | | 15.3mm Around Serations, Right & Left |
| | | 5 | T | | | | | | 15.3mm Around Serations, Right & Left |
| | 06036424AA | 10 | J | | | | | | 16.3mm Around Serations, Right & Left |
| | | 10 | T | | | | | | 16.3mm Around Serations, Right & Left |
| 16 | | | | | | | | | ROTOR, Brake |
| | 52098672 | 2 | T | | | | | | |
| | V5018672 | | | | | | | | Mopar V-Line Alternative Brake Rotors |
| | | 2 | U | | | | | | |
| | V5018672 | | | | | | | | Mopar V-Line Alternative Brake Rotors |
| | | 2 | J | | | | | | |

GRAND CHEROKEE (WJ)

SERIES
H = Laredo
P = Limited

LINE
T = JEEP - 2WD
J = JEEP - 4WD
U = JEEP - 4WD (RHD)

BODY
74 = 4 Door (105.9 WB)

ENGINE
ERH = ENGINE - 4.0L
POWER TECH I-6
EVA = ENGINE- 4.7L V8 MPI
EXA = ENGINE - 3.1L 5 CYL
TURBO DIESEL

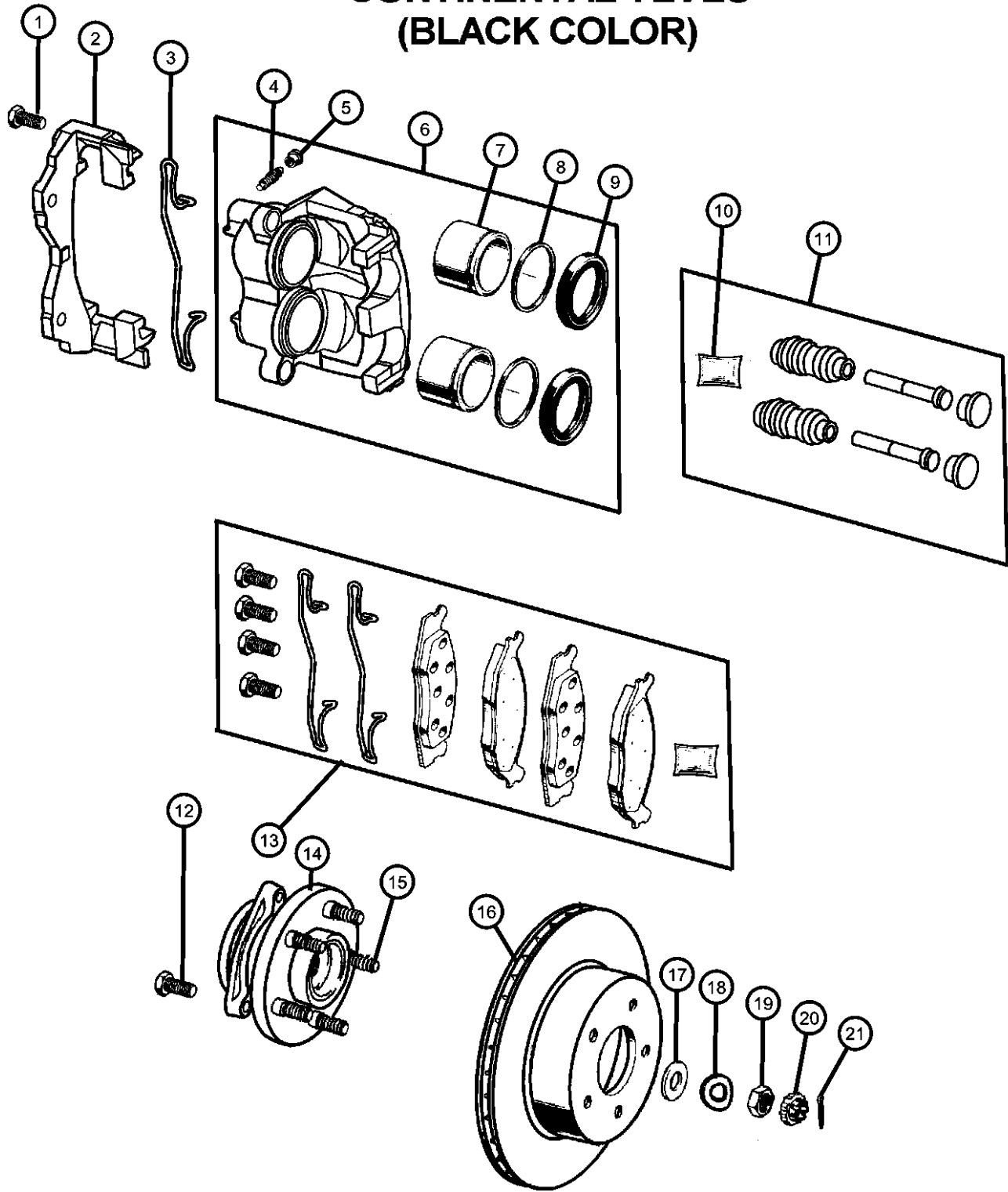
TRANSMISSION
DG4 = TRANSMISSION-MULTI-
SPEED AUTO, 45RFE
DGW = TRANSMISSION - 4-SPD.
AUTOMATIC,44RE
DGK = TRANSMISSION - 4-SPD.
AUTOMATIC,42RE
DGO = ALL AUTOMATIC
TRANSMISSIONS

AR = use ase required - = Non illustrated part

2000 WJ

**Front Disc Brake Caliper 'Continental Teves' and Rotor
Figure 5-110**

**"CONTINENTAL TEVES"
(BLACK COLOR)**



| ITEM | PART NUMBER | QTY | LINE | SERIES | BODY | ENGINE | TRANS | TRIM | DESCRIPTION |
|------|-------------|-----|------|--------|------|--------|-------|------|---------------------------------------|
| | V5018672 | | | | | | | | Mopar V-Line Alternative Brake Rotors |
| 17 | J4200096 | 2 | J | | | | | | WASHER, Flat |
| | | 2 | T | | | | | | |
| | | 2 | U | | | | | | |
| 18 | 04740749 | 2 | J | | | | | | WASHER, Wave |
| | | 2 | U | | | | | | |
| | | 2 | T | | | | | | |
| 19 | J4200095 | 2 | J | | | | | | NUT, Hex |
| | | 2 | T | | | | | | |
| | | 2 | U | | | | | | |
| 20 | J4200097 | 2 | J | | | | | | RETAINER, Hub Nut |
| | | 2 | T | | | | | | |
| | | 2 | U | | | | | | |
| 21 | 11010069 | 2 | J | | | | | | PIN, Cotter, M4x40.00 |
| | | 2 | U | | | | | | |
| | | 2 | T | | | | | | |

GRAND CHEROKEE (WJ)

SERIES LINE
H = Laredo T = JEEP - 2WD
P = Limited J = JEEP - 4WD
 U = JEEP - 4WD (RHD)

BODY
74 = 4 Door (105.9 WB)

ENGINE
ERH = ENGINE - 4.0L
POWER TECH I-6
EVA = ENGINE- 4.7L V8 MPI
EXA = ENGINE - 3.1L 5 CYL
TURBO DIESEL

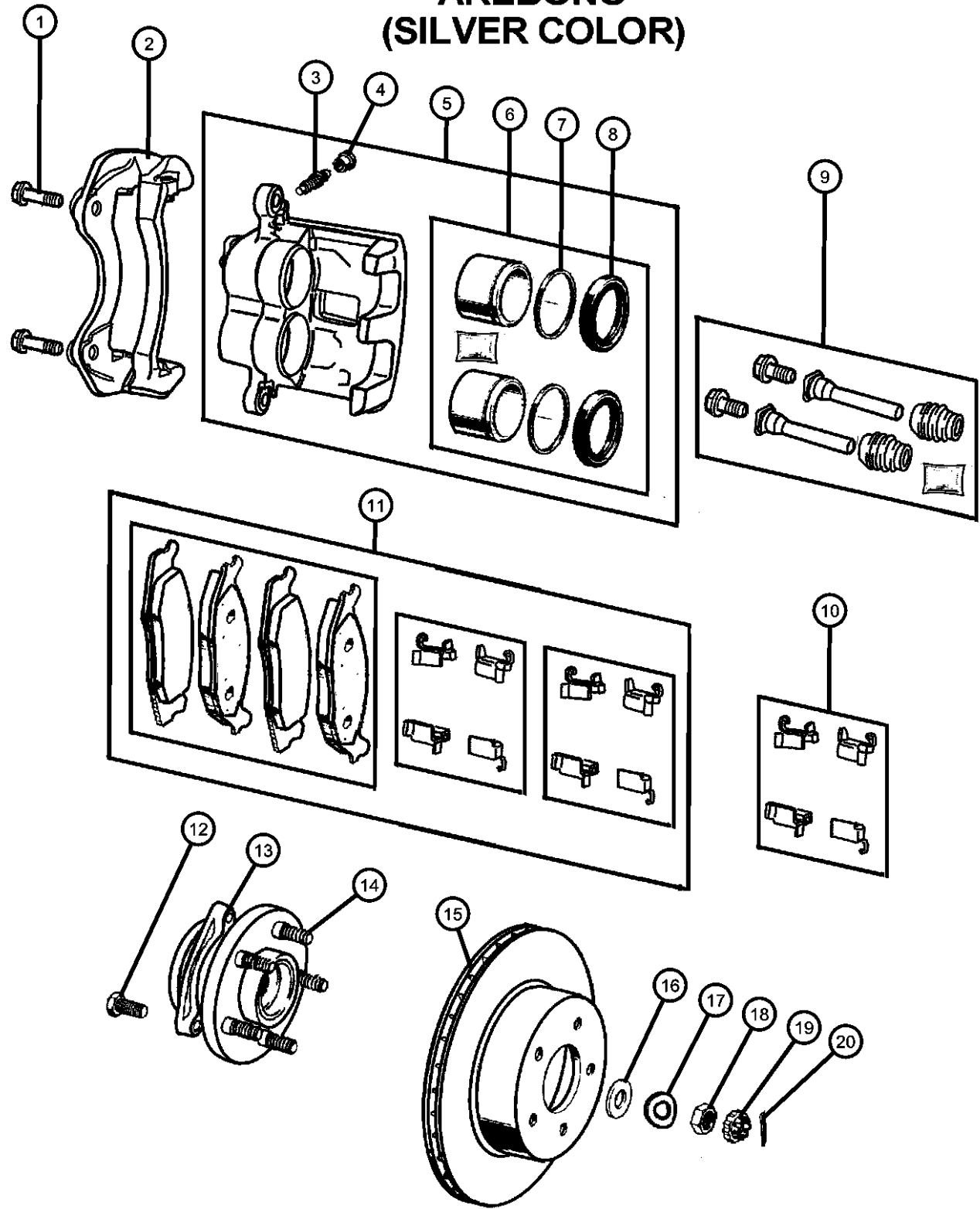
TRANSMISSION
DG4 = TRANSMISSION-MULTI-
SPEED AUTO, 45RFE
DGW = TRANSMISSION - 4-SPD.
AUTOMATIC,44RE
DGK = TRANSMISSION - 4-SPD.
AUTOMATIC,42RE
DGO = ALL AUTOMATIC
TRANSMISSIONS

AR = use ase required - = Non illustrated part

2000 WJ

**Front Disc Brake Caliper 'Akebono' and Rotor
Figure 5-120**

**"AKEBONO"
(SILVER COLOR)**



| ITEM | PART NUMBER | QTY | LINE | SERIES | BODY | ENGINE | TRANS | TRIM | DESCRIPTION |
|------|-------------|-----|------|--------|------|--------|-------|------|---|
| 1 | 05012437AA | 4 | U | | | | | | BOLT Caliper Bracket, Mounting |
| | | 4 | T | | | | | | Caliper Bracket, Mounting |
| | | 4 | J | | | | | | Caliper Bracket, Mounting |
| 2 | 05093182AA | 1 | J | | | | | | BRACKET Caliper, Mounting |
| | | 1 | T | | | | | | Caliper, Mounting |
| | | 1 | U | | | | | | Caliper, Mounting |
| 3 | 05093189AA | 1 | J | | | | | | BLEEDER SCREW, Brake |
| | | 1 | T | | | | | | |
| | | 1 | U | | | | | | |
| 4 | 05093190AA | 1 | J | | | | | | CAP, Bleeder |
| | | 1 | T | | | | | | |
| | | 1 | U | | | | | | |
| 5 | 05093180AA | 1 | J | | | | | | CALIPER, Disc Brake Right |
| | VK318081AA | | | | | | | | Mopar Loaded Brake Caliper Kit (2 Calipers, Brake Friction) Right |
| | VK318081AA | 1 | T | | | | | | Mopar Loaded Brake Caliper Kit (2 Calipers, Brake Friction) Right |
| | VK318081AA | 1 | U | | | | | | Mopar Loaded Brake Caliper Kit (2 Calipers, Brake Friction) Right |
| | 05093181AA | 1 | J | | | | | | Mopar Loaded Brake Caliper Kit (2 Calipers, Brake Friction) Left |
| | VK318081AA | | | | | | | | Mopar Loaded Brake Caliper Kit (2 Calipers, Brake Friction) Left |
| | VK318081AA | 1 | T | | | | | | Mopar Loaded Brake Caliper Kit (2 Calipers, Brake Friction) Left |
| | VK318081AA | 1 | U | | | | | | Mopar Loaded Brake Caliper Kit (2 Calipers, Brake Friction) Left |
| 6 | | | | | | | | | PISTON KIT, Front Brake |

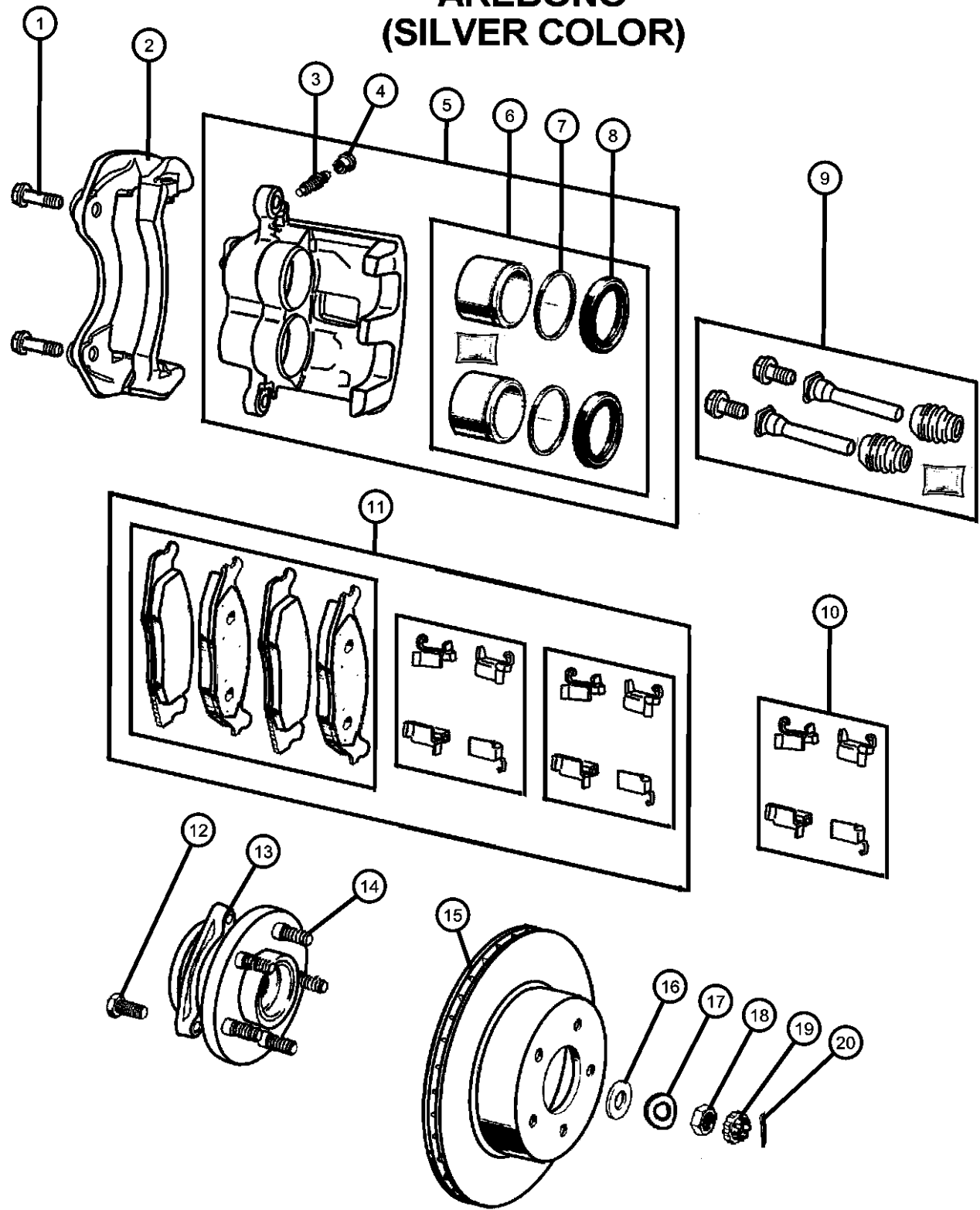
GRAND CHEROKEE (WJ)

| | | | | |
|-------------|----------------------|------------------------|---|--|
| SERIES | LINE | BODY | ENGINE | TRANSMISSION |
| H = Laredo | T = JEEP - 2WD | 74 = 4 Door (105.9 WB) | ERH = ENGINE - 4.0L POWER TECH I-6 | DG4 = TRANSMISSION-MULTI- SPEED AUTO, 45RFE |
| P = Limited | J = JEEP - 4WD | | EVA = ENGINE- 4.7L V8 MPI | DGW = TRANSMISSION - 4-SPD. AUTOMATIC,44RE |
| | U = JEEP - 4WD (RHD) | | EXA = ENGINE - 3.1L 5 CYL TURBO DIESEL | DGK = TRANSMISSION - 4-SPD. AUTOMATIC,42RE |
| | | | | DGO = ALL AUTOMATIC TRANSMISSIONS |

AR = use ase required - = Non illustrated part

**Front Disc Brake Caliper 'Akebono' and Rotor
Figure 5-120**

**"AKEBONO"
(SILVER COLOR)**



| ITEM | PART NUMBER | QTY | LINE | SERIES | BODY | ENGINE | TRANS | TRIM | DESCRIPTION |
|------|-------------|-----|------|--------|------|--------|-------|------|--|
| | 05093186AA | 1 | J | | | | | | |
| | | 1 | T | | | | | | |
| | | 1 | U | | | | | | |
| 7 | 05093187AA | 2 | J | | | | | | SEAL, Caliper Piston |
| | | 2 | T | | | | | | |
| | | 2 | U | | | | | | |
| 8 | 05093188AA | 2 | J | | | | | | BOOT, Brake Piston |
| | | 2 | T | | | | | | |
| | | 2 | U | | | | | | |
| 9 | 05093184AA | 1 | J | | | | | | PIN KIT, Disc Brake |
| | | 1 | T | | | | | | |
| | | 1 | U | | | | | | |
| 10 | 05093185AA | 2 | J | | | | | | SPRING KIT, Brake Shoe Hold Down |
| | | 2 | T | | | | | | |
| | | 2 | U | | | | | | |
| 11 | 05093183AA | 1 | J | | | | | | PAD KIT, Front Disc Brake |
| | VOEA3183 | | | | | | | | Make It Original Brake Kit |
| | V3013183 | | | | | | | | Mopar V-Line Alternative Part Ceramic |
| | V1013183 | | | | | | | | Mopar V-Line Alternative Part |
| | BHKH5684 | | | | | | | | Mopar V-Line Alternative Part Disc Hardware |
| | BHKH5072 | | | | | | | | Mopar V-Line Alternative Part Caliper Bolts |
| | VWJA3183 | | | | | | | | Make It New Brake Kits |
| | VK318081AA | | | | | | | | Mopar Loaded Brake Caliper Kit (2 Calipers, Brake Friction) |
| | VHDWJ183 | | | | | | | | Keep It New |
| | | 1 | T | | | | | | |

GRAND CHEROKEE (WJ)

SERIES LINE
 H = Laredo T = JEEP - 2WD
 P = Limited J = JEEP - 4WD
 U = JEEP - 4WD (RHD)

BODY
 74 = 4 Door (105.9 WB)

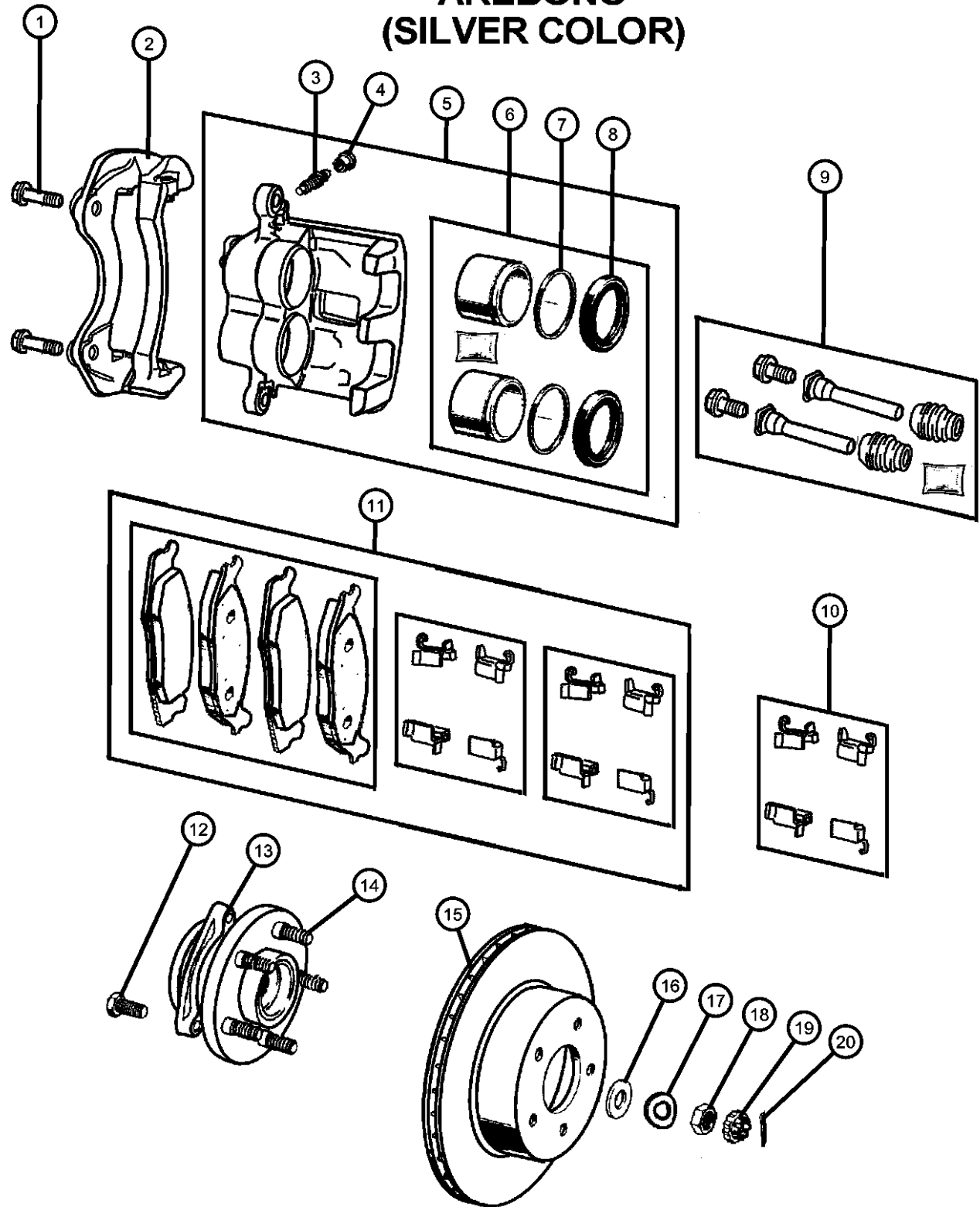
ENGINE
 ERH = ENGINE - 4.0L
 POWER TECH I-6
 EVA = ENGINE- 4.7L V8 MPI
 EXA = ENGINE - 3.1L 5 CYL
 TURBO DIESEL

TRANSMISSION
 DG4 = TRANSMISSION-MULTI-
 SPEED AUTO, 45RFE
 DGW = TRANSMISSION - 4-SPD.
 AUTOMATIC,44RE
 DGK = TRANSMISSION - 4-SPD.
 AUTOMATIC,42RE
 DGO = ALL AUTOMATIC
 TRANSMISSIONS

AR = use ase required - = Non illustrated part

Front Disc Brake Caliper 'Akebono' and Rotor
Figure 5-120

"AKEBONO"
(SILVER COLOR)



| ITEM | PART NUMBER | QTY | LINE | SERIES | BODY | ENGINE | TRANS | TRIM | DESCRIPTION |
|------|-------------|-----|------|--------|------|--------|-------|------|---|
| | VOEA3183 | | | | | | | | Make It Original Brake Kit |
| | V3013183 | | | | | | | | Mopar V-Line Alternative Part Ceramic |
| | V1013183 | | | | | | | | Mopar V-Line Alternative Part |
| | BHKH5684 | | | | | | | | Mopar V-Line Alternative Part Disc Hardware |
| | BHKH5072 | | | | | | | | Mopar V-Line Alternative Part Caliper Bolts |
| | VWJA3183 | | | | | | | | Make It New Brake Kits |
| | VK318081AA | | | | | | | | Mopar Loaded Brake Caliper Kit (2 Calipers, Brake Friction) |
| | VHDWJ183 | | | | | | | | Keep It New |
| 12 | 05093260AA | 1 | U | | | | | | BOLT |
| | 05012436AA | 6 | U | | | | | | Hub and Bearing, Mounting |
| | | 6 | T | | | | | | Hub and Bearing, Mounting |
| | | 6 | J | | | | | | Hub and Bearing, Mounting |
| 13 | | | | | | | | | HUB AND BEARING, Brake |
| | 52098679AD | 2 | T | | | | | | |
| | | 2 | J | | | | | | |
| | | 2 | U | | | | | | |
| 14 | | | | | | | | | BOLT, Hub and Rotor |
| | 06036388AA | 2 | U | | | | | | 15.3mm Around Serations, Right or Left |
| | | 5 | J | | | | | | 15.3mm Around Serations, Right or Left |
| | | 5 | T | | | | | | 15.3mm Around Serations, Right or Left |
| | 06036424AA | 10 | J | | | | | | 16.3mm Around Serations, Right or Left |
| | | 10 | T | | | | | | 16.3mm Around Serations, Right or Left |
| 15 | | | | | | | | | ROTOR, Brake |
| | 52098672 | 2 | U | | | | | | |
| | V5018672 | | | | | | | | Mopar V-Line Alternative Brake Rotors |
| | | 2 | T | | | | | | |

GRAND CHEROKEE (WJ)

SERIES LINE
 H = Laredo T = JEEP - 2WD
 P = Limited J = JEEP - 4WD
 U = JEEP - 4WD (RHD)

BODY
 74 = 4 Door (105.9 WB)

ENGINE
 ERH = ENGINE - 4.0L POWER TECH I-6
 EVA = ENGINE - 4.7L V8 MPI
 EXA = ENGINE - 3.1L 5 CYL TURBO DIESEL

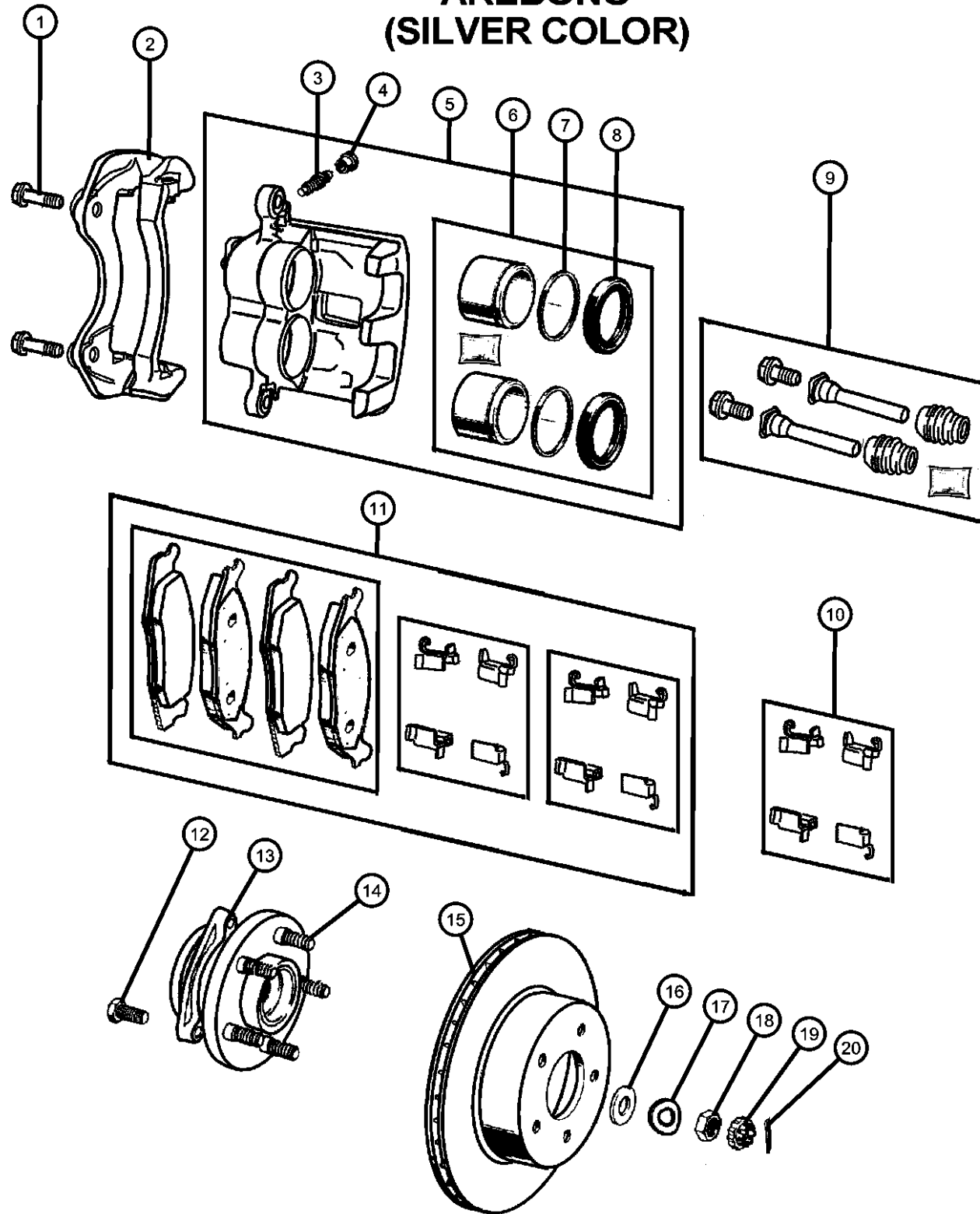
TRANSMISSION
 DG4 = TRANSMISSION-MULTI-SPEED AUTO, 45RFE
 DGW = TRANSMISSION - 4-SPD. AUTOMATIC, 44RE
 DGK = TRANSMISSION - 4-SPD. AUTOMATIC, 42RE
 DGO = ALL AUTOMATIC TRANSMISSIONS

AR = use ase required - = Non illustrated part

2000 WJ

**Front Disc Brake Caliper 'Akebono' and Rotor
Figure 5-120**

**"AKEBONO"
(SILVER COLOR)**



| ITEM | PART NUMBER | QTY | LINE | SERIES | BODY | ENGINE | TRANS | TRIM | DESCRIPTION |
|------|-------------|-----|------|--------|------|--------|-------|------|---------------------------------------|
| | V5018672 | | | | | | | | Mopar V-Line Alternative Brake Rotors |
| | V5018672 | 2 | J | | | | | | Mopar V-Line Alternative Brake Rotors |
| 16 | | | | | | | | | WASHER, Flat |
| | J4200096 | 2 | U | | | | | | |
| | | 2 | T | | | | | | |
| | | 2 | J | | | | | | |
| 17 | | | | | | | | | WASHER, Wave |
| | 04740749 | 2 | U | | | | | | |
| | | 2 | T | | | | | | |
| | | 2 | J | | | | | | |
| 18 | | | | | | | | | NUT, Hex |
| | J4200095 | 2 | U | | | | | | |
| | | 2 | T | | | | | | |
| | | 2 | J | | | | | | |
| 19 | | | | | | | | | RETAINER, Hub Nut |
| | J4200097 | 2 | U | | | | | | |
| | | 2 | T | | | | | | |
| | | 2 | J | | | | | | |
| 20 | | | | | | | | | PIN, Cotter, M4x40.00 |
| | 11010069 | 2 | U | | | | | | |
| | | 2 | T | | | | | | |
| | | 2 | J | | | | | | |

GRAND CHEROKEE (WJ)

SERIES LINE
 H = Laredo T = JEEP - 2WD
 P = Limited J = JEEP - 4WD
 U = JEEP - 4WD (RHD)

BODY
 74 = 4 Door (105.9 WB)

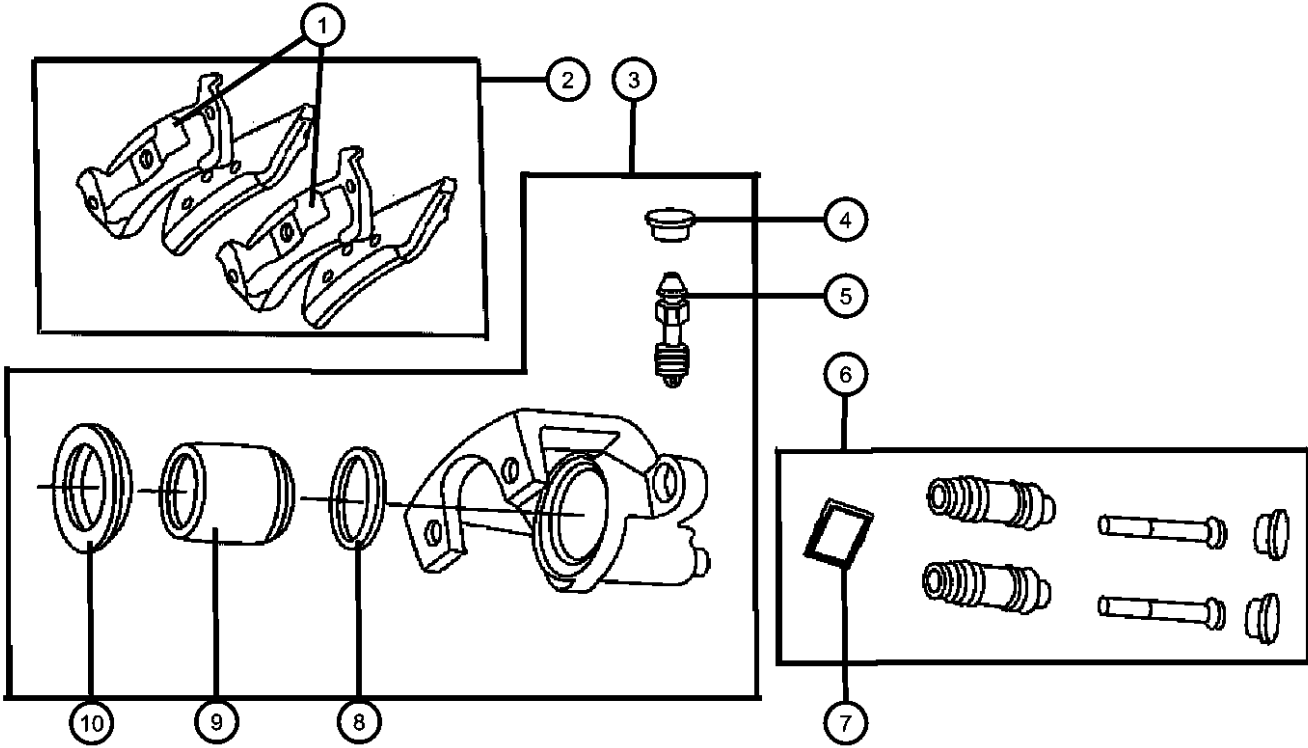
ENGINE
 ERH = ENGINE - 4.0L
 POWER TECH I-6
 EVA = ENGINE- 4.7L V8 MPI
 EXA = ENGINE - 3.1L 5 CYL
 TURBO DIESEL

TRANSMISSION
 DG4 = TRANSMISSION-MULTI-
 SPEED AUTO, 45RFE
 DGW = TRANSMISSION - 4-SPD.
 AUTOMATIC,44RE
 DGK = TRANSMISSION - 4-SPD.
 AUTOMATIC,42RE
 DGO = ALL AUTOMATIC
 TRANSMISSIONS

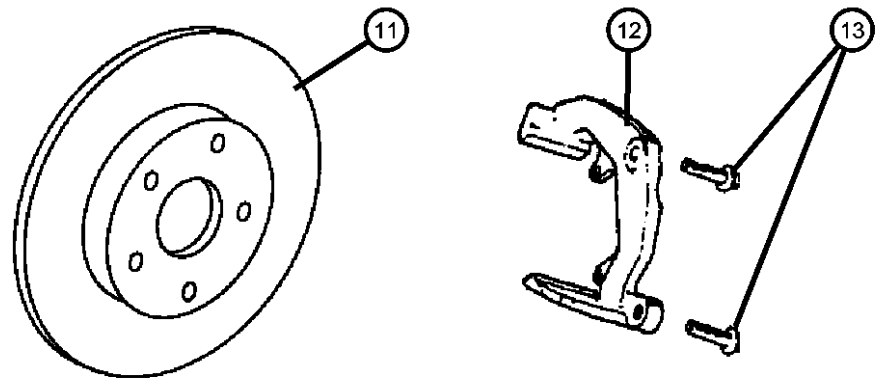
AR = use ase required - = Non illustrated part

2000 WJ

**Rear Disc Brake Caliper
Figure 5-210**



| ITEM | PART NUMBER | QTY | LINE | SERIES | BODY | ENGINE | TRANS | TRIM | DESCRIPTION |
|---|-------------|-----|------|--------|------|--------|-------|------|---|
| Note:ER0= All 4.0L 6 Cylinder Engines—EV0= All 4.7L V-8 Gas Engines | | | | | | | | | |
| 1 | 05011978AA | 1 | | | | | | | SPRING, Brake Shoe Hold Down |
| 2 | 05011970AA | 1 | | | | | | | PAD KIT, Rear Disc Brake |
| | BHKH5025 | | | | | | | | Mopar V-Line Alternative Part Caliper Bolts |
| | BHKH5648 | | | | | | | | Mopar V-Line Alternative Part Disc Hardware |
| | V2013970AB | | | | | | | | Mopar V-Line Alternative Part |
| | V4010791 | | | | | | | | Mopar V-Line Alternative Part Ceramic |
| | VRWJ3970 | | | | | | | | Mopar V-Line Alternative Part Mopar Make it New Rear |
| 3 | | | | | | | | | CALIPER, Disc Brake |
| | 05011974AA | 1 | | | | | | | Right |
| | 05011975AA | 1 | | | | | | | Left |
| 4 | 04126733 | 1 | | | | | | | CAP, Bleeder |
| 5 | 04126879 | 1 | | | | | | | SCREW, Bleeder |
| 6 | 05011981AA | 1 | | | | | | | PIN KIT, Disc Brake |
| 7 | 05011987AA | 1 | | | | | | | GREASE, Packet |
| 8 | 05011984AA | 1 | | | | | | | SEAL, Caliper Piston |
| 9 | 05011983AA | 1 | | | | | | | PISTON, Brake |
| 10 | 05011985AA | 1 | | | | | | | BOOT, Brake Piston |
| 11 | 52098666 | 2 | | | | | | | ROTOR, Brake |
| | V5018666 | | | | | | | | Mopar V-Line Alternative Brake Rotors |
| 12 | 05011980AA | 2 | | | | | | | BRACKET, Right or Left |
| 13 | 05012437AA | 4 | | | | | | | BOLT |
| -14 | | | | | | | | | SENSOR, Wheel Speed |
| | 56041308AA | 1 | | | | | | | Right |
| | 56041509AA | 1 | | | | | | | Left |



| | | | | |
|----------------------------|----------------------|------------------------|---|--|
| GRAND CHEROKEE (WJ) | | | | |
| SERIES | LINE | BODY | ENGINE | TRANSMISSION |
| H = Laredo | T = JEEP - 2WD | 74 = 4 Door (105.9 WB) | ERH = ENGINE - 4.0L POWER TECH I-6 | DG4 = TRANSMISSION-MULTI- SPEED AUTO, 45RFE |
| P = Limited | J = JEEP - 4WD | | EVA = ENGINE- 4.7L V8 MPI | DGW = TRANSMISSION - 4-SPD. AUTOMATIC,44RE |
| | U = JEEP - 4WD (RHD) | | EXA = ENGINE - 3.1L 5 CYL TURBO DIESEL | DGK = TRANSMISSION - 4-SPD. AUTOMATIC,42RE |
| | | | | DGO = ALL AUTOMATIC TRANSMISSIONS |

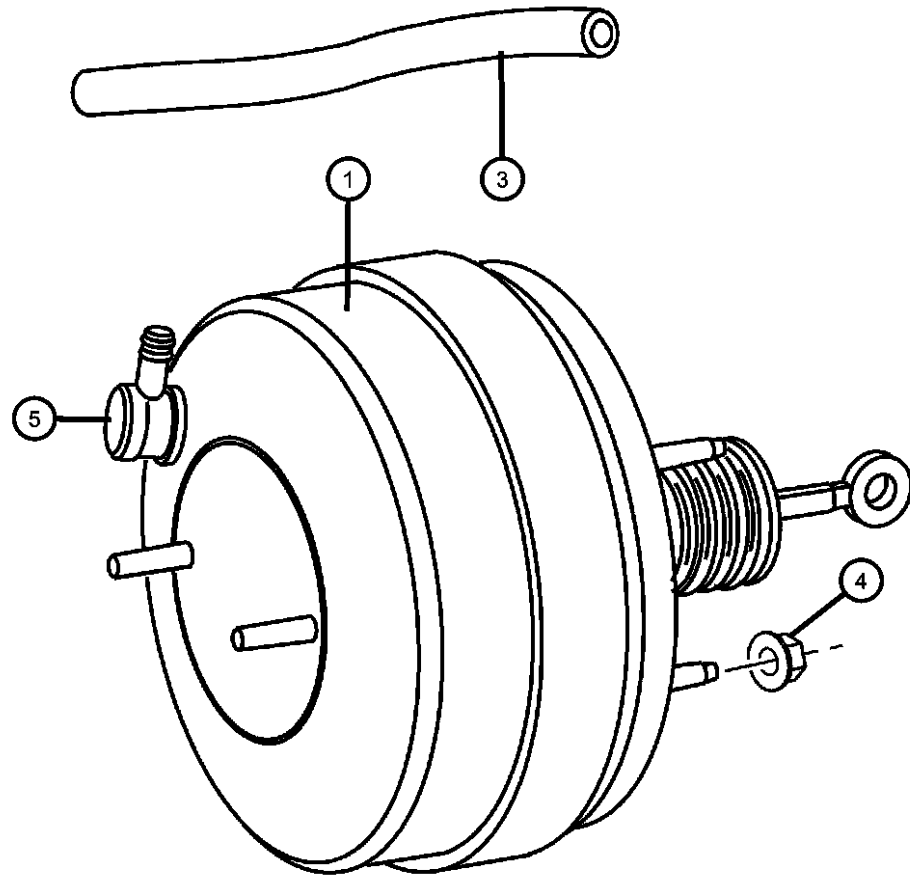
AR = use ase required - = Non illustrated part

**Power Brake Booster
Figure 5-310**

| ITEM | PART NUMBER | QTY | LINE | SERIES | BODY | ENGINE | TRANS | TRIM | DESCRIPTION |
|------|-------------|-----|------|--------|------|--------|-------|------|-------------|
|------|-------------|-----|------|--------|------|--------|-------|------|-------------|

Note:Sales Codes;
[ER0]=Engines - All 4.0L 6 Cylinder Gas
[EV0]=Engines - All 4.7L Gas

| | | | | | | | | | |
|----|------------|---|--|--|------|--|--|--|---|
| 1 | 05011261AA | 1 | | | | | | | BOOSTER, Power Brake, Includes Item 5 |
| -2 | 05012506AA | 1 | | | | | | | GASKET, Booster to Firewall, Mounting |
| 3 | | | | | | | | | HOSE, Brake Vacuum |
| | 52009350AB | 1 | | | U | | | | [ER0] |
| | 52128097 | 1 | | | J, T | | | | [ER0] |
| | 52128098 | 1 | | | J, T | | | | [EV0] |
| | 52128181AB | 1 | | | J, T | | | | [EX0] |
| | 52128182AB | 1 | | | U | | | | [EX0] |
| | 52128299AB | 1 | | | U | | | | [EV0] |
| 4 | 06100517 | 4 | | | | | | | NUT, Hex Flange Lock, Booster to Firewall, Mounting |
| 5 | 05011263AA | 1 | | | | | | | VALVE, Check, Elbow, With Grommet |



GRAND CHEROKEE (WJ)

| | |
|-------------|----------------------|
| SERIES | LINE |
| H = Laredo | T = JEEP - 2WD |
| P = Limited | J = JEEP - 4WD |
| | U = JEEP - 4WD (RHD) |

| |
|------------------------|
| BODY |
| 74 = 4 Door (105.9 WB) |

| |
|--|
| ENGINE |
| ERH = ENGINE - 4.0L POWER TECH I-6 |
| EVA = ENGINE- 4.7L V8 MPI |
| EXA = ENGINE - 3.1L 5 CYL TURBO DIESEL |

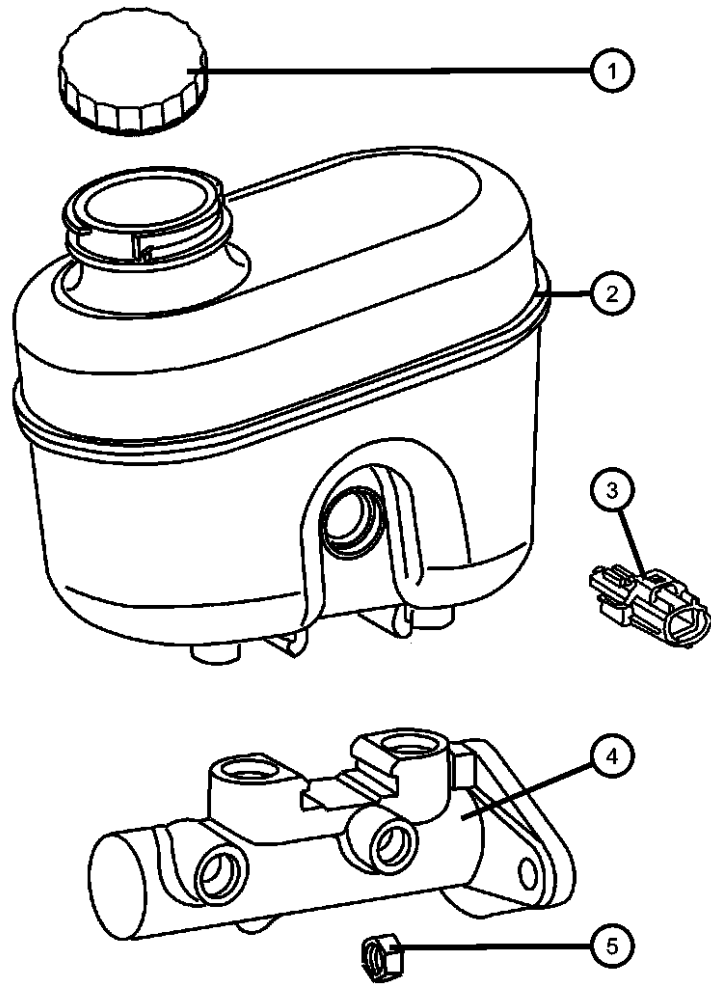
| |
|--|
| TRANSMISSION |
| DG4 = TRANSMISSION-MULTI-SPEED AUTO, 45RFE |
| DGW = TRANSMISSION - 4-SPD. AUTOMATIC,44RE |
| DGK = TRANSMISSION - 4-SPD. AUTOMATIC,42RE |
| DGO = ALL AUTOMATIC TRANSMISSIONS |

AR = use ase required - = Non illustrated part

2000 WJ

**Master Cylinder, Brake
Figure 5-410**

| ITEM | PART NUMBER | QTY | LINE | SERIES | BODY | ENGINE | TRANS | TRIM | DESCRIPTION |
|------|-------------|-----|------|--------|------|--------|-------|------|--|
| 1 | 05014518AA | 1 | | | | | | | CAP, Master Cylinder Reservoir |
| 2 | 05011262AA | 1 | | | | | | | RESERVOIR, Brake Master Cylinder, Includes Items 1,3 |
| 3 | 05013903AA | 1 | | | | | | | SENSOR, Brake Fluid Level |
| 4 | 05011260AA | 1 | | | | | | | MASTER CYLINDER, Brake |
| 5 | 06101467 | 2 | | | | | | | NUT, Hex Flange, M8x1.25, Master Cylinder to Booster, Mounting |



GRAND CHEROKEE (WJ)

| | |
|-------------|----------------------|
| SERIES | LINE |
| H = Laredo | T = JEEP - 2WD |
| P = Limited | J = JEEP - 4WD |
| | U = JEEP - 4WD (RHD) |

| |
|------------------------|
| BODY |
| 74 = 4 Door (105.9 WB) |

| |
|--|
| ENGINE |
| ERH = ENGINE - 4.0L POWER TECH I-6 |
| EVA = ENGINE- 4.7L V8 MPI |
| EXA = ENGINE - 3.1L 5 CYL TURBO DIESEL |

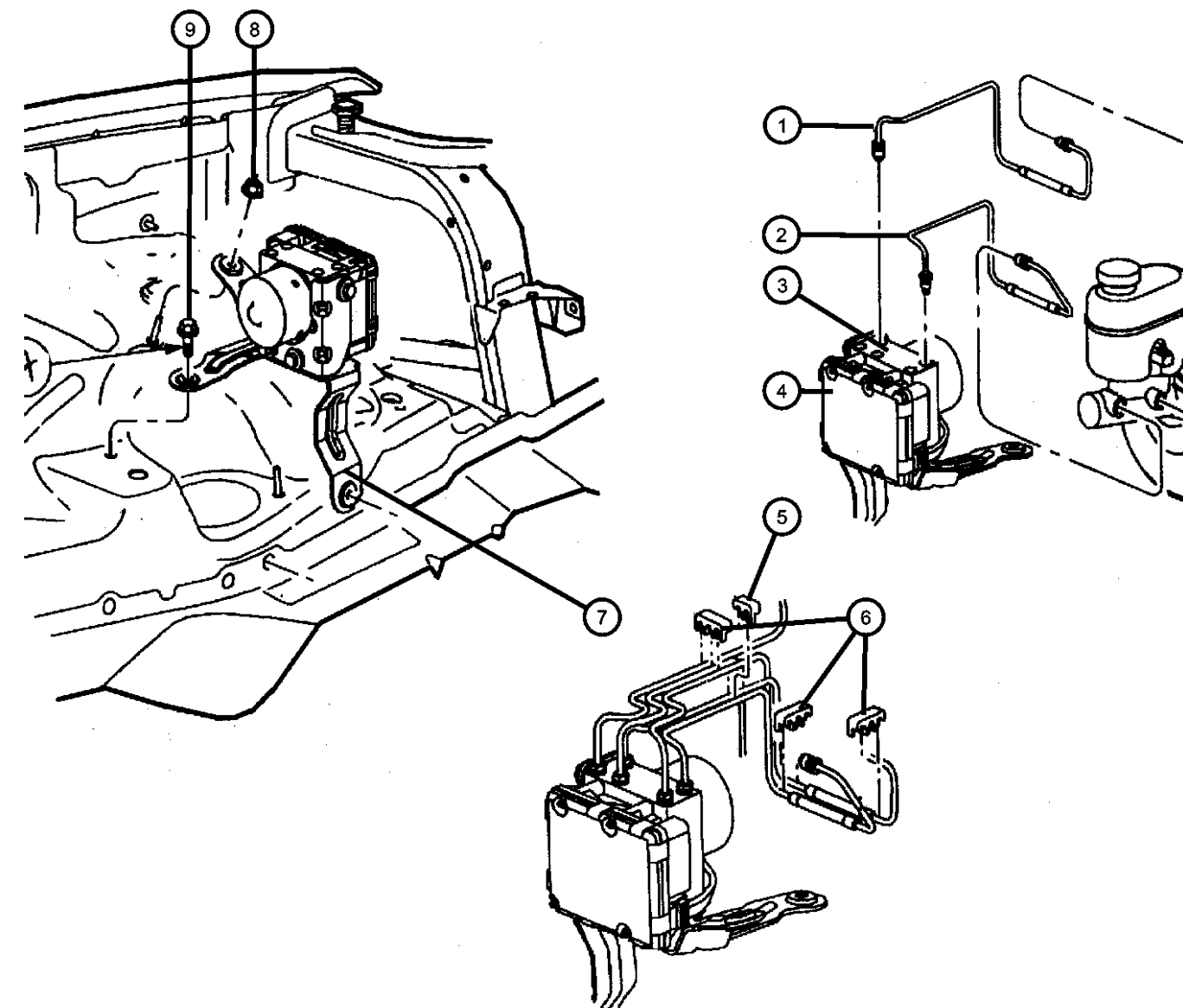
| |
|---|
| TRANSMISSION |
| DG4 = TRANSMISSION-MULTI-SPEED AUTO, 45RFE |
| DGW = TRANSMISSION - 4-SPD. AUTOMATIC, 44RE |
| DGK = TRANSMISSION - 4-SPD. AUTOMATIC, 42RE |
| DGO = ALL AUTOMATIC TRANSMISSIONS |

AR = use ase required - = Non illustrated part

2000 WJ

**Hydraulic Control Unit
Figure 5-420**

| ITEM | PART NUMBER | QTY | LINE | SERIES | BODY | ENGINE | TRANS | TRIM | DESCRIPTION |
|---|-------------|-----|------|--------|------|--------|-------|------|---|
| Notes: ER0=4.0L 6 Cylinder Gas Engine—EV0=4.7L Gas Engine—EX0=3.0/3.1L Turbo Diesel Engine—ICU=Intergrated Control Unit | | | | | | | | | |
| 1 | | | | | | | | | HOSE, Brake |
| | 52009349 | 1 | U | | | | | | EX0, Primary |
| | 52128086 | 1 | J, T | | | | | | ER0,EV0, Primary |
| | 52128106 | 1 | U | | | | | | ER0,EV0, Primary |
| | 52128208 | 1 | J, T | | | | | | EX0, Primary |
| 2 | | | | | | | | | HOSE, Brake |
| | 52009347 | 1 | U | | | | | | EX0, Secondary |
| | 52128087 | 1 | J, T | | | | | | ER0,EV0, Secondary |
| | 52128107 | 1 | U | | | | | | ER0,EV0, Secondary |
| | 52128209 | 1 | J, T | | | | | | EX0, Secondary |
| 3 | 05011259AA | 1 | | | | | | | CONTROL UNIT, Anti-Lock Brake |
| 4 | 56041022AG | 1 | | | | | | | MODULE, Anti-lock Brakes |
| 5 | 52008940 | 1 | | | | | | | CLIP, Brake Line, 2-Way Brake, Mounting |
| 6 | | | | | | | | | CLIP, Brake Line |
| | 52009163 | 4 | J, T | | | | | | 3-Way Brake, Mounting |
| | | 3 | U | | | | | | 3-Way Brake, Mounting |
| 7 | | | | | | | | | BRACKET, Hydraulic Control Unit |
| | 05011257AA | 1 | | | | | | | ER0,EV0, Mounting |
| | 05011258AA | 1 | | | | | | | EX0, Mounting |
| 8 | 34201711 | 1 | | | | | | | NUT, Hex Flange, M8x1.25, ICU Bracket, Mounting |
| 9 | 06505923AA | 2 | | | | | | | BOLT, ICU Bracket, Mounting |



GRAND CHEROKEE (WJ)

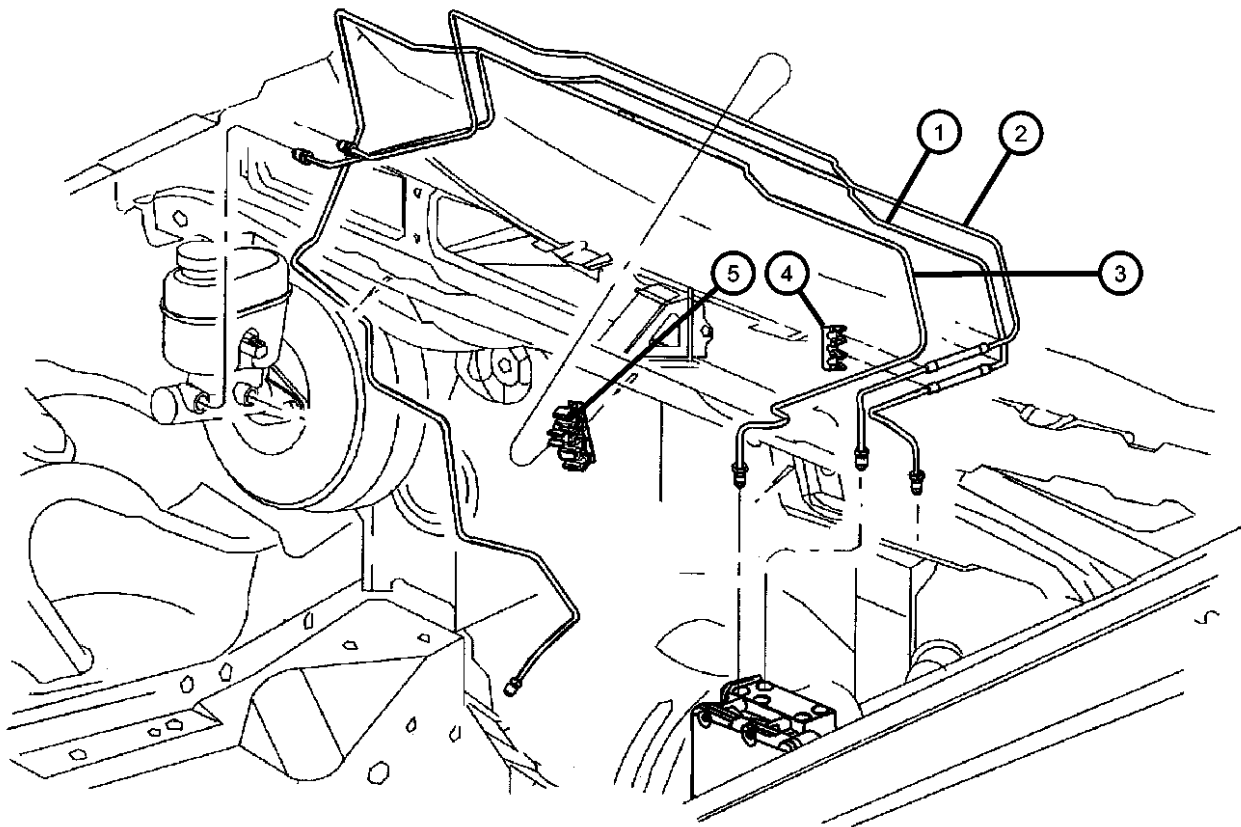
| | | | | |
|---------------|----------------------|------------------------|--|--|
| SERIES | LINE | BODY | ENGINE | TRANSMISSION |
| H = Laredo | T = JEEP - 2WD | 74 = 4 Door (105.9 WB) | ERH = ENGINE - 4.0L POWER TECH I-6 | DG4 = TRANSMISSION-MULTI-SPEED AUTO, 45RFE |
| P = Limited | J = JEEP - 4WD | | EVA = ENGINE- 4.7L V8 MPI | DGW = TRANSMISSION - 4-SPD. AUTOMATIC,44RE |
| | U = JEEP - 4WD (RHD) | | EXA = ENGINE - 3.1L 5 CYL TURBO DIESEL | DGK = TRANSMISSION - 4-SPD. AUTOMATIC,42RE |
| | | | | DGO = ALL AUTOMATIC TRANSMISSIONS |

AR = use ase required - = Non illustrated part

Lines and Hoses,Right Front
Figure 5-510

| ITEM | PART NUMBER | QTY | LINE | SERIES | BODY | ENGINE | TRANS | TRIM | DESCRIPTION |
|------|-------------|-----|------|--------|------|--------|-------|------|-------------|
|------|-------------|-----|------|--------|------|--------|-------|------|-------------|

Note:Sales Codes;
[ER0]=All 4.0L 6 Cylinder Gas Engines
[EV0]=All 4.7L Gas Engine
[EX0]=All 3.0/3.01 Turbo Diesel Engines



| | | | | | | | | | |
|---|------------|---|------|--|--|--|--|--|--|
| 1 | | | | | | | | | HOSE, Brake |
| | 52009349 | 1 | U | | | | | | Master Cylinder to ICU [EX0], Primary |
| | 52128086 | 1 | J, T | | | | | | Master Cylinder to ICU [ER0,EV0], Primary |
| | 52128106 | 1 | U | | | | | | Master Cylinder to ICU [ER0,EV0], Primary |
| | 52128208 | 1 | J, T | | | | | | Master Cylinder to ICU [EX0], Primary |
| 2 | | | | | | | | | HOSE, Brake |
| | 52009347 | 1 | U | | | | | | Master Cylinder to ICU [EX0], Secondary |
| | 52128087 | 1 | J, T | | | | | | Master Cylinder to ICU [ER0,EV0], Secondary |
| | 52128107 | 1 | U | | | | | | Master Cylinder to ICU [ER0,EV0], Secondary |
| | 52128209 | 1 | J, T | | | | | | Master Cylinder to ICU [EX0], Secondary |
| 3 | | | | | | | | | TUBE, Brake |
| | 52009346AD | 1 | U | | | | | | [EX0], Right |
| | 52128212AD | 1 | U | | | | | | [ER0,EV0], Right |
| | 52128366AB | 1 | J, T | | | | | | [ER0,EV0], Right |
| | 52128367AB | 1 | J, T | | | | | | [EX0], Right |
| 4 | | | | | | | | | CLIP, Brake Line |
| | 52008940 | 1 | | | | | | | 2 Way-Brake Tube Separation at ICU, Mounting |
| | 52009163 | 4 | | | | | | | 3 Way-Brake Tube Separation at ICU, Mounting |
| 5 | | | | | | | | | CLIP, Brake Line |
| | 52128211 | 3 | U | | | | | | Brake Tube to Front of Plenum, Mounting |
| | 52128214 | 3 | J, T | | | | | | Brake Tube to Front of Plenum, Mounting |

GRAND CHEROKEE (WJ)

| SERIES | LINE | BODY | ENGINE | TRANSMISSION |
|-------------|----------------------|------------------------|--|--|
| H = Laredo | T = JEEP - 2WD | 74 = 4 Door (105.9 WB) | ERH = ENGINE - 4.0L POWER TECH I-6 | DG4 = TRANSMISSION-MULTI-SPEED AUTO, 45RFE |
| P = Limited | J = JEEP - 4WD | | EVA = ENGINE- 4.7L V8 MPI | DGW = TRANSMISSION - 4-SPD. AUTOMATIC,44RE |
| | U = JEEP - 4WD (RHD) | | EXA = ENGINE - 3.1L 5 CYL TURBO DIESEL | DGK = TRANSMISSION - 4-SPD. AUTOMATIC,42RE |
| | | | | DGO = ALL AUTOMATIC TRANSMISSIONS |

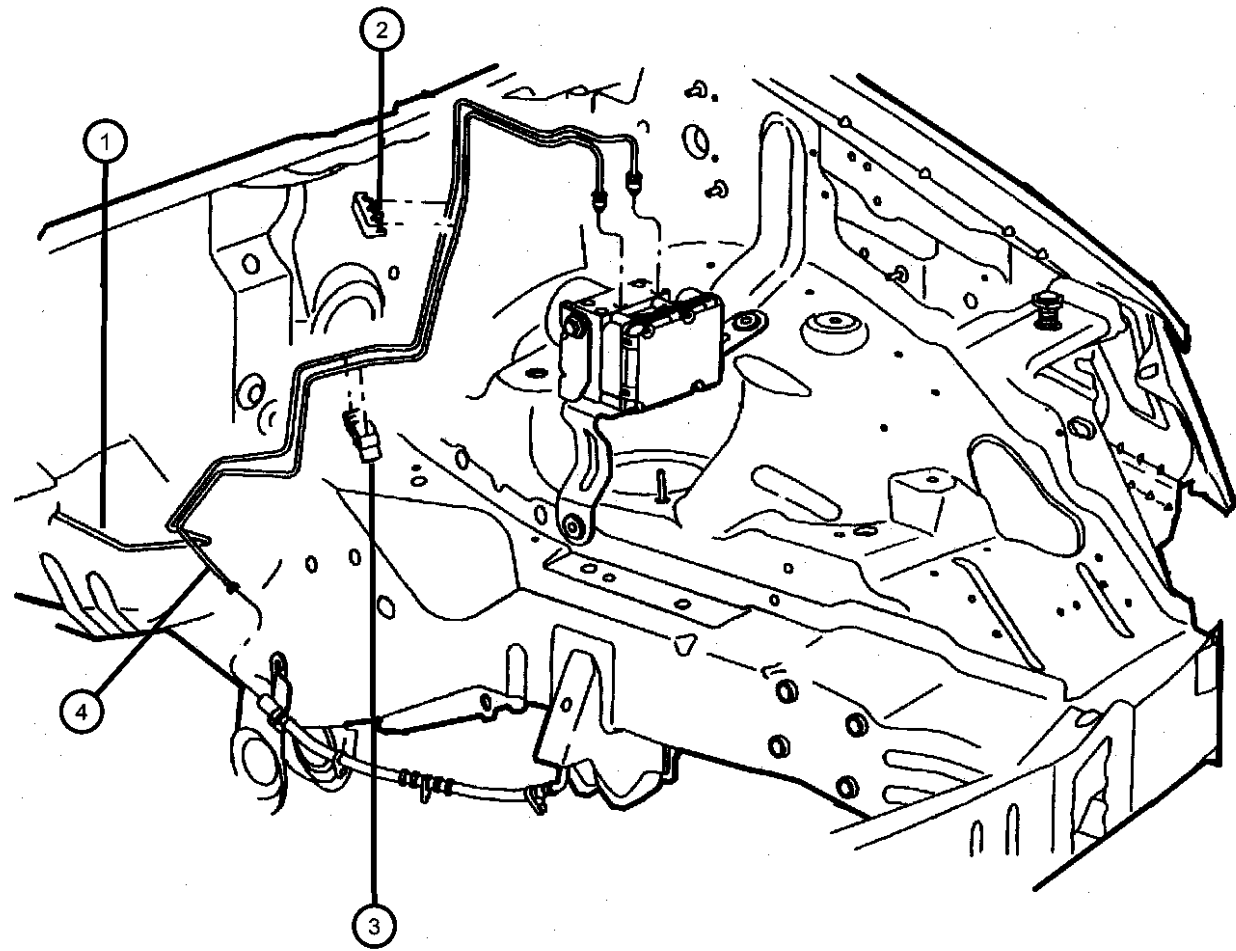
AR = use ase required - = Non illustrated part

2000 WJ

Brake Lines and Hoses, Left Front and Chassis
Figure 5-520

| ITEM | PART NUMBER | QTY | LINE | SERIES | BODY | ENGINE | TRANS | TRIM | DESCRIPTION |
|------|-------------|-----|------|--------|------|--------|-------|------|-------------|
|------|-------------|-----|------|--------|------|--------|-------|------|-------------|

Note: Sales Codes;
 [ER0]=All 4.0L 6 Cylinder Gas Engines
 [EV0]=All 4.7L Gas Engine
 [EX0]=All 3.0/3.01 Turbo Diesel Engines



| | | | | | | | | | |
|---|------------|---|--|--|--|--|--|--|-------------------------------------|
| 1 | | | | | | | | | TUBE, Brake |
| | 52128074AB | 1 | | | | | | | [ER0,EV0], Chassis |
| | 52128202AB | 1 | | | | | | | [EX0], Chassis |
| 2 | 52009163 | 4 | | | | | | | CLIP, Brake LineMounting |
| 3 | 52128244AA | 1 | | | | | | | CLIP, Brake LineMounting |
| 4 | | | | | | | | | TUBE, Brake |
| | 52009341AC | 1 | | | | | | | [EX0] To Front Brake Hose, Left |
| | 52128077AC | 1 | | | | | | | [ER0,EV0] To Front Brake Hose, Left |

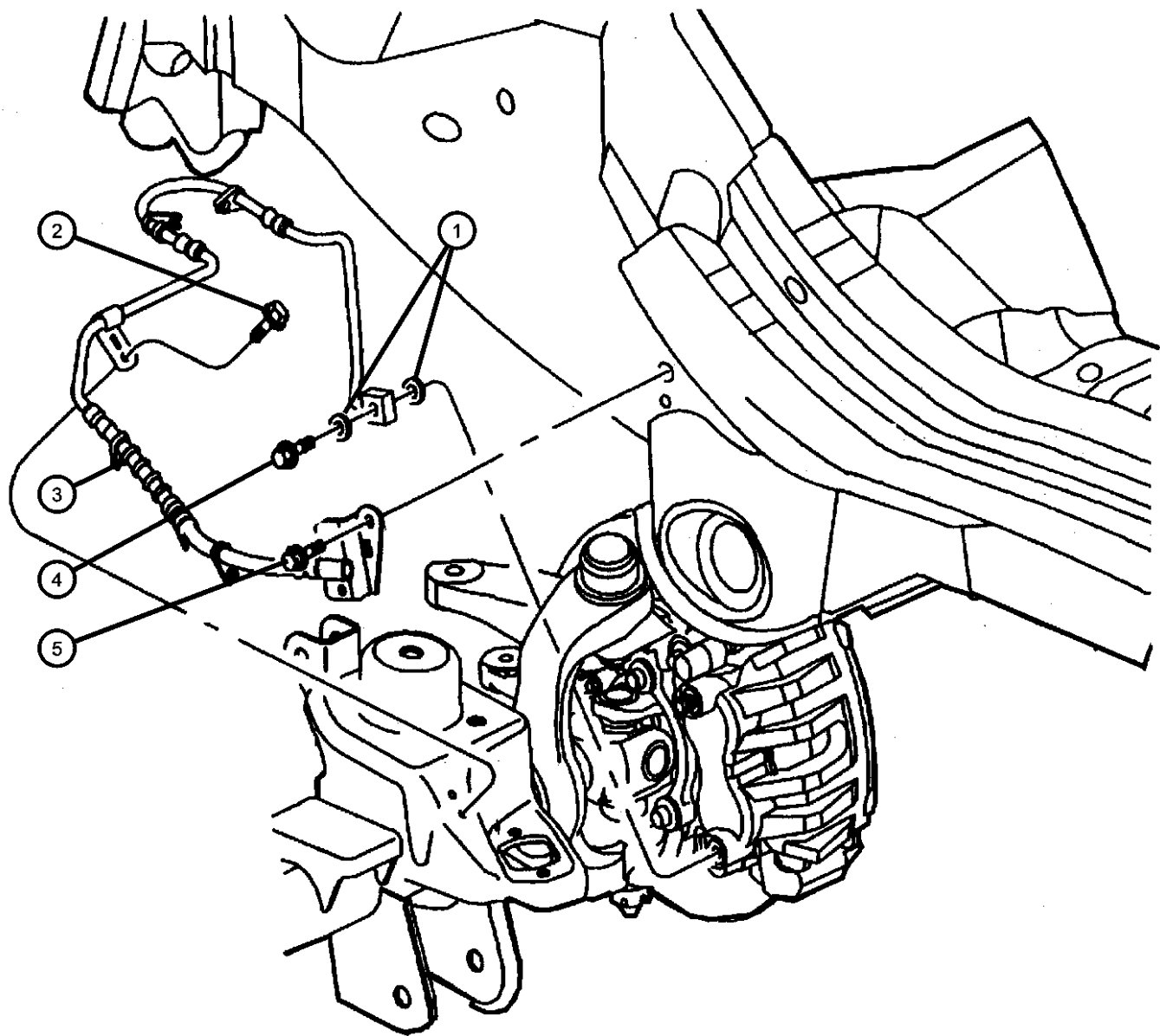
GRAND CHEROKEE (WJ)

| SERIES | LINE | BODY | ENGINE | TRANSMISSION |
|-------------|----------------------|------------------------|--|--|
| H = Laredo | T = JEEP - 2WD | 74 = 4 Door (105.9 WB) | ERH = ENGINE - 4.0L POWER TECH I-6 | DG4 = TRANSMISSION-MULTI-SPEED AUTO, 45RFE |
| P = Limited | J = JEEP - 4WD | | EVA = ENGINE- 4.7L V8 MPI | DGW = TRANSMISSION - 4-SPD. AUTOMATIC,44RE |
| | U = JEEP - 4WD (RHD) | | EXA = ENGINE - 3.1L 5 CYL TURBO DIESEL | DGK = TRANSMISSION - 4-SPD. AUTOMATIC,42RE |
| | | | | DGO = ALL AUTOMATIC TRANSMISSIONS |

AR = use ase required - = Non illustrated part

2000 WJ

Front Brake Hoses
Figure 5-530



| ITEM | PART NUMBER | QTY | LINE | SERIES | BODY | ENGINE | TRANS | TRIM | DESCRIPTION |
|------|-------------|-----|------|--------|------|--------|-------|------|--|
| 1 | J3237672 | 8 | | | | | | | GASKET, Brake Hose To CaliperMounting |
| 2 | J4200158 | 1 | | | | | | | BOLT |
| | | 1 | | | | | | | Brake Hose to Spring Seat, Right |
| | | 1 | | | | | | | Brake Hose to Spring Seat, Left |
| 3 | | | | | | | | | HOSE, Brake |
| | 52128092AB | 1 | | | | | | | Right |
| | V1128092AA | | | | | | | | Mopar V-Line Alternative Brake Hoses and Tubes |
| | 52128093AB | 1 | | | | | | | Left |
| | V1128093AA | | | | | | | | Mopar V-Line Alternative Brake Hoses and Tubes |
| 4 | J4006700 | 4 | | | | | | | BOLT, Banjo, Brake Hose to Caliper, Mounting |
| 5 | | | | | | | | | BOLT |
| | J4200158 | 1 | | | | | | | Brake Hose to Sill, Right |
| | | 1 | | | | | | | Brake Hose to Sill, Left |

GRAND CHEROKEE (WJ)

SERIES
H = Laredo
P = Limited

LINE
T = JEEP - 2WD
J = JEEP - 4WD
U = JEEP - 4WD (RHD)

BODY
74 = 4 Door (105.9 WB)

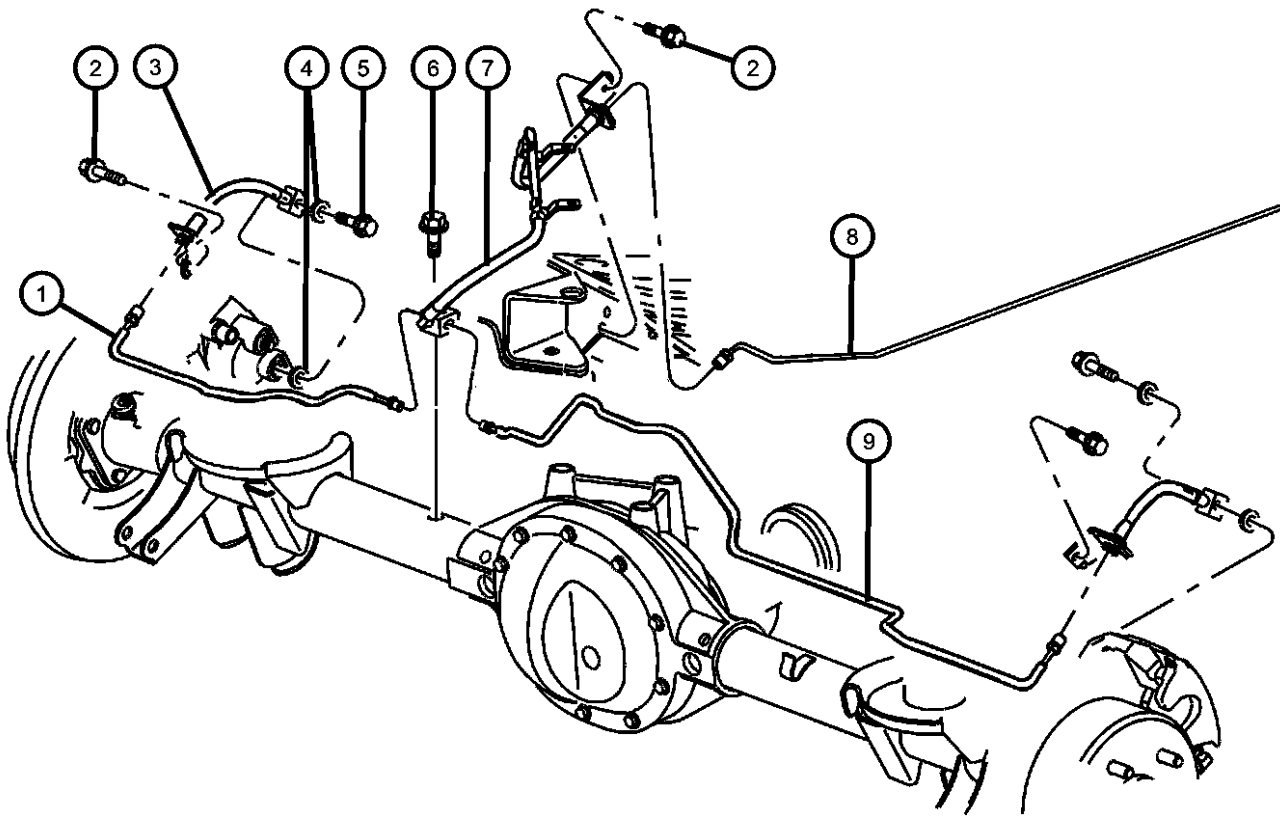
ENGINE
ERH = ENGINE - 4.0L POWER TECH I-6
EVA = ENGINE- 4.7L V8 MPI
EXA = ENGINE - 3.1L 5 CYL TURBO DIESEL

TRANSMISSION
DG4 = TRANSMISSION-MULTI-SPEED AUTO, 45RFE
DGW = TRANSMISSION - 4-SPD. AUTOMATIC, 44RE
DGK = TRANSMISSION - 4-SPD. AUTOMATIC, 42RE
DGO = ALL AUTOMATIC TRANSMISSIONS

AR = use ase required - = Non illustrated part

Brake Lines and Hoses,Rear
Figure 5-540

| ITEM | PART NUMBER | QTY | LINE | SERIES | BODY | ENGINE | TRANS | TRIM | DESCRIPTION |
|---|-------------|-----|------|--------|------|--------|-------|------|--|
| Note:Sales Codes; | | | | | | | | | |
| [ER0]=All 4.0L 6 Cylinder Gas Engines | | | | | | | | | |
| [EV0]=All 4.7L Gas Engine | | | | | | | | | |
| [EX0]=All 3.0/3.01 Turbo Diesel Engines | | | | | | | | | |
| 1 | 52009353AB | 1 | | | | | | | TUBE, BrakeLeft |
| 2 | | | | | | | | | BOLT |
| | J4200158 | 1 | | | | | | | To Spring Seat, Right |
| | | 1 | | | | | | | To Spring Seat, Left |
| | | 1 | | | | | | | To Sill, Right or Left |
| 3 | | | | | | | | | HOSE, Brake |
| | 52128094 | 1 | | | | | | | To Caliper, Right |
| | 52128095 | 1 | | | | | | | To Caliper, Left |
| 4 | J3237672 | 8 | | | | | | | GASKET, Brake Hose To CaliperRight or Left |
| 5 | J4006700 | 4 | | | | | | | BOLT, BanjoRight or Left |
| 6 | 04137696 | 1 | | | | | | | SCREW, Brake Tee, .437-20x2.07 |
| 7 | 52128096AB | 1 | | | | | | | HOSE, BrakeRear |
| 8 | | | | | | | | | TUBE, Brake |
| | 52128074AB | 1 | | | | | | | [ER0,EV0], Chassis |
| | 52128202AB | 1 | | | | | | | [EX0], Chassis |
| 9 | 52128439AA | 1 | | | | | | | TUBE, BrakeRight |
| -10 | | | | | | | | | SENSOR, Wheel Speed |
| | 56041308AA | 1 | | | | | | | Right |
| | 56041509AA | 1 | | | | | | | Left |



GRAND CHEROKEE (WJ)

SERIES
H = Laredo
P = Limited

LINE
T = JEEP - 2WD
J = JEEP - 4WD
U = JEEP - 4WD (RHD)

BODY
74 = 4 Door (105.9 WB)

ENGINE
ERH = ENGINE - 4.0L POWER TECH I-6
EVA = ENGINE- 4.7L V8 MPI
EXA = ENGINE - 3.1L 5 CYL TURBO DIESEL

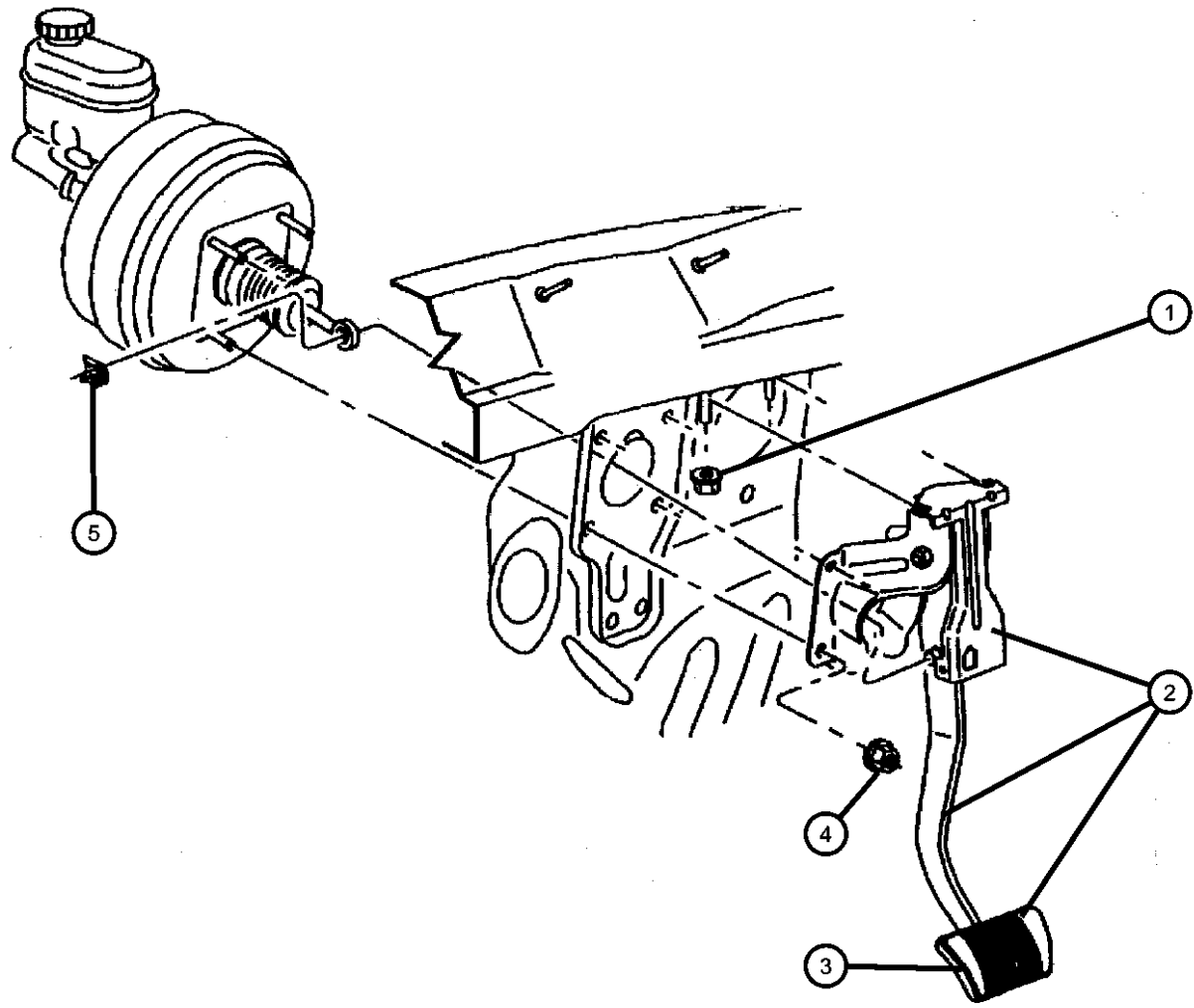
TRANSMISSION
DG4 = TRANSMISSION-MULTI-SPEED AUTO, 45RFE
DGW = TRANSMISSION - 4-SPD. AUTOMATIC,44RE
DGK = TRANSMISSION - 4-SPD. AUTOMATIC,42RE
DGO = ALL AUTOMATIC TRANSMISSIONS

AR = use ase required - = Non illustrated part

2000 WJ

Brake Pedal & Bracket
Figure 5-610

| ITEM | PART NUMBER | QTY | LINE | SERIES | BODY | ENGINE | TRANS | TRIM | DESCRIPTION |
|---|-------------|-----|------|--------|------|--------|-------|------|--|
| Note:T=2 Wheel Drive Left Hand Drive—J=4 Wheel Drive Left Hand Drive—U=4 Wheel Drive Right Hand Drive | | | | | | | | | |
| 1 | 06100517 | 2 | | | | | | | NUT, Hex Flange Lock, Pedal Bracket to Dash, Mounting PEDAL, Brake |
| 2 | 52128148AD | 1 | J, T | | | | | | |
| | 52128274AD | 1 | U | | | | | | |
| 3 | 04779027 | 1 | J, T | | | | | | PAD, Pedal |
| | 52009562 | 1 | U | | | | | | |
| 4 | 06100517 | 4 | | | | | | | NUT, Hex Flange Lock, Booster to Sled, Mounting |
| 5 | 06035334 | 1 | | | | | | | CLIP, Brake Push Rod |



GRAND CHEROKEE (WJ)

SERIES
H = Laredo
P = Limited

LINE
T = JEEP - 2WD
J = JEEP - 4WD
U = JEEP - 4WD (RHD)

BODY
74 = 4 Door (105.9 WB)

ENGINE
ERH = ENGINE - 4.0L POWER TECH I-6
EVA = ENGINE- 4.7L V8 MPI
EXA = ENGINE - 3.1L 5 CYL TURBO DIESEL

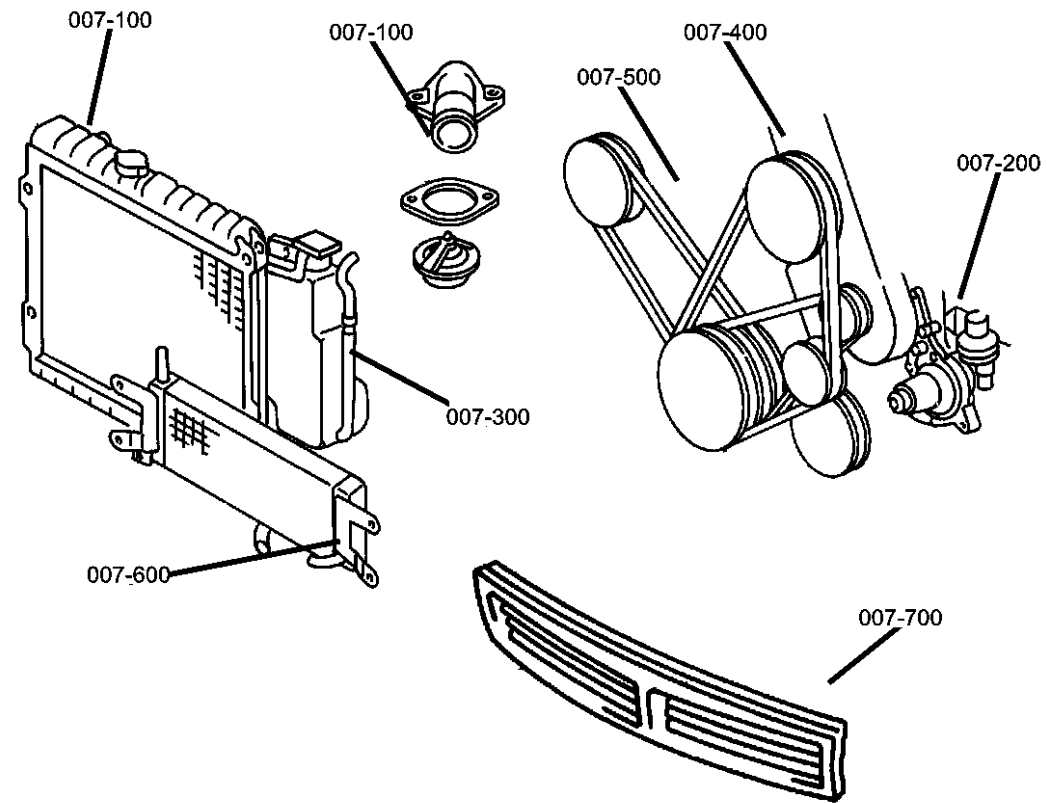
TRANSMISSION
DG4 = TRANSMISSION-MULTI-SPEED AUTO, 45RFE
DGW = TRANSMISSION - 4-SPD. AUTOMATIC,44RE
DGK = TRANSMISSION - 4-SPD. AUTOMATIC,42RE
DGO = ALL AUTOMATIC TRANSMISSIONS

AR = use ase required - = Non illustrated part

2000 WJ

Group - 7

Cooling



Group - 7 Cooling

Illustration Title

Group-Fig. No.

Radiator and Related Parts

| | |
|---|--------------|
| Radiator and Related Parts 4.0L Engine | Fig. 7 - 150 |
| Radiator and Related Parts 4.7L Engine | Fig. 7 - 160 |
| Radiator and Related Parts, 3.1L Diesel Engine..... | Fig. 7 - 165 |
| Radiator Upper Support | Fig. 7 - 170 |

Water Pump and Related Parts

| | |
|--|--------------|
| Water Pump and Related Parts 4.0L Engine..... | Fig. 7 - 210 |
| Water Pump and Related Parts 4.7L Engine..... | Fig. 7 - 220 |
| Water Pump and Related Parts, 3.1L Diesel Engine | Fig. 7 - 230 |

Tank, Coolant Engine

| | |
|---------------------------------------|--------------|
| Coolant Tank, 4.0,4.7L Engine | Fig. 7 - 310 |
| Coolant Tank, 3.1 Diesel Engine | Fig. 7 - 320 |

Pulleys and Related Parts

| | |
|--|--------------|
| Drive Pulleys 4.0L Engine | Fig. 7 - 420 |
| Drive Pulleys 4.7L Engine | Fig. 7 - 430 |
| Drive Pulleys, 3.1L Diesel Engine..... | Fig. 7 - 440 |

Drive Belts

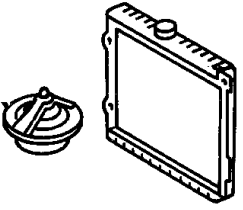
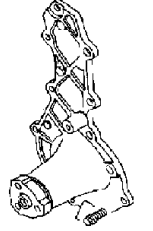
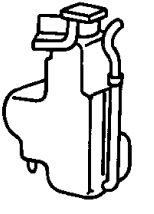
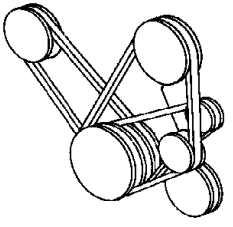
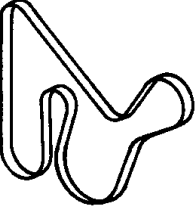
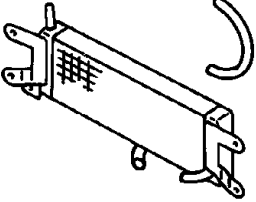
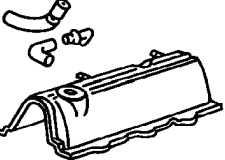
| | |
|--|--------------|
| Drive Belts 4.0L and 4.7L Engines..... | Fig. 7 - 520 |
| Drive Belts, 3.1L Diesel Engine | Fig. 7 - 530 |

Lines, Transmission Oil Cooler

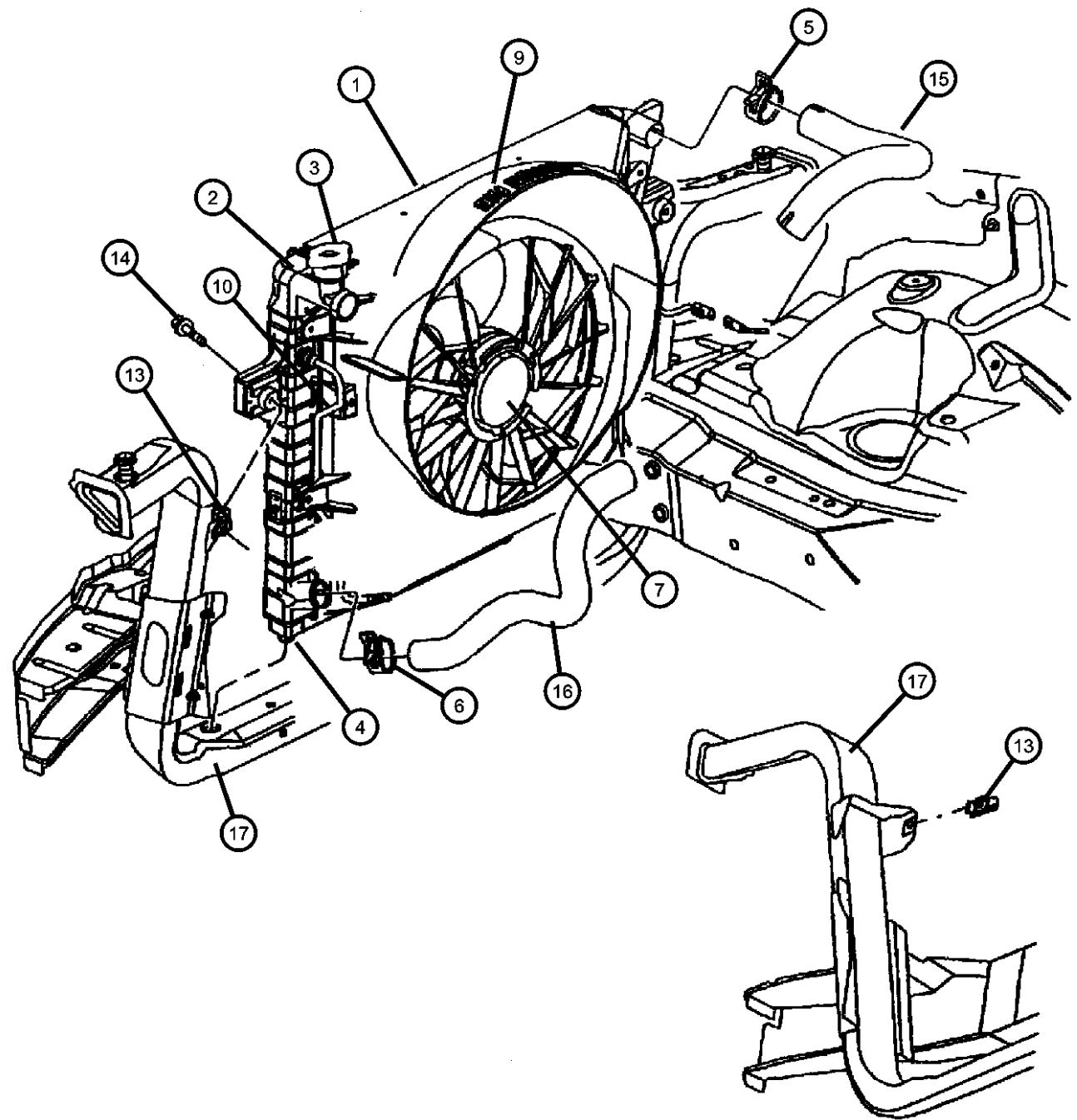
| | |
|---|--------------|
| Oil Cooler and Lines 3.1, 4.0L Engines..... | Fig. 7 - 610 |
| Oil Cooler and Lines 4.7L Engine..... | Fig. 7 - 620 |

Grilles

| | |
|--------------------------------|--------------|
| Grille and Related Parts | Fig. 7 - 720 |
|--------------------------------|--------------|

| | | | |
|---|--|---|---|
| <p>007-100 Radiator and Related Parts</p>  | <p>007-200 Water Pump and Related Parts</p>  | <p>007-300 Tank, Coolant Engine</p>  | <p>007-400 Pulleys and Related Parts</p>  |
| <p>007-500 Drive Belts</p>  | <p>007-600 Lines, Transmission Oil Cooler</p>  | <p>007-700 Grilles</p>  | |

**Radiator and Related Parts 4.0L Engine
Figure 7-150**



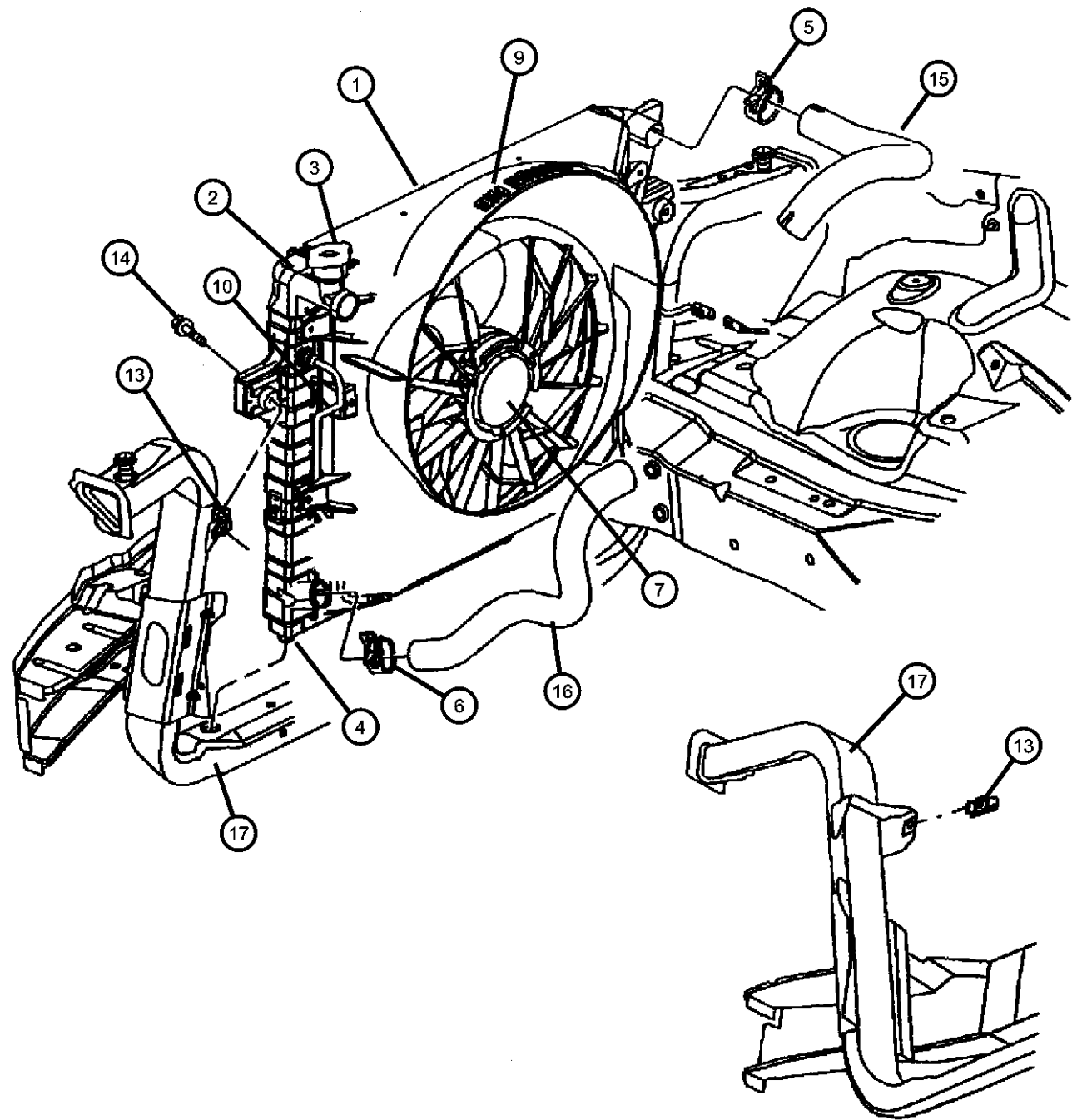
| ITEM | PART NUMBER | QTY | LINE | SERIES | BODY | ENGINE | TRANS | TRIM | DESCRIPTION |
|---|-------------|-----|------|--------|------|----------|-------|------|-----------------------------|
| Note: Sales Code ER0 = 4.0L Engine Note: Sales Code DG0 = All Auto Trans | | | | | | | | | |
| 1 | 55115918AB | 1 | J, T | | | ER0 | DG0 | | CONDENSER, Air Conditioning |
| | | 1 | U | | | ER0 | DG0 | | |
| 2 | 52079428AB | 1 | U | | | ER0 | DG0 | | RADIATOR, Engine Cooling |
| | | 1 | J, T | | | ER0 | DG0 | | |
| 3 | 52079799AA | 1 | U | | | ER0 | DG0 | | CAP, Radiator |
| | | 1 | J, T | | | ER0 | DG0 | | |
| 4 | 52079418 | 2 | J, T | | | ER0 | DG0 | | ISOLATOR, Radiator |
| | | 2 | U | | | ER0 | DG0 | | Right |
| | 52079419 | 2 | J, T | | | ER0 | DG0 | | Right |
| | | 2 | U | | | ER0 | DG0 | | Left |
| | | 2 | U | | | ER0 | DG0 | | Left |
| 5 | 52005580 | 1 | | | | ER0, EV0 | | | CLAMP, HOSE, 50X15 |
| 6 | 52005580 | 1 | | | | ER0, EV0 | | | CLAMP, HOSE, 50X15 |
| 7 | 52079528 | 1 | J, T | | | ER0 | DG0 | | FAN, Cooling |
| | | 1 | U | | | ER0 | DG0 | | Electric Module |
| | 52079984AA | 1 | | | | ER0 | | | Engine Fan |
| -8 | 52079443 | 1 | | | | ER0 | | | VISCOUS CLUTCH, Fan Drive |
| 9 | 52079489AB | 1 | J, T | | | ER0 | DG0 | | SHROUD, Fan |
| | | 1 | U | | | ER0 | DG0 | | |
| 10 | 52079432AB | 1 | J, T | | | ER0 | DG0 | | TUBE, Oil Cooler |
| | | 1 | U | | | ER0 | DG0 | | Pressure |
| | 52079753AB | 1 | U | | | ER0 | DG0 | | Pressure |
| | | 1 | U | | | ER0 | DG0 | | Return |
| | | 1 | J, T | | | ER0 | DG0 | | Return |
| -11 | 52079430 | 1 | J, T | | | ER0 | DG0 | | SEAL, Radiator Condenser |

GRAND CHEROKEE (WJ)

| | | | | |
|-------------|----------------------|------------------------|--|---|
| SERIES | LINE | BODY | ENGINE | TRANSMISSION |
| H = Laredo | T = JEEP - 2WD | 74 = 4 Door (105.9 WB) | ERH = ENGINE - 4.0L | DG4 = TRANSMISSION-MULTI-SPEED AUTO, 45RFE |
| P = Limited | J = JEEP - 4WD | | POWER TECH I-6 | DGW = TRANSMISSION - 4-SPD. AUTOMATIC, 44RE |
| | U = JEEP - 4WD (RHD) | | EVA = ENGINE - 4.7L V8 MPI | DGK = TRANSMISSION - 4-SPD. AUTOMATIC, 42RE |
| | | | EXA = ENGINE - 3.1L 5 CYL TURBO DIESEL | DGO = ALL AUTOMATIC TRANSMISSIONS |

AR = use ase required - = Non illustrated part

**Radiator and Related Parts 4.0L Engine
Figure 7-150**



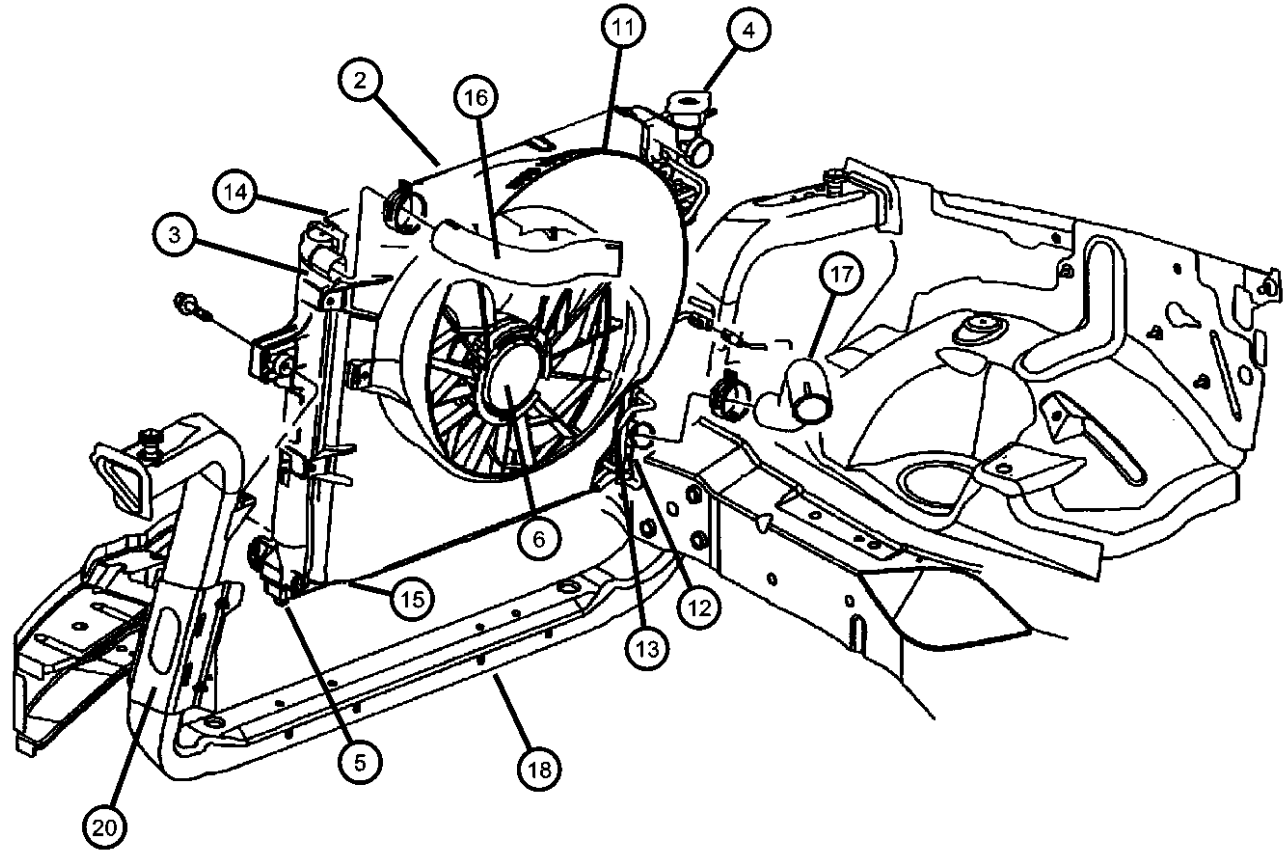
| ITEM | PART NUMBER | QTY | LINE | SERIES | BODY | ENGINE | TRANS | TRIM | DESCRIPTION |
|------|-------------|-----|------|--------|------|--------|-------|------|-------------------------------------|
| -12 | | 1 | U | | | ER0 | DG0 | | SEAL, Radiator |
| | 55115922 | 1 | J, T | | | ER0 | DG0 | | Right |
| | | 1 | U | | | ER0 | DG0 | | Right |
| | 55115923 | 1 | J, T | | | ER0 | DG0 | | Left |
| | | 1 | U | | | ER0 | DG0 | | Left |
| 13 | | | | | | | | | U-NUT, M6x1.00 |
| | 06505172AA | 4 | J, T | | | ER0 | DG0 | | |
| | | 4 | U | | | ER0 | DG0 | | |
| 14 | | | | | | | | | SCREW AND WASHER, Hex Head, M6x1x20 |
| | 06102117AA | 4 | J, T | | | ER0 | DG0 | | |
| | | 4 | U | | | ER0 | DG0 | | |
| 15 | 52079406AC | 1 | | | | ER0 | | | HOSE, Radiator Inlet |
| 16 | 52079401 | 1 | | | | ER0 | | | HOSE, Radiator Outlet |
| 17 | 55135870 | 1 | | | | | | | CROSSMEMBER, Radiator |
| -18 | 53020547AB | 1 | | | | ER0 | | | GASKET, Thermostat |
| -19 | 53006192 | 1 | | | | ER0 | | | HOUSING, Thermostat |
| -20 | 52028186 | 1 | | | | ER0 | | | THERMOSTAT, 195 Degrees |
| -21 | | | | | | | | | DRAINCOCK, Radiator |
| | 52028466 | 1 | U | | | EVO | DG0 | | |
| | | 1 | J, T | | | EVO | DG0 | | |
| | | 1 | J, T | | | ER0 | DG0 | | |

GRAND CHEROKEE (WJ)

| | | | | |
|---------------|----------------------|------------------------|--|--|
| SERIES | LINE | BODY | ENGINE | TRANSMISSION |
| H = Laredo | T = JEEP - 2WD | 74 = 4 Door (105.9 WB) | ERH = ENGINE - 4.0L POWER TECH I-6 | DG4 = TRANSMISSION-MULTI-SPEED AUTO, 45RFE |
| P = Limited | J = JEEP - 4WD | | EVA = ENGINE- 4.7L V8 MPI | DGW = TRANSMISSION - 4-SPD. AUTOMATIC,44RE |
| | U = JEEP - 4WD (RHD) | | EXA = ENGINE - 3.1L 5 CYL TURBO DIESEL | DGK = TRANSMISSION - 4-SPD. AUTOMATIC,42RE |
| | | | | DGO = ALL AUTOMATIC TRANSMISSIONS |

AR = use ase required - = Non illustrated part

**Radiator and Related Parts 4.7L Engine
Figure 7-160**



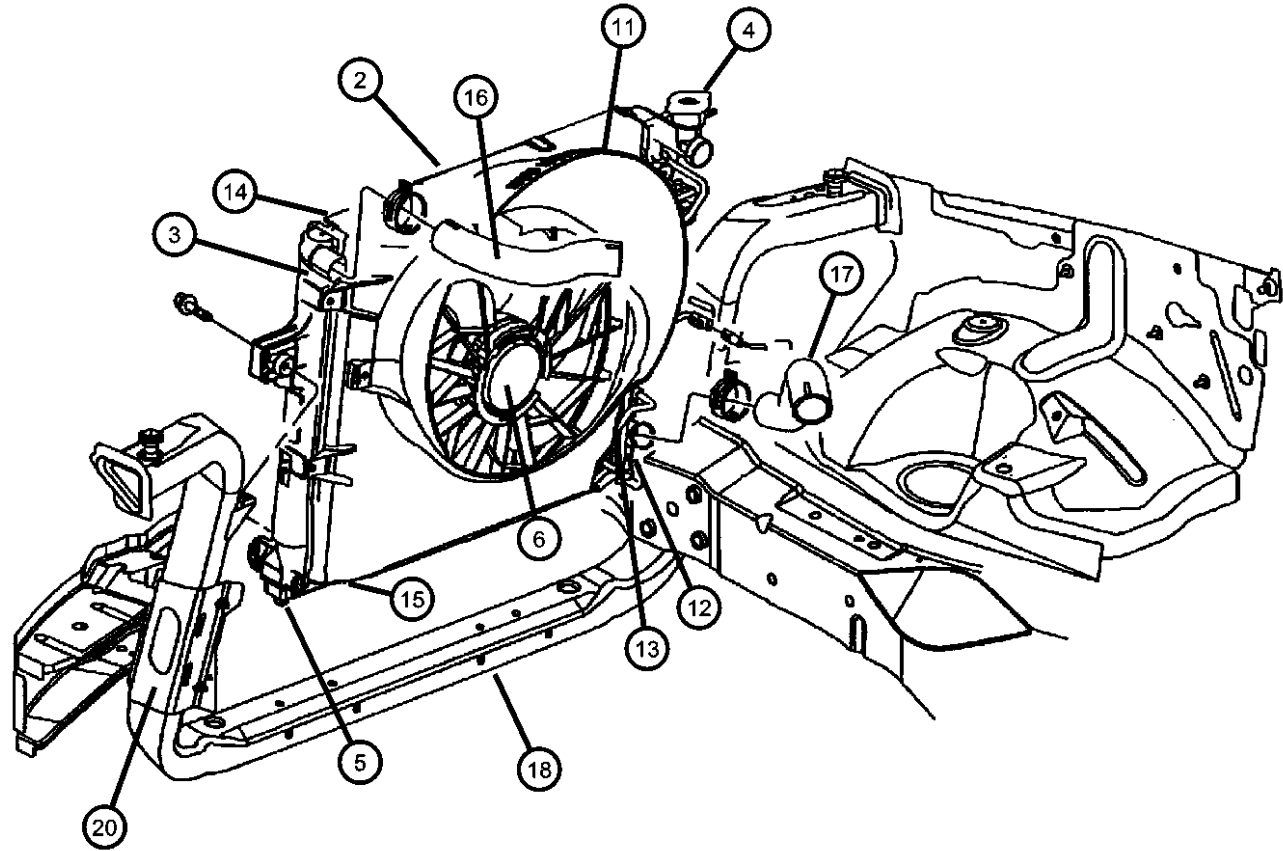
| ITEM | PART NUMBER | QTY | LINE | SERIES | BODY | ENGINE | TRANS | TRIM | DESCRIPTION |
|------|-------------|-----|------|--------|------|----------|-------|------|---|
| -1 | 52079414AB | 1 | J, T | | | EVO | DG0 | | COOLER, Auxiliary Oil |
| | | 1 | U | | | EVO | DG0 | | |
| 2 | 55115918AB | 1 | J, T | | | EVO | DG0 | | CONDENSER, Air Conditioning |
| | | 1 | U | | | EVO | DG0 | | |
| 3 | 52079425AB | 1 | J, T | | | EVO | DG0 | | RADIATOR, Engine Cooling |
| | | 1 | U | | | EVO | DG0 | | |
| 4 | 52079778AA | 1 | J, T | | | EVO | DG0 | | CAP, Radiator |
| | | 1 | U | | | EVO | DG0 | | |
| 5 | 52079418 | 2 | U | | | EVO | DG0 | | ISOLATOR, Radiator Right |
| | | 2 | J, T | | | EVO | DG0 | | Right |
| | 52079419 | 2 | J, T | | | EVO | DG0 | | Left |
| | | 1 | U | | | EVO | DG0 | | Left |
| 6 | 52079528 | 1 | J, T | | | EVO | DG0 | | FAN, Cooling Electric Module |
| | | 1 | U | | | EVO | DG0 | | Electric Module |
| | 52080500AA | 1 | | | | EVO | | | Engine Fan |
| -7 | 52079438AB | 1 | | | | EVO | | | VISCOUS CLUTCH, Fan Drive |
| -8 | 06034860 | 4 | | | | EVO, EX0 | | | BOLT AND WASHER, Implement Attaching |
| -9 | 52079632AA | 1 | | | | EVO | DG4 | | CLAMP, Oil Cooler Tube |
| -10 | 52079631AA | 1 | | | | EVO | DG4 | | CLAMP, Oil Cooler Tube |
| 11 | 52079491AB | 1 | J, T | | | EVO | DG0 | | SHROUD, Fan |
| | | 1 | U | | | EVO | DG0 | | |
| 12 | 52079436AC | 1 | J, T | | | EVO | DG0 | | TUBE, Oil Cooler |

GRAND CHEROKEE (WJ)

| | | | | |
|-------------|----------------------|------------------------|---|--|
| SERIES | LINE | BODY | ENGINE | TRANSMISSION |
| H = Laredo | T = JEEP - 2WD | 74 = 4 Door (105.9 WB) | ERH = ENGINE - 4.0L POWER TECH I-6 | DG4 = TRANSMISSION-MULTI- SPEED AUTO, 45RFE |
| P = Limited | J = JEEP - 4WD | | EVA = ENGINE- 4.7L V8 MPI | DGW = TRANSMISSION - 4-SPD. AUTOMATIC,44RE |
| | U = JEEP - 4WD (RHD) | | EXA = ENGINE - 3.1L 5 CYL TURBO DIESEL | DGK = TRANSMISSION - 4-SPD. AUTOMATIC,42RE |
| | | | | DGO = ALL AUTOMATIC TRANSMISSIONS |

AR = use ase required - = Non illustrated part

**Radiator and Related Parts 4.7L Engine
Figure 7-160**



| ITEM | PART NUMBER | QTY | LINE | SERIES | BODY | ENGINE | TRANS | TRIM | DESCRIPTION |
|------|-------------|-----|------|--------|------|--------|-------|------|---|
| | | 1 | U | | | EVO | DG0 | | TUBE, Oil Cooler |
| 13 | 52079433AB | 1 | J, T | | | EVO | DG0 | | Radiator Lower, Pressure |
| | | 1 | U | | | EVO | DG0 | | Radiator Lower, Pressure |
| | 52079435AB | 1 | J, T | | | EVO | DG0 | | Aux Cooler, Return |
| | | 1 | U | | | EVO | DG0 | | Aux Cooler, Return |
| | 52079796AA | 1 | J, T | | | EVO | DG0 | | Radiator Upper w/o Aux Cooler, Return |
| | | 1 | U | | | EVO | DG0 | | Radiator Upper w/o Aux Cooler, Return |
| 14 | 52079430 | 1 | J, T | | | EVO | DG0 | | SEAL, Radiator Condenser |
| | | 1 | U | | | EVO | DG0 | | |
| 15 | 52079831AA | 1 | J, T | | | EVO | DG0 | | SEAL, Radiator |
| | | 1 | U | | | EVO | DG0 | | Left |
| | 55115920AC | 1 | J, T | | | EVO | DG0 | | Right |
| | | 1 | U | | | EVO | DG0 | | Right |
| 16 | 52079407 | 1 | | | | EVO | | | HOSE, Radiator Inlet |
| 17 | | | | | | | | | HOSE, Radiator Outlet |
| | 52079403 | 1 | U | | | EVO | | | |
| | 52079409 | 1 | J, T | | | EVO | | | |
| 18 | 55135870 | 1 | | | | | | | CROSSMEMBER, Radiator |
| -19 | 55135870 | 1 | | | | | | | DRAINCOCK, Radiator, 52028466, (NOT SERVICED) |
| 20 | | | | | | | | | BRACKET, Radiator |
| | 55136170 | 1 | | | | | | | Right |
| | 55136171 | 1 | | | | | | | Left |

GRAND CHEROKEE (WJ)

SERIES
H = Laredo
P = Limited

LINE
T = JEEP - 2WD
J = JEEP - 4WD
U = JEEP - 4WD (RHD)

BODY
74 = 4 Door (105.9 WB)

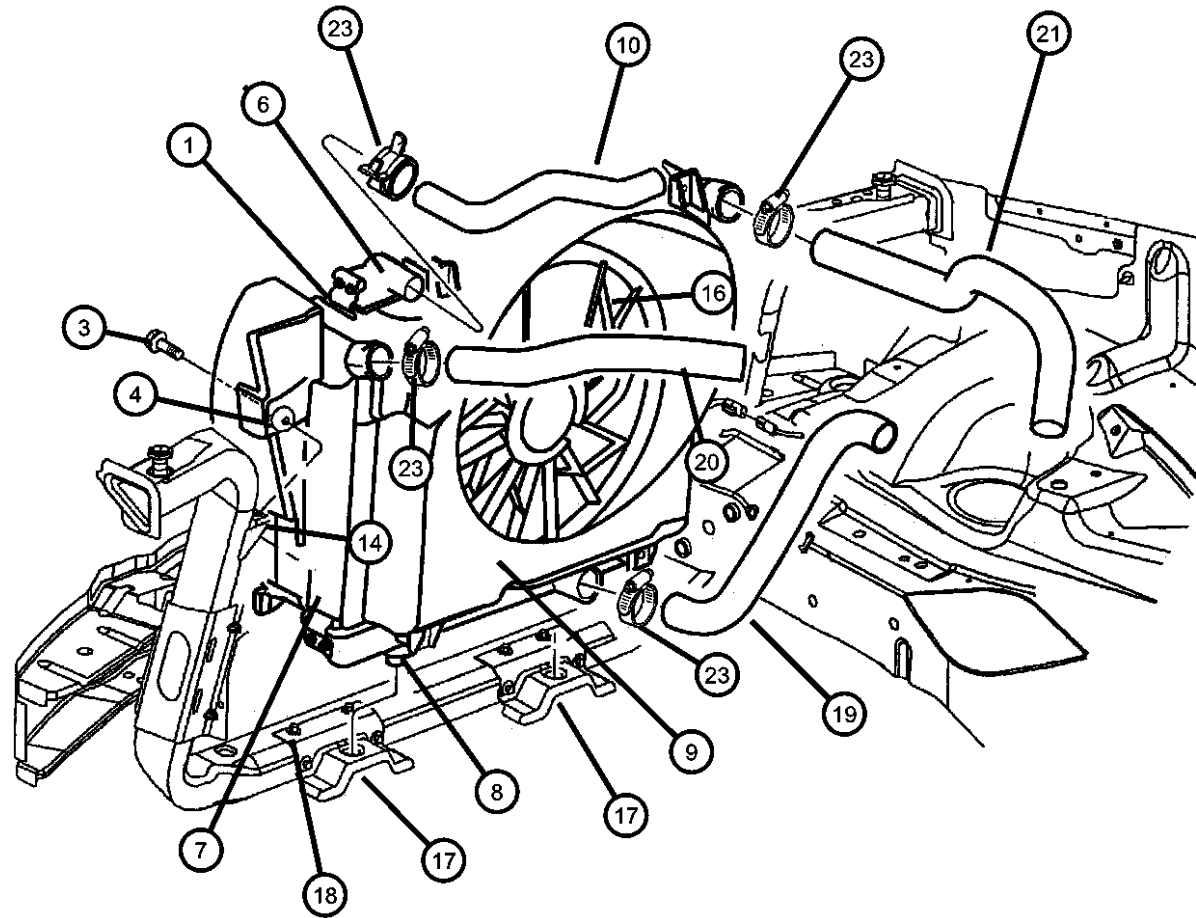
ENGINE
ERH = ENGINE - 4.0L POWER TECH I-6
EVA = ENGINE- 4.7L V8 MPI
EXA = ENGINE - 3.1L 5 CYL TURBO DIESEL

TRANSMISSION
DG4 = TRANSMISSION-MULTI-SPEED AUTO, 45RFE
DGW = TRANSMISSION - 4-SPD. AUTOMATIC, 44RE
DGK = TRANSMISSION - 4-SPD. AUTOMATIC, 42RE
DGO = ALL AUTOMATIC TRANSMISSIONS

AR = use ase required - = Non illustrated part

2000 WJ

Radiator and Related Parts, 3.1L Diesel Engine
Figure 7-165



| ITEM | PART NUMBER | QTY | LINE | SERIES | BODY | ENGINE | TRANS | TRIM | DESCRIPTION |
|---------------------------------------|-------------|-----|------|--------|------|--------|-------|------|-------------------------------------|
| Note: Sales Code EX0 = 3.1L Engine | | | | | | | | | |
| Note: Sales Code DG0 = All Auto Trans | | | | | | | | | |
| 1 | 55115918AB | 1 | U | | | EX0 | | | CONDENSER, Air Conditioning |
| | | 1 | J, T | | | EX0 | | | |
| -2 | 53054593AA | 2 | U | | | EX0 | | | ISOLATOR, A/C Condenser |
| | | 2 | J, T | | | EX0 | | | |
| 3 | 06504851AA | 2 | U | | | EX0 | | | SCREW AND WASHER, Hex Head, M6x1x25 |
| | | 2 | J, T | | | EX0 | | | |
| 4 | 04546552 | 2 | U | | | EX0 | | | U-NUT, Module |
| | | 2 | J, T | | | EX0 | | | |
| -5 | 52079499AB | 1 | U | | | EX0 | | | COOLER, Charge Air |
| | | 1 | J, T | | | EX0 | | | |
| 6 | 52079498AB | 1 | U | | | EX0 | | | RADIATOR, Engine Cooling |
| | | 1 | J, T | | | EX0 | | | |
| 7 | 52079568AB | 1 | U | | | EX0 | | | SEAL, Radiator |
| | | 1 | J, T | | | EX0 | | | Right |
| | | 1 | J, T | | | EX0 | | | Right |
| | 52079569AB | 1 | U | | | EX0 | | | Left |
| | | 1 | J, T | | | EX0 | | | Left |
| 8 | 52079536 | 1 | U | | | EX0 | | | ISOLATOR, Radiator |
| | | 2 | J, T | | | EX0 | | | Lower |
| | | 2 | J, T | | | EX0 | | | Lower |
| 9 | 52079508 | 1 | J, T | | | EX0 | | | SHROUD, Fan |
| | 52079516AB | 1 | U | | | EX0 | | | |
| 10 | 52079502 | 1 | | | | EX0 | | | HOSE, Radiator Inlet |
| -11 | | | | | | | | | SLEEVE, Braided |

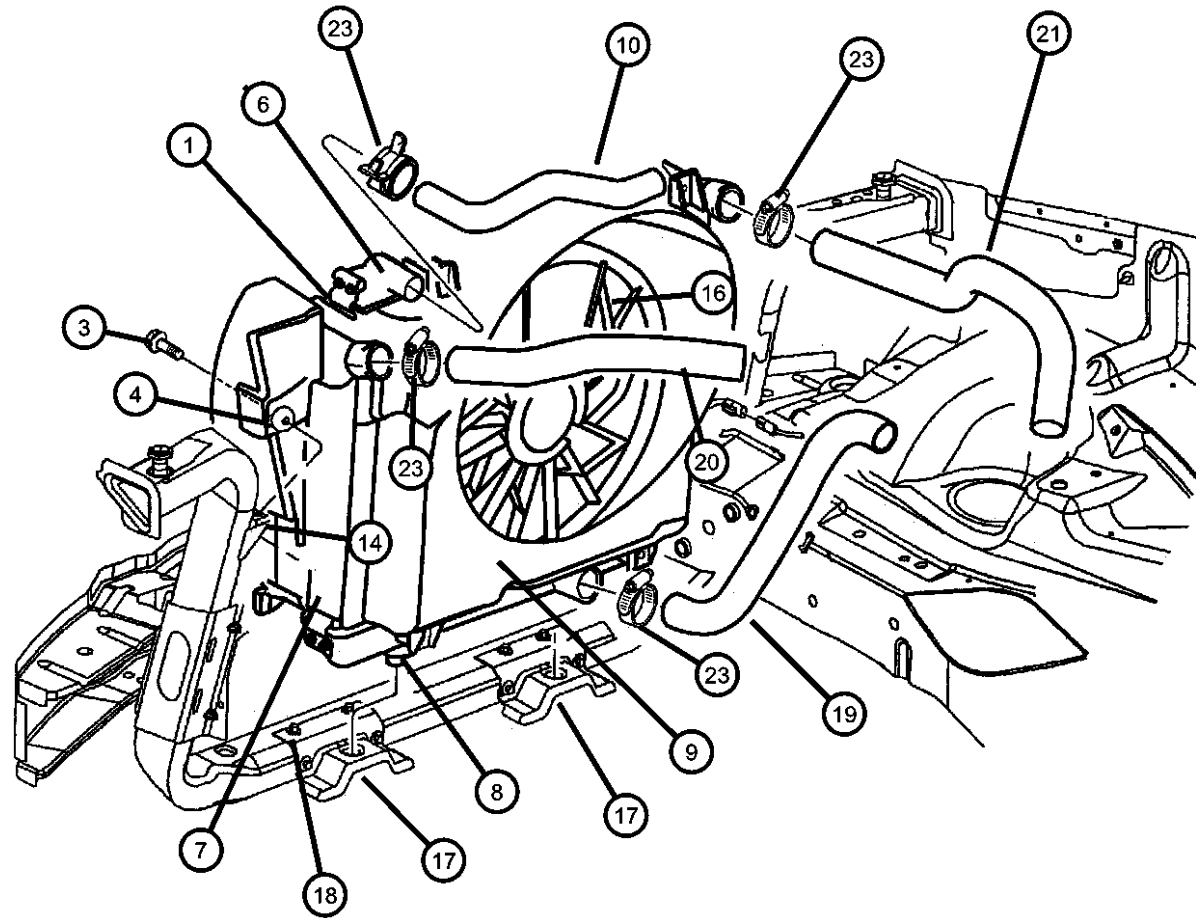
GRAND CHEROKEE (WJ)

| | | | | |
|-------------|----------------------|------------------------|--|---|
| SERIES | LINE | BODY | ENGINE | TRANSMISSION |
| H = Laredo | T = JEEP - 2WD | 74 = 4 Door (105.9 WB) | ERH = ENGINE - 4.0L POWER TECH I-6 | DG4 = TRANSMISSION-MULTI-SPEED AUTO, 45RFE |
| P = Limited | J = JEEP - 4WD | | EVA = ENGINE- 4.7L V8 MPI | DGW = TRANSMISSION - 4-SPD. AUTOMATIC, 44RE |
| | U = JEEP - 4WD (RHD) | | EXA = ENGINE - 3.1L 5 CYL TURBO DIESEL | DGK = TRANSMISSION - 4-SPD. AUTOMATIC, 42RE |
| | | | | DGO = ALL AUTOMATIC TRANSMISSIONS |

AR = use ase required - = Non illustrated part

2000 WJ

Radiator and Related Parts, 3.1L Diesel Engine
Figure 7-165



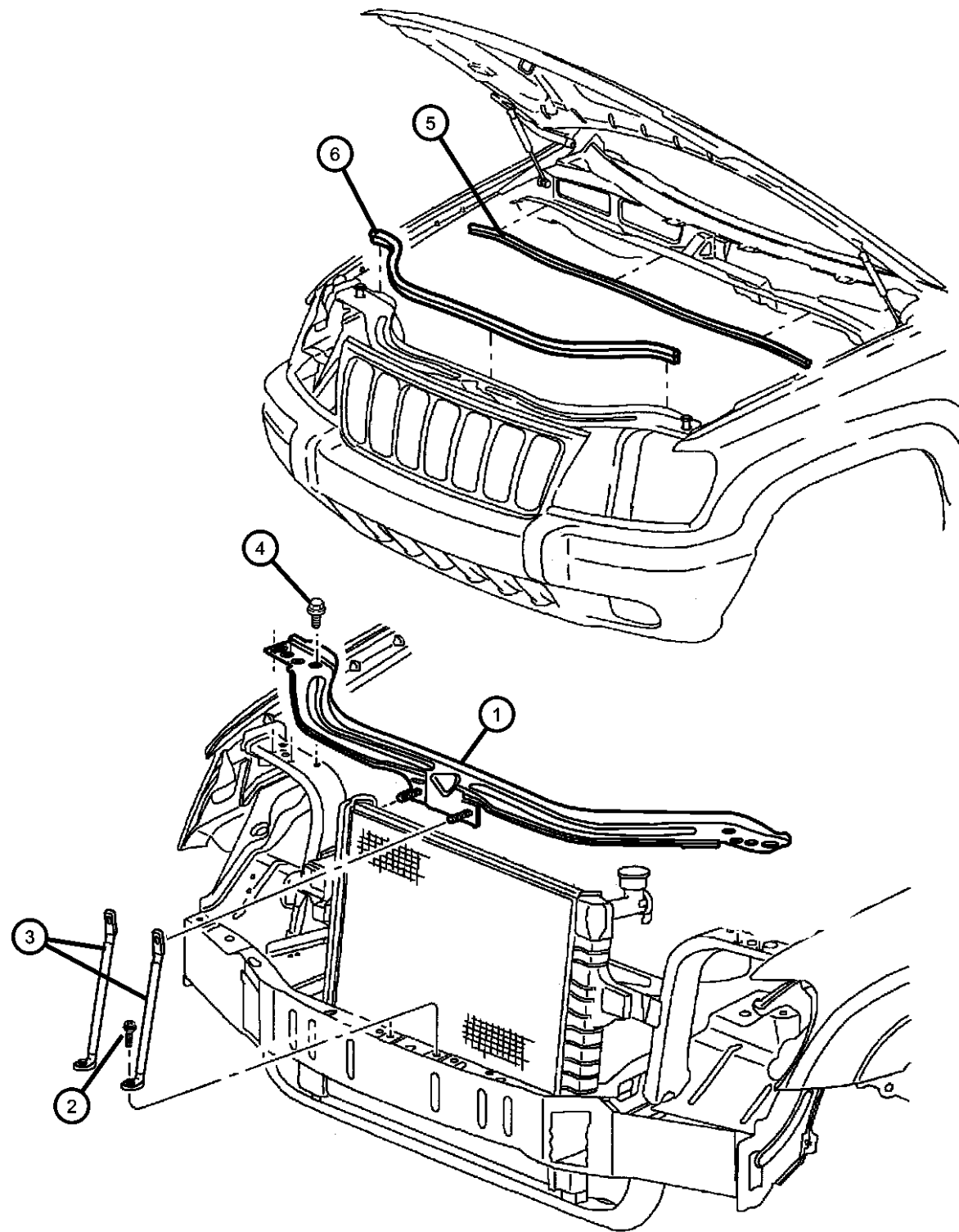
| ITEM | PART NUMBER | QTY | LINE | SERIES | BODY | ENGINE | TRANS | TRIM | DESCRIPTION |
|------|-------------|-----|------|--------|------|----------|-------|------|--------------------------------------|
| | 04592145 | 1 | U | | | EX0 | | | |
| | | 1 | J, T | | | EX0 | | | |
| -12 | 52079632AA | 1 | | | | EX0 | | | CLAMP, Oil Cooler Tube |
| -13 | | | | | | | | | SCREW AND WASHER, Hex Head, M6x1x20 |
| | 06102117AA | 4 | U | | | EX0 | | | |
| | | 4 | J, T | | | EX0 | | | |
| 14 | | | | | | | | | U-NUT, M6x1.00 |
| | 06505172AA | 3 | U | | | EX0 | | | |
| | | 4 | J, T | | | EX0 | | | |
| -15 | | | | | | | | | LABEL, Belt Routing |
| | 52079544 | 1 | U | | | EX0 | | | |
| | | 1 | J, T | | | EX0 | | | |
| 16 | | | | | | | | | FAN, Cooling |
| | 52079555 | 1 | U | | | EX0 | | | |
| | | 1 | J, T | | | EX0 | | | |
| 17 | | | | | | | | | BRACKET, Radiator |
| | 52079564 | 1 | | | | EX0 | | | Right |
| | 52079617AA | 1 | | | | EX0 | | | Left |
| 18 | 52079617AA | 1 | | | | | | | SCREW, M6x1.00x55.00, (NOT SERVICED) |
| 19 | 52079503 | 1 | | | | EX0 | | | HOSE, Radiator Outlet |
| 20 | 52079501 | 1 | | | | EX0 | | | HOSE, Charge Air Cooler |
| 21 | 52079500 | 1 | | | | EX0 | | | HOSE, Charge Air Cooler |
| -22 | 06034860 | 4 | | | | EV0, EX0 | | | BOLT AND WASHER, Implement Attaching |
| 23 | 06033135 | 4 | | | | EX0 | | | CLAMP |
| -24 | 52079506 | 1 | | | | EX0 | | | FAN, Cooling |
| -25 | 52079507 | 1 | | | | EX0 | | | VISCOUS CLUTCH, Fan Drive |

GRAND CHEROKEE (WJ)

| | | | | |
|-------------|----------------------|------------------------|--|--|
| SERIES | LINE | BODY | ENGINE | TRANSMISSION |
| H = Laredo | T = JEEP - 2WD | 74 = 4 Door (105.9 WB) | ERH = ENGINE - 4.0L POWER TECH I-6 | DG4 = TRANSMISSION-MULTI-SPEED AUTO, 45RFE |
| P = Limited | J = JEEP - 4WD | | EVA = ENGINE- 4.7L V8 MPI | DGW = TRANSMISSION - 4-SPD. AUTOMATIC,44RE |
| | U = JEEP - 4WD (RHD) | | EXA = ENGINE - 3.1L 5 CYL TURBO DIESEL | DGK = TRANSMISSION - 4-SPD. AUTOMATIC,42RE |
| | | | | DGO = ALL AUTOMATIC TRANSMISSIONS |

AR = use ase required - = Non illustrated part

**Radiator Upper Support
Figure 7-170**



| ITEM | PART NUMBER | QTY | LINE | SERIES | BODY | ENGINE | TRANS | TRIM | DESCRIPTION |
|------|-------------|-----|------|--------|------|--------|-------|------|-----------------------------|
| 1 | 52079416 | 1 | | | | | | | CROSSMEMBER, Radiator |
| 2 | 06503267 | 2 | | | | | | | SCREW, Round Head, M6x1x25 |
| 3 | 55136273 | 2 | | | | | | | BRACE, Radiator Crossmember |
| 4 | 06503371 | 4 | | | | | | | SCREW, M8x1.25x20 |
| 5 | 55135392AB | 1 | | | | | | | SEAL, Hood To Plenum |
| 6 | 55135398AB | 1 | | | | | | | SEAL, Hood |

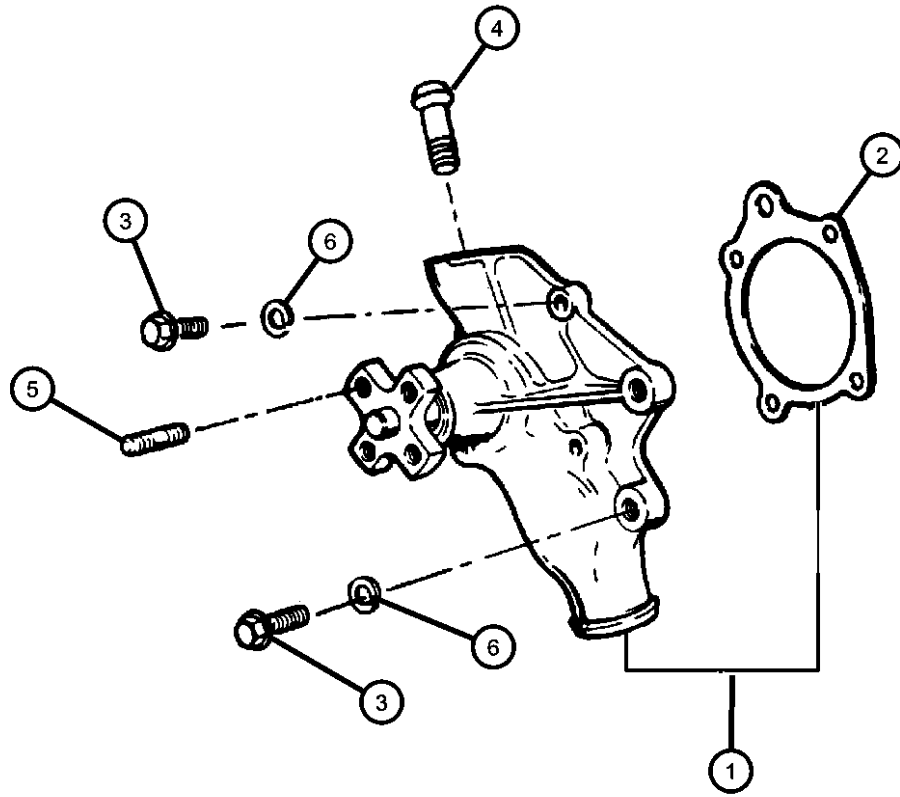
GRAND CHEROKEE (WJ)

| | | | | |
|---------------|----------------------|------------------------|---|--|
| SERIES | LINE | BODY | ENGINE | TRANSMISSION |
| H = Laredo | T = JEEP - 2WD | 74 = 4 Door (105.9 WB) | ERH = ENGINE - 4.0L POWER TECH I-6 | DG4 = TRANSMISSION-MULTI- SPEED AUTO, 45RFE |
| P = Limited | J = JEEP - 4WD | | EVA = ENGINE- 4.7L V8 MPI | DGW = TRANSMISSION - 4-SPD. AUTOMATIC,44RE |
| | U = JEEP - 4WD (RHD) | | EXA = ENGINE - 3.1L 5 CYL TURBO DIESEL | DGK = TRANSMISSION - 4-SPD. AUTOMATIC,42RE |
| | | | | DGO = ALL AUTOMATIC TRANSMISSIONS |

AR = use ase required - = Non illustrated part

**Water Pump and Related Parts 4.0L Engine
Figure 7-210**

| ITEM | PART NUMBER | QTY | LINE | SERIES | BODY | ENGINE | TRANS | TRIM | DESCRIPTION |
|------------------------------------|-------------|-----|------|--------|------|--------|-------|------|--|
| Note: Sales Code ER0 = 4.0L Engine | | | | | | | | | |
| 1 | 05012366AA | 1 | | | | ER0 | | | PUMP PACKAGE, Water |
| 2 | 53010419 | 1 | | | | ER0 | | | GASKET, Water Pump |
| 3 | 53010419 | 1 | | | | | | | SCREW AND WASHER, Hex Head, .312-18x1.75, (NOT SERVICED) |
| 4 | 53007978 | 1 | | | | ER0 | | | TUBE, Water Pump Heater Return |
| 5 | 53007978 | 1 | | | | | | | STUD, .312-18/.312-24x1.250, (NOT SERVICED) |
| 6 | 04798118 | 1 | J, U | | | ER0 | | | WASHER |



GRAND CHEROKEE (WJ)

SERIES
H = Laredo
P = Limited

LINE
T = JEEP - 2WD
J = JEEP - 4WD
U = JEEP - 4WD (RHD)

BODY
74 = 4 Door (105.9 WB)

ENGINE
ERH = ENGINE - 4.0L POWER TECH I-6
EVA = ENGINE- 4.7L V8 MPI
EXA = ENGINE - 3.1L 5 CYL TURBO DIESEL

TRANSMISSION
DG4 = TRANSMISSION-MULTI-SPEED AUTO, 45RFE
DGW = TRANSMISSION - 4-SPD. AUTOMATIC, 44RE
DGK = TRANSMISSION - 4-SPD. AUTOMATIC, 42RE
DGO = ALL AUTOMATIC TRANSMISSIONS

AR = use ase required - = Non illustrated part

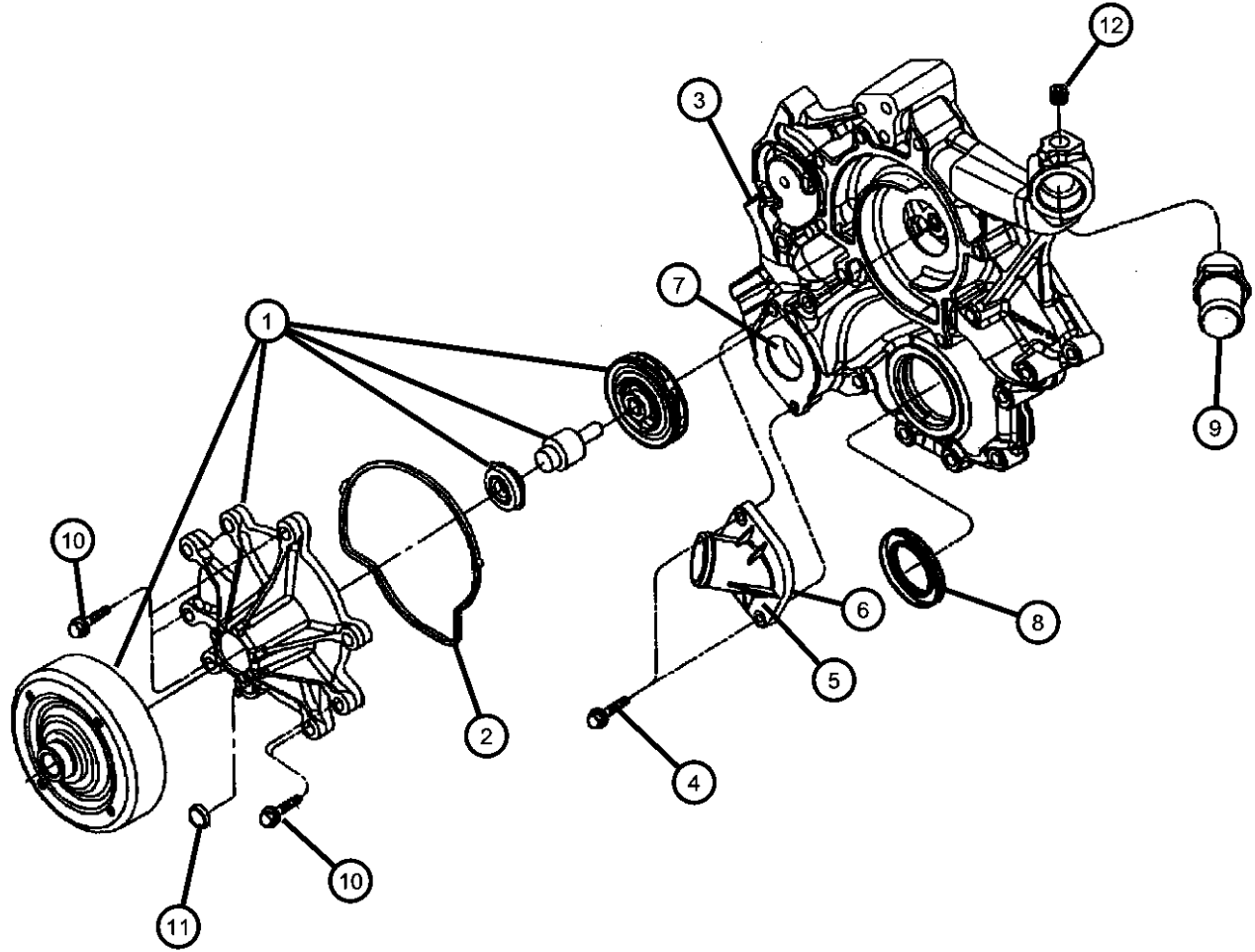
2000 WJ

**Water Pump and Related Parts 4.7L Engine
Figure 7-220**

| ITEM | PART NUMBER | QTY | LINE | SERIES | BODY | ENGINE | TRANS | TRIM | DESCRIPTION |
|------|-------------|-----|------|--------|------|--------|-------|------|-------------|
|------|-------------|-----|------|--------|------|--------|-------|------|-------------|

Note: Sales Code EV0 = 4.7L Engine

| | | | | | | | | | |
|----|------------|---|--|--|--|-----|--|--|--|
| 1 | 53020873AB | 1 | | | | EV0 | | | PUMP, Water |
| 2 | 53020865 | 1 | | | | EV0 | | | GASKET, Water Pump |
| 3 | 06035854 | 2 | | | | EV0 | | | FITTING, Y-Style |
| 4 | 06505502AA | 2 | | | | EV0 | | | SCREW |
| 5 | 53020887AB | 1 | | | | EV0 | | | HOUSING, Thermostat |
| 6 | 53020887AB | 1 | | | | | | | GASKET, Thermostat, Use RTV Sealer, (NOT SERVICED) |
| 7 | 52079476AB | 1 | | | | EV0 | | | THERMOSTAT |
| 8 | 53020790 | 1 | | | | EV0 | | | SEAL, Crankshaft Oil, Front |
| 9 | 06035961AA | 1 | | | | EV0 | | | PIPE FITTING, Chain Case Cover, .375-18x2 |
| 10 | 06035961AA | 1 | | | | | | | SCREW, M6x1x25, (NOT SERVICED) |
| 11 | 06035961AA | 1 | | | | | | | PLUG, (NOT SERVICED) |
| 12 | 06035961AA | 1 | | | | | | | PLUG, (NOT SERVICED) |



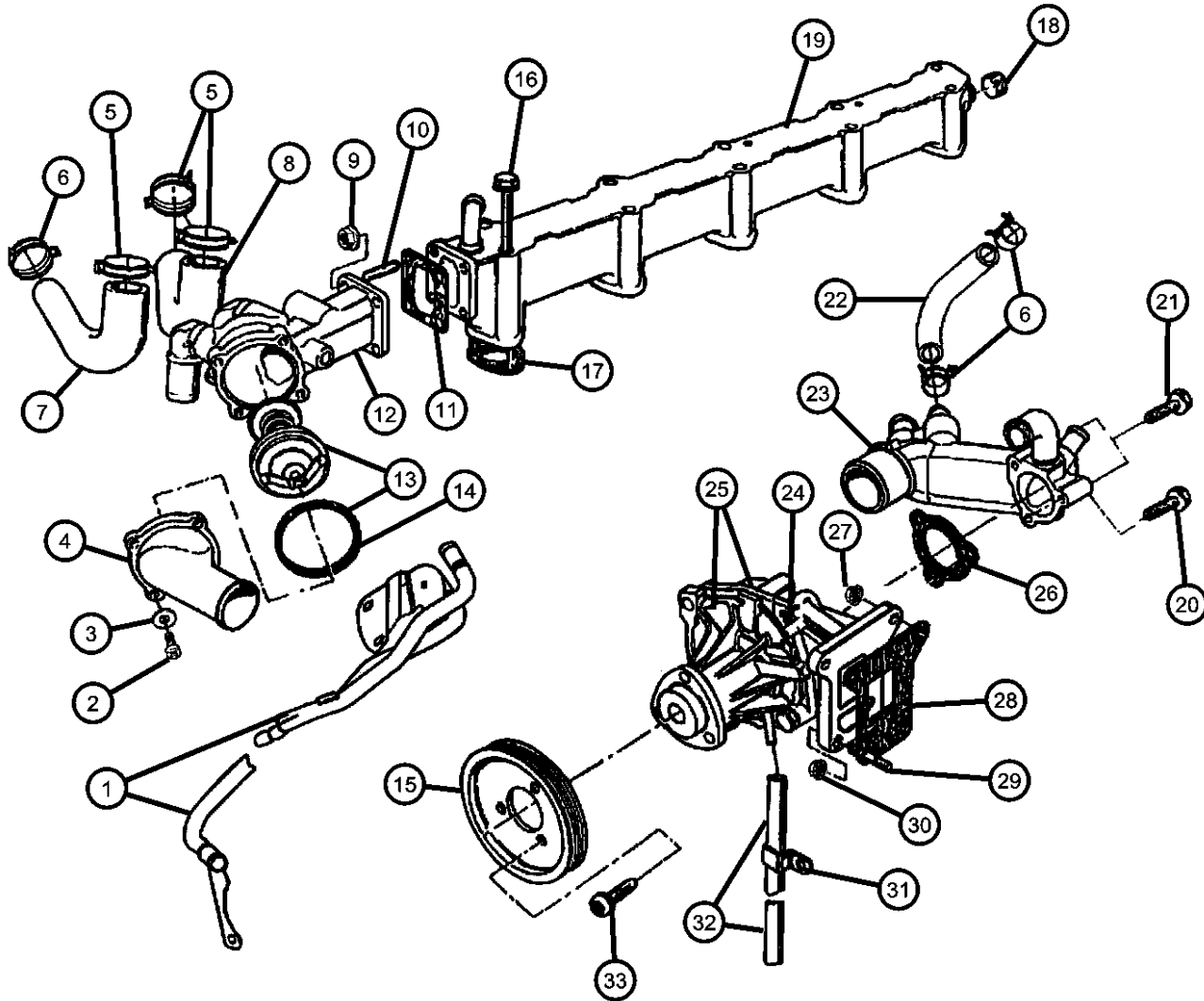
GRAND CHEROKEE (WJ)

| | | | | |
|-------------|----------------------|------------------------|--|--|
| SERIES | LINE | BODY | ENGINE | TRANSMISSION |
| H = Laredo | T = JEEP - 2WD | 74 = 4 Door (105.9 WB) | ERH = ENGINE - 4.0L POWER TECH I-6 | DG4 = TRANSMISSION-MULTI-SPEED AUTO, 45RFE |
| P = Limited | J = JEEP - 4WD | | EVA = ENGINE- 4.7L V8 MPI | DGW = TRANSMISSION - 4-SPD. AUTOMATIC,44RE |
| | U = JEEP - 4WD (RHD) | | EXA = ENGINE - 3.1L 5 CYL TURBO DIESEL | DGK = TRANSMISSION - 4-SPD. AUTOMATIC,42RE |
| | | | | DGO = ALL AUTOMATIC TRANSMISSIONS |

AR = use ase required - = Non illustrated part

2000 WJ

Water Pump and Related Parts, 3.1L Diesel Engine
Figure 7-230



| ITEM | PART NUMBER | QTY | LINE | SERIES | BODY | ENGINE | TRANS | TRIM | DESCRIPTION |
|---------------------------------------|-------------|-----|------|--------|------|--------|-------|------|------------------------------|
| Note: Sales Code EX0 = 3.1L Engine | | | | | | | | | |
| Note: Sales Code DG0 = All Auto Trans | | | | | | | | | |
| 1 | 05015054AA | 1 | | | | EX0 | DG0 | | TUBE, Heater |
| 2 | 04720658 | 4 | | | | EX0 | DG0 | | SCREW, Intake Manifold Elbow |
| 3 | 04723204 | 4 | | | | EX0 | DG0 | | WASHER, Implement Attaching |
| 4 | 04778976 | 1 | | | | EX0 | DG0 | | COVER, Thermostat Housing |
| 5 | 04886050AA | 1 | | | | EX0 | DG0 | | CLAMP, Heater Hose |
| 6 | 04883924AA | 1 | | | | EX0 | DG0 | | CLAMP, Heater Hose |
| 7 | 04883431AA | 1 | | | | EX0 | DG0 | | HOSE, Heater Feed |
| 8 | 04778977 | 1 | | | | EX0 | DG0 | | HOSE, Water Pump Bypass |
| 9 | 04778936 | 4 | | | | EX0 | DG0 | | NUT, Suction Pipe Attaching |
| 10 | 04797764 | 4 | | | | EX0 | DG0 | | STUD, M6x14 |
| 11 | 04778971 | 1 | | | | EX0 | DG0 | | GASKET, Thermostat |
| 12 | 04778974AB | 1 | | | | EX0 | DG0 | | HOUSING, Thermostat |
| 13 | 04778975 | 1 | | | | EX0 | DG0 | | THERMOSTAT |
| 14 | 04797803 | 1 | | | | EX0 | DG0 | | GASKET, Thermostat |
| 15 | 04864567 | 1 | | | | EX0 | DG0 | | PULLEY, Water Pump |
| 16 | 05003571AA | 10 | | | | EX0 | DG0 | | SCREW, Hex Head |
| 17 | 04720450 | 5 | | | | EX0 | DG0 | | GASKET, Water Manifold |
| 18 | 04864753 | 1 | | | | EX0 | DG0 | | PLUG |
| 19 | 05015033AA | 1 | | | | EX0 | DG0 | | MANIFOLD, Water |
| 20 | 05003556AA | 1 | | | | EX0 | DG0 | | BOLT |
| 21 | 05003555AA | 2 | | | | EX0 | DG0 | | BOLT |
| 22 | 05015055AA | 1 | | | | EX0 | DG0 | | HOSE, Heater |
| 23 | 04864576 | 1 | | | | EX0 | DG0 | | ADAPTER, Water Pump |
| 24 | 04723198 | 1 | | | | EX0 | DG0 | | O RING, Water Pump |
| 25 | 04864566AB | 1 | | | | EX0 | DG0 | | PUMP, Water |
| 26 | 04864575 | 1 | | | | EX0 | DG0 | | GASKET, Water Pump |
| 27 | 04720699 | 1 | | | | EX0 | DG0 | | NUT, Hex Lock, M8 |
| 28 | 04720451 | 4 | | | | EX0 | DG0 | | GASKET, Water Pump |
| 29 | 04720550 | 6 | | | | EX0 | DG0 | | STUD, Water Pump To Block |
| 30 | 04778961 | 6 | | | | EX0 | DG0 | | NUT |
| 31 | 04720446 | 1 | | | | EX0 | DG0 | | CLIP, Drain Pipe |

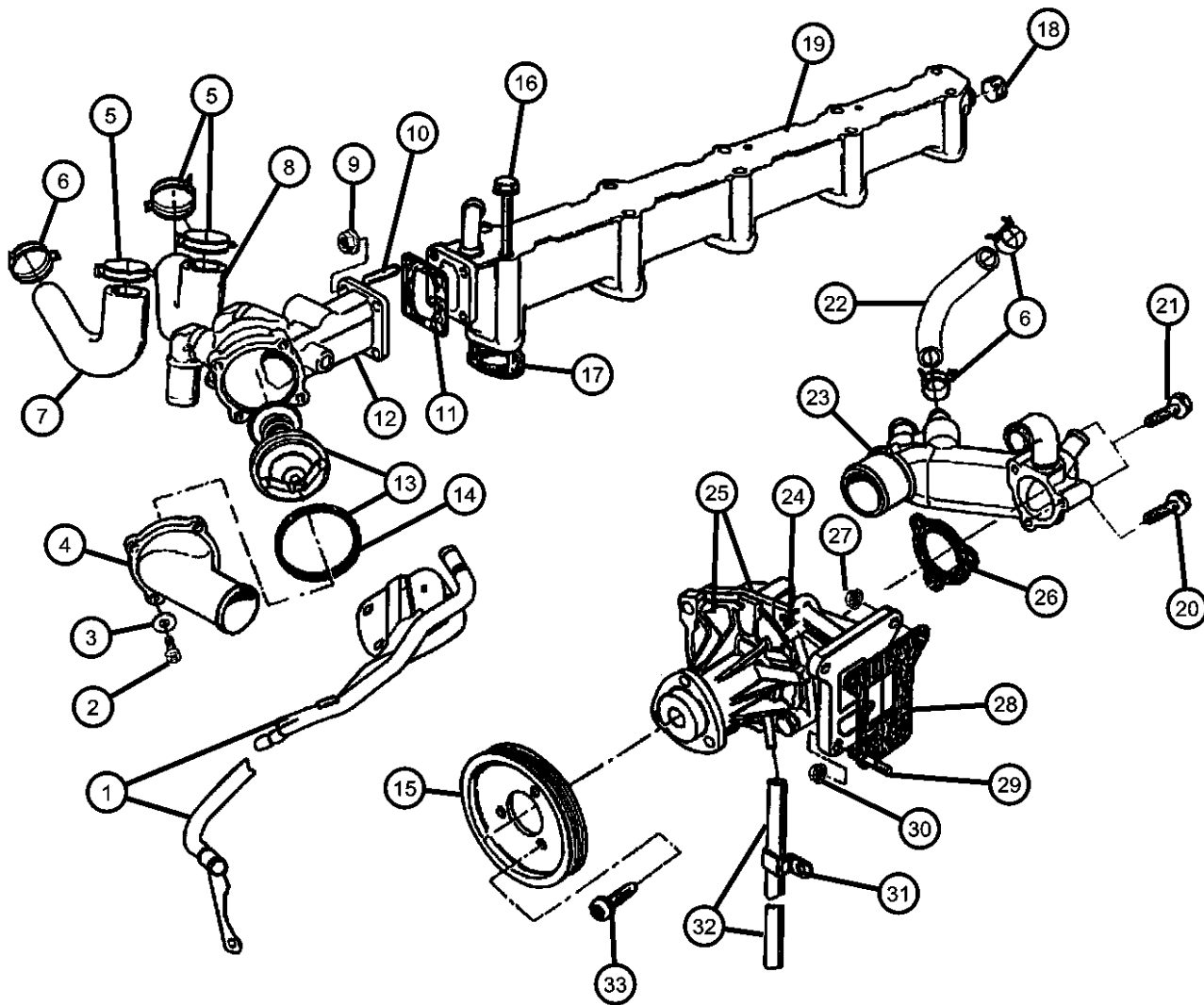
GRAND CHEROKEE (WJ)

| | | | | |
|---------------|----------------------|------------------------|---|--|
| SERIES | LINE | BODY | ENGINE | TRANSMISSION |
| H = Laredo | T = JEEP - 2WD | 74 = 4 Door (105.9 WB) | ERH = ENGINE - 4.0L POWER TECH I-6 | DG4 = TRANSMISSION-MULTI- SPEED AUTO, 45RFE |
| P = Limited | J = JEEP - 4WD | | EVA = ENGINE- 4.7L V8 MPI | DGW = TRANSMISSION - 4-SPD. AUTOMATIC,44RE |
| | U = JEEP - 4WD (RHD) | | EXA = ENGINE - 3.1L 5 CYL TURBO DIESEL | DGK = TRANSMISSION - 4-SPD. AUTOMATIC,42RE |
| | | | | DGO = ALL AUTOMATIC TRANSMISSIONS |

AR = use ase required - = Non illustrated part

Water Pump and Related Parts, 3.1L Diesel Engine
Figure 7-230

| ITEM | PART NUMBER | QTY | LINE | SERIES | BODY | ENGINE | TRANS | TRIM | DESCRIPTION |
|------|-------------|-----|------|--------|------|--------|-------|------|------------------------|
| 32 | 04720438 | 1 | | | | EX0 | DG0 | | PIPE, Water Pump Drain |
| 33 | 05003554AA | 3 | | | | EX0 | DG0 | | SCREW |



GRAND CHEROKEE (WJ)

SERIES
H = Laredo
P = Limited

LINE
T = JEEP - 2WD
J = JEEP - 4WD
U = JEEP - 4WD (RHD)

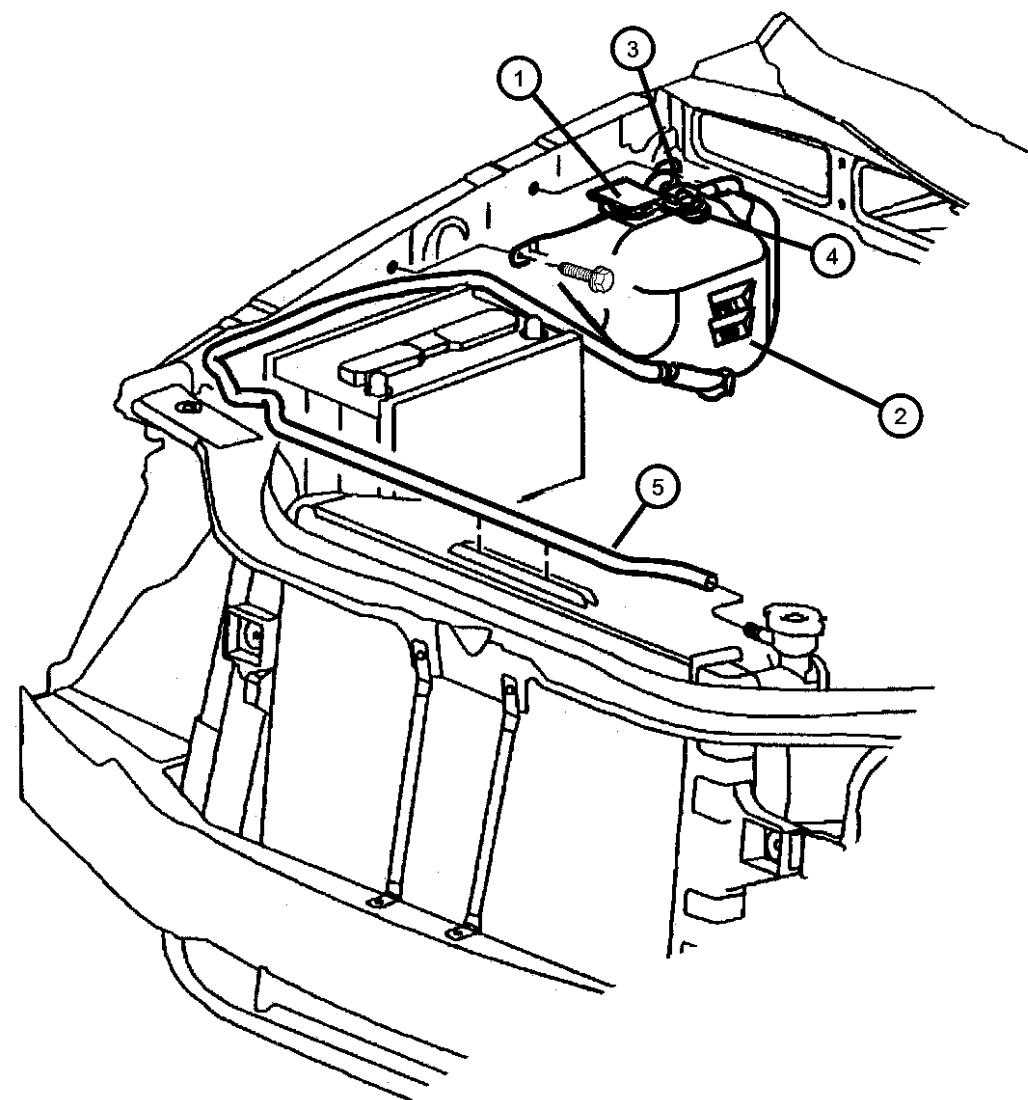
BODY
74 = 4 Door (105.9 WB)

ENGINE
ERH = ENGINE - 4.0L
POWER TECH I-6
EVA = ENGINE- 4.7L V8 MPI
EXA = ENGINE - 3.1L 5 CYL
TURBO DIESEL

TRANSMISSION
DG4 = TRANSMISSION-MULTI-
SPEED AUTO, 45RFE
DGW = TRANSMISSION - 4-SPD.
AUTOMATIC,44RE
DGK = TRANSMISSION - 4-SPD.
AUTOMATIC,42RE
DGO = ALL AUTOMATIC
TRANSMISSIONS

AR = use ase required - = Non illustrated part

**Coolant Tank, 4.0,4.7L Engine
Figure 7-310**



| ITEM | PART NUMBER | QTY | LINE | SERIES | BODY | ENGINE | TRANS | TRIM | DESCRIPTION |
|--|-------------|-----|------|--------|------|--------|-------|------|----------------------------|
| Note: Sales Code ER0 = 4.0L Engine Note: Sales Code EV0 = 4.7L Engine | | | | | | | | | |
| 1 | | | | | | | | | CAP, Coolant Reserve Tank |
| | 52079331 | 1 | | | | EVO | | | |
| | | 1 | | | | ER0 | | | |
| 2 | | | | | | | | | BOTTLE, Coolant Recovery |
| | 52079461AB | 1 | | | | EVO | | | |
| | | 1 | | | | ER0 | | | |
| 3 | | | | | | | | | SENSOR, Coolant Level |
| | 52079468 | 1 | | | | EVO | | | |
| | | 1 | | | | ER0 | | | |
| 4 | 52028254 | 1 | | | | EVO | | | GROMMETSensor Mtg |
| 5 | | | | | | | | | HOSE, Coolant Reserve Tank |
| | 04026148 | 1 | | | | ER0 | | | |
| | | 1 | | | | EVO | | | |

GRAND CHEROKEE (WJ)

| | |
|-------------|----------------------|
| SERIES | LINE |
| H = Laredo | T = JEEP - 2WD |
| P = Limited | J = JEEP - 4WD |
| | U = JEEP - 4WD (RHD) |

| |
|------------------------|
| BODY |
| 74 = 4 Door (105.9 WB) |

| |
|--|
| ENGINE |
| ERH = ENGINE - 4.0L POWER TECH I-6 |
| EVA = ENGINE- 4.7L V8 MPI |
| EXA = ENGINE - 3.1L 5 CYL TURBO DIESEL |

| |
|--|
| TRANSMISSION |
| DG4 = TRANSMISSION-MULTI-SPEED AUTO, 45RFE |
| DGW = TRANSMISSION - 4-SPD. AUTOMATIC,44RE |
| DGK = TRANSMISSION - 4-SPD. AUTOMATIC,42RE |
| DGO = ALL AUTOMATIC TRANSMISSIONS |

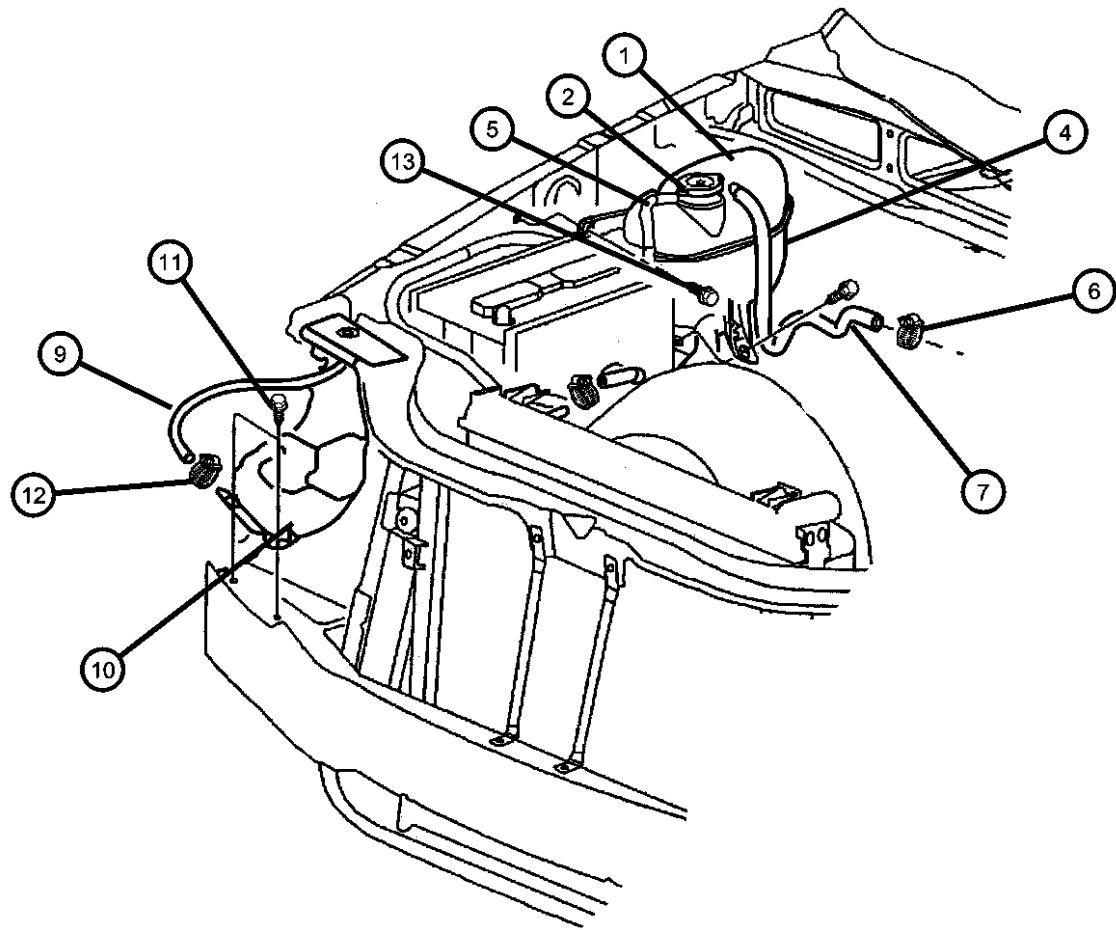
AR = use ase required - = Non illustrated part

**Coolant Tank, 3.1 Diesel Engine
Figure 7-320**

| ITEM | PART NUMBER | QTY | LINE | SERIES | BODY | ENGINE | TRANS | TRIM | DESCRIPTION |
|------|-------------|-----|------|--------|------|--------|-------|------|-------------|
|------|-------------|-----|------|--------|------|--------|-------|------|-------------|

Note: Sales Code
 DG0 = All Automatic Transmissions
 EX0 = 3.1L Engine

| | | | | | | | | | |
|----|------------|----|--|--|--|-----|-----|--|--|
| 1 | 52079505AB | 1 | | | | EX0 | | | BOTTLE, Degasser |
| 2 | 04596198 | 1 | | | | EX0 | | | CAP, Pressurized Coolant |
| -3 | 52028399 | 1 | | | | EX0 | | | LABEL, Coolant Warning |
| 4 | 52079881AA | 1 | | | | EX0 | | | SENSOR, Coolant Level |
| 5 | 52079571 | 1 | | | | EX0 | | | HOSE, Coolant Recovery Bottle |
| 6 | 06502018 | 2 | | | | EX0 | | | CLAMP, Hose, M28.9 x 1.60 |
| 7 | 04443176 | 1 | | | | EX0 | | | HOSE, Fuel, .31 I.D. 50 Foot Roll |
| -8 | 52079632AA | 1 | | | | EX0 | | | CLAMP, Oil Cooler Tube |
| 9 | 04266423 | 1 | | | | EX0 | | | HOSE, Overflow, Roll Stock |
| 10 | 52079798AB | 1 | | | | EX0 | | | BOTTLE, Coolant Recovery |
| 11 | 05003571AA | 10 | | | | EX0 | DG0 | | SCREW, Hex Head |
| 12 | 06502081 | 2 | | | | EX0 | | | CLAMP, Oil Cooler Line |
| 13 | 06502081 | 2 | | | | | | | SCREW, Tapping, M8x1.25x16.00, (NOT SERVICED) |



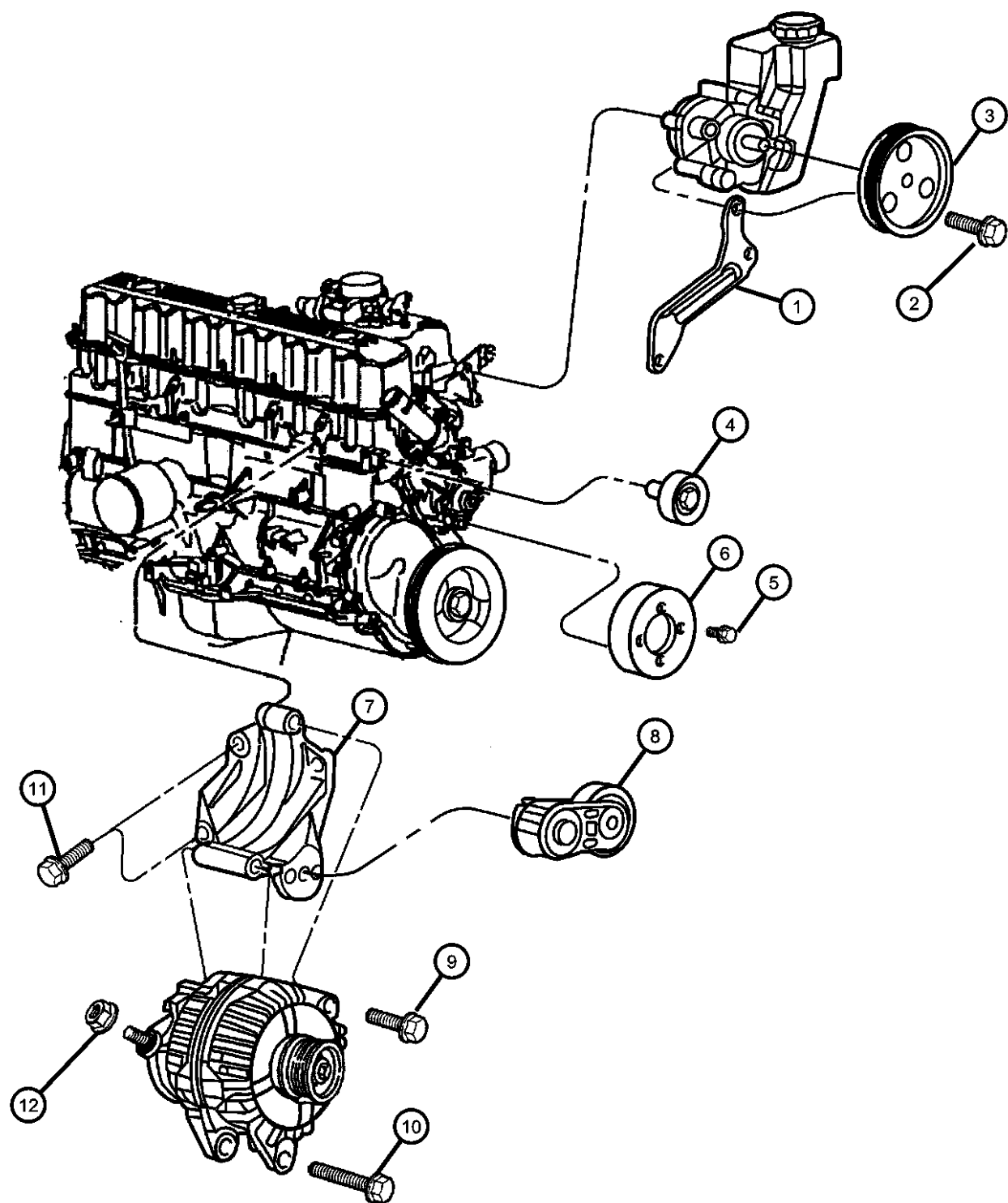
GRAND CHEROKEE (WJ)

| | | | | |
|-------------|----------------------|------------------------|---|--|
| SERIES | LINE | BODY | ENGINE | TRANSMISSION |
| H = Laredo | T = JEEP - 2WD | 74 = 4 Door (105.9 WB) | ERH = ENGINE - 4.0L POWER TECH I-6 | DG4 = TRANSMISSION-MULTI- SPEED AUTO, 45RFE |
| P = Limited | J = JEEP - 4WD | | EVA = ENGINE- 4.7L V8 MPI | DGW = TRANSMISSION - 4-SPD. AUTOMATIC,44RE |
| | U = JEEP - 4WD (RHD) | | EXA = ENGINE - 3.1L 5 CYL TURBO DIESEL | DGK = TRANSMISSION - 4-SPD. AUTOMATIC,42RE |
| | | | | DGO = ALL AUTOMATIC TRANSMISSIONS |

AR = use ase required - = Non illustrated part

2000 WJ

Drive Pulleys 4.0L Engine
Figure 7-420



| ITEM | PART NUMBER | QTY | LINE | SERIES | BODY | ENGINE | TRANS | TRIM | DESCRIPTION |
|------|-------------|-----|------|--------|------|--------|-------|------|-------------|
|------|-------------|-----|------|--------|------|--------|-------|------|-------------|

Note: Sales Code ER0 = 4.0L Engine

| | | | | | | | | | |
|----|------------|---|--|--|--|---------------|--|--|--|
| 1 | 04854157 | 1 | | | | ER0 | | | BRACE, Power Steering Pump |
| 2 | 06502425 | 3 | | | | ER0 | | | SCREW AND WASHER, Hex Head, M8x1.25x95 |
| 3 | 53010258AB | 1 | | | | ER0, EV0 | | | PULLEY, Power Steering Pump |
| 4 | 04854092 | 1 | | | | ER0 | | | PULLEY, Idler |
| 5 | 06034860 | 4 | | | | ER0 | | | BOLT AND WASHER, Implement Attaching |
| 6 | 04854032 | 1 | | | | ER0 | | | PULLEY, Water Pump |
| 7 | 04854026 | 1 | | | | ER0 | | | BRACKET, Alternator |
| 8 | 04854089 | 1 | | | | ER0 | | | TENSIONER, Alternator Belt |
| 9 | 06505488AA | 1 | | | | ER0 | | | SCREW AND WASHER, Hex Head |
| 10 | 06504344 | 1 | | | | ER0 | | | SCREW AND WASHER, Hex Head |
| 11 | 00154854AA | 4 | | | | ER0 | | | SCREW AND WASHER, Hex Head |
| 12 | 06502691 | 1 | | | | ER0, EV0, EX0 | | | NUT, Hex Flange Lock, M6x1 |

GRAND CHEROKEE (WJ)

| SERIES | LINE | BODY | ENGINE | TRANSMISSION |
|-------------|----------------------|------------------------|--|---|
| H = Laredo | T = JEEP - 2WD | 74 = 4 Door (105.9 WB) | ERH = ENGINE - 4.0L POWER TECH I-6 | DG4 = TRANSMISSION-MULTI-SPEED AUTO, 45RFE |
| P = Limited | J = JEEP - 4WD | | EVA = ENGINE- 4.7L V8 MPI | DGW = TRANSMISSION - 4-SPD. AUTOMATIC, 44RE |
| | U = JEEP - 4WD (RHD) | | EXA = ENGINE - 3.1L 5 CYL TURBO DIESEL | DGK = TRANSMISSION - 4-SPD. AUTOMATIC, 42RE |
| | | | | DGO = ALL AUTOMATIC TRANSMISSIONS |

AR = use ase required - = Non illustrated part

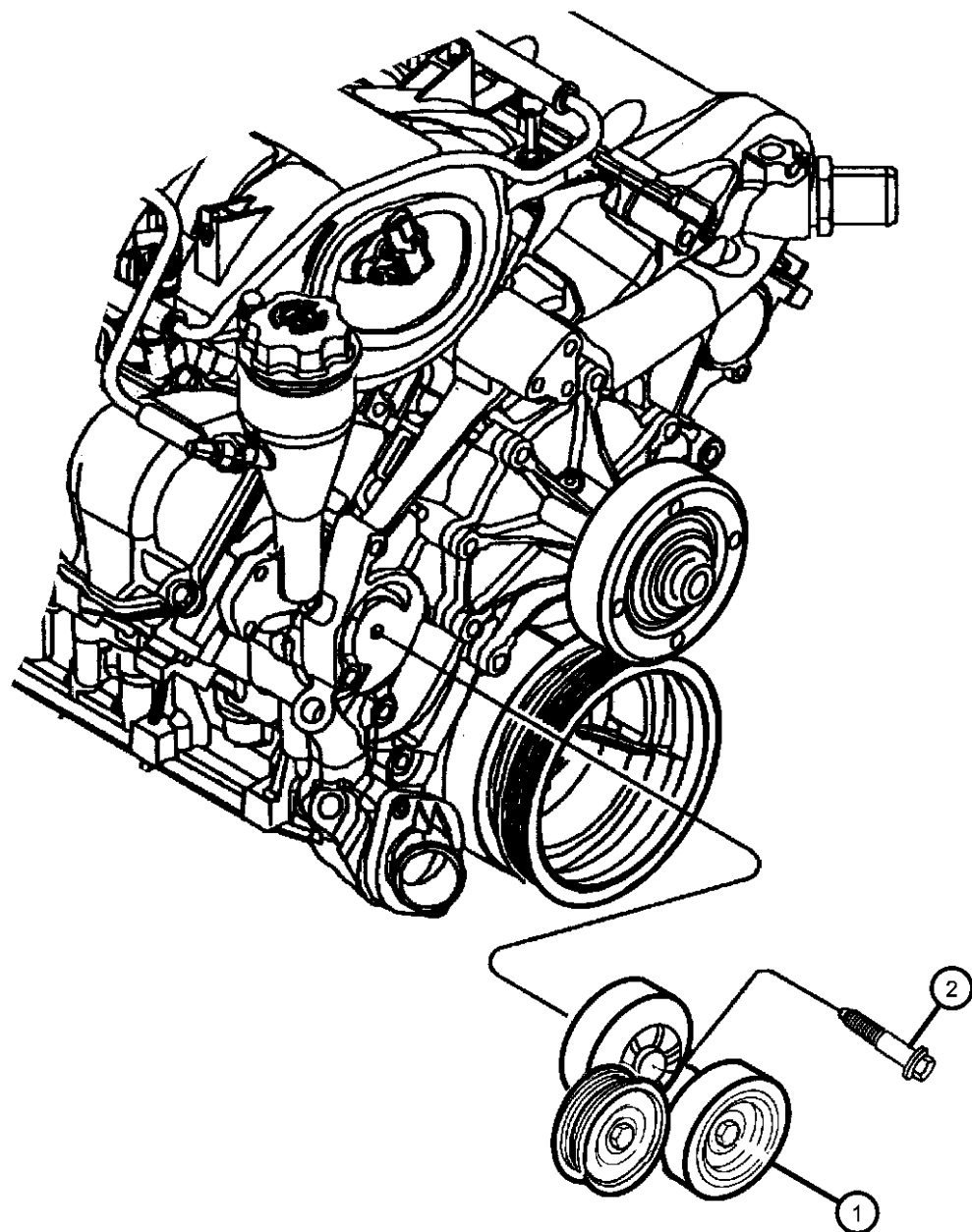
2000 WJ

Drive Pulleys 4.7L Engine
Figure 7-430

| ITEM | PART NUMBER | QTY | LINE | SERIES | BODY | ENGINE | TRANS | TRIM | DESCRIPTION |
|------|-------------|-----|------|--------|------|--------|-------|------|-------------|
|------|-------------|-----|------|--------|------|--------|-------|------|-------------|

Note: Sales Code EV0 = 4.7L Engine

| | | | | | | | | | |
|---|------------|---|--|--|--|-----|--|--|--|
| 1 | 53030958 | 1 | | | | EV0 | | | TENSIONER, Alternator Belt |
| 2 | 06504930AA | 1 | | | | EV0 | | | SCREW AND WASHER, Hex Head, M10x1.5x70 |



GRAND CHEROKEE (WJ)

| SERIES | LINE | BODY | ENGINE | TRANSMISSION |
|-------------|----------------------|------------------------|--|---|
| H = Laredo | T = JEEP - 2WD | 74 = 4 Door (105.9 WB) | ERH = ENGINE - 4.0L POWER TECH I-6 | DG4 = TRANSMISSION-MULTI-SPEED AUTO, 45RFE |
| P = Limited | J = JEEP - 4WD | | EVA = ENGINE- 4.7L V8 MPI | DGW = TRANSMISSION - 4-SPD. AUTOMATIC, 44RE |
| | U = JEEP - 4WD (RHD) | | EXA = ENGINE - 3.1L 5 CYL TURBO DIESEL | DGK = TRANSMISSION - 4-SPD. AUTOMATIC, 42RE |
| | | | | DGO = ALL AUTOMATIC TRANSMISSIONS |

AR = use ase required - = Non illustrated part

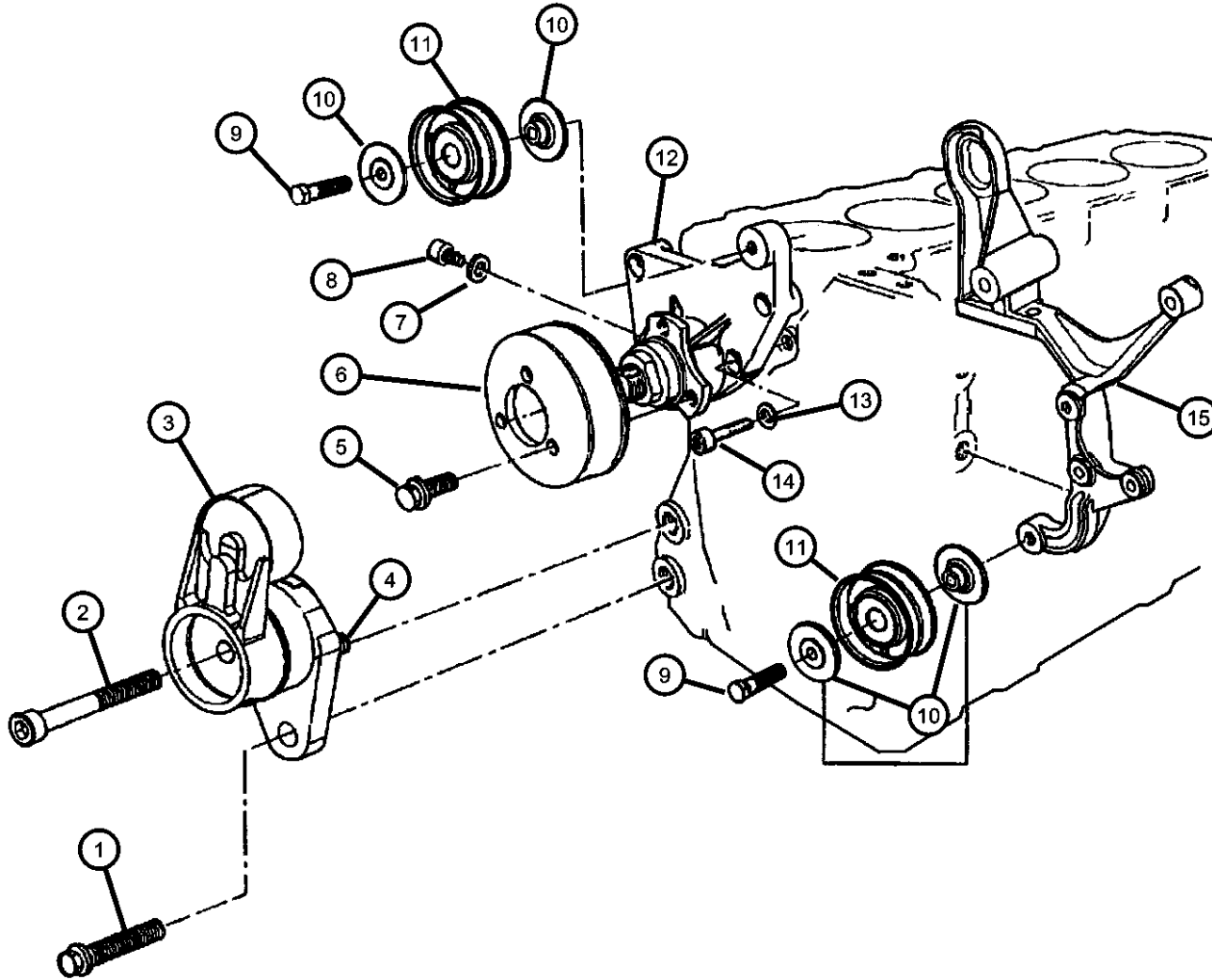
2000 WJ

**Drive Pulleys, 3.1L Diesel Engine
Figure 7-440**

| ITEM | PART NUMBER | QTY | LINE | SERIES | BODY | ENGINE | TRANS | TRIM | DESCRIPTION |
|------|-------------|-----|------|--------|------|--------|-------|------|-------------|
|------|-------------|-----|------|--------|------|--------|-------|------|-------------|

Note: Sales Code
 DG0 = All Automatic Transmissions
 EX0 = 3.1L Engine

| | | | | | | | | | |
|----|------------|---|--|--|--|-----|-----|--|-----------------------------------|
| 1 | 05003536AA | 1 | | | | EX0 | DG0 | | BOLT, Belt Tensioner |
| 2 | 04886053AA | 1 | | | | EX0 | DG0 | | BOLT, Belt Tensioner |
| 3 | 04897159AB | 1 | | | | EX0 | DG0 | | TENSIONER, Belt |
| 4 | 04883528AA | 1 | | | | EX0 | DG0 | | BOLT, Adaptor Plate |
| 5 | 05003554AA | 3 | | | | EX0 | DG0 | | SCREW |
| 6 | 04883491AA | 1 | | | | EX0 | DG0 | | PULLEY, Fan |
| 7 | 04723200 | 1 | | | | EX0 | DG0 | | WASHER, Flat |
| 8 | 04796030 | 1 | | | | EX0 | DG0 | | SCREW, Fan Bearing |
| 9 | 04797773 | 2 | | | | EX0 | DG0 | | BOLT, Left Hand Thread, M10x50 |
| 10 | 05015071AA | 4 | | | | EX0 | DG0 | | FLANGE, Accessory Drive |
| 11 | 04796016 | 2 | | | | EX0 | DG0 | | PULLEY, Idler |
| 12 | 05003566AA | 1 | | | | EX0 | DG0 | | BRACKET, Fan |
| 13 | 04720688 | 4 | | | | EX0 | DG0 | | WASHER, Flat |
| 14 | 04797768 | 4 | | | | EX0 | DG0 | | BOLT, Vacuum Pump Bracket, M10x35 |
| 15 | 05015072AA | 1 | | | | EX0 | DG0 | | BRACKET, Alternator |



GRAND CHEROKEE (WJ)

SERIES LINE
 H = Laredo T = JEEP - 2WD
 P = Limited J = JEEP - 4WD
 U = JEEP - 4WD (RHD)

BODY
 74 = 4 Door (105.9 WB)

ENGINE
 ERH = ENGINE - 4.0L
 POWER TECH I-6
 EVA = ENGINE- 4.7L V8 MPI
 EXA = ENGINE - 3.1L 5 CYL
 TURBO DIESEL

TRANSMISSION
 DG4 = TRANSMISSION-MULTI-
 SPEED AUTO, 45RFE
 DGW = TRANSMISSION - 4-SPD.
 AUTOMATIC, 44RE
 DGK = TRANSMISSION - 4-SPD.
 AUTOMATIC, 42RE
 DGO = ALL AUTOMATIC
 TRANSMISSIONS

AR = use ase required - = Non illustrated part

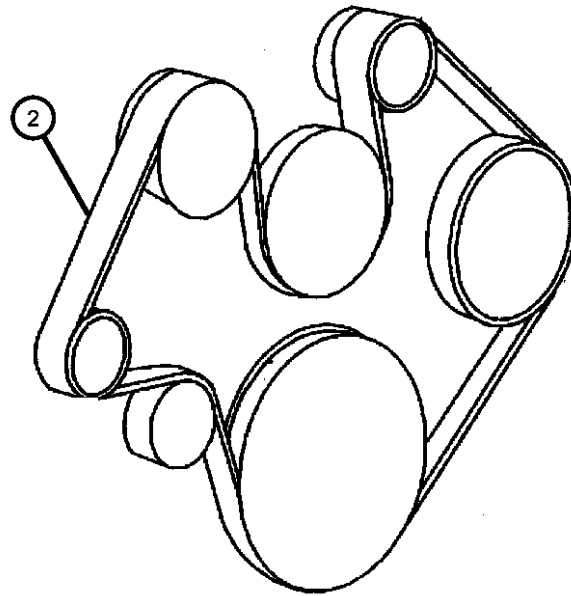
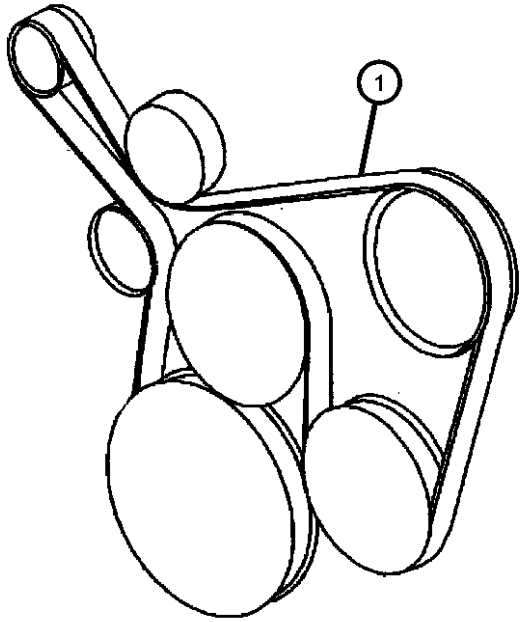
2000 WJ

Drive Belts 4.0L and 4.7L Engines
Figure 7-520

| ITEM | PART NUMBER | QTY | LINE | SERIES | BODY | ENGINE | TRANS | TRIM | DESCRIPTION |
|------|-------------|-----|------|--------|------|--------|-------|------|-------------|
|------|-------------|-----|------|--------|------|--------|-------|------|-------------|

Note: Sales Code ER0 = 4.0L Engine
 Note: Sales Code EV0 = 4.7L Engine

| | | | | | | | | | |
|---|------------|---|--|--|--|-----|--|--|-----------------------|
| 1 | 04854033 | 1 | | | | ER0 | | | BELT, Accessory Drive |
| 2 | 53032037AC | 1 | | | | EV0 | | | BELT, Accessory Drive |



GRAND CHEROKEE (WJ)

| | |
|-------------|----------------------|
| SERIES | LINE |
| H = Laredo | T = JEEP - 2WD |
| P = Limited | J = JEEP - 4WD |
| | U = JEEP - 4WD (RHD) |

BODY
 74 = 4 Door (105.9 WB)

ENGINE
 ERH = ENGINE - 4.0L
 POWER TECH I-6
 EVA = ENGINE- 4.7L V8 MPI
 EXA = ENGINE - 3.1L 5 CYL
 TURBO DIESEL

TRANSMISSION
 DG4 = TRANSMISSION-MULTI-
 SPEED AUTO, 45RFE
 DGW = TRANSMISSION - 4-SPD.
 AUTOMATIC,44RE
 DGK = TRANSMISSION - 4-SPD.
 AUTOMATIC,42RE
 DGO = ALL AUTOMATIC
 TRANSMISSIONS

AR = use ase required - = Non illustrated part

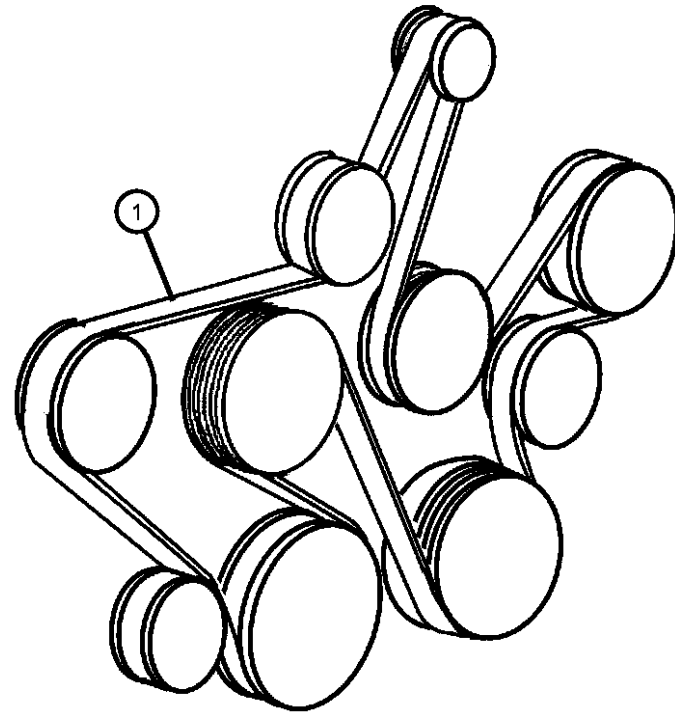
2000 WJ

**Drive Belts, 3.1L Diesel Engine
Figure 7-530**

| ITEM | PART NUMBER | QTY | LINE | SERIES | BODY | ENGINE | TRANS | TRIM | DESCRIPTION |
|------|-------------|-----|------|--------|------|--------|-------|------|-------------|
|------|-------------|-----|------|--------|------|--------|-------|------|-------------|

Note: Sales Code
 DG0 = All Automatic Transmissions
 EX0 = 3.1L Engine

| | | | | | | | | | |
|---|------------|---|--|--|--|-----|-----|--|------------------|
| 1 | 05015962AA | 1 | | | | EX0 | DG0 | | BELT, Alternator |
|---|------------|---|--|--|--|-----|-----|--|------------------|



GRAND CHEROKEE (WJ)

| | |
|-------------|----------------------|
| SERIES | LINE |
| H = Laredo | T = JEEP - 2WD |
| P = Limited | J = JEEP - 4WD |
| | U = JEEP - 4WD (RHD) |

| |
|------------------------|
| BODY |
| 74 = 4 Door (105.9 WB) |

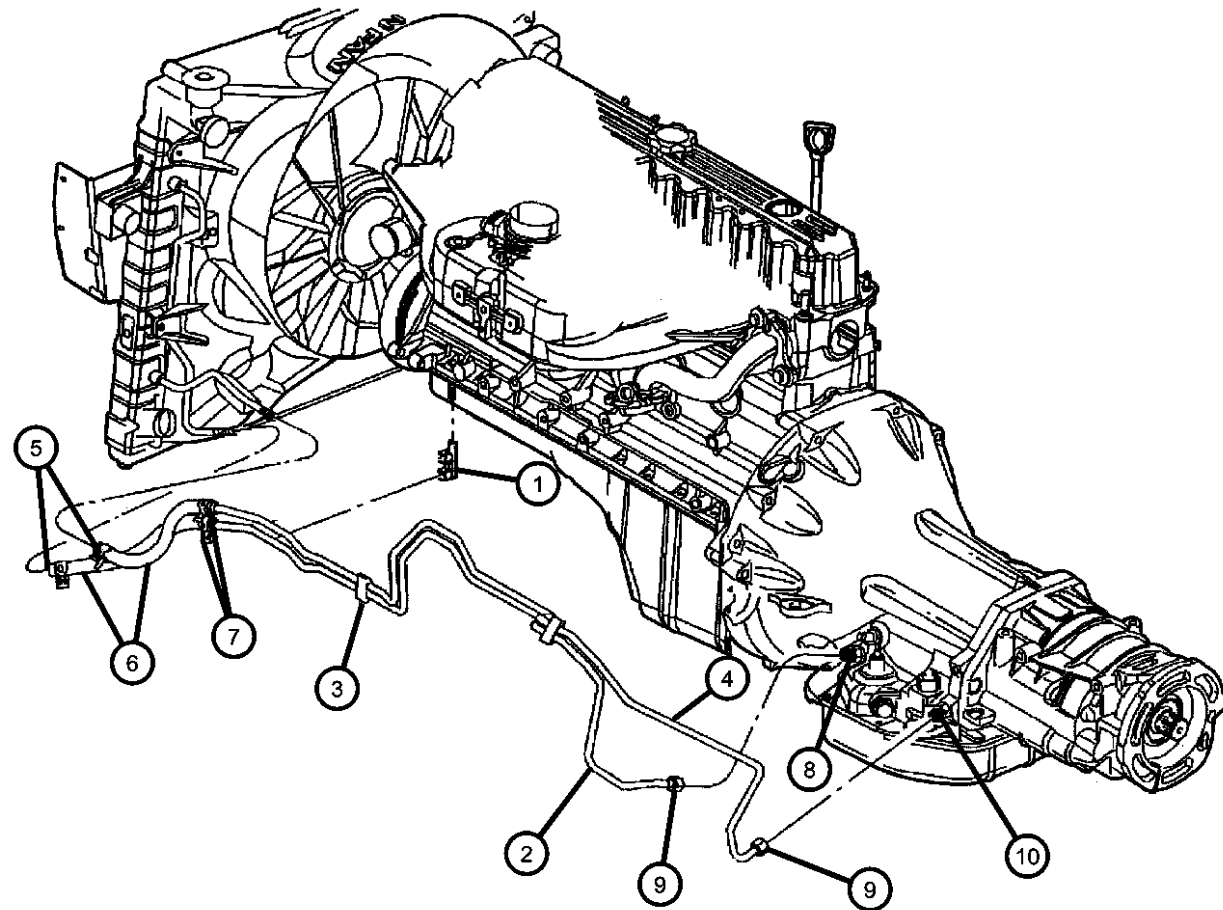
| |
|---------------------------|
| ENGINE |
| ERH = ENGINE - 4.0L |
| POWER TECH I-6 |
| EVA = ENGINE- 4.7L V8 MPI |
| EXA = ENGINE - 3.1L 5 CYL |
| TURBO DIESEL |

| |
|-----------------------------|
| TRANSMISSION |
| DG4 = TRANSMISSION-MULTI- |
| SPEED AUTO, 45RFE |
| DGW = TRANSMISSION - 4-SPD. |
| AUTOMATIC,44RE |
| DGK = TRANSMISSION - 4-SPD. |
| AUTOMATIC,42RE |
| DGO = ALL AUTOMATIC |
| TRANSMISSIONS |

AR = use ase required - = Non illustrated part

2000 WJ

**Oil Cooler and Lines 3.1, 4.0L Engines
Figure 7-610**



| ITEM | PART NUMBER | QTY | LINE | SERIES | BODY | ENGINE | TRANS | TRIM | DESCRIPTION |
|--|-------------|-----|------|--------|------|--------|----------|------|-----------------------------------|
| Note: Sales Code EX0 = 3.1 L Engine Note: Sales Code ER0 = 4.0L Engine Note: Sales Code DGW = 44RE, Auto Trans Note: Sales Code DGK = 42RE, Auto Trans Note: Sales Code DG4 = Multi-Speed Automatic Transmission | | | | | | | | | |
| 1 | | | | | | | | | BRACKET, Transmission Oil Cooler |
| | 52079789AA | 1 | | | | | DG4, DGK | | |
| | 52079894AA | 1 | | | | | DGW | | |
| 2 | | | | | | | | | TUBE, Oil Cooler |
| | 52079369 | 1 | | | | ER0 | DGK | | |
| | 52079623AC | 1 | | | | EX0 | DGW | | |
| 3 | | | | | | | | | CLIP, Power Steering Hose |
| | 04815987AA | 2 | | | | ER0 | DGK | | |
| | | 3 | | | | EX0 | DGW | | |
| 4 | | | | | | | | | TUBE, Oil Cooler |
| | 52079665AC | 1 | | | | EX0 | DGW | | |
| | 52079782AB | 1 | | | | ER0 | DGK | | |
| 5 | | | | | | | | | CLAMP, Oil Cooler Tube |
| | 52079631AA | 1 | | | | ER0 | DGK | | |
| | | 2 | J, T | | | EX0 | | | |
| 6 | | | | | | | | | HOSE, Oil Cooler CUT TO LENGTH |
| | 04026139 | 1 | | | | ER0 | DGK | | |
| | 53054592AA | 1 | J, T | | | EX0 | | | |
| 7 | | | | | | | | | CLAMP, Oil Cooler Tube |
| | 52079631AA | 2 | J, T | | | EX0 | | | |
| | 52079632AA | 1 | | | | ER0 | DGK | | |
| 8 | | | | | | | | | VALVE, Oil Cooler Pressure |
| | 52028463AB | 1 | | | | EX0 | DGW | | |
| | | 1 | | | | ER0 | DGK | | |
| 9 | | | | | | | | | NUT, .625-18 |
| | 06035503 | 3 | | | | EX0 | DGW | | |
| | | 3 | | | | ER0 | DGK | | |
| 10 | | | | | | | | | NUT, Transmission Case |

GRAND CHEROKEE (WJ)

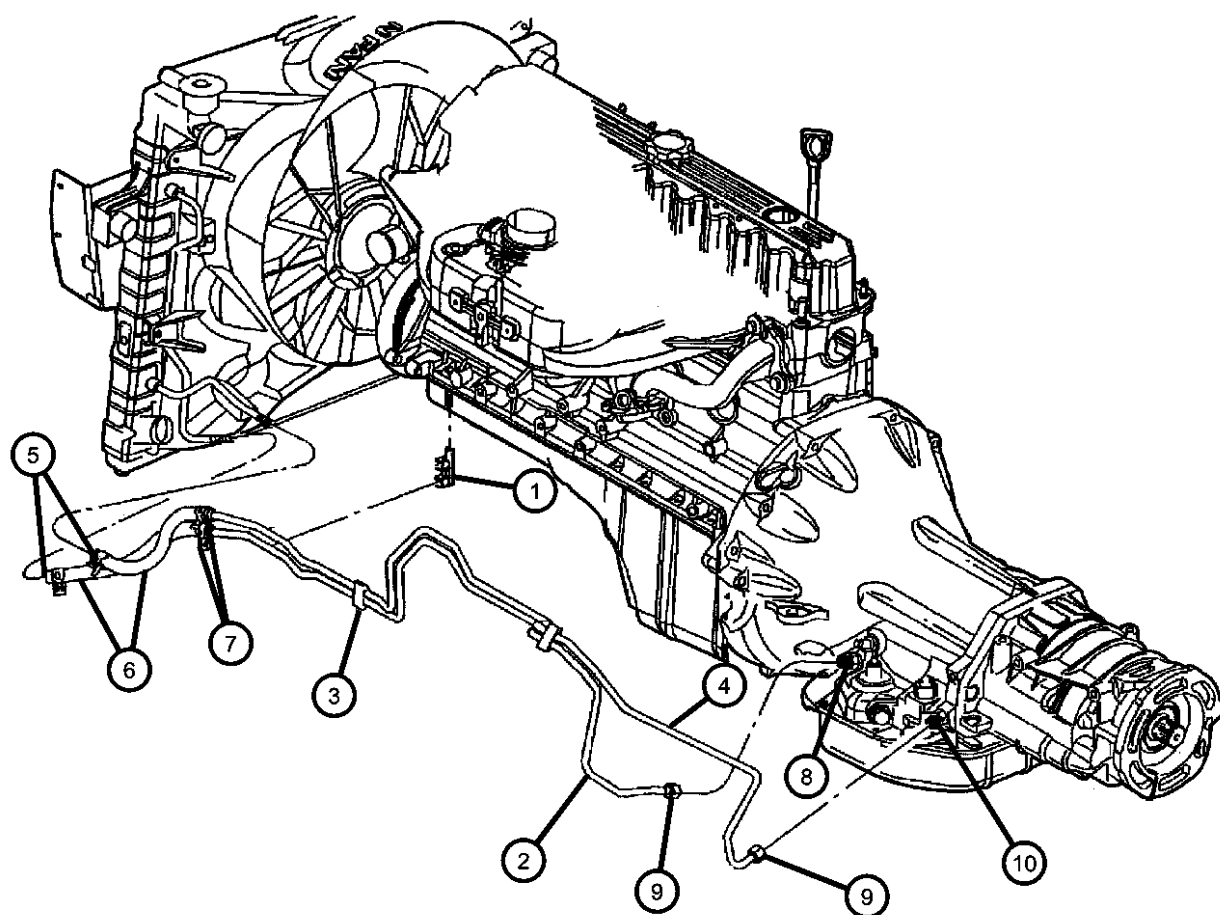
| | | | | |
|---------------|----------------------|------------------------|---|--|
| SERIES | LINE | BODY | ENGINE | TRANSMISSION |
| H = Laredo | T = JEEP - 2WD | 74 = 4 Door (105.9 WB) | ERH = ENGINE - 4.0L POWER TECH I-6 | DG4 = TRANSMISSION-MULTI- SPEED AUTO, 45RFE |
| P = Limited | J = JEEP - 4WD | | EVA = ENGINE- 4.7L V8 MPI | DGW = TRANSMISSION - 4-SPD. AUTOMATIC, 44RE |
| | U = JEEP - 4WD (RHD) | | EXA = ENGINE - 3.1L 5 CYL TURBO DIESEL | DGK = TRANSMISSION - 4-SPD. AUTOMATIC, 42RE |
| | | | | DGO = ALL AUTOMATIC TRANSMISSIONS |

AR = use ase required - = Non illustrated part

2000 WJ

**Oil Cooler and Lines 3.1, 4.0L Engines
Figure 7-610**

| ITEM | PART NUMBER | QTY | LINE | SERIES | BODY | ENGINE | TRANS | TRIM | DESCRIPTION |
|------|-------------|-----|------|--------|------|--------|-------|------|-------------|
| | 04799433AB | 2 | T | | | | DG4 | | |
| | | 2 | J, U | | | | DG4 | | |



GRAND CHEROKEE (WJ)

SERIES
H = Laredo
P = Limited

LINE
T = JEEP - 2WD
J = JEEP - 4WD
U = JEEP - 4WD (RHD)

BODY
74 = 4 Door (105.9 WB)

ENGINE
ERH = ENGINE - 4.0L
POWER TECH I-6
EVA = ENGINE- 4.7L V8 MPI
EXA = ENGINE - 3.1L 5 CYL
TURBO DIESEL

TRANSMISSION
DG4 = TRANSMISSION-MULTI-
SPEED AUTO, 45RFE
DGW = TRANSMISSION - 4-SPD.
AUTOMATIC,44RE
DGK = TRANSMISSION - 4-SPD.
AUTOMATIC,42RE
DGO = ALL AUTOMATIC
TRANSMISSIONS

AR = use ase required - = Non illustrated part

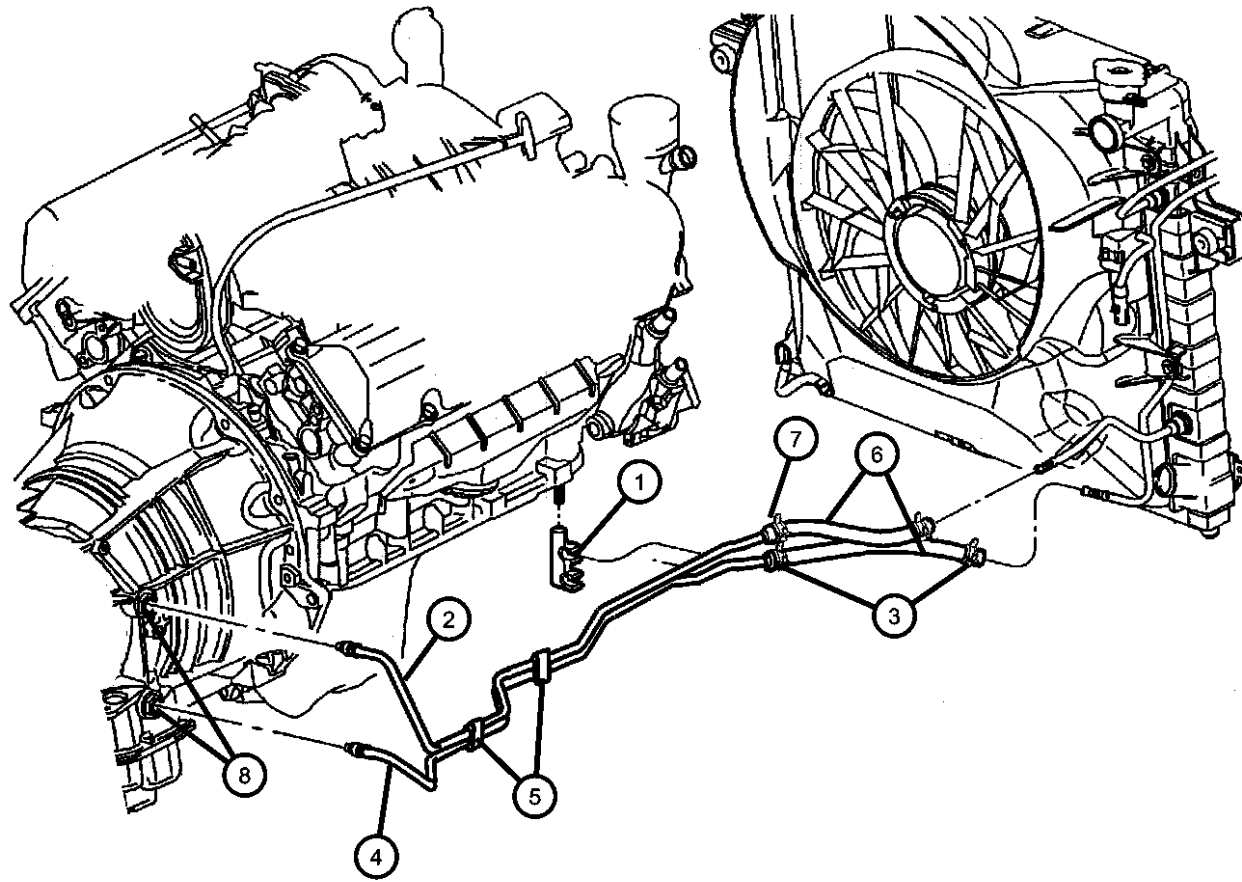
2000 WJ

**Oil Cooler and Lines 4.7L Engine
Figure 7-620**

| ITEM | PART NUMBER | QTY | LINE | SERIES | BODY | ENGINE | TRANS | TRIM | DESCRIPTION |
|------|-------------|-----|------|--------|------|--------|-------|------|-------------|
|------|-------------|-----|------|--------|------|--------|-------|------|-------------|

Note: Sales Code EV0 = 4.7L Engine
 Note: Sales Code DGK = 4 Speed Automatic Transmission 42RE
 Note: Sales Code DG4 = Multi - Speed Auto Trans.

| | | | | | | | | | |
|---|------------|---|------|--|--|-----|----------|--|----------------------------------|
| 1 | 52079789AA | 1 | | | | | DG4, DGK | | BRACKET, Transmission Oil Cooler |
| 2 | 52079375 | 1 | | | | EV0 | DG4 | | TUBE, Oil Cooler |
| 3 | 04815987AA | 2 | | | | EV0 | DG4 | | CLIP, Power Steering Hose |
| 4 | 52079783AA | 1 | | | | EV0 | DG4 | | TUBE, Oil Cooler |
| 5 | 52079631AA | 1 | | | | EV0 | DG4 | | CLAMP, Oil Cooler Tube |
| 6 | 04026139 | 1 | | | | EV0 | DG4 | | HOSE, Oil Cooler |
| 7 | 52079632AA | 1 | | | | EV0 | DG4 | | CLAMP, Oil Cooler Tube |
| 8 | 04799433AB | 2 | T | | | | DG4 | | NUT, Transmission Case |
| | | 2 | J, U | | | | DG4 | | |



GRAND CHEROKEE (WJ)

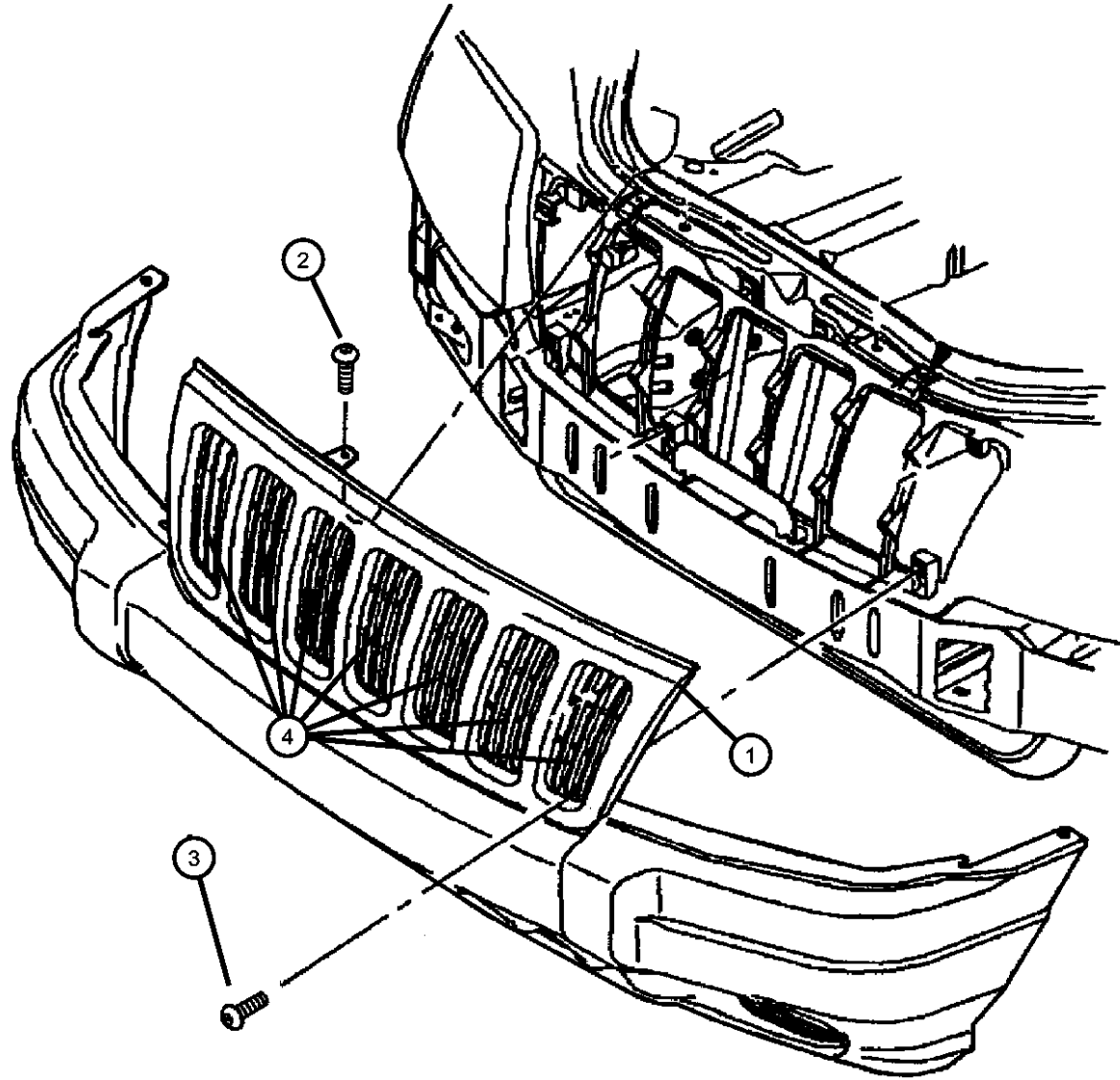
| | | | | |
|-------------|----------------------|------------------------|--|---|
| SERIES | LINE | BODY | ENGINE | TRANSMISSION |
| H = Laredo | T = JEEP - 2WD | 74 = 4 Door (105.9 WB) | ERH = ENGINE - 4.0L POWER TECH I-6 | DG4 = TRANSMISSION-MULTI-SPEED AUTO, 45RFE |
| P = Limited | J = JEEP - 4WD | | EVA = ENGINE- 4.7L V8 MPI | DGW = TRANSMISSION - 4-SPD. AUTOMATIC, 44RE |
| | U = JEEP - 4WD (RHD) | | EXA = ENGINE - 3.1L 5 CYL TURBO DIESEL | DGK = TRANSMISSION - 4-SPD. AUTOMATIC, 42RE |
| | | | | DGO = ALL AUTOMATIC TRANSMISSIONS |

AR = use ase required - = Non illustrated part

2000 WJ

**Grille and Related Parts
Figure 7-720**

| ITEM | PART NUMBER | QTY | LINE | SERIES | BODY | ENGINE | TRANS | TRIM | DESCRIPTION |
|------|-------------|-----|------|--------|------|--------|-------|------|---|
| 1 | 55155921AA | 1 | | | | | | | GRILLE, Fascia, Laredo, Chrome (Limited Serviced with Fascia) |
| 2 | 06505571AA | 7 | | | | | | | SCREW, Pan Head, M4x1.79x19 |
| 3 | 06505571AA | 7 | | | | | | | SCREW, (NOT SERVICED) |
| 4 | 5FT35DX9 | 1 | | | | | | | GRILLE, Texture |



GRAND CHEROKEE (WJ)

SERIES
H = Laredo
P = Limited

LINE
T = JEEP - 2WD
J = JEEP - 4WD
U = JEEP - 4WD (RHD)

BODY
74 = 4 Door (105.9 WB)

ENGINE
ERH = ENGINE - 4.0L POWER TECH I-6
EVA = ENGINE- 4.7L V8 MPI
EXA = ENGINE - 3.1L 5 CYL TURBO DIESEL

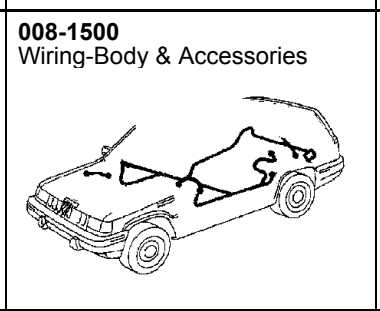
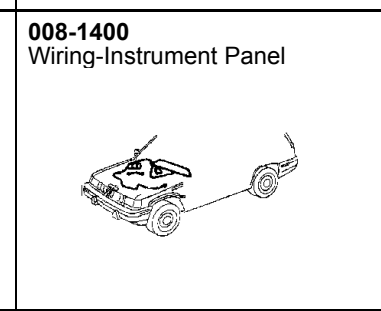
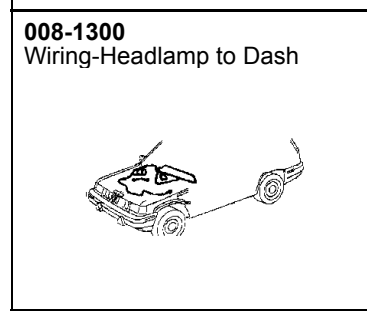
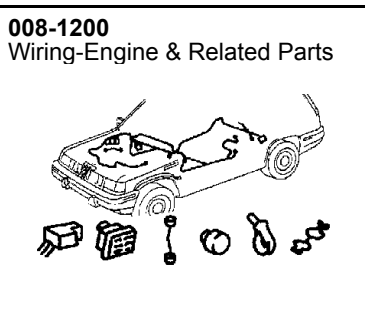
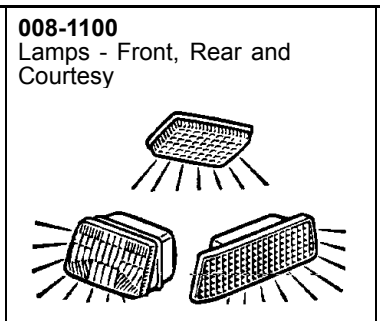
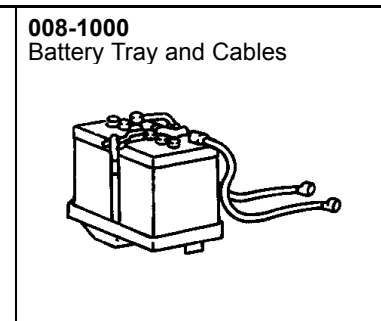
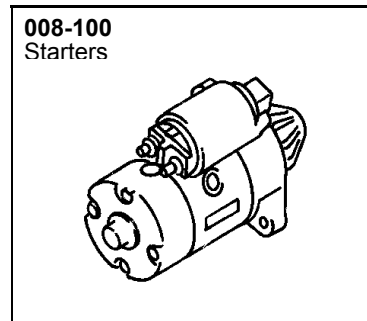
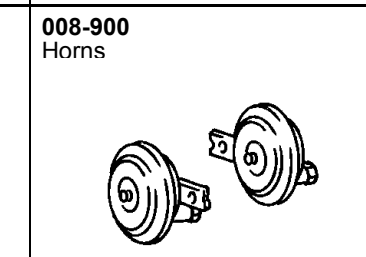
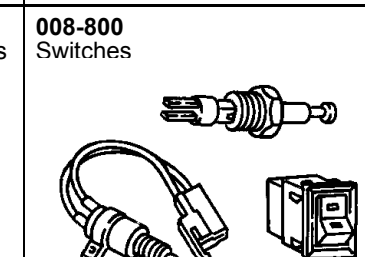
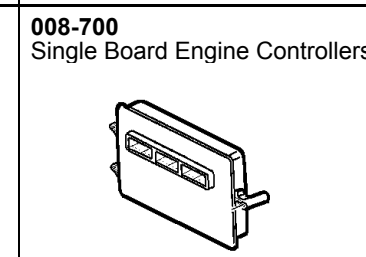
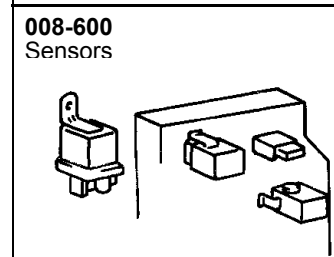
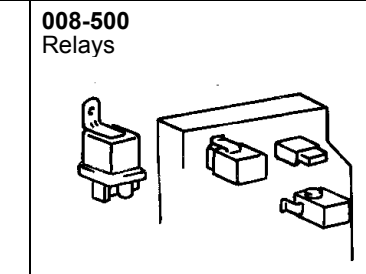
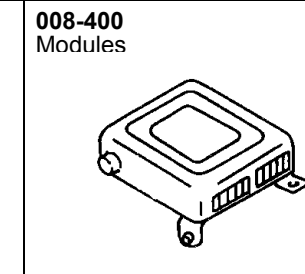
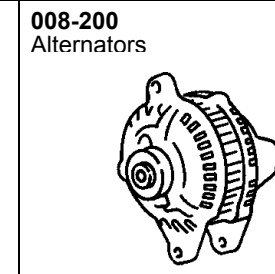
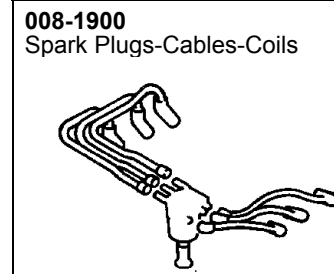
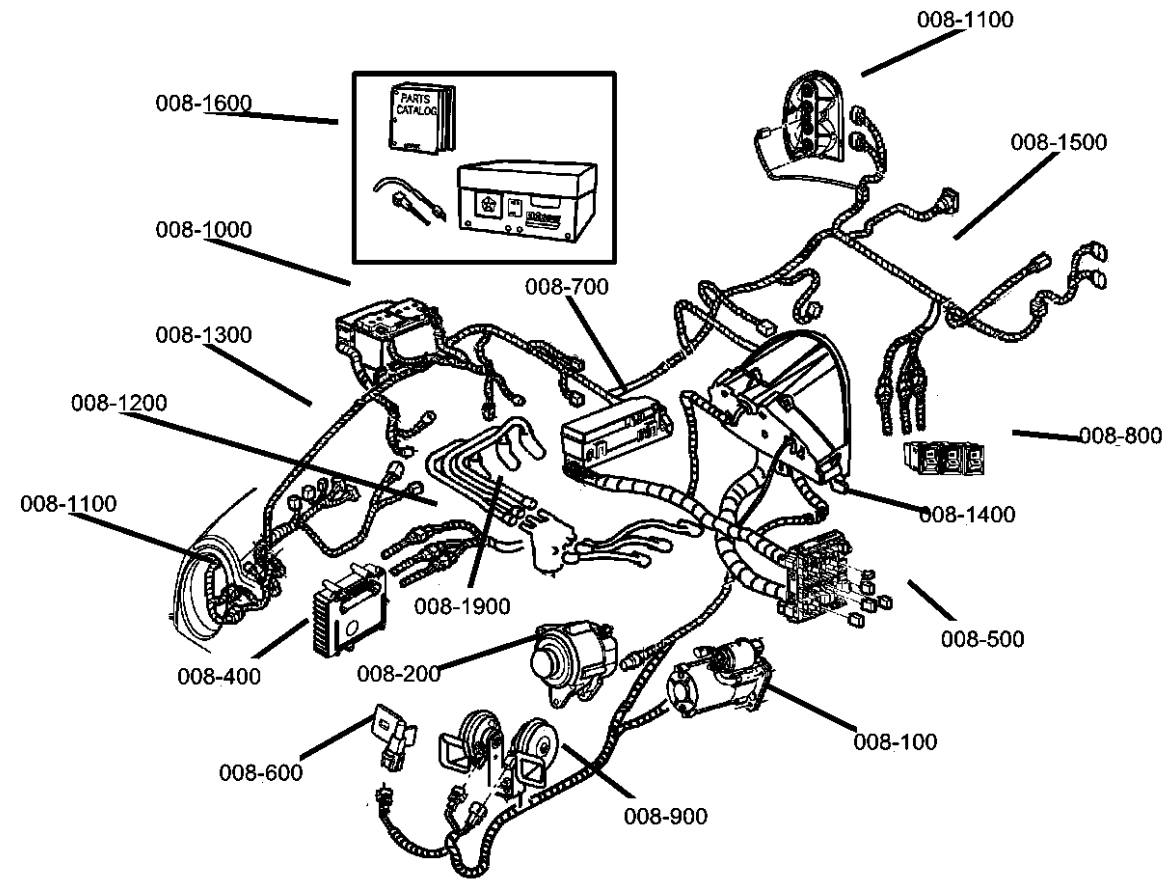
TRANSMISSION
DG4 = TRANSMISSION-MULTI-SPEED AUTO, 45RFE
DGW = TRANSMISSION - 4-SPD. AUTOMATIC,44RE
DGK = TRANSMISSION - 4-SPD. AUTOMATIC,42RE
DGO = ALL AUTOMATIC TRANSMISSIONS

AR = use ase required - = Non illustrated part

2000 WJ

Group - 8

Electrical

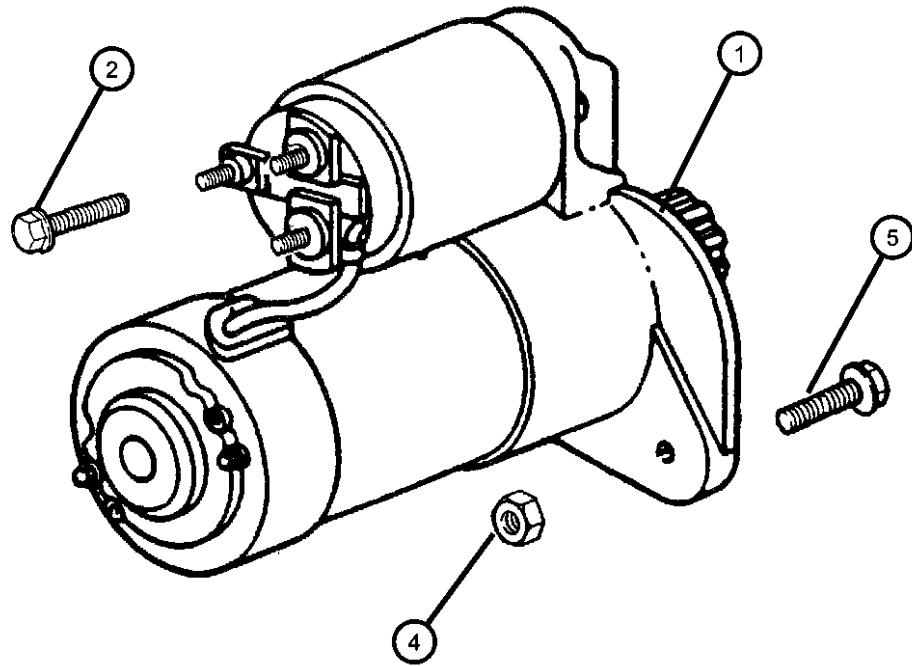


Group - 8 Electrical

| Illustration Title | Group-Fig. No. |
|---|----------------|
| Starters | |
| Starters..... | Fig. 8 - 110 |
| Alternators | |
| Alternator & Mounting..... | Fig. 8 - 210 |
| Modules | |
| Modules..... | Fig. 8 - 410 |
| Relays | |
| Relays..... | Fig. 8 - 510 |
| Sensors | |
| Sensors..... | Fig. 8 - 610 |
| Single Board Engine Controllers | |
| JTEC Modules and Solenoids..... | Fig. 8 - 710 |
| Switches | |
| Switches..... | Fig. 8 - 810 |
| Horns | |
| Horns..... | Fig. 8 - 910 |
| Battery Tray and Cables | |
| Battery Tray & Cables..... | Fig. 8 - 1010 |
| Lamps - Front, Rear and Courtesy | |
| Lamp - Front End..... | Fig. 8 - 1110 |
| Lamp - Rear End..... | Fig. 8 - 1120 |
| Lamp - Courtesy - Dome - Reading..... | Fig. 8 - 1130 |
| Bulb chart..... | Fig. 8 - 1140 |
| Wiring-Engine & Related Parts | |
| Wiring - Engine and Related Items 4.0L Engine, 3.0,3.1L Diesel..... | Fig. 8 - 1210 |
| Wiring - Engine and Related Items 4.7L Engine..... | Fig. 8 - 1220 |
| Wiring-Headlamp to Dash | |
| Wiring - Headlamp / Dash..... | Fig. 8 - 1310 |
| Wiring-Instrument Panel | |
| Wiring - Instrument Panel..... | Fig. 8 - 1410 |
| Wiring-Body & Accessories | |
| Wiring - Body & Accessories..... | Fig. 8 - 1510 |
| Wiring Repair | |
| Wiring Repair Packages..... | Fig. 8 - 1605 |
| Power Distribution Center Repair..... | Fig. 8 - 1610 |
| Spark Plugs-Cables-Coils | |
| Spark Plugs - Coils..... | Fig. 8 - 1910 |

Starters
Figure 8-110

| ITEM | PART NUMBER | QTY | LINE | SERIES | BODY | ENGINE | TRANS | TRIM | DESCRIPTION |
|---|-------------|-----|------|--------|------|----------|-------|------|--|
| DG4=Multi-Speed Automatic Transmission 45RFE ER0=4.0L Engine EV0=4.7L Engine EX0=3.0L/3.1L Turbo Diesel Engine | | | | | | | | | |
| 1 | | | | | | | | | STARTER |
| | 56041012AB | 1 | | | | ER0 | | | |
| | R6041012AC | | | | | | | | Mopar Remanufactured Part |
| | 56041207 | 1 | | | | EV0 | | | |
| | 56041563AA | 1 | | | | EX0 | | | |
| 2 | J4006192 | 1 | | | | ER0 | | | BOLT AND WASHER, Hex Head, .375-16x1.75 |
| -3 | 06102084AA | 2 | | | | EV0 | | | SCREW |
| 4 | 06102084AA | 2 | | | | | | | NUT, M8x1.25, (NOT SERVICED) |
| 5 | | | | | | | | | SCREW AND WASHER, Hex Head, M10x1.5x28 |
| | 06503699 | 1 | | | | ER0 | | | |
| | | 8 | | | | EV0, EX0 | | | |
| | | 4 | J, U | | | EV0 | DG4 | | |
| -6 | 52104133 | 1 | | | | | DG4 | | COVER, Transmission Dust, Starter to Transmission |



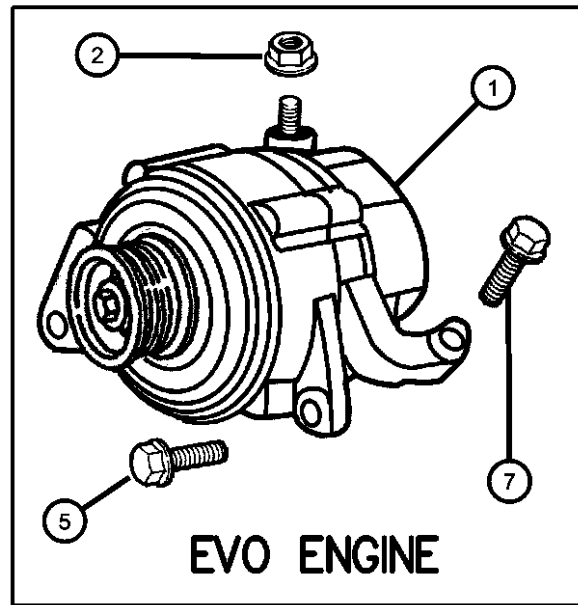
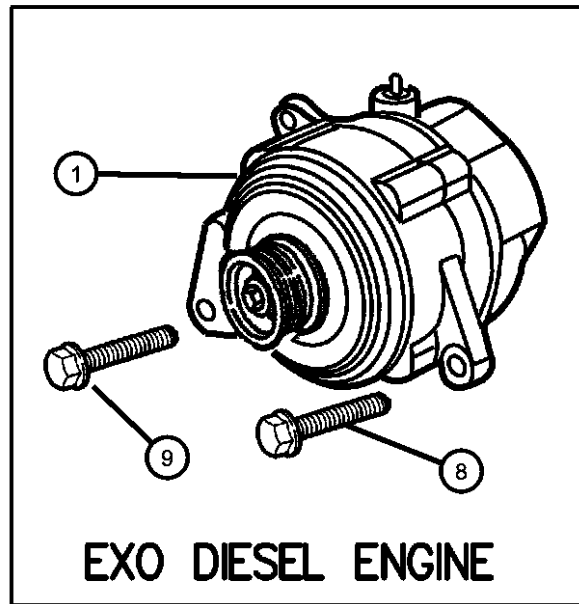
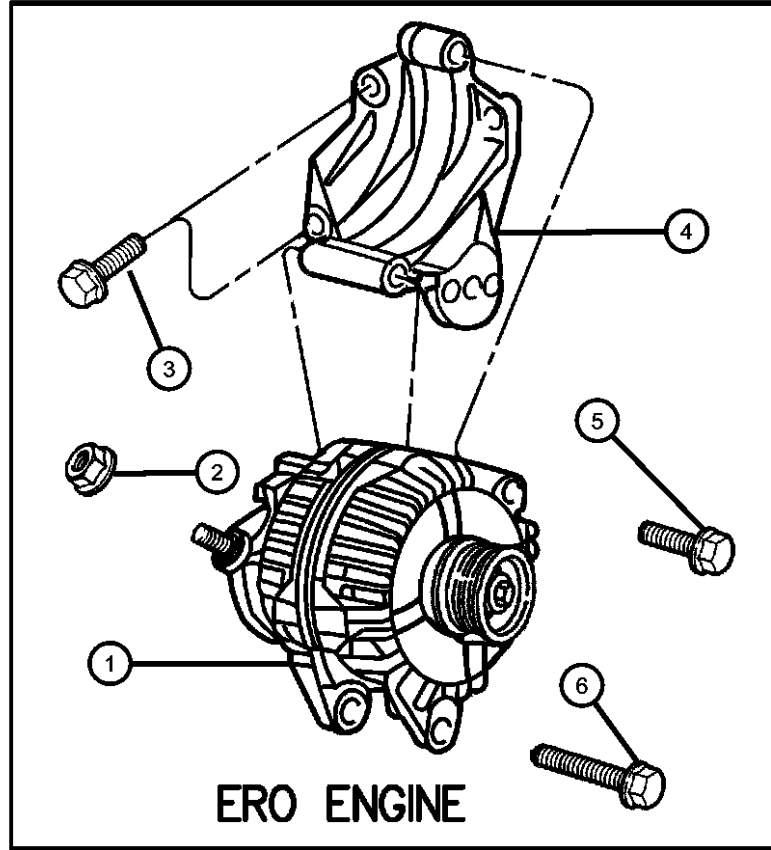
GRAND CHEROKEE (WJ)

| | | | | |
|-------------|----------------------|------------------------|---|--|
| SERIES | LINE | BODY | ENGINE | TRANSMISSION |
| H = Laredo | T = JEEP - 2WD | 74 = 4 Door (105.9 WB) | ERH = ENGINE - 4.0L POWER TECH I-6 | DG4 = TRANSMISSION-MULTI- SPEED AUTO, 45RFE |
| P = Limited | J = JEEP - 4WD | | EVA = ENGINE- 4.7L V8 MPI | DGW = TRANSMISSION - 4-SPD. AUTOMATIC,44RE |
| | U = JEEP - 4WD (RHD) | | EXA = ENGINE - 3.1L 5 CYL TURBO DIESEL | DGK = TRANSMISSION - 4-SPD. AUTOMATIC,42RE |
| | | | | DGO = ALL AUTOMATIC TRANSMISSIONS |

AR = use ase required - = Non illustrated part

2000 WJ

**Alternator & Mounting
Figure 8-210**



| ITEM | PART NUMBER | QTY | LINE | SERIES | BODY | ENGINE | TRANS | TRIM | DESCRIPTION |
|--|-------------|-----|------|--------|------|------------------|-------|------|--|
| ERO=4.0L Engine EVO=4.7L Engine EXO=3.1L Diesel Engine EXO=3.0L/3.1L Turbo Diesel Engine DG0=Automatic Transmission DGW=44RE 4 Speed Automatic Transmission HA0=Air Conditioning | | | | | | | | | |
| 1 | | | | | | | | | ALTERNATOR |
| | 05015066AA | 1 | | | | EX0 | DG0 | | |
| | 56041120AB | 1 | | | | EVO | | | 136 Amp (Europe) |
| | 56041322 | 1 | | | | ER0 | | | 136 Amp |
| | 56041324AC | 1 | | | | EVO | | | 136 Amp |
| 2 | 06502691 | 1 | | | | ER0, EVO, EX0 | | | NUT, Hex Flange Lock, M6x1 |
| 3 | | | | | | | | | SCREW AND WASHER, Hex |
| | 00154854AA | 4 | | | | ER0 | | | |
| | 06505488AA | 1 | | | | EVO | | | |
| 4 | | | | | | | | | BRACKET, Alternator |
| | 04854026 | 1 | | | | ER0 | | | |
| | 05015072AA | 1 | | | | EX0 | DG0 | | |
| 5 | | | | | | | | | SCREW AND WASHER, Hex |
| | 06505488AA | 1 | | | | EVO | | | |
| | | 1 | | | | ER0 | | | |
| 6 | 06504344 | 1 | | | | ER0, EVO | | | SCREW AND WASHER, Hex Head |
| 7 | 06505482AA | 1 | | | | EVO | | | SCREW AND WASHER, Hex Head, M8x1.25x50 |
| 8 | 04897253AA | 1 | | | | EX0 | DG0 | | BOLT, Hex Flange Head, M10x35 |
| 9 | 05015067AA | 1 | | | | EX0 | DG0 | | BOLT, Hex Flange Head |

GRAND CHEROKEE (WJ)

SERIES LINE
 H = Laredo T = JEEP - 2WD
 P = Limited J = JEEP - 4WD
 U = JEEP - 4WD (RHD)

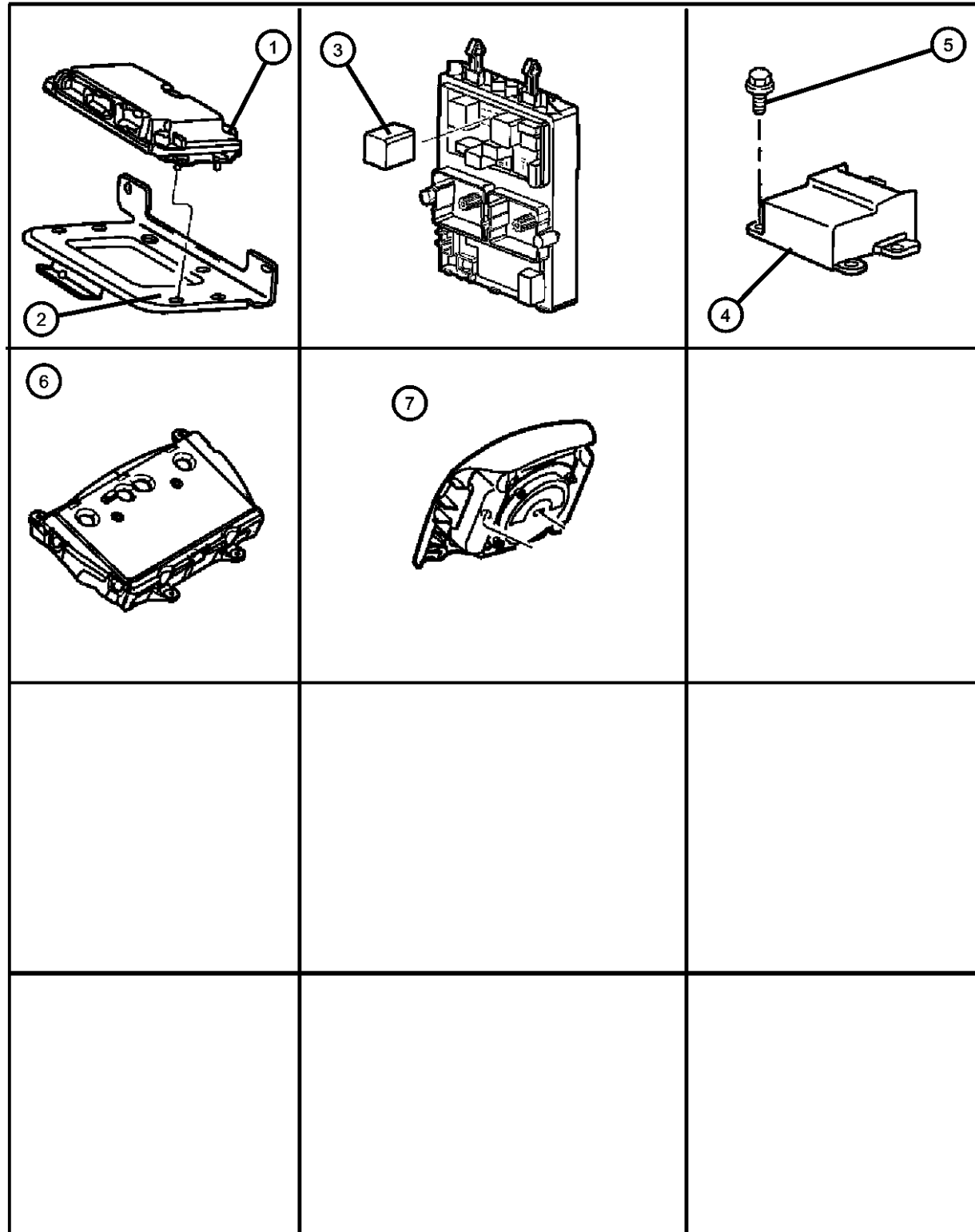
BODY
 74 = 4 Door (105.9 WB)

ENGINE
 ERH = ENGINE - 4.0L
 POWER TECH I-6
 EVA = ENGINE- 4.7L V8 MPI
 EXA = ENGINE - 3.1L 5 CYL
 TURBO DIESEL

TRANSMISSION
 DG4 = TRANSMISSION-MULTI-
 SPEED AUTO, 45RFE
 DGW = TRANSMISSION - 4-SPD.
 AUTOMATIC,44RE
 DGK = TRANSMISSION - 4-SPD.
 AUTOMATIC,42RE
 DGO = ALL AUTOMATIC
 TRANSMISSIONS

AR = use ase required - = Non illustrated part

Modules
Figure 8-410



| ITEM | PART NUMBER | QTY | LINE | SERIES | BODY | ENGINE | TRANS | TRIM | DESCRIPTION |
|---|-------------|-----|------|--------|------|------------------|-------|------|--|
| <p>Note: DG0 = All Automatic Transmissions EM0 = All 5.9L 8 Cyl Gas Engines ER0 = All 4.0L 6 Cyl Gas Engines EV0 = All 4.7L Gas Engines EX0 = All Turbo Diesel Engines HAA = Air Conditioning</p> | | | | | | | | | |
| 1 | 56041587AA | 1 | | | | EX0 | | | MODULE, Engine Controller |
| 2 | | | | | | | | | BRACKET, Control Unit |
| | 56028139AB | 1 | | | | ER0, EV0 | DG0 | | |
| | 56041070 | 1 | | | | EX0 | DG0 | | |
| 3 | | | | | | | | | FLASHER |
| | 04686094 | 1 | | | | | | | USA |
| | 04686130 | 1 | | | | | | | EUROPE |
| 4 | 56042047AC | 1 | | | | | | | MODULE, Air Bag Control |
| 5 | | | | | | | | | SCREW, Hex Flange Head Tapping, M6x1.00x20.00 |
| | 06101777 | 1 | J, T | | | | | | |
| | | 2 | U | | | ER0, EV0, EX0 | | | |
| 6 | | | | | | | | | MODULE, Compass Temperature |
| | 56042271AD | 1 | J, T | | | | | | w/Universal Garage Door Opener (USA/CANADA) |
| | 56042273AC | 1 | J, T | | | | | | w/o Universal Garage Door Opener (USA/CANADA) |
| | | 1 | J, T | | | | | | w/o Universal Garage Door Opener (EUROPE) |
| | | 1 | U | | | | | | w/o Universal Garage Door Opener (EUROPE) |
| 7 | | | | | | | | | AIR BAG, Driver |
| | 5FA39LAZAG | 1 | | | H | | | | Agate |
| | 5FA39VK9AG | 1 | | | P | | | | Dark Suede |
| | 5FA39WL8AG | 1 | | | P | | | | Dark Brown |
| -8 | 04595746AA | 1 | | | | | | | LABEL, Air Bag Warning, Right End Cap (English) |
| -9 | | | | | | | | | SWITCH, Door Module |
| | 55196388AD | 1 | J, T | P | | | | | w/Limited Package (USA/CANADA), Right |
| | | 1 | J, T | H | | | | | w/Laredo Package & 6 Speaker System (USA/CANADA), Right |

GRAND CHEROKEE (WJ)

| SERIES | LINE | BODY | ENGINE | TRANSMISSION |
|-------------|----------------------|------------------------|---|--|
| H = Laredo | T = JEEP - 2WD | 74 = 4 Door (105.9 WB) | ERH = ENGINE - 4.0L POWER TECH I-6 | DG4 = TRANSMISSION-MULTI- SPEED AUTO, 45RFE |
| P = Limited | J = JEEP - 4WD | | EVA = ENGINE- 4.7L V8 MPI | DGW = TRANSMISSION - 4-SPD. AUTOMATIC,44RE |
| | U = JEEP - 4WD (RHD) | | EXA = ENGINE - 3.1L 5 CYL TURBO DIESEL | DGK = TRANSMISSION - 4-SPD. AUTOMATIC,42RE |
| | | | | DGO = ALL AUTOMATIC TRANSMISSIONS |

AR = use ase required - = Non illustrated part

Modules
Figure 8-410

| ITEM | PART NUMBER | QTY | LINE | SERIES | BODY | ENGINE | TRANS | TRIM | DESCRIPTION | |
|------|-------------|------------|------|--------|------|--------|-------|------|--|---|
| | | 1 | J, T | H | | | | | w/Laredo Package & Infinity Speaker System (USA/CANADA), Right | |
| | 55196389AD | 1 | J, T | P | | | | | w/Limited Package (USA/CANADA), Left | |
| | | 1 | J, T | H | | | | | w/Laredo Package & 6 Speaker System (USA/CANADA), Left | |
| | | 1 | J, T | H | | | | | w/Laredo Package & Infinity Speaker System (USA/CANADA), Left | |
| | 55196391AC | 1 | U | H | | | | | EUROPE, Driver Side | |
| | 55196398AC | 1 | U | H | | | | | EUROPE, Passenger Side | |
| | 56042290AC | 1 | J, T | P | | | | | EUROPE, Right | |
| | 56042497AC | 1 | J, T | P | | | | | EUROPE, Left | |
| | 56042602AB | 1 | U | H | | | | | JAPAN, Driver Side | |
| | 56042603AB | 1 | U | P | | | | | JAPAN, Passenger Side | |
| | -10 | 56042612AA | 1 | U | | | | | | MODULE, Keyless Entry, Keyless Entry Module Serviced w/Passenger Door Switch Module (Except JAPAN), JAPAN |
| | -11 | | | | | | | | | MODULE, Seat Memory |
| | | 56042304AF | 1 | J, T | | | | | | W/O Heated Seats (USA/CANADA) [DL] |
| | | | 1 | J, T | | | | | | W/O Heated Seats (MEXICO) [DL] |
| | | 1 | J, T | | | | | | W/O Heated Seats (USA/CANADA) [EL] | |
| | 56042305AF | 1 | J, T | | | | | | W/Heated Seats (USA/CANADA) [EL] | |
| | | 1 | U | | | | | | W/Heated Seat (EUROPE) [EL] | |
| | | 1 | J, T | | | | | | W/Heated Seat (EUROPE) [EL] | |
| | | 1 | J, T | | | | | | W/Heated Seats (MEXICO) [DL] | |
| | | 1 | J, T | | | | | | W/ Heated Seats (MEXICO) [DL] | |
| | | 1 | J, T | | | | | | W/ Heated Seats (MEXICO) [EL] | |
| -12 | 56042493AF | 1 | J, T | | | | | | MODULE, Heated Seat Control, W/Power Leather Seats [FL] | |
| -13 | 56042498AK | 1 | | | | | | | MODULE, Body Controller | |
| -14 | 56041328AK | 1 | | | | | DG4 | | MODULE, Transmission Control, w/Model # 45RFE Transmission | |

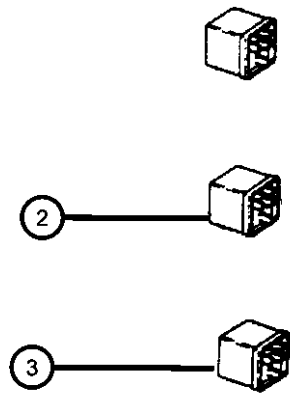
GRAND CHEROKEE (WJ)

| | | | | |
|-------------|----------------------|------------------------|--|---|
| SERIES | LINE | BODY | ENGINE | TRANSMISSION |
| H = Laredo | T = JEEP - 2WD | 74 = 4 Door (105.9 WB) | ERH = ENGINE - 4.0L POWER TECH I-6 | DG4 = TRANSMISSION-MULTI-SPEED AUTO, 45RFE |
| P = Limited | J = JEEP - 4WD | | EVA = ENGINE- 4.7L V8 MPI | DGW = TRANSMISSION - 4-SPD. AUTOMATIC, 44RE |
| | U = JEEP - 4WD (RHD) | | EXA = ENGINE - 3.1L 5 CYL TURBO DIESEL | DGK = TRANSMISSION - 4-SPD. AUTOMATIC, 42RE |
| | | | | DGO = ALL AUTOMATIC TRANSMISSIONS |

AR = use ase required - = Non illustrated part

Relays
Figure 8-510

| ITEM | PART NUMBER | QTY | LINE | SERIES | BODY | ENGINE | TRANS | TRIM | DESCRIPTION |
|------|-------------|-----|------|--------|------|--------|-------|------|---------------------------------|
| -1 | 04707286AD | 1 | | | | | | | RELAY, Electrical, Radiator fan |
| 2 | 56042216AB | 1 | J, T | | | | | | RELAY, Daytime Running Lamps |
| 3 | 04707286AD | 1 | | | | | | | RELAY, Electrical, Fan relay |
| -4 | 04671168 | 2 | | | | | | | RELAY, Mini |
| -5 | 56007290 | 1 | | | | | | | BREAKER, Circuit |



GRAND CHEROKEE (WJ)

SERIES
H = Laredo
P = Limited

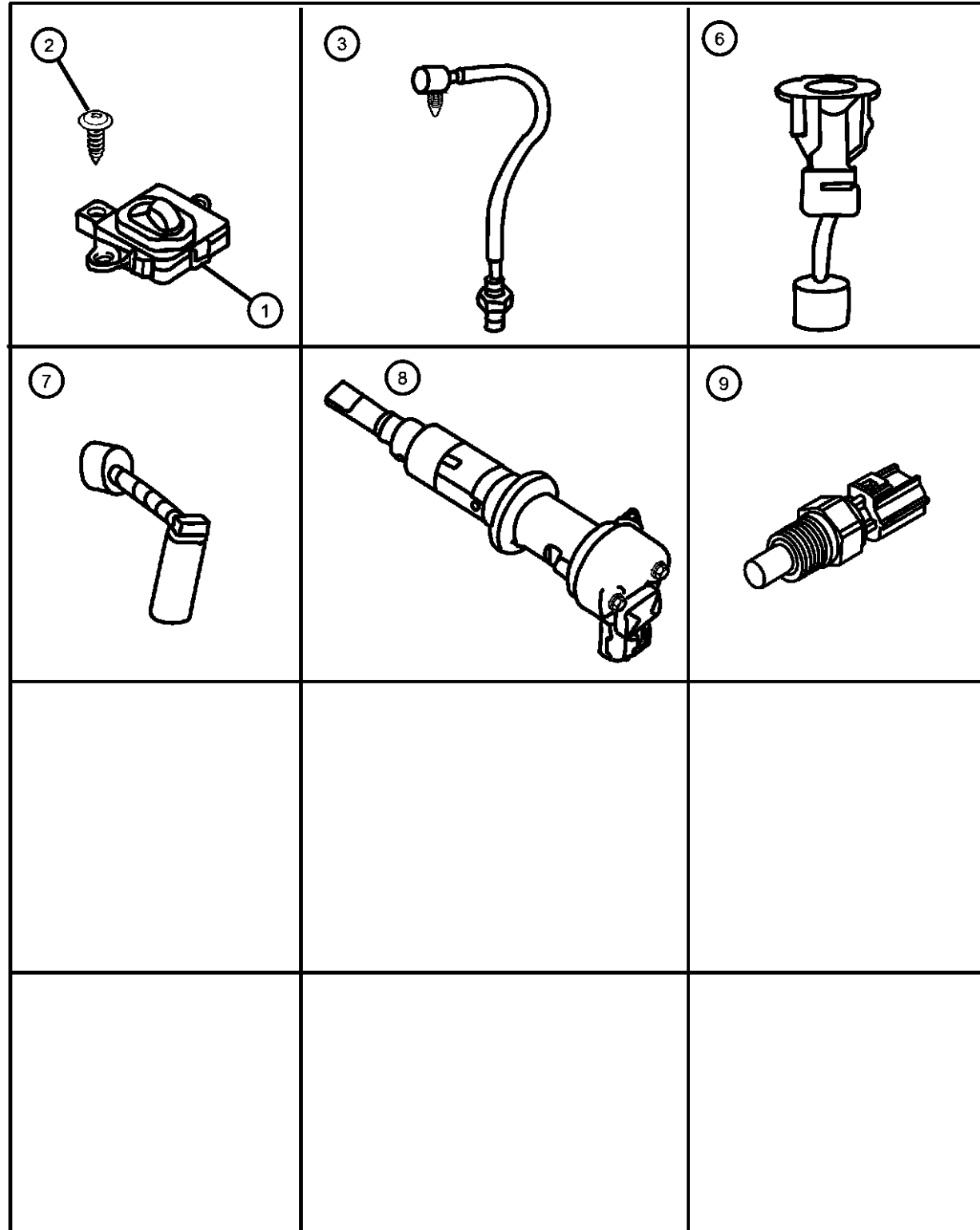
LINE
T = JEEP - 2WD
J = JEEP - 4WD
U = JEEP - 4WD (RHD)

BODY
74 = 4 Door (105.9 WB)

ENGINE
ERH = ENGINE - 4.0L
POWER TECH I-6
EVA = ENGINE- 4.7L V8 MPI
EXA = ENGINE - 3.1L 5 CYL
TURBO DIESEL

TRANSMISSION
DG4 = TRANSMISSION-MULTI-
SPEED AUTO, 45RFE
DGW = TRANSMISSION - 4-SPD.
AUTOMATIC,44RE
DGK = TRANSMISSION - 4-SPD.
AUTOMATIC,42RE
DGO = ALL AUTOMATIC
TRANSMISSIONS

Sensors
Figure 8-610



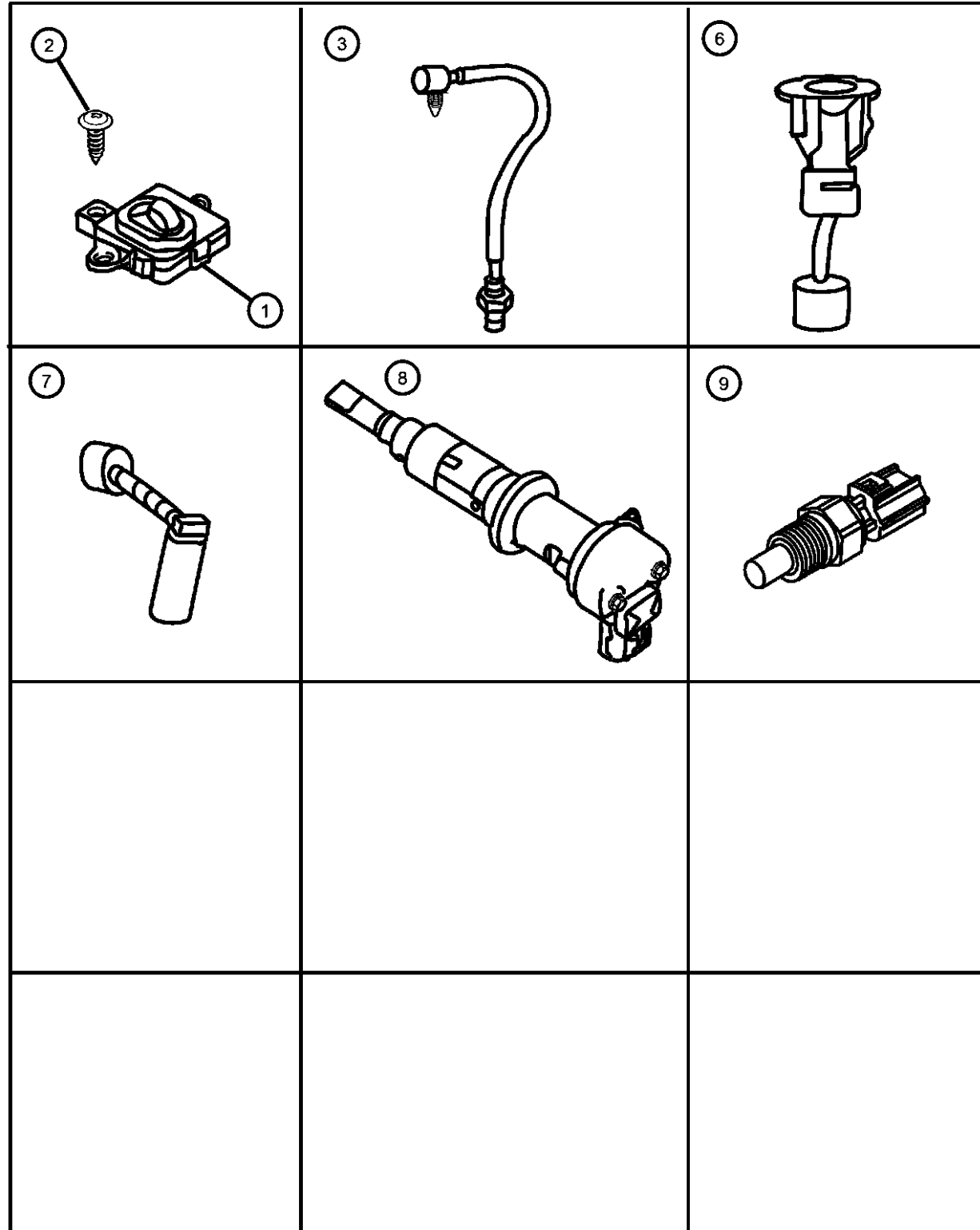
| ITEM | PART NUMBER | QTY | LINE | SERIES | BODY | ENGINE | TRANS | TRIM | DESCRIPTION |
|------|-------------|-----|------|--------|------|----------|-------|------|---|
| | | | | | | | | | ER0=4.0L Engine EVO=4.7L Engine EX0=3.0L/3.1L Turbo Diesel Engine DG0=Automatic Transmission DGW= Automatic Transmission 4 Speed Automatic 44RE DGK=Automatic Transmission 4 Speed DG4=Automatic Transmission Multi-Speed |
| 1 | 56042584AA | 1 | | | | | | | SENSOR, HeadlampAuto Headlamp |
| 2 | 06101946 | 3 | | | | | | | SCREW, Tapping |
| 3 | | | | | | | | | SENSOR, Oxygen |
| | 56028232AA | 1 | | | | EVO | | | 18' Pigtail (Before Catalyst) California/European III Emission |
| | 56028233AA | 1 | | | | EVO | | | 12' Pigtail (Before Catalyst) Federal, California, Export & European III Emission |
| | 56028235AA | 1 | | | | EVO | | | 12' Pigtail (After Catalyst) California/European III Emission |
| | 56041212AE | 1 | | | | ER0 | | | 18' Pigtail (Before Catalyst) California/European III Emission |
| | 56041212AF | 2 | | | | ER0 | | | 12' Pigtail (After Catalyst) California, Export & European III Emission |
| | 56041344AD | 1 | J, T | | | ER0 | | | 14' Pigtail (After Catalyst) Federal, Export Emission |
| | 56041345AD | 1 | J, T | | | EVO | | | 14' Pigtail (After Catalyst) California/ federal |
| | | 1 | J, U | | | EVO | | | 14' Pigtail w/Stud Clip (After Catalyst) European III Emission |
| | 56041676AA | 1 | | | | ER0 | | | 10.5' Pigtail (Before Catalyst) California & Export Emission |
| | | 1 | | | | ER0 | | | 10.5' Pigtail (Before Catalyst) Federal, European II & III Emission |
| -4 | 56041675AA | 1 | | | | ER0 | | | SHIELD, Heat, Oxygen Sensor |
| -5 | J4200413 | 2 | | | | ER0, EVO | | | PLUG, Cylinder Block Oil Hole, Without Oxygen Upstream Sensor |
| 6 | 56041053 | 1 | | | | | | | SENSOR, Battery Temperature |
| 7 | 56041080AB | 1 | | | | EX0 | | | SENSOR, Engine Speed |
| 8 | | | | | | | | | SENSOR, Coolant Temperature |
| | 56027873 | 1 | | | | ER0 | | | |
| | | 1 | | | | EVO | | | |

GRAND CHEROKEE (WJ)

| | | | | |
|-------------|----------------------|------------------------|---|--|
| SERIES | LINE | BODY | ENGINE | TRANSMISSION |
| H = Laredo | T = JEEP - 2WD | 74 = 4 Door (105.9 WB) | ERH = ENGINE - 4.0L POWER TECH I-6 | DG4 = TRANSMISSION-MULTI- SPEED AUTO, 45RFE |
| P = Limited | J = JEEP - 4WD | | EVA = ENGINE- 4.7L V8 MPI | DGW = TRANSMISSION - 4-SPD. AUTOMATIC,44RE |
| | U = JEEP - 4WD (RHD) | | EXA = ENGINE - 3.1L 5 CYL TURBO DIESEL | DGK = TRANSMISSION - 4-SPD. AUTOMATIC,42RE |
| | | | | DGO = ALL AUTOMATIC TRANSMISSIONS |

AR = use ase required - = Non illustrated part

Sensors
Figure 8-610



| ITEM | PART NUMBER | QTY | LINE | SERIES | BODY | ENGINE | TRANS | TRIM | DESCRIPTION |
|------|-------------|-----|------|--------|------|--------|-------|------|-------------------------------------|
| 9 | 05003734AA | 1 | | | | EX0 | DG0 | | SENSOR, Air Temperature |
| | 56027872 | 1 | | | | ER0 | | | |
| | | 1 | | | | EVO | | | |
| -10 | 04897023AA | 1 | | | | ER0 | | | SENSOR, Camshaft |
| | 56028133AC | 1 | | | | EVO | | | |
| -11 | 05083881AA | 1 | | | | ER0 | | | DRIVE, OIL PUMP |
| -12 | J3181288 | 1 | | | | ER0 | | | GASKET, Distributor |
| -13 | 33004242 | 1 | | | | ER0 | | | CLAMP, Distributor |
| -14 | 56028136AB | 1 | | | | EVO | | | SENSOR, Crankshaft Position |
| -15 | 04897321AA | 1 | | | | ER0 | DG0 | | SENSOR PACKAGE, Crankshaft Position |
| | | | | | | | | | Position |
| -16 | 04874371AC | 1 | | | | ER0 | | | SENSOR, Throttle Position |
| | 04882219AB | 1 | | | | EVO | | | |
| -17 | 56042395 | 1 | J, T | H | | | | | SENSOR, Ambient Temperature |
| | | 1 | U | H | | | | | |
| -18 | 56029405 | 1 | | | | ER0 | | | SENSOR, MAP |
| | 56041018 | 1 | | | | EVO | | | |
| -19 | 06505501AA | 2 | | | | EVO | | | SCREW, M4x16, Map Sensor Mounting |
| -20 | 04799061 | 2 | J, U | | | | DG4 | | SENSOR, Transmission Output Speed |
| | | 2 | T | | | | DG4 | | |
| | 04800879 | 1 | T | | | | DGK | | |
| | | 1 | J, U | | | | DGK | | |
| | | 1 | J, U | | | | DGW | | |
| -21 | 04799062 | 2 | T | | | | DG4 | | O RING |
| | | 2 | J, U | | | | DG4 | | Speed Sensor |

GRAND CHEROKEE (WJ)

SERIES
H = Laredo
P = Limited

LINE
T = JEEP - 2WD
J = JEEP - 4WD
U = JEEP - 4WD (RHD)

BODY
74 = 4 Door (105.9 WB)

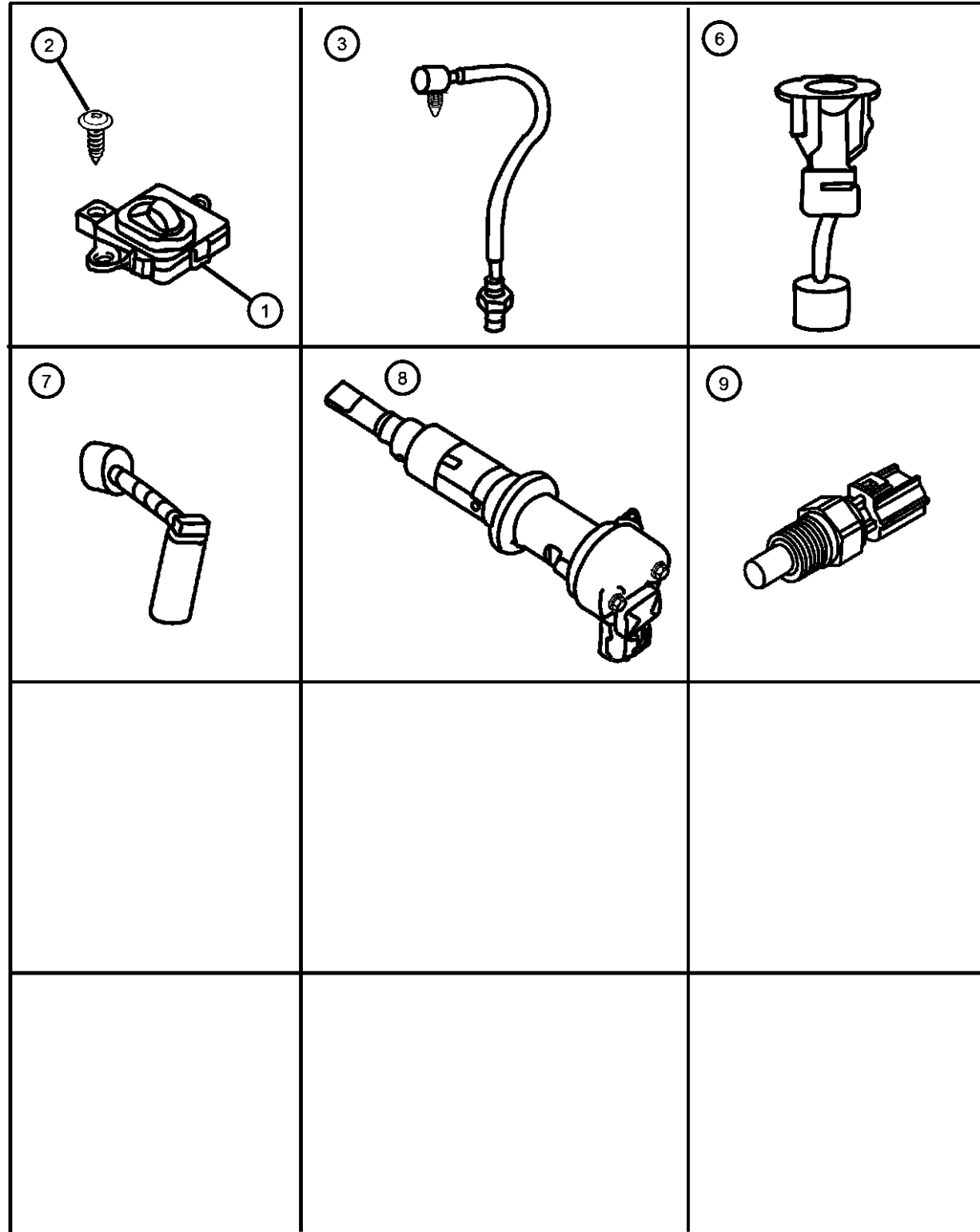
ENGINE
ERH = ENGINE - 4.0L POWER TECH I-6
EVA = ENGINE - 4.7L V8 MPI
EXA = ENGINE - 3.1L 5 CYL TURBO DIESEL

TRANSMISSION
DG4 = TRANSMISSION-MULTI-SPEED AUTO, 45RFE
DGW = TRANSMISSION - 4-SPD. AUTOMATIC, 44RE
DGK = TRANSMISSION - 4-SPD. AUTOMATIC, 42RE
DGO = ALL AUTOMATIC TRANSMISSIONS

AR = use ase required - = Non illustrated part

2000 WJ

Sensors
Figure 8-610



| ITEM | PART NUMBER | QTY | LINE | SERIES | BODY | ENGINE | TRANS | TRIM | DESCRIPTION |
|------|-------------|-----|------|--------|------|--------|-------|------|--|
| -22 | 04799758AB | 1 | T | | | | DG4 | | TRANSDUCER, Pressure Sensor |
| | | 1 | J, U | | | | DG4 | | |
| | 56028196AA | AR | T | | | | DGK | | |
| | | AR | J, U | | | | DGK | | |
| | | 1 | J, U | | | | DGW | | |
| -23 | 55077244AA | 1 | | | | | | | SENSOR, Washer Fluid Level, Front & Rear |
| -24 | 82204688 | 1 | J, T | H, P | 74 | | | | SENSOR KIT, Shock |
| -25 | | | | | | | | | SENDING UNIT, Oil Pressure |
| | 56028807AA | 1 | | | | ER0 | | | USA/CANADA |
| | | 1 | | | | EVO | | | USA/CANADA |
| | | 1 | | | | EX0 | | | EUROPE |
| -26 | | | | | | | | | BRACKET, Oxygen Sensor |
| | 56041400AA | 2 | | | | ER0 | | | Upper Fuel Rail |
| | 56041434AA | 1 | | | | EVO | | | Lower Front Block |
| | 56041478AA | 1 | | | | EVO | | | Rear |
| -27 | | | | | | | | | SENSOR, Wheel Speed |
| | 56041308AA | 1 | | | | | | | Rear Right |
| | 56041316AB | 1 | U | | | | | | Front Right |
| | | 1 | J | | | | | | Front Right |
| | | 1 | T | | | | | | Front Right |
| | 56041317AB | 1 | U | | | | | | Front Left |
| | | 1 | J | | | | | | Front Left |
| | | 1 | T | | | | | | Front Left |
| | 56041509AA | 1 | | | | | | | Rear Left |

GRAND CHEROKEE (WJ)

SERIES LINE
H = Laredo T = JEEP - 2WD
P = Limited J = JEEP - 4WD
U = JEEP - 4WD (RHD)

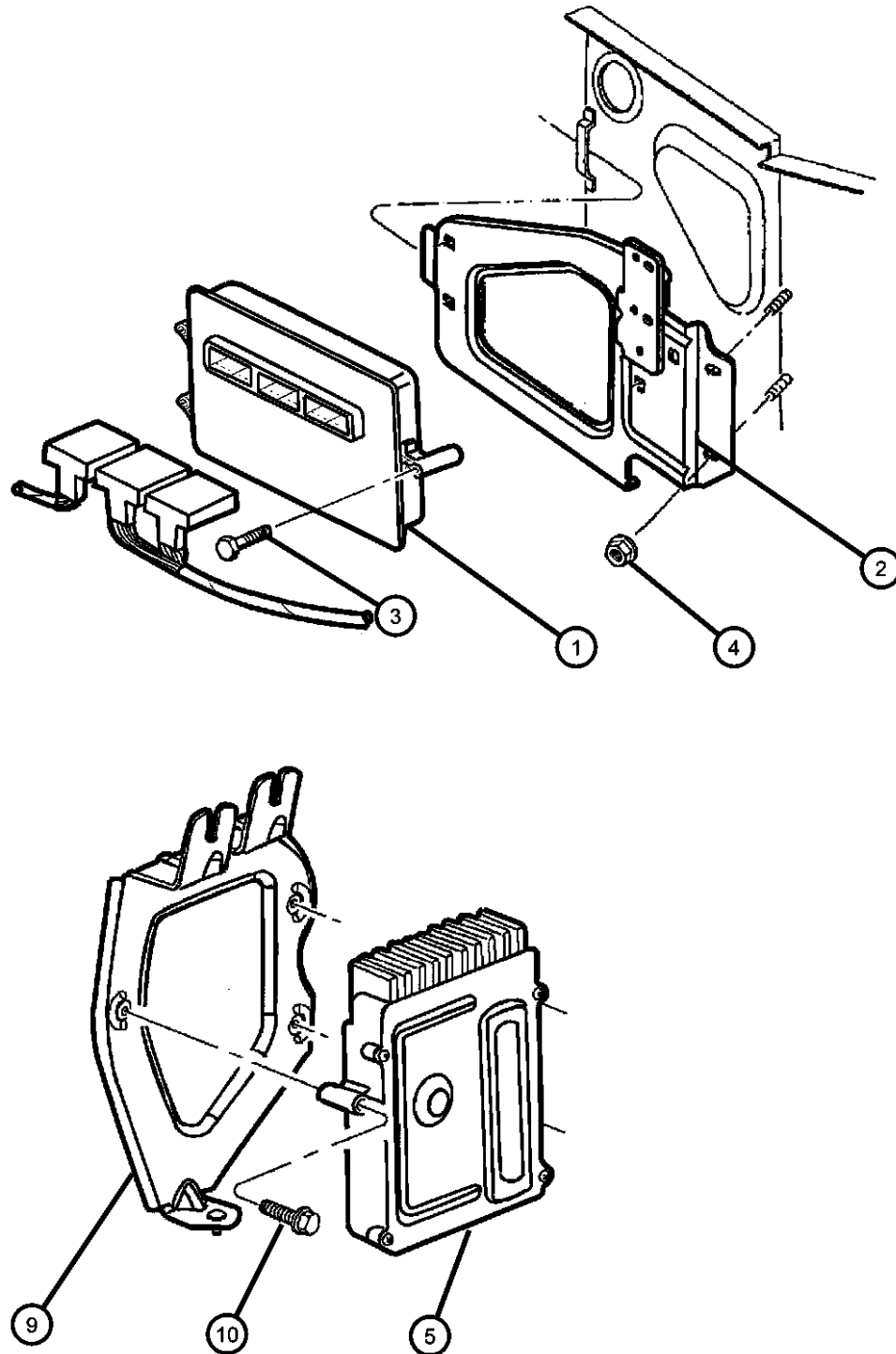
BODY
74 = 4 Door (105.9 WB)

ENGINE
ERH = ENGINE - 4.0L
POWER TECH I-6
EVA = ENGINE- 4.7L V8 MPI
EXA = ENGINE - 3.1L 5 CYL
TURBO DIESEL

TRANSMISSION
DG4 = TRANSMISSION-MULTI-
SPEED AUTO, 45RFE
DGW = TRANSMISSION - 4-SPD.
AUTOMATIC,44RE
DGK = TRANSMISSION - 4-SPD.
AUTOMATIC,42RE
DGO = ALL AUTOMATIC
TRANSMISSIONS

AR = use ase required - = Non illustrated part

JTEC Modules and Solenoids
Figure 8-710



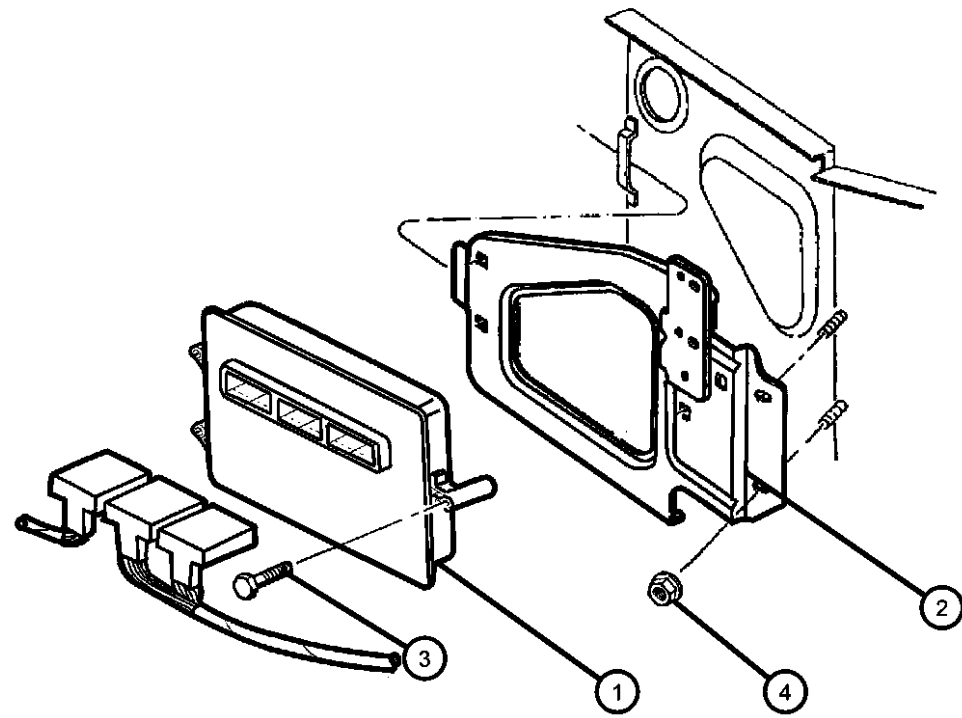
| ITEM | PART NUMBER | QTY | LINE | SERIES | BODY | ENGINE | TRANS | TRIM | DESCRIPTION |
|---|-------------|-----|------|--------|------|----------|-------|------|---|
| ER0=4.0L Engine EV0=4.7L Engine EX0=3.0L/3.1L Turbo Diesel Engine DG0=Automatic Transmission DGW= Automatic Transmission 4 Speed Automatic 44RE DGK=Automatic Transmission 4 Speed DG4=Automatic Transmission Multi-Speed | | | | | | | | | |
| 1 | | | | | | | | | MODULE, Powertrain Control |
| | 56041637AC | 1 | | | | ER0 | DG0 | | Federal Emission |
| | 56041638AC | 1 | | | | ER0 | DG0 | | California Emission |
| | 56041642AD | 1 | | | | EX0 | DG0 | | |
| | 56041688AB | 1 | | | | ER0 | DG0 | | European III Emission |
| | 56041689AA | 1 | | | | ER0 | DG0 | | [NAC], Export |
| | 56041689AB | 1 | | | | ER0 | DG0 | | Export Emission Package w/o Japan Market Requirements |
| | 56041690AB | 1 | | | | ER0 | DG0 | | Leaded Fuel Emission |
| | 56041869AA | 1 | | | | EVO | DG0 | | [NA3], Export |
| | 56041870AA | 1 | | | | EVO | DG0 | | Leaded Fuel Emission |
| | 56044668AC | 1 | J, U | | | EVO | DG0 | | California Emission |
| | 56044683AC | 1 | J, U | | | EVO | DG0 | | Federal Emission |
| | 56044684AC | 1 | T | | | EVO | DG0 | | Federal Emission |
| | 56044687AC | 1 | T | | | EVO | DG0 | | California Emission |
| 2 | | | | | | | | | BRACKET, Control Unit |
| | 56028139AB | 1 | | | | ER0, EVO | DG0 | | JTEC Module |
| | 56028140 | 1 | U | | | ER0, EVO | DG0 | | JTEC Module |
| | | 1 | | | | EX0 | DG0 | | JTEC Module |
| 3 | 06035884 | 3 | | | | | | | SCREW |
| 4 | 06503102 | 2 | | | | | | | NUT AND WASHER, Hex Nut-Coned Washer, M6 x 1.00 |
| 5 | 56041328AK | 1 | | | | | DG4 | | MODULE, Transmission Control |
| -6 | | | | | | | | | SOLENOID, Transmission |
| | 04799934AB | 1 | J, U | | | | DG4 | | |
| | | 1 | T | | | | DG4 | | |
| -7 | | | | | | | | | SOLENOID, Transmission Governor |
| | 04617210 | 1 | T | | | | DGK | | |

GRAND CHEROKEE (WJ)

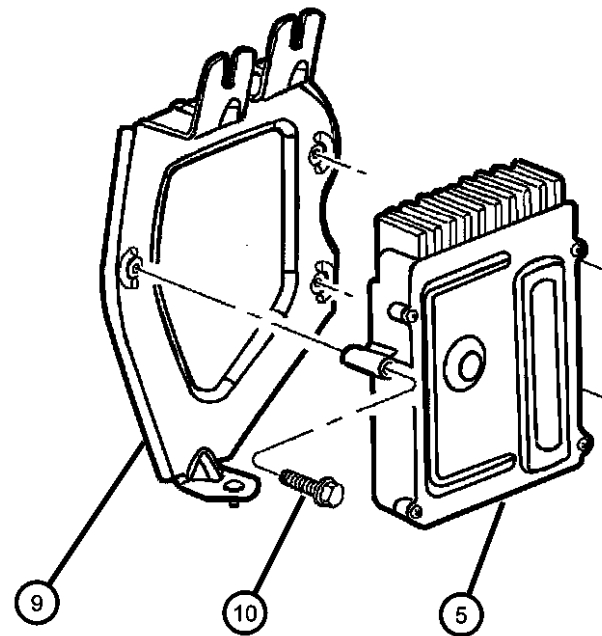
| | | | | |
|---------------|----------------------|------------------------|--|---|
| SERIES | LINE | BODY | ENGINE | TRANSMISSION |
| H = Laredo | T = JEEP - 2WD | 74 = 4 Door (105.9 WB) | ERH = ENGINE - 4.0L POWER TECH I-6 | DG4 = TRANSMISSION-MULTI-SPEED AUTO, 45RFE |
| P = Limited | J = JEEP - 4WD | | EVA = ENGINE- 4.7L V8 MPI | DGW = TRANSMISSION - 4-SPD. AUTOMATIC, 44RE |
| | U = JEEP - 4WD (RHD) | | EXA = ENGINE - 3.1L 5 CYL TURBO DIESEL | DGK = TRANSMISSION - 4-SPD. AUTOMATIC, 42RE |
| | | | | DGO = ALL AUTOMATIC TRANSMISSIONS |

AR = use ase required - = Non illustrated part

**JTEC Modules and Solenoids
Figure 8-710**



| ITEM | PART NUMBER | QTY | LINE | SERIES | BODY | ENGINE | TRANS | TRIM | DESCRIPTION |
|------|-------------|-----|------|--------|------|--------|-------|------|---|
| | | 1 | J, U | | | | DGK | | |
| | | 1 | J, U | | | | DGW | | |
| -8 | | | | | | | | | SOLENOID, Transmission Overdrive |
| | 52118500AB | 1 | T | | | | DGK | | |
| | | 1 | J, U | | | | DGK | | |
| | | 1 | J, U | | | | DGW | | |
| 9 | 56041045 | 1 | J, T | | | | DG4 | | BRACKET, Control Unit, Transmission Control |
| 10 | 06035884 | 3 | | | | EVO | DG4 | | SCREW |
| -11 | 06503825 | 3 | | | | | | | NUT AND WASHER, Hex Nut-Coned Washer, M6 x 1.00 |
| -12 | 06100515 | 4 | | | | EX0 | | | NUT, Hex Flange Lock, M5 |
| -13 | 06503846 | 2 | | | | EX0 | DG0 | | STUD, Single Ended, Knurled, Pilot Point, M6x1.00x20.00 |
| -14 | 56041587AA | 1 | | | | EX0 | | | MODULE, Engine Controller |
| -15 | 56041070 | 1 | | | | EX0 | DG0 | | BRACKET, Control Unit, Engine Controller |



GRAND CHEROKEE (WJ)

| | |
|-------------|----------------------|
| SERIES | LINE |
| H = Laredo | T = JEEP - 2WD |
| P = Limited | J = JEEP - 4WD |
| | U = JEEP - 4WD (RHD) |

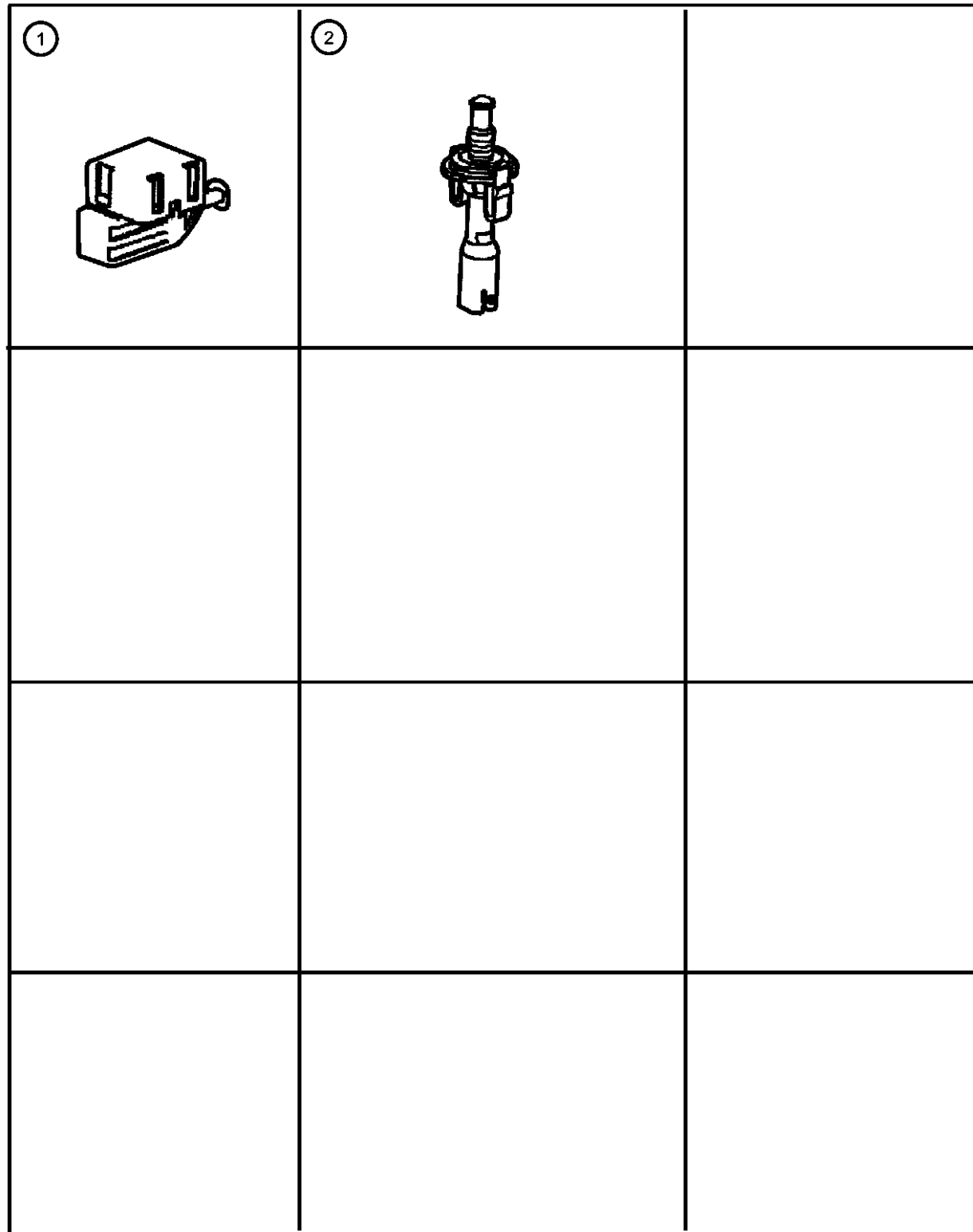
| |
|------------------------|
| BODY |
| 74 = 4 Door (105.9 WB) |

| |
|--|
| ENGINE |
| ERH = ENGINE - 4.0L POWER TECH I-6 |
| EVA = ENGINE- 4.7L V8 MPI |
| EXA = ENGINE - 3.1L 5 CYL TURBO DIESEL |

| |
|---|
| TRANSMISSION |
| DG4 = TRANSMISSION-MULTI-SPEED AUTO, 45RFE |
| DGW = TRANSMISSION - 4-SPD. AUTOMATIC, 44RE |
| DGK = TRANSMISSION - 4-SPD. AUTOMATIC, 42RE |
| DGO = ALL AUTOMATIC TRANSMISSIONS |

AR = use ase required - = Non illustrated part

Switches
Figure 8-810



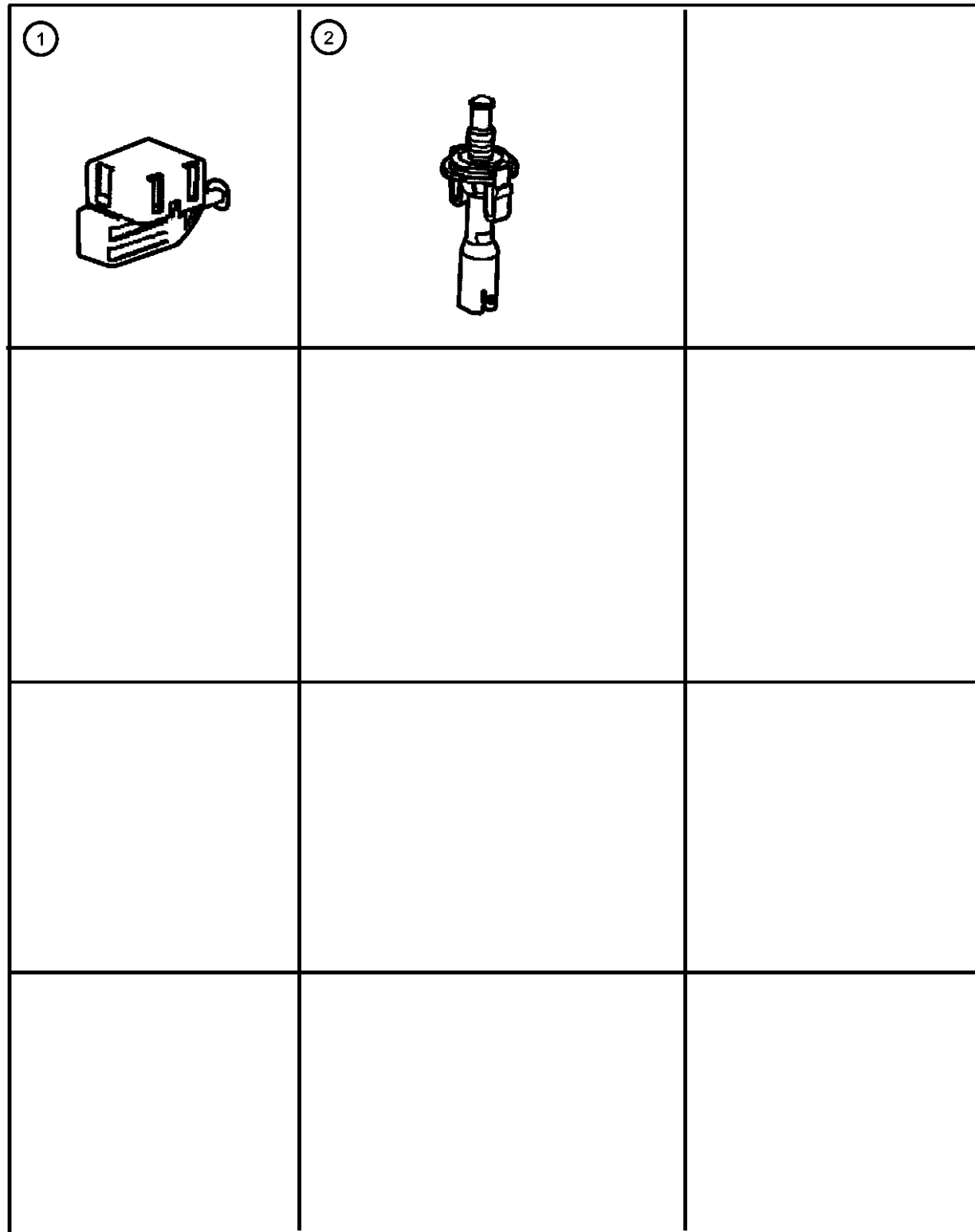
| ITEM | PART NUMBER | QTY | LINE | SERIES | BODY | ENGINE | TRANS | TRIM | DESCRIPTION |
|------|-------------|-----|------|--------|------|--------|-------|------|---|
| | | | | | | | | | ER0=4.0L Engine EVO=4.7L Engine EX0=3.0L/3.1L Turbo Diesel Engine DG0=Automatic Transmission DGW= Automatic Transmission 4 Speed Automatic 44RE DGK=Automatic Transmission 4 Speed DG4=Automatic Transmission Multi-Speed |
| 1 | 04671336 | 1 | | | | | | | SWITCH, Stop Lamp |
| 2 | 04707875AB | 1 | | | | | | | SWITCH, Underhood |
| -3 | 56042582AA | 1 | | | | | | | PLATE, Striker, Hood Switch (EUROPE) |
| -4 | | | | | | | | | SWITCH, Speed Control |
| | 5GY381AZAA | 1 | | | H | | | | Agate, Right |
| | 5GY381K9AA | 1 | | | P | | | | Suede, Right |
| | 5GY381L8AA | 1 | | | P | | | | Brown, Right |
| | 5GY391AZAA | 1 | | | H | | | | Agate, Left |
| | 5GY391K9AA | 1 | | | P | | | | Suede, Left |
| | 5GY391L8AA | 1 | | | P | | | | Brown, Left |
| -5 | | | | | | | | | SWITCH, Remote Radio |
| | 56042312AB | 1 | | | H | | | | Right |
| | 56042313AB | 1 | | | H | | | | Left |
| -6 | | | | | | | | | SWITCH, Power Window |
| | 55196424 | 1 | | | P | | | | Rear Door (Limited) |
| | 56042057 | 1 | | | H | | | | Rear Door (Laredo) |
| -7 | | | | | | | | | SWITCH, Door Module, Keyless Entry Module Serviced w/Passenger Door Switch Module (Except JAPAN) |
| | 55196388AD | 1 | J, T | | P | | | | [# 315 MHZ] (Passenger Door) |
| | 55196389AD | 1 | J, T | | P | | | | Driver Door MUX |
| | 55196391AC | 1 | U | | H | | | | Driver Door |
| | 55196398AC | 1 | U | | H | | | | [# 433 MHZ] Passenger Door |
| | 56042290AC | 1 | J, T | | P | | | | [# 433 MHZ] (Passenger Door) |
| | 56042497AC | 1 | J, T | | P | | | | Driver Door, Export |
| | 56042602AB | 1 | U | | H | | | | Driver Door (JAPAN) |
| | 56042603AB | 1 | U | | H | | | | Passenger Door (JAPAN) |

GRAND CHEROKEE (WJ)

| | | | | |
|-------------|----------------------|------------------------|--|--|
| SERIES | LINE | BODY | ENGINE | TRANSMISSION |
| H = Laredo | T = JEEP - 2WD | 74 = 4 Door (105.9 WB) | ERH = ENGINE - 4.0L POWER TECH I-6 | DG4 = TRANSMISSION-MULTI-SPEED AUTO, 45RFE |
| P = Limited | J = JEEP - 4WD | | EVA = ENGINE- 4.7L V8 MPI | DGW = TRANSMISSION - 4-SPD. AUTOMATIC,44RE |
| | U = JEEP - 4WD (RHD) | | EXA = ENGINE - 3.1L 5 CYL TURBO DIESEL | DGK = TRANSMISSION - 4-SPD. AUTOMATIC,42RE |
| | | | | DGO = ALL AUTOMATIC TRANSMISSIONS |

AR = use ase required - = Non illustrated part

Switches
Figure 8-810



| ITEM | PART NUMBER | QTY | LINE | SERIES | BODY | ENGINE | TRANS | TRIM | DESCRIPTION |
|------|-------------|-----|------|--------|------|--------|-------|------|--|
| -8 | 56042450AB | 1 | | H | | | | | SWITCH, Flipper Window |
| -9 | 56042291AB | 1 | J, T | P | | | | | SWITCH, Memory Selector |
| | 56042292AB | 1 | U | P | | | | | |
| -10 | 56042387 | 2 | J, T | | | | | | SWITCH Lumbar Control |
| | | 2 | U | | | | | | Lumbar Control |
| -11 | 04373666 | 2 | U | | | | | | SWITCH, Seat |
| | | 2 | J, T | | | | | | |
| -12 | 04607042 | 1 | J, T | | | | | | KNOB, Power Seat Switch Right |
| | | 1 | U | | | | | | Right |
| | 04607043 | 1 | J, T | | | | | | Left |
| | | 1 | U | | | | | | Left |
| -13 | 03747361 | 1 | T | | | | DGK | | SWITCH, Neutral, Safety, Back Up |
| | | 1 | J, U | | | | DGK | | |
| | | 1 | J, U | | | | DGW | | |
| -14 | 55136557AA | 1 | J, T | | | | | | SWITCH, Security Alarm |
| | | 1 | U | | | | | | |
| -15 | 04685445 | 1 | U | | | | | | SWITCH, Reading Lamp |
| | | 1 | J, T | | | | | | |
| -16 | 56042299AE | 1 | J, T | | | | | | SWITCH, Multifunction Up to 4/27/99, Left H/Lamp, w/o Automatic H/Lamp & w/o Dual Road Foglamp (USA/CANADA) |
| | 56042299AF | 1 | J, T | | | | | | 4/27/99 & After, Left H/Lamp, w/o Automatic H/Lamp & w/o Dual Road Foglamp (USA/CANADA) |
| | 56042300AE | 1 | J, T | | | | | | Up to 4/27/99, Left H/Lamp, w/o Automatic H/Lamp & w/Dual Road Foglamp (USA/CANADA) |

GRAND CHEROKEE (WJ)

SERIES
H = Laredo
P = Limited

LINE
T = JEEP - 2WD
J = JEEP - 4WD
U = JEEP - 4WD (RHD)

BODY
74 = 4 Door (105.9 WB)

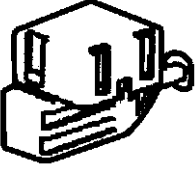

ENGINE
ERH = ENGINE - 4.0L
POWER TECH I-6
EVA = ENGINE- 4.7L V8 MPI
EXA = ENGINE - 3.1L 5 CYL
TURBO DIESEL

TRANSMISSION
DG4 = TRANSMISSION-MULTI-
SPEED AUTO, 45RFE
DGW = TRANSMISSION - 4-SPD.
AUTOMATIC,44RE
DGK = TRANSMISSION - 4-SPD.
AUTOMATIC,42RE
DGO = ALL AUTOMATIC
TRANSMISSIONS

AR = use ase required - = Non illustrated part

2000 WJ

Switches
Figure 8-810

| ITEM | PART NUMBER | QTY | LINE | SERIES | BODY | ENGINE | TRANS | TRIM | DESCRIPTION | | | | | | | | |
|------|---|-----|------|--------|------|--------|-------|--|---|---|------|--|--|--|--|--|---|
| ① |  | | | | | | | | 4/27/99 & After, Left H/Lamp, w/o Automatic H/Lamp & w/Dual Road Foglamp (USA/CANADA) | | | | | | | | |
| | | | | | | | | | 56042300AF | 1 | J, T | | | | | | Left H/Lamp, w/Automatic H/Lamp & w/o Dual Road Foglamp (USA/CANADA) |
| | | | | | | | | | 56042301AE | 1 | J, T | | | | | | Up to 4/27/99, Left H/Lamp, w/Automatic H/Lamp & w/Dual Road Foglamp (USA/CANADA) |
| | | | | | | | | | 56042302AE | 1 | J, T | | | | | | 4/27/99 & After, Left H/Lamp, w/Automatic H/Lamp & w/Dual Road Foglamp (USA/CANADA) |
| | | | | | | | | | 56042302AF | 1 | J, T | | | | | | Right Wiper, w/o Automatic H/Lamp & w/Dual Road Foglamp (USA/CANADA) |
| | | | | | | | | | 56042303AD | 1 | J, T | | | | | | Right Wiper, w/Automatic H/Lamp & w/o Dual Road Foglamp (USA/CANADA) |
| | | | | | | | | | | 1 | J, T | | | | | | Right Wiper, w/Automatic H/Lamp & w/Dual Road Foglamp (USA/CANADA) |
| | | | | | | | | | | 1 | J, T | | | | | | Right Wiper, w/Automatic H/Lamp & w/Dual Road Foglamp (USA/CANADA) |
| | | | | | | | | | | 1 | J, U | | | | | | Right Wiper, w/o Dual Road Foglamp (EUROPE) |
| | | | | | | | | | | 1 | J, U | | | | | | Right Wiper, w/Dual Road Foglamp (EUROPE) |
| ② |  | | | | | | | | Up to 4/27/99, Left H/Lamp, w/o Dual Road Foglamp (EUROPE) | | | | | | | | |
| | | | | | | | | | 56042433AE | 1 | J, U | | | | | 4/27/99 & After, Left H/Lamp, w/o Dual Road Foglamp (EUROPE) | |
| | | | | | | | | | 56042433AF | 1 | J, U | | | | | Up to 4/27/99, Left H/Lamp, w/Dual Road Foglamp (EUROPE) | |
| | | | | | | | | | 56042434AE | 1 | J, U | | | | | 4/27/99 & After, Left H/Lamp, w/Dual Road Foglamp (EUROPE) | |
| | | | | | | | | HOUSING, Switch | | | | | | | | | |
| | | | | | | | | Multi-fuction Switch Housing Serviced w/Turn Signal Canceling Cam (U.S. / Canada & Mexico) | | | | | | | | | |
| | | | | | | | | Multi-fuction Switch Housing Serviced w/Turn Signal Canceling Cam (Europe) | | | | | | | | | |
| | | | | | | | | SWITCH, Heated Seat | | | | | | | | | |

GRAND CHEROKEE (WJ)

SERIES
H = Laredo
P = Limited

LINE
T = JEEP - 2WD
J = JEEP - 4WD
U = JEEP - 4WD (RHD)

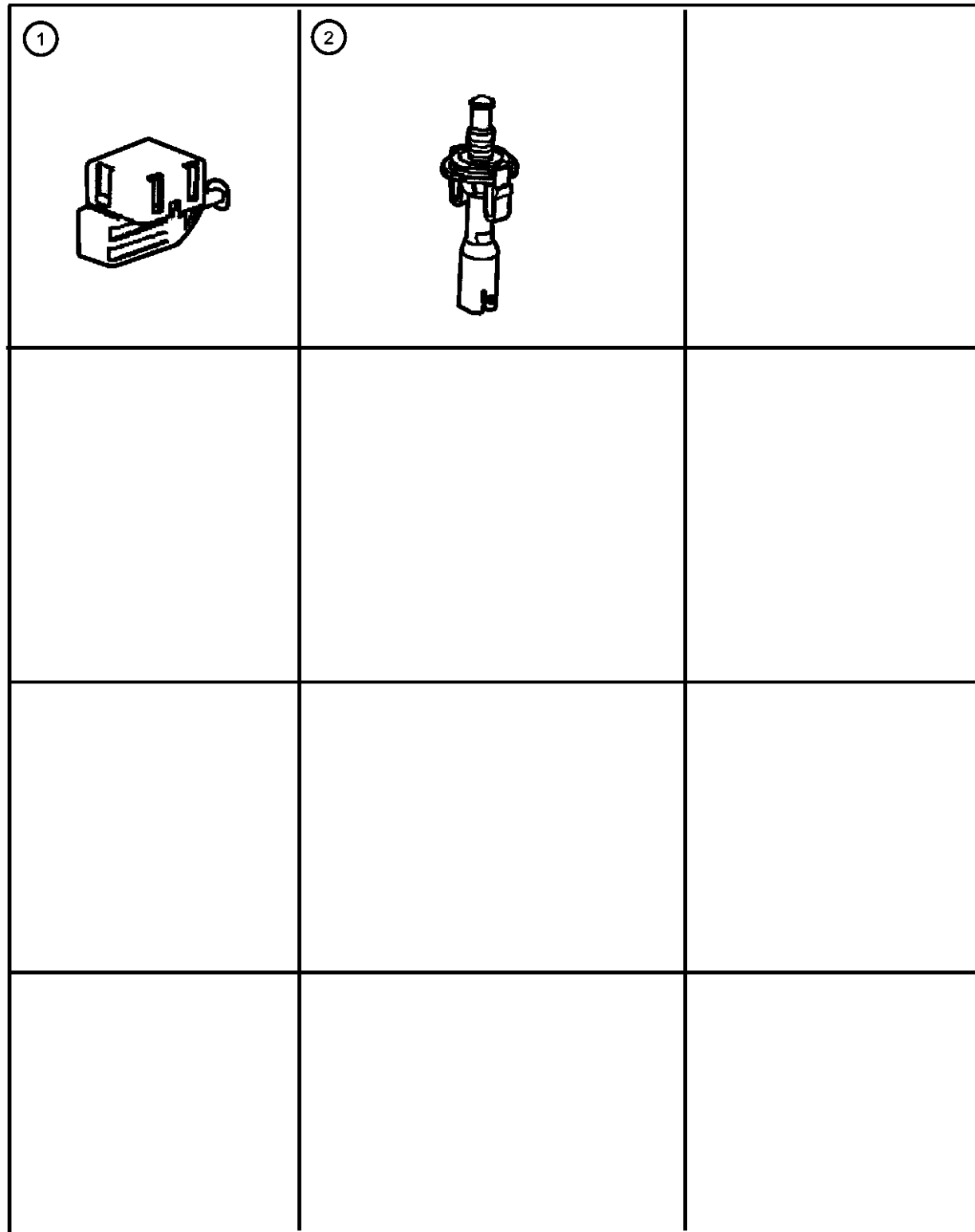
BODY
74 = 4 Door (105.9 WB)

ENGINE
ERH = ENGINE - 4.0L POWER TECH I-6
EVA = ENGINE- 4.7L V8 MPI
EXA = ENGINE - 3.1L 5 CYL TURBO DIESEL

TRANSMISSION
DG4 = TRANSMISSION-MULTI-SPEED AUTO, 45RFE
DGW = TRANSMISSION - 4-SPD. AUTOMATIC,44RE
DGK = TRANSMISSION - 4-SPD. AUTOMATIC,42RE
DGO = ALL AUTOMATIC TRANSMISSIONS

AR = use ase required - = Non illustrated part

Switches
Figure 8-810



| ITEM | PART NUMBER | QTY | LINE | SERIES | BODY | ENGINE | TRANS | TRIM | DESCRIPTION |
|------|-------------|-----|------|--------|------|--------|-------|------|---|
| | 56033017AB | 1 | | H | | | | | Right |
| | | 1 | | P | | | | | Right |
| | 56033019AB | 1 | | P | | | | | Left |
| | | 1 | | H | | | | | Left |
| -19 | 56033015AD | 1 | | | | | | | SWITCH, Headlamp Leveling |
| -20 | 56006315AB | 1 | | | | | | | SWITCH, Anti Lock Brake Accelerat |
| -21 | 06505364AA | 2 | | | | | | | BOLT, ABS Accel Switch Mounting |
| -22 | 56042476AB | 1 | | | | | | | SWITCH, Ignition |
| -23 | 56042634AB | 1 | | | | | | | BRACKET, Hood Ajar Disarm Switch |
| -24 | 05014533AA | 1 | | H | | | | | SWITCH, Horn |
| -25 | 05014533AA | 1 | | | | | | | SWITCH, Courtesy Lamp, Serviced w/Door Latch, (NOT SERVICED) |
| -26 | | | | | | | | | SWITCH, 1 Gang, Power Sunroof/Lumbar Control |
| | 56042064 | 1 | J, T | | | | | | (This Switch is use for Power Sunroof or Lumbar Control) |
| | | 1 | U | | | | | | (This Switch is use for Power Sunroof or Lumbar Control) |

GRAND CHEROKEE (WJ)

SERIES
H = Laredo
P = Limited

LINE
T = JEEP - 2WD
J = JEEP - 4WD
U = JEEP - 4WD (RHD)

BODY
74 = 4 Door (105.9 WB)

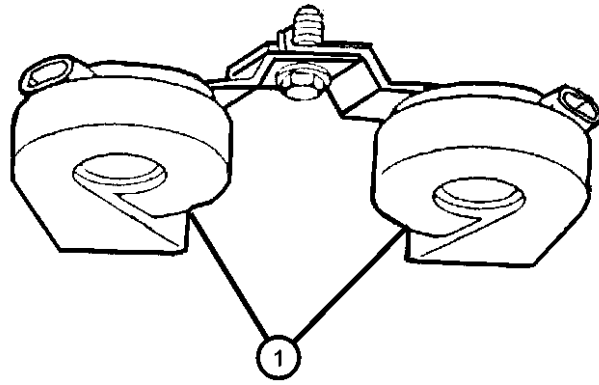
ENGINE
ERH = ENGINE - 4.0L
POWER TECH I-6
EVA = ENGINE- 4.7L V8 MPI
EXA = ENGINE - 3.1L 5 CYL
TURBO DIESEL

TRANSMISSION
DG4 = TRANSMISSION-MULTI-
SPEED AUTO, 45RFE
DGW = TRANSMISSION - 4-SPD.
AUTOMATIC,44RE
DGK = TRANSMISSION - 4-SPD.
AUTOMATIC,42RE
DGO = ALL AUTOMATIC
TRANSMISSIONS

AR = use ase required - = Non illustrated part

Horns
Figure 8-910

| ITEM | PART NUMBER | QTY | LINE | SERIES | BODY | ENGINE | TRANS | TRIM | DESCRIPTION |
|------|-------------|-----|------|--------|------|--------|-------|------|----------------------|
| 1 | | | | | | | | | HORN, Duel |
| | 56042315AD | 1 | | | | | | | USA, CANADA & MEXICO |
| | 56042315AE | 1 | | | | | | | EUROPE |



GRAND CHEROKEE (WJ)

SERIES
H = Laredo
P = Limited

LINE
T = JEEP - 2WD
J = JEEP - 4WD
U = JEEP - 4WD (RHD)

BODY
74 = 4 Door (105.9 WB)

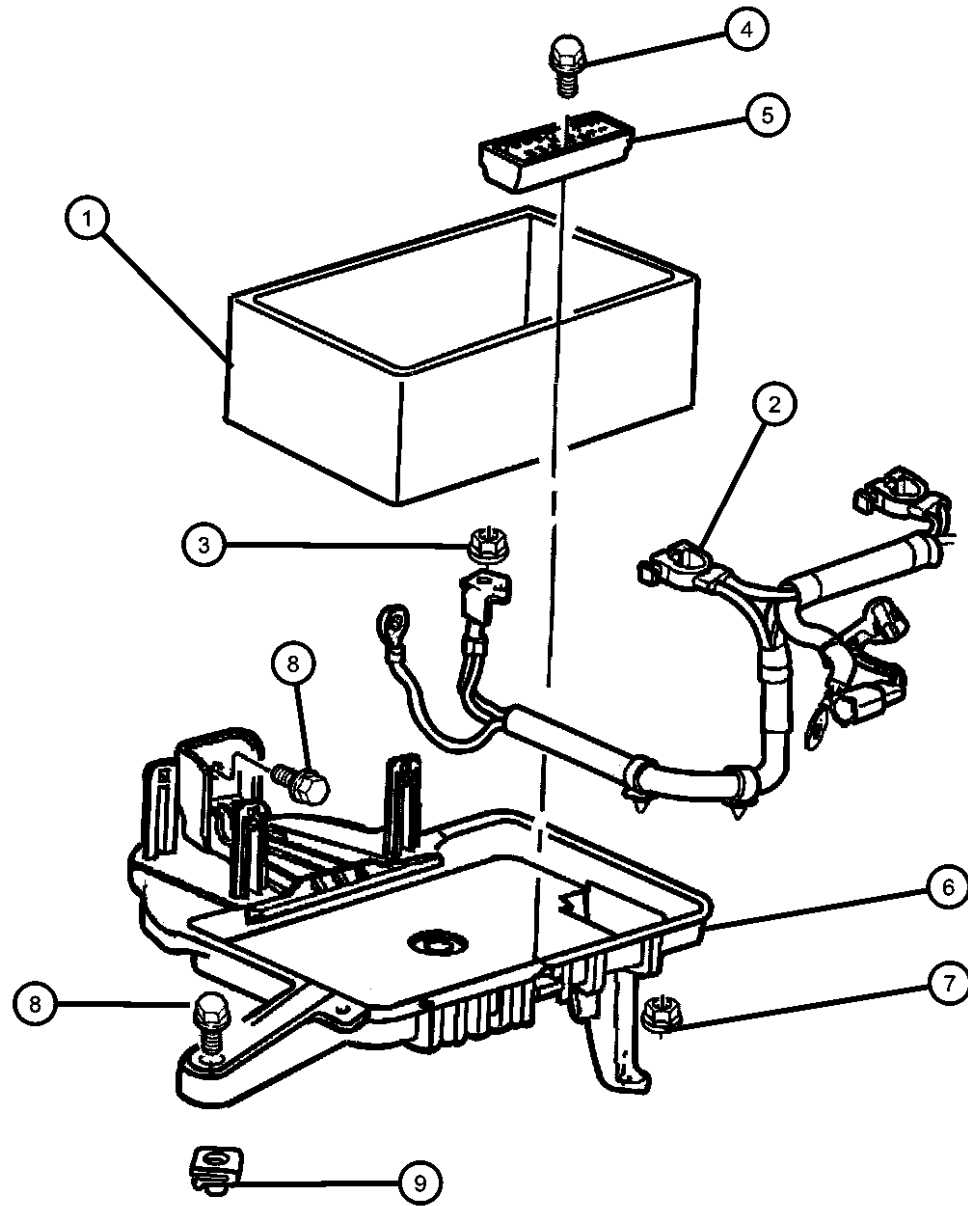
ENGINE
ERH = ENGINE - 4.0L
POWER TECH I-6
EVA = ENGINE- 4.7L V8 MPI
EXA = ENGINE - 3.1L 5 CYL
TURBO DIESEL

TRANSMISSION
DG4 = TRANSMISSION-MULTI-
SPEED AUTO, 45RFE
DGW = TRANSMISSION - 4-SPD.
AUTOMATIC,44RE
DGK = TRANSMISSION - 4-SPD.
AUTOMATIC,42RE
DGO = ALL AUTOMATIC
TRANSMISSIONS

AR = use ase required - = Non illustrated part

2000 WJ

Battery Tray & Cables
Figure 8-1010



| ITEM | PART NUMBER | QTY | LINE | SERIES | BODY | ENGINE | TRANS | TRIM | DESCRIPTION |
|---|-------------|-----|------|--------|------|------------------|-------|------|--|
| ER0=4.0L Engine EVO=4.7L Engine EX0=3.0L/3.1L Turbo Diesel Engine | | | | | | | | | |
| 1 | 56041035 | 1 | | | | | | | COVER, Battery USA/CANADA |
| | 56041375AA | 1 | | | | ER0, EVO | | | EUROPE |
| | 56041813AA | 1 | | | | EX0 | | | |
| 2 | 56038421AE | 1 | J, T | | | ER0 | | | WIRING, Alternator and Battery USA/CANADA |
| | 56038422AD | 1 | J, U | | | EX0 | | | EUROPE |
| | 56038423AE | 1 | J, T | | | EVO | | | USA/CANADA |
| | 56041524AG | 1 | | | | ER0 | | | EUROPE |
| | 56041525AF | 1 | | | | EVO | | | EUROPE |
| 3 | 06101808 | 2 | | | | ER0, EVO, EX0 | | | NUT, Hex, M6x1 |
| 4 | 06101766 | 1 | | | | EVO, ER0 | | | SCREW AND WASHER |
| | | 1 | | | | EX0 | | | |
| 5 | 55136570AA | 1 | | | | ER0, EVO | | | BRACKET, Battery Hold Down EUROPE |
| | 55136959AA | 1 | | | | ER0, EVO | | | |
| | | 1 | | | | EX0 | | | |
| 6 | 55137044AB | 1 | | | | ER0, EVO | | | SUPPORT, Battery EUROPE |
| | 55135690AD | 1 | | | | ER0, EVO | | | USA/CANADA |
| | BA065600EX | | | | | | | | Mopar Power Pro 6 |
| | 55136427AB | 1 | | | | EX0 | | | |
| 7 | 06100516 | 2 | U | | | EVO | | | NUT, Hex Flange Lock, M6 Phosphate |
| 8 | 06100568 | 4 | | | | | | | BOLT AND WASHER, Implement Attaching |
| 9 | 06101712 | 1 | | | | ER0, EVO | | | NUT, U, M6x1 |
| | | 1 | | | | EX0 | | | |

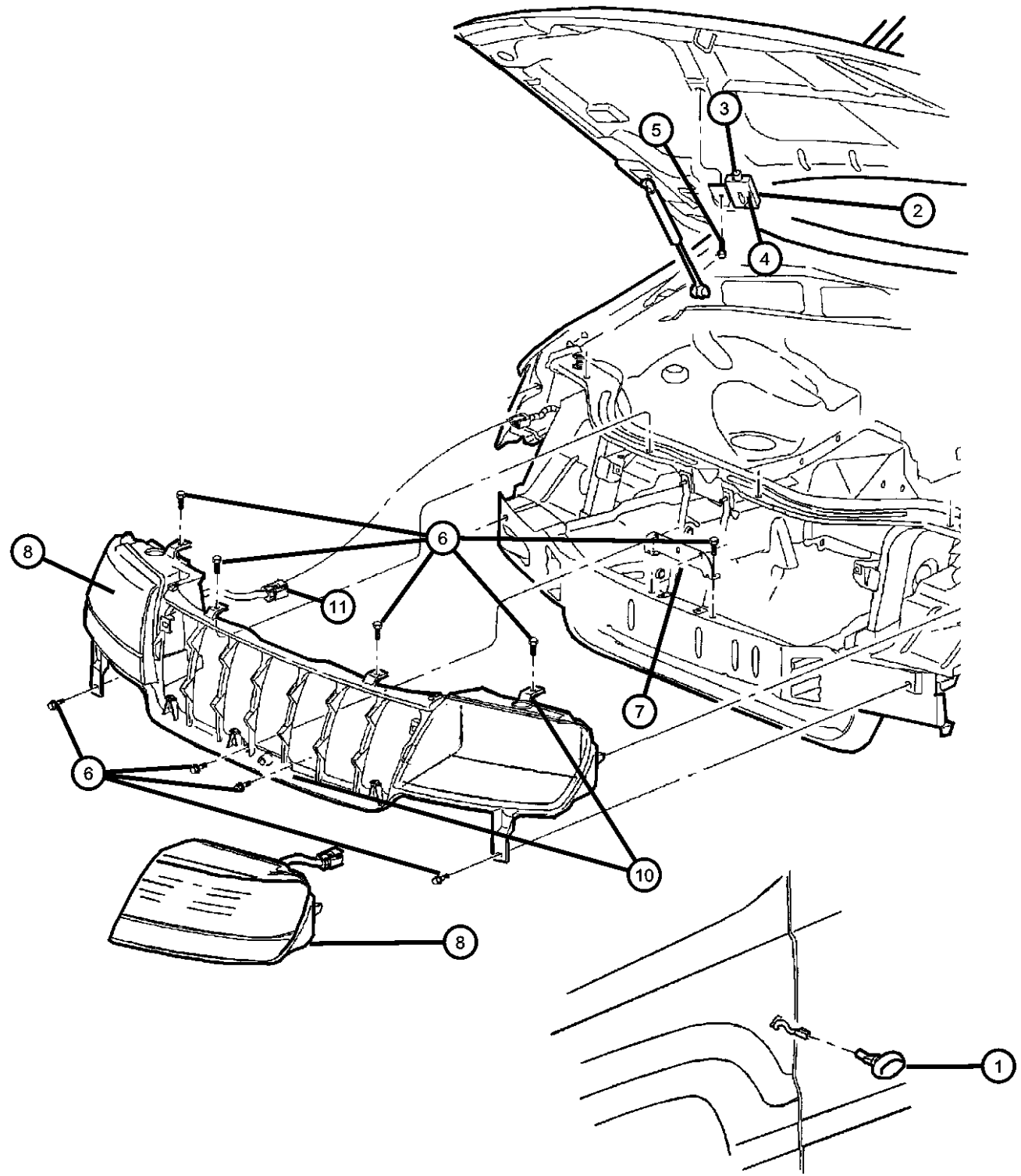
GRAND CHEROKEE (WJ)

| | | | | |
|---------------|----------------------|------------------------|---|--|
| SERIES | LINE | BODY | ENGINE | TRANSMISSION |
| H = Laredo | T = JEEP - 2WD | 74 = 4 Door (105.9 WB) | ERH = ENGINE - 4.0L POWER TECH I-6 | DG4 = TRANSMISSION-MULTI- SPEED AUTO, 45RFE |
| P = Limited | J = JEEP - 4WD | | EVA = ENGINE- 4.7L V8 MPI | DGW = TRANSMISSION - 4-SPD. AUTOMATIC,44RE |
| | U = JEEP - 4WD (RHD) | | EXA = ENGINE - 3.1L 5 CYL TURBO DIESEL | DGK = TRANSMISSION - 4-SPD. AUTOMATIC,42RE |
| | | | | DGO = ALL AUTOMATIC TRANSMISSIONS |

AR = use ase required - = Non illustrated part

2000 WJ

Lamp - Front End
Figure 8-1110



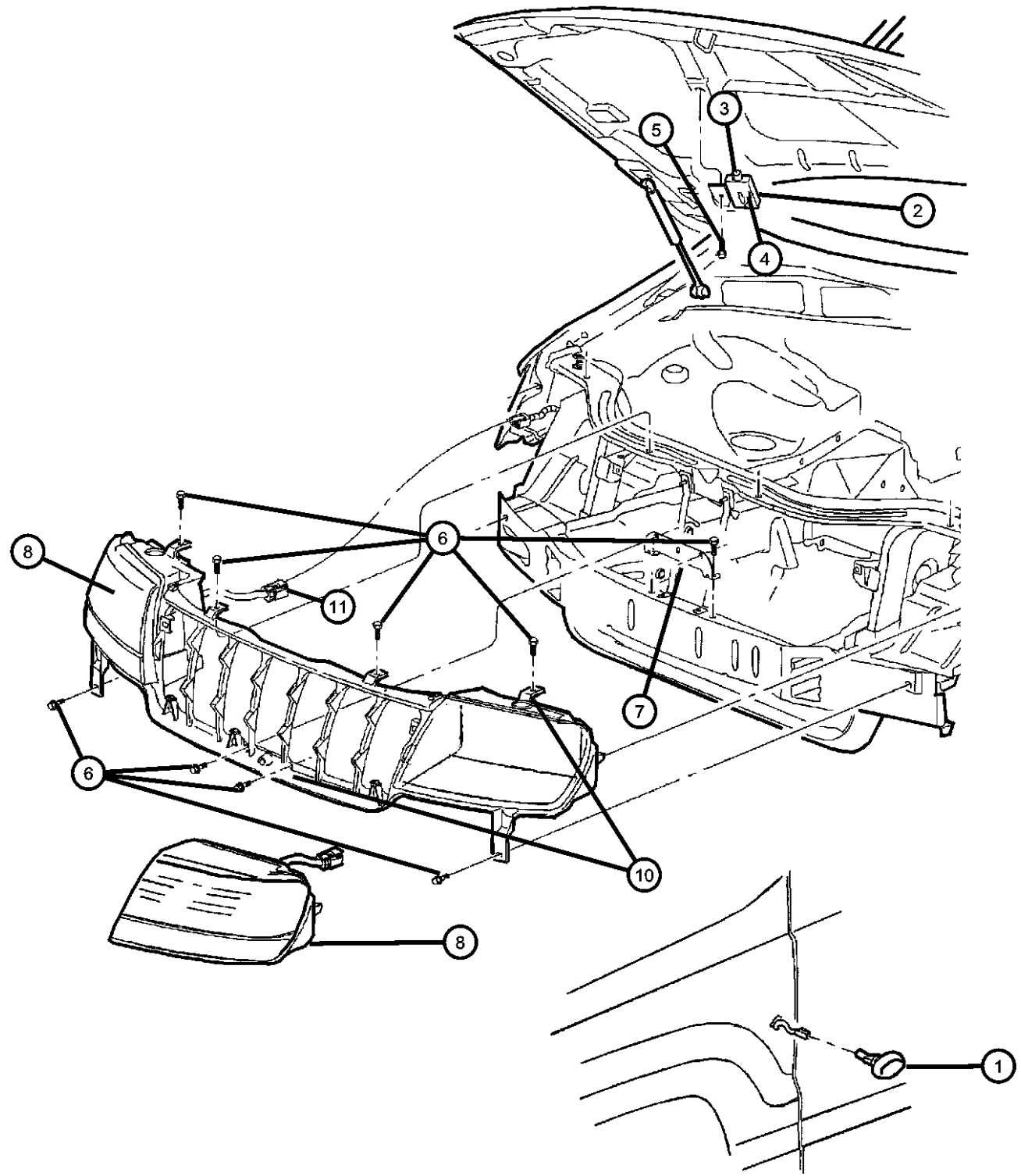
| ITEM | PART NUMBER | QTY | LINE | SERIES | BODY | ENGINE | TRANS | TRIM | DESCRIPTION |
|------|-------------|-----|------|--------|------|--------|-------|------|---|
| 1 | 04676565 | 2 | | | | | | | LAMP, Front Fender |
| 2 | 56021441 | 1 | | | | | | | LAMP, Underhood |
| 3 | L0000561 | 1 | | | | | | | BULB, 561 |
| 4 | 04897446AA | 1 | | | | | | | LENS, Lamp Module |
| 5 | 00154554 | 1 | | | | | | | SCREW, Self Piercing, .25-14x.625 |
| 6 | 06503259 | 2 | | | | | | | SCREW, Tapping, M6x1x20 |
| 7 | 55155706AB | 1 | | | | | | | BRACKET, Headlamp Panel |
| 8 | | | | | | | | | LAMP, Headlamp Park And Turn |
| | 55155129 | 1 | J, T | H | | | | | Laredo w/o Headlamp Leveling (USA/CANADA), Left |
| | 55155144 | 1 | J, T | H | | | | | Laredo w/Headlamp Leveling (EUROPE), Right |
| | 55155145 | 1 | J, T | H | | | | | Laredo w/Headlamp Leveling (EUROPE), Left |
| | 55155146 | 1 | U | H | | | | | Laredo w/Headlamp Leveling (EUROPE), Right |
| | 55155147 | 1 | U | H | | | | | Laredo w/Headlamp Leveling (EUROPE), Left |
| | 55155552 | 1 | J, T | P | | | | | Limited w/o Headlamp Leveling (USA/CANADA), Right |
| | 55155553 | 1 | J, T | P | | | | | Limited w/o Headlamp Leveling (USA/CANADA), Left |
| | 55155556 | 1 | U | P | | | | | Limited w/Headlamp Leveling (EUROPE), Right |
| | 55155557 | 1 | U | P | | | | | Limited w/Headlamp Leveling (EUROPE), Left |
| | 55155574 | 1 | J, T | H | | | | | Laredo w/o Headlamp Leveling (EUROPE), Right |
| | 55155575 | 1 | J, T | H | | | | | Laredo w/o Headlamp Leveling (EUROPE), Left |
| | 55155128 | 1 | J, T | H | | | | | Laredo w/o Headlamp Leveling (USA/CANADA), Right |
| | 55155943AA | 1 | J, T | P | | | | | Limited w/Headlamp Leveling (EUROPE), Left |
| | 55155576 | 1 | J, T | P | | | | | Limited w/o Headlamp Leveling (EUROPE), Right |
| | 55155577 | 1 | J, T | P | | | | | Limited w/o Headlamp Leveling (EUROPE), Left |
| | 55155578 | 1 | U | H | | | | | Laredo w/o Headlamp Leveling (EUROPE), Right |
| | 55155579 | 1 | U | H | | | | | Laredo w/o Headlamp Leveling (EUROPE), Left |

GRAND CHEROKEE (WJ)

| | | | | |
|-------------|----------------------|------------------------|--|---|
| SERIES | LINE | BODY | ENGINE | TRANSMISSION |
| H = Laredo | T = JEEP - 2WD | 74 = 4 Door (105.9 WB) | ERH = ENGINE - 4.0L POWER TECH I-6 | DG4 = TRANSMISSION-MULTI-SPEED AUTO, 45RFE |
| P = Limited | J = JEEP - 4WD | | EVA = ENGINE- 4.7L V8 MPI | DGW = TRANSMISSION - 4-SPD. AUTOMATIC, 44RE |
| | U = JEEP - 4WD (RHD) | | EXA = ENGINE - 3.1L 5 CYL TURBO DIESEL | DGK = TRANSMISSION - 4-SPD. AUTOMATIC, 42RE |
| | | | | DGO = ALL AUTOMATIC TRANSMISSIONS |

AR = use ase required - = Non illustrated part

Lamp - Front End
Figure 8-1110



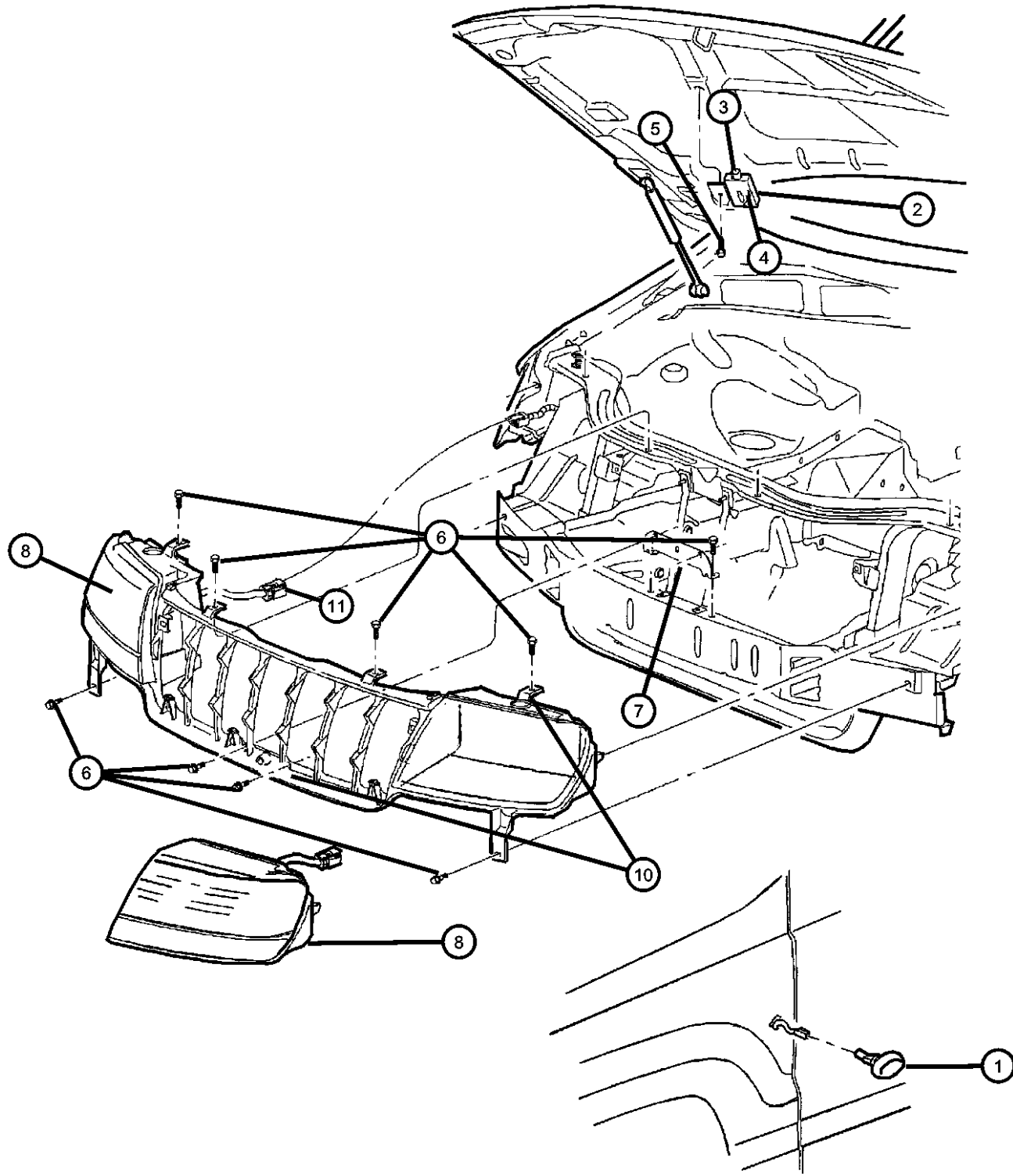
| ITEM | PART NUMBER | QTY | LINE | SERIES | BODY | ENGINE | TRANS | TRIM | DESCRIPTION |
|------|-------------|-----|------|--------|------|--------|-------|------|---|
| | 55155582 | 1 | U | P | | | | | Limited w/o Headlamp Leveling (EUROPE), Right |
| | 55155583 | 1 | U | P | | | | | Limited w/o Headlamp Leveling (EUROPE), Left |
| | 55155942AA | 1 | J, T | P | | | | | Limited w/Headlamp Leveling (EUROPE), Right |
| -9 | 55136788AA | 1 | | | | | | | PLATE, Headlamp Mounting |
| 10 | | | | | | | | | SUPPORT, Headlamp Panel |
| | 55155498 | 1 | J, T | H | | | | | |
| | | 1 | J, T | P | | | | | |
| | | 1 | U | H | | | | | |
| | | 1 | U | P | | | | | |
| 11 | | | | | | | | | WIRING, Headlamp |
| | 05012604AA | 1 | J, T | H | | | | | USA/CANADA |
| | 05013841AA | 2 | J, T | P | | | | | w/Leveling (EUROPE) |
| | | 2 | U | H | | | | | w/Leveling (EUROPE) |
| | 05013842AA | 2 | U | P | | | | | w/o Leveling (EUROPE) |
| | | 2 | J, T | H | | | | | w/o Leveling (EUROPE) |
| -12 | | | | | | | | | SENSOR, Ambient Temperature |
| | 56042395 | 1 | J, T | H | | | | | |
| | | 1 | U | H | | | | | |
| -13 | | | | | | | | | RETAINER, Headlamp Receptical |
| | 05012684AA | 2 | J, T | H | | | | | USA/CANADA, Right |
| | | 2 | U | H | | | | | EUROPE, Right |
| | 05012685AA | 4 | J, T | H | | | | | EUROPE, Left |
| | | 4 | J, T | H | | | | | EUROPE, Right |
| | | 4 | U | H | | | | | EUROPE, Left |
| | | 4 | J, T | P | | | | | USA/CANADA, Left |
| -14 | | | | | | | | | SCREW, Large Round Washer Head |
| | 06504483 | 1 | J, T | P | | | | | Headlamp Mounting Module (Jack Screw) |
| | | 1 | U | H | | | | | Headlamp Mounting Module (Jack Screw) |
| -15 | | | | | | | | | BULB, Headlamp, 9006XS |

GRAND CHEROKEE (WJ)

| | | | | |
|-------------|----------------------|------------------------|--|---|
| SERIES | LINE | BODY | ENGINE | TRANSMISSION |
| H = Laredo | T = JEEP - 2WD | 74 = 4 Door (105.9 WB) | ERH = ENGINE - 4.0L POWER TECH I-6 | DG4 = TRANSMISSION-MULTI-SPEED AUTO, 45RFE |
| P = Limited | J = JEEP - 4WD | | EVA = ENGINE- 4.7L V8 MPI | DGW = TRANSMISSION - 4-SPD. AUTOMATIC, 44RE |
| | U = JEEP - 4WD (RHD) | | EXA = ENGINE - 3.1L 5 CYL TURBO DIESEL | DGK = TRANSMISSION - 4-SPD. AUTOMATIC, 42RE |
| | | | | DGO = ALL AUTOMATIC TRANSMISSIONS |

AR = use ase required - = Non illustrated part

Lamp - Front End
Figure 8-1110



| ITEM | PART NUMBER | QTY | LINE | SERIES | BODY | ENGINE | TRANS | TRIM | DESCRIPTION |
|------|-------------|-----|------|--------|------|--------|-------|------|----------------------------------|
| | 00154870AA | 1 | J, T | H | | | | | Low beam |
| | | 1 | U | H | | | | | Low beam |
| -16 | | | | | | | | | BULB, Headlamp |
| | 00154846AA | 1 | J, T | H | | | | | High beam |
| | | 1 | U | H | | | | | High beam |
| -17 | L0003157 | 3 | | | | | | | BULB, 3157 |
| -18 | 09421330 | 1 | J, T | H | | | | | BULB, PC194 |
| -19 | 00L00194NA | 1 | J, T | P | | | | | BULB, 194NA |
| -20 | L0003157NA | 4 | J, T | P | | | | | BULB, 3157 NAK |
| | L0003157ST | | | | | | | | SilverStar |
| -21 | | | | | | | | | LAMP, Fog |
| | 55155136 | 1 | | H | | | | | USA/CANADA, Right |
| | | 1 | | P | | | | | USA/CANADA, Right |
| | 55155137 | 1 | | H | | | | | USA/CANADA, Left |
| | | 1 | | P | | | | | USA/CANADA, Left |
| | 55155137AB | 1 | | H | | | | | EUROPE, Left |
| | 55155136AB | 1 | | H | | | | | EUROPE, Right |
| -22 | L0009055 | AR | | | | | | | BULB, 9055 |
| -23 | 04676801 | 2 | | | | | | | GASKET, Side Marker Lamp, EUROPE |
| -24 | | | | | | | | | PLUG, Fog Lamp Hole |
| | 5HF58XS9AA | 1 | | H | | | | | Right |
| | 5HF59XS9AA | 1 | | H | | | | | Left |

GRAND CHEROKEE (WJ)

SERIES
H = Laredo
P = Limited

LINE
T = JEEP - 2WD
J = JEEP - 4WD
U = JEEP - 4WD (RHD)

BODY
74 = 4 Door (105.9 WB)

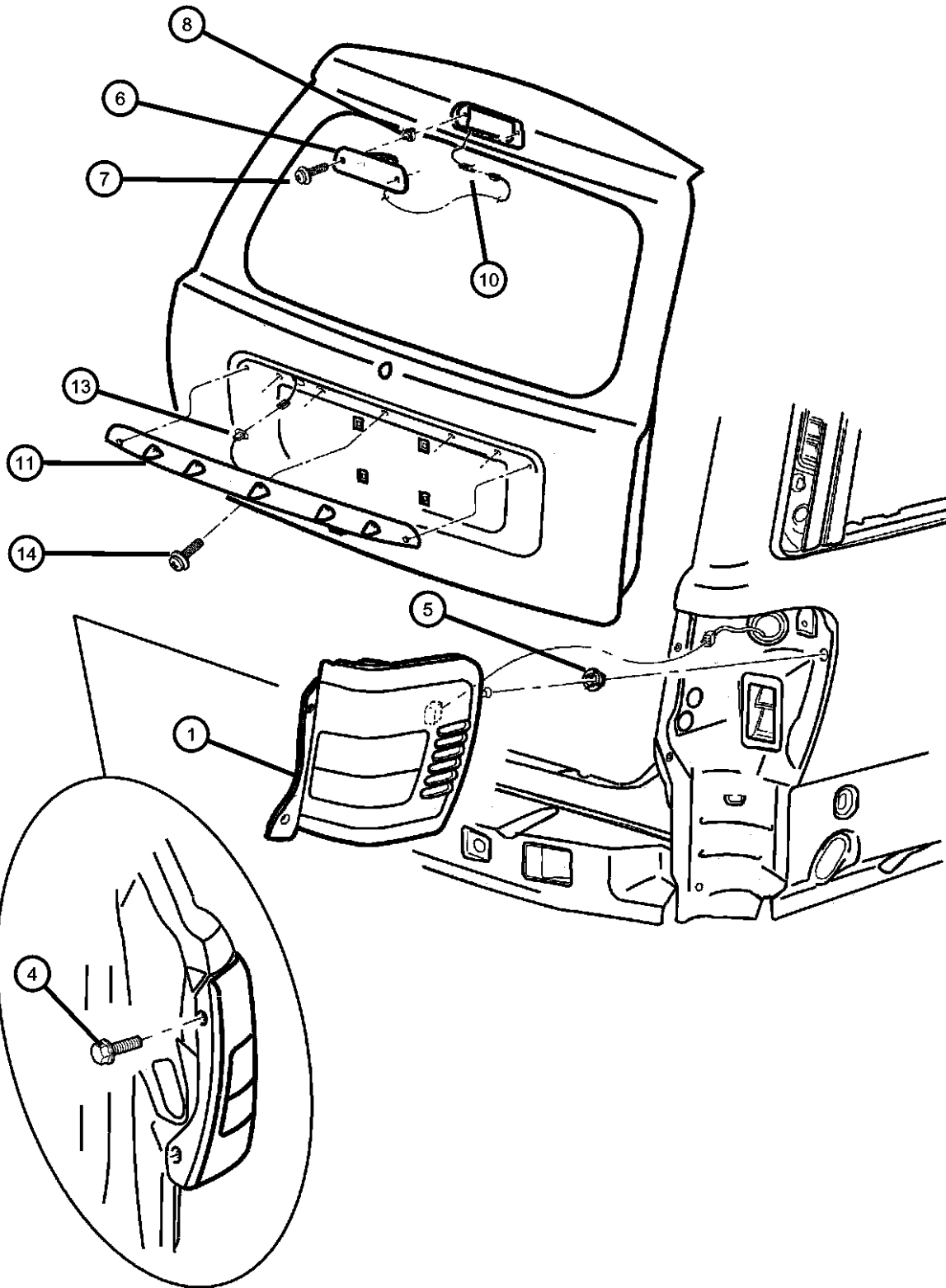
ENGINE
ERH = ENGINE - 4.0L POWER TECH I-6
EVA = ENGINE- 4.7L V8 MPI
EXA = ENGINE - 3.1L 5 CYL TURBO DIESEL

TRANSMISSION
DG4 = TRANSMISSION-MULTI-SPEED AUTO, 45RFE
DGW = TRANSMISSION - 4-SPD. AUTOMATIC, 44RE
DGK = TRANSMISSION - 4-SPD. AUTOMATIC, 42RE
DGO = ALL AUTOMATIC TRANSMISSIONS

AR = use ase required - = Non illustrated part

2000 WJ

Lamp - Rear End
Figure 8-1120



| ITEM | PART NUMBER | QTY | LINE | SERIES | BODY | ENGINE | TRANS | TRIM | DESCRIPTION |
|------|-------------|-----|------|--------|------|--------|-------|------|---------------------------------------|
| 1 | | | | | | | | | LAMP, Tail Stop Turn |
| | 55155138AC | 1 | | | | | | | USA/CANADA, Right |
| | 55155139AC | 1 | | | | | | | USA/CANADA, Left |
| | 55155142AC | 1 | | | | | | | EUROPE, Right |
| | 55155143AC | 1 | | | | | | | EUROPE, Left |
| -2 | L0003157 | 3 | | | | | | | BULB, 3157 |
| -3 | 04676589 | 3 | | | | | | | SOCKET, Board |
| 4 | 04676589 | 3 | | | | | | | SCREW, .190-16 X .750, (NOT SERVICED) |
| 5 | 06505386AA | 2 | | | | | | | NUT, Plastic |
| 6 | 55155140 | 1 | | | | | | | LAMP, High Mounted Stop |
| 7 | 06036163AA | 2 | | | | | | | SCREW, .19-16x1.00 |
| 8 | 06505703AA | 2 | | | | | | | NUT, Plastic Snap-in |
| -9 | 00154883AA | 1 | | | | | | | BULB, 921 |
| 10 | 56042544 | 1 | | | | | | | WIRING, High Mounted Stop Lamp |
| 11 | | | | | | | | | HOUSING, Lamp |
| | 05012553AB | 1 | | | H | | | | Laredo |
| | 05012554AA | 1 | | | P | | | | Limited |
| -12 | | | | | | | | | LAMP, License |
| | 05012548AA | 1 | | | H | | | | |
| | | 1 | | | P | | | | |
| 13 | | | | | | | | | WIRING, License Lamp |
| | 56042545AD | 1 | | | H | | | | |
| | | 1 | | | P | | | | |
| 14 | 00154228 | 5 | | | | | | | SCREW, Tapping, .19-16x.625 |
| -15 | 56042450AB | 1 | | | H | | | | SWITCH, Flipper Window |
| -16 | L0000168 | 2 | | | | | | | BULB, 168 |
| -17 | 00153625 | 2 | | | P | | | | BULB, W10/5 |

GRAND CHEROKEE (WJ)

SERIES
H = Laredo
P = Limited

LINE
T = JEEP - 2WD
J = JEEP - 4WD
U = JEEP - 4WD (RHD)

BODY
74 = 4 Door (105.9 WB)

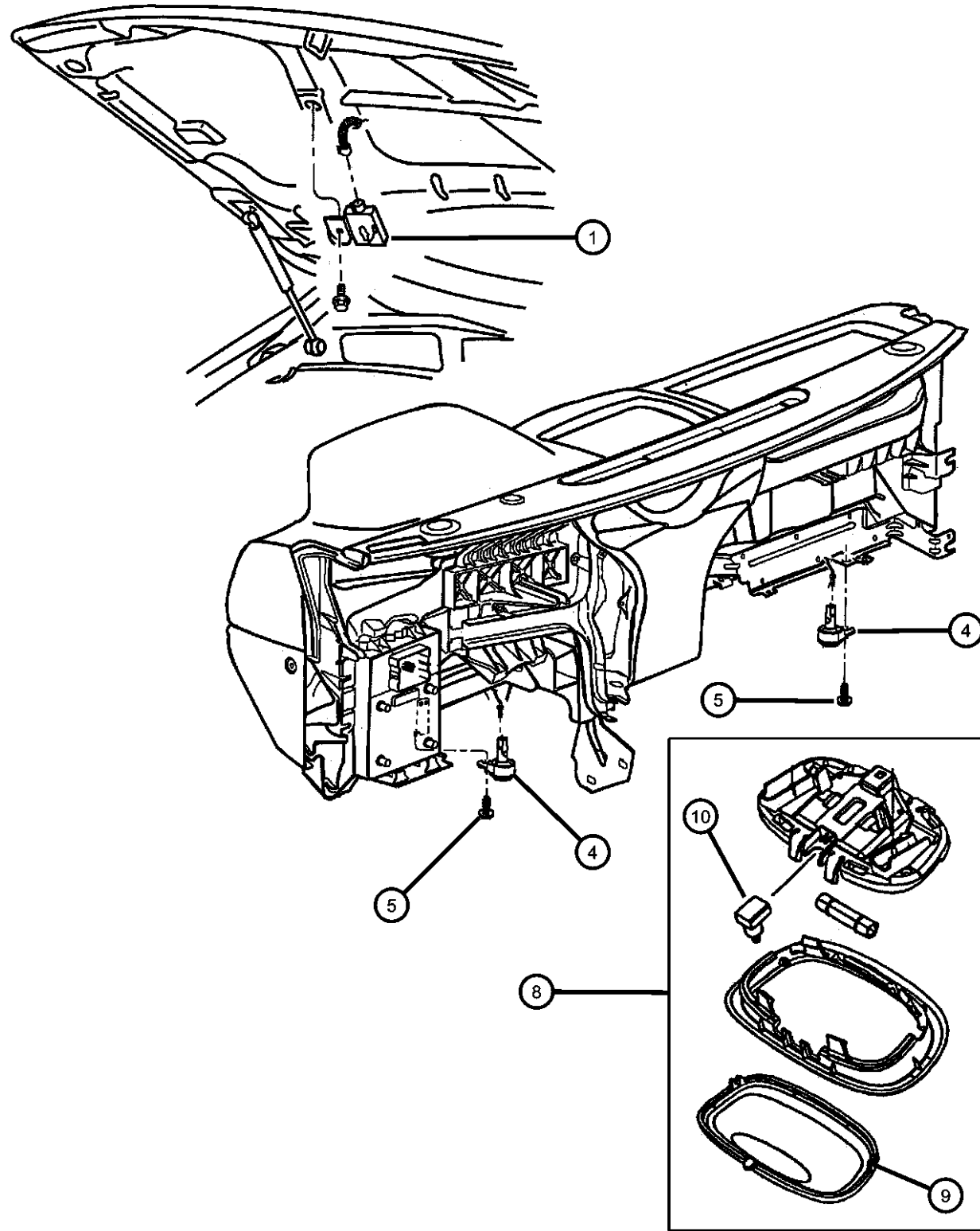
ENGINE
ERH = ENGINE - 4.0L
POWER TECH I-6
EVA = ENGINE- 4.7L V8 MPI
EXA = ENGINE - 3.1L 5 CYL
TURBO DIESEL

TRANSMISSION
DG4 = TRANSMISSION-MULTI-
SPEED AUTO, 45RFE
DGW = TRANSMISSION - 4-SPD.
AUTOMATIC,44RE
DGK = TRANSMISSION - 4-SPD.
AUTOMATIC,42RE
DGO = ALL AUTOMATIC
TRANSMISSIONS

AR = use ase required - = Non illustrated part

2000 WJ

Lamp - Courtesy - Dome - Reading
Figure 8-1130



| ITEM | PART NUMBER | QTY | LINE | SERIES | BODY | ENGINE | TRANS | TRIM | DESCRIPTION |
|------|-------------|-----|------|--------|------|--------|-------|------|--------------------------------|
| 1 | 56021441 | 1 | | | | | | | LAMP, Underhood, w/Switch |
| -2 | 04897446AA | 1 | | | | | | | LENS, Lamp Module, Underhood |
| -3 | L0000561 | 1 | | | | | | | BULB, 561 |
| 4 | 56042559AA | 2 | | | | | | | LAMP, Courtesy, I/panel Lower |
| 5 | 06101946 | 3 | | | | | | | SCREW, Tapping |
| -6 | L0000161 | 1 | | | | | | | BULB, 161, Ash Receiver |
| -7 | | | | | | | | | LENS, Illuminated Visor |
| | 04778794 | 1 | J, T | | | | | | Right And Left |
| | | 1 | U | | | | | | Right And Left |
| 8 | | | | | | | | | LAMP, Cargo |
| | 5FT10RK5 | 1 | J, T | | | | | | Tan/Agate |
| | | 1 | U | | | | | | Tan/Agate |
| | 5FT10TL2 | 1 | J, T | | | | | | Beige |
| | | 1 | U | | | | | | Beige |
| 9 | | | | | | | | | LENS, Cargo Lamp |
| | 55196755AA | 1 | J, T | | | | | | |
| | | 1 | U | | | | | | |
| 10 | | | | | | | | | LENS, Lamp Module, Grab Handle |
| | 55196759AA | 1 | J, T | | | | | | Left Rear |
| | | 1 | U | | | | | | Left Rear |
| | 55196760AA | 1 | J, T | | | | | | Right Rear |
| | | 1 | U | | | | | | Right Rear |
| -11 | | | | | | | | | SWITCH, Reading Lamp |
| | 04685445 | 1 | J, T | | | | | | Rear Cargo |
| | | 1 | U | | | | | | Rear Cargo |
| -12 | | | | | | | | | LAMP, Door |
| | 56005076 | 1 | J, T | P | | | | | U.S., Mexico & Canada, Right |
| | | 1 | J, T | P | | | | | Europe, Right |
| | | 1 | U | P | | | | | Europe, Right |
| | 56005077 | 1 | J, T | P | | | | | U.S., Mexico & Canada, Left |
| | | 1 | J, T | P | | | | | Europe, Left |
| | | 1 | U | P | | | | | Europe, Left |

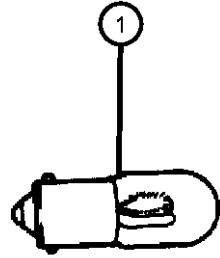
GRAND CHEROKEE (WJ)

| | | | | |
|-------------|----------------------|------------------------|--|--|
| SERIES | LINE | BODY | ENGINE | TRANSMISSION |
| H = Laredo | T = JEEP - 2WD | 74 = 4 Door (105.9 WB) | ERH = ENGINE - 4.0L POWER TECH I-6 | DG4 = TRANSMISSION-MULTI-SPEED AUTO, 45RFE |
| P = Limited | J = JEEP - 4WD | | EVA = ENGINE- 4.7L V8 MPI | DGW = TRANSMISSION - 4-SPD. AUTOMATIC,44RE |
| | U = JEEP - 4WD (RHD) | | EXA = ENGINE - 3.1L 5 CYL TURBO DIESEL | DGK = TRANSMISSION - 4-SPD. AUTOMATIC,42RE |
| | | | | DGO = ALL AUTOMATIC TRANSMISSIONS |

AR = use ase required - = Non illustrated part

Bulb chart
Figure 8-1140

| ITEM | PART NUMBER | QTY | LINE | SERIES | BODY | ENGINE | TRANS | TRIM | DESCRIPTION |
|---|-------------|-----|------|--------|------|----------|-------|------|----------------------------------|
| ER0=4.0L Engine EVO=4.7L Engine EX0=3.0L/3.1L Turbo Diesel Engine | | | | | | | | | |
| 1 | L0003157 | 3 | | | | | | | BULB, 3157 |
| 2 | 00154883AA | 1 | | | | | | | BULB, 921 |
| 3 | | | | | | | | | BULB, 561 |
| | 09433040 | 1 | | | | | | | |
| | L0000561 | 1 | | | | | | | Underhood |
| 4 | 09421330 | 1 | J, T | H | | | | | BULB, PC194, Side marker |
| 5 | 00154846AA | 1 | J, T | H | | | | | BULB, Headlamp, High beam |
| 6 | 00154870AA | 1 | J, T | H | | | | | BULB, Headlamp, 9006XS, Low beam |
| 7 | L0000161 | 1 | | | | | | | BULB, 161, Ash Receiver |
| 8 | L0000906 | 2 | | | | | | | BULB, 906 |
| 9 | | | | | | | | | BULB, 74 |
| | 06501966 | 1 | J, T | | | | | | |
| | | 1 | U | | | | | | |
| 10 | | | | | | | | | BULB, 192 |
| | L0000192 | 2 | J, T | | | | | | |
| | | 1 | U | | | | | | |
| 11 | L0009055 | AR | | | | | | | BULB, 9055, Fog lamp |
| -12 | | | | | | | | | BULB AND SOCKET |
| | 05012591AA | 1 | | H | | | | | Heated seat switch |
| | | 1 | | P | | | | | Heated seat switch |
| -13 | | | | | | | | | BULB, PY21W Amber |
| | 00154742 | 1 | J, T | P | | | | | |
| | | 1 | U | H | | | | | |
| 14 | L000PC74 | 16 | | | | ER0, EVO | | | BULB, PC74 |
| -15 | 00153620 | 2 | | | | | | | BULB, 8/4, Side Repeater, Export |
| 16 | L0000168 | 2 | | H | | | | | BULB, 168, License lamp |



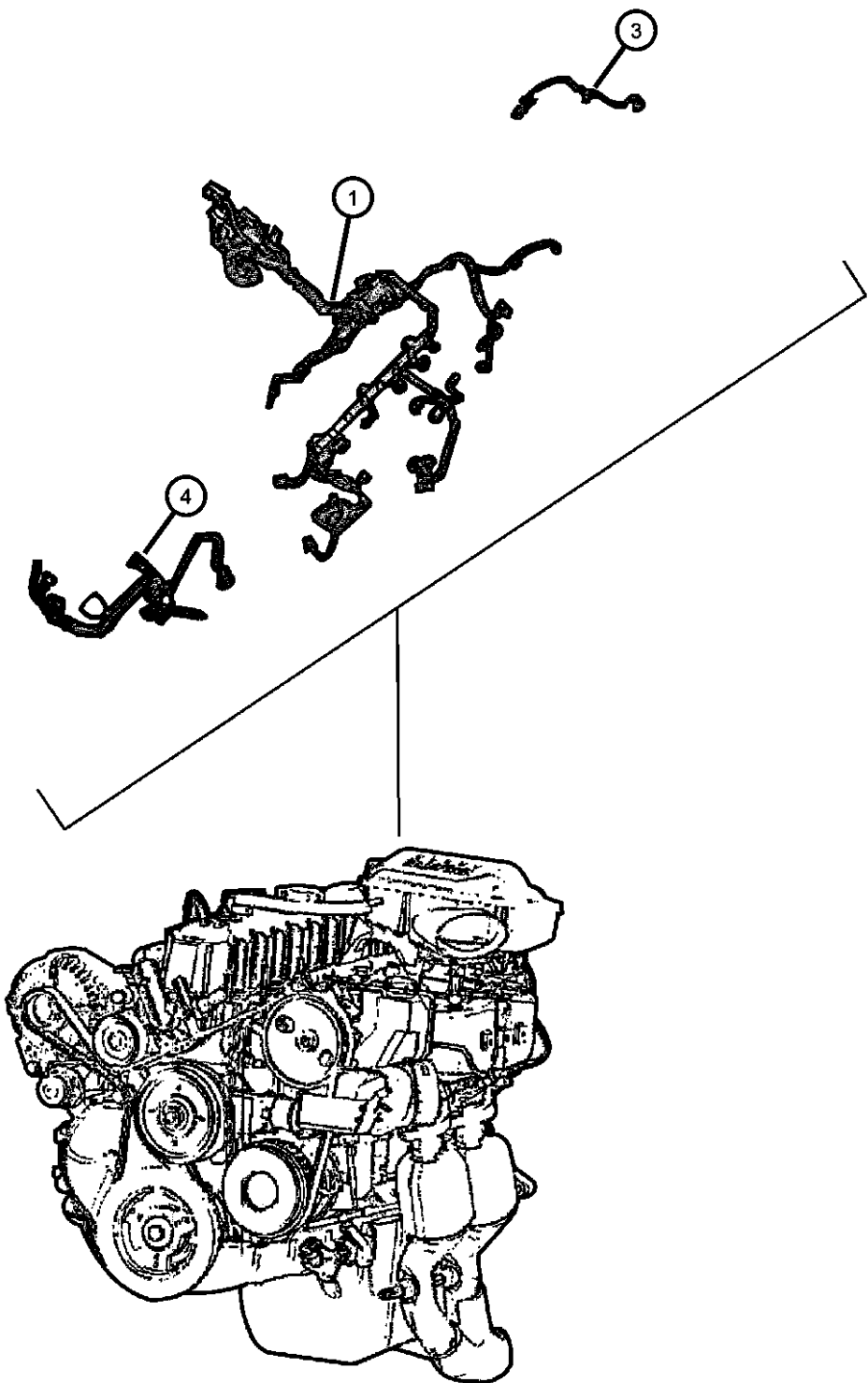
GRAND CHEROKEE (WJ)

| | | | | |
|-------------|----------------------|------------------------|--|---|
| SERIES | LINE | BODY | ENGINE | TRANSMISSION |
| H = Laredo | T = JEEP - 2WD | 74 = 4 Door (105.9 WB) | ERH = ENGINE - 4.0L | DG4 = TRANSMISSION-MULTI-SPEED AUTO, 45RFE |
| P = Limited | J = JEEP - 4WD | | POWER TECH I-6 | DGW = TRANSMISSION - 4-SPD. AUTOMATIC, 44RE |
| | U = JEEP - 4WD (RHD) | | EVA = ENGINE- 4.7L V8 MPI | DGK = TRANSMISSION - 4-SPD. AUTOMATIC, 42RE |
| | | | EXA = ENGINE - 3.1L 5 CYL TURBO DIESEL | DGO = ALL AUTOMATIC TRANSMISSIONS |

AR = use ase required - = Non illustrated part

2000 WJ

Wiring - Engine and Related Items 4.0L Engine, 3.0,3.1L Diesel
Figure 8-1210



| ITEM | PART NUMBER | QTY | LINE | SERIES | BODY | ENGINE | TRANS | TRIM | DESCRIPTION |
|------|-------------|-----|------|--------|------|--------|-------|------|--------------------------------|
| 1 | 56042202AC | 1 | J, U | | | EX0 | DG0 | | WIRING, Injector |
| | 56044400AD | 1 | J, T | | | ER0 | DG0 | | |
| | 56044402AC | 1 | J, T | | | ER0 | DG0 | | [NAE] |
| | 56044410AC | 1 | U | | | ER0 | DG0 | | |
| -2 | 04641780 | 1 | | | | | | | STRAP, Tie |
| 3 | 56041438AA | 1 | J | | | ER0 | DG0 | | WIRING, Transfer Case Jumper |
| 4 | 56038421AC | 1 | J, T | | | ER0 | | | WIRING, Alternator and Battery |
| | 56038422AD | 1 | J, U | | | EX0 | | | |

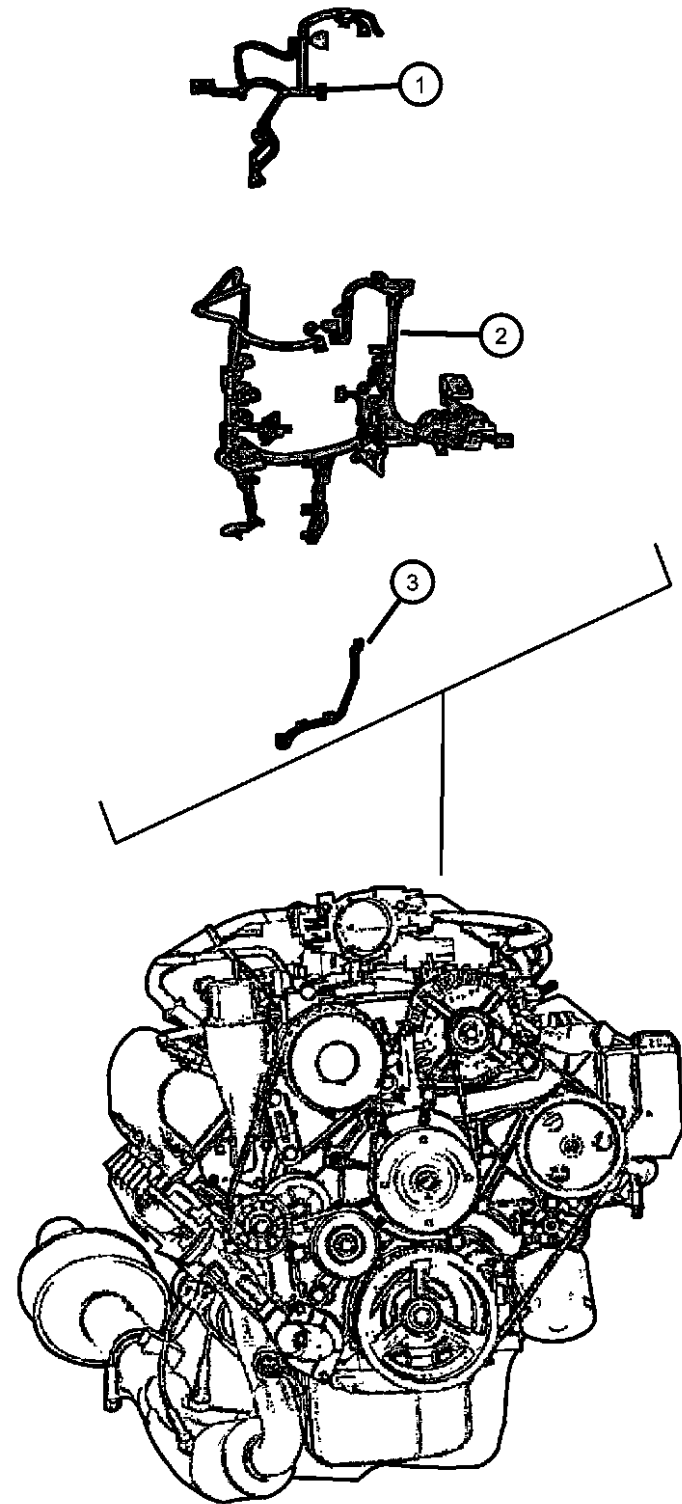
Notes:
 [ER0]=4.0L Engine
 [EX0]=3.0,3.1L Turbo Diesel
 [DG0]=Automatic Transmission

GRAND CHEROKEE (WJ)

| | | | | |
|-------------|----------------------|------------------------|--|--|
| SERIES | LINE | BODY | ENGINE | TRANSMISSION |
| H = Laredo | T = JEEP - 2WD | 74 = 4 Door (105.9 WB) | ERH = ENGINE - 4.0L | DG4 = TRANSMISSION-MULTI-SPEED AUTO, 45RFE |
| P = Limited | J = JEEP - 4WD | | POWER TECH I-6 | DGW = TRANSMISSION - 4-SPD. AUTOMATIC,44RE |
| | U = JEEP - 4WD (RHD) | | EVA = ENGINE- 4.7L V8 MPI | DGK = TRANSMISSION - 4-SPD. AUTOMATIC,42RE |
| | | | EXA = ENGINE - 3.1L 5 CYL TURBO DIESEL | DGO = ALL AUTOMATIC TRANSMISSIONS |

AR = use ase required - = Non illustrated part

**Wiring - Engine and Related Items 4.7L Engine
Figure 8-1220**



| ITEM | PART NUMBER | QTY | LINE | SERIES | BODY | ENGINE | TRANS | TRIM | DESCRIPTION |
|------|-------------|-----|------|--------|------|----------|-------|------|--------------------------------|
| 1 | 56038423AD | 1 | J, T | | | EVO | | | WIRING, Alternator and Battery |
| | 56041525AD | 1 | | | | EVO | | | Export |
| 2 | 56042406AG | 1 | J, T | | | EVO | DG0 | | WIRING, Injector |
| | 56042407AG | 1 | J, T | | | EVO | DG0 | | California |
| | 56044411AB | 1 | U | | | EVO | DG0 | | Export |
| 3 | 56041438AA | 1 | J | | | ER0, EVO | DG0 | | WIRING, Transfer Case Jumper |
| -4 | 04641780 | 1 | | | | | | | STRAP, Tie |

Notes:
 [EVA]=4.7L Power Tech Engine
 [EVC]=4.7L Power Tech HO V-8
 [EV0]=4.7L Engine
 [DG0]=Automatic Transmission

GRAND CHEROKEE (WJ)

| | |
|-------------|----------------------|
| SERIES | LINE |
| H = Laredo | T = JEEP - 2WD |
| P = Limited | J = JEEP - 4WD |
| | U = JEEP - 4WD (RHD) |

| |
|------------------------|
| BODY |
| 74 = 4 Door (105.9 WB) |

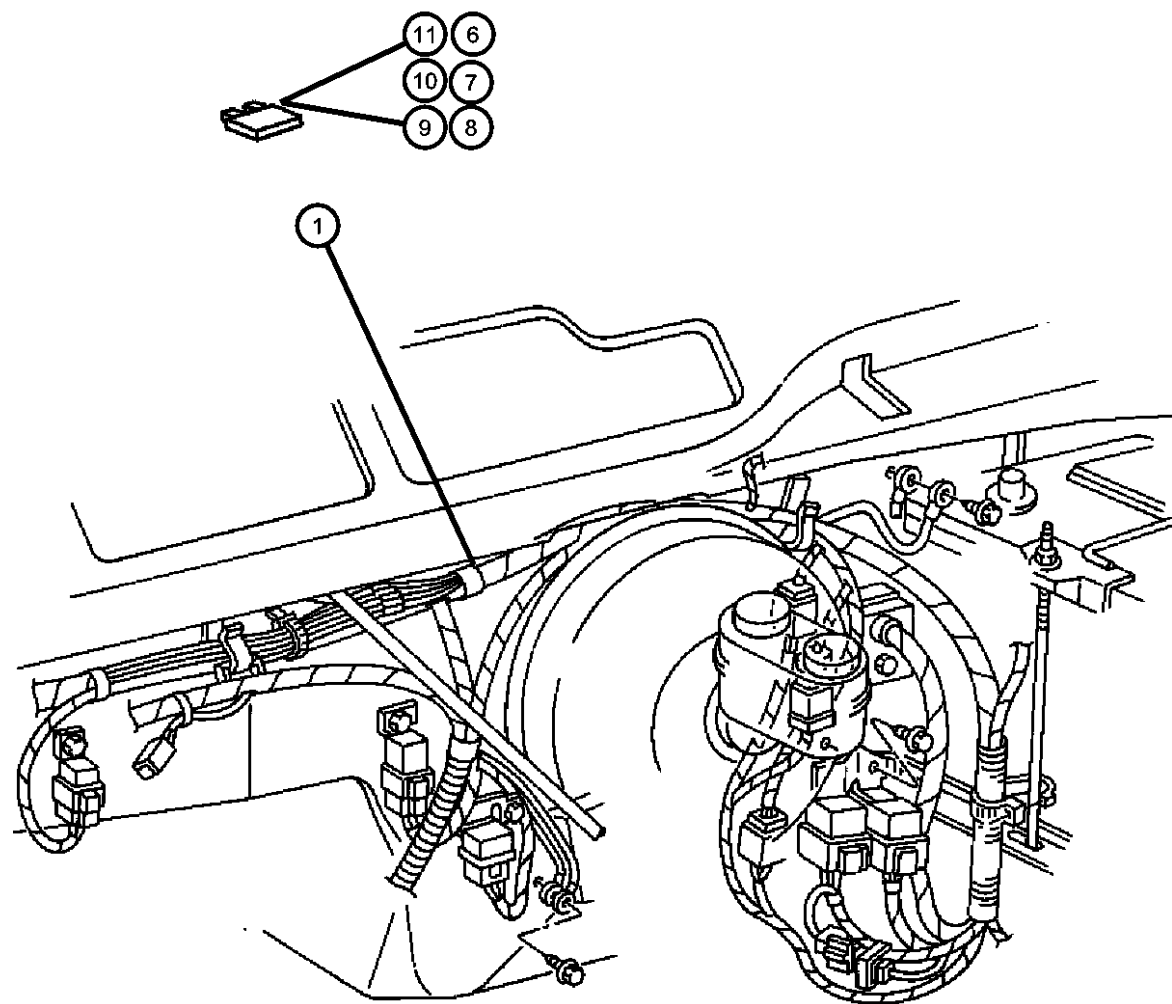
| |
|--|
| ENGINE |
| ERH = ENGINE - 4.0L POWER TECH I-6 |
| EVA = ENGINE- 4.7L V8 MPI |
| EXA = ENGINE - 3.1L 5 CYL TURBO DIESEL |

| |
|--|
| TRANSMISSION |
| DG4 = TRANSMISSION-MULTI-SPEED AUTO, 45RFE |
| DGW = TRANSMISSION - 4-SPD. AUTOMATIC,44RE |
| DGK = TRANSMISSION - 4-SPD. AUTOMATIC,42RE |
| DGO = ALL AUTOMATIC TRANSMISSIONS |

AR = use ase required - = Non illustrated part

2000 WJ

**Wiring - Headlamp / Dash
Figure 8-1310**



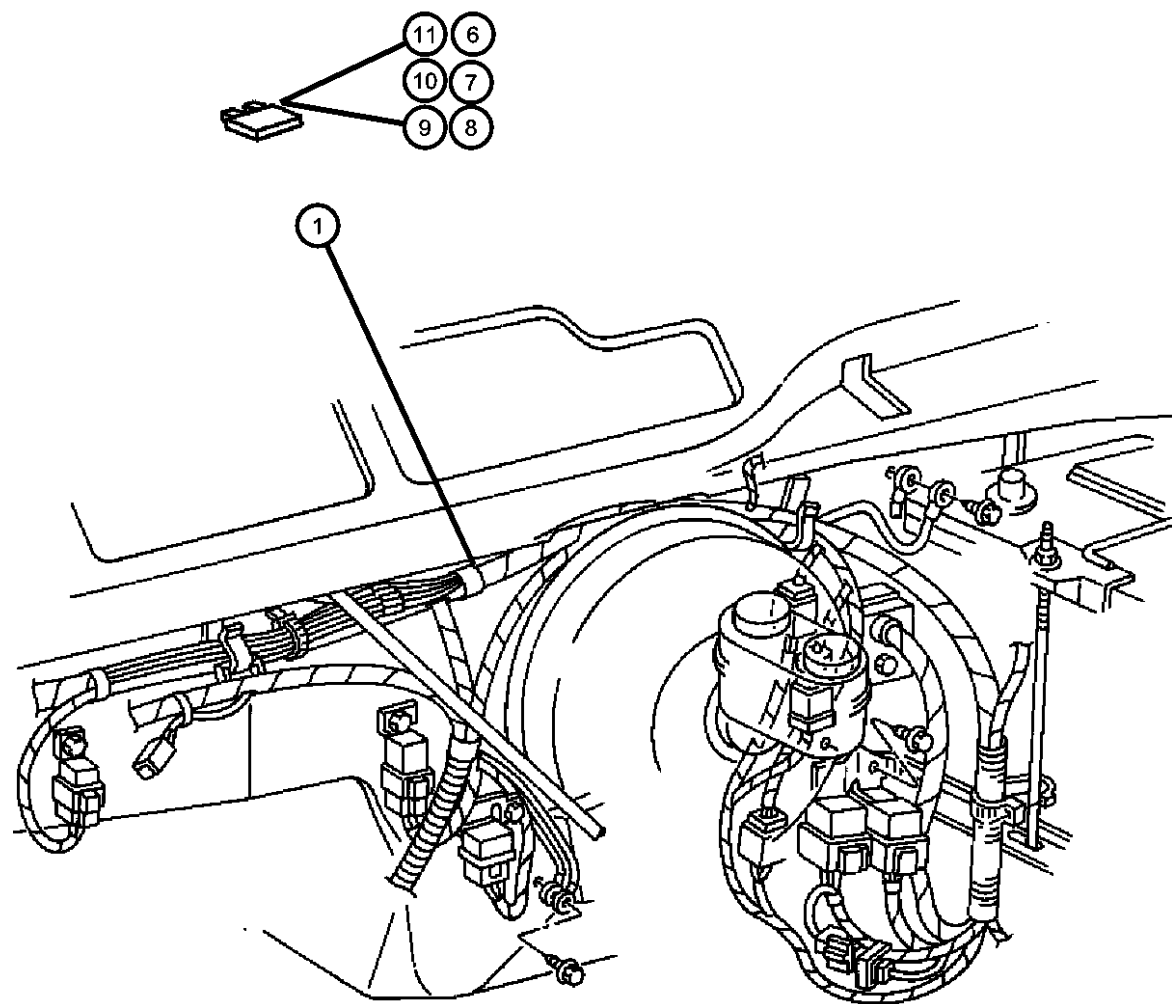
| ITEM | PART NUMBER | QTY | LINE | SERIES | BODY | ENGINE | TRANS | TRIM | DESCRIPTION |
|---|-------------|-----|------|--------|------|----------|-------|------|---------------------------------------|
| ER0=4.0L Engine EVO=4.7L Engine EX0=3.0L/3.1L Turbo Diesel Engine | | | | | | | | | |
| 1 | | | | | | | | | WIRING, Headlamp to Dash |
| | 56042207AG | 1 | J, T | | | ER0, EVO | | | Left |
| | 56042208AG | 1 | J, T | | | EX0 | | | Right |
| | 56042209AI | 1 | J, T | | | EX0 | | | Left |
| | 56042210AG | 1 | U | | | ER0, EVO | | | Export or Leaded Fuel Emission, Right |
| | 56042211AJ | 1 | U | | | ER0, EVO | | | Export or Leaded Fuel Emission, Left |
| | 56042212AH | 1 | U | | | EX0 | | | Right |
| | 56042213AI | 1 | U | | | EX0 | | | Left |
| | 56042500AH | 1 | J, T | | | ER0, EVO | | | Export or Leaded Fuel Emission, Right |
| | 56042501AG | 1 | J, T | | | ER0, EVO | | | Export or Leaded Fuel Emission, Left |
| | 56042709AC | 1 | J, T | | | ER0, EVO | | | California Emission, Right |
| | 56042710AC | 1 | J, T | | | ER0, EVO | | | Federal Emission, Right |
| | 56042820AC | 1 | U | | | ER0, EVO | | | European III Mission, Right |
| | 56042828AC | 1 | J, T | | | ER0, EVO | | | European III Mission, Right |
| | 56042839AB | 1 | J, T | | | ER0, EVO | | | European III Mission, Left |
| | 56042840AC | 1 | U | | | ER0, EVO | | | European III Mission, Left |
| -2 | 04604235 | 2 | | | | | | | BREAKER, Circuit |
| -3 | | | | | | | | | COVER, Power Distribution Center |
| | 05016946AA | 1 | U | | | ER0, EVO | | | Export or Leaded Fuel Emission |
| | | 1 | J, T | | | ER0, EVO | | | Export or Leaded Fuel Emission |
| | | 1 | J, T | | | ER0, EVO | | | U.S.A. / Canada / Mexico |
| | 05016947AA | 1 | J, T | | | EX0 | | | |
| | | 1 | U | | | EX0 | | | |
| -4 | 04671168 | 2 | | | | | | | RELAY, Mini |
| -5 | 04707286AD | 1 | | | | | | | RELAY, Electrical, Fan relay |
| 6 | 000ATM10 | 2 | J, T | | | | | | FUSE, Mini, 10 AMP, Red |
| 7 | 000ATM15 | 1 | J, T | | | | | | FUSE, Mini, 15 AMP, Light Blue |
| 8 | 000ATM20 | 1 | J, T | | | | | | FUSE, Mini, 20 AMP, Yellow |
| 9 | | | | | | | | | FUSE CARTRIDGE, 30 Amp |

GRAND CHEROKEE (WJ)

| | | | | |
|-------------|----------------------|------------------------|--|--|
| SERIES | LINE | BODY | ENGINE | TRANSMISSION |
| H = Laredo | T = JEEP - 2WD | 74 = 4 Door (105.9 WB) | ERH = ENGINE - 4.0L POWER TECH I-6 | DG4 = TRANSMISSION-MULTI-SPEED AUTO, 45RFE |
| P = Limited | J = JEEP - 4WD | | EVA = ENGINE- 4.7L V8 MPI | DGW = TRANSMISSION - 4-SPD. AUTOMATIC,44RE |
| | U = JEEP - 4WD (RHD) | | EXA = ENGINE - 3.1L 5 CYL TURBO DIESEL | DGK = TRANSMISSION - 4-SPD. AUTOMATIC,42RE |
| | | | | DGO = ALL AUTOMATIC TRANSMISSIONS |

AR = use ase required - = Non illustrated part

Wiring - Headlamp / Dash
Figure 8-1310



| ITEM | PART NUMBER | QTY | LINE | SERIES | BODY | ENGINE | TRANS | TRIM | DESCRIPTION |
|------|-------------|-----|------|--------|------|----------|-------|------|------------------------|
| | 06102076AA | 2 | J, T | | | ER0, EV0 | | | |
| | | 2 | U | | | ER0, EV0 | | | |
| | | 2 | U | | | EX0 | | | |
| 10 | 06102077AA | 6 | J, T | | | ER0, EV0 | | | FUSE CARTRIDGE, 40 Amp |
| | | 6 | U | | | ER0, EV0 | | | |
| | | 6 | U | | | EX0 | | | |
| 11 | 06102078AA | 3 | J, T | | | ER0, EV0 | | | FUSE CARTRIDGE, 50 Amp |
| | | 3 | U | | | ER0, EV0 | | | |
| | | 3 | U | | | EX0 | | | |
| -12 | 55196762AA | 1 | J, T | | | | | | PULLER, Fuse |
| | | 1 | U | | | | | | |

GRAND CHEROKEE (WJ)

SERIES
H = Laredo
P = Limited

LINE
T = JEEP - 2WD
J = JEEP - 4WD
U = JEEP - 4WD (RHD)

BODY
74 = 4 Door (105.9 WB)

ENGINE
ERH = ENGINE - 4.0L
POWER TECH I-6
EVA = ENGINE- 4.7L V8 MPI
EXA = ENGINE - 3.1L 5 CYL
TURBO DIESEL

TRANSMISSION
DG4 = TRANSMISSION-MULTI-
SPEED AUTO, 45RFE
DGW = TRANSMISSION - 4-SPD.
AUTOMATIC,44RE
DGK = TRANSMISSION - 4-SPD.
AUTOMATIC,42RE
DGO = ALL AUTOMATIC
TRANSMISSIONS

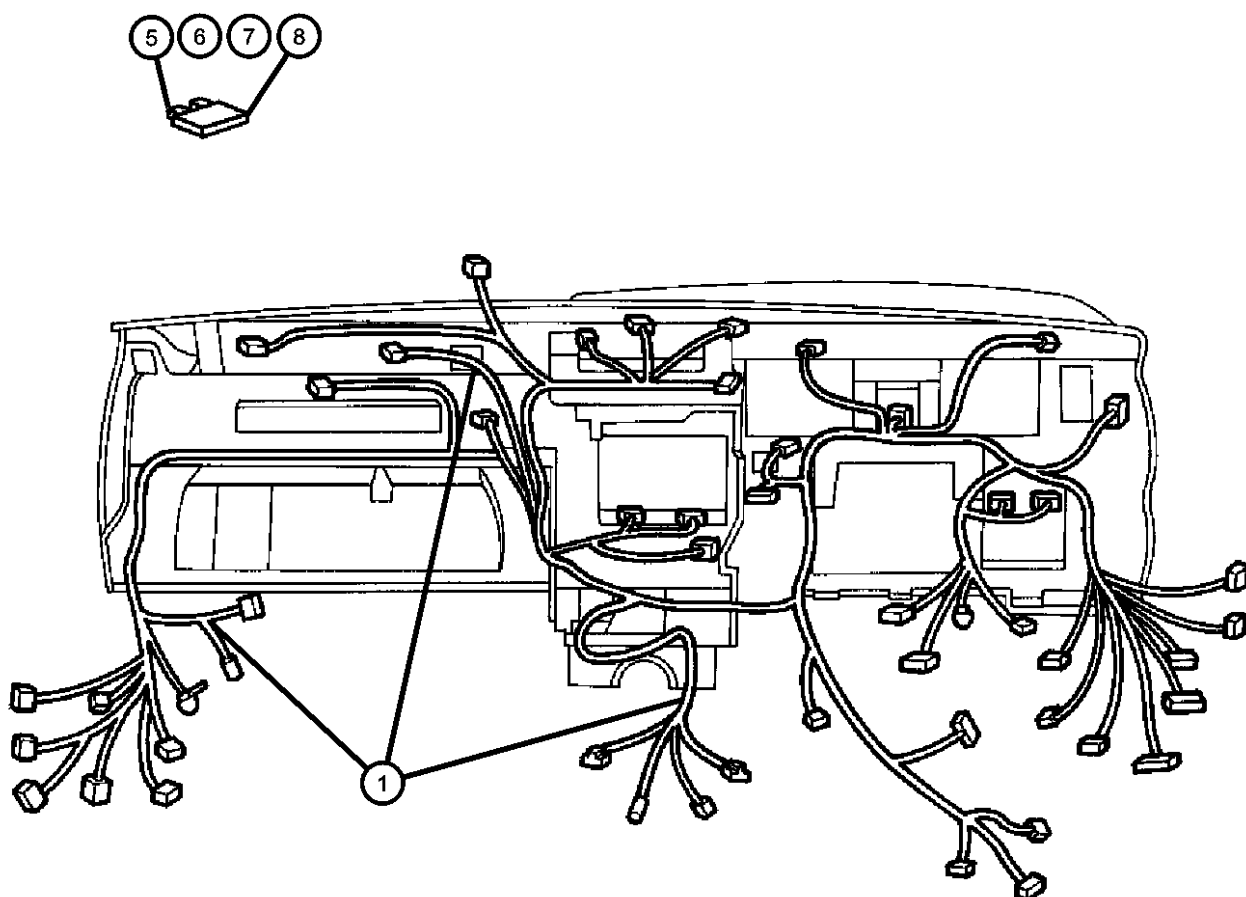
AR = use ase required - = Non illustrated part

2000 WJ

Wiring - Instrument Panel
Figure 8-1410

| ITEM | PART NUMBER | QTY | LINE | SERIES | BODY | ENGINE | TRANS | TRIM | DESCRIPTION |
|------|-------------|-----|------|--------|------|--------|-------|------|-------------|
|------|-------------|-----|------|--------|------|--------|-------|------|-------------|

Note:
EVO = All 4.7L Gas Engines



| | | | | | | | | | |
|-----|------------|---|------|--|--|-----|--|--|--|
| 1 | | | | | | | | | WIRING, Instrument Panel |
| | 56042920AD | 1 | J, T | | | | | | A/C w/Leather Wrap Steering Wheel & w/o 10 Disc CD Remote Changer |
| | 56042922AD | 1 | J, T | | | | | | A/C w/ATC Dual Zone, Automatic H/Lamp & Leather Wrap Steering Wheel |
| | 56042925AD | 1 | J, T | | | | | | A/C w/10 Disc CD Remote Changer, Automatic H/Lamp & Leather Wrap Steering Wheel |
| | 56042940AD | 1 | J, T | | | | | | A/C w/ATC Dual Zone, 10 Disc CD Remote Changer, Automatic H/Lamp & Leather Wrap Steering Wheel |
| | 56042945AB | 1 | J, T | | | | | | A/C w/Leather Wrap Steering Wheel |
| | 56042947AB | 1 | J, T | | | | | | A/C w/ATC Dual Zone, & Leather Wrap Steering Wheel |
| | 56042949AB | 1 | U | | | | | | A/C w/Leather Wrap Steering Wheel (EUROPE) |
| | 56042950AB | 1 | U | | | | | | A/C w/ATC Dual Zone, & Leather Wrap Steering Wheel (EUROPE) |
| -2 | 06101802 | 1 | | | | EVO | | | NUT AND WASHER, M6x1.00 |
| -3 | 04274258 | 2 | | | | | | | TAPE, Radio Connector, Foam |
| -4 | 56042148AG | 1 | | | | | | | JUNCTION BLOCK, Relay |
| 5 | 000ATM10 | 2 | J, T | | | | | | FUSE, Mini, 10 AMP, Red |
| 6 | 000ATM15 | 1 | J, T | | | | | | FUSE, Mini, 15 AMP, Light Blue |
| 7 | 000ATM20 | 1 | J, T | | | | | | FUSE, Mini, 20 AMP, Yellow |
| 8 | 04687835 | 1 | J, T | | | | | | FUSE, Mini, 25 Amp, Natural |
| -9 | | | | | | | | | PULLER, Fuse |
| | 55196762AA | 1 | J, T | | | | | | |
| | | 1 | U | | | | | | |
| -10 | | | | | | | | | COVER, Fuse Access |
| | 55116219AB | 1 | J, T | | | | | | |
| | 55116293AB | 1 | U | | | | | | |
| -11 | 04604235 | 2 | | | | | | | BREAKER, Circuit, 20 AMP |
| -12 | 05072991AA | 1 | | | | | | | PLUG, Wiring, 10 Way (Plug/Cap/Shorting Bar) |

GRAND CHEROKEE (WJ)

| SERIES | LINE | BODY | ENGINE | TRANSMISSION |
|-------------|----------------------|------------------------|--|--|
| H = Laredo | T = JEEP - 2WD | 74 = 4 Door (105.9 WB) | ERH = ENGINE - 4.0L POWER TECH I-6 | DG4 = TRANSMISSION-MULTI-SPEED AUTO, 45RFE |
| P = Limited | J = JEEP - 4WD | | EVA = ENGINE- 4.7L V8 MPI | DGW = TRANSMISSION - 4-SPD. AUTOMATIC,44RE |
| | U = JEEP - 4WD (RHD) | | EXA = ENGINE - 3.1L 5 CYL TURBO DIESEL | DGK = TRANSMISSION - 4-SPD. AUTOMATIC,42RE |
| | | | | DGO = ALL AUTOMATIC TRANSMISSIONS |

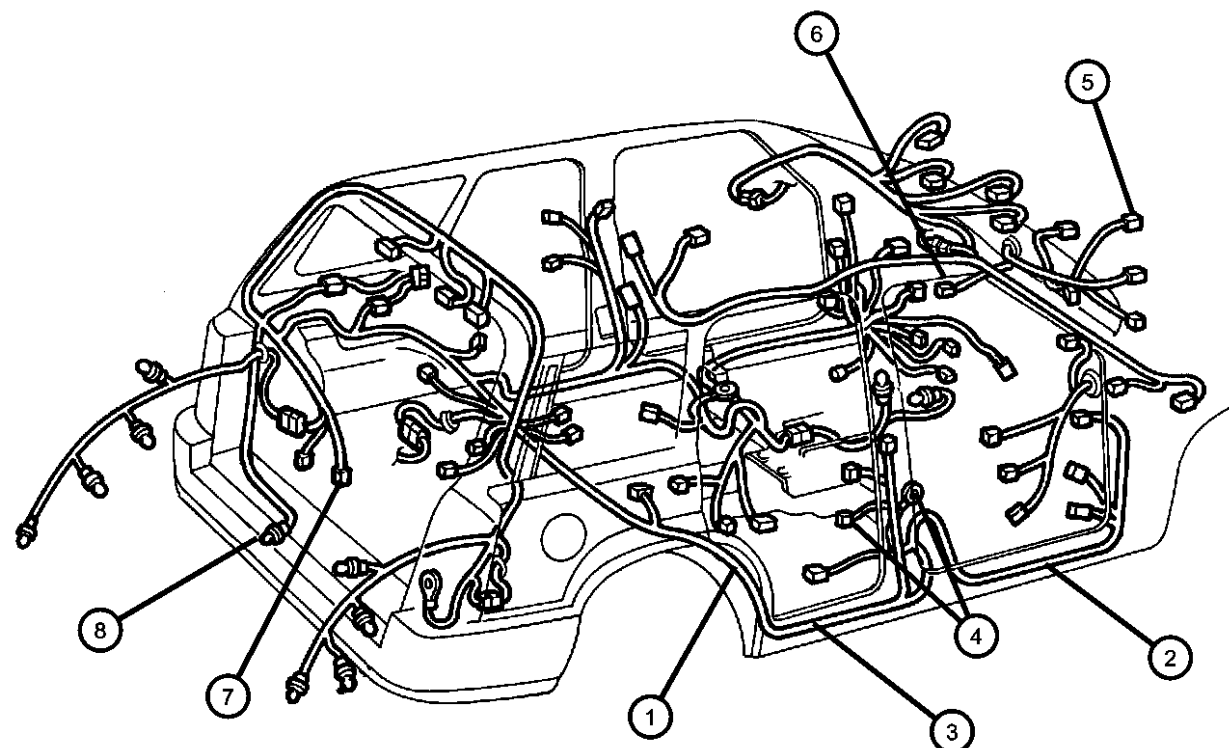
AR = use ase required - = Non illustrated part

2000 WJ

Wiring - Body & Accessories
Figure 8-1510

| ITEM | PART NUMBER | QTY | LINE | SERIES | BODY | ENGINE | TRANS | TRIM | DESCRIPTION |
|------|-------------|-----|------|--------|------|--------|-------|------|-------------|
|------|-------------|-----|------|--------|------|--------|-------|------|-------------|

ER0=4.0L Engine
 EV0=4.7L Engine
 EX0=3.0L/3.1L Turbo Diesel Engine



| | | | | | | | | | |
|---|------------|---|------|--|--|----------|--|--|--|
| 1 | | | | | | | | | WIRING, Body |
| | 56042428AE | 1 | J, T | | | ER0, EV0 | | | w/o 10 Disc Remote CD Changer, Right |
| | 56042458AE | 1 | J, T | | | EX0 | | | w/o 10 Disc Remote CD Changer, Right |
| | 56042567AE | 1 | U | | | EX0 | | | w/o 10 Disc Remote CD Changer, Left |
| | 56042586AE | 1 | U | | | EX0 | | | w/10 Disc Remote CD Changer, Left |
| | 56042589AE | 1 | J, T | | | ER0, EV0 | | | w/10 Disc Remote CD Changer, Right |
| | 56042590AE | 1 | J, T | | | EX0 | | | w/10 Disc Remote CD Changer, Right |
| | 56042700AB | 1 | J, T | | | | | | w/Power Seats, Left |
| | 56042705AB | 1 | J, T | | | | | | w/oPower Seats, Left |
| | 56042706AB | 1 | J, T | | | | | | w/o Power Seats & w/o Infinity Speaker System, Right |
| | 56042707AB | 1 | J, T | | | | | | w/Power Seats & w/Infinity Speaker System, Right |
| | 56042708AB | 1 | J, T | | | | | | w/10 Disc Remote CD Changer, Right |
| | 56042730AA | 1 | J, T | | | ER0, EV0 | | | Left |
| | 56042735AA | 1 | J, T | | | EX0 | | | Left |
| | 56042750AA | 1 | U | | | ER0, EV0 | | | w/o 10 Disc Remote CD Changer, Left |
| | 56042751AA | 1 | U | | | ER0, EV0 | | | w/10 Disc Remote CD Changer, Left |
| | 56042763AA | 1 | U | | | | | | w/o 10 Disc Remote CD Changer, Right |
| | 56042765AA | 1 | U | | | | | | w/10 Disc Remote CD Changer, Right |
| 2 | | | | | | | | | WIRING, Front Door |
| | 56042219AE | 1 | | | | | | | w/Security Alarm (Driver Side), Front Door |
| | 56042220AE | 1 | | | | | | | (Passenger Side), Front Door |
| | 56042221AE | 1 | | | | | | | w/o Security Alarm (Driver Side), Front Door |
| | 56042824AE | 1 | U | | | | | | EUROPE w/JAPAN Market Requirements (Driver Side), Front Door |

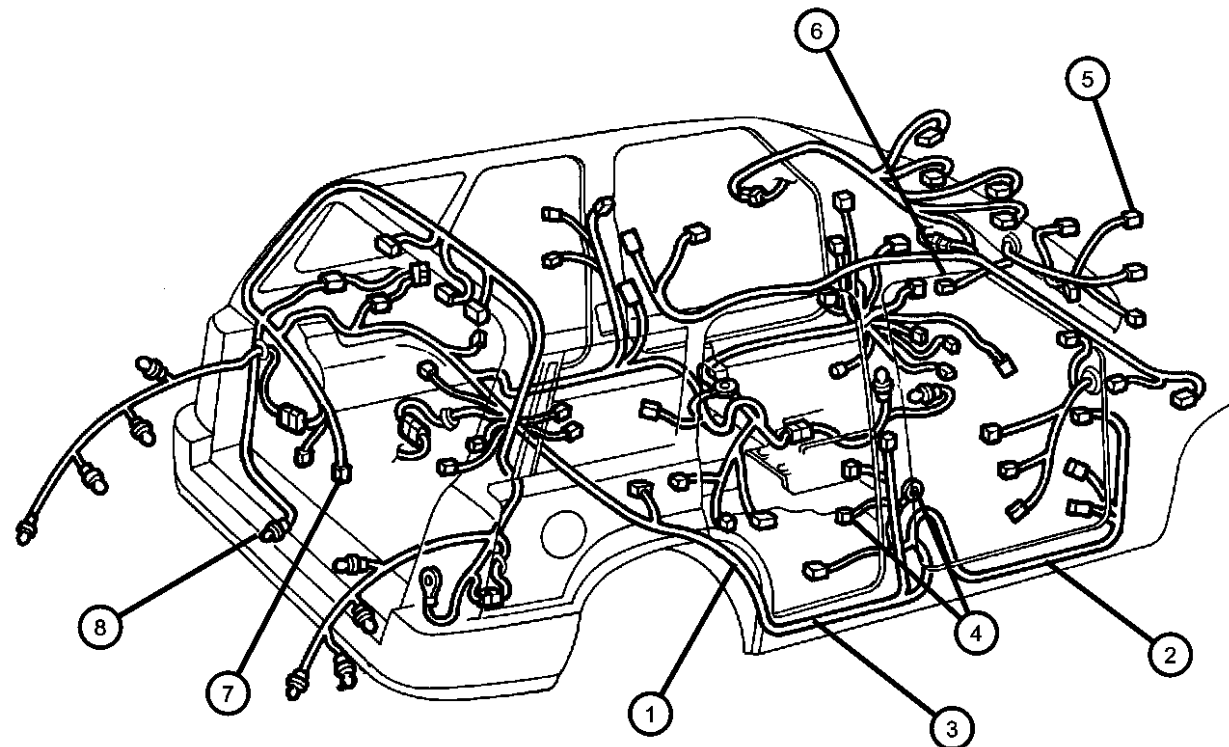
GRAND CHEROKEE (WJ)

| SERIES | LINE | BODY | ENGINE | TRANSMISSION |
|-------------|----------------------|------------------------|--|--|
| H = Laredo | T = JEEP - 2WD | 74 = 4 Door (105.9 WB) | ERH = ENGINE - 4.0L POWER TECH I-6 | DG4 = TRANSMISSION-MULTI-SPEED AUTO, 45RFE |
| P = Limited | J = JEEP - 4WD | | EVA = ENGINE- 4.7L V8 MPI | DGW = TRANSMISSION - 4-SPD. AUTOMATIC,44RE |
| | U = JEEP - 4WD (RHD) | | EXA = ENGINE - 3.1L 5 CYL TURBO DIESEL | DGK = TRANSMISSION - 4-SPD. AUTOMATIC,42RE |
| | | | | DGO = ALL AUTOMATIC TRANSMISSIONS |

AR = use ase required - = Non illustrated part

2000 WJ

Wiring - Body & Accessories
Figure 8-1510



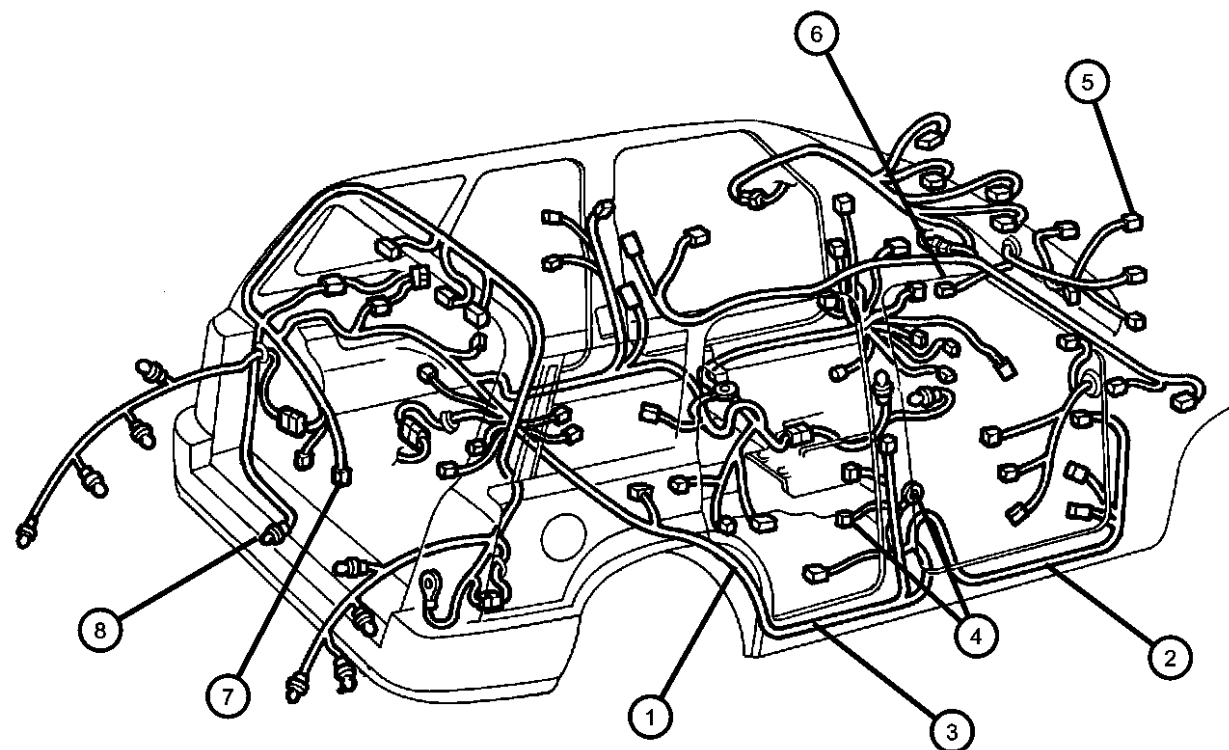
| ITEM | PART NUMBER | QTY | LINE | SERIES | BODY | ENGINE | TRANS | TRIM | DESCRIPTION |
|------|-------------|-----|------|--------|------|--------|-------|------|--|
| 3 | 56042538AF | 2 | | | | | | | WIRING, Rear Door |
| 4 | | | | | | | | | WIRING, Door Jumper |
| | 56042525AD | 1 | J, T | P | | | | | USA/CANADA, Left |
| | 56042526AD | 1 | J, T | P | | | | | USA/CANADA, Right |
| | 56042527AD | 1 | J, T | H | | | | | USA/CANADA w/o Infinity Speaker System (Laredo), Right |
| | | 1 | J, T | H | | | | | USA/CANADA w/Infinity Speaker System (Laredo), Right |
| | 56042569AB | 1 | U | P | | | | | EUROPE w/Infinity Speaker System & JAPAN Market Requirements, Right |
| | 56042569AD | 1 | J, T | P | | | | | EUROPE w/Infinity Speaker System, Left |
| | | 1 | U | P | | | | | EUROPE w/Infinity Speaker System, Right |
| | 56042570AD | 1 | U | P | | | | | EUROPE w/Infinity Speaker System, Left |
| | | 1 | U | P | | | | | EUROPE w/Infinity Speaker System & JAPAN Market Requirements, Left |
| | | 1 | J, T | P | | | | | EUROPE, Right |
| | 56042570AE | 1 | U | P | | | | | EUROPE w/Infinity Speaker System (Limited), Right & Left |
| | | 1 | J, T | P | | | | | USA/CANADA w/o Infinity Speaker System (Limited), Right & Left |
| | | 1 | U | P | | | | | USA/CANADA w/Infinity Speaker System (Limited), Right & Left |
| | | 1 | U | P | | | | | EUROPE w/Infinity Speaker System & JAPAN Market Requirements (Limited), Right & Left |
| | 56042571AD | 1 | J, T | H | | | | | EUROPE w/Infinity Speaker System, Right & Left |
| | | 1 | U | H | | | | | EUROPE w/Infinity Speaker System, Right & Left |
| | | 1 | U | H | | | | | EUROPE w/Infinity Speaker System & JAPAN Market Requirements, Right & Left |
| 5 | 56042574AD | 1 | | | | | | | WIRING, Underhood Lamp |
| 6 | | | | | | | | | WIRING, Steering Wheel |
| | 56042592AB | 1 | | H | | | | | |

GRAND CHEROKEE (WJ)

| | | | | |
|---------------|----------------------|------------------------|--|--|
| SERIES | LINE | BODY | ENGINE | TRANSMISSION |
| H = Laredo | T = JEEP - 2WD | 74 = 4 Door (105.9 WB) | ERH = ENGINE - 4.0L POWER TECH I-6 | DG4 = TRANSMISSION-MULTI-SPEED AUTO, 45RFE |
| P = Limited | J = JEEP - 4WD | | EVA = ENGINE- 4.7L V8 MPI | DGW = TRANSMISSION - 4-SPD. AUTOMATIC,44RE |
| | U = JEEP - 4WD (RHD) | | EXA = ENGINE - 3.1L 5 CYL TURBO DIESEL | DGK = TRANSMISSION - 4-SPD. AUTOMATIC,42RE |
| | | | | DGO = ALL AUTOMATIC TRANSMISSIONS |

AR = use ase required - = Non illustrated part

Wiring - Body & Accessories
Figure 8-1510



| ITEM | PART NUMBER | QTY | LINE | SERIES | BODY | ENGINE | TRANS | TRIM | DESCRIPTION |
|------|-------------|-----|------|--------|------|--------|-------|------|--|
| | 56042595AB | 1 | | | | | | | |
| 7 | 56042800AA | 1 | | | | | | | WIRING, Liftgate |
| 8 | 56042239AE | 1 | | | | | | | WIRING, Trailer Tow |
| -9 | 56038366AB | 1 | | | | | | | CONNECTOR, 7 Way |
| -10 | 56019823 | 1 | | | | | | | ADAPTER, Trailer Tow |
| -11 | 82203600 | 1 | | | | | | | COVER KIT, Trailer Tow |
| -12 | | | | | | | | | WIRING, Headliner |
| | 56042235AE | 1 | U | | | | | | w/o Sunroof |
| | | 1 | J, T | | | | | | w/o Sunroof |
| | 56042236AE | 1 | J, T | | | | | | w/Sunroof |
| | | 1 | U | | | | | | w/Sunroof |
| -13 | | | | | | | | | WIRING, Overhead Lighting |
| | 55196753AA | 1 | J, T | | | | | | w/o Sunroof |
| | | 1 | U | | | | | | w/o Sunroof |
| | 55196754AA | 1 | J, T | | | | | | w/Sunroof |
| | | 1 | U | | | | | | w/Sunroof |
| -14 | 04481618 | 2 | | | | | | | WIRING, Side Repeater Lamp, EUROPE |
| -15 | 04793554 | 1 | | | | | | | POWER OUTLET, Cigar Lighter, Quarter Trim Panel |
| -16 | | | | | | | | | CAP, Cigar Lighter |
| | 04685591 | 1 | | | | | | | Quarter Trim Panel |
| | 56008852 | 1 | J, T | | | | | | w/o Cigar Lighter |
| -17 | | | | | | | | | WIRING, Seat |
| | 05015741AA | 1 | J, T | | | | | | Up to 01/17/00, 10 Way w/Memory [JTC], Left Seat |
| | 05015742AA | 1 | J, T | | | | | | Up to 01/17/00, 10 Way w/Memory & Heated Seat [JTF], Left Seat |
| | 05015743AA | 1 | J, T | | | | | | Power & Heated Seat [JPX], Left Seat |
| | | 1 | U | | | | | | Up to 01/17/00, 10 Way w/Memory & Heated Seat [JTF], Left Seat |
| | 05015743AB | 1 | U | | | | | | 01/17/00 & After, 10 Way w/Memory & Heated Seat [JTF], Left Seat |

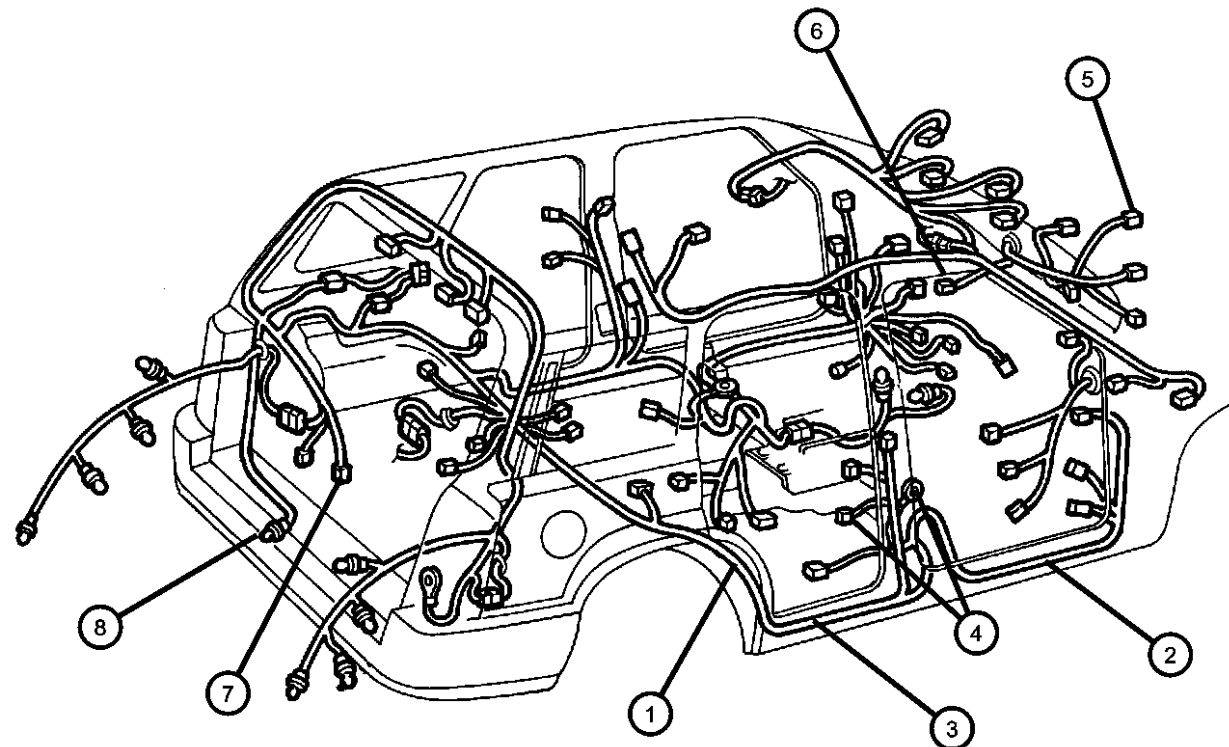
GRAND CHEROKEE (WJ)

| | | | | |
|---------------|----------------------|------------------------|--|---|
| SERIES | LINE | BODY | ENGINE | TRANSMISSION |
| H = Laredo | T = JEEP - 2WD | 74 = 4 Door (105.9 WB) | ERH = ENGINE - 4.0L POWER TECH I-6 | DG4 = TRANSMISSION-MULTI-SPEED AUTO, 45RFE |
| P = Limited | J = JEEP - 4WD | | EVA = ENGINE- 4.7L V8 MPI | DGW = TRANSMISSION - 4-SPD. AUTOMATIC, 44RE |
| | U = JEEP - 4WD (RHD) | | EXA = ENGINE - 3.1L 5 CYL TURBO DIESEL | DGK = TRANSMISSION - 4-SPD. AUTOMATIC, 42RE |
| | | | | DGO = ALL AUTOMATIC TRANSMISSIONS |

AR = use ase required - = Non illustrated part

2000 WJ

Wiring - Body & Accessories
Figure 8-1510



| ITEM | PART NUMBER | QTY | LINE | SERIES | BODY | ENGINE | TRANS | TRIM | DESCRIPTION |
|------|-------------|-----|------|--------|------|--------|-------|------|--|
| | 05015744AA | 1 | J, T | | | | | | Power Seat [JPT], Left Seat |
| | 05015745AA | 1 | J, T | | | | | | Up to 01/17/00, 10 Way w/Map Pocket [JP2], Left Seat |
| | 05015746AA | 1 | J, T | | | | | | Power & Heated Seat [JPX], Right Seat |
| | | 1 | J, T | | | | | | 10 Way w/Memory & Heated Seat [JTF], Right Seat |
| | 05015747AA | 1 | J, T | | | | | | 10 Way w/Map Pocket [JP2], Right Seat |
| | | 1 | J, T | | | | | | 10 Way w/Memory [JTC], Right Seat |
| | | 1 | J, T | | | | | | Power Seat [JPT] EUROPE, Right Seat |
| | | 1 | J, T | | | | | | 01/17/00 & After, Power Seat [Jtc], Right Seat |
| | | 1 | J, T | | | | | | 01/17/00 & After, Power Seat [JP2], Right Seat |
| | | 1 | J, T | | | | | | 01/17/00 & After, Power Seat [JPT], Right Seat |
| | 05015748AA | 1 | J, T | | | | | | Up to 01/17/00, Power Seat [JPT], Right Seat |
| | 05016145AA | 1 | U | | | | | | 10 Way w/Memory & Heated Seat [JTF], Right Seat |
| | 05016149AA | 1 | U | | | | | | Power Seat [JPT] EUROPE, Left Seat |
| | 05016150AA | 1 | U | | | | | | Up to 01/17/00, 10 Way w/Memory [JTC] EUROPE, Right Seat |
| | 05016150AB | 1 | U | | | | | | 01/17/00 & After, 10 Way w/Memory [JTC] EUROPE, Right Seat |
| | 05016151AA | 1 | U | | | | | | Up to 01/17/01, 10 Way w/Memory [JTC] EUROPE, Left Seat |
| | 05016151AB | 1 | U | | | | | | 01/17/00 & After, 10 Way w/Memory [JTC] EUROPE, Left Seat |
| | 05016152AA | 1 | J, T | | | | | | Up to 01/17/00, 10 Way w/Memory [JTC] EUROPE, Left Seat |
| | 05016152AB | 1 | J, T | | | | | | 01/17/00 & After, 10 Way w/Memory [JTC] EUROPE, Left Seat |
| | 05016153AA | 1 | J, T | | | | | | 10 Way w/Memory & Heated Seat [JTF] EUROPE, Left Seat |

GRAND CHEROKEE (WJ)

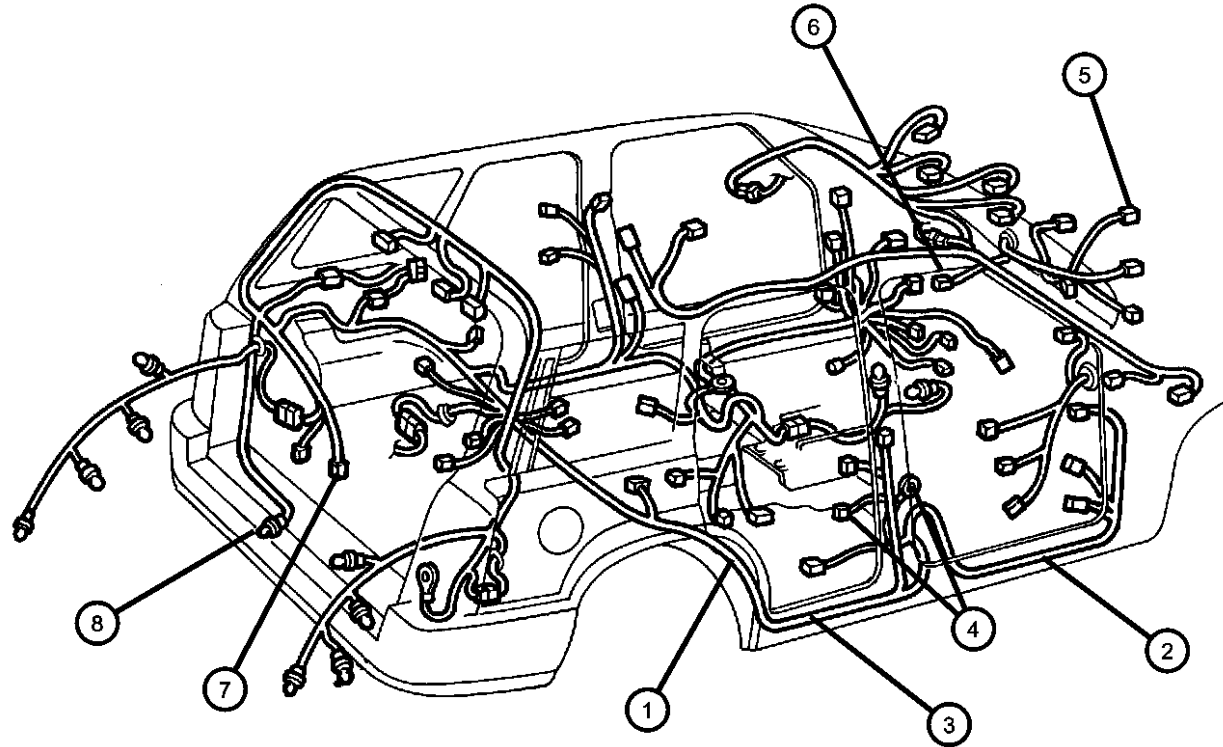
| | | | | |
|---------------|----------------------|------------------------|--|---|
| SERIES | LINE | BODY | ENGINE | TRANSMISSION |
| H = Laredo | T = JEEP - 2WD | 74 = 4 Door (105.9 WB) | ERH = ENGINE - 4.0L POWER TECH I-6 | DG4 = TRANSMISSION-MULTI-SPEED AUTO, 45RFE |
| P = Limited | J = JEEP - 4WD | | EVA = ENGINE- 4.7L V8 MPI | DGW = TRANSMISSION - 4-SPD. AUTOMATIC, 44RE |
| | U = JEEP - 4WD (RHD) | | EXA = ENGINE - 3.1L 5 CYL TURBO DIESEL | DGK = TRANSMISSION - 4-SPD. AUTOMATIC, 42RE |
| | | | | DGO = ALL AUTOMATIC TRANSMISSIONS |

AR = use ase required - = Non illustrated part

2000 WJ

Wiring - Body & Accessories
Figure 8-1510

| ITEM | PART NUMBER | QTY | LINE | SERIES | BODY | ENGINE | TRANS | TRIM | DESCRIPTION |
|------|-------------|-----|------|--------|------|--------|-------|------|--|
| | 05016154AA | 1 | J, T | | | | | | Power Seat [JPT] EUROPE, Left Seat |
| | 05017925AA | 1 | J, T | | | | | | 01/17/00 & After, 10 Way w/Memory [JTC], Left Seat |
| | 05017926AA | 1 | J, T | | | | | | 01/17/00 & After, 10 Way w/Memory & Heated Seat [JTF], Left Seat |
| | 05017928AA | 1 | J, T | | | | | | 01/17/00 & After, 10 Way w/Map Pocket [JP2], Left Seat |
| | 05017930AA | 1 | J, T | | | | | | 01/17/00 & After, Power Seat [JPT], Right Seat |
| -18 | 05016560AA | 1 | | | | | | | WIRING, Sunroof |



GRAND CHEROKEE (WJ)

SERIES
H = Laredo
P = Limited

LINE
T = JEEP - 2WD
J = JEEP - 4WD
U = JEEP - 4WD (RHD)

BODY
74 = 4 Door (105.9 WB)

ENGINE
ERH = ENGINE - 4.0L POWER TECH I-6
EVA = ENGINE- 4.7L V8 MPI
EXA = ENGINE - 3.1L 5 CYL TURBO DIESEL

TRANSMISSION
DG4 = TRANSMISSION-MULTI-SPEED AUTO, 45RFE
DGW = TRANSMISSION - 4-SPD. AUTOMATIC,44RE
DGK = TRANSMISSION - 4-SPD. AUTOMATIC,42RE
DGO = ALL AUTOMATIC TRANSMISSIONS

AR = use ase required - = Non illustrated part

2000 WJ

**Wiring Repair Packages
Figure 8-1605**

| ITEM | PART NUMBER | QTY | LINE | SERIES | BODY | ENGINE | TRANS | TRIM | DESCRIPTION |
|------|-------------|-----|------|--------|------|--------|-------|------|---|
| | | | | | | | | | ER0=4.0L Engine EVO=4.7L Engine EX0=3.0L/3.1L Turbo Diesel Engine |
| -1 | 05013930AA | 1 | | | | | | | WIRING PACKAGE, Underhood Connector Repair, For Electrical Connector Repair Information visit the World Wide Web at http://dto.vftis.com/mopar/disclaimer.asp |
| -2 | 04364392 | 1 | | | | EX0 | | | TUBE, Convoluted |
| -3 | J4175376 | 1 | J, U | | | | | | STRAP, Tie |

For Electrical Connector Repair Information visit the World Wide Web at

<http://dto.vftis.com/mopar/disclaimer.asp>

GRAND CHEROKEE (WJ)

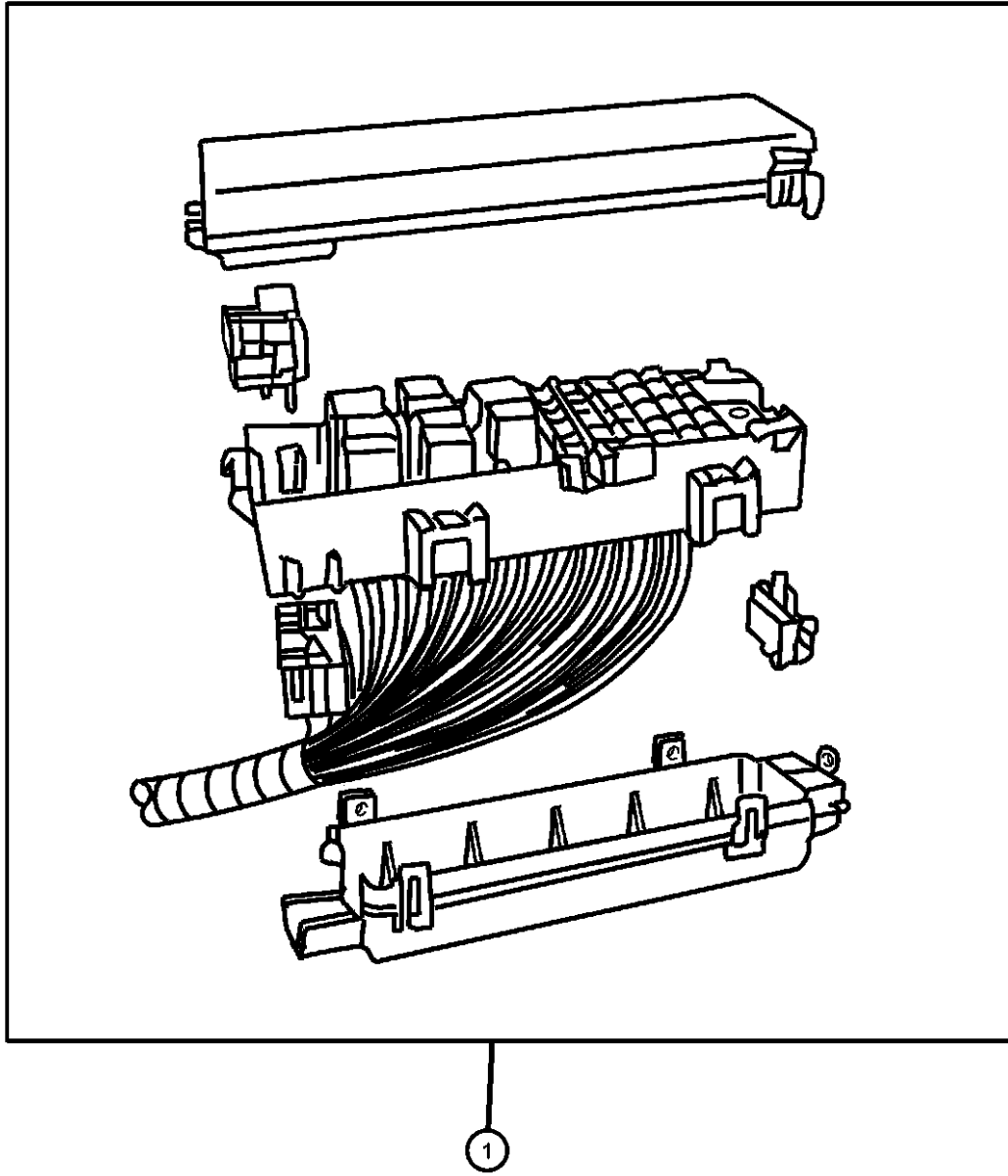
| | | | | |
|-------------|----------------------|------------------------|--|--|
| SERIES | LINE | BODY | ENGINE | TRANSMISSION |
| H = Laredo | T = JEEP - 2WD | 74 = 4 Door (105.9 WB) | ERH = ENGINE - 4.0L POWER TECH I-6 | DG4 = TRANSMISSION-MULTI-SPEED AUTO, 45RFE |
| P = Limited | J = JEEP - 4WD | | EVA = ENGINE- 4.7L V8 MPI | DGW = TRANSMISSION - 4-SPD. AUTOMATIC,44RE |
| | U = JEEP - 4WD (RHD) | | EXA = ENGINE - 3.1L 5 CYL TURBO DIESEL | DGK = TRANSMISSION - 4-SPD. AUTOMATIC,42RE |
| | | | | DGO = ALL AUTOMATIC TRANSMISSIONS |

AR = use ase required - = Non illustrated part

2000 WJ

**Power Distribution Center Repair
Figure 8-1610**

| ITEM | PART NUMBER | QTY | LINE | SERIES | BODY | ENGINE | TRANS | TRIM | DESCRIPTION |
|------|-------------|-----|------|--------|------|--------|-------|------|---|
| 1 | J4175376 | 1 | | | | | | | REPAIR KIT, Power Distribution Center, (NOT SERVICED) |



GRAND CHEROKEE (WJ)

SERIES
H = Laredo
P = Limited

LINE
T = JEEP - 2WD
J = JEEP - 4WD
U = JEEP - 4WD (RHD)

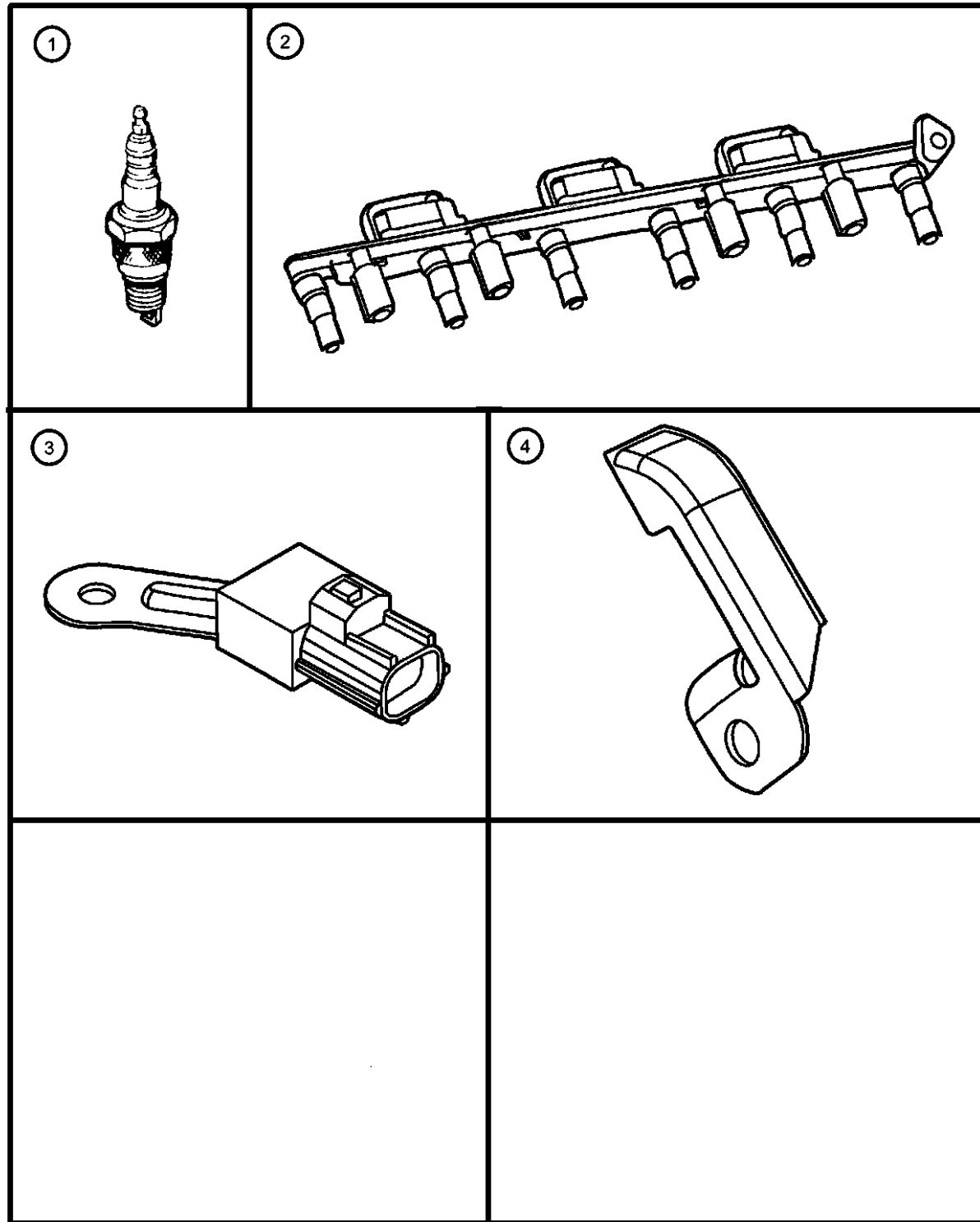
BODY
74 = 4 Door (105.9 WB)

ENGINE
ERH = ENGINE - 4.0L
POWER TECH I-6
EVA = ENGINE- 4.7L V8 MPI
EXA = ENGINE - 3.1L 5 CYL
TURBO DIESEL

TRANSMISSION
DG4 = TRANSMISSION-MULTI-
SPEED AUTO, 45RFE
DGW = TRANSMISSION - 4-SPD.
AUTOMATIC,44RE
DGK = TRANSMISSION - 4-SPD.
AUTOMATIC,42RE
DGO = ALL AUTOMATIC
TRANSMISSIONS

AR = use ase required - = Non illustrated part

Spark Plugs - Coils
Figure 8-1910



| ITEM | PART NUMBER | QTY | LINE | SERIES | BODY | ENGINE | TRANS | TRIM | DESCRIPTION |
|---|-------------|-----|------|--------|------|--------|-------|------|---|
| ER0=4.0L Engine EV0=4.7L Engine EX0=3.0L/3.1L Turbo Diesel Engine DG0=Automatic Transmission DGW= Automatic Transmission 4 Speed Automatic 44RE DGK=Automatic Transmission 4 Speed DG4=Automatic Transmission Multi-Speed | | | | | | | | | |
| 1 | 56028236AA | 8 | | | | EV0 | | | SPARK PLUG RC12MCC4 Canadian Aftermarket Part |
| | OSP00483 | | | | | | | | |
| | SP000ZFR5N | 6 | | | | ER0 | | | |
| 2 | 56028138AB | 8 | | | | EV0 | | | COIL, Ignition EVO (4.7L 6 Cyl GAS) |
| | 56041476AA | 1 | | | | ER0 | | | ERO (4.0L GAS) |
| 3 | 56041396AA | 2 | | | | EV0 | | | CAPACITOR, Ignition |
| 4 | 56041388AA | 1 | | | | ER0 | DG0 | | SHIELD, Wiring |
| -5 | 05015297AA | 8 | | | | EV0 | | | O RING, Coil Pack |
| -6 | 06102146AA | 4 | | | | ER0 | | | SCREW AND WASHER, Ignition Coil Mounting |

GRAND CHEROKEE (WJ)

| | | | | |
|-------------|----------------------|------------------------|---|--|
| SERIES | LINE | BODY | ENGINE | TRANSMISSION |
| H = Laredo | T = JEEP - 2WD | 74 = 4 Door (105.9 WB) | ERH = ENGINE - 4.0L POWER TECH I-6 | DG4 = TRANSMISSION-MULTI- SPEED AUTO, 45RFE |
| P = Limited | J = JEEP - 4WD | | EVA = ENGINE- 4.7L V8 MPI | DGW = TRANSMISSION - 4-SPD. AUTOMATIC,44RE |
| | U = JEEP - 4WD (RHD) | | EXA = ENGINE - 3.1L 5 CYL TURBO DIESEL | DGK = TRANSMISSION - 4-SPD. AUTOMATIC,42RE |
| | | | | DGO = ALL AUTOMATIC TRANSMISSIONS |

AR = use ase required - = Non illustrated part

Group - 08A

Instrument Panel and Radios and Consoles

Group - 08A Instrument Panel and Radios and Consoles

Group-Fig. No.

Illustration Title

Instrument Panel

Instrument Panel Fig. 08A - 110

Instrument Panel Cluster

Instrument Cluster..... Fig. 08A - 210

Radio, Antenna, and Speakers

Radios..... Fig. 08A - 310

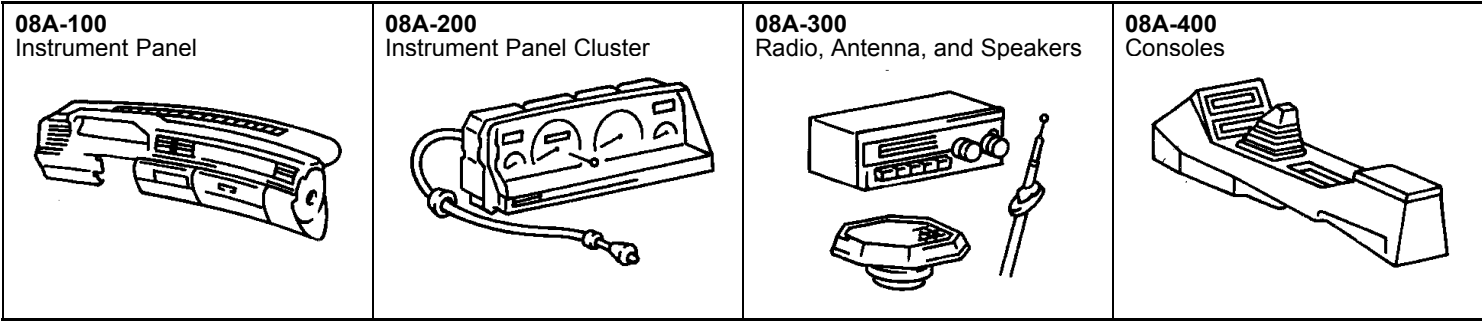
Antenna..... Fig. 08A - 320

Speakers..... Fig. 08A - 325

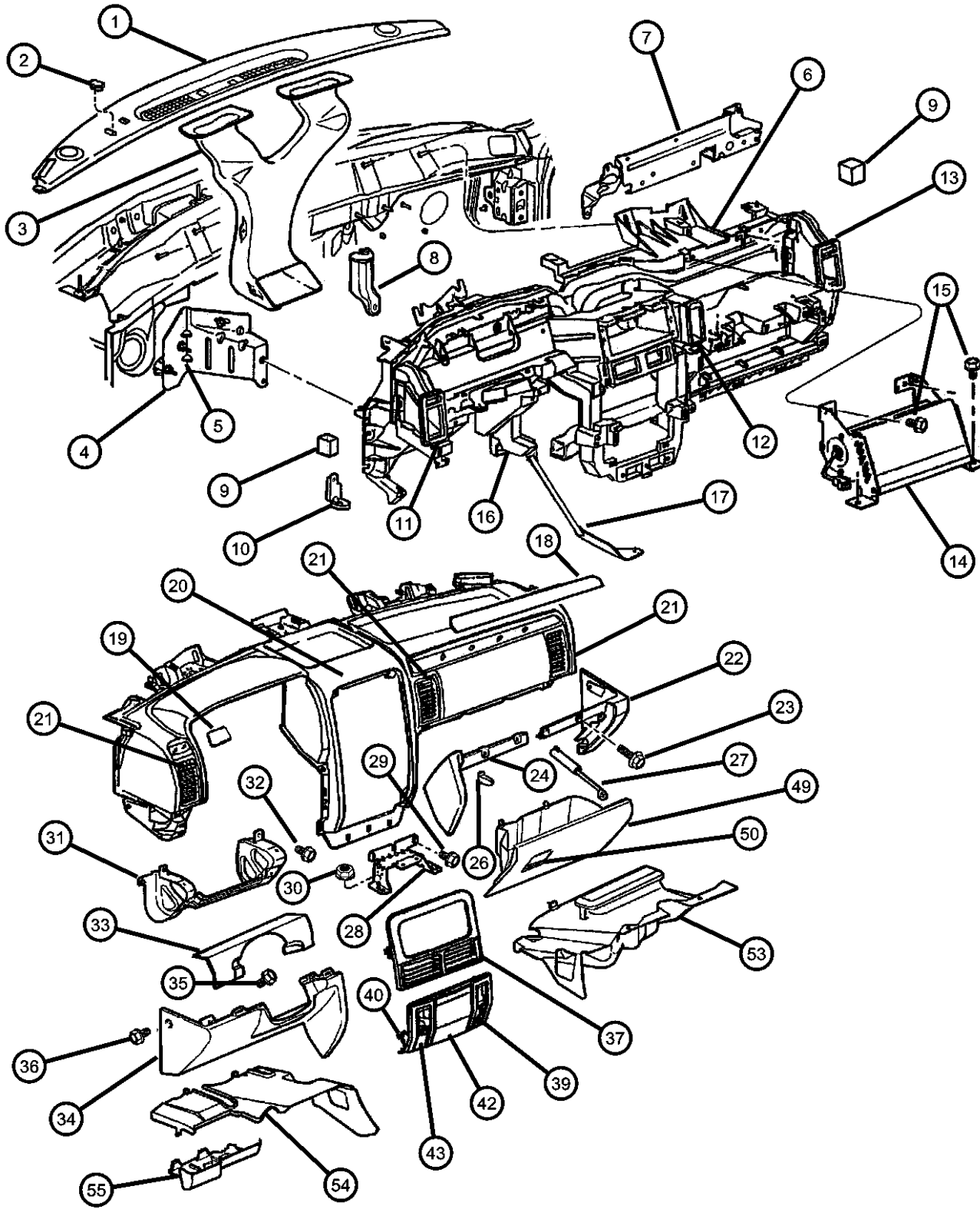
Consoles

Floor Console..... Fig. 08A - 410

Overhead Console Fig. 08A - 420



**Instrument Panel
Figure 08A-110**



| ITEM | PART NUMBER | QTY | LINE | SERIES | BODY | ENGINE | TRANS | TRIM | DESCRIPTION |
|------|-------------|-----|------|--------|------|--------|-------|------|---|
| 1 | 0QR20LAZAC | 1 | | | | | | | COVER, Instrument Panel Agate |
| | 0QR20VK9AC | 1 | | | | | | | Suede |
| | 0QR20WL8AC | 1 | | | | | | | Brown |
| 2 | 5EL11SAZ | 1 | | | | | | | PLUG, Solar Sensor, Agate |
| 3 | | | | | | | | | DUCT, Defroster |
| | 55116014 | 1 | J, T | | | | | | |
| | 55116394AA | 1 | U | | | | | | |
| 4 | | | | | | | | | BRACKET, Instrument Panel |
| | 55116395AC | 1 | J, T | | | | | | |
| | 55116396AA | 1 | U | | | | | | |
| 5 | 55116396AA | 1 | | | | | | | NUT, M6x1, (NOT SERVICED) |
| 6 | | | | | | | | | DUCT, Instrument Panel, Structural |
| | 55116295AC | 1 | U | | | | | | |
| | 55116407AC | 1 | J, T | | | | | | |
| 7 | | | | | | | | | BRACKET, Instrument Panel, C-Channel Cover |
| | 55116373AB | 1 | J, T | | | | | | |
| | 55116376AB | 1 | U | | | | | | |
| 8 | 55116397AA | 1 | | | | | | | BRACKET, Instrument Panel |
| 9 | | | | | | | | | SPACER |
| | 52850582AA | 1 | | | | | | | Right |
| | 52850583AA | 1 | | | | | | | Left |
| 10 | | | | | | | | | BRACKET, Instrument Panel, Courtesy Lamp |
| | 55116390AB | 1 | J, T | | | | | | |
| | 55116418AA | 1 | U | | | | | | |
| 11 | 55116287AB | 1 | | | | | | | DUCT, Instrument Panel, Extension Left |
| 12 | | | | | | | | | DUCT, Instrument Panel, Extension In Board |
| | 55116285AA | 1 | J, T | | | | | | |
| | 55116439AA | 1 | U | | | | | | |
| 13 | 55116286AB | 1 | | | | | | | DUCT, Instrument Panel, Extension Right |
| 14 | 55115945AD | 1 | | | | | | | AIR BAG, Passenger |

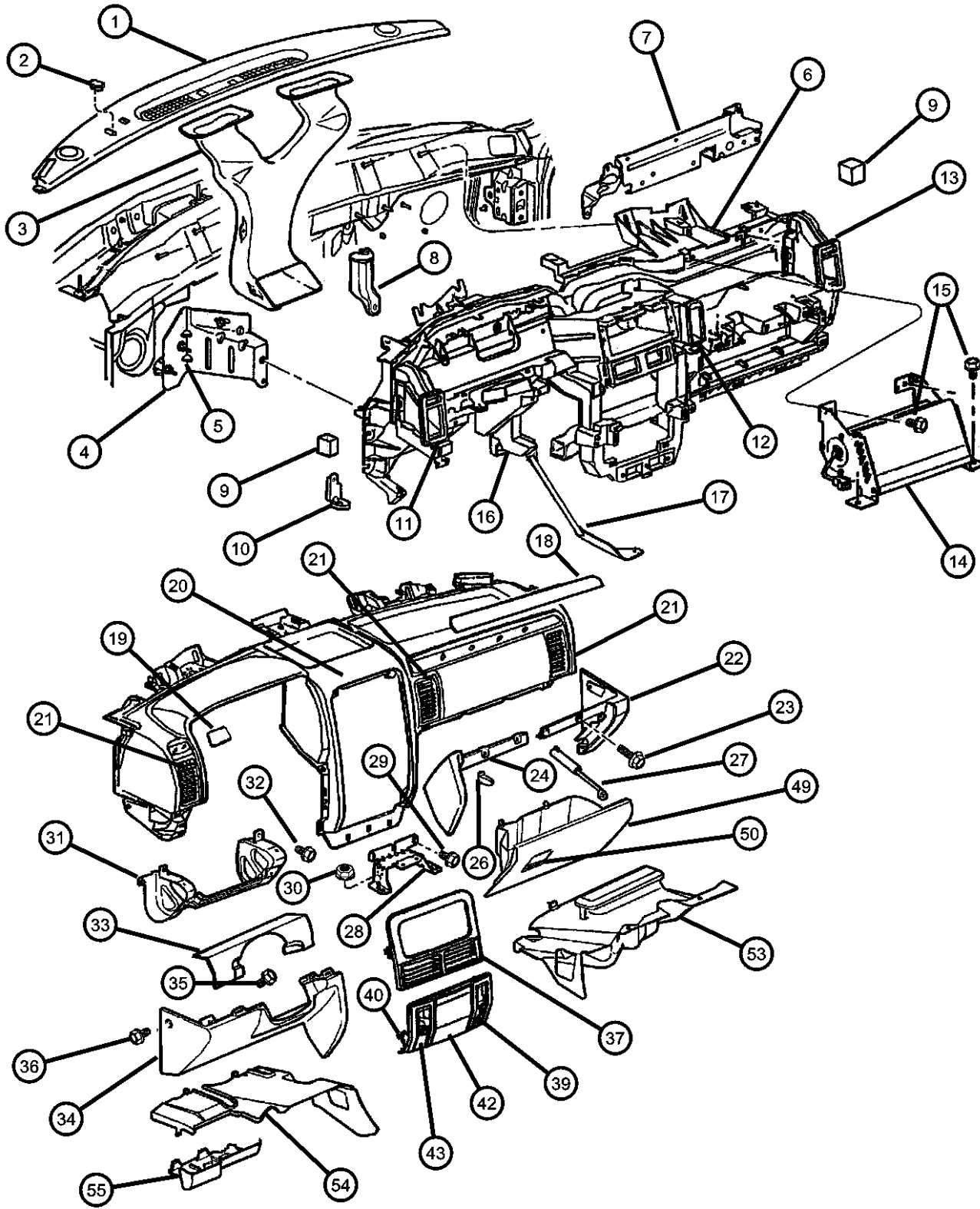
GRAND CHEROKEE (WJ)

| | | | | |
|---------------|----------------------|------------------------|---|--|
| SERIES | LINE | BODY | ENGINE | TRANSMISSION |
| H = Laredo | T = JEEP - 2WD | 74 = 4 Door (105.9 WB) | ERH = ENGINE - 4.0L POWER TECH I-6 | DG4 = TRANSMISSION-MULTI- SPEED AUTO, 45RFE |
| P = Limited | J = JEEP - 4WD | | EVA = ENGINE- 4.7L V8 MPI | DGW = TRANSMISSION - 4-SPD. AUTOMATIC,44RE |
| | U = JEEP - 4WD (RHD) | | EXA = ENGINE - 3.1L 5 CYL TURBO DIESEL | DGK = TRANSMISSION - 4-SPD. AUTOMATIC,42RE |
| | | | | DGO = ALL AUTOMATIC TRANSMISSIONS |

AR = use ase required - = Non illustrated part

2000 WJ

**Instrument Panel
Figure 08A-110**



| ITEM | PART NUMBER | QTY | LINE | SERIES | BODY | ENGINE | TRANS | TRIM | DESCRIPTION |
|------|-------------|-----|------|--------|------|--------|-------|------|--|
| 15 | 55115945AD | 1 | | | | | | | SCREW, Hex Head, (NOT SERVICED) |
| 16 | | | | | | | | | BRACKET, Instrument Panel, Steering Column Support |
| | 55116032AC | 1 | J, T | | | | | | |
| | 55116299AD | 1 | U | | | | | | |
| 17 | 55116299AD | 1 | | | | | | | STRAP, Serviced in Assembly, (NOT SERVICED) |
| 18 | | | | | | | | | BEZEL, Instrument Panel |
| | 55116481AA | 1 | U | | | | | | Spartan Burl, Passenger Side |
| | 55116482AA | 1 | J, T | | | | | | Spartan Burl, Passenger Side |
| 19 | | | | | | | | | BEZEL, Instrument Panel, Armature Assembly & A/C Outlet Bezel Included |
| | 55116475AA | 1 | J, T | | | | | | Spartan Burl, Driver Side |
| | 55116476AA | 1 | U | | | | | | Spartan Burl, Drivers Side |
| 20 | | | | | | | | | PAD, Instrument Panel |
| | 5GZ101AZAA | 1 | J, T | | | | | | Agate |
| | 5GZ101K9AA | 1 | J, T | | | | | | Suede |
| | 5GZ101L8AA | 1 | J, T | | | | | | Brown |
| | 5GZ111AZAA | 1 | U | | | | | | Agate |
| | 5GZ111K9AA | 1 | U | | | | | | Suede |
| 21 | | | | | | | | | OUTLET, Air Conditioning & Heater |
| | 5GZ121AZAA | 1 | J, T | | | | | | Agate (Inboard) |
| | 5GZ121K9AA | 1 | J, T | | | | | | Suede (Inboard) |
| | 5GZ121L8AA | 1 | J, T | | | | | | Brown (Inboard) |
| | 5GZ131AZAA | 1 | J, T | | | | | | Agate (Left Side) |
| | | 1 | U | | | | | | Agate (Left Side) |
| | 5GZ131K9AA | 1 | J, T | | | | | | Suede (Left Side) |
| | | 1 | U | | | | | | Suede (Left Side) |
| | 5GZ131L8AA | 1 | J, T | | | | | | Brown (Left Side) |
| | 5GZ141AZAA | 1 | U | | | | | | Agate (Right Side) |
| | | 1 | J, T | | | | | | Agate (Right Side) |
| | 5GZ141K9AA | 1 | U | | | | | | Suede (Right Side) |
| | | 1 | J, T | | | | | | Suede (Right Side) |

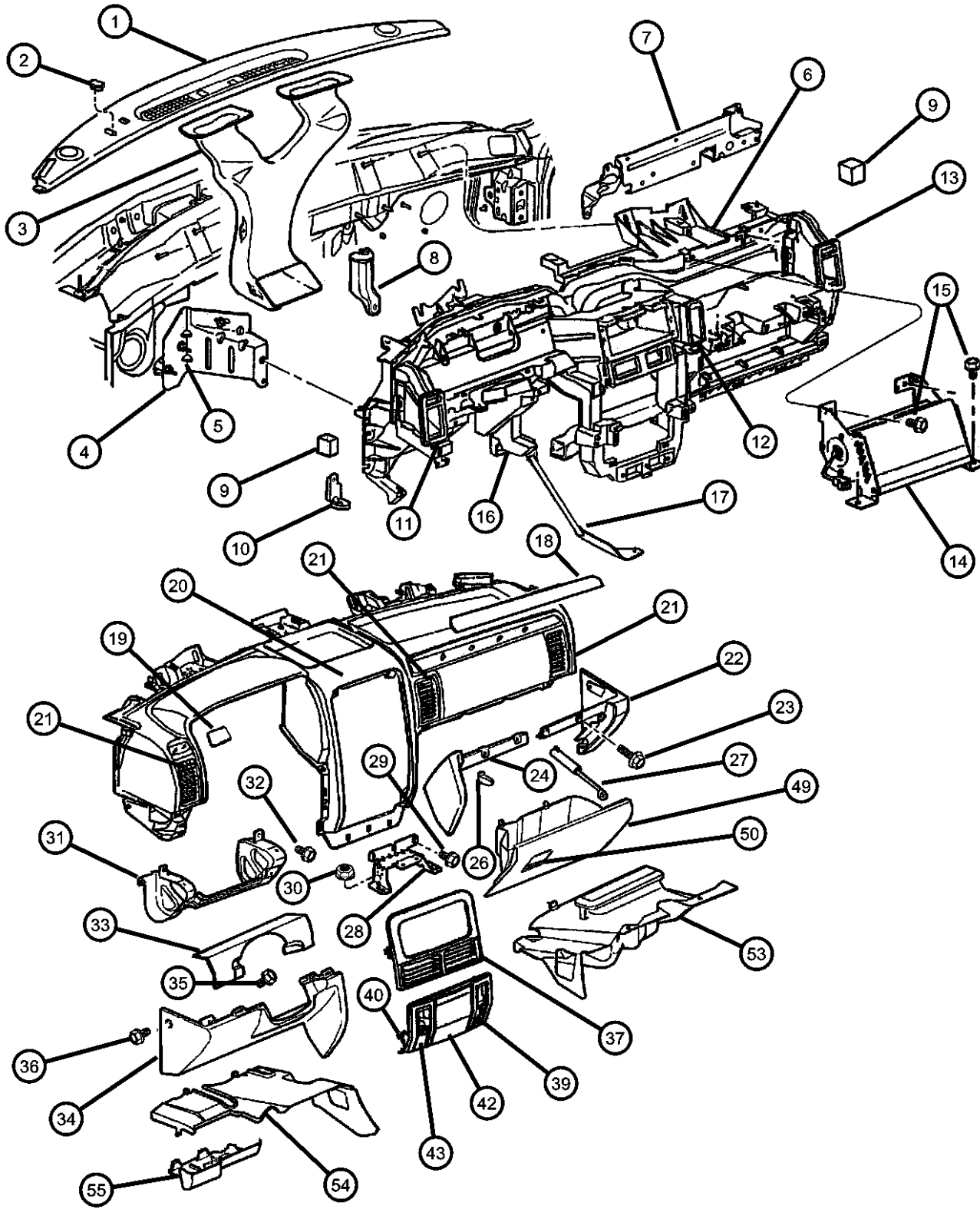
GRAND CHEROKEE (WJ)

| | | | | |
|---------------|----------------------|------------------------|--|--|
| SERIES | LINE | BODY | ENGINE | TRANSMISSION |
| H = Laredo | T = JEEP - 2WD | 74 = 4 Door (105.9 WB) | ERH = ENGINE - 4.0L POWER TECH I-6 | DG4 = TRANSMISSION-MULTI-SPEED AUTO, 45RFE |
| P = Limited | J = JEEP - 4WD | | EVA = ENGINE- 4.7L V8 MPI | DGW = TRANSMISSION - 4-SPD. AUTOMATIC,44RE |
| | U = JEEP - 4WD (RHD) | | EXA = ENGINE - 3.1L 5 CYL TURBO DIESEL | DGK = TRANSMISSION - 4-SPD. AUTOMATIC,42RE |
| | | | | DGO = ALL AUTOMATIC TRANSMISSIONS |

AR = use ase required - = Non illustrated part

2000 WJ

**Instrument Panel
Figure 08A-110**



| ITEM | PART NUMBER | QTY | LINE | SERIES | BODY | ENGINE | TRANS | TRIM | DESCRIPTION |
|------|-------------|-----|------|--------|------|--------|-------|------|---|
| | 5GZ141L8AA | 1 | J, T | | | | | | Brown (Right Side) |
| | | 1 | U | | | | | | Brown (Right Side) |
| | 5GZ151AZAA | 1 | U | | | | | | Agate (Inboard) |
| | 5GZ151AZAB | 1 | U | | | | | | Suede (Inboard) |
| 22 | | | | | | | | | CAP, Instrument Panel End |
| | 5EY42LAZAB | 1 | J, T | | | | | | Agate |
| | 5EY42RK5AB | 1 | J, T | | | | | | Tan/Agate |
| | 5EY42WL5AB | 1 | J, T | | | | | | Taupe |
| | 5FX24LAZAB | 1 | U | | | | | | Agate |
| | 5FX24RK5AB | 1 | U | | | | | | Tan/Agate |
| 23 | 06032723 | 3 | | | | | | | SCREW, Self Tapping, M4.2x1.69x19.05 |
| 24 | | | | | | | | | BEZEL, Instrument Panel |
| | 5FU66LAZAB | 1 | J, T | | | | | | Lower Right Center (Agate) |
| | 5FU66RK5AB | 1 | J, T | | | | | | Lower Right Center (Tan/Agate) |
| | 5FU66WL5AB | 1 | J, T | | | | | | Lower Right Center (Taupe) |
| | 5FX20LAZAB | 1 | U | | | | | | Lower Left Center (Agate) |
| | 5FX20RK5AB | 1 | U | | | | | | Lower Left Center (Tan/Agate) |
| -25 | 06101946 | 4 | | | | | | | SCREW, Tapping |
| 26 | | | | | | | | | STRIKER, Glove Box Door Latch |
| | 55116374AA | 1 | | | | | | | Right |
| | 55116375AA | 1 | | | | | | | Left |
| 27 | 55116424AA | 1 | | | | | | | DAMPENER, Glove Box Door |
| 28 | 55116041 | 1 | | | | | | | BRACKET, Instrument Panel |
| 29 | 55116041 | 1 | | | | | | | SCREW, M6X1X25, (NOT SERVICED) |
| 30 | 06504572 | 2 | | | | | | | NUT AND WASHER, Hex Nut-Coned Washer, M8 x 1.25 |
| 31 | 55116391AA | 1 | | | | | | | BRACKET, Instrument Panel |
| 32 | 06101786 | 4 | | | | | | | SCREW, Self Tapping, M6x1x15 |
| 33 | | | | | | | | | BEZEL, Instrument Cluster |
| | 5FZ23LAZAD | 1 | J, T | | | | | | w/o H/Lamp Leveling Switch (Agate) |
| | 5FZ23VK9AD | 1 | J, T | | | | | | w/o H/Lamp Leveling Switch (Suede) |

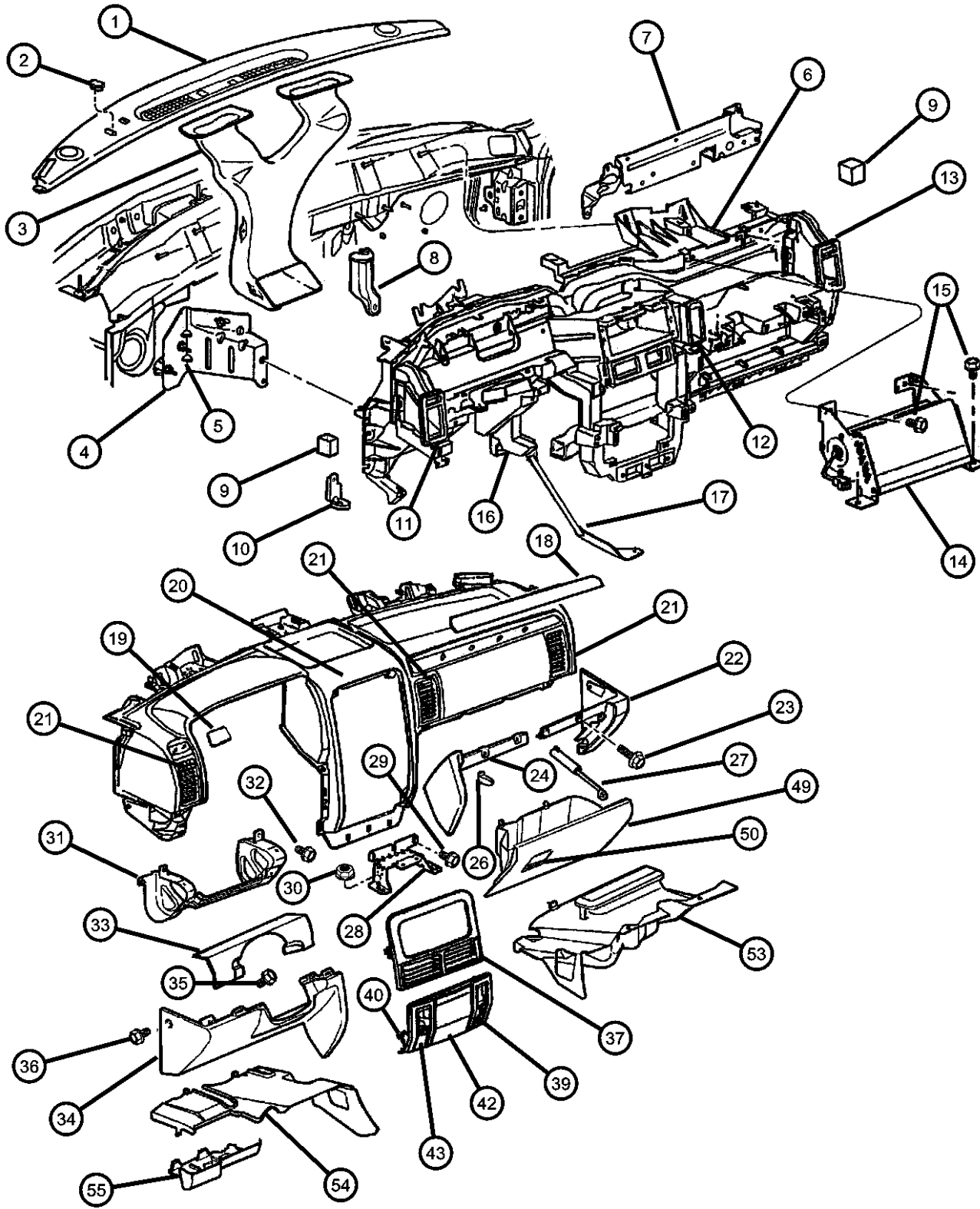
GRAND CHEROKEE (WJ)

| | | | | |
|---------------|----------------------|------------------------|--|---|
| SERIES | LINE | BODY | ENGINE | TRANSMISSION |
| H = Laredo | T = JEEP - 2WD | 74 = 4 Door (105.9 WB) | ERH = ENGINE - 4.0L POWER TECH I-6 | DG4 = TRANSMISSION-MULTI-SPEED AUTO, 45RFE |
| P = Limited | J = JEEP - 4WD | | EVA = ENGINE- 4.7L V8 MPI | DGW = TRANSMISSION - 4-SPD. AUTOMATIC, 44RE |
| | U = JEEP - 4WD (RHD) | | EXA = ENGINE - 3.1L 5 CYL TURBO DIESEL | DGK = TRANSMISSION - 4-SPD. AUTOMATIC, 42RE |
| | | | | DGO = ALL AUTOMATIC TRANSMISSIONS |

AR = use ase required - = Non illustrated part

2000 WJ

Instrument Panel
Figure 08A-110



| ITEM | PART NUMBER | QTY | LINE | SERIES | BODY | ENGINE | TRANS | TRIM | DESCRIPTION |
|------|-------------|-----|------|--------|------|--------|-------|------|--|
| | 5FZ23WL8AD | 1 | J, T | | | | | | w/o H/Lamp Leveling Switch (Brown) |
| | 5FZ26LAZAD | 1 | J, T | | | | | | w/H/Lamp Leveling Switch (Agate) |
| | 5FZ26VK9AD | 1 | J, T | | | | | | w/H/Lamp Leveling Switch (Suede) |
| | 5FZ28LAZAC | 1 | U | | | | | | w/o H/Lamp Leveling Switch (Agate) |
| | 5FZ28VK9AC | 1 | U | | | | | | w/o H/Lamp Leveling Switch (Suede) |
| | 5FZ31LAZAC | 1 | U | | | | | | w/H/Lamp Leveling Switch (Agate) |
| | 5FZ31VK9AC | 1 | U | | | | | | w/H/Lamp Leveling Switch (Suede) |
| 34 | | | | | | | | | COVER, Instrument Panel, Steering Column Opening, 5EY40TRMAE (LHD) |
| | 5EY40LAZAE | 1 | J, T | | | | | | Agate |
| | 5EY40RK5AE | 1 | J, T | | | | | | Tan/Agate |
| | 5EY40WL5AE | 1 | J, T | | | | | | Taupe |
| | 5FN60LAZAB | 1 | U | | | | | | Agate |
| | 5FN60RK5AB | 1 | U | | | | | | Tan/Agate |
| 35 | 06101946 | 4 | | | | | | | SCREW, Tapping |
| 36 | 06032723 | 3 | | | | | | | SCREW, Self Tapping, M4.2x1.69x19.05 |
| 37 | | | | | | | | | BEZEL, Instrument Panel, Upper, (Radio Bezel Opening) |
| | 55116277AB | 1 | | | | | | | Black |
| | 55116479AA | 1 | | | | | | | Sparta Burl |
| -38 | | | | | | | | | ADAPTER, A/C And Heater Unit |
| | 55116366AB | 1 | J, T | | | | | | |
| | 55116368AB | 1 | U | | | | | | |
| 39 | | | | | | | | | BEZEL, Instrument Panel, Lower |
| | 05014055AB | 1 | | | | | | | Laredo w/10 Way Power Heated Seats (Black) (Ash Reciever Assembly, Cigar & Power Outlet Assembly Included) |

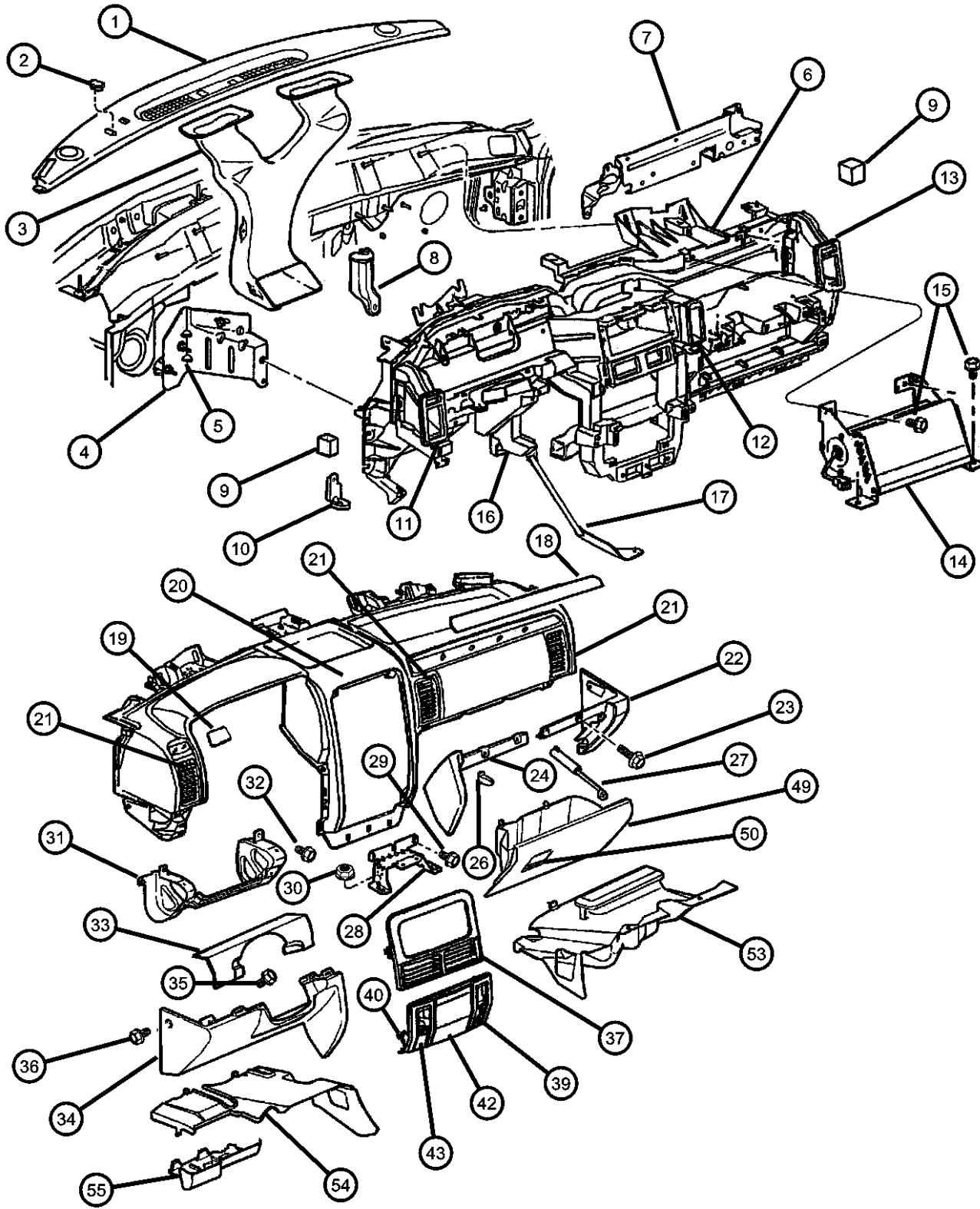
GRAND CHEROKEE (WJ)

| | | | | |
|-------------|----------------------|------------------------|--|--|
| SERIES | LINE | BODY | ENGINE | TRANSMISSION |
| H = Laredo | T = JEEP - 2WD | 74 = 4 Door (105.9 WB) | ERH = ENGINE - 4.0L POWER TECH I-6 | DG4 = TRANSMISSION-MULTI-SPEED AUTO, 45RFE |
| P = Limited | J = JEEP - 4WD | | EVA = ENGINE- 4.7L V8 MPI | DGW = TRANSMISSION - 4-SPD. AUTOMATIC,44RE |
| | U = JEEP - 4WD (RHD) | | EXA = ENGINE - 3.1L 5 CYL TURBO DIESEL | DGK = TRANSMISSION - 4-SPD. AUTOMATIC,42RE |
| | | | | DGO = ALL AUTOMATIC TRANSMISSIONS |

AR = use ase required - = Non illustrated part

2000 WJ

**Instrument Panel
Figure 08A-110**



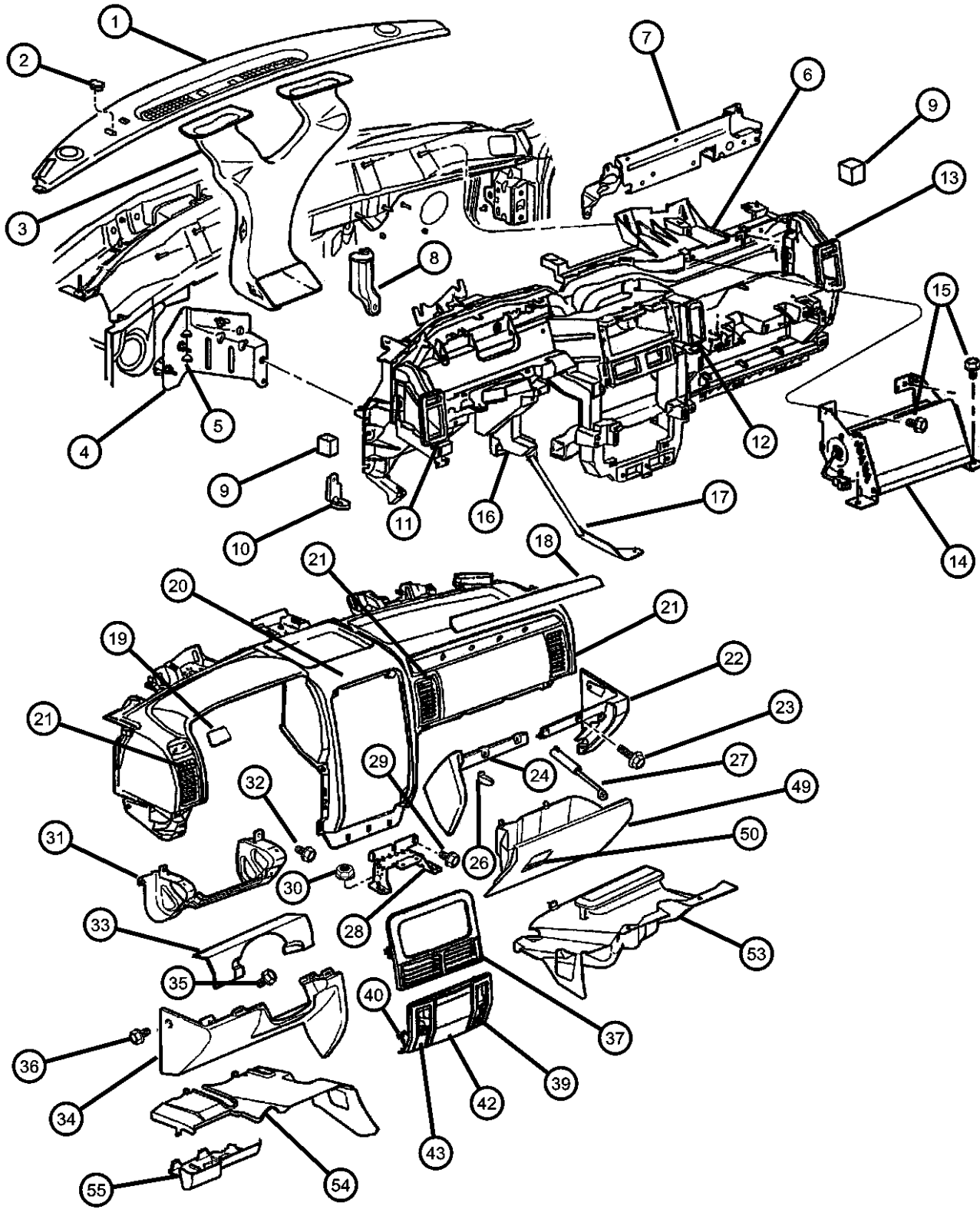
| ITEM | PART NUMBER | QTY | LINE | SERIES | BODY | ENGINE | TRANS | TRIM | DESCRIPTION |
|------|-------------|-----|------|--------|------|--------|-------|------|--|
| | 05019799AA | 1 | | | | | | | Limited w/10 Way Power Heated Seats (Sparta Burl) (Ash Reciever Assembly, Cigar & Power Outlet Assembly Included) |
| | 55116280AB | 1 | | | | | | | Laredo w/Power Seats & w/o Heated Seats (Black) (Ash Reciever Assembly, Cigar & Power Outlet Assembly Included) |
| | 55116483AA | 1 | | | | | | | Limited w/Power Seats & w/o Heated Seats (Sparta Burl) (Ash Reciever Assembly, Cigar & Power Outlet Assembly Included) |
| 40 | 55116372AA | 1 | | | | | | | PIN, Pivot, Ash Tray Guide Pin |
| -41 | 06504664 | 4 | | | | | | | CLIP, Instrument Panel |
| 42 | 55116061 | 1 | | | | | | | RECEPTACLE, Ash Receiver |
| 43 | 55116273AA | 1 | | | | | | | DOOR, Power Outlet |
| -44 | 05269360 | 1 | | | | | | | HOOD, Ash Receiver Lamp |
| -45 | 04793554 | 1 | | | | | | | POWER OUTLET, Cigar Lighter |
| -46 | 04793551 | 1 | | | | | | | BASE, Cigar Lighter |
| -47 | 04793555 | 2 | | | | | | | RING, Cigar Lighter Mounting |
| -48 | 05012496AA | 1 | | | | | | | SPRING, Return Assist |
| 49 | | | | | | | | | GLOVE BOX, Instrument Panel |
| | 5EY381AZAB | 1 | | | J, T | | | | Agate |
| | 5EY381K5AB | 1 | | | J, T | | | | Tan/Agate |
| | 5EY381L5AB | 1 | | | J, T | | | | Taupe |
| | 5FN641AZAB | 1 | | | U | | | | Agate |
| | 5FN641K5AB | 1 | | | U | | | | Tan/Agate |
| 50 | | | | | | | | | LATCH, Glovebox Door |
| | 5FK94LAZ | 1 | | | J, T | | | | Agate |
| | 5FK94RK5 | 1 | | | J, T | | | | Tan/Agate |
| | 5FK94WL5 | 1 | | | J, T | | | | Taupe |
| | 5FN66LAZ | 1 | | | U | | | | Agate |
| | 5FN66RK5 | 1 | | | U | | | | Tan/Agate |
| -51 | | | | | | | | | BUMPER, Glove Box Door |
| | 04524343 | 1 | | | J, T | | | | |

GRAND CHEROKEE (WJ)

| | | | | |
|---------------|----------------------|------------------------|--|--|
| SERIES | LINE | BODY | ENGINE | TRANSMISSION |
| H = Laredo | T = JEEP - 2WD | 74 = 4 Door (105.9 WB) | ERH = ENGINE - 4.0L POWER TECH I-6 | DG4 = TRANSMISSION-MULTI-SPEED AUTO, 45RFE |
| P = Limited | J = JEEP - 4WD | | EVA = ENGINE- 4.7L V8 MPI | DGW = TRANSMISSION - 4-SPD. AUTOMATIC,44RE |
| | U = JEEP - 4WD (RHD) | | EXA = ENGINE - 3.1L 5 CYL TURBO DIESEL | DGK = TRANSMISSION - 4-SPD. AUTOMATIC,42RE |
| | | | | DGO = ALL AUTOMATIC TRANSMISSIONS |

AR = use ase required - = Non illustrated part

Instrument Panel
Figure 08A-110



| ITEM | PART NUMBER | QTY | LINE | SERIES | BODY | ENGINE | TRANS | TRIM | DESCRIPTION |
|------|-------------|-----|------|--------|------|--------|-------|------|---|
| | 55116440AA | 1 | U | | | | | | |
| -52 | 04565022 | 1 | | | | | | | SWITCH AND LAMP, Glove Box |
| 53 | 55196850AC | 1 | J, T | | | | | | PANEL, Instrument Closure, Right |
| 54 | 55196851AC | 1 | J, T | | | | | | PANEL, Instrument Closure, Left |
| 55 | | | | | | | | | COVER, Fuse Access |
| | 55116219AB | 1 | J, T | | | | | | |
| | 55116293AB | 1 | U | | | | | | |
| -56 | | | | | | | | | PULLER, Fuse |
| | 55196762AA | 1 | J, T | | | | | | |
| | | 1 | U | | | | | | |
| -57 | | | | | | | | | LABEL, Air Bag Warning |
| | 04595748AA | 1 | J, T | | | | | | Removable Dash Warning (Glovebox Door) |
| | 04595749AA | 1 | J, T | | | | | | Bilingual Removable Dash Warning (Glovebox Door) |
| -58 | 04793554 | 1 | | | | | | | POWER OUTLET, Cigar Lighter, Quarter Trim Panel |
| -59 | 04685370 | 1 | | | | | | | KNOB AND ELEMENT, Cigar Lighter |
| -60 | | | | | | | | | CAP, Cigar Lighter |
| | 04685591 | 1 | | | | | | | Cap/Tether & Mount Ring (Cigar Lighter) |
| | 56008852 | 1 | J, T | | | | | | Cap/Tether & Mount Ring (Power Outlet) |

GRAND CHEROKEE (WJ)

SERIES
H = Laredo
P = Limited

LINE
T = JEEP - 2WD
J = JEEP - 4WD
U = JEEP - 4WD (RHD)

BODY
74 = 4 Door (105.9 WB)

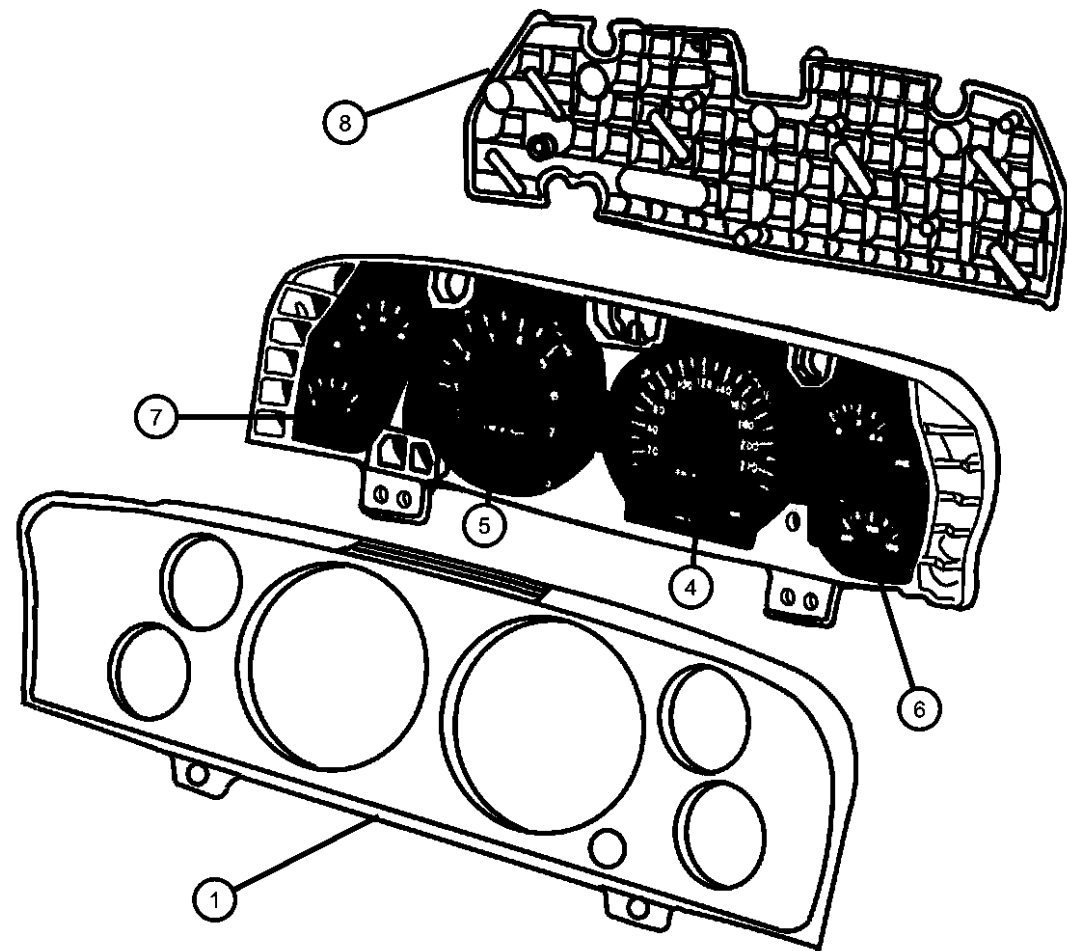
ENGINE
ERH = ENGINE - 4.0L
POWER TECH I-6
EVA = ENGINE- 4.7L V8 MPI
EXA = ENGINE - 3.1L 5 CYL
TURBO DIESEL

TRANSMISSION
DG4 = TRANSMISSION-MULTI-
SPEED AUTO, 45RFE
DGW = TRANSMISSION - 4-SPD.
AUTOMATIC, 44RE
DGK = TRANSMISSION - 4-SPD.
AUTOMATIC, 42RE
DGO = ALL AUTOMATIC
TRANSMISSIONS

AR = use ase required - = Non illustrated part

2000 WJ

**Instrument Cluster
Figure 08A-210**



| ITEM | PART NUMBER | QTY | LINE | SERIES | BODY | ENGINE | TRANS | TRIM | DESCRIPTION |
|------|-------------|-----|------|--------|------|--------|-------|------|---|
| 1 | | | | | | | | | LENS, Cluster |
| | 05016211AA | 1 | J, T | | | | | | 4.0L/4.7L Engine w/120 MPH Primary w/Tach |
| | 05016245AA | 1 | J, T | | | | | | 4.0L/4.7L Engine w/230 KPH Primary w/Tach |
| | | 1 | U | | | | | | 4.0L/4.7L Engine w/120 MPH Primary w/Tach |
| | | 1 | U | | | | | | Diesel Engine w/120 MPH Primary w/Tach |
| | | 1 | U | | | | | | Diesel Engine w/200 KPM w/Tach |
| | | 1 | U | | | | | | 4.0L/4.7L Engine w/200 KPM w/Tach |
| -2 | | | | | | | | | BULB, PC74 |
| | L000PC74 | 16 | | | | | | | |
| | | 19 | | | | | | | |
| -3 | | | | | | | | | BULB, PC121 |
| | 05269529 | 5 | | | | | | | 4.0L/4.7L Engine |
| | | 5 | | | | | | | Diesel Engine |
| 4 | | | | | | | | | GAUGE, Speedometer |
| | 05015438AA | 1 | J, T | | | | | | 4.0L/4.7L Engine w/120MPH Primary w/Tach |
| | 05016247AA | 1 | J, T | | | | | | 4.0L/4.7L Engine w/230 KPH Primary w/Tach |
| | | 1 | | | | | | | 4.0L/4.7L Engine w/230 KPH Primary w/Tach |
| | | 1 | | | | | | | Diesel Engine w/230 KPH Primary w/Tach |
| | 05016309AA | 1 | U | | | | | | 4.0L/4.7L Engine w/120MPH Primary w/Tach |
| | | 1 | U | | | | | | Diesel Engine w/120/125 Miles Primary w/Tach |
| | 05016311AA | 1 | U | | | | | | Diesel Engine w/200 KPM w/Tach (w/Miles Secondary-Metric) |
| | | 1 | U | | | | | | 4.0L/4.7L Engine w/200 KPM w/Tach |
| 5 | | | | | | | | | GAUGE, Tachometer |
| | 05015433AA | 1 | | | | | | | Gasoline Engine |
| | 05016304AA | 1 | | | | | | | Diesel Engine |
| 6 | | | | | | | | | GAUGE, Temperature And Oil |

GRAND CHEROKEE (WJ)

SERIES LINE
H = Laredo T = JEEP - 2WD
P = Limited J = JEEP - 4WD
 U = JEEP - 4WD (RHD)

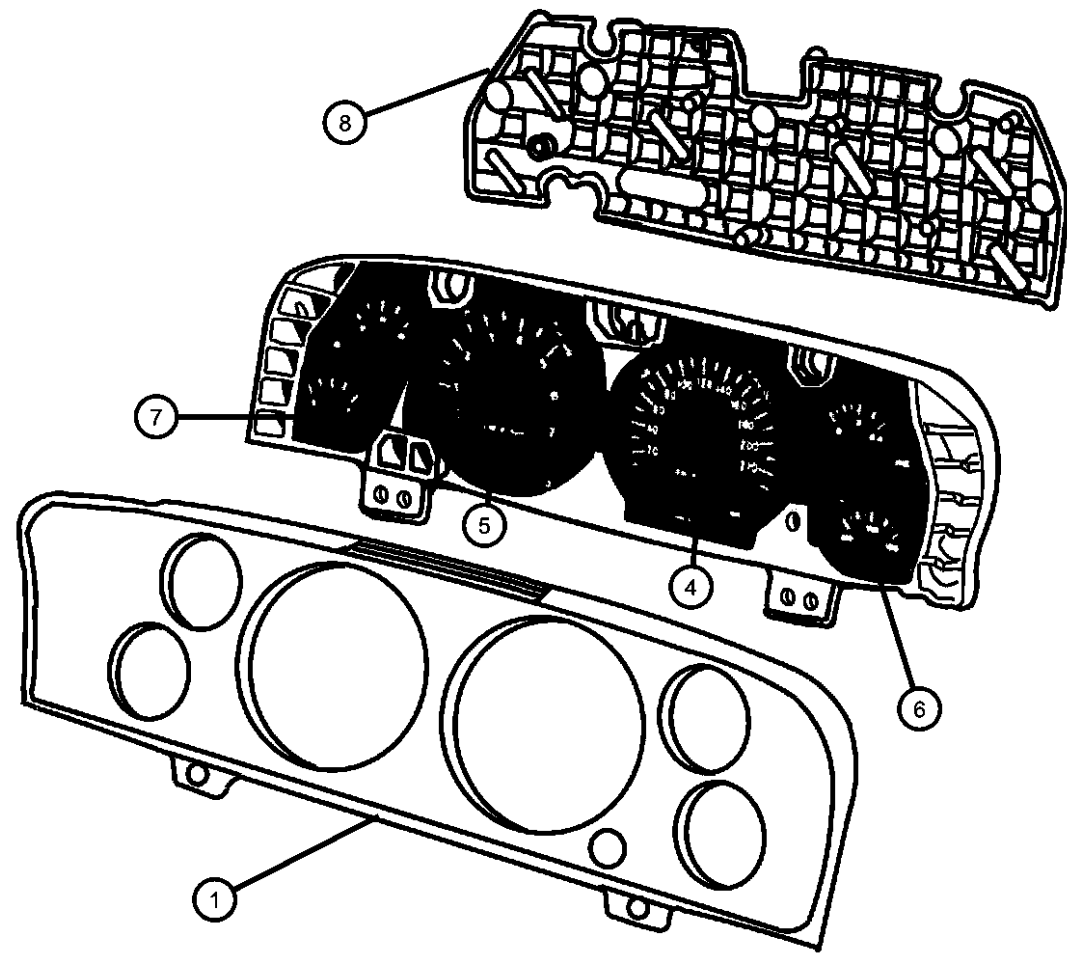
BODY
74 = 4 Door (105.9 WB)

ENGINE
ERH = ENGINE - 4.0L POWER TECH I-6
EVA = ENGINE- 4.7L V8 MPI
EXA = ENGINE - 3.1L 5 CYL TURBO DIESEL

TRANSMISSION
DG4 = TRANSMISSION-MULTI-SPEED AUTO, 45RFE
DGW = TRANSMISSION - 4-SPD. AUTOMATIC,44RE
DGK = TRANSMISSION - 4-SPD. AUTOMATIC,42RE
DGO = ALL AUTOMATIC TRANSMISSIONS

AR = use ase required - = Non illustrated part

**Instrument Cluster
Figure 08A-210**



| ITEM | PART NUMBER | QTY | LINE | SERIES | BODY | ENGINE | TRANS | TRIM | DESCRIPTION |
|------|-------------|-----|------|--------|------|--------|-------|------|---|
| | 05015434AA | 1 | J, T | | | | | | 4.0L/4.7L Engine w/120 MPH Primary w/Tach |
| | 05016246AA | 1 | J, T | | | | | | 4.0L/4.7L Engine w/230 KPH Primary w/Tach |
| | | 1 | U | | | | | | 4.0L/4.7L Engine w/120 MPH Primary w/Tach |
| | | 1 | U | | | | | | 4.0L/4.7L Engine w/200 KPM w/Tach |
| | 05016307AA | 1 | | | | | | | Diesel Engine w/230 KPH Primary w/Tach |
| | | 1 | U | | | | | | Diesel Engine w/120 MPH Primary w/Tach |
| | | 1 | U | | | | | | Diesel Engine w/200 KPM w/Tach |
| 7 | | | | | | | | | GAUGE, Fuel And Volt |
| | 05015436AA | 1 | J, T | | | | | | 4.0L/4.7L Engine w/120 MPH Primary w/Tach |
| | | 1 | J, T | | | | | | 4.0L/4.7L Engine w/230 KPH Primary w/Tach |
| | | 1 | U | | | | | | 4.0L/4.7L Engine w/120 MPH Primary w/Tach |
| | | 1 | U | | | | | | Diesel Engine w/120 MPH Primary w/Tach |
| | | 1 | U | | | | | | Diesel Engine w/200 KPM w/Tach |
| | | 1 | U | | | | | | 4.0L/4.7L Engine w/200 KPM w/Tach |
| 8 | | | | | | | | | BOARD, Circuit, Cluster Housing & Back Cover Included w/Circuit Board |
| | 05015437AA | 1 | J, T | | | | | | 4.0L/4.7L Engine w/120 MPH Primary w/Tach |
| | 05016300AA | 1 | J, T | | | | | | 4.0L/4.7L Engine w/230 KPH Primary w/Tach |
| | 05016308AA | 1 | | | | | | | Diesel Engine w/230 KPH Primary w/Tach |
| | 05016310AA | 1 | U | | | | | | Diesel Engine w/120 MPH Primary w/Tach |
| | 05016312AA | 1 | U | | | | | | Diesel Engine w/200 KPM w/Tach |
| | 05016313AA | 1 | U | | | | | | 4.0L/4.7L Engine w/120 MPH Primary w/Tach |
| | 05016317AA | 1 | U | | | | | | 4.0L/4.7L Engine w/200 KPM w/Tach |

GRAND CHEROKEE (WJ)

SERIES
H = Laredo
P = Limited

LINE
T = JEEP - 2WD
J = JEEP - 4WD
U = JEEP - 4WD (RHD)

BODY
74 = 4 Door (105.9 WB)

ENGINE
ERH = ENGINE - 4.0L POWER TECH I-6
EVA = ENGINE- 4.7L V8 MPI
EXA = ENGINE - 3.1L 5 CYL TURBO DIESEL

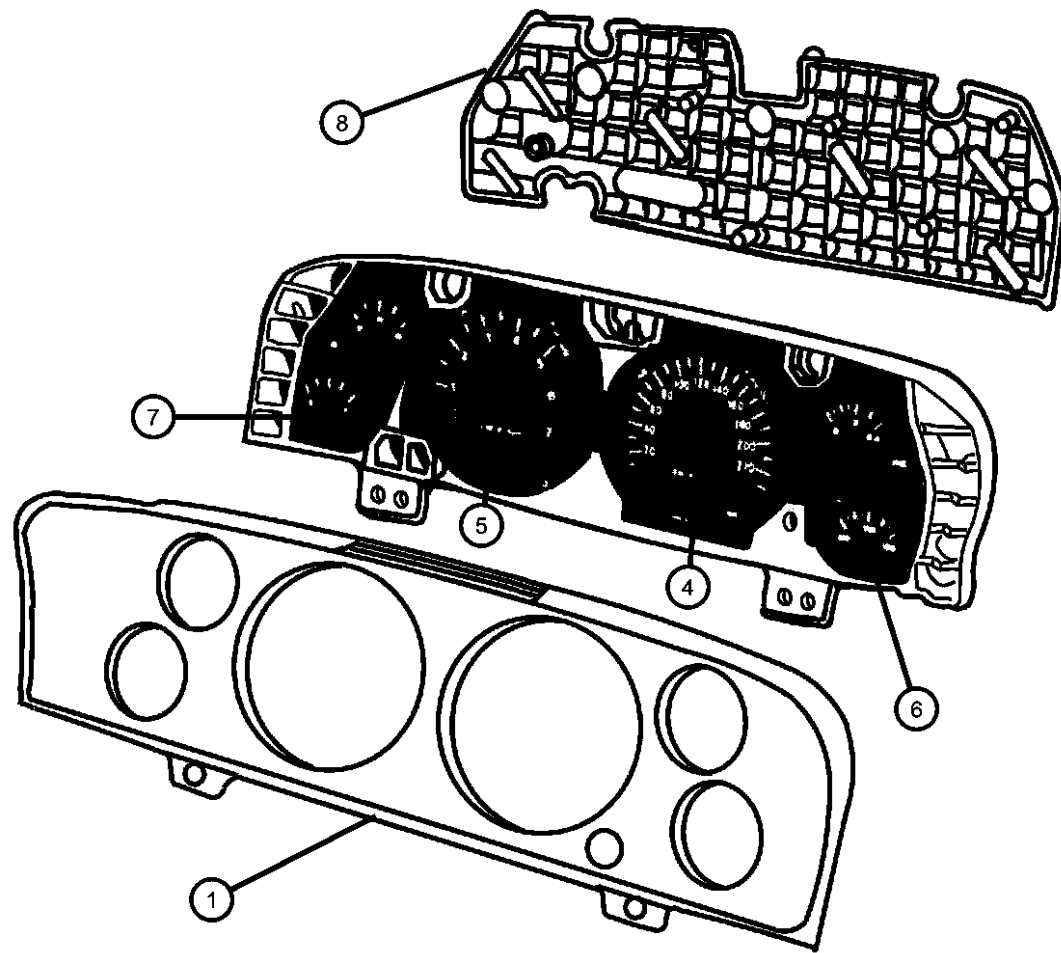
TRANSMISSION
DG4 = TRANSMISSION-MULTI-SPEED AUTO, 45RFE
DGW = TRANSMISSION - 4-SPD. AUTOMATIC,44RE
DGK = TRANSMISSION - 4-SPD. AUTOMATIC,42RE
DGO = ALL AUTOMATIC TRANSMISSIONS

AR = use ase required - = Non illustrated part

2000 WJ

**Instrument Cluster
Figure 08A-210**

| ITEM | PART NUMBER | QTY | LINE | SERIES | BODY | ENGINE | TRANS | TRIM | DESCRIPTION |
|------|-------------|-----|------|--------|------|--------|-------|------|--|
| -9 | 04638220 | 1 | | | | | | | KNOB, Odometer Reset 4.0L/4.7L Engine |
| | | 1 | | | | | | | Diesel Engine |
| -10 | 06101946 | 8 | J, T | | | | | | SCREW, Tapping |
| | | 2 | U | | | | | | |
| -11 | 06032723 | 2 | | | | | | | SCREW, Self Tapping, M4.2x1.69x19.05 |



GRAND CHEROKEE (WJ)

SERIES
H = Laredo
P = Limited

LINE
T = JEEP - 2WD
J = JEEP - 4WD
U = JEEP - 4WD (RHD)

BODY
74 = 4 Door (105.9 WB)

ENGINE
ERH = ENGINE - 4.0L
POWER TECH I-6
EVA = ENGINE- 4.7L V8 MPI
EXA = ENGINE - 3.1L 5 CYL
TURBO DIESEL

TRANSMISSION
DG4 = TRANSMISSION-MULTI-
SPEED AUTO, 45RFE
DGW = TRANSMISSION - 4-SPD.
AUTOMATIC,44RE
DGK = TRANSMISSION - 4-SPD.
AUTOMATIC,42RE
DGO = ALL AUTOMATIC
TRANSMISSIONS

AR = use ase required - = Non illustrated part

2000 WJ

Radios
Figure 08A-310

| ITEM | PART NUMBER | QTY | LINE | SERIES | BODY | ENGINE | TRANS | TRIM | DESCRIPTION |
|--|-------------|-----|------|--------|------|--------|-------|------|---|
| <p>RAD=AM/FM Cassette w/CD (EUROPE) RAS=AM/FM Cassette RAZ=AM/FM w/CD & Cassette RBA=AM/FM w/CD RBL=AM/FM Cassette/CD Control (EUROPE) RBN=AM/FM Cassette w/Control RDP=Disc Changer</p> | | | | | | | | | |
| 1 | 56038931AB | 1 | J, T | | 74 | | | | RADIO, AM/FM Cassette, (RAS) |
| 2 | 04858516AD | 1 | | | | | | | RADIO, AM/FM/Cassette With CD Control, (RBA) |
| 3 | 04858513AH | 1 | | | | | | | RADIO, AM/FM/Cassette With CD Control, (RBL) |
| 4 | 04858540AG | 1 | J, T | | 74 | | | | RADIO, AM/FM with CD and Cassette, (RAZ) |
| 5 | 04858584AG | 1 | J, T | | 74 | | | | RADIO, AM/FM Cassette with CD Control, (RBN) |
| 6 | 04858543AB | 1 | | | | | | | RADIO, AM/FM/Cassette With CD, (RAD) |
| -7 | 04858543AB | 1 | | | | | | | DISC, Compact, (NOT SERVICED) |
| -8 | 06100047 | 4 | | | | | | | NUT AND WASHER, Hex Nut-Coned Washer, M6 x 1.00 |
| -9 | 00154552 | 1 | | | | | | | SCREW, Hex Head, .190-16x.625 |
| -10 | 06035081 | 1 | | | | | | | NUT, .25-20 |
| -11 | | | | | | | | | STRAP, Radio Noise Suppression |
| | 56038402AB | 1 | | | | | | | 4.0L Engine |
| | 56038499AB | 1 | | | | | | | NUT, .25-20 |
| -12 | 06035081 | 1 | | | | | | | AMPLIFIER, Radio |
| 13 | | | | | | | | | [RCE] Infinity (Mounting Bracket Serviced with Amplifier) |
| | 56038407AD | 1 | | | | | | | [RDL] EUROPE w/Integrated Antenna |
| | 56042134 | 1 | | | | | | | CHANGER, CD, 10 Disc [RDP] |
| 14 | 56042129AG | 1 | | | | | | | |

GRAND CHEROKEE (WJ)

| | | | | |
|-------------|----------------------|------------------------|--|--|
| SERIES | LINE | BODY | ENGINE | TRANSMISSION |
| H = Laredo | T = JEEP - 2WD | 74 = 4 Door (105.9 WB) | ERH = ENGINE - 4.0L POWER TECH I-6 | DG4 = TRANSMISSION-MULTI-SPEED AUTO, 45RFE |
| P = Limited | J = JEEP - 4WD | | EVA = ENGINE- 4.7L V8 MPI | DGW = TRANSMISSION - 4-SPD. AUTOMATIC,44RE |
| | U = JEEP - 4WD (RHD) | | EXA = ENGINE - 3.1L 5 CYL TURBO DIESEL | DGK = TRANSMISSION - 4-SPD. AUTOMATIC,42RE |
| | | | | DGO = ALL AUTOMATIC TRANSMISSIONS |

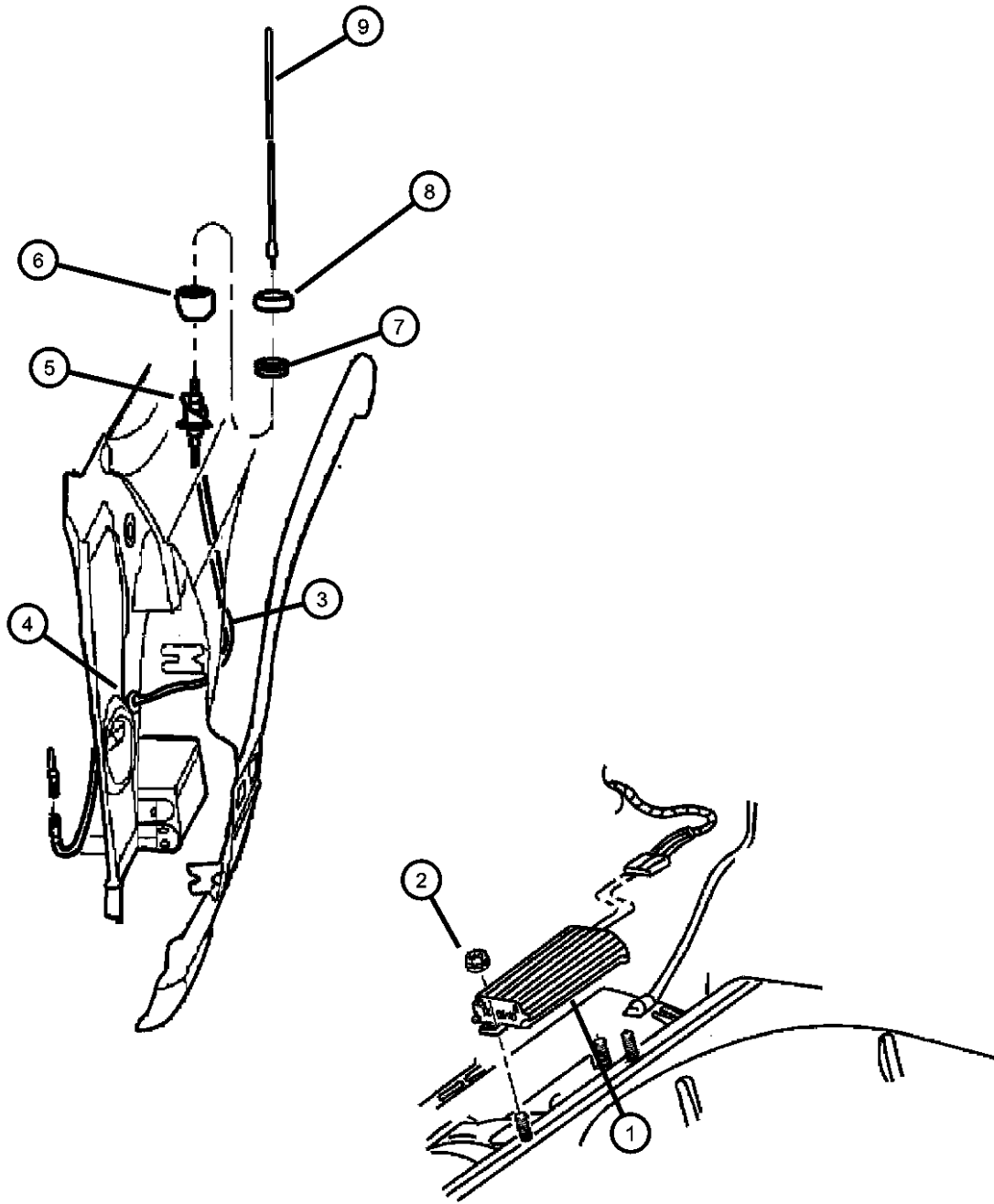
AR = use ase required - = Non illustrated part

**Antenna
Figure 08A-320**

| ITEM | PART NUMBER | QTY | LINE | SERIES | BODY | ENGINE | TRANS | TRIM | DESCRIPTION |
|------|-------------|-----|------|--------|------|--------|-------|------|-------------|
|------|-------------|-----|------|--------|------|--------|-------|------|-------------|

Note:
RCE = Infinity Speaker System
RDL = Rear Window Integrated Antenna

| | | | | | | | | | |
|---|------------|---|------|--|--|--|--|--|--------------------------------------|
| 1 | 56038407AD | 1 | | | | | | | AMPLIFIER, Radio (RCE) Infinity |
| | 56042134 | 1 | | | | | | | (RDL) EUROPE w/Intigrated Antenna |
| 2 | 06500284 | 2 | | | | | | | NUT, Hex, M6x1.00 |
| 3 | 56038513AF | 1 | J, T | | | | | | CABLE, Antenna w/Fixed Antenna |
| | 56038514AA | 1 | | | | | | | (RDL) EUROPE w/Intigrated Antenna |
| | 56038515AD | 1 | U | | | | | | (RDL) EUROPE w/Intigrated Antenna |
| | 56038516AD | 1 | J, T | | | | | | (RDL) EUROPE w/Intigrated Antenna |
| 4 | 04373728 | 1 | | | | | | | PLUG |
| 5 | 56038412AB | 1 | | | | | | | BASE, Antenna |
| 6 | 56009375AB | 1 | | | | | | | ESCUTCHEON, Antenna |
| 7 | 04685301 | 1 | | | | | | | CAP NUT, Antenna, Black |
| 8 | 04685498 | 1 | | | | | | | SHROUD, Antenna Cap Nut |
| 9 | 04685574 | 1 | | | | | | | MAST, Antenna, Black |



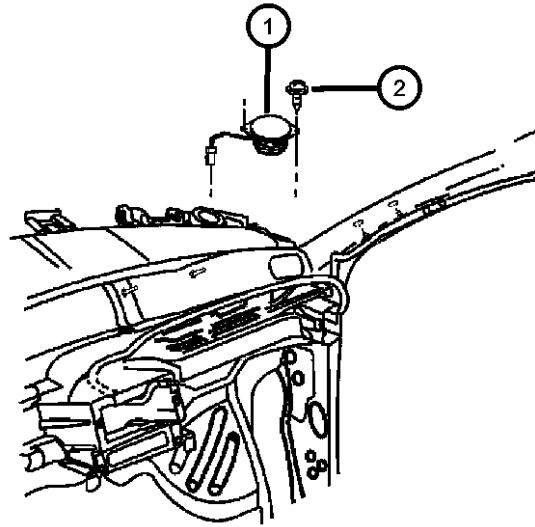
GRAND CHEROKEE (WJ)

| SERIES | LINE | BODY | ENGINE | TRANSMISSION |
|-------------|----------------------|------------------------|---|--|
| H = Laredo | T = JEEP - 2WD | 74 = 4 Door (105.9 WB) | ERH = ENGINE - 4.0L POWER TECH I-6 | DG4 = TRANSMISSION-MULTI- SPEED AUTO, 45RFE |
| P = Limited | J = JEEP - 4WD | | EVA = ENGINE- 4.7L V8 MPI | DGW = TRANSMISSION - 4-SPD. AUTOMATIC,44RE |
| | U = JEEP - 4WD (RHD) | | EXA = ENGINE - 3.1L 5 CYL TURBO DIESEL | DGK = TRANSMISSION - 4-SPD. AUTOMATIC,42RE |
| | | | | DGO = ALL AUTOMATIC TRANSMISSIONS |

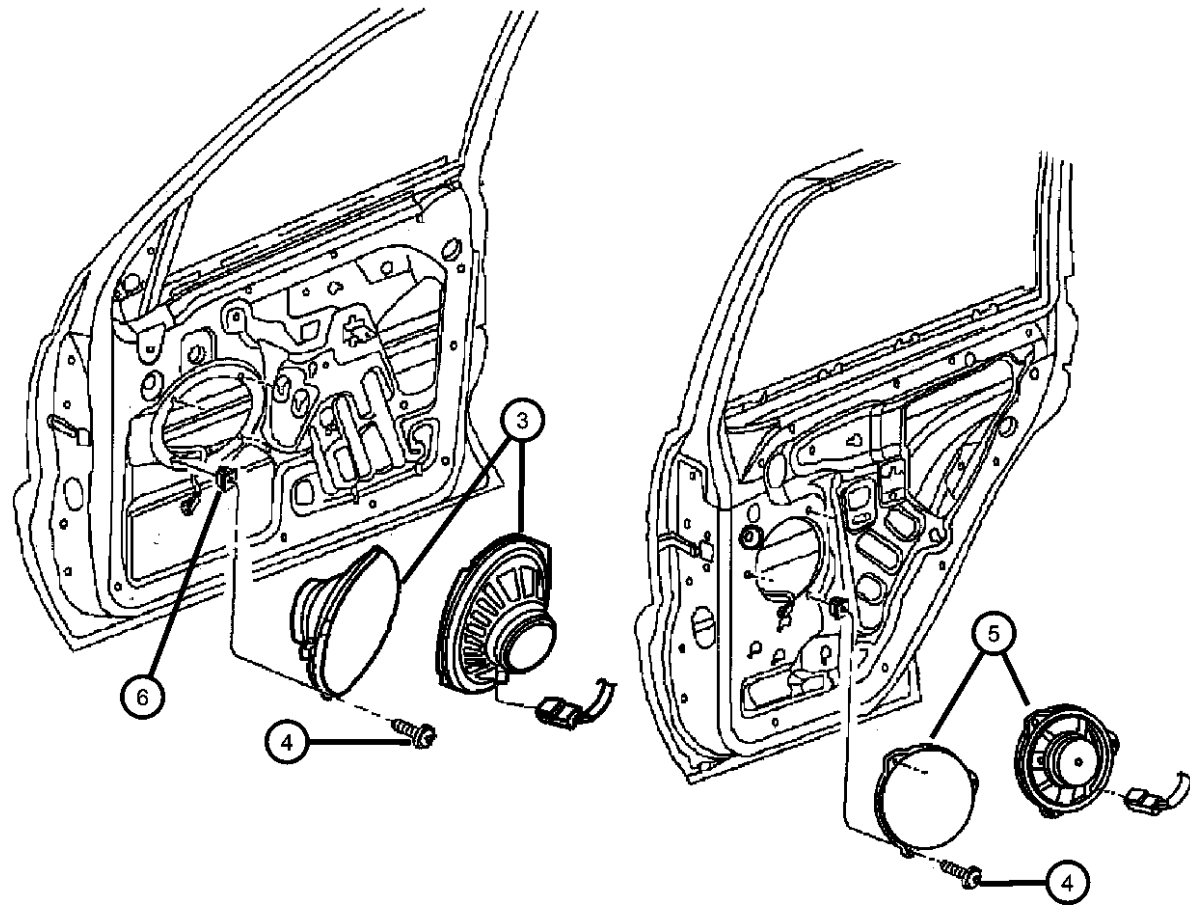
AR = use ase required - = Non illustrated part

2000 WJ

**Speakers
Figure 08A-325**



| ITEM | PART NUMBER | QTY | LINE | SERIES | BODY | ENGINE | TRANS | TRIM | DESCRIPTION |
|------|-------------|-----|------|--------|------|--------|-------|------|---|
| 1 | 56038411AC | 2 | | | | | | | SPEAKER, Instrument Panel, (RCE) Infinity |
| 2 | 06101946 | 3 | | | | | | | SCREW, Tapping |
| 3 | | | | | | | | | SPEAKER, 6"X9" |
| | 56038409AC | 2 | | | | | | | (RCE) Infinity |
| | 56042131AB | 2 | | | | | | | (RCG) Standard |
| 4 | 56042131AB | 2 | | | | | | | SCREW, (NOT SERVICED), |
| 5 | | | | | | | | | SPEAKER, 6.5" |
| | 56038408AB | 2 | | | | | | | (RCG) Standard |
| | 56038410AC | 2 | | | | | | | (RCE) Infinity |
| 6 | 06036098AA | 8 | | | | | | | NUT, Plastic Snap-in |
| -7 | 56038612AA | 2 | | | | | | | SPEAKER, Tweeter, (RCG) Standard |



GRAND CHEROKEE (WJ)

SERIES LINE
H = Laredo T = JEEP - 2WD
P = Limited J = JEEP - 4WD
 U = JEEP - 4WD (RHD)

BODY
74 = 4 Door (105.9 WB)

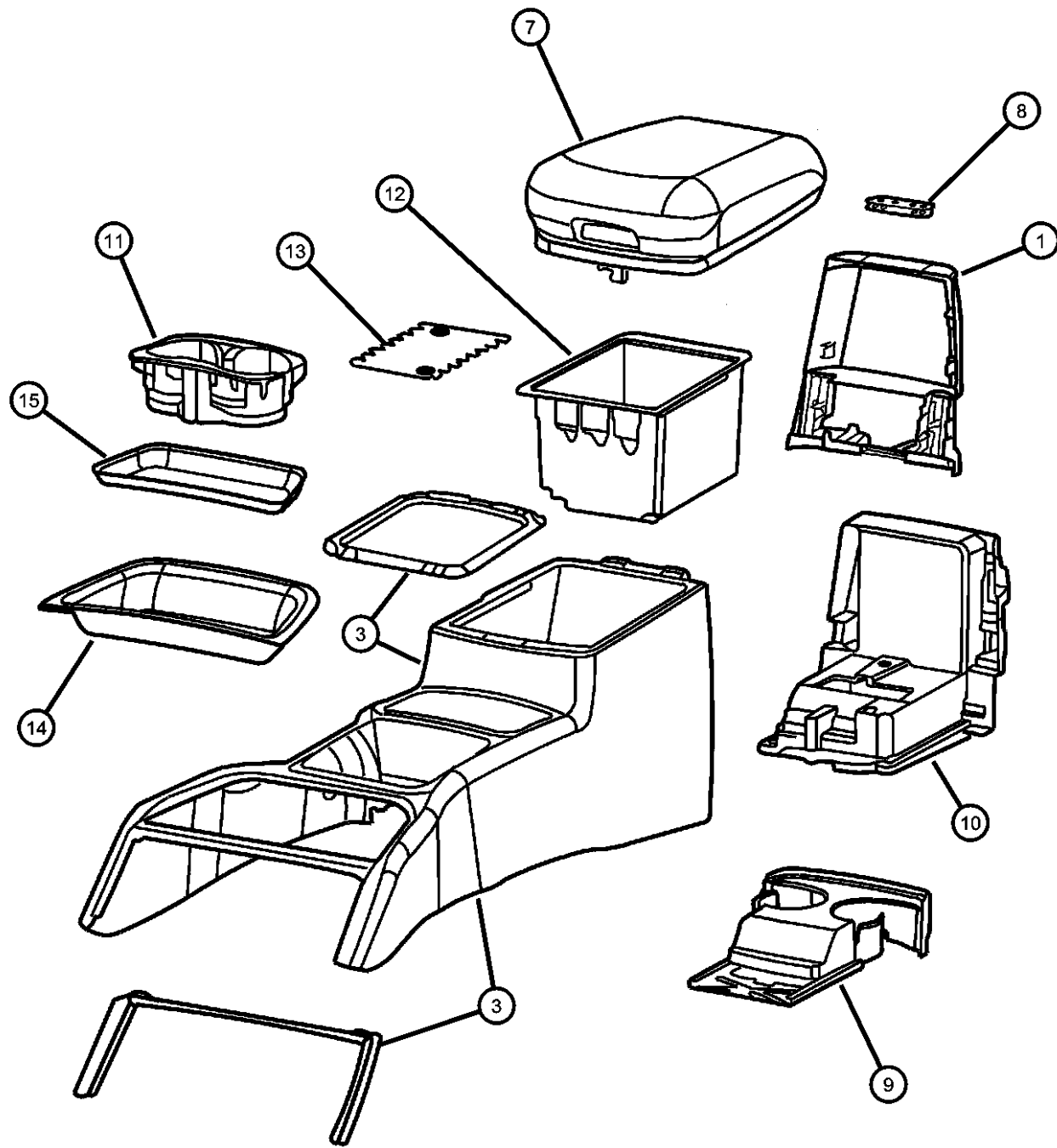
ENGINE
ERH = ENGINE - 4.0L POWER TECH I-6
EVA = ENGINE- 4.7L V8 MPI
EXA = ENGINE - 3.1L 5 CYL TURBO DIESEL

TRANSMISSION
DG4 = TRANSMISSION-MULTI-SPEED AUTO, 45RFE
DGW = TRANSMISSION - 4-SPD. AUTOMATIC,44RE
DGK = TRANSMISSION - 4-SPD. AUTOMATIC,42RE
DGO = ALL AUTOMATIC TRANSMISSIONS

AR = use ase required - = Non illustrated part

2000 WJ

Floor Console
Figure 08A-410



| ITEM | PART NUMBER | QTY | LINE | SERIES | BODY | ENGINE | TRANS | TRIM | DESCRIPTION |
|------|-------------|-----|------|--------|------|--------|-------|------|---------------------------------------|
| 1 | 0QP971AZAA | 1 | U | | | | | | PANEL, Console [AZ] |
| | 0QP971K5AA | 1 | U | | | | | | [K5] |
| | 0QP97LAZAA | 1 | J, T | | | | | | [AZ] |
| | 0QP97RK5AA | 1 | J, T | | | | | | [K5] |
| | 0QP97WL5AA | 1 | J, T | | | | | | [L5] |
| -2 | 05014295AA | 1 | U | | | | | | LATCH, Console Lock |
| | | 1 | J, T | | | | | | |
| 3 | 0SH131AZAB | 1 | J, T | | | | | | CONSOLE, Base [AZ] |
| | 0SH131K5AB | 1 | J, T | | | | | | [K5] |
| | 0SH131L5AB | 1 | J, T | | | | | | [L5] |
| | 0SH291AZAA | 1 | U | | | | | | [AZ] |
| | 0SH291K5AA | 1 | U | | | | | | [K5] |
| -4 | 06032452 | 2 | U | | | | | | SCREW, Self Piercing, .164-15x.625 |
| | | 2 | J, T | | | | | | |
| -5 | 06032838 | 1 | U | | | | | | CLIP, .500x.417x.500 |
| | | 1 | J, T | | | | | | |
| -6 | 06034319 | 2 | U | | | | | | CLIP, .453Wx.528LGx.017THK |
| | | 2 | J, T | | | | | | |
| 7 | 5FW581AZAB | 1 | U | | | | | | LID, Floor Console Bin [AZ] |
| | | 1 | J, T | | | | | | [AZ] |
| | 5FW581K5AB | 1 | U | | | | | | [K5] |
| | | 1 | J, T | | | | | | [K5] |
| | 5FW581L5AB | 1 | J, T | | | | | | [L5] |
| 8 | 55196773AA | 1 | U | | | | | | HINGE, Floor Console Lid |

GRAND CHEROKEE (WJ)

SERIES
H = Laredo
P = Limited

LINE
T = JEEP - 2WD
J = JEEP - 4WD
U = JEEP - 4WD (RHD)

BODY
74 = 4 Door (105.9 WB)

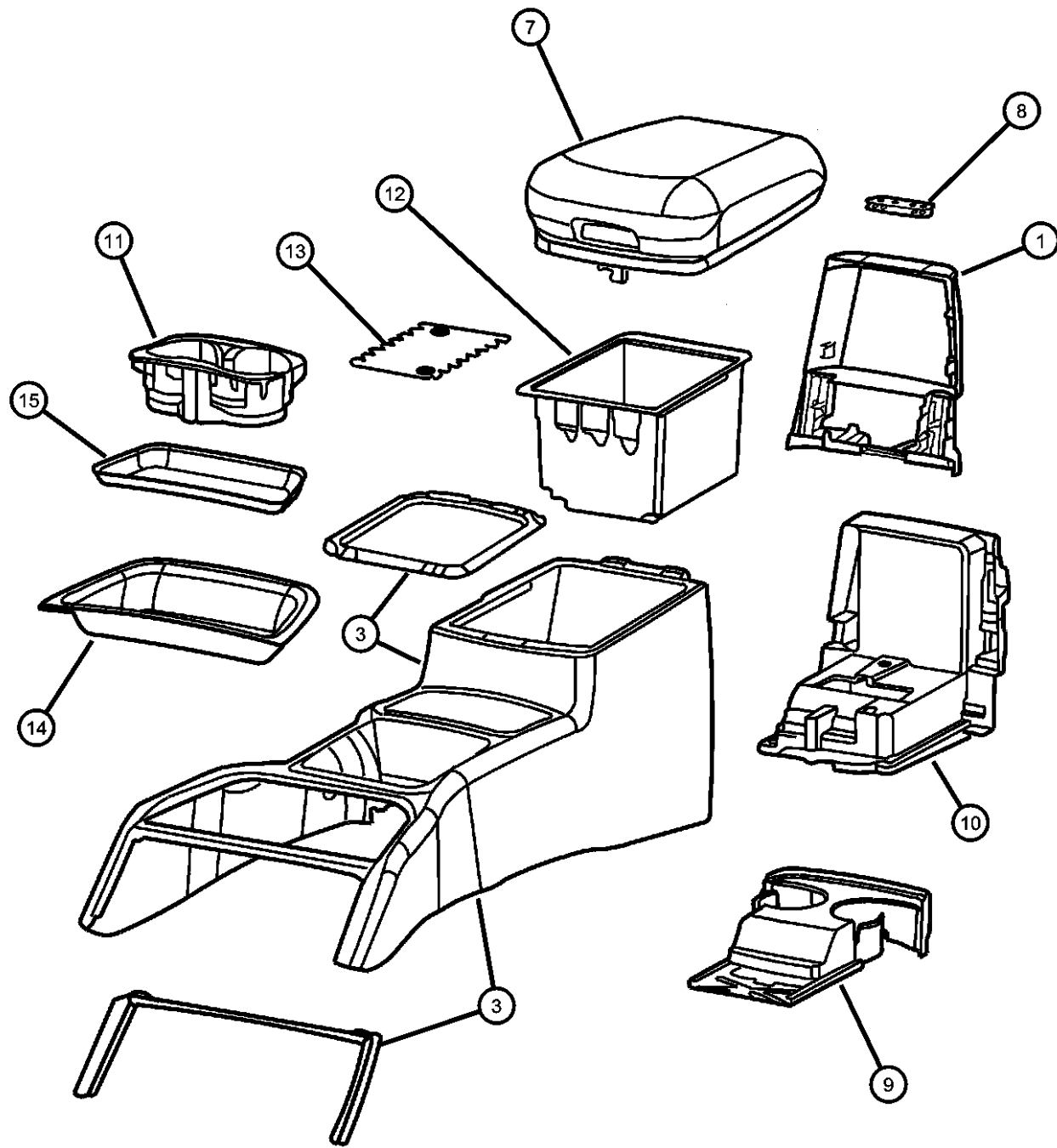
ENGINE
ERH = ENGINE - 4.0L
POWER TECH I-6
EVA = ENGINE- 4.7L V8 MPI
EXA = ENGINE - 3.1L 5 CYL
TURBO DIESEL

TRANSMISSION
DG4 = TRANSMISSION-MULTI-
SPEED AUTO, 45RFE
DGW = TRANSMISSION - 4-SPD.
AUTOMATIC,44RE
DGK = TRANSMISSION - 4-SPD.
AUTOMATIC,42RE
DGO = ALL AUTOMATIC
TRANSMISSIONS

AR = use ase required - = Non illustrated part

2000 WJ

Floor Console
Figure 08A-410



| ITEM | PART NUMBER | QTY | LINE | SERIES | BODY | ENGINE | TRANS | TRIM | DESCRIPTION |
|------|-------------|-----|------|--------|------|--------|-------|------|---|
| | | 1 | J, T | | | | | | |
| 9 | 5GL541AZAA | 1 | U | | | | | | CUPHOLDER, Floor Console [AZ] |
| | 5GL541K5AA | 1 | J, T | | | | | | [K5] |
| | 5GL541L5AA | 1 | J, T | | | | | | [L5] |
| 10 | 55196718AB | 1 | U | | | | | | PLATE, Floor Console |
| | | 1 | J, T | | | | | | |
| 11 | 55196713AA | 1 | J, T | | | | | | CUPHOLDER, Floor Console |
| | | 1 | U | | | | | | |
| 12 | 55196664AB | 1 | | | | | | | BIN, Floor Console, with Mat |
| 13 | 55196665 | 1 | | | | | | | MAT, Storage Tray |
| 14 | 55196667 | 1 | J, T | | | | | | BIN, Floor Console Front Floor Console |
| | 55196668 | 1 | U | | | | | | Front Floor Console |
| 15 | 55196669 | 1 | J, T | | | | | | MAT, Storage Tray Left Hand Drive |
| | 55196670 | 1 | U | | | | | | Right Hand Drive |
| -16 | 55196670 | 1 | | | | | | | SCREW, .164-18x.50, (NOT SERVICED) |
| -17 | 05066456AA | 2 | U | | | | | | BUMPER, Rubber |
| | | 2 | J, T | | | | | | |

GRAND CHEROKEE (WJ)

SERIES LINE
H = Laredo T = JEEP - 2WD
P = Limited J = JEEP - 4WD
U = JEEP - 4WD (RHD)

BODY
74 = 4 Door (105.9 WB)

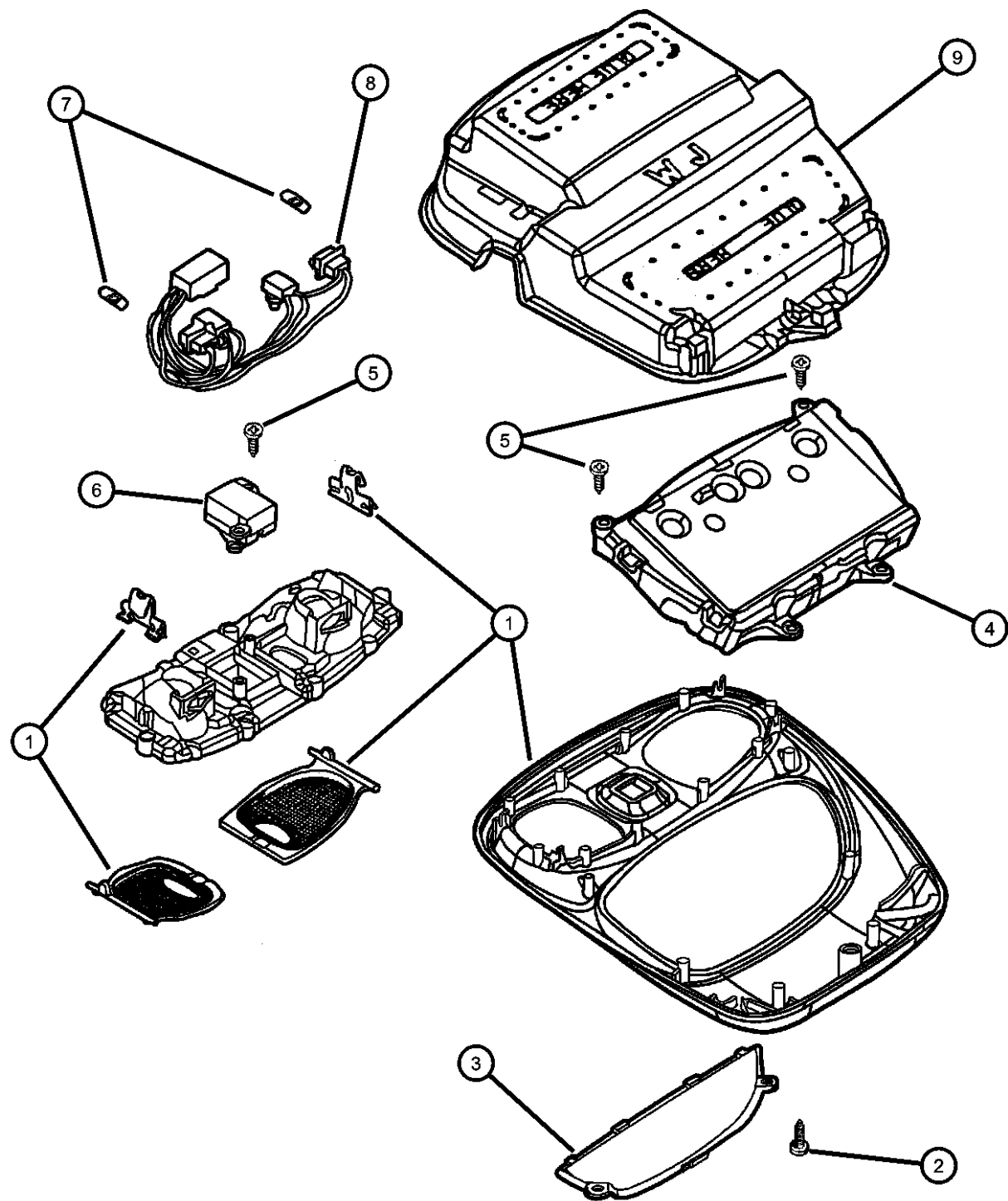
ENGINE
ERH = ENGINE - 4.0L
POWER TECH I-6
EVA = ENGINE- 4.7L V8 MPI
EXA = ENGINE - 3.1L 5 CYL
TURBO DIESEL

TRANSMISSION
DG4 = TRANSMISSION-MULTI-
SPEED AUTO, 45RFE
DGW = TRANSMISSION - 4-SPD.
AUTOMATIC,44RE
DGK = TRANSMISSION - 4-SPD.
AUTOMATIC,42RE
DGO = ALL AUTOMATIC
TRANSMISSIONS

AR = use ase required - = Non illustrated part

2000 WJ

Overhead Console
Figure 08A-420



| ITEM | PART NUMBER | QTY | LINE | SERIES | BODY | ENGINE | TRANS | TRIM | DESCRIPTION | |
|------|-------------|-----|------|--------|------|--------|-------|------|--|--------------------------------------|
| 1 | 0SF611K5AA | 1 | U | | | | | | CONSOLE, Overhead Mini, Less Electronics w/Illuminated Visor & w/o Sunroof (Camel/Tan) w/o Illuminated Visor & w/o Sunroof (Camel/Tan) w/Illuminated Visor & w/o Sunroof (Beige) w/o Illuminated Visor & w/o Sunroof (Beige) w/Illuminated Visor, Universal Garage Door Opener & w/Sunroof (Camel/Tan) w/Illuminated Visor & w/Sunroof (Camel/Tan) w/Illuminated Visor, Universal Garage Door Opener & w/Sunroof (Beige) w/Illuminated Visor & w/Sunroof (Beige) | |
| | 0SF611L2AA | 1 | J, T | | | | | | | |
| | 0SF621K5AA | 1 | J, T | | | | | | | |
| | 0SF621L2AA | 1 | J, T | | | | | | | |
| | | 1 | U | | | | | | | |
| | | 1 | J, T | | | | | | | |
| | | 1 | U | | | | | | | |
| 2 | | 1 | | | | | | | | SCREW, .164-18x.500, (NOT SERVICED), |
| 3 | | 1 | | | | | | | | LENS, Message Center |
| | 05012882AA | 1 | J, T | | | | | | MODULE, Compass Temperature w/Illuminated Visor, & w/Universal Garage Door Opener w/Illuminated Visor, & w/o Universal Garage Door Opener | |
| | | 1 | U | | | | | | | |
| 4 | 56042271AD | 1 | J, T | | | | | | | |
| | 56042273AC | 1 | J, T | | | | | | | |
| | | 1 | U | | | | | | | |
| 5 | | 1 | | | | | | | SCREW, (NOT SERVICED) | |
| 6 | | 1 | | | | | | | SWITCH, 1 Gang | |
| | 56042064 | 1 | J, T | | | | | | | |
| | | 1 | U | | | | | | | |
| 7 | | 1 | | | | | | | BULB, 192 | |
| | L0000192 | 2 | J, T | | | | | | | |
| | | 1 | U | | | | | | | |
| 8 | | 1 | | | | | | | WIRING, Overhead Lighting | |
| | 55196754AA | 1 | J, T | | | | | | | |

GRAND CHEROKEE (WJ)

SERIES LINE
H = Laredo T = JEEP - 2WD
P = Limited J = JEEP - 4WD
U = JEEP - 4WD (RHD)

BODY
74 = 4 Door (105.9 WB)

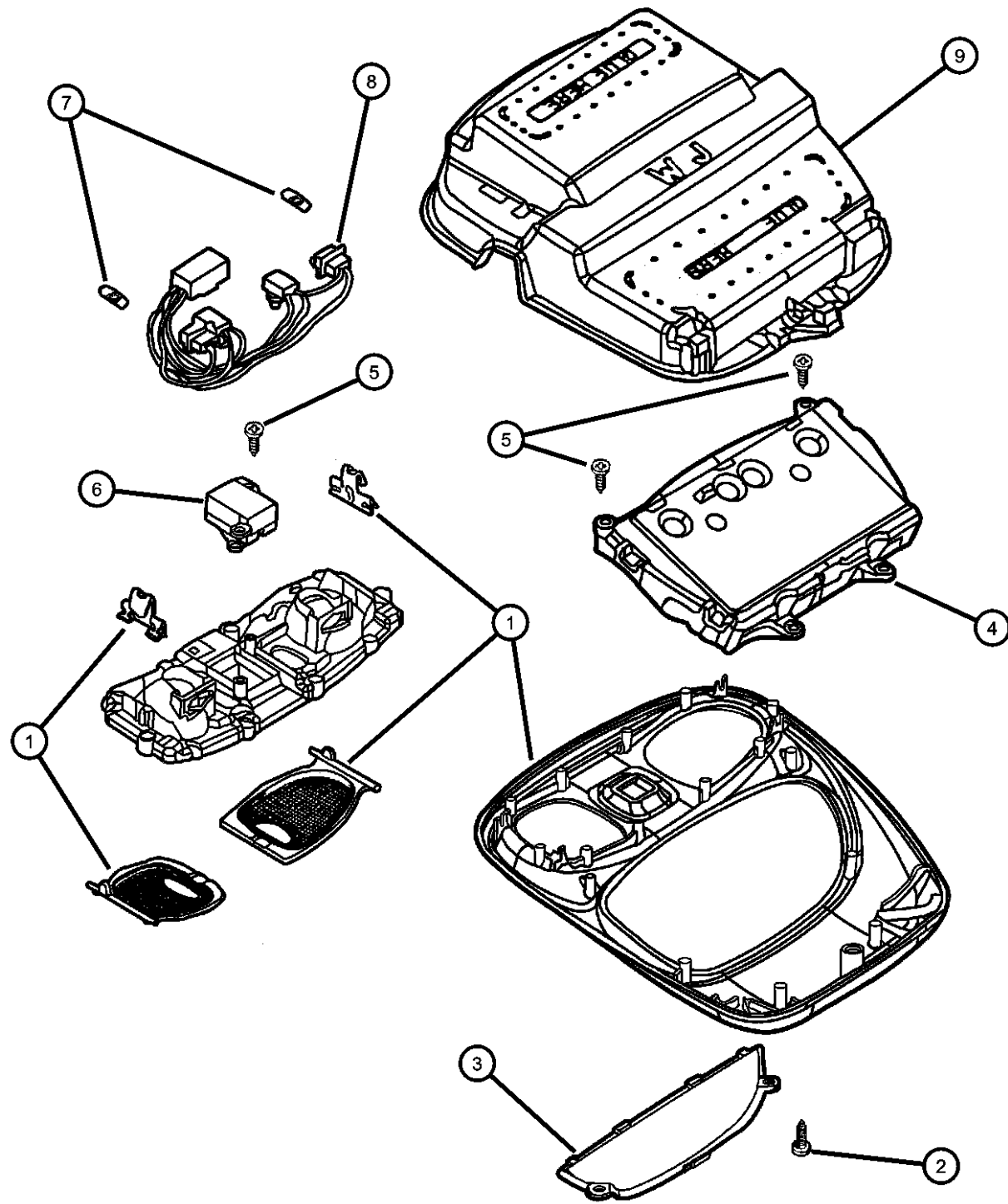
ENGINE
ERH = ENGINE - 4.0L POWER TECH I-6
EVA = ENGINE - 4.7L V8 MPI
EXA = ENGINE - 3.1L 5 CYL TURBO DIESEL

TRANSMISSION
DG4 = TRANSMISSION-MULTI-SPEED AUTO, 45RFE
DGW = TRANSMISSION - 4-SPD. AUTOMATIC, 44RE
DGK = TRANSMISSION - 4-SPD. AUTOMATIC, 42RE
DGO = ALL AUTOMATIC TRANSMISSIONS

AR = use ase required - = Non illustrated part

2000 WJ

Overhead Console
Figure 08A-420



| ITEM | PART NUMBER | QTY | LINE | SERIES | BODY | ENGINE | TRANS | TRIM | DESCRIPTION |
|------|-------------|-----|------|--------|------|--------|-------|------|----------------------|
| | | 1 | U | | | | | | |
| 9 | 55196782AB | 1 | J, T | | | | | | RETAINER, Headliner |
| | | 1 | U | | | | | | |
| -10 | 04437661 | 4 | J, T | | | | | | LAMP, Message Center |

GRAND CHEROKEE (WJ)

SERIES LINE
H = Laredo T = JEEP - 2WD
P = Limited J = JEEP - 4WD
U = JEEP - 4WD (RHD)

BODY
74 = 4 Door (105.9 WB)

ENGINE
ERH = ENGINE - 4.0L
POWER TECH I-6
EVA = ENGINE- 4.7L V8 MPI
EXA = ENGINE - 3.1L 5 CYL
TURBO DIESEL

TRANSMISSION
DG4 = TRANSMISSION-MULTI-
SPEED AUTO, 45RFE
DGW = TRANSMISSION - 4-SPD.
AUTOMATIC,44RE
DGK = TRANSMISSION - 4-SPD.
AUTOMATIC,42RE
DGO = ALL AUTOMATIC
TRANSMISSIONS

AR = use ase required - = Non illustrated part

2000 WJ

Group - 9

Engine Mounting

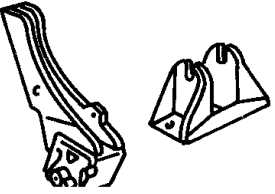
Group - 9 Engine Mounting

Group-Fig. No.

Illustration Title

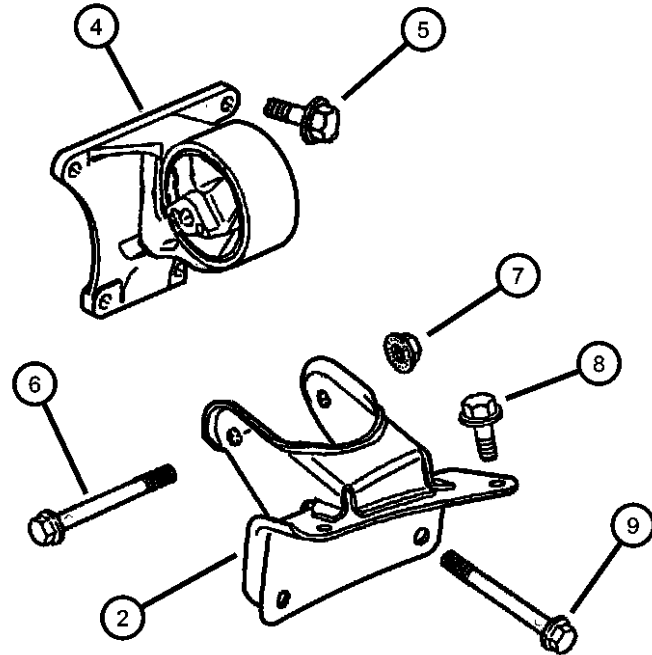
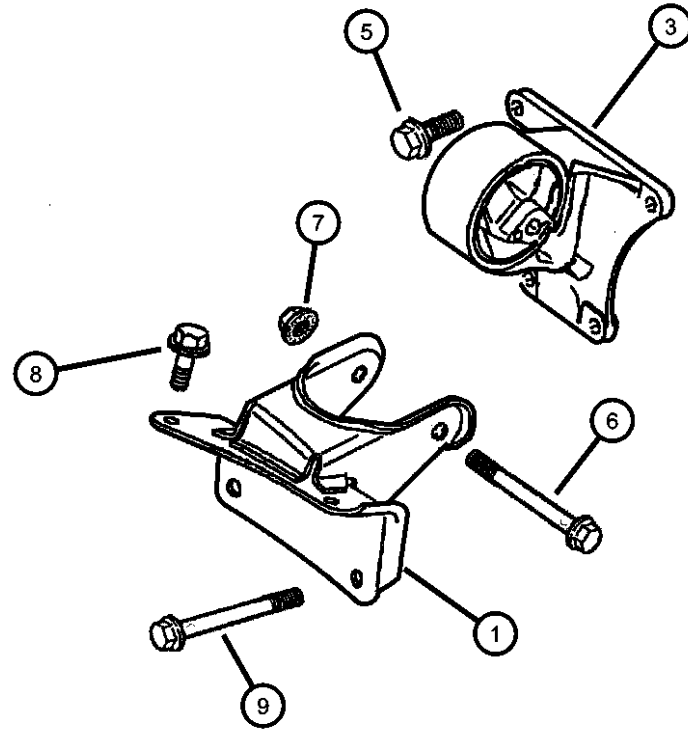
Engine Mounting

| | |
|-----------------------------|--------------|
| Engine Mounting, Front..... | Fig. 9 - 110 |
| Engine Mounting, Rear..... | Fig. 9 - 120 |
| Engine Mounting, Front..... | Fig. 9 - 130 |
| Engine Mounting, Rear..... | Fig. 9 - 140 |
| Engine Mounting, Front..... | Fig. 9 - 150 |
| Engine Mounting, Rear..... | Fig. 9 - 160 |

| | | | |
|--|--|--|--|
| <p>009-100 Engine Mounting</p>  | | | |
|--|--|--|--|

Engine Mounting, Front
Figure 9-110

| ITEM | PART NUMBER | QTY | LINE | SERIES | BODY | ENGINE | TRANS | TRIM | DESCRIPTION |
|----------------------------|-------------|-----|------|--------|------|----------|-------|------|--|
| NOTE: EX0=All 3.1L Engines | | | | | | | | | |
| 1 | 52059052 | 1 | | | | EX0 | | | BRACKET, SillRight |
| 2 | 52059053 | 1 | | | | EX0 | | | BRACKET, SillLeft |
| 3 | 52059050 | 1 | | | | EX0 | | | INSULATOR, Engine MountRight |
| 4 | 52059051 | 1 | | | | EX0 | | | INSULATOR, Engine MountLeft |
| 5 | 06503699 | 8 | | | | EV0, EX0 | | | SCREW AND WASHER, Hex Head, M10x1.5x28 |
| 6 | 34202606 | 2 | | | | | | | BOLT, Hex Head |
| 7 | 06502697 | 2 | | | | | | | NUT, Hex Flange Lock, M12x1.75 |
| 8 | 06503119 | 4 | | | | | | | SCREW AND WASHER, Hex Head, M10x1.5x40 |
| 9 | 06506000AA | 4 | | | | | | | SCREW AND WASHER |



GRAND CHEROKEE (WJ)

| | |
|-------------|----------------------|
| SERIES | LINE |
| H = Laredo | T = JEEP - 2WD |
| P = Limited | J = JEEP - 4WD |
| | U = JEEP - 4WD (RHD) |

| |
|------------------------|
| BODY |
| 74 = 4 Door (105.9 WB) |

| |
|--|
| ENGINE |
| ERH = ENGINE - 4.0L POWER TECH I-6 |
| EVA = ENGINE- 4.7L V8 MPI |
| EXA = ENGINE - 3.1L 5 CYL TURBO DIESEL |

| |
|--|
| TRANSMISSION |
| DG4 = TRANSMISSION-MULTI-SPEED AUTO, 45RFE |
| DGW = TRANSMISSION - 4-SPD. AUTOMATIC,44RE |
| DGK = TRANSMISSION - 4-SPD. AUTOMATIC,42RE |
| DGO = ALL AUTOMATIC TRANSMISSIONS |

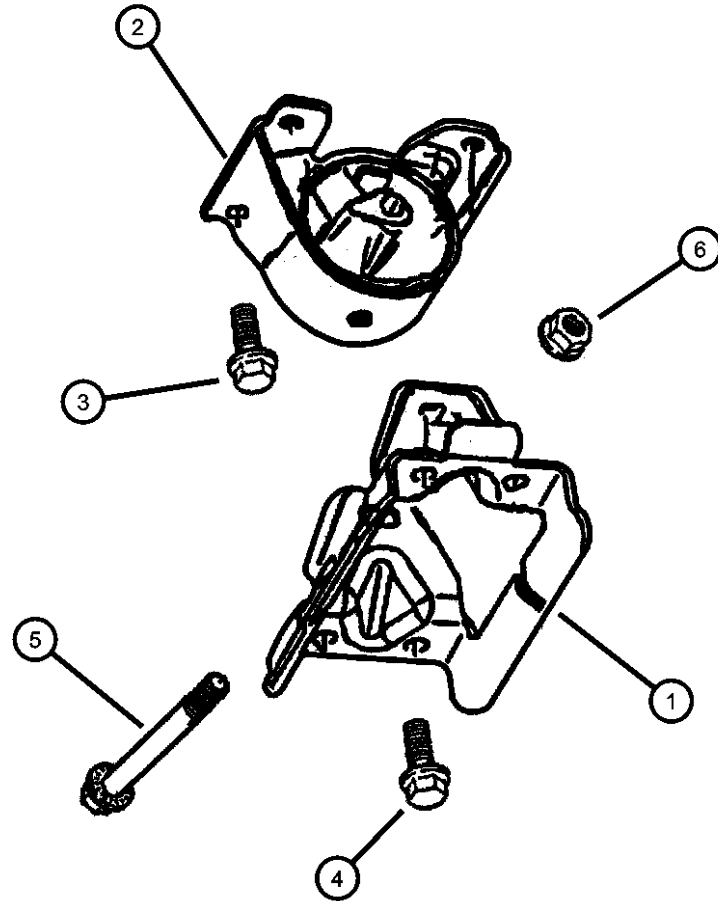
AR = use ase required - = Non illustrated part

2000 WJ

Engine Mounting, Rear
Figure 9-120

| ITEM | PART NUMBER | QTY | LINE | SERIES | BODY | ENGINE | TRANS | TRIM | DESCRIPTION |
|------|-------------|-----|------|--------|------|------------------|-------|------|--|
| 1 | 53054630AB | 1 | J, U | | | EX0 | DGW | | BRACKET, Transmission Mount |
| 2 | 53054631AB | 1 | J, U | | | EX0 | DGW | | BRACKET, Transmission Mount |
| 3 | 06033358 | 4 | | | | EM0, ER0, EX0 | DGK | | SCREW AND WASHER, Hex Head Locking, .437-14x1.25 |
| 4 | 06506000AA | 4 | | | | | | | SCREW AND WASHER |
| 5 | 06504681 | 1 | | | | EVO | | | BOLT |
| 6 | 06502697 | 1 | | | | | | | NUT, Hex Flange Lock, M12x1.75 |

Note:
 DGK = 4 Speed Automatic Transmission 42RE
 DGW = 4 Speed Automatic Transmission 44RE
 EM0 = All 5.9L 8 Cyl Gas Engines
 ER0 = All 4.0L 6 Cyl Gas Engines
 EVO = All 4.7L Gas Engines
 EX0 = All Turbo Diesel Engines



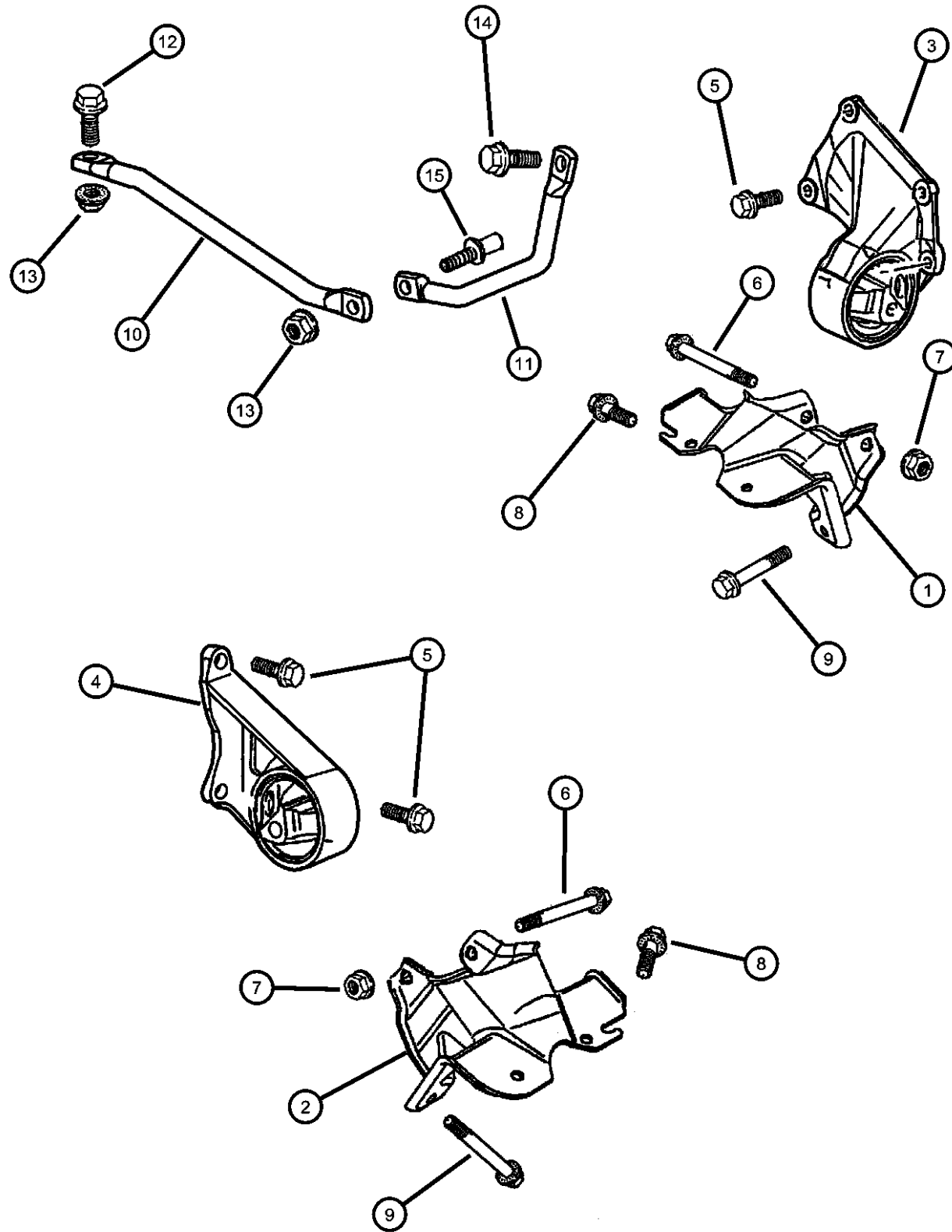
GRAND CHEROKEE (WJ)

| | | | | |
|-------------|----------------------|------------------------|--|--|
| SERIES | LINE | BODY | ENGINE | TRANSMISSION |
| H = Laredo | T = JEEP - 2WD | 74 = 4 Door (105.9 WB) | ERH = ENGINE - 4.0L POWER TECH I-6 | DG4 = TRANSMISSION-MULTI-SPEED AUTO, 45RFE |
| P = Limited | J = JEEP - 4WD | | EVA = ENGINE- 4.7L V8 MPI | DGW = TRANSMISSION - 4-SPD. AUTOMATIC,44RE |
| | U = JEEP - 4WD (RHD) | | EXA = ENGINE - 3.1L 5 CYL TURBO DIESEL | DGK = TRANSMISSION - 4-SPD. AUTOMATIC,42RE |
| | | | | DGO = ALL AUTOMATIC TRANSMISSIONS |

AR = use ase required - = Non illustrated part

2000 WJ

Engine Mounting, Front
Figure 9-130



| ITEM | PART NUMBER | QTY | LINE | SERIES | BODY | ENGINE | TRANS | TRIM | DESCRIPTION |
|------|-------------|-----|------|--------|------|--------|-------|------|-------------|
|------|-------------|-----|------|--------|------|--------|-------|------|-------------|

NOTE: ER0=All 4.0L Engines DG0=All Automatic Transmissions

| | | | | | | | | | |
|----|------------|---|------|--|--|---------------|-----|--|--|
| 1 | 52058930AB | 1 | | | | EM0, ER0, EV0 | | | BRACKET, Engine MountRight |
| 2 | 52058931AC | 1 | | | | ER0, EV0 | | | BRACKET, Engine MountLeft |
| 3 | 52058928 | 1 | | | | ER0 | | | INSULATOR, Engine MountRight |
| 4 | 52058929 | 1 | | | | ER0 | | | INSULATOR, Engine MountLeft |
| 5 | 06503699 | 7 | | | | ER0 | | | SCREW AND WASHER, Hex Head, M10x1.5x28 |
| 6 | 34202606 | 2 | | | | | | | BOLT, Hex Head |
| 7 | 06502697 | 2 | | | | | | | NUT, Hex Flange Lock, M12x1.75 |
| 8 | 06503119 | 4 | | | | | | | SCREW AND WASHER, Hex Head, M10x1.5x40 |
| 9 | 06506000AA | 4 | | | | | | | SCREW AND WASHER |
| 10 | 52104202 | 1 | J, U | | | ER0 | DG0 | | BRACE, Bending Transmission, Bottom |
| 11 | 52104204 | 1 | J, U | | | ER0 | DG0 | | BRACE, Bending Transmission |
| 12 | 06022266 | 1 | J, U | | | ER0 | DG0 | | SCREW, Hex Head, .375-16x1.5 |
| 13 | 06502697 | 2 | | | | | | | NUT, Hex Flange Lock, M12x1.75 |
| 14 | 06025063 | 1 | J, U | | | ER0 | DG0 | | SCREW AND WASHER, .375-16x1.125 |
| 15 | 52104250AA | 1 | J, U | | | ER0 | DG0 | | BRACE, Bell Housing |

GRAND CHEROKEE (WJ)

| | |
|-------------|----------------------|
| SERIES | LINE |
| H = Laredo | T = JEEP - 2WD |
| P = Limited | J = JEEP - 4WD |
| | U = JEEP - 4WD (RHD) |

| |
|------------------------|
| BODY |
| 74 = 4 Door (105.9 WB) |

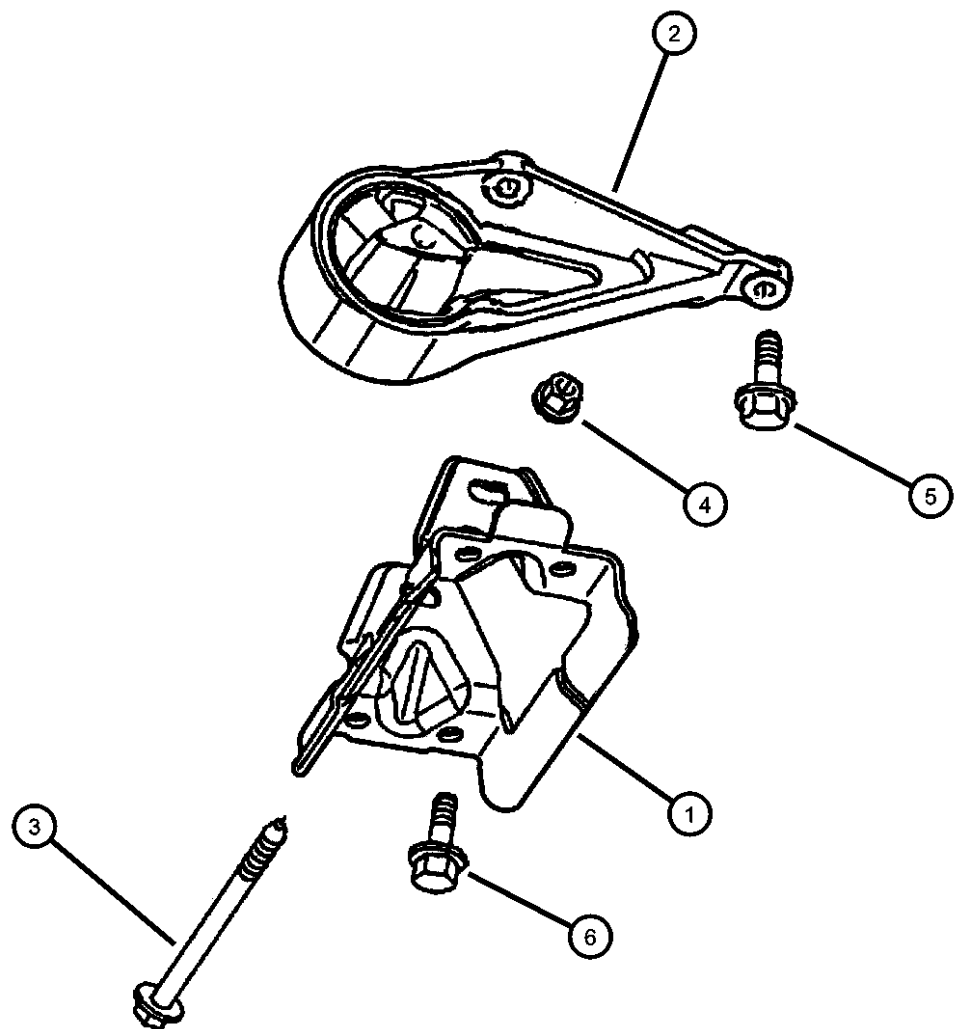
| |
|--|
| ENGINE |
| ERH = ENGINE - 4.0L POWER TECH I-6 |
| EVA = ENGINE- 4.7L V8 MPI |
| EXA = ENGINE - 3.1L 5 CYL TURBO DIESEL |

| |
|---|
| TRANSMISSION |
| DG4 = TRANSMISSION-MULTI-SPEED AUTO, 45RFE |
| DGW = TRANSMISSION - 4-SPD. AUTOMATIC, 44RE |
| DGK = TRANSMISSION - 4-SPD. AUTOMATIC, 42RE |
| DGO = ALL AUTOMATIC TRANSMISSIONS |

AR = use ase required - = Non illustrated part

Engine Mounting, Rear
Figure 9-140

| ITEM | PART NUMBER | QTY | LINE | SERIES | BODY | ENGINE | TRANS | TRIM | DESCRIPTION |
|---|-------------|-----|------|--------|------|------------------|-------|------|---|
| NOTE: ER0=All 4.0L Engines DGK=Automatic, 4 Speed | | | | | | | | | |
| 1 | | | | | | | | | BRACKET, Insulator |
| | 52058988 | 1 | T | | | ER0 | DGK | | |
| | | 1 | J, U | | | ER0 | DGK | | |
| 2 | | | | | | | | | MOUNT, Transmission |
| | 52058995 | 1 | T | | | ER0 | DGK | | |
| | 52059397AA | 1 | J, U | | | ER0 | DGK | | |
| 3 | 06504681 | 1 | | | | EM0, ER0, EVO | | | BOLT |
| 4 | 06502697 | 1 | | | | | | | NUT, Hex Flange Lock, M12x1.75 |
| 5 | 06033358 | 4 | | | | EM0, ER0, EX0 | DGK | | SCREW AND WASHER, Hex Head Locking, .437-14x1.25 |
| 6 | 06506000AA | 4 | | | | | | | SCREW AND WASHER |



GRAND CHEROKEE (WJ)

SERIES
H = Laredo
P = Limited

LINE
T = JEEP - 2WD
J = JEEP - 4WD
U = JEEP - 4WD (RHD)

BODY
74 = 4 Door (105.9 WB)

ENGINE
ERH = ENGINE - 4.0L
POWER TECH I-6
EVA = ENGINE- 4.7L V8 MPI
EXA = ENGINE - 3.1L 5 CYL
TURBO DIESEL

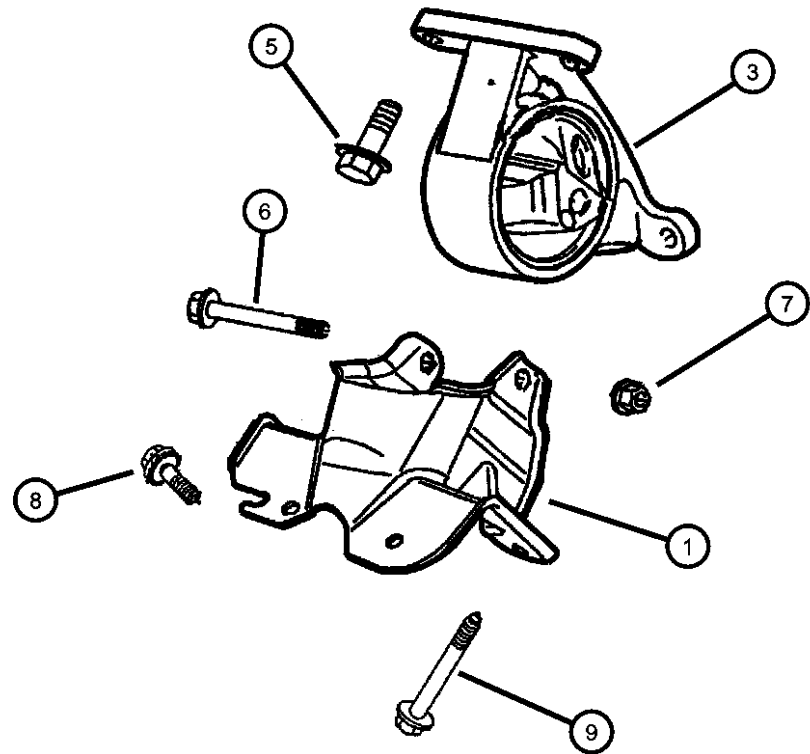
TRANSMISSION
DG4 = TRANSMISSION-MULTI-
SPEED AUTO, 45RFE
DGW = TRANSMISSION - 4-SPD.
AUTOMATIC,44RE
DGK = TRANSMISSION - 4-SPD.
AUTOMATIC,42RE
DGO = ALL AUTOMATIC
TRANSMISSIONS

AR = use ase required - = Non illustrated part

2000 WJ

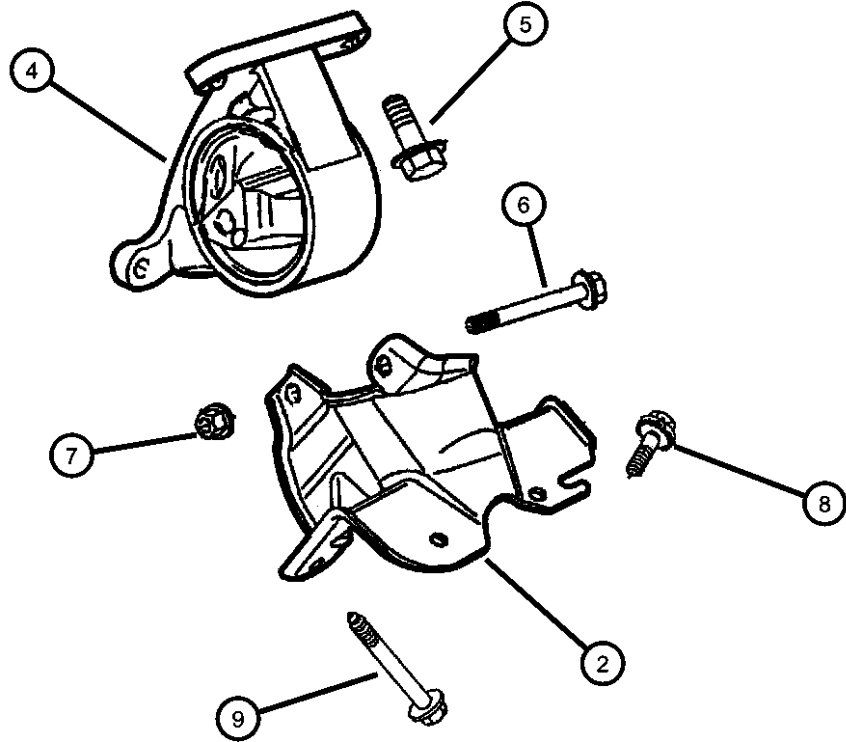
Engine Mounting, Front
Figure 9-150

| ITEM | PART NUMBER | QTY | LINE | SERIES | BODY | ENGINE | TRANS | TRIM | DESCRIPTION |
|------|-------------|-----|------|--------|------|--------|-------|------|-------------|
|------|-------------|-----|------|--------|------|--------|-------|------|-------------|



Note:
 DG4 = Multi-Speed Automatic Transmission 45RFE
 EM0 = All 5.9L 8 Cyl Gas Engines
 ER0 = All 4.0L 6 Cyl Gas Engines
 EV0 = All 4.7L Gas Engines

| | | | | | | | | | |
|---|------------|---|------|--|--|------------------|-----|--|---|
| 1 | 52058930AB | 1 | | | | EM0, ER0, EV0 | | | BRACKET, Engine MountRight |
| 2 | 52058931AC | 1 | | | | ER0, EV0 | | | BRACKET, Engine MountLeft |
| 3 | 52058936 | 1 | J, T | | | EV0 | | | INSULATOR, Engine Mount Right |
| | 52060018AA | 1 | U | | | EV0 | | | INSULATOR, Engine Mount Right |
| 4 | 52058937 | 1 | J, T | | | EV0 | | | INSULATOR, Engine Mount Left |
| | 52060019AA | 1 | U | | | EV0 | | | INSULATOR, Engine Mount Left |
| 5 | 06503699 | 4 | J, U | | | EV0 | DG4 | | SCREW AND WASHER, Hex Head, M10x1.5x28 |
| 6 | 34202606 | 2 | | | | | | | BOLT, Hex Head |
| 7 | 06502697 | 2 | | | | | | | NUT, Hex Flange Lock, M12x1.75 |
| 8 | 06503119 | 4 | | | | | | | SCREW AND WASHER, Hex Head, M10x1.5x40 |
| 9 | 06506000AA | 4 | | | | | | | SCREW AND WASHER |



GRAND CHEROKEE (WJ)

| SERIES | LINE |
|-------------|----------------------|
| H = Laredo | T = JEEP - 2WD |
| P = Limited | J = JEEP - 4WD |
| | U = JEEP - 4WD (RHD) |

| BODY |
|------------------------|
| 74 = 4 Door (105.9 WB) |

| ENGINE |
|---|
| ERH = ENGINE - 4.0L POWER TECH I-6 |
| EVA = ENGINE- 4.7L V8 MPI |
| EXA = ENGINE - 3.1L 5 CYL TURBO DIESEL |

| TRANSMISSION |
|--|
| DG4 = TRANSMISSION-MULTI- SPEED AUTO, 45RFE |
| DGW = TRANSMISSION - 4-SPD. AUTOMATIC,44RE |
| DGK = TRANSMISSION - 4-SPD. AUTOMATIC,42RE |
| DGO = ALL AUTOMATIC TRANSMISSIONS |

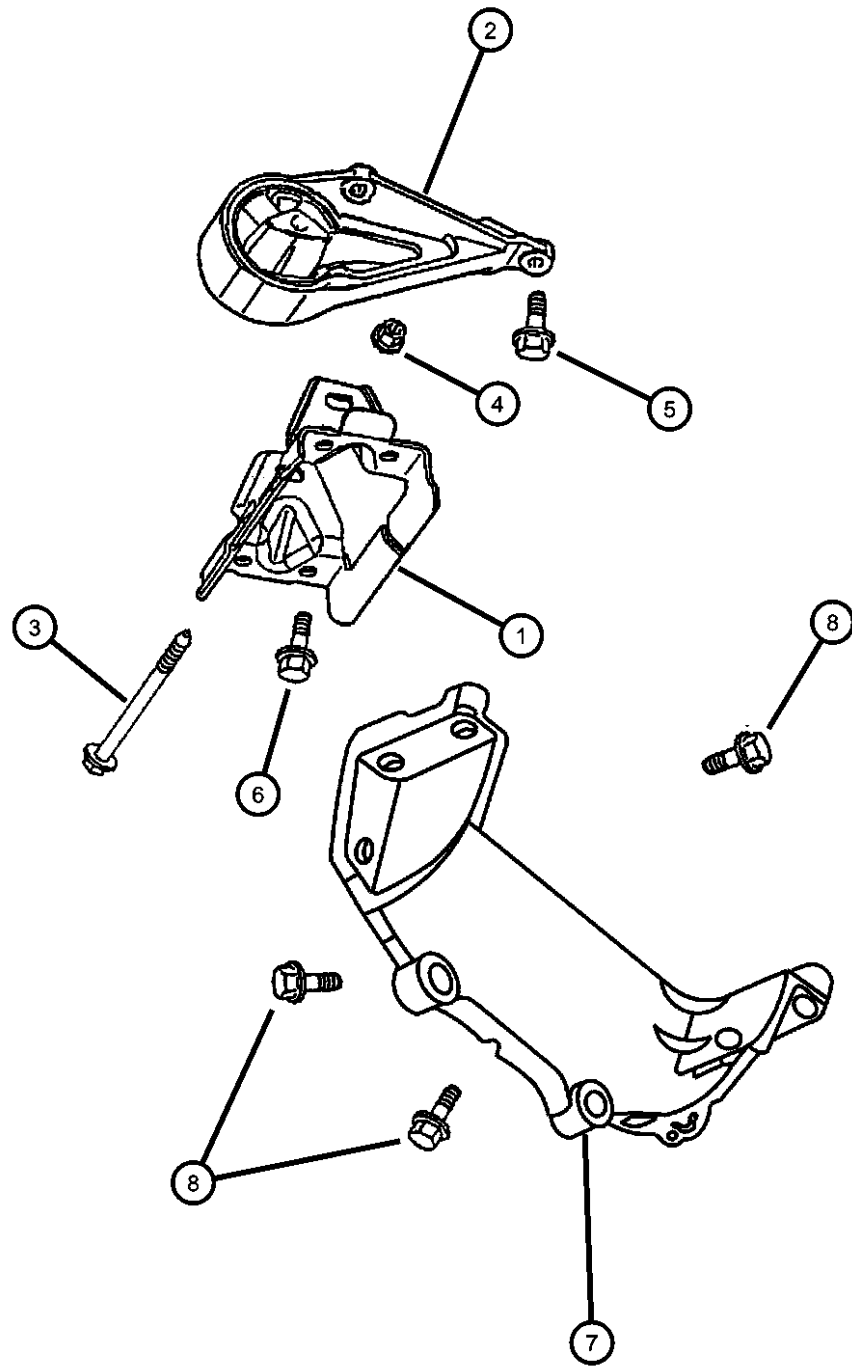
AR = use ase required - = Non illustrated part

Engine Mounting, Rear
Figure 9-160

| ITEM | PART NUMBER | QTY | LINE | SERIES | BODY | ENGINE | TRANS | TRIM | DESCRIPTION |
|------|-------------|-----|------|--------|------|--------|-------|------|-------------|
|------|-------------|-----|------|--------|------|--------|-------|------|-------------|

NOTE: EV0=All 4.7L Engines DG0=All Automatic Transmissions DG4=Automatic, Multi-Speed

| | | | | | | | | | |
|---|------------|---|------|--|--|-----|-----|--|--|
| 1 | 52058988 | 1 | J, U | | | EV0 | DG4 | | BRACKET, Insulator |
| 2 | 52058996 | 1 | J, U | | | EV0 | DG4 | | MOUNT, Transmission |
| 3 | 06504681 | 1 | | | | EV0 | | | BOLT |
| 4 | 06502697 | 1 | | | | | | | NUT, Hex Flange Lock, M12x1.75 |
| 5 | 06503699 | 4 | J, U | | | EV0 | DG4 | | SCREW AND WASHER, Hex Head, M10x1.5x28 |
| 6 | 06506000AA | 4 | | | | | | | SCREW AND WASHER |
| 7 | 53020885 | 1 | | | | EV0 | DG0 | | COVER, Bedplate |
| 8 | 06101985 | 8 | | | | EV0 | | | SCREW AND WASHER, M10x1.50x45.00 |



GRAND CHEROKEE (WJ)

| | |
|-------------|----------------------|
| SERIES | LINE |
| H = Laredo | T = JEEP - 2WD |
| P = Limited | J = JEEP - 4WD |
| | U = JEEP - 4WD (RHD) |

| |
|------------------------|
| BODY |
| 74 = 4 Door (105.9 WB) |

| |
|--|
| ENGINE |
| ERH = ENGINE - 4.0L POWER TECH I-6 |
| EVA = ENGINE- 4.7L V8 MPI |
| EXA = ENGINE - 3.1L 5 CYL TURBO DIESEL |

| |
|--|
| TRANSMISSION |
| DG4 = TRANSMISSION-MULTI-SPEED AUTO, 45RFE |
| DGW = TRANSMISSION - 4-SPD. AUTOMATIC,44RE |
| DGK = TRANSMISSION - 4-SPD. AUTOMATIC,42RE |
| DGO = ALL AUTOMATIC TRANSMISSIONS |

AR = use ase required - = Non illustrated part

2000 WJ

Group - 4.0L

Engine 4.0L Six Cylinder

Group - 4.0L Engine 4.0L Six Cylinder

Illustration Title

Group-Fig. No.

Cylinder Head

Cylinder Head Fig. 4.0L - 210

Cylinder Block

Cylinder Block Fig. 4.0L - 310

Crankshaft, Piston and Torque Converter

Crankshaft, Piston and Torque Converter Fig. 4.0L - 410

Camshafts & Valves

Camshaft and Valves Fig. 4.0L - 510

Timing Belt and Cover

Timing Belt and Cover Fig. 4.0L - 610

Engine Oiling

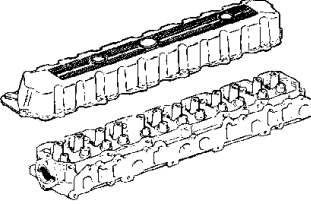
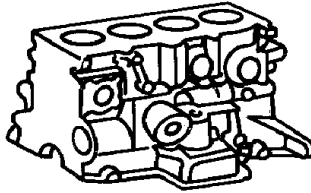
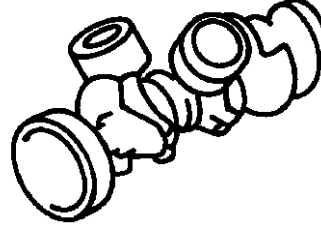
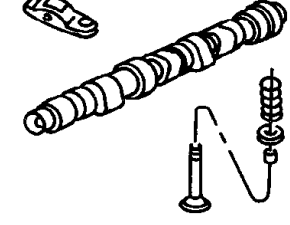
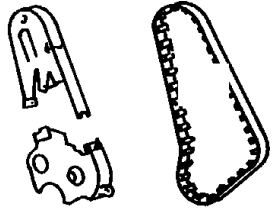
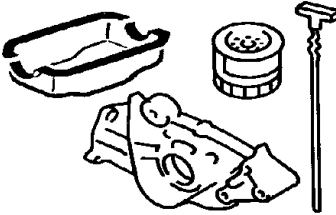
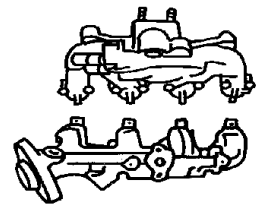
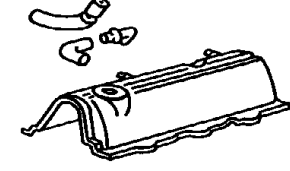
Engine Oiling Fig. 4.0L - 710

Manifolds

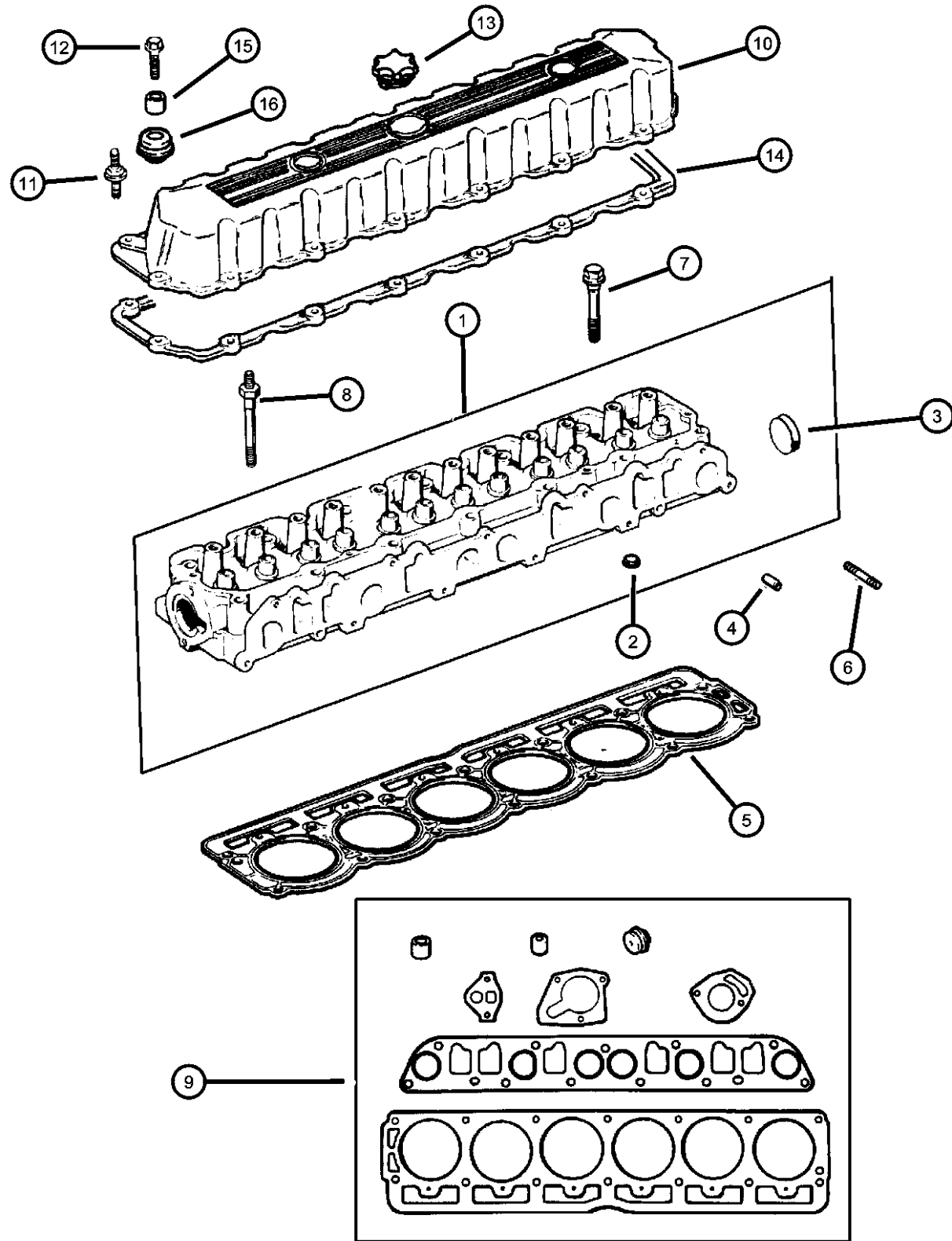
Manifold, Intake and Exhaust Fig. 4.0L - 810

Crankcase Ventilation

Crankcase Ventilation Fig. 4.0L - 910

| | | | |
|---|---|---|---|
| <p>4.0L-200 Cylinder Head</p>  | <p>4.0L-300 Cylinder Block</p>  | <p>4.0L-400 Crankshaft, Piston and Torque Converter</p>  | <p>4.0L-500 Camshafts & Valves</p>  |
| <p>4.0L-600 Timing Belt and Cover</p>  | <p>4.0L-700 Engine Oiling</p>  | <p>4.0L-800 Manifolds</p>  | <p>4.0L-900 Crankcase Ventilation</p>  |

**Cylinder Head
Figure 4.0L-210**



| ITEM | PART NUMBER | QTY | LINE | SERIES | BODY | ENGINE | TRANS | TRIM | DESCRIPTION |
|------|-------------|-----|------|--------|------|--------|-------|------|-------------|
|------|-------------|-----|------|--------|------|--------|-------|------|-------------|

NOTE: ER0=All 4.0L Engines

| | | | | | | | | | |
|----|------------|----|--|--|--|-----|--|--|---|
| 1 | 53010334 | 1 | | | | ER0 | | | HEAD, Cylinder |
| 2 | J4007434 | 4 | | | | ER0 | | | PLUG, Cylinder Block Oil Hole |
| 3 | J3105394 | 1 | | | | ER0 | | | PLUG, Cylinder Block Oil Hole |
| 4 | J3172318 | 2 | | | | ER0 | | | DOWEL, Cylinder Head To Intake |
| 5 | 53020754AB | 1 | | | | ER0 | | | GASKET, Cylinder Head |
| 6 | 06036193AA | 2 | | | | ER0 | | | STUD, .375-16/.375-24x1.75 |
| 7 | | | | | | | | | BOLT, Cylinder Head |
| | 06035514 | 5 | | | | ER0 | | | |
| | 06035515 | 2 | | | | ER0 | | | |
| 8 | 06035516 | 6 | | | | ER0 | | | STUD, Double Ended, .50-13/.437-14x6.00 |
| 9 | 05012365AA | 1 | | | | ER0 | | | GASKET PACKAGE, Engine Upper |
| 10 | 53020323 | 1 | | | | ER0 | | | COVER, Cylinder Head |
| 11 | 06035968AA | 7 | | | | ER0 | | | STUD, .250-20x2.00 |
| 12 | 06035566 | 8 | | | | ER0 | | | BOLT, Hex Flange Head, .250-20x1.00 |
| 13 | 04777536 | 1 | | | | ER0 | | | CAP, Oil Filler |
| 14 | 53020758AC | 1 | | | | ER0 | | | GASKET, Valve Cover |
| 15 | 53020598AB | 15 | | | | ER0 | | | SLEEVE, Torque Limiter |
| 16 | 53010424 | 15 | | | | ER0 | | | GROMMET, Insulator |

GRAND CHEROKEE (WJ)

SERIES LINE
 H = Laredo T = JEEP - 2WD
 P = Limited J = JEEP - 4WD
 U = JEEP - 4WD (RHD)

BODY
 74 = 4 Door (105.9 WB)

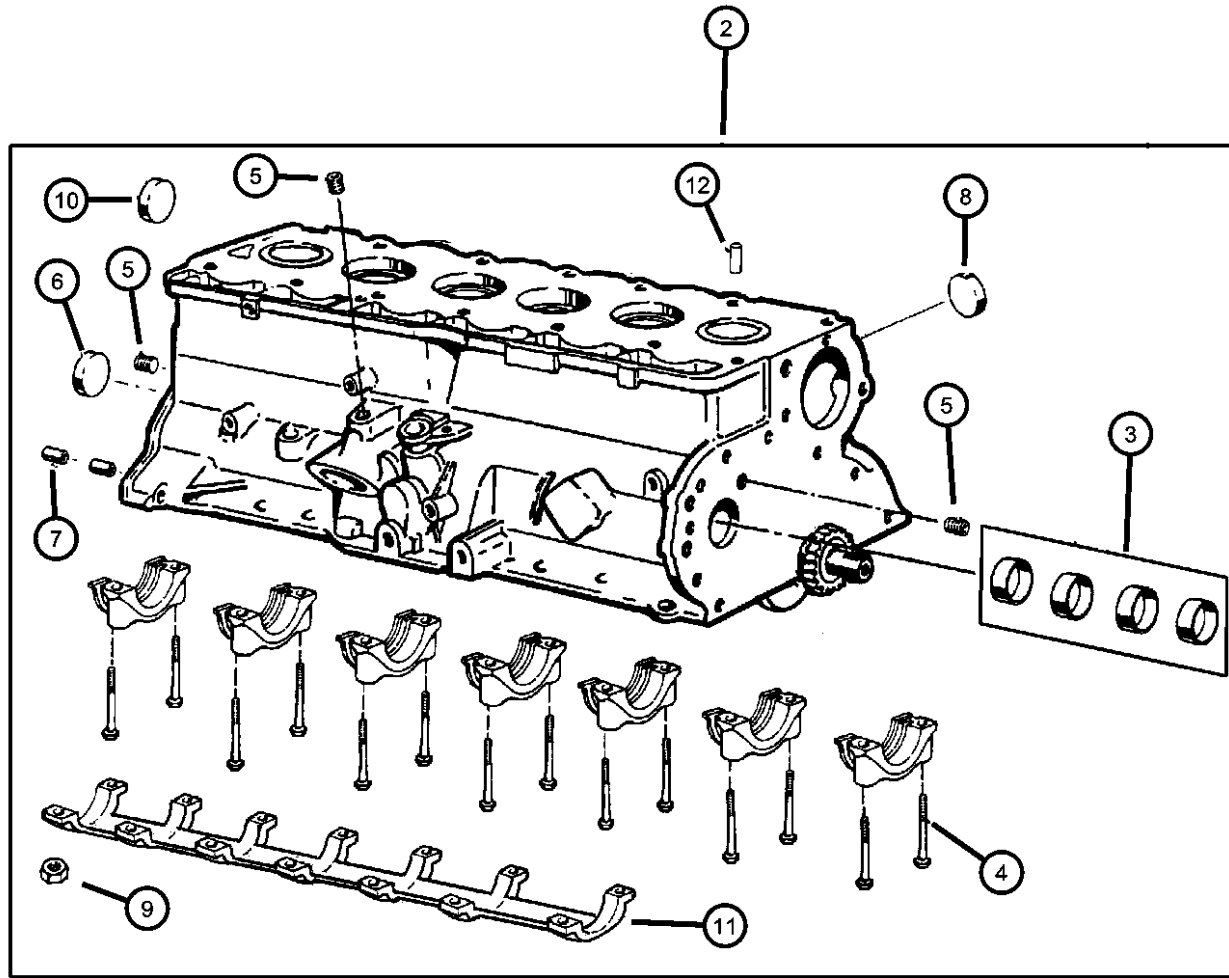
ENGINE
 ERH = ENGINE - 4.0L
 POWER TECH I-6
 EVA = ENGINE- 4.7L V8 MPI
 EXA = ENGINE - 3.1L 5 CYL
 TURBO DIESEL

TRANSMISSION
 DG4 = TRANSMISSION-MULTI-
 SPEED AUTO, 45RFE
 DGW = TRANSMISSION - 4-SPD.
 AUTOMATIC,44RE
 DGK = TRANSMISSION - 4-SPD.
 AUTOMATIC,42RE
 DGO = ALL AUTOMATIC
 TRANSMISSIONS

AR = use ase required - = Non illustrated part

2000 WJ

**Cylinder Block
Figure 4.0L-310**

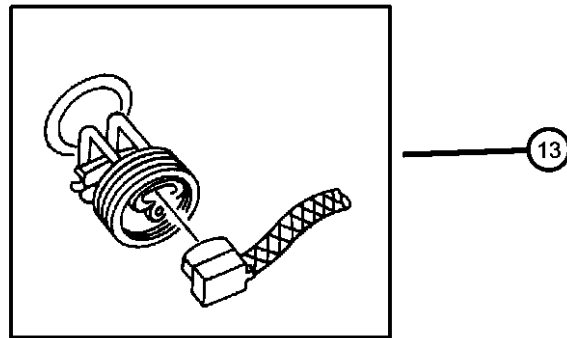


| ITEM | PART NUMBER | QTY | LINE | SERIES | BODY | ENGINE | TRANS | TRIM | DESCRIPTION |
|------|-------------|-----|------|--------|------|--------|-------|------|-------------|
|------|-------------|-----|------|--------|------|--------|-------|------|-------------|

NOTE:

ER0 = All 4.0L Engines

| | | | | | | | | | |
|----|------------|----|--|--|--|-----|--|--|---|
| -1 | 05017432AA | 1 | | | | ER0 | | | GASKET PACKAGE, Engine Lower, Contains: Front Cover, Oil Pan and Oil Pump Gaskets: Front and Rear Main Crank Seals: and Water Pump Gasket Package |
| 2 | 05013161AA | 1 | | | | ER0 | | | BLOCK, Short, Contains: Crank, Rods, Pistons, Rings, Sprockets, Timing Chain and Cam Bearings Mopar Reman Long Block 99-04(WJ), 00-04(TJ) |
| | R2640492AA | | | | | | | | |
| 3 | 04636985AB | 1 | | | | ER0 | | | BEARING PACKAGE, Camshaft, Standard Size |
| 4 | 06035207 | 14 | | | | ER0 | | | STUD, .500-13/.375-16x3.97 |
| 5 | 06034166 | 3 | | | | ER0 | | | PLUG, Cylinder Block Oil Hole |
| 6 | J3172313 | 1 | | | | ER0 | | | PLUG, Camshaft |
| 7 | J4005148 | 2 | | | | ER0 | | | DOWEL, Transmission |
| 8 | J3105394 | 6 | | | | ER0 | | | PLUG, Cylinder Block Oil Hole |
| 9 | 00152474 | 14 | | | | ER0 | | | NUT, Hex Flange Lock, .375-16 |
| 10 | 53020465 | 1 | | | | ER0 | | | PLUG, Cylinder Block |
| 11 | 53020566 | 1 | | | | ER0 | | | BRACE, Main Bearing Cap |
| 12 | 00141215 | 2 | | | | ER0 | | | DOWEL, .312 x .500 |
| 13 | 82201506 | 1 | | | | ER0 | | | HEATER PACKAGE, Engine Block |



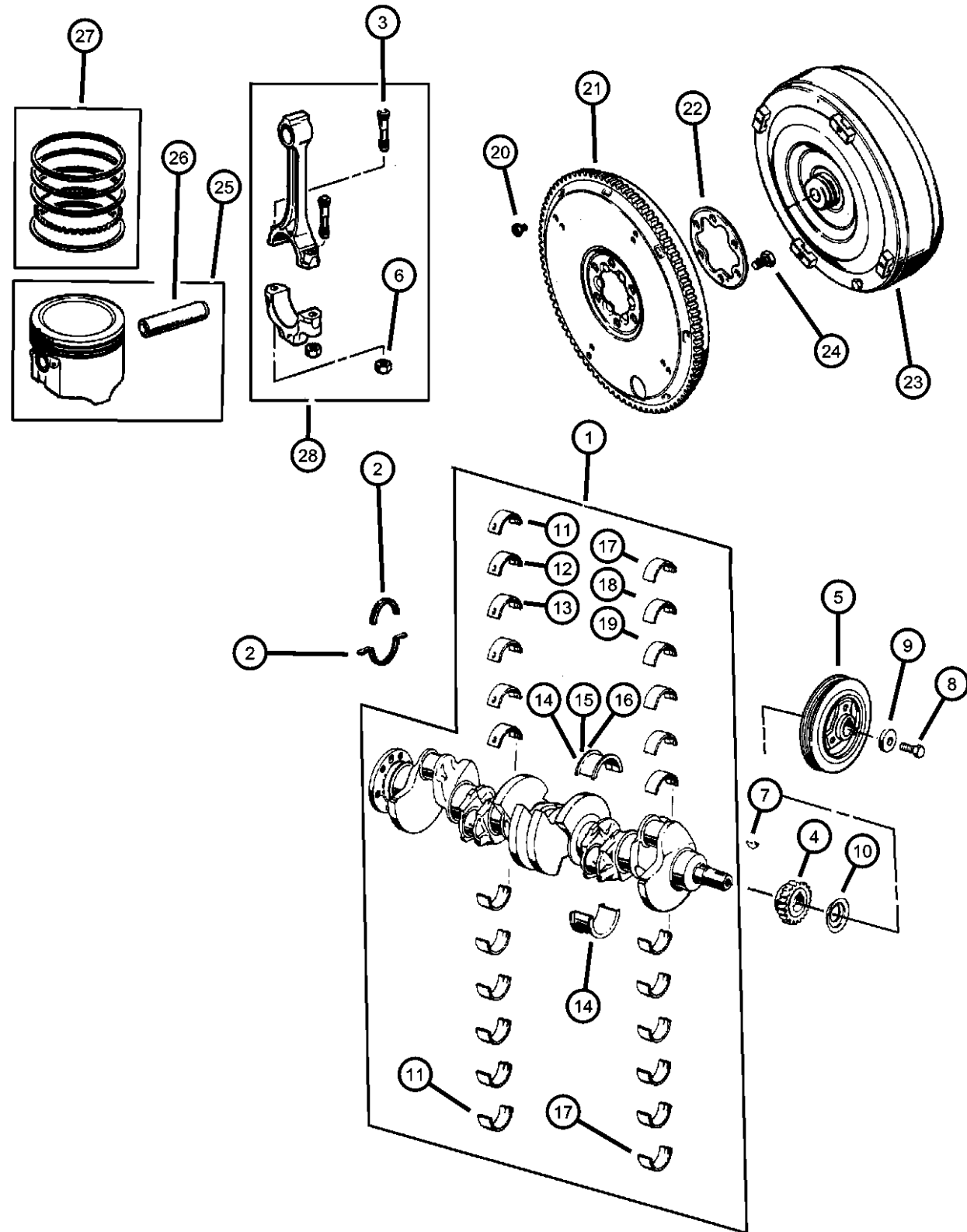
GRAND CHEROKEE (WJ)

| | | | | |
|-------------|----------------------|------------------------|--|---|
| SERIES | LINE | BODY | ENGINE | TRANSMISSION |
| H = Laredo | T = JEEP - 2WD | 74 = 4 Door (105.9 WB) | ERH = ENGINE - 4.0L POWER TECH I-6 | DG4 = TRANSMISSION-MULTI-SPEED AUTO, 45RFE |
| P = Limited | J = JEEP - 4WD | | EVA = ENGINE- 4.7L V8 MPI | DGW = TRANSMISSION - 4-SPD. AUTOMATIC, 44RE |
| | U = JEEP - 4WD (RHD) | | EXA = ENGINE - 3.1L 5 CYL TURBO DIESEL | DGK = TRANSMISSION - 4-SPD. AUTOMATIC, 42RE |
| | | | | DGO = ALL AUTOMATIC TRANSMISSIONS |

AR = use ase required - = Non illustrated part

2000 WJ

**Crankshaft, Piston and Torque Converter
Figure 4.0L-410**



| ITEM | PART NUMBER | QTY | LINE | SERIES | BODY | ENGINE | TRANS | TRIM | DESCRIPTION |
|--|-------------|-----|------|--------|------|--------|-------|------|---|
| NOTE: ER0=All 4.0L Engines DG0=All Automatic Transmissions | | | | | | | | | |
| 1 | 04864726 | 1 | | | | ER0 | DG0 | | CRANKSHAFT |
| 2 | 53020599AB | 2 | | | | ER0 | | | SEAL, Rear Main Crankshaft |
| 3 | 53020123 | 12 | | | | ER0 | | | BOLT, Connecting Rod |
| 4 | 53020443 | 1 | | | | ER0 | | | GEAR, Crankshaft |
| 5 | | | | | | | | | DAMPER, Crankshaft |
| | 33002920 | 1 | | | | ER0 | | | Use up to 2/11/00 |
| | 33002920AB | 1 | | | | ER0 | | | Use Up to 2/11/00 |
| 6 | J4006385 | 12 | | | | ER0 | | | NUT, Hex Flange, .3437-24 |
| 7 | 06034749 | 1 | | | | ER0 | | | KEY, Crankshaft Sprocket |
| 8 | 00182776 | 1 | | | | ER0 | | | BOLT |
| 9 | J3230155 | 1 | | | | ER0 | | | WASHER, Plain |
| 10 | J3173076 | 1 | | | | ER0 | | | SLINGER, Oil |
| 11 | 83507079 | 6 | | | | ER0 | | | BEARING PACKAGE, Crankshaft, Standard |
| 12 | 83507080 | AR | | | | ER0 | | | BEARING PACKAGE, Crankshaft, .001 Undersize |
| 13 | 83507083 | AR | | | | ER0 | | | BEARING PACKAGE, Crankshaft, .010 Undersize |
| 14 | 83507084 | 1 | | | | ER0 | | | BEARING PACKAGE, Crankshaft Thrust, Standard Size |
| 15 | 83507086 | AR | | | | ER0 | | | BEARING PACKAGE, Crankshaft Thrust, .001" Undersize |
| 16 | 83507090 | AR | | | | ER0 | | | BEARING PACKAGE, Crankshaft Thrust, .010" Undersize |
| 17 | 83500300 | 12 | | | | ER0 | | | BEARING KIT, Connecting Rod, Standard |
| 18 | 83501397 | AR | | | | ER0 | | | BEARING KIT, Connecting Rod, .001 Undersize |
| 19 | 83500301 | AR | | | | ER0 | | | BEARING KIT, Connecting Rod, .010 Undersize |
| 20 | 01949765 | 4 | | | | | DG0 | | SCREW, Hex Head Header Point, .312-24x.44 |
| 21 | 52118257 | 1 | | | | ER0 | DG0 | | PLATE, Drive Plate |
| 22 | J3214094 | 1 | | | | ER0 | DG0 | | PLATE, Drive Plate Backing |
| 23 | 04736596 | 1 | | | | ER0 | DG0 | | TORQUE CONVERTER |
| | R4736596 | | | | | | | | Mopar Remanufactured Part |
| 24 | J3151407 | 6 | | | | ER0 | DG0 | | BOLT, Hex Head, .50-20x.56 |

GRAND CHEROKEE (WJ)

SERIES LINE
 H = Laredo T = JEEP - 2WD
 P = Limited J = JEEP - 4WD
 U = JEEP - 4WD (RHD)

BODY
 74 = 4 Door (105.9 WB)

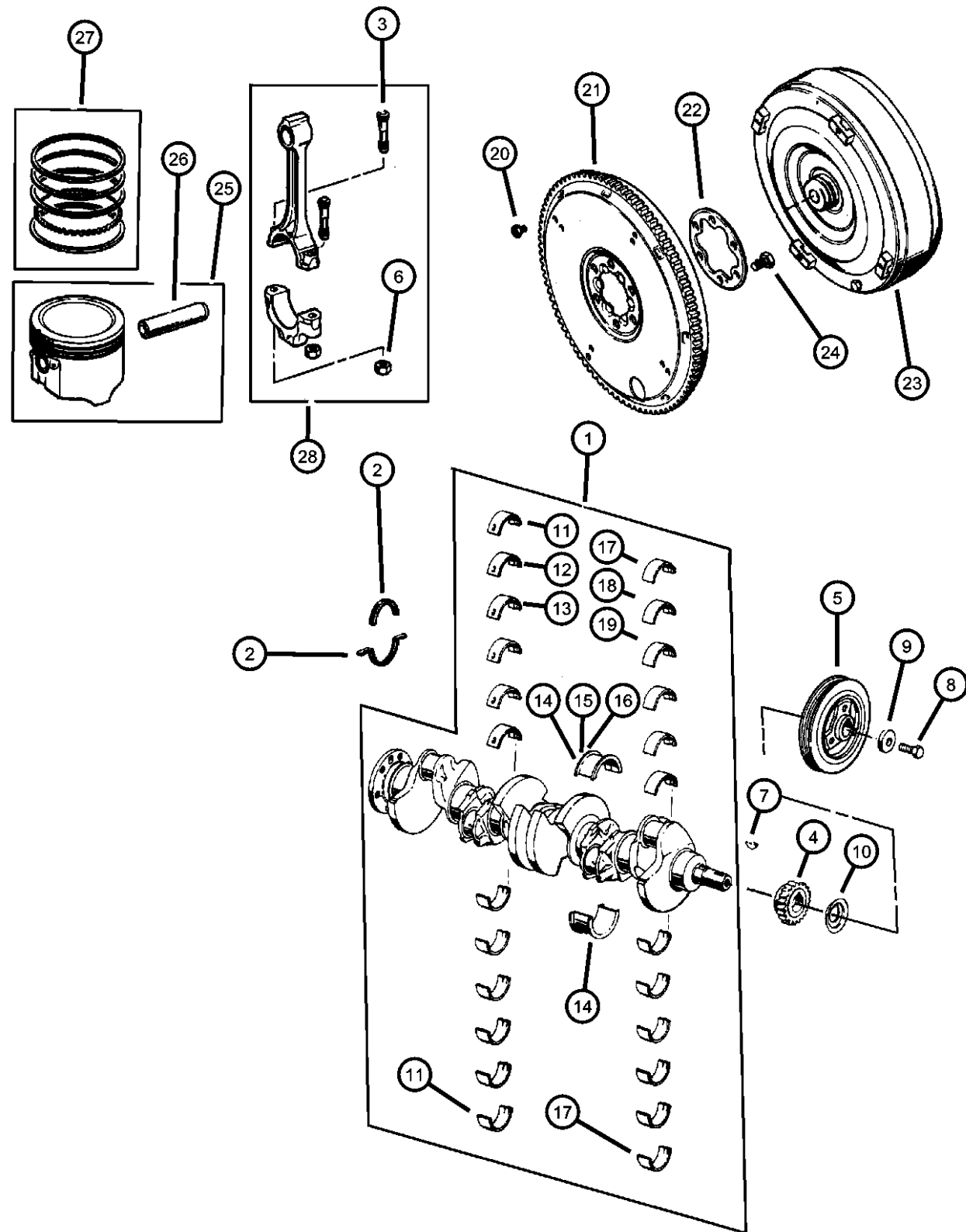
ENGINE
 ERH = ENGINE - 4.0L
 POWER TECH I-6
 EVA = ENGINE- 4.7L V8 MPI
 EXA = ENGINE - 3.1L 5 CYL
 TURBO DIESEL

TRANSMISSION
 DG4 = TRANSMISSION-MULTI-
 SPEED AUTO, 45RFE
 DGW = TRANSMISSION - 4-SPD.
 AUTOMATIC, 44RE
 DGK = TRANSMISSION - 4-SPD.
 AUTOMATIC, 42RE
 DGO = ALL AUTOMATIC
 TRANSMISSIONS

AR = use ase required - = Non illustrated part

2000 WJ

**Crankshaft, Piston and Torque Converter
Figure 4.0L-410**



| ITEM | PART NUMBER | QTY | LINE | SERIES | BODY | ENGINE | TRANS | TRIM | DESCRIPTION |
|------|-------------|-----|------|--------|------|--------|-------|------|---|
| 25 | 04798329 | 6 | | | | ER0 | | | PISTON PIN AND ROD B Size, 3.8742 |
| | 04798330 | 6 | | | | ER0 | | | C Size, 3.8746 |
| | 04798331 | 6 | | | | ER0 | | | D Size, 3.8750 |
| | 04798332 | 6 | | | | ER0 | | | E Size, 3.8754 |
| | 04798333 | 6 | | | | ER0 | | | F Size, 3.8758 |
| 26 | 04798333 | 6 | | | | | | | PIN, Piston, Serviced in Piston, (NOT SERVICED), RING PACKAGE, Piston, Standard Size Complete Engine |
| 27 | 04798878 | 1 | | | | ER0 | | | ROD, Connecting, Serviced in Piston, (NOT SERVICED) |
| 28 | 04798878 | 1 | | | | | | | |

GRAND CHEROKEE (WJ)

SERIES LINE
 H = Laredo T = JEEP - 2WD
 P = Limited J = JEEP - 4WD
 U = JEEP - 4WD (RHD)

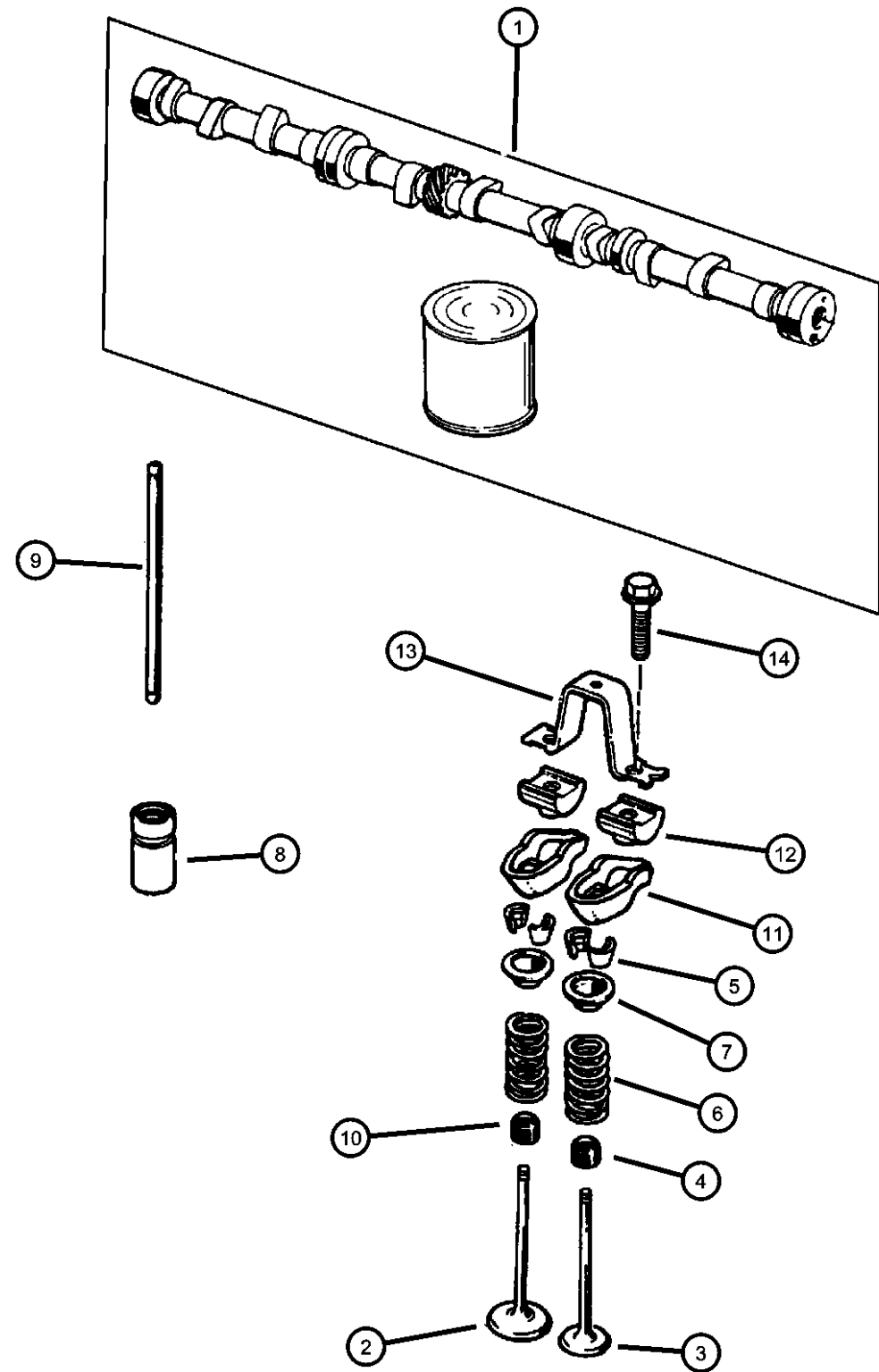
BODY
 74 = 4 Door (105.9 WB)

ENGINE
 ERH = ENGINE - 4.0L
 POWER TECH I-6
 EVA = ENGINE- 4.7L V8 MPI
 EXA = ENGINE - 3.1L 5 CYL
 TURBO DIESEL

TRANSMISSION
 DG4 = TRANSMISSION-MULTI-
 SPEED AUTO, 45RFE
 DGW = TRANSMISSION - 4-SPD.
 AUTOMATIC,44RE
 DGK = TRANSMISSION - 4-SPD.
 AUTOMATIC,42RE
 DGO = ALL AUTOMATIC
 TRANSMISSIONS

AR = use ase required - = Non illustrated part

Camshaft and Valves
Figure 4.0L-510



| ITEM | PART NUMBER | QTY | LINE | SERIES | BODY | ENGINE | TRANS | TRIM | DESCRIPTION |
|----------------------------|-------------|-----|------|--------|------|--------|-------|------|-------------------------------------|
| NOTE: ER0=All 4.0L Engines | | | | | | | | | |
| 1 | 53010448AA | 1 | | | | ER0 | | | CAMSHAFT |
| 2 | 53010512AA | 6 | | | | ER0 | | | VALVE, Intake, Standard |
| 3 | 53010513AA | 6 | | | | ER0 | | | VALVE, Exhaust, Standard |
| 4 | 53009887 | 6 | | | | ER0 | | | SEAL, Valve Guide |
| 5 | 53010515AA | 24 | | | | ER0 | | | LOCK, Valve Spring Retainer |
| 6 | 53010388 | 12 | | | | ER0 | | | SPRING, Valve |
| 7 | 53010514AA | 12 | | | | ER0 | | | RETAINER, Valve Spring |
| 8 | 04740269 | 12 | | | | ER0 | | | TAPPET, Valve |
| 9 | 33002986 | 12 | | | | ER0 | | | PUSH ROD, Valve |
| 10 | 53009886 | 6 | | | | ER0 | | | SEAL, Valve Guide |
| 11 | J3242393 | 12 | | | | ER0 | | | ROCKER ARM, Valve |
| 12 | J3235090 | 12 | | | | ER0 | | | PIVOT, Rocker Arm |
| 13 | J3236513 | 6 | | | | ER0 | | | BRIDGE, Rocker Arm |
| 14 | J9425708 | 12 | | | | ER0 | | | BOLT, Hex Flange Head, .312-18x1.25 |

GRAND CHEROKEE (WJ)

SERIES
H = Laredo
P = Limited

LINE
T = JEEP - 2WD
J = JEEP - 4WD
U = JEEP - 4WD (RHD)

BODY
74 = 4 Door (105.9 WB)

ENGINE
ERH = ENGINE - 4.0L
POWER TECH I-6
EVA = ENGINE- 4.7L V8 MPI
EXA = ENGINE - 3.1L 5 CYL
TURBO DIESEL

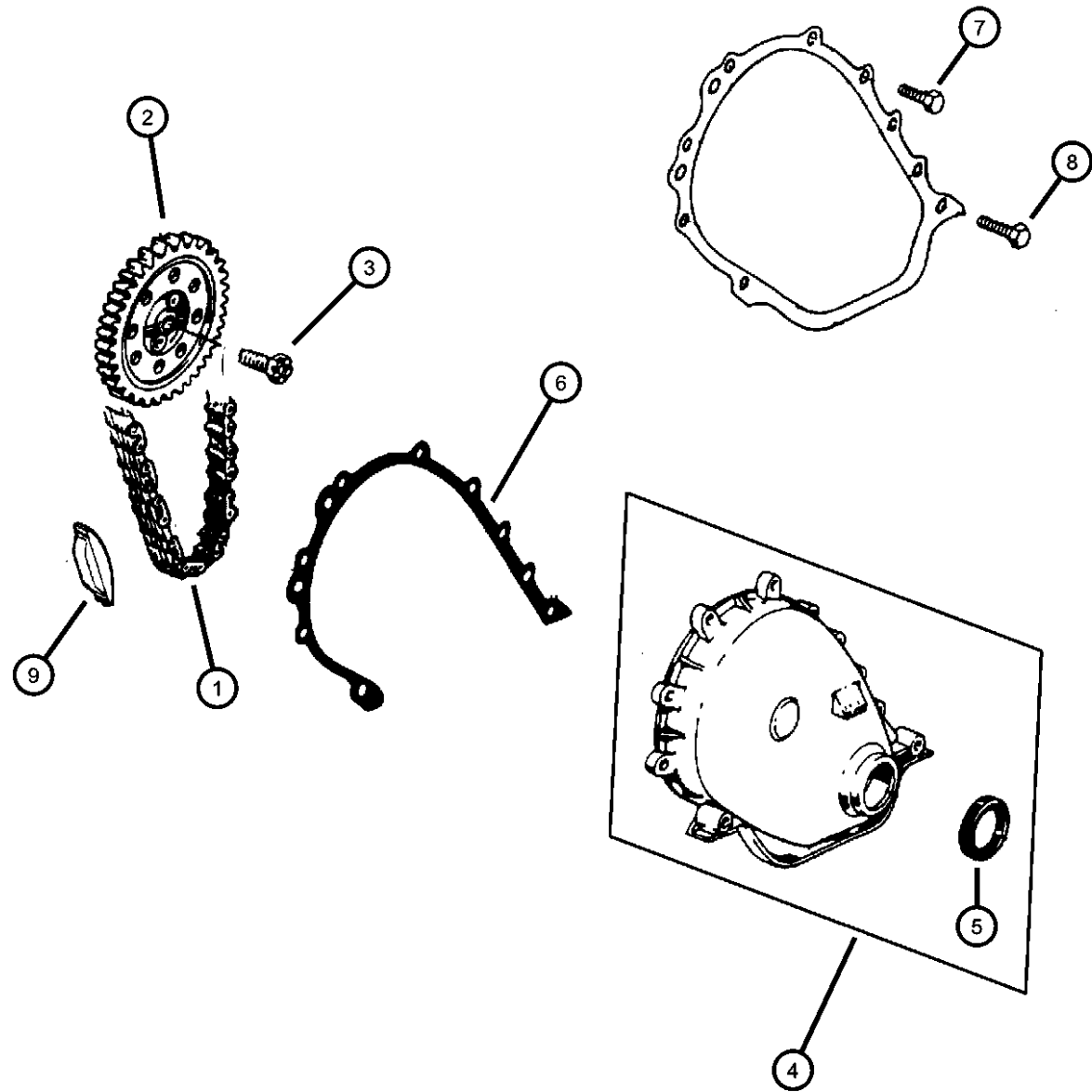
TRANSMISSION
DG4 = TRANSMISSION-MULTI-
SPEED AUTO, 45RFE
DGW = TRANSMISSION - 4-SPD.
AUTOMATIC,44RE
DGK = TRANSMISSION - 4-SPD.
AUTOMATIC,42RE
DGO = ALL AUTOMATIC
TRANSMISSIONS

AR = use ase required - = Non illustrated part

2000 WJ

**Timing Belt and Cover
Figure 4.0L-610**

| ITEM | PART NUMBER | QTY | LINE | SERIES | BODY | ENGINE | TRANS | TRIM | DESCRIPTION |
|----------------------------|-------------|-----|------|--------|------|--------|-------|------|-----------------------------|
| NOTE: ER0=All 4.0L Engines | | | | | | | | | |
| -1 | 05189875AA | 1 | | | | ER0 | | | CHAIN PACKAGE, Timing |
| 2 | 53020444 | 1 | | | | ER0 | | | CHAIN, Timing |
| 3 | 53010400 | 1 | | | | ER0 | | | SPROCKET, Camshaft |
| 4 | 06024030 | 1 | | | | ER0 | | | SCREW AND WASHER, Hex |
| 5 | 53010421 | 1 | | | | ER0 | | | COVER, Timing Belt |
| 6 | 33004681 | 1 | | | | ER0 | | | SEAL, Front Main Crankshaft |
| 7 | 53020487 | 1 | | | | ER0 | | | GASKET, Front Cover |
| 8 | 06035893 | 5 | | | | ER0 | | | BOLT, Hex |
| 9 | | | | | | | | | SCREW |
| | 06035894 | 2 | | | | ER0 | | | .312-18x1.56 |
| | 06035895 | 2 | | | | ER0 | | | .250-20x1.240 |
| 10 | 33003446 | 1 | | | | ER0 | | | SNUBBER, Timing Chain |
| -11 | 53010401 | 1 | | | | ER0 | | | PLATE, Camshaft Thrust |
| -12 | 06035975AA | 2 | | | | ER0 | | | SCREW, Pan Head |



GRAND CHEROKEE (WJ)

SERIES LINE
H = Laredo T = JEEP - 2WD
P = Limited J = JEEP - 4WD
 U = JEEP - 4WD (RHD)

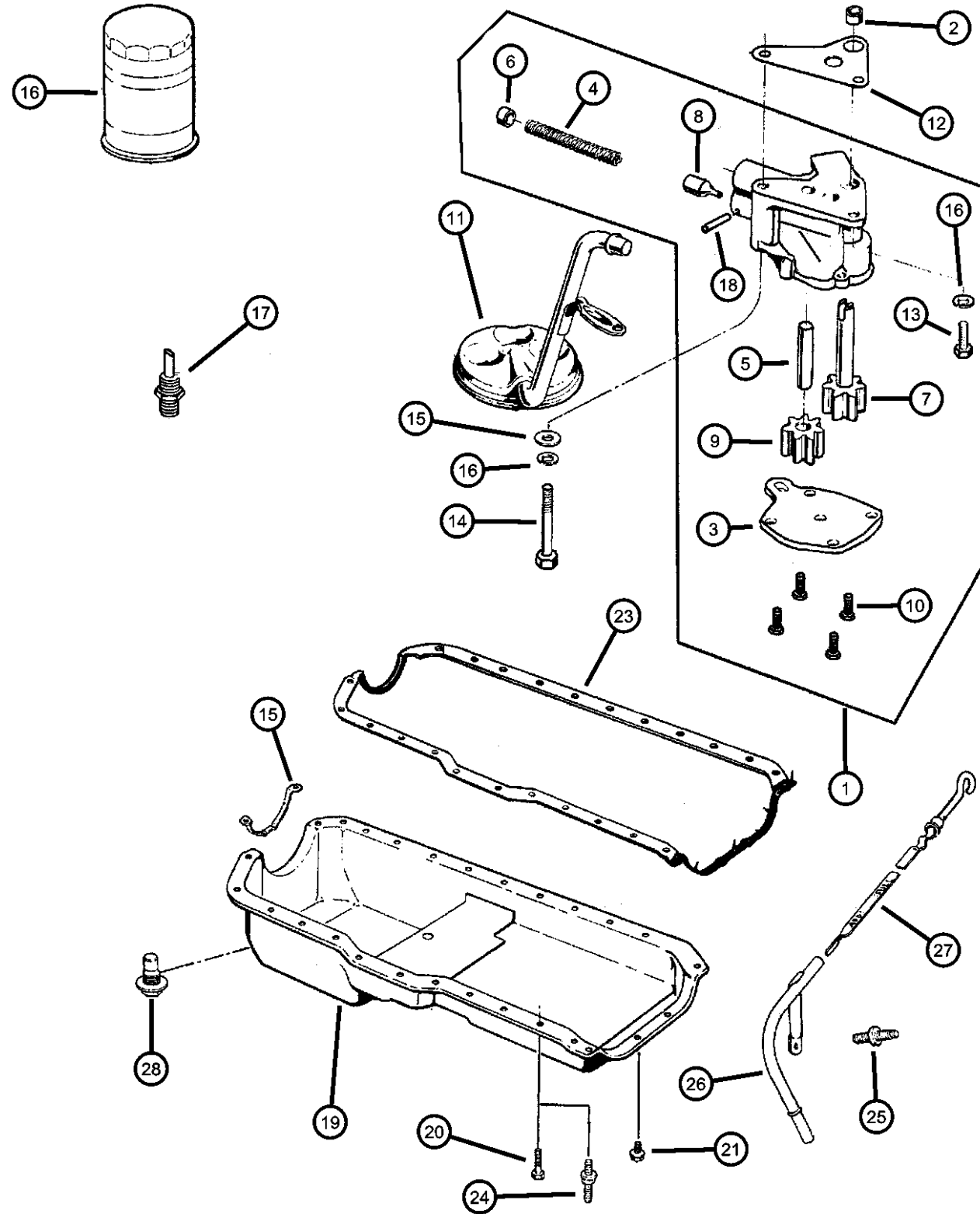
BODY
74 = 4 Door (105.9 WB)

ENGINE
ERH = ENGINE - 4.0L
POWER TECH I-6
EVA = ENGINE- 4.7L V8 MPI
EXA = ENGINE - 3.1L 5 CYL
TURBO DIESEL

TRANSMISSION
DG4 = TRANSMISSION-MULTI-
SPEED AUTO, 45RFE
DGW = TRANSMISSION - 4-SPD.
AUTOMATIC,44RE
DGK = TRANSMISSION - 4-SPD.
AUTOMATIC,42RE
DGO = ALL AUTOMATIC
TRANSMISSIONS

AR = use ase required - = Non illustrated part

Engine Oiling
Figure 4.0L-710



| ITEM | PART NUMBER | QTY | LINE | SERIES | BODY | ENGINE | TRANS | TRIM | DESCRIPTION |
|------|-------------|-----|------|--------|------|--------|-------|------|-------------|
|------|-------------|-----|------|--------|------|--------|-------|------|-------------|

NOTE: ER0=All 4.0L Engines

| | | | | | | | | | |
|-----|------------|----|--|--|--|-----|--|--|---|
| 1 | J3241399 | 1 | | | | ER0 | | | PUMP, Engine Oil |
| 2 | J4005149 | 1 | | | | ER0 | | | DOWEL, Oil Pump |
| 3 | J3241733 | 1 | | | | ER0 | | | COVER, Engine Oil Pump |
| 4 | J3239668 | 1 | | | | ER0 | | | SPRING, Oil Pressure Relief Valve |
| 5 | J3171956 | 1 | | | | ER0 | | | SHAFT, Oil Pump |
| 6 | J3171958 | 1 | | | | ER0 | | | RETAINER, Oil Release Valve |
| 7 | J3172334 | 1 | | | | ER0 | | | GEAR, Oil Pump |
| 8 | J3188661 | 1 | | | | ER0 | | | PLUNGER, Oil Pressure Relief Valve |
| 9 | J3196843 | 1 | | | | ER0 | | | GEAR, Oil Pump Driven |
| 10 | J9416852 | 4 | | | | ER0 | | | SCREW, Hex Flange Head, .25-20x.50 |
| 11 | 33002696 | 1 | | | | ER0 | | | TUBE, Oil Pump Inlet |
| 12 | J3172332 | 1 | | | | ER0 | | | GASKET, Oil Pump |
| 13 | 06022235 | 1 | | | | ER0 | | | BOLT AND WASHER, Hex Head, .312-18x1.00 |
| 14 | 00154593 | 1 | | | | ER0 | | | SCREW, Hex Head Coned, .312-18x2.625 |
| 15 | 53010511AA | 1 | | | | ER0 | | | SUPPORT, Engine Oil Pan |
| 16 | 05281090 | 1 | | | | ER0 | | | FILTER, Engine Oil |
| | 0FE00292 | | | | | | | | Canadian Aftermarket Part |
| | 05281090BA | | | | | | | | BULK PACK (12) |
| | 77060018 | | | | | | | | Performance Mobil 1, 15W - 50 Tri-Synthetic Engine Oil-Recommended Fill for 6.1L & 8.3L |
| | P5007323 | | | | | | | | Performance Mobil 1, 5W - 30 Tri-Synthetic Engine Oil, Quart |
| 17 | 53007563 | 1 | | | | ER0 | | | CONNECTOR, Oil Filter |
| 18 | J0271448 | 1 | | | | ER0 | | | PIN, Roll, 5/32" x 1.00" |
| 19 | 53010340 | 1 | | | | ER0 | | | PAN, Engine Oil |
| 20 | 06034732 | 14 | | | | ER0 | | | SCREW AND WASHER, Hex Head, .25-20x.545 |
| 21 | 06034483 | 3 | | | | ER0 | | | SCREW, Hex Head Coned, .312-18x.875 |
| -22 | 06034733 | 1 | | | | ER0 | | | STUD, .312-18/.250-20x1.680 |
| 23 | 53007568AC | 1 | | | | ER0 | | | GASKET, Oil Pan |

GRAND CHEROKEE (WJ)

| SERIES | LINE |
|-------------|----------------------|
| H = Laredo | T = JEEP - 2WD |
| P = Limited | J = JEEP - 4WD |
| | U = JEEP - 4WD (RHD) |

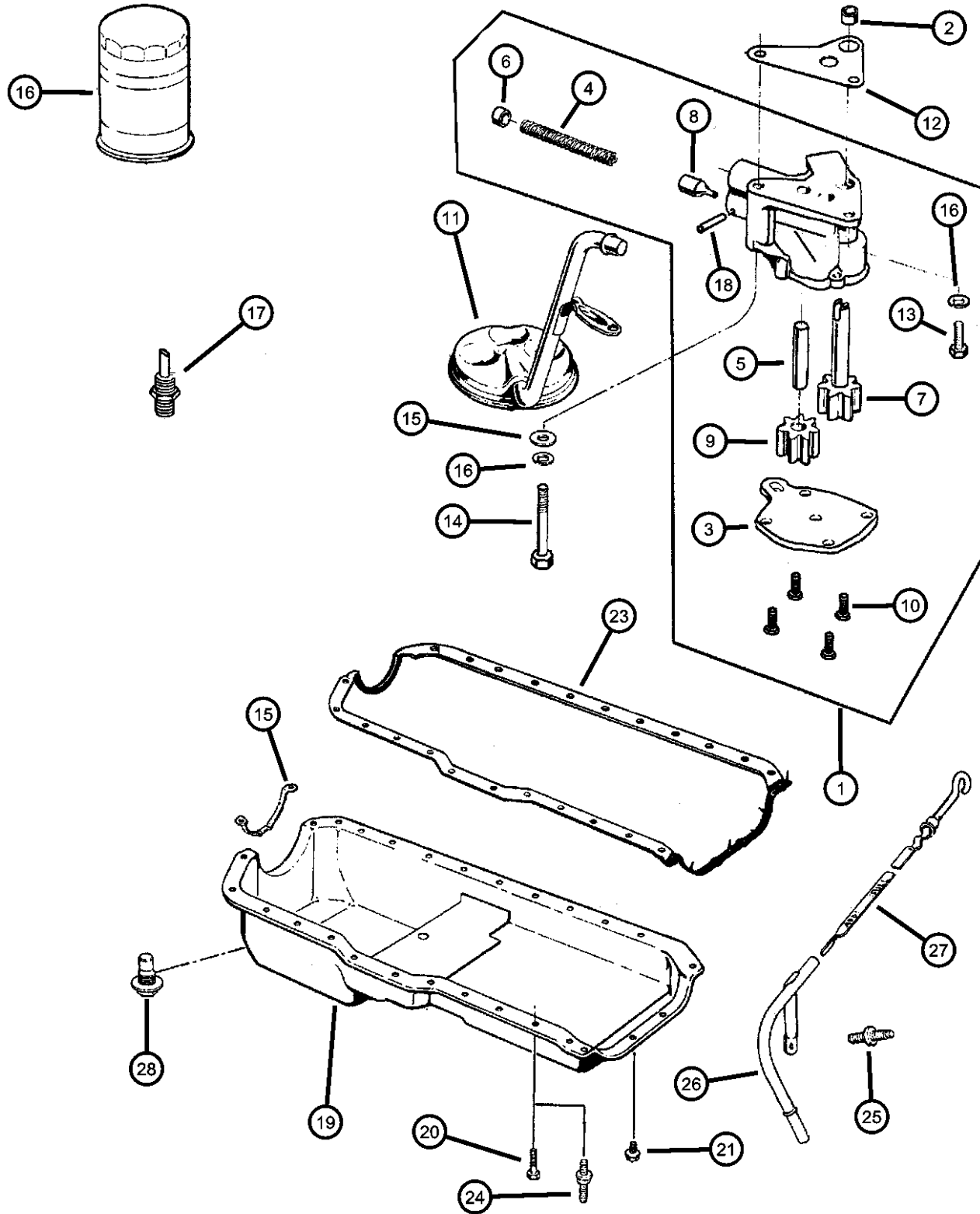
| BODY |
|------------------------|
| 74 = 4 Door (105.9 WB) |

| ENGINE |
|--|
| ERH = ENGINE - 4.0L POWER TECH I-6 |
| EVA = ENGINE - 4.7L V8 MPI |
| EXA = ENGINE - 3.1L 5 CYL TURBO DIESEL |

| TRANSMISSION |
|---|
| DG4 = TRANSMISSION-MULTI-SPEED AUTO, 45RFE |
| DGW = TRANSMISSION - 4-SPD. AUTOMATIC, 44RE |
| DGK = TRANSMISSION - 4-SPD. AUTOMATIC, 42RE |
| DGO = ALL AUTOMATIC TRANSMISSIONS |

AR = use ase required - = Non illustrated part

Engine Oiling
Figure 4.0L-710



| ITEM | PART NUMBER | QTY | LINE | SERIES | BODY | ENGINE | TRANS | TRIM | DESCRIPTION |
|------|-------------|-----|------|--------|------|--------|-------|------|--|
| 24 | 06034734 | 10 | | | | ER0 | | | BOLT, Double Stud Hex, .250-20x1.437 & .250-20 x.700 |
| 25 | 06035664 | 1 | | | | ER0 | | | STUD, .312-18x1.560 |
| 26 | 53020782 | 1 | | | | ER0 | | | TUBE, Oil Filler |
| 27 | 53010445 | 1 | | | | ER0 | | | INDICATOR, Engine Oil Level |
| 28 | 06035417 | 1 | | | | ER0 | | | PLUG, Oil Drain |
| -29 | 05083881AA | 1 | | | | ER0 | | | DRIVE, OIL PUMP |

GRAND CHEROKEE (WJ)

SERIES
H = Laredo
P = Limited

LINE
T = JEEP - 2WD
J = JEEP - 4WD
U = JEEP - 4WD (RHD)

BODY
74 = 4 Door (105.9 WB)

ENGINE
ERH = ENGINE - 4.0L
POWER TECH I-6
EVA = ENGINE- 4.7L V8 MPI
EXA = ENGINE - 3.1L 5 CYL
TURBO DIESEL

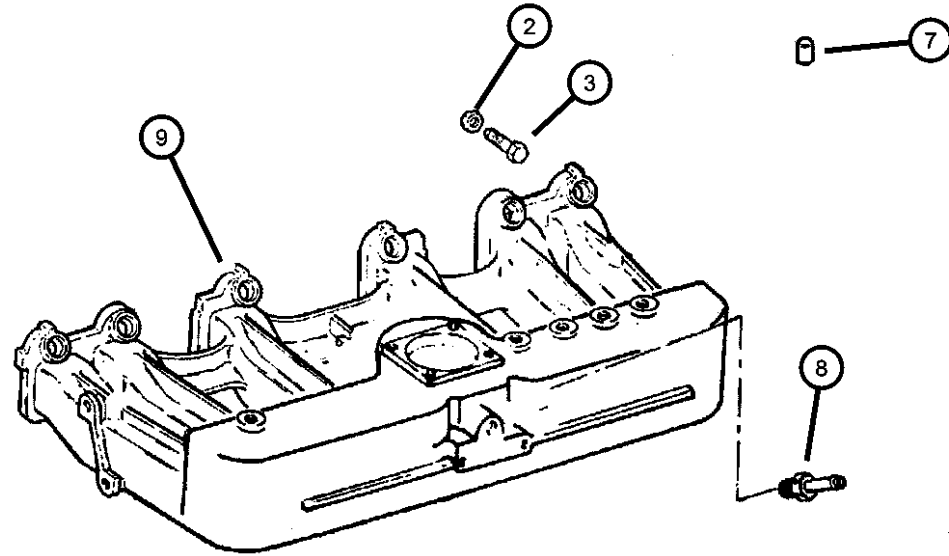
TRANSMISSION
DG4 = TRANSMISSION-MULTI-
SPEED AUTO, 45RFE
DGW = TRANSMISSION - 4-SPD.
AUTOMATIC,44RE
DGK = TRANSMISSION - 4-SPD.
AUTOMATIC,42RE
DGO = ALL AUTOMATIC
TRANSMISSIONS

AR = use ase required - = Non illustrated part

2000 WJ

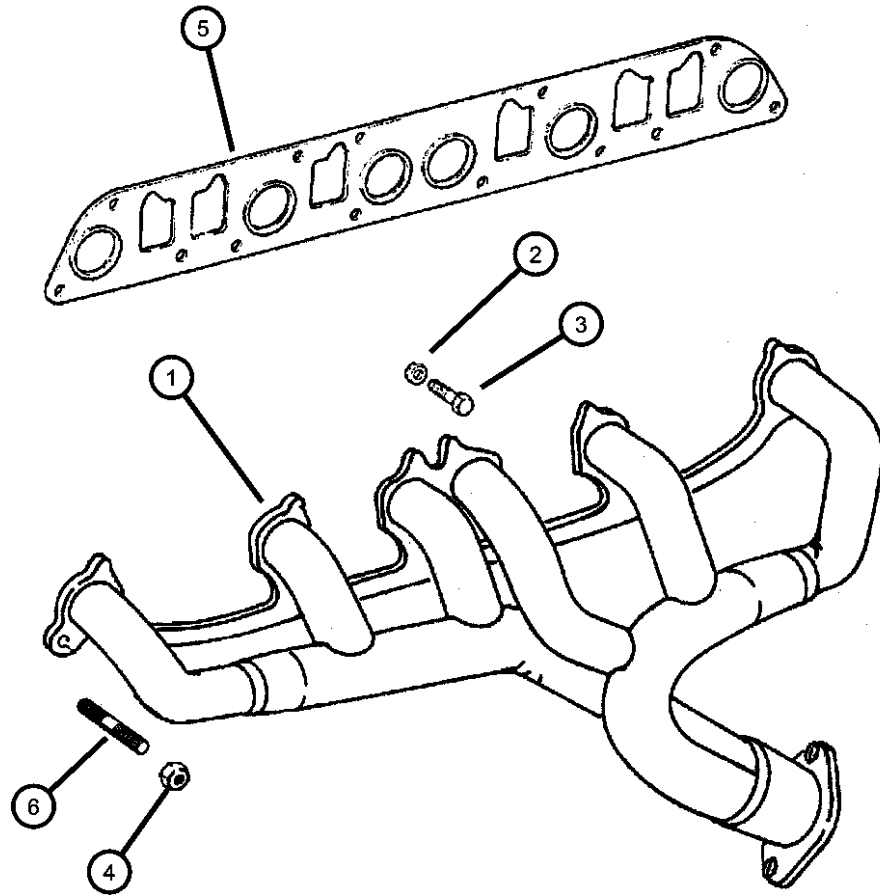
**Manifold, Intake and Exhaust
Figure 4.0L-810**

| ITEM | PART NUMBER | QTY | LINE | SERIES | BODY | ENGINE | TRANS | TRIM | DESCRIPTION |
|------|-------------|-----|------|--------|------|--------|-------|------|-------------|
|------|-------------|-----|------|--------|------|--------|-------|------|-------------|



NOTE: ER0=All 4.0L Engines

| | | | | | | | | | |
|---|------------|---|--|--|--|-----|--|--|---------------------------------|
| 1 | 53010196 | 1 | | | | ER0 | | | MANIFOLD, Exhaust Front |
| | 53010199 | 1 | | | | ER0 | | | Rear |
| 2 | 06036171AA | 2 | | | | ER0 | | | NUT AND WASHER |
| 3 | 06036045AA | 1 | | | | ER0 | | | BOLT AND RETAINER, Hex Head |
| 4 | 06036171AA | 2 | | | | ER0 | | | NUT AND WASHER |
| 5 | 04854038 | 1 | | | | ER0 | | | GASKET, Intake/Exhaust Manifold |
| 6 | 06036193AA | 2 | | | | ER0 | | | STUD, .375-16/.375-24x1.75 |
| 7 | 03580172 | 1 | | | | ER0 | | | CAP, Vacuum |
| 8 | 04854194 | 1 | | | | ER0 | | | FITTING, Vacuum |
| 9 | 04854197AA | 1 | | | | ER0 | | | MANIFOLD, Intake |



GRAND CHEROKEE (WJ)

| SERIES | LINE |
|-------------|----------------------|
| H = Laredo | T = JEEP - 2WD |
| P = Limited | J = JEEP - 4WD |
| | U = JEEP - 4WD (RHD) |

| BODY |
|------------------------|
| 74 = 4 Door (105.9 WB) |

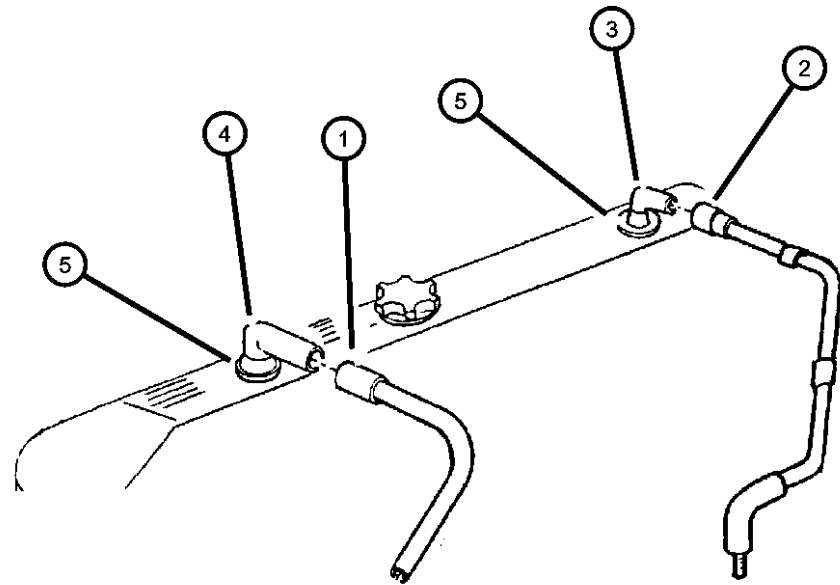
| ENGINE |
|--|
| ERH = ENGINE - 4.0L POWER TECH I-6 |
| EVA = ENGINE- 4.7L V8 MPI |
| EXA = ENGINE - 3.1L 5 CYL TURBO DIESEL |

| TRANSMISSION |
|--|
| DG4 = TRANSMISSION-MULTI-SPEED AUTO, 45RFE |
| DGW = TRANSMISSION - 4-SPD. AUTOMATIC,44RE |
| DGK = TRANSMISSION - 4-SPD. AUTOMATIC,42RE |
| DGO = ALL AUTOMATIC TRANSMISSIONS |

AR = use ase required - = Non illustrated part

2000 WJ

**Crankcase Ventilation
Figure 4.0L-910**



| ITEM | PART NUMBER | QTY | LINE | SERIES | BODY | ENGINE | TRANS | TRIM | DESCRIPTION |
|----------------------------|-------------|-----|------|--------|------|--------|-------|------|---|
| NOTE: ER0=All 4.0L Engines | | | | | | | | | |
| 1 | 04854119 | 1 | | | | ER0 | | | TUBE, Crankcase Vent To Air Cleaner |
| 2 | 04854265 | 1 | | | | ER0 | | | TUBE, Crankcase Vent To Intake Manifold |
| 3 | 53013360AA | 1 | | | | ER0 | | | TUBE, Crankcase Vent To Air Cleaner |
| 4 | 53030497 | 1 | | | | ER0 | | | FITTING, Crankcase Vent Tube |
| 5 | 02946079 | 2 | | | | ER0 | | | GROMMET, Crankcase Vent |

GRAND CHEROKEE (WJ)

SERIES LINE
H = Laredo T = JEEP - 2WD
P = Limited J = JEEP - 4WD
 U = JEEP - 4WD (RHD)

BODY
74 = 4 Door (105.9 WB)

ENGINE
ERH = ENGINE - 4.0L
POWER TECH I-6
EVA = ENGINE- 4.7L V8 MPI
EXA = ENGINE - 3.1L 5 CYL
TURBO DIESEL

TRANSMISSION
DG4 = TRANSMISSION-MULTI-
SPEED AUTO, 45RFE
DGW = TRANSMISSION - 4-SPD.
AUTOMATIC,44RE
DGK = TRANSMISSION - 4-SPD.
AUTOMATIC,42RE
DGO = ALL AUTOMATIC
TRANSMISSIONS

AR = use ase required - = Non illustrated part

2000 WJ

Group - 4.7L

Engine 4.7L Eight Cylinder

Group - 4.7L Engine 4.7L Eight Cylinder

Illustration Title

Group-Fig. No.

Cylinder Head

Cylinder Head Fig. 4.7L - 210

Cylinder Block

Cylinder Block Fig. 4.7L - 310

Crankshaft, Pistons and Torque Converter

Crankshaft, Piston and Torque Converter Fig. 4.7L - 410

Camshafts and Valves

Camshaft and Valves Fig. 4.7L - 510

Timing Belt and Cover

Timing Cover Fig. 4.7L - 610

Timing Chain and Guides Fig. 4.7L - 620

Engine Oiling

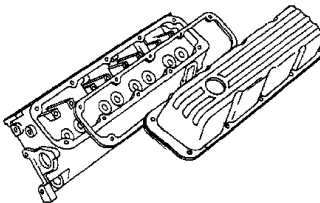
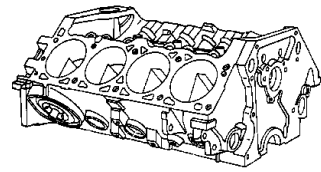
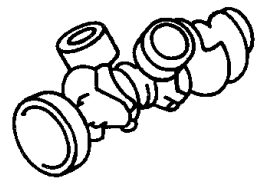
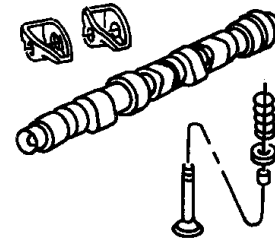
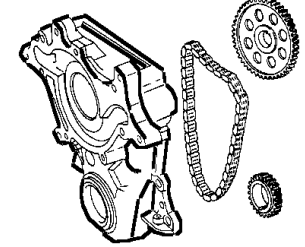
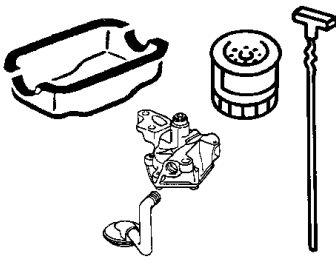
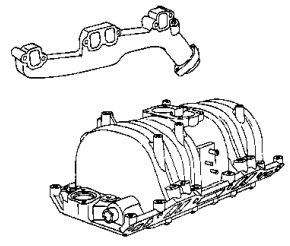
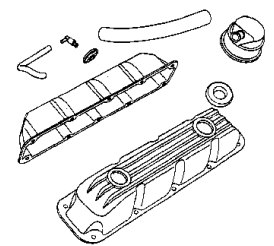
Engine Oiling Fig. 4.7L - 710

Manifolds

Manifold, Intake and Exhaust Fig. 4.7L - 810

Crankcase Ventilation

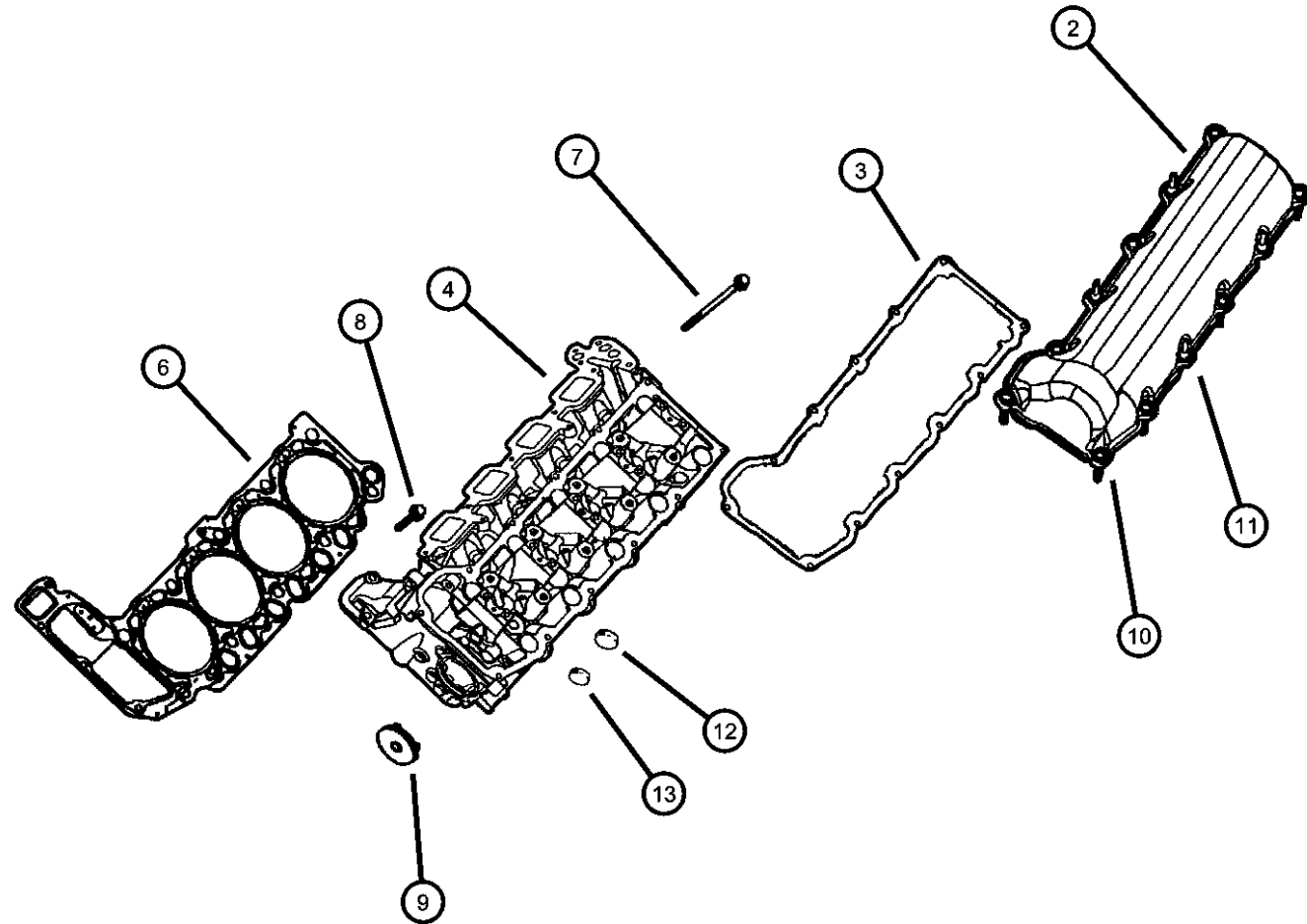
Crankcase Ventilation Fig. 4.7L - 910

| | | | |
|---|---|--|--|
| <p>4.7L-200 Cylinder Head</p>  | <p>4.7L-300 Cylinder Block</p>  | <p>4.7L-400 Crankshaft, Pistons and Torque Converter</p>  | <p>4.7L-500 Camshafts and Valves</p>  |
| <p>4.7L-600 Timing Belt and Cover</p>  | <p>4.7L-700 Engine Oiling</p>  | <p>4.7L-800 Manifolds</p>  | <p>4.7L-900 Crankcase Ventilation</p>  |

**Cylinder Head
Figure 4.7L-210**

| ITEM | PART NUMBER | QTY | LINE | SERIES | BODY | ENGINE | TRANS | TRIM | DESCRIPTION |
|------|-------------|-----|------|--------|------|--------|-------|------|-------------|
|------|-------------|-----|------|--------|------|--------|-------|------|-------------|

NOTES: Upper Gasket Package Contains: Cylinder Head and Cylinder Head Cover Gaskets, Intake and Exhaust Manifold Gaskets, Throttle Body
SALES CODES
[EV0] = All 4.7L Engines



| | | | | | | | | | |
|----|------------|----|--|--|--|-----|-----|--|---|
| -1 | 05135794AA | 1 | | | | EV0 | DG0 | | GASKET PACKAGE, Engine Upper, See Notes |
| 2 | | | | | | | | | COVER, Cylinder Head |
| | 53020657AB | 1 | | | | EV0 | | | Left |
| | 53020874AB | 1 | | | | EV0 | | | Right |
| 3 | | | | | | | | | GASKET, Valve Cover |
| | 53020877 | 1 | | | | EV0 | | | Left |
| | 53020878 | 1 | | | | EV0 | | | Right |
| 4 | 05012522AA | 1 | | | | EV0 | | | HEAD, Cylinder, Left |
| | R5847099 | | | | | | | | Mopar Reman 4.7L Head w/Valves, Springs, Gasket (EVA) - Left |
| -5 | 05012529AA | 1 | | | | EV0 | | | HEAD, Cylinder, Right |
| | R6847099 | | | | | | | | Mopar Reman 4.7L Head w/Valves, Springs, Gasket (EVA) - Right |
| 6 | 53020673 | 2 | | | | EV0 | | | GASKET, Cylinder Head |
| 7 | 06504939AA | 20 | | | | EV0 | | | SCREW AND WASHER, Hex Head |
| 8 | 06504985AA | 8 | | | | EV0 | | | SCREW AND WASHER, Hex Head |
| 9 | 53021031 | 1 | | | | EV0 | | | PLUG, Access Hole |
| 10 | 53021031 | 1 | | | | | | | SCREW, Serviced in Cylinder Head Cover, (NOT SERVICED) |
| 11 | 53021031 | 1 | | | | | | | STUD, Serviced in Cylinder Head Cover, (NOT SERVICED) |
| 12 | 04556020 | 2 | | | | EV0 | | | PLUG, Core, 1.25 Diameter |
| 13 | 04556017 | 1 | | | | EV0 | | | PLUG, Core |

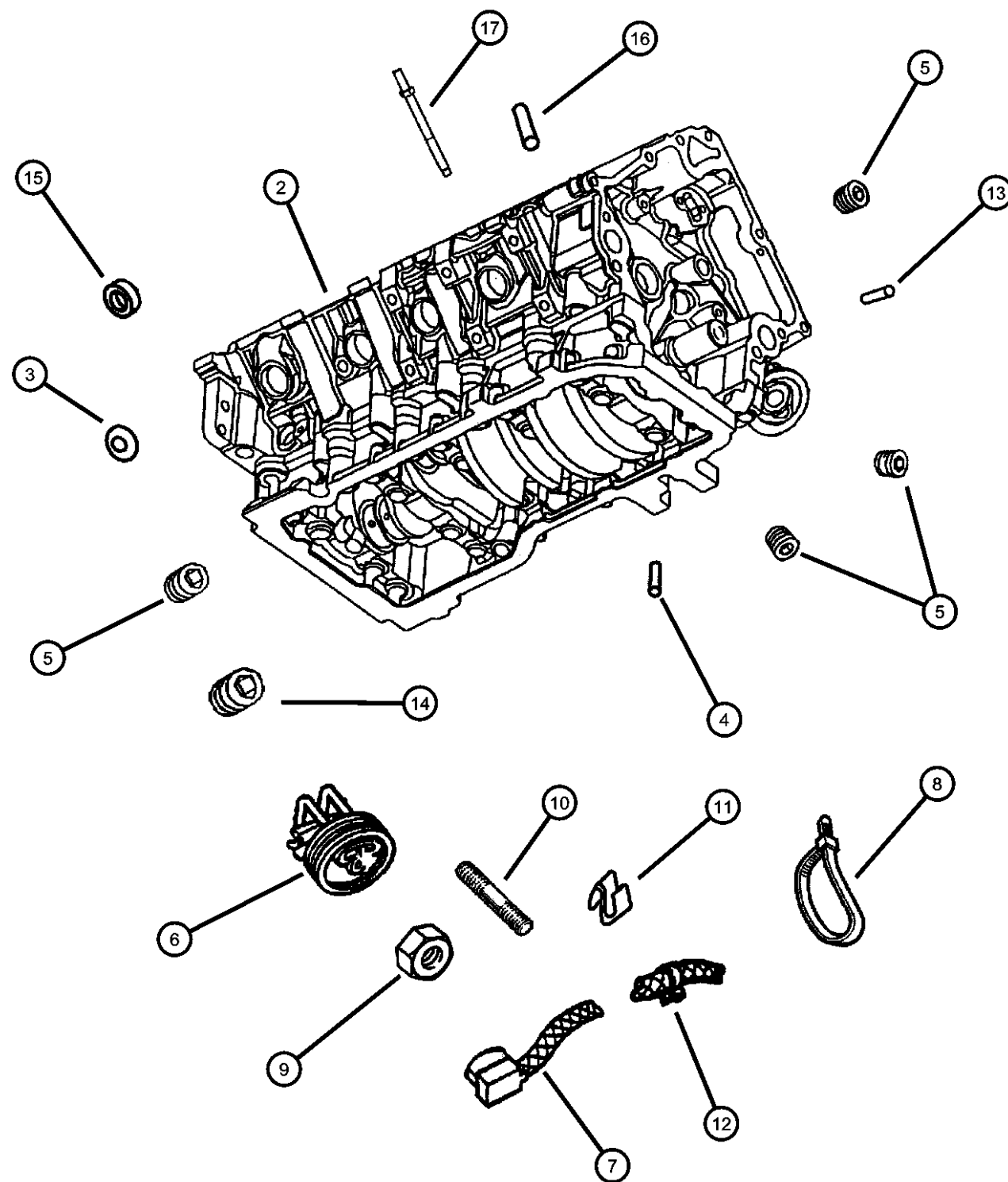
GRAND CHEROKEE (WJ)

| | | | | |
|-------------|----------------------|------------------------|--|--|
| SERIES | LINE | BODY | ENGINE | TRANSMISSION |
| H = Laredo | T = JEEP - 2WD | 74 = 4 Door (105.9 WB) | ERH = ENGINE - 4.0L POWER TECH I-6 | DG4 = TRANSMISSION-MULTI-SPEED AUTO, 45RFE |
| P = Limited | J = JEEP - 4WD | | EVA = ENGINE- 4.7L V8 MPI | DGW = TRANSMISSION - 4-SPD. AUTOMATIC,44RE |
| | U = JEEP - 4WD (RHD) | | EXA = ENGINE - 3.1L 5 CYL TURBO DIESEL | DGK = TRANSMISSION - 4-SPD. AUTOMATIC,42RE |
| | | | | DGO = ALL AUTOMATIC TRANSMISSIONS |

AR = use ase required - = Non illustrated part

2000 WJ

**Cylinder Block
Figure 4.7L-310**



| ITEM | PART NUMBER | QTY | LINE | SERIES | BODY | ENGINE | TRANS | TRIM | DESCRIPTION |
|---|-------------|-----|------|--------|------|--------|-------|------|--|
| NOTES: Lower Gasket Package contains: Front and Rear Crankshaft Seals, Oil Pick Up Tube Seal; Oil Pan, Chain Case and Water Pump Gaskets [EV0] = All 4.7L Engines [DG0] = All Automatic Transmissions | | | | | | | | | |
| -1 | 05135796AA | 1 | | | | EV0 | DG0 | | GASKET PACKAGE, Engine Lower, See Notes |
| 2 | 05011499AA | 1 | | | | EV0 | | | BLOCK, Short, Contains: Block, Bed Plate, Crank, Rods, Pistons, Rings, Oil Pump, Oil Pan Mopar Reman Long Block 1999 - 2000 WJ Only |
| | R2847099 | | | | | | | | |
| 3 | 06034804 | 10 | | | | EV0 | | | PLUG, Core, 1.39 Diameter |
| 4 | 06505457AA | 3 | | | | EV0 | | | PIN |
| 5 | 06036114AA | 4 | | | | EV0 | | | PLUG, Pipe |
| 6 | 56041304AB | 1 | | | | EV0 | | | HEATER, Engine Block |
| 7 | 56027117 | 1 | | | | EV0 | | | CORD, Engine Block Heater |
| 8 | 56008876 | 1 | | | | | | | STRAP, Tie |
| 9 | 56008876 | 1 | | | | | | | NUT, Hex Flange Lock, .375-16, (NOT SERVICED) |
| 10 | 56008876 | 1 | | | | | | | SCREW, [.375-16x.625], (NOT SERVICED) |
| 11 | 56008876 | 1 | | | | | | | CLIP, (NOT SERVICED) |
| 12 | 56008876 | 1 | | | | | | | CLIP, (NOT SERVICED) |
| 13 | 53021049 | 2 | | | | EV0 | | | DOWEL |
| 14 | 06034366 | 2 | | | | EV0 | | | SCREW |
| 15 | 04556019 | 1 | | | | EV0 | | | PLUG, Cylinder Block Oil Hole |
| 16 | 06505458AA | 4 | | | | EV0 | | | PIN |
| 17 | 06505274AA | 2 | | | | EV0 | | | STUD |
| -18 | 05240849 | 4 | | | | EV0 | | | DOWEL, Block To Clutch Housing |

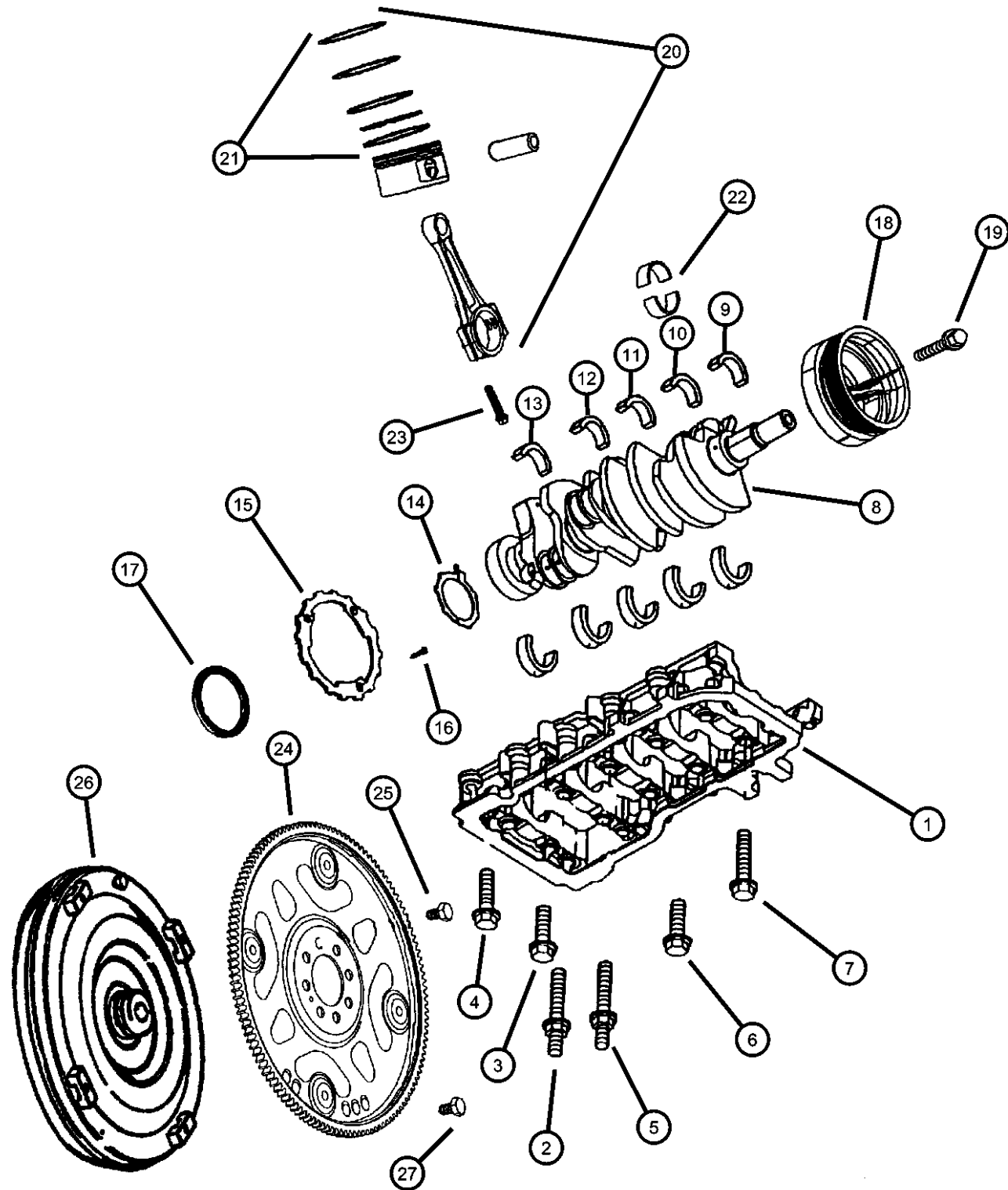
GRAND CHEROKEE (WJ)

| | | | | |
|-------------|----------------------|------------------------|--|---|
| SERIES | LINE | BODY | ENGINE | TRANSMISSION |
| H = Laredo | T = JEEP - 2WD | 74 = 4 Door (105.9 WB) | ERH = ENGINE - 4.0L POWER TECH I-6 | DG4 = TRANSMISSION-MULTI-SPEED AUTO, 45RFE |
| P = Limited | J = JEEP - 4WD | | EVA = ENGINE- 4.7L V8 MPI | DGW = TRANSMISSION - 4-SPD. AUTOMATIC, 44RE |
| | U = JEEP - 4WD (RHD) | | EXA = ENGINE - 3.1L 5 CYL TURBO DIESEL | DGK = TRANSMISSION - 4-SPD. AUTOMATIC, 42RE |
| | | | | DGO = ALL AUTOMATIC TRANSMISSIONS |

AR = use ase required - = Non illustrated part

2000 WJ

Crankshaft, Piston and Torque Converter
Figure 4.7L-410



NOTE: EV0=All 4.7L Engines DG0=All Automatic Transmissions DG4=Multi-Speed Transmission

| ITEM | PART NUMBER | QTY | LINE | SERIES | BODY | ENGINE | TRANS | TRIM | DESCRIPTION |
|------|-------------|-----|------|--------|------|--------|-------|------|---|
| 1 | 05240849 | 4 | | | | | | | BEDPLATE, Serviced in Short Block, (NOT SERVICED) |
| 2 | 06505151AA | 2 | | | | EV0 | | | STUD |
| 3 | 06102047AA | 6 | | | | EV0 | | | SCREW, Hex Head, M8x1.25x50 |
| 4 | 06504411 | 7 | | | | EV0 | | | SCREW |
| 5 | 06505150AA | 1 | | | | EV0 | | | STUD |
| 6 | 06504410 | 5 | | | | EV0 | | | SCREW, Hex Head |
| 7 | 06505394AA | 7 | | | | EV0 | | | SCREW AND WASHER |
| 8 | 53020939AB | 1 | | | | EV0 | | | CRANKSHAFT |
| 9 | 05013586AB | 5 | | | | EV0 | | | BEARING PACKAGE, Crankshaft, B Grade |
| 10 | 05014183AA | 5 | | | | EV0 | | | BEARING PACKAGE, Crankshaft, A Grade |
| 11 | 05014186AA | 5 | | | | EV0 | | | BEARING PACKAGE, Crankshaft, C Grade |
| 12 | 05013587AA | AR | | | | EV0 | | | BEARING PACKAGE, Crankshaft, .025mm Undersize |
| 13 | 05013588AA | AR | | | | EV0 | | | BEARING PACKAGE, Crankshaft, .25mm Undersize |
| 14 | 05012356AB | 1 | | | | EV0 | | | WASHER PACKAGE, Washer |
| 15 | 05012356AB | 1 | | | | | | | TONE RING, Sensor, Serviced in Crankshaft, (NOT SERVICED) |
| 16 | 06504480 | 3 | | | | EV0 | | | SCREW, M6x1x25 |
| 17 | 53020788 | 1 | | | | EV0 | | | SEAL, Crankshaft Bearing Oil |
| 18 | 53020689AB | 1 | | | | EV0 | | | DAMPER, Crankshaft |
| 19 | 06504415 | 1 | | | | EV0 | | | SCREW AND WASHER |
| 20 | 05012362AB | 8 | | | | EV0 | | | PISTON PIN AND ROD, STD |
| 21 | 05012364AB | 8 | | | | EV0 | | | RING PACKAGE, Piston, Standard Size |
| 22 | 05012363AA | 8 | | | | EV0 | | | BEARING PACKAGE, Connecting Rod, Standard |
| 23 | 06504720 | 16 | | | | EV0 | | | BOLT, Connecting Rod |
| 24 | 52104048 | 1 | | | | EV0 | DG0 | | PLATE, Torque Converter Drive |
| 25 | 06503465 | 8 | | | | EV0 | DG0 | | BOLT, Drive Plate and Flywheel |
| 26 | 04736582 | 1 | J, U | | | | DG4 | | TORQUE CONVERTER |
| | R4736582 | | | | | | | | Mopar Remanufactured Part |

GRAND CHEROKEE (WJ)

| SERIES | LINE |
|-------------|----------------------|
| H = Laredo | T = JEEP - 2WD |
| P = Limited | J = JEEP - 4WD |
| | U = JEEP - 4WD (RHD) |

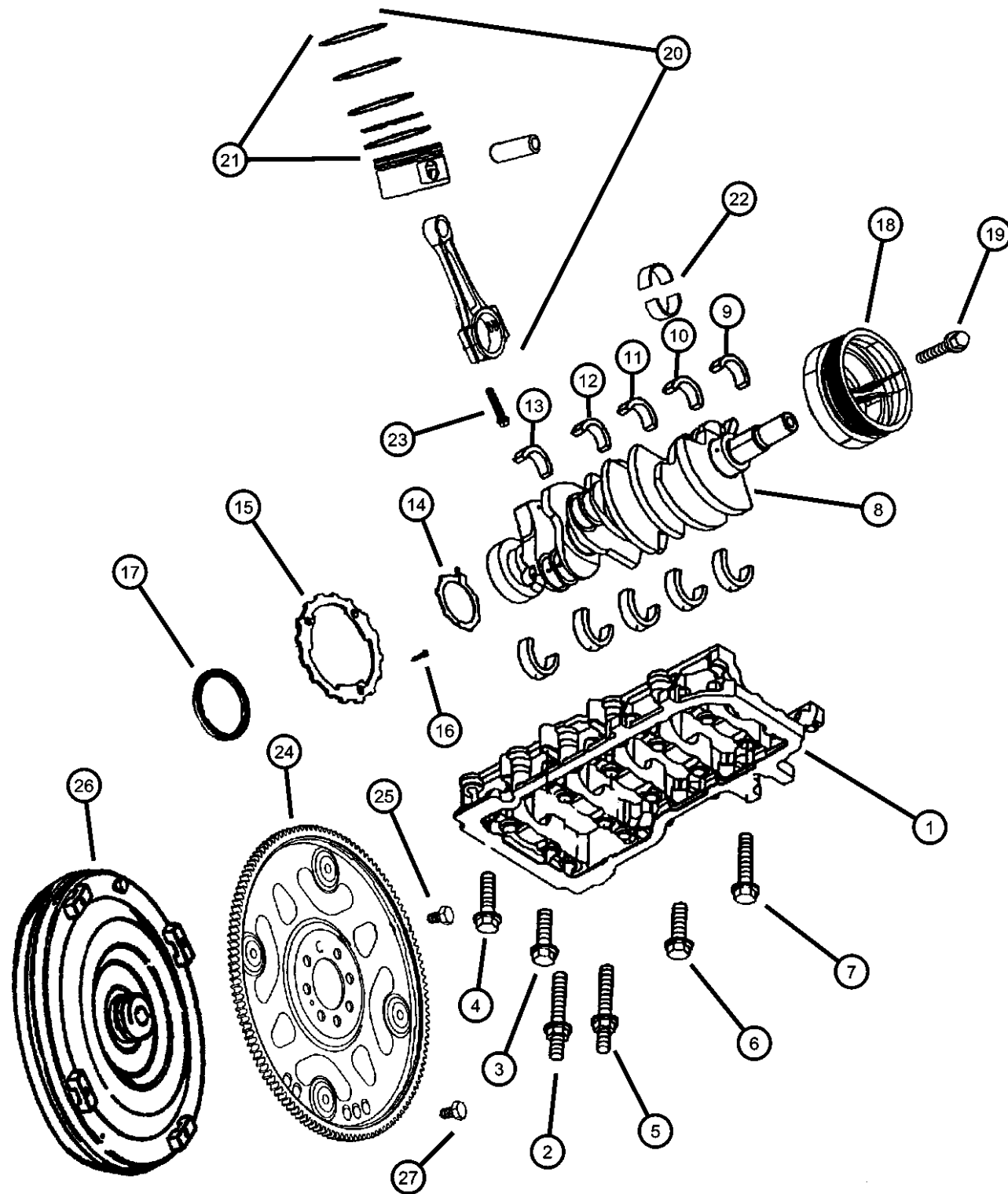
| BODY |
|------------------------|
| 74 = 4 Door (105.9 WB) |

| ENGINE |
|--|
| ERH = ENGINE - 4.0L POWER TECH I-6 |
| EVA = ENGINE - 4.7L V8 MPI |
| EXA = ENGINE - 3.1L 5 CYL TURBO DIESEL |

| TRANSMISSION |
|---|
| DG4 = TRANSMISSION-MULTI-SPEED AUTO, 45RFE |
| DGW = TRANSMISSION - 4-SPD. AUTOMATIC, 44RE |
| DGK = TRANSMISSION - 4-SPD. AUTOMATIC, 42RE |
| DGO = ALL AUTOMATIC TRANSMISSIONS |

AR = use ase required - = Non illustrated part

**Crankshaft, Piston and Torque Converter
Figure 4.7L-410**



| ITEM | PART NUMBER | QTY | LINE | SERIES | BODY | ENGINE | TRANS | TRIM | DESCRIPTION |
|------|-------------|-----|------|--------|------|--------|-------|------|---|
| 27 | 01949765 | 4 | | | | | DG0 | | SCREW, Hex Head Header Point, .312-24x.44 |
| -28 | 04736547 | 1 | T | | | | DG4 | | SEAL, Torque Converter Hub |
| | | 1 | J, U | | | | DG4 | | |

GRAND CHEROKEE (WJ)

SERIES LINE
 H = Laredo T = JEEP - 2WD
 P = Limited J = JEEP - 4WD
 U = JEEP - 4WD (RHD)

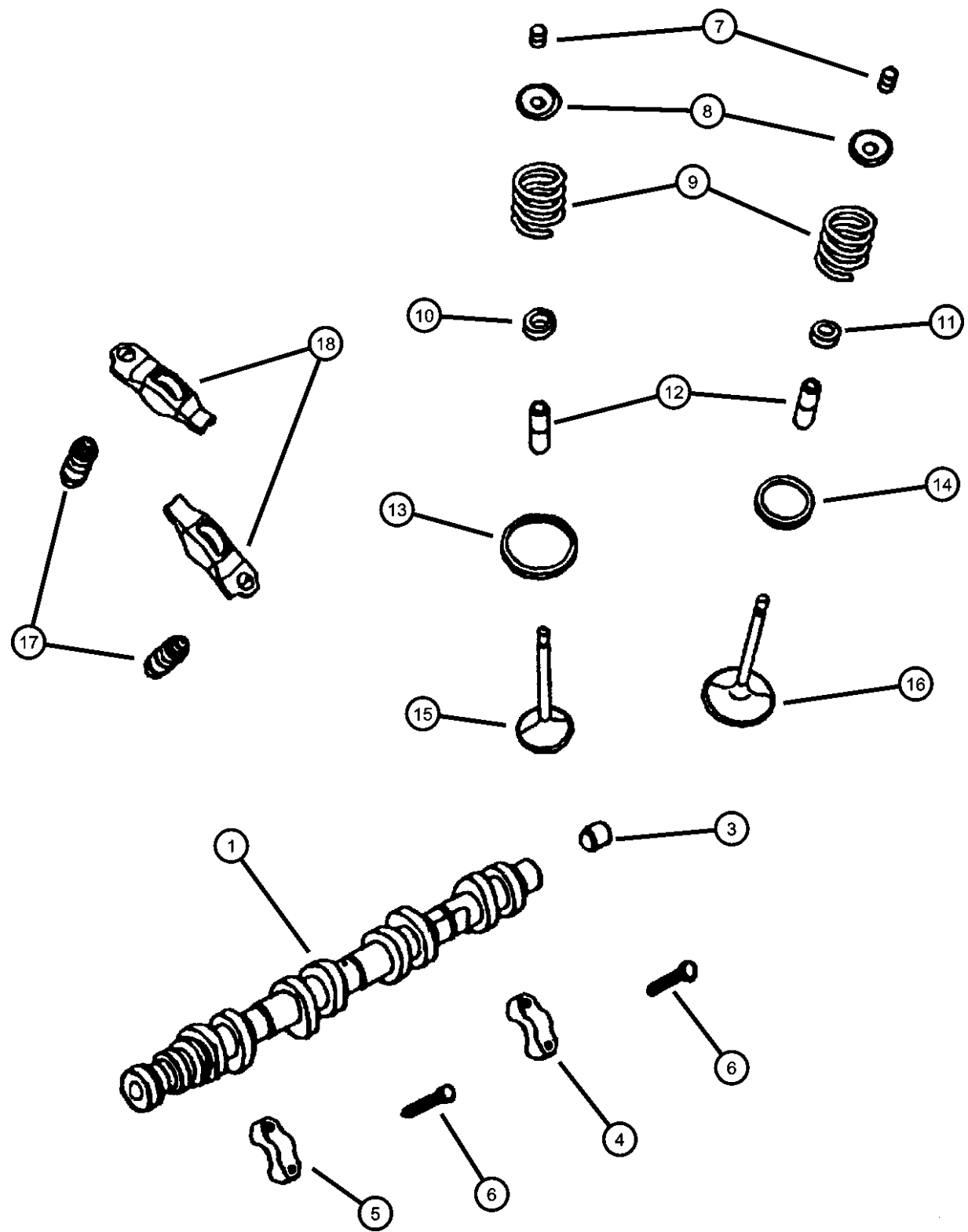
BODY
 74 = 4 Door (105.9 WB)

ENGINE
 ERH = ENGINE - 4.0L
 POWER TECH I-6
 EVA = ENGINE- 4.7L V8 MPI
 EXA = ENGINE - 3.1L 5 CYL
 TURBO DIESEL

TRANSMISSION
 DG4 = TRANSMISSION-MULTI-
 SPEED AUTO, 45RFE
 DGW = TRANSMISSION - 4-SPD.
 AUTOMATIC, 44RE
 DGK = TRANSMISSION - 4-SPD.
 AUTOMATIC, 42RE
 DGO = ALL AUTOMATIC
 TRANSMISSIONS

AR = use ase required - = Non illustrated part

Camshaft and Valves
Figure 4.7L-510

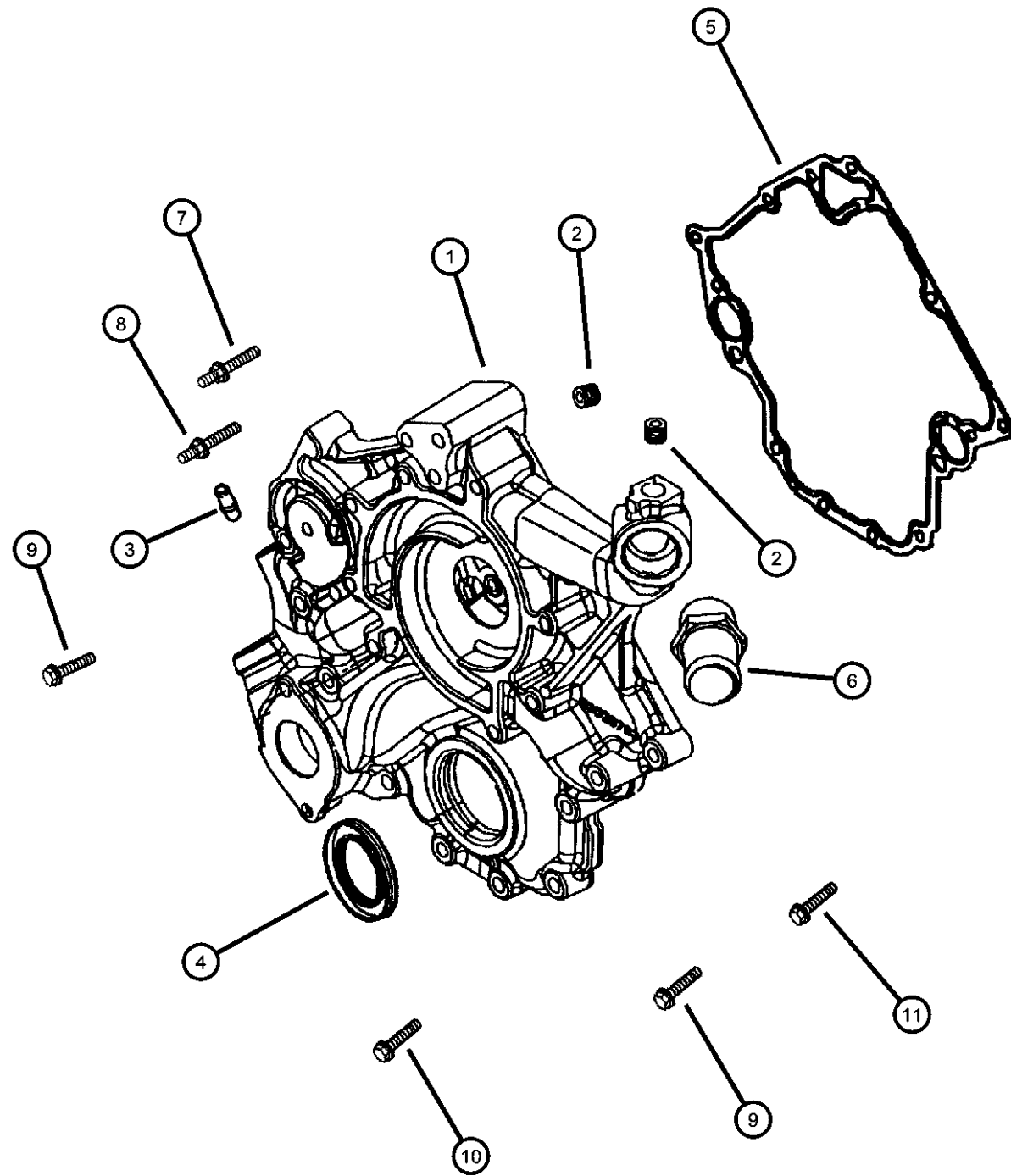


| ITEM | PART NUMBER | QTY | LINE | SERIES | BODY | ENGINE | TRANS | TRIM | DESCRIPTION |
|----------------------------|-------------|-----|------|--------|------|--------|-------|------|---|
| NOTE: EV0=All 4.7L Engines | | | | | | | | | |
| 1 | 53021159AA | 1 | | | | EVO | | | CAMSHAFT, Engine, Left |
| -2 | 53021160AA | 1 | | | | EVO | | | CAMSHAFT, Engine, Right |
| 3 | 53021161AA | 1 | | | | EVO | | | PLUG, Camshaft |
| 4 | 53021161AA | 1 | | | | | | | CAP, Serviced in Cylinder Head, (NOT SERVICED) |
| 5 | 53021161AA | 1 | | | | | | | CAP, Serviced in Cylinder Head, (NOT SERVICED) |
| 6 | 06505034AA | 10 | | | | EVO | | | SCREW, M6x1x40 |
| 7 | 04536513 | 32 | | | | EVO | | | LOCK, Valve Spring Retainer |
| 8 | 53020750 | 16 | | | | EVO | | | RETAINER, Valve Spring |
| 9 | 53020749AB | 16 | | | | EVO | | | SPRING, Valve |
| 10 | 53020752AC | 16 | | | | EVO | | | SEAL, Valve Guide |
| 11 | 53020752AC | 16 | | | | EVO | | | SEAL, Valve Guide |
| 12 | 53020752AC | 16 | | | | | | | GUIDE, Intake/Exhaust Valve, Standard Size, Serviced in Cylinder Head, (NOT SERVICED) |
| 13 | 53020752AC | 16 | | | | | | | INSERT, Intake Valve, Serviced in Cylinder Head, (NOT SERVICED) |
| 14 | 53020752AC | 16 | | | | | | | INSERT, Exhaust Valve, Serviced in Cylinder Head, (NOT SERVICED) |
| 15 | 53020747AB | 8 | | | | EVO | | | VALVE, Intake, Standard |
| 16 | 53020748 | 8 | | | | EVO | | | VALVE, Exhaust, Standard |
| 17 | 53021077 | 16 | | | | EVO | | | ADJUSTER, Valve Lash |
| 18 | 53020742 | 16 | | | | EVO | | | ROCKER ARM, Valve |

| | | | | |
|----------------------------|----------------------|------------------------|--|---|
| GRAND CHEROKEE (WJ) | | | | |
| SERIES | LINE | BODY | ENGINE | TRANSMISSION |
| H = Laredo | T = JEEP - 2WD | 74 = 4 Door (105.9 WB) | ERH = ENGINE - 4.0L POWER TECH I-6 | DG4 = TRANSMISSION-MULTI-SPEED AUTO, 45RFE |
| P = Limited | J = JEEP - 4WD | | EVA = ENGINE- 4.7L V8 MPI | DGW = TRANSMISSION - 4-SPD. AUTOMATIC, 44RE |
| | U = JEEP - 4WD (RHD) | | EXA = ENGINE - 3.1L 5 CYL TURBO DIESEL | DGK = TRANSMISSION - 4-SPD. AUTOMATIC, 42RE |
| | | | | DGO = ALL AUTOMATIC TRANSMISSIONS |

AR = use ase required - = Non illustrated part

**Timing Cover
Figure 4.7L-610**

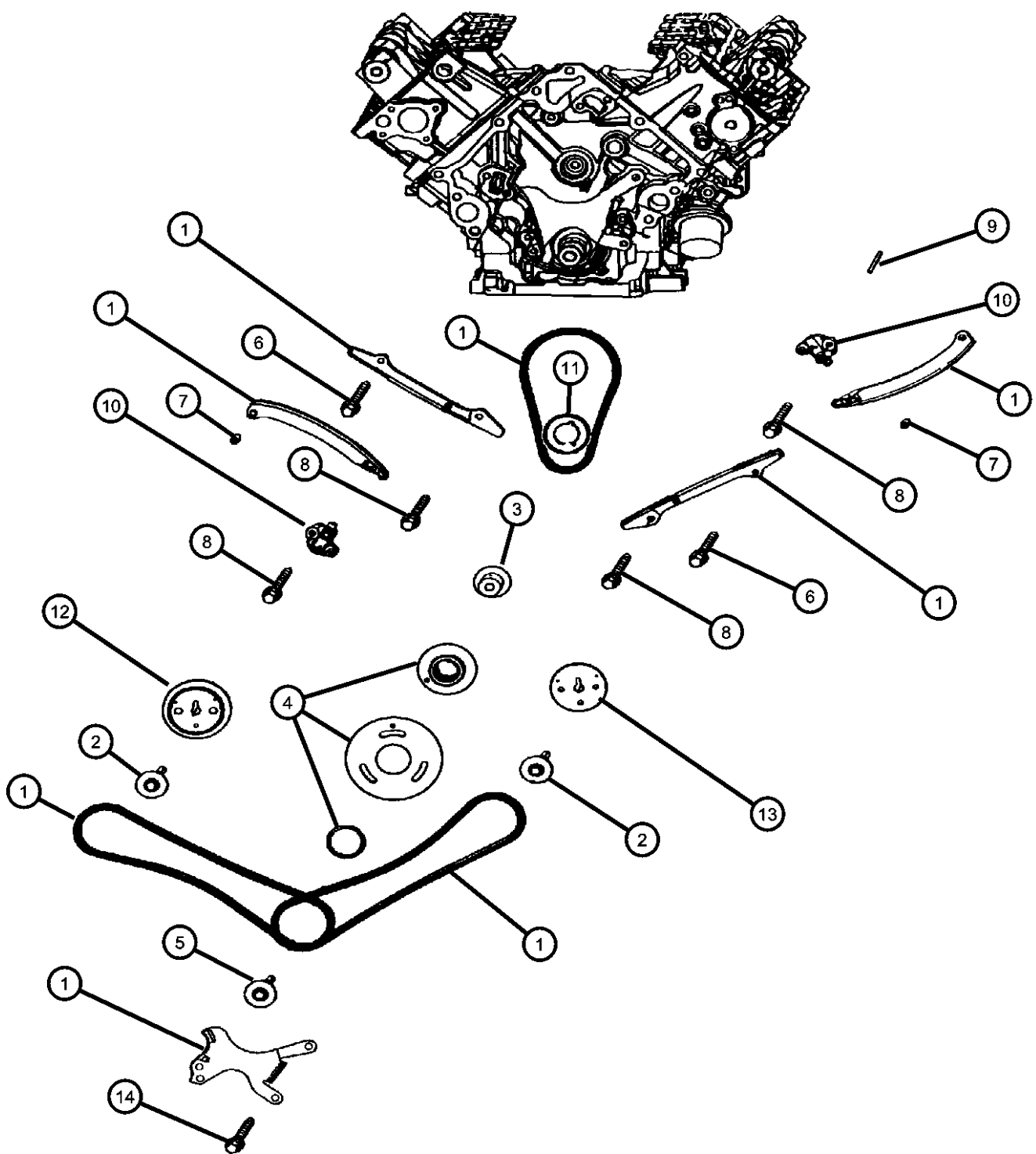


| ITEM | PART NUMBER | QTY | LINE | SERIES | BODY | ENGINE | TRANS | TRIM | DESCRIPTION |
|----------------------------|-------------|-----|------|--------|------|--------|-------|------|---|
| NOTE: EV0=All 4.7L Engines | | | | | | | | | |
| 1 | 53020791 | 1 | | | | EV0 | | | COVER, Timing Case |
| 2 | 06034331 | 3 | | | | EV0 | | | PLUG, Hex Socket, 3/8-18NPTx.475 |
| 3 | 06035854 | 2 | | | | EV0 | | | FITTING, Y-Style |
| 4 | 53020790 | 1 | | | | EV0 | | | SEAL, Crankshaft Oil, Front |
| 5 | 53020862 | 1 | | | | EV0 | | | GASKET, Chain Case Cover |
| 6 | 06035961AA | 1 | | | | EV0 | | | PIPE FITTING, Chain Case Cover, .375-18x2 |
| 7 | 06505293AA | 1 | | | | EV0 | | | STUD |
| 8 | 06505019AA | 1 | | | | EV0 | | | STUD |
| 9 | 06101998 | 5 | | | | EV0 | | | SCREW AND WASHER, Hex |
| 10 | 06101985 | 8 | | | | EV0 | | | SCREW AND WASHER, M10x1.50x45.00 |
| 11 | 06505579AA | 2 | | | | EV0 | | | SCREW AND WASHER |

| | | | | |
|----------------------------|----------------------|------------------------|--|--|
| GRAND CHEROKEE (WJ) | | | | |
| SERIES | LINE | BODY | ENGINE | TRANSMISSION |
| H = Laredo | T = JEEP - 2WD | 74 = 4 Door (105.9 WB) | ERH = ENGINE - 4.0L POWER TECH I-6 | DG4 = TRANSMISSION-MULTI-SPEED AUTO, 45RFE |
| P = Limited | J = JEEP - 4WD | | EVA = ENGINE- 4.7L V8 MPI | DGW = TRANSMISSION - 4-SPD. AUTOMATIC,44RE |
| | U = JEEP - 4WD (RHD) | | EXA = ENGINE - 3.1L 5 CYL TURBO DIESEL | DGK = TRANSMISSION - 4-SPD. AUTOMATIC,42RE |
| | | | | DGO = ALL AUTOMATIC TRANSMISSIONS |

AR = use ase required - = Non illustrated part

Timing Chain and Guides Figure 4.7L-620



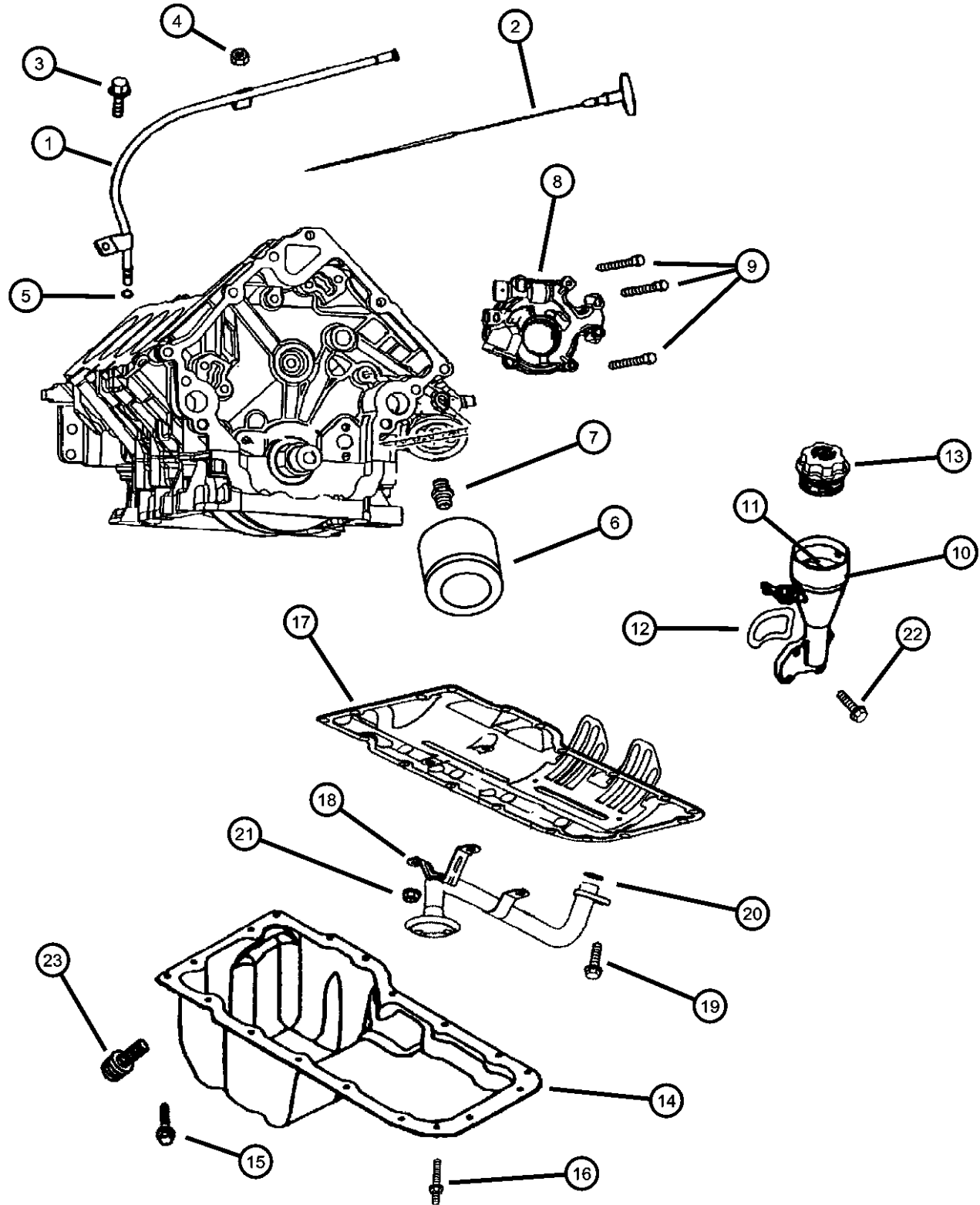
| ITEM | PART NUMBER | QTY | LINE | SERIES | BODY | ENGINE | TRANS | TRIM | DESCRIPTION |
|----------------------------|-------------|-----|------|--------|------|--------|-------|------|-------------------------------|
| NOTE: EV0=All 4.7L Engines | | | | | | | | | |
| 1 | 05013867AA | 1 | | | | EV0 | | | TIMING DRIVE KIT, Engine |
| 2 | 06504429 | 2 | | | | EV0 | | | SCREW AND WASHER, Hex |
| 3 | 53020835 | 1 | | | | EV0 | | | SHAFT, Idler |
| 4 | 05013868AA | 1 | | | | EV0 | | | SPROCKET, Idler |
| 5 | 06504370 | 1 | | | | EV0 | | | SCREW AND WASHER, Hex |
| 6 | 06102111AA | 2 | | | | EV0 | | | SCREW AND WASHER |
| 7 | 06504440 | 2 | | | | EV0 | | | SCREW |
| 8 | 06503257 | 6 | | | | EV0 | | | BOLT, Hex Head, M8x1.25x37.50 |
| 9 | 06504471 | 1 | | | | EV0 | | | KEY, Woodruff |
| 10 | | | | | | | | | TENSIONER, Chain |
| | 53020779 | 1 | | | | EV0 | | | Right |
| | 53021168AA | 1 | | | | EV0 | | | Left |
| 11 | 53020679 | 1 | | | | EV0 | | | SPROCKET, Crankshaft |
| 12 | 53021169AA | 1 | | | | EV0 | | | SPROCKET, Camshaft, Right |
| 13 | 53020938 | 1 | | | | EV0 | | | SPROCKET, Camshaft, Left |
| 14 | 06100932 | 2 | | | | EV0 | | | BOLT, Hex |
| -15 | 53020781 | 2 | | | | EV0 | | | GUIDE, Timing Chain |
| -16 | 53020681 | 1 | | | | EV0 | | | TENSIONER, Chain, Primary |

GRAND CHEROKEE (WJ)

| | | | | |
|-------------|----------------------|------------------------|--|---|
| SERIES | LINE | BODY | ENGINE | TRANSMISSION |
| H = Laredo | T = JEEP - 2WD | 74 = 4 Door (105.9 WB) | ERH = ENGINE - 4.0L POWER TECH I-6 | DG4 = TRANSMISSION-MULTI-SPEED AUTO, 45RFE |
| P = Limited | J = JEEP - 4WD | | EVA = ENGINE- 4.7L V8 MPI | DGW = TRANSMISSION - 4-SPD. AUTOMATIC, 44RE |
| | U = JEEP - 4WD (RHD) | | EXA = ENGINE - 3.1L 5 CYL TURBO DIESEL | DGK = TRANSMISSION - 4-SPD. AUTOMATIC, 42RE |
| | | | | DGO = ALL AUTOMATIC TRANSMISSIONS |

AR = use ase required - = Non illustrated part

Engine Oiling
Figure 4.7L-710



| ITEM | PART NUMBER | QTY | LINE | SERIES | BODY | ENGINE | TRANS | TRIM | DESCRIPTION |
|----------------------------|-------------|-----|------|--------|------|--------|-------|------|---|
| NOTE: EV0=All 4.7L Engines | | | | | | | | | |
| 1 | 53021024 | 1 | | | | EV0 | | | TUBE, Engine Oil Indicator |
| 2 | 53020859AB | 1 | | | | EV0 | | | INDICATOR, Engine Oil Level |
| 3 | 06504810AA | 1 | | | | EV0 | | | SCREW AND WASHER, Hex |
| 4 | 06504810AA | 1 | | | | | | | NUT, M6x1.00, (NOT SERVICED) |
| 5 | 53021144AA | 1 | | | | EV0 | | | O RING, Engine Oil Indicator |
| 6 | 05281090 | 1 | | | | EV0 | | | FILTER, Engine Oil |
| | 0FE00292 | | | | | | | | Canadian Aftermarket Part |
| | 05281090BA | | | | | | | | BULK PACK (12) |
| | 77060018 | | | | | | | | Performance Mobil 1, 15W - 50 Tri-Synthetic Engine Oil-Recommended Fill for 6.1L & 8.3L |
| | P5007323 | | | | | | | | Performance Mobil 1, 5W - 30 Tri-Synthetic Engine Oil, Quart |
| 7 | 53007563 | 1 | | | | EV0 | | | CONNECTOR, Oil Filter |
| 8 | 53020827 | 1 | | | | EV0 | | | PUMP, Engine Oil |
| 9 | 06100932 | 2 | | | | EV0 | | | BOLT, Hex |
| 10 | 53020890 | 1 | | | | EV0 | | | HOUSING, Oil Fill |
| 11 | 53032126AA | 1 | | | | EV0 | DG0 | | BAFFLE, Oil Fill, None |
| 12 | 53020889 | 1 | | | | EV0 | | | GASKET, Oil Fill Housing |
| 13 | 53020880 | 1 | | | | EV0 | | | CAP, Oil Filler |
| 14 | 53020678AB | 1 | | | | EV0 | | | PAN, Engine Oil |
| 15 | 06504810AA | 17 | | | | EV0 | | | SCREW AND WASHER, Hex |
| 16 | 06502647 | 2 | | | | ER0 | | | STUD, M6x1.00x44 |
| 17 | 53020675AB | 1 | | | | EV0 | | | GASKET, Oil Pan |
| 18 | 53020828 | 1 | | | | EV0 | | | TUBE, Oil Pickup |
| 19 | 06102046AA | 1 | | | | EV0 | | | SCREW AND WASHER |
| 20 | 53020861 | 1 | | | | EV0 | | | SEAL, Oil Pick Up Tube |
| 21 | 06502756 | 3 | | | | EV0 | | | NUT, Hex Lock, M8x1.25 |
| 22 | 06505504AA | 4 | | | | EV0 | | | SCREW |
| 23 | 06504894AA | 1 | | | | EV0 | | | PLUG, Oil Drain, [M14x1.5x16.0] |

GRAND CHEROKEE (WJ)

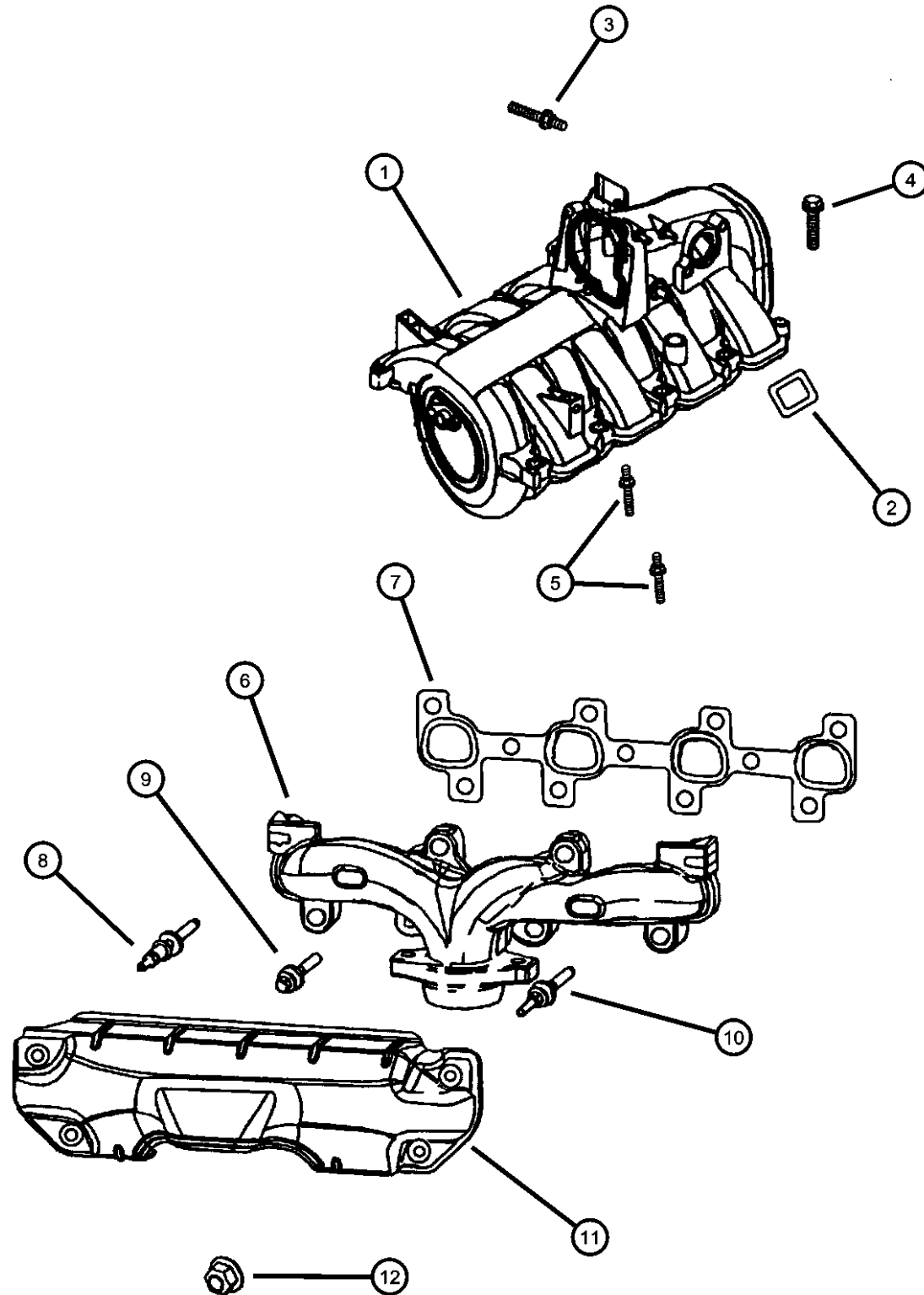
| | | | | |
|-------------|----------------------|------------------------|--|--|
| SERIES | LINE | BODY | ENGINE | TRANSMISSION |
| H = Laredo | T = JEEP - 2WD | 74 = 4 Door (105.9 WB) | ERH = ENGINE - 4.0L POWER TECH I-6 | DG4 = TRANSMISSION-MULTI-SPEED AUTO, 45RFE |
| P = Limited | J = JEEP - 4WD | | EVA = ENGINE- 4.7L V8 MPI | DGW = TRANSMISSION - 4-SPD. AUTOMATIC,44RE |
| | U = JEEP - 4WD (RHD) | | EXA = ENGINE - 3.1L 5 CYL TURBO DIESEL | DGK = TRANSMISSION - 4-SPD. AUTOMATIC,42RE |
| | | | | DGO = ALL AUTOMATIC TRANSMISSIONS |

AR = use ase required - = Non illustrated part

2000 WJ

**Manifold, Intake and Exhaust
Figure 4.7L-810**

| ITEM | PART NUMBER | QTY | LINE | SERIES | BODY | ENGINE | TRANS | TRIM | DESCRIPTION |
|------|-------------|-----|------|--------|------|--------|-------|------|-------------|
|------|-------------|-----|------|--------|------|--------|-------|------|-------------|



NOTE: EV0=All 4.7L Engines

| | | | | | | | | | |
|----|------------|---|--|--|--|-----|--|--|-----------------------------|
| 1 | 53030951AB | 1 | | | | EV0 | | | MANIFOLD, Intake |
| 2 | 53010310 | 8 | | | | EV0 | | | SEAL, Intake Manifold |
| 3 | 06505498AA | 1 | | | | EV0 | | | STUD, [M6x1.0x27.7] |
| 4 | 06505499AA | 2 | | | | EV0 | | | SCREW |
| 5 | 06505500AA | 8 | | | | EV0 | | | STUD, [M6x1.0x43.0] |
| 6 | | | | | | | | | MANIFOLD, Exhaust |
| | 53030933 | 1 | | | | EV0 | | | Left |
| | 53030934 | 1 | | | | EV0 | | | Right |
| 7 | | | | | | | | | GASKET, Exhaust Manifold |
| | 53030812 | 1 | | | | EV0 | | | Right |
| | 53030813 | 1 | | | | EV0 | | | Left |
| 8 | 06505257AA | 4 | | | | EV0 | | | STUD, [M8x1.25xM6x1.0x71.8] |
| 9 | 06504340 | 8 | | | | EV0 | | | SCREW AND WASHER, Hex |
| 10 | 06504331 | 4 | | | | EV0 | | | STUD, [M8x1.25xM6x1.0x65.0] |
| 11 | | | | | | | | | SHIELD, Exhaust Manifold |
| | 53030815 | 1 | | | | EV0 | | | Left |
| | 53030940 | 1 | | | | EV0 | | | Right |
| 12 | 06505316AA | 8 | | | | EV0 | | | NUT |

GRAND CHEROKEE (WJ)

| SERIES | LINE |
|-------------|----------------------|
| H = Laredo | T = JEEP - 2WD |
| P = Limited | J = JEEP - 4WD |
| | U = JEEP - 4WD (RHD) |

| BODY |
|------------------------|
| 74 = 4 Door (105.9 WB) |

| ENGINE |
|--|
| ERH = ENGINE - 4.0L POWER TECH I-6 |
| EVA = ENGINE- 4.7L V8 MPI |
| EXA = ENGINE - 3.1L 5 CYL TURBO DIESEL |

| TRANSMISSION |
|---|
| DG4 = TRANSMISSION-MULTI-SPEED AUTO, 45RFE |
| DGW = TRANSMISSION - 4-SPD. AUTOMATIC, 44RE |
| DGK = TRANSMISSION - 4-SPD. AUTOMATIC, 42RE |
| DGO = ALL AUTOMATIC TRANSMISSIONS |

AR = use ase required - = Non illustrated part

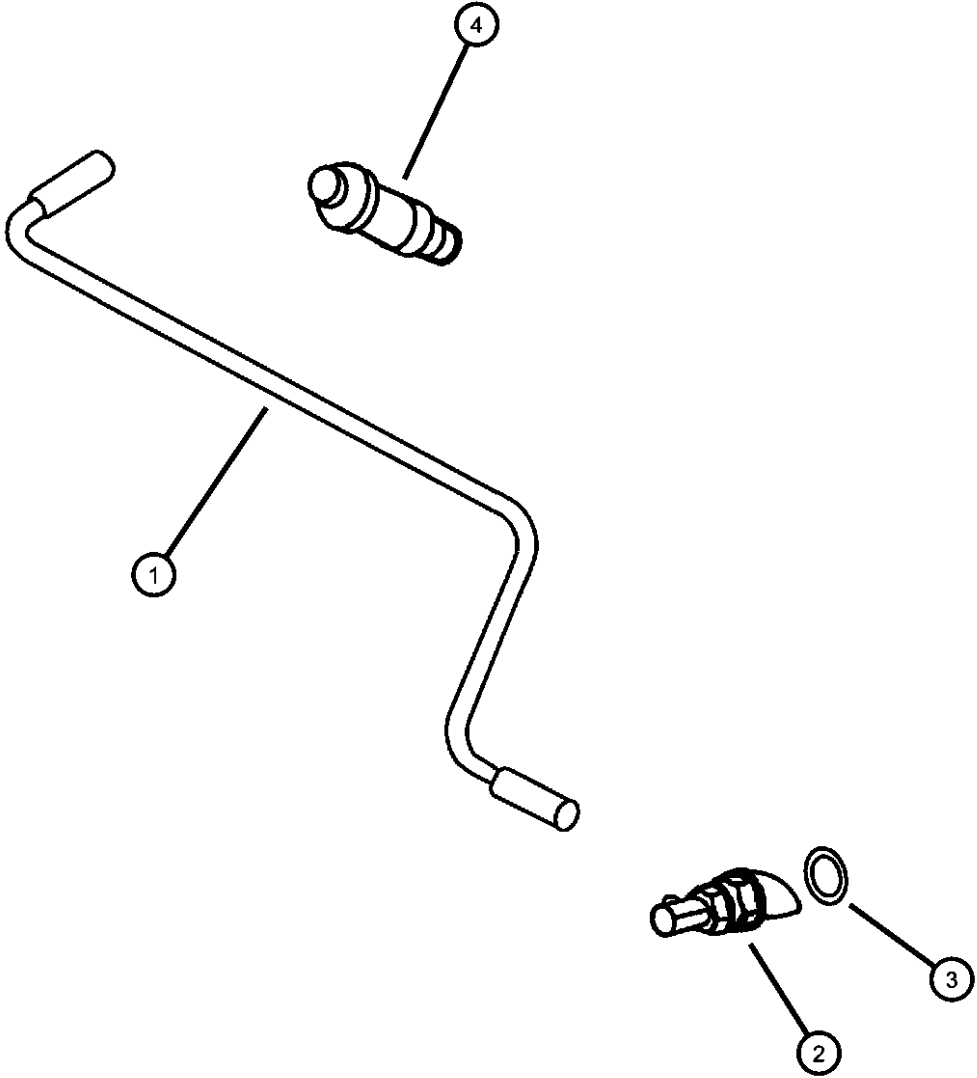
2000 WJ

**Crankcase Ventilation
Figure 4.7L-910**

| ITEM | PART NUMBER | QTY | LINE | SERIES | BODY | ENGINE | TRANS | TRIM | DESCRIPTION |
|------|-------------|-----|------|--------|------|--------|-------|------|-------------|
|------|-------------|-----|------|--------|------|--------|-------|------|-------------|

NOTE: EV0=All 4.7L Engines

| | | | | | | | | | |
|---|------------|---|--|--|--|-----|--|--|-----------------------|
| 1 | 53030851 | 1 | | | | EV0 | | | TUBE, PCV Valve |
| 2 | 53031777AA | 1 | | | | EV0 | | | VALVE, Crankcase Vent |
| 3 | 53031711AA | 1 | | | | EV0 | | | O RING |
| 4 | 53030850 | 2 | | | | EV0 | | | BREATHER, Crankcase |



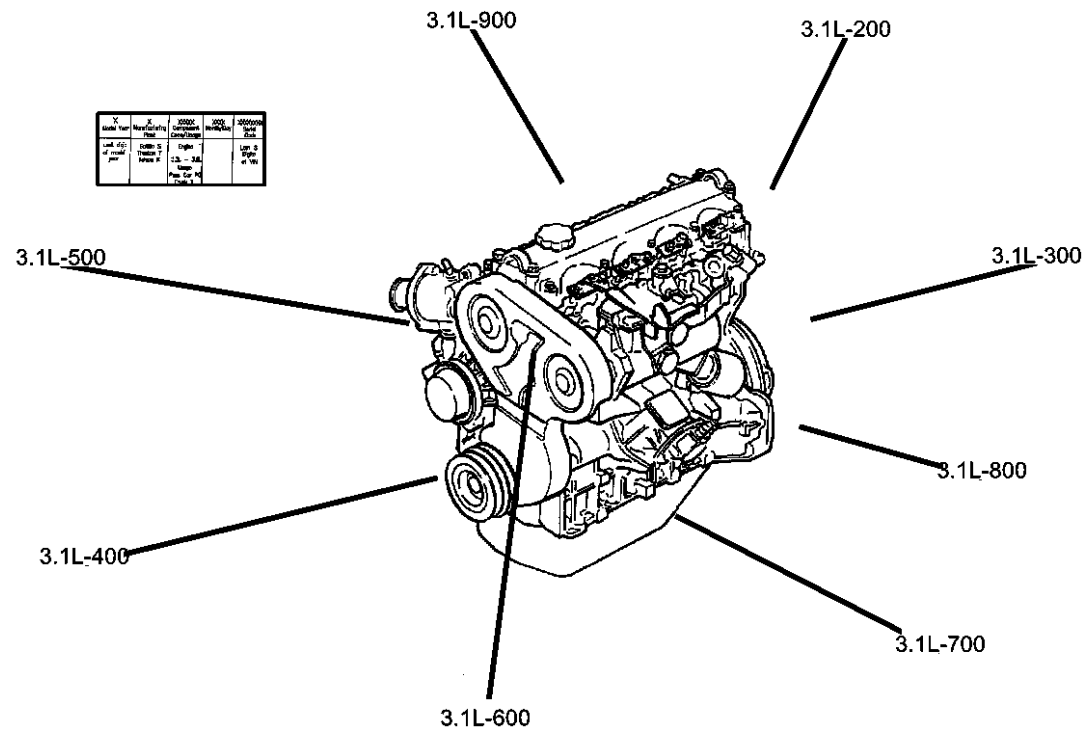
GRAND CHEROKEE (WJ)

| | | | | |
|-------------|----------------------|------------------------|---|--|
| SERIES | LINE | BODY | ENGINE | TRANSMISSION |
| H = Laredo | T = JEEP - 2WD | 74 = 4 Door (105.9 WB) | ERH = ENGINE - 4.0L POWER TECH I-6 | DG4 = TRANSMISSION-MULTI- SPEED AUTO, 45RFE |
| P = Limited | J = JEEP - 4WD | | EVA = ENGINE- 4.7L V8 MPI | DGW = TRANSMISSION - 4-SPD. AUTOMATIC,44RE |
| | U = JEEP - 4WD (RHD) | | EXA = ENGINE - 3.1L 5 CYL TURBO DIESEL | DGK = TRANSMISSION - 4-SPD. AUTOMATIC,42RE |
| | | | | DGO = ALL AUTOMATIC TRANSMISSIONS |

AR = use ase required - = Non illustrated part

Group - 3.1L

Engine 3.1L Five Cylinder(Turbo Diesel)



| Model Year | Manufacturer | Engine Code | Displacement (L) | Configuration |
|------------|--------------|-------------|------------------|-------------------------|
| 1994-1995 | Isuzu | 3.1L-5AB | 3.1 | 5-Cylinder Turbo Diesel |

Group - 3.1L Engine 3.1L Five Cylinder(Turbo Diesel)

Illustration Title

Group-Fig. No.

Cylinder Head

Cylinder Head Fig. 3.1L - 210

Cylinder Block

Cylinder Block Fig. 3.1L - 310

Crankshaft, Piston and Torque Converter

Crankshaft, Piston and Torque Converter Fig. 3.1L - 410

Camshafts and Valves

Camshaft and Valves Fig. 3.1L - 510

Timing Belt and Cover

Timing Gear and Cover Fig. 3.1L - 610

Engine Oiling

Engine Oiling Fig. 3.1L - 710

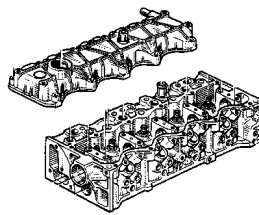
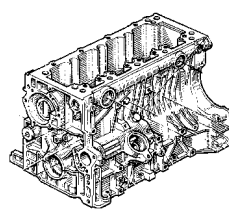
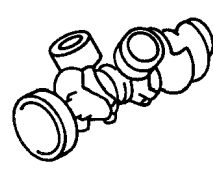
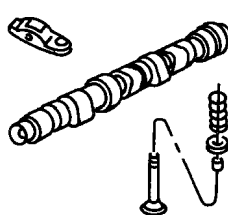
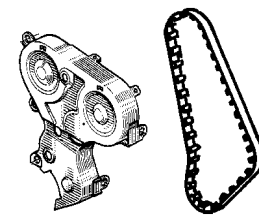
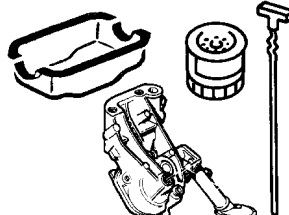
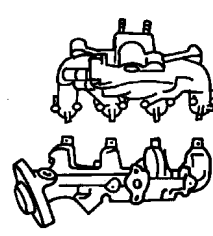
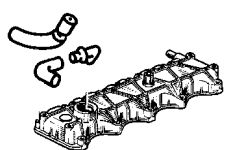
Oil Lines Fig. 3.1L - 720

Manifolds

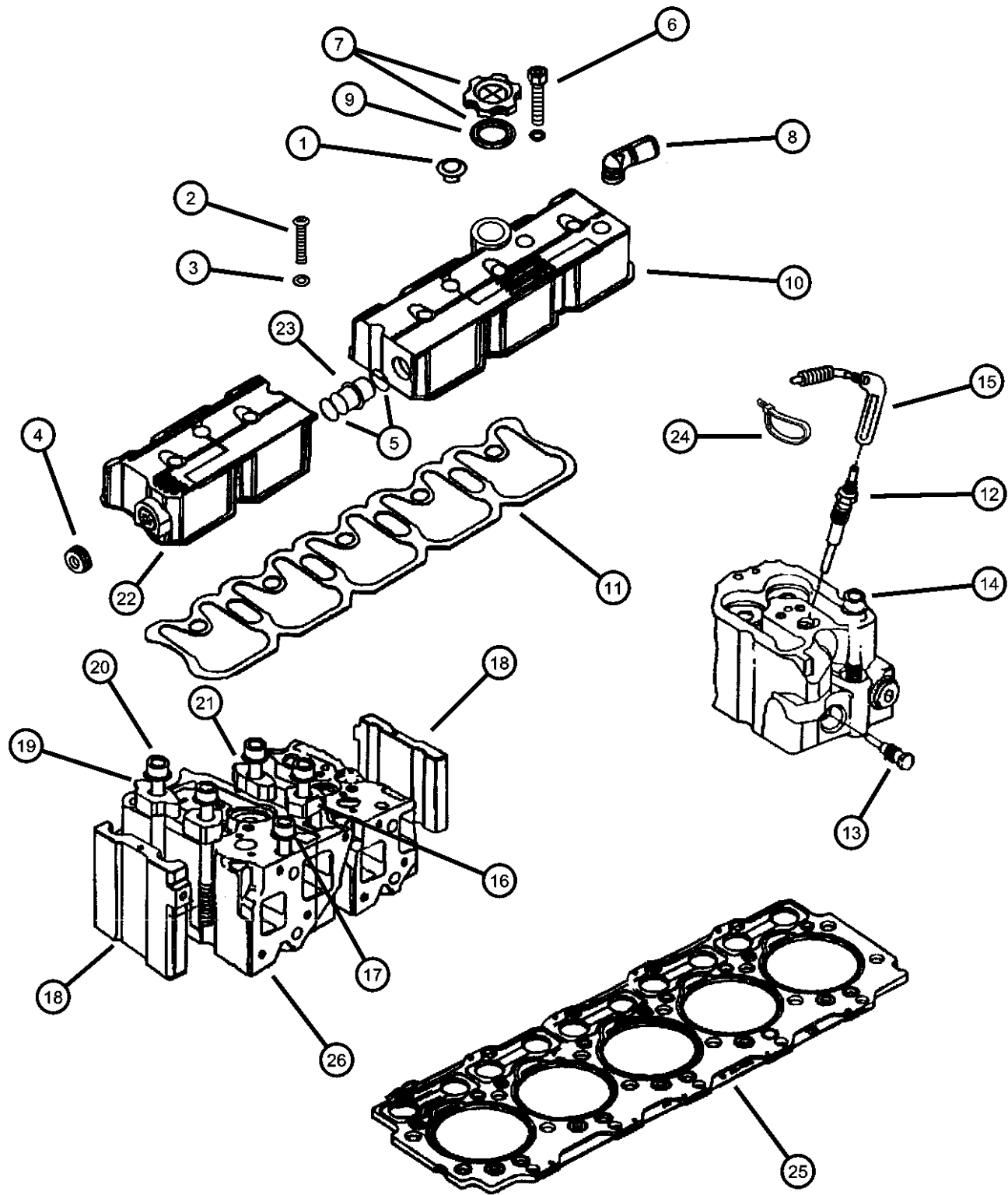
Manifold, Intake and Exhaust Fig. 3.1L - 810

Crankcase Ventilation

Crankcase Ventilation Fig. 3.1L - 910

| | | | |
|---|---|---|--|
| <p>3.1L-200 Cylinder Head</p>  | <p>3.1L-300 Cylinder Block</p>  | <p>3.1L-400 Crankshaft, Piston and Torque Converter</p>  | <p>3.1L-500 Camshafts and Valves</p>  |
| <p>3.1L-600 Timing Belt and Cover</p>  | <p>3.1L-700 Engine Oiling</p>  | <p>3.1L-800 Manifolds</p>  | <p>3.1L-900 Crankcase Ventilation</p>  |

**Cylinder Head
Figure 3.1L-210**



| ITEM | PART NUMBER | QTY | LINE | SERIES | BODY | ENGINE | TRANS | TRIM | DESCRIPTION |
|------|-------------|-----|------|--------|------|--------|-------|------|-------------|
|------|-------------|-----|------|--------|------|--------|-------|------|-------------|

GASKET PACKAGE, Engine Upper and Lower, w/o Head Gaskets - 05015077AA
NOTE: EX0=All 3.1L Engines DG0=All Automatic Transmissions

| | | | | | | | | | |
|----|------------|----|--|--|--|-----|-----|--|-------------------------------|
| 1 | 04864555 | 4 | | | | EX0 | DG0 | | PLUG, Cylinder Block |
| 2 | 05003565AA | 3 | | | | EX0 | DG0 | | BOLT |
| 3 | 04864554 | 5 | | | | EX0 | DG0 | | SEAL, Valve Cover Bolt |
| 4 | 04723169 | 1 | | | | EX0 | DG0 | | PLUG, Cylinder Block Oil Hole |
| 5 | 05014987AA | 2 | | | | EX0 | DG0 | | O RING |
| 6 | 04863752 | 2 | | | | EX0 | DG0 | | SCREW |
| 7 | 04863741 | 1 | | | | EX0 | DG0 | | CAP, Oil Filler |
| 8 | 05015080AA | 1 | | | | EX0 | DG0 | | ADAPTER, Crankcase Vent |
| 9 | 04720300 | 1 | | | | EX0 | DG0 | | GASKET, Oil Filler Cap |
| 10 | 05015078AA | 1 | | | | EX0 | DG0 | | COVER, Cylinder Head |
| 11 | 05014986AA | 1 | | | | EX0 | DG0 | | GASKET, Valve Cover |
| 12 | 04863826 | 5 | | | | EX0 | DG0 | | GLOW PLUG |
| 13 | 04863770 | 5 | | | | EX0 | DG0 | | PLUG, Dummy |
| 14 | 04720671AB | 5 | | | | EX0 | DG0 | | BOLT, Cylinder Head |
| 15 | 05015065AA | 1 | | | | EX0 | DG0 | | WIRING, Glow Plug |
| 16 | 04864038 | 6 | | | | EX0 | DG0 | | CLAMP, Cylinder Head |
| 17 | 04720233AB | 5 | | | | EX0 | DG0 | | BOLT, Cylinder Head |
| 18 | 04882407 | 2 | | | | EX0 | DG0 | | CLAMP, Cylinder Head |
| 19 | 04864039 | 2 | | | | EX0 | DG0 | | CLAMP, Cylinder Head |
| 20 | 04720235AC | 12 | | | | EX0 | DG0 | | BOLT, Cylinder Head |
| 21 | 04864040 | 4 | | | | EX0 | DG0 | | CLAMP, Cylinder Head |
| 22 | 05015079AA | 1 | | | | EX0 | DG0 | | COVER, Cylinder Head |
| 23 | 05014985AA | 1 | | | | EX0 | DG0 | | SLEEVE, Insert |
| 24 | 04728184 | 3 | | | | EX0 | DG0 | | CLIP, Spill Return Pipe |
| 25 | | | | | | | | | GASKET, Cylinder Head |
| | 05014982AA | 1 | | | | EX0 | DG0 | | 1.41 |
| | 05014983AA | 1 | | | | EX0 | DG0 | | 1.51 |
| | 05014984AA | 1 | | | | EX0 | DG0 | | 1.61 |
| 26 | 04883416AB | 5 | | | | EX0 | DG0 | | HEAD, Cylinder |

GRAND CHEROKEE (WJ)

SERIES LINE
H = Laredo T = JEEP - 2WD
P = Limited J = JEEP - 4WD
U = JEEP - 4WD (RHD)

BODY
74 = 4 Door (105.9 WB)

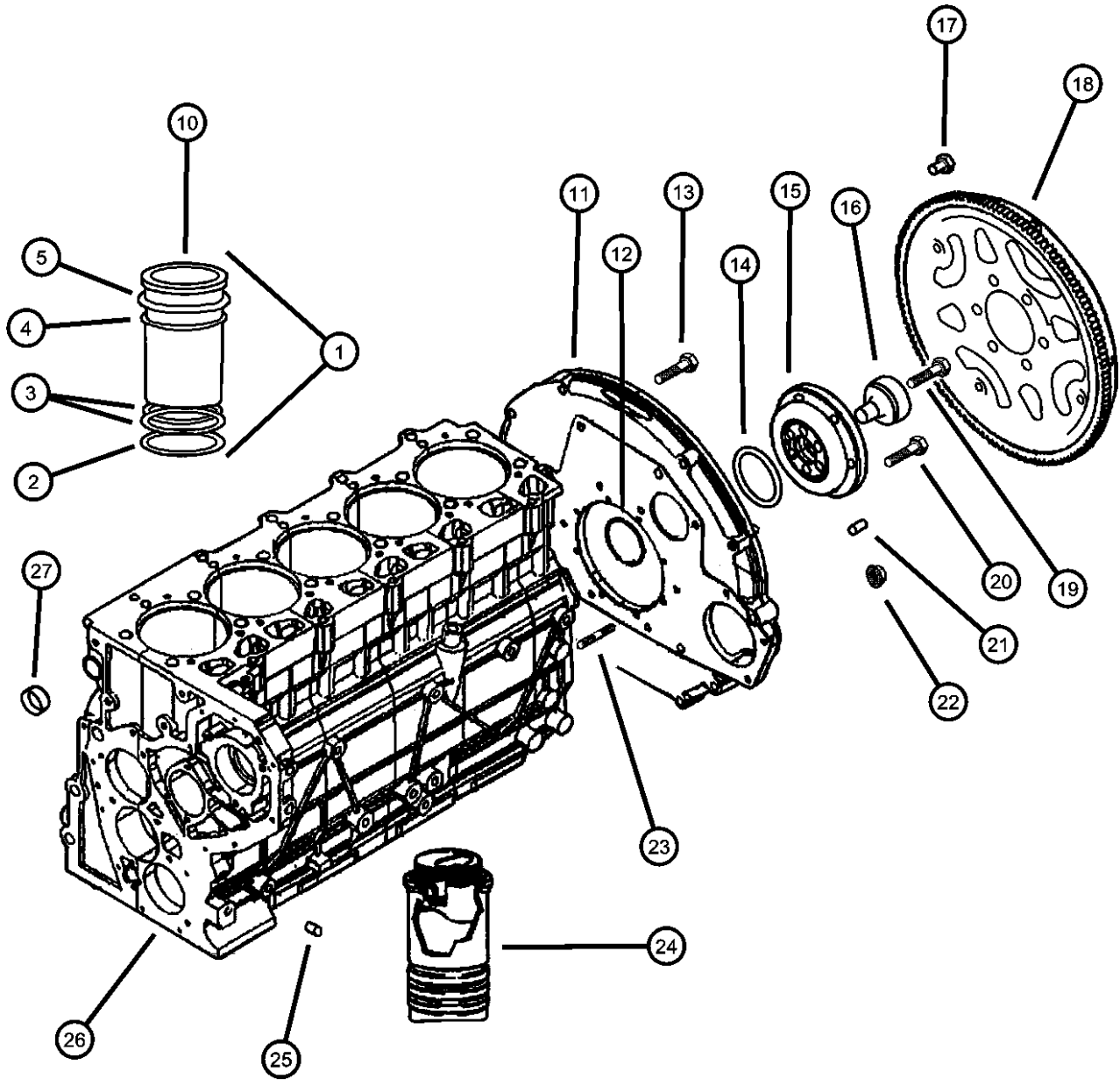
ENGINE
ERH = ENGINE - 4.0L
POWER TECH I-6
EVA = ENGINE- 4.7L V8 MPI
EXA = ENGINE - 3.1L 5 CYL
TURBO DIESEL

TRANSMISSION
DG4 = TRANSMISSION-MULTI-
SPEED AUTO, 45RFE
DGW = TRANSMISSION - 4-SPD.
AUTOMATIC,44RE
DGK = TRANSMISSION - 4-SPD.
AUTOMATIC,42RE
DGO = ALL AUTOMATIC
TRANSMISSIONS

AR = use ase required - = Non illustrated part

2000 WJ

**Cylinder Block
Figure 3.1L-310**



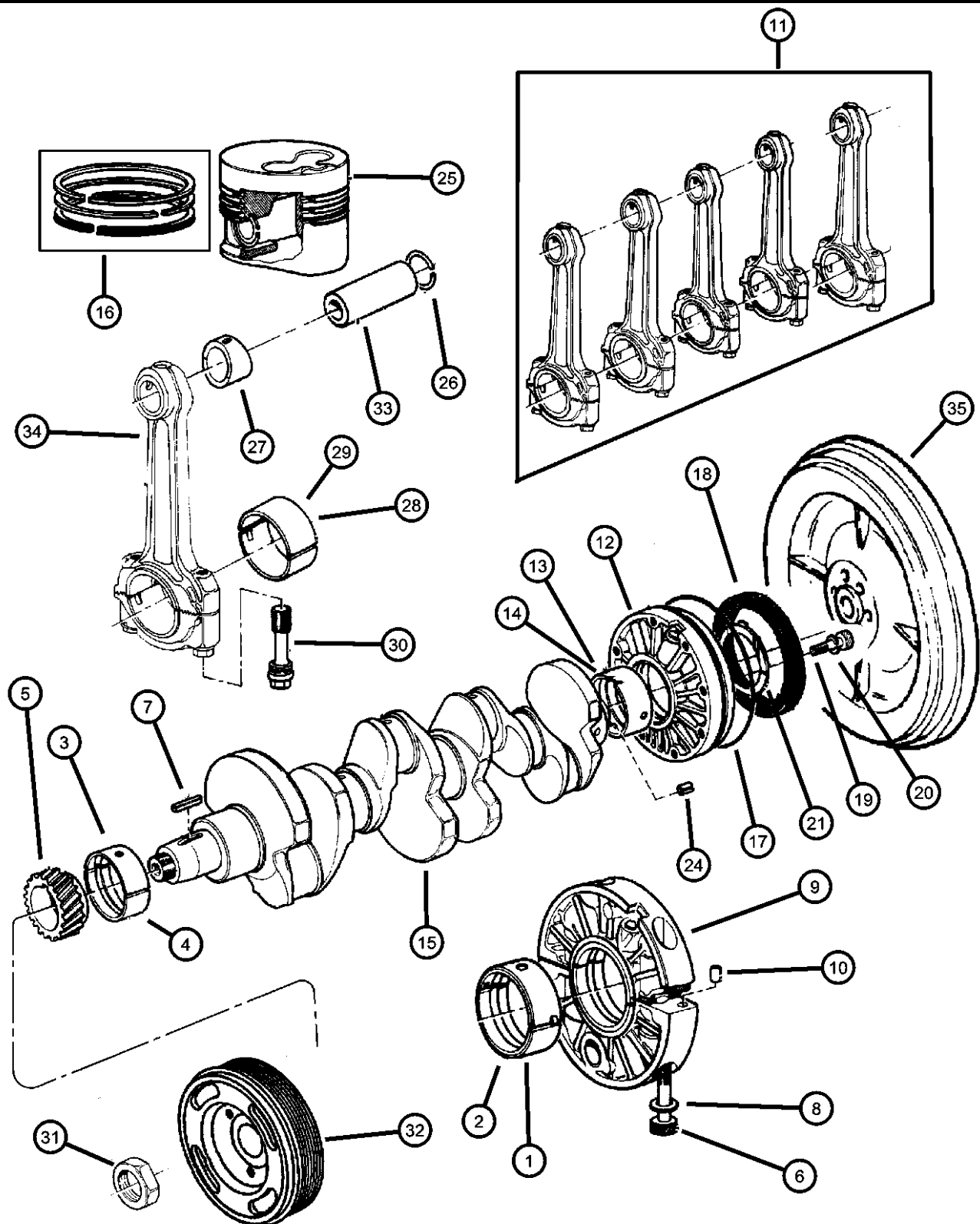
| ITEM | PART NUMBER | QTY | LINE | SERIES | BODY | ENGINE | TRANS | TRIM | DESCRIPTION |
|---|-------------|-----|------|--------|------|--------|-------|------|-------------------------------|
| Note: DG0 = All Automatic Transmissions EX0 = All Turbo Diesel Engines GASKET PACKAGE, Engine Upper and Lower, w/o Head Gaskets - 05015077AA | | | | | | | | | |
| 1 | 04723118 | 5 | | | | EX0 | DG0 | | SHIM KIT, Cylinder Liner |
| 2 | 04720625 | 5 | | | | EX0 | DG0 | | O RING, Cylinder Liner |
| 3 | 04720627 | 10 | | | | EX0 | DG0 | | O RING, Cylinder Liner |
| 4 | 04720626 | 5 | | | | EX0 | DG0 | | O RING, Cylinder Liner |
| 5 | 04720622 | 5 | | | | EX0 | DG0 | | SHIM, Cylinder Liner, 0.25mm |
| -6 | 04720623 | 5 | | | | EX0 | DG0 | | SHIM, Cylinder Liner, 0.23mm |
| -7 | 04720621 | 5 | | | | EX0 | DG0 | | SHIM, Cylinder Liner, 0.20mm |
| -8 | 04720624 | 5 | | | | EX0 | DG0 | | SHIM, Cylinder Liner, 0.17mm |
| -9 | 04720620 | 5 | | | | EX0 | DG0 | | SHIM, Cylinder Liner, 0.15mm |
| 10 | 05014328AA | 5 | | | | EX0 | DG0 | | LINER, Cylinder |
| 11 | 05015044AA | 1 | | | | EX0 | DG0 | | PLATE |
| 12 | 04863833 | 1 | | | | EX0 | DG0 | | O RING |
| 13 | 05003532AA | 4 | | | | EX0 | DG0 | | BOLT, Adaptor Plate |
| 14 | 05014970AA | 1 | | | | EX0 | DG0 | | O RING |
| 15 | 05014967AA | 1 | | | | EX0 | DG0 | | HUB, Torque Converter |
| 16 | 05014974AA | 1 | | | | EX0 | DG0 | | SHAFT, Torque |
| 17 | 05014969AA | 6 | | | | EX0 | DG0 | | BOLT, Flexplate |
| 18 | 52118776 | 1 | | | | EX0 | DG0 | | PLATE, Torque Converter Drive |
| 19 | 04720232AB | 6 | | | | EX0 | DG0 | | BOLT, Flywheel |
| 20 | 04864537 | 1 | | | | EX0 | DG0 | | BOLT, 8Mx20 |
| 21 | 05015045AA | 2 | | | | EX0 | DG0 | | DOWEL, Transmission Adapter |
| 22 | 04778961 | 6 | | | | EX0 | DG0 | | NUT |
| 23 | 04720550 | 6 | | | | EX0 | DG0 | | STUD, Water Pump To Block |
| 24 | 05014329AA | 5 | | | | EX0 | DG0 | | LINER AND PISTON, Cylinder |
| 25 | 04883425AA | 1 | | | | EX0 | DG0 | | PLUG |
| 26 | 05014965AA | 1 | | | | EX0 | DG0 | | BLOCK, Cylinder |
| 27 | 04778887 | 1 | | | | EX0 | DG0 | | PLUG, Cylinder Block Oil Hole |

GRAND CHEROKEE (WJ)

| | | | | |
|-------------|----------------------|------------------------|---|--|
| SERIES | LINE | BODY | ENGINE | TRANSMISSION |
| H = Laredo | T = JEEP - 2WD | 74 = 4 Door (105.9 WB) | ERH = ENGINE - 4.0L POWER TECH I-6 | DG4 = TRANSMISSION-MULTI- SPEED AUTO, 45RFE |
| P = Limited | J = JEEP - 4WD | | EVA = ENGINE- 4.7L V8 MPI | DGW = TRANSMISSION - 4-SPD. AUTOMATIC,44RE |
| | U = JEEP - 4WD (RHD) | | EXA = ENGINE - 3.1L 5 CYL TURBO DIESEL | DGK = TRANSMISSION - 4-SPD. AUTOMATIC,42RE |
| | | | | DGO = ALL AUTOMATIC TRANSMISSIONS |

AR = use ase required - = Non illustrated part

Crankshaft, Piston and Torque Converter
Figure 3.1L-410



| ITEM | PART NUMBER | QTY | LINE | SERIES | BODY | ENGINE | TRANS | TRIM | DESCRIPTION |
|------|-------------|-----|------|--------|------|--------|-------|------|-------------|
|------|-------------|-----|------|--------|------|--------|-------|------|-------------|

NOTE: EX0=All 3.1L Engines DG0=All Automatic Transmission

| | | | | | | | | | |
|-----|------------|----|--|--|--|-----|-----|--|-------------------------------------|
| 1 | 04720892 | 4 | | | | EX0 | DG0 | | BEARING, Crankshaft |
| 2 | 04720889 | 4 | | | | EX0 | DG0 | | BEARING, Crankshaft |
| 3 | 04720887 | 1 | | | | EX0 | DG0 | | BEARING, Crankshaft |
| 4 | 04720885 | 1 | | | | EX0 | DG0 | | BEARING, Crankshaft |
| 5 | 04882402 | 1 | | | | EX0 | DG0 | | GEAR, Crankshaft |
| 6 | 04720242 | 10 | | | | EX0 | DG0 | | SCREW |
| 7 | 05014980AA | 1 | | | | EX0 | DG0 | | KEY, Woodruff |
| 8 | 04720243 | 10 | | | | EX0 | DG0 | | WASHER, Lock, M10 |
| 9 | 04863711 | 4 | | | | EX0 | DG0 | | HOUSING, Crankshaft Bearing |
| 10 | 04720241 | 10 | | | | EX0 | DG0 | | DOWEL, Center Bearing Housing |
| 11 | 05015002AA | 1 | | | | EX0 | DG0 | | ROD, Connecting |
| 12 | 05014975AA | 1 | | | | EX0 | DG0 | | HOUSING, Rear Bearing |
| 13 | 04864539 | 1 | | | | EX0 | DG0 | | BEARING, Crankshaft |
| 14 | 04864541 | 1 | | | | EX0 | DG0 | | BEARING, Crankshaft |
| 15 | 05014971AA | 1 | | | | EX0 | DG0 | | CRANKSHAFT |
| 16 | 05014333AA | 5 | | | | EX0 | DG0 | | RING KIT, Piston, Standard |
| 17 | 04720277 | 1 | | | | EX0 | DG0 | | O RING, Crankshaft Rear Support |
| 18 | 05010817AA | 1 | | | | EX0 | DG0 | | SEAL, Rear Main Crankshaft |
| 19 | 04720284 | 8 | | | | EX0 | DG0 | | SCREW, Rear Crankshaft Support |
| 20 | 04723204 | 8 | | | | EX0 | DG0 | | WASHER, Implement Attaching |
| 21 | 04864046 | 1 | | | | EX0 | DG0 | | WASHER, Thrust |
| -22 | 04864543 | 1 | | | | EX0 | DG0 | | WASHER, Thrust, 0.10 Oversize |
| -23 | 04864544 | 1 | | | | EX0 | DG0 | | WASHER, Thrust, 0.20 Oversize |
| 24 | 04723158AB | 1 | | | | EX0 | DG0 | | PIN, Dowel |
| 25 | 05014332AA | 5 | | | | EX0 | DG0 | | PISTON |
| 26 | 04720099 | 10 | | | | EX0 | DG0 | | RING, Piston Pin |
| 27 | 05014331AA | 5 | | | | EX0 | DG0 | | BUSHING, Connecting Rod |
| 28 | 04720877 | 5 | | | | EX0 | DG0 | | BUSHING, Connecting Rod |
| 29 | 04720883 | 5 | | | | EX0 | DG0 | | BEARING, Connecting Rod, .25 mm U/S |
| 30 | 04883386AB | 10 | | | | EX0 | DG0 | | BOLT, Connecting Rod |
| 31 | 04720273 | 1 | | | | EX0 | DG0 | | NUT, Damper Pulley |

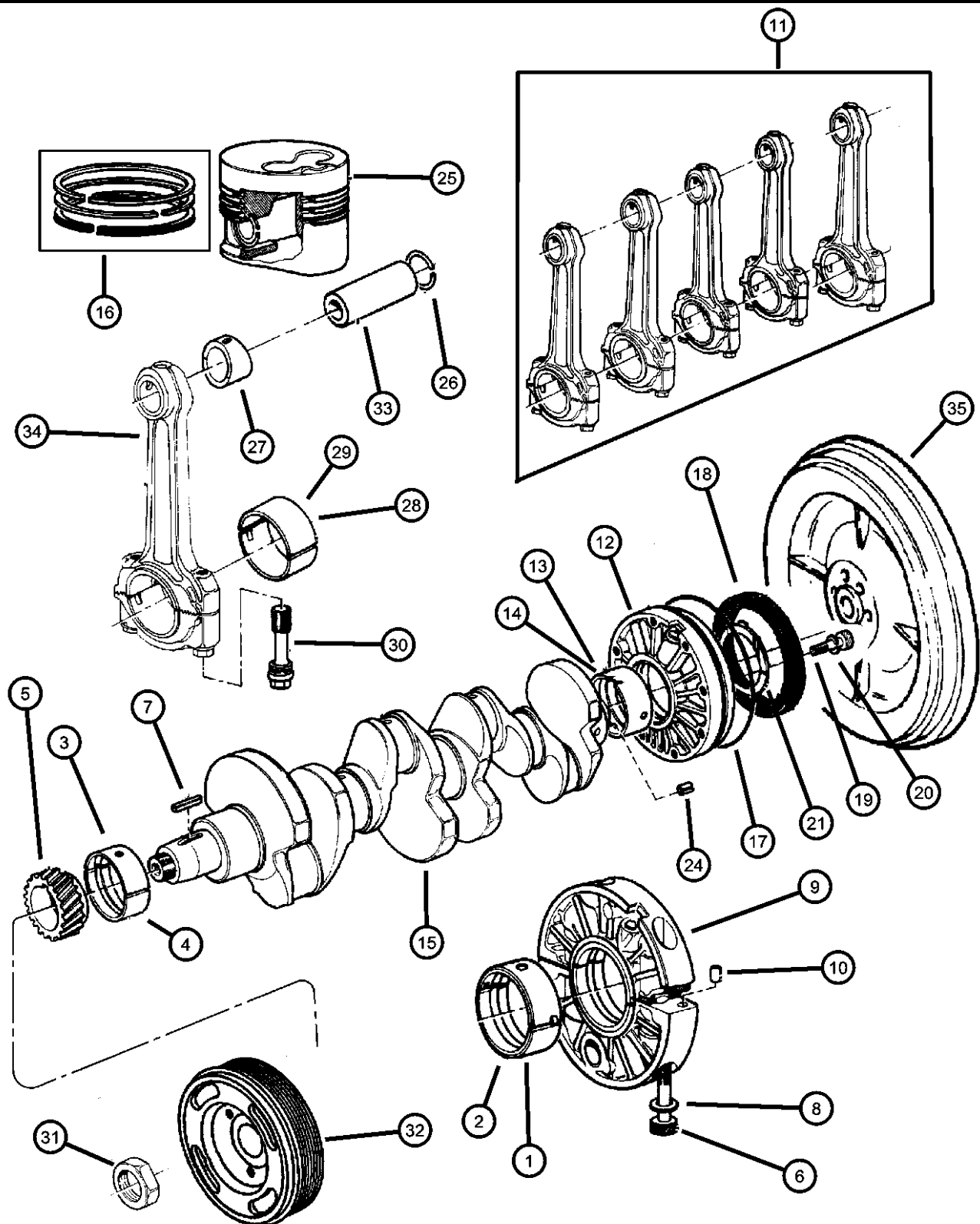
GRAND CHEROKEE (WJ)

| SERIES | LINE | BODY | ENGINE | TRANSMISSION |
|-------------|----------------------|------------------------|--|---|
| H = Laredo | T = JEEP - 2WD | 74 = 4 Door (105.9 WB) | ERH = ENGINE - 4.0L POWER TECH I-6 | DG4 = TRANSMISSION-MULTI-SPEED AUTO, 45RFE |
| P = Limited | J = JEEP - 4WD | | EVA = ENGINE- 4.7L V8 MPI | DGW = TRANSMISSION - 4-SPD. AUTOMATIC, 44RE |
| | U = JEEP - 4WD (RHD) | | EXA = ENGINE - 3.1L 5 CYL TURBO DIESEL | DGK = TRANSMISSION - 4-SPD. AUTOMATIC, 42RE |
| | | | | DGO = ALL AUTOMATIC TRANSMISSIONS |

AR = use ase required - = Non illustrated part

2000 WJ

Crankshaft, Piston and Torque Converter
Figure 3.1L-410

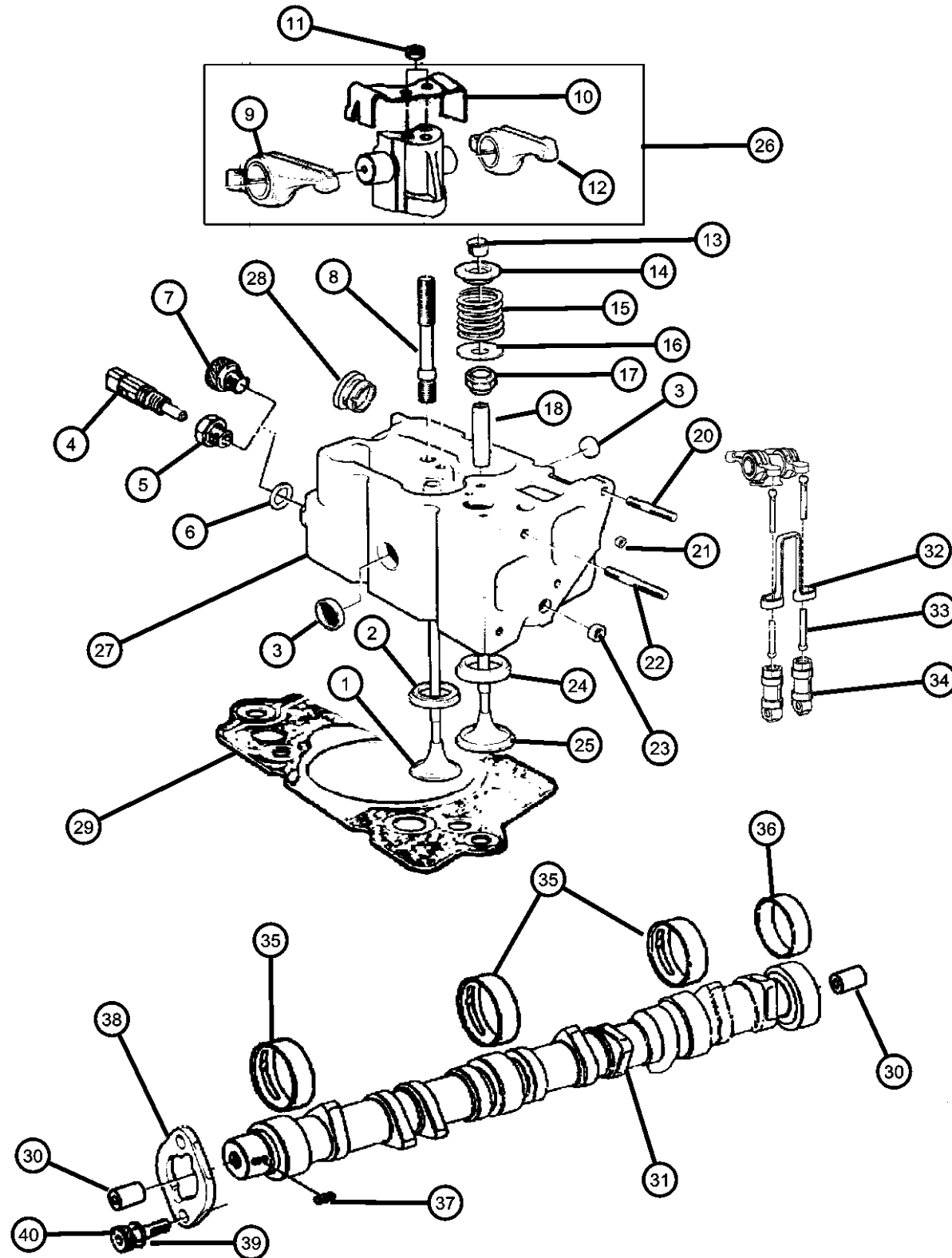


| ITEM | PART NUMBER | QTY | LINE | SERIES | BODY | ENGINE | TRANS | TRIM | DESCRIPTION |
|------|-------------|-----|------|--------|------|--------|-------|------|---|
| 32 | | | | | | | | | DAMPER, Crankshaft |
| | 05014979AA | 1 | | | | EX0 | DG0 | | |
| | 33002920 | 1 | | | | ER0 | | | Use Up to 2/11/00 |
| | 33002920AB | 1 | | | | ER0 | | | Use After 2/11/00 |
| 33 | 33002920AB | 1 | | | | | | | PIN, Piston, Serviced in Piston, (NOT SERVICED), |
| 34 | 33002920AB | 1 | | | | | | | ROD, Connecting, Serviced in Piston, (NOT SERVICED) |
| 35 | 52118861 | 1 | | | | EX0 | DG0 | | CONVERTER, Torque |

| | | | | |
|----------------------------|----------------------|------------------------|--|---|
| GRAND CHEROKEE (WJ) | | | | |
| SERIES | LINE | BODY | ENGINE | TRANSMISSION |
| H = Laredo | T = JEEP - 2WD | 74 = 4 Door (105.9 WB) | ERH = ENGINE - 4.0L POWER TECH I-6 | DG4 = TRANSMISSION-MULTI-SPEED AUTO, 45RFE |
| P = Limited | J = JEEP - 4WD | | EVA = ENGINE- 4.7L V8 MPI | DGW = TRANSMISSION - 4-SPD. AUTOMATIC, 44RE |
| | U = JEEP - 4WD (RHD) | | EXA = ENGINE - 3.1L 5 CYL TURBO DIESEL | DGK = TRANSMISSION - 4-SPD. AUTOMATIC, 42RE |
| | | | | DGO = ALL AUTOMATIC TRANSMISSIONS |

AR = use ase required - = Non illustrated part

Camshaft and Valves
Figure 3.1L-510



| ITEM | PART NUMBER | QTY | LINE | SERIES | BODY | ENGINE | TRANS | TRIM | DESCRIPTION |
|------|-------------|-----|------|--------|------|--------|-------|------|-------------|
|------|-------------|-----|------|--------|------|--------|-------|------|-------------|

NOTE: EX0=All 3.1L Engines DG0=All Automatic Transmissions

| | | | | | | | | | |
|----|------------|----|--|--|--|-----|-----|--|--|
| 1 | 04720148 | 5 | | | | EX0 | DG0 | | VALVE, Exhaust, Standard |
| 2 | 04723244 | 5 | | | | EX0 | DG0 | | SEAT, Exhaust Valve, 0.30mm Oversize |
| 3 | 04723228 | 10 | | | | EX0 | DG0 | | PLUG, Cylinder Block Oil Hole |
| 4 | 05014067AA | 2 | | | | EX0 | DG0 | | SENSOR, Temperature Sending Unit |
| 5 | 05014065AA | 2 | | | | EX0 | DG0 | | ADAPTER, Temperature Sensor |
| 6 | 04723246 | 5 | | | | EX0 | DG0 | | WASHER, Plain |
| 7 | 04720159 | 3 | | | | EX0 | DG0 | | PLUG, Cylinder Block Oil Hole |
| 8 | 04897831AA | 10 | | | | EX0 | DG0 | | STUD |
| 9 | 04883399AA | 5 | | | | EX0 | DG0 | | ROCKER ARM, Exhaust |
| 10 | 04863861 | 5 | | | | EX0 | DG0 | | SPRING, Valve |
| 11 | 04883396AA | 10 | | | | EX0 | DG0 | | NUT |
| 12 | 04883398AA | 5 | | | | EX0 | DG0 | | ROCKER ARM, Intake |
| 13 | 04720155 | 20 | | | | EX0 | DG0 | | LOCK, Valve Spring Retainer |
| 14 | 04720152 | 10 | | | | EX0 | DG0 | | RETAINER, Valve Spring |
| 15 | 04720158 | 10 | | | | EX0 | DG0 | | SPRING, Valve |
| 16 | 04720153 | 10 | | | | EX0 | DG0 | | WASHER, Plain |
| 17 | 04883821AA | 10 | | | | EX0 | DG0 | | SEAL, Valve Guide |
| 18 | 04883417AA | 10 | | | | EX0 | DG0 | | GUIDE, Intake/Exhaust Valve, Standard Size |
| 19 | 04883820AA | 10 | | | | EX0 | DG0 | | GUIDE, Intake/Exhaust Valve, 0.10mm Oversize |
| 20 | 04723241 | 10 | | | | EX0 | DG0 | | STUD |
| 21 | 04723196AB | 5 | | | | EX0 | DG0 | | PLUG, Camshaft |
| 22 | 04882405 | 10 | | | | EX0 | DG0 | | STUD |
| 23 | 04723210 | 5 | | | | EX0 | DG0 | | PLUG, Cylinder Block Oil Hole |
| 24 | 04723245 | 5 | | | | EX0 | DG0 | | SEAT, Intake Valve, 0.30mm Oversize |
| 25 | 04720146 | 5 | | | | EX0 | DG0 | | VALVE, Intake, Standard |
| 26 | 04883397AA | 5 | | | | EX0 | DG0 | | ROCKER ARM, Inlet and Exhaust Valve |
| 27 | 04883416AB | 5 | | | | EX0 | DG0 | | HEAD, Cylinder |
| 28 | 04863769 | 5 | | | | EX0 | DG0 | | PLUG |
| 29 | | | | | | | | | GASKET, Cylinder Head |

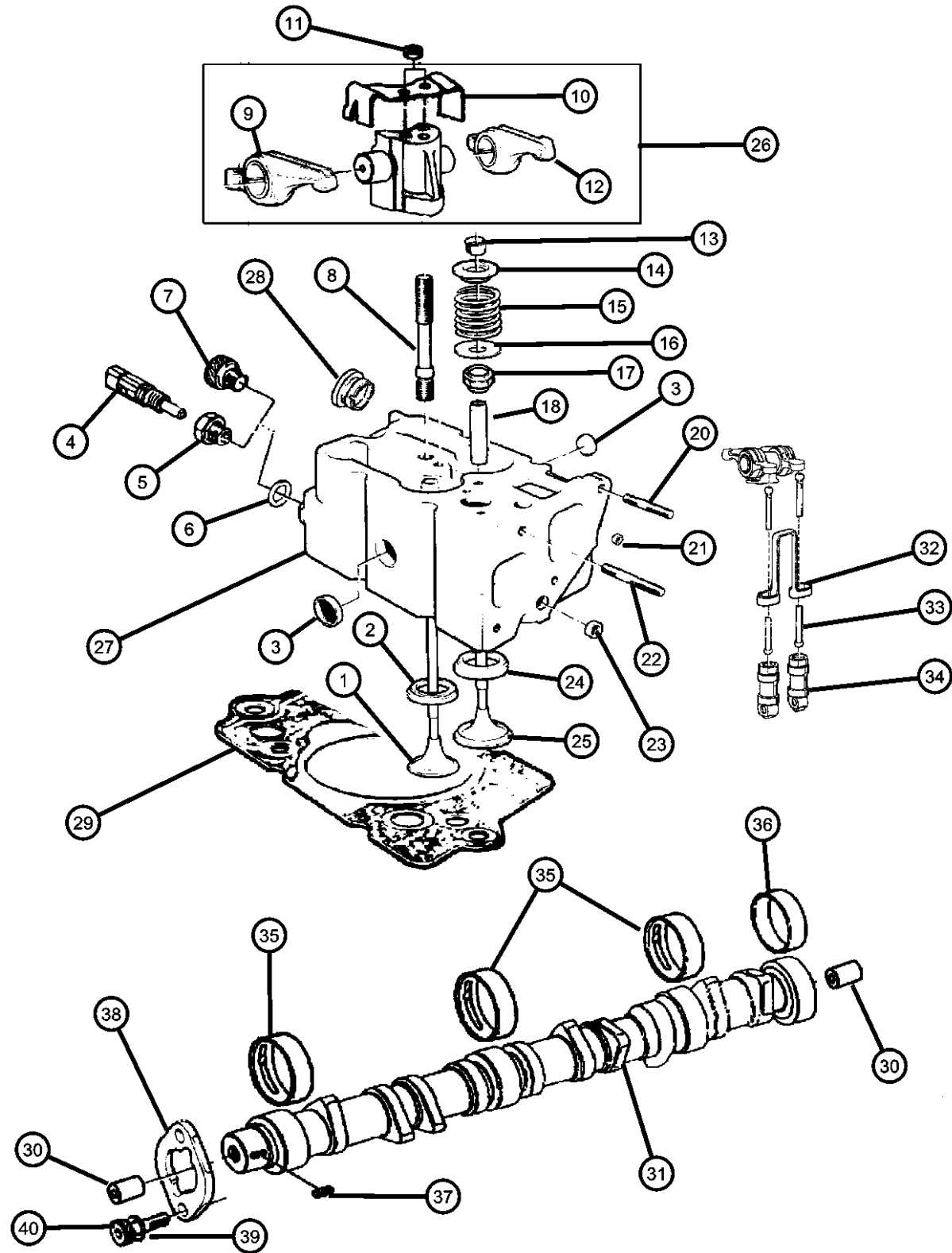
GRAND CHEROKEE (WJ)

| SERIES | LINE | BODY | ENGINE | TRANSMISSION |
|-------------|----------------------|------------------------|--|--|
| H = Laredo | T = JEEP - 2WD | 74 = 4 Door (105.9 WB) | ERH = ENGINE - 4.0L POWER TECH I-6 | DG4 = TRANSMISSION-MULTI-SPEED AUTO, 45RFE |
| P = Limited | J = JEEP - 4WD | | EVA = ENGINE- 4.7L V8 MPI | DGW = TRANSMISSION - 4-SPD. AUTOMATIC,44RE |
| | U = JEEP - 4WD (RHD) | | EXA = ENGINE - 3.1L 5 CYL TURBO DIESEL | DGK = TRANSMISSION - 4-SPD. AUTOMATIC,42RE |
| | | | | DGO = ALL AUTOMATIC TRANSMISSIONS |

AR = use ase required - = Non illustrated part

2000 WJ

Camshaft and Valves
Figure 3.1L-510



| ITEM | PART NUMBER | QTY | LINE | SERIES | BODY | ENGINE | TRANS | TRIM | DESCRIPTION |
|------|-------------|-----|------|--------|------|--------|-------|------|------------------------|
| | 05014982AA | 1 | | | | EX0 | DG0 | 1.41 | |
| | 05014983AA | 1 | | | | EX0 | DG0 | 1.51 | |
| | 05014984AA | 1 | | | | EX0 | DG0 | 1.61 | |
| 30 | 04723196AB | 2 | | | | EX0 | DG0 | | PLUG, Camshaft |
| 31 | 05014981AA | 1 | | | | EX0 | DG0 | | CAMSHAFT, Engine |
| 32 | 04773701AB | 5 | | | | EX0 | DG0 | | BRACKET, Antirotation |
| 33 | 04883395AA | 10 | | | | EX0 | DG0 | | PUSH ROD, Valve |
| 34 | 04773712 | 10 | | | | EX0 | DG0 | | TAPPET, Valve |
| 35 | 04720220 | 3 | | | | EX0 | DG0 | | BEARING, Camshaft |
| 36 | 05014966AA | 1 | | | | EX0 | DG0 | | BEARING, Camshaft |
| 37 | 04720137 | 1 | | | | EX0 | DG0 | | KEY, Camshaft Sprocket |
| 38 | 04723163 | 1 | | | | EX0 | DG0 | | PLATE, Camshaft Thrust |
| 39 | 04723165 | 2 | | | | EX0 | DG0 | | WASHER, P Clip |
| 40 | 04720135 | 5 | | | | EX0 | DG0 | | BOLT, Hex Head, M8x18 |

GRAND CHEROKEE (WJ)

SERIES
H = Laredo
P = Limited

LINE
T = JEEP - 2WD
J = JEEP - 4WD
U = JEEP - 4WD (RHD)

BODY
74 = 4 Door (105.9 WB)

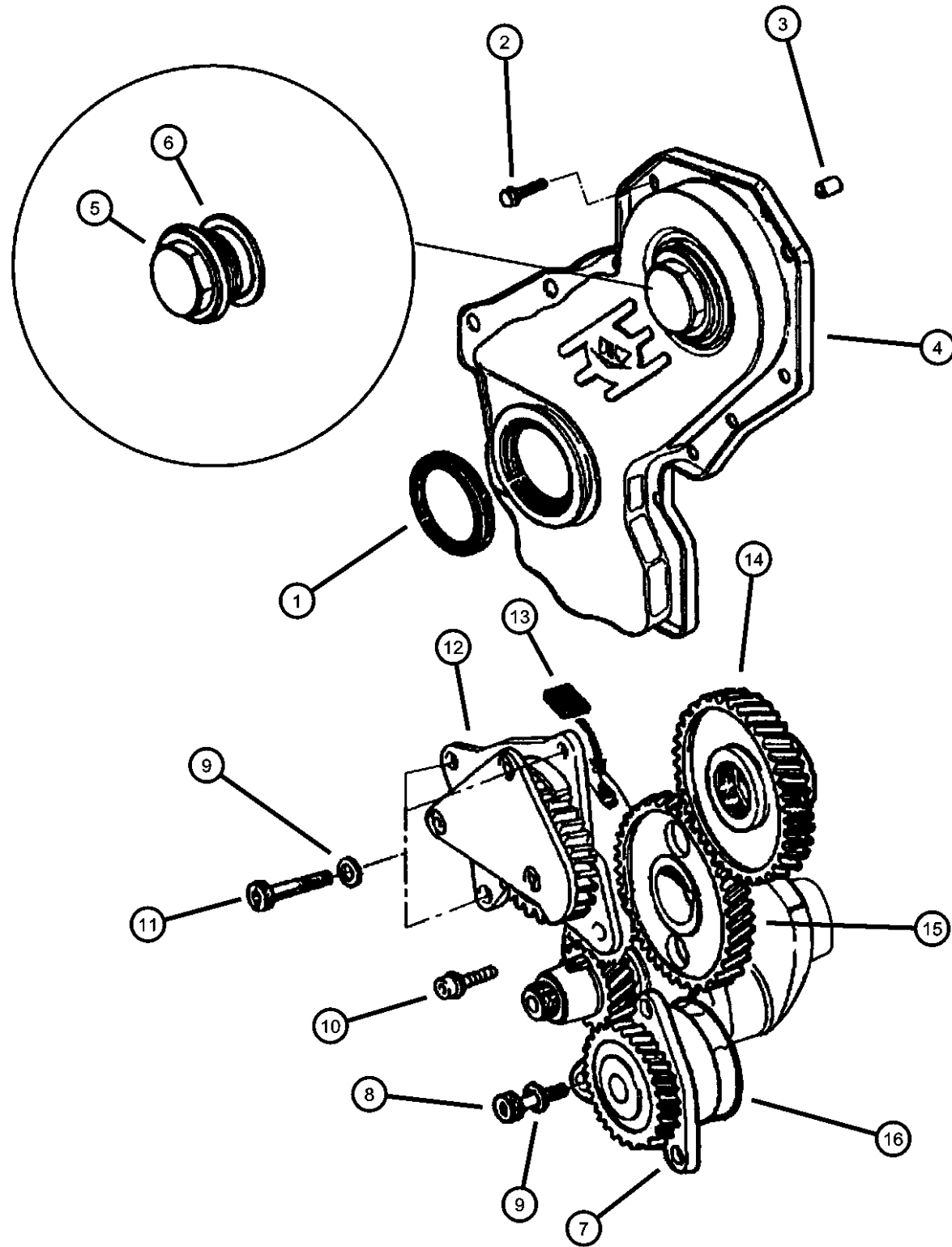
ENGINE
ERH = ENGINE - 4.0L
POWER TECH I-6
EVA = ENGINE- 4.7L V8 MPI
EXA = ENGINE - 3.1L 5 CYL
TURBO DIESEL

TRANSMISSION
DG4 = TRANSMISSION-MULTI-
SPEED AUTO, 45RFE
DGW = TRANSMISSION - 4-SPD.
AUTOMATIC, 44RE
DGK = TRANSMISSION - 4-SPD.
AUTOMATIC, 42RE
DGO = ALL AUTOMATIC
TRANSMISSIONS

AR = use ase required - = Non illustrated part

2000 WJ

**Timing Gear and Cover
Figure 3.1L-610**



| ITEM | PART NUMBER | QTY | LINE | SERIES | BODY | ENGINE | TRANS | TRIM | DESCRIPTION |
|------|-------------|-----|------|--------|------|--------|-------|------|-------------|
|------|-------------|-----|------|--------|------|--------|-------|------|-------------|

NOTE: EX0=All 3.1L Engines DG0=All Automatic Transmissions

| | | | | | | | | | |
|-----|------------|----|--|--|--|-----|-----|--|---------------------------|
| 1 | 05010856AA | 1 | | | | EX0 | DG0 | | SEAL, Timing Belt Cover |
| 2 | 05003551AA | 15 | | | | EX0 | DG0 | | BOLT, M6x10 |
| 3 | 04720304 | 2 | | | | EX0 | DG0 | | DOWEL, Front Cover |
| 4 | 05010853AA | 1 | | | | EX0 | DG0 | | COVER, Timing Belt |
| 5 | 04778839 | 1 | | | | EX0 | DG0 | | COVER, Timing Belt |
| 6 | 04720290 | 1 | | | | EX0 | DG0 | | GASKET, Engine Oil Plug |
| 7 | 05015006AA | 1 | | | | EX0 | DG0 | | PUMP, Engine Oil |
| 8 | 04720135 | 5 | | | | EX0 | DG0 | | BOLT, Hex Head, M8x18 |
| 9 | 04720565 | 6 | | | | EX0 | DG0 | | WASHER, Tube Bolt |
| 10 | 05003539AA | 1 | | | | EX0 | DG0 | | BOLT |
| 11 | 04720136 | 3 | | | | EX0 | DG0 | | BOLT, Hex Head, M8x20 |
| 12 | 05003716AB | 1 | | | | EX0 | DG0 | | PUMP, Vacuum |
| 13 | 05010821AA | 3 | | | | EX0 | DG0 | | INSERT, Vacuum Pump Rotor |
| 14 | 04882412 | 1 | | | | EX0 | DG0 | | GEAR, Injection Pump |
| 15 | 04882403 | 1 | | | | EX0 | DG0 | | GEAR, Camshaft |
| 16 | 04720239 | 1 | | | | EX0 | DG0 | | O RING, Adaptor Plate |
| -17 | 04863779 | 1 | | | | EX0 | DG0 | | GASKET, Vacuum Pump, . |
| -18 | 05015037AA | 1 | | | | EX0 | DG0 | | VALVE, Vacuum Pump |
| -19 | 05015035AA | 1 | | | | EX0 | DG0 | | TUBE, Vacuum |

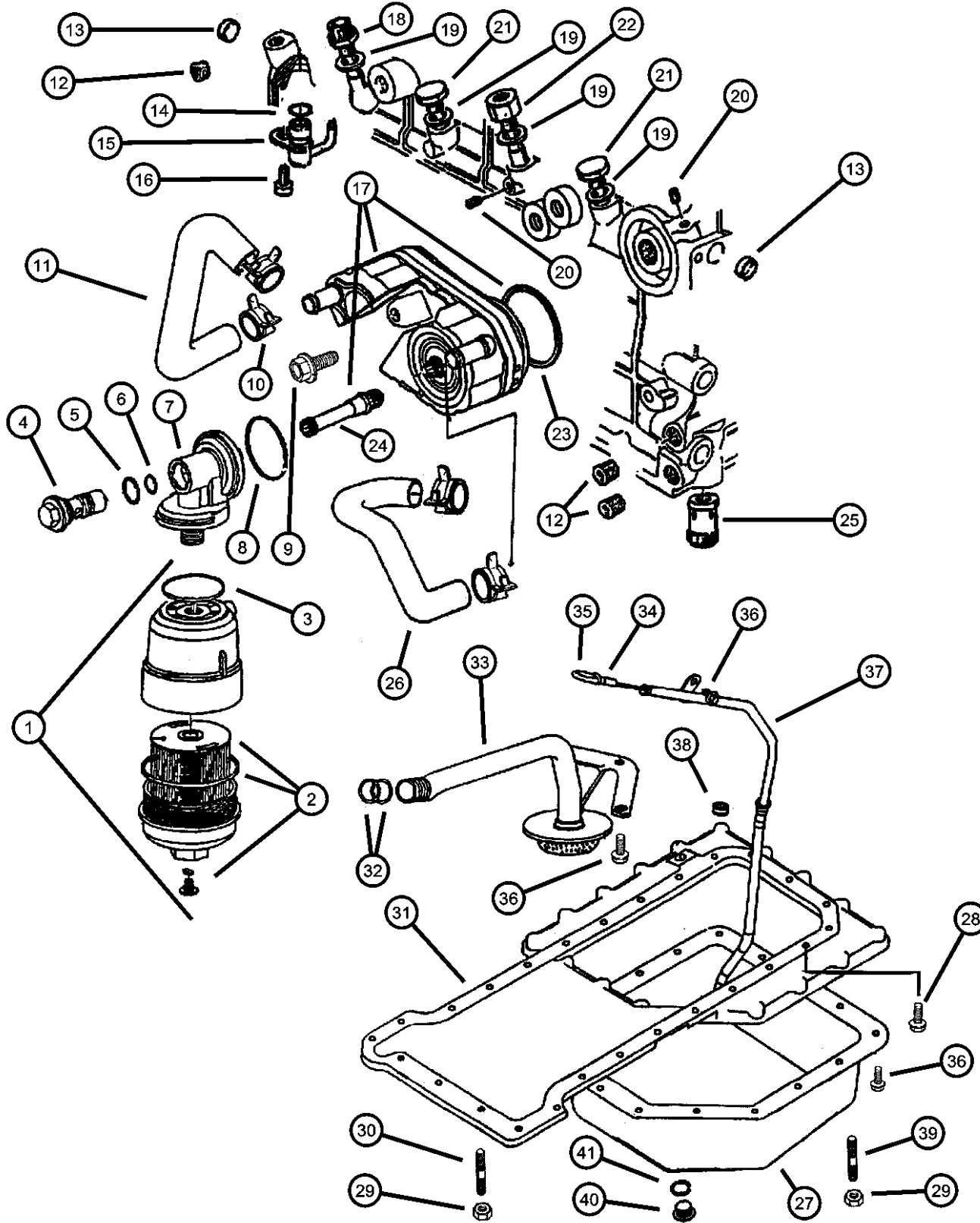
GRAND CHEROKEE (WJ)

| | | | | |
|-------------|----------------------|------------------------|---|--|
| SERIES | LINE | BODY | ENGINE | TRANSMISSION |
| H = Laredo | T = JEEP - 2WD | 74 = 4 Door (105.9 WB) | ERH = ENGINE - 4.0L POWER TECH I-6 | DG4 = TRANSMISSION-MULTI- SPEED AUTO, 45RFE |
| P = Limited | J = JEEP - 4WD | | EVA = ENGINE- 4.7L V8 MPI | DGW = TRANSMISSION - 4-SPD. AUTOMATIC,44RE |
| | U = JEEP - 4WD (RHD) | | EXA = ENGINE - 3.1L 5 CYL TURBO DIESEL | DGK = TRANSMISSION - 4-SPD. AUTOMATIC,42RE |
| | | | | DGO = ALL AUTOMATIC TRANSMISSIONS |

AR = use ase required - = Non illustrated part

2000 WJ

**Engine Oiling
Figure 3.1L-710**



| ITEM | PART NUMBER | QTY | LINE | SERIES | BODY | ENGINE | TRANS | TRIM | DESCRIPTION |
|------|-------------|-----|------|--------|------|--------|-------|------|-------------|
|------|-------------|-----|------|--------|------|--------|-------|------|-------------|

NOTE: EX0=All 3.1L Engines DG0=All Automatic Transmissions

| | | | | | | | | | |
|----|------------|----|--|--|--|-----|-----|--|---------------------------------|
| 1 | 05003594AA | 1 | | | | EX0 | DG0 | | FILTER, Engine Oil |
| 2 | 05015171AA | 1 | | | | EX0 | DG0 | | FILTER, Engine Oil |
| 3 | 05015172AA | 1 | | | | EX0 | DG0 | | GASKET, Oil Filter Head |
| 4 | 05015063AA | 1 | | | | EX0 | DG0 | | BOLT |
| 5 | 04723334 | 1 | | | | EX0 | DG0 | | GASKET, Valve |
| 6 | 04886305AA | 1 | | | | EX0 | DG0 | | O RING, Oil Filter Adapter |
| 7 | 04883526AA | 1 | | | | EX0 | DG0 | | BASE, Oil Filter |
| 8 | 04720375 | 1 | | | | EX0 | DG0 | | O RING, Oil Filter Base |
| 9 | 05003724AA | 1 | | | | EX0 | DG0 | | SCREW |
| 10 | 04883924AA | 1 | | | | EX0 | DG0 | | CLAMP, Heater Hose |
| 11 | 05015052AA | 1 | | | | EX0 | DG0 | | HOSE, Engine Oil Cooler |
| 12 | 04864753 | 1 | | | | EX0 | DG0 | | PLUG |
| 13 | 04723211 | 2 | | | | EX0 | DG0 | | PLUG, Cylinder Block Oil Hole |
| 14 | 04864689 | 5 | | | | EX0 | DG0 | | O RING |
| 15 | 04864041AB | 5 | | | | EX0 | DG0 | | JET, Valve Body |
| 16 | 04882620 | 5 | | | | EX0 | DG0 | | SCREW |
| 17 | 05014360AA | 1 | | | | EX0 | DG0 | | COOLER, Engine Oil |
| 18 | 04720709 | 1 | | | | EX0 | DG0 | | BOLT, Turbo Oil Feed Adapter |
| 19 | 04720704 | 1 | | | | EX0 | DG0 | | WASHER, Oil Pressure Transducer |
| 20 | 04883424AA | 2 | | | | EX0 | DG0 | | PLUG, Cylinder Block |
| 21 | 04720726 | 2 | | | | EX0 | DG0 | | BOLT, Oil Feed To Turbo Adapter |
| 22 | 05015007AA | 1 | | | | EX0 | DG0 | | PIN |
| 23 | 04723217 | 1 | | | | EX0 | DG0 | | O RING, Oil Cooler |
| 24 | 05015178AA | 1 | | | | EX0 | DG0 | | FITTING, Engine Oil Cooler |
| 25 | 05003543AA | 1 | | | | EX0 | DG0 | | VALVE, Oil Pressure Relief |
| 26 | 05014358AA | 1 | | | | EX0 | DG0 | | HOSE, Engine Oil Cooler |
| 27 | 05015059AA | 1 | | | | EX0 | DG0 | | PAN, Oil |
| 28 | | | | | | | | | SCREW |
| | 04864551 | 23 | | | | EX0 | DG0 | | |
| | | 1 | | | | EX0 | DG0 | | |
| 29 | 04778936 | 4 | | | | EX0 | DG0 | | NUT, Suction Pipe Attaching |
| 30 | 05015062AA | 3 | | | | EX0 | DG0 | | STUD |

GRAND CHEROKEE (WJ)

SERIES LINE
 H = Laredo T = JEEP - 2WD
 P = Limited J = JEEP - 4WD
 U = JEEP - 4WD (RHD)

BODY
 74 = 4 Door (105.9 WB)

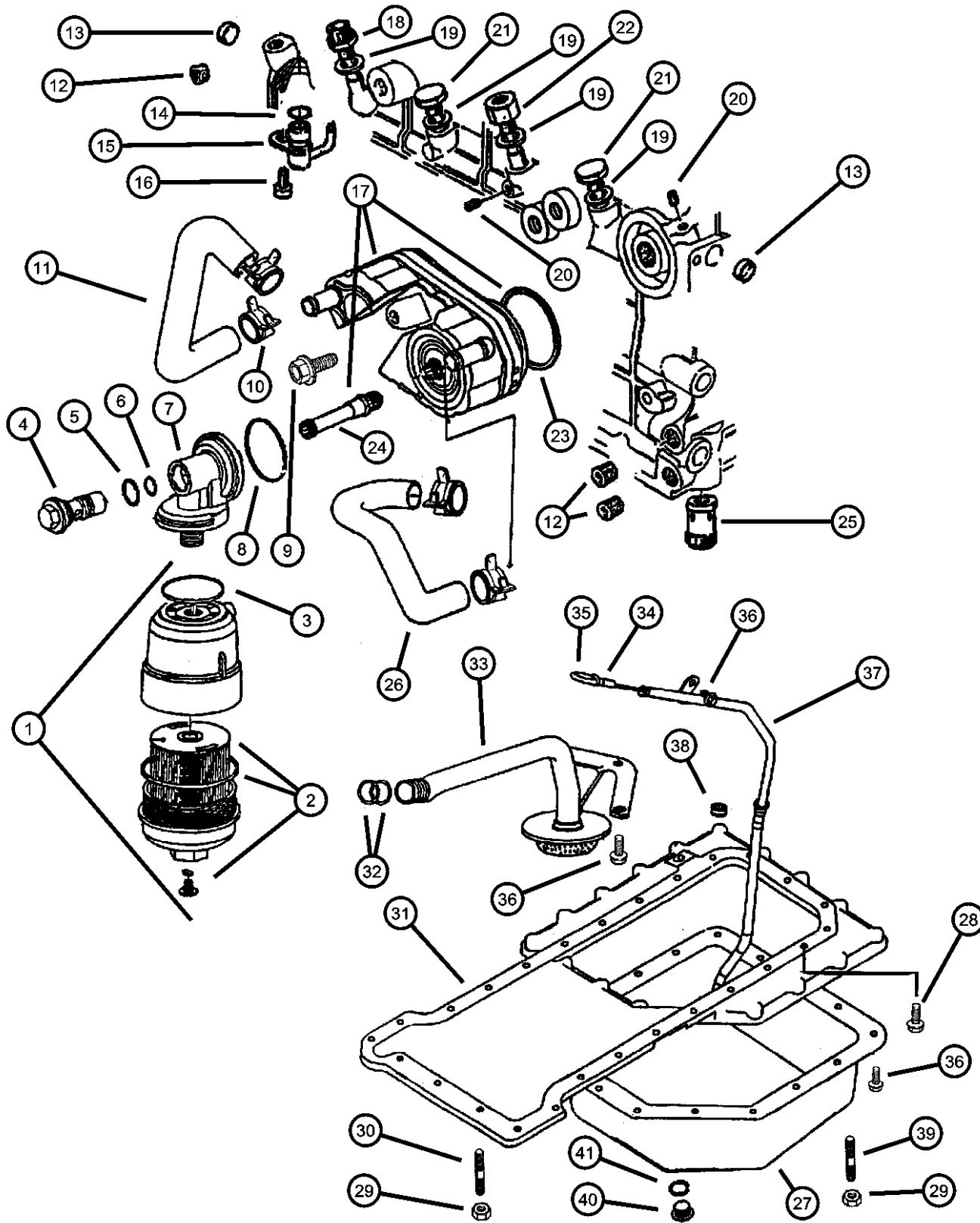
ENGINE
 ERH = ENGINE - 4.0L
 POWER TECH I-6
 EVA = ENGINE - 4.7L V8 MPI
 EXA = ENGINE - 3.1L 5 CYL
 TURBO DIESEL

TRANSMISSION
 DG4 = TRANSMISSION-MULTI-
 SPEED AUTO, 45RFE
 DGW = TRANSMISSION - 4-SPD.
 AUTOMATIC, 44RE
 DGK = TRANSMISSION - 4-SPD.
 AUTOMATIC, 42RE
 DGO = ALL AUTOMATIC
 TRANSMISSIONS

AR = use ase required - = Non illustrated part

2000 WJ

Engine Oiling
Figure 3.1L-710



| ITEM | PART NUMBER | QTY | LINE | SERIES | BODY | ENGINE | TRANS | TRIM | DESCRIPTION |
|------|-------------|-----|------|--------|------|--------|-------|------|-----------------------------------|
| 31 | 05015060AA | 1 | | | | EX0 | DG0 | | PAN, Engine Oil |
| 32 | 04720374 | 2 | | | | EX0 | DG0 | | O RING, Oil Suction Tube |
| 33 | 05015061AA | 1 | | | | EX0 | DG0 | | PICKUP, Engine Oil |
| 34 | 04720373 | 1 | | | | EX0 | DG0 | | O RING, Engine Oil Indicator |
| 35 | 05015051AA | 1 | | | | EX0 | DG0 | | INDICATOR, Engine Oil Level |
| 36 | 05003551AA | 15 | | | | EX0 | DG0 | | BOLT, M6x10 |
| 37 | 05015053AA | 1 | | | | EX0 | DG0 | | TUBE, Oil Gauge |
| 38 | 04720362 | 1 | | | | EX0 | DG0 | | GASKET, Engine Oil Indicator Pipe |
| 39 | 04864745 | 1 | | | | EX0 | DG0 | | BOLT |
| 40 | 04720352 | 1 | | | | EX0 | DG0 | | PLUG, Oil Drain |
| 41 | 04720353 | 1 | | | | EX0 | DG0 | | WASHER, Plain |

GRAND CHEROKEE (WJ)

SERIES
H = Laredo
P = Limited

LINE
T = JEEP - 2WD
J = JEEP - 4WD
U = JEEP - 4WD (RHD)

BODY
74 = 4 Door (105.9 WB)

ENGINE
ERH = ENGINE - 4.0L
POWER TECH I-6
EVA = ENGINE - 4.7L V8 MPI
EXA = ENGINE - 3.1L 5 CYL
TURBO DIESEL

TRANSMISSION
DG4 = TRANSMISSION-MULTI-
SPEED AUTO, 45RFE
DGW = TRANSMISSION - 4-SPD.
AUTOMATIC, 44RE
DGK = TRANSMISSION - 4-SPD.
AUTOMATIC, 42RE
DGO = ALL AUTOMATIC
TRANSMISSIONS

AR = use ase required - = Non illustrated part

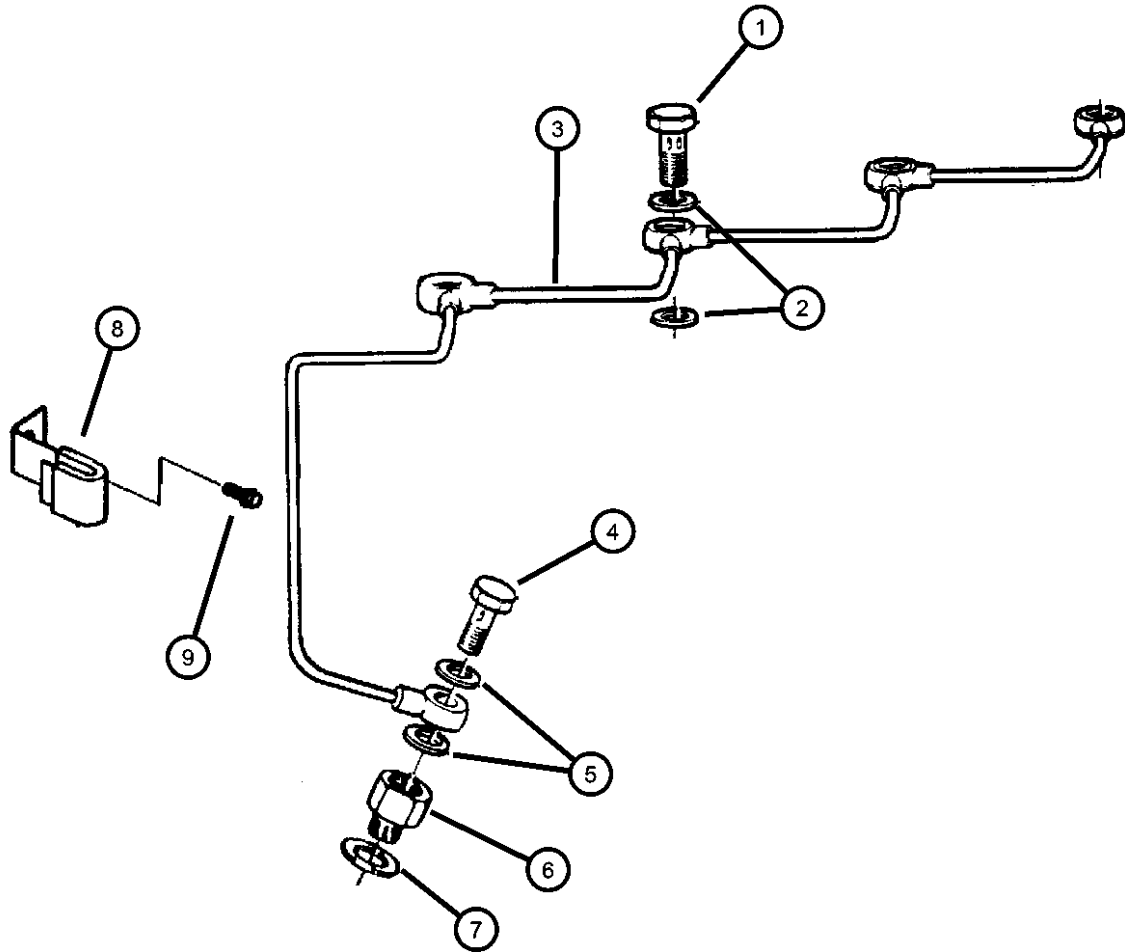
2000 WJ

**Oil Lines
Figure 3.1L-720**

| ITEM | PART NUMBER | QTY | LINE | SERIES | BODY | ENGINE | TRANS | TRIM | DESCRIPTION |
|------|-------------|-----|------|--------|------|--------|-------|------|-------------|
|------|-------------|-----|------|--------|------|--------|-------|------|-------------|

NOTE: EX0=All 3.1L Engines DG0=All Automatic Transmissions

| | | | | | | | | | |
|---|------------|----|--|--|--|-----|-----|--|---------------------------------|
| 1 | 04720358 | 6 | | | | EX0 | DG0 | | BOLT, Banjo |
| 2 | 04720554 | 12 | | | | EX0 | DG0 | | WASHER, Banjo |
| 3 | 05015005AA | 1 | | | | EX0 | DG0 | | TUBE, Oil Feed |
| 4 | 04720358 | 6 | | | | EX0 | DG0 | | BOLT, Banjo |
| 5 | 04720554 | 12 | | | | EX0 | DG0 | | WASHER, Banjo |
| 6 | 04863777 | 1 | | | | EX0 | DG0 | | UNION |
| 7 | 04720704 | 1 | | | | EX0 | DG0 | | WASHER, Oil Pressure Transduser |
| 8 | 05013828AB | 1 | | | | EX0 | DG0 | | BRACKET, Tube |
| 9 | 05014071AA | 1 | | | | EX0 | DG0 | | BOLT, M5x10 |



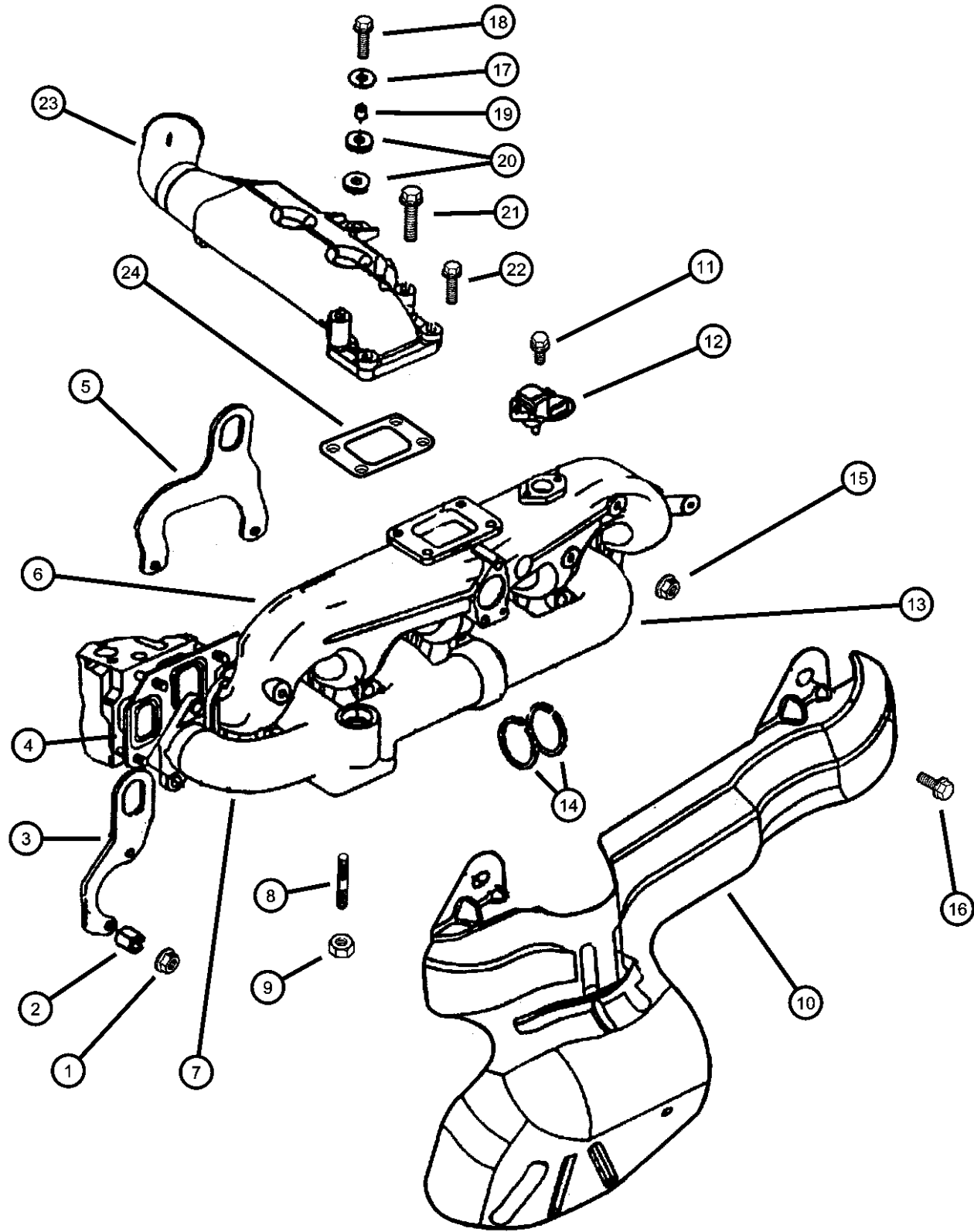
GRAND CHEROKEE (WJ)

| | | | | |
|-------------|----------------------|------------------------|---|--|
| SERIES | LINE | BODY | ENGINE | TRANSMISSION |
| H = Laredo | T = JEEP - 2WD | 74 = 4 Door (105.9 WB) | ERH = ENGINE - 4.0L POWER TECH I-6 | DG4 = TRANSMISSION-MULTI- SPEED AUTO, 45RFE |
| P = Limited | J = JEEP - 4WD | | EVA = ENGINE- 4.7L V8 MPI | DGW = TRANSMISSION - 4-SPD. AUTOMATIC,44RE |
| | U = JEEP - 4WD (RHD) | | EXA = ENGINE - 3.1L 5 CYL TURBO DIESEL | DGK = TRANSMISSION - 4-SPD. AUTOMATIC,42RE |
| | | | | DGO = ALL AUTOMATIC TRANSMISSIONS |

AR = use ase required - = Non illustrated part

2000 WJ

**Manifold, Intake and Exhaust
Figure 3.1L-810**



| ITEM | PART NUMBER | QTY | LINE | SERIES | BODY | ENGINE | TRANS | TRIM | DESCRIPTION |
|------|-------------|-----|------|--------|------|--------|-------|------|-------------|
|------|-------------|-----|------|--------|------|--------|-------|------|-------------|

NOTE: EX0=All 3.1L Engines DG0=All Automatic Transmissions

| | | | | | | | | | |
|----|------------|----|--|--|--|-----|-----|--|---------------------------------|
| 1 | 04882611 | 10 | | | | EX0 | DG0 | | NUT, Lock |
| 2 | 05014348AA | 10 | | | | EX0 | DG0 | | SPACER |
| 3 | 05014073AA | 1 | | | | EX0 | DG0 | | BRACKET, Engine Lift |
| 4 | 05015016AA | 1 | | | | EX0 | DG0 | | GASKET, Intake/Exhaust Manifold |
| 5 | 05015056AA | 1 | | | | EX0 | DG0 | | BRACKET, Engine Lift |
| 6 | 05015009AA | 1 | | | | EX0 | DG0 | | MANIFOLD, Intake |
| 7 | 05015058AA | 1 | | | | EX0 | DG0 | | MANIFOLD, Exhaust |
| 8 | 04882606 | 4 | | | | EX0 | DG0 | | STUD, Turbo Elbow |
| 9 | 04882610 | 4 | | | | EX0 | DG0 | | NUT, Lock |
| 10 | 05015029AA | 1 | | | | EX0 | DG0 | | SHIELD, Heat |
| 11 | 05014066AA | 2 | | | | EX0 | DG0 | | BOLT |
| 12 | 05003734AA | 1 | | | | EX0 | DG0 | | SENSOR, Air Temperature |
| 13 | 05015057AA | 1 | | | | EX0 | DG0 | | MANIFOLD, Exhaust |
| 14 | 04720214 | 2 | | | | EX0 | DG0 | | CIRCLIP, Exhaust Manifold |
| 15 | 04778961 | 10 | | | | EX0 | DG0 | | NUT |
| 16 | 05003553AA | 2 | | | | EX0 | DG0 | | SCREW |
| 17 | 05015014AA | 1 | | | | EX0 | DG0 | | WASHER |
| 18 | 04864551 | 1 | | | | EX0 | DG0 | | SCREW |
| 19 | 05015011AA | 1 | | | | EX0 | DG0 | | SPACER |
| 20 | 05015112AA | 2 | | | | EX0 | DG0 | | GROMMET |
| 21 | 05015113AA | 2 | | | | EX0 | DG0 | | BOLT |
| 22 | 04864534 | 2 | | | | EX0 | DG0 | | BOLT, Adaptor Plate |
| 23 | 05015010AA | 1 | | | | EX0 | DG0 | | ELBOW, Intake Manifold Vacuum |
| 24 | 05015015AA | 1 | | | | EX0 | DG0 | | GASKET, Intake Connector |

GRAND CHEROKEE (WJ)

| | | | | |
|-------------|----------------------|------------------------|---|--|
| SERIES | LINE | BODY | ENGINE | TRANSMISSION |
| H = Laredo | T = JEEP - 2WD | 74 = 4 Door (105.9 WB) | ERH = ENGINE - 4.0L POWER TECH I-6 | DG4 = TRANSMISSION-MULTI- SPEED AUTO, 45RFE |
| P = Limited | J = JEEP - 4WD | | EVA = ENGINE- 4.7L V8 MPI | DGW = TRANSMISSION - 4-SPD. AUTOMATIC,44RE |
| | U = JEEP - 4WD (RHD) | | EXA = ENGINE - 3.1L 5 CYL TURBO DIESEL | DGK = TRANSMISSION - 4-SPD. AUTOMATIC,42RE |
| | | | | DGO = ALL AUTOMATIC TRANSMISSIONS |

AR = use ase required - = Non illustrated part

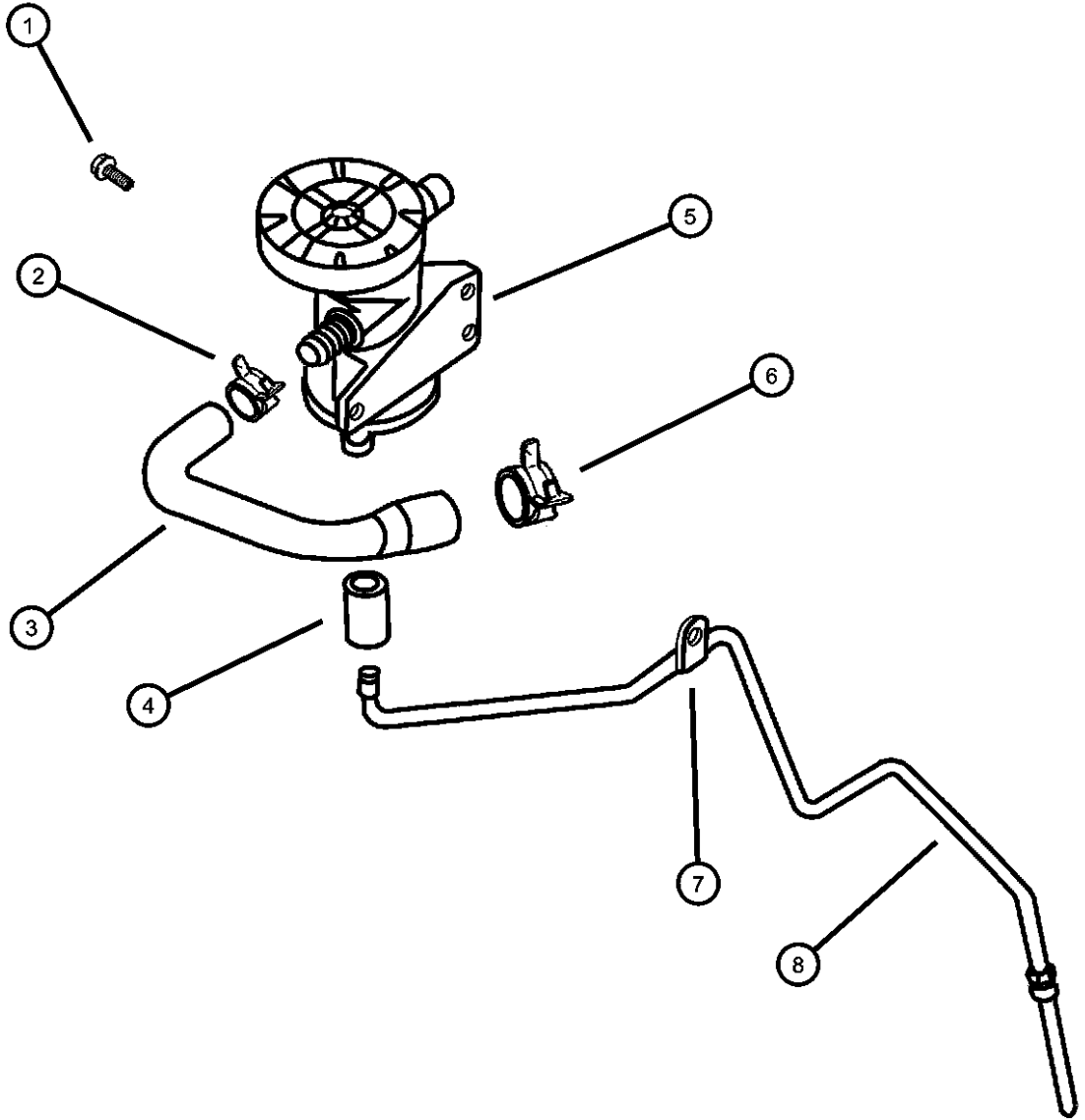
2000 WJ

**Crankcase Ventilation
Figure 3.1L-910**

| ITEM | PART NUMBER | QTY | LINE | SERIES | BODY | ENGINE | TRANS | TRIM | DESCRIPTION |
|------|-------------|-----|------|--------|------|--------|-------|------|-------------|
|------|-------------|-----|------|--------|------|--------|-------|------|-------------|

NOTE: EX0=All 3.1L Engines DG0=All Automatic Transmissions

| | | | | | | | | | |
|---|------------|---|--|--|--|-----|-----|--|---------------------|
| 1 | 05003553AA | 2 | | | | EX0 | DG0 | | SCREW |
| 2 | 04883924AA | 1 | | | | EX0 | DG0 | | CLAMP, Heater Hose |
| 3 | 05015048AA | 1 | | | | EX0 | DG0 | | HOSE, Oil Separator |
| 4 | 05015049AA | 1 | | | | EX0 | DG0 | | HOSE, Oil Separator |
| 5 | 04741769 | 1 | | | | EX0 | DG0 | | SEPERATOR, Oil |
| 6 | 04886050AA | 1 | | | | EX0 | DG0 | | CLAMP, Heater Hose |
| 7 | 05015050AA | 1 | | | | EX0 | DG0 | | CLIP |
| 8 | 05015047AA | 1 | | | | EX0 | DG0 | | TUBE, Oil Drain |



GRAND CHEROKEE (WJ)

| | | | | |
|-------------|----------------------|------------------------|---|--|
| SERIES | LINE | BODY | ENGINE | TRANSMISSION |
| H = Laredo | T = JEEP - 2WD | 74 = 4 Door (105.9 WB) | ERH = ENGINE - 4.0L POWER TECH I-6 | DG4 = TRANSMISSION-MULTI- SPEED AUTO, 45RFE |
| P = Limited | J = JEEP - 4WD | | EVA = ENGINE- 4.7L V8 MPI | DGW = TRANSMISSION - 4-SPD. AUTOMATIC,44RE |
| | U = JEEP - 4WD (RHD) | | EXA = ENGINE - 3.1L 5 CYL TURBO DIESEL | DGK = TRANSMISSION - 4-SPD. AUTOMATIC,42RE |
| | | | | DGO = ALL AUTOMATIC TRANSMISSIONS |

AR = use ase required - = Non illustrated part

Group - 11

Exhaust

Group - 11 Exhaust

Illustration Title

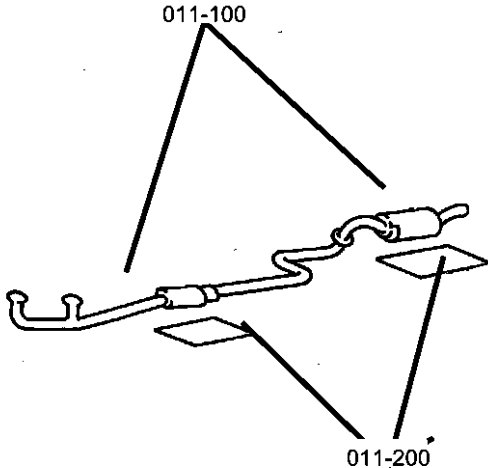
Group-Fig. No.

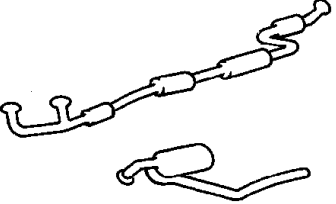
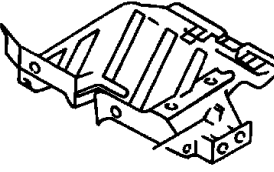
Exhaust System

Exhaust System Fig. 11 - 110
 Exhaust System Fig. 11 - 120
 Exhaust System Fig. 11 - 130

Heat Shields

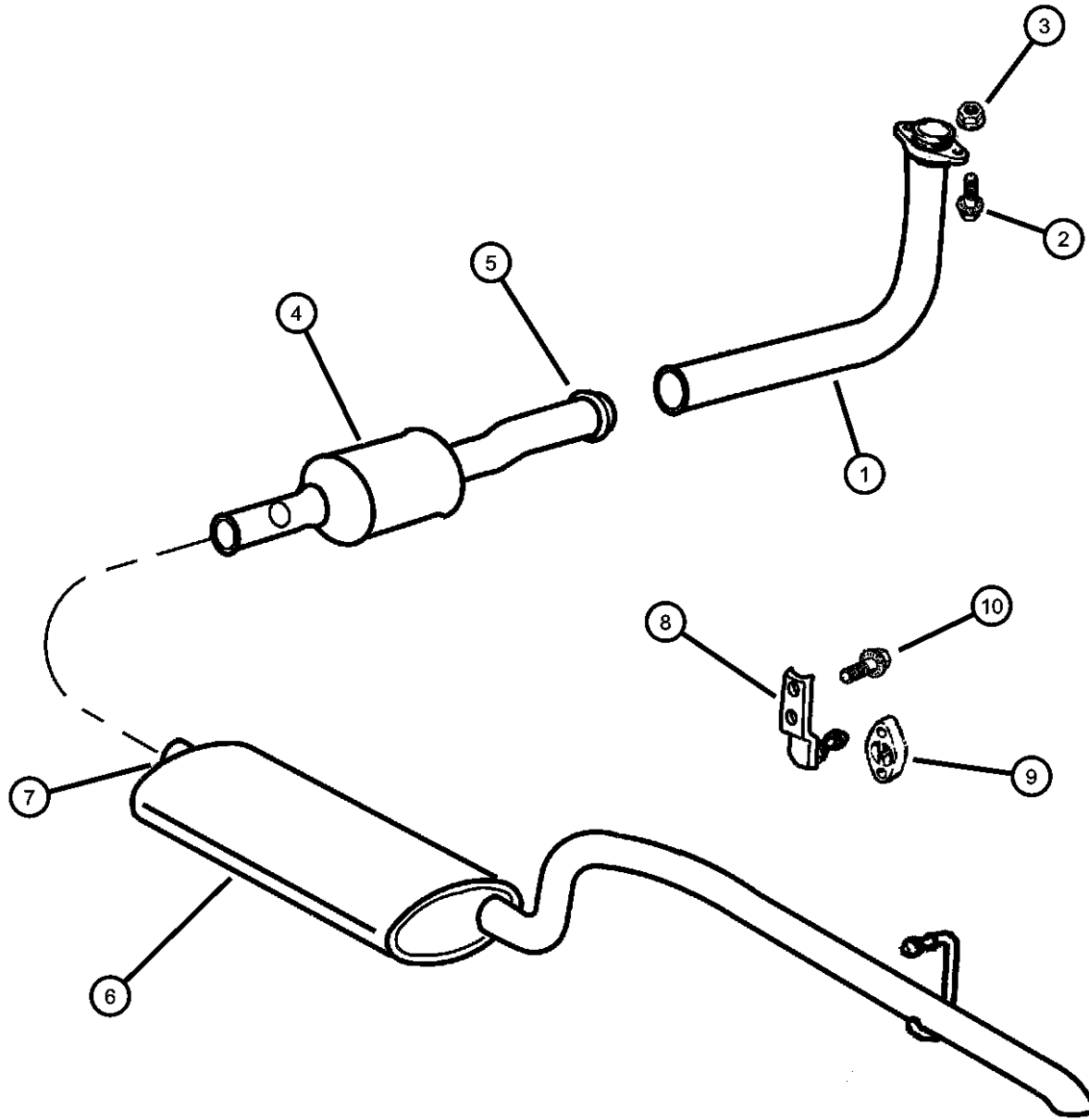
Heat Shields Fig. 11 - 210



| | | | |
|---|--|--|--|
| <p>011-100 Exhaust System</p>  | <p>011-200 Heat Shields</p>  | | |
|---|--|--|--|

**Exhaust System
Figure 11-110**

| ITEM | PART NUMBER | QTY | LINE | SERIES | BODY | ENGINE | TRANS | TRIM | DESCRIPTION |
|----------------------------|-------------|-----|------|--------|------|--------|-------|------|---|
| NOTE: EX0=All 3.1L Engines | | | | | | | | | |
| 1 | 52101037 | 1 | | | | EX0 | | | PIPE, Exhaust |
| 2 | 06505495AA | 2 | | | | EX0 | | | SCREW, M10x1.50x60.00 |
| 3 | 06503231 | 2 | | | | EX0 | | | NUT, Brake Line |
| 4 | 52101394AC | 1 | | | | EX0 | | | CONVERTER, Catalytic |
| 5 | 52101394AC | 1 | | | | | | | CLAMP, Serviced in Converter assembly, (NOT SERVICED) |
| 6 | 52101043AC | 1 | | | | EX0 | | | MUFFLER AND TAILPIPE, Exhaust |
| 7 | 52101040 | 1 | | | | EX0 | | | CLAMP, Exhaust |
| 8 | 52101141AD | 1 | | | | | | | HANGER, Tailpipe |
| 9 | 52101068AA | 1 | | | | | | | INSULATOR, Exhaust |
| 10 | 06101542 | 1 | | | | EX0 | | | SCREW, Hex Head, M8-1.25 x 20 |



GRAND CHEROKEE (WJ)

SERIES
H = Laredo
P = Limited

LINE
T = JEEP - 2WD
J = JEEP - 4WD
U = JEEP - 4WD (RHD)

BODY
74 = 4 Door (105.9 WB)

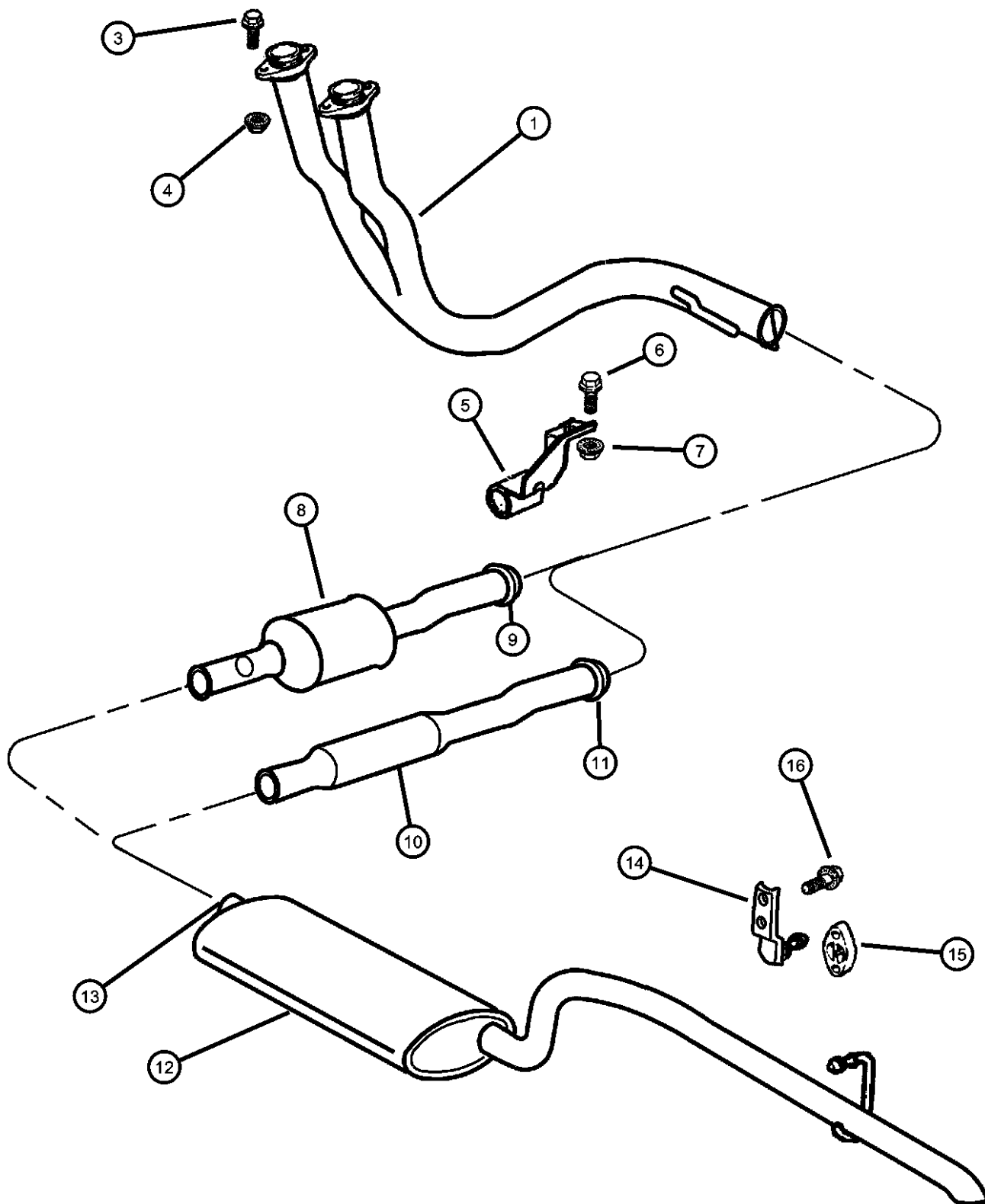
ENGINE
ERH = ENGINE - 4.0L POWER TECH I-6
EVA = ENGINE- 4.7L V8 MPI
EXA = ENGINE - 3.1L 5 CYL TURBO DIESEL

TRANSMISSION
DG4 = TRANSMISSION-MULTI-SPEED AUTO, 45RFE
DGW = TRANSMISSION - 4-SPD. AUTOMATIC,44RE
DGK = TRANSMISSION - 4-SPD. AUTOMATIC,42RE
DGO = ALL AUTOMATIC TRANSMISSIONS

AR = use ase required - = Non illustrated part

2000 WJ

**Exhaust System
Figure 11-120**



| ITEM | PART NUMBER | QTY | LINE | SERIES | BODY | ENGINE | TRANS | TRIM | DESCRIPTION |
|------|-------------|-----|------|--------|------|---------------|-------|------|--|
| 1 | 52101090 | 1 | | | | ER0 | | | PIPE, Exhaust, Federal, Canada, Europe II |
| -2 | 52101091AB | 1 | | | | ER0 | | | CONVERTER, Catalytic, California, Europe III |
| 3 | 06505754AA | 4 | | | | ER0 | | | SCREW, Hex Head |
| 4 | 06503231 | 4 | | | | EM0, ER0, EVO | | | NUT, Brake Line |
| 5 | 52101017AB | 1 | | | | ER0 | | | HANGER, Exhaust |
| 6 | 06022266 | 1 | T | | | ER0 | | | SCREW, Hex Head, .375-16x1.5 |
| 7 | 00152474 | 1 | J, U | | | ER0 | DG0 | | NUT, Hex Flange Lock, .375-16 |
| 8 | 52101390 | 1 | | | | ER0 | | | CONVERTER, Catalytic Federal, Canada, Europe II |
| | 52101391 | 1 | | | | ER0 | | | California |
| 9 | 52101391 | 1 | | | | | | | CLAMP, Serviced in Converter, (NOT SERVICED), |
| 10 | 52101122AA | 1 | | | | ER0, EVO | | | RESONATOR, Exhaust |
| 11 | 52101122AA | 1 | | | | | | | CLAMP, Serviced in Resonator, (NOT SERVICED) |
| 12 | 52101094AB | 1 | | | | ER0 | | | MUFFLER AND TAILPIPE, Exhaust |
| | E0019312ST | | | | | | | | Dynomax Cat Back Single Exhaust With Super Turbo Muffler |
| | E0017308UF | | | | | | | | Dynomax Cat Back Single Exhaust With Ultra Flow Muffler |
| 13 | 52101040 | 1 | | | | ER0 | | | CLAMP, Exhaust |
| 14 | 52101141AD | 1 | | | | | | | HANGER, Tailpipe, WITH INSULATOR |
| 15 | 52101068AA | 1 | | | | | | | INSULATOR, Exhaust |
| 16 | 06101542 | 1 | | | | EX0 | | | SCREW, Hex Head, M8-1.25 x 20 |

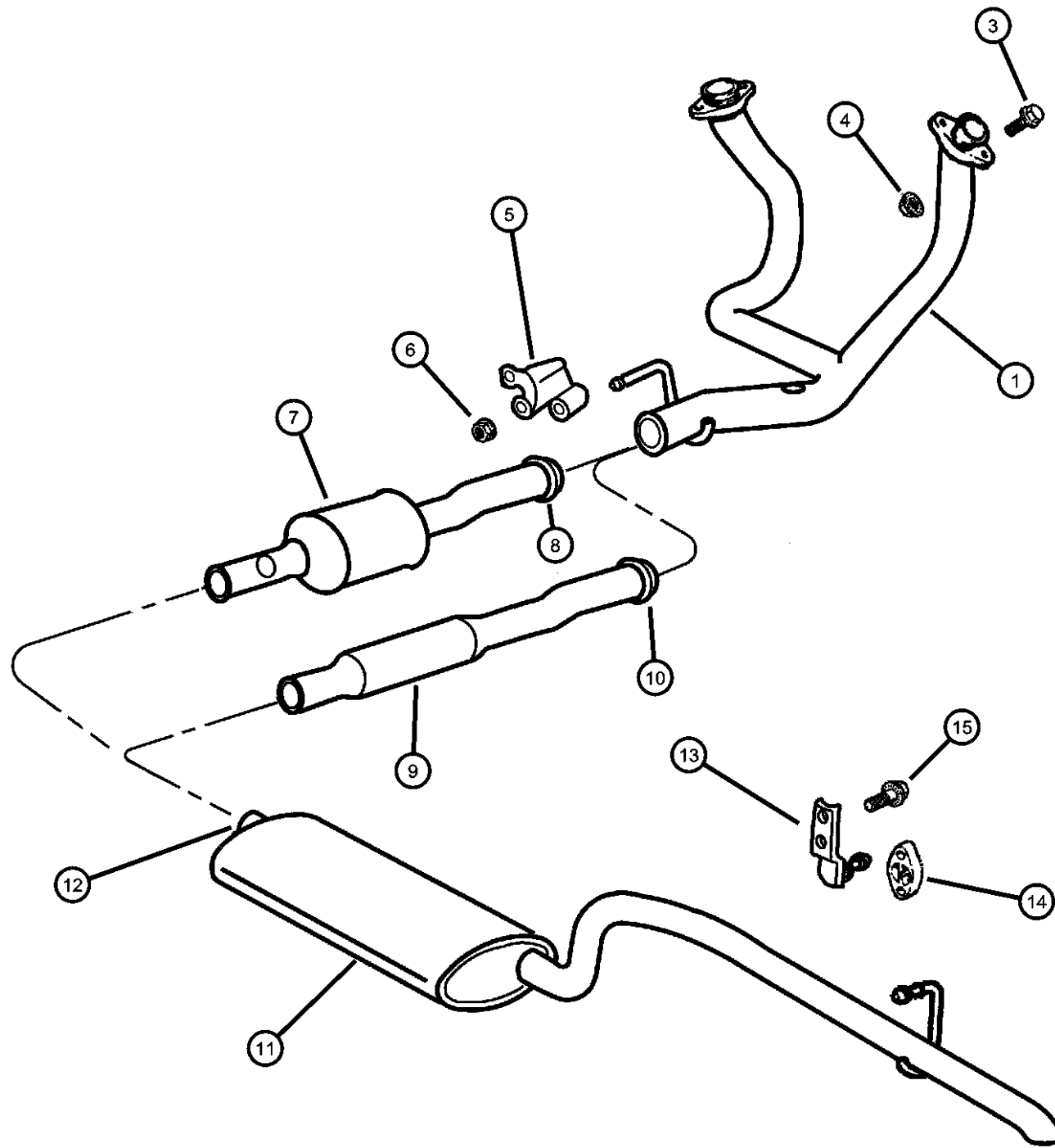
Note:
 EM0 = All 5.9L 8 Cyl Gas Engines
 ER0 = All 4.0L 6 Cyl Gas Engines
 EVO = All 4.7L Gas Engines
 EX0 = All Turbo Diesel Engines

GRAND CHEROKEE (WJ)

| | | | | |
|-------------|----------------------|------------------------|--|---|
| SERIES | LINE | BODY | ENGINE | TRANSMISSION |
| H = Laredo | T = JEEP - 2WD | 74 = 4 Door (105.9 WB) | ERH = ENGINE - 4.0L POWER TECH I-6 | DG4 = TRANSMISSION-MULTI-SPEED AUTO, 45RFE |
| P = Limited | J = JEEP - 4WD | | EVA = ENGINE- 4.7L V8 MPI | DGW = TRANSMISSION - 4-SPD. AUTOMATIC, 44RE |
| | U = JEEP - 4WD (RHD) | | EXA = ENGINE - 3.1L 5 CYL TURBO DIESEL | DGK = TRANSMISSION - 4-SPD. AUTOMATIC, 42RE |
| | | | | DGO = ALL AUTOMATIC TRANSMISSIONS |

AR = use ase required - = Non illustrated part

**Exhaust System
Figure 11-130**



| ITEM | PART NUMBER | QTY | LINE | SERIES | BODY | ENGINE | TRANS | TRIM | DESCRIPTION |
|---|-------------|-----|------|--------|------|---------------|-------|------|--|
| Note: EM0 = All 5.9L 8 Cyl Gas Engines ER0 = All 4.0L 6 Cyl Gas Engines EV0 = All 4.7L Gas Engines EX0 = All Turbo Diesel Engines | | | | | | | | | |
| 1 | 52101092AB | 1 | | | | EV0 | | | PIPE, Exhaust, Federal, Europe II, Unleaded Fuel |
| -2 | 52101093AB | 1 | | | | EV0 | | | CONVERTER, Catalytic, California, Europe III |
| 3 | 06506012AA | 4 | | | | EV0 | | | SCREW, Hex Head |
| 4 | 06503231 | 4 | | | | EM0, ER0, EV0 | | | NUT, Brake Line |
| 5 | 52101018AB | 1 | | | | EV0 | | | HANGER, Exhaust |
| 6 | 06502696 | 2 | | | | EV0 | | | NUT, Hex Flange Lock, M14x1.50 |
| 7 | | | | | | | | | CONVERTER, Catalytic |
| | 52101392 | 1 | | | | EV0 | | | Federal, Europe II |
| | 52101393 | 1 | | | | ER0, EV0 | | | California, Europe III |
| 8 | 52101393 | 1 | | | | | | | CLAMP, Serviced in Converter, (NOT SERVICED), RESONATOR, Exhaust |
| 9 | 52101122AA | 1 | | | | EV0 | | | CLAMP, Serviced in Resonator, (NOT SERVICED) |
| 10 | 52101122AA | 1 | | | | | | | MUFFLER AND TAILPIPE, Exhaust |
| 11 | 52101095AB | 1 | | | | EV0 | | | Dynomax Cat Back Single Exhaust With Super Turbo Muffler |
| | E0019312ST | | | | | | | | Dynomax Cat Back Single Exhaust With Ultra Flow Muffler |
| | E0017308UF | | | | | | | | |
| 12 | 52101040 | 1 | | | | EV0 | | | CLAMP, Exhaust |
| 13 | 52101141AD | 1 | | | | | | | HANGER, Tailpipe |
| 14 | 52101068AA | 1 | | | | | | | INSULATOR, Exhaust |
| 15 | 06101542 | 1 | | | | EX0 | | | SCREW, Hex Head, M8-1.25 x 20 |

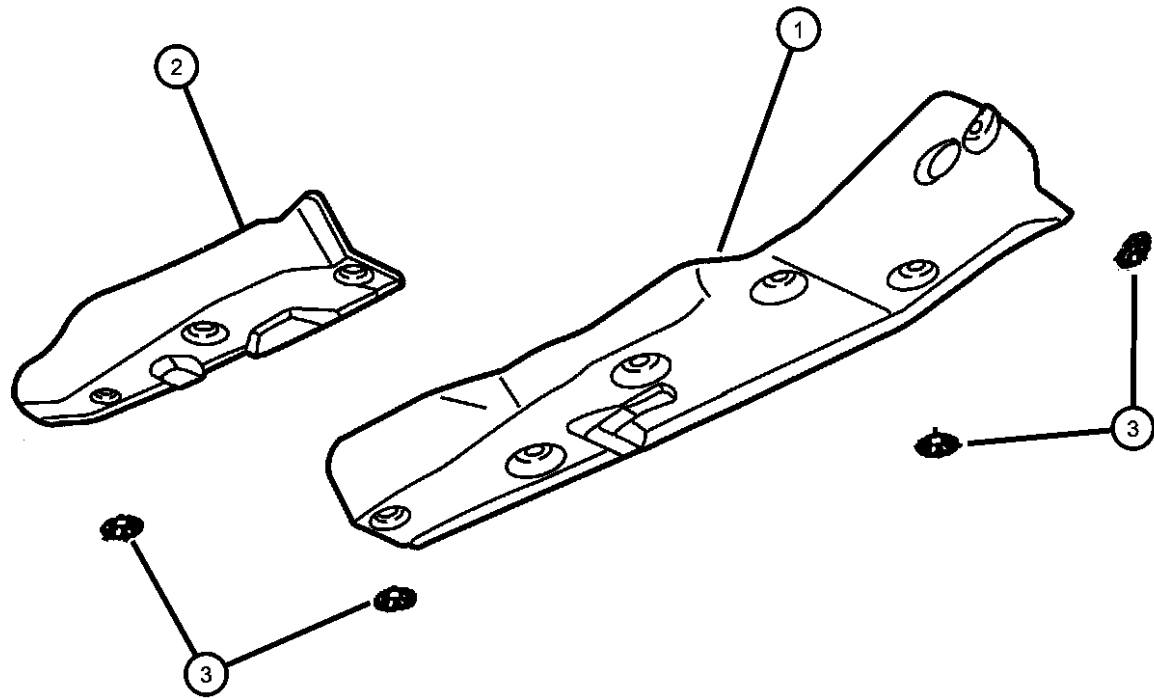
GRAND CHEROKEE (WJ)

| | | | | |
|-------------|----------------------|------------------------|--|---|
| SERIES | LINE | BODY | ENGINE | TRANSMISSION |
| H = Laredo | T = JEEP - 2WD | 74 = 4 Door (105.9 WB) | ERH = ENGINE - 4.0L POWER TECH I-6 | DG4 = TRANSMISSION-MULTI-SPEED AUTO, 45RFE |
| P = Limited | J = JEEP - 4WD | | EVA = ENGINE- 4.7L V8 MPI | DGW = TRANSMISSION - 4-SPD. AUTOMATIC, 44RE |
| | U = JEEP - 4WD (RHD) | | EXA = ENGINE - 3.1L 5 CYL TURBO DIESEL | DGK = TRANSMISSION - 4-SPD. AUTOMATIC, 42RE |
| | | | | DGO = ALL AUTOMATIC TRANSMISSIONS |

AR = use ase required - = Non illustrated part

Heat Shields
Figure 11-210

| ITEM | PART NUMBER | QTY | LINE | SERIES | BODY | ENGINE | TRANS | TRIM | DESCRIPTION |
|------|-------------|-----|------|--------|------|--------|-------|------|---|
| 1 | 55135709AC | 1 | | | | | | | SHIELD, Heat |
| 2 | 55135712AD | 1 | | | | | | | SHIELD, Heat |
| 3 | 55135712AD | 1 | | | | | | | NUT, Heat Shield Attach, M5x1.60, (NOT SERVICED) |



GRAND CHEROKEE (WJ)

SERIES
H = Laredo
P = Limited

LINE
T = JEEP - 2WD
J = JEEP - 4WD
U = JEEP - 4WD (RHD)

BODY
74 = 4 Door (105.9 WB)

ENGINE
ERH = ENGINE - 4.0L
POWER TECH I-6
EVA = ENGINE- 4.7L V8 MPI
EXA = ENGINE - 3.1L 5 CYL
TURBO DIESEL

TRANSMISSION
DG4 = TRANSMISSION-MULTI-
SPEED AUTO, 45RFE
DGW = TRANSMISSION - 4-SPD.
AUTOMATIC,44RE
DGK = TRANSMISSION - 4-SPD.
AUTOMATIC,42RE
DGO = ALL AUTOMATIC
TRANSMISSIONS

AR = use ase required - = Non illustrated part

2000 WJ

Group - 13

Frames and Bumpers

Group - 13 Frames and Bumpers

Group-Fig. No.

Illustration Title

Front Bumper and Fascia

Bumper, FrontFig. 13 - 240

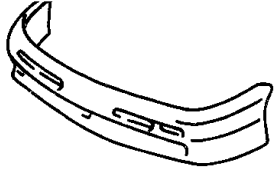


Rear Bumper and Fascia

Bumper, Rear.....Fig. 13 - 340

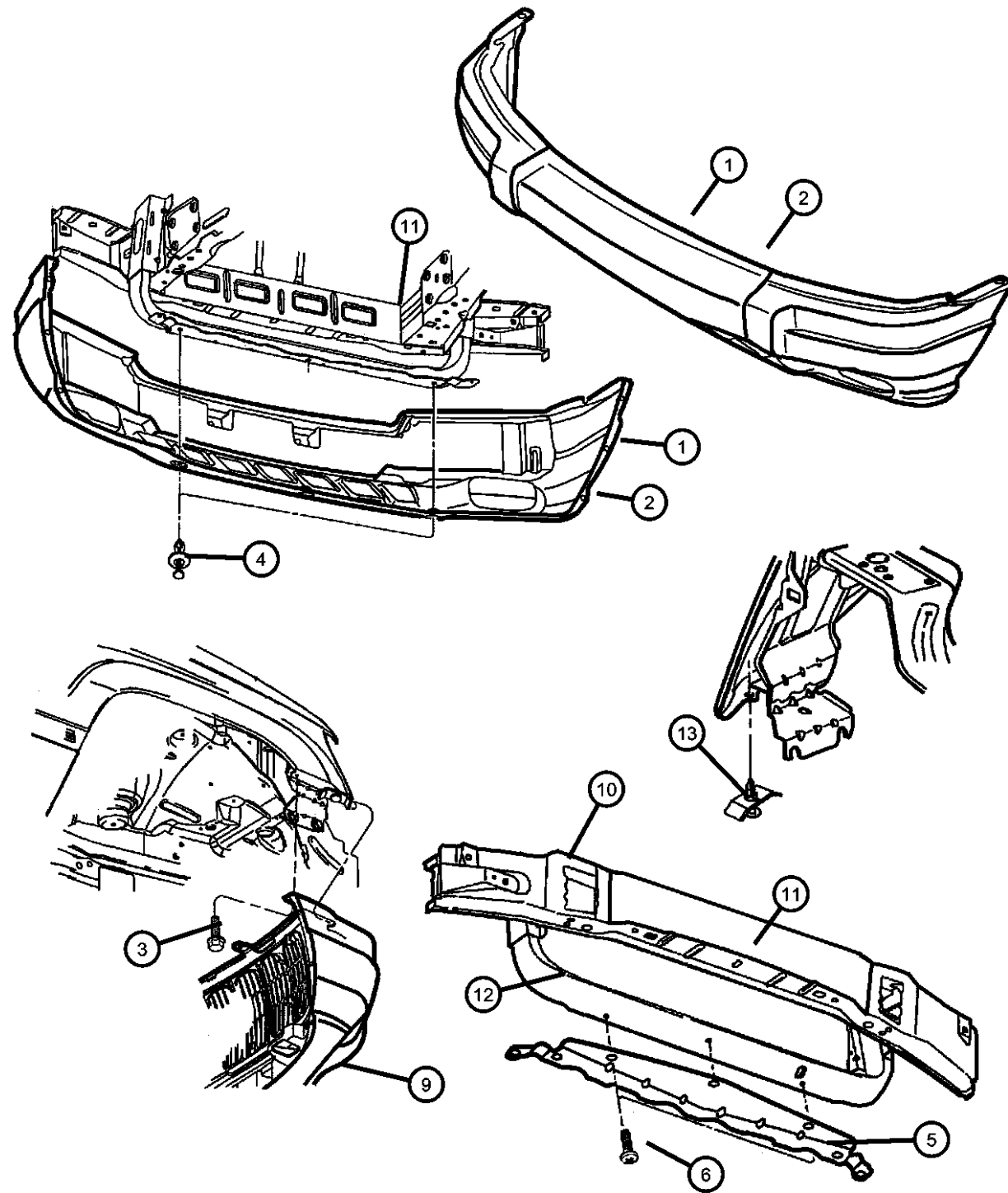
Trailer Tow

Tow Eye.....Fig. 13 - 610

Rear HitchFig. 13 - 620

| | | | |
|--|--|--|--|
| <p>013-200 Front Bumper and Fascia</p>  | <p>013-300 Rear Bumper and Fascia</p>  | <p>013-600 Trailer Tow</p>  | |
|--|--|--|--|

Bumper, Front
Figure 13-240



| ITEM | PART NUMBER | QTY | LINE | SERIES | BODY | ENGINE | TRANS | TRIM | DESCRIPTION |
|------|-------------|-----|------|--------|------|--------|-------|------|--|
| 1 | | | | | | | | | FASCIA, Front |
| | 5EU79VF7 | 1 | | H | | | | | Laredo, w/o Fog Lamps, Dark Brownstone (Paint Codes: S5, TH, TK, UL, W1) |
| | 5EU79XS9 | 1 | | H | | | | | Laredo, w/o Fog Lamps, Dark Gray Met. (Paint Codes: BT, GR, PT, R4, X8) |
| | 5FN29VF7 | 1 | | H | | | | | Laredo, w/Fog Lamps, Dark Brownstone (Paint Codes: S4, S5, TH, TK, UL, W1) |
| | 5FN29XS9 | 1 | | H | | | | | Laredo, w/Fog Lamps, Dark Gray Met. (Paint Codes: BQ,BT, GR, PT, R4, X8) |
| | | 1 | | H | | | | | Laredo, w/Fog Lamps, Dark Gray Met., Export |
| | 5FN33XS9 | 1 | | H | | | | | Laredo, w/o Fog Lamps, Export |
| 2 | | | | | | | | | FASCIA, Front, Primed |
| | 05012668AA | 1 | | P | | | | | Limited |
| | 05015233AA | 1 | | P | | | | | Laredo, w/Fog Lamps, Export |
| 3 | 06035188 | 2 | | | | | | | SCREW, Hex Flange Head, .25-14x.875 |
| 4 | 55176248 | 3 | | | | | | | PIN, Push |
| 5 | 55296138AA | 1 | | | | | | | BRACKET, Fascia |
| 6 | 55296138AA | 1 | | | | | | | SCREW, M6x1.00x15.00, (NOT SERVICED) |
| -7 | 55296138AA | 1 | | | | | | | SCREW, (NOT SERVICED) |
| -8 | 06503267 | 2 | | | | | | | SCREW, Round Head, M6x1x25 |
| 9 | | | | | | | | | LICENSE PLATE KIT |
| | 55155750AA | 1 | | | | | | | Europe |
| | 55155995AA | 1 | | | | | | | Europe |
| 10 | 55135880 | 1 | | | | | | | CROSSMEMBER, Radiator, Front Lower Front |
| 11 | 55136113 | 1 | | | | | | | CROSSMEMBER, Radiator, Front Lower Rear |
| 12 | | | | | | | | | CROSSMEMBER, Radiator |
| | 55135870 | 1 | | | | | | | Export |
| | 55136992AA | 1 | | | | | | | Export |
| 13 | 06505361AA | 2 | | | | | | | PIN, Push |
| -14 | | | | | | | | | ABSORBER, Front Energy |

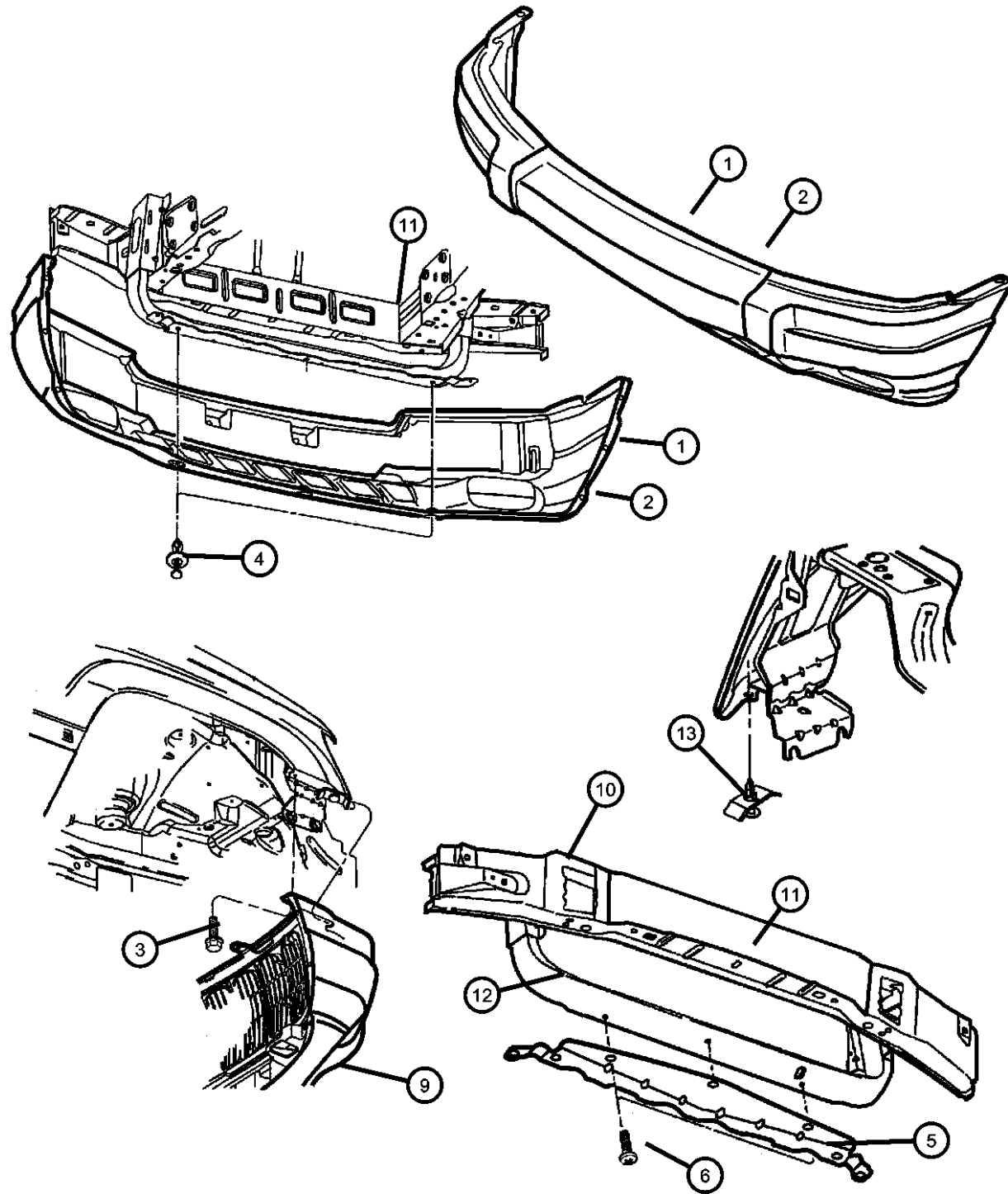
GRAND CHEROKEE (WJ)

| | | | | |
|-------------|----------------------|------------------------|--|--|
| SERIES | LINE | BODY | ENGINE | TRANSMISSION |
| H = Laredo | T = JEEP - 2WD | 74 = 4 Door (105.9 WB) | ERH = ENGINE - 4.0L POWER TECH I-6 | DG4 = TRANSMISSION-MULTI-SPEED AUTO, 45RFE |
| P = Limited | J = JEEP - 4WD | | EVA = ENGINE- 4.7L V8 MPI | DGW = TRANSMISSION - 4-SPD. AUTOMATIC,44RE |
| | U = JEEP - 4WD (RHD) | | EXA = ENGINE - 3.1L 5 CYL TURBO DIESEL | DGK = TRANSMISSION - 4-SPD. AUTOMATIC,42RE |
| | | | | DGO = ALL AUTOMATIC TRANSMISSIONS |

AR = use ase required - = Non illustrated part

Bumper, Front
Figure 13-240

| ITEM | PART NUMBER | QTY | LINE | SERIES | BODY | ENGINE | TRANS | TRIM | DESCRIPTION |
|------|-------------|-----|------|--------|------|--------|-------|------|---------------------|
| | 55155165 | 1 | | H | | | | | |
| | 55155505 | 1 | | P | | | | | |
| -15 | 5FT35DX9 | 1 | | H | | | | | GRILLE, Texture |
| -16 | 06505667AA | 4 | | | | | | | PIN, Deflector |
| -17 | 55115928 | 1 | | | | | | | DEFLECTOR, Radiator |



GRAND CHEROKEE (WJ)

SERIES
H = Laredo
P = Limited

LINE
T = JEEP - 2WD
J = JEEP - 4WD
U = JEEP - 4WD (RHD)

BODY
74 = 4 Door (105.9 WB)

ENGINE
ERH = ENGINE - 4.0L
POWER TECH I-6
EVA = ENGINE- 4.7L V8 MPI
EXA = ENGINE - 3.1L 5 CYL
TURBO DIESEL

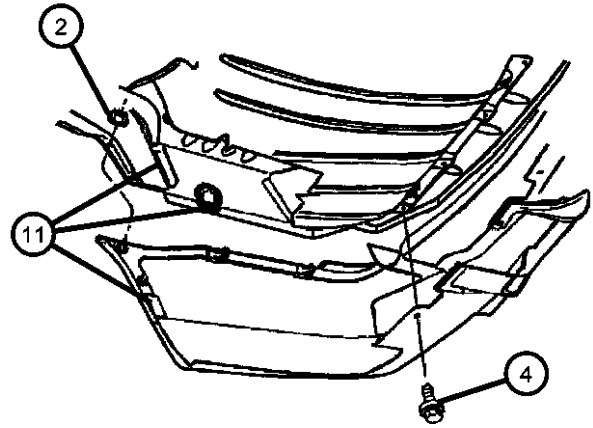
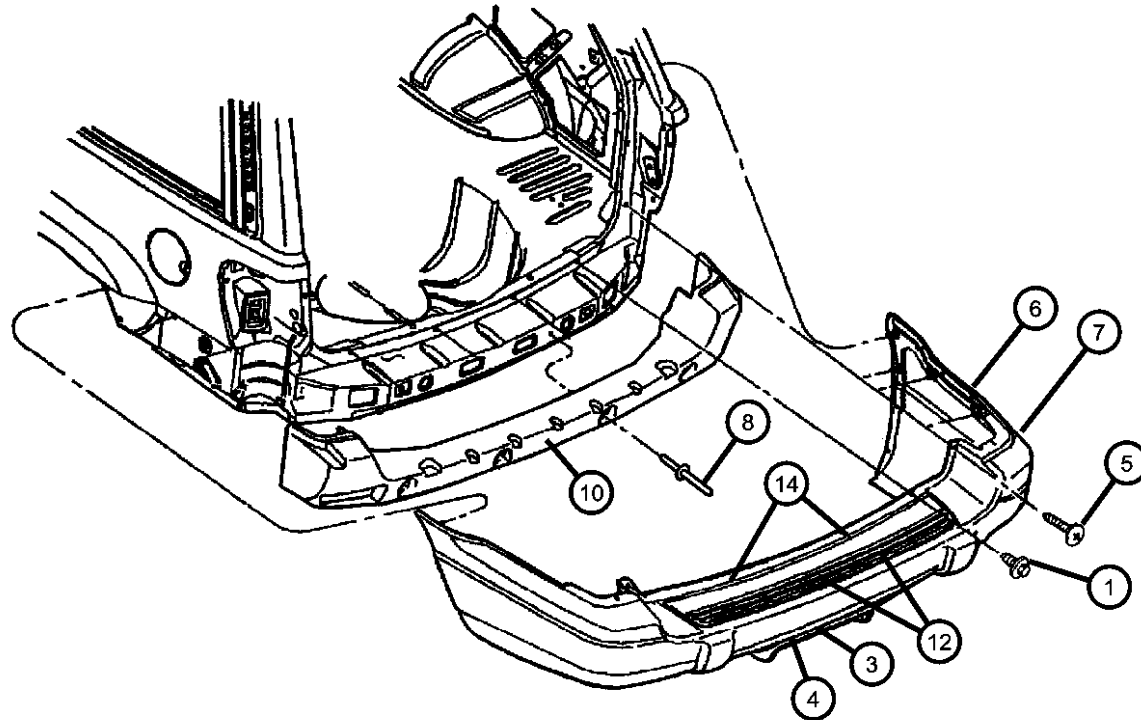
TRANSMISSION
DG4 = TRANSMISSION-MULTI-
SPEED AUTO, 45RFE
DGW = TRANSMISSION - 4-SPD.
AUTOMATIC,44RE
DGK = TRANSMISSION - 4-SPD.
AUTOMATIC,42RE
DGO = ALL AUTOMATIC
TRANSMISSIONS

AR = use ase required - = Non illustrated part

2000 WJ

Bumper, Rear
Figure 13-340

| ITEM | PART NUMBER | QTY | LINE | SERIES | BODY | ENGINE | TRANS | TRIM | DESCRIPTION |
|------|-------------|-----|------|--------|------|--------|-------|------|-------------|
|------|-------------|-----|------|--------|------|--------|-------|------|-------------|



| | | | | | | | | | |
|----|------------|---|--|---|--|--|--|--|--|
| 1 | 55176248 | 3 | | | | | | | PIN, Push |
| 2 | 55176248 | 3 | | | | | | | NUT AND WASHER, Hex, M6x1.0, (NOT SERVICED) |
| 3 | 34201631 | 6 | | | | | | | RIVET, M6.25x28 Black |
| 4 | 00154228 | 5 | | | | | | | SCREW, Tapping, .19-16x.625 |
| 5 | 06035412 | 1 | | | | | | | SCREW |
| 6 | | | | | | | | | FASCIA, Rear |
| | 5EU81VF7 | 1 | | H | | | | | Laredo, w/o Hitch Bezel, Dark Brownstone (Paint Codes: S4, S5, TH, TK, UL, W1) |
| | 5EU81XS9 | 1 | | H | | | | | Laredo, w/o Hitch Bezel, Dark Gray (Paint Codes: AW, BT, BQ, GR, PT, R4, X8) |
| | 5FY08VF7AB | 1 | | H | | | | | Laredo, w/Hitch Bezel, Dark Brownstone (Paint Codes: S4, S5, TH, TK, UL, W1) |
| | 5FY08XS9AB | 1 | | H | | | | | Laredo, w/Hitch Bezel, Dark Gray (Paint Codes: AW, BT, BQ, GR, PT, R4, X8) |
| 7 | | | | | | | | | FASCIA, Rear, Primed |
| | 05012938AA | 1 | | P | | | | | Limited, Export |
| | 05012804AA | 1 | | P | | | | | Limited, w/o Hitch Bezel |
| | 05012936AA | 1 | | P | | | | | Limited, w/Hitch Bezel |
| 8 | 05012936AA | 1 | | | | | | | RIVET, (NOT SERVICED), |
| -9 | 55155695AA | 1 | | | | | | | CROSSMEMBER, Bumper, Rear, Export |
| 10 | | | | | | | | | ABSORBER, Rear Energy |
| | 55155166 | 1 | | H | | | | | Laredo |
| | 55155506 | 1 | | P | | | | | Limited |
| | 55155774AA | 1 | | P | | | | | Limited, Export |
| 11 | | | | | | | | | RETAINER PACKAGE, Fascia |
| | 05015522AB | 1 | | P | | | | | Limited, Right |
| | 05015523AB | 1 | | H | | | | | Laredo, Left |
| | | 1 | | P | | | | | Limited, Left |
| | | 1 | | H | | | | | Laredo, Right |
| 12 | | | | | | | | | STEP PAD PACKAGE, Rear Fascia |
| | 05015524AA | 1 | | P | | | | | Limited |

GRAND CHEROKEE (WJ)

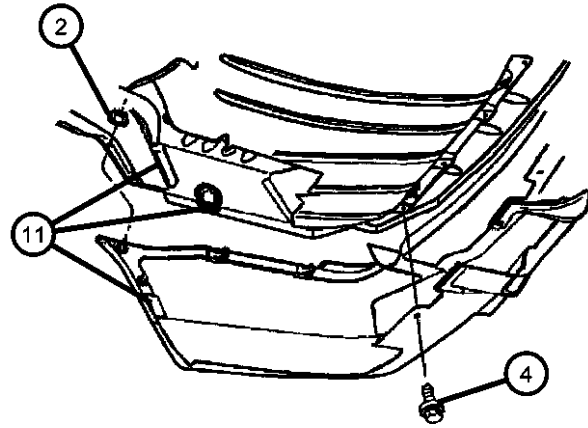
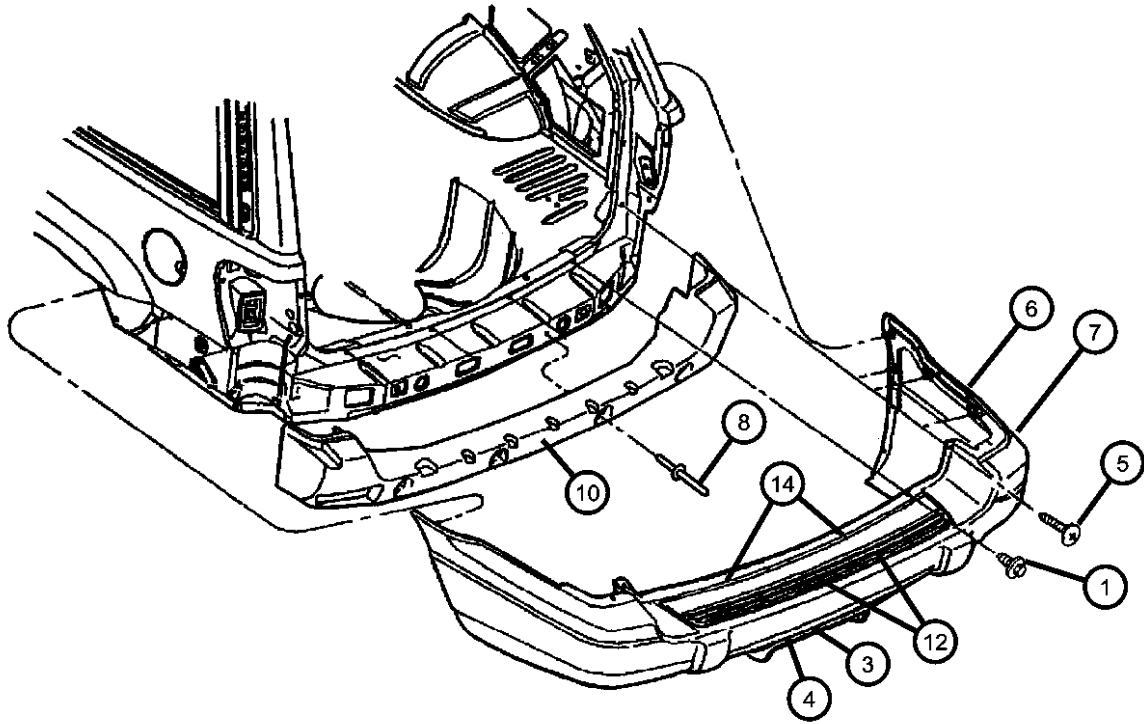
| | | | | |
|---------------|----------------------|------------------------|--|---|
| SERIES | LINE | BODY | ENGINE | TRANSMISSION |
| H = Laredo | T = JEEP - 2WD | 74 = 4 Door (105.9 WB) | ERH = ENGINE - 4.0L POWER TECH I-6 | DG4 = TRANSMISSION-MULTI-SPEED AUTO, 45RFE |
| P = Limited | J = JEEP - 4WD | | EVA = ENGINE- 4.7L V8 MPI | DGW = TRANSMISSION - 4-SPD. AUTOMATIC, 44RE |
| | U = JEEP - 4WD (RHD) | | EXA = ENGINE - 3.1L 5 CYL TURBO DIESEL | DGK = TRANSMISSION - 4-SPD. AUTOMATIC, 42RE |
| | | | | DGO = ALL AUTOMATIC TRANSMISSIONS |

AR = use ase required - = Non illustrated part

2000 WJ

Bumper, Rear
Figure 13-340

| ITEM | PART NUMBER | QTY | LINE | SERIES | BODY | ENGINE | TRANS | TRIM | DESCRIPTION |
|------|-------------|-----|------|--------|------|--------|-------|------|--|
| | 55155773AA | 1 | | P | | | | | Limited EXPORT |
| | | 1 | | H | | | | | Laredo EXPORT |
| | | 1 | | H | | | | | Laredo |
| -13 | | | | | | | | | NUT, PACKAGE |
| | 05013799AA | 4 | | H | | | | | Laredo |
| | | 4 | | P | | | | | Limited |
| 14 | 06503106 | 8 | | | | | | | RETAINER, Push In Type M6.3 Hole |
| -15 | | | | | | | | | BEZEL, Hitch |
| | 5FY07DX9AA | 1 | | P | | | | | |
| | 5FY10VF7AA | 1 | | H | | | | | [S5] |
| | 5FY10XS9AA | 1 | | H | | | | | [BT] |
| -16 | 06503106 | 8 | | | | | | | RETAINER, Push In Type M6.3 Hole, Fascia to Tank |
| -17 | | | | | | | | | REFLECTOR, Fascia |
| | 55155788AA | 1 | | H | | | | | Right |
| | 55155789AA | 1 | | P | | | | | Left |
| 18 | | | | | | | | | BEZEL, Hitch |
| | 5FY07DX9AA | 1 | | P | | | | | |
| | 5FY10VF7AA | 1 | | H | | | | | [S5] |
| | 5FY10XS9AA | 1 | | H | | | | | [BT] |



GRAND CHEROKEE (WJ)

SERIES
H = Laredo
P = Limited

LINE
T = JEEP - 2WD
J = JEEP - 4WD
U = JEEP - 4WD (RHD)

BODY
74 = 4 Door (105.9 WB)

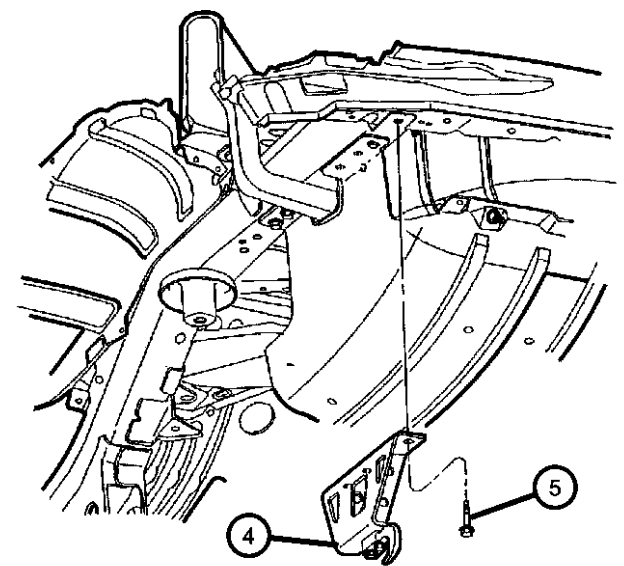
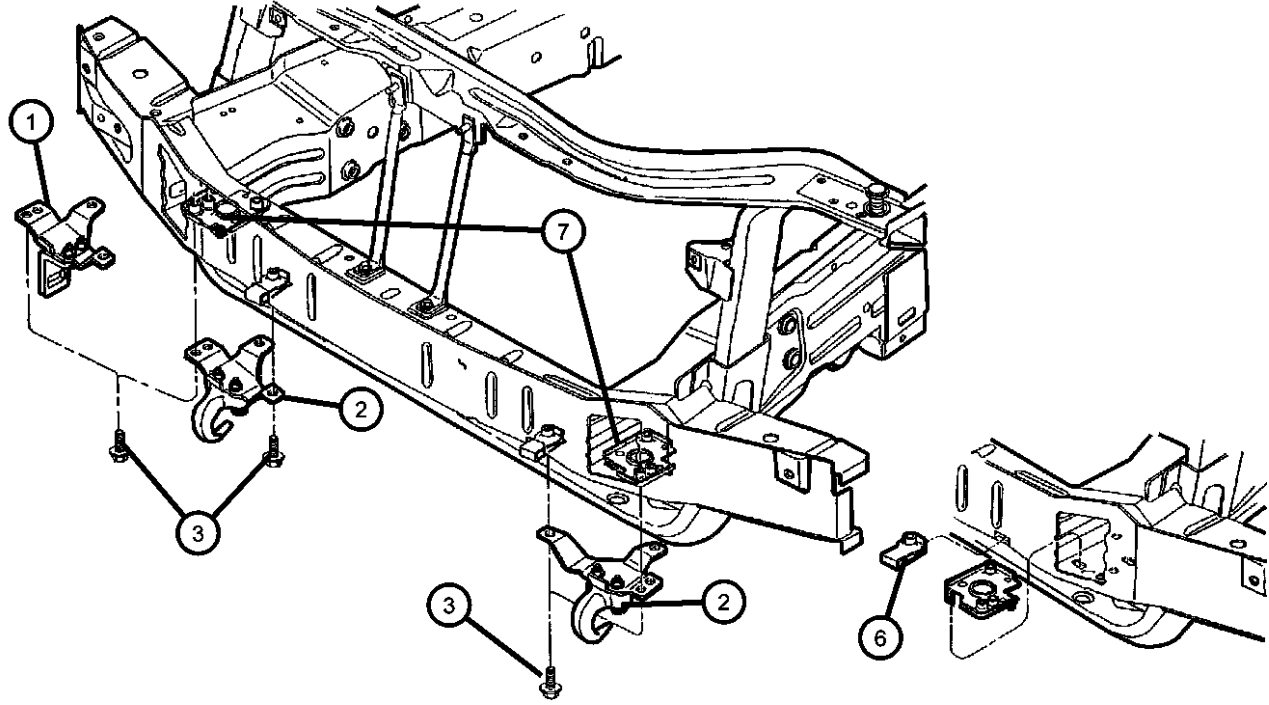
ENGINE
ERH = ENGINE - 4.0L
POWER TECH I-6
EVA = ENGINE- 4.7L V8 MPI
EXA = ENGINE - 3.1L 5 CYL
TURBO DIESEL

TRANSMISSION
DG4 = TRANSMISSION-MULTI-
SPEED AUTO, 45RFE
DGW = TRANSMISSION - 4-SPD.
AUTOMATIC,44RE
DGK = TRANSMISSION - 4-SPD.
AUTOMATIC,42RE
DGO = ALL AUTOMATIC
TRANSMISSIONS

AR = use ase required - = Non illustrated part

2000 WJ

Tow Eye
Figure 13-610



| ITEM | PART NUMBER | QTY | LINE | SERIES | BODY | ENGINE | TRANS | TRIM | DESCRIPTION |
|------|-------------|-----|------|--------|------|--------|-------|------|--|
| 1 | 52059158AB | 1 | | | | | | | EYE, Tow Right |
| | 52059159AA | 1 | | | | | | | Left |
| 2 | | | | | | | | | HOOK, Tow Right Front |
| | 52059012 | 1 | | | | | | | Left Front |
| | 52059013 | 1 | | | | | | | Hold Down |
| 3 | 06101102 | 7 | | | | | | | BOLT, Hex Head, M12x1.75x45 |
| | | | | | | | | | HOOK, Tow Right Rear |
| 4 | 52059012 | 1 | | | | | | | Left Rear |
| | 52059013 | 1 | | | | | | | SCREW AND WASHER, M10x1.50x35, (NOT SERVICED) |
| 5 | 52059013 | 1 | | | | | | | NUT, M10x1.50 |
| 6 | 06504818AA | 2 | | | | | | | TAPPING PLATE, Tow Hook Right |
| | 52059156AA | 1 | | | | | | | Left |
| | 52059157AA | 1 | | | | | | | |

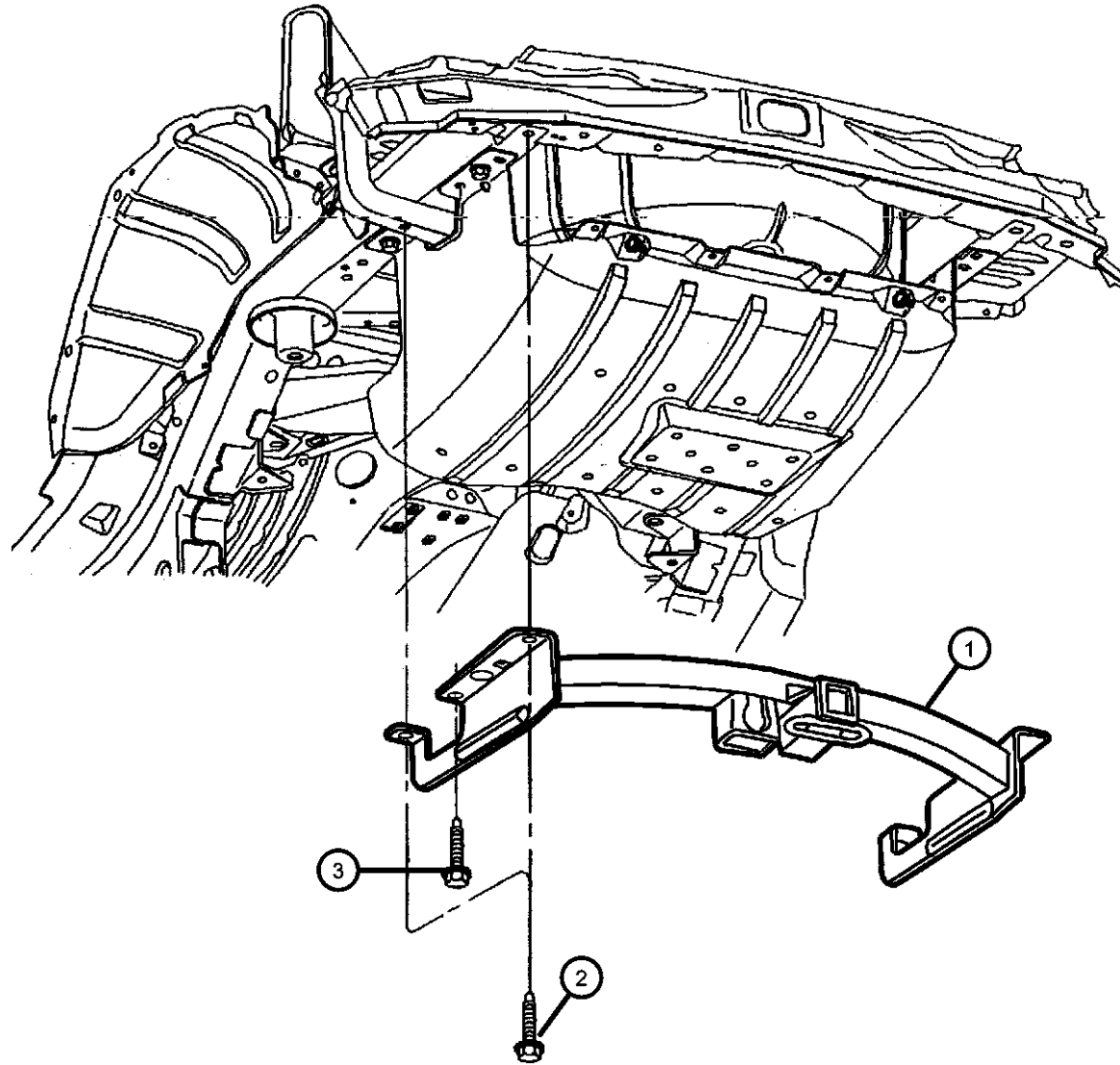
GRAND CHEROKEE (WJ)

| | | | | |
|-------------|----------------------|------------------------|---|--|
| SERIES | LINE | BODY | ENGINE | TRANSMISSION |
| H = Laredo | T = JEEP - 2WD | 74 = 4 Door (105.9 WB) | ERH = ENGINE - 4.0L POWER TECH I-6 | DG4 = TRANSMISSION-MULTI- SPEED AUTO, 45RFE |
| P = Limited | J = JEEP - 4WD | | EVA = ENGINE- 4.7L V8 MPI | DGW = TRANSMISSION - 4-SPD. AUTOMATIC,44RE |
| | U = JEEP - 4WD (RHD) | | EXA = ENGINE - 3.1L 5 CYL TURBO DIESEL | DGK = TRANSMISSION - 4-SPD. AUTOMATIC,42RE |
| | | | | DGO = ALL AUTOMATIC TRANSMISSIONS |

AR = use ase required - = Non illustrated part

Rear Hitch
Figure 13-620

| ITEM | PART NUMBER | QTY | LINE | SERIES | BODY | ENGINE | TRANS | TRIM | DESCRIPTION |
|------|-------------|-----|------|--------|------|--------|-------|------|----------------------------------|
| 1 | 82204491 | 1 | J, T | H, P | 74 | | | | RECEIVER KIT, Trailer Tow |
| 2 | 06101102 | 2 | | | | | | | BOLT, Hex Head, M12x1.75x45 |
| 3 | 06503571 | 4 | | | | | | | SCREW AND WASHER, M10x1.50x35 |
| -4 | 52059238AA | 1 | | | | | | | BRACE, Tow Hook |



GRAND CHEROKEE (WJ)

SERIES
H = Laredo
P = Limited

LINE
T = JEEP - 2WD
J = JEEP - 4WD
U = JEEP - 4WD (RHD)

BODY
74 = 4 Door (105.9 WB)

ENGINE
ERH = ENGINE - 4.0L
POWER TECH I-6
EVA = ENGINE- 4.7L V8 MPI
EXA = ENGINE - 3.1L 5 CYL
TURBO DIESEL

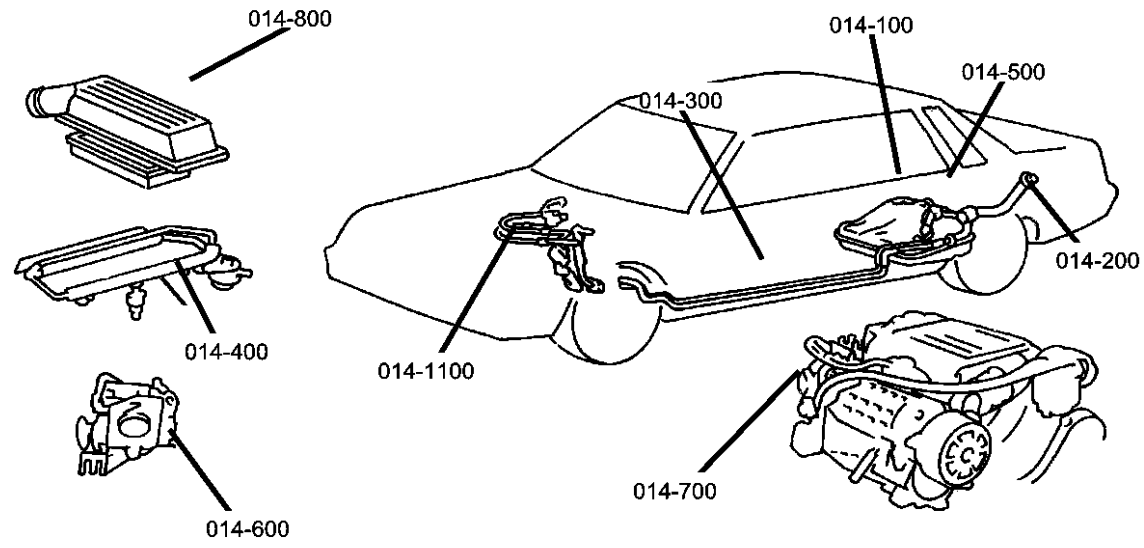
TRANSMISSION
DG4 = TRANSMISSION-MULTI-
SPEED AUTO, 45RFE
DGW = TRANSMISSION - 4-SPD.
AUTOMATIC,44RE
DGK = TRANSMISSION - 4-SPD.
AUTOMATIC,42RE
DGO = ALL AUTOMATIC
TRANSMISSIONS

AR = use ase required - = Non illustrated part

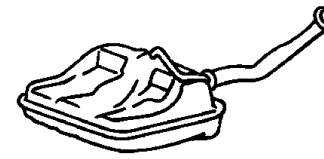
2000 WJ

Group - 14

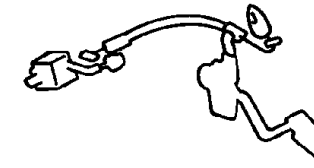
Fuel



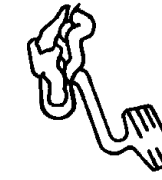
014-100
Tank, Fuel



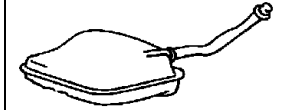
014-1000
Speed Control



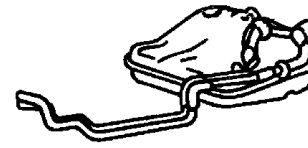
014-1100
Accelerator Pedal



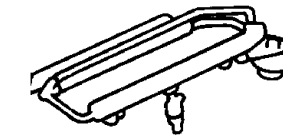
014-200
Fuel Tank Filler Tube



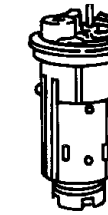
014-300
Fuel Lines



014-400
Fuel Rail



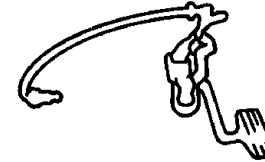
014-500
Fuel Pump and Sending Unit



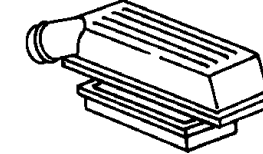
014-600
Throttle Body



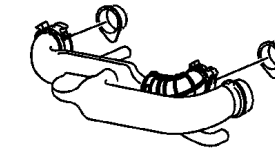
014-700
Throttle Controls



014-800
Air Cleaner



014-900
Air Intake System



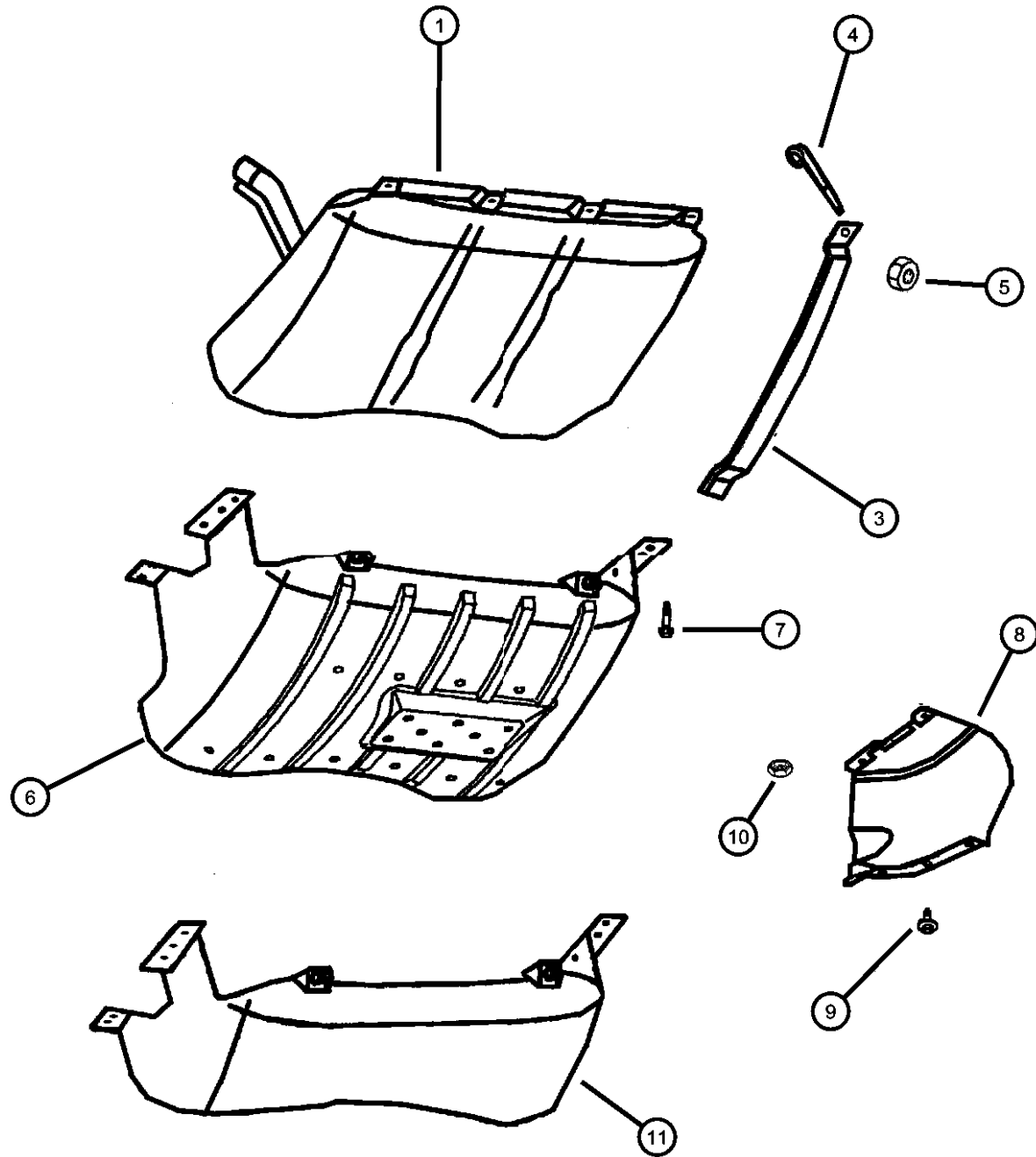
Group - 14 Fuel

| Illustration Title | Group-Fig. No. |
|--|----------------|
| Tank, Fuel | |
| Fuel Tank | Fig. 14 - 110 |
| Fuel Tank Filler Tube | |
| Fuel Tank Filler Tube..... | Fig. 14 - 210 |
| Fuel Lines | |
| Front, Fuel Lines & Fuel Separator | Fig. 14 - 310 |
| Fuel Lines, Rear..... | Fig. 14 - 320 |
| Fuel Lines, Front | Fig. 14 - 330 |
| Fuel Lines, Rear..... | Fig. 14 - 340 |
| Fuel Lines, Front | Fig. 14 - 350 |
| Fuel Lines, Rear..... | Fig. 14 - 360 |
| Fuel Rail | |
| Fuel Rail | Fig. 14 - 410 |
| Fuel Injection System | Fig. 14 - 440 |
| Fuel Injection Pump..... | Fig. 14 - 460 |
| Fuel Pump and Sending Unit | |
| Fuel Pump and Sending Unit..... | Fig. 14 - 510 |
| Throttle Body | |
| Throttle Body | Fig. 14 - 610 |
| Turbocharger | Fig. 14 - 660 |
| Throttle Controls | |
| Throttle Controls..... | Fig. 14 - 710 |
| Throttle Controls..... | Fig. 14 - 720 |
| Throttle Controls..... | Fig. 14 - 730 |
| Air Cleaner | |
| Air Cleaner..... | Fig. 14 - 810 |
| Air Cleaner..... | Fig. 14 - 820 |
| Air Cleaner..... | Fig. 14 - 830 |
| Air Intake System | |
| Air Intake System | Fig. 14 - 910 |
| Speed Control | |
| Speed Control | Fig. 14 - 1010 |
| Accelerator Pedal | |
| Accelerator Pedal | Fig. 14 - 1110 |

Fuel Tank
Figure 14-110

| ITEM | PART NUMBER | QTY | LINE | SERIES | BODY | ENGINE | TRANS | TRIM | DESCRIPTION |
|------|-------------|-----|------|--------|------|--------|-------|------|-------------|
|------|-------------|-----|------|--------|------|--------|-------|------|-------------|

NOTE: EX0=All 3.1L Engines ER0=All 4.0L Engines EV0=All 4.7L Engines



| | | | | | | | | | |
|-----|------------|---|--|--|--|----------|--|--|---|
| 1 | 52100074 | 1 | | | | ER0, EV0 | | | TANK, Fuel, Federal, Canada |
| -2 | | | | | | | | | TANK, Fuel - Plastic |
| | 52100364AA | 1 | | | | ER0, EV0 | | | Export, Export |
| | | 1 | | | | EX0 | | | Export, Export |
| 3 | 52100216 | 2 | | | | ER0, EV0 | | | STRAP, Fuel Tank |
| 4 | | | | | | | | | SCREW, Hex Flange Head, M8x1.25x32 |
| | 06504171 | 2 | | | | ER0, EV0 | | | |
| | | 2 | | | | EX0 | | | |
| 5 | 06101467 | 2 | | | | | | | NUT, Hex Flange, M8x1.25 |
| 6 | | | | | | | | | SKID PLATE, Fuel Tank |
| | 52100376AB | 1 | | | | EX0 | | | |
| | | 1 | | | | ER0, EV0 | | | |
| 7 | 06101102 | 7 | | | | | | | BOLT, Hex Head, M12x1.75x45 |
| 8 | 55136160AE | 1 | | | | | | | SHIELD, Fuel Tank |
| 9 | 34201631 | 6 | | | | | | | RIVET, M6.25x28 Black |
| 10 | 34201631 | 6 | | | | | | | NUT, Heat Shield Attach, (NOT SERVICED) |
| 11 | | | | | | | | | GUARD, Brush, Fuel Tank |
| | 52100313AC | 1 | | | | ER0, EV0 | | | |
| | | 1 | | | | EX0 | | | |
| -12 | | | | | | | | | STRAP, Fuel Tank |
| | 52080141AA | 1 | | | | | | | Left Front Standard |
| | 52080142AA | 2 | | | | | | | Rear Strap Without Hitch [Support] |
| | 52080143AA | 2 | | | | | | | Left/Right Rear w/o Trailer Tow |

GRAND CHEROKEE (WJ)

SERIES LINE
H = Laredo T = JEEP - 2WD
P = Limited J = JEEP - 4WD
U = JEEP - 4WD (RHD)

BODY
74 = 4 Door (105.9 WB)

ENGINE
ERH = ENGINE - 4.0L POWER TECH I-6
EVA = ENGINE - 4.7L V8 MPI
EXA = ENGINE - 3.1L 5 CYL TURBO DIESEL

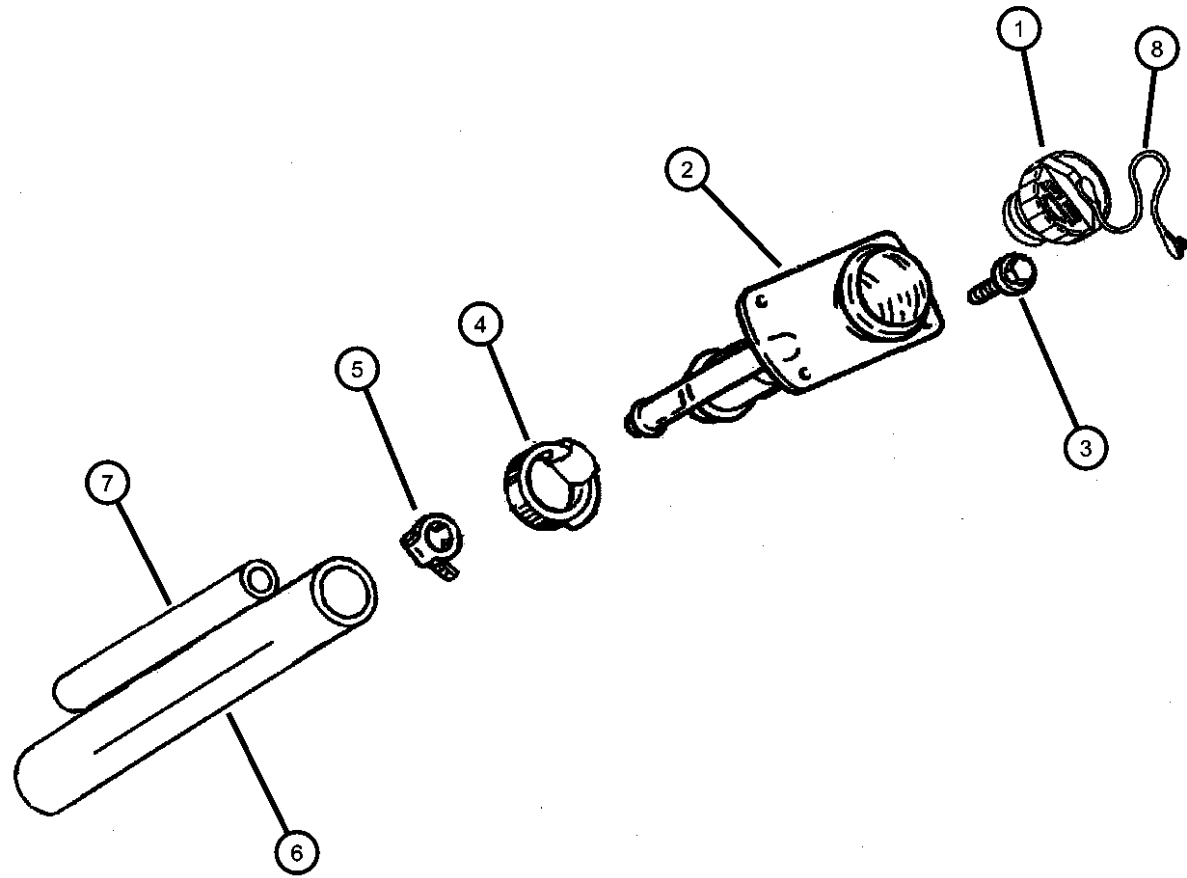
TRANSMISSION
DG4 = TRANSMISSION-MULTI-SPEED AUTO, 45RFE
DGW = TRANSMISSION - 4-SPD. AUTOMATIC, 44RE
DGK = TRANSMISSION - 4-SPD. AUTOMATIC, 42RE
DGO = ALL AUTOMATIC TRANSMISSIONS

AR = use ase required - = Non illustrated part

2000 WJ

**Fuel Tank Filler Tube
Figure 14-210**

| ITEM | PART NUMBER | QTY | LINE | SERIES | BODY | ENGINE | TRANS | TRIM | DESCRIPTION |
|--|-------------|-----|------|--------|------|----------|-------|------|-----------------------------|
| NOTE: EX0=All 3.1L Engines ER0=All 4.0L Engines EV0=All 4.7L Engines | | | | | | | | | |
| 1 | | | | | | | | | CAP, Fuel Filler |
| | 05278679AA | 1 | | | | | | | Locking |
| | 52100420AA | 1 | | | | | | | Non-Locking |
| 2 | | | | | | | | | TUBE, Fuel Filler |
| | 52100064AC | 1 | | | | ER0, EV0 | | | Federal, California, Canada |
| | 52100267AD | 1 | | | | ER0, EV0 | | | Unleaded Fuel, Export |
| | | 1 | | | | EX0 | | | Export, Export |
| 3 | 00154236 | 3 | | | | | | | SCREW, Stake, .19-24 |
| 4 | | | | | | | | | CLAMP, Hose |
| | 06505322AA | 1 | | | | ER0, EV0 | | | |
| | | 1 | | | | EX0 | | | |
| 5 | | 1 | | | | | | | CLAMP, Hose, (NOT SERVICED) |
| 6 | | | | | | | | | HOSE, Fuel Filler |
| | 52100072AB | 1 | | | | ER0, EV0 | | | |
| | | 1 | | | | EX0 | | | |
| 7 | | | | | | | | | HOSE, Fuel Tank Vent |
| | 52100073AB | 1 | | | | ER0, EV0 | | | |
| | | 1 | | | | EX0 | | | |
| 8 | 04682676 | 1 | | | | | | | TETHER, Fuel Filler Cap |



GRAND CHEROKEE (WJ)

SERIES
H = Laredo
P = Limited

LINE
T = JEEP - 2WD
J = JEEP - 4WD
U = JEEP - 4WD (RHD)

BODY
74 = 4 Door (105.9 WB)

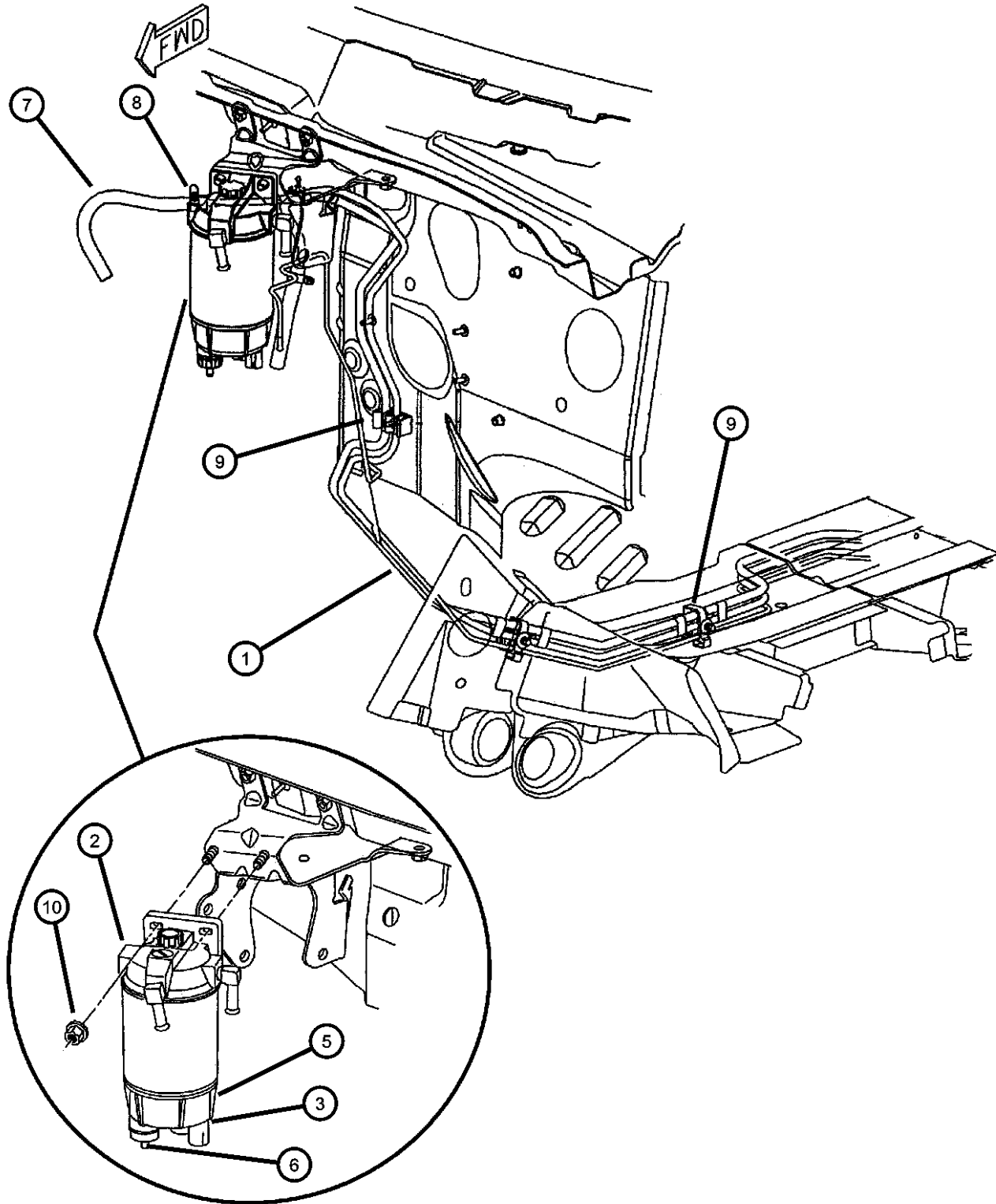
ENGINE
ERH = ENGINE - 4.0L
POWER TECH I-6
EVA = ENGINE- 4.7L V8 MPI
EXA = ENGINE - 3.1L 5 CYL
TURBO DIESEL

TRANSMISSION
DG4 = TRANSMISSION-MULTI-
SPEED AUTO, 45RFE
DGW = TRANSMISSION - 4-SPD.
AUTOMATIC,44RE
DGK = TRANSMISSION - 4-SPD.
AUTOMATIC,42RE
DGO = ALL AUTOMATIC
TRANSMISSIONS

AR = use ase required - = Non illustrated part

2000 WJ

**Front, Fuel Lines & Fuel Separator
Figure 14-310**



| ITEM | PART NUMBER | QTY | LINE | SERIES | BODY | ENGINE | TRANS | TRIM | DESCRIPTION |
|------|-------------|-----|------|--------|------|--------|-------|------|-------------|
|------|-------------|-----|------|--------|------|--------|-------|------|-------------|

NOTE:
Sales Codes:
EX0=All Diesel Engines

| | | | | | | | | | |
|----|------------|---|--|--|--|-----|--|--|---|
| 1 | 52100189AD | 1 | | | | EX0 | | | BUNDLE, Fuel Line |
| 2 | 05014017AA | 1 | | | | EX0 | | | HEAD, Fuel Filter |
| 3 | 04723901 | 1 | | | | EX0 | | | VALVE KIT, Fuel Filter Check |
| -4 | 04723905 | 1 | | | | EX0 | | | FILTER, Fuel |
| 5 | 05014018AA | 1 | | | | EX0 | | | BOWL, Fuel Filter |
| 6 | 04723907 | 1 | | | | EX0 | | | DRAIN, Fuel Filter Bowl |
| 7 | HFV00038 | 1 | | | | EX0 | | | HOSE, Fuel And Vapor, 25 Foot Roll 3/8" |
| 8 | 52079632AA | 1 | | | | EX0 | | | CLAMP, Oil Cooler Tube |
| 9 | 52079632AA | 1 | | | | | | | CLAMP, Fuel Line, (NOT SERVICED) |
| 10 | 06101675 | 2 | | | | EX0 | | | NUT, Hex Flange Lock, M8x1.25 |

GRAND CHEROKEE (WJ)

| SERIES | LINE | BODY | ENGINE | TRANSMISSION |
|-------------|----------------------|------------------------|--|--|
| H = Laredo | T = JEEP - 2WD | 74 = 4 Door (105.9 WB) | ERH = ENGINE - 4.0L POWER TECH I-6 | DG4 = TRANSMISSION-MULTI-SPEED AUTO, 45RFE |
| P = Limited | J = JEEP - 4WD | | EVA = ENGINE- 4.7L V8 MPI | DGW = TRANSMISSION - 4-SPD. AUTOMATIC,44RE |
| | U = JEEP - 4WD (RHD) | | EXA = ENGINE - 3.1L 5 CYL TURBO DIESEL | DGK = TRANSMISSION - 4-SPD. AUTOMATIC,42RE |
| | | | | DGO = ALL AUTOMATIC TRANSMISSIONS |

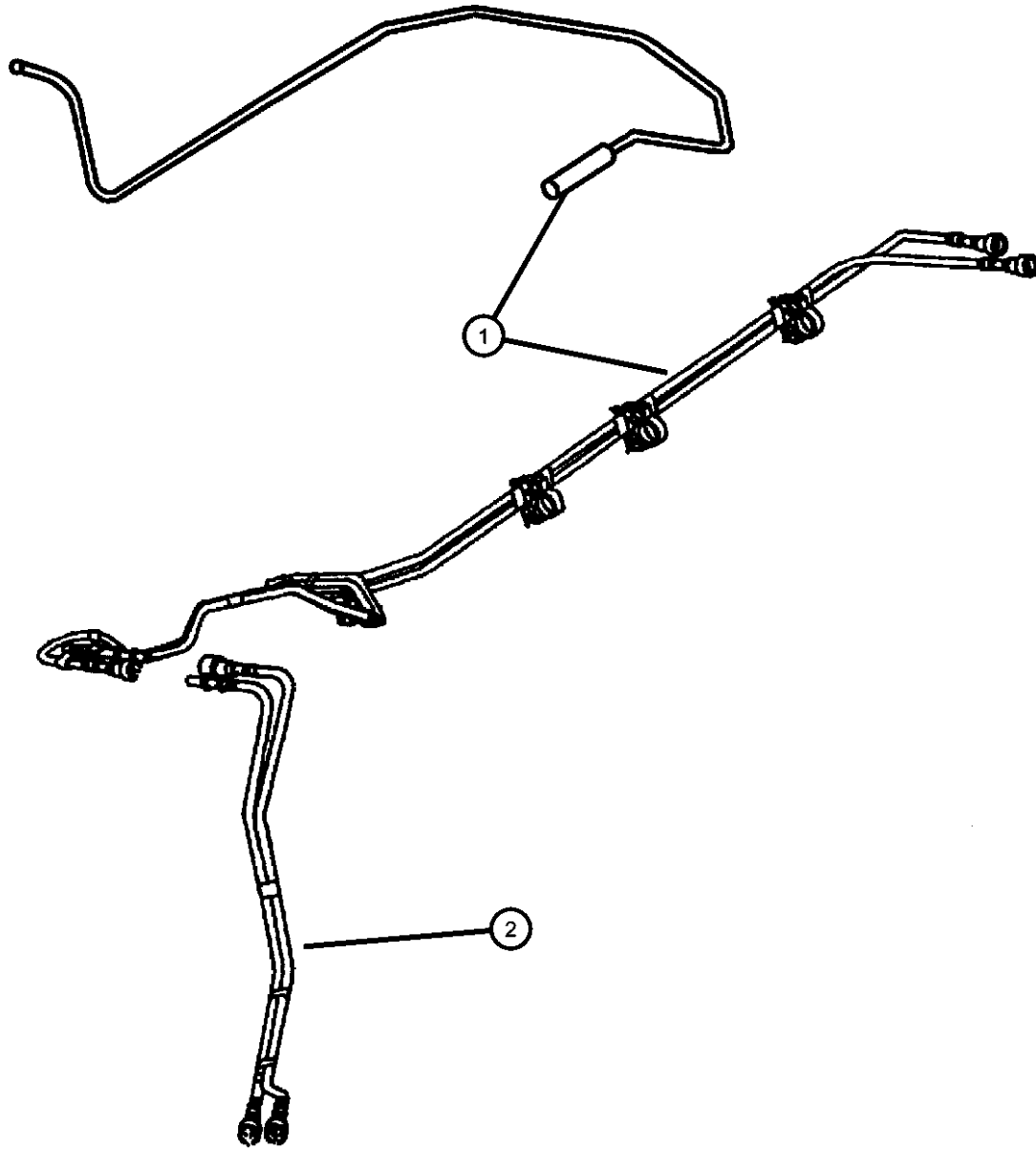
AR = use ase required - = Non illustrated part

Fuel Lines, Rear
Figure 14-320

| ITEM | PART NUMBER | QTY | LINE | SERIES | BODY | ENGINE | TRANS | TRIM | DESCRIPTION |
|------|-------------|-----|------|--------|------|--------|-------|------|-------------|
|------|-------------|-----|------|--------|------|--------|-------|------|-------------|

NOTE: EX0=All 3.1L Engines

| | | | | | | | | | |
|---|------------|---|--|--|--|-----|--|--|-------------------|
| 1 | 52100189AD | 1 | | | | EX0 | | | BUNDLE, Fuel Line |
| 2 | 52100258AB | 1 | | | | EX0 | | | TUBE, Fuel |



GRAND CHEROKEE (WJ)

SERIES
H = Laredo
P = Limited

LINE
T = JEEP - 2WD
J = JEEP - 4WD
U = JEEP - 4WD (RHD)

BODY
74 = 4 Door (105.9 WB)

ENGINE
ERH = ENGINE - 4.0L
POWER TECH I-6
EVA = ENGINE- 4.7L V8 MPI
EXA = ENGINE - 3.1L 5 CYL
TURBO DIESEL

TRANSMISSION
DG4 = TRANSMISSION-MULTI-
SPEED AUTO, 45RFE
DGW = TRANSMISSION - 4-SPD.
AUTOMATIC,44RE
DGK = TRANSMISSION - 4-SPD.
AUTOMATIC,42RE
DGO = ALL AUTOMATIC
TRANSMISSIONS

AR = use ase required - = Non illustrated part

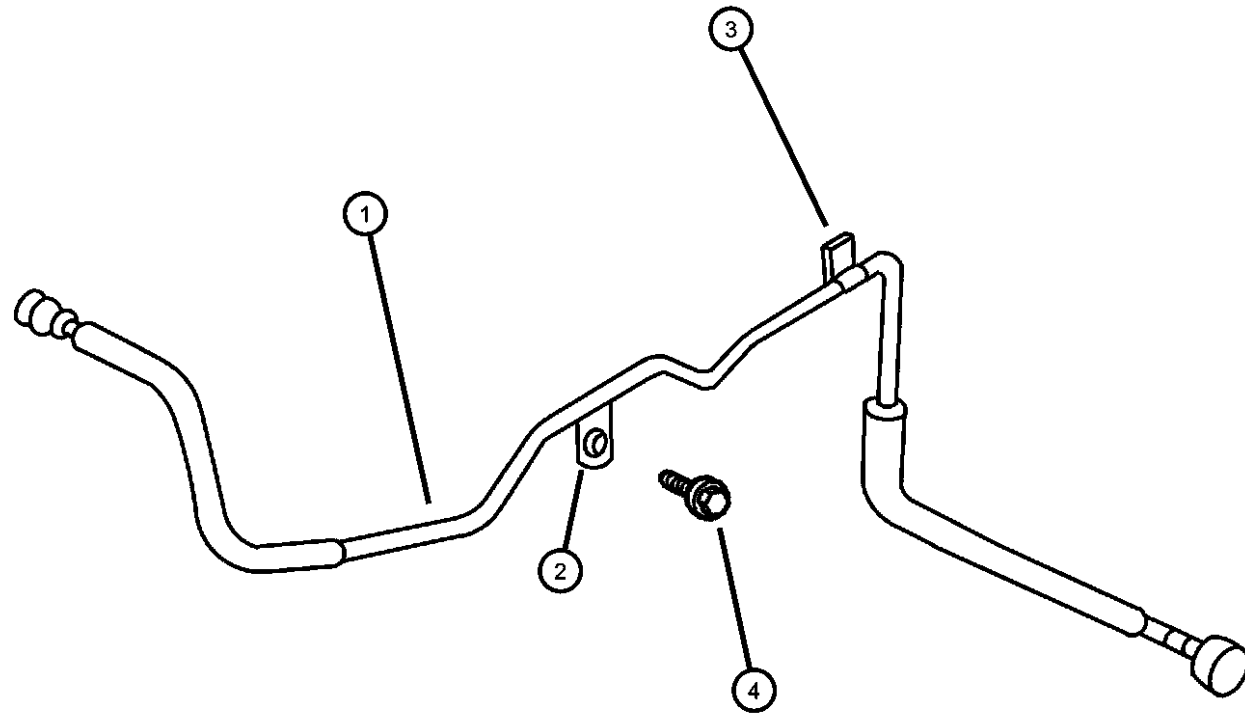
2000 WJ

Fuel Lines, Front
Figure 14-330

| ITEM | PART NUMBER | QTY | LINE | SERIES | BODY | ENGINE | TRANS | TRIM | DESCRIPTION |
|------|-------------|-----|------|--------|------|--------|-------|------|-------------|
|------|-------------|-----|------|--------|------|--------|-------|------|-------------|

NOTE: ER0=All 4.0L Engines

| | | | | | | | | | |
|---|------------|---|--|--|--|-----|--|--|------------------------------|
| 1 | 52100041AF | 1 | | | | ER0 | | | BUNDLE, Fuel Line |
| 2 | 52100415AB | 1 | | | | ER0 | | | BRACKET, Fuel Line |
| 3 | 52100482AA | 1 | | | | ER0 | | | BRACKET, Fuel Line |
| 4 | 06101786 | 1 | | | | | | | SCREW, Self Tapping, M6x1x15 |



GRAND CHEROKEE (WJ)

SERIES
H = Laredo
P = Limited

LINE
T = JEEP - 2WD
J = JEEP - 4WD
U = JEEP - 4WD (RHD)

BODY
74 = 4 Door (105.9 WB)

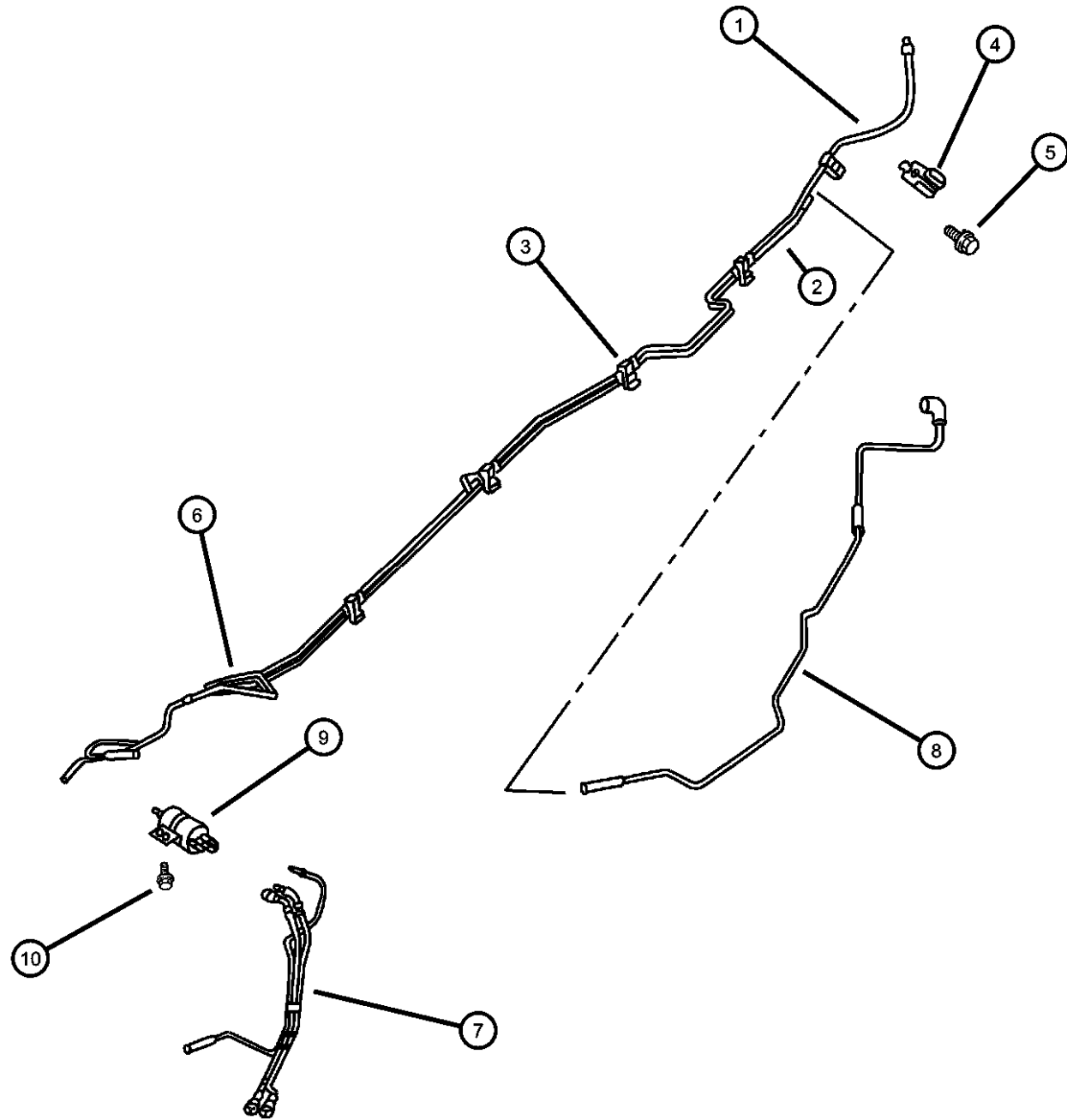
ENGINE
ERH = ENGINE - 4.0L
POWER TECH I-6
EVA = ENGINE- 4.7L V8 MPI
EXA = ENGINE - 3.1L 5 CYL
TURBO DIESEL

TRANSMISSION
DG4 = TRANSMISSION-MULTI-
SPEED AUTO, 45RFE
DGW = TRANSMISSION - 4-SPD.
AUTOMATIC,44RE
DGK = TRANSMISSION - 4-SPD.
AUTOMATIC,42RE
DGO = ALL AUTOMATIC
TRANSMISSIONS

AR = use ase required - = Non illustrated part

2000 WJ

Fuel Lines, Rear
Figure 14-340



| ITEM | PART NUMBER | QTY | LINE | SERIES | BODY | ENGINE | TRANS | TRIM | DESCRIPTION |
|--|-------------|-----|------|--------|------|----------|-------|------|---|
| Note: | | | | | | | | | |
| DG4 = Multi-Speed Automatic Transmission 45RFE | | | | | | | | | |
| ER0 = All 4.0L 6 Cyl Gas Engines | | | | | | | | | |
| EV0 = All 4.7L Gas Engines | | | | | | | | | |
| 1 | 52100249AD | 1 | | | | ER0, EV0 | | | TUBE, Fuel Supply |
| 2 | 52100253AD | 1 | | | | ER0, EV0 | | | TUBE, Fuel Vapor |
| 3 | 04695819 | 6 | | | | ER0, EV0 | | | CLIP, Fuel Bundle |
| 4 | 34202997 | 1 | | | | ER0, EV0 | | | CLIP, Wrap Around Sealing |
| 5 | 34202997 | 1 | | | | | | | SCREW, (NOT SERVICED) |
| 6 | 00120526 | 1 | | | | ER0, EV0 | | | CLIP, Fuel |
| 7 | 52100196AC | 1 | | | | ER0, EV0 | | | TUBE, Fuel |
| 8 | 52100049AB | 1 | J, T | | | ER0, EV0 | | | TUBE, Fuel Vapor |
| 9 | 52100283AC | 1 | | | | ER0, EV0 | | | FILTER AND REGULATOR, Fuel |
| 10 | 06101777 | 2 | J, T | | | EV0 | DG4 | | SCREW, Hex Flange Head Tapping, M6x1.00x20.00 |

GRAND CHEROKEE (WJ)

| SERIES | LINE | BODY | ENGINE | TRANSMISSION |
|-------------|----------------------|------------------------|--|---|
| H = Laredo | T = JEEP - 2WD | 74 = 4 Door (105.9 WB) | ERH = ENGINE - 4.0L POWER TECH I-6 | DG4 = TRANSMISSION-MULTI-SPEED AUTO, 45RFE |
| P = Limited | J = JEEP - 4WD | | EVA = ENGINE- 4.7L V8 MPI | DGW = TRANSMISSION - 4-SPD. AUTOMATIC, 44RE |
| | U = JEEP - 4WD (RHD) | | EXA = ENGINE - 3.1L 5 CYL TURBO DIESEL | DGK = TRANSMISSION - 4-SPD. AUTOMATIC, 42RE |
| | | | | DGO = ALL AUTOMATIC TRANSMISSIONS |

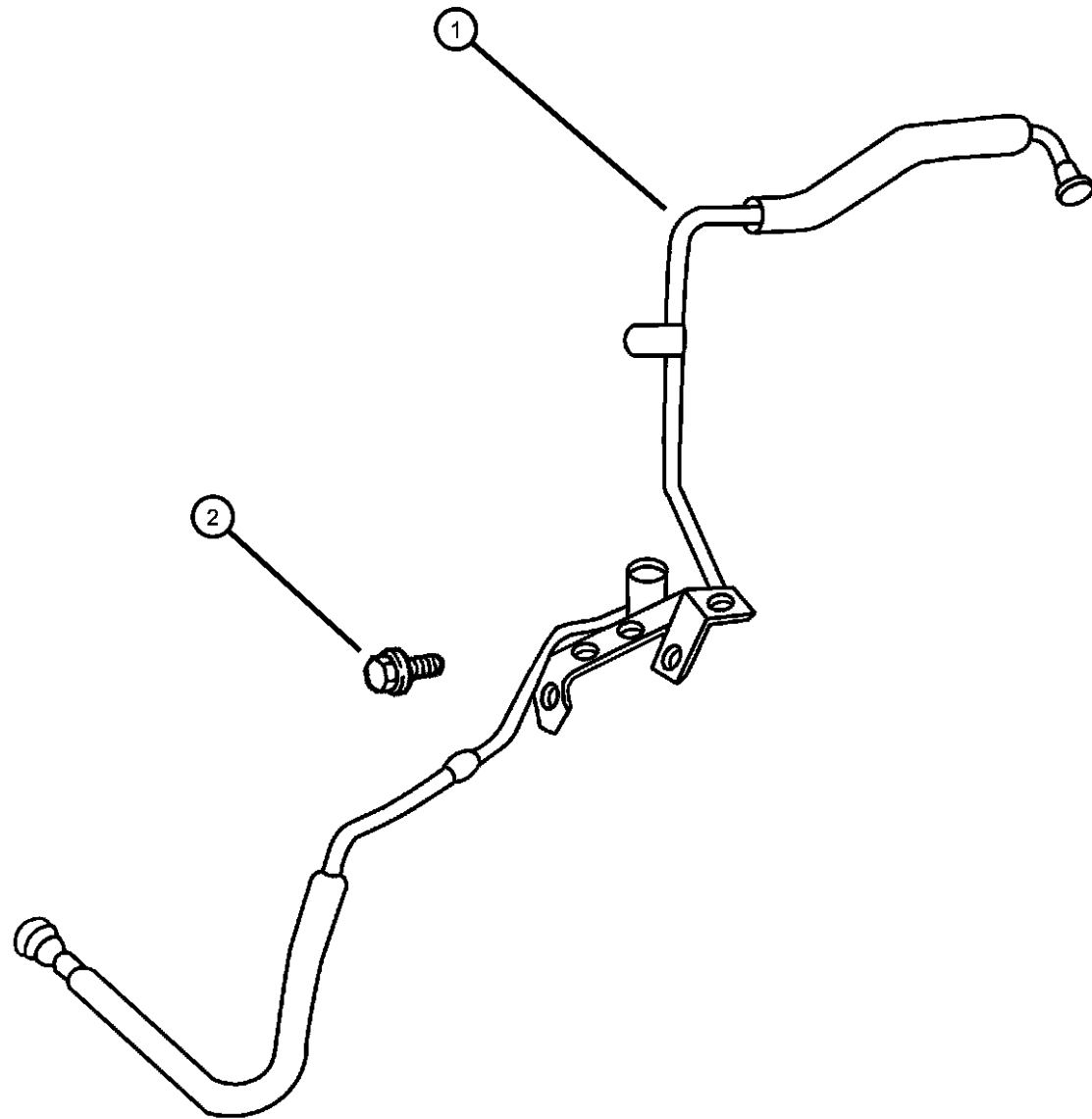
AR = use ase required - = Non illustrated part

Fuel Lines, Front
Figure 14-350

| ITEM | PART NUMBER | QTY | LINE | SERIES | BODY | ENGINE | TRANS | TRIM | DESCRIPTION |
|------|-------------|-----|------|--------|------|--------|-------|------|-------------|
|------|-------------|-----|------|--------|------|--------|-------|------|-------------|

NOTE: EVO=All 4.7L Engines

| | | | | | | | | | |
|---|------------|---|--|--|--|-----|--|--|-----------------------|
| 1 | 52100043AD | 1 | | | | EVO | | | BUNDLE, Fuel Line |
| 2 | 52100043AD | 1 | | | | | | | SCREW, (NOT SERVICED) |



GRAND CHEROKEE (WJ)

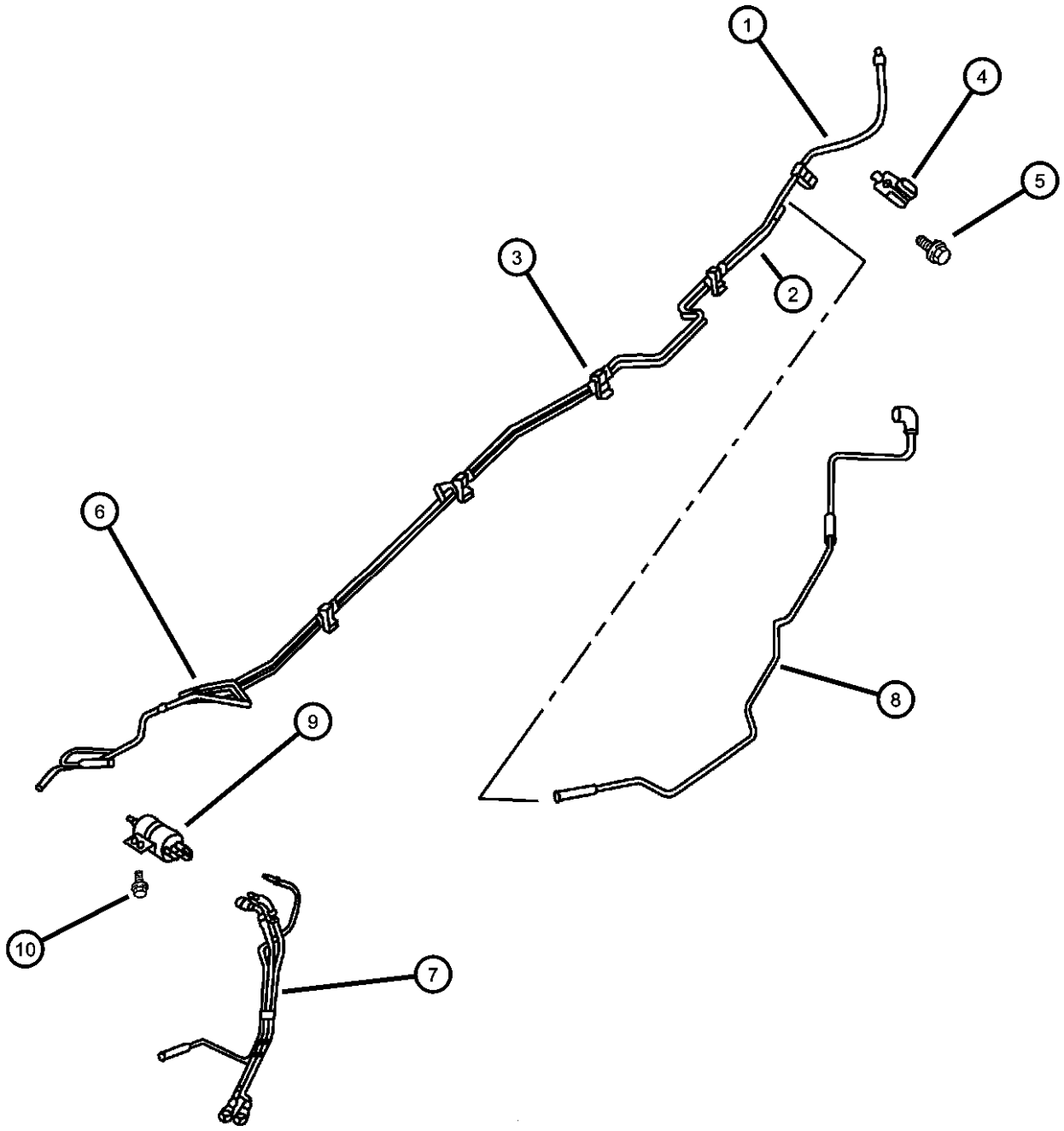
| | | | | |
|-------------|----------------------|------------------------|---|--|
| SERIES | LINE | BODY | ENGINE | TRANSMISSION |
| H = Laredo | T = JEEP - 2WD | 74 = 4 Door (105.9 WB) | ERH = ENGINE - 4.0L POWER TECH I-6 | DG4 = TRANSMISSION-MULTI- SPEED AUTO, 45RFE |
| P = Limited | J = JEEP - 4WD | | EVA = ENGINE- 4.7L V8 MPI | DGW = TRANSMISSION - 4-SPD. AUTOMATIC,44RE |
| | U = JEEP - 4WD (RHD) | | EXA = ENGINE - 3.1L 5 CYL TURBO DIESEL | DGK = TRANSMISSION - 4-SPD. AUTOMATIC,42RE |
| | | | | DGO = ALL AUTOMATIC TRANSMISSIONS |

AR = use ase required - = Non illustrated part

2000 WJ

Fuel Lines, Rear
Figure 14-360

| ITEM | PART NUMBER | QTY | LINE | SERIES | BODY | ENGINE | TRANS | TRIM | DESCRIPTION |
|---|-------------|-----|------|--------|------|----------|-------|------|---|
| Note: ER0 = All 4.0L 6 Cyl Gas Engines EV0 = All 4.7L Gas Engines | | | | | | | | | |
| 1 | 52100249AD | 1 | | | | ER0, EV0 | | | TUBE, Fuel Supply |
| 2 | 52100253AD | 1 | | | | ER0, EV0 | | | TUBE, Fuel Vapor |
| 3 | 04695819 | 6 | | | | ER0, EV0 | | | CLIP, Fuel Bundle |
| 4 | 34202997 | 1 | | | | ER0, EV0 | | | CLIP, Wrap Around Sealing |
| 5 | 34202997 | 1 | | | | | | | SCREW, (NOT SERVICED) |
| 6 | 00120526 | 1 | | | | ER0, EV0 | | | CLIP, Fuel |
| 7 | 52100196AC | 1 | | | | ER0, EV0 | | | TUBE, Fuel |
| 8 | 52100049AB | 1 | | | J, T | ER0, EV0 | | | TUBE, Fuel Vapor |
| 9 | 52100283AC | 1 | | | | ER0, EV0 | | | FILTER AND REGULATOR, Fuel |
| 10 | 06101777 | 2 | | | | ER0, EV0 | | | SCREW, Hex Flange Head Tapping, M6x1.00x20.00 |



GRAND CHEROKEE (WJ)

SERIES
H = Laredo
P = Limited

LINE
T = JEEP - 2WD
J = JEEP - 4WD
U = JEEP - 4WD (RHD)

BODY
74 = 4 Door (105.9 WB)

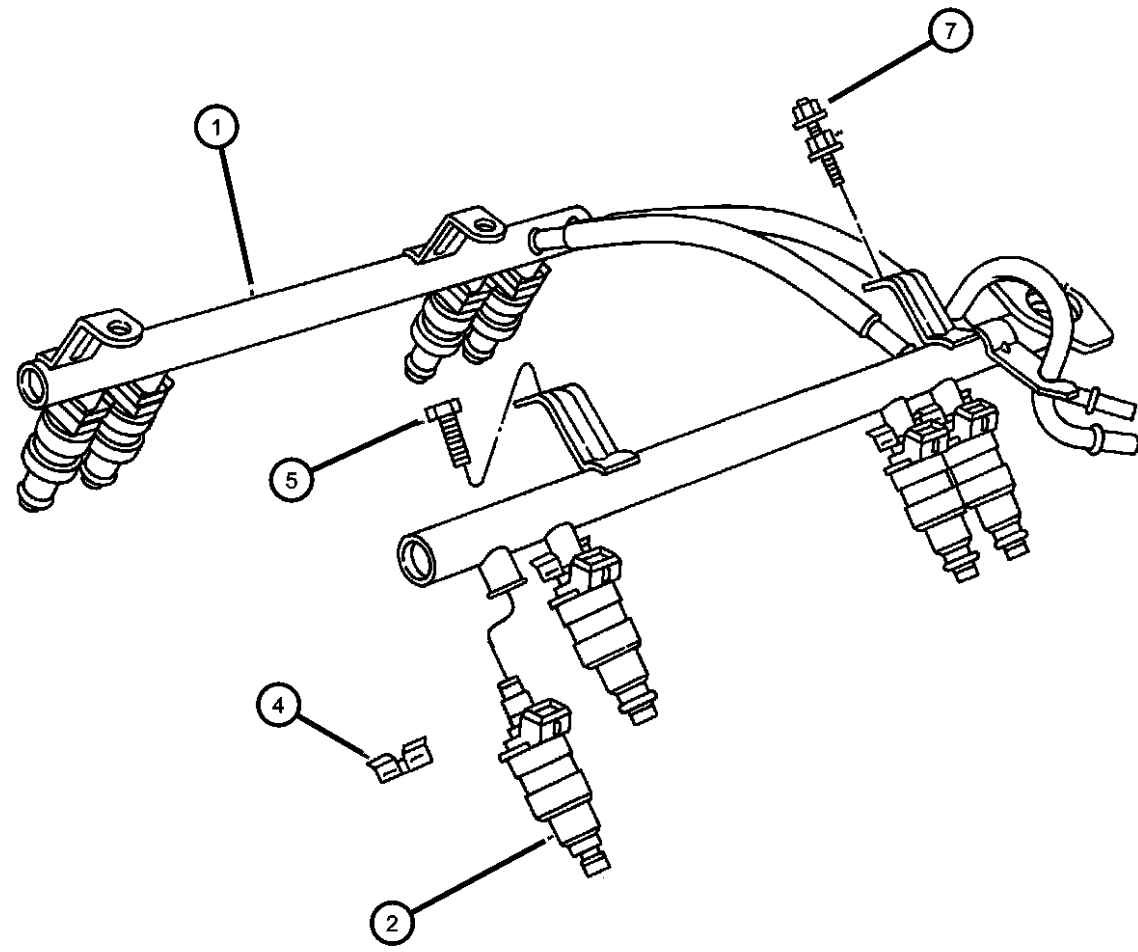
ENGINE
ERH = ENGINE - 4.0L
POWER TECH I-6
EVA = ENGINE- 4.7L V8 MPI
EXA = ENGINE - 3.1L 5 CYL
TURBO DIESEL

TRANSMISSION
DG4 = TRANSMISSION-MULTI-
SPEED AUTO, 45RFE
DGW = TRANSMISSION - 4-SPD.
AUTOMATIC, 44RE
DGK = TRANSMISSION - 4-SPD.
AUTOMATIC, 42RE
DGO = ALL AUTOMATIC
TRANSMISSIONS

AR = use ase required - = Non illustrated part

2000 WJ

Fuel Rail
Figure 14-410



| ITEM | PART NUMBER | QTY | LINE | SERIES | BODY | ENGINE | TRANS | TRIM | DESCRIPTION |
|---|-------------|-----|------|--------|------|--------|-------|------|-------------------------------------|
| NOTE: EM0 = All 5.9L 8 Cyl Gas Engines ER0 = All 4.0L Engines EV0 = All 4.7L Engines | | | | | | | | | |
| 1 | | | | | | | | | RAIL, Fuel |
| | 05014496AA | 1 | | | | ER0 | | | |
| | 53030848 | 1 | | | | EV0 | | | |
| 2 | | | | | | | | | INJECTOR, Fuel |
| | 04854181 | 6 | | | | ER0 | | | |
| | 53030842 | 8 | | | | EV0 | | | |
| -3 | 04897125AA | 6 | | | | ER0 | | | O RING KIT, Fuel Injector |
| 4 | | | | | | | | | CLIP, Fuel Injector |
| | 04418257 | 8 | | | | EV0 | | | |
| | | 6 | | | | ER0 | | | |
| 5 | 06501979 | 2 | | | | ER0 | | | SCREW AND WASHER, Hex Head, M6x1x17 |
| -6 | 06505504AA | 4 | | | | EV0 | | | SCREW |
| 7 | 06502647 | 2 | | | | ER0 | | | STUD, M6x1.00x44 |
| -8 | 06505889AA | 1 | | | | EV0 | | | STUD |
| -9 | | | | | | | | | CAP |
| | 05018781AA | 1 | | | | EV0 | | | Diagnostic Port |
| | | 1 | | | | EM0 | | | Diagnostic Port |
| | | 1 | | | | ER0 | | | Diagnostic Port |

GRAND CHEROKEE (WJ)

| | | | | |
|-------------|----------------------|------------------------|--|--|
| SERIES | LINE | BODY | ENGINE | TRANSMISSION |
| H = Laredo | T = JEEP - 2WD | 74 = 4 Door (105.9 WB) | ERH = ENGINE - 4.0L POWER TECH I-6 | DG4 = TRANSMISSION-MULTI-SPEED AUTO, 45RFE |
| P = Limited | J = JEEP - 4WD | | EVA = ENGINE- 4.7L V8 MPI | DGW = TRANSMISSION - 4-SPD. AUTOMATIC,44RE |
| | U = JEEP - 4WD (RHD) | | EXA = ENGINE - 3.1L 5 CYL TURBO DIESEL | DGK = TRANSMISSION - 4-SPD. AUTOMATIC,42RE |
| | | | | DGO = ALL AUTOMATIC TRANSMISSIONS |

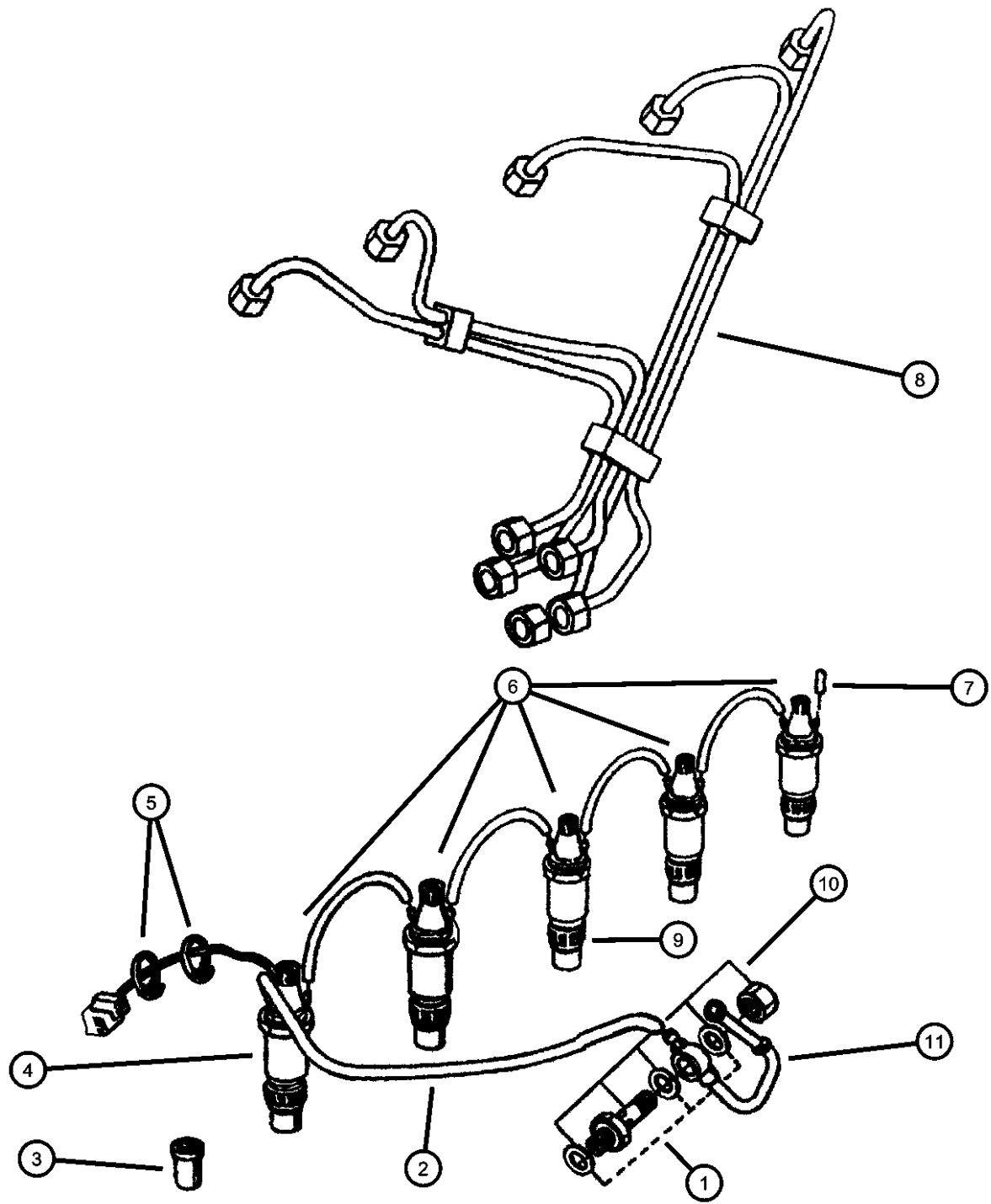
AR = use ase required - = Non illustrated part

**Fuel Injection System
Figure 14-440**

| ITEM | PART NUMBER | QTY | LINE | SERIES | BODY | ENGINE | TRANS | TRIM | DESCRIPTION |
|------|-------------|-----|------|--------|------|--------|-------|------|-------------|
|------|-------------|-----|------|--------|------|--------|-------|------|-------------|

NOTE: EX0=All 3.1L Engines DG0=All Automatic Transmissions

| | | | | | | | | | |
|----|------------|---|--|--|--|-----|-----|--|-------------------------------|
| 1 | 04720703 | 5 | | | | EX0 | DG0 | | WASHER, Plain |
| 2 | 04720190AB | 1 | | | | EX0 | DG0 | | PIPE, Fuel Spill Return |
| 3 | 04723346 | 5 | | | | EX0 | DG0 | | NOZZLE, Fuel Injector |
| 4 | 05014990AA | 1 | | | | EX0 | DG0 | | INJECTOR, Fuel |
| 5 | 04728184 | 3 | | | | EX0 | DG0 | | CLIP, Spill Return Pipe |
| 6 | 04720189AB | 4 | | | | EX0 | DG0 | | PIPE, Fuel Spill Return |
| 7 | 04720197 | 1 | | | | EX0 | DG0 | | PLUG, Cylinder Block Oil Hole |
| 8 | 05014988AA | 1 | | | | EX0 | DG0 | | TUBE, Fuel Injector Supply |
| 9 | 05014989AA | 4 | | | | EX0 | DG0 | | INJECTOR, Fuel |
| 10 | 04874444 | 1 | | | | EX0 | DG0 | | VALVE, Flow Control |
| 11 | 04864579 | 1 | | | | EX0 | DG0 | | BANJO, Fuel |

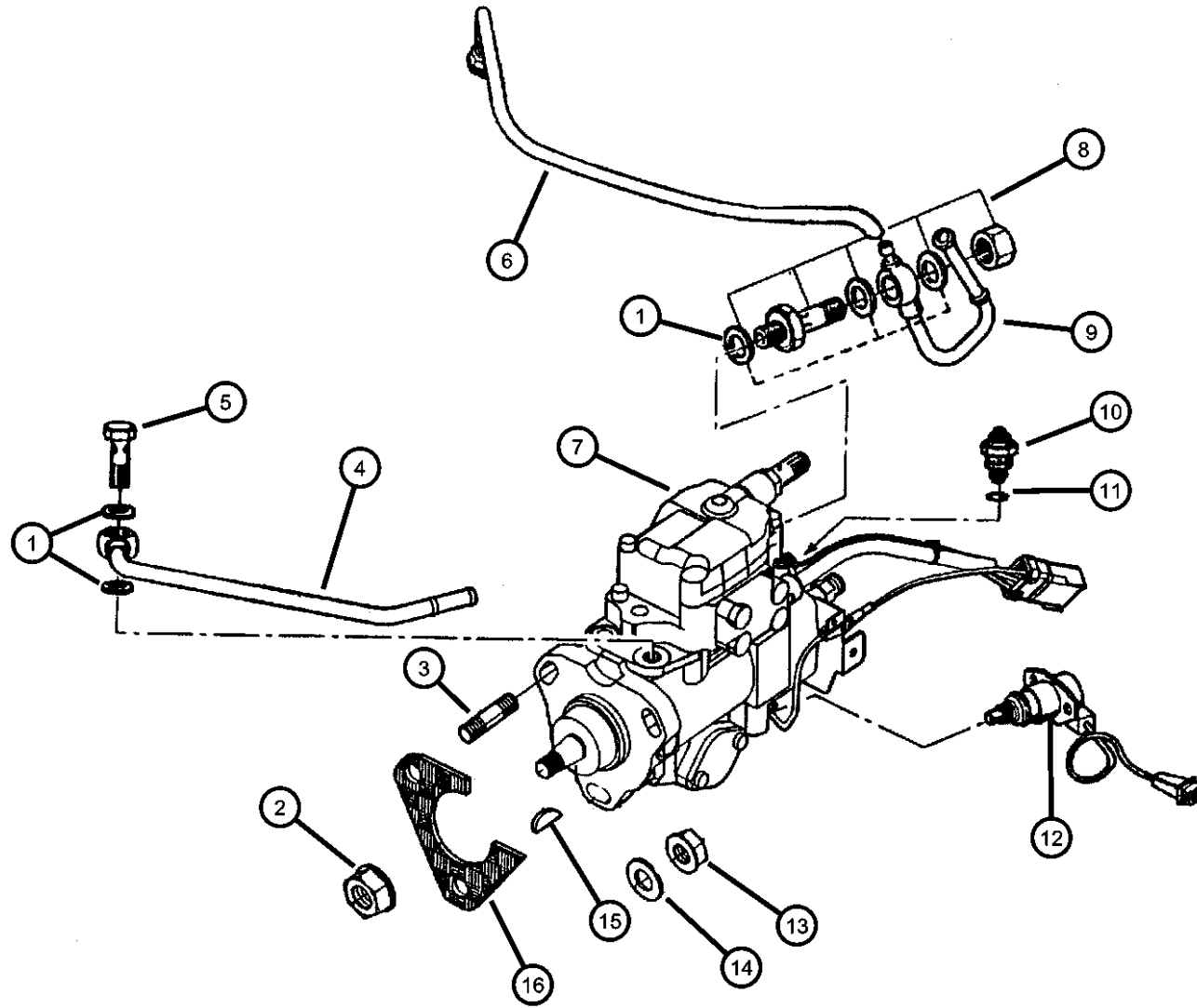


GRAND CHEROKEE (WJ)

| | | | | |
|---------------|----------------------|------------------------|--|---|
| SERIES | LINE | BODY | ENGINE | TRANSMISSION |
| H = Laredo | T = JEEP - 2WD | 74 = 4 Door (105.9 WB) | ERH = ENGINE - 4.0L POWER TECH I-6 | DG4 = TRANSMISSION-MULTI-SPEED AUTO, 45RFE |
| P = Limited | J = JEEP - 4WD | | EVA = ENGINE- 4.7L V8 MPI | DGW = TRANSMISSION - 4-SPD. AUTOMATIC, 44RE |
| | U = JEEP - 4WD (RHD) | | EXA = ENGINE - 3.1L 5 CYL TURBO DIESEL | DGK = TRANSMISSION - 4-SPD. AUTOMATIC, 42RE |
| | | | | DGO = ALL AUTOMATIC TRANSMISSIONS |

AR = use ase required - = Non illustrated part

**Fuel Injection Pump
Figure 14-460**



| ITEM | PART NUMBER | QTY | LINE | SERIES | BODY | ENGINE | TRANS | TRIM | DESCRIPTION |
|--|-------------|-----|------|--------|------|--------|-------|------|-------------------------------|
| NOTE: EX0=All 3.1L Engines DG0=All Automatic Transmissions | | | | | | | | | |
| 1 | 04720703 | 2 | | | | EX0 | DG0 | | WASHER, Plain |
| 2 | 04883402AA | 1 | | | | EX0 | DG0 | | NUT |
| 3 | 04723241 | 3 | | | | EX0 | DG0 | | STUD |
| 4 | 05014991AA | 1 | | | | EX0 | DG0 | | BANJO, Fuel |
| 5 | 04720367 | 1 | | | | EX0 | DG0 | | BOLT, Banjo |
| 6 | 04720190AB | 1 | | | | EX0 | DG0 | | PIPE, Fuel Spill Return |
| 7 | 05014992AA | 1 | | | | EX0 | DG0 | | PUMP, Fuel Injection |
| 8 | 04874444 | 1 | | | | EX0 | DG0 | | VALVE, Flow Control |
| 9 | 04864579 | 1 | | | | EX0 | DG0 | | BANJO, Fuel |
| 10 | 04723264 | 1 | | | | EX0 | DG0 | | SOLENOID, Fuel Shut Off Valve |
| 11 | 04723266 | 1 | | | | EX0 | DG0 | | O RING, Fuel Solenoid |
| 12 | 04797786 | 1 | | | | EX0 | DG0 | | ADVANCE, Automatic Injection |
| 13 | 04778961 | 3 | | | | EX0 | DG0 | | NUT |
| 14 | 04720193 | 3 | | | | EX0 | DG0 | | WASHER, Flat |
| 15 | 04720198 | 1 | | | | EX0 | DG0 | | KEY, Fuel Injection Pump |
| 16 | 04720196 | 1 | | | | EX0 | DG0 | | GASKET, Injection Pump |

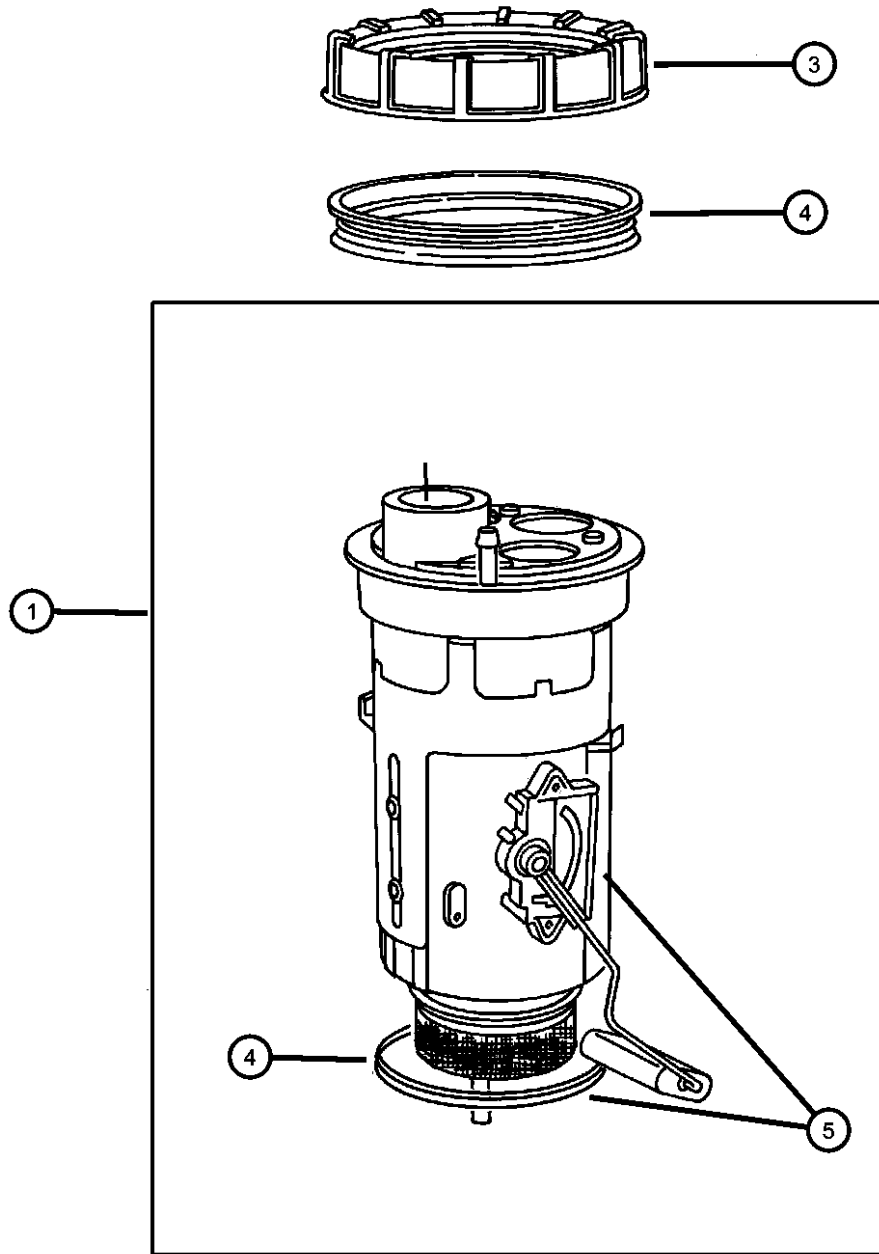
GRAND CHEROKEE (WJ)

| | | | | |
|---------------|----------------------|------------------------|---|--|
| SERIES | LINE | BODY | ENGINE | TRANSMISSION |
| H = Laredo | T = JEEP - 2WD | 74 = 4 Door (105.9 WB) | ERH = ENGINE - 4.0L POWER TECH I-6 | DG4 = TRANSMISSION-MULTI- SPEED AUTO, 45RFE |
| P = Limited | J = JEEP - 4WD | | EVA = ENGINE- 4.7L V8 MPI | DGW = TRANSMISSION - 4-SPD. AUTOMATIC,44RE |
| | U = JEEP - 4WD (RHD) | | EXA = ENGINE - 3.1L 5 CYL TURBO DIESEL | DGK = TRANSMISSION - 4-SPD. AUTOMATIC,42RE |
| | | | | DGO = ALL AUTOMATIC TRANSMISSIONS |

AR = use ase required - = Non illustrated part

Fuel Pump and Sending Unit
Figure 14-510

| ITEM | PART NUMBER | QTY | LINE | SERIES | BODY | ENGINE | TRANS | TRIM | DESCRIPTION |
|--|-------------|-----|------|--------|------|----------|-------|------|--|
| NOTE: EX0=All 3.1L Engines ER0=All 4.0L Engines EV0=4.7L Engines | | | | | | | | | |
| 1 | 05012380AA | 1 | | | | ER0, EV0 | | | MODULE PACKAGE, Fuel Pump/Level Unit, Module Package also contain seal |
| -2 | 05013451AA | 1 | | | | EX0 | | | MODULE PACKAGE, Fuel Tank |
| 3 | | | | | | | | | NUT, Fuel Pump Module |
| | 52005389 | 1 | | | | ER0, EV0 | | | |
| | | | | | | EX0 | | | |
| 4 | | | | | | | | | SEAL, Fuel Pump and Level Unit |
| | 52018808 | 1 | | | | ER0, EV0 | | | |
| | | | | | | EX0 | | | |
| 5 | 05013584AA | 1 | | | | ER0, EV0 | | | LEVEL UNIT PACKAGE, Fuel |
| -6 | 52098655AB | 1 | | | | ER0, EV0 | | | HOSE, Axle Vent |



GRAND CHEROKEE (WJ)

SERIES
H = Laredo
P = Limited

LINE
T = JEEP - 2WD
J = JEEP - 4WD
U = JEEP - 4WD (RHD)

BODY
74 = 4 Door (105.9 WB)

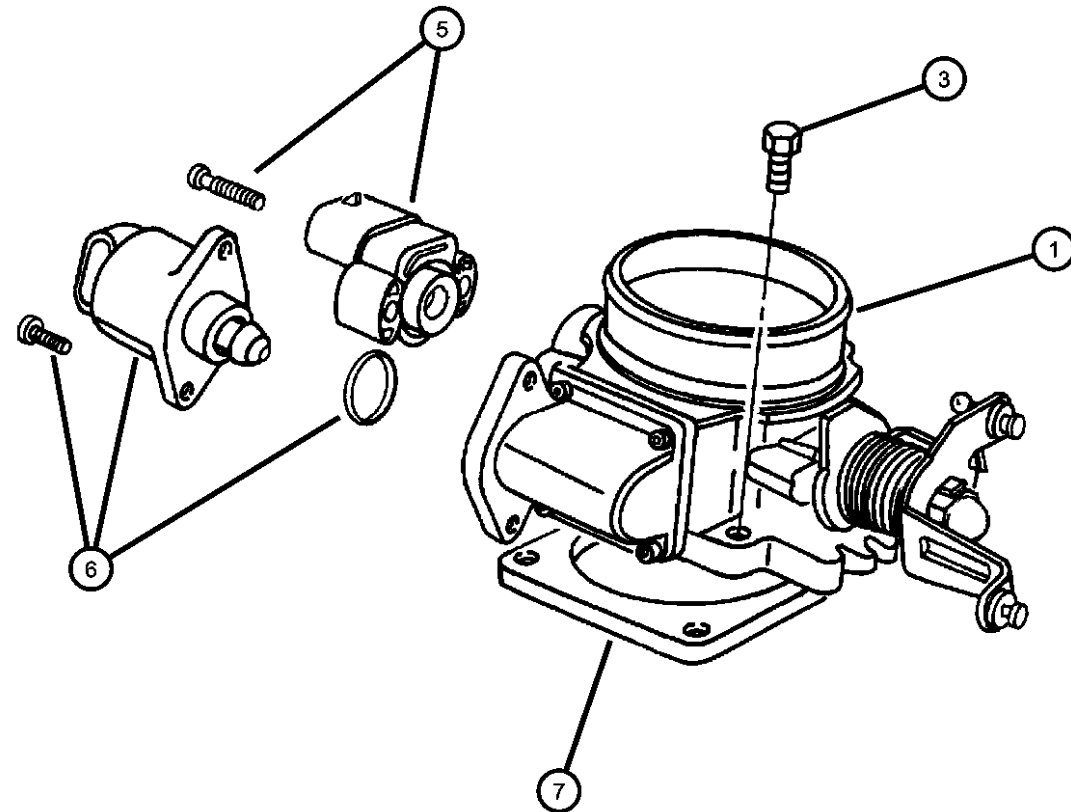
ENGINE
ERH = ENGINE - 4.0L POWER TECH I-6
EVA = ENGINE- 4.7L V8 MPI
EXA = ENGINE - 3.1L 5 CYL TURBO DIESEL

TRANSMISSION
DG4 = TRANSMISSION-MULTI-SPEED AUTO, 45RFE
DGW = TRANSMISSION - 4-SPD. AUTOMATIC, 44RE
DGK = TRANSMISSION - 4-SPD. AUTOMATIC, 42RE
DGO = ALL AUTOMATIC TRANSMISSIONS

AR = use ase required - = Non illustrated part

2000 WJ

**Throttle Body
Figure 14-610**



| ITEM | PART NUMBER | QTY | LINE | SERIES | BODY | ENGINE | TRANS | TRIM | DESCRIPTION |
|---|-------------|-----|------|--------|------|--------|-------|------|--|
| NOTE: ER0=All 4.0L Engines EV0=All 4.7L Engines | | | | | | | | | |
| 1 | | | | | | | | | THROTTLE BODY |
| | 53013241AC | 1 | | | | EV0 | | | |
| | 53032023AC | 1 | | | | ER0 | | | |
| -2 | 83503642 | 1 | | | | EV0 | | | O RING, Throttle Body |
| 3 | 06503929 | 4 | | | | ER0 | | | SCREW AND WASHER, Coned Pilot, M6x1x30 |
| -4 | 06503929 | 4 | | | | | | | SCREW, M6x1x40, (NOT SERVICED) |
| 5 | | | | | | | | | SENSOR, Throttle Position |
| | 04874371AC | 1 | | | | ER0 | | | |
| | 04882219 | 1 | | | | EV0 | | | |
| 6 | | | | | | | | | MOTOR, Air Idle Speed |
| | 04874373AB | 1 | | | | ER0 | | | |
| | 53030840 | 1 | | | | EV0 | | | |
| 7 | 53007543 | 1 | | | | ER0 | | | GASKET, Throttle Body |
| -8 | 53030952 | 1 | | | | EV0 | | | GASKET, Throttle Body To Intake |

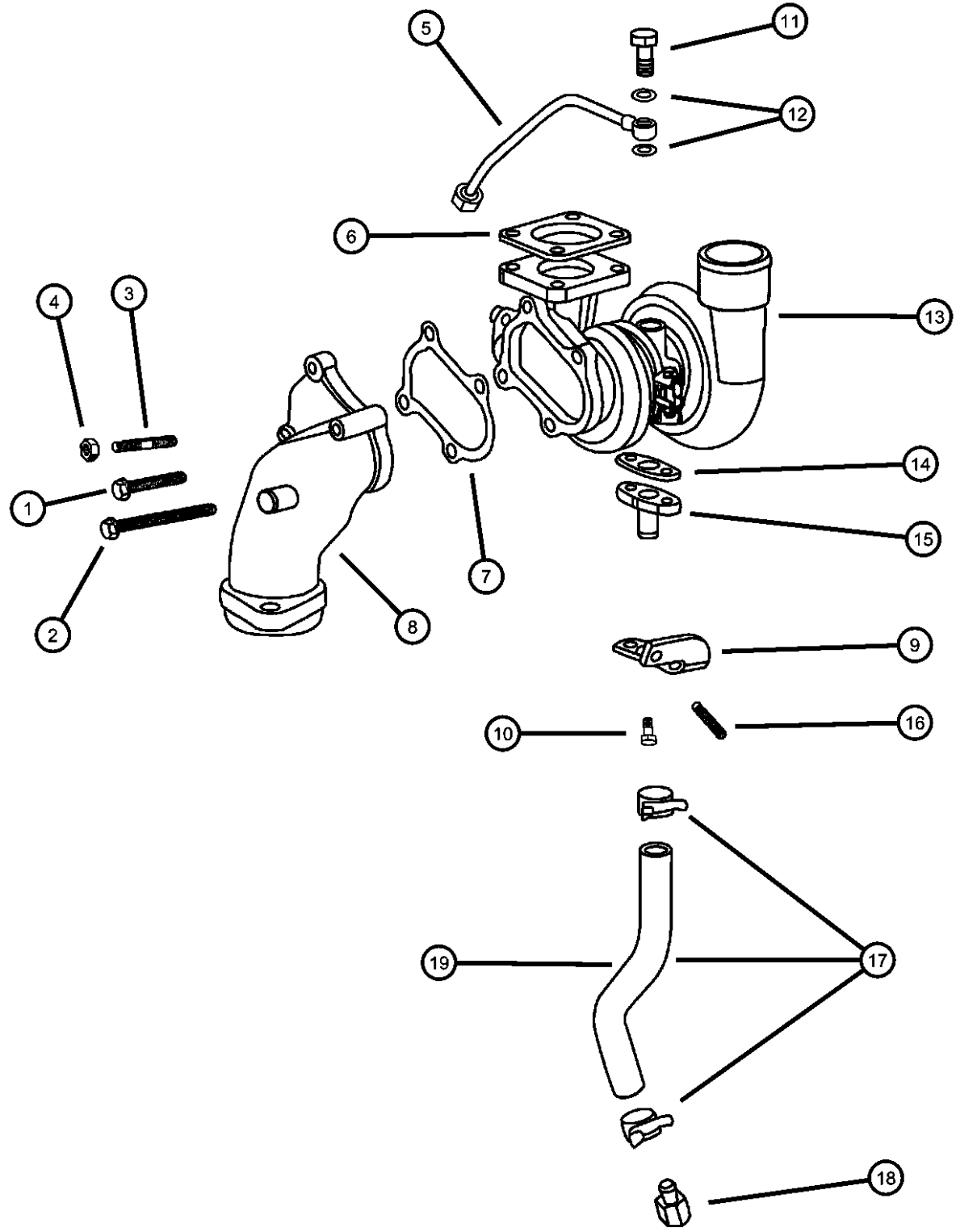
GRAND CHEROKEE (WJ)

| | | | | |
|-------------|----------------------|------------------------|--|--|
| SERIES | LINE | BODY | ENGINE | TRANSMISSION |
| H = Laredo | T = JEEP - 2WD | 74 = 4 Door (105.9 WB) | ERH = ENGINE - 4.0L POWER TECH I-6 | DG4 = TRANSMISSION-MULTI-SPEED AUTO, 45RFE |
| P = Limited | J = JEEP - 4WD | | EVA = ENGINE- 4.7L V8 MPI | DGW = TRANSMISSION - 4-SPD. AUTOMATIC,44RE |
| | U = JEEP - 4WD (RHD) | | EXA = ENGINE - 3.1L 5 CYL TURBO DIESEL | DGK = TRANSMISSION - 4-SPD. AUTOMATIC,42RE |
| | | | | DGO = ALL AUTOMATIC TRANSMISSIONS |

AR = use ase required - = Non illustrated part

2000 WJ

Turbocharger
Figure 14-660



| ITEM | PART NUMBER | QTY | LINE | SERIES | BODY | ENGINE | TRANS | TRIM | DESCRIPTION |
|------|-------------|-----|------|--------|------|--------|-------|------|-------------|
|------|-------------|-----|------|--------|------|--------|-------|------|-------------|

NOTE: EX0=All 3.1L Engines DG0=All Automatic Transmissions

| | | | | | | | | | |
|----|------------|---|--|--|--|-----|-----|--|-------------------------------|
| 1 | 05015031AA | 1 | | | | EX0 | DG0 | | SCREW |
| 2 | 05015032AA | 1 | | | | EX0 | DG0 | | SCREW |
| 3 | 04863803 | 2 | | | | EX0 | DG0 | | STUD |
| 4 | 04882610 | 2 | | | | EX0 | DG0 | | NUT, Lock |
| 5 | 05015023AA | 1 | | | | EX0 | DG0 | | TUBE, Turbo Oil Feed |
| 6 | 05015027AA | 1 | | | | EX0 | DG0 | | GASKET, Manifold To Turbo |
| 7 | 05015028AA | 1 | | | | EX0 | DG0 | | GASKET, Turbo Exhaust Outlet |
| 8 | 05015022AA | 1 | | | | EX0 | DG0 | | ELBOW, Turbo Exhaust Outlet |
| 9 | 05015021AA | 1 | | | | EX0 | DG0 | | BRACKET |
| 10 | 04864551 | 1 | | | | EX0 | DG0 | | SCREW |
| 11 | 04720367 | 1 | | | | EX0 | DG0 | | BOLT, Banjo |
| 12 | 04720703 | 2 | | | | EX0 | DG0 | | WASHER, Plain |
| 13 | 05015030AA | 1 | | | | EX0 | DG0 | | TURBOCHARGER |
| 14 | 04796007AB | 1 | | | | EX0 | DG0 | | GASKET, Turbo Oil Return Pipe |
| 15 | 05015024AA | 1 | | | | EX0 | DG0 | | TUBE, Oil Drain |
| 16 | 04886035AA | 1 | | | | EX0 | DG0 | | STUD, M6x1.0x30 |
| 17 | 04886052AA | 2 | | | | EX0 | DG0 | | CLAMP, Heater Hose |
| 18 | 05015026AA | 1 | | | | EX0 | DG0 | | ADAPTER, Oil Drain Pipe |
| 19 | 05015025AA | 1 | | | | EX0 | DG0 | | PIPE, Oil Return |

GRAND CHEROKEE (WJ)

| SERIES | LINE | BODY | ENGINE | TRANSMISSION |
|-------------|----------------------|------------------------|--|--|
| H = Laredo | T = JEEP - 2WD | 74 = 4 Door (105.9 WB) | ERH = ENGINE - 4.0L POWER TECH I-6 | DG4 = TRANSMISSION-MULTI-SPEED AUTO, 45RFE |
| P = Limited | J = JEEP - 4WD | | EVA = ENGINE- 4.7L V8 MPI | DGW = TRANSMISSION - 4-SPD. AUTOMATIC,44RE |
| | U = JEEP - 4WD (RHD) | | EXA = ENGINE - 3.1L 5 CYL TURBO DIESEL | DGK = TRANSMISSION - 4-SPD. AUTOMATIC,42RE |
| | | | | DGO = ALL AUTOMATIC TRANSMISSIONS |

AR = use ase required - = Non illustrated part

Throttle Controls
Figure 14-710

| ITEM | PART NUMBER | QTY | LINE | SERIES | BODY | ENGINE | TRANS | TRIM | DESCRIPTION |
|------|-------------|-----|------|--------|------|--------|-------|------|-------------|
|------|-------------|-----|------|--------|------|--------|-------|------|-------------|

NOTE:
 DGK = 4 Speed Transmission 42RE
 DGW = 4 Speed Automatic Transmission 44RE
 ER0 = All 4.0L Engines
 EV0 = All 4.7L Gas Engines
 EX0 = All Turbo Diesel Engines

| | | | | | | | | | |
|----|------------|---|------|--|--|----------|----------|--|---|
| 1 | 04854254AB | 1 | J, T | | | EX0 | | | CABLE, Accelerator |
| 2 | 52104232AA | 1 | | | | EX0 | DGW | | CABLE, Throttle Valve |
| 3 | 53031575AD | 1 | | | | EX0 | DGW | | BELLCRANK, Accelerator and Cruise |
| 4 | 52078867 | 1 | | | | ER0, EX0 | | | BRACKET, Cable |
| 5 | 53009055 | 1 | | | | | DGK, DGW | | SPRING, Throttle Valve Return |
| 6 | 52078723AB | 1 | | | | ER0, EX0 | | | LEVER, Throttle Valve |
| 7 | 00181065 | 1 | | | | ER0, EX0 | | | BOLT, Hex Head, .25-20x1.00 |
| 8 | 00138165 | 1 | | | | ER0, EX0 | | | WASHER, Lock |
| 9 | J0120375 | 1 | | | | | DGW | | NUT, Hex, .250-20 |
| 10 | 00181112 | 1 | | | | | DGK, DGW | | SCREW AND WASHER, .375-16x1.00 |
| 11 | 53013049AA | 1 | | | | EX0 | DGW | | BRACKET, Bellcrank |
| 12 | 06101221 | 3 | | | | EX0 | | | SCREW |
| 13 | 34201358 | 2 | | | | EX0 | DGW | | NUT AND WASHER, Hex Nut-Sealing Washer, M6 x 1.00 |

GRAND CHEROKEE (WJ)

| SERIES | LINE | BODY | ENGINE | TRANSMISSION |
|-------------|----------------------|------------------------|--|---|
| H = Laredo | T = JEEP - 2WD | 74 = 4 Door (105.9 WB) | ERH = ENGINE - 4.0L POWER TECH I-6 | DG4 = TRANSMISSION-MULTI-SPEED AUTO, 45RFE |
| P = Limited | J = JEEP - 4WD | | EVA = ENGINE- 4.7L V8 MPI | DGW = TRANSMISSION - 4-SPD. AUTOMATIC, 44RE |
| | U = JEEP - 4WD (RHD) | | EXA = ENGINE - 3.1L 5 CYL TURBO DIESEL | DGK = TRANSMISSION - 4-SPD. AUTOMATIC, 42RE |
| | | | | DGO = ALL AUTOMATIC TRANSMISSIONS |

AR = use ase required - = Non illustrated part

2000 WJ

Throttle Controls
Figure 14-720

| ITEM | PART NUMBER | QTY | LINE | SERIES | BODY | ENGINE | TRANS | TRIM | DESCRIPTION |
|------|-------------|-----|------|--------|------|--------|-------|------|-------------|
|------|-------------|-----|------|--------|------|--------|-------|------|-------------|

NOTE:
 DGK = 4 Speed Transmission 42RE
 DGW = 4 Speed Automatic Transmission 44RE
 ER0 = All 4.0L Engines
 EV0 = All 4.7L Gas Engines
 EX0 = All Turbo Diesel Engines

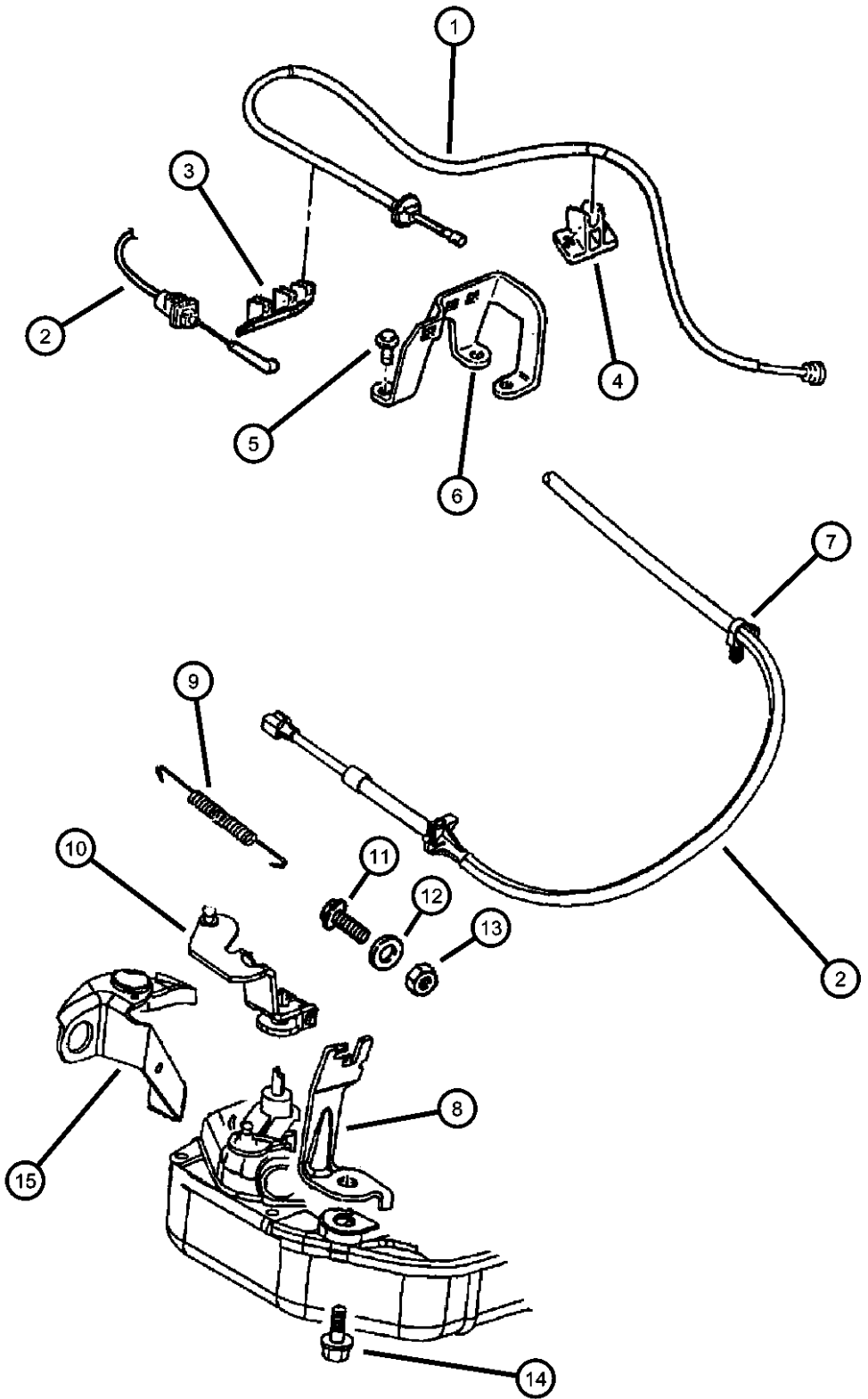
| | | | | | | | | | |
|----|------------|---|------|--|--|----------|----------|--|-------------------------------------|
| 1 | 04854150 | 1 | J, T | | | ER0 | | | CABLE, Accelerator |
| 2 | 52104284AA | 1 | | | | | DGK | | CABLE, Throttle Valve |
| 3 | 52079029 | 1 | | | | ER0 | | | GUIDE, Accelerator Cable |
| 4 | 52078987 | 1 | J, T | | | ER0 | | | GUIDE, Accelerator Cable |
| 5 | 06501979 | 3 | | | | ER0 | | | SCREW AND WASHER, Hex Head, M6x1x17 |
| 6 | 53013160AA | 1 | | | | ER0 | | | BRACKET, Accelerator Cable |
| 7 | J4005701 | 1 | J, U | | | | | | CLIP |
| 8 | 52078867 | 1 | | | | ER0, EX0 | | | BRACKET, Cable |
| 9 | 53009055 | 1 | | | | | DGK, DGW | | SPRING, Throttle Valve Return |
| 10 | 52078723AB | 1 | | | | ER0, EX0 | | | LEVER, Throttle Valve |
| 11 | 00181065 | 1 | | | | ER0, EX0 | | | BOLT, Hex Head, .25-20x1.00 |
| 12 | 00138165 | 1 | | | | ER0, EX0 | | | WASHER, Lock |
| 13 | J0120375 | 1 | | | | | DGW | | NUT, Hex, .250-20 |
| 14 | 00181112 | 1 | | | | | DGK, DGW | | SCREW AND WASHER, .375-16x1.00 |
| 15 | 52104057 | 1 | | | | | DGK | | BRACKET, Shift Cable |

GRAND CHEROKEE (WJ)

| SERIES | LINE | BODY | ENGINE | TRANSMISSION |
|-------------|----------------------|------------------------|--|---|
| H = Laredo | T = JEEP - 2WD | 74 = 4 Door (105.9 WB) | ERH = ENGINE - 4.0L POWER TECH I-6 | DG4 = TRANSMISSION-MULTI-SPEED AUTO, 45RFE |
| P = Limited | J = JEEP - 4WD | | EVA = ENGINE- 4.7L V8 MPI | DGW = TRANSMISSION - 4-SPD. AUTOMATIC, 44RE |
| | U = JEEP - 4WD (RHD) | | EXA = ENGINE - 3.1L 5 CYL TURBO DIESEL | DGK = TRANSMISSION - 4-SPD. AUTOMATIC, 42RE |
| | | | | DGO = ALL AUTOMATIC TRANSMISSIONS |

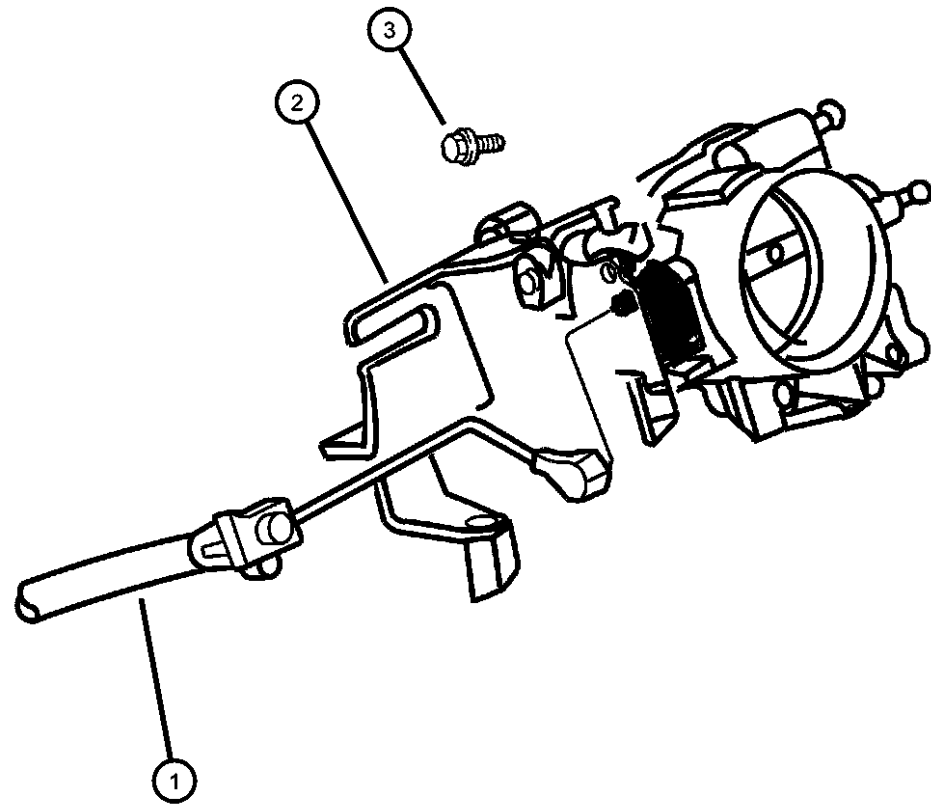
AR = use ase required - = Non illustrated part

2000 WJ



Throttle Controls
Figure 14-730

| ITEM | PART NUMBER | QTY | LINE | SERIES | BODY | ENGINE | TRANS | TRIM | DESCRIPTION |
|----------------------------|-------------|-----|------|--------|------|--------|-------|------|---|
| NOTE: EV0=All 4.7L Engines | | | | | | | | | |
| 1 | 04854061 | 1 | J, T | | | EV0 | | | CABLE, Accelerator Use Only If Stamped 4854061 |
| | 04854061AB | 1 | J, T | | | EV0 | | | |
| | 04854162AC | 1 | U | | | EV0 | | | |
| 2 | 53031683AA | 1 | | | | EV0 | | | BRACKET, Accelerator Cable |
| 3 | 53031683AA | 1 | | | | | | | SCREW, M6X1.00X16.00, (NOT SERVICED) |



GRAND CHEROKEE (WJ)

SERIES
H = Laredo
P = Limited

LINE
T = JEEP - 2WD
J = JEEP - 4WD
U = JEEP - 4WD (RHD)

BODY
74 = 4 Door (105.9 WB)

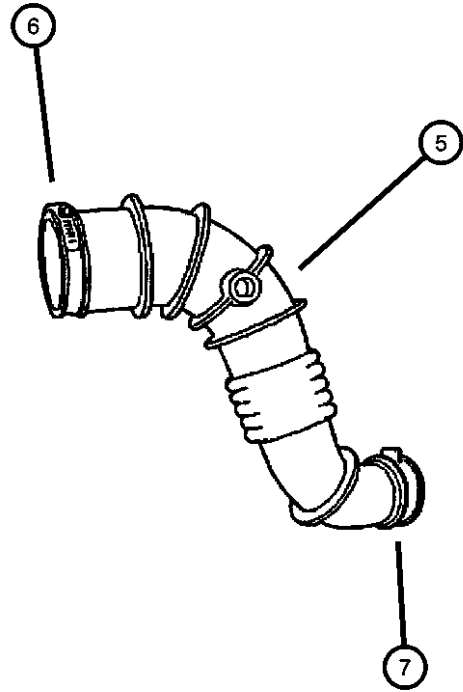
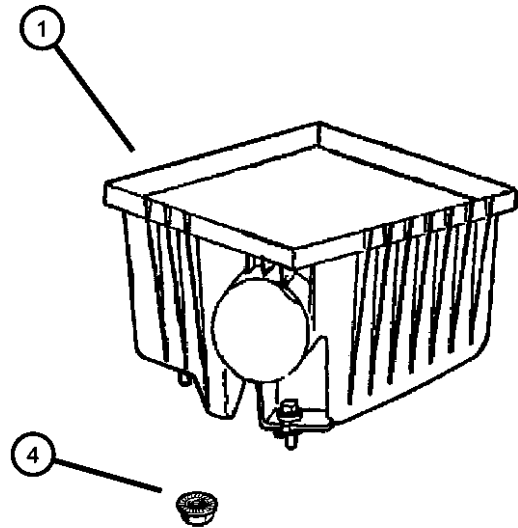
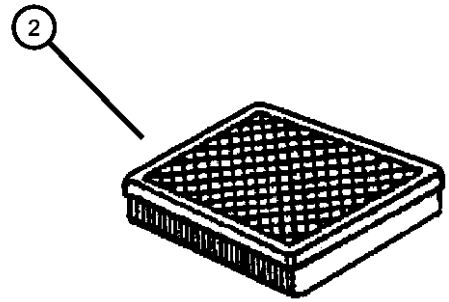
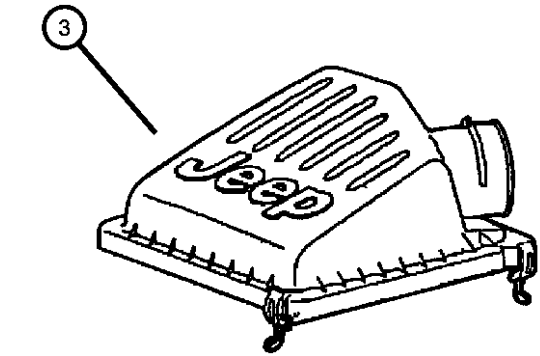
ENGINE
ERH = ENGINE - 4.0L
POWER TECH I-6
EVA = ENGINE- 4.7L V8 MPI
EXA = ENGINE - 3.1L 5 CYL
TURBO DIESEL

TRANSMISSION
DG4 = TRANSMISSION-MULTI-
SPEED AUTO, 45RFE
DGW = TRANSMISSION - 4-SPD.
AUTOMATIC,44RE
DGK = TRANSMISSION - 4-SPD.
AUTOMATIC,42RE
DGO = ALL AUTOMATIC
TRANSMISSIONS

AR = use ase required - = Non illustrated part

2000 WJ

Air Cleaner
Figure 14-810



| ITEM | PART NUMBER | QTY | LINE | SERIES | BODY | ENGINE | TRANS | TRIM | DESCRIPTION |
|------|-------------|-----|------|--------|------|--------|-------|------|------------------------------|
| 1 | 05013465AA | 1 | | | | EX0 | | | BODY, Air Cleaner |
| 2 | 53030688 | 1 | | | | EX0 | | | FILTER, Air |
| 3 | 05013466AA | 1 | | | | EX0 | | | COVER, Air Cleaner |
| 4 | 05013466AA | 1 | | | | | | | NUT, M8x1.25, (NOT SERVICED) |
| 5 | 04854188AB | 1 | | | | EX0 | | | HOSE, Air Cleaner |
| 6 | 05013837AA | 1 | | | | EX0 | | | CLAMP, Air Cleaner Duct |
| 7 | 05013838AA | 1 | | | | EX0 | | | CLAMP, Air Cleaner Duct |

GRAND CHEROKEE (WJ)

SERIES LINE
 H = Laredo T = JEEP - 2WD
 P = Limited J = JEEP - 4WD
 U = JEEP - 4WD (RHD)

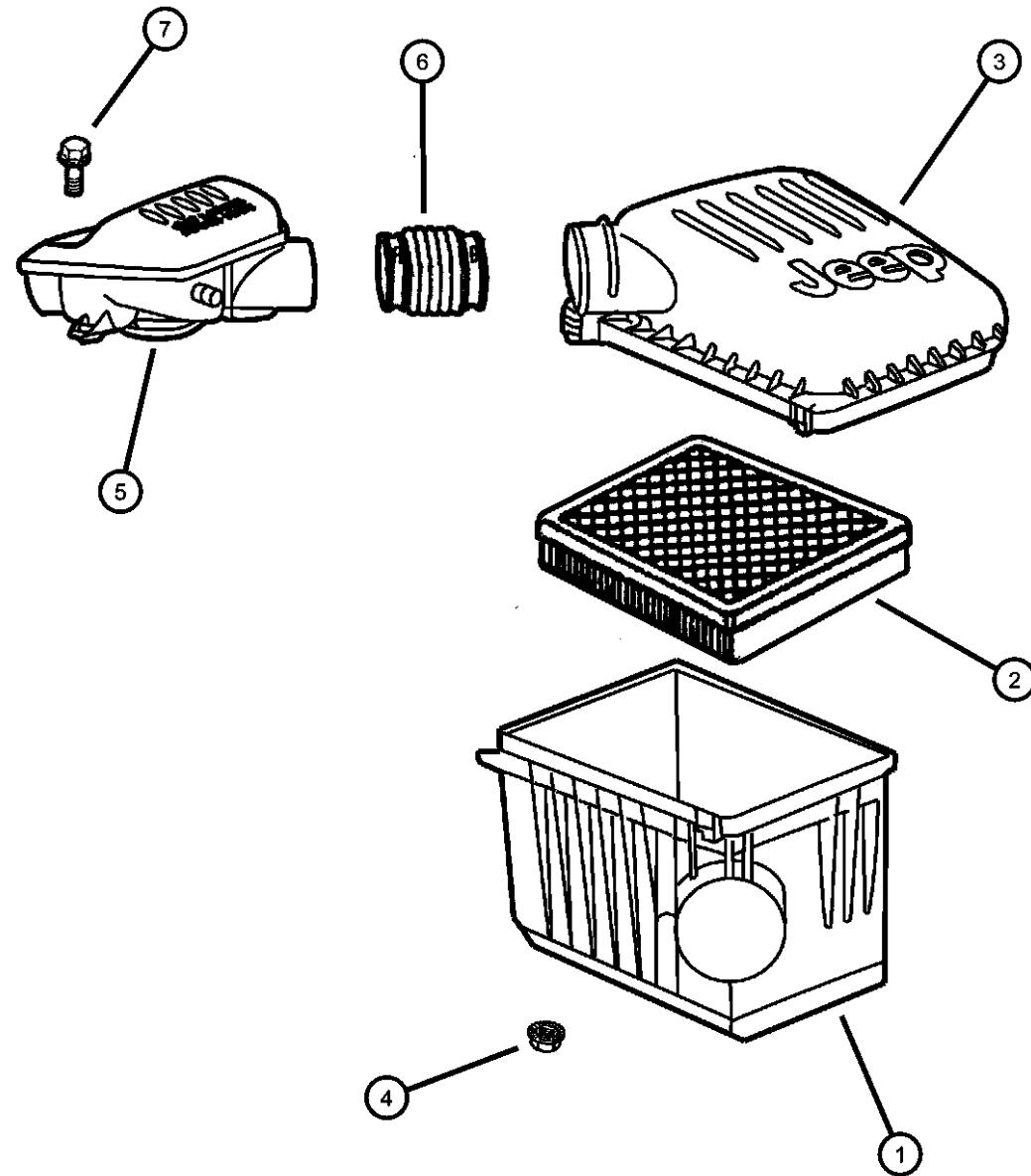
BODY
 74 = 4 Door (105.9 WB)

ENGINE
 ERH = ENGINE - 4.0L
 POWER TECH I-6
 EVA = ENGINE- 4.7L V8 MPI
 EXA = ENGINE - 3.1L 5 CYL
 TURBO DIESEL

TRANSMISSION
 DG4 = TRANSMISSION-MULTI-
 SPEED AUTO, 45RFE
 DGW = TRANSMISSION - 4-SPD.
 AUTOMATIC,44RE
 DGK = TRANSMISSION - 4-SPD.
 AUTOMATIC,42RE
 DGO = ALL AUTOMATIC
 TRANSMISSIONS

AR = use ase required - = Non illustrated part

Air Cleaner
Figure 14-820



| ITEM | PART NUMBER | QTY | LINE | SERIES | BODY | ENGINE | TRANS | TRIM | DESCRIPTION |
|------|-------------|-----|------|--------|------|--------|-------|------|-------------|
|------|-------------|-----|------|--------|------|--------|-------|------|-------------|

NOTE: ER0=All 4.0L Engines

| | | | | | | | | | |
|---|------------|---|--|--|--|-----|--|--|--|
| 1 | 05013462AA | 1 | | | | ER0 | | | BODY, Air Cleaner |
| 2 | 53007386 | 1 | | | | ER0 | | | FILTER, Air |
| | P4510475 | | | | | | | | Performance Air Filter, WJ, 1999-2002, 4.7L |
| 3 | 05013461AA | 1 | | | | ER0 | | | COVER, Air Cleaner |
| 4 | 05013461AA | 1 | | | | | | | NUT, M8x1.25, (NOT SERVICED) |
| 5 | 04854013 | 1 | | | | ER0 | | | RESONATOR, Air Cleaner |
| 6 | 04854014 | 1 | | | | ER0 | | | HOSE, Air Cleaner |
| 7 | 06101769 | 2 | | | | EVO | | | SCREW, Hex Head, M6x1x35 |

GRAND CHEROKEE (WJ)

SERIES LINE
H = Laredo T = JEEP - 2WD
P = Limited J = JEEP - 4WD
U = JEEP - 4WD (RHD)

BODY
74 = 4 Door (105.9 WB)

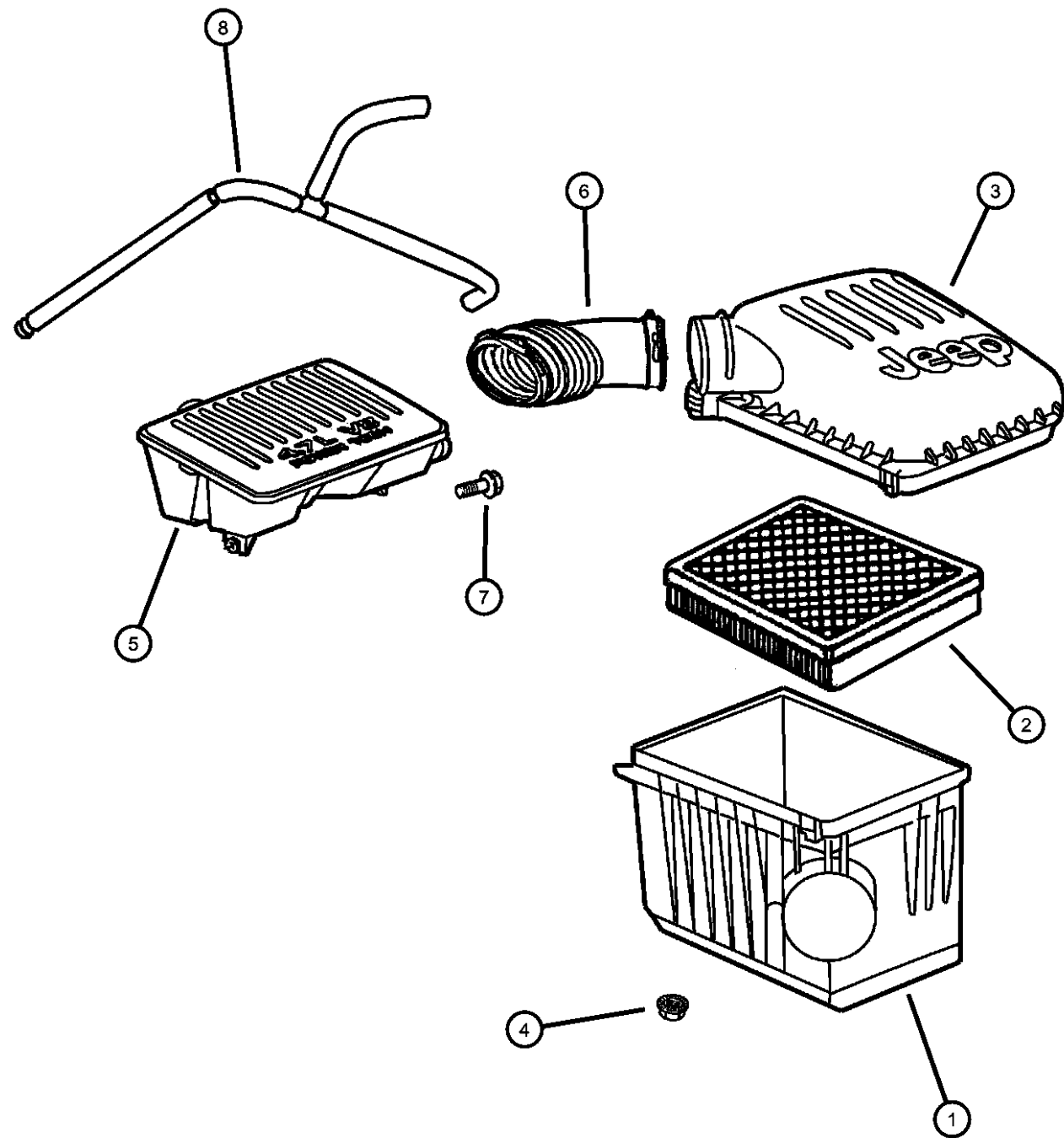
ENGINE
ERH = ENGINE - 4.0L
POWER TECH I-6
EVA = ENGINE- 4.7L V8 MPI
EXA = ENGINE - 3.1L 5 CYL
TURBO DIESEL

TRANSMISSION
DG4 = TRANSMISSION-MULTI-
SPEED AUTO, 45RFE
DGW = TRANSMISSION - 4-SPD.
AUTOMATIC,44RE
DGK = TRANSMISSION - 4-SPD.
AUTOMATIC,42RE
DGO = ALL AUTOMATIC
TRANSMISSIONS

AR = use ase required - = Non illustrated part

2000 WJ

Air Cleaner
Figure 14-830



| ITEM | PART NUMBER | QTY | LINE | SERIES | BODY | ENGINE | TRANS | TRIM | DESCRIPTION |
|------|-------------|-----|------|--------|------|--------|-------|------|-------------|
|------|-------------|-----|------|--------|------|--------|-------|------|-------------|

NOTE: EV0=All 4.7L Engines

| | | | | | | | | | |
|---|------------|---|--|--|--|-----|--|--|--|
| 1 | 05013462AA | 1 | | | | EV0 | | | BODY, Air Cleaner |
| 2 | 53007386 | 1 | | | | EV0 | | | FILTER, Air |
| | P4510475 | | | | | | | | Performance Air Filter, WJ, 1999-2002, 4.7L |
| 3 | 05013461AA | 1 | | | | EV0 | | | COVER, Air Cleaner |
| 4 | 05013461AA | 1 | | | | | | | NUT, M8x1.25, (NOT SERVICED) |
| 5 | 04854011 | 1 | | | | EV0 | | | RESONATOR, Air Cleaner |
| 6 | 04854012 | 1 | | | | EV0 | | | DUCT, Air Cleaner |
| 7 | 06101769 | 2 | | | | EV0 | | | SCREW, Hex Head, M6x1x35 |
| 8 | 53031667AA | 1 | | | | EV0 | | | TUBE, Breather |

GRAND CHEROKEE (WJ)

| SERIES | LINE |
|-------------|----------------------|
| H = Laredo | T = JEEP - 2WD |
| P = Limited | J = JEEP - 4WD |
| | U = JEEP - 4WD (RHD) |

| BODY |
|------------------------|
| 74 = 4 Door (105.9 WB) |

| ENGINE |
|---|
| ERH = ENGINE - 4.0L POWER TECH I-6 |
| EVA = ENGINE- 4.7L V8 MPI |
| EXA = ENGINE - 3.1L 5 CYL TURBO DIESEL |

| TRANSMISSION |
|--|
| DG4 = TRANSMISSION-MULTI- SPEED AUTO, 45RFE |
| DGW = TRANSMISSION - 4-SPD. AUTOMATIC,44RE |
| DGK = TRANSMISSION - 4-SPD. AUTOMATIC,42RE |
| DGO = ALL AUTOMATIC TRANSMISSIONS |

AR = use ase required - = Non illustrated part

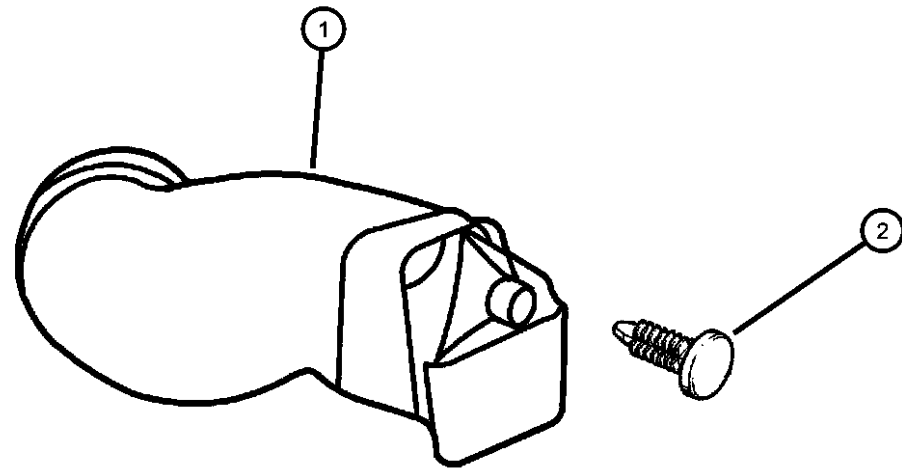
2000 WJ

**Air Intake System
Figure 14-910**

| ITEM | PART NUMBER | QTY | LINE | SERIES | BODY | ENGINE | TRANS | TRIM | DESCRIPTION |
|------|-------------|-----|------|--------|------|--------|-------|------|-------------|
|------|-------------|-----|------|--------|------|--------|-------|------|-------------|

NOTE: ER0=All 4.0L Engines EV0=All 4.7L Engines

| | | | | | | | | | |
|---|----------|---|--|--|--|----------|--|--|-------------------|
| 1 | 04854015 | 1 | | | | ER0, EV0 | | | DUCT, Ambient Air |
| 2 | 06030441 | 1 | | | | ER0, EV0 | | | PIN, Retainer |



GRAND CHEROKEE (WJ)

SERIES
H = Laredo
P = Limited

LINE
T = JEEP - 2WD
J = JEEP - 4WD
U = JEEP - 4WD (RHD)

BODY
74 = 4 Door (105.9 WB)

ENGINE
ERH = ENGINE - 4.0L
POWER TECH I-6
EVA = ENGINE- 4.7L V8 MPI
EXA = ENGINE - 3.1L 5 CYL
TURBO DIESEL

TRANSMISSION
DG4 = TRANSMISSION-MULTI-
SPEED AUTO, 45RFE
DGW = TRANSMISSION - 4-SPD.
AUTOMATIC,44RE
DGK = TRANSMISSION - 4-SPD.
AUTOMATIC,42RE
DGO = ALL AUTOMATIC
TRANSMISSIONS

AR = use ase required - = Non illustrated part

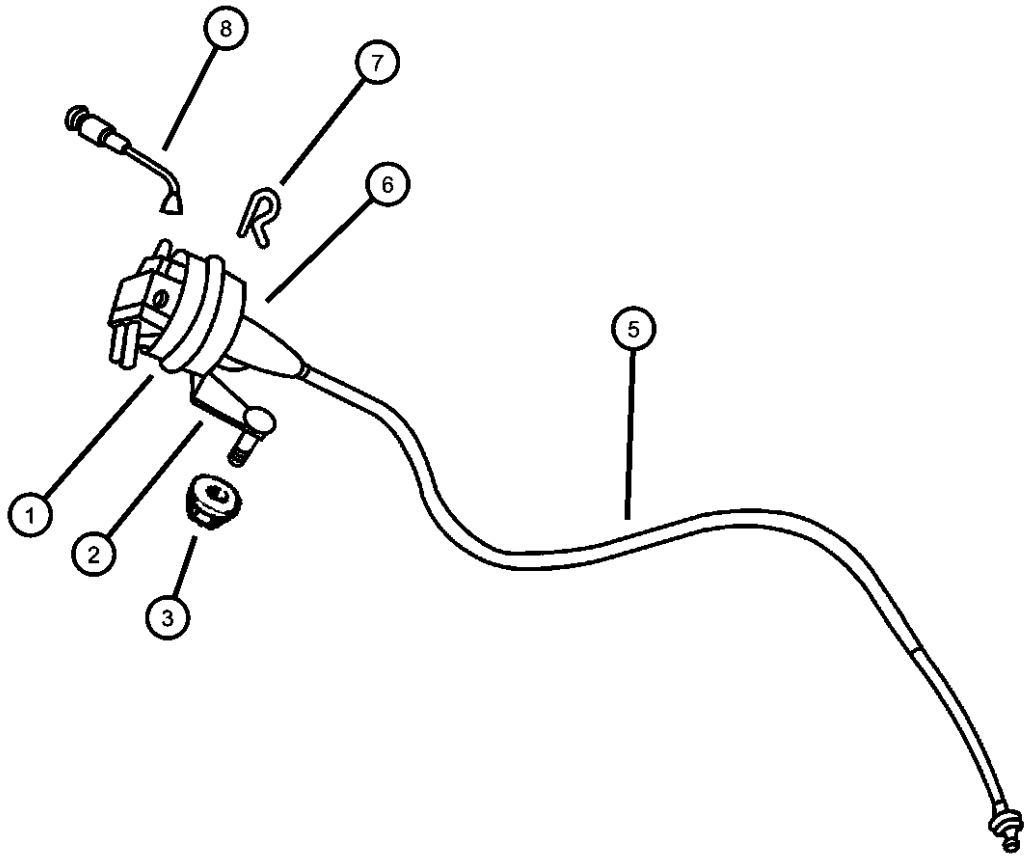
2000 WJ

**Speed Control
Figure 14-1010**

| ITEM | PART NUMBER | QTY | LINE | SERIES | BODY | ENGINE | TRANS | TRIM | DESCRIPTION |
|------|-------------|-----|------|--------|------|--------|-------|------|-------------|
|------|-------------|-----|------|--------|------|--------|-------|------|-------------|

NOTE: EX0=All 3.1L Engines ER0=All 4.0L Engines EV0=All 4.7L Engines

| | | | | | | | | | |
|----|------------|---|------|--|--|----------|--|--|---|
| 1 | | | | | | | | | SERVO, Speed Control, Vacuum harness is part of hevac a/c harness |
| | 04669979 | 1 | | | | EV0 | | | |
| | | 1 | | | | ER0 | | | |
| 2 | | | | | | | | | BRACKET, Cruise Control Servo |
| | 04854057AD | 1 | | | | EV0 | | | |
| | | 1 | | | | ER0 | | | |
| | 04854200AB | 1 | | | | EX0 | | | |
| 3 | 06100051 | 2 | | | | EX0 | | | NUT AND WASHER, Hex Nut-Coned Washer, M8 x 1.25 |
| -4 | 06101820 | 2 | | | | ER0, EV0 | | | NUT, Hex Flange Lock |
| 5 | | | | | | | | | CABLE, Speed Control |
| | 04854055 | 1 | | | | EV0 | | | |
| | 04854058 | 1 | | | | ER0 | | | |
| | 04854201AA | 1 | | | | EX0 | | | |
| 6 | | | | | | | | | NUT, Hex Flange Serration, M6x1 |
| | 06502493 | 2 | | | | ER0 | | | |
| | | 2 | | | | EV0 | | | |
| 7 | | | | | | | | | CLIP, Cable to Servo Attach |
| | 06025867 | 1 | | | | EV0 | | | |
| | | 1 | | | | ER0 | | | |
| 8 | 04854202AC | 1 | | | | EX0 | | | HARNESS, Vacuum Speed Control |
| -9 | | | | | | | | | VALVE PACKAGE, Check |
| | 04549209 | 1 | J, T | | | EX0 | | | |
| | | 1 | U | | | EX0 | | | |



GRAND CHEROKEE (WJ)

SERIES
H = Laredo
P = Limited

LINE
T = JEEP - 2WD
J = JEEP - 4WD
U = JEEP - 4WD (RHD)

BODY
74 = 4 Door (105.9 WB)

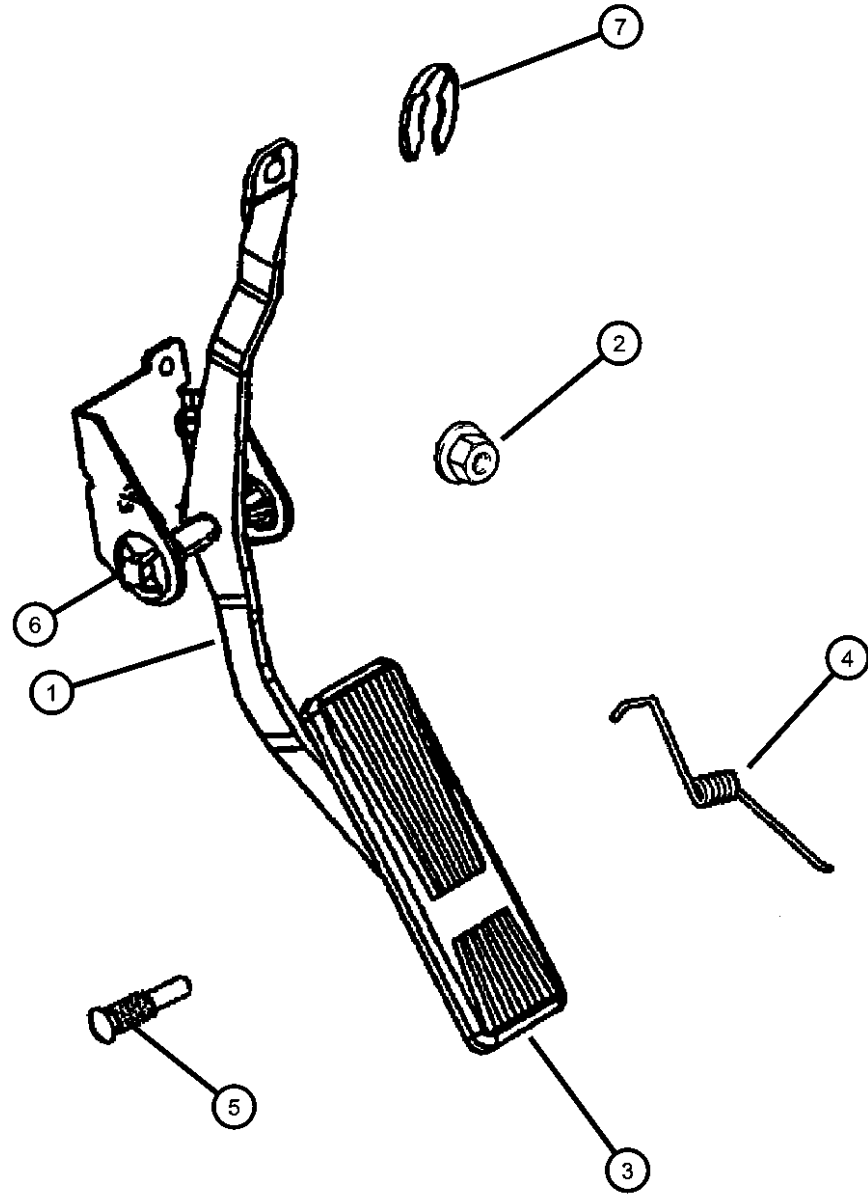
ENGINE
ERH = ENGINE - 4.0L
POWER TECH I-6
EVA = ENGINE- 4.7L V8 MPI
EXA = ENGINE - 3.1L 5 CYL
TURBO DIESEL

TRANSMISSION
DG4 = TRANSMISSION-MULTI-
SPEED AUTO, 45RFE
DGW = TRANSMISSION - 4-SPD.
AUTOMATIC, 44RE
DGK = TRANSMISSION - 4-SPD.
AUTOMATIC, 42RE
DGO = ALL AUTOMATIC
TRANSMISSIONS

AR = use ase required - = Non illustrated part

2000 WJ

**Accelerator Pedal
Figure 14-1110**



| ITEM | PART NUMBER | QTY | LINE | SERIES | BODY | ENGINE | TRANS | TRIM | DESCRIPTION |
|------|-------------|-----|------|--------|------|--------|-------|------|----------------------------------|
| 1 | 04854130AB | 1 | J, T | | | | | | PEDAL, Accelerator |
| | 04854131AB | 1 | U | | | | | | |
| 2 | 34201680 | 2 | | | | | | | NUT, Hex Flange, M6x1 |
| 3 | 53003932AB | 1 | U | | | | | | PAD, Accelerator Pedal |
| | | 1 | J, T | | | | | | |
| 4 | 52078168 | 1 | U | | | | | | SPRING, Accelerator Pedal Return |
| | | 1 | J, T | | | | | | |
| 5 | J3220231 | 1 | U | | | | | | PIN, Accelerator Pedal Mtg. |
| | | 1 | J, T | | | | | | |
| 6 | 52078653 | 2 | J, T | | | | | | BUSHING, Accelerator Pedal |
| | | 2 | U | | | | | | |
| 7 | 05214613 | 1 | | | | | | | CLIP, Cable |

GRAND CHEROKEE (WJ)

SERIES
H = Laredo
P = Limited

LINE
T = JEEP - 2WD
J = JEEP - 4WD
U = JEEP - 4WD (RHD)

BODY
74 = 4 Door (105.9 WB)

ENGINE
ERH = ENGINE - 4.0L
POWER TECH I-6
EVA = ENGINE- 4.7L V8 MPI
EXA = ENGINE - 3.1L 5 CYL
TURBO DIESEL

TRANSMISSION
DG4 = TRANSMISSION-MULTI-
SPEED AUTO, 45RFE
DGW = TRANSMISSION - 4-SPD.
AUTOMATIC,44RE
DGK = TRANSMISSION - 4-SPD.
AUTOMATIC,42RE
DGO = ALL AUTOMATIC
TRANSMISSIONS

AR = use ase required - = Non illustrated part

2000 WJ

Group - 16

Propeller Shafts and U-Joints

Group - 16 Propeller Shafts and U-Joints

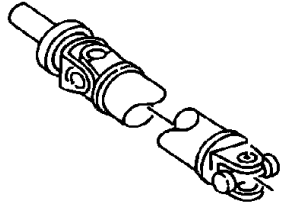
Group-Fig. No.

Illustration Title

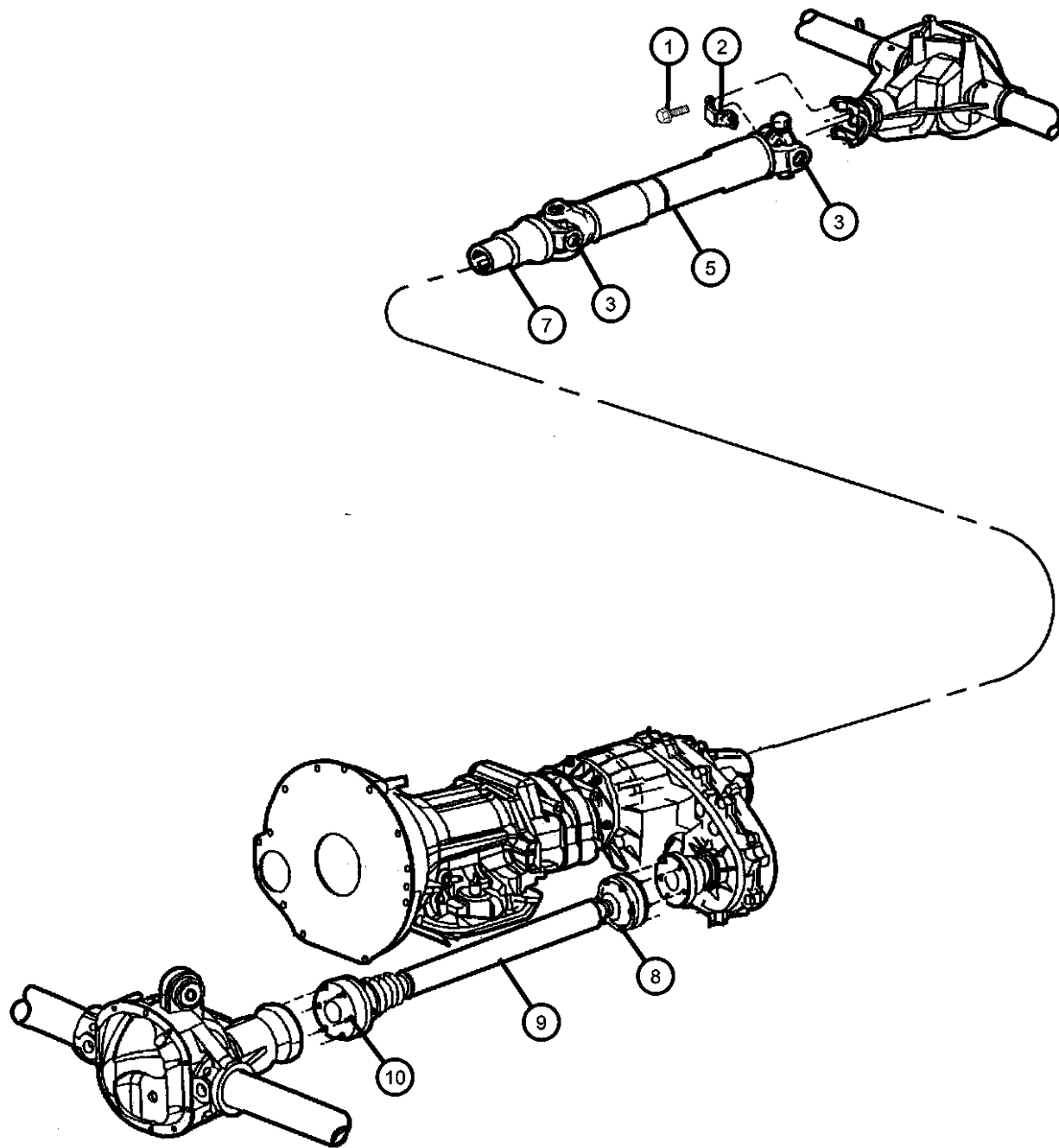
Propeller Shaft

Propeller Shafts, Front and Rear.....Fig. 16 - 110

016-100
Propeller Shaft



Propeller Shafts, Front and Rear
Figure 16-110



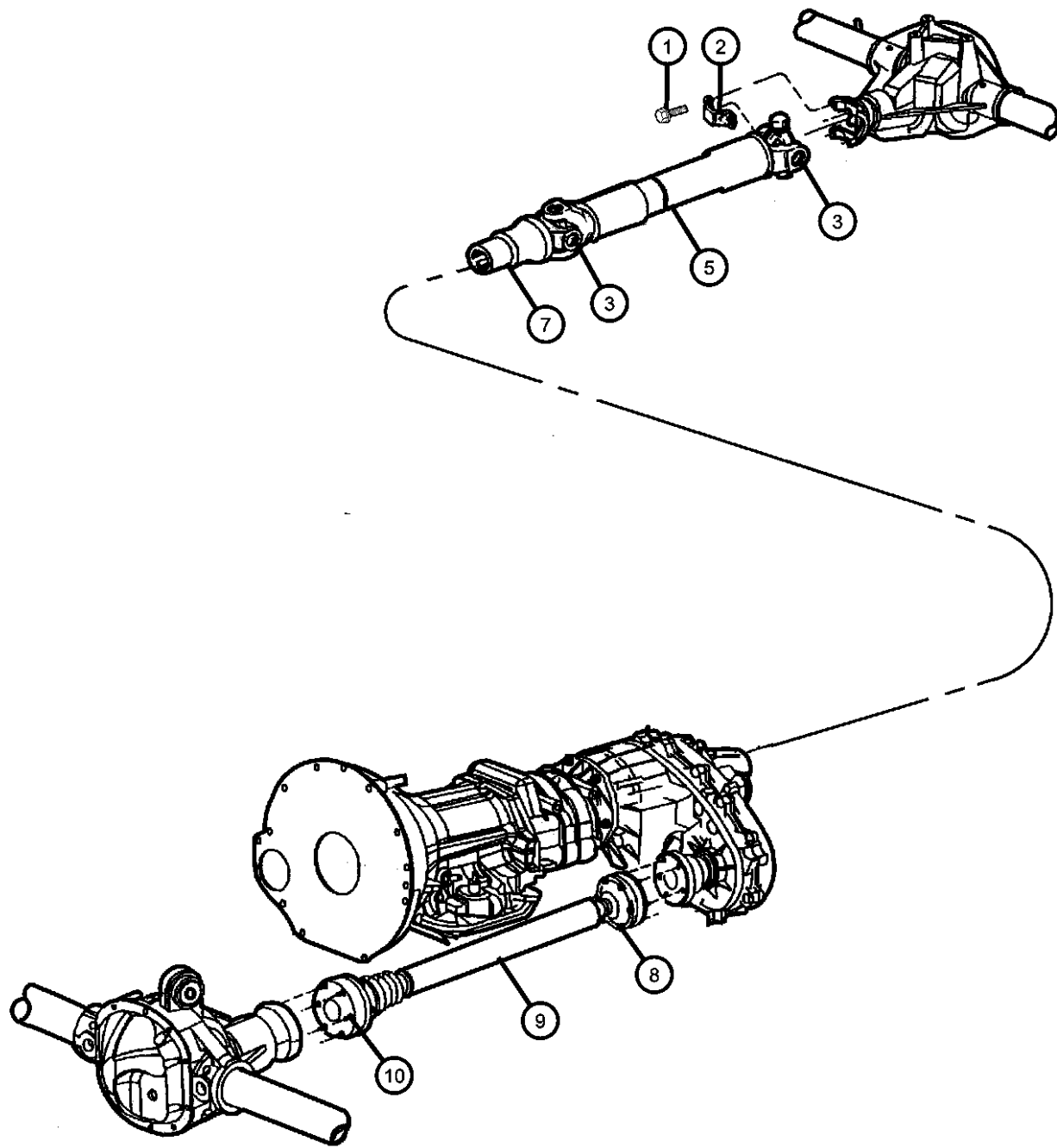
| ITEM | PART NUMBER | QTY | LINE | SERIES | BODY | ENGINE | TRANS | TRIM | DESCRIPTION |
|---|-------------|-----|------|--------|------|----------|-------|------|--|
| Note:Sales Codes: Note: Item 6,7,9,that one part number consists of 2 Bolts and 1 Strap Note:There are NO parts released for REAR DRIVE SHAFT 52111489AA [DGW]=Transmission - 4-Speed Automatic 44R [DHF]=Quadra-Trac II On Demand System [DHP]=Selec-Trac Full Time 4WD System [DRK]=Axle - Rear,Dana 44/226MM [DRM]=Axle - Rear,Dana 35C/194MM [ER0]=Engines - All 4.0L 6 Cylinder Gas [EV0]=Engines - All 4.7L Gas10 [EX0]=Engines - All 3.0/3.1L Turbo Diesel | | | | | | | | | |
| 1 | J4006928 | 4 | | | | ER0, EV0 | | | BOLT |
| 2 | J3240553 | 2 | | | | ER0, EV0 | | | STRAP, Prop Shaft |
| 3 | | | | | | | | | U-JOINT |
| | 04882793 | 2 | J, U | | | ER0 | | | Front or Rear |
| | | 2 | T | | | EV0 | | | Front or Rear |
| | | 2 | T | | | ER0 | | | Front or Rear |
| | | 1 | T | | | EV0 | | | With Tag 52099486AB, Rear |
| | | 2 | J, U | | | EV0 | | | Front or Rear |
| | 05014733AA | 1 | J, U | | | EV0 | | | With Tag 52111490AA,52111490AB, Front |
| | | 1 | T | | | EV0 | | | With Tag 52099486AB, Front |
| | 05015694AA | 1 | J, U | | | EV0 | | | With Tag 52111490AA,52111490AB, Rear |
| -4 | | | | | | | | | RING, U Joint |
| | J3207886 | 4 | T | | | ER0 | | | |
| | | 4 | J, U | | | ER0 | | | |
| | | 4 | T | | | EV0 | | | |
| | | 4 | J, U | | | EV0 | | | |
| 5 | | | | | | | | | SHAFT, Drive, Rear 1-Piece |
| | 52099484 | 1 | T | | | ER0 | | | With Tag 52099484-Up To and Including 9-13-99, Rear |
| | 52099484AD | 1 | T | | | ER0 | | | With Tag 52099484AD-9-14-99 and After, |
| | 52099485 | 1 | J, U | | | ER0 | | | With Tag 52099485-Up To and Including 9-13-99 [DHF,DRM] |
| | 52099485AE | 1 | J, U | | | ER0 | | | With Tag 52099485AE-9-14-99 and After [DHF,DRM] |

GRAND CHEROKEE (WJ)

| | | | | |
|-------------|----------------------|------------------------|---|--|
| SERIES | LINE | BODY | ENGINE | TRANSMISSION |
| H = Laredo | T = JEEP - 2WD | 74 = 4 Door (105.9 WB) | ERH = ENGINE - 4.0L POWER TECH I-6 | DG4 = TRANSMISSION-MULTI- SPEED AUTO, 45RFE |
| P = Limited | J = JEEP - 4WD | | EVA = ENGINE- 4.7L V8 MPI | DGW = TRANSMISSION - 4-SPD. AUTOMATIC,44RE |
| | U = JEEP - 4WD (RHD) | | EXA = ENGINE - 3.1L 5 CYL TURBO DIESEL | DGK = TRANSMISSION - 4-SPD. AUTOMATIC,42RE |
| | | | | DGO = ALL AUTOMATIC TRANSMISSIONS |

AR = use ase required - = Non illustrated part

Propeller Shafts, Front and Rear
Figure 16-110



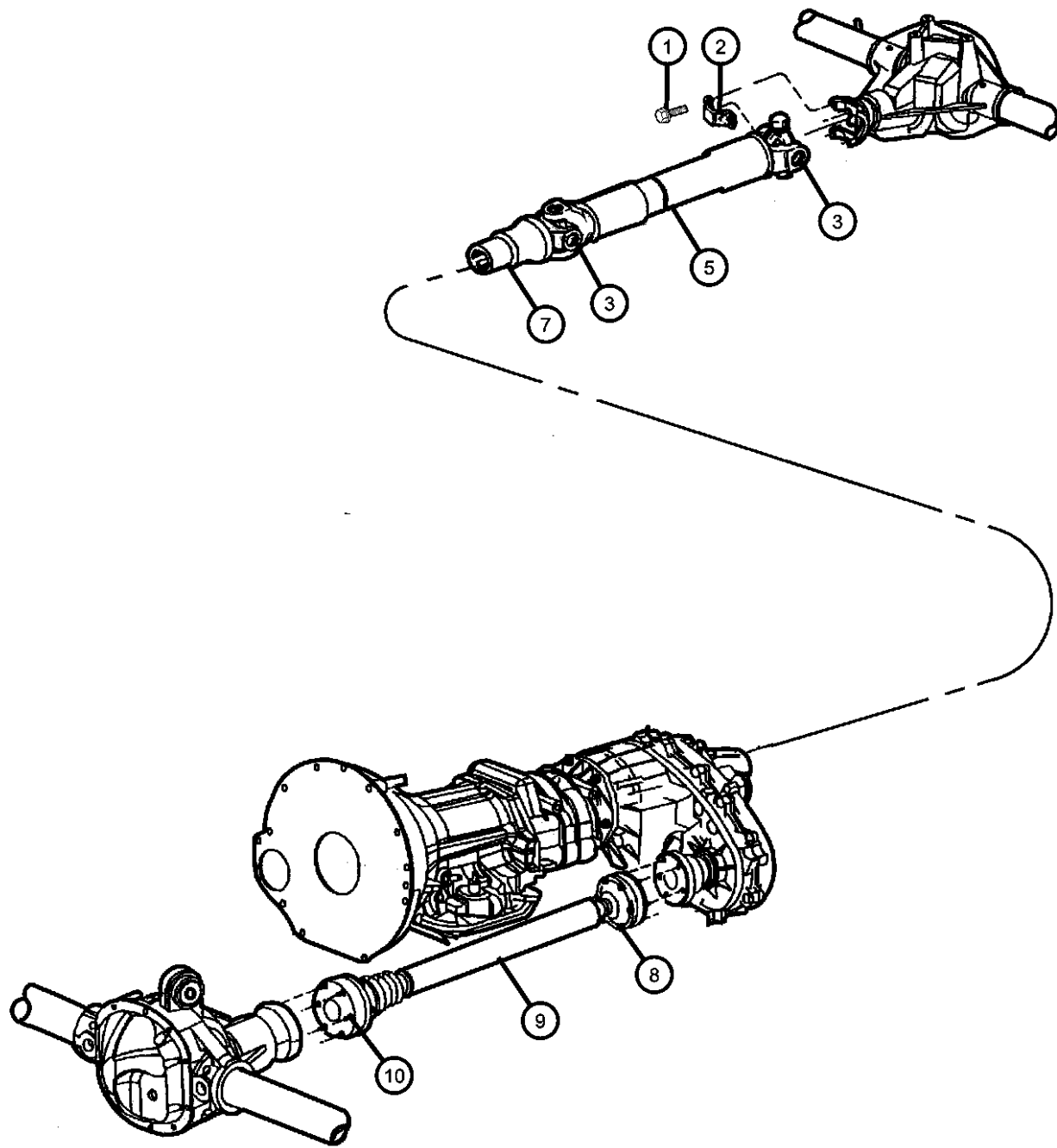
| ITEM | PART NUMBER | QTY | LINE | SERIES | BODY | ENGINE | TRANS | TRIM | DESCRIPTION |
|------|-------------|-----|------|--------|------|--------|-------|------|---|
| | 52099486 | 1 | T | | | EVO | | | With Tag 52099486-Up To and Including 9-13-99 |
| | 52099486AB | 1 | T | | | EVO | | | With Tag 52099486AB-9-14-99 and After |
| | 52099487 | 1 | J, U | | | EVO | | | With Tag 52099487-Up To and Including 9-13-99 [DHF] |
| | 52099487AC | 1 | J, U | | | EVO | | | With Tag 52099487AC-9-14-99 and After [DHF] |
| | 52105530 | 1 | J, U | | | ER0 | | | With Tag 52105530,52105530AC [DHP] |
| | 52111483AA | 1 | J, U | | | ER0 | | | With Tag 52111483AA-Up To and Including 9-13-99 [DRK] |
| | 52111483AB | 1 | J, U | | | ER0 | | | With Tag 52111483AB-9-14-99 and After [DRK] |
| | 52111489AA | 1 | J, U | | | EX0 | DGW | | With Tag 52111489AA |
| | 52111490AA | 1 | J, U | | | EVO | | | With Tag 52111490AA-Up To and Including 9-13-99 [DHP] |
| | 52111490AB | 1 | J, U | | | EVO | | | With Tag 52111490AB-9-14-99 and After [DHP] |
| -6 | | | | | | | | | BOLT AND WASHER |
| | 05096080AA | 3 | J, U | | | EX0 | DGW | | For 52111489AA Drive Shaft, Transmission, End |
| | 05096081AA | 3 | J, U | | | EX0 | DGW | | For 52111489AA Drive Shaft, Rear Axle, End |
| 7 | | | | | | | | | YOKE, Drive Shaft |
| | 04874052 | 1 | J, U | | | ER0 | | | With Tag 52099485,52111483AA, Up To and Including 9-13-99 |
| | | 1 | J, U | | | EVO | | | With Tag 52099487, Up To and Including 9-13-99 |
| | 04882714 | 1 | J, U | | | ER0 | | | With Tag 52105530, 52105530AC |
| | 05010030AA | 1 | T | | | ER0 | | | With Tag 52099484, Up To and Including 9-13-99 |
| | | 1 | J, U | | | ER0 | | | With Tag 52099485-Up To and Including 9-13-99 [DHF,DRM] |
| | | 1 | T | | | EVO | | | With Tag 52099486, Up To and Including 9-13-99 |
| | 05014043AA | 1 | J, U | | | EVO | | | With Tag 52111490AA, Up To and Including 9-13-99 |
| | 05017201AA | 1 | J, U | | | ER0 | | | With Tag 52099485AE-9-14-99 and After [DHF,DRM] |

GRAND CHEROKEE (WJ)

| | | | | |
|-------------|----------------------|------------------------|--|--|
| SERIES | LINE | BODY | ENGINE | TRANSMISSION |
| H = Laredo | T = JEEP - 2WD | 74 = 4 Door (105.9 WB) | ERH = ENGINE - 4.0L POWER TECH I-6 | DG4 = TRANSMISSION-MULTI-SPEED AUTO, 45RFE |
| P = Limited | J = JEEP - 4WD | | EVA = ENGINE- 4.7L V8 MPI | DGW = TRANSMISSION - 4-SPD. AUTOMATIC,44RE |
| | U = JEEP - 4WD (RHD) | | EXA = ENGINE - 3.1L 5 CYL TURBO DIESEL | DGK = TRANSMISSION - 4-SPD. AUTOMATIC,42RE |
| | | | | DGO = ALL AUTOMATIC TRANSMISSIONS |

AR = use ase required - = Non illustrated part

Propeller Shafts, Front and Rear
Figure 16-110



| ITEM | PART NUMBER | QTY | LINE | SERIES | BODY | ENGINE | TRANS | TRIM | DESCRIPTION |
|------|-------------|-----|------|--------|------|--------|-------|------|--|
| | | 1 | J, U | | | ER0 | | | With Tag 52099485AE, 52111483AB, 9-14-99 and After |
| | 05017202AA | 1 | T | | | ER0 | | | With Tag 52099484AD, 9-14-99 and After |
| | | 1 | T | | | EVO | | | With Tag 52099486AB, 9-14-99 and After |
| | 05018362AA | 1 | J, U | | | EVO | | | With Tag 52099487AC, 9-14-99 and After |
| | 05018773AA | 1 | J, U | | | EVO | | | With Tag 52111490AB, 9-14-99 and After |
| 8 | | | | | | | | | BOLT AND WASHER |
| | 05015109AA | 6 | J, U | | | ER0 | | | Mounting |
| | | 6 | J, U | | | EVO | | | Mounting |
| | | 6 | J, U | | | EX0 | DGW | | Mounting |
| 9 | | | | | | | | | SHAFT, Drive, Front |
| | 52099497AC | 1 | J, U | | | ER0 | | | |
| | 52099498AB | 1 | J, U | | | EVO | | | |
| | 52099499AC | 1 | J, U | | | EX0 | DGW | | |
| 10 | | | | | | | | | BOLT AND WASHER |
| | 05015996AA | 6 | J, U | | | ER0 | | | Mounting |
| | | 6 | J, U | | | EVO | | | Mounting |
| | | 6 | J, U | | | EX0 | DGW | | Mounting |

GRAND CHEROKEE (WJ)

SERIES
H = Laredo
P = Limited

LINE
T = JEEP - 2WD
J = JEEP - 4WD
U = JEEP - 4WD (RHD)

BODY
74 = 4 Door (105.9 WB)

ENGINE
ERH = ENGINE - 4.0L POWER TECH I-6
EVA = ENGINE - 4.7L V8 MPI
EXA = ENGINE - 3.1L 5 CYL TURBO DIESEL

TRANSMISSION
DG4 = TRANSMISSION-MULTI-SPEED AUTO, 45RFE
DGW = TRANSMISSION - 4-SPD. AUTOMATIC, 44RE
DGK = TRANSMISSION - 4-SPD. AUTOMATIC, 42RE
DGO = ALL AUTOMATIC TRANSMISSIONS

AR = use ase required - = Non illustrated part

2000 WJ

Group - 17

Rear Suspension

Group - 17 Rear Suspension

Group-Fig. No.

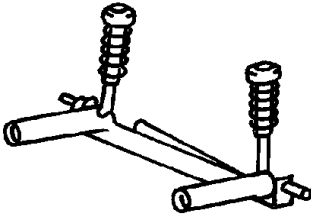
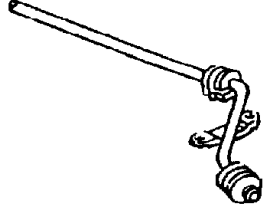
Illustration Title

Rear Suspension

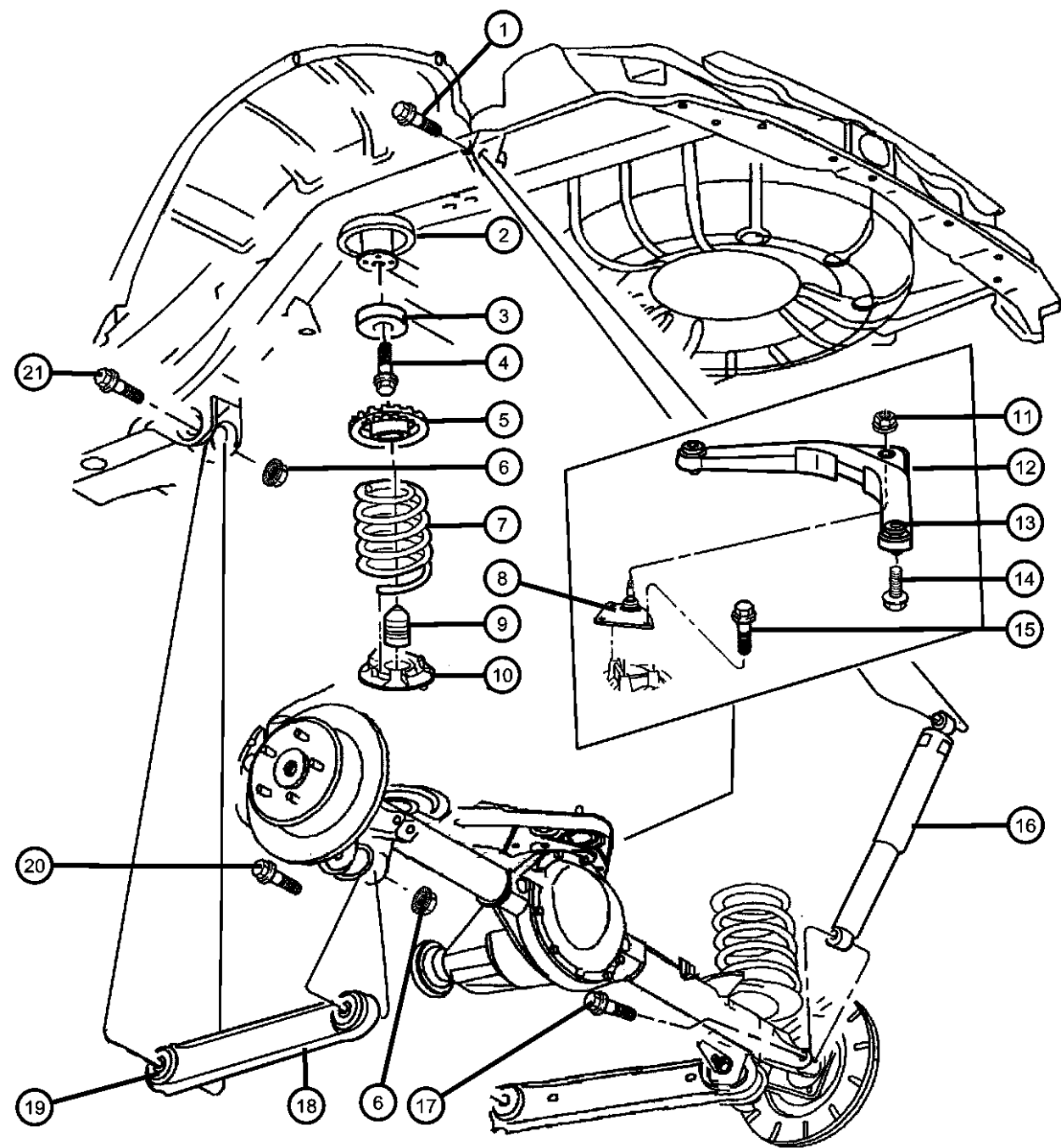
Suspension,Rear with Springs,Shocks and Control ArmsFig. 17 - 110

Rear Stabilizer

Stabilizer Bar, RearFig. 17 - 210

| | | | |
|--|---|--|--|
| <p>017-100 Rear Suspension</p>  | <p>017-200 Rear Stabilizer</p>  | | |
|--|---|--|--|

Suspension,Rear with Springs,Shocks and Control Arms
Figure 17-110



| ITEM | PART NUMBER | QTY | LINE | SERIES | BODY | ENGINE | TRANS | TRIM | DESCRIPTION |
|------|-------------|-----|------|--------|------|--------|-------|------|-------------|
|------|-------------|-----|------|--------|------|--------|-------|------|-------------|

Note:
 SDA = Quadra Coil Suspension
 SDU = Heavy Duty Suspension
 SDJ = Firm Feel Suspension (EXPORT)
 The 'Z' Sales Codes for the Coil Springs will be found in the VIN number

| | | | | | | | | | |
|----|------------|---|--|--|--|--|--|--|--|
| 1 | 06506147AA | 2 | | | | | | | SCREW, Hex Flange Head, M12x1.75x80, Shock Mounting, Upper |
| 2 | 05014781AA | 2 | | | | | | | GUIDE, Rear Spring, NoneUpper |
| 3 | 52088350 | 2 | | | | | | | SPACER, Jounce BumperUpper |
| 4 | 06505378AA | 2 | | | | | | | SCREW, Hex Flange Head, M10x1.5x40, Jounce Bumper Spacer, Mounting |
| 5 | 52088346 | 2 | | | | | | | ISOLATOR, SpringUpper |
| 6 | 06502698 | 4 | | | | | | | NUT, Hex Flange Lock, LCA to Axle and Sill, Mounting |
| 7 | | | | | | | | | SPRING, Suspension, Rear |
| | 52088343 | 1 | | | | | | | [ZKW,ZYW] |
| | 52088344 | 1 | | | | | | | [ZLV,ZZV] |
| | 52088345 | 1 | | | | | | | [ZLW,ZZW] |
| | 52088404 | 1 | | | | | | | [ZKY,ZYY] |
| | 52088550 | 1 | | | | | | | [ZKX,ZYX] |
| | 52088551 | 1 | | | | | | | [ZLU,ZZU] |
| | 52089500AA | 1 | | | | | | | [ZKZ,ZYZ] |
| 8 | 52088808AB | 1 | | | | | | | BALL JOINT ASSEMBLY, UPPER CONTROL ARM, REAR |
| 9 | 52088352 | 2 | | | | | | | BUMPER, JounceLower |
| 10 | 52088402AB | 2 | | | | | | | ISOLATOR, SpringLower |
| 11 | 06502698 | 1 | | | | | | | NUT, Hex Flange Lock, UCA to Axle Ball Joint, Mounting |
| 12 | 52088422AB | 1 | | | | | | | ARM, Upper Control, Rear, With 2 Bushings |
| 13 | 52088425 | 2 | | | | | | | BUSHING, Control Arm |
| 14 | 06504748 | 2 | | | | | | | SCREW, Hex Flange Head, M12x1.75x117, UCA to Body, Mounting |
| 15 | 06505445AA | 3 | | | | | | | BOLT, UCA Ball Joint to Axle, Mounting |
| 16 | | | | | | | | | SHOCK ABSORBER, Suspension, Rear |

GRAND CHEROKEE (WJ)

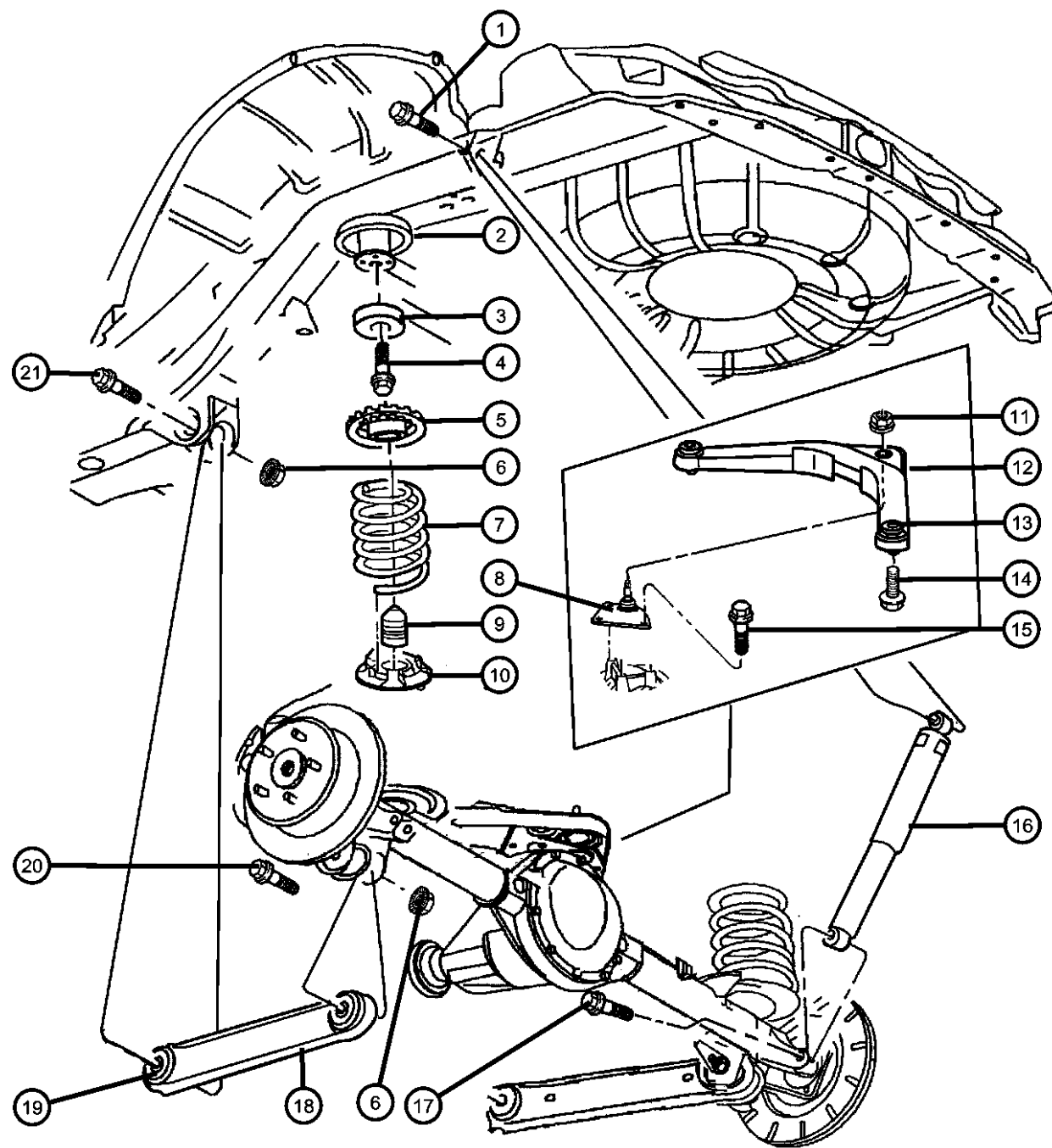
| SERIES | LINE | BODY | ENGINE | TRANSMISSION |
|-------------|----------------------|------------------------|--|--|
| H = Laredo | T = JEEP - 2WD | 74 = 4 Door (105.9 WB) | ERH = ENGINE - 4.0L POWER TECH I-6 | DG4 = TRANSMISSION-MULTI-SPEED AUTO, 45RFE |
| P = Limited | J = JEEP - 4WD | | EVA = ENGINE- 4.7L V8 MPI | DGW = TRANSMISSION - 4-SPD. AUTOMATIC,44RE |
| | U = JEEP - 4WD (RHD) | | EXA = ENGINE - 3.1L 5 CYL TURBO DIESEL | DGK = TRANSMISSION - 4-SPD. AUTOMATIC,42RE |
| | | | | DGO = ALL AUTOMATIC TRANSMISSIONS |

AR = use ase required - = Non illustrated part

2000 WJ

Suspension,Rear with Springs,Shocks and Control Arms

Figure 17-110



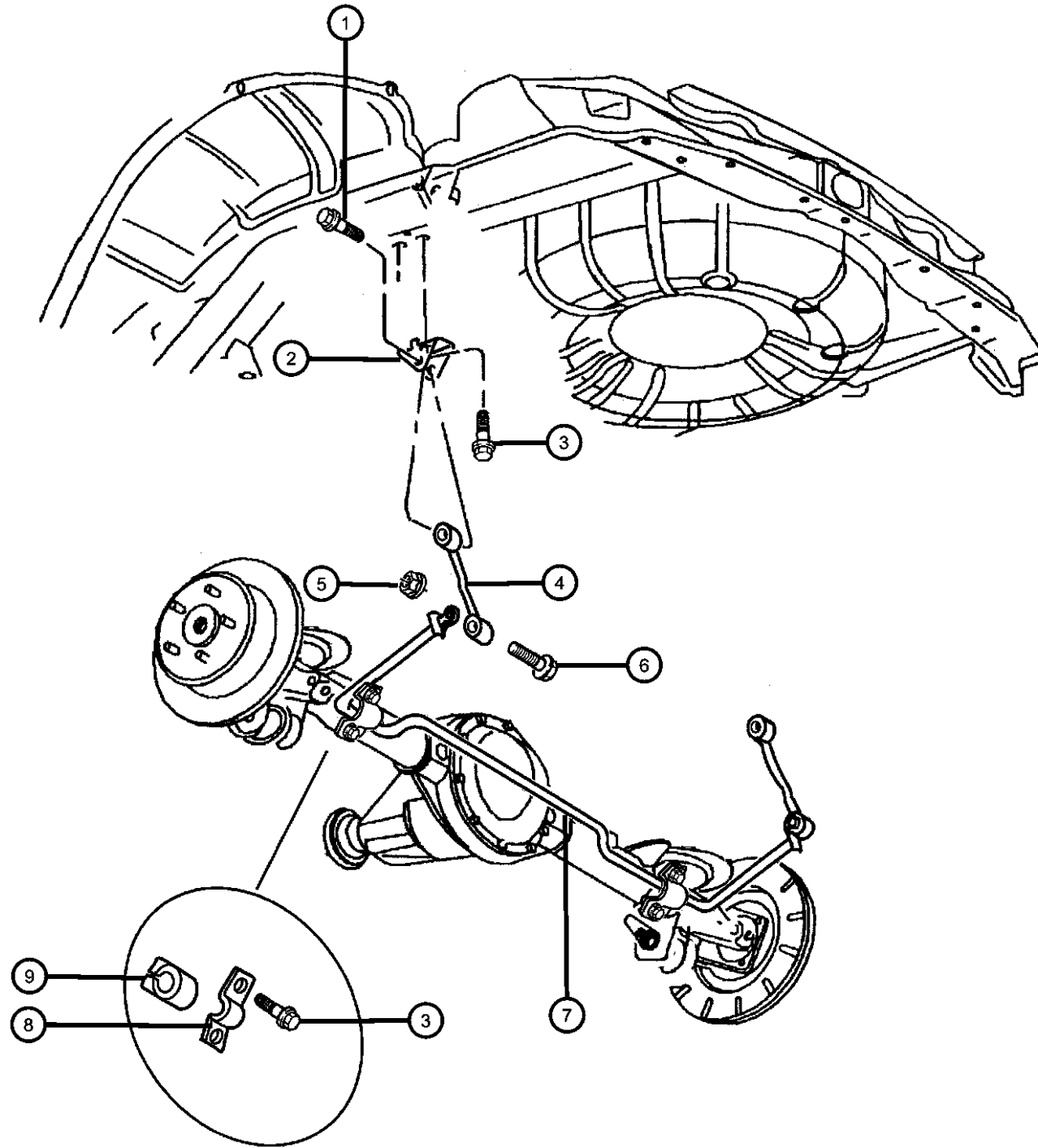
| ITEM | PART NUMBER | QTY | LINE | SERIES | BODY | ENGINE | TRANS | TRIM | DESCRIPTION |
|------|-------------|-----|------|--------|------|--------|-------|------|---|
| | 52088221AE | 2 | | | | | | | [SDA] CMU Market |
| | 0SG23339 | | | | | | | | Mopar V-Line Alternative Part |
| | 52088235AB | 2 | | | | | | | [SDU] CMU Market |
| | 0SG23339 | | | | | | | | Mopar V-Line Alternative Part |
| | 0SGR5128 | | | | | | | | Rancho Shock |
| | 52088735AA | 2 | | | | | | | [SDU] B Market |
| | 52088736AC | 2 | | | | | | | [SDA] B Market |
| | 52088950AC | 2 | | | | | | | [SDJ] B Market |
| 17 | 06505935AA | 2 | | | | | | | SCREW, Shock Mounting, Lower |
| 18 | 52088355AB | 2 | | | | | | | ARM, ControlRight or Left |
| 19 | 52088220 | 2 | | | | | | | BUSHING, Control Arm, LCA to Body, Mounting |
| 20 | 06505214AA | 2 | | | | | | | SCREW, Hex Flange Head, M14x2.00x114, LCA to Axle, Mounting |
| 21 | 06506033AA | 2 | | | | | | | BOLT, Hex Flange Head, M14x2.00x105.00, LCA to Sill, Mounting |

GRAND CHEROKEE (WJ)

| | | | | |
|-------------|----------------------|------------------------|--|--|
| SERIES | LINE | BODY | ENGINE | TRANSMISSION |
| H = Laredo | T = JEEP - 2WD | 74 = 4 Door (105.9 WB) | ERH = ENGINE - 4.0L POWER TECH I-6 | DG4 = TRANSMISSION-MULTI-SPEED AUTO, 45RFE |
| P = Limited | J = JEEP - 4WD | | EVA = ENGINE- 4.7L V8 MPI | DGW = TRANSMISSION - 4-SPD. AUTOMATIC,44RE |
| | U = JEEP - 4WD (RHD) | | EXA = ENGINE - 3.1L 5 CYL TURBO DIESEL | DGK = TRANSMISSION - 4-SPD. AUTOMATIC,42RE |
| | | | | DGO = ALL AUTOMATIC TRANSMISSIONS |

AR = use ase required - = Non illustrated part

Stabilizer Bar, Rear
Figure 17-210



| ITEM | PART NUMBER | QTY | LINE | SERIES | BODY | ENGINE | TRANS | TRIM | DESCRIPTION |
|------|-------------|-----|------|--------|------|--------|-------|------|--|
| 1 | 06502473 | 1 | | | | | | | BOLT, Hex Flange Head, M12x1.75x65, Sway Bar Link to Sill Bracket Mounting |
| 2 | 52088525AA | 2 | | | | | | | BRACKET, Suspension, Sway Bar End Link/Sill Mounting |
| 3 | | | | | | | | | SCREW AND WASHER, M10x1.50x35 |
| | 06503571 | 4 | | | | | | | End Link Bracket to Sill Mounting |
| | | 4 | | | | | | | Sway Bar Retainer to Axle Mounting |
| 4 | 52088319AB | 2 | | | | | | | LINK, Sway Eliminator |
| 5 | 06502696 | 2 | | | | | | | NUT, Hex Flange Lock, M14x1.50, Sway Bar Link to Sway Bar Mounting |
| 6 | 06503726 | 2 | | | | | | | SCREW, Shoulder, Sway Bar Link to Sway Bar Mounting |
| 7 | 52088739AB | 1 | | | | | | | STABILIZER BAR, Rear Suspension |
| 8 | 52087865 | 2 | | | | | | | RETAINER, Stabilizer Bar Grommet |
| 9 | 52088738AC | 2 | | | | | | | BUSHING, Stabilizer Bar |

GRAND CHEROKEE (WJ)

SERIES
H = Laredo
P = Limited

LINE
T = JEEP - 2WD
J = JEEP - 4WD
U = JEEP - 4WD (RHD)

BODY
74 = 4 Door (105.9 WB)

ENGINE
ERH = ENGINE - 4.0L POWER TECH I-6
EVA = ENGINE- 4.7L V8 MPI
EXA = ENGINE - 3.1L 5 CYL TURBO DIESEL

TRANSMISSION
DG4 = TRANSMISSION-MULTI-SPEED AUTO, 45RFE
DGW = TRANSMISSION - 4-SPD. AUTOMATIC, 44RE
DGK = TRANSMISSION - 4-SPD. AUTOMATIC, 42RE
DGO = ALL AUTOMATIC TRANSMISSIONS

AR = use ase required - = Non illustrated part

2000 WJ

Group - 19

Steering

Group - 19 Steering

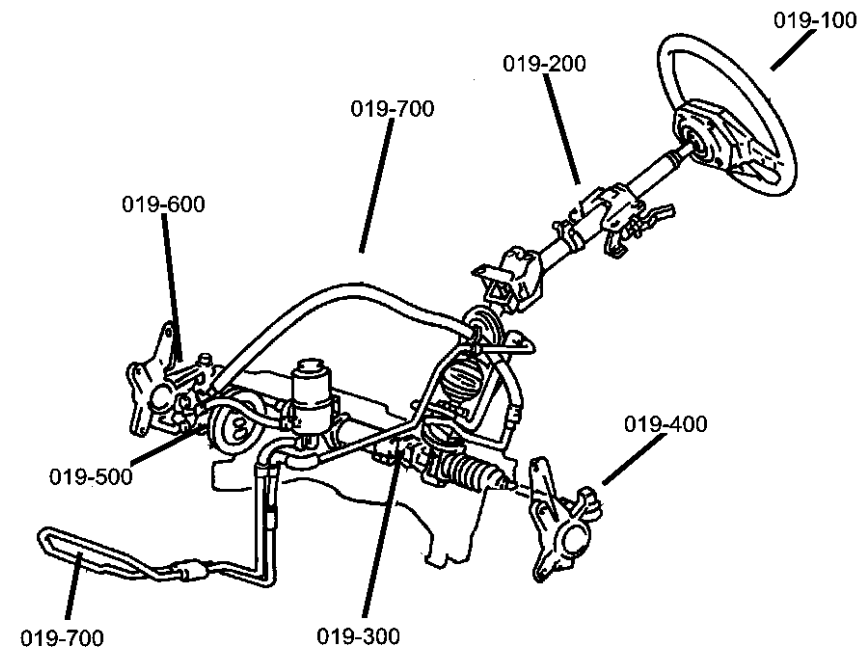


Illustration Title

Group-Fig. No.

Steering Wheel

Steering Wheel Assembly Fig. 19 - 110

Steering Column

Steering Column Assy Fig. 19 - 210

Steering Gear

Steering Gear and Linkage-Left Hand Drive Fig. 19 - 310

Steering Gear and Linkage-Right Hand Drive Fig. 19 - 320

Power Steering Pump

Power Steering Pumps-Gas..... Fig. 19 - 510

Power Steering Pumps-Diesel Fig. 19 - 520

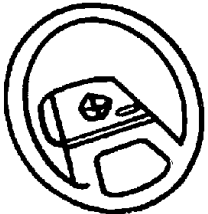
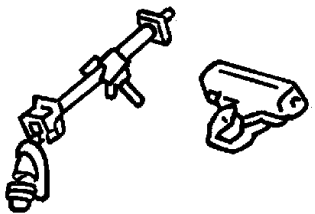
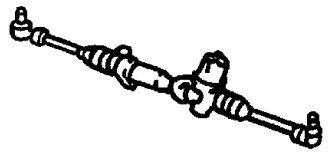
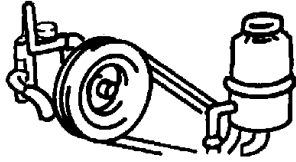
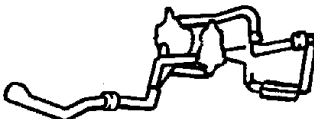
Power Steering Hoses

Power Steering Hoses-Gas-Left Hand Drive..... Fig. 19 - 710

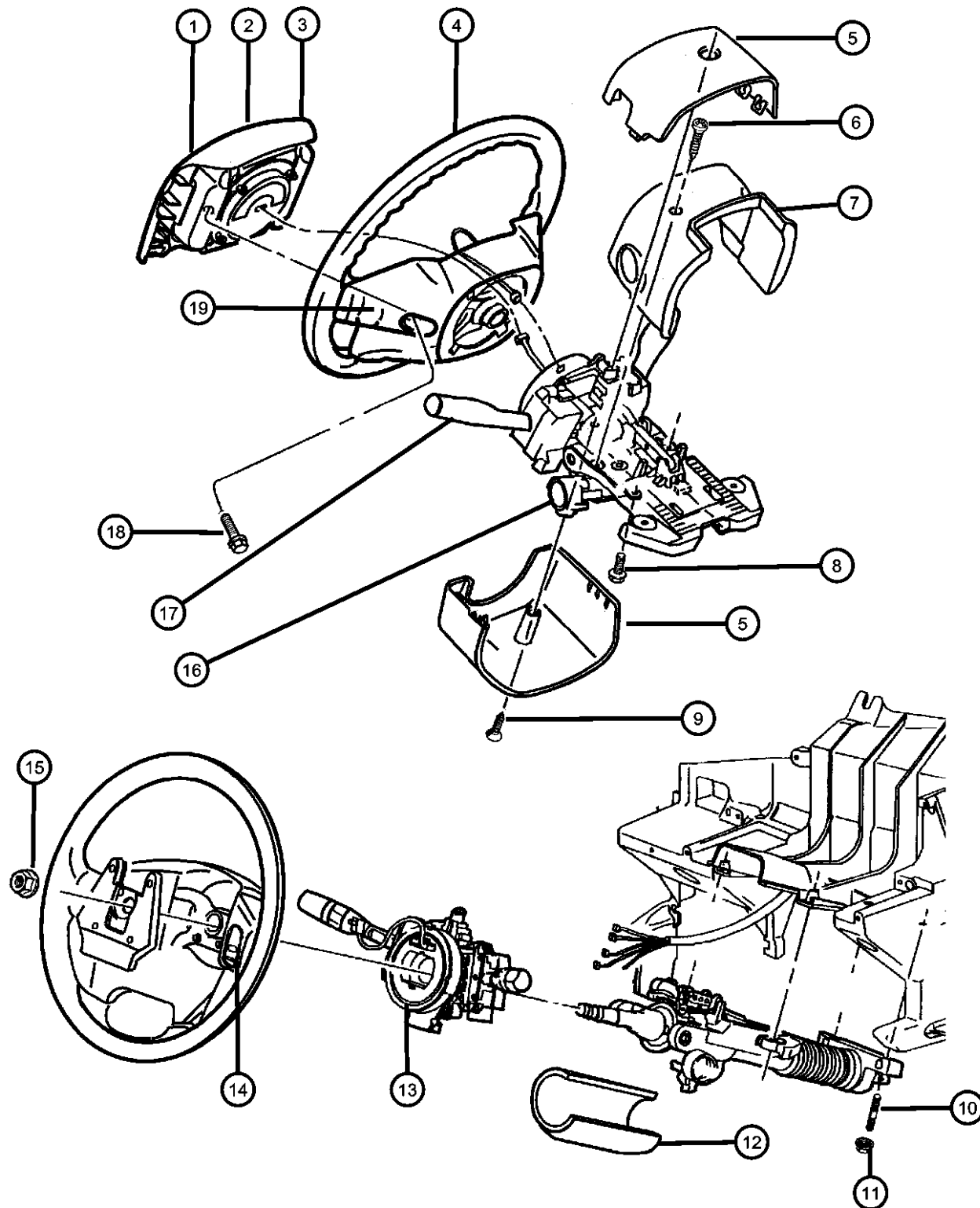
Power Steering Hoses-Diesel-Left Hand Drive Fig. 19 - 720

Power Steering Hoses-Gas-Right Hand Drive Fig. 19 - 730

Power Steering Hoses-Diesel-Right Hand Drive..... Fig. 19 - 740

| | | | |
|---|---|--|---|
| <p>019-100 Steering Wheel</p>  | <p>019-200 Steering Column</p>  | <p>019-300 Steering Gear</p>  | <p>019-500 Power Steering Pump</p>  |
| <p>019-700 Power Steering Hoses</p>  | | | |

**Steering Wheel Assembly
Figure 19-110**



| ITEM | PART NUMBER | QTY | LINE | SERIES | BODY | ENGINE | TRANS | TRIM | DESCRIPTION |
|------|-------------|-----|------|--------|------|--------|-------|------|-------------|
|------|-------------|-----|------|--------|------|--------|-------|------|-------------|

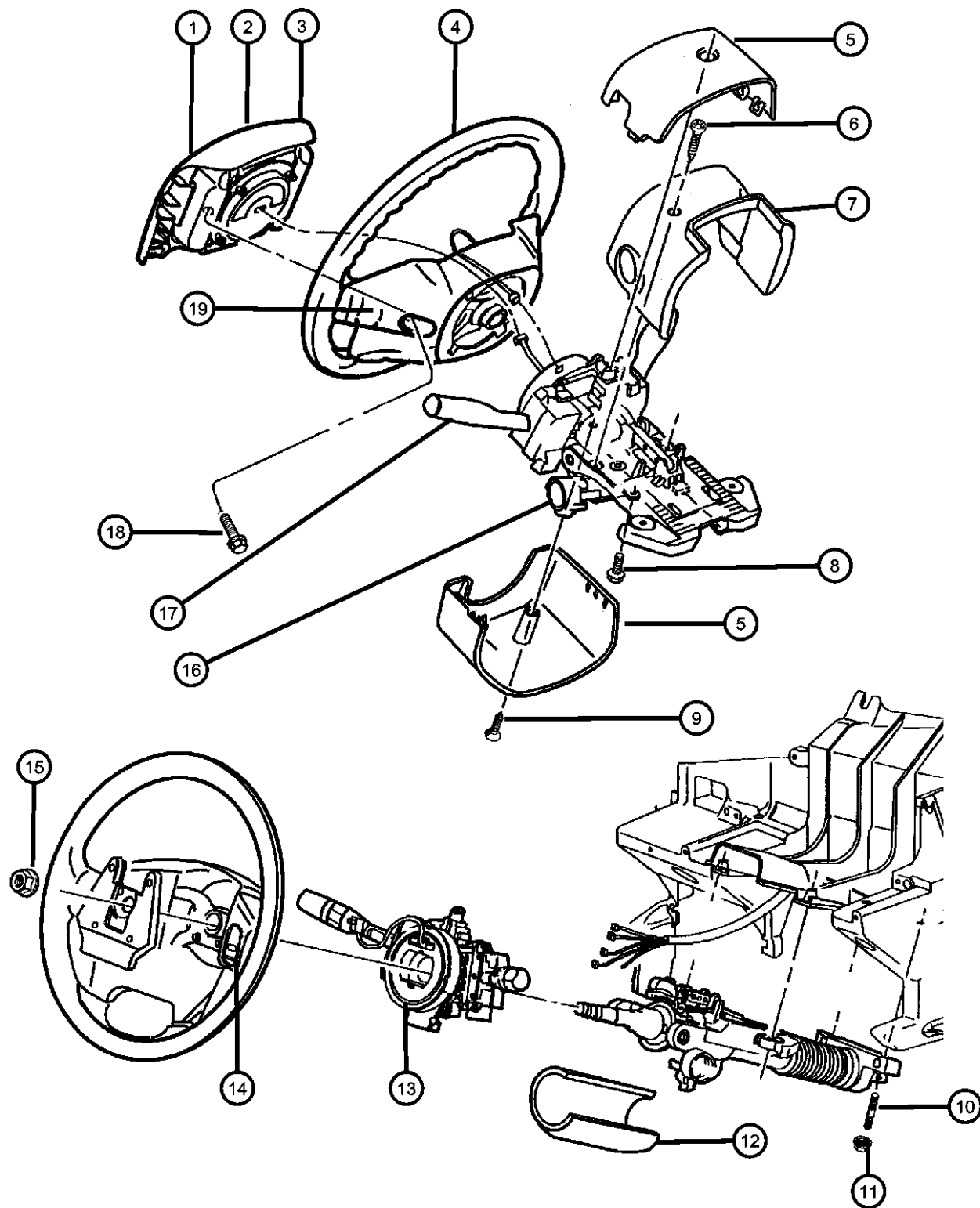
Note: Sales Codes:
 DG0 = All Automatic Transmissions
 SCA = Vinyl Steering Wheel
 SCL = Leather Wrapped Steering Wheel

| | | | | | | | | | |
|---|------------|---|--|---|--|--|--|--|---|
| 1 | | | | | | | | | AIR BAG, Driver |
| | 5FA39LAZAG | 1 | | H | | | | | AZ |
| | | 1 | | P | | | | | AZ |
| | 5FA39VK9AG | 1 | | P | | | | | K5 |
| | 5FA39WL8AG | 1 | | P | | | | | L5 |
| 2 | | | | | | | | | COVER, Air Bag Module |
| | 0SX52LAZAA | 1 | | H | | | | | AZ-Includes Horn Switch |
| | | 1 | | P | | | | | AZ-Includes Horn Switch |
| | 0SX52VK9AA | 1 | | P | | | | | K5-Includes Horn Switch |
| | 0SX52WL8AA | 1 | | P | | | | | L5-Includes Horn Switch |
| 3 | | | | | | | | | SWITCH, Horn |
| | 05014533AA | 1 | | H | | | | | |
| | | 1 | | P | | | | | |
| 4 | | | | | | | | | WHEEL, Steering |
| | 0WB611AZAA | 1 | | H | | | | | [SCL] AZ |
| | | 1 | | P | | | | | [SCL] AZ |
| | 0WB611K9AA | 1 | | P | | | | | [SCL] K5 |
| | 0WB611L8AA | 1 | | P | | | | | [SCL] L5 |
| | 5HM231AZAA | 1 | | | | | | | [SCA] AZ |
| 5 | | | | | | | | | SHROUD, Steering Column |
| | 5GE40LAZAA | 1 | | H | | | | | AZ-Upto and Including 02-13-00, Upper And Lower |
| | | 1 | | P | | | | | AZ-Upto and Including 02-13-00, Upper And Lower |
| | 5GE40VK9AA | 1 | | P | | | | | K5-Upto and Including 02-13-00, Upper And Lower |
| | 5GE40WL8AA | 1 | | P | | | | | L5-Upto and Including 02-13-00, Upper And Lower |
| | 5GE40LAZAB | 1 | | H | | | | | AZ-02-14-00 and After, Upper And Lower |
| | | 1 | | P | | | | | AZ-02-14-00 and After, Upper And Lower |
| | 5GE40VK9AB | 1 | | P | | | | | K5-02-14-00 and After, Upper And Lower |

| | | | | |
|----------------------------|----------------------|------------------------|--|---|
| GRAND CHEROKEE (WJ) | | | | |
| SERIES | LINE | BODY | ENGINE | TRANSMISSION |
| H = Laredo | T = JEEP - 2WD | 74 = 4 Door (105.9 WB) | ERH = ENGINE - 4.0L POWER TECH I-6 | DG4 = TRANSMISSION-MULTI-SPEED AUTO, 45RFE |
| P = Limited | J = JEEP - 4WD | | EVA = ENGINE- 4.7L V8 MPI | DGW = TRANSMISSION - 4-SPD. AUTOMATIC, 44RE |
| | U = JEEP - 4WD (RHD) | | EXA = ENGINE - 3.1L 5 CYL TURBO DIESEL | DGK = TRANSMISSION - 4-SPD. AUTOMATIC, 42RE |
| | | | | DGO = ALL AUTOMATIC TRANSMISSIONS |

AR = use ase required - = Non illustrated part

**Steering Wheel Assembly
Figure 19-110**



| ITEM | PART NUMBER | QTY | LINE | SERIES | BODY | ENGINE | TRANS | TRIM | DESCRIPTION |
|------|-------------|-----|------|--------|------|--------|-------|------|---|
| | 5GE40WL8AB | 1 | | P | | | | | L5-02-14-00 and After, Upper And Lower |
| 6 | 06035142 | 2 | | | | | | | SCREW, .164-32x1.00, Shroud to Column |
| 7 | 5GE39LAZAA | 1 | | H | | | DG0 | | SHROUD, Steering Column |
| | | 1 | | P | | | DG0 | | AZ |
| | 5GE39VK9AA | 1 | | P | | | DG0 | | AZ |
| | 5GE39WL8AA | 1 | | P | | | DG0 | | K5 |
| 8 | 06505513AA | 1 | | | | | DG0 | | L5 |
| | | 1 | | | | | | | SCREW, Tapping, M4x0.7x14, Smart Key Immobilizer Module, Mounting |
| 9 | 06034678 | 1 | | | | | | | SCREW, Self Piercing, .164-15-1, Shroud to Shroud |
| 10 | 06034678 | 1 | | | | | | | STUD, M6x1.00mmx48.80mm, (NOT SERVICED) |
| 11 | 06503014 | 4 | | | | | | | NUT AND WASHER, Hex, M6x1, Steering Column, Mounting |
| 12 | 04690413 | 2 | | | | | | | COVER, Steering Wheel, Steering Column Tilt Assist Spring |
| 13 | | | | | | | | | CLOCKSPRING |
| | 56042341AE | 1 | J, U | | | | | | |
| | | 1 | J, T | | | | | | |
| 14 | | | | | | | | | SWITCH, Speed Control |
| | 56042310AC | 1 | | | | | | | [SCA], Right |
| | 56042311AC | 1 | | | | | | | [SCA], Left |
| | 5GY381AZAA | 1 | | H | | | | | [SCL] AZ, Right |
| | | 1 | | P | | | | | [SCL] AZ, Right |
| | 5GY381K9AA | 1 | | P | | | | | [SCL] K5, Right |
| | 5GY381L8AA | 1 | | P | | | | | [SCL] L5, Right |
| | 5GY391AZAA | 1 | | H | | | | | [SCL] AZ, Left |
| | | 1 | | P | | | | | [SCL] AZ, Left |
| | 5GY391K9AA | 1 | | P | | | | | [SCL] K5, Left |
| | 5GY391L8AA | 1 | | P | | | | | [SCL] L5, Left |
| 15 | 06505248AA | 1 | | | | | | | NUT, Hex Flange Lock, Steering Wheel, Mounting |
| 16 | 56042298AD | 1 | | | | | | | MODULE, Immobilizer, Sentry Key |

GRAND CHEROKEE (WJ)

SERIES LINE
H = Laredo T = JEEP - 2WD
P = Limited J = JEEP - 4WD
 U = JEEP - 4WD (RHD)

BODY
74 = 4 Door (105.9 WB)

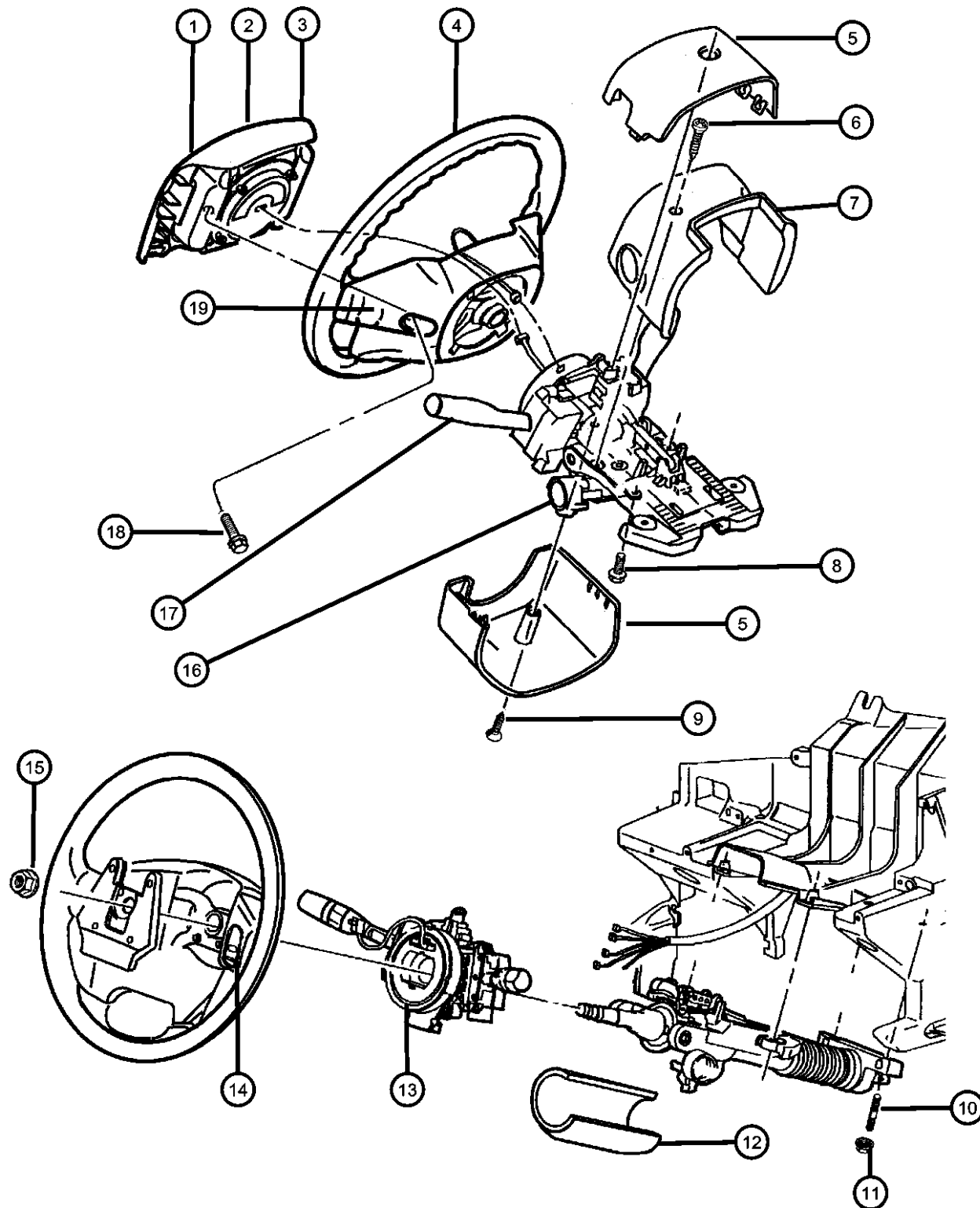
ENGINE
ERH = ENGINE - 4.0L POWER TECH I-6
EVA = ENGINE - 4.7L V8 MPI
EXA = ENGINE - 3.1L 5 CYL TURBO DIESEL

TRANSMISSION
DG4 = TRANSMISSION-MULTI-SPEED AUTO, 45RFE
DGW = TRANSMISSION - 4-SPD. AUTOMATIC, 44RE
DGK = TRANSMISSION - 4-SPD. AUTOMATIC, 42RE
DGO = ALL AUTOMATIC TRANSMISSIONS

AR = use ase required - = Non illustrated part

2000 WJ

Steering Wheel Assembly
Figure 19-110



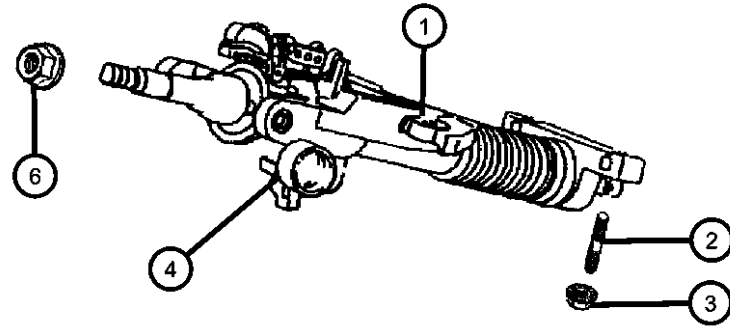
| ITEM | PART NUMBER | QTY | LINE | SERIES | BODY | ENGINE | TRANS | TRIM | DESCRIPTION |
|------|-------------|-----|------|--------|------|--------|-------|------|---|
| 17 | 04690595AA | 1 | | | | | | | LEVER, Steering Column, Tilt |
| 18 | 06506091AA | 2 | | | | | | | SCREW, M6x1x25, Air Bag to Steering Wheel, Mounting |
| 19 | | | | | | | | | SWITCH, Remote Radio |
| | 56042312AB | 1 | | H | | | | | Radio Control, Right |
| | | 1 | | P | | | | | Radio Control, Right |
| | 56042313AB | 1 | | H | | | | | Radio Control, Left |
| | | 1 | | P | | | | | Radio Control, Left |
| -20 | 04595746AA | 1 | | | | | | | LABEL, Air Bag Warning, End Cap |
| -21 | | | | | | | | | HOUSING, Switch |
| | 56042297AD | 1 | J, T | | | | | | Multifunction with Turn Signal Cancelling Cam |
| | | 1 | J, U | | | | | | Multifunction with Turn Signal Cancelling Cam |

| | | | | |
|----------------------------|----------------------|------------------------|--|---|
| GRAND CHEROKEE (WJ) | | | | |
| SERIES | LINE | BODY | ENGINE | TRANSMISSION |
| H = Laredo | T = JEEP - 2WD | 74 = 4 Door (105.9 WB) | ERH = ENGINE - 4.0L POWER TECH I-6 | DG4 = TRANSMISSION-MULTI-SPEED AUTO, 45RFE |
| P = Limited | J = JEEP - 4WD | | EVA = ENGINE- 4.7L V8 MPI | DGW = TRANSMISSION - 4-SPD. AUTOMATIC, 44RE |
| | U = JEEP - 4WD (RHD) | | EXA = ENGINE - 3.1L 5 CYL TURBO DIESEL | DGK = TRANSMISSION - 4-SPD. AUTOMATIC, 42RE |
| | | | | DGO = ALL AUTOMATIC TRANSMISSIONS |

AR = use ase required - = Non illustrated part

**Steering Column Assy
Figure 19-210**

| ITEM | PART NUMBER | QTY | LINE | SERIES | BODY | ENGINE | TRANS | TRIM | DESCRIPTION |
|------|-------------|-----|------|--------|------|--------|-------|------|---|
| 1 | 55115970AD | 1 | | | | | | | COLUMN, Steering, Tilt w/Floor shift |
| | 55116975AD | 1 | | | | | | | Export |
| 2 | 55116975AD | 1 | | | | | | | STUD, M6x1.00mmx48.80mm, (NOT SERVICED), |
| 3 | 06503014 | 4 | | | | | | | NUT AND WASHER, Hex, M6x1, Steering Column Mounting |
| 4 | 04690488 | 1 | | | | | | | HOUSING, Steering Column Lock, Includes Ignition Key Cylinder Ring |
| -5 | 04690023 | 2 | | | | | | | SCREW, Pan Head, .25-20x.62, Ignition Lock Housing Mounting |
| 6 | 06505248AA | 1 | | | | | | | NUT, Hex Flange Lock, Steering Wheel Attaching |
| -7 | 56042298AD | 1 | | | | | | | MODULE, Immobilizer |
| -8 | 56042297AD | 1 | J, T | | | | | | HOUSING, Switch Multifunction |
| | | 1 | J, U | | | | | | Multifunction |



GRAND CHEROKEE (WJ)

SERIES
H = Laredo
P = Limited

LINE
T = JEEP - 2WD
J = JEEP - 4WD
U = JEEP - 4WD (RHD)

BODY
74 = 4 Door (105.9 WB)

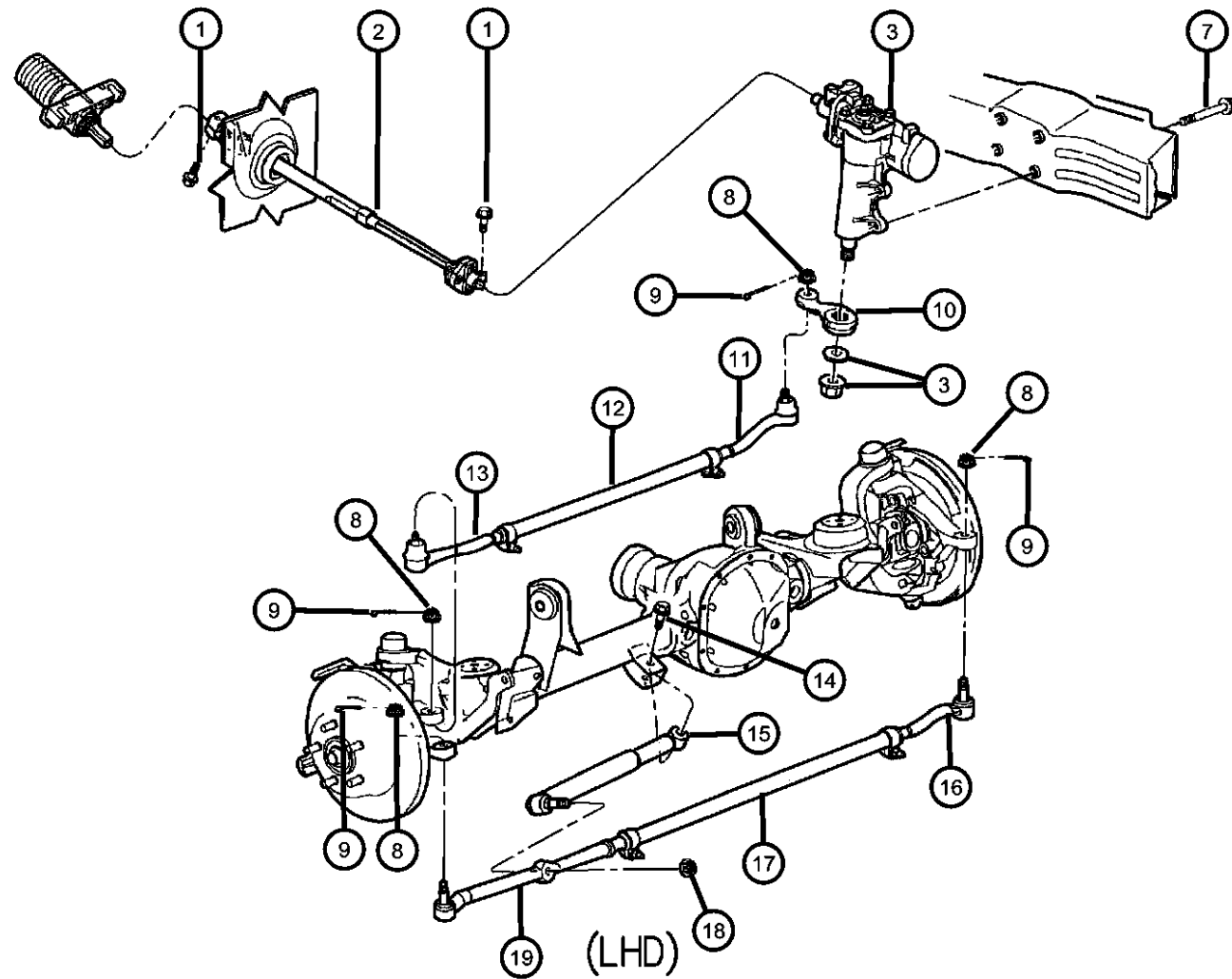
ENGINE
ERH = ENGINE - 4.0L
POWER TECH I-6
EVA = ENGINE- 4.7L V8 MPI
EXA = ENGINE - 3.1L 5 CYL
TURBO DIESEL

TRANSMISSION
DG4 = TRANSMISSION-MULTI-
SPEED AUTO, 45RFE
DGW = TRANSMISSION - 4-SPD.
AUTOMATIC,44RE
DGK = TRANSMISSION - 4-SPD.
AUTOMATIC,42RE
DGO = ALL AUTOMATIC
TRANSMISSIONS

AR = use ase required - = Non illustrated part

2000 WJ

Steering Gear and Linkage-Left Hand Drive
Figure 19-310



| ITEM | PART NUMBER | QTY | LINE | SERIES | BODY | ENGINE | TRANS | TRIM | DESCRIPTION |
|--|-------------|-----|------|--------|------|--------|-------|------|--|
| Ote: T=2 Wheel Drive Left Hand Drive—J=4 Wheel Drive Left Hand Drive | | | | | | | | | |
| 1 | 06504926AA | 2 | | | | | | | SCREW, Hex Flange Head, M10x1.5x40, Intermediate Shaft to Steering Column and to Steering Gear |
| 2 | 52088253AE | 1 | J, T | | | | | | SHAFT, Intermediate Upto and Including 03-08-00 |
| | 52088253AG | 1 | J, T | | | | | | 03-09-00 and After |
| 3 | 52088272AC | 1 | J, T | | | | | | GEAR, Power Steering |
| | 52088273 | 1 | J | | | | | | Export |
| -4 | 05014667AA | 1 | J, T | | | | | | SEAL KIT, Steering Gear Housing, CONTAINS: HOUSING ASM - BEARING/SEAL/VALVE O-RING (7.6 ID) O-RING (72.20 ID) X3 BOLT GREASE |
| -5 | 05014665AA | 1 | J, T | | | | | | SEAL KIT, Steering Gear, CONTAINS:O-RING O-RING O-RING PITMAN SHAFT SEAL SEAL BACK-UP WASHER RETAINING RING PITMAN SHAFT DUST SEAL GREASE LUBE RACK PISTON RING O-RING SEAL |
| -6 | 05014671AA | 1 | J, T | | | | | | SEAL KIT, Steering gear pitman shaft, CONTAINS: COVER ASM O-RING PITMAN SHAFT SEAL SEAL BACK-UP WASHER PITMAN SHAFT DUST SEAL PITMAN ARM NUT LOCK WASHER X4 BOLT GREASE SCREW, Hex Head, Steering Gear to Sill Mounting NUT, Hex, .50-20 |
| 7 | 06504965AA | 4 | | | | | | | Drag Link to Knuckle Mounting |
| 8 | 06034358 | 1 | | | | | | | Drag Link to Pitman Arm Mounting |
| | | 1 | | | | | | | Tie Rod to Knuckle |
| | | 2 | | | | | | | |
| 9 | 34202101 | 1 | | | | | | | PIN, Cotter |
| | | 1 | | | | | | | Drag Link to Knuckle |
| | | 1 | | | | | | | Drag Link to Pitman Arm |

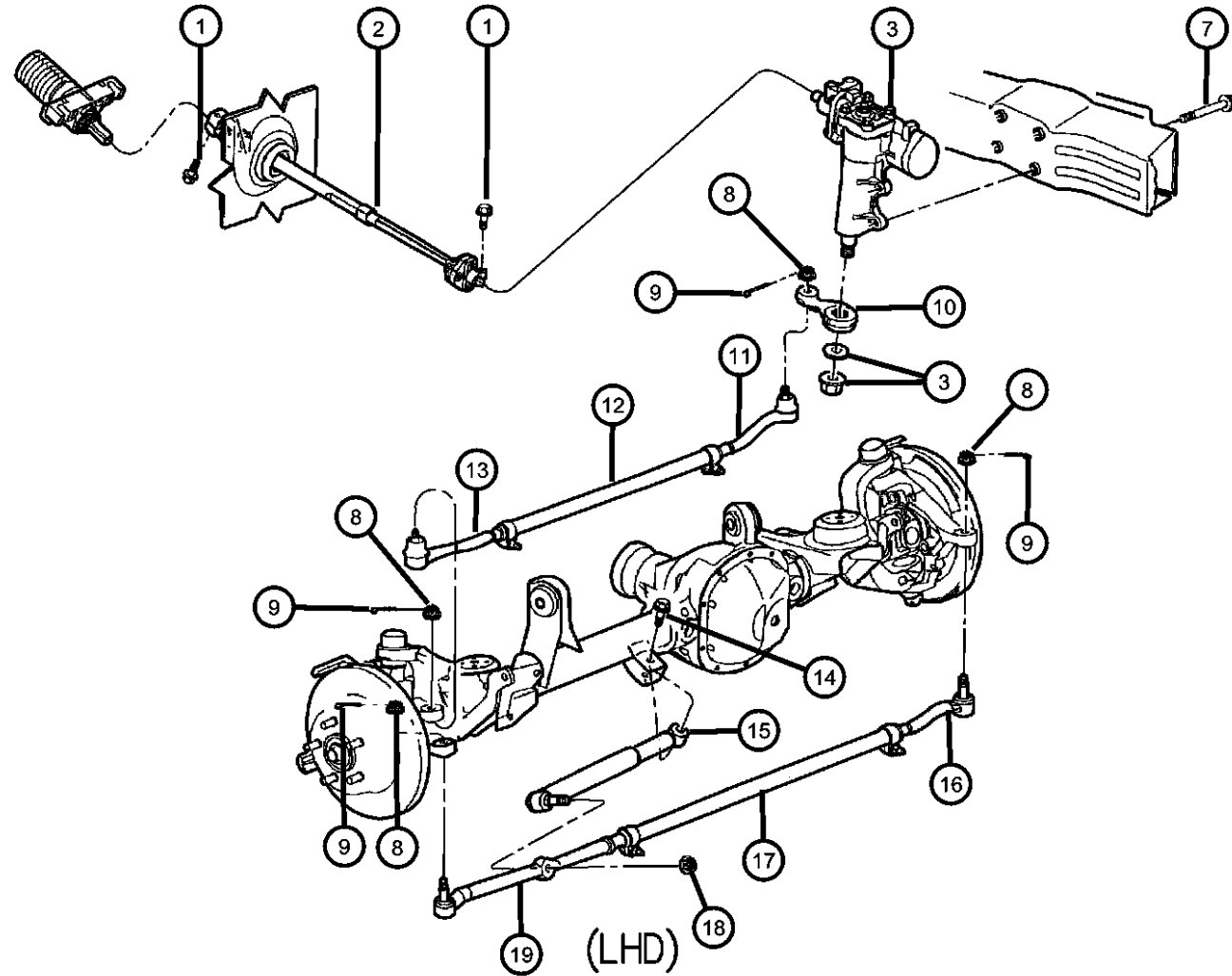
GRAND CHEROKEE (WJ)

| | | | | |
|---------------|----------------------|------------------------|--|--|
| SERIES | LINE | BODY | ENGINE | TRANSMISSION |
| H = Laredo | T = JEEP - 2WD | 74 = 4 Door (105.9 WB) | ERH = ENGINE - 4.0L POWER TECH I-6 | DG4 = TRANSMISSION-MULTI-SPEED AUTO, 45RFE |
| P = Limited | J = JEEP - 4WD | | EVA = ENGINE- 4.7L V8 MPI | DGW = TRANSMISSION - 4-SPD. AUTOMATIC,44RE |
| | U = JEEP - 4WD (RHD) | | EXA = ENGINE - 3.1L 5 CYL TURBO DIESEL | DGK = TRANSMISSION - 4-SPD. AUTOMATIC,42RE |
| | | | | DGO = ALL AUTOMATIC TRANSMISSIONS |

AR = use ase required - = Non illustrated part

2000 WJ

**Steering Gear and Linkage-Left Hand Drive
Figure 19-310**



| ITEM | PART NUMBER | QTY | LINE | SERIES | BODY | ENGINE | TRANS | TRIM | DESCRIPTION |
|------|-------------|-----|------|--------|------|--------|-------|------|--|
| | | 2 | | | | | | | Tie Rod to Knuckle |
| 10 | 52088242 | 1 | J, T | | | | | | ARM, Pitman |
| 11 | 52088511 | 1 | J, T | | | | | | SOCKET, Tie Rod, Drag Link to Pitman Arm |
| 12 | 52088463 | 1 | J, T | | | | | | LINK, Steering, Drag Link Adjuster |
| 13 | 52088461 | 1 | J, T | | | | | | SOCKET, Tie Rod, Drag Link to Knuckle |
| 14 | 06502473 | 1 | | | | | | | BOLT, Hex Flange Head, M12x1.75x65, Steering Damper to Axle Bracket Mounting |
| 15 | 52088251AB | 1 | | | | | | | DAMPER, Steering |
| 16 | 52088869AA | 1 | | | | | | | SOCKET, Tie Rod, OuterLeft |
| 17 | 52088871AA | 1 | | | | | | | LINK, Steering, Adjuster Assembly |
| 18 | 06505822AA | 1 | | | | | | | NUT, Damper Stud to Tie Rod |
| 19 | 52088870AA | 1 | | | | | | | SOCKET, Tie Rod, OuterRight |

GRAND CHEROKEE (WJ)

SERIES
H = Laredo
P = Limited

LINE
T = JEEP - 2WD
J = JEEP - 4WD
U = JEEP - 4WD (RHD)

BODY
74 = 4 Door (105.9 WB)

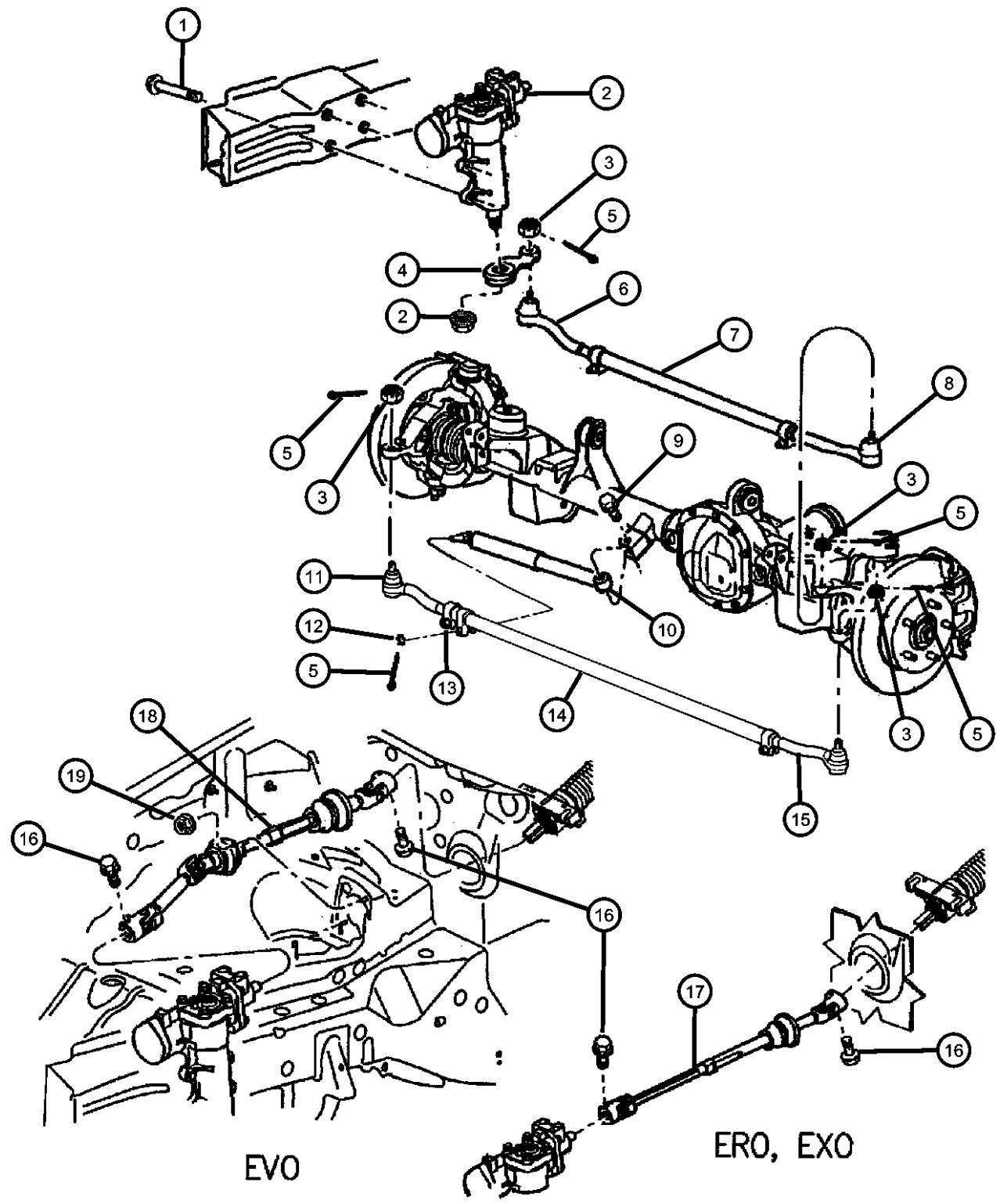
ENGINE
ERH = ENGINE - 4.0L POWER TECH I-6
EVA = ENGINE- 4.7L V8 MPI
EXA = ENGINE - 3.1L 5 CYL TURBO DIESEL

TRANSMISSION
DG4 = TRANSMISSION-MULTI-SPEED AUTO, 45RFE
DGW = TRANSMISSION - 4-SPD. AUTOMATIC, 44RE
DGG = TRANSMISSION - 4-SPD. AUTOMATIC, 42RE
DGO = ALL AUTOMATIC TRANSMISSIONS

AR = use ase required - = Non illustrated part

2000 WJ

Steering Gear and Linkage-Right Hand Drive
Figure 19-320

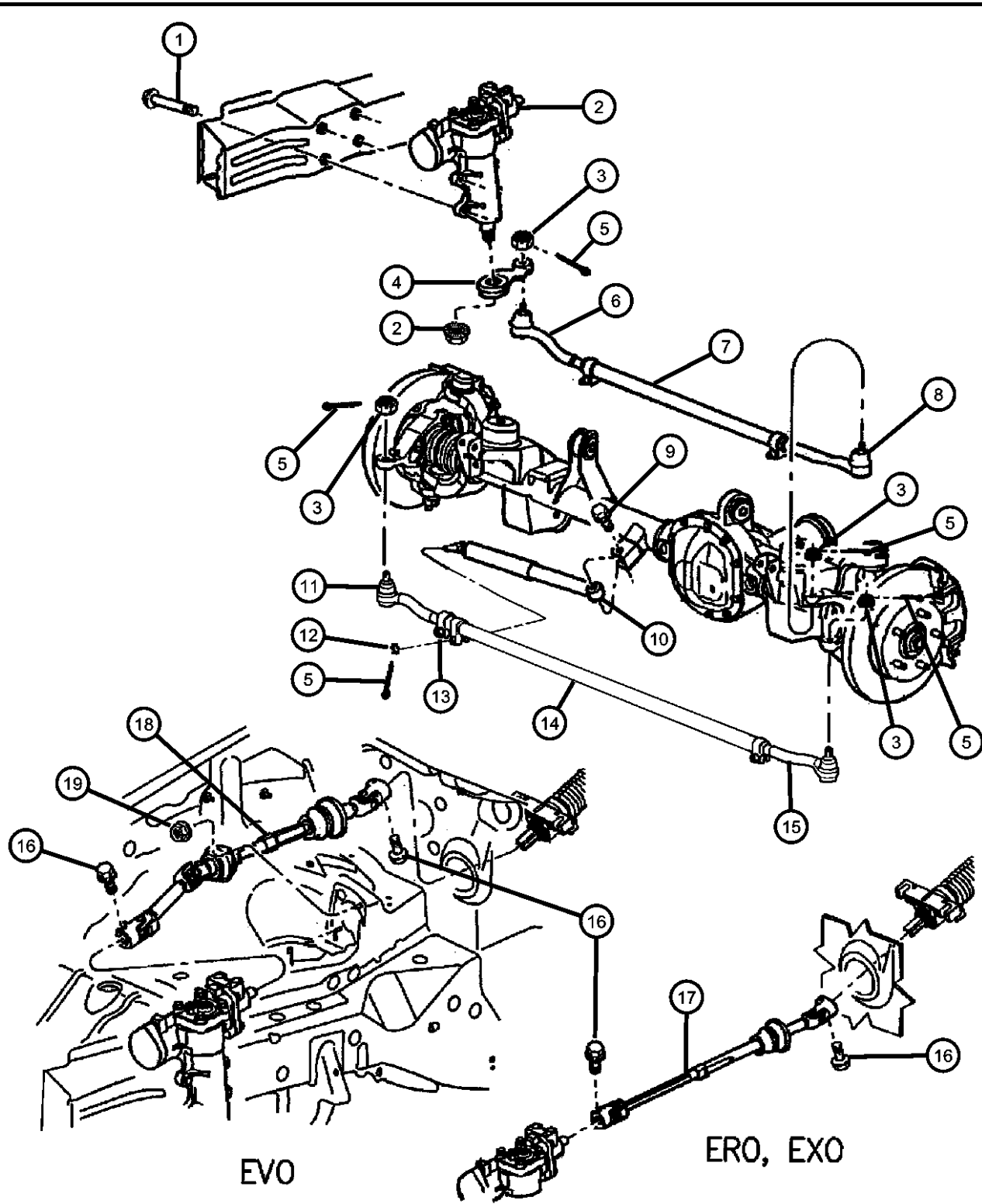


| ITEM | PART NUMBER | QTY | LINE | SERIES | BODY | ENGINE | TRANS | TRIM | DESCRIPTION |
|--|-------------|-----|------|--------|------|----------|-------|------|---|
| Note:ER0=4.0L 6 Cylinder Gas Engine—EVO=4.7L Gas Engine—EX0=3.0/3.1L Turbo Diesel Engine | | | | | | | | | |
| 1 | 06504965AA | 4 | | | | | | | SCREW, Hex Head, Steering Gear to Sill Mounting |
| 2 | 52088471 | 1 | U | | | | | | GEAR, Power Steering |
| 3 | | | | | | | | | NUT, Hex, .50-20 |
| | 06034358 | 1 | | | | | | | Drag Link to Knuckle Mounting |
| | | 1 | | | | | | | Drag Link to Pitman Arm Mounting |
| | | 2 | | | | | | | Tie Rod to Knuckle Mounting |
| 4 | 52088243 | 1 | U | | | | | | ARM, Pitman |
| 5 | | | | | | | | | PIN, Cotter |
| | 34202101 | 1 | | | | | | | Drag Link to Pitman Arm |
| | | 1 | | | | | | | Drag Link to Knuckle |
| | | 2 | | | | | | | Tie Rod to Knuckle |
| 6 | 52088511 | 1 | U | | | | | | SOCKET, Tie Rod, Drag Link to Pitman Arm |
| 7 | 52088728AB | 1 | U | | | | | | LINK, Steering, Drag Link Adjuster |
| 8 | 52088512 | 1 | U | | | | | | SOCKET, Tie Rod, Drag Link to Knuckle |
| 9 | 06502473 | 1 | | | | | | | BOLT, Hex Flange Head, M12x1.75x65, Steering Damper to Axle Bracket Mounting |
| 10 | 52088251AB | 1 | | | | | | | DAMPER, Steering |
| 11 | 52088870AA | 1 | | | | | | | SOCKET, Tie Rod, OuterRight |
| 12 | 06505822AA | 1 | | | | | | | NUT, Damper Stud to Tie Rod Mounting |
| 13 | 52088872AA | 1 | | | | | | | CLAMP, Steering Damper, To Tie Rod Assembly Mounting |
| 14 | 52088871AA | 1 | | | | | | | LINK, Steering |
| 15 | 52088869AA | 1 | | | | | | | SOCKET, Tie Rod, OuterLeft |
| 16 | 06504926AA | 2 | | | | | | | SCREW, Hex Flange Head, M10x1.5x40, Intermediate Shaft to Steering Column and to Steering Gear Mounting |
| 17 | | | | | | | | | SHAFT, Intermediate |
| | 52088253AE | 1 | U | | | ER0, EX0 | | | Upto and Including 03-08-00 |
| | 52088253AG | 1 | U | | | ER0, EX0 | | | 03-09-00 and After |

| | | | |
|----------------------------|----------------------|------------------------|--|
| GRAND CHEROKEE (WJ) | | | |
| SERIES | LINE | BODY | ENGINE |
| H = Laredo | T = JEEP - 2WD | 74 = 4 Door (105.9 WB) | ERH = ENGINE - 4.0L POWER TECH I-6 |
| P = Limited | J = JEEP - 4WD | | EVA = ENGINE- 4.7L V8 MPI |
| | U = JEEP - 4WD (RHD) | | EXA = ENGINE - 3.1L 5 CYL TURBO DIESEL |
| | | | TRANSMISSION |
| | | | DG4 = TRANSMISSION-MULTI-SPEED AUTO, 45RFE |
| | | | DGW = TRANSMISSION - 4-SPD. AUTOMATIC,44RE |
| | | | DGK = TRANSMISSION - 4-SPD. AUTOMATIC,42RE |
| | | | DGO = ALL AUTOMATIC TRANSMISSIONS |

AR = use ase required - = Non illustrated part

Steering Gear and Linkage-Right Hand Drive
Figure 19-320



| ITEM | PART NUMBER | QTY | LINE | SERIES | BODY | ENGINE | TRANS | TRIM | DESCRIPTION |
|------|-------------|-----|------|--------|------|--------|-------|------|-------------|
|------|-------------|-----|------|--------|------|--------|-------|------|-------------|

| | | | | | | | | | |
|----|------------|---|---|--|--|-----|--|--|--|
| 18 | 55116336AC | 1 | U | | | EVO | | | SHAFT, Intermediate |
| 19 | 06100516 | 2 | U | | | EVO | | | NUT, Hex Flange Lock, M6 Phosphate, Center bearing to Bracket Mounting |

EVO

ERO, EXO

GRAND CHEROKEE (WJ)

| SERIES | LINE |
|-------------|----------------------|
| H = Laredo | T = JEEP - 2WD |
| P = Limited | J = JEEP - 4WD |
| | U = JEEP - 4WD (RHD) |

| BODY |
|------------------------|
| 74 = 4 Door (105.9 WB) |

| ENGINE |
|--|
| ERH = ENGINE - 4.0L POWER TECH I-6 |
| EVA = ENGINE- 4.7L V8 MPI |
| EXA = ENGINE - 3.1L 5 CYL TURBO DIESEL |

| TRANSMISSION |
|---|
| DG4 = TRANSMISSION-MULTI-SPEED AUTO, 45RFE |
| DGW = TRANSMISSION - 4-SPD. AUTOMATIC, 44RE |
| DGK = TRANSMISSION - 4-SPD. AUTOMATIC, 42RE |
| DGO = ALL AUTOMATIC TRANSMISSIONS |

AR = use ase required - = Non illustrated part

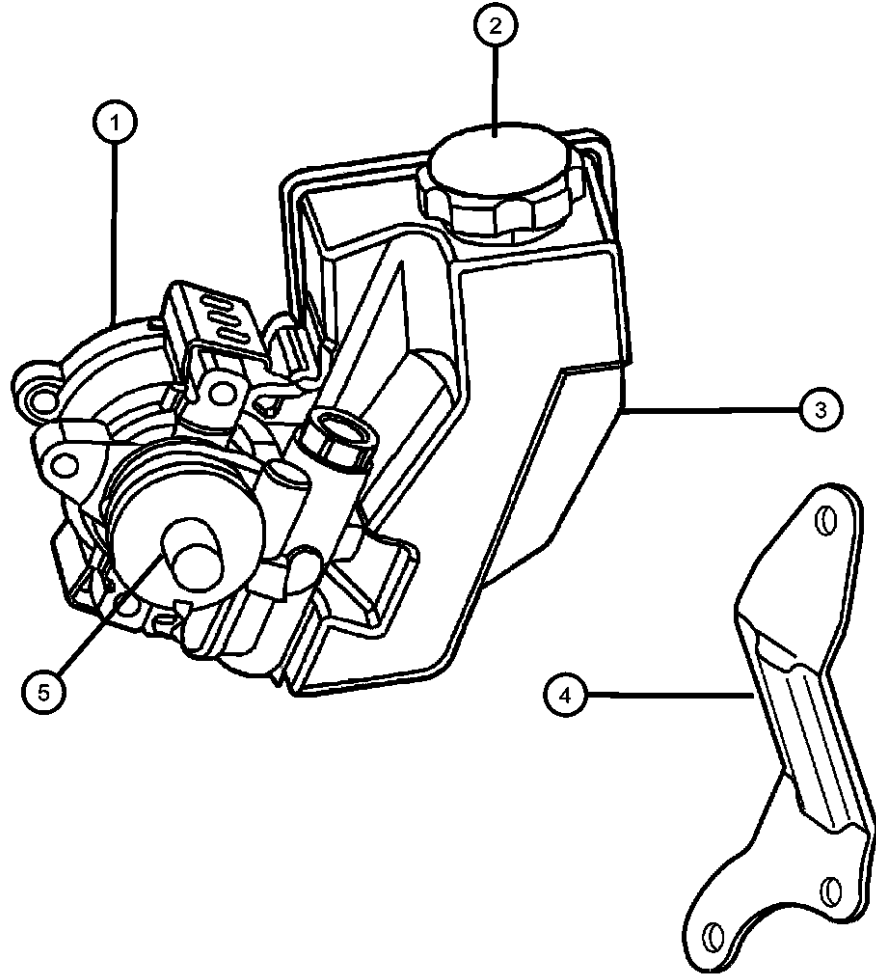
2000 WJ

Power Steering Pumps-Gas
Figure 19-510

| ITEM | PART NUMBER | QTY | LINE | SERIES | BODY | ENGINE | TRANS | TRIM | DESCRIPTION |
|------|-------------|-----|------|--------|------|--------|-------|------|-------------|
|------|-------------|-----|------|--------|------|--------|-------|------|-------------|

Note: ERO=4.0L 6 Cyl Engine—EV0 = 4.7L Gas Engine

| | | | | | | | | | |
|----|------------|---|--|--|--|----------|--|--|--|
| 1 | 52088278AB | 1 | | | | ER0, EV0 | | | PUMP, Power Steering |
| 2 | 04897287AA | 1 | | | | ER0, EV0 | | | CAP, Power Steering Reservoir |
| 3 | 05016184AA | 1 | | | | ER0, EV0 | | | RESERVOIR KIT, Power steering pump |
| 4 | 04854157 | 1 | | | | ER0 | | | BRACE, Power Steering Pump |
| 5 | 04728247 | 1 | | | | ER0, EV0 | | | SEAL, Power Steering Pump Shaft |
| -6 | 53010258AB | 1 | | | | ER0, EV0 | | | PULLEY, Power Steering Pump |
| -7 | 06502425 | 3 | | | | ER0 | | | SCREW AND WASHER, Hex Head, M8x1.25x95, Power Steering Pump and Brace Mounting |
| -8 | 06102045AA | 3 | | | | EV0 | | | SCREW AND WASHER, Hex Head, Power Steering Pump Mounting |



GRAND CHEROKEE (WJ)

| | |
|-------------|----------------------|
| SERIES | LINE |
| H = Laredo | T = JEEP - 2WD |
| P = Limited | J = JEEP - 4WD |
| | U = JEEP - 4WD (RHD) |

| |
|------------------------|
| BODY |
| 74 = 4 Door (105.9 WB) |

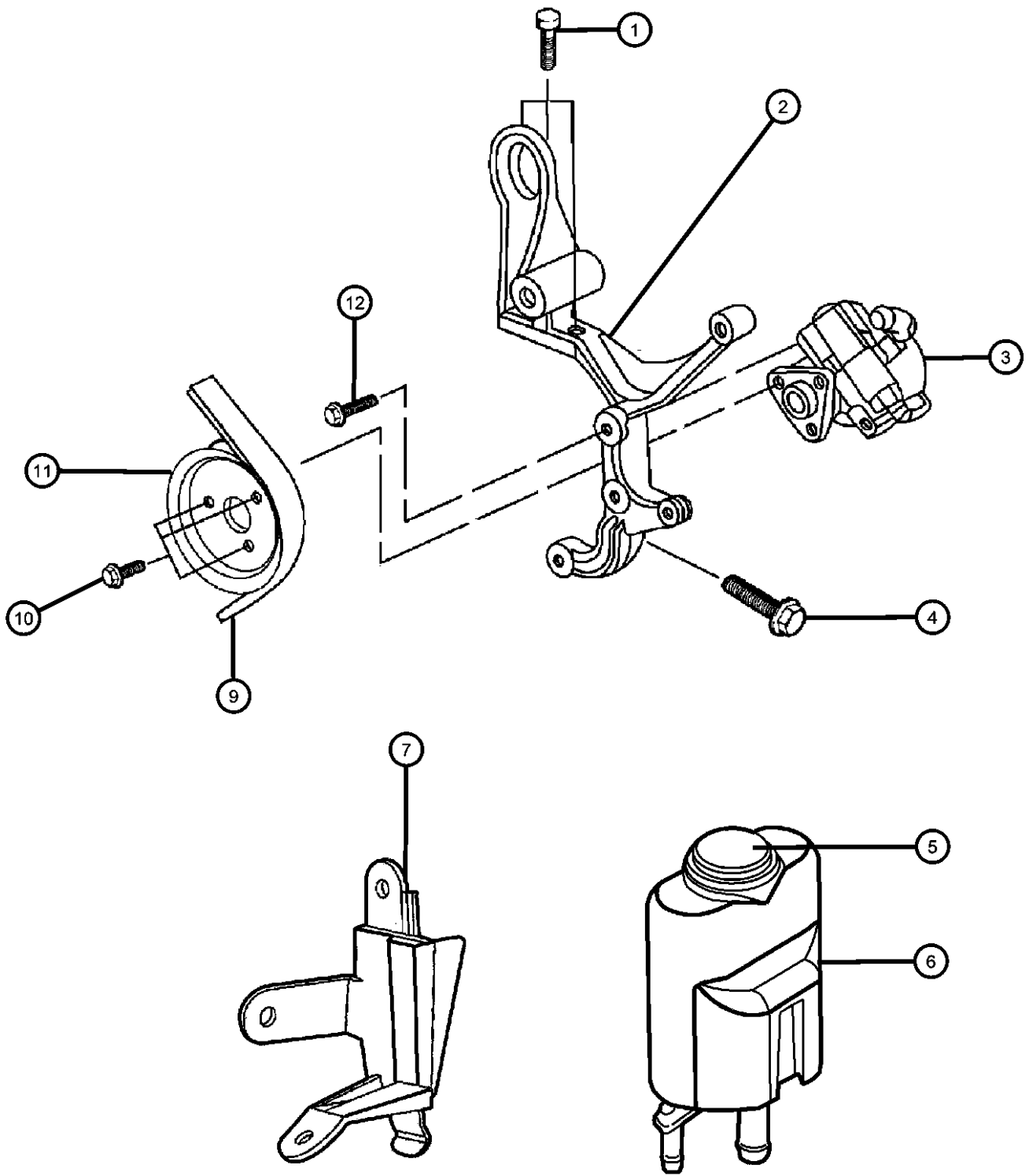
| |
|--|
| ENGINE |
| ERH = ENGINE - 4.0L POWER TECH I-6 |
| EVA = ENGINE- 4.7L V8 MPI |
| EXA = ENGINE - 3.1L 5 CYL TURBO DIESEL |

| |
|--|
| TRANSMISSION |
| DG4 = TRANSMISSION-MULTI-SPEED AUTO, 45RFE |
| DGW = TRANSMISSION - 4-SPD. AUTOMATIC,44RE |
| DGK = TRANSMISSION - 4-SPD. AUTOMATIC,42RE |
| DGO = ALL AUTOMATIC TRANSMISSIONS |

AR = use ase required - = Non illustrated part

2000 WJ

Power Steering Pumps-Diesel
Figure 19-520



| ITEM | PART NUMBER | QTY | LINE | SERIES | BODY | ENGINE | TRANS | TRIM | DESCRIPTION |
|------|-------------|-----|------|--------|------|--------|-------|------|-------------|
|------|-------------|-----|------|--------|------|--------|-------|------|-------------|

Note:
 DG0 = All Automatic Transmissions
 EXO = All 3.0/3.1L Turbo Diesel Engine

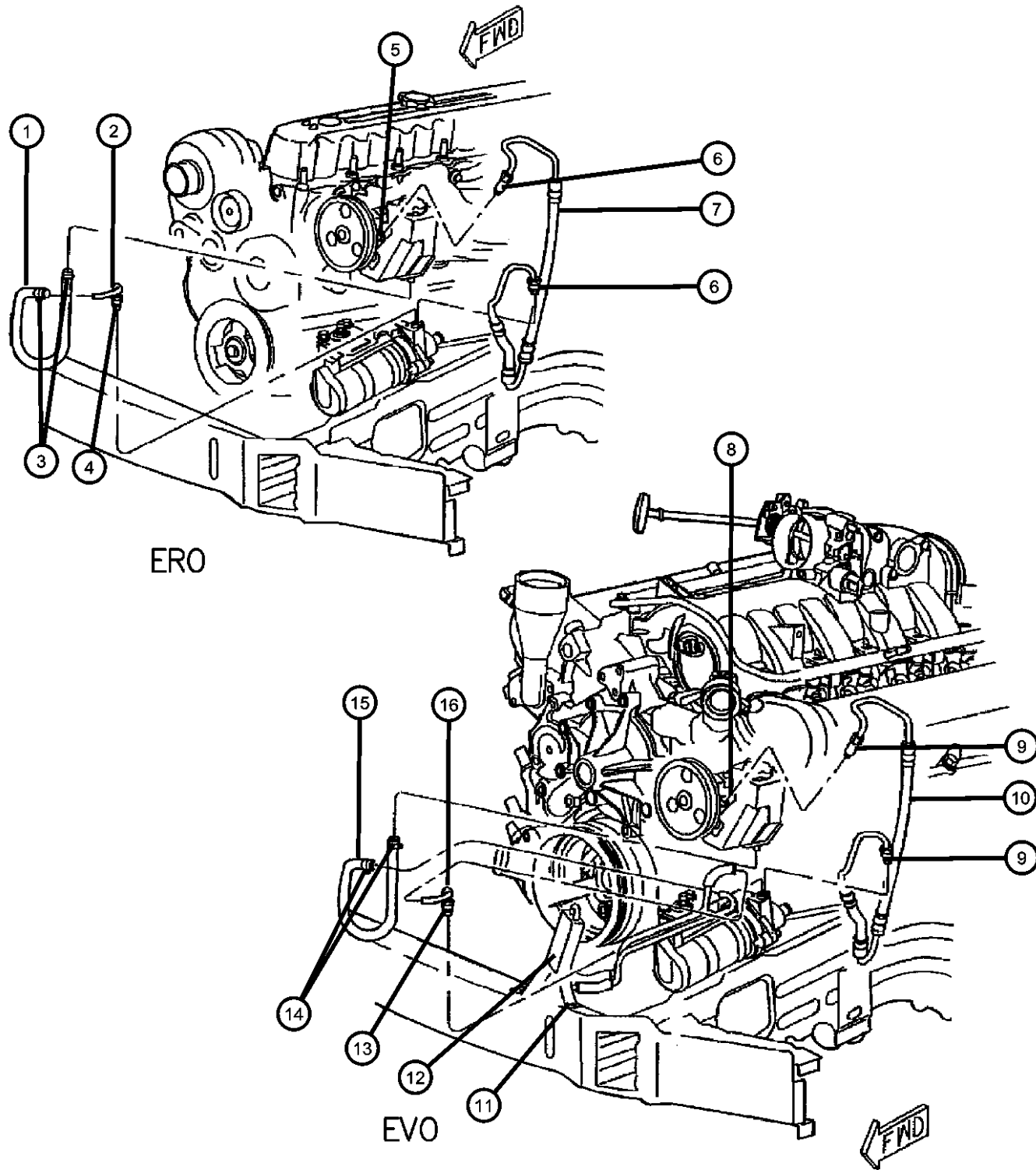
| | | | | | | | | | |
|----|------------|---|------|--|--|-----|-----|--|--|
| 1 | 05015073AA | 3 | | | | EX0 | DG0 | | BOLT, Power Steering Pump and Alternator Bracket Mounting |
| 2 | 05015072AA | 1 | | | | EX0 | DG0 | | BRACKET, Alternator, Power Steering Pump Mounting and PUMP, Power Steering |
| 3 | 52088582AB | 1 | | | | EX0 | DG0 | | BOLT, Power Steering Pump and Alternator Mounting |
| 4 | 05015074AA | 1 | | | | EX0 | DG0 | | CAP, Power Steering Pump |
| 5 | 04694766 | 1 | | | | EX0 | | | RESERVOIR, Power Steering Pump |
| 6 | 52087713AD | 1 | | | | EX0 | | | BRACKET, Power Steering Reservoir, Mounting |
| 7 | 52088529AA | 1 | | | | EX0 | | | SCREW, Hex Flange Head Tapping, M6x1.00x20.00, Power Steering Reservoir Mounting |
| -8 | 06101777 | 1 | J, T | | | | | | BELT, Alternator, Power Steering Pump and |
| 9 | 05015962AA | 1 | | | | EX0 | DG0 | | SCREW, Power Steering Pump Pulley Mounting |
| 10 | 05003554AA | 3 | | | | EX0 | DG0 | | PULLEY, Power Steering Pump |
| 11 | 05015034AA | 1 | | | | EX0 | DG0 | | BOLT, Adaptor Plate, Power Steering Pump Mounting |
| 12 | 04864534 | 3 | | | | EX0 | DG0 | | |

GRAND CHEROKEE (WJ)

| SERIES | LINE | BODY | ENGINE | TRANSMISSION |
|-------------|----------------------|------------------------|--|--|
| H = Laredo | T = JEEP - 2WD | 74 = 4 Door (105.9 WB) | ERH = ENGINE - 4.0L POWER TECH I-6 | DG4 = TRANSMISSION-MULTI-SPEED AUTO, 45RFE |
| P = Limited | J = JEEP - 4WD | | EVA = ENGINE- 4.7L V8 MPI | DGW = TRANSMISSION - 4-SPD. AUTOMATIC,44RE |
| | U = JEEP - 4WD (RHD) | | EXA = ENGINE - 3.1L 5 CYL TURBO DIESEL | DGK = TRANSMISSION - 4-SPD. AUTOMATIC,42RE |
| | | | | DGO = ALL AUTOMATIC TRANSMISSIONS |

AR = use ase required - = Non illustrated part

**Power Steering Hoses-Gas-Left Hand Drive
Figure 19-710**



| ITEM | PART NUMBER | QTY | LINE | SERIES | BODY | ENGINE | TRANS | TRIM | DESCRIPTION |
|---|-------------|-----|------|--------|------|----------|-------|------|---|
| Note: ERO=All 4.0L 6 Cylinder Gas Engines—EVO=4.7L Gas Engine | | | | | | | | | |
| 1 | 52088774AA | 1 | J, T | | | ERO | | | HOSE, Power Steering Return, Formed Rubber |
| 2 | 52088775AA | 1 | J, T | | | | | | TUBE, Power Steering Return |
| 3 | 02448761 | 2 | J, T | | | ERO | | | CLAMP, Hose |
| 4 | 05205254 | 1 | J, T | | | ERO | | | O RING, Power Steering Hose |
| 5 | 52088116AB | 1 | J, T | | | ERO, EVO | | | FITTING, Quick Connect |
| 6 | 05205254 | 2 | J, T | | | ERO | | | O RING, Power Steering Hose |
| 7 | 52088452AB | 1 | J, T | | | ERO | | | HOSE, Power Steering Pressure |
| 8 | 52088116AB | 1 | J, T | | | ERO, EVO | | | FITTING, Quick Connect |
| 9 | 05205254 | 2 | J, T | | | EVO | | | O RING, Power Steering Hose |
| 10 | 52088453AB | 1 | J, T | | | EVO | | | HOSE, Power Steering Pressure |
| 11 | 06101777 | 2 | J, T | | | EVO | | | SCREW, Hex Flange Head Tapping, M6x1.00x20.00 |
| 12 | 52088618AA | 1 | J, T | | | EVO | | | COOLER, Power Steering |
| 13 | 05205254 | 1 | J, T | | | EVO | | | O RING, Power Steering Hose |
| 14 | 02448761 | 2 | J, T | | | EVO | | | CLAMP, Hose |
| 15 | 52088777AA | 1 | J, T | | | EVO | | | HOSE, Power Steering Return, Formed Rubber |
| 16 | 52088775AA | 1 | J, T | | | | | | TUBE, Power Steering Return |

GRAND CHEROKEE (WJ)

SERIES
H = Laredo
P = Limited

LINE
T = JEEP - 2WD
J = JEEP - 4WD
U = JEEP - 4WD (RHD)

BODY
74 = 4 Door (105.9 WB)

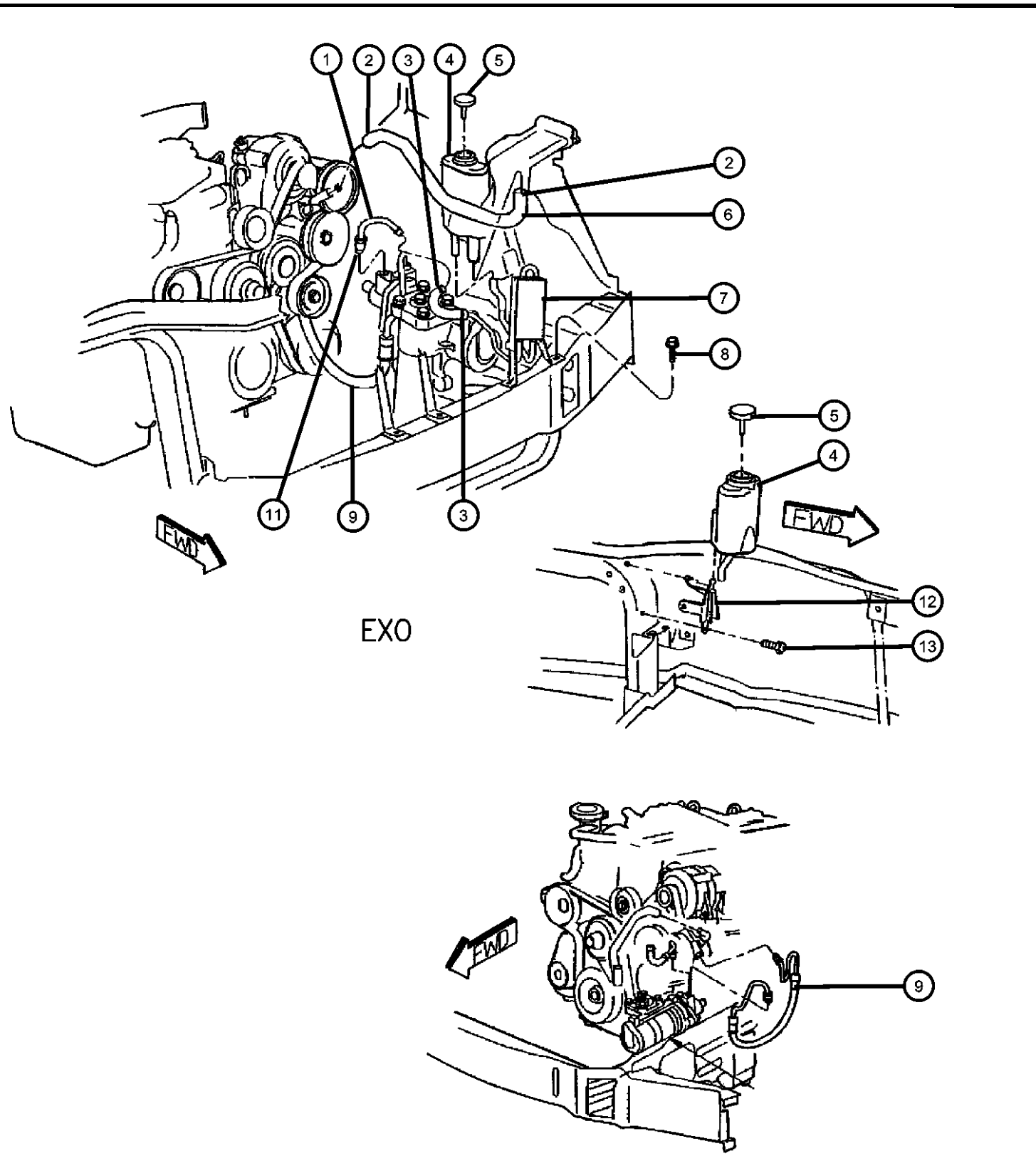
ENGINE
ERH = ENGINE - 4.0L POWER TECH I-6
EVA = ENGINE- 4.7L V8 MPI
EXA = ENGINE - 3.1L 5 CYL TURBO DIESEL

TRANSMISSION
DG4 = TRANSMISSION-MULTI-SPEED AUTO, 45RFE
DGW = TRANSMISSION - 4-SPD. AUTOMATIC, 44RE
DGK = TRANSMISSION - 4-SPD. AUTOMATIC, 42RE
DGO = ALL AUTOMATIC TRANSMISSIONS

AR = use ase required - = Non illustrated part

2000 WJ

**Power Steering Hoses-Diesel-Left Hand Drive
Figure 19-720**



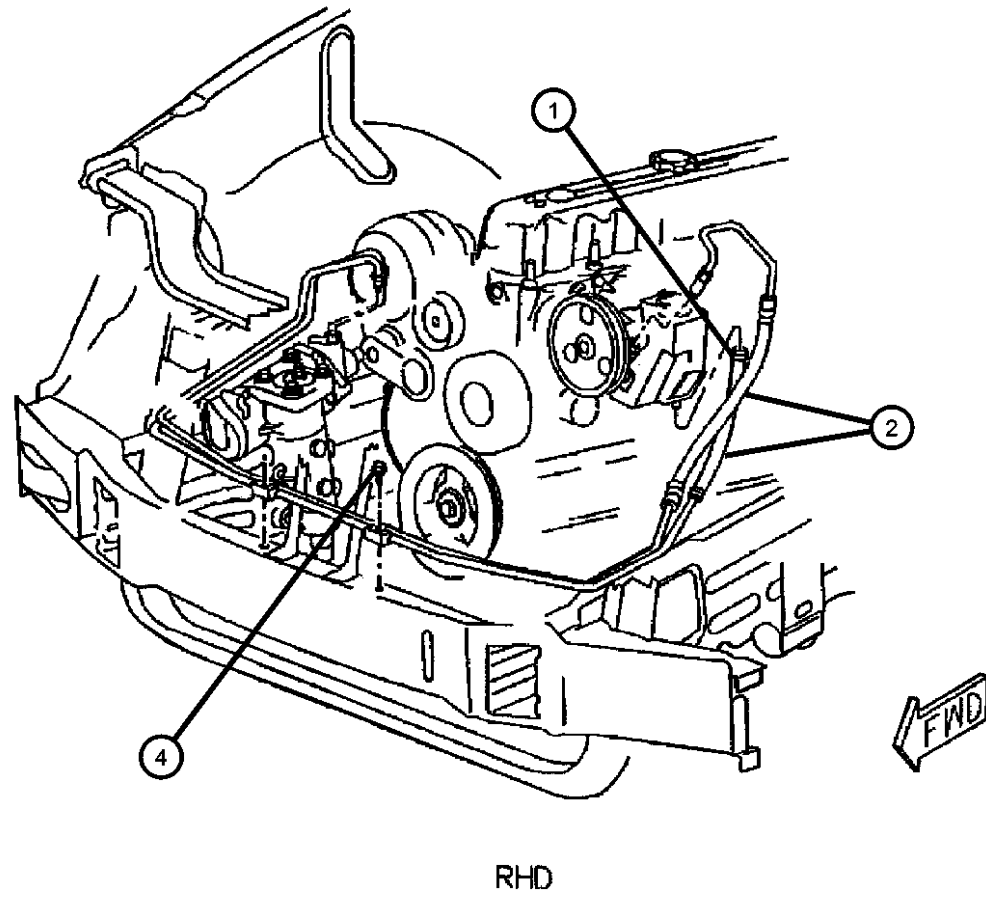
| ITEM | PART NUMBER | QTY | LINE | SERIES | BODY | ENGINE | TRANS | TRIM | DESCRIPTION |
|---------------------------------|-------------|-----|------|--------|------|--------|-------|------|--|
| Note: EX0=3.0/3.1L Turbo Diesel | | | | | | | | | |
| 1 | 52088775AA | 1 | J, T | | | | | | TUBE, Power Steering Return |
| 2 | 02448761 | 2 | J, T | | | EX0 | | | CLAMP, Hose |
| 3 | 02448761 | 2 | J, T | | | EX0 | | | CLAMP, Hose |
| 4 | 52087713AD | 1 | | | | EX0 | | | RESERVOIR, Power Steering Pump |
| 5 | 04694766 | 1 | | | | EX0 | | | CAP, Power Steering Pump |
| 6 | 52088530AA | 1 | | | | EX0 | | | HOSE, Power Steering Reservoir |
| 7 | 52088618AB | 1 | J, T | | | EX0 | | | COOLER, Power Steering |
| 8 | 06102132AA | 3 | | | | EX0 | | | SCREW, Hex Head, M6x1x20, Power Steering Reservoir Bracket Mounting |
| 9 | 52088666AB | 1 | J, T | | | EX0 | | | HOSE, Power Steering Pressure |
| -10 | 05205254 | 2 | J, T | | | EX0 | | | O RING, Power Steering Hose |
| 11 | 05205254 | 1 | J, T | | | EX0 | | | O RING, Power Steering Hose |
| 12 | 52088529AA | 1 | | | | EX0 | | | BRACKET, Power Steering Reservoir |
| 13 | 06101777 | 2 | J | | | EX0 | | | SCREW, Hex Flange Head Tapping, M6x1.00x20.00, Cooler to Crossmember |

| | | | | |
|----------------------------|----------------------|------------------------|--|--|
| GRAND CHEROKEE (WJ) | | | | |
| SERIES | LINE | BODY | ENGINE | TRANSMISSION |
| H = Laredo | T = JEEP - 2WD | 74 = 4 Door (105.9 WB) | ERH = ENGINE - 4.0L POWER TECH I-6 | DG4 = TRANSMISSION-MULTI-SPEED AUTO, 45RFE |
| P = Limited | J = JEEP - 4WD | | EVA = ENGINE- 4.7L V8 MPI | DGW = TRANSMISSION - 4-SPD. AUTOMATIC,44RE |
| | U = JEEP - 4WD (RHD) | | EXA = ENGINE - 3.1L 5 CYL TURBO DIESEL | DGK = TRANSMISSION - 4-SPD. AUTOMATIC,42RE |
| | | | | DGO = ALL AUTOMATIC TRANSMISSIONS |

AR = use ase required - = Non illustrated part

**Power Steering Hoses-Gas-Right Hand Drive
Figure 19-730**

| ITEM | PART NUMBER | QTY | LINE | SERIES | BODY | ENGINE | TRANS | TRIM | DESCRIPTION |
|---|-------------|-----|------|--------|------|----------|-------|------|--|
| Note: ER0 = All 4.0L 6 Cylinder Gas Engines EV0 = All 4.7L Gas Engine EX0 = All Turbo Diesel Engines | | | | | | | | | |
| 1 | 02448761 | 2 | U | | | EX0 | | | CLAMP, Hose |
| 2 | 52088620AD | 1 | U | | | ER0, EV0 | | | HOSE, Power Steering, Pressure and Return Assembly |
| -3 | | | | | | | | | O RING, Power Steering Hose |
| | 05205254 | 1 | U | | | ER0, EV0 | | | Return |
| | | 2 | U | | | ER0, EV0 | | | Pressure |
| 4 | 06101780 | 2 | U | | | ER0, EV0 | | | SCREW, M6x1x25, Power Steering Hose Retainer to Crossmember Mounting |



GRAND CHEROKEE (WJ)

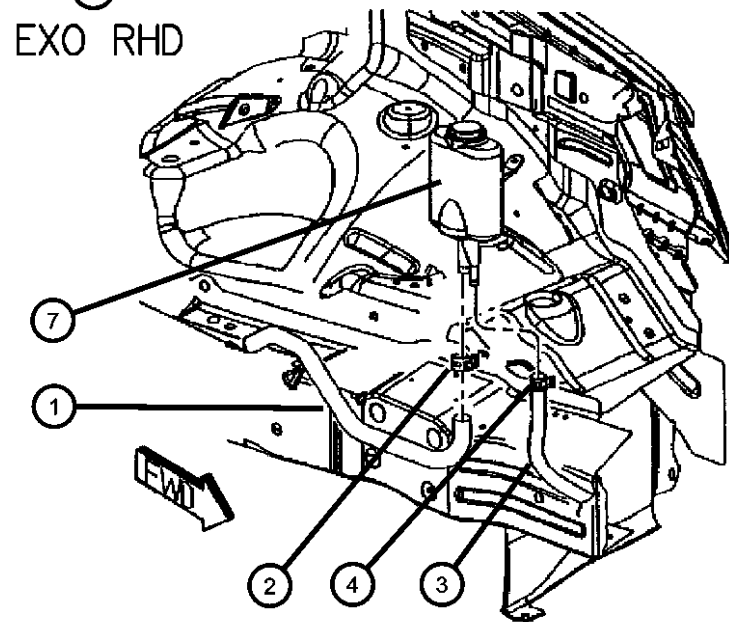
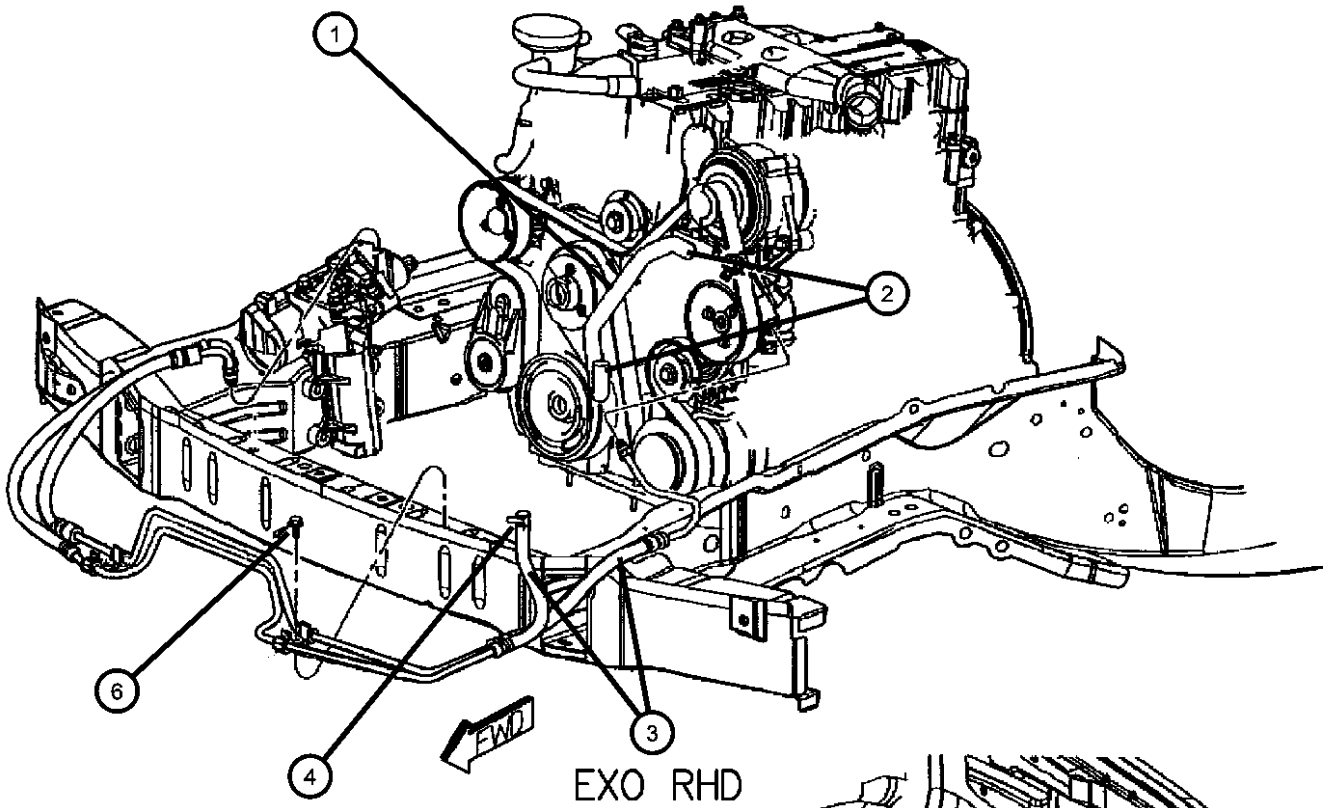
| | | | | |
|-------------|----------------------|------------------------|--|--|
| SERIES | LINE | BODY | ENGINE | TRANSMISSION |
| H = Laredo | T = JEEP - 2WD | 74 = 4 Door (105.9 WB) | ERH = ENGINE - 4.0L POWER TECH I-6 | DG4 = TRANSMISSION-MULTI-SPEED AUTO, 45RFE |
| P = Limited | J = JEEP - 4WD | | EVA = ENGINE- 4.7L V8 MPI | DGW = TRANSMISSION - 4-SPD. AUTOMATIC,44RE |
| | U = JEEP - 4WD (RHD) | | EXA = ENGINE - 3.1L 5 CYL TURBO DIESEL | DGK = TRANSMISSION - 4-SPD. AUTOMATIC,42RE |
| | | | | DGO = ALL AUTOMATIC TRANSMISSIONS |

AR = use ase required - = Non illustrated part

2000 WJ

**Power Steering Hoses-Diesel-Right Hand Drive
Figure 19-740**

| ITEM | PART NUMBER | QTY | LINE | SERIES | BODY | ENGINE | TRANS | TRIM | DESCRIPTION |
|---------------------------------|-------------|-----|------|--------|------|--------|-------|------|---|
| Note: EX0=3.0/3.1L Turbo Diesel | | | | | | | | | |
| 1 | 52088530AA | 1 | | | | EX0 | | | HOSE, Power Steering Reservoir |
| 2 | 02448761 | 2 | U | | | EX0 | | | CLAMP, Hose, Reservoir |
| 3 | 52088622AB | 1 | U | | | EX0 | | | HOSE ASSEMBLY, P/S PRESSURE AND RETURN |
| 4 | 02448761 | 2 | U | | | EX0 | | | CLAMP, Hose, For Return Hose to Reservoir |
| -5 | | | | | | | | | O RING, Power Steering Hose |
| | 05205254 | 1 | U | | | EX0 | | | For Return Hose Fitting |
| | | 2 | U | | | EX0 | | | For Pressure Hose Fittings |
| 6 | 06102132AA | 3 | | | | EX0 | | | SCREW, Hex Head, M6x1x20, Power Steering Pressure and Return Hose to Crossmember Mounting |
| 7 | 52087713AD | 1 | | | | EX0 | | | RESERVOIR, Power Steering Pump |



GRAND CHEROKEE (WJ)

| | |
|-------------|----------------------|
| SERIES | LINE |
| H = Laredo | T = JEEP - 2WD |
| P = Limited | J = JEEP - 4WD |
| | U = JEEP - 4WD (RHD) |

| |
|------------------------|
| BODY |
| 74 = 4 Door (105.9 WB) |

| |
|--|
| ENGINE |
| ERH = ENGINE - 4.0L POWER TECH I-6 |
| EVA = ENGINE- 4.7L V8 MPI |
| EXA = ENGINE - 3.1L 5 CYL TURBO DIESEL |

| |
|---|
| TRANSMISSION |
| DG4 = TRANSMISSION-MULTI-SPEED AUTO, 45RFE |
| DGW = TRANSMISSION - 4-SPD. AUTOMATIC, 44RE |
| DGK = TRANSMISSION - 4-SPD. AUTOMATIC, 42RE |
| DGO = ALL AUTOMATIC TRANSMISSIONS |

AR = use ase required - = Non illustrated part

2000 WJ

Group - 42RE

Automatic Transmission 4 Speed

Group - 42RE Automatic Transmission 4 Speed

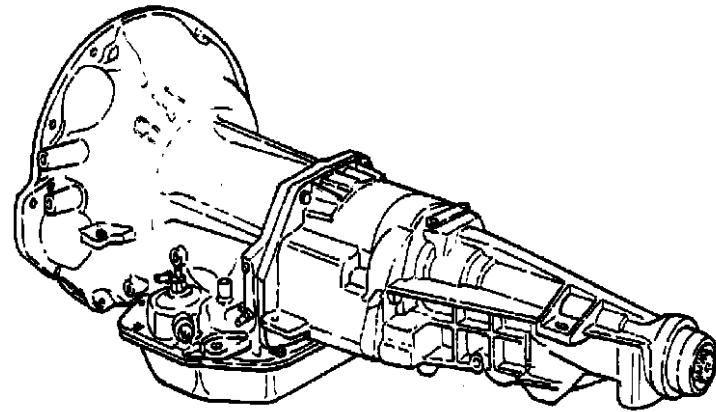


Illustration Title

Group-Fig. No.

Transmission Assembly

Transmission 42RE [DGK] Fig. 42RE - 110

Case and Extension

Case and Related Parts 42RE [DGK] Fig. 42RE - 210
 Case Rear 42RE [DGK] Fig. 42RE - 220

Oil Pump

Oil Pump 42RE [DGK] Fig. 42RE - 310

Gear Train

Gear Train 42RE (DGK) Fig. 42RE - 410
 Gear Train and Intermediate Shaft 42RE [DGK] Fig. 42RE - 420
 Output Shaft 42RE [DGK] Fig. 42RE - 430

Bands, Reverse and Kickdown

Bands 42RE [DGK] Fig. 42RE - 510

Valve Body

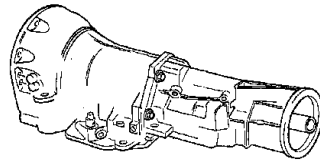
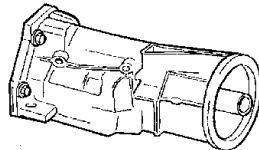
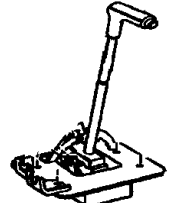
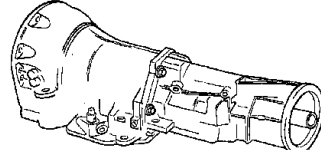

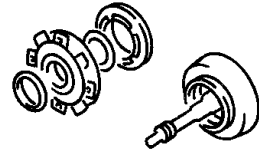
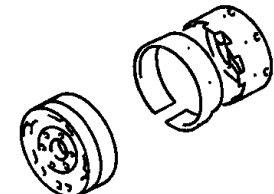
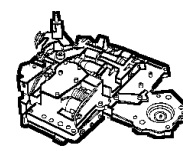
Valve Body 42RE [DGK] Fig. 42RE - 710
 Servos 42RE [DGK] Fig. 42RE - 720
 Parking Sprag 42RE [DGK] Fig. 42RE - 730

Overdrive Gear Train

Overdrive Gear Train 42RE [DGK] Fig. 42RE - 1010

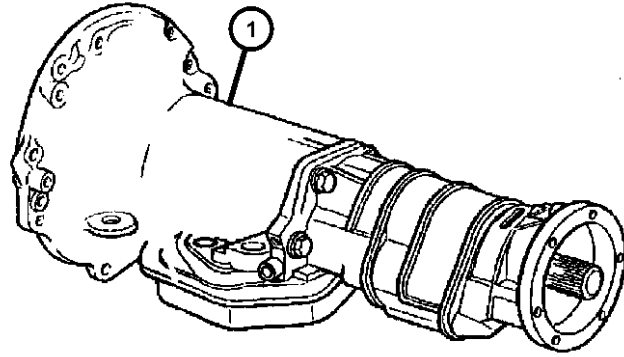
Gearshift Controls

Gearshift Controls 42RE [DGK] Fig. 42RE - 1210

| | | | |
|---|--|---|---|
| <p>42RE-100 Transmission Assembly</p>  | <p>42RE-1000 Overdrive Gear Train</p>  | <p>42RE-1200 Gearshift Controls</p>  | <p>42RE-200 Case and Extension</p>  |
| <p>42RE-300 Oil Pump</p>  | <p>42RE-400 Gear Train</p>  | <p>42RE-500 Bands, Reverse and Kickdown</p>  | <p>42RE-700 Valve Body</p>  |

**Transmission 42RE [DGK]
Figure 42RE-110**

| ITEM | PART NUMBER | QTY | LINE | SERIES | BODY | ENGINE | TRANS | TRIM | DESCRIPTION |
|---|-------------|-----|------|--------|------|--------|-------|------|---|
| NOTES: Sales Codes [DGK] = 42RE Automatic Transmission | | | | | | | | | |
| 1 | | | | | | | | | TRANSMISSION PACKAGE |
| | 05015273AA | 1 | T | | | | DGK | | 52119836AA (Package Contains 52119836AA Transmission, K4736596 Converter, K1949765 Bolts) |
| | 05015274AA | 1 | J, U | | | | DGK | | 52119837AA (Package Contains 52119837AA Transmission, K4736596 Converter, K1949765 Bolts) |
| -2 | | | | | | | | | OVERDRIVE |
| | 52118782 | 1 | T | | | | DGK | | |
| | 52118783AB | 1 | J, U | | | | DGK | | |



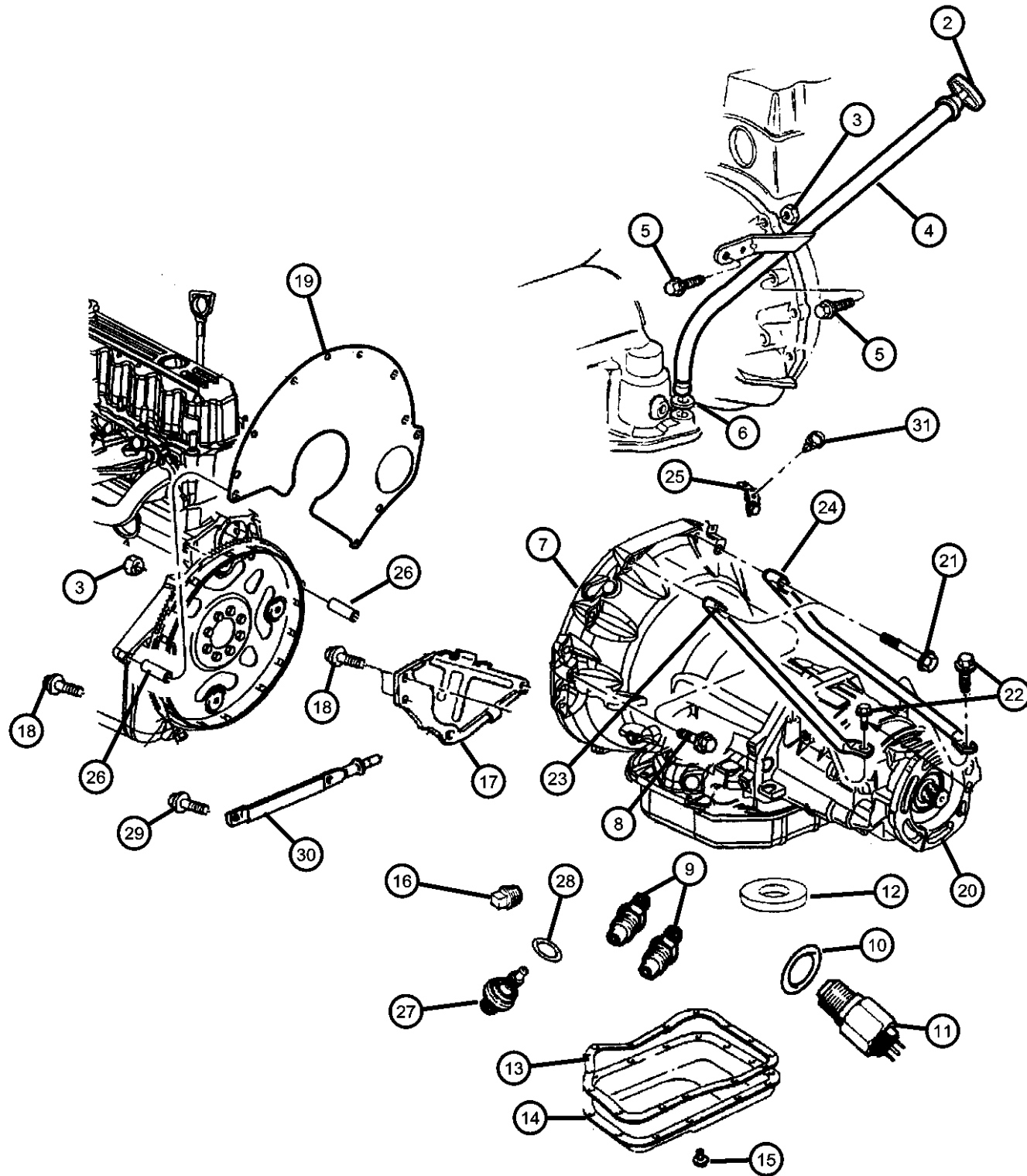
GRAND CHEROKEE (WJ)

| | | | | |
|-------------|----------------------|------------------------|--|---|
| SERIES | LINE | BODY | ENGINE | TRANSMISSION |
| H = Laredo | T = JEEP - 2WD | 74 = 4 Door (105.9 WB) | ERH = ENGINE - 4.0L POWER TECH I-6 | DG4 = TRANSMISSION-MULTI-SPEED AUTO, 45RFE |
| P = Limited | J = JEEP - 4WD | | EVA = ENGINE- 4.7L V8 MPI | DGW = TRANSMISSION - 4-SPD. AUTOMATIC, 44RE |
| | U = JEEP - 4WD (RHD) | | EXA = ENGINE - 3.1L 5 CYL TURBO DIESEL | DGK = TRANSMISSION - 4-SPD. AUTOMATIC, 42RE |
| | | | | DGO = ALL AUTOMATIC TRANSMISSIONS |

AR = use ase required - = Non illustrated part

2000 WJ

Case and Related Parts 42RE [DGK]
Figure 42RE-210



| ITEM | PART NUMBER | QTY | LINE | SERIES | BODY | ENGINE | TRANS | TRIM | DESCRIPTION |
|------|-------------|-----|------|--------|------|--------|-------|------|-------------|
|------|-------------|-----|------|--------|------|--------|-------|------|-------------|

NOTES: Sales Codes
[DGK] = 42RE Automatic Transmission
[DG0] = All Automatic Transmission
[ER0] = All 4.0L 6 Cylinder Gas Engines
[EX0] = All 3.0/3.1L Turbo Diesel Engine

| | | | | | | | | | |
|----|------------|---|------|--|--|----------|-----|--|---|
| -1 | | | | | | | | | SEAL AND GASKET PACKAGE, Transmission |
| | 04863907AD | 1 | T | | | | DGK | | |
| | | 1 | J, U | | | | DGK | | |
| 2 | 52118641 | 1 | | | | ER0, EX0 | | | INDICATOR, Transmission Fluid Level |
| 3 | J0219422 | 1 | | | | | DGK | | NUT, Hex |
| 4 | 52104247 | 1 | | | | ER0 | DGK | | TUBE, Transmission Oil Filler |
| 5 | 00153371 | 1 | | | | | DGK | | BOLT, Hex Head, .375-16x2.25 |
| 6 | 52118629AB | 1 | | | | | DG0 | | SEAL, Oil Filler Tube |
| 7 | | | | | | | | | CASE, Transmission |
| | 52118291 | 1 | T | | | | DGK | | |
| | | 1 | J, U | | | | DGK | | |
| 8 | J4004370 | 2 | | | | | DGK | | BOLT AND WASHER, Hex Head, .437-14x2.75 |
| 9 | | | | | | | | | NUT, Inverted Flare, .62-18 |
| | 06033879 | 2 | T | | | | DGK | | |
| | | 2 | J, U | | | | DGK | | |
| 10 | | | | | | | | | WASHER, Switch |
| | 02408143 | 1 | T | | | | DGK | | |
| | | 1 | J, U | | | | DGK | | |
| 11 | | | | | | | | | SWITCH, Neutral, Safety, Back Up |
| | 03747361 | 1 | T | | | | DGK | | |
| | | 1 | J, U | | | | DGK | | |
| 12 | | | | | | | | | MAGNET, Transmission |
| | 03681601 | 1 | T | | | | DGK | | |
| | | 1 | J, U | | | | DGK | | |
| 13 | | | | | | | | | GASKET, Oil Pan |
| | 04295875 | 1 | T | | | | DGK | | |
| | | 1 | J, U | | | | DGK | | |
| 14 | | | | | | | | | PAN, Transmission Oil |

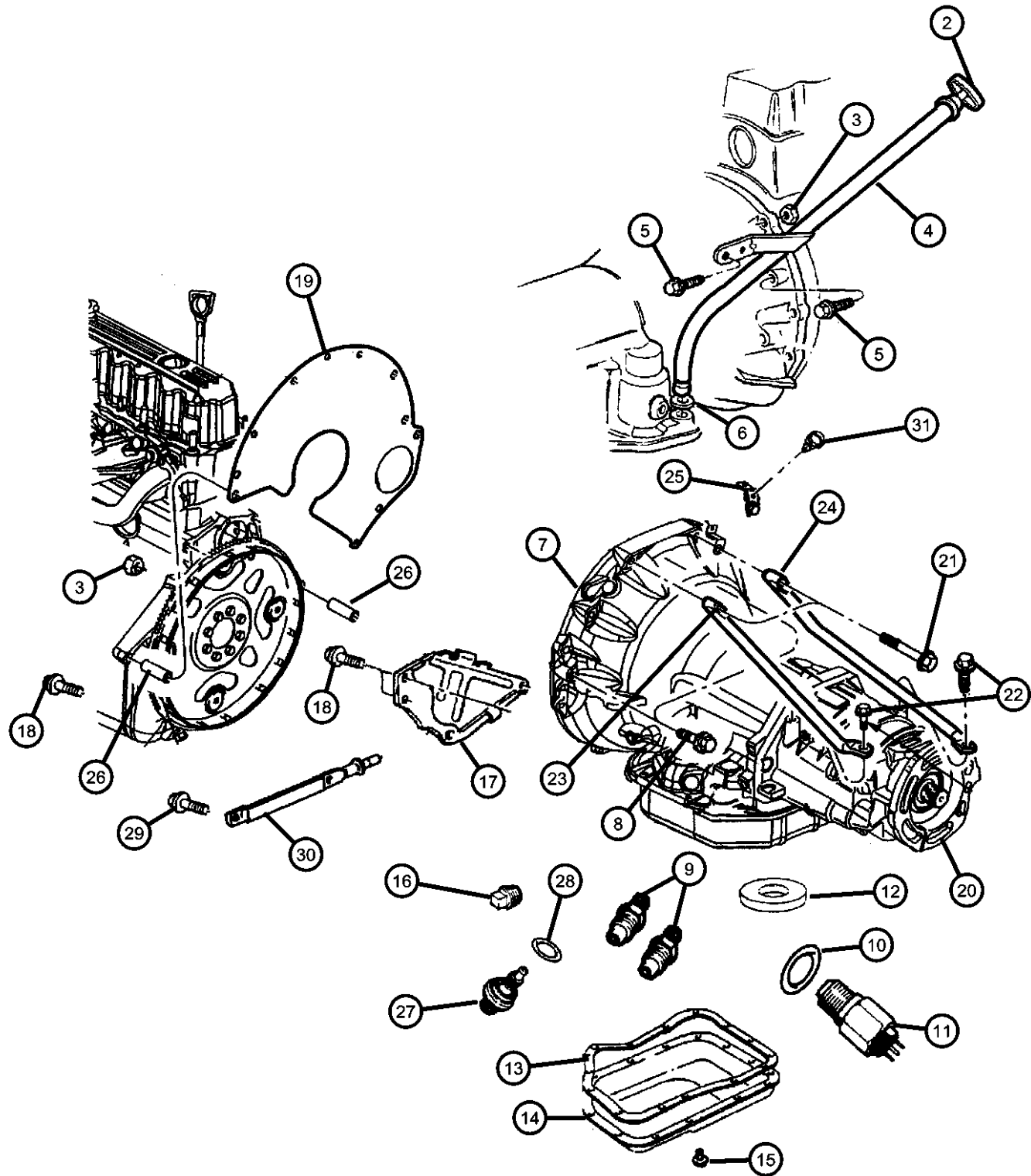
GRAND CHEROKEE (WJ)

| SERIES | LINE | BODY | ENGINE | TRANSMISSION |
|-------------|----------------------|------------------------|--|---|
| H = Laredo | T = JEEP - 2WD | 74 = 4 Door (105.9 WB) | ERH = ENGINE - 4.0L POWER TECH I-6 | DG4 = TRANSMISSION-MULTI-SPEED AUTO, 45RFE |
| P = Limited | J = JEEP - 4WD | | EVA = ENGINE - 4.7L V8 MPI | DGW = TRANSMISSION - 4-SPD. AUTOMATIC, 44RE |
| | U = JEEP - 4WD (RHD) | | EXA = ENGINE - 3.1L 5 CYL TURBO DIESEL | DGK = TRANSMISSION - 4-SPD. AUTOMATIC, 42RE |
| | | | | DGO = ALL AUTOMATIC TRANSMISSIONS |

AR = use ase required - = Non illustrated part

2000 WJ

Case and Related Parts 42RE [DGK]
Figure 42RE-210



| ITEM | PART NUMBER | QTY | LINE | SERIES | BODY | ENGINE | TRANS | TRIM | DESCRIPTION |
|------|-------------|-----|------|--------|------|----------|-------|------|--|
| | 52118779AB | 1 | T | | | | DGK | | |
| | | 1 | J, U | | | | DGK | | |
| 15 | | | | | | | | | SCREW AND WASHER, Hex Head, .312-18x.625 |
| | 04723548 | 12 | T | | | | DGK | | |
| | | 12 | J, U | | | | DGK | | |
| 16 | | | | | | | | | PLUG, Pressure Check |
| | 06028095 | 1 | T | | | | DGK | | |
| | | 1 | J, U | | | | DGK | | |
| 17 | 52118136AB | 1 | | | | | DGK | | COVER, Converter |
| 18 | | | | | | | | | SCREW AND WASHER, Hex Head, .312-18x.625 |
| | 04723548 | 12 | T | | | | DGK | | |
| | | 12 | J, U | | | | DGK | | |
| 19 | J3237847 | 1 | | | | ER0 | DG0 | | SPACER, Clutch Housing |
| 20 | 05012428AA | 1 | J, U | | | | DGK | | ADAPTER, Transfer Case |
| 21 | 06034242 | 2 | J, U | | | ER0 | DG0 | | SCREW AND WASHER |
| 22 | 06027865 | 2 | J, U | | | ER0 | DG0 | | SCREW, .375-16x1.375, 06025677 |
| 23 | 52104201 | 1 | J, U | | | ER0 | DG0 | | BRACE, Bending Transmission, Top Left |
| 24 | 52104200 | 1 | J, U | | | ER0 | DG0 | | BRACE, Bending Transmission, Top Right |
| 25 | 52098522 | 1 | J, U | | | ER0, EX0 | | | BRACKET, Tube |
| 26 | J4005148 | 2 | | | | ER0 | | | DOWEL, Transmission |
| 27 | | | | | | | | | SENSOR, Transmission Output Speed |
| | 04412879 | 1 | T | | | | DGK | | |
| | | 1 | J, U | | | | DGK | | |
| 28 | | | | | | | | | O RING, Trans Speed Sensor |
| | 06501701 | 1 | T | | | | DGK | | |
| | | 1 | J, U | | | | DGK | | |
| 29 | 06034498 | 2 | J, U | | | ER0 | DG0 | | SCREW AND WASHER, Hex Head, .312-18x1.25 |
| 30 | 52104250AA | 1 | J, U | | | ER0 | DG0 | | BRACE, Bell Housing |
| 31 | J4005701 | 1 | J, U | | | | | | CLIP |

GRAND CHEROKEE (WJ)

SERIES LINE
H = Laredo T = JEEP - 2WD
P = Limited J = JEEP - 4WD
U = JEEP - 4WD (RHD)

BODY
74 = 4 Door (105.9 WB)

ENGINE
ERH = ENGINE - 4.0L POWER TECH I-6
EVA = ENGINE - 4.7L V8 MPI
EXA = ENGINE - 3.1L 5 CYL TURBO DIESEL

TRANSMISSION
DG4 = TRANSMISSION-MULTI-SPEED AUTO, 45RFE
DGW = TRANSMISSION - 4-SPD. AUTOMATIC, 44RE
DGK = TRANSMISSION - 4-SPD. AUTOMATIC, 42RE
DGO = ALL AUTOMATIC TRANSMISSIONS

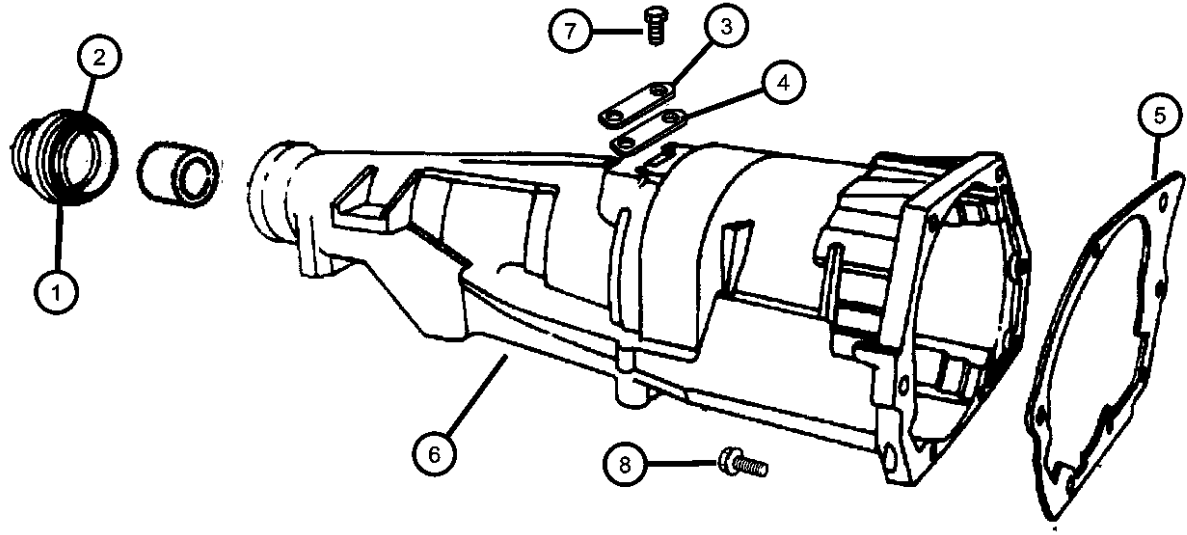
AR = use ase required - = Non illustrated part

2000 WJ

Case Rear 42RE [DGK]
Figure 42RE-220

| ITEM | PART NUMBER | QTY | LINE | SERIES | BODY | ENGINE | TRANS | TRIM | DESCRIPTION |
|------|-------------|-----|------|--------|------|--------|-------|------|-------------|
|------|-------------|-----|------|--------|------|--------|-------|------|-------------|

NOTES: Sales Codes
[DGK] = 42RE Automatic Transmission



| | | | | | | | | | |
|---|------------|---|------|--|--|--|-----|--|--------------------------------------|
| 1 | 04531216 | 1 | T | | | | DGK | | SEAL, Extension Yoke |
| 2 | 04269956 | 1 | J, U | | | | DGK | | SEAL, Adapter |
| 3 | 02466957 | 1 | J, U | | | | DGK | | COVER, Transmission Converter |
| 4 | 02801398 | 1 | J, U | | | | DGK | | GASKET, Transmission |
| 5 | 04471564 | 1 | J, U | | | | DGK | | GASKET, Overdrive Piston Retainer |
| 6 | 05003231AA | 1 | T | | | | DGK | | CASE, Transmission Rear |
| 7 | 05003231AA | 1 | | | | | DGK | | SCREW, (NOT SERVICED) |
| 8 | 06036046AA | 7 | T | | | | DGK | | SCREW, Hex Flange Head, .375-16x1.38 |
| | | 7 | J, U | | | | DGK | | |

GRAND CHEROKEE (WJ)

SERIES LINE
H = Laredo T = JEEP - 2WD
P = Limited J = JEEP - 4WD
U = JEEP - 4WD (RHD)

BODY
74 = 4 Door (105.9 WB)

ENGINE
ERH = ENGINE - 4.0L
POWER TECH I-6
EVA = ENGINE- 4.7L V8 MPI
EXA = ENGINE - 3.1L 5 CYL
TURBO DIESEL

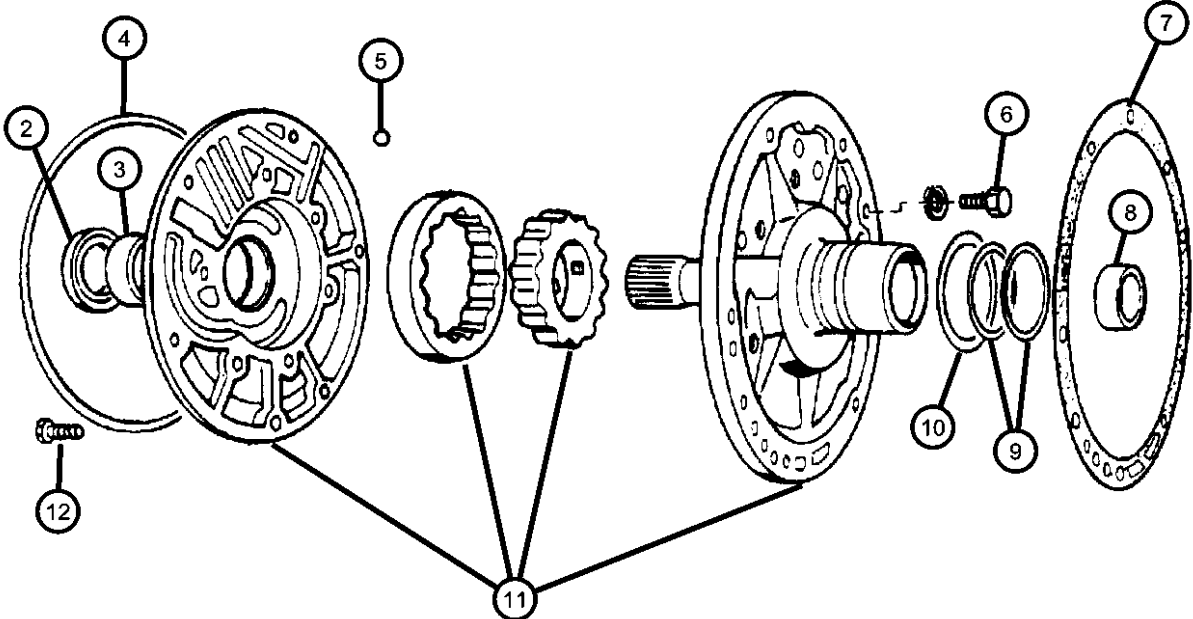
TRANSMISSION
DG4 = TRANSMISSION-MULTI-
SPEED AUTO, 45RFE
DGW = TRANSMISSION - 4-SPD.
AUTOMATIC, 44RE
DGK = TRANSMISSION - 4-SPD.
AUTOMATIC, 42RE
DGO = ALL AUTOMATIC
TRANSMISSIONS

AR = use ase required - = Non illustrated part

2000 WJ

**Oil Pump 42RE [DGK]
Figure 42RE-310**

| ITEM | PART NUMBER | QTY | LINE | SERIES | BODY | ENGINE | TRANS | TRIM | DESCRIPTION |
|------|-------------|-----|------|--------|------|--------|-------|------|--|
| -1 | | | | | | | | | GASKET AND SEAL PACKAGE, Transmission Oil Pump |
| | 04713108AB | 1 | T | | | | DGK | | |
| | | 1 | J, U | | | | DGK | | |
| 2 | | | | | | | | | SEAL, Impeller Hub, 57.25mm OD |
| | 04412475 | 1 | T | | | | DGK | | |
| | | 1 | J, U | | | | DGK | | |
| 3 | | | | | | | | | BUSHING, Front Pump |
| | 02466796 | 1 | T | | | | DGK | | |
| | | 1 | J, U | | | | DGK | | |
| 4 | | | | | | | | | SEAL, Front Pump Housing |
| | 02204709 | 1 | T | | | | DGK | | |
| | | 1 | J, U | | | | DGK | | |
| 5 | | | | | | | | | BALL, Valve Body Check |
| | 00104918 | 1 | T | | | | DGK | | |
| | | 1 | J, U | | | | DGK | | |
| 6 | | | | | | | | | SCREW, Hex Head, .312-18x.687 |
| | 00179815 | 6 | T | | | | DGK | | |
| | | 6 | J, U | | | | DGK | | |
| 7 | | | | | | | | | GASKET, Transmission Oil Pump |
| | 52118266 | 1 | T | | | | DGK | | |
| | | 1 | J, U | | | | DGK | | |
| 8 | | | | | | | | | BUSHING, Reaction Shaft |
| | 04058635 | 1 | T | | | | DGK | | |
| | | 1 | J, U | | | | DGK | | |
| 9 | | | | | | | | | SEAL, Ring Reaction Support, 2 1/16 O.D. |
| | 04471874 | 2 | T | | | | DGK | | |
| | | 2 | J, U | | | | DGK | | |
| 10 | | | | | | | | | THRUST WASHER, Front Clutch |
| | 04617786 | 1 | T | | | | DGK | | |
| | | 1 | J, U | | | | DGK | | |



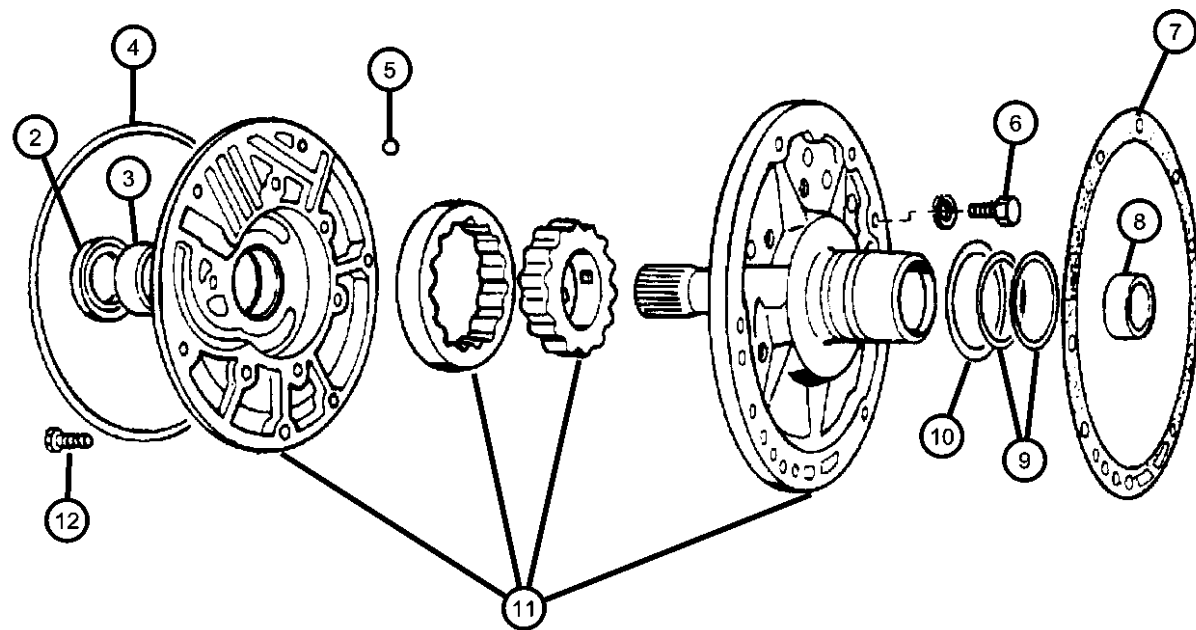
GRAND CHEROKEE (WJ)

| | | | | |
|---------------|----------------------|------------------------|--|--|
| SERIES | LINE | BODY | ENGINE | TRANSMISSION |
| H = Laredo | T = JEEP - 2WD | 74 = 4 Door (105.9 WB) | ERH = ENGINE - 4.0L POWER TECH I-6 | DG4 = TRANSMISSION-MULTI-SPEED AUTO, 45RFE |
| P = Limited | J = JEEP - 4WD | | EVA = ENGINE- 4.7L V8 MPI | DGW = TRANSMISSION - 4-SPD. AUTOMATIC,44RE |
| | U = JEEP - 4WD (RHD) | | EXA = ENGINE - 3.1L 5 CYL TURBO DIESEL | DGK = TRANSMISSION - 4-SPD. AUTOMATIC,42RE |
| | | | | DGO = ALL AUTOMATIC TRANSMISSIONS |

AR = use ase required - = Non illustrated part

Oil Pump 42RE [DGK]
Figure 42RE-310

| ITEM | PART NUMBER | QTY | LINE | SERIES | BODY | ENGINE | TRANS | TRIM | DESCRIPTION |
|------|-------------|-----|------|--------|------|--------|-------|------|--|
| 11 | 52118267AB | 1 | T | | | | DGK | | PUMP, Transmission Oil |
| | | 1 | J, U | | | | DGK | | |
| 12 | 06023943 | 6 | T | | | | DGK | | SCREW AND WASHER, Hex Flange Head, .312-18x1.375 |
| | | 6 | J, U | | | | DGK | | |



GRAND CHEROKEE (WJ)

SERIES LINE
H = Laredo T = JEEP - 2WD
P = Limited J = JEEP - 4WD
U = JEEP - 4WD (RHD)

BODY
74 = 4 Door (105.9 WB)

ENGINE
ERH = ENGINE - 4.0L
POWER TECH I-6
EVA = ENGINE- 4.7L V8 MPI
EXA = ENGINE - 3.1L 5 CYL
TURBO DIESEL

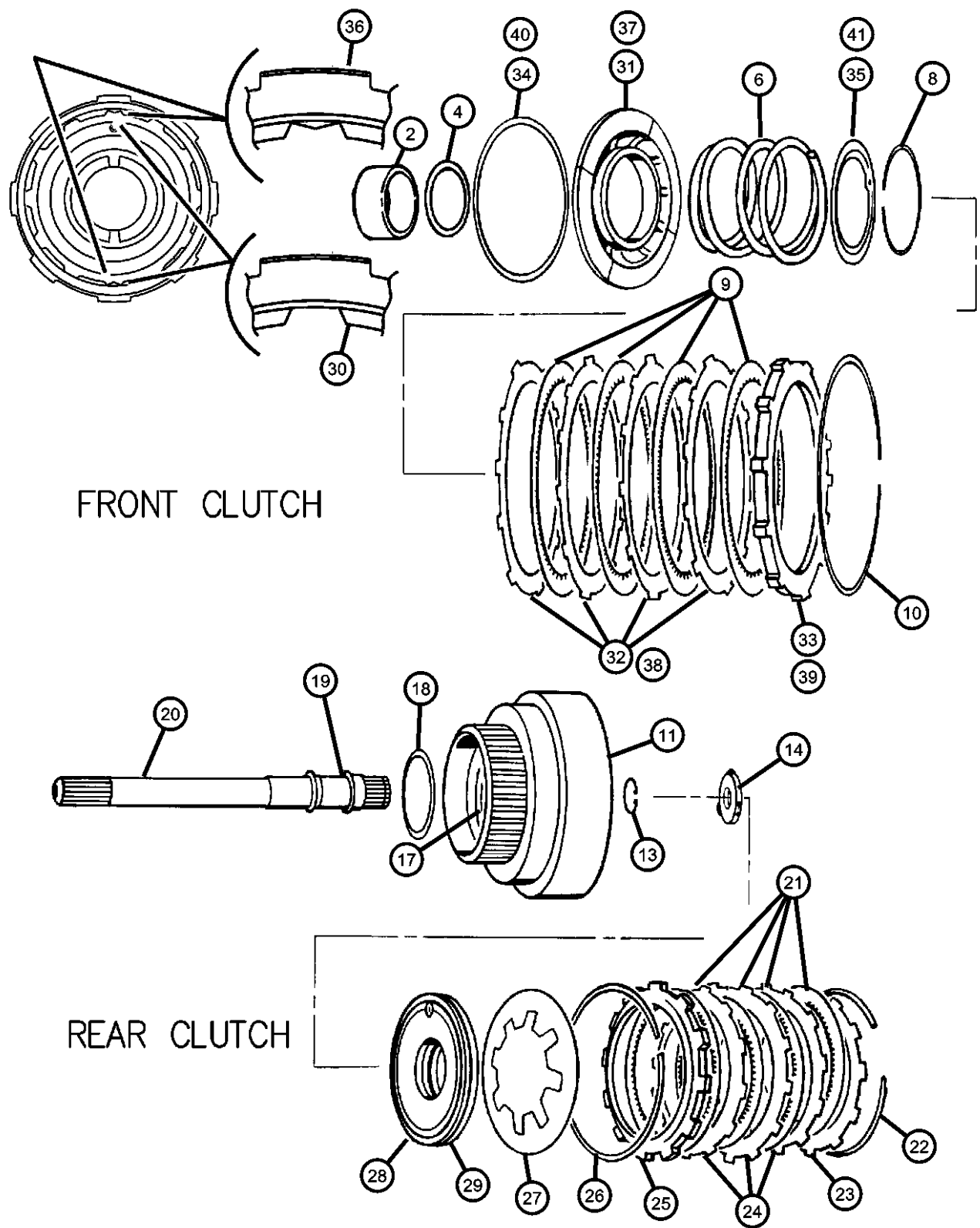
TRANSMISSION
DG4 = TRANSMISSION-MULTI-
SPEED AUTO, 45RFE
DGW = TRANSMISSION - 4-SPD.
AUTOMATIC,44RE
DGK = TRANSMISSION - 4-SPD.
AUTOMATIC,42RE
DGO = ALL AUTOMATIC
TRANSMISSIONS

AR = use ase required - = Non illustrated part

2000 WJ

Gear Train 42RE (DGK)

Figure 42RE-410



FRONT CLUTCH

REAR CLUTCH

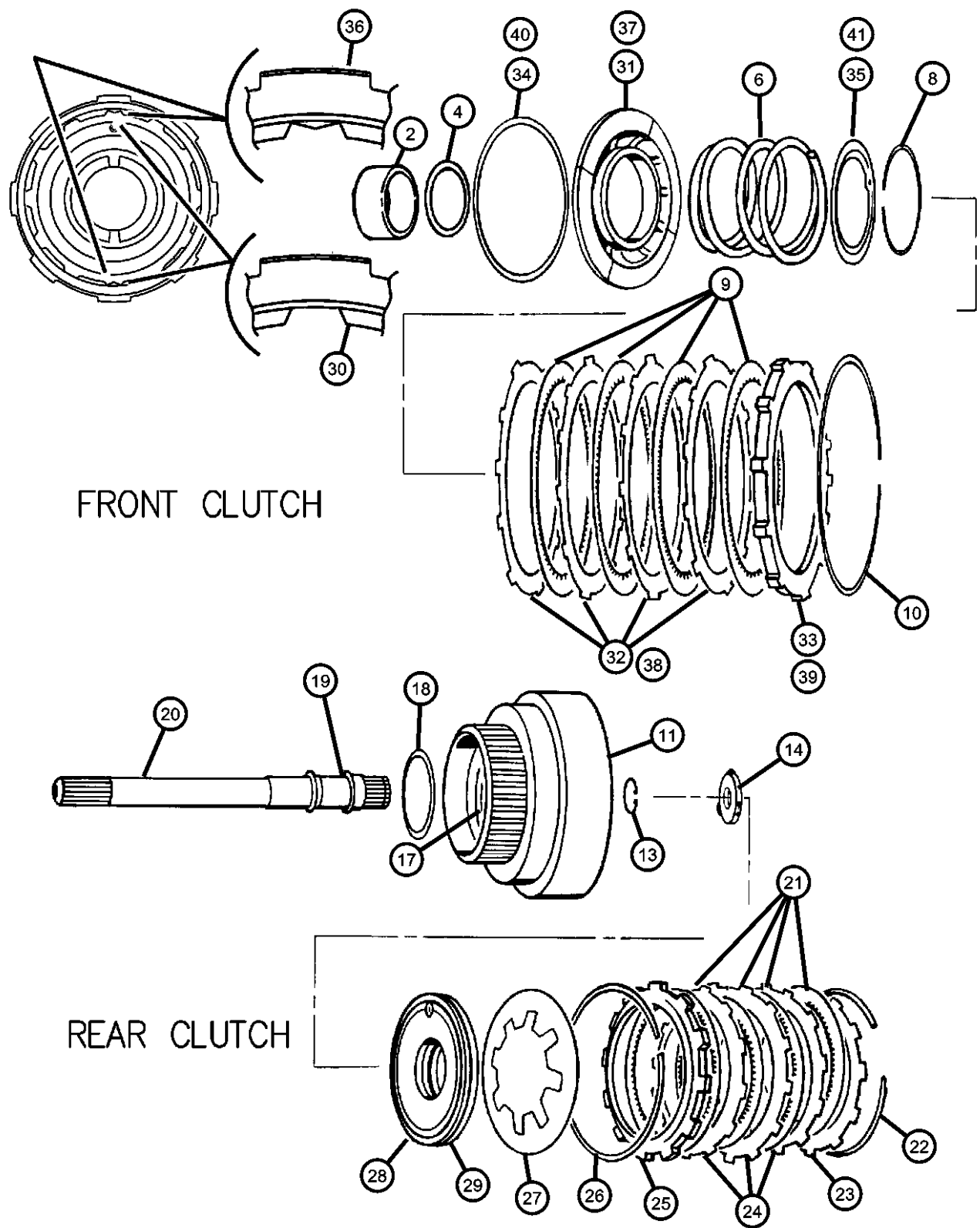
| ITEM | PART NUMBER | QTY | LINE | SERIES | BODY | ENGINE | TRANS | TRIM | DESCRIPTION |
|------|-------------|-----|------|--------|------|--------|-------|------|-----------------------------------|
| -1 | | | | | | | | | SEAL PACKAGE, Transmission Clutch |
| | 05252926AB | 1 | T | | | | DGK | | |
| | | 1 | J, U | | | | DGK | | |
| 2 | | | | | | | | | BUSHING, Front Clutch |
| | 04617157 | 1 | T | | | | DGK | | |
| | | 1 | J, U | | | | DGK | | |
| -3 | | | | | | | | | BUSHING, Rear Clutch |
| | 04617159 | 1 | T | | | | DGK | | |
| | | 1 | J, U | | | | DGK | | |
| 4 | | | | | | | | | SEAL, Front Clutch Piston |
| | 03515176 | 1 | T | | | | DGK | | |
| | | 1 | J, U | | | | DGK | | |
| -5 | | | | | | | | | CHECK BALL, Dia-.187 |
| | 00147483 | 1 | T | | | | DGK | | |
| | | 1 | J, U | | | | DGK | | |
| 6 | | | | | | | | | SPRING, Front Clutch |
| | 03515054 | 1 | J, U | | | | DGK | | |
| | | 1 | T | | | | DGK | | |
| -7 | | | | | | | | | CHECK BALL, Dia-.187 |
| | 00147483 | 1 | T | | | | DGK | | |
| | | 1 | J, U | | | | DGK | | |
| 8 | | | | | | | | | SNAP RING |
| | 03410571 | 1 | T | | | | DGK | | |
| | | 1 | J, U | | | | DGK | | |
| 9 | | | | | | | | | DISC, Direct Clutch |
| | 04617362 | 4 | T | | | | DGK | | |
| | | 4 | J, U | | | | DGK | | |
| 10 | | | | | | | | | SNAP RING |
| | 03410571 | 1 | T | | | | DGK | | |
| | | 1 | J, U | | | | DGK | | |

NOTES: Sales Codes
[DGK] = 42RE Automatic Transmission

| | | | | |
|----------------------------|----------------------|------------------------|--|---|
| GRAND CHEROKEE (WJ) | | | | |
| SERIES | LINE | BODY | ENGINE | TRANSMISSION |
| H = Laredo | T = JEEP - 2WD | 74 = 4 Door (105.9 WB) | ERH = ENGINE - 4.0L POWER TECH I-6 | DG4 = TRANSMISSION-MULTI-SPEED AUTO, 45RFE |
| P = Limited | J = JEEP - 4WD | | EVA = ENGINE- 4.7L V8 MPI | DGW = TRANSMISSION - 4-SPD. AUTOMATIC, 44RE |
| | U = JEEP - 4WD (RHD) | | EXA = ENGINE - 3.1L 5 CYL TURBO DIESEL | DGK = TRANSMISSION - 4-SPD. AUTOMATIC, 42RE |
| | | | | DGO = ALL AUTOMATIC TRANSMISSIONS |

AR = use ase required - = Non illustrated part

**Gear Train 42RE (DGK)
Figure 42RE-410**



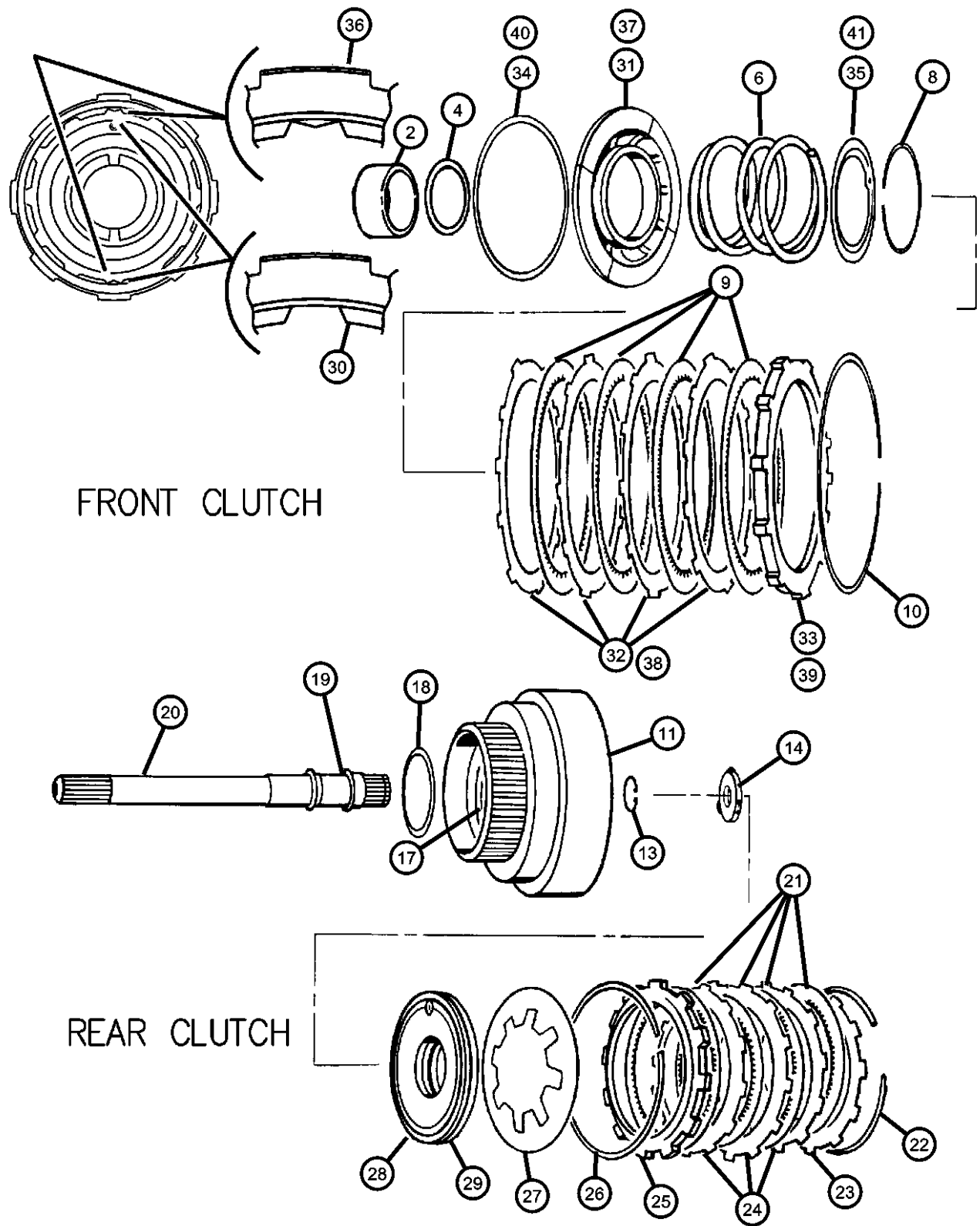
| ITEM | PART NUMBER | QTY | LINE | SERIES | BODY | ENGINE | TRANS | TRIM | DESCRIPTION |
|------|-------------|-----|------|--------|------|--------|-------|------|---|
| 11 | | | | | | | | | RETAINER, Transmission Rear Clutch |
| | 04505199 | 1 | T | | | | DGK | | |
| | | 1 | J, U | | | | DGK | | |
| -12 | | | | | | | | | CHECK BALL, Dia-.187 |
| | 00147483 | 1 | T | | | | DGK | | |
| | | 1 | J, U | | | | DGK | | |
| 13 | | | | | | | | | SNAP RING, .890625 |
| | 06022859 | 1 | T | | | | DGK | | |
| | | 1 | J, U | | | | DGK | | |
| 14 | | | | | | | | | THRUST WASHER, Output Shaft, Gray .052 |
| | 04505185 | 1 | T | | | | DGK | | |
| | | 1 | J, U | | | | DGK | | |
| -15 | | | | | | | | | THRUST WASHER, Output Shaft, Red .068 |
| | 04505186 | 1 | T | | | | DGK | | |
| | | 1 | J, U | | | | DGK | | |
| -16 | | | | | | | | | THRUST WASHER, Output Shaft, Green .083 |
| | 04505187 | 1 | T | | | | DGK | | |
| | | 1 | J, U | | | | DGK | | |
| 17 | | | | | | | | | SEAL, Rear Clutch Retainer |
| | 04617063 | 1 | T | | | | DGK | | |
| | | 1 | J, U | | | | DGK | | |
| 18 | | | | | | | | | THRUST WASHER, Front Clutch |
| | 04617786 | 1 | T | | | | DGK | | |
| | | 1 | J, U | | | | DGK | | |
| 19 | | | | | | | | | SEAL, Input Shaft |
| | 01401221AB | 1 | T | | | | DGK | | |
| | | 1 | J, U | | | | DGK | | |
| 20 | | | | | | | | | INPUT SHAFT, Transmission |
| | 04505189 | 1 | T | | | | DGK | | |
| | | 1 | J, U | | | | DGK | | |

GRAND CHEROKEE (WJ)

| | | | | |
|---------------|----------------------|------------------------|--|--|
| SERIES | LINE | BODY | ENGINE | TRANSMISSION |
| H = Laredo | T = JEEP - 2WD | 74 = 4 Door (105.9 WB) | ERH = ENGINE - 4.0L POWER TECH I-6 | DG4 = TRANSMISSION-MULTI-SPEED AUTO, 45RFE |
| P = Limited | J = JEEP - 4WD | | EVA = ENGINE- 4.7L V8 MPI | DGW = TRANSMISSION - 4-SPD. AUTOMATIC,44RE |
| | U = JEEP - 4WD (RHD) | | EXA = ENGINE - 3.1L 5 CYL TURBO DIESEL | DGK = TRANSMISSION - 4-SPD. AUTOMATIC,42RE |
| | | | | DGO = ALL AUTOMATIC TRANSMISSIONS |

AR = use ase required - = Non illustrated part

**Gear Train 42RE (DGK)
Figure 42RE-410**



| ITEM | PART NUMBER | QTY | LINE | SERIES | BODY | ENGINE | TRANS | TRIM | DESCRIPTION |
|------|-------------|-----|------|--------|------|--------|-------|------|---|
| 21 | 04713880 | 4 | T | | | | DGK | | DISC, Clutch |
| | | 4 | J, U | | | | DGK | | |
| 22 | 04130761 | 1 | T | | | | DGK | | SNAP RING |
| | | 1 | J, U | | | | DGK | | |
| 23 | 04617176 | 1 | T | | | | DGK | | PLATE, Transmission Clutch Reaction |
| | | 1 | J, U | | | | DGK | | |
| 24 | 01942403AB | 4 | T | | | | DGK | | PLATE, Clutch Separator Without [V] Notch |
| | | 4 | J, U | | | | DGK | | Without [V] Notch |
| | 01942403AC | 4 | T | | | | DGK | | With [V] Notch |
| | | 4 | J, U | | | | DGK | | With [V] Notch |
| 25 | 02466281 | 1 | T | | | | DGK | | PLATE, Clutch Pressure |
| | | 1 | J, U | | | | DGK | | |
| 26 | 02466283 | 1 | T | | | | DGK | | SPRING, Rear Clutch |
| | | 1 | J, U | | | | DGK | | |
| 27 | 04728487 | 1 | T | | | | DGK | | SPRING, Rear Clutch Piston |
| | | 1 | J, U | | | | DGK | | |
| 28 | 02538695 | 1 | T | | | | DGK | | SEAL, Rear Clutch Piston |
| | | 1 | J, U | | | | DGK | | |
| 29 | 03515716 | 1 | T | | | | DGK | | PISTON, Clutch |
| | | 1 | J, U | | | | DGK | | |
| 30 | | | | | | | | | RETAINER AND BUSHING, Transmission Front Clutch, Up to 01-07-2000 |

GRAND CHEROKEE (WJ)

SERIES LINE
H = Laredo T = JEEP - 2WD
P = Limited J = JEEP - 4WD
U = JEEP - 4WD (RHD)

BODY
74 = 4 Door (105.9 WB)

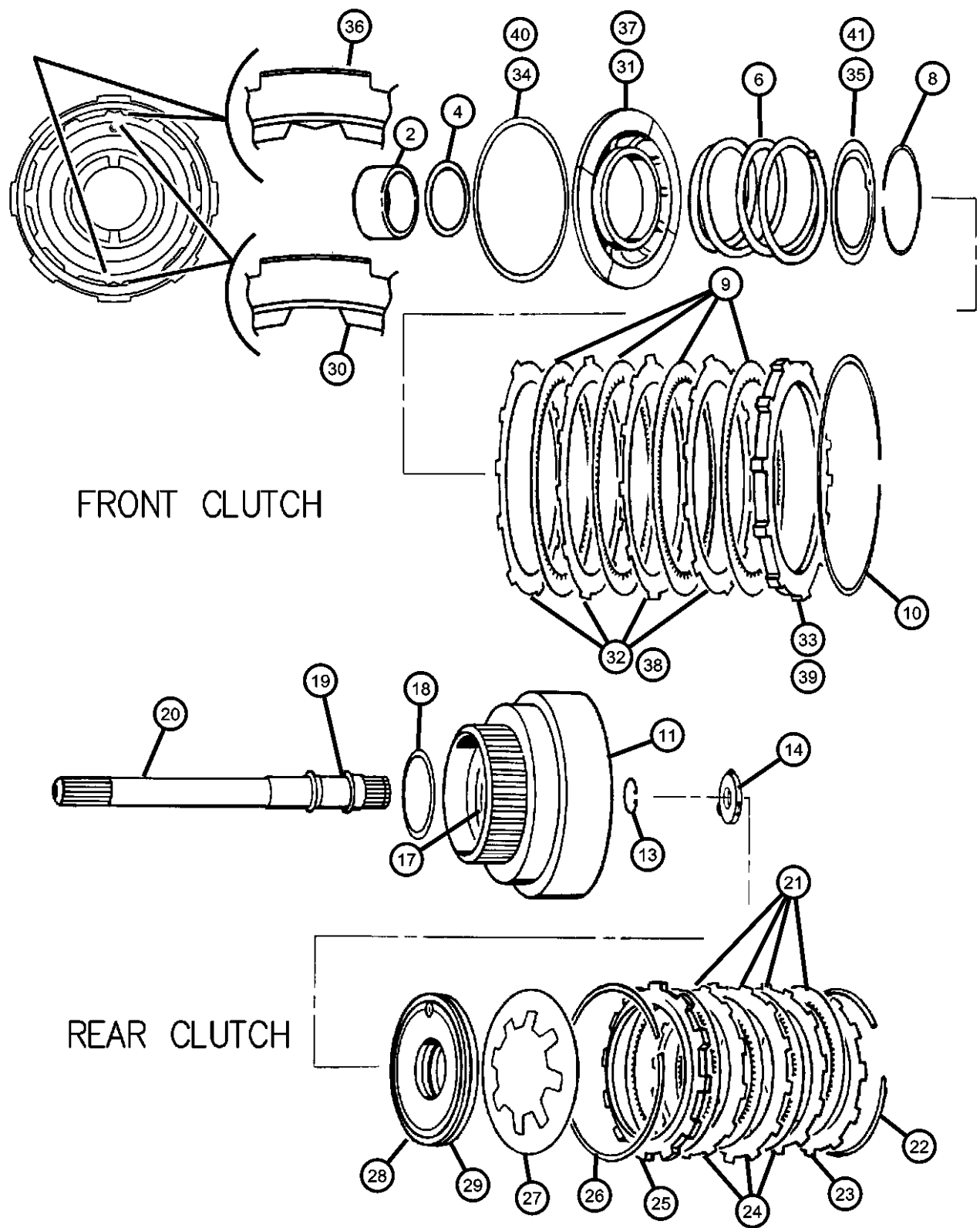
ENGINE
ERH = ENGINE - 4.0L
POWER TECH I-6
EVA = ENGINE- 4.7L V8 MPI
EXA = ENGINE - 3.1L 5 CYL
TURBO DIESEL

TRANSMISSION
DG4 = TRANSMISSION-MULTI-
SPEED AUTO, 45RFE
DGW = TRANSMISSION - 4-SPD.
AUTOMATIC, 44RE
DGK = TRANSMISSION - 4-SPD.
AUTOMATIC, 42RE
DGO = ALL AUTOMATIC
TRANSMISSIONS

AR = use ase required - = Non illustrated part

2000 WJ

**Gear Train 42RE (DGK)
Figure 42RE-410**

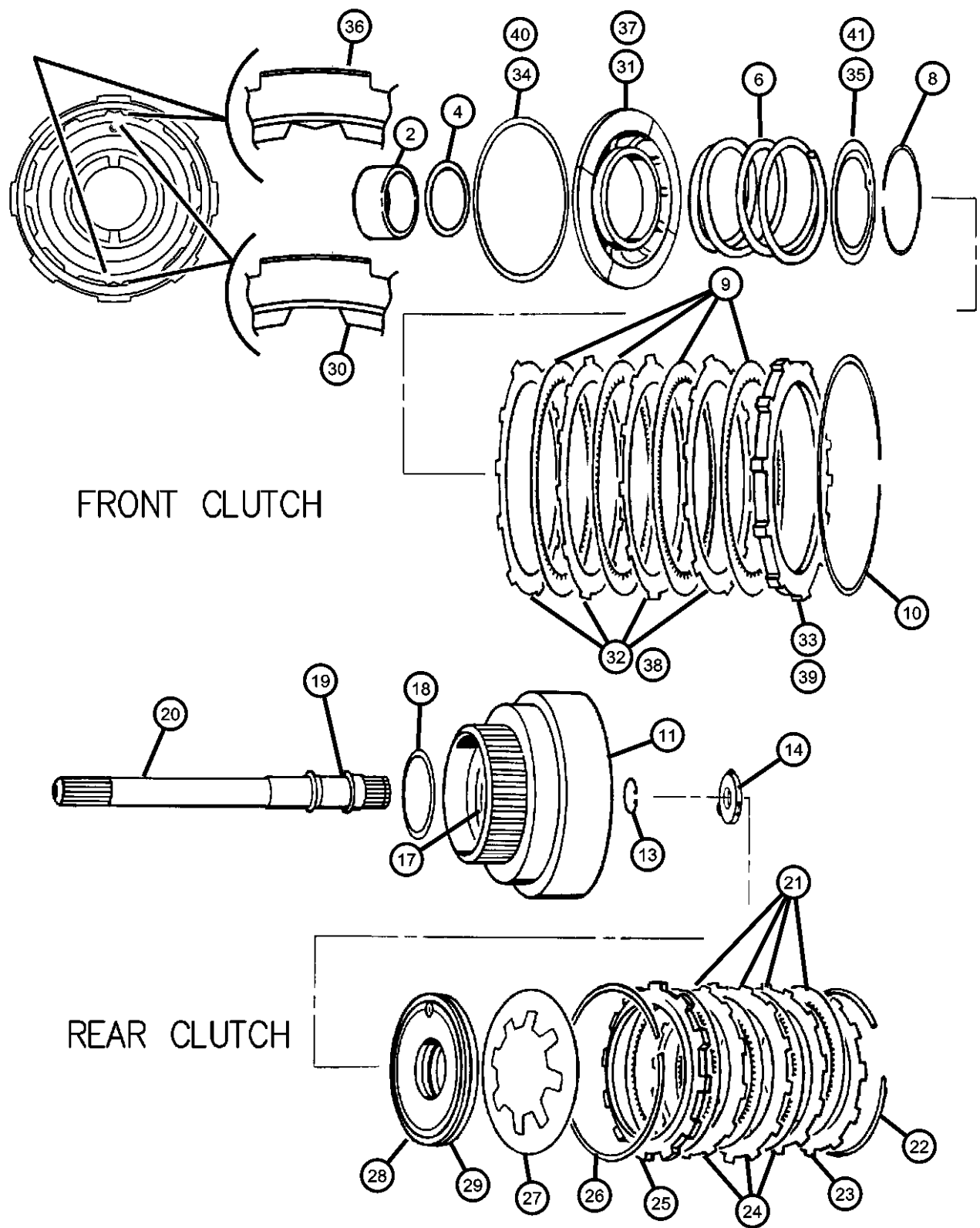


| ITEM | PART NUMBER | QTY | LINE | SERIES | BODY | ENGINE | TRANS | TRIM | DESCRIPTION |
|------|-------------|-----|------|--------|------|--------|-------|------|--|
| | 04531285 | 1 | T | | | | DGK | | |
| | | 1 | J, U | | | | DGK | | |
| 31 | 04617154AB | 1 | T | | | | DGK | | PISTON, Clutch |
| | | 1 | J, U | | | | DGK | | |
| 32 | 01942403AB | 3 | T | | | | DGK | | PLATE, Clutch Separator |
| | | 3 | J, U | | | | DGK | | |
| 33 | 04617176 | 1 | T | | | | DGK | | PLATE, Transmission Clutch Reaction |
| | | 1 | J, U | | | | DGK | | |
| 34 | 04058487 | 1 | T | | | | DGK | | SEAL, Front Piston Clutch |
| | | 1 | J, U | | | | DGK | | |
| 35 | 04617516AB | 1 | T | | | | DGK | | RETAINER, Transmission Front Clutch Piston Spring |
| | | 1 | J, U | | | | DGK | | |
| 36 | 04531285AB | 1 | T | | | | DGK | | RETAINER AND BUSHING, Transmission Front Clutch, From 01-07-2000 |
| | | 1 | J, U | | | | DGK | | |
| 37 | 04617154AB | 1 | T | | | | DGK | | PISTON, Clutch |
| | | 1 | J, U | | | | DGK | | |
| 38 | 01942403AB | 4 | T | | | | DGK | | PLATE, Clutch Separator Without [V] Notch |
| | | 4 | J, U | | | | DGK | | Without [V] Notch |
| | 01942403AC | 4 | T | | | | DGK | | With [V] Notch |
| | | 4 | J, U | | | | DGK | | With [V] Notch |
| 39 | 04617176AB | 1 | T | | | | DGK | | PLATE, Transmission Clutch Reaction |

GRAND CHEROKEE (WJ)
 SERIES LINE BODY ENGINE TRANSMISSION
 H = Laredo T = JEEP - 2WD 74 = 4 Door (105.9 WB) ERH = ENGINE - 4.0L DG4 = TRANSMISSION-MULTI-
 P = Limited J = JEEP - 4WD POWER TECH I-6 SPEED AUTO, 45RFE
 U = JEEP - 4WD (RHD) EVA = ENGINE- 4.7L V8 MPI DGW = TRANSMISSION - 4-SPD.
 EXA = ENGINE - 3.1L 5 CYL AUTOMATIC, 44RE
 TURBO DIESEL DGO = ALL AUTOMATIC
 TRANSMISSIONS

AR = use ase required - = Non illustrated part

**Gear Train 42RE (DGK)
Figure 42RE-410**



| ITEM | PART NUMBER | QTY | LINE | SERIES | BODY | ENGINE | TRANS | TRIM | DESCRIPTION |
|------|-------------|-----|------|--------|------|--------|-------|------|---|
| 40 | | 1 | J, U | | | | DGK | | SEAL, Front Piston Clutch |
| | 04058487AB | 1 | T | | | | DGK | | |
| 41 | | 1 | J, U | | | | DGK | | RETAINER, Transmission Front Clutch Piston Spring |
| | 04617516AC | 1 | T | | | | DGK | | |
| | | 1 | J, U | | | | DGK | | |

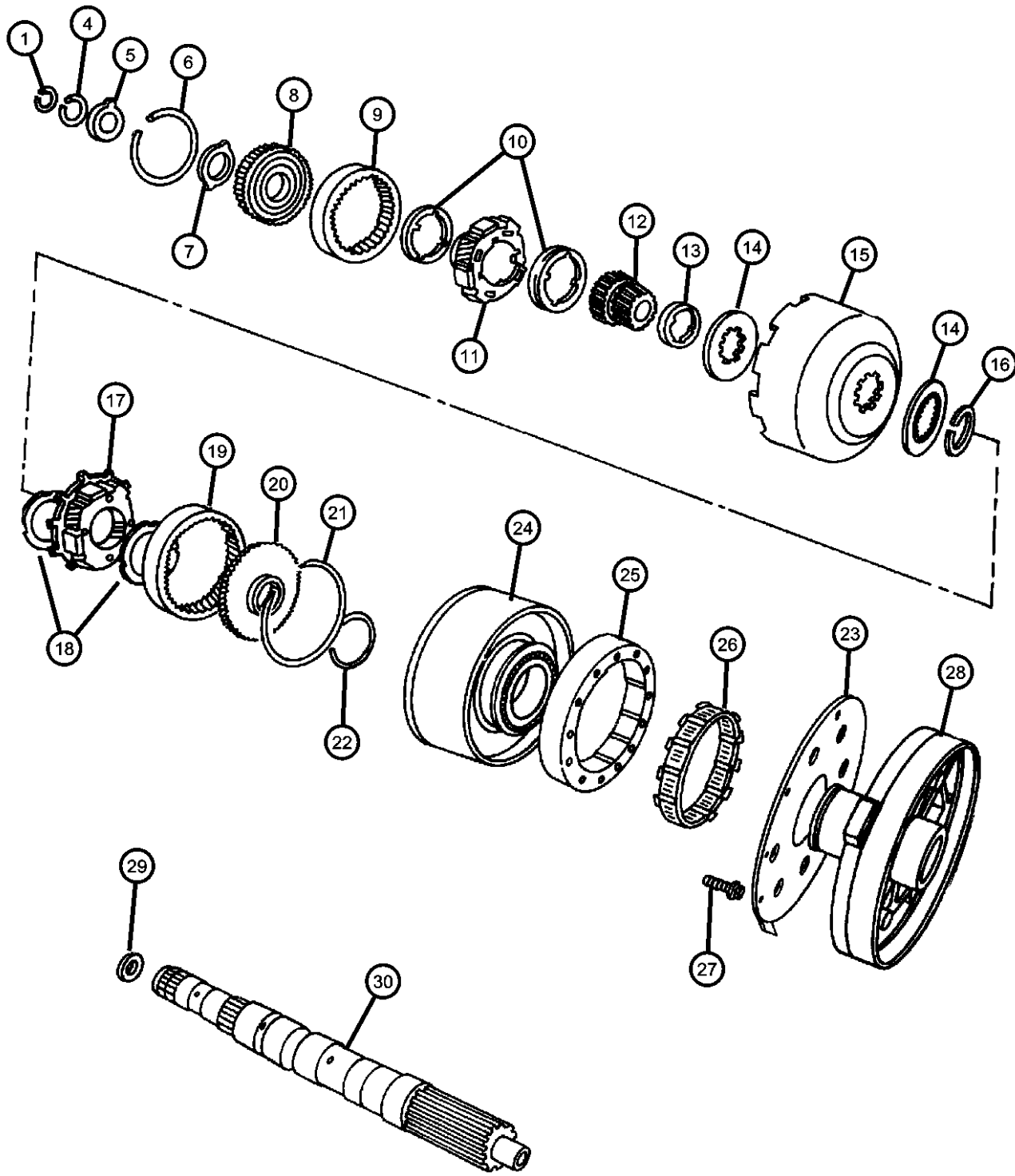
FRONT CLUTCH

REAR CLUTCH

| | | | | |
|----------------------------|----------------------|------------------------|--|---|
| GRAND CHEROKEE (WJ) | | | | |
| SERIES | LINE | BODY | ENGINE | TRANSMISSION |
| H = Laredo | T = JEEP - 2WD | 74 = 4 Door (105.9 WB) | ERH = ENGINE - 4.0L POWER TECH I-6 | DG4 = TRANSMISSION-MULTI-SPEED AUTO, 45RFE |
| P = Limited | J = JEEP - 4WD | | EVA = ENGINE- 4.7L V8 MPI | DGW = TRANSMISSION - 4-SPD. AUTOMATIC, 44RE |
| | U = JEEP - 4WD (RHD) | | EXA = ENGINE - 3.1L 5 CYL TURBO DIESEL | DGK = TRANSMISSION - 4-SPD. AUTOMATIC, 42RE |
| | | | | DGO = ALL AUTOMATIC TRANSMISSIONS |

AR = use ase required - = Non illustrated part

**Gear Train and Intermediate Shaft 42RE [DGK]
Figure 42RE-420**



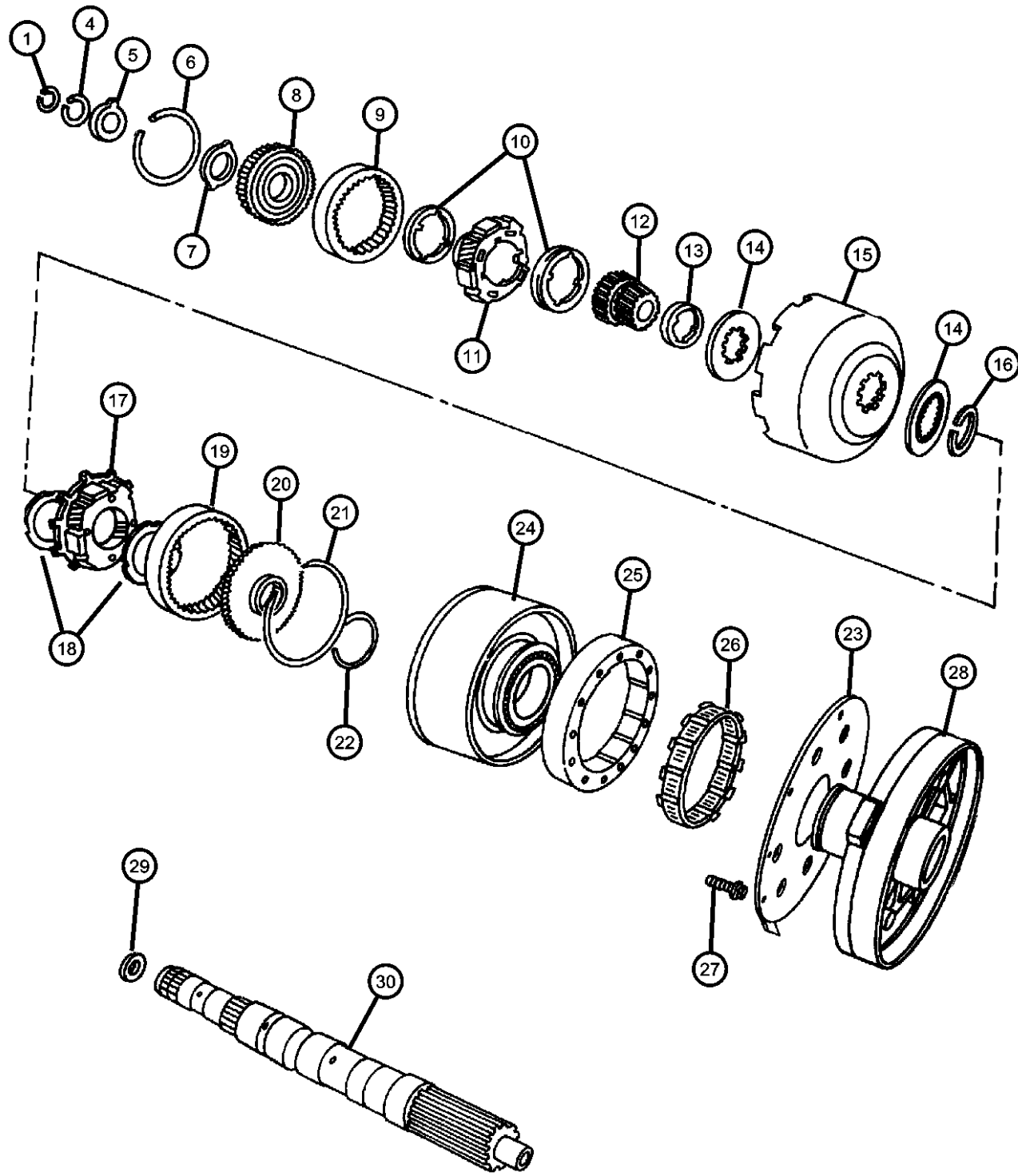
| ITEM | PART NUMBER | QTY | LINE | SERIES | BODY | ENGINE | TRANS | TRIM | DESCRIPTION |
|------|-------------|-----|------|--------|------|--------|-------|------|-----------------------------------|
| 1 | 06026289 | 1 | T | | | | DGK | | SNAP RING, .946 ID |
| | | 1 | J, U | | | | DGK | | |
| -2 | 06030938 | 1 | T | | | | DGK | | SNAP RING |
| | | 1 | J, U | | | | DGK | | |
| -3 | 06030404 | 1 | T | | | | DGK | | SNAP RING, Output Shaft, 1.029 OD |
| | | 1 | J, U | | | | DGK | | |
| 4 | 06030576 | 1 | T | | | | DGK | | SNAP RING, Annulus Gear, 1.375 ID |
| | | 1 | J, U | | | | DGK | | |
| 5 | 03681969 | 1 | T | | | | DGK | | THRUST WASHER, Annulus Gear |
| | | 1 | J, U | | | | DGK | | |
| 6 | 06030938 | 1 | T | | | | DGK | | SNAP RING |
| | | 1 | J, U | | | | DGK | | |
| 7 | 04617775 | 1 | T | | | | DGK | | PLATE, Annulus Gear Thrust |
| | | 1 | J, U | | | | DGK | | |
| 8 | 04617774 | 1 | T | | | | DGK | | SUPPORT, Annulus Gear |
| | | 1 | J, U | | | | DGK | | |
| 9 | 04130512 | 1 | T | | | | DGK | | GEAR, Front Annulus |
| | | 1 | J, U | | | | DGK | | |
| 10 | 04130518 | 2 | T | | | | DGK | | THRUST WASHER, Planetary Carrier |

NOTES: Sales Codes
[DGK] = 42RE Automatic Transmission
[ER0] = All 4.0L 6 Cylinder Gas Engines

| | | | | |
|----------------------------|----------------------|------------------------|--|---|
| GRAND CHEROKEE (WJ) | | | | |
| SERIES | LINE | BODY | ENGINE | TRANSMISSION |
| H = Laredo | T = JEEP - 2WD | 74 = 4 Door (105.9 WB) | ERH = ENGINE - 4.0L POWER TECH I-6 | DG4 = TRANSMISSION-MULTI-SPEED AUTO, 45RFE |
| P = Limited | J = JEEP - 4WD | | EVA = ENGINE- 4.7L V8 MPI | DGW = TRANSMISSION - 4-SPD. AUTOMATIC, 44RE |
| | U = JEEP - 4WD (RHD) | | EXA = ENGINE - 3.1L 5 CYL TURBO DIESEL | DGK = TRANSMISSION - 4-SPD. AUTOMATIC, 42RE |
| | | | | DGO = ALL AUTOMATIC TRANSMISSIONS |

AR = use ase required - = Non illustrated part

**Gear Train and Intermediate Shaft 42RE [DGK]
Figure 42RE-420**



| ITEM | PART NUMBER | QTY | LINE | SERIES | BODY | ENGINE | TRANS | TRIM | DESCRIPTION |
|------|-------------|-----|------|--------|------|--------|-------|------|----------------------------------|
| 11 | | 2 | J, U | | | | DGK | | CARRIER, Planetary Pinion |
| | 04130514 | 1 | T | | | | DGK | | |
| 12 | | 1 | J, U | | | | DGK | | GEAR, Sun |
| | 04130685 | 1 | T | | | | DGK | | |
| 13 | | 1 | J, U | | | | DGK | | SPACER, Sun Gear |
| | 04130736 | 1 | T | | | | DGK | | |
| 14 | | 1 | J, U | | | | DGK | | PLATE, Transmission Module |
| | 04471566 | 2 | T | | | | DGK | | |
| 15 | | 2 | J, U | | | | DGK | | SHELL, Sun Gear |
| | 04531288 | 1 | T | | | | DGK | | |
| 16 | | 1 | J, U | | | | DGK | | SNAP RING, Sun Gear Shell |
| | 01942439 | 1 | T | | | | DGK | | |
| 17 | | 1 | J, U | | | | DGK | | CARRIER, Planetary Pinion |
| | 04431438 | 1 | T | | | | DGK | | |
| 18 | | 1 | J, U | | | | DGK | | THRUST WASHER, Planetary Carrier |
| | 03681935 | 1 | T | | | | DGK | | |
| 19 | | 1 | J, U | | | | DGK | | GEAR, Rear Annulus |
| | 03743184 | 1 | T | | | | DGK | | |
| 20 | | 1 | J, U | | | | DGK | | SUPPORT, Annulus Gear |
| | 03515501 | 1 | T | | | | DGK | | |
| 21 | | 1 | J, U | | | | DGK | | SNAP RING |

GRAND CHEROKEE (WJ)

SERIES LINE
H = Laredo T = JEEP - 2WD
P = Limited J = JEEP - 4WD
 U = JEEP - 4WD (RHD)

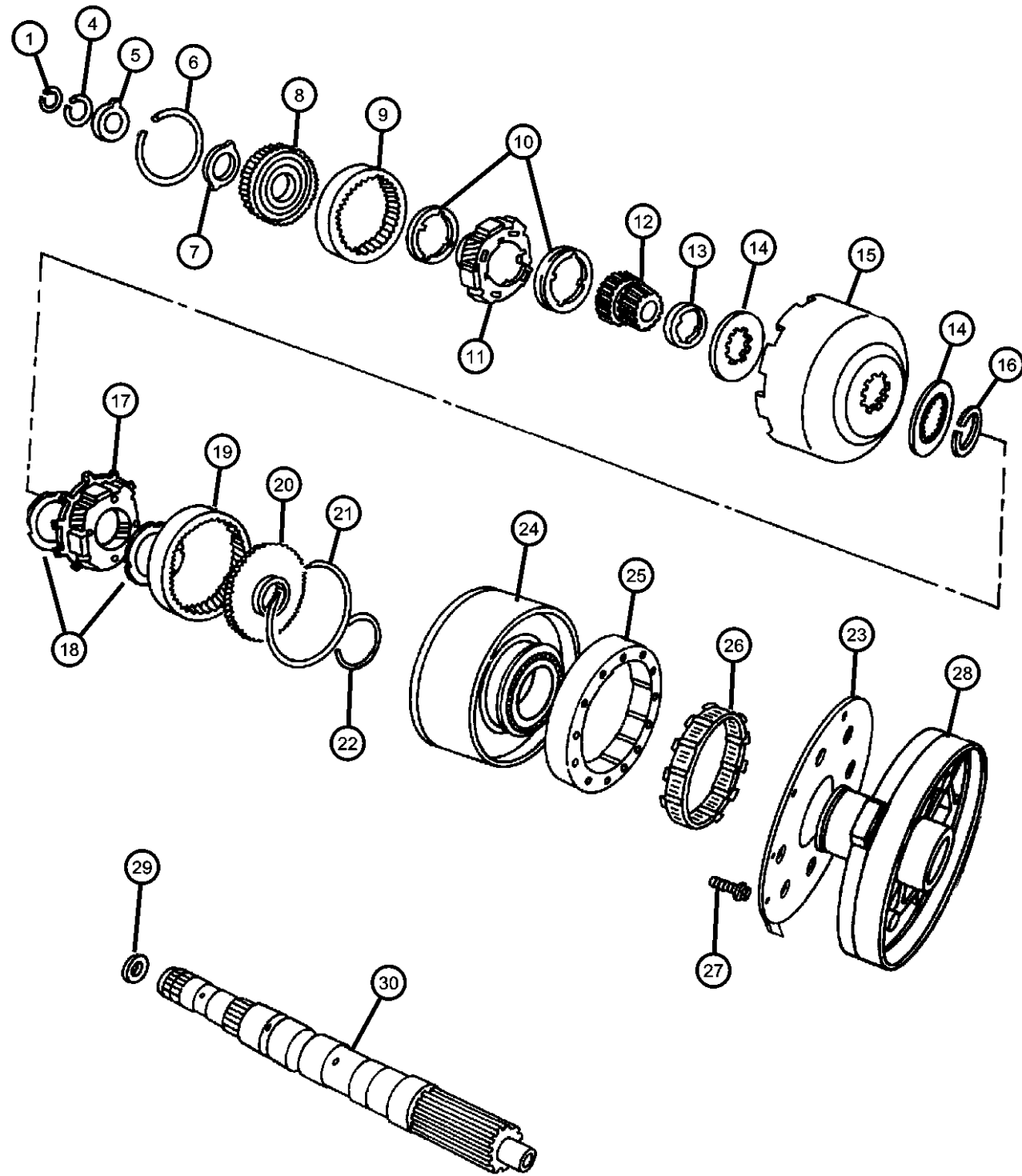
BODY
74 = 4 Door (105.9 WB)

ENGINE
ERH = ENGINE - 4.0L
POWER TECH I-6
EVA = ENGINE- 4.7L V8 MPI
EXA = ENGINE - 3.1L 5 CYL
TURBO DIESEL

TRANSMISSION
DG4 = TRANSMISSION-MULTI-
SPEED AUTO, 45RFE
DGW = TRANSMISSION - 4-SPD.
AUTOMATIC, 44RE
DGK = TRANSMISSION - 4-SPD.
AUTOMATIC, 42RE
DGO = ALL AUTOMATIC
TRANSMISSIONS

AR = use ase required - = Non illustrated part

**Gear Train and Intermediate Shaft 42RE [DGK]
Figure 42RE-420**



| ITEM | PART NUMBER | QTY | LINE | SERIES | BODY | ENGINE | TRANS | TRIM | DESCRIPTION |
|------|-------------|-----|------|--------|------|--------|-------|------|--|
| | 01942444 | 1 | T | | | | DGK | | |
| | | 1 | J, U | | | | DGK | | |
| 22 | 06033480 | 1 | T | | | | DGK | | SNAP RING, Reverse Drum |
| | | 1 | J, U | | | | DGK | | |
| 23 | 04471564 | 1 | T | | | | DGK | | GASKET, Overdrive Piston Retainer |
| | | 1 | J, U | | | | DGK | | |
| 24 | 04637956 | 1 | T | | | | DGK | | DRUM PACKAGE, Transmission |
| | | 1 | J, U | | | | DGK | | |
| 25 | 04431690 | 1 | T | | | | DGK | | CAM, Overrunning Clutch |
| | | 1 | J, U | | | | DGK | | |
| 26 | 04431432 | 1 | T | | | | DGK | | CLUTCH, Overrunning |
| | | 1 | J, U | | | | DGK | | |
| 27 | 06033616 | 5 | T | | | | DGK | | SCREW, Hex Flange Head, .25-28x.875 |
| | | 5 | J, U | | | | DGK | | |
| 28 | 04617246 | 1 | T | | | | DGK | | RETAINER, Transmission Overdrive Clutch Piston |
| | | 1 | J, U | | | | DGK | | |
| 29 | 04471566 | 2 | T | | | | DGK | | PLATE, Transmission Module |
| | | 2 | J, U | | | | DGK | | |
| 30 | 04617604 | 1 | T | | | | DGK | | INTERMEDIATE SHAFT, Transmission |
| | | 1 | J, U | | | | DGK | | |

GRAND CHEROKEE (WJ)

SERIES
H = Laredo
P = Limited

LINE
T = JEEP - 2WD
J = JEEP - 4WD
U = JEEP - 4WD (RHD)

BODY
74 = 4 Door (105.9 WB)

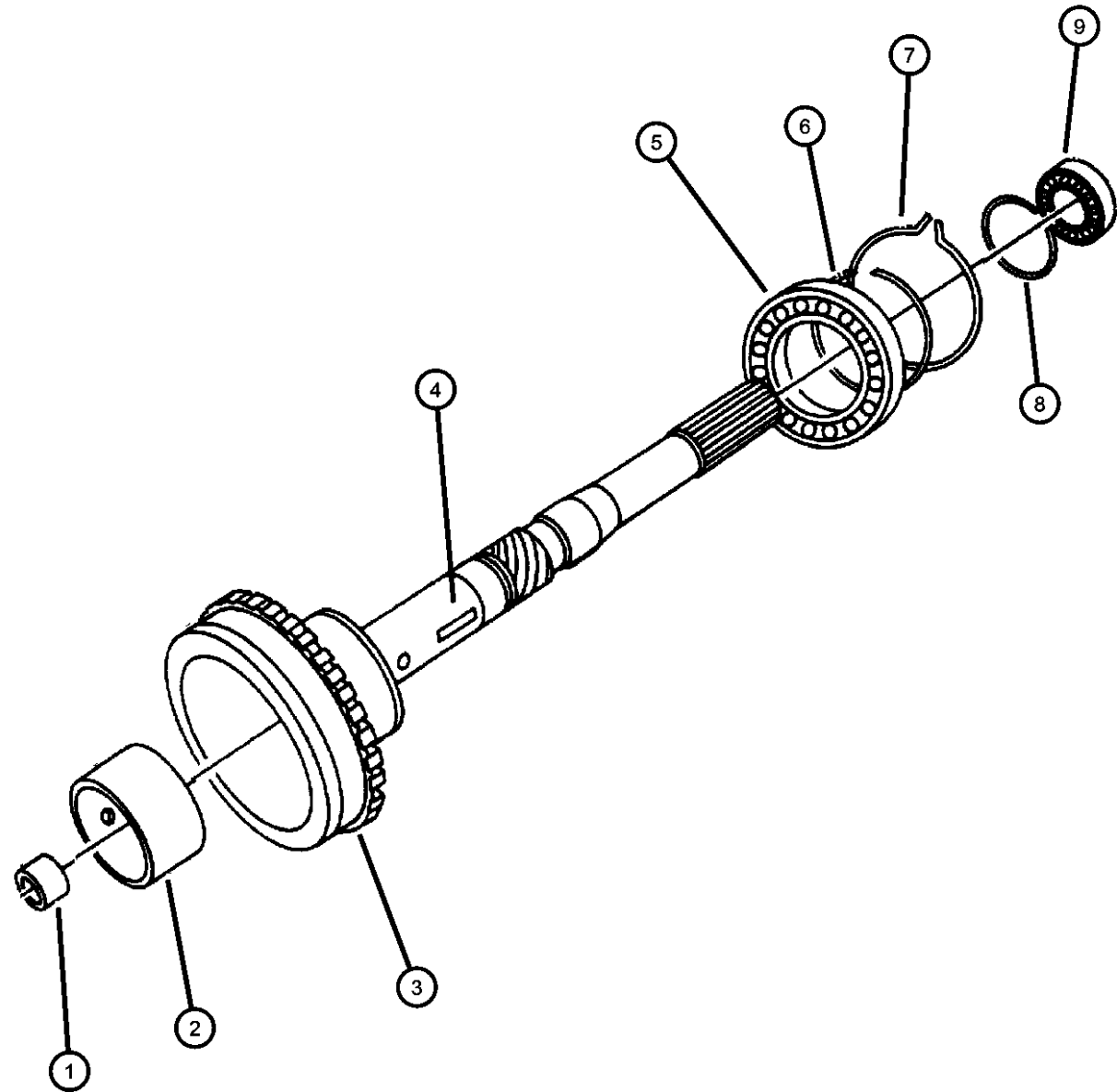
ENGINE
ERH = ENGINE - 4.0L POWER TECH I-6
EVA = ENGINE - 4.7L V8 MPI
EXA = ENGINE - 3.1L 5 CYL TURBO DIESEL

TRANSMISSION
DG4 = TRANSMISSION-MULTI-SPEED AUTO, 45RFE
DGW = TRANSMISSION - 4-SPD. AUTOMATIC, 44RE
DGK = TRANSMISSION - 4-SPD. AUTOMATIC, 42RE
DGO = ALL AUTOMATIC TRANSMISSIONS

AR = use ase required - = Non illustrated part

2000 WJ

**Output Shaft 42RE [DGK]
Figure 42RE-430**



| ITEM | PART NUMBER | QTY | LINE | SERIES | BODY | ENGINE | TRANS | TRIM | DESCRIPTION |
|------|-------------|-----|------|--------|------|--------|-------|------|-----------------------------------|
| 1 | | 1 | | | | | | | BUSHING, (NOT SERVICED) |
| 2 | | 1 | | | | | | | BUSHING, (NOT SERVICED) |
| 3 | | | | | | | | | SHAFT, Output |
| | 04798536 | 1 | J, U | | | | DGK | | |
| | 05003232AA | 1 | T | | | | DGK | | |
| 4 | 05003232AA | 1 | | | | | | | KEY, Shaft, (NOT SERVICED) |
| 5 | | | | | | | | | BEARING, Output Shaft |
| | 04461008 | 1 | J, U | | | | DGK | | |
| | | 1 | T | | | | DGK | | |
| 6 | | | | | | | | | SNAP RING, .946 ID |
| | 06026289 | 1 | T | | | | DGK | | |
| | | 1 | J, U | | | | DGK | | |
| 7 | | | | | | | | | SNAP RING, Output Shaft, 1.029 OD |
| | 06030404 | 1 | T | | | | DGK | | |
| | | 1 | J, U | | | | DGK | | |
| 8 | | | | | | | | | SNAP RING |
| | 06030938 | 1 | T | | | | DGK | | |
| | | 1 | J, U | | | | DGK | | |
| 9 | | | | | | | | | BEARING, Output Shaft |
| | 04461008 | 1 | J, U | | | | DGK | | |
| | | 1 | T | | | | DGK | | |

NOTES: Sales Codes
[DGK] = 42RE 4 Speed Automatic Transmission
[ER0] = All 4.0L 6 Cylinder Gas Engines

GRAND CHEROKEE (WJ)

| | |
|-------------|----------------------|
| SERIES | LINE |
| H = Laredo | T = JEEP - 2WD |
| P = Limited | J = JEEP - 4WD |
| | U = JEEP - 4WD (RHD) |

| |
|------------------------|
| BODY |
| 74 = 4 Door (105.9 WB) |

| |
|--|
| ENGINE |
| ERH = ENGINE - 4.0L POWER TECH I-6 |
| EVA = ENGINE- 4.7L V8 MPI |
| EXA = ENGINE - 3.1L 5 CYL TURBO DIESEL |

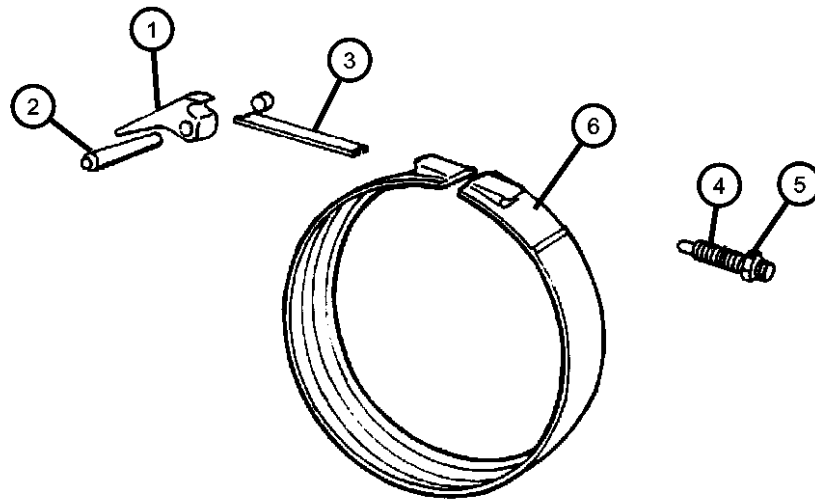
| |
|---|
| TRANSMISSION |
| DG4 = TRANSMISSION-MULTI-SPEED AUTO, 45RFE |
| DGW = TRANSMISSION - 4-SPD. AUTOMATIC, 44RE |
| DGK = TRANSMISSION - 4-SPD. AUTOMATIC, 42RE |
| DGO = ALL AUTOMATIC TRANSMISSIONS |

AR = use ase required - = Non illustrated part

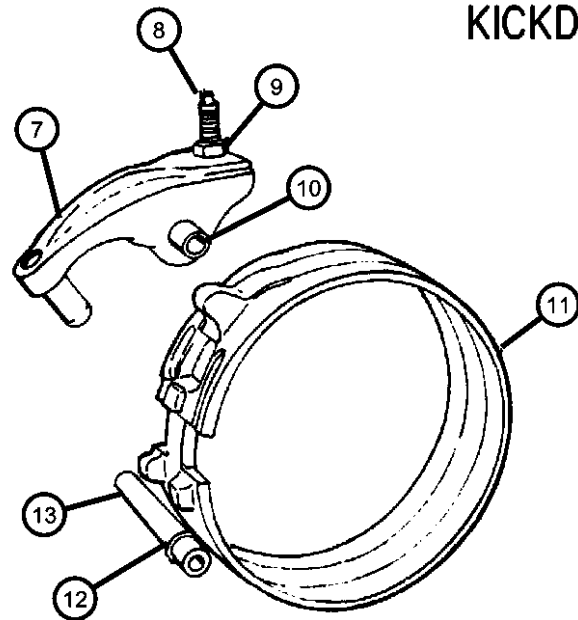
2000 WJ

**Bands 42RE [DGK]
Figure 42RE-510**

| ITEM | PART NUMBER | QTY | LINE | SERIES | BODY | ENGINE | TRANS | TRIM | DESCRIPTION |
|--|-------------|-----|------|--------|------|--------|-------|------|---|
| NOTES: Sales Codes [DGK] = 42RE 4 Speed Automatic Transmission [ER0] = All 4.0L 6 Cylinder Gas Engines | | | | | | | | | |
| 1 | 52118264 | 1 | T | | | | DGK | | LEVER, Kickdown |
| | | 1 | J, U | | | | DGK | | |
| 2 | 04531181 | 1 | T | | | | DGK | | SHAFT, Band Lever |
| | | 1 | J, U | | | | DGK | | |
| 3 | 03515084 | 1 | T | | | | DGK | | STRUT, Kickdown Band |
| | | 1 | J, U | | | | DGK | | |
| 4 | 06036141AA | 1 | T | | | | DGK | | SCREW |
| | | 1 | J, U | | | | DGK | | |
| 5 | 00124934 | 1 | T | | | | DGK | | NUT, Hex Jam, .50-20 |
| | | 1 | J, U | | | | DGK | | |
| 6 | 04617849 | 1 | T | | | | DGK | | BAND, Kickdown |
| | | 1 | J, U | | | | DGK | | |
| 7 | 04202764AB | 1 | T | | | | DGK | | LEVER, Reverse Band |
| | | 1 | J, U | | | | DGK | | |
| 8 | 02538472 | 1 | T | | | | DGK | | SCREW, Trans Reverse Band Adjusting, .375-24-1.88 |
| | | 1 | J, U | | | | DGK | | |
| 9 | 00114942 | 1 | T | | | | DGK | | NUT, Hex, .375-24 |
| | | 1 | J, U | | | | DGK | | |
| 10 | 03410102 | 1 | T | | | | DGK | | SHAFT, Reverse Band |
| | | 1 | J, U | | | | DGK | | |



KICKDOWN BAND



DOUBLE WRAP REVERSE BAND

GRAND CHEROKEE (WJ)

SERIES LINE
H = Laredo T = JEEP - 2WD
P = Limited J = JEEP - 4WD
U = JEEP - 4WD (RHD)

BODY
74 = 4 Door (105.9 WB)

ENGINE
ERH = ENGINE - 4.0L
POWER TECH I-6
EVA = ENGINE- 4.7L V8 MPI
EXA = ENGINE - 3.1L 5 CYL
TURBO DIESEL

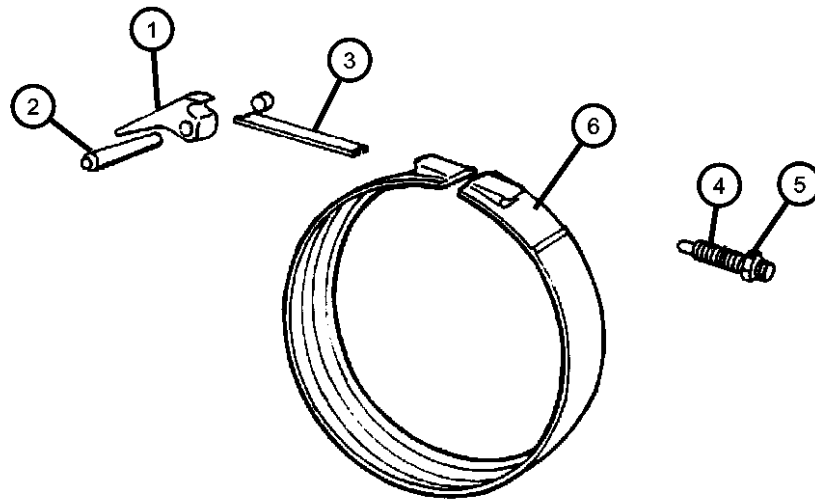
TRANSMISSION
DG4 = TRANSMISSION-MULTI-
SPEED AUTO, 45RFE
DGW = TRANSMISSION - 4-SPD.
AUTOMATIC, 44RE
DGK = TRANSMISSION - 4-SPD.
AUTOMATIC, 42RE
DGO = ALL AUTOMATIC
TRANSMISSIONS

AR = use ase required - = Non illustrated part

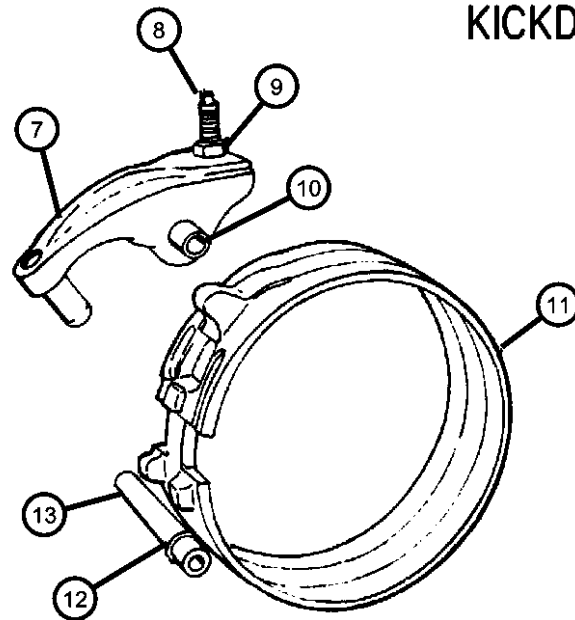
2000 WJ

**Bands 42RE [DGK]
Figure 42RE-510**

| ITEM | PART NUMBER | QTY | LINE | SERIES | BODY | ENGINE | TRANS | TRIM | DESCRIPTION |
|------|-------------|-----|------|--------|------|--------|-------|------|-----------------------|
| 11 | 04431406 | 1 | T | | | | DGK | | BAND, Reverse |
| | | 1 | J, U | | | | DGK | | |
| 12 | 06030657 | 1 | T | | | | DGK | | O RING, Steering Gear |
| | | 1 | J, U | | | | DGK | | |
| 13 | 03410102 | 1 | T | | | | DGK | | SHAFT, Reverse Band |
| | | 1 | J, U | | | | DGK | | |



KICKDOWN BAND



DOUBLE WRAP REVERSE BAND

GRAND CHEROKEE (WJ)

SERIES LINE
 H = Laredo T = JEEP - 2WD
 P = Limited J = JEEP - 4WD
 U = JEEP - 4WD (RHD)

BODY
 74 = 4 Door (105.9 WB)

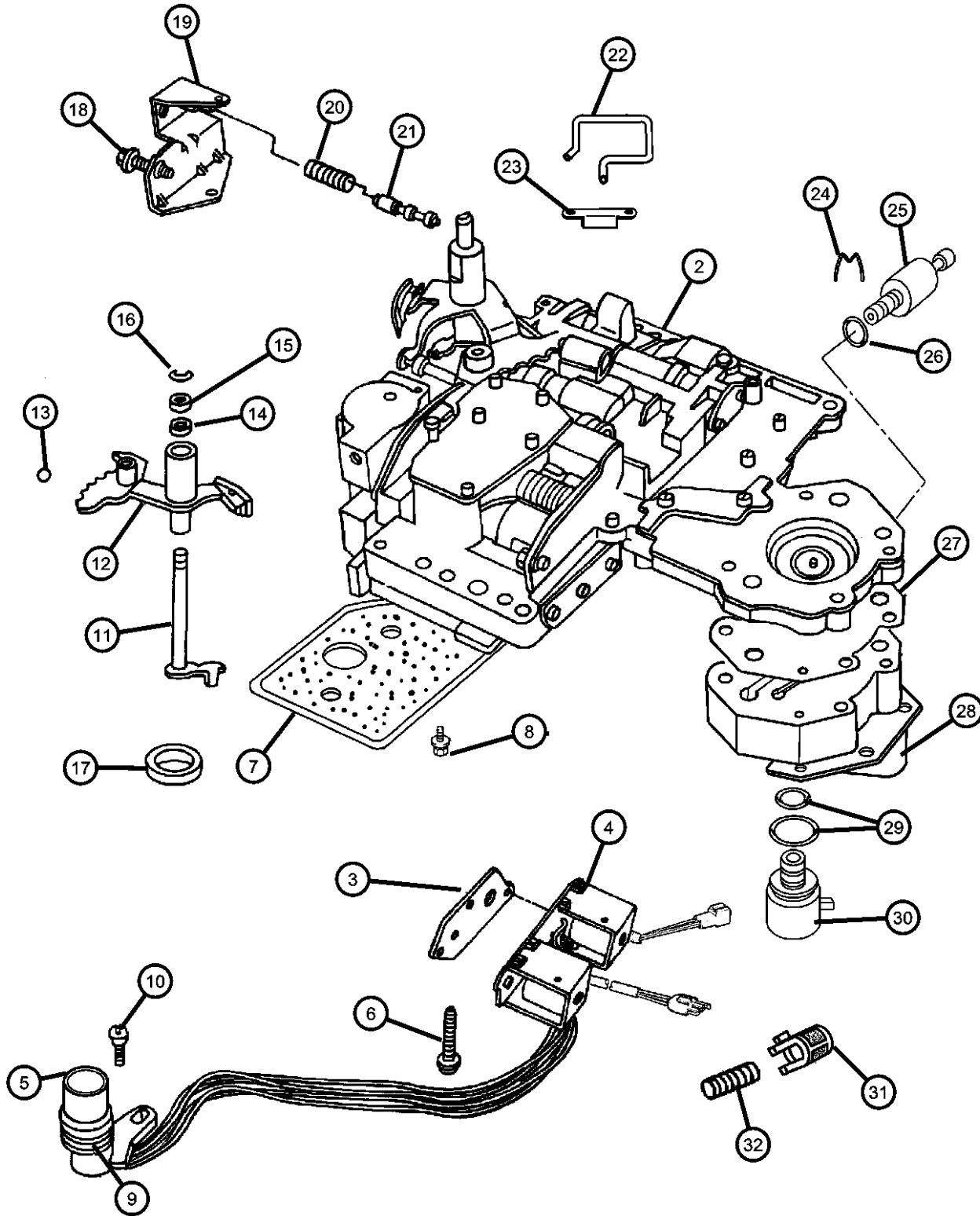
ENGINE
 ERH = ENGINE - 4.0L
 POWER TECH I-6
 EVA = ENGINE- 4.7L V8 MPI
 EXA = ENGINE - 3.1L 5 CYL
 TURBO DIESEL

TRANSMISSION
 DG4 = TRANSMISSION-MULTI-
 SPEED AUTO, 45RFE
 DGW = TRANSMISSION - 4-SPD.
 AUTOMATIC,44RE
 DGK = TRANSMISSION - 4-SPD.
 AUTOMATIC,42RE
 DGO = ALL AUTOMATIC
 TRANSMISSIONS

AR = use ase required - = Non illustrated part

2000 WJ

**Valve Body 42RE [DGK]
Figure 42RE-710**



| ITEM | PART NUMBER | QTY | LINE | SERIES | BODY | ENGINE | TRANS | TRIM | DESCRIPTION |
|------|-------------|-----|------|--------|------|--------|-------|------|-------------|
|------|-------------|-----|------|--------|------|--------|-------|------|-------------|

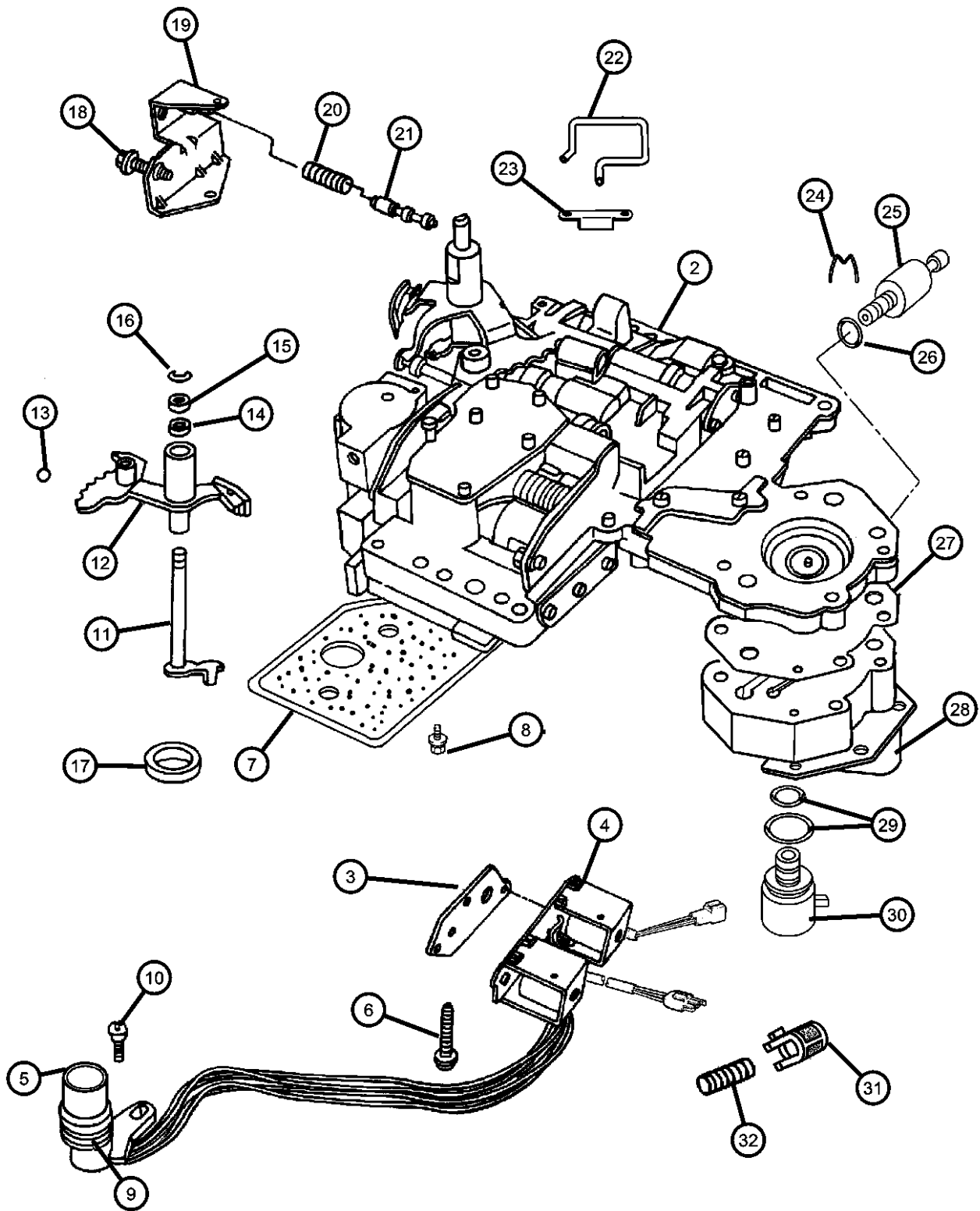
NOTES: Sales Codes
[DGK] = 42RE 4 Speed Automatic Transmission
[ER0] = All 4.0L 6 Cylinder Gas Engines

| | | | | | | | | | |
|----|------------|----|------|--|--|--|-----|--|---|
| -1 | | | | | | | | | SEAL AND GASKET PACKAGE, Valve Body and Servo |
| | 04863933AB | 1 | T | | | | DGK | | |
| | | 1 | J, U | | | | DGK | | |
| 2 | | | | | | | | | BODY, Transfer Plate |
| | 52119633AB | 1 | T | | | | DGK | | |
| | | 1 | J, U | | | | DGK | | |
| 3 | | | | | | | | | GASKET, Transmission Solenoid |
| | 04617216 | 1 | T | | | | DGK | | |
| | | 1 | J, U | | | | DGK | | |
| 4 | | | | | | | | | SOLENOID, Transmission Overdrive |
| | 52118500AB | 1 | T | | | | DGK | | |
| | | 1 | J, U | | | | DGK | | |
| 5 | | | | | | | | | TRANSDUCER, Pressure Sensor |
| | 56028196AA | AR | T | | | | DGK | | |
| | | AR | J, U | | | | DGK | | |
| 6 | | | | | | | | | BOLT, Valve Body, .25-20x1.75 |
| | 00181071 | 3 | T | | | | DGK | | |
| | | 3 | J, U | | | | DGK | | |
| 7 | | | | | | | | | FILTER, Valve Body |
| | 52118789 | 1 | T | | | | DGK | | |
| | | 1 | J, U | | | | DGK | | |
| 8 | | | | | | | | | SCREW AND WASHER, Oil Filter Mounting, Fillester Head .190-24x2.500 |
| | 06033826 | 3 | T | | | | DGK | | |
| | | 3 | J, U | | | | DGK | | |
| 9 | | | | | | | | | O RING, Solenoid Wiring, Transmission |
| | 06034748 | 2 | T | | | | DGK | | |
| | | 2 | J, U | | | | DGK | | |
| 10 | | | | | | | | | SCREW, Tapping, .19-24x.75 |

| GRAND CHEROKEE (WJ) | | BODY | ENGINE | TRANSMISSION |
|---------------------|----------------------|------------------------|--|---|
| SERIES | LINE | 74 = 4 Door (105.9 WB) | ERH = ENGINE - 4.0L POWER TECH I-6 | DG4 = TRANSMISSION-MULTI-SPEED AUTO, 45RFE |
| H = Laredo | T = JEEP - 2WD | | EVA = ENGINE - 4.7L V8 MPI | DGW = TRANSMISSION - 4-SPD. AUTOMATIC, 44RE |
| P = Limited | J = JEEP - 4WD | | EXA = ENGINE - 3.1L 5 CYL TURBO DIESEL | DGK = TRANSMISSION - 4-SPD. AUTOMATIC, 42RE |
| | U = JEEP - 4WD (RHD) | | | DGO = ALL AUTOMATIC TRANSMISSIONS |

AR = use ase required - = Non illustrated part

Valve Body 42RE [DGK]
Figure 42RE-710



| ITEM | PART NUMBER | QTY | LINE | SERIES | BODY | ENGINE | TRANS | TRIM | DESCRIPTION |
|------|-------------|-----|------|--------|------|--------|-------|------|--|
| | 06033985 | 1 | T | | | | DGK | | |
| 11 | 03681227 | 1 | J, U | | | | DGK | | LEVER, Throttle Valve |
| | 04617439 | 1 | T | | | | DGK | | |
| 12 | 04617439 | 1 | J, U | | | | DGK | | LEVER, Manual Valve |
| | 00147488 | 1 | T | | | | DGK | | |
| 13 | 00147488 | 1 | J, U | | | | DGK | | BALL, Manual Lever Detent, .343 Diameter |
| | 02466548 | 1 | T | | | | DGK | | |
| 14 | 02466548 | 1 | J, U | | | | DGK | | SEAL, Valve Lever Shift |
| | 02538062 | 1 | T | | | | DGK | | |
| 15 | 02538062 | 1 | J, U | | | | DGK | | WASHER, Manual Valve Lever |
| | 06035208 | 2 | T | | | | DGK | | |
| 16 | 06035208 | 2 | J, U | | | | DGK | | SNAP RING |
| | 04505098 | 1 | T | | | | DGK | | |
| 17 | 04505098 | 1 | J, U | | | | DGK | | SEAL, Manual Shift Valve, 1.25 OD |
| | 06030609 | 1 | T | | | | DGK | | |
| 18 | 06030609 | 1 | J, U | | | | DGK | | SCREW, Cap Head Lock, .312-24x1.25 |
| | 04617010 | 1 | T | | | | DGK | | |
| 19 | 04617010 | 1 | J, U | | | | DGK | | BRACKET, Valve Body Switch |
| | 04130492 | 1 | T | | | | DGK | | |
| 20 | 04130492 | 1 | J, U | | | | DGK | | SPRING, Switch Valve |

GRAND CHEROKEE (WJ)

SERIES
H = Laredo
P = Limited

LINE
T = JEEP - 2WD
J = JEEP - 4WD
U = JEEP - 4WD (RHD)

BODY
74 = 4 Door (105.9 WB)

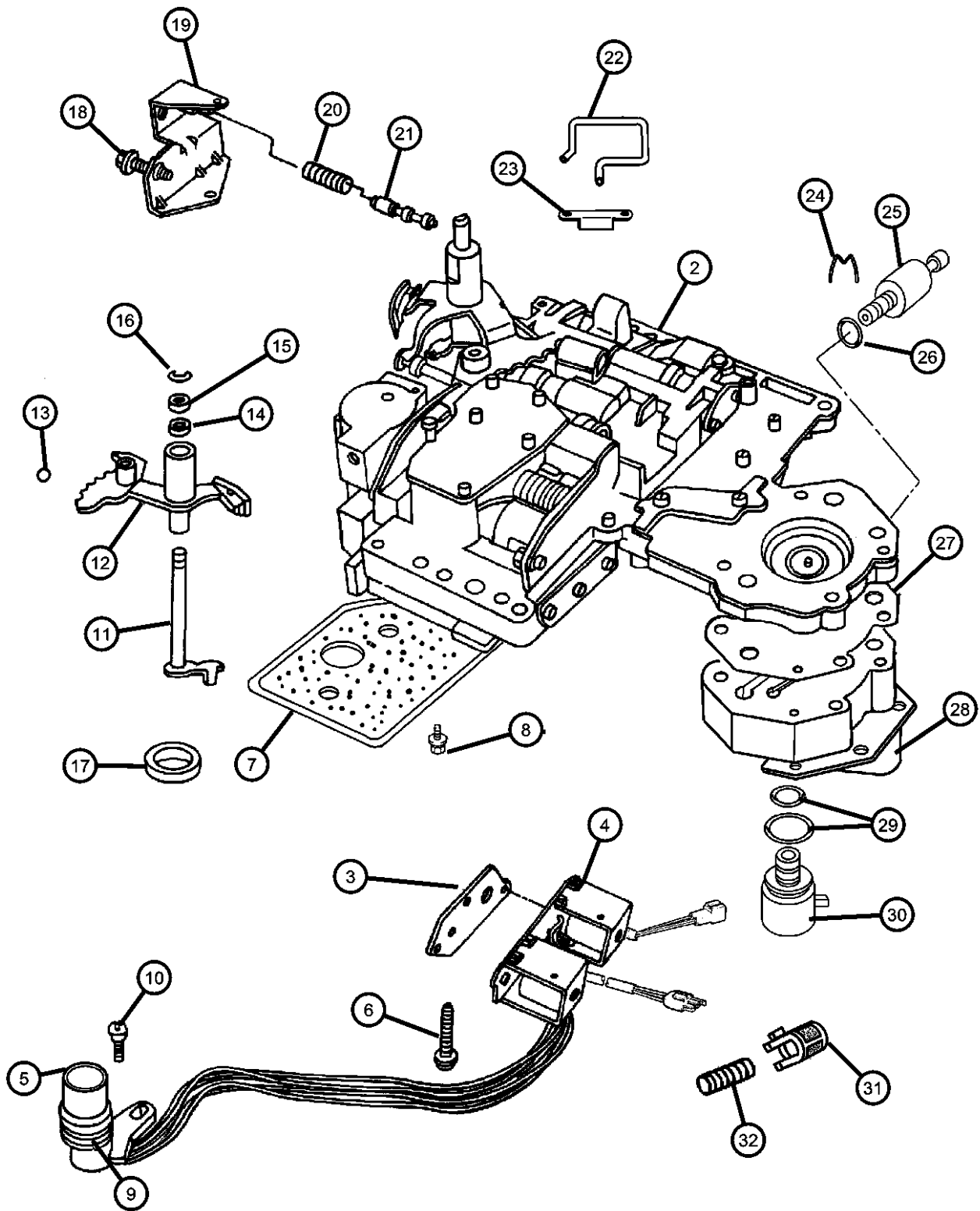
ENGINE
ERH = ENGINE - 4.0L
POWER TECH I-6
EVA = ENGINE- 4.7L V8 MPI
EXA = ENGINE - 3.1L 5 CYL
TURBO DIESEL

TRANSMISSION
DG4 = TRANSMISSION-MULTI-
SPEED AUTO, 45RFE
DGW = TRANSMISSION - 4-SPD.
AUTOMATIC, 44RE
DGK = TRANSMISSION - 4-SPD.
AUTOMATIC, 42RE
DGO = ALL AUTOMATIC
TRANSMISSIONS

AR = use ase required - = Non illustrated part

2000 WJ

Valve Body 42RE [DGK]
Figure 42RE-710



| ITEM | PART NUMBER | QTY | LINE | SERIES | BODY | ENGINE | TRANS | TRIM | DESCRIPTION |
|------|-------------|-----|------|--------|------|--------|-------|------|--|
| 21 | | 1 | J, U | | | | DGK | | VALVE, Trans Lockup Switch |
| | 04505036 | 1 | T | | | | DGK | | |
| | | 1 | J, U | | | | DGK | | |
| 22 | | 1 | T | | | | DGK | | TUBE, Boost Valve |
| | 04617008 | 1 | T | | | | DGK | | |
| | | 1 | J, U | | | | DGK | | |
| 23 | | 1 | T | | | | DGK | | RETAINER, Boost Valve Oil Supply Tube |
| | 52117958 | 1 | T | | | | DGK | | |
| | | 1 | J, U | | | | DGK | | |
| 24 | | 1 | T | | | | DGK | | CLIP, Transmission Governor Transducer |
| | 04617219 | 1 | T | | | | DGK | | |
| | | 1 | J, U | | | | DGK | | |
| 25 | | AR | T | | | | DGK | | TRANSDUCER, Pressure Sensor |
| | 56028196AA | AR | T | | | | DGK | | |
| | | AR | J, U | | | | DGK | | |
| 26 | | 1 | T | | | | DGK | | O RING, Pressure Switch |
| | 06034493 | 1 | T | | | | DGK | | |
| | | 1 | J, U | | | | DGK | | |
| 27 | | 1 | T | | | | DGK | | GASKET, Transmission Solenoid |
| | 04617216 | 1 | T | | | | DGK | | |
| | | 1 | J, U | | | | DGK | | |
| 28 | | 1 | T | | | | DGK | | RETAINER, Transmission Governor Solenoid |
| | 04617211AB | 1 | T | | | | DGK | | |
| | | 1 | J, U | | | | DGK | | |
| 29 | | 1 | T | | | | DGK | | O RING PACKAGE, Valve Body, Transmission |
| | 04723549 | 1 | T | | | | DGK | | |
| | | 1 | J, U | | | | DGK | | |
| 30 | | 1 | T | | | | DGK | | SOLENOID, Transmission Governor |
| | 04617210 | 1 | T | | | | DGK | | |

GRAND CHEROKEE (WJ)

SERIES LINE
H = Laredo T = JEEP - 2WD
P = Limited J = JEEP - 4WD
U = JEEP - 4WD (RHD)

BODY
74 = 4 Door (105.9 WB)

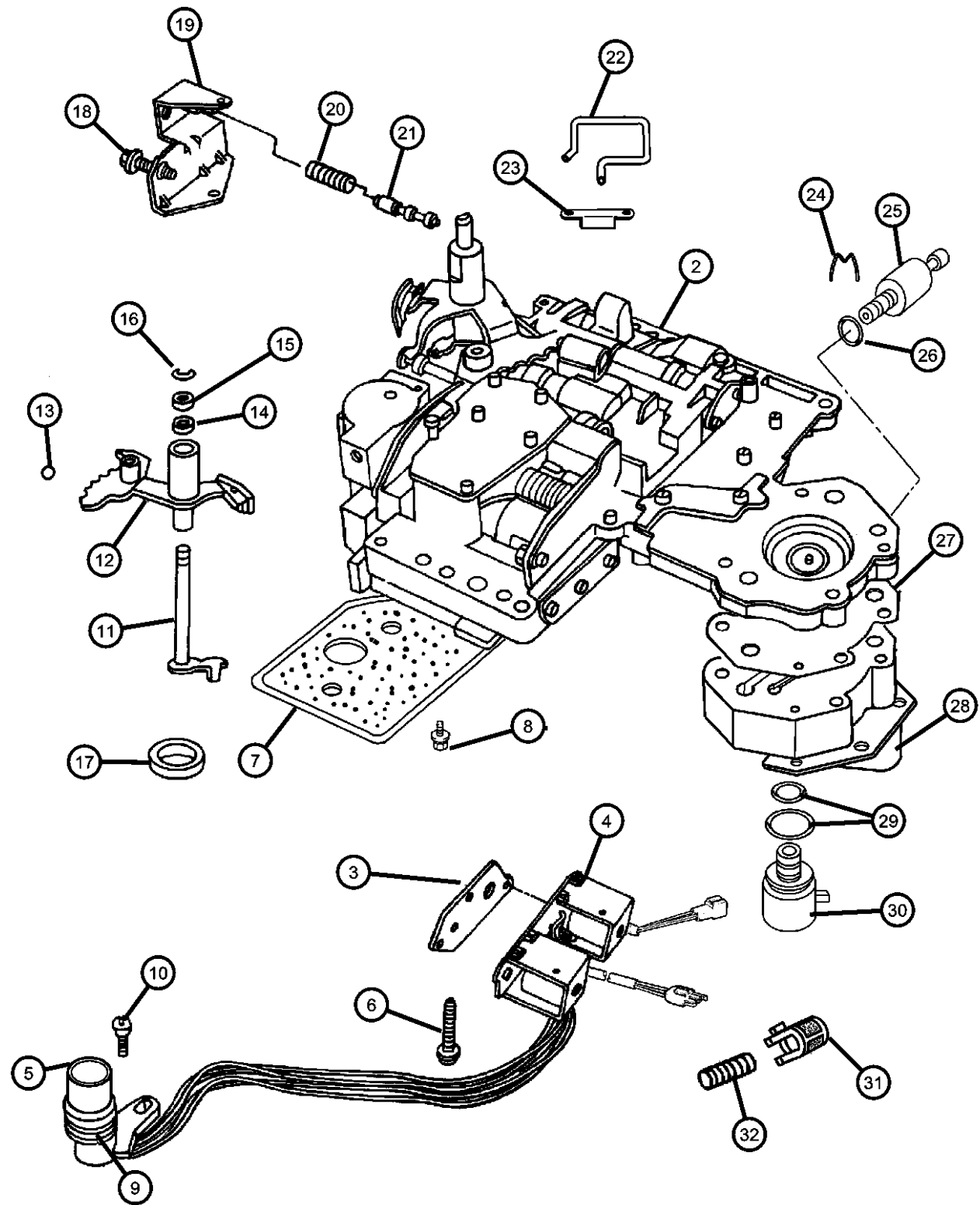
ENGINE
ERH = ENGINE - 4.0L
POWER TECH I-6
EVA = ENGINE- 4.7L V8 MPI
EXA = ENGINE - 3.1L 5 CYL
TURBO DIESEL

TRANSMISSION
DG4 = TRANSMISSION-MULTI-
SPEED AUTO, 45RFE
DGW = TRANSMISSION - 4-SPD.
AUTOMATIC,44RE
DGK = TRANSMISSION - 4-SPD.
AUTOMATIC,42RE
DGO = ALL AUTOMATIC
TRANSMISSIONS

AR = use ase required - = Non illustrated part

2000 WJ

Valve Body 42RE [DGK]
Figure 42RE-710



| ITEM | PART NUMBER | QTY | LINE | SERIES | BODY | ENGINE | TRANS | TRIM | DESCRIPTION |
|------|-------------|-----|------|--------|------|--------|-------|------|--------------------------------------|
| 31 | | 1 | J, U | | | | DGK | | SCREEN, Transmission Regulator Valve |
| | 03878313 | 1 | T | | | | DGK | | |
| 32 | | 1 | J, U | | | | DGK | | SPRING, Limit Valve |
| | 04348907 | 1 | T | | | | DGK | | |
| | | 1 | J, U | | | | DGK | | |

GRAND CHEROKEE (WJ)

SERIES
H = Laredo
P = Limited

LINE
T = JEEP - 2WD
J = JEEP - 4WD
U = JEEP - 4WD (RHD)

BODY
74 = 4 Door (105.9 WB)

ENGINE
ERH = ENGINE - 4.0L
POWER TECH I-6
EVA = ENGINE- 4.7L V8 MPI
EXA = ENGINE - 3.1L 5 CYL
TURBO DIESEL

TRANSMISSION
DG4 = TRANSMISSION-MULTI-
SPEED AUTO, 45RFE
DGW = TRANSMISSION - 4-SPD.
AUTOMATIC, 44RE
DGK = TRANSMISSION - 4-SPD.
AUTOMATIC, 42RE
DGO = ALL AUTOMATIC
TRANSMISSIONS

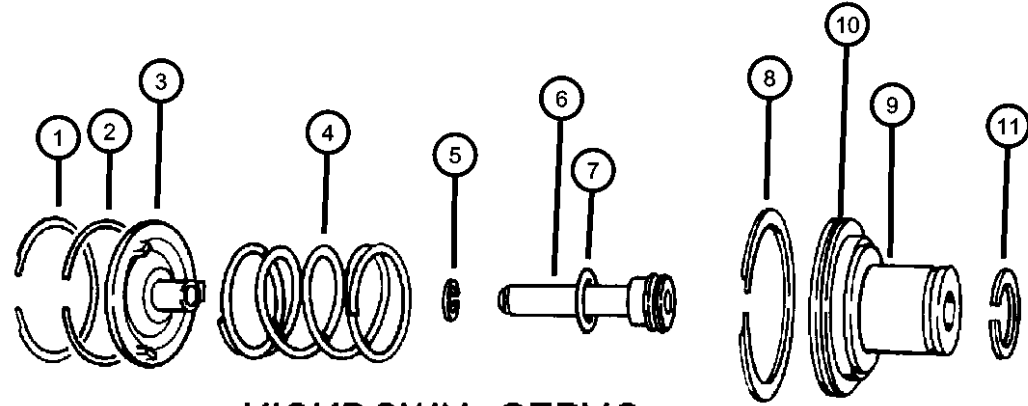
AR = use ase required - = Non illustrated part

2000 WJ

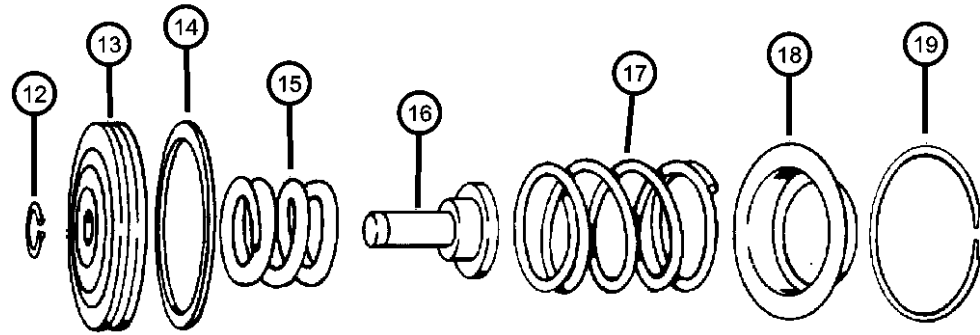
Servos 42RE [DGK]
Figure 42RE-720

| ITEM | PART NUMBER | QTY | LINE | SERIES | BODY | ENGINE | TRANS | TRIM | DESCRIPTION |
|------|-------------|-----|------|--------|------|--------|-------|------|----------------------------------|
| 1 | 06028863 | 1 | T | | | | | DGK | SNAP RING, Kickdown, 2.377 |
| 2 | 04295966 | 1 | J, U | | | | | DGK | SEAL, Servo Guide |
| 3 | 03410332 | 1 | T | | | | | DGK | GUIDE, Kickdown Servo |
| 4 | 04058885 | 1 | J, U | | | | | DGK | SPRING, Kickdown Servo Piston |
| 5 | 06031392 | 1 | T | | | | | DGK | SNAP RING, Brake Master Cylinder |
| 6 | 04058780 | 1 | J, U | | | | | DGK | ROD, Kickdown Servo Piston |
| 7 | 06028864 | 1 | T | | | | | DGK | O RING, Kick Down Servo |
| 8 | 04295966 | 1 | J, U | | | | | DGK | SEAL, Servo Guide |
| 9 | 04058777 | 1 | T | | | | | DGK | PISTON, Kickdown Servo |
| 10 | 06028864 | 1 | J, U | | | | | DGK | O RING, Kick Down Servo |

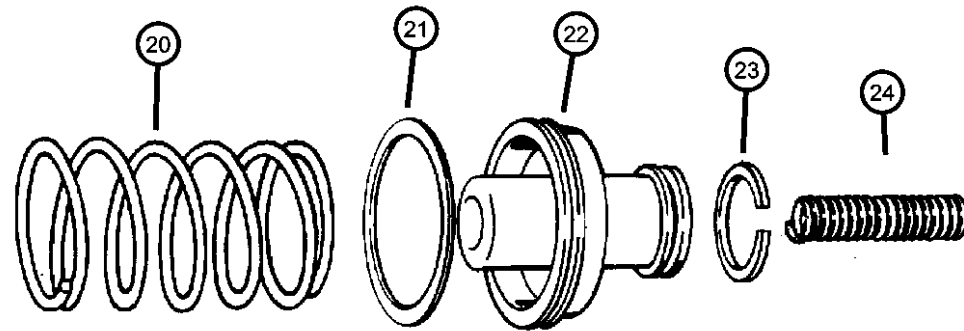
NOTES: Sales Codes
[DGK] = 42RE 4 Speed Automatic Transmission
[ER0] = All 4.0L 6 Cylinder Gas Engines



KICKDOWN SERVO



LOW AND REVERSE SERVO



ACCUMULATOR PISTON AND SPRING

GRAND CHEROKEE (WJ)

SERIES LINE
H = Laredo T = JEEP - 2WD
P = Limited J = JEEP - 4WD
U = JEEP - 4WD (RHD)

BODY
74 = 4 Door (105.9 WB)

ENGINE
ERH = ENGINE - 4.0L
POWER TECH I-6
EVA = ENGINE- 4.7L V8 MPI
EXA = ENGINE - 3.1L 5 CYL
TURBO DIESEL

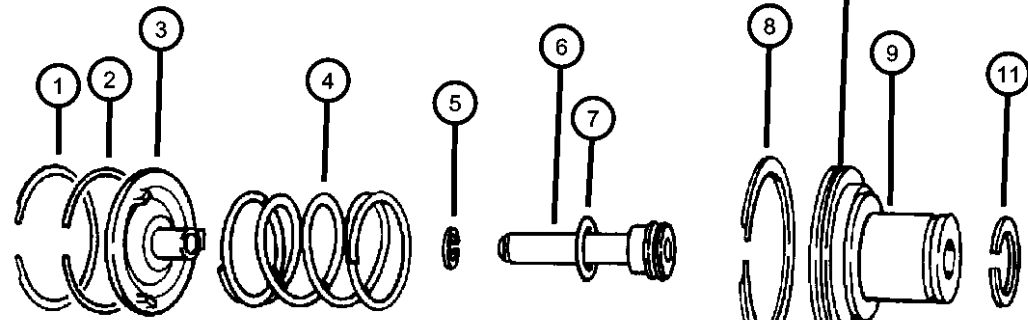
TRANSMISSION
DG4 = TRANSMISSION-MULTI-
SPEED AUTO, 45RFE
DGW = TRANSMISSION - 4-SPD.
AUTOMATIC, 44RE
DGK = TRANSMISSION - 4-SPD.
AUTOMATIC, 42RE
DGO = ALL AUTOMATIC
TRANSMISSIONS

AR = use ase required - = Non illustrated part

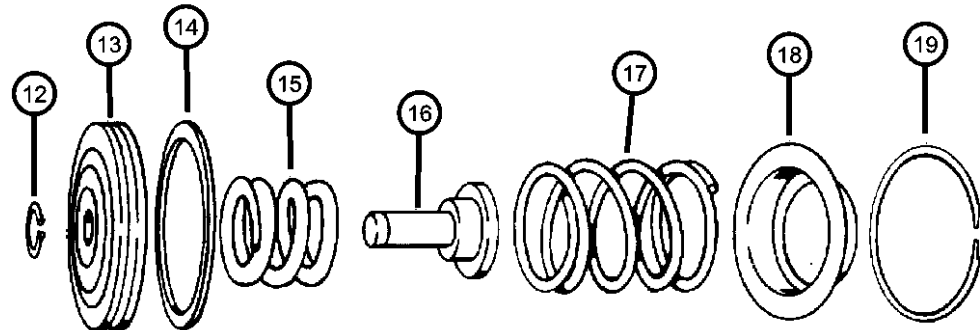
2000 WJ

Servos 42RE [DGK]
Figure 42RE-720

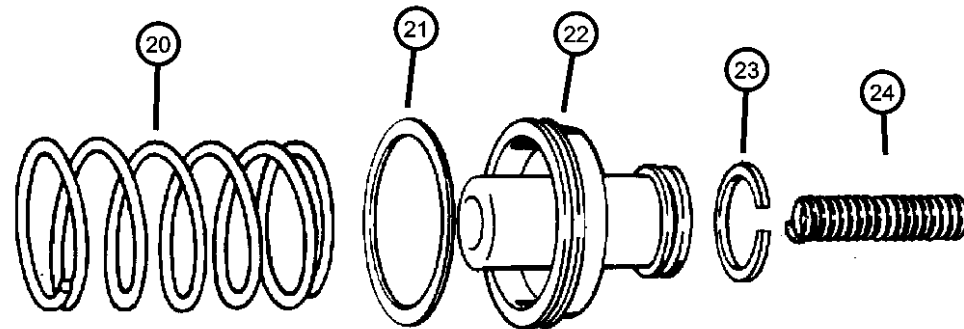
| ITEM | PART NUMBER | QTY | LINE | SERIES | BODY | ENGINE | TRANS | TRIM | DESCRIPTION |
|------|-------------|-----|------|--------|------|--------|-------|------|------------------------------------|
| 11 | 03743033 | 1 | T | | | | DGK | | SEAL, Kickdown Servo |
| | | 1 | J, U | | | | DGK | | |
| 12 | 06027153 | 1 | T | | | | DGK | | SNAP RING, .435 ID |
| | | 1 | J, U | | | | DGK | | |
| 13 | 52118744 | 1 | T | | | | DGK | | PISTON, Reverse Servo |
| | | 1 | J, U | | | | DGK | | |
| 14 | 04202864 | 1 | T | | | | DGK | | SEAL, Reverse Servo Piston |
| 15 | 04130824 | 1 | T | | | | DGK | | SPRING, Reverse Servo Piston |
| | | 1 | J, U | | | | DGK | | |
| 16 | 52118740AB | 1 | T | | | | DGK | | PLUG, Reverse Servo Piston |
| | | 1 | J, U | | | | DGK | | |
| 17 | 02801274 | 1 | T | | | | DGK | | SPRING, Reverse Servo Piston |
| | | 1 | J, U | | | | DGK | | |
| 18 | 02464463 | 1 | T | | | | DGK | | RETAINER, Transmission Rear Clutch |
| | | 1 | J, U | | | | DGK | | |
| 19 | 02464464 | 1 | T | | | | DGK | | SNAP RING |
| | | 1 | J, U | | | | DGK | | |
| 20 | 04531259 | 1 | T | | | | DGK | | SPRING, Transmission Accumulator |
| | | 1 | J, U | | | | DGK | | |
| 21 | 03743013 | 1 | T | | | | DGK | | SEAL, Piston Accumulator |
| | | 1 | J, U | | | | DGK | | |



KICKDOWN SERVO



LOW AND REVERSE SERVO



ACCUMULATOR PISTON AND SPRING

GRAND CHEROKEE (WJ)

SERIES LINE
H = Laredo T = JEEP - 2WD
P = Limited J = JEEP - 4WD
U = JEEP - 4WD (RHD)

BODY
74 = 4 Door (105.9 WB)

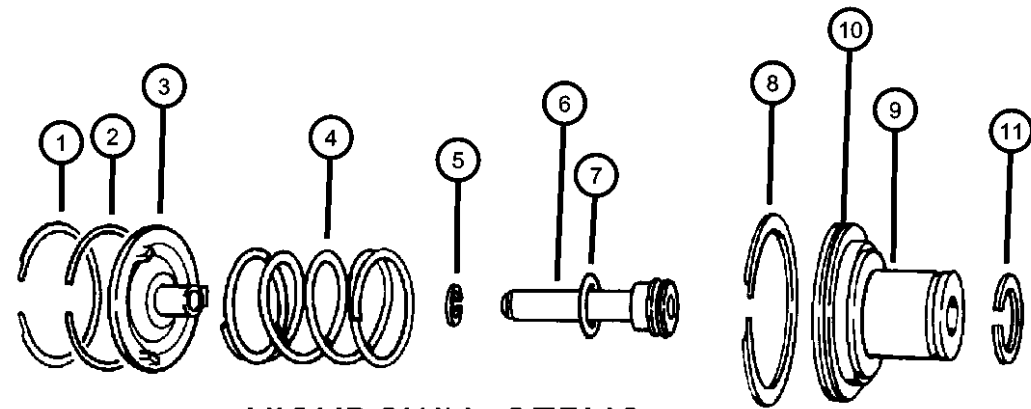
ENGINE
ERH = ENGINE - 4.0L
POWER TECH I-6
EVA = ENGINE - 4.7L V8 MPI
EXA = ENGINE - 3.1L 5 CYL
TURBO DIESEL

TRANSMISSION
DG4 = TRANSMISSION-MULTI-
SPEED AUTO, 45RFE
DGW = TRANSMISSION - 4-SPD.
AUTOMATIC, 44RE
DGK = TRANSMISSION - 4-SPD.
AUTOMATIC, 42RE
DGO = ALL AUTOMATIC
TRANSMISSIONS

AR = use ase required - = Non illustrated part

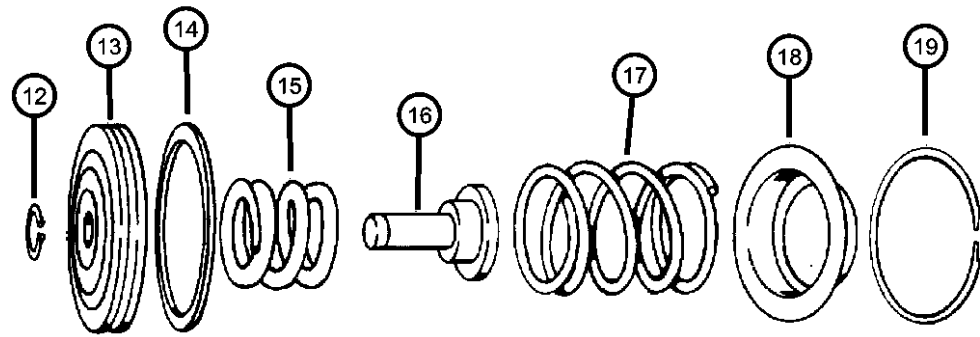
2000 WJ

Servos 42RE [DGK]
Figure 42RE-720

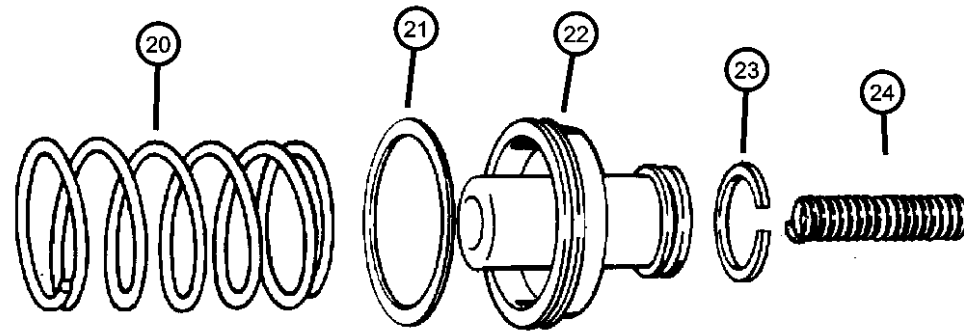


KICKDOWN SERVO

| ITEM | PART NUMBER | QTY | LINE | SERIES | BODY | ENGINE | TRANS | TRIM | DESCRIPTION |
|------|-------------|-----|------|--------|------|--------|-------|------|----------------------------|
| 22 | 03743650 | 1 | T | | | | DGK | | PISTON, Accumulator |
| | | 1 | J, U | | | | DGK | | |
| 23 | 03743010 | 1 | T | | | | DGK | | SEAL, Piston Accumulator |
| | | 1 | J, U | | | | DGK | | |
| 24 | 04617529 | 1 | T | | | | DGK | | SPRING, Accumulator Piston |
| | | 1 | J, U | | | | DGK | | |



LOW AND REVERSE SERVO



ACCUMULATOR PISTON AND SPRING

GRAND CHEROKEE (WJ)

SERIES LINE
H = Laredo T = JEEP - 2WD
P = Limited J = JEEP - 4WD
U = JEEP - 4WD (RHD)

BODY
74 = 4 Door (105.9 WB)

ENGINE
ERH = ENGINE - 4.0L
POWER TECH I-6
EVA = ENGINE- 4.7L V8 MPI
EXA = ENGINE - 3.1L 5 CYL
TURBO DIESEL

TRANSMISSION
DG4 = TRANSMISSION-MULTI-
SPEED AUTO, 45RFE
DGW = TRANSMISSION - 4-SPD.
AUTOMATIC,44RE
DGK = TRANSMISSION - 4-SPD.
AUTOMATIC,42RE
DGO = ALL AUTOMATIC
TRANSMISSIONS

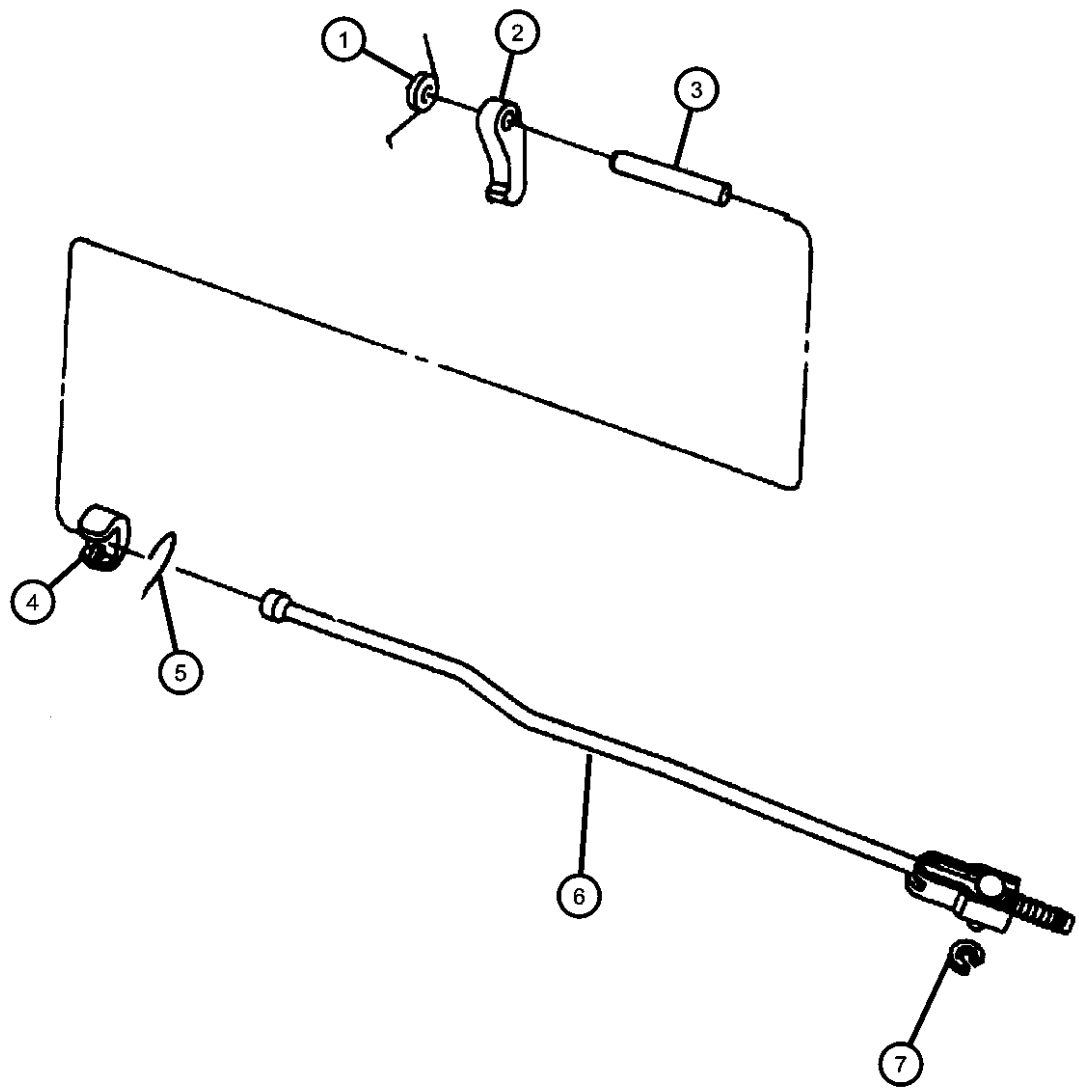
AR = use ase required - = Non illustrated part

2000 WJ

**Parking Sprag 42RE [DGK]
Figure 42RE-730**

| ITEM | PART NUMBER | QTY | LINE | SERIES | BODY | ENGINE | TRANS | TRIM | DESCRIPTION |
|------|-------------|-----|------|--------|------|--------|-------|------|-----------------------------|
| 1 | 02466909 | 1 | T | | | | DGK | | SPRING, Parking Sprag |
| | | 1 | J, U | | | | DGK | | |
| 2 | 04471415 | 1 | T | | | | DGK | | SPRAG, Transmission Parking |
| | | 1 | J, U | | | | DGK | | |
| 3 | 02466892 | 1 | T | | | | DGK | | SHAFT, Parking Sprag |
| | | 1 | J, U | | | | DGK | | |
| 4 | 02538042 | 1 | T | | | | DGK | | PLUG, Parking Sprag |
| | | 1 | J, U | | | | DGK | | |
| 5 | 02538034 | 1 | T | | | | DGK | | SNAP RING, Transmission |
| | | 1 | J, U | | | | DGK | | |
| 6 | 04431748 | 1 | T | | | | DGK | | ROD, Parking Sprag |
| | | 1 | J, U | | | | DGK | | |
| 7 | 06035256 | 1 | T | | | | DGK | | SNAP RING, Rod |
| | | 1 | J, U | | | | DGK | | |

NOTES: Sales Codes
[DGK] = 42RE 4 Speed Automatic Transmission
[ER0] = All 4.0L 6 Cylinder Gas Engines



GRAND CHEROKEE (WJ)

| | | | | |
|---------------|----------------------|------------------------|---|--|
| SERIES | LINE | BODY | ENGINE | TRANSMISSION |
| H = Laredo | T = JEEP - 2WD | 74 = 4 Door (105.9 WB) | ERH = ENGINE - 4.0L POWER TECH I-6 | DG4 = TRANSMISSION-MULTI- SPEED AUTO, 45RFE |
| P = Limited | J = JEEP - 4WD | | EVA = ENGINE- 4.7L V8 MPI | DGW = TRANSMISSION - 4-SPD. AUTOMATIC,44RE |
| | U = JEEP - 4WD (RHD) | | EXA = ENGINE - 3.1L 5 CYL TURBO DIESEL | DGK = TRANSMISSION - 4-SPD. AUTOMATIC,42RE |
| | | | | DGO = ALL AUTOMATIC TRANSMISSIONS |

AR = use ase required - = Non illustrated part

**Overdrive Gear Train 42RE [DGK]
Figure 42RE-1010**

| ITEM | PART NUMBER | QTY | LINE | SERIES | BODY | ENGINE | TRANS | TRIM | DESCRIPTION |
|------|-------------|-----|------|--------|------|--------|-------|------|---|
| 1 | 04740774 | AR | T | | | | | | PLATE PACKAGE, Transmission Module |
| 2 | 05015107AA | 1 | J, U | | | | DGK | | GEAR, Overdrive Sun |
| 3 | 04798520 | 1 | T | | | | DGK | | CARRIER, O/Drive Planet Pinion |
| 4 | 04461124 | 1 | T | | | | DGK | | RACE, Overrunning Clutch |
| 5 | 04461014 | 1 | J, U | | | | DGK | | THRUST BEARING, Ovedrive Third Position |
| 6 | 04461015 | 1 | T | | | | DGK | | CLUTCH, Overdrive Overrunning |
| 7 | 04761010 | 1 | J, U | | | | DGK | | GEAR, Overdrive Annulus |
| 8 | 04461059 | 1 | T | | | | DGK | | SNAP RING, 5.25 OD |
| 9 | 04461060 | 2 | J, U | | | | DGK | | SNAP RING, 6.00 OD |
| 10 | 04461040 | 1 | T | | | | DGK | | DRUM, Automatic Transmission |

NOTES: Sales Codes
[DGK] = 42RE 4 Speed Automatic Transmission
[ER0] = All 4.0L 6 Cylinder Gas Engines

GRAND CHEROKEE (WJ)

SERIES LINE
H = Laredo T = JEEP - 2WD
P = Limited J = JEEP - 4WD
U = JEEP - 4WD (RHD)

BODY
74 = 4 Door (105.9 WB)

ENGINE
ERH = ENGINE - 4.0L
POWER TECH I-6
EVA = ENGINE- 4.7L V8 MPI
EXA = ENGINE - 3.1L 5 CYL
TURBO DIESEL

TRANSMISSION
DG4 = TRANSMISSION-MULTI-
SPEED AUTO, 45RFE
DGW = TRANSMISSION - 4-SPD.
AUTOMATIC, 44RE
DGK = TRANSMISSION - 4-SPD.
AUTOMATIC, 42RE
DGO = ALL AUTOMATIC
TRANSMISSIONS

AR = use ase required - = Non illustrated part

2000 WJ

Overdrive Gear Train 42RE [DGK]
Figure 42RE-1010

| ITEM | PART NUMBER | QTY | LINE | SERIES | BODY | ENGINE | TRANS | TRIM | DESCRIPTION |
|------|-------------|-----|------|--------|------|--------|-------|------|-------------------------------------|
| 11 | | 1 | J, U | | | | DGK | | SNAP RING, 2.1875 OD |
| | 04461063 | AR | T | | | | | | |
| 12 | | 1 | J, U | | | | DGK | | SPRING, Direct Clutch |
| | 04461027 | AR | T | | | | | | |
| 13 | | 1 | J, U | | | | DGK | | HUB, Direct Clutch |
| | 04461072 | AR | T | | | | | | |
| 14 | | 1 | J, U | | | | DGK | | THRUST BEARING, Overdrive |
| | 04446724 | 1 | T | | | | DGK | | |
| 15 | | 1 | J, U | | | | DGK | | PLATE, Transmission Clutch Reaction |
| | 04461030 | 1 | T | | | | | | |
| 16 | | 1 | J, U | | | | DGK | | DISC, Direct Clutch |
| | 04461042 | 6 | T | | | | | | |
| 17 | | 6 | J, U | | | | DGK | | PLATE, Transmission Clutch Reaction |
| | 04461054 | 5 | T | | | | | | |
| 18 | | 5 | J, U | | | | DGK | | PLATE, Transmission Clutch Reaction |
| | 04461031 | 1 | T | | | | | | |
| 19 | | 1 | J, U | | | | DGK | | SPRING, Direct Clutch |
| | 04461032 | 1 | T | | | | | | |
| 20 | | 1 | J, U | | | | DGK | | SNAP RING, 1.875" OD |
| | 04461064 | AR | T | | | | | | |
| | | 1 | J, U | | | | DGK | | |

GRAND CHEROKEE (WJ)

SERIES
H = Laredo
P = Limited

LINE
T = JEEP - 2WD
J = JEEP - 4WD
U = JEEP - 4WD (RHD)

BODY
74 = 4 Door (105.9 WB)

ENGINE
ERH = ENGINE - 4.0L
POWER TECH I-6
EVA = ENGINE - 4.7L V8 MPI
EXA = ENGINE - 3.1L 5 CYL
TURBO DIESEL

TRANSMISSION
DG4 = TRANSMISSION-MULTI-
SPEED AUTO, 45RFE
DGW = TRANSMISSION - 4-SPD.
AUTOMATIC, 44RE
DGK = TRANSMISSION - 4-SPD.
AUTOMATIC, 42RE
DGO = ALL AUTOMATIC
TRANSMISSIONS

AR = use ase required - = Non illustrated part

2000 WJ

**Overdrive Gear Train 42RE [DGK]
Figure 42RE-1010**

| ITEM | PART NUMBER | QTY | LINE | SERIES | BODY | ENGINE | TRANS | TRIM | DESCRIPTION |
|------|-------------|-----|------|--------|------|--------|-------|------|--|
| 21 | 04412583 | 1 | T | | | | DGK | | FILTER, Overdrive Clutch |
| 22 | 04617246 | 1 | J, U | | | | DGK | | RETAINER, Transmission Overdrive Clutch Piston |
| 23 | 52118599 | 1 | T | | | | DGK | | PISTON, Overdrive Clutch |
| 24 | 06033479 | 6 | T | | | | DGK | | BOLT, Hex Head, .25-28x1-5/8 |
| 25 | 04431696 | 1 | J, U | | | | DGK | | SEAL, Overdrive Clutch Piston |
| 26 | 04431696 | 1 | T | | | | DGK | | SEAL, Overdrive Clutch Piston |
| 27 | 04431585 | 1 | T | | | | DGK | | PLATE, Transmission O/Drive Clutch |
| | 04431586 | 1 | J, U | | | | DGK | | .123"-.125" Thick |
| | 04431586 | 1 | T | | | | DGK | | .123"-.125" Thick |
| | 04431587 | 1 | J, U | | | | DGK | | .153"-.155" Thick |
| | 04431587 | 1 | T | | | | DGK | | .153"-.155" Thick |
| | 04431588 | 1 | J, U | | | | DGK | | .183"-.185" Thick |
| | 04431588 | 1 | T | | | | DGK | | .183"-.185" Thick |
| | 04431590 | 1 | J, U | | | | DGK | | .213"-.215" Thick |
| | 04431590 | 1 | T | | | | DGK | | .213"-.215" Thick |
| | 04431731 | 1 | J, U | | | | DGK | | .243"-.245" Thick |
| | 04431731 | 1 | T | | | | DGK | | .243"-.245" Thick |
| | 04431731 | 1 | J, U | | | | DGK | | .138"-.140" Thick |
| | 04431731 | 1 | T | | | | DGK | | .138"-.140" Thick |

GRAND CHEROKEE (WJ)

SERIES LINE
H = Laredo T = JEEP - 2WD
P = Limited J = JEEP - 4WD
U = JEEP - 4WD (RHD)

BODY
74 = 4 Door (105.9 WB)

ENGINE
ERH = ENGINE - 4.0L
POWER TECH I-6
EVA = ENGINE- 4.7L V8 MPI
EXA = ENGINE - 3.1L 5 CYL
TURBO DIESEL

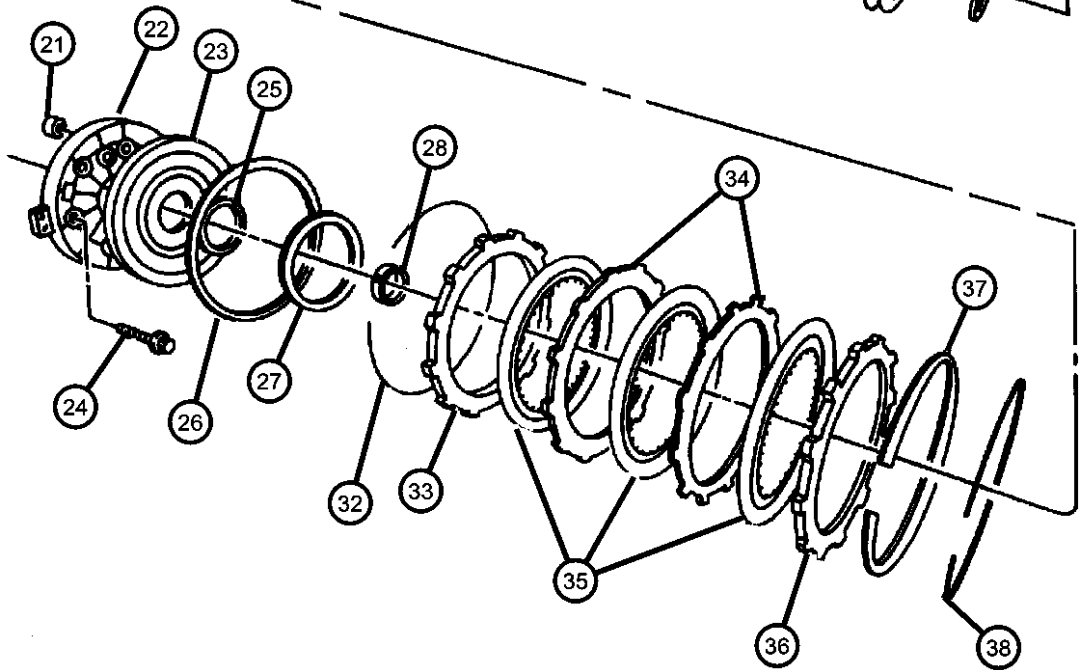
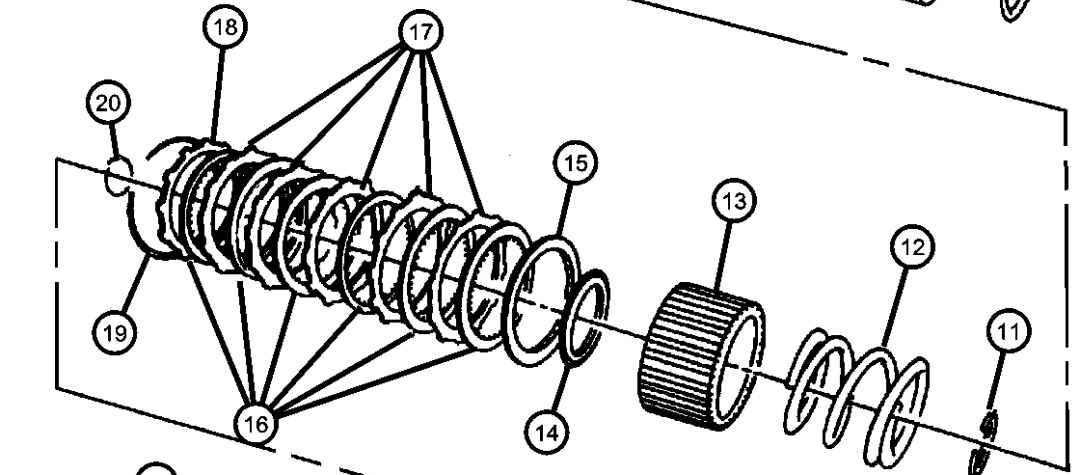
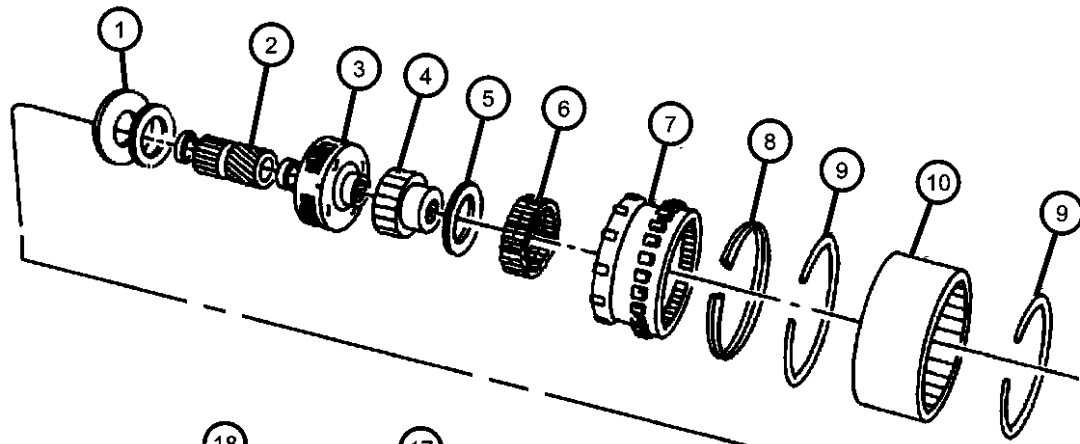
TRANSMISSION
DG4 = TRANSMISSION-MULTI-
SPEED AUTO, 45RFE
DGW = TRANSMISSION - 4-SPD.
AUTOMATIC,44RE
DGK = TRANSMISSION - 4-SPD.
AUTOMATIC,42RE
DGO = ALL AUTOMATIC
TRANSMISSIONS

AR = use ase required - = Non illustrated part

2000 WJ

**Overdrive Gear Train 42RE [DGK]
Figure 42RE-1010**

| ITEM | PART NUMBER | QTY | LINE | SERIES | BODY | ENGINE | TRANS | TRIM | DESCRIPTION |
|------|-------------|-----|------|--------|------|--------|-------|------|-------------|
|------|-------------|-----|------|--------|------|--------|-------|------|-------------|



| | | | | | | | | | |
|-----|----------|---|------|--|--|--|-----|--|-------------------------------------|
| | 04431732 | 1 | T | | | | DGK | | .168"-.170" Thick |
| | | 1 | J, U | | | | DGK | | .168"-.170" Thick |
| | 04431733 | 1 | T | | | | DGK | | .198"-.200" Thick |
| | | 1 | J, U | | | | DGK | | .198"-.200" Thick |
| | 04431734 | 1 | T | | | | DGK | | .228"-.245" Thick |
| | | 1 | J, U | | | | DGK | | .228"-.245" Thick |
| | 04431735 | 1 | T | | | | DGK | | .108"-.110" Thick |
| | | 1 | J, U | | | | DGK | | .108"-.110" Thick |
| 28 | | | | | | | | | SPACER, Intermediate Shaft, 1.58mm |
| | 04431916 | 1 | T | | | | DGK | | |
| | | 1 | J, U | | | | DGK | | |
| -29 | | | | | | | | | SPACER, Intermediate Shaft, .175 |
| | 04431917 | 1 | T | | | | DGK | | |
| | | 1 | J, U | | | | DGK | | |
| -30 | | | | | | | | | SPACER, Intermediate Shaft, .193 |
| | 04431918 | 1 | T | | | | DGK | | |
| | | 1 | J, U | | | | DGK | | |
| -31 | | | | | | | | | SPACER, Intermediate Shaft, .211 |
| | 04431919 | 1 | T | | | | DGK | | |
| | | 1 | J, U | | | | DGK | | |
| 32 | | | | | | | | | SNAP RING, Overdrive Clutch |
| | 04461082 | 1 | T | | | | DGK | | |
| | | 1 | J, U | | | | DGK | | |
| 33 | | | | | | | | | PLATE, Transmission Clutch Reaction |
| | 04461048 | 1 | T | | | | DGK | | |
| | | 1 | J, U | | | | DGK | | |
| 34 | | | | | | | | | PLATE, Transmission Clutch Reaction |
| | 04461047 | 2 | T | | | | | | |
| | | 2 | J, U | | | | DGK | | |
| 35 | | | | | | | | | DISC, Direct Clutch |
| | 04461181 | 3 | T | | | | | | |

GRAND CHEROKEE (WJ)

SERIES LINE
 H = Laredo T = JEEP - 2WD
 P = Limited J = JEEP - 4WD
 U = JEEP - 4WD (RHD)

BODY
 74 = 4 Door (105.9 WB)

ENGINE
 ERH = ENGINE - 4.0L
 POWER TECH I-6
 EVA = ENGINE- 4.7L V8 MPI
 EXA = ENGINE - 3.1L 5 CYL
 TURBO DIESEL

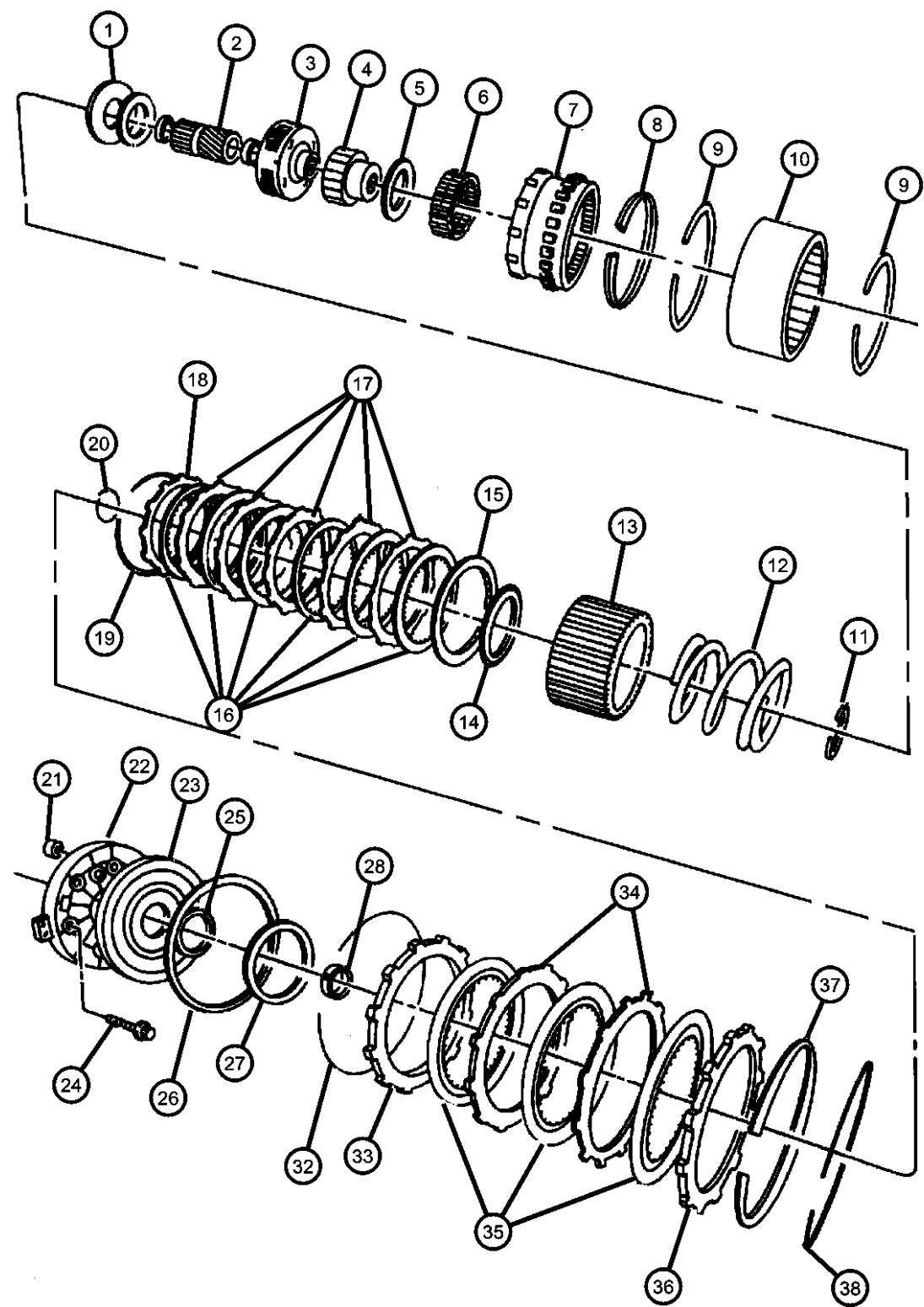
TRANSMISSION
 DG4 = TRANSMISSION-MULTI-
 SPEED AUTO, 45RFE
 DGW = TRANSMISSION - 4-SPD.
 AUTOMATIC, 44RE
 DGK = TRANSMISSION - 4-SPD.
 AUTOMATIC, 42RE
 DGO = ALL AUTOMATIC
 TRANSMISSIONS

AR = use ase required - = Non illustrated part

2000 WJ

Overdrive Gear Train 42RE [DGK]
Figure 42RE-1010

| ITEM | PART NUMBER | QTY | LINE | SERIES | BODY | ENGINE | TRANS | TRIM | DESCRIPTION |
|------|-------------|-----|------|--------|------|--------|-------|------|-------------------------------------|
| 36 | | 3 | J, U | | | | DGK | | PLATE, Transmission Clutch Reaction |
| | 04461033 | 1 | T | | | | DGK | | |
| 37 | | 1 | J, U | | | | DGK | | SPRING, Overdrive Clutch |
| | 04461066 | 1 | T | | | | DGK | | |
| 38 | | 1 | J, U | | | | DGK | | SNAP RING, 6.50 OD |
| | 04461065 | 1 | T | | | | DGK | | |
| | | 1 | J, U | | | | DGK | | |

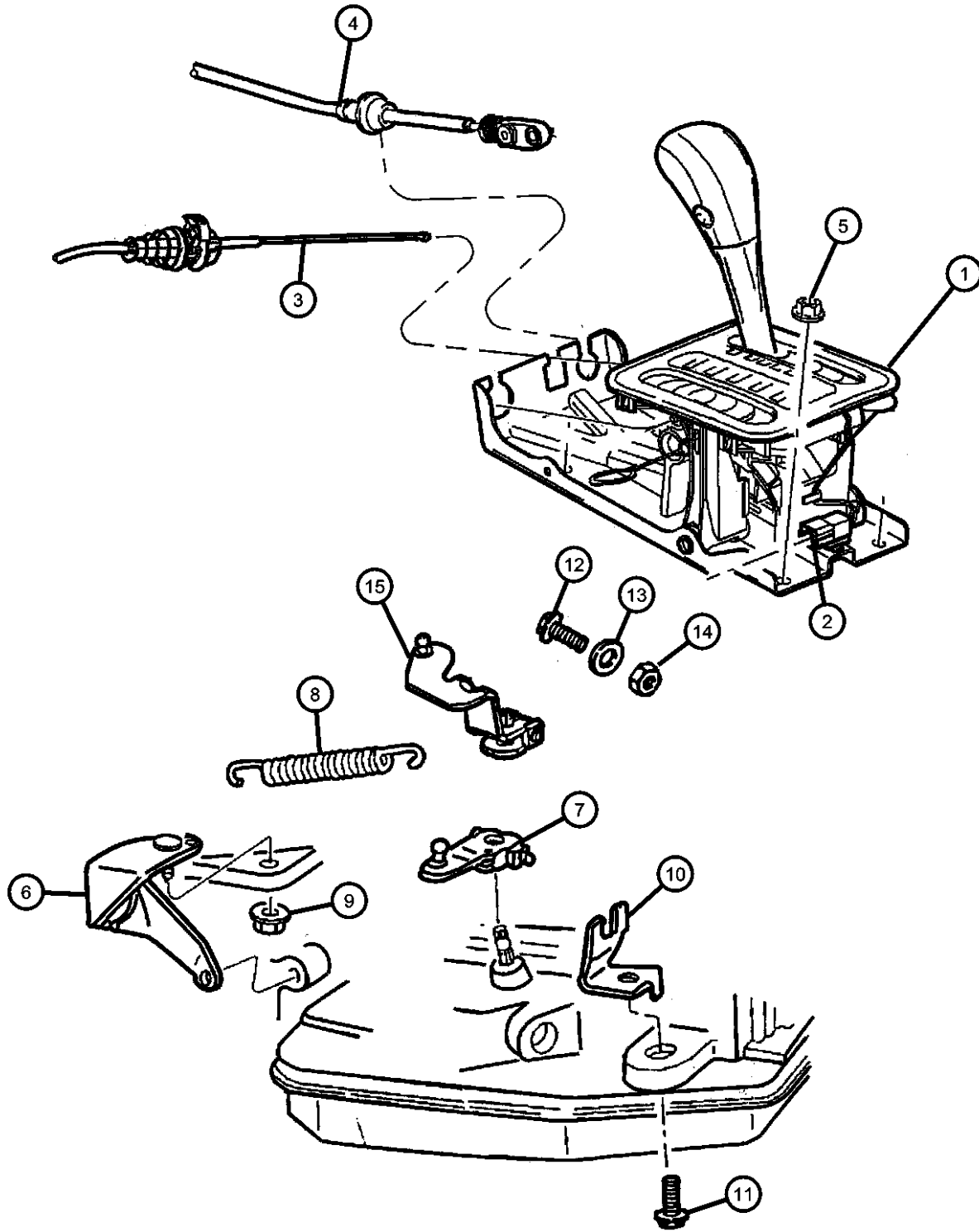


GRAND CHEROKEE (WJ)

| | | | | |
|-------------|----------------------|------------------------|--|---|
| SERIES | LINE | BODY | ENGINE | TRANSMISSION |
| H = Laredo | T = JEEP - 2WD | 74 = 4 Door (105.9 WB) | ERH = ENGINE - 4.0L POWER TECH I-6 | DG4 = TRANSMISSION-MULTI-SPEED AUTO, 45RFE |
| P = Limited | J = JEEP - 4WD | | EVA = ENGINE- 4.7L V8 MPI | DGW = TRANSMISSION - 4-SPD. AUTOMATIC, 44RE |
| | U = JEEP - 4WD (RHD) | | EXA = ENGINE - 3.1L 5 CYL TURBO DIESEL | DGK = TRANSMISSION - 4-SPD. AUTOMATIC, 42RE |
| | | | | DGO = ALL AUTOMATIC TRANSMISSIONS |

AR = use ase required - = Non illustrated part

**Gearshift Controls 42RE [DGK]
Figure 42RE-1210**



NOTES: Sales Codes
 [DG0] = All Automatic Transmission
 [DGK] = 42RE 4 Speed Automatic Transmission
 [DGW] = 44RE 4 Speed Automatic Transmission
 [ER0] = All 4.0L 6 Cylinder Gas Engines
 [EX0] = All 3.0/3.1L Turbo Diesel Engine

| ITEM | PART NUMBER | QTY | LINE | SERIES | BODY | ENGINE | TRANS | TRIM | DESCRIPTION |
|------|-------------|-----|------|--------|------|----------|-------------|------|-----------------------------------|
| 1 | | | | | | | | | HOUSING AND LEVER, Shifter |
| | 52104147 | 1 | T | | | | DG0 | | |
| | 52104149 | 1 | J | | | | DG0 | | With [DHP] |
| | 52104151 | 1 | J | | | | DG0 | | With [DHF] Without [DSB] |
| | 52104152 | 1 | U | | | | DG0 | | With [DHF] Without [DSB] |
| | 52104374AA | 1 | J | | | | DG0 | | With [DHF] And [DSB] |
| | 52104375AA | 1 | U | | | | DG0 | | With [DHF] And [DSB] |
| 2 | | | | | | | | | CONNECTOR, Wiring |
| | 05013117AA | 1 | T | | | | DG0 | | |
| | | 1 | J | | | | DG0 | | |
| | | 1 | J | | | | DG0 | | Without Vari-Lok |
| | | 1 | J | | | | DG0 | | With Vari-Lok |
| | | 1 | U | | | | DG0 | | Without Vari-Lok |
| | | 1 | U | | | | DG0 | | With Vari-Lok |
| 3 | 52104054 | 1 | | | | | DG0 | | CABLE, Park Interlock |
| 4 | 52104060 | 1 | | | | | DG0 | | CABLE, Gearshift Control |
| 5 | 06101695 | 4 | | | | | DG0 | | NUT, Hex Flange Lock, M8x1.25 |
| 6 | 52104057 | 1 | | | | | DGK | | BRACKET, Shift Cable |
| 7 | 52104058 | 1 | | | | | DGK | | LEVER, Manual Control |
| 8 | 53009055 | 1 | | | | | DGK, DGW | | SPRING, Throttle Valve Return |
| 9 | 06028114 | 1 | | | | | DGK, DGW | | NUT, Hex, .437-14 |
| 10 | 52078867 | 1 | | | | ER0, EX0 | | | BRACKET, Cable |
| 11 | 00181112 | 1 | | | | | DGK, DGW | | SCREW AND WASHER, .375-16x1.00 |
| 12 | 00181065 | 1 | | | | ER0, EX0 | | | BOLT, Hex Head, .25-20x1.00 |
| 13 | 00138165 | 1 | | | | ER0, EX0 | | | WASHER, Lock |
| 14 | J0120375 | 1 | | | | ER0, EX0 | | | NUT, Hex, .250-20 |
| 15 | 52078723AB | 1 | | | | ER0, EX0 | | | LEVER, Throttle Valve |

GRAND CHEROKEE (WJ)

| | | | | |
|---------------|----------------------|------------------------|---------------------------|-----------------------------|
| SERIES | LINE | BODY | ENGINE | TRANSMISSION |
| H = Laredo | T = JEEP - 2WD | 74 = 4 Door (105.9 WB) | ERH = ENGINE - 4.0L | DG4 = TRANSMISSION-MULTI- |
| P = Limited | J = JEEP - 4WD | | POWER TECH I-6 | SPEED AUTO, 45RFE |
| | U = JEEP - 4WD (RHD) | | EVA = ENGINE- 4.7L V8 MPI | DGW = TRANSMISSION - 4-SPD. |
| | | | EXA = ENGINE - 3.1L 5 CYL | AUTOMATIC, 44RE |
| | | | TURBO DIESEL | DGK = TRANSMISSION - 4-SPD. |
| | | | | AUTOMATIC, 42RE |
| | | | | DGO = ALL AUTOMATIC |
| | | | | TRANSMISSIONS |

AR = use ase required - = Non illustrated part

Group - 44RE

Automatic Transmission 4 Speed

Group - 44RE Automatic Transmission 4 Speed

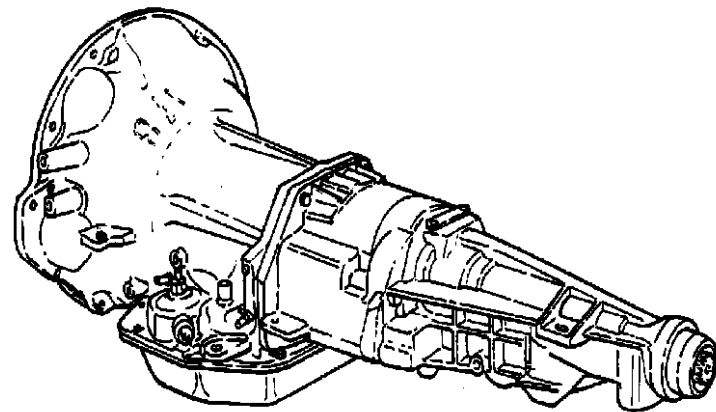


Illustration Title

Group-Fig. No.

Transmission Assembly

Transmission 44RE [DGW]..... Fig. 44RE - 110

Case and Extension

Case and Related Parts 44RE [DGW]..... Fig. 44RE - 210
 Extension 44RE [DGW]..... Fig. 44RE - 220

Oil Pump

Oil Pump 44RE [DGW] Fig. 44RE - 310

Gear Train

Clutch Front and Rear 44RE [DGW]..... Fig. 44RE - 410
 Gear Train and Intermediate Shaft 44RE [DGW] Fig. 44RE - 420
 Output Shaft 44RE [DGW]..... Fig. 44RE - 430

Bands, Reverse and Kickdown

Bands 44RE [DGW]..... Fig. 44RE - 510

Valve Body

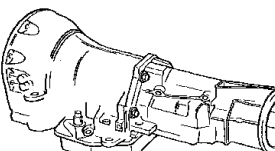
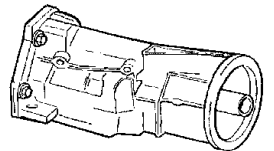
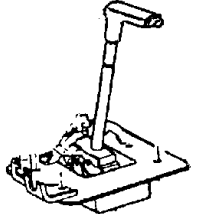
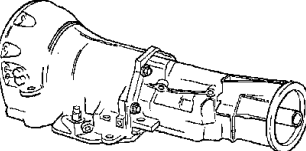

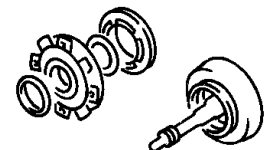
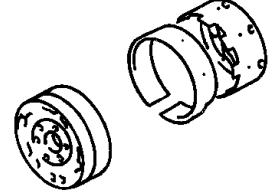
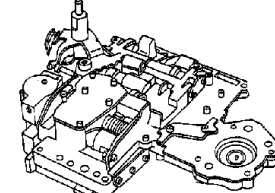
Valve Body 44RE [DGW] Fig. 44RE - 710
 Servos 44RE [DGW] Fig. 44RE - 720
 Parking Sprag 44RE [DGW]..... Fig. 44RE - 730

Overdrive Gear Train

Overdrive Gear Train 44RE [DGW] Fig. 44RE - 1010

Gearshift Controls

Gearshift Controls 44RE [DGW] Fig. 44RE - 1210

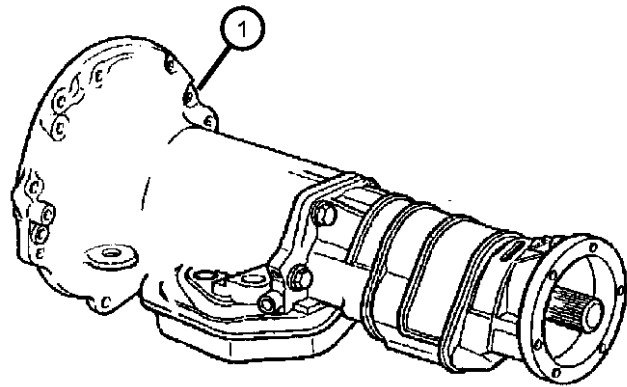
| | | | |
|---|--|---|---|
| <p>44RE-100 Transmission Assembly</p>  | <p>44RE-1000 Overdrive Gear Train</p>  | <p>44RE-1200 Gearshift Controls</p>  | <p>44RE-200 Case and Extension</p>  |
| <p>44RE-300 Oil Pump</p>  | <p>44RE-400 Gear Train</p>  | <p>44RE-500 Bands, Reverse and Kickdown</p>  | <p>44RE-700 Valve Body</p>  |

**Transmission 44RE [DGW]
Figure 44RE-110**

| ITEM | PART NUMBER | QTY | LINE | SERIES | BODY | ENGINE | TRANS | TRIM | DESCRIPTION |
|------|-------------|-----|------|--------|------|--------|-------|------|-------------|
|------|-------------|-----|------|--------|------|--------|-------|------|-------------|

NOTES: Sales Codes
[DGW] = 44RE 4 Speed Automatic Transmission
[EX0] = All 3.0/3.1L Turbo Diesel Engines

| | | | | | | | | | |
|----|------------|---|------|--|--|--|-----|--|--|
| 1 | 05015275AA | 1 | J, U | | | | DGW | | TRANSMISSION PACKAGE, 52119842AA(Package Contains 52119842AA Transmission, 52118861 Converter, K1949765 Bolts) |
| -2 | 52118155AB | 1 | J, U | | | | DGW | | OVERDRIVE ASSEMBLY, Transmission Rear Unit w/Extension |



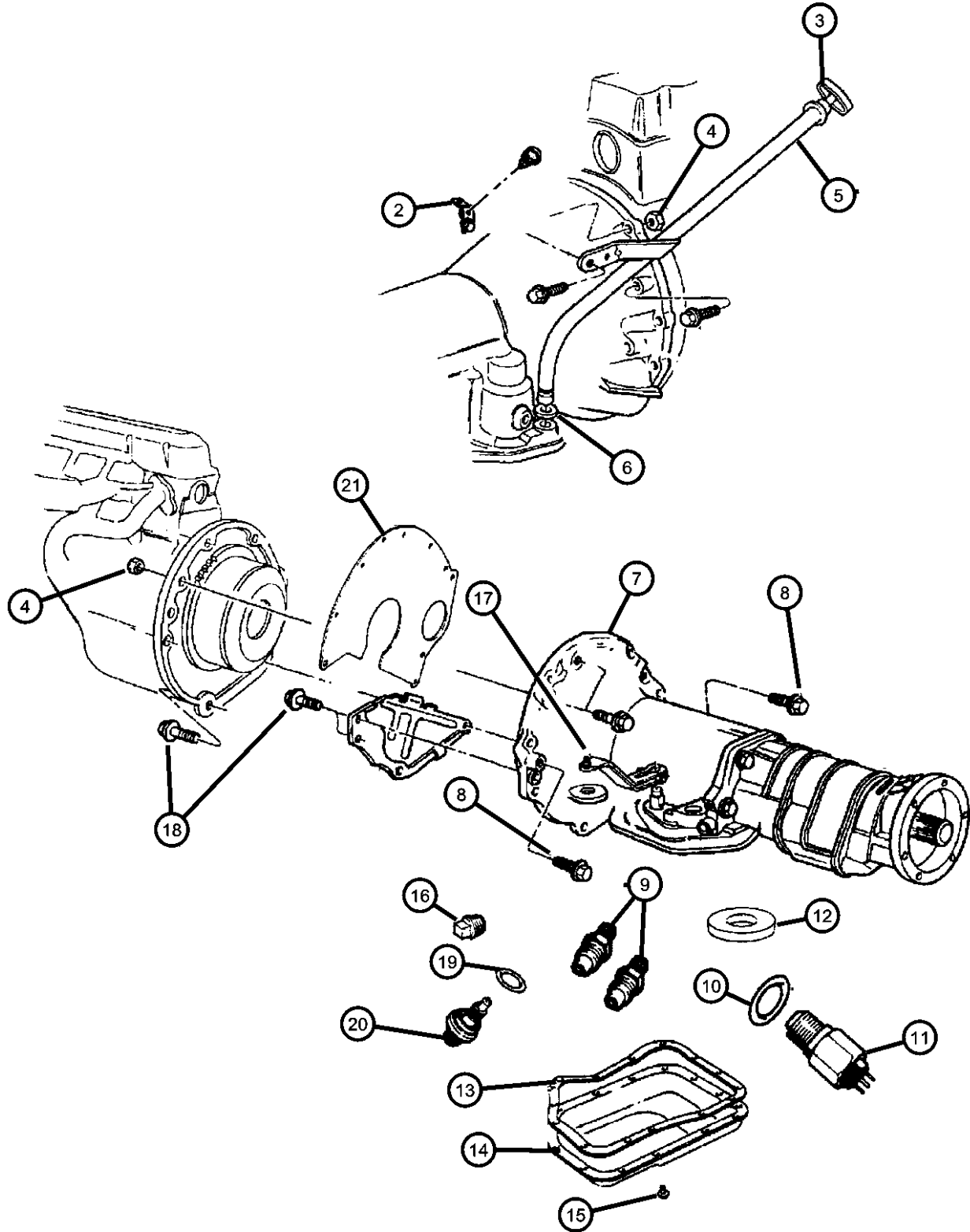
GRAND CHEROKEE (WJ)

| | | | | |
|-------------|----------------------|------------------------|--|--|
| SERIES | LINE | BODY | ENGINE | TRANSMISSION |
| H = Laredo | T = JEEP - 2WD | 74 = 4 Door (105.9 WB) | ERH = ENGINE - 4.0L POWER TECH I-6 | DG4 = TRANSMISSION-MULTI-SPEED AUTO, 45RFE |
| P = Limited | J = JEEP - 4WD | | EVA = ENGINE- 4.7L V8 MPI | DGW = TRANSMISSION - 4-SPD. AUTOMATIC,44RE |
| | U = JEEP - 4WD (RHD) | | EXA = ENGINE - 3.1L 5 CYL TURBO DIESEL | DGK = TRANSMISSION - 4-SPD. AUTOMATIC,42RE |
| | | | | DGO = ALL AUTOMATIC TRANSMISSIONS |

AR = use ase required - = Non illustrated part

2000 WJ

Case and Related Parts 44RE [DGW]
Figure 44RE-210



| ITEM | PART NUMBER | QTY | LINE | SERIES | BODY | ENGINE | TRANS | TRIM | DESCRIPTION |
|------|-------------|-----|------|--------|------|----------|-------|------|--|
| -1 | 04863907AD | 1 | J, U | | | | DGW | | SEAL AND GASKET PACKAGE, Transmission |
| 2 | 52098522 | 1 | J, U | | | ER0, EX0 | | | BRACKET, Tube |
| 3 | 52118641 | 1 | | | | ER0, EX0 | | | INDICATOR, Transmission Fluid Level |
| 4 | J0219422 | 1 | | | | | DGK | | NUT, Hex |
| 5 | 52118800 | 1 | | | | EX0 | DGW | | TUBE, Transmission Oil Filler |
| 6 | 52118629AB | 1 | | | | | DG0 | | SEAL, Oil Filler Tube |
| 7 | 52118816AA | 1 | J, U | | | | DGW | | CASE, Transmission |
| 8 | J4004370 | 2 | | | | | DGK | | BOLT AND WASHER, Hex Head, .437-14x2.75 |
| 9 | 06033879 | 2 | J, U | | | | DGW | | NUT, Inverted Flare, .62-18 |
| 10 | 02408143 | 1 | J, U | | | | DGW | | WASHER, Switch |
| 11 | 03747361 | 1 | J, U | | | | DGW | | SWITCH, Neutral, Safety, Back Up |
| 12 | 03681601 | 1 | J, U | | | | DGW | | MAGNET, Transmission |
| 13 | 04295875 | 1 | J, U | | | | DGW | | GASKET, Oil Pan |
| 14 | 52118779AB | 1 | J, U | | | | DGW | | PAN, Transmission Oil |
| 15 | 04723548 | 12 | J, U | | | | DGW | | SCREW AND WASHER, Hex Head, .312-18x.625 |
| 16 | 06028095 | 1 | J, U | | | | DGW | | PLUG, Pressure Check |
| 17 | 52104276AA | 1 | | | | | DGW | | LEVER, Manual Control |
| 18 | 04723548 | 2 | T | | | | DGK | | SCREW AND WASHER, Hex Head, .312-18x.625 |
| 19 | 06501701 | 1 | J, U | | | | DGW | | O RING, Trans Speed Sensor |
| 20 | 04412879 | 1 | J, U | | | | DGW | | SENSOR, Transmission Output Speed |
| 21 | J3237847 | 1 | | | | ER0 | DG0 | | SPACER, Clutch Housing |

NOTES: Sales Codes
 [DG0] = All Automatic Transmission
 [DGK] = 42RE 4 Speed Automatic Transmission
 [DGW] = 44RE 4 Speed Automatic Transmission
 [ER0] = All 4.0L 6 Cylinder Gas Engines
 [EX0] = All 3.0/3.1L Turbo Diesel Engine

| | | | | |
|----------------------------|--|------------------------|---|---|
| GRAND CHEROKEE (WJ) | | BODY | ENGINE | TRANSMISSION |
| SERIES | LINE | 74 = 4 Door (105.9 WB) | ERH = ENGINE - 4.0L POWER TECH I-6 EVA = ENGINE- 4.7L V8 MPI EXA = ENGINE - 3.1L 5 CYL TURBO DIESEL | DG4 = TRANSMISSION-MULTI-SPEED AUTO, 45RFE DGW = TRANSMISSION - 4-SPD. AUTOMATIC, 44RE DGK = TRANSMISSION - 4-SPD. AUTOMATIC, 42RE DGO = ALL AUTOMATIC TRANSMISSIONS |
| H = Laredo P = Limited | T = JEEP - 2WD J = JEEP - 4WD U = JEEP - 4WD (RHD) | | | |

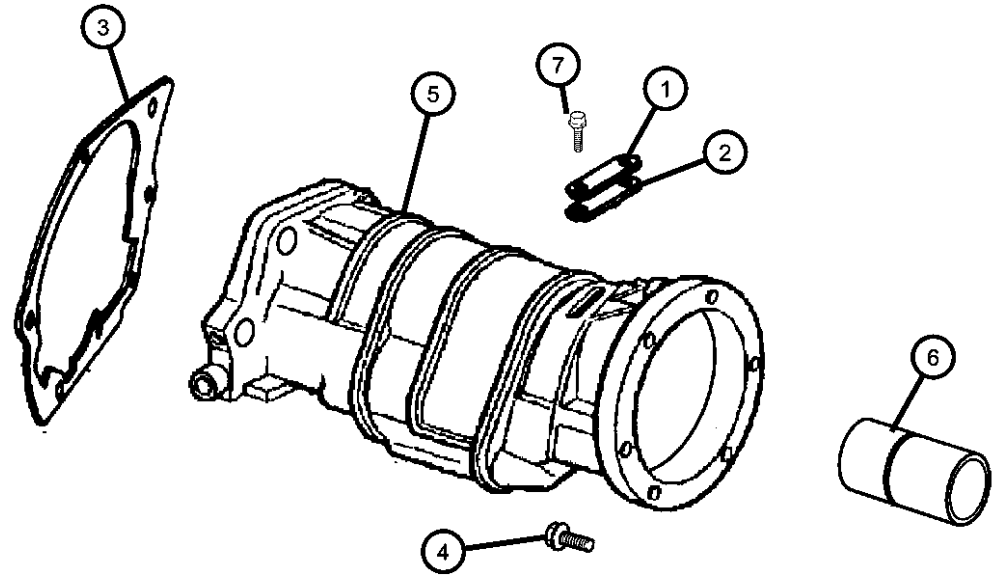
AR = use ase required - = Non illustrated part

Extension 44RE [DGW]
Figure 44RE-220

| ITEM | PART NUMBER | QTY | LINE | SERIES | BODY | ENGINE | TRANS | TRIM | DESCRIPTION |
|------|-------------|-----|------|--------|------|--------|-------|------|-------------|
|------|-------------|-----|------|--------|------|--------|-------|------|-------------|

NOTES: Sales Codes
[DGW] = 44RE 4 Speed Automatic Transmission
[EX0] = All 3.0/3.1L Turbo Diesel Engines

| | | | | | | | | | |
|---|------------|---|------|--|--|--|-----|--|--------------------------------------|
| 1 | 02466957 | 1 | J, U | | | | DGW | | COVER, Transmission Converter |
| 2 | 02801398 | 1 | J, U | | | | DGW | | GASKET, Transmission |
| 3 | 04471564 | 1 | J, U | | | | DGW | | GASKET, Overdrive Piston Retainer |
| 4 | 06036046AA | 7 | J, U | | | | DGW | | SCREW, Hex Flange Head, .375-16x1.38 |
| 5 | 05012428AA | 1 | J, U | | | | DGW | | ADAPTER, Transfer Case |
| 6 | 04269956 | 1 | J, U | | | | DGW | | SEAL, Adapter |
| 7 | 04269956 | 1 | | | | | | | SCREW, (NOT SERVICED) |



GRAND CHEROKEE (WJ)

SERIES LINE
H = Laredo T = JEEP - 2WD
P = Limited J = JEEP - 4WD
U = JEEP - 4WD (RHD)

BODY
74 = 4 Door (105.9 WB)

ENGINE
ERH = ENGINE - 4.0L
POWER TECH I-6
EVA = ENGINE- 4.7L V8 MPI
EXA = ENGINE - 3.1L 5 CYL
TURBO DIESEL

TRANSMISSION
DG4 = TRANSMISSION-MULTI-
SPEED AUTO, 45RFE
DGW = TRANSMISSION - 4-SPD.
AUTOMATIC, 44RE
DGK = TRANSMISSION - 4-SPD.
AUTOMATIC, 42RE
DGO = ALL AUTOMATIC
TRANSMISSIONS

AR = use ase required - = Non illustrated part

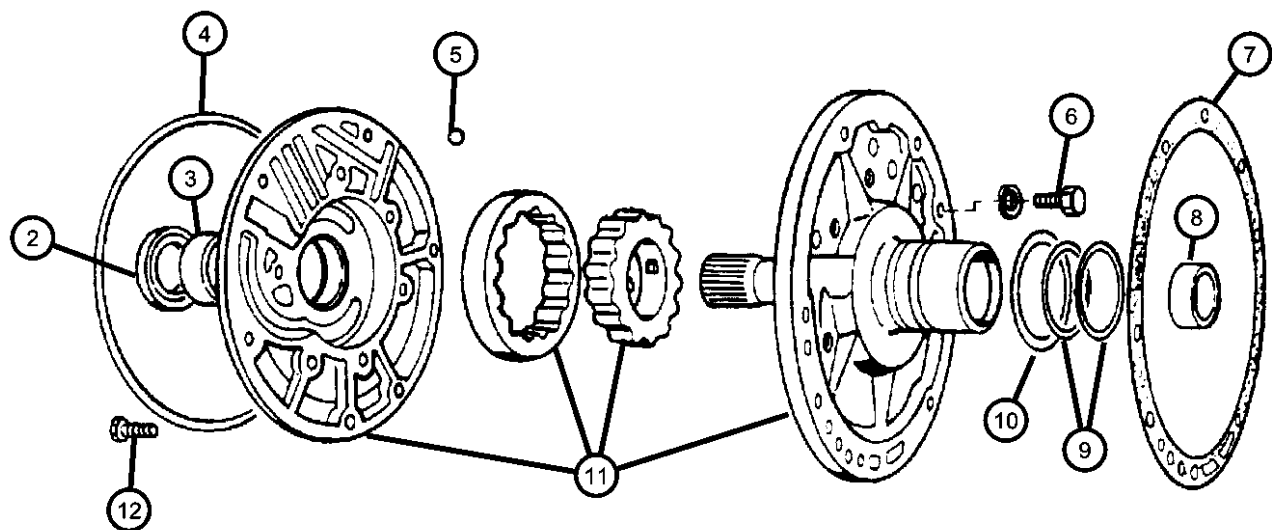
2000 WJ

**Oil Pump 44RE [DGW]
Figure 44RE-310**

| ITEM | PART NUMBER | QTY | LINE | SERIES | BODY | ENGINE | TRANS | TRIM | DESCRIPTION |
|------|-------------|-----|------|--------|------|--------|-------|------|-------------|
|------|-------------|-----|------|--------|------|--------|-------|------|-------------|

NOTES: Sales Codes:
[DGW] = 44RE 4 Speed Automatic Transmission
[EX0] = All 3.0/3.1L Turbo Diesel Engines

| | | | | | | | | | |
|----|------------|---|------|--|--|--|-----|--|--|
| -1 | 04713108AB | 1 | J, U | | | | DGW | | GASKET AND SEAL PACKAGE, Transmission Oil Pump |
| 2 | 04412475 | 1 | J, U | | | | DGW | | SEAL, Impeller Hub, 57.25mm OD |
| 3 | 02466796 | 1 | J, U | | | | DGW | | BUSHING, Front Pump |
| 4 | 02204709 | 1 | J, U | | | | DGW | | SEAL, Front Pump Housing |
| 5 | 00104918 | 1 | J, U | | | | DGW | | BALL, Valve Body Check |
| 6 | 00179815 | 6 | J, U | | | | DGW | | SCREW, Hex Head, .312-18x.687 |
| 7 | 52118266 | 1 | J, U | | | | DGW | | GASKET, Transmission Oil Pump |
| 8 | 04058635 | 1 | J, U | | | | DGW | | BUSHING, Reaction Shaft |
| 9 | 04471874 | 2 | J, U | | | | DGW | | SEAL, Ring Reaction Support, 2 1/16 O.D. |
| 10 | 04617786 | 1 | J, U | | | | DGW | | THRUST WASHER, Front Clutch |
| 11 | 52118267AB | 1 | J, U | | | | DGW | | PUMP, Transmission Oil |
| 12 | 06023943 | 6 | J, U | | | | DGW | | SCREW AND WASHER, Hex Flange Head, .312-18x1.375 |



GRAND CHEROKEE (WJ)

| | |
|-------------|----------------------|
| SERIES | LINE |
| H = Laredo | T = JEEP - 2WD |
| P = Limited | J = JEEP - 4WD |
| | U = JEEP - 4WD (RHD) |

BODY
74 = 4 Door (105.9 WB)

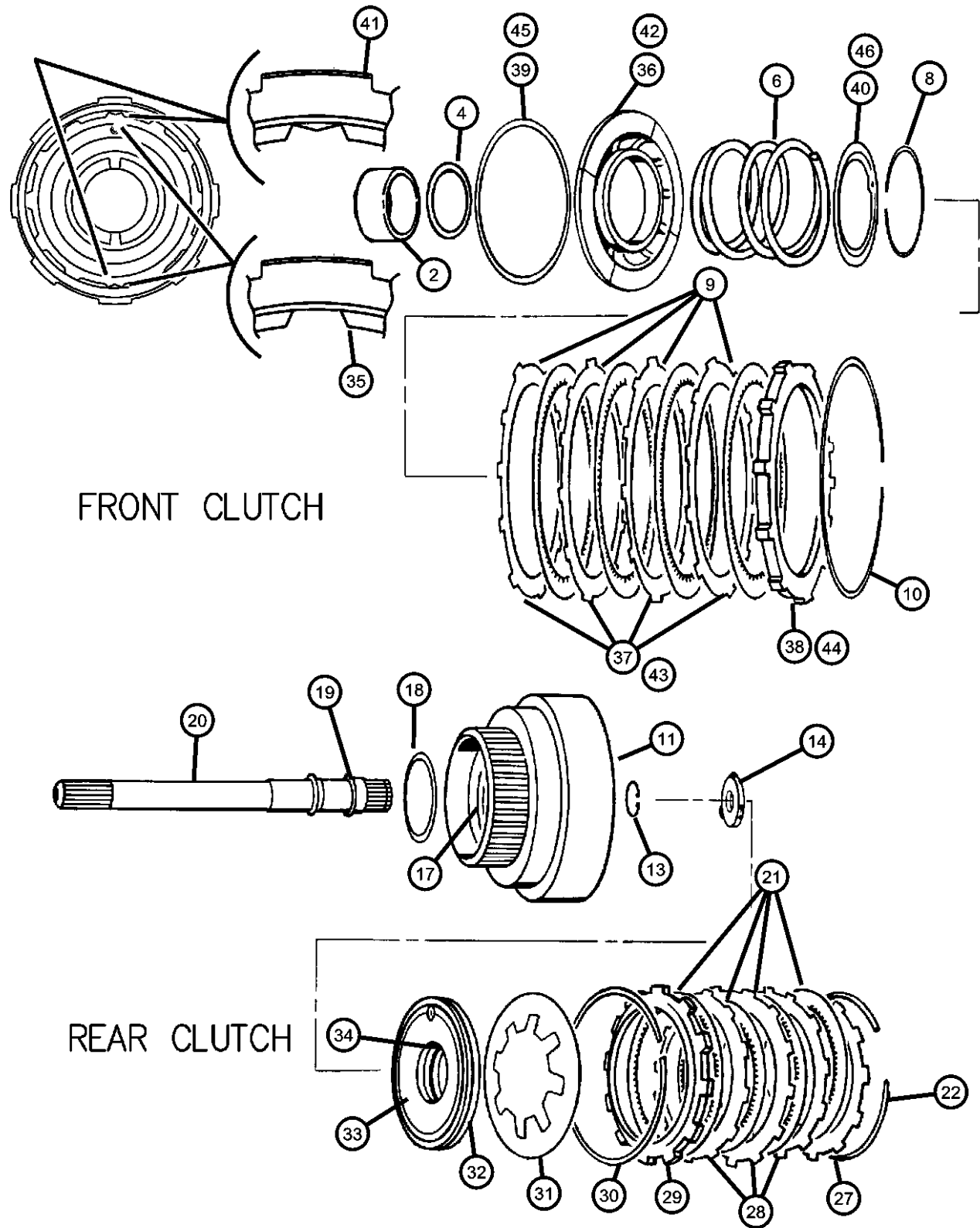
ENGINE
ERH = ENGINE - 4.0L POWER TECH I-6
EVA = ENGINE- 4.7L V8 MPI
EXA = ENGINE - 3.1L 5 CYL TURBO DIESEL

TRANSMISSION
DG4 = TRANSMISSION-MULTI-SPEED AUTO, 45RFE
DGW = TRANSMISSION - 4-SPD. AUTOMATIC, 44RE
DGK = TRANSMISSION - 4-SPD. AUTOMATIC, 42RE
DGO = ALL AUTOMATIC TRANSMISSIONS

AR = use ase required - = Non illustrated part

2000 WJ

**Clutch Front and Rear 44RE [DGW]
Figure 44RE-410**

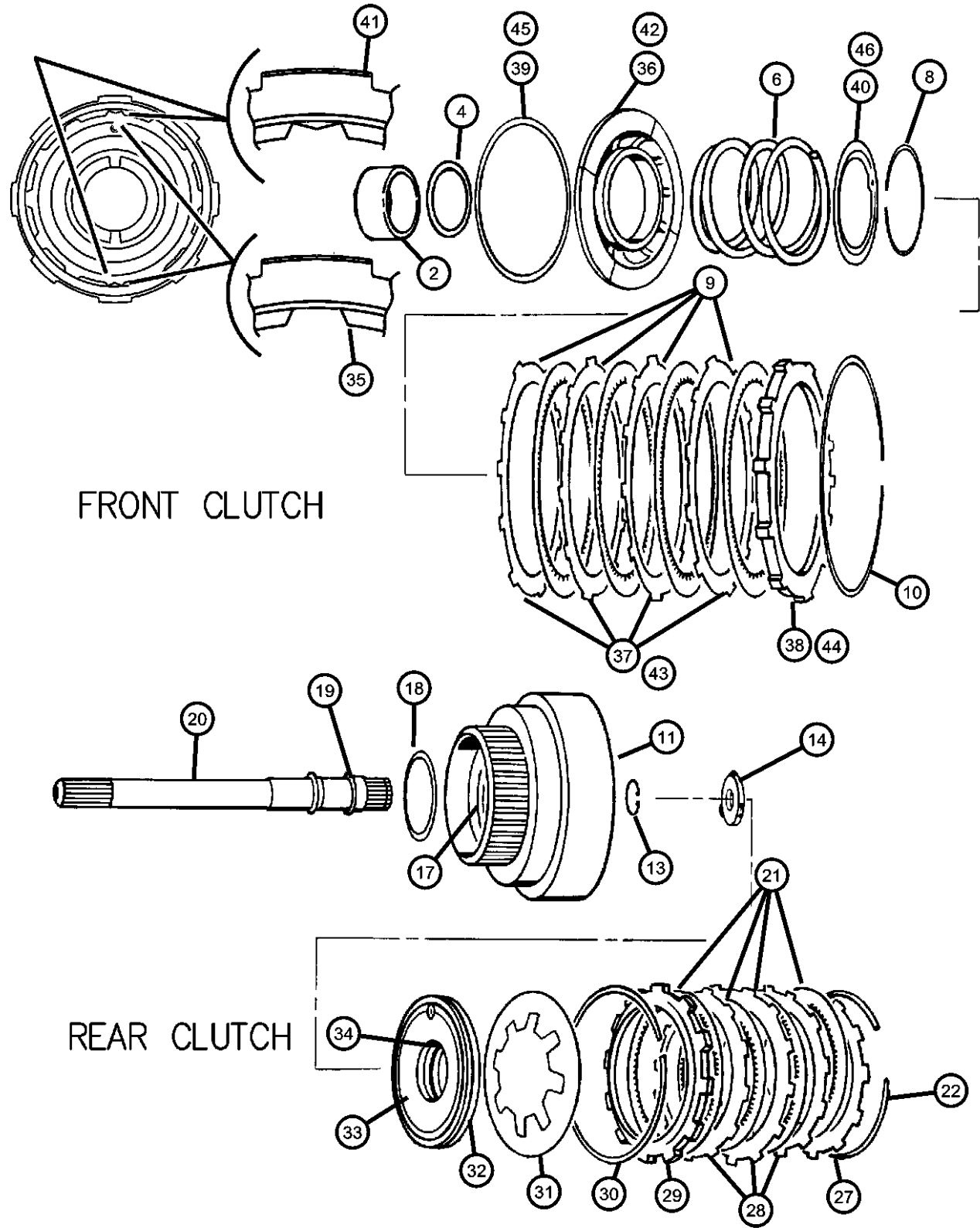


| ITEM | PART NUMBER | QTY | LINE | SERIES | BODY | ENGINE | TRANS | TRIM | DESCRIPTION |
|---|-------------|-----|------|--------|------|--------|-------|------|---|
| NOTES: Sales Codes [DGW] = 44RE 4 Speed Automatic Transmission | | | | | | | | | |
| -1 | 05252926AB | 1 | J, U | | | | DGW | | SEAL PACKAGE, Transmission Clutch |
| 2 | 04617157 | 1 | J, U | | | | DGW | | BUSHING, Front Clutch |
| -3 | 04617159 | 1 | J, U | | | | DGW | | BUSHING, Rear Clutch |
| 4 | 03515176 | 1 | J, U | | | | DGW | | SEAL, Front Clutch Piston |
| -5 | 00147483 | 1 | J, U | | | | DGW | | CHECK BALL, Dia-.187 |
| 6 | 04329809 | 1 | J, U | | | | DGW | | SPRING, Front Clutch |
| -7 | 00147483 | 1 | J, U | | | | DGW | | CHECK BALL, Dia-.187 |
| 8 | 01942400 | 1 | J, U | | | | DGW | | SNAP RING |
| 9 | 04617362 | 5 | J, U | | | | DGW | | DISC, Direct Clutch |
| 10 | 03410571 | 1 | J, U | | | | DGW | | SNAP RING |
| 11 | 04505199 | 1 | J, U | | | | DGW | | RETAINER, Transmission Rear Clutch |
| -12 | 00147483 | 1 | J, U | | | | DGW | | CHECK BALL, Dia-.187 |
| 13 | 06022859 | 1 | J, U | | | | DGW | | SNAP RING, .890625 |
| 14 | 04505185 | 1 | J, U | | | | DGW | | THRUST WASHER, Output Shaft, Gray .052 |
| -15 | 04505186 | 1 | J, U | | | | DGW | | THRUST WASHER, Output Shaft, Red .068 |
| -16 | 04505187 | 1 | J, U | | | | DGW | | THRUST WASHER, Output Shaft, Green .083 |
| 17 | 04028333 | 1 | J, U | | | | DGW | | SEAL, Rear Clutch, 1.50 ODx.009 Thk |
| 18 | 04617786 | 1 | J, U | | | | DGW | | THRUST WASHER, Front Clutch |
| 19 | 01401221AB | 1 | J, U | | | | DGW | | SEAL, Input Shaft |
| 20 | 52118478 | 1 | J, U | | | | DGW | | SHAFT, Input |
| 21 | 04713880 | 4 | J, U | | | | DGW | | DISC, Clutch |
| 22 | 04130761 | 1 | J, U | | | | DGW | | SNAP RING |
| -23 | 04539121 | 1 | J, U | | | | DGW | | SNAP RING, Rear Clutch, .076 |
| -24 | 04539122 | 1 | J, U | | | | DGW | | SNAP RING, Rear Clutch, .098 |
| -25 | 04539123 | 1 | J, U | | | | DGW | | SNAP RING, Rear Clutch, .095 |
| -26 | 04539124 | 1 | J, U | | | | DGW | | SNAP RING, Rear Clutch, .107 |
| 27 | 04617176 | 1 | J, U | | | | DGW | | PLATE, Transmission Clutch Reaction |
| 28 | | | | | | | | | PLATE, Clutch Separator |

| | | | | |
|----------------------------|----------------------|------------------------|--|---|
| GRAND CHEROKEE (WJ) | | | | |
| SERIES | LINE | BODY | ENGINE | TRANSMISSION |
| H = Laredo | T = JEEP - 2WD | 74 = 4 Door (105.9 WB) | ERH = ENGINE - 4.0L POWER TECH I-6 | DG4 = TRANSMISSION-MULTI-SPEED AUTO, 45RFE |
| P = Limited | J = JEEP - 4WD | | EVA = ENGINE- 4.7L V8 MPI | DGW = TRANSMISSION - 4-SPD. AUTOMATIC, 44RE |
| | U = JEEP - 4WD (RHD) | | EXA = ENGINE - 3.1L 5 CYL TURBO DIESEL | DGK = TRANSMISSION - 4-SPD. AUTOMATIC, 42RE |
| | | | | DGO = ALL AUTOMATIC TRANSMISSIONS |

AR = use ase required - = Non illustrated part

Clutch Front and Rear 44RE [DGW]
Figure 44RE-410



| ITEM | PART NUMBER | QTY | LINE | SERIES | BODY | ENGINE | TRANS | TRIM | DESCRIPTION |
|------|-------------|-----|------|--------|------|--------|-------|------|---|
| | 01942403AB | 3 | J, U | | | | DGW | | Without [V] Notch |
| | 01942403AC | 4 | J, U | | | | DGW | | With [V] Notch |
| 29 | 02466281 | 1 | J, U | | | | DGW | | PLATE, Clutch Pressure |
| 30 | 02466283 | 1 | J, U | | | | DGW | | SPRING, Rear Clutch |
| 31 | 04269623 | 1 | J, U | | | | DGW | | SPRING, Rear Clutch Piston |
| 32 | 02538695 | 1 | J, U | | | | DGW | | SEAL, Rear Clutch Piston |
| 33 | 03515716 | 1 | J, U | | | | DGW | | PISTON, Clutch |
| 34 | 02538510 | 1 | J, U | | | | DGW | | SEAL, Rear Clutch Piston |
| 35 | 04617153 | 1 | J, U | | | | DGW | | RETAINER, Transmission Front Clutch, Up to 01-07-2000 |
| 36 | 04617154 | 1 | J, U | | | | DGW | | PISTON, Clutch |
| 37 | 01942403AB | 5 | J, U | | | | DGW | | PLATE, Clutch Separator |
| 38 | 04617176 | 1 | J, U | | | | DGW | | PLATE, Transmission Clutch Reaction |
| 39 | 04058487 | 1 | J, U | | | | DGW | | SEAL, Front Piston Clutch |
| 40 | 04617516AB | 1 | J, U | | | | DGW | | RETAINER, Transmission Front Clutch Piston Spring |
| 41 | 04617153AB | 1 | J, U | | | | DGW | | RETAINER, Transmission Front Clutch, From 01-07-2000 |
| 42 | 04617154AB | 1 | J, U | | | | DGW | | PISTON, Clutch |
| 43 | 01942403AC | 1 | J, U | | | | DGW | | PLATE, Clutch Separator |
| 44 | 04617176AB | 1 | J, U | | | | DGW | | PLATE, Transmission Clutch Reaction |
| 45 | 04058487AB | 1 | J, U | | | | DGW | | SEAL, Front Piston Clutch |
| 46 | 04617516AC | 1 | J, U | | | | DGW | | RETAINER, Transmission Front Clutch Piston Spring |

GRAND CHEROKEE (WJ)

SERIES LINE
 H = Laredo T = JEEP - 2WD
 P = Limited J = JEEP - 4WD
 U = JEEP - 4WD (RHD)

BODY
 74 = 4 Door (105.9 WB)

ENGINE
 ERH = ENGINE - 4.0L
 POWER TECH I-6
 EVA = ENGINE- 4.7L V8 MPI
 EXA = ENGINE - 3.1L 5 CYL
 TURBO DIESEL

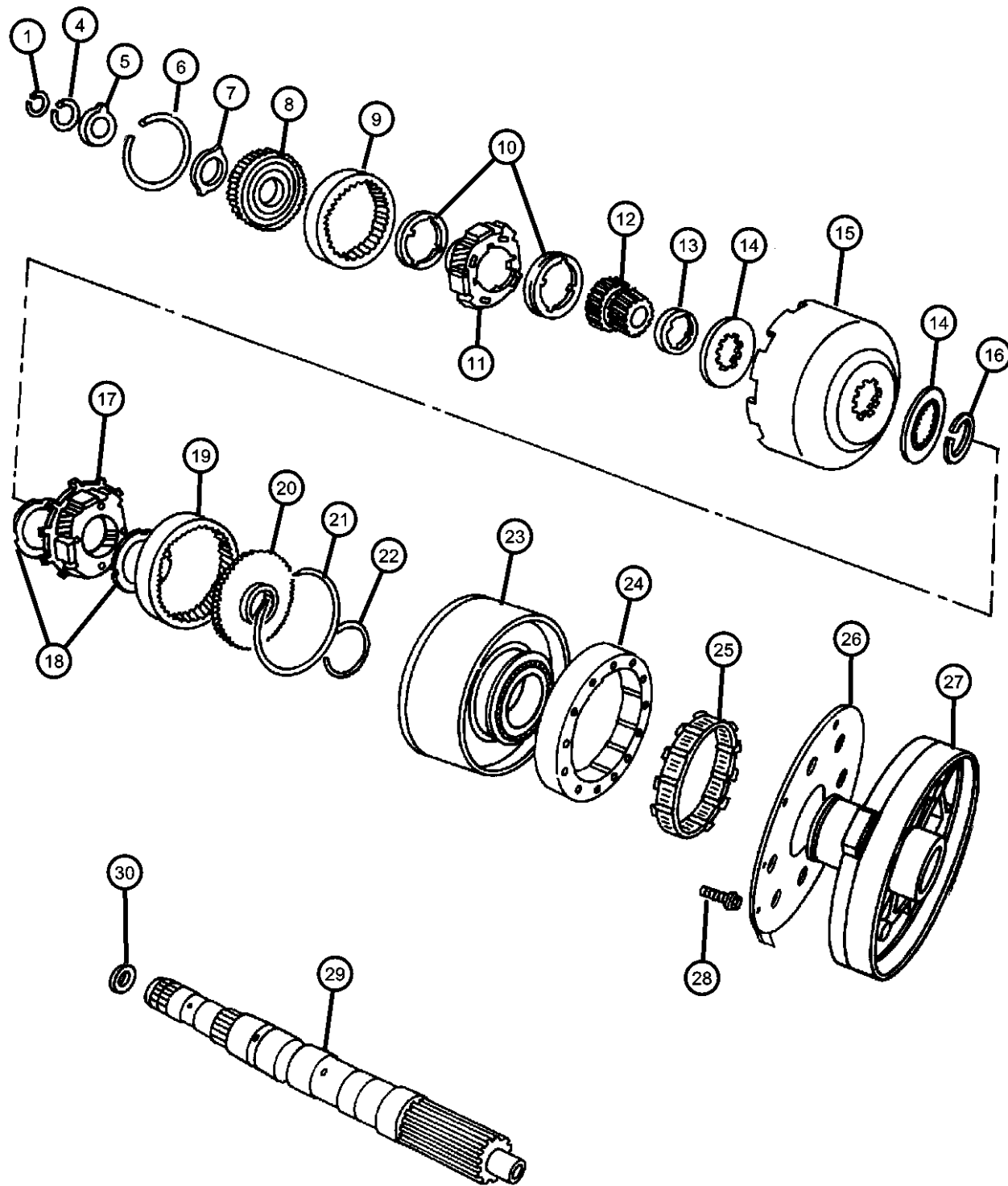
TRANSMISSION
 DG4 = TRANSMISSION-MULTI-
 SPEED AUTO, 45RFE
 DGW = TRANSMISSION - 4-SPD.
 AUTOMATIC, 44RE
 DGK = TRANSMISSION - 4-SPD.
 AUTOMATIC, 42RE
 DGO = ALL AUTOMATIC
 TRANSMISSIONS

AR = use ase required - = Non illustrated part

2000 WJ

Gear Train and Intermediate Shaft 44RE [DGW]

Figure 44RE-420



NOTES: Sales Codes

[DGW] = 44RE 4 Speed Automatic Transmission

[EX0] = All 3.0/3.1L Turbo Diesel Engines

| ITEM | PART NUMBER | QTY | LINE | SERIES | BODY | ENGINE | TRANS | TRIM | DESCRIPTION |
|------|-------------|-----|------|--------|------|--------|-------|------|--|
| 1 | 06026289 | 1 | J, U | | | | DGW | | SNAP RING, .946 ID |
| -2 | 06030938 | 1 | J, U | | | | DGW | | SNAP RING |
| -3 | 06030404 | 1 | J, U | | | | DGW | | SNAP RING, Output Shaft, 1.029 OD |
| 4 | 06030576 | 1 | J, U | | | | DGW | | SNAP RING, Annulus Gear, 1.375 ID |
| 5 | 03681969 | 1 | J, U | | | | DGW | | THRUST WASHER, Annulus Gear |
| 6 | 06035238 | 1 | J, U | | | | DGW | | SNAP RING |
| 7 | 04617775 | 1 | J, U | | | | DGW | | PLATE, Annulus Gear Thrust |
| 8 | 04617774 | 1 | J, U | | | | DGW | | SUPPORT, Annulus Gear |
| 9 | 04130512 | 1 | J, U | | | | DGW | | GEAR, Front Annulus |
| 10 | 04130518 | 2 | J, U | | | | DGW | | THRUST WASHER, Planetary Carrier |
| 11 | 52118476 | 1 | J, U | | | | DGW | | CARRIER, Planetary Pinion |
| 12 | 04130685 | 1 | J, U | | | | DGW | | GEAR, Sun |
| 13 | 04130736 | 1 | J, U | | | | DGW | | SPACER, Sun Gear |
| 14 | 04471566 | 2 | J, U | | | | DGW | | PLATE, Transmission Module |
| 15 | 04531288 | 1 | J, U | | | | DGW | | SHELL, Sun Gear |
| 16 | 01942439 | 1 | J, U | | | | DGW | | SNAP RING, Sun Gear Shell |
| 17 | 04431438 | 1 | J, U | | | | DGW | | CARRIER, Planetary Pinion |
| 18 | 03681935 | 1 | J, U | | | | DGW | | THRUST WASHER, Planetary Carrier |
| 19 | 03743184 | 1 | J, U | | | | DGW | | GEAR, Rear Annulus |
| 20 | 03515501 | 1 | J, U | | | | DGW | | SUPPORT, Annulus Gear |
| 21 | 01942444 | 1 | J, U | | | | DGW | | SNAP RING |
| 22 | 06033480 | 1 | J, U | | | | DGW | | SNAP RING, Reverse Drum |
| 23 | 04637956 | 1 | J, U | | | | DGW | | DRUM PACKAGE, Transmission |
| 24 | 04431690 | 1 | J, U | | | | DGW | | CAM, Overrunning Clutch |
| 25 | 04431432 | 1 | J, U | | | | DGW | | CLUTCH, Overrunning |
| 26 | 04471564 | 1 | J, U | | | | DGW | | GASKET, Overdrive Piston Retainer |
| 27 | 04617246 | 1 | J, U | | | | DGW | | RETAINER, Transmission Overdrive Clutch Piston |

GRAND CHEROKEE (WJ)

| | |
|-------------|----------------------|
| SERIES | LINE |
| H = Laredo | T = JEEP - 2WD |
| P = Limited | J = JEEP - 4WD |
| | U = JEEP - 4WD (RHD) |

BODY
74 = 4 Door (105.9 WB)

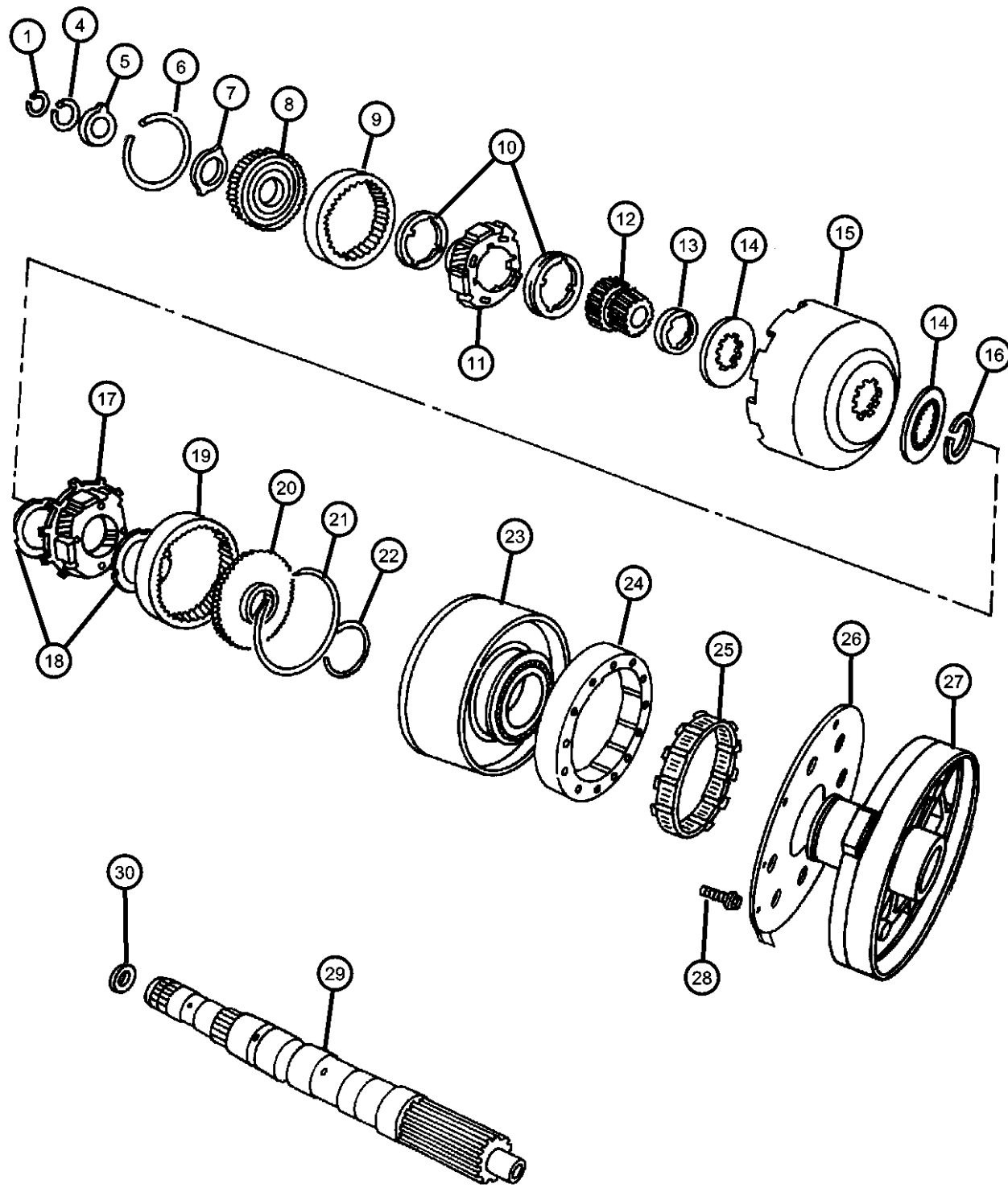
ENGINE
ERH = ENGINE - 4.0L POWER TECH I-6
EVA = ENGINE- 4.7L V8 MPI
EXA = ENGINE - 3.1L 5 CYL TURBO DIESEL

TRANSMISSION
DG4 = TRANSMISSION-MULTI-SPEED AUTO, 45RFE
DGW = TRANSMISSION - 4-SPD. AUTOMATIC, 44RE
DGK = TRANSMISSION - 4-SPD. AUTOMATIC, 42RE
DGO = ALL AUTOMATIC TRANSMISSIONS

AR = use ase required - = Non illustrated part

2000 WJ

**Gear Train and Intermediate Shaft 44RE [DGW]
Figure 44RE-420**



| ITEM | PART NUMBER | QTY | LINE | SERIES | BODY | ENGINE | TRANS | TRIM | DESCRIPTION |
|------|-------------|-----|------|--------|------|--------|-------|------|-------------------------------------|
| 28 | 06033616 | 5 | J, U | | | | DGW | | SCREW, Hex Flange Head, .25-28x.875 |
| 29 | 04617604 | 1 | J, U | | | | DGW | | INTERMEDIATE SHAFT, Transmission |
| 30 | 04505188 | 1 | J, U | | | | DGW | | PLATE, Transmission Module |

GRAND CHEROKEE (WJ)

| | |
|-------------|----------------------|
| SERIES | LINE |
| H = Laredo | T = JEEP - 2WD |
| P = Limited | J = JEEP - 4WD |
| | U = JEEP - 4WD (RHD) |

| |
|------------------------|
| BODY |
| 74 = 4 Door (105.9 WB) |

| |
|--|
| ENGINE |
| ERH = ENGINE - 4.0L POWER TECH I-6 |
| EVA = ENGINE- 4.7L V8 MPI |
| EXA = ENGINE - 3.1L 5 CYL TURBO DIESEL |

| |
|---|
| TRANSMISSION |
| DG4 = TRANSMISSION-MULTI-SPEED AUTO, 45RFE |
| DGW = TRANSMISSION - 4-SPD. AUTOMATIC, 44RE |
| DGK = TRANSMISSION - 4-SPD. AUTOMATIC, 42RE |
| DGO = ALL AUTOMATIC TRANSMISSIONS |

AR = use ase required - = Non illustrated part

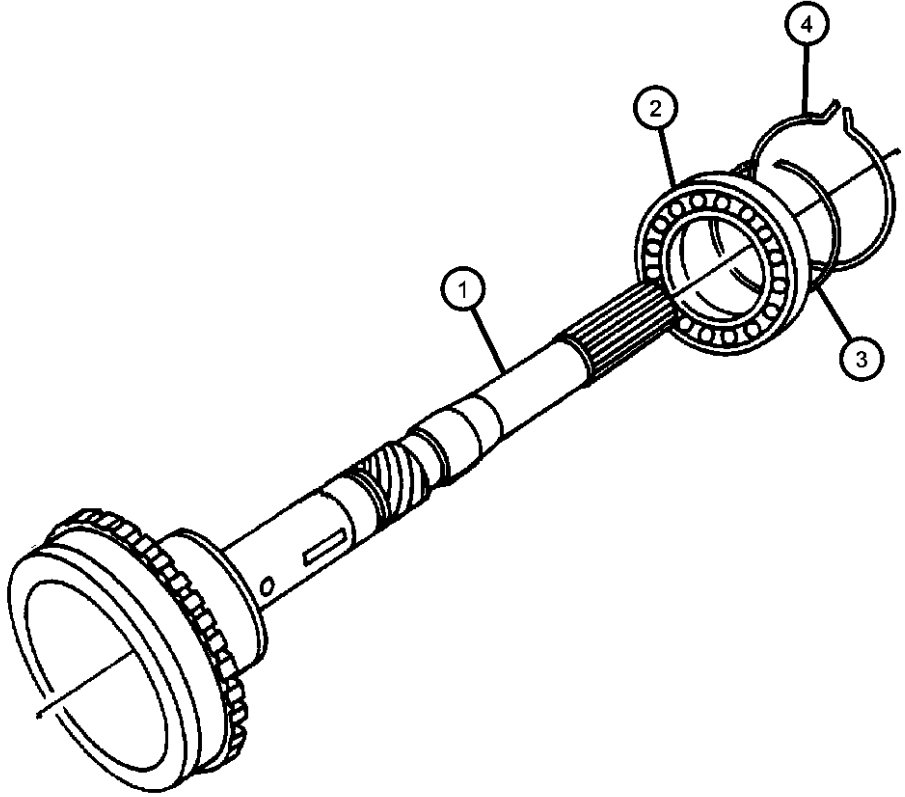
Output Shaft 44RE [DGW]

Figure 44RE-430

| ITEM | PART NUMBER | QTY | LINE | SERIES | BODY | ENGINE | TRANS | TRIM | DESCRIPTION |
|------|-------------|-----|------|--------|------|--------|-------|------|-------------|
|------|-------------|-----|------|--------|------|--------|-------|------|-------------|

NOTES: Sales Codes
 [DGW] = 44RE 4 Speed Automatic Transmission
 [EX0] = All 3.0/3.1L Turbo Diesel Engines

| | | | | | | | | | |
|---|----------|---|------|--|--|--|-----|--|-----------------------|
| 1 | 04798536 | 1 | J, U | | | | DGW | | SHAFT, Output |
| 2 | 04461008 | 1 | J, U | | | | DGW | | BEARING, Output Shaft |
| 3 | 04461068 | 1 | J, U | | | | DGW | | SNAP RING |
| 4 | 04461057 | 1 | J, U | | | | DGW | | SNAP RING |



GRAND CHEROKEE (WJ)

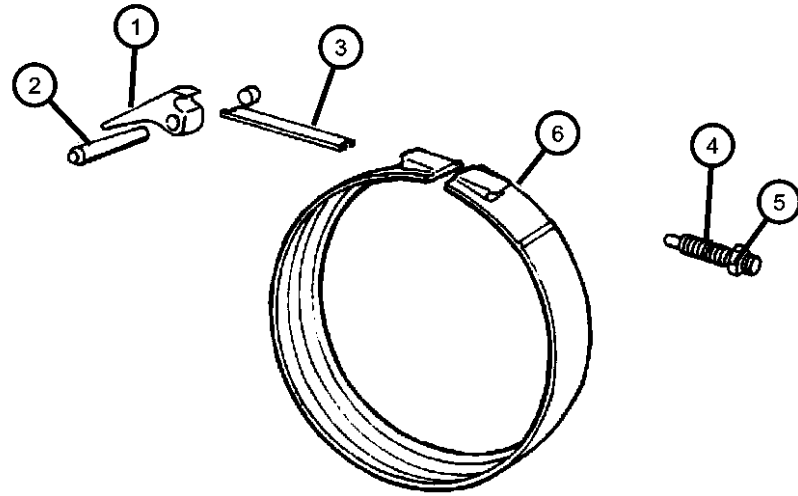
| | | | | |
|-------------|----------------------|------------------------|--|--|
| SERIES | LINE | BODY | ENGINE | TRANSMISSION |
| H = Laredo | T = JEEP - 2WD | 74 = 4 Door (105.9 WB) | ERH = ENGINE - 4.0L POWER TECH I-6 | DG4 = TRANSMISSION-MULTI-SPEED AUTO, 45RFE |
| P = Limited | J = JEEP - 4WD | | EVA = ENGINE- 4.7L V8 MPI | DGW = TRANSMISSION - 4-SPD. AUTOMATIC,44RE |
| | U = JEEP - 4WD (RHD) | | EXA = ENGINE - 3.1L 5 CYL TURBO DIESEL | DGK = TRANSMISSION - 4-SPD. AUTOMATIC,42RE |
| | | | | DGO = ALL AUTOMATIC TRANSMISSIONS |

AR = use ase required - = Non illustrated part

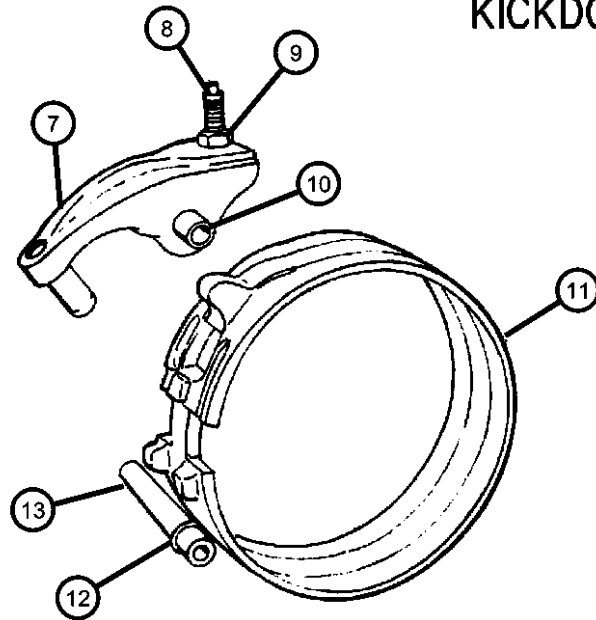
**Bands 44RE [DGW]
Figure 44RE-510**

| ITEM | PART NUMBER | QTY | LINE | SERIES | BODY | ENGINE | TRANS | TRIM | DESCRIPTION |
|------|-------------|-----|------|--------|------|--------|-------|------|-------------|
|------|-------------|-----|------|--------|------|--------|-------|------|-------------|

NOTES: Sales Codes
[DGW] = 44RE 4 Speed Automatic Transmission
[EX0] = All 3.0/3.1L Turbo Diesel Engines



KICKDOWN BAND



DOUBLE WRAP REVERSE BAND

| | | | | | | | | | |
|----|------------|---|------|--|--|--|-----|--|---|
| 1 | 02125067 | 1 | J, U | | | | DGW | | LEVER, Kickdown |
| 2 | 04531181 | 1 | J, U | | | | DGW | | SHAFT, Band Lever |
| 3 | 03515084 | 1 | J, U | | | | DGW | | STRUT, Kickdown Band |
| 4 | 06036141AA | 1 | J, U | | | | DGW | | SCREW |
| 5 | 00124934 | 1 | J, U | | | | DGW | | NUT, Hex Jam, .50-20 |
| 6 | 04617899 | 1 | J, U | | | | DGW | | BAND, Kickdown |
| 7 | | | | | | | | | LEVER, Reverse Band |
| | 04202764AB | 1 | J, U | | | | DGW | | |
| | 04202765 | 1 | J, U | | | | DGW | | With Stem |
| 8 | 02538472 | 1 | J, U | | | | DGW | | SCREW, Trans Reverse Band Adjusting, .375-24-1.88 |
| 9 | 00114942 | 1 | J, U | | | | DGW | | NUT, Hex, .375-24 |
| 10 | 03410102 | 1 | J, U | | | | DGW | | SHAFT, Reverse Band |
| 11 | 04431406 | 1 | J, U | | | | DGW | | BAND, Reverse |
| 12 | 06030657 | 1 | J, U | | | | DGW | | O RING, Steering Gear |
| 13 | 03410102 | 1 | J, U | | | | DGW | | SHAFT, Reverse Band |

GRAND CHEROKEE (WJ)

SERIES LINE
H = Laredo T = JEEP - 2WD
P = Limited J = JEEP - 4WD
U = JEEP - 4WD (RHD)

BODY
74 = 4 Door (105.9 WB)

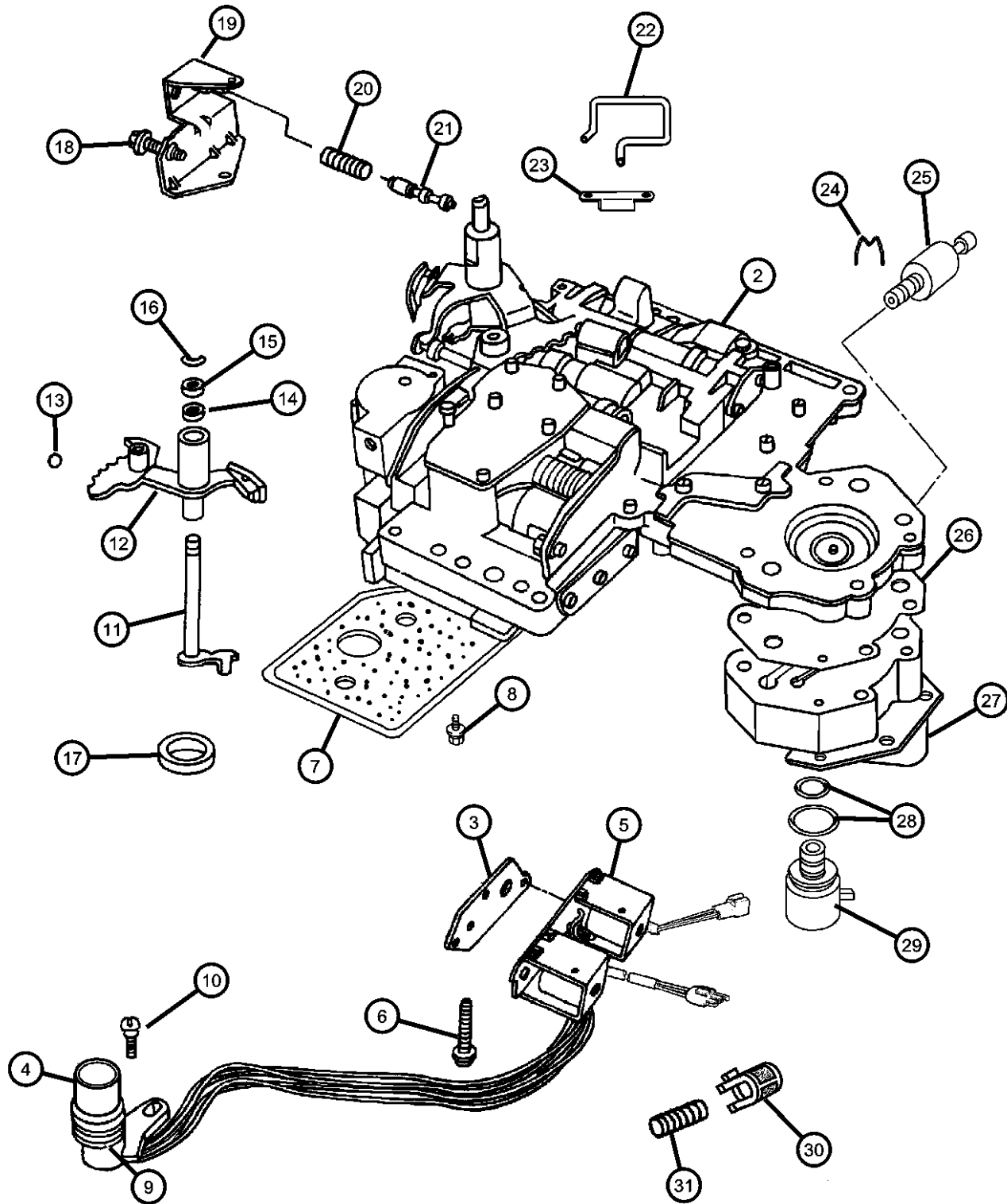
ENGINE
ERH = ENGINE - 4.0L
POWER TECH I-6
EVA = ENGINE- 4.7L V8 MPI
EXA = ENGINE - 3.1L 5 CYL
TURBO DIESEL

TRANSMISSION
DG4 = TRANSMISSION-MULTI-
SPEED AUTO, 45RFE
DGW = TRANSMISSION - 4-SPD.
AUTOMATIC, 44RE
DGK = TRANSMISSION - 4-SPD.
AUTOMATIC, 42RE
DGO = ALL AUTOMATIC
TRANSMISSIONS

AR = use ase required - = Non illustrated part

2000 WJ

**Valve Body 44RE [DGW]
Figure 44RE-710**



NOTES: Sales Codes
[DGW] = 44RE 4 Speed Automatic Transmission
[EX0] = All 3.0/3.1L Turbo Diesel Engines

| ITEM | PART NUMBER | QTY | LINE | SERIES | BODY | ENGINE | TRANS | TRIM | DESCRIPTION |
|------|-------------|-----|------|--------|------|--------|-------|------|---|
| -1 | 04863933AB | 1 | J, U | | | | DGW | | SEAL AND GASKET PACKAGE, Valve Body and Servo |
| 2 | 52119634AB | 1 | J, U | | | | DGW | | BODY, Transfer Plate |
| 3 | 04617216 | 1 | J, U | | | | DGW | | GASKET, Transmission Solenoid |
| 4 | 52118500AB | 1 | J, U | | | | DGW | | SOLENOID, Transmission Overdrive |
| 5 | 56028196AA | 1 | J, U | | | | DGW | | TRANSDUCER, Pressure Sensor |
| 6 | 00181071 | 3 | J, U | | | | DGW | | BOLT, Valve Body, .25-20x1.75 |
| 7 | 52118789 | 1 | J, U | | | | DGW | | FILTER, Valve Body |
| 8 | 06033826 | 3 | J, U | | | | DGW | | SCREW AND WASHER, Oil Filter Mounting, Fillester Head .190-24x2.500 |
| 9 | 06034748 | 2 | J, U | | | | DGW | | O RING, Solenoid Wiring, Transmission |
| 10 | 06033985 | 1 | J, U | | | | DGW | | SCREW, Tapping, .19-24x.75 |
| 11 | 03681227 | 1 | J, U | | | | DGW | | LEVER, Throttle Valve |
| 12 | 04617439 | 1 | J, U | | | | DGW | | LEVER, Manual Valve |
| 13 | 00147488 | 1 | J, U | | | | DGW | | BALL, Manual Lever Detent, .343 Diameter |
| 14 | 02466548 | 1 | J, U | | | | DGW | | SEAL, Valve Lever Shift |
| 15 | 02538062 | 1 | J, U | | | | DGW | | WASHER, Manual Valve Lever |
| 16 | 06035208 | 2 | J, U | | | | DGW | | SNAP RING |
| 17 | 04505098 | 1 | J, U | | | | DGW | | SEAL, Manual Shift Valve, 1.25 OD |
| 18 | 06030609 | 1 | J, U | | | | DGW | | SCREW, Cap Head Lock, .312-24x1.25 |
| 19 | 04617010 | 1 | J, U | | | | DGW | | BRACKET, Valve Body Switch |
| 20 | 04130492 | 1 | J, U | | | | DGW | | SPRING, Switch Valve |
| 21 | 04505036 | 1 | J, U | | | | DGW | | VALVE, Trans Lockup Switch |
| 22 | 04617008 | 1 | J, U | | | | DGW | | TUBE, Boost Valve |
| 23 | 52117958 | 1 | J, U | | | | DGW | | RETAINER, Boost Valve Oil Supply Tube |
| 24 | 04617219 | 1 | J, U | | | | DGW | | CLIP, Transmission Governor Transducer |
| 25 | 56028196AA | 1 | J, U | | | | DGW | | TRANSDUCER, Pressure Sensor |
| 26 | 04617216 | 1 | J, U | | | | DGW | | GASKET, Transmission Solenoid |

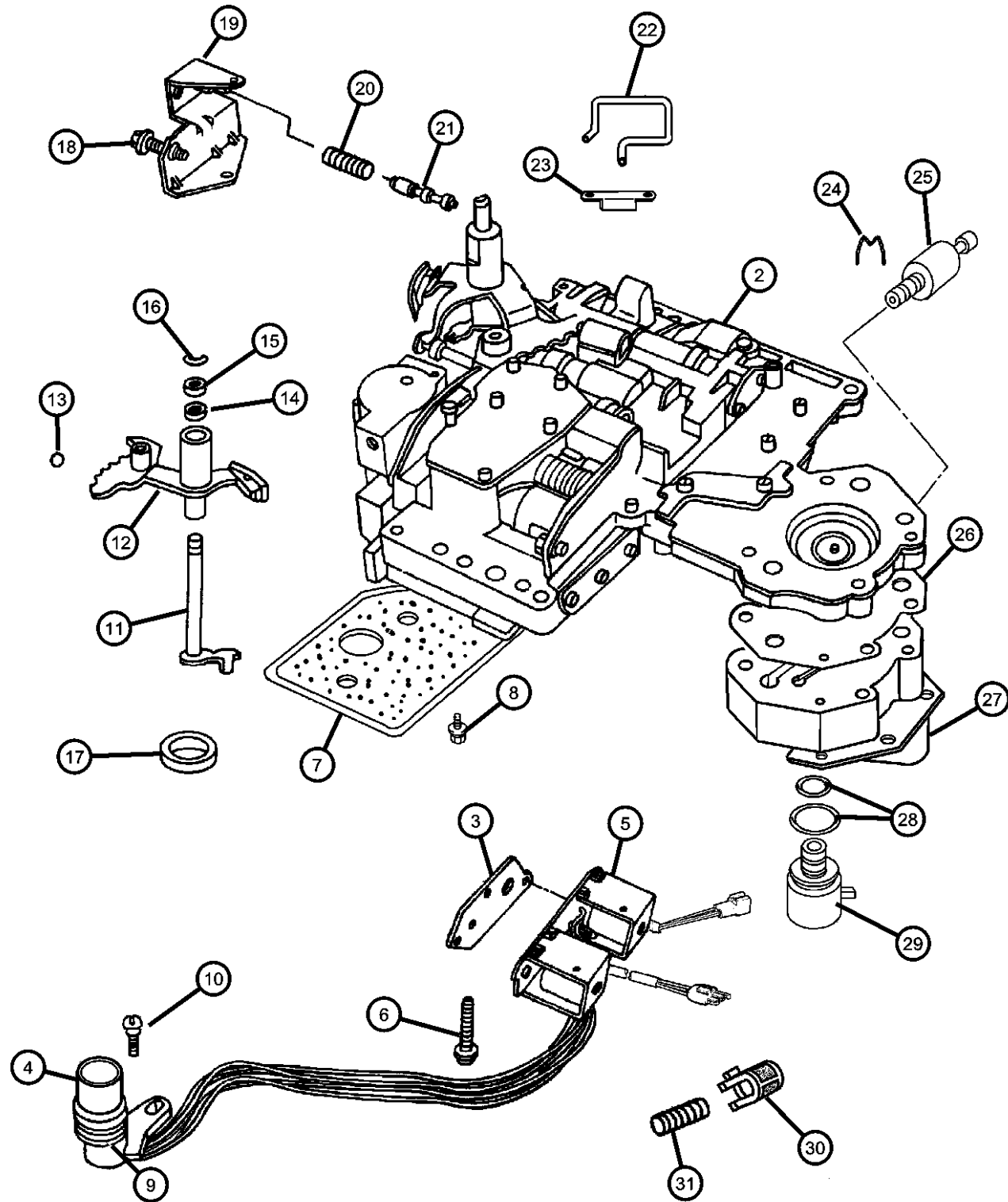
GRAND CHEROKEE (WJ)

| | | | | |
|-------------|----------------------|------------------------|--|---|
| SERIES | LINE | BODY | ENGINE | TRANSMISSION |
| H = Laredo | T = JEEP - 2WD | 74 = 4 Door (105.9 WB) | ERH = ENGINE - 4.0L POWER TECH I-6 | DG4 = TRANSMISSION-MULTI-SPEED AUTO, 45RFE |
| P = Limited | J = JEEP - 4WD | | EVA = ENGINE- 4.7L V8 MPI | DGW = TRANSMISSION - 4-SPD. AUTOMATIC, 44RE |
| | U = JEEP - 4WD (RHD) | | EXA = ENGINE - 3.1L 5 CYL TURBO DIESEL | DGK = TRANSMISSION - 4-SPD. AUTOMATIC, 42RE |
| | | | | DGO = ALL AUTOMATIC TRANSMISSIONS |

AR = use ase required - = Non illustrated part

2000 WJ

Valve Body 44RE [DGW]
Figure 44RE-710



| ITEM | PART NUMBER | QTY | LINE | SERIES | BODY | ENGINE | TRANS | TRIM | DESCRIPTION |
|------|-------------|-----|------|--------|------|--------|-------|------|--|
| 27 | 04617211AB | 1 | J, U | | | | DGW | | RETAINER, Transmission Governor Solenoid |
| 28 | 06034748 | 2 | J, U | | | | DGW | | O RING, Solenoid Wiring, Transmission |
| 29 | 04617210 | 1 | J, U | | | | DGW | | SOLENOID, Transmission Governor |
| 30 | 03878313 | 1 | J, U | | | | DGW | | SCREEN, Transmission Regulator Valve |
| 31 | 04348907 | 1 | J, U | | | | DGW | | SPRING, Limit Valve |

GRAND CHEROKEE (WJ)

SERIES LINE
 H = Laredo T = JEEP - 2WD
 P = Limited J = JEEP - 4WD
 U = JEEP - 4WD (RHD)

BODY
 74 = 4 Door (105.9 WB)

ENGINE
 ERH = ENGINE - 4.0L
 POWER TECH I-6
 EVA = ENGINE- 4.7L V8 MPI
 EXA = ENGINE - 3.1L 5 CYL
 TURBO DIESEL

TRANSMISSION
 DG4 = TRANSMISSION-MULTI-
 SPEED AUTO, 45RFE
 DGW = TRANSMISSION - 4-SPD.
 AUTOMATIC, 44RE
 DGK = TRANSMISSION - 4-SPD.
 AUTOMATIC, 42RE
 DGO = ALL AUTOMATIC
 TRANSMISSIONS

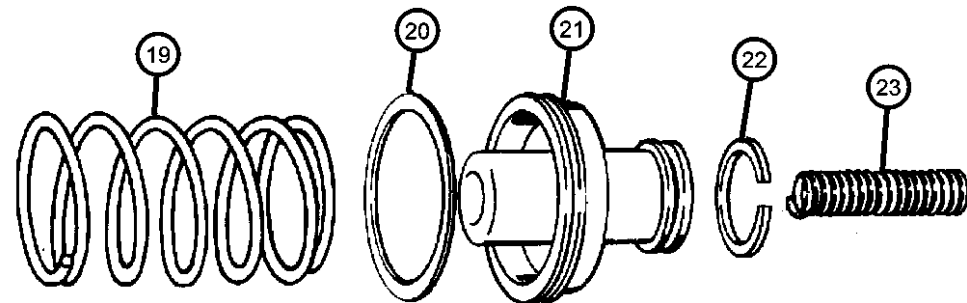
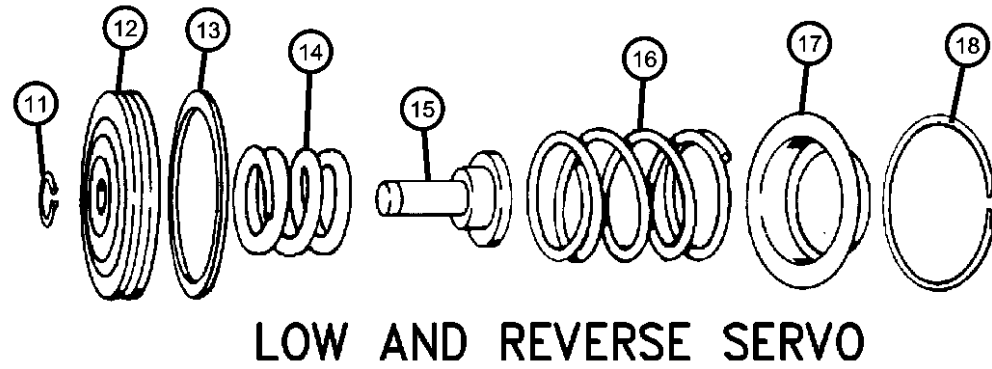
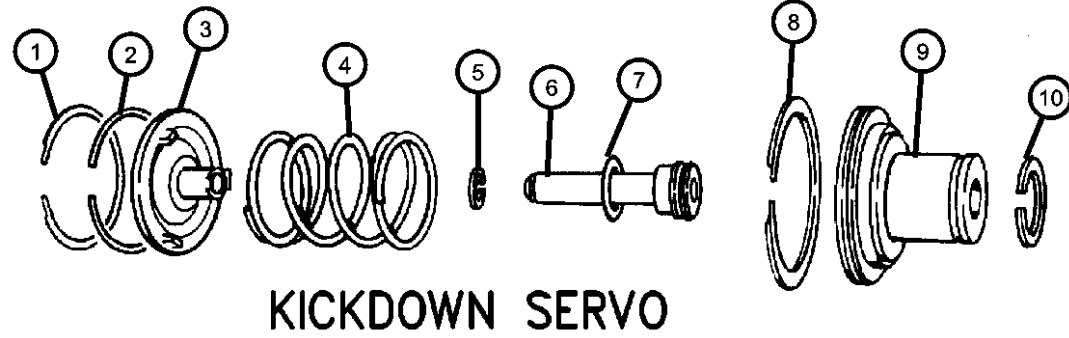
AR = use ase required - = Non illustrated part

2000 WJ

Servos 44RE [DGW]
Figure 44RE-720

| ITEM | PART NUMBER | QTY | LINE | SERIES | BODY | ENGINE | TRANS | TRIM | DESCRIPTION |
|------|-------------|-----|------|--------|------|--------|-------|------|-------------|
|------|-------------|-----|------|--------|------|--------|-------|------|-------------|

NOTES: Sales Codes
[DGW] = 44RE 4 Speed Automatic Transmission
[EX0] = All 3.0/3.1L Turbo Diesel Engines



| | | | | | | | | | |
|----|------------|---|------|--|--|--|-----|--|------------------------------------|
| 1 | 06028863 | 1 | J, U | | | | DGW | | SNAP RING, Kickdown, 2.377 |
| 2 | 04295966 | 1 | J, U | | | | DGW | | SEAL, Servo Guide |
| 3 | 03410332 | 1 | J, U | | | | DGW | | GUIDE, Kickdown Servo |
| 4 | 04531119 | 1 | J, U | | | | DGW | | SPRING, Kickdown Servo Piston |
| 5 | 06031392 | 1 | J, U | | | | DGW | | SNAP RING, Brake Master Cylinder |
| 6 | 04058780 | 1 | J, U | | | | DGW | | ROD, Kickdown Servo Piston |
| 7 | 06028864 | 1 | J, U | | | | DGW | | O RING, Kick Down Servo |
| 8 | 04295966 | 1 | J, U | | | | DGW | | SEAL, Servo Guide |
| 9 | 04058777 | 1 | J, U | | | | DGW | | PISTON, Kickdown Servo |
| 10 | 03743033 | 1 | J, U | | | | DGW | | SEAL, Kickdown Servo |
| 11 | 06027153 | 1 | J, U | | | | DGW | | SNAP RING, .435 ID |
| 12 | 52118744 | 1 | J, U | | | | DGW | | PISTON, Reverse Servo |
| 13 | 04202864 | 1 | J, U | | | | DGW | | SEAL, Reverse Servo Piston |
| 14 | 04130824 | 1 | J, U | | | | DGW | | SPRING, Reverse Servo Piston |
| 15 | 52118740AB | 1 | J, U | | | | DGW | | PLUG, Reverse Servo Piston |
| 16 | 02801274 | 1 | J, U | | | | DGW | | SPRING, Reverse Servo Piston |
| 17 | 02464463 | 1 | J, U | | | | DGW | | RETAINER, Transmission Rear Clutch |
| 18 | 02464464 | 1 | J, U | | | | DGW | | SNAP RING |
| 19 | 52118710 | 1 | J, U | | | | DGW | | SPRING, Transmission Accumulator |
| 20 | 03743013 | 1 | J, U | | | | DGW | | SEAL, Piston Accumulator |
| 21 | 03743650 | 1 | J, U | | | | DGW | | PISTON, Accumulator |
| 22 | 03743010 | 1 | J, U | | | | DGW | | SEAL, Piston Accumulator |
| 23 | 04617529 | 1 | J, U | | | | DGW | | SPRING, Accumulator Piston |

GRAND CHEROKEE (WJ)

SERIES LINE
H = Laredo T = JEEP - 2WD
P = Limited J = JEEP - 4WD
U = JEEP - 4WD (RHD)

BODY
74 = 4 Door (105.9 WB)

ENGINE
ERH = ENGINE - 4.0L
POWER TECH I-6
EVA = ENGINE - 4.7L V8 MPI
EXA = ENGINE - 3.1L 5 CYL
TURBO DIESEL

TRANSMISSION
DG4 = TRANSMISSION-MULTI-
SPEED AUTO, 45RFE
DGW = TRANSMISSION - 4-SPD.
AUTOMATIC, 44RE
DGK = TRANSMISSION - 4-SPD.
AUTOMATIC, 42RE
DGO = ALL AUTOMATIC
TRANSMISSIONS

AR = use ase required - = Non illustrated part

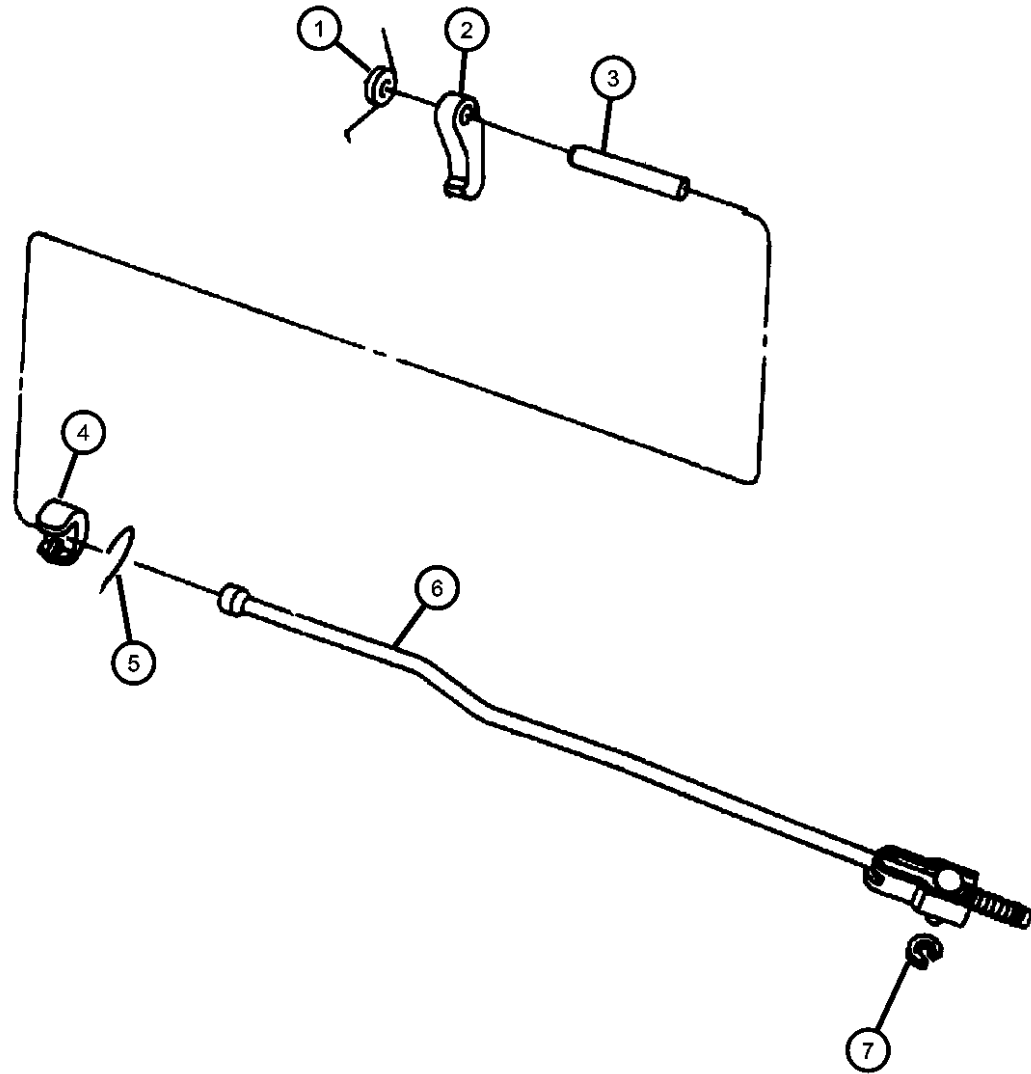
2000 WJ

**Parking Sprag 44RE [DGW]
Figure 44RE-730**

| ITEM | PART NUMBER | QTY | LINE | SERIES | BODY | ENGINE | TRANS | TRIM | DESCRIPTION |
|------|-------------|-----|------|--------|------|--------|-------|------|-------------|
|------|-------------|-----|------|--------|------|--------|-------|------|-------------|

NOTES: Sales Codes
[DGW] = 44RE 4 Speed Automatic Transmission
[EX0] = All 3.0/3.1L Turbo Diesel Engines

| | | | | | | | | | |
|---|----------|---|------|--|--|--|-----|--|-----------------------------|
| 1 | 02466909 | 1 | J, U | | | | DGW | | SPRING, Parking Sprag |
| 2 | 04471415 | 1 | J, U | | | | DGW | | SPRAG, Transmission Parking |
| 3 | 02466892 | 1 | J, U | | | | DGW | | SHAFT, Parking Sprag |
| 4 | 02538042 | 1 | J, U | | | | DGW | | PLUG, Parking Sprag |
| 5 | 02538034 | 1 | J, U | | | | DGW | | SNAP RING, Transmission |
| 6 | 04431748 | 1 | J, U | | | | DGW | | ROD, Parking Sprag |
| 7 | 06035256 | 1 | J, U | | | | DGW | | SNAP RING, Rod |



GRAND CHEROKEE (WJ)

SERIES LINE
H = Laredo T = JEEP - 2WD
P = Limited J = JEEP - 4WD
 U = JEEP - 4WD (RHD)

BODY
74 = 4 Door (105.9 WB)

ENGINE
ERH = ENGINE - 4.0L
POWER TECH I-6
EVA = ENGINE- 4.7L V8 MPI
EXA = ENGINE - 3.1L 5 CYL
TURBO DIESEL

TRANSMISSION
DG4 = TRANSMISSION-MULTI-
SPEED AUTO, 45RFE
DGW = TRANSMISSION - 4-SPD.
AUTOMATIC, 44RE
DGK = TRANSMISSION - 4-SPD.
AUTOMATIC, 42RE
DGO = ALL AUTOMATIC
TRANSMISSIONS

AR = use ase required - = Non illustrated part

2000 WJ

**Overdrive Gear Train 44RE [DGW]
Figure 44RE-1010**

| ITEM | PART NUMBER | QTY | LINE | SERIES | BODY | ENGINE | TRANS | TRIM | DESCRIPTION |
|------|-------------|-----|------|--------|------|--------|-------|------|-------------|
|------|-------------|-----|------|--------|------|--------|-------|------|-------------|

NOTES: Sales Codes
[DGW] = 44RE 4 Speed Automatic Transmission
[EX0] = All 3.0/3.1L Turbo Diesel Engines

| | | | | | | | | | |
|----|------------|---|------|--|--|--|-----|--|--|
| 1 | 04740774 | 1 | J, U | | | | DGW | | PLATE PACKAGE, Transmission Module |
| 2 | 04740774 | 1 | | | | | | | BEARING, (NOT SERVICED) |
| 3 | 04740774 | 1 | | | | | | | BEARING, (NOT SERVICED) |
| 4 | 05015107AA | 1 | J, U | | | | DGW | | GEAR, Overdrive Sun |
| 5 | 04798520 | 1 | J, U | | | | DGW | | CARRIER, O/Drive Planet Pinion |
| 6 | 04461124 | 1 | J, U | | | | DGW | | RACE, Overrunning Clutch |
| 7 | 04461014 | 1 | J, U | | | | DGW | | THRUST BEARING, Overdrive Third Position |
| 8 | 04461015 | 1 | J, U | | | | DGW | | CLUTCH, Overdrive Overrunning |
| 9 | 04761010 | 1 | J, U | | | | DGW | | GEAR, Overdrive Annulus |
| 10 | 04461059 | 1 | J, U | | | | DGW | | SNAP RING, 5.25 OD |
| 11 | 04461060 | 2 | J, U | | | | DGW | | SNAP RING, 6.00 OD |
| 12 | 04461089 | 1 | J, U | | | | DGW | | DRUM, Automatic Transmission |
| 13 | 04461063 | 1 | J, U | | | | DGW | | SNAP RING, 2.1875 OD |
| 14 | 04461027 | 1 | J, U | | | | DGW | | SPRING, Direct Clutch |
| 15 | 04461072 | 1 | J, U | | | | DGW | | HUB, Direct Clutch |
| 16 | 04446724 | 1 | J, U | | | | DGW | | THRUST BEARING, Overdrive |
| 17 | 04461030 | 1 | J, U | | | | DGW | | PLATE, Transmission Clutch Reaction |
| 18 | 04461042 | 8 | J, U | | | | DGW | | DISC, Direct Clutch |
| 19 | 04461054 | 7 | J, U | | | | DGW | | PLATE, Transmission Clutch Reaction |
| 20 | 04461030 | 1 | J, U | | | | DGW | | PLATE, Transmission Clutch Reaction |
| 21 | 04461032 | 1 | J, U | | | | DGW | | SPRING, Direct Clutch |
| 22 | 04461064 | 1 | J, U | | | | DGW | | SNAP RING, 1.875" OD |
| 23 | 04412583 | 1 | J, U | | | | DGW | | FILTER, Overdrive Clutch |
| 24 | 04617246 | 1 | J, U | | | | DGW | | RETAINER, Transmission Overdrive Clutch Piston |
| 25 | 52118599 | 1 | J, U | | | | DGW | | PISTON, Overdrive Clutch |
| 26 | 06033479 | 6 | J, U | | | | DGW | | BOLT, Hex Head, .25-28x1-5/8 |
| 27 | 04431697 | 1 | J, U | | | | DGW | | SEAL, Overdrive Clutch Piston |
| 28 | 04431696 | 1 | J, U | | | | DGW | | SEAL, Overdrive Clutch Piston |

GRAND CHEROKEE (WJ)

SERIES LINE
H = Laredo T = JEEP - 2WD
P = Limited J = JEEP - 4WD
U = JEEP - 4WD (RHD)

BODY
74 = 4 Door (105.9 WB)

ENGINE
ERH = ENGINE - 4.0L POWER TECH I-6
EVA = ENGINE - 4.7L V8 MPI
EXA = ENGINE - 3.1L 5 CYL TURBO DIESEL

TRANSMISSION
DG4 = TRANSMISSION-MULTI-SPEED AUTO, 45RFE
DGW = TRANSMISSION - 4-SPD. AUTOMATIC, 44RE
DGK = TRANSMISSION - 4-SPD. AUTOMATIC, 42RE
DGO = ALL AUTOMATIC TRANSMISSIONS

AR = use ase required - = Non illustrated part

2000 WJ

**Overdrive Gear Train 44RE [DGW]
Figure 44RE-1010**

| ITEM | PART NUMBER | QTY | LINE | SERIES | BODY | ENGINE | TRANS | TRIM | DESCRIPTION |
|------|-------------|-----|------|--------|------|--------|-------|------|--|
| 29 | | | | | | | | | PLATE, Transmission O/Drive Clutch |
| | 04431586 | 1 | J, U | | | | DGW | | .153-.155" Thick |
| | 04431587 | 1 | J, U | | | | DGW | | .183-.185" Thick |
| | 04431588 | 1 | J, U | | | | DGW | | .213-.215" Thick |
| | 04431590 | 1 | J, U | | | | DGW | | .243-.245" Thick |
| | 04431731 | 1 | J, U | | | | DGW | | .135-.140" Thick |
| | 04431732 | 1 | J, U | | | | DGW | | .168-.170" Thick |
| | 04431733 | 1 | J, U | | | | DGW | | .198-.200" Thick |
| | 04431734 | 1 | J, U | | | | DGW | | .228-.230" Thick |
| | 04431735 | 1 | J, U | | | | DGW | | .108-.110" Thick |
| 30 | 04431916 | 1 | J, U | | | | DGW | | SPACER, Intermediate Shaft, 1.58mm, 1.58mm |
| -31 | 04431917 | 1 | J, U | | | | DGW | | SPACER, Intermediate Shaft, .175, .175mm |
| -32 | 04431918 | 1 | J, U | | | | DGW | | SPACER, Intermediate Shaft, .193, .193mm |
| -33 | 04431919 | 1 | J, U | | | | DGW | | SPACER, Intermediate Shaft, .211, .211mm |
| 34 | 04461082 | 1 | J, U | | | | DGW | | SNAP RING, Overdrive Clutch |
| 35 | 04461033 | 2 | J, U | | | | DGW | | PLATE, Transmission Clutch Reaction |
| 36 | 04461047 | 3 | J, U | | | | DGW | | PLATE, Transmission Clutch Reaction |
| 37 | 04461181 | 4 | J, U | | | | DGW | | DISC, Direct Clutch |
| 38 | 04461033 | 2 | J, U | | | | DGW | | PLATE, Transmission Clutch Reaction |
| 39 | 04461066 | 1 | J, U | | | | DGW | | SPRING, Overdrive Clutch |
| 40 | 04461065 | 1 | J, U | | | | DGW | | SNAP RING, 6.50 OD |

GRAND CHEROKEE (WJ)

SERIES LINE
H = Laredo T = JEEP - 2WD
P = Limited J = JEEP - 4WD
U = JEEP - 4WD (RHD)

BODY
74 = 4 Door (105.9 WB)

ENGINE
ERH = ENGINE - 4.0L
POWER TECH I-6
EVA = ENGINE- 4.7L V8 MPI
EXA = ENGINE - 3.1L 5 CYL
TURBO DIESEL

TRANSMISSION
DG4 = TRANSMISSION-MULTI-SPEED AUTO, 45RFE
DGW = TRANSMISSION - 4-SPD. AUTOMATIC, 44RE
DGK = TRANSMISSION - 4-SPD. AUTOMATIC, 42RE
DGO = ALL AUTOMATIC TRANSMISSIONS

AR = use ase required - = Non illustrated part

**Gearshift Controls 44RE [DGW]
Figure 44RE-1210**

| ITEM | PART NUMBER | QTY | LINE | SERIES | BODY | ENGINE | TRANS | TRIM | DESCRIPTION |
|------|-------------|-----|------|--------|------|--------|-------|------|-------------|
|------|-------------|-----|------|--------|------|--------|-------|------|-------------|

NOTES: Sales Codes
 [DGK] = 42RE 4 Speed Automatic Transmissions
 [DG0] = All Automatic Transmission
 [DGW] = 44RE 4 Speed Automatic Transmission
 [ER0] = All 4.0L 6 Cylinder Gas Engines
 [EX0] = All 3.0/3.1L Turbo Diesel Engine

| | | | | | | | | | |
|----|------------|---|------|--|--|----------|----------|--|--|
| 1 | | | | | | | | | HOUSING AND LEVER, Shifter |
| | 52104147 | 1 | T | | | | DG0 | | Two Wheel Drive |
| | 52104149 | 1 | J | | | | DG0 | | With [DHP] |
| | 52104152 | 1 | U | | | | DG0 | | With [DHF] Without [DSB], Right Hand Drive |
| | 52104374AA | 1 | J | | | | DG0 | | With [DHF] And [DSB] |
| | 52104375AA | 1 | U | | | | DG0 | | With [DHF] And [DSB], Right Hand Drive |
| 2 | 06101695 | 4 | | | | | | | NUT, Hex Flange Lock, M8x1.25 |
| 3 | 52104054 | 1 | | | | | DG0 | | CABLE, Park Interlock |
| 4 | 52104218 | 1 | J, U | | | | DG0 | | CABLE, Gearshift Control |
| 5 | 52104060 | 1 | | | | | DG0 | | CABLE, Gearshift Control/Transfer Case |
| 6 | 04269830 | 2 | J, U | | | | | | CLIP, Cable |
| 7 | 53009055 | 1 | | | | | DGK, DGW | | SPRING, Throttle Valve Return |
| 8 | 03681227 | 1 | J, U | | | | DGW | | LEVER, Throttle Valve |
| 9 | 00181065 | 1 | | | | ER0, EX0 | | | BOLT, Hex Head, .25-20x1.00 |
| 10 | 00138165 | 1 | | | | ER0, EX0 | | | WASHER, Lock |
| 11 | J0120375 | 1 | | | | ER0, EX0 | | | NUT, Hex, .250-20 |
| 12 | 52104276AA | 1 | | | | | DGW | | LEVER, Manual Control |
| 13 | 00180034 | 1 | | | | | DGW | | SCREW AND WASHER, Hex Head, .25-20x1.50 |
| 14 | 00115984 | 1 | | | | | DGW | | NUT, Brake Line |
| 15 | 52104275AA | 1 | | | | | DGW | | BRACKET, Shift Cable |
| 16 | 52078867 | 1 | | | | ER0, EX0 | | | BRACKET, Cable |
| 17 | 00181112 | 1 | | | | | DGK, DGW | | SCREW AND WASHER, .375-16x1.00 |
| 18 | 06028114 | 1 | | | | | DGK, DGW | | NUT, Hex, .437-14 |

GRAND CHEROKEE (WJ)

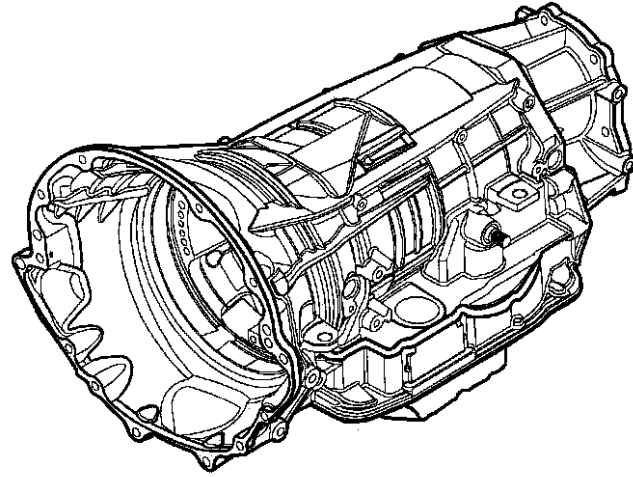
| SERIES | LINE | BODY | ENGINE | TRANSMISSION |
|-------------|----------------------|------------------------|--|---|
| H = Laredo | T = JEEP - 2WD | 74 = 4 Door (105.9 WB) | ERH = ENGINE - 4.0L POWER TECH I-6 | DG4 = TRANSMISSION-MULTI-SPEED AUTO, 45RFE |
| P = Limited | J = JEEP - 4WD | | EVA = ENGINE- 4.7L V8 MPI | DGW = TRANSMISSION - 4-SPD. AUTOMATIC, 44RE |
| | U = JEEP - 4WD (RHD) | | EXA = ENGINE - 3.1L 5 CYL TURBO DIESEL | DGK = TRANSMISSION - 4-SPD. AUTOMATIC, 42RE |
| | | | | DGO = ALL AUTOMATIC TRANSMISSIONS |

AR = use ase required - = Non illustrated part

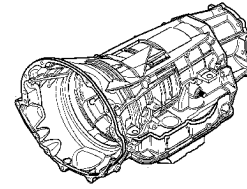
2000 WJ

Group - 45RFE

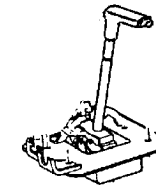
Automatic Transmission Multi-Speed



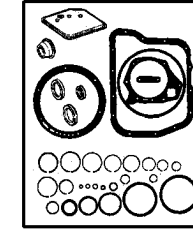
45RFE-100
Transmission Assembly



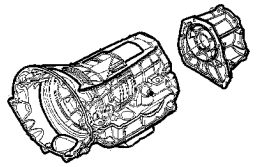
45RFE-1200
Gearshift Controls



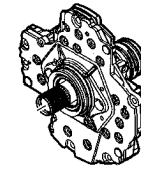
45RFE-1300
Seal and Shim Packages



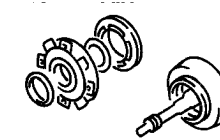
45RFE-200
Case and Extension



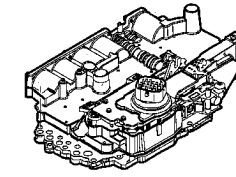
45RFE-300
Oil Pump



45RFE-400
Gear Train



45RFE-700
Valve Body



Group - 45RFE Automatic Transmission Multi-Speed

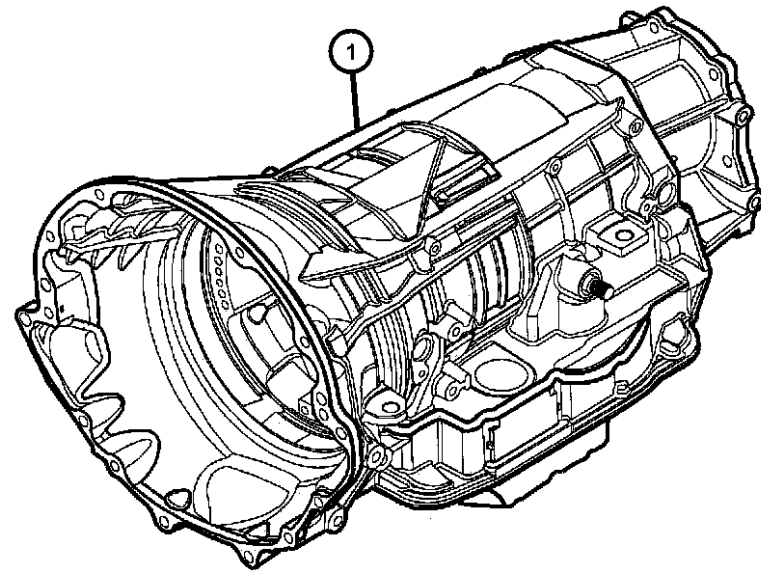
| Illustration Title | Group-Fig. No. |
|---|-------------------|
| Transmission Assembly | |
| Transmission 45RFE [DG4] | Fig. 45RFE - 110 |
| Case and Extension | |
| Case and Related Parts 45RFE [DG4] | Fig. 45RFE - 210 |
| Adapter 45RFE [DG4] | Fig. 45RFE - 220 |
| Oil Pump | |
| Oil Pump [45RFE] [DGQ] | Fig. 45RFE - 310 |
| Gear Train | |
| Input Shaft 45RFE [DG4] | Fig. 45RFE - 410 |
| Underdrive 45RFE [DG4] | Fig. 45RFE - 420 |
| Overdrive 45RFE [DG4] | Fig. 45RFE - 430 |
| 2/4 Clutch Retainer 45RFE [DG4] | Fig. 45RFE - 440 |
| Input/Reverse Planetary 45RFE [DG4] | Fig. 45RFE - 450 |
| Reaction Annulus/Sun Gear 45RFE [DG4] | Fig. 45RFE - 460 |
| Low / Reverse Clutch | Fig. 45RFE - 470 |
| Valve Body | |
| Valve Body 45RFE [DG4] | Fig. 45RFE - 710 |
| Parking Sprag 45RFE [DG4] | Fig. 45RFE - 730 |
| Gearshift Controls | |
| Gearshift Controls 45RFE [DG4] | Fig. 45RFE - 1210 |
| Seal and Shim Packages | |
| LR Clutch 45RFE [DG4] | Fig. 45RFE - 1302 |
| Input Clutch Plate 45RFE [DG4] | Fig. 45RFE - 1303 |
| OVERHAUL 45RFE [DG4] | Fig. 45RFE - 1304 |
| Input Clutch 45RFE [DG4] | Fig. 45RFE - 1305 |
| Planetary Plate 45RFE [DG4] | Fig. 45RFE - 1306 |
| 2&4 Clutch [DG4] | Fig. 45RFE - 1310 |

**Transmission 45RFE [DG4]
Figure 45RFE-110**

| ITEM | PART NUMBER | QTY | LINE | SERIES | BODY | ENGINE | TRANS | TRIM | DESCRIPTION |
|------|-------------|-----|------|--------|------|--------|-------|------|-------------|
|------|-------------|-----|------|--------|------|--------|-------|------|-------------|

NOTES: Sales Codes
[DG4] = 45RFE Multi Speed Automatic Transmission

| | | | | | | | | | |
|---|------------|---|------|--|--|--|-----|--|--|
| 1 | 05014218AA | 1 | J, U | | | | DG4 | | TRANSMISSION KIT, Automatic 52119099 Transmission Includes Converter. |
| | R5019249AA | | | | | | | | Mopar Remanufactured Part |
| | rx019249aa | | | | | | | | Mopar Remanufactured Part |
| | 05015266AA | 1 | T | | | | DG4 | | 52119098 |
| | R5018205AA | | | | | | | | Mopar Remanufactured Part |



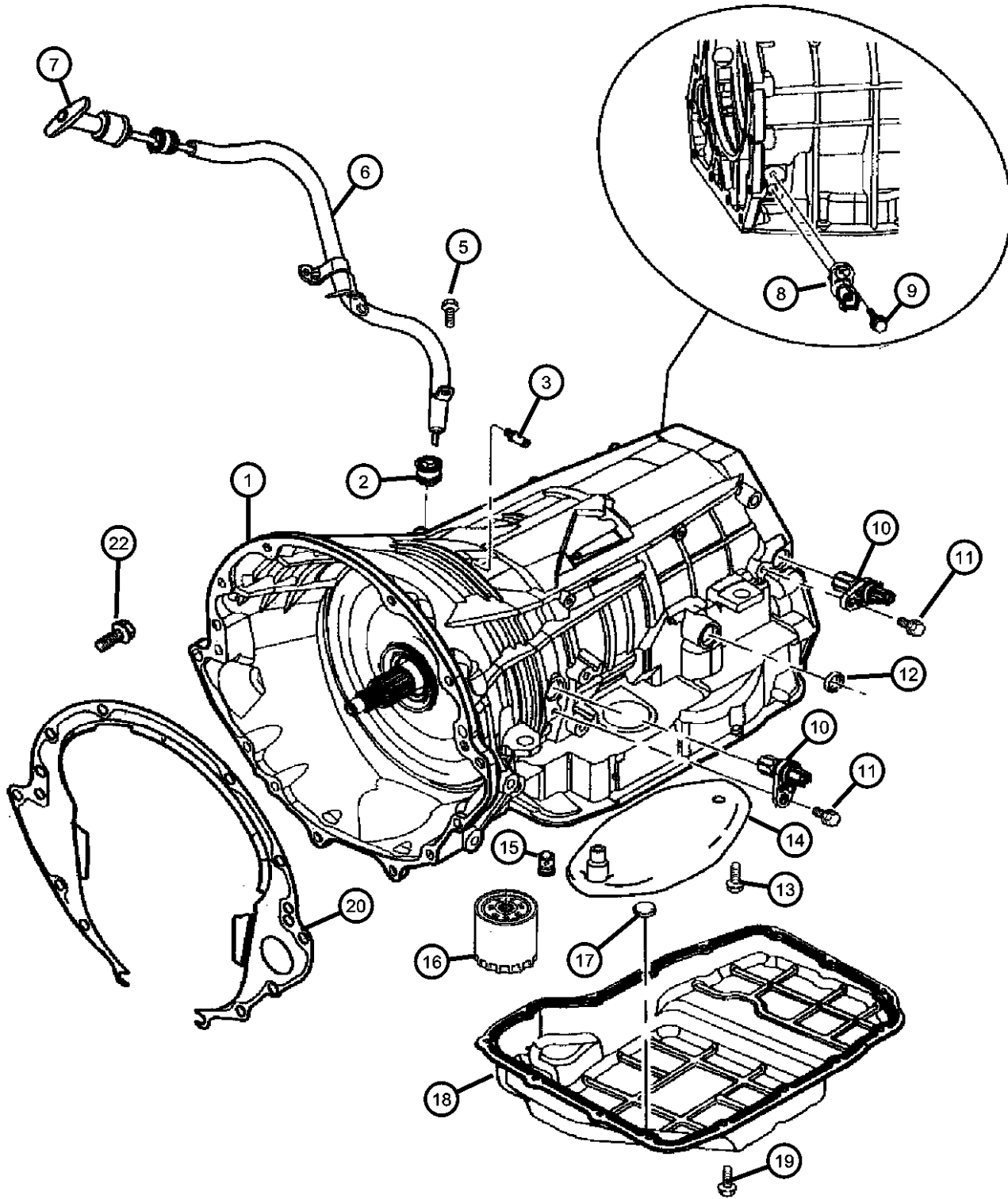
GRAND CHEROKEE (WJ)

| | | | | |
|-------------|----------------------|------------------------|--|--|
| SERIES | LINE | BODY | ENGINE | TRANSMISSION |
| H = Laredo | T = JEEP - 2WD | 74 = 4 Door (105.9 WB) | ERH = ENGINE - 4.0L POWER TECH I-6 | DG4 = TRANSMISSION-MULTI-SPEED AUTO, 45RFE |
| P = Limited | J = JEEP - 4WD | | EVA = ENGINE- 4.7L V8 MPI | DGW = TRANSMISSION - 4-SPD. AUTOMATIC,44RE |
| | U = JEEP - 4WD (RHD) | | EXA = ENGINE - 3.1L 5 CYL TURBO DIESEL | DGK = TRANSMISSION - 4-SPD. AUTOMATIC,42RE |
| | | | | DGO = ALL AUTOMATIC TRANSMISSIONS |

AR = use ase required - = Non illustrated part

2000 WJ

Case and Related Parts 45RFE [DG4]
Figure 45RFE-210



| ITEM | PART NUMBER | QTY | LINE | SERIES | BODY | ENGINE | TRANS | TRIM | DESCRIPTION |
|------|-------------|-----|------|--------|------|--------|-------|------|-------------|
|------|-------------|-----|------|--------|------|--------|-------|------|-------------|

NOTES: Sales Codes
[DG4]= 45RFE Multi Speed Automatic Transmission
[DG0] = All Automatic Transmission
[EV0] = All 4.7L Gas Engines

| | | | | | | | | | |
|----|------------|---|------|--|--|-----|-----|--|-------------------------------------|
| 1 | | | | | | | | | CASE, Transmission |
| | 04799613 | 1 | T | | | | DG4 | | 52119098 |
| | | 1 | J, U | | | | DG4 | | 52119099 |
| 2 | | | | | | | | | GROMMET |
| | 04810021 | 1 | T | | | | DG4 | | 52119098 |
| | | 1 | J, U | | | | DG4 | | 52119099 |
| 3 | | | | | | | | | VENT, Transmission |
| | 04799861AA | 1 | T | | | | DG4 | | 52119098 |
| | | 1 | J, U | | | | DG4 | | 52119099 |
| -4 | 52104212 | 1 | | | | | DG4 | | TUBE, Vent |
| 5 | 06501979 | 1 | | | | | DG4 | | SCREW AND WASHER, Hex Head, M6x1x17 |
| 6 | 52104134 | 1 | | | | EV0 | DG4 | | TUBE, Transmission Oil Filler |
| 7 | 52104137 | 1 | | | | | DG4 | | INDICATOR, Transmission Fluid Level |
| 8 | | | | | | | | | TRANSDUCER, Pressure Sensor |
| | 04799758 | 1 | T | | | | DG4 | | 52119098 |
| | | 1 | J, U | | | | DG4 | | 52119099 |
| 9 | | | | | | | | | BOLT, M6x1.00x20 |
| | 06101331 | 1 | T | | | | DG4 | | 52119098 |
| | | 1 | J, U | | | | DG4 | | 52119099 |
| 10 | | | | | | | | | SENSOR, Transmission Output Speed |
| | 04799061 | 2 | T | | | | DG4 | | Input & Output Speed Sensor |
| | | 2 | J, U | | | | DG4 | | Input & Output Speed Sensor |
| 11 | | | | | | | | | BOLT, M6x1.00x20 |
| | 06101331 | 2 | T | | | | DG4 | | 52119098 |
| | | 2 | J, U | | | | DG4 | | 52119099 |
| 12 | | | | | | | | | SEAL |
| | 04799346 | 1 | T | | | | DG4 | | 52119098 |
| | | 1 | J, U | | | | DG4 | | 52119099 |

GRAND CHEROKEE (WJ)

SERIES LINE
H = Laredo T = JEEP - 2WD
P = Limited J = JEEP - 4WD
U = JEEP - 4WD (RHD)

BODY
74 = 4 Door (105.9 WB)

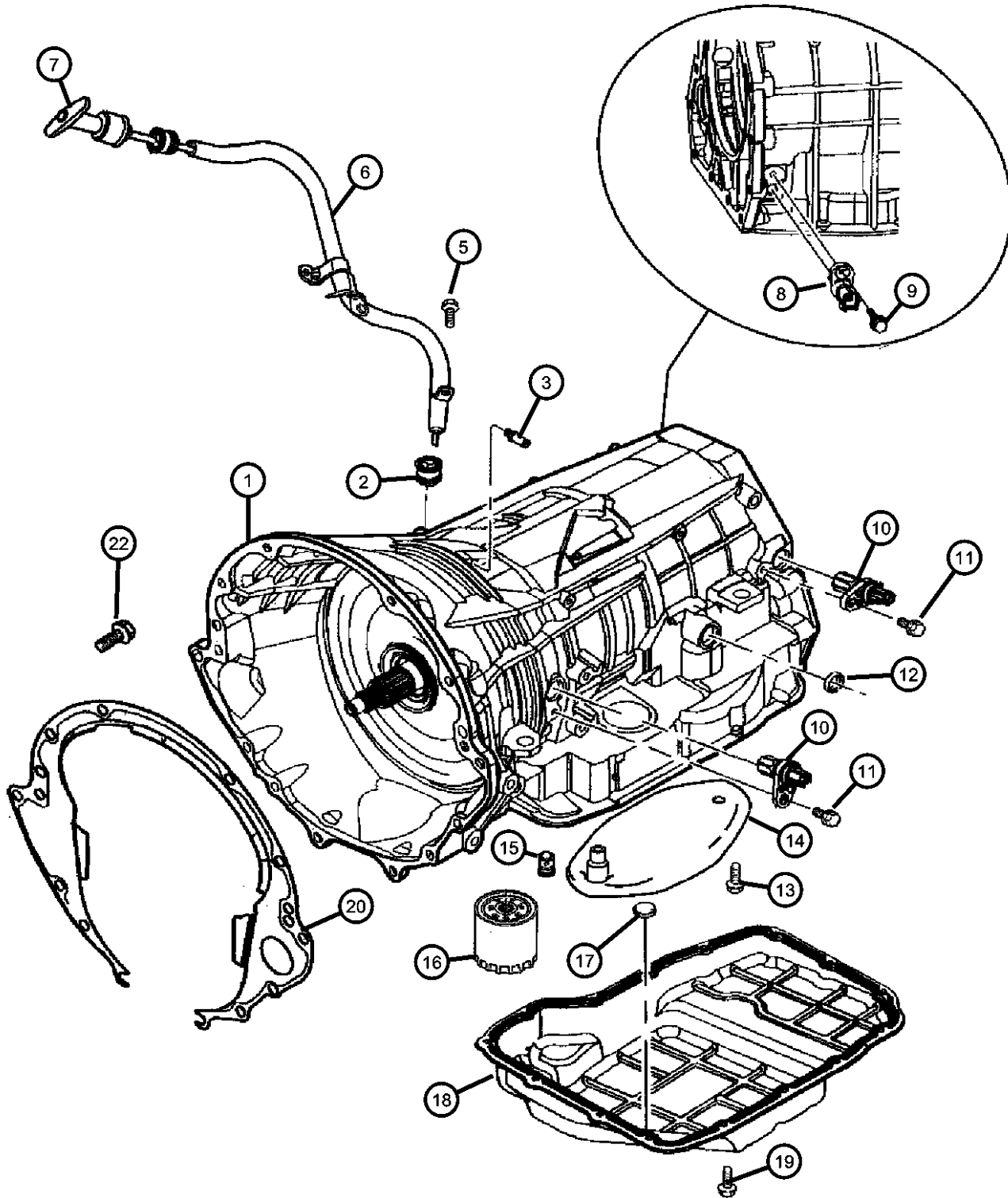
ENGINE
ERH = ENGINE - 4.0L POWER TECH I-6
EVA = ENGINE - 4.7L V8 MPI
EXA = ENGINE - 3.1L 5 CYL TURBO DIESEL

TRANSMISSION
DG4 = TRANSMISSION-MULTI-SPEED AUTO, 45RFE
DGW = TRANSMISSION - 4-SPD. AUTOMATIC, 44RE
DGK = TRANSMISSION - 4-SPD. AUTOMATIC, 42RE
DGO = ALL AUTOMATIC TRANSMISSIONS

AR = use ase required - = Non illustrated part

2000 WJ

Case and Related Parts 45RFE [DG4]
Figure 45RFE-210



| ITEM | PART NUMBER | QTY | LINE | SERIES | BODY | ENGINE | TRANS | TRIM | DESCRIPTION |
|------|-------------|-----|------|--------|------|--------|-------|------|--|
| 13 | | | | | | | | | SCREW, Pan Head, M5 x 0.8 x 12.60 |
| | 06503232 | 2 | T | | | | DG4 | | 52119098 |
| | | 2 | J, U | | | | DG4 | | 52119099 |
| 14 | | | | | | | | | FILTER PACKAGE, Transmission Oil |
| | 05013470AC | 1 | J, U | | | | DG4 | | |
| | 05015267AC | 1 | T | | | | DG4 | | |
| 15 | | | | | | | | | VALVE, Flow Control |
| | 04799681 | 1 | T | | | | DG4 | | 52119098 |
| | | 1 | J, U | | | | DG4 | | 52119099 |
| 16 | | | | | | | | | FILTER, Transmission Oil |
| | 04799662 | 1 | T | | | | DG4 | | 52119098 |
| | | 1 | J, U | | | | DG4 | | 52119099 |
| 17 | | | | | | | | | MAGNET, Transmission |
| | 04446728 | 1 | T | | | | DG4 | | 52119098 |
| | | 1 | J, U | | | | DG4 | | 52119099 |
| 18 | | | | | | | | | PAN, Transmission Oil |
| | 04800078AA | 1 | T | | | | DG4 | | 52119098 |
| | 05013681AA | 1 | J, U | | | | DG4 | | 52119099 |
| 19 | | | | | | | | | SCREW |
| | 06101221 | 15 | T | | | | DG4 | | 52119098 |
| | | 15 | J, U | | | | DG4 | | 52119099 |
| 20 | 52104133 | 1 | | | | | DG4 | | COVER, Transmission Dust |
| -21 | | | | | | | | | NUT, Transmission Case |
| | 04799433AB | 2 | T | | | | DG4 | | |
| | | 2 | J, U | | | | DG4 | | |
| 22 | 06022266 | 4 | | | | EVO | DG0 | | SCREW, Hex Head, .375-16x1.5, Transmission to Engine |

GRAND CHEROKEE (WJ)

SERIES LINE
H = Laredo T = JEEP - 2WD
P = Limited J = JEEP - 4WD
U = JEEP - 4WD (RHD)

BODY
74 = 4 Door (105.9 WB)

ENGINE
ERH = ENGINE - 4.0L POWER TECH I-6
EVA = ENGINE- 4.7L V8 MPI
EXA = ENGINE - 3.1L 5 CYL TURBO DIESEL

TRANSMISSION
DG4 = TRANSMISSION-MULTI-SPEED AUTO, 45RFE
DGW = TRANSMISSION - 4-SPD. AUTOMATIC, 44RE
DGK = TRANSMISSION - 4-SPD. AUTOMATIC, 42RE
DGO = ALL AUTOMATIC TRANSMISSIONS

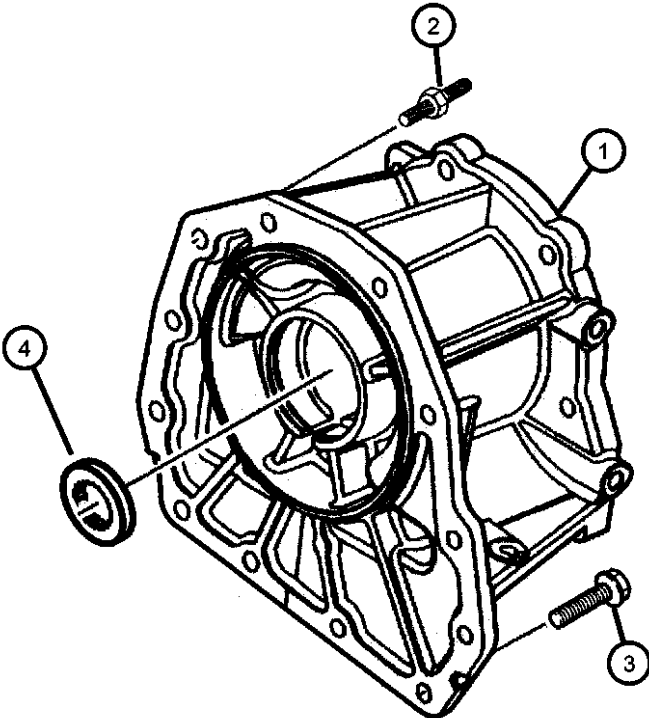
AR = use ase required - = Non illustrated part

2000 WJ

Adapter 45RFE [DG4]

Figure 45RFE-220

| ITEM | PART NUMBER | QTY | LINE | SERIES | BODY | ENGINE | TRANS | TRIM | DESCRIPTION |
|--|-------------|-----|------|--------|------|--------|-------|------|--|
| NOTES: Sales Codes: [DG4]= 45RFE Multi Speed Automatic Transmission | | | | | | | | | |
| 1 | 52098690 | 1 | J, U | | | | DG4 | | ADAPTER, Transfer Case, 52119099 |
| 2 | 06505064AA | 2 | T | | | | DG4 | | STUD, M10x1.5x62 |
| | | 2 | J, U | | | | DG4 | | 52119098 |
| 3 | 06504774 | 10 | T | | | | DG4 | | SCREW AND WASHER, Hex Head, M10x1.5x37 |
| | | 10 | J, U | | | | DG4 | | 52119098 |
| 4 | 04167929 | 1 | J, U | | | | DG4 | | SEAL, Input Gear, 52119099 |
| -5 | 04799495 | 1 | T | | | | DG4 | | HOUSING, Transmission Rear Extension, 52119098 |

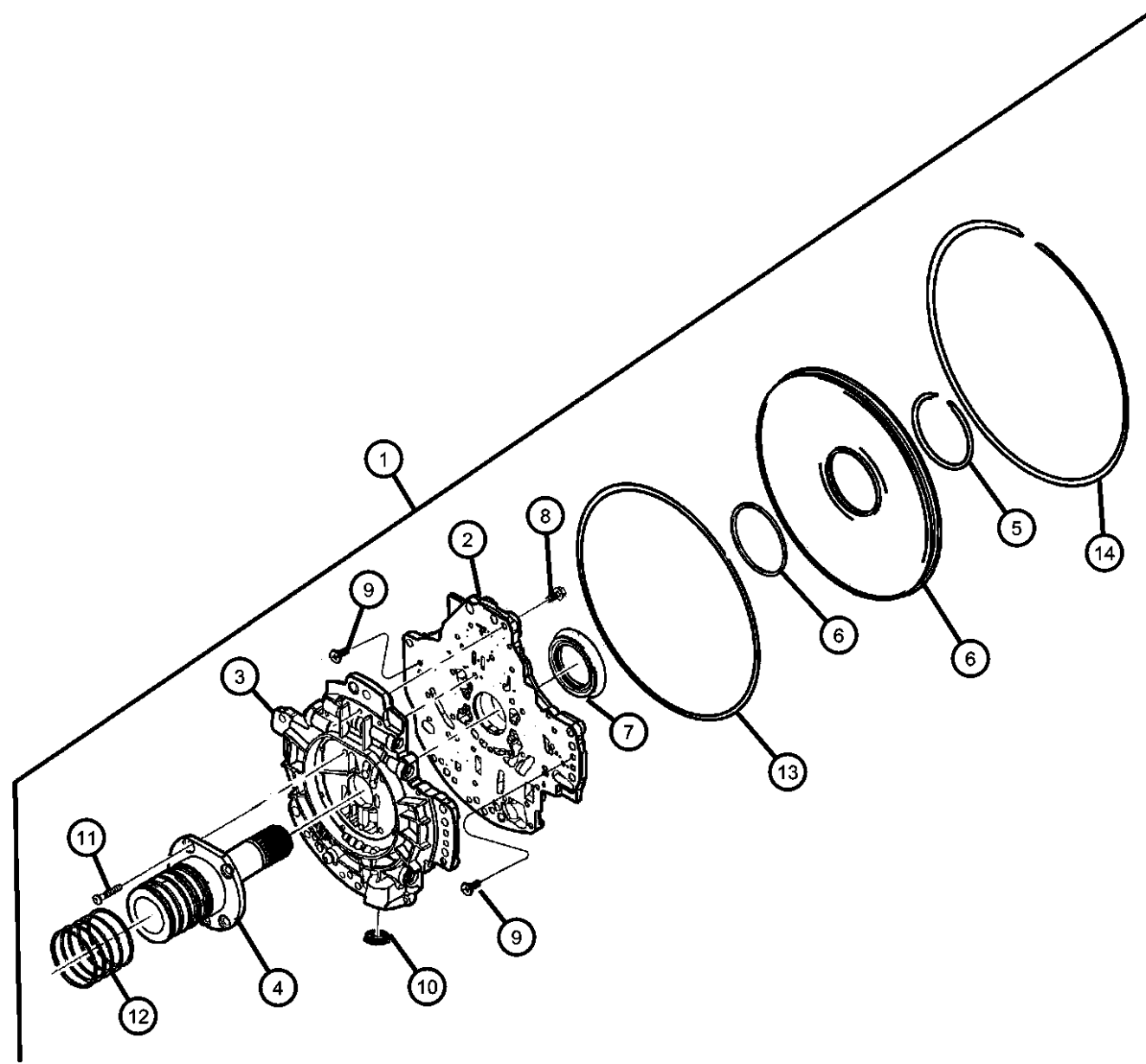


GRAND CHEROKEE (WJ)

| | | | | |
|-------------|----------------------|------------------------|--|--|
| SERIES | LINE | BODY | ENGINE | TRANSMISSION |
| H = Laredo | T = JEEP - 2WD | 74 = 4 Door (105.9 WB) | ERH = ENGINE - 4.0L POWER TECH I-6 | DG4 = TRANSMISSION-MULTI-SPEED AUTO, 45RFE |
| P = Limited | J = JEEP - 4WD | | EVA = ENGINE- 4.7L V8 MPI | DGW = TRANSMISSION - 4-SPD. AUTOMATIC,44RE |
| | U = JEEP - 4WD (RHD) | | EXA = ENGINE - 3.1L 5 CYL TURBO DIESEL | DGK = TRANSMISSION - 4-SPD. AUTOMATIC,42RE |
| | | | | DGO = ALL AUTOMATIC TRANSMISSIONS |

AR = use ase required - = Non illustrated part

**Oil Pump [45RFE] [DGQ]
Figure 45RFE-310**



| ITEM | PART NUMBER | QTY | LINE | SERIES | BODY | ENGINE | TRANS | TRIM | DESCRIPTION |
|------|-------------|-----|------|--------|------|--------|-------|------|---|
| 1 | 05072589AA | 1 | J, U | | | | DG4 | | PUMP PACKAGE, Transmission |
| | | 1 | T | | | | DG4 | | |
| 2 | | 1 | | | | | | | HOUSING, Pump, (NOT SERVICED) |
| 3 | | 1 | | | | | | | BODY, Oil Pump Valve, (NOT SERVICED) |
| 4 | | 1 | | | | | | | SUPPORT, Reaction Shaft, (NOT SERVICED) |
| 5 | | | | | | | | | SNAP RING, Transmission |
| | 04799082 | 1 | T | | | | DG4 | | |
| | | 1 | J, U | | | | DG4 | | |
| 6 | 04799609 | 1 | J, U | | | | DG4 | | COVER, Oil Pump |
| | | 1 | T | | | | DG4 | | |
| 7 | 04617919 | 1 | J, U | | | | DG4 | | SEAL, Transmission Oil Pump |
| | | 1 | T | | | | DG4 | | |
| 8 | 06500215 | 24 | T | | | | DG4 | | SCREW AND WASHER, Pan Head, M5x.8x25 |
| | | 24 | J, U | | | | DG4 | | |
| 9 | 06503232 | 1 | T | | | | DG4 | | SCREW, Pan Head, M5 x 0.8 x 12.60 |
| | | 1 | J, U | | | | DG4 | | |
| 10 | 04799964AA | 1 | T | | | | DG4 | | SEAL, Oil Pump |
| | | 1 | J, U | | | | DG4 | | |
| 11 | 06504661 | 5 | T | | | | DG4 | | SCREW, Button Head |
| | | 5 | J, U | | | | DG4 | | |
| 12 | 04799056 | 5 | T | | | | DG4 | | RING, Transmission |
| | | 5 | J, U | | | | DG4 | | |
| 13 | | | | | | | | | O RING, Oil Pump, . |

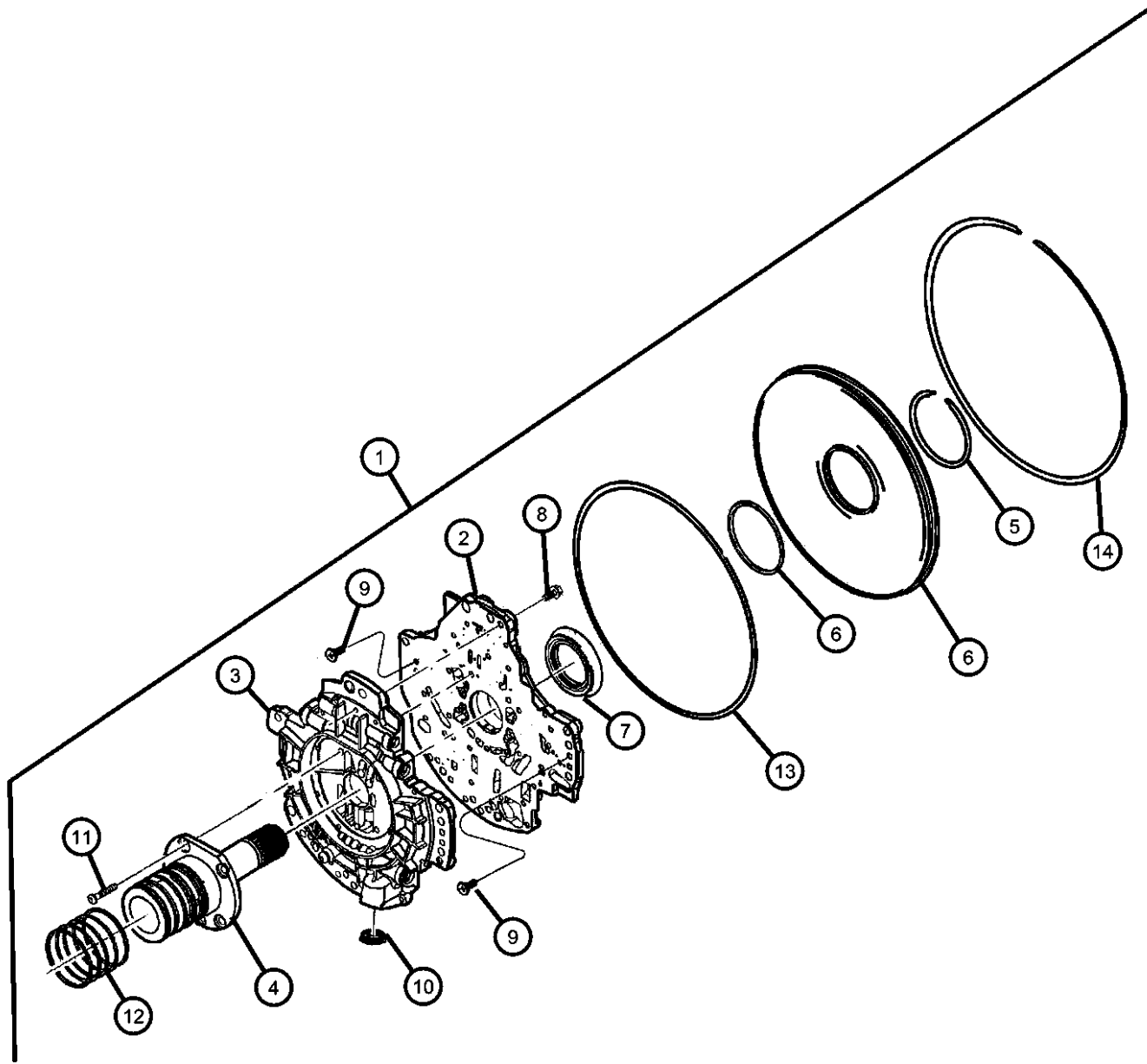
GRAND CHEROKEE (WJ)

| | | | | |
|---------------|----------------------|------------------------|--|--|
| SERIES | LINE | BODY | ENGINE | TRANSMISSION |
| H = Laredo | T = JEEP - 2WD | 74 = 4 Door (105.9 WB) | ERH = ENGINE - 4.0L POWER TECH I-6 | DG4 = TRANSMISSION-MULTI-SPEED AUTO, 45RFE |
| P = Limited | J = JEEP - 4WD | | EVA = ENGINE- 4.7L V8 MPI | DGW = TRANSMISSION - 4-SPD. AUTOMATIC,44RE |
| | U = JEEP - 4WD (RHD) | | EXA = ENGINE - 3.1L 5 CYL TURBO DIESEL | DGK = TRANSMISSION - 4-SPD. AUTOMATIC,42RE |
| | | | | DGO = ALL AUTOMATIC TRANSMISSIONS |

AR = use ase required - = Non illustrated part

Oil Pump [45RFE] [DGQ]
Figure 45RFE-310

| ITEM | PART NUMBER | QTY | LINE | SERIES | BODY | ENGINE | TRANS | TRIM | DESCRIPTION |
|------|-------------|-----|------|--------|------|--------|-------|------|-------------------------|
| | 04799003 | 1 | J, U | | | | DG4 | | |
| | | 1 | T | | | | DG4 | | |
| 14 | | | | | | | | | SNAP RING, Transmission |
| | 04799005 | 1 | T | | | | DG4 | | |
| | | 1 | J, U | | | | DG4 | | |



GRAND CHEROKEE (WJ)

SERIES
H = Laredo
P = Limited

LINE
T = JEEP - 2WD
J = JEEP - 4WD
U = JEEP - 4WD (RHD)

BODY
74 = 4 Door (105.9 WB)

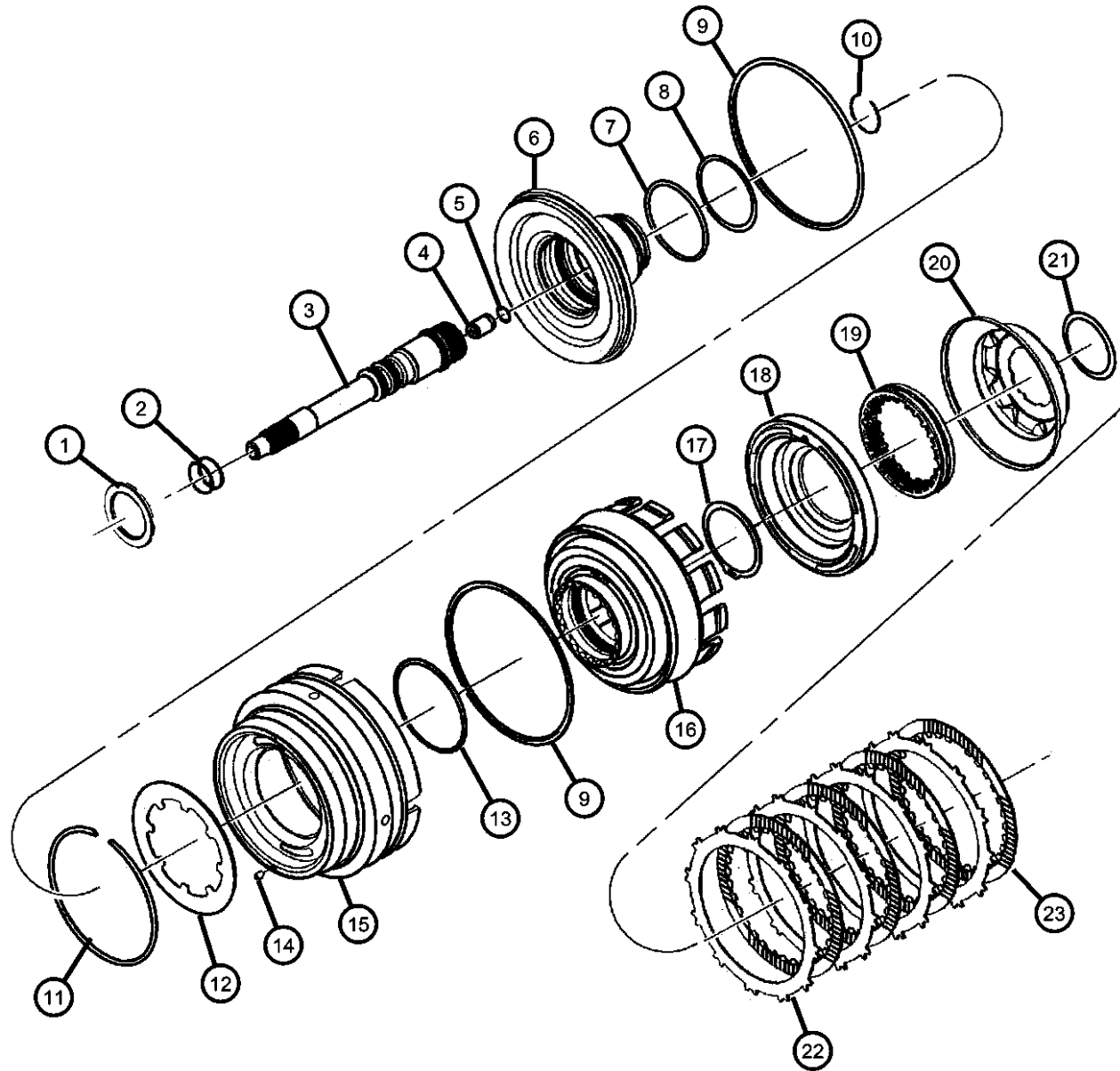
ENGINE
ERH = ENGINE - 4.0L
POWER TECH I-6
EVA = ENGINE- 4.7L V8 MPI
EXA = ENGINE - 3.1L 5 CYL
TURBO DIESEL

TRANSMISSION
DG4 = TRANSMISSION-MULTI-
SPEED AUTO, 45RFE
DGW = TRANSMISSION - 4-SPD.
AUTOMATIC,44RE
DGK = TRANSMISSION - 4-SPD.
AUTOMATIC,42RE
DGO = ALL AUTOMATIC
TRANSMISSIONS

AR = use ase required - = Non illustrated part

2000 WJ

**Input Shaft 45RFE [DG4]
Figure 45RFE-410**



| ITEM | PART NUMBER | QTY | LINE | SERIES | BODY | ENGINE | TRANS | TRIM | DESCRIPTION |
|------|-------------|-----|------|--------|------|--------|-------|------|--|
| 1 | 04799469 | 1 | J, U | | | | DG4 | | THRUST BEARING, Needle Roller |
| | | 1 | T | | | | DG4 | | |
| 2 | 04799539 | 2 | T | | | | DG4 | | SEAL, Input Shaft, PKG 05013090AA |
| | | 2 | J, U | | | | DG4 | | Package 0501309AA, 52119098 Package 0501309AA, 52119099 |
| 3 | 04799537 | 1 | T | | | | DG4 | | SHAFT, Input |
| | | 1 | J, U | | | | DG4 | | 52119098 52119099 |
| 4 | 04799974AA | 1 | T | | | | DG4 | | CHECK VALVE, Transmission |
| | | 1 | J, U | | | | DG4 | | 52119098 52119099 |
| 5 | 04799978AA | 1 | T | | | | DG4 | | SNAP RING |
| | | 1 | J, U | | | | DG4 | | 52119098 52119099 |
| 6 | 04799536AC | 1 | T | | | | DG4 | | HUB, Input Clutch |
| | | 1 | J, U | | | | DG4 | | 52119098 52119099 |
| 7 | 04799073 | 1 | T | | | | DG4 | | O RING, Transmission Clutch, PKG 05013090AA |
| | | 1 | J, U | | | | DG4 | | Package 0501309AA, 52119098 Package 0501309AA, 52119099 |
| 8 | 04799755 | 1 | T | | | | DG4 | | O RING, Transmission Clutch, PKG 05013090AA |
| | | 1 | J, U | | | | DG4 | | Package 0501309AA, 52119098 Package 0501309AA, 52119099 |
| 9 | 04799090 | 1 | T | | | | DG4 | | SEAL, Input |
| | | 1 | J, U | | | | DG4 | | 52119098 52119099 |
| 10 | 04799538 | 1 | T | | | | DG4 | | SNAP RING, Input Shaft |
| | | 1 | J, U | | | | DG4 | | 52119098 52119099 |

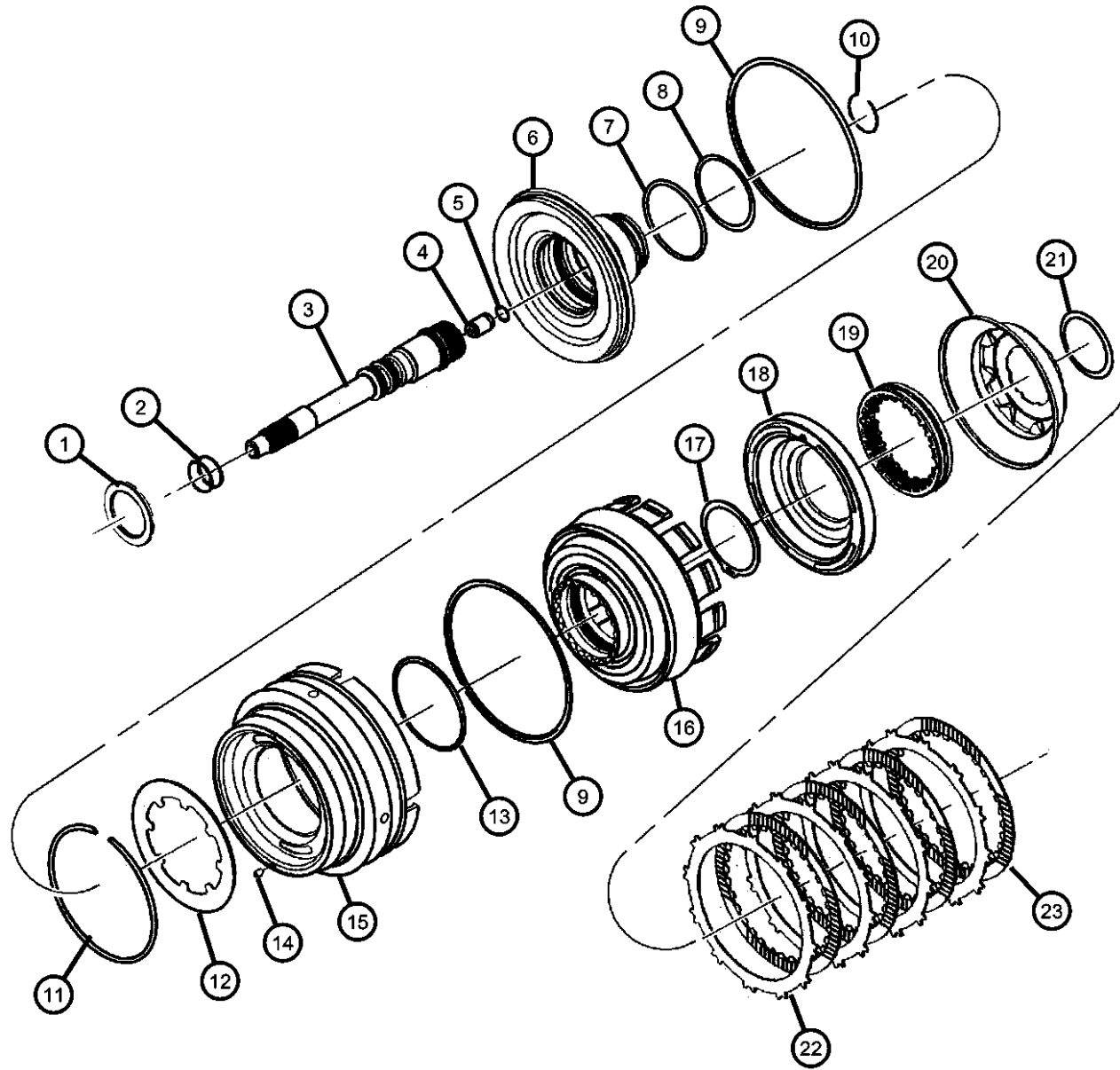
GRAND CHEROKEE (WJ)

| | | | | |
|-------------|----------------------|------------------------|--|--|
| SERIES | LINE | BODY | ENGINE | TRANSMISSION |
| H = Laredo | T = JEEP - 2WD | 74 = 4 Door (105.9 WB) | ERH = ENGINE - 4.0L POWER TECH I-6 | DG4 = TRANSMISSION-MULTI-SPEED AUTO, 45RFE |
| P = Limited | J = JEEP - 4WD | | EVA = ENGINE- 4.7L V8 MPI | DGW = TRANSMISSION - 4-SPD. AUTOMATIC,44RE |
| | U = JEEP - 4WD (RHD) | | EXA = ENGINE - 3.1L 5 CYL TURBO DIESEL | DGK = TRANSMISSION - 4-SPD. AUTOMATIC,42RE |
| | | | | DGO = ALL AUTOMATIC TRANSMISSIONS |

AR = use ase required - = Non illustrated part

2000 WJ

**Input Shaft 45RFE [DG4]
Figure 45RFE-410**



| ITEM | PART NUMBER | QTY | LINE | SERIES | BODY | ENGINE | TRANS | TRIM | DESCRIPTION |
|------|-------------|-----|------|--------|------|--------|-------|------|--|
| 11 | 04799088 | 1 | T | | | | DG4 | | SNAP RING, Transmission 52119098 |
| | | 1 | J, U | | | | DG4 | | 52119099 |
| 12 | 04799087 | 1 | T | | | | DG4 | | SPRING, Piston Return 52119098 |
| | | 1 | J, U | | | | DG4 | | 52119099 |
| 13 | 04799089 | 1 | T | | | | DG4 | | O RING, Reverse & O/Drive Clutch Piston, Transmission, PKG 05013090AA Package 0501309AA, 52119098 |
| | | 1 | J, U | | | | DG4 | | Package 0501309AA, 52119099 |
| 14 | 04531903 | 1 | T | | | | DG4 | | FILTER, Reverse And O/D Clutch 52119098 |
| | | 1 | J, U | | | | DG4 | | 52119099 |
| 15 | 04799645 | 1 | T | | | | DG4 | | PISTON, Reverse and Overdrive 52119098 |
| | | 1 | J, U | | | | DG4 | | 52119099 |
| 16 | 04799648 | 1 | T | | | | DG4 | | RETAINER, Transmission Input Clutch 52119098 |
| | | 1 | J, U | | | | DG4 | | 52119099 |
| 17 | 04799097 | 1 | J, U | | | | DG4 | | SNAP RING |
| | | 1 | T | | | | DG4 | | |
| 18 | 04799650 | 1 | T | | | | DG4 | | PISTON, Underdrive 52119098 |
| | | 1 | J, U | | | | DG4 | | 52119099 |
| 19 | 04799101 | 1 | T | | | | DG4 | | SPRING, Undredrive Piston, PKG 05013090AA Package 0501309AA, 52119098 |
| | | 1 | J, U | | | | DG4 | | Package 0501309AA, 52119099 |
| 20 | 04799652 | 1 | T | | | | DG4 | | PISTON, Underdrive Package 0501309AA, 52119098 |
| | | 1 | J, U | | | | DG4 | | Package 0501309AA, 52119099 |

GRAND CHEROKEE (WJ)

SERIES LINE
H = Laredo T = JEEP - 2WD
P = Limited J = JEEP - 4WD
 U = JEEP - 4WD (RHD)

BODY
74 = 4 Door (105.9 WB)

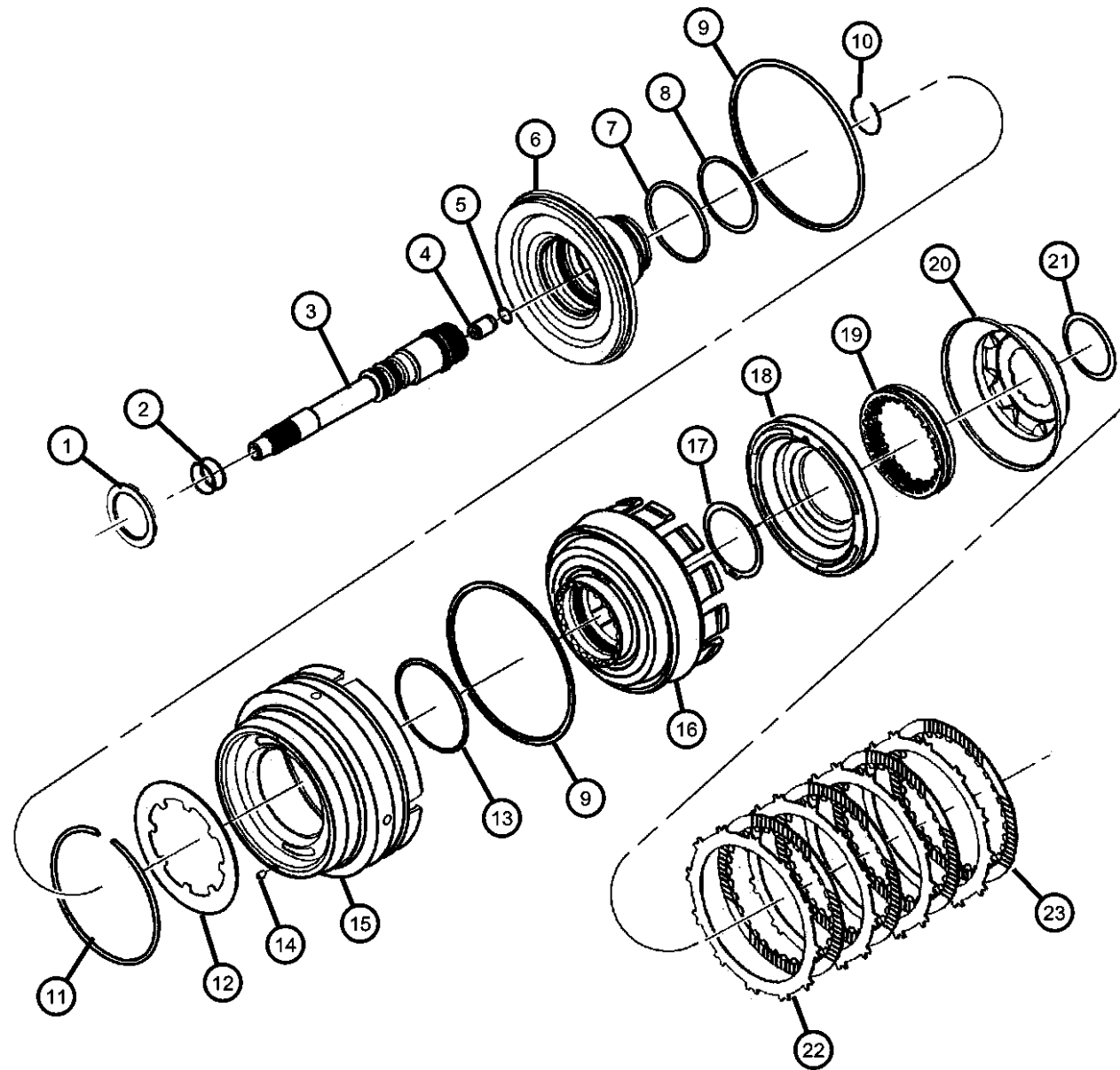
ENGINE
ERH = ENGINE - 4.0L
POWER TECH I-6
EVA = ENGINE- 4.7L V8 MPI
EXA = ENGINE - 3.1L 5 CYL
TURBO DIESEL

TRANSMISSION
DG4 = TRANSMISSION-MULTI-
SPEED AUTO, 45RFE
DGW = TRANSMISSION - 4-SPD.
AUTOMATIC,44RE
DGK = TRANSMISSION - 4-SPD.
AUTOMATIC,42RE
DGO = ALL AUTOMATIC
TRANSMISSIONS

AR = use ase required - = Non illustrated part

2000 WJ

**Input Shaft 45RFE [DG4]
Figure 45RFE-410**



| ITEM | PART NUMBER | QTY | LINE | SERIES | BODY | ENGINE | TRANS | TRIM | DESCRIPTION |
|------|-------------|-----|------|--------|------|--------|-------|------|--|
| 21 | | | | | | | | | SNAP RING, Transmission, PKG 05013090AA |
| | 04799103 | 1 | T | | | | DG4 | | Package 0501309AA, 52119098 |
| | | 1 | J, U | | | | DG4 | | Package 0501309AA, 52119099 |
| 22 | | 1 | | | | | | | PLATE, PKG 05013090AA, (NOT SERVICED), |
| 23 | | 1 | | | | | | | DISC, Clutch, PKG 05013090AA, (NOT SERVICED) |

GRAND CHEROKEE (WJ)

SERIES
H = Laredo
P = Limited

LINE
T = JEEP - 2WD
J = JEEP - 4WD
U = JEEP - 4WD (RHD)

BODY
74 = 4 Door (105.9 WB)

ENGINE
ERH = ENGINE - 4.0L
POWER TECH I-6
EVA = ENGINE- 4.7L V8 MPI
EXA = ENGINE - 3.1L 5 CYL
TURBO DIESEL

TRANSMISSION
DG4 = TRANSMISSION-MULTI-
SPEED AUTO, 45RFE
DGW = TRANSMISSION - 4-SPD.
AUTOMATIC,44RE
DGK = TRANSMISSION - 4-SPD.
AUTOMATIC,42RE
DGO = ALL AUTOMATIC
TRANSMISSIONS

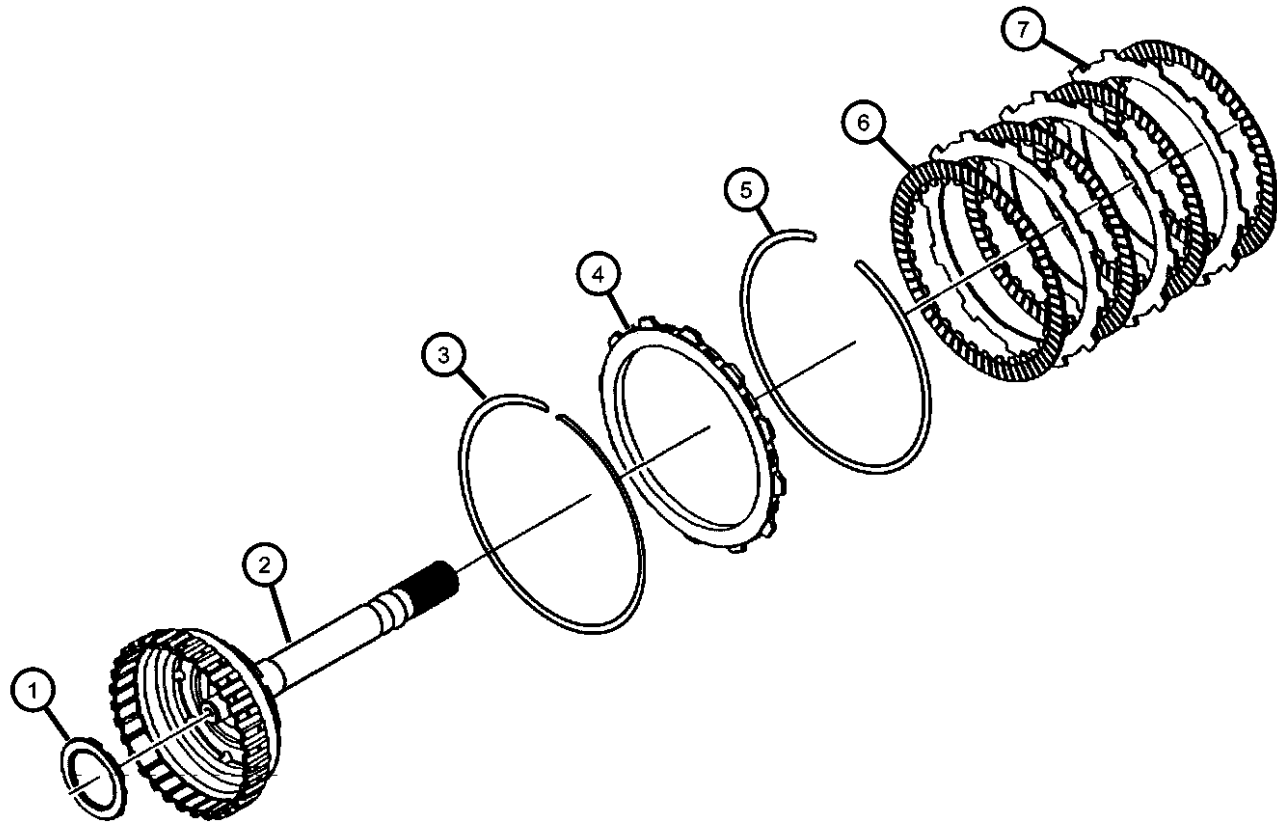
AR = use ase required - = Non illustrated part

2000 WJ

**Underdrive 45RFE [DG4]
Figure 45RFE-420**

| ITEM | PART NUMBER | QTY | LINE | SERIES | BODY | ENGINE | TRANS | TRIM | DESCRIPTION |
|------|-------------|-----|------|--------|------|--------|-------|------|-------------|
|------|-------------|-----|------|--------|------|--------|-------|------|-------------|

NOTES: Sales Codes
[DG4] = 45RFE Multi Speed Automatic Transmission



| | | | | | | | | | |
|---|------------|----|------|--|--|--|-----|--|---|
| 1 | 04799469 | 1 | T | | | | DG4 | | THRUST BEARING, Needle Roller 52119098 |
| | | 1 | J, U | | | | DG4 | | 52119099 |
| 2 | 04799546 | 1 | T | | | | DG4 | | HUB AND SHAFT, Underdrive Clutch 52119098 |
| | | 1 | J, U | | | | DG4 | | 52119099 |
| 3 | 04799760 | 1 | T | | | | DG4 | | SNAP RING, Transmission 52119098 |
| | | 1 | J, U | | | | DG4 | | 52119099 |
| 4 | 04799107AB | AR | T | | | | DG4 | | PLATE, Transmission Clutch Reaction 7.06/7.16, 52119098 |
| | | AR | J, U | | | | DG4 | | 7.06/7.16, 52119099 |
| | 04799108AB | AR | T | | | | DG4 | | 3.05/3.21, 52119098 |
| | | AR | J, U | | | | DG4 | | 3.05/3.21, 52119099 |
| | 04799109AB | AR | T | | | | DG4 | | 3.60/3.37, 52119098 |
| | | AR | J, U | | | | DG4 | | 3.60/3.37, 52119099 |
| 5 | | AR | | | | | | | SNAP RING, PKG 05013090AA, (NOT SERVICED), |
| 6 | | AR | | | | | | | DISC, Clutch, PKG 05013090AA, (NOT SERVICED) |
| 7 | | AR | | | | | | | PLATE, PKG 05013090AA, (NOT SERVICED) |

GRAND CHEROKEE (WJ)

| | |
|-------------|----------------------|
| SERIES | LINE |
| H = Laredo | T = JEEP - 2WD |
| P = Limited | J = JEEP - 4WD |
| | U = JEEP - 4WD (RHD) |

BODY
74 = 4 Door (105.9 WB)

ENGINE
ERH = ENGINE - 4.0L
POWER TECH I-6
EVA = ENGINE- 4.7L V8 MPI
EXA = ENGINE - 3.1L 5 CYL
TURBO DIESEL

TRANSMISSION
DG4 = TRANSMISSION-MULTI-
SPEED AUTO, 45RFE
DGW = TRANSMISSION - 4-SPD.
AUTOMATIC, 44RE
DGK = TRANSMISSION - 4-SPD.
AUTOMATIC, 42RE
DGO = ALL AUTOMATIC
TRANSMISSIONS

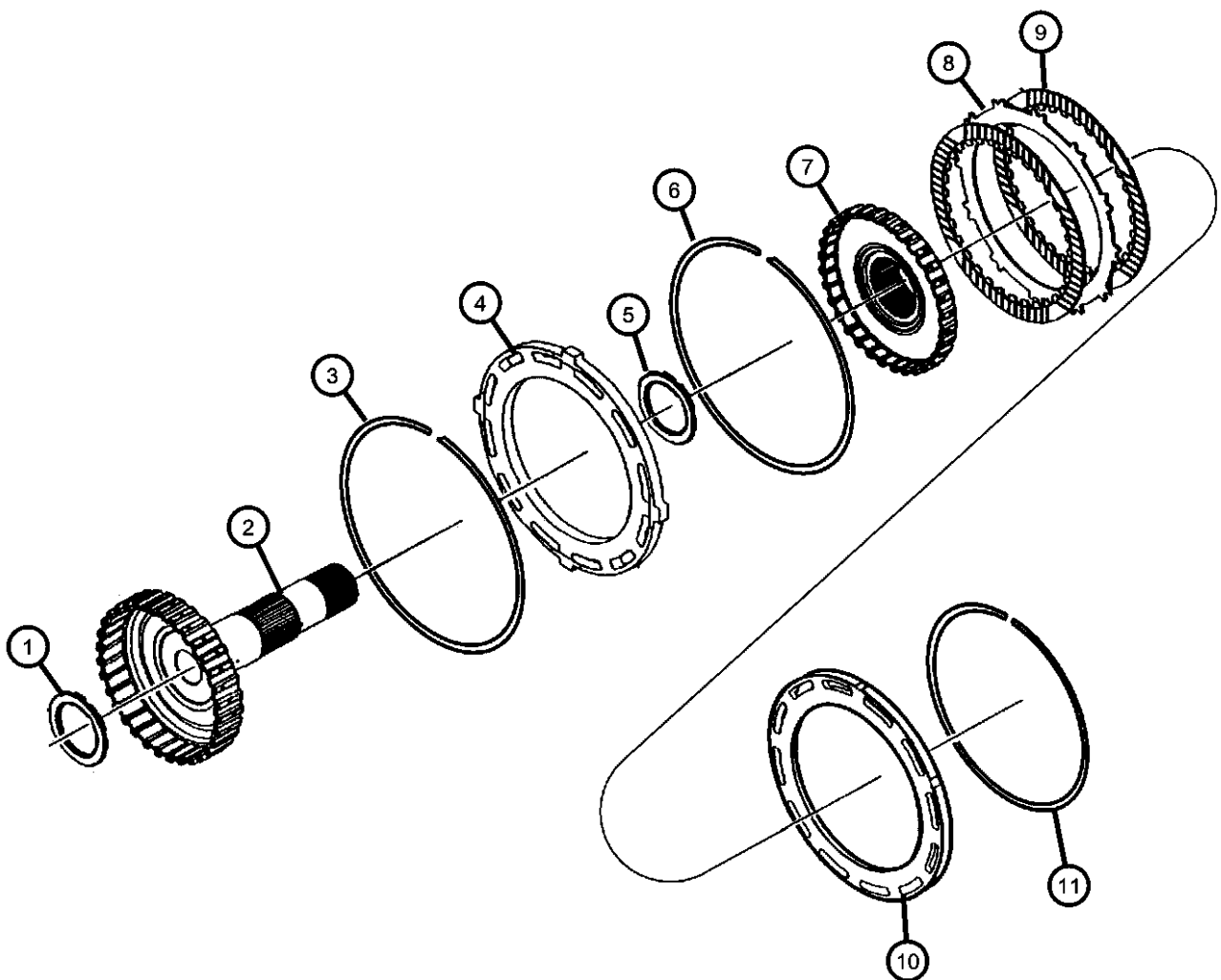
AR = use ase required - = Non illustrated part

2000 WJ

Overdrive 45RFE [DG4]

Figure 45RFE-430

| ITEM | PART NUMBER | QTY | LINE | SERIES | BODY | ENGINE | TRANS | TRIM | DESCRIPTION |
|--|-------------|-----|------|--------|------|--------|-------|------|--|
| NOTES: Sales Codes [DG4] = 45RFE Multi Speed Automatic Transmission | | | | | | | | | |
| 1 | | | | | | | | | THRUST BEARING, Needle Roller |
| | 04799469 | 1 | T | | | | DG4 | | 52119098 |
| | | 1 | J, U | | | | DG4 | | 52119099 |
| 2 | | | | | | | | | HUB AND SHAFT, Overdrive Clutch |
| | 04799550 | 1 | T | | | | DG4 | | 52119098 |
| | | 1 | J, U | | | | DG4 | | 52119099 |
| 3 | | | | | | | | | SNAP RING, Overdrive Clutch |
| | 04799118 | 1 | T | | | | DG4 | | 52119098 |
| | | 1 | J, U | | | | DG4 | | 52119099 |
| 4 | | | | | | | | | PLATE, Clutch Pressure |
| | 04799116 | 1 | T | | | | DG4 | | 52119098 |
| | | 1 | J, U | | | | DG4 | | 52119099 |
| 5 | | | | | | | | | THRUST BEARING, Needle Roller |
| | 04799469 | 1 | T | | | | DG4 | | 52119098 |
| | | 1 | J, U | | | | DG4 | | 52119099 |
| 6 | | | | | | | | | SNAP RING, Transmission |
| | 04799117 | 1 | T | | | | DG4 | | 52119098 |
| | | 1 | J, U | | | | DG4 | | 52119099 |
| 7 | | | | | | | | | HUB AND SHAFT, Reverse Clutch |
| | 04799556 | 1 | T | | | | DG4 | | 52119098 |
| | | 1 | J, U | | | | DG4 | | 52119099 |
| 8 | | 1 | | | | | | | PLATE, PKG 05013090AA, (NOT SERVICED), |
| 9 | | 1 | | | | | | | DISC, Clutch, PKG 05013090AA, (NOT SERVICED) |
| 10 | | | | | | | | | PLATE, Transmission Clutch Reaction |
| | 04799121 | 1 | T | | | | DG4 | | 52119098 |
| | | 1 | J, U | | | | DG4 | | 52119099 |
| 11 | | 1 | | | | | | | SNAP RING, PKG 05013090AA, (NOT SERVICED), |



GRAND CHEROKEE (WJ)

SERIES
H = Laredo
P = Limited

LINE
T = JEEP - 2WD
J = JEEP - 4WD
U = JEEP - 4WD (RHD)

BODY
74 = 4 Door (105.9 WB)

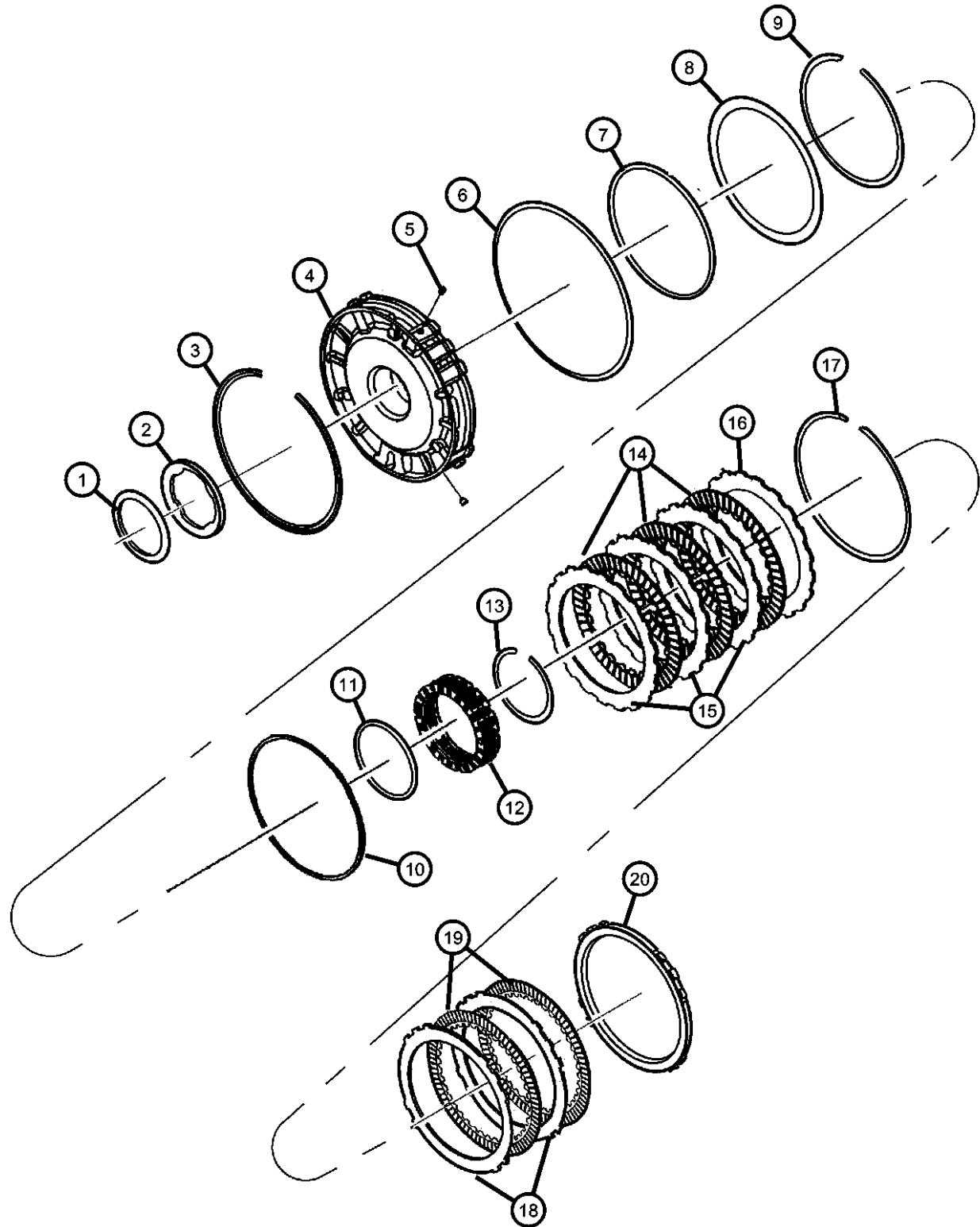
ENGINE
ERH = ENGINE - 4.0L
POWER TECH I-6
EVA = ENGINE- 4.7L V8 MPI
EXA = ENGINE - 3.1L 5 CYL
TURBO DIESEL

TRANSMISSION
DG4 = TRANSMISSION-MULTI-
SPEED AUTO, 45RFE
DGW = TRANSMISSION - 4-SPD.
AUTOMATIC, 44RE
DGK = TRANSMISSION - 4-SPD.
AUTOMATIC, 42RE
DGO = ALL AUTOMATIC
TRANSMISSIONS

AR = use ase required - = Non illustrated part

2000 WJ

**2/4 Clutch Retainer 45RFE [DG4]
Figure 45RFE-440**



| ITEM | PART NUMBER | QTY | LINE | SERIES | BODY | ENGINE | TRANS | TRIM | DESCRIPTION |
|------|-------------|-----|------|--------|------|--------|-------|------|-------------|
|------|-------------|-----|------|--------|------|--------|-------|------|-------------|

NOTES: Sales Codes
[DG4] = 45RFE Multi Speed Automatic Transmission

| | | | | | | | | | |
|----|------------|---|------|--|--|--|-----|--|---|
| 1 | | | | | | | | | THRUST BEARING, Needle Roller |
| | 04799936AB | 1 | T | | | | DG4 | | 52119098 |
| | | 1 | J, U | | | | DG4 | | 52119099 |
| 2 | | 1 | | | | | | | PLATE, Clutch Hub Thrust, PKG 05013093AB, (NOT SERVICED), |
| 3 | | | | | | | | | SNAP RING, Transmission |
| | 04799680 | 1 | T | | | | DG4 | | 52119098 |
| | | 1 | J, U | | | | DG4 | | 52119099 |
| 4 | | | | | | | | | RETAINER, Transmission 2nd and 4th Clutch Piston |
| | 04799498 | 1 | T | | | | DG4 | | 52119098 |
| | | 1 | J, U | | | | DG4 | | 52119099 |
| 5 | | | | | | | | | BLEED ORIFICE, Transmission |
| | 04799086 | 2 | T | | | | DG4 | | 52119098 |
| | | 2 | J, U | | | | DG4 | | 52119099 |
| 6 | | | | | | | | | SNAP RING, Transmission |
| | 04799174 | 1 | T | | | | DG4 | | 52119098 |
| | | 1 | J, U | | | | DG4 | | 52119099 |
| 7 | | 1 | | | | | | | RING, PKG 05013093AB, (NOT SERVICED), |
| 8 | | | | | | | | | SPRING, 2nd And 4th Clutch Piston |
| | 04799521 | 1 | T | | | | DG4 | | 52119098 |
| | | 1 | J, U | | | | DG4 | | 52119099 |
| 9 | | | | | | | | | SNAP RING, Transmission |
| | 04799522AB | 1 | T | | | | DG4 | | 52119098 |
| | | 1 | J, U | | | | DG4 | | 52119099 |
| 10 | | 1 | | | | | | | RING, PKG 05013093AB, (NOT SERVICED), |
| 11 | | 1 | | | | | | | RING, PKG 05013093AB, (NOT SERVICED) |
| 12 | | | | | | | | | SPRING, 2nd And 4th Clutch Piston |
| | 04799527 | 1 | T | | | | DG4 | | 52119098 |
| | | 1 | J, U | | | | DG4 | | 52119099 |

GRAND CHEROKEE (WJ)

SERIES LINE
H = Laredo T = JEEP - 2WD
P = Limited J = JEEP - 4WD
U = JEEP - 4WD (RHD)

BODY
74 = 4 Door (105.9 WB)

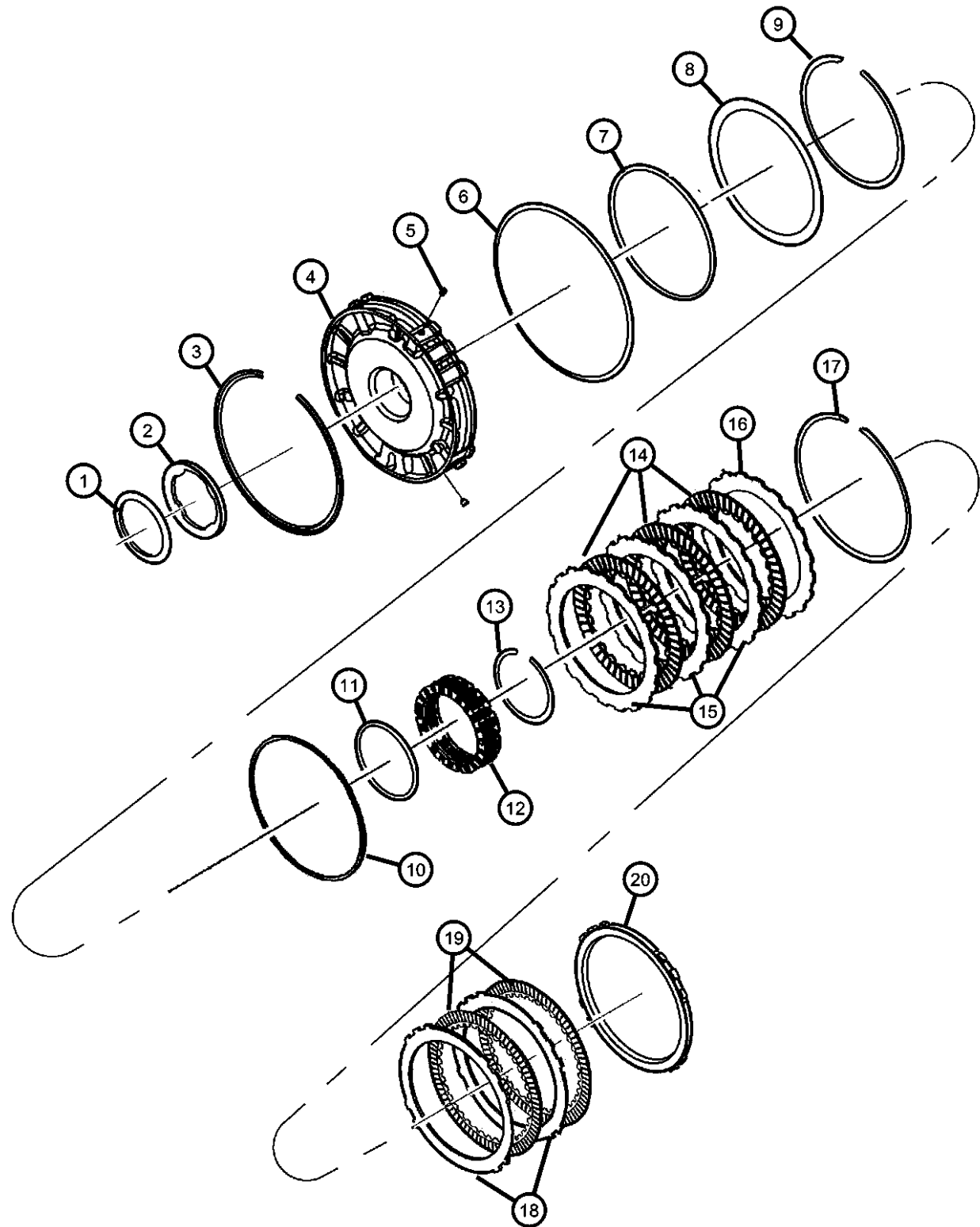
ENGINE
ERH = ENGINE - 4.0L
POWER TECH I-6
EVA = ENGINE- 4.7L V8 MPI
EXA = ENGINE - 3.1L 5 CYL
TURBO DIESEL

TRANSMISSION
DG4 = TRANSMISSION-MULTI-
SPEED AUTO, 45RFE
DGW = TRANSMISSION - 4-SPD.
AUTOMATIC, 44RE
DGK = TRANSMISSION - 4-SPD.
AUTOMATIC, 42RE
DGO = ALL AUTOMATIC
TRANSMISSIONS

AR = use ase required - = Non illustrated part

2000 WJ

**2/4 Clutch Retainer 45RFE [DG4]
Figure 45RFE-440**



| ITEM | PART NUMBER | QTY | LINE | SERIES | BODY | ENGINE | TRANS | TRIM | DESCRIPTION |
|------|-------------|-----|------|--------|------|--------|-------|------|--|
| 13 | | | | | | | | | SNAP RING, Transmission |
| | 04799528AB | 1 | T | | | | DG4 | | 52119098 |
| | | 1 | J, U | | | | DG4 | | 52119099 |
| 14 | | 1 | | | | | | | DISC, Clutch, PKG 05013087AA, (NOT SERVICED), |
| 15 | | 1 | | | | | | | PLATE, Clutch Separator, PKG 05013087AA, (NOT SERVICED) |
| 16 | | | | | | | | | PLATE, Transmission Clutch Reaction |
| | 04799533 | 1 | T | | | | DG4 | | 52119098 |
| | | 1 | J, U | | | | DG4 | | 52119099 |
| 17 | | 1 | | | | | | | SNAP RING, Transmission, PKG 05013087AA, (NOT SERVICED), |
| 18 | | 1 | | | | | | | PLATE, PKG 05013087AA, (NOT SERVICED) |
| 19 | | 1 | | | | | | | DISC, Clutch, PKG 05013087AA, (NOT SERVICED) |
| 20 | | 1 | | | | | | | PLATE, PKG 05013087AA, (NOT SERVICED) |

GRAND CHEROKEE (WJ)

SERIES
H = Laredo
P = Limited

LINE
T = JEEP - 2WD
J = JEEP - 4WD
U = JEEP - 4WD (RHD)

BODY
74 = 4 Door (105.9 WB)

ENGINE
ERH = ENGINE - 4.0L POWER TECH I-6
EVA = ENGINE- 4.7L V8 MPI
EXA = ENGINE - 3.1L 5 CYL TURBO DIESEL

TRANSMISSION
DG4 = TRANSMISSION-MULTI-SPEED AUTO, 45RFE
DGW = TRANSMISSION - 4-SPD. AUTOMATIC, 44RE
DGK = TRANSMISSION - 4-SPD. AUTOMATIC, 42RE
DGO = ALL AUTOMATIC TRANSMISSIONS

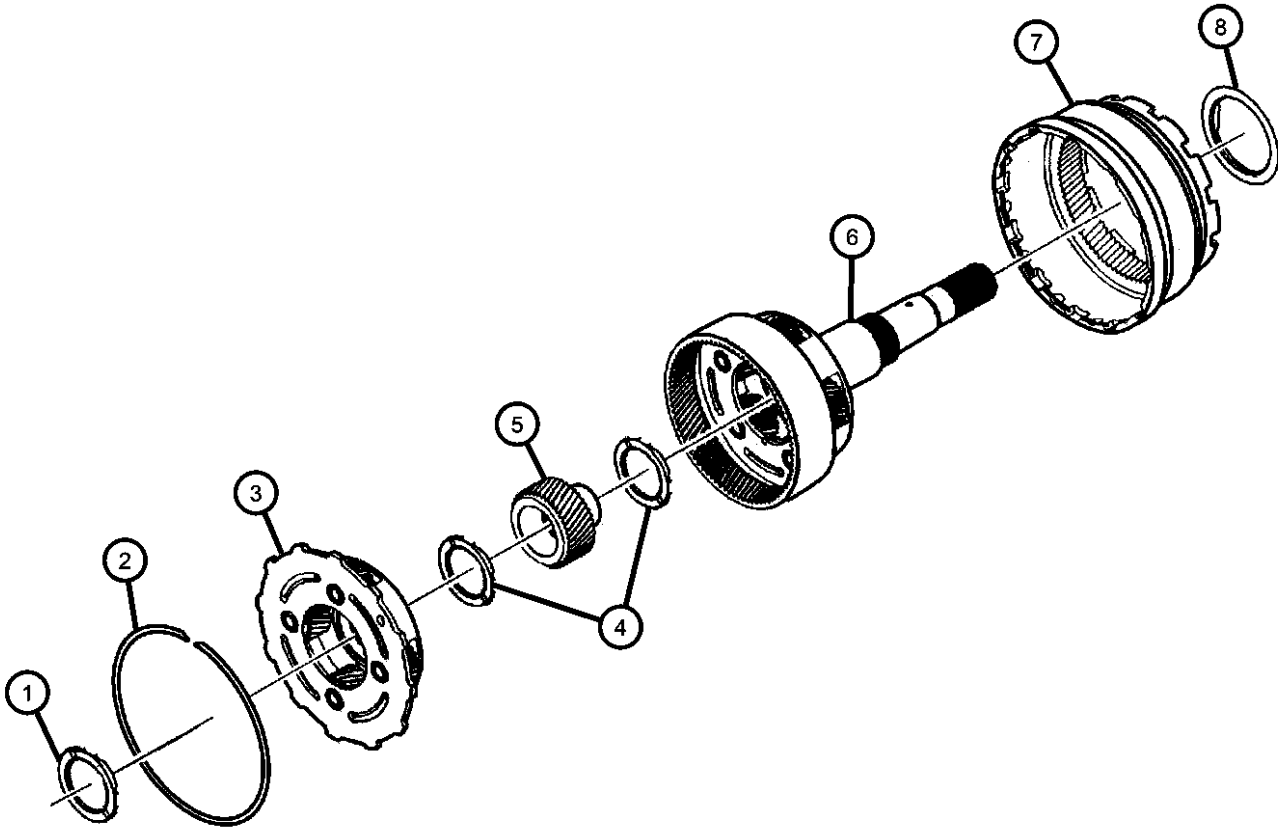
AR = use ase required - = Non illustrated part

2000 WJ

**Input/Reverse Planetary 45RFE [DG4]
Figure 45RFE-450**

| ITEM | PART NUMBER | QTY | LINE | SERIES | BODY | ENGINE | TRANS | TRIM | DESCRIPTION |
|------|-------------|-----|------|--------|------|--------|-------|------|-------------|
|------|-------------|-----|------|--------|------|--------|-------|------|-------------|

NOTES: Sales Codes
[DG4]= 45RFE Multi Speed Automatic Transmission



| | | | | | | | | | |
|---|------------|---|------|--|--|--|-----|--|-------------------------------|
| 1 | | | | | | | | | THRUST BEARING, Needle Roller |
| | 04799469 | 1 | T | | | | DG4 | | |
| | | 1 | J, U | | | | DG4 | | |
| 2 | | | | | | | | | SNAP RING |
| | 04799247 | 1 | T | | | | DG4 | | 52119098 |
| | | 1 | J, U | | | | DG4 | | 52119099 |
| 3 | | | | | | | | | REVERSE CARRIER KIT |
| | 05134382AA | 1 | J, U | | | | DG4 | | |
| | | 1 | T | | | | DG4 | | |
| 4 | | | | | | | | | THRUST BEARING, Needle Roller |
| | 04799469 | 1 | T | | | | DG4 | | |
| | | 1 | J, U | | | | DG4 | | |
| 5 | | | | | | | | | GEAR, Input Sun |
| | 04799586 | 1 | T | | | | DG4 | | 52119098 |
| | | 1 | J, U | | | | DG4 | | 52119099 |
| 6 | | | | | | | | | INPUT CARRIER KIT |
| | 05135165AA | 1 | J, U | | | | DG4 | | |
| | | 1 | T | | | | DG4 | | |
| 7 | | | | | | | | | GEAR, Annulus |
| | 04799501 | 1 | T | | | | DG4 | | 52119098 |
| | | 1 | J, U | | | | DG4 | | 52119099 |
| 8 | | | | | | | | | THRUST BEARING, Needle Roller |
| | 04799459 | 1 | T | | | | DG4 | | |
| | | 1 | J, U | | | | DG4 | | |

GRAND CHEROKEE (WJ)

| | |
|-------------|----------------------|
| SERIES | LINE |
| H = Laredo | T = JEEP - 2WD |
| P = Limited | J = JEEP - 4WD |
| | U = JEEP - 4WD (RHD) |

BODY
74 = 4 Door (105.9 WB)

ENGINE
ERH = ENGINE - 4.0L
POWER TECH I-6
EVA = ENGINE- 4.7L V8 MPI
EXA = ENGINE - 3.1L 5 CYL
TURBO DIESEL

TRANSMISSION
DG4 = TRANSMISSION-MULTI-
SPEED AUTO, 45RFE
DGW = TRANSMISSION - 4-SPD.
AUTOMATIC,44RE
DGK = TRANSMISSION - 4-SPD.
AUTOMATIC,42RE
DGO = ALL AUTOMATIC
TRANSMISSIONS

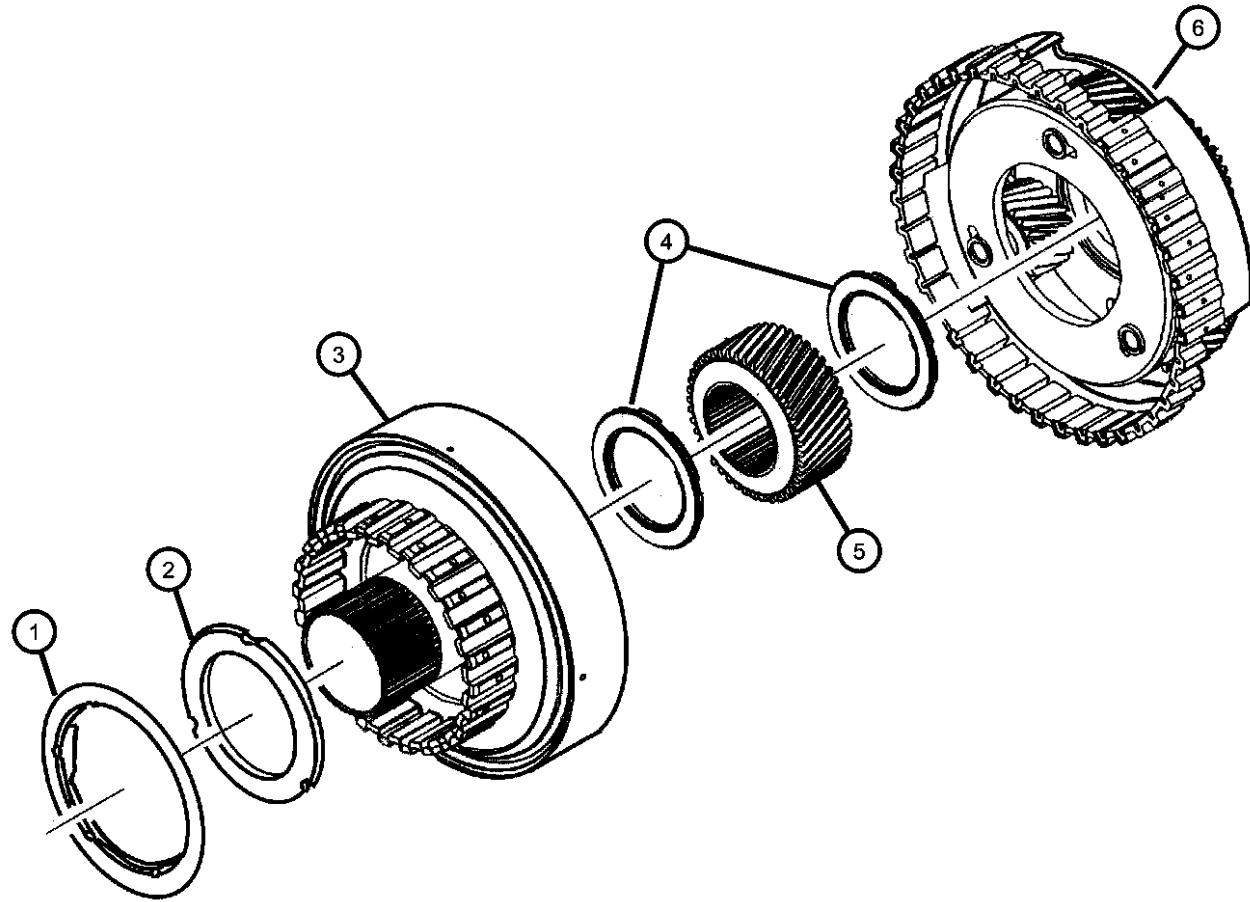
AR = use ase required - = Non illustrated part

2000 WJ

**Reaction Annulus/Sun Gear 45RFE [DG4]
Figure 45RFE-460**

| ITEM | PART NUMBER | QTY | LINE | SERIES | BODY | ENGINE | TRANS | TRIM | DESCRIPTION |
|------|-------------|-----|------|--------|------|--------|-------|------|-------------|
|------|-------------|-----|------|--------|------|--------|-------|------|-------------|

NOTES: Sales Codes
[DG4]= 45RFE Multi Speed Automatic Transmission



| | | | | | | | | | |
|---|----------|---|------|--|--|--|-----|--|--|
| 1 | 04799459 | 1 | T | | | | DG4 | | THRUST BEARING, Needle Roller |
| | | 1 | J, U | | | | DG4 | | |
| 2 | | 1 | | | | | | | THRUST WASHER, Planetary Carrier, PKG 05013092AA, (NOT SERVICED) |
| 3 | 04799604 | 1 | T | | | | DG4 | | GEAR, Annulus |
| | | 1 | J, U | | | | DG4 | | |
| 4 | 04799469 | 1 | T | | | | DG4 | | THRUST BEARING, Needle Roller |
| | | 1 | J, U | | | | DG4 | | |
| 5 | 04799602 | 1 | T | | | | DG4 | | GEAR, Reaction Sun |
| | | 1 | J, U | | | | DG4 | | 552119099 |
| 6 | 04799619 | 1 | T | | | | DG4 | | CARRIER, Reaction Complete |
| | | 1 | J, U | | | | DG4 | | 552119099 |

GRAND CHEROKEE (WJ)

| | |
|-------------|----------------------|
| SERIES | LINE |
| H = Laredo | T = JEEP - 2WD |
| P = Limited | J = JEEP - 4WD |
| | U = JEEP - 4WD (RHD) |

| |
|------------------------|
| BODY |
| 74 = 4 Door (105.9 WB) |

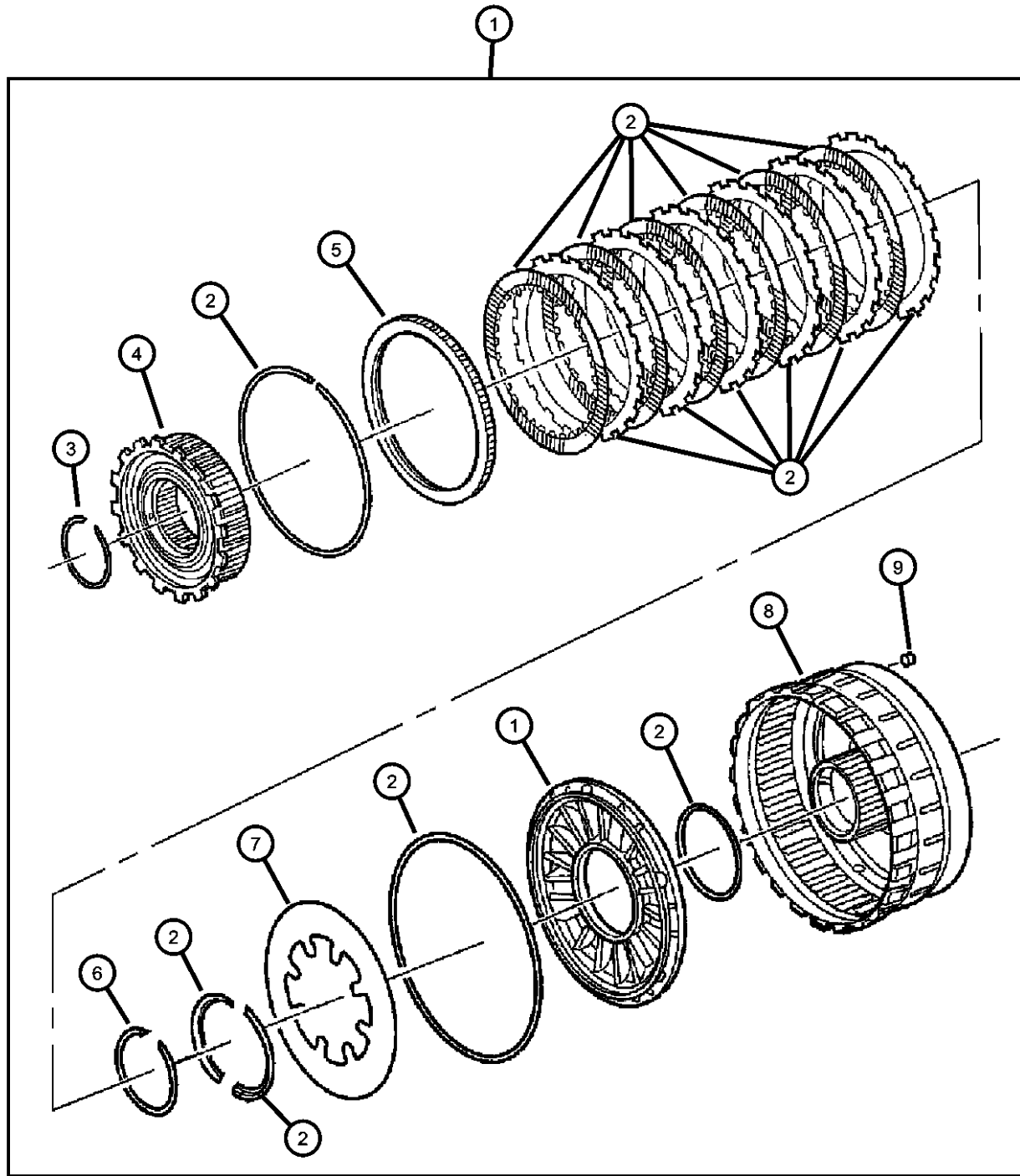
| |
|--|
| ENGINE |
| ERH = ENGINE - 4.0L POWER TECH I-6 |
| EVA = ENGINE- 4.7L V8 MPI |
| EXA = ENGINE - 3.1L 5 CYL TURBO DIESEL |

| |
|---|
| TRANSMISSION |
| DG4 = TRANSMISSION-MULTI-SPEED AUTO, 45RFE |
| DGW = TRANSMISSION - 4-SPD. AUTOMATIC, 44RE |
| DGK = TRANSMISSION - 4-SPD. AUTOMATIC, 42RE |
| DGO = ALL AUTOMATIC TRANSMISSIONS |

AR = use ase required - = Non illustrated part

2000 WJ

Low / Reverse Clutch
Figure 45RFE-470



| ITEM | PART NUMBER | QTY | LINE | SERIES | BODY | ENGINE | TRANS | TRIM | DESCRIPTION |
|------|-------------|-----|------|--------|------|--------|-------|------|---|
| 1 | 04799457 | 1 | T | | | | DG4 | | CLUTCH, L/R Clutch |
| 2 | 05013091AA | 1 | J, U | | | | DG4 | | CLUTCH PACKAGE, Automatic Transmission, Low/Reverse |
| 3 | 04799863AA | 1 | T | | | | DG4 | | SNAP RING |
| 4 | 04799465 | 1 | J, U | | | | DG4 | | CLUTCH, Overrunning |
| 5 | 04799667 | 1 | T | | | | DG4 | | PLATE, Transmission Clutch Reaction |
| 6 | 04799863AA | 1 | J, U | | | | DG4 | | SNAP RING |
| 7 | 04799640 | 1 | T | | | | DG4 | | SPRING, Low/Reverse Clutch Piston |
| 8 | 04799635 | 1 | J, U | | | | DG4 | | RETAINER, Clutch |
| 9 | 04799086 | 1 | T | | | | DG4 | | BLEED ORIFICE, Transmission |

GRAND CHEROKEE (WJ)

SERIES LINE
H = Laredo T = JEEP - 2WD
P = Limited J = JEEP - 4WD
U = JEEP - 4WD (RHD)

BODY
74 = 4 Door (105.9 WB)

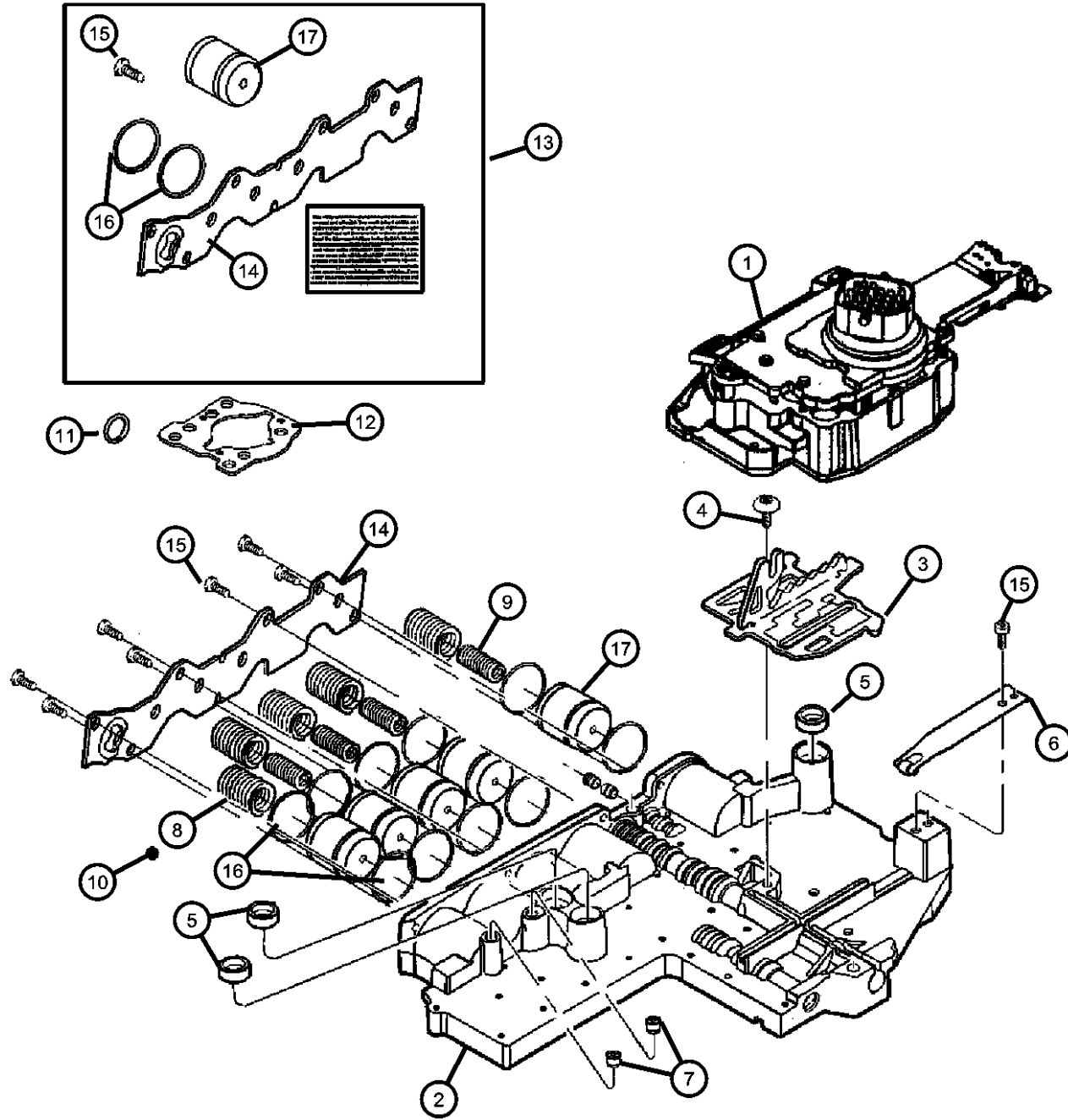
ENGINE
ERH = ENGINE - 4.0L POWER TECH I-6
EVA = ENGINE- 4.7L V8 MPI
EXA = ENGINE - 3.1L 5 CYL TURBO DIESEL

TRANSMISSION
DG4 = TRANSMISSION-MULTI-SPEED AUTO, 45RFE
DGW = TRANSMISSION - 4-SPD. AUTOMATIC, 44RE
DGK = TRANSMISSION - 4-SPD. AUTOMATIC, 42RE
DGO = ALL AUTOMATIC TRANSMISSIONS

AR = use ase required - = Non illustrated part

2000 WJ

Valve Body 45RFE [DG4]
Figure 45RFE-710



| ITEM | PART NUMBER | QTY | LINE | SERIES | BODY | ENGINE | TRANS | TRIM | DESCRIPTION |
|--|-------------|-----|------|--------|------|--------|-------|------|--------------------------------------|
| NOTES: Sales Codes [DG4] = 45RFE Multi Speed Automatic Transmission | | | | | | | | | |
| 1 | | | | | | | | | SOLENOID, Transmission |
| | 04799934AB | 1 | T | | | | DG4 | | 52119098 |
| | | 1 | J, U | | | | DG4 | | 52119099 |
| 2 | | | | | | | | | VALVE BODY, Transfer Plate and Valve |
| | 04799588 | 1 | T | | | | DG4 | | 52119098 |
| | | 1 | J, U | | | | DG4 | | 52119099 |
| 3 | | | | | | | | | PLATE, Manual Valve Cam |
| | 04799654AB | 1 | T | | | | DG4 | | 52119098 |
| | | 1 | J, U | | | | DG4 | | 52119099 |
| 4 | | | | | | | | | SCREW, Shoulder/Truss, M5x.8x12.5 |
| | 06501710 | 1 | T | | | | DG4 | | 52119098 |
| | | 1 | J, U | | | | DG4 | | 52119099 |
| 5 | | | | | | | | | SEAL, Clutch Feed |
| | 04799778 | 3 | J, U | | | | DG4 | | 52119098 |
| | | 3 | J, U | | | | DG4 | | 52119099 |
| 6 | | | | | | | | | DETENT, Valve Body |
| | 04799593 | 1 | T | | | | DG4 | | 52119098 |
| | | 1 | J, U | | | | DG4 | | 52119099 |
| 7 | | | | | | | | | BLEED ORIFICE, Transmission |
| | 04799086 | 2 | T | | | | DG4 | | 52119098 |
| | | 2 | J, U | | | | DG4 | | 52119099 |
| 8 | | | | | | | | | SPRING, Accumulator |
| | 04471880 | 5 | T | | | | DG4 | | 52119098 |
| | | 5 | J, U | | | | DG4 | | 52119099 |
| 9 | | | | | | | | | SPRING, Accumulator |
| | 04567575 | 4 | T | | | | DG4 | | 52119098 |
| | | 4 | J, U | | | | DG4 | | 52119099 |
| 10 | | | | | | | | | BALL, Check |
| | 04446602 | 7 | T | | | | DG4 | | 52119098 |
| | | 7 | J, U | | | | DG4 | | 52119099 |

GRAND CHEROKEE (WJ)

SERIES LINE
H = Laredo T = JEEP - 2WD
P = Limited J = JEEP - 4WD
U = JEEP - 4WD (RHD)

BODY
74 = 4 Door (105.9 WB)

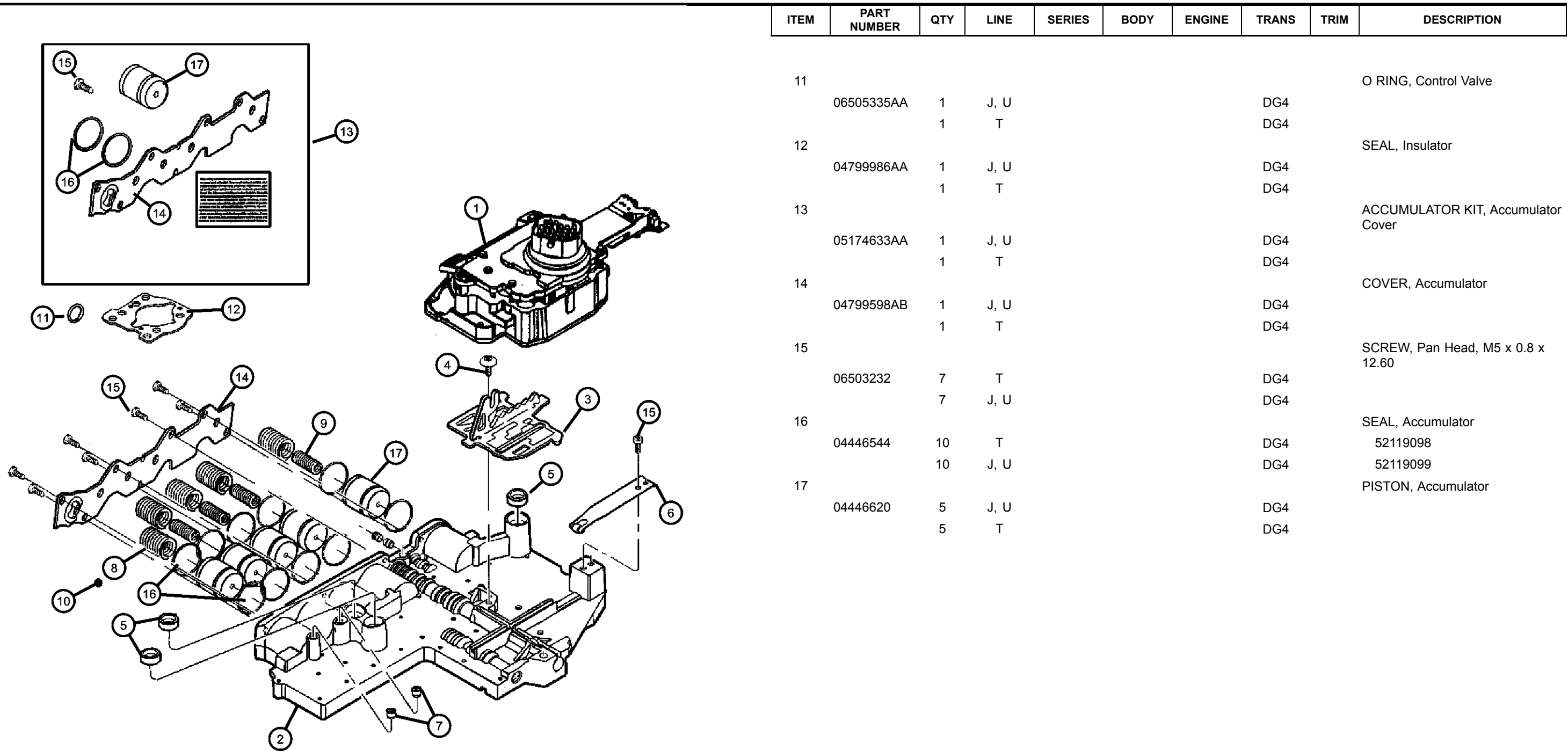
ENGINE
ERH = ENGINE - 4.0L
POWER TECH I-6
EVA = ENGINE - 4.7L V8 MPI
EXA = ENGINE - 3.1L 5 CYL
TURBO DIESEL

TRANSMISSION
DG4 = TRANSMISSION-MULTI-
SPEED AUTO, 45RFE
DGW = TRANSMISSION - 4-SPD.
AUTOMATIC, 44RE
DGK = TRANSMISSION - 4-SPD.
AUTOMATIC, 42RE
DGO = ALL AUTOMATIC
TRANSMISSIONS

AR = use ase required - = Non illustrated part

2000 WJ

Valve Body 45RFE [DG4]
Figure 45RFE-710



| ITEM | PART NUMBER | QTY | LINE | SERIES | BODY | ENGINE | TRANS | TRIM | DESCRIPTION |
|------|-------------|-----|------|--------|------|--------|-------|------|------------------------------------|
| 11 | 06505335AA | 1 | J, U | | | | DG4 | | O RING, Control Valve |
| 12 | 04799986AA | 1 | T | | | | DG4 | | SEAL, Insulator |
| 13 | 05174633AA | 1 | J, U | | | | DG4 | | ACCUMULATOR KIT, Accumulator Cover |
| 14 | 04799598AB | 1 | J, U | | | | DG4 | | COVER, Accumulator |
| 15 | 06503232 | 7 | T | | | | DG4 | | SCREW, Pan Head, M5 x 0.8 x 12.60 |
| 16 | 04446544 | 10 | T | | | | DG4 | | SEAL, Accumulator |
| 17 | 04446620 | 5 | J, U | | | | DG4 | | PISTON, Accumulator |

GRAND CHEROKEE (WJ)

SERIES LINE
H = Laredo T = JEEP - 2WD
P = Limited J = JEEP - 4WD
U = JEEP - 4WD (RHD)

BODY
74 = 4 Door (105.9 WB)

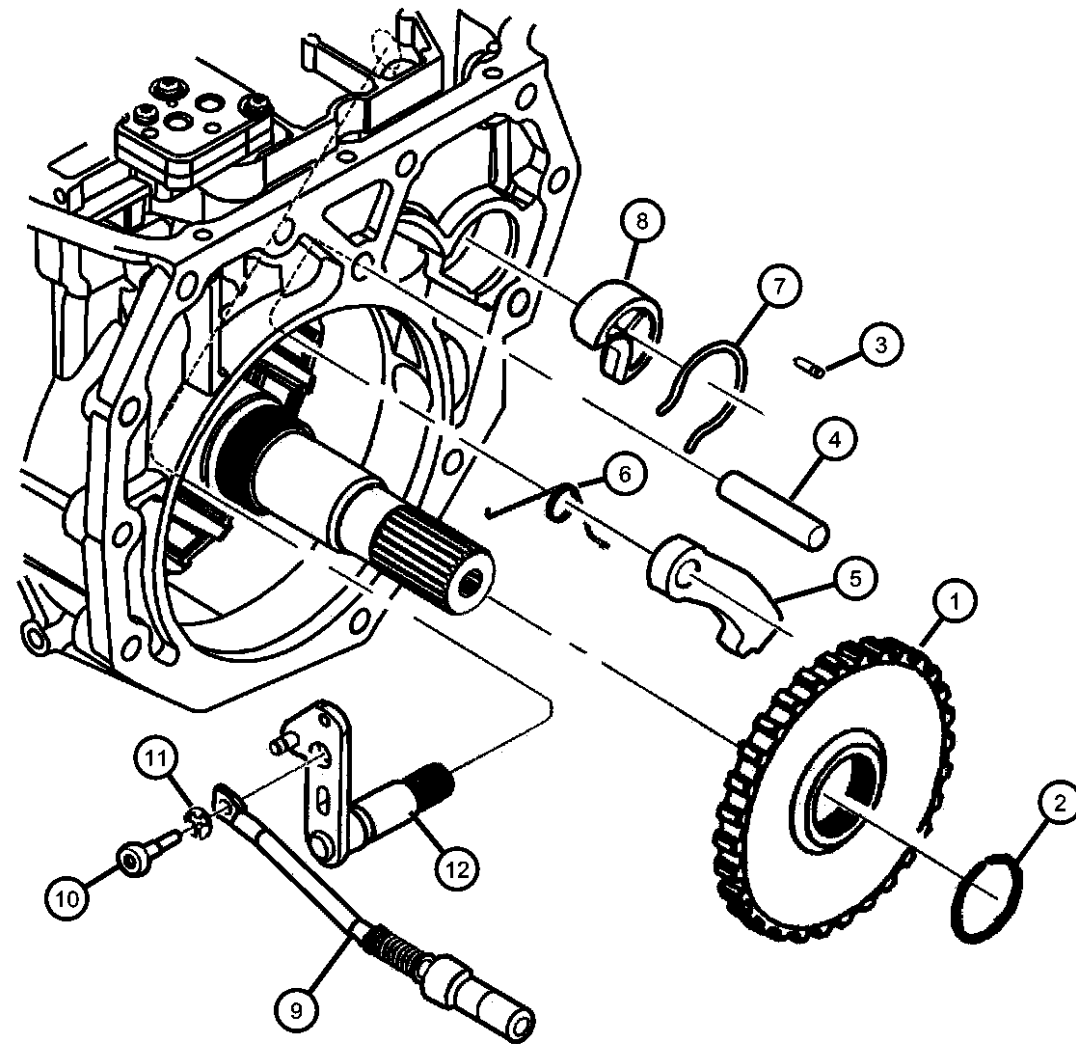
ENGINE
ERH = ENGINE - 4.0L
POWER TECH I-6
EVA = ENGINE- 4.7L V8 MPI
EXA = ENGINE - 3.1L 5 CYL
TURBO DIESEL

TRANSMISSION
DG4 = TRANSMISSION-MULTI-
SPEED AUTO, 45RFE
DGW = TRANSMISSION - 4-SPD.
AUTOMATIC, 44RE
DGK = TRANSMISSION - 4-SPD.
AUTOMATIC, 42RE
DGO = ALL AUTOMATIC
TRANSMISSIONS

AR = use ase required - = Non illustrated part

2000 WJ

**Parking Sprag 45RFE [DG4]
Figure 45RFE-730**



| ITEM | PART NUMBER | QTY | LINE | SERIES | BODY | ENGINE | TRANS | TRIM | DESCRIPTION |
|------|--|-----|------|--------|------|--------|-------|------|-----------------------------|
| | NOTES: Sales Codes | | | | | | | | |
| | [DG4] = 45RFE Multi Speed Automatic Transmission | | | | | | | | |
| | [EV0] = All 4.7L Gas Engines | | | | | | | | |
| 1 | | | | | | | | | SPRAG, Transmission Parking |
| | 04799493 | 1 | T | | | | DG4 | | 52119098 |
| | | 1 | J, U | | | | DG4 | | 52119099 |
| 2 | | | | | | | | | SNAP RING, Transmission |
| | 04799704 | 1 | T | | | | DG4 | | 52119098 |
| | | 1 | J, U | | | | DG4 | | 52119099 |
| 3 | | | | | | | | | PIN |
| | 00456636 | 1 | T | | | | DG4 | | 52119098 |
| | | 1 | J, U | | | | DG4 | | 52119099 |
| 4 | | | | | | | | | SHAFT, Parking Pawl |
| | 04799450 | 1 | T | | | | DG4 | | 52119098 |
| | | 1 | J, U | | | | DG4 | | 52119099 |
| 5 | | | | | | | | | PAWL, Parking Sprag |
| | 04799744AC | 1 | T | | | | DG4 | | 52119098 |
| | | 1 | J, U | | | | DG4 | | 52119099 |
| 6 | | | | | | | | | SPRING, Torsion |
| | 04799451 | 1 | T | | | | DG4 | | 52119098 |
| | | 1 | J, U | | | | DG4 | | 52119099 |
| 7 | | | | | | | | | SNAP RING |
| | 04799313 | 1 | T | | | | DG4 | | 52119098 |
| | | 1 | J, U | | | | DG4 | | 52119099 |
| 8 | | | | | | | | | GUIDE, Parking Sprag Pawl |
| | 04799774 | 1 | T | | | | DG4 | | 52119098 |
| | | 1 | J, U | | | | DG4 | | 52119099 |
| 9 | | | | | | | | | ROD, Parking Sprag |
| | 04799611 | 1 | T | | | | DG4 | | 52119098 |
| | | 1 | J, U | | | | DG4 | | 52119099 |
| 10 | | | | | | | | | SCREW, M6x1x30 |
| | 06504548 | 1 | T | | | | DG4 | | 52119098 |
| | | 1 | J, U | | | | DG4 | | 52119099 |

GRAND CHEROKEE (WJ)

SERIES
H = Laredo
P = Limited

LINE
T = JEEP - 2WD
J = JEEP - 4WD
U = JEEP - 4WD (RHD)

BODY
74 = 4 Door (105.9 WB)

ENGINE
ERH = ENGINE - 4.0L
POWER TECH I-6
EVA = ENGINE - 4.7L V8 MPI
EXA = ENGINE - 3.1L 5 CYL
TURBO DIESEL

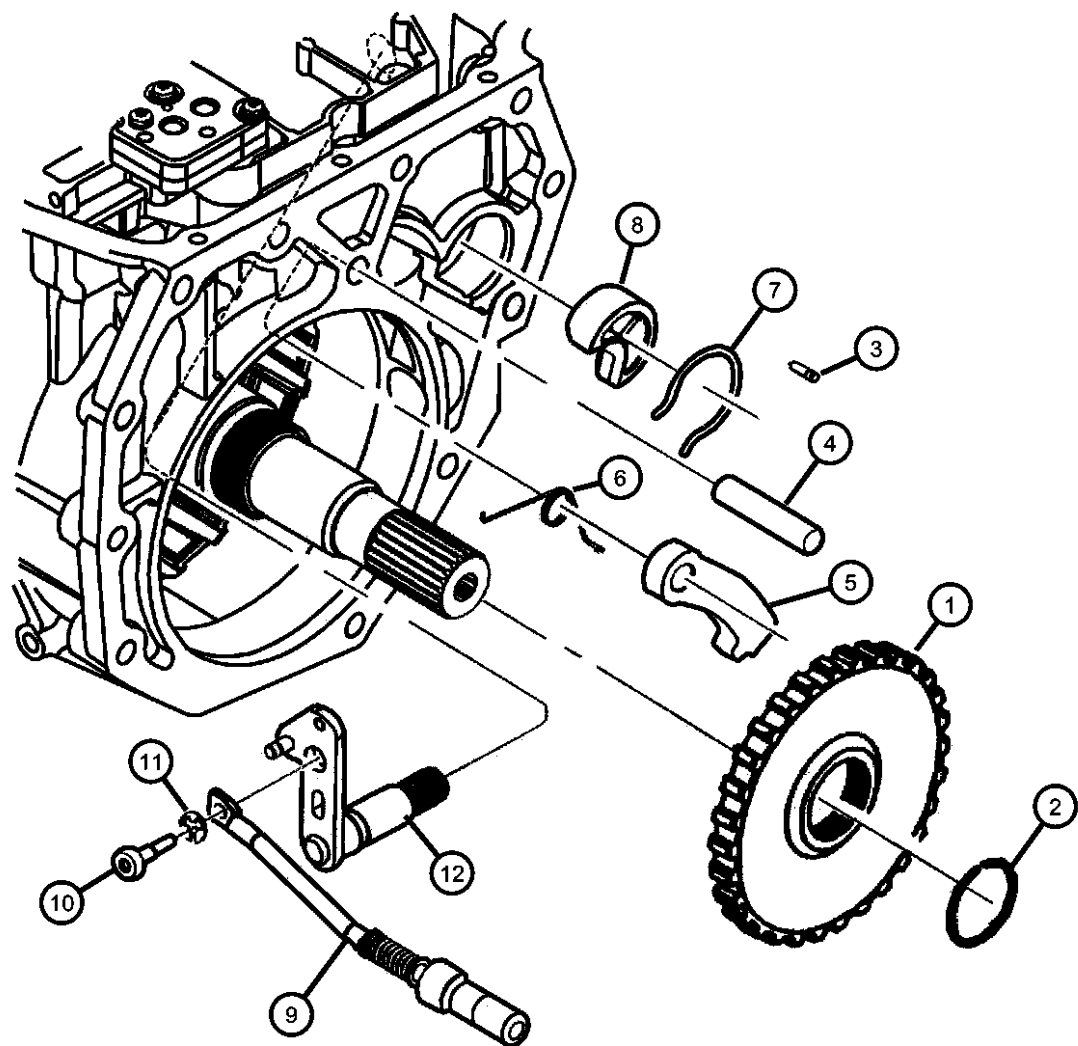
TRANSMISSION
DG4 = TRANSMISSION-MULTI-
SPEED AUTO, 45RFE
DGW = TRANSMISSION - 4-SPD.
AUTOMATIC, 44RE
DGK = TRANSMISSION - 4-SPD.
AUTOMATIC, 42RE
DGO = ALL AUTOMATIC
TRANSMISSIONS

AR = use ase required - = Non illustrated part

2000 WJ

**Parking Sprag 45RFE [DG4]
Figure 45RFE-730**

| ITEM | PART NUMBER | QTY | LINE | SERIES | BODY | ENGINE | TRANS | TRIM | DESCRIPTION |
|------|-------------|-----|------|--------|------|--------|-------|------|--------------------------------|
| 11 | 06035256 | 1 | J, U | | | EVO | DG4 | | SNAP RING, Rod 52119099 |
| | | 1 | T | | | | DG4 | | 52119098 |
| 12 | 04799453 | 1 | T | | | | DG4 | | LEVER, Shift Shaft 52119098 |
| | | 1 | J, U | | | | DG4 | | 52119099 |



GRAND CHEROKEE (WJ)

| | |
|-------------|----------------------|
| SERIES | LINE |
| H = Laredo | T = JEEP - 2WD |
| P = Limited | J = JEEP - 4WD |
| | U = JEEP - 4WD (RHD) |

| |
|------------------------|
| BODY |
| 74 = 4 Door (105.9 WB) |

| |
|---|
| ENGINE |
| ERH = ENGINE - 4.0L POWER TECH I-6 |
| EVA = ENGINE- 4.7L V8 MPI |
| EXA = ENGINE - 3.1L 5 CYL TURBO DIESEL |

| |
|--|
| TRANSMISSION |
| DG4 = TRANSMISSION-MULTI- SPEED AUTO, 45RFE |
| DGW = TRANSMISSION - 4-SPD. AUTOMATIC,44RE |
| DGK = TRANSMISSION - 4-SPD. AUTOMATIC,42RE |
| DGO = ALL AUTOMATIC TRANSMISSIONS |

AR = use ase required - = Non illustrated part

2000 WJ

**Gearshift Controls 45RFE [DG4]
Figure 45RFE-1210**

| ITEM | PART NUMBER | QTY | LINE | SERIES | BODY | ENGINE | TRANS | TRIM | DESCRIPTION |
|------|-------------|-----|------|--------|------|--------|-------|------|-------------|
|------|-------------|-----|------|--------|------|--------|-------|------|-------------|

NOTES: Sales Codes
[DG4] = 45RFE Multi Speed Automatic Transmission
[DG0] = All Automatic Transmission

| | | | | | | | | | |
|---|------------|---|------|--|--|--|-----|--|--|
| 1 | | | | | | | | | HOUSING AND LEVER, Shifter |
| | 52104147AB | 1 | T | | | | DG0 | | Two Wheel Drive |
| | 52104149AC | 1 | J | | | | DG0 | | [DHP] |
| | 52104151 | 1 | J | | | | DG0 | | With [DHF] Without [DSB] |
| | 52104152 | 1 | U | | | | DG0 | | With [DHF] Without [DSB], Right Hand Drive |
| | 52104374AA | 1 | J | | | | DG0 | | With [DHF] And [DSB] |
| | 52104375AA | 1 | U | | | | DG0 | | With [DHF] And [DSB], Right Hand Drive |
| 2 | 06101695 | 4 | | | | | DG0 | | NUT, Hex Flange Lock, M8x1.25 |
| 3 | 52104054 | 1 | | | | | DG0 | | CABLE, Park Interlock |
| 4 | 52104060 | 1 | | | | | DG0 | | CABLE, Gearshift Control |
| 5 | 52104218 | 1 | J, U | | | | DG0 | | CABLE, Gearshift Control |
| 6 | 04269830 | 2 | J, U | | | | | | CLIP, Cable |
| 7 | 06101758 | 2 | | | | | DG4 | | SCREW, Hex Head, M8x1.25x20 |
| 8 | 52104371AB | 1 | | | | | DG4 | | BRACKET, Shift Cable |
| 9 | 52104177 | 1 | | | | | DG4 | | LEVER, Manual Control |

GRAND CHEROKEE (WJ)

| | |
|-------------|----------------------|
| SERIES | LINE |
| H = Laredo | T = JEEP - 2WD |
| P = Limited | J = JEEP - 4WD |
| | U = JEEP - 4WD (RHD) |

BODY
74 = 4 Door (105.9 WB)

ENGINE
ERH = ENGINE - 4.0L POWER TECH I-6
EVA = ENGINE- 4.7L V8 MPI
EXA = ENGINE - 3.1L 5 CYL TURBO DIESEL

TRANSMISSION
DG4 = TRANSMISSION-MULTI-SPEED AUTO, 45RFE
DGW = TRANSMISSION - 4-SPD. AUTOMATIC, 44RE
DGK = TRANSMISSION - 4-SPD. AUTOMATIC, 42RE
DGO = ALL AUTOMATIC TRANSMISSIONS

AR = use ase required - = Non illustrated part

2000 WJ

LR Clutch 45RFE [DG4]
Figure 45RFE-1302

LR CLUTCH PACKAGE 05013091aa

| | |
|-----|--------------------------------------|
| | D-ring, external (L/R piston outer) |
| | D-ring, internal (L/R piston inner) |
| (6) | Plate, clutch separator (1.74mm thk) |
| (6) | Disc assy, clutch (L/R) |
| | Snap ring, flat (1.5/1.6 thk) |
| | Snap ring, flat (2.03/2.13 thk) |
| | Snap ring, flat (2.54/2.68 thk) |
| (2) | Retainer, c-clip |

①

| ITEM | PART NUMBER | QTY | LINE | SERIES | BODY | ENGINE | TRANS | TRIM | DESCRIPTION |
|------|-------------|-----|------|--------|------|--------|-------|------|-------------|
|------|-------------|-----|------|--------|------|--------|-------|------|-------------|

NOTES: Sales Codes
[DG4] = 45RFE Multi Speed Automatic Transmission

| | | | | | | | | | |
|---|------------|---|------|--|--|--|-----|--|---|
| 1 | | | | | | | | | CLUTCH PACKAGE, Automatic Transmission, Low/Reverse |
| | 05013091AA | 1 | J, U | | | | DG4 | | 52119099 |
| | | 1 | T | | | | DG4 | | 52119098 |

GRAND CHEROKEE (WJ)

SERIES
H = Laredo
P = Limited

LINE
T = JEEP - 2WD
J = JEEP - 4WD
U = JEEP - 4WD (RHD)

BODY
74 = 4 Door (105.9 WB)

ENGINE
ERH = ENGINE - 4.0L POWER TECH I-6
EVA = ENGINE- 4.7L V8 MPI
EXA = ENGINE - 3.1L 5 CYL TURBO DIESEL

TRANSMISSION
DG4 = TRANSMISSION-MULTI-SPEED AUTO, 45RFE
DGW = TRANSMISSION - 4-SPD. AUTOMATIC,44RE
DGK = TRANSMISSION - 4-SPD. AUTOMATIC,42RE
DGO = ALL AUTOMATIC TRANSMISSIONS

AR = use ase required - = Non illustrated part

2000 WJ

**Input Clutch Plate 45RFE [DG4]
Figure 45RFE-1303**

SELECTIVE THRUST PLATES 05013093aa
INPUT CLUTCH THRUST PLATE PKG

| |
|---------------------------------------|
| Thrust plate, input clutc 1.52 / 1.61 |
| Thrust plate, input clutc 1.66 / 1.75 |
| Thrust plate, input clutc 1.80 / 1.89 |
| Thrust plate, input clutc 1.94 / 2.03 |
| Thrust plate, input clutc 2.08 / 2.17 |
| Thrust plate, input clutc 2.22 / 2.31 |
| Thrust plate, input clutc 2.36 / 2.45 |
| Thrust plate, input clutc 2.50 / 2.59 |
| Thrust plate, input clutc 2.64 / 2.73 |
| Thrust plate, input clutc 2.78 / 2.87 |
| Thrust plate, input clutc 2.92 / 3.01 |
| Thrust plate, input clutc 3.06 / 3.15 |
| Thrust plate, input clutc 3.20 / 3.29 |
| Thrust plate, input clutc 3.34 / 3.43 |
| Thrust plate, input clutc 3.62 / 3.71 |

①

| ITEM | PART NUMBER | QTY | LINE | SERIES | BODY | ENGINE | TRANS | TRIM | DESCRIPTION |
|------|-------------|-----|------|--------|------|--------|-------|------|-------------|
|------|-------------|-----|------|--------|------|--------|-------|------|-------------|

NOTES: Sales Codes
[DG4] = 45RFE Multi Speed Automatic Transmission

| | | | | | | | | | |
|---|------------|----|------|--|--|--|-----|--|------------------------------------|
| 1 | 05013093AA | AR | J, U | | | | DG4 | | PLATE PACKAGE, Input Clutch Thrust |
| | | 1 | T | | | | DG4 | | 5219099 |
| | | | | | | | | | 52119098 |

GRAND CHEROKEE (WJ)

| | | | | |
|-------------|----------------------|------------------------|--|--|
| SERIES | LINE | BODY | ENGINE | TRANSMISSION |
| H = Laredo | T = JEEP - 2WD | 74 = 4 Door (105.9 WB) | ERH = ENGINE - 4.0L POWER TECH I-6 | DG4 = TRANSMISSION-MULTI-SPEED AUTO, 45RFE |
| P = Limited | J = JEEP - 4WD | | EVA = ENGINE- 4.7L V8 MPI | DGW = TRANSMISSION - 4-SPD. AUTOMATIC,44RE |
| | U = JEEP - 4WD (RHD) | | EXA = ENGINE - 3.1L 5 CYL TURBO DIESEL | DGK = TRANSMISSION - 4-SPD. AUTOMATIC,42RE |
| | | | | DGO = ALL AUTOMATIC TRANSMISSIONS |

AR = use ase required - = Non illustrated part

OVERHAUL 45RFE [DG4]
Figure 45RFE-1304

| ITEM | PART NUMBER | QTY | LINE | SERIES | BODY | ENGINE | TRANS | TRIM | DESCRIPTION |
|------|-------------|-----|------|--------|------|--------|-------|------|-------------|
|------|-------------|-----|------|--------|------|--------|-------|------|-------------|

NOTES: Sales Codes
[DG4] 45RFE Multi Speed Automatic Transmission

| | | | | | | | | | |
|---|------------|---|------|--|--|--|-----|--|---|
| 1 | 05014221AD | 1 | J, U | | | | DG4 | | OVERHAUL PACKAGE, Transmission 52119099 |
| | | 1 | T | | | | DG4 | | 52119098 |

O/H seal/gasket package

05014221ac

1

| | | |
|------|--------------------------------|--|
| | 2&4 clutch package | |
| | Input clutch package | |
| | L/R clutch package | |
| | Sump filter & seal package | |
| | Cooler filter | |
| | fill tube sea | |
| | Frt pmp cover o-ring/seal assy | |
| | Rotating shaft seal,pmp hsg | |
| | Adapter seal, 4x4 | |
| | Extension seal,4x2 | |
| | Manual lever seal | |
| (2) | Speed sensor seal | |
| | Reaction supt ring seal | |
| | Rev O/D clutch filter | |
| (10) | Accumulator ring seal | |
| (3) | Valve body seal | |
| | Check valve o-ring | |
| | Solenoid insulator seal | |
| | T/C seal | |

GRAND CHEROKEE (WJ)

SERIES LINE
H = Laredo T = JEEP - 2WD
P = Limited J = JEEP - 4WD
U = JEEP - 4WD (RHD)

BODY
74 = 4 Door (105.9 WB)

ENGINE
ERH = ENGINE - 4.0L
POWER TECH I-6
EVA = ENGINE- 4.7L V8 MPI
EXA = ENGINE - 3.1L 5 CYL
TURBO DIESEL

TRANSMISSION
DG4 = TRANSMISSION-MULTI-
SPEED AUTO, 45RFE
DGW = TRANSMISSION - 4-SPD.
AUTOMATIC,44RE
DGK = TRANSMISSION - 4-SPD.
AUTOMATIC,42RE
DGO = ALL AUTOMATIC
TRANSMISSIONS

AR = use ase required - = Non illustrated part

2000 WJ

Input Clutch 45RFE [DG4]

Figure 45RFE-1305

INPUT CLUTCH PACKAGE **05013090aa**

| | |
|-----|---|
| | O-ring, large (2.62mm x 79.84 ID,gm) |
| | O-ring, small (2.62mm x 70.56 ID,red) |
| (2) | Seal, internal lip |
| (2) | Ring seal, I-shaft |
| | O-ring, piston inner (2.62mm x 93.54 ID) |
| (5) | Plate, clutch separator (1.74mm thk) |
| (4) | Disc assy, clutch (u/d clutch) |
| (4) | Disc assy, clutch (o/d clutch) |
| (3) | PLate, clutch separator (2.21mm thk, O/D) |
| (2) | Disc assy, clutch (rev clutch) |
| | Snap ring,tapered, internal butterfly end |
| | Snap ring, flat (1.5/1.6 thk) |
| | Snap ring, flat (1.80/1.90 thk) |
| | Snap ring, flat (2.15/2.25 thk) |
| | Piston & seal, underdrive |
| | Piston & seal, underdrive balance |

1

| ITEM | PART NUMBER | QTY | LINE | SERIES | BODY | ENGINE | TRANS | TRIM | DESCRIPTION |
|------|-------------|-----|------|--------|------|--------|-------|------|---|
| 1 | 05013090AA | 1 | J, U | | | | DG4 | | CLUTCH PACKAGE, Automatic Transmission, Input 52119099 |
| | | 1 | T | | | | DG4 | | 52119098 |

NOTES: Sales Codes
[DG4] = 45RFE Multi Speed Automatic Transmission

GRAND CHEROKEE (WJ)

SERIES LINE
H = Laredo T = JEEP - 2WD
P = Limited J = JEEP - 4WD
 U = JEEP - 4WD (RHD)

BODY
74 = 4 Door (105.9 WB)

ENGINE
ERH = ENGINE - 4.0L
POWER TECH I-6
EVA = ENGINE- 4.7L V8 MPI
EXA = ENGINE - 3.1L 5 CYL
TURBO DIESEL

TRANSMISSION
DG4 = TRANSMISSION-MULTI-
SPEED AUTO, 45RFE
DGW = TRANSMISSION - 4-SPD.
AUTOMATIC,44RE
DGK = TRANSMISSION - 4-SPD.
AUTOMATIC,42RE
DGO = ALL AUTOMATIC
TRANSMISSIONS

AR = use ase required - = Non illustrated part

2000 WJ

**Planetary Plate 45RFE [DG4]
Figure 45RFE-1306**

| ITEM | PART NUMBER | QTY | LINE | SERIES | BODY | ENGINE | TRANS | TRIM | DESCRIPTION |
|------|-------------|-----|------|--------|------|--------|-------|------|-------------|
|------|-------------|-----|------|--------|------|--------|-------|------|-------------|

NOTES: Sales Codes
[DG4] = 45RFE Multi Speed Automatic Transmission

SELECTIVE THRUST PLATES

PLANETARY THRUST PLATE PKG 05013092aa

| | | |
|--|-------------------------|-------------|
| | Thrust plate, planetary | 1.62 / 1.75 |
| | Thrust plate, planetary | 1.81 / 1.94 |
| | Thrust plate, planetary | 1.96 / 2.09 |
| | Thrust plate, planetary | 2.11 / 2.24 |
| | Thrust plate, planetary | 2.26 / 2.39 |
| | Thrust plate, planetary | 2.41 / 2.54 |
| | Thrust plate, planetary | 2.56 / 2.69 |
| | Thrust plate, planetary | 2.71 / 2.84 |
| | Thrust plate, planetary | 2.86 / 2.99 |
| | Thrust plate, planetary | 3.01 / 3.14 |
| | Thrust plate, planetary | 3.16 / 3.29 |
| | Thrust plate, planetary | 3.31 / 3.44 |
| | Thrust plate, planetary | 3.46 / 3.59 |
| | Thrust plate, planetary | 3.61 / 3.74 |
| | Thrust plate, planetary | 3.76 / 3.89 |
| | Thrust plate, planetary | 3.91 / 4.04 |
| | Thrust plate, planetary | 4.06 / 4.19 |
| | Thrust plate, planetary | 4.21 / 4.34 |
| | Thrust plate, planetary | 4.36 / 4.49 |

| | | | | | | | | | |
|---|------------|---|------|--|--|--|-----|--|---|
| 1 | 05013092AA | 1 | J, U | | | | DG4 | | PLATE PACKAGE, Planetary Thrust 52119099 |
| | | 1 | T | | | | DG4 | | 52119098 |

GRAND CHEROKEE (WJ)

| | | | | |
|-------------|----------------------|------------------------|---|--|
| SERIES | LINE | BODY | ENGINE | TRANSMISSION |
| H = Laredo | T = JEEP - 2WD | 74 = 4 Door (105.9 WB) | ERH = ENGINE - 4.0L POWER TECH I-6 | DG4 = TRANSMISSION-MULTI- SPEED AUTO, 45RFE |
| P = Limited | J = JEEP - 4WD | | EVA = ENGINE- 4.7L V8 MPI | DGW = TRANSMISSION - 4-SPD. AUTOMATIC,44RE |
| | U = JEEP - 4WD (RHD) | | EXA = ENGINE - 3.1L 5 CYL TURBO DIESEL | DGK = TRANSMISSION - 4-SPD. AUTOMATIC,42RE |
| | | | | DGO = ALL AUTOMATIC TRANSMISSIONS |

AR = use ase required - = Non illustrated part

2000 WJ

2&4 Clutch [DG4]
Figure 45RFE-1310

| ITEM | PART NUMBER | QTY | LINE | SERIES | BODY | ENGINE | TRANS | TRIM | DESCRIPTION |
|------|-------------|-----|------|--------|------|--------|-------|------|-------------|
|------|-------------|-----|------|--------|------|--------|-------|------|-------------|

NOTES: Sales Codes
[DG4] = 45RFE Multi Speed Automatic Transmission

| | | | | | | | | | |
|---|------------|---|------|--|--|--|-----|--|---|
| 1 | | | | | | | | | CLUTCH PACKAGE, Automatic Transmission, 2/4 |
| | 05013087AA | 1 | J, U | | | | DG4 | | 52119099 |
| | | 1 | T | | | | DG4 | | 52119098 |

2&4 CLUTCH PACKAGE 05013087aa

| | |
|-----|--------------------------------------|
| (2) | Disc assy, clutch (2nd clutch) |
| (2) | Plate, clutch separator |
| | D-ring, external (2nd outer) |
| | D-ring, internal (2nd inner) |
| | D-ring, internal (4th outer) |
| | D-ring, internal (4th inner) |
| (3) | Plate, clutch separator (4th clutch) |
| (3) | Disc assy, clutch (4th clutch) |
| | Snap ring (4th, 1.74/1.84 thk) |
| | Snap ring (4th, 2.15/2.25 thk) |
| | Snap ring (4th, 2.56/2.66 thk) |

GRAND CHEROKEE (WJ)

| | |
|-------------|----------------------|
| SERIES | LINE |
| H = Laredo | T = JEEP - 2WD |
| P = Limited | J = JEEP - 4WD |
| | U = JEEP - 4WD (RHD) |

BODY
74 = 4 Door (105.9 WB)

ENGINE
ERH = ENGINE - 4.0L
POWER TECH I-6
EVA = ENGINE- 4.7L V8 MPI
EXA = ENGINE - 3.1L 5 CYL
TURBO DIESEL

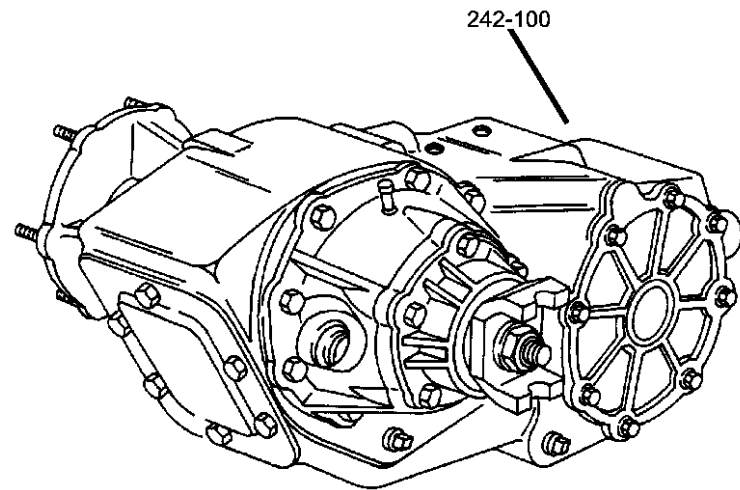
TRANSMISSION
DG4 = TRANSMISSION-MULTI-
SPEED AUTO, 45RFE
DGW = TRANSMISSION - 4-SPD.
AUTOMATIC,44RE
DGK = TRANSMISSION - 4-SPD.
AUTOMATIC,42RE
DGO = ALL AUTOMATIC
TRANSMISSIONS

AR = use ase required - = Non illustrated part

2000 WJ

Group - 242

Transfer Case Model 242 [DHC, DHP]



Group - 242 Transfer Case Model 242 [DHC, DHP]

Illustration Title

Group-Fig. No.

Transfer Case Assembly

Transfer Case Select Trac [DHP] Fig. 242 - 110

Case and Related Parts

Case and Related Parts Select Trac [DHP] Fig. 242 - 210

Gear Train

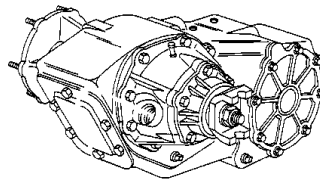
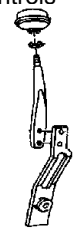
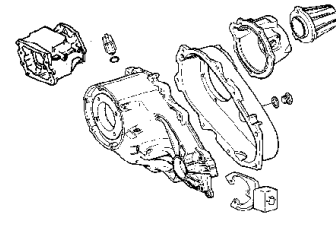
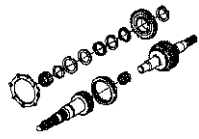
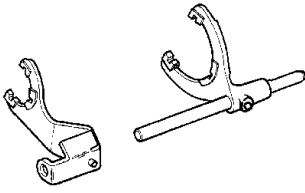
Gear Train Select Trac [DHP] Fig. 242 - 410

Fork and Rails

Fork and Rails Select Trac [DHP] Fig. 242 - 910

Gearshift Controls

Gearshift Controls Select Trac [DHP] Fig. 242 - 1210

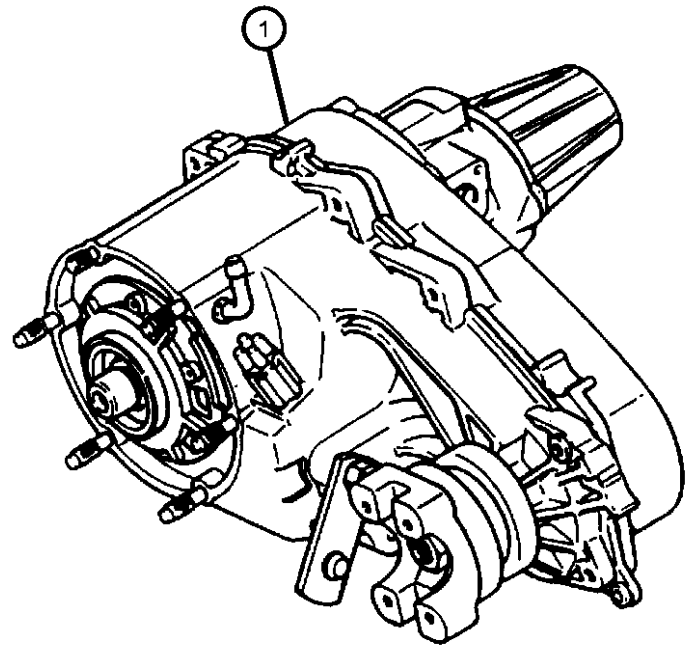
| | | | |
|---|---|---|--|
| <p>242-100 Transfer Case Assembly</p>  | <p>242-1200 Gearshift Controls</p>  | <p>242-200 Case and Related Parts</p>  | <p>242-400 Gear Train</p>  |
| <p>242-900 Fork and Rails</p>  | | | |

**Transfer Case Select Trac [DHP]
Figure 242-110**

| ITEM | PART NUMBER | QTY | LINE | SERIES | BODY | ENGINE | TRANS | TRIM | DESCRIPTION |
|------|-------------|-----|------|--------|------|--------|-------|------|-------------|
|------|-------------|-----|------|--------|------|--------|-------|------|-------------|

NOTES: Sales Codes
 [ER0] = All 4.0L 6 Cylinder Gas Engines
 [EV0] = All 4.7L Gas Engines

| | | | | | | | | | |
|---|------------|---|------|--|--|-----|--|--|----------------------|
| 1 | | | | | | | | | TRANSFER CASE, NP242 |
| | 52098875AC | 1 | J, U | | | ER0 | | | |
| | 52111004AA | 1 | J, U | | | EV0 | | | |



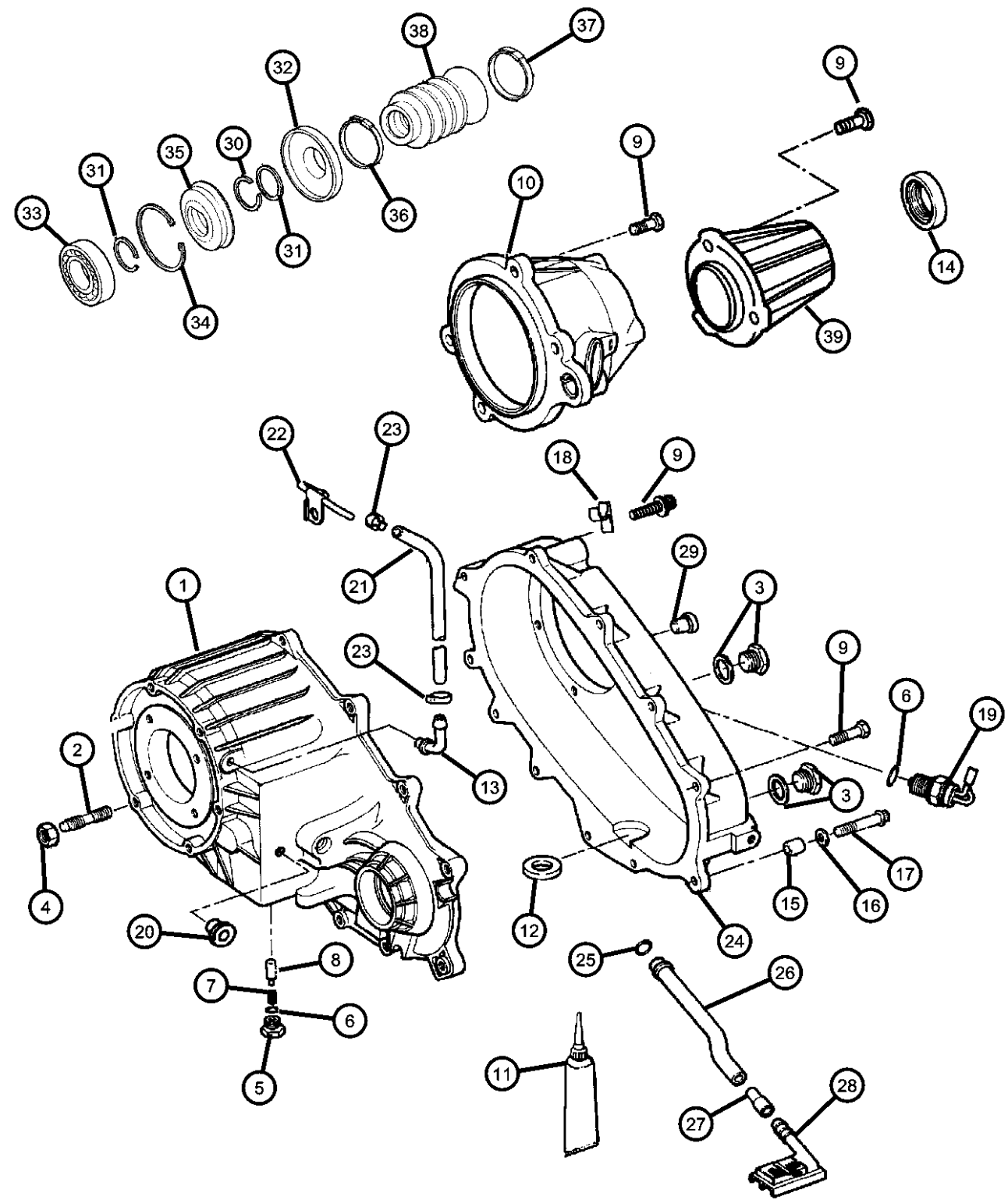
GRAND CHEROKEE (WJ)

| | | | | |
|-------------|----------------------|------------------------|---------------------------|-----------------------------|
| SERIES | LINE | BODY | ENGINE | TRANSMISSION |
| H = Laredo | T = JEEP - 2WD | 74 = 4 Door (105.9 WB) | ERH = ENGINE - 4.0L | DG4 = TRANSMISSION-MULTI- |
| P = Limited | J = JEEP - 4WD | | POWER TECH I-6 | SPEED AUTO, 45RFE |
| | U = JEEP - 4WD (RHD) | | EVA = ENGINE- 4.7L V8 MPI | DGW = TRANSMISSION - 4-SPD. |
| | | | EXA = ENGINE - 3.1L 5 CYL | AUTOMATIC,44RE |
| | | | TURBO DIESEL | DGK = TRANSMISSION - 4-SPD. |
| | | | | AUTOMATIC,42RE |
| | | | | DGO = ALL AUTOMATIC |
| | | | | TRANSMISSIONS |

AR = use ase required - = Non illustrated part

2000 WJ

**Case and Related Parts Select Trac [DHP]
Figure 242-210**



| ITEM | PART NUMBER | QTY | LINE | SERIES | BODY | ENGINE | TRANS | TRIM | DESCRIPTION |
|------|-------------|-----|------|--------|------|--------|-------|------|-------------|
|------|-------------|-----|------|--------|------|--------|-------|------|-------------|

NOTES: Sales Codes

[DGK] = 42RE Automatic Transmission

[DGW] = 44RE 4 Speed Automatic Transmission

[ER0] = All 4.0L 6 Cylinder Gas Engines

[EV0] = All 4.7L Gas Engines

| | | | | | | | | | |
|----|------------|----|------|--|--|-----|--|--|---------------------------------------|
| 1 | | | | | | | | | CASE, Transfer Front |
| | 05014045AA | 1 | J, U | | | EVO | | | |
| | | 1 | J, U | | | ER0 | | | |
| 2 | | | | | | | | | STUD |
| | 04505365 | 6 | J, U | | | ER0 | | | |
| | 05012310AA | 6 | J, U | | | EVO | | | |
| 3 | | | | | | | | | PLUG, Oil Fill |
| | 04856641 | 2 | J, U | | | EVO | | | |
| | | 2 | J, U | | | ER0 | | | |
| 4 | J4006681 | 6 | J, U | | | | | | NUT AND CONED WASHER, Hex, .375-24 |
| 5 | | | | | | | | | SCREW |
| | 04886473AA | 1 | J, U | | | EVO | | | |
| | | 1 | J, U | | | ER0 | | | |
| 6 | | | | | | | | | SEAL, Vacuum Switch |
| | 04338956 | 2 | J, U | | | EVO | | | |
| | | 2 | J, U | | | ER0 | | | |
| 7 | | | | | | | | | SPRING, Poppet Plunger |
| | 05003445AA | 1 | J, U | | | EVO | | | |
| | | 1 | J, U | | | ER0 | | | |
| 8 | | | | | | | | | PLUNGER |
| | 05003444AA | 1 | J, U | | | EVO | | | |
| | | 1 | J, U | | | ER0 | | | |
| 9 | 04210617 | 16 | J, U | | | ER0 | | | BOLT, Transfer Case |
| 10 | | | | | | | | | RETAINER, Transfer Case Rear |
| | 05003456AA | 1 | J, U | | | EVO | | | |
| | 05012347AA | 1 | J, U | | | ER0 | | | |
| 11 | | | | | | | | | SEALANT, RTV |
| | 04318025 | 1 | J, U | | | EVO | | | |

GRAND CHEROKEE (WJ)

SERIES

H = Laredo
P = Limited

LINE

T = JEEP - 2WD
J = JEEP - 4WD
U = JEEP - 4WD (RHD)

BODY

74 = 4 Door (105.9 WB)

ENGINE

ERH = ENGINE - 4.0L
POWER TECH I-6
EVA = ENGINE - 4.7L V8 MPI
EXA = ENGINE - 3.1L 5 CYL
TURBO DIESEL

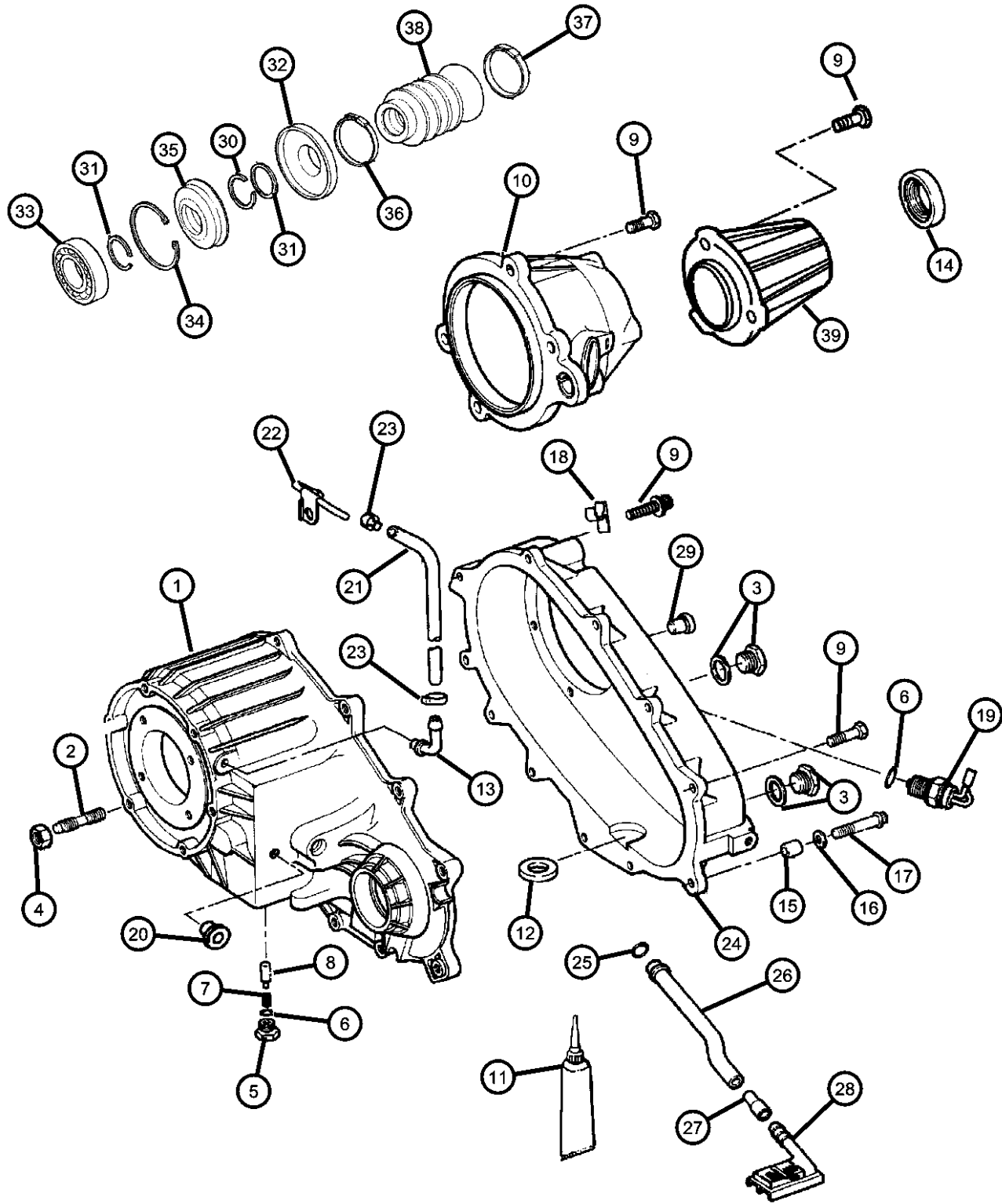
TRANSMISSION

DG4 = TRANSMISSION-MULTI-
SPEED AUTO, 45RFE
DGW = TRANSMISSION - 4-SPD.
AUTOMATIC, 44RE
DGK = TRANSMISSION - 4-SPD.
AUTOMATIC, 42RE
DGO = ALL AUTOMATIC
TRANSMISSIONS

AR = use ase required - = Non illustrated part

2000 WJ

**Case and Related Parts Select Trac [DHP]
Figure 242-210**



| ITEM | PART NUMBER | QTY | LINE | SERIES | BODY | ENGINE | TRANS | TRIM | DESCRIPTION |
|------|-------------|-----|------|--------|------|--------|-------|------|-----------------------------------|
| 12 | 05010884AA | 1 | | | | | | | MAGNET, Transmission |
| | 03681601 | 1 | J, U | | | EVO | | | |
| | | 1 | J, U | | | ER0 | | | |
| 13 | 04796910 | 1 | J, U | | | EVO | | | VENT, Transfer Case |
| | | 1 | J, U | | | ER0 | | | |
| 14 | 04798117 | 1 | J, U | | | ER0 | | | SEAL, Output Shaft |
| | 05003419AA | 1 | J, U | | | EVO | | | |
| 15 | 04116310 | 2 | J, U | | | EVO | | | DOWEL, Transfer Case |
| | | 2 | J, U | | | ER0 | | | |
| 16 | 04210983 | 2 | J, U | | | EVO | | | WASHER, Flat |
| | | 2 | J, U | | | ER0 | | | |
| 17 | 04210614 | 2 | J, U | | | ER0 | | | BOLT, Hex Flange Head |
| 18 | 52118181 | 1 | J, U | | | | DGK | | CLIP |
| | | 1 | J, U | | | | DGW | | |
| 19 | 56006755 | 1 | J, U | | | EVO | | | SWITCH, Transfer Case Mode |
| | | 1 | J, U | | | ER0 | | | |
| 20 | 00015105 | 1 | J, U | | | EVO | | | PLUG, Transmission Case |
| | | 1 | J, U | | | ER0 | | | |
| 21 | 04443176 | AR | | | | ER0 | | | HOSE, Fuel, .31 I.D. 50 Foot Roll |
| 22 | 53007494 | 1 | J, U | | | | | | VENT, Transfer Case |
| 23 | 06502081 | 2 | J, U | | | | | | CLAMP, Oil Cooler Line |
| 24 | 04886373AA | 1 | J, U | | | ER0 | | | CASE, Transfer Case Rear |
| | 05013858AA | 1 | J, U | | | EVO | | | |

GRAND CHEROKEE (WJ)
 SERIES LINE
 H = Laredo T = JEEP - 2WD
 P = Limited J = JEEP - 4WD
 U = JEEP - 4WD (RHD)

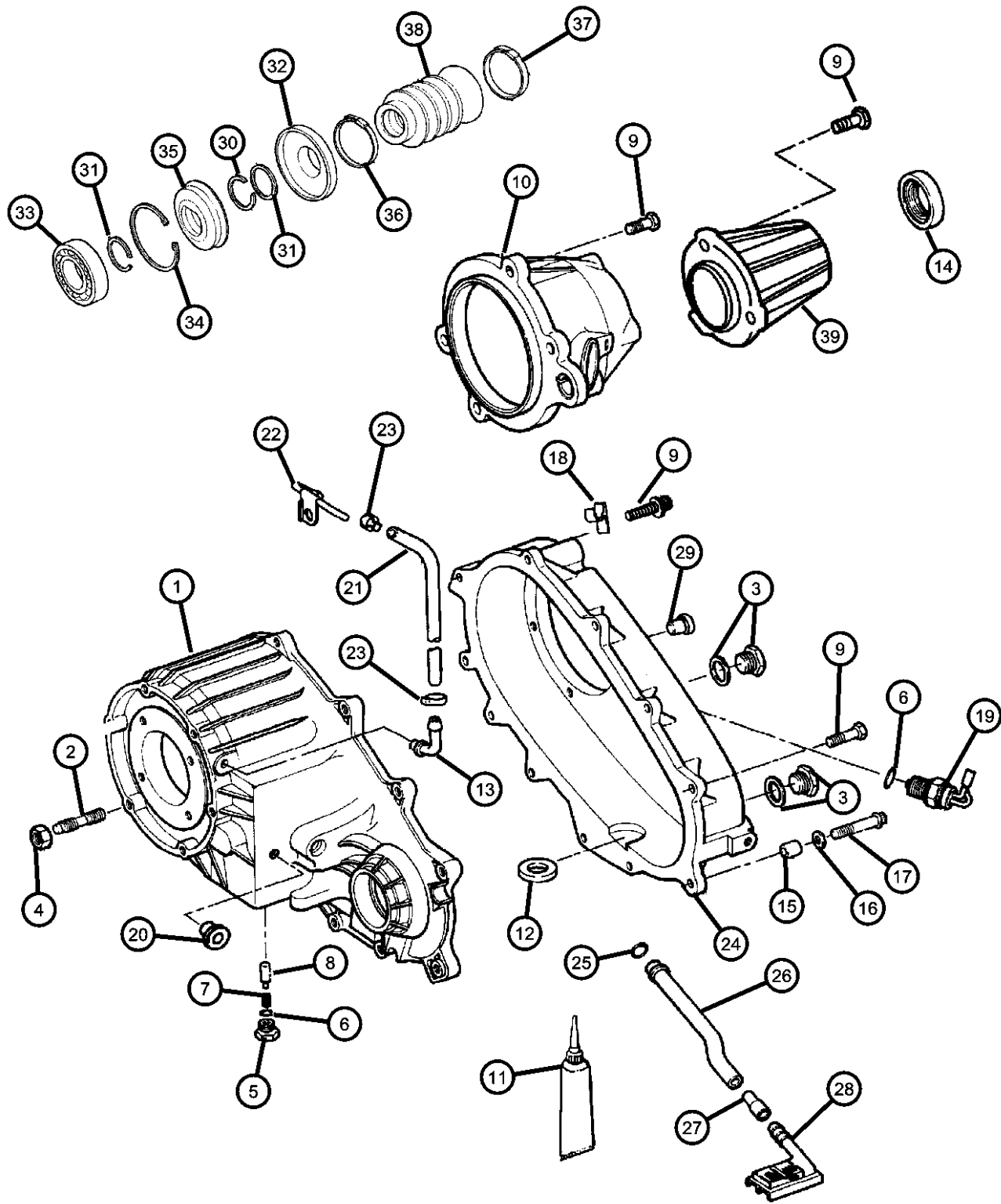
BODY
 74 = 4 Door (105.9 WB)

ENGINE
 ERH = ENGINE - 4.0L POWER TECH I-6
 EVA = ENGINE- 4.7L V8 MPI
 EXA = ENGINE - 3.1L 5 CYL TURBO DIESEL

TRANSMISSION
 DG4 = TRANSMISSION-MULTI-SPEED AUTO, 45RFE
 DGW = TRANSMISSION - 4-SPD. AUTOMATIC, 44RE
 DGK = TRANSMISSION - 4-SPD. AUTOMATIC, 42RE
 DGO = ALL AUTOMATIC TRANSMISSIONS

AR = use ase required - = Non illustrated part

Case and Related Parts Select Trac [DHP]
Figure 242-210



| ITEM | PART NUMBER | QTY | LINE | SERIES | BODY | ENGINE | TRANS | TRIM | DESCRIPTION |
|------|-------------|-----|------|--------|------|--------|-------|------|-------------------------------------|
| 25 | 04338942 | 1 | J, U | | | EVO | | | SEAL, Oil |
| | | 1 | J, U | | | ER0 | | | |
| 26 | 05003455AA | 1 | J, U | | | EVO | | | TUBE, Oil Pickup |
| | 83503523 | 1 | J, U | | | ER0 | | | |
| 27 | 04338944 | 1 | J, U | | | EVO | | | CONNECTOR, Oil Tube Pickup |
| | | 1 | J, U | | | ER0 | | | |
| 28 | 04338943 | 1 | J, U | | | EVO | | | FILTER, Transfer Case Oil |
| | | 1 | J, U | | | ER0 | | | |
| 29 | J8130979 | 1 | J, U | | | EVO | | | BOLT, Twelve Point Head, M10x1.5x48 |
| | | 3 | J, U | | | ER0 | | | |
| 30 | J8134488 | 2 | J, U | | | ER0 | | | SNAP RING |
| 31 | 04798118 | 1 | J, U | | | ER0 | | | WASHER |
| 32 | 05016615AA | 1 | J, U | | | ER0 | | | SLINGER, Oil |
| 33 | 04338892 | 1 | J, U | | | ER0 | | | BEARING |
| 34 | 04798116 | 1 | J, U | | | ER0 | | | SNAP RING |
| 35 | 04798117 | 1 | J, U | | | ER0 | | | SEAL, Output Shaft |
| 36 | 04798121 | 1 | J, U | | | ER0 | | | CLAMP, Boot |
| 37 | 04798122 | 1 | J, U | | | ER0 | | | CLAMP, Boot |
| 38 | 04798123 | 1 | J, U | | | ER0 | | | BOOT, Driveshaft |
| 39 | 05003457AA | 1 | J, U | | | EVO | | | EXTENSION, Transfer Case |

GRAND CHEROKEE (WJ)

SERIES LINE
H = Laredo T = JEEP - 2WD
P = Limited J = JEEP - 4WD
U = JEEP - 4WD (RHD)

BODY
74 = 4 Door (105.9 WB)

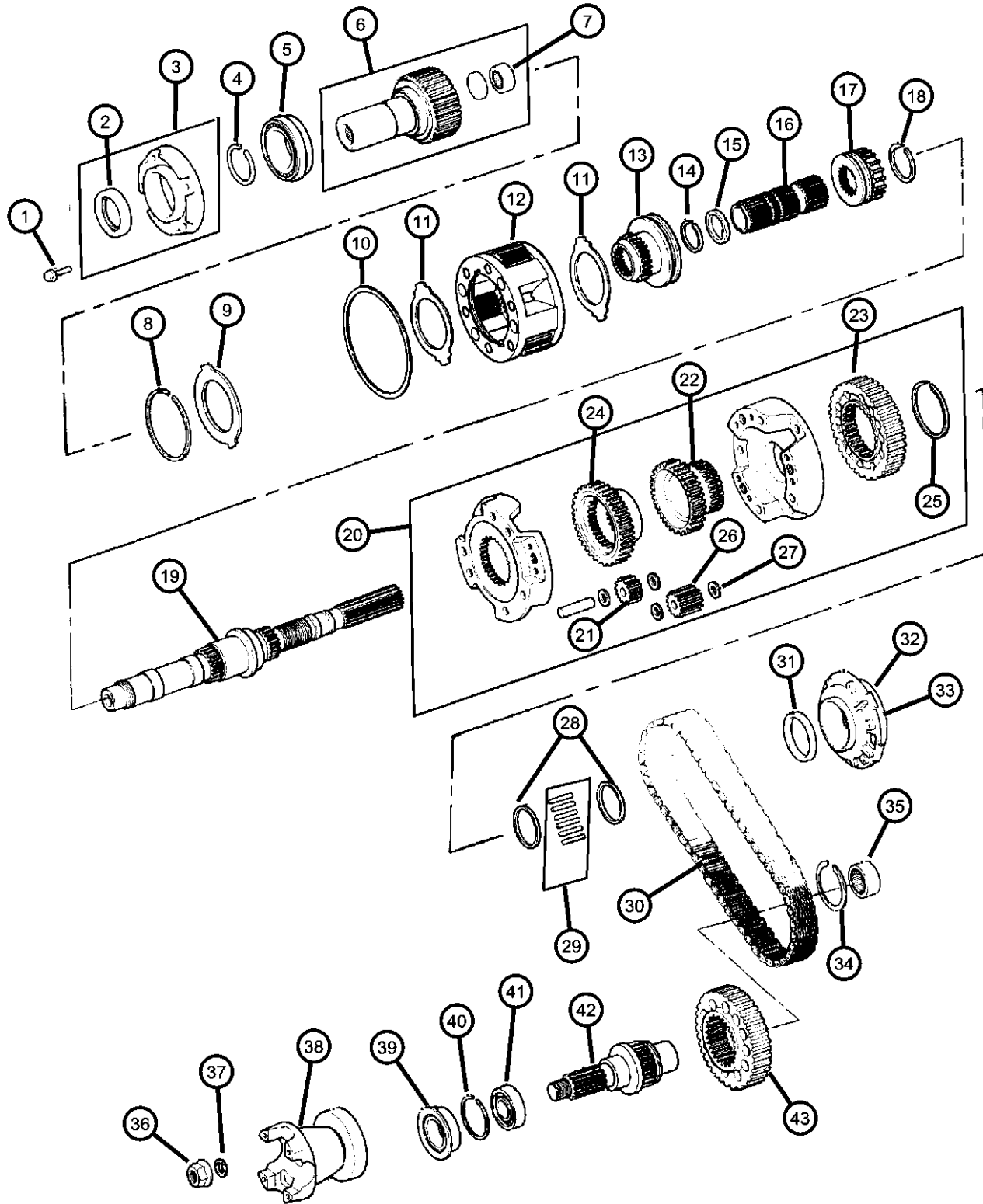
ENGINE
ERH = ENGINE - 4.0L
POWER TECH I-6
EVA = ENGINE- 4.7L V8 MPI
EXA = ENGINE - 3.1L 5 CYL
TURBO DIESEL

TRANSMISSION
DG4 = TRANSMISSION-MULTI-
SPEED AUTO, 45RFE
DGW = TRANSMISSION - 4-SPD.
AUTOMATIC,44RE
DGK = TRANSMISSION - 4-SPD.
AUTOMATIC,42RE
DGO = ALL AUTOMATIC
TRANSMISSIONS

AR = use ase required - = Non illustrated part

2000 WJ

**Gear Train Select Trac [DHP]
Figure 242-410**



| ITEM | PART NUMBER | QTY | LINE | SERIES | BODY | ENGINE | TRANS | TRIM | DESCRIPTION |
|------|-------------|-----|------|--------|------|--------|-------|------|-------------|
|------|-------------|-----|------|--------|------|--------|-------|------|-------------|

NOTES: Sales Codes
 [ER0] = All 4.0L 6 Cylinder Gas Engines
 [EV0] = All 4.7L Gas Engines

| | | | | | | | | | |
|----|------------|---|------|--|--|-----|--|--|----------------------------------|
| 1 | | | | | | | | | BOLT |
| | 06500318 | 4 | J, U | | | EV0 | | | |
| | | 4 | J, U | | | ER0 | | | |
| 2 | | | | | | | | | SEAL, Input Gear |
| | 04167929 | 1 | J, U | | | EV0 | | | |
| | | 1 | J, U | | | ER0 | | | |
| 3 | | | | | | | | | EXTENSION, Transfer Case |
| | 04338973 | 1 | J, U | | | EV0 | | | |
| | | 1 | J, U | | | ER0 | | | |
| 4 | | | | | | | | | SNAP RING |
| | 03821558 | 1 | J, U | | | EV0 | | | |
| | | 1 | J, U | | | ER0 | | | |
| 5 | | | | | | | | | BEARING, Input Gear |
| | 04746155 | 1 | J, U | | | EV0 | | | |
| | | 1 | J, U | | | ER0 | | | |
| 6 | 05003446AA | 1 | J, U | | | ER0 | | | GEAR, Input |
| 7 | | | | | | | | | BEARING, Input Shaft |
| | 83503507 | 1 | J, U | | | EV0 | | | |
| | | 1 | J, U | | | ER0 | | | |
| 8 | | | | | | | | | SNAP RING |
| | 04338910 | 1 | J, U | | | EV0 | | | |
| | | 1 | J, U | | | ER0 | | | |
| 9 | | | | | | | | | RING |
| | 04338909 | 1 | J, U | | | EV0 | | | |
| | | 1 | J, U | | | ER0 | | | |
| 10 | | | | | | | | | SNAP RING, Annulus Gear |
| | 04219065 | 1 | J, U | | | EV0 | | | |
| | | 1 | J, U | | | ER0 | | | |
| 11 | | | | | | | | | THRUST WASHER, Planetary Carrier |
| | 04338908 | 2 | J, U | | | EV0 | | | |

GRAND CHEROKEE (WJ)

SERIES LINE
 H = Laredo T = JEEP - 2WD
 P = Limited J = JEEP - 4WD
 U = JEEP - 4WD (RHD)

BODY
 74 = 4 Door (105.9 WB)

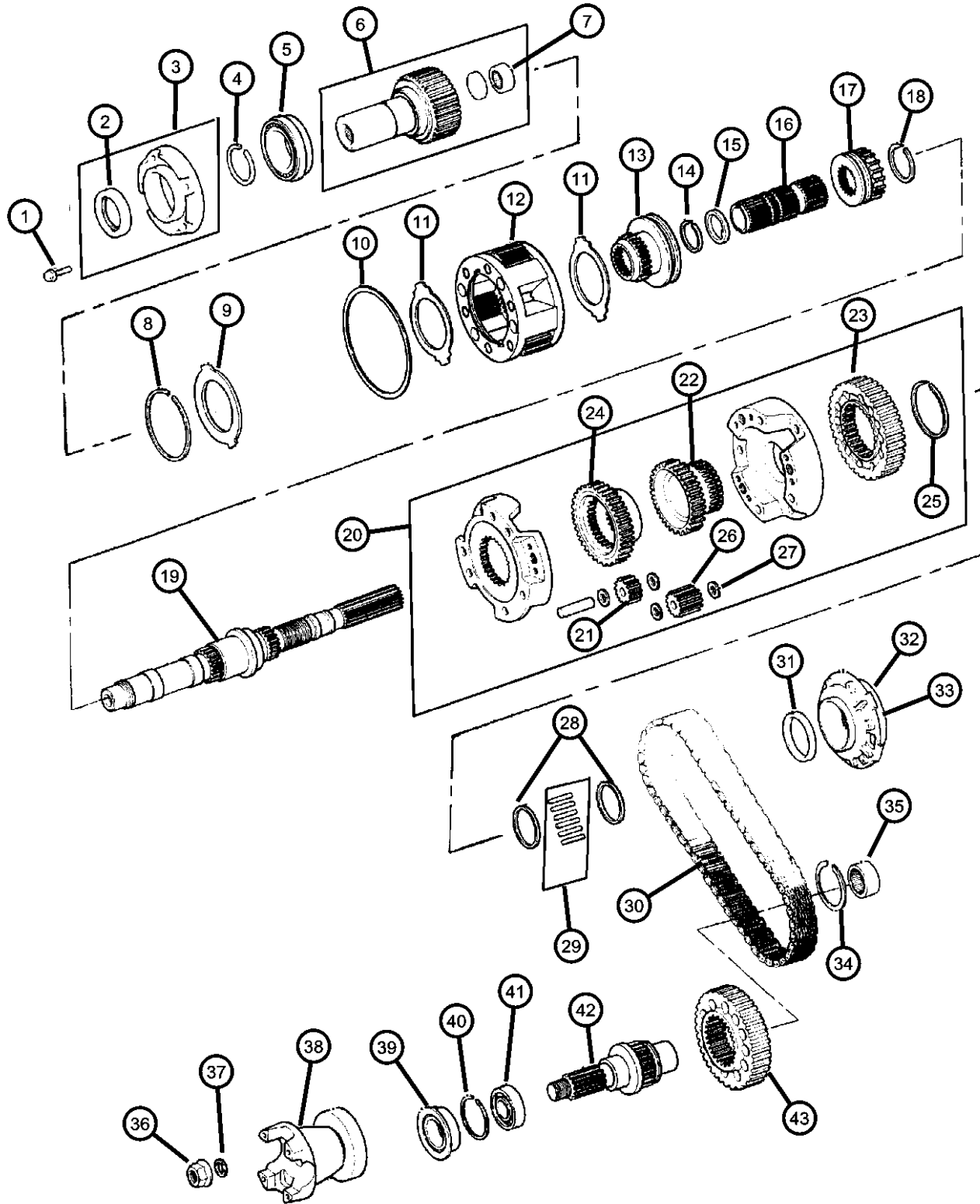
ENGINE
 ERH = ENGINE - 4.0L
 POWER TECH I-6
 EVA = ENGINE - 4.7L V8 MPI
 EXA = ENGINE - 3.1L 5 CYL
 TURBO DIESEL

TRANSMISSION
 DG4 = TRANSMISSION-MULTI-
 SPEED AUTO, 45RFE
 DGW = TRANSMISSION - 4-SPD.
 AUTOMATIC, 44RE
 DGK = TRANSMISSION - 4-SPD.
 AUTOMATIC, 42RE
 DGO = ALL AUTOMATIC
 TRANSMISSIONS

AR = use ase required - = Non illustrated part

2000 WJ

**Gear Train Select Trac [DHP]
Figure 242-410**



| ITEM | PART NUMBER | QTY | LINE | SERIES | BODY | ENGINE | TRANS | TRIM | DESCRIPTION |
|------|-------------|-----|------|--------|------|--------|-------|------|-----------------------------|
| 12 | | 2 | J, U | | | ER0 | | | GEAR, Low Range Planetary |
| | 04796903 | 1 | J, U | | | E0 | | | |
| | | 1 | J, U | | | ER0 | | | |
| 13 | 05003746AA | 1 | J, U | | | ER0 | | | SLEEVE, Shift Range |
| 14 | | 1 | J, U | | | ER0 | | | SNAP RING |
| | 83503540 | 1 | J, U | | | E0 | | | |
| | | 1 | J, U | | | ER0 | | | |
| 15 | | 1 | J, U | | | E0 | | | WASHER, Intermediate Sleeve |
| | 83503539 | 1 | J, U | | | E0 | | | |
| | | 1 | J, U | | | ER0 | | | |
| 16 | | 1 | J, U | | | E0 | | | SHAFT, Intermediate |
| | 04798277 | 1 | J, U | | | E0 | | | |
| | | 1 | J, U | | | ER0 | | | |
| 17 | | 1 | J, U | | | E0 | | | SLEEVE, Mode Synchronizer |
| | 83503542 | 1 | J, U | | | E0 | | | |
| | | 1 | J, U | | | ER0 | | | |
| 18 | | 1 | J, U | | | E0 | | | SNAP RING |
| | 83503537 | 1 | J, U | | | E0 | | | |
| | | 1 | J, U | | | ER0 | | | |
| 19 | | 1 | J, U | | | E0 | | | MAINSHAFT, Transfer Case |
| | 05003448AA | 1 | J, U | | | E0 | | | |
| | 05016614AA | 1 | J, U | | | ER0 | | | |
| 20 | | 1 | J, U | | | E0 | | | DIFFERENTIAL, Transfer Case |
| | 05003449AB | 1 | J, U | | | E0 | | | |
| | 83503529 | 1 | J, U | | | ER0 | | | |
| 21 | 83504170 | 3 | J, U | | | ER0 | | | GEAR, Planetary |
| 22 | | 1 | J, U | | | E0 | | | SPROCKET, Transfer Case |
| | 05003452AA | 1 | J, U | | | E0 | | | |
| | 83503530 | 1 | J, U | | | ER0 | | | |
| 23 | | 1 | J, U | | | E0 | | | SPROCKET, Transfer Case |
| | 05003452AA | 1 | J, U | | | E0 | | | |

GRAND CHEROKEE (WJ)

SERIES
H = Laredo
P = Limited

LINE
T = JEEP - 2WD
J = JEEP - 4WD
U = JEEP - 4WD (RHD)

BODY
74 = 4 Door (105.9 WB)

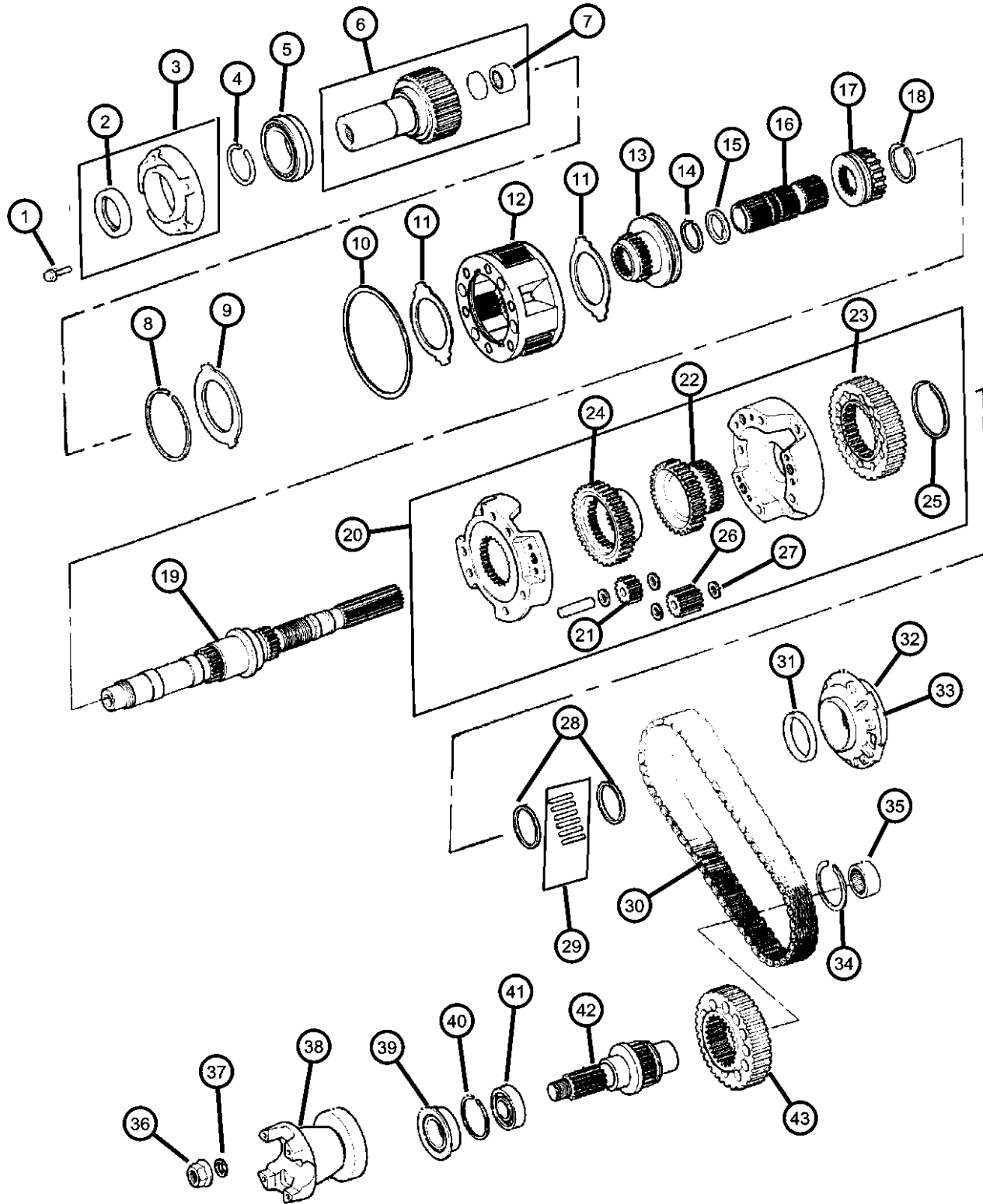
ENGINE
ERH = ENGINE - 4.0L
POWER TECH I-6
EVA = ENGINE - 4.7L V8 MPI
EXA = ENGINE - 3.1L 5 CYL
TURBO DIESEL

TRANSMISSION
DG4 = TRANSMISSION-MULTI-
SPEED AUTO, 45RFE
DGW = TRANSMISSION - 4-SPD.
AUTOMATIC, 44RE
DGK = TRANSMISSION - 4-SPD.
AUTOMATIC, 42RE
DGO = ALL AUTOMATIC
TRANSMISSIONS

AR = use ase required - = Non illustrated part

2000 WJ

**Gear Train Select Trac [DHP]
Figure 242-410**



| ITEM | PART NUMBER | QTY | LINE | SERIES | BODY | ENGINE | TRANS | TRIM | DESCRIPTION |
|------|-------------|-----|------|--------|------|--------|-------|------|--------------------------------|
| | 83503531 | 1 | J, U | | | ER0 | | | |
| 24 | 83503536 | 1 | J, U | | | ER0 | | | SPROCKET, Differential |
| 25 | 83503532 | 1 | J, U | | | ER0 | | | SNAP RING |
| 26 | 83504169 | 3 | J, U | | | ER0 | | | GEAR, Planetary |
| 27 | 83504168 | 12 | J, U | | | ER0 | | | WASHER, Differential Gear |
| 28 | | | | | | | | | SPACER, Sprocket |
| | 05003779AA | 2 | J, U | | | EVO | | | |
| | 83503533 | 2 | J, U | | | ER0 | | | |
| 29 | | | | | | | | | BEARING PACKAGE, Transfer Case |
| | 83503543 | 1 | J, U | | | EVO | | | |
| | | 1 | J, U | | | ER0 | | | |
| 30 | | | | | | | | | CHAIN, Transfer Case |
| | 05003453AA | 1 | J, U | | | EVO | | | |
| | 83504575 | 1 | J, U | | | ER0 | | | |
| 31 | 04210603 | 1 | J, U | | | ER0 | | | SEAL, Main Shaft |
| 32 | 04338936 | 1 | J, U | | | ER0 | | | PUMP, Transfer Case Oil |
| 33 | 04638896 | 1 | J, U | | | EVO | | | PUMP, Transfer Case Gear Rotor |
| 34 | | | | | | | | | SNAP RING, Bearing |
| | 04167991 | 1 | J, U | | | EVO | | | |
| | | 1 | J, U | | | ER0 | | | |
| 35 | | | | | | | | | BEARING, Output Shaft |
| | 04269189 | 1 | J, U | | | EVO | | | |
| | | 1 | J, U | | | ER0 | | | |
| 36 | | | | | | | | | NUT, Transfer Case Yoke |
| | 04167924 | 1 | J, U | | | EVO | | | |
| | | 1 | J, U | | | ER0 | | | |
| 37 | | | | | | | | | WASHER, Transfer Case Yoke |
| | 04210973 | 1 | J, U | | | EVO | | | |
| | | 1 | J, U | | | ER0 | | | |
| 38 | | | | | | | | | YOKE, Transfer Case |
| | 05012308AA | 1 | J, U | | | EVO | | | |
| | | 1 | J, U | | | ER0 | | | |

GRAND CHEROKEE (WJ)

SERIES
H = Laredo
P = Limited

LINE
T = JEEP - 2WD
J = JEEP - 4WD
U = JEEP - 4WD (RHD)

BODY
74 = 4 Door (105.9 WB)

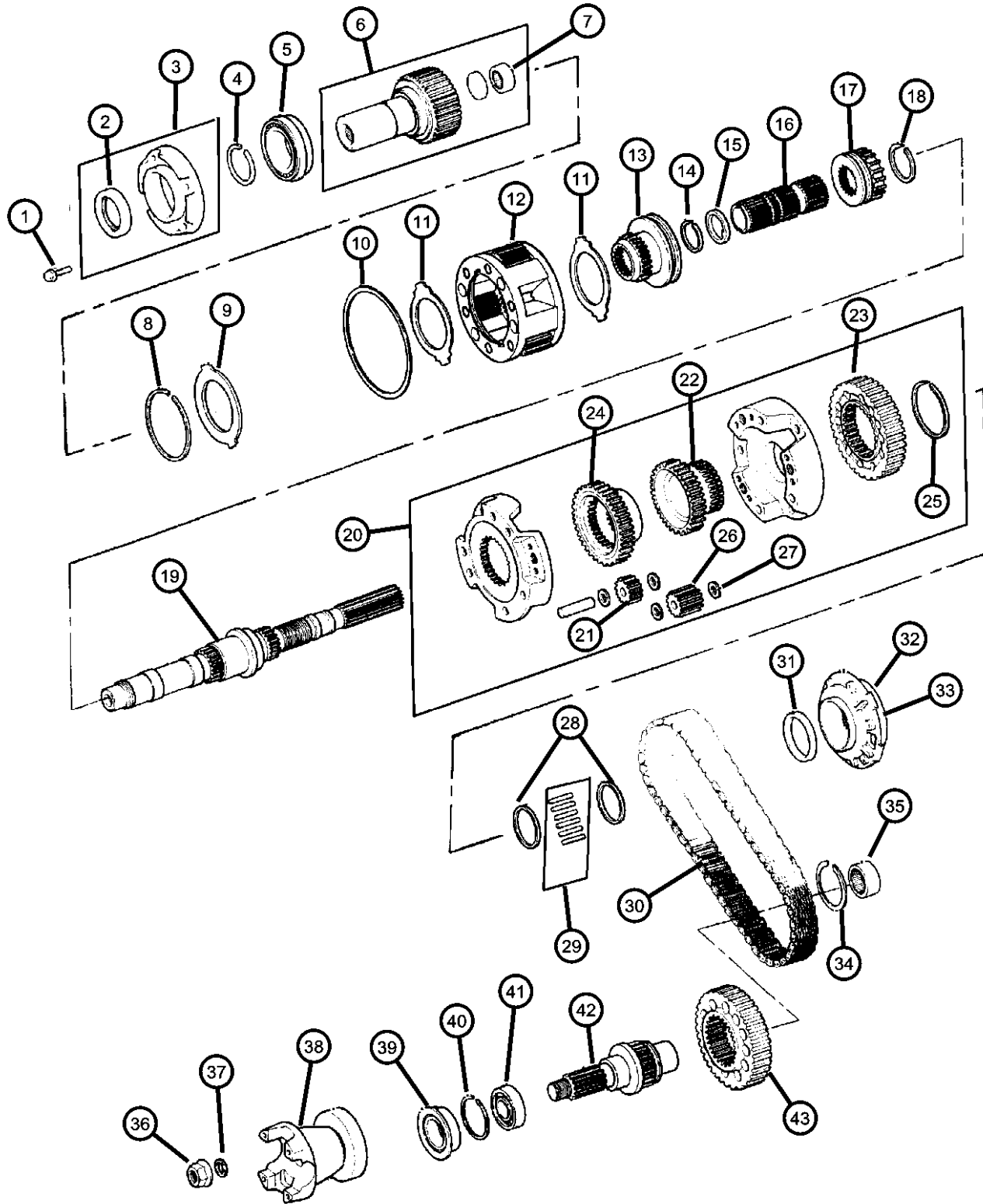
ENGINE
ERH = ENGINE - 4.0L
POWER TECH I-6
EVA = ENGINE - 4.7L V8 MPI
EXA = ENGINE - 3.1L 5 CYL
TURBO DIESEL

TRANSMISSION
DG4 = TRANSMISSION-MULTI-
SPEED AUTO, 45RFE
DGW = TRANSMISSION - 4-SPD.
AUTOMATIC, 44RE
DGK = TRANSMISSION - 4-SPD.
AUTOMATIC, 42RE
DGO = ALL AUTOMATIC
TRANSMISSIONS

AR = use ase required - = Non illustrated part

2000 WJ

**Gear Train Select Trac [DHP]
Figure 242-410**



| ITEM | PART NUMBER | QTY | LINE | SERIES | BODY | ENGINE | TRANS | TRIM | DESCRIPTION |
|------|-------------|-----|------|--------|------|--------|-------|------|-----------------------------|
| 39 | 04798125 | 1 | J, U | | | EVO | | | SEAL, Output Shaft |
| | | 1 | J, U | | | ER0 | | | |
| 40 | 0089331A | 1 | J, U | | | EVO | | | SNAP RING |
| | | 1 | J, U | | | ER0 | | | |
| 41 | 02466224 | 1 | J, U | | | EVO | | | BEARING, Output Shaft |
| | | 1 | J, U | | | ER0 | | | |
| 42 | 05012336AA | 1 | J, U | | | EVO | | | OUTPUT SHAFT, Transfer Case |
| | | 1 | J, U | | | ER0 | | | |
| 43 | 05003452AA | 1 | J, U | | | EVO | | | SPROCKET, Transfer Case |
| | 83503518 | 1 | J, U | | | ER0 | | | |

GRAND CHEROKEE (WJ)

SERIES LINE
H = Laredo T = JEEP - 2WD
P = Limited J = JEEP - 4WD
 U = JEEP - 4WD (RHD)

BODY
74 = 4 Door (105.9 WB)

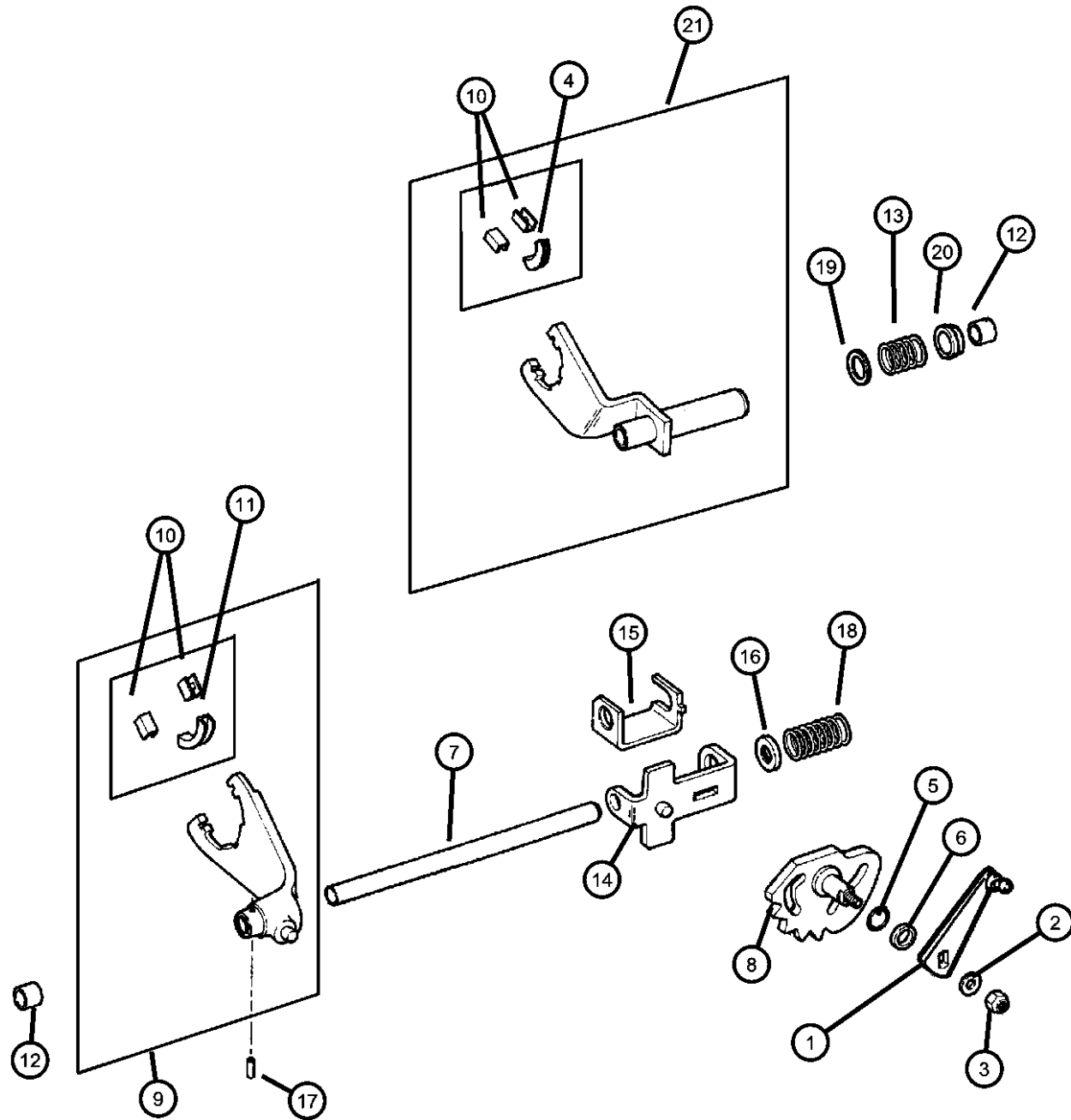
ENGINE
ERH = ENGINE - 4.0L
POWER TECH I-6
EVA = ENGINE- 4.7L V8 MPI
EXA = ENGINE - 3.1L 5 CYL
TURBO DIESEL

TRANSMISSION
DG4 = TRANSMISSION-MULTI-
SPEED AUTO, 45RFE
DGW = TRANSMISSION - 4-SPD.
AUTOMATIC, 44RE
DGK = TRANSMISSION - 4-SPD.
AUTOMATIC, 42RE
DGO = ALL AUTOMATIC
TRANSMISSIONS

AR = use ase required - = Non illustrated part

2000 WJ

Fork and Rails Select Trac [DHP]
Figure 242-910



| ITEM | PART NUMBER | QTY | LINE | SERIES | BODY | ENGINE | TRANS | TRIM | DESCRIPTION |
|---|-------------|-----|------|--------|------|--------|-------|------|------------------------------|
| NOTES: Sales Codes [ER0] = All 4.0L 6 Cylinder Gas Engines [EV0] = All 4.7L Gas Engines | | | | | | | | | |
| 1 | 05012307AA | 1 | J, U | | | EVO | | | LEVER, Transfer Case |
| | | 1 | J, U | | | ER0 | | | |
| 2 | S2436163 | 1 | J, U | | | ER0 | | | WASHER, Flat |
| 3 | 05014048AA | 1 | J, U | | | ER0 | | | BOLT, Hex Head |
| | | 1 | J, U | | | EVO | | | |
| 4 | 04338376 | 1 | J, U | | | EVO | | | PAD, Shift Fork |
| | | 1 | J, U | | | ER0 | | | |
| 5 | 05014046AA | 1 | J, U | | | EVO | | | SEAL, Sector Shaft |
| | | 1 | J, U | | | ER0 | | | |
| 6 | 05003442AA | 1 | J, U | | | EVO | | | BEARING, Shift Lever Linkage |
| | | 1 | J, U | | | ER0 | | | |
| 7 | 83504469 | 1 | J, U | | | EVO | | | RAIL, Transfer Case |
| | | 1 | J, U | | | ER0 | | | |
| 8 | 05014047AA | 1 | J, U | | | EVO | | | SECTOR, Transfer Case |
| | | 1 | J, U | | | ER0 | | | |
| 9 | 83503508 | 1 | J, U | | | EVO | | | FORK, Range |
| | | 1 | J, U | | | ER0 | | | |
| 10 | 04167969 | 2 | J, U | | | ER0 | | | PAD, Shift Fork |
| | | 2 | J, U | | | EVO | | | |
| 11 | 04167970 | 1 | J, U | | | EVO | | | PAD, Shift Fork |

GRAND CHEROKEE (WJ)

SERIES
H = Laredo
P = Limited

LINE
T = JEEP - 2WD
J = JEEP - 4WD
U = JEEP - 4WD (RHD)

BODY
74 = 4 Door (105.9 WB)

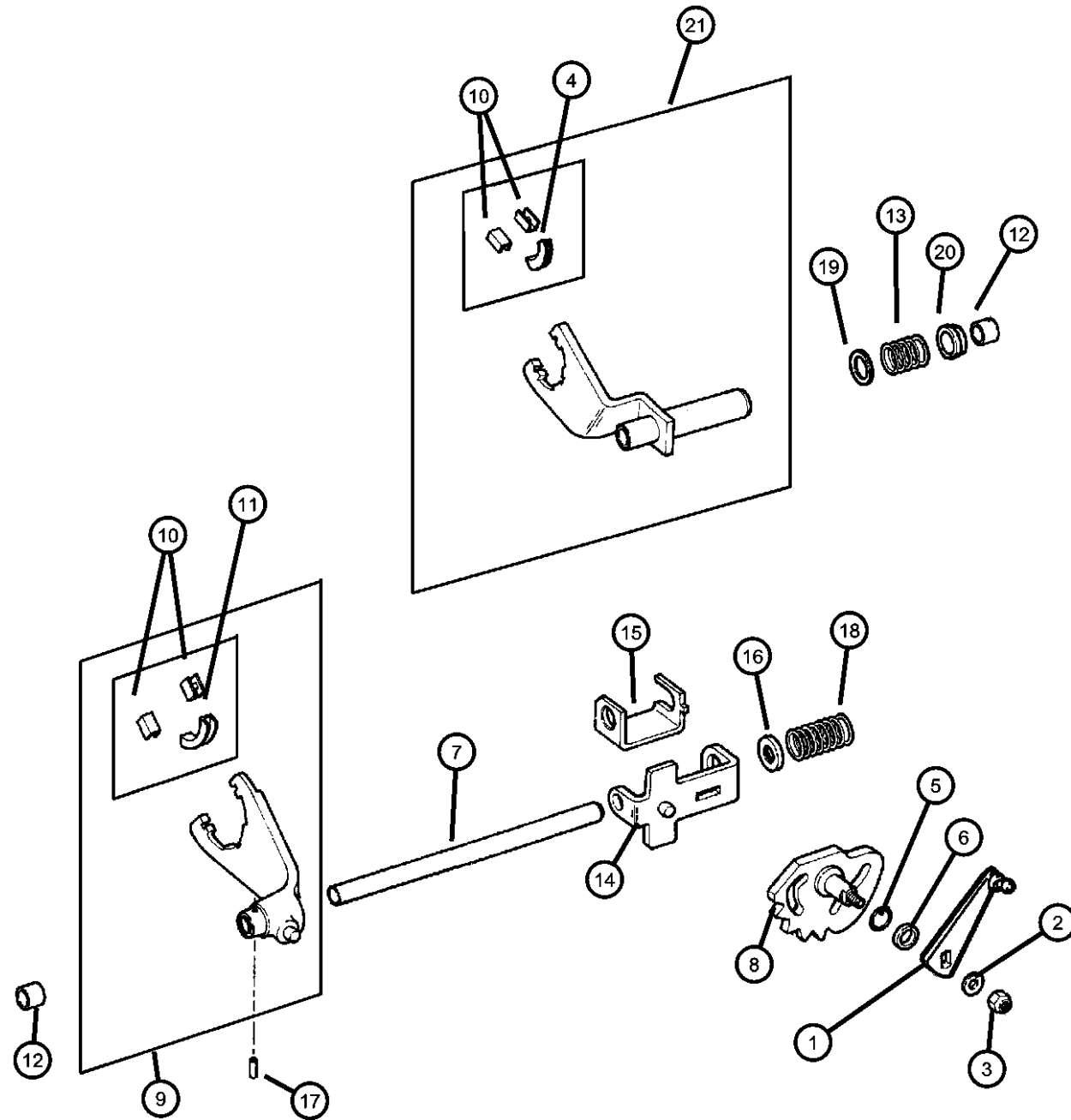
ENGINE
ERH = ENGINE - 4.0L
POWER TECH I-6
EVA = ENGINE - 4.7L V8 MPI
EXA = ENGINE - 3.1L 5 CYL
TURBO DIESEL

TRANSMISSION
DG4 = TRANSMISSION-MULTI-
SPEED AUTO, 45RFE
DGW = TRANSMISSION - 4-SPD.
AUTOMATIC, 44RE
DGK = TRANSMISSION - 4-SPD.
AUTOMATIC, 42RE
DGO = ALL AUTOMATIC
TRANSMISSIONS

AR = use ase required - = Non illustrated part

2000 WJ

Fork and Rails Select Trac [DHP]
Figure 242-910



| ITEM | PART NUMBER | QTY | LINE | SERIES | BODY | ENGINE | TRANS | TRIM | DESCRIPTION |
|------|-------------|-----|------|--------|------|--------|-------|------|--------------------------------|
| 12 | | 1 | J, U | | | ER0 | | | BUSHING, Shift Fork |
| | J8134291 | 2 | J, U | | | EVO | | | |
| | | 2 | J, U | | | ER0 | | | |
| 13 | | 1 | J, U | | | EVO | | | SPRING, Mode Shift Fork |
| | 83503513 | 1 | J, U | | | ER0 | | | |
| 14 | | 1 | J, U | | | ER0 | | | BRACKET, Shift Mode |
| | 83503510 | 1 | J, U | | | EVO | | | |
| | | 1 | J, U | | | ER0 | | | |
| 15 | | 1 | J, U | | | EVO | | | BRACKET, Shift Mode |
| | 83503511 | 1 | J, U | | | ER0 | | | |
| | | 1 | J, U | | | EVO | | | |
| 16 | | 1 | J, U | | | EVO | | | CUP, Shift Fork Spring |
| | 83503515 | 1 | J, U | | | ER0 | | | |
| | | 1 | J, U | | | EVO | | | |
| 17 | | 1 | J, U | | | EVO | | | PIN, Shift Fork |
| | 01664355 | 1 | J, U | | | ER0 | | | |
| | | 1 | J, U | | | EVO | | | |
| 18 | | 1 | J, U | | | EVO | | | SPRING, Mode Shift Fork |
| | 83503516 | 1 | J, U | | | ER0 | | | |
| | | 1 | J, U | | | EVO | | | |
| 19 | | 2 | J, U | | | EVO | | | WASHER, Flat |
| | 04210983 | 2 | J, U | | | ER0 | | | |
| | | 2 | J, U | | | EVO | | | |
| 20 | | 1 | J, U | | | EVO | | | BUSHING, Shift Rail |
| | 83503514 | 1 | J, U | | | ER0 | | | |
| | | 1 | J, U | | | EVO | | | |
| 21 | | 1 | J, U | | | EVO | | | FORK, Transfer Case Mode Shift |
| | 04638950 | 1 | J, U | | | ER0 | | | |
| | | 1 | J, U | | | EVO | | | |

GRAND CHEROKEE (WJ)

SERIES LINE
H = Laredo T = JEEP - 2WD
P = Limited J = JEEP - 4WD
U = JEEP - 4WD (RHD)

BODY
74 = 4 Door (105.9 WB)

ENGINE
ERH = ENGINE - 4.0L
POWER TECH I-6
EVA = ENGINE- 4.7L V8 MPI
EXA = ENGINE - 3.1L 5 CYL
TURBO DIESEL

TRANSMISSION
DG4 = TRANSMISSION-MULTI-
SPEED AUTO, 45RFE
DGW = TRANSMISSION - 4-SPD.
AUTOMATIC,44RE
DGK = TRANSMISSION - 4-SPD.
AUTOMATIC,42RE
DGO = ALL AUTOMATIC
TRANSMISSIONS

AR = use ase required - = Non illustrated part

2000 WJ

**Gearshift Controls Select Trac [DHP]
Figure 242-1210**

| ITEM | PART NUMBER | QTY | LINE | SERIES | BODY | ENGINE | TRANS | TRIM | DESCRIPTION |
|------|-------------|-----|------|--------|------|--------|-------|------|-------------|
|------|-------------|-----|------|--------|------|--------|-------|------|-------------|

NOTES: Sales Codes
 [DG0] = All Automatic Transmission
 [DGK] = 42RE Automatic Transmission
 [DGW] = 44RE 4 Speed Automatic Transmission
 [EX0] = All 3.0/3.1L Turbo Diesel Engine

| | | | | | | | | | |
|----|------------|---|------|--|--|--|-------------|--|--|
| 1 | | | | | | | | | HOUSING AND LEVER, Shifter |
| | 52104147 | 1 | T | | | | DG0 | | |
| | 52104149 | 1 | J | | | | DG0 | | |
| 2 | 05013117AA | 1 | J | | | | DG0 | | CONNECTOR, Wiring |
| 3 | 06101695 | 4 | | | | | | | NUT, Hex Flange Lock, M8x1.25 |
| 4 | 52104054 | 1 | | | | | DG0 | | CABLE, Park Interlock |
| 5 | 52104060 | 1 | | | | | DG0 | | CABLE, Gearshift Control |
| 6 | 52104218 | 1 | J, U | | | | DG0 | | CABLE, Gearshift Control |
| 7 | 04269830 | 2 | J, U | | | | | | CLIP, Cable |
| 8 | 52104219 | 1 | J, U | | | | DGK, DGW | | BRACKET, Torque Shaft |
| 9 | 06503119 | 4 | | | | | | | SCREW AND WASHER, Hex Head, M10x1.5x40 |
| 10 | 06101054 | 1 | J, U | | | | DGK, DGW | | BOLT AND WASHER, Hex Head, M10x1.5x40 |
| 11 | 00115984 | 1 | | | | | DGW | | NUT, Brake Line |
| 12 | 06503571 | 4 | | | | | | | SCREW AND WASHER, M10x1.50x35 |
| 13 | 52059302AA | 1 | J, U | | | | EX0 | | SKID PLATE, Front |

GRAND CHEROKEE (WJ)

| | |
|-------------|----------------------|
| SERIES | LINE |
| H = Laredo | T = JEEP - 2WD |
| P = Limited | J = JEEP - 4WD |
| | U = JEEP - 4WD (RHD) |

BODY
74 = 4 Door (105.9 WB)

ENGINE
 ERH = ENGINE - 4.0L
 POWER TECH I-6
 EVA = ENGINE- 4.7L V8 MPI
 EXA = ENGINE - 3.1L 5 CYL
 TURBO DIESEL

TRANSMISSION
 DG4 = TRANSMISSION-MULTI-
 SPEED AUTO, 45RFE
 DGW = TRANSMISSION - 4-SPD.
 AUTOMATIC, 44RE
 DGK = TRANSMISSION - 4-SPD.
 AUTOMATIC, 42RE
 DGO = ALL AUTOMATIC
 TRANSMISSIONS

AR = use ase required - = Non illustrated part

2000 WJ

Group - 247

Transfer Case Model 247 [DHF, DHQ]

Group - 247 Transfer Case Model 247 [DHF, DHQ]

Illustration Title

Group-Fig. No.

Transfer Case Assembly

Transfer Case Quadra Trac II on Demand [DHF]..... Fig. 247 - 110

Case and Related Parts

Case and Related Parts Quadra Trac II on Demand [DHF]..... Fig. 247 - 210

Gear Train

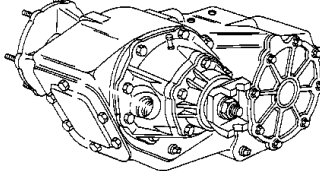

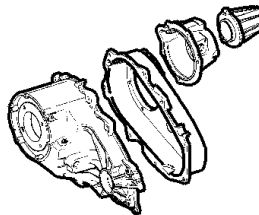
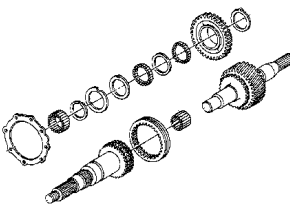
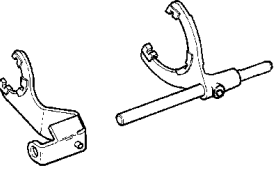
Gear Train Quadra Trac II on Demand [DHF]..... Fig. 247 - 410

Fork and Rails

Fork and Rails Quadra Trac II on Demand [DHF] Fig. 247 - 910

Gearshift Controls

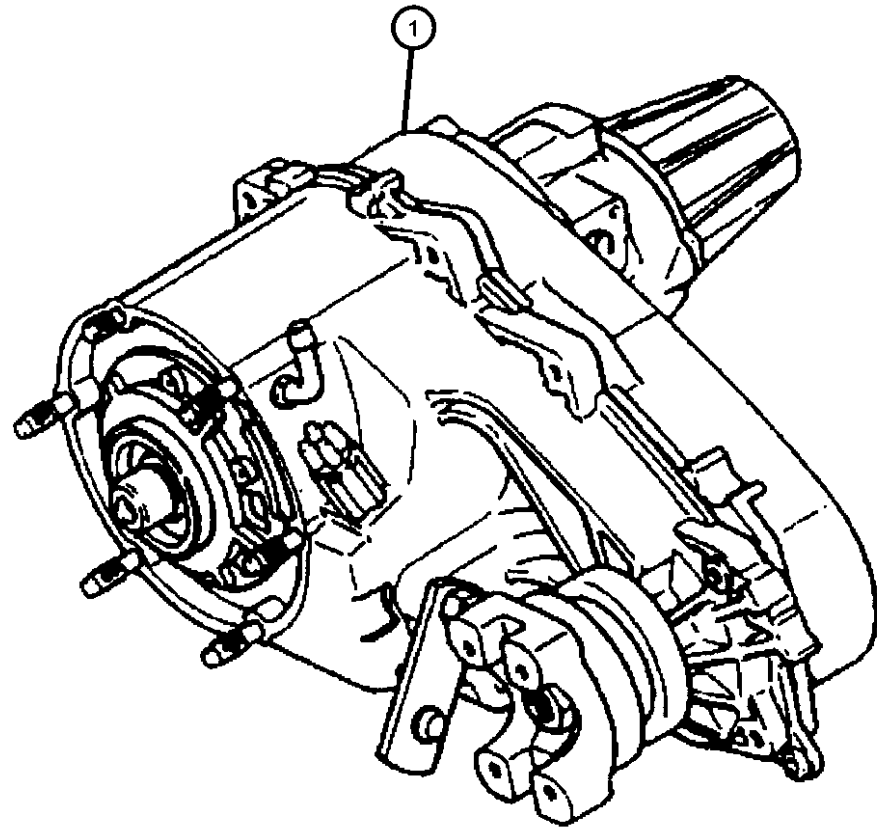
Gearshift Controls Quadra Trac II on Demand [DHF] Fig. 247 - 1210

| | | | |
|---|---|---|--|
| <p>247-100 Transfer Case Assembly</p>  | <p>247-1200 Gearshift Controls</p>  | <p>247-200 Case and Related Parts</p>  | <p>247-400 Gear Train</p>  |
| <p>247-900 Fork and Rails</p>  | | | |

**Transfer Case Quadra Trac II on Demand [DHF]
Figure 247-110**

| ITEM | PART NUMBER | QTY | LINE | SERIES | BODY | ENGINE | TRANS | TRIM | DESCRIPTION |
|------|-------------|-----|------|--------|------|--------|-------|------|-------------|
|------|-------------|-----|------|--------|------|--------|-------|------|-------------|

NOTES: Sales Codes
 [EV0] = All 4.7L Gas Engines
 [ER0] = All 4.0L 6 Cylinder Gas Engines
 [EX0] = All 3.0/3.1L Turbo Diesel Engine



| | | | | | | | | | |
|---|------------|---|------|--|--|-----|--|--|---------------------------|
| 1 | | | | | | | | | TRANSFER CASE, NP247 |
| | 52098871AB | 1 | J, U | | | ER0 | | | |
| | R2098871AD | | | | | | | | Mopar Remanufactured Part |
| | 52098872AB | 1 | J, U | | | EV0 | | | |
| | R2098872AD | | | | | | | | Mopar Remanufactured Part |
| | 52098873AC | 1 | J, U | | | EX0 | | | |

GRAND CHEROKEE (WJ)

SERIES LINE
 H = Laredo T = JEEP - 2WD
 P = Limited J = JEEP - 4WD
 U = JEEP - 4WD (RHD)

BODY
 74 = 4 Door (105.9 WB)

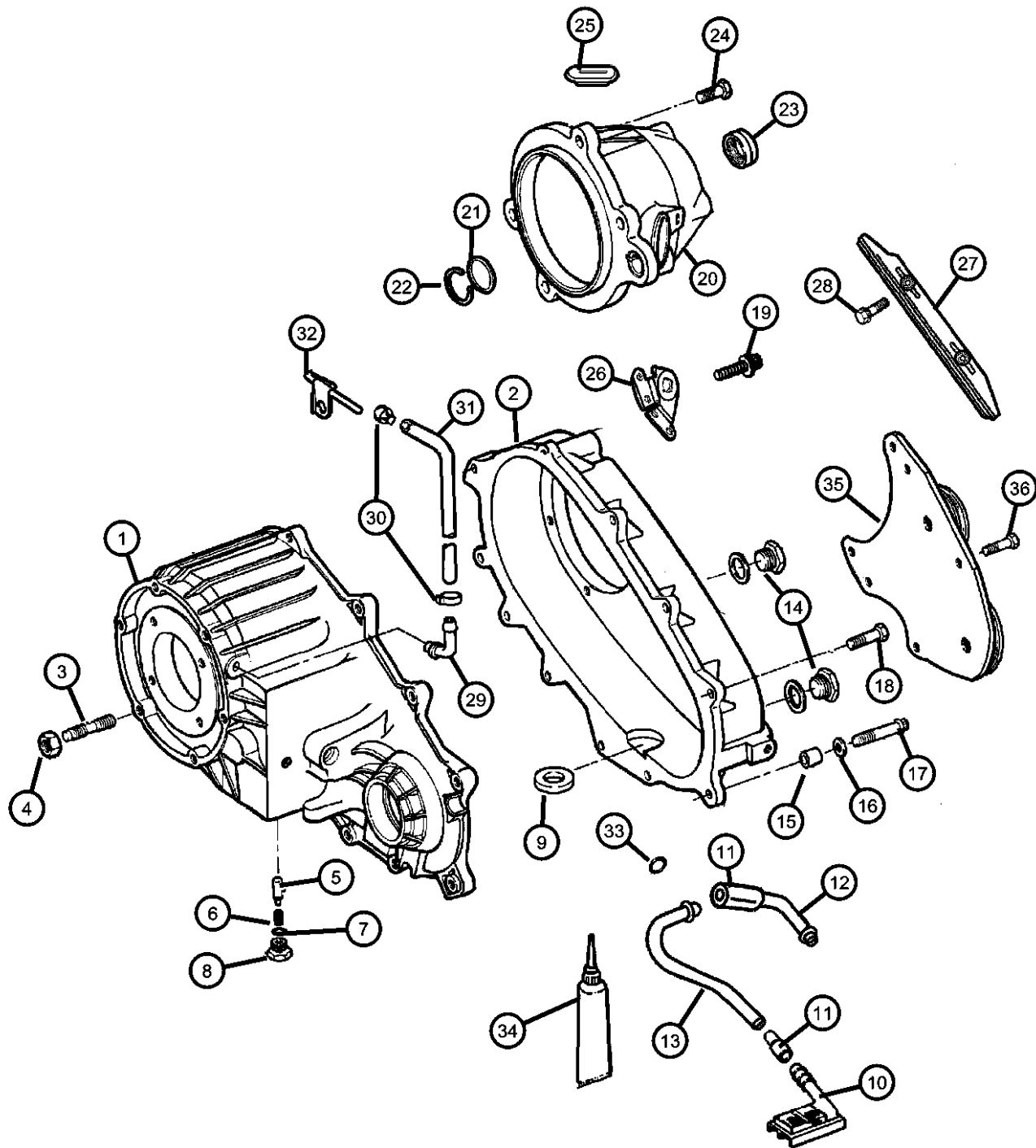
ENGINE
 ERH = ENGINE - 4.0L
 POWER TECH I-6
 EVA = ENGINE- 4.7L V8 MPI
 EXA = ENGINE - 3.1L 5 CYL
 TURBO DIESEL

TRANSMISSION
 DG4 = TRANSMISSION-MULTI-
 SPEED AUTO, 45RFE
 DGW = TRANSMISSION - 4-SPD.
 AUTOMATIC,44RE
 DGK = TRANSMISSION - 4-SPD.
 AUTOMATIC,42RE
 DGO = ALL AUTOMATIC
 TRANSMISSIONS

AR = use ase required - = Non illustrated part

2000 WJ

**Case and Related Parts Quadra Trac II on Demand [DHF]
Figure 247-210**



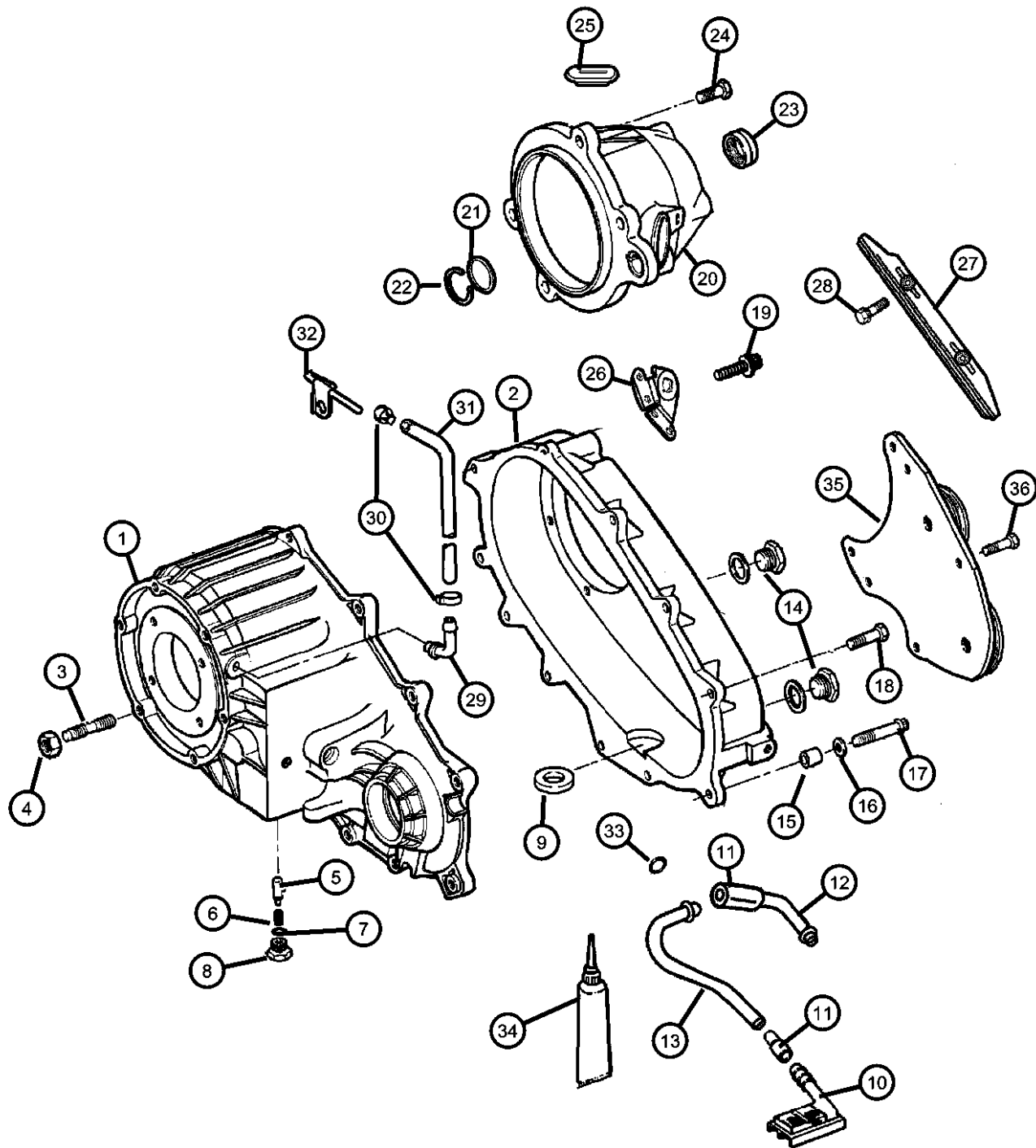
| ITEM | PART NUMBER | QTY | LINE | SERIES | BODY | ENGINE | TRANS | TRIM | DESCRIPTION |
|---|-------------|-----|------|--------|------|--------|-------|------|---------------------------------------|
| NOTES: Sales Codes [EV0] = All 4.7L Gas Engines [ER0] = All 4.0L 6 Cylinder Gas Engines [EX0] = All 3.0/3.1L Turbo Diesel Engine | | | | | | | | | |
| 1 | | | | | | | | | CASE, Transfer Front |
| | 05012309AA | 1 | J, U | | | ER0 | | | |
| | | 1 | J, U | | | EV0 | | | |
| | 05012341AA | 1 | J, U | | | EX0 | | | |
| 2 | | | | | | | | | CASE, Transfer Case Rear |
| | 05012323AA | 1 | J, U | | | ER0 | | | |
| | | 1 | J, U | | | EV0 | | | |
| | 05013010AA | 1 | J, U | | | EX0 | | | |
| 3 | | | | | | | | | STUD |
| | 04505365 | 6 | J, U | | | EX0 | | | |
| | | 6 | J, U | | | ER0 | | | |
| | 05012310AA | 6 | J, U | | | EV0 | | | |
| 4 | J4006681 | 6 | J, U | | | | | | NUT AND CONED WASHER, Hex, .375-24 |
| 5 | | | | | | | | | PLUNGER |
| | 53008217 | 1 | J, U | | | EX0 | | | Export, Europe |
| | | 1 | J, U | | | ER0 | | | |
| | | 1 | J, U | | | EV0 | | | |
| 6 | | | | | | | | | SPRING, Shift Detent |
| | 04638497 | 1 | J, U | | | EX0 | | | Export, Europe |
| | | 1 | J, U | | | ER0 | | | |
| | | 1 | J, U | | | EV0 | | | |
| 7 | | | | | | | | | SEAL, Vacuum Switch |
| | 04338956 | 1 | J, U | | | EX0 | | | |
| | | 1 | J, U | | | ER0 | | | |
| | | 1 | J, U | | | EV0 | | | |
| 8 | | | | | | | | | SCREW |
| | 04886473AA | 1 | J, U | | | EX0 | | | Export, Europe |
| | | 1 | J, U | | | ER0 | | | |
| | | 1 | J, U | | | EV0 | | | |

GRAND CHEROKEE (WJ)

| | | | | |
|-------------|----------------------|------------------------|---|--|
| SERIES | LINE | BODY | ENGINE | TRANSMISSION |
| H = Laredo | T = JEEP - 2WD | 74 = 4 Door (105.9 WB) | ERH = ENGINE - 4.0L POWER TECH I-6 | DG4 = TRANSMISSION-MULTI- SPEED AUTO, 45RFE |
| P = Limited | J = JEEP - 4WD | | EVA = ENGINE- 4.7L V8 MPI | DGW = TRANSMISSION - 4-SPD. AUTOMATIC,44RE |
| | U = JEEP - 4WD (RHD) | | EXA = ENGINE - 3.1L 5 CYL TURBO DIESEL | DGK = TRANSMISSION - 4-SPD. AUTOMATIC,42RE |
| | | | | DGO = ALL AUTOMATIC TRANSMISSIONS |

AR = use ase required - = Non illustrated part

Case and Related Parts Quadra Trac II on Demand [DHF]
Figure 247-210



| ITEM | PART NUMBER | QTY | LINE | SERIES | BODY | ENGINE | TRANS | TRIM | DESCRIPTION |
|------|-------------|-----|------|--------|------|--------|-------|------|--|
| 9 | 03681601 | 1 | J, U | | | EX0 | | | MAGNET, Transmission Export, Europe |
| | | 1 | J, U | | | ER0 | | | |
| | | 1 | J, U | | | EVO | | | |
| 10 | 05012326AA | 1 | J, U | | | ER0 | | | FILTER, Transfer Case Oil |
| | | 1 | J, U | | | EVO | | | |
| | 05013011AA | 1 | J, U | | | EX0 | | | Export, Europe |
| 11 | 05012327AA | 1 | J, U | | | EX0 | | | CONNECTOR, Oil Tube Pickup |
| | | 2 | J, U | | | ER0 | | | |
| | | 2 | J, U | | | EVO | | | |
| 12 | 05012328AA | 1 | J, U | | | EVO | | | TUBE, Oil Pickup |
| | 05013012AA | 1 | J, U | | | EX0 | | | |
| | 05013018AA | 1 | J, U | | | ER0 | | | |
| 13 | 05012328AA | 1 | J, U | | | ER0 | | | TUBE, Oil Pickup |
| | | 1 | J, U | | | EVO | | | |
| | 05013012AA | 1 | J, U | | | EX0 | | | Export, Europe |
| 14 | 04856641 | 2 | J, U | | | EX0 | | | PLUG, Oil Fill Export, Europe |
| | | 2 | J, U | | | ER0 | | | |
| | | 2 | J, U | | | EVO | | | |
| 15 | 04116310 | 2 | J, U | | | ER0 | | | DOWEL, Transfer Case |
| | | 2 | J, U | | | EVO | | | |
| 16 | 04210983 | 2 | J, U | | | ER0 | | | WASHER, Flat |
| | | 2 | J, U | | | EVO | | | |
| 17 | 04210614 | 2 | J, U | | | ER0 | | | BOLT, Hex Flange Head |

GRAND CHEROKEE (WJ)

SERIES
H = Laredo
P = Limited

LINE
T = JEEP - 2WD
J = JEEP - 4WD
U = JEEP - 4WD (RHD)

BODY
74 = 4 Door (105.9 WB)

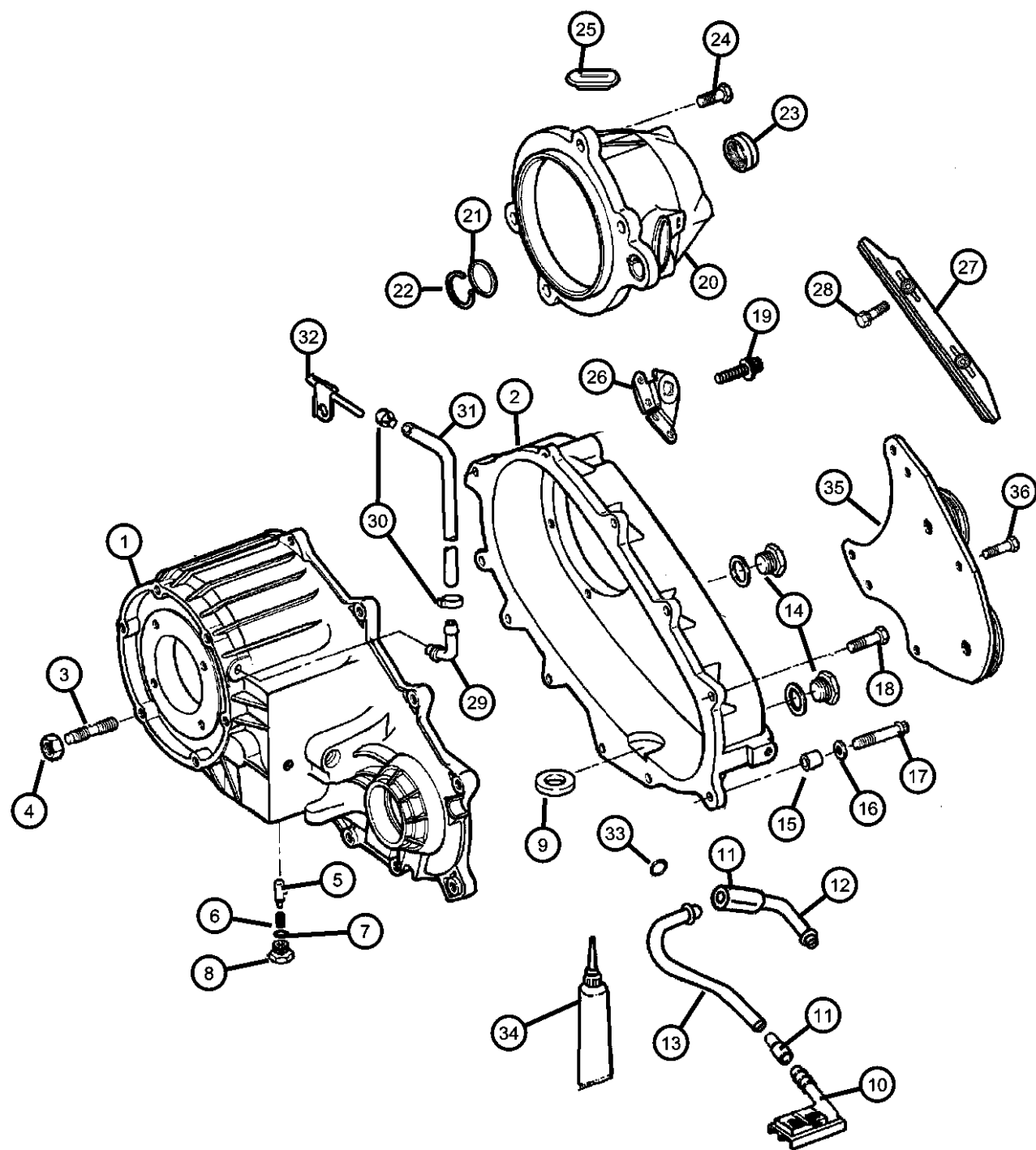
ENGINE
ERH = ENGINE - 4.0L
POWER TECH I-6
EVA = ENGINE - 4.7L V8 MPI
EXA = ENGINE - 3.1L 5 CYL
TURBO DIESEL

TRANSMISSION
DG4 = TRANSMISSION-MULTI-
SPEED AUTO, 45RFE
DGW = TRANSMISSION - 4-SPD.
AUTOMATIC, 44RE
DGK = TRANSMISSION - 4-SPD.
AUTOMATIC, 42RE
DGO = ALL AUTOMATIC
TRANSMISSIONS

AR = use ase required - = Non illustrated part

2000 WJ

**Case and Related Parts Quadra Trac II on Demand [DHF]
Figure 247-210**



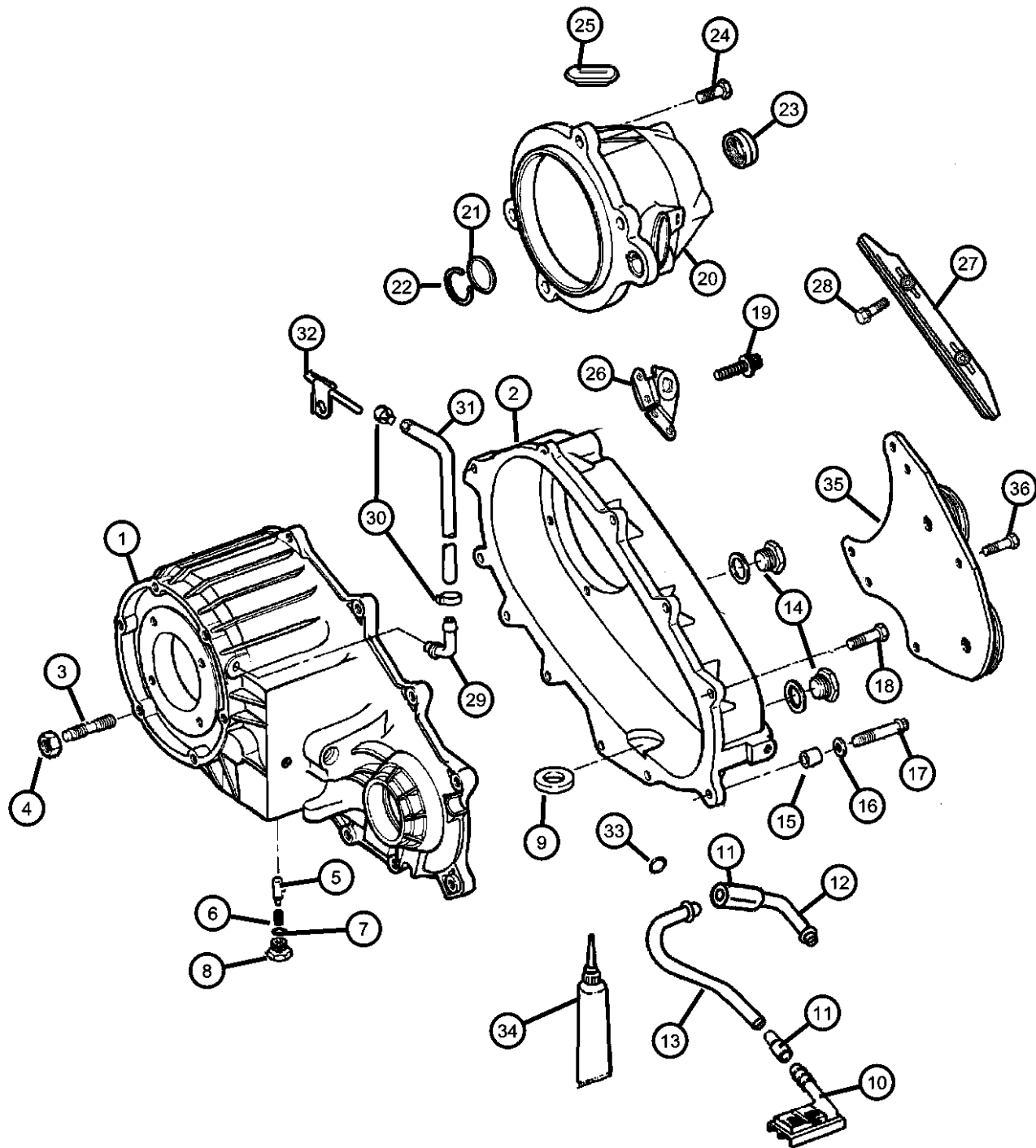
| ITEM | PART NUMBER | QTY | LINE | SERIES | BODY | ENGINE | TRANS | TRIM | DESCRIPTION |
|------|-------------|-----|------|--------|------|--------|-------|------|--|
| | | | | | | | | | |
| | | 2 | J, U | | | EVO | | | |
| | 05013013AA | 18 | J, U | | | EX0 | | | |
| 18 | | | | | | | | | BOLT, Transfer Case |
| | 04210617 | 6 | J, U | | | ER0 | | | |
| | | 6 | J, U | | | EVO | | | |
| 19 | J8130979 | 3 | J, U | | | ER0 | | | BOLT, Twelve Point Head, M10x1.5x48, w/52098871 |
| 20 | 05012332AA | 1 | J, U | | | ER0 | | | RETAINER, Transfer Case Rear |
| 21 | | | | | | | | | BUSHING, Extension Housing |
| | 04638902 | 1 | J, U | | | ER0 | | | |
| | | 1 | J, U | | | EVO | | | |
| 22 | | | | | | | | | SNAP RING |
| | 04638905 | 1 | J, U | | | ER0 | | | |
| | | 1 | J, U | | | EVO | | | |
| 23 | | | | | | | | | SEAL, Output Shaft |
| | 04897298AA | 1 | J, U | | | ER0 | | | |
| | | 1 | J, U | | | EVO | | | |
| | 05013019AA | 1 | J, U | | | EX0 | | | |
| 24 | | | | | | | | | BOLT, Retainer Export, Europe |
| | 06501371 | 6 | J, U | | | EX0 | | | |
| | | 4 | J, U | | | ER0 | | | |
| 25 | | | | | | | | | PLUG |
| | 05010123AA | 1 | J, U | | | ER0 | | | |
| | | 1 | J, U | | | EVO | | | |
| 26 | 52118181 | 1 | J, U | | | ER0 | | | CLIP, w/52098871 |
| 27 | | | | | | | | | SNUBBER, Chain |
| | 05012324AA | 1 | J, U | | | EX0 | | | |
| | | 1 | J, U | | | ER0 | | | |
| | | 1 | J, U | | | EVO | | | |
| 28 | | | | | | | | | BOLT |
| | 05012325AA | 2 | J, U | | | EX0 | | | |
| | | 2 | J, U | | | ER0 | | | |
| | | 2 | J, U | | | EVO | | | |

GRAND CHEROKEE (WJ)

| | | | | |
|-------------|----------------------|------------------------|---|--|
| SERIES | LINE | BODY | ENGINE | TRANSMISSION |
| H = Laredo | T = JEEP - 2WD | 74 = 4 Door (105.9 WB) | ERH = ENGINE - 4.0L POWER TECH I-6 | DG4 = TRANSMISSION-MULTI- SPEED AUTO, 45RFE |
| P = Limited | J = JEEP - 4WD | | EVA = ENGINE - 4.7L V8 MPI | DGW = TRANSMISSION - 4-SPD. AUTOMATIC, 44RE |
| | U = JEEP - 4WD (RHD) | | EXA = ENGINE - 3.1L 5 CYL TURBO DIESEL | DGK = TRANSMISSION - 4-SPD. AUTOMATIC, 42RE |
| | | | | DGO = ALL AUTOMATIC TRANSMISSIONS |

AR = use ase required - = Non illustrated part

Case and Related Parts Quadra Trac II on Demand [DHF]
Figure 247-210



| ITEM | PART NUMBER | QTY | LINE | SERIES | BODY | ENGINE | TRANS | TRIM | DESCRIPTION |
|------|-------------|-----|------|--------|------|--------|-------|------|-----------------------------------|
| 29 | 04796910 | 1 | J, U | | | EX0 | | | VENT, Transfer Case |
| | | 1 | J, U | | | ER0 | | | |
| | | 1 | J, U | | | EVO | | | |
| 30 | 06502081 | 2 | J, U | | | | | | CLAMP, Oil Cooler Line |
| 31 | 04443176 | 1 | | | | EX0 | | | HOSE, Fuel, .31 I.D. 50 Foot Roll |
| 32 | 53007494 | 1 | J, U | | | | | | VENT, Transfer Case |
| 33 | 05013016AB | 1 | J, U | | | EX0 | | | SEAL, Transfer Case |
| | | 1 | J, U | | | ER0 | | | |
| | | 1 | J, U | | | EVO | | | |
| 34 | 05010884AA | 1 | | | | | | | SEALANT, RTV |
| 35 | 05013022AA | 1 | J, U | | | EX0 | | | DAMPER, Transfer Case |
| 36 | 06501371 | 6 | J, U | | | EX0 | | | BOLT, Retainer |

GRAND CHEROKEE (WJ)

SERIES
H = Laredo
P = Limited

LINE
T = JEEP - 2WD
J = JEEP - 4WD
U = JEEP - 4WD (RHD)

BODY
74 = 4 Door (105.9 WB)

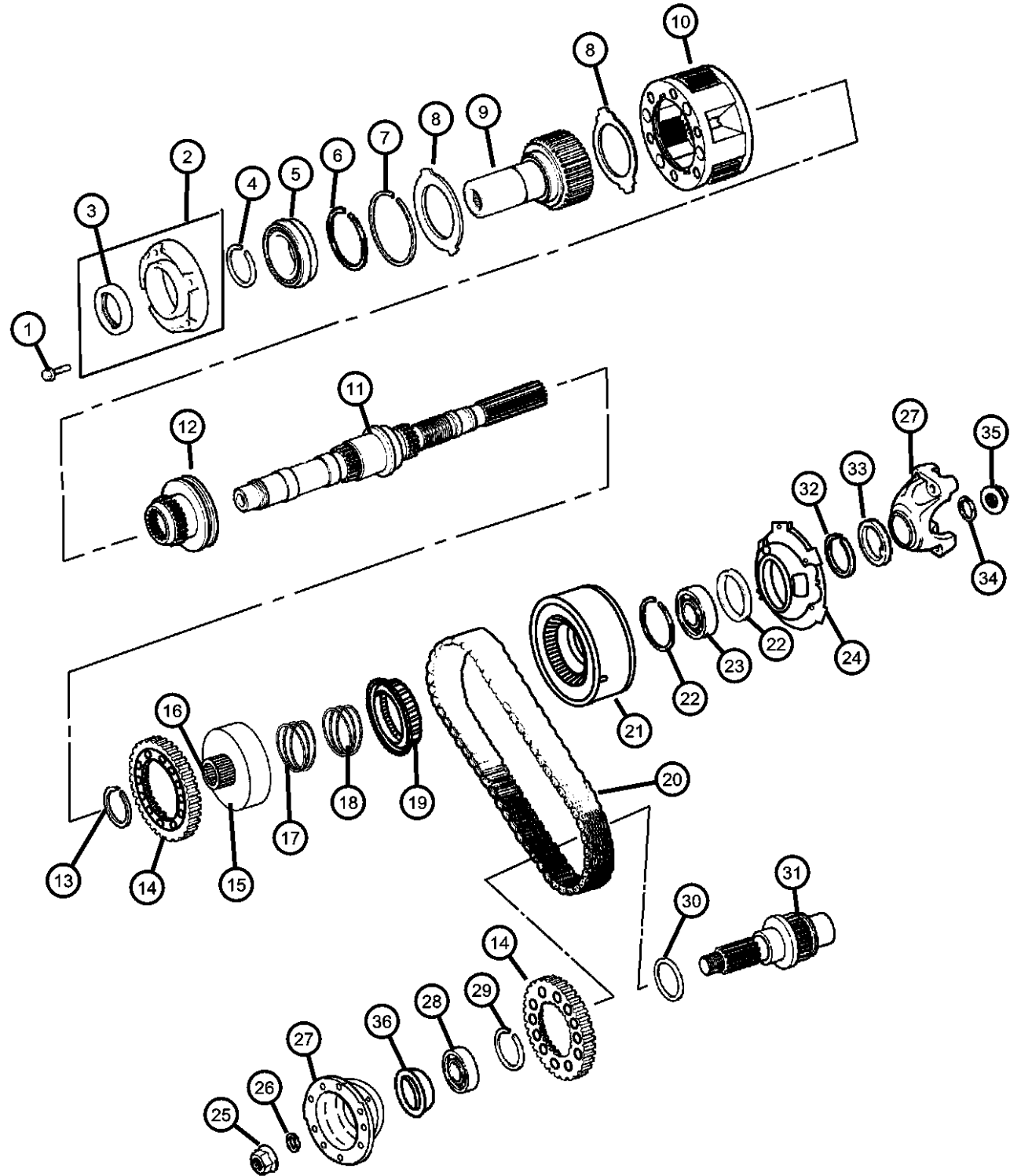
ENGINE
ERH = ENGINE - 4.0L
POWER TECH I-6
EVA = ENGINE- 4.7L V8 MPI
EXA = ENGINE - 3.1L 5 CYL
TURBO DIESEL

TRANSMISSION
DG4 = TRANSMISSION-MULTI-
SPEED AUTO, 45RFE
DGW = TRANSMISSION - 4-SPD.
AUTOMATIC,44RE
DGK = TRANSMISSION - 4-SPD.
AUTOMATIC,42RE
DGO = ALL AUTOMATIC
TRANSMISSIONS

AR = use ase required - = Non illustrated part

2000 WJ

**Gear Train Quadra Trac II on Demand [DHF]
Figure 247-410**



| ITEM | PART NUMBER | QTY | LINE | SERIES | BODY | ENGINE | TRANS | TRIM | DESCRIPTION |
|---|-------------|-----|------|--------|------|--------|-------|------|----------------------------------|
| NOTES: Sales Codes [EV0] = All 4.7L Gas Engines [ER0] = All 4.0L 6 Cylinder Gas Engines [EX0] = All 3.0/3.1L Turbo Diesel Engine | | | | | | | | | |
| 1 | 06500318 | 4 | J, U | | | ER0 | | | BOLT |
| | | 4 | J, U | | | EV0 | | | |
| 2 | 04864782 | 1 | J, U | | | ER0 | | | EXTENSION, Transfer Case |
| | | 1 | J, U | | | EV0 | | | |
| 3 | 04798033 | 1 | J, U | | | EX0 | | | SEAL, Input Gear |
| | | 1 | J, U | | | ER0 | | | |
| | | 1 | J, U | | | EV0 | | | |
| 4 | 03821558 | 1 | J, U | | | EX0 | | | SNAP RING |
| | | 1 | J, U | | | ER0 | | | |
| | | 1 | J, U | | | EV0 | | | |
| 5 | 04746155 | 1 | J, U | | | ER0 | | | BEARING, Input Gear |
| | | 1 | J, U | | | EV0 | | | |
| | 05012997AA | 1 | J, U | | | EX0 | | | |
| 6 | 04338910 | 1 | J, U | | | EX0 | | | SNAP RING |
| | | 1 | J, U | | | ER0 | | | |
| | | 1 | J, U | | | EV0 | | | |
| 7 | 04338909 | 1 | J, U | | | EX0 | | | RING |
| | | 1 | J, U | | | ER0 | | | |
| | | 1 | J, U | | | EV0 | | | |
| 8 | 04338908 | 2 | J, U | | | ER0 | | | THRUST WASHER, Planetary Carrier |
| | | 2 | J, U | | | EV0 | | | |

GRAND CHEROKEE (WJ)

| | |
|-------------|----------------------|
| SERIES | LINE |
| H = Laredo | T = JEEP - 2WD |
| P = Limited | J = JEEP - 4WD |
| | U = JEEP - 4WD (RHD) |

BODY
74 = 4 Door (105.9 WB)

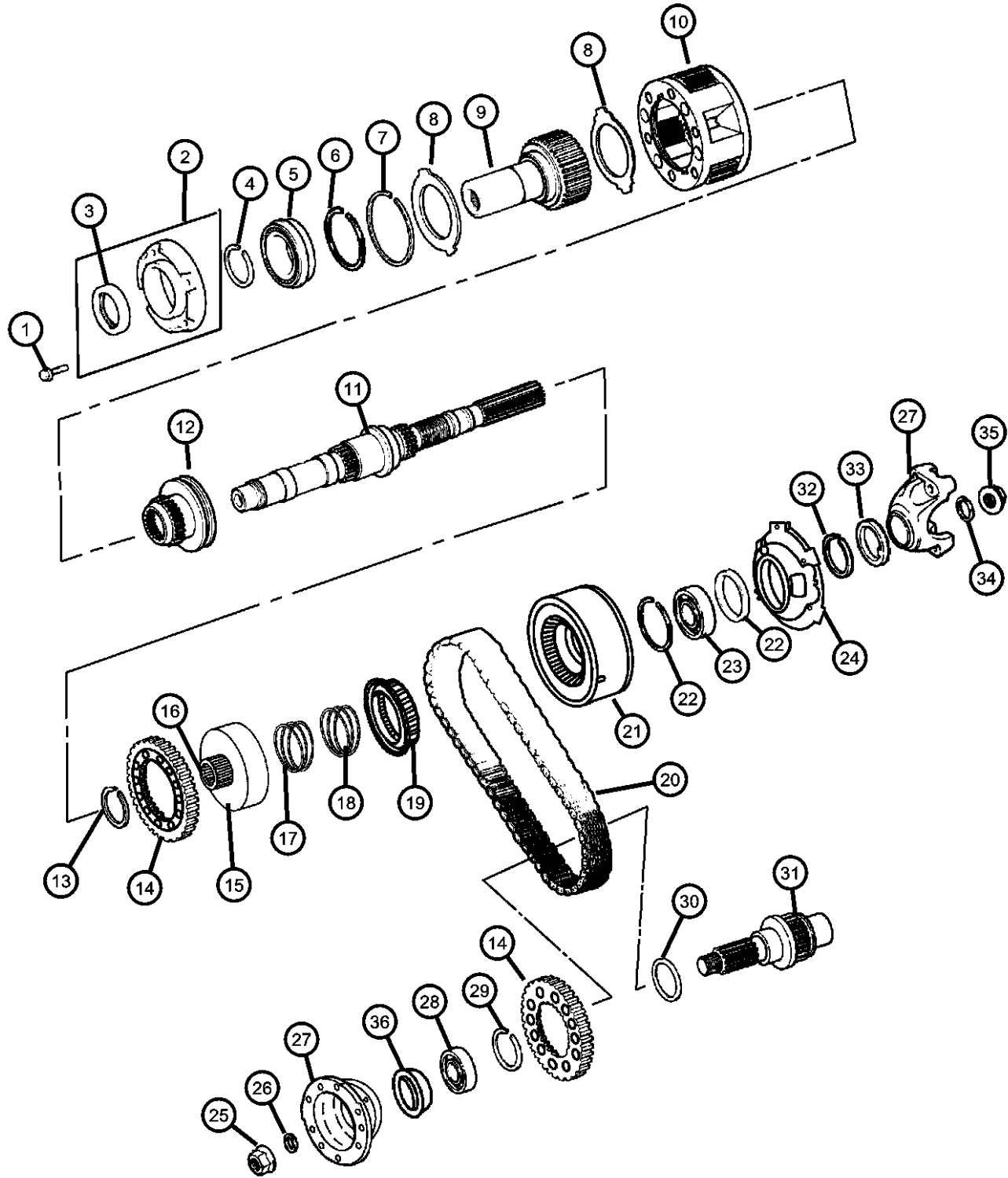
ENGINE
ERH = ENGINE - 4.0L POWER TECH I-6
EVA = ENGINE- 4.7L V8 MPI
EXA = ENGINE - 3.1L 5 CYL TURBO DIESEL

TRANSMISSION
DG4 = TRANSMISSION-MULTI-SPEED AUTO, 45RFE
DGW = TRANSMISSION - 4-SPD. AUTOMATIC,44RE
DGK = TRANSMISSION - 4-SPD. AUTOMATIC,42RE
DGO = ALL AUTOMATIC TRANSMISSIONS

AR = use ase required - = Non illustrated part

2000 WJ

**Gear Train Quadra Trac II on Demand [DHF]
Figure 247-410**



| ITEM | PART NUMBER | QTY | LINE | SERIES | BODY | ENGINE | TRANS | TRIM | DESCRIPTION |
|------|-------------|-----|------|--------|------|--------|-------|------|--------------------------------|
| 9 | | 2 | J, U | | | EX0 | | | GEAR, Input |
| | 04798126 | 1 | J, U | | | EX0 | | | |
| | | 1 | J, U | | | ER0 | | | |
| | 05012311AA | 1 | J, U | | | EVO | | | |
| 10 | | | | | | | | | PLANETARY, Transfer Case |
| | 04796903 | 1 | J, U | | | ER0 | | | |
| | | 1 | J, U | | | EVO | | | |
| | 04797030 | 1 | J, U | | | EX0 | | | |
| 11 | | | | | | | | | MAINSHAFT, Transfer Case |
| | 05012313AA | 1 | J, U | | | ER0 | | | |
| | | 1 | J, U | | | EVO | | | |
| | 05012999AA | 1 | J, U | | | EX0 | | | |
| 12 | | | | | | | | | SLEEVE, Shift Range |
| | 05012314AA | 1 | J, U | | | EX0 | | | |
| | | 1 | J, U | | | ER0 | | | |
| | | 1 | J, U | | | EVO | | | |
| 13 | | | | | | | | | SNAP RING |
| | 04798130 | 1 | J, U | | | EX0 | | | |
| | | 1 | J, U | | | ER0 | | | |
| | | 1 | J, U | | | EVO | | | |
| 14 | | | | | | | | | SPROCKET, Drive |
| | 05012319AA | 2 | J, U | | | EX0 | | | |
| | | 2 | J, U | | | ER0 | | | |
| | | 2 | J, U | | | EVO | | | |
| 15 | | | | | | | | | CARRIER, Sprocket |
| | 05012315AA | 1 | J, U | | | ER0 | | | |
| | | 1 | J, U | | | EVO | | | |
| | | 1 | J, U | | | EX0 | | | |
| 16 | | | | | | | | | BEARING PACKAGE, Transfer Case |
| | 83503543 | 1 | J, U | | | EX0 | | | |
| | | 1 | J, U | | | ER0 | | | |

GRAND CHEROKEE (WJ)

SERIES LINE
 H = Laredo T = JEEP - 2WD
 P = Limited J = JEEP - 4WD
 U = JEEP - 4WD (RHD)

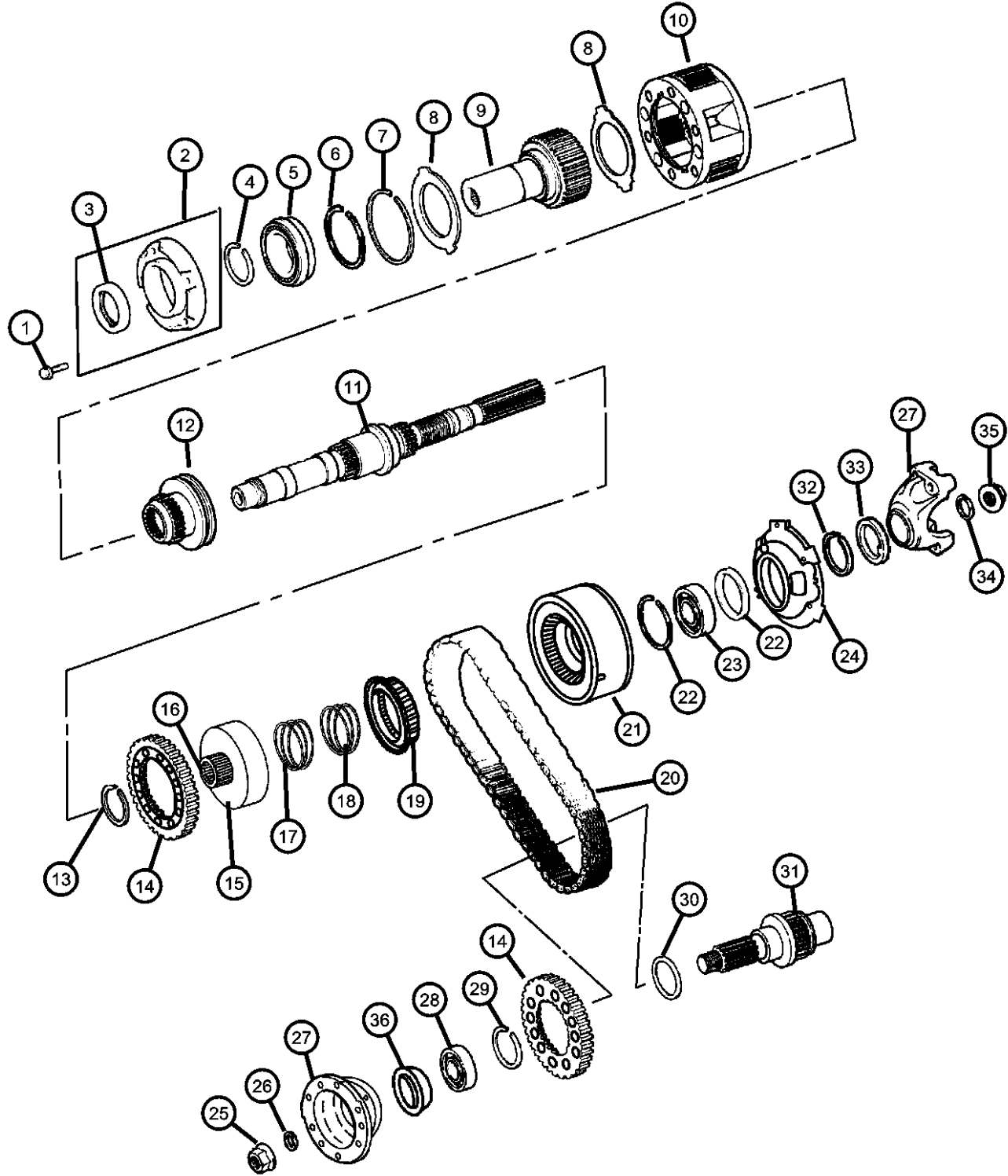
BODY
 74 = 4 Door (105.9 WB)

ENGINE
 ERH = ENGINE - 4.0L
 POWER TECH I-6
 EVA = ENGINE - 4.7L V8 MPI
 EXA = ENGINE - 3.1L 5 CYL
 TURBO DIESEL

TRANSMISSION
 DG4 = TRANSMISSION-MULTI-
 SPEED AUTO, 45RFE
 DGW = TRANSMISSION - 4-SPD.
 AUTOMATIC, 44RE
 DGK = TRANSMISSION - 4-SPD.
 AUTOMATIC, 42RE
 DGO = ALL AUTOMATIC
 TRANSMISSIONS

AR = use ase required - = Non illustrated part

**Gear Train Quadra Trac II on Demand [DHF]
Figure 247-410**



| ITEM | PART NUMBER | QTY | LINE | SERIES | BODY | ENGINE | TRANS | TRIM | DESCRIPTION |
|------|-------------|-----|------|--------|------|--------|-------|------|--------------------------------|
| 17 | | 1 | J, U | | | EVO | | | SPRING, Clutch |
| | 04798131 | 1 | J, U | | | EX0 | | | |
| | | 1 | J, U | | | ER0 | | | |
| | | 1 | J, U | | | EVO | | | |
| 18 | | 1 | J, U | | | EVO | | | SPRING, Clutch |
| | 04897521AA | 1 | J, U | | | EX0 | | | |
| | | 1 | J, U | | | ER0 | | | |
| | | 1 | J, U | | | EVO | | | |
| 19 | | 1 | J, U | | | EVO | | | CLUTCH, Oneway |
| | 04897520AA | 1 | J, U | | | EX0 | | | |
| | | 1 | J, U | | | ER0 | | | |
| | | 1 | J, U | | | EVO | | | |
| 20 | | 1 | J, U | | | EVO | | | CHAIN, Transfer Case |
| | 05012322AA | 1 | J, U | | | EX0 | | | |
| | 05012322AB | 1 | J, U | | | ER0 | | | |
| | | 1 | J, U | | | EVO | | | |
| 21 | | 1 | J, U | | | EVO | | | PUMP, Transfer Case Gear Rotor |
| | 05012329AA | 1 | J, U | | | EX0 | | | |
| | | 1 | J, U | | | ER0 | | | |
| | | 1 | J, U | | | EVO | | | |
| 22 | | 1 | J, U | | | EVO | | | SNAP RING |
| | 04446478 | 1 | J, U | | | EX0 | | | |
| | | 2 | J, U | | | ER0 | | | |
| | | 2 | J, U | | | EVO | | | |
| 23 | | 1 | J, U | | | EVO | | | BEARING, Output Shaft |
| | 04638899 | 1 | J, U | | | EX0 | | | |
| | | 1 | J, U | | | ER0 | | | |
| | | 1 | J, U | | | EVO | | | |
| 24 | | 1 | J, U | | | EVO | | | PUMP, Transfer Case Oil |
| | 05013017AB | 1 | J, U | | | EX0 | | | |
| | | 1 | J, U | | | ER0 | | | |

GRAND CHEROKEE (WJ)

SERIES
H = Laredo
P = Limited

LINE
T = JEEP - 2WD
J = JEEP - 4WD
U = JEEP - 4WD (RHD)

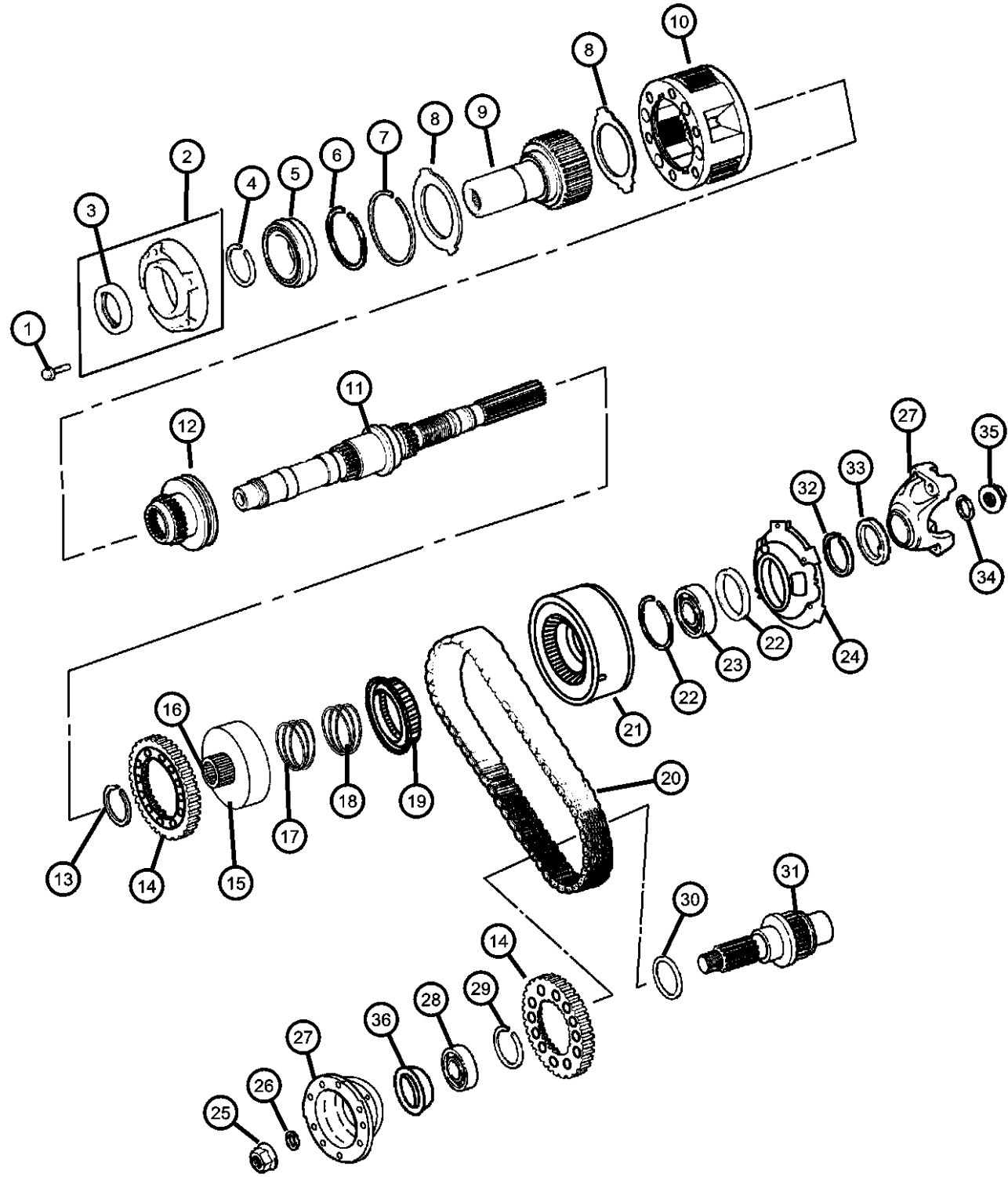
BODY
74 = 4 Door (105.9 WB)

ENGINE
ERH = ENGINE - 4.0L
POWER TECH I-6
EVA = ENGINE - 4.7L V8 MPI
EXA = ENGINE - 3.1L 5 CYL
TURBO DIESEL

TRANSMISSION
DG4 = TRANSMISSION-MULTI-
SPEED AUTO, 45RFE
DGW = TRANSMISSION - 4-SPD.
AUTOMATIC, 44RE
DGK = TRANSMISSION - 4-SPD.
AUTOMATIC, 42RE
DGO = ALL AUTOMATIC
TRANSMISSIONS

AR = use ase required - = Non illustrated part

**Gear Train Quadra Trac II on Demand [DHF]
Figure 247-410**



| ITEM | PART NUMBER | QTY | LINE | SERIES | BODY | ENGINE | TRANS | TRIM | DESCRIPTION |
|------|-------------|-----|------|--------|------|--------|-------|------|-----------------------------|
| 25 | | 1 | J, U | | | EVO | | | NUT, Transfer Case Yoke |
| | 04167924 | 1 | J, U | | | EX0 | | | |
| | | 1 | J, U | | | ER0 | | | |
| | | 1 | J, U | | | EVO | | | |
| 26 | | 1 | J, U | | | EX0 | | | WASHER, Transfer Case Yoke |
| | 04210973 | 1 | J, U | | | ER0 | | | |
| | | 1 | J, U | | | EVO | | | |
| 27 | | 1 | J, U | | | EX0 | | | YOKE, Transfer Case |
| | 05012308AA | 1 | J, U | | | ER0 | | | Front |
| | | 1 | J, U | | | EVO | | | Front |
| | 05013021AA | 1 | J, U | | | EX0 | | | Rear |
| 28 | | 1 | J, U | | | EX0 | | | BEARING, Output Shaft |
| | 02466224 | 1 | J, U | | | ER0 | | | |
| | | 1 | J, U | | | EVO | | | |
| 29 | | 2 | J, U | | | EX0 | | | SNAP RING |
| | 05012320AA | 2 | J, U | | | ER0 | | | |
| | | 2 | J, U | | | EVO | | | |
| 30 | | 1 | J, U | | | EX0 | | | WASHER, Transfer Case Yoke |
| | 04210973 | 1 | J, U | | | ER0 | | | |
| | | 1 | J, U | | | EVO | | | |
| 31 | | 1 | J, U | | | EX0 | | | OUTPUT SHAFT, Transfer Case |
| | 05012321AA | 1 | J, U | | | ER0 | | | |
| | | 1 | J, U | | | EVO | | | |
| 32 | | 1 | J, U | | | EX0 | | | WASHER |
| | 05013014AA | 1 | J, U | | | | | | |

GRAND CHEROKEE (WJ)

SERIES
H = Laredo
P = Limited

LINE
T = JEEP - 2WD
J = JEEP - 4WD
U = JEEP - 4WD (RHD)

BODY
74 = 4 Door (105.9 WB)

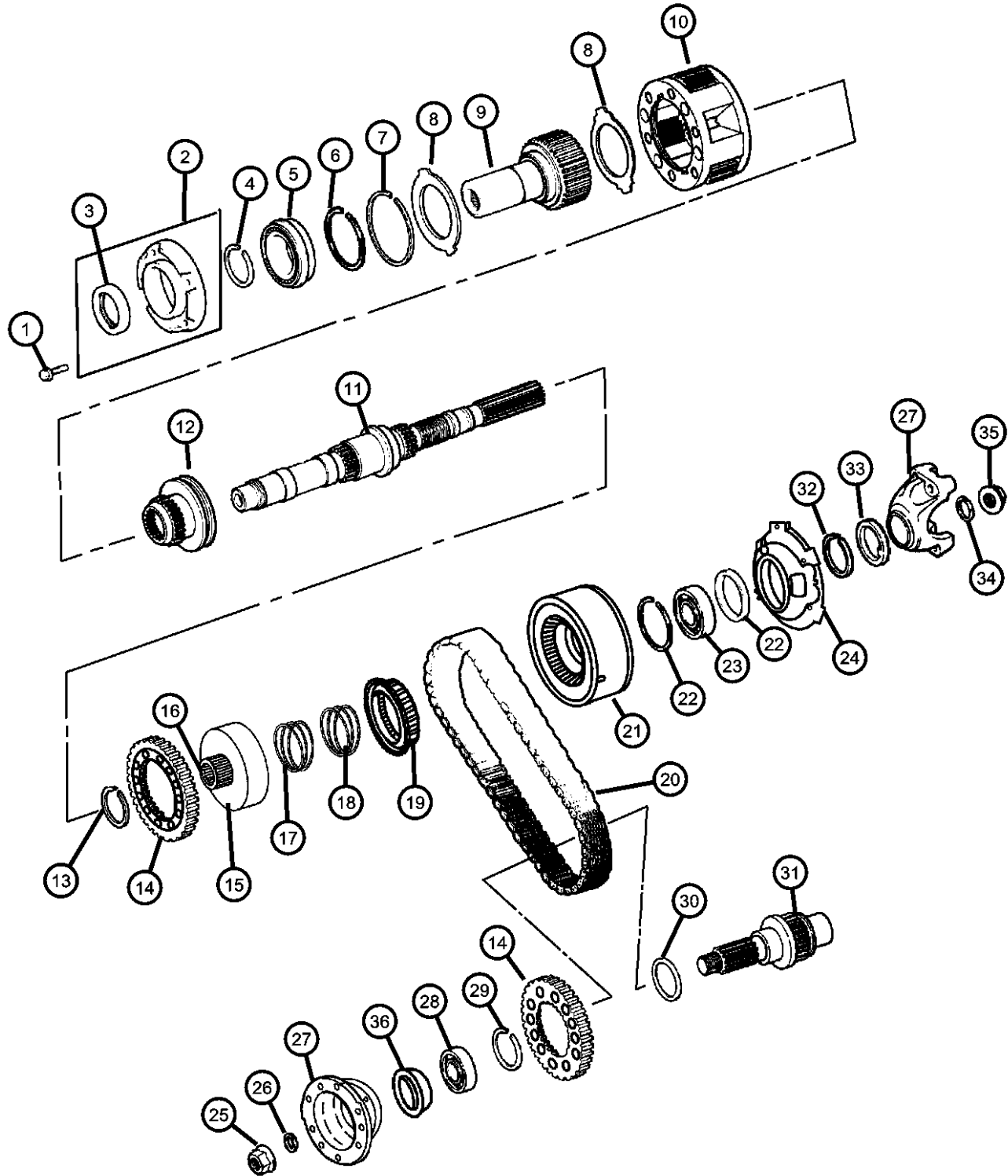
ENGINE
ERH = ENGINE - 4.0L
POWER TECH I-6
EVA = ENGINE - 4.7L V8 MPI
EXA = ENGINE - 3.1L 5 CYL
TURBO DIESEL

TRANSMISSION
DG4 = TRANSMISSION-MULTI-
SPEED AUTO, 45RFE
DGW = TRANSMISSION - 4-SPD.
AUTOMATIC, 44RE
DGK = TRANSMISSION - 4-SPD.
AUTOMATIC, 42RE
DGO = ALL AUTOMATIC
TRANSMISSIONS

AR = use ase required - = Non illustrated part

2000 WJ

**Gear Train Quadra Trac II on Demand [DHF]
Figure 247-410**



| ITEM | PART NUMBER | QTY | LINE | SERIES | BODY | ENGINE | TRANS | TRIM | DESCRIPTION |
|------|-------------|-----|------|--------|------|--------|-------|------|--------------------|
| | | 1 | J, U | | | ER0 | | | |
| | | 1 | J, U | | | EVO | | | |
| 33 | | 2 | J, U | | | EX0 | | | SNAP RING |
| | 05013015AA | 2 | J, U | | | ER0 | | | |
| | | 2 | J, U | | | EVO | | | |
| 34 | 04446487 | 1 | J, U | | | EX0 | | | WASHER, Flat |
| 35 | 04446488 | 1 | J, U | | | EX0 | | | NUT, Hex Flange |
| 36 | | 1 | J, U | | | ER0 | | | SEAL, Output Shaft |
| | 04798125 | 1 | J, U | | | ER0 | | | |
| | | 1 | J, U | | | EVO | | | |

GRAND CHEROKEE (WJ)

SERIES
H = Laredo
P = Limited

LINE
T = JEEP - 2WD
J = JEEP - 4WD
U = JEEP - 4WD (RHD)

BODY
74 = 4 Door (105.9 WB)

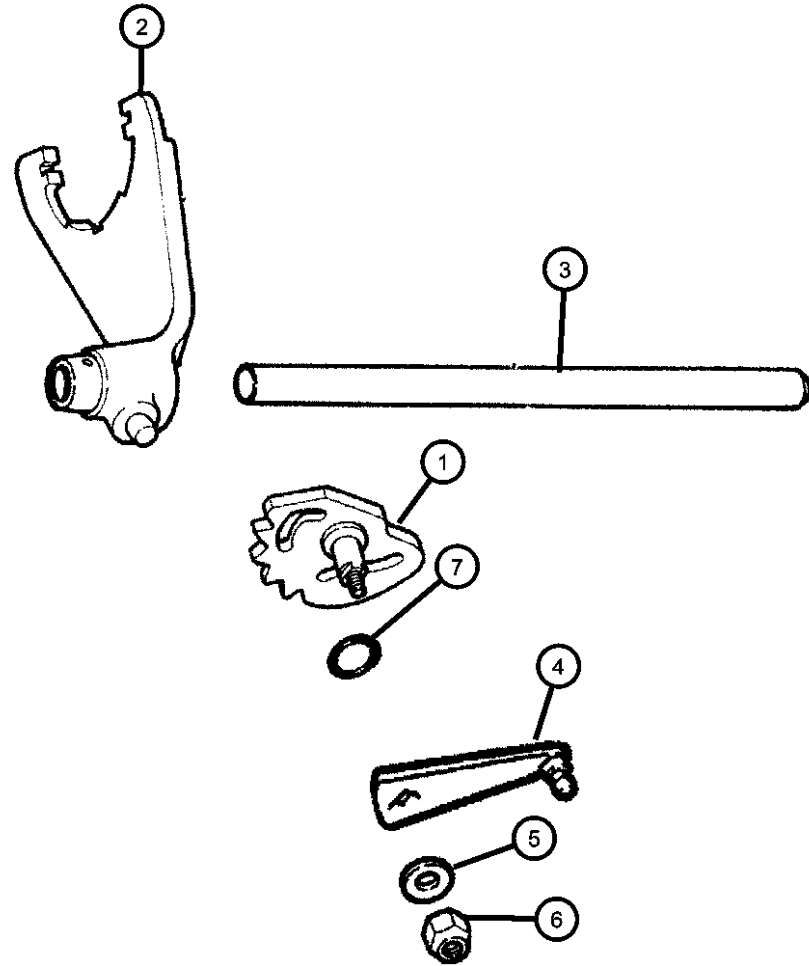
ENGINE
ERH = ENGINE - 4.0L
POWER TECH I-6
EVA = ENGINE- 4.7L V8 MPI
EXA = ENGINE - 3.1L 5 CYL
TURBO DIESEL

TRANSMISSION
DG4 = TRANSMISSION-MULTI-
SPEED AUTO, 45RFE
DGW = TRANSMISSION - 4-SPD.
AUTOMATIC,44RE
DGK = TRANSMISSION - 4-SPD.
AUTOMATIC,42RE
DGO = ALL AUTOMATIC
TRANSMISSIONS

AR = use ase required - = Non illustrated part

2000 WJ

Fork and Rails Quadra Trac II on Demand [DHF]
Figure 247-910



| ITEM | PART NUMBER | QTY | LINE | SERIES | BODY | ENGINE | TRANS | TRIM | DESCRIPTION |
|------|-------------|-----|------|--------|------|--------|-------|------|-----------------------|
| 1 | | | | | | | | | SECTOR, Transfer Case |
| | 05012312AA | 1 | J, U | | | EX0 | | | |
| | | 1 | J, U | | | ER0 | | | |
| | | 1 | J, U | | | EVO | | | |
| 2 | | | | | | | | | FORK, Range |
| | 04798136 | 1 | J, U | | | EX0 | | | |
| | | 1 | J, U | | | ER0 | | | |
| | | 1 | J, U | | | EVO | | | |
| 3 | | | | | | | | | RAIL, Transfer Case |
| | 04798135 | 1 | J, U | | | ER0 | | | |
| | | 1 | J, U | | | EVO | | | |
| | 05013003AA | 1 | J, U | | | EX0 | | | |
| 4 | | | | | | | | | LEVER, Transfer Case |
| | 05012333AA | 1 | J, U | | | EX0 | | | |
| | | 1 | J, U | | | ER0 | | | |
| | | 1 | J, U | | | EVO | | | |
| 5 | | | | | | | | | WASHER, Flat |
| | S2436163 | 1 | J, U | | | EX0 | | | |
| | | 1 | J, U | | | ER0 | | | |
| | | 1 | J, U | | | EVO | | | |
| 6 | | | | | | | | | NUT, Hex Flange Lock |
| | 00152345 | 1 | J, U | | | EX0 | | | |
| | | 1 | J, U | | | ER0 | | | |
| | | 1 | J, U | | | EVO | | | |
| 7 | | | | | | | | | SEAL, O-Ring |
| | 04167963 | 1 | J, U | | | EX0 | | | |
| | | 1 | J, U | | | ER0 | | | |
| | | 1 | J, U | | | EVO | | | |

NOTES: Sales Codes
 [EV0] = All 4.7L Gas Engines
 [ER0] = All 4.0L 6 Cylinder Gas Engines
 [EX0] = All 3.0/3.1L Turbo Diesel Engine

GRAND CHEROKEE (WJ)

SERIES LINE
 H = Laredo T = JEEP - 2WD
 P = Limited J = JEEP - 4WD
 U = JEEP - 4WD (RHD)

BODY
 74 = 4 Door (105.9 WB)

ENGINE
 ERH = ENGINE - 4.0L
 POWER TECH I-6
 EVA = ENGINE- 4.7L V8 MPI
 EXA = ENGINE - 3.1L 5 CYL
 TURBO DIESEL

TRANSMISSION
 DG4 = TRANSMISSION-MULTI-
 SPEED AUTO, 45RFE
 DGW = TRANSMISSION - 4-SPD.
 AUTOMATIC,44RE
 DGK = TRANSMISSION - 4-SPD.
 AUTOMATIC,42RE
 DGO = ALL AUTOMATIC
 TRANSMISSIONS

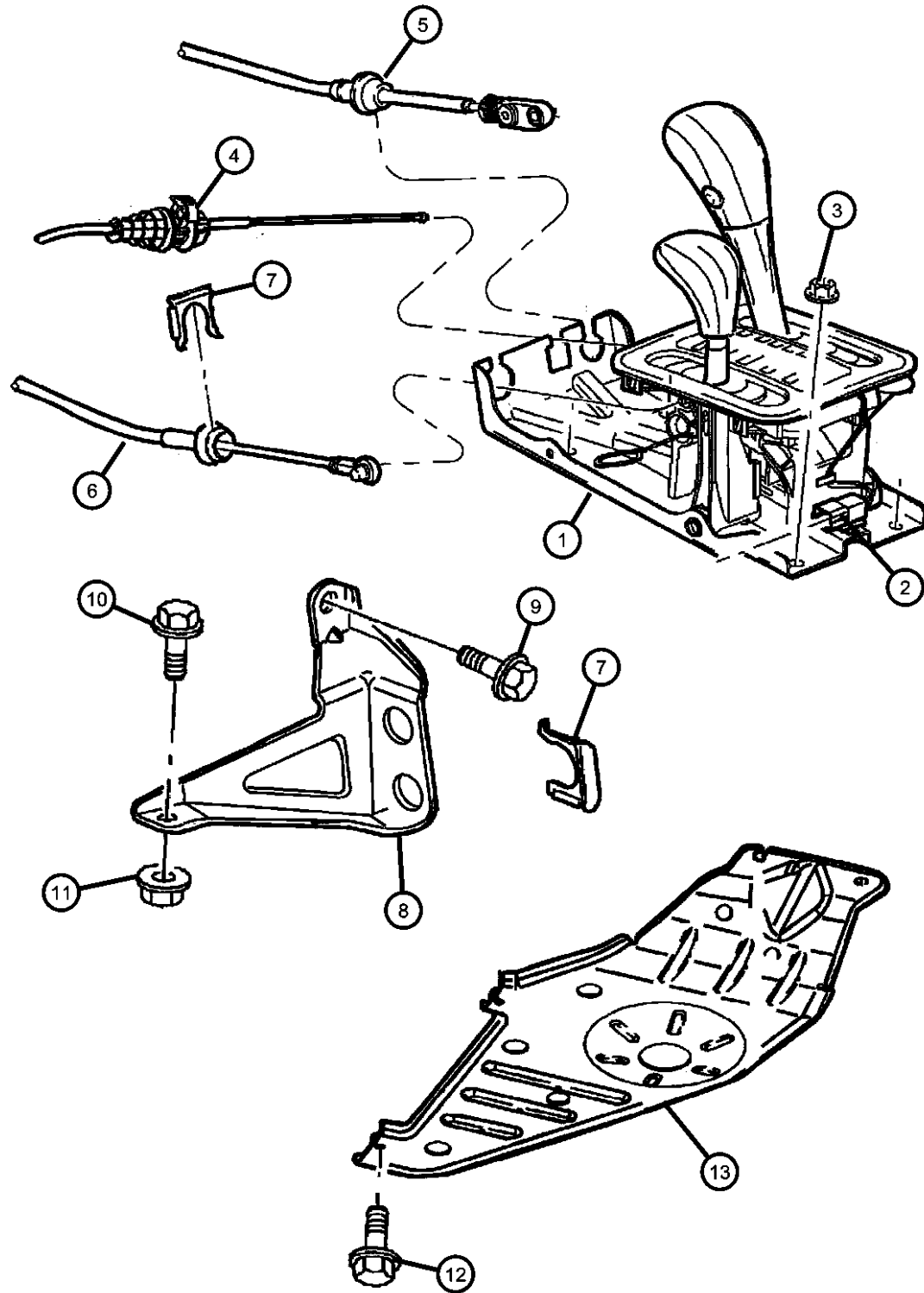
AR = use ase required - = Non illustrated part

2000 WJ

**Gearshift Controls Quadra Trac II on Demand [DHF]
Figure 247-1210**

| ITEM | PART NUMBER | QTY | LINE | SERIES | BODY | ENGINE | TRANS | TRIM | DESCRIPTION |
|------|-------------|-----|------|--------|------|--------|-------|------|-------------|
|------|-------------|-----|------|--------|------|--------|-------|------|-------------|

NOTES: Sales Codes
 [DG0] = All Automatic Transmission
 [DGK] = 42RE Automatic Transmission
 [DGW] = 44RE 4 Speed Automatic Transmission
 [EX0] = All 3.0/3.1L Turbo Diesel Engine



| | | | | | | | | | |
|----|------------|---|------|--|--|--|----------|-----|--|
| 1 | | | | | | | | | HOUSING AND LEVER, Shifter |
| | 52104151 | 1 | J | | | | DG0 | | With [DHF] Without [DSB] |
| | 52104152 | 1 | U | | | | DG0 | | With [DHF] Without [DSB], Right Hand Drive |
| | 52104374AA | 1 | J | | | | DG0 | | With [DHF] And [DSB] |
| | 52104375AA | 1 | U | | | | DG0 | | With [DHF] And [DSB], Right Hand Drive |
| 2 | 05013117AA | 1 | U | | | | DG0 | | CONNECTOR, Wiring, w/DSB, Right |
| 3 | 06101695 | 4 | | | | | DG0 | | NUT, Hex Flange Lock, M8x1.25 |
| 4 | 52104054 | 1 | | | | | DG0 | | CABLE, Park Interlock |
| 5 | 52104060 | 1 | | | | | DG0 | | CABLE, Gearshift Control |
| 6 | 52104218 | 1 | J, U | | | | DG0 | | CABLE, Gearshift Control |
| 7 | 04269830 | 2 | J, U | | | | | | CLIP, Cable |
| 8 | 52104219 | 1 | J, U | | | | DGK, DGW | | BRACKET, Torque Shaft |
| 9 | 06503119 | 4 | | | | | | | SCREW AND WASHER, Hex Head, M10x1.5x40 |
| 10 | 06101054 | 1 | J, U | | | | DGK, DGW | | BOLT AND WASHER, Hex Head, M10x1.5x40 |
| 11 | 00115984 | 1 | | | | | DGW | | NUT, Brake Line |
| 12 | 06503571 | 4 | | | | | | | SCREW AND WASHER, M10x1.50x35 |
| 13 | 52059302AA | 1 | J, U | | | | | EX0 | SKID PLATE, Front |

GRAND CHEROKEE (WJ)

SERIES LINE
 H = Laredo T = JEEP - 2WD
 P = Limited J = JEEP - 4WD
 U = JEEP - 4WD (RHD)

BODY
 74 = 4 Door (105.9 WB)

ENGINE
 ERH = ENGINE - 4.0L
 POWER TECH I-6
 EVA = ENGINE- 4.7L V8 MPI
 EXA = ENGINE - 3.1L 5 CYL
 TURBO DIESEL

TRANSMISSION
 DG4 = TRANSMISSION-MULTI-
 SPEED AUTO, 45RFE
 DGW = TRANSMISSION - 4-SPD.
 AUTOMATIC, 44RE
 DGK = TRANSMISSION - 4-SPD.
 AUTOMATIC, 42RE
 DGO = ALL AUTOMATIC
 TRANSMISSIONS

AR = use ase required - = Non illustrated part

2000 WJ

Group - 22

Wheels, Covers and Jacks

Group - 22 Wheels, Covers and Jacks

Illustration Title

Group-Fig. No.

Wheels and Hardware

Wheels and HardwareFig. 22 - 130

Wheel Covers and Center Caps


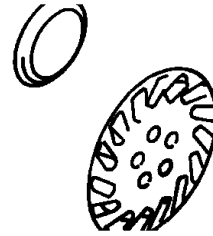
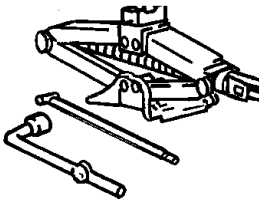
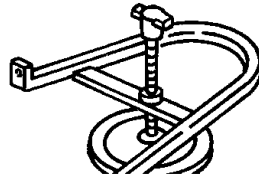
Caps, Wheel Cover and centerFig. 22 - 230

Jack Stowage

Jack Stowage.....Fig. 22 - 330

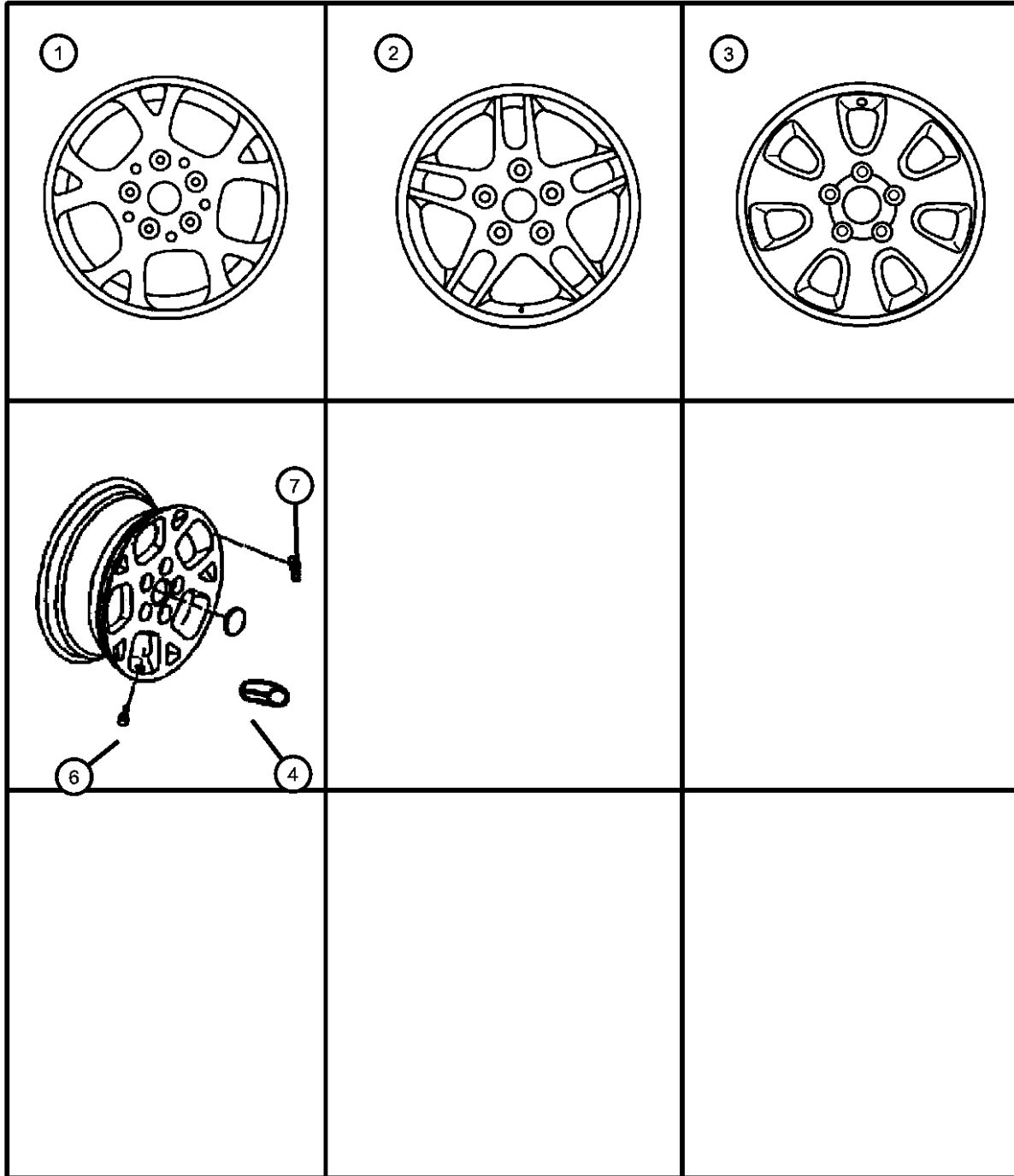
Spare Tire Stowage

Spare Wheel StowageFig. 22 - 460

| | | | |
|---|--|---|--|
| <p>022-100 Wheels and Hardware</p>  | <p>022-200 Wheel Covers and Center Caps</p>  | <p>022-300 Jack Stowage</p>  | <p>022-400 Spare Tire Stowage</p>  |
|---|--|---|--|

Wheels and Hardware
Figure 22-130

| ITEM | PART NUMBER | QTY | LINE | SERIES | BODY | ENGINE | TRANS | TRIM | DESCRIPTION |
|------|-------------|-----|------|--------|------|--------|-------|------|-------------|
|------|-------------|-----|------|--------|------|--------|-------|------|-------------|



Note: Sales Code WDS = 16x7.0 Aluminum Wheel
 Note: Sales Code WDR = 16x7.0 Aluminum Wheel
 Note: Sales Code WDM = 16x7.0 Aluminum Wheel
 Note: Sales Code WFJ = 17x7.0 Cast Aluminum

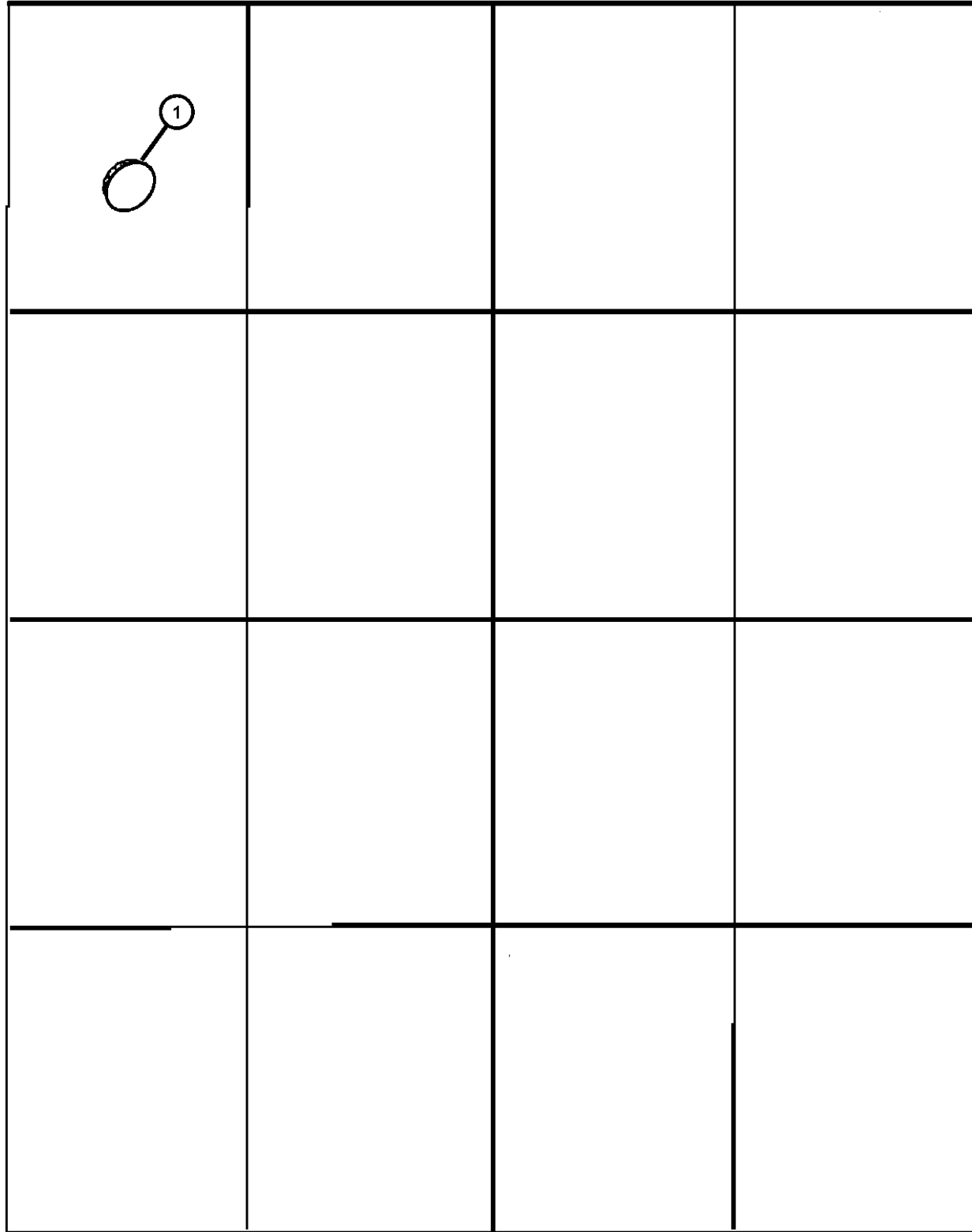
| | | | | | | | | | |
|----|------------|----|------|--|--|--|--|--|---|
| 1 | 5EZ98TAEAB | 1 | | | | | | | WHEEL, Aluminum 16x7, Timberline WDS |
| | 5GT99PAKAA | 4 | | | | | | | 16x7, Timberline WDS (Export) |
| 2 | 5EZ99PAKAB | 4 | J, T | | | | | | WHEEL, Aluminum 16x7, Silverblade WDR |
| | 5GJ48PAKAA | 4 | | | | | | | 16x7, Silverblade WDR (Export) |
| 3 | 5GJ45PAKAA | 4 | | | | | | | WHEEL, Aluminum, 17x7, Spoke WFJ (Export) |
| 4 | J4006956 | 20 | | | | | | | NUT, Wheel, .50x20 |
| -5 | 52088203AB | 1 | | | | | | | WHEEL, Spare |
| 6 | 02073355 | 5 | | | | | | | STEM, Wheel Valve |
| 7 | 02073355 | 5 | | | | | | | WEIGHT, Wheel Balance Tape, (NOT SERVICED) |

GRAND CHEROKEE (WJ)

| SERIES | LINE | BODY | ENGINE | TRANSMISSION |
|-------------|----------------------|------------------------|---|--|
| H = Laredo | T = JEEP - 2WD | 74 = 4 Door (105.9 WB) | ERH = ENGINE - 4.0L POWER TECH I-6 | DG4 = TRANSMISSION-MULTI- SPEED AUTO, 45RFE |
| P = Limited | J = JEEP - 4WD | | EVA = ENGINE- 4.7L V8 MPI | DGW = TRANSMISSION - 4-SPD. AUTOMATIC,44RE |
| | U = JEEP - 4WD (RHD) | | EXA = ENGINE - 3.1L 5 CYL TURBO DIESEL | DGK = TRANSMISSION - 4-SPD. AUTOMATIC,42RE |
| | | | | DGO = ALL AUTOMATIC TRANSMISSIONS |

AR = use ase required - = Non illustrated part

**Caps, Wheel Cover and center
Figure 22-230**



| ITEM | PART NUMBER | QTY | LINE | SERIES | BODY | ENGINE | TRANS | TRIM | DESCRIPTION |
|------|-------------|-----|------|--------|------|--------|-------|------|---|
| 1 | 5CF97L3X | 4 | | | | | | | CAP, Wheel Center, Brushed Aluminum "Jeep" Name |
| -2 | 5GJ46PAKAA | 4 | | | | | | | CAP, Wheel Center, with 17x7.0 Wheel WFJ |

GRAND CHEROKEE (WJ)

SERIES
H = Laredo
P = Limited

LINE
T = JEEP - 2WD
J = JEEP - 4WD
U = JEEP - 4WD (RHD)

BODY
74 = 4 Door (105.9 WB)

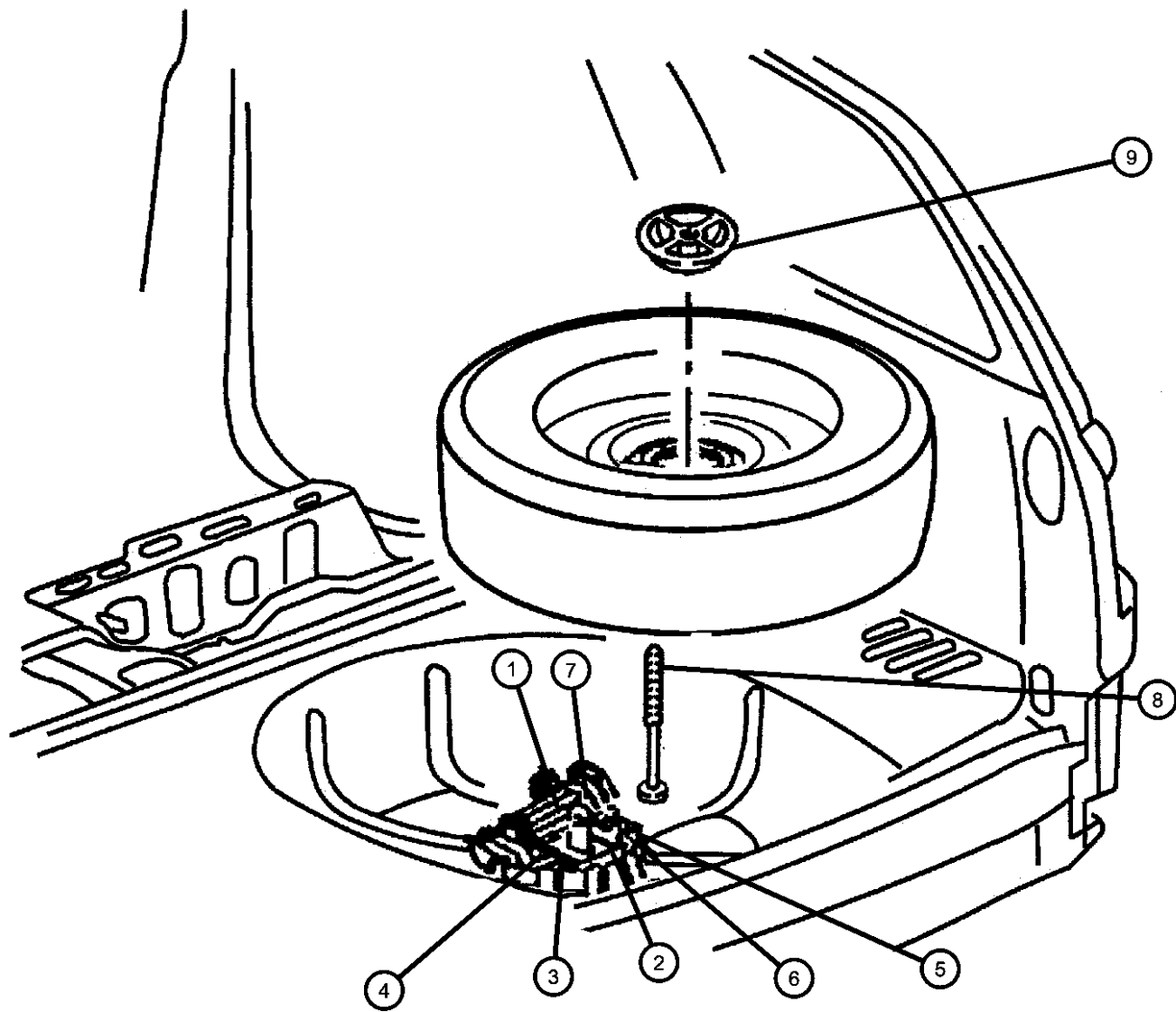
ENGINE
ERH = ENGINE - 4.0L POWER TECH I-6
EVA = ENGINE- 4.7L V8 MPI
EXA = ENGINE - 3.1L 5 CYL TURBO DIESEL

TRANSMISSION
DG4 = TRANSMISSION-MULTI-SPEED AUTO, 45RFE
DGW = TRANSMISSION - 4-SPD. AUTOMATIC,44RE
DGK = TRANSMISSION - 4-SPD. AUTOMATIC,42RE
DGO = ALL AUTOMATIC TRANSMISSIONS

AR = use ase required - = Non illustrated part

Jack Stowage
Figure 22-330

| ITEM | PART NUMBER | QTY | LINE | SERIES | BODY | ENGINE | TRANS | TRIM | DESCRIPTION |
|------|-------------|-----|------|--------|------|--------|-------|------|---|
| 1 | 52059104 | 1 | | | | | | | JACK |
| 2 | 52059121 | 1 | | | | | | | EXTENSION, Jack Handle |
| 3 | 52059122AB | 1 | | | | | | | EXTENSION, Jack Handle |
| 4 | 52059134AA | 2 | | | | | | | BRACKET, Tool Hold Down |
| 5 | 06100048 | 1 | J, T | | | | | | NUT, Hex, M6x1.00 |
| 6 | 52059105 | 1 | | | | | | | WRENCH, Wheel Lug Nut |
| 7 | 52059148AA | 1 | | | | | | | CLIP |
| 8 | 52059148AA | 1 | | | | | | | J BOLT, Spare Tire Hold Down, (NOT SERVICED) |
| 9 | 52059148AA | 1 | | | | | | | CUP, Spare Tire Retention, (NOT SERVICED) |



GRAND CHEROKEE (WJ)

SERIES
H = Laredo
P = Limited

LINE
T = JEEP - 2WD
J = JEEP - 4WD
U = JEEP - 4WD (RHD)

BODY
74 = 4 Door (105.9 WB)

ENGINE
ERH = ENGINE - 4.0L
POWER TECH I-6
EVA = ENGINE- 4.7L V8 MPI
EXA = ENGINE - 3.1L 5 CYL
TURBO DIESEL

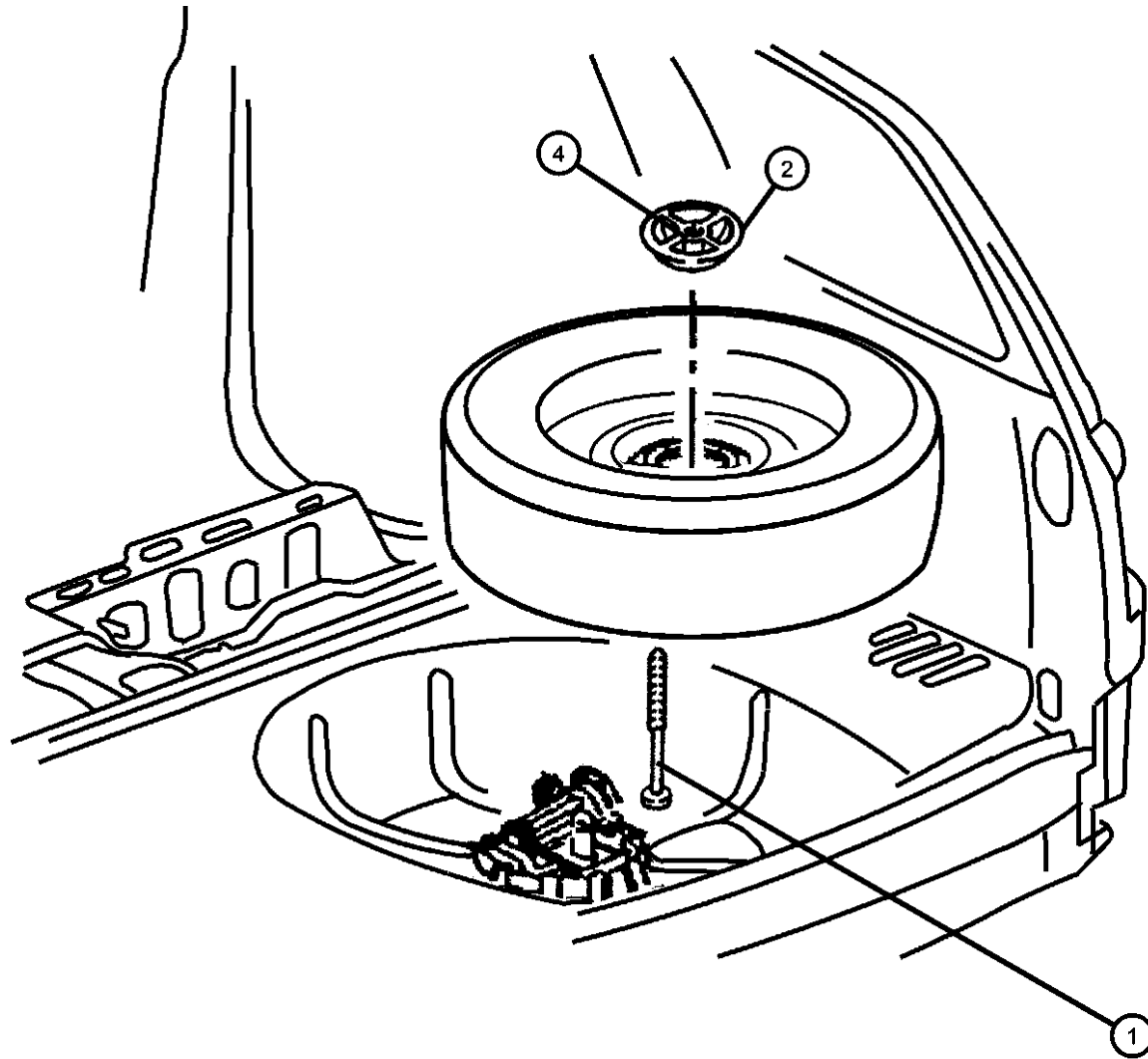
TRANSMISSION
DG4 = TRANSMISSION-MULTI-
SPEED AUTO, 45RFE
DGW = TRANSMISSION - 4-SPD.
AUTOMATIC, 44RE
DGK = TRANSMISSION - 4-SPD.
AUTOMATIC, 42RE
DGO = ALL AUTOMATIC
TRANSMISSIONS

AR = use ase required - = Non illustrated part

2000 WJ

Spare Wheel Stowage
Figure 22-460

| ITEM | PART NUMBER | QTY | LINE | SERIES | BODY | ENGINE | TRANS | TRIM | DESCRIPTION |
|------|-------------|-----|------|--------|------|--------|-------|------|----------------------------------|
| 1 | 52059169AB | 1 | | | | | | | BOLT, J, M10x1.5x150 |
| 2 | 52059160AC | 1 | | | | | | | CUP, Spare Tire Retention |
| -3 | 52088806AA | 1 | | | | | | | SILENCER, Wheelhouse |
| 4 | 06503070 | 1 | | | | | | | WINGNUT, Jack and Tire Hold Down |



GRAND CHEROKEE (WJ)

SERIES
H = Laredo
P = Limited

LINE
T = JEEP - 2WD
J = JEEP - 4WD
U = JEEP - 4WD (RHD)

BODY
74 = 4 Door (105.9 WB)

ENGINE
ERH = ENGINE - 4.0L
POWER TECH I-6
EVA = ENGINE- 4.7L V8 MPI
EXA = ENGINE - 3.1L 5 CYL
TURBO DIESEL

TRANSMISSION
DG4 = TRANSMISSION-MULTI-
SPEED AUTO, 45RFE
DGW = TRANSMISSION - 4-SPD.
AUTOMATIC, 44RE
DGK = TRANSMISSION - 4-SPD.
AUTOMATIC, 42RE
DGO = ALL AUTOMATIC
TRANSMISSIONS

AR = use ase required - = Non illustrated part

2000 WJ

Group - 23D

Wiper/Lock Cylinder and Keys

Group - 23D Wiper/Lock Cylinder and Keys

Group-Fig. No.

Illustration Title

Lock Cylinders and Keys

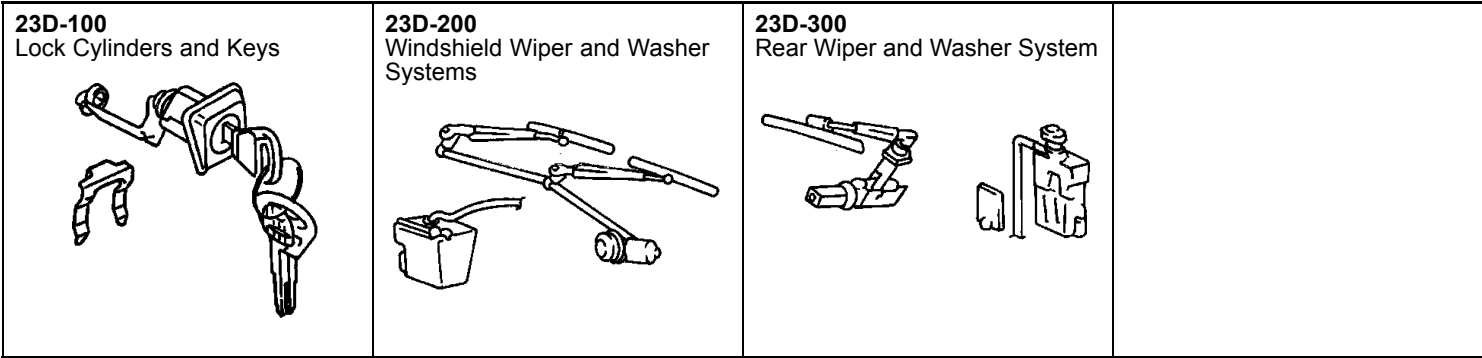
Lock Cylinder & KeysFig. 23D - 130

Windshield Wiper and Washer Systems

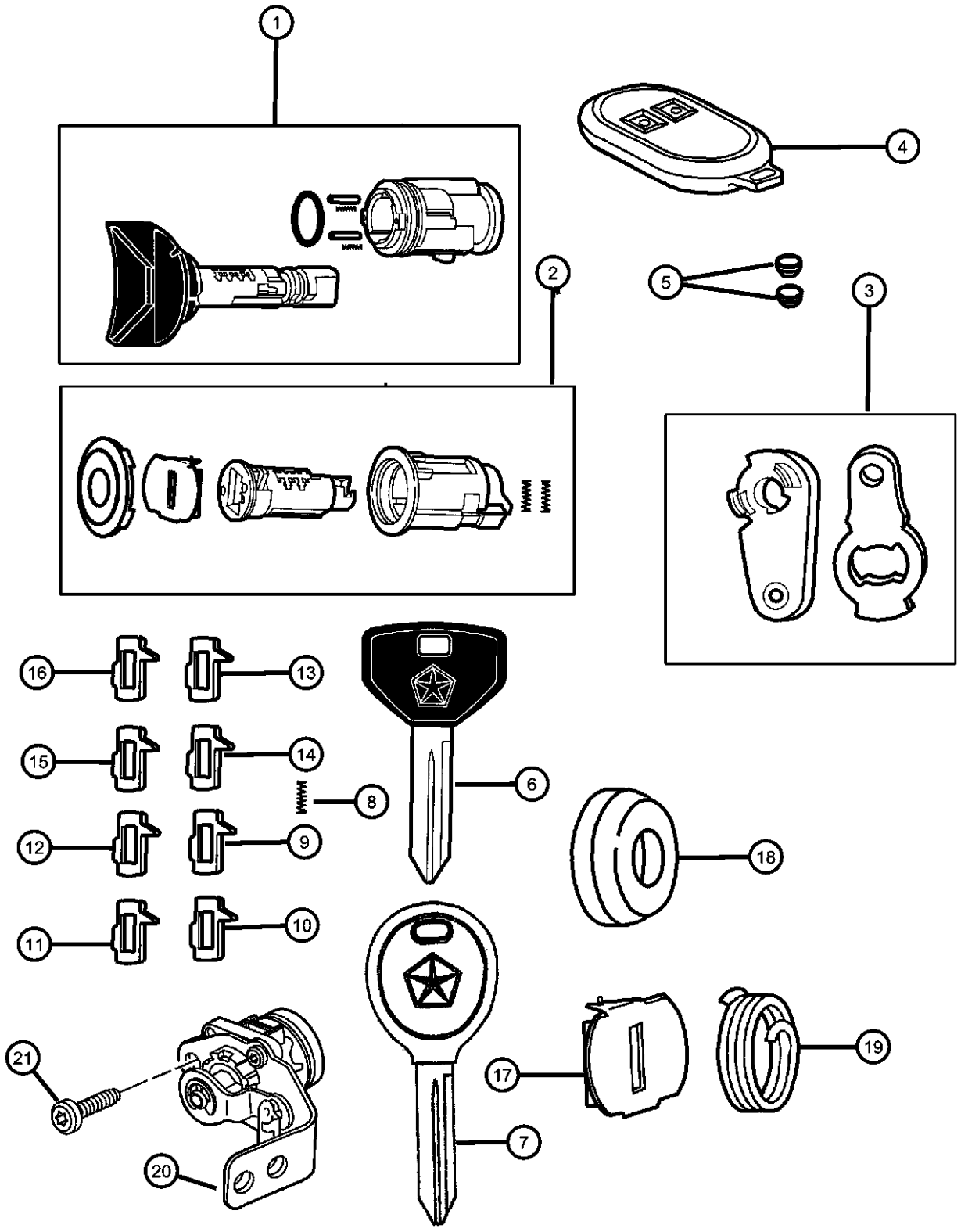
Windshield Wiper & Washer.....Fig. 23D - 230

Rear Wiper and Washer System

Rear Wiper & Washer SystemFig. 23D - 330



**Lock Cylinder & Keys
Figure 23D-130**

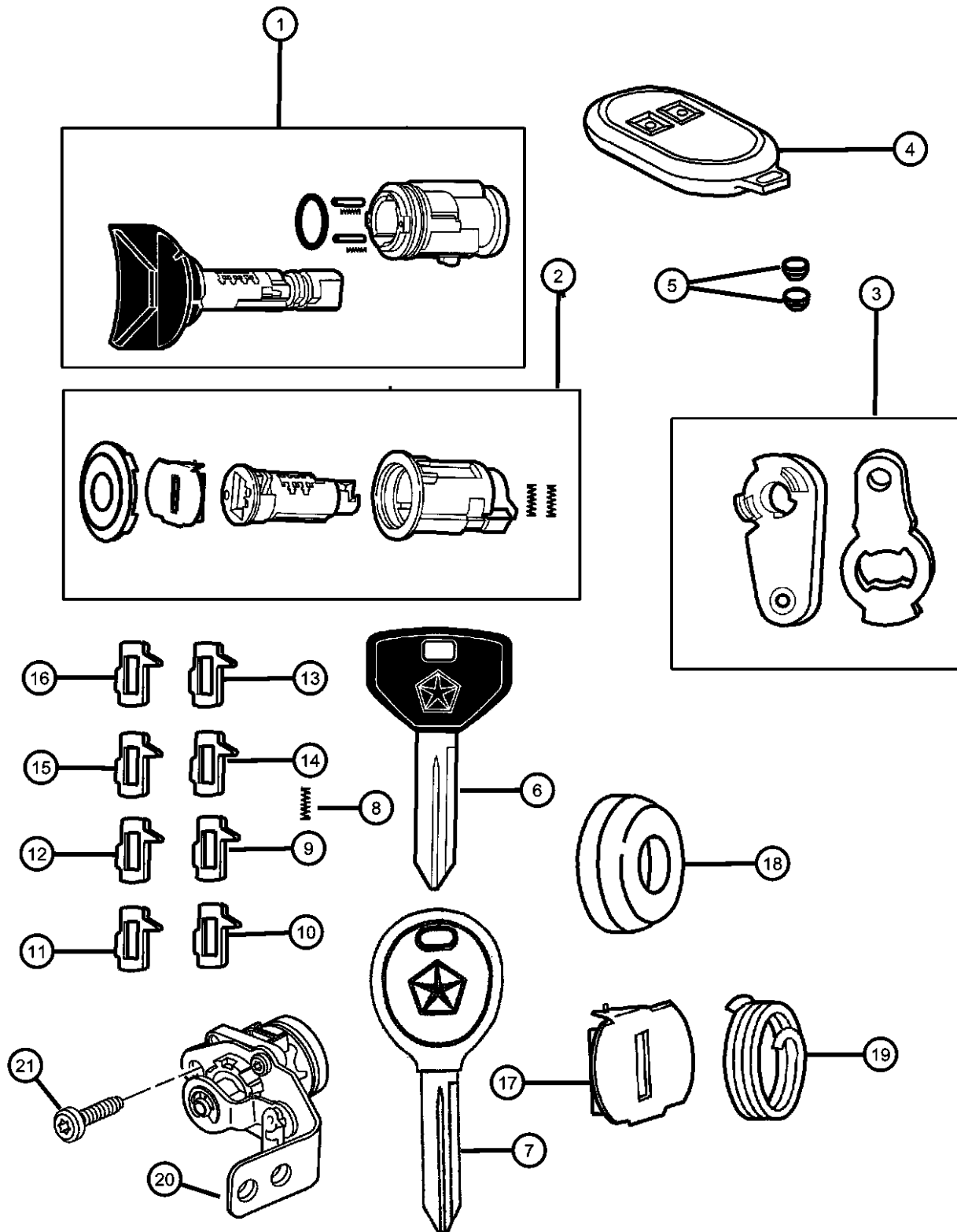


| ITEM | PART NUMBER | QTY | LINE | SERIES | BODY | ENGINE | TRANS | TRIM | DESCRIPTION |
|------|-------------|-----|------|--------|------|--------|-------|------|---|
| 1 | 05003843AA | 1 | J, T | | | | | | CYLINDER, Ignition Lock |
| 2 | 05013682AA | 1 | U | | | | | | CYLINDER, Door Lock |
| 3 | 55136554AA | 1 | J, T | | | | | | LEVER, Door Lock Cylinder |
| 4 | 56036857AB | 1 | | | | | | | TRANSMITTER, Keyless Entry Primary Driver #1 (JAPAN) |
| | 56036858AB | 1 | | | | | | | Secondary Driver #2 (JAPAN) |
| | 56036859AC | 1 | | | | | | | Frequency 315 (USA/CANADA) Primary Driver #1, Black |
| | 56036860AC | 1 | | | | | | | Frequency 315 (USA/CANADA) Secondary Driver #2 grey |
| | 56036862AB | 1 | | | | | | | Frequency 433 (EUROPE) Primary Driver #1, Black |
| | 56036863AB | 1 | | | | | | | Frequency 433 Secondary Driver (EUROPE) #2 grey |
| 5 | 83504802 | 2 | | | | | | | BATTERY, Transmitter |
| 6 | 05013807AA | 2 | U | | | | | | KEY, Master Sentry with JEEP Logo |
| | | 1 | J, T | | | | | | Sentry with JEEP Logo |
| 7 | 05010366AA | 2 | J, T | | | | | | KEY, Master Sentry Key with Penastar Logo |
| | | 2 | U | | | | | | Sentry Key with Penastar Logo |
| 8 | 05010883AA | 1 | U | | | | | | SPRING, Ignition Tumbler, Sidebar |
| | | 1 | J, T | | | | | | |
| 9 | 04778117 | 2 | J, T | | | | | | TUMBLER, Door and Deck Number 1, Wide |
| | | 2 | U | | | | | | |
| 10 | | | | | | | | | TUMBLER, Door and Deck Number 2, Wide |

| | | | | |
|----------------------------|----------------------|------------------------|---|--|
| GRAND CHEROKEE (WJ) | | | | |
| SERIES | LINE | BODY | ENGINE | TRANSMISSION |
| H = Laredo | T = JEEP - 2WD | 74 = 4 Door (105.9 WB) | ERH = ENGINE - 4.0L POWER TECH I-6 | DG4 = TRANSMISSION-MULTI- SPEED AUTO, 45RFE |
| P = Limited | J = JEEP - 4WD | | EVA = ENGINE- 4.7L V8 MPI | DGW = TRANSMISSION - 4-SPD. AUTOMATIC,44RE |
| | U = JEEP - 4WD (RHD) | | EXA = ENGINE - 3.1L 5 CYL TURBO DIESEL | DGK = TRANSMISSION - 4-SPD. AUTOMATIC,42RE |
| | | | | DGO = ALL AUTOMATIC TRANSMISSIONS |

AR = use ase required - = Non illustrated part

Lock Cylinder & Keys
Figure 23D-130



| ITEM | PART NUMBER | QTY | LINE | SERIES | BODY | ENGINE | TRANS | TRIM | DESCRIPTION |
|------|-------------|-----|------|--------|------|--------|-------|------|--|
| | 04778118 | 2 | J, T | | | | | | |
| | | 2 | U | | | | | | |
| 11 | 04778119 | 2 | J, T | | | | | | TUMBLER, Door and Deck Number 3, Wide |
| | | 2 | U | | | | | | |
| 12 | 04778120 | 2 | J, T | | | | | | TUMBLER, Door and Deck Number 4, Wide |
| | | 2 | U | | | | | | |
| 13 | 05010879AA | 1 | U | | | | | | TUMBLER, Ignition Number 1, Sidebar |
| | | 1 | J, T | | | | | | |
| 14 | 05010880AA | 1 | U | | | | | | TUMBLER, Ignition Number 2, Sidebar |
| | | 1 | J, T | | | | | | |
| 15 | 05010881AA | 1 | U | | | | | | TUMBLER, Ignition Number 3, Sidebar |
| | | 1 | J, T | | | | | | |
| 16 | 05010882AA | 1 | U | | | | | | TUMBLER, Ignition Number 4, Sidebar |
| | | 1 | J, T | | | | | | |
| 17 | 04778150 | 2 | J, T | | | | | | SHUTTER, Door, Deck and Liftgate, Bright |
| | | 2 | U | | | | | | |
| 18 | 04778149 | 1 | J, T | | | | | | CAP, Door Lock Cylinder, Bright |
| 19 | 04778121 | 2 | J, T | | | | | | SPRING, Door and Deck Tumbler |
| | | 2 | U | | | | | | |
| 20 | 55136762AA | 1 | U | | | | | | BRACKET, Security Right |

GRAND CHEROKEE (WJ)

SERIES
H = Laredo
P = Limited

LINE
T = JEEP - 2WD
J = JEEP - 4WD
U = JEEP - 4WD (RHD)

BODY
74 = 4 Door (105.9 WB)

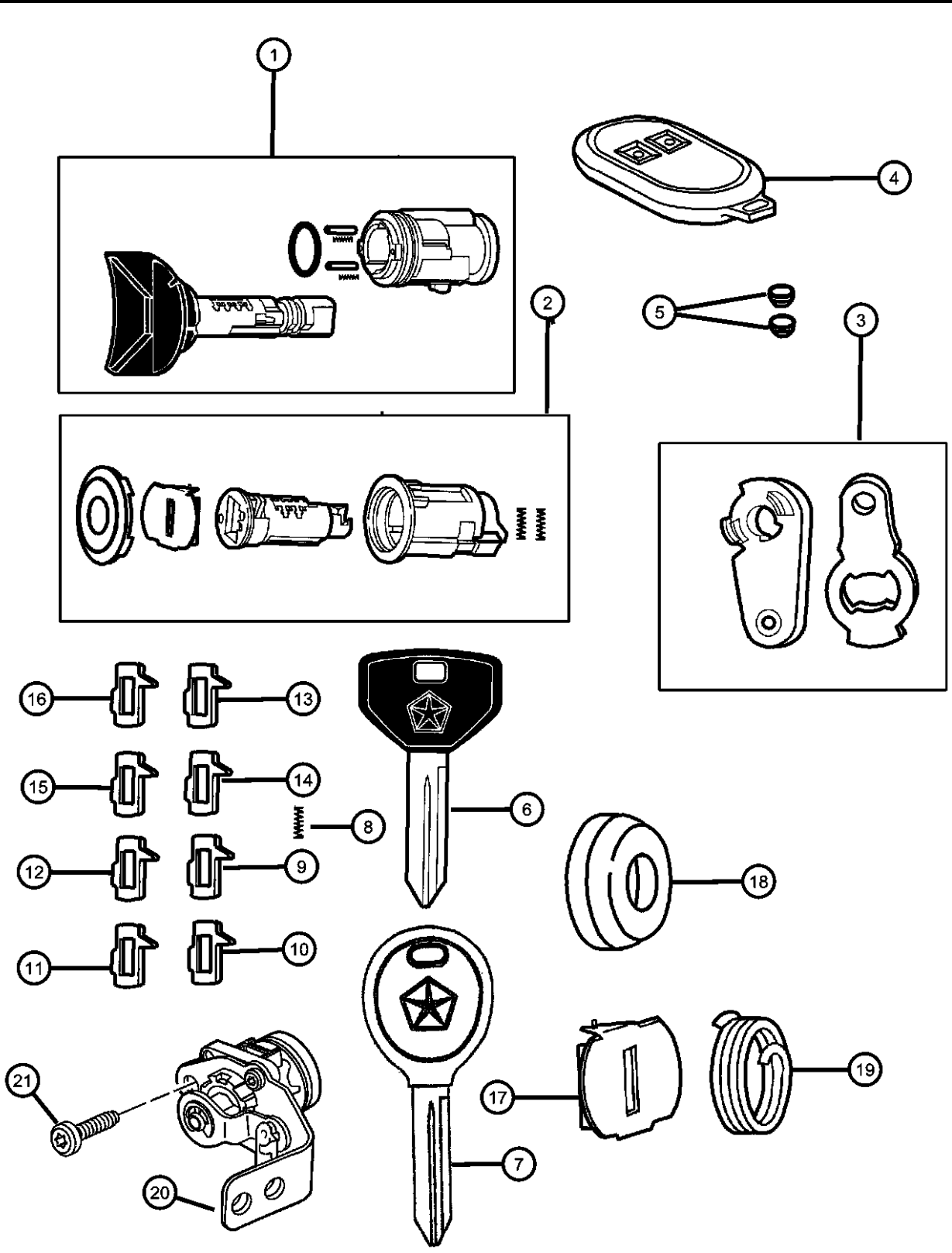
ENGINE
ERH = ENGINE - 4.0L POWER TECH I-6
EVA = ENGINE - 4.7L V8 MPI
EXA = ENGINE - 3.1L 5 CYL TURBO DIESEL

TRANSMISSION
DG4 = TRANSMISSION-MULTI-SPEED AUTO, 45RFE
DGW = TRANSMISSION - 4-SPD. AUTOMATIC, 44RE
DGK = TRANSMISSION - 4-SPD. AUTOMATIC, 42RE
DGO = ALL AUTOMATIC TRANSMISSIONS

AR = use ase required - = Non illustrated part

2000 WJ

**Lock Cylinder & Keys
Figure 23D-130**

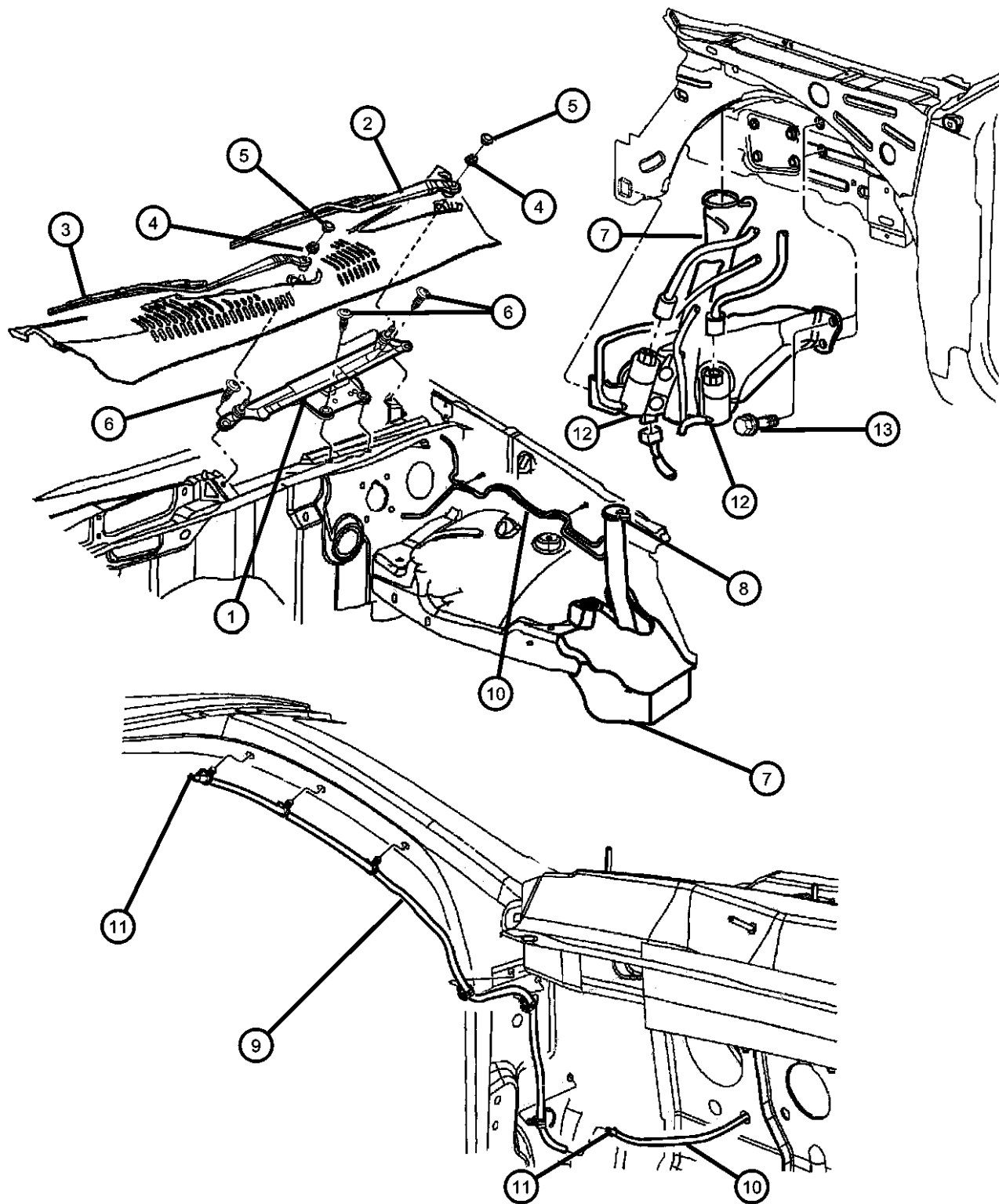


| ITEM | PART NUMBER | QTY | LINE | SERIES | BODY | ENGINE | TRANS | TRIM | DESCRIPTION |
|------|-------------|-----|------|--------|------|--------|-------|------|----------------------------------|
| | 55136763AA | 1 | J, T | | | | | | Left |
| 21 | 05013808AA | 1 | J, T | | | | | | SCREW, Security Bracket Mounting |
| -22 | | | | | | | | | CLIP, Latch |
| | 04658444 | 1 | J, T | | | | | | Purple |
| | | 1 | U | | | | | | Purple |
| | 04658445 | 1 | U | | | | | | Orange |
| | | 2 | J, T | | | | | | Orange |
| -23 | | | | | | | | | SWITCH, Security Alarm |
| | 55136557AA | 1 | J, T | | | | | | |
| | | 1 | U | | | | | | |
| -24 | | | | | | | | | SPRING, Cylinder Return |
| | 04378793 | 2 | J, T | | | | | | Door Lock |
| | | 2 | U | | | | | | Door Lock |

| | | | | |
|----------------------------|----------------------|------------------------|--|--|
| GRAND CHEROKEE (WJ) | | | | |
| SERIES | LINE | BODY | ENGINE | TRANSMISSION |
| H = Laredo | T = JEEP - 2WD | 74 = 4 Door (105.9 WB) | ERH = ENGINE - 4.0L POWER TECH I-6 | DG4 = TRANSMISSION-MULTI-SPEED AUTO, 45RFE |
| P = Limited | J = JEEP - 4WD | | EVA = ENGINE- 4.7L V8 MPI | DGW = TRANSMISSION - 4-SPD. AUTOMATIC,44RE |
| | U = JEEP - 4WD (RHD) | | EXA = ENGINE - 3.1L 5 CYL TURBO DIESEL | DGK = TRANSMISSION - 4-SPD. AUTOMATIC,42RE |
| | | | | DGO = ALL AUTOMATIC TRANSMISSIONS |

AR = use ase required - = Non illustrated part

**Windshield Wiper & Washer
Figure 23D-230**



| ITEM | PART NUMBER | QTY | LINE | SERIES | BODY | ENGINE | TRANS | TRIM | DESCRIPTION |
|------|-------------|-----|------|--------|------|--------|-------|------|---|
| 1 | 55155092 | 1 | J, T | | | | | | MODULE, Wiper USA/CANADA |
| | 55155352 | 1 | U | | | | | | EUROPE |
| | 55155656AA | 1 | J, T | | | | | | EUROPE |
| 2 | 05012605AA | 1 | J, T | | | | | | ARM, Wiper Left |
| | 05012606AA | 1 | J, T | | | | | | Right |
| | 05012608AA | 1 | U | | | | | | EUROPE, Passenger Side |
| | 05012609AA | 1 | U | | | | | | EUROPE, Driver Side |
| 3 | 05012611AA | 1 | J, T | | | | | | BLADE, Wiper EUROPE, Driver Side |
| | WBFLAT07AA | | | | | | | | Mopar Alternative Flat Blade Set |
| | WBW00021AD | | | | | | | | Mopar Alternative Winter Wiper Blades |
| | WB000021AE | | | | | | | | Mopar V-Line Alternative Part USA/CANADA (Qty. 2), |
| | WBFLAT07AA | | J, T | | | | | | Mopar Alternative Flat Blade Set |
| | WBW00021AD | | | | | | | | Mopar Alternative Winter Wiper Blades |
| | WB000021AE | | | | | | | | Mopar V-Line Alternative Part EUROPE, Driver Side |
| | 05012613AA | 1 | U | | | | | | EUROPE, Driver Side |
| | 05012614AA | 1 | U | | | | | | EUROPE, Passenger Side |
| 4 | 06503335 | 2 | | | | | | | NUT, Hex, M10X1.25 |
| 5 | 55155765AA | 2 | | | | | | | CAP, Wiper Arm Nut |
| 6 | 06100568 | 4 | | | | | | | BOLT AND WASHER, Implement Attaching |
| 7 | 05012594AA | 1 | | | | | | | RESERVOIR, Washer |
| 8 | 05012603AA | 1 | | | | | | | CAP, Washer Reservoir |
| 9 | 55155522AC | 1 | | | | | | | HOSE, Windshield Washer |
| 10 | 04439003 | 2 | | | | | | | HOSE, Windshield Washer, 0156 ID=4MM |
| 11 | 04778224 | 1 | | | | | | | CONNECTOR, Washer Hose, In Line |
| 12 | 05012597AA | 1 | | | | | | | PUMP, Washer, Windshield Front Wiper |
| | 05012602AA | 1 | | | | | | | Rear Wiper |

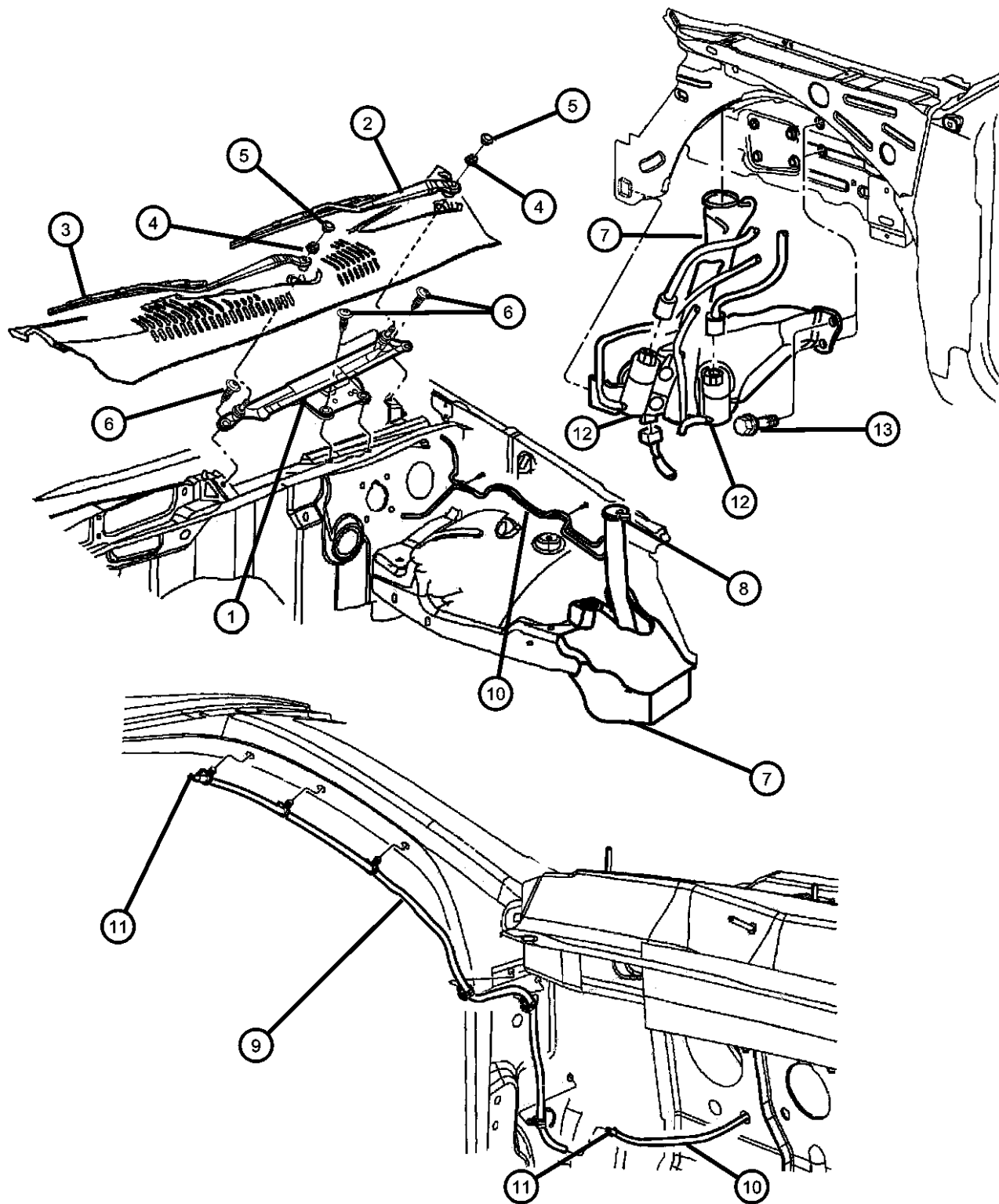
GRAND CHEROKEE (WJ)

| | | | | |
|---------------|----------------------|------------------------|---|--|
| SERIES | LINE | BODY | ENGINE | TRANSMISSION |
| H = Laredo | T = JEEP - 2WD | 74 = 4 Door (105.9 WB) | ERH = ENGINE - 4.0L POWER TECH I-6 | DG4 = TRANSMISSION-MULTI- SPEED AUTO, 45RFE |
| P = Limited | J = JEEP - 4WD | | EVA = ENGINE- 4.7L V8 MPI | DGW = TRANSMISSION - 4-SPD. AUTOMATIC,44RE |
| | U = JEEP - 4WD (RHD) | | EXA = ENGINE - 3.1L 5 CYL TURBO DIESEL | DGK = TRANSMISSION - 4-SPD. AUTOMATIC,42RE |
| | | | | DGO = ALL AUTOMATIC TRANSMISSIONS |

AR = use ase required - = Non illustrated part

2000 WJ

**Windshield Wiper & Washer
Figure 23D-230**



| ITEM | PART NUMBER | QTY | LINE | SERIES | BODY | ENGINE | TRANS | TRIM | DESCRIPTION |
|------|-------------|-----|------|--------|------|--------|-------|------|--|
| 13 | 05012602AA | 1 | | | | | | | SCREW, .250-14x.875, (NOT SERVICED) |
| -14 | 55155199 | 2 | J, T | | | | | | NOZZLE, Washer, Windshield |
| | | 2 | U | | | | | | |
| -15 | 05012763AA | 1 | | | | | | | SENSOR, Washer Fluid Level |
| -16 | 04798779 | 1 | | | | | | | GROMMET, Windshield Washer Pump, Sensor Grommet |
| -17 | 05011809AA | 1 | | | | | | | GROMMET, Windshield Washer Pump, Pump Grommet |
| -18 | 03799520 | 1 | J, T | | | | | | GROMMET, Hose to Reservoir 4.0L & 4.7L Engines |
| | | 1 | U | | | | | | |
| | | 1 | J, T | | | | | | Diesel Engine |
| -19 | 55155694AB | 1 | J, T | | | | | | HOSE, Washer Reservoir, Windshield Wiper Tee Serviced in This Assembly |

GRAND CHEROKEE (WJ)

SERIES
H = Laredo
P = Limited

LINE
T = JEEP - 2WD
J = JEEP - 4WD
U = JEEP - 4WD (RHD)

BODY
74 = 4 Door (105.9 WB)

ENGINE
ERH = ENGINE - 4.0L
POWER TECH I-6
EVA = ENGINE- 4.7L V8 MPI
EXA = ENGINE - 3.1L 5 CYL
TURBO DIESEL

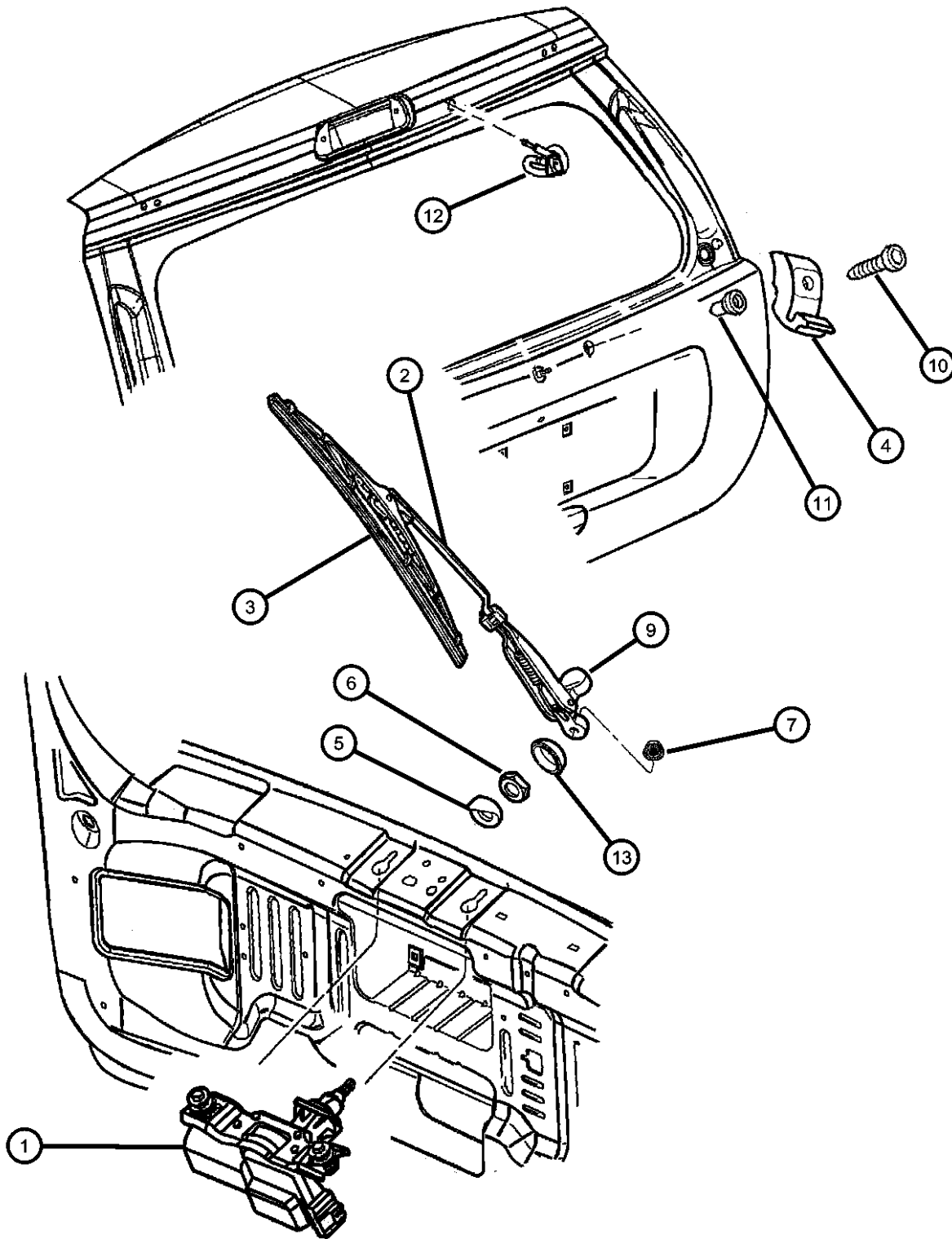
TRANSMISSION
DG4 = TRANSMISSION-MULTI-
SPEED AUTO, 45RFE
DGW = TRANSMISSION - 4-SPD.
AUTOMATIC, 44RE
DGK = TRANSMISSION - 4-SPD.
AUTOMATIC, 42RE
DGO = ALL AUTOMATIC
TRANSMISSIONS

AR = use ase required - = Non illustrated part

2000 WJ

**Rear Wiper & Washer System
Figure 23D-330**

| ITEM | PART NUMBER | QTY | LINE | SERIES | BODY | ENGINE | TRANS | TRIM | DESCRIPTION |
|------|-------------|-----|------|--------|------|--------|-------|------|------------------------------------|
| 1 | 55155122AB | 1 | | | | | | | MOTOR, Wiper |
| 2 | 05012610AA | 1 | | | | | | | ARM, Liftgate Wiper |
| 3 | 05012615AB | 1 | | | | | | | BLADE, Wiper |
| | WB000012AE | | | | | | | | Mopar V-Line Alternative Part |
| 4 | 55155124 | 1 | | | | | | | RAMP, Wiper Park |
| 5 | 55155358 | 1 | | | | | | | BEZEL, Wiper Motor |
| 6 | 06502263 | 1 | | | | | | | NUT, Hex, M20x1.00 |
| 7 | 06500165 | 1 | | | | | | | NUT, Wiper Arm |
| -8 | 55076650 | 1 | | | | | | | COVER, Rear Wiper Motor, Nut |
| 9 | 05014217AA | 1 | | | | | | | COVER, Rear Wiper Arm |
| 10 | 06505062AA | 1 | | | | | | | SCREW, Pilot Point |
| 11 | 06503245 | 1 | | | | | | | NUT/RIVET, Cooler To Closure Panel |
| 12 | 55155201AC | 1 | | | | | | | NOZZLE, Washer, Windshield |
| 13 | 55076650 | 1 | | | | | | | COVER, Rear Wiper Motor |
| -14 | 05012602AA | 1 | | | | | | | PUMP, Washer, Windshield, Rear |



GRAND CHEROKEE (WJ)

SERIES
H = Laredo
P = Limited

LINE
T = JEEP - 2WD
J = JEEP - 4WD
U = JEEP - 4WD (RHD)

BODY
74 = 4 Door (105.9 WB)

ENGINE
ERH = ENGINE - 4.0L
POWER TECH I-6
EVA = ENGINE- 4.7L V8 MPI
EXA = ENGINE - 3.1L 5 CYL
TURBO DIESEL

TRANSMISSION
DG4 = TRANSMISSION-MULTI-
SPEED AUTO, 45RFE
DGW = TRANSMISSION - 4-SPD.
AUTOMATIC,44RE
DGK = TRANSMISSION - 4-SPD.
AUTOMATIC,42RE
DGO = ALL AUTOMATIC
TRANSMISSIONS

AR = use ase required - = Non illustrated part

2000 WJ

Group - 24

Air Conditioning & Heater

Group - 24 Air Conditioning & Heater

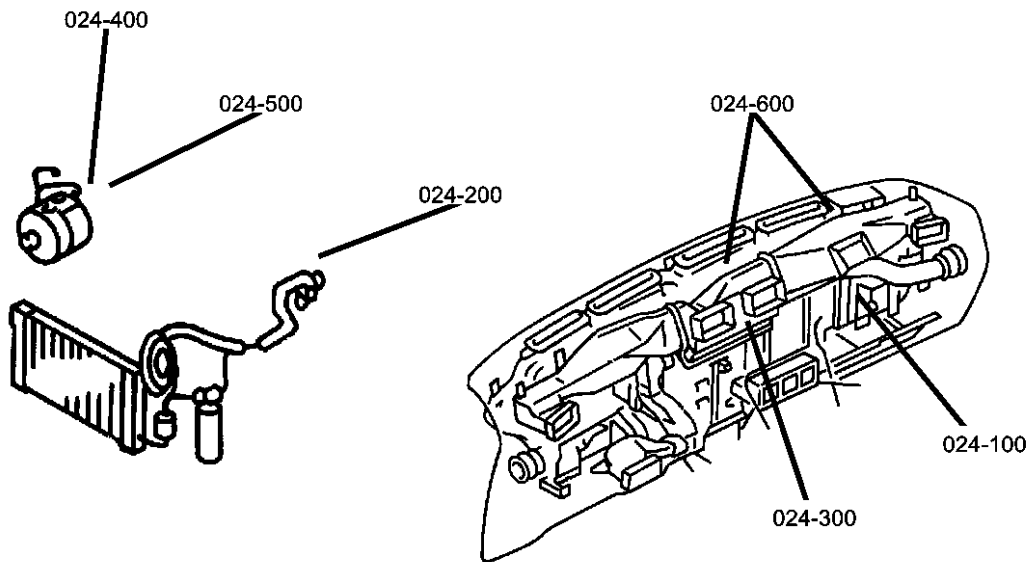


Illustration Title

Group-Fig. No.

Air Conditioner and Heater Units

| | |
|---|---------------|
| HEVAC with Auto Temp Control, LHD | Fig. 24 - 150 |
| HEVAC with Auto Temp Control, RHD | Fig. 24 - 160 |
| HEVAC with Manual Control, LHD | Fig. 24 - 170 |
| HEVAC with Manual Control, RHD | Fig. 24 - 180 |

Air Conditioner and Heater Plumbing

| | |
|--|---------------|
| Hoses, Heater 3.1, 4.0L Engines | Fig. 24 - 240 |
| Hoses, Heater 4.7L Engine | Fig. 24 - 245 |
| Accumulator, Condenser and Lines 3.1, 4.0L Engines | Fig. 24 - 250 |
| Accumulator, Condenser and Lines 4.7L Engine | Fig. 24 - 255 |
| Hevac Vacuum Engine Lines and Controls | Fig. 24 - 260 |

Air Conditioner and Heater Controls

| | |
|---|---------------|
| Control, Heater and Air Conditioner | Fig. 24 - 330 |
|---|---------------|

Air Conditioning Compressor

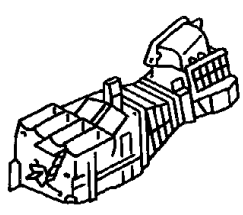
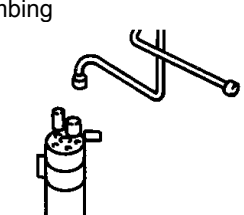
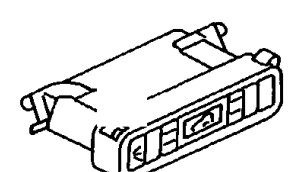
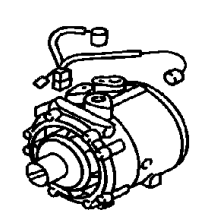
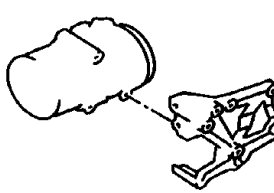
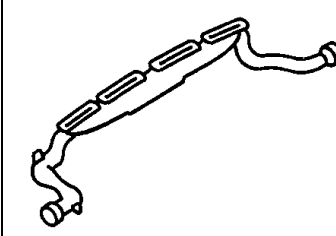
| | |
|--|---------------|
| Compressor, Air Conditioning 4.0L Engine | Fig. 24 - 410 |
| Compressor, Air Conditioning 4.7L Engine | Fig. 24 - 420 |

Air Conditioning Compressor Mounting

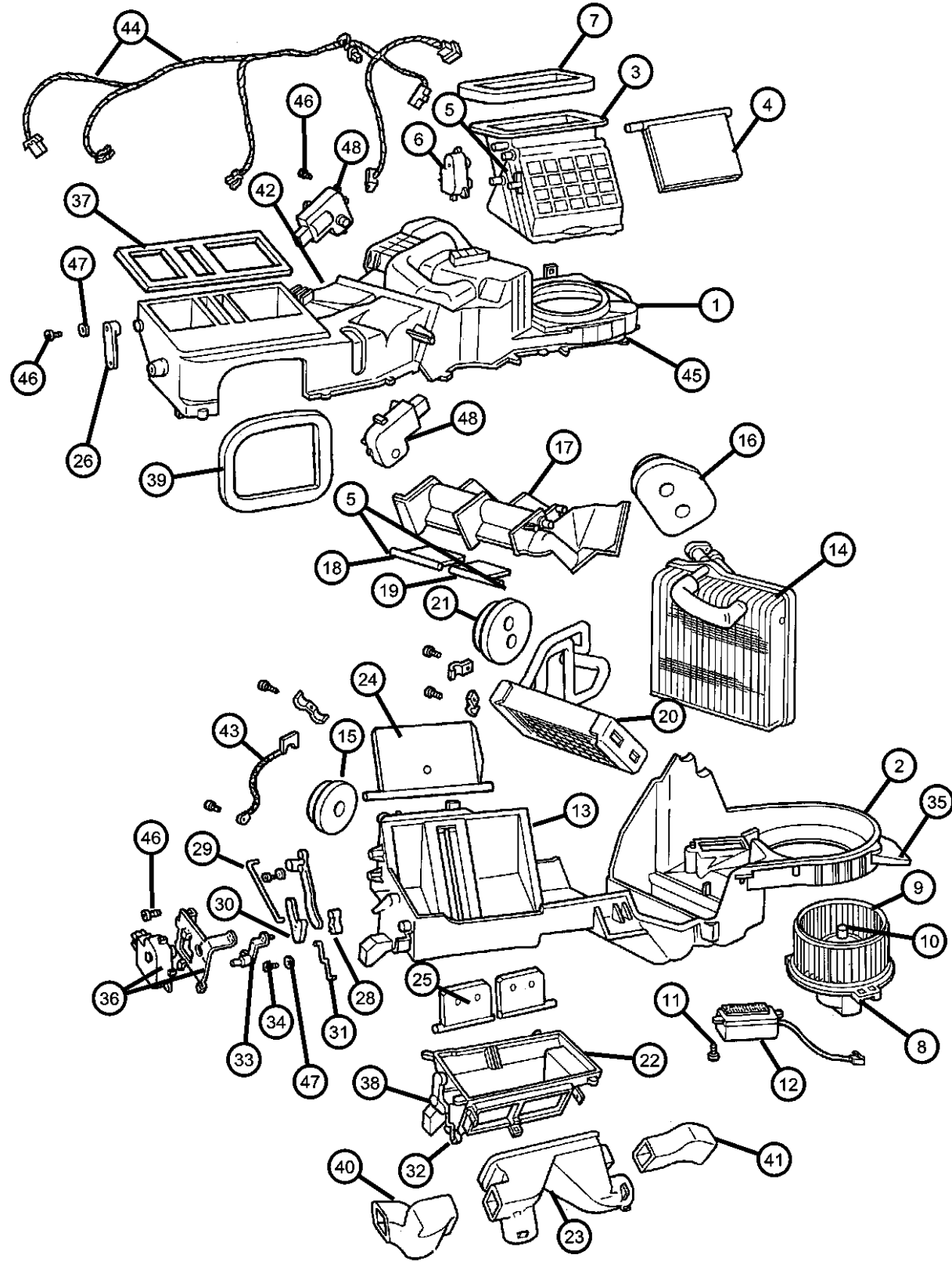
| | |
|--|---------------|
| Compressor, Mounting 4.0L Engine | Fig. 24 - 510 |
| Compressor, Mounting 4.7L Engine | Fig. 24 - 520 |

Air Ducts and Outlets

| | |
|-----------------------------|---------------|
| Air Ducts and Outlets | Fig. 24 - 610 |
|-----------------------------|---------------|

| | | | |
|---|---|--|---|
| <p>024-100 Air Conditioner and Heater Units</p>  | <p>024-200 Air Conditioner and Heater Plumbing</p>  | <p>024-300 Air Conditioner and Heater Controls</p>  | <p>024-400 Air Conditioning Compressor</p>  |
| <p>024-500 Air Conditioning Compressor Mounting</p>  | <p>024-600 Air Ducts and Outlets</p>  | | |

HEVAC with Auto Temp Control, LHD
Figure 24-150



| ITEM | PART NUMBER | QTY | LINE | SERIES | BODY | ENGINE | TRANS | TRIM | DESCRIPTION |
|------|-------------|-----|------|--------|------|--------|-------|------|-------------|
|------|-------------|-----|------|--------|------|--------|-------|------|-------------|

Sales Code HAF = Auto Temp Control

| | | | | | | | | | |
|-----|------------|---|------|--|--|--|--|--|---|
| 1 | 05012715AD | 1 | J, T | | | | | | HOUSING, A/C Upper |
| 2 | 05012714AC | 1 | J, T | | | | | | HOUSING, A/C Lower |
| 3 | 05012713AA | 1 | J, T | | | | | | HOUSING, Air Recirculating |
| 4 | 05012712AA | 1 | J, T | | | | | | DOOR, Air Inlet |
| 5 | 05012711AA | 3 | J, T | | | | | | LINK, Heater and Damper Control |
| 6 | 05012710AA | 1 | J, T | | | | | | SERVO, A/C Temperature Door/Recirculator Housing |
| 7 | 05012709AA | 1 | J, T | | | | | | SEAL, Air Inlet |
| 8 | 05012708AA | 1 | J, T | | | | | | MOTOR, Blower |
| 9 | 05012701AB | 1 | J, T | | | | | | FAN, Blower Motor |
| 10 | 02837680 | 1 | J, T | | | | | | CLAMP, Blower Motor Wheel |
| 11 | 05012700AA | 3 | J, T | | | | | | SCREW, Tapping |
| 12 | 05012699AA | 1 | J, T | | | | | | RESISTOR, Blower Motor |
| 13 | 05012698AA | 1 | J, T | | | | | | INSULATOR, Air Conditioning |
| 14 | 05012697AA | 1 | J, T | | | | | | EVAPORATOR, Air Conditioning Mopar V-Line Alternative Part |
| 15 | 05012696AA | 1 | J, T | | | | | | SEAL, Evaporator Drain |
| 16 | 05014744AA | 1 | J, T | | | | | | SEAL, A/C Evaporator |
| 17 | 05012694AB | 1 | J, T | | | | | | HOUSING, A/C Unit |
| 18 | 05012693AA | 1 | J, T | | | | | | DOOR, Blend Air |
| 19 | 05012692AA | 1 | J, T | | | | | | DOOR, Blend Air |
| 20 | 05012691AB | 1 | J, T | | | | | | CORE, Heater |
| 21 | 05012744AA | 1 | J, T | | | | | | SEAL, Heater Tubes |
| 22 | 05012743AA | 1 | J, T | | | | | | HOUSING, A/C Unit |
| 23 | 05012742AA | 1 | J, T | | | | | | COVER, Heater |
| 24 | 05012740AA | 1 | J, T | | | | | | DOOR, Distribution Duct |
| 25 | 05012739AA | 1 | J, T | | | | | | DOOR, Floor Defroster Duct |
| 26 | 05012738AA | 1 | J, T | | | | | | LEVER, Panel Door |
| -27 | 05012741AA | 1 | J, T | | | | | | DOOR, Panel, Stamped 934 |
| 28 | 05012735AA | 1 | J, T | | | | | | LEVER, Panel Door |
| 29 | 05012734AA | 1 | J, T | | | | | | SHAFT, A/C and Heater Door |
| 30 | 05012733AA | 1 | J, T | | | | | | LINK, Heater and Defroster Door |

GRAND CHEROKEE (WJ)

| SERIES | LINE |
|-------------|----------------------|
| H = Laredo | T = JEEP - 2WD |
| P = Limited | J = JEEP - 4WD |
| | U = JEEP - 4WD (RHD) |

| BODY |
|------------------------|
| 74 = 4 Door (105.9 WB) |

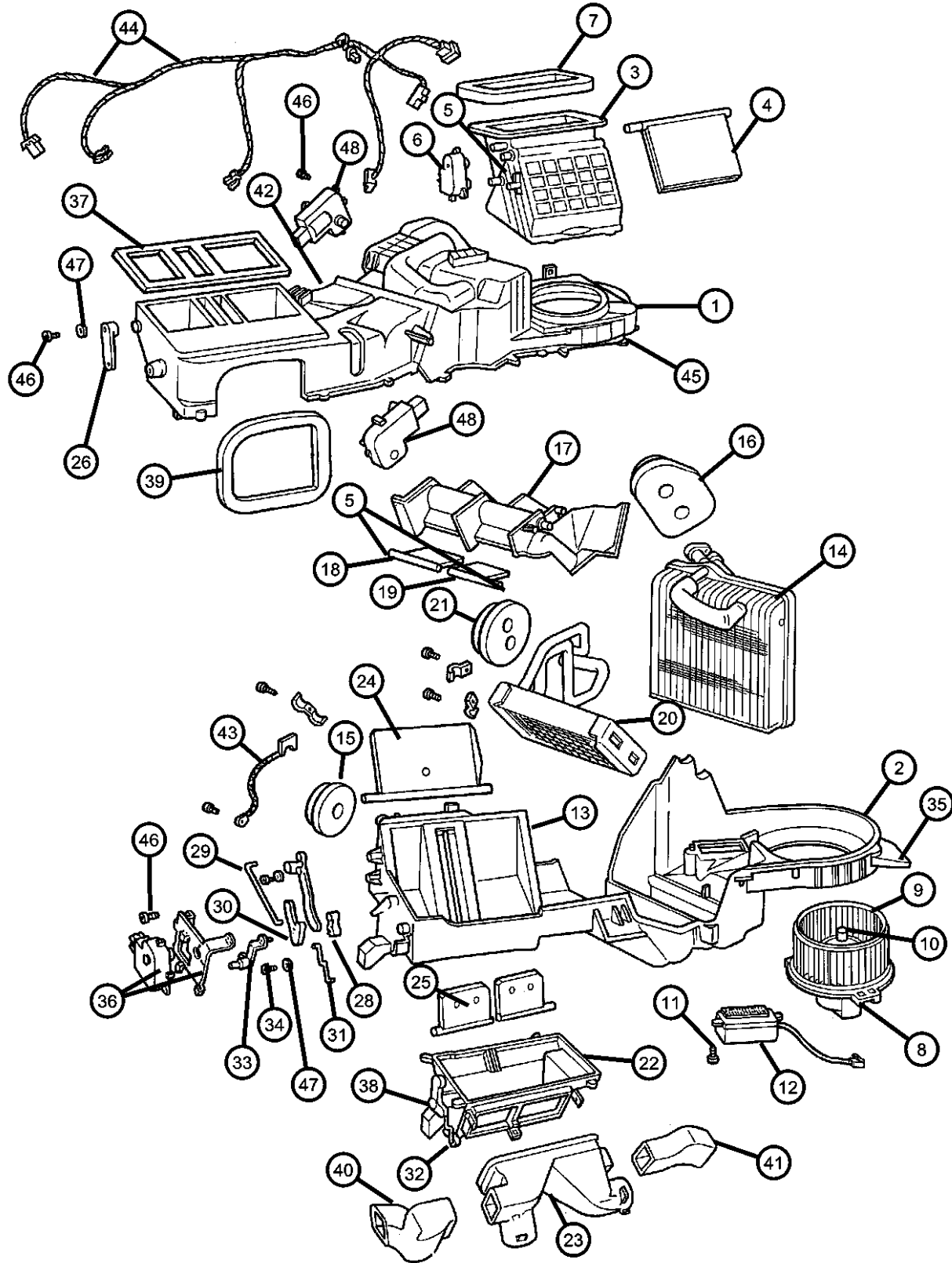
| ENGINE |
|--|
| ERH = ENGINE - 4.0L POWER TECH I-6 |
| EVA = ENGINE - 4.7L V8 MPI |
| EXA = ENGINE - 3.1L 5 CYL TURBO DIESEL |

| TRANSMISSION |
|---|
| DG4 = TRANSMISSION-MULTI-SPEED AUTO, 45RFE |
| DGW = TRANSMISSION - 4-SPD. AUTOMATIC, 44RE |
| DGK = TRANSMISSION - 4-SPD. AUTOMATIC, 42RE |
| DGO = ALL AUTOMATIC TRANSMISSIONS |

AR = use ase required - = Non illustrated part

2000 WJ

HEVAC with Auto Temp Control, LHD
Figure 24-150



| ITEM | PART NUMBER | QTY | LINE | SERIES | BODY | ENGINE | TRANS | TRIM | DESCRIPTION |
|------|-------------|-----|------|--------|------|--------|-------|------|----------------------------------|
| 31 | 05012732AA | 1 | J, T | | | | | | SHAFT, Defroster Door |
| 32 | 05012731AA | 1 | J, T | | | | | | LEVER, A/C Vent Defrost Door |
| 33 | 05012730AA | 1 | J, T | | | | | | LEVER, Panel Door |
| 34 | 05012729AA | 1 | J, T | | | | | | SCREW, Tapping |
| 35 | 06101442 | 4 | J, T | | | | | | U-NUT, M6 x 1.00, M6x1.00 |
| 36 | 05012728AA | 1 | J, T | | | | | | SERVO, Mode Door |
| 37 | 05012727AA | 1 | J, T | | | | | | SEAL, Demister |
| 38 | 05012726AA | 1 | J, T | | | | | | SEAL, Defroster Duct |
| 39 | 05015354AA | 1 | J, T | | | | | | SEAL, Panel |
| 40 | 05012723AB | 1 | | | | | | | DUCT, Floor Distribution |
| 41 | 05012722AC | 1 | J, T | | | | | | DUCT, Floor Distribution |
| 42 | 05012721AA | 1 | J, T | | | | | | SEAL, Air Conditioning Unit |
| 43 | 56038591AA | 1 | | | | EVO | | | STRAP, Ground |
| 44 | 05012719AA | 1 | J, T | | | | | | HARNES, Air Conditioning Control |
| 45 | 04720533 | 32 | J, T | | | | | | SCREW, Heater Housing |
| 46 | 04720534 | 3 | J, T | | | | | | SCREW, Pan Head |
| 47 | 05012756AA | 5 | J, T | | | | | | SPRING |
| 48 | 05012710AA | 2 | J, T | | | | | | SERVO, A/C Temperature Door |

GRAND CHEROKEE (WJ)

SERIES LINE
H = Laredo T = JEEP - 2WD
P = Limited J = JEEP - 4WD
U = JEEP - 4WD (RHD)

BODY
74 = 4 Door (105.9 WB)

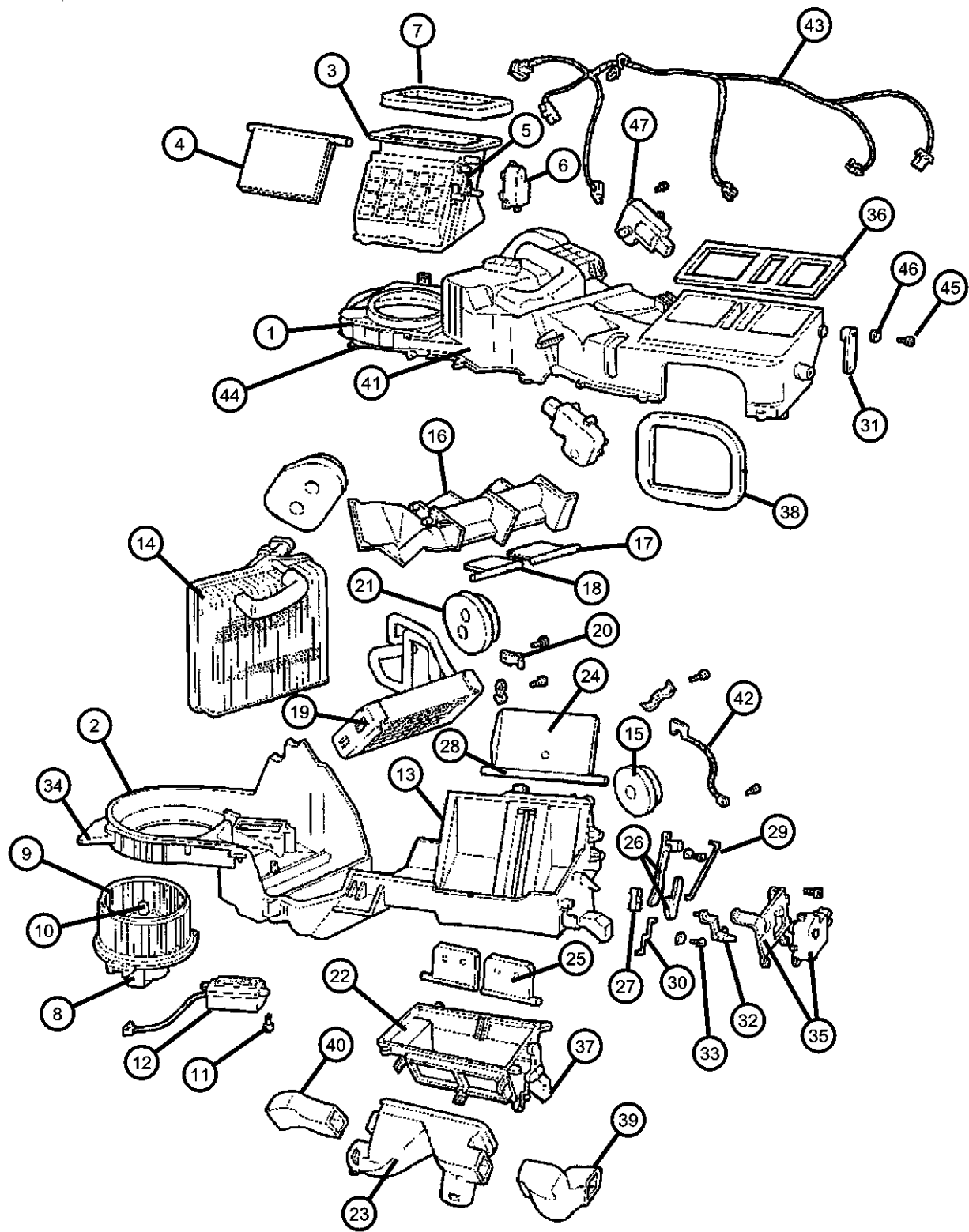
ENGINE
ERH = ENGINE - 4.0L
POWER TECH I-6
EVA = ENGINE- 4.7L V8 MPI
EXA = ENGINE - 3.1L 5 CYL
TURBO DIESEL

TRANSMISSION
DG4 = TRANSMISSION-MULTI-
SPEED AUTO, 45RFE
DGW = TRANSMISSION - 4-SPD.
AUTOMATIC,44RE
DGK = TRANSMISSION - 4-SPD.
AUTOMATIC,42RE
DGO = ALL AUTOMATIC
TRANSMISSIONS

AR = use ase required - = Non illustrated part

2000 WJ

HEVAC with Auto Temp Control, RHD
Figure 24-160



| ITEM | PART NUMBER | QTY | LINE | SERIES | BODY | ENGINE | TRANS | TRIM | DESCRIPTION |
|------|-------------|-----|------|--------|------|--------|-------|------|-------------|
|------|-------------|-----|------|--------|------|--------|-------|------|-------------|

Note: Sales Code HAF = Auto Temp Control

| | | | | | | | | | |
|----|------------|---|---|--|--|--|--|--|---------------------------------|
| 1 | 05013552AB | 1 | U | | | | | | HOUSING, A/C Upper |
| 2 | 05013499AA | 1 | U | | | | | | HOUSING, A/C Lower |
| 3 | 05013568AA | 1 | U | | | | | | HOUSING, Air Recirculating |
| 4 | 05012712AA | 1 | U | | | | | | DOOR, Air Inlet |
| 5 | 05013559AA | 2 | U | | | | | | LINK, Heater and Damper Contrl |
| 6 | 05012710AA | 3 | U | | | | | | SERVO, A/C Temperature Door |
| 7 | 05012709AA | 1 | U | | | | | | SEAL, Air Inlet |
| 8 | 05013566AA | 1 | U | | | | | | MOTOR, Blower |
| 9 | 05013565AB | 1 | U | | | | | | FAN, Blower Motor |
| 10 | 02837680 | 1 | U | | | | | | CLAMP, Blower Motor Wheel |
| 11 | 05012700AA | 3 | U | | | | | | SCREW, Tapping |
| 12 | 05012699AA | 1 | U | | | | | | RESISTOR, Blower Motor |
| 13 | 05013564AA | 1 | U | | | | | | INSULATOR, Air Conditioning |
| 14 | 05013563AA | 1 | U | | | | | | EVAPORATOR, Air Conditioning |
| 15 | 05012696AA | 1 | U | | | | | | SEAL, Evaporator Drain |
| 16 | 05013560AA | 1 | U | | | | | | HOUSING, A/C Unit |
| 17 | 05013557AA | 1 | U | | | | | | DOOR, Blend Air |
| 18 | 05012692AA | 1 | U | | | | | | DOOR, Blend Air |
| 19 | 05014420AA | 1 | U | | | | | | CORE, Heater |
| 20 | 05013554AA | 1 | U | | | | | | CLIP, Heater Core |
| 21 | 05013553AA | 1 | U | | | | | | SEAL, Heater Tubes |
| 22 | 05013497AA | 1 | U | | | | | | HOUSING, A/C Unit |
| 23 | 05013496AA | 1 | U | | | | | | COVER, Heater |
| 24 | 05013579AA | 1 | U | | | | | | DOOR, Distribution Duct |
| 25 | 05012739AA | 1 | U | | | | | | DOOR, Floor Defroster Duct |
| 26 | 05013578AA | 1 | U | | | | | | LEVER, Panel Door |
| 27 | 05013577AA | 1 | U | | | | | | LEVER, Panel Door |
| 28 | 05012734AA | 1 | U | | | | | | SHAFT, A/C and Heater Door |
| 29 | 05013576AA | 1 | U | | | | | | LINK, Heater and Defroster Door |
| 30 | 05012732AA | 1 | U | | | | | | SHAFT, Defroster Door |
| 31 | 05013575AA | 1 | U | | | | | | LEVER, A/C Vent Defrost Door |
| 32 | 05013573AA | 1 | U | | | | | | LEVER, Panel Door |

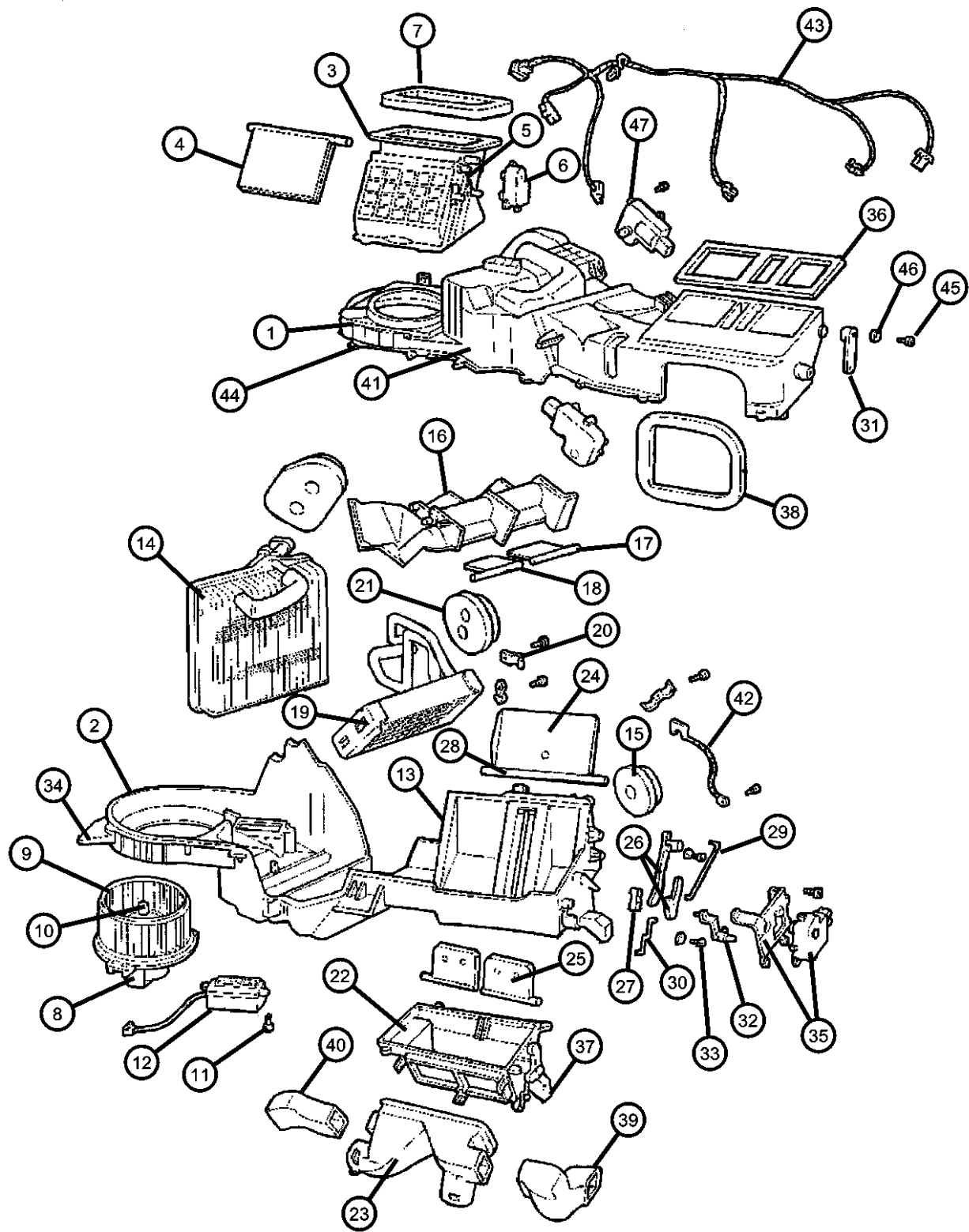
GRAND CHEROKEE (WJ)

| SERIES | LINE | BODY | ENGINE | TRANSMISSION |
|-------------|----------------------|------------------------|--|---|
| H = Laredo | T = JEEP - 2WD | 74 = 4 Door (105.9 WB) | ERH = ENGINE - 4.0L POWER TECH I-6 | DG4 = TRANSMISSION-MULTI-SPEED AUTO, 45RFE |
| P = Limited | J = JEEP - 4WD | | EVA = ENGINE- 4.7L V8 MPI | DGW = TRANSMISSION - 4-SPD. AUTOMATIC, 44RE |
| | U = JEEP - 4WD (RHD) | | EXA = ENGINE - 3.1L 5 CYL TURBO DIESEL | DGK = TRANSMISSION - 4-SPD. AUTOMATIC, 42RE |
| | | | | DGO = ALL AUTOMATIC TRANSMISSIONS |

AR = use ase required - = Non illustrated part

2000 WJ

HEVAC with Auto Temp Control, RHD
Figure 24-160



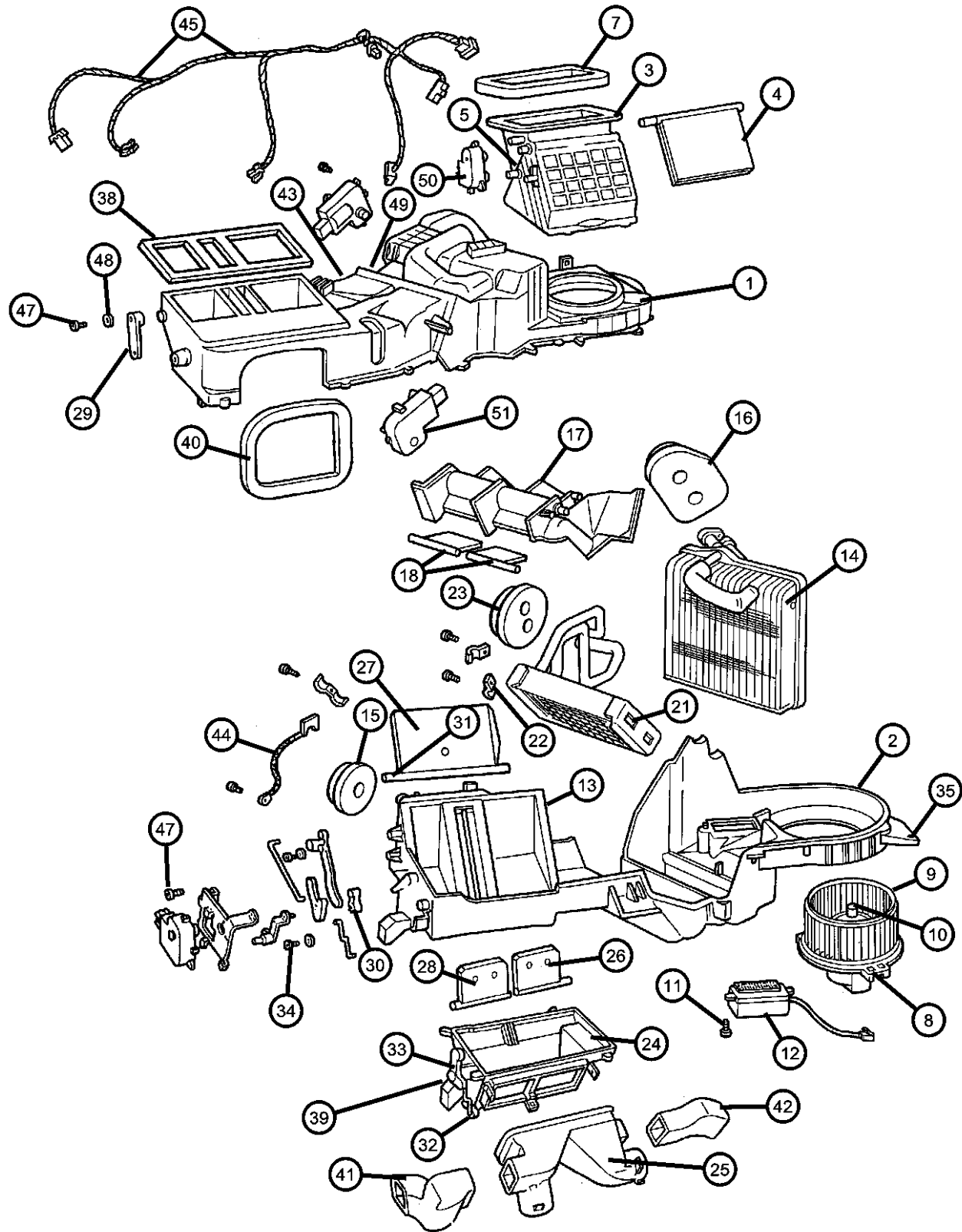
| ITEM | PART NUMBER | QTY | LINE | SERIES | BODY | ENGINE | TRANS | TRIM | DESCRIPTION |
|------|-------------|-----|------|--------|------|--------|-------|------|-----------------------------------|
| 33 | 05012729AA | 2 | U | | | | | | SCREW, Tapping |
| 34 | 06101442 | 4 | U | | | | | | U-NUT, M6 x 1.00, M6x1.00 |
| 35 | 05013572AA | 1 | U | | | | | | SERVO, Mode Door |
| 36 | 05012727AA | 1 | U | | | | | | SEAL, Demister |
| 37 | 05012726AA | 1 | U | | | | | | SEAL, Defroster Duct |
| 38 | 05015354AA | 1 | U | | | | | | SEAL, Panel |
| 39 | 05013571AA | 1 | U | | | | | | DUCT, Floor Distribution |
| 40 | 05013570AB | 1 | U | | | | | | DUCT, Floor Distribution |
| 41 | 05012721AA | 1 | U | | | | | | SEAL, Air Conditioning Unit |
| 42 | 56038591AB | 1 | | | | EVO | | | STRAP, Ground |
| 43 | 05014421AA | 1 | U | | | | | | HARNASS, Air Conditioning Control |
| 44 | 04720533 | 32 | U | | | | | | SCREW, Heater Housing |
| 45 | 04720534 | 3 | U | | | | | | SCREW, Pan Head |
| 46 | 05012756AA | 5 | U | | | | | | SPRING |
| 47 | 05015339AA | 1 | U | | | | | | SEAL, A/C Evaporator |
| -48 | 05015339AA | 1 | U | | | | | | SEAL, A/C Evaporator |
| -49 | 05014883AA | 1 | J, T | | | | | | SEAL, Evaporator To Dash |

GRAND CHEROKEE (WJ)

| | | | | |
|-------------|----------------------|------------------------|--|---|
| SERIES | LINE | BODY | ENGINE | TRANSMISSION |
| H = Laredo | T = JEEP - 2WD | 74 = 4 Door (105.9 WB) | ERH = ENGINE - 4.0L POWER TECH I-6 | DG4 = TRANSMISSION-MULTI-SPEED AUTO, 45RFE |
| P = Limited | J = JEEP - 4WD | | EVA = ENGINE- 4.7L V8 MPI | DGW = TRANSMISSION - 4-SPD. AUTOMATIC, 44RE |
| | U = JEEP - 4WD (RHD) | | EXA = ENGINE - 3.1L 5 CYL TURBO DIESEL | DGK = TRANSMISSION - 4-SPD. AUTOMATIC, 42RE |
| | | | | DGO = ALL AUTOMATIC TRANSMISSIONS |

AR = use ase required - = Non illustrated part

HEVAC with Manual Control, LHD
Figure 24-170



| ITEM | PART NUMBER | QTY | LINE | SERIES | BODY | ENGINE | TRANS | TRIM | DESCRIPTION |
|---|-------------|-----|------|--------|------|--------|-------|------|---------------------------------|
| Sales Code: [HAA] = Air Conditioning | | | | | | | | | |
| 1 | 05012715AC | 1 | J, T | | | | | | HOUSING, A/C Upper |
| 2 | 05012755AC | 1 | J, T | | | | | | HOUSING, A/C Lower |
| 3 | 05012754AA | 1 | J, T | | | | | | HOUSING, Air Recirculating |
| 4 | 05012712AA | 1 | J, T | | | | | | DOOR, Air Inlet |
| 5 | 05012753AA | 1 | J, T | | | | | | LEVER, A/C Recirculation Door |
| -6 | 05012752AA | 1 | J, T | | | | | | DIAPHRAGM, Heater and A/C Unit |
| 7 | 05012709AA | 1 | J, T | | | | | | SEAL, Air Inlet |
| 8 | 05012708AA | 1 | J, T | | | | | | MOTOR, Blower |
| 9 | 05012701AB | 1 | J, T | | | | | | FAN, Blower Motor |
| 10 | 02837680 | 1 | J, T | | | | | | CLAMP, Blower Motor Wheel |
| 11 | 05012700AA | 3 | J, T | | | | | | SCREW, Tapping |
| 12 | 05014212AA | 1 | J, T | | | | | | RESISTOR, Blower Motor |
| 13 | 05012698AA | 1 | J, T | | | | | | INSULATOR, Air Conditioning |
| 14 | 05012697AA | 1 | J, T | | | | | | EVAPORATOR, Air Conditioning |
| | V9900014 | | | | | | | | Mopar V-Line Alternative Part |
| 15 | 05012696AA | 1 | J, T | | | | | | SEAL, Evaporator Drain |
| 16 | 05014744AA | 1 | J, T | | | | | | SEAL, A/C Evaporator |
| 17 | 05012694AB | 1 | J, T | | | | | | HOUSING, A/C Unit |
| 18 | 05012751AA | 1 | J, T | | | | | | DOOR, Blend Air |
| -19 | 05012711AA | 2 | J, T | | | | | | LINK, Heater and Damper Control |
| -20 | 05012750AA | 1 | J, T | | | | | | SERVO, A/C Temperature Door |
| 21 | 05012691AC | 1 | J, T | | | | | | CORE, Heater |
| 22 | 05012745AA | 2 | J, T | | | | | | CLAMP, Heater |
| 23 | 05012744AA | 1 | J, T | | | | | | SEAL, Heater Tubes |
| 24 | 05012762AA | 1 | J, T | | | | | | HOUSING, A/C Unit |
| 25 | 05012742AA | 1 | J, T | | | | | | COVER, Heater |
| 26 | 05012741AA | 1 | J, T | | | | | | DOOR, Panel |
| 27 | 05012740AA | 1 | J, T | | | | | | DOOR, Distribution Duct |
| 28 | 05012739AA | 1 | J, T | | | | | | DOOR, Floor Defroster Duct |
| 29 | 05012738AA | 1 | J, T | | | | | | LEVER, Panel Door |
| 30 | 05012735AA | 1 | J, T | | | | | | LEVER, Panel Door |

GRAND CHEROKEE (WJ)

SERIES LINE
H = Laredo T = JEEP - 2WD
P = Limited J = JEEP - 4WD
U = JEEP - 4WD (RHD)

BODY
74 = 4 Door (105.9 WB)

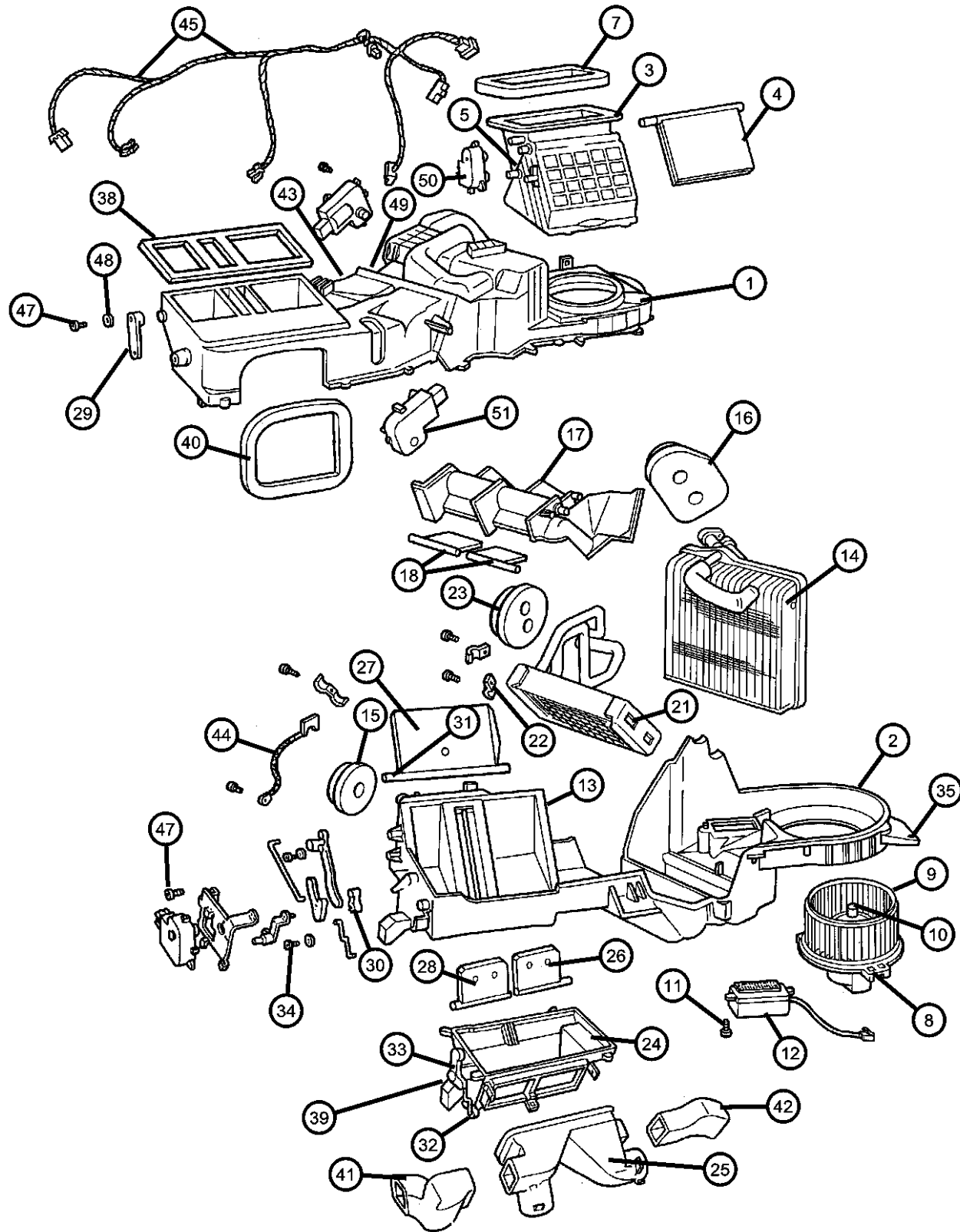
ENGINE
ERH = ENGINE - 4.0L
POWER TECH I-6
EVA = ENGINE - 4.7L V8 MPI
EXA = ENGINE - 3.1L 5 CYL
TURBO DIESEL

TRANSMISSION
DG4 = TRANSMISSION-MULTI-
SPEED AUTO, 45RFE
DGW = TRANSMISSION - 4-SPD.
AUTOMATIC, 44RE
DGK = TRANSMISSION - 4-SPD.
AUTOMATIC, 42RE
DGO = ALL AUTOMATIC
TRANSMISSIONS

AR = use ase required - = Non illustrated part

2000 WJ

HEVAC with Manual Control, LHD
Figure 24-170



| ITEM | PART NUMBER | QTY | LINE | SERIES | BODY | ENGINE | TRANS | TRIM | DESCRIPTION |
|------|-------------|-----|------|--------|------|--------|-------|------|--|
| 31 | 05012734AA | 1 | J, T | | | | | | SHAFT, A/C and Heater Door |
| 32 | 05012731AA | 1 | J, T | | | | | | LEVER, A/C Vent Defrost Door |
| 33 | 05012761AA | 1 | J, T | | | | | | LEVER, Panel Door |
| 34 | 05012729AA | 1 | J, T | | | | | | SCREW, Tapping |
| 35 | 06101442 | 4 | J, T | | | | | | U-NUT, M6 x 1.00, M6x1.00 |
| -36 | 05012760AA | 1 | J, T | | | | | | DIAPHRAGM, Heater and A/C Unit, Panel |
| -37 | 05012759AA | 1 | J, T | | | | | | DIAPHRAGM, Heater and A/C Unit, Foot/Defrost |
| 38 | 05012727AA | 1 | J, T | | | | | | SEAL, Demister |
| 39 | 05012726AA | 1 | J, T | | | | | | SEAL, Defroster Duct |
| 40 | 05015355AA | 1 | J, T | | | | | | SEAL, Panel |
| 41 | 05012723AB | 1 | J, T | | | | | | DUCT, Floor Distribution |
| 42 | 05012722AD | 1 | J, T | | | | | | DUCT, Floor Distribution |
| 43 | 05012721AA | 1 | J, T | | | | | | SEAL, Air Conditioning Unit |
| 44 | 56038591AB | 1 | | | | EVO | | | STRAP, Ground |
| 45 | 05012758AA | 1 | J, T | | | | | | HARNASS, Air Conditioning Control |
| -46 | 05012757AB | 1 | J, T | | | | | | TUBE, Vacuum |
| 47 | 04720533 | 26 | J, T | | | | | | SCREW, Heater Housing |
| 48 | 04720534 | 6 | J, T | | | | | | SCREW, Pan Head |
| 49 | 05012756AA | 5 | T, J | | | | | | SPRING |
| 50 | 05012750AA | 1 | J, T | | | | | | SERVO, A/C Temperature Door |
| 51 | 05012750AA | 1 | J, T | | | | | | SERVO, A/C Temperature Door |

GRAND CHEROKEE (WJ)

SERIES
H = Laredo
P = Limited

LINE
T = JEEP - 2WD
J = JEEP - 4WD
U = JEEP - 4WD (RHD)

BODY
74 = 4 Door (105.9 WB)

ENGINE
ERH = ENGINE - 4.0L POWER TECH I-6
EVA = ENGINE - 4.7L V8 MPI
EXA = ENGINE - 3.1L 5 CYL TURBO DIESEL

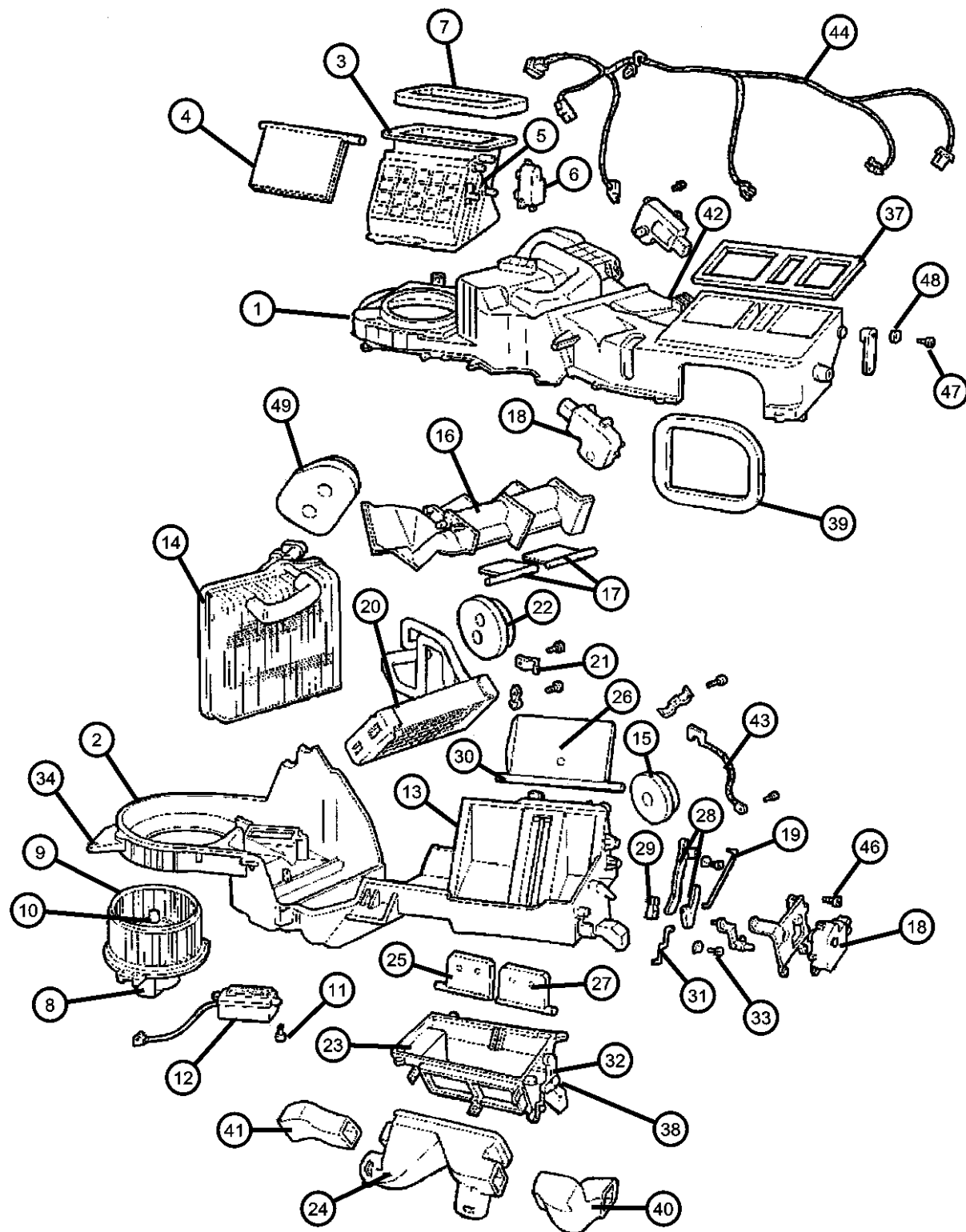
TRANSMISSION
DG4 = TRANSMISSION-MULTI-SPEED AUTO, 45RFE
DGW = TRANSMISSION - 4-SPD. AUTOMATIC, 44RE
DGK = TRANSMISSION - 4-SPD. AUTOMATIC, 42RE
DGO = ALL AUTOMATIC TRANSMISSIONS

AR = use ase required - = Non illustrated part

2000 WJ

HEVAC with Manual Control, RHD

Figure 24-180



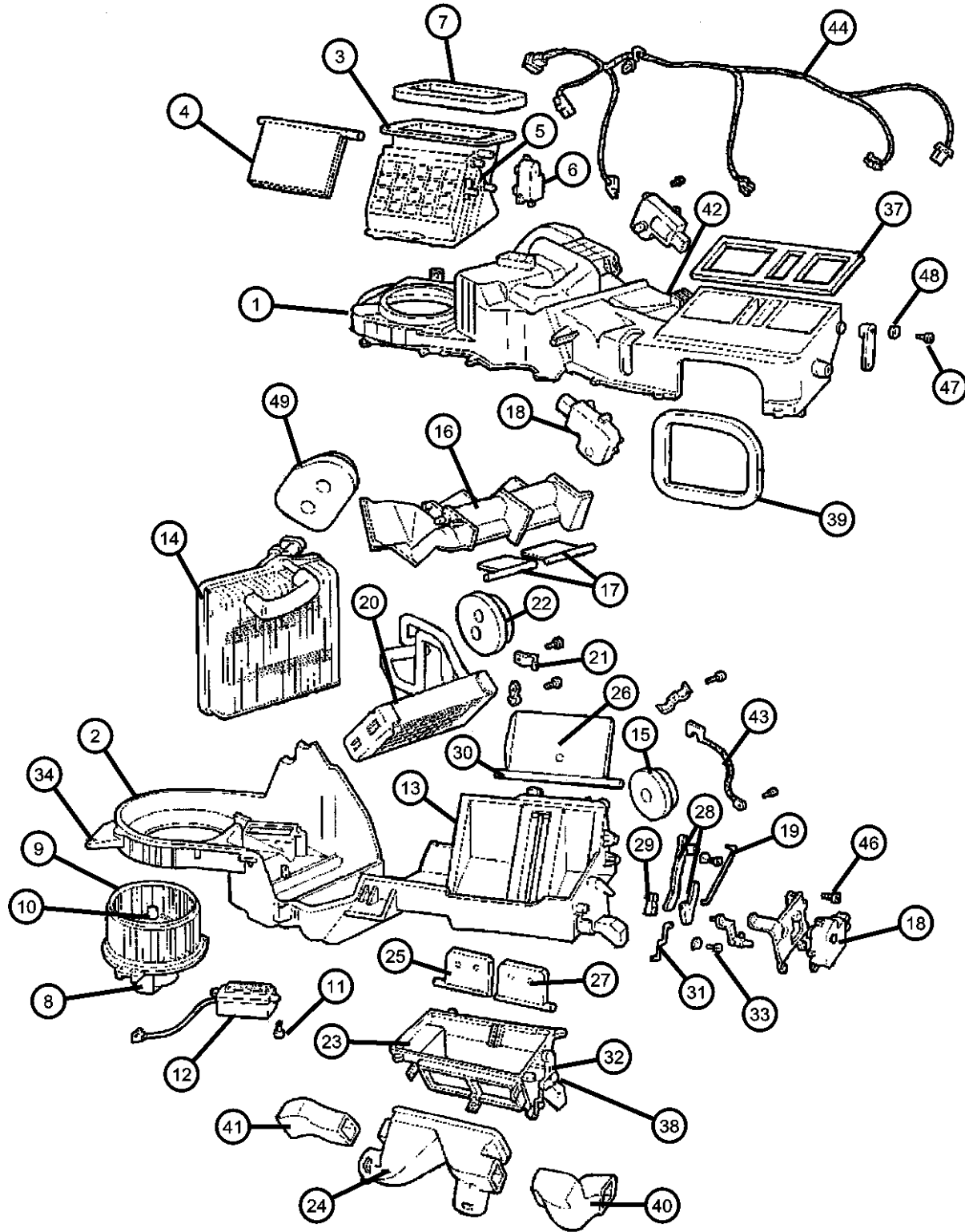
| ITEM | PART NUMBER | QTY | LINE | SERIES | BODY | ENGINE | TRANS | TRIM | DESCRIPTION |
|---|-------------|-----|------|--------|------|--------|-------|------|--------------------------------|
| Note: Sales Code HAA = Air Conditioning | | | | | | | | | |
| 1 | 05013552AA | 1 | U | | | | | | HOUSING, A/C Upper |
| 2 | 05013551AA | 1 | U | | | | | | HOUSING, A/C Lower |
| 3 | 05013569AA | 1 | U | | | | | | HOUSING, Air Recirculating |
| 4 | 05012712AA | 1 | U | | | | | | DOOR, Air Inlet |
| 5 | 05013567AA | 1 | U | | | | | | LEVER, A/C Recirculation Door |
| 6 | 05012752AA | 1 | U | | | | | | DIAPHRAGM, Heater and A/C Unit |
| 7 | 05012709AA | 1 | U | | | | | | SEAL, Air Inlet |
| 8 | 05013566AA | 1 | U | | | | | | MOTOR, Blower |
| 9 | 05013565AB | 1 | U | | | | | | FAN, Blower Motor |
| 10 | 02837680 | 1 | U | | | | | | CLAMP, Blower Motor Wheel |
| 11 | 05012700AA | 3 | U | | | | | | SCREW, Tapping |
| 12 | 05014212AA | 1 | U | | | | | | RESISTOR, Blower Motor |
| 13 | 05013564AA | 1 | U | | | | | | INSULATOR, Air Conditioning |
| 14 | 05013563AA | 1 | U | | | | | | EVAPORATOR, Air Conditioning |
| 15 | 05012696AA | 1 | U | | | | | | SEAL, Evaporator Drain |
| 16 | 05013560AA | 1 | U | | | | | | HOUSING, A/C Unit |
| 17 | 05013558AA | 1 | U | | | | | | DOOR, Blend Air |
| 18 | 05013561AA | 1 | U | | | | | | SERVO, A/C Temperature Door |
| 19 | 05013559AA | 2 | U | | | | | | LINK, Heater and Damper Contrl |
| 20 | 05014420AA | 1 | U | | | | | | CORE, Heater |
| 21 | 05013554AA | 1 | U | | | | | | CLIP, Heater Core |
| 22 | 05013553AA | 1 | U | | | | | | SEAL, Heater Tubes |
| 23 | 05013498AA | 1 | U | | | | | | HOUSING, A/C Unit |
| 24 | 05013496AA | 1 | U | | | | | | COVER, Heater |
| 25 | 05012741AA | 1 | U | | | | | | DOOR, Panel |
| 26 | 05013579AA | 1 | U | | | | | | DOOR, Distribution Duct |
| 27 | 05012739AA | 1 | U | | | | | | DOOR, Floor Defroster Duct |
| 28 | 05013578AA | 1 | U | | | | | | LEVER, Panel Door |
| 29 | 05013577AB | 1 | U | | | | | | LEVER, Panel Door |
| 30 | 05012734AA | 1 | U | | | | | | SHAFT, A/C and Heater Door |
| 31 | 05013575AA | 1 | U | | | | | | LEVER, A/C Vent Defrost Door |
| 32 | 05013574AA | 1 | U | | | | | | LEVER, Panel Door |

GRAND CHEROKEE (WJ)

| SERIES | LINE | BODY | ENGINE | TRANSMISSION |
|-------------|----------------------|------------------------|---|--|
| H = Laredo | T = JEEP - 2WD | 74 = 4 Door (105.9 WB) | ERH = ENGINE - 4.0L POWER TECH I-6 | DG4 = TRANSMISSION-MULTI- SPEED AUTO, 45RFE |
| P = Limited | J = JEEP - 4WD | | EVA = ENGINE - 4.7L V8 MPI | DGW = TRANSMISSION - 4-SPD. AUTOMATIC, 44RE |
| | U = JEEP - 4WD (RHD) | | EXA = ENGINE - 3.1L 5 CYL TURBO DIESEL | DGK = TRANSMISSION - 4-SPD. AUTOMATIC, 42RE |
| | | | | DGO = ALL AUTOMATIC TRANSMISSIONS |

AR = use ase required - = Non illustrated part

HEVAC with Manual Control, RHD
Figure 24-180



| ITEM | PART NUMBER | QTY | LINE | SERIES | BODY | ENGINE | TRANS | TRIM | DESCRIPTION |
|------|-------------|-----|------|--------|------|--------|-------|------|-----------------------------------|
| 33 | 05012729AA | 1 | U | | | | | | SCREW, Tapping |
| 34 | 06101442 | 4 | U | | | | | | U-NUT, M6 x 1.00, M6x1.00 |
| -35 | 05014422AA | 1 | U | | | | | | DIAPHRAGM, Heater and A/C Unit |
| -36 | 05014423AA | 1 | U | | | | | | DIAPHRAGM, Heater and A/C Unit |
| 37 | 05012727AA | 1 | U | | | | | | SEAL, Demister |
| 38 | 05012726AA | 1 | U | | | | | | SEAL, Defroster Duct |
| 39 | 05015355AA | 1 | U | | | | | | SEAL, Panel |
| 40 | 05013571AA | 1 | U | | | | | | DUCT, Floor Distribution |
| 41 | 05013570AA | 1 | U | | | | | | DUCT, Floor Distribution |
| 42 | 05012721AA | 1 | U | | | | | | SEAL, Air Conditioning Unit |
| 43 | 56038591AA | 1 | | | | EVO | | | STRAP, Ground |
| 44 | 05012758AA | 1 | U | | | | | | HARNESS, Air Conditioning Control |
| -45 | 05012757AB | 1 | U | | | | | | TUBE, Vacuum |
| 46 | 04720533 | 26 | U | | | | | | SCREW, Heater Housing |
| 47 | 04720534 | 6 | U | | | | | | SCREW, Pan Head |
| 48 | 05012756AA | 5 | U | | | | | | SPRING |
| 49 | 05013562AB | 1 | U | | | | | | SEAL, A/C Evaporator |

GRAND CHEROKEE (WJ)

SERIES
H = Laredo
P = Limited

LINE
T = JEEP - 2WD
J = JEEP - 4WD
U = JEEP - 4WD (RHD)

BODY
74 = 4 Door (105.9 WB)

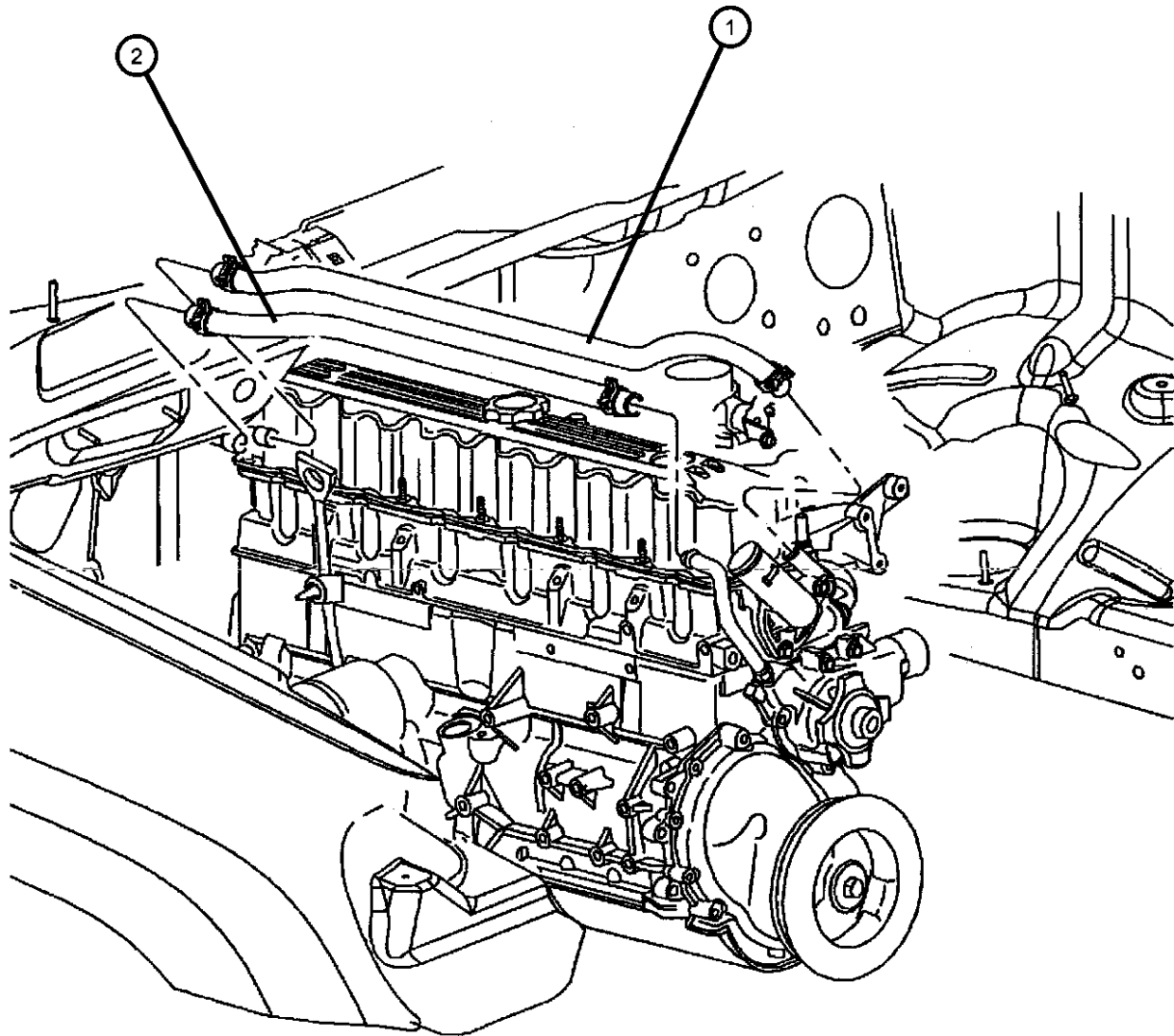
ENGINE
ERH = ENGINE - 4.0L
POWER TECH I-6
EVA = ENGINE- 4.7L V8 MPI
EXA = ENGINE - 3.1L 5 CYL
TURBO DIESEL

TRANSMISSION
DG4 = TRANSMISSION-MULTI-
SPEED AUTO, 45RFE
DGW = TRANSMISSION - 4-SPD.
AUTOMATIC, 44RE
DGK = TRANSMISSION - 4-SPD.
AUTOMATIC, 42RE
DGO = ALL AUTOMATIC
TRANSMISSIONS

AR = use ase required - = Non illustrated part

2000 WJ

Hoses, Heater 3.1, 4.0L Engines
Figure 24-240



| ITEM | PART NUMBER | QTY | LINE | SERIES | BODY | ENGINE | TRANS | TRIM | DESCRIPTION |
|------|-------------|-----|------|--------|------|--------|-------|------|-------------|
|------|-------------|-----|------|--------|------|--------|-------|------|-------------|

Note: Sales Code ER0 = 4.0 L Engine
Note: Sales Code EX0 = 3.1 L Engine

| | | | | | | | | | |
|---|----------|---|------|--|--|-----|--|--|---------------------|
| 1 | | | | | | | | | HOSE, Heater Supply |
| | 55115889 | 1 | U | | | ER0 | | | |
| | 55115890 | 1 | J, T | | | ER0 | | | |
| | 55117081 | 1 | J, T | | | EX0 | | | |
| 2 | | | | | | | | | HOSE, Heater Return |
| | 55115892 | 1 | U | | | ER0 | | | |
| | 55115897 | 1 | J, T | | | ER0 | | | |
| | 55117082 | 1 | J, T | | | EX0 | | | |

GRAND CHEROKEE (WJ)

SERIES
H = Laredo
P = Limited

LINE
T = JEEP - 2WD
J = JEEP - 4WD
U = JEEP - 4WD (RHD)

BODY
74 = 4 Door (105.9 WB)

ENGINE
ERH = ENGINE - 4.0L
POWER TECH I-6
EVA = ENGINE- 4.7L V8 MPI
EXA = ENGINE - 3.1L 5 CYL
TURBO DIESEL

TRANSMISSION
DG4 = TRANSMISSION-MULTI-
SPEED AUTO, 45RFE
DGW = TRANSMISSION - 4-SPD.
AUTOMATIC,44RE
DGK = TRANSMISSION - 4-SPD.
AUTOMATIC,42RE
DGO = ALL AUTOMATIC
TRANSMISSIONS

AR = use ase required - = Non illustrated part

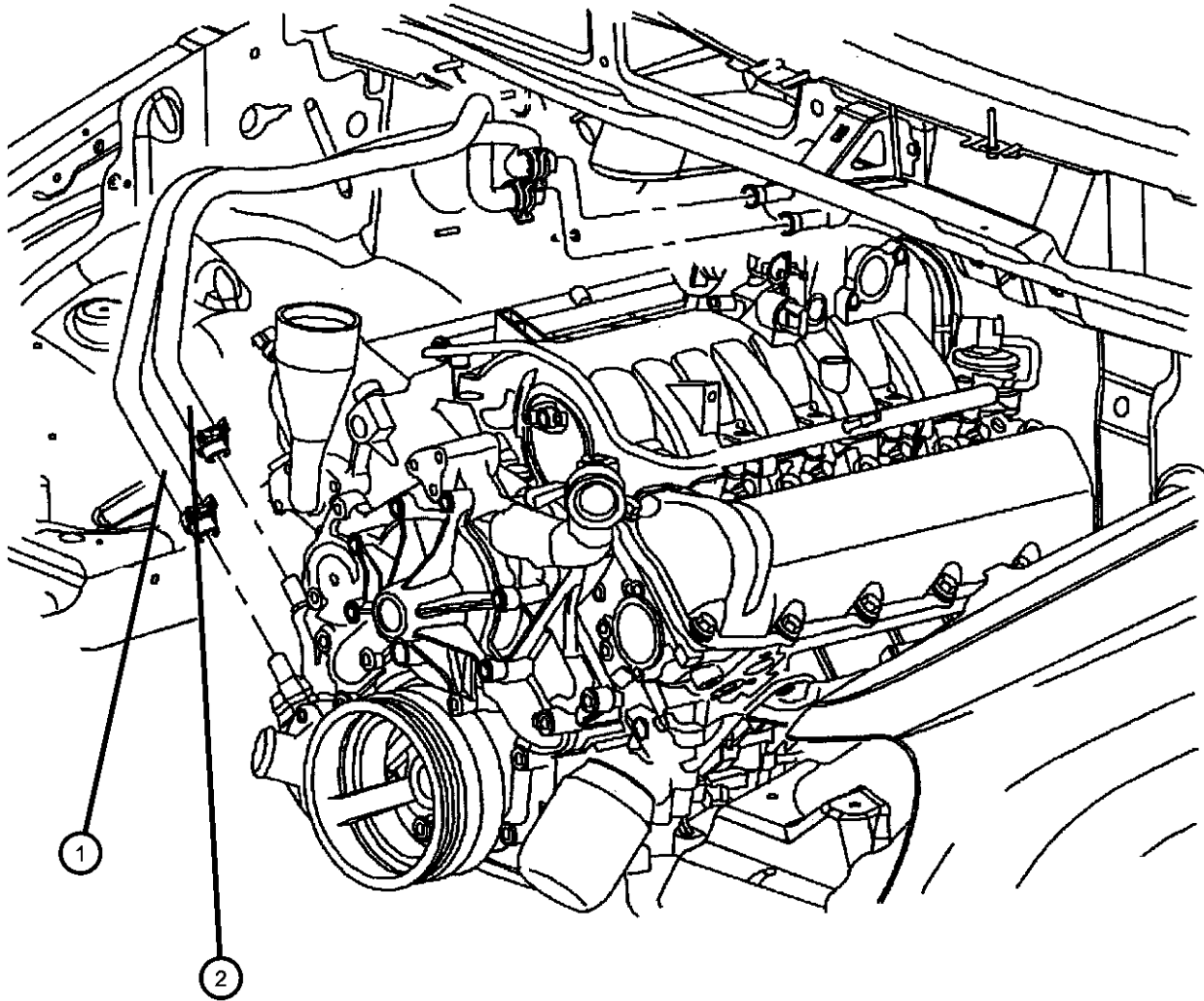
2000 WJ

Hoses, Heater 4.7L Engine
Figure 24-245

| ITEM | PART NUMBER | QTY | LINE | SERIES | BODY | ENGINE | TRANS | TRIM | DESCRIPTION |
|------|-------------|-----|------|--------|------|--------|-------|------|-------------|
|------|-------------|-----|------|--------|------|--------|-------|------|-------------|

Note: Sales Code EV0 = 4.7 L Engine

| | | | | | | | | | |
|---|------------|---|------|--|--|-----|--|--|-----------------------|
| 1 | | | | | | | | | TUBE AND HOSE, Supply |
| | 55115895AB | 1 | J, T | | | EV0 | | | |
| | 55116352AB | 1 | U | | | EV0 | | | |
| 2 | | | | | | | | | TUBE AND HOSE, Return |
| | 55115896AB | 1 | J, T | | | EV0 | | | |
| | 55116353AB | 1 | U | | | EV0 | | | |



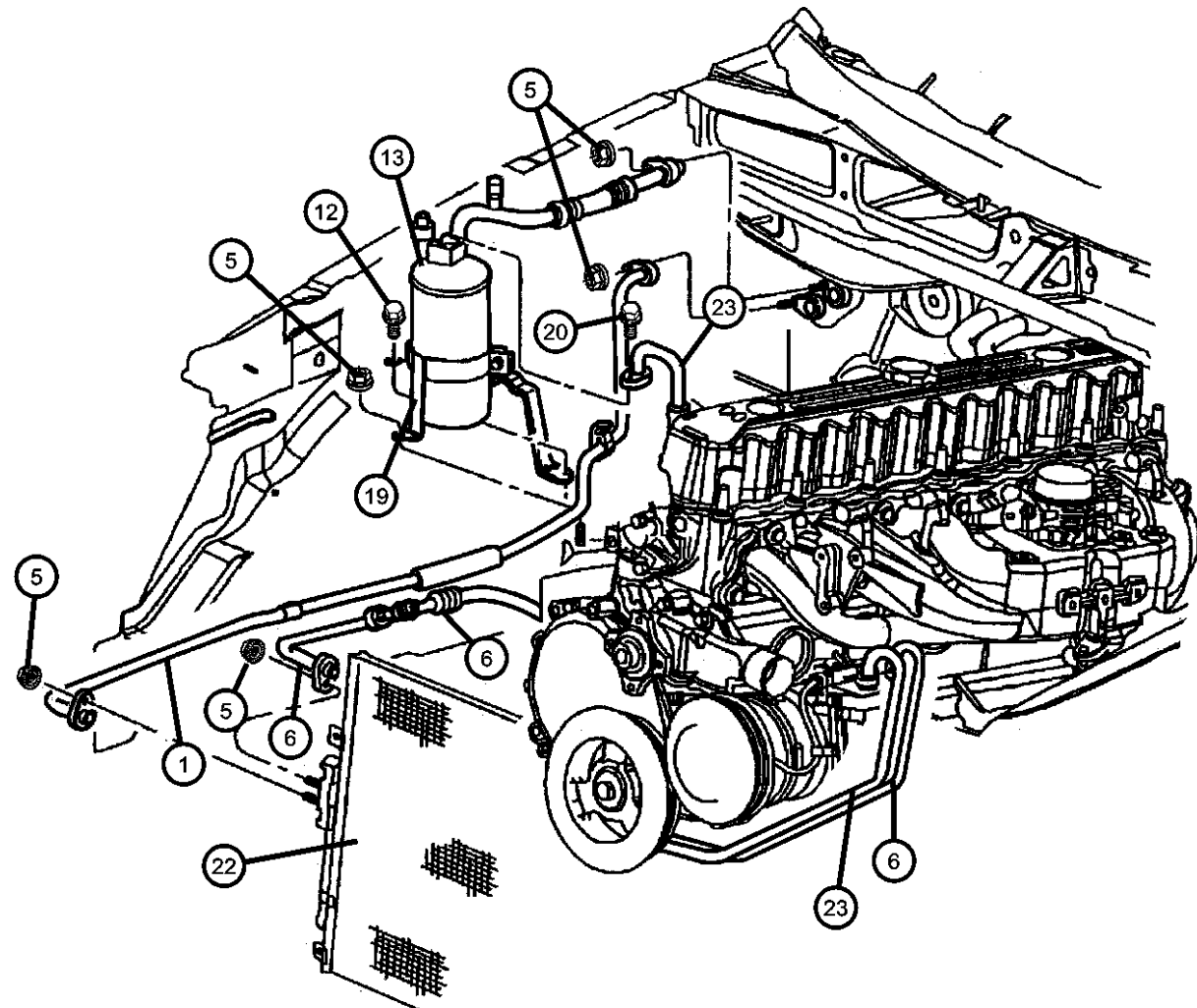
GRAND CHEROKEE (WJ)

| | | | | |
|-------------|----------------------|------------------------|---|--|
| SERIES | LINE | BODY | ENGINE | TRANSMISSION |
| H = Laredo | T = JEEP - 2WD | 74 = 4 Door (105.9 WB) | ERH = ENGINE - 4.0L POWER TECH I-6 | DG4 = TRANSMISSION-MULTI- SPEED AUTO, 45RFE |
| P = Limited | J = JEEP - 4WD | | EVA = ENGINE- 4.7L V8 MPI | DGW = TRANSMISSION - 4-SPD. AUTOMATIC,44RE |
| | U = JEEP - 4WD (RHD) | | EXA = ENGINE - 3.1L 5 CYL TURBO DIESEL | DGK = TRANSMISSION - 4-SPD. AUTOMATIC,42RE |
| | | | | DGO = ALL AUTOMATIC TRANSMISSIONS |

AR = use ase required - = Non illustrated part

2000 WJ

Accumulator, Condenser and Lines 3.1, 4.0L Engines
Figure 24-250



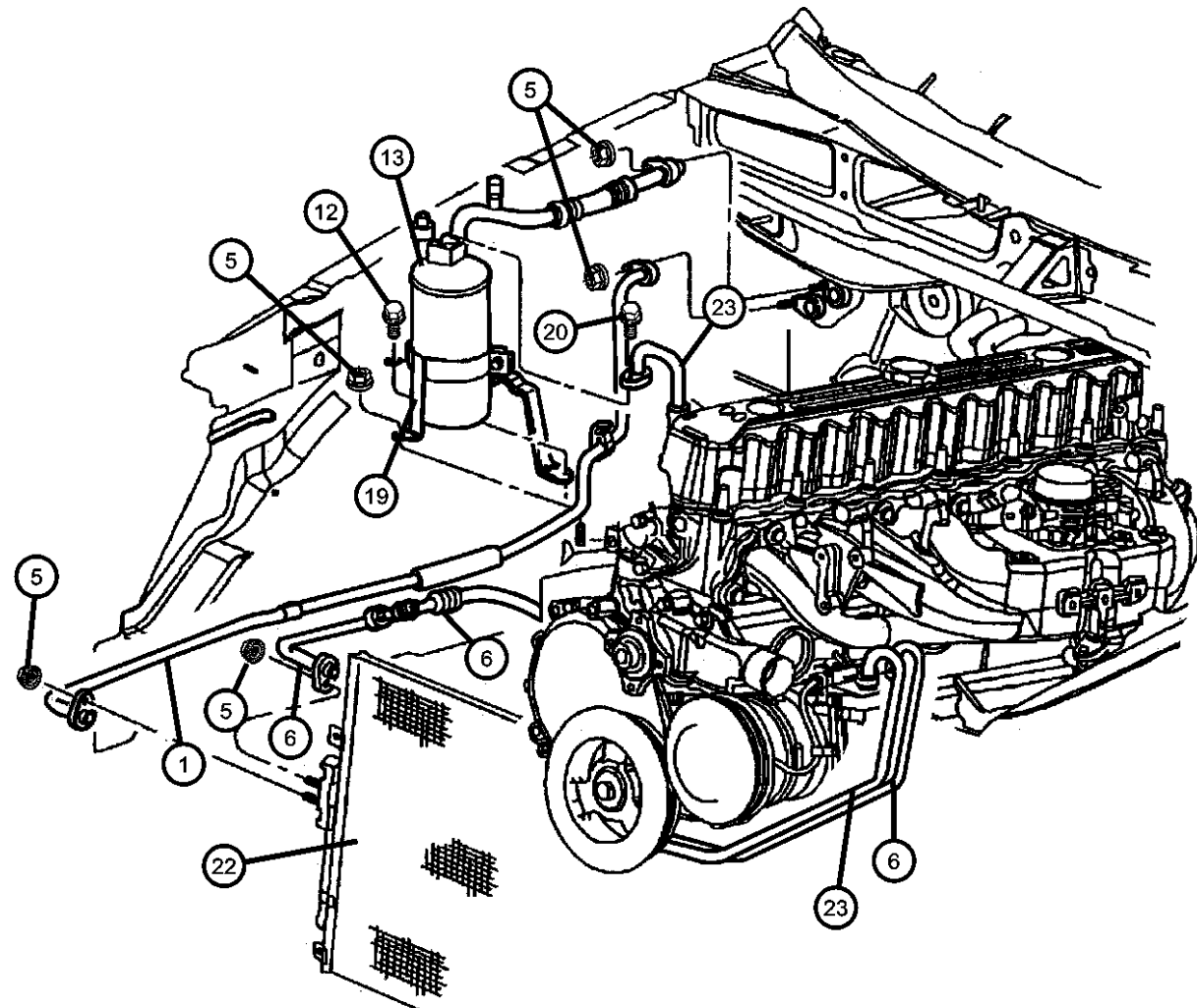
| ITEM | PART NUMBER | QTY | LINE | SERIES | BODY | ENGINE | TRANS | TRIM | DESCRIPTION |
|---|-------------|-----|------|--------|------|----------|-------|------|--|
| Note ER0 = All 4.0 L Engines EV0 = All 4.7 L Engines EX0 = All 3.1 L Engines | | | | | | | | | |
| 1 | | | | | | | | | LINE, A/C Liquid |
| | 53054569AA | 1 | J, T | | | EX0 | | | |
| | 55115914AC | 1 | J, T | | | ER0, EV0 | | | |
| -2 | 04796565 | 1 | J, T | | | EX0 | | | O RING, A/C Discharge Line |
| -3 | 05012980AA | 1 | J, T | | | EX0 | | | O RING, A/C Liquid Line |
| -4 | 55116339AA | 1 | J, T | | | EX0 | | | RETAINER, A/C Supply Line |
| 5 | | | | | | | | | NUT AND WASHER, Hex Nut-Coned Washer, M8 x 1.25 |
| | 06101445 | 1 | J, T | | | | | | |
| | | 1 | U | | | | | | |
| 6 | | | | | | | | | LINE, A/C Discharge |
| | 55116162AB | 1 | J, T | | | ER0 | | | |
| | 55116163AC | 1 | U | | | ER0 | | | |
| | 55117086 | 1 | J, T | | | EX0 | | | |
| | 55117089 | 1 | U | | | EX0 | | | |
| -7 | 04796565 | 1 | J, T | | | EX0 | | | O RING, A/C Discharge Line |
| -8 | 04741705 | 1 | J, T | | | EX0 | | | O RING, A/C Liquid Line |
| -9 | | | | | | | | | VALVE CORE, Service Port |
| | 05011346AA | 2 | U | | | ER0 | | | |
| | | 1 | J, T | | | EX0 | | | |
| -10 | | | | | | | | | BRACKET, A/C Line |
| | 05012988AA | 1 | J, T | | | ER0 | | | |
| | 05012989AA | 1 | U | | | EV0 | | | |
| -11 | 04897617AA | 1 | J, T | | | EX0 | | | SWITCH, A/C High Pressure Cut Off |
| 12 | 06502064 | 6 | | | | | | | SCREW, Tapping, M6x1x20 |
| 13 | | | | | | | | | ACCUMULATOR, Suction Line |
| | 55115909AB | 1 | U | | | ER0, EV0 | | | |
| | 55115910AC | 1 | J, T | | | ER0 | | | |
| | 55117088 | 1 | J, T | | | EX0 | | | |
| -14 | 05012979AA | 1 | | | | EX0 | | | O RING, A/C Suction Line |

GRAND CHEROKEE (WJ)

| | | | | |
|-------------|----------------------|------------------------|---|--|
| SERIES | LINE | BODY | ENGINE | TRANSMISSION |
| H = Laredo | T = JEEP - 2WD | 74 = 4 Door (105.9 WB) | ERH = ENGINE - 4.0L POWER TECH I-6 | DG4 = TRANSMISSION-MULTI- SPEED AUTO, 45RFE |
| P = Limited | J = JEEP - 4WD | | EVA = ENGINE- 4.7L V8 MPI | DGW = TRANSMISSION - 4-SPD. AUTOMATIC, 44RE |
| | U = JEEP - 4WD (RHD) | | EXA = ENGINE - 3.1L 5 CYL TURBO DIESEL | DGK = TRANSMISSION - 4-SPD. AUTOMATIC, 42RE |
| | | | | DGO = ALL AUTOMATIC TRANSMISSIONS |

AR = use ase required - = Non illustrated part

Accumulator, Condenser and Lines 3.1, 4.0L Engines
Figure 24-250



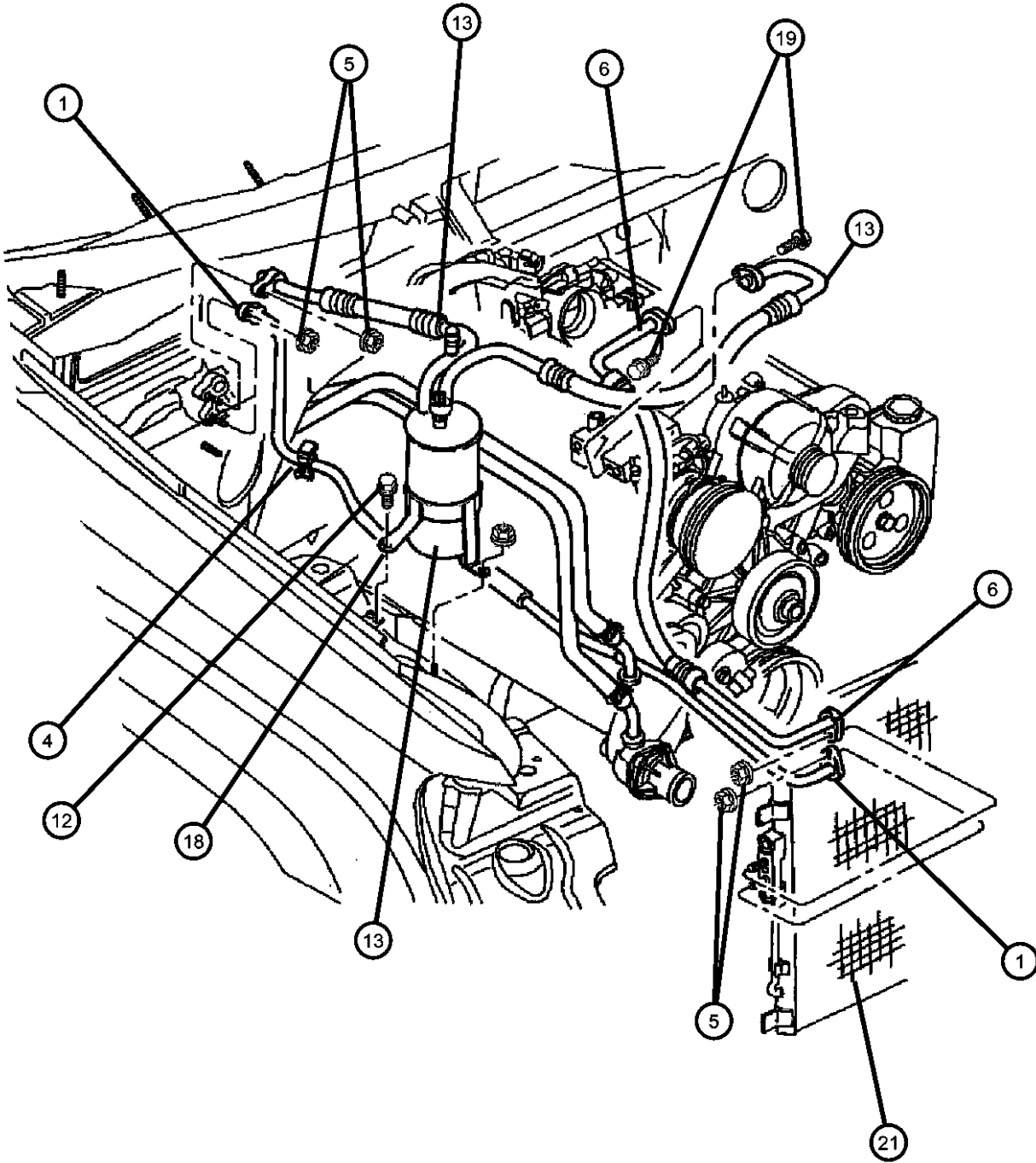
| ITEM | PART NUMBER | QTY | LINE | SERIES | BODY | ENGINE | TRANS | TRIM | DESCRIPTION |
|------|-------------|-----|------|--------|------|--------|-------|------|---------------------------------------|
| -15 | 04728705 | 1 | J, T | | | EX0 | | | O RING, Low Pressure Cutout Switc |
| -16 | 04897613AA | 1 | J, T | | | EX0 | | | SWITCH, A/C Cycling |
| -17 | 05011346AA | 2 | J, T | | | EX0 | | | VALVE CORE, Service Port |
| -18 | | | | | | | | | CAP, A/C Charge Valve |
| | 05015568AA | 1 | J, T | | | ER0 | | | |
| | | 1 | U | | | EX0 | | | |
| 19 | 53054571AA | 1 | J, T | | | EX0 | | | BRACKET, Accumulator |
| 20 | | | | | | | | | SCREW, Hex Flange Head, M8x1.25x25.00 |
| | 06501648 | 1 | J, T | | | ER0 | | | |
| | | 1 | J | | | EX0 | | | |
| -21 | 55116446AA | 1 | | | | | | | LABEL, Refrigerant |
| 22 | | | | | | | | | CONDENSER, Air Conditioning |
| | 55115918AB | 1 | J, T | | | ER0 | | | |
| | | 1 | U | | | ER0 | | | |
| | | 1 | U | | | EX0 | | | |
| | | 1 | J, T | | | EX0 | | | |
| 23 | | | | | | | | | LINE, A/C Suction |
| | 55116164AC | 1 | U | | | ER0 | | | |
| | 55116359AC | 1 | U | | | EVO | | | |
| | 55116501AB | 1 | J, T | | | ER0 | | | |
| | 55117087 | 1 | | | | EX0 | | | |
| -24 | 05012979AA | 1 | | | | EX0 | | | O RING, A/C Suction Line |
| -25 | 05012981AA | 1 | | | | EX0 | | | O RING, A/C Suction Line |
| -26 | 55035784 | 1 | | | | EX0 | | | CLIP, Tube |
| -27 | 06034966 | 1 | | | | EX0 | | | BOLT, .312-24x1.170 |

GRAND CHEROKEE (WJ)

| | | | | |
|---------------|----------------------|------------------------|--|--|
| SERIES | LINE | BODY | ENGINE | TRANSMISSION |
| H = Laredo | T = JEEP - 2WD | 74 = 4 Door (105.9 WB) | ERH = ENGINE - 4.0L POWER TECH I-6 | DG4 = TRANSMISSION-MULTI-SPEED AUTO, 45RFE |
| P = Limited | J = JEEP - 4WD | | EVA = ENGINE- 4.7L V8 MPI | DGW = TRANSMISSION - 4-SPD. AUTOMATIC,44RE |
| | U = JEEP - 4WD (RHD) | | EXA = ENGINE - 3.1L 5 CYL TURBO DIESEL | DGK = TRANSMISSION - 4-SPD. AUTOMATIC,42RE |
| | | | | DGO = ALL AUTOMATIC TRANSMISSIONS |

AR = use ase required - = Non illustrated part

**Accumulator, Condenser and Lines 4.7L Engine
Figure 24-255**



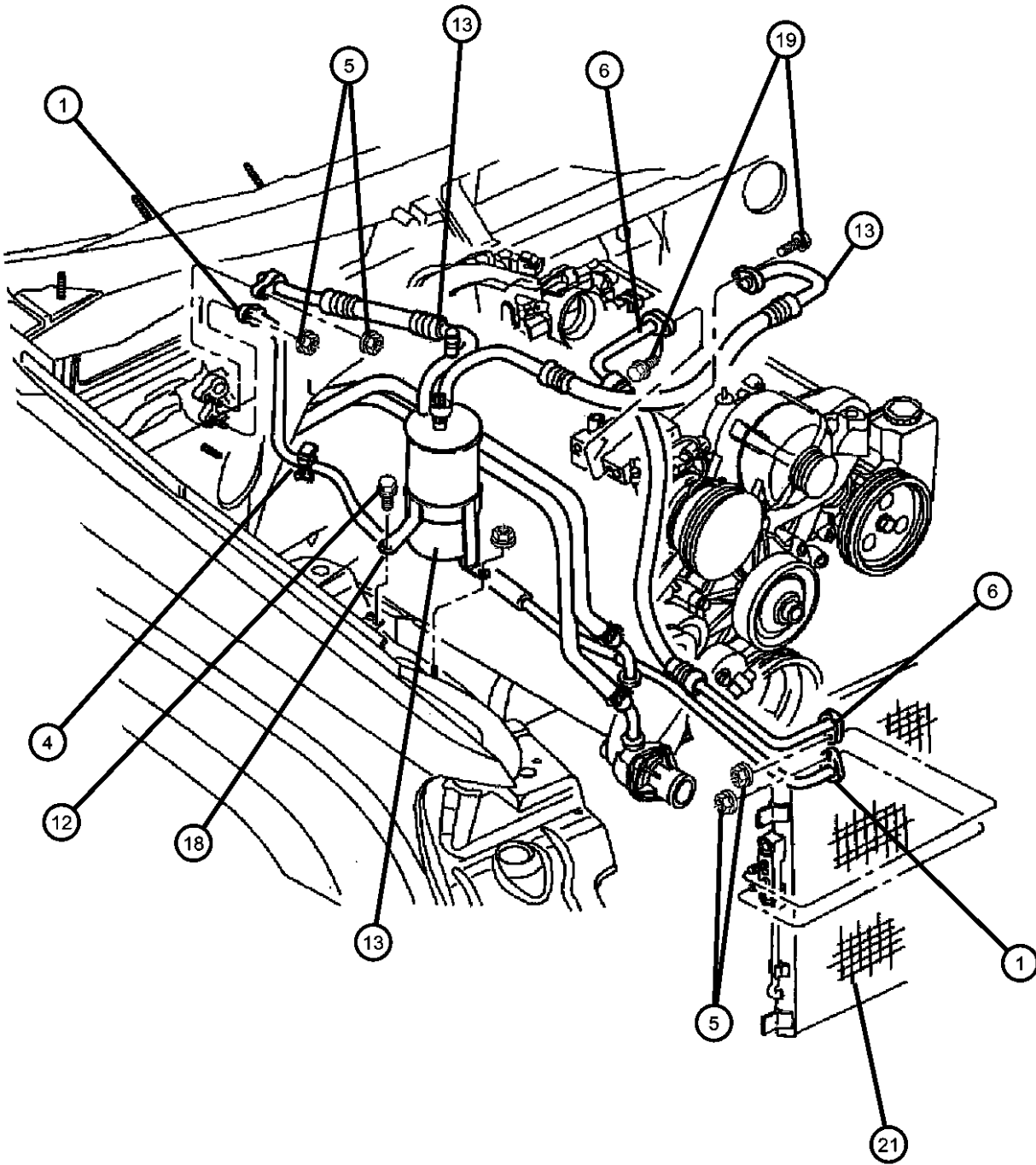
| ITEM | PART NUMBER | QTY | LINE | SERIES | BODY | ENGINE | TRANS | TRIM | DESCRIPTION |
|---|-------------|-----|------|--------|------|----------|-------|------|--|
| Note: Sales Code ER0 = All 4.0L 6 Cyl Gas Engines EVO = All 4.7 L Engines | | | | | | | | | |
| 1 | 55115914AC | 1 | J, T | | | ER0, EVO | | | LINE, A/C Liquid |
| | 55116161AD | 1 | U | | | ER0, EVO | | | |
| -2 | 04796565 | 2 | J, T | | | EVO | | | O RING, A/C Discharge Line |
| | | 2 | U | | | EVO | | | |
| -3 | 05012980AA | 1 | J, T | | | ER0, EVO | | | O RING, A/C Liquid Line |
| | | 1 | U | | | ER0, EVO | | | |
| 4 | 55116339AA | 1 | J, T | | | ER0, EVO | | | RETAINER, A/C Supply Line |
| | | 1 | U | | | ER0, EVO | | | |
| 5 | 06101445 | 1 | | | | ER0, EVO | | | NUT AND WASHER, Hex Nut-Coned Washer, M8 x 1.25 |
| 6 | 55116165AC | 1 | J, T | | | EVO | | | LINE, A/C Discharge |
| | 55116358AC | 1 | U | | | EVO | | | |
| -7 | 04796565 | 2 | U | | | ER0 | | | O RING, A/C Discharge Line |
| | | 2 | J, T | | | EVO | | | |
| -8 | 04741705 | 1 | J, T | | | EVO | | | O RING, A/C Liquid Line |
| | | 1 | U | | | EVO | | | |
| -9 | 05011346AA | 2 | J, T | | | EVO | | | VALVE CORE, Service Port |
| | | 2 | U | | | EVO | | | |
| -10 | 05012987AA | 1 | U | | | EVO | | | CLIP, Discharge Line |
| -11 | 04897617AA | 1 | J, T | | | EVO | | | SWITCH, A/C High Pressure Cut Off |
| | | 1 | U | | | EVO | | | |

GRAND CHEROKEE (WJ)

| | | | | |
|-------------|----------------------|------------------------|---|--|
| SERIES | LINE | BODY | ENGINE | TRANSMISSION |
| H = Laredo | T = JEEP - 2WD | 74 = 4 Door (105.9 WB) | ERH = ENGINE - 4.0L POWER TECH I-6 | DG4 = TRANSMISSION-MULTI- SPEED AUTO, 45RFE |
| P = Limited | J = JEEP - 4WD | | EVA = ENGINE- 4.7L V8 MPI | DGW = TRANSMISSION - 4-SPD. AUTOMATIC,44RE |
| | U = JEEP - 4WD (RHD) | | EXA = ENGINE - 3.1L 5 CYL TURBO DIESEL | DGK = TRANSMISSION - 4-SPD. AUTOMATIC,42RE |
| | | | | DGO = ALL AUTOMATIC TRANSMISSIONS |

AR = use ase required - = Non illustrated part

Accumulator, Condenser and Lines 4.7L Engine
Figure 24-255



| ITEM | PART NUMBER | QTY | LINE | SERIES | BODY | ENGINE | TRANS | TRIM | DESCRIPTION |
|------|-------------|-----|------|--------|------|----------|-------|------|---------------------------------------|
| 12 | 06502064 | 6 | | | | | | | SCREW, Tapping, M6x1x20 |
| 13 | | | | | | | | | ACCUMULATOR, Suction Line |
| | 55115909AB | 1 | U | | | ER0, EV0 | | | |
| | 55115911AC | 1 | J, T | | | EV0 | | | |
| -14 | | | | | | | | | O RING, A/C Suction Line |
| | 05012979AA | 1 | J, T | | | EV0 | | | |
| | 05012981AA | 1 | U | | | EV0 | | | |
| -15 | | | | | | | | | O RING, Low Pressure Cutout Switc |
| | 04728705 | 1 | U | | | ER0, EV0 | | | |
| | | 1 | J, T | | | EV0 | | | |
| -16 | | | | | | | | | SWITCH, A/C Cycling |
| | 04897613AA | 1 | U | | | ER0, EV0 | | | |
| | | 1 | J, T | | | EV0 | | | |
| -17 | | | | | | | | | VALVE CORE, Service Port |
| | 05011346AA | 2 | J, T | | | EV0 | | | |
| | | 2 | U | | | EV0 | | | |
| 18 | | | | | | | | | BRACKET, Accumulator |
| | 05012985AA | 1 | U | | | ER0, EV0 | | | |
| | 05012986AA | 1 | J, T | | | EV0 | | | |
| 19 | 06501648 | 1 | U | | | ER0, EV0 | | | SCREW, Hex Flange Head, M8x1.25x25.00 |
| -20 | 55116446AA | 1 | | | | | | | LABEL, Refrigerant |
| 21 | | | | | | | | | CONDENSER, Air Conditioning |
| | 55115918AB | 1 | J, T | | | EV0 | | | |
| | | 1 | U | | | EV0 | | | |
| -22 | 04885591AA | 1 | U | | | | | | BRACKET, A/C Evaporator |

GRAND CHEROKEE (WJ)

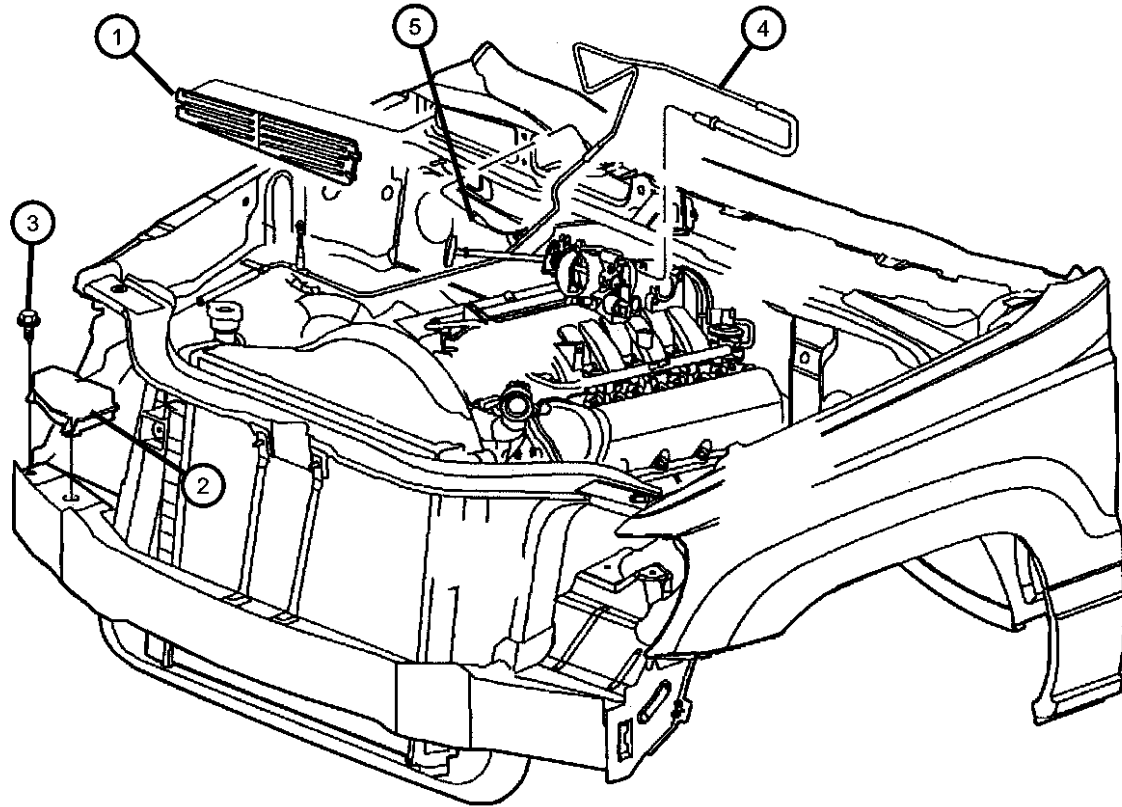
| SERIES | LINE | BODY | ENGINE | TRANSMISSION |
|-------------|----------------------|------------------------|--|---|
| H = Laredo | T = JEEP - 2WD | 74 = 4 Door (105.9 WB) | ERH = ENGINE - 4.0L POWER TECH I-6 | DG4 = TRANSMISSION-MULTI-SPEED AUTO, 45RFE |
| P = Limited | J = JEEP - 4WD | | EVA = ENGINE- 4.7L V8 MPI | DGW = TRANSMISSION - 4-SPD. AUTOMATIC, 44RE |
| | U = JEEP - 4WD (RHD) | | EXA = ENGINE - 3.1L 5 CYL TURBO DIESEL | DGK = TRANSMISSION - 4-SPD. AUTOMATIC, 42RE |
| | | | | DGO = ALL AUTOMATIC TRANSMISSIONS |

AR = use ase required - = Non illustrated part

Hevac Vacuum Engine Lines and Controls
Figure 24-260

| ITEM | PART NUMBER | QTY | LINE | SERIES | BODY | ENGINE | TRANS | TRIM | DESCRIPTION |
|------|-------------|-----|------|--------|------|--------|-------|------|-------------|
|------|-------------|-----|------|--------|------|--------|-------|------|-------------|

Note: Sales Code ER0 = 4.0 L Engine
 Note: Sales Code EX0 = 3.1 L Engine
 Note: Sales Code EV0 = 4.7 L Engine



| | | | | | | | | | |
|---|------------|---|------|--|--|----------|--|--|---|
| 1 | | | | | | | | | BAFFLE, Air |
| | 55115885 | 1 | J, T | | | | | | |
| | 55115886 | 1 | U | | | | | | |
| 2 | 55115899 | 1 | | | | ER0, EV0 | | | RESERVOIR, Vacuum |
| 3 | 55115899 | 1 | | | | | | | SCREW, Hex Flange Head Tapping, M4.8 x 1.59 x 14.00, (NOT SERVICED) |
| 4 | | | | | | | | | VACUUM HARNESS, Heater and A/C |
| | 55115900AC | 1 | J, T | | | EV0 | | | |
| | 55115901AC | 1 | J, T | | | ER0 | | | |
| | 55116158AB | 1 | J, T | | | EX0 | | | |
| | 55116489AA | 1 | U | | | EV0 | | | |
| | 55116490AA | 1 | U | | | ER0 | | | |
| 5 | 03580172 | 1 | | | | | | | CAP, Vacuum |

GRAND CHEROKEE (WJ)

| | | | | |
|-------------|----------------------|------------------------|--|--|
| SERIES | LINE | BODY | ENGINE | TRANSMISSION |
| H = Laredo | T = JEEP - 2WD | 74 = 4 Door (105.9 WB) | ERH = ENGINE - 4.0L POWER TECH I-6 | DG4 = TRANSMISSION-MULTI-SPEED AUTO, 45RFE |
| P = Limited | J = JEEP - 4WD | | EVA = ENGINE- 4.7L V8 MPI | DGW = TRANSMISSION - 4-SPD. AUTOMATIC,44RE |
| | U = JEEP - 4WD (RHD) | | EXA = ENGINE - 3.1L 5 CYL TURBO DIESEL | DGK = TRANSMISSION - 4-SPD. AUTOMATIC,42RE |
| | | | | DGO = ALL AUTOMATIC TRANSMISSIONS |

AR = use ase required - = Non illustrated part

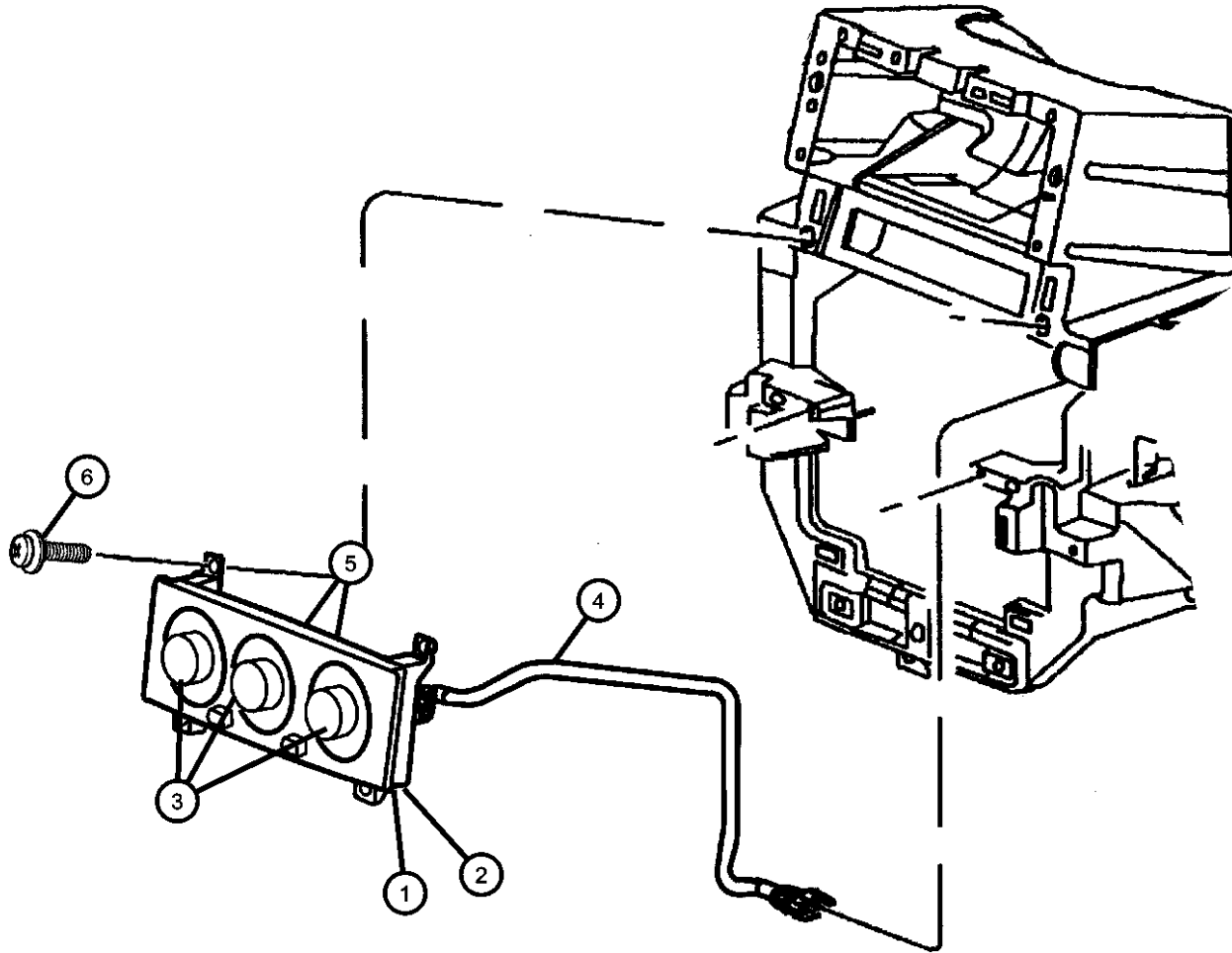
2000 WJ

Control, Heater and Air Conditioner
Figure 24-330

| ITEM | PART NUMBER | QTY | LINE | SERIES | BODY | ENGINE | TRANS | TRIM | DESCRIPTION |
|------|-------------|-----|------|--------|------|--------|-------|------|-------------|
|------|-------------|-----|------|--------|------|--------|-------|------|-------------|

Note: Sales Code HAA = Air Conditioning
 Note: Sales Code HAF = Auto Temp Control

| | | | | | | | | | |
|---|------------|---|--|--|--|--|--|--|-------------------------------|
| 1 | 55115904 | 1 | | | | | | | CONTROL, A/C And Heater |
| 2 | 55115903 | 1 | | | | | | | CONTROL, Auto Temp Control |
| 3 | 05012976AA | 2 | | | | | | | KNOB, ATC Control |
| 4 | 05012977AA | 1 | | | | | | | HARNES, A/C And Heater Vacuum |
| 5 | 05013124AA | 2 | | | | | | | BULB, Heater and A/C Control |
| 6 | 06101946 | 4 | | | | | | | SCREW, Tapping |



GRAND CHEROKEE (WJ)

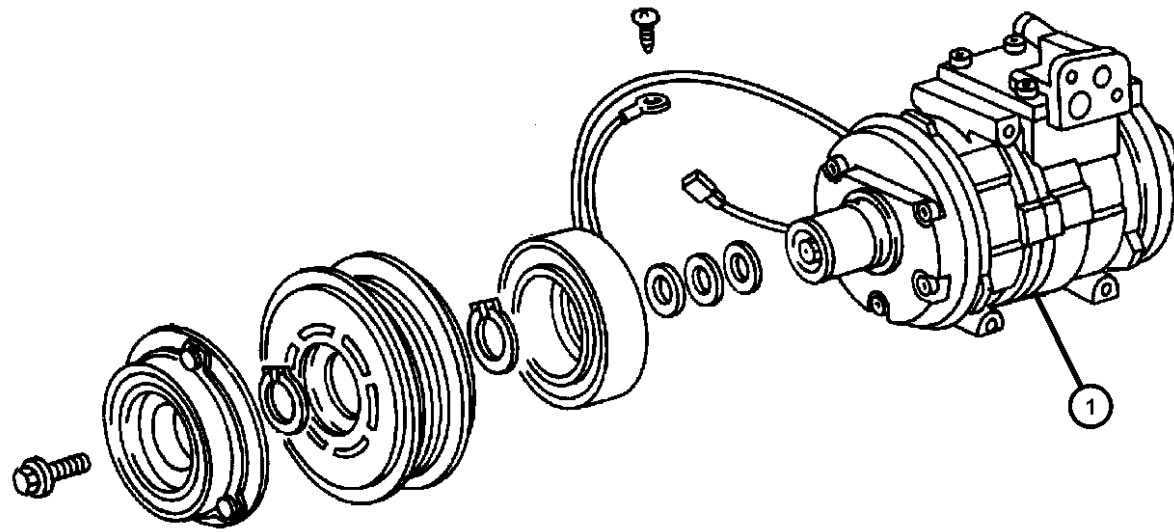
| | | | | |
|-------------|----------------------|------------------------|--|--|
| SERIES | LINE | BODY | ENGINE | TRANSMISSION |
| H = Laredo | T = JEEP - 2WD | 74 = 4 Door (105.9 WB) | ERH = ENGINE - 4.0L POWER TECH I-6 | DG4 = TRANSMISSION-MULTI-SPEED AUTO, 45RFE |
| P = Limited | J = JEEP - 4WD | | EVA = ENGINE- 4.7L V8 MPI | DGW = TRANSMISSION - 4-SPD. AUTOMATIC,44RE |
| | U = JEEP - 4WD (RHD) | | EXA = ENGINE - 3.1L 5 CYL TURBO DIESEL | DGK = TRANSMISSION - 4-SPD. AUTOMATIC,42RE |
| | | | | DGO = ALL AUTOMATIC TRANSMISSIONS |

AR = use ase required - = Non illustrated part

2000 WJ

**Compressor, Air Conditioning 4.0L Engine
Figure 24-410**

| ITEM | PART NUMBER | QTY | LINE | SERIES | BODY | ENGINE | TRANS | TRIM | DESCRIPTION |
|-------------------------------------|-------------|-----|------|--------|------|--------|-------|------|--|
| Note: Sales Code ER0 = 4.0 L Engine | | | | | | | | | |
| 1 | 55117244AA | 1 | | | | ER0 | | | COMPRESSOR, Air Conditioning |
| -2 | 05014413AA | 1 | | | | ER0 | | | MANIFOLD KIT, A/C Compressor |
| -3 | 04728854 | 1 | | | | ER0 | | | SEAL, Manifold To Compressor |
| -4 | 55116423AA | 1 | | | | ER0 | | | BOLT, A/C Line Mounting |
| -5 | 05264457 | 1 | | | | ER0 | | | BOLT KIT, A/C Compressor Manifold |
| -6 | 05003681AA | 1 | | | | ER0 | | | COIL, Air Conditioning Clutch |
| -7 | 05016376AA | 1 | | | | ER0 | | | PULLEY, A/C Compressor |
| -8 | 05264454 | 1 | | | | ER0 | | | SNAP RING KIT, A/C Clutch |
| -9 | 82300102 | 1 | | | | ER0 | | | LUBRICANT, Oil, 75w90 |
| -10 | 05014415AA | 1 | | | | ER0 | | | CLUTCH, A/C Compressor, Overhaul Package |



GRAND CHEROKEE (WJ)

SERIES
H = Laredo
P = Limited

LINE
T = JEEP - 2WD
J = JEEP - 4WD
U = JEEP - 4WD (RHD)

BODY
74 = 4 Door (105.9 WB)

ENGINE
ERH = ENGINE - 4.0L
POWER TECH I-6
EVA = ENGINE- 4.7L V8 MPI
EXA = ENGINE - 3.1L 5 CYL
TURBO DIESEL

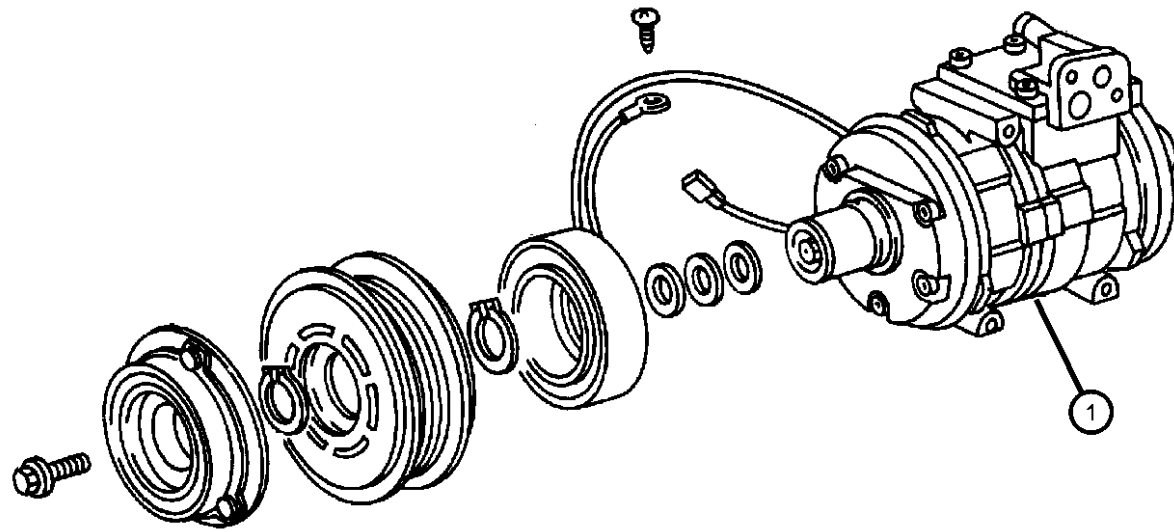
TRANSMISSION
DG4 = TRANSMISSION-MULTI-
SPEED AUTO, 45RFE
DGW = TRANSMISSION - 4-SPD.
AUTOMATIC,44RE
DGK = TRANSMISSION - 4-SPD.
AUTOMATIC,42RE
DGO = ALL AUTOMATIC
TRANSMISSIONS

AR = use ase required - = Non illustrated part

2000 WJ

**Compressor, Air Conditioning 4.7L Engine
Figure 24-420**

| ITEM | PART NUMBER | QTY | LINE | SERIES | BODY | ENGINE | TRANS | TRIM | DESCRIPTION |
|-------------------------------------|-------------|-----|------|--------|------|--------|-------|------|-------------------------------------|
| Note: Sales Code EV0 = 4.7 L Engine | | | | | | | | | |
| 1 | 55116906AA | 1 | | | | EV0 | | | COMPRESSOR, Air Conditioning |
| -2 | 05014414AA | 1 | | | | EV0 | | | MANIFOLD KIT, A/C Compressor |
| -3 | 04728854 | 1 | | | | EV0 | | | SEAL, Manifold To Compressor |
| -4 | 05014416AA | 1 | | | | EV0 | | | CLUTCH OVERHAUL KIT, A/C Compressor |
| -5 | 55116423AA | 1 | | | | EV0 | | | BOLT, A/C Line Mounting |
| -6 | 05264457 | 1 | | | | EV0 | | | BOLT KIT, A/C Compressor Manifold |
| -7 | 05003681AA | 1 | | | | EV0 | | | COIL, Air Conditioning Clutch |
| -8 | 05016376AA | 1 | | | | EV0 | | | PULLEY, A/C Compressor |
| -9 | 05264454 | 1 | | | | EV0 | | | SNAP RING KIT, A/C Clutch |
| -10 | | | | | | | | | LUBRICANT, Oil, 75w90 |
| | 82300102 | 1 | J, T | | | EV0 | | | |
| | | 1 | U | | | EV0 | | | |



GRAND CHEROKEE (WJ)

SERIES
H = Laredo
P = Limited

LINE
T = JEEP - 2WD
J = JEEP - 4WD
U = JEEP - 4WD (RHD)

BODY
74 = 4 Door (105.9 WB)

ENGINE
ERH = ENGINE - 4.0L POWER TECH I-6
EVA = ENGINE- 4.7L V8 MPI
EXA = ENGINE - 3.1L 5 CYL TURBO DIESEL

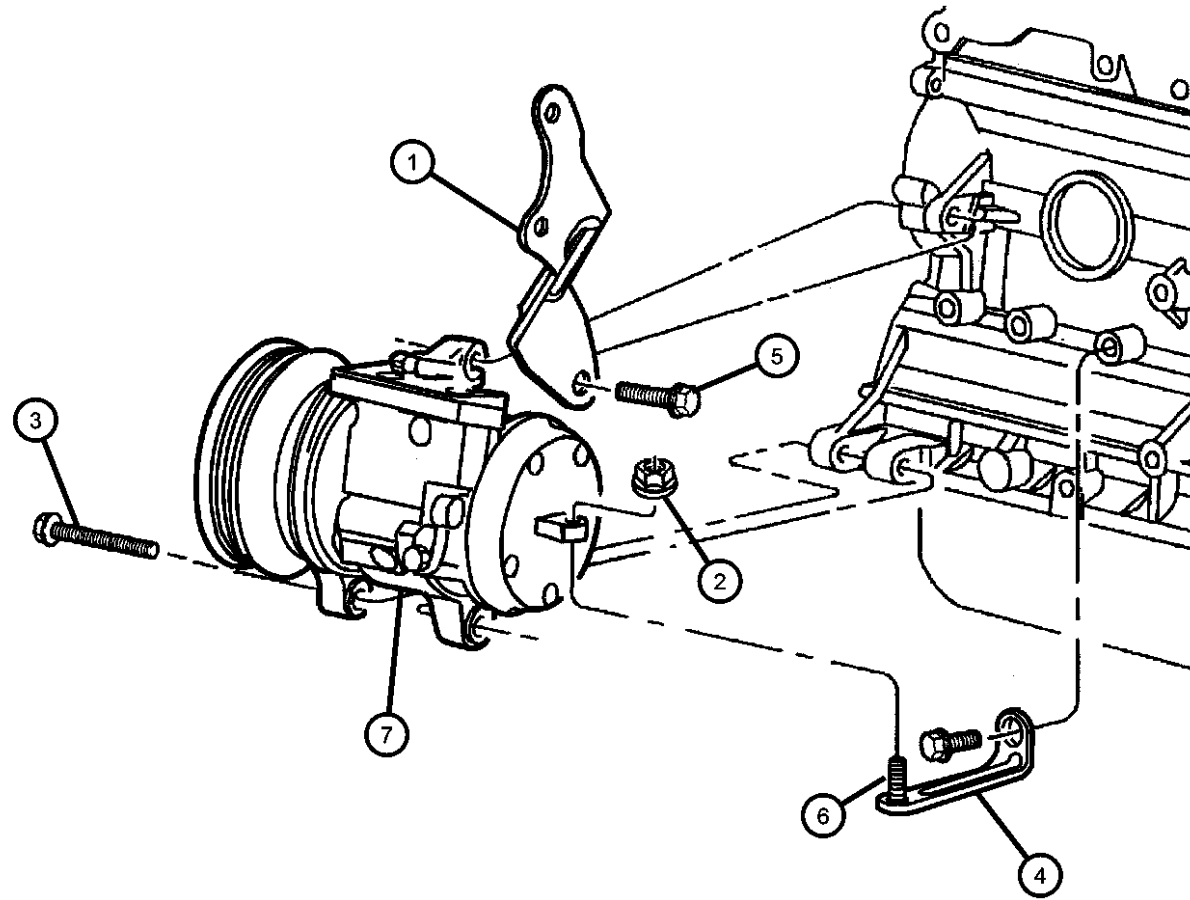
TRANSMISSION
DG4 = TRANSMISSION-MULTI-SPEED AUTO, 45RFE
DGW = TRANSMISSION - 4-SPD. AUTOMATIC,44RE
DGK = TRANSMISSION - 4-SPD. AUTOMATIC,42RE
DGO = ALL AUTOMATIC TRANSMISSIONS

AR = use ase required - = Non illustrated part

2000 WJ

**Compressor, Mounting 4.0L Engine
Figure 24-510**

| ITEM | PART NUMBER | QTY | LINE | SERIES | BODY | ENGINE | TRANS | TRIM | DESCRIPTION |
|--|-------------|-----|------|--------|------|--------|-------|------|---|
| Note: Sales Code ER0 = 4.0 L Engine EV0 = All 4.7L Gas Engines | | | | | | | | | |
| 1 | 04854157 | 1 | | | | ER0 | | | BRACE, Power Steering Pump |
| 2 | 06101695 | 4 | | | | | | | NUT, Hex Flange Lock, M8x1.25 |
| 3 | 06504344 | 1 | | | | ER0 | | | SCREW AND WASHER, Hex Head |
| 4 | 53013053AA | 1 | | | | ER0 | | | BRACE, A/C Compressor |
| 5 | 06101985 | 5 | | | | EV0 | | | SCREW AND WASHER, M10x1.50x45.00 |
| 6 | 06101985 | 5 | | | | | | | SCREW AND WASHER, Hex Head, (NOT SERVICED) |
| 7 | 55117244AA | 1 | | | | ER0 | | | COMPRESSOR, Air Conditioning |



GRAND CHEROKEE (WJ)

| | | | | |
|-------------|----------------------|------------------------|---|--|
| SERIES | LINE | BODY | ENGINE | TRANSMISSION |
| H = Laredo | T = JEEP - 2WD | 74 = 4 Door (105.9 WB) | ERH = ENGINE - 4.0L POWER TECH I-6 | DG4 = TRANSMISSION-MULTI- SPEED AUTO, 45RFE |
| P = Limited | J = JEEP - 4WD | | EVA = ENGINE- 4.7L V8 MPI | DGW = TRANSMISSION - 4-SPD. AUTOMATIC,44RE |
| | U = JEEP - 4WD (RHD) | | EXA = ENGINE - 3.1L 5 CYL TURBO DIESEL | DGK = TRANSMISSION - 4-SPD. AUTOMATIC,42RE |
| | | | | DGO = ALL AUTOMATIC TRANSMISSIONS |

AR = use ase required - = Non illustrated part

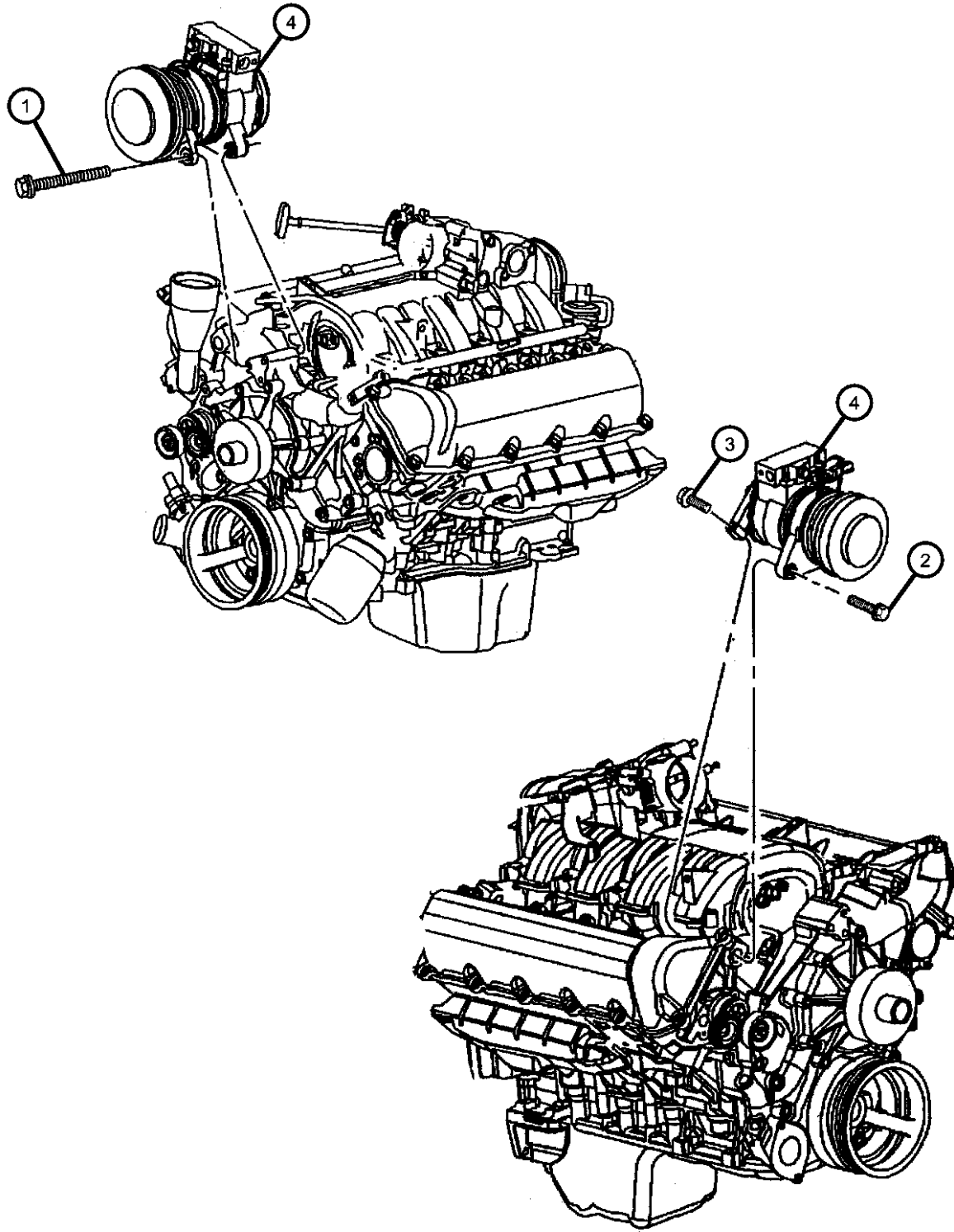
2000 WJ

**Compressor, Mounting 4.7L Engine
Figure 24-520**

| ITEM | PART NUMBER | QTY | LINE | SERIES | BODY | ENGINE | TRANS | TRIM | DESCRIPTION |
|------|-------------|-----|------|--------|------|--------|-------|------|-------------|
|------|-------------|-----|------|--------|------|--------|-------|------|-------------|

Note: Sales Code EV0 = 4.7 L Engine

| | | | | | | | | | |
|----|------------|---|--|--|--|-----|--|--|-------------------------------------|
| 1 | 06504344 | 1 | | | | ER0 | | | SCREW AND WASHER, Hex Head |
| 2 | 06101985 | 5 | | | | EV0 | | | SCREW AND WASHER, M10x1.50x45.00 |
| 3 | 06102047AA | 6 | | | | EV0 | | | SCREW, Hex Head, M8x1.25x50 |
| 4 | 55116906AA | 1 | | | | EV0 | | | COMPRESSOR, Air Conditioning |
| -5 | 53031709AA | 1 | | | | EV0 | | | BRACE, A/C Compressor |



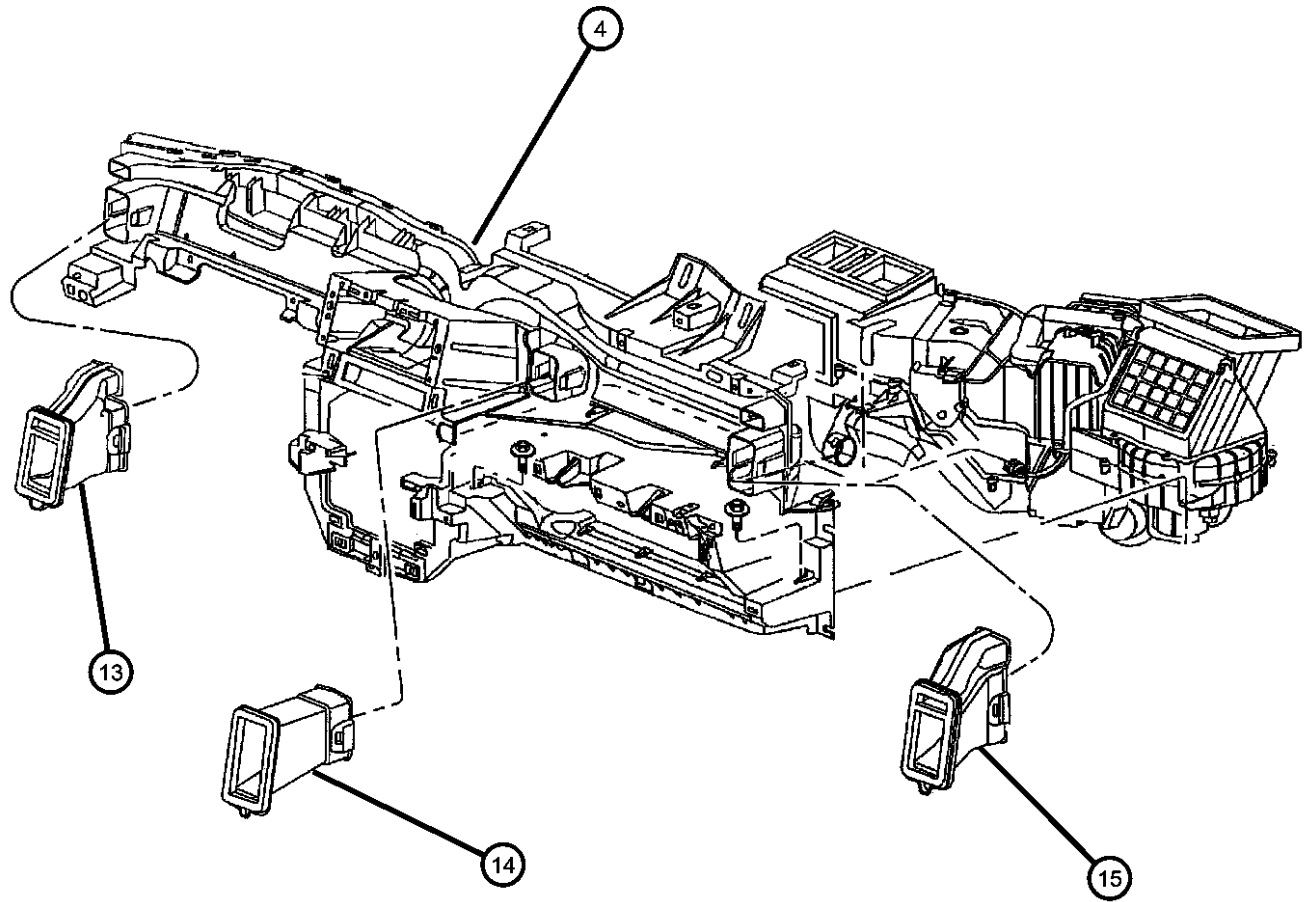
GRAND CHEROKEE (WJ)

| | | | | |
|-------------|----------------------|------------------------|---|--|
| SERIES | LINE | BODY | ENGINE | TRANSMISSION |
| H = Laredo | T = JEEP - 2WD | 74 = 4 Door (105.9 WB) | ERH = ENGINE - 4.0L POWER TECH I-6 | DG4 = TRANSMISSION-MULTI- SPEED AUTO, 45RFE |
| P = Limited | J = JEEP - 4WD | | EVA = ENGINE- 4.7L V8 MPI | DGW = TRANSMISSION - 4-SPD. AUTOMATIC,44RE |
| | U = JEEP - 4WD (RHD) | | EXA = ENGINE - 3.1L 5 CYL TURBO DIESEL | DGK = TRANSMISSION - 4-SPD. AUTOMATIC,42RE |
| | | | | DGO = ALL AUTOMATIC TRANSMISSIONS |

AR = use ase required - = Non illustrated part

2000 WJ

Air Ducts and Outlets
Figure 24-610



| ITEM | PART NUMBER | QTY | LINE | SERIES | BODY | ENGINE | TRANS | TRIM | DESCRIPTION |
|------|-------------|-----|------|--------|------|--------|-------|------|--|
| -1 | | | | | | | | | BRACKET, Instrument Panel, Steering Column Support |
| | 55116032AB | 1 | J, T | | | | | | |
| | 55116299AE | 1 | U | | | | | | |
| -2 | | | | | | | | | U-NUT, M6 x 1.00, M6x1.00 |
| | 06101442 | 4 | J, T | | | | | | |
| | | 4 | U | | | | | | |
| -3 | 06101780 | 5 | | | | | | | SCREW, M6x1x25 |
| 4 | | | | | | | | | DUCT, Instrument Panel, Structural |
| | 55116295AC | 1 | U | | | | | | |
| | 55116407AC | 1 | J, T | | | | | | |
| -5 | | | | | | | | | CLIP, .453Wx.528LGx.017THK |
| | 06034319 | 2 | J, T | | | | | | |
| | | 2 | U | | | | | | |
| -6 | | | | | | | | | CLIP, Push, .164-7.5 |
| | 06034833 | 12 | J, T | | | | | | |
| | | 12 | U | | | | | | |
| -7 | | | | | | | | | BRACKET, Instrument Panel, C/Channel Cover |
| | 55116373AB | 1 | J, T | | | | | | |
| | 55116376AB | 1 | U | | | | | | |
| -8 | 06101946 | 8 | | | | | | | SCREW, Tapping |
| -9 | | | | | | | | | BRACKET, Instrument Panel, Courtesy Lamp |
| | 55116390AB | 1 | J, T | | | | | | |
| | 55116418AA | 1 | U | | | | | | |
| -10 | 55116041 | 1 | | | | | | | BRACKET, Instrument Panel, Center to Floor |
| -11 | 06101786 | 6 | | | | | | | SCREW, Self Tapping, M6x1x15 |
| -12 | | | | | | | | | DUCT, Defroster |
| | 55116014 | 1 | J, T | | | | | | |
| | 55116394AA | 1 | U | | | | | | |
| 13 | 55116287AB | 1 | | | | | | | DUCT, Instrument Panel Extension, Left |
| 14 | | | | | | | | | DUCT, Instrument Panel Extension, Inboard |
| | 55116285AA | 1 | J, T | | | | | | |

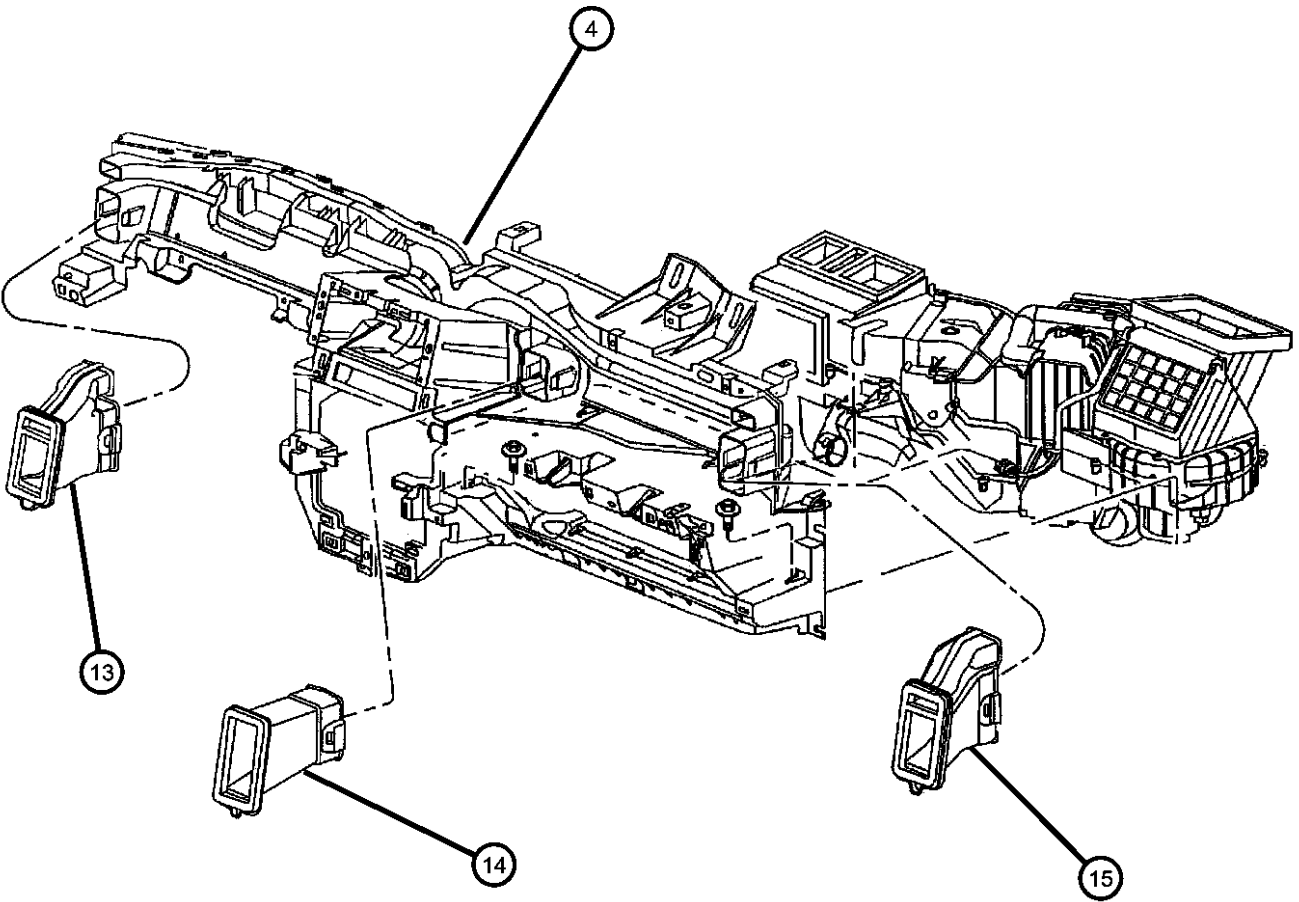
GRAND CHEROKEE (WJ)

| | | | | |
|---------------|----------------------|------------------------|--|---|
| SERIES | LINE | BODY | ENGINE | TRANSMISSION |
| H = Laredo | T = JEEP - 2WD | 74 = 4 Door (105.9 WB) | ERH = ENGINE - 4.0L POWER TECH I-6 | DG4 = TRANSMISSION-MULTI-SPEED AUTO, 45RFE |
| P = Limited | J = JEEP - 4WD | | EVA = ENGINE- 4.7L V8 MPI | DGW = TRANSMISSION - 4-SPD. AUTOMATIC, 44RE |
| | U = JEEP - 4WD (RHD) | | EXA = ENGINE - 3.1L 5 CYL TURBO DIESEL | DGK = TRANSMISSION - 4-SPD. AUTOMATIC, 42RE |
| | | | | DGO = ALL AUTOMATIC TRANSMISSIONS |

AR = use ase required - = Non illustrated part

Air Ducts and Outlets
Figure 24-610

| ITEM | PART NUMBER | QTY | LINE | SERIES | BODY | ENGINE | TRANS | TRIM | DESCRIPTION |
|------|-------------|-----|------|--------|------|--------|-------|------|--|
| | 55116439AA | 1 | U | | | | | | Extension, Inboard |
| 15 | 55116286AB | 1 | | | | | | | DUCT, Instrument PanelExtension, Right |



GRAND CHEROKEE (WJ)

| | | | | |
|-------------|----------------------|------------------------|--|--|
| SERIES | LINE | BODY | ENGINE | TRANSMISSION |
| H = Laredo | T = JEEP - 2WD | 74 = 4 Door (105.9 WB) | ERH = ENGINE - 4.0L POWER TECH I-6 | DG4 = TRANSMISSION-MULTI-SPEED AUTO, 45RFE |
| P = Limited | J = JEEP - 4WD | | EVA = ENGINE- 4.7L V8 MPI | DGW = TRANSMISSION - 4-SPD. AUTOMATIC,44RE |
| | U = JEEP - 4WD (RHD) | | EXA = ENGINE - 3.1L 5 CYL TURBO DIESEL | DGK = TRANSMISSION - 4-SPD. AUTOMATIC,42RE |
| | | | | DGO = ALL AUTOMATIC TRANSMISSIONS |

AR = use ase required - = Non illustrated part

Group - 25

Emission Systems

Group - 25 Emission Systems

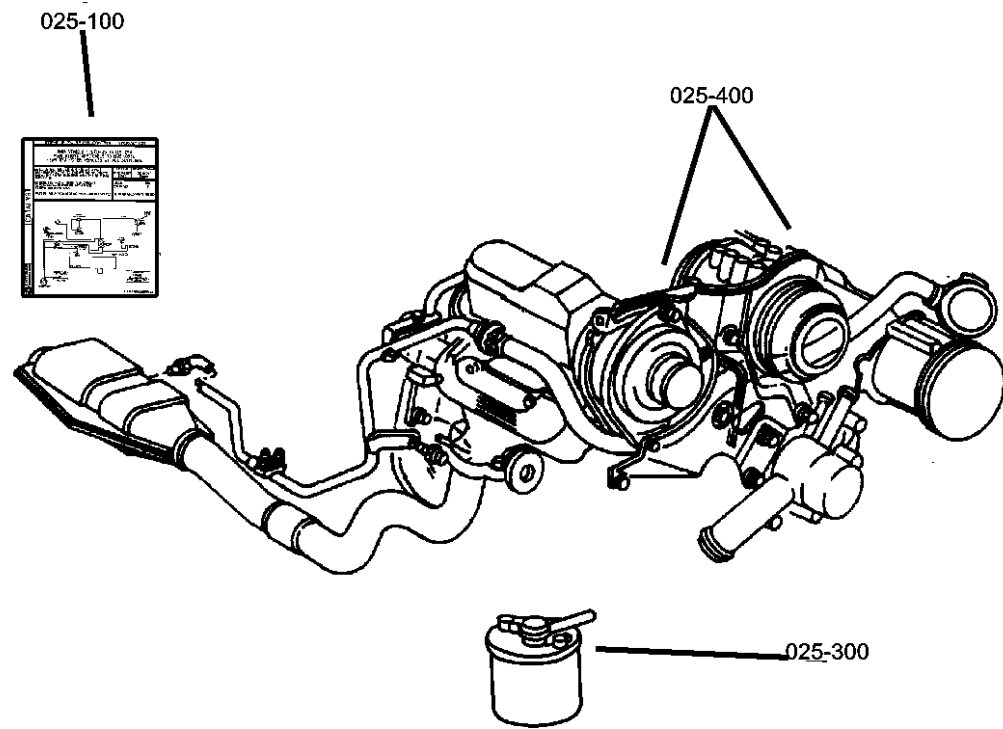


Illustration Title

Group-Fig. No.

Emission Labels

Emission Labels Fig. 25 - 110

EGR System

EGR System Fig. 25 - 220

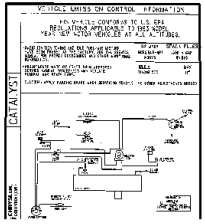
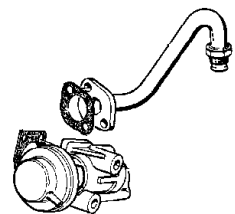
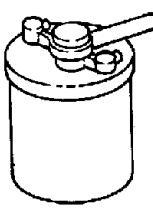
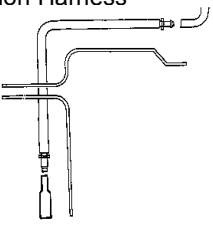
Vacuum Canister

Vacuum Canister Fig. 25 - 310

Emission Harness

Emission Control Vacuum Harness Fig. 25 - 410

Leak Detection Pump Fig. 25 - 430

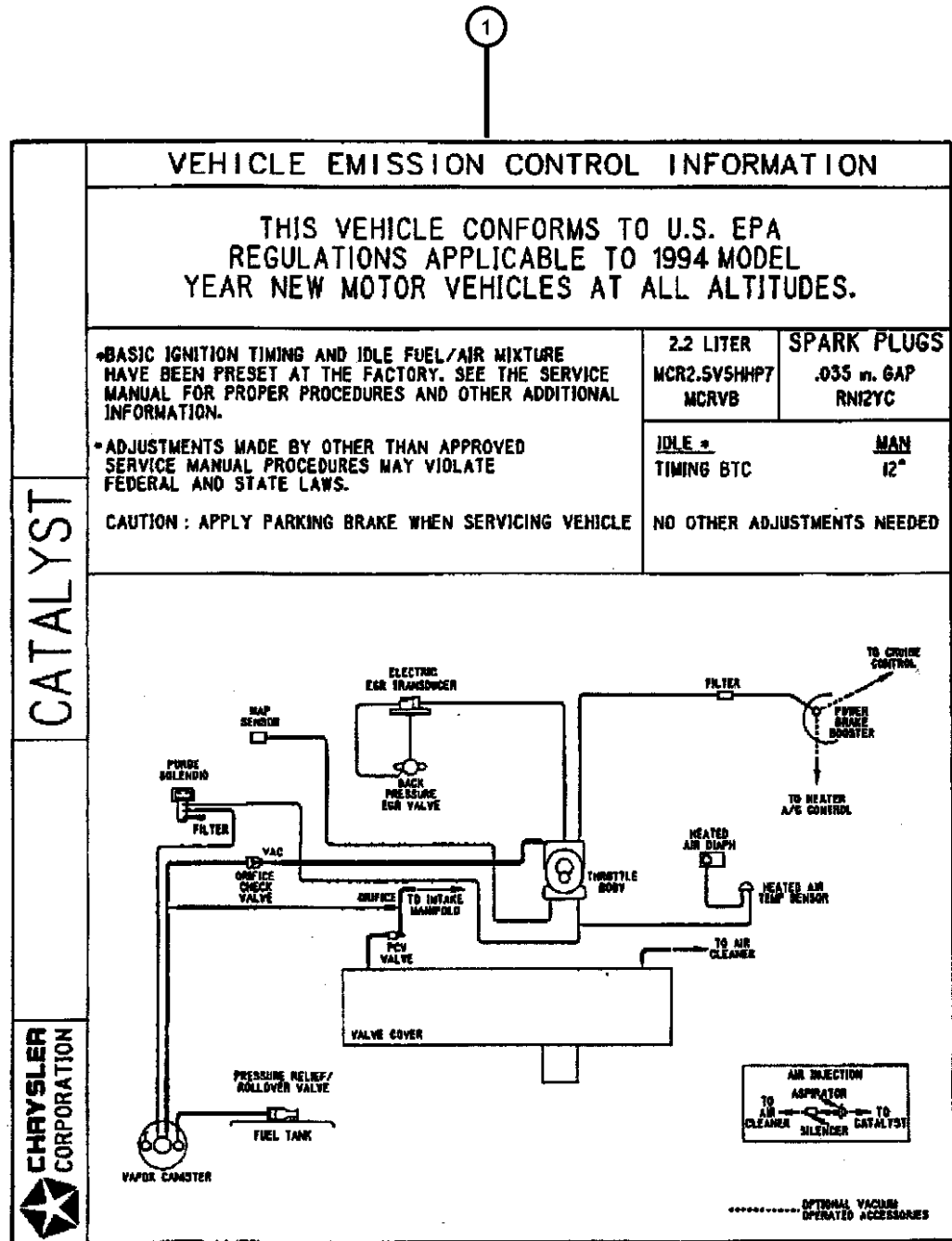
| | | | |
|---|--|---|--|
| <p>025-100 Emission Labels</p>  | <p>025-200 EGR System</p>  | <p>025-300 Vacuum Canister</p>  | <p>025-400 Emission Harness</p>  |
|---|--|---|--|

Emission Labels
Figure 25-110

| ITEM | PART NUMBER | QTY | LINE | SERIES | BODY | ENGINE | TRANS | TRIM | DESCRIPTION |
|------|-------------|-----|------|--------|------|--------|-------|------|-------------|
|------|-------------|-----|------|--------|------|--------|-------|------|-------------|

NOTE: EX0=All 3.1L Engines ER0=All 4.0L Engines EV0=All 4.7L Engines NAA=Federal NAE=California NAC=Europe NBN=Northeastern States

| | | | | | | | | | |
|---|------------|---|---|--|--|-----|--|--|-----------------------------------|
| 1 | | | | | | | | | LABEL, Emission |
| | 53013423AA | 1 | J | | | ER0 | | | Federal, w/Quadra-Trac |
| | 53013424AA | 1 | T | | | ER0 | | | Canada |
| | 53013426AA | 1 | J | | | ER0 | | | Canada, w/Quadra-Trac |
| | 53013430AA | 1 | | | | ER0 | | | Europe II, Unleaded Fuel |
| | 53013431AA | 1 | J | | | ER0 | | | Federal, w/Select-Trac |
| | | 1 | T | | | ER0 | | | Federal |
| | 53013432AA | 1 | J | | | ER0 | | | Canada, w/Select-Trac |
| | 53013433AA | 1 | | | | ER0 | | | California |
| | | 1 | | | | ER0 | | | Northeastern States |
| | 53013435AA | 1 | T | | | EV0 | | | Canada |
| | 53013436AA | 1 | J | | | EV0 | | | Federal, w/Select-Trac |
| | | 1 | T | | | EV0 | | | Federal |
| | 53013437AA | 1 | | | | EV0 | | | Canada, w/Select-Trac, (H) Series |
| | 53013439AA | 1 | | | | EV0 | | | Canada, w/Select-Trac, (P) Series |
| | 53013440AA | 1 | J | | | EV0 | | | Federal, w/Quadra-Trac |
| | 53013441AA | 1 | J | | | EV0 | | | Canada, w/Quadra-Trac, (H) Series |
| | 53013443AA | 1 | J | | | EV0 | | | Canada, w/Quadra-Trac, (P) Series |
| | 53013444AA | 1 | | | | EV0 | | | California |
| | | 1 | | | | EV0 | | | Northeastern States |
| | 53013445AB | 1 | | | | EV0 | | | Europe III |
| | 53013459AA | 1 | | | | ER0 | | | Europe III |
| | 53013460AA | 1 | | | | EV0 | | | Europe II, Unleaded Fuel |
| | 53014004AA | 1 | J | | | EX0 | | | Australia |



GRAND CHEROKEE (WJ)

| SERIES | LINE | BODY | ENGINE | TRANSMISSION |
|-------------|----------------------|------------------------|--|---|
| H = Laredo | T = JEEP - 2WD | 74 = 4 Door (105.9 WB) | ERH = ENGINE - 4.0L POWER TECH I-6 | DG4 = TRANSMISSION-MULTI-SPEED AUTO, 45RFE |
| P = Limited | J = JEEP - 4WD | | EVA = ENGINE - 4.7L V8 MPI | DGW = TRANSMISSION - 4-SPD. AUTOMATIC, 44RE |
| | U = JEEP - 4WD (RHD) | | EXA = ENGINE - 3.1L 5 CYL TURBO DIESEL | DGK = TRANSMISSION - 4-SPD. AUTOMATIC, 42RE |
| | | | | DGO = ALL AUTOMATIC TRANSMISSIONS |

AR = use as required - = Non illustrated part

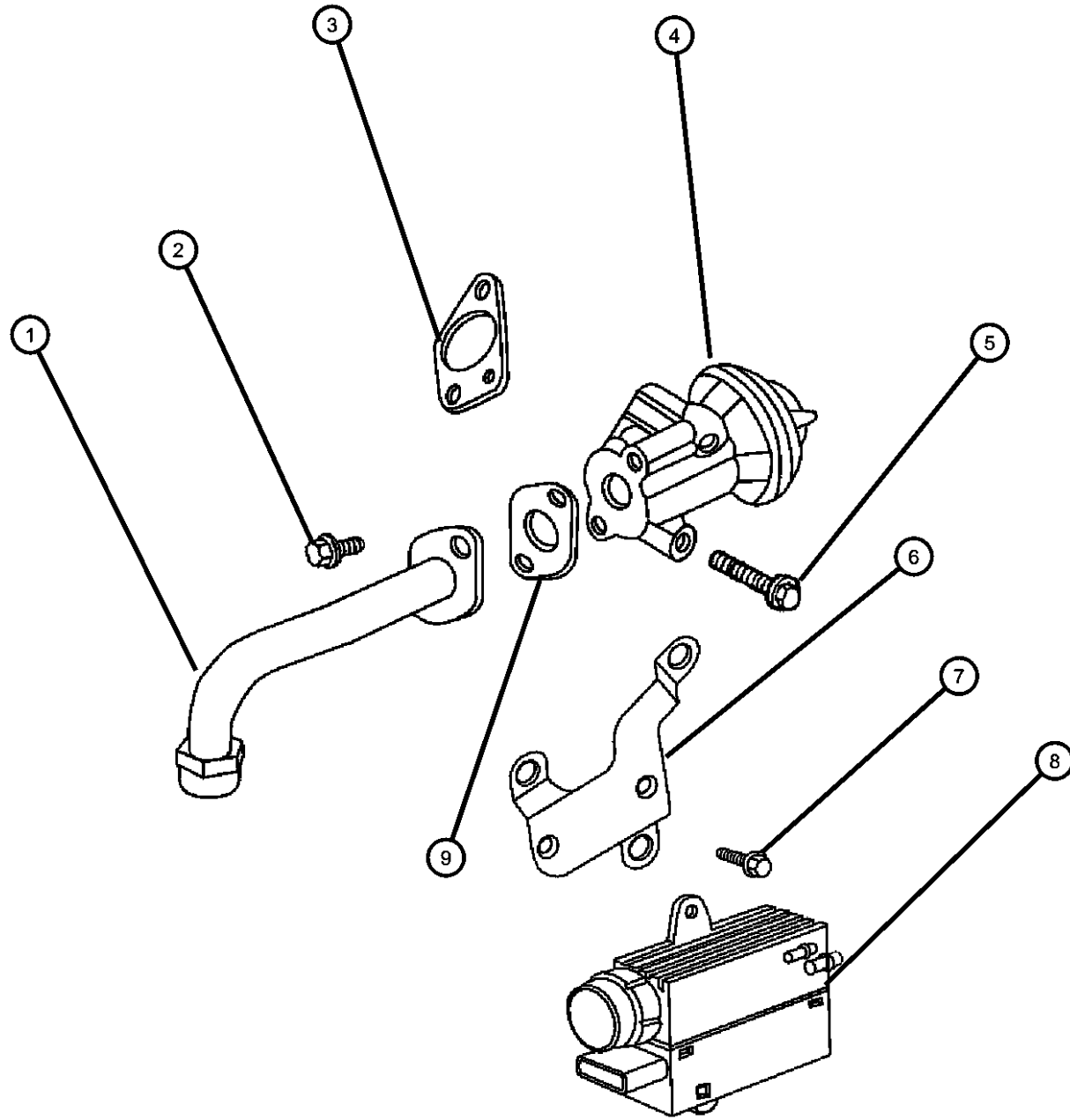
2000 WJ

**EGR System
Figure 25-220**

| ITEM | PART NUMBER | QTY | LINE | SERIES | BODY | ENGINE | TRANS | TRIM | DESCRIPTION |
|------|-------------|-----|------|--------|------|--------|-------|------|-------------|
|------|-------------|-----|------|--------|------|--------|-------|------|-------------|

NOTE: EX0=All 3.1L Engines DG0=All Automatic Transmissions

| | | | | | | | | | |
|---|------------|---|------|--|--|-----|-----|--|----------------------------|
| 1 | 05015069AA | 1 | | | | EX0 | DG0 | | TUBE, EGR |
| 2 | 04864537 | 1 | | | | EX0 | DG0 | | BOLT, 8Mx20 |
| 3 | 04778965 | 1 | | | | EX0 | DG0 | | GASKET, EGR Tube |
| 4 | 04882409 | 1 | | | | EX0 | DG0 | | VALVE, EGR |
| 5 | 05015070AA | 2 | | | | EX0 | DG0 | | BOLT |
| 6 | 04854158 | 1 | J, U | | | EX0 | | | BRACKET |
| 7 | 06101949 | 3 | J, U | | | EX0 | | | SCREW |
| 8 | 53013147AA | 1 | J, U | | | EX0 | | | MODULATOR, Vacuum Electric |
| 9 | 04720208 | 1 | | | | EX0 | DG0 | | GASKET, EGR Tube Flange |



GRAND CHEROKEE (WJ)

SERIES LINE
H = Laredo T = JEEP - 2WD
P = Limited J = JEEP - 4WD
U = JEEP - 4WD (RHD)

BODY
74 = 4 Door (105.9 WB)

ENGINE
ERH = ENGINE - 4.0L
POWER TECH I-6
EVA = ENGINE- 4.7L V8 MPI
EXA = ENGINE - 3.1L 5 CYL
TURBO DIESEL

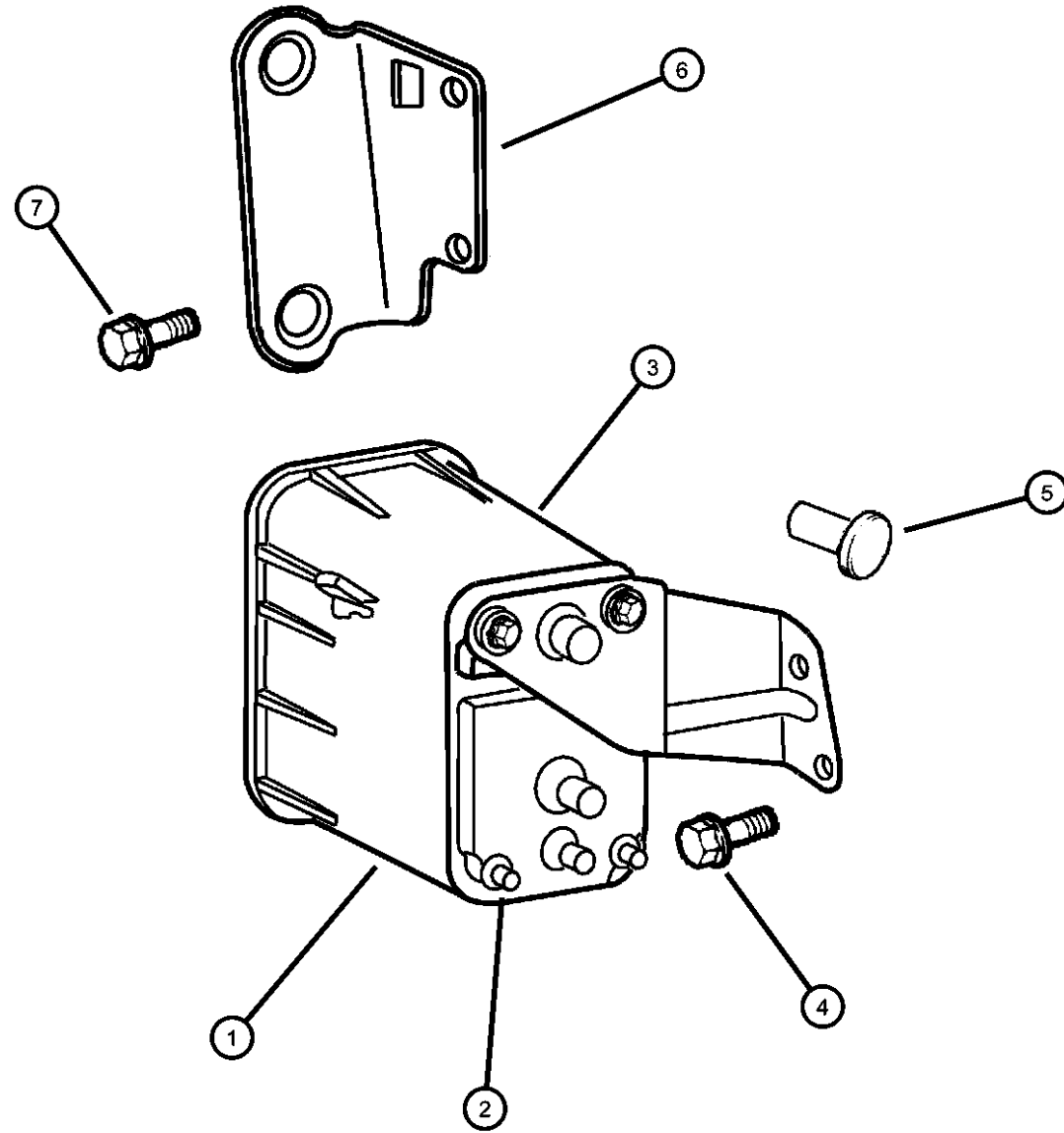
TRANSMISSION
DG4 = TRANSMISSION-MULTI-
SPEED AUTO, 45RFE
DGW = TRANSMISSION - 4-SPD.
AUTOMATIC,44RE
DGK = TRANSMISSION - 4-SPD.
AUTOMATIC,42RE
DGO = ALL AUTOMATIC
TRANSMISSIONS

AR = use ase required - = Non illustrated part

2000 WJ

Vacuum Canister
Figure 25-310

| ITEM | PART NUMBER | QTY | LINE | SERIES | BODY | ENGINE | TRANS | TRIM | DESCRIPTION |
|---|-------------|-----|------|--------|------|---------------|-------|------|-------------------------------------|
| NOTE: ER0=All 4.0L Engines EV0=All 4.7L Engines | | | | | | | | | |
| 1 | | | | | | | | | CANISTER, Vapor |
| | 04854208AE | 1 | J, T | | | ER0, EV0 | | | |
| | 53030838 | 1 | U | | | ER0, EV0 | | | |
| 2 | 06503951 | 4 | J, T | | | EM0, ER0, EV0 | | | STUD, M6X1.00X.250-14X30.00 |
| 3 | 06503951 | 4 | | | | | | | NUT, M14, (NOT SERVICED) |
| 4 | 06503951 | 4 | | | | | | | SCREW, M6.3x1.81x20, (NOT SERVICED) |
| 5 | 53013035AA | 1 | | | | ER0, EV0 | | | CAP, Vapor Canister |
| 6 | 04854159 | 1 | J, T | | | ER0, EV0 | | | BRACKET, Vapor Canister |
| 7 | 06505815AA | 2 | J, T | | | ER0, EV0 | | | SCREW |



GRAND CHEROKEE (WJ)

SERIES
H = Laredo
P = Limited

LINE
T = JEEP - 2WD
J = JEEP - 4WD
U = JEEP - 4WD (RHD)

BODY
74 = 4 Door (105.9 WB)

ENGINE
ERH = ENGINE - 4.0L
POWER TECH I-6
EVA = ENGINE- 4.7L V8 MPI
EXA = ENGINE - 3.1L 5 CYL
TURBO DIESEL

TRANSMISSION
DG4 = TRANSMISSION-MULTI-
SPEED AUTO, 45RFE
DGW = TRANSMISSION - 4-SPD.
AUTOMATIC, 44RE
DGK = TRANSMISSION - 4-SPD.
AUTOMATIC, 42RE
DGO = ALL AUTOMATIC
TRANSMISSIONS

AR = use ase required - = Non illustrated part

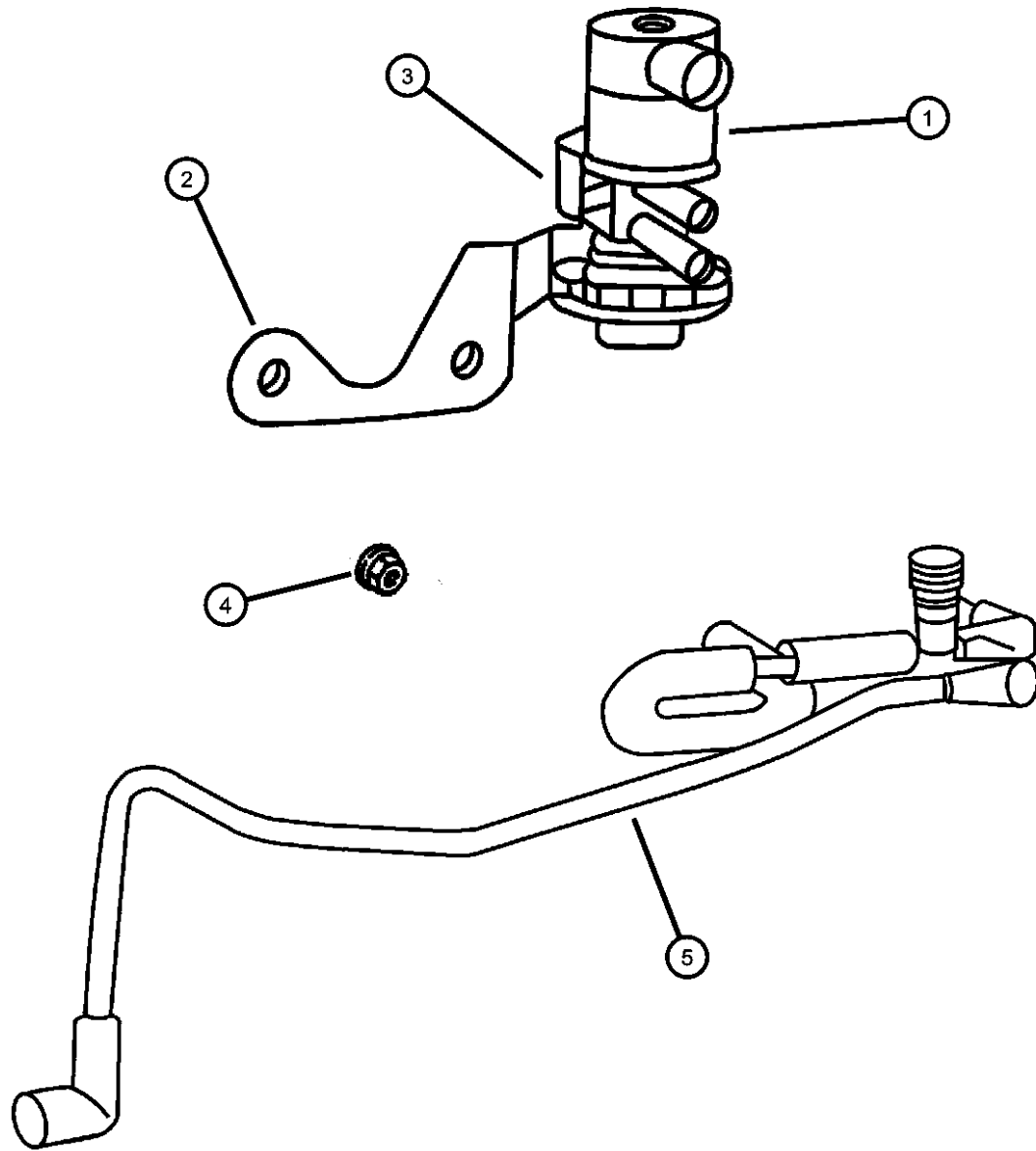
2000 WJ

**Emission Control Vacuum Harness
Figure 25-410**

| ITEM | PART NUMBER | QTY | LINE | SERIES | BODY | ENGINE | TRANS | TRIM | DESCRIPTION |
|------|-------------|-----|------|--------|------|--------|-------|------|-------------|
|------|-------------|-----|------|--------|------|--------|-------|------|-------------|

NOTE: ER0=All 4.0L Engines EV0=All 4.7L Engines

| | | | | | | | | | |
|----|------------|---|------|--|--|----------|--|--|------------------------------------|
| 1 | 04669475AB | 1 | | | | ER0, EV0 | | | SOLENOID, Duty Cycle Purge |
| 2 | 04854127AB | 1 | J, T | | | ER0, EV0 | | | BRACKET, Duty Cycle Purge Solenoid |
| 3 | 53030987 | 1 | | | | ER0, EV0 | | | BUSHING, Isolator |
| 4 | 06500284 | 4 | | | | | | | NUT, Hex, M6x1.00 |
| 5 | | | | | | | | | HARNESS, Vapor Purge |
| | 04854100 | 1 | J, T | | | ER0 | | | |
| | 04854105 | 1 | J, T | | | EV0 | | | |
| | 53013173AA | 1 | U | | | EV0 | | | [NA3] Export [RHD] |
| | 53013228AA | 1 | U | | | ER0 | | | [NAC=NAB] Export [RHD] |
| | 53013229AA | 1 | J, T | | | EV0 | | | [NAC=NAB] Export [LHD] |
| | 53013230AB | 1 | U | | | EV0 | | | [NAC=NAB] Export [RHD] |
| | 53013327AB | 1 | J, T | | | ER0 | | | [NAC=NAB] Export [LHD] |
| -6 | 04591090 | 1 | J, T | | | ER0 | | | PORT, Emission Testing |



GRAND CHEROKEE (WJ)

SERIES
H = Laredo
P = Limited

LINE
T = JEEP - 2WD
J = JEEP - 4WD
U = JEEP - 4WD (RHD)

BODY
74 = 4 Door (105.9 WB)

ENGINE
ERH = ENGINE - 4.0L
POWER TECH I-6
EVA = ENGINE- 4.7L V8 MPI
EXA = ENGINE - 3.1L 5 CYL
TURBO DIESEL

TRANSMISSION
DG4 = TRANSMISSION-MULTI-
SPEED AUTO, 45RFE
DGW = TRANSMISSION - 4-SPD.
AUTOMATIC,44RE
DGK = TRANSMISSION - 4-SPD.
AUTOMATIC,42RE
DGO = ALL AUTOMATIC
TRANSMISSIONS

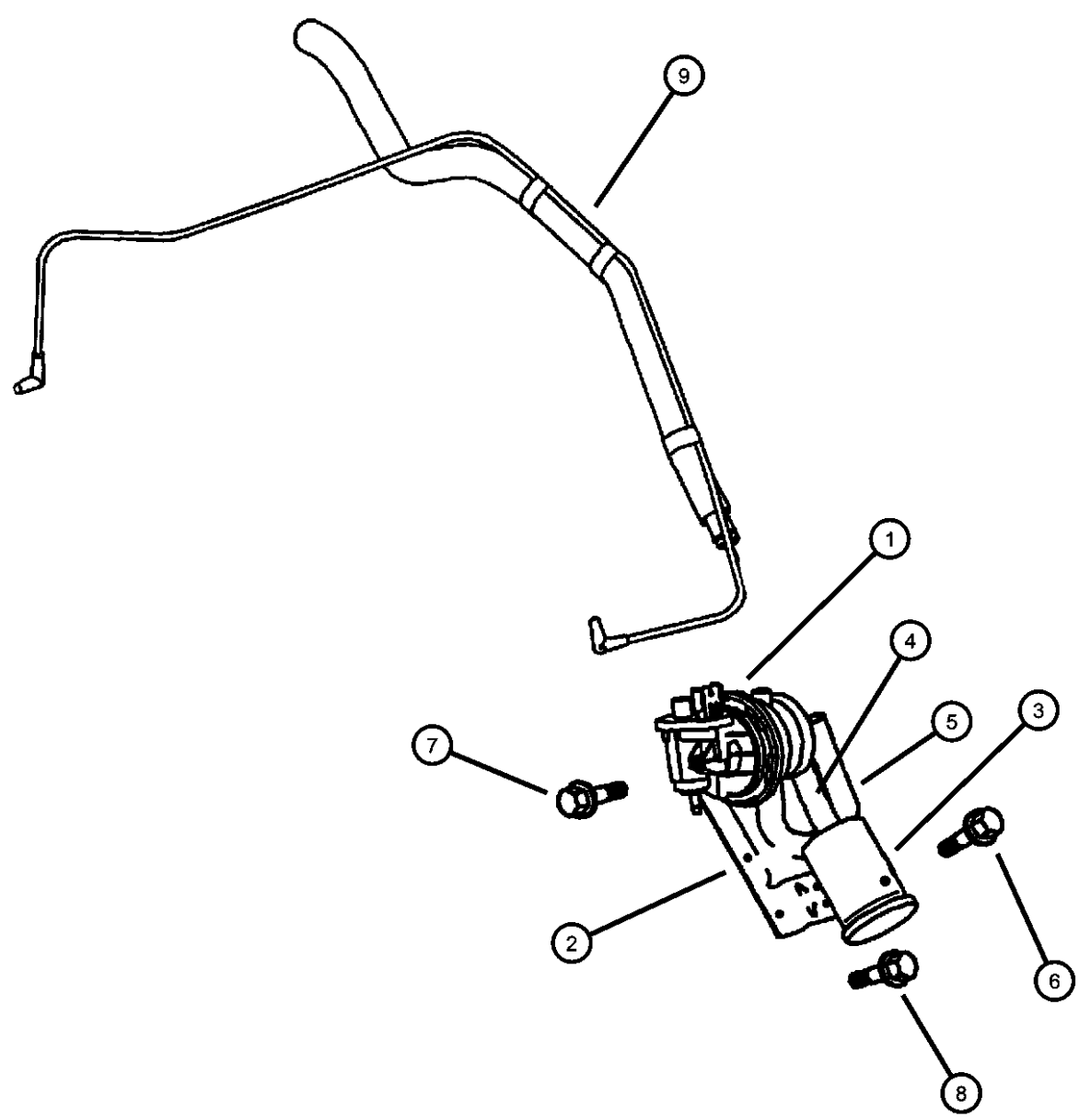
AR = use ase required - = Non illustrated part

2000 WJ

**Leak Detection Pump
Figure 25-430**

| ITEM | PART NUMBER | QTY | LINE | SERIES | BODY | ENGINE | TRANS | TRIM | DESCRIPTION |
|------|-------------|-----|------|--------|------|--------|-------|------|-------------|
|------|-------------|-----|------|--------|------|--------|-------|------|-------------|

NOTE: ER0=All 4.0L Engines EV0=All 4.7L Engines



| | | | | | | | | | |
|---|------------|---|------|--|--|-----|--|--|---|
| 1 | 53013003AA | 1 | | | | ER0 | | | PUMP, Leak Detection |
| | | 1 | | | | EV0 | | | |
| 2 | 04854128AB | 1 | | | | ER0 | | | BRACKET, Leak Detection Pump |
| | | 1 | | | | EV0 | | | |
| 3 | 04612901 | 1 | | | | ER0 | | | FILTER, Fuel Vapor Vent |
| | | 1 | | | | EV0 | | | |
| 4 | 53013004AA | 1 | | | | ER0 | | | HOSE, Leak Detection Pump |
| | | 1 | | | | EV0 | | | |
| 5 | 53013168AA | 1 | | | | ER0 | | | HOSE, Leak Detection Pump to Canister |
| | | 1 | | | | EV0 | | | |
| 6 | | 1 | | | | | | | SCREW, Hex Flange Head, M4.8x1.59x15.74, (NOT SERVICED) |
| 7 | 06035482 | 3 | | | | ER0 | | | SCREW, Tapping, .19-16x.375 |
| | | 3 | | | | EV0 | | | |
| 8 | | 3 | | | | | | | SCREW, Hex Flange Head, M4.8x1.59x15.74, (NOT SERVICED) |
| 9 | 04854120 | 1 | J, T | | | EV0 | | | HARNESS, Leak Detection Pump |
| | 53030917 | 1 | J, T | | | ER0 | | | |

GRAND CHEROKEE (WJ)

SERIES
H = Laredo
P = Limited

LINE
T = JEEP - 2WD
J = JEEP - 4WD
U = JEEP - 4WD (RHD)

BODY
74 = 4 Door (105.9 WB)

ENGINE
ERH = ENGINE - 4.0L POWER TECH I-6
EVA = ENGINE- 4.7L V8 MPI
EXA = ENGINE - 3.1L 5 CYL TURBO DIESEL

TRANSMISSION
DG4 = TRANSMISSION-MULTI-SPEED AUTO, 45RFE
DGW = TRANSMISSION - 4-SPD. AUTOMATIC, 44RE
DGK = TRANSMISSION - 4-SPD. AUTOMATIC, 42RE
DGO = ALL AUTOMATIC TRANSMISSIONS

AR = use ase required - = Non illustrated part

2000 WJ

Group - DWJ

Doors and Related Parts

Group - DWJ Doors and Related Parts

Illustration Title

Group-Fig. No.

Front Door

Door, Front Shell and Hinges Fig. DWJ - 110
 Door, Front Glass and Regulators Fig. DWJ - 120
 Door, Front Lock and Controls Fig. DWJ - 130

Rear Door

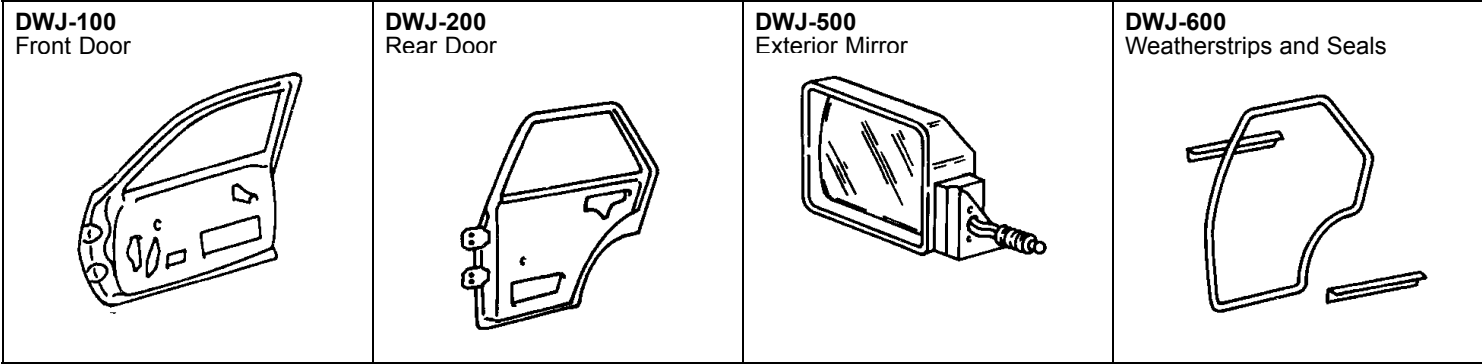
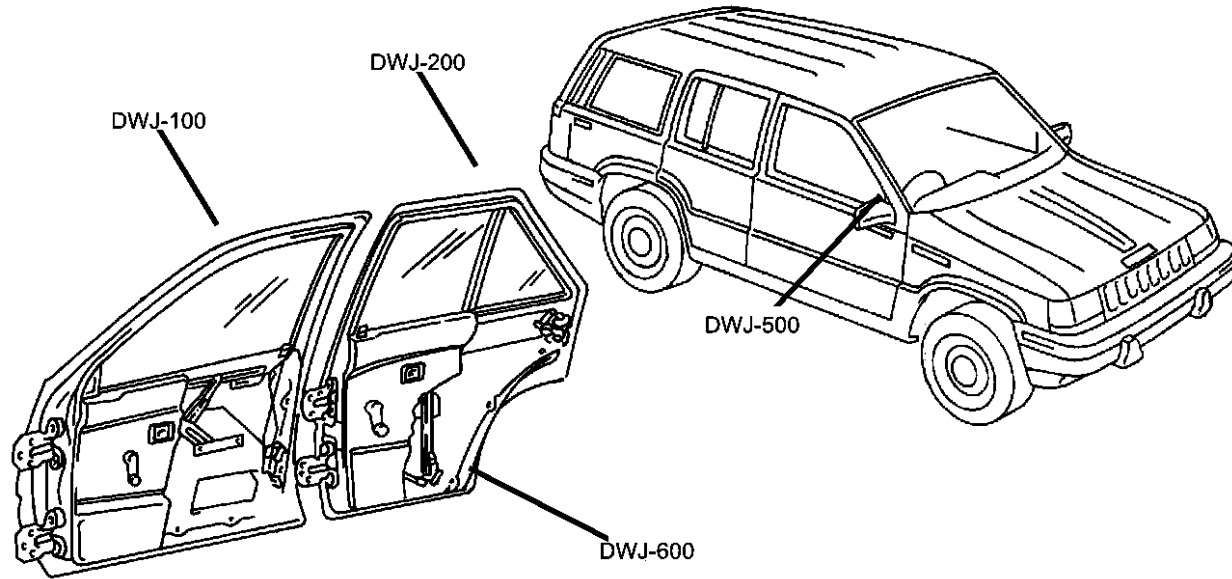
Door, Rear Shell and Hinges Fig. DWJ - 210
 Door, Rear Glass and Regulators Fig. DWJ - 220
 Door, Rear Lock and Controls Fig. DWJ - 230

Exterior Mirror

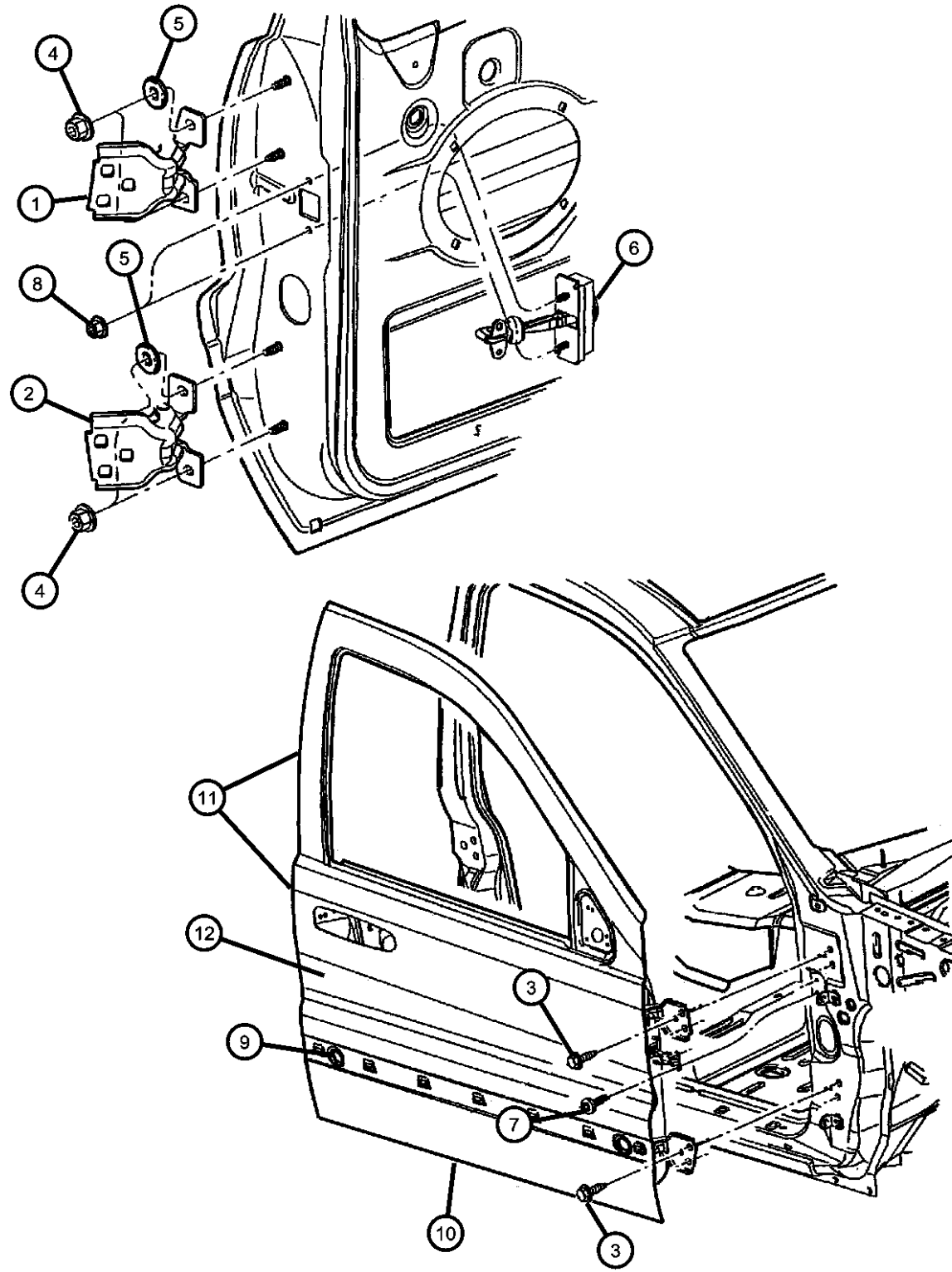
Mirrors, Exterior Fig. DWJ - 510

Weatherstrips and Seals

Door, Front Weatherstrips and Seals Fig. DWJ - 610
 Door, Rear Weatherstrips and Seals Fig. DWJ - 620
 Door, Rear Tail Gate Weatherstrips and Seals Fig. DWJ - 630



Door, Front Shell and Hinges
Figure DWJ-110



| ITEM | PART NUMBER | QTY | LINE | SERIES | BODY | ENGINE | TRANS | TRIM | DESCRIPTION |
|------|-------------|-----|------|--------|------|--------|-------|------|--|
| 1 | 55136480AC | 2 | | | | | | | HINGE, Door Half, Upper Right |
| | 55136481AC | 2 | | | | | | | Left |
| 2 | 55136480AC | 2 | | | | | | | HINGE, Door Half, Lower Left |
| | 55136481AC | 2 | | | | | | | Right |
| 3 | 06503328 | 8 | | | | | | | SCREW, Hex Head, M8x1.25x30 |
| 4 | 06101809 | 2 | | | | | | | NUT AND WASHER, Hex, M8x1.25 |
| 5 | 55136971AB | 4 | | | | | | | WASHER, Flat |
| 6 | 55135590AC | 1 | | | | | | | CHECK, Front Door Right |
| | 55135591AC | 1 | | | | | | | Left |
| 7 | 55135591AC | 1 | | | | | | | SCREW, Torx Round Head, M6-1.0x20.0, (NOT SERVICED) |
| 8 | 06503504 | 2 | | | | | | | NUT AND WASHER, Hex, M6x1 |
| 9 | 55257380AA | 12 | | | | | | | PLUG |
| 10 | 02860332 | 4 | | | | | | | PLUG, Anti-Rattle |
| 11 | 55135920AC | 1 | | | | | | | DOOR, Front Right |
| | 55135921AC | 1 | | | | | | | Left |
| 12 | 55135922AB | 1 | | | | | | | PANEL, Front Door Outer Repair Right |
| | 55135923AB | 1 | | | | | | | Left |
| -13 | 06505201AA | 2 | | | P | | | | NUT, M5x.080x26.41 |

GRAND CHEROKEE (WJ)

SERIES
H = Laredo
P = Limited

LINE
T = JEEP - 2WD
J = JEEP - 4WD
U = JEEP - 4WD (RHD)

BODY
74 = 4 Door (105.9 WB)

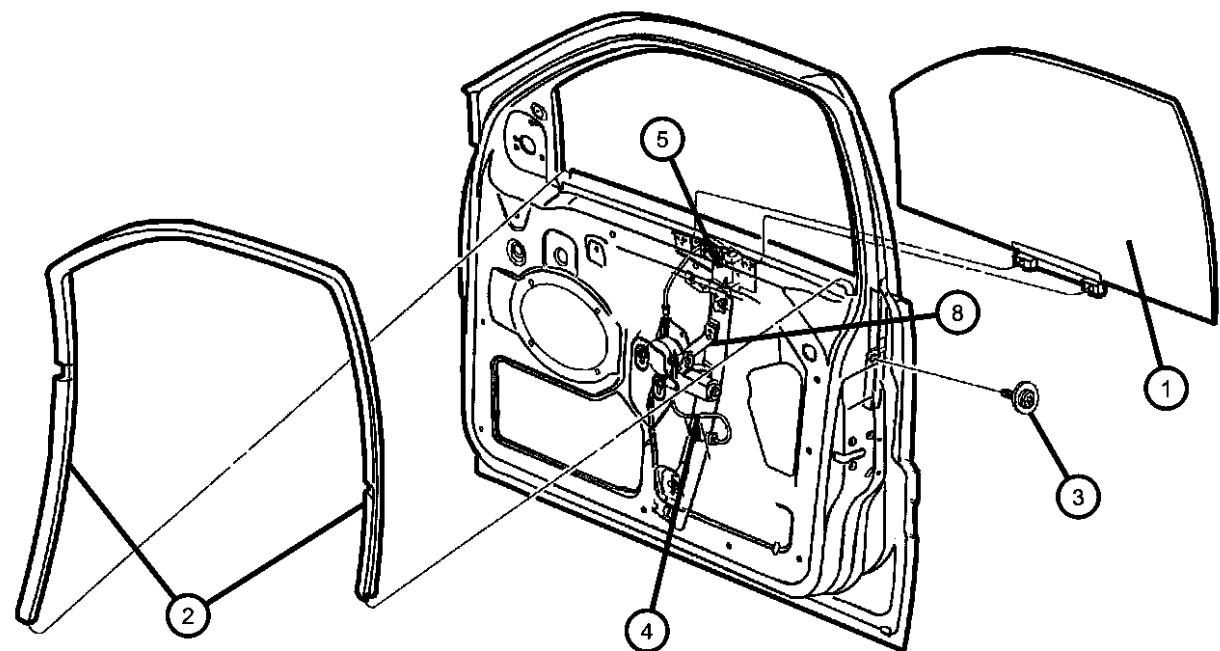
ENGINE
ERH = ENGINE - 4.0L
POWER TECH I-6
EVA = ENGINE- 4.7L V8 MPI
EXA = ENGINE - 3.1L 5 CYL
TURBO DIESEL

TRANSMISSION
DG4 = TRANSMISSION-MULTI-
SPEED AUTO, 45RFE
DGW = TRANSMISSION - 4-SPD.
AUTOMATIC,44RE
DGK = TRANSMISSION - 4-SPD.
AUTOMATIC,42RE
DGO = ALL AUTOMATIC
TRANSMISSIONS

AR = use ase required - = Non illustrated part

2000 WJ

Door, Front Glass and Regulators
Figure DWJ-120



| ITEM | PART NUMBER | QTY | LINE | SERIES | BODY | ENGINE | TRANS | TRIM | DESCRIPTION |
|------|-------------|-----|------|--------|------|--------|-------|------|---|
| 1 | 55136002AB | 1 | | | | | | | GLASS, Front Door Right |
| | 55136003AB | 1 | | | | | | | Left |
| 2 | 55136024AD | 1 | | | | | | | SEAL, Front Door Glass Right |
| | 55136025AD | 1 | | | | | | | Left |
| 3 | 06504987AA | 2 | | | | | | | SCREW AND WASHER, Tapping, M6-1.0x20.0 |
| 4 | 55076466AD | 1 | | | | | | | REGULATOR, Front Door Window Up to 03-09-00, Right |
| | 55076467AD | 1 | | | | | | | Up to 03-09-00, Left |
| | 55363286AA | 1 | | | | | | | After 03-09-00, Right |
| | 55363287AA | 1 | | | | | | | After 03-09-00, Left |
| 5 | 55363287AA | 1 | | | | | | | SCREW, M6X1.00X16.00, (NOT SERVICED), |
| -6 | 55136016 | 1 | | | | | | | CHANNEL, Front Door Glass Lower Front |
| | 55136017 | 1 | | | | | | | Rear |
| -7 | 05086563AA | 1 | | | | | | | CLIP, Regulator |
| 8 | 55135934AB | 1 | | | | | | | REINFORCEMENT, Armrest Bracket Front Door |

GRAND CHEROKEE (WJ)

| | |
|-------------|----------------------|
| SERIES | LINE |
| H = Laredo | T = JEEP - 2WD |
| P = Limited | J = JEEP - 4WD |
| | U = JEEP - 4WD (RHD) |

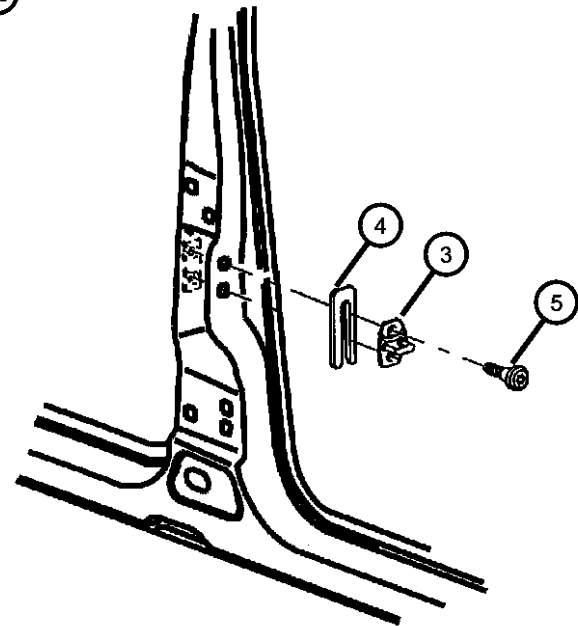
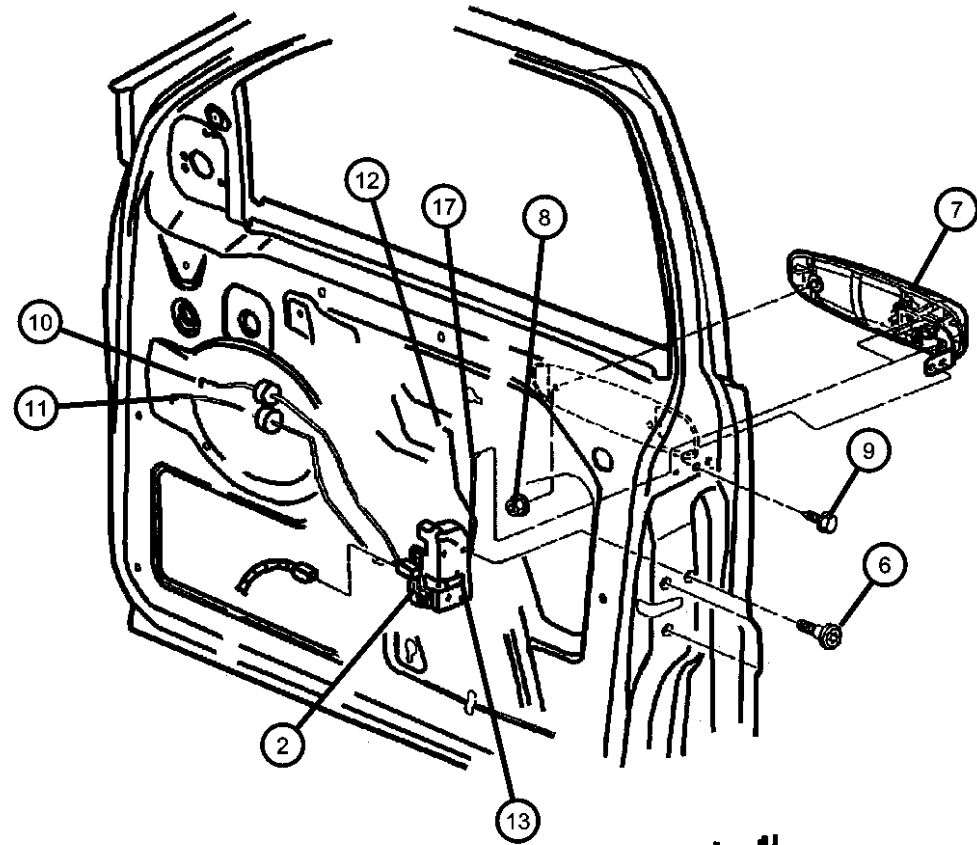
BODY
74 = 4 Door (105.9 WB)

ENGINE
ERH = ENGINE - 4.0L
POWER TECH I-6
EVA = ENGINE- 4.7L V8 MPI
EXA = ENGINE - 3.1L 5 CYL
TURBO DIESEL

TRANSMISSION
DG4 = TRANSMISSION-MULTI-
SPEED AUTO, 45RFE
DGW = TRANSMISSION - 4-SPD.
AUTOMATIC,44RE
DGK = TRANSMISSION - 4-SPD.
AUTOMATIC,42RE
DGO = ALL AUTOMATIC
TRANSMISSIONS

AR = use ase required - = Non illustrated part

Door, Front Lock and Controls
Figure DWJ-130

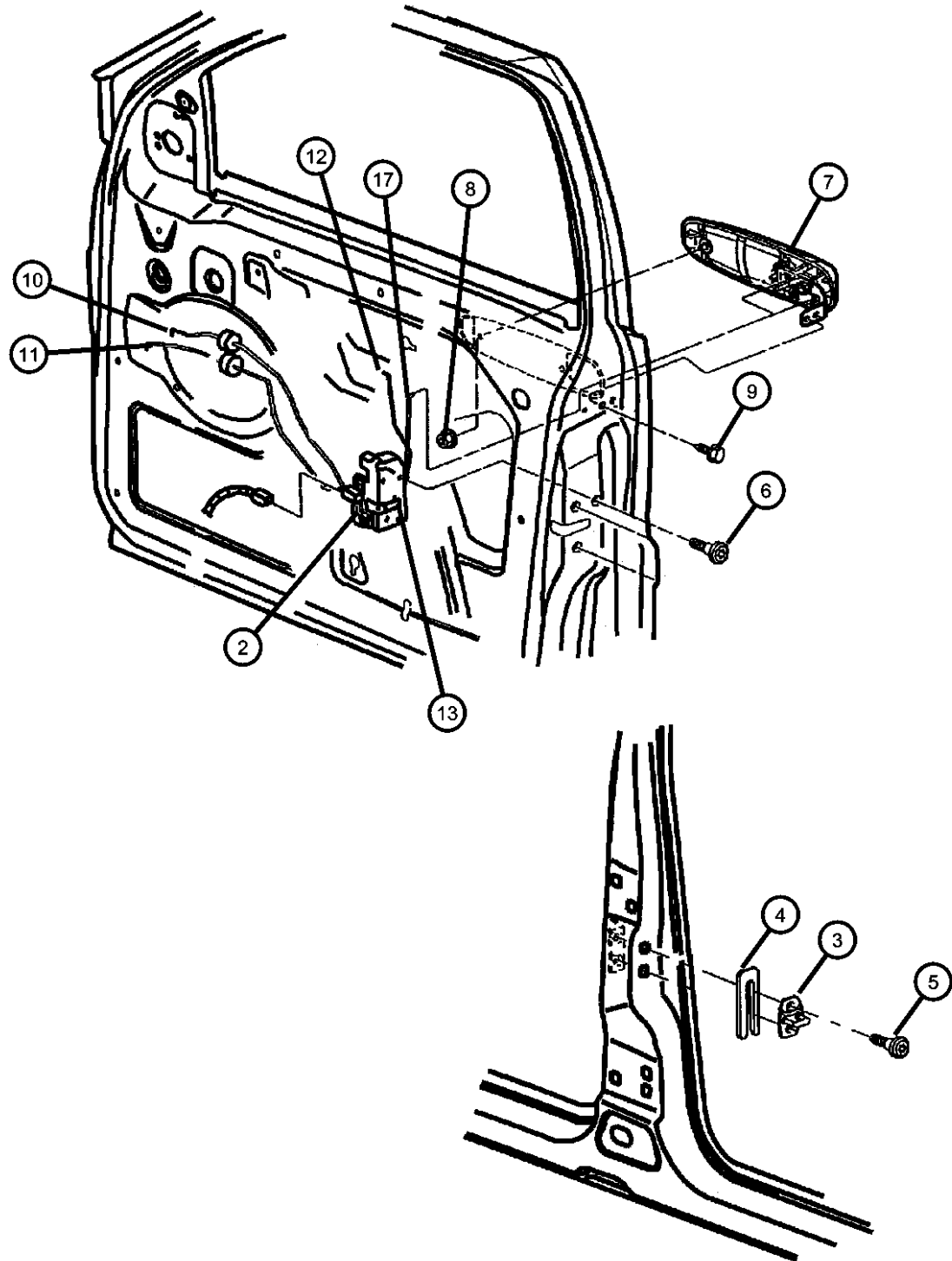


| ITEM | PART NUMBER | QTY | LINE | SERIES | BODY | ENGINE | TRANS | TRIM | DESCRIPTION |
|------|-------------|-----|------|--------|------|--------|-------|------|---|
| -1 | | | | | | | | | HANDLE, Door Interior |
| | 5FX721AZAB | 1 | U | H | | | | | Agate, Export, Right |
| | 5FX721K5AB | 1 | J, T | H | | | | | Tan, Export, Right |
| | | 1 | U | H | | | | | Tan, Export, Right |
| | | 1 | J, T | H | | | | | Agate, Export, Right |
| | 5FX721L5AB | 1 | | H | | | | | Taupe, Right |
| | 5FX731K5AB | 1 | | H | | | | | Tan, Left |
| | 5FX731AZAB | 1 | | H | | | | | Agate, Left |
| | 5FX731L5AB | 1 | | H | | | | | Taupe, Left |
| | 5FX741K5AC | 1 | | P | | | | | Tan, With Chrome, Right |
| | 5FX741AZAD | 1 | | P | | | | | Agate, with Chrome, Right |
| | | 1 | | H | | | | | Agate, with Chrome, Right |
| | 5FX751AZAC | 1 | | H | | | | | Agate, with Chrome, Left |
| | | 1 | | P | | | | | Agate, with Chrome, Left |
| | 5FX751K5AC | 1 | | P | | | | | Tan, With Chrome, Left |
| 2 | | | | | | | | | LATCH, Front Door |
| | 55135606AB | 1 | J, T | | | | | | Without Cylinder Lock, Right |
| | 55135607AB | 1 | U | | | | | | Without Cylinder Lock, Left |
| | 55136346AB | 1 | U | | | | | | With Cylinder Lock, Right |
| | 55136347AB | 1 | J, T | | | | | | With Cylinder Lock, Left |
| 3 | 04780259 | 2 | | | | | | | STRIKER, Door |
| 4 | 04520289 | AR | | | | | | | SPACER, Door Latch Striker |
| 5 | 06504573 | 4 | | | | | | | SCREW, Oval Head, SCREW |
| 6 | 06033876 | 6 | | | | | | | SCREW, Tapping, M6.3x1.8x38.1 |
| 7 | | | | | | | | | HANDLE, Exterior Door |
| | 0QR38DX8AB | 1 | J, T | P | | | | | Black Clear Coat, Limited , w/o Cylinder, Right |
| | 0QR38GW7AB | 1 | J, T | P | | | | | Bright White, Limited, W7 , w/o Cylinder, Right |
| | 0QR38WB TAB | 1 | J, T | P | | | | | Patriot Blue, Limited, BT , w/o Cylinder, Right |
| | 0QR38WPTAB | 1 | J, T | P | | | | | Everglade Pearl Coat, Limited , w/o Cylinder, Right |
| | 0QR38WTHAB | 1 | J, T | P | | | | | Champagne Pearl Metallic, Limited, TH , w/o Cylinder, Right |

| | | | | |
|----------------------------|----------------------|------------------------|--|---|
| GRAND CHEROKEE (WJ) | | | | |
| SERIES | LINE | BODY | ENGINE | TRANSMISSION |
| H = Laredo | T = JEEP - 2WD | 74 = 4 Door (105.9 WB) | ERH = ENGINE - 4.0L POWER TECH I-6 | DG4 = TRANSMISSION-MULTI-SPEED AUTO, 45RFE |
| P = Limited | J = JEEP - 4WD | | EVA = ENGINE- 4.7L V8 MPI | DGW = TRANSMISSION - 4-SPD. AUTOMATIC, 44RE |
| | U = JEEP - 4WD (RHD) | | EXA = ENGINE - 3.1L 5 CYL TURBO DIESEL | DGK = TRANSMISSION - 4-SPD. AUTOMATIC, 42RE |
| | | | | DGO = ALL AUTOMATIC TRANSMISSIONS |

AR = use ase required - = Non illustrated part

Door, Front Lock and Controls
Figure DWJ-130



| ITEM | PART NUMBER | QTY | LINE | SERIES | BODY | ENGINE | TRANS | TRIM | DESCRIPTION |
|------|-------------|-----|------|--------|------|--------|-------|------|---|
| | 0QR38WU-LAB | 1 | J, T | P | | | | | Sienna Pearl Coat, Limited, UL , w/o Cylinder, Right |
| | 0QR38WURAB | 1 | J, T | P | | | | | Sienna Pearl Coat, Limited, UR , w/o Cylinder, Right |
| | 0QR38XGRAB | 1 | J, T | P | | | | | Shale Green, Limited , w/o Cylinder, Right |
| | 0QR38PR4AB | 1 | J, T | P | | | | | Flame Red, Limited , w/o Cylinder, Right |
| | 0QR38SW1AB | 1 | J, T | P | | | | | Stone White, Limited, W1 , w/o Cylinder, Right |
| | 0QR38TTKAB | 1 | J, T | P | | | | | Taupe Frost, Limited , w/o Cylinder, Right |
| | 0QR38VTEAB | 1 | J, T | P | | | | | Champagne Pearl Metallic, Limited, TE , w/o Cylinder, Right |
| | 0QR38WB7AB | 1 | J, T | P | | | | | Patriot Blue, Limited, B7 , w/o Cylinder, Right |
| | 0QR39WB7AB | 1 | U | P | | | | | Patriot Blue, Limited, B7 , w/o Cylinder, Left |
| | 0QR39WPTAB | 1 | U | P | | | | | Everglade Pearl Coat, Limited , w/o Cylinder, Left |
| | 0QR39WURAB | 1 | U | P | | | | | Sienna Pearl Coat, Limited, UR , w/o Cylinder, Left |
| | 0QR39XGRAB | 1 | U | P | | | | | Shale Green, Limited , w/o Cylinder, Left |
| | 0QR38XS5AB | 1 | J, T | P | | | | | Silverstone, Limited, S5, w/o Cylinder, Right |
| | 0QR38XSHAB | 1 | J, T | P | | | | | Silverstone, Limited, SH, w/o Cylinder, Right |
| | 0QR39DX8AB | 1 | U | P | | | | | Black Clear Coat, Limited , w/o Cylinder, Left |
| | 0QR39GW7AB | 1 | U | P | | | | | Bright White, Limited, W7 , w/o Cylinder, Left |
| | 0QR39PR4AB | 1 | U | P | | | | | Flame Red, Limited , w/o Cylinder, Left |
| | 0QR39TTKAB | 1 | U | P | | | | | Taupe Frost, Limited , w/o Cylinder, Left |
| | 0QR39VTEAB | 1 | U | P | | | | | Champagne Pearl Metallic, Limited, TE , w/o Cylinder, Left |
| | 5GG26VTEAA | 1 | U | P | | | | | Champagne Pearl Metallic, Limited (Export), Right |
| | 5GG26WB7AA | 1 | U | P | | | | | Patriot Blue, Limited (Export), Right |
| | 5GG26WP-TAA | 1 | U | P | | | | | Everglade Pearl Coat, Limited (Export), Right |

GRAND CHEROKEE (WJ)

SERIES
H = Laredo
P = Limited

LINE
T = JEEP - 2WD
J = JEEP - 4WD
U = JEEP - 4WD (RHD)

BODY
74 = 4 Door (105.9 WB)

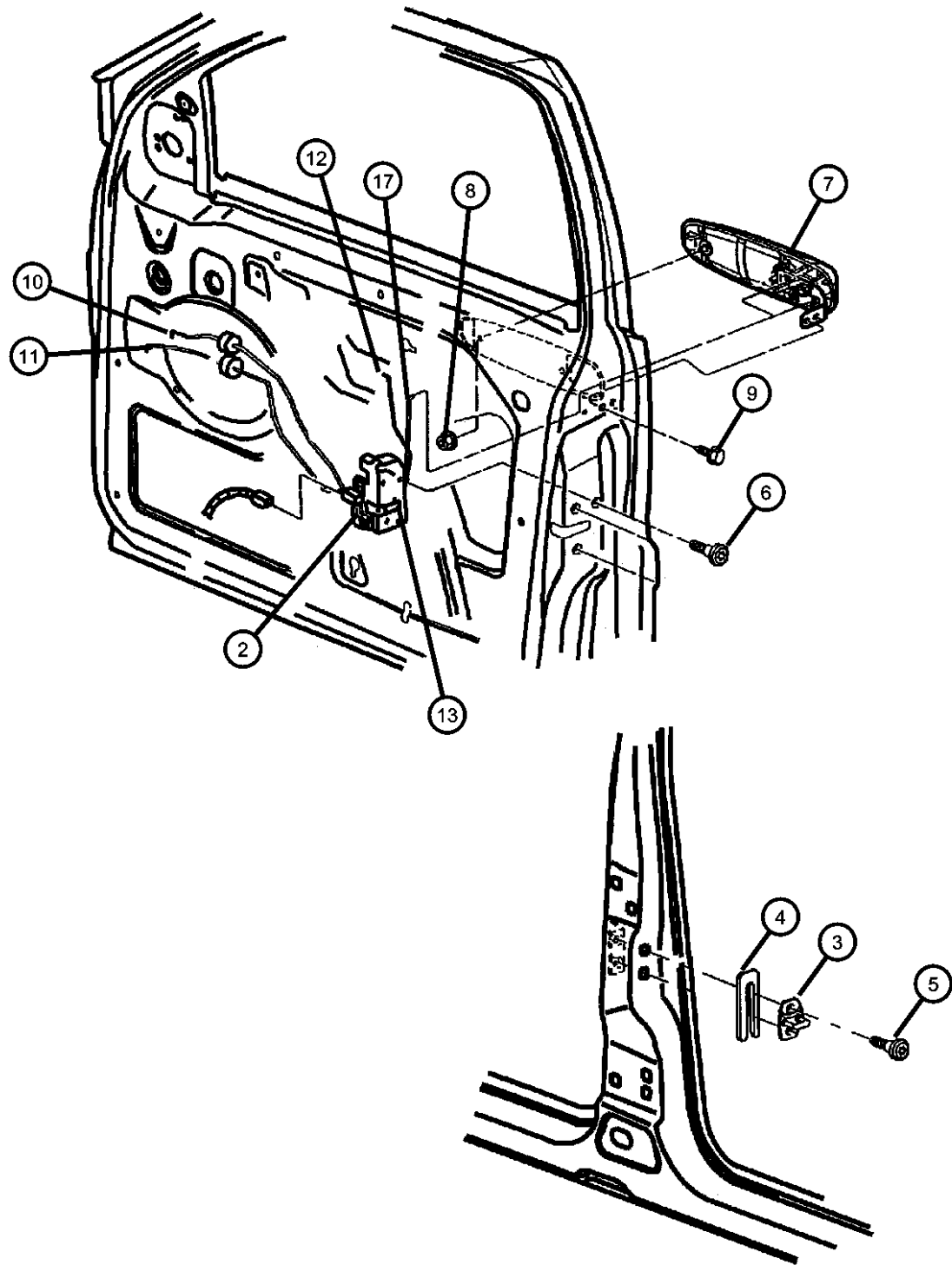
ENGINE
ERH = ENGINE - 4.0L POWER TECH I-6
EVA = ENGINE- 4.7L V8 MPI
EXA = ENGINE - 3.1L 5 CYL TURBO DIESEL

TRANSMISSION
DG4 = TRANSMISSION-MULTI-SPEED AUTO, 45RFE
DGW = TRANSMISSION - 4-SPD. AUTOMATIC, 44RE
DGK = TRANSMISSION - 4-SPD. AUTOMATIC, 42RE
DGO = ALL AUTOMATIC TRANSMISSIONS

AR = use ase required - = Non illustrated part

2000 WJ

Door, Front Lock and Controls
Figure DWJ-130



| ITEM | PART NUMBER | QTY | LINE | SERIES | BODY | ENGINE | TRANS | TRIM | DESCRIPTION |
|------|-------------|-----|------|--------|------|--------|-------|------|---|
| | 0QR39XSHAB | 1 | U | P | | | | | Silverstone, Limited, SH, w/o Cylinder, Left |
| | 55135636AB | 1 | J, T | H | | | | | Black, Laredo, w/o Cylinder, Right |
| | 55135637AB | 1 | U | H | | | | | Black, Laredo, w/Cylinder, Left |
| | 55136350AB | 1 | U | H | | | | | Black, Laredo,, w/o Cylinder, Right |
| | 55136351AB | 1 | J, T | H | | | | | Black, Laredo, w/Cylinder, Left |
| | 5GG26DX8AA | 1 | U | P | | | | | Black Clear Coat, Limited (Export), Right |
| | 5GG26GW7AA | 1 | U | P | | | | | Bright White, Limited (Export), Right |
| | 5GG26PR4AA | 1 | U | P | | | | | Flame Red, Limited (Export), Right |
| | 5GG26TTKAA | 1 | U | P | | | | | Taupe Frost, Limited (Export), Right |
| | 5GG26WU-RAA | 1 | U | P | | | | | Sienna Tinted Pearl, Limited (Export), Right |
| | 5GG26XGRAA | 1 | U | P | | | | | Shale Green, Limited (Export), Right |
| | 5GG26XSHAA | 1 | U | P | | | | | Silverstone, Limited (Export), Right |
| | 5GG27DX8AA | 1 | J, T | P | | | | | Black Clear Coat, Limited, w/Cylinder, Left |
| | 5GG27GW7AA | 1 | J, T | P | | | | | Bright White[PW3], Limited, w/Cylinder, Left |
| | 5GG27PR4AA | 1 | J, T | P | | | | | Flame Red, Limited, w/Cylinder, Left |
| | 5GG27SW1AA | 1 | J, T | P | | | | | Bright White[PW1], Limited, w/Cylinder, Left |
| | 5GG27TTKAA | 1 | J, T | P | | | | | Taupe Frost, Limited, w/Cylinder, Left |
| | 5GG27VTEAA | 1 | J, T | P | | | | | Champagne Pearl Metallic, Limited, w/Cylinder, Left |
| | 5GG27WB7AA | 1 | J, T | P | | | | | Patriot Blue, Limited, w/Cylinder, Left |
| | 5GG27WP-TAA | 1 | J, T | P | | | | | Everglade Pearl Coat, Limited, w/Cylinder, Left |
| | 5GG27WU-RAA | 1 | J, T | P | | | | | Sienna Tinted Pearl, Limited, w/Cylinder, Left |
| | 5GG27XGRAA | 1 | J, T | P | | | | | Shale Green, Limited, w/Cylinder, Left |
| | 5GG27XSHAA | 1 | J, T | P | | | | | Silverstone, Limited, w/Cylinder, Left |

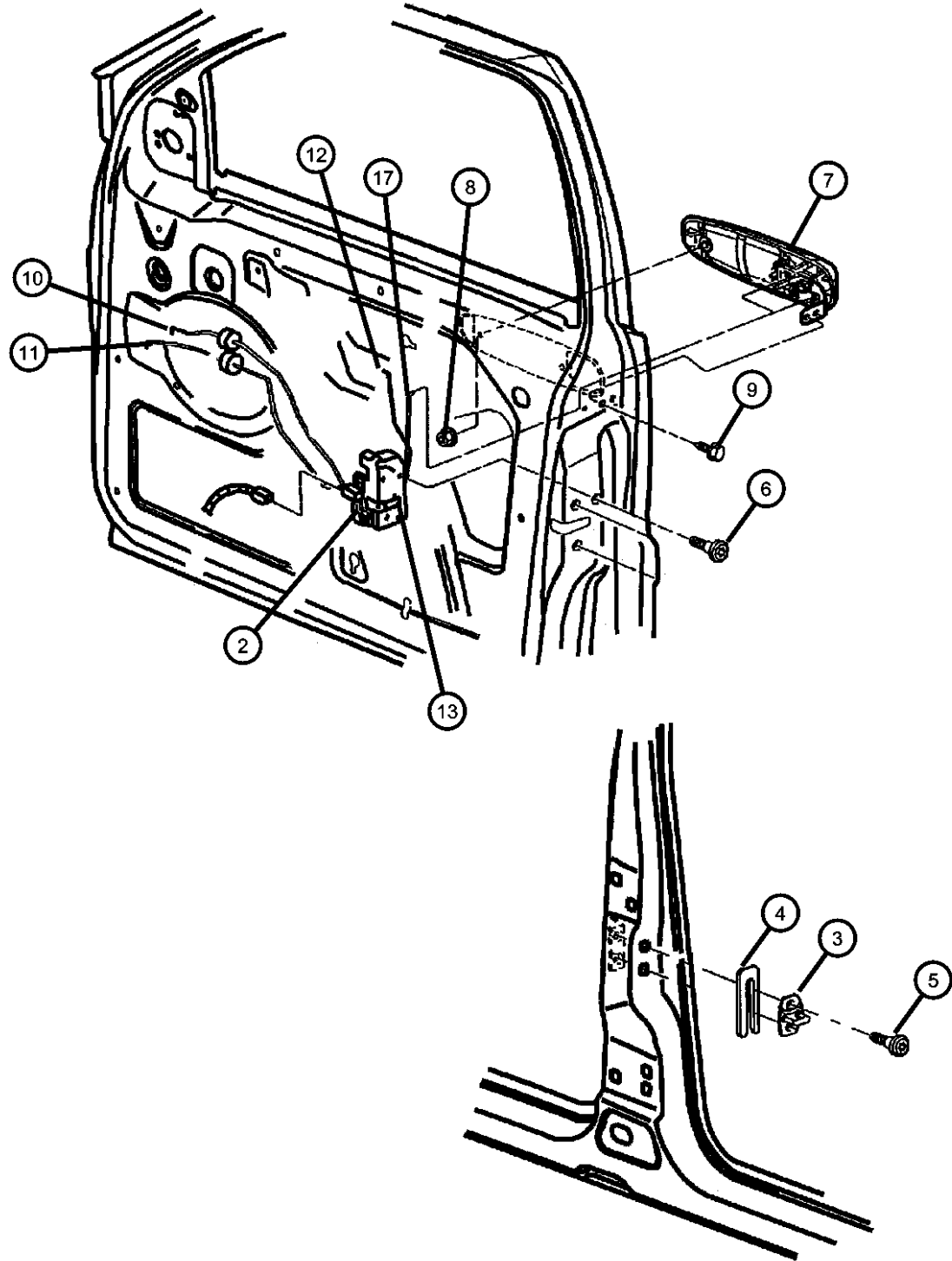
GRAND CHEROKEE (WJ)

| | | | | |
|---------------|----------------------|------------------------|--|--|
| SERIES | LINE | BODY | ENGINE | TRANSMISSION |
| H = Laredo | T = JEEP - 2WD | 74 = 4 Door (105.9 WB) | ERH = ENGINE - 4.0L POWER TECH I-6 | DG4 = TRANSMISSION-MULTI-SPEED AUTO, 45RFE |
| P = Limited | J = JEEP - 4WD | | EVA = ENGINE- 4.7L V8 MPI | DGW = TRANSMISSION - 4-SPD. AUTOMATIC,44RE |
| | U = JEEP - 4WD (RHD) | | EXA = ENGINE - 3.1L 5 CYL TURBO DIESEL | DGK = TRANSMISSION - 4-SPD. AUTOMATIC,42RE |
| | | | | DGO = ALL AUTOMATIC TRANSMISSIONS |

AR = use ase required - = Non illustrated part

2000 WJ

Door, Front Lock and Controls
Figure DWJ-130



| ITEM | PART NUMBER | QTY | LINE | SERIES | BODY | ENGINE | TRANS | TRIM | DESCRIPTION |
|------|-------------|-----|------|--------|------|--------|-------|------|--------------------------------------|
| 8 | 06503226 | 4 | | | | | | | NUT, Hex Flange, M5x.8 |
| 9 | 06505365AA | 2 | | | | | | | SCREW |
| 10 | | | | | | | | | ROD, Inside Handle to Latch |
| | 05014378AA | 1 | U | | | | | | Right |
| | 05014379AA | 1 | J, T | | | | | | Left |
| | | 1 | U | | | | | | Left |
| | | 1 | J, T | | | | | | Right |
| 11 | | | | | | | | | ROD, Inside Lock to Latch |
| | 05014380AA | 1 | J, T | | | | | | Right |
| | | 1 | U | | | | | | Right |
| | 05014381AA | 1 | U | | | | | | Left |
| | | 1 | J, T | | | | | | Left |
| 12 | | | | | | | | | LINK, Exterior Door Handle |
| | 05014372AA | 1 | J, T | | | | | | Right |
| | | 1 | U | | | | | | Right |
| | 05014373AA | 1 | U | | | | | | Left |
| | | 1 | J, T | | | | | | Left |
| 13 | | | | | | | | | COVER, Latch-Anti Theft |
| | 05014395AA | 1 | | | | | | | Right |
| | 05014396AA | 1 | | | | | | | Left |
| -14 | | | | | | | | | CLIP, Latch |
| | 05014397AA | 1 | | | | | | | Purple, Right |
| | 05014398AA | 1 | | | | | | | Orange, Left |
| -15 | 04658675 | 1 | U | | | | | | CLIP, Latch Link, Red, Left |
| -16 | | | | | | | | | CLIP, Latch |
| | 04658444 | 1 | U | | | | | | Orange, Key Cylinder To Latch, Right |
| | | 1 | J, T | | | | | | Orange, Key Cylinder To Latch, Right |
| 17 | | | | | | | | | LINK, Key Cylinder To Latch |
| | 05014386AA | 1 | U | | | | | | Right |
| | 05014387AA | 1 | J, T | | | | | | Left |

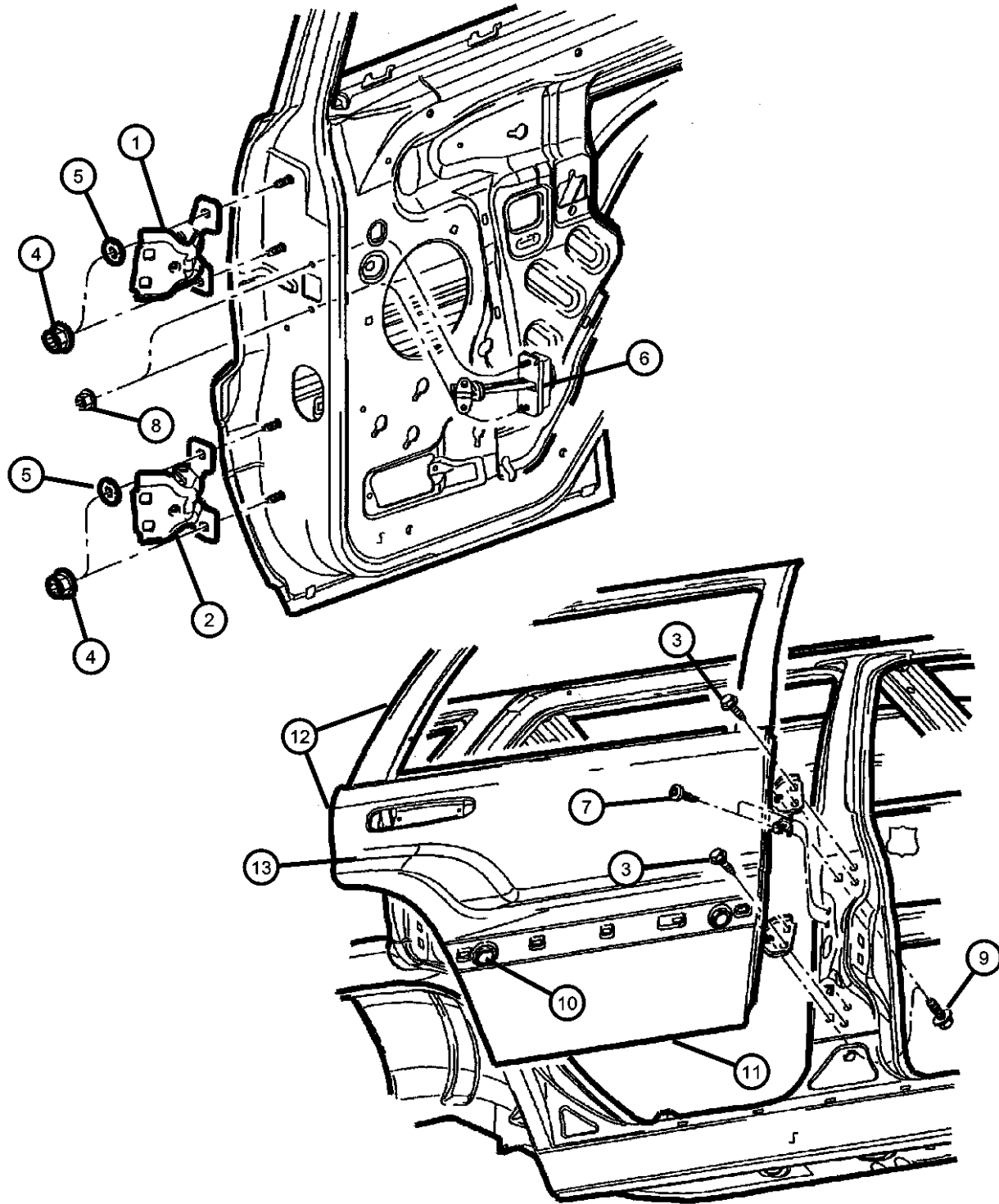
GRAND CHEROKEE (WJ)

| | | | | |
|---------------|----------------------|------------------------|--|---|
| SERIES | LINE | BODY | ENGINE | TRANSMISSION |
| H = Laredo | T = JEEP - 2WD | 74 = 4 Door (105.9 WB) | ERH = ENGINE - 4.0L POWER TECH I-6 | DG4 = TRANSMISSION-MULTI-SPEED AUTO, 45RFE |
| P = Limited | J = JEEP - 4WD | | EVA = ENGINE- 4.7L V8 MPI | DGW = TRANSMISSION - 4-SPD. AUTOMATIC, 44RE |
| | U = JEEP - 4WD (RHD) | | EXA = ENGINE - 3.1L 5 CYL TURBO DIESEL | DGK = TRANSMISSION - 4-SPD. AUTOMATIC, 42RE |
| | | | | DGO = ALL AUTOMATIC TRANSMISSIONS |

AR = use ase required - = Non illustrated part

2000 WJ

Door, Rear Shell and Hinges
Figure DWJ-210



| ITEM | PART NUMBER | QTY | LINE | SERIES | BODY | ENGINE | TRANS | TRIM | DESCRIPTION |
|------|-------------|-----|------|--------|------|--------|-------|------|---|
| 1 | | | | | | | | | HINGE, Door Half, Upper |
| | 55135574AC | 2 | | | | | | | Right |
| | 55135575AC | 2 | | | | | | | Left |
| 2 | | | | | | | | | HINGE, Door Half, Lower |
| | 55135574AC | 2 | | | | | | | Left |
| | 55135575AC | 2 | | | | | | | Right |
| 3 | 06503328 | 14 | | | | | | | SCREW, Hex Head, M8x1.25x30 |
| 4 | 06101809 | 2 | | | | | | | NUT AND WASHER, Hex, M8x1.25 |
| 5 | 55136971AB | 4 | | | | | | | WASHER, Flat |
| 6 | | | | | | | | | CHECK, Rear Door |
| | 55135658AB | 1 | | | | | | | Right |
| | 55135659AB | 1 | | | | | | | Left |
| 7 | 55135659AB | 1 | | | | | | | SCREW, Torx Head, M6x1.00x16.00, (NOT SERVICED) |
| 8 | 06503504 | 2 | | | | | | | NUT AND WASHER, Hex, M6x1 |
| 9 | 06503538 | 4 | | | | | | | SCREW AND WASHER, Hex Head, M8x1.25x30 |
| 10 | 55257380AA | 12 | | | | | | | PLUG |
| 11 | 02860332 | 4 | | | | | | | PLUG, Anti-Rattle |
| 12 | | | | | | | | | DOOR, Rear |
| | 55136700AD | 1 | | | | | | | Right |
| | 55136701AD | 1 | | | | | | | Left |
| 13 | | | | | | | | | PANEL, Rear Door |
| | 55136702AB | 1 | | | | | | | Right |
| | 55136703AB | 1 | | | | | | | Left |
| -14 | 55136703AB | 1 | | | | | | | NUT, Rivet, M5x.080x26.41, (NOT SERVICED) |

GRAND CHEROKEE (WJ)

SERIES
H = Laredo
P = Limited

LINE
T = JEEP - 2WD
J = JEEP - 4WD
U = JEEP - 4WD (RHD)

BODY
74 = 4 Door (105.9 WB)

ENGINE
ERH = ENGINE - 4.0L
POWER TECH I-6
EVA = ENGINE- 4.7L V8 MPI
EXA = ENGINE - 3.1L 5 CYL
TURBO DIESEL

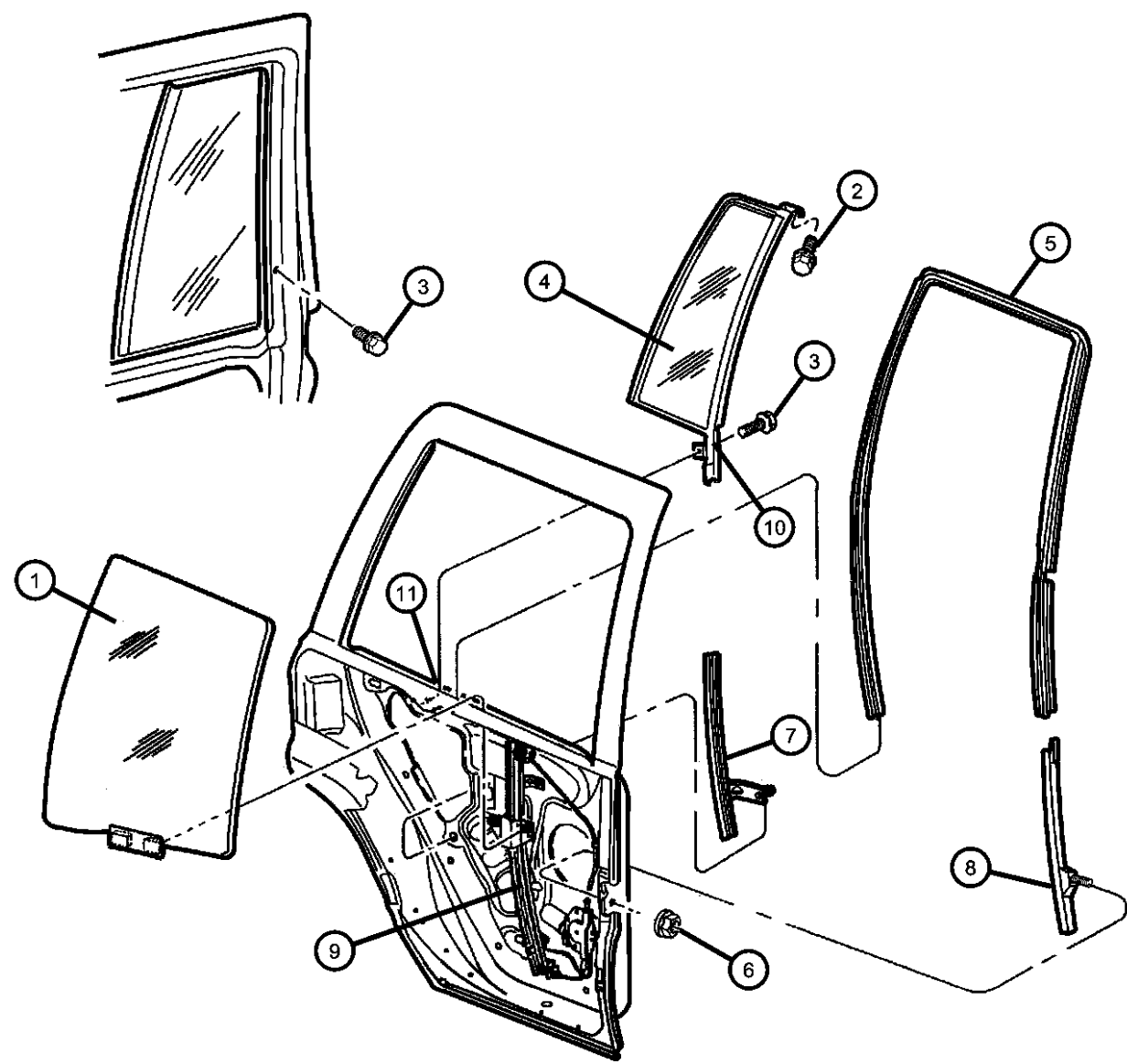
TRANSMISSION
DG4 = TRANSMISSION-MULTI-
SPEED AUTO, 45RFE
DGW = TRANSMISSION - 4-SPD.
AUTOMATIC, 44RE
DGK = TRANSMISSION - 4-SPD.
AUTOMATIC, 42RE
DGO = ALL AUTOMATIC
TRANSMISSIONS

AR = use ase required - = Non illustrated part

2000 WJ

Door, Rear Glass and Regulators
Figure DWJ-220

| ITEM | PART NUMBER | QTY | LINE | SERIES | BODY | ENGINE | TRANS | TRIM | DESCRIPTION | |
|------------|-------------|------------|------|--------|------|--------|-------|------|--------------------------------------|---|
| 1 | | | | | | | | | GLASS, Rear Door | |
| | 55136036 | 1 | | | | | | | Tinted, Right | |
| | 55136037 | 1 | | | | | | | Tinted, Left | |
| | 55136064 | 1 | | | | | | | Sunscreen, Right | |
| | 55136065 | 1 | | | | | | | Sunscreen, Left | |
| | 2 | 55136065 | 1 | | | | | | | SCREW, Tapping, .164-15x.75, (NOT SERVICED), |
| | | 55136065 | 1 | | | | | | | SCREW, Hex Flange Head, [.164-18x.75], (NOT SERVICED) |
| | 4 | | | | | | | | | GLASS PACKAGE, Rear Door Qtr |
| | | 05016912AA | 1 | | | | | | | Tinted, Right |
| | | 05016913AA | 1 | | | | | | | Tinted, Left |
| | | 05016914AA | 1 | | | | | | | Sunscreen, Right |
| | | 05016915AA | 1 | | | | | | | Sunscreen, Left |
| 55136892AB | | 1 | | | | | | | Tinted EXPORT, Right | |
| 55136893AB | | 1 | | | | | | | Tinted EXPORT, Left | |
| 55136894AB | | 1 | | | | | | | Sunscreen EXPORT, Right | |
| 55136895AB | | 1 | | | | | | | Sunscreen EXPORT, Left | |
| 5 | | 55136080AE | 1 | | | | | | | SEAL, Rear Door Glass Right |
| | | 55136081AE | 1 | | | | | | | Left |
| 6 | | 06503504 | 2 | | | | | | | NUT AND WASHER, Hex, M6x1 |
| | | | | | | | | | | |
| 7 | 55136074 | 1 | | | | | | | CHANNEL, Rear Door Glass Lower Right | |
| | 55136075 | 1 | | | | | | | Left | |
| 8 | 55136716 | 1 | | | | | | | CHANNEL, Rear Door Glass Lower Right | |
| | 55136717 | 1 | | | | | | | Left | |
| 9 | 55076468 | 1 | | | | | | | REGULATOR, Rear Door Window Right | |
| | 55076469 | 1 | | | | | | | Left | |
| 10 | 55137006AA | 2 | | | | | | | CLIP | |
| 11 | 06505223AA | 2 | | | | | | | NUT, Spring, M6 | |
| -12 | 05086563AA | 1 | | | | | | | CLIP, Regulator | |



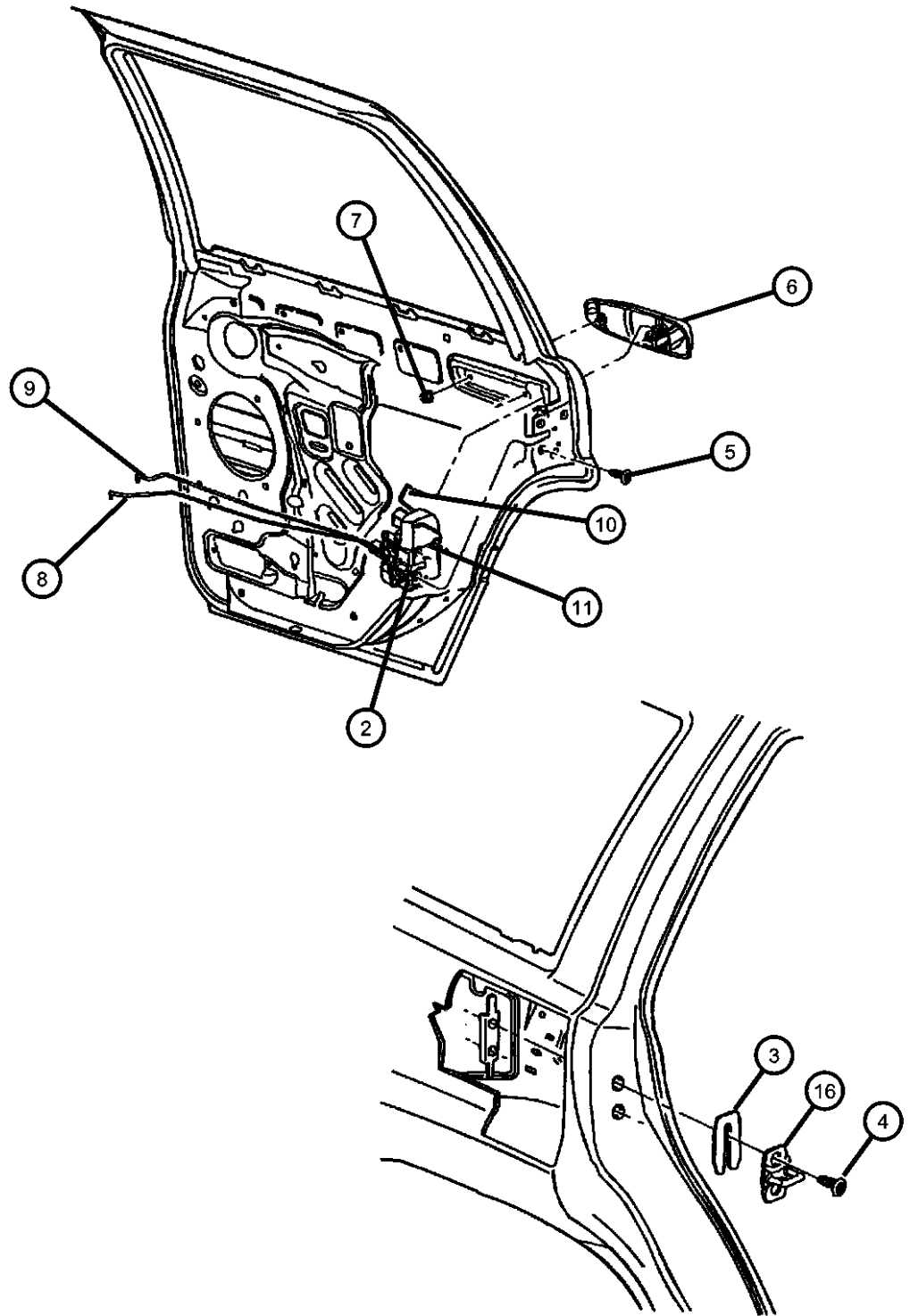
GRAND CHEROKEE (WJ)

| | | | | |
|---------------|----------------------|------------------------|--|--|
| SERIES | LINE | BODY | ENGINE | TRANSMISSION |
| H = Laredo | T = JEEP - 2WD | 74 = 4 Door (105.9 WB) | ERH = ENGINE - 4.0L POWER TECH I-6 | DG4 = TRANSMISSION-MULTI-SPEED AUTO, 45RFE |
| P = Limited | J = JEEP - 4WD | | EVA = ENGINE- 4.7L V8 MPI | DGW = TRANSMISSION - 4-SPD. AUTOMATIC,44RE |
| | U = JEEP - 4WD (RHD) | | EXA = ENGINE - 3.1L 5 CYL TURBO DIESEL | DGK = TRANSMISSION - 4-SPD. AUTOMATIC,42RE |
| | | | | DGO = ALL AUTOMATIC TRANSMISSIONS |

AR = use ase required - = Non illustrated part

Door, Rear Lock and Controls
Figure DWJ-230

| ITEM | PART NUMBER | QTY | LINE | SERIES | BODY | ENGINE | TRANS | TRIM | DESCRIPTION |
|------|-------------|-----|------|--------|------|--------|-------|------|-------------|
|------|-------------|-----|------|--------|------|--------|-------|------|-------------|



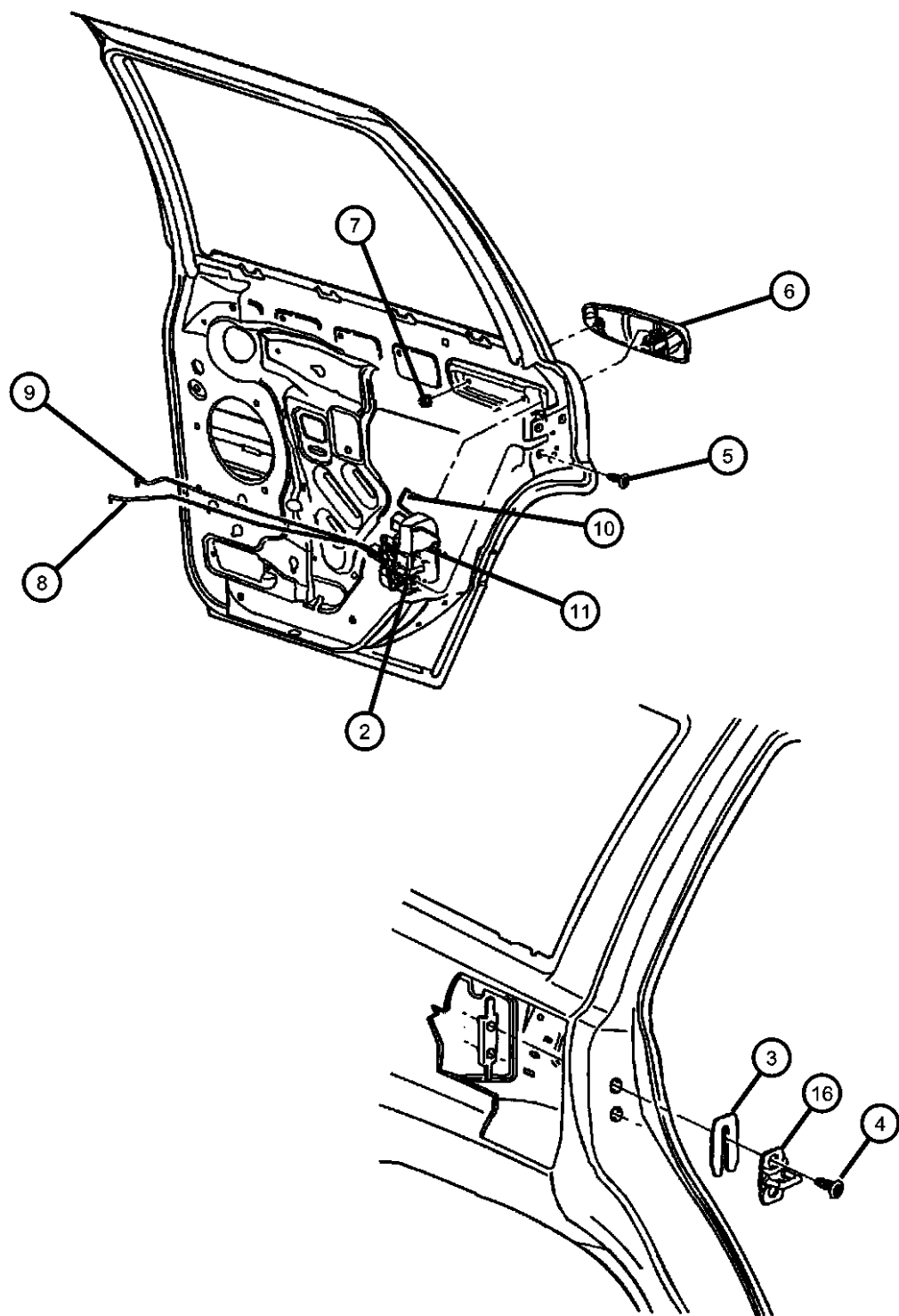
| | | | | | | | | | |
|----|------------|----|------|---|--|--|--|--|--|
| -1 | | | | | | | | | HANDLE, Door Interior |
| | 5FX721AZAB | 1 | | H | | | | | Agate, Larado, Right |
| | 5FX721K5AB | 1 | | H | | | | | Tan, Larado, Right |
| | 5FX721L5AB | 1 | | H | | | | | Taupe, Larado, Right |
| | 5FX731AZAB | 1 | | H | | | | | Agate, Larado, Left |
| | 5FX731K5AB | 1 | | H | | | | | Tan, Larado, Left |
| | 5FX731L5AB | 1 | | H | | | | | Taupe, Larado, Left |
| | 5FX741AZAC | 1 | J, T | P | | | | | Agate, Limited, Right |
| | | 1 | U | P | | | | | Agate, Limited, Right |
| | 5FX741K5AC | 1 | J, T | P | | | | | Tan, Limited, Right |
| | | 1 | U | P | | | | | Tan, Limited, Right |
| | 5FX741L5AC | 1 | J, T | P | | | | | Taupe, Limited, Right |
| | 5FX751AZAC | 1 | J, T | P | | | | | Agate, Limited, Left |
| | | 1 | U | P | | | | | Agate, Limited, Left |
| | 5FX751K5AC | 1 | J, T | H | | | | | Tan, Limited, Left |
| | | 1 | U | H | | | | | Tan, Limited, Left |
| | 5FX751L5AC | 1 | | P | | | | | Taupe, Limited, Left |
| 2 | | | | | | | | | LATCH, Rear Door |
| | 55135620AB | 1 | | | | | | | Right |
| | 55135621AB | 1 | | | | | | | Left |
| 3 | 04520289 | AR | | | | | | | SPACER, Door Latch Striker |
| 4 | 06504573 | 4 | | | | | | | SCREW, Oval Head, SCREW |
| 5 | 06504573 | 4 | | | | | | | SCREW, Tapping, M6.3x1.8x38.1, (NOT SERVICED) |
| 6 | | | | | | | | | HANDLE, Exterior Door |
| | 55135838AB | 1 | | H | | | | | Right |
| | 55135839AB | 1 | | H | | | | | Left |
| | 5FW46DX8AB | 1 | | P | | | | | Black Clear Coat, Right |
| | 5FW46GW7AB | 1 | | P | | | | | Bright White Clear Coat, W7, Right |
| | 5FW46PR4AB | 1 | | P | | | | | Flame Red, Right |
| | 5FW46SW1AB | 1 | | P | | | | | Stone White Clear Coat, SW, Right |
| | 5FW46TTKAB | 1 | | P | | | | | Taupe Frost, Right |

| | | | | |
|----------------------------|----------------------|------------------------|---|--|
| GRAND CHEROKEE (WJ) | | | | |
| SERIES | LINE | BODY | ENGINE | TRANSMISSION |
| H = Laredo | T = JEEP - 2WD | 74 = 4 Door (105.9 WB) | ERH = ENGINE - 4.0L POWER TECH I-6 | DG4 = TRANSMISSION-MULTI- SPEED AUTO, 45RFE |
| P = Limited | J = JEEP - 4WD | | EVA = ENGINE- 4.7L V8 MPI | DGW = TRANSMISSION - 4-SPD. AUTOMATIC,44RE |
| | U = JEEP - 4WD (RHD) | | EXA = ENGINE - 3.1L 5 CYL TURBO DIESEL | DGK = TRANSMISSION - 4-SPD. AUTOMATIC,42RE |
| | | | | DGO = ALL AUTOMATIC TRANSMISSIONS |

AR = use ase required - = Non illustrated part

Door, Rear Lock and Controls
Figure DWJ-230

| ITEM | PART NUMBER | QTY | LINE | SERIES | BODY | ENGINE | TRANS | TRIM | DESCRIPTION |
|------|-------------|-----|------|--------|------|--------|-------|------|-------------------------------------|
| | 5FW46VTEAB | 1 | | P | | | | | Champagne Pearl Metallic, TE, Right |
| | 5FW46WB7AB | 1 | | P | | | | | Patriot Blue, B7, Right |
| | 5FW46WBTAB | 1 | | P | | | | | Patriot Blue, BT, Right |
| | 5FW46WPTAB | 1 | | P | | | | | Everglade Pearl Coat, Right |
| | 5FW46WTHAB | 1 | | P | | | | | Champagne Peal Coat, TH, Right |
| | 5FW46WU-LAB | 1 | | P | | | | | Sienna Pearl Coat, UL, Right |
| | 5FW46WURAB | 1 | | P | | | | | Sienna Pearl Coat, UR, Right |
| | 5FW46XGRAB | 1 | | P | | | | | Shale Green, Right |
| | 5FW46XS5AB | 1 | | P | | | | | Silverstone, S5, Right |
| | 5FW46XSHAB | 1 | | P | | | | | Silverstone, SH, Right |
| | 5FW47DX8AB | 1 | | P | | | | | Black Clear Coat, Left |
| | 5FW47GW7AB | 1 | | P | | | | | Bright White Clear Coat, W7, Left |
| | 5FW47PR4AB | 1 | | P | | | | | Flame Red, Left |
| | 5FW47SW1AB | 1 | | P | | | | | Stone White Clear Coat, SW, Left |
| | 5FW47TTKAB | 1 | | P | | | | | Taupe Frost, Left |
| | 5FW47VTEAB | 1 | | P | | | | | Champagne Pearl Metallic, TE, Left |
| | 5FW47WB7AB | 1 | | P | | | | | Patriot Blue, B7, Left |
| | 5FW47WBTAB | 1 | | P | | | | | Patriot Blue, BT, Left |
| | 5FW47WPTAB | 1 | | P | | | | | Everglade Pearl Coat, Left |
| | 5FW47WTHAB | 1 | | P | | | | | Champagne Peal Coat, TH, Left |
| | 5FW47WU-LAB | 1 | | P | | | | | Sienna Pearl Coat, UL, Left |
| | 5FW47WURAB | 1 | | P | | | | | Sienna Pearl Coat, UR, Left |
| | 5FW47XGRAB | 1 | | P | | | | | Shale Green, Left |
| | 5FW47XS5AB | 1 | | P | | | | | Silverstone, S5, Left |
| | 5FW47XSHAB | 1 | | P | | | | | Silverstone, SH, Left |
| 7 | 06503226 | 4 | | | | | | | NUT, Hex Flange, M5x.8 |
| 8 | | | | | | | | | ROD, Inside Handle to Latch |
| | 05014384AA | 1 | | | | | | | Right |
| | 05014385AA | 1 | | | | | | | Left |



GRAND CHEROKEE (WJ)

SERIES
H = Laredo
P = Limited

LINE
T = JEEP - 2WD
J = JEEP - 4WD
U = JEEP - 4WD (RHD)

BODY
74 = 4 Door (105.9 WB)

ENGINE
ERH = ENGINE - 4.0L POWER TECH I-6
EVA = ENGINE - 4.7L V8 MPI
EXA = ENGINE - 3.1L 5 CYL TURBO DIESEL

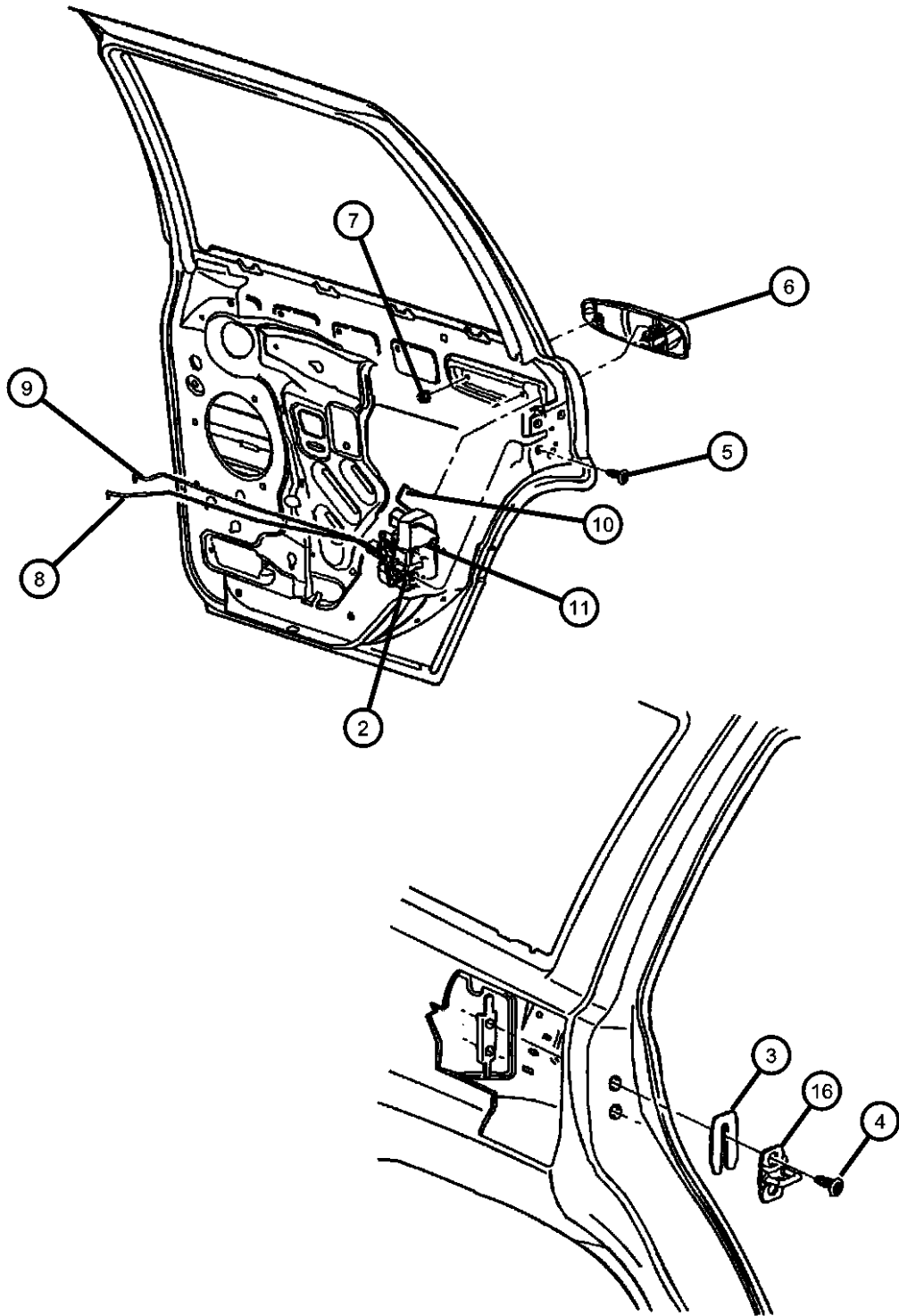
TRANSMISSION
DG4 = TRANSMISSION-MULTI-SPEED AUTO, 45RFE
DGW = TRANSMISSION - 4-SPD. AUTOMATIC, 44RE
DGK = TRANSMISSION - 4-SPD. AUTOMATIC, 42RE
DGO = ALL AUTOMATIC TRANSMISSIONS

AR = use ase required - = Non illustrated part

2000 WJ

**Door, Rear Lock and Controls
Figure DWJ-230**

| ITEM | PART NUMBER | QTY | LINE | SERIES | BODY | ENGINE | TRANS | TRIM | DESCRIPTION |
|------|-------------|-----|------|--------|------|--------|-------|------|---|
| 9 | 05014382AA | 1 | | | | | | | ROD, Inside Lock to Latch Right |
| | 05014383AA | 1 | | | | | | | Left |
| 10 | 05014376AA | 1 | | | | | | | LINK, Exterior Door Handle Right |
| | 05014377AA | 1 | | | | | | | Left |
| 11 | 05014395AA | 1 | | | | | | | COVER, Latch-Anti Theft Right |
| | 05014396AA | 1 | | | | | | | Left |
| -12 | 05014397AA | 1 | | | | | | | CLIP, Latch, Purple |
| -13 | 05014398AA | 1 | | | | | | | CLIP, Latch, Orange |
| -14 | 04658675 | 1 | | | U | | | | CLIP, Latch Link, Red |
| -15 | 04658674 | 1 | | | | | | | CLIP, Latch Link Right |
| | 04658675 | 1 | | | | | | | Left |
| 16 | 04780259 | 2 | | | | | | | STRIKER, Door |
| -17 | 55136932AA | 1 | | | | | | | LABEL, Child Protection Lock, English Right |
| | 55136933AA | 1 | | | | | | | Left |

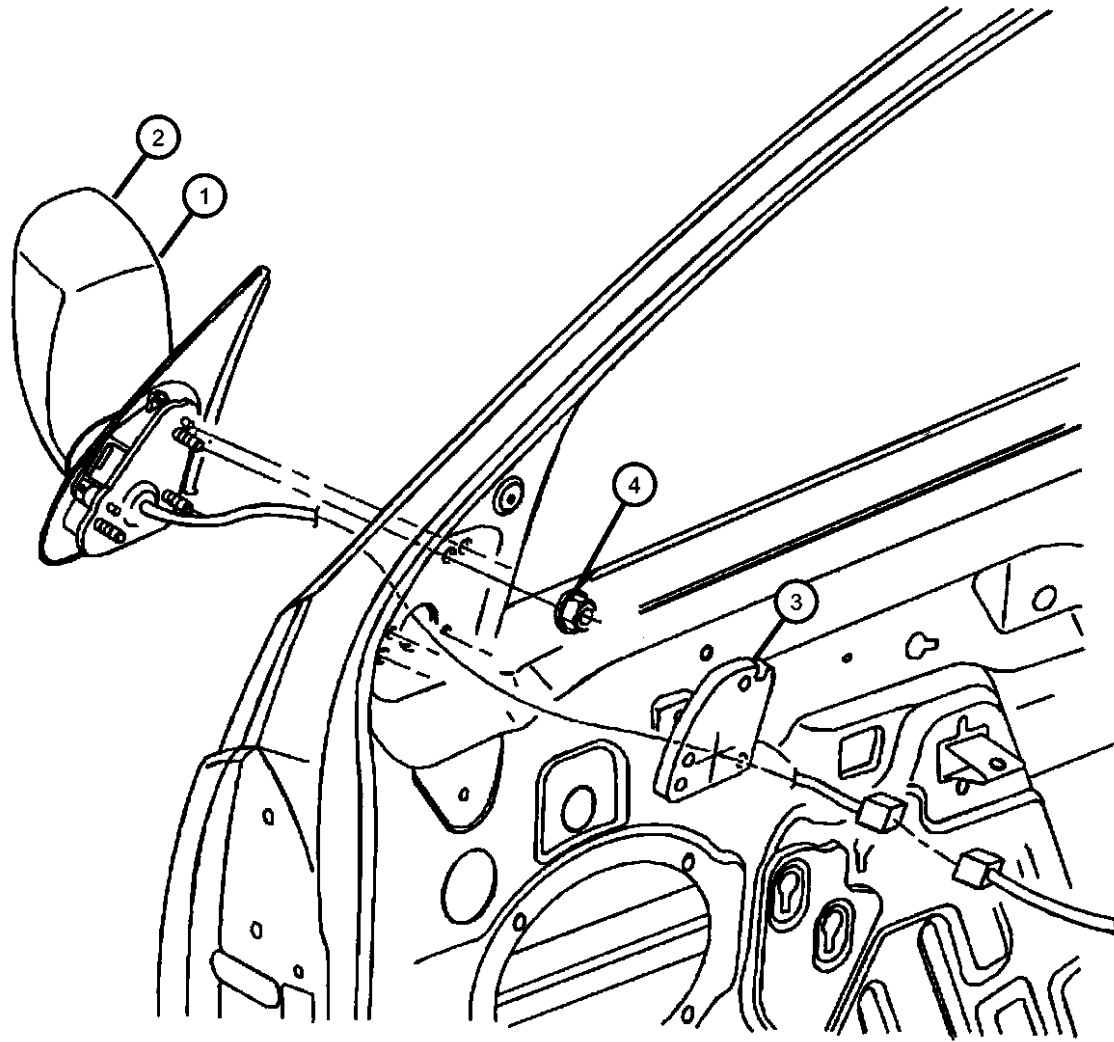


GRAND CHEROKEE (WJ)

| | | | | |
|---------------|----------------------|------------------------|---|--|
| SERIES | LINE | BODY | ENGINE | TRANSMISSION |
| H = Laredo | T = JEEP - 2WD | 74 = 4 Door (105.9 WB) | ERH = ENGINE - 4.0L POWER TECH I-6 | DG4 = TRANSMISSION-MULTI- SPEED AUTO, 45RFE |
| P = Limited | J = JEEP - 4WD | | EVA = ENGINE- 4.7L V8 MPI | DGW = TRANSMISSION - 4-SPD. AUTOMATIC,44RE |
| | U = JEEP - 4WD (RHD) | | EXA = ENGINE - 3.1L 5 CYL TURBO DIESEL | DGK = TRANSMISSION - 4-SPD. AUTOMATIC,42RE |
| | | | | DGO = ALL AUTOMATIC TRANSMISSIONS |

AR = use ase required - = Non illustrated part

Mirrors, Exterior
Figure DWJ-510



| ITEM | PART NUMBER | QTY | LINE | SERIES | BODY | ENGINE | TRANS | TRIM | DESCRIPTION |
|------|-------------|-----|------|--------|------|--------|-------|------|-------------|
|------|-------------|-----|------|--------|------|--------|-------|------|-------------|

Note: Sales Code GTF = Power Fold-Away
 Note: Sales Code GTN = Power Fold-Away
 Note: Sales Code GTM = Power Fold-Away Heated
 Note: Sales Code GTR = Power Fold-Away
 Note: Sales Code GTW = Power Fold-Away Black
 Note: Sales Code GT3 = Power Fold-Away Hea

| | | | | | | | | | |
|----|------------|---|------|--|--|--|--|--|---|
| 1 | | | | | | | | | MIRROR, Outside, Rearview, Electric, Heated |
| | 53054460AB | 1 | U | | | | | | [GTF], Right |
| | 53054461AB | 1 | U | | | | | | [GTF], Left |
| | 55155224AB | 1 | J, T | | | | | | [GTF], Right |
| | 55155225AB | 1 | J, T | | | | | | [GTF], Left |
| | 55155230AB | 1 | J, T | | | | | | [GT3], Right |
| | 55155231AB | 1 | J, T | | | | | | [GT3], Left |
| | 55155232AC | 1 | J, T | | | | | | [GTM], Right |
| | 55155233AC | 1 | J, T | | | | | | [GTM], Left |
| 2 | | | | | | | | | MIRROR, Outside Rearview Electric Foldaway |
| | 55155792AB | 1 | U | | | | | | [GTR], Right |
| | 55155793AB | 1 | U | | | | | | [GTR], Left |
| | 55155804AB | 1 | J | | | | | | [GTR], Right |
| | 55155806AB | 1 | J | | | | | | [GTR], Left |
| | 55155446AB | 1 | J, T | | | | | | GTN, Right |
| | 55155447AB | 1 | J, T | | | | | | GTN, Left |
| 3 | | | | | | | | | SEAL, Mirror |
| | 55136274AB | 1 | | | | | | | Right |
| | 55136275AB | 1 | | | | | | | Left |
| 4 | J4200408 | 6 | | | | | | | NUT AND WASHER, Hex Nut-Coned Washer, M5 x 0.80 |
| -5 | | | | | | | | | GLASS, Mirror Replacement |
| | 05013636AA | 1 | J, T | | | | | | GTN, Right |
| | 05013637AA | 1 | J, T | | | | | | GTN, Left |
| | 05017072AA | 1 | J, T | | | | | | GT3, Right |
| | 05017082AA | 1 | J, T | | | | | | GTR, Right |
| | 05017083AA | 1 | J, T | | | | | | GTR,GTW, Left |
| | 05017084AA | 1 | J, T | | | | | | GTF, Right |

GRAND CHEROKEE (WJ)

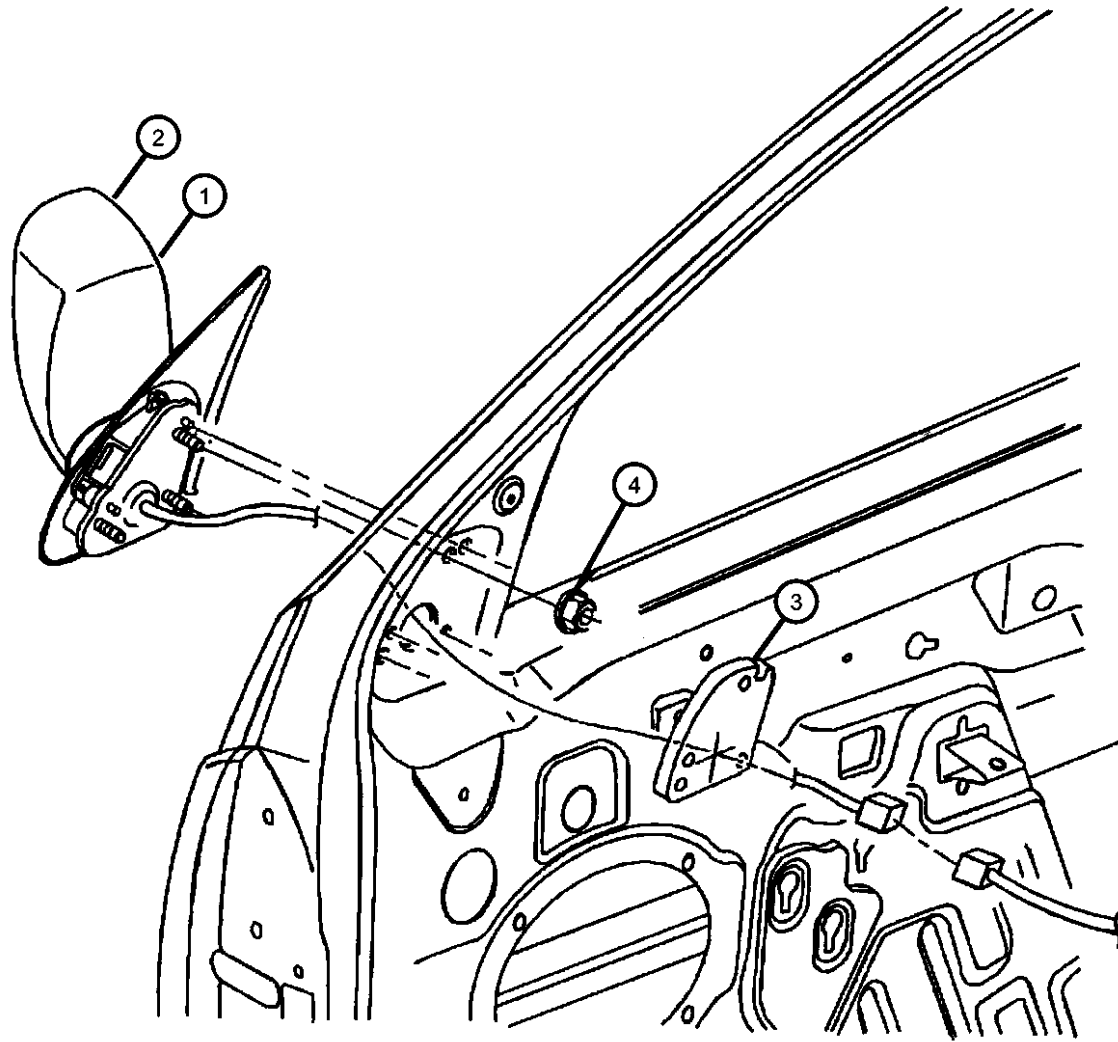
| SERIES | LINE | BODY | ENGINE | TRANSMISSION |
|-------------|----------------------|------------------------|--|--|
| H = Laredo | T = JEEP - 2WD | 74 = 4 Door (105.9 WB) | ERH = ENGINE - 4.0L POWER TECH I-6 | DG4 = TRANSMISSION-MULTI-SPEED AUTO, 45RFE |
| P = Limited | J = JEEP - 4WD | | EVA = ENGINE- 4.7L V8 MPI | DGW = TRANSMISSION - 4-SPD. AUTOMATIC,44RE |
| | U = JEEP - 4WD (RHD) | | EXA = ENGINE - 3.1L 5 CYL TURBO DIESEL | DGK = TRANSMISSION - 4-SPD. AUTOMATIC,42RE |
| | | | | DGO = ALL AUTOMATIC TRANSMISSIONS |

AR = use ase required - = Non illustrated part

2000 WJ

Mirrors, Exterior
Figure DWJ-510

| ITEM | PART NUMBER | QTY | LINE | SERIES | BODY | ENGINE | TRANS | TRIM | DESCRIPTION |
|------|-------------|-----|------|--------|------|--------|-------|------|---------------|
| | 05017085AA | 1 | J, T | | | | | | GTF,GTX, Left |
| | 05017086AA | 1 | J | | | | | | GTW, Right |
| | 05017087AA | 1 | J | | | | | | GTX, Left |
| | 05017088AA | 1 | U | | | | | | GTR, Right |
| | 05017089AA | 1 | U | | | | | | GTR, Left |
| | 05017090AA | 1 | U | | | | | | GTF, Right |
| | 05017091AA | 1 | U | | | | | | GTF, Left |
| | | 1 | J, T | | | | | | GTM, Right |
| | 05017073AA | 1 | J, T | | | | | | GTM, Left |
| | 05017075AA | 1 | J, T | | | | | | GT3, Left |



GRAND CHEROKEE (WJ)

SERIES LINE
 H = Laredo T = JEEP - 2WD
 P = Limited J = JEEP - 4WD
 U = JEEP - 4WD (RHD)

BODY
 74 = 4 Door (105.9 WB)

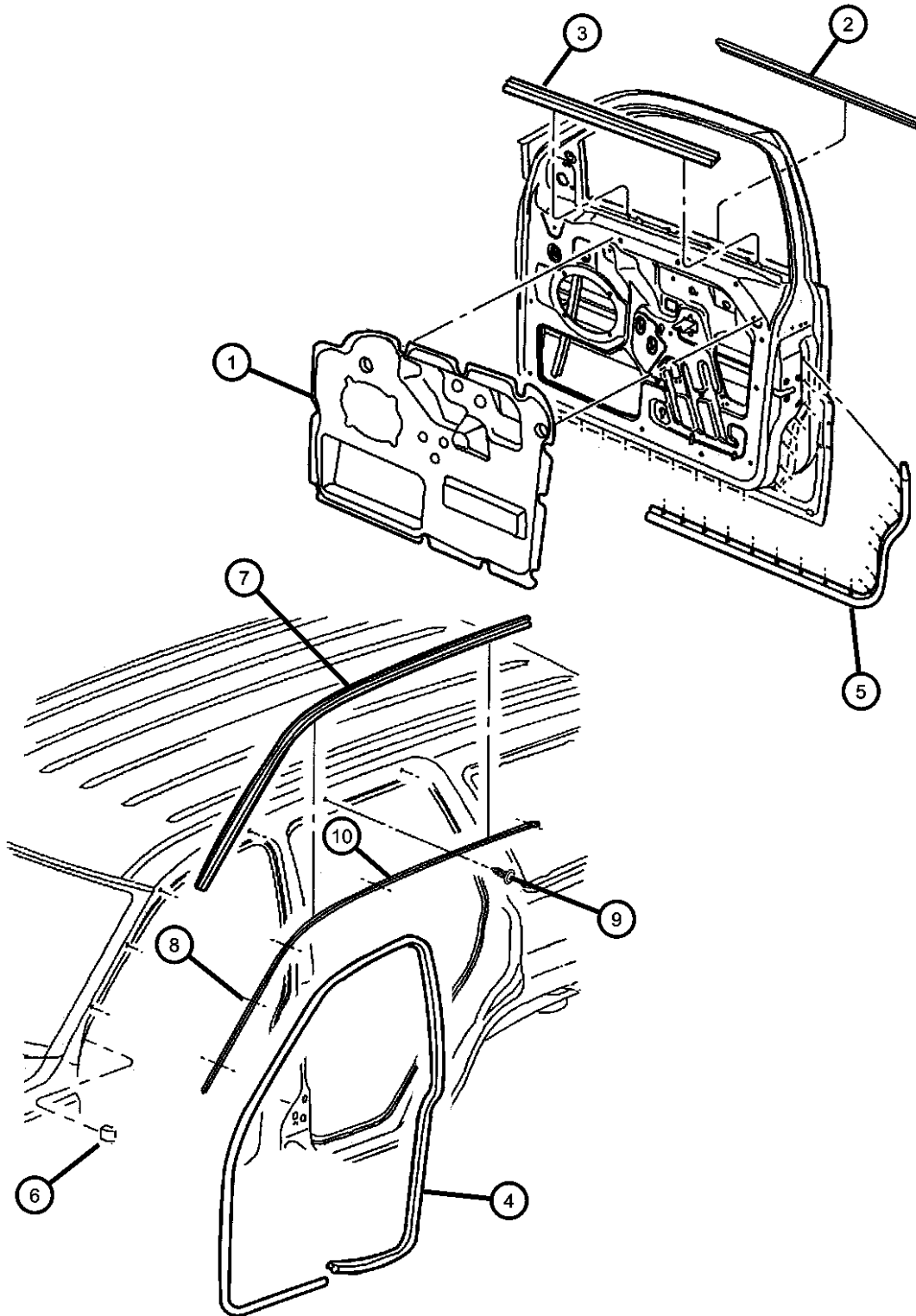
ENGINE
 ERH = ENGINE - 4.0L
 POWER TECH I-6
 EVA = ENGINE- 4.7L V8 MPI
 EXA = ENGINE - 3.1L 5 CYL
 TURBO DIESEL

TRANSMISSION
 DG4 = TRANSMISSION-MULTI-
 SPEED AUTO, 45RFE
 DGW = TRANSMISSION - 4-SPD.
 AUTOMATIC,44RE
 DGK = TRANSMISSION - 4-SPD.
 AUTOMATIC,42RE
 DGO = ALL AUTOMATIC
 TRANSMISSIONS

AR = use ase required - = Non illustrated part

2000 WJ

**Door, Front Weatherstrips and Seals
Figure DWJ-610**



| ITEM | PART NUMBER | QTY | LINE | SERIES | BODY | ENGINE | TRANS | TRIM | DESCRIPTION |
|------|-------------|-----|------|--------|------|--------|-------|---|--|
| 1 | 55135874AD | 1 | | | | | | | INSULATOR, Front Door Right |
| | 55135875AD | 1 | | | | | | | Left |
| 2 | 55135878AC | 1 | | | | | | | WEATHERSTRIP, Front Door Belt Right |
| | 55135879AC | 1 | | | | | | | Left |
| 3 | 55135898AC | 1 | | | | | | | WEATHERSTRIP, Front Door Belt Right |
| | 55135899AC | 1 | | | | | | | Left |
| 4 | 55135918AC | 1 | | | | | | | SEAL, Front Door Right |
| | 55135919AC | 1 | | | | | | | Left |
| 5 | 55136114AB | 1 | | | | | | | SEAL, Front Door Right |
| | 55136115AB | 1 | | | | | | | Left |
| 6 | 55135678 | 2 | | | | | | | BLOCKER, Seal Exterior A Pillar |
| | | | | | | | | | |
| 7 | 55135869AB | 1 | | | | | | | SEAL, Body Side Right |
| | 55135872AB | 1 | | | | | | | Left |
| 8 | 55136902AD | 1 | | | | | | | MOLDING, Windshield, Retainer Right |
| | 55136903AD | 1 | | | | | | | Left |
| 9 | 55136903AD | 1 | | | | | | SCREW, Tapping, .164-18x.437, 06033605, (NOT SERVICED) | |
| 10 | 55136900AA | 1 | | | | | | | RETAINER Right Rear |
| | 55136901AA | 1 | | | | | | | Left Rear |

GRAND CHEROKEE (WJ)

SERIES
H = Laredo
P = Limited

LINE
T = JEEP - 2WD
J = JEEP - 4WD
U = JEEP - 4WD (RHD)

BODY
74 = 4 Door (105.9 WB)

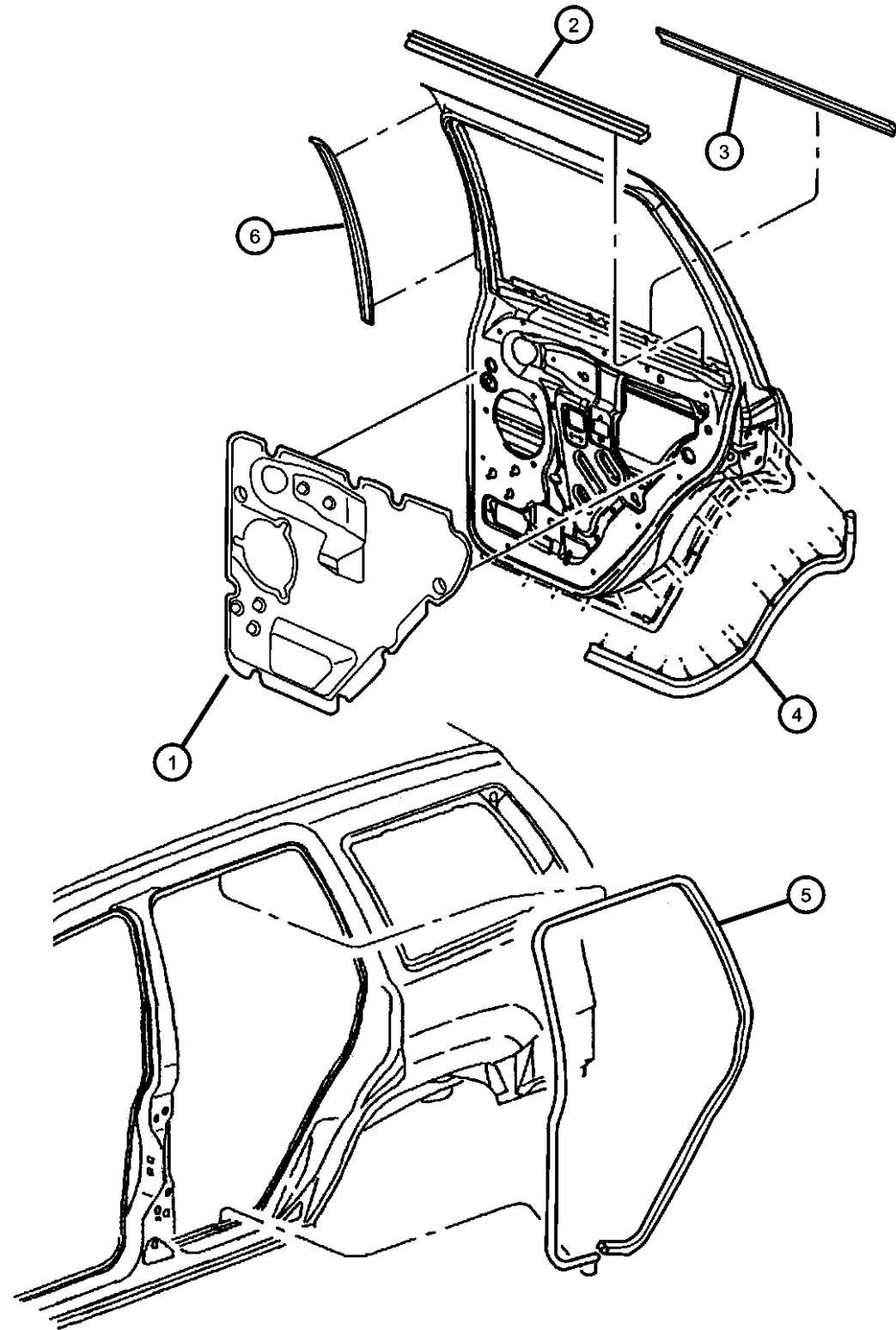
ENGINE
ERH = ENGINE - 4.0L
POWER TECH I-6
EVA = ENGINE- 4.7L V8 MPI
EXA = ENGINE - 3.1L 5 CYL
TURBO DIESEL

TRANSMISSION
DG4 = TRANSMISSION-MULTI-
SPEED AUTO, 45RFE
DGW = TRANSMISSION - 4-SPD.
AUTOMATIC,44RE
DGK = TRANSMISSION - 4-SPD.
AUTOMATIC,42RE
DGO = ALL AUTOMATIC
TRANSMISSIONS

AR = use ase required - = Non illustrated part

2000 WJ

**Door, Rear Weatherstrips and Seals
Figure DWJ-620**



| ITEM | PART NUMBER | QTY | LINE | SERIES | BODY | ENGINE | TRANS | TRIM | DESCRIPTION |
|------|-------------|-----|------|--------|------|--------|-------|------|---|
| 1 | 55135876AD | 1 | | | | | | | INSULATOR, Rear Door Right |
| | 55135877AD | 1 | | | | | | | Left |
| 2 | 55135888AC | 1 | | | | | | | WEATHERSTRIP, Rear Door Belt, Inner Right |
| | 55135889AC | 1 | | | | | | | Left |
| 3 | 55135890AC | 1 | | | | | | | WEATHERSTRIP, Rear Door Belt, Outer Right |
| | 55135891AC | 1 | | | | | | | Left |
| 4 | 55136116AB | 1 | | | | | | | SEAL, Rear Door Right |
| | 55136117AB | 1 | | | | | | | Left |
| 5 | 55135958AC | 1 | | | | | | | SEAL, Rear Door Right |
| | 55135959AC | 1 | | | | | | | Left |
| 6 | 55136118AB | 1 | | | | | | | SEAL, B-Pillar Right |
| | 55136119AB | 1 | | | | | | | Left |

GRAND CHEROKEE (WJ)

SERIES
H = Laredo
P = Limited

LINE
T = JEEP - 2WD
J = JEEP - 4WD
U = JEEP - 4WD (RHD)

BODY
74 = 4 Door (105.9 WB)

ENGINE
ERH = ENGINE - 4.0L
POWER TECH I-6
EVA = ENGINE- 4.7L V8 MPI
EXA = ENGINE - 3.1L 5 CYL
TURBO DIESEL

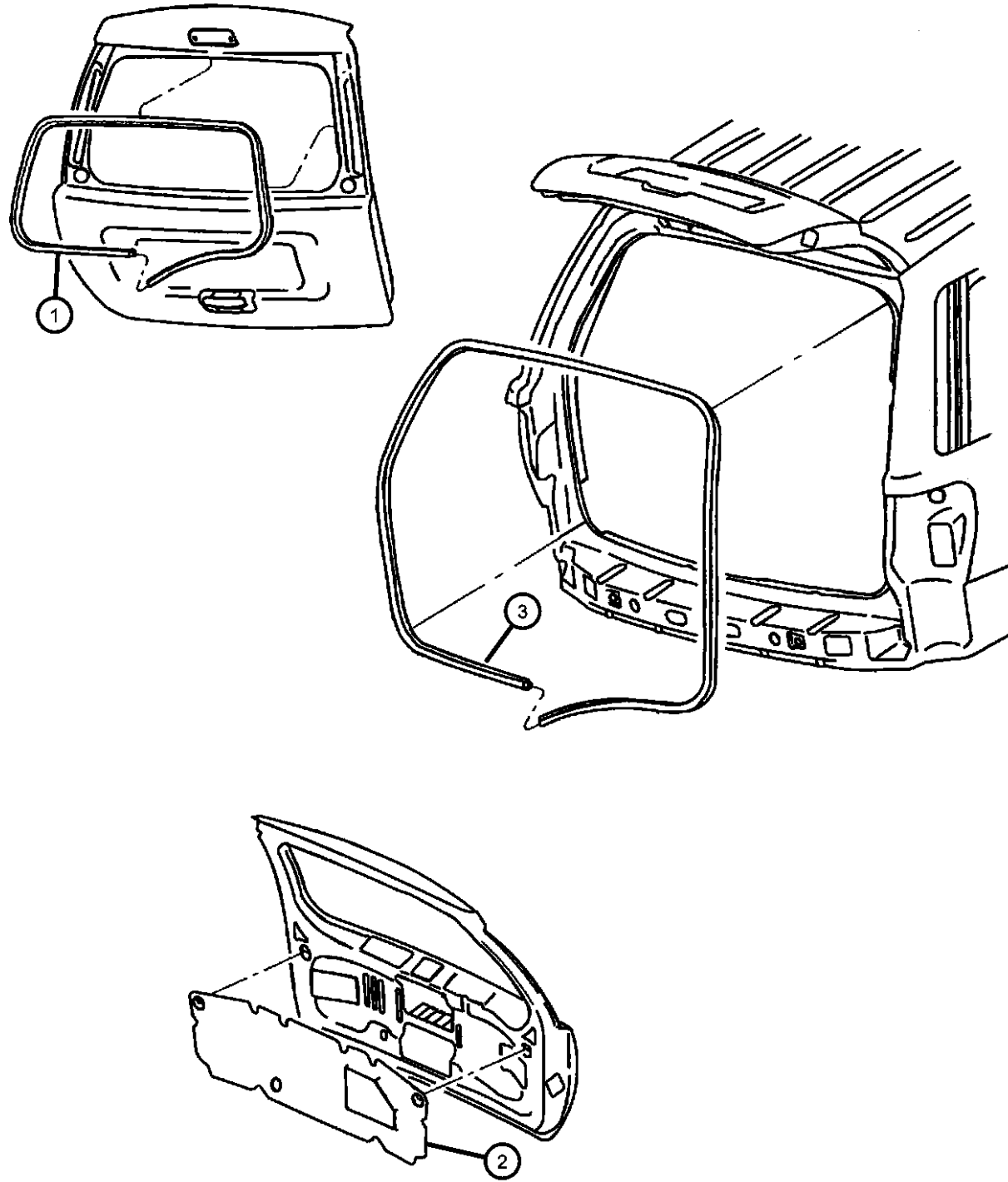
TRANSMISSION
DG4 = TRANSMISSION-MULTI-
SPEED AUTO, 45RFE
DGW = TRANSMISSION - 4-SPD.
AUTOMATIC, 44RE
DGK = TRANSMISSION - 4-SPD.
AUTOMATIC, 42RE
DGO = ALL AUTOMATIC
TRANSMISSIONS

AR = use ase required - = Non illustrated part

2000 WJ

**Door, Rear Tail Gate Weatherstrips and Seals
Figure DWJ-630**

| ITEM | PART NUMBER | QTY | LINE | SERIES | BODY | ENGINE | TRANS | TRIM | DESCRIPTION |
|------|-------------|-----|------|--------|------|--------|-------|------|------------------------------|
| 1 | 55136053AD | 1 | | | | | | | WEATHERSTRIP, Liftgate Glass |
| 2 | 55136185AC | 1 | | | | | | | INSULATION, Liftgate |
| 3 | 55135388AB | 1 | | | | | | | SEAL, Liftgate |



GRAND CHEROKEE (WJ)

| | | | | |
|-------------|----------------------|------------------------|---|--|
| SERIES | LINE | BODY | ENGINE | TRANSMISSION |
| H = Laredo | T = JEEP - 2WD | 74 = 4 Door (105.9 WB) | ERH = ENGINE - 4.0L POWER TECH I-6 | DG4 = TRANSMISSION-MULTI- SPEED AUTO, 45RFE |
| P = Limited | J = JEEP - 4WD | | EVA = ENGINE- 4.7L V8 MPI | DGW = TRANSMISSION - 4-SPD. AUTOMATIC,44RE |
| | U = JEEP - 4WD (RHD) | | EXA = ENGINE - 3.1L 5 CYL TURBO DIESEL | DGK = TRANSMISSION - 4-SPD. AUTOMATIC,42RE |
| | | | | DGO = ALL AUTOMATIC TRANSMISSIONS |

AR = use ase required - = Non illustrated part

2000 WJ

Group - EWJ

Exterior Ornamentation

Group - EWJ Exterior Ornamentation

Illustration Title

Group-Fig. No.

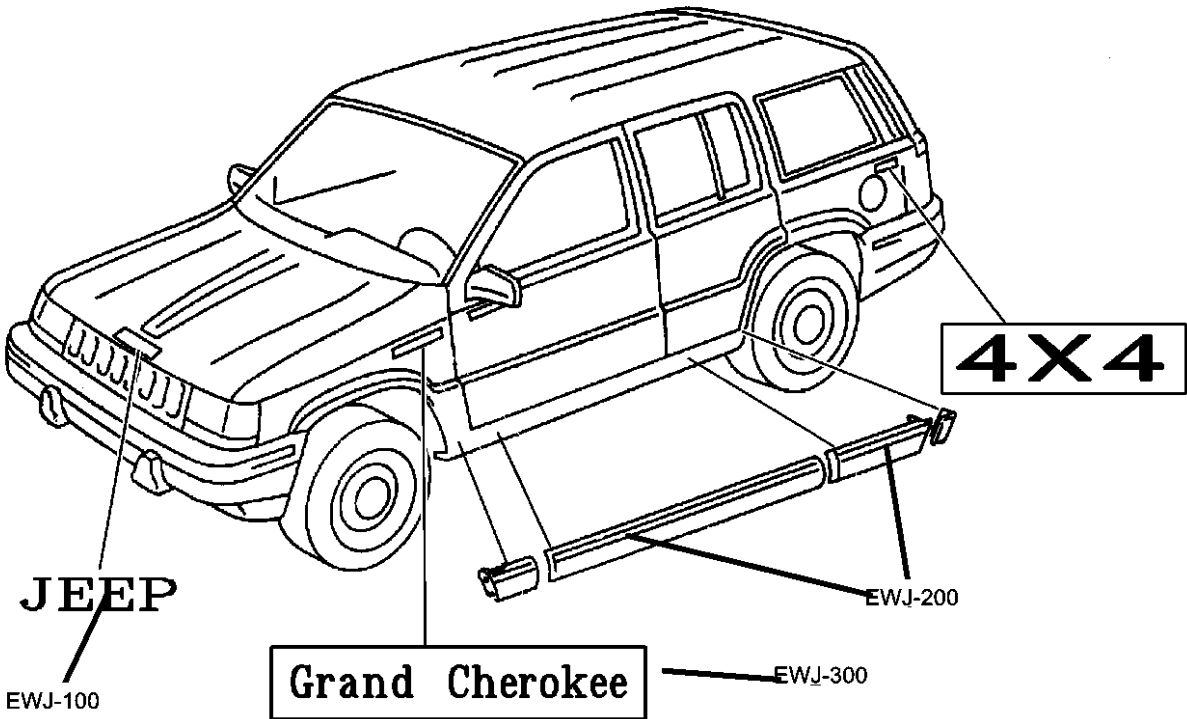
Nameplates

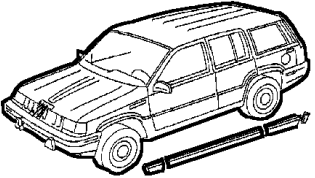
Nameplates and Decals Fig. EWJ - 120

Moldings and Ornamentation

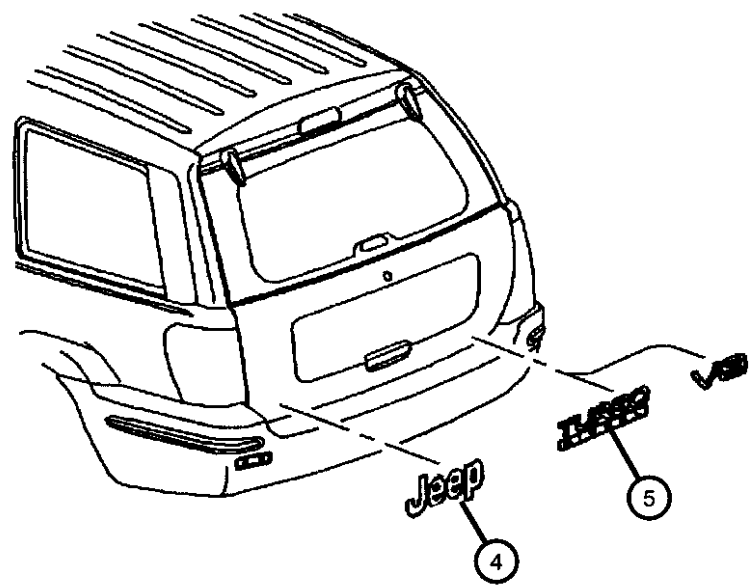
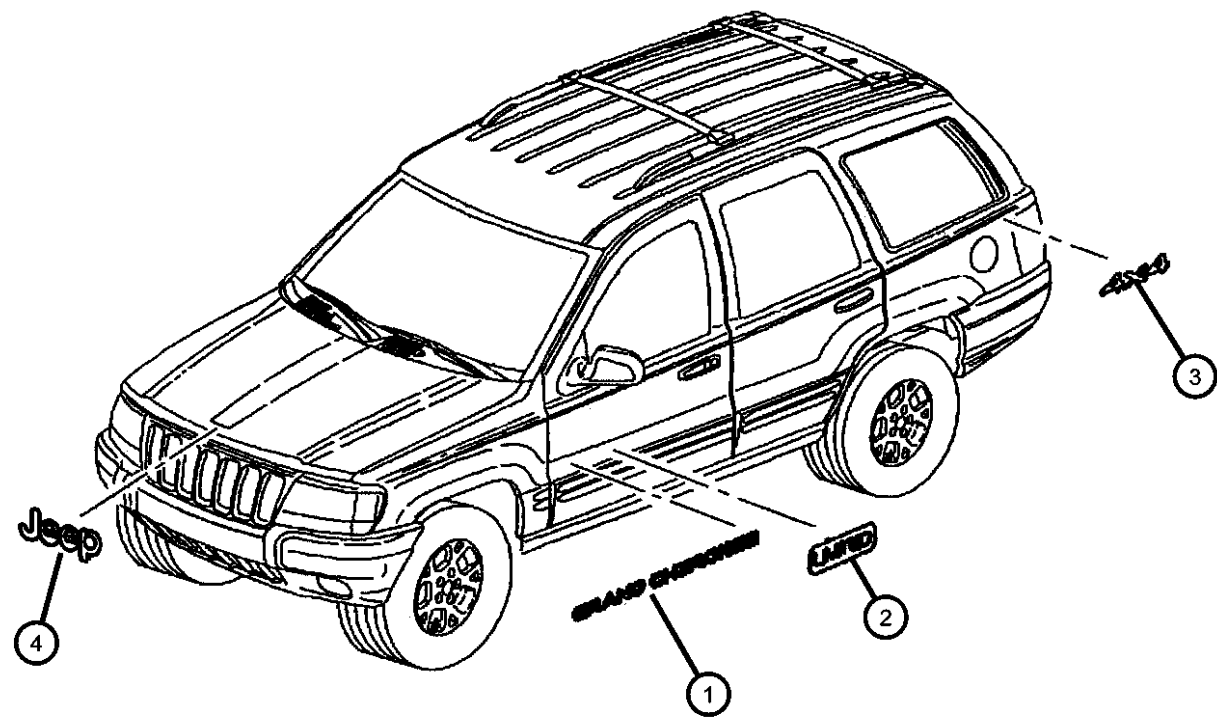
Moldings, Upper..... Fig. EWJ - 210

Cladding and Sill Moldings Fig. EWJ - 220



| | | | |
|---|--|--|--|
| <p>EWJ-100 Nameplates</p> <p>Grand Cherokee JEEP</p> | <p>EWJ-200 Moldings and Ornamentation</p>  | | |
|---|--|--|--|

**Nameplates and Decals
Figure EWJ-120**



| ITEM | PART NUMBER | QTY | LINE | SERIES | BODY | ENGINE | TRANS | TRIM | DESCRIPTION |
|------|-------------|-----|------|--------|------|--------|-------|------|---|
| 1 | | | | | | | | | NAMEPLATE, Grand Cherokee, Grand Cherokee |
| | 55155621 | 2 | | | | | | | Grand Cherokee, Chrome [MVB] |
| | 5EN80SA1 | 2 | | | | | | | Silver |
| | 5EN80WKK | 2 | | | | | | | Camel |
| 2 | | | | | | | | | DIMENSIONAL GRAPHIC, Limited |
| | 55156043AA | 2 | | | | | | | Chrome |
| | 5EM91SA1 | 2 | | | | | | | Silver |
| | 5EM91WKK | 2 | | | | | | | Camel |
| 3 | | | | | | | | | DECAL, 4x4 |
| | 55155623 | 2 | J, U | | | | | | [MVD] |
| | 5EM89SA1 | 2 | | | | | | | Silver |
| | 5EM89WKK | 2 | | | | | | | Camel |
| 4 | | | | | | | | | NAMEPLATE, Jeep, Jeep |
| | 55155622 | 2 | | | | | | | Chrome |
| | 5EM87SA1 | 2 | | | | | | | Silver |
| | 5EM87WKK | 2 | | | | | | | Camel |
| 5 | | | | | | | | | DECAL, Turbo Diesel |
| | 55156044AA | 1 | | | | | | | Chrome |
| | 5EN86SA1 | 1 | | | | | | | Silver |
| | 5EN86WKK | 1 | | | | | | | Camel |
| -6 | | | | | | | | | NAMEPLATE |
| | 55155620 | 1 | | | | | | | V8, Chrome, [MVE] |
| | 55155994AA | 1 | | | | | | | Quadra Drive, Chrome, [MZB] |
| | 5EN78SA1 | 1 | | | | | | | V8, Silver |
| | 5EN78WKK | 1 | | | | | | | V8, Camel |

GRAND CHEROKEE (WJ)

SERIES
H = Laredo
P = Limited

LINE
T = JEEP - 2WD
J = JEEP - 4WD
U = JEEP - 4WD (RHD)

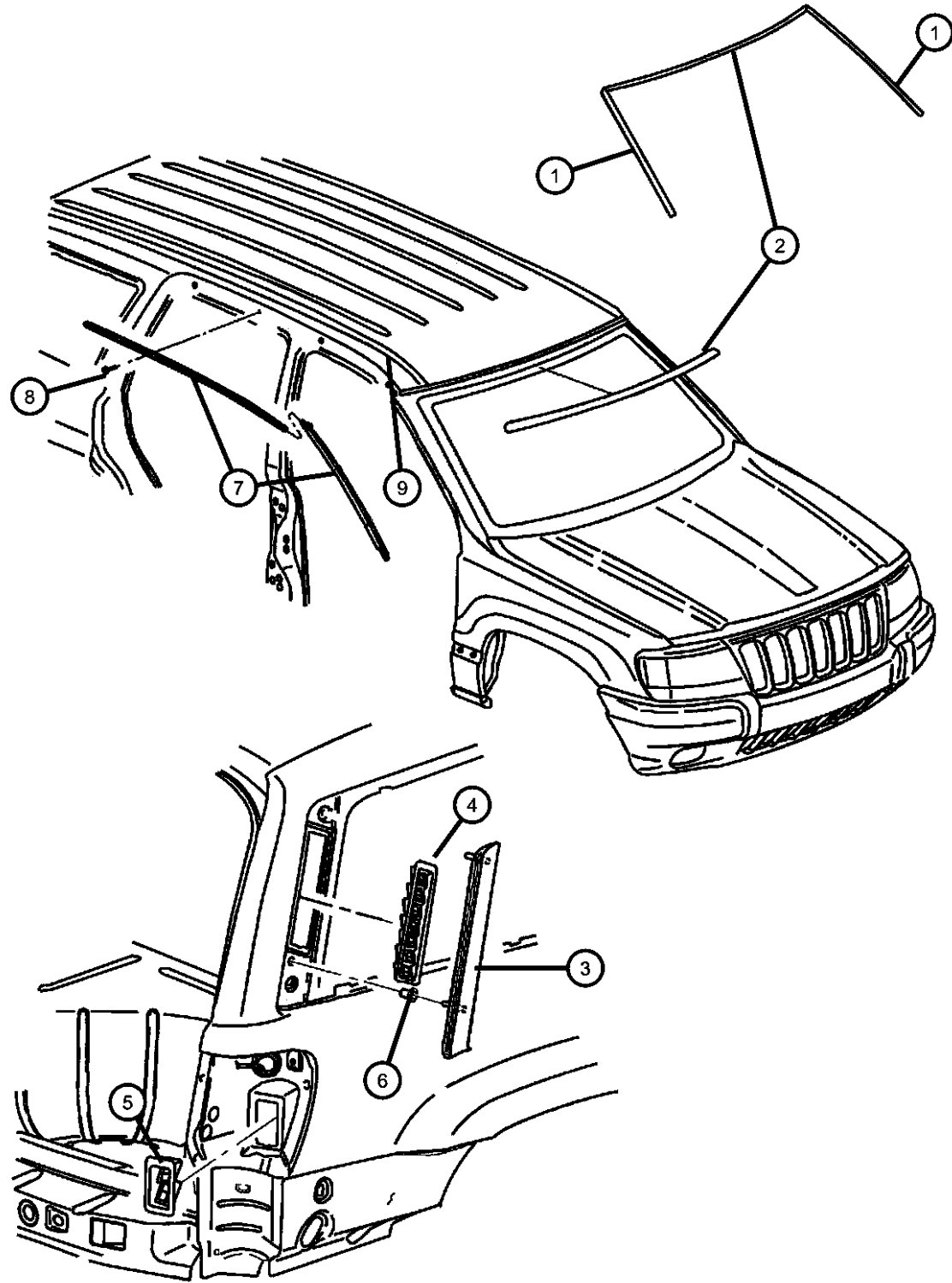
BODY
74 = 4 Door (105.9 WB)

ENGINE
ERH = ENGINE - 4.0L POWER TECH I-6
EVA = ENGINE- 4.7L V8 MPI
EXA = ENGINE - 3.1L 5 CYL TURBO DIESEL

TRANSMISSION
DG4 = TRANSMISSION-MULTI-SPEED AUTO, 45RFE
DGW = TRANSMISSION - 4-SPD. AUTOMATIC, 44RE
DGK = TRANSMISSION - 4-SPD. AUTOMATIC, 42RE
DGO = ALL AUTOMATIC TRANSMISSIONS

AR = use ase required - = Non illustrated part

Moldings, Upper
Figure EWJ-210



| ITEM | PART NUMBER | QTY | LINE | SERIES | BODY | ENGINE | TRANS | TRIM | DESCRIPTION |
|------|-------------|-----|------|--------|------|--------|-------|------|-------------------------------------|
| 1 | 55136902AD | 1 | | | | | | | MOLDING, Windshield Right |
| | 55136903AD | 1 | | | | | | | Left |
| 2 | 55135592AC | 1 | | | | | | | MOLDING, WindshieldUpper |
| 3 | | | | | | | | | APPLIQUE, D Pillar |
| | 5EZ20DX8AB | 1 | | | | | | | Black Clear Coat, Right |
| | 5EZ20GW7AB | 1 | | | | | | | Bright White Clear Coat, Right |
| | 5EZ20PR4AB | 1 | | | | | | | Flame Red, Right |
| | 5EZ20SW1AB | 1 | | | | | | | Stone White Clear Coat, Right |
| | 5EZ20TTKAB | 1 | | | | | | | Taupe Frost, Right |
| | 5EZ20VTEAB | 1 | | | | | | | Champagne Pearl Metallic, TE, Right |
| | 5EZ20WB7AB | 1 | | | | | | | Patriot Blue, B7, Right |
| | 5EZ20WB7TAB | 1 | | | | | | | Patriot Blue, BT, Right |
| | 5EZ20WPTAB | 1 | | | | | | | Everglade Pearl Coat, Right |
| | 5EZ20WTHAB | 1 | | | | | | | Champagne Pearl Coat, TH, Right |
| | 5EZ20WU-LAB | 1 | | | | | | | Sienna Pearl Coat, UL, Right |
| | 5EZ20WURAB | 1 | | | | | | | Sienna Pearl Coat, UR, Right |
| | 5EZ20XGRAB | 1 | | | | | | | Shale Green, Right |
| | 5EZ20XS5AB | 1 | | | | | | | Silverstone, S5, Right |
| | 5EZ20XSHAB | 1 | | | | | | | Silverstone, SH, Right |
| | 5EZ21DX8AB | 1 | | | | | | | Black Clear Coat, Left |
| | 5EZ21GW7AB | 1 | | | | | | | Bright White Clear Coat, Left |
| | 5EZ21PR4AB | 1 | | | | | | | Flame Red, Left |
| | 5EZ21SW1AB | 1 | | | | | | | Stone White Clear Coat, Left |
| | 5EZ21TTKAB | 1 | | | | | | | Taupe Frost, Left |
| | 5EZ21VTEAB | 1 | | | | | | | Champagne Pearl Metallic, TE, Left |
| | 5EZ21WB7AB | 1 | | | | | | | Patriot Blue, B7, Left |
| | 5EZ21WB7TAB | 1 | | | | | | | Patriot Blue, BT, Left |
| | 5EZ21WPTAB | 1 | | | | | | | Everglade Pearl Coat, Left |
| | 5EZ21WTHAB | 1 | | | | | | | Champagne Pearl Coat, TH, Left |
| | 5EZ21WU-LAB | 1 | | | | | | | Sienna Pearl Coat, UL, Left |

GRAND CHEROKEE (WJ)

SERIES
H = Laredo
P = Limited

LINE
T = JEEP - 2WD
J = JEEP - 4WD
U = JEEP - 4WD (RHD)

BODY
74 = 4 Door (105.9 WB)

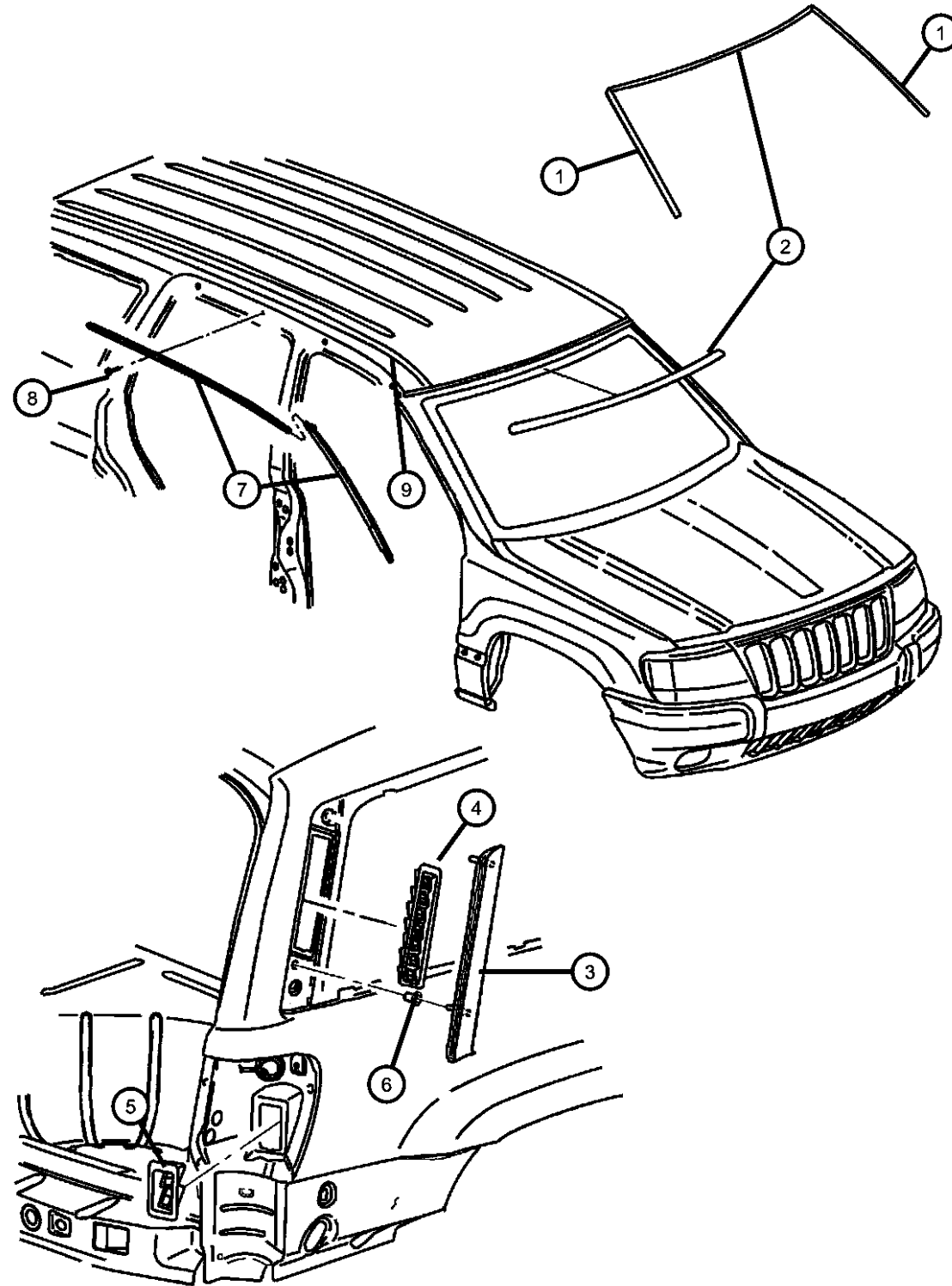
ENGINE
ERH = ENGINE - 4.0L POWER TECH I-6
EVA = ENGINE- 4.7L V8 MPI
EXA = ENGINE - 3.1L 5 CYL TURBO DIESEL

TRANSMISSION
DG4 = TRANSMISSION-MULTI-SPEED AUTO, 45RFE
DGW = TRANSMISSION - 4-SPD. AUTOMATIC, 44RE
DGK = TRANSMISSION - 4-SPD. AUTOMATIC, 42RE
DGO = ALL AUTOMATIC TRANSMISSIONS

AR = use ase required - = Non illustrated part

2000 WJ

Moldings, Upper
Figure EWJ-210



| ITEM | PART NUMBER | QTY | LINE | SERIES | BODY | ENGINE | TRANS | TRIM | DESCRIPTION |
|------|-------------|-----|------|--------|------|--------|-------|------|--|
| | 5EZ21WURAB | 1 | | | | | | | Sienna Pearl Coat, UR, Left |
| | 5EZ21XGRAB | 1 | | | | | | | Shale Green, Left |
| | 5EZ21XS5AB | 1 | | | | | | | Silverstone, S5, Left |
| | 5EZ21XSHAB | 1 | | | | | | | Silverstone, SH, Left |
| 4 | | | | | | | | | EXHAUSTER, Quarter Panel |
| | 55136278AF | 1 | | | | | | | Right |
| | 55136279AE | 1 | | | | | | | Left |
| 5 | 55136280AB | 2 | | | | | | | EXHAUSTER, Quarter Panel |
| 6 | 06004512 | 4 | | | | | | | CLIP, D Pillar Exhauster |
| 7 | | | | | | | | | SEAL, Body Side |
| | 55135869AB | 1 | | | | | | | Right |
| | 55135872AB | 1 | | | | | | | Left |
| 8 | 55135872AB | 1 | | | | | | | SCREW, Tapping, .164-18x.437, 06033605, (NOT SERVICED) |
| 9 | 55136526AB | 2 | | | | | | | MOLDING, Roof Joint |

GRAND CHEROKEE (WJ)

SERIES
H = Laredo
P = Limited

LINE
T = JEEP - 2WD
J = JEEP - 4WD
U = JEEP - 4WD (RHD)

BODY
74 = 4 Door (105.9 WB)

ENGINE
ERH = ENGINE - 4.0L
POWER TECH I-6
EVA = ENGINE- 4.7L V8 MPI
EXA = ENGINE - 3.1L 5 CYL
TURBO DIESEL

TRANSMISSION
DG4 = TRANSMISSION-MULTI-
SPEED AUTO, 45RFE
DGW = TRANSMISSION - 4-SPD.
AUTOMATIC,44RE
DGK = TRANSMISSION - 4-SPD.
AUTOMATIC,42RE
DGO = ALL AUTOMATIC
TRANSMISSIONS

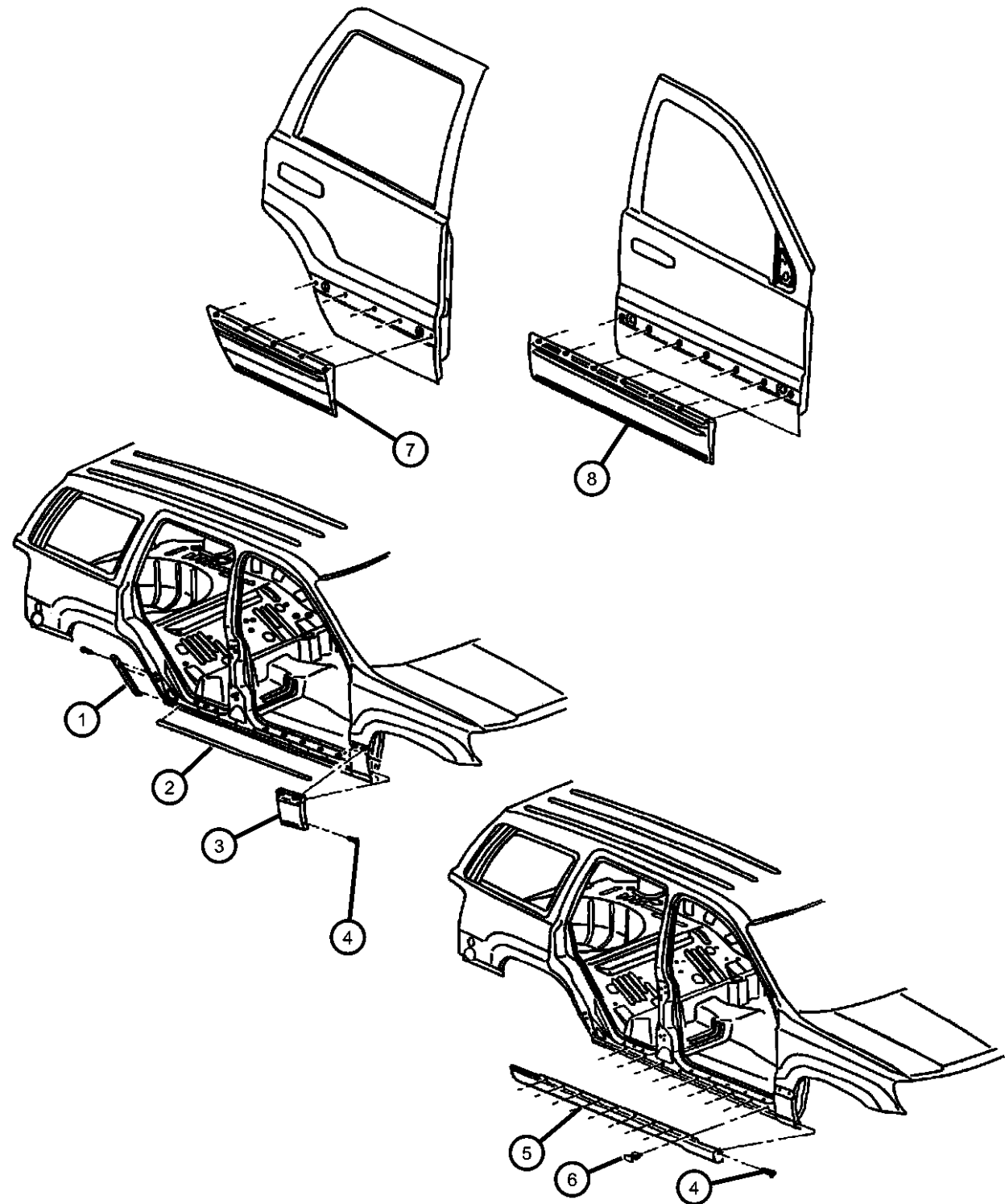
AR = use ase required - = Non illustrated part

2000 WJ

Cladding and Sill Moldings
Figure EWJ-220

| ITEM | PART NUMBER | QTY | LINE | SERIES | BODY | ENGINE | TRANS | TRIM | DESCRIPTION |
|------|-------------|-----|------|--------|------|--------|-------|------|-------------|
|------|-------------|-----|------|--------|------|--------|-------|------|-------------|

Note: Laredo Cladding Colors, Order with Paint Codes. (Gray K4A= AW, BT, PT, R4, X8) (Brownstone K4K= S4, S5, TH, TK, UL, W1)



| | | | | | | | | | |
|---|------------|----|--|------|--|--|--|--|----------------------------------|
| 1 | | | | | | | | | CLADDING, Quarter Panel |
| | 5EY78VF7 | 1 | | H | | | | | K4K, Laredo, F7, Right |
| | 5EY78XS9 | 1 | | H | | | | | K4A. Laredo, S9, Right |
| | 5EY79VF7 | 1 | | H | | | | | K4K, Laredo, F7, Left |
| | 5EY79XS9 | 1 | | H | | | | | K4A. Laredo, S9, Left |
| | 5EY88TZZ | 1 | | P | | | | | K4I. Limited, ZZ [P.A.R.], Right |
| | 5EY89TZZ | 1 | | P | | | | | K4I. Limited, ZZ [P.A.R.], Left |
| 2 | 5FX65DX9AA | 2 | | P | | | | | MOLDING, Sill Cover |
| 3 | | | | | | | | | CLADDING, Fender |
| | 05015766AA | 1 | | P | | | | | (Service Dealer Paint), Right |
| | 05015767AA | 1 | | P | | | | | (Service Dealer Paint), Left |
| | 5FR16VF7 | 1 | | H | | | | | K4K, Laredo, F7, Right |
| | 5FR16XS9 | 1 | | H | | | | | K4A. Laredo, S9, Right |
| | 5FR17VF7 | 1 | | H | | | | | K4K, Laredo, F7, Left |
| | 5FR17XS9 | 1 | | H | | | | | K4A. Laredo, S9, Left |
| 4 | 06035217 | 4 | | | | | | | SCREW, Round Head, .164-18.5 |
| 5 | | | | | | | | | MOLDING, Sill Cover |
| | 5EY64VF7 | 1 | | H | | | | | [K5K], Laredo, Right |
| | 5EY64XS9 | 1 | | H | | | | | [K5A]. Laredo, Right |
| | | 1 | | P | | | | | [K5A]. Laredo, Export, Right |
| | 5EY65VF7 | 1 | | H | | | | | [K5K], Laredo, Left |
| | 5EY65XS9 | 1 | | H | | | | | [K5A]. Laredo, Left |
| | | 1 | | P | | | | | [K5A]. Laredo, Export, Left |
| 6 | 5FR56DX9 | 18 | | H, P | | | | | RETAINER |
| 7 | | | | | | | | | CLADDING, Rear Door |
| | 05015772AA | 1 | | P | | | | | (Service Dealer Paint), Right |
| | 05015773AA | 1 | | P | | | | | (Service Dealer Paint), Left |
| | 5EY74VF7AB | 1 | | H | | | | | K4K, Laredo, F7, Right |
| | 5EY74XS9AB | 1 | | H | | | | | K4A. Laredo, S9, Right |
| | 5EY75VF7AB | 1 | | H | | | | | K4K, Laredo, F7, Left |
| | 5EY75XS9AB | 1 | | H | | | | | K4A. Laredo, S9, Left |
| 8 | | | | | | | | | CLADDING, Front Door |

GRAND CHEROKEE (WJ)

SERIES
H = Laredo
P = Limited

LINE
T = JEEP - 2WD
J = JEEP - 4WD
U = JEEP - 4WD (RHD)

BODY
74 = 4 Door (105.9 WB)

ENGINE
ERH = ENGINE - 4.0L
POWER TECH I-6
EVA = ENGINE- 4.7L V8 MPI
EXA = ENGINE - 3.1L 5 CYL
TURBO DIESEL

TRANSMISSION
DG4 = TRANSMISSION-MULTI-
SPEED AUTO, 45RFE
DGW = TRANSMISSION - 4-SPD.
AUTOMATIC,44RE
DGK = TRANSMISSION - 4-SPD.
AUTOMATIC,42RE
DGO = ALL AUTOMATIC
TRANSMISSIONS

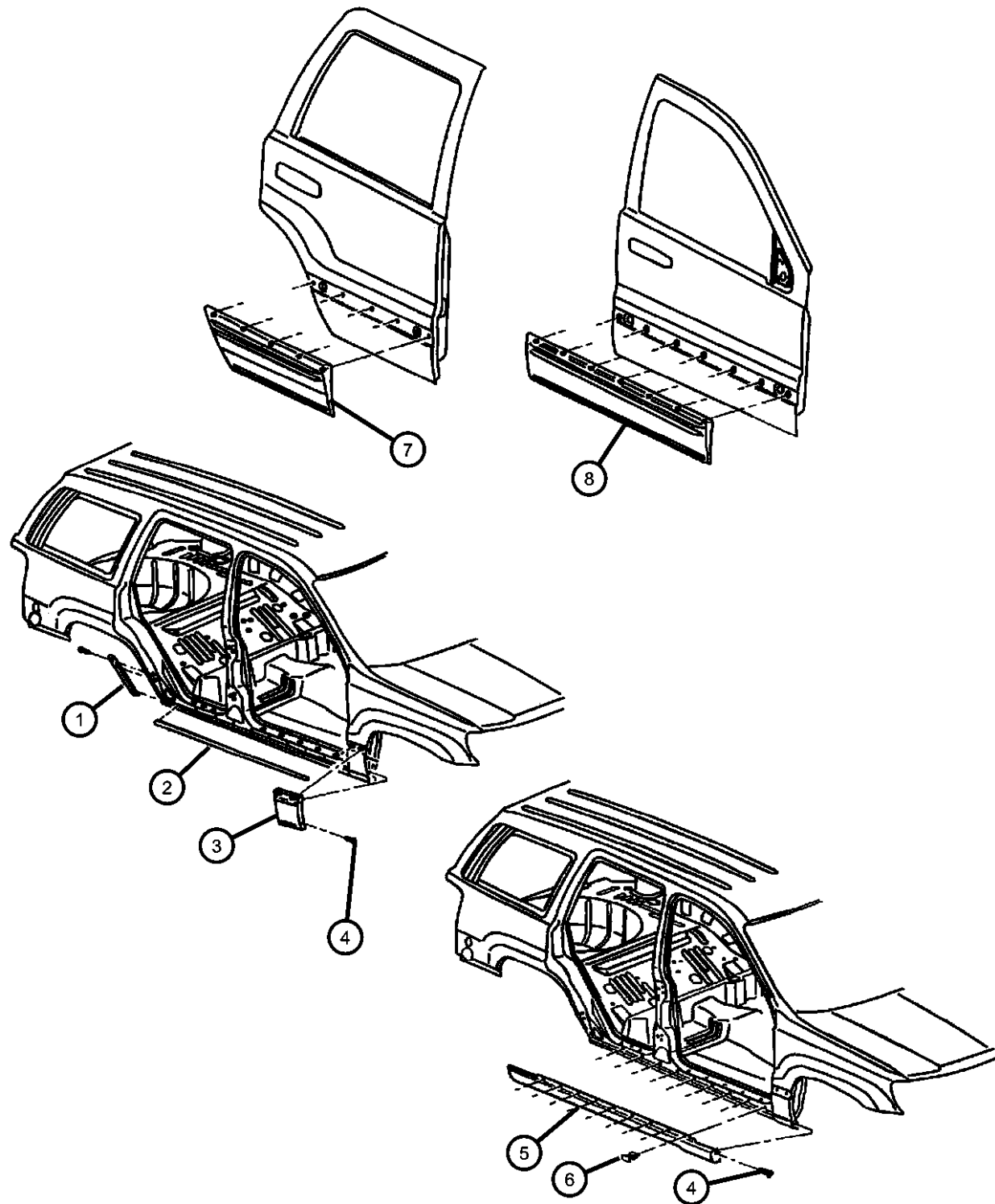
AR = use ase required - = Non illustrated part

2000 WJ

**Cladding and Sill Moldings
Figure EWJ-220**

| ITEM | PART NUMBER | QTY | LINE | SERIES | BODY | ENGINE | TRANS | TRIM | DESCRIPTION |
|------|-------------|-----|------|--------|------|--------|-------|------|-------------|
|------|-------------|-----|------|--------|------|--------|-------|------|-------------|

| | | | | | | | | | |
|--|------------|---|--|---|--|--|--|--|-------------------------------|
| | 05015770AA | 1 | | P | | | | | (Service Dealer Paint), Right |
| | 05015771AA | 1 | | P | | | | | (Service Dealer Paint), Left |
| | 5FR20VF7AB | 1 | | H | | | | | K4K, Laredo, F7, Right |
| | 5FR20XS9AB | 1 | | H | | | | | K4A, Laredo, S9, Right |
| | 5FR21VF7AB | 1 | | H | | | | | K4K, Laredo, F7, Left |
| | 5FR21XS9AB | 1 | | H | | | | | K4A, Laredo, S9, Left |



GRAND CHEROKEE (WJ)

SERIES LINE
H = Laredo T = JEEP - 2WD
P = Limited J = JEEP - 4WD
U = JEEP - 4WD (RHD)

BODY
74 = 4 Door (105.9 WB)

ENGINE
ERH = ENGINE - 4.0L
POWER TECH I-6
EVA = ENGINE- 4.7L V8 MPI
EXA = ENGINE - 3.1L 5 CYL
TURBO DIESEL

TRANSMISSION
DG4 = TRANSMISSION-MULTI-
SPEED AUTO, 45RFE
DGW = TRANSMISSION - 4-SPD.
AUTOMATIC,44RE
DGK = TRANSMISSION - 4-SPD.
AUTOMATIC,42RE
DGO = ALL AUTOMATIC
TRANSMISSIONS

AR = use ase required - = Non illustrated part

2000 WJ

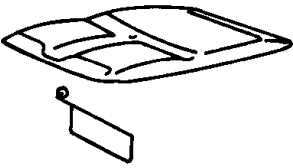
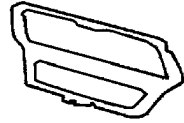
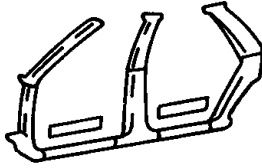
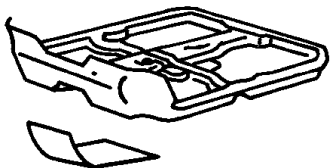
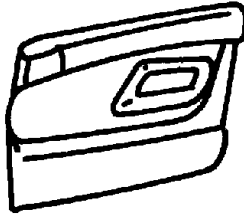
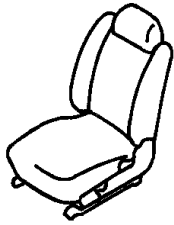
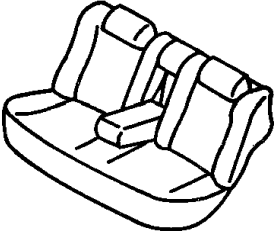
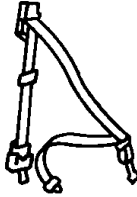
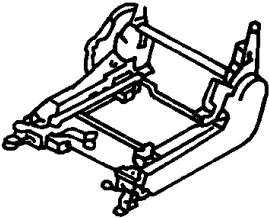
Group - IWJ

Interior Trim

Group - IWJ Interior Trim

Illustration Title

Group-Fig. No.

| | | | |
|--|---|--|---|
| <p>IWJ-100 Headliner and Visor</p>  | <p>IWJ-1000 Lift Gate Trim</p>  | <p>IWJ-200 Panel - Mouldings, Scuff Plates</p>  | <p>IWJ-300 Carpet</p>  |
| <p>IWJ-400 Door Trim Panels</p>  | <p>IWJ-500 Front Seats and Attaching Parts</p>  | <p>IWJ-600 Rear Seats and Attaching Parts</p>  | <p>IWJ-700 Seat Belts - Front and Rear</p>  |
| <p>IWJ-800 Adjusters, Covers, Shields and Risers</p>  | | | |

Headliner and Visor

| | |
|-----------------------------------|----------------|
| Headliner and Assist Handle | Fig. IWJ - 110 |
| Sunvisor..... | Fig. IWJ - 120 |

Panel - Mouldings, Scuff Plates

| | |
|---|----------------|
| Front Trim Panels and Scuff Plates..... | Fig. IWJ - 210 |
| Rear Trim Panels..... | Fig. IWJ - 220 |

Carpet

| | |
|-----------------------------|----------------|
| Carpet and Insulation | Fig. IWJ - 310 |
|-----------------------------|----------------|

Door Trim Panels

| | |
|-----------------------|----------------|
| Door Trim Panels..... | Fig. IWJ - 410 |
|-----------------------|----------------|

Front Seats and Attaching Parts

| | |
|--|----------------|
| Front Seat, Cloth, Trim Code [H7] | Fig. IWJ - 510 |
| Front Seat, Leather, Trim Code [FL]..... | Fig. IWJ - 520 |
| Front Seat, Leather, Trim Code [DL]..... | Fig. IWJ - 530 |
| Front Seat, Leather, Trim Code [EL]..... | Fig. IWJ - 540 |

Rear Seats and Attaching Parts

| | |
|---------------------------------|----------------|
| Rear Seat, Trim Code [H7] | Fig. IWJ - 610 |
| Rear Seat, Trim Code [FL] | Fig. IWJ - 620 |
| Rear Seat, Trim Code [DL] | Fig. IWJ - 630 |
| Rear Seat, Trim Code [EL] | Fig. IWJ - 640 |

Seat Belts - Front and Rear

| | |
|---------------------|----------------|
| Front Seat..... | Fig. IWJ - 710 |
| Rear Seat Belt..... | Fig. IWJ - 720 |

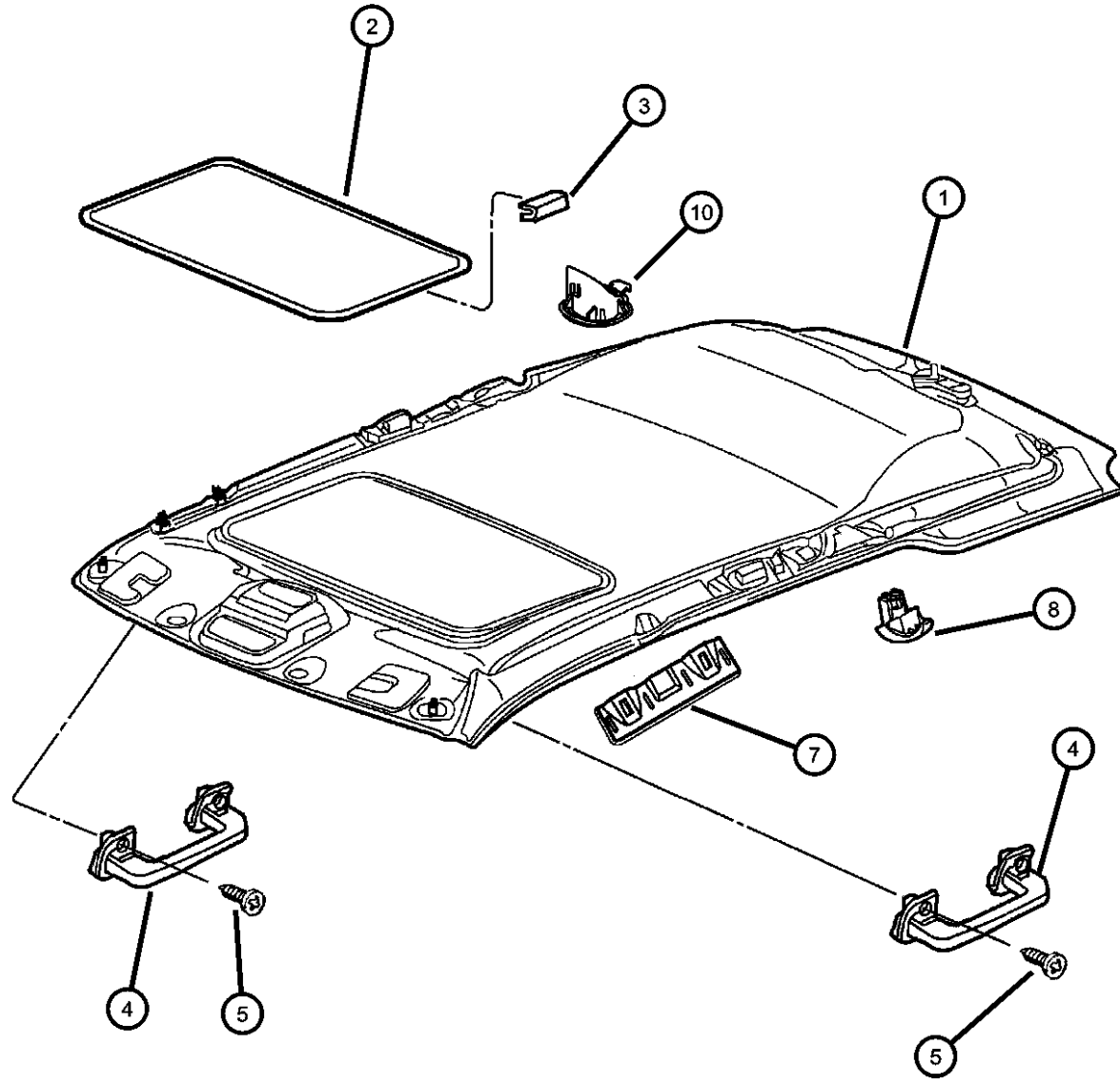
Adjusters, Covers, Shields and Risers

| | |
|-----------------------------|----------------|
| Recliner and Adjusters..... | Fig. IWJ - 810 |
|-----------------------------|----------------|

Lift Gate Trim

| | |
|-------------------------------------|-----------------|
| Liftgate Panel and Scuff Plate..... | Fig. IWJ - 1010 |
|-------------------------------------|-----------------|

Headliner and Assist Handle Figure IWJ-110



| ITEM | PART NUMBER | QTY | LINE | SERIES | BODY | ENGINE | TRANS | TRIM | DESCRIPTION |
|------|-------------|-----|------|--------|------|--------|-------|------|---|
| 1 | | | | | | | | | HEADLINER |
| | 5FS43RK5AC | 1 | J, T | | | | | *00 | [K5], With Overhead Console, Illuminated Vanity |
| | 5FS43TL2AC | 1 | J, T | | | | | *00 | [AZ, L5], With Overhead Console, Illuminated Vanity |
| | 5FS49RK5AC | 1 | J, T | | | | | *00 | [K5], With Overhead Console, Sunroof |
| | 5FS49TL2AC | 1 | J, T | | | | | *00 | [AZ, L5], With Overhead Console, Sunroof |
| | 5GE19RK5AB | 1 | U | | | | | *00 | [K5], With Overhead Console, Sunroof |
| | 5GE19TL2AB | 1 | U | | | | | *00 | [AZ], With Overhead Console, Sunroof |
| | 5GE20RK5AB | 1 | U | | | | | *00 | [K5], With Overhead Console |
| | 5GE20TL2AB | 1 | U | | | | | *00 | [AZ], With Overhead Console |
| | 5GR05RK5AB | 1 | J, T | | | | | *00 | [K5], With Overhead Console, Illuminated Vanity, Export |
| | 5GR05TL2AB | 1 | J, T | | | | | *00 | [AZ], With Overhead Console, Illuminated Vanity, Export |
| | 5GR07RK5AB | 1 | J, T | | | | | *00 | [K5], With Overhead Console, Sunroof, Export |
| | 5GR07TL2AB | 1 | J, T | | | | | *00 | [AZ], With Overhead Console, Sunroof, Export |
| | 5GX24RK5AB | 1 | U | | | | | *00 | [K5], With Overhead Console, Child Tether, AUSTRALIA, Export |
| | 5GX24TL2AB | 1 | U | | | | | *00 | [AZ], With Overhead Console, Child Tether, AUSTRALIA, Export |
| | 5GX25RK5AB | 1 | U | | | | | *00 | [K5], With Overhead Console, Sunroof, Child Tether, AUSTRALIA, Export |
| | 5GX25TL2AB | 1 | U | | | | | *00 | [AZ], With Overhead Console, Sunroof, Child Tether, AUSTRALIA, Export |
| | 5HE07RK5AA | 1 | J, T | | | | | *00 | [K5], With Overhead Console, With Vanity Mirrors, Export |
| | 5HE07TL2AA | 1 | J, T | | | | | *00 | [AZ], With Overhead Console, With Vanity Mirrors, Export |
| | 5HE08RK5AA | 1 | U | | | | | *00 | [K5], With Overhead Console, With Vanity Mirrors, Export |
| | 5HE08TL2AA | 1 | U | | | | | *00 | [AZ], With Overhead Console, With Vanity Mirrors, Export |
| | 5HE09RK5AA | 1 | U | | | | | *00 | [K5], With Overhead Console, AUSTRALIA, Export |

GRAND CHEROKEE (WJ)

| | |
|-------------|----------------------|
| SERIES | LINE |
| H = Laredo | T = JEEP - 2WD |
| P = Limited | J = JEEP - 4WD |
| | U = JEEP - 4WD (RHD) |

BODY
74 = 4 Door (105.9 WB)

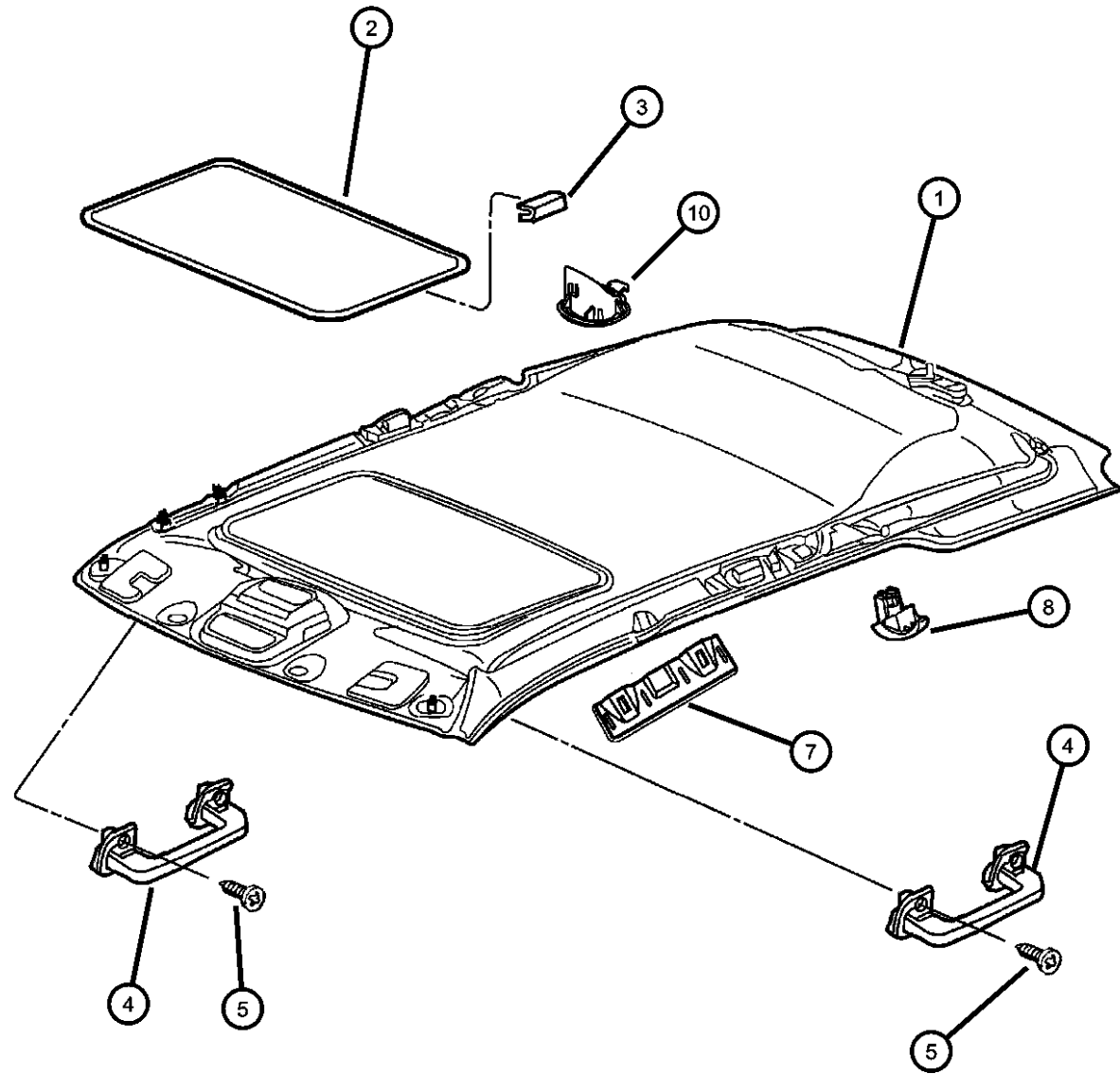
ENGINE
ERH = ENGINE - 4.0L POWER TECH I-6
EVA = ENGINE- 4.7L V8 MPI
EXA = ENGINE - 3.1L 5 CYL TURBO DIESEL

TRANSMISSION
DG4 = TRANSMISSION-MULTI-SPEED AUTO, 45RFE
DGW = TRANSMISSION - 4-SPD. AUTOMATIC, 44RE
DGK = TRANSMISSION - 4-SPD. AUTOMATIC, 42RE
DGO = ALL AUTOMATIC TRANSMISSIONS

AR = use ase required - = Non illustrated part

2000 WJ

Headliner and Assist Handle
Figure IWJ-110



| ITEM | PART NUMBER | QTY | LINE | SERIES | BODY | ENGINE | TRANS | TRIM | DESCRIPTION |
|------|-------------|-----|------|--------|------|--------|-------|------|--|
| | 5HE09TL2AA | 1 | U | | | | | *00 | [AZ], With Overhead Console, AUSTRALIA, Export |
| | 5HE10RK5AA | 1 | J, T | | | | | *00 | [K5], With Overhead Console, With Vanity Mirrors |
| | 5HE10TL2AA | 1 | J, T | | | | | *00 | [AZ, L5], With Overhead Console, With Vanity Mirrors |
| 2 | | | | | | | | | WELT, Headliner |
| | 5FW36RK5AA | 1 | | | | | | *00 | [K5] |
| | 5FW36TL2AA | 1 | | | | | | *00 | [AZ, L5] |
| 3 | | | | | | | | | RETAINER, Sunroof Welt |
| | 5GD77RK5AA | 1 | | | | | | *00 | [K5] |
| | 5GD77TL2AA | 1 | | | | | | *00 | [AZ, L5] |
| 4 | | | | | | | | | HANDLE, Roof Grab |
| | 5FS41RK5AB | 1 | J, T | | | | | *00 | [K5], Front Right |
| | | 1 | U | | | | | *00 | [K5], Front Right |
| | 5FS41TL2AB | 1 | J, T | | | | | *00 | [AZ, L5], Front Right |
| | | 1 | U | | | | | *00 | [AZ, L5], Front Right |
| | 5FS60RK5 | 1 | J, T | | | | | *00 | [K5], With Lamp, Rear Right |
| | | 1 | U | | | | | *00 | [K5], With Lamp, Rear Right |
| | 5FS60TL2 | 1 | J, T | | | | | *00 | [AZ, L5], With Lamp, Rear Right |
| | | 1 | U | | | | | *00 | [AZ, L5], With Lamp, Rear Right |
| | 5FS61RK5 | 1 | J, T | | | | | *00 | [K5], With Lamp, Rear Left |
| | | 1 | U | | | | | *00 | [K5], With Lamp, Rear Left |
| | 5FS61TL2 | 1 | J, T | | | | | *00 | [AZ, L5], With Lamp, Rear Left |
| | | 1 | U | | | | | *00 | [AZ, L5], With Lamp, Rear Left |
| 5 | | | | | | | | | SCREW, .164-18x.75 |
| | 06035324 | 2 | J, T | | | | | *00 | |
| | | 2 | U | | | | | *00 | |
| -6 | | | | | | | | | CLIP, Z-Axis, Visor & Grab Handle Attach |
| | 05073251AA | 8 | U | | | | | *00 | |
| | | 8 | J, T | | | | | *00 | |
| 7 | 55196739AB | 1 | U | | | | | | BRACKET, Grab HandleExport |
| 8 | | | | | | | | | HOOK, Coat |

GRAND CHEROKEE (WJ)

SERIES LINE
H = Laredo T = JEEP - 2WD
P = Limited J = JEEP - 4WD
U = JEEP - 4WD (RHD)

BODY
74 = 4 Door (105.9 WB)

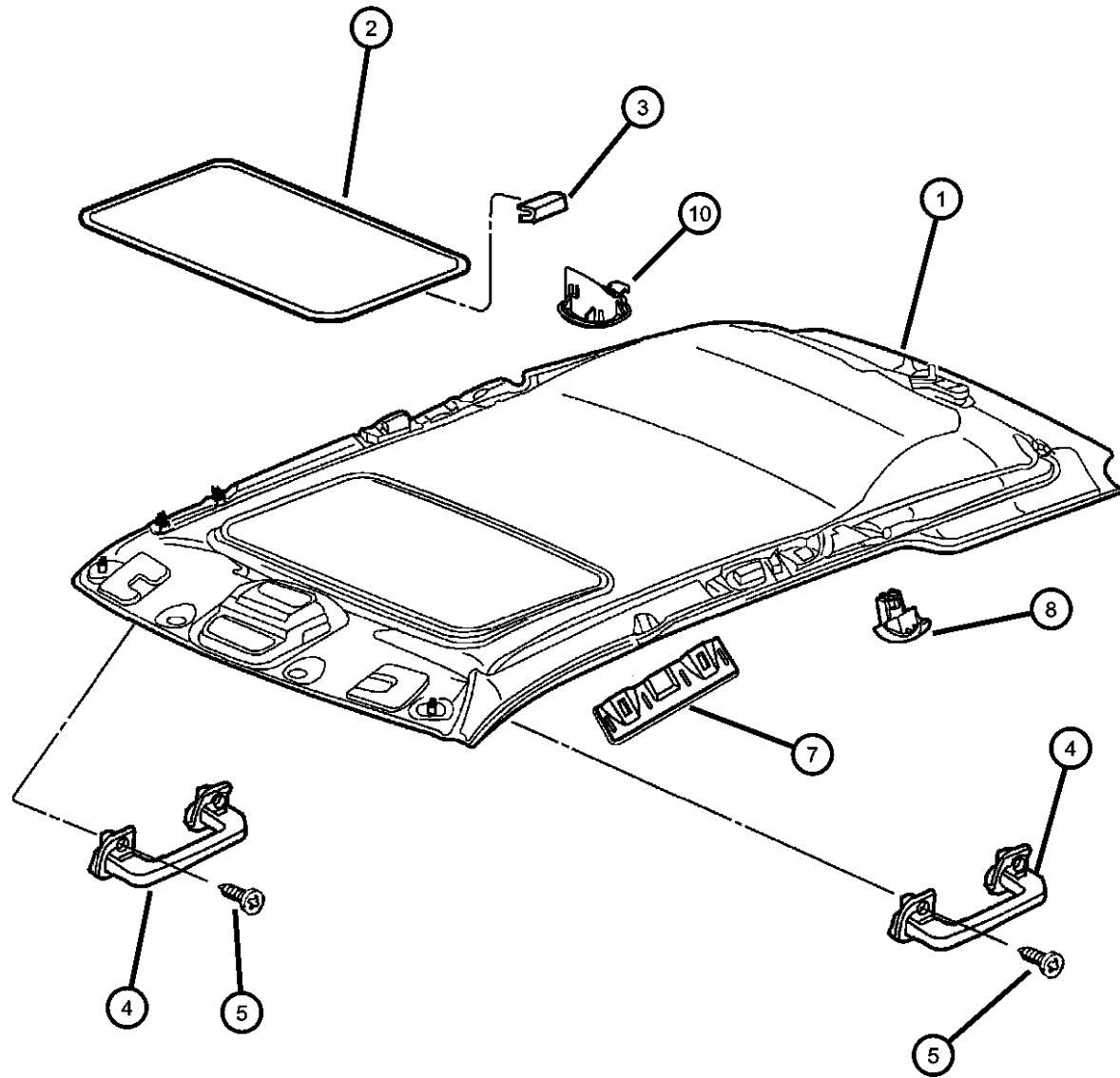
ENGINE
ERH = ENGINE - 4.0L POWER TECH I-6
EVA = ENGINE - 4.7L V8 MPI
EXA = ENGINE - 3.1L 5 CYL TURBO DIESEL

TRANSMISSION
DG4 = TRANSMISSION-MULTI-SPEED AUTO, 45RFE
DGW = TRANSMISSION - 4-SPD. AUTOMATIC, 44RE
DGK = TRANSMISSION - 4-SPD. AUTOMATIC, 42RE
DGO = ALL AUTOMATIC TRANSMISSIONS

AR = use ase required - = Non illustrated part

2000 WJ

Headliner and Assist Handle Figure IWJ-110



| ITEM | PART NUMBER | QTY | LINE | SERIES | BODY | ENGINE | TRANS | TRIM | DESCRIPTION |
|------|-------------|-----|------|--------|------|--------|-------|------|----------------------------------|
| | 5FS52RK5 | 2 | J, T | | | | | *O0 | [K5] |
| | | 2 | U | | | | | *O0 | [K5] |
| | 5FS52TL2 | 2 | J, T | | | | | *O0 | [AZ, L5] |
| | | 2 | U | | | | | *O0 | [AZ, L5] |
| -9 | | | | | | | | | CLIP, Headliner Mounting |
| | 05016132AA | 2 | U | | | | | *O0 | 'Z' Clip for Coat Hook Retention |
| | | 2 | J, T | | | | | *O0 | 'Z' Clip for Coat Hook Retention |
| 10 | | | | | | | | | BEZEL, Tether anchor |
| | 5GX26RK5AA | 1 | U | | | | | *O0 | [K5], Right |
| | 5GX26TL2AA | 1 | U | | | | | *O0 | [AZ], Right |
| | 5GX27RK5AA | 1 | U | | | | | *O0 | [K5], Left |
| | 5GX27TL2AA | 1 | U | | | | | *O0 | [AZ], Left |
| -11 | 55196862AA | 1 | J, U | | | | | | SPACER |

GRAND CHEROKEE (WJ)

SERIES LINE
H = Laredo T = JEEP - 2WD
P = Limited J = JEEP - 4WD
U = JEEP - 4WD (RHD)

BODY
74 = 4 Door (105.9 WB)

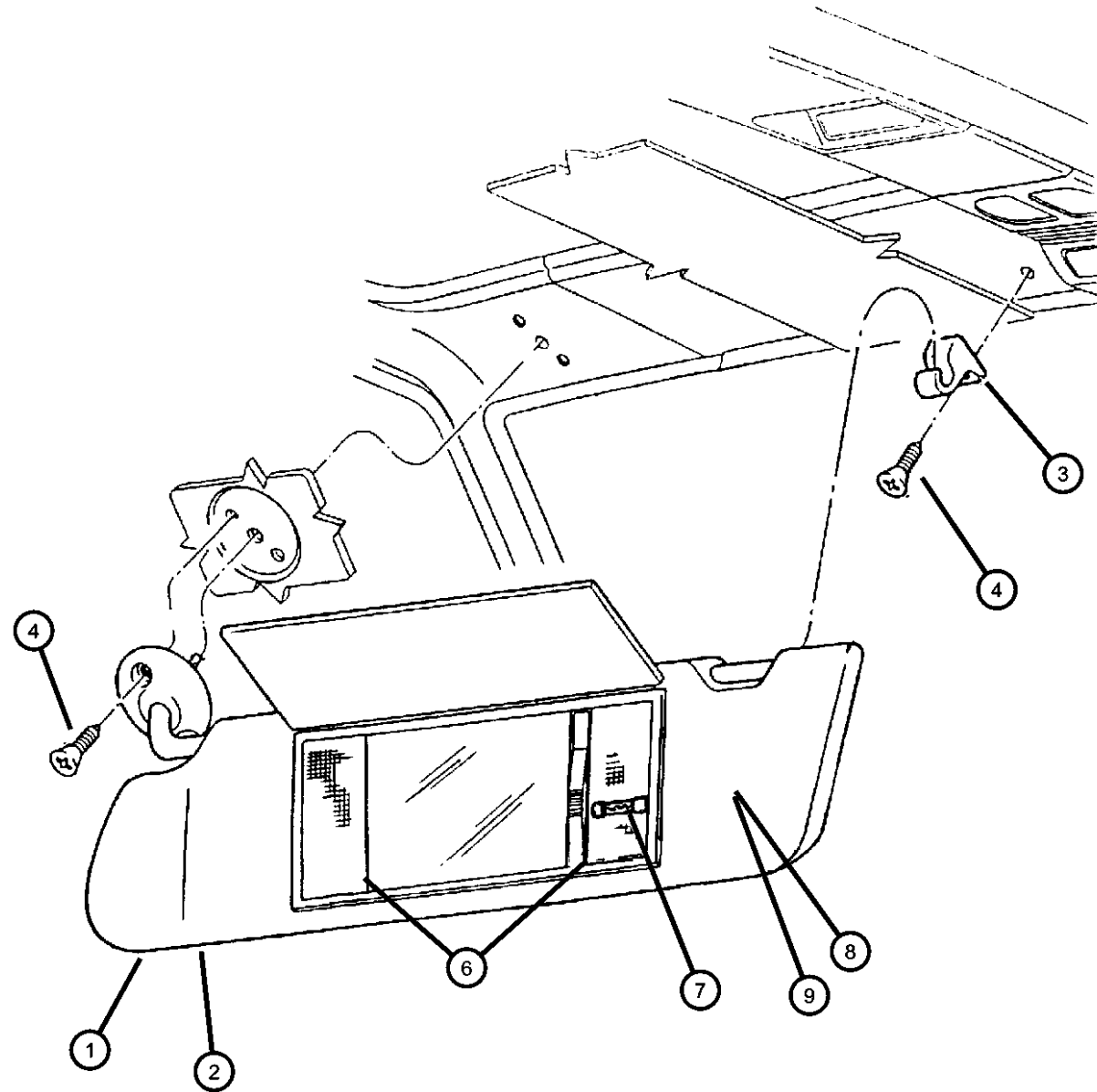
ENGINE
ERH = ENGINE - 4.0L
POWER TECH I-6
EVA = ENGINE- 4.7L V8 MPI
EXA = ENGINE - 3.1L 5 CYL
TURBO DIESEL

TRANSMISSION
DG4 = TRANSMISSION-MULTI-
SPEED AUTO, 45RFE
DGW = TRANSMISSION - 4-SPD.
AUTOMATIC, 44RE
DGK = TRANSMISSION - 4-SPD.
AUTOMATIC, 42RE
DGO = ALL AUTOMATIC
TRANSMISSIONS

AR = use ase required - = Non illustrated part

2000 WJ

Sunvisor Figure IWJ-120



| ITEM | PART NUMBER | QTY | LINE | SERIES | BODY | ENGINE | TRANS | TRIM | DESCRIPTION |
|------|-------------|-----|------|--------|------|--------|-------|------|--|
| 1 | | | | | | | | | VISOR, Illuminated |
| | 5HB42RK5AA | 1 | U | | | | | *00 | [K5], Right |
| | 5HB42TL2AA | 1 | U | | | | | *00 | [AZ], Right |
| | 5HB43RK5AA | 1 | U | | | | | *00 | [K5], Left |
| | 5HB43TL2AA | 1 | U | | | | | *00 | [AZ], Left |
| | 5HB94RK5AA | 1 | J, T | | | | | *00 | [K5], Right |
| | 5HB94TL2AA | 1 | J, T | | | | | *00 | [AZ, L5], Right |
| | 5HB95RK5AA | 1 | J, T | | | | | *00 | [K5], Left |
| | 5HB95TL2AA | 1 | J, T | | | | | *00 | [AZ, L5], Left |
| 2 | | | | | | | | | VISOR, W/Mirror |
| | 5HB90RK5AA | 1 | U | | | | | *00 | [K5], Right |
| | 5HB90TL2AA | 1 | U | | | | | *00 | [AZ], Right |
| | 5HB91RK5AA | 1 | U | | | | | *00 | [K5], Left |
| | 5HB91TL2AA | 1 | U | | | | | *00 | [AZ], Left |
| | 5HB92RK5AA | 1 | J, T | | | | | *00 | [K5], Right |
| | 5HB92TL2AA | 1 | J, T | | | | | *00 | [AZ, L5], Right |
| | 5HB93RK5AA | 1 | J, T | | | | | *00 | [K5], Left |
| | 5HB93TL2AA | 1 | J, T | | | | | *00 | [AZ, L5], Left |
| 3 | | | | | | | | | SUPPORT, Visor |
| | 5FS40RK5 | 2 | J, T | | | | | *00 | [K5] |
| | 5FS40TL2 | 2 | J, T | | | | | *00 | [AZ, L5] |
| | 5GH37RK5AA | 1 | U | | | | | *00 | [K5] |
| | | 1 | J, T | | | | | *00 | [K5] |
| | 5GH37TL2AA | 1 | U | | | | | *00 | [AZ] |
| | | 1 | J, T | | | | | *00 | [AZ] |
| 4 | | | | | | | | | SCREW, .164-18x.75 |
| | 06035324 | 2 | U | | | | | *00 | |
| | | 2 | J, T | | | | | *00 | |
| -5 | | | | | | | | | CLIP, Z-Axis, Visor & Grab Handle Attach |
| | 05073251AA | 8 | U | | | | | *00 | |
| | | 8 | J, T | | | | | *00 | |
| 6 | | | | | | | | | LENS, Illuminated Visor |

GRAND CHEROKEE (WJ)

SERIES
H = Laredo
P = Limited

LINE
T = JEEP - 2WD
J = JEEP - 4WD
U = JEEP - 4WD (RHD)

BODY
74 = 4 Door (105.9 WB)

ENGINE
ERH = ENGINE - 4.0L
POWER TECH I-6
EVA = ENGINE- 4.7L V8 MPI
EXA = ENGINE - 3.1L 5 CYL
TURBO DIESEL

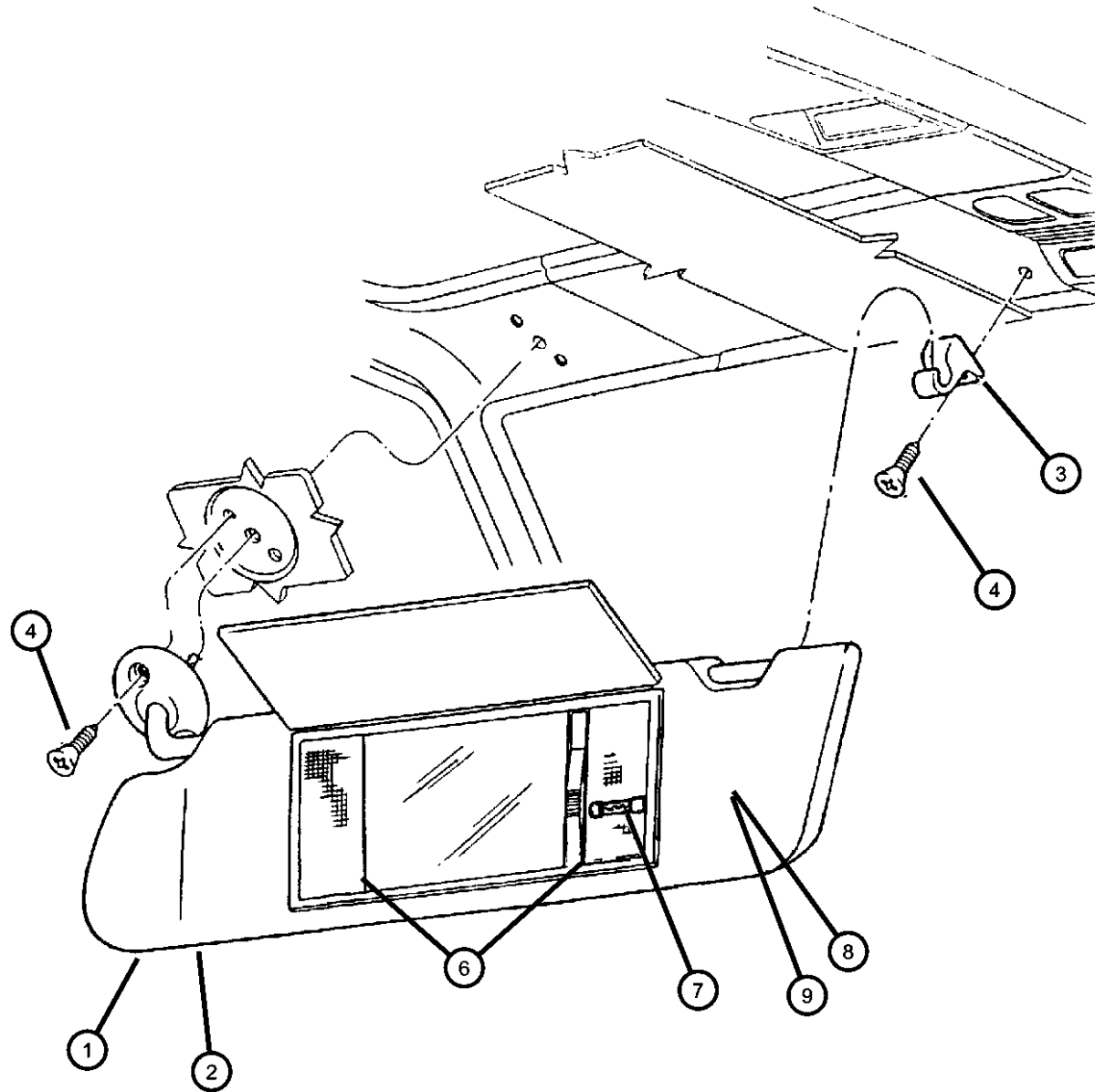
TRANSMISSION
DG4 = TRANSMISSION-MULTI-
SPEED AUTO, 45RFE
DGW = TRANSMISSION - 4-SPD.
AUTOMATIC, 44RE
DGK = TRANSMISSION - 4-SPD.
AUTOMATIC, 42RE
DGO = ALL AUTOMATIC
TRANSMISSIONS

AR = use ase required - = Non illustrated part

2000 WJ

**Sunvisor
Figure IWJ-120**

| ITEM | PART NUMBER | QTY | LINE | SERIES | BODY | ENGINE | TRANS | TRIM | DESCRIPTION |
|------|-------------|-----|------|--------|------|--------|-------|------|---|
| | 04778794 | 1 | U | | | | | *00 | |
| | | 1 | J, T | | | | | *00 | |
| 7 | | | | | | | | | BULB, 74 |
| | 06501966 | 1 | J, T | | | | | *00 | |
| | | 1 | U | | | | | *00 | |
| 8 | 04787437AA | 1 | J, T | | | | | | LABEL, Air Bag Warning, 5-Points, English/French |
| 9 | | | | | | | | | LABEL, Airbag Canada, Bi-Lingual |
| | 55196783AA | 1 | J, T | | | | | | Canada, Closed Body Warning |
| | 55196784AA | 1 | J, T | | | | | | |



GRAND CHEROKEE (WJ)

SERIES LINE
H = Laredo T = JEEP - 2WD
P = Limited J = JEEP - 4WD
 U = JEEP - 4WD (RHD)

BODY
74 = 4 Door (105.9 WB)

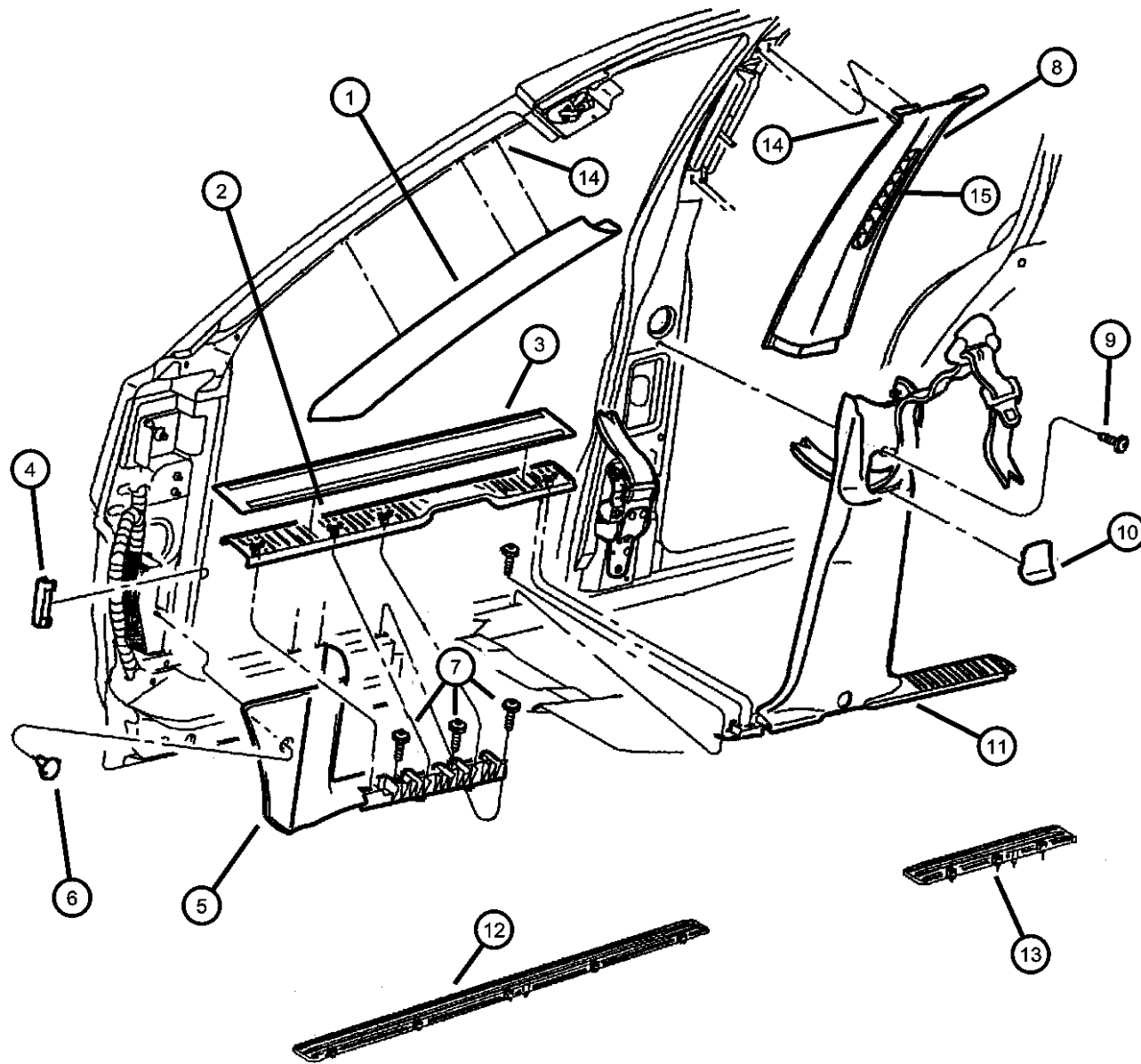
ENGINE
ERH = ENGINE - 4.0L
POWER TECH I-6
EVA = ENGINE- 4.7L V8 MPI
EXA = ENGINE - 3.1L 5 CYL
TURBO DIESEL

TRANSMISSION
DG4 = TRANSMISSION-MULTI-
SPEED AUTO, 45RFE
DGW = TRANSMISSION - 4-SPD.
AUTOMATIC,44RE
DGK = TRANSMISSION - 4-SPD.
AUTOMATIC,42RE
DGO = ALL AUTOMATIC
TRANSMISSIONS

AR = use ase required - = Non illustrated part

2000 WJ

**Front Trim Panels and Scuff Plates
Figure IWJ-210**



| ITEM | PART NUMBER | QTY | LINE | SERIES | BODY | ENGINE | TRANS | TRIM | DESCRIPTION |
|------|-------------|-----|------|--------|------|--------|-------|------|---|
| 1 | | | | | | | | | MOLDING, Windshield Garnish |
| | 5FA52LAZAD | 1 | | | | | | *00 | [AZ], Right |
| | 5FA52VK9AD | 1 | | | | | | *00 | [K5], Right |
| | 5FA52WL8AD | 1 | | | | | | *00 | [L5], Right |
| | 5FA53LAZAD | 1 | | | | | | *00 | [AZ], Left |
| | 5FA53VK9AD | 1 | | | | | | *00 | [K5], Left |
| | 5FA53WL8AD | 1 | | | | | | *00 | [L5], Left |
| 2 | | | | | | | | | SILL COVER, Interior |
| | 5FX10LAZAA | 1 | | | | | | *00 | [AZ], Right |
| | 5FX10RK5AA | 1 | | | | | | *00 | [K5], Right |
| | 5FX10WL5AA | 1 | | | | | | *00 | [L5], Right |
| | 5FX11LAZAA | 1 | | | | | | *00 | [AZ], Left |
| | 5FX11RK5AA | 1 | | | | | | *00 | [K5], Left |
| | 5FX11WL5AA | 1 | | | | | | *00 | [L5], Left |
| 3 | 5FX11WL5AA | 1 | | | | | | | PROTECTOR, Door Opening, (NOT SERVICED), |
| 4 | 55196878AA | 2 | | | | | | | CLIP, Trim Panel |
| 5 | | | | | | | | | PANEL, Cowl |
| | 5FA60LAZAD | 1 | J, T | | | | | *00 | [AZ], Right |
| | 5FA60RK5AD | 1 | J, T | | | | | *00 | [K5], Right |
| | 5FA60WL5AD | 1 | J, T | | | | | *00 | [L5], Right |
| | 5FA61LAZAC | 1 | J, T | | | | | *00 | [AZ], Left |
| | 5FA61RK5AC | 1 | J, T | | | | | *00 | [K5], Left |
| | 5FA61WL5AD | 1 | J, T | | | | | *00 | [L5], Left |
| | 5GE26LAZAC | 1 | U | | | | | *00 | [AZ], Right |
| | 5GE26RK5AC | 1 | U | | | | | *00 | [K5], Right |
| | 5GE27LAZAB | 1 | U | | | | | *00 | [AZ], Left |
| | 5GE27RK5AB | 1 | U | | | | | *00 | [K5], Left |
| 6 | 06503339 | 2 | | | | | | | NUT, Plastic |
| 7 | 06503339 | 2 | | | | | | | SCREW, .164-18x.625, (NOT SERVICED) |
| 8 | | | | | | | | | PANEL, B Pillar |
| | 5FA56LAZAB | 1 | | | | | | *00 | [AZ], Upper, Right |
| | 5FA56RK5AB | 1 | | | | | | *00 | [K5], Upper, Right |

GRAND CHEROKEE (WJ)

| | |
|-------------|----------------------|
| SERIES | LINE |
| H = Laredo | T = JEEP - 2WD |
| P = Limited | J = JEEP - 4WD |
| | U = JEEP - 4WD (RHD) |

BODY
74 = 4 Door (105.9 WB)

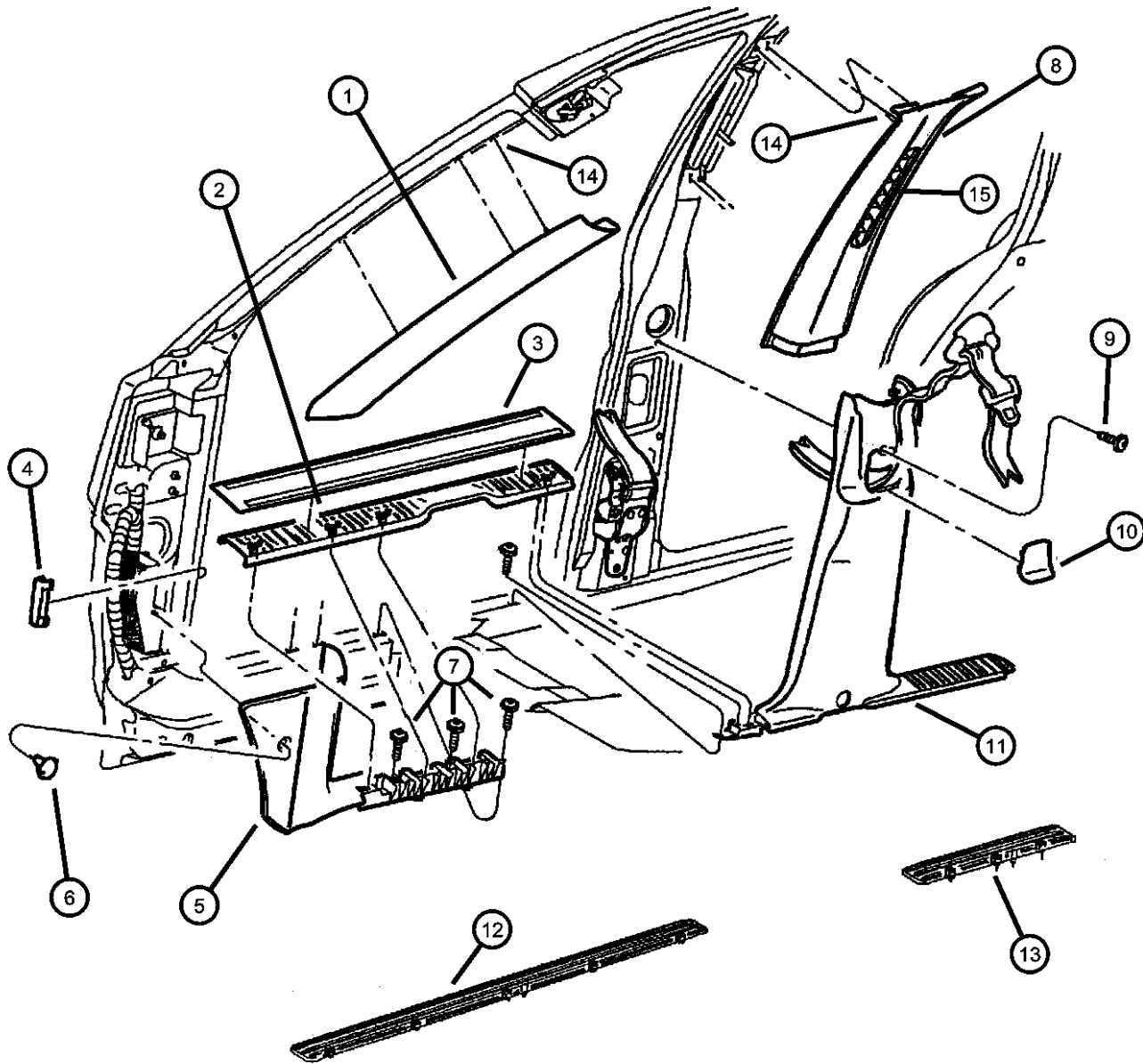
ENGINE
ERH = ENGINE - 4.0L
POWER TECH I-6
EVA = ENGINE - 4.7L V8 MPI
EXA = ENGINE - 3.1L 5 CYL
TURBO DIESEL

TRANSMISSION
DG4 = TRANSMISSION-MULTI-
SPEED AUTO, 45RFE
DGW = TRANSMISSION - 4-SPD.
AUTOMATIC, 44RE
DGK = TRANSMISSION - 4-SPD.
AUTOMATIC, 42RE
DGO = ALL AUTOMATIC
TRANSMISSIONS

AR = use ase required - = Non illustrated part

2000 WJ

Front Trim Panels and Scuff Plates
Figure IWJ-210



| ITEM | PART NUMBER | QTY | LINE | SERIES | BODY | ENGINE | TRANS | TRIM | DESCRIPTION |
|------|-------------|-----|------|--------|------|--------|-------|------|--|
| | 5FA56WL5AB | 1 | | | | | | *00 | [L5], Upper, Right |
| | 5FA57LAZAB | 1 | | | | | | *00 | [AZ], Upper, Left |
| | 5FA57RK5AB | 1 | | | | | | *00 | [K5], Upper, Left |
| | 5FA57WL5AB | 1 | | | | | | *00 | [L5], Upper, Left |
| 9 | 06032723 | 2 | | | | | | | SCREW, Self Tapping, M4.2x1.69x19.05 |
| 10 | | | | | | | | | COVER, B Pillar Trim Panel |
| | 5FP86LAZ | 2 | | | | | | *00 | [AZ] |
| | 5FP86RK5 | 2 | | | | | | *00 | [K5] |
| | 5FP86WL5 | 2 | | | | | | *00 | [L5] |
| 11 | | | | | | | | | PANEL, B Pillar Lower Trim |
| | 5FW54LAZAA | 1 | | | | | | *00 | [AZ], Right |
| | 5FW54RK5AA | 1 | | | | | | *00 | [K5], Right |
| | 5FW54WL5AA | 1 | | | | | | *00 | [L5], Right |
| | 5FW55LAZAA | 1 | | | | | | *00 | [AZ], Left |
| | 5FW55RK5AA | 1 | | | | | | *00 | [K5], Left |
| | 5FW55WL5AA | 1 | | | | | | *00 | [L5], Left |
| 12 | 5GH22DX9AA | 2 | | | | | | *00 | PLATE, Front Door Scuff |
| 13 | 5GH23DX9AA | 2 | | | | | | *00 | PLATE, Rear Door Scuff |
| 14 | 55214846 | 2 | | | H | | | *00 | CLIP, Trim Panel |
| 15 | | | | | | | | | ADJUSTER, Seat Belt Turning Loop, Slider, Also serviced in B Trim Panel, Item #8 |
| | 5FS19LAZ | 1 | | | | | | *00 | [AZ] |
| | 5FS19RK5 | 1 | | | | | | *00 | [K5] |
| | 5FS19WL5 | 1 | | | | | | *00 | [L5] |

GRAND CHEROKEE (WJ)

| | |
|-------------|----------------------|
| SERIES | LINE |
| H = Laredo | T = JEEP - 2WD |
| P = Limited | J = JEEP - 4WD |
| | U = JEEP - 4WD (RHD) |

| |
|------------------------|
| BODY |
| 74 = 4 Door (105.9 WB) |

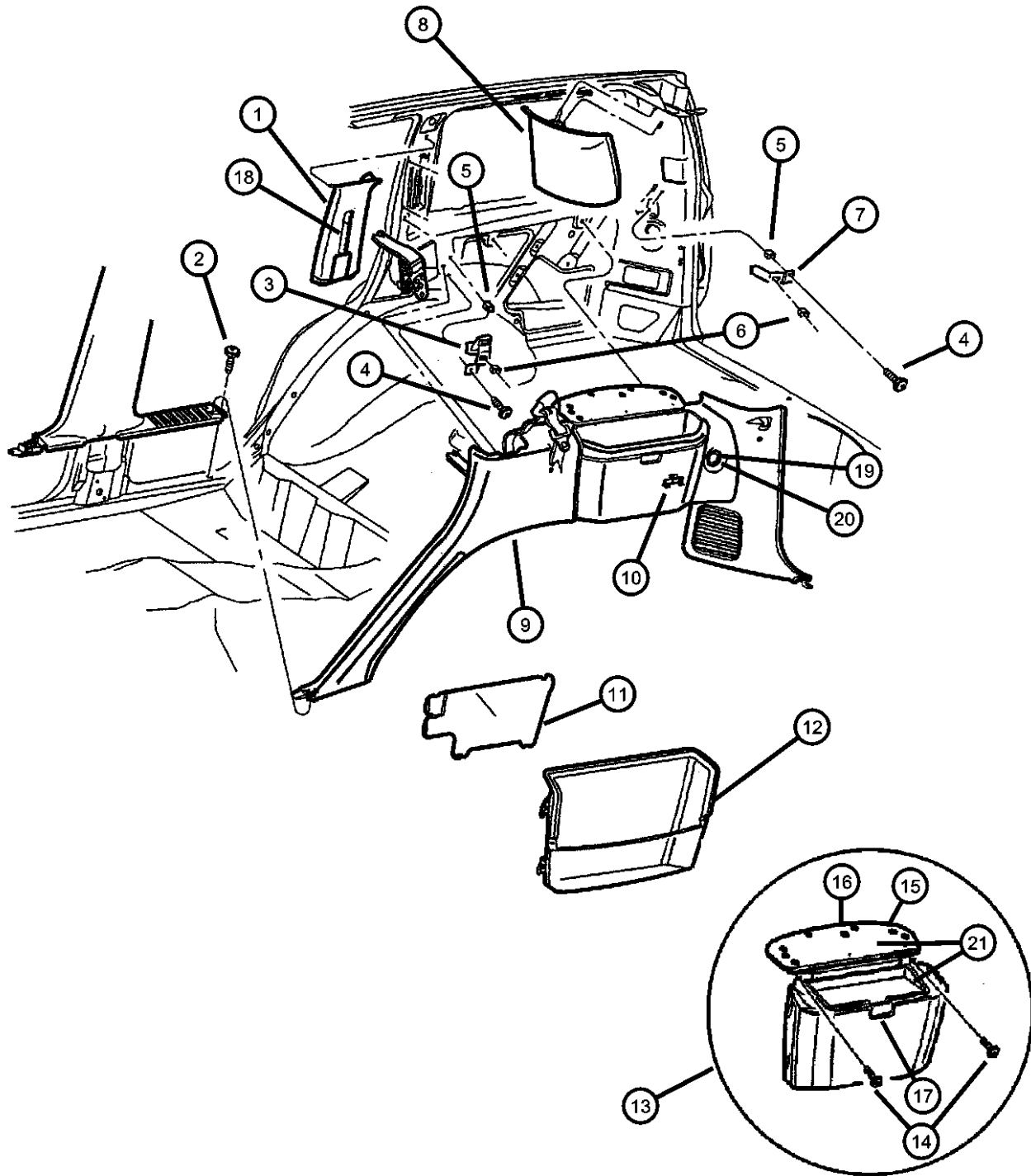
| |
|---|
| ENGINE |
| ERH = ENGINE - 4.0L POWER TECH I-6 |
| EVA = ENGINE- 4.7L V8 MPI |
| EXA = ENGINE - 3.1L 5 CYL TURBO DIESEL |

| |
|--|
| TRANSMISSION |
| DG4 = TRANSMISSION-MULTI- SPEED AUTO, 45RFE |
| DGW = TRANSMISSION - 4-SPD. AUTOMATIC, 44RE |
| DGK = TRANSMISSION - 4-SPD. AUTOMATIC, 42RE |
| DGO = ALL AUTOMATIC TRANSMISSIONS |

AR = use ase required - = Non illustrated part

2000 WJ

Rear Trim Panels
Figure IWJ-220



| ITEM | PART NUMBER | QTY | LINE | SERIES | BODY | ENGINE | TRANS | TRIM | DESCRIPTION |
|------|-------------|-----|------|--------|------|--------|-------|------|--------------------------------------|
| 1 | | | | | | | | | PANEL, C Pillar |
| | 5FA78LAZAC | 1 | | | | | | *O0 | [AZ], Upper, Right |
| | 5FA78RK5AC | 1 | | | | | | *O0 | [K5], Upper, Right |
| | 5FA78WL5AC | 1 | | | | | | *O0 | [L5], Upper, Right |
| | 5FA79LAZAC | 1 | | | | | | *O0 | [AZ], Upper, Left |
| | 5FA79RK5AC | 1 | | | | | | *O0 | [K5], Upper, Left |
| | 5FA79WL5AC | 1 | | | | | | *O0 | [L5], Upper, Left |
| 2 | 5FA79WL5AC | 1 | | | | | | | SCREW, .164-18x.625, (NOT SERVICED), |
| 3 | 55196742AB | 2 | | | | | | | BRACKET, Quarter TrimFront |
| 4 | 00154806 | 2 | | | | | | | SCREW, Round Head, .164-15x1.00 |
| 5 | 06035498 | 2 | | | | | | | NUT, Spring Type, .164-7.5 |
| 6 | 06035773 | 2 | | | | | | | NUT |
| 7 | 55196744AB | 2 | | | | | | | BRACKET, Quarter TrimRear |
| 8 | | | | | | | | | PANEL, D Pillar Trim |
| | 5FA72LAZAB | 1 | | | | | | *O0 | [AZ], Right |
| | 5FA72RK5AB | 1 | | | | | | *O0 | [K5], Right |
| | 5FA72WL5AB | 1 | | | | | | *O0 | [L5], Right |
| | 5FA73LAZAB | 1 | | | | | | *O0 | [AZ], Left |
| | 5FA73RK5AB | 1 | | | | | | *O0 | [K5], Left |
| | 5FA73WL5AB | 1 | | | | | | *O0 | [L5], Left |
| 9 | | | | | | | | | PANEL, Quarter Trim |
| | 5FA621AZAD | 1 | | | | | | *O0 | [AZ], Right |
| | 5FA621K5AD | 1 | | | | | | *O0 | [K5], Right |
| | 5FA621L5AD | 1 | | | | | | *O0 | [L5], Right |
| | 5FA63LAZAC | 1 | | | | | | *O0 | [AZ], Left |
| | 5FA63RK5AC | 1 | | | | | | *O0 | [K5], Left |
| | 5FA63WL5AC | 1 | | | | | | *O0 | [L5], Left |
| 10 | 55215609AB | 4 | | | | | | | LOOP, Cargo Tie Down |
| 11 | | | | | | | | | COVER, Bolt |
| | 5FY38LAZAA | 1 | | | P | | | *O0 | [AZ] |
| | 5FY38RK5AA | 1 | | | P | | | *O0 | [K5] |
| | 5FY38WL5AA | 1 | | | P | | | *O0 | [L5] |

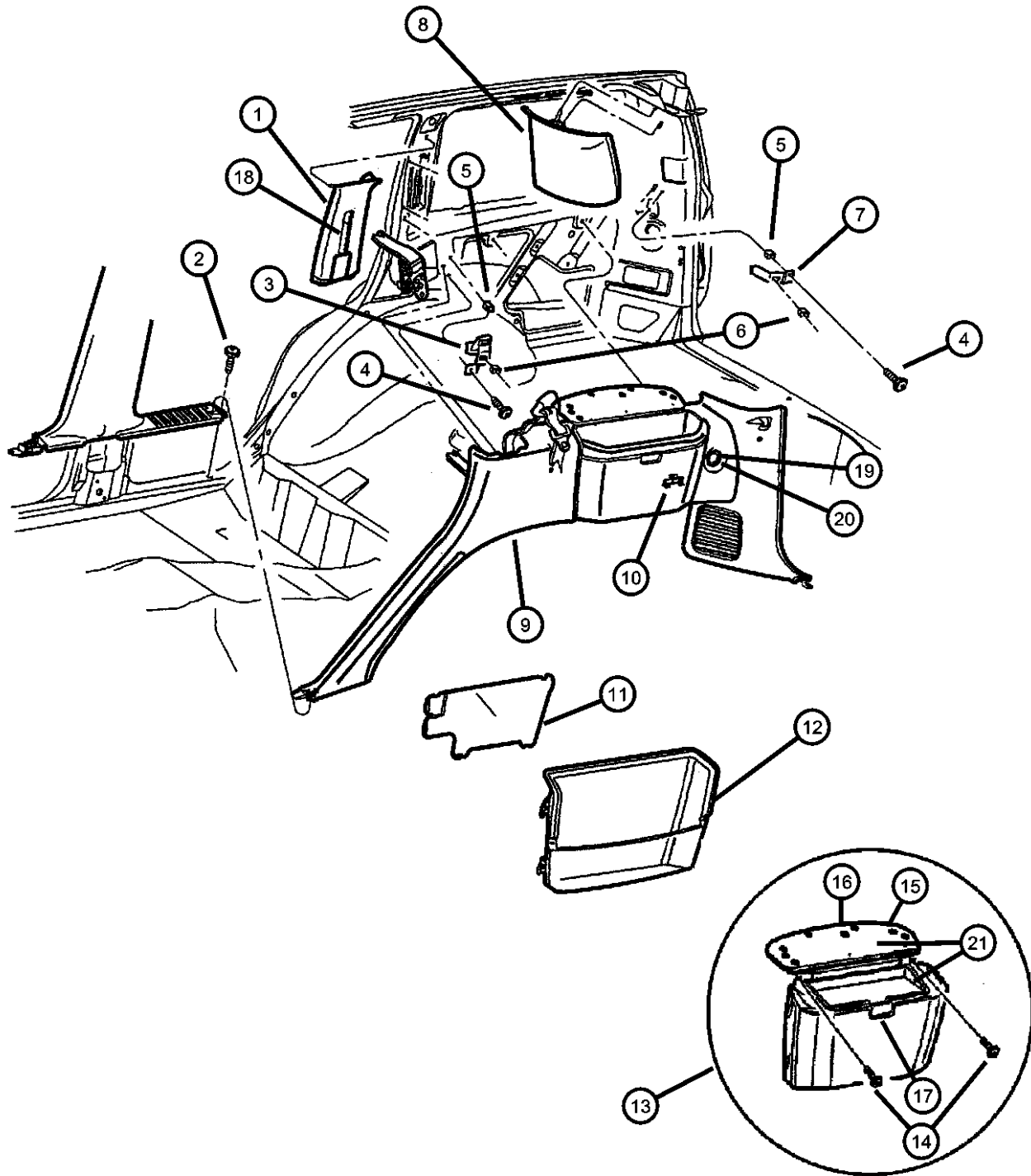
GRAND CHEROKEE (WJ)

| SERIES | LINE | BODY | ENGINE | TRANSMISSION |
|-------------|----------------------|------------------------|--|---|
| H = Laredo | T = JEEP - 2WD | 74 = 4 Door (105.9 WB) | ERH = ENGINE - 4.0L POWER TECH I-6 | DG4 = TRANSMISSION-MULTI-SPEED AUTO, 45RFE |
| P = Limited | J = JEEP - 4WD | | EVA = ENGINE - 4.7L V8 MPI | DGW = TRANSMISSION - 4-SPD. AUTOMATIC, 44RE |
| | U = JEEP - 4WD (RHD) | | EXA = ENGINE - 3.1L 5 CYL TURBO DIESEL | DGK = TRANSMISSION - 4-SPD. AUTOMATIC, 42RE |
| | | | | DGO = ALL AUTOMATIC TRANSMISSIONS |

AR = use ase required - = Non illustrated part

2000 WJ

Rear Trim Panels Figure IWJ-220



| ITEM | PART NUMBER | QTY | LINE | SERIES | BODY | ENGINE | TRANS | TRIM | DESCRIPTION |
|------|-------------|-----|------|--------|------|--------|-------|------|---|
| 12 | | | | | | | | | BIN, Storage |
| | 5FS14LAZ | 1 | | H | | | | *00 | [AZ], Cover |
| | 5FS14RK5 | 1 | | H | | | | *00 | [K5], Cover |
| | 5FS14WL5 | 1 | | H | | | | *00 | [L5], Cover |
| 13 | | | | | | | | | BIN, Storage |
| | 5FW371AZAC | 1 | | P | | | | *00 | [AZ], Quarter Panel |
| | 5FW371K5AC | 1 | | P | | | | *00 | [K5], Quarter Panel |
| | 5FW371L5AC | 1 | | P | | | | *00 | [L5], Quarter Panel |
| 14 | 5FW371L5AC | 1 | | | | | | | SCREW, .164-15X.500, (NOT SERVICED), |
| 15 | 04754478 | 4 | | P | | | | *00 | BUMPER, Armrest Lid |
| 16 | | | | | | | | | DOOR |
| | 5FS20LAZ | 1 | | P | | | | *00 | [AZ] |
| | 5FS20RK5 | 1 | | P | | | | *00 | [K5] |
| | 5FS20WL5 | 1 | | P | | | | *00 | [L5] |
| 17 | 55196620 | 1 | | P | | | | *00 | LATCH, Storage Bin Lid |
| 18 | | | | | | | | | ADJUSTER, Seat Belt Turning Loop, Sider, Also serviced in Item #1 |
| | 5FS19LAZ | 1 | | | | | | *00 | [AZ] |
| | 5FS19RK5 | 1 | | | | | | *00 | [K5] |
| | 5FS19WL5 | 1 | | | | | | *00 | [L5] |
| 19 | 04685591 | 1 | | | | | | | CAP, Cigar Lighter, Power Outlet, Rear |
| 20 | 0HX32DX9AB | 1 | | | | | | *00 | PLUG, 12 V-Outlet |
| 21 | 5FS21DX9AC | 1 | | H | | | | *00 | LID, Storage Bin |

GRAND CHEROKEE (WJ)

| | | | | |
|-------------|----------------------|------------------------|--|--|
| SERIES | LINE | BODY | ENGINE | TRANSMISSION |
| H = Laredo | T = JEEP - 2WD | 74 = 4 Door (105.9 WB) | ERH = ENGINE - 4.0L POWER TECH I-6 | DG4 = TRANSMISSION-MULTI-SPEED AUTO, 45RFE |
| P = Limited | J = JEEP - 4WD | | EVA = ENGINE- 4.7L V8 MPI | DGW = TRANSMISSION - 4-SPD. AUTOMATIC,44RE |
| | U = JEEP - 4WD (RHD) | | EXA = ENGINE - 3.1L 5 CYL TURBO DIESEL | DGK = TRANSMISSION - 4-SPD. AUTOMATIC,42RE |
| | | | | DGO = ALL AUTOMATIC TRANSMISSIONS |

AR = use ase required - = Non illustrated part

2000 WJ

**Carpet and Insulation
Figure IWJ-310**

| ITEM | PART NUMBER | QTY | LINE | SERIES | BODY | ENGINE | TRANS | TRIM | DESCRIPTION |
|------|-------------|-----|------|--------|------|--------|-------|------|---|
| 1 | | | | | | | | | CARPET, Front Floor |
| | 5FA14LAZAC | 1 | J, T | | | | | *O0 | [AZ] |
| | 5FA14VK9AC | 1 | J, T | | | | | *O0 | [K5] |
| | 5FA14WL8AC | 1 | J, T | | | | | *O0 | [L5] |
| | 5FA20LAZ | 1 | U | | | | | *O0 | [AZ], Export |
| | 5FA20VK9 | 1 | U | | | | | *O0 | [K5], Export |
| | 5GC66LAZAA | 1 | J, T | | | | | *O0 | [AZ], Export |
| | 5GC66VK9AA | 1 | J, T | | | | | *O0 | [K5], Export |
| 2 | | | | | | | | | CARPET, Cargo Floor |
| | 5FS70LAZAC | 1 | J, T | | | | | *O0 | [AZ] |
| | 5FS70VK9AC | 1 | J, T | | | | | *O0 | [K5] |
| | 5FS70WL8AC | 1 | J, T | | | | | *O0 | [L5] |
| | 5GA92LAZAB | 1 | | | | | | *O0 | [AZ], Export |
| | 5GA92VK9AB | 1 | | | | | | *O0 | [K5], Export |
| 3 | 06035122 | 8 | | | | | | | RIVET, .187x.70 Black |
| 4 | 55196748AA | 2 | | | | | | | BRACKET, Spare Tire, Hinge Cover |
| 5 | | | | | | | | | COVER, Spare Tire |
| | 5FS831AZAC | 1 | J, T | | | | | *O0 | Black&Agate |
| | 5FS831K9AC | 1 | J, T | | | | | *O0 | Black&Medium Camel |
| | 5FS831L8AC | 1 | J, T | | | | | *O0 | Black&Taupe |
| | 5GA931AZAB | 1 | | | | | | *O0 | Black&Agate, Export |
| | 5GA931K9AB | 1 | | | | | | *O0 | Black&Medium Camel, Export |
| 6 | | | | | | | | | COVER, Cargo Compartment |
| | 5FS271AZ | 1 | | | | | | *O0 | Black&Agate |
| | 5FS271K5 | 1 | | | | | | *O0 | Black&Medium Camel |
| | 5FS271L5 | 1 | | | | | | *O0 | Black&Taupe |
| 7 | 55215609AB | 4 | | | | | | | LOOP, Cargo Tie Down |
| 8 | 55215609AB | 4 | | | | | | | SCREW, [.164-18x1.625], (NOT SERVICED) |
| 9 | 55196839AB | 1 | | | | | | | NET, Cargo |
| 10 | | | | | | | | | MAT KIT, Floor - Front |
| | 82204400 | 1 | J, T | H, P | 74 | | | | [AZ], Black Rubber |
| | 82204401 | 1 | J, T | H, P | 74 | | | | [K5], Black Rubber |

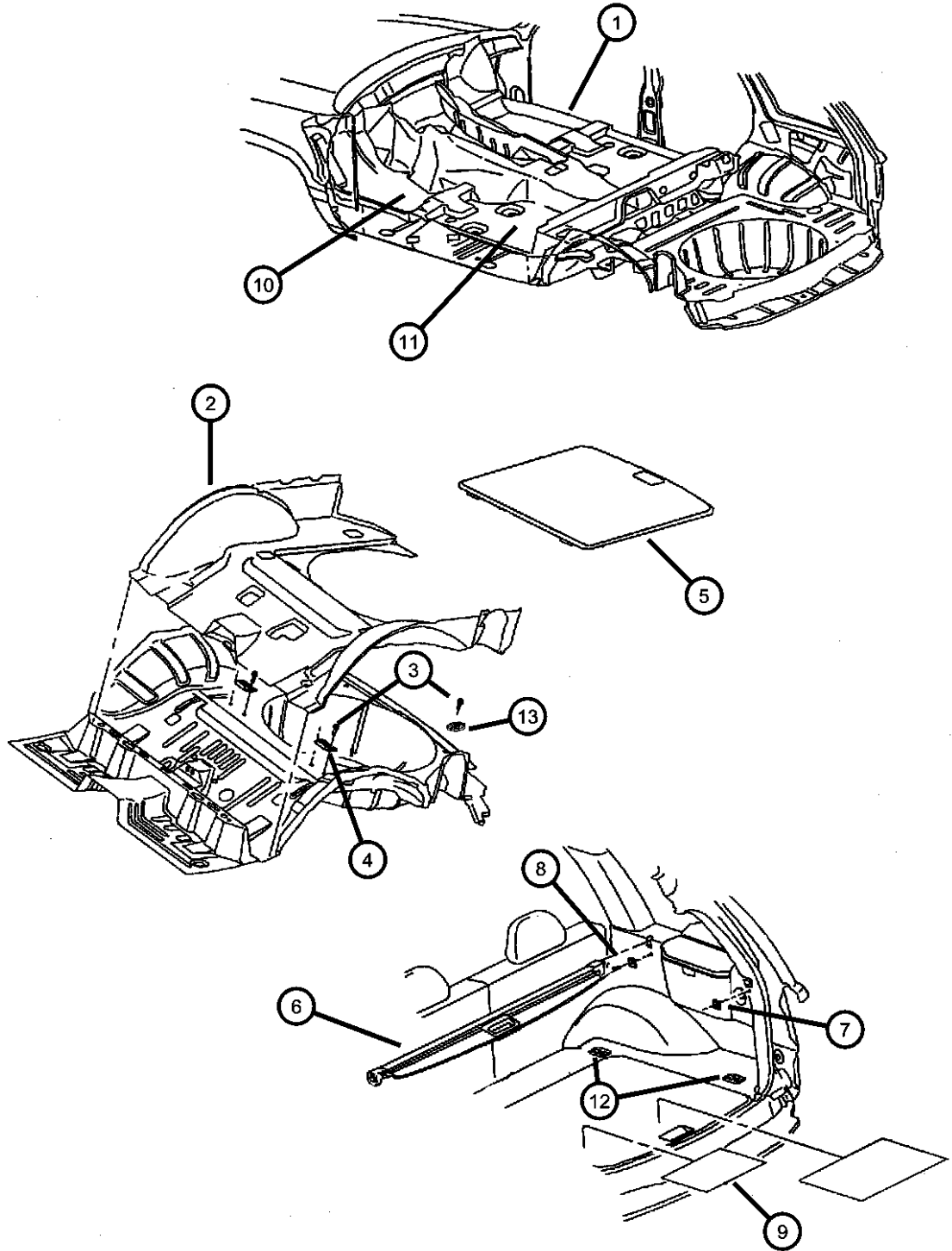
GRAND CHEROKEE (WJ)

| | | | | |
|-------------|----------------------|------------------------|---|--|
| SERIES | LINE | BODY | ENGINE | TRANSMISSION |
| H = Laredo | T = JEEP - 2WD | 74 = 4 Door (105.9 WB) | ERH = ENGINE - 4.0L POWER TECH I-6 | DG4 = TRANSMISSION-MULTI- SPEED AUTO, 45RFE |
| P = Limited | J = JEEP - 4WD | | EVA = ENGINE- 4.7L V8 MPI | DGW = TRANSMISSION - 4-SPD. AUTOMATIC, 44RE |
| | U = JEEP - 4WD (RHD) | | EXA = ENGINE - 3.1L 5 CYL TURBO DIESEL | DGK = TRANSMISSION - 4-SPD. AUTOMATIC, 42RE |
| | | | | DGO = ALL AUTOMATIC TRANSMISSIONS |

AR = use ase required - = Non illustrated part

2000 WJ

**Carpet and Insulation
Figure IWJ-310**



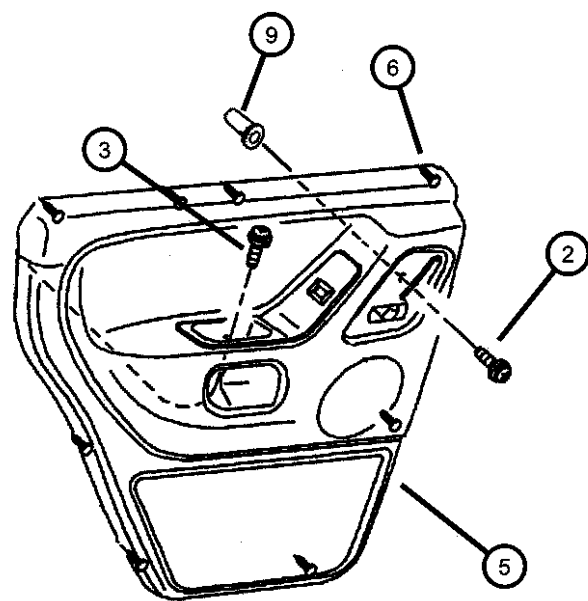
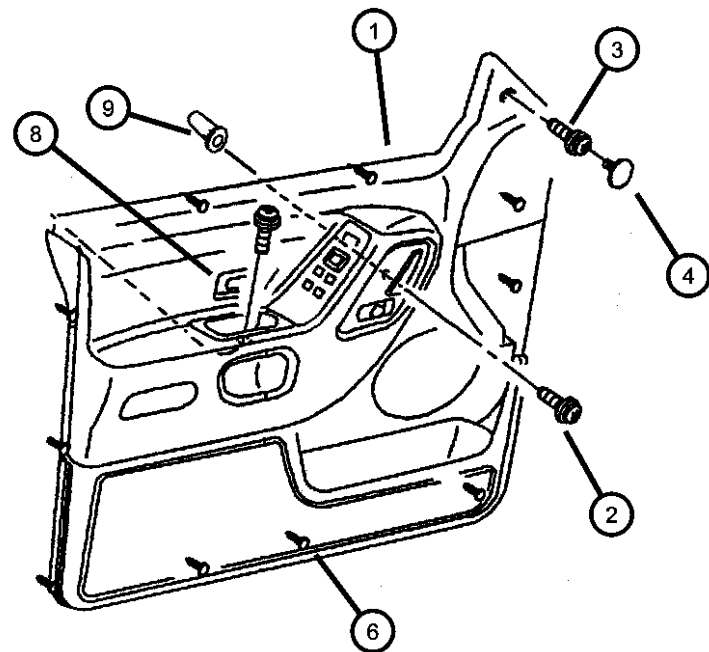
| ITEM | PART NUMBER | QTY | LINE | SERIES | BODY | ENGINE | TRANS | TRIM | DESCRIPTION |
|------|-------------|-----|------|--------|------|--------|-------|------|--|
| | 82204402 | 1 | J, T | H, P | 74 | | | | [L5], Black Rubber |
| | 82204409 | 1 | J, T | | | | | *O0 | [AZ], Carpeted With Jeep Logo |
| | 82204410 | 1 | J, T | | | | | *O0 | [L5], Carpeted With Jeep Logo |
| | 82204411 | 1 | J, T | | | | | *O0 | [K5], Carpeted With Jeep Logo |
| | 82204570 | 1 | J, T | H, P | 74 | | | | [AZ], Carpeted |
| | 82204571 | 1 | J, T | H, P | 74 | | | | [L5], Carpeted |
| | 82204572 | 1 | J, T | H, P | 74 | | | | [K5], Carpeted |
| | 82205434 | 1 | | | | | | | Black Rubber, Left Hand Drive, Export |
| | 82205435 | 1 | | | | | | | Black Rubber, Right Hand Drive, Export |
| 11 | | | | | | | | | MAT KIT, Floor - Rear |
| | 82203303 | 1 | J, T | H, P | 74 | | | | [AZ], Black Rubber |
| | 82204404 | 1 | J, T | H, P | 74 | | | | [K5], Black Rubber |
| | 82204405 | 1 | J, T | H, P | 74 | | | | [L5], Black Rubber |
| | 82204412 | 1 | J, T | | | | | *O0 | [AZ], Carpeted With Jeep Logo |
| | 82204413 | 1 | J, T | H, P | 74 | | | | [K5], Carpeted With Jeep Logo |
| | 82204414 | 1 | J, T | | | | | *O0 | [L5], Carpeted With Jeep Logo |
| | 82204573 | 1 | J, T | H, P | 74 | | | | [AZ], Carpeted |
| | 82204574 | 1 | J, T | H, P | 74 | | | | [L5], Carpeted |
| | 82204575 | 1 | J, T | H, P | 74 | | | | [K5], Carpeted |
| 12 | 05015592AA | 4 | J, T | | | | | *O0 | LOOP, Cargo Tie Down |
| 13 | 55196832AA | 2 | | | | | | | RETAINER, Dual Lock |
| -14 | | | | | | | | | CLIP, Carpet |
| | 55196834AA | 1 | | U | | | | *O0 | |
| | | 1 | J, T | | | | | *O0 | |

GRAND CHEROKEE (WJ)

| | | | | |
|-------------|----------------------|------------------------|--|---|
| SERIES | LINE | BODY | ENGINE | TRANSMISSION |
| H = Laredo | T = JEEP - 2WD | 74 = 4 Door (105.9 WB) | ERH = ENGINE - 4.0L POWER TECH I-6 | DG4 = TRANSMISSION-MULTI-SPEED AUTO, 45RFE |
| P = Limited | J = JEEP - 4WD | | EVA = ENGINE- 4.7L V8 MPI | DGW = TRANSMISSION - 4-SPD. AUTOMATIC, 44RE |
| | U = JEEP - 4WD (RHD) | | EXA = ENGINE - 3.1L 5 CYL TURBO DIESEL | DGK = TRANSMISSION - 4-SPD. AUTOMATIC, 42RE |
| | | | | DGO = ALL AUTOMATIC TRANSMISSIONS |

AR = use ase required - = Non illustrated part

Door Trim Panels
Figure IWJ-410



| ITEM | PART NUMBER | QTY | LINE | SERIES | BODY | ENGINE | TRANS | TRIM | DESCRIPTION |
|------|-------------|-----|------|--------|------|--------|-------|------|---------------------------------------|
| 1 | | | | | | | | | PANEL, Front Door Trim |
| | 0TL761AZAA | 1 | J, T | P | | | | *00 | [AZ], Limited, Right |
| | 0TL761K5AA | 1 | J, T | P | | | | *00 | [K5], Limited, Right |
| | 0TL761L5AA | 1 | J, T | P | | | | *00 | [L5], Limited, Right |
| | 0TL771AZAA | 1 | J, T | P | | | | *00 | [AZ], Limited, Left |
| | 0TL771K5AA | 1 | J, T | P | | | | *00 | [K5], Limited, Left |
| | 0TL771L5AA | 1 | J, T | P | | | | *00 | [L5], Limited, Left |
| | 0TL781AZAA | 1 | U | P | | | | *00 | [AZ], Limited, Right |
| | 0TL781K5AA | 1 | U | P | | | | *00 | [K5], Limited, Right |
| | 0TL791AZAA | 1 | U | P | | | | *00 | [AZ], Limited, Left |
| | 0TL791K5AA | 1 | U | P | | | | *00 | [K5], Limited, Left |
| | 0TM021AZAA | 1 | J, T | H | | | | *00 | [AZ], Laredo, Without Infinity, Right |
| | 0TM021K5AA | 1 | J, T | H | | | | *00 | [K5], Laredo, Without Infinity, Right |
| | 0TM021L5AA | 1 | J, T | H | | | | *00 | [L5], Laredo, Without Infinity, Right |
| | 0TM031AZAA | 1 | J, T | H | | | | *00 | [AZ], Laredo, Without Infinity, Left |
| | 0TM031K5AA | 1 | J, T | H | | | | *00 | [K5], Laredo, Without Infinity, Left |
| | 0TM031L5AA | 1 | J, T | H | | | | *00 | [L5], Laredo, Without Infinity, Left |
| | 0TM041AZAA | 1 | J, T | H | | | | *00 | [AZ], Laredo, With Infinity, Right |
| | 0TM041K5AA | 1 | J, T | H | | | | *00 | [K5], Laredo, With Infinity, Right |
| | 0TM041L5AA | 1 | J, T | H | | | | *00 | [L5], Laredo, With Infinity, Right |
| | 0TM051AZAA | 1 | J, T | H | | | | *00 | [AZ], Laredo, With Infinity, Left |
| | 0TM051K5AA | 1 | J, T | H | | | | *00 | [K5], Laredo, With Infinity, Left |
| | 0TM051L5AA | 1 | J, T | H | | | | *00 | [L5], Laredo, With Infinity, Left |
| | 0TM061AZAA | 1 | U | H | | | | *00 | [AZ], Right |
| | 0TM061K5AA | 1 | U | H | | | | *00 | [K5], Right |
| | 0TM071AZAA | 1 | U | H | | | | *00 | [AZ], Left |
| | 0TM071K5AA | 1 | U | H | | | | *00 | [K5], Left |
| 2 | 0TM071K5AA | 1 | | | | | | | SCREW, M5X0.8X16.00, (NOT SERVICED), |
| 3 | 06032723 | 4 | | | | | | | SCREW, Self Tapping, M4.2x1.69x19.05 |
| 4 | | | | | | | | | PLUG, Door Trim Panel |
| | 5FC11LAZ | 2 | | | | | | *00 | [AZ] |

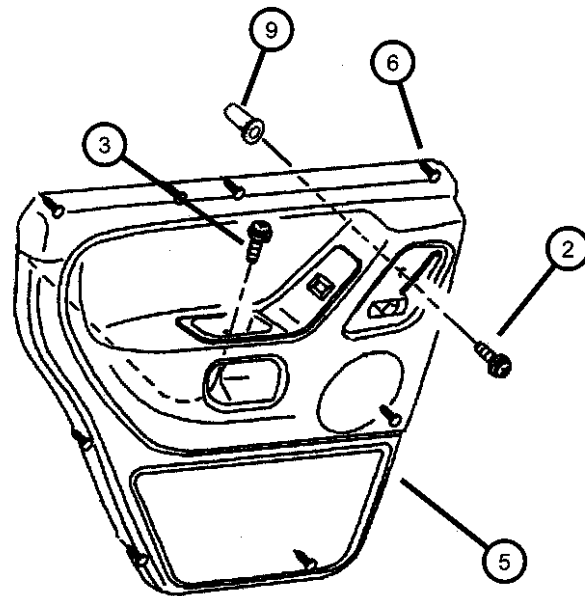
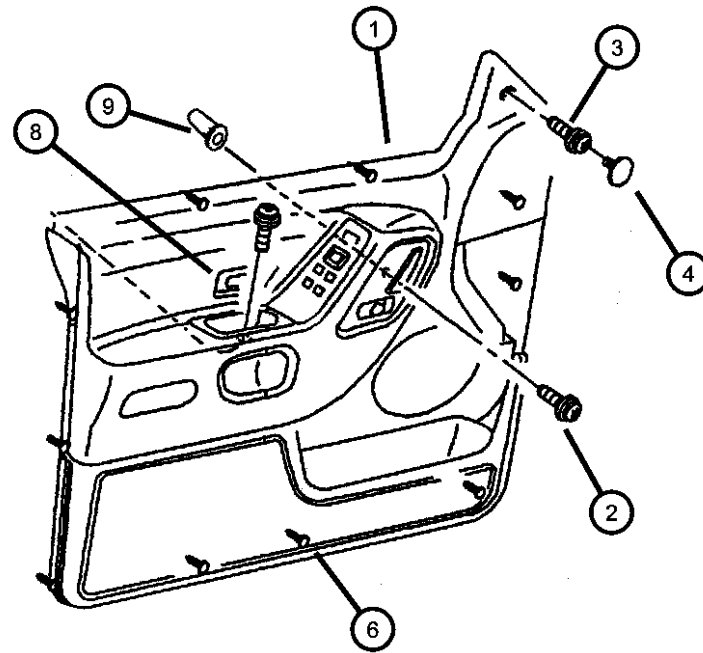
GRAND CHEROKEE (WJ)

| | | | | |
|-------------|----------------------|------------------------|--|---|
| SERIES | LINE | BODY | ENGINE | TRANSMISSION |
| H = Laredo | T = JEEP - 2WD | 74 = 4 Door (105.9 WB) | ERH = ENGINE - 4.0L POWER TECH I-6 | DG4 = TRANSMISSION-MULTI-SPEED AUTO, 45RFE |
| P = Limited | J = JEEP - 4WD | | EVA = ENGINE- 4.7L V8 MPI | DGW = TRANSMISSION - 4-SPD. AUTOMATIC, 44RE |
| | U = JEEP - 4WD (RHD) | | EXA = ENGINE - 3.1L 5 CYL TURBO DIESEL | DGK = TRANSMISSION - 4-SPD. AUTOMATIC, 42RE |
| | | | | DGO = ALL AUTOMATIC TRANSMISSIONS |

AR = use ase required - = Non illustrated part

2000 WJ

Door Trim Panels
Figure IWJ-410



| ITEM | PART NUMBER | QTY | LINE | SERIES | BODY | ENGINE | TRANS | TRIM | DESCRIPTION | |
|---------------------------|-----------------------|--|------|--------|------|--------|-------|-----------------------|-----------------------|------------|
| 5 | 5FC11VK9 | 2 | | | | | | *00 | [K5] | |
| | 5FC11WL8 | 2 | | | | | | *00 | [L5] | |
| | PANEL, Rear Door Trim | | | | | | | | | |
| | 0TL741AZAA | 1 | | P | | | | *00 | [AZ], Right | |
| | 0TL741K5AA | 1 | | P | | | | *00 | [K5], Right | |
| | 0TL741L5AA | 1 | | P | | | | *00 | [L5], Right | |
| | 0TL751AZAA | 1 | | P | | | | *00 | [AZ], Left | |
| | 0TL751K5AA | 1 | | P | | | | *00 | [K5], Left | |
| | 0TL751L5AA | 1 | | P | | | | *00 | [L5], Left | |
| | 0TM081AZAA | 1 | | H | | | | *00 | [AZ], Right | |
| | 0TM081K5AA | 1 | | H | | | | *00 | [K5], Right | |
| | 0TM081L5AA | 1 | | H | | | | *00 | [L5], Right | |
| | 6 | 0TM091AZAA | 1 | | H | | | | *00 | [AZ], Left |
| 0TM091K5AA | | 1 | | H | | | | *00 | [K5], Left | |
| 0TM091L5AA | | 1 | | H | | | | *00 | [L5], Left | |
| FASTENER, Door Trim Panel | | | | | | | | | | |
| 06505539AA | | 9 | | H | | | | *00 | Rear Door | |
| | | 9 | | P | | | | *00 | Rear Door | |
| | | 11 | | H | | | | *00 | Front Door | |
| | | 11 | | P | | | | *00 | Front Door | |
| -7 | | RETAINER, Trim Panel, Pin portion of 6505539AA | | | | | | | | |
| | | 05012874AA | 9 | | P | | | | *00 | Rear Door |
| | | | 11 | J, T | P | | | | *00 | Front Door |
| | | 11 | U | P | | | | *00 | Front Door | |
| | | 11 | J, T | H | | | | *00 | Front Door | |
| | | 11 | U | H | | | | *00 | Front Door | |
| | | 9 | | H | | | | *00 | Rear Door | |
| | 8 | BEZEL, Door Trim Panel | | | | | | | | |
| 05012956AA | | 1 | J, T | P | | | | *00 | Memory Switch, Driver | |
| | | 1 | J, T | H | | | | *00 | Memory Switch, Driver | |
| 05012957AA | | 1 | U | H | | | | *00 | Memory Switch, Driver | |
| | 1 | U | P | | | | *00 | Memory Switch, Driver | | |

GRAND CHEROKEE (WJ)

SERIES
H = Laredo
P = Limited

LINE
T = JEEP - 2WD
J = JEEP - 4WD
U = JEEP - 4WD (RHD)

BODY
74 = 4 Door (105.9 WB)

ENGINE
ERH = ENGINE - 4.0L
POWER TECH I-6
EVA = ENGINE- 4.7L V8 MPI
EXA = ENGINE - 3.1L 5 CYL
TURBO DIESEL

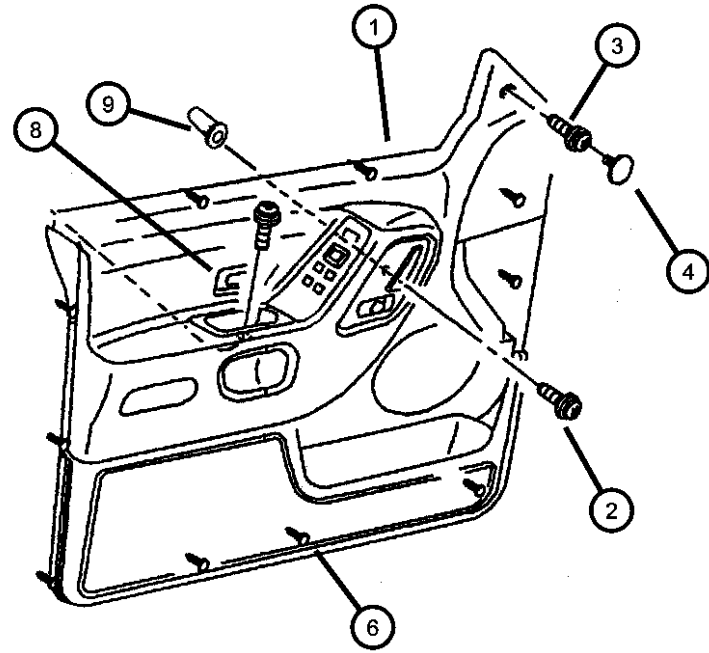
TRANSMISSION
DG4 = TRANSMISSION-MULTI-
SPEED AUTO, 45RFE
DGW = TRANSMISSION - 4-SPD.
AUTOMATIC,44RE
DGK = TRANSMISSION - 4-SPD.
AUTOMATIC,42RE
DGO = ALL AUTOMATIC
TRANSMISSIONS

AR = use ase required - = Non illustrated part

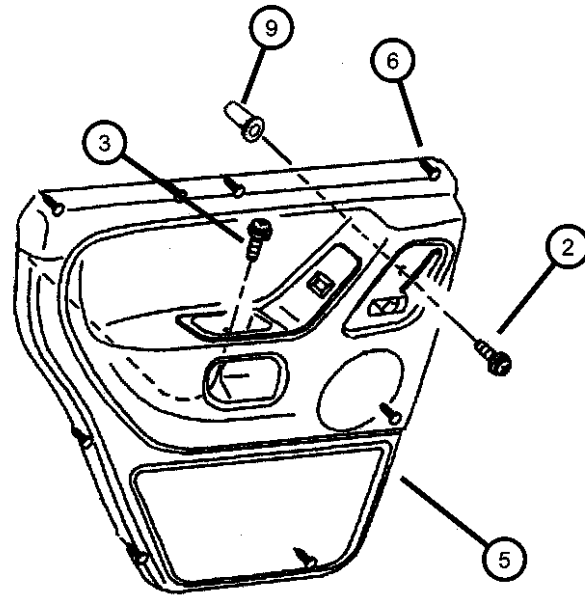
2000 WJ

Door Trim Panels
Figure IWJ-410

| ITEM | PART NUMBER | QTY | LINE | SERIES | BODY | ENGINE | TRANS | TRIM | DESCRIPTION |
|------|-------------|-----|------|--------|------|--------|-------|------|-------------|
|------|-------------|-----|------|--------|------|--------|-------|------|-------------|



| | | | | | | | | | |
|---|------------|---|--|---|--|--|--|--|-----|
| 9 | | | | | | | | | NUT |
| | 06505201AA | 2 | | P | | | | | |
| | | 2 | | | | | | | |



GRAND CHEROKEE (WJ)

SERIES
H = Laredo
P = Limited

LINE
T = JEEP - 2WD
J = JEEP - 4WD
U = JEEP - 4WD (RHD)

BODY
74 = 4 Door (105.9 WB)

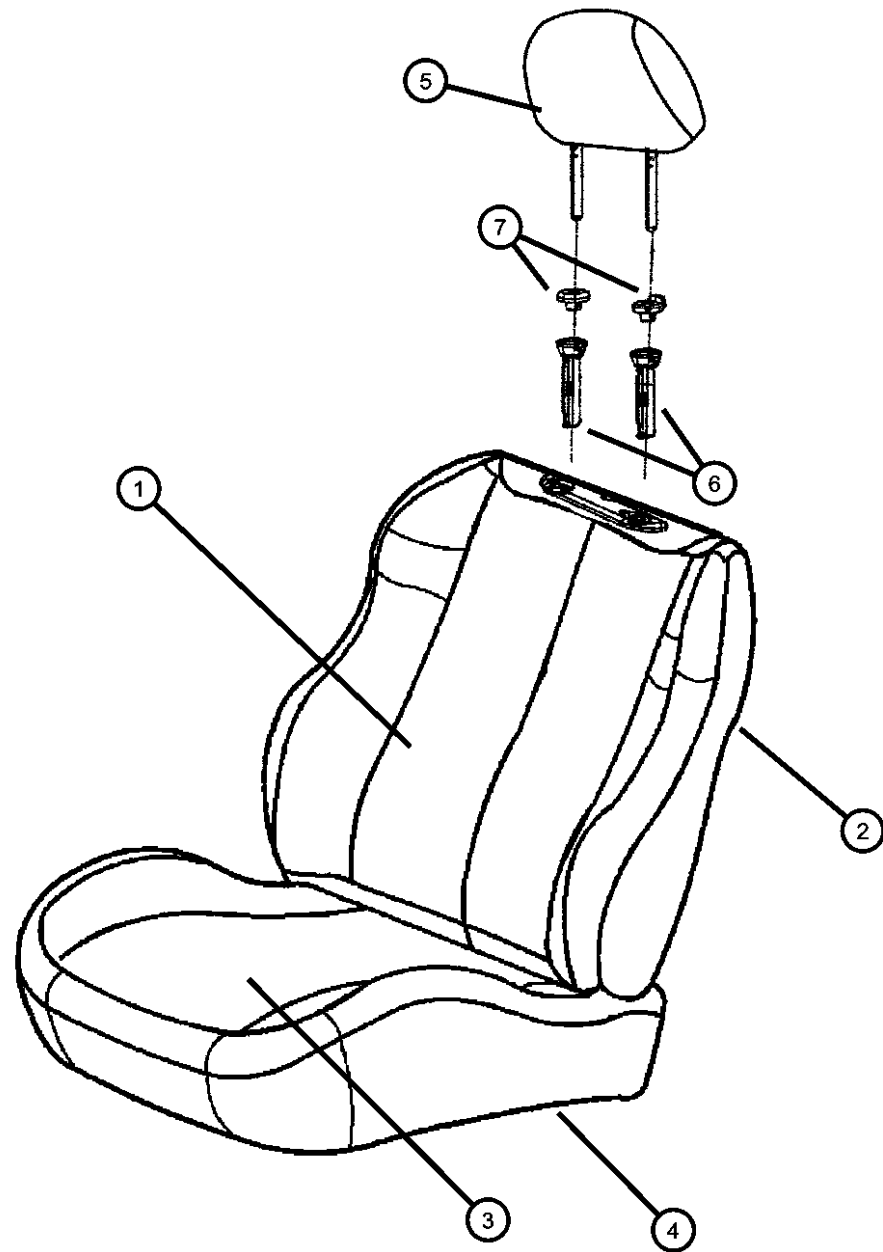
ENGINE
ERH = ENGINE - 4.0L
POWER TECH I-6
EVA = ENGINE- 4.7L V8 MPI
EXA = ENGINE - 3.1L 5 CYL
TURBO DIESEL

TRANSMISSION
DG4 = TRANSMISSION-MULTI-
SPEED AUTO, 45RFE
DGW = TRANSMISSION - 4-SPD.
AUTOMATIC,44RE
DGK = TRANSMISSION - 4-SPD.
AUTOMATIC,42RE
DGO = ALL AUTOMATIC
TRANSMISSIONS

AR = use ase required - = Non illustrated part

2000 WJ

Front Seat, Cloth, Trim Code [H7]
Figure IWJ-510



| ITEM | PART NUMBER | QTY | LINE | SERIES | BODY | ENGINE | TRANS | TRIM | DESCRIPTION |
|------------|-------------|------|------|--------|------|--------|-------|---|---|
| 1 | 0SK311AZAA | 2 | J, T | | | | | *H7 | [AZ], Front Seat Back |
| | | 2 | U | | | | | *H7 | [AZ], Front Seat Back |
| | 0SK311K5AA | 2 | J, T | | | | | *H7 | [K5], Front Seat Back |
| | | 2 | U | | | | | *H7 | [K5], Front Seat Back |
| 0SK311L5AA | 2 | J, T | | | | | | *H7 | [L5], Front Seat Back |
| | 2 | U | | | | | | *H7 | [L5], Front Seat Back |
| 2 | 0SK401AZAA | 1 | J, T | | | | | *H7 | [AZ], Right BACK, Front Seat |
| | | 1 | U | | | | | *H7 | [AZ], Right BACK, Front Seat |
| | 0SK401K5AA | 1 | J, T | | | | | *H7 | [K5], Right BACK, Front Seat |
| | | 1 | U | | | | | *H7 | [K5], Right BACK, Front Seat |
| | 0SK401L5AA | 1 | J, T | | | | | *H7 | [L5], Right BACK, Front Seat |
| | 0SK411AZAA | 1 | J, T | | | | | *H7 | [AZ], Left BACK, Front Seat |
| | | 1 | U | | | | | *H7 | [AZ], Left BACK, Front Seat |
| | 0SK411K5AA | 1 | J, T | | | | | *H7 | [K5], Left BACK, Front Seat |
| | | 1 | U | | | | | *H7 | [K5], Left BACK, Front Seat |
| | 0SK411L5AA | 1 | J, T | | | | | *H7 | [L5], Left BACK, Front Seat |
| 3 | 0SK381AZAA | 1 | J, T | | | | | *H7 | [AZ], Up to 1-17-00, Right COVER AND PAD, Cushion |
| | | 1 | U | | | | | *H7 | [AZ], Up to 1-17-00, Right COVER AND PAD, Cushion |
| | 0SK381K5AA | 1 | J, T | | | | | *H7 | [K5], Up to 1-17-00, Right COVER AND PAD, Cushion |
| | | 1 | U | | | | | *H7 | [K5], Up to 1-17-00, Right COVER AND PAD, Cushion |
| | 0SK381L5AA | 1 | J, T | | | | | *H7 | [L5], Up to 1-17-00, Right COVER AND PAD, Cushion |
| | 0SK391AZAA | 1 | J, T | | | | | *H7 | [AZ], Up to 1-17-00, Left COVER AND PAD, Cushion |
| | | 1 | U | | | | | *H7 | [AZ], Up to 1-17-00, Left COVER AND PAD, Cushion |
| | 0SK391K5AA | 1 | J, T | | | | | *H7 | [K5], Up to 1-17-00, Left COVER AND PAD, Cushion |
| | | 1 | U | | | | | *H7 | [K5], Up to 1-17-00, Left COVER AND PAD, Cushion |
| | 0SK391L5AA | 1 | J, T | | | | | *H7 | [L5], Up to 1-17-00, Left COVER AND PAD, Cushion |
| | 0TY721AZAA | 1 | J, T | | | | | *H7 | [AZ], After 1-17-00, Right COVER AND PAD, Cushion |
| | | 1 | U | | | | | *H7 | [AZ], After 1-17-00, Right COVER AND PAD, Cushion |
| | 0TY721K5AA | 1 | J, T | | | | | *H7 | [K5], After 1-17-00, Right COVER AND PAD, Cushion |
| | | 1 | U | | | | | *H7 | [K5], After 1-17-00, Right COVER AND PAD, Cushion |
| 0TY721L5AA | 1 | J, T | | | | | *H7 | [L5], After 1-17-00, Right COVER AND PAD, Cushion | |

GRAND CHEROKEE (WJ)

SERIES LINE
H = Laredo T = JEEP - 2WD
P = Limited J = JEEP - 4WD
U = JEEP - 4WD (RHD)

BODY
74 = 4 Door (105.9 WB)

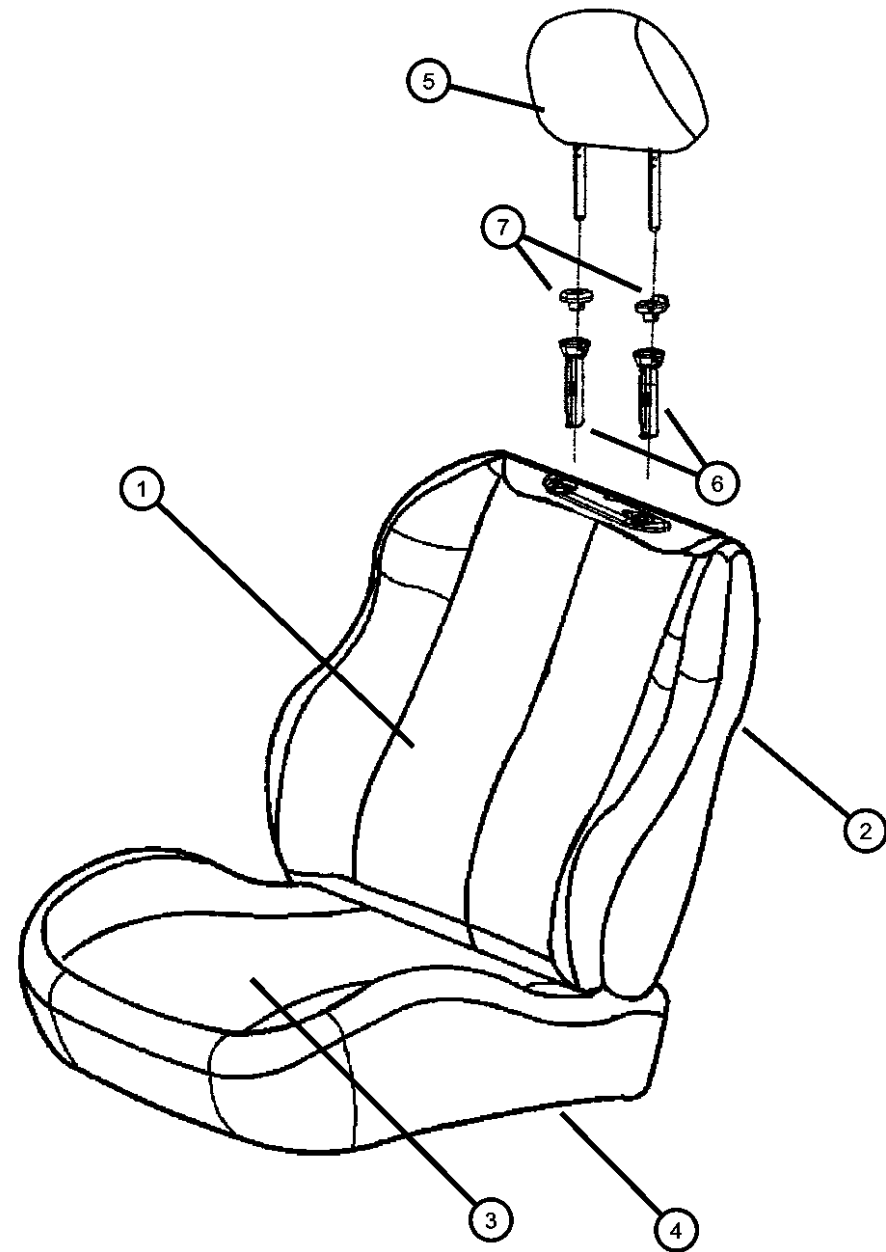
ENGINE
ERH = ENGINE - 4.0L
POWER TECH I-6
EVA = ENGINE - 4.7L V8 MPI
EXA = ENGINE - 3.1L 5 CYL
TURBO DIESEL

TRANSMISSION
DG4 = TRANSMISSION-MULTI-
SPEED AUTO, 45RFE
DGW = TRANSMISSION - 4-SPD.
AUTOMATIC, 44RE
DGK = TRANSMISSION - 4-SPD.
AUTOMATIC, 42RE
DGO = ALL AUTOMATIC
TRANSMISSIONS

AR = use ase required - = Non illustrated part

2000 WJ

**Front Seat, Cloth, Trim Code [H7]
Figure IWJ-510**



| ITEM | PART NUMBER | QTY | LINE | SERIES | BODY | ENGINE | TRANS | TRIM | DESCRIPTION |
|------|-------------|-----|------|--------|------|--------|-------|------|-----------------------------------|
| | 0TY731AZAA | 1 | J, T | | | | | *H7 | [AZ], After 1-17-00, Left |
| | | 1 | U | | | | | *H7 | [AZ], After 1-17-00, Left |
| | 0TY731K5AA | 1 | J, T | | | | | *H7 | [K5], After 1-17-00, Left |
| | | 1 | U | | | | | *H7 | [K5], After 1-17-00, Left |
| | 0TY731L5AA | 1 | J, T | | | | | *H7 | L5], After 1-17-00, Left |
| 4 | | | | | | | | | FRAME, Front Seat |
| | 04856470 | 1 | J, T | | | | | *H7 | Right |
| | | 1 | U | | | | | *H7 | Right |
| | 04856471 | 1 | J, T | | | | | *H7 | Left |
| | | 1 | U | | | | | *H7 | Left |
| 5 | | | | | | | | | HEADREST, Front |
| | 0TH691AZAA | 2 | J, T | | | | | *H7 | [AZ] |
| | 0TH691K5AA | 2 | J, T | | | | | *H7 | [K5] |
| | 0TH691L5AA | 2 | J, T | | | | | *H7 | [L5] |
| | 0TH791AZAA | 2 | U | | | | | *H7 | [AZ] |
| | | 2 | J, T | | | | | *H7 | [AZ], Export |
| | 0TH791K5AA | 2 | U | | | | | *H7 | [K5] |
| | | 2 | J, T | | | | | *H7 | [K5], Export |
| 6 | | | | | | | | | CYLINDER, Headrest |
| | 05013152AA | 1 | J, T | | | | | *H7 | |
| | | 1 | U | | | | | *H7 | |
| 7 | | | | | | | | | COVER, Headrest Sleeve |
| | 05013163AA | 1 | J, T | | | | | *H7 | Non-Locking |
| | | 1 | U | | | | | *H7 | Non-Locking |
| | 05013172AA | 1 | J, T | | | | | *H7 | Locking |
| | | 4 | U | | | | | *H7 | Locking |
| -8 | 04740415 | 1 | | | | | | | EXTENDER, Seat Belt |
| -9 | 04740415 | 1 | | | | | | | COVER, Seat latch, (NOT SERVICED) |

GRAND CHEROKEE (WJ)

SERIES LINE
H = Laredo T = JEEP - 2WD
P = Limited J = JEEP - 4WD
 U = JEEP - 4WD (RHD)

BODY
74 = 4 Door (105.9 WB)

ENGINE
ERH = ENGINE - 4.0L
POWER TECH I-6
EVA = ENGINE- 4.7L V8 MPI
EXA = ENGINE - 3.1L 5 CYL
TURBO DIESEL

TRANSMISSION
DG4 = TRANSMISSION-MULTI-
SPEED AUTO, 45RFE
DGW = TRANSMISSION - 4-SPD.
AUTOMATIC,44RE
DGK = TRANSMISSION - 4-SPD.
AUTOMATIC,42RE
DGO = ALL AUTOMATIC
TRANSMISSIONS

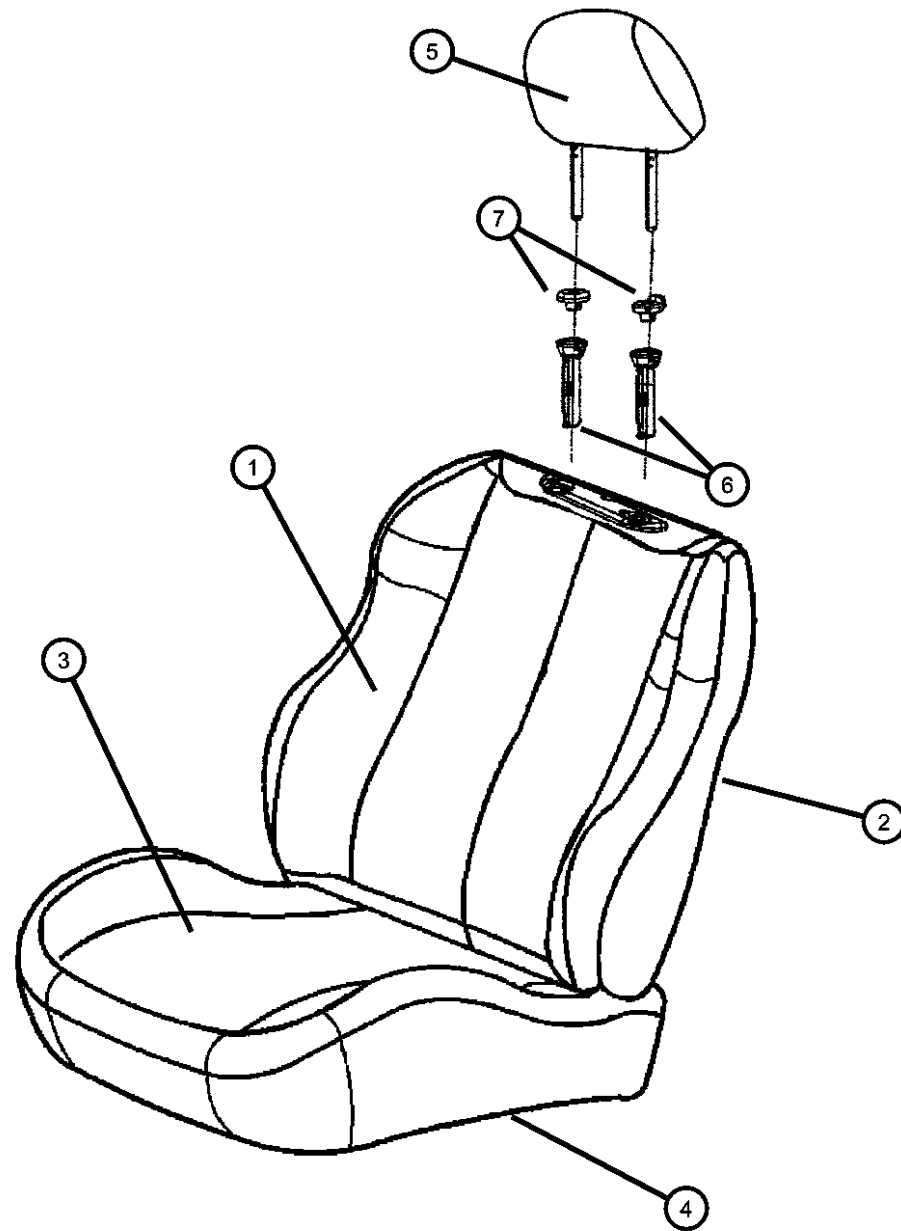
AR = use ase required - = Non illustrated part

2000 WJ

**Front Seat, Leather, Trim Code [FL]
Figure IWJ-520**

| ITEM | PART NUMBER | QTY | LINE | SERIES | BODY | ENGINE | TRANS | TRIM | DESCRIPTION |
|------|-------------|-----|------|--------|------|--------|-------|------|-------------|
|------|-------------|-----|------|--------|------|--------|-------|------|-------------|

[JP2]= Power Seats 10-Way Power With Map Pocket.
[JPX] = Power Heated



| | | | | | | | | | |
|---|------------|---|------|--|--|--|--|-----|---|
| 1 | | | | | | | | | COVER, Front Seat Back |
| | 0TU161AZAA | 2 | J, T | | | | | *FL | [AZ], With Map Pocket, Sales Code [JP2] |
| | 0TU161K5AA | 2 | J, T | | | | | *FL | [K5], With Map Pocket, Sales Code [JP2] |
| | 0TU161L5AA | 2 | J, T | | | | | *FL | [L5], With Map Pocket, Sales Code [JP2] |
| | 0TU171AZAA | 2 | J, T | | | | | *FL | [AZ], Heated, Sales Code [JPX], Up to 1-17-00, With Sewn-In Heater Element |
| | 0TU171K5AA | 2 | J, T | | | | | *FL | [K5], Heated, Sales Code [JPX], Up to 1-17-00, With Sewn-In Heater Element |
| | 0TU171L5AA | 2 | J, T | | | | | *FL | [L5], Heated, Sales Code [JPX], Up to 1-17-00, With Sewn-In Heater Element |
| | 0TZ551AZAA | 2 | J, T | | | | | *FL | [AZ], Heated, Sales Code [JPX], After 1-17-00, With Sewn-In Heater Element |
| | 0TZ551K5AA | 2 | J, T | | | | | *FL | [K5], Heated, Sales Code [JPX], After 1-17-00, With Sewn-In Heater Element |
| | 0TZ551L5AA | 2 | J, T | | | | | *FL | [L5], Heated, Sales Code [JPX], After 1-17-00, With Sewn-In Heater Element |
| 2 | | | | | | | | | BACK, Front Seat |
| | 0TU201AZAA | 1 | J, T | | | | | *FL | [AZ], With Map Pocket, Sales Code [JP2], Up to 1-17-00, Right |
| | 0TU201K5AA | 1 | J, T | | | | | *FL | [K5], With Map Pocket, Sales Code [JP2], Up to 1-17-00, Right |
| | 0TU201L5AA | 1 | J, T | | | | | *FL | [L5], With Map Pocket, Sales Code [JP2], Up to 1-17-00, Right |
| | 0TU211AZAA | 1 | J, T | | | | | *FL | [AZ], With Map Pocket, Sales Code [JP2], Up to 1-17-00, Left |
| | 0TU211K5AA | 1 | J, T | | | | | *FL | [K5], With Map Pocket, Sales Code [JP2], Up to 1-17-00, Left |
| | 0TU211L5AA | 1 | J, T | | | | | *FL | [L5], With Map Pocket, Sales Code [JP2], Up to 1-17-00, Left |
| | 0TU321AZAA | 1 | J, T | | | | | *FL | [AZ], Heated, Sales Code [JPX], Up to 1-17-00, With Sewn-In Heater Element, Right |

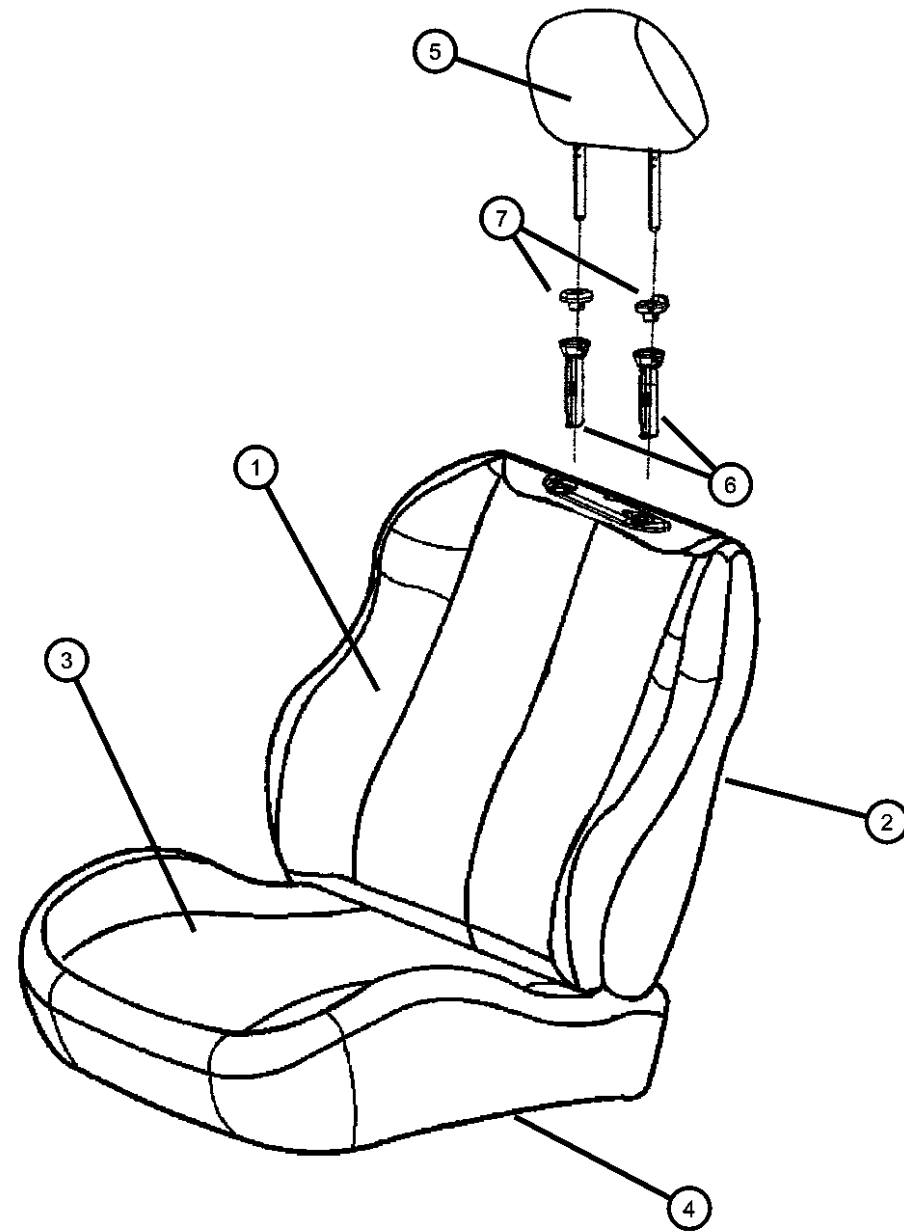
GRAND CHEROKEE (WJ)

| | | | | |
|-------------|----------------------|------------------------|--|--|
| SERIES | LINE | BODY | ENGINE | TRANSMISSION |
| H = Laredo | T = JEEP - 2WD | 74 = 4 Door (105.9 WB) | ERH = ENGINE - 4.0L POWER TECH I-6 | DG4 = TRANSMISSION-MULTI-SPEED AUTO, 45RFE |
| P = Limited | J = JEEP - 4WD | | EVA = ENGINE- 4.7L V8 MPI | DGW = TRANSMISSION - 4-SPD. AUTOMATIC,44RE |
| | U = JEEP - 4WD (RHD) | | EXA = ENGINE - 3.1L 5 CYL TURBO DIESEL | DGK = TRANSMISSION - 4-SPD. AUTOMATIC,42RE |
| | | | | DGO = ALL AUTOMATIC TRANSMISSIONS |

AR = use ase required - = Non illustrated part

2000 WJ

**Front Seat, Leather, Trim Code [FL]
Figure IWJ-520**



| ITEM | PART NUMBER | QTY | LINE | SERIES | BODY | ENGINE | TRANS | TRIM | DESCRIPTION |
|------|-------------|-----|------|--------|------|--------|-------|------|---|
| | 0TU321K5AA | 1 | J, T | | | | | *FL | [K5], Heated, Sales Code [JPX], Up to 1-17-00, With Sewn-In Heater Element, Right |
| | 0TU321L5AA | 1 | J, T | | | | | *FL | [L5], Heated, Sales Code [JPX], Up to 1-17-00, With Sewn-In Heater Element, Right |
| | 0TU331AZAA | 1 | J, T | | | | | *FL | [AZ], Heated, Sales Code [JPX], Up to 1-17-00, With Sewn-In Heater Element, Left |
| | 0TU331K5AA | 1 | J, T | | | | | *FL | [K5], Heated, Sales Code [JPX], Up to 1-17-00, With Sewn-In Heater Element, Left |
| | 0TU331L5AA | 1 | J, T | | | | | *FL | [L5], Heated, Sales Code [JPX], Up to 1-17-00, With Sewn-In Heater Element, Left |
| | 0TZ421AZAA | 1 | J, T | | | | | *FL | [AZ], With Map Pocket, Sales Code [JP2], After 1-17-00, Right |
| | 0TZ421K5AA | 1 | J, T | | | | | *FL | [K5], With Map Pocket, Sales Code [JP2], After 1-17-00, Right |
| | 0TZ421L5AA | 1 | J, T | | | | | *FL | [L5], With Map Pocket, Sales Code [JP2], After 1-17-00, Right |
| | 0TZ431AZAA | 1 | J, T | | | | | *FL | [AZ], With Map Pocket, Sales Code [JP2], After 1-17-00, Left |
| | 0TZ431K5AA | 1 | J, T | | | | | *FL | [K5], With Map Pocket, Sales Code [JP2], After 1-17-00, Left |
| | 0TZ431L5AA | 1 | J, T | | | | | *FL | [L5], With Map Pocket, Sales Code [JP2], After 1-17-00, Left |
| | 0TZ441AZAA | 1 | J, T | | | | | *FL | [AZ], Heated, Sales Code [JPX], After 1-17-00, With Sewn-In Heater Element, Right |
| | 0TZ441K5AA | 1 | J, T | | | | | *FL | [K5], Heated, Sales Code [JPX], After 1-17-00, With Sewn-In Heater Element, Right |
| | 0TZ441L5AA | 1 | J, T | | | | | *FL | [L5], Heated, Sales Code [JPX], After 1-17-00, With Sewn-In Heater Element, Right |
| | 0TZ451AZAA | 1 | J, T | | | | | *FL | [AZ], Heated, Sales Code [JPX], After 1-17-00, With Sewn-In Heater Element, Left |
| | 0TZ451K5AA | 1 | J, T | | | | | *FL | [K5], Heated, Sales Code [JPX], After 1-17-00, With Sewn-In Heater Element, Left |
| | 0TZ451L5AA | 1 | J, T | | | | | *FL | [L5], Heated, Sales Code [JPX], After 1-17-00, With Sewn-In Heater Element, Left |

GRAND CHEROKEE (WJ)

SERIES
H = Laredo
P = Limited

LINE
T = JEEP - 2WD
J = JEEP - 4WD
U = JEEP - 4WD (RHD)

BODY
74 = 4 Door (105.9 WB)

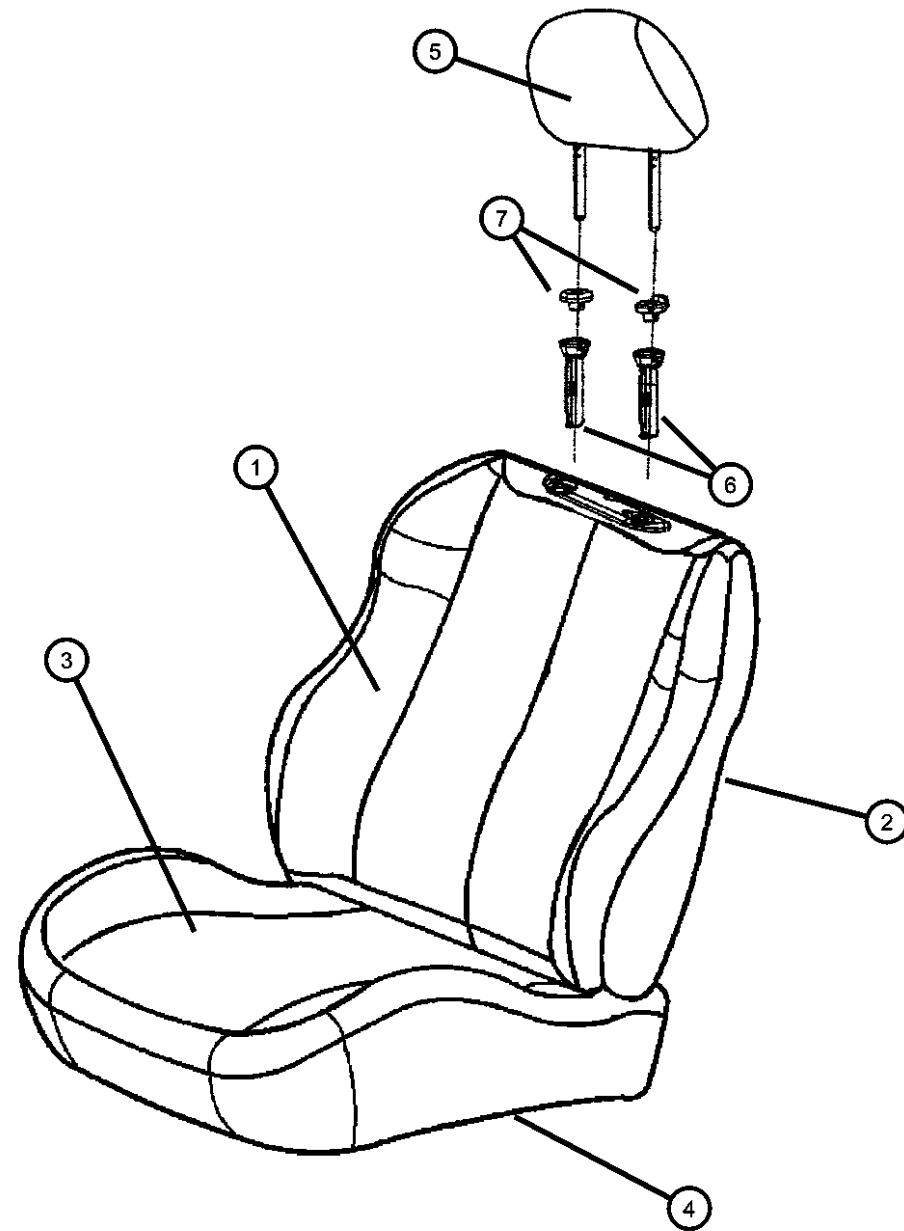
ENGINE
ERH = ENGINE - 4.0L POWER TECH I-6
EVA = ENGINE - 4.7L V8 MPI
EXA = ENGINE - 3.1L 5 CYL TURBO DIESEL

TRANSMISSION
DG4 = TRANSMISSION-MULTI-SPEED AUTO, 45RFE
DGW = TRANSMISSION - 4-SPD. AUTOMATIC, 44RE
DGK = TRANSMISSION - 4-SPD. AUTOMATIC, 42RE
DGO = ALL AUTOMATIC TRANSMISSIONS

AR = use ase required - = Non illustrated part

2000 WJ

**Front Seat, Leather, Trim Code [FL]
Figure IWJ-520**



| ITEM | PART NUMBER | QTY | LINE | SERIES | BODY | ENGINE | TRANS | TRIM | DESCRIPTION |
|------|-------------|-----|------|--------|------|--------|-------|------|---|
| 3 | | | | | | | | | COVER AND PAD, Cushion |
| | 0TU181AZAA | 1 | J, T | | | | | *FL | [AZ], With Map Pocket, Sales Code [JP2], Right |
| | 0TU181K5AA | 1 | J, T | | | | | *FL | [K5], With Map Pocket, Sales Code [JP2], Right |
| | 0TU181L5AA | 1 | J, T | | | | | *FL | [L5], With Map Pocket, Sales Code [JP2], Right |
| | 0TU191AZAA | 1 | J, T | | | | | *FL | [AZ], With Map Pocket, Sales Code [JP2], Left |
| | 0TU191K5AA | 1 | J, T | | | | | *FL | [K5], With Map Pocket, Sales Code [JP2], Left |
| | 0TU191L5AA | 1 | J, T | | | | | *FL | [L5], With Map Pocket, Sales Code [JP2], Left |
| | 0TU301AZAA | 1 | J, T | | | | | *FL | [AZ], Heated, Sales Code [JPX], Up to 1-17-00, With Sewn-In Heater Element, Right |
| | 0TU301K5AA | 1 | J, T | | | | | *FL | [K5], Heated, Sales Code [JPX], Up to 1-17-00, With Sewn-In Heater Element, Right |
| | 0TU301L5AA | 1 | J, T | | | | | *FL | [L5], Heated, Sales Code [JPX], Up to 1-17-00, With Sewn-In Heater Element, Right |
| | 0TU311AZAA | 1 | J, T | | | | | *FL | [AZ], Heated, Sales Code [JPX], Up to 1-17-00, With Sewn-In Heater Element, Left |
| | 0TU311K5AA | 1 | J, T | | | | | *FL | [K5], Heated, Sales Code [JPX], Up to 1-17-00, With Sewn-In Heater Element, Left |
| | 0TU311L5AA | 1 | J, T | | | | | *FL | [L5], Heated, Sales Code [JPX], Up to 1-17-00, With Sewn-In Heater Element, Left |
| | 0TZ321AZAA | 1 | J, T | | | | | *FL | [AZ], Heated, Sales Code [JPX], After 1-17-00, With Sewn-In Heater Element, Right |
| | 0TZ321K5AA | 1 | J, T | | | | | *FL | [K5], Heated, Sales Code [JPX], After 1-17-00, With Sewn-In Heater Element, Right |
| | 0TZ321L5AA | 1 | J, T | | | | | *FL | [L5], Heated, Sales Code [JPX], After 1-17-00, With Sewn-In Heater Element, Right |
| | 0TZ331AZAA | 1 | J, T | | | | | *FL | [AZ], Heated, Sales Code [JPX], After 1-17-00, With Sewn-In Heater Element, Left |

GRAND CHEROKEE (WJ)

SERIES LINE
H = Laredo T = JEEP - 2WD
P = Limited J = JEEP - 4WD
 U = JEEP - 4WD (RHD)

BODY
74 = 4 Door (105.9 WB)

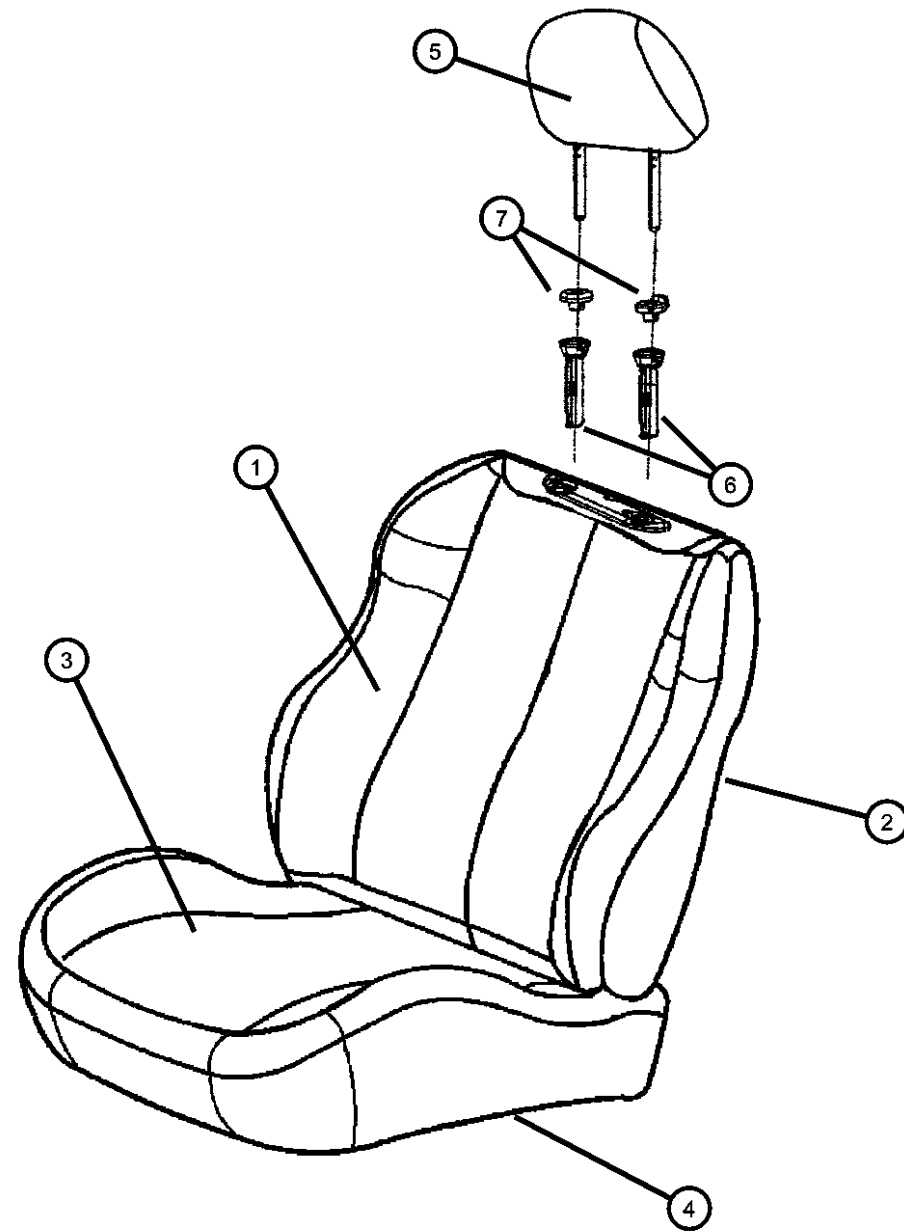
ENGINE
ERH = ENGINE - 4.0L
POWER TECH I-6
EVA = ENGINE- 4.7L V8 MPI
EXA = ENGINE - 3.1L 5 CYL
TURBO DIESEL

TRANSMISSION
DG4 = TRANSMISSION-MULTI-
SPEED AUTO, 45RFE
DGW = TRANSMISSION - 4-SPD.
AUTOMATIC,44RE
DGK = TRANSMISSION - 4-SPD.
AUTOMATIC,42RE
DGO = ALL AUTOMATIC
TRANSMISSIONS

AR = use ase required - = Non illustrated part

2000 WJ

Front Seat, Leather, Trim Code [FL]
Figure IWJ-520



| ITEM | PART NUMBER | QTY | LINE | SERIES | BODY | ENGINE | TRANS | TRIM | DESCRIPTION |
|------|-------------|-----|------|--------|------|--------|-------|------|--|
| | 0TZ331K5AA | 1 | J, T | | | | | *FL | [K5], Heated, Sales Code [JPX], After 1-17-00, With Sewn-In Heater Element, Left |
| | 0TZ331L5AA | 1 | J, T | | | | | *FL | [L5], Heated, Sales Code [JPX], After 1-17-00, With Sewn-In Heater Element, Left |
| 4 | | | | | | | | | FRAME, Front Seat |
| | 04856470 | 1 | J, T | | | | | *FL | Right |
| | 04856471 | 1 | J, T | | | | | *FL | Left |
| 5 | | | | | | | | | HEADREST, Front |
| | 0TH721AZAA | 2 | J, T | | | | | *FL | [AZ] |
| | 0TH721K5AA | 2 | J, T | | | | | *FL | [K5] |
| | 0TH721L5AA | 2 | J, T | | | | | *FL | [L5] |
| 6 | 05013152AA | 8 | J, T | | | | | *FL | CYLINDER, Headrest |
| 7 | | | | | | | | | COVER, Headrest Sleeve |
| | 05013163AA | 4 | J, T | | | | | *FL | Non-Locking |
| | 05013172AA | 4 | J, T | | | | | *FL | Locking |
| -8 | 04740415 | 1 | | | | | | | EXTENDER, Seat Belt |

GRAND CHEROKEE (WJ)

SERIES LINE
H = Laredo T = JEEP - 2WD
P = Limited J = JEEP - 4WD
U = JEEP - 4WD (RHD)

BODY
74 = 4 Door (105.9 WB)

ENGINE
ERH = ENGINE - 4.0L POWER TECH I-6
EVA = ENGINE- 4.7L V8 MPI
EXA = ENGINE - 3.1L 5 CYL TURBO DIESEL

TRANSMISSION
DG4 = TRANSMISSION-MULTI-SPEED AUTO, 45RFE
DGW = TRANSMISSION - 4-SPD. AUTOMATIC, 44RE
DGK = TRANSMISSION - 4-SPD. AUTOMATIC, 42RE
DGO = ALL AUTOMATIC TRANSMISSIONS

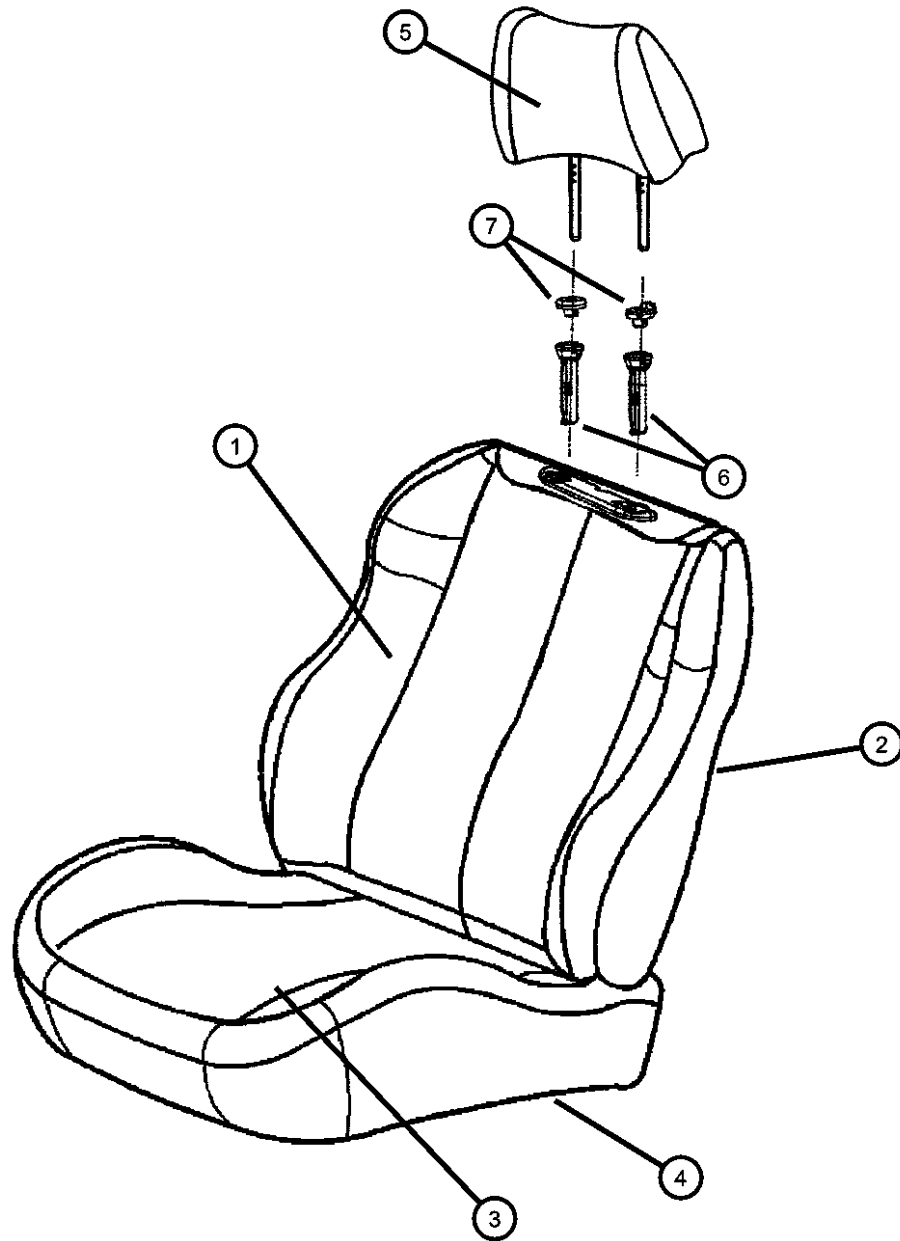
AR = use ase required - = Non illustrated part

2000 WJ

**Front Seat, Leather, Trim Code [DL]
Figure IWJ-530**

| ITEM | PART NUMBER | QTY | LINE | SERIES | BODY | ENGINE | TRANS | TRIM | DESCRIPTION |
|------|-------------|-----|------|--------|------|--------|-------|------|-------------|
|------|-------------|-----|------|--------|------|--------|-------|------|-------------|

[JTC] = Power 10-Way Memory.
[JTF] = Power 10-Way Heated Memory.



| | | | | | | | | | |
|---|------------|---|------|--|--|--|--|-----|---|
| 1 | | | | | | | | | COVER, Front Seat Back |
| | 0TU361AZAA | 2 | J, T | | | | | *DL | [AZ], Non-Heated, Sales Code [JTC] |
| | 0TU361K5AA | 2 | J, T | | | | | *DL | [K5], Non-Heated, Sales Code [JTC] |
| | 0TU361L5AA | 2 | J, T | | | | | *DL | [L5], Non-Heated, Sales Code [JTC] |
| | 0TU371AZAA | 2 | J, T | | | | | *DL | [AZ], Heated, Sales Code [JTF], Up to 1-17-00, With Sewn-In Heater Element |
| | 0TU371K5AA | 2 | J, T | | | | | *DL | [K5], Heated, Sales Code [JTF], Up to 1-17-00, With Sewn-In Heater Element |
| | 0TU371L5AA | 2 | J, T | | | | | *DL | [L5], Heated, Sales Code [JTF], Up to 1-17-00, With Sewn-In Heater Element |
| | 0TZ571AZAA | 1 | J, T | | | | | *DL | [AZ], Heated, Sales Code [JTF], After 1-17-00, With Sewn-In Heater Element |
| | 0TZ571K5AA | 1 | J, T | | | | | *DL | [K5], Heated, Sales Code [JTF], After 1-17-00, With Sewn-In Heater Element |
| | 0TZ571L5AA | 1 | J, T | | | | | *DL | [L5], Heated, Sales Code [JTF], After 1-17-00, With Sewn-In Heater Element |
| 2 | | | | | | | | | BACK, Front Seat |
| | 0TU381AZAA | 1 | J, T | | | | | *DL | [AZ], Non-Heated, Sales Code [JTC], Up to 1-17-00, Right |
| | 0TU381K5AA | 1 | J, T | | | | | *DL | [K5], Non-Heated, Sales Code [JTC], Up to 1-17-00, Right |
| | 0TU381L5AA | 1 | J, T | | | | | *DL | [L5], Non-Heated, Sales Code [JTC], Up to 1-17-00, Right |
| | 0TU391AZAA | 1 | J, T | | | | | *DL | [AZ], Non-Heated, Sales Code [JTC], Up to 1-17-00, Left |
| | 0TU391K5AA | 1 | J, T | | | | | *DL | [K5], Non-Heated, Sales Code [JTC], Up to 1-17-00, Left |
| | 0TU391L5AA | 1 | J, T | | | | | *DL | [L5], Non-Heated, Sales Code [JTC], Up to 1-17-00, Left |
| | 0TU501AZAA | 1 | J, T | | | | | *DL | [AZ], Heated, Sales Code [JTF], Up to 1-17-00, With Sewn-In Heater Element, Right |

GRAND CHEROKEE (WJ)

| | |
|-------------|----------------------|
| SERIES | LINE |
| H = Laredo | T = JEEP - 2WD |
| P = Limited | J = JEEP - 4WD |
| | U = JEEP - 4WD (RHD) |

BODY
74 = 4 Door (105.9 WB)

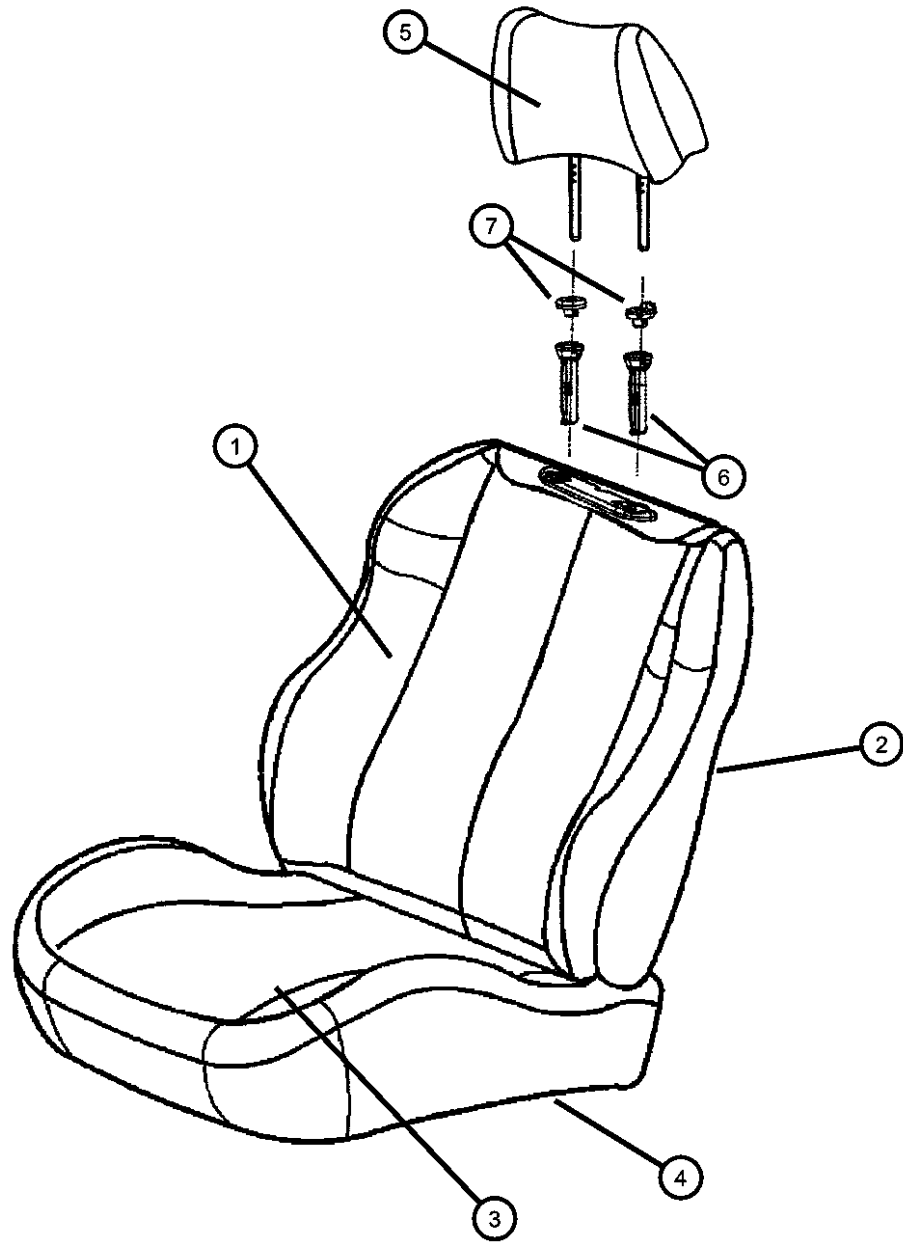
ENGINE
ERH = ENGINE - 4.0L POWER TECH I-6
EVA = ENGINE - 4.7L V8 MPI
EXA = ENGINE - 3.1L 5 CYL TURBO DIESEL

TRANSMISSION
DG4 = TRANSMISSION-MULTI-SPEED AUTO, 45RFE
DGW = TRANSMISSION - 4-SPD. AUTOMATIC, 44RE
DGK = TRANSMISSION - 4-SPD. AUTOMATIC, 42RE
DGO = ALL AUTOMATIC TRANSMISSIONS

AR = use ase required - = Non illustrated part

2000 WJ

**Front Seat, Leather, Trim Code [DL]
Figure IWJ-530**



| ITEM | PART NUMBER | QTY | LINE | SERIES | BODY | ENGINE | TRANS | TRIM | DESCRIPTION |
|------|-------------|-----|------|--------|------|--------|-------|------|---|
| | 0TU501K5AA | 1 | J, T | | | | | *DL | [K5], Heated, Sales Code [JTF], Up to 1-17-00, With Sewn-In Heater Element, Right |
| | 0TU501L5AA | 1 | J, T | | | | | *DL | [L5], Heated, Sales Code [JTF], Up to 1-17-00, With Sewn-In Heater Element, Right |
| | 0TU511AZAA | 1 | J, T | | | | | *DL | [AZ], Heated, Sales Code [JTF], Up to 1-17-00, With Sewn-In Heater Element, Left |
| | 0TU511K5AA | 1 | J, T | | | | | *DL | [K5], Heated, Sales Code [JTF], Up to 1-17-00, With Sewn-In Heater Element, Left |
| | 0TU511L5AA | 1 | J, T | | | | | *DL | [L5], Heated, Sales Code [JTF], Up to 1-17-00, With Sewn-In Heater Element, Left |
| | 0TZ461AZAA | 1 | J, T | | | | | *DL | [AZ], Non-Heated, Sales Code [JTC], After 1-17-00, Right |
| | 0TZ461K5AA | 1 | J, T | | | | | *DL | [K5], Non-Heated, Sales Code [JTC], After 1-17-00, Right |
| | 0TZ461L5AA | 1 | J, T | | | | | *DL | [L5], Non-Heated, Sales Code [JTC], After 1-17-00, Right |
| | 0TZ471AZAA | 1 | J, T | | | | | *DL | [AZ], Non-Heated, Sales Code [JTC], After 1-17-00, Left |
| | 0TZ471K5AA | 1 | J, T | | | | | *DL | [K5], Non-Heated, Sales Code [JTC], After 1-17-00, Left |
| | 0TZ471L5AA | 1 | J, T | | | | | *DL | [L5], Non-Heated, Sales Code [JTC], After 1-17-00, Left |
| | 0TZ481AZAA | 1 | J, T | | | | | *DL | [AZ], Heated, Sales Code [JTF], After 1-17-00, With Sewn-In Heater Element, Right |
| | 0TZ481K5AA | 1 | J, T | | | | | *DL | [K5], Heated, Sales Code [JTF], After 1-17-00, With Sewn-In Heater Element, Right |
| | 0TZ481L5AA | 1 | J, T | | | | | *DL | [L5], Heated, Sales Code [JTF], After 1-17-00, With Sewn-In Heater Element, Right |
| | 0TZ491AZAA | 1 | J, T | | | | | *DL | [AZ], Heated, Sales Code [JTF], After 1-17-00, With Sewn-In Heater Element, Left |
| | 0TZ491K5AA | 1 | J, T | | | | | *DL | [K5], Heated, Sales Code [JTF], After 1-17-00, With Sewn-In Heater Element, Left |
| | 0TZ491L5AA | 1 | J, T | | | | | *DL | [L5], Heated, Sales Code [JTF], After 1-17-00, With Sewn-In Heater Element, Left |

GRAND CHEROKEE (WJ)

SERIES LINE
H = Laredo T = JEEP - 2WD
P = Limited J = JEEP - 4WD
 U = JEEP - 4WD (RHD)

BODY
74 = 4 Door (105.9 WB)

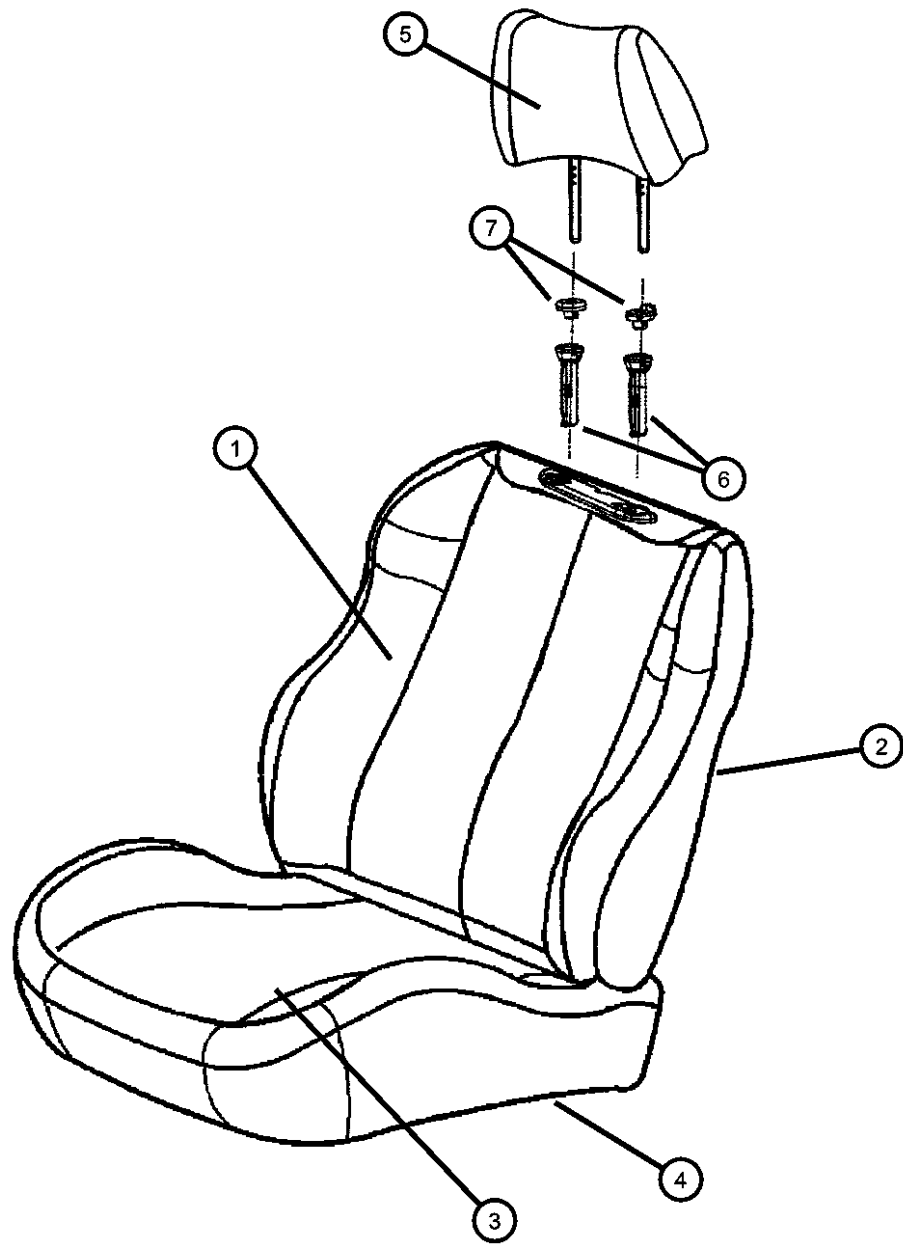
ENGINE
ERH = ENGINE - 4.0L POWER TECH I-6
EVA = ENGINE - 4.7L V8 MPI
EXA = ENGINE - 3.1L 5 CYL TURBO DIESEL

TRANSMISSION
DG4 = TRANSMISSION-MULTI-SPEED AUTO, 45RFE
DGW = TRANSMISSION - 4-SPD. AUTOMATIC, 44RE
DGK = TRANSMISSION - 4-SPD. AUTOMATIC, 42RE
DGO = ALL AUTOMATIC TRANSMISSIONS

AR = use ase required - = Non illustrated part

2000 WJ

**Front Seat, Leather, Trim Code [DL]
Figure IWJ-530**



| ITEM | PART NUMBER | QTY | LINE | SERIES | BODY | ENGINE | TRANS | TRIM | DESCRIPTION |
|------|-------------|-----|------|--------|------|--------|-------|------|---|
| 3 | | | | | | | | | COVER AND PAD, Cushion |
| | 0TU341AZAA | 1 | J, T | | | | | *DL | [AZ], Non-Heated, Sales Code [JTC], Right |
| | 0TU341K5AA | 1 | J, T | | | | | *DL | [K5], Non-Heated, Sales Code [JTC], Right |
| | 0TU341L5AA | 1 | J, T | | | | | *DL | [L5], Non-Heated, Sales Code [JTC], Right |
| | 0TU351AZAA | 1 | J, T | | | | | *DL | [AZ], Non-Heated, Sales Code [JTC], Left |
| | 0TU351K5AA | 1 | J, T | | | | | *DL | [K5], Non-Heated, Sales Code [JTC], Left |
| | 0TU351L5AA | 1 | J, T | | | | | *DL | [L5], Non-Heated, Sales Code [JTC], Left |
| | 0TU481AZAA | 1 | J, T | | | | | *DL | [AZ], Heated, Sales Code [JTF], Up to 1-17-00, With Sewn-In Heater Element, Right |
| | 0TU481L5AA | 1 | J, T | | | | | *DL | [L5], Heated, Sales Code [JTF], Up to 1-17-00, With Sewn-In Heater Element, Right |
| | 0TU491AZAA | 1 | J, T | | | | | *DL | [AZ], Heated, Sales Code [JTF], Up to 1-17-00, With Sewn-In Heater Element, Left |
| | 0TU491K5AA | 1 | J, T | | | | | *DL | [K5], Heated, Sales Code [JTF], Up to 1-17-00, With Sewn-In Heater Element, Left |
| | 0TU491L5AA | 1 | J, T | | | | | *DL | [L5], Heated, Sales Code [JTF], Up to 1-17-00, With Sewn-In Heater Element, Left |
| | 0TZ361AZAA | 1 | J, T | | | | | *DL | [AZ], Heated, Sales Code [JTF], After 1-17-00, With Sewn-In Heater Element, Right |
| | 0TZ361K5AA | 1 | J, T | | | | | *DL | [K5], Heated, Sales Code [JTF], After 1-17-00, With Sewn-In Heater Element, Right |
| | 0TZ361L5AA | 1 | J, T | | | | | *DL | [L5], Heated, Sales Code [JTF], After 1-17-00, With Sewn-In Heater Element, Right |
| | 0TZ371AZAA | 1 | J, T | | | | | *DL | [AZ], Heated, Sales Code [JTF], After 1-17-00, With Sewn-In Heater Element, Left |
| | 0TZ371K5AA | 1 | J, T | | | | | *DL | [K5], Heated, Sales Code [JTF], After 1-17-00, With Sewn-In Heater Element, Left |

GRAND CHEROKEE (WJ)

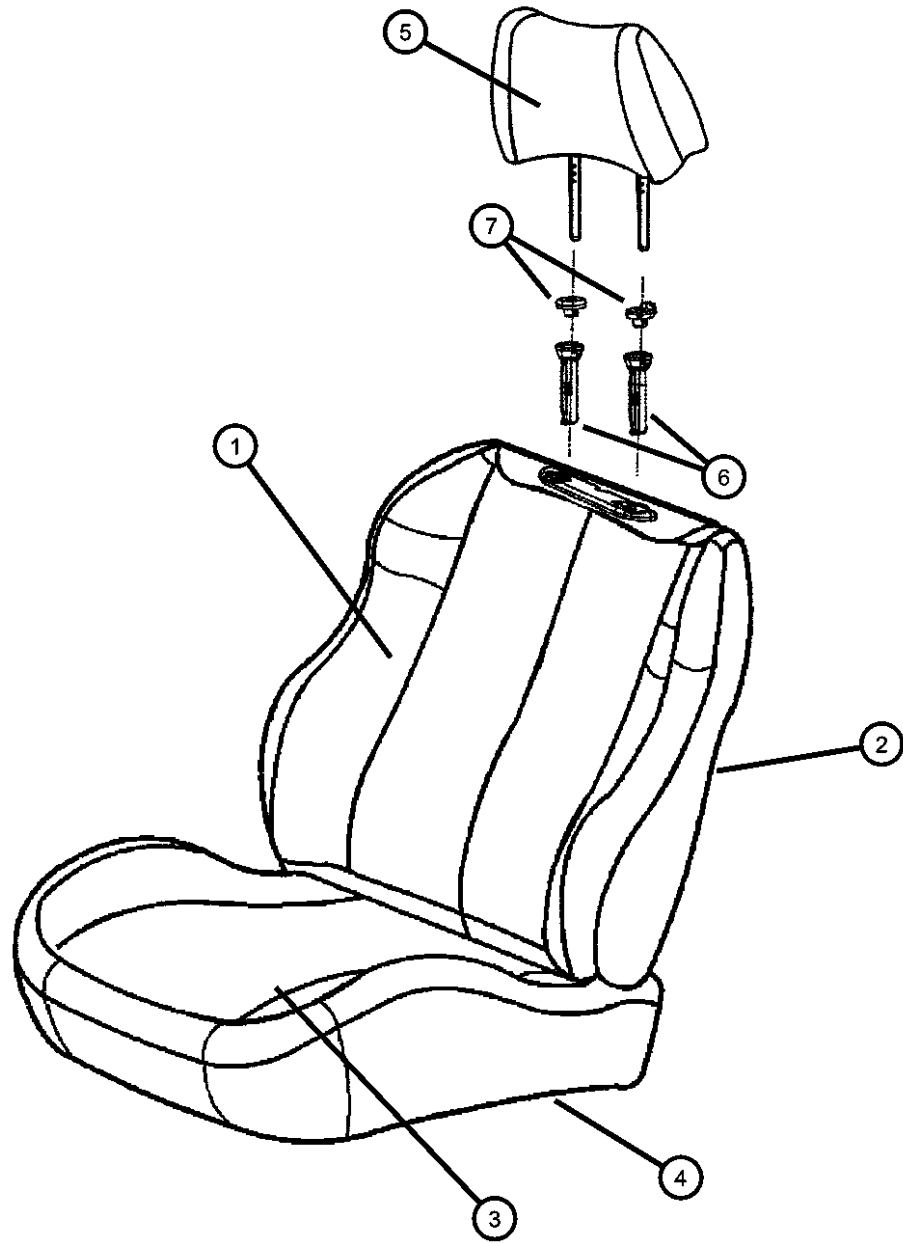
| | | | | |
|-------------|----------------------|------------------------|--|--|
| SERIES | LINE | BODY | ENGINE | TRANSMISSION |
| H = Laredo | T = JEEP - 2WD | 74 = 4 Door (105.9 WB) | ERH = ENGINE - 4.0L POWER TECH I-6 | DG4 = TRANSMISSION-MULTI-SPEED AUTO, 45RFE |
| P = Limited | J = JEEP - 4WD | | EVA = ENGINE- 4.7L V8 MPI | DGW = TRANSMISSION - 4-SPD. AUTOMATIC,44RE |
| | U = JEEP - 4WD (RHD) | | EXA = ENGINE - 3.1L 5 CYL TURBO DIESEL | DGK = TRANSMISSION - 4-SPD. AUTOMATIC,42RE |
| | | | | DGO = ALL AUTOMATIC TRANSMISSIONS |

AR = use ase required - = Non illustrated part

2000 WJ

**Front Seat, Leather, Trim Code [DL]
Figure IWJ-530**

| ITEM | PART NUMBER | QTY | LINE | SERIES | BODY | ENGINE | TRANS | TRIM | DESCRIPTION |
|------|-------------|-----|------|--------|------|--------|-------|------|--|
| | 0TZ371L5AA | 1 | J, T | | | | | *DL | [L5], Heated, Sales Code [JTF], After 1-17-00, With Sewn-In Heater Element, Left |
| 4 | 04856470 | 1 | J, T | | | | | *DL | Right |
| | 04856471 | 1 | J, T | | | | | *DL | Left |
| 5 | | | | | | | | | HEADREST, Front |
| | 0TH731AZAA | 2 | J, T | | | | | *DL | [AZ] |
| | 0TH731K5AA | 2 | J, T | | | | | *DL | [K5] |
| | 0TH731L5AA | 2 | J, T | | | | | *DL | [L5] |
| 6 | 05013152AA | 1 | J, T | | | | | *DL | CYLINDER, Headrest |
| 7 | | | | | | | | | COVER, Headrest Sleeve |
| | 05013163AA | 4 | J, T | | | | | *DL | Non-Locking |
| | 05013172AA | 4 | J, T | | | | | *DL | Locking |
| -8 | 04740415 | 1 | | | | | | | EXTENDER, Seat Belt |



GRAND CHEROKEE (WJ)

| | |
|-------------|----------------------|
| SERIES | LINE |
| H = Laredo | T = JEEP - 2WD |
| P = Limited | J = JEEP - 4WD |
| | U = JEEP - 4WD (RHD) |

BODY
74 = 4 Door (105.9 WB)

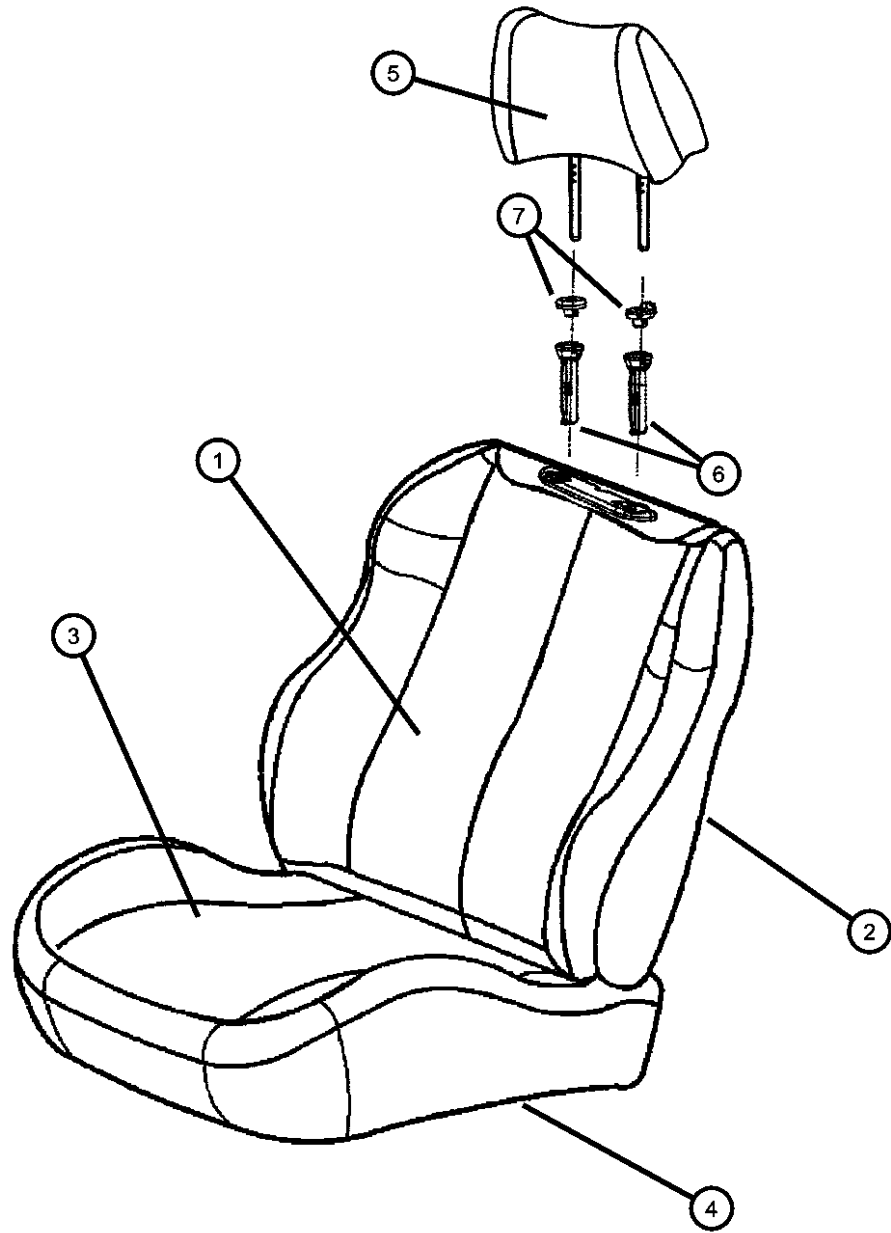
ENGINE
ERH = ENGINE - 4.0L POWER TECH I-6
EVA = ENGINE- 4.7L V8 MPI
EXA = ENGINE - 3.1L 5 CYL TURBO DIESEL

TRANSMISSION
DG4 = TRANSMISSION-MULTI-SPEED AUTO, 45RFE
DGW = TRANSMISSION - 4-SPD. AUTOMATIC, 44RE
DGK = TRANSMISSION - 4-SPD. AUTOMATIC, 42RE
DGO = ALL AUTOMATIC TRANSMISSIONS

AR = use ase required - = Non illustrated part

2000 WJ

**Front Seat, Leather, Trim Code [EL]
Figure IWJ-540**



| ITEM | PART NUMBER | QTY | LINE | SERIES | BODY | ENGINE | TRANS | TRIM | DESCRIPTION |
|------|-------------|-----|------|--------|------|--------|-------|------|-------------|
|------|-------------|-----|------|--------|------|--------|-------|------|-------------|

[JTC] = Power 10-Way Memory.
[JTF] = Power 10-Way Heated Memory.

| | | | | | | | | | |
|---|------------|---|------|--|--|--|--|-----|--|
| 1 | | | | | | | | | COVER, Front Seat Back |
| | 0TV311AZAA | 2 | J, T | | | | | *EL | [AZ], Heated, Sales Code [JTF], With Sewn-In Heater Element |
| | | 2 | U | | | | | *EL | [AZ], Heated, Sales Code [JTF], With Sewn-In Heater Element |
| | 0TV311K5AA | 2 | J, T | | | | | *EL | [K5], Heated, Sales Code [JTF], With Sewn-In Heater Element |
| | | 2 | U | | | | | *EL | [K5], Heated, Sales Code [JTF], With Sewn-In Heater Element |
| | 0TV361AZAA | 2 | J, T | | | | | *EL | [AZ], Non-Heated, Sales Code [JTC] |
| | | 2 | U | | | | | *EL | [AZ], Non-Heated, Sales Code [JTC] |
| | 0TV361K5AA | 2 | J, T | | | | | *EL | [K5], Non-Heated, Sales Code [JTC] |
| | | 2 | U | | | | | *EL | [K5], Non-Heated, Sales Code [JTC] |
| 2 | | | | | | | | | BACK, Front Seat |
| | 0TV381AZAA | 1 | J, T | | | | | *EL | [AZ], Heated, Sales Code [JTF], With Sewn-In Heater Element, Right |
| | | 1 | U | | | | | *EL | [AZ], Heated, Sales Code [JTF], With Sewn-In Heater Element, Right |
| | 0TV381K5AA | 1 | J, T | | | | | *EL | [K5], Heated, Sales Code [JTF], With Sewn-In Heater Element, Right |
| | | 1 | U | | | | | *EL | [K5], Heated, Sales Code [JTF], With Sewn-In Heater Element, Right |
| | 0TV391AZAA | 1 | J, T | | | | | *EL | [AZ], Heated, Sales Code [JTF], With Sewn-In Heater Element, Left |
| | | 1 | U | | | | | *EL | [AZ], Heated, Sales Code [JTF], With Sewn-In Heater Element, Left |
| | 0TV391K5AA | 1 | J, T | | | | | *EL | [K5], Heated, Sales Code [JTF], With Sewn-In Heater Element, Left |
| | | 1 | U | | | | | *EL | [K5], Heated, Sales Code [JTF], With Sewn-In Heater Element, Left |

GRAND CHEROKEE (WJ)

| | |
|-------------|----------------------|
| SERIES | LINE |
| H = Laredo | T = JEEP - 2WD |
| P = Limited | J = JEEP - 4WD |
| | U = JEEP - 4WD (RHD) |

BODY
74 = 4 Door (105.9 WB)

ENGINE
ERH = ENGINE - 4.0L POWER TECH I-6
EVA = ENGINE - 4.7L V8 MPI
EXA = ENGINE - 3.1L 5 CYL TURBO DIESEL

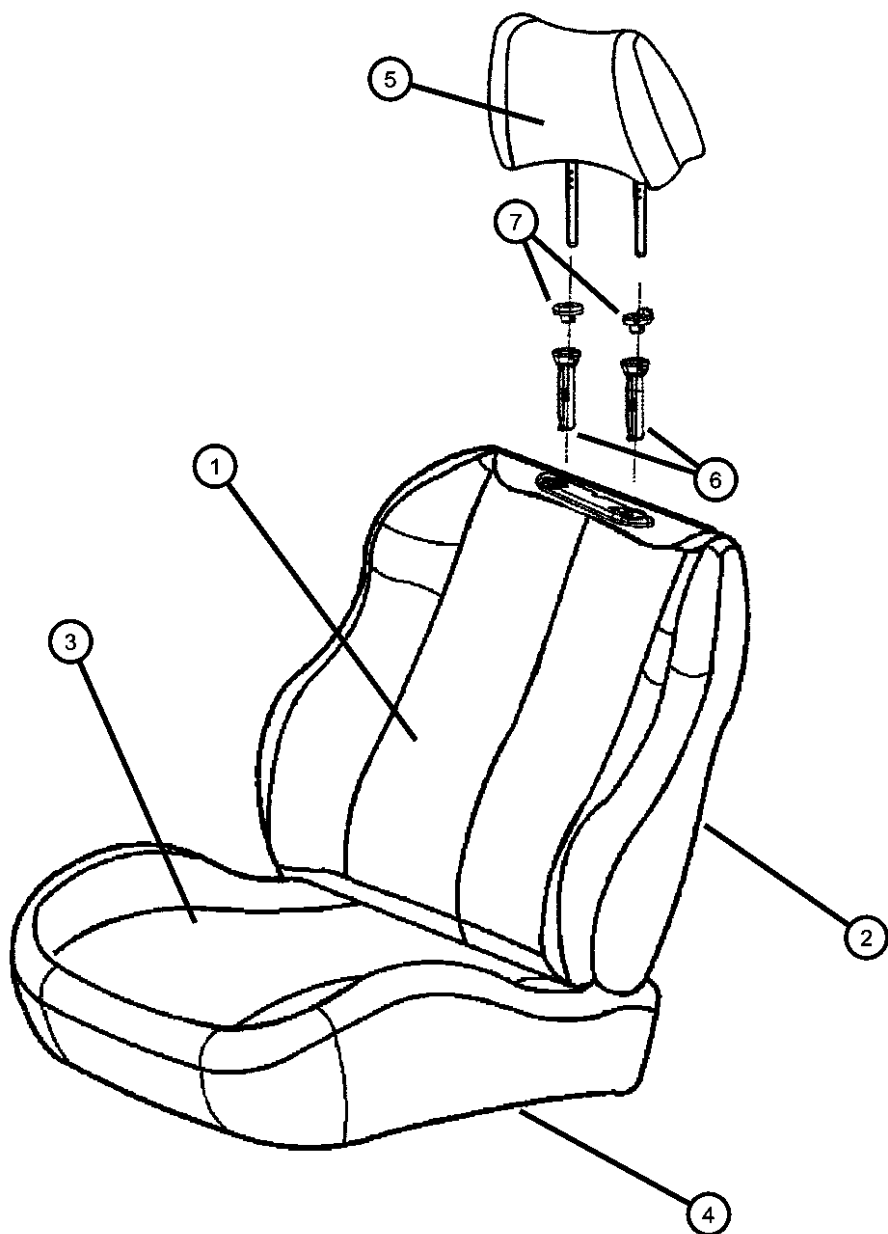
TRANSMISSION
DG4 = TRANSMISSION-MULTI-SPEED AUTO, 45RFE
DGW = TRANSMISSION - 4-SPD. AUTOMATIC, 44RE
DGK = TRANSMISSION - 4-SPD. AUTOMATIC, 42RE
DGO = ALL AUTOMATIC TRANSMISSIONS

AR = use ase required - = Non illustrated part

2000 WJ

Front Seat, Leather, Trim Code [EL]

Figure IWJ-540



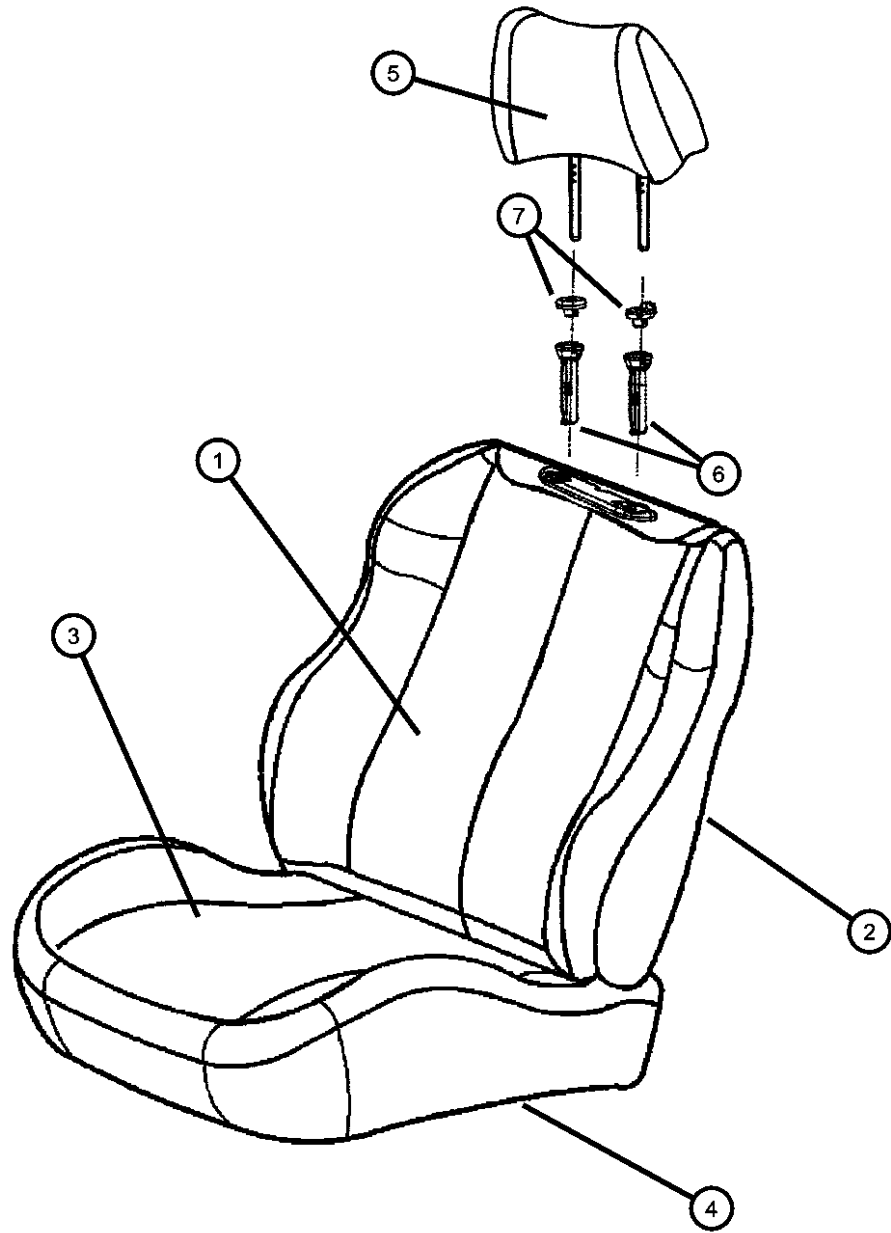
| ITEM | PART NUMBER | QTY | LINE | SERIES | BODY | ENGINE | TRANS | TRIM | DESCRIPTION |
|------|-------------|-----|------|--------|------|--------|-------|------|--|
| | 0TV401AZAA | 1 | J, T | | | | | *EL | [AZ], Non-Heated, Sales Code [JTC], Right |
| | | 1 | U | | | | | *EL | [AZ], Non-Heated, Sales Code [JTC], Right |
| | 0TV401K5AA | 1 | J, T | | | | | *EL | [K5], Non-Heated, Sales Code [JTC], Right |
| | | 1 | U | | | | | *EL | [K5], Non-Heated, Sales Code [JTC], Right |
| | 0TV411AZAA | 1 | J, T | | | | | *EL | [AZ], Non-Heated, Sales Code [JTC], Left |
| | | 1 | U | | | | | *EL | [AZ], Non-Heated, Sales Code [JTC], Left |
| | 0TV411K5AA | 1 | J, T | | | | | *EL | [K5], Non-Heated, Sales Code [JTC], Left |
| | | 1 | U | | | | | *EL | [K5], Non-Heated, Sales Code [JTC], Left |
| 3 | 0TV321AZAA | 1 | J, T | | | | | *EL | COVER AND PAD, Cushion |
| | | 1 | U | | | | | *EL | [AZ], Heated, Sales Code [JTF], With Sewn-In Heater Element, Right |
| | 0TV321K5AA | 1 | J, T | | | | | *EL | [K5], Heated, Sales Code [JTF], With Sewn-In Heater Element, Right |
| | | 1 | U | | | | | *EL | [K5], Heated, Sales Code [JTF], With Sewn-In Heater Element, Right |
| | 0TV331AZAA | 1 | J, T | | | | | *EL | [AZ], Heated, Sales Code [JTF], With Sewn-In Heater Element, Left |
| | | 1 | U | | | | | *EL | [AZ], Heated, Sales Code [JTF], With Sewn-In Heater Element, Left |
| | 0TV331K5AA | 1 | J, T | | | | | *EL | [K5], Heated, Sales Code [JTF], With Sewn-In Heater Element, Left |
| | | 1 | U | | | | | *EL | [K5], Heated, Sales Code [JTF], With Sewn-In Heater Element, Left |
| | 0TV341AZAA | 1 | J, T | | | | | *EL | [AZ], Non-Heated, Sales Code [JTC], Right |
| | | 1 | U | | | | | *EL | [AZ], Non-Heated, Sales Code [JTC], Right |

GRAND CHEROKEE (WJ)

| | | | | |
|-------------|----------------------|------------------------|--|---|
| SERIES | LINE | BODY | ENGINE | TRANSMISSION |
| H = Laredo | T = JEEP - 2WD | 74 = 4 Door (105.9 WB) | ERH = ENGINE - 4.0L POWER TECH I-6 | DG4 = TRANSMISSION-MULTI-SPEED AUTO, 45RFE |
| P = Limited | J = JEEP - 4WD | | EVA = ENGINE - 4.7L V8 MPI | DGW = TRANSMISSION - 4-SPD. AUTOMATIC, 44RE |
| | U = JEEP - 4WD (RHD) | | EXA = ENGINE - 3.1L 5 CYL TURBO DIESEL | DGK = TRANSMISSION - 4-SPD. AUTOMATIC, 42RE |
| | | | | DGO = ALL AUTOMATIC TRANSMISSIONS |

AR = use ase required - = Non illustrated part

Front Seat, Leather, Trim Code [EL]
Figure IWJ-540



| ITEM | PART NUMBER | QTY | LINE | SERIES | BODY | ENGINE | TRANS | TRIM | DESCRIPTION |
|------|-------------|-----|------|--------|------|--------|-------|------|---|
| | 0TV341K5AA | 1 | J, T | | | | | *EL | [K5], Non-Heated, Sales Code [JTC], Right |
| | | 1 | U | | | | | *EL | [K5], Non-Heated, Sales Code [JTC], Right |
| | 0TV351AZAA | 1 | J, T | | | | | *EL | [AZ], Non-Heated, Sales Code [JTC], Left |
| | | 1 | U | | | | | *EL | [AZ], Non-Heated, Sales Code [JTC], Left |
| | 0TV351K5AA | 1 | J, T | | | | | *EL | [K5], Non-Heated, Sales Code [JTC], Left |
| | | 1 | U | | | | | *EL | [K5], Non-Heated, Sales Code [JTC], Left |
| 4 | | | | | | | | | FRAME, Front Seat |
| | 04856470 | 1 | J, T | | | | | *EL | Right |
| | | 1 | U | | | | | *EL | Right |
| | 04856471 | 1 | J, T | | | | | *EL | Left |
| | | 1 | U | | | | | *EL | Left |
| 5 | | | | | | | | | HEADREST, Front |
| | 0TH781AZAA | 2 | U | | | | | *EL | [AZ] |
| | | 2 | J, T | | | | | *EL | [AZ] |
| | 0TH781K5AA | 2 | U | | | | | *EL | [K5] |
| | | 2 | J, T | | | | | *EL | [K5] |
| 6 | | | | | | | | | CYLINDER, Headrest |
| | 05013152AA | 8 | J, T | | | | | *EL | |
| | | 8 | U | | | | | *EL | |
| 7 | | | | | | | | | COVER, Headrest Sleeve |
| | 05013163AA | 4 | J, T | | | | | *EL | Non-Locking |
| | | 4 | U | | | | | *EL | Non-Locking |
| | 05013172AA | 4 | J, T | | | | | *EL | Locking |
| | | 4 | U | | | | | *EL | Locking |
| -8 | 04740415 | 1 | | | | | | | EXTENDER, Seat Belt |

GRAND CHEROKEE (WJ)

SERIES LINE
H = Laredo T = JEEP - 2WD
P = Limited J = JEEP - 4WD
U = JEEP - 4WD (RHD)

BODY
74 = 4 Door (105.9 WB)

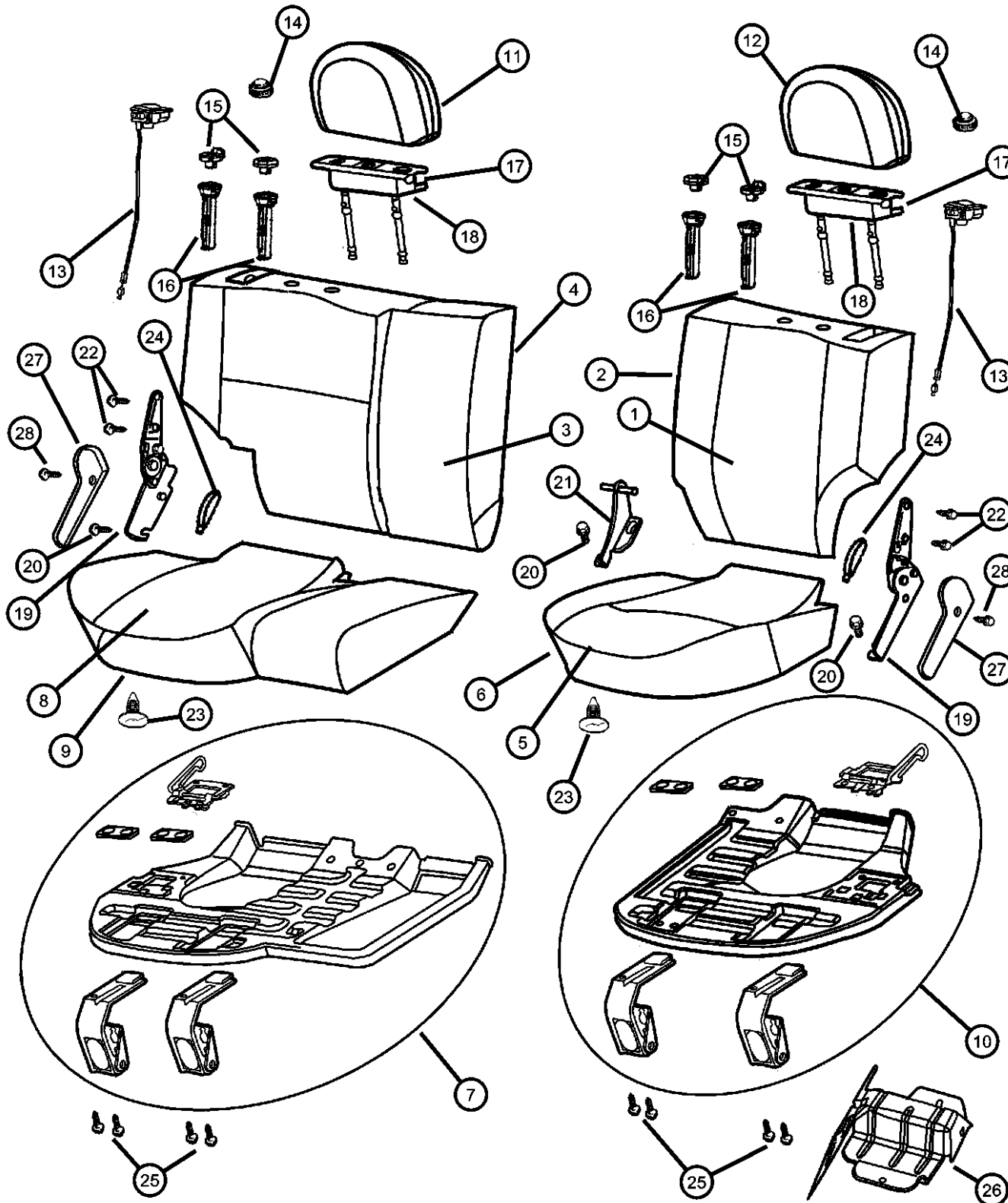
ENGINE
ERH = ENGINE - 4.0L POWER TECH I-6
EVA = ENGINE - 4.7L V8 MPI
EXA = ENGINE - 3.1L 5 CYL TURBO DIESEL

TRANSMISSION
DG4 = TRANSMISSION-MULTI-SPEED AUTO, 45RFE
DGW = TRANSMISSION - 4-SPD. AUTOMATIC, 44RE
DGK = TRANSMISSION - 4-SPD. AUTOMATIC, 42RE
DGO = ALL AUTOMATIC TRANSMISSIONS

AR = use ase required - = Non illustrated part

2000 WJ

Rear Seat, Trim Code [H7]
Figure IWJ-610



| ITEM | PART NUMBER | QTY | LINE | SERIES | BODY | ENGINE | TRANS | TRIM | DESCRIPTION |
|------|-------------|-----|------|--------|------|--------|-------|------|-------------|
|------|-------------|-----|------|--------|------|--------|-------|------|-------------|

NOTE: Seat back and seat back covers have changed in February of 2000. Since there is no definite "Up To" or "After" date, the determining factor

| | | | | | | | | | |
|---|------------|---|------|--|--|--|--|-----|--|
| 1 | | | | | | | | | COVER, Rear Seat Back, 40% |
| | 0SK431AZAA | 1 | U | | | | | *H7 | [AZ], Without Cover, Seat Latch, Item 27 |
| | | 1 | J, T | | | | | *H7 | [AZ], Without Cover, Seat Latch, Item 27 |
| | 0SK431K5AA | 1 | J, T | | | | | *H7 | [K5], Without Cover, Seat Latch, Item 27 |
| | | 1 | U | | | | | *H7 | [K5], Without Cover, Seat Latch, Item 27 |
| | 0SK431L5AA | 1 | J, T | | | | | *H7 | [L5], Without Cover, Seat Latch, Item 27 |
| | 0UN591AZAA | 1 | J, T | | | | | *H7 | [AZ], With Cover, Seat Latch, Item 27 |
| | | 1 | U | | | | | *H7 | [AZ], With Cover, Seat Latch, Item 27 |
| | 0UN591K5AA | 1 | J, T | | | | | *H7 | [K5], With Cover, Seat Latch, Item 27 |
| | | 1 | U | | | | | *H7 | [K5], With Cover, Seat Latch, Item 27 |
| | 0UN591L5AA | 1 | J, T | | | | | *H7 | [L5], With Cover, Seat Latch, Item 27 |
| 2 | | | | | | | | | SEAT BACK, Rear, 40% |
| | 0SK471AZAA | 1 | J, T | | | | | *H7 | [AZ], Without Cover, Seat Latch, Item 27 |
| | | 1 | U | | | | | *H7 | [AZ], Without Cover, Seat Latch, Item 27 |
| | 0SK471K5AA | 1 | J, T | | | | | *H7 | [K5], Without Cover, Seat Latch, Item 27 |
| | | 1 | U | | | | | *H7 | [K5], Without Cover, Seat Latch, Item 27 |
| | 0SK471L5AA | 1 | J, T | | | | | *H7 | [L5], Without Cover, Seat Latch, Item 27 |
| | 0UN611AZAA | 1 | J, T | | | | | *H7 | [AZ], With Cover, Seat Latch, Item 27 |
| | | 1 | U | | | | | *H7 | [AZ], With Cover, Seat Latch, Item 27 |
| | 0UN611K5AA | 1 | J, T | | | | | *H7 | [K5], With Cover, Seat Latch, Item 27 |
| | | 1 | U | | | | | *H7 | [K5], With Cover, Seat Latch, Item 27 |
| | 0UN611L5AA | 1 | J, T | | | | | *H7 | [L5], With Cover, Seat Latch, Item 27 |
| 3 | | | | | | | | | COVER, Rear Seat Back, 60% |

GRAND CHEROKEE (WJ)

SERIES
H = Laredo
P = Limited

LINE
T = JEEP - 2WD
J = JEEP - 4WD
U = JEEP - 4WD (RHD)

BODY
74 = 4 Door (105.9 WB)

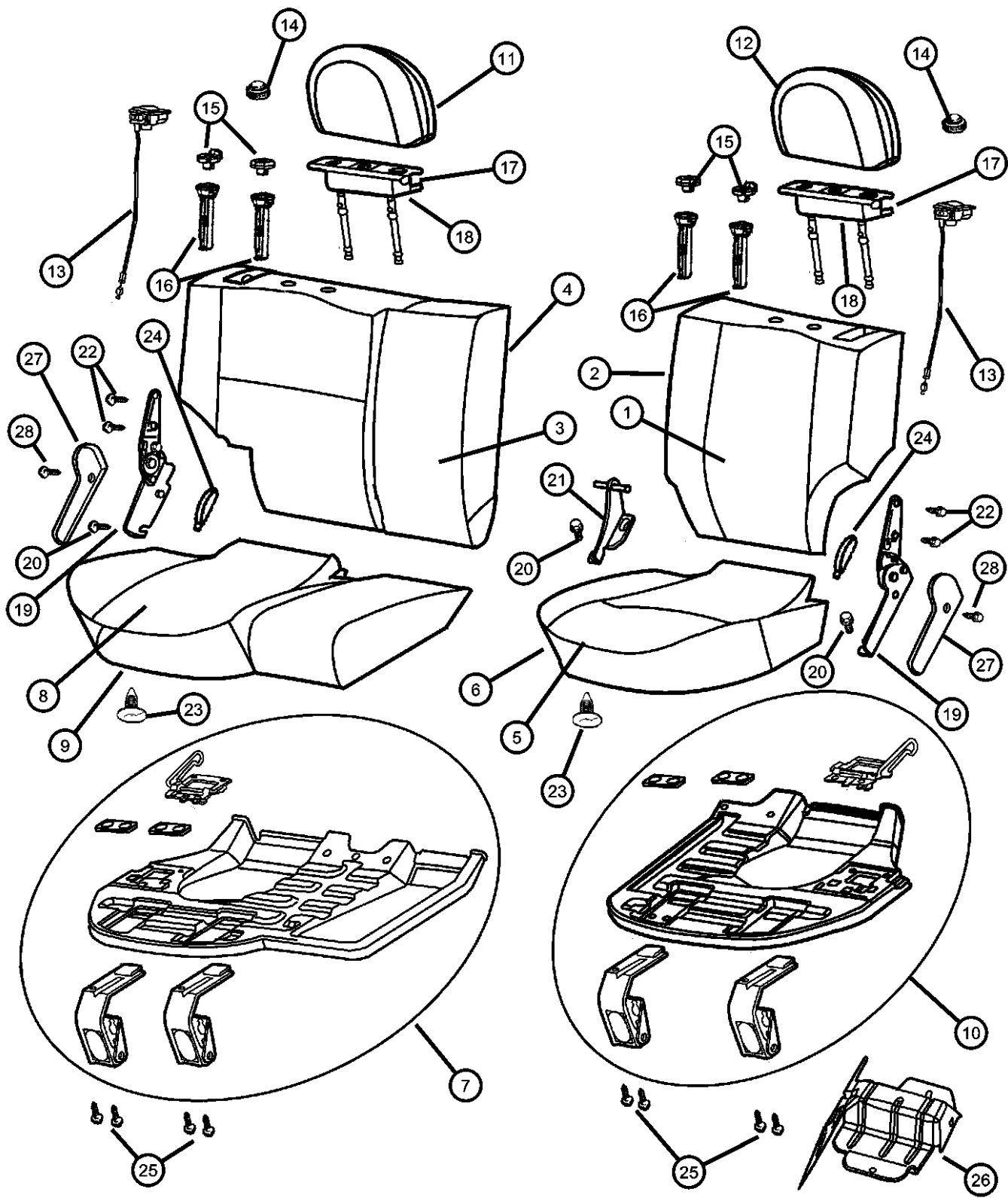
ENGINE
ERH = ENGINE - 4.0L
POWER TECH I-6
EVA = ENGINE - 4.7L V8 MPI
EXA = ENGINE - 3.1L 5 CYL
TURBO DIESEL

TRANSMISSION
DG4 = TRANSMISSION-MULTI-
SPEED AUTO, 45RFE
DGW = TRANSMISSION - 4-SPD.
AUTOMATIC, 44RE
DGK = TRANSMISSION - 4-SPD.
AUTOMATIC, 42RE
DGO = ALL AUTOMATIC
TRANSMISSIONS

AR = use ase required - = Non illustrated part

2000 WJ

Rear Seat, Trim Code [H7]
Figure IWJ-610

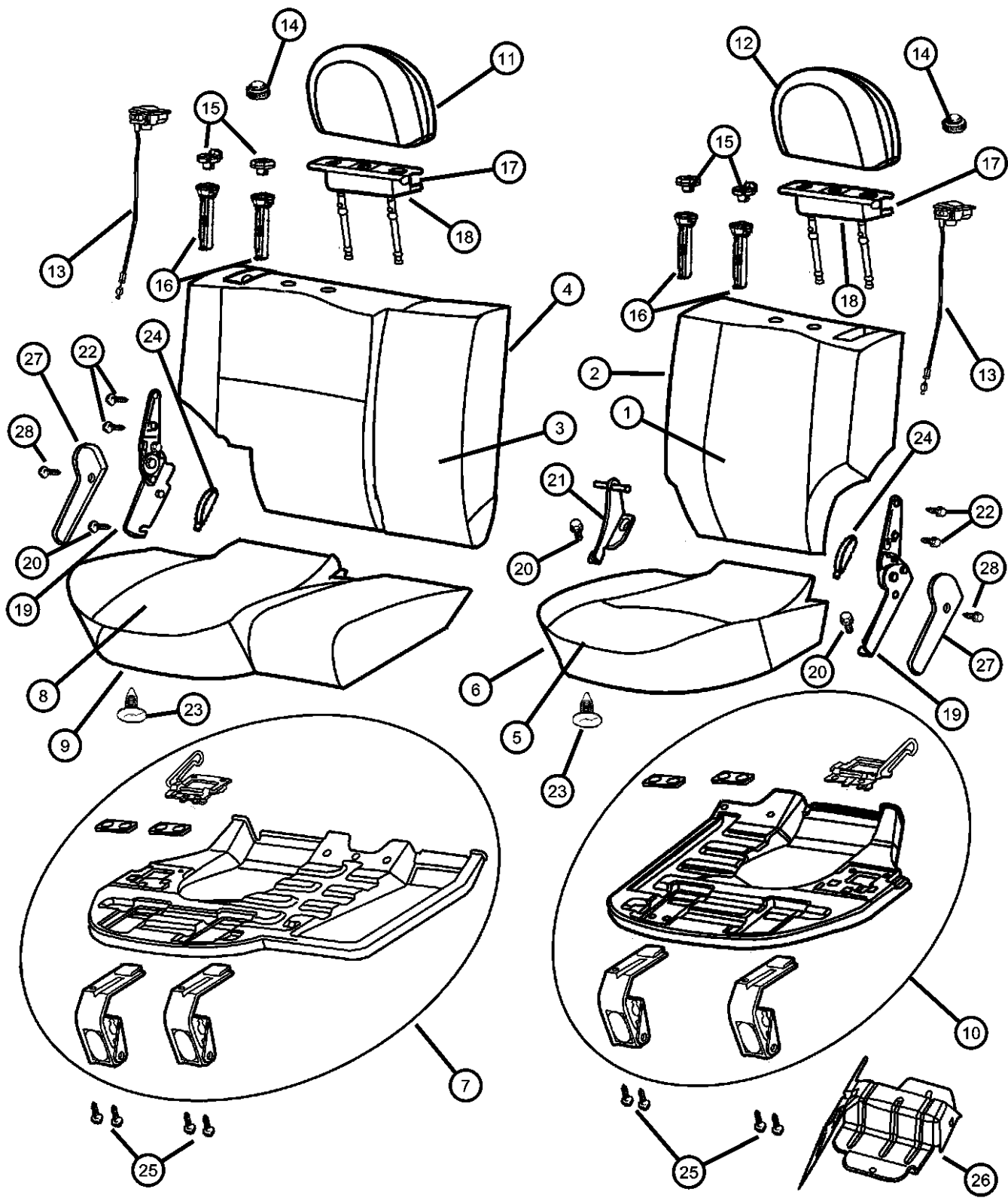


| ITEM | PART NUMBER | QTY | LINE | SERIES | BODY | ENGINE | TRANS | TRIM | DESCRIPTION |
|------|-------------|-----|------|--------|------|--------|-------|------|--|
| | 0SK421AZAA | 1 | J, T | | | | | *H7 | [AZ], Without Cover, Seat Latch, Item 27 |
| | | 1 | U | | | | | *H7 | [AZ], Without Cover, Seat Latch, Item 27 |
| | 0SK421K5AA | 1 | J, T | | | | | *H7 | [K5], Without Cover, Seat Latch, Item 27 |
| | | 1 | U | | | | | *H7 | [K5], Without Cover, Seat Latch, Item 27 |
| | 0SK421L5AA | 1 | J, T | | | | | *H7 | [L5], Without Cover, Seat Latch, Item 27 |
| | 0UN581AZAA | 1 | J, T | | | | | *H7 | [AZ], With Cover, Seat Latch, Item 27 |
| | | 1 | U | | | | | *H7 | [AZ], With Cover, Seat Latch, Item 27 |
| | 0UN581K5AA | 1 | J, T | | | | | *H7 | [K5], With Cover, Seat Latch, Item 27 |
| | | 1 | U | | | | | *H7 | [K5], With Cover, Seat Latch, Item 27 |
| | 0UN581L5AA | 1 | J, T | | | | | *H7 | [L5], With Cover, Seat Latch, Item 27 |
| 4 | | | | | | | | | SEAT BACK, Rear, 60% |
| | 0SK461AZAA | 1 | J, T | | | | | *H7 | [AZ], Without Cover, Seat Latch, Item 27 |
| | | 1 | U | | | | | *H7 | [AZ], Without Cover, Seat Latch, Item 27 |
| | 0SK461K5AA | 1 | J, T | | | | | *H7 | [K5], Without Cover, Seat Latch, Item 27 |
| | | 1 | U | | | | | *H7 | [K5], Without Cover, Seat Latch, Item 27 |
| | 0SK461L5AA | 1 | J, T | | | | | *H7 | [L5], Without Cover, Seat Latch, Item 27 |
| | 0UN601AZAA | 1 | J, T | | | | | *H7 | [AZ], With Cover, Seat Latch, Item 27 |
| | | 1 | U | | | | | *H7 | [AZ], With Cover, Seat Latch, Item 27 |
| | 0UN601K5AA | 1 | J, T | | | | | *H7 | [K5], With Cover, Seat Latch, Item 27 |
| | | 1 | U | | | | | *H7 | [K5], With Cover, Seat Latch, Item 27 |
| | 0UN601L5AA | 1 | J, T | | | | | *H7 | [L5], With Cover, Seat Latch, Item 27 |
| 5 | | | | | | | | | COVER, Rear Seat Cushion, 40% |
| | 0SK451AZAA | 1 | J, T | | | | | *H7 | [AZ] |

| | | | | |
|----------------------------|----------------------|------------------------|--|---|
| GRAND CHEROKEE (WJ) | | | | |
| SERIES | LINE | BODY | ENGINE | TRANSMISSION |
| H = Laredo | T = JEEP - 2WD | 74 = 4 Door (105.9 WB) | ERH = ENGINE - 4.0L POWER TECH I-6 | DG4 = TRANSMISSION-MULTI-SPEED AUTO, 45RFE |
| P = Limited | J = JEEP - 4WD | | EVA = ENGINE - 4.7L V8 MPI | DGW = TRANSMISSION - 4-SPD. AUTOMATIC, 44RE |
| | U = JEEP - 4WD (RHD) | | EXA = ENGINE - 3.1L 5 CYL TURBO DIESEL | DGK = TRANSMISSION - 4-SPD. AUTOMATIC, 42RE |
| | | | | DGO = ALL AUTOMATIC TRANSMISSIONS |

AR = use ase required - = Non illustrated part

Rear Seat, Trim Code [H7]
Figure IWJ-610



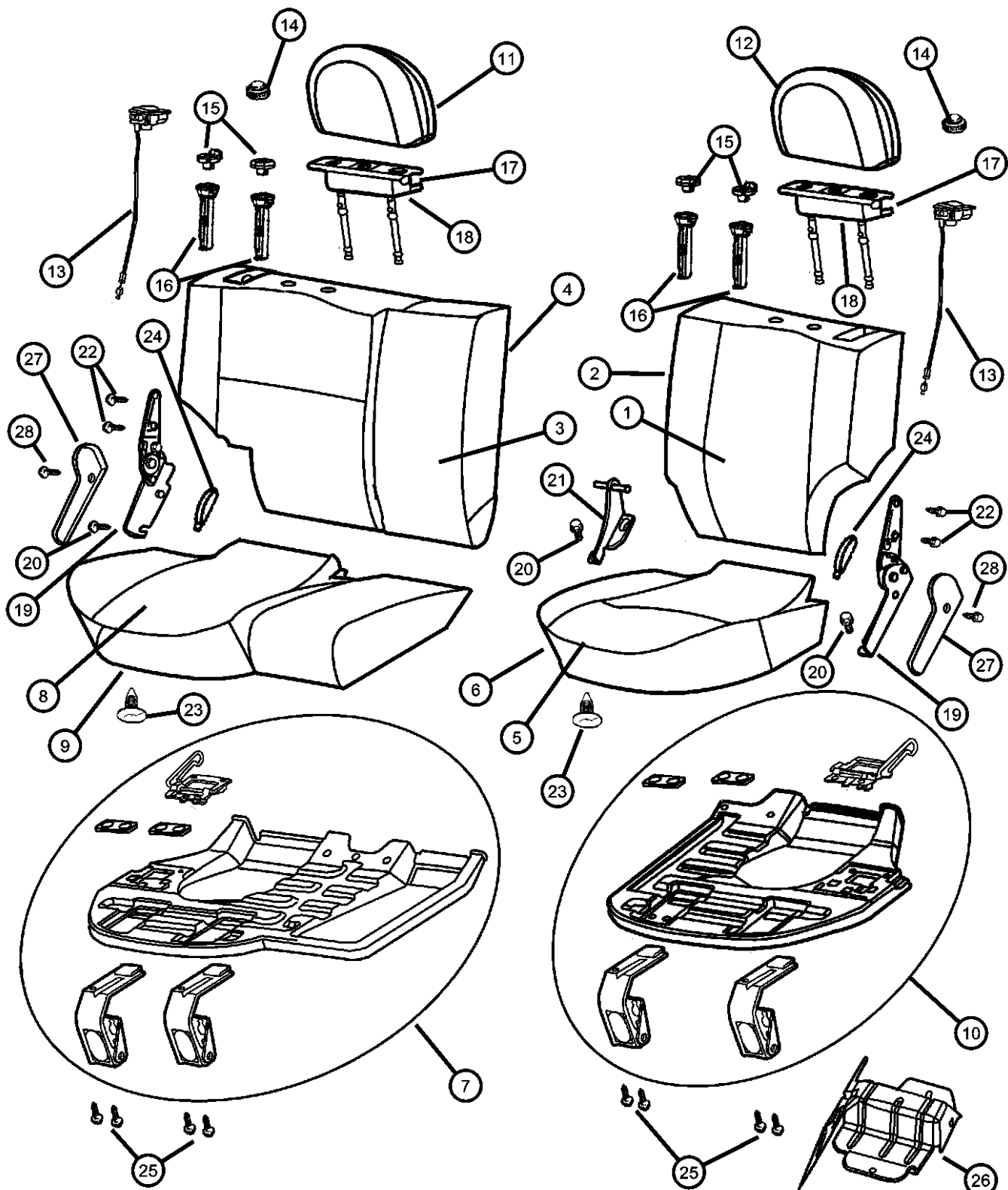
| ITEM | PART NUMBER | QTY | LINE | SERIES | BODY | ENGINE | TRANS | TRIM | DESCRIPTION |
|------|-------------|-----|------|--------|------|--------|-------|----------|-------------------------------|
| | | 1 | U | | | | | *H7 [AZ] | |
| | 0SK451K5AA | 1 | J, T | | | | | *H7 [K5] | |
| | | 1 | U | | | | | *H7 [K5] | |
| | 0SK451L5AA | 1 | J, T | | | | | *H7 [L5] | |
| 6 | | | | | | | | | CUSHION, Rear Seat, 40% |
| | 0SK491AZAA | 1 | U | | | | | *H7 [AZ] | |
| | | 1 | J, T | | | | | *H7 [AZ] | |
| | 0SK491K5AA | 1 | U | | | | | *H7 [K5] | |
| | | 1 | J, T | | | | | *H7 [K5] | |
| | 0SK491L5AA | 1 | J, T | | | | | *H7 [L5] | |
| 7 | | | | | | | | | PANEL, Seat Cushion Base, 60% |
| | 05013119AA | 1 | U | | | | | *H7 | |
| | | 1 | J, T | | | | | *H7 | |
| 8 | | | | | | | | | COVER, Rear Seat Cushion, 60% |
| | 0SK441AZAA | 1 | J, T | | | | | *H7 [AZ] | |
| | | 1 | U | | | | | *H7 [AZ] | |
| | 0SK441K5AA | 1 | J, T | | | | | *H7 [K5] | |
| | | 1 | U | | | | | *H7 [K5] | |
| | 0SK441L5AA | 1 | J, T | | | | | *H7 [L5] | |
| 9 | | | | | | | | | CUSHION, Rear Seat, 60% |
| | 0SK481AZAA | 1 | J, T | | | | | *H7 [AZ] | |
| | | 1 | U | | | | | *H7 [AZ] | |
| | 0SK481K5AA | 1 | J, T | | | | | *H7 [K5] | |
| | | 1 | U | | | | | *H7 [K5] | |
| | 0SK481L5AA | 1 | J, T | | | | | *H7 [L5] | |
| 10 | | | | | | | | | PANEL, Seat Cushion Base, 40% |
| | 05013118AA | 1 | U | | | | | *H7 | |
| | | 1 | J, T | | | | | *H7 | |
| 11 | | | | | | | | | HEADREST, Rear, Right |
| | 0SK521AZAA | 1 | J, T | | | | | *H7 [AZ] | |
| | 0SK521K5AA | 1 | J, T | | | | | *H7 [K5] | |
| | 0SK521L5AA | 1 | J, T | | | | | *H7 [L5] | |

GRAND CHEROKEE (WJ)

| | | | | |
|-------------|----------------------|------------------------|--|---|
| SERIES | LINE | BODY | ENGINE | TRANSMISSION |
| H = Laredo | T = JEEP - 2WD | 74 = 4 Door (105.9 WB) | ERH = ENGINE - 4.0L POWER TECH I-6 | DG4 = TRANSMISSION-MULTI-SPEED AUTO, 45RFE |
| P = Limited | J = JEEP - 4WD | | EVA = ENGINE- 4.7L V8 MPI | DGW = TRANSMISSION - 4-SPD. AUTOMATIC, 44RE |
| | U = JEEP - 4WD (RHD) | | EXA = ENGINE - 3.1L 5 CYL TURBO DIESEL | DGK = TRANSMISSION - 4-SPD. AUTOMATIC, 42RE |
| | | | | DGO = ALL AUTOMATIC TRANSMISSIONS |

AR = use ase required - = Non illustrated part

Rear Seat, Trim Code [H7]
Figure IWJ-610



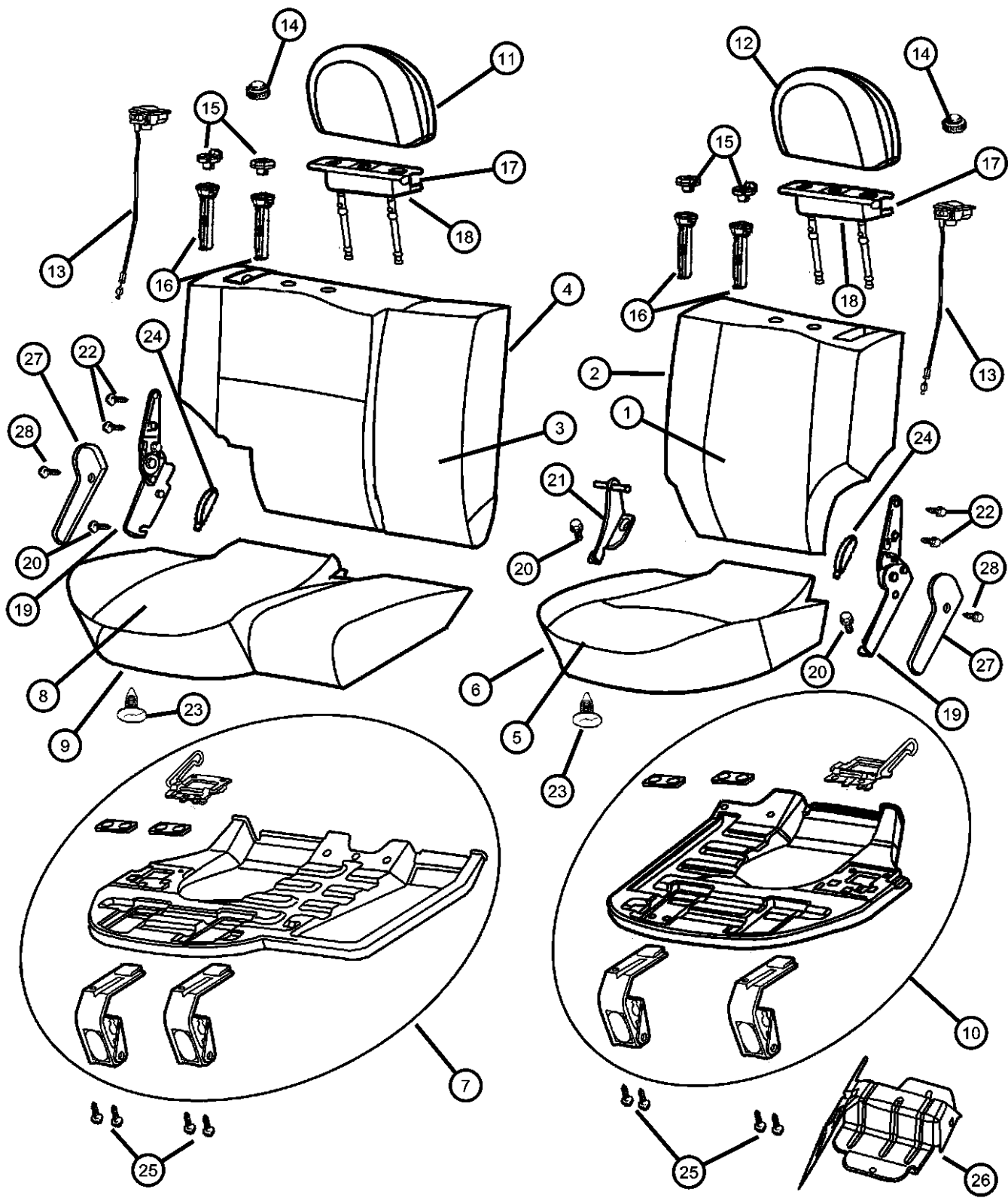
| ITEM | PART NUMBER | QTY | LINE | SERIES | BODY | ENGINE | TRANS | TRIM | DESCRIPTION |
|------|-------------|-----|------|--------|------|--------|-------|------|-----------------------------|
| | 0TH821AZAA | 1 | U | | | | | *H7 | [AZ] |
| | | 1 | J, T | | | | | *H7 | [AZ], Export |
| | 0TH821K5AA | 1 | U | | | | | *H7 | [K5] |
| | | 1 | J, T | | | | | *H7 | [K5], Export |
| 12 | | | | | | | | | HEADREST, Rear, Left |
| | 0SK531AZAA | 1 | J, T | | | | | *H7 | [AZ] |
| | 0SK531K5AA | 1 | J, T | | | | | *H7 | [K5] |
| | 0SK531L5AA | 1 | J, T | | | | | *H7 | [L5] |
| | 0TH831AZAA | 1 | U | | | | | *H7 | [AZ] |
| | | 1 | J, T | | | | | *H7 | [AZ], Export |
| | 0TH831K5AA | 1 | U | | | | | *H7 | [K5] |
| | | 1 | J, T | | | | | *H7 | [K5], Export |
| 13 | | | | | | | | | CONTROL, SEAT RELEASE |
| | 0SX641AZAA | 1 | J, T | | | | | *H7 | [AZ] |
| | | 2 | U | | | | | *H7 | [AZ] |
| | 0SX641K5AA | 1 | J, T | | | | | *H7 | [K5] |
| | | 2 | U | | | | | *H7 | [K5] |
| | 0SX641L5AA | 1 | J, T | | | | | *H7 | [L5] |
| 14 | | | | | | | | | HANDLE, Headrest |
| | 05013168AA | 1 | J, T | | | | | *H7 | Right |
| | | 1 | U | | | | | *H7 | Right |
| | 05013169AA | 1 | J, T | | | | | *H7 | Left |
| | | 1 | U | | | | | *H7 | Left |
| 15 | | | | | | | | | COVER, Headrest Sleeve |
| | 05013163AA | 1 | U | | | | | *H7 | Non-Locking |
| | | 1 | J, T | | | | | *H7 | Non-Locking |
| | 05013172AA | 1 | U | | | | | *H7 | Locking |
| | | 1 | J, T | | | | | *H7 | Locking |
| 16 | | | | | | | | | CYLINDER, Headrest |
| | 05013152AA | 1 | U | | | | | *H7 | |
| | | 1 | J, T | | | | | *H7 | |
| 17 | | | | | | | | | BRACKET AND HINGE, Headrest |

GRAND CHEROKEE (WJ)
 SERIES LINE BODY ENGINE TRANSMISSION
 H = Laredo T = JEEP - 2WD 74 = 4 Door (105.9 WB) ERH = ENGINE - 4.0L POWER TECH I-6 DG4 = TRANSMISSION-MULTI-SPEED AUTO, 45RFE
 P = Limited J = JEEP - 4WD EVA = ENGINE- 4.7L V8 MPI DGW = TRANSMISSION - 4-SPD. AUTOMATIC, 44RE
 U = JEEP - 4WD (RHD) EXA = ENGINE - 3.1L 5 CYL TURBO DIESEL DKG = TRANSMISSION - 4-SPD. AUTOMATIC, 42RE
 DGO = ALL AUTOMATIC TRANSMISSIONS

AR = use ase required - = Non illustrated part

2000 WJ

Rear Seat, Trim Code [H7]
Figure IWJ-610



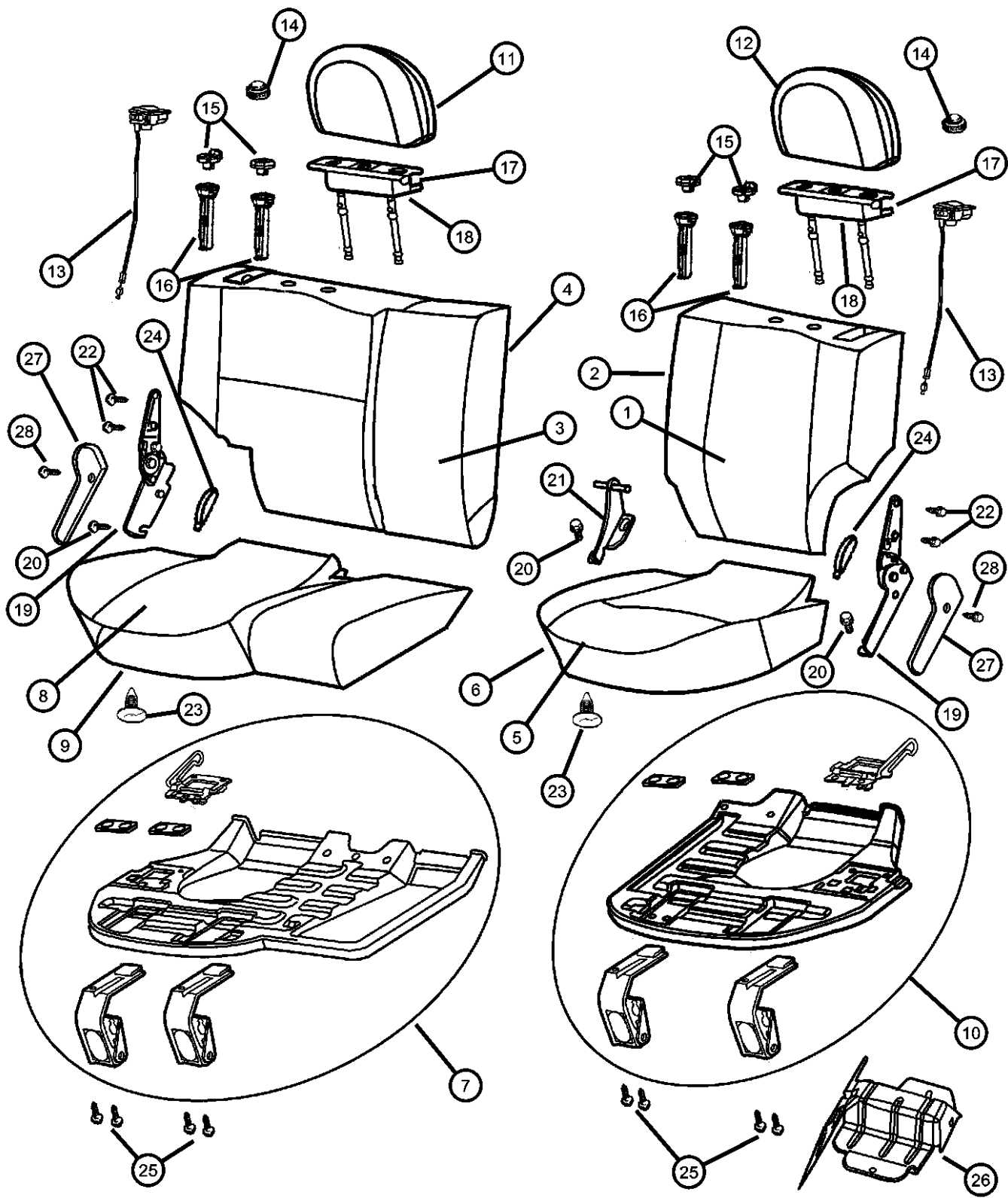
| ITEM | PART NUMBER | QTY | LINE | SERIES | BODY | ENGINE | TRANS | TRIM | DESCRIPTION |
|------|-------------|-----|------|--------|------|--------|-------|------|---|
| | 05016178AA | 1 | J, T | | | | | *H7 | Right |
| | 05016179AA | 1 | J, T | | | | | *H7 | Left |
| | 05016180AA | 1 | U | | | | | *H7 | Right, Export |
| | | 1 | J, T | | | | | *H7 | Right, Export |
| | 05016181AA | 1 | U | | | | | *H7 | Left, Export |
| | | 1 | J, T | | | | | *H7 | Left, Export |
| 18 | | | | | | | | | SHIELD, Headrest |
| | 05016920AA | 1 | J, T | | | | | *H7 | Right |
| | 05016921AA | 1 | J, T | | | | | *H7 | Left |
| 19 | | | | | | | | | LATCH, Seat |
| | 05013150AA | 1 | J, T | | | | | *H7 | Right |
| | | 1 | U | | | | | *H7 | Right |
| | 05013151AA | 1 | J, T | | | | | *H7 | Left |
| | | 1 | U | | | | | *H7 | Left |
| 20 | 06504915AA | 4 | | | | | | | SCREW |
| 21 | | | | | | | | | BRACKET, Pivot |
| | 05013145AA | 1 | U | | | | | *H7 | |
| | | 1 | J, T | | | | | *H7 | |
| 22 | 04720768 | 4 | J, T | | | | | *H7 | BOLT, Recliner to Seat Back |
| 23 | | | | | | | | | RETAINER, Cushion Cover |
| | 04720778 | 5 | J, T | | | | | *H7 | |
| | | 5 | U | | | | | *H7 | |
| 24 | | | | | | | | | STRAP, Seat Pull |
| | 0SL001AZAA | 2 | U | | | | | *H7 | [AZ] |
| | | 1 | J, T | | | | | *H7 | [AZ] |
| | 0SL001K5AA | 1 | J, T | | | | | *H7 | [K5] |
| | | 2 | U | | | | | *H7 | [K5] |
| | 0SL001L5AA | 1 | J, T | | | | | *H7 | [L5] |
| 25 | 06100558 | 8 | | | | | | | BOLT AND CONED WASHER, Hex Head, M6x25x14 |
| 26 | | | | | | | | | BRACKET, Seat |
| | 55196740AB | 1 | | | | | | | Rear Seat Cushion Latch, Right |
| | 55196741AD | 1 | | | | | | | Rear Seat Cushion Latch, Left |

GRAND CHEROKEE (WJ)

| | | | | |
|-------------|----------------------|------------------------|--|---|
| SERIES | LINE | BODY | ENGINE | TRANSMISSION |
| H = Laredo | T = JEEP - 2WD | 74 = 4 Door (105.9 WB) | ERH = ENGINE - 4.0L POWER TECH I-6 | DG4 = TRANSMISSION-MULTI-SPEED AUTO, 45RFE |
| P = Limited | J = JEEP - 4WD | | EVA = ENGINE- 4.7L V8 MPI | DGW = TRANSMISSION - 4-SPD. AUTOMATIC, 44RE |
| | U = JEEP - 4WD (RHD) | | EXA = ENGINE - 3.1L 5 CYL TURBO DIESEL | DGK = TRANSMISSION - 4-SPD. AUTOMATIC, 42RE |
| | | | | DGO = ALL AUTOMATIC TRANSMISSIONS |

AR = use ase required - = Non illustrated part

Rear Seat, Trim Code [H7]
Figure IWJ-610



| ITEM | PART NUMBER | QTY | LINE | SERIES | BODY | ENGINE | TRANS | TRIM | DESCRIPTION |
|------|-------------|------|------|--------|------|--------|-------|------------|----------------------------------|
| 27 | 0UN701AZAA | 1 | J, T | | | | | *H7 | COVER, Seat latch [AZ], Right |
| | | 1 | U | | | | | *H7 | [AZ], Right |
| | 0UN701K5AA | 1 | J, T | | | | | *H7 | [K5], Right |
| | | 1 | U | | | | | *H7 | [K5], Right |
| | 0UN701L5AA | 1 | J, T | | | | | *H7 | [L5], Right |
| | 0UN711AZAA | 1 | J, T | | | | | *H7 | [AZ], Left |
| | | 1 | U | | | | | *H7 | [AZ], Left |
| | | 1 | J, T | | | | | *H7 | [K5], Left |
| | 0UN711K5AA | 1 | J, T | | | | | *H7 | [K5], Left |
| 1 | | U | | | | | *H7 | [K5], Left | |
| 1 | | J, T | | | | | *H7 | [L5], Left | |
| 28 | 04720769 | 1 | J, T | | | | | *H7 | SCREW, Trim |
| | | 1 | U | | | | | *H7 | |

GRAND CHEROKEE (WJ)

SERIES LINE
H = Laredo T = JEEP - 2WD
P = Limited J = JEEP - 4WD
U = JEEP - 4WD (RHD)

BODY
74 = 4 Door (105.9 WB)

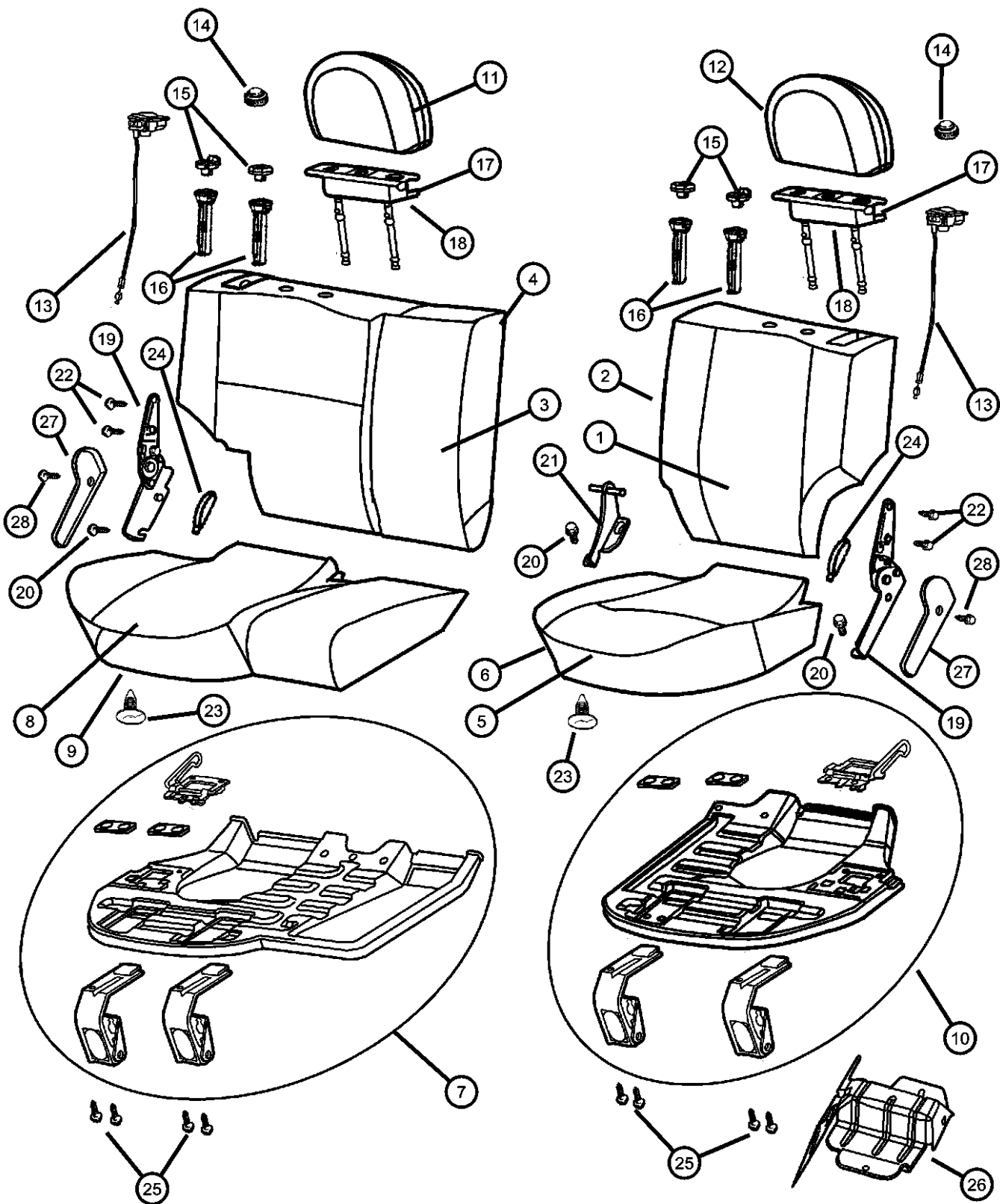
ENGINE
ERH = ENGINE - 4.0L
POWER TECH I-6
EVA = ENGINE- 4.7L V8 MPI
EXA = ENGINE - 3.1L 5 CYL
TURBO DIESEL

TRANSMISSION
DG4 = TRANSMISSION-MULTI-
SPEED AUTO, 45RFE
DGW = TRANSMISSION - 4-SPD.
AUTOMATIC,44RE
DGK = TRANSMISSION - 4-SPD.
AUTOMATIC,42RE
DGO = ALL AUTOMATIC
TRANSMISSIONS

AR = use ase required - = Non illustrated part

2000 WJ

Rear Seat, Trim Code [FL]
Figure IWJ-620



| ITEM | PART NUMBER | QTY | LINE | SERIES | BODY | ENGINE | TRANS | TRIM | DESCRIPTION |
|------|-------------|-----|------|--------|------|--------|-------|------|-------------|
|------|-------------|-----|------|--------|------|--------|-------|------|-------------|

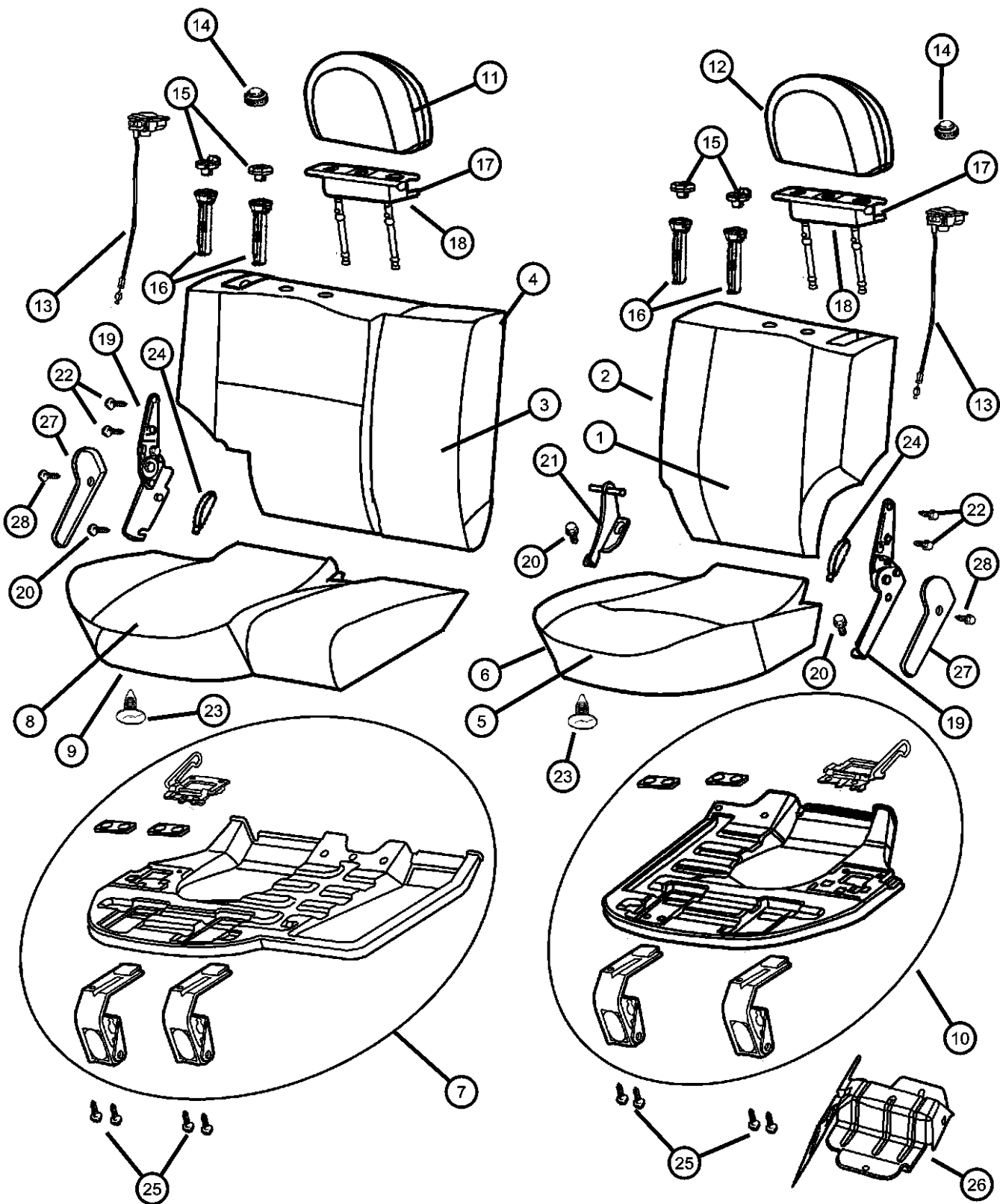
NOTE: Seat back and seat back covers have changed in February of 2000. Since there is no definite "Up To" or "After" date, the determining factor

| | | | | | | | | | |
|---|------------|---|------|--|--|--|--|-----|--|
| 1 | | | | | | | | | COVER, Rear Seat Back, 40% |
| | 0TU231AZAA | 1 | J, T | | | | | *FL | [AZ], Without Cover, Seat Latch, Item 27 |
| | 0TU231K5AA | 1 | J, T | | | | | *FL | [K5], Without Cover, Seat Latch, Item 27 |
| | | 1 | J, T | | | | | *FL | [L5], Without Cover, Seat Latch, Item 27 |
| | 0UN671AZAA | 1 | J, T | | | | | *FL | [AZ], With Cover, Seat Latch, Item 27 |
| | 0UN671K5AA | 1 | J, T | | | | | *FL | [K5], With Cover, Seat Latch, Item 27 |
| | 0UN671L5AA | 1 | J, T | | | | | *FL | [L5], With Cover, Seat Latch, Item 27 |
| 2 | | | | | | | | | SEAT BACK, Rear, 40% |
| | 0TU271AZAA | 1 | J, T | | | | | *FL | [AZ], Without Cover, Seat Latch, Item 27 |
| | 0TU271K5AA | 1 | J, T | | | | | *FL | [K5], Without Cover, Seat Latch, Item 27 |
| | 0TU271L5AA | 1 | J, T | | | | | *FL | [L5], Without Cover, Seat Latch, Item 27 |
| | 0UN691AZAA | 1 | J, T | | | | | *FL | [AZ], With Cover, Seat Latch, Item 27 |
| | 0UN691K5AA | 1 | J, T | | | | | *FL | [K5], With Cover, Seat Latch, Item 27 |
| | 0UN691L5AA | 1 | J, T | | | | | *FL | [L5], With Cover, Seat Latch, Item 27 |
| 3 | | | | | | | | | COVER, Rear Seat Back, 60% |
| | 0TU221AZAA | 1 | J, T | | | | | *FL | [AZ], Without Cover, Seat Latch, Item 27 |
| | 0TU221K5AA | 1 | J, T | | | | | *FL | [K5], Without Cover, Seat Latch, Item 27 |
| | 0TU221L5AA | 1 | J, T | | | | | *FL | [L5], Without Cover, Seat Latch, Item 27 |
| | 0UN661AZAA | 1 | J, T | | | | | *FL | [AZ], With Cover, Seat Latch, Item 27 |
| | 0UN661K5AA | 1 | J, T | | | | | *FL | [K5], With Cover, Seat Latch, Item 27 |
| | 0UN661L5AA | 1 | J, T | | | | | *FL | [L5], With Cover, Seat Latch, Item 27 |
| 4 | | | | | | | | | SEAT BACK, Rear, 60% |
| | 0TU261AZAA | 1 | J, T | | | | | *FL | [AZ], Without Cover, Seat Latch, Item 27 |

| | | | | |
|----------------------------|----------------------|------------------------|--|---|
| GRAND CHEROKEE (WJ) | | | | |
| SERIES | LINE | BODY | ENGINE | TRANSMISSION |
| H = Laredo | T = JEEP - 2WD | 74 = 4 Door (105.9 WB) | ERH = ENGINE - 4.0L POWER TECH I-6 | DG4 = TRANSMISSION-MULTI-SPEED AUTO, 45RFE |
| P = Limited | J = JEEP - 4WD | | EVA = ENGINE- 4.7L V8 MPI | DGW = TRANSMISSION - 4-SPD. AUTOMATIC, 44RE |
| | U = JEEP - 4WD (RHD) | | EXA = ENGINE - 3.1L 5 CYL TURBO DIESEL | DGK = TRANSMISSION - 4-SPD. AUTOMATIC, 42RE |
| | | | | DGO = ALL AUTOMATIC TRANSMISSIONS |

AR = use ase required - = Non illustrated part

Rear Seat, Trim Code [FL]
Figure IWJ-620



| ITEM | PART NUMBER | QTY | LINE | SERIES | BODY | ENGINE | TRANS | TRIM | DESCRIPTION |
|------|-------------|-----|------|--------|------|--------|-------|------|--|
| | 0TU261K5AA | 1 | J, T | | | | | *FL | [K5], Without Cover, Seat Latch, Item 27 |
| | 0TU261L5AA | 1 | J, T | | | | | *FL | [L5], Without Cover, Seat Latch, Item 27 |
| | 0UN681AZAA | 1 | J, T | | | | | *FL | [AZ], With Cover, Seat Latch, Item 27 |
| | 0UN681K5AA | 1 | J, T | | | | | *FL | [K5], With Cover, Seat Latch, Item 27 |
| | 0UN681L5AA | 1 | J, T | | | | | *FL | [L5], With Cover, Seat Latch, Item 27 |
| 5 | | | | | | | | | COVER, Rear Seat Cushion, 40% |
| | 0TU251AZAA | 1 | J, T | | | | | *FL | [AZ] |
| | 0TU251K5AA | 1 | J, T | | | | | *FL | [K5] |
| | 0TU251L5AA | 1 | J, T | | | | | *FL | [L5] |
| 6 | | | | | | | | | CUSHION, Rear Seat, 40% |
| | 0TU291AZAA | 1 | J, T | | | | | *FL | [AZ] |
| | 0TU291K5AA | 1 | J, T | | | | | *FL | [K5] |
| | 0TU291L5AA | 1 | J, T | | | | | *FL | [L5] |
| 7 | 05013119AA | 1 | J, T | | | | | *FL | PANEL, Seat Cushion Base, 60% |
| 8 | | | | | | | | | COVER, Rear Seat Cushion, 60% |
| | 0TU241AZAA | 1 | J, T | | | | | *FL | [AZ] |
| | 0TU241K5AA | 1 | J, T | | | | | *FL | [K5] |
| | 0TU241L5AA | 1 | J, T | | | | | *FL | [L5] |
| 9 | | | | | | | | | CUSHION, Rear Seat, 60% |
| | 0TU281AZAA | 1 | J, T | | | | | *FL | [AZ] |
| | 0TU281K5AA | 1 | J, T | | | | | *FL | [K5] |
| | 0TU281L5AA | 1 | J, T | | | | | *FL | [L5] |
| 10 | 05013118AA | 1 | J, T | | | | | *FL | PANEL, Seat Cushion Base, 40% |
| 11 | | | | | | | | | HEADREST, Rear, Right |
| | 0TH741AZAA | 1 | J, T | | | | | *FL | [AZ] |
| | 0TH741K5AA | 1 | J, T | | | | | *FL | [K5] |
| | 0TH741L5AA | 1 | J, T | | | | | *FL | [L5] |
| 12 | | | | | | | | | HEADREST, Rear, Left |
| | 0TH751AZAA | 1 | J, T | | | | | *FL | [AZ] |
| | 0TH751K5AA | 1 | J, T | | | | | *FL | [K5] |

GRAND CHEROKEE (WJ)

SERIES LINE
 H = Laredo T = JEEP - 2WD
 P = Limited J = JEEP - 4WD
 U = JEEP - 4WD (RHD)

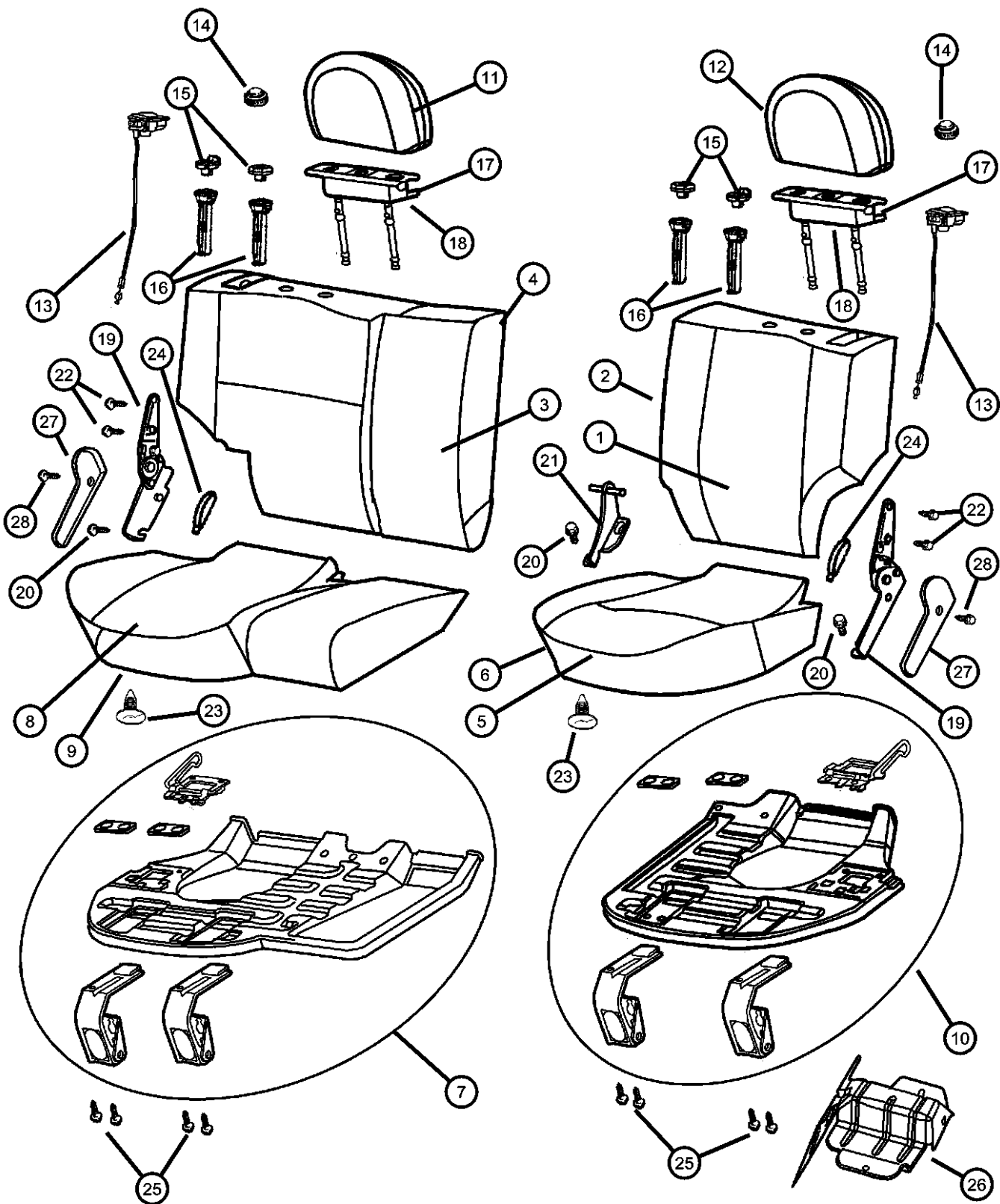
BODY
 74 = 4 Door (105.9 WB)

ENGINE
 ERH = ENGINE - 4.0L
 POWER TECH I-6
 EVA = ENGINE - 4.7L V8 MPI
 EXA = ENGINE - 3.1L 5 CYL
 TURBO DIESEL

TRANSMISSION
 DG4 = TRANSMISSION-MULTI-
 SPEED AUTO, 45RFE
 DGW = TRANSMISSION - 4-SPD.
 AUTOMATIC, 44RE
 DGK = TRANSMISSION - 4-SPD.
 AUTOMATIC, 42RE
 DGO = ALL AUTOMATIC
 TRANSMISSIONS

AR = use ase required - = Non illustrated part

Rear Seat, Trim Code [FL]
Figure IWJ-620



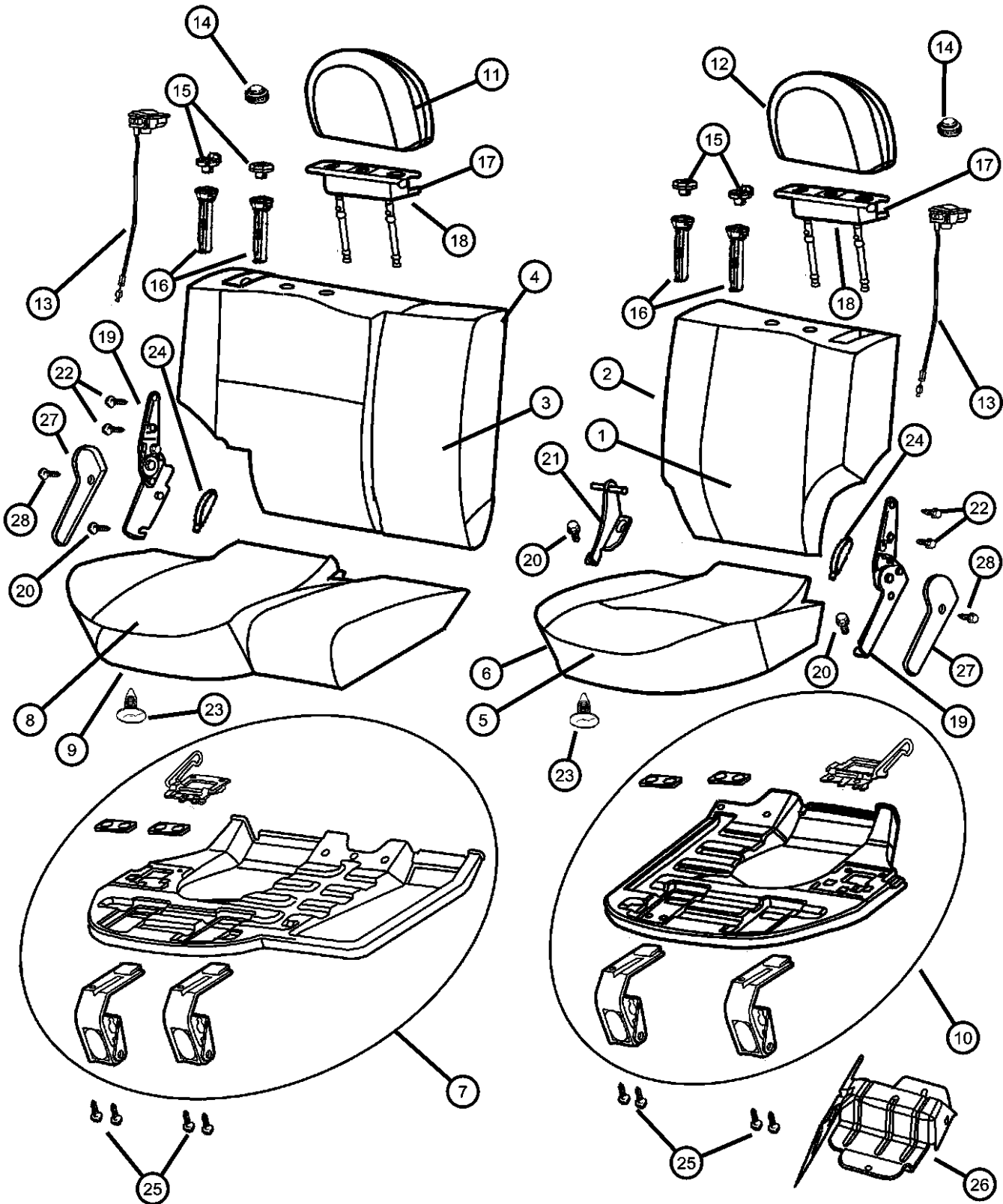
| ITEM | PART NUMBER | QTY | LINE | SERIES | BODY | ENGINE | TRANS | TRIM | DESCRIPTION |
|------|-------------|-----|------|--------|------|--------|-------|-----------------|---|
| 13 | 0TH751L5AA | 1 | J, T | | | | | *FL [L5] | CONTROL, SEAT RELEASE |
| | 0SX641AZAA | 1 | J, T | | | | | *FL [AZ] | |
| | 0SX641K5AA | 1 | J, T | | | | | *FL [K5] | |
| | 0SX641L5AA | 1 | J, T | | | | | *FL [L5] | |
| 14 | 05013168AA | 1 | J, T | | | | | *FL Right | HANDLE, Headrest |
| | 05013169AA | 1 | J, T | | | | | *FL Left | |
| 15 | 05013163AA | 4 | J, T | | | | | *FL Non-Locking | COVER, Headrest Sleeve |
| | 05013172AA | 4 | J, T | | | | | *FL Locking | |
| 16 | 05013152AA | 1 | J, T | | | | | *FL | CYLINDER, Headrest |
| 17 | 05016178AA | 1 | J, T | | | | | *FL Right | BRACKET AND HINGE, Headrest |
| | 05016179AA | 1 | J, T | | | | | *FL Left | |
| 18 | 05016920AA | 1 | J, T | | | | | *FL Right | SHIELD, Headrest |
| | 05016921AA | 1 | J, T | | | | | *FL Left | |
| 19 | 05013150AA | 1 | J, T | | | | | *FL Right | LATCH, Seat |
| | 05013151AA | 1 | J, T | | | | | *FL Left | |
| 20 | 06504915AA | 4 | | | | | | | SCREW |
| 21 | 05013145AA | 1 | J, T | | | | | *FL | BRACKET, Pivot |
| 22 | 04720768 | 4 | J, T | | | | | *H7 | BOLT, Recliner to Seat Back |
| 23 | 04720778 | 5 | J, T | | | | | *FL | RETAINER, Cushion Cover |
| 24 | 0SL001AZAA | 2 | J, T | | | | | *FL [AZ] | STRAP, Seat Pull |
| | 0SL001K5AA | 1 | J, T | | | | | *FL [K5] | |
| | 0SL001L5AA | 2 | J, T | | | | | *FL [L5] | |
| 25 | 06100558 | 8 | | | | | | | BOLT AND CONED WASHER, Hex Head, M6x25x14 |
| 26 | 55196740AB | 1 | | | | | | | BRACKET, Seat Rear Seat Cushion Latch, Right |

GRAND CHEROKEE (WJ)

| | | | | |
|-------------|----------------------|------------------------|--|---|
| SERIES | LINE | BODY | ENGINE | TRANSMISSION |
| H = Laredo | T = JEEP - 2WD | 74 = 4 Door (105.9 WB) | ERH = ENGINE - 4.0L POWER TECH I-6 | DG4 = TRANSMISSION-MULTI-SPEED AUTO, 45RFE |
| P = Limited | J = JEEP - 4WD | | EVA = ENGINE- 4.7L V8 MPI | DGW = TRANSMISSION - 4-SPD. AUTOMATIC, 44RE |
| | U = JEEP - 4WD (RHD) | | EXA = ENGINE - 3.1L 5 CYL TURBO DIESEL | DGK = TRANSMISSION - 4-SPD. AUTOMATIC, 42RE |
| | | | | DGO = ALL AUTOMATIC TRANSMISSIONS |

AR = use ase required - = Non illustrated part

Rear Seat, Trim Code [FL]
Figure IWJ-620



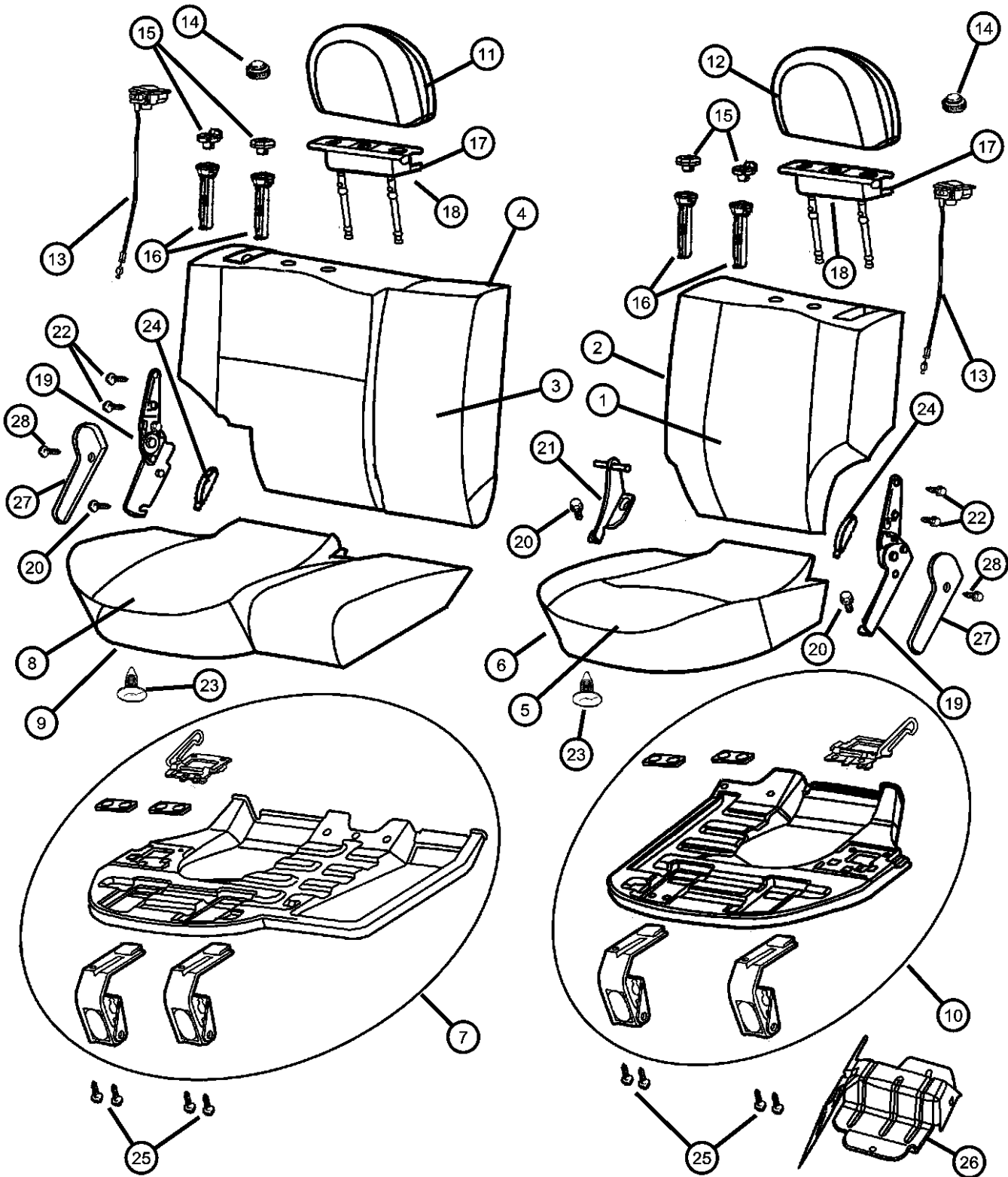
| ITEM | PART NUMBER | QTY | LINE | SERIES | BODY | ENGINE | TRANS | TRIM | DESCRIPTION |
|------|-------------|-----|------|--------|------|--------|-------|------|-------------------------------|
| | 55196741AD | 1 | | | | | | | Rear Seat Cushion Latch, Left |
| 27 | | | | | | | | | COVER, Seat latch |
| | 0UN701AZAA | 1 | J, T | | | | | *FL | [AZ], Right |
| | 0UN701K5AA | 1 | J, T | | | | | *FL | [K5], Right |
| | 0UN701L5AA | 1 | J, T | | | | | *FL | [L5], Right |
| | 0UN711AZAA | 1 | J, T | | | | | *FL | [AZ], Left |
| | 0UN711K5AA | 1 | J, T | | | | | *FL | [K5], Left |
| | 0UN711L5AA | 1 | J, T | | | | | *FL | [L5], Left |
| 28 | 04720769 | 1 | J, T | | | | | *FL | SCREW, Trim |

GRAND CHEROKEE (WJ)

| | | | | |
|-------------|----------------------|------------------------|--|---|
| SERIES | LINE | BODY | ENGINE | TRANSMISSION |
| H = Laredo | T = JEEP - 2WD | 74 = 4 Door (105.9 WB) | ERH = ENGINE - 4.0L POWER TECH I-6 | DG4 = TRANSMISSION-MULTI-SPEED AUTO, 45RFE |
| P = Limited | J = JEEP - 4WD | | EVA = ENGINE- 4.7L V8 MPI | DGW = TRANSMISSION - 4-SPD. AUTOMATIC, 44RE |
| | U = JEEP - 4WD (RHD) | | EXA = ENGINE - 3.1L 5 CYL TURBO DIESEL | DGK = TRANSMISSION - 4-SPD. AUTOMATIC, 42RE |
| | | | | DGO = ALL AUTOMATIC TRANSMISSIONS |

AR = use ase required - = Non illustrated part

Rear Seat, Trim Code [DL]
Figure IWJ-630



| ITEM | PART NUMBER | QTY | LINE | SERIES | BODY | ENGINE | TRANS | TRIM | DESCRIPTION |
|------|-------------|-----|------|--------|------|--------|-------|------|-------------|
|------|-------------|-----|------|--------|------|--------|-------|------|-------------|

NOTE: Seat back and seat back covers have changed in February of 2000. Since there is no definite "Up To" or "After" date, the determining factor

| | | | | | | | | | |
|---|------------|---|------|--|--|--|--|-----|--|
| 1 | | | | | | | | | COVER, Rear Seat Back, 40% |
| | 0TU411AZAA | 1 | J, T | | | | | *DL | [AZ], Without Cover, Seat Latch, Item 27 |
| | 0TU411K5AA | 1 | J, T | | | | | *DL | [K5], Without Cover, Seat Latch, Item 27 |
| | 0TU411L5AA | 1 | J, T | | | | | *DL | [L5], Without Cover, Seat Latch, Item 27 |
| | 0UN631AZAA | 1 | J, T | | | | | *DL | [AZ], With Cover, Seat Latch, Item 27 |
| | 0UN631K5AA | 1 | J, T | | | | | *DL | [K5], With Cover, Seat Latch, Item 27 |
| | 0UN631L5AA | 1 | J, T | | | | | *DL | [L5], With Cover, Seat Latch, Item 27 |
| 2 | | | | | | | | | SEAT BACK, Rear, 40% |
| | 0TU451AZAA | 1 | J, T | | | | | *DL | [AZ], Without Cover, Seat Latch, Item 27 |
| | 0TU451K5AA | 1 | J, T | | | | | *DL | [K5], Without Cover, Seat Latch, Item 27 |
| | 0TU451L5AA | 1 | J, T | | | | | *DL | [L5], Without Cover, Seat Latch, Item 27 |
| | 0UN651AZAA | 1 | J, T | | | | | *DL | [AZ], With Cover, Seat Latch, Item 27 |
| | 0UN651K5AA | 1 | J, T | | | | | *DL | [K5], With Cover, Seat Latch, Item 27 |
| | 0UN651L5AA | 1 | J, T | | | | | *DL | [L5], With Cover, Seat Latch, Item 27 |
| 3 | | | | | | | | | COVER, Rear Seat Back, 60% |
| | 0TU401AZAA | 1 | J, T | | | | | *DL | [AZ], Without Cover, Seat Latch, Item 27 |
| | 0TU401K5AA | 1 | J, T | | | | | *DL | [K5], Without Cover, Seat Latch, Item 27 |
| | 0TU401L5AA | 1 | J, T | | | | | *DL | [L5], Without Cover, Seat Latch, Item 27 |
| | 0UN621AZAA | 1 | J, T | | | | | *DL | [AZ], With Cover, Seat Latch, Item 27 |
| | 0UN621K5AA | 1 | J, T | | | | | *DL | [K5], With Cover, Seat Latch, Item 27 |
| | 0UN621L5AA | 1 | J, T | | | | | *DL | [L5], With Cover, Seat Latch, Item 27 |
| 4 | | | | | | | | | SEAT BACK, Rear, 60% |
| | 0TU441AZAA | 1 | J, T | | | | | *DL | [AZ], Without Cover, Seat Latch, Item 27 |

GRAND CHEROKEE (WJ)

SERIES
H = Laredo
P = Limited

LINE
T = JEEP - 2WD
J = JEEP - 4WD
U = JEEP - 4WD (RHD)

BODY
74 = 4 Door (105.9 WB)

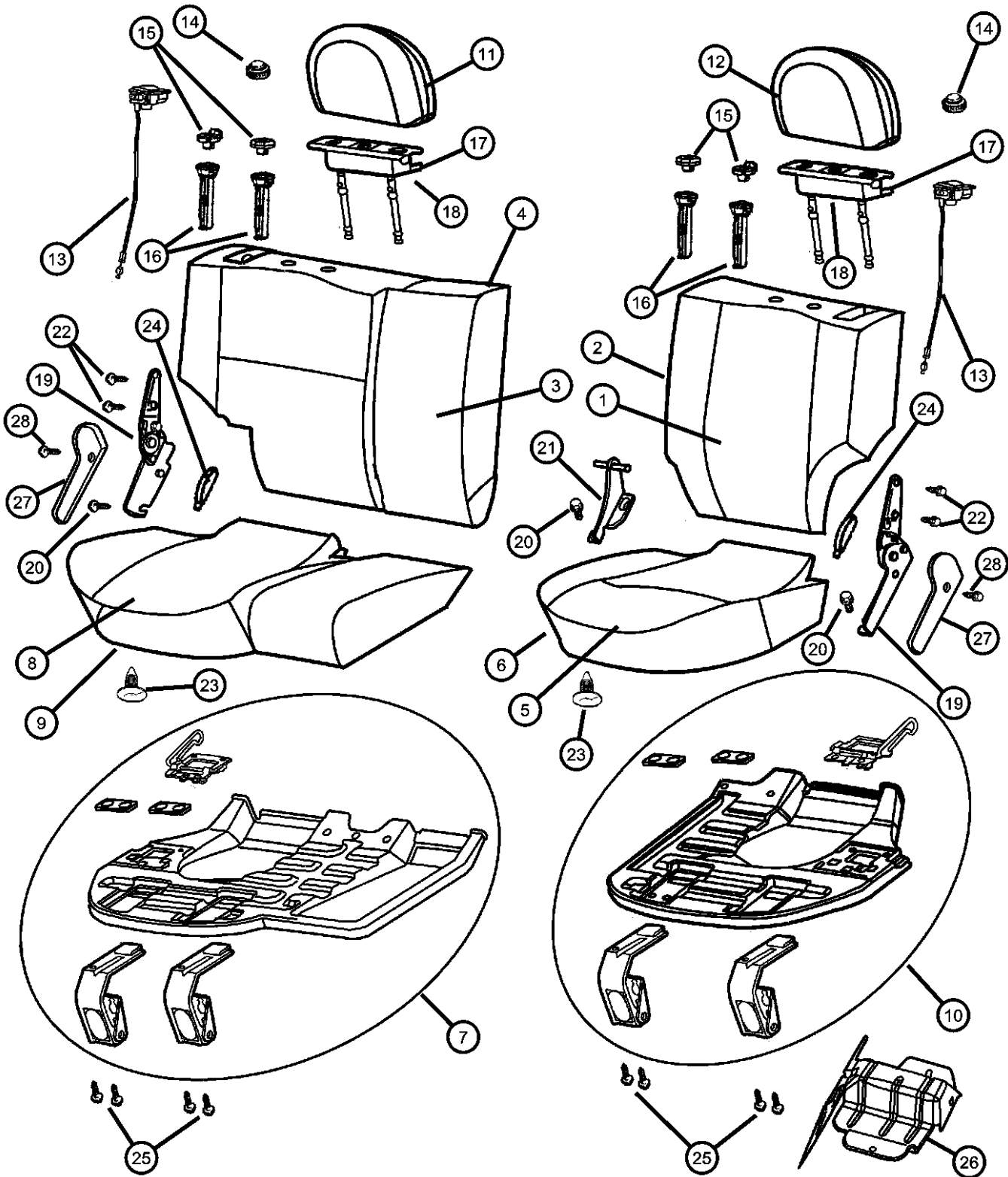
ENGINE
ERH = ENGINE - 4.0L
POWER TECH I-6
EVA = ENGINE - 4.7L V8 MPI
EXA = ENGINE - 3.1L 5 CYL
TURBO DIESEL

TRANSMISSION
DG4 = TRANSMISSION-MULTI-
SPEED AUTO, 45RFE
DGW = TRANSMISSION - 4-SPD.
AUTOMATIC, 44RE
DGK = TRANSMISSION - 4-SPD.
AUTOMATIC, 42RE
DGO = ALL AUTOMATIC
TRANSMISSIONS

AR = use ase required - = Non illustrated part

2000 WJ

Rear Seat, Trim Code [DL]
Figure IWJ-630

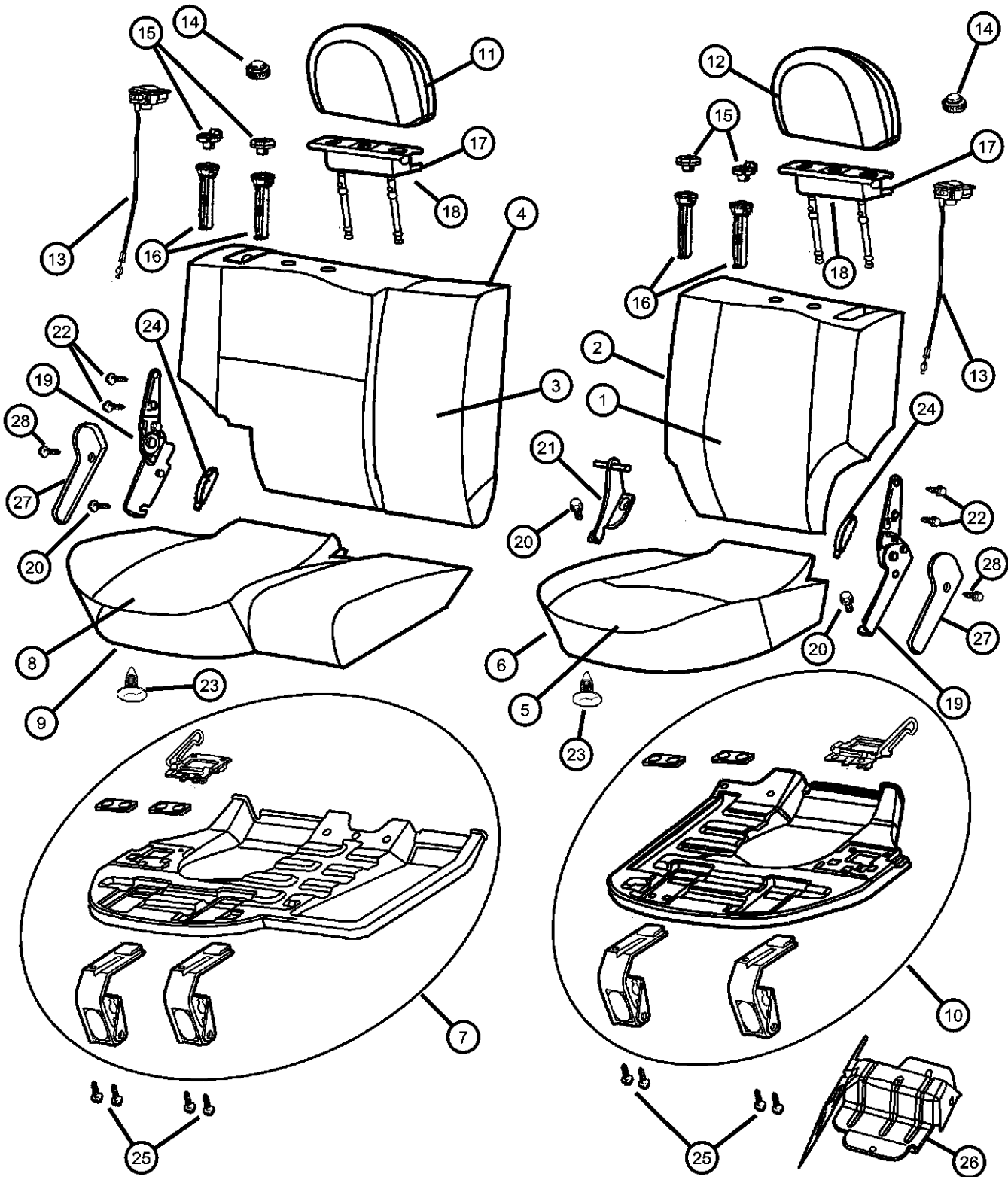


| ITEM | PART NUMBER | QTY | LINE | SERIES | BODY | ENGINE | TRANS | TRIM | DESCRIPTION |
|------|-------------|-----|------|--------|------|--------|-------|------|--|
| | 0TU441K5AA | 1 | J, T | | | | | *DL | [K5], Without Cover, Seat Latch, Item 27 |
| | 0TU441L5AA | 1 | J, T | | | | | *DL | [L5], Without Cover, Seat Latch, Item 27 |
| | 0UN641AZAA | 1 | J, T | | | | | *DL | [AZ], With Cover, Seat Latch, Item 27 |
| | 0UN641K5AA | 1 | J, T | | | | | *DL | [K5], With Cover, Seat Latch, Item 27 |
| | 0UN641L5AA | 1 | J, T | | | | | *DL | [L5], With Cover, Seat Latch, Item 27 |
| 5 | | | | | | | | | COVER, Rear Seat Cushion, 40% |
| | 0TU431AZAA | 1 | J, T | | | | | *DL | [AZ] |
| | 0TU431K5AA | 1 | J, T | | | | | *DL | [K5] |
| | 0TU431L5AA | 1 | J, T | | | | | *DL | [L5] |
| 6 | | | | | | | | | CUSHION, Rear Seat, 40% |
| | 0TU471AZAA | 1 | J, T | | | | | *DL | [AZ] |
| | 0TU471K5AA | 1 | J, T | | | | | *DL | [K5] |
| | 0TU471L5AA | 1 | J, T | | | | | *DL | [L5] |
| 7 | 05013119AA | 1 | J, T | | | | | *DL | PANEL, Seat Cushion Base, 60% |
| 8 | | | | | | | | | COVER, Rear Seat Cushion, 60% |
| | 0TU421AZAA | 1 | J, T | | | | | *DL | [AZ] |
| | 0TU421K5AA | 1 | J, T | | | | | *DL | [K5] |
| | 0TU421L5AA | 1 | J, T | | | | | *DL | [L5] |
| 9 | | | | | | | | | CUSHION, Rear Seat, 60% |
| | 0TU461AZAA | 1 | J, T | | | | | *DL | [AZ] |
| | 0TU461K5AA | 1 | J, T | | | | | *DL | [K5] |
| | 0TU461L5AA | 1 | J, T | | | | | *DL | [L5] |
| 10 | 05013118AA | 1 | J, T | | | | | *DL | PANEL, Seat Cushion Base, 40% |
| 11 | | | | | | | | | HEADREST, Rear, Right |
| | 0TH761AZAA | 1 | J, T | | | | | *DL | [AZ] |
| | 0TH761K5AA | 1 | J, T | | | | | *DL | [K5] |
| | 0TH761L5AA | 1 | J, T | | | | | *DL | [L5] |
| 12 | | | | | | | | | HEADREST, Rear, Left |
| | 0TH771AZAA | 1 | J, T | | | | | *DL | [AZ] |
| | 0TH771K5AA | 1 | J, T | | | | | *DL | [K5] |

GRAND CHEROKEE (WJ)
 SERIES LINE BODY ENGINE TRANSMISSION
 H = Laredo T = JEEP - 2WD 74 = 4 Door (105.9 WB) ERH = ENGINE - 4.0L POWER TECH I-6 DG4 = TRANSMISSION-MULTI-SPEED AUTO, 45RFE
 P = Limited J = JEEP - 4WD EVA = ENGINE - 4.7L V8 MPI DGW = TRANSMISSION - 4-SPD. AUTOMATIC, 44RE
 U = JEEP - 4WD (RHD) EXA = ENGINE - 3.1L 5 CYL TURBO DIESEL DGK = TRANSMISSION - 4-SPD. AUTOMATIC, 42RE
 DGO = ALL AUTOMATIC TRANSMISSIONS

AR = use ase required - = Non illustrated part

Rear Seat, Trim Code [DL]
Figure IWJ-630



| ITEM | PART NUMBER | QTY | LINE | SERIES | BODY | ENGINE | TRANS | TRIM | DESCRIPTION |
|------|-------------|-----|------|--------|------|--------|-------|----------|---|
| | 0TH771L5AA | 1 | J, T | | | | | *DL [L5] | |
| 13 | 0SX641AZAA | 1 | J, T | | | | | *DL [AZ] | CONTROL, SEAT RELEASE |
| | 0SX641K5AA | 1 | J, T | | | | | *DL [K5] | |
| | 0SX641L5AA | 1 | J, T | | | | | *DL [L5] | |
| 14 | 05013168AA | 1 | J, T | | | | | *DL | HANDLE, Headrest |
| | 05013169AA | 1 | J, T | | | | | *DL | Right |
| | 05013163AA | 4 | J, T | | | | | *DL | Left |
| 15 | 05013163AA | 4 | J, T | | | | | *DL | COVER, Headrest Sleeve |
| | 05013172AA | 4 | J, T | | | | | *DL | Non-Locking |
| | 05013172AA | 4 | J, T | | | | | *DL | Locking |
| 16 | 05013152AA | 8 | J, T | | | | | *DL | CYLINDER, Headrest |
| 17 | 05016178AA | 1 | J, T | | | | | *DL | BRACKET AND HINGE, Headrest |
| | 05016179AA | 1 | J, T | | | | | *DL | Right |
| | 05016179AA | 1 | J, T | | | | | *DL | Left |
| 18 | 05016920AA | 1 | J, T | | | | | *DL | SHIELD, Headrest |
| | 05016921AA | 1 | J, T | | | | | *DL | Right |
| | 05016921AA | 1 | J, T | | | | | *DL | Left |
| 19 | 05013150AA | 1 | J, T | | | | | *DL | LATCH, Seat |
| | 05013151AA | 1 | J, T | | | | | *DL | Right |
| | 05013151AA | 1 | J, T | | | | | *DL | Left |
| 20 | 06504915AA | 4 | | | | | | | SCREW |
| 21 | 05013145AA | 1 | J, T | | | | | *DL | BRACKET, Pivot |
| 22 | 04720768 | 4 | J, T | | | | | *H7 | BOLT, Recliner to Seat Back |
| 23 | 04720778 | 5 | J, T | | | | | *DL | RETAINER, Cushion Cover |
| 24 | 0SL001AZAA | 2 | J, T | | | | | *DL | STRAP, Seat Pull |
| | 0SL001K5AA | 2 | J, T | | | | | *DL | [AZ] |
| | 0SL001L5AA | 2 | J, T | | | | | *DL | [K5] |
| 25 | 06100558 | 8 | | | | | | *DL | [L5] |
| | 06100558 | 8 | | | | | | | BOLT AND CONED WASHER, Hex Head, M6x25x14 |
| 26 | 55196740AB | 1 | | | | | | | BRACKET, Seat |
| | 55196740AB | 1 | | | | | | | Rear Seat Cushion Latch, Right |

GRAND CHEROKEE (WJ)

SERIES LINE
H = Laredo T = JEEP - 2WD
P = Limited J = JEEP - 4WD
U = JEEP - 4WD (RHD)

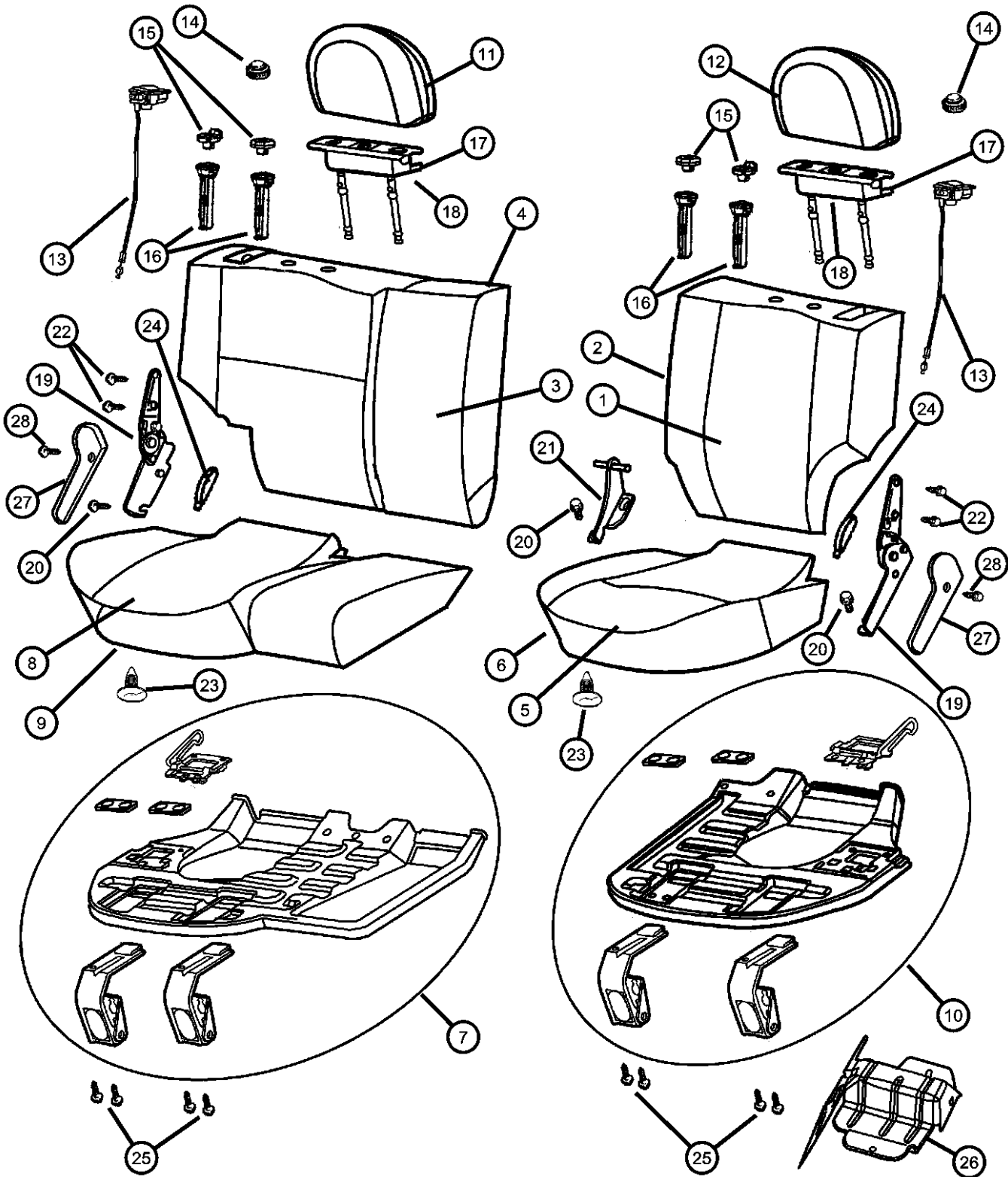
BODY
74 = 4 Door (105.9 WB)

ENGINE
ERH = ENGINE - 4.0L POWER TECH I-6
EVA = ENGINE - 4.7L V8 MPI
EXA = ENGINE - 3.1L 5 CYL TURBO DIESEL

TRANSMISSION
DG4 = TRANSMISSION-MULTI-SPEED AUTO, 45RFE
DGW = TRANSMISSION - 4-SPD. AUTOMATIC, 44RE
DGK = TRANSMISSION - 4-SPD. AUTOMATIC, 42RE
DGO = ALL AUTOMATIC TRANSMISSIONS

AR = use ase required - = Non illustrated part

Rear Seat, Trim Code [DL]
Figure IWJ-630



| ITEM | PART NUMBER | QTY | LINE | SERIES | BODY | ENGINE | TRANS | TRIM | DESCRIPTION |
|------|-------------|-----|------|--------|------|--------|-------|------|-------------------------------|
| | 55196741AD | 1 | | | | | | | Rear Seat Cushion Latch, Left |
| 27 | | | | | | | | | COVER, Seat latch |
| | 0UN701AZAA | 1 | J, T | | | | | *DL | [AZ], Right |
| | 0UN701K5AA | 1 | J, T | | | | | *DL | [K5], Right |
| | 0UN701L5AA | 1 | J, T | | | | | *DL | [L5], Right |
| | 0UN711AZAA | 1 | J, T | | | | | *DL | [AZ], Left |
| | 0UN711K5AA | 1 | J, T | | | | | *DL | [K5], Left |
| | 0UN711L5AA | 1 | J, T | | | | | *DL | [L5], Left |
| 28 | 04720769 | 1 | J, T | | | | | *DL | SCREW, Trim |

GRAND CHEROKEE (WJ)

SERIES LINE
 H = Laredo T = JEEP - 2WD
 P = Limited J = JEEP - 4WD
 U = JEEP - 4WD (RHD)

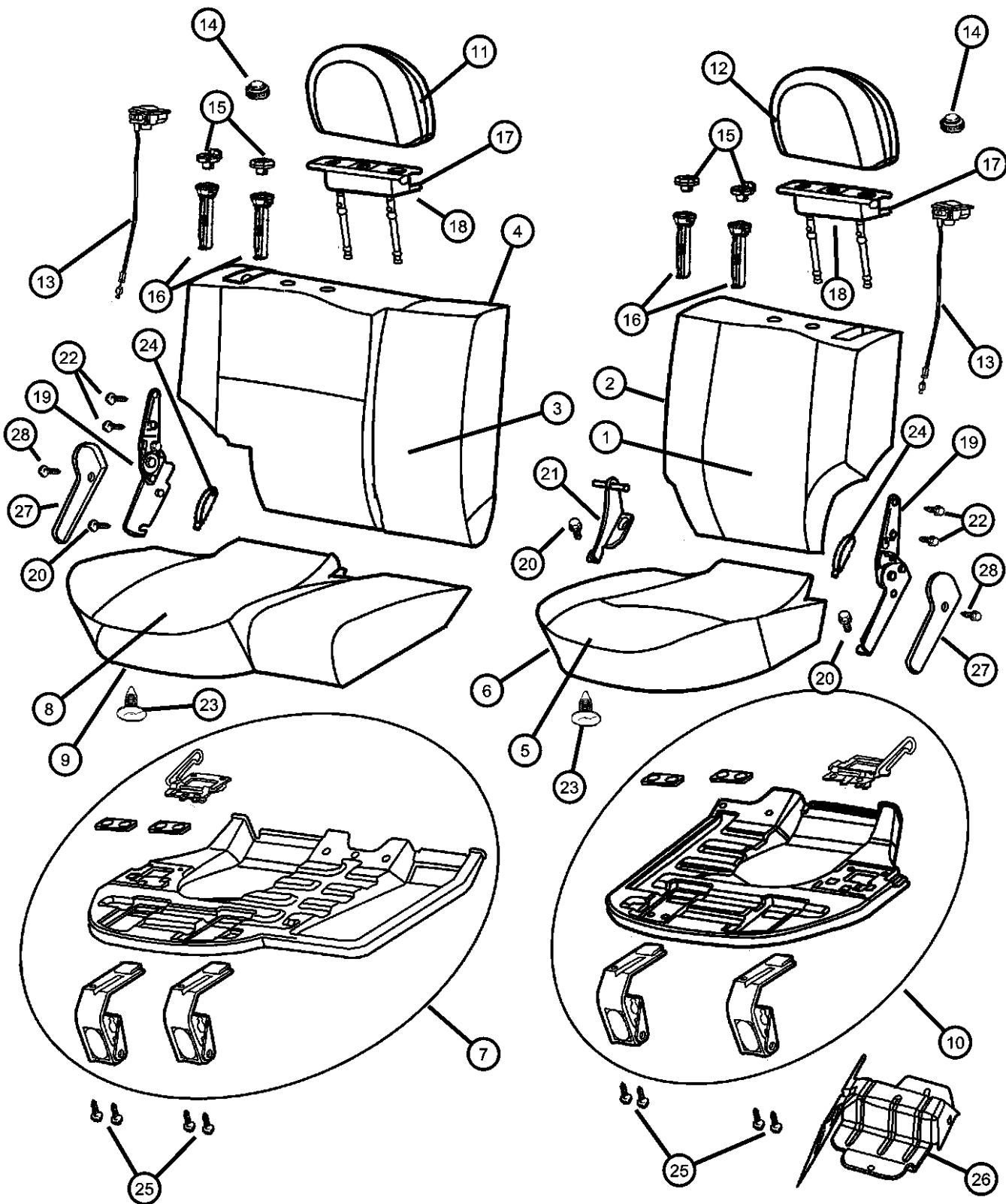
BODY
 74 = 4 Door (105.9 WB)

ENGINE
 ERH = ENGINE - 4.0L
 POWER TECH I-6
 EVA = ENGINE- 4.7L V8 MPI
 EXA = ENGINE - 3.1L 5 CYL
 TURBO DIESEL

TRANSMISSION
 DG4 = TRANSMISSION-MULTI-
 SPEED AUTO, 45RFE
 DGW = TRANSMISSION - 4-SPD.
 AUTOMATIC, 44RE
 DGK = TRANSMISSION - 4-SPD.
 AUTOMATIC, 42RE
 DGO = ALL AUTOMATIC
 TRANSMISSIONS

AR = use ase required - = Non illustrated part

Rear Seat, Trim Code [EL]
Figure IWJ-640



| ITEM | PART NUMBER | QTY | LINE | SERIES | BODY | ENGINE | TRANS | TRIM | DESCRIPTION |
|------|-------------|-----|------|--------|------|--------|-------|------|-------------|
|------|-------------|-----|------|--------|------|--------|-------|------|-------------|

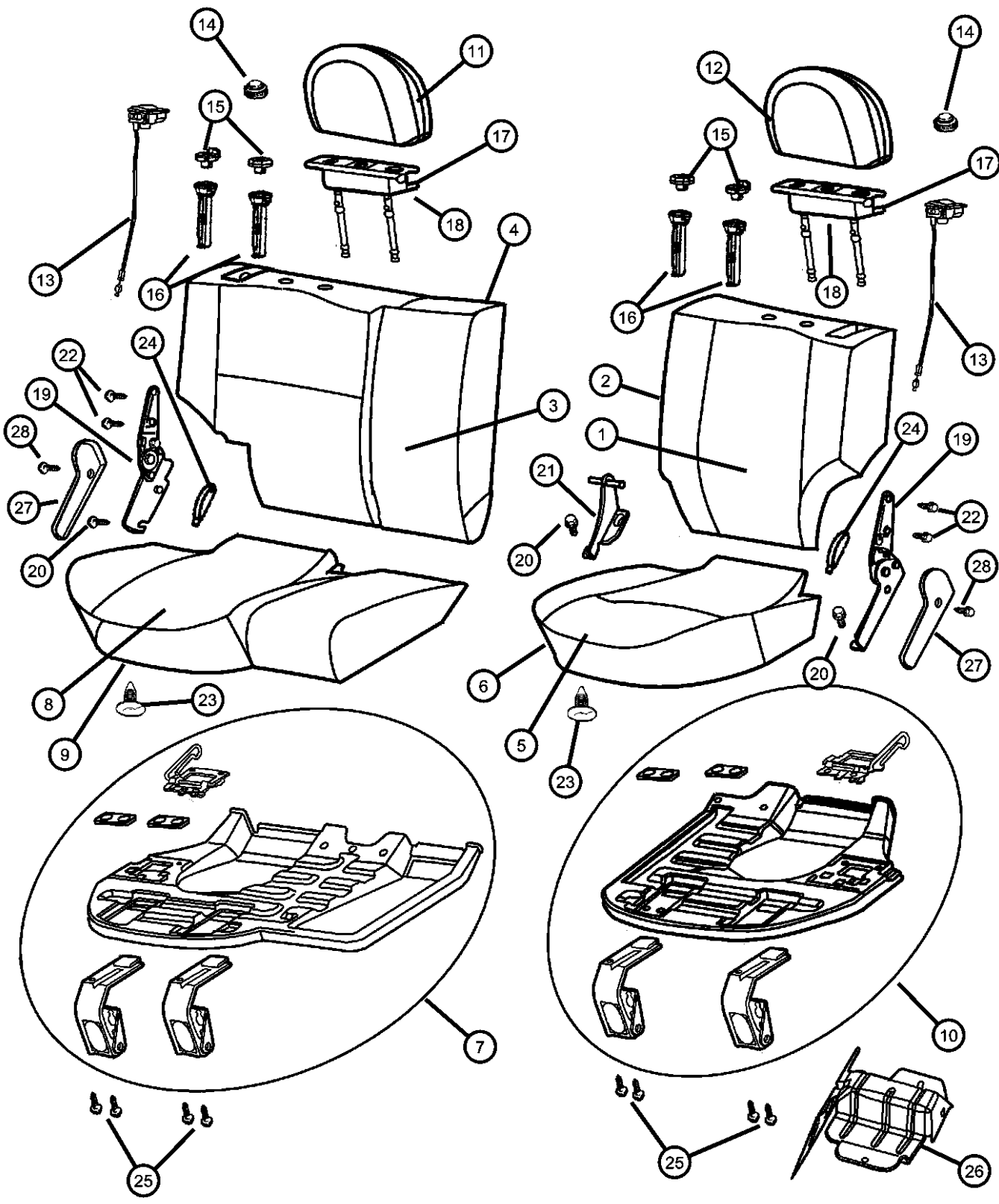
NOTE: Seat back and seat back covers have changed in February of 2000. Since there is no definite "Up To" or "After" date, the determining factor

| | | | | | | | | | |
|---|------------|---|------|--|--|--|--|-----|--|
| 1 | | | | | | | | | COVER, Rear Seat Back, 40% |
| | 0TV431AZAA | 1 | J, T | | | | | *EL | [AZ], Without Cover, Seat Latch, Item 27 |
| | | 1 | U | | | | | *EL | [AZ], Without Cover, Seat Latch, Item 27 |
| | 0TV431K5AA | 1 | J, T | | | | | *EL | [K5], Without Cover, Seat Latch, Item 27 |
| | | 1 | U | | | | | *EL | [K5], Without Cover, Seat Latch, Item 27 |
| | 0UK151AZAA | 1 | J, T | | | | | *EL | [AZ], With Cover, Seat Latch, Item 27 |
| | | 1 | U | | | | | *EL | [AZ], With Cover, Seat Latch, Item 27 |
| | 0UK151K5AA | 1 | U | | | | | *EL | [K5], With Cover, Seat Latch, Item 27 |
| | | 1 | J, T | | | | | *EL | [K5], With Cover, Seat Latch, Item 27 |
| 2 | | | | | | | | | SEAT BACK, Rear, 40% |
| | 0TV471AZAA | 1 | J, T | | | | | *EL | [AZ], Without Cover, Seat Latch, Item 27 |
| | | 1 | U | | | | | *EL | [AZ], Without Cover, Seat Latch, Item 27 |
| | 0TV471K5AA | 1 | J, T | | | | | *EL | [K5], Without Cover, Seat Latch, Item 27 |
| | | 1 | U | | | | | *EL | [K5], Without Cover, Seat Latch, Item 27 |
| | 0UK131AZAA | 1 | U | | | | | *EL | [AZ], With Cover, Seat Latch, Item 27 |
| | | 1 | J, T | | | | | *EL | [AZ], With Cover, Seat Latch, Item 27 |
| | 0UK131K5AA | 1 | U | | | | | *EL | [K5], With Cover, Seat Latch, Item 27 |
| | | 1 | J, T | | | | | *EL | [K5], With Cover, Seat Latch, Item 27 |
| 3 | | | | | | | | | COVER, Rear Seat Back, 60% |
| | 0TV421AZAA | 1 | J, T | | | | | *EL | [AZ], Without Cover, Seat Latch, Item 27 |
| | | 1 | U | | | | | *EL | [AZ], Without Cover, Seat Latch, Item 27 |
| | 0TV421K5AA | 1 | J, T | | | | | *EL | [K5], Without Cover, Seat Latch, Item 27 |
| | | 1 | U | | | | | *EL | [K5], Without Cover, Seat Latch, Item 27 |

GRAND CHEROKEE (WJ)
 SERIES LINE BODY ENGINE TRANSMISSION
 H = Laredo T = JEEP - 2WD 74 = 4 Door (105.9 WB) ERH = ENGINE - 4.0L POWER TECH I-6 DG4 = TRANSMISSION-MULTI-SPEED AUTO, 45RFE
 P = Limited J = JEEP - 4WD EVA = ENGINE - 4.7L V8 MPI DGW = TRANSMISSION - 4-SPD. AUTOMATIC, 44RE
 U = JEEP - 4WD (RHD) EXA = ENGINE - 3.1L 5 CYL TURBO DIESEL DKG = TRANSMISSION - 4-SPD. AUTOMATIC, 42RE
 DGO = ALL AUTOMATIC TRANSMISSIONS

AR = use ase required - = Non illustrated part

Rear Seat, Trim Code [EL]
Figure IWJ-640



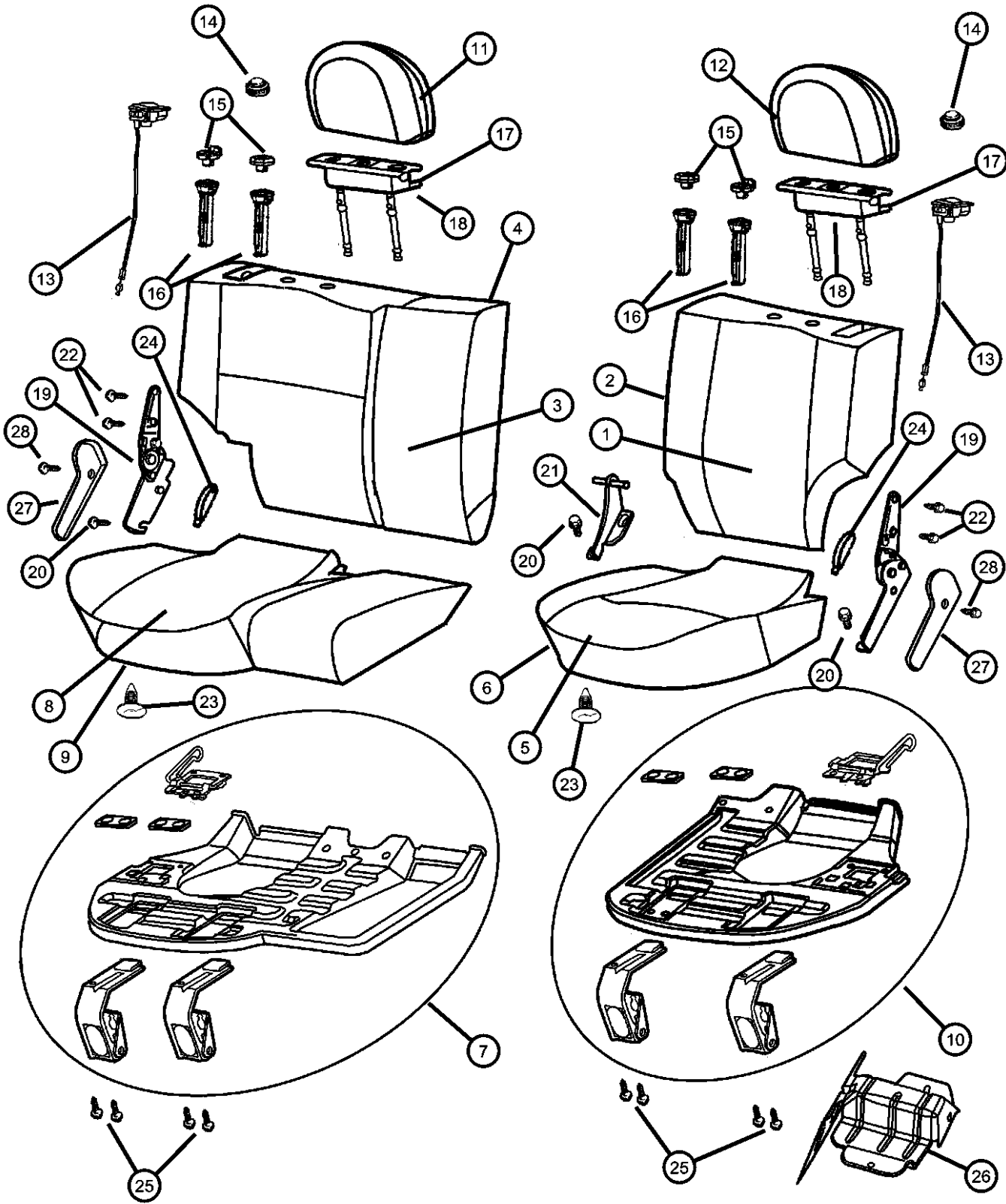
| ITEM | PART NUMBER | QTY | LINE | SERIES | BODY | ENGINE | TRANS | TRIM | DESCRIPTION |
|------|-------------|-----|------|--------|------|--------|-------|------|--|
| | 0UK141AZAA | 1 | U | | | | | *EL | [AZ], With Cover, Seat Latch, Item 27 |
| | | 1 | J, T | | | | | *EL | [AZ], With Cover, Seat Latch, Item 27 |
| | 0UK141K5AA | 1 | U | | | | | *EL | [K5], With Cover, Seat Latch, Item 27 |
| | | 1 | J, T | | | | | *EL | [K5], With Cover, Seat Latch, Item 27 |
| 4 | 0TV461AZAA | 1 | J, T | | | | | *EL | [AZ], Without Cover, Seat Latch, Item 27 |
| | | 1 | U | | | | | *EL | [AZ], Without Cover, Seat Latch, Item 27 |
| | 0TV461K5AA | 1 | J, T | | | | | *EL | [K5], Without Cover, Seat Latch, Item 27 |
| | | 1 | U | | | | | *EL | [K5], Without Cover, Seat Latch, Item 27 |
| | 0UK121AZAA | 1 | U | | | | | *EL | [AZ], With Cover, Seat Latch, Item 27 |
| | | 1 | J, T | | | | | *EL | [AZ], With Cover, Seat Latch, Item 27 |
| | 0UK121K5AA | 1 | U | | | | | *EL | [K5], With Cover, Seat Latch, Item 27 |
| | | 1 | J, T | | | | | *EL | [K5], With Cover, Seat Latch, Item 27 |
| 5 | 0TV451AZAA | 1 | J, T | | | | | *EL | [AZ] |
| | | 1 | U | | | | | *EL | [AZ] |
| | 0TV451K5AA | 1 | J, T | | | | | *EL | [K5] |
| | | 1 | U | | | | | *EL | [K5] |
| 6 | 0TV491AZAA | 1 | J, T | | | | | *EL | [AZ] |
| | | 1 | U | | | | | *EL | [AZ] |
| | 0TV491K5AA | 1 | J, T | | | | | *EL | [K5] |
| | | 1 | U | | | | | *EL | [K5] |
| 7 | 05013119AA | 1 | J, T | | | | | *EL | PANEL, Seat Cushion Base, 60% |
| | | 1 | U | | | | | *EL | |
| 8 | | | | | | | | | COVER, Rear Seat Cushion, 60% |

| | | | | |
|----------------------------|----------------------|------------------------|--|---|
| GRAND CHEROKEE (WJ) | | | | |
| SERIES | LINE | BODY | ENGINE | TRANSMISSION |
| H = Laredo | T = JEEP - 2WD | 74 = 4 Door (105.9 WB) | ERH = ENGINE - 4.0L POWER TECH I-6 | DG4 = TRANSMISSION-MULTI-SPEED AUTO, 45RFE |
| P = Limited | J = JEEP - 4WD | | EVA = ENGINE - 4.7L V8 MPI | DGW = TRANSMISSION - 4-SPD. AUTOMATIC, 44RE |
| | U = JEEP - 4WD (RHD) | | EXA = ENGINE - 3.1L 5 CYL TURBO DIESEL | DGK = TRANSMISSION - 4-SPD. AUTOMATIC, 42RE |
| | | | | DGO = ALL AUTOMATIC TRANSMISSIONS |

AR = use ase required - = Non illustrated part

2000 WJ

Rear Seat, Trim Code [EL]
Figure IWJ-640



| ITEM | PART NUMBER | QTY | LINE | SERIES | BODY | ENGINE | TRANS | TRIM | DESCRIPTION |
|------|-------------|-----|------|--------|------|--------|-------|-----------|-------------------------------|
| | 0TV441AZAA | 1 | J, T | | | | | *EL [AZ] | |
| | | 1 | U | | | | | *EL [AZ] | |
| | 0TV441K5AA | 1 | J, T | | | | | *EL [K5] | |
| | | 1 | U | | | | | *EL [K5] | |
| 9 | | | | | | | | | CUSHION, Rear Seat, 60% |
| | 0TV481AZAA | 1 | J, T | | | | | *EL [AZ] | |
| | | 1 | U | | | | | *EL [AZ] | |
| | 0TV481K5AA | 1 | J, T | | | | | *EL [K5] | |
| | | 1 | U | | | | | *EL [K5] | |
| 10 | | | | | | | | | PANEL, Seat Cushion Base, 40% |
| | 05013118AA | 1 | J, T | | | | | *EL | |
| | | 1 | U | | | | | *EL | |
| 11 | | | | | | | | | HEADREST, Rear, Right |
| | 0TH801AZAA | 1 | J, T | | | | | *EL [AZ] | |
| | | 1 | U | | | | | *EL [AZ] | |
| | 0TH801K5AA | 1 | J, T | | | | | *EL [K5] | |
| | | 1 | U | | | | | *EL [K5] | |
| 12 | | | | | | | | | HEADREST, Rear, Left |
| | 0TH811AZAA | 1 | J, T | | | | | *EL [AZ] | |
| | | 1 | U | | | | | *EL [AZ] | |
| | 0TH811K5AA | 1 | J, T | | | | | *EL [K5] | |
| | | 1 | U | | | | | *EL [K5] | |
| 13 | | | | | | | | | CONTROL, SEAT RELEASE |
| | 0SX641AZAA | 2 | J, T | | | | | *EL [AZ] | |
| | | 2 | U | | | | | *EL [AZ] | |
| | 0SX641K5AA | 2 | J, T | | | | | *EL [K5] | |
| | | 2 | U | | | | | *EL [K5] | |
| 14 | | | | | | | | | HANDLE, Headrest |
| | 05013168AA | 1 | J, T | | | | | *EL Right | |
| | | 1 | U | | | | | *EL Right | |
| | 05013169AA | 1 | J, T | | | | | *EL Left | |
| | | 1 | U | | | | | *EL Left | |

GRAND CHEROKEE (WJ)

SERIES
H = Laredo
P = Limited

LINE
T = JEEP - 2WD
J = JEEP - 4WD
U = JEEP - 4WD (RHD)

BODY
74 = 4 Door (105.9 WB)

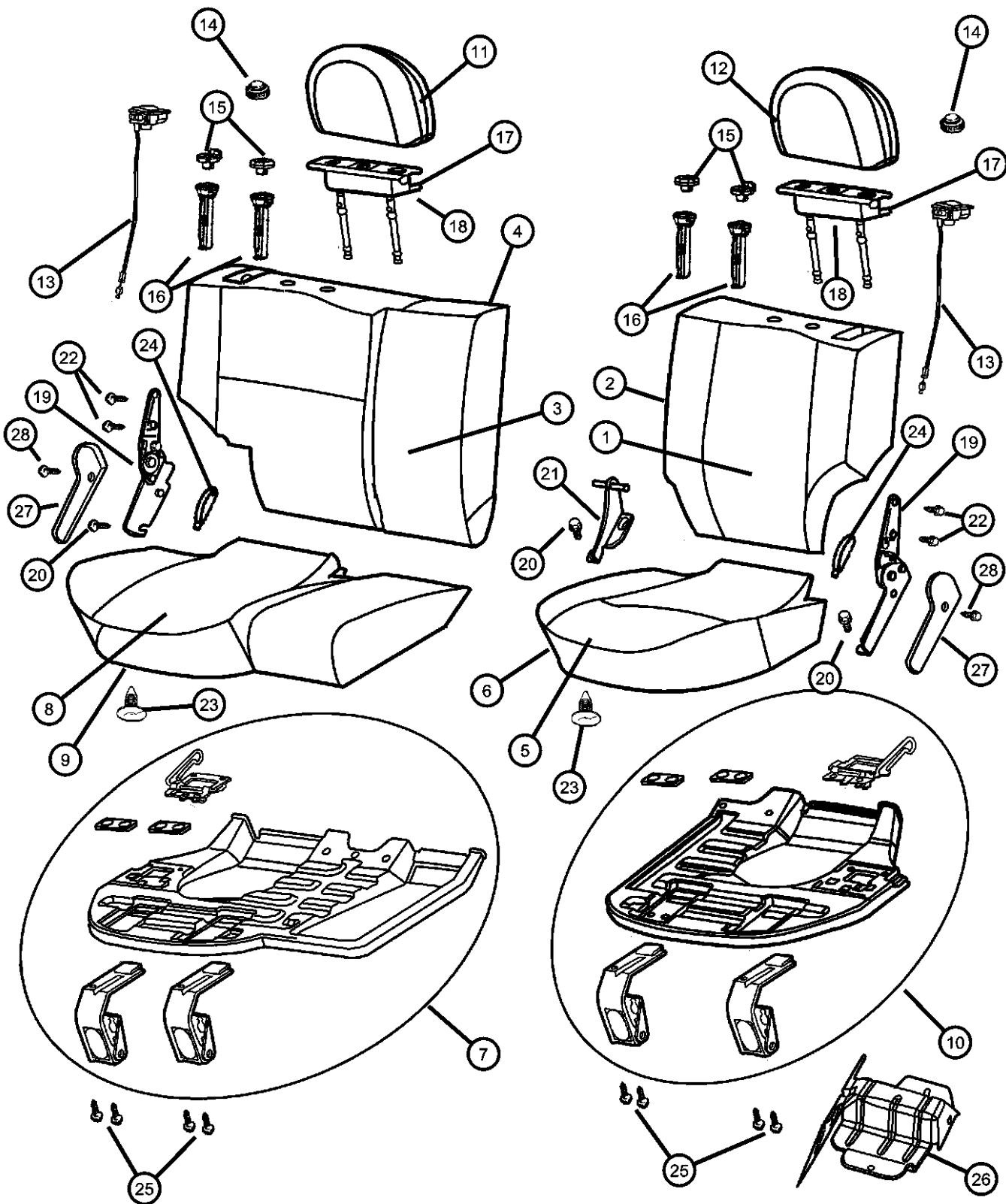
ENGINE
ERH = ENGINE - 4.0L
POWER TECH I-6
EVA = ENGINE- 4.7L V8 MPI
EXA = ENGINE - 3.1L 5 CYL
TURBO DIESEL

TRANSMISSION
DG4 = TRANSMISSION-MULTI-
SPEED AUTO, 45RFE
DGW = TRANSMISSION - 4-SPD.
AUTOMATIC, 44RE
DGK = TRANSMISSION - 4-SPD.
AUTOMATIC, 42RE
DGO = ALL AUTOMATIC
TRANSMISSIONS

AR = use ase required - = Non illustrated part

2000 WJ

Rear Seat, Trim Code [EL]
Figure IWJ-640



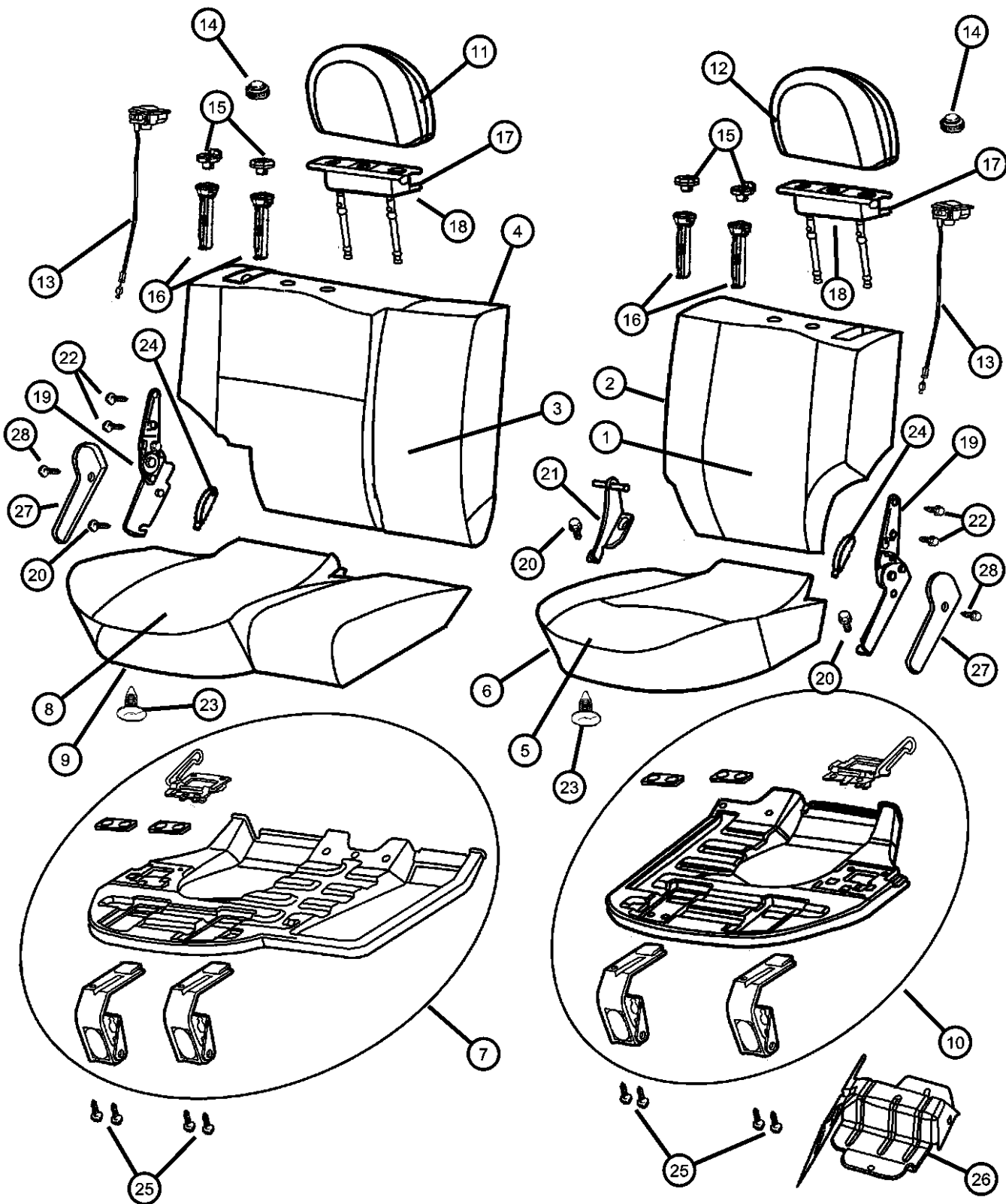
| ITEM | PART NUMBER | QTY | LINE | SERIES | BODY | ENGINE | TRANS | TRIM | DESCRIPTION |
|------|-------------|-----|------|--------|------|--------|-------|------|-----------------------------|
| 15 | | | | | | | | | COVER, Headrest Sleeve |
| | 05013163AA | 8 | U | | | | | *EL | Non-Locking |
| | | 8 | J, T | | | | | *EL | Non-Locking |
| | 05013172AA | 8 | U | | | | | *EL | Locking |
| | | 8 | J, T | | | | | *EL | Locking |
| 16 | | | | | | | | | CYLINDER, Headrest |
| | 05013152AA | 8 | U | | | | | *EL | |
| | | 8 | J, T | | | | | *EL | |
| 17 | | | | | | | | | BRACKET AND HINGE, Headrest |
| | 05016180AA | 1 | J, T | | | | | *EL | Right |
| | | 1 | U | | | | | *EL | Right |
| | 05016181AA | 1 | U | | | | | *EL | Left |
| | | 1 | J, T | | | | | *EL | Left |
| 18 | | | | | | | | | SHIELD, Headrest |
| | 05016920AA | 1 | J, T | | | | | *EL | Right |
| | | 1 | U | | | | | *EL | Right |
| | 05016921AA | 1 | J, T | | | | | *EL | Left |
| | | 1 | U | | | | | *EL | Left |
| 19 | | | | | | | | | LATCH, Seat |
| | 05013150AA | 1 | J, T | | | | | *EL | Right |
| | | 1 | U | | | | | *EL | Right |
| | 05013151AA | 1 | J, T | | | | | *EL | Left |
| | | 1 | U | | | | | *EL | Left |
| 20 | 06504915AA | 4 | | | | | | | SCREW |
| 21 | | | | | | | | | BRACKET, Pivot |
| | 05013145AA | 1 | J, T | | | | | *EL | |
| | | 1 | U | | | | | *EL | |
| 22 | 04720768 | 4 | J, T | | | | | *H7 | BOLT, Recliner to Seat Back |
| 23 | | | | | | | | | RETAINER, Cushion Cover |
| | 04720778 | 5 | U | | | | | *EL | |
| | | 5 | J, T | | | | | *EL | |
| 24 | | | | | | | | | STRAP, Seat Pull |

GRAND CHEROKEE (WJ)

| | | | | |
|-------------|----------------------|------------------------|--|---|
| SERIES | LINE | BODY | ENGINE | TRANSMISSION |
| H = Laredo | T = JEEP - 2WD | 74 = 4 Door (105.9 WB) | ERH = ENGINE - 4.0L POWER TECH I-6 | DG4 = TRANSMISSION-MULTI-SPEED AUTO, 45RFE |
| P = Limited | J = JEEP - 4WD | | EVA = ENGINE- 4.7L V8 MPI | DGW = TRANSMISSION - 4-SPD. AUTOMATIC, 44RE |
| | U = JEEP - 4WD (RHD) | | EXA = ENGINE - 3.1L 5 CYL TURBO DIESEL | DGK = TRANSMISSION - 4-SPD. AUTOMATIC, 42RE |
| | | | | DGO = ALL AUTOMATIC TRANSMISSIONS |

AR = use ase required - = Non illustrated part

Rear Seat, Trim Code [EL]
Figure IWJ-640



| ITEM | PART NUMBER | QTY | LINE | SERIES | BODY | ENGINE | TRANS | TRIM | DESCRIPTION |
|------|-------------|-----|------|--------|------|--------|-------|------|---|
| | OSL001AZAA | 2 | U | | | | | *EL | [AZ] |
| | | 2 | J, T | | | | | *EL | [AZ] |
| | OSL001K5AA | 2 | U | | | | | *EL | [K5] |
| | | 2 | J, T | | | | | *EL | [K5] |
| 25 | 06100558 | 8 | | | | | | | BOLT AND CONED WASHER, Hex Head, M6x25x14 |
| 26 | | | | | | | | | BRACKET, Seat |
| | 55196740AB | 1 | | | | | | | Rear Seat Cushion Latch, Right |
| | 55196741AD | 1 | | | | | | | Rear Seat Cushion Latch, Left |
| 27 | | | | | | | | | COVER, Seat latch |
| | 0UN701AZAA | 1 | J, T | | | | | *EL | [AZ], Right |
| | 0UN701K5AA | 1 | J, T | | | | | *EL | [K5], Right |
| | 0UN711AZAA | 1 | J, T | | | | | *EL | [AZ], Left |
| | 0UN711K5AA | 1 | J, T | | | | | *EL | [K5], Left |
| 28 | | | | | | | | | SCREW, Trim |
| | 04720769 | 2 | U | | | | | *EL | |
| | | 2 | J, T | | | | | *EL | |

GRAND CHEROKEE (WJ)

SERIES LINE
H = Laredo T = JEEP - 2WD
P = Limited J = JEEP - 4WD
U = JEEP - 4WD (RHD)

BODY
74 = 4 Door (105.9 WB)

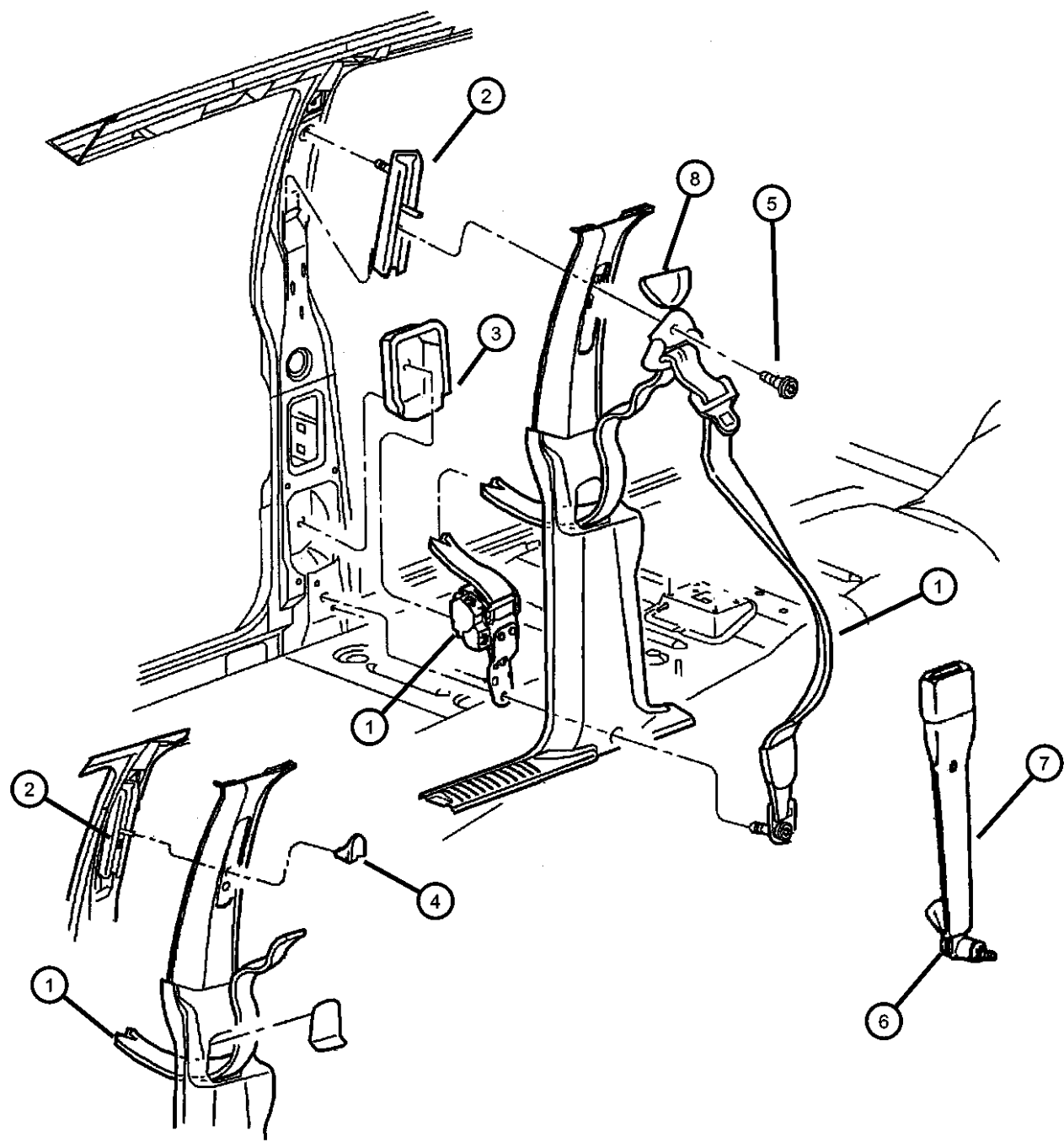
ENGINE
ERH = ENGINE - 4.0L POWER TECH I-6
EVA = ENGINE- 4.7L V8 MPI
EXA = ENGINE - 3.1L 5 CYL TURBO DIESEL

TRANSMISSION
DG4 = TRANSMISSION-MULTI-SPEED AUTO, 45RFE
DGW = TRANSMISSION - 4-SPD. AUTOMATIC, 44RE
DGK = TRANSMISSION - 4-SPD. AUTOMATIC, 42RE
DGO = ALL AUTOMATIC TRANSMISSIONS

AR = use ase required - = Non illustrated part

2000 WJ

Front Seat
Figure IWJ-710



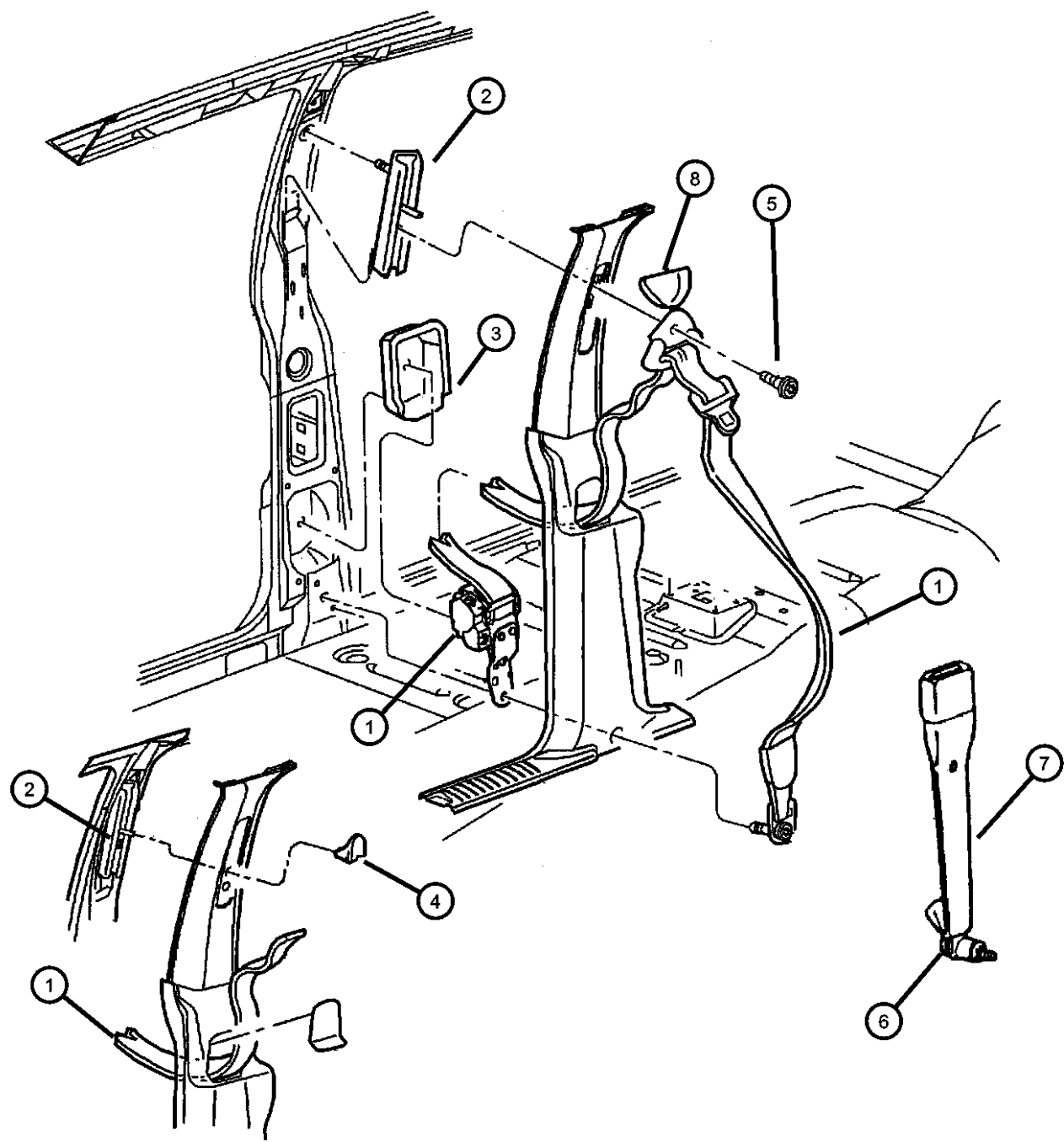
| ITEM | PART NUMBER | QTY | LINE | SERIES | BODY | ENGINE | TRANS | TRIM | DESCRIPTION |
|------|-------------|-----|------|--------|------|--------|-------|------|----------------------------------|
| 1 | | | | | | | | | SEAT BELT, Front Outer |
| | 55196786AD | 1 | | | | | | | Right, Export |
| | 55196787AD | 1 | | | | | | | Left, Export |
| | 5GD601L5AC | 1 | | | | | | *O0 | [L5], Right |
| | 5GD60LAZAC | 1 | | | | | | *O0 | [AZ], Right |
| | 5GD60RK5AC | 1 | | | | | | *O0 | [K5], Right |
| | 5GD611L5AD | 1 | | | | | | *O0 | [L5] |
| | 5GD61LAZAD | 1 | | | | | | *O0 | [AZ], Left |
| | 5GD61RK5AD | 1 | | | | | | *O0 | [K5], Left |
| 2 | 55196689AB | 2 | | | | | | | ADJUSTER, Seat Belt Turning Loop |
| 3 | | | | | | | | | SHIELD, Seat Belt Retractor |
| | 55196734AB | 1 | | | | | | | Right |
| | 55196735AB | 1 | | | | | | | Left |
| 4 | 55196860AA | 2 | | | | | | | BUTTON, Adjuster |
| 5 | 06035888 | 2 | | | | | | | SCREW, Shoulder |
| 6 | 06504867AA | 1 | | | | | | | SCREW |
| 7 | | | | | | | | | SEAT BELT, Front Inner |
| | 55196778AA | 1 | | | U | | | *H7 | Right, Export |
| | | 1 | | | U | | | *EL | Right, Export |
| | 55196779AA | 1 | | | J, T | | | *EL | Left, Export |
| | | 1 | | | J, T | | | *H7 | Left, Export |
| | 55314894 | 1 | | | J, T | | | *EL | Right, Export |
| | | 1 | | | J, T | | | *H7 | Right, Export |
| | 55314895 | 1 | | | U | | | *EL | Left, Export |
| | | 1 | | | U | | | *H7 | Left, Export |
| | 5GU081AZAC | 1 | | | J, T | | | *O0 | [AZ], Right |
| | 5GU081K5AC | 1 | | | J, T | | | *O0 | [K5], Right |
| | 5GU081L5AC | 1 | | | J, T | | | *O0 | [L5], Right |
| | 5GU431AZAA | 1 | | | J, T | | | *H7 | [AZ], Left |
| | | 1 | | | J, T | | | *FL | [AZ], Left |
| | | 1 | | | J, T | | | *DL | [AZ], Left |
| | 5GU431K5AA | 1 | | | J, T | | | *H7 | [K5], Left |

GRAND CHEROKEE (WJ)

| | | | | |
|-------------|----------------------|------------------------|--|---|
| SERIES | LINE | BODY | ENGINE | TRANSMISSION |
| H = Laredo | T = JEEP - 2WD | 74 = 4 Door (105.9 WB) | ERH = ENGINE - 4.0L POWER TECH I-6 | DG4 = TRANSMISSION-MULTI-SPEED AUTO, 45RFE |
| P = Limited | J = JEEP - 4WD | | EVA = ENGINE- 4.7L V8 MPI | DGW = TRANSMISSION - 4-SPD. AUTOMATIC, 44RE |
| | U = JEEP - 4WD (RHD) | | EXA = ENGINE - 3.1L 5 CYL TURBO DIESEL | DGK = TRANSMISSION - 4-SPD. AUTOMATIC, 42RE |
| | | | | DGO = ALL AUTOMATIC TRANSMISSIONS |

AR = use ase required - = Non illustrated part

Front Seat
Figure IWJ-710



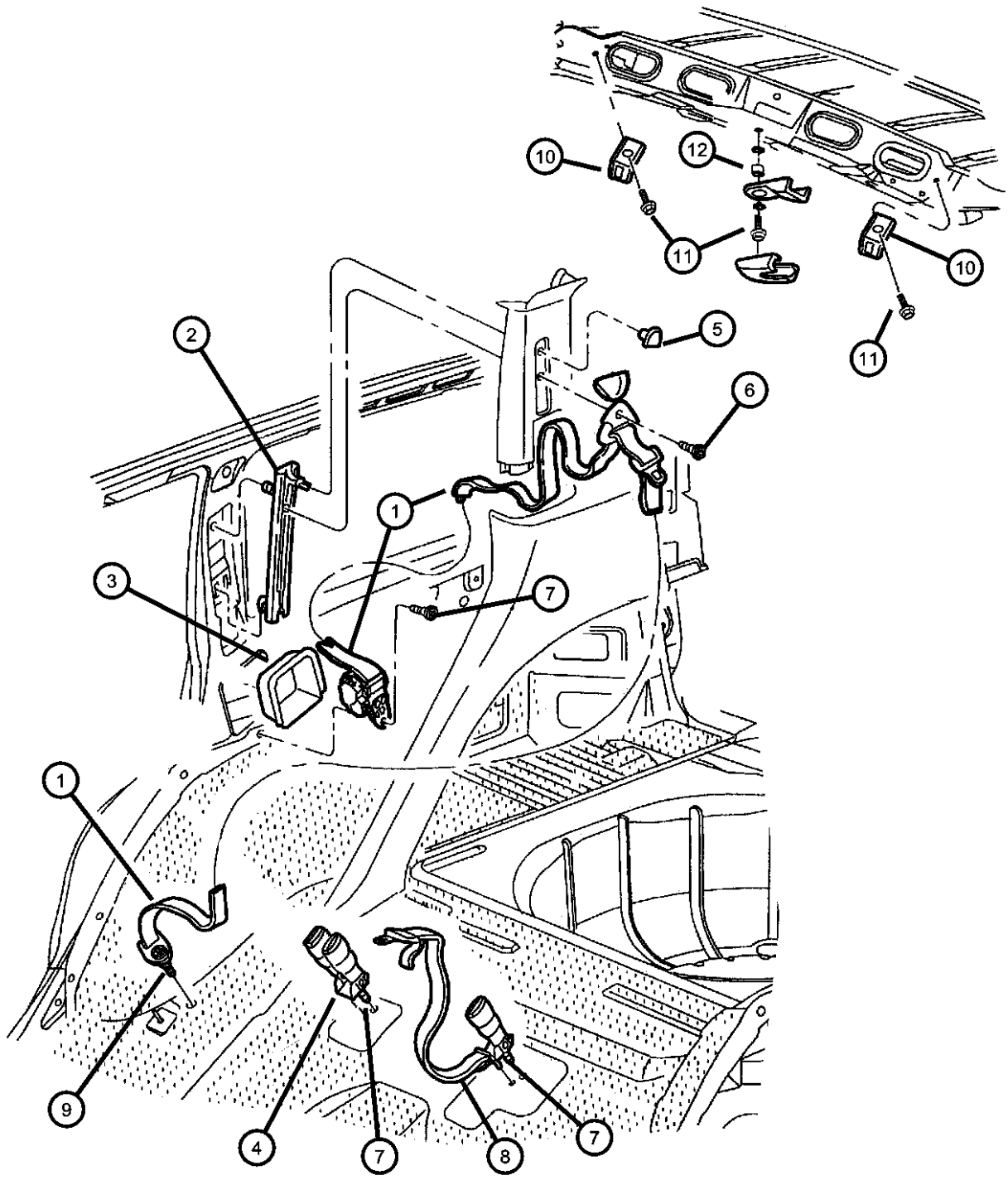
| ITEM | PART NUMBER | QTY | LINE | SERIES | BODY | ENGINE | TRANS | TRIM | DESCRIPTION |
|------|-------------|-----|------|--------|------|--------|-------|------|---------------------|
| | | 1 | J, T | | | | | *FL | [K5], Left |
| | | 1 | J, T | | | | | *DL | [K5], Left |
| | 5GU431L5AA | 1 | J, T | | | | | *H7 | [L5], Left |
| | | 1 | J, T | | | | | *FL | [L5], Left |
| | | 1 | J, T | | | | | *DL | [L5], Left |
| 8 | 5HK91LAZAA | 1 | | | | | | | COVER, Turning Loop |
| | 5HK91RK5AA | 1 | | | | | | *O0 | [AZ] |
| | 5HK91WL5AA | 1 | | | | | | *O0 | [K5] |
| -9 | 04740415 | 1 | | | | | | *O0 | [L5] |
| | | | | | | | | | EXTENDER, Seat Belt |

GRAND CHEROKEE (WJ)

| | | | | |
|-------------|----------------------|------------------------|---|--|
| SERIES | LINE | BODY | ENGINE | TRANSMISSION |
| H = Laredo | T = JEEP - 2WD | 74 = 4 Door (105.9 WB) | ERH = ENGINE - 4.0L POWER TECH I-6 | DG4 = TRANSMISSION-MULTI- SPEED AUTO, 45RFE |
| P = Limited | J = JEEP - 4WD | | EVA = ENGINE- 4.7L V8 MPI | DGW = TRANSMISSION - 4-SPD. AUTOMATIC,44RE |
| | U = JEEP - 4WD (RHD) | | EXA = ENGINE - 3.1L 5 CYL TURBO DIESEL | DGK = TRANSMISSION - 4-SPD. AUTOMATIC,42RE |
| | | | | DGO = ALL AUTOMATIC TRANSMISSIONS |

AR = use ase required - = Non illustrated part

Rear Seat Belt
Figure IWJ-720



| ITEM | PART NUMBER | QTY | LINE | SERIES | BODY | ENGINE | TRANS | TRIM | DESCRIPTION |
|------|-------------|-----|------|--------|------|--------|-------|------|----------------------------------|
| 1 | 55196788AD | 1 | | | | | | | SEAT BELT, Rear Outer |
| | 55196789AD | 1 | | | | | | | Right, Export |
| | 55196789AD | 1 | | | | | | | Left, Export |
| | 5GD621L5AE | 1 | | | | | | *00 | [L5], Right |
| | 5GD62LAZAE | 1 | | | | | | *00 | [AZ], Right |
| | 5GD62RK5AE | 1 | | | | | | *00 | [K5], Right |
| | 5GD631L5AE | 1 | | | | | | *00 | [L5], Left |
| | 5GD63LAZAE | 1 | | | | | | *00 | [AZ], Left |
| | 5GD63RK5AE | 1 | | | | | | *00 | [K5], Left |
| 2 | 55196689AB | 2 | | | | | | | ADJUSTER, Seat Belt Turning Loop |
| 3 | 55196733AC | 2 | | | | | | | SHIELD, Seat Belt Retractor |
| 4 | 55196586 | 1 | | | | | | | SEAT BELT, Rear Inner, Right |
| | 55196586 | 1 | | | | | | | Export |
| | 5FP481AZAB | 1 | | | | | | *00 | [AZ] |
| | 5FP481K5AB | 1 | | | | | | *00 | [K5] |
| | 5FP481L5AB | 1 | | | | | | *00 | [L5] |
| 5 | 55196860AA | 2 | | | | | | | BUTTON, Adjuster |
| 6 | 06035888 | 2 | | | | | | | SCREW, Shoulder |
| 7 | 06505286AA | 2 | | | | | | | SCREW |
| 8 | 55196587 | 1 | | | | | | | SEAT BELT, Rear Inner, Left |
| | 55196587 | 1 | | | | | | | Export |
| | 5FP491AZAB | 1 | | | | | | *00 | [AZ] |
| | 5FP491K5AB | 1 | | | | | | *00 | [K5] |
| | 5FP491L5AB | 1 | | | | | | *00 | [L5] |
| 9 | 06504973AA | 1 | | | | | | *00 | SCREW |
| 10 | 55196861AA | 2 | J, T | | | | | | BRACKET |
| | 55196861AA | 2 | J, U | | | | | | |
| 11 | 06503257 | 2 | J, T | | | | | | BOLT, Hex Head, M8x1.25x37.50 |
| | 06503257 | 3 | J, U | | | | | | |
| 12 | 55196862AA | 1 | J, U | | | | | | SPACER |

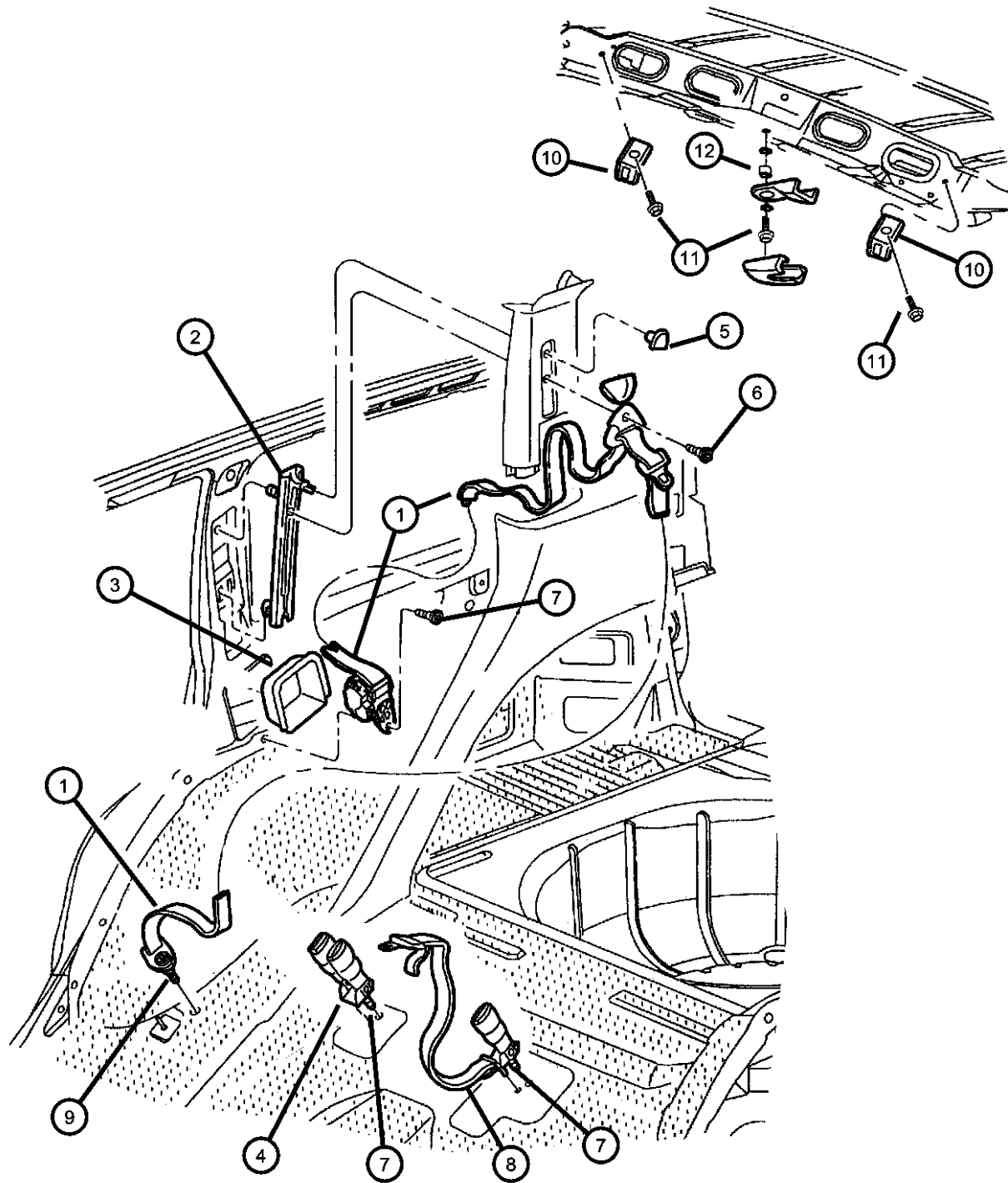
GRAND CHEROKEE (WJ)

| | | | | |
|---------------|----------------------|------------------------|----------------------------|---|
| SERIES | LINE | BODY | ENGINE | TRANSMISSION |
| H = Laredo | T = JEEP - 2WD | 74 = 4 Door (105.9 WB) | ERH = ENGINE - 4.0L | DG4 = TRANSMISSION-MULTI-SPEED AUTO, 45RFE |
| P = Limited | J = JEEP - 4WD | | POWER TECH I-6 | DGW = TRANSMISSION - 4-SPD. AUTOMATIC, 44RE |
| | U = JEEP - 4WD (RHD) | | EVA = ENGINE - 4.7L V8 MPI | DGK = TRANSMISSION - 4-SPD. AUTOMATIC, 42RE |
| | | | EXA = ENGINE - 3.1L 5 CYL | DGO = ALL AUTOMATIC TRANSMISSIONS |
| | | | TURBO DIESEL | |

AR = use ase required - = Non illustrated part

Rear Seat Belt
Figure IWJ-720

| ITEM | PART NUMBER | QTY | LINE | SERIES | BODY | ENGINE | TRANS | TRIM | DESCRIPTION |
|------|-------------|-----|------|--------|------|--------|-------|------|-------------|
|------|-------------|-----|------|--------|------|--------|-------|------|-------------|



-13

| | |
|------------|---|
| 05016869AA | 1 |
| 05016870AA | 1 |
| 05016871AA | 1 |
| 05016873AA | 1 |

TETHER, Child Seat
Camel, [K5]
Beige, [AZ, L5]
Camel, CANADA, [K5]
Beige, CANADA, [AZ, L5]

GRAND CHEROKEE (WJ)

SERIES LINE
H = Laredo T = JEEP - 2WD
P = Limited J = JEEP - 4WD
U = JEEP - 4WD (RHD)

BODY
74 = 4 Door (105.9 WB)

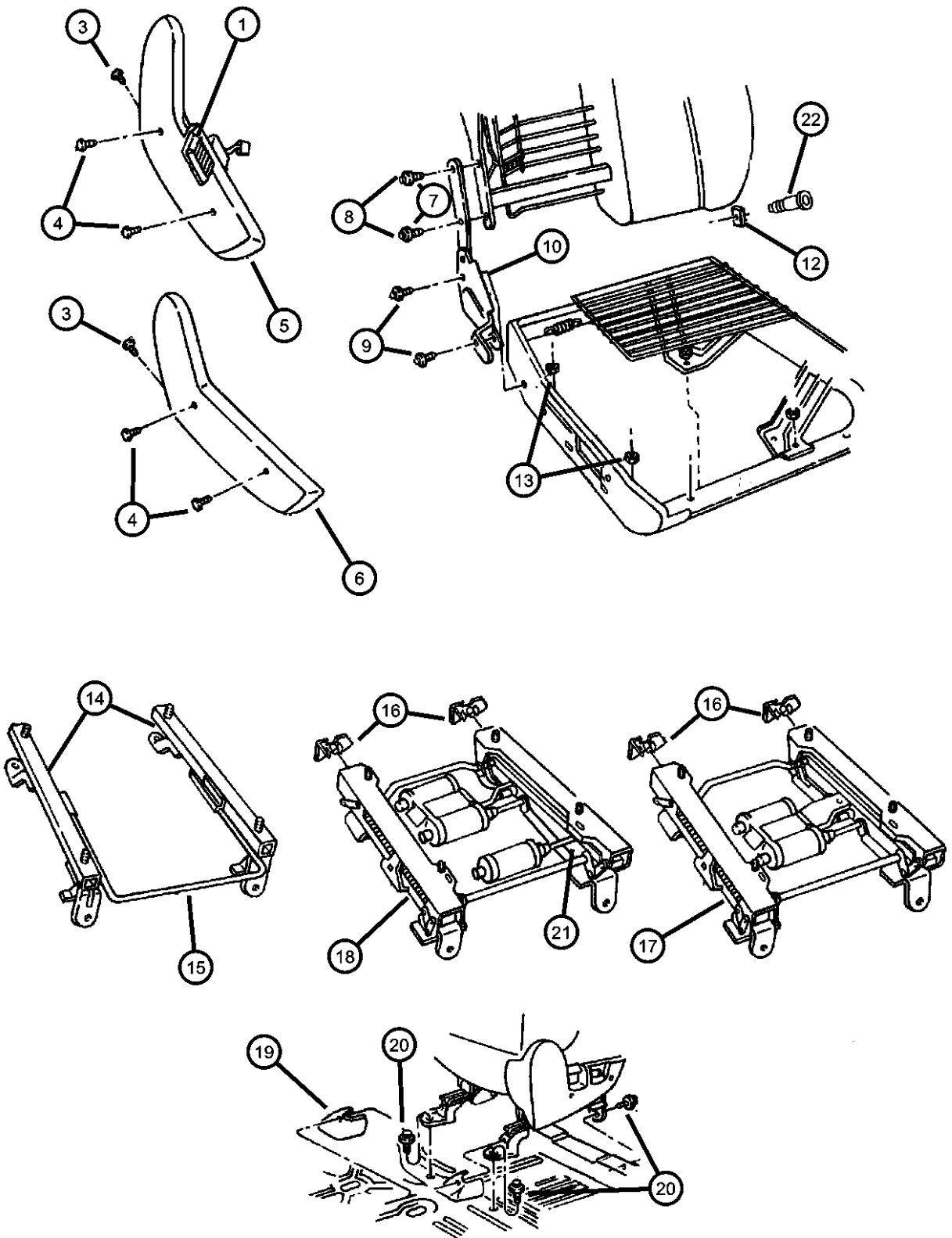
ENGINE
ERH = ENGINE - 4.0L
POWER TECH I-6
EVA = ENGINE- 4.7L V8 MPI
EXA = ENGINE - 3.1L 5 CYL
TURBO DIESEL

TRANSMISSION
DG4 = TRANSMISSION-MULTI-
SPEED AUTO, 45RFE
DGW = TRANSMISSION - 4-SPD.
AUTOMATIC,44RE
DGK = TRANSMISSION - 4-SPD.
AUTOMATIC,42RE
DGO = ALL AUTOMATIC
TRANSMISSIONS

AR = use ase required - = Non illustrated part

2000 WJ

Recliner and Adjusters Figure IWJ-810

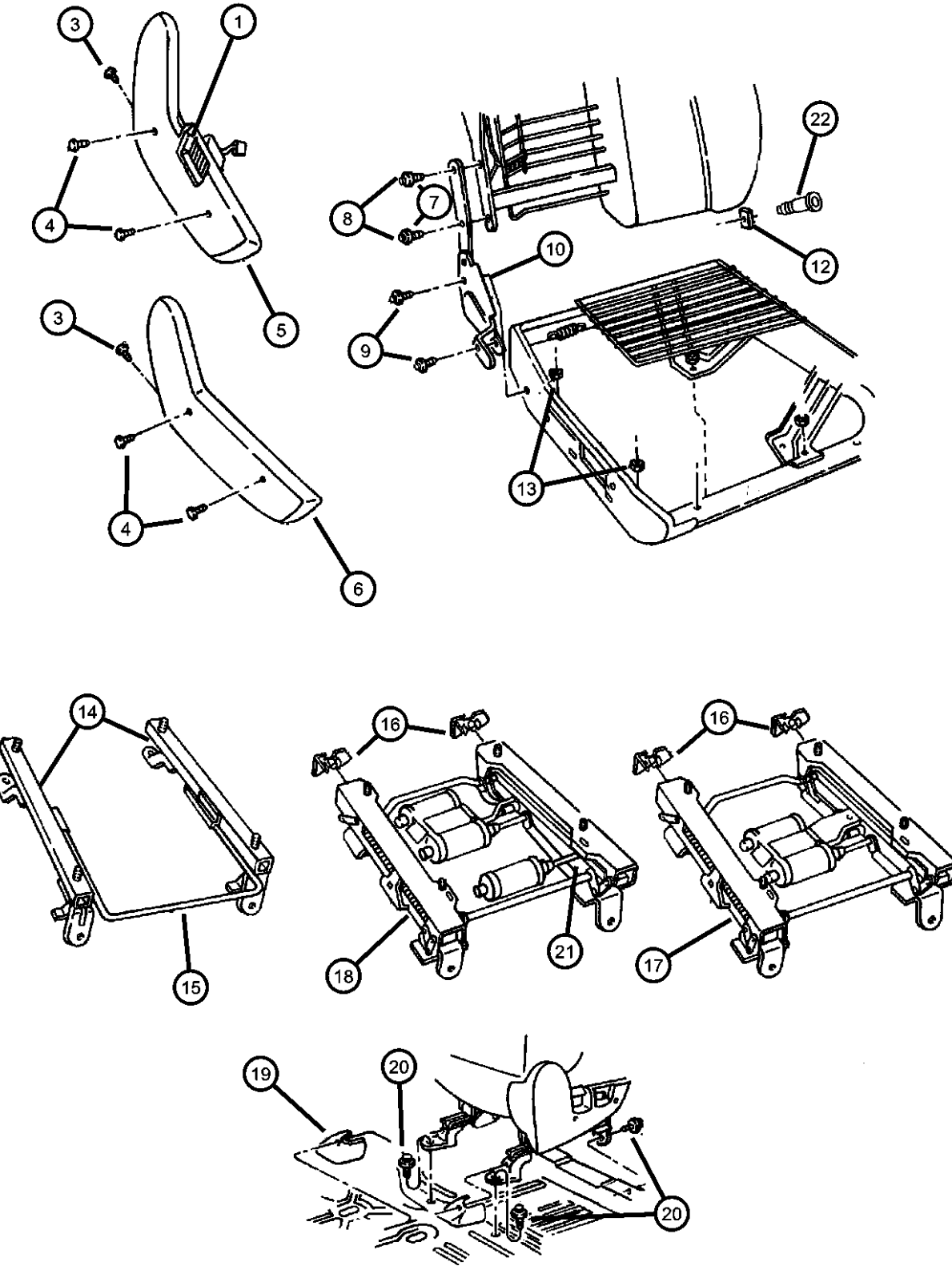


| ITEM | PART NUMBER | QTY | LINE | SERIES | BODY | ENGINE | TRANS | TRIM | DESCRIPTION |
|------|-------------|-----|------|--------|------|--------|-------|-----------------------|-------------------------|
| 1 | 04373666 | 1 | U | | | | | | SWITCH, Seat |
| | | 1 | J, T | | | | | *H7 | 6 Way Power |
| | | 1 | J, T | | | | | *H7 | 6 Way Power |
| | | 1 | J, T | | | | | *EL | 10 Way Power, Right |
| | | 1 | J, T | | | | | *EL | 10 Way Power, Right |
| | | 1 | J, T | | | | | *DL | 10 Way Power, Right |
| | | 1 | J, T | | | | | *FL | 10 Way Power, Right |
| | | 1 | J, T | | | | | *EL | 10 Way Power, Left |
| | | 1 | J, T | | | | | *FL | 10 Way Power, Left |
| | | 1 | J, T | | | | | *DL | 10 Way Power, Left |
| -2 | 04607042 | 1 | J, T | | | | | | KNOB, Power Seat Switch |
| | | 1 | J, T | | | | | *EL | Right |
| | | 1 | J, T | | | | | *EL | Right |
| | | 1 | J, T | | | | | *FL | Right |
| | | 1 | J, T | | | | | *DL | Right |
| | | 1 | J, T | | | | | *EL | Left |
| | | 1 | J, T | | | | | *EL | Left |
| | | 1 | J, T | | | | | *FL | Left |
| 3 | 04720769 | 1 | J, T | | | | | | SCREW, Trim |
| | | 2 | J, T | | | | | *H7 | |
| | | 2 | J, T | | | | | *FL | |
| | | 2 | J, T | | | | | *DL | |
| | | 2 | J, T | | | | | *EL | |
| | | 2 | J, T | | | | | *EL | |
| 4 | 04720770 | 4 | J, T | | | | | | SCREW, Trim |
| | | 4 | J, T | | | | | *H7 | |
| | | 4 | J, T | | | | | *FL | |
| | | 4 | J, T | | | | | *DL | |
| | | 4 | J, T | | | | | *EL | |
| 5 | | | | | | | | SHIELD, Seat Adjuster | |

GRAND CHEROKEE (WJ)
 SERIES LINE BODY ENGINE TRANSMISSION
 H = Laredo T = JEEP - 2WD 74 = 4 Door (105.9 WB) ERH = ENGINE - 4.0L DG4 = TRANSMISSION-MULTI-
 P = Limited J = JEEP - 4WD POWER TECH I-6 SPEED AUTO, 45RFE
 U = JEEP - 4WD (RHD) EVA = ENGINE- 4.7L V8 MPI DGW = TRANSMISSION - 4-SPD.
 EXA = ENGINE - 3.1L 5 CYL AUTOMATIC,44RE AUTOMATIC,42RE
 TURBO DIESEL DKG = TRANSMISSION - 4-SPD. DGO = ALL AUTOMATIC
 TRANSMISSIONS

AR = use ase required - = Non illustrated part

**Recliner and Adjusters
Figure IWJ-810**



| ITEM | PART NUMBER | QTY | LINE | SERIES | BODY | ENGINE | TRANS | TRIM | DESCRIPTION |
|------|-------------|-----|------|--------|------|--------|-------|------|---|
| | 0SL041AZAA | 1 | J, T | | | | | *FL | [AZ], 10 Way Power, Right |
| | | 1 | J, T | | | | | *EL | [AZ], 10 Way Power, Right |
| | | 1 | U | | | | | *EL | [AZ], 10 Way Power, Right |
| | | 1 | J, T | | | | | *DL | [AZ], 10 Way Power, Right |
| | 0SL041K5AA | 1 | J, T | | | | | *DL | [K5], 10 Way Power, Right |
| | | 1 | J, T | | | | | *EL | [K5], 10 Way Power, Right |
| | | 1 | U | | | | | *EL | [K5], 10 Way Power, Right |
| | | 1 | J, T | | | | | *FL | [K5], 10 Way Power, Right |
| | 0SL041L5AA | 1 | J, T | | | | | *FL | [L5], 10 Way Power, Right |
| | | 1 | J, T | | | | | *DL | [L5], 10 Way Power, Right |
| | 0SL051AZAA | 1 | J, T | | | | | *FL | [AZ], 10 Way Power, Left |
| | | 1 | J, T | | | | | *DL | [AZ], 10 Way Power, Left |
| | | 1 | J, T | | | | | *EL | [AZ], 10 Way Power, Left |
| | | 1 | U | | | | | *EL | [AZ], 10 Way Power, Left |
| | 0SL051K5AA | 1 | J, T | | | | | *EL | [K5], 10 Way Power, Left |
| | | 1 | J, T | | | | | *FL | [K5], 10 Way Power, Left |
| | | 1 | J, T | | | | | *DL | [K5], 10 Way Power, Left |
| | | 1 | U | | | | | *EL | [K5], 10 Way Power, Left |
| | 0SL051L5AA | 1 | J, T | | | | | *FL | [L5], 10 Way Power, Left |
| | | 1 | J, T | | | | | *DL | [L5], 10 Way Power, Left |
| | 0SL061AZAA | 1 | J, T | | | | | *H7 | [AZ], 6 Way Power, Right |
| | | 1 | U | | | | | *H7 | [AZ], 6 Way Power, Right |
| | 0SL061K5AA | 1 | J, T | | | | | *H7 | [K5], 6 Way Power, Right |
| | | 1 | U | | | | | *H7 | [K5], 6 Way Power, Right |
| | 0SL061L5AA | 1 | J, T | | | | | *H7 | [L5], 6 Way Power, Right |
| | 0SL071AZAA | 1 | J, T | | | | | *H7 | [AZ], 6 Way Power, Left |
| | | 1 | U | | | | | *H7 | [AZ], 6 Way Power, Left |
| | 0SL071K5AA | 1 | J, T | | | | | *H7 | [K5], 6 Way Power, Left |
| | | 1 | U | | | | | *H7 | [K5], 6 Way Power, Left |
| | 0SL071L5AA | 1 | J, T | | | | | *H7 | [L5], 6 Way Power, Left |
| 6 | 0SL021AZAA | 1 | J, T | | | | | *H7 | SHIELD, Seat Adjuster [AZ], Manual, Right |

GRAND CHEROKEE (WJ)

SERIES LINE
H = Laredo T = JEEP - 2WD
P = Limited J = JEEP - 4WD
 U = JEEP - 4WD (RHD)

BODY
74 = 4 Door (105.9 WB)

ENGINE
ERH = ENGINE - 4.0L
POWER TECH I-6
EVA = ENGINE- 4.7L V8 MPI
EXA = ENGINE - 3.1L 5 CYL
TURBO DIESEL

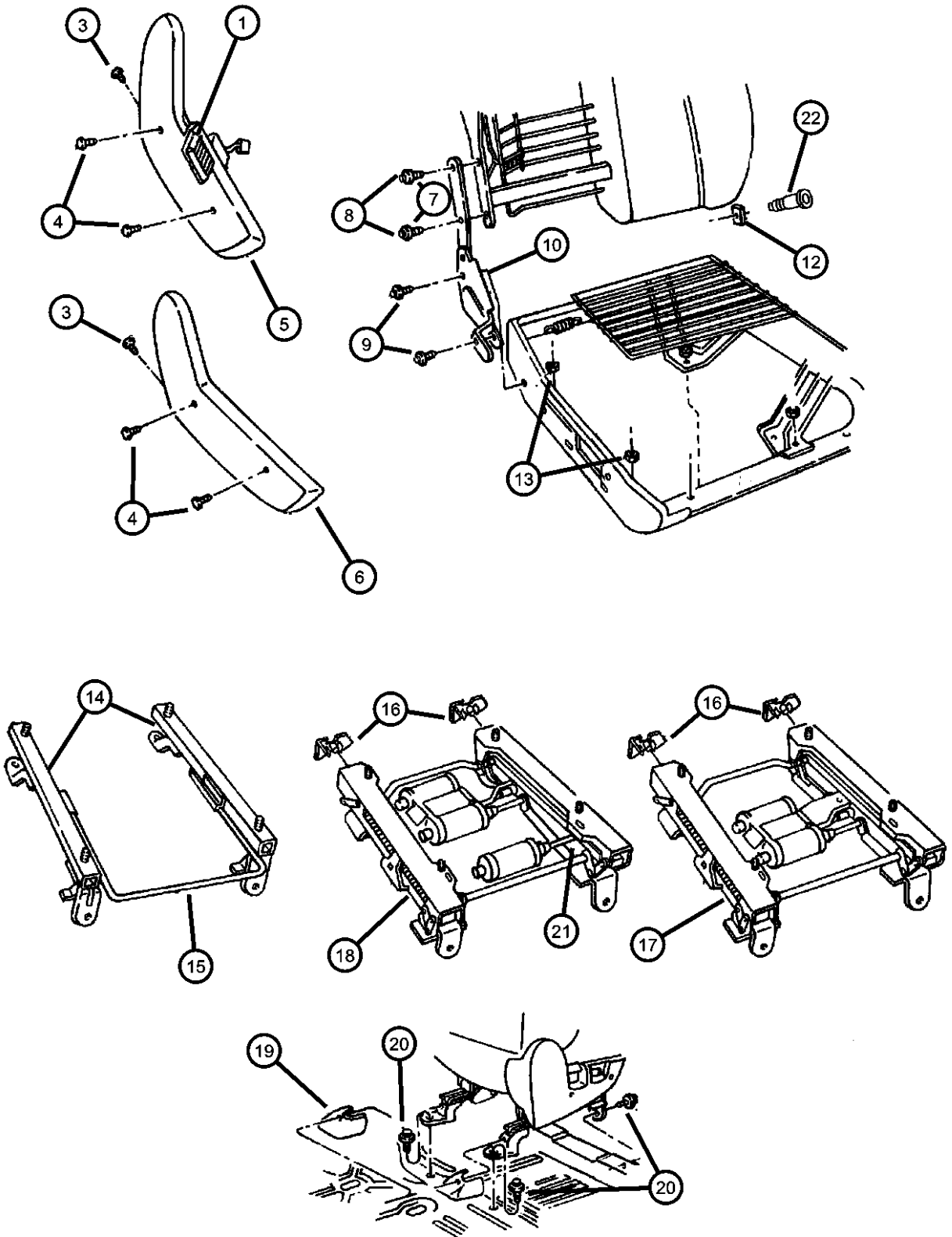
TRANSMISSION
DG4 = TRANSMISSION-MULTI-
SPEED AUTO, 45RFE
DGW = TRANSMISSION - 4-SPD.
AUTOMATIC, 44RE
DGK = TRANSMISSION - 4-SPD.
AUTOMATIC, 42RE
DGO = ALL AUTOMATIC
TRANSMISSIONS

AR = use ase required - = Non illustrated part

2000 WJ

**Recliner and Adjusters
Figure IWJ-810**

| ITEM | PART NUMBER | QTY | LINE | SERIES | BODY | ENGINE | TRANS | TRIM | DESCRIPTION |
|------|-------------|-----|------|--------|------|--------|-------|------|---|
| | 0SL021K5AA | 1 | J, T | | | | | *H7 | [K5], Manual, Right |
| | 0SL021L5AA | 1 | J, T | | | | | *H7 | [L5], Manual, Right |
| | 0SL031AZAA | 1 | J, T | | | | | *H7 | [AZ], Manual, Left |
| | 0SL031K5AA | 1 | J, T | | | | | *H7 | [K5], Manual, Left |
| | 0SL031L5AA | 1 | J, T | | | | | *H7 | [L5], Manual, Left |
| 7 | | | | | | | | | BOLT, Recliner to Seat Back, Manual Upper |
| | 04720768 | 4 | J, T | | | | | *H7 | |
| | | 4 | U | | | | | *H7 | |
| 8 | | | | | | | | | BOLT, Power Recliner |
| | 04882903 | 8 | J, T | | | | | *FL | |
| | | 8 | J, T | | | | | *DL | |
| | | 8 | U | | | | | *H7 | |
| | | 8 | J, T | | | | | *H7 | |
| | | 8 | J, T | | | | | *EL | |
| | | 8 | U | | | | | *EL | |
| 9 | 04796793 | 4 | J, T | | | | | *H7 | BOLT, Recliner To Cushion, Front Seat |
| 10 | | | | | | | | | RECLINER, Seat Back |
| | 04796714 | 1 | J, T | | | | | *H7 | Includes Handle, Right, Manual |
| | | 1 | U | | | | | *H7 | Includes Handle, Right, Manual |
| | 04796715 | 1 | J, T | | | | | *H7 | Includes Handle, Left, Manual |
| | | 1 | U | | | | | *H7 | Includes Handle, Left, Manual |
| | 04856748 | 1 | U | | | | | *H7 | Right, Power Seat |
| | | 1 | J, T | | | | | *H7 | Right, Power Seat |
| | | 1 | J, T | | | | | *FL | Right, Power Seat |
| | | 1 | J, T | | | | | *DL | Right, Power Seat |
| | 04856749 | 1 | U | | | | | *H7 | Left, Power Seat |
| | | 1 | J, T | | | | | *H7 | Left, Power Seat |
| | | 1 | J, T | | | | | *FL | Left, Power Seat |
| | 04864861 | 1 | J, T | | | | | *EL | Drivers, Power With Memory |
| | | 1 | J, T | | | | | *DL | Drivers, Power With Memory |
| | 04886097AA | 1 | U | | | | | *EL | Drivers, Power With Memory |



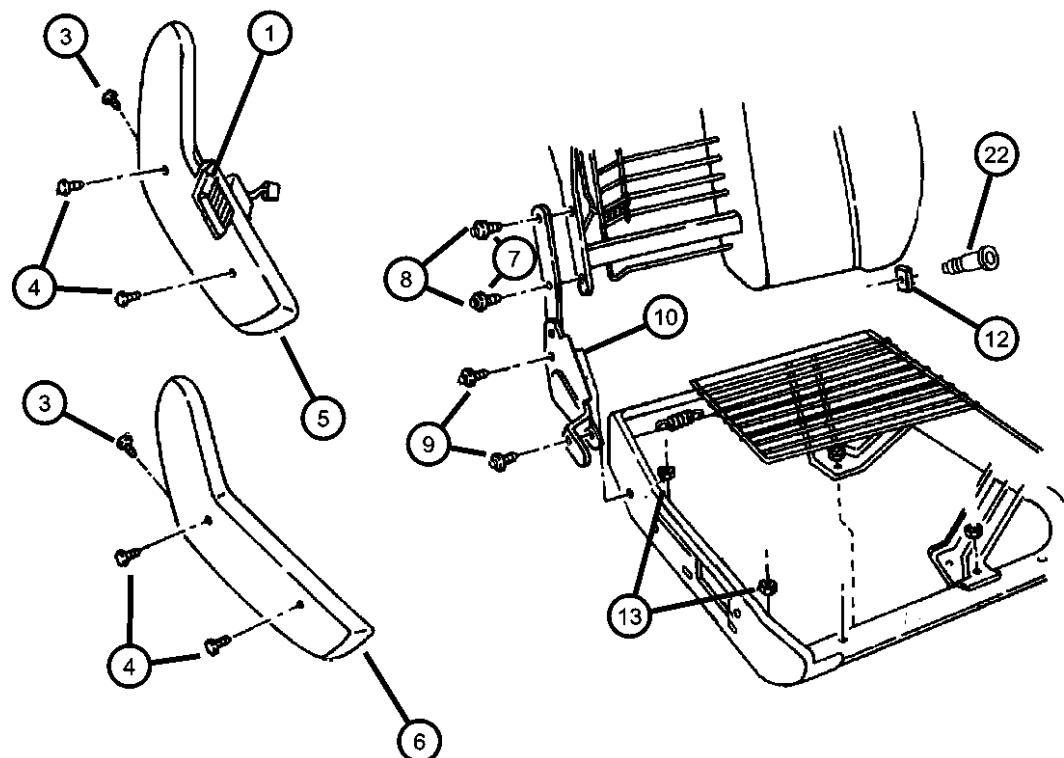
GRAND CHEROKEE (WJ)

| | | | | |
|-------------|----------------------|------------------------|--|--|
| SERIES | LINE | BODY | ENGINE | TRANSMISSION |
| H = Laredo | T = JEEP - 2WD | 74 = 4 Door (105.9 WB) | ERH = ENGINE - 4.0L POWER TECH I-6 | DG4 = TRANSMISSION-MULTI-SPEED AUTO, 45RFE |
| P = Limited | J = JEEP - 4WD | | EVA = ENGINE- 4.7L V8 MPI | DGW = TRANSMISSION - 4-SPD. AUTOMATIC,44RE |
| | U = JEEP - 4WD (RHD) | | EXA = ENGINE - 3.1L 5 CYL TURBO DIESEL | DGK = TRANSMISSION - 4-SPD. AUTOMATIC,42RE |
| | | | | DGO = ALL AUTOMATIC TRANSMISSIONS |

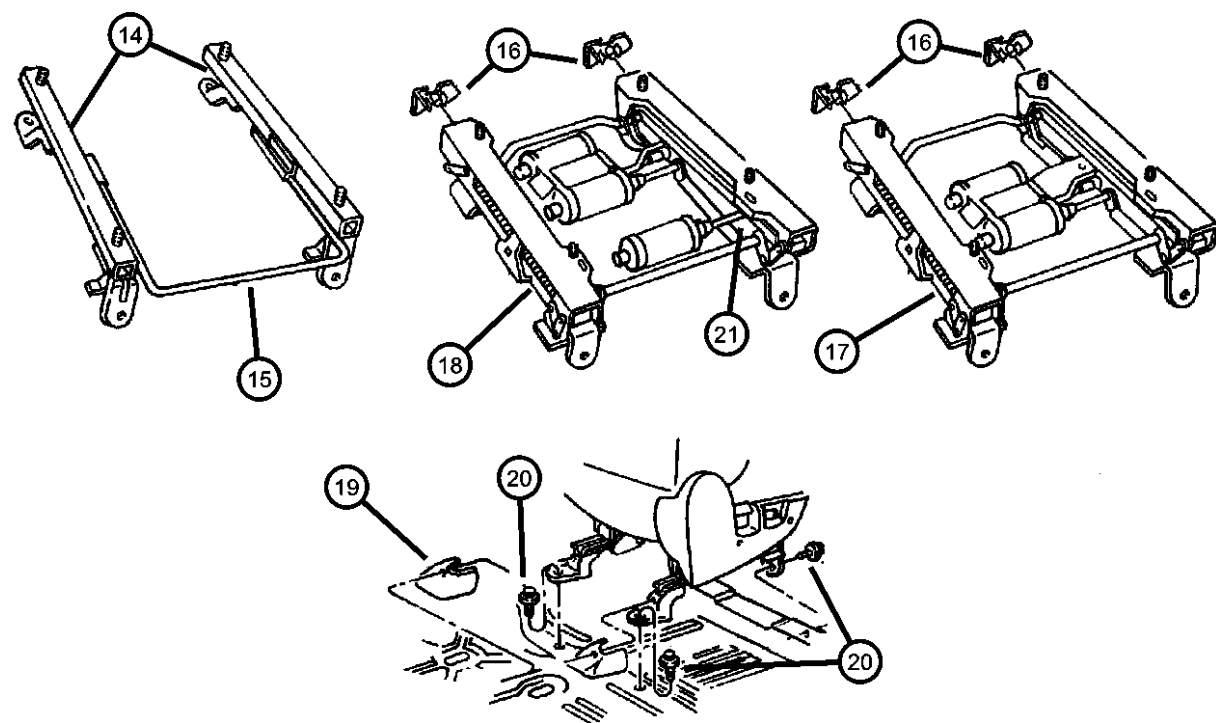
AR = use ase required - = Non illustrated part

**Recliner and Adjusters
Figure IWJ-810**

| ITEM | PART NUMBER | QTY | LINE | SERIES | BODY | ENGINE | TRANS | TRIM | DESCRIPTION |
|------|-------------|-----|------|--------|------|--------|-------|------|-------------|
|------|-------------|-----|------|--------|------|--------|-------|------|-------------|



| | | | | | | | | | |
|-----|------------|---|------|--|--|--|--|-----|---|
| -11 | | | | | | | | | Knob, Power Seat Switch, Power Recliner |
| | 04607044 | 1 | J, T | | | | | *EL | Right |
| | | 1 | U | | | | | *EL | Right |
| | | 1 | J, T | | | | | *DL | Right |
| | | 1 | J, T | | | | | *FL | Right |
| | 04607045 | 1 | J, T | | | | | *EL | Left |
| | | 1 | U | | | | | *EL | Left |
| | | 1 | J, T | | | | | *FL | Left |
| | | 1 | J, T | | | | | *DL | Left |
| 12 | 05101925AA | 8 | | | | | | *O0 | NUT, Seat Adjuster To Cushion |
| 13 | 06101467 | 2 | | | | | | | NUT, Hex Flange, M8x1.25 |
| 14 | | | | | | | | | ADJUSTER, Manual Seat |
| | 05015564AA | 1 | J, T | | | | | *H7 | Right, Outboard |
| | 05015565AA | 1 | J, T | | | | | *H7 | Left, Outboard |
| | 05015566AA | 1 | J, T | | | | | *H7 | Right, Inboard |
| | 05015567AA | 1 | J, T | | | | | *H7 | Without Traveling Inboard Buckle, Left, Inboard |
| 15 | 04713930 | 1 | J, T | | | | | *H7 | HANDLE, Seat Release |
| 16 | | | | | | | | | SHIELD, Seat Adjuster |
| | 04723888 | 2 | J, T | | | | | *H7 | Passenger Outboard, Driver Inboard |
| | | 2 | J, T | | | | | *FL | Passenger Outboard, Driver Inboard |
| | | 2 | J, T | | | | | *DL | Passenger Outboard, Driver Inboard |
| | | 2 | J, T | | | | | *EL | Passenger Outboard, Driver Inboard |
| | | 2 | U | | | | | *EL | Driver Outboard, Passenger Inboard |
| | | 2 | U | | | | | *H7 | Driver Outboard, Passenger Inboard |
| | 04723889 | 2 | J, T | | | | | *H7 | Passenger Inboard, Driver Outboard |
| | | 2 | J, T | | | | | *FL | Passenger Inboard, Driver Outboard |
| | | 2 | J, T | | | | | *DL | Passenger Inboard, Driver Outboard |



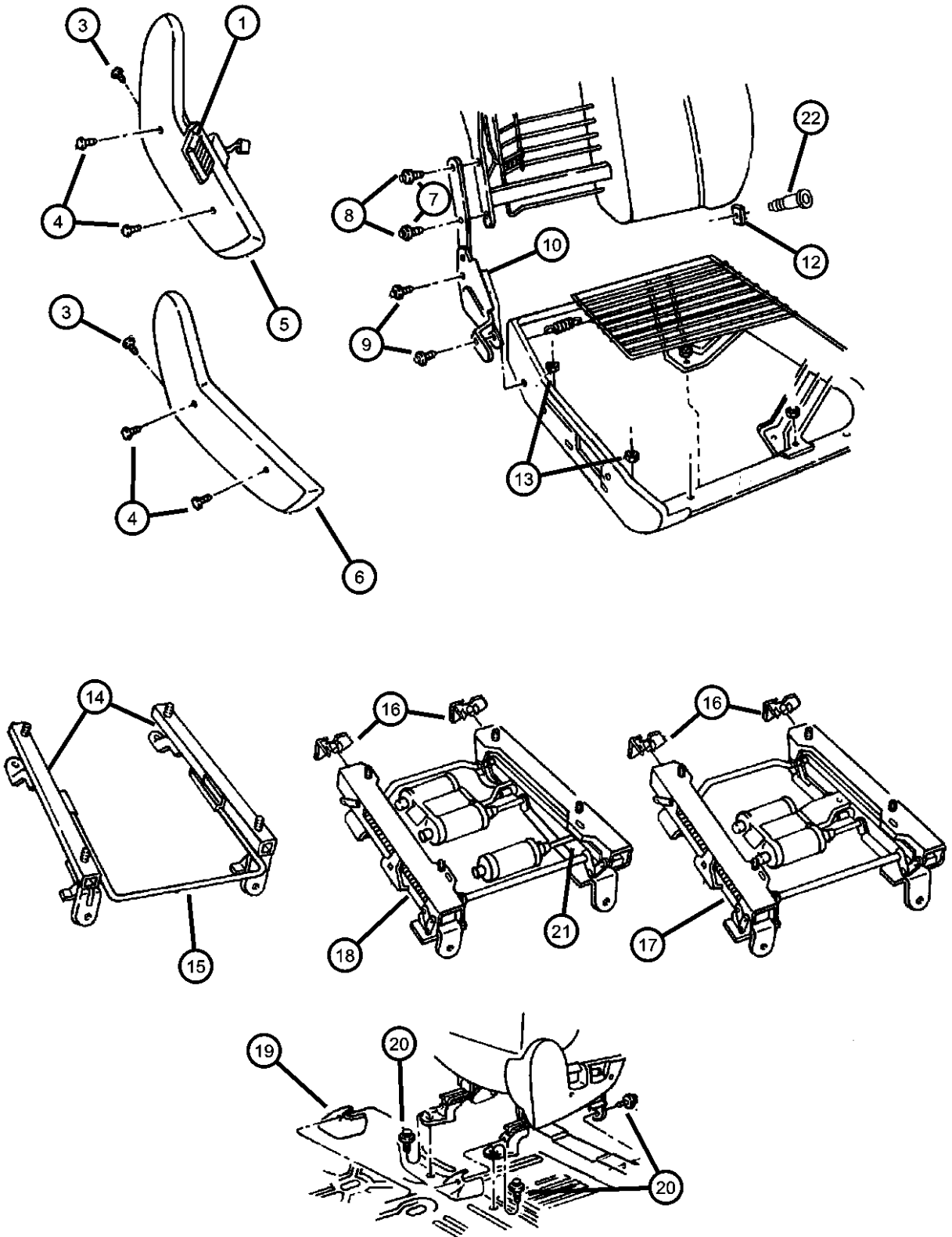
GRAND CHEROKEE (WJ)

| SERIES | LINE | BODY | ENGINE | TRANSMISSION |
|-------------|----------------------|------------------------|--|--|
| H = Laredo | T = JEEP - 2WD | 74 = 4 Door (105.9 WB) | ERH = ENGINE - 4.0L POWER TECH I-6 | DG4 = TRANSMISSION-MULTI-SPEED AUTO, 45RFE |
| P = Limited | J = JEEP - 4WD | | EVA = ENGINE- 4.7L V8 MPI | DGW = TRANSMISSION - 4-SPD. AUTOMATIC,44RE |
| | U = JEEP - 4WD (RHD) | | EXA = ENGINE - 3.1L 5 CYL TURBO DIESEL | DGK = TRANSMISSION - 4-SPD. AUTOMATIC,42RE |
| | | | | DGO = ALL AUTOMATIC TRANSMISSIONS |

AR = use ase required - = Non illustrated part

2000 WJ

**Recliner and Adjusters
Figure IWJ-810**



| ITEM | PART NUMBER | QTY | LINE | SERIES | BODY | ENGINE | TRANS | TRIM | DESCRIPTION |
|------|-------------|-----|------|--------|------|--------|-------|--------------|--------------------------------------|
| 17 | | 2 | U | | | | | *H7 | Driver Inboard, Passenger Outboard |
| | | 2 | J, T | | | | | *EL | Passenger Inboard, Driver Outboard |
| | | 2 | U | | | | | *EL | Driver Inboard, Passenger Outboard |
| | | | | | | | | | ADJUSTER, Power Seat, Without Memory |
| | 05015569AA | 1 | J, T | | | | | *DL | Left |
| | 05015570AA | 1 | J, T | | | | | *H7 | Domestic, Right |
| | | 1 | J, T | | | | | *FL | Domestic, Right |
| | | 1 | J, T | | | | | *DL | Domestic, Right |
| | 05015571AA | 1 | J, T | | | | | *H7 | Domestic, Left |
| | | 1 | J, T | | | | | *FL | Domestic, Left |
| | 05017484AA | 1 | J, T | | | | | *H7 | Right, Export |
| | | 1 | U | | | | | *H7 | Right, Export |
| | | 1 | J, T | | | | | *EL | Right, Export |
| | 05017485AA | 1 | J, T | | | | | *H7 | Left, Export |
| | 1 | U | | | | | *H7 | Left, Export | |
| | 1 | U | | | | | *EL | Left, Export | |
| 18 | | | | | | | | | ADJUSTER, Power Seat, With Memory |
| | 05015569AA | 1 | J, T | | | | | *DL | Left |
| | 05017486AA | 1 | U | | | | | *EL | Right, Export |
| | 05017487AA | 1 | J, T | | | | | *EL | Left, Export |
| 19 | | | | | | | | | COVER, Power Seat Track |
| | 5FZ19LAZAA | 4 | | | | | | *O0 | AZ |
| | 5FZ19VK9AA | 4 | | | | | | *O0 | K5 |
| | 5FZ19WL8AA | 4 | | | | | | *O0 | L5 |
| 20 | 06505040AA | 8 | | | | | | | SCREW, Hex Head, M10x1.5x40 |
| 21 | | | | | | | | | BRACKET, Module, With Memory |
| | 05013125AA | 1 | J, T | | | | | *FL | |
| | | 1 | J, T | | | | | *DL | |
| | | 1 | J, T | | | | | *EL | |
| | | 1 | U | | | | | *EL | |

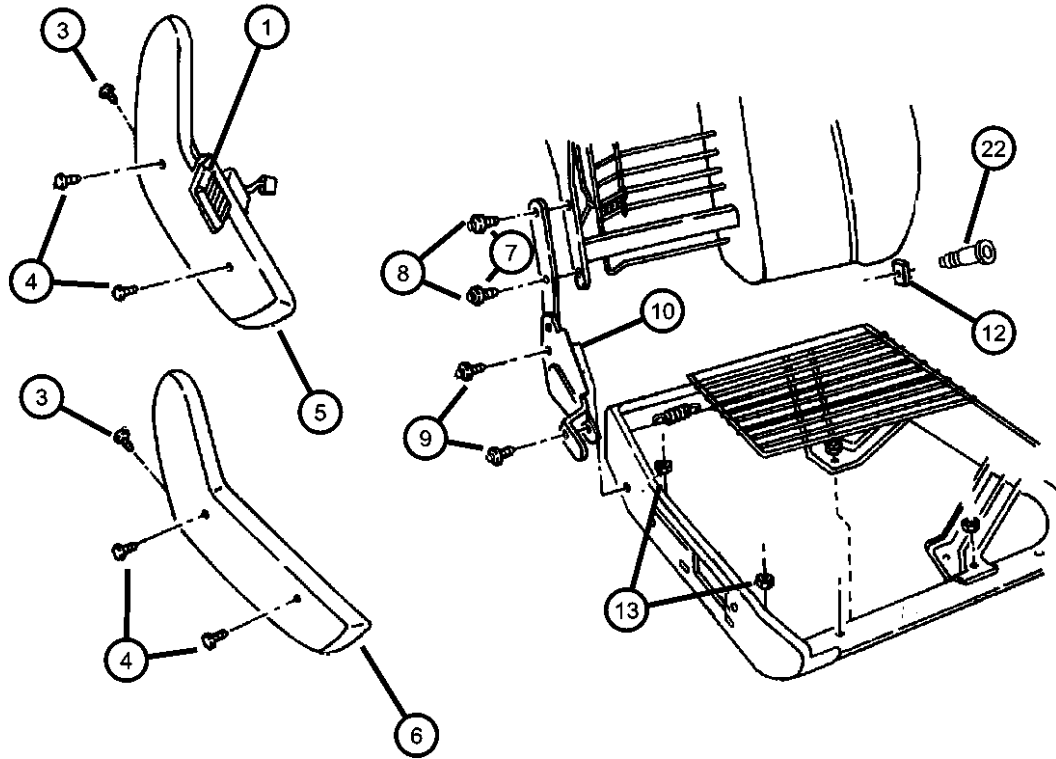
GRAND CHEROKEE (WJ)

| | | | | |
|---------------|----------------------|------------------------|--|---|
| SERIES | LINE | BODY | ENGINE | TRANSMISSION |
| H = Laredo | T = JEEP - 2WD | 74 = 4 Door (105.9 WB) | ERH = ENGINE - 4.0L POWER TECH I-6 | DG4 = TRANSMISSION-MULTI-SPEED AUTO, 45RFE |
| P = Limited | J = JEEP - 4WD | | EVA = ENGINE - 4.7L V8 MPI | DGW = TRANSMISSION - 4-SPD. AUTOMATIC, 44RE |
| | U = JEEP - 4WD (RHD) | | EXA = ENGINE - 3.1L 5 CYL TURBO DIESEL | DGK = TRANSMISSION - 4-SPD. AUTOMATIC, 42RE |
| | | | | DGO = ALL AUTOMATIC TRANSMISSIONS |

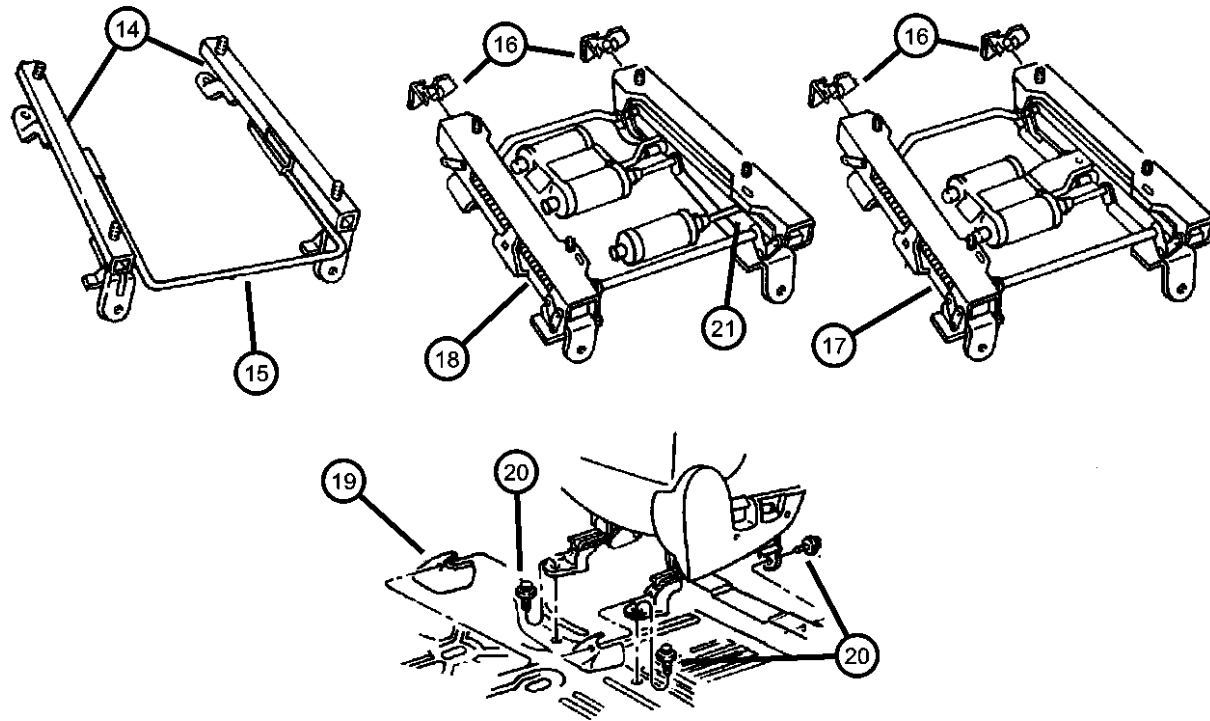
AR = use ase required - = Non illustrated part

**Recliner and Adjusters
Figure IWJ-810**

| ITEM | PART NUMBER | QTY | LINE | SERIES | BODY | ENGINE | TRANS | TRIM | DESCRIPTION |
|------|-------------|-----|------|--------|------|--------|-------|------|-------------|
|------|-------------|-----|------|--------|------|--------|-------|------|-------------|



| | | | | | | | | | |
|----|------------|---|------|--|--|--|--|-----|--|
| 22 | | | | | | | | | BOLT, Shoulder, I.B.-Back To Cushion-Pivot |
| | 05016212AA | 1 | J, T | | | | | *FL | |
| | | 1 | J, T | | | | | *DL | |
| | | 1 | U | | | | | *H7 | |
| | | 1 | U | | | | | *EL | |
| | | 1 | J, T | | | | | *H7 | |
| | | 1 | J, T | | | | | *EL | |



GRAND CHEROKEE (WJ)

SERIES
H = Laredo
P = Limited

LINE
T = JEEP - 2WD
J = JEEP - 4WD
U = JEEP - 4WD (RHD)

BODY
74 = 4 Door (105.9 WB)

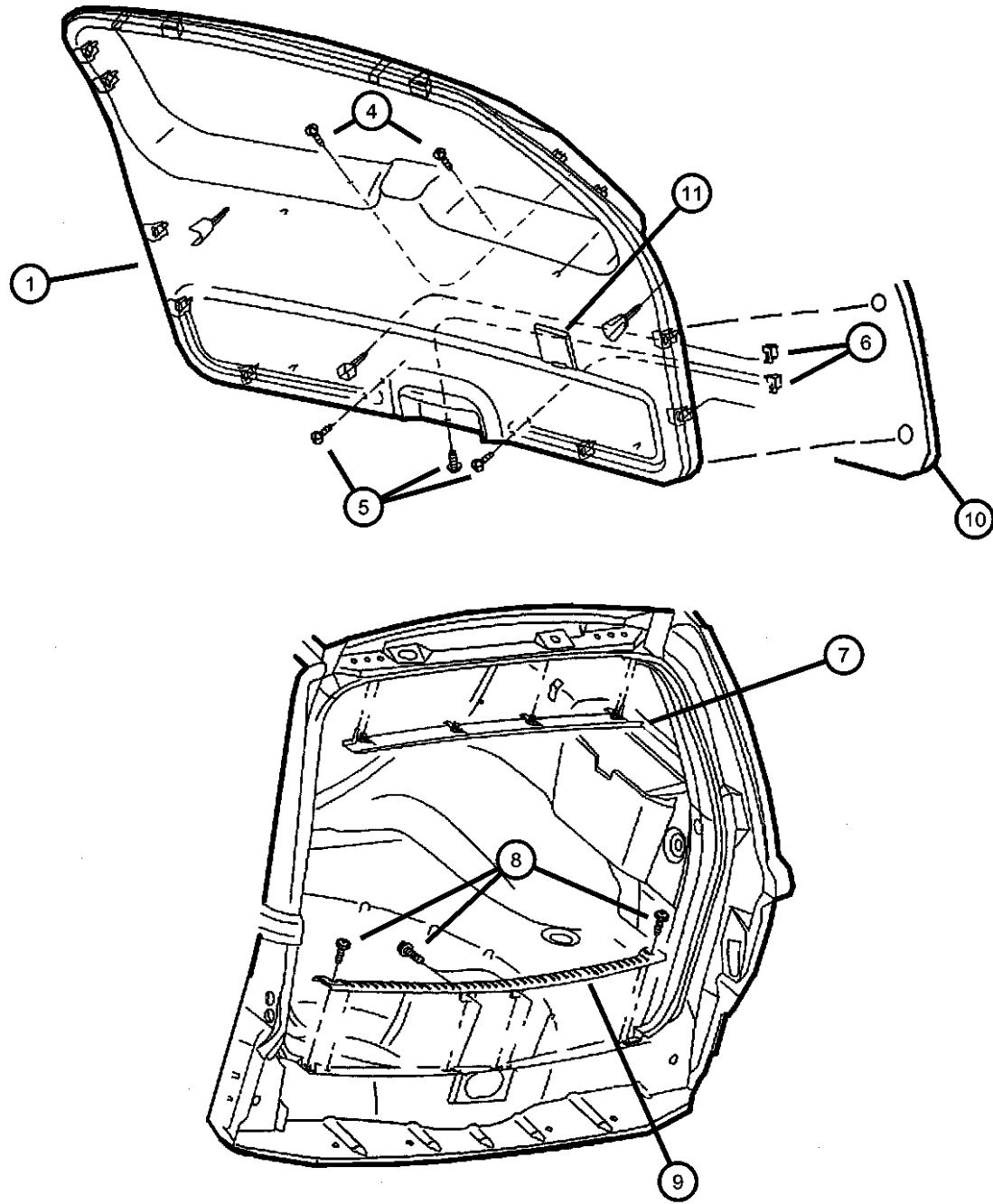
ENGINE
ERH = ENGINE - 4.0L
POWER TECH I-6
EVA = ENGINE- 4.7L V8 MPI
EXA = ENGINE - 3.1L 5 CYL
TURBO DIESEL

TRANSMISSION
DG4 = TRANSMISSION-MULTI-
SPEED AUTO, 45RFE
DGW = TRANSMISSION - 4-SPD.
AUTOMATIC,44RE
DGK = TRANSMISSION - 4-SPD.
AUTOMATIC,42RE
DGO = ALL AUTOMATIC
TRANSMISSIONS

AR = use ase required - = Non illustrated part

2000 WJ

Liftgate Panel and Scuff Plate
Figure IWJ-1010



| ITEM | PART NUMBER | QTY | LINE | SERIES | BODY | ENGINE | TRANS | TRIM | DESCRIPTION |
|------|-------------|-----|------|--------|------|--------|-------|------|---|
| 1 | | | | | | | | | PANEL, Liftgate |
| | 5FS80LAZAD | 1 | | | | | | *00 | [AZ] |
| | 5FS80RK5AD | 1 | | | | | | *00 | [K5] |
| | 5FS80WL5AD | 1 | | | | | | *00 | [L5] |
| -2 | 06502991 | 6 | | | | | | *00 | FASTENER, M7.1 Hole Push In, For M7.1 Hole |
| -3 | 34202599 | 4 | | | | | | *00 | FASTENER, Trim Panel Attaching |
| 4 | 34202599 | 4 | | | | | | | SCREW AND WASHER, M4.2X1.41X52.80, (NOT SERVICED) |
| 5 | 06032723 | 3 | | | | | | | SCREW, Self Tapping, M4.2x1.69x19.05 |
| 6 | 06032723 | 3 | | | | | | | NUT, M4.2X1.70, (NOT SERVICED) |
| 7 | | | | | | | | | PANEL, Liftgate |
| | 5FA67LAZAC | 1 | | | | | | *00 | [AZ] |
| | 5FA67RK5AC | 1 | | | | | | *00 | [K5] |
| | 5FA67WL5AC | 1 | | | | | | *00 | [L5] |
| | 5GZ52LAZAA | 1 | | | | | | *00 | [AZ], AUSTRALIA |
| | 5GZ52RK5AA | 1 | | | | | | *00 | [K5], AUSTRALIA |
| 8 | 5GZ52RK5AA | 1 | | | | | | | SCREW, [.164-18X.625], (NOT SERVICED), |
| 9 | | | | | | | | | PLATE, Liftgate Scuff |
| | 5FS82LAZAC | 1 | | | | | | *00 | [AZ] |
| | 5FS82RK5AC | 1 | | | | | | *00 | [K5] |
| | 5FS82WL5AC | 1 | | | | | | *00 | [L5] |
| 10 | 55136185AC | 1 | | | | | | | INSULATION, Liftgate |
| 11 | | | | | | | | | COVER, Liftgate |
| | 0TH63LAZAA | 1 | | | | | | *00 | [AZ] |
| | 0TH63RK5AA | 1 | | | | | | *00 | [K5] |
| | 0TH63WL5AA | 1 | | | | | | *00 | [L5] |

GRAND CHEROKEE (WJ)

SERIES LINE
H = Laredo T = JEEP - 2WD
P = Limited J = JEEP - 4WD
U = JEEP - 4WD (RHD)

BODY
74 = 4 Door (105.9 WB)

ENGINE
ERH = ENGINE - 4.0L
POWER TECH I-6
EVA = ENGINE- 4.7L V8 MPI
EXA = ENGINE - 3.1L 5 CYL
TURBO DIESEL

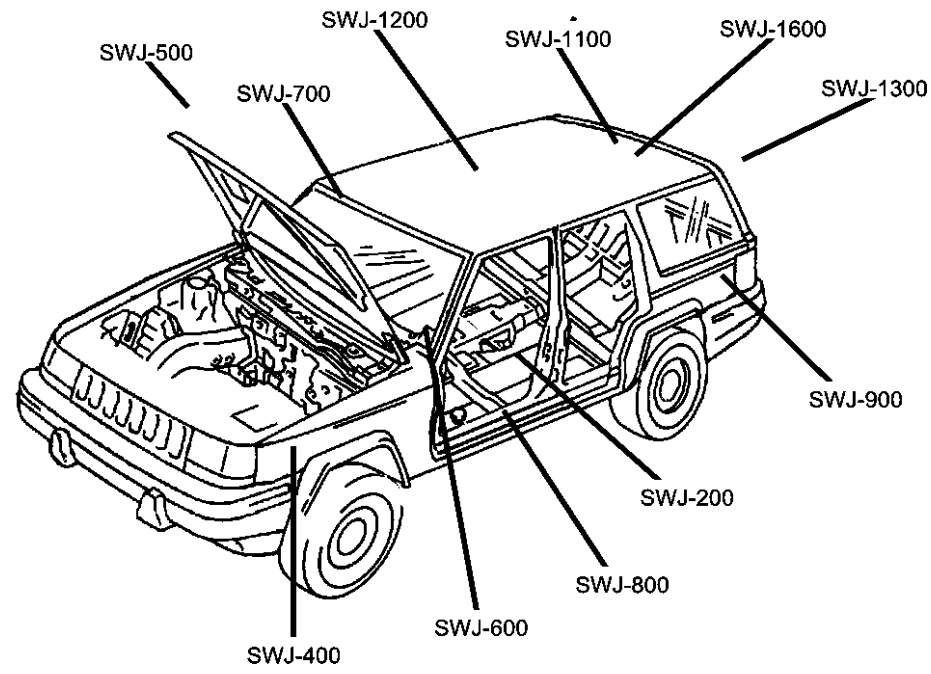
TRANSMISSION
DG4 = TRANSMISSION-MULTI-
SPEED AUTO, 45RFE
DGW = TRANSMISSION - 4-SPD.
AUTOMATIC,44RE
DGK = TRANSMISSION - 4-SPD.
AUTOMATIC,42RE
DGO = ALL AUTOMATIC
TRANSMISSIONS

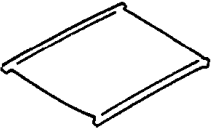

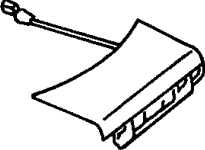
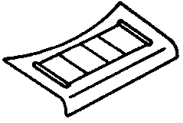
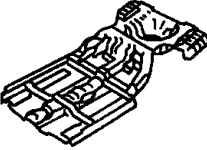

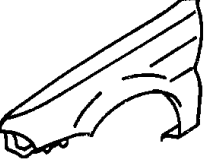
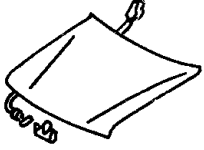
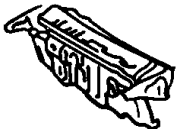
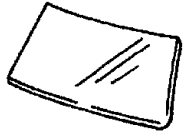
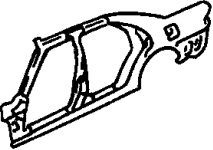
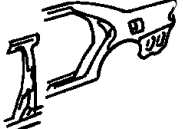
AR = use ase required - = Non illustrated part

2000 WJ

Group - SWJ

Body Sheet Metal Except Doors

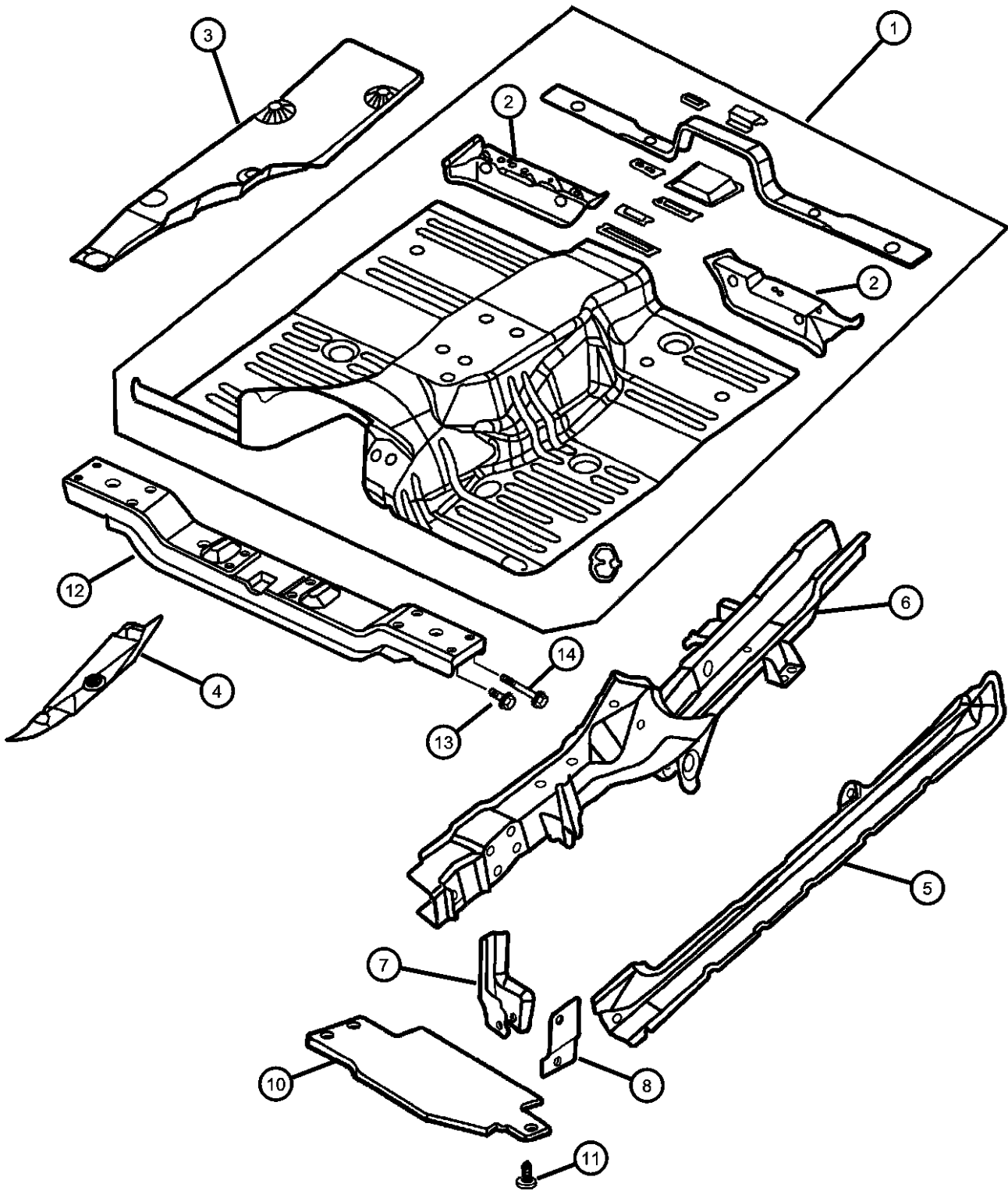


| | | | |
|---|--|--|---|
| SWJ-1100 Roof Panels  | SWJ-1200 Sunroof  | SWJ-1300 Liftgate Panel  | SWJ-1600 Luggage Rack  |
| SWJ-200 Floor Pans  | SWJ-300 Plugs  | SWJ-400 Front Fenders  | SWJ-500 Hood and Hood Release  |
| SWJ-600 Cowl and Dash Panel  | SWJ-700 Glass and Rear View Mirror  | SWJ-800 Aperture Panel  | SWJ-900 Quarter Panel and Pillars  |

Group - SWJ Body Sheet Metal Except Doors

| Illustration Title | Group-Fig. No. |
|--|-----------------|
| Floor Pans | |
| Front Floor Pan..... | Fig. SWJ - 210 |
| Center and Rear Floor Pan..... | Fig. SWJ - 220 |
| Plugs | |
| Plugs..... | Fig. SWJ - 310 |
| Front Fenders | |
| Front Fender..... | Fig. SWJ - 410 |
| Hood and Hood Release | |
| Hood, Latch, Hinges..... | Fig. SWJ - 510 |
| Cowl and Dash Panel | |
| Panels, Cowl and Dash..... | Fig. SWJ - 610 |
| Insulation, Dash And Cowl..... | Fig. SWJ - 620 |
| Glass and Rear View Mirror | |
| Glass, Windshield, Backlite, Quarter Window, Rear View Mirror..... | Fig. SWJ - 710 |
| Aperture Panel | |
| Panels, Body Side..... | Fig. SWJ - 810 |
| Quarter Panel and Pillars | |
| Panels, Rear Quarter..... | Fig. SWJ - 910 |
| Roof Panels | |
| Panels, Roof..... | Fig. SWJ - 1110 |
| Sunroof | |
| Sunroof..... | Fig. SWJ - 1210 |
| Liftgate Panel | |
| Liftgate, Latch and Hinges..... | Fig. SWJ - 1310 |
| Luggage Rack | |
| Roof Rack..... | Fig. SWJ - 1610 |

Front Floor Pan
Figure SWJ-210



| ITEM | PART NUMBER | QTY | LINE | SERIES | BODY | ENGINE | TRANS | TRIM | DESCRIPTION |
|------|-------------|-----|------|--------|------|--------|-------|------|---------------------------------------|
| 1 | 55136619AE | 1 | U | | | | | | PAN, Floor |
| | 55136653AE | 1 | U | | | | | | Diesel |
| | 55136656AE | 1 | J, T | | | | | | Diesel |
| | 55296400AD | 1 | J, T | | | | | | |
| 2 | 55136340AB | 1 | J, T | | | | | | REINFORCEMENT, Front Seat Right |
| | | 1 | U | | | | | | Right |
| | 55136341AB | 1 | J, T | | | | | | Left |
| | | 1 | U | | | | | | Left |
| 3 | 55135709AC | 1 | | | | | | | SHIELD, Heat |
| 4 | 55135712AC | 1 | | | | | | | SHIELD, Heat |
| 5 | 55135802AC | 1 | | | | | | | SILL, Body Side Right |
| | 55135803AC | 1 | | | | | | | Left |
| 6 | 05012524AC | 1 | J, T | | | | | | RAIL, Frame Side Right |
| | 05012525AB | 1 | J, T | | | | | | Left |
| | 05014708AB | 1 | J, U | | | | | | Right, Export |
| | 05014709AB | 1 | J, U | | | | | | Left, Export |
| 7 | 55136316 | 1 | U | | | | | | BRACKET, Track Bar Inner |
| | 55136317 | 1 | J | | | | | | Inner |
| 8 | 55136319 | 1 | J, U | | | | | | BRACKET, Track Bar Outer |
| | | 1 | J, T | | | | | | Outer |
| -9 | 06101916 | 2 | | | | | | | NUT, Hex Weld, M8x1.25 |
| 10 | 55135781 | 1 | | | | | | | SHIELD, Splash |
| 11 | 06034608 | 4 | | | | | | | PIN, Headline |
| 12 | 52058940AB | 1 | | | | | | | CROSSMEMBER, Transmission Gas Only |
| | 52059303AA | 1 | J, U | | | | | | Diesel |

GRAND CHEROKEE (WJ)

SERIES LINE
H = Laredo T = JEEP - 2WD
P = Limited J = JEEP - 4WD
U = JEEP - 4WD (RHD)

BODY
74 = 4 Door (105.9 WB)

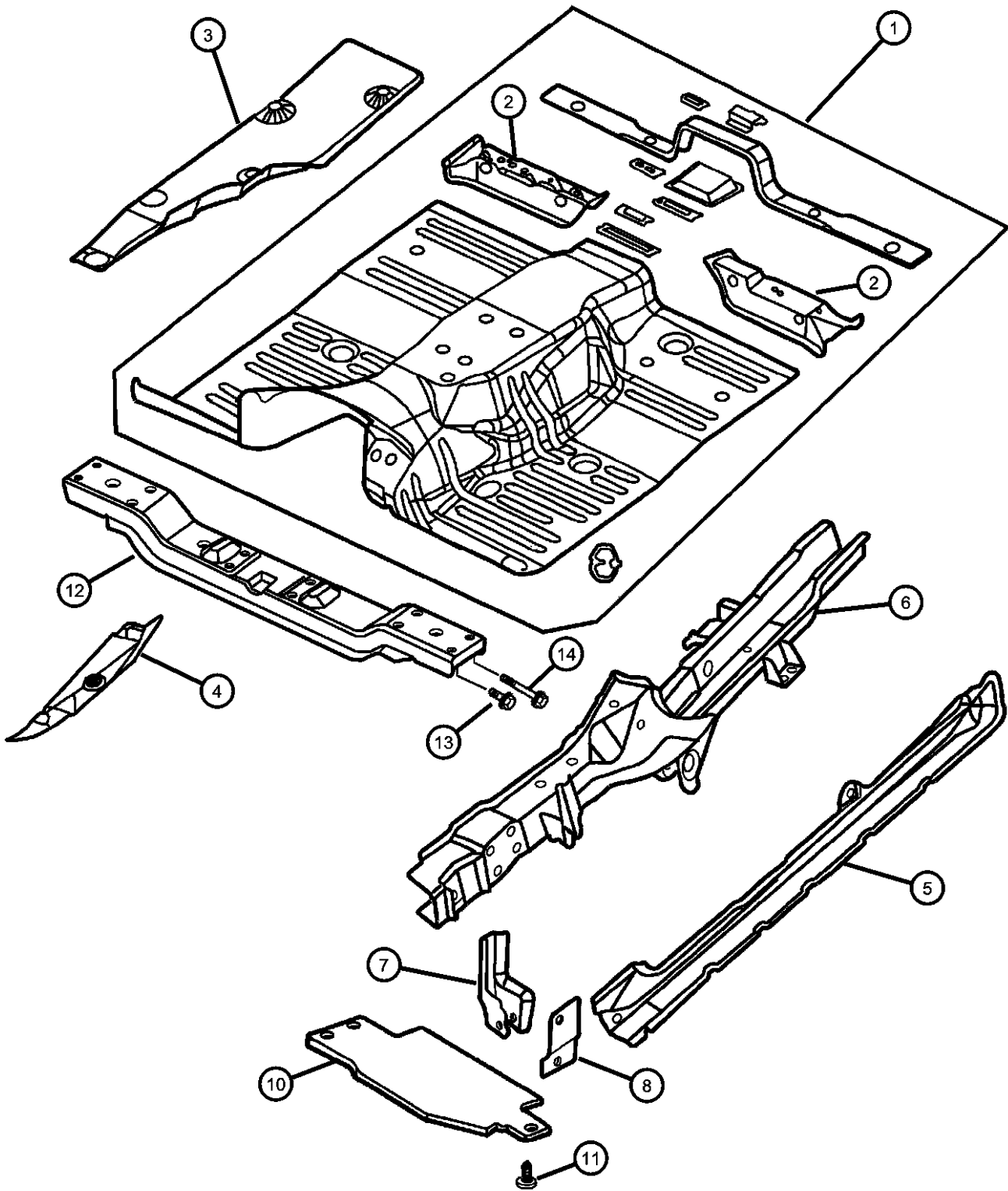
ENGINE
ERH = ENGINE - 4.0L
POWER TECH I-6
EVA = ENGINE- 4.7L V8 MPI
EXA = ENGINE - 3.1L 5 CYL
TURBO DIESEL

TRANSMISSION
DG4 = TRANSMISSION-MULTI-
SPEED AUTO, 45RFE
DGW = TRANSMISSION - 4-SPD.
AUTOMATIC,44RE
DGK = TRANSMISSION - 4-SPD.
AUTOMATIC,42RE
DGO = ALL AUTOMATIC
TRANSMISSIONS

AR = use ase required - = Non illustrated part

2000 WJ

Front Floor Pan
Figure SWJ-210



| ITEM | PART NUMBER | QTY | LINE | SERIES | BODY | ENGINE | TRANS | TRIM | DESCRIPTION |
|------|-------------|-----|------|--------|------|--------|-------|------|-------------|
|------|-------------|-----|------|--------|------|--------|-------|------|-------------|

| | | | | | | | | | |
|----|------------|---|--|--|--|--|--|--|------------------|
| 13 | 06506000AA | 4 | | | | | | | SCREW AND WASHER |
| 14 | 06505671AA | 4 | | | | | | | SCREW AND WASHER |

GRAND CHEROKEE (WJ)

SERIES
H = Laredo
P = Limited

LINE
T = JEEP - 2WD
J = JEEP - 4WD
U = JEEP - 4WD (RHD)

BODY
74 = 4 Door (105.9 WB)

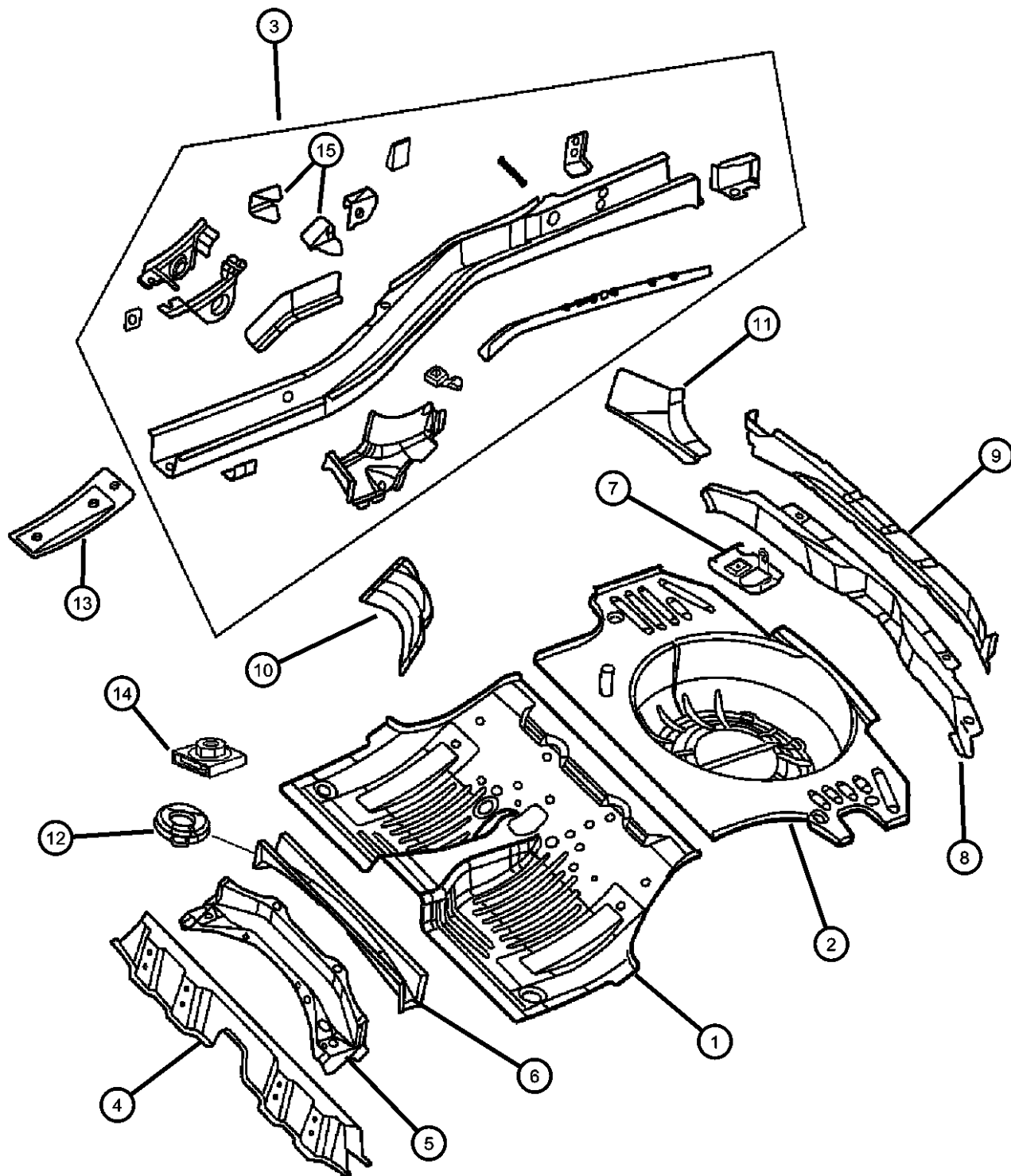
ENGINE
ERH = ENGINE - 4.0L
POWER TECH I-6
EVA = ENGINE- 4.7L V8 MPI
EXA = ENGINE - 3.1L 5 CYL
TURBO DIESEL

TRANSMISSION
DG4 = TRANSMISSION-MULTI-
SPEED AUTO, 45RFE
DGW = TRANSMISSION - 4-SPD.
AUTOMATIC,44RE
DGK = TRANSMISSION - 4-SPD.
AUTOMATIC,42RE
DGO = ALL AUTOMATIC
TRANSMISSIONS

AR = use ase required - = Non illustrated part

2000 WJ

**Center and Rear Floor Pan
Figure SWJ-220**



| ITEM | PART NUMBER | QTY | LINE | SERIES | BODY | ENGINE | TRANS | TRIM | DESCRIPTION |
|------|-------------|-----|------|--------|------|--------|-------|------|---|
| 1 | 55136940AC | 1 | | | | | | | PAN, FloorCenter |
| 2 | 55136377AE | 1 | | | | | | | PAN, Rear Floor |
| 3 | | | | | | | | | RAIL, Rear Floor Pan Side |
| | 05014932AA | 1 | | | | | | | Right |
| | 05014933AA | 1 | | | | | | | Left |
| 4 | 55136163AD | 1 | | | | | | | CROSSMEMBER, Rear Floor |
| 5 | 55136555AC | 1 | | | | | | | CROSSMEMBER, Rear Floor Pan Front |
| 6 | 55136511AD | 1 | | | | | | | CROSSMEMBER, Rear Floor |
| 7 | 55295800AD | 1 | | | | | | | BRACKET, Jack |
| 8 | 55136558AD | 1 | | | | | | | CROSSMEMBER, Rear Floor |
| 9 | 55136179AD | 1 | | | | | | | CROSSMEMBER, Rear Floor |
| 10 | 55136160AE | 1 | | | | | | | SHIELD, Fuel Tank |
| 11 | | | | | | | | | GUSSET, Side Member |
| | 55135504AC | 1 | | | | | | | Right |
| | 55135505AC | 1 | | | | | | | Left |
| 12 | 05014781AA | 2 | | | | | | | GUIDE, Rear Spring, None |
| 13 | 55136164AE | 2 | | | | | | | REINFORCEMENT, Rear Floor Pan Rear Rail |
| 14 | 55136398AB | 2 | | | | | | | PLATE, Control Arm |
| 15 | | | | | | | | | BRACKET, Rear Suspension Crossmember |
| | 05016252AA | 1 | | | | | | | Right |
| | 05016253AA | 1 | | | | | | | Left |

GRAND CHEROKEE (WJ)

| | |
|-------------|----------------------|
| SERIES | LINE |
| H = Laredo | T = JEEP - 2WD |
| P = Limited | J = JEEP - 4WD |
| | U = JEEP - 4WD (RHD) |

BODY
74 = 4 Door (105.9 WB)

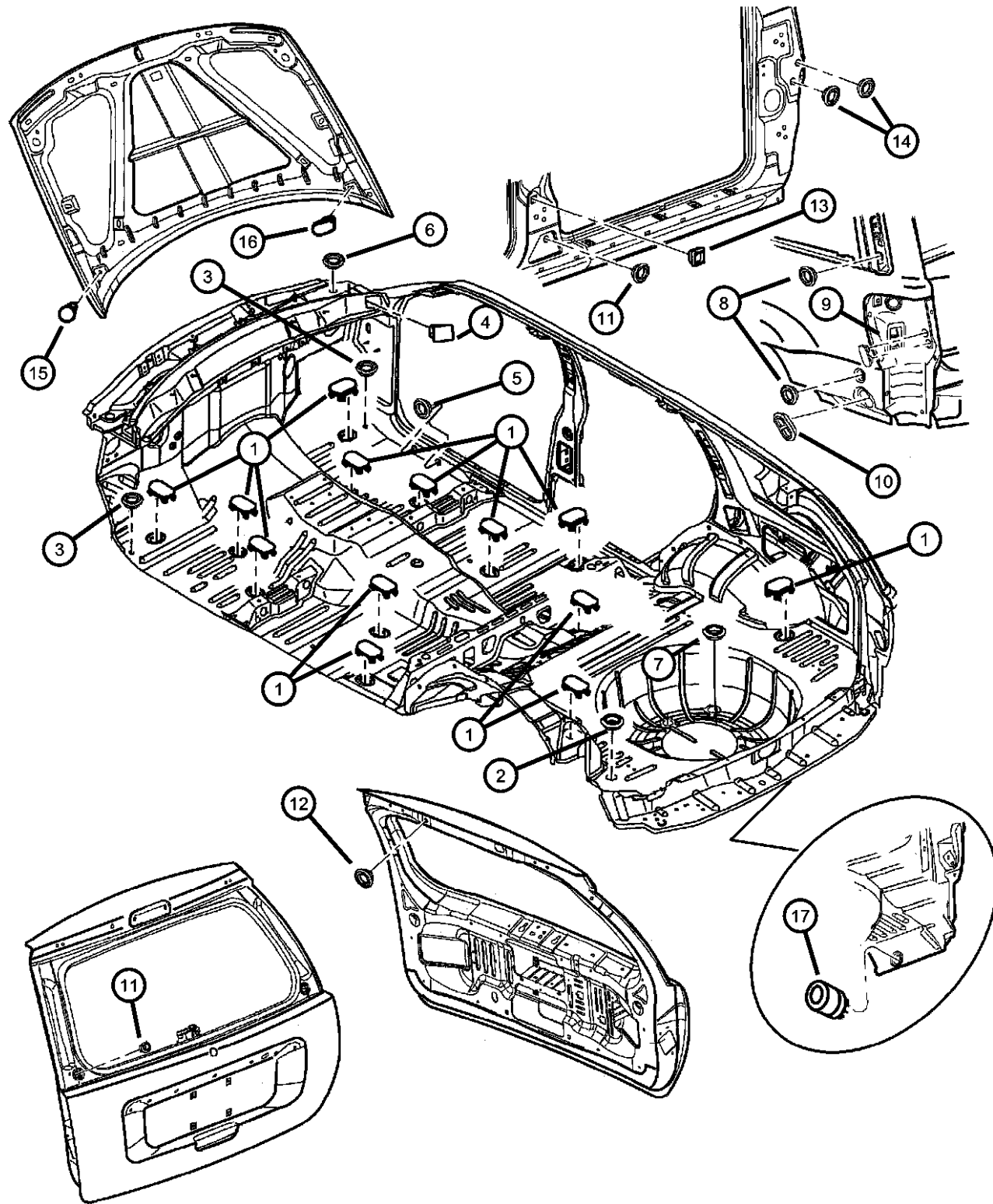
ENGINE
ERH = ENGINE - 4.0L POWER TECH I-6
EVA = ENGINE- 4.7L V8 MPI
EXA = ENGINE - 3.1L 5 CYL TURBO DIESEL

TRANSMISSION
DG4 = TRANSMISSION-MULTI-SPEED AUTO, 45RFE
DGW = TRANSMISSION - 4-SPD. AUTOMATIC, 44RE
DGK = TRANSMISSION - 4-SPD. AUTOMATIC, 42RE
DGO = ALL AUTOMATIC TRANSMISSIONS

AR = use ase required - = Non illustrated part

2000 WJ

Plugs
Figure SWJ-310



| ITEM | PART NUMBER | QTY | LINE | SERIES | BODY | ENGINE | TRANS | TRIM | DESCRIPTION |
|------|-------------|-----|------|--------|------|--------|-------|------|---|
| 1 | 04580343 | 13 | | | | | | | PLUG, Floor Pan |
| 2 | 02424864 | 1 | | | | | | | PLUG, Body, 1.75 Diameter |
| 3 | 02860332 | 4 | | | | | | | PLUG, Anti-Rattle |
| 4 | 55136507AB | 1 | | | | | | | PLUG, BodyCowl Top |
| 5 | 55257380AA | 12 | | | | | | | PLUG |
| 6 | 55136456AB | 1 | | | | | | | PLUG, Body |
| 7 | 55136594AA | 1 | | | | | | | PLUG, Body |
| 8 | 04440294 | 6 | | | | | | | PLUG, Rear Fascia |
| 9 | 55136948AA | 2 | | | | | | | TAPE, Body Side |
| 10 | 55136562AB | 2 | | | | | | | PLUG, Body |
| 11 | 04674441 | 3 | | | | | | | PLUG, Body, .75 Diameter |
| 12 | 05255217 | 1 | | | | | | | PLUG, Dash Panel |
| 13 | 55136566AA | 4 | | | | | | | PLUG, Body |
| 14 | 55136859AA | 2 | | | | | | | PLUG |
| 15 | 55136755AA | 1 | | | | | | | PLUG, Body |
| 16 | 55136752AA | 1 | | | | | | | PLUG, Body |
| 17 | 55135856AB | 2 | | | | | | | PLUG, Body |
| -18 | 55136844AD | 1 | | | | | | | PLUG, Floor, Rear Floor at Spare Tire Hub |

GRAND CHEROKEE (WJ)

SERIES
H = Laredo
P = Limited

LINE
T = JEEP - 2WD
J = JEEP - 4WD
U = JEEP - 4WD (RHD)

BODY
74 = 4 Door (105.9 WB)

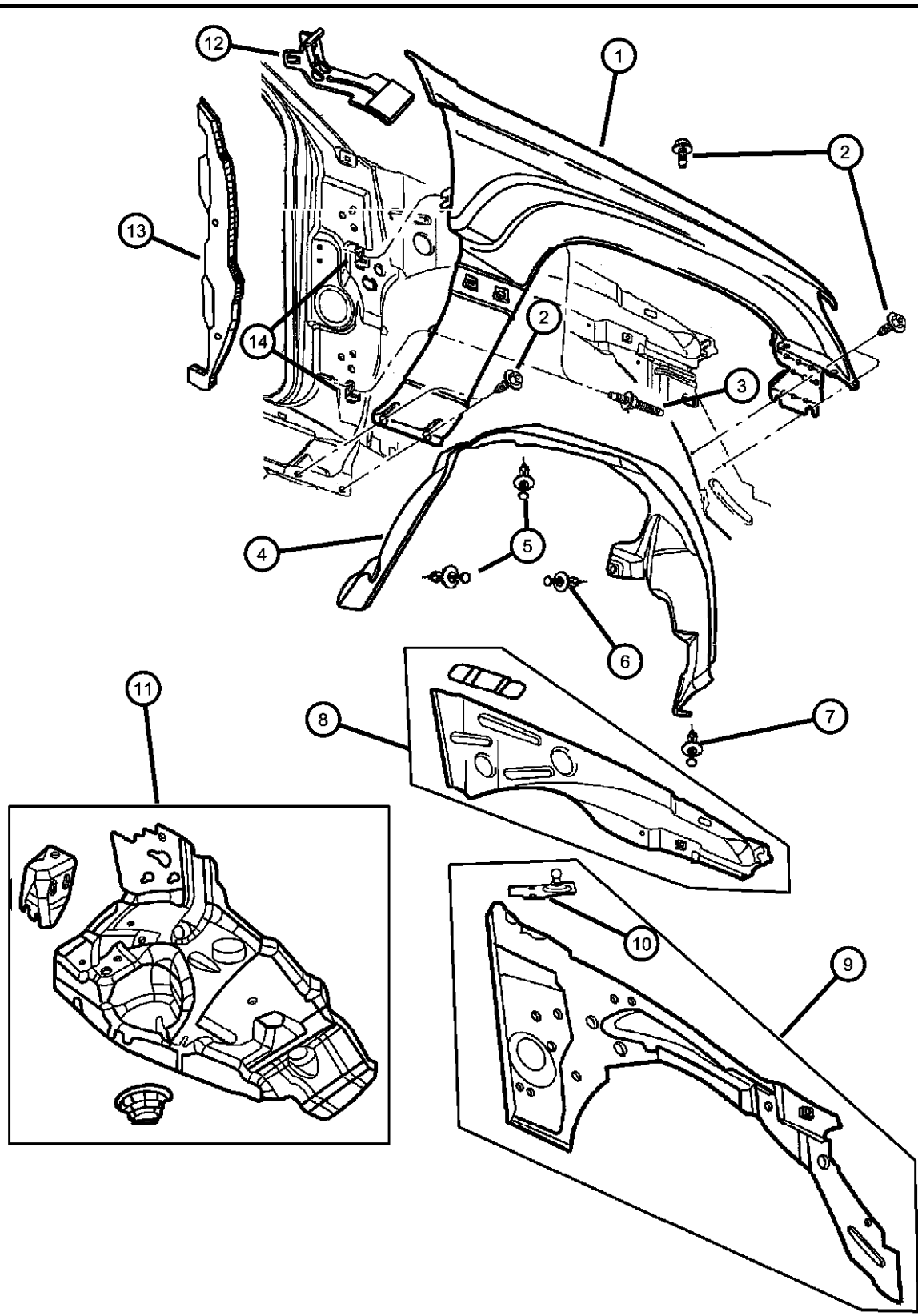
ENGINE
ERH = ENGINE - 4.0L
POWER TECH I-6
EVA = ENGINE- 4.7L V8 MPI
EXA = ENGINE - 3.1L 5 CYL
TURBO DIESEL

TRANSMISSION
DG4 = TRANSMISSION-MULTI-
SPEED AUTO, 45RFE
DGW = TRANSMISSION - 4-SPD.
AUTOMATIC,44RE
DGK = TRANSMISSION - 4-SPD.
AUTOMATIC,42RE
DGO = ALL AUTOMATIC
TRANSMISSIONS

AR = use ase required - = Non illustrated part

2000 WJ

**Front Fender
Figure SWJ-410**



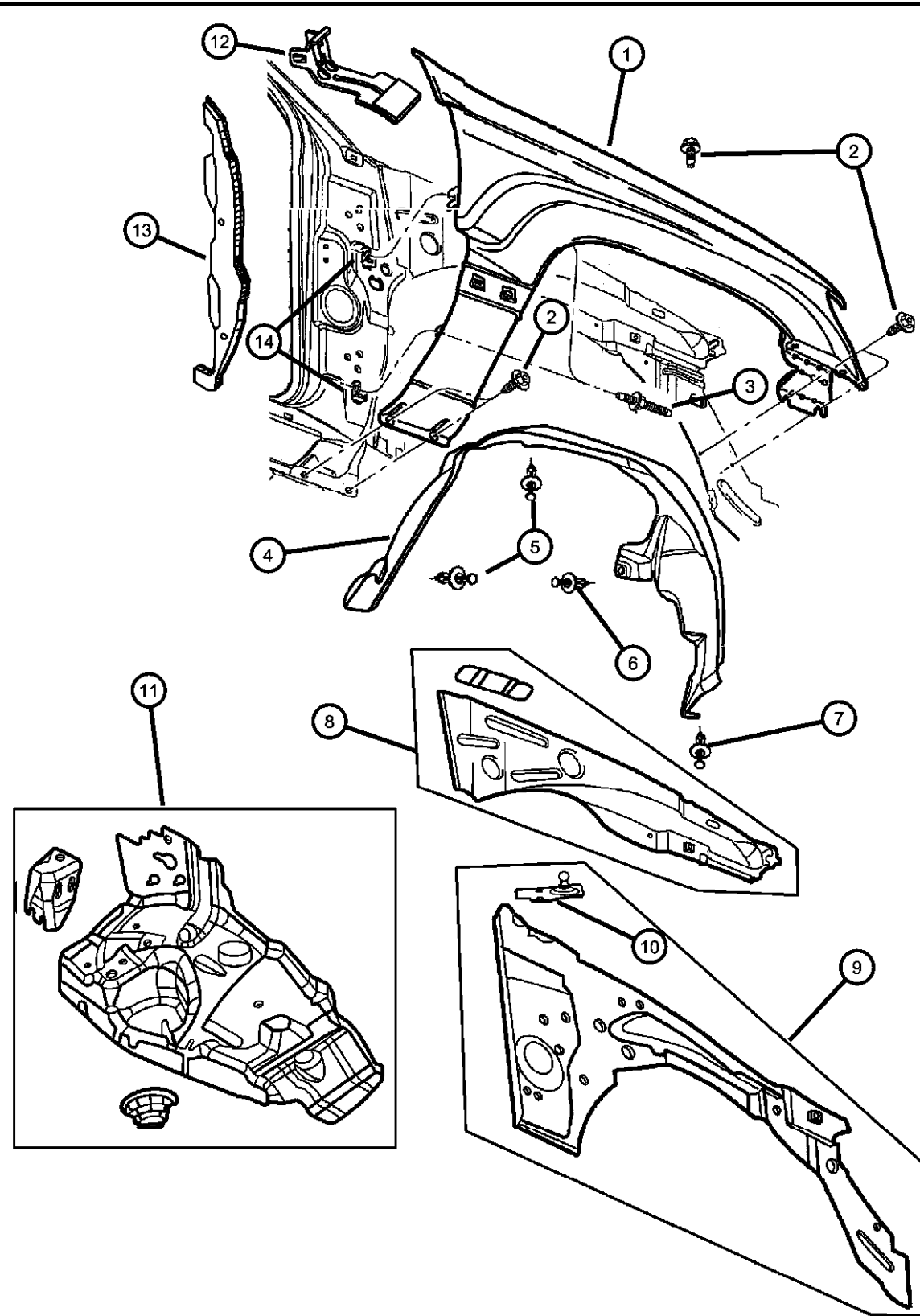
| ITEM | PART NUMBER | QTY | LINE | SERIES | BODY | ENGINE | TRANS | TRIM | DESCRIPTION |
|------|-------------|-----|------|--------|------|--------|-------|------|---|
| 1 | 55135900AC | 1 | | | | | | | FENDER, Front Right |
| | 55135901AC | 1 | | | | | | | Left |
| | 55136582AC | 1 | | | | | | | Right, Export |
| | 55136583AC | 1 | | | | | | | Left, Export |
| 2 | 55136583AC | 1 | | | | | | | SCREW, M6X1.00X15.00, (NOT SERVICED) |
| 3 | 55136583AC | 1 | | | | | | | STUD, Double Ended, M6X1.00X57.00, (NOT SERVICED) |
| 4 | | | | | | | | | LINER, Front Fender |
| | 55136228AB | 1 | | | | | | | Right |
| | 55136229AB | 1 | | | | | | | Left |
| 5 | 06034608 | 4 | | | | | | | PIN, Headline |
| 6 | 34201631 | 6 | | | | | | | RIVET, M6.25x28 Black |
| 7 | 06506005AA | 12 | | | | | | | PIN, Push |
| 8 | | | | | | | | | REINFORCEMENT, Cowl Side |
| | 55136354AF | 1 | | | | | | | Right |
| | 55136355AF | 1 | | | | | | | Left |
| | 55136861AD | 1 | | | | | | | Left, Export |
| 9 | | | | | | | | | PANEL, Cowl |
| | 55135442AC | 1 | | | J, T | | | | Right |
| | 55135443AC | 1 | | | J, T | | | | Left |
| | 55136852AB | 1 | | | U | | | | Right |
| | 55136853AB | 1 | | | U | | | | Left |
| 10 | | | | | | | | | BRACKET, Ball to Body |
| | 55136434 | 1 | | | J, T | | | | Right |
| | | 1 | | | U | | | | Right |
| | 55136435 | 1 | | | J, T | | | | Left |
| | | 1 | | | U | | | | Left |
| 11 | | | | | | | | | SUPPORT, Front Suspension |
| | 55135718AE | 1 | | | | | | | Right |
| | 55135719AE | 1 | | | | | | | Left |
| | 55136618AD | 1 | | | | | | | Left, Export |

GRAND CHEROKEE (WJ)

| | | | | |
|---------------|----------------------|------------------------|--|--|
| SERIES | LINE | BODY | ENGINE | TRANSMISSION |
| H = Laredo | T = JEEP - 2WD | 74 = 4 Door (105.9 WB) | ERH = ENGINE - 4.0L POWER TECH I-6 | DG4 = TRANSMISSION-MULTI-SPEED AUTO, 45RFE |
| P = Limited | J = JEEP - 4WD | | EVA = ENGINE- 4.7L V8 MPI | DGW = TRANSMISSION - 4-SPD. AUTOMATIC,44RE |
| | U = JEEP - 4WD (RHD) | | EXA = ENGINE - 3.1L 5 CYL TURBO DIESEL | DGK = TRANSMISSION - 4-SPD. AUTOMATIC,42RE |
| | | | | DGO = ALL AUTOMATIC TRANSMISSIONS |

AR = use ase required - = Non illustrated part

Front Fender
Figure SWJ-410



| ITEM | PART NUMBER | QTY | LINE | SERIES | BODY | ENGINE | TRANS | TRIM | DESCRIPTION |
|------|-------------|-----|------|--------|------|--------|-------|------|--------------------------------------|
| 12 | 55136774AA | 2 | | | | | | | BRACKET, Fender |
| 13 | 55135793AC | 1 | | | | | | | FILLER, Fender to Wheelhouse Left |
| | 55135866AC | 1 | | | | | | | Right |
| 14 | 55136586AB | 4 | | | | | | | BRACKET, Fender |

GRAND CHEROKEE (WJ)

SERIES
H = Laredo
P = Limited

LINE
T = JEEP - 2WD
J = JEEP - 4WD
U = JEEP - 4WD (RHD)

BODY
74 = 4 Door (105.9 WB)

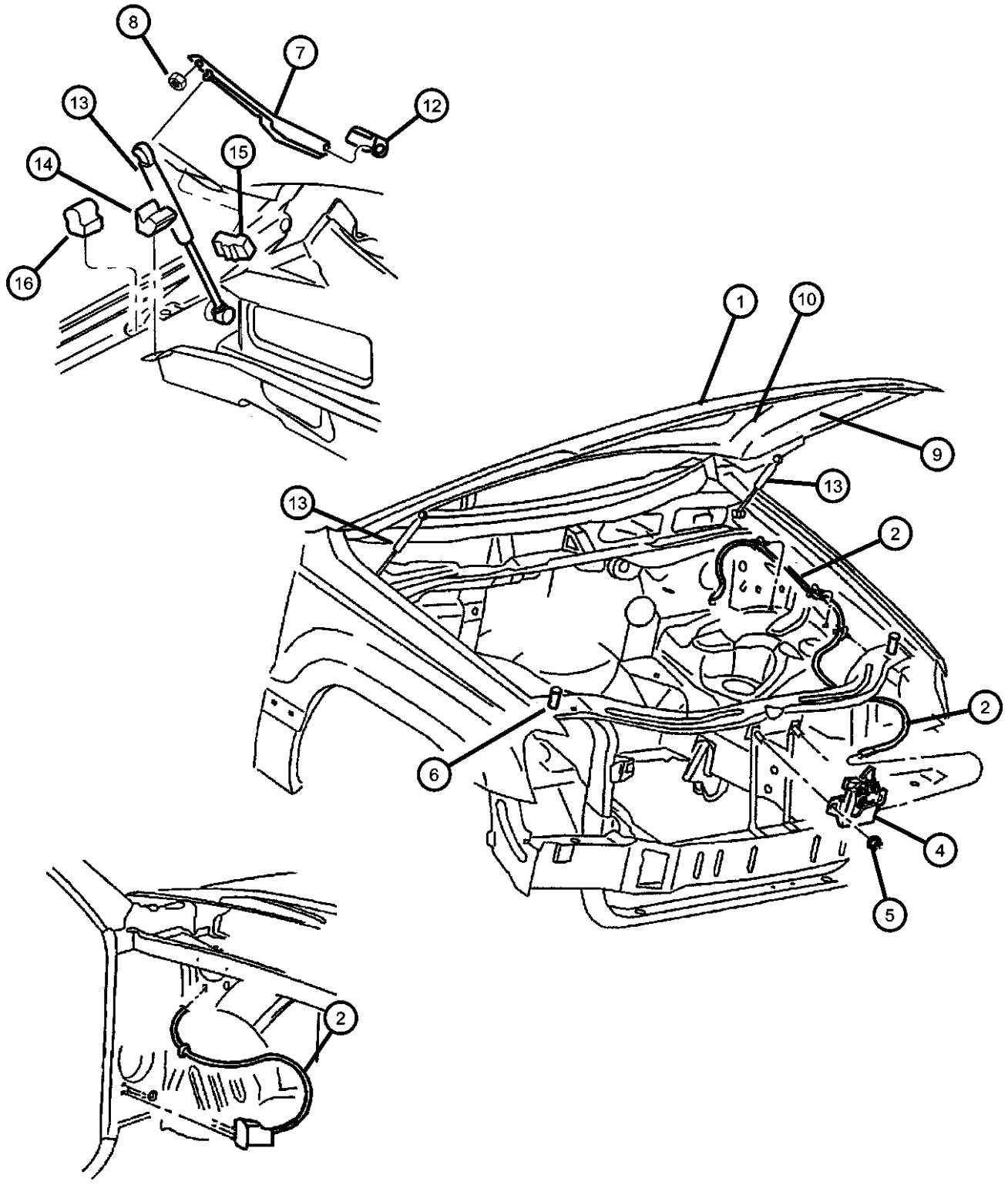
ENGINE
ERH = ENGINE - 4.0L
POWER TECH I-6
EVA = ENGINE- 4.7L V8 MPI
EXA = ENGINE - 3.1L 5 CYL
TURBO DIESEL

TRANSMISSION
DG4 = TRANSMISSION-MULTI-
SPEED AUTO, 45RFE
DGW = TRANSMISSION - 4-SPD.
AUTOMATIC,44RE
DGK = TRANSMISSION - 4-SPD.
AUTOMATIC,42RE
DGO = ALL AUTOMATIC
TRANSMISSIONS

AR = use ase required - = Non illustrated part

2000 WJ

Hood, Latch, Hinges
Figure SWJ-510



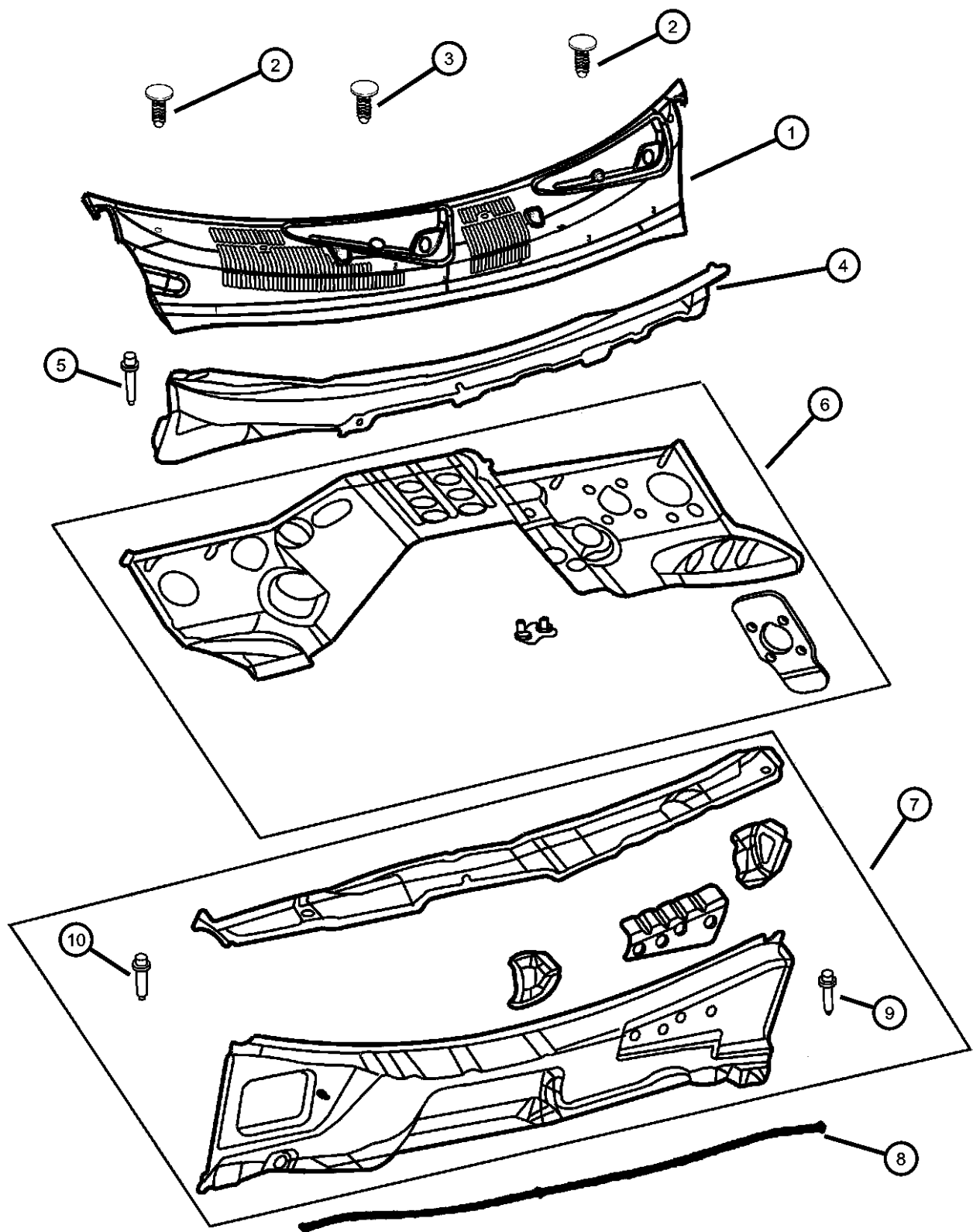
| ITEM | PART NUMBER | QTY | LINE | SERIES | BODY | ENGINE | TRANS | TRIM | DESCRIPTION |
|------|-------------|-----|------|--------|------|--------|-------|------|---|
| 1 | 55076470AD | 1 | | | | | | | HOOD |
| 2 | | | | | | | | | CABLE, Hood Release |
| | 55135532 | 1 | J, T | | | | | | |
| | 55136454 | 1 | U | | | | | | |
| -3 | | | | | | | | | CLIP, M6.3x11.2 |
| | 06503794 | 3 | U | | | | | | |
| | | 3 | J, T | | | | | | |
| 4 | 55135600 | 1 | | | | | | | LATCH, Hood |
| 5 | 06101446 | 2 | | | | | | | NUT AND WASHER |
| 6 | 04103165 | 2 | | | | | | | BUMPER, Hood |
| 7 | | | | | | | | | HINGE, Hood |
| | 55256196 | 1 | | | | | | | Right |
| | 55256197 | 1 | | | | | | | Left |
| 8 | 06503664 | 4 | | | | | | | NUT AND WASHER, Hex Nut-Coned Washer, M6 x 1.00 |
| 9 | 55196298AB | 1 | | | | | | | INSULATION, Hood |
| 10 | 55116446AA | 1 | | | | | | | LABEL, Refrigerant |
| -11 | 06003351 | 12 | | | | | | | RETAINER, Hood Insulation, .415x.690 |
| 12 | | | | | | | | | COVER, Hinge |
| | 55136954AA | 1 | | | | | | | Right |
| | 55136955AA | 1 | | | | | | | Left |
| 13 | 55136764AA | 2 | | | | | | | PROP, Hood |
| | VHWJ9904AA | | | | | | | | Mopar Alternative Hood Support Kit (2-hood supports) |
| 14 | 55136545AA | 2 | | | | | | | SEAL, HoodLower |
| 15 | 55136549AA | 2 | | | | | | | SEAL, HoodUpper |
| 16 | 55136550AA | 2 | | | | | | | SEAL, HoodOuter |

GRAND CHEROKEE (WJ)

| | | | | |
|-------------|----------------------|------------------------|---|--|
| SERIES | LINE | BODY | ENGINE | TRANSMISSION |
| H = Laredo | T = JEEP - 2WD | 74 = 4 Door (105.9 WB) | ERH = ENGINE - 4.0L POWER TECH I-6 | DG4 = TRANSMISSION-MULTI- SPEED AUTO, 45RFE |
| P = Limited | J = JEEP - 4WD | | EVA = ENGINE- 4.7L V8 MPI | DGW = TRANSMISSION - 4-SPD. AUTOMATIC,44RE |
| | U = JEEP - 4WD (RHD) | | EXA = ENGINE - 3.1L 5 CYL TURBO DIESEL | DGK = TRANSMISSION - 4-SPD. AUTOMATIC,42RE |
| | | | | DGO = ALL AUTOMATIC TRANSMISSIONS |

AR = use ase required - = Non illustrated part

**Panels, Cowl and Dash
Figure SWJ-610**



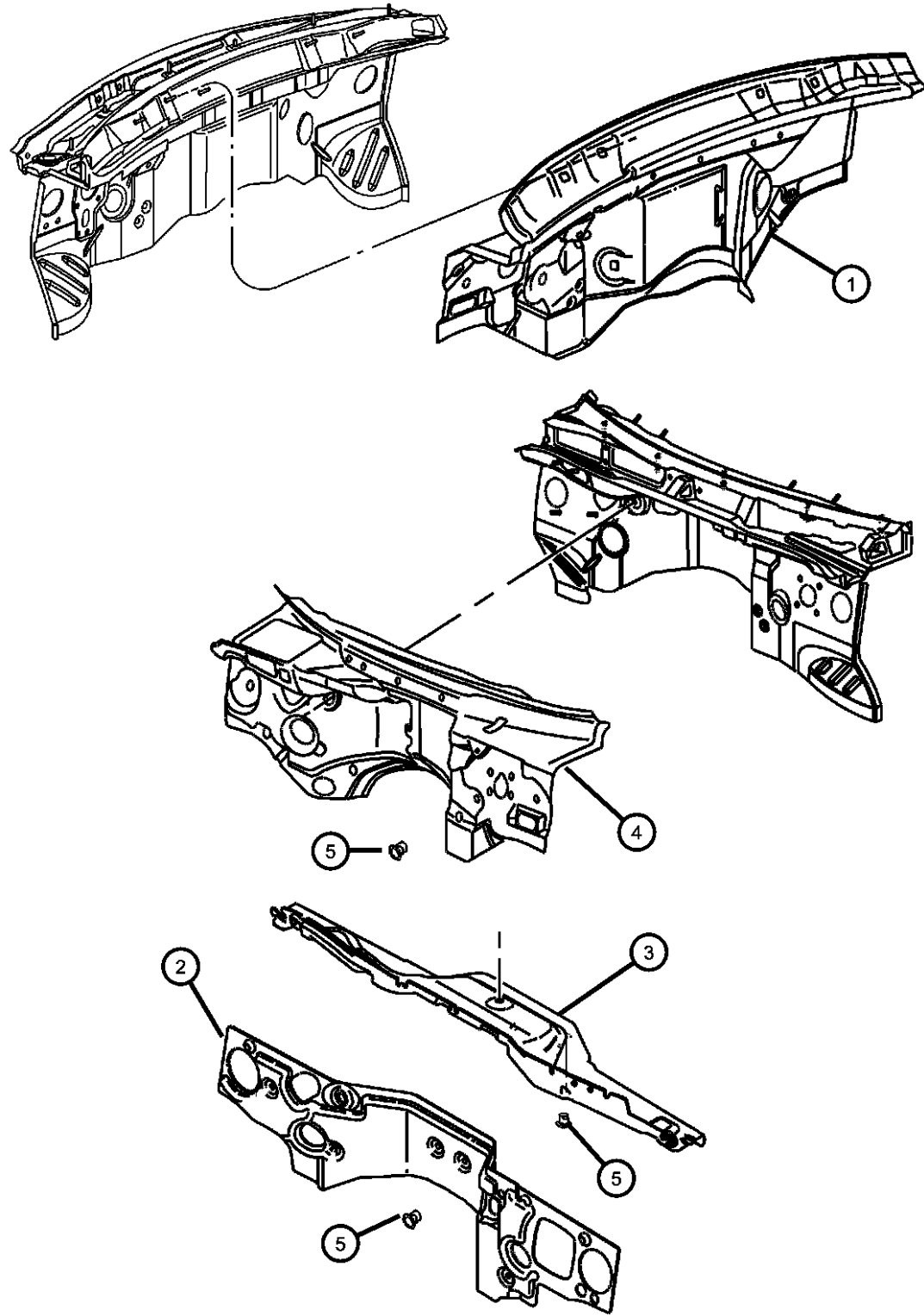
| ITEM | PART NUMBER | QTY | LINE | SERIES | BODY | ENGINE | TRANS | TRIM | DESCRIPTION |
|------|-------------|-----|------|--------|------|--------|-------|------|--|
| 1 | 55155355AB | 1 | J, T | | | | | | COVER, Cowl Grille |
| | 55155356AB | 1 | U | | | | | | |
| 2 | 06505319AA | 4 | | | | | | | NUT, M6x1.00 |
| 3 | 06503339 | 2 | | | | | | | NUT, Plastic |
| 4 | 55135369AB | 1 | J, T | | | | | | PANEL, Cowl Top |
| | 55135373AB | 1 | U | | | | | | |
| 5 | 06505511AA | 4 | J, T | | | | | | STUD M6X1.00X40.5 |
| | | 4 | U | | | | | | M6X1.00X40.5 |
| 6 | 55135358AB | 1 | J, T | | | | | | PANEL, Dash |
| | 55135364AB | 1 | U | | | | | | |
| 7 | 55135451AB | 1 | J, T | | | | | | PANEL, Cowl And Plenum |
| | 55135486AB | 1 | U | | | | | | |
| | 55136540AB | 1 | J, T | | | | | | Export |
| 8 | 55135392AB | 1 | | | | | | | SEAL, Hood To Plenum |
| 9 | 06504758 | 3 | J, T | | | | | | STUD, M8x |
| | | 3 | U | | | | | | |
| 10 | 06504952AA | 3 | J, T | | | | | | STUD |
| | | 3 | U | | | | | | |
| -11 | 55196705AB | 1 | J, T | | | | | | INSULATION, Dash Panel Diesel, Engine |
| | 55196836AA | 1 | J, T | | | | | | Gas Only, Engine |

GRAND CHEROKEE (WJ)

| | | | | |
|-------------|----------------------|------------------------|---|--|
| SERIES | LINE | BODY | ENGINE | TRANSMISSION |
| H = Laredo | T = JEEP - 2WD | 74 = 4 Door (105.9 WB) | ERH = ENGINE - 4.0L POWER TECH I-6 | DG4 = TRANSMISSION-MULTI- SPEED AUTO, 45RFE |
| P = Limited | J = JEEP - 4WD | | EVA = ENGINE- 4.7L V8 MPI | DGW = TRANSMISSION - 4-SPD. AUTOMATIC,44RE |
| | U = JEEP - 4WD (RHD) | | EXA = ENGINE - 3.1L 5 CYL TURBO DIESEL | DGK = TRANSMISSION - 4-SPD. AUTOMATIC,42RE |
| | | | | DGO = ALL AUTOMATIC TRANSMISSIONS |

AR = use ase required - = Non illustrated part

**Insulation, Dash And Cowl
Figure SWJ-620**



| ITEM | PART NUMBER | QTY | LINE | SERIES | BODY | ENGINE | TRANS | TRIM | DESCRIPTION |
|------|-------------|-----|------|--------|------|--------|-------|------|---|
| 1 | 55196275AC | 1 | J, T | | | | | | INSULATION, Dash Panel Inner |
| | 55196277AB | 1 | U | | | | | | Export |
| | 55196857AA | 1 | J, T | | | | | | Export |
| 2 | 55196703AC | 1 | J, T | | | | | | INSULATION, Dash Panel Diesel |
| | 55196704AB | 1 | U | | | | | | Diesel |
| 3 | 55196705AB | 1 | J, T | | | | | | INSULATION, Dash Panel, Upper Plenum Outer, Diesel |
| 4 | 55196836AA | 1 | J, T | | | | | | INSULATION, Dash Panel Gas Only |
| | 55196848AC | 1 | U | | | | | | Gas Only |
| 5 | 06503274 | 3 | | | | | | | NUT, Push On |

GRAND CHEROKEE (WJ)

SERIES
H = Laredo
P = Limited

LINE
T = JEEP - 2WD
J = JEEP - 4WD
U = JEEP - 4WD (RHD)

BODY
74 = 4 Door (105.9 WB)

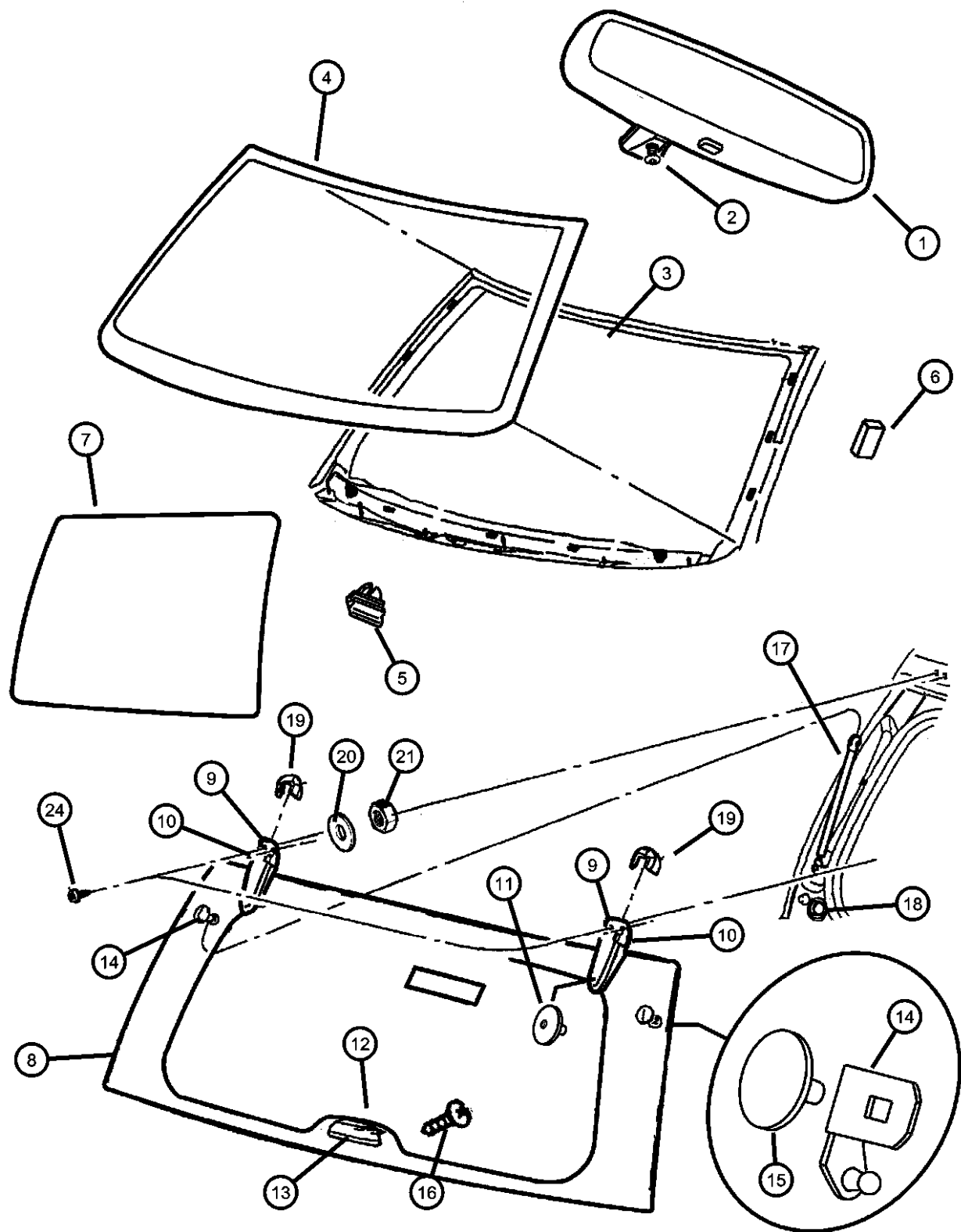
ENGINE
ERH = ENGINE - 4.0L
POWER TECH I-6
EVA = ENGINE- 4.7L V8 MPI
EXA = ENGINE - 3.1L 5 CYL
TURBO DIESEL

TRANSMISSION
DG4 = TRANSMISSION-MULTI-
SPEED AUTO, 45RFE
DGW = TRANSMISSION - 4-SPD.
AUTOMATIC,44RE
DGK = TRANSMISSION - 4-SPD.
AUTOMATIC,42RE
DGO = ALL AUTOMATIC
TRANSMISSIONS

AR = use ase required - = Non illustrated part

2000 WJ

Glass, Windshield, Backlite, Quarter Window, Rear View Mirror
Figure SWJ-710



| ITEM | PART NUMBER | QTY | LINE | SERIES | BODY | ENGINE | TRANS | TRIM | DESCRIPTION |
|------|-------------|-----|------|--------|------|--------|-------|------|-------------|
|------|-------------|-----|------|--------|------|--------|-------|------|-------------|

Sales Codes:
 [GED] = Tinted
 [GEG] = Sunscreen

| | | | | | | | | | |
|---|------------|---|--|--|--|--|--|--|---|
| 1 | | | | | | | | | MIRROR, Inside Rear View |
| | 04299325 | 1 | | | | | | | Prismatic |
| | 55155380 | 1 | | | | | | | Automatic |
| 2 | 06031094 | 1 | | | | | | | SCREW, Pan Head Tapping, .19-16x.375 |
| 3 | 55076401 | 1 | | | | | | | BUTTON, Rear View Mirror |
| 4 | | | | | | | | | WINDSHIELD |
| | 55136054AC | 1 | | | | | | | |
| | 55136944AB | 1 | | | | | | | Export |
| 5 | 55028214 | 9 | | | | | | | SPACER, Windshield |
| 6 | 55275388AB | 2 | | | | | | | SPACER, Windshield |
| 7 | | | | | | | | | GLASS, Quarter Window |
| | 55135788AC | 1 | | | | | | | Tinted, Right |
| | 55135789AC | 1 | | | | | | | Tinted, Left |
| | 55135796AC | 1 | | | | | | | Tinted, With Antenna, Right, Export |
| | 55135797AC | 1 | | | | | | | Tinted, Left, Export |
| | 55135808AC | 1 | | | | | | | Privacy, Right |
| | 55135809AC | 1 | | | | | | | Privacy, Left |
| | 55135816AC | 1 | | | | | | | Privacy, With Antenna, Right, Export |
| | 55135817AC | 1 | | | | | | | Privacy, Left, Export |
| 8 | | | | | | | | | GLASS, Liftgate Flipper |
| | 55136035AB | 1 | | | | | | | Tinted, Up to 3-7-00, Export |
| | 55136035AC | 1 | | | | | | | Tinted, After 3-7-00, Export |
| | 55136050AB | 1 | | | | | | | Privacy, Up to 3-7-00, Export |
| | 55136050AC | 1 | | | | | | | Privacy, After 3-7-00, Export |
| | 55136975AA | 1 | | | | | | | Tinted, [GED] |
| | DB09578GTY | | | | | | | | Collision Replacement Glass |
| | 55136980AA | 1 | | | | | | | Privacy, [GEG], Up to 3-7-00 |
| | 55136980AB | 1 | | | | | | | Privacy, [GEG], After 3-7-00 |
| 9 | | | | | | | | | HINGE, Liftglass |

GRAND CHEROKEE (WJ)

| | |
|---------------|----------------------|
| SERIES | LINE |
| H = Laredo | T = JEEP - 2WD |
| P = Limited | J = JEEP - 4WD |
| | U = JEEP - 4WD (RHD) |

BODY
 74 = 4 Door (105.9 WB)

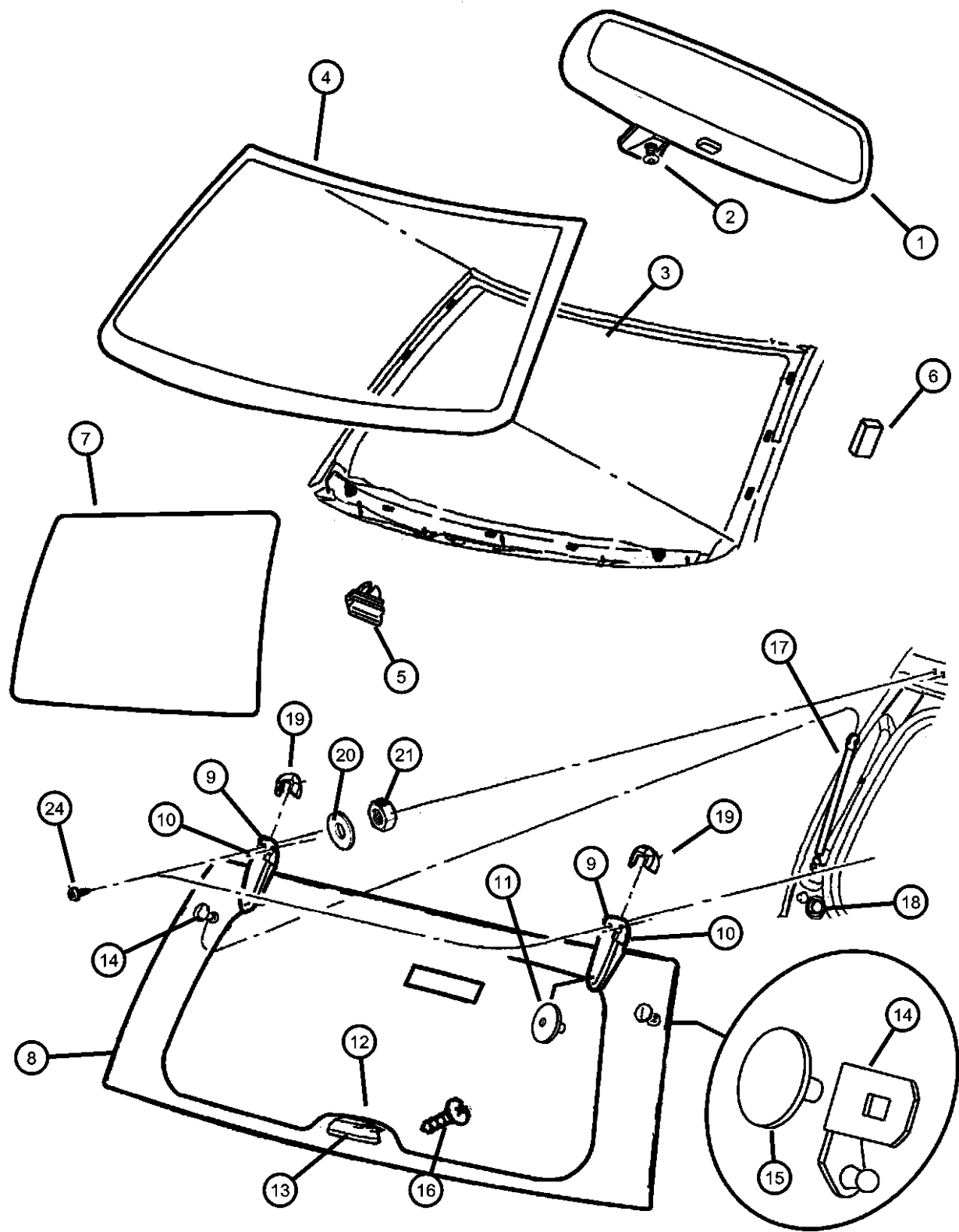
ENGINE
 ERH = ENGINE - 4.0L
 POWER TECH I-6
 EVA = ENGINE- 4.7L V8 MPI
 EXA = ENGINE - 3.1L 5 CYL
 TURBO DIESEL

TRANSMISSION
 DG4 = TRANSMISSION-MULTI-
 SPEED AUTO, 45RFE
 DGW = TRANSMISSION - 4-SPD.
 AUTOMATIC, 44RE
 DGK = TRANSMISSION - 4-SPD.
 AUTOMATIC, 42RE
 DGO = ALL AUTOMATIC
 TRANSMISSIONS

AR = use ase required - = Non illustrated part

2000 WJ

Glass, Windshield, Backlite, Quarter Window, Rear View Mirror
Figure SWJ-710



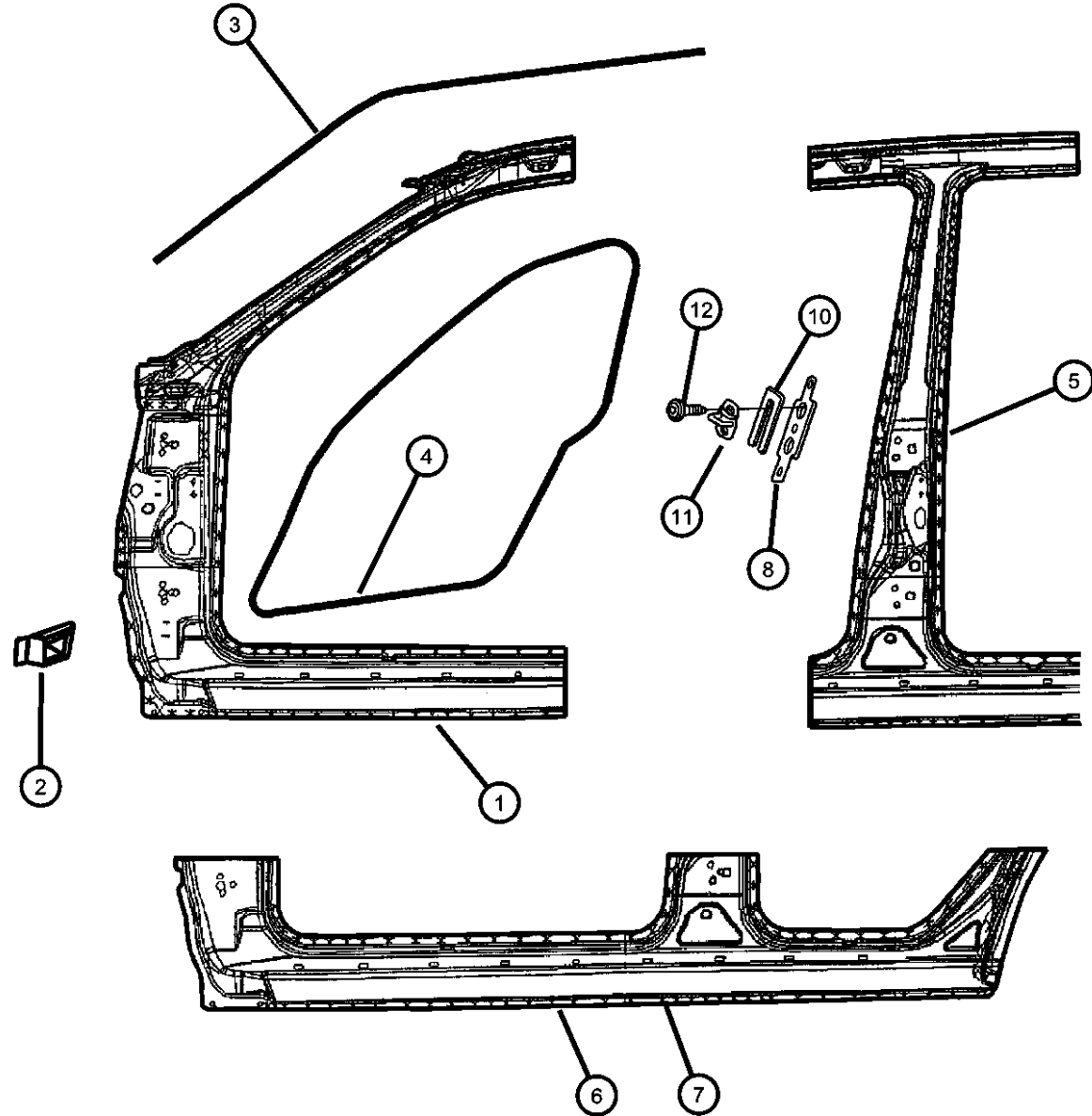
| ITEM | PART NUMBER | QTY | LINE | SERIES | BODY | ENGINE | TRANS | TRIM | DESCRIPTION |
|------|-------------|-----|------|--------|------|--------|-------|------|---|
| | 05019418AA | 1 | | | | | | | After 3-7-00, Right |
| | 05019419AA | 1 | | | | | | | After 3-7-00, Left |
| | 55136684AA | 1 | | | | | | | Up to 3-7-00, Right |
| | 55136685AA | 1 | | | | | | | Up to 3-7-00, Left |
| 10 | 55075164 | 4 | | | | | | | GASKET, Liftgate Hinge |
| 11 | 06502900 | 2 | | | | | | | SCREW, Special Head, M6x1x12.7, Hinge to Glass |
| 12 | 55136045 | 1 | | | | | | | GASKET, Liftgate Handle |
| 13 | 55136048 | 1 | | | | | | | HANDLE, Flipper Window |
| 14 | | | | | | | | | BALL STUD, Liftgate Glass |
| | 55136968AA | 1 | | | | | | | Right |
| | 55136969AA | 1 | | | | | | | Left |
| 15 | 06506200AA | 2 | | | | | | | FASTENER |
| 16 | 06035479 | 2 | | | | | | | SCREW AND WASHER |
| 17 | 55136965AA | 2 | | | | | | | GAS CYLINDER, Liftgate Glass |
| 18 | 55136845AA | 2 | | | | | | | BUMPER, Liftgate Glass |
| 19 | | | | | | | | | COVER, Hinge |
| | 04717486AB | 1 | | | | | | | Right |
| | 04717487AB | 1 | | | | | | | Left |
| 20 | 55295914 | 4 | | | | | | | GASKET, Ball Stud |
| 21 | 06504513 | 2 | | | | | | | NUT AND WASHER, Hex Nut-Coned Washer, M6 x 1.00 |
| -22 | 55136044 | 1 | | | | | | | STRIKER, Liftgate Glass |
| -23 | 55076299 | 2 | | | | | | | CAP, Lock Cylinder, Locks Prop Rod |
| 24 | 06504440 | 2 | | | | | | | SCREW |

GRAND CHEROKEE (WJ)

| | | | | |
|-------------|----------------------|------------------------|--|--|
| SERIES | LINE | BODY | ENGINE | TRANSMISSION |
| H = Laredo | T = JEEP - 2WD | 74 = 4 Door (105.9 WB) | ERH = ENGINE - 4.0L POWER TECH I-6 | DG4 = TRANSMISSION-MULTI-SPEED AUTO, 45RFE |
| P = Limited | J = JEEP - 4WD | | EVA = ENGINE- 4.7L V8 MPI | DGW = TRANSMISSION - 4-SPD. AUTOMATIC,44RE |
| | U = JEEP - 4WD (RHD) | | EXA = ENGINE - 3.1L 5 CYL TURBO DIESEL | DGK = TRANSMISSION - 4-SPD. AUTOMATIC,42RE |
| | | | | DGO = ALL AUTOMATIC TRANSMISSIONS |

AR = use ase required - = Non illustrated part

Panels, Body Side
Figure SWJ-810



| ITEM | PART NUMBER | QTY | LINE | SERIES | BODY | ENGINE | TRANS | TRIM | DESCRIPTION |
|------|-------------|-----|------|--------|------|--------|-------|------|---|
| 1 | 05013006AA | 1 | | | | | | | PANEL, Body Side Aperture Front Right |
| | 05013007AA | 1 | | | | | | | Left |
| 2 | 55136436AB | 1 | | | | | | | TAPPING PLATE, Door Hinge, Also serviced in Item #1 Right |
| | 55136437AB | 1 | | | | | | | Left |
| 3 | 55135869AB | 1 | | | | | | | SEAL, Body Side Upper, Right |
| | 55135872AB | 1 | | | | | | | Upper, Left |
| 4 | 55135918AC | 1 | | | | | | | SEAL, Front Door Right |
| | 55135919AC | 1 | | | | | | | Left |
| 5 | 05013008AA | 1 | | | | | | | PANEL, Body Side Aperture Center Right |
| | 05013009AA | 1 | | | | | | | Left |
| 6 | 05013062AA | 1 | | | | | | | SILL, Body Side, Complete Right |
| | 05013063AA | 1 | | | | | | | Left |
| 7 | 05017868AA | 1 | | | | | | | PANEL, Side Sill, Outer Only Right |
| | 05017869AA | 1 | | | | | | | Left |
| 8 | 55135503AB | 2 | | | | | | | TAPPING PLATE, Striker |
| -9 | 55363274AA | AR | | | | | | | LABEL, Mercury Warning |
| 10 | 04520289 | AR | | | | | | | SPACER, Door Latch Striker |
| 11 | 04780259 | 2 | | | | | | | STRIKER, Door |
| 12 | 06504573 | 4 | | | | | | | SCREW, Oval Head, SCREW |

GRAND CHEROKEE (WJ)

SERIES
H = Laredo
P = Limited

LINE
T = JEEP - 2WD
J = JEEP - 4WD
U = JEEP - 4WD (RHD)

BODY
74 = 4 Door (105.9 WB)

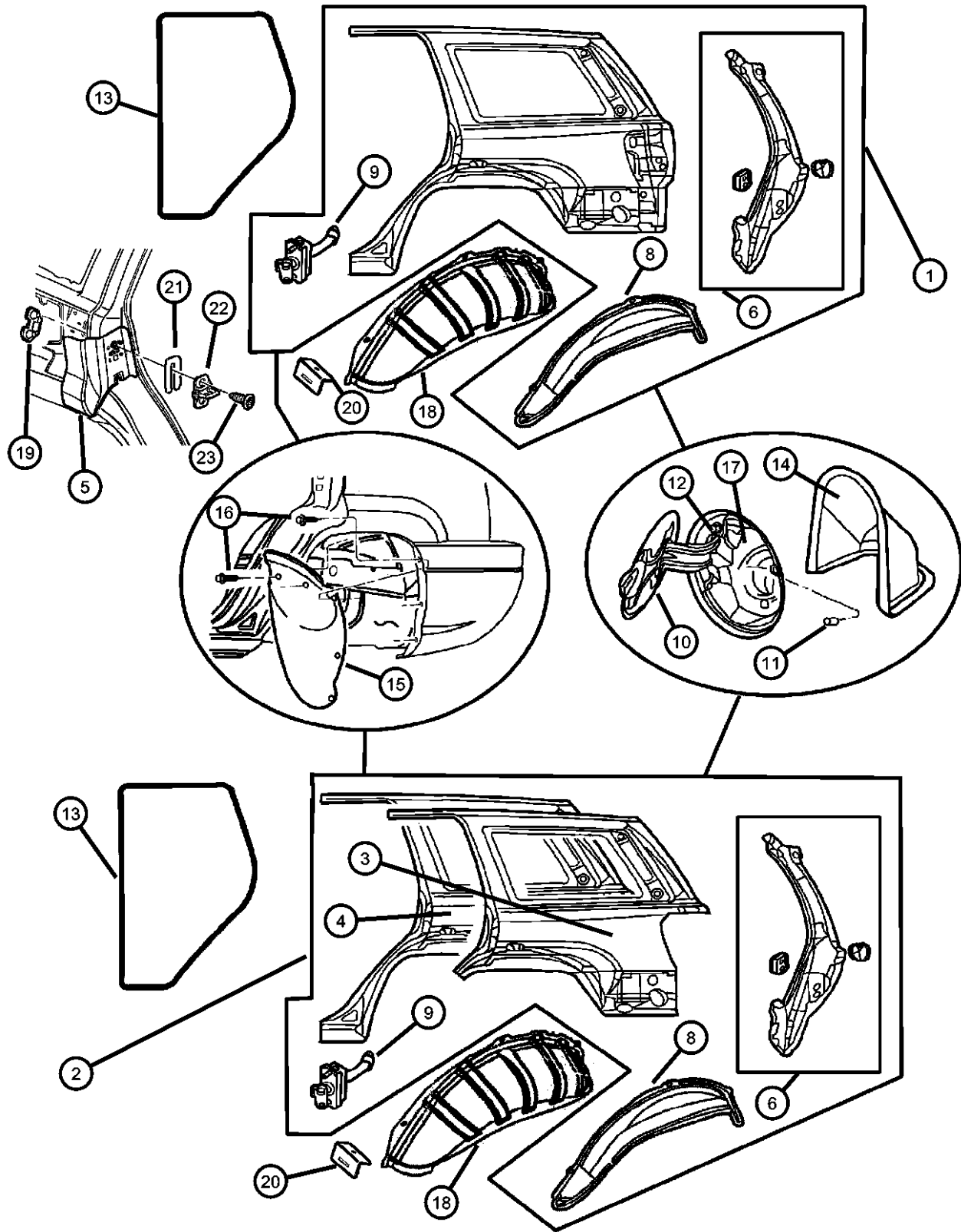
ENGINE
ERH = ENGINE - 4.0L
POWER TECH I-6
EVA = ENGINE- 4.7L V8 MPI
EXA = ENGINE - 3.1L 5 CYL
TURBO DIESEL

TRANSMISSION
DG4 = TRANSMISSION-MULTI-
SPEED AUTO, 45RFE
DGW = TRANSMISSION - 4-SPD.
AUTOMATIC,44RE
DGK = TRANSMISSION - 4-SPD.
AUTOMATIC,42RE
DGO = ALL AUTOMATIC
TRANSMISSIONS

AR = use ase required - = Non illustrated part

2000 WJ

Panels, Rear Quarter
Figure SWJ-910



| ITEM | PART NUMBER | QTY | LINE | SERIES | BODY | ENGINE | TRANS | TRIM | DESCRIPTION |
|---|-------------|-----|------|--------|------|--------|-------|------|--|
| The difference between item #1 and item #2 is the cut of the Quarter Panel. Item #1 contains part of the bottom sill. | | | | | | | | | |
| 1 | | | | | | | | | PANEL, Body Side Aperture Rear, Complete, Includes Tailamp Pocket |
| | 05013058AA | 1 | | | | | | | Right |
| | 05013059AA | 1 | | | | | | | Left |
| 2 | | | | | | | | | PANEL, Quarter Corner, Includes Tailamp Pocket |
| | 05013060AA | 1 | | | | | | | Right |
| | 05013061AA | 1 | | | | | | | Left |
| 3 | | | | | | | | | PANEL, Quarter, Outer Only, Without Dogleg, Without Tailamp Pocket |
| | 05017866AA | 1 | | | | | | | Right |
| | 05017867AA | 1 | | | | | | | Left |
| 4 | | | | | | | | | PANEL, Quarter, Outer Only, With Dogleg, Without Tailamp Pocket |
| | 05017866AB | 1 | | | | | | | Right |
| | 05017867AB | 1 | | | | | | | Left |
| 5 | | | | | | | | | REINFORCEMENT, Door Striker |
| | 55135508AC | 1 | | | | | | | Right |
| | 55135509AC | 1 | | | | | | | Left |
| 6 | | | | | | | | | TROUGH, Liftgate Opening |
| | 55135428AC | 1 | | | | | | | Right |
| | 55135429AC | 1 | | | | | | | Left |
| -7 | 06503526 | 4 | | | | | | | SCREW, Truss Head, M6x1x15, Stabilizer to Drain Trough Mounting |
| 8 | | | | | | | | | PANEL, Rear Wheelhouse |
| | 55136546AB | 1 | | | | | | | Right |
| | 55136547AB | 1 | | | | | | | Left |
| 9 | | | | | | | | | CHECK, Rear Door |
| | 55135658AB | 1 | | | | | | | Right |
| | 55135659AB | 1 | | | | | | | Left |
| 10 | 55135514AB | 1 | | | | | | | DOOR, Fuel Fill |
| 11 | 55135519AB | 2 | | | | | | | BUMPER, Fuel Door |
| 12 | 06504946AA | 2 | | | | | | | SCREW, Hex Flange Head, M6x1.0x16.0 |

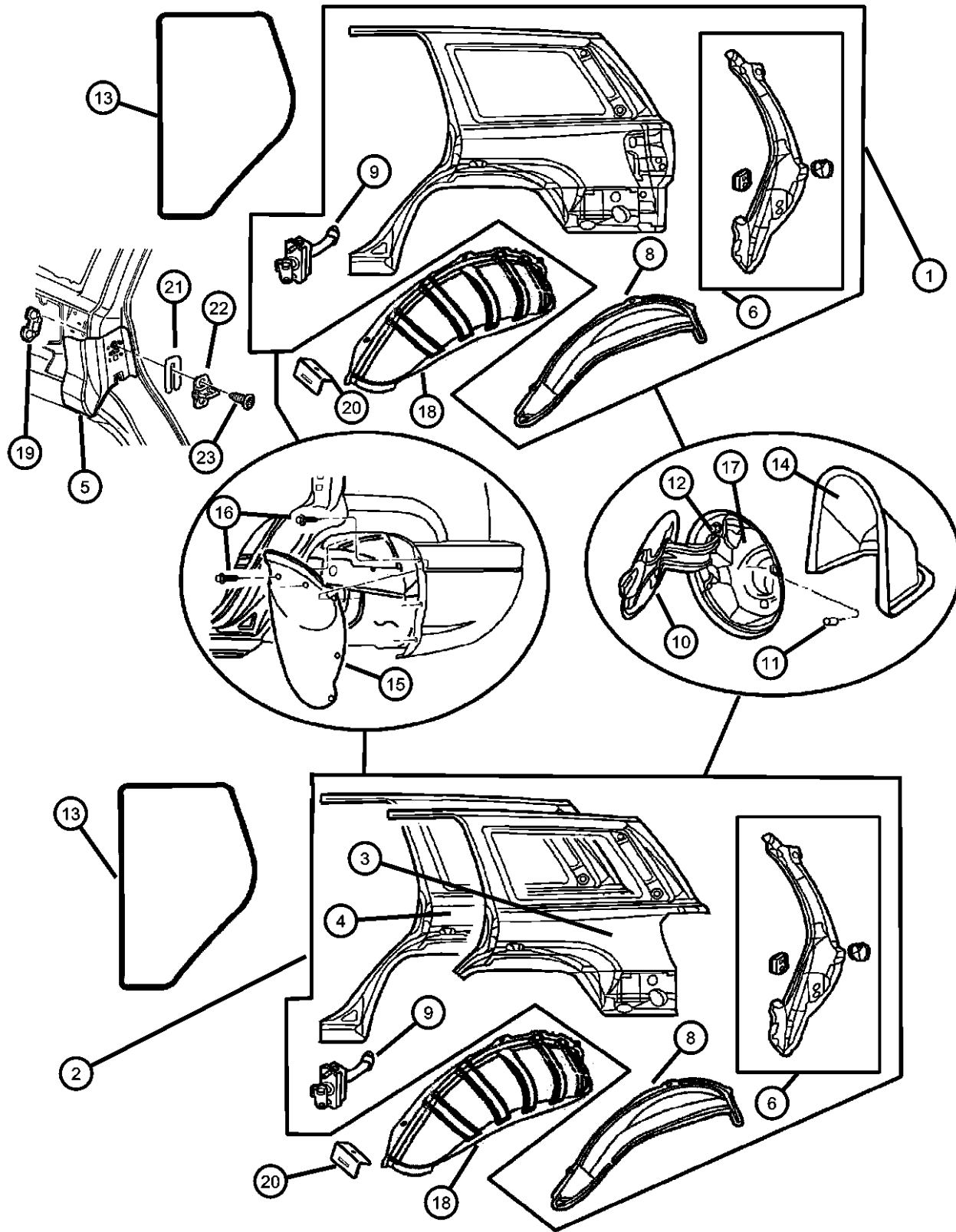
GRAND CHEROKEE (WJ)

| | | | | |
|-------------|----------------------|------------------------|--|--|
| SERIES | LINE | BODY | ENGINE | TRANSMISSION |
| H = Laredo | T = JEEP - 2WD | 74 = 4 Door (105.9 WB) | ERH = ENGINE - 4.0L POWER TECH I-6 | DG4 = TRANSMISSION-MULTI-SPEED AUTO, 45RFE |
| P = Limited | J = JEEP - 4WD | | EVA = ENGINE- 4.7L V8 MPI | DGW = TRANSMISSION - 4-SPD. AUTOMATIC,44RE |
| | U = JEEP - 4WD (RHD) | | EXA = ENGINE - 3.1L 5 CYL TURBO DIESEL | DGK = TRANSMISSION - 4-SPD. AUTOMATIC,42RE |
| | | | | DGO = ALL AUTOMATIC TRANSMISSIONS |

AR = use ase required - = Non illustrated part

2000 WJ

Panels, Rear Quarter
Figure SWJ-910



| ITEM | PART NUMBER | QTY | LINE | SERIES | BODY | ENGINE | TRANS | TRIM | DESCRIPTION |
|------|-------------|-----|------|--------|------|--------|-------|------|---|
| 13 | | | | | | | | | SEAL, Rear Door |
| | 55135958AC | 1 | | | | | | | Right |
| | 55135959AC | 1 | | | | | | | Left |
| 14 | 55136178AB | 1 | | | | | | | REINFORCEMENT, Fuel Filler Door |
| 15 | | | | | | | | | SHIELD, Splash |
| | 55136500AD | 1 | | | | | | | Rear, Right |
| | 55136501AD | 1 | | | | | | | Rear, Left |
| | 55136636AC | 1 | | | | | | | Rear, Right, Export |
| | 55136637AC | 1 | | | | | | | Rear, Left, Export |
| 16 | 34201631 | 4 | | | | | | | RIVET, M6.25x28 Black |
| 17 | 55135511AB | 1 | | | | | | | HOUSING, Fuel Filler |
| 18 | | | | | | | | | WHEELHOUSE, Rear Inner |
| | 55136996AA | 1 | | | | | | | Right |
| | 55136997AA | 1 | | | | | | | Left |
| 19 | 04674669 | 2 | | | | | | | PLATE, Liftgate Striker |
| 20 | 55136998AA | 2 | | | | | | | BRACKET, Wheel House, Trim Panel Attach |
| 21 | | | | | | | | | SPACER, Door Latch Striker |
| | 04520289 | AR | | | | | | | 3.5 Thick |
| | 55075483 | AR | | | | | | | 2.0 to 2.5 Thick |
| 22 | 04780259 | 2 | | | | | | | STRIKER, Door |
| 23 | 06504573 | 4 | | | | | | | SCREW, Oval Head, SCREW |

GRAND CHEROKEE (WJ)

SERIES
H = Laredo
P = Limited

LINE
T = JEEP - 2WD
J = JEEP - 4WD
U = JEEP - 4WD (RHD)

BODY
74 = 4 Door (105.9 WB)

ENGINE
ERH = ENGINE - 4.0L
POWER TECH I-6
EVA = ENGINE- 4.7L V8 MPI
EXA = ENGINE - 3.1L 5 CYL
TURBO DIESEL

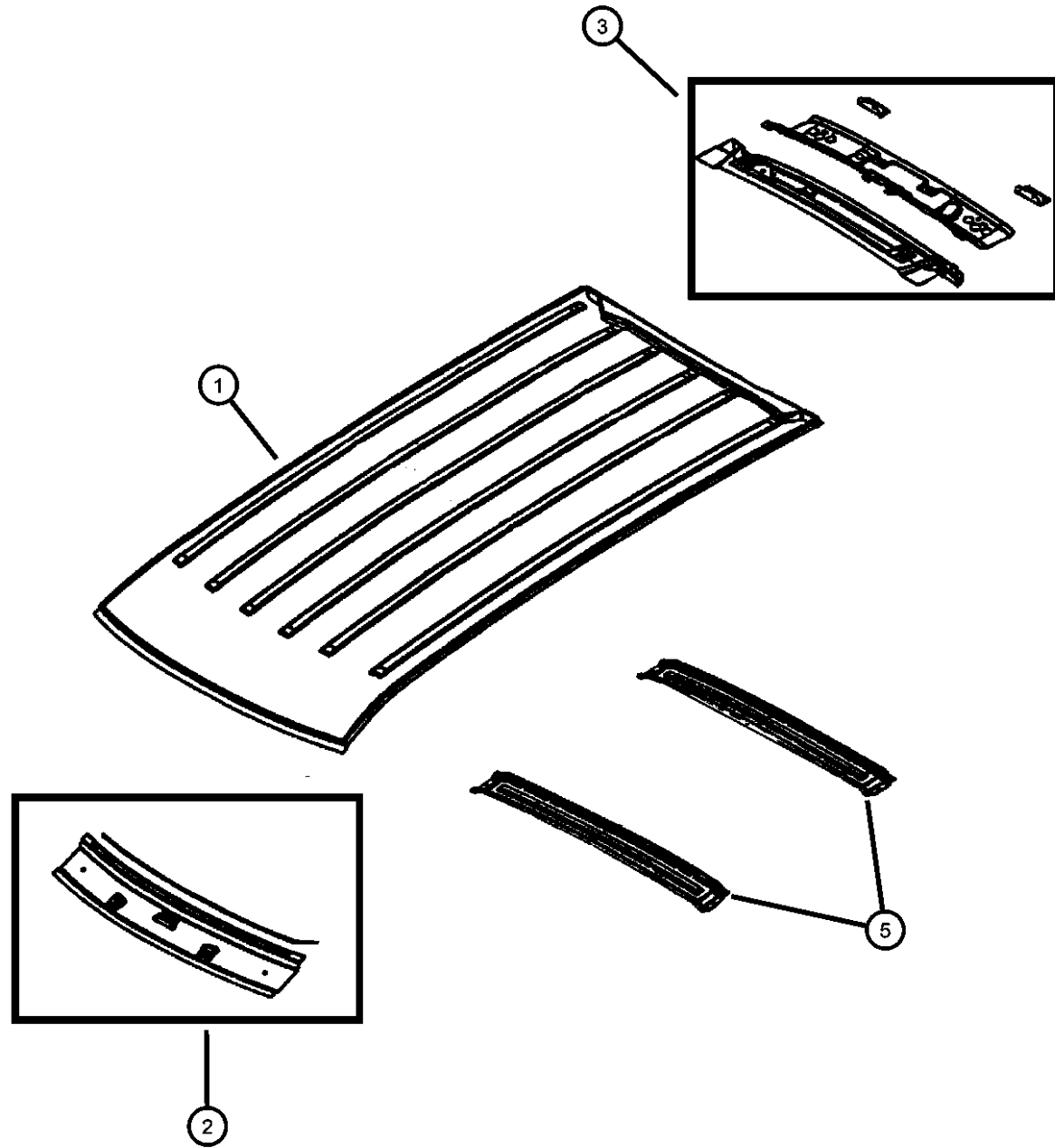
TRANSMISSION
DG4 = TRANSMISSION-MULTI-
SPEED AUTO, 45RFE
DGW = TRANSMISSION - 4-SPD.
AUTOMATIC, 44RE
DGK = TRANSMISSION - 4-SPD.
AUTOMATIC, 42RE
DGO = ALL AUTOMATIC
TRANSMISSIONS

AR = use ase required - = Non illustrated part

2000 WJ

Panels, Roof
Figure SWJ-1110

| ITEM | PART NUMBER | QTY | LINE | SERIES | BODY | ENGINE | TRANS | TRIM | DESCRIPTION |
|------|-------------|-----|------|--------|------|--------|-------|------|--|
| 1 | 55135404AC | 1 | J, T | | | | | | PANEL, Roof Without Sunroof |
| | 55135461AC | 1 | | | | | | | With Sunroof |
| | 55136918AA | 1 | | | | | | | Export |
| 2 | 55135545AB | 1 | | | | | | | HEADER, Roof Front |
| 3 | 55135523AC | 1 | | | | | | | HEADER, PanelRear |
| -4 | 06503938 | 2 | | | | | | | RIVET, Blind, .25xM4/M7 Front Header Attach |
| | | 4 | | | | | | | Roof Bow Attach |
| | | 2 | | | | | | | Rear Header Attach |
| 5 | 55135424AD | 2 | | | | | | | BOW, Roof |



GRAND CHEROKEE (WJ)

SERIES
H = Laredo
P = Limited

LINE
T = JEEP - 2WD
J = JEEP - 4WD
U = JEEP - 4WD (RHD)

BODY
74 = 4 Door (105.9 WB)

ENGINE
ERH = ENGINE - 4.0L
POWER TECH I-6
EVA = ENGINE- 4.7L V8 MPI
EXA = ENGINE - 3.1L 5 CYL
TURBO DIESEL

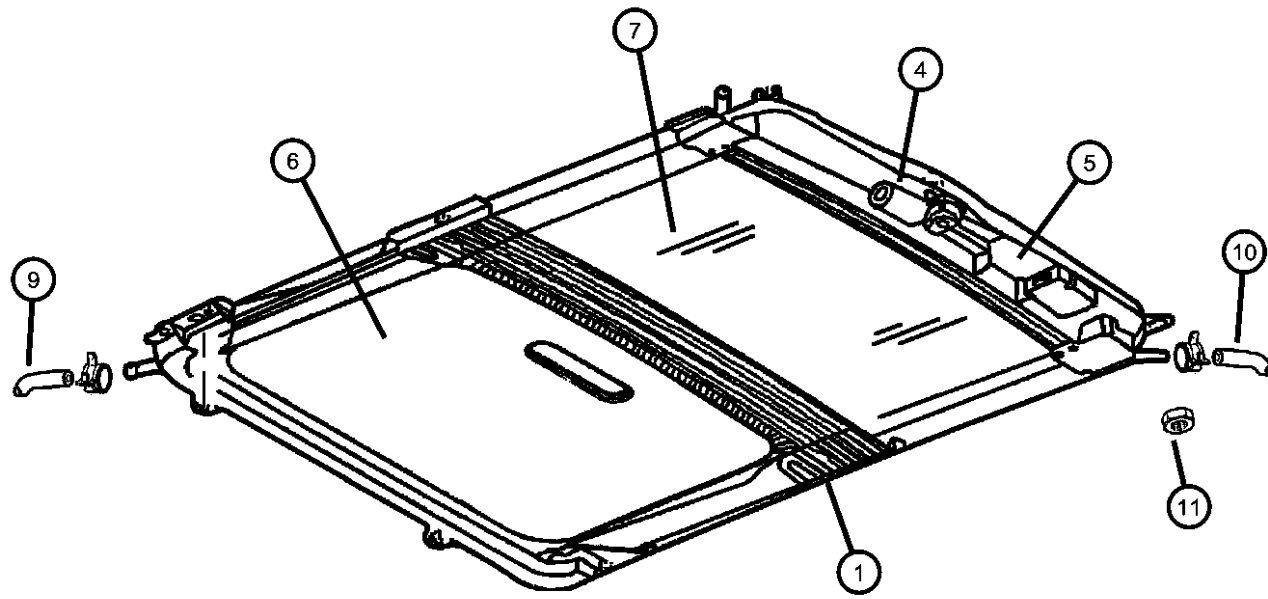
TRANSMISSION
DG4 = TRANSMISSION-MULTI-
SPEED AUTO, 45RFE
DGW = TRANSMISSION - 4-SPD.
AUTOMATIC,44RE
DGK = TRANSMISSION - 4-SPD.
AUTOMATIC,42RE
DGO = ALL AUTOMATIC
TRANSMISSIONS

AR = use ase required - = Non illustrated part

2000 WJ

**Sunroof
Figure SWJ-1210**

| ITEM | PART NUMBER | QTY | LINE | SERIES | BODY | ENGINE | TRANS | TRIM | DESCRIPTION |
|------|-------------|-----|------|--------|------|--------|-------|------|--|
| 1 | 05012772AA | 1 | | | | | | | MODULE, Sunroof |
| -2 | 05012765AA | 1 | | | | | | | DEFLECTOR, Sunroof Wind |
| -3 | 05012769AA | 1 | | | | | | | CHANNEL, Sunroof Drain |
| 4 | 05012768AA | 1 | | | | | | | MOTOR, Sunroof |
| 5 | 05012771AB | 1 | | | | | | | CONTROL UNIT, Sunroof |
| 6 | | | | | | | | | SUNSHADE, Sunroof |
| | 5EZ11RK5AB | 1 | | | | | | | [K5] |
| | 5EZ11TL2AB | 1 | | | | | | | [AZ] |
| 7 | 55135858AB | 1 | | | | | | | GLASS, Sunroof |
| -8 | 05012773AA | 4 | | | | | | | GUIDE, Sunroof Lid |
| 9 | | | | | | | | | HOSE, Sunroof Drain |
| | 55136966AC | 1 | | | | | | | Front, Right |
| | 55136967AD | 1 | | | | | | | Front, Left |
| 10 | 55135851AE | 2 | | | | | | | HOSE, Sunroof DrainRear |
| 11 | 06503504 | 2 | | | | | | | NUT AND WASHER, Hex, M6x1 |
| -12 | 04814215 | 1 | | | | | | | GROMMET, Tube, Sunroof Drain |
| -13 | 06502843 | 9 | | | | | | | NUT AND WASHER, Hex Nut-Coned Washer, M6 x 1.00, Sunroof to Roof Reinforcement Attach |
| -14 | 04805378AB | 6 | | | | | | | CLIP, Tube, Sunroof Drain Hose Attach |



GRAND CHEROKEE (WJ)

SERIES
H = Laredo
P = Limited

LINE
T = JEEP - 2WD
J = JEEP - 4WD
U = JEEP - 4WD (RHD)

BODY
74 = 4 Door (105.9 WB)

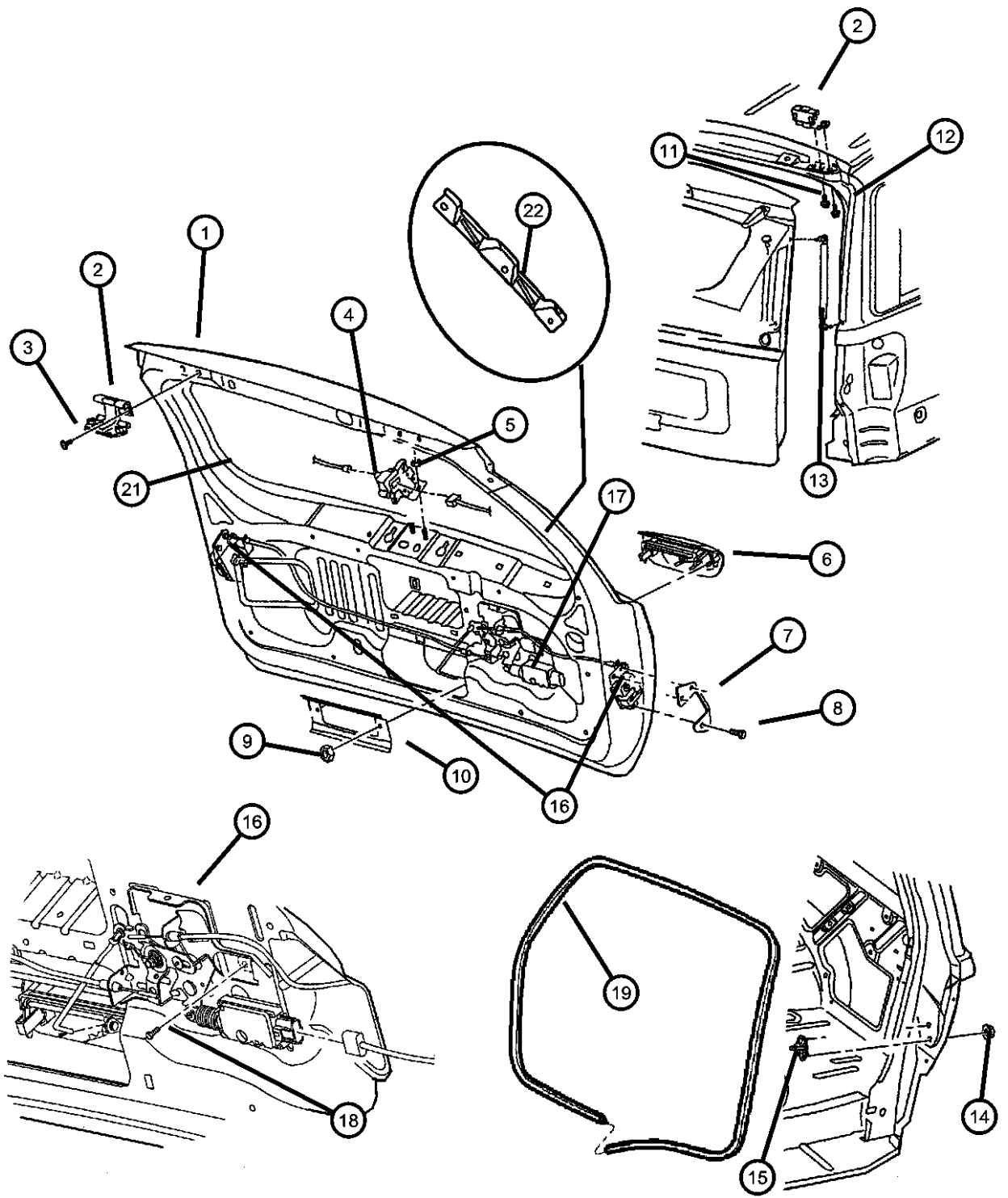
ENGINE
ERH = ENGINE - 4.0L
POWER TECH I-6
EVA = ENGINE- 4.7L V8 MPI
EXA = ENGINE - 3.1L 5 CYL
TURBO DIESEL

TRANSMISSION
DG4 = TRANSMISSION-MULTI-
SPEED AUTO, 45RFE
DGW = TRANSMISSION - 4-SPD.
AUTOMATIC,44RE
DGK = TRANSMISSION - 4-SPD.
AUTOMATIC,42RE
DGO = ALL AUTOMATIC
TRANSMISSIONS

AR = use ase required - = Non illustrated part

2000 WJ

Liftgate, Latch and Hinges
Figure SWJ-1310

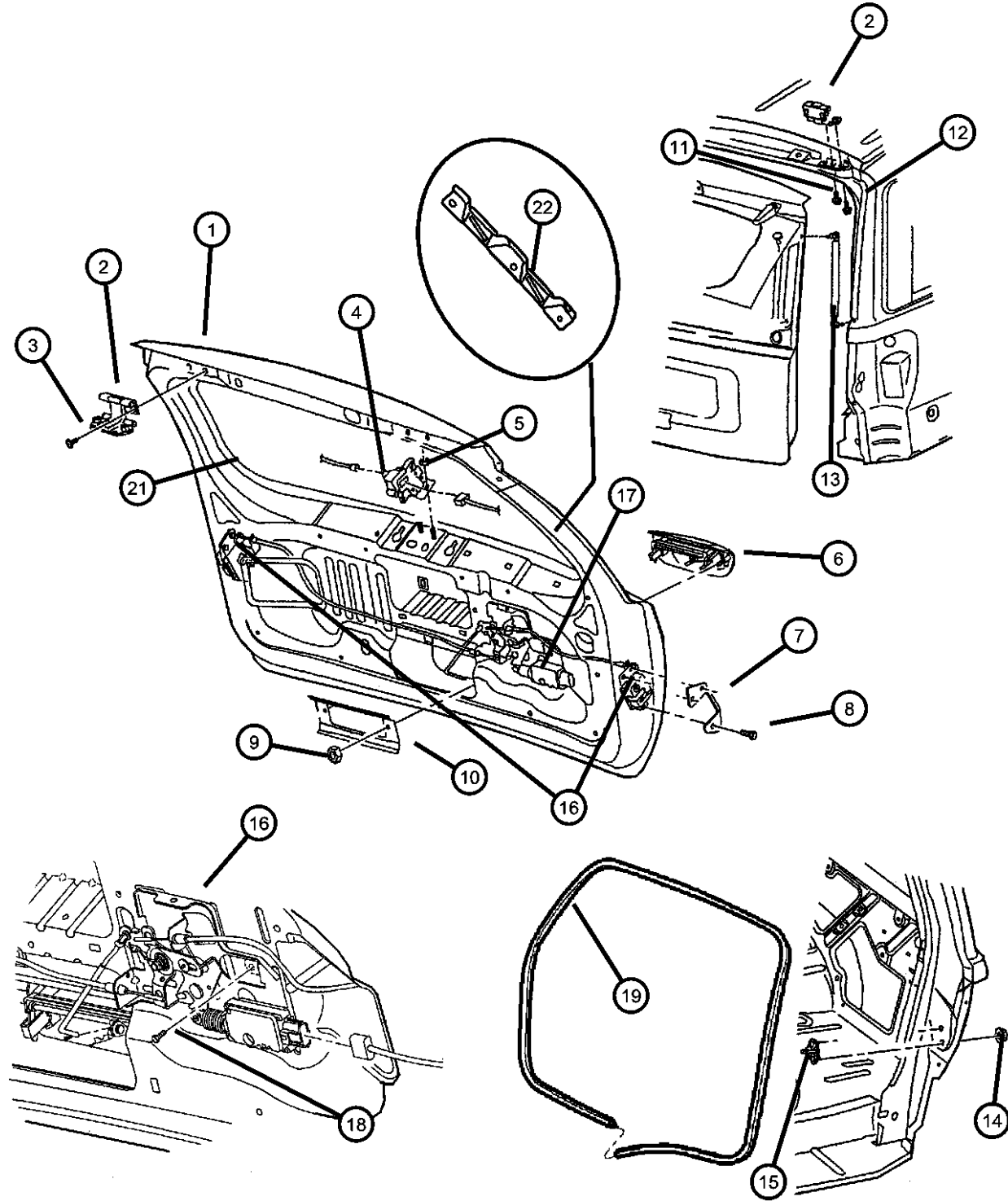


| ITEM | PART NUMBER | QTY | LINE | SERIES | BODY | ENGINE | TRANS | TRIM | DESCRIPTION |
|---------------------------------|-------------|-----|------|--------|------|--------|-------|------|--|
| [ARN]= Laredo [ARP]= Limited | | | | | | | | | |
| 1 | 55256177AC | 1 | | | | | | | PANEL, Liftgate |
| 2 | 55257015AB | 2 | | | | | | | HINGE, Liftgate |
| 3 | 55257015AB | 2 | | | | | | | SCREW AND WASHER, Hex Head, M8-1.25x30, (NOT SERVICED) |
| 4 | 55136740AA | 1 | | | | | | | LATCH, Liftgate Glass |
| 5 | 06503102 | 2 | | | | | | | NUT AND WASHER, Hex Nut-Coned Washer, M6 x 1.00 |
| 6 | | | | | | | | | HANDLE, Liftgate |
| | 55136699AB | 1 | | | | | | | Black, [X8] |
| | 5GD47DX8AB | 1 | | | | | | | Bright White, [W7] |
| | 5GD47GW7AB | 1 | | | | | | | Flame Red, [R4] |
| | 5GD47PR4AB | 1 | | | | | | | Stone White, [W1] |
| | 5GD47SW1AB | 1 | | | | | | | Taupe Frost, [TK] |
| | 5GD47TTKAB | 1 | | | | | | | Deep Slate, AW] |
| | 5GD47VAWAB | 1 | | | | | | | Champagne Pearl Metallic, [TE] |
| | 5GD47VTEAB | 1 | | | | | | | Patroit Blue, Steyr Built, [B7] |
| | 5GD47WB7AB | 1 | | | | | | | Patroit Blue, Jefferson Built, [BT] |
| | 5GD47WBTAB | 1 | | | | | | | Everglade, [PT] |
| | 5GD47WPTAB | 1 | | | | | | | Champagne Pearl, [TH] |
| | 5GD47WTHAB | 1 | | | | | | | Sienna Tinted Pearl Coat, [UL] |
| | 5GD47WU-LAB | 1 | | | | | | | Sienna Pearl Coat, [UR] |
| | 5GD47WURAB | 1 | | | | | | | Shalle Green Metallic, [GR] |
| | 5GD47XGRAB | 1 | | | | | | | Silvertone Metallic, [S5] |
| | 5GD47XS5AB | 1 | | | | | | | Silvertone Pearl Coat, [SH] |
| | 5GD47XSHAB | 1 | | | | | | | LATCH, Liftgate |
| 7 | | | | | | | | | Right |
| | 55136910AA | 1 | | | | | | | Left |
| | 55136911AA | 1 | | | | | | | SCREW, Tapping, M6x1x20 |
| 8 | 06503259 | 6 | | | | | | | NUT |
| 9 | 06505316AA | 1 | | | | | | | BRACKET, Outside Door Handle |
| 10 | 55136696AB | 1 | | | | | | | |

| | | | |
|----------------------------|----------------------|------------------------|---|
| GRAND CHEROKEE (WJ) | | | |
| SERIES | LINE | BODY | ENGINE |
| H = Laredo | T = JEEP - 2WD | 74 = 4 Door (105.9 WB) | ERH = ENGINE - 4.0L POWER TECH I-6 |
| P = Limited | J = JEEP - 4WD | | EVA = ENGINE - 4.7L V8 MPI |
| | U = JEEP - 4WD (RHD) | | EXA = ENGINE - 3.1L 5 CYL TURBO DIESEL |
| | | | TRANSMISSION |
| | | | DG4 = TRANSMISSION-MULTI-SPEED AUTO, 45RFE |
| | | | DGW = TRANSMISSION - 4-SPD. AUTOMATIC, 44RE |
| | | | DGK = TRANSMISSION - 4-SPD. AUTOMATIC, 42RE |
| | | | DGO = ALL AUTOMATIC TRANSMISSIONS |

AR = use ase required - = Non illustrated part

Liftgate, Latch and Hinges
Figure SWJ-1310



| ITEM | PART NUMBER | QTY | LINE | SERIES | BODY | ENGINE | TRANS | TRIM | DESCRIPTION |
|------|-------------|-----|------|--------|------|--------|-------|------|--|
| 11 | 06505337AA | 2 | | | | | | | SCREW AND WASHER, Hex Head |
| 12 | 06506458AA | 4 | | | | | | | SCREW AND WASHER, Hex Head, M8x1.25x25 |
| 13 | | | | | | | | | SUPPORT, Liftgate Strut |
| | 55137022AA | 1 | | | | | | | Right |
| | 55137023AA | 1 | | | | | | | Left |
| 14 | 06503533 | 4 | | | | | | | SCREW, Flange Head, M8x1.25x26 |
| 15 | | | | | | | | | STRIKER, Liftgate |
| | 55136912AB | 1 | | | | | | | Right |
| | 55136913AB | 1 | | | | | | | Left |
| 16 | 55136742AC | 1 | | | | | | | LATCH, Liftgate, Includes Center, Left & Right |
| 17 | 05018479AA | 1 | | | | | | | ACTUATOR, Decklid Lock |
| 18 | 06501979 | 1 | | | | | | | SCREW AND WASHER, Hex Head, M6x1x17 |
| 19 | 55135388AB | 1 | | | | | | | SEAL, Liftgate |
| -20 | 06505435AA | 4 | | | | | | | NUT, Plastic, License Plate Ataching |
| 21 | 55136053AC | 1 | | | | | | | WEATHERSTRIP, Liftgate Glass |
| 22 | | | | | | | | | BRACKET, Liftgate |
| | 55136654AA | 1 | | | | | | | Right |
| | 55136655AB | 1 | | | | | | | Left |

GRAND CHEROKEE (WJ)

SERIES LINE
H = Laredo T = JEEP - 2WD
P = Limited J = JEEP - 4WD
U = JEEP - 4WD (RHD)

BODY
74 = 4 Door (105.9 WB)

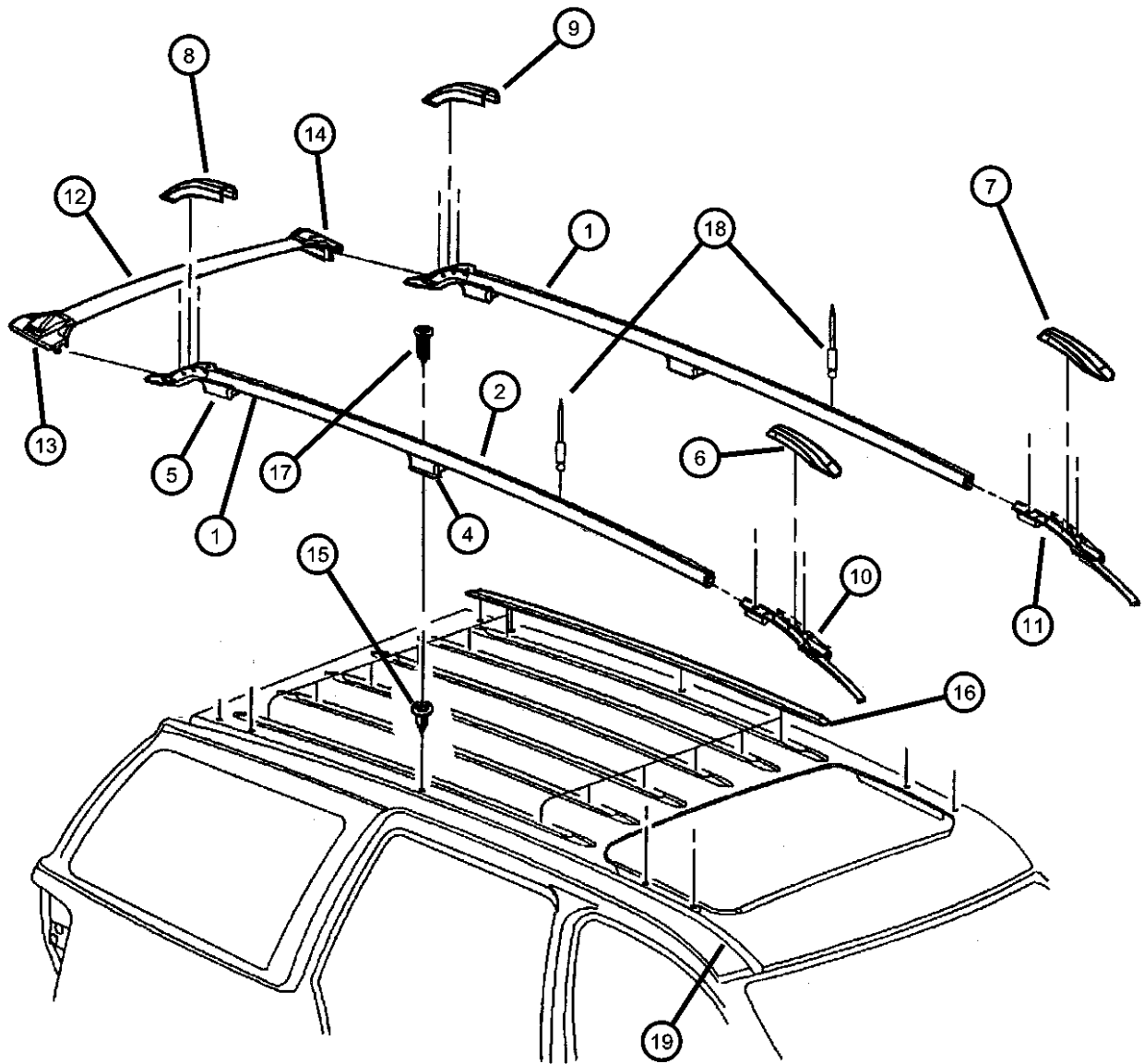
ENGINE
ERH = ENGINE - 4.0L POWER TECH I-6
EVA = ENGINE - 4.7L V8 MPI
EXA = ENGINE - 3.1L 5 CYL TURBO DIESEL

TRANSMISSION
DG4 = TRANSMISSION-MULTI-SPEED AUTO, 45RFE
DGW = TRANSMISSION - 4-SPD. AUTOMATIC, 44RE
DGK = TRANSMISSION - 4-SPD. AUTOMATIC, 42RE
DGO = ALL AUTOMATIC TRANSMISSIONS

AR = use ase required - = Non illustrated part

2000 WJ

**Roof Rack
Figure SWJ-1610**



| ITEM | PART NUMBER | QTY | LINE | SERIES | BODY | ENGINE | TRANS | TRIM | DESCRIPTION |
|------|-------------|-----|------|--------|------|--------|-------|------|---|
| 1 | | | | | | | | | RAIL, Luggage Rack Side |
| | 55136848AB | 1 | | | | | | | Right |
| | 55136849AB | 1 | | | | | | | Left |
| 2 | | | | | | | | | SPACER |
| | 55136838AA | 1 | | | | | | | Right |
| | 55136839AA | 1 | | | | | | | Left |
| -3 | 55136842AA | 2 | | | | | | | GASKET |
| 4 | | | | | | | | | SUPPORT, Luggage Rack |
| | 55136854AA | 1 | | | | | | | Right, Center |
| | 55136855AA | 1 | | | | | | | Left, Center |
| 5 | | | | | | | | | SUPPORT, Roof Rack |
| | 55136836AA | 1 | | | | | | | Right, Rear |
| | 55136837AA | 1 | | | | | | | Left, Rear |
| 6 | 55135970AB | 1 | | | | | | | CAP, Side RailFront, Right |
| 7 | 55135971AB | 1 | | | | | | | CAP, Side RailFront, Left |
| 8 | 55136576AA | 1 | | | | | | | CAP, Side RailRear, Right |
| 9 | 55136577AA | 1 | | | | | | | CAP, Side RailRear, Left |
| 10 | 55136952AB | 1 | | | | | | | SUPPORT, Roof RackFront, Right |
| 11 | 55136953AB | 1 | | | | | | | SUPPORT, Roof RackFront, Left |
| 12 | 05017213AA | 2 | | | | | | | CROSS RAIL, Roof Rack |
| 13 | 55136850AA | 2 | | | | | | | STANCHION, LUGG RACK CROSS RAILRight |
| 14 | 55136851AA | 2 | | | | | | | STANCHION, LUGG RACK CROSS RAILLeft |
| 15 | 06506104AA | 10 | | | | | | | NUT |
| 16 | | | | | | | | | SKID STRIP, Roof Rack |
| | 55135987AB | 6 | | | | | | | Export |
| | 55136961AA | 6 | | | | | | | Export |
| 17 | 06506455AA | 8 | | | | | | | SCREW, Pan Head |
| 18 | 06506455AA | 8 | | | | | | | RIVET, [.125x.283], (NOT SERVICED) |
| 19 | 55136526AB | 2 | | | | | | | MOLDING, Roof Joint |

GRAND CHEROKEE (WJ)

SERIES LINE
H = Laredo T = JEEP - 2WD
P = Limited J = JEEP - 4WD
 U = JEEP - 4WD (RHD)

BODY
74 = 4 Door (105.9 WB)

ENGINE
ERH = ENGINE - 4.0L
POWER TECH I-6
EVA = ENGINE- 4.7L V8 MPI
EXA = ENGINE - 3.1L 5 CYL
TURBO DIESEL

TRANSMISSION
DG4 = TRANSMISSION-MULTI-
SPEED AUTO, 45RFE
DGW = TRANSMISSION - 4-SPD.
AUTOMATIC, 44RE
DGK = TRANSMISSION - 4-SPD.
AUTOMATIC, 42RE
DGO = ALL AUTOMATIC
TRANSMISSIONS

AR = use ase required - = Non illustrated part