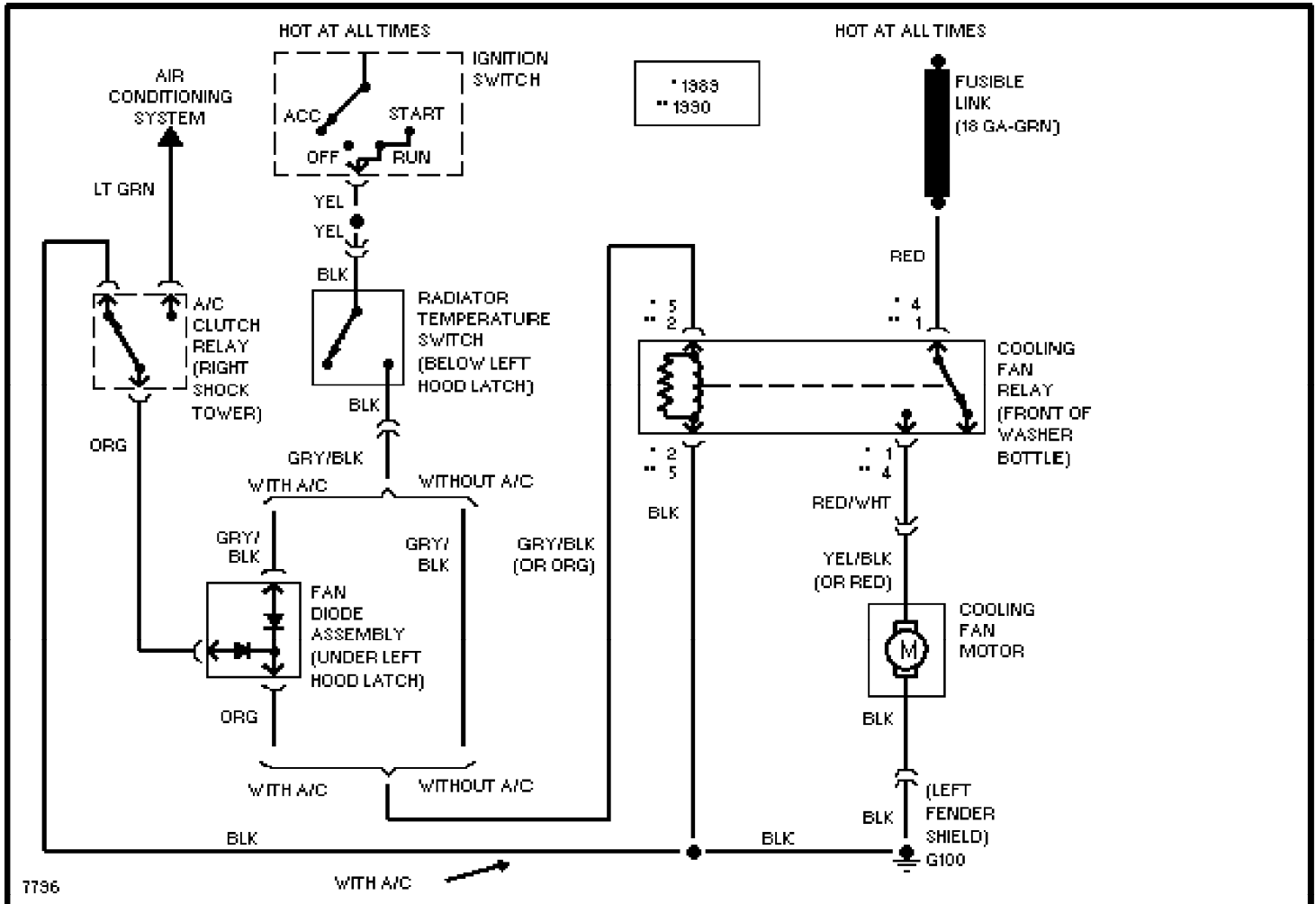


SYSTEM WIRING DIAGRAMS

Cooling Fan Circuit

1989 Jeep Cherokee

CDR@WP.PL

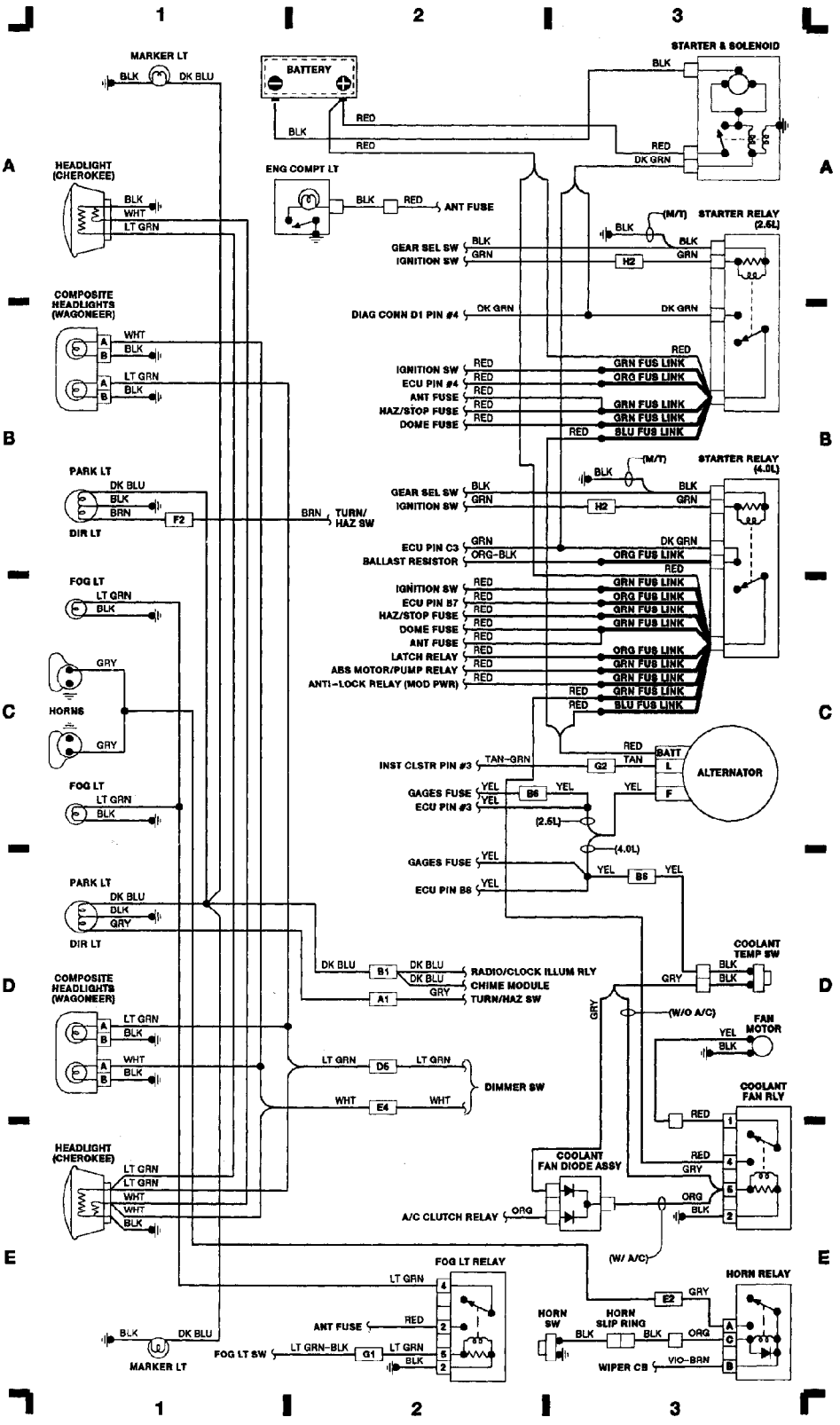


WIRING DIAGRAMS

Fig. 1: Engine Compartment & Headlights
1989 Jeep Cherokee

COMPONENT LOCATOR:

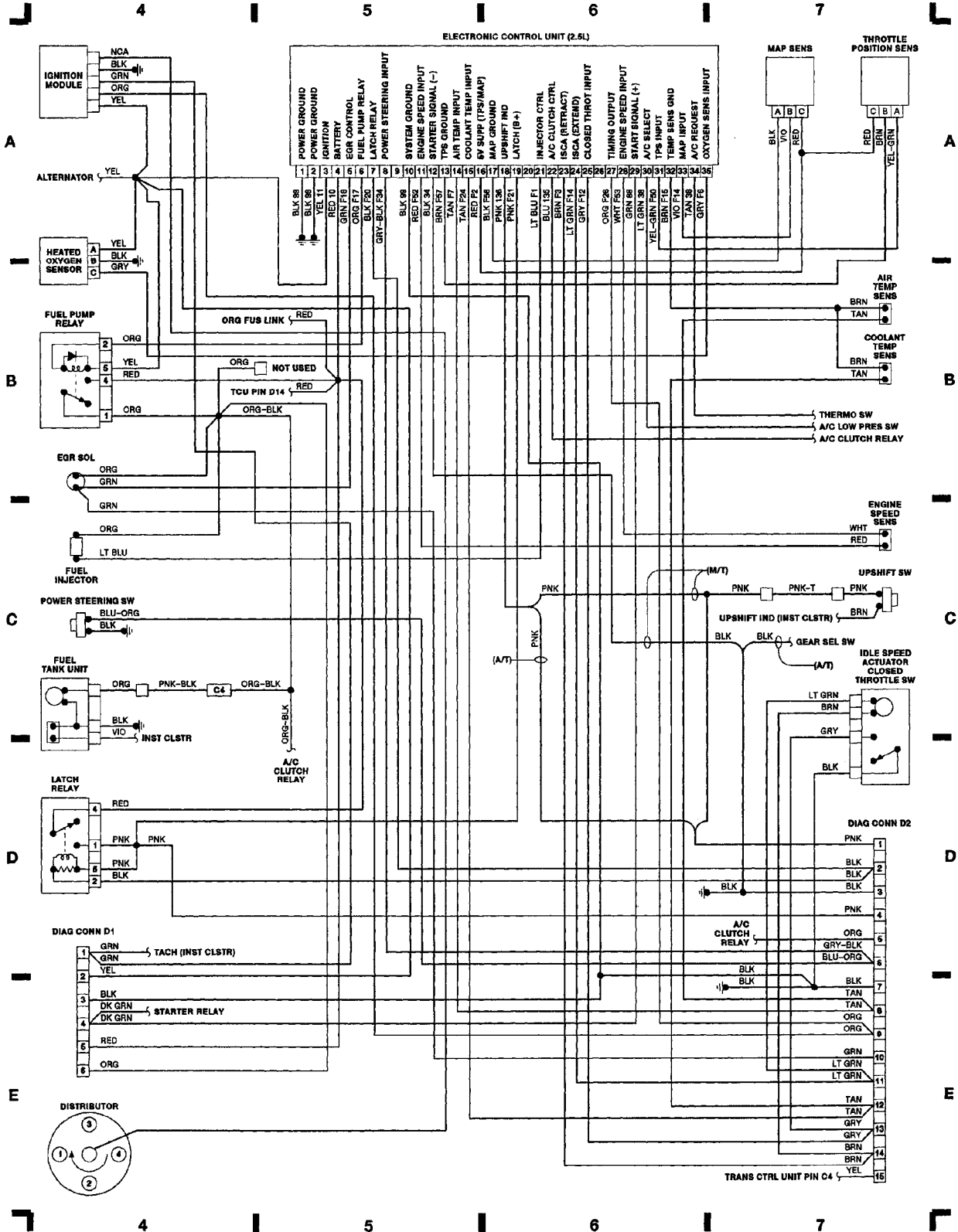
A/C/HEATER SYSTEM	A-B 20-23
ALTERNATOR	C 3
ANTI-LOCK BRAKE SYS (ABS)	A-E 16-19
BACK-UP LT SW (M/T)	D 12
BALLAST RESISTOR (4.0L)	B 11
BATTERY	A 1-2
BRAKE LT SW	B 25-26
BRAKE WARN SW	D 31
OHME MODULE	B 12
CIG LTR	C 15
CLOCKS	A-B 27
COOLANT FAN SYSTEM	D-E 3
COOLANT TEMP SENS/SW	C 31
COURTESY LTS	A 36-39
CRUISE CTRL SYSTEM	A-B 24-25
DEFOG SYSTEM	E 38-39
DIAG CONN D1 (2.5L)	D-E 4
DIAG CONN D1 (4.0L)	E 9
DIAG CONN D2 (2.5L)	D-E 7
DIAG CONN D2 (4.0L)	E 10
DOOR SWS	A 39
ELEC CTRL UNIT (ECU) (2.5L)	A 5-6
ELEC CTRL UNIT (ECU) (4.0L)	A-D 9
EGR SOL (4.0L)	A-B 11
ENG COMPT LT	A 1-2
EMISSION MAINTENANCE TIMER	D 31
FAN DIODE ASSY	E 2
FOG LT RLY	E 2
FOG LT SW	A 31
FUEL PUMP RLY (2.5L)	B 4
FUEL PUMP RLY (4.0L)	A 9
FUEL TANK UNIT (2.5L)	C 4
FUEL TANK UNIT (4.0L)	B 11
FUS LINKS	B-C 3
FUSE BLOCK	C-E 13-14
GEAR SEL SW	C 20
HEADLIGHT DELAY MODULE	E 27
HEADLIGHT DIMMER SW	D-E 27
HEADLIGHT SW	C 27
HORN SYSTEM	E 3
IGN KEY WARN SW	B 13
IGN MOD (2.5L)	A 4
IGN MOD (4.0L)	A 10-11
IGNITION SW	A 12-15
ILLUM LTS	A-B 15
INSTRUMENT CLUSTERS	A-E 28-29
KEYLESS ENTRY MODULE	A 35
LATCH RELAY (4.0L)	C 11
LOW WASHER FLUID SW	E 30
OIL PRES SENS/SW	B 31
POWER ANTENNA SYSTEM	C-D 38-39
POWER/COMFORT SW	E 23
POWER DOOR LOCK SYSTEM	A-B 32-34
POWER MIRROR SYSTEM	D-E 36
POWER SEAT SYSTEM	B-C 36
POWER WINDOW SYSTEM	C-E 32-35
RADIO/CLOCK ILLUM RELAY	B 27
SEAT BELT SW	B 12
STARTER RELAYS	A-C 3
STARTER SOL	A 3
TRAILER HARNESS (CHEROKEE 2WD & WAGONEER 4WD)	A-E 40-43
TRAILER HARNESS (CHEROKEE 4WD)	A-E 44-47
TRANS CTRL UNIT	D-E 20
TRANS CTRL UNIT IN-LINE FUSE	E 21
TURN/HAZARD SW	C 7
UPSHIFT SW	C-D 23
VANITY LIGHTS	A 36
WIPER/WASHER SYS (FRONT)	C-E 25-26
WIPER/WASHER SYS (REAR)	B-C 38-39



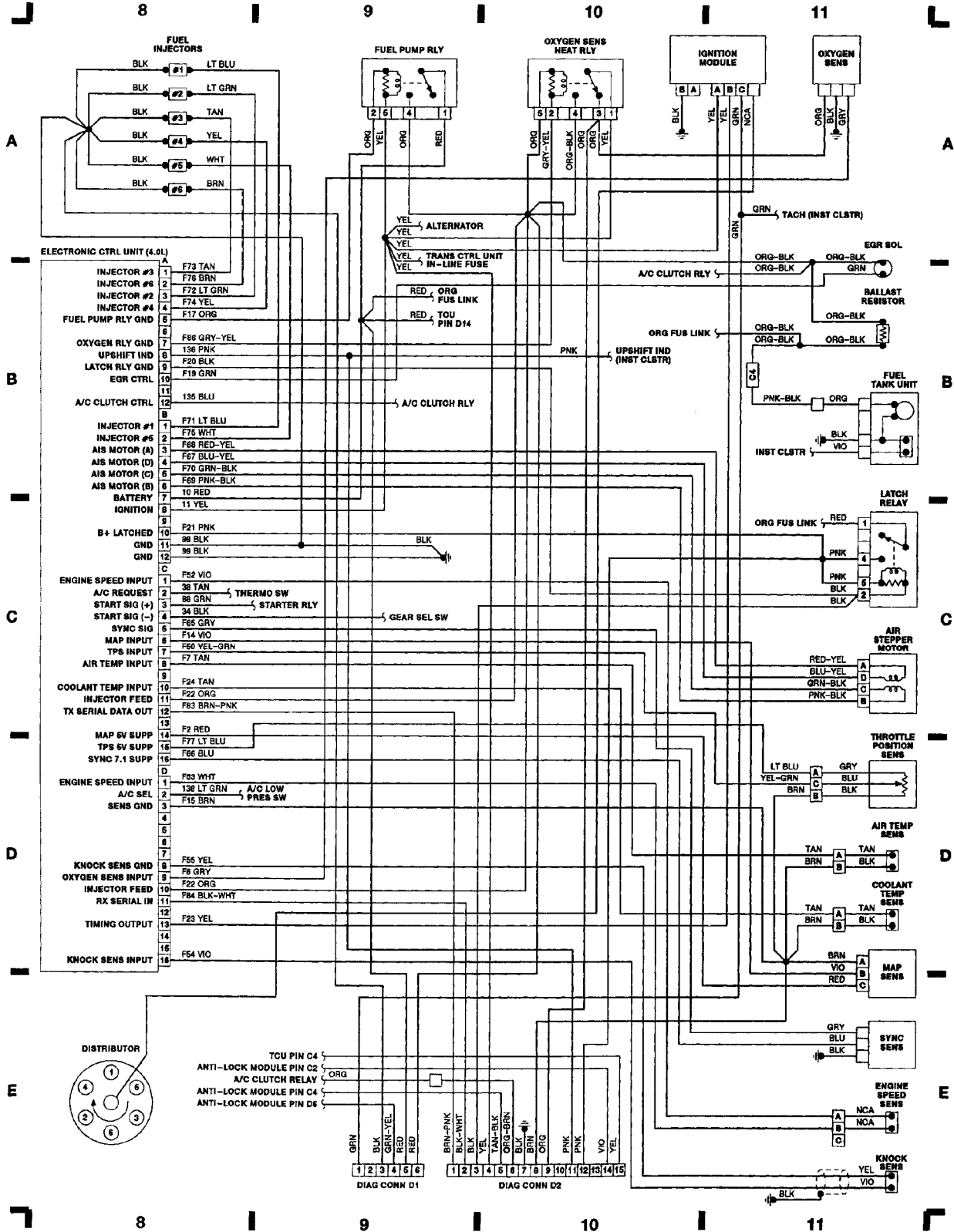
WIRING DIAGRAMS

Fig. 2: Computer Engine Control (2.5L) (p. 2)

1989 Jeep Cherokee



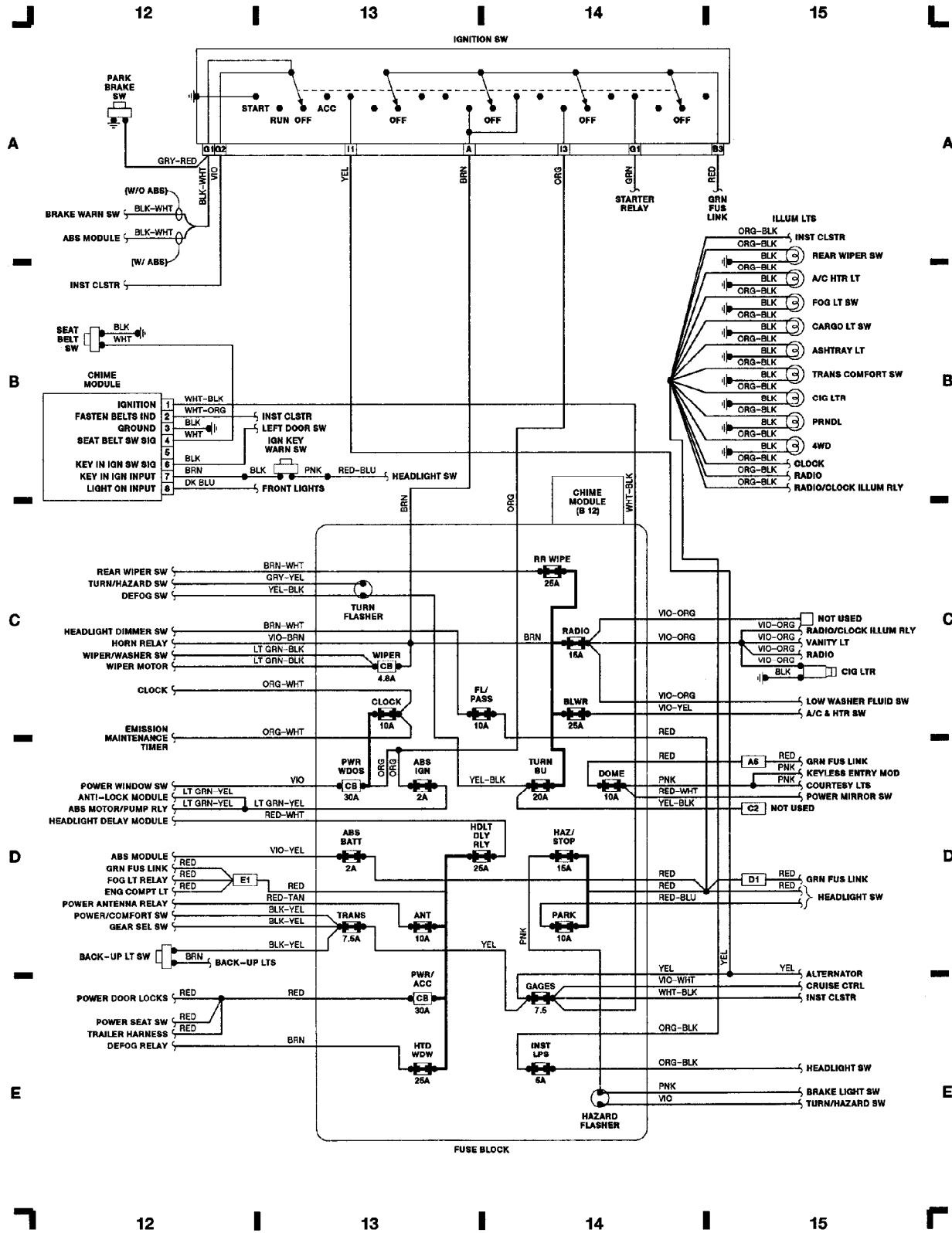
WIRING DIAGRAMS
Fig. 3: Computer Engine Control (4.0L) (p. 3)
 1989 Jeep Cherokee



WIRING DIAGRAMS

Fig. 4: Fuse Block (p. 4)

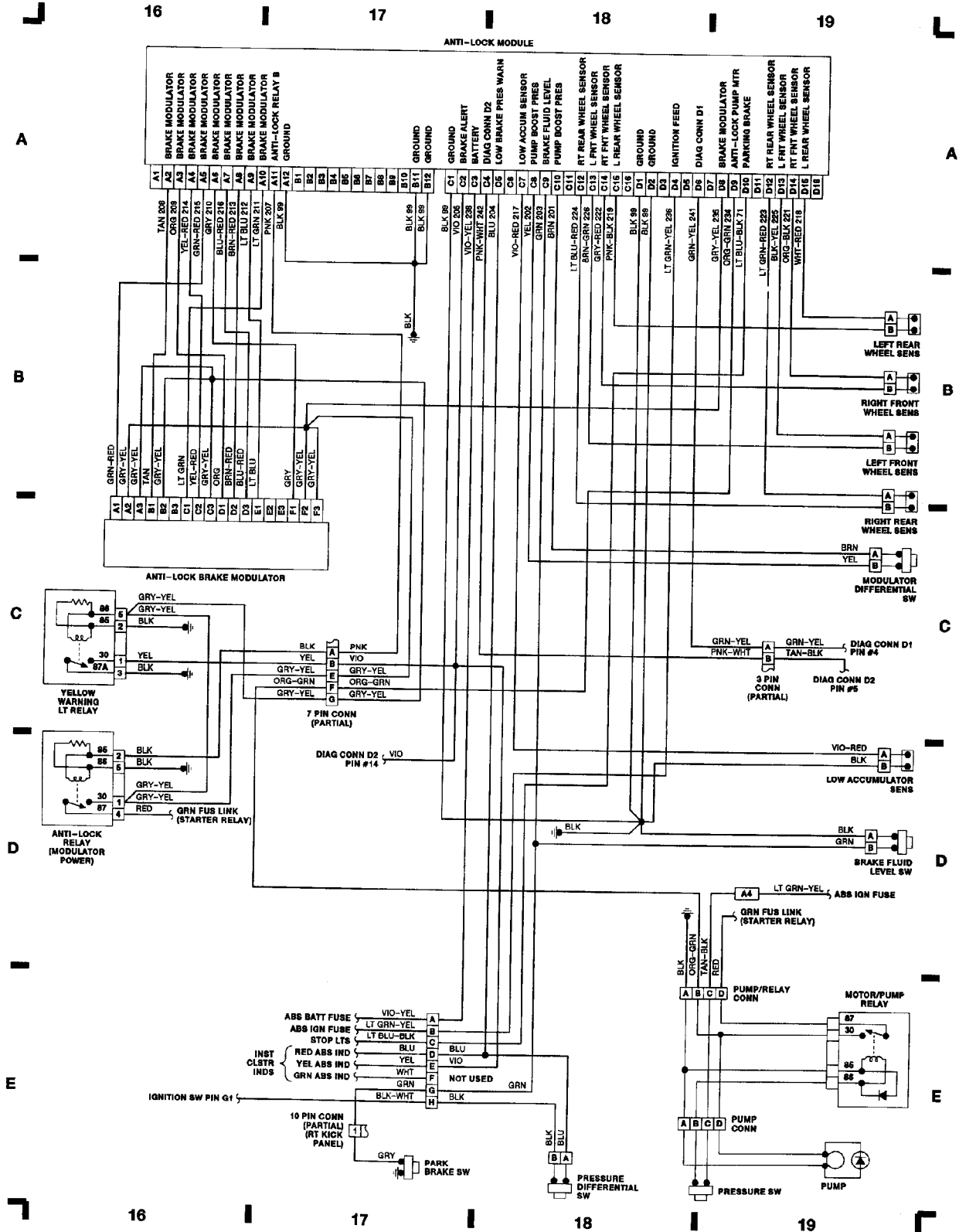
1989 Jeep Cherokee



WIRING DIAGRAMS

Fig. 5: Anti/Lock Brake System (p. 5)

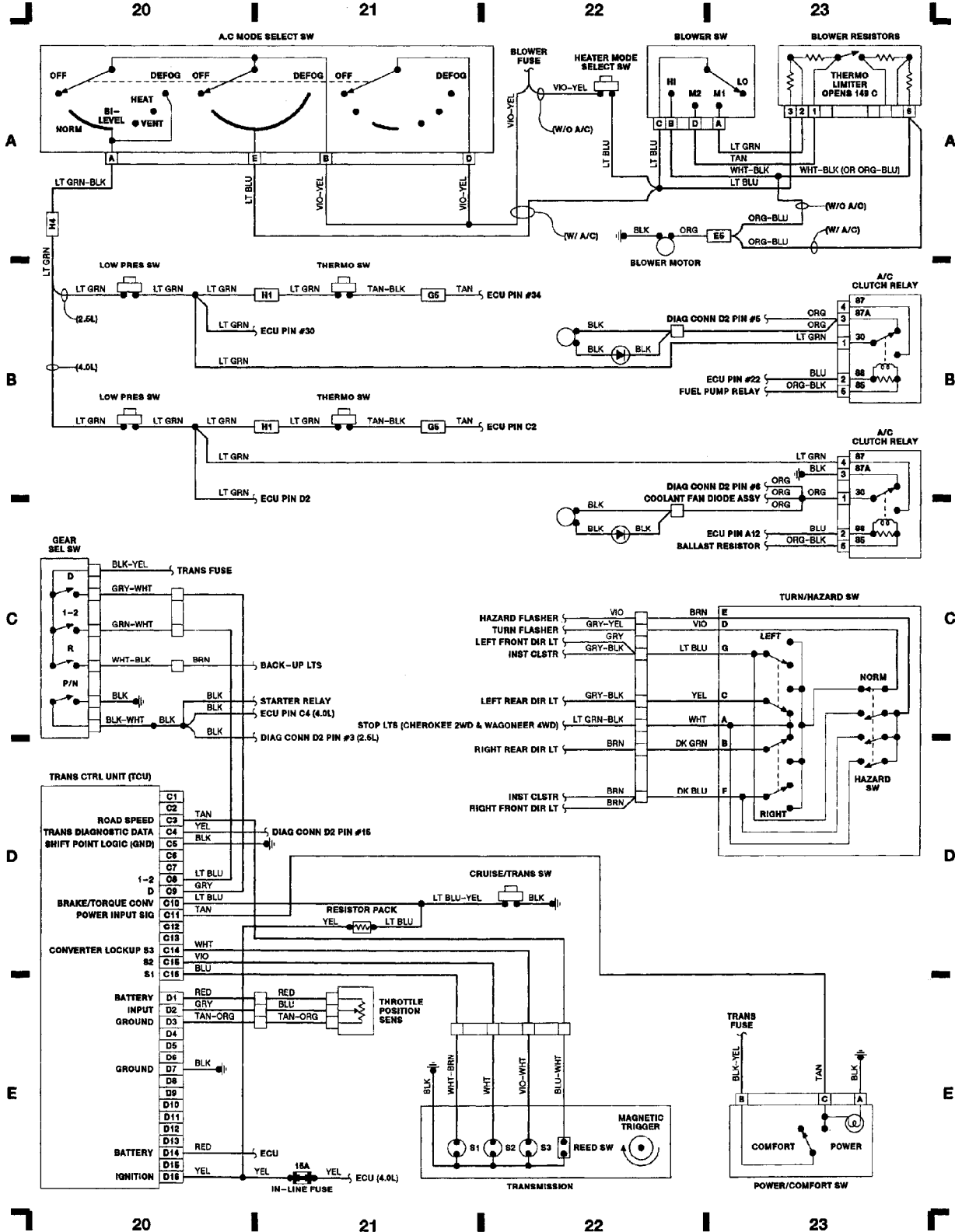
1989 Jeep Cherokee



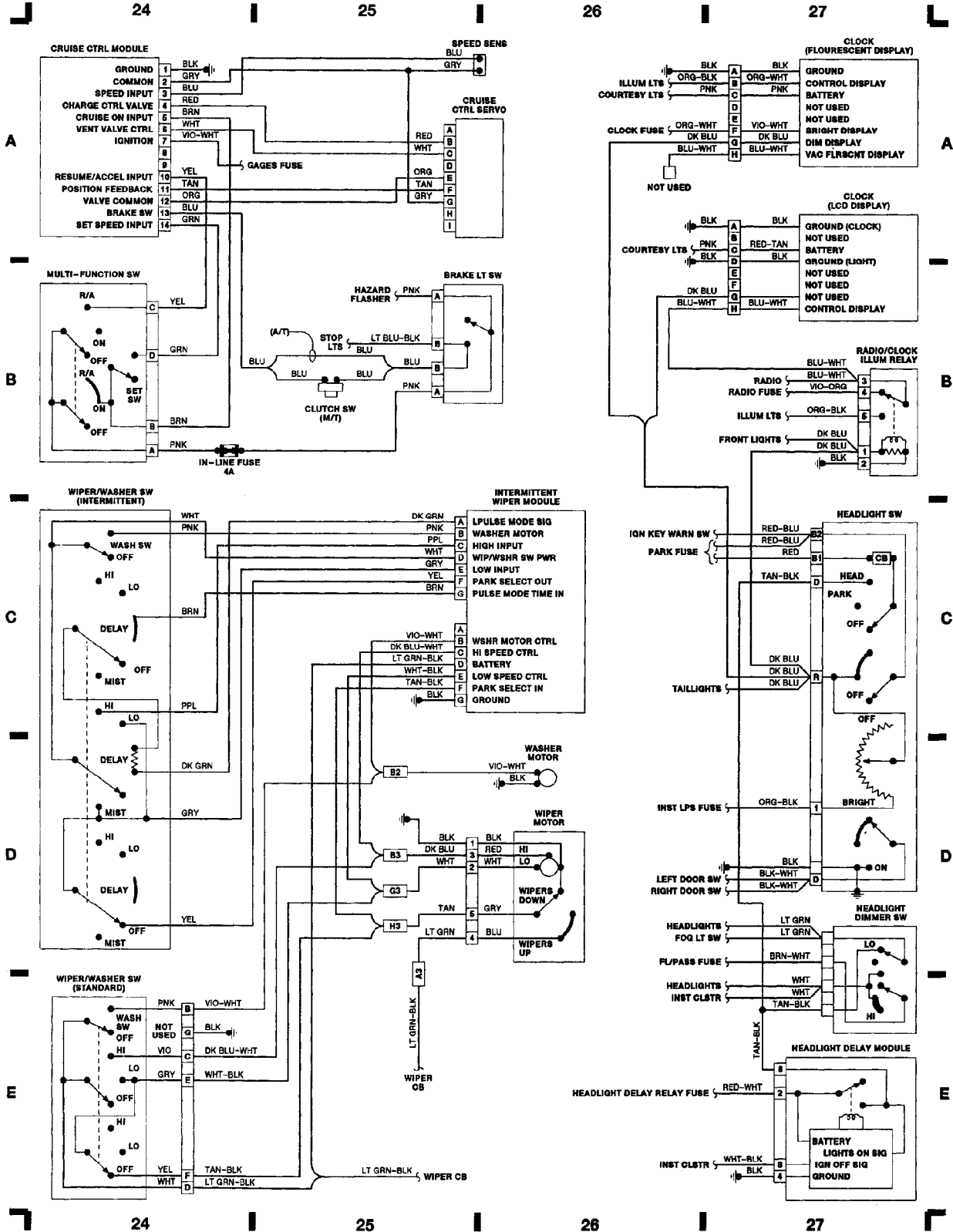
WIRING DIAGRAMS

Fig. 6: Air Conditioning, Heating, Transmission Control (p. 6)

1989 Jeep Cherokee



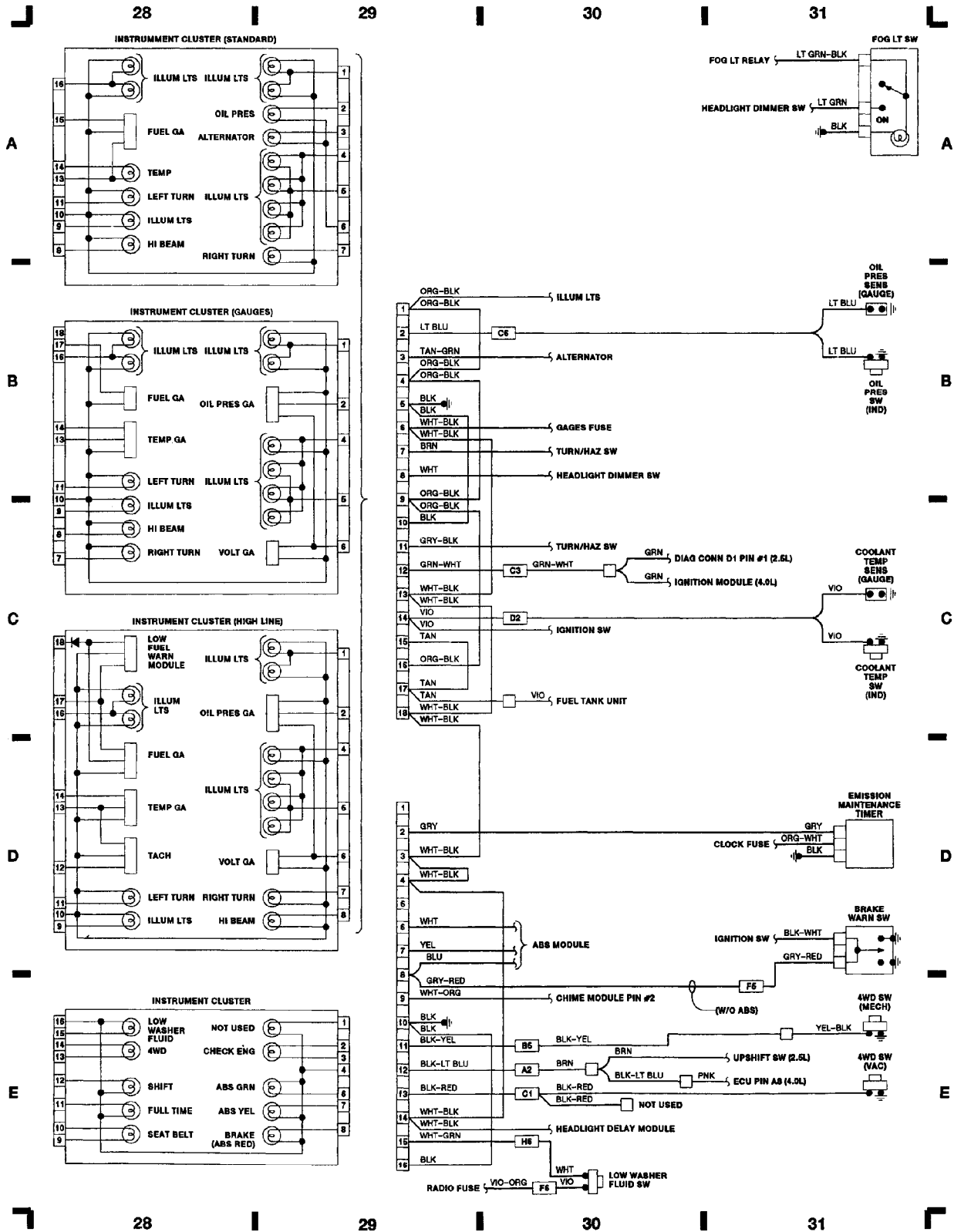
WIRING DIAGRAMS
Fig. 7: Cruise Control, Wiper/Washer System (p. 7)
 1989 Jeep Cherokee



WIRING DIAGRAMS

Fig. 8: Instrument Panel (p. 8)

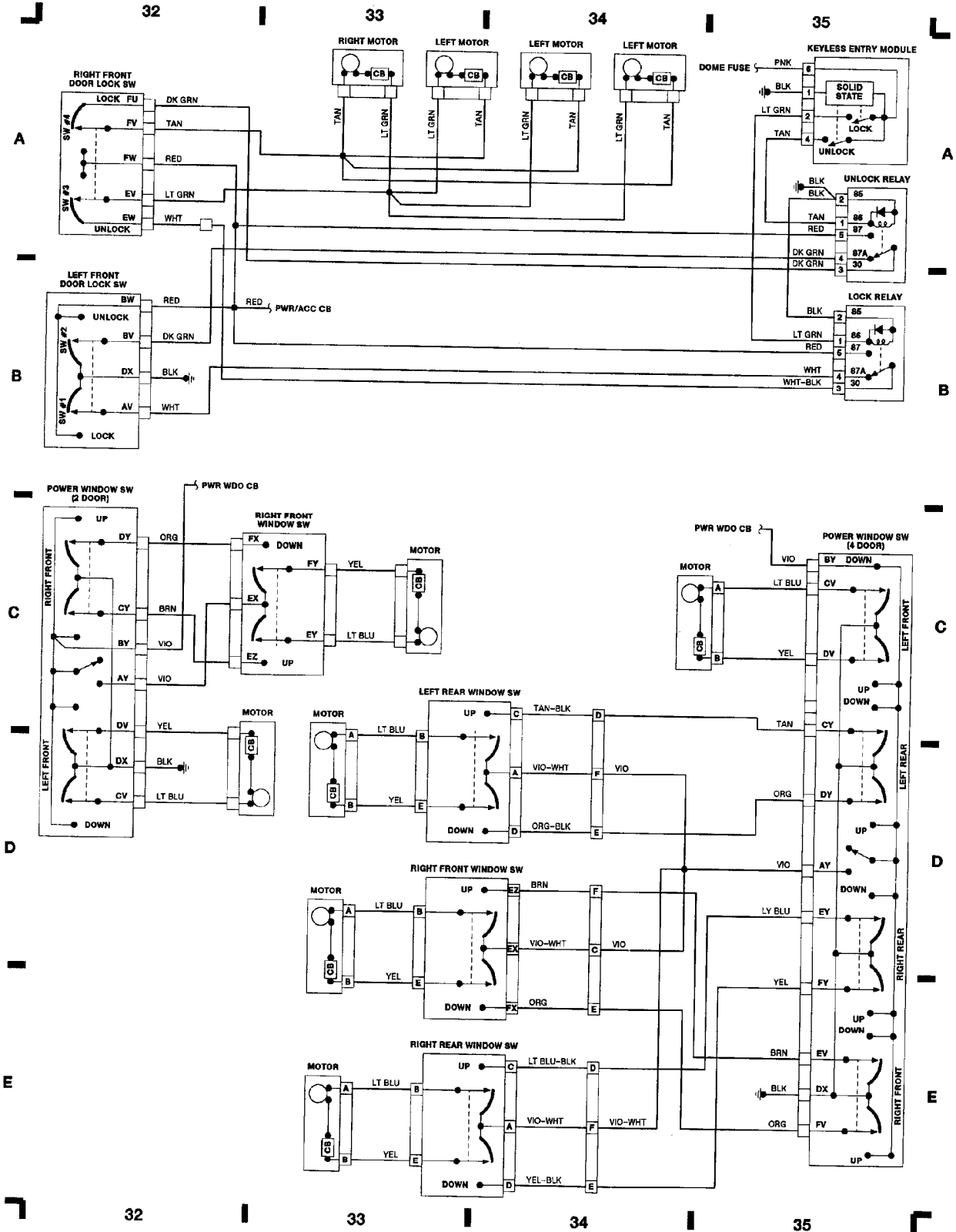
1989 Jeep Cherokee



WIRING DIAGRAMS

Fig. 9: Power Windows, Door Locks (p. 9)

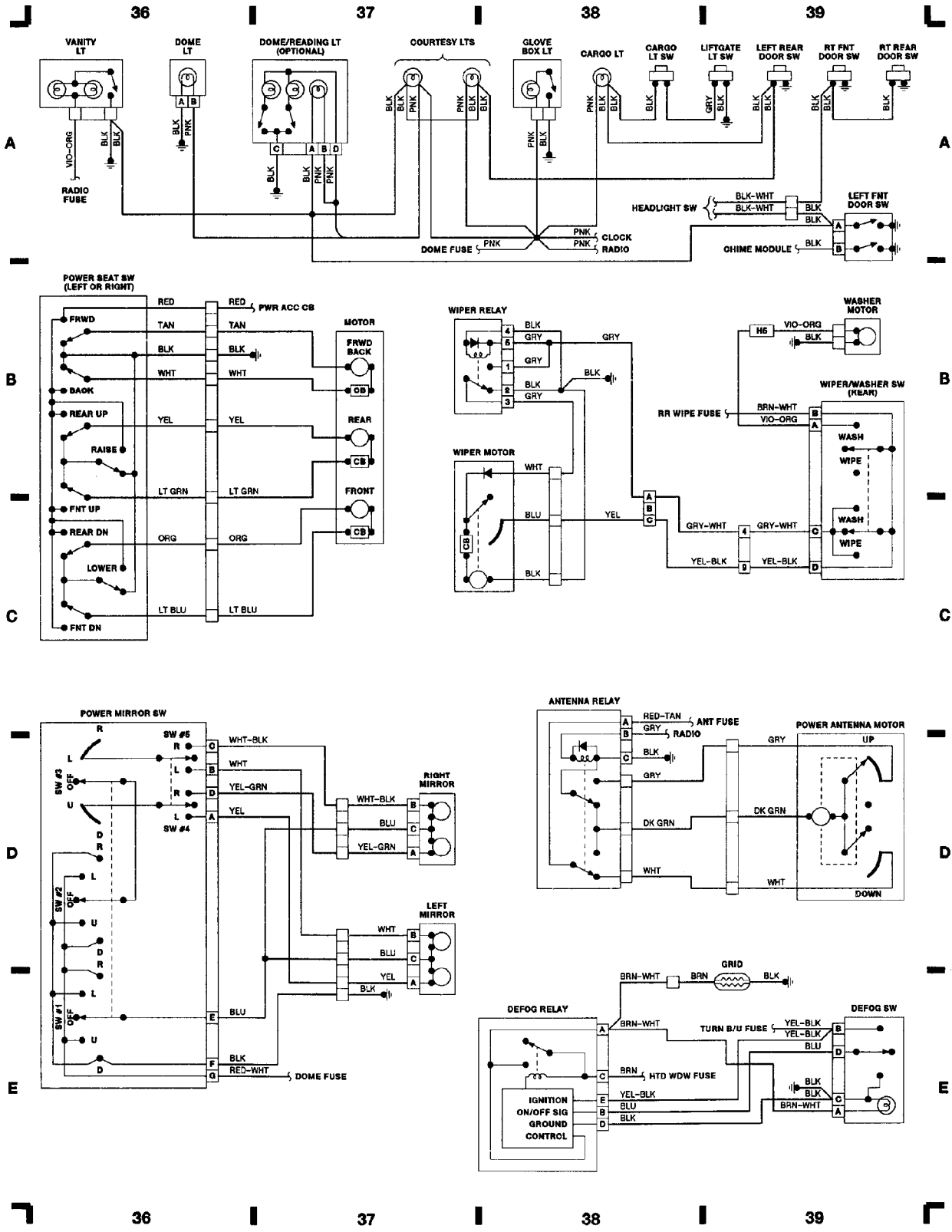
1989 Jeep Cherokee



WIRING DIAGRAMS

Fig. 10: Passenger Compartment (p. 10)

1989 Jeep Cherokee



WIRING DIAGRAMS

Fig. 12: Towing Package, Taillights (4WD Cherokee) (p. 12) 1989 Jeep Cherokee

