

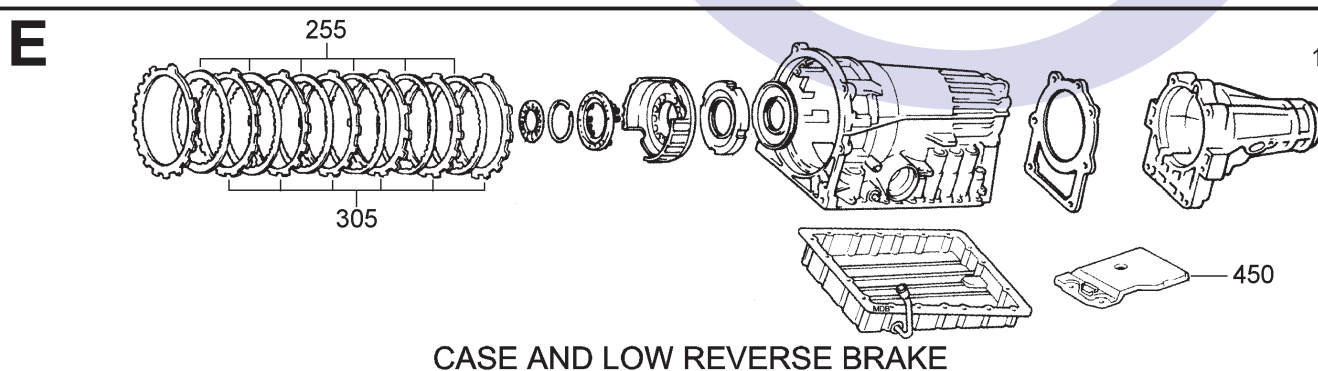
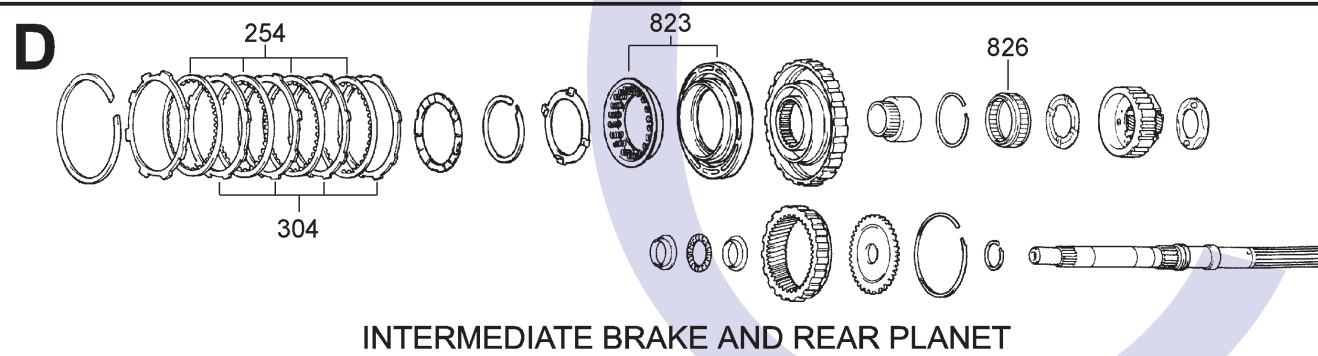
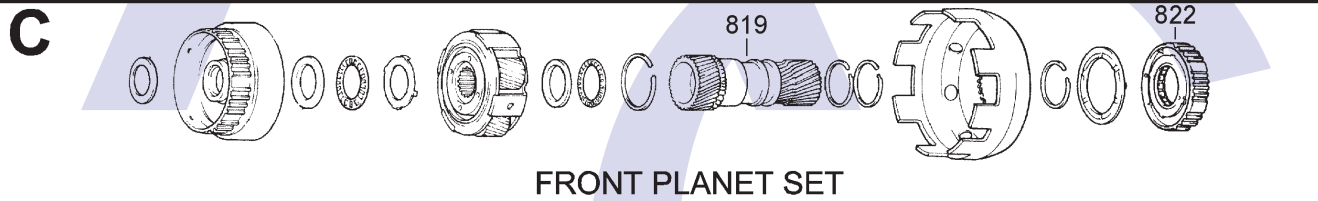
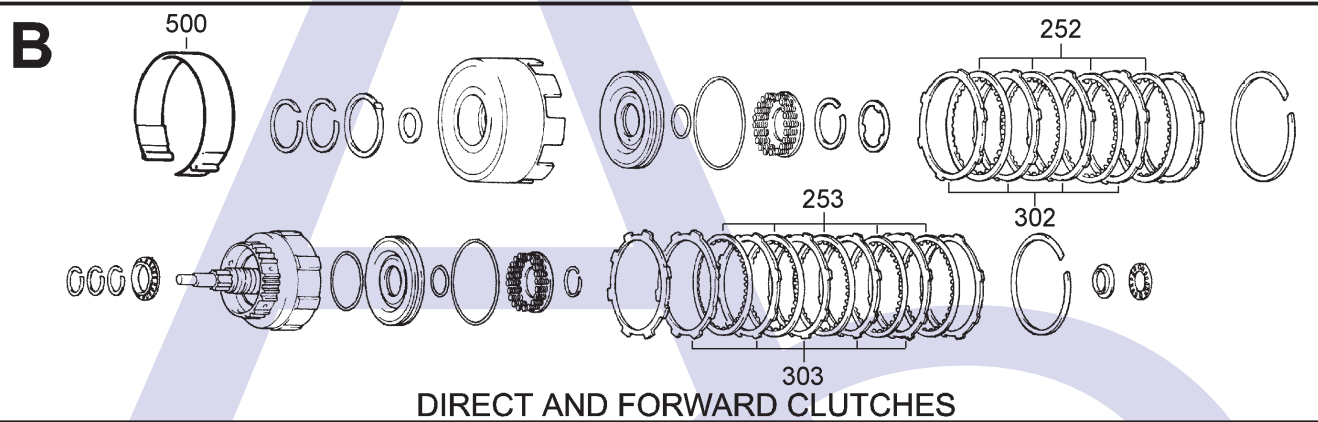
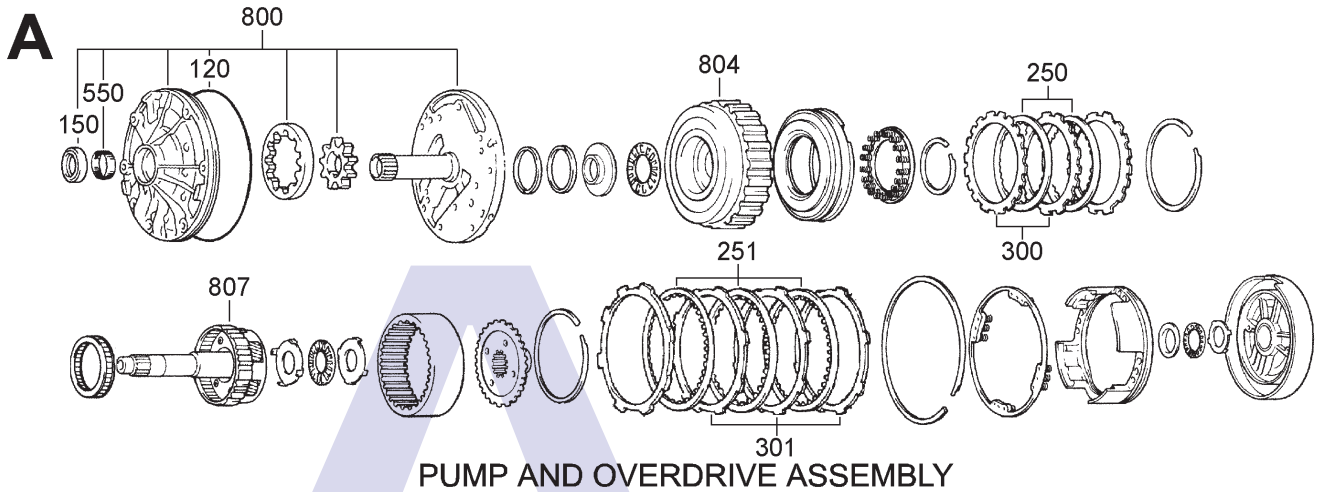
# TOYOTA A340E, A340H, A341E, A343F, ISUZU AW30-80LE 4 SPEED RWD & 4WD (Electronic & Hydraulic Control)



AUTOMATIC CHOICE



THE AUTOMATIC TRANSMISSION PARTS WAREHOUSE



# TOYOTA A340E, A340H, A341E, A343F, ISUZU AW30-80LE 4 SPEED RWD & 4WD (Electronic & Hydraulic Control)



AUTOMATIC CHOICE



THE AUTOMATIC TRANSMISSION PARTS WAREHOUSE

ILL NO.	DESCRIPTION	YEARS	QTY	PART NO
<b>KITS</b>				
Kit	Banner Kit (Volvo 960) (Overhaul Kit With Frictions ..... All		1	<b>A341E.BAK01</b>
Kit	Overhaul Kit (Transtec) (Not Land Cruiser) ..... 85-ON		1	<b>A340.OHK01</b>
Kit	Overhaul Kit (Precision) (AW4, A340E/H, 30-40LE, 30-80LE) (Not Land Cruiser) ..... 89-ON		1	<b>A340.OHK51</b>
Kit	Overhaul Kit (Precision) (A340E/F)..... 00-ON		1	<b>A340.OHK53</b>
Kit	Overhaul Kit A340E/F (Precision) (Previa Super Charged) ..... 94-96		1	<b>A340.OHK54</b>
Kit	Overhaul Kit (A343F) (Land Cruiser95-On & A350E 96-97)		1	<b>A340.OHK03</b>
Kit	Overhaul Kit (A343F) (Land Cruiser 2000 On) .....		1	<b>A340.OHK04</b>
Kit	Overhaul Kit (Lexus &Volvo 960)..... 91-ON		1	<b>A341E.OHK01</b>
Kit	Overhaul (Transfer Case) ..... 85-94		1	<b>A340.OHK02</b>
Kit	Valve Body Gasket (A341E) ..... All		1	<b>A341E.GK01</b>
<b>GASKETS</b>				
NI	Pan Gasket (All)..... 85-ON		1	<b>A340.GAS01</b>
NI	Pan Gasket Duraprene (All)..... 85-ON		1	<b>A340.GAS10</b>
NI	Adaptor to Transfer Case..... 85-ON		1	<b>A340.GAS04</b>
NI	A343F V.B. Gasket Upper..... 95-97		1	<b>A343.GAS02</b>
NI	A343F V.B. Gasket Lower..... 95-97		1	<b>A343.GAS03</b>
NI	A343F V.B. Gasket Upper..... 98-ON		1	<b>A343.GAS04</b>
NI	A343F V.B. Gasket Lower..... 98-ON		1	<b>A343.GAS05</b>
<b>RUBBER COMPONENTS</b>				
120A	Pump to Case 'O' Ring ..... All		1	<b>A340.OR01</b>
<b>METAL CLAD SEALS</b>				
150A	Pump Seal ..... 85-ON		1	<b>BW55.MCS01</b>
151E	Extension Housing 2WD ..... 85-ON		1	<b>A43.MCS01</b>
151E	Extension Housing A341E Lexus ..... 90-ON		1	<b>A43.MCS02</b>
NI	Adaptor Housing (4WD Jeep) ... All		1	<b>A340.MCS02</b>
NI	Manual Shaft Seal..... 85-ON		2-3	<b>A130.MCS03</b>
NI	A343F Adapter Housing (62mm x 48mm x 8mm)..... 95-ON		1	<b>A343.MCS02</b>
<b>SEALING RINGS</b>				
Kit	Sealing Ring Kit (A340, A343) .. 85-ON		1	<b>A340.SRK01</b>
<b>FRICITION PLATES</b>				
Kit	Friction Plate A340 Transfer Case (Alto) ..... 88-95		1	<b>A340.FRK51</b>
Kit	Friction Plate (Alto) Supra Turbo ..... 88-93 Landcruiser A343 ..... 98-99 Landcruiser A343F ..... 8/99-ON Previa 4WD W/Supercharger.... 90-94 Tacoma 4 Cyl Engine..... 95-97 Lexus LX450, LX470 (A434F)... 96-98 Jeep ..... 87-01 Shogun, Montero, Pajero ..... 94-95		1	<b>A340.FRK52</b>
Kit	Friction Plate (Alto) Supra Turbo ..... 94-98 Supra Non Turbo..... 98 Lexus SC400 ..... 91-97		1	<b>A340.FRK53</b>

ILL NO.	DESCRIPTION	YEARS	QTY	PART NO
<b>FRICITION PLATES Cont...</b>				
Kit	Friction Plate (Alto) Tacoma 4 Cyl Engine ..... 98-ON Tacoma 6 Cyl Engine ..... 95-ON Toyota T100 4 Cyl Engine..... 93-97 Shogun, Montero, Pajero ..... 96-ON		1	<b>A340.FRK54</b>
Kit	Friction Plate (Alto) Toyota 4 Runner & Pickup 4WD With V8 Engine ..... 00-01 Landcruiser A343 ..... 00-ON Landcruiser A343F ..... 8/99-ON Toyota Sequoia ..... 00-ON Tacoma V6 Engine..... 9/00-ON Toyota Tundra ..... 99-ON Lexus LX450, LX470 (A343F)... 99-ON		1	<b>A340.FRK55</b>
Kit	Friction Plate (Alto) Lexus LS400 ..... 95-97 Volvo 960 ..... 91-97		1	<b>A340.FRK56</b>
Kit	Friction Plate (Alto) Toyota Cressida ..... 85-92 Toyota Supra Non Turbo ..... 86-98 Toyota 4 Runner & Pickup 2WD With 4 Cyl Engine ..... 85-95 Toyota 4 Runner & Pickup 4WD 90-95 Toyota Previa 2WD W/Supercharger..... 90-94 Toyota Previa 2WD & 4WD W/Supercharger ..... 95-96 Toyota T100 V6 ..... 93-94 Lexus GS300 (A350E) ..... 96-97 Lexus SC300 ..... 92-ON Isuzu Trooper ..... 88-91		1	<b>A340.FRK57</b>
Kit	Friction Plate (Volvo/Lexus) ..... All		1	<b>A340.FRK01</b>
250A	Overdrive Clutch (125mm OD x 2.10mm x 32T) .. 85-ON		2	<b>A340.FRP01</b>
251A	Overdrive Brake (165mm OD x 2.10mm x 24T) .. 85-ON		3-5	<b>A340.FRP02</b>
252B	Direct (130mm OD x 2.10mm x 40T) .. 85-ON		4	<b>A340.FRP03</b>
253B	Forward (125mm OD x 2.00mm x 40T) .. 95-ON		5-6	<b>A340.FRP04</b>
253B	Forward Non Turbo (125mm OD x 2.10mm x 40T) .. 85-ON		3-5	<b>A340.FRP05</b>
253B	Forward Turbo/Volvo (125mm OD x 1.70mm x 40T) .. 85-ON		6	<b>A340.FRP10</b>
253B	Forward Turbo/Volvo (Alto) (125mm OD x 1.70mm x 40T) .. 85-ON		6	<b>A340.FRP51</b>
253B	Forward (125mm OD x 1.90mm x 40T) .. 90-ON		5-6	<b>A340.FRP11</b>
254D	Intermediate Brake (130mm OD x 2.00mm x 32T) .. 85-ON		4-5	<b>A340.FRP06</b>
255E	Low & Reverse (130mm OD x 1.70mm x 32T) .. 85-ON		6	<b>A340.FRP07</b>
NI	Transfer Clutch Direct (145mm OD x 1.60mm x 44T) .. 85-ON		6	<b>A340.FRP08</b>
NI	Transfer Case Low Brake (175mm OD x 1.60mm x 53T) .. 85-ON		6	<b>A340.FRP09</b>
NI	Transfer Case Front/Drive (145mm OD x 1.60mm x 44T) .. 85-ON		6	<b>A340.FRP08</b>

# TOYOTA A340E, A340H, A341E, A343F, ISUZU AW30-80LE 4 SPEED RWD & 4WD (Electronic & Hydraulic Control)



AUTOMATIC CHOICE



THE AUTOMATIC TRANSMISSION PARTS WAREHOUSE

ILL NO.	DESCRIPTION	YEARS	QTY	PART NO
<b>STEEL PLATES</b>				
Kit	Steel Plate A340 Transfer Case (Alto) .....	88-95	1	<b>A340.STK52</b>
Kit	Steel Plate (Pattern) Jeep .....	87-01	1	<b>A340.STK02</b>
Kit	Steel Plate (Alto) Jeep .....	87-01	1	<b>A340.STK53</b>
Kit	Steel Plate (Alto) Toyota Cressida .....	85-92		
	Toyota Supra Non Turbo .....	86-97		
	Toyota 4 Runner & Pickup 2WD With 4 Cyl Engine .....	85-95		
	Toyota 4 Runner & Pickup 4WD .....	90-91		
	Isuzu Trooper .....	88-91	1	<b>A340.STK51</b>
Kit	Steel Plate (Alto) Toyota Supra Non Turbo .....	98		
	Toyota Previa 2WD W/S.Charg .....	90-94		
	Toyota Previa 2WD & 4WD With Supercharger .....	95-96		
	Toyota T100 4 Cyl Engine .....	93-97		
	Lexus GS300 (A350E) .....	96-97		
	Lexus SC300 .....	92-ON	1	<b>A340.STK54</b>
Kit	Steel Plate (Alto) Toyota Supra Turbo .....	94-98		
	Lexus SC400 .....	91-97	1	<b>A340.STK55</b>
Kit	Steel Plate (Alto) Toyota Supra Turbo .....	85-93		
	Lexus LS400 .....	95-97	1	<b>A340.STK56</b>
Kit	Steel Plate (Alto) Toyota Tacoma 4 Cyl Engine .....	95-97	1	<b>A340.STK57</b>
Kit	Steel Plate (Alto) Toyota Landcruiser (A343) .....	98-99		
	Toyota Tacoma 6 Cyl Engine .....	95-ON		
	Lexus LX450, LX470 (A343F) .....	96-98	1	<b>A340.STK58</b>
Kit	Steel Plate (Alto) Volvo 960 .....	91-97	1	<b>A340.STK59</b>
Kit	Steel Plate (Alto) Toyota 4Runner & Pickup 2WD With 4 Cyl Engine .....	94-00		
	Toyota 4Runner & Pickup All 4WD .....	92-95		
	Toyota Tacoma 4 Cyl Engine .....	98-ON		
	Shogun, Montero, Pajero .....	96-ON	1	<b>A340.STK60</b>
Kit	Steel Plate (Alto) Toyota Landcruiser (A343F) .....	8/99-ON	1	<b>A340.STK61</b>
Kit	Steel Plate (Alto) Toyota 4Runner & Pickup 4WD With V6 Engine .....	00-01		
	Toyota Landcruiser (A343) .....	00-ON		
	Toyota Sequoia .....	00-ON		
	Toyota Tacoma V6 .....	8/00-ON		
	Toyota Tundra .....	99-ON		
	Lexus LX450, LX470 (A343F) .....	99-ON	1	<b>A340.STK62</b>
300A	Overdrive Direct Clutch (105mm ID x 3.00mm x 24T) .....	1985	1-2	<b>A340.STP01</b>
300A	Overdrive Direct Clutch (105mm ID x 2.00mm x 24T) .....	85-ON	1-2	<b>A340.STP10</b>
300A	Overdrive Direct Clutch (105mm ID x 2.50mm x 24T) .....	92-ON	1	<b>A340.STP19</b>
301A	Overdrive Brake (145mm ID x 2.00mm x 6 Notched Teeth) .....	85-ON	2-4	<b>A340.STP02</b>
301A	Overdrive Brake (145mm ID x 2.00mm x 4 Notched Teeth) .....	92-ON	4	<b>A340.STP17</b>
302B	Direct (105mm ID x 3.00mm x 6T) .....	87-99	3-4	<b>A340.STP05</b>
302B	Direct (105mm ID x 2.30mm x 6T) .....	85-99	1-4	<b>A340.STP03</b>
302B	Direct (105mm ID x 4.00mm x 6T) .....	87-88	3	<b>A340.STP11</b>
302B	Direct (Supra Notched) (105mm ID x 1.80mm x 6T) .....	93-99	4	<b>A540.STP11</b>

ILL NO.	DESCRIPTION	YEARS	QTY	PART NO
<b>STEEL PLATES Cont...</b>				
302B	Direct (105mm ID x 2.30mm x 24T) .....	00-ON	4	<b>A340.STP20</b>
303B	Forward (105mm ID x 2.00mm x 8T) .....	85-ON	5	<b>A340.STP04</b>
303B	Forward (105mm ID x 2.30mm x 8T) .....	92-ON	5	<b>A340.STP16</b>
303B	Forward (105mm ID x 1.70mm x 8T) .....	85-ON	6	<b>A130.STP01</b>
304D	Intermediate (105mm ID x 1.80mm x 16T) .....	85-ON	1	<b>A340.STP08</b>
304D	Intermediate (105mm ID x 2.50mm x 16T) .....	85-ON	4	<b>A340.STP06</b>
305E	Low & Reverse (110mm ID x 1.80mm x 15T) .....	85-ON	6	<b>A340.STP07</b>
NI	Transfer Clutch Direct (115mm ID x 1.8mm x 29T) .....	85-ON	5	<b>A340.STP12</b>
NI	Transfer Case Low (145mm ID x 1.80mm x 10T) .....	85-ON	6	<b>A340.STP13</b>
NI	Transfer Case Front Drive (115mm ID x 1.80mm x 29T) .....	85-ON	6	<b>A340.STP12</b>
<b>PRESSURE PLATES</b>				
<b>SPRINGS &amp; CIRCLIPS</b>				
<b>FILTERS</b>				
450E	Filter (2WD Ex Jeep) .....	85-ON	1	<b>A340.FIL01</b>
450E	Filter (4WD 11 Bolt Not Jeep) .....	85-ON	1	<b>A340.FIL03</b>
450E	Filter (Jeep, Isuzu Trooper etc) .....	87-ON	1	<b>A340.FIL02</b>
450E	Filter A341E (Lexus & Volvo 960) .....	91-ON	1	<b>A341E.FIL02</b>
450E	Filter A340F (9mm Pick Up Spout) .....	91-ON	1	<b>A340.FIL04</b>
450E	Filter A343F (19mm Pick Up Spout) (Land Cruiser/Surf) .....	95-ON	1	<b>A343.FIL01</b>
450E	Filter A340E/A343F (Land Cruiser/Trooper) .....	98-ON	1	<b>A343.FIL02</b>
450E	Filter A343F (4WD) (Centre 2 Holes to VB) (25mm Pick Up Spout) .....	95-ON	1	<b>A343.FIL03</b>
<b>BANDS</b>				
500B	Band .....	85-ON	1	<b>A340.BAN01</b>
<b>BUSHINGS</b>				
Kit	Bush Kit (A340/E/F, 341E, V4AW3) .....	All	1	<b>A340.BK01</b>
550A	Front Pump Bush .....	85-ON	1	<b>BW55.BUS01</b>



# TOYOTA A340E, A340H, A341E, A343F, ISUZU AW30-80LE 4 SPEED RWD & 4WD (Electronic & Hydraulic Control)



AUTOMATIC CHOICE



THE AUTOMATIC TRANSMISSION PARTS WAREHOUSE

ILL NO.	DESCRIPTION	YEARS	QTY	PART NO
<b>THRUST WASHERS &amp; BEARINGS</b>				
<b>ELECTRICAL COMPONENTS</b>				
NI	Speed Sensor (2 Prong 1 Bolt).....		1	A340.ELE01
NI	Speed Sensor (With 'Y' Clamp & 254mm Wire)		1	A340.ELE02
NI	Rear Speed Sensor (Trooper) (Grey 3 Pin Srew In) .....		1	A340.ELE05
NI	Output Speed Sensor (Mitsubishi) .....		1	A340.ELE07
NI	Rotor For Speed Sensors .....		1	A340.ELE03
NI	Shift Solenoid (Pair Not Lexus, Volvo or A343)		1	A340.SOL01
NI	Shift Solenoid A341E Only (Single Lexus & Volvo OEM).....		1	A340.SOL05
NI	Lock Up Solenoid (Not Lexus, Volvo or A343) .....		1	A340.SOL02
NI	Lock Up Solenoid A341E Only (Lexus & Volvo OEM Not A343)		1	A340.SOL03
NI	Solenoid Set (3 Solenoids) Toyota A340E (Not A343).....		1	A340.SOL04
NI	Shift Solenoid (A343F).....		2	A340.SOL06
NI	Lock-Up Solenoid (A343F).....	All	1	A340.SOL07
NI	Water Temp Sensor (Pajero 2.8 TD)		1	A340.ELE06
NI	Throttle Position Sensor (TPS) (Shogun Pinin 1.8/2.0 Petrol, Spacestar 1.3/1.6/1.9).....	All	1	A340.ELE08
NI	Throttle Position Sensor (TPS) (2.8 TD, Pajero, Shogun, Montero, Delcia).....	All	1	A340.ELE09
NI	Range Switch (PRNDL) (A343) All		1	A343.ELE01
<b>VALVE BODY PARTS</b>				
Kit	Lock Up Relay Valve Sleeve Kit (A340) (Sonnax® <a href="#">Click here for Info</a> ) . All		1	A340.VA02
Kit	Pressure Regulator Valve Oversize Requires Tool A140.VA04 (Sonnax® <a href="#">Click here for Info</a> ) . 98-ON		1	A340.VA03
Kit	Toolkit for A340.VA03.....	88-ON	1	A140.VA04
Kit	Boost Valve & Sleeve (Ø 25.40mm/12.192mm) (Sonnax® <a href="#">Click here for Info</a> ) . All		1	A340.VA04
<b>HARD PARTS</b>				
800A	Pump Assembly .....	All	1	A340.PUM01
800A	Pump Assembly, (11.684mm Gear Depth x 76.2mm Stator) .....	All	1	A340.PUM02
804A	Overdrive Clutch Drum (With 33T Sun Gear 2 Plate).....	All	1	A340.DRU01
804A	Overdrive Clutch Drum (Volvo/Lexus With 33T Sun Gear & VSS Ring).....	All	1	A340.DRU02
807A	Planetary - Overdrive & Shaft (23 Tooth Pinion).....	85-ON	1	A340.PL01
819C	Sun Gear, Front Planet (Volvo).....	All	1	A340.SUN01
822C	Intermediate OWC Assy.....	All	1	A340.OWC01
823D	Intermediate Piston & Spring Assy		1	A340.PIS01
826D	Low OWC Assy .....	All	1	A340.OWC02
NI	Feed Tube (2nd Brake).....	85-ON	1	A340.TU01

ILL NO.	DESCRIPTION	YEARS	QTY	PART NO
<b>SPECIAL ITEMS</b>				
NI	Converter Drive Plate (3.1Ltr TD Trouper) .....	92-97	1	A340.FP01
<b>TOOLS &amp; MANUALS</b>				
NI	Manual ATSG (30-80LE).....			3080LE.MAN01
NI	CD Manual ATSG (30-80LE).....			3080LE.MAN02
NI	Manual ATSG (Jeep AW4) .....			AW4.MAN01