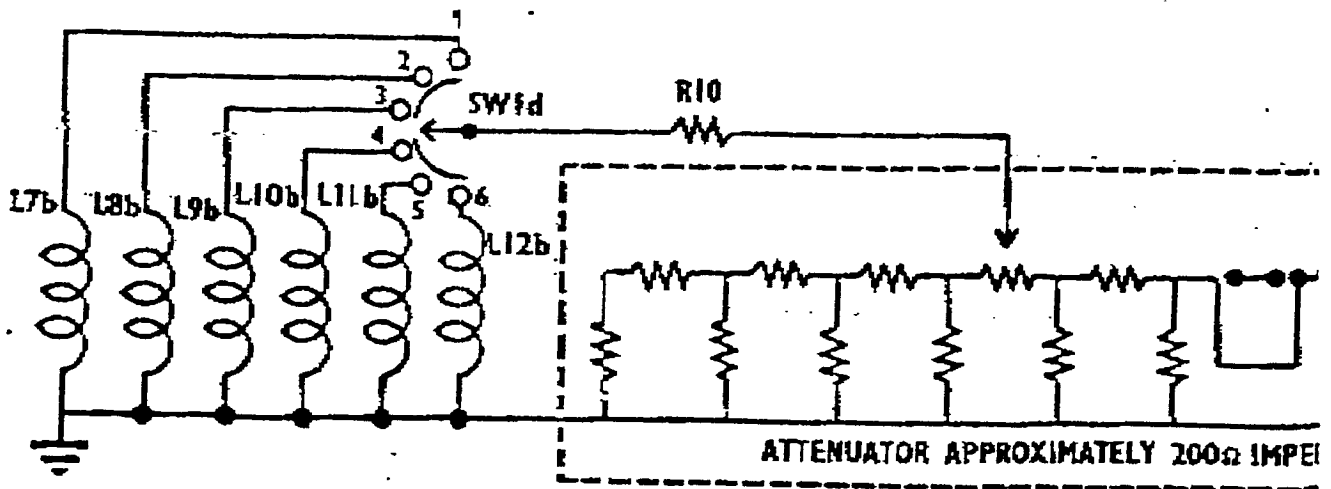
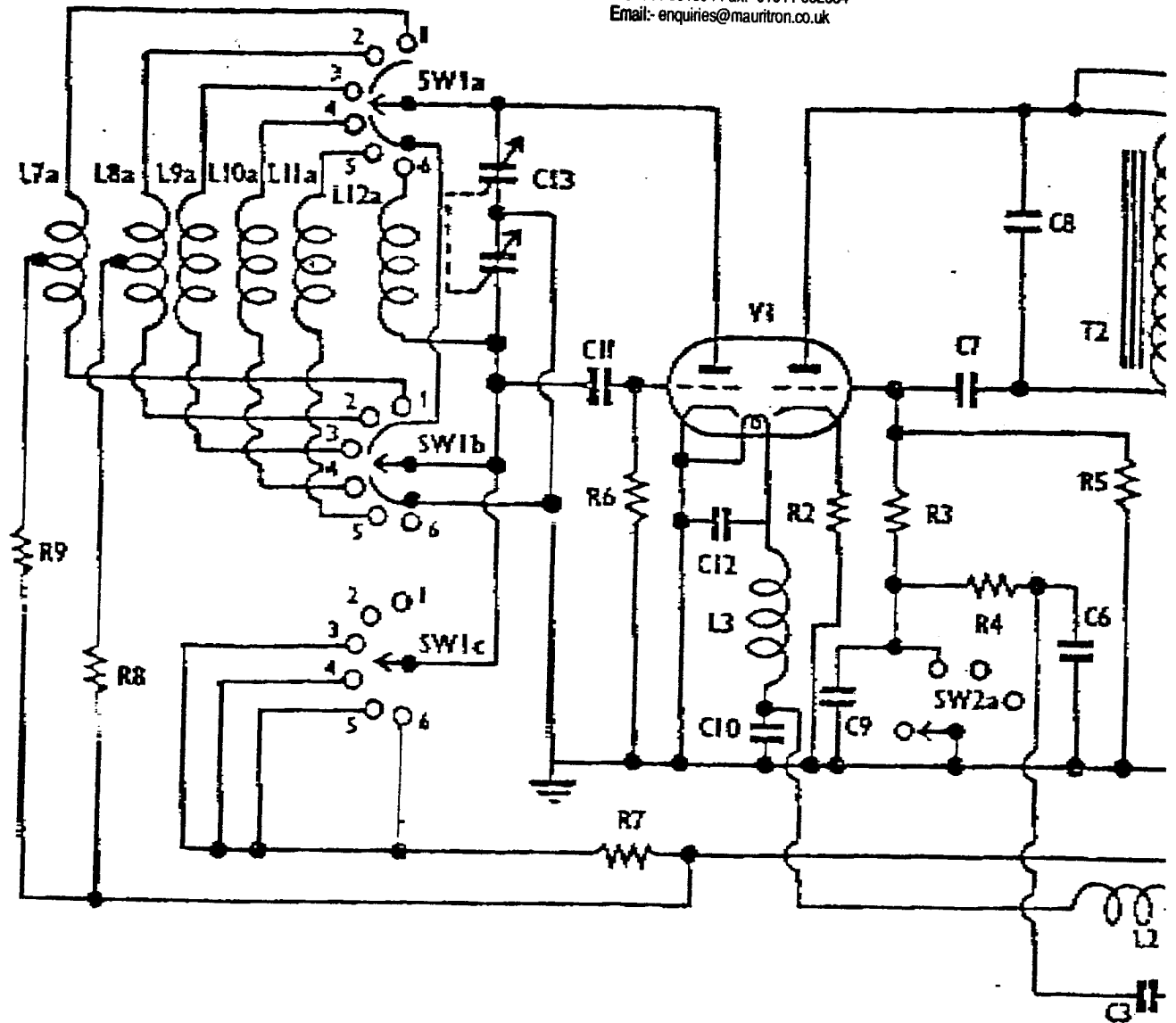
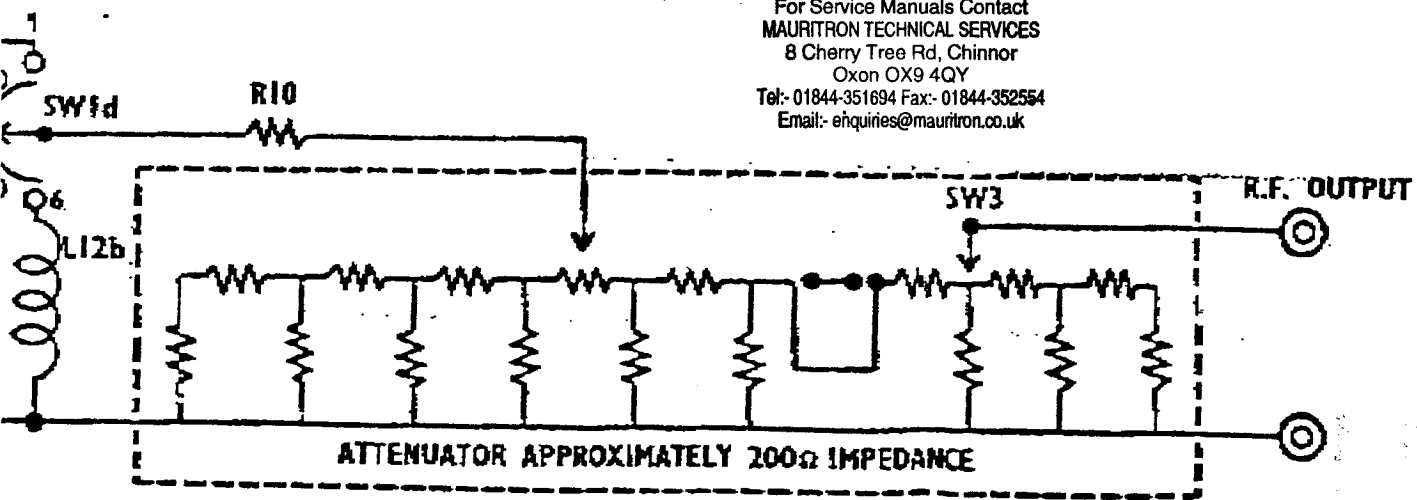
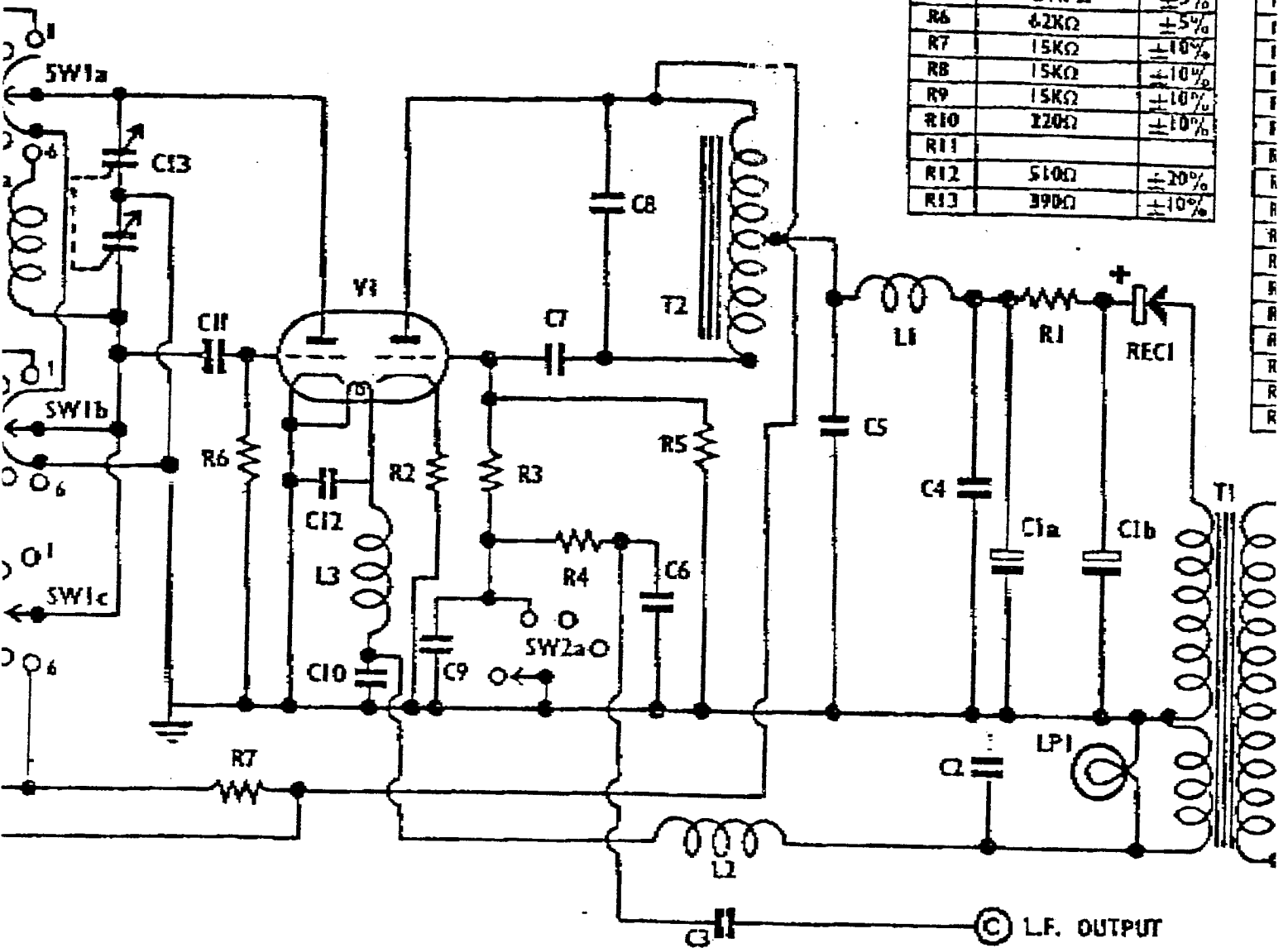


For Service Manuals Contact  
**MAURITRON TECHNICAL SERVICES**  
 8 Cherry Tree Rd, Chinnor  
 Oxon OX9 4QY  
 Tel: 01844-351694 Fax: 01844-352554  
 Email: enquiries@mauritron.co.uk



**CIRCUIT**  
**THE "AVO" SIGNAL**

REF.	VALUE	TOL
R1	8500Ω	±5%
R2	750Ω	±5%
R3	750Ω	±5%
R4	510K Ω	±20%
R5	24K Ω	±5%
R6	6.2KΩ	±5%
R7	15KΩ	±10%
R8	15KΩ	±10%
R9	15KΩ	±10%
R10	220Ω	±10%
R11		
R12	510Ω	±20%
R13	390Ω	±10%



For Service Manuals Contact  
**MAURITRON TECHNICAL SERVICES**  
 8 Cherry Tree Rd, Chinnor  
 Oxon OX9 4QY  
 Tel: 01844-351694 Fax: 01844-352554  
 Email: ehquiries@mauritron.co.uk

**CIRCUIT DIAGRAM**  
**THE "AVO" SIGNAL GENERATOR - TYPE**

REF.	VALUE	TOL.
R1	1500Ω	±5%
R2	750Ω	±5%
R3	750Ω	±5%
R4	510KΩ	±20%
R5	24KΩ	±5%
R6	62KΩ	±5%
R7	15KΩ	±10%
R8	15KΩ	±10%
R9	15KΩ	±10%
R10	120Ω	±10%
R11		
R12	510Ω	±20%
R13	390Ω	±10%

REF.	VALUE	TOL.
R14	390Ω	±10%
R15		
R16		
R17		
R18		
R19		
R20		
R21		
R22		
R23		
R24		
R25		
R26		
R27		
R28		
R29		
R30		
R31		
R32		
R33		
R34		

REF.	VALUE	TOL.
R35		
V1	12AT7	
T1	MAINS	
T2	MOD.	
REC1	RMOSTC	
LP1	6.5V 3A	MES
F1	1 AMP	
C1	16+16 μfd	
a b	350 VOLTS	
C2	.01 μfd	
C3	.01 μfd	
C4	.01 μfd	
C5	1500 pfd	
C6	.01 μfd	
C7	.02 μfd	
C8	.02 μfd	
C9	1500 pfd	
C10	1500 pfd	
C11	35 pfd	±2%
C12	3000 pfd	
C13	350 pfd	
C14	200 pfd	±20%
C15	400 pfd	±5%
C16		
C17		
C18		
C19		
C20		
SW1	abcd	
SW2	ab	
SW3		
L1		
L2		
L3		
L4		
L5		
L6		
L7	a-b	
L8	a-b	
L9	a-b	
L10	a-b	
L11	a-b	
L12	a-b	

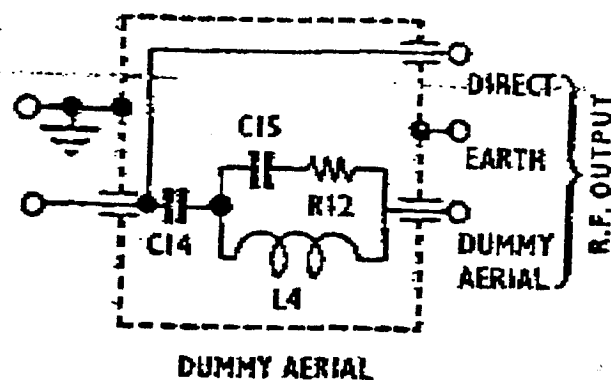
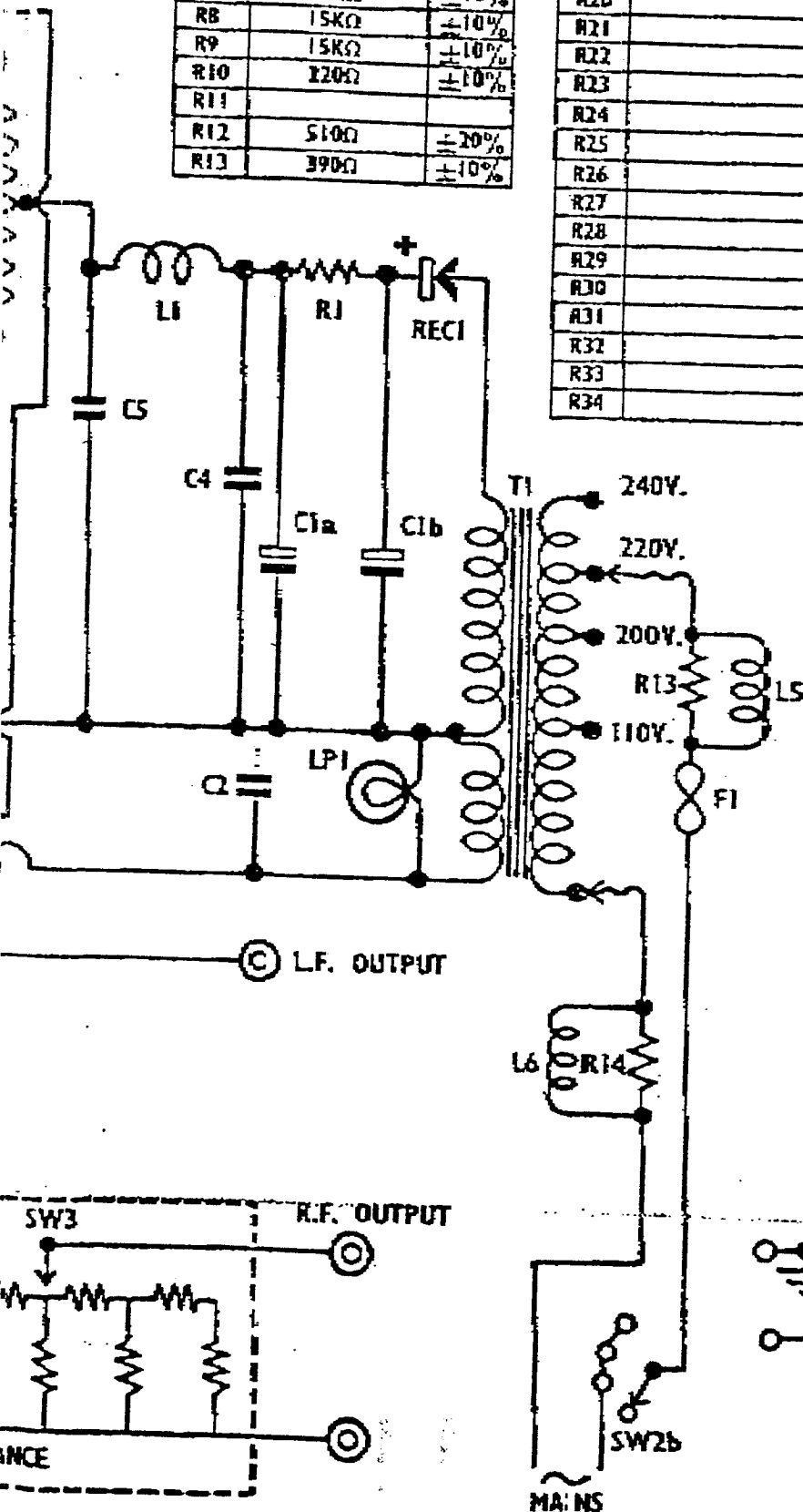


DIAGRAM  
GENERATOR - TYPE III

For Service Manuals Contact  
MAURITRON TECHNICAL SERVICES  
8 Cherry Tree Rd, Chinnor  
Oxon OX9 4QY  
Tel: 01844-351694 Fax: 01844-352554  
Email: enquiries@maurtron.co.uk