

07132

CALIBRATION
and
SERVICING
HANDBOOK

Volume 2

1281

selfcal digital multimeter



SECTION 11 1281 Servicing Diagrams and Parts Lists

Contents

N.B. The parts list for an assembly appears immediately after its assembly's diagrams.

Mechanical Details

Finished Assembly	11.1-1
Finished Assembly and Interconnection Diagram	11.1-2
Instrument Assembly	11.1-3
Chassis Assembly	11.1-4,5
Bezel and Terminal Mechanical Assemblies	11.1-6
Top and Bottom Covers	11.1-7
Mains Transformer and Low Voltage Transformer	11.1-8
Terminal Assembly	11.1-9

D.C. Assembly

Input Signal Switching	11.2-1
DC Switching, Protection and Ranging	11.2-2
DC Preamplifier	11.2-3
References and Signal Switching	11.2-4
Analog to Digital Converter	11.2-5
Selfcal Multiplier	11.2-6
Opto Isolators and Relay Update	11.2-7
Control and Relay Drive	11.2-8
In - Guard Power Supplies	11.2-9
Read Rate and Clock boards	11.2-10

Display Assembly

Display Driver	11.3-1
----------------------	--------

Digital Assembly

Expanded Layout Drawing	11.4-1
Processor, Address Decoding and Memory	11.4-2
ASIC and I/O	11.4-3
Keyboard/Display Interface and Power Fail Detector	11.4-4
IEEE Interface and Serial Interface	11.4-5
Power Supplies	11.4-6

A.C. Assembly

Preamplifier	11.5-1
Precision Rectifier and Logarithmic Amplifier	11.5-2
R.M.S Converter	11.5-3
Control Logic	11.5-4

Ohms Assembly

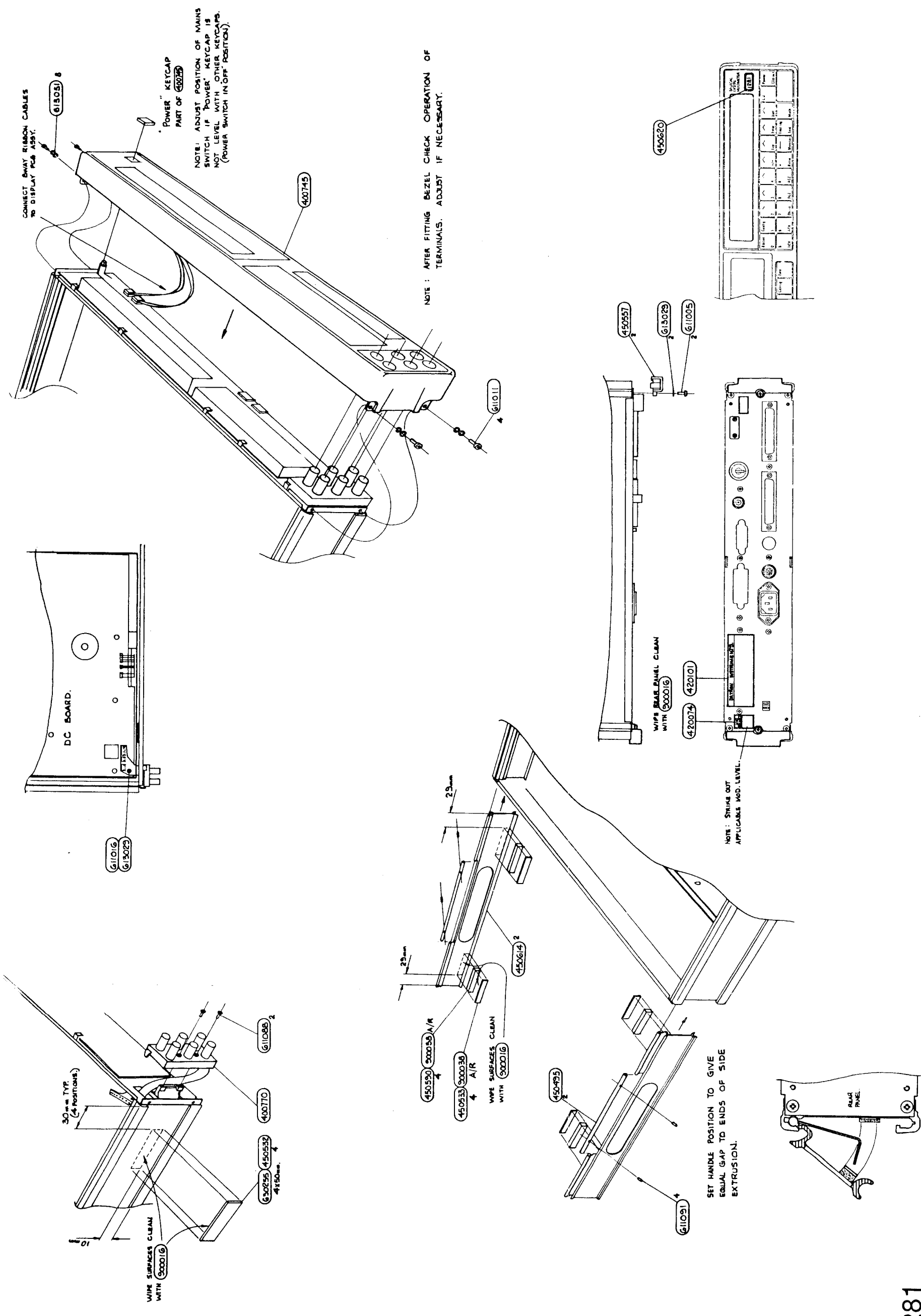
Low Follower	11.6-1
Constant Current Sink	11.6-2
Control Logic	11.6-3

Current Assembly

Current to Voltage Converter	11.7-1
Control Logic	11.7-2

Keyboard Switch Assembly

Front Panel Switch Matrix	11.8-1
---------------------------------	--------



1281



© Datron Instruments 1989

FINISHED ASSEMBLY

Drawing No. 480734 Sheet 1

AC OPTION FITTING : REMOVE GU SCREEN.
 FIT BOARD TO CHASSIS WITH 613029 + 611016.
 FIT 4 OFF 612046 THEN REFIT GU SCREEN
 WITH 611007 - 8 OFF.

611016 4
 613029 4

FIT REQUIRED OPTION BOARDS IN POSITIONS
 SHOWN, SECURE TO CENTRE SHIELD USING
 NYLATCH PRESS FASTENERS (J2 & I)
 (AC BOARD FIXED BY SCREWS).

400741

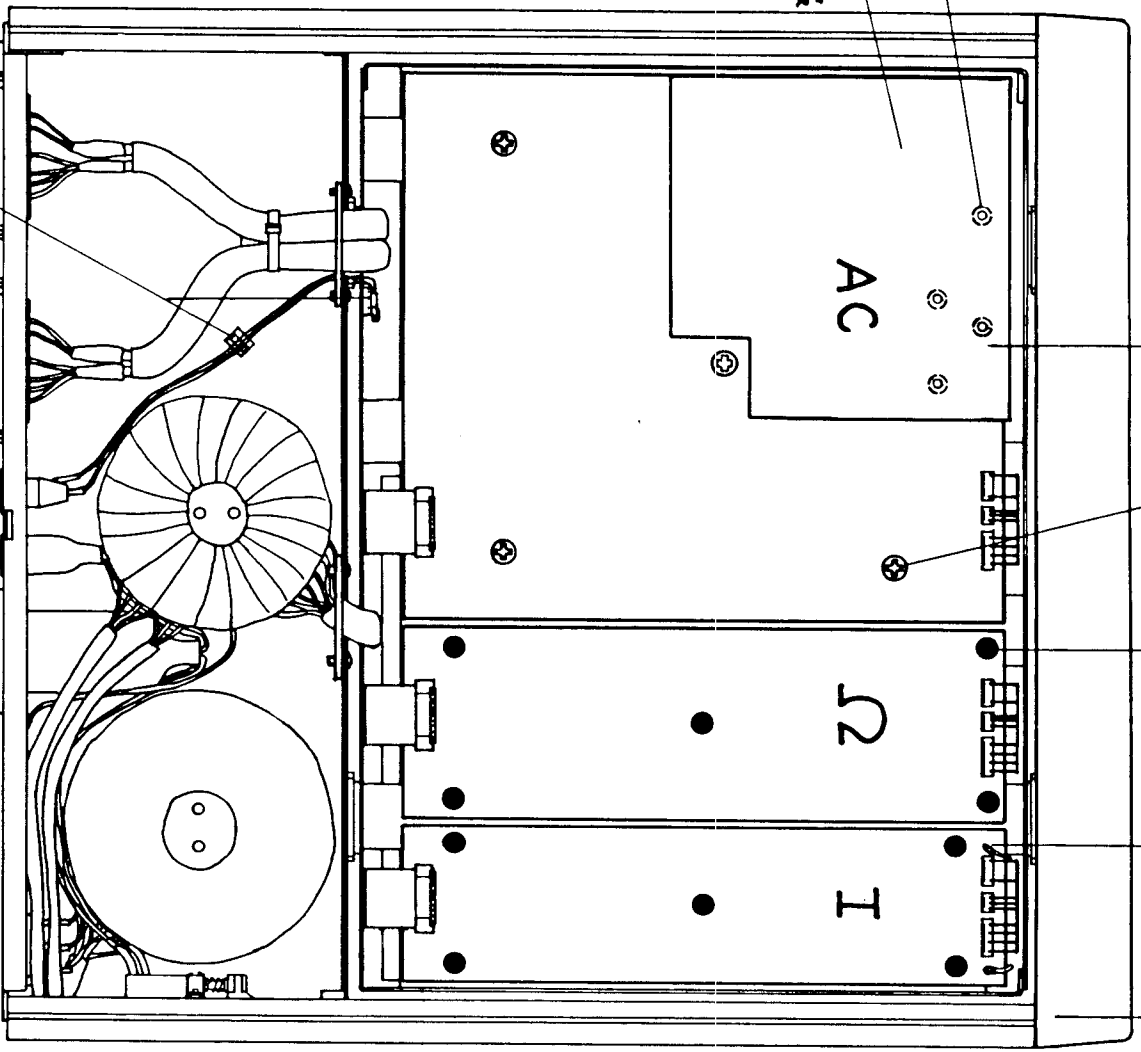
400742

400743

400736

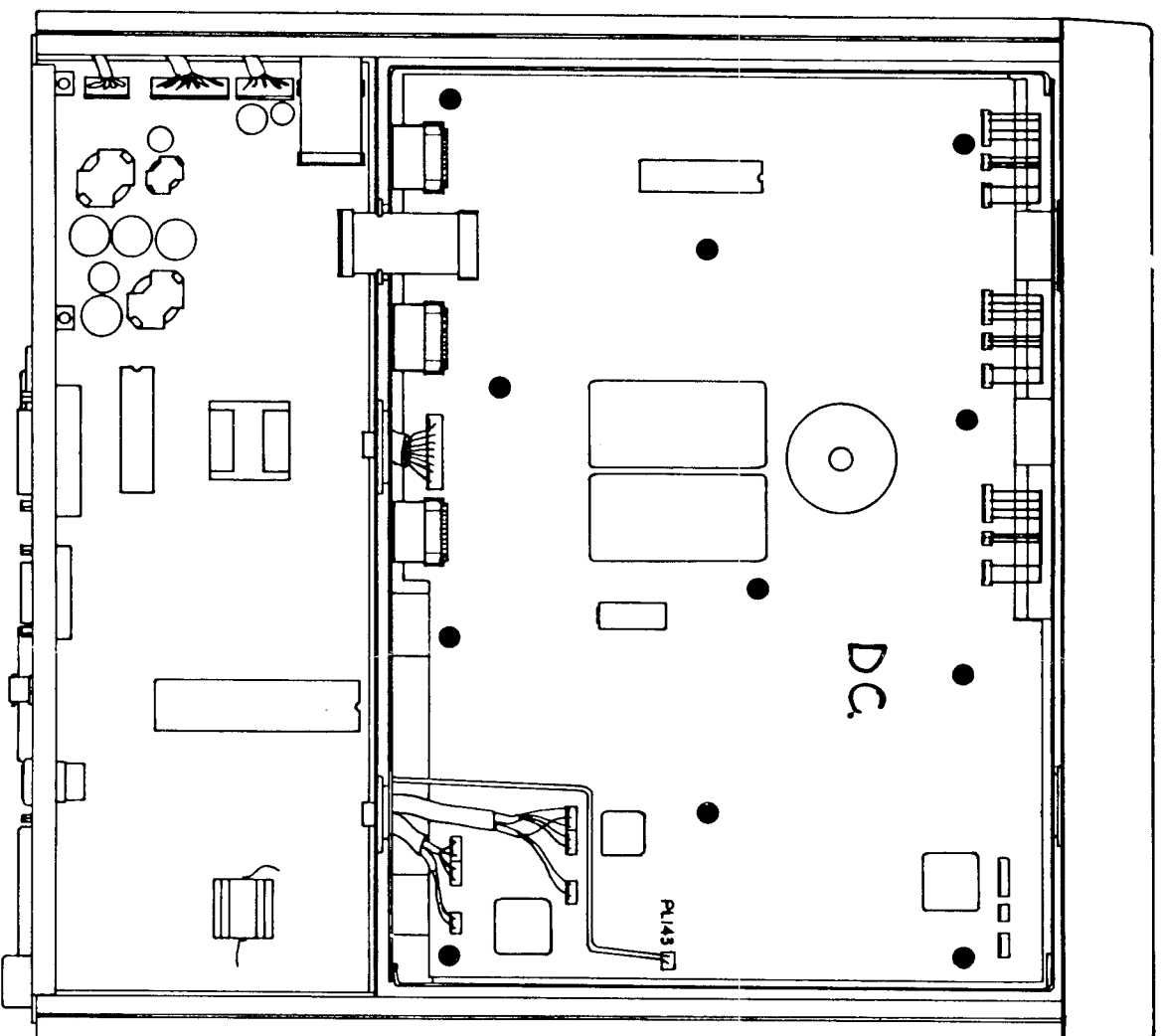
612046 4
 611007

NOTE : DO
 NOT USE
 BOARD FIXING
 IN THIS CORNER

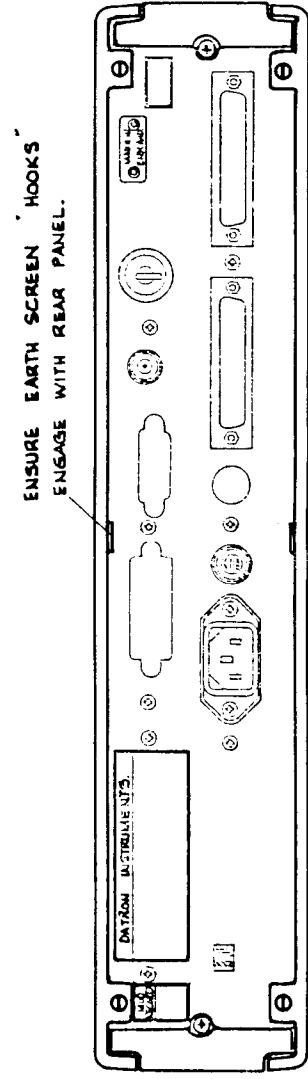
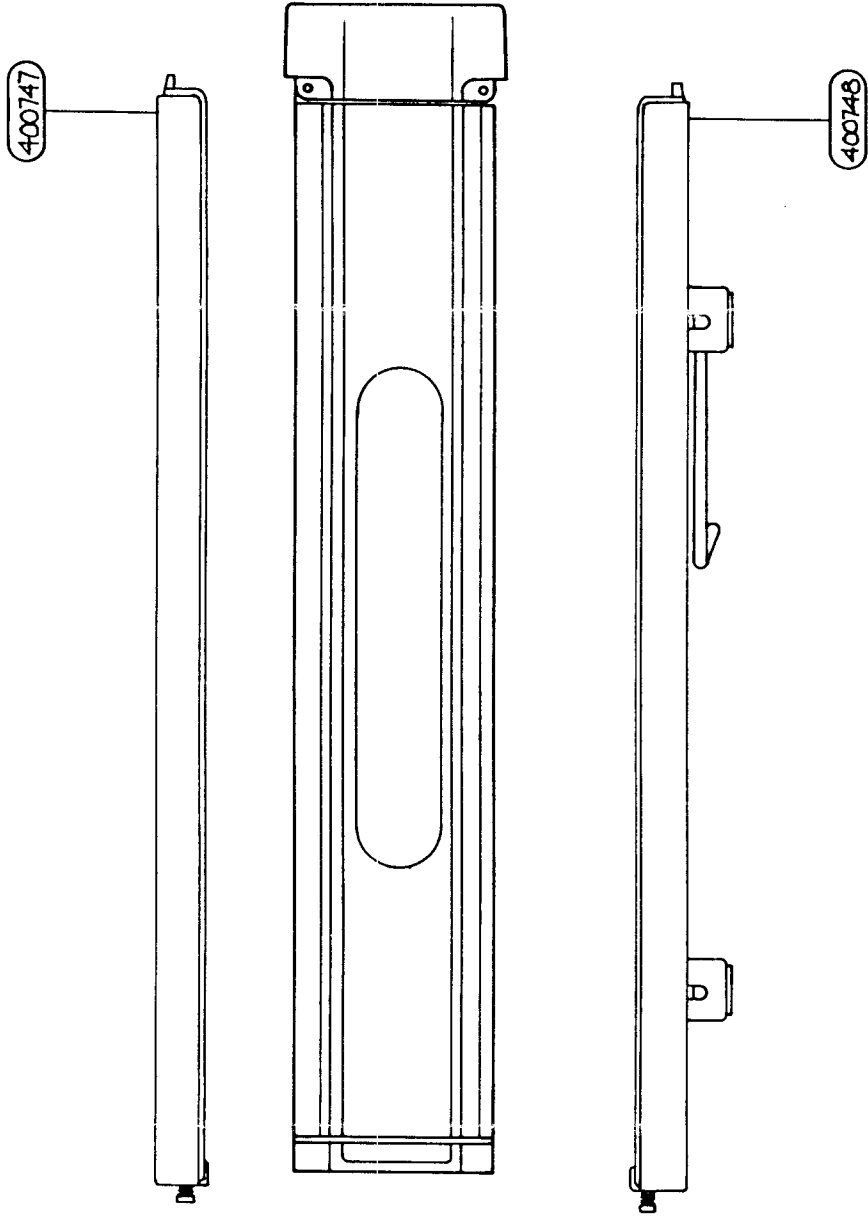


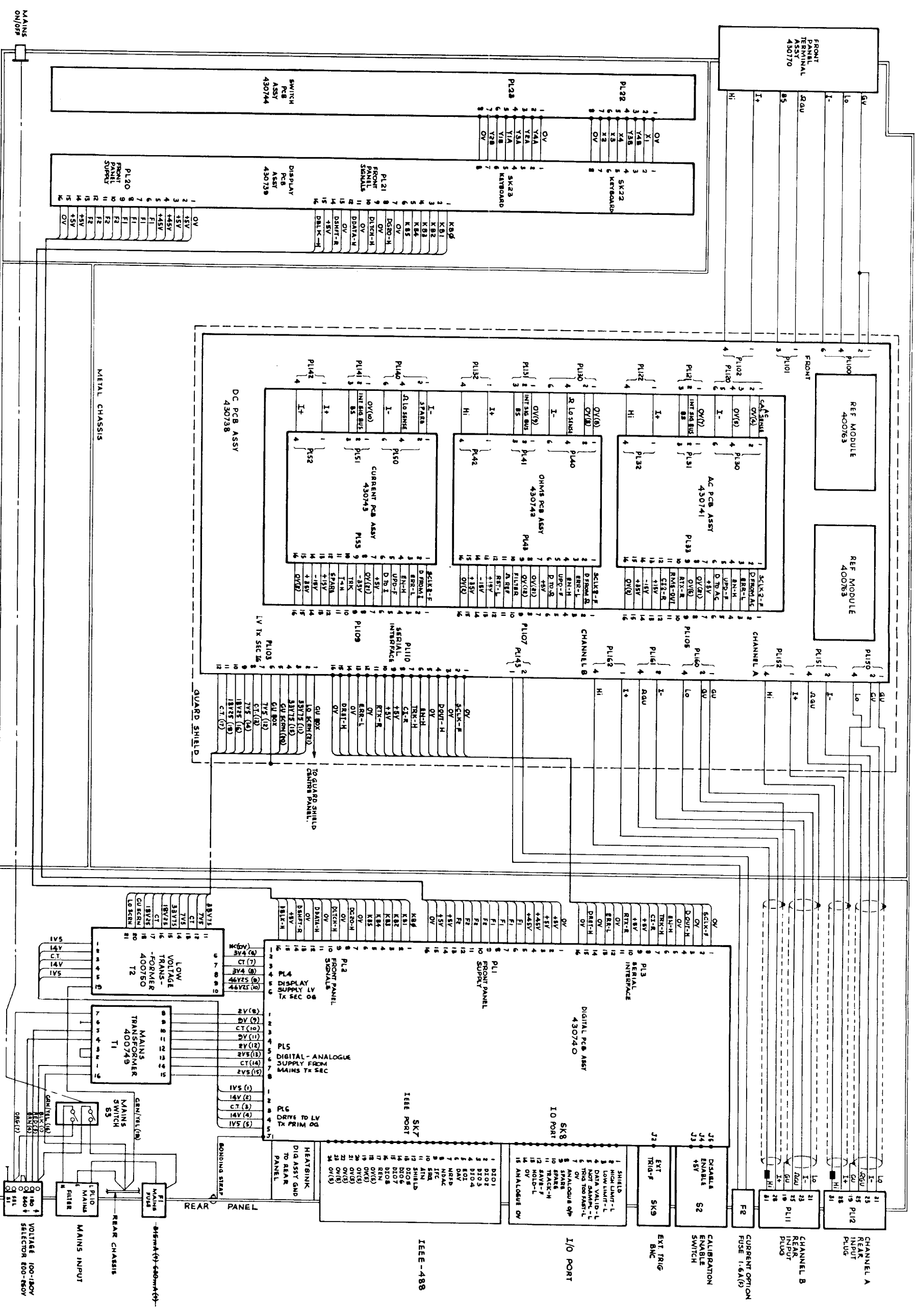
BOTTOM VIEW

CURRENT OPTION : REMOVE HOLE BLANKING PLUG
 & FIT FUSE ASSEMBLY AS SHOWN USE 4 OFF
 ADHESIVE CABLE CLIPS TO SECURE WIRES.
 PLUG ONTO PLS4.



TOP VIEW





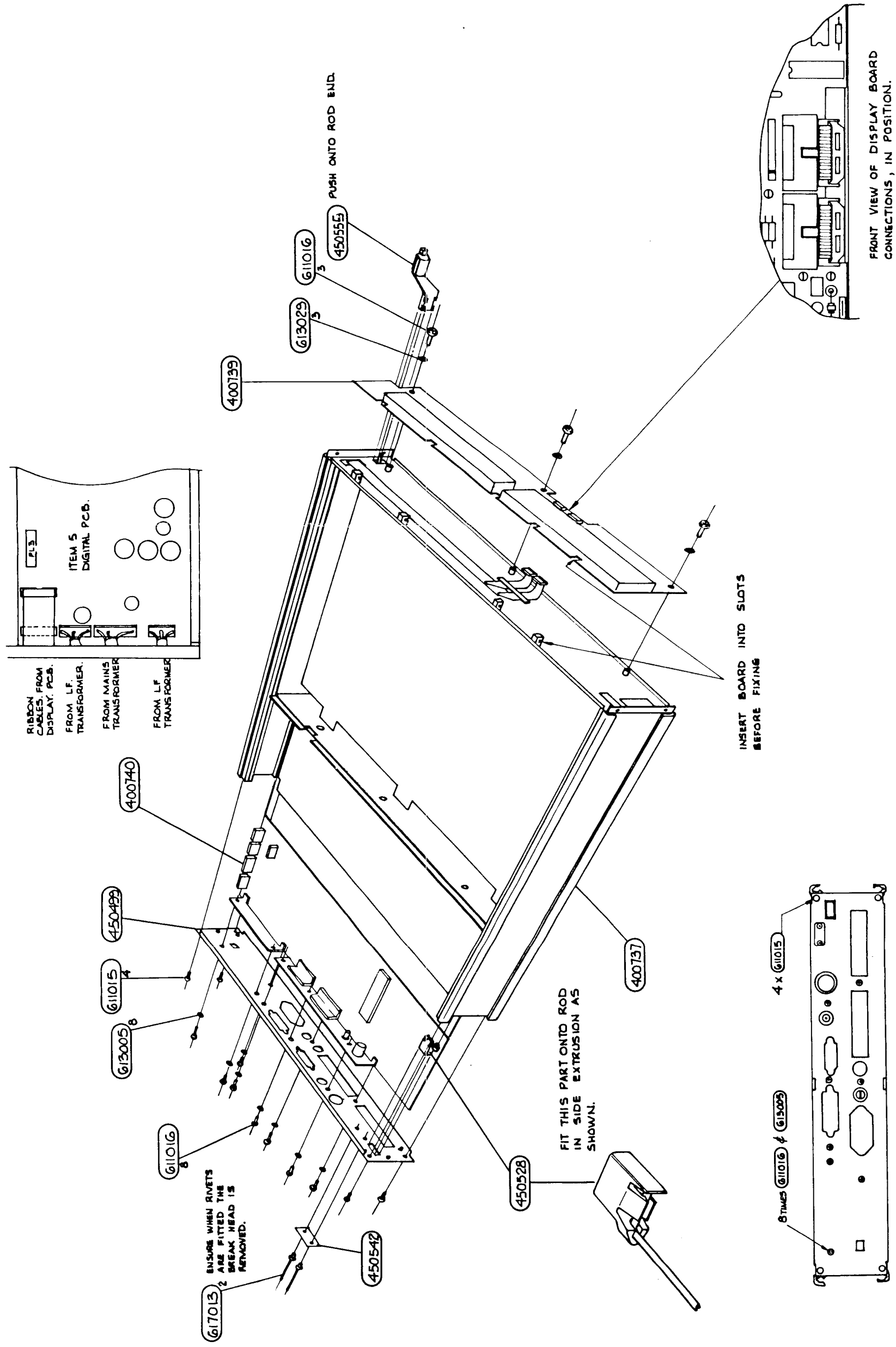
INTERCONNECTION DIAGRAM

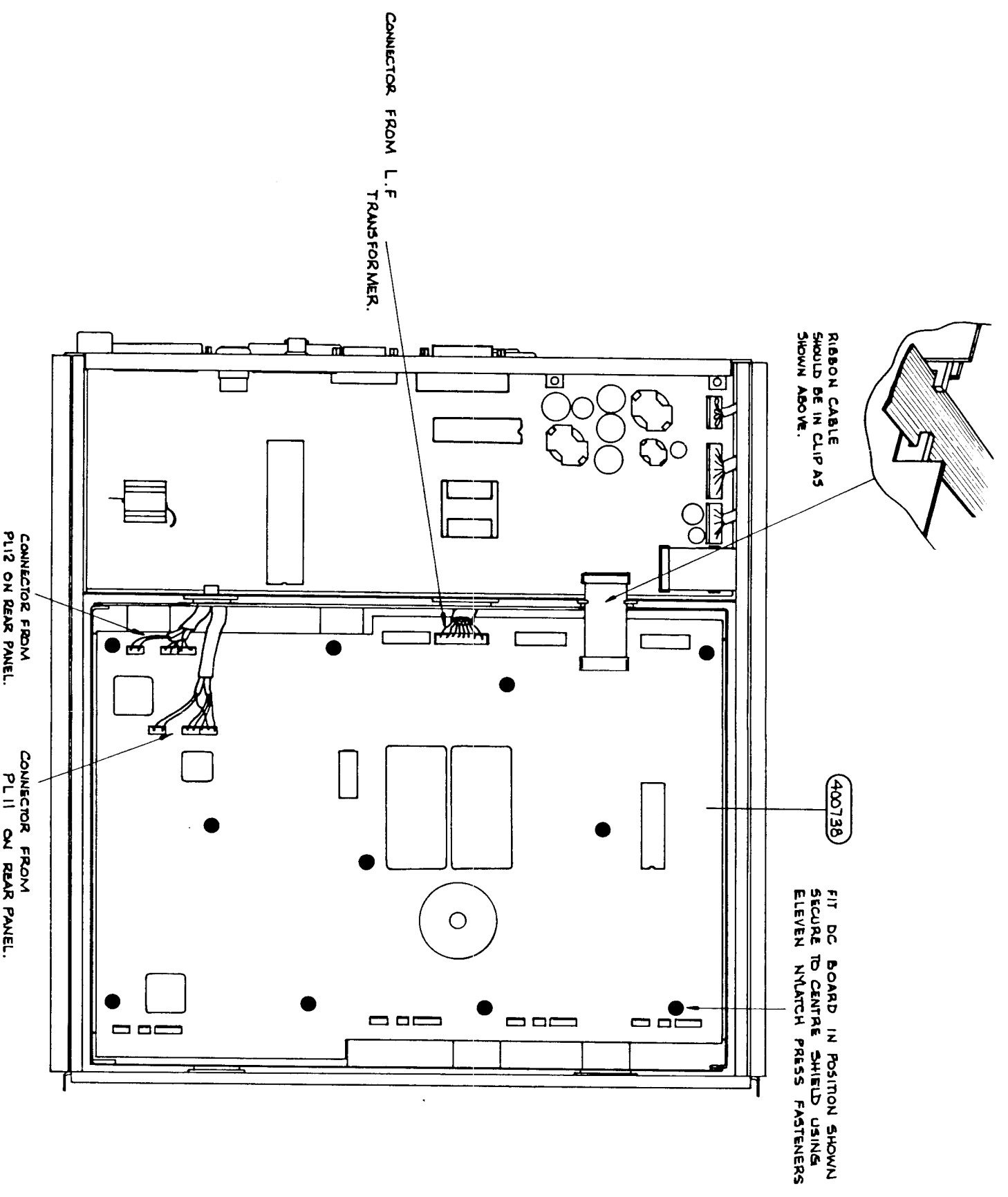
Drawing No. 430734 Sheet 1

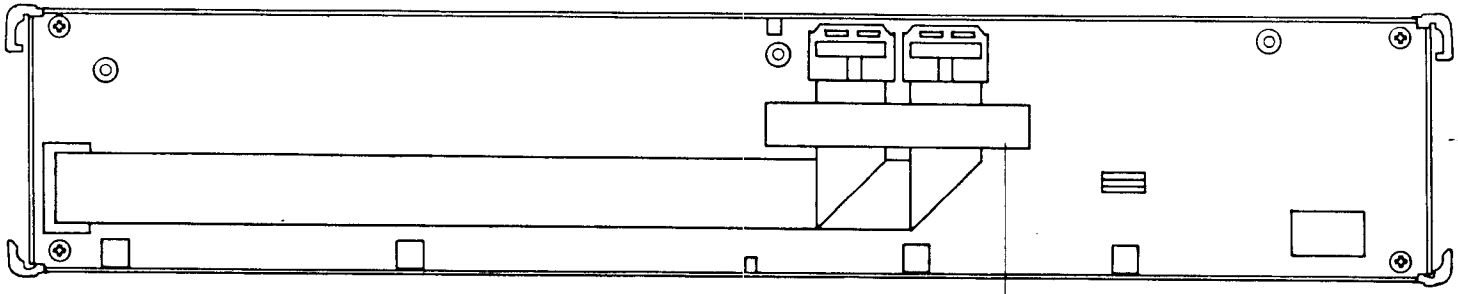
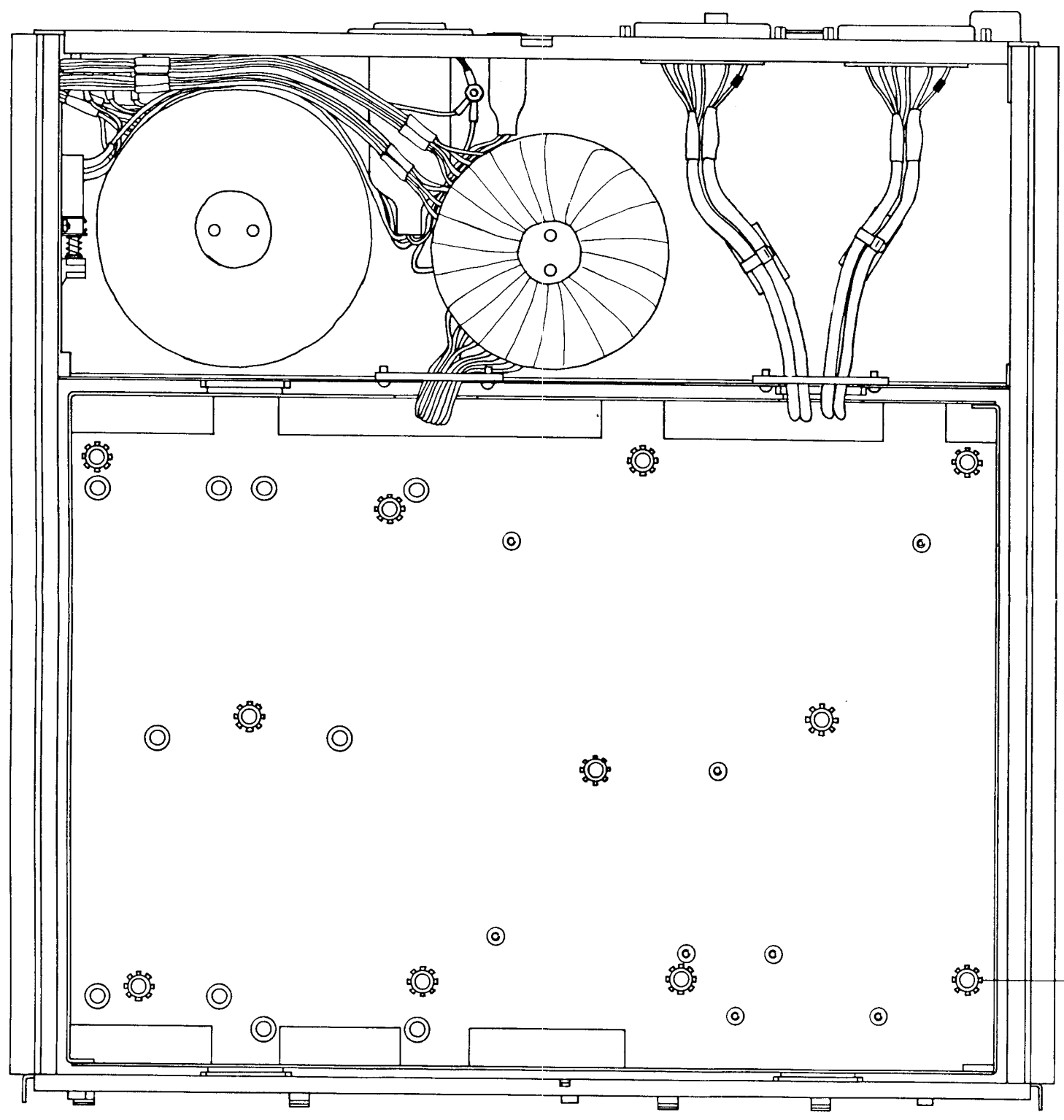
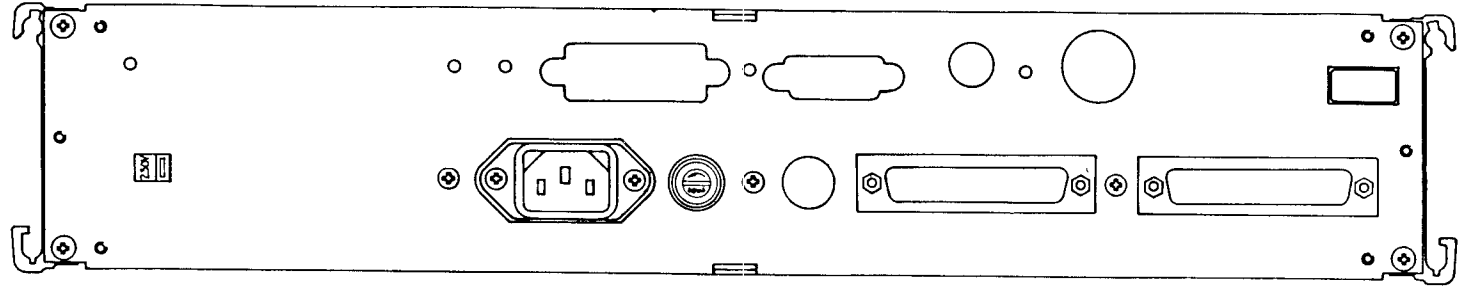


1281

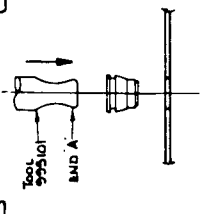
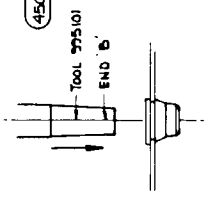
Datron Instruments 1989



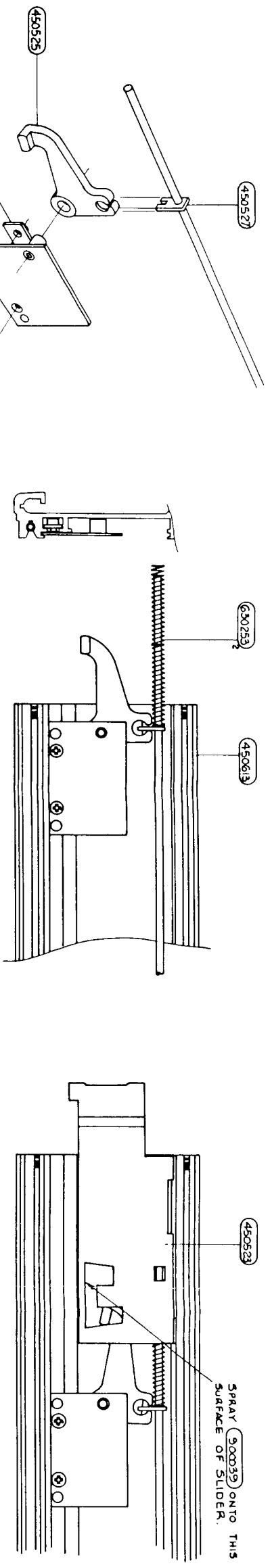




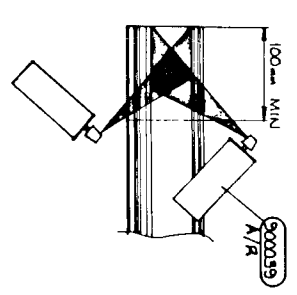
21
 (450580)
 FIT IT FROM THIS SIDE & IO
 FROM OPPOSITE SIDE. USE TOOLS
 AS SHOWN.



(430267)



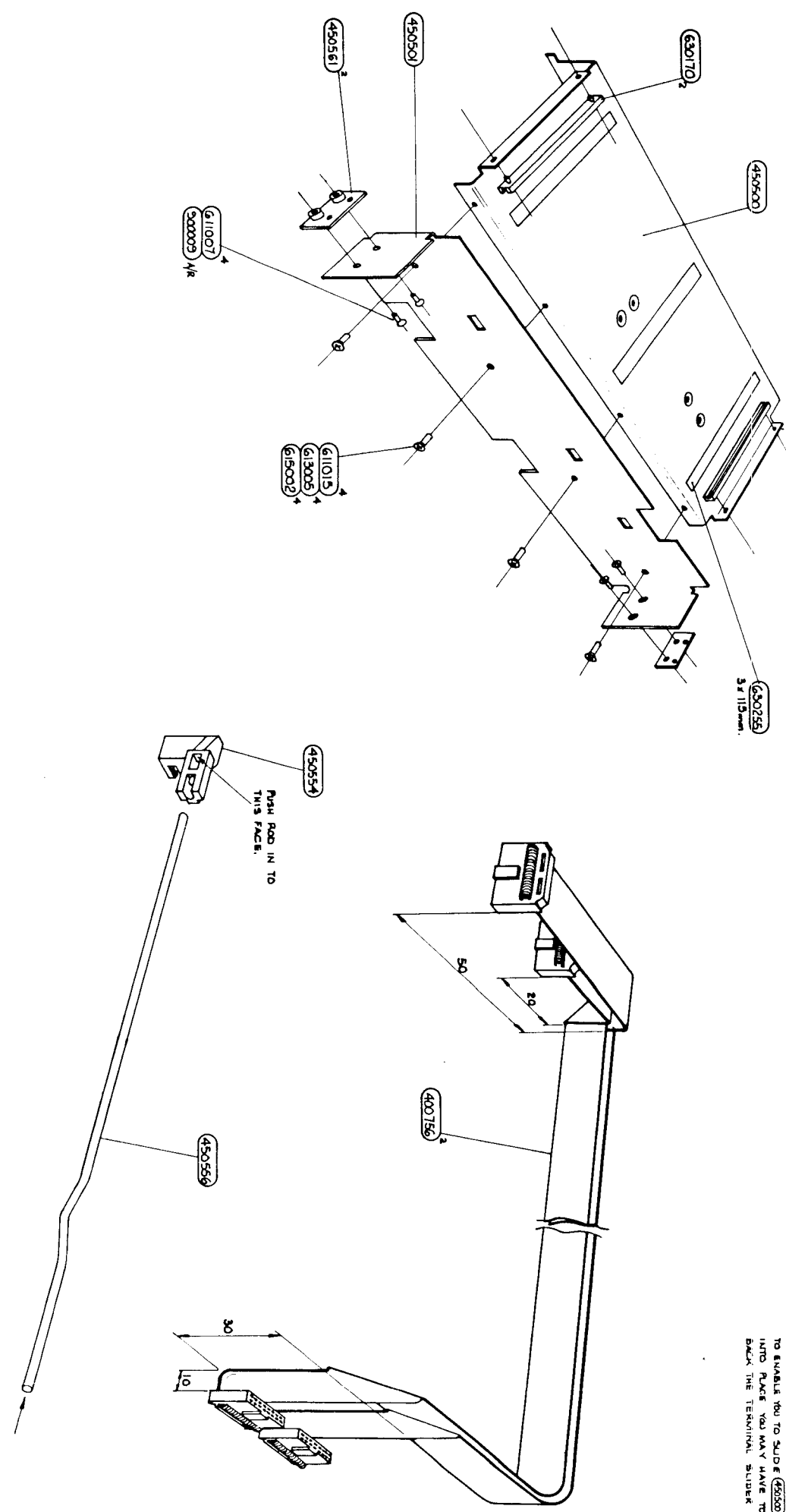
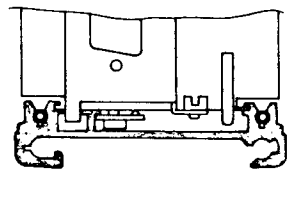
SPRAY 900039 INTO THESE AREAS AS SHOWN. ALLOW SOLVENT TO DRY & BUFF WITH SOFT CLOTH.

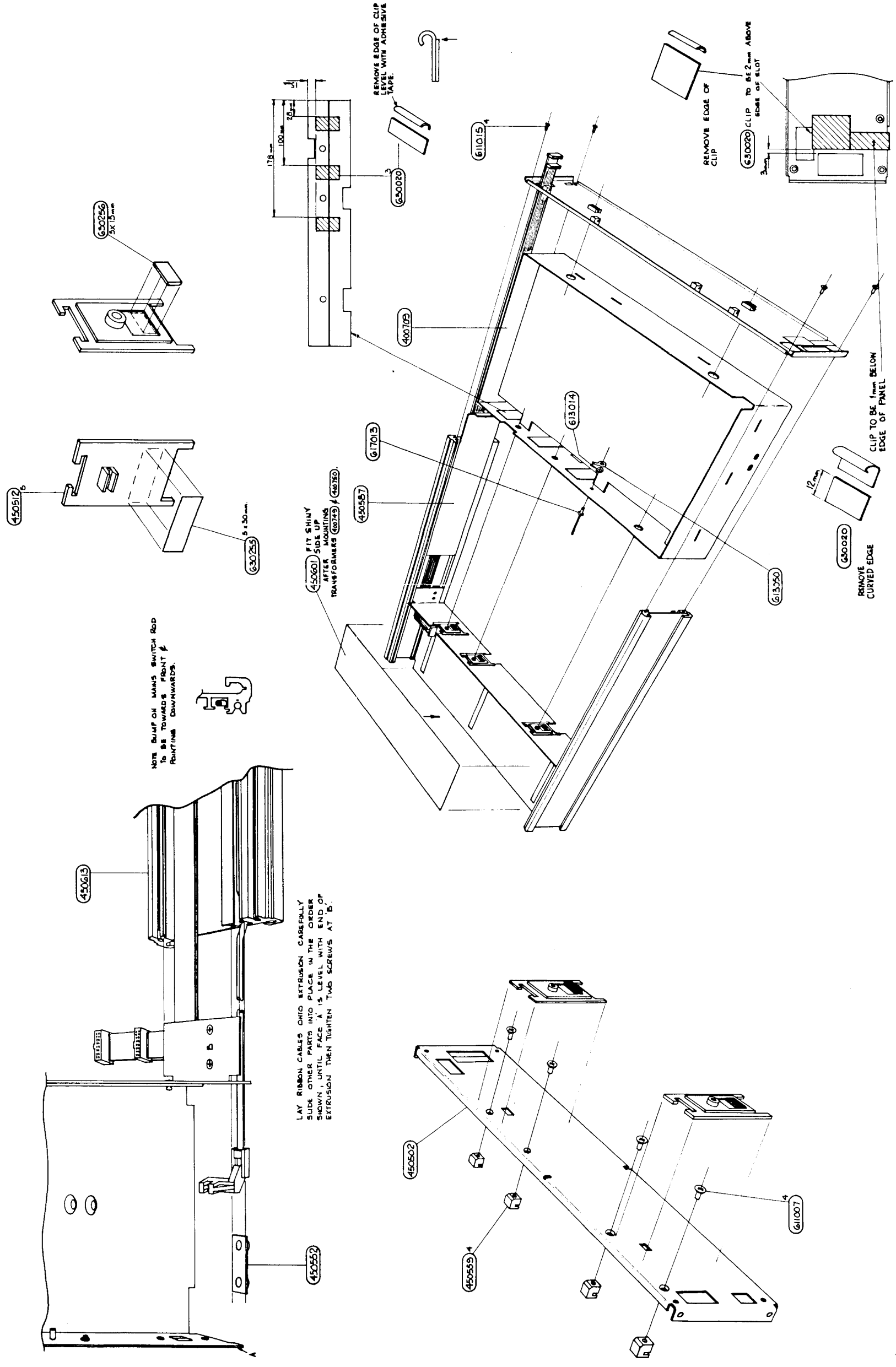


POSITION THE SLIDER LEVEL WITH THE END OF THE EXTRUSION & TIGHTEN THE TWO LOCKING SCREWS TO A TORQUE OF 4NM.

WITH THE REAR OF 450529 LEVEL WITH EXTRUSION TIGHTEN THE TWO LOCKING SCREWS TO A TORQUE OF 4NM.

TO ENABLE YOU TO SLIDE 450520 & 450523 INTO PLACE YOU MAY HAVE TO SLIDE BACK THE TERMINAL SLIDER ASSY ITEM D.

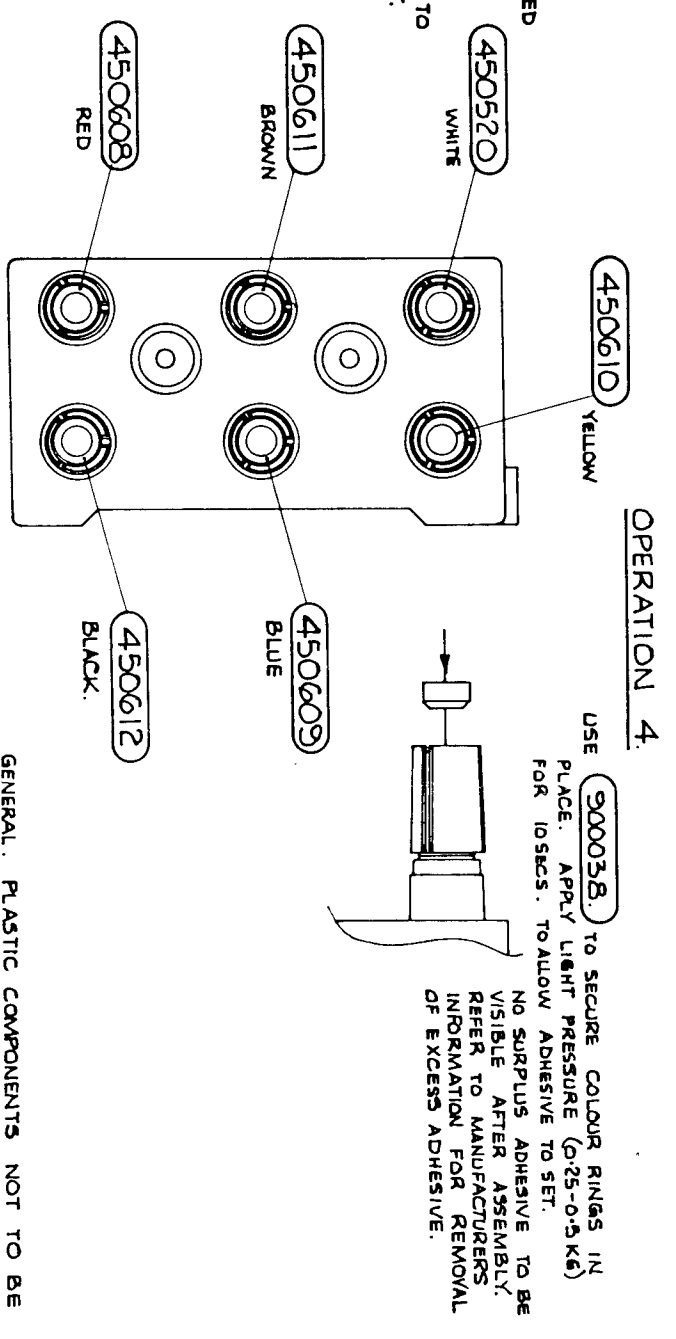
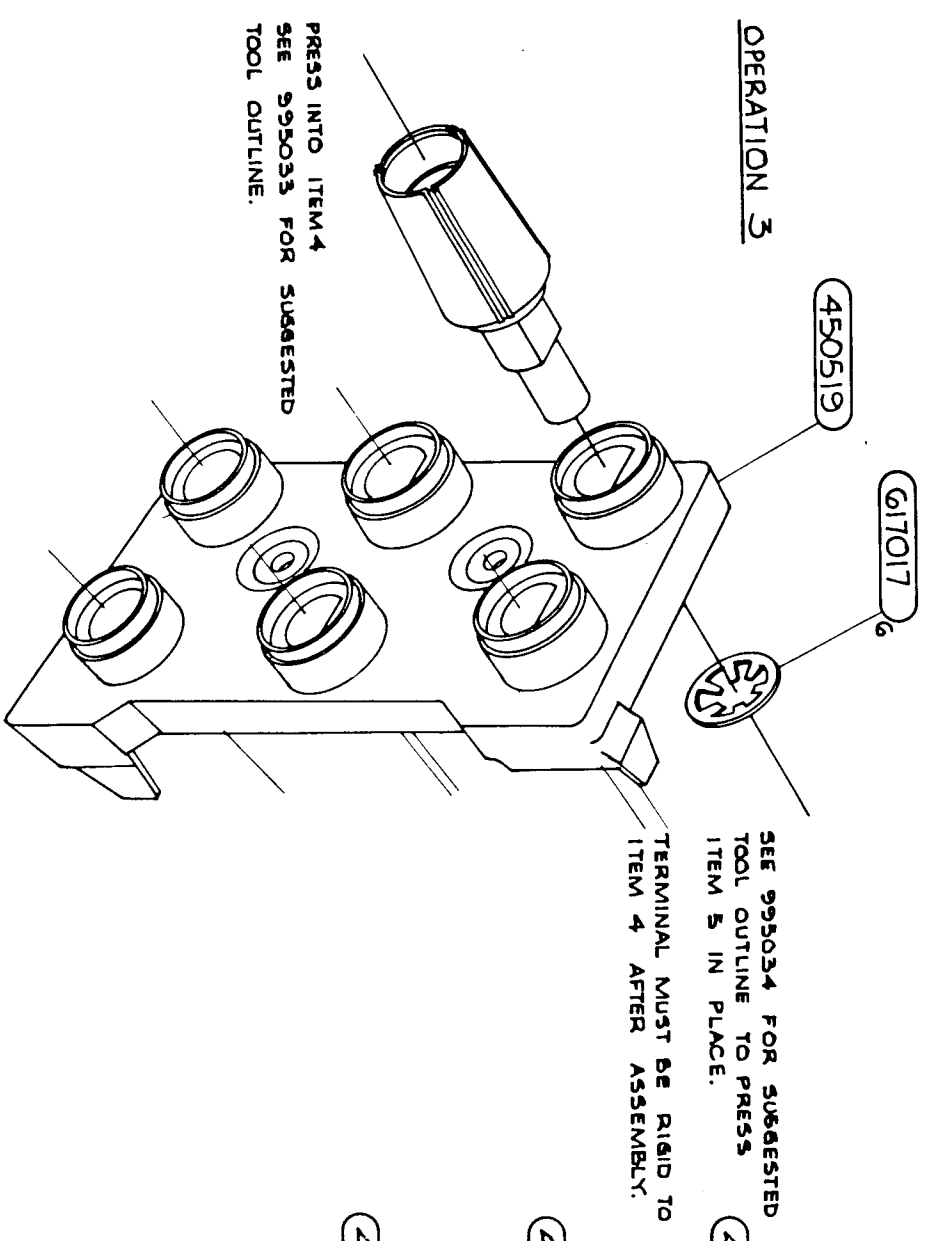
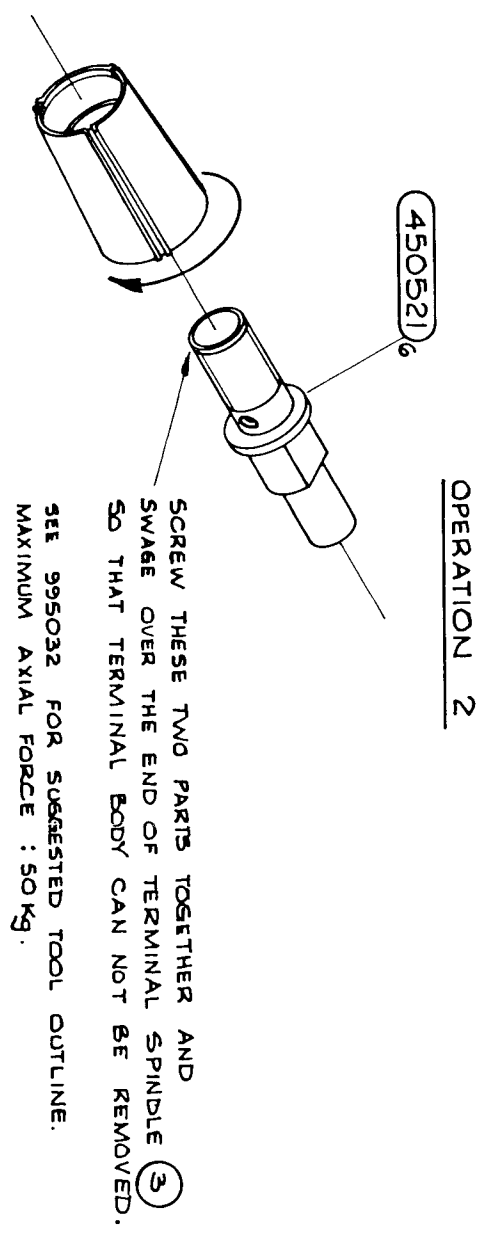
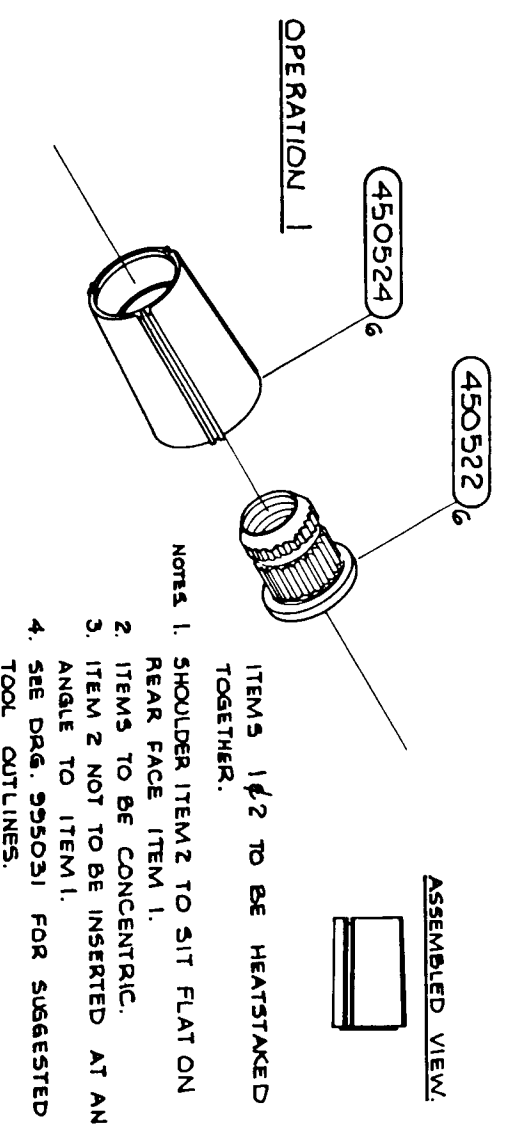




1281



© Datron Instruments 1989



GENERAL. PLASTIC COMPONENTS NOT TO BE DAMAGED BY ASSEMBLY PROCESS. USE OF SUGGESTED TOOLS IS RECOMMENDED.
ALL TERMINALS TO BE PERPENDICULAR TO BASE AND RUN TRUE ON THREADS.

A SMALL AMOUNT OF **900038** ON EACH PRESS INTO PLACE SO THAT SCREENS ARE HELD TIGHT.

900038 AIR
61016 3

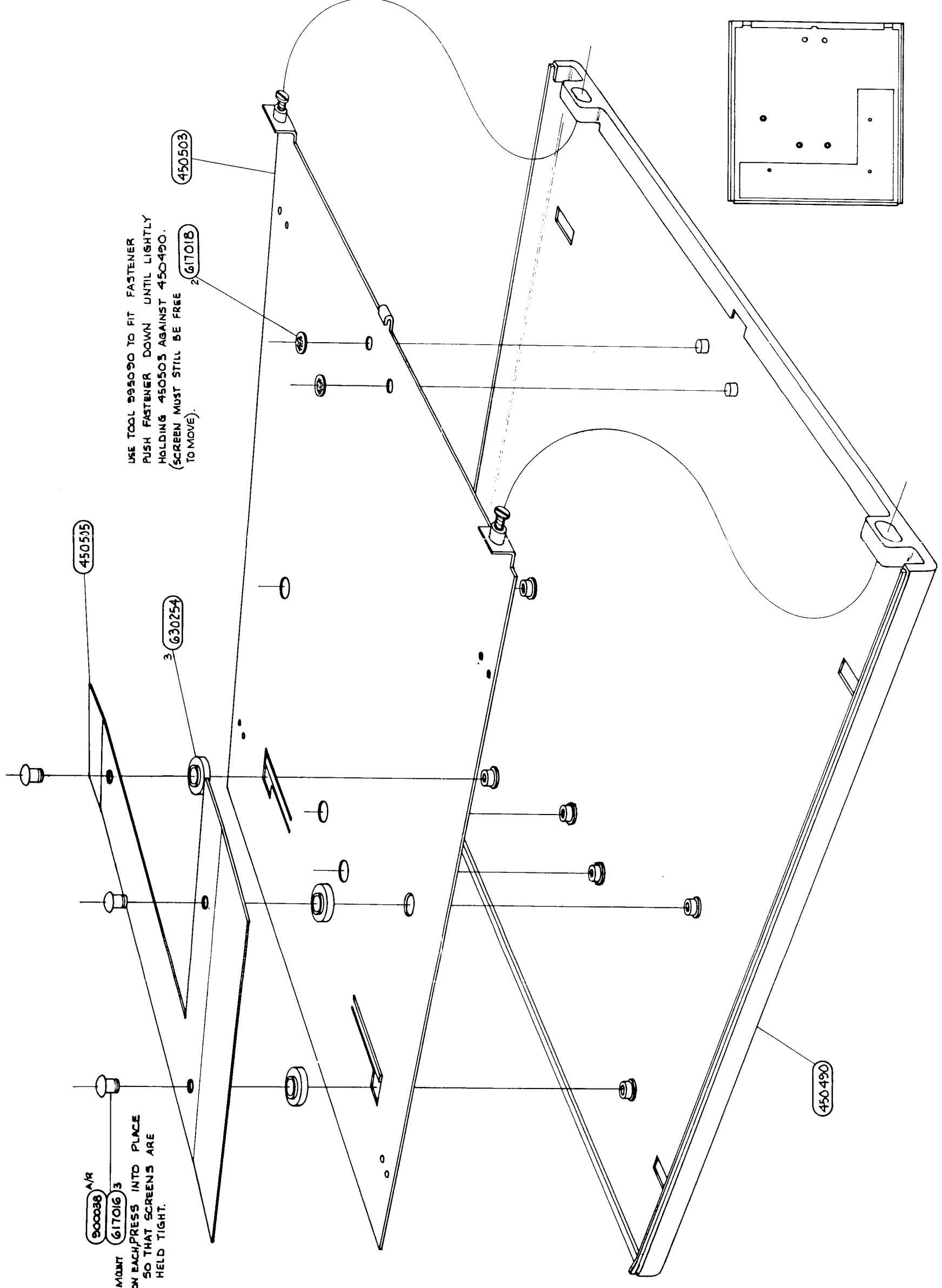
USE TOOL **995090** TO FIT FASTENER. PUSH FASTENER DOWN UNTIL LIGHTLY HOLDING **450503** AGAINST **450490**. (**SCREEN MUST STILL BE FREE TO MOVE**).

630254 3

450503

61018 2

450490



1281

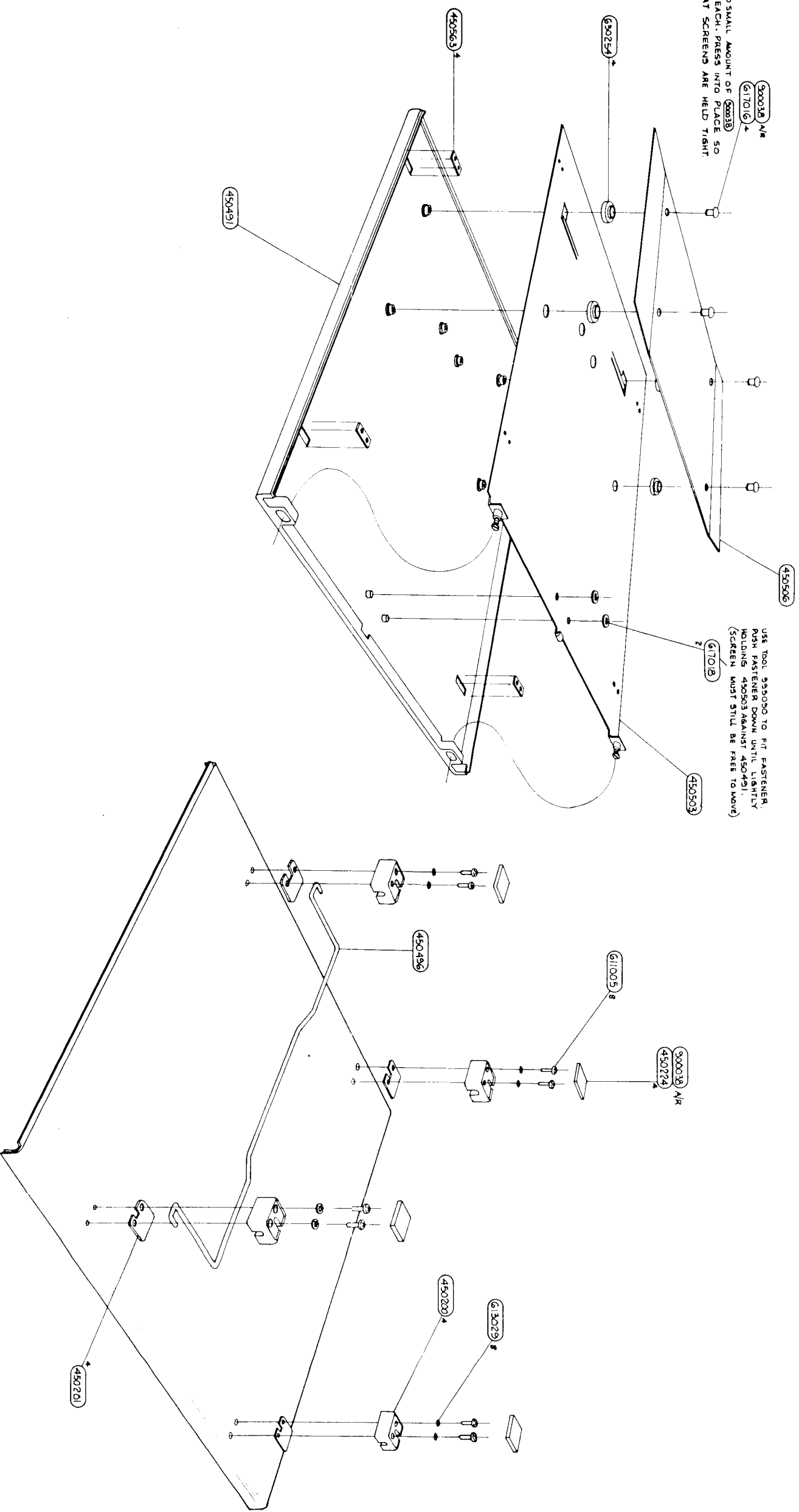


© Datron Instruments 1989

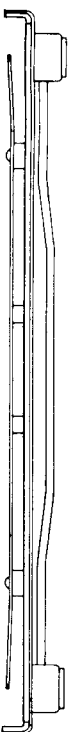
TOP COVER ASSEMBLY
Drawing No. 480747 Sheet 1

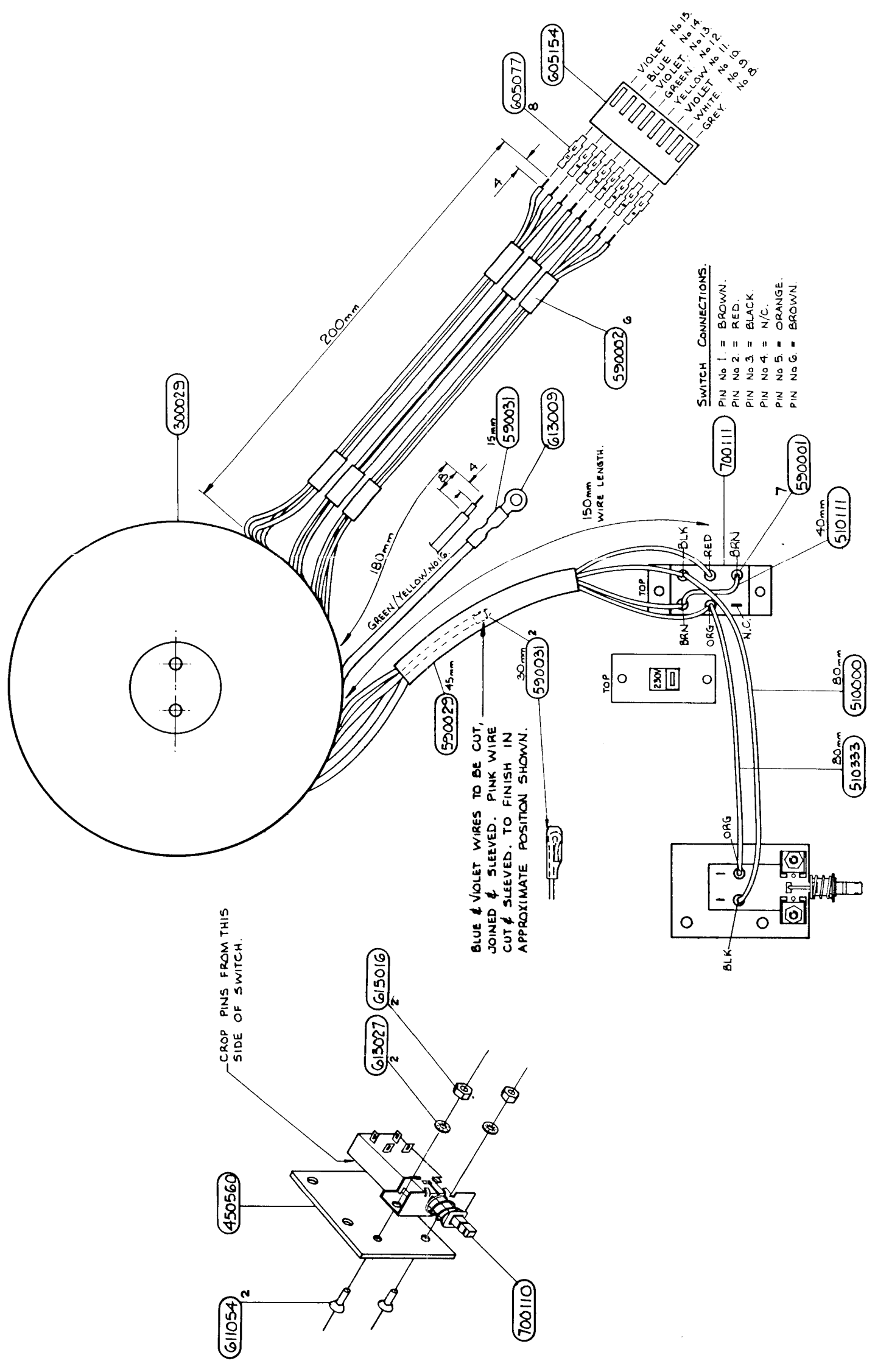
300038 AIR
 617016 4
 ADD SMALL AMOUNT OF 300038 TO EACH. PRESS INTO PLACE SO THAT SCREENS ARE HELD TIGHT

450506
 617018 2
 USE TOOL 229020 TO FIT FASTENER P/W FASTENER DOWN UNTIL LIGHTLY HOLDING. 450503 AGAINST 450491 (SCREEN MUST STILL BE FREE TO MOVE)

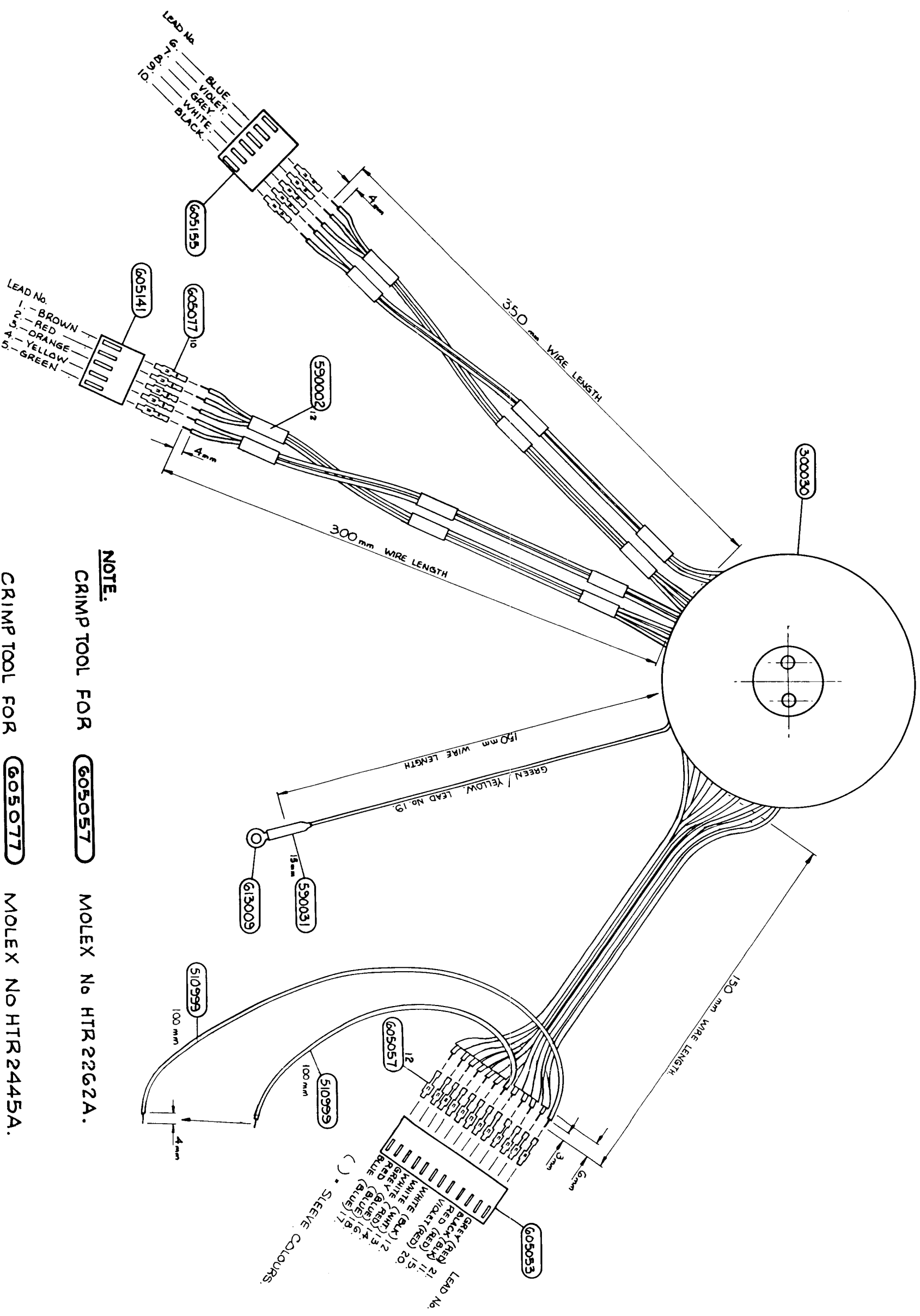


VIEW FROM FRONT OF COVER.
 NOTE DIRECTION OF BIRD OF 450506 GUARD SCREEN
 AND 450496 TILT STAND.

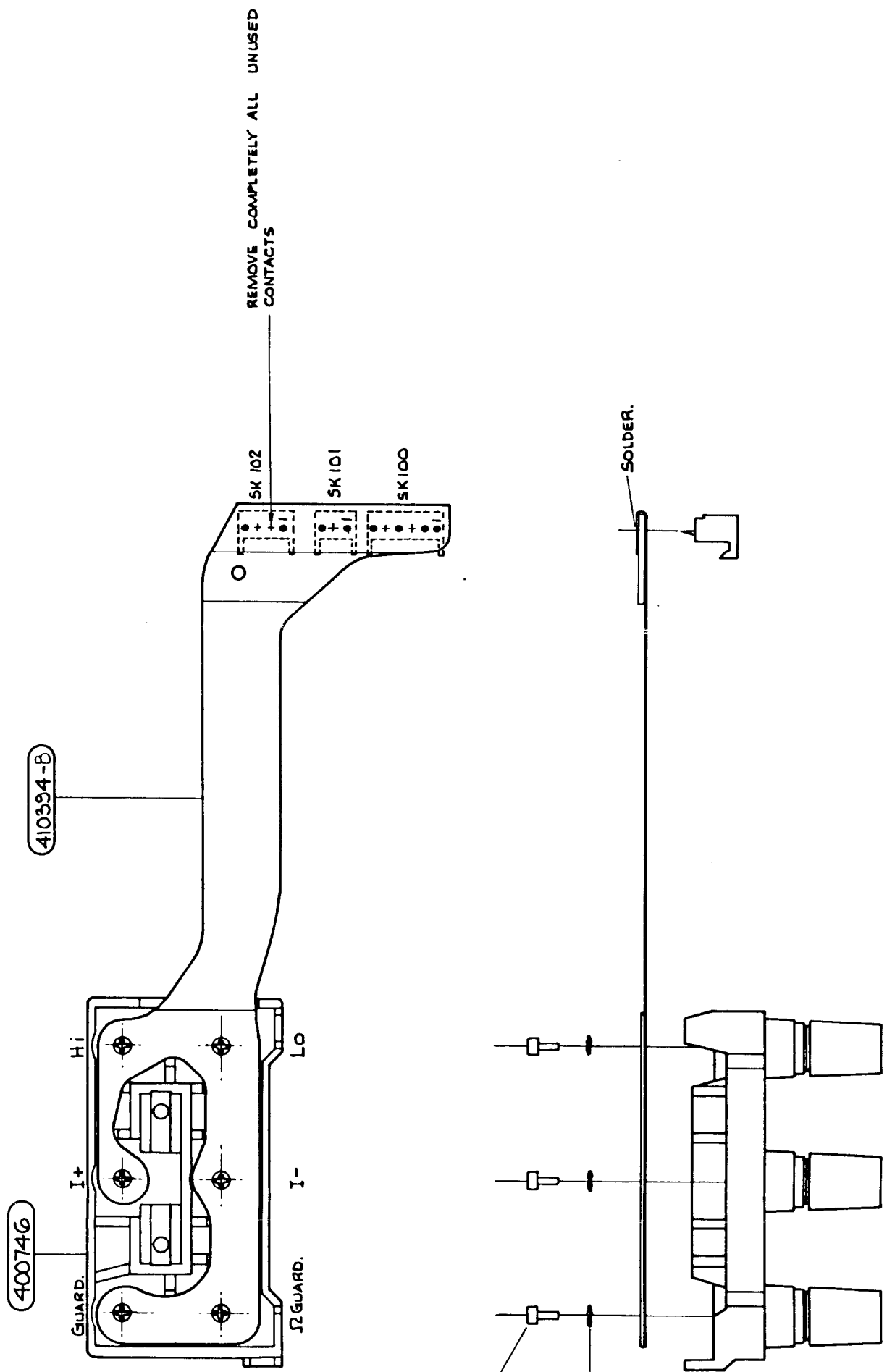




CRIMP TOOL FOR **605077** MOLEX HTR 2445A



NOTE:
 CRIMP TOOL FOR **605057** MOLEX No HTR 2262A.
 CRIMP TOOL FOR **605077** MOLEX No HTR 2445A.



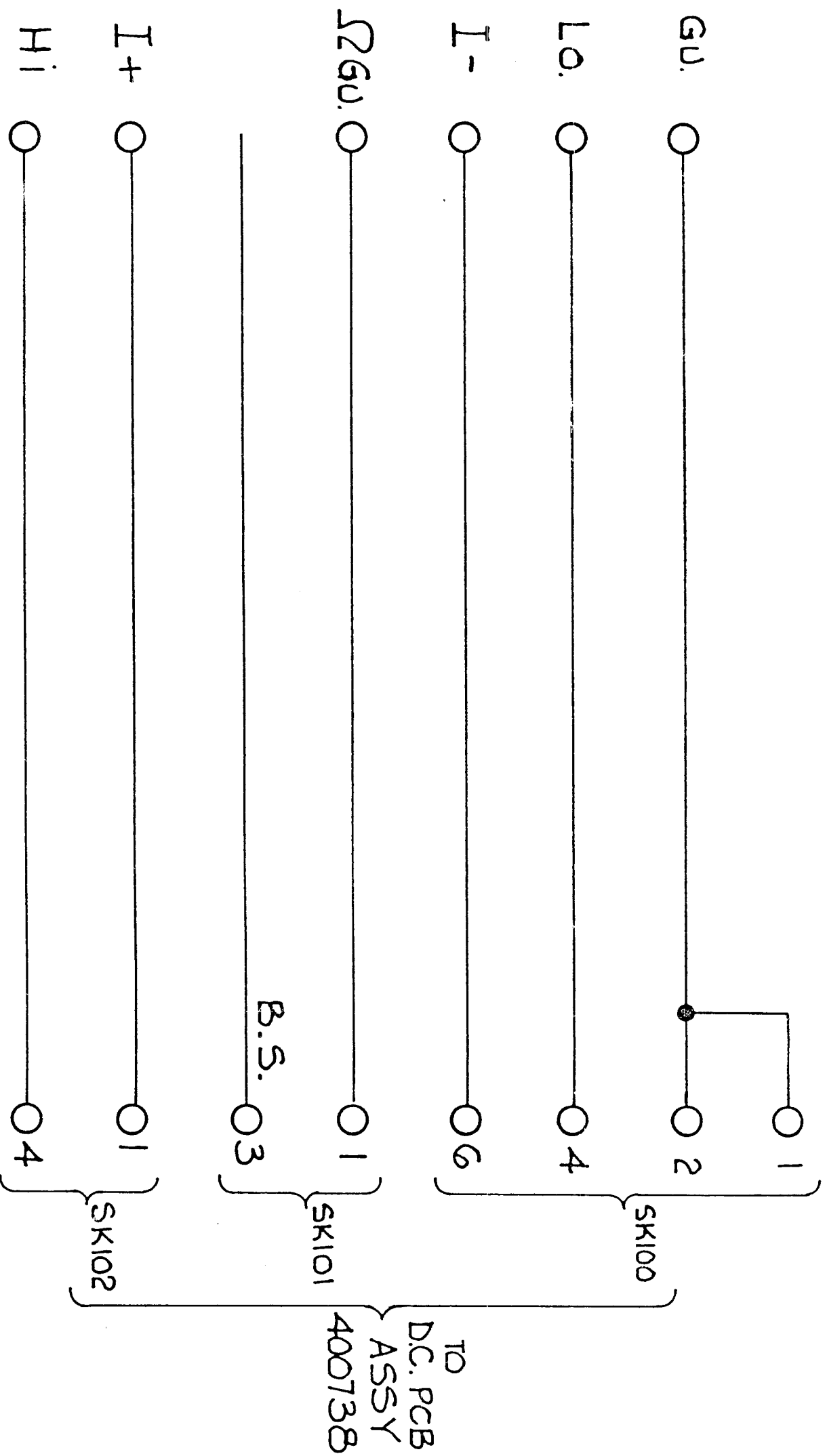
TIGHTEN TO 0.40 (G11097)
 TO 0.45 Nm.
 (3.6 TO 4.0 Lbf IN).

(G13043)
 WIPE SURFACE OF PCB
 AND TERMINAL MATING
 SURFACE CLEAN BEFORE
 ASSEMBLY, USING
 CLEANING FLUID (900016)

REMOVE COMPLETELY ALL UNUSED
 CONTACTS

SOLDER.

FRONT
PANEL
TERMINALS.




DRAWING No.		CHG-D	DATE	ECO	REVISION	ISSUE
400734			15.1.88		1.0	
D.V.M.			11 FEB 88		1.1	
			23 FEB 88		1.2	
			2 MAR 88		1.3	
			29 MAR 88		1.4	
			19 MAY 88		1.5	
			24 MAY 88		1.6	
			21 MAY 88		1.7	
			13 JUN 88		1.8	
			24 JUN 88		1.9	
			29 JUL 88			
			11 AUG 88			

DESCRIPTION	DRAWING NUMBER	SHEET NUMBER	ISSUE - REVISION
COMP LAYOUT.	480734	1	1.0
COMP LAYOUT.	480734	2	1.1
COMP LAYOUT.	480734	3	1.0
COMP LAYOUT.	480734	4	1.0
SCHEMATIC	430734	1	1.1
L.P.	400734	ALL	1.4
CAL	460734/FC	ALL	1.0
PROCEDURE	470734/FC	ALL	1.0
CAL	460734/IT	ALL	1.0
TICK LIST	460734/IT	ALL	1.0
TEST PROCEDURE	SECT A	ALL	1.0
"	SECT B	ALL	1.0
"	SECT C	ALL	1.0
TICK LIST	470734/IT	ALL	1.0
"	SECT B	ALL	1.0
"	SECT C	ALL	1.0


NOTES	<input type="checkbox"/> DENOTES NO CHANGE TO DOCS AT ISSUE LEVEL CHANGE	datron INTERNATIONAL LTD NORWICH ENGLAND	DRN BSJ DATE 22.7.87	CHG-D BS DATE 14 Aug 87	APPD Kuf DATE 20 Sep 87	TITLE 1281 FINISHED ASSEMBLY.	DRAWING No. 400734 SHEET 1 OF 4
-------	--	---	-------------------------------	----------------------------------	----------------------------------	-------------------------------------	---------------------------------------

DESIGNATOR	DATRON PART No.	DESCRIPTION	PRINCIPAL MANUFACTURER	MANUFACTURER'S PART No.	No. USED Per Assy.
400734					
	400770-1	TERMINAL ASSEMBLY.			1
	611088	M2.5x6mm POZI-CSK. HD	STEEL ZN. PLATE		2
	612046	M3 NYLON PILLAR x16mm +SL.	G+B PROJECTS CO	TYPE B M3x16mm +SL0T	4
	613029	M3 WAVY WASHER SS.			7
	611016	M3x8mm POZI-PAN HD SCREW.			5
	611011	M2.5x6mm POZI-PAN HD SCREW.	ZN. PLATE.		4
	400745-1	BEZEL ASSEMBLY.			1
	611091	M3x8mm SKT. GRUB SCREW	ZN. PLATE.		4
	450495-1	HANDLE LOCKING ROD.			2
	450614-1	DVM HANDLE EXTRUSION.			2
	420074-1	MOD RECORD LABEL			1
	420101-1	MODEL LABEL			1
	440153-1	1281 RACK MTG. KIT			A/R
	440152-1	1281 RACK MOUNTING KIT			2

DRAWING No. 400747.		CHKD												
DWG. W/M		DATE												
		ECO												
		REVISION												
		ISSUE												
			1.0	27118	3011187									
			1.1	2812	17.3.88									
			1.2	2948	28.7.88									
			1.3	3176	23DEC88									
DESCRIPTION	DRAWING NUMBER	SHEET NUMBER	ISSUE - REVISION											
COMP. LAYOUT.	480747	1	1.0	1.1	1.2									
L.P.	400747	2		1.2	1.3									
NOTES			 datron INSTRUMENTS NORWICH ENGLAND			DWN B.S.J. DATE 5th MAY 87	CHKD GRF DATE 3 JUN 87	DCD NCF DATE 30 MAY 87	TITLE 1281 TOP COVER ASSEMBLY.	DRAWING No. 400747 SHEET 1 of 2				


400747

DESIGNATOR	DATRON PART No.	DESCRIPTION	PRINCIPAL MANUFACTURER	MANUFACTURER'S PART No.	No. USED Per Assy.
	617016	Ø 5.0 ANCHOR PIN	PSM.	AP2-B-5.0-6. ZN PL.	3
	450505-1	TOP GUARD SCREEN.			1
	630254	NYLON SHOULDER WASHER	MICRO PLASTICS.	12SWS 2542.	3
	617018	PUSH ON FASTENER	BAKER & FINNEMORE	ZP 6498	2
	450503-2	EARTH SCREEN.			1
	450490-1	TOP COVER.			1
	900038.	CYANOACRYLATE ADHESIVE	PERMABOND	C4.	A/R.

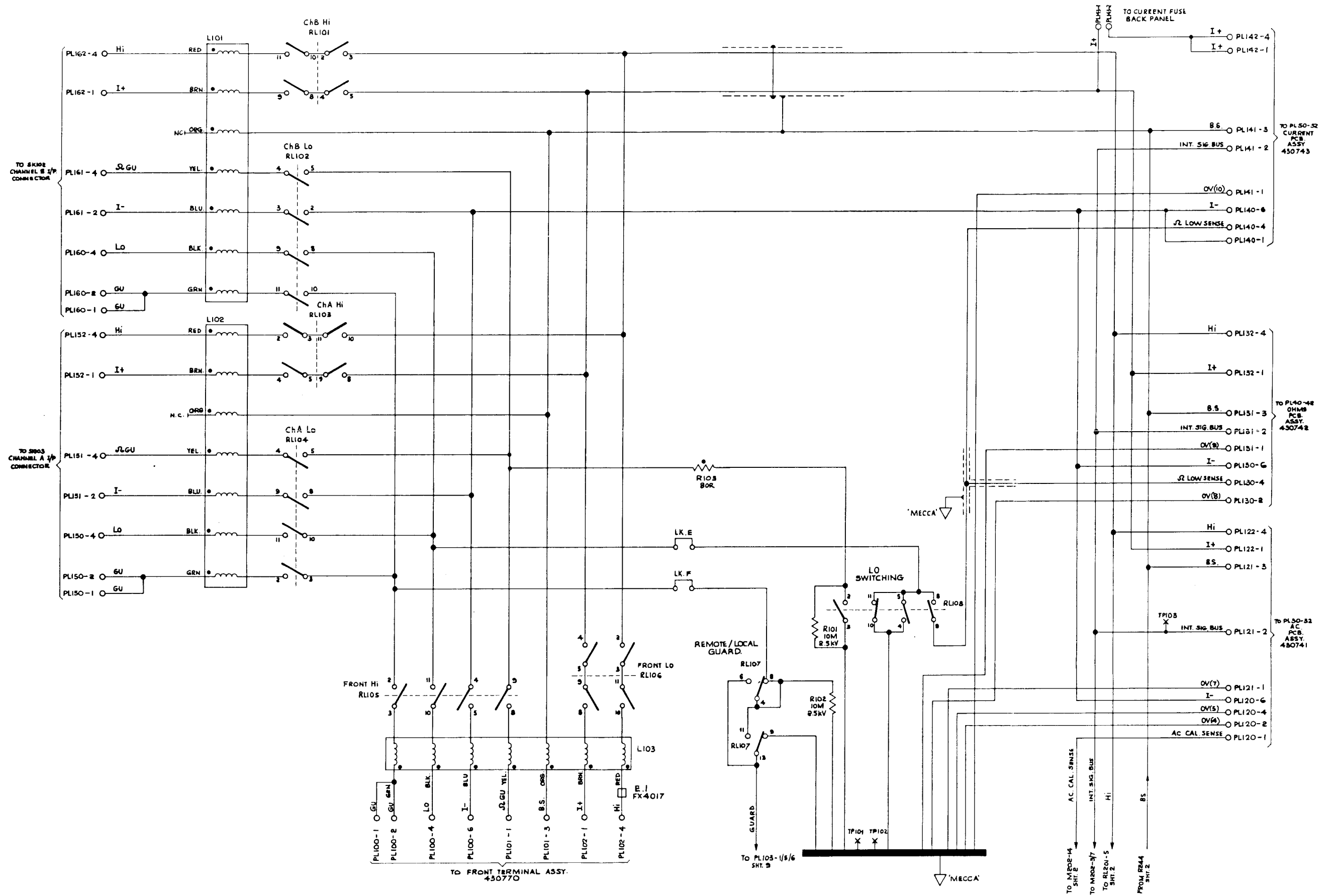
DRAWING No. 400749		CHKD 1.0.2718 30.11.87.42					
DI WM		DATE 1.0.2799 3.MAR88					
		ECD 2.0.13026 25.FEB88					
		REVISION 3.0.3160 19 DEC 88					
		ISSUE					
DESCRIPTION	DRAWING NUMBER	SHEET NUMBER	ISSUE - REVISION				
COMP LAYOUT	480749	1	1.0				
			1.1				
			2.0				
			3.0				
NOTES		 datron <small>INSTRUMENTS</small> <small>NORWICH ENGLAND</small>		DRN B.S.J. DATE 16.MAR87	CHKD 11/1 DATE 3 Jan 87	TITLE 1281 MAINS TRANSFORMER ASSEMBLY.	DRAWING No. 400749 SHEET 1 of 2

400749

DESIGNATOR	DATRON PART No.	DESCRIPTION	PRINCIPAL MANUFACTURER	MANUFACTURER'S PART No.	No. USED Per Assy.
	300029 - 3	MAINS TRANSFORMER		SEE DRG.	1
	450560 - 1	MAINS SWITCH MOUNTING PLATE.			1
	510000	7/0.2 PVC. INSULATED BLACK WIRE.			A/R
	510111	7/0.2 PVC. INSULATED BROWN WIRE.			A/R
	510333	7/0.2 PVC. INSULATED ORANGE WIRE.			A/R
	590002	RUBBER SLEEVE H30X25mm			6
	590001	1.5mm I/D SLEEVES.			7
	590029	Ø 9.0 POLYOLEFIN HEATSHRINK SLEEVE. HELLERMAN.		SFM9-3 BK	A/R
	590031	Ø 3.2 HEATSHRINK SLEEVE			A/R
	605077	CRIMP TERMINAL GD.PL.	MOLEX	08-56-0106	8
	605154	8WAY 0.156" HOUSING	MOLEX	09-91-0800	1
	611054	M2X6mm SLOT CSK STEEL ZN PL.			2
	613009	4BA SOLDER TAG BRASS IN PL.			1
	613027	M2 INTERNAL SHAKE PROOF			2

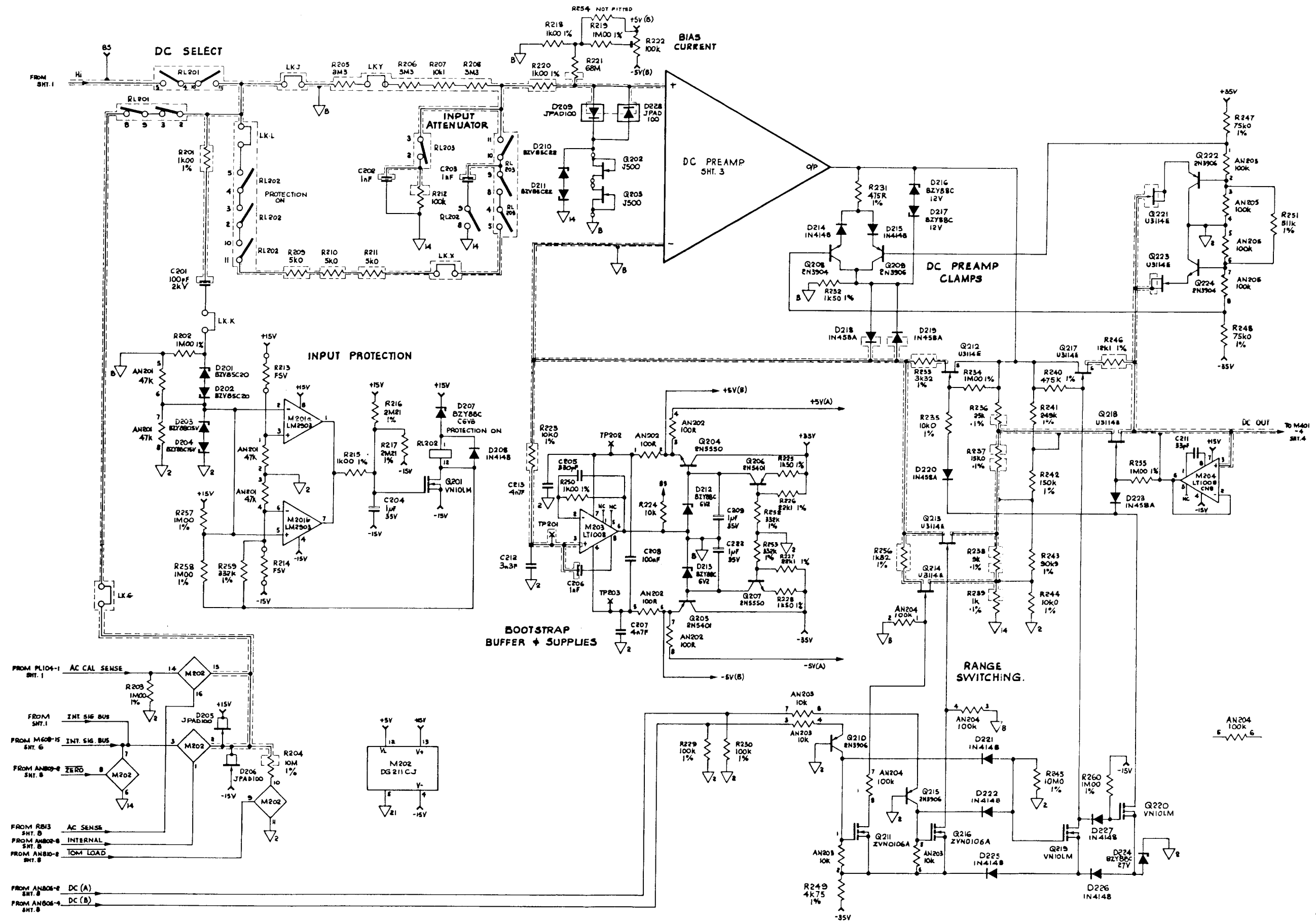
DRAWING No 400770		CHK D	
DI WM		DATE	30.11.87
		ECO	
		REVISION	1.0
		ISSUE	1.0
DESCRIPTION	DRAWING NUMBER	SHEET NUMBER	ISSUE - REVISION
COMP LAYOUT.	480770	1	1.0
SCHMATIC	430770	1	1.0
PCB.	410394	B	
NOTES <input type="checkbox"/> DENOTES NO CHANGE TO DOCS AT ISSUE LEVEL CHANGE		 DON ES JACKSON <i>elb</i> DATE 30.1.87. CHG D <i>hak</i> DATE 5.11.87 TITLE 1281 3 DEC 87 TERMINAL ASSEMBLY	
		DRAWING No	400770
		SHEET 1	of 2

DESIGNATOR	DATRON PART No.	DESCRIPTION	PRINCIPAL MANUFACTURER	MANUFACTURER'S PART No.	No. USED Per Assy.
	400746-1	1288 TERMINAL MECH ASSY.			1
	410394-B	FRONT INPUT FLEXIBLE PCB.			1
	611097	M2X6mm POZI-PAN. STEEL.	BRIGHT ZINC PLATE.		6
	613043	M2 WAVY WASHER			6
	900016	CLEANING FLUID	RS.	556-654	A/R
SK 100	605157	6WAY 0.1" PCB SOCKET.	MOLEX	22-18-2063	1
SK 101	605156	3WAY 0.1" PCB SOCKET.	MOLEX	22-18-2033	1
SK 102	605158	4WAY 0.1" PCB SOCKET.	MOLEX	22-18-2043	1



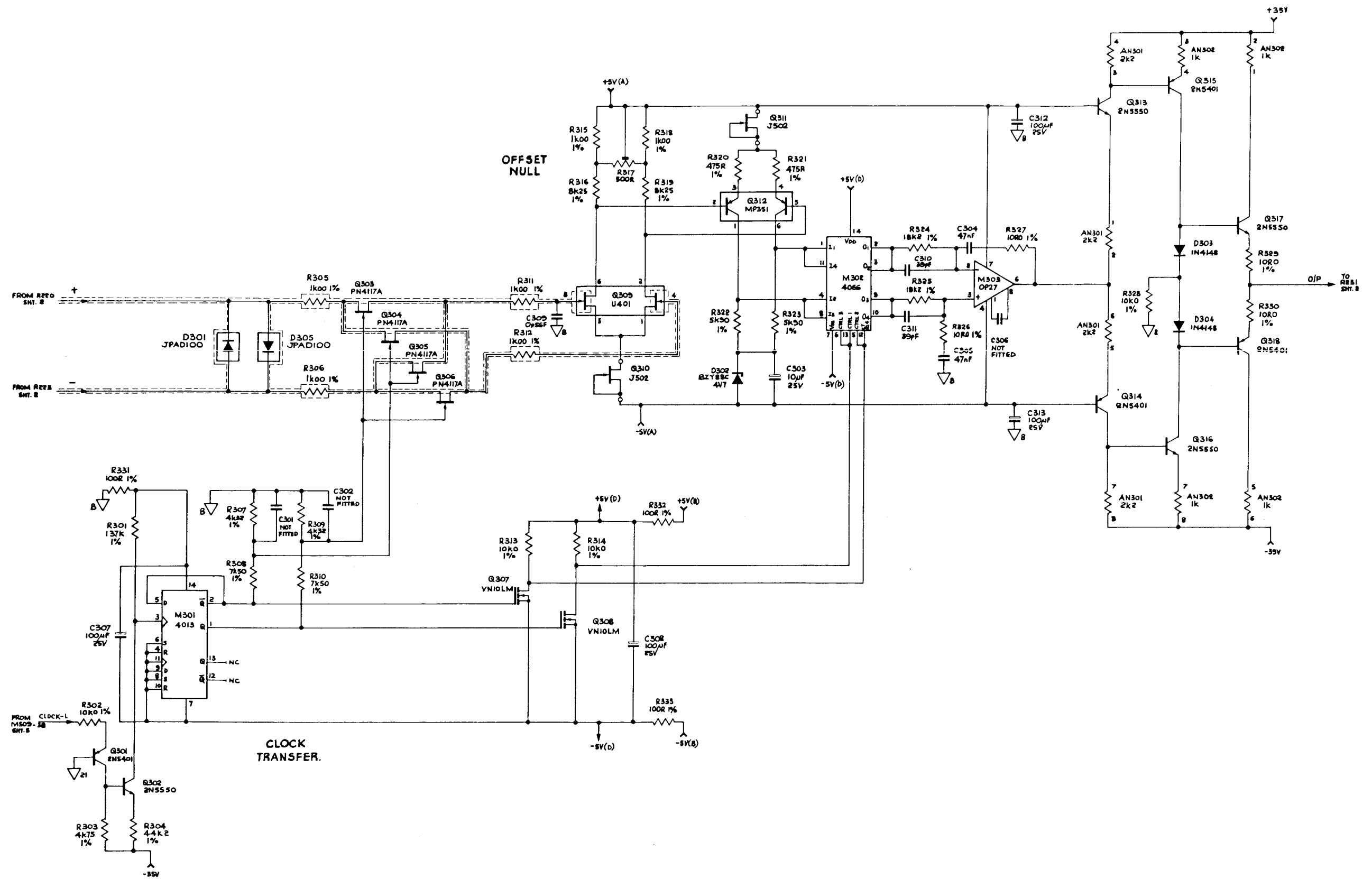
D.C. ASSEMBLY
 Input Signal Switching
 Drawing No. 430738

Sheet 1 of 9



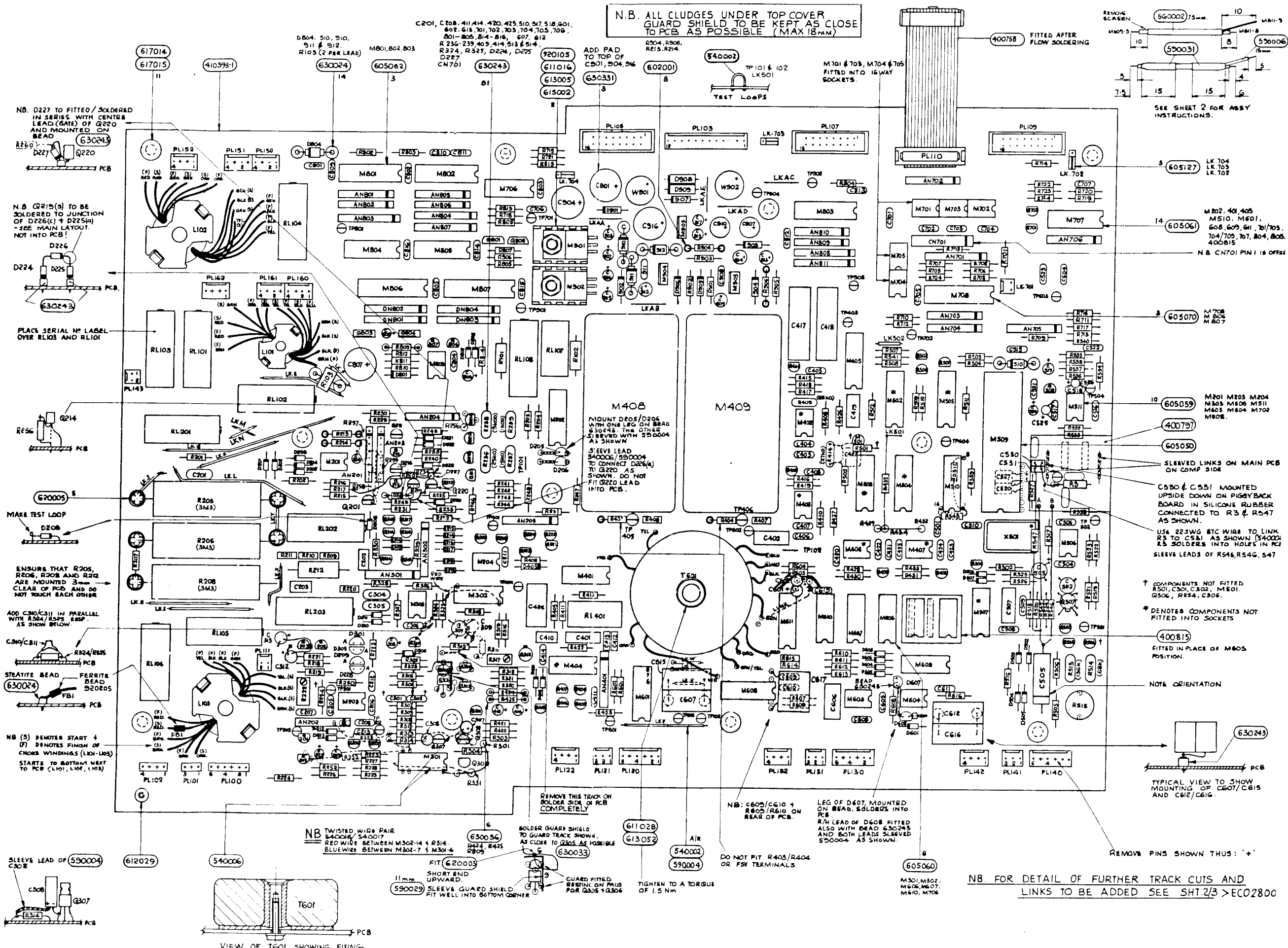
D.C. ASSEMBLY

D.C. Switching Protection and Ranging
 Drawing No. 430738 Sheet 2 of 9

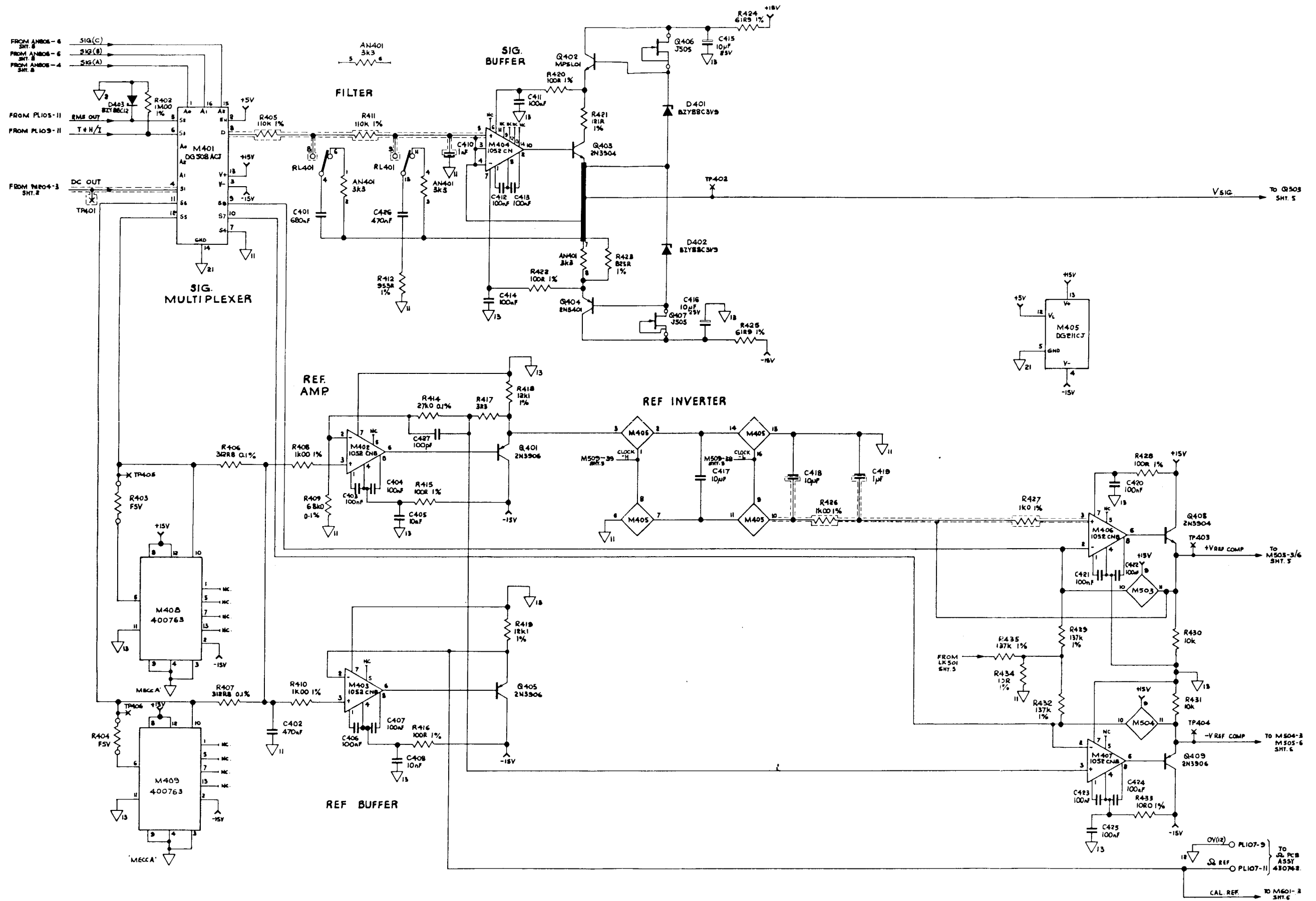


D.C. ASSEMBLY
 D.C. Preamplifier
 Drawing No. 430738

Sheet 3 of 9



D.C. ASSEMBLY
Drawing No. 430738 Sheet 1



D.C. ASSEMBLY

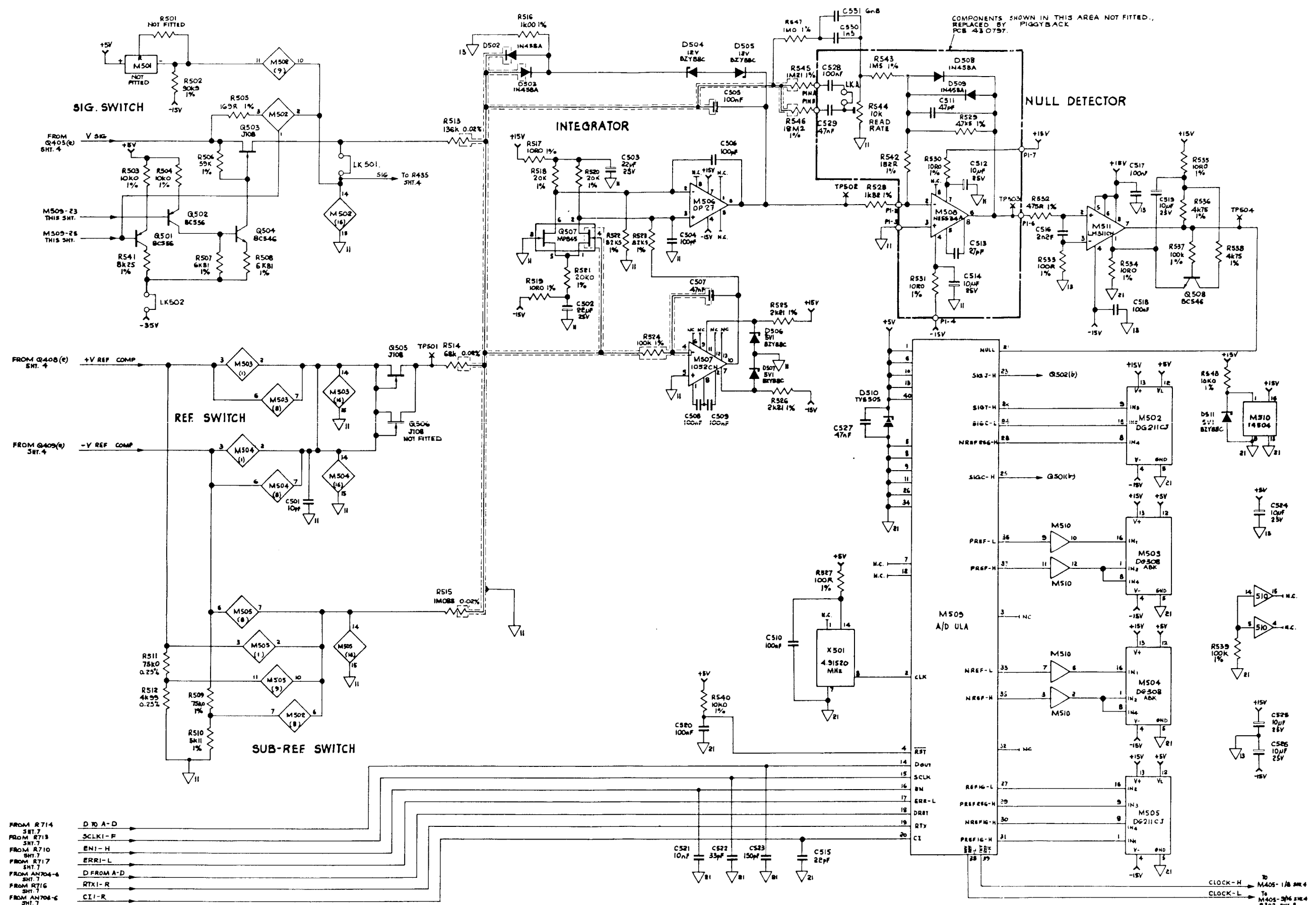
References and Signal Switching

Drawing No. 430738

Sheet 4 of 9



Datron Instruments 1989

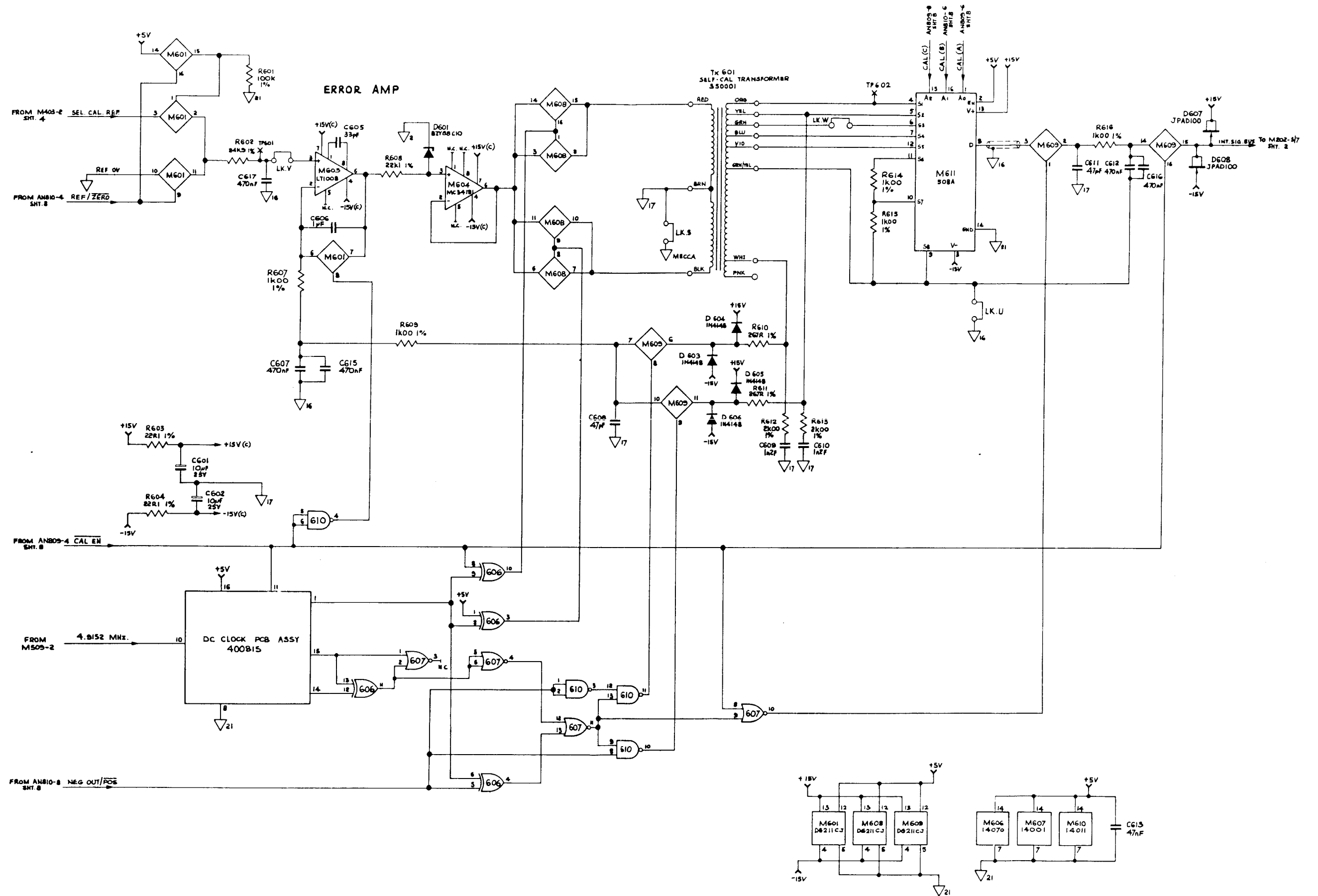


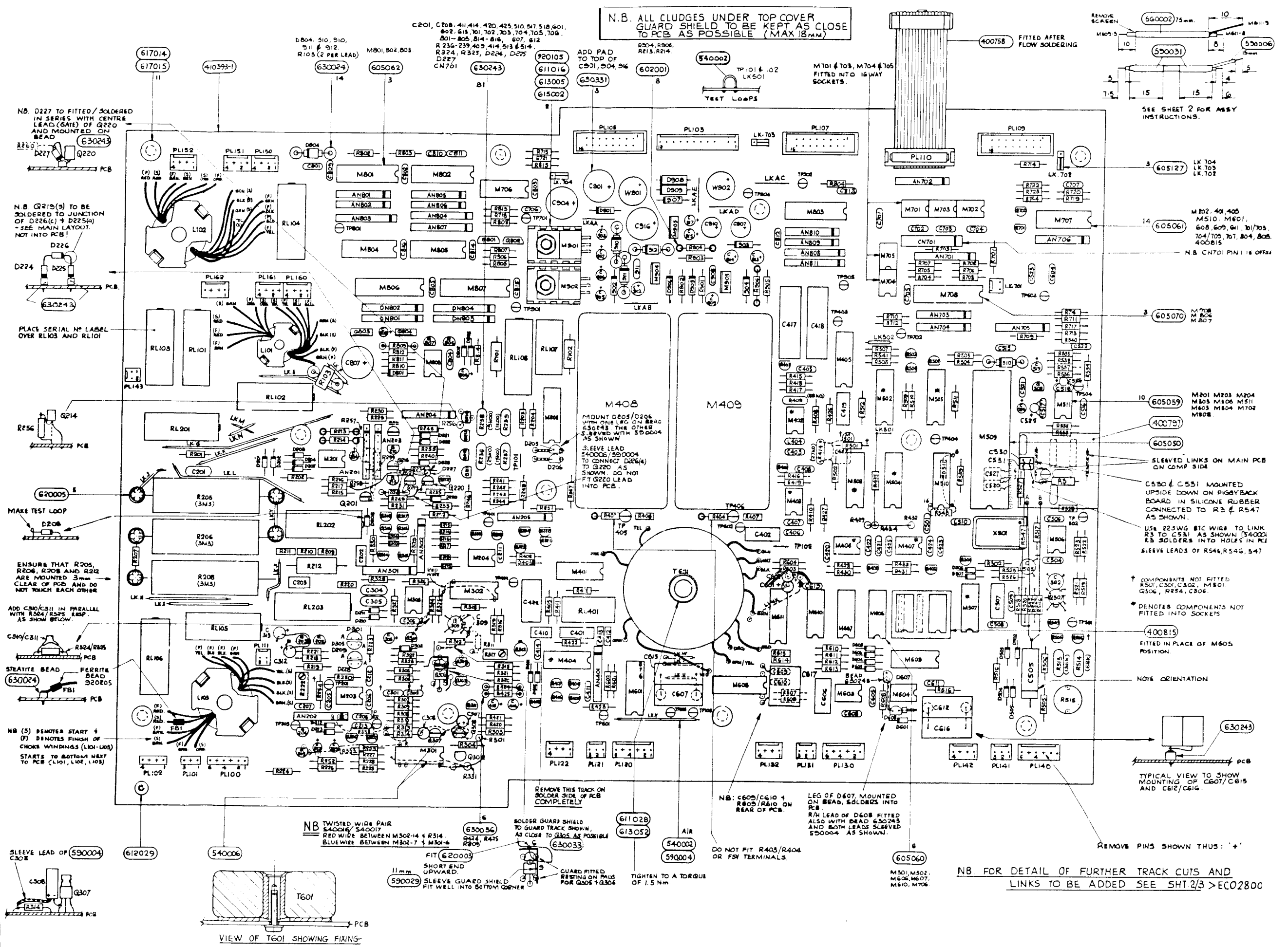
FROM R714 SHT. 7
 FROM R713 SHT. 7
 FROM R710 SHT. 7
 FROM R717 SHT. 7
 FROM AN704-4 SHT. 7
 FROM R716 SHT. 7
 FROM AN704-6 SHT. 7

D TO A-D
 SCLKI-F
 ENI-H
 ERRI-L
 D FROM A-D
 RTXI-R
 CII-R

D.C. ASSEMBLY
 Analog to Digital Converter
 Drawing No. 480738

Sheet 6 of 9





NB. D227 TO FITTED/SOLDERED IN SERIES WITH CENTRE LEAD (GATE) OF Q220 AND MOUNTED ON BEAD

N.B. Q219(S) TO BE SOLDERED TO JUNCTION OF D226(C) + D225(A) - SEE MAIN LAYOUT. NOT INTO PCB!

PLACE SERIAL NO LABEL OVER RL103 AND RL101

MAKE TEST LOOP

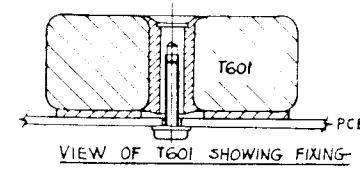
ENSURE THAT R205, R206, R208 AND R212 ARE MOUNTED 3mm CLEAR OF PCB AND DO NOT TOUCH EACH OTHER

ADD C304/C311 IN PARALLEL WITH R364/R375, KISS AS SHOWN BELOW

STRAITHE BEAD FERRITE BEAD 920205

NB (S) DENOTES START + (F) DENOTES FINISH OF CHOKE WINDINGS (L101-L105) STARTS TO BOTTOM NEXT TO PCB (L101, L102, L103)

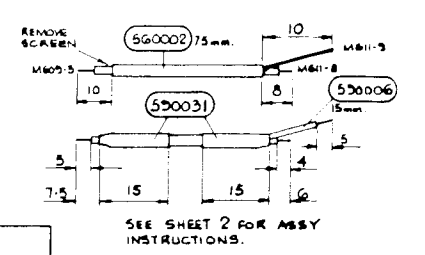
SLEEVE LEAD OF C308



VIEW OF T601 SHOWING FIXING

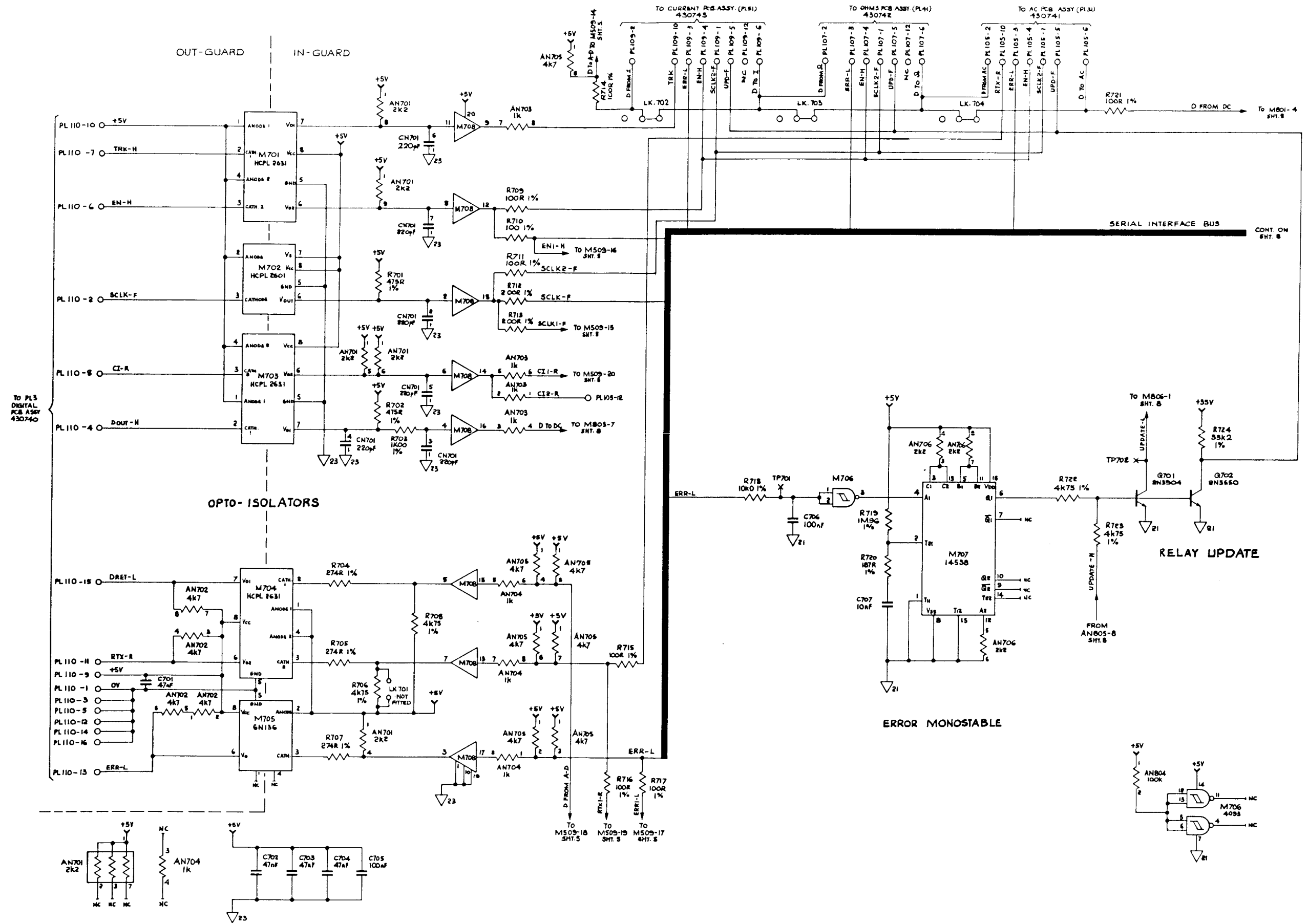
D.C. ASSEMBLY

N.B. ALL CLUDGES UNDER TOP COVER GUARD SHIELD TO BE KEPT AS CLOSE TO PCB AS POSSIBLE (MAX 18MM)



TYPICAL VIEW TO SHOW MOUNTING OF C607/C615 AND C612/C616

NB. FOR DETAIL OF FURTHER TRACK CUTS AND LINKS TO BE ADDED SEE SHT 2/3 > EC02800



D.C. ASSEMBLY

Opto Isolators and Relay Update

Drawing No. 430738

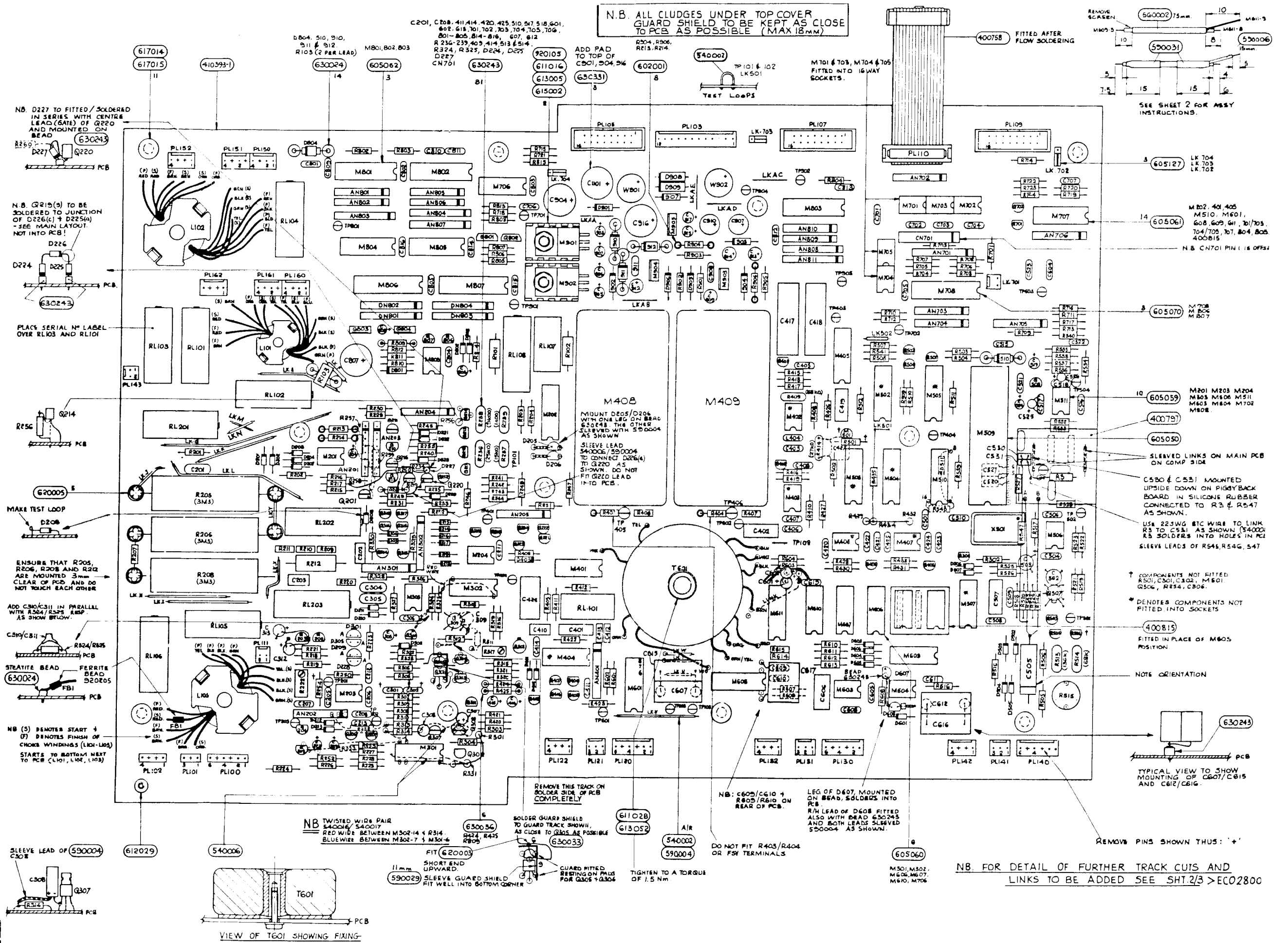
Sheet 7 of 9



Datron Instruments 1989

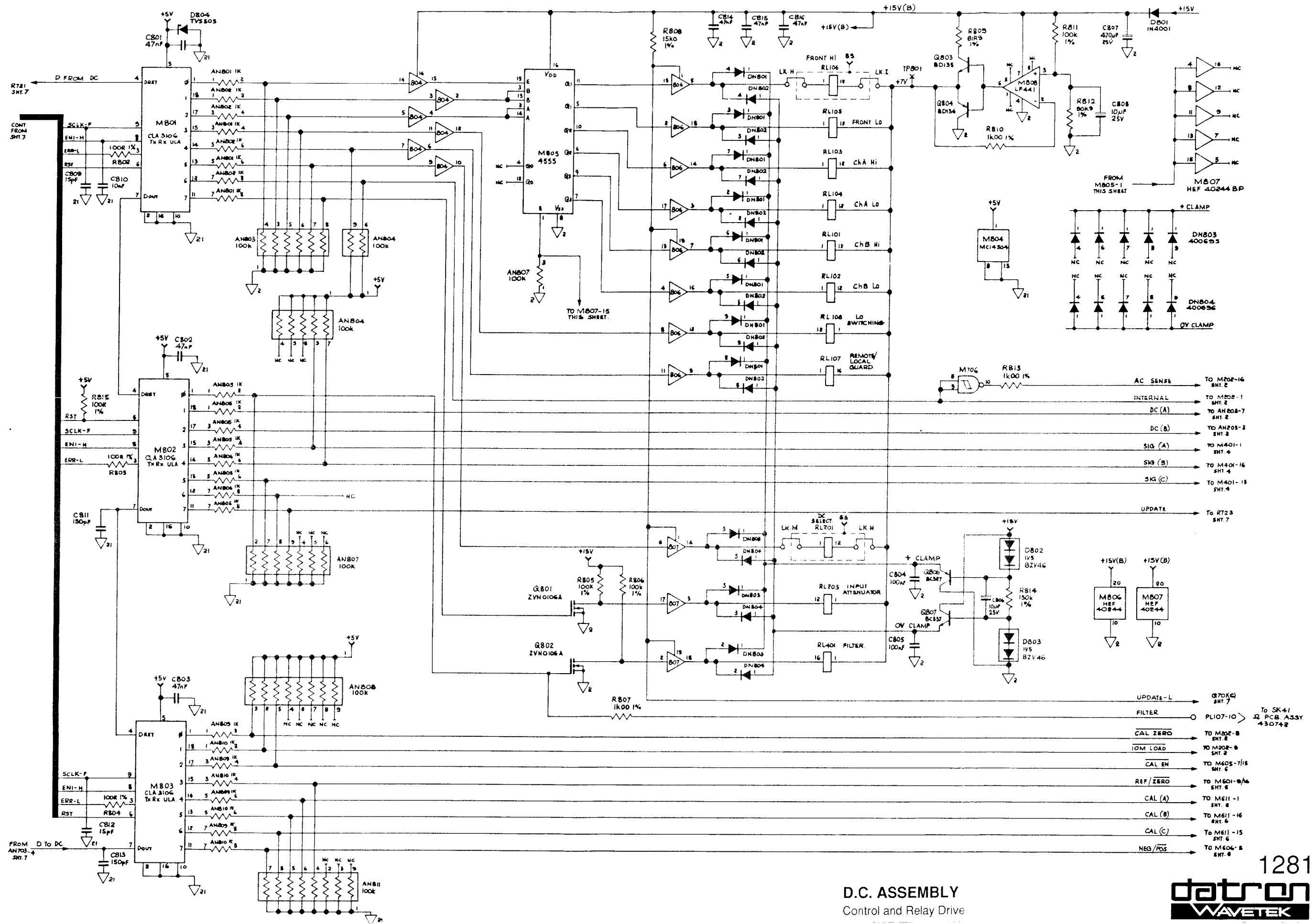
1281

11.2.7



VIEW OF T601 SHOWING FIXING

D.C. ASSEMBLY

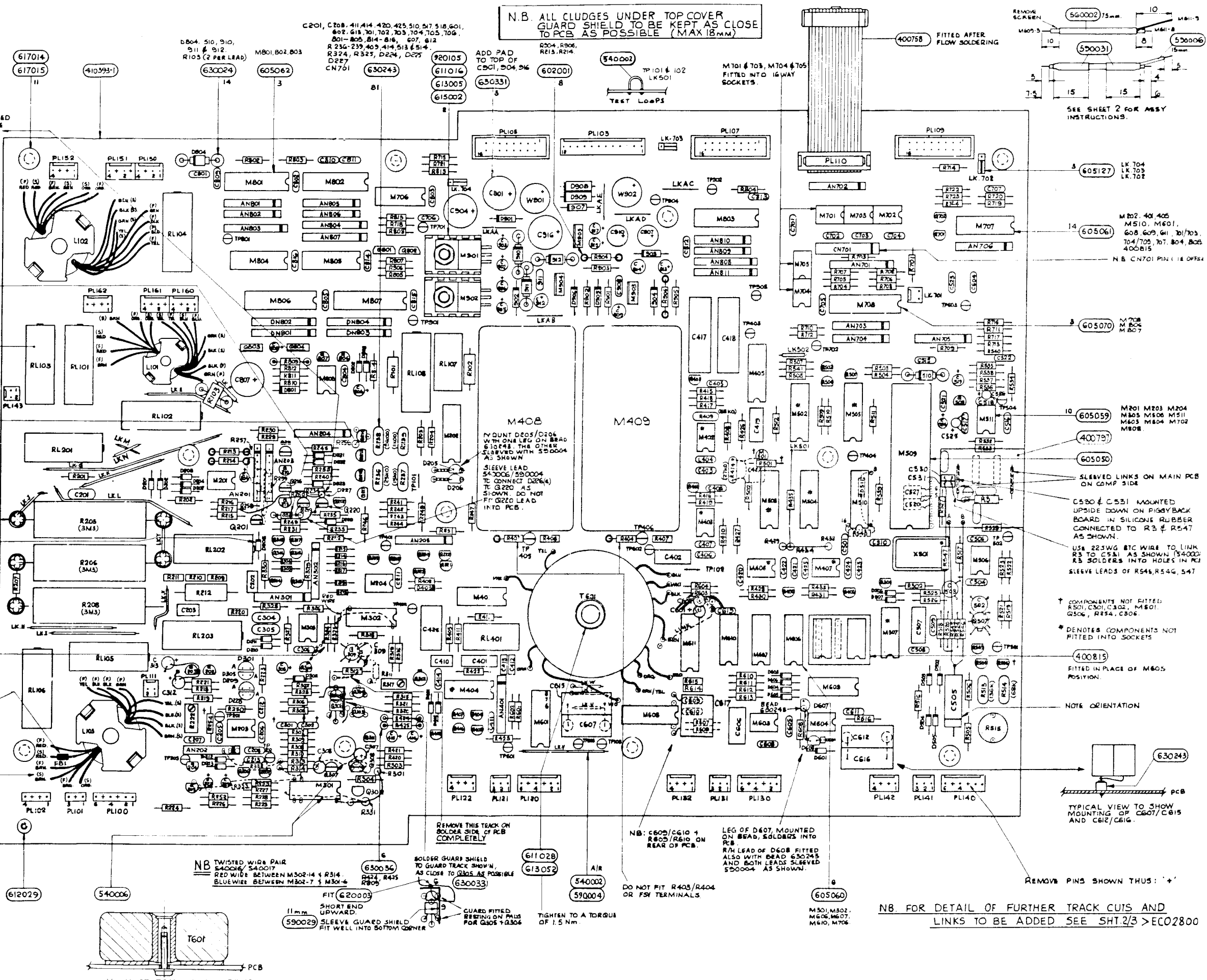


D.C. ASSEMBLY
Control and Relay Drive
Drawing No. 430738

Sheet 8 of 9



1281



N.B. ALL CLUDGES UNDER TOP COVER GUARD SHIELD TO BE KEPT AS CLOSE TO PCB AS POSSIBLE (MAX 18MM)

N.B. D227 TO FITTED/SOLDERED IN SERIES WITH CENTRE LEAD(S) OF Q220 AND MOUNTED ON BEAD (630243)

N.B. Q219(S) TO BE SOLDERED TO JUNCTION OF D226(C) & D225(A) - SEE MAIN LAYOUT. NOT INTO PCB!

PLACE SERIAL NO LABEL OVER RL103 AND RL101

MAKE TEST LOOP

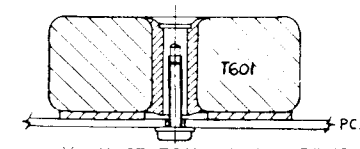
ENSURE THAT R205, R206, R208 AND R212 ARE MOUNTED 3mm CLEAR OF PCB, AND DO NOT TOUCH EACH OTHER

ADD C304/C311 IN PARALLEL WITH R304/R325 AS SHOWN BELOW.

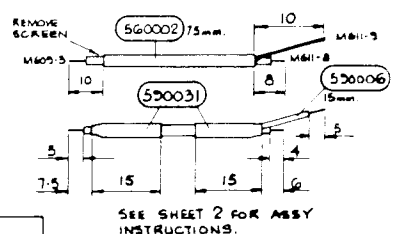
STREITITE BEAD FERRITE BEAD Q20005

N.B. (S) DENOTES START & (F) DENOTES FINISH OF CHOKER WINDINGS (L101-L108) STARTS TO BOTTOM NEXT TO PCB (L101, L104, L108)

SLEEVE LEAD OF S50004



D.C. ASSEMBLY



M802, 401, 405, M510, M601, 608, 609, 611, 701/703, 704/705, 707, 804, 805, 400815

N.B. CN701 PIN 1 IS OFFSH

M708, M806, M807

M201, M203, M204, M205, M206, M511, M603, M804, M702, M808

SLEEVED LINKS ON MAIN PCB ON COMP SIDE

C530 & C531 MOUNTED UPSIDE DOWN ON PIGGY BACK BOARD IN SILICONE RUBBER CONNECTED TO R3 & R47 AS SHOWN.

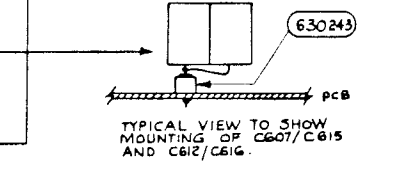
USE 22SWG BTC WIRE TO LINK R3 TO C531 AS SHOWN (S40003) R3 SOLDER INTO HOLES IN PCB SLEEVE LEADS OF R546, R546, 547

↑ COMPONENTS NOT FITTED: R501, C301, C302, M501, Q506, R254, C306

* DENOTES COMPONENTS NOT FITTED INTO SOCKETS

400815 FITTED IN PLACE OF M605 POSITION.

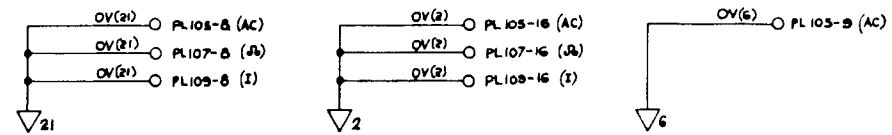
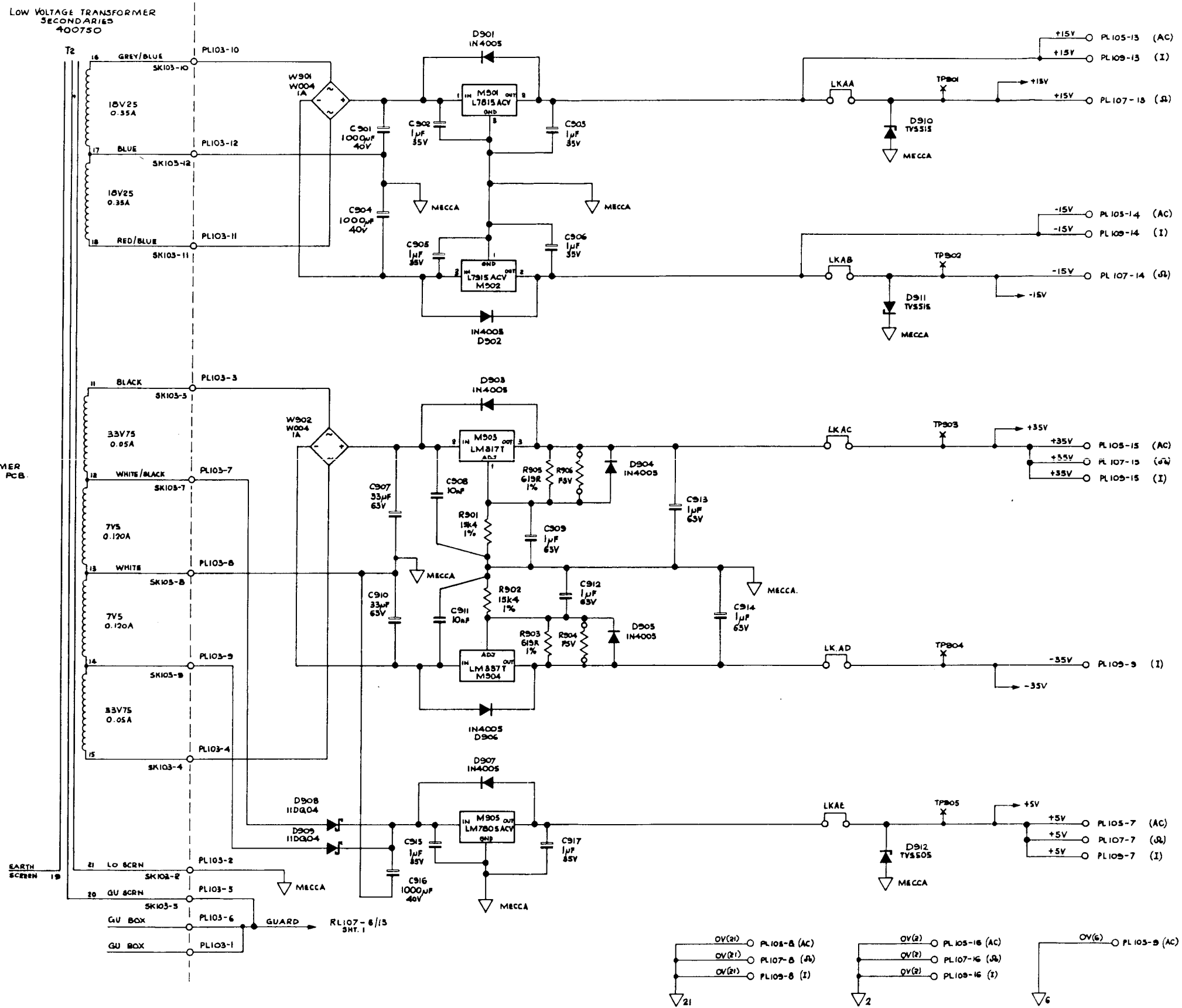
NOTE ORIENTATION



N.B. FOR DETAIL OF FURTHER TRACK CUTS AND LINKS TO BE ADDED SEE SHT 2/3 > EC02800

LOW VOLTAGE TRANSFORMER
SECONDARIES
400750

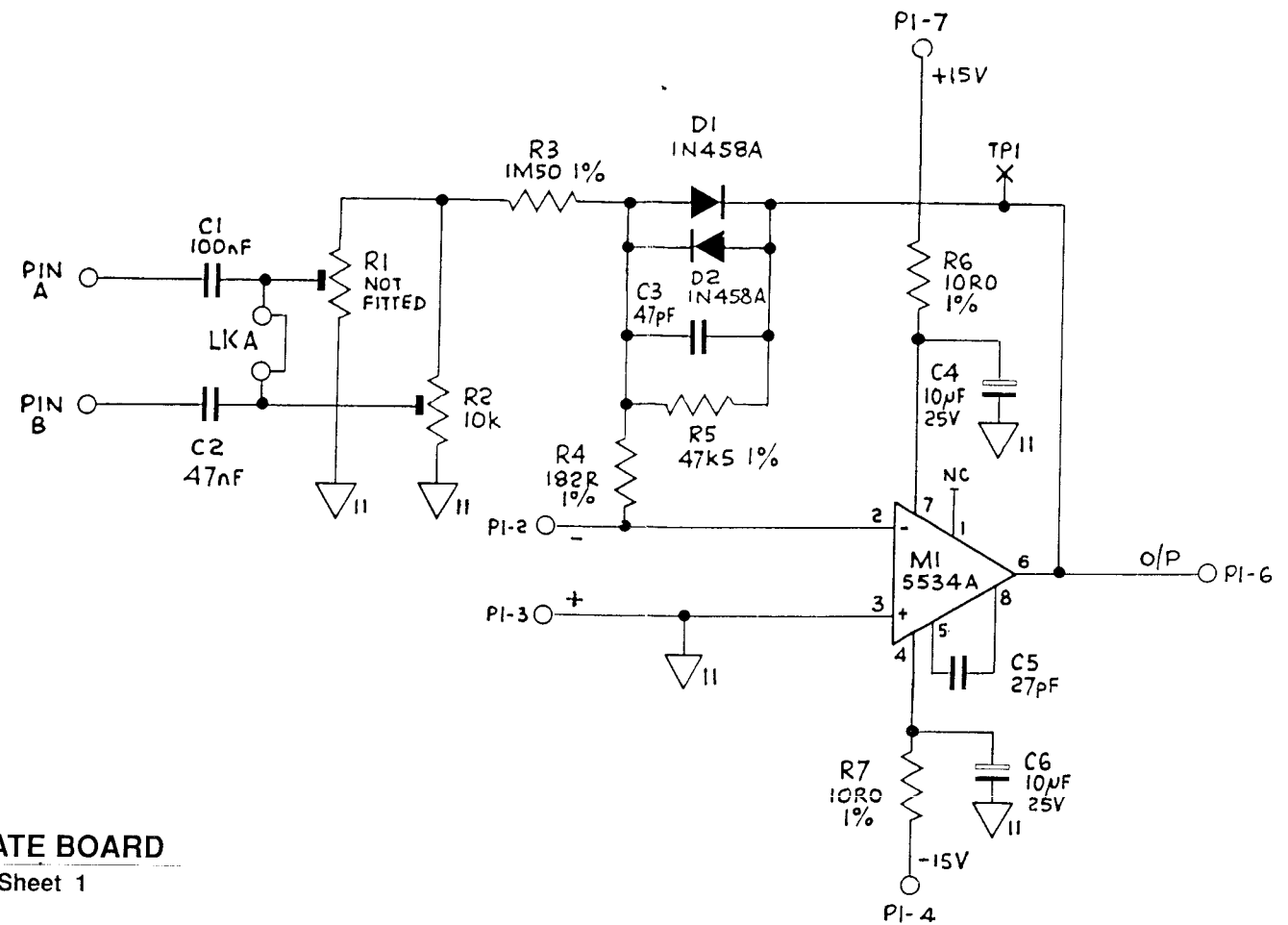
FROM L.V. TRANSFORMER
PRIMARYS SEE DKG. PCB.
430740.



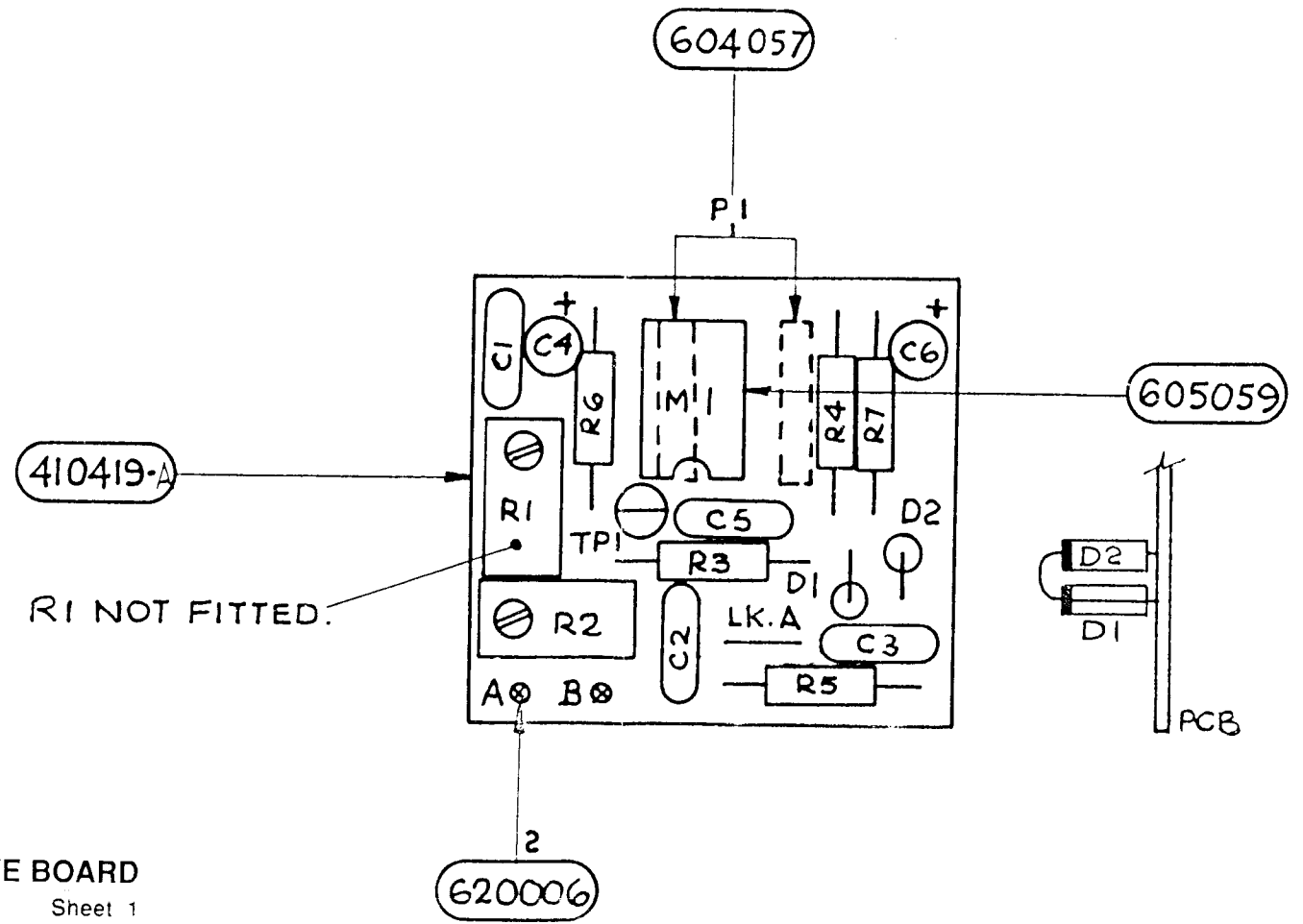
D.C. ASSEMBLY
In - Guard Power Supplies
Drawing No. 430738

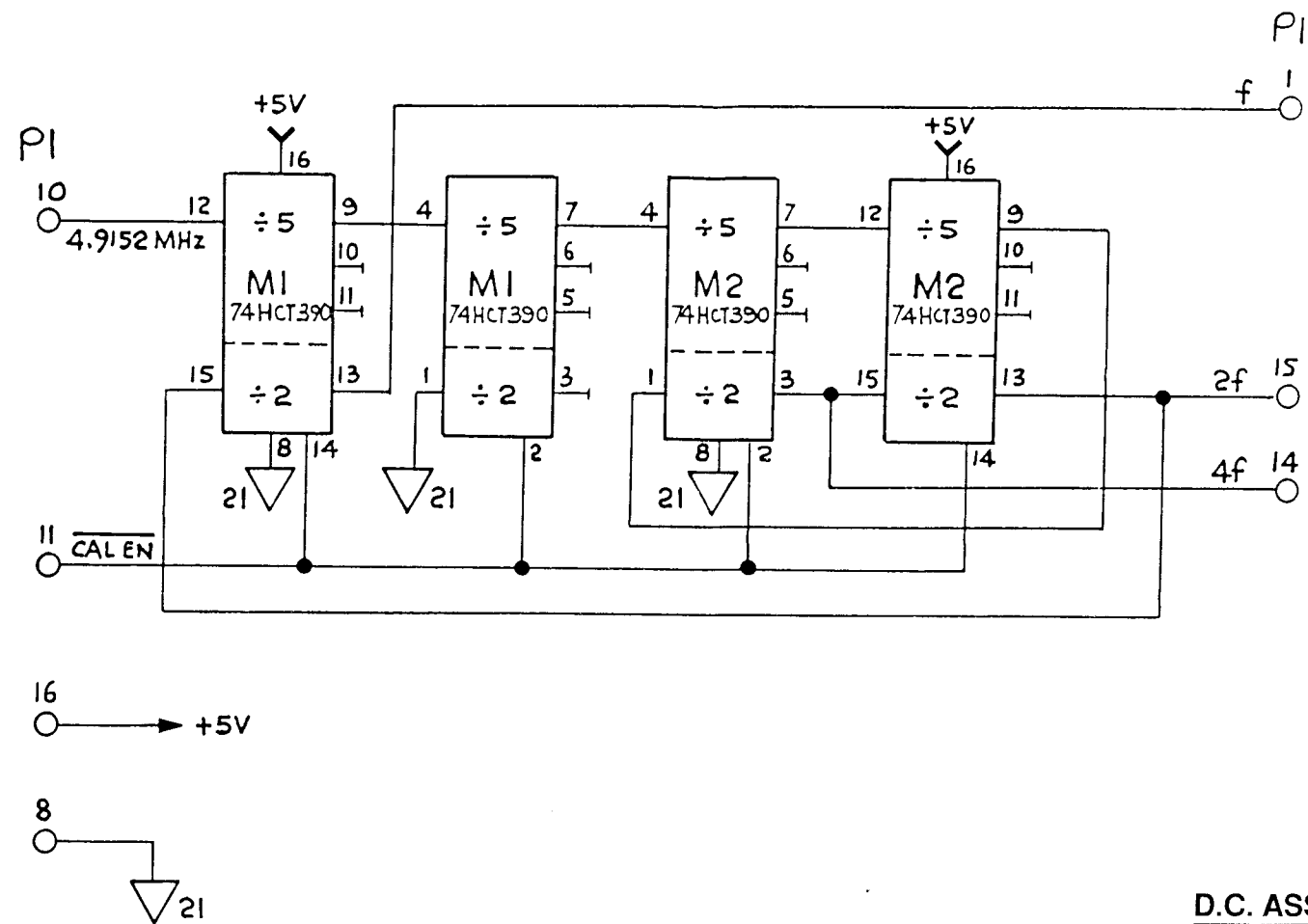
Sheet 9 of 9

1281
datron
WAVETEK
© Datron Instruments 1989



D.C. ASSEMBLY : READ RATE BOARD
 Drawing No. 430797 Sheet 1

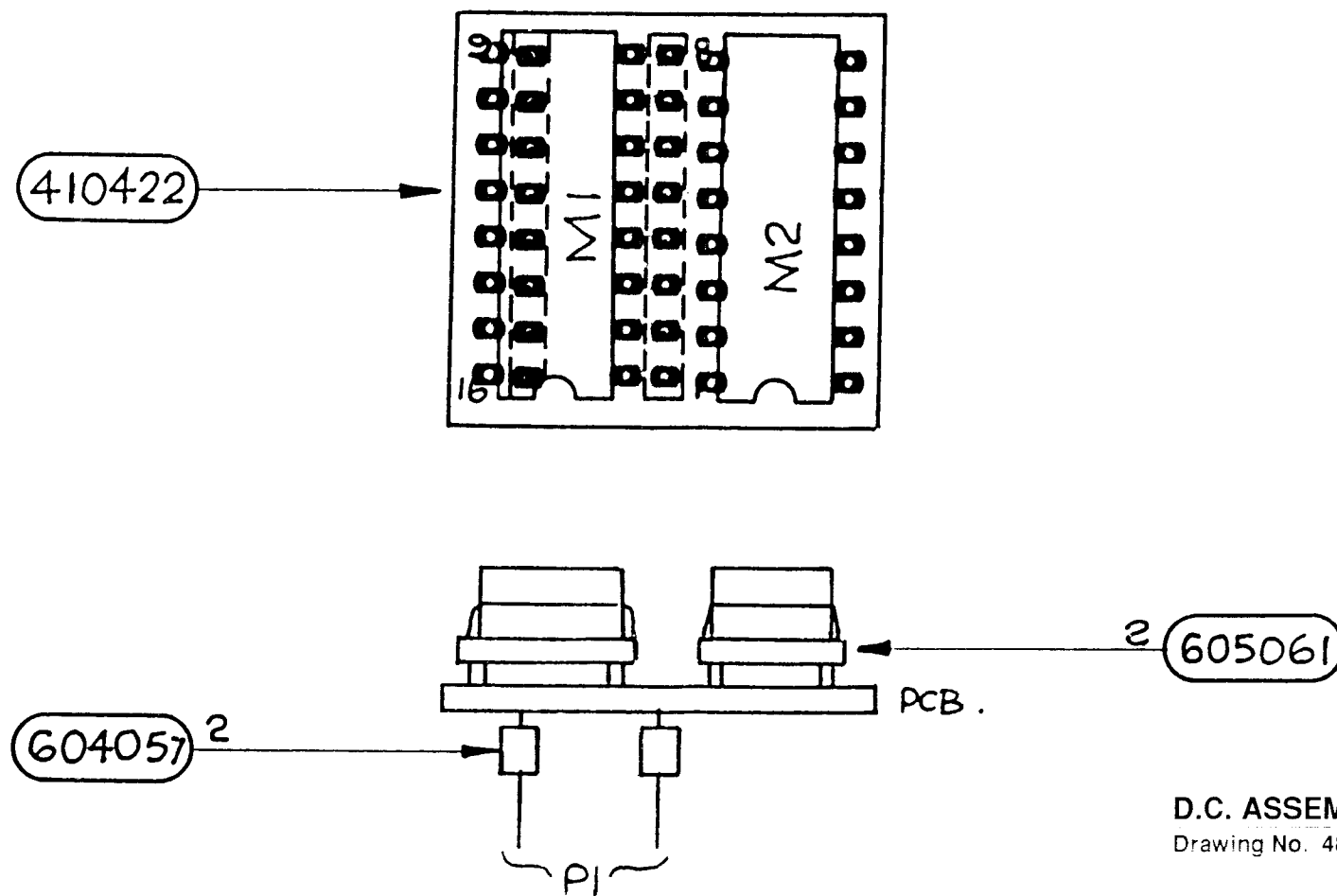




D.C. ASSEMBLY : CLOCK BOARD

Drawing No. 430815

Sheet 1



D.C. ASSEMBLY : CLOCK BOARD

Drawing No. 480815

Sheet 1

DRAWING No.		CHK'D	DATE		ECO	REVISION	ISSUE
400738			1.0 2.673 6 OCT 87 me			1.0	1.0
DI WM			1.1 2690 27 NOV 87 W			1.1	1.1
			1.2 2709 27 NOV 87 W			1.2	1.2
			1.3 2710 10 DEC 87 W			1.3	1.3
			1.4 2721 10 DEC 87 W			1.4	1.4
			1.5 2729 14 DEC 87 W			1.5	1.5
			1.6 2742 27 JAN 88 W			1.6	1.6
			1.7 2744 28 JAN 88 W			1.7	1.7
			1.8 2772 15 FEB 88 W			1.8	1.8
			1.9 2808 11 MAR 88 W			1.9	1.9
			1.9 2756 16 MAR 88 W			1.9	1.9
			1.10 2800 17 MAR 88 W			1.10	1.10
			1.11 2806 18 MAR 88 W			1.11	1.11
			1.12 2807 24 MAR 88 W			1.12	1.12
			1.13 2811 24 MAR 88 W			1.13	1.13
			1.14 2822 24 MAR 88 W			1.14	1.14
			1.15 2849 21 APR 88 W			1.15	1.15
			1.16 2862 21 APR 88 W			1.16	1.16
			1.17 2864 26 APR 88 W			1.17	1.17
			1.18 2893 11 MAY 88 W			1.18	1.18
			1.19 2882 23 MAY 88 W			1.19	1.19
			1.20 2923 15 JUN 88 W			1.20	1.20
			1.21 2928 15 JUN 88 W			1.21	1.21
			1.22 2941 22 JUN 88 W			1.22	1.22
			1.23 2931 16 JUL 88 W			1.23	1.23
			1.24 2968 21 JUL 88 W			1.24	1.24
			1.25 2970 21 JUL 88 W			1.25	1.25
			1.26 2957 12 AUG 88 W			1.26	1.26
			1.27 2992 16 AUG 88 W			1.27	1.27
			1.28 3058 5 SEPT 88 W			1.28	1.28
			1.29 3058 5 OCT 88 W			1.29	1.29
			1.30 3060 5 OCT 88 W			1.30	1.30
			1.31 3065 5 OCT 88 W			1.31	1.31
			1.32 3068 5 OCT 88 W			1.32	1.32
			1.33 3079 5 OCT 88 W			1.33	1.33
			1.34 3109 3 NOV 88 W			1.34	1.34
			1.35 3131 1 DEC 88 W			1.35	1.35
			1.36 3151 1 DEC 88 W			1.36	1.36
			1.37 3154 16 DEC 88 W			1.37	1.37
			1.38 3162 8 DEC 88 W			1.38	1.38
			1.39 3158 8 DEC 88 W			1.39	1.39
			1.40 3176 23 DEC 88 W			1.40	1.40

DESCRIPTION	DRAWING NUMBER	SHEET NUMBER	ISSUE - REVISION
LAYOUT	480738	1	1.0
COMP LAYOUT	480738	2	1.1
SCHEMATIC	430738	1	1.0
"	"	2	1.1
"	"	3	1.1
"	"	4	1.2
"	"	5	1.1, 1.3
"	"	6	1.2
"	"	7	1.1
"	"	8	1.0
"	"	9	1.0
FUNCTIONAL TEST PROCEDURE	460738/FT	SECT 1 SECT 2	1.1 1.2
TICK LIST	470738/FT	ALL	1.0
PARTS LISTS	400738	ALL	1.10
PCB	410393	-	B

NOTES	<input type="checkbox"/> DENOTES NO CHANGE TO DOCS AT ISSUE LEVEL CHANGE	datron INSTRUMENTS HORWICH ENGLAND	DRN DATE	CHK'D H Edwards DATE 9 Oct 87	APPD DATE	TITLE 1281 DC PCB ASSY.	DRAWING No. 400738 SHEET 1 OF 2
-------	--	---	-------------	--	--------------	-------------------------------	---------------------------------------

DRAWING No.		CHK'D	DATE		ECO	REVISION	ISSUE
400738			1.34 3109 3 NOV 88 W			1.34	1.34
DOCUMENT LIST			1.35 SEE SHT 1			1.35	1.35
DISTRIBUTION			1.36 "			1.36	1.36
DI WM			1.37 "			1.37	1.37
			1.38 "			1.38	1.38
			1.39 "			1.39	1.39
			1.40 "			1.40	1.40

DESCRIPTION	DRAWING NUMBER	SHEET NUMBER	ISSUE - REVISION
PARTS LIST	480738	3	1.0
ASSEMBLY DRAWING			
CIRCUIT DIAGRAM			
TEST PROCEDURE			
TEST SPECIFICATION			
PCB			

NOTES	<input type="checkbox"/> DENOTES NO CHANGE TO DOCS AT ISSUE LEVEL CHANGE	datron INSTRUMENTS HORWICH ENGLAND	DRN DATE 9 NOV 88	CHK'D DATE	APPD DATE	TITLE 1281 DC PCB ASSY	DRAWING No. 400738 SHEET 2 OF 2
-------	--	---	-------------------------	---------------	--------------	------------------------------	---------------------------------------

DESIG	PART NO	DESCRIPTION	PRINC MANUF	MANUF PART NUMBER	CLASS	UM	QUANTITY	CHANGES
R101	008014	RES MG 10M 5% 2.5KV	PHILIPS	VR37-10M			EA	2
R102	008014	RES MG 10M 5% 2.5KV	PHILIPS	VR37-10M			EA	1
R103	090001	THERMISTOR PTC 80R	PHILIPS	VA8650			EA	24
R201	011001	RES MF 1K00 1% .12W 50PPM	HOLSWORTHY	H8C	A		EA	10
R202	041004	RES MF 1M00 1% .12W 50PPM	HOLSWORTHY	H8C				
R203	041004	RES MF 1M00 1% .12W 50PPM	HOLSWORTHY	H8C	A		EA	-
R204	041005	RES MF 10M0 1% .12W 100PPM	STEATITE	MK2	A		EA	2
R205	090106-1	RES WW SET 3M3 X 3 +100K	VISHAY MANN	SEE DRG			S4	1
R206	090106-1	RES WW SET 3M3 X 3 +100K	VISHAY MANN	SEE DRG			S4	-
R207	080048-2	RES FL 10K1 .1% 3PPM	VISHAY MANN	SEE DRG			EA	1
R208	090106-1	RES WW SET 3M3 X 3 +100K	VISHAY MANN	SEE DRG			S4	-
R209	080103-1	RES FL 5K00 1%	VISHAY MANN	SEE DRG	A		EA	3
R210	080103-1	RES FL 5K00 1%	VISHAY MANN	SEE DRG	A		EA	-
R211	080103-1	RES FL 5K00 1%	VISHAY MANN	SEE DRG	A		EA	-
R212	090106-1	RES WW SET 3M3 X 3 +100K	VISHAY MANN	SEE DRG			S4	-
R213	01000F	RES MF FSV					EA	6
R214	01000F	RES MF FSV					EA	-
R215	011001	RES MF 1K00 1% .12W 50PPM	HOLSWORTHY	H8C	A		EA	-
R216	042214	RES MF 2M21 1% .12W 100PPM	HOLSWORTHY	H8C	A		EA	2
R217	042214	RES MF 2M21 1% .12W 100PPM	HOLSWORTHY	H8C	A		EA	-
R218	011001	RES MF 1K00 1% .12W 50PPM	HOLSWORTHY	H8C	A		EA	-
R219	041004	RES MF 1M00 1% .12W 50PPM	HOLSWORTHY	SEE DRG	A		EA	-
R220	080043-2	RES FL 1K00 .1% 3PPM	VISHAY MANN	SEE DRG			EA	1
R221	000686	RES HM 68M 5% .25W	ALLEN BRADLEY	CB			EA	1
R222	065008	RES CT 100K VERT M/T	BOURNS	3296W-100K	A		EA	1
R223	011002	RES MF 10K0 1% .12W 50PPM	HOLSWORTHY	H8C	A		EA	15
R224	011002	RES MF 10K0 1% .12W 50PPM	HOLSWORTHY	H8C	A		EA	-
R225	011501	RES MF 1K50 1% .12W 50PPM	HOLSWORTHY	H8C	A		EA	3
R226	012212	RES MF 22K1 1% .12W 50PPM	HOLSWORTHY	H8C	A		EA	3
R227	012212	RES MF 22K1 1% .12W 50PPM	HOLSWORTHY	H8C	A		EA	-
R228	011501	RES MF 1K50 1% .12W 50PPM	HOLSWORTHY	H8C	A		EA	-
R229	011003	RES MF 100K 1% .12W 50PPM	HOLSWORTHY	H8C	A		EA	9
R230	011003	RES MF 100K 1% .12W 50PPM	HOLSWORTHY	H8C	A		EA	-
R231	014750	RES MF 475R 1% .12W 50PPM	HOLSWORTHY	H8C	A		EA	6
R232	011501	RES MF 1K50 1% .12W 50PPM	HOLSWORTHY	H8C	A		EA	-
R233	013321	RES MF 3K32 1% .12W 50PPM	HOLSWORTHY	H8C	A		EA	1
R234	041004	RES MF 1M00 1% .12W 50PPM	HOLSWORTHY	H8C	A		EA	-
R235	011002	RES MF 10K0 1% .12W 50PPM	HOLSWORTHY	H8C	A		EA	-
R236	090149-1	RES FL SET 25K/15K/9K/1K	VISHAY MANN	SEE DRG			S4	1
R237	090149-1	RES FL SET 25K/15K/9K/1K	VISHAY MANN	SEE DRG			S4	-
R238	090149-1	RES FL SET 25K/15K/9K/1K	VISHAY MANN	SEE DRG			S4	-
R239	090149-1	RES FL SET 25K/15K/9K/1K	VISHAY MANN	SEE DRG			S4	1
R240	044753	RES MF 475K 1% .12W 50PPM	HOLSWORTHY	H8C	A		EA	1
R241	012493	RES MF 249K 1% .12W 50PPM	HOLSWORTHY	H8C	A		EA	1
R242	011503	RES MF 150K 1% .12W 50PPM	HOLSWORTHY	H8C	A		EA	2

DESIG	PART NO	DESCRIPTION	PRINC MANUF	MANUF PART NUMBER	CLASS	UM	QUANTITY	CHANGES
R243	019092	RES MF 90K9 1% .12W 50PPM	HOLSWORTHY	H8C	A		EA	3
R244	011002	RES MF 10K0 1% .12W 50PPM	HOLSWORTHY	H8C	A		EA	-
R245	041005	RES MF 10M0 1% .12W 100PPM	STEATITE	MK2	A		EA	-
R246	011212	RES MF 12K1 1% .12W 50PPM	HOLSWORTHY	H8C	A		EA	3
R247	017502	RES MF 75K0 1% .12W 50PPM	HOLSWORTHY	H8C	A		EA	-
R248	017502	RES MF 75K0 1% .12W 50PPM	HOLSWORTHY	H8C	A		EA	-
R249	014751	RES MF 4K75 1% .12W 50PPM	HOLSWORTHY	H8C	A		EA	8
R250	011001	RES MF 1K00 1% .12W 50PPM	HOLSWORTHY	H8C	A		EA	-
R251	045113	RES MF 511K 1% .12W 50PPM	HOLSWORTHY	H8C	A		EA	1
R252	013323	RES MF 332K 1% .12W 50PPM	HOLSWORTHY	H8C	A		EA	3
R253	013323	RES MF 332K 1% .12W 50PPM	HOLSWORTHY	H8C	A		EA	-
R254	00000N	NOT FITTED					EA	23
R255	041004	RES MF 1M00 1% .12W 50PPM	HOLSWORTHY	H8C	A		EA	-
R256	011821	RES MF 1K82 1% .12W 50PPM	HOLSWORTHY	H8C	A		EA	2
R257	041004	RES MF 1M00 1% .12W 50PPM	HOLSWORTHY	H8C	A		EA	-
R258	041004	RES MF 1M00 1% .12W 50PPM	HOLSWORTHY	H8C	A		EA	-
R259	013323	RES MF 332K 1% .12W 50PPM	HOLSWORTHY	H8C	A		EA	-
R260	041004	RES MF 1M00 1% .12W 50PPM	HOLSWORTHY	H8C	A		EA	-
R301	011373	RES MF 137K 1% .12W 50PPM	HOLSWORTHY	H8C	A		EA	4
R302	011002	RES MF 10K0 1% .12W 50PPM	HOLSWORTHY	H8C	A		EA	-
R303	014751	RES MF 4K75 1% .12W 50PPM	HOLSWORTHY	H8C	A		EA	-
R304	014422	RES MF 44K2 1% .12W 50PPM	HOLSWORTHY	H8C	A		EA	1
R305	011001	RES MF 1K00 1% .12W 50PPM	HOLSWORTHY	H8C	A		EA	-
R306	011001	RES MF 1K00 1% .12W 50PPM	HOLSWORTHY	H8C	A		EA	-
R307	014321	RES MF 4K32 1% .12W 50PPM	HOLSWORTHY	H8C	A		EA	2
R308	017501	RES MF 7K50 1% .12W 50PPM	HOLSWORTHY	H8C	A		EA	2
R309	014321	RES MF 4K32 1% .12W 50PPM	HOLSWORTHY	H8C	A		EA	-
R310	017501	RES MF 7K50 1% .12W 50PPM	HOLSWORTHY	H8C	A		EA	-
R311	011001	RES MF 1K00 1% .12W 50PPM	HOLSWORTHY	H8C	A		EA	-
R312	011001	RES MF 1K00 1% .12W 50PPM	HOLSWORTHY	H8C	A		EA	-
R313	011002	RES MF 10K0 1% .12W 50PPM	HOLSWORTHY	H8C	A		EA	-
R314	011002	RES MF 10K0 1% .12W 50PPM	HOLSWORTHY	H8C	A		EA	-
R315	011001	RES MF 1K00 1% .12W 50PPM	HOLSWORTHY	H8C	A		EA	-
R316	018251	RES MF 8K25 1% .12W 50PPM	HOLSWORTHY	H8C	A		EA	3
R317	065007	RES CT 500R VERT M/T	BOURNS	3296W-500R	A		EA	1
R318	011001	RES MF 1K00 1% .12W 50PPM	HOLSWORTHY	H8C	A		EA	-
R319	018251	RES MF 8K25 1% .12W 50PPM	HOLSWORTHY	H8C	A		EA	-
R320	014750	RES MF 475R 1% .12W 50PPM	HOLSWORTHY	H8C	A		EA	-
R321	014750	RES MF 475R 1% .12W 50PPM	HOLSWORTHY	H8C	A		EA	-
R322	015901	RES MF 5K90 1% .12W 50PPM	HOLSWORTHY	H8C	A		EA	2
R323	015901	RES MF 5K90 1% .12W 50PPM	HOLSWORTHY	H8C	A		EA	-
R324	011822	RES MF 18K2 1% .12W 50PPM	HOLSWORTHY	H8C	A		EA	2
R325	011822	RES MF 18K2 1% .12W 50PPM	HOLSWORTHY	H8C	A		EA	-
R326	011008	RES MF 10R0 1% .12W 50PPM	HOLSWORTHY	H8C	A		EA	10
R327	011008	RES MF 10R0 1% .12W 50PPM	HOLSWORTHY	H8C	A		EA	-

DESIG	PART NO	DESCRIPTION	PRINC MANUF	MANUF PART NUMBER	CLASS	UM	QUANTITY	CHANGES
R328	011002	RES MF 10K0 1% .12W 50PPM	HOLSWORTHY	H8C	A	EA	-	
R329	011008	RES MF 10R0 1% .12W 50PPM	HOLSWORTHY	H8C	A	EA	-	
R330	011008	RES MF 10R0 1% .12W 50PPM	HOLSWORTHY	H8C	A	EA	-	
R331	011000	RES MF 100R 1% .12W 50PPM	HOLSWORTHY	H8C	A	EA	22	
R332	011000	RES MF 100R 1% .12W 50PPM	HOLSWORTHY	H8C	A	EA	-	
R333	011000	RES MF 100R 1% .12W 50PPM	HOLSWORTHY	H8C	A	EA	-	
R402	041004	RES MF 1M00 1% .12W 50PPM	HOLSWORTHY	H8C	A	EA	-	
R403	01000F	RES MF FSU				EA	-	
R404	01000F	RES MF FSU				EA	-	
R405	011103	RES MF 110K 1% .12W 50PPM	HOLSWORTHY	H8C	A	EA	2	
R406	080072	RES FL 312R8 .1% 3PPM	VISHAY MANN	S102C		EA	-	
R407	080072	RES FL 312R8 .1% 3PPM	VISHAY MANN	S102C		EA	-	
R408	011001	RES MF 1K00 1% .12W 50PPM	HOLSWORTHY	H8C	A	EA	-	
R409	090172-1	RES FL SET 27K/68K	VISHAY MANN	SEE DRG		S2	1	
R410	011001	RES MF 1K00 1% .12W 50PPM	HOLSWORTHY	H8C	A	EA	-	
R411	011103	RES MF 110K 1% .12W 50PPM	HOLSWORTHY	H8C	A	EA	-	
R412	019530	RES MF 953R 1% .12W 50PPM	HOLSWORTHY	H8C	A	EA	1	
R414	090172-1	RES FL SET 27K/68K	VISHAY MANN	SEE DRG		S2	-	
R415	011000	RES MF 100R 1% .12W 50PPM	HOLSWORTHY	H8C	A	EA	-	
R416	011000	RES MF 100R 1% .12W 50PPM	HOLSWORTHY	H8C	A	EA	-	
R417	000338	RES CF 3R3 5% .25W	NEOHM	CFR25		EA	1	
R418	011212	RES MF 12K1 1% .12W 50PPM	HOLSWORTHY	H8C	A	EA	-	
R419	011212	RES MF 12K1 1% .12W 50PPM	HOLSWORTHY	H8C	A	EA	-	
R420	011000	RES MF 100R 1% .12W 50PPM	HOLSWORTHY	H8C	A	EA	-	
R421	011210	RES MF 121R 1% .12W 50PPM	HOLSWORTHY	H8C	A	EA	1	
R422	011000	RES MF 100R 1% .12W 50PPM	HOLSWORTHY	H8C	A	EA	-	
R423	018250	RES MF 825R 1% .12W 50PPM	HOLSWORTHY	H8C	A	EA	1	
R424	016198	RES MF 61R9 1% .12W 50PPM	HOLSWORTHY	H8C	A	EA	3	
R425	016198	RES MF 61R9 1% .12W 50PPM	HOLSWORTHY	H8C	A	EA	-	
R426	011001	RES MF 1K00 1% .12W 50PPM	HOLSWORTHY	H8C	A	EA	-	
R427	011001	RES MF 1K00 1% .12W 50PPM	HOLSWORTHY	H8C	A	EA	-	
R428	011000	RES MF 100R 1% .12W 50PPM	HOLSWORTHY	H8C	A	EA	-	
R429	011373	RES MF 137K 1% .12W 50PPM	HOLSWORTHY	H8C	A	EA	-	
R430	011002	RES MF 10K0 1% .12W 50PPM	HOLSWORTHY	H8C	A	EA	-	
R431	011002	RES MF 10K0 1% .12W 50PPM	HOLSWORTHY	H8C	A	EA	-	
R432	011373	RES MF 137K 1% .12W 50PPM	HOLSWORTHY	H8C	A	EA	-	
R433	011008	RES MF 10R0 1% .12W 50PPM	HOLSWORTHY	H8C	A	EA	-	
R434	011008	RES MF 10R0 1% .12W 50PPM	HOLSWORTHY	H8C	A	EA	-	
R435	011373	RES MF 137K 1% .12W 50PPM	HOLSWORTHY	H8C	A	EA	-	
R501	00000N	NOT FITTED				EA	-	
R502	019092	RES MF 90K9 1% .12W 50PPM	HOLSWORTHY	H8C	A	EA	-	
R503	011002	RES MF 10K0 1% .12W 50PPM	HOLSWORTHY	H8C	A	EA	-	
R504	011002	RES MF 10K0 1% .12W 50PPM	HOLSWORTHY	H8C	A	EA	-	
R505	011690	RES MF 169R 1% .12W 50PPM	HOLSWORTHY	H8C	A	EA	1	
R506	015902	RES MF 59K0 1% .12W 50PPM	HOLSWORTHY	H8C	A	EA	1	

DESIG	PART NO	DESCRIPTION	PRINC MANUF	MANUF PART NUMBER	CLASS	UM	QUANTITY	CHANGES
R507	016811	RES MF 6K81 1% .12W 50PPM	HOLSWORTHY	H8C	A	EA	2	
R508	016811	RES MF 6K81 1% .12W 50PPM	HOLSWORTHY	H8C	A	EA	-	
R509	017502	RES MF 75K0 1% .12W 50PPM	HOLSWORTHY	H8C	A	EA	-	
R510	015111	RES MF 5111 1% .12W 50PPM	HOLSWORTHY	H8C	A	EA	1	
R511	050082	RES MF 75K0 .25% .12W 50PPM	HOLSWORTHY	H8		EA	1	
R512	050081	RES MF 4K99 .25% .12W 50PPM	HOLSWORTHY	H8		EA	1	
R513	090171-1	RES FL SET 136K/68K	VISHAY MANN	SEE DRG		S2	1	
R514	090171-1	RES FL SET 136K/68K	VISHAY MANN	SEE DRG		S2	-	
R515	070198-1	RES W 1M088 02%	VISHAY MANN	SEE DRG		EA	1	
R516	011001	RES MF 1K00 1% .12W 50PPM	HOLSWORTHY	H8C	A	EA	-	
R517	011008	RES MF 10R0 1% .12W 50PPM	HOLSWORTHY	H8C	A	EA	-	
R518	012002	RES MF 20K0 1% .12W 50PPM	HOLSWORTHY	H8C	A	EA	3	
R519	011008	RES MF 10R0 1% .12W 50PPM	HOLSWORTHY	H8C	A	EA	-	
R520	012002	RES MF 20K0 1% .12W 50PPM	HOLSWORTHY	H8C	A	EA	-	
R521	012002	RES MF 20K0 1% .12W 50PPM	HOLSWORTHY	H8C	A	EA	-	
R522	018252	RES MF 82K5 1% .12W 50PPM	HOLSWORTHY	H8C	A	EA	2	
R523	018252	RES MF 82K5 1% .12W 50PPM	HOLSWORTHY	H8C	A	EA	-	
R524	011003	RES MF 100K 1% .12W 50PPM	HOLSWORTHY	H8C	A	EA	-	
R525	012211	RES MF 2K21 1% .12W 50PPM	HOLSWORTHY	H8C	A	EA	2	
R526	012211	RES MF 2K21 1% .12W 50PPM	HOLSWORTHY	H8C	A	EA	-	
R527	011000	RES MF 100R 1% .12W 50PPM	HOLSWORTHY	H8C	A	EA	-	
R528	011821	RES MF 1821 1% .12W 50PPM	HOLSWORTHY	H8C	A	EA	-	
R529	00000N	NOT FITTED				EA	-	
R530	00000N	NOT FITTED				EA	-	
R531	00000N	NOT FITTED				EA	-	
R532	014750	RES MF 475R 1% .12W 50PPM	HOLSWORTHY	H8C	A	EA	-	
R533	011000	RES MF 100R 1% .12W 50PPM	HOLSWORTHY	H8C	A	EA	-	
R534	011008	RES MF 10R0 1% .12W 50PPM	HOLSWORTHY	H8C	A	EA	-	
R535	011008	RES MF 10R0 1% .12W 50PPM	HOLSWORTHY	H8C	A	EA	-	
R536	014751	RES MF 4K75 1% .12W 50PPM	HOLSWORTHY	H8C	A	EA	-	
R537	011003	RES MF 100K 1% .12W 50PPM	HOLSWORTHY	H8C	A	EA	-	
R538	014751	RES MF 4K75 1% .12W 50PPM	HOLSWORTHY	H8C	A	EA	-	
R539	011003	RES MF 100K 1% .12W 50PPM	HOLSWORTHY	H8C	A	EA	-	
R540	011002	RES MF 10K0 1% .12W 50PPM	HOLSWORTHY	H8C	A	EA	-	
R541	018251	RES MF 8K25 1% .12W 50PPM	HOLSWORTHY	H8C	A	EA	-	
R542	00000N	NOT FITTED				EA	-	
R543	00000N	NOT FITTED				EA	-	
R544	00000N	NOT FITTED				EA	-	
R545	041204	RES MF 1M20 1% .12W 100PPM	HOLSWORTHY	H8C	A	EA	1	
R546	041825	RES MF 18M2 1% .12W 150PPM	MEPCO	5053YL		EA	1	
R547	041004	RES MF 1M00 1% .12W 50PPM	HOLSWORTHY	H8C	A	EA	-	
R548	011002	RES MF 10K0 1% .12W 50PPM	HOLSWORTHY	H8C	A	EA	-	
R601	011003	RES MF 100K 1% .12W 50PPM	HOLSWORTHY	H8C	A	EA	-	
R602	012492	RES MF 24K9 1% .12W 50PPM	HOLSWORTHY	H8C	A	EA	1	
R603	012218	RES MF 22R1 1% .12W 50PPM	HOLSWORTHY	H8C	A	EA	2	

DESIG	PART NO	DESCRIPTION	PRINC MANUF	MANUF PART NUMBER	CLASS	UM	QUANTITY	CHANGES
R604	012218	RES MF 22R1 1% .12W 50PPM	HOLSWORTHY	H8C	A	EA	-	
R607	011001	RES MF 1K00 1% .12W 50PPM	HOLSWORTHY	H8C	A	EA	-	
R608	012212	RES MF 22K1 1% .12W 50PPM	HOLSWORTHY	H8C	A	EA	-	
R609	011001	RES MF 1K00 1% .12W 50PPM	HOLSWORTHY	H8C	A	EA	-	
R610	012670	RES MF 267R 1% .12W 50PPM	HOLSWORTHY	H8C	A	EA	2	
R611	012670	RES MF 267R 1% .12W 50PPM	HOLSWORTHY	H8C	A	EA	-	
R612	012001	RES MF 2K00 1% .12W 50PPM	HOLSWORTHY	H8C	A	EA	2	
R613	012001	RES MF 2K00 1% .12W 50PPM	HOLSWORTHY	H8C	A	EA	-	
R614	011001	RES MF 1K00 1% .12W 50PPM	HOLSWORTHY	H8C	A	EA	-	
R615	011001	RES MF 1K00 1% .12W 50PPM	HOLSWORTHY	H8C	A	EA	-	
R616	011001	RES MF 1K00 1% .12W 50PPM	HOLSWORTHY	H8C	A	EA	-	
R701	014750	RES MF 475R 1% .12W 50PPM	HOLSWORTHY	H8C	A	EA	-	
R702	014750	RES MF 475R 1% .12W 50PPM	HOLSWORTHY	H8C	A	EA	-	
R703	011001	RES MF 1K00 1% .12W 50PPM	HOLSWORTHY	H8C	A	EA	3	
R704	012740	RES MF 274R 1% .12W 50PPM	HOLSWORTHY	H8C	A	EA	-	
R705	012740	RES MF 274R 1% .12W 50PPM	HOLSWORTHY	H8C	A	EA	-	
R706	014751	RES MF 4K75 1% .12W 50PPM	HOLSWORTHY	H8C	A	EA	-	
R707	012740	RES MF 274R 1% .12W 50PPM	HOLSWORTHY	H8C	A	EA	-	
R708	014751	RES MF 4K75 1% .12W 50PPM	HOLSWORTHY	H8C	A	EA	-	
R709	011000	RES MF 100R 1% .12W 50PPM	HOLSWORTHY	H8C	A	EA	-	
R710	011000	RES MF 100R 1% .12W 50PPM	HOLSWORTHY	H8C	A	EA	-	
R711	011000	RES MF 100R 1% .12W 50PPM	HOLSWORTHY	H8C	A	EA	2	
R712	012000	RES MF 200R 1% .12W 50PPM	HOLSWORTHY	H8C	A	EA	-	
R713	012000	RES MF 200R 1% .12W 50PPM	HOLSWORTHY	H8C	A	EA	-	
R714	011000	RES MF 100R 1% .12W 50PPM	HOLSWORTHY	H8C	A	EA	-	
R715	011000	RES MF 100R 1% .12W 50PPM	HOLSWORTHY	H8C	A	EA	-	
R716	011000	RES MF 100R 1% .12W 50PPM	HOLSWORTHY	H8C	A	EA	-	
R717	011000	RES MF 100R 1% .12W 50PPM	HOLSWORTHY	H8C	A	EA	-	
R718	011002	RES MF 10K0 1% .12W 100PPM	HOLSWORTHY	H8C	A	EA	1	
R719	041964	RES MF 1M96 1% .12W 100PPM	HOLSWORTHY	H8C	A	EA	-	
R720	011870	RES MF 187R 1% .12W 50PPM	HOLSWORTHY	H8C	A	EA	1	
R721	011000	RES MF 100R 1% .12W 50PPM	HOLSWORTHY	H8C	A	EA	-	
R722	014751	RES MF 4K75 1% .12W 50PPM	HOLSWORTHY	H8C	A	EA	-	
R723	014751	RES MF 4K75 1% .12W 50PPM	HOLSWORTHY	H8C	A	EA	-	
R724	013322	RES MF 33K2 1% .12W 50PPM	HOLSWORTHY	H8C	A	EA	1	
R802	011000	RES MF 100R 1% .12W 50PPM	HOLSWORTHY	H8C	A	EA	-	
R803	011000	RES MF 100R 1% .12W 50PPM	HOLSWORTHY	H8C	A	EA	-	
R804	011000	RES MF 100R 1% .12W 50PPM	HOLSWORTHY	H8C	A	EA	-	
R805	011003	RES MF 100K 1% .12W 50PPM	HOLSWORTHY	H8C	A	EA	-	
R806	011003	RES MF 100K 1% .12W 50PPM	HOLSWORTHY	H8C	A	EA	-	
R807	011001	RES MF 1K00 1% .12W 50PPM	HOLSWORTHY	H8C	A	EA	-	
R808	011502	RES MF 15K0 1% .12W 50PPM	HOLSWORTHY	H8C	A	EA	1	
R809	016198	RES MF 619R 1% .12W 50PPM	HOLSWORTHY	H8C	A	EA	-	
R810	011001	RES MF 1K00 1% .12W 50PPM	HOLSWORTHY	H8C	A	EA	-	
R811	011003	RES MF 100K 1% .12W 50PPM	HOLSWORTHY	H8C	A	EA	-	

DESIG	PART NO	DESCRIPTION	PRINC MANUF	MANUF PART NUMBER	CLASS	UM	QUANTITY	CHANGES
R812	019092	RES MF 90K9 1% .12W 50PPM	HOLSWORTHY	H8C	A	EA	-	
R813	011001	RES MF 1K00 1% .12W 50PPM	HOLSWORTHY	H8C	A	EA	-	
R814	011503	RES MF 150K 1% .12W 50PPM	HOLSWORTHY	H8C	A	EA	-	
R815	011000	RES MF 100R 1% .12W 50PPM	HOLSWORTHY	H8C	A	EA	-	
R901	011542	RES MF 15K4 1% .12W 50PPM	HOLSWORTHY	H8C	A	EA	2	
R902	011542	RES MF 15K4 1% .12W 50PPM	HOLSWORTHY	H8C	A	EA	-	
R903	016190	RES MF 619R 1% .12W 50PPM	HOLSWORTHY	H8C	A	EA	2	
R904	01000F	RES MF FSU						
R905	016190	RES MF 619R 1% .12W 50PPM	HOLSWORTHY	H8C	A	EA	-	
R906	01000F	RES MF FSU						
AN201	090095	RES PACK 47K X 4 2%	BECKMAN	LO8-3-R47K			EA	1
AN202	090105	RES PACK 100R X 4 2%	BECKMAN	LO8-3-R100			EA	1
AN203	090131	RES PACK 10K X 4 2%	BECKMAN	LO8-3-R10K			EA	1
AN204	090167	RES PACK 100K X 4 2%	BECKMAN	LO8-3-R100K			EA	2
AN205	090167	RES PACK 100K X 4 2%	BECKMAN	LO8-3-R100K			EA	-
AN301	090139	RES PACK 2K2 X 4 2%	BECKMAN	LO8-3-R2K2			EA	2
AN302	090168	RES PACK 1K X 4 2%	AB	770-83-1K			EA	9
AN401	090151	RES PACK 3K3 X 4 2%	BECKMAN	LO8-3-R3K3			EA	1
AN701	090164	RES NTWK 2K2 X 8 2%	BECKMAN	LO9-1-R2K2			EA	1
AN702	090132	RES PACK 4K7 X 4 2%	BECKMAN	LO8-3-R4K7			EA	1
AN703	090168	RES PACK 1K X 4 2%	AB	770-83-1K			EA	-
AN704	090168	RES PACK 1K X 4 2%	AB	770-83-1K			EA	-
AN705	090041	RES NTWK 4K7 X 7 2%	BECKMAN	LO8-1-R4K7			EA	-
AN706	090139	RES PACK 2K2 X 4 2%	BECKMAN	LO8-3-R2K2			EA	-
AN801	090168	RES PACK 1K X 4 2%	AB	770-83-1K			EA	-
AN802	090168	RES PACK 1K X 4 2%	AB	770-83-1K			EA	-
AN803	090121	RES NTWK 100K X 8 2%	BECKMAN	LO9-1-R100K			EA	5
AN804	090121	RES NTWK 100K X 8 2%	BECKMAN	LO9-1-R100K			EA	-
AN805	090168	RES PACK 1K X 4 2%	AB	770-83-1K			EA	-
AN806	090168	RES PACK 1K X 4 2%	AB	770-83-1K			EA	-
AN807	090121	RES NTWK 100K X 8 2%	BECKMAN	LO9-1-R100K			EA	-
AN808	090121	RES NTWK 100K X 8 2%	BECKMAN	LO9-1-R100K			EA	-
AN809	090168	RES PACK 1K X 4 2%	AB	770-83-1K			EA	-
AN810	090168	RES PACK 1K X 4 2%	AB	770-83-1K			EA	-
AN811	090121	RES NTWK 100K X 8 2%	BECKMAN	LO9-1-R100K			EA	-
C201	104030	CAP CD 100PF 10% 4KV	ITT	HD16			EA	1
C202	140078	CAP PP 1NF 5% 100V	WIMA	FKP2			EA	3
C203	140078	CAP PP 1NF 5% 100V	WIMA	FKP2			EA	-
C204	150016	CAP DT 1UF 20% 35V	AVX	TAP1R0M35F	A		EA	9
C205	100331	CAP CP 330PF 2% 100V	PHILIPS	2222 683 58331			EA	1
C206	100102	CAP CP 1NF 10% 100V	PHILIPS	2222 630 19102			EA	1
C207	100472	CAP CP 4H7F 10% 100V	PHILIPS	2222 630 19472			EA	2
C208	104025	CAP CD 100NF +80%-20% 50V	SIEMENS	B37449			EA	13
C209	150016	CAP DT 1UF 20% 35V	AVX	TAP1R0M35F	A		EA	-
C211	100330	CAP CP 33PF 2% 100V	PHILIPS	2222 683 34339			EA	3

DESIG	PART NO	DESCRIPTION	PRINC MANUF	MANUF PART NUMBER	CLASS UM	QUANTITY	CHANGES
C212	110027	CAP PE 3M3F 20% 100V	WIMA	FRS2		EA	1
C213	100472	CAP CP 4N7F 10% 100V	PHILIPS	2222 630 19472		EA	-
C214	00000N	NOT FITTED				EA	-
C222	150016	CAP DT 1UF 20% 35V	AVX	TAP10M25F	A	EA	-
C301	00000N	NOT FITTED				EA	-
C302	00000N	NOT FITTED				EA	-
C303	150020	CAP DT 10UF 20% 25V	AVX	TAP10M25F	A	EA	11
C304	110004	CAP PE 47NF 20% 250V	PHILIPS	C280AEP47K		EA	2
C305	110004	CAP PE 47NF 20% 250V	PHILIPS	C280AEP47K		EA	-
C306	00000N	NOT FITTED				EA	-
C307	180063	CAP AE 100UF +80/-20% 25V	ECC	KMYB		EA	4
C308	180063	CAP AE 100UF +80/-20% 25V	ECC	KMYB		EA	-
C309	104017	CAP CD 0P56F +/-0P1F 500V	ITT	GD08AGOP56BS		EA	1
C310	100390	CAP CP 39PF 2% 100V	PHILIPS	2222 683 34399		EA	2
C311	100390	CAP CP 39PF 2% 100V	PHILIPS	2222 683 34399		EA	-
C312	180063	CAP AE 100UF +80/-20% 25V	ECC	KMYB		EA	-
C313	180063	CAP AE 100UF +80/-20% 25V	ECC	KMYB		EA	-
C401	120004	CAP PC 680NF 10% 63V	ASHCROFT	A2B6811B		EA	1
C402	120021	CAP PC 470NF 10% 63V	ASHCROFT	A2B4711B		EA	1
C403	110042	CAP PE 100NF 20% 63V	WIMA	MKS2		EA	12
C404	110042	CAP PE 100NF 20% 63V	WIMA	MKS2		EA	-
C405	101103	CAP CD 10NF -20+80% 250V	BECK	CD10K310N0ZSCR/SK250		EA	7
C406	110042	CAP PE 100NF 20% 63V	WIMA	MKS2		EA	-
C407	110042	CAP PE 100NF 20% 63V	WIMA	MKS2		EA	-
C408	101103	CAP CD 10NF -20+80% 250V	BECK	CD10K310N0ZSCR/SK250		EA	-
C410	140078	CAP PP 1NF 5% 100V	WIMA	FKP2		EA	-
C411	104025	CAP CD 100NF +80%-20% 50V	SIEMENS	B37449		EA	-
C412	110042	CAP PE 100NF 20% 63V	WIMA	MKS2		EA	-
C413	110042	CAP PE 100NF 20% 63V	WIMA	MKS2		EA	-
C414	104025	CAP CD 100NF +80%-20% 50V	SIEMENS	B37449		EA	-
C415	150020	CAP DT 10UF 20% 25V	AVX	TAP10M25F	A	EA	-
C416	150020	CAP DT 10UF 20% 25V	AVX	TAP10M25F	A	EA	-
C417	110064	CAP PE 10UF 40V	ASHCROFT	M1B103 14B		EA	2
C418	110064	CAP PE 10UF 40V	ASHCROFT	M1B103 14B		EA	-
C419	110062	CAP PE 10UF 10% 40V	ASHCROFT	M1B102 14B		EA	2
C420	104025	CAP CD 100NF +80%-20% 50V	SIEMENS	B37449		EA	-
C421	110042	CAP PE 100NF 20% 63V	WIMA	MKS2		EA	-
C422	110042	CAP PE 100NF 20% 63V	WIMA	MKS2		EA	-
C423	110042	CAP PE 100NF 20% 63V	WIMA	MKS2		EA	-
C424	110042	CAP PE 100NF 20% 63V	WIMA	MKS2		EA	-
C425	104025	CAP CD 100NF +80%-20% 50V	SIEMENS	B37449		EA	-
C426	140081	CAP PP 470NF 10% 160V	RIFA	PHE404FB6470K		EA	6
C427	140077	CAP PP 100PF 5% 100V	WIMA	FKP2		EA	1
C501	100100	CAP CD 10PF 2% 100V	PHILIPS	2222 683 10109		EA	1
C502	150021	CAP DT 22UF 20% 25V	AVX	TAP22M25F	A	EA	2

DESIG	PART NO	DESCRIPTION	PRINC MANUF	MANUF PART NUMBER	CLASS UM	QUANTITY	CHANGES
C503	150021	CAP DT 22UF 20% 25V	AVX	TAP22M25F	A	EA	-
C504	100101	CAP CD 100PF 2% 100V	PHILIPS	2222 683 34101		EA	2
C505	140064	CAP PP 100NF 5% 200V	TRW	X363UF		EA	1
C506	100101	CAP CD 100PF 2% 100V	PHILIPS	2222 683 34101		EA	-
C507	140065	CAP PP 47NF 10% 160V	WIMA	MKP10		EA	1
C508	110042	CAP PE 100NF 20% 63V	WIMA	MKS2		EA	-
C509	110042	CAP PE 100NF 20% 63V	WIMA	MKS2		EA	-
C510	104025	CAP CD 100NF +80%-20% 50V	SIEMENS	B37449		EA	-
C511	00000N	NOT FITTED				EA	-
C512	00000N	NOT FITTED				EA	-
C513	00000N	NOT FITTED				EA	-
C514	00000N	NOT FITTED				EA	-
C515	100220	CAP CP 22PF 2% 100V	PHILIPS	2222 683 34229		EA	1
C516	100222	CAP CP 2N2F 10% 100V	PHILIPS	2222 630 19222		EA	1
C517	104025	CAP CD 100NF +80%-20% 50V	SIEMENS	B37449		EA	-
C518	104025	CAP CD 100NF +80%-20% 50V	SIEMENS	B37449		EA	-
C519	150020	CAP DT 10UF 20% 25V	AVX	TAP10M25F	A	EA	-
C520	104025	CAP CD 100NF +80%-20% 50V	SIEMENS	B37449		EA	-
C521	101103	CAP CD 10NF -20+80% 250V	BECK	CD10K310N0ZSCR/SK250		EA	-
C522	100330	CAP CP 33PF 2% 100V	PHILIPS	2222 683 34339		EA	-
C523	100151	CAP CP 150PF 2% 100V	PHILIPS	2222 683 34151		EA	3
C524	150020	CAP DT 10UF 20% 25V	AVX	TAP10M25F	A	EA	-
C525	150020	CAP DT 10UF 20% 25V	AVX	TAP10M25F	A	EA	-
C526	150020	CAP DT 10UF 20% 25V	AVX	TAP10M25F	A	EA	-
C527	104026	CAP CD 47NF +50%-20% 50V	SIEMENS	B37449		EA	12
C528	00000N	NOT FITTED				EA	-
C529	00000N	NOT FITTED				EA	-
C530	120022	CAP PC 1N5F 20% 100V	WIMA	FRC2		EA	1
C531	120029	CAP PC 6N8F 20% 100V	WIMA	FRC2		EA	1
C601	150020	CAP DT 10UF 20% 25V	AVX	TAP10M25F	A	EA	-
C602	150020	CAP DT 10UF 20% 25V	AVX	TAP10M25F	A	EA	-
C604	101103	CAP CD 10NF -20+80% 250V	BECK	CD10K310N0ZSCR/SK250		EA	-
C605	100330	CAP CP 33PF 2% 100V	PHILIPS	2222 683 34339		EA	-
C606	110062	CAP PE 10UF 40V	ASHCROFT	M1B102 14B		EA	-
C607	140081	CAP PP 470NF 10% 160V	RIFA	PHE404FB6470K		EA	-
C608	100470	CAP CP 47PF 2% 100V	PHILIPS	2222 683 34479		EA	2
C609	100122	CAP CP 1N2F 10% 100V	PHILIPS	2222 630 19122		EA	2
C610	100122	CAP CP 1N2F 10% 100V	PHILIPS	2222 630 19122		EA	-
C611	100470	CAP CP 47PF 2% 100V	PHILIPS	2222 683 34479		EA	-
C612	140081	CAP PP 470NF 10% 160V	RIFA	PHE404FB6470K		EA	-
C613	104026	CAP CD 47NF +50%-20% 50V	SIEMENS	B37449		EA	-
C615	140081	CAP PP 470NF 10% 160V	RIFA	PHE404FB6470K		EA	-
C616	140081	CAP PP 470NF 10% 160V	RIFA	PHE404FB6470K		EA	-
C617	140081	CAP PP 470NF 10% 160V	RIFA	PHE404FB6470K		EA	-
C701	104026	CAP CD 47NF +50%-20% 50V	SIEMENS	B37449		EA	-

DESIG	PART NO	DESCRIPTION	PRINC MANUF	MANUF PART NUMBER	CLASS	UM	QUANTITY	CHANGES
C702	104026	CAP CD 47NF +50%-20% 50V	SIEMENS	B37449			EA	-
C703	104026	CAP CD 47NF +50%-20% 50V	SIEMENS	B37449			EA	-
C704	104026	CAP CD 47NF +50%-20% 50V	SIEMENS	B37449			EA	-
C705	104025	CAP CD 100NF +80%-20% 50V	SIEMENS	B37449			EA	-
C706	104025	CAP CD 100NF +80%-20% 50V	SIEMENS	B37449			EA	-
C707	110041	CAP PE 10NF 20% 100V	WIMA	FKS2			EA	1
C801	104026	CAP CD 47NF +50%-20% 50V	SIEMENS	B37449			EA	-
C802	104026	CAP CD 47NF +50%-20% 50V	SIEMENS	B37449			EA	-
C803	104026	CAP CD 47NF +50%-20% 50V	SIEMENS	B37449			EA	-
C804	104025	CAP CD 100NF +80%-20% 50V	SIEMENS	B37449			EA	-
C805	104025	CAP CD 100NF +80%-20% 50V	SIEMENS	B37449			EA	-
C806	150020	CAP DT 10UF 20% 25V	AVX	TAP10M25F	A		EA	-
C807	180059	CAP AE 470UF 25V	ECC	KMYB			EA	1
C808	150020	CAP DT 10UF 20% 25V	AVX	TAP10M25F	A		EA	-
C809	100150	CAP CP 15PF 2% 100V	PHILIPS	2222 683 10159			EA	2
C810	101103	CAP CD 10NF -20+80% 250V	BECK	CD10K310N0ZSCR/SK250			EA	-
C811	100151	CAP CP 150PF 2% 100V	PHILIPS	2222 683 34151			EA	-
C812	100150	CAP CP 15PF 2% 100V	PHILIPS	2222 683 10159			EA	-
C813	100151	CAP CP 150PF 2% 100V	PHILIPS	2222 683 34151			EA	-
C814	104026	CAP CD 47NF +50%-20% 50V	SIEMENS	B37449			EA	-
C815	104026	CAP CD 47NF +50%-20% 50V	SIEMENS	B37449			EA	-
C816	104026	CAP CD 47NF +50%-20% 50V	SIEMENS	B37449			EA	-
C901	180047	CAP AE 1000UF 40V	ECC	SHVB			EA	3
C902	150016	CAP DT 1UF 20% 35V	AVX	TAP1R0M35F	A		EA	-
C903	150016	CAP DT 1UF 20% 35V	AVX	TAP1R0M35F	A		EA	-
C904	180047	CAP AE 1000UF 40V	ECC	SHVB			EA	-
C905	150016	CAP DT 1UF 20% 35V	AVX	TAP1R0M35F	A		EA	-
C906	150016	CAP DT 1UF 20% 35V	AVX	TAP1R0M35F	A		EA	-
C907	180055	CAP AE 33UF 63V	ECC	KMYB			EA	2
C908	101103	CAP CD 10NF -20+80% 250V	BECK	CD10K310N0ZSCR/SK250			EA	-
C909	180054	CAP AE 1UF 63V	PHILIPS	035 58108			EA	4
C910	180055	CAP AE 33UF 63V	ECC	KMYB			EA	-
C911	101103	CAP CD 10NF -20+80% 250V	BECK	CD10K310N0ZSCR/SK250			EA	-
C912	180054	CAP AE 1UF 63V	PHILIPS	035 58108			EA	-
C913	180054	CAP AE 1UF 63V	PHILIPS	035 58108			EA	-
C914	180054	CAP AE 1UF 63V	PHILIPS	035 58108			EA	-
C915	150016	CAP DT 1UF 20% 35V	AVX	TAP1R0M35F	A		EA	-
C916	180047	CAP AE 1000UF 40V	ECC	SHVB			EA	-
C917	150016	CAP DT 1UF 20% 35V	AVX	TAP1R0M35F	A		EA	-
C1701	104052	CAP RTK 220PF 10%	MURATA/ERIE	B8XC0117-33N			EA	1
D201	211200	DIODE ZN 20V 1.3W	PHILIPS	BZV85C20			EA	2
D202	211200	DIODE ZN 20V 1.3W	PHILIPS	BZV85C20			EA	-
D203	210150	DIODE ZN 15V 400mW	PHILIPS	BZX79C15	A		EA	2
D204	210150	DIODE ZN 15V 400mW	PHILIPS	BZX79C15	A		EA	-
D205	220043	DIODE JFET 10mA	SILICONIX	JPAD100			EA	8

DESIG	PART NO	DESCRIPTION	PRINC MANUF	MANUF PART NUMBER	CLASS	UM	QUANTITY	CHANGES
D206	220043	DIODE JFET 10mA	SILICONIX	JPAD100			EA	-
D207	210068	DIODE ZN 6V8 400mW	PHILIPS	BZX79C6V8	A		EA	1
D208	200001	DIODE GP 75mA 75V	FAIRCHILD	1N4148			EA	14
D209	220043	DIODE JFET 10mA	SILICONIX	JPAD100			EA	-
D210	211220	DIODE ZN 22V 1.3W	PHILIPS	BZV85C22			EA	2
D211	211220	DIODE ZN 22V 1.3W	PHILIPS	BZV85C22			EA	-
D212	210062	DIODE ZN 6V2 400mW	PHILIPS	BZX79C6V2	A		EA	2
D213	210062	DIODE ZN 6V2 400mW	PHILIPS	BZX79C6V2	A		EA	-
D214	200001	DIODE GP 75mA 75V	FAIRCHILD	1N4148			EA	-
D215	200001	DIODE GP 75mA 75V	FAIRCHILD	1N4148			EA	-
D216	210120	DIODE ZN 12V 400mW	PHILIPS	BZX79C12	A		EA	5
D217	210120	DIODE ZN 12V 400mW	PHILIPS	BZX79C12	A		EA	-
D218	200008	DIODE GP 200mA 125V	FAIRCHILD	1N458A	A		EA	6
D219	200008	DIODE GP 200mA 125V	FAIRCHILD	1N458A	A		EA	-
D220	200008	DIODE GP 200mA 125V	FAIRCHILD	1N458A	A		EA	-
D221	200001	DIODE GP 75mA 75V	FAIRCHILD	1N4148			EA	-
D222	200001	DIODE GP 75mA 75V	FAIRCHILD	1N4148			EA	-
D223	200008	DIODE GP 200mA 125V	FAIRCHILD	1N458A	A		EA	-
D224	210270	DIODE ZN 27V 400mW	PHILIPS	BZX79C27	A		EA	1
D225	200001	DIODE GP 75mA 75V	FAIRCHILD	1N4148			EA	-
D226	200001	DIODE GP 75mA 75V	FAIRCHILD	1N4148			EA	-
D227	200001	DIODE GP 75mA 75V	FAIRCHILD	1N4148			EA	-
D228	220043	DIODE JFET 10mA	SILICONIX	JPAD100			EA	-
D301	220043	DIODE JFET 10mA	SILICONIX	JPAD100			EA	-
D302	210047	DIODE ZN 4V7 400mW	PHILIPS	BZX79C4V7	A		EA	1
D303	200001	DIODE GP 75mA 75V	FAIRCHILD	1N4148			EA	-
D304	200001	DIODE GP 75mA 75V	FAIRCHILD	1N4148			EA	-
D305	220043	DIODE JFET 10mA	SILICONIX	JPAD100			EA	-
D401	210039	DIODE ZN 3V9 400mW	PHILIPS	BZX79C3V9	A		EA	2
D402	210039	DIODE ZN 3V9 400mW	PHILIPS	BZX79C3V9	A		EA	-
D403	210120	DIODE ZN 12V 400mW	PHILIPS	BZX79C12	A		EA	-
D502	200008	DIODE GP 200mA 125V	FAIRCHILD	1N458A	A		EA	-
D503	200008	DIODE GP 200mA 125V	FAIRCHILD	1N458A	A		EA	-
D504	210120	DIODE ZN 12V 400mW	PHILIPS	BZX79C12	A		EA	-
D505	210120	DIODE ZN 12V 400mW	PHILIPS	BZX79C12	A		EA	-
D506	210051	DIODE ZN 5V1 400mW	PHILIPS	BZX79C5V1	A		EA	3
D507	210051	DIODE ZN 5V1 400mW	PHILIPS	BZX79C5V1	A		EA	-
D508	00000N	NOT FITTED					EA	-
D509	00000N	NOT FITTED					EA	-
D510	213006	DIODE ZN 5V 5W	UNITRODE	TV5505			EA	3
D511	210051	DIODE ZN 5V1 400mW	PHILIPS	BZX79C5V1	A		EA	-
D601	210100	DIODE ZN 10V 400mW	PHILIPS	BZX79C10	A		EA	1
D603	200001	DIODE GP 75mA 75V	FAIRCHILD	1N4148			EA	-
D604	200001	DIODE GP 75mA 75V	FAIRCHILD	1N4148			EA	-
D605	200001	DIODE GP 75mA 75V	FAIRCHILD	1N4148			EA	-

DESIG	PART NO	DESCRIPTION	PRINC MANUF	MANUF PART NUMBER	CLASS	UM	QUANTITY	CHANGES
D606	200001	DIODE GP 75mA 75V	FAIRCHILD	1N4148			EA	-
D607	220043	DIODE JFET 10mA	SILICONIX	JFAD100			EA	-
D608	220043	DIODE JFET 10mA	SILICONIX	JFAD100			EA	-
D801	200002	DIODE GP 1A 50V	FAIRCHILD	1N4001			EA	1
D802	213011	DIODE VR 1V5 250mW	PHILIPS	B2V46-1V5			EA	2
D803	213011	DIODE VR 1V5 250mW	PHILIPS	B2V46-1V5			EA	-
D804	213006	DIODE ZN 5V 5W	UNITRODE	TVS505			EA	-
D901	200006	DIODE GP 1A 600V	FAIRCHILD	1N4005			EA	7
D902	200006	DIODE GP 1A 600V	FAIRCHILD	1N4005			EA	-
D903	200006	DIODE GP 1A 600V	FAIRCHILD	1N4005			EA	-
D904	200006	DIODE GP 1A 600V	FAIRCHILD	1N4005			EA	-
D905	200006	DIODE GP 1A 600V	FAIRCHILD	1N4005			EA	-
D906	200006	DIODE GP 1A 600V	FAIRCHILD	1N4005			EA	-
D907	200006	DIODE GP 1A 600V	FAIRCHILD	1N4005			EA	-
D908	200028	DIODE SB 1A 30V	INT RECTIFIERS	11DQ04			EA	2
D909	200028	DIODE SB 1A 30V	INT RECTIFIERS	11DQ04			EA	-
D910	213009	DIODE ZN 15V 5W	UNITRODE	TVS515			EA	2
D911	213009	DIODE ZN 15V 5W	UNITRODE	TVS515			EA	-
D912	213006	DIODE ZN 5V 5W	UNITRODE	TVS505			EA	-
Q201	230082	TRAN MOSFET N-CHAN 60V	SILICONIX	VN10LM			EA	5
Q202	230089	TRAN JFET I LIM 240uA	SILICONIX	J500			EA	2
Q203	230089	TRAN JFET I LIM 240uA	SILICONIX	J500			EA	-
Q204	240009	TRAN NPN TO18	NATIONAL	MPSL01/2N5550			EA	8
Q205	250009	TRAN PNP TO92	NATIONAL	2N5401			EA	7
Q206	250009	TRAN PNP TO92	NATIONAL	2N5401			EA	-
Q207	240009	TRAN NPN TO18	NATIONAL	MPSL01/2N5550			EA	-
Q208	240006	TRAN NPN TO92	MOTOROLA	2N3904			EA	5
Q209	250004	TRAN PNP TO92	NATIONAL	2N3906			EA	7
Q210	250004	TRAN PNP TO92	NATIONAL	2N3906			EA	-
Q211	230081	TRAN MOSFET N-CHAN	FERRANTI	ZVH0106A		A	EA	4
Q212	230027-1	TRAN JFET N-CHAN 60V	DATRON	SEE DRG		A	EA	7
Q213	230027-1	TRAN JFET N-CHAN 60V	DATRON	SEE DRG		A	EA	-
Q214	230027-1	TRAN JFET N-CHAN 60V	DATRON	SEE DRG		A	EA	-
Q215	250004	TRAN PNP TO92	NATIONAL	2N3906			EA	-
Q216	230081	TRAN MOSFET N-CHAN	FERRANTI	ZVH0106A		A	EA	-
Q217	230027-1	TRAN JFET N-CHAN 60V	DATRON	SEE DRG		A	EA	-
Q218	230027-1	TRAN JFET N-CHAN 60V	DATRON	SEE DRG		A	EA	-
Q219	230082	TRAN MOSFET N-CHAN 60V	SILICONIX	VN10LM			EA	-
Q220	230082	TRAN MOSFET N-CHAN 60V	SILICONIX	VN10LM			EA	-
Q221	230027-1	TRAN JFET N-CHAN 60V	DATRON	SEE DRG		A	EA	-
Q222	250004	TRAN PNP TO92	NATIONAL	2N3906			EA	-
Q223	230027-1	TRAN JFET N-CHAN 60V	DATRON	SEE DRG		A	EA	-
Q224	240006	TRAN NPN TO92	MOTOROLA	2N3904			EA	-
Q301	250009	TRAN PNP TO92	NATIONAL	2N5401			EA	-
Q302	240009	TRAN NPN TO18	NATIONAL	MPSL01/2N5550			EA	-

DESIG	PART NO	DESCRIPTION	PRINC MANUF	MANUF PART NUMBER	CLASS	UM	QUANTITY	CHANGES
Q303	239093-1	TRAN JFET SET PN4117A X 4	DATRON	SEE DRG			S4	1
Q304	239093-1	TRAN JFET SET PN4117A X 4	DATRON	SEE DRG			S4	-
Q305	239093-1	TRAN JFET SET PN4117A X 4	DATRON	SEE DRG			S4	-
Q306	239093-1	TRAN JFET SET PN4117A X 4	DATRON	SEE DRG			S4	-
Q307	230082	TRAN MOSFET N-CHAN 60V	SILICONIX	VN10LM			EA	-
Q308	230082	TRAN MOSFET N-CHAN 60V	SILICONIX	VN10LM			EA	-
Q309	230023	TRAN JFET N CHAN DUAL	SILICONIX	U401			EA	1
Q310	230055	TRAN JFET I LIM 430uA	SILICONIX	J502			EA	2
Q311	230055	TRAN JFET I LIM 430uA	SILICONIX	J502			EA	-
Q312	250027	TRAN PNP DUAL	MICRO POWER SYSTEMS	MP351		A	EA	1
Q313	240009	TRAN NPN TO18	NATIONAL	MPSL01/2N5550			EA	-
Q314	250009	TRAN PNP TO92	NATIONAL	2N5401			EA	-
Q315	250009	TRAN PNP TO92	NATIONAL	2N5401			EA	-
Q316	240009	TRAN NPN TO18	NATIONAL	MPSL01/2N5550			EA	-
Q317	240009	TRAN NPN TO18	NATIONAL	MPSL01/2N5550			EA	-
Q318	250009	TRAN PNP TO92	NATIONAL	2N5401			EA	-
Q401	250004	TRAN PNP TO92	NATIONAL	2N3906			EA	-
Q402	240009	TRAN NPN TO18	NATIONAL	MPSL01/2N5550			EA	-
Q403	240006	TRAN NPN TO92	MOTOROLA	2N3904			EA	-
Q404	250009	TRAN PNP TO92	NATIONAL	2N5401			EA	-
Q405	250004	TRAN PNP TO92	NATIONAL	2N3906			EA	-
Q406	230088	TRAN JFET I LIM 1mA	SILICONIX	J505			EA	2
Q407	230088	TRAN JFET I LIM 1mA	SILICONIX	J505			EA	-
Q408	240006	TRAN NPN TO92	MOTOROLA	2N3904			EA	-
Q409	250004	TRAN PNP TO92	NATIONAL	2N3906			EA	-
Q501	250018	TRAN PNP	MOTOROLA	BC556			EA	2
Q502	250018	TRAN PNP	MOTOROLA	BC556			EA	-
Q503	239084-1	TRAN JFET SET J108 X 2	DATRON	SEE DRG			S2	1
Q504	240029	TRAN NPN	MOTOROLA	BC546			EA	2
Q505	239084-1	TRAN JFET SET J108 X 2	DATRON	SEE DRG			S2	-
Q506	00000N	NOT FITTED					EA	-
Q507	230079	TRAN JFET N CHAN DUAL	MICRO-POWER SYSTEMS	MP845			EA	1
Q508	240029	TRAN NPN	MOTOROLA	BC546			EA	-
Q701	240006	TRAN NPN TO92	MOTOROLA	2N3904			EA	-
Q702	240009	TRAN NPN TO18	NATIONAL	MPSL01/2N5550			EA	-
Q801	230081	TRAN MOSFET N-CHAN	FERRANTI	ZVH0106A		A	EA	-
Q802	230081	TRAN MOSFET N-CHAN	FERRANTI	ZVH0106A		A	EA	-
Q803	240021	TRAN NPN	NATIONAL	BD135			EA	1
Q804	250013	TRAN PNP	NATIONAL	BD136			EA	1
Q806	250011	TRAN PNP TO92	NATIONAL	BC327			EA	1
Q807	240014	TRAN NPN TO92	NATIONAL	BC337			EA	1
M201	260075	IC LIN V COMP DUAL	NATIONAL	LM2903N			EA	1
M202	280167	IC DIG SWITCH QUAD CMOS	SILICONIX	DG211CJ			EA	7
M203	260090	IC LIN OP AMP	LINEAR TECHNOLOGY	LT1008CN8			EA	3
M204	260090	IC LIN OP AMP	LINEAR TECHNOLOGY	LT1008CN8			EA	-

DESIG	PART NO	DESCRIPTION	PRINC MANUF	MANUF PART NUMBER	CLASS	UM	QUANTITY	CHANGES
M301	280011	IC DIG FLIP/FLOP D.DUAL	MOTOROLA	MC14013BCP		EA	1	
M302	280025	IC DIG SWITCH QUAD CMOS	MOTOROLA	MC14066BCP		EA	1	
M303	260065	IC LIN OP AMP	PMI	OP27FZ		EA	2	
M401	280150	IC DIG MULTIPLEXER 8-CHAN	SILICONIX	DG508ACJ		EA	2	
M402	260082	IC LIN OP AMP CHOPPER	LINEAR TECHNOLOGY	LTC1052CN8		EA	4	
M403	260082	IC LIN OP AMP CHOPPER	LINEAR TECHNOLOGY	LTC1052CN8		EA	-	
M404	260083	IC LIN OP AMP CHOPPER	LINEAR TECHNOLOGY	LTC1052CN		EA	2	
M405	280167	IC DIG SWITCH QUAD CMOS	SILICONIX	DG211CJ		EA	-	
M406	260082	IC LIN OP AMP CHOPPER	LINEAR TECHNOLOGY	LTC1052CN8		EA	-	
M407	260082	IC LIN OP AMP CHOPPER	LINEAR TECHNOLOGY	LTC1052CN8		EA	-	
M408	400763-1	ASSY REFERENCE MODULE	DATRON	SEE DRG		EA	2	
M409	400763-1	ASSY REFERENCE MODULE	DATRON	SEE DRG		EA	-	
M501	00000N	NOT FITTED				EA	-	
M502	280167	IC DIG SWITCH QUAD CMOS	SILICONIX	DG211CJ		EA	-	
M503	280151	IC DIG SWITCH CMOS	SILICONIX	DG308ABK		EA	2	
M504	280151	IC DIG SWITCH CMOS	SILICONIX	DG308ABK		EA	-	
M505	280167	IC DIG SWITCH QUAD CMOS	SILICONIX	DG211CJ		EA	-	
M506	260065	IC LIN OP AMP	PMI	OP27FZ		EA	-	
M507	260083	IC LIN OP AMP CHOPPER	LINEAR TECHNOLOGY	LTC1052CN		EA	-	
M508	00000N	NOT FITTED				EA	-	
M509	280129	IC DIG ULA A-D	PLESSEY	CLA3722		EA	1	
M510	280196	IC DIG HEX LEVEL SHIFTER	MOTOROLA	MC14504BCP		EA	2	
M511	260080	IC LIN V COMP	NATIONAL	LM311N		EA	1	
M601	280167	IC DIG SWITCH QUAD CMOS	SILICONIX	DG211CJ		EA	-	
M603	260090	IC LIN OP AMP	LINEAR TECHNOLOGY	LT1008CN8		EA	-	
M604	260099	IC LIN OP AMP	MOTOROLA	MC34181		EA	1	
M606	280093	IC DIG OR EXCL QUAD	MOTOROLA	MC14070BCP		EA	1	
M607	280023	IC DIG NOR2 QUAD	MOTOROLA	MC14001UBCP		EA	1	
M608	280167	IC DIG SWITCH QUAD CMOS	SILICONIX	DG211CJ		EA	-	
M609	280167	IC DIG SWITCH QUAD CMOS	SILICONIX	DG211CJ		EA	-	
M610	280008	IC DIG QUAD 2 I/P NAND	MOTOROLA	MC14011BCP		EA	1	
M611	280150	IC DIG MULTIPLEXER 8-CHAN	SILICONIX	DG508ACJ		EA	-	
M701	220041	OPTO 3KV DUAL	H.P.	HCPL-2631	A	EA	3	
M702	220027	OPTO HIGH CMR	H.P.	HCPL-2601	A	EA	1	
M703	220041	OPTO 3KV DUAL	H.P.	HCPL-2631	A	EA	-	
M704	220041	OPTO 3KV DUAL	H.P.	HCPL-2631	A	EA	-	
M705	220030	OPTO HI SPEED	HP	6N136		EA	1	
M706	280152	IC DIG SCHMIDT NAND2 QUAD	MOTOROLA	MC14093BCP		EA	1	
M707	280068	IC DIG MONOSTABLE DUAL	MOTOROLA	MC14538BCP		EA	1	
M708	280137	IC DIG DRIVER OCT 3S HCT	SIGNETICS	PC74HCT244P		EA	1	
M801	280132	IC DIG ULA SERIAL TX/RX	PLESSEY	CLA3106		EA	3	
M802	280132	IC DIG ULA SERIAL TX/RX	PLESSEY	CLA3106		EA	-	
M803	280132	IC DIG ULA SERIAL TX/RX	PLESSEY	CLA3106		EA	-	
M804	280196	IC DIG HEX LEVEL SHIFTER	MOTOROLA	MC14504BCP		EA	-	
M805	280149	IC DIG DECODER 2-4 DUAL	MOTOROLA	MC14555		EA	1	

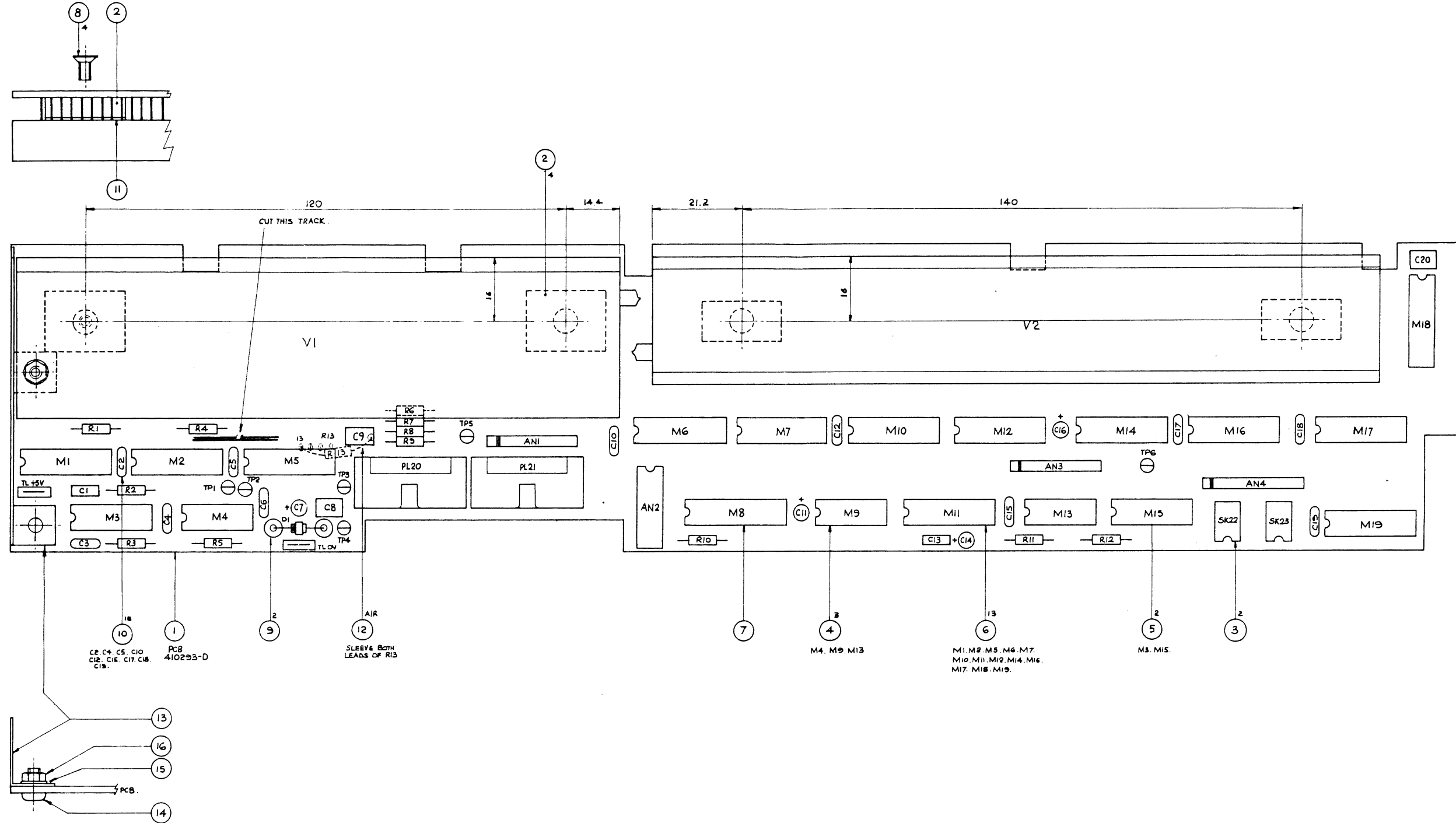
DESIG	PART NO	DESCRIPTION	PRINC MANUF	MANUF PART NUMBER	CLASS	UM	QUANTITY	CHANGES
M806	280143-1	IC DIG BUFFER OCT 3S	SIGNETICS	SEE DRG	A	EA	2	
M807	280143-1	IC DIG BUFFER OCT 3S	SIGNETICS	SEE DRG	A	EA	-	
M808	260099	IC LIN OP AMP	NATIONAL	LF441CN	A	EA	1	
M901	260094	IC LIN REG +15V 1A	SGS	L7815ACV	A	EA	1	
M902	260095	IC LIN REG -15V 1A	SGS	L7915ACV	A	EA	1	
M903	260037	IC LIN REG 1.2-37V 1A POS	NATIONAL	LM317T		EA	1	
M904	260038	IC LIN REG 1.2-37V 1A NEG	NATIONAL	LM337T		EA	1	
M905	260097	IC LIN REG +5V 1A	SGS	L7805ACV	A	EA	1	
T601	350001-3	TRANSF SELF CAL 1281	SIGA	SEE DRG		EA	1	
RL101	330039	RELAY 4PHO	SDS	S4-L-6V		EA	6	
RL102	330039	RELAY 4PHO	SDS	S4-L-6V		EA	-	
RL103	330039	RELAY 4PHO	SDS	S4-L-6V		EA	-	
RL104	330039	RELAY 4PHO	SDS	S4-L-6V		EA	-	
RL105	330039	RELAY 4PHO	SDS	S4-L-6V		EA	-	
RL106	330039	RELAY 4PHO	SDS	S4-L-6V		EA	-	
RL107	330041	RELAY 2P 2W	SDS	DS2E-SL-6V		EA	2	
RL108	330039	RELAY 2PNO 2PNC	SDS	S2-L-6V		EA	2	
RL201	330038	RELAY 2PNO 2PNC	SDS	S2-L-6V		EA	-	
RL202	330030	RELAY 4PHO	SDS	S4-24V		EA	1	
RL203	330042-2	RELAY 3PNO 1PNC	SDS	S3-L-6V		EA	1	
RL401	330041	RELAY 2P 2W	SDS	DS2E-SL-6V		EA	-	
L101	370032-1	CHOKE COM MODE RM7	SIGA	SEE DRG		EA	1	
L102	370031-1	CHOKE COM MODE RM10	SIGA	SEE DRG		EA	2	
L103	370031-1	CHOKE COM MODE RM10	SIGA	SEE DRG		EA	-	
PL100	604084	PLUG PCB 6-WAY .1"	MOLEX	22-10-2061		EA	1	
PL101	604046	PLUG PCB 3-WAY .1"	MOLEX	22-10-2031		EA	4	
PL102	604056	PLUG PCB 4-WAY .1"	MOLEX	22-10-2041		EA	1	
PL103	604086	PLUG PCB 12-WAY .1"	MOLEX	22-29-2121		EA	1	
PL105	604076	PLUG PCB 16-WAY .1"X.1" GRID	3M	3599-6002 UN		EA	3	
PL107	604076	PLUG PCB 16-WAY .1"X.1" GRID	3M	3599-6002 UN		EA	-	
PL109	604076	PLUG PCB 16-WAY .1"X.1" GRID	3M	3599-6002 UN		EA	-	
PL111	604085	PLUG PCB 2-WAY .1"	MOLEX	22-29-2021		EA	3	
PL120	604075	PLUG PCB 6-WAY .1"	MOLEX	22-29-2061		EA	3	
PL121	604074	PLUG PCB 3-WAY .1"	MOLEX	22-29-3031		EA	3	
PL122	604033	PLUG PCB 4-WAY .1"	MOLEX	22-29-2041		EA	9	
PL130	604075	PLUG PCB 6-WAY .1"	MOLEX	22-29-2061		EA	-	
PL131	604074	PLUG PCB 3-WAY .1"	MOLEX	22-29-3031		EA	-	
PL132	604033	PLUG PCB 4-WAY .1"	MOLEX	22-29-2041		EA	-	
PL140	604075	PLUG PCB 6-WAY .1"	MOLEX	22-29-2061		EA	-	
PL141	604074	PLUG PCB 3-WAY .1"	MOLEX	22-29-3031		EA	-	
PL142	604033	PLUG PCB 4-WAY .1"	MOLEX	22-29-2041		EA	-	
PL143	604085	PLUG PCB 2-WAY .1"	MOLEX	22-29-2021		EA	-	
PL150	604033	PLUG PCB 4-WAY .1"	MOLEX	22-29-2041		EA	-	
PL151	604033	PLUG PCB 4-WAY .1"	MOLEX	22-29-2041		EA	-	
PL152	604033	PLUG PCB 4-WAY .1"	MOLEX	22-29-2041		EA	-	

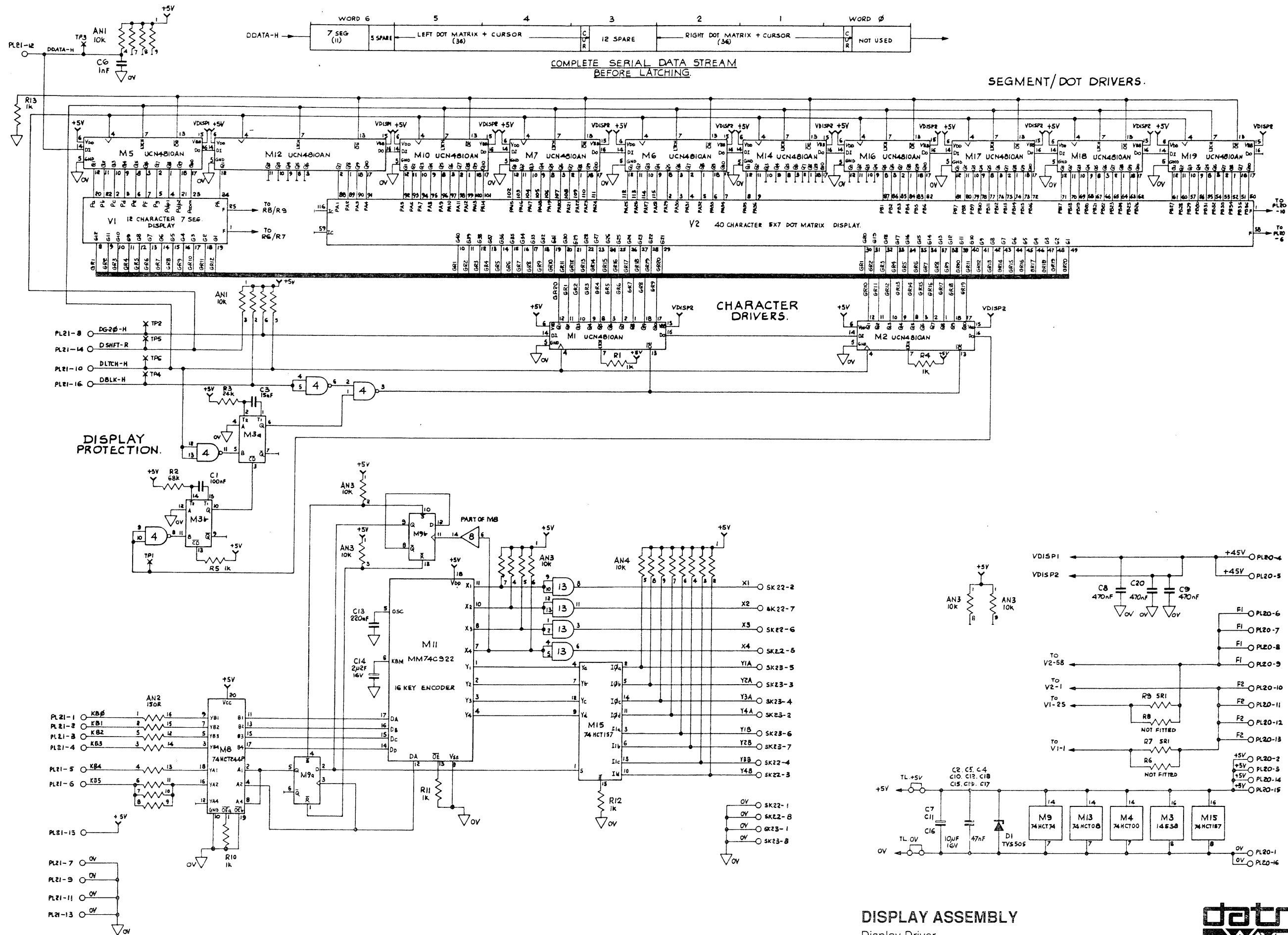
DESIG	PART NO	DESCRIPTION	PRINC MANUF	MANUF PART NUMBER	CLASS	UM	QUANTITY	CHANGES
PL160	604033	PLUG PCB 4-WAY .1"	MOLEX	22-29-2041	EA	-		
PL161	604033	PLUG PCB 4-WAY .1"	MOLEX	22-29-2041	EA	-		
PL162	604033	PLUG PCB 4-WAY .1"	MOLEX	22-29-2041	EA	-		
W901	209014	DIODE BR 1A5 400V	MICRO-ELECTRONICS	W004	EA	2		
W902	209014	DIODE BR 1A5 400V	MICRO-ELECTRONICS	W004	EA	-		
E1	920205	BEAD FERRITE	PHILIPS	FX4017	EA	1		
TP101	540002	WIRE 1/.7 TINNED COPPER	BS4109	22SWG	AR	4		
TP102	540002	WIRE 1/.7 TINNED COPPER	BS4109	22SWG	AR	-		
TP103	620007	TEST POINT TERMINAL	MICROVAR	TYPE C30	EA	24		
TP201	620007	TEST POINT TERMINAL	MICROVAR	TYPE C30	EA	-		
TP202	620007	TEST POINT TERMINAL	MICROVAR	TYPE C30	EA	-		
TP203	620007	TEST POINT TERMINAL	MICROVAR	TYPE C30	EA	-		
TP401	620007	TEST POINT TERMINAL	MICROVAR	TYPE C30	EA	-		
TP402	620007	TEST POINT TERMINAL	MICROVAR	TYPE C30	EA	-		
TP403	620007	TEST POINT TERMINAL	MICROVAR	TYPE C30	EA	-		
TP404	620007	TEST POINT TERMINAL	MICROVAR	TYPE C30	EA	-		
TP405	620007	TEST POINT TERMINAL	MICROVAR	TYPE C30	EA	-		
TP406	620007	TEST POINT TERMINAL	MICROVAR	TYPE C30	EA	-		
TP501	620007	TEST POINT TERMINAL	MICROVAR	TYPE C30	EA	-		
TP502	620007	TEST POINT TERMINAL	MICROVAR	TYPE C30	EA	-		
TP504	620007	TEST POINT TERMINAL	MICROVAR	TYPE C30	EA	-		
TP601	620007	TEST POINT TERMINAL	MICROVAR	TYPE C30	EA	-		
TP602	620007	TEST POINT TERMINAL	MICROVAR	TYPE C30	EA	-		
TP603	620007	TEST POINT TERMINAL	MICROVAR	TYPE C30	EA	-		
TP701	620007	TEST POINT TERMINAL	MICROVAR	TYPE C30	EA	-		
TP702	620007	TEST POINT TERMINAL	MICROVAR	TYPE C30	EA	-		
TP801	620007	TEST POINT TERMINAL	MICROVAR	TYPE C30	EA	-		
TP901	620007	TEST POINT TERMINAL	MICROVAR	TYPE C30	EA	-		
TP902	620007	TEST POINT TERMINAL	MICROVAR	TYPE C30	EA	-		
TP9C3	620007	TEST POINT TERMINAL	MICROVAR	TYPE C30	EA	-		
TP904	620007	TEST POINT TERMINAL	MICROVAR	TYPE C30	EA	-		
TP905	620007	TEST POINT TERMINAL	MICROVAR	TYPE C30	EA	-		
DN801	400695-1	ASSY COM CATHODE DIODE	DATRON	SEE DRG	EA	2		
DN802	400696-1	ASSY COM ANODE DIODE	DATRON	SEE DRG	EA	2		
DN803	400695-1	ASSY COM CATHODE DIODE	DATRON	SEE DRG	EA	-		
DN804	400696-1	ASSY COM ANODE DIODE	DATRON	SEE DRG	EA	-		
X501	800032	CRYSTAL OSC 4.91520 MHZ	EURO-QUARTZ	EQX0 1100HC	EA	1		
LK501	540002	WIRE 1/.7 TINNED COPPER	BS4109	22SWG	AR	-		
LK502	540002	WIRE 1/.7 TINNED COPPER	BS4109	22SWG	AR	-		
LK701	604085	PLUG PCB 2-WAY .1"	MOLEX	22-29-2021	EA	-		
LK702	604046	PLUG PCB 3-WAY .1"	MOLEX	22-10-2031	EA	-		
LK703	604046	PLUG PCB 3-WAY .1"	MOLEX	22-10-2031	EA	-		
LK704	604046	PLUG PCB 3-WAY .1"	MOLEX	22-10-2031	EA	-		
	400758-2	ASSY CABLE SIG IP	DATRON	SEE DRG	EA	1		
	410393-1	PCB DC 1281		SEE DRG	EA	1		

DESIG	PART NO	DESCRIPTION	PRINC MANUF	MANUF PART NUMBER	CLASS	UM	QUANTITY	CHANGES
602001		TERMINAL PSY	MOLEX	02-04-5114			EA 8	
605050		SOCKET PCB 40-WAY DIL	JERMYN	J23-18040	A		EA 1	
605059		SOCKET PCB 8-WAY DIL	JERMYN	J23-18008	A		EA 10	
605060		SOCKET PCB 14-WAY DIL	JERMYN	J23-18014	A		EA 6	
605061		SOCKET PCB 16-WAY DIL	JERMYN	J23-18016	A		EA 14	
605062		SOCKET PCB 18-WAY DIL	JERMYN	J23-18018	A		EA 3	
605070		SOCKET PCB 20-WAY DIL	JERMYN	J23-18020	A		EA 3	
605127		SOCKET LINK 2-WAY .1" BLK	ASSMANN	AKSPL-G			EA 3	
611016		SCREW M3 X 8 POZIPAN SZP					EA 2	
611028		SCREW M4 X 8 POZIPAN SZP					EA 1	
612029-1		STANDOFF M3 X 12	DATRON	SEE DRG			EA 1	
613005		WASHER M3 INT SHAKEPROOF					EA 2	
613052		WASHER M4 WAVY SS					EA 1	
615002		NUT M3 FULL SZP					EA 2	
617014		NYLATCH PLUNGER 1/4"	HARTWELL (C.J.FOX)	HN4P-43			EA 11	
617015		NYLATCH GROMMET 1/4"	HARTWELL (C.J.FOX)	HN4G-43			EA 11	
620005		CLOVERLEAF LARGE PTFE	SEALECTRO	011-6809-040599	A		EA 5	
630024		BEAD CERAMIC 16 SWG	PARK ROYAL PORCELAIN	No2			EA 16	
630036		BEAD CERAMIC 18 SWG	PARK ROYAL PORCELAIN	No1			EA 6	
630243		BEAD GLASS 2.4 X 0.81 X 1.8	MANSOL (PREFORMS) LT	MS363B/3			EA 84	
920105-1		HEATSINK TO-202	AAVID	SEE DRG			EA 2	
540002		WIRE 1/.7 TINNED COPPER	BS4109	22SWG	AR	-		
590004		SLEEVE PTFE 1mm BLK	HELLERMAN	FE10	AR	-		
540006		WIRE 1/.4 BLACK PTFE 250V	BSG210	TYPE A	AR	-		
540016		WIRE 1/.25 SILVER PL. COPPER			AR	-		
540017		WIRE 1/.25 SILVER PL. COPPER			AR	-		
620003		SOLDER PIN	HARWIN	H2105A01	EA	1		
400797-1		ASSY PCB DC PIGGYBACK 1281	DATRON	SEE DRG	EA	1		
400815-1		ASSY PCB DC CLOCK 1281	DATRON	SEE DRG	EA	1		
590006		SLEEVE HS. 2.4mm YLW.	R.S.COMPONENTS	399-495	AR	15		
590031		SLEEVE HS 3.2mm YLW	R.S.COMPONENTS	399-502	AR	30		
560002		CABLE AX 2.54mm 7/34AWG	MIL-C17D	RG174U	MM	75		
512111		WIRE 7/.2 PTFE 1KV BRN	BSG210	TYPE C	AR	1		
590029		SLEEVE HS 9.0mm BLK	HELLERMAN	SFM9-3BK	AR	11		
630331		PAD 9/16 SOLDER MASK	W.H.BRADY	CMC5625	EA	3		

End

NOTE: SCREW HEAD
WILL SIT ABOVE
BOARD IN C'SKS.





1281
DISPLAY ASSEMBLY

Display Driver

Drawing No. 430739

Sheet 1 of 1




© Datron Instruments 1989

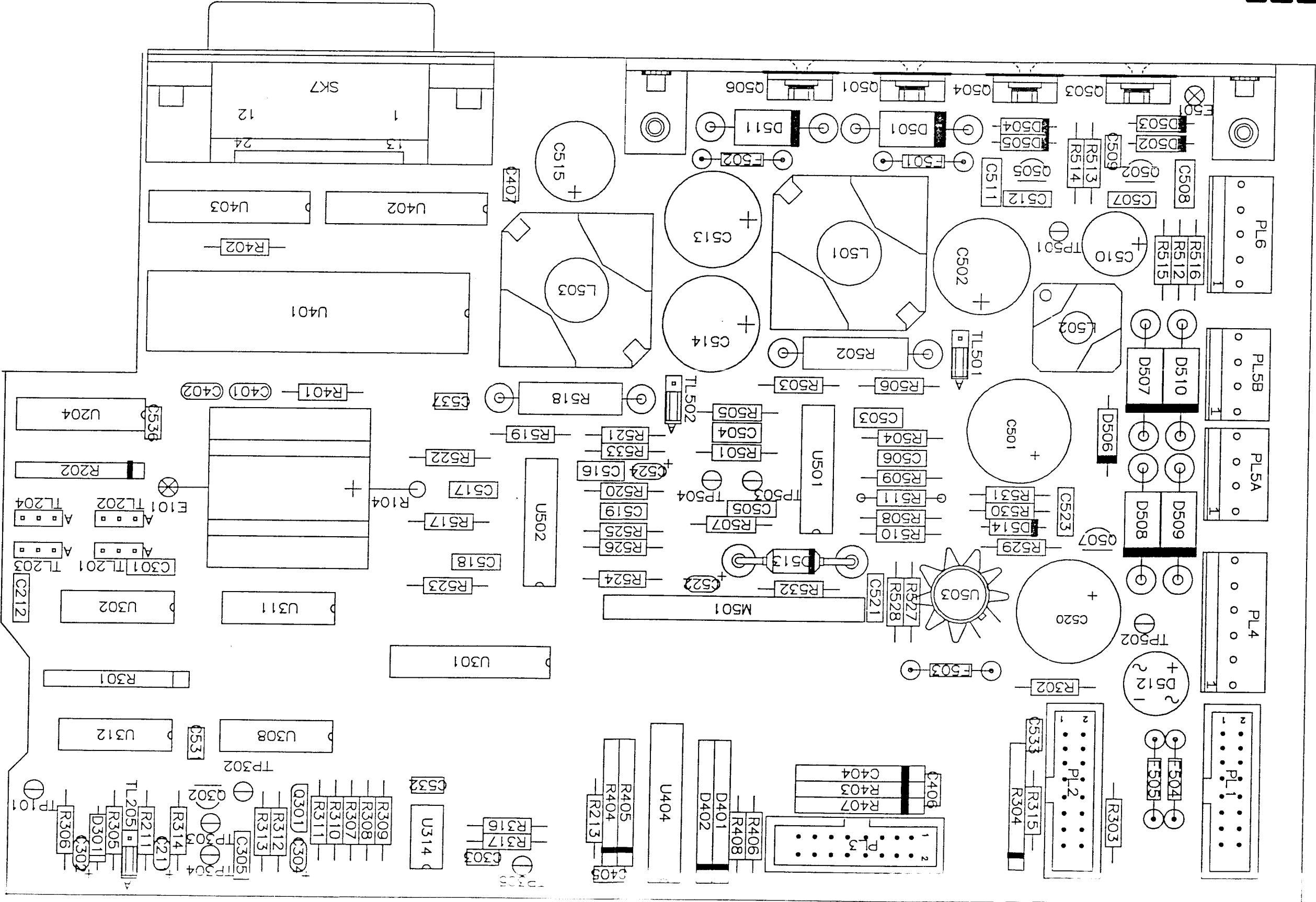
DESIGNATOR	DATRON PART No.	DESCRIPTION	PRINCIPAL MANUFACTURER	MANUFACTURER'S PART No.	No. USED Per Assy.
PL20, PL21	604077	16 WAY LOW PROFILE 90° HEADER	3M	3599-5002 UN	2
TP1-TP6	620007	TEST POINT TERMINAL	MICROVAR	TYPE C30	6
TL0V, TL+5V	620010	TEST LINK	SIEMENS	CA42195-A126-A1	2
V1	800027-1	DISPLAY 18mm x 8½ DIGIT		SEE DRG-	1
V2	800028-1	DISPLAY V.F. DOT MATRIX		SEE DRG	1
1	410293-D	PCB			1
2	450518-1	DISPLAY SPACER			4
3	605059	8 WAY DIL SOCKET			2
4	605060	14 WAY DIL SOCKET			3
5	605061	16 WAY DIL SOCKET			2
6	605062	18 WAY DIL SOCKET			13
7	605070	20 WAY DIL SOCKET			1
8	611007	M3x6mm POZISCK STEEL	ZN PL.		4
9	630024	STEATITE BEAD 16SWG	PARK ROYAL PORCELAIN	Nº2	2
10	630243	GLASS BEAD	MANSOL (PREFORMS) LTD.	B5363B/3	18
11	900042	ADHESIVE ACRYLIC TOUGHENED	PERMABOND	F246/No 5 KIT	A/R
12	590004	SLEEVE Ø1.0 PTFE	HELLERMANN	FE10	A/R
13	450619-1	DISPLAY BOARD GUARD SCRM			1
14	611004	M3x6mm POZIPAN STEEL	ZN PL		1
15	613005	M3 INT SHAKEPROOF			1
16	615002	M3 NUT FULL STEEL			1

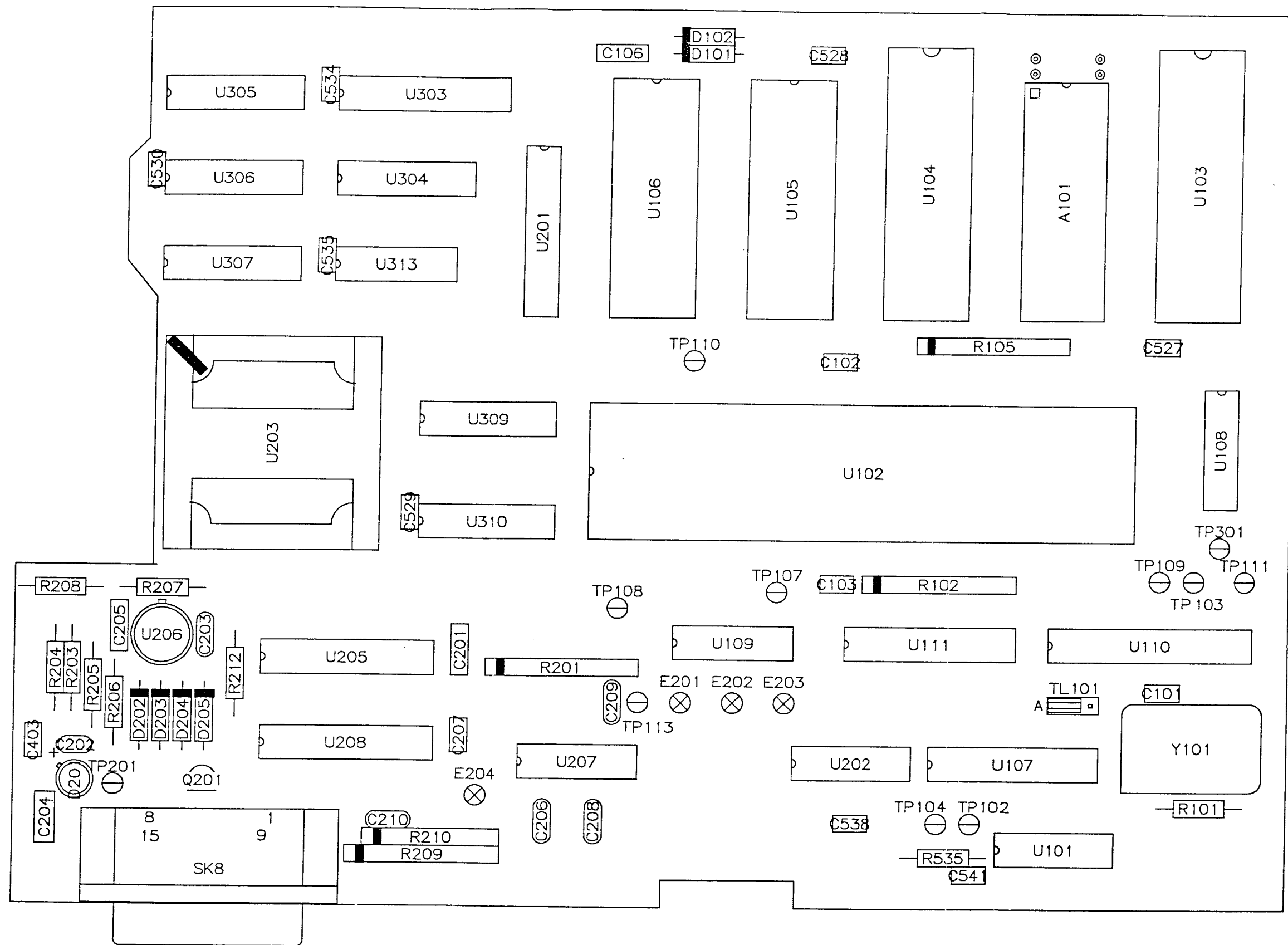
NOTES.

SEE SHEET 2 FOR LATEST ISSUE

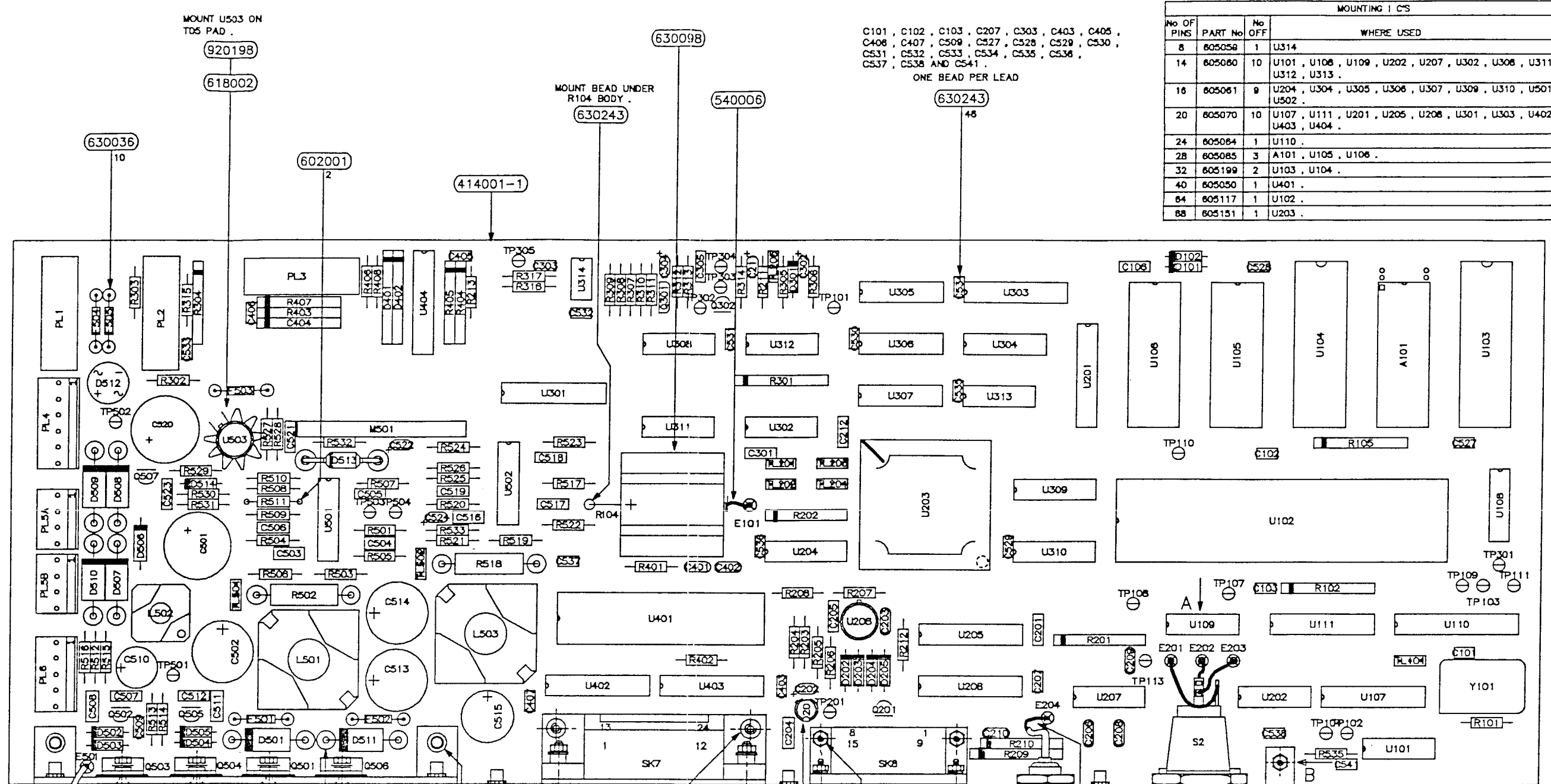
ISS																			
ECO																			
DATE																			
CHKD																			

DATE		
DRAWN		
CHECKED		1281 DISPLAY PCB. ASSY.
APPROVED		
DATE		DRAWING NUMBER 400739
		SHEET 5 OF 5





MOUNTING I CS			
No OF PINS	PART No	No OFF	WHERE USED
8	605058	1	U314
14	605060	10	U101, U106, U109, U202, U207, U302, U306, U311, U312, U313.
16	605061	9	U204, U304, U305, U306, U307, U309, U310, U501, U502.
20	605070	10	U107, U111, U201, U205, U206, U301, U303, U402, U403, U404.
24	605084	1	U110.
28	605085	3	A101, U105, U106.
32	605199	2	U103, U104.
40	605050	1	U401.
64	605117	1	U102.
88	605151	1	U203.

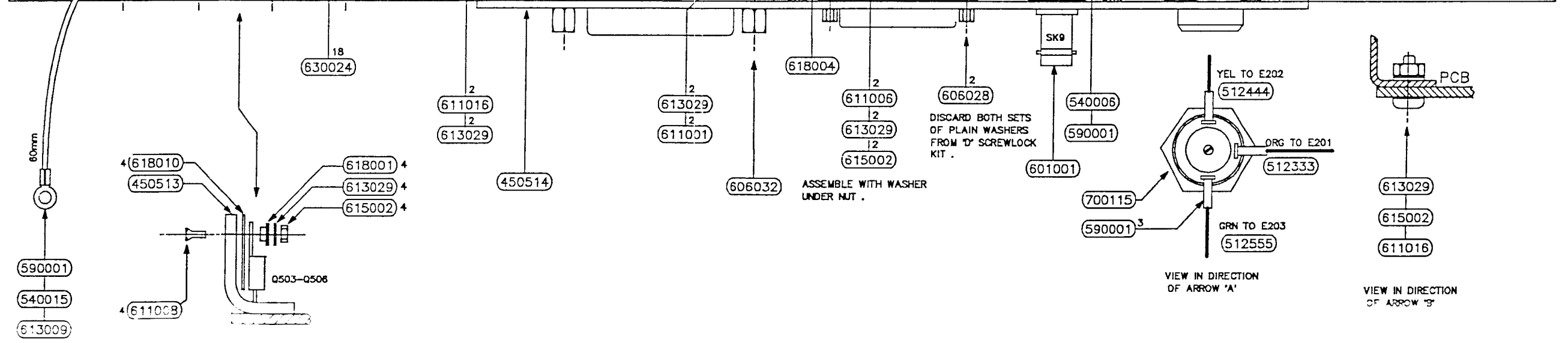


C101, C102, C103, C207, C303, C403, C405, C406, C407, C509, C527, C528, C529, C530, C531, C532, C533, C534, C535, C536, C537, C538 AND C541.
ONE BEAD PER LEAD

MOUNT U503 ON T05 PAD.
920198
618002

MOUNT BEAD UNDER R104 BODY.
630243

630243



DISCARD BOTH SETS OF PLAIN WASHERS FROM 'D' SCREWLOCK KIT.

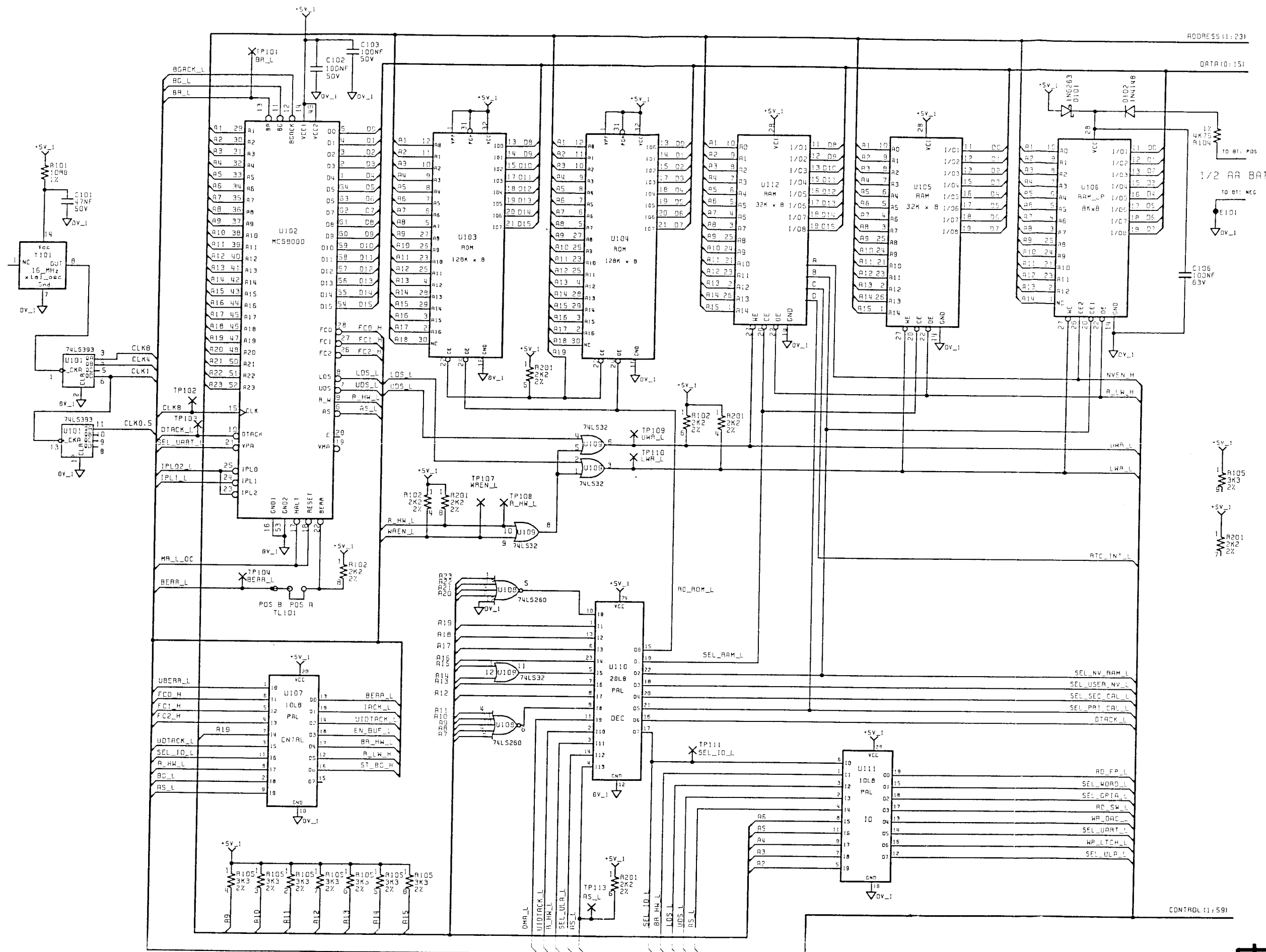
ASSEMBLE WITH WASHER UNDER NUT.

VIEW IN DIRECTION OF ARROW 'A'

VIEW IN DIRECTION OF ARROW 'B'



© Datron Instruments 1989



ADDRESS (1: 23)

DATA (0: 15)

CONTROL (1: 59)

DIGITAL ASSEMBLY
 Processor, Address Decoding and Memory
 Drawing No. DC400901 Sheet 1 of 5



MOUNT U503 ON T05 PAD.

920198

618002

630036
10

602001
2

414001-1

MOUNT BEAD UNDER R104 BODY.

630243

630098

540006

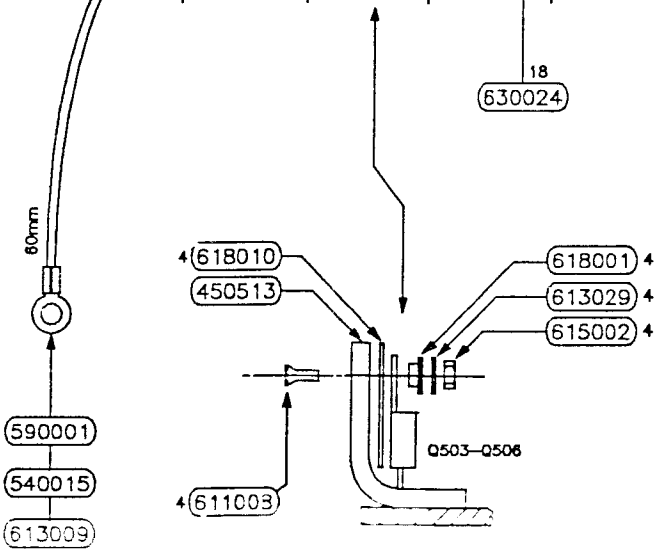
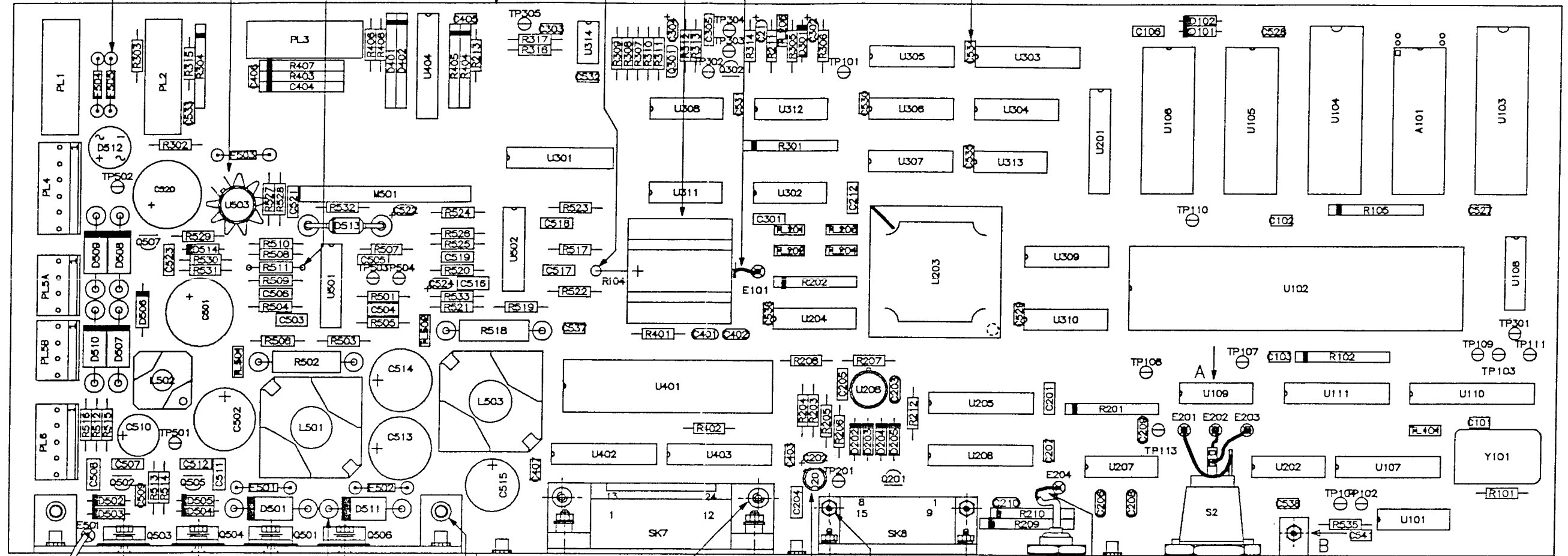
C101, C102, C103, C207, C303, C403, C405, C406, C407, C509, C527, C528, C529, C530, C531, C532, C533, C534, C535, C536, C537, C538 AND C541.

ONE BEAD PER LEAD

630243
48

MOUNTING I C'S

No OF PINS	PART No	No OFF	WHERE USED
8	605058	1	U314
14	605060	10	U101, U106, U109, U202, U207, U302, U306, U311, U312, U313.
16	605061	9	U204, U304, U305, U306, U307, U309, U310, U501, U502.
20	605070	10	U107, U111, U201, U205, U206, U301, U303, U402, U403, U404.
24	605064	1	U110.
28	605085	3	A101, U105, U106.
32	605199	2	U103, U104.
40	605050	1	U401.
64	605117	1	U102.
88	605151	1	U203.



18
630024

2
611016
2
613029

2
611006
2
613029
2
615002

2
606028

2
540006
590001

601001

700115

3
590001

450514

606032

ASSEMBLE WITH WASHER UNDER NUT.

DISCARD BOTH SETS OF PLAIN WASHERS FROM 'D' SCREWLOCK KIT.

YEL TO E202 (512444)

ORG TO E201 (512333)

GRN TO E203 (512555)

613029

615002

611016

DISCARD BOTH SETS OF PLAIN WASHERS FROM 'D' SCREWLOCK KIT.

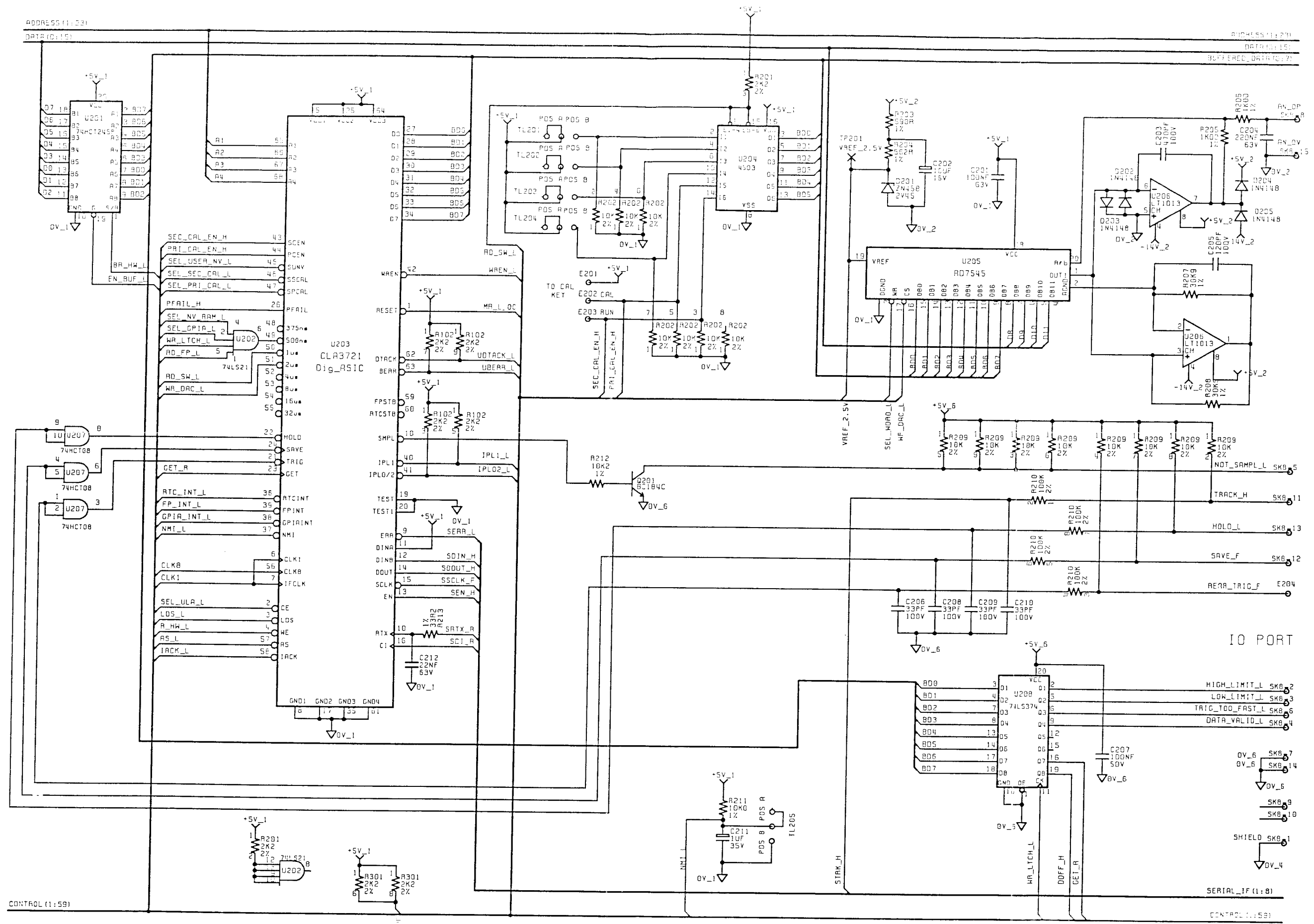
ASSEMBLE WITH WASHER UNDER NUT.

VIEW IN DIRECTION OF ARROW 'A'

VIEW IN DIRECTION OF ARROW 'B'



© Datron Instruments 1989



CONTROL (1:59)

CONTROL (1:59)

DIGITAL ASSEMBLY

ASIC and I/O

Drawing No. DC400901 Sheet 2 of 5



© Datron Instruments 1989

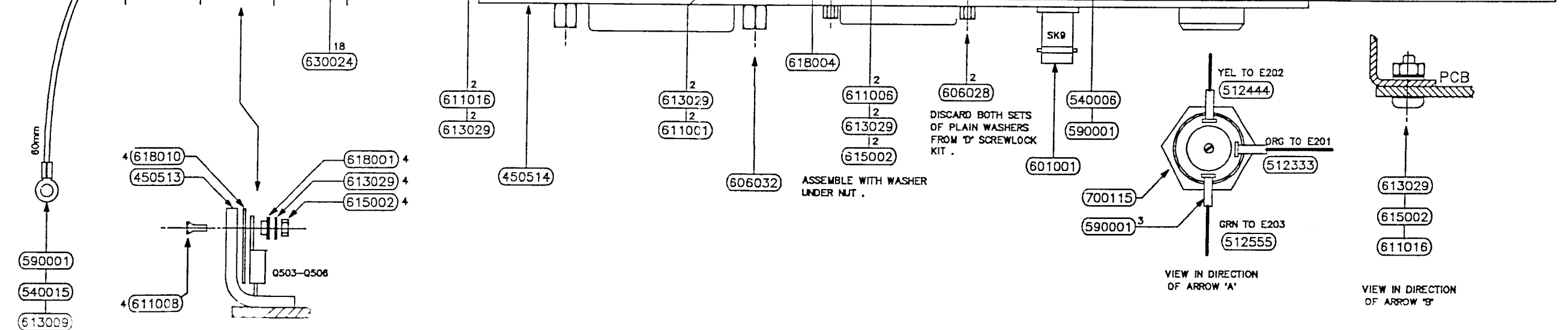
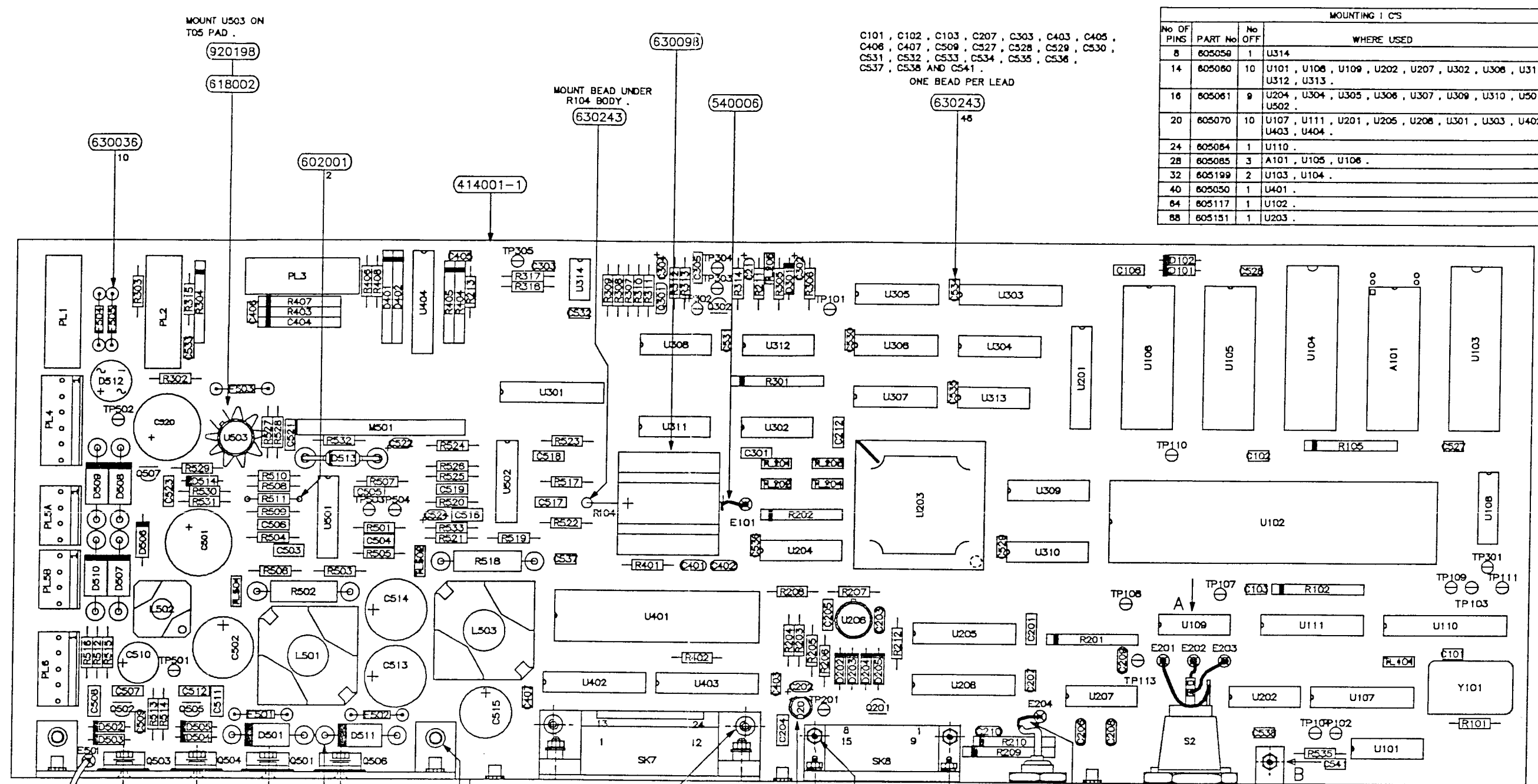
1281

MOUNT U503 ON
T05 PAD.

MOUNT BEAD UNDER
R104 BODY.

C101, C102, C103, C207, C303, C403, C405,
C406, C407, C509, C527, C528, C529, C530,
C531, C532, C533, C534, C535, C536,
C537, C538 AND C541.
ONE BEAD PER LEAD

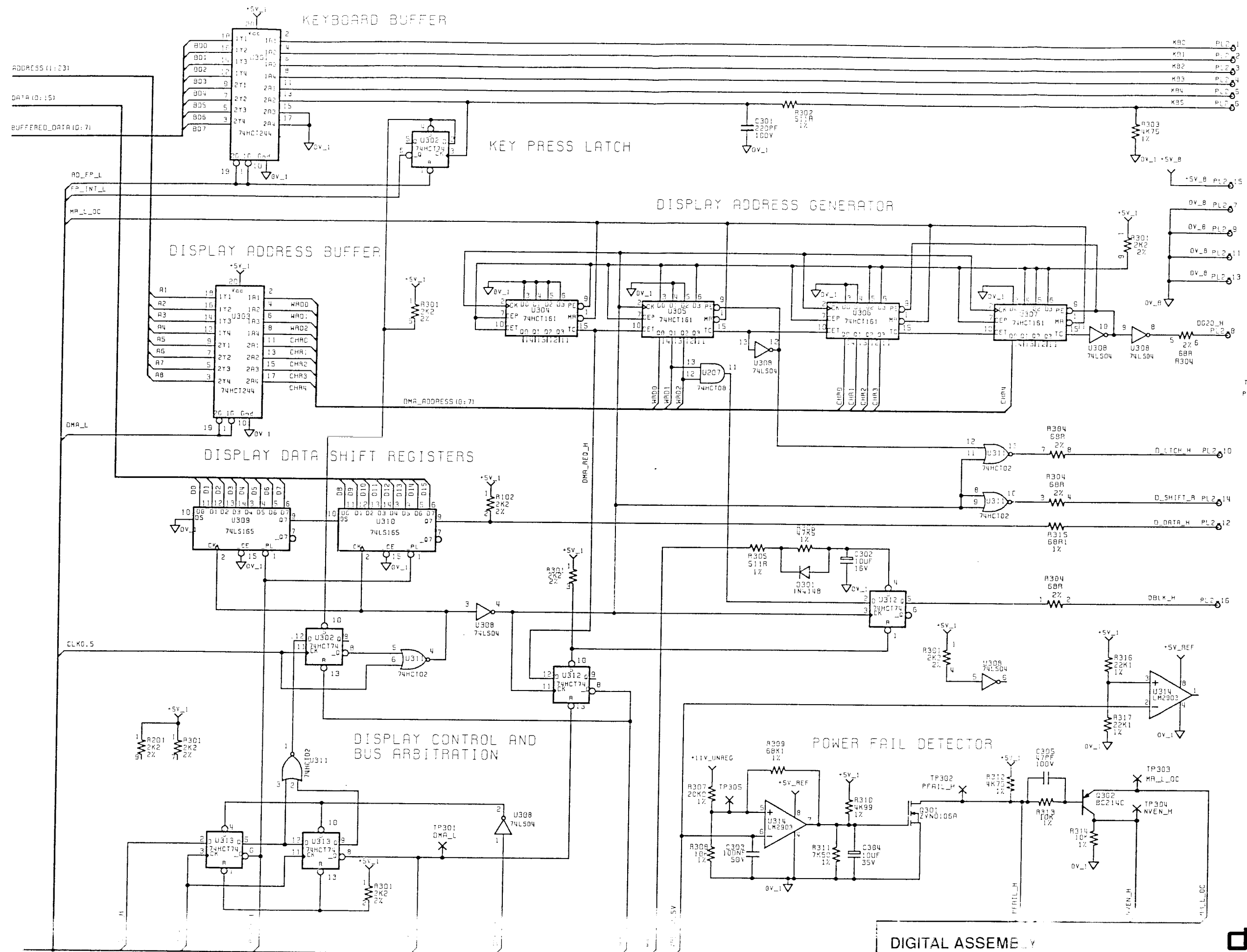
MOUNTING I CS			
No OF PINS	PART No	No OFF	WHERE USED
8	605059	1	U314
14	605060	10	U101, U106, U109, U202, U207, U302, U306, U311, U312, U313.
16	605061	9	U204, U304, U305, U306, U307, U309, U310, U501, U502.
20	605070	10	U107, U111, U201, U205, U206, U301, U303, U402, U403, U404.
24	605064	1	U110.
28	605085	3	A101, U105, U106.
32	605199	2	U103, U104.
40	605050	1	U401.
64	605117	1	U102.
88	605151	1	U203.



© Datron Instruments 1989

DIGITAL ASSEMBLY

Drawing No. DA400901 Sheet 1 of 3
N.B. expanded versions are on Sheets 2 and 3 (page 11.4-1)



TO DISPLAY PCB 400739

DIGITAL ASSEMBLY
 Keyboard/Display Interface and Power Fail Detector
 Drawing No. DC400901 Sheet 3 of 5

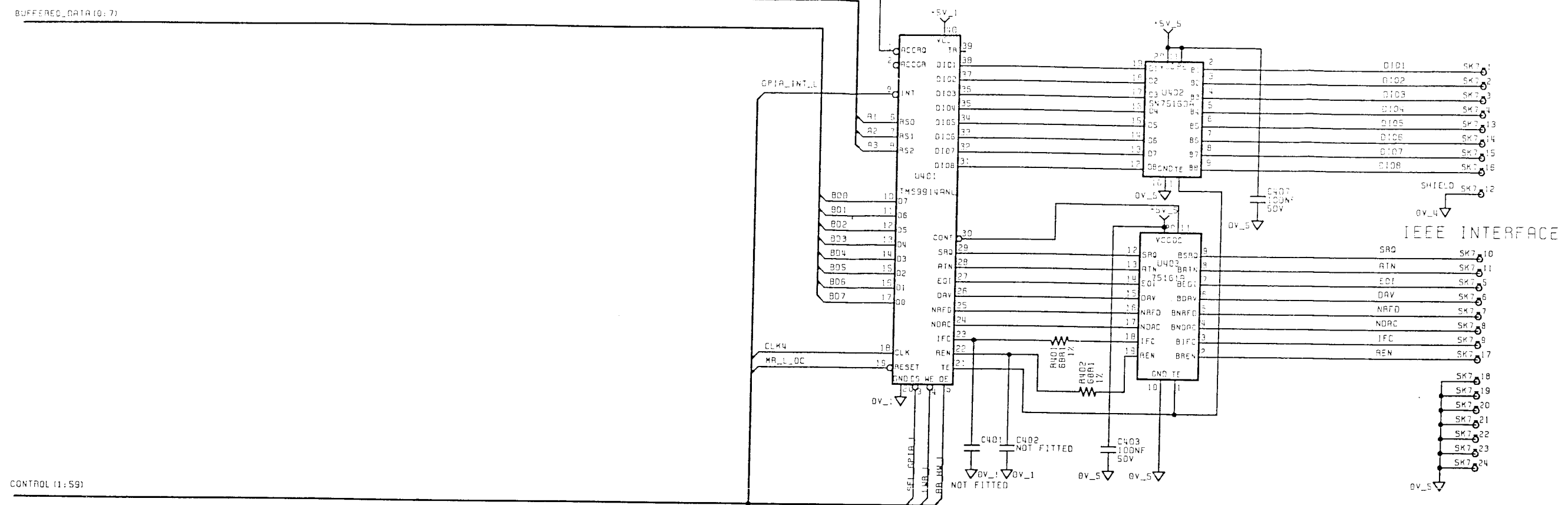


1281

ADDRESS (1:23)

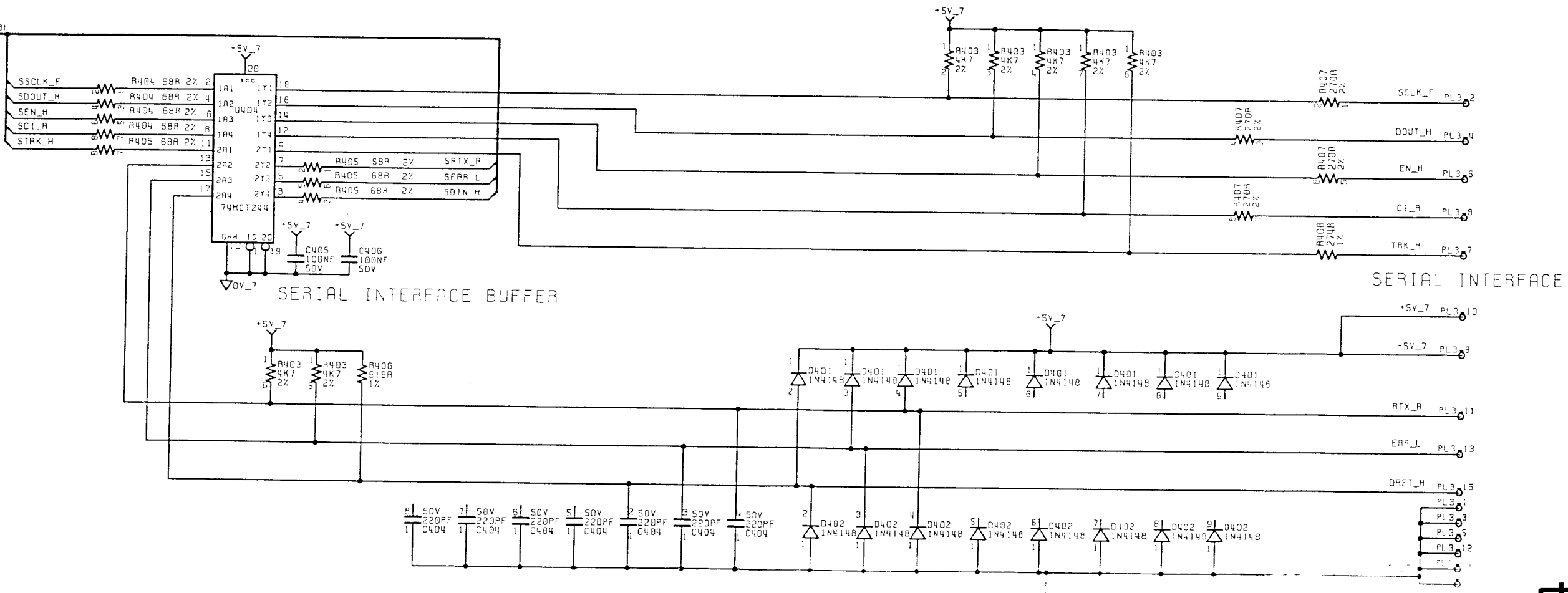
BUFFERED_DATA (0:7)

IEEE CONTROLLER & BUFFERS



CONTROL (1:59)

SERIAL_IF (1:8)



DIGITAL ASSEMBLY
 IEEE Interface and Serial Interface
 Drawing No. DC400901 Sheet 4 of 5



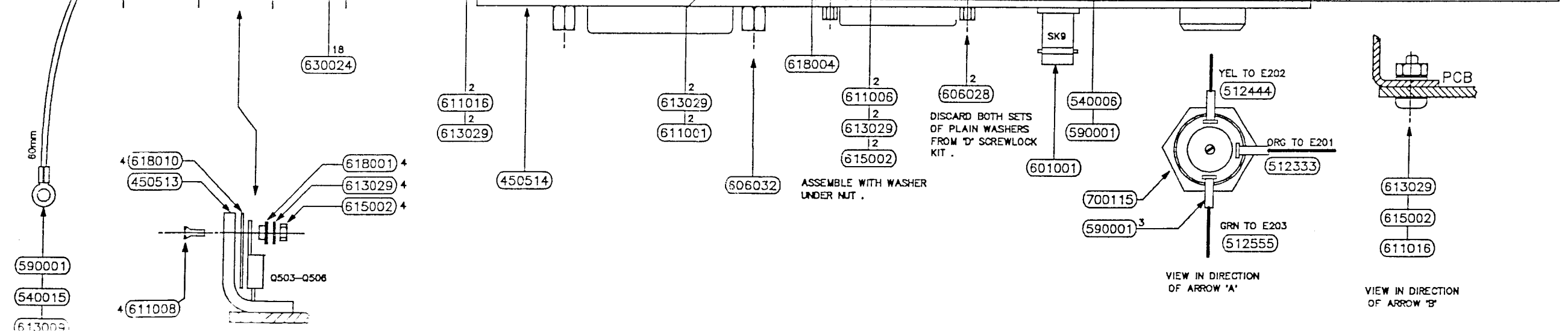
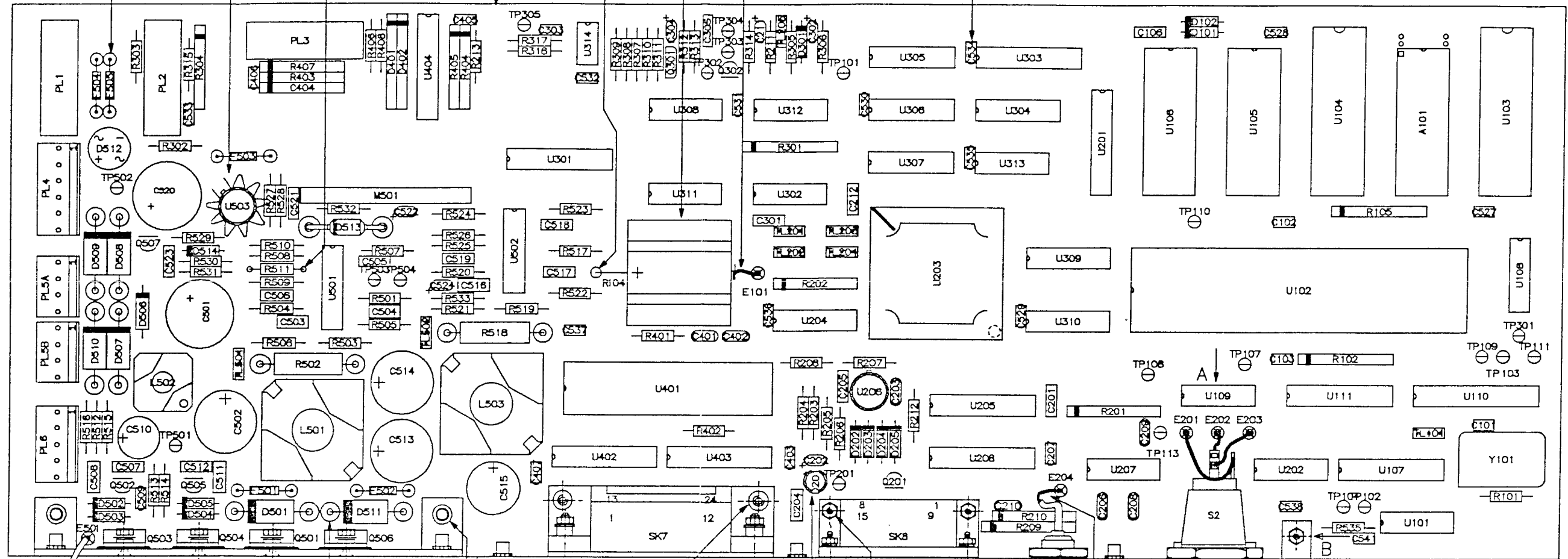
1281

MOUNT U503 ON TDS PAD.

MOUNT BEAD UNDER R104 BODY.

C101, C102, C103, C207, C303, C403, C405, C408, C407, C509, C527, C528, C529, C530, C531, C532, C533, C534, C535, C536, C537, C538 AND C541.
ONE BEAD PER LEAD

MOUNTING I CS			
No OF PINS	PART No	No OFF	WHERE USED
8	605058	1	U314
14	605060	10	U101, U106, U109, U202, U207, U302, U308, U311, U312, U313.
18	605061	9	U204, U304, U305, U306, U307, U309, U310, U501, U502.
20	605070	10	U107, U111, U201, U205, U208, U301, U303, U402, U403, U404.
24	605064	1	U110.
28	605085	3	A101, U105, U106.
32	605199	2	U103, U104.
40	605050	1	U401.
64	605117	1	U102.
88	605151	1	U203.



VIEW IN DIRECTION OF ARROW 'A'

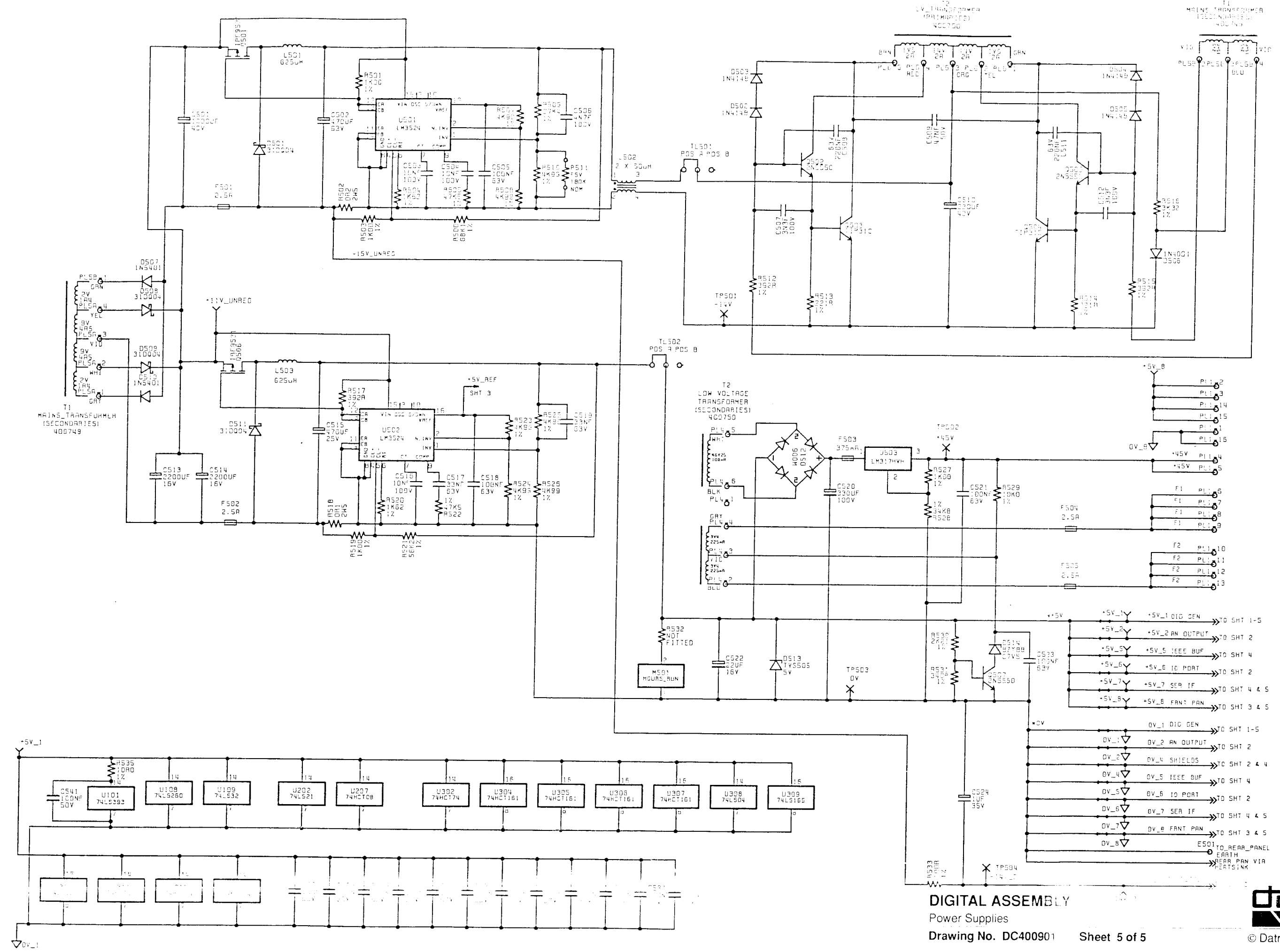
VIEW IN DIRECTION OF ARROW 'B'



© Datron Instruments 1989

DIGITAL ASSEMBLY

Drawing No. DA400901 Sheet 1 of 3
N.B. expanded versions are on Sheets 2 and 3 (page 11.4-1)



DIGITAL ASSEMBLY

Power Supplies

Drawing No. DC400901 Sheet 5 of 5



© Datron Instruments 1989

DESIG	PART NO	DESCRIPTION	PRINC MANUF	MANUF PART NUMBER	CLASS	UM	QUANTITY	CHANGES
R504	011621	RES MF 1K62 1% .12W 50PPM	HOLSWORTHY	H8C	A	EA	2	
R505	014752	RES MF 47K5 1% .12W 50PPM	HOLSWORTHY	H8C	A	EA	-	
R506	016812	RES MF 68K1 1% .12W 50PPM	HOLSWORTHY	H8C	A	EA	-	
R507	014991	RES MF 4K99 1% .12W 50PPM	HOLSWORTHY	H8C	A	EA	-	
R508	014991	RES MF 4K99 1% .12W 50PPM	HOLSWORTHY	H8C	A	EA	-	
R509	012742	RES MF 27K4 1% .12W 50PPM	HOLSWORTHY	H8C	A	EA	1	
R510	014991	RES MF 4K99 1% .12W 50PPM	HOLSWORTHY	H8C	A	EA	-	
R511	00000F	RES FSV			A	EA	1	
R512	013920	RES MF 392R 1% .12W 50PPM	HOLSWORTHY	H8C	A	EA	3	
R513	012210	RES MF 221R 1% .12W 50PPM	HOLSWORTHY	H8C	A	EA	2	
R514	012210	RES MF 221R 1% .12W 50PPM	HOLSWORTHY	H8C	A	EA	-	
R515	013920	RES MF 392R 1% .12W 50PPM	HOLSWORTHY	H8C	A	EA	-	
R516	013321	RES MF 3K32 1% .12W 50PPM	HOLSWORTHY	H8C	A	EA	1	
R517	013920	RES MF 392R 1% .12W 50PPM	HOLSWORTHY	H8C	A	EA	-	
R518	008023	RES WW 0R1 10% 2.5W	WELWYN	W21-0R1	A	EA	1	
R519	011001	RES MF 1K00 1% .12W 50PPM	HOLSWORTHY	H8C	A	EA	-	
R520	011621	RES MF 1K62 1% .12W 50PPM	HOLSWORTHY	H8C	A	EA	-	
R521	015622	RES MF 56K2 1% .12W 50PPM	HOLSWORTHY	H8C	A	EA	1	
R522	014752	RES MF 47K5 1% .12W 50PPM	HOLSWORTHY	H8C	A	EA	-	
R523	014991	RES MF 4K99 1% .12W 50PPM	HOLSWORTHY	H8C	A	EA	-	
R524	014991	RES MF 4K99 1% .12W 50PPM	HOLSWORTHY	H8C	A	EA	-	
R525	014991	RES MF 4K99 1% .12W 50PPM	HOLSWORTHY	H8C	A	EA	-	
R526	014991	RES MF 4K99 1% .12W 50PPM	HOLSWORTHY	H8C	A	EA	-	
R527	011001	RES MF 1K00 1% .12W 50PPM	HOLSWORTHY	H8C	A	EA	-	
R528	013482	RES MF 34K8 1% .12W 50PPM	HOLSWORTHY	H8C	A	EA	1	
R529	011002	RES MF 10K0 1% .12W 50PPM	HOLSWORTHY	H8C	A	EA	-	
R530	012211	RES MF 2K21 1% .12W 50PPM	HOLSWORTHY	H8C	A	EA	1	
R531	013400	RES MF 340R 1% .12W 50PPM	HOLSWORTHY	H8C	A	EA	1	
R532	00000N	NOT FITTED			A	EA	10	
R533	011000	RES MF 100R 1% .12W 50PPM	HOLSWORTHY	H8C	A	EA	1	
R535	011008	RES MF 10R0 1% .12W 50PPM	HOLSWORTHY	H8C	A	EA	-	
C101	104026	CAP CD 47NF +50%-20% 50V	SIEMENS	B37449		EA	2	
C102	104025	CAP CD 100NF +80%-20% 50V	SIEMENS	B37449		EA	21	
C103	104025	CAP CD 100NF +80%-20% 50V	SIEMENS	B37449		EA	-	
C106	110042	CAP PE 100NF 20% 63V	WIMA	MKS2		EA	6	
C201	110042	CAP PE 100NF 20% 63V	WIMA	MKS2		EA	-	
C202	150002	CAP DT 10UF 20% 16V	AVX	TAP10M16F	A	EA	2	
C203	100471	CAP CP 470PF 10% 100V	PHILIPS	2222 630 19471		EA	1	
C204	110035	CAP PE 220NF 20% 63V	WIMA	MKS2		EA	3	
C205	100121	CAP CP 120PF 2% 100V	PHILIPS	2222 683 34121		EA	1	
C206	100330	CAP CP 33PF 2% 100V	PHILIPS	2222 683 34339		EA	4	
C207	104025	CAP CD 100NF +80%-20% 50V	SIEMENS	B37449		EA	-	
C208	100330	CAP CP 33PF 2% 100V	PHILIPS	2222 683 34339		EA	-	
C209	100330	CAP CP 33PF 2% 100V	PHILIPS	2222 683 34339		EA	-	
C210	100330	CAP CP 33PF 2% 100V	PHILIPS	2222 683 34339		EA	-	

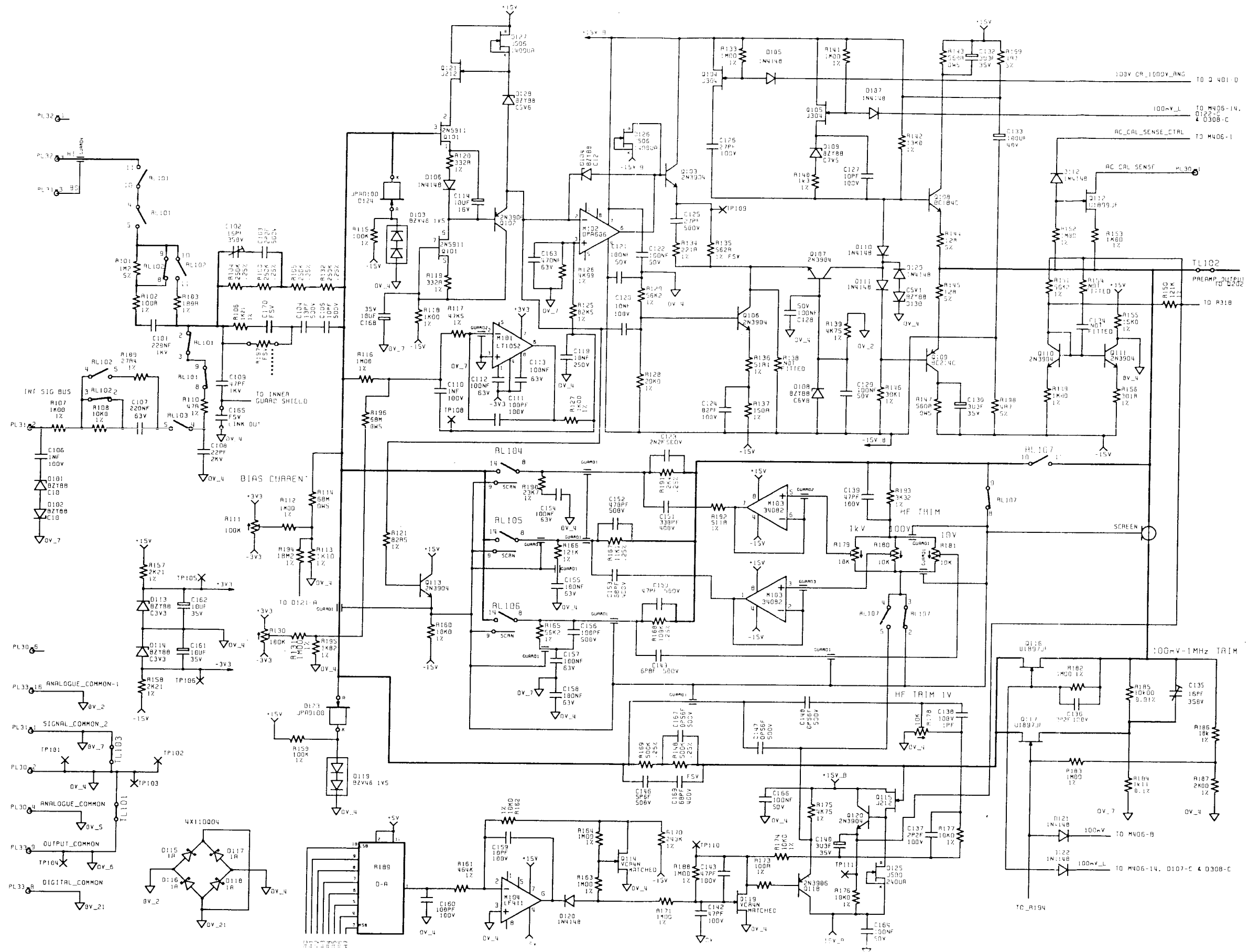
DESIG	PART NO	DESCRIPTION	PRINC MANUF	MANUF PART NUMBER	CLASS	UM	QUANTITY	CHANGES
C211	150016	CAP DT 10UF 20% 35V	AVX	TAP10M35F	A	EA	2	
C212	110050	CAP PE 22NF 10% 63V	WIMA	MKS4		EA	1	
C301	100221	CAP CP 220PF 2% 100V	PHILIPS	2222 683 58221		EA	1	
C302	150002	CAP DT 10UF 20% 16V	AVX	TAP10M16F	A	EA	-	
C303	104025	CAP CD 100NF +80%-20% 50V	SIEMENS	B37449		EA	-	
C304	150015	CAP DT 10UF 20% 35V	AVX	TAP10M35F	A	EA	1	
C305	100470	CAP CP 47PF 2% 100V	PHILIPS	2222 683 34479		EA	1	
C401	00000N	NOT FITTED				EA	-	
C402	00000N	NOT FITTED				EA	-	
C403	104025	CAP CD 100NF +80%-20% 50V	SIEMENS	B37449		EA	-	
C404	104052	CAP NTKW 220PF 10%	MURATA/ERIE	B8XC0117-33N		EA	1	
C405	104025	CAP CD 100NF +80%-20% 50V	SIEMENS	B37449		EA	-	
C406	104025	CAP CD 100NF +80%-20% 50V	SIEMENS	B37449		EA	-	
C407	104025	CAP CD 100NF +80%-20% 50V	SIEMENS	B37449		EA	-	
C501	180047	CAP AE 1000UF 40V	ECC	SMVB		EA	1	
C502	180048	CAP AE 470UF 63V	NIPPON CHEMI-CON	SMVB 470/63		EA	1	
C503	110041	CAP PE 10NF 20% 100V	WIMA	FKS2		EA	3	
C504	110041	CAP PE 10NF 20% 100V	WIMA	FKS2		EA	-	
C505	110042	CAP PE 100NF 20% 63V	WIMA	MKS2		EA	-	
C506	120028	CAP PC 4N7F 20% 100V	WIMA	FKC2	A	EA	1	
C507	100332	CAP CP 3N3F 10% 100V	PHILIPS	2222 630 19332		EA	2	
C508	110035	CAP PE 220NF 20% 63V	WIMA	MKS2		EA	-	
C509	104026	CAP CD 47NF +50%-20% 50V	SIEMENS	B37449		EA	-	
C510	180044	CAP AE 220UF 40V	STEATITE	ERMOODE 322G		EA	1	
C511	110035	CAP PE 220NF 20% 63V	WIMA	MKS2		EA	-	
C512	100332	CAP CP 3N3F 10% 100V	PHILIPS	2222 630 19332		EA	-	
C513	180062	CAP AE 2200UF 16V	ROEDERSTEIN	ERMOO JG 422D	A	EA	2	
C514	180062	CAP AE 2200UF 16V	ROEDERSTEIN	ERMOO JG 422D	A	EA	-	
C515	180043	CAP AE 470UF 25V	STEATITE	ERMOOF3 347E		EA	1	
C516	110041	CAP PE 10NF 20% 100V	WIMA	FKS2		EA	-	
C517	110040	CAP PE 33NF 20% 63V	WIMA	MKS2		EA	2	
C518	110042	CAP PE 100NF 20% 63V	WIMA	MKS2		EA	-	
C519	110040	CAP PE 33NF 20% 63V	WIMA	MKS2		EA	-	
C520	180049	CAP AE 330UF 100V	PHILIPS	035-59331		EA	1	
C521	110042	CAP PE 100NF 20% 63V	WIMA	MKS2		EA	-	
C522	150001	CAP DT 22UF 20% 16V	AVX	TAP22M16F	A	EA	1	
C523	110042	CAP PE 100NF 20% 63V	WIMA	MKS2		EA	-	
C524	150016	CAP DT 10UF 20% 35V	AVX	TAP10M35F	A	EA	-	
C527	104025	CAP CD 100NF +80%-20% 50V	SIEMENS	B37449		EA	-	
C528	104025	CAP CD 100NF +80%-20% 50V	SIEMENS	B37449		EA	-	
C529	104025	CAP CD 100NF +80%-20% 50V	SIEMENS	B37449		EA	-	
C530	104025	CAP CD 100NF +80%-20% 50V	SIEMENS	B37449		EA	-	
C531	104025	CAP CD 100NF +80%-20% 50V	SIEMENS	B37449		EA	-	
C532	104025	CAP CD 100NF +80%-20% 50V	SIEMENS	B37449		EA	-	
C533	104025	CAP CD 100NF +80%-20% 50V	SIEMENS	B37449		EA	-	
C534	104025	CAP CD 100NF +80%-20% 50V	SIEMENS	B37449		EA	-	
C535	104025	CAP CD 100NF +80%-20% 50V	SIEMENS	B37449		EA	-	
C536	104025	CAP CD 100NF +80%-20% 50V	SIEMENS	B37449		EA	-	
C537	104025	CAP CD 100NF +80%-20% 50V	SIEMENS	B37449		EA	-	
C538	104025	CAP CD 100NF +80%-20% 50V	SIEMENS	B37449		EA	-	
C539	104025	CAP CD 100NF +80%-20% 50V	SIEMENS	B37449		EA	-	
C540	104025	CAP CD 100NF +80%-20% 50V	SIEMENS	B37449		EA	-	
C541	104025	CAP CD 100NF +80%-20% 50V	SIEMENS	B37449		EA	-	
C542	104025	CAP CD 100NF +80%-20% 50V	SIEMENS	B37449		EA	-	
C543	104025	CAP CD 100NF +80%-20% 50V	SIEMENS	B37449		EA	-	
C544	104025	CAP CD 100NF +80%-20% 50V	SIEMENS	B37449		EA	-	
C545	104025	CAP CD 100NF +80%-20% 50V	SIEMENS	B37449		EA	-	
C546	104025	CAP CD 100NF +80%-20% 50V	SIEMENS	B37449		EA	-	
C547	104025	CAP CD 100NF +80%-20% 50V	SIEMENS	B37449		EA	-	
C548	104025	CAP CD 100NF +80%-20% 50V	SIEMENS	B37449		EA	-	
C549	104025	CAP CD 100NF +80%-20% 50V	SIEMENS	B37449		EA	-	
C550	104025	CAP CD 100NF +80%-20% 50V	SIEMENS	B37449		EA	-	
C551	104025	CAP CD 100NF +80%-20% 50V	SIEMENS	B37449		EA	-	
C552	104025	CAP CD 100NF +80%-20% 50V	SIEMENS	B37449		EA	-	
C553	104025	CAP CD 100NF +80%-20% 50V	SIEMENS	B37449		EA	-	
C554	104025	CAP CD 100NF +80%-20% 50V	SIEMENS	B37449		EA	-	
C555	104025	CAP CD 100NF +80%-20% 50V	SIEMENS	B37449		EA	-	
C556	104025	CAP CD 100NF +80%-20% 50V	SIEMENS	B37449		EA	-	
C557	104025	CAP CD 100NF +80%-20% 50V	SIEMENS	B37449		EA	-	
C558	104025	CAP CD 100NF +80%-20% 50V	SIEMENS	B37449		EA	-	
C559	104025	CAP CD 100NF +80%-20% 50V	SIEMENS	B37449		EA	-	
C560	104025	CAP CD 100NF +80%-20% 50V	SIEMENS	B37449		EA	-	
C561	104025	CAP CD 100NF +80%-20% 50V	SIEMENS	B37449		EA	-	
C562	104025	CAP CD 100NF +80%-20% 50V	SIEMENS	B37449		EA	-	
C563	104025	CAP CD 100NF +80%-20% 50V	SIEMENS	B37449		EA	-	
C564	104025	CAP CD 100NF +80%-20% 50V	SIEMENS	B37449		EA	-	
C565	104025	CAP CD 100NF +80%-20% 50V	SIEMENS	B37449		EA	-	
C566	104025	CAP CD 100NF +80%-20% 50V	SIEMENS	B37449		EA	-	
C567	104025	CAP CD 100NF +80%-20% 50V	SIEMENS	B37449		EA	-	
C568	104025	CAP CD 100NF +80%-20% 50V	SIEMENS	B37449		EA	-	
C569	104025	CAP CD 100NF +80%-20% 50V	SIEMENS	B37449		EA	-	
C570	104025	CAP CD 100NF +80%-20% 50V	SIEMENS	B37449		EA	-	
C571	104025	CAP CD 100NF +80%-20% 50V	SIEMENS	B37449		EA	-	
C572	104025	CAP CD 100NF +80%-20% 50V	SIEMENS	B37449		EA	-	
C573	104025	CAP CD 100NF +80%-20% 50V	SIEMENS	B37449		EA	-	
C574	104025	CAP CD 100NF +80%-20% 50V	SIEMENS	B37449		EA	-	
C575	104025	CAP CD 100NF +80%-20% 50V	SIEMENS	B37449		EA	-	
C576	104025	CAP CD 100NF +80%-20% 50V	SIEMENS	B37449		EA	-	
C577	104025	CAP CD 100NF +80%-20% 50V	SIEMENS	B37449		EA	-	
C578	104025	CAP CD 100NF +80%-20% 50V	SIEMENS	B37449		EA	-	
C579	104025	CAP CD 100NF +80%-20% 50V	SIEMENS	B37449		EA	-	
C580	104025	CAP CD 100NF +80%-20% 50V	SIEMENS	B37449		EA	-	
C581	104025	CAP CD 100NF +80%-20% 50V	SIEMENS	B37449		EA	-	
C582	104025	CAP CD 100NF +80%-20% 50V	SIEMENS	B37449		EA	-	
C583	104025	CAP CD 100NF +80%-20% 50V	SIEMENS	B37449		EA	-	
C584	104025	CAP CD 100NF +80%-20% 50V	SIEMENS	B37449		EA	-	
C585	104025	CAP CD 100NF +80%-20% 50V	SIEMENS	B37449		EA	-	
C586	104025	CAP CD 100NF +80%-20% 50V	SIEMENS	B37449		EA	-	
C587	104025	CAP CD 100NF +80%-20% 50V	SIEMENS	B37449		EA	-	

DESIG	PART NO	DESCRIPTION	PRINC MANUF	MANUF PART NUMBER	CLASS	UM	QUANTITY	CHANGES
C534	104025	CAP CD 100NF +80%-20% 50V	SIEMENS	B37449	EA	-		
C535	104025	CAP CD 100NF +80%-20% 50V	SIEMENS	B37449	EA	-		
C536	104025	CAP CD 100NF +80%-20% 50V	SIEMENS	B37449	EA	-		
C537	104025	CAP CD 100NF +80%-20% 50V	SIEMENS	B37449	EA	-		
C538	104025	CAP CD 100NF +80%-20% 50V	SIEMENS	B37449	EA	-		
C541	104025	CAP CD 100NF +80%-20% 50V	SIEMENS	B37449	EA	-		
D101	220010	DIODE GP SB	H.P.	1N5711	A	EA	1	
D102	200001	DIODE GP 75mA 75V	FAIRCHILD	1N4148	EA	10		
D201	214012	DIODE ZN 2Y45 20PPM	FERRANTI	2N458	EA	1		
D202	200001	DIODE GP 75mA 75V	FAIRCHILD	1N4148	EA	-		
D203	200001	DIODE GP 75mA 75V	FAIRCHILD	1N4148	EA	-		
D204	200001	DIODE GP 75mA 75V	FAIRCHILD	1N4148	EA	-		
D205	200001	DIODE GP 75mA 75V	FAIRCHILD	1N4148	EA	-		
D301	200001	DIODE GP 75mA 75V	FAIRCHILD	1N4148	EA	-		
D401	400695-1	ASSY COM CATHODE DIODE	DATRON	SEE DRG	EA	1		
D402	400696-1	ASSY COM ANODE DIODE	DATRON	SEE DRG	EA	1		
D501	200027	DIODE SB 3A 40V	INT RECTIFIER	31DQ04	EA	4		
D502	200001	DIODE GP 75mA 75V	FAIRCHILD	1N4148	EA	-		
D503	200001	DIODE GP 75mA 75V	FAIRCHILD	1N4148	EA	-		
D504	200001	DIODE GP 75mA 75V	FAIRCHILD	1N4148	EA	-		
D505	200001	DIODE GP 75mA 75V	FAIRCHILD	1N4148	EA	-		
D506	200002	DIODE GP 1A 50V	FAIRCHILD	1N4001	EA	1		
D507	200026	DIODE GP 3A 100V	MOTOROLA	1N5401	EA	2		
D508	200027	DIODE SB 3A 40V	INT RECTIFIER	31DQ04	EA	-		
D509	200027	DIODE SB 3A 40V	INT RECTIFIER	31DQ04	EA	-		
D510	200026	DIODE GP 3A 100V	MOTOROLA	1N5401	EA	-		
D511	200027	DIODE SB 3A 40V	INT RECTIFIER	31DQ04	EA	-		
D512	209013	DIODE BR 1A5 600V	MICRO-ELECTRONICS	4006	EA	1		
D513	213006	DIODE ZN 5V 5W	UNITRODE	TV5505	EA	1		
D514	210075	DIODE ZN 7V5 400mw	PHILIPS	BZX79C7V5	A	EA	1	
Q201	240013	TRAN NPN TO18	NATIONAL	BC184C/TO18	EA	1		
Q301	230081	TRAN MOSFET N-CHAN	FERRANTI	ZVNO106A	A	EA	1	
Q302	250008	TRAN PNP TO18	NATIONAL	BC214C/TO18	EA	1		
Q501	230085	TRAN MOSFET P-CHAN 60V	SILICONIX	IRF9531	A	EA	2	
Q502	240009	TRAN NPN TO18	NATIONAL	MPSL01/2N5550	EA	3		
Q503	240034	TRAN NPN	MOTOROLA	TIP31C	EA	2		
Q504	240034	TRAN NPN	MOTOROLA	TIP31C	EA	-		
Q505	240009	TRAN NPN TO18	NATIONAL	MPSL01/2N5550	EA	-		
Q506	230085	TRAN MOSFET P-CHAN 60V	SILICONIX	IRF9531	A	EA	-	
Q507	240009	TRAN NPN TO18	NATIONAL	MPSL01/2N5550	EA	-		
M501	00000N	NOT FITTED			EA	-		
U101	270103	IC DIG COUNTER 4BIN DUAL LS	SIGNETICS	74LS393	EA	1		
U102	280153	IC DIG MICROPROC 16 BIT	HITACHI	HP68000P8	EA	1		
U103	00000N	NOT FITTED			EA	-		
U104	00000N	NOT FITTED			EA	-		

DESIG	PART NO	DESCRIPTION	PRINC MANUF	MANUF PART NUMBER	CLASS	UM	QUANTITY	CHANGES
U105	280174	IC DIG CMOS RAM 37K X 8	FUJITSU	MB84256-12LLP	EA	2		
U106	280162	IC DIG CMOS STATIC RAM	TOSHIBA	TC5564PL-1	A	EA	1	
U107	400902-A	ASSY PAL 1281 20L8 CONTROL		SEE DRG	EA	1		
U108	270105	IC DIG NOR5 DUAL LS	SIGNETICS	74LS260N	EA	1		
U109	270080	IC DIG OR2 QUAD LS	NATIONAL	DM74LS32N	EA	1		
U110	400903-A	ASSY PAL 1281 20L8 ADDR DECODE		SEE DRG	EA	1		
U111	400904-A	ASSY PAL 1281 10L8 IO DECODE		SEE DRG	EA	1		
U112	280174	IC DIG CMOS RAM 37K X 8	FUJITSU	MB84256-12LLP	EA	-		
U201	280134	IC DIG TRANS OCT 3S LS	SIGNETICS	PC74HCT245P	EA	1		
U202	270051	IC DIG AND4 DUAL LS	NATIONAL	DM74LS21N	EA	1		
U203	280130	IC DIG ASIC	PLESSEY	CLA3721	EA	1		
U204	280024	IC DIG BUFFER TRI-STATE HEX	MOTOROLA	MC14503BCP	EA	1		
U205	280157	IC DIG D-A CONVERTOR	ANALOGUE DEVICES	AD7545	EA	1		
U206	260088	IC LIN OP AMP PREC.	LINEAR TECHNOLOGY	LT1013CH	EA	1		
U207	280159	IC DIG QUAD 2 I/P AND	TEXAS	74 HCT 08	EA	1		
U208	270068	IC DIG FLIP FLOP TRI-STATE OCT	NATIONAL	DM74LS374N	EA	1		
U301	280137	IC DIG DRIVER OCT 3S HCT	SIGNETICS	PC74HCT244P	EA	3		
U302	280160	IC DIG FLIP/FLOP JK DUAL HCT	TEXAS	74HCT74	EA	3		
U303	280137	IC DIG DRIVER OCT 3S HCT	SIGNETICS	PC74HCT244P	EA	-		
U304	280161	IC DIG 4 BIT BIN COUNTER	TEXAS	74HCT161	EA	4		
U305	280161	IC DIG 4 BIT BIN COUNTER	TEXAS	74HCT161	EA	-		
U306	280161	IC DIG 4 BIT BIN COUNTER	TEXAS	74HCT161	EA	-		
U307	280161	IC DIG 4 BIT BIN COUNTER	TEXAS	74HCT161	EA	-		
U308	270050	IC DIG INV HEX LS	NATIONAL	DM74LS04N	EA	1		
U309	270088	IC DIG CONV8 SER/PAR LS	NATIONAL	DM74LS165N	EA	2		
U310	270088	IC DIG CONV8 SER/PAR LS	NATIONAL	DM74LS165N	EA	-		
U311	280170	IC DIG QUAD 2 I/P NOR	TEXAS	74HCT02	EA	1		
U312	280160	IC DIG FLIP/FLOP JK DUAL HCT	TEXAS	74HCT74	EA	-		
U313	280160	IC DIG FLIP/FLOP JK DUAL HCT	TEXAS	74HCT74	EA	-		
U314	260075	IC LIN V COMP DUAL	NATIONAL	LM2903M	EA	1		
U401	280158	IC DIG IEEE CONTROLLER	TEXAS	TMS9914ANL	EA	1		
U402	270100	IC DIG IEEE BUS IX/RX	NATIONAL	DS75160AN	A	EA	1	
U403	270101	IC DIG TRANSCEIVER IEEE BUS	NATIONAL	DS75161AN	A	EA	1	
U404	280137	IC DIG DRIVER OCT 3S HCT	SIGNETICS	PC74HCT244P	EA	-		
U501	260101	IC LIN SW MODE PSU	SGS	UC3524A	A	EA	2	
U502	260101	IC LIN SW MODE PSU	SGS	UC3524A	A	EA	-	
U503	260102	IC LIN REG VAR	NATIONAL	LM317HW	EA	1		
PL1	604076	PLUG PCB 16-WAY .1"X.1" GRID	3M	3599-6002 UN	EA	3		
PL2	604076	PLUG PCB 16-WAY .1"X.1" GRID	3M	3599-6002 UN	EA	-		
PL3	604076	PLUG PCB 16-WAY .1"X.1" GRID	3M	3599-6002 UN	EA	-		
PL4	604079	PLUG PCB 6 WAY .156" HEADER	MOLEX	09-72-2061	EA	1		
PL6	604078	PLUG PCB 5 WAY .156" HEADER	MOLEX	09-72-2051	EA	1		
L501	370029-1	CHOKER 625UH RM10		SEE DRG	EA	2		
L502	370029-1	CHOKER 625UH RM10		SEE DRG	EA	2		
L503	370029-1	CHOKER 625UH RM10		SEE DRG	EA	2		

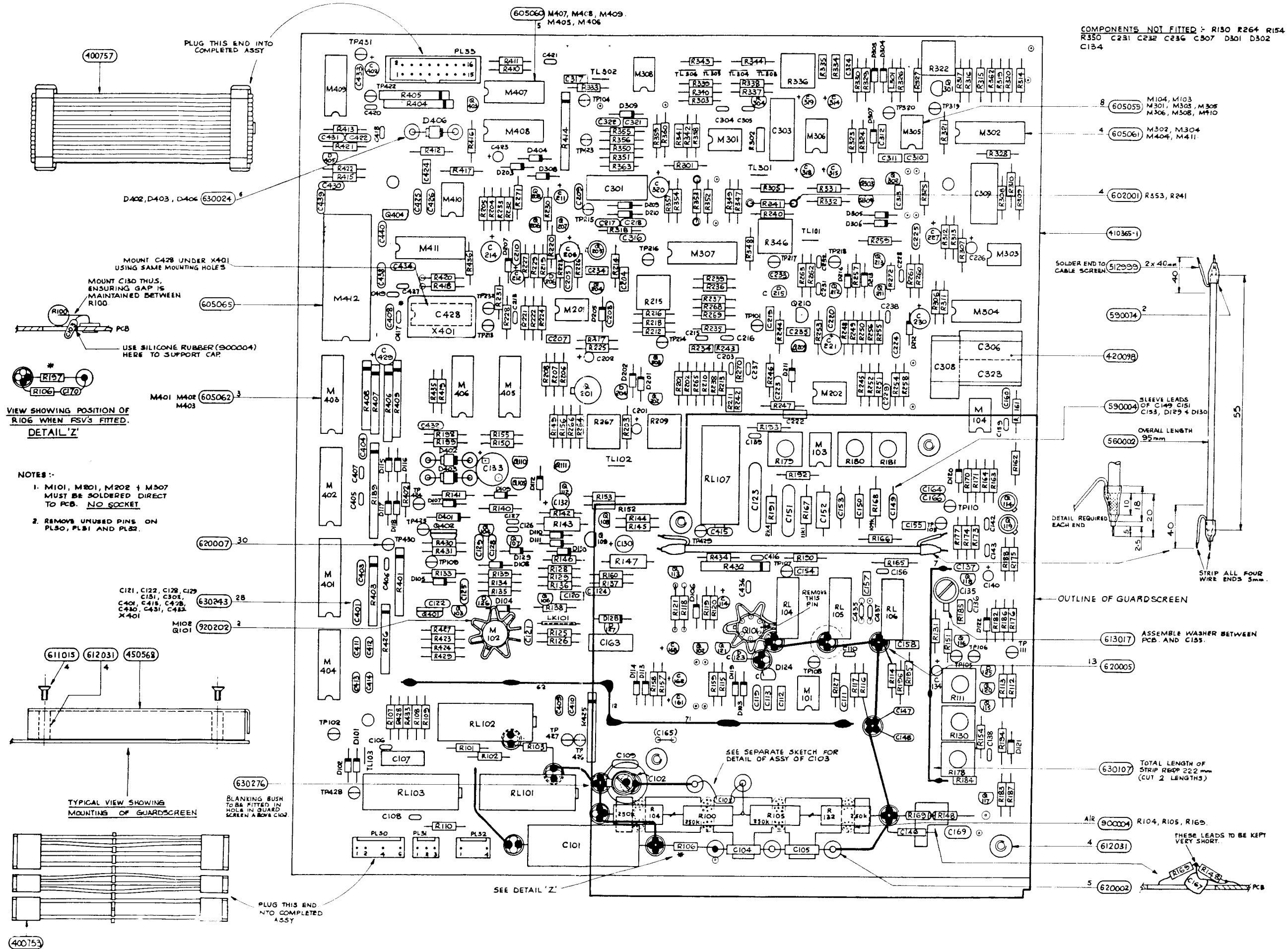
DESIG	PART NO	DESCRIPTION	PRINC MANUF	MANUF PART NUMBER	CLASS	UM	QUANTITY	CHANGES
PL5A	604042	PLUG PCB 4 WAY .156" GD PL	MOLEX	09-72-2041			EA 2	
PL5B	604042	PLUG PCB 4 WAY .156" GD PL	MOLEX	09-72-2041			EA -	
SK7	605180	SOCKET 24-WAY IEEE SCREENED	AMP	553011-2			EA 1	
SK8	605189	SOCKET PCB 15 WAY D	AMP	164801-2			EA 1	
E101	620006	SOLDER TURRET	HARWIN	H9001-01			EA 6	
E201	620006	SOLDER TURRET	HARWIN	H9001-01			EA -	
E202	620006	SOLDER TURRET	HARWIN	H9001-01			EA -	
E203	620006	SOLDER TURRET	HARWIN	H9001-01			EA -	
E204	620006	SOLDER TURRET	HARWIN	H9001-01			EA -	
E501	620006	SOLDER TURRET	HARWIN	H9001-01			EA -	
TL101	604046	PLUG PCB 3-WAY .1"	MOLEX	22-10-2031			EA 8	
TL201	604046	PLUG PCB 3-WAY .1"	MOLEX	22-10-2031			EA -	
TL202	604046	PLUG PCB 3-WAY .1"	MOLEX	22-10-2031			EA -	
TL203	604046	PLUG PCB 3-WAY .1"	MOLEX	22-10-2031			EA -	
TL204	604046	PLUG PCB 3-WAY .1"	MOLEX	22-10-2031			EA -	
TL205	604046	PLUG PCB 3-WAY .1"	MOLEX	22-10-2031			EA -	
TL501	604046	PLUG PCB 3-WAY .1"	MOLEX	22-10-2031			EA -	
TL502	604046	PLUG PCB 3-WAY .1"	MOLEX	22-10-2031			EA -	
TP101	620007	TEST POINT TERMINAL	MICROVAR	TYPE C30			EA 20	
TP102	620007	TEST POINT TERMINAL	MICROVAR	TYPE C30			EA -	
TP103	620007	TEST POINT TERMINAL	MICROVAR	TYPE C30			EA -	
TP104	620007	TEST POINT TERMINAL	MICROVAR	TYPE C30			EA -	
TP107	620007	TEST POINT TERMINAL	MICROVAR	TYPE C30			EA -	
TP108	620007	TEST POINT TERMINAL	MICROVAR	TYPE C30			EA -	
TP109	620007	TEST POINT TERMINAL	MICROVAR	TYPE C30			EA -	
TP110	620007	TEST POINT TERMINAL	MICROVAR	TYPE C30			EA -	
TP111	620007	TEST POINT TERMINAL	MICROVAR	TYPE C30			EA -	
TP113	620007	TEST POINT TERMINAL	MICROVAR	TYPE C30			EA -	
TP201	620007	TEST POINT TERMINAL	MICROVAR	TYPE C30			EA -	
TP301	620007	TEST POINT TERMINAL	MICROVAR	TYPE C30			EA -	
TP302	620007	TEST POINT TERMINAL	MICROVAR	TYPE C30			EA -	
TP303	620007	TEST POINT TERMINAL	MICROVAR	TYPE C30			EA -	
TP304	620007	TEST POINT TERMINAL	MICROVAR	TYPE C30			EA -	
TP305	620007	TEST POINT TERMINAL	MICROVAR	TYPE C30			EA -	
TP501	620007	TEST POINT TERMINAL	MICROVAR	TYPE C30			EA -	
TP502	620007	TEST POINT TERMINAL	MICROVAR	TYPE C30			EA -	
TP503	620007	TEST POINT TERMINAL	MICROVAR	TYPE C30			EA -	
TP504	620007	TEST POINT TERMINAL	MICROVAR	TYPE C30			EA -	
Y101	800035	CRYSTAL OSC 16MHz	IDQ	IGX0-100-16MHz			EA 1	
F501	920125	FUSE 2.5 125V 7mm	LITTLEFUSE	275 02.5			EA 4	
F502	920125	FUSE 2.5 125V 7mm	LITTLEFUSE	275 02.5			EA -	
F503	920124	FUSE 375MA 125V 7MM	LITTLEFUSE	275.375			EA 1	
F504	920125	FUSE 2.5 125V 7mm	LITTLEFUSE	275 02.5			EA -	
F505	920125	FUSE 2.5 125V 7mm	LITTLEFUSE	275 02.5			EA -	
	414001-1	PCB DIGITAL 1281		SEE DRG			EA 1	

DESIG	PART NO	DESCRIPTION	PRINC MANUF	MANUF PART NUMBER	CLASS	UM	QUANTITY	CHANGES
	450513-1	HEATSINK DIG 1281		SEE DRG			EA 1	
	450514-1	CONN MOUNTING BRACKET DIG 1281		SEE DRG			EA 1	
	512333	WIRE 7/.2 PTFE 1KV ORANGE	BSG210	TYPE C			AR 1	
	512444	WIRE 7/.2 PTFE 1KV YEL	BSG210	TYPE C			AR 1	
	512555	WIRE 7/.2 PTFE 1KV GRN	BSG210	TYPE C			AR 1	
	540006	WIRE 1/4 BLACK PTFE 250V	BSG210	TYPE A			AR 1	
	540015	WIRE 19/0.2 PTFE 500V GRN/YEL		TYPE C			AR 1	
	590001	SLEEVE NP 1.5 X 20MM BLK	HELLERMANN	H15			EA 5	
	601001	SOCKET BULKHEAD BNC 50 OHMS	GREENPAR	GE350275			EA 1	
	602001	TERMINAL FSU	MOLEX	02-04-5114			EA 2	
	605050	SOCKET PCB 40-WAY DIL	JERMYN	J23-18040	A		EA 1	
	605059	SOCKET PCB 8-WAY DIL	JERMYN	J23-18008	A		EA 1	
	605060	SOCKET PCB 14-WAY DIL	JERMYN	J23-18014	A		EA 10	
	605061	SOCKET PCB 16-WAY DIL	JERMYN	J23-18016	A		EA 9	
	605064	SOCKET PCB 24 WAY DIL	JERMYN	J23-18024	A		EA 1	
	605065	SOCKET PCB 28 WAY DIL	JERMYN	J23-18028	A		EA 3	
	605070	SOCKET PCB 20-WAY DIL	JERMYN	J23-18020	A		EA 10	
	605117	SOCKET PCB 64 WAY DIL	JERMYN	J23-18064	A		EA 1	
	605127	SOCKET LINK 2-WAY .1" BLK	ASSMANN	AKSPL-G			EA 4	
	605151	SOCKET PCB 68 WAY LCC	METHODE (SELWYN)	217-068-001			EA 1	
	605199	SOCKET PCB 32-WAY DIL 0.6P.	HARWIN	D2832-01			EA 2	
	606028	'D' SCREW LOCK	CANNON	D20418-2			EA 2	
	606032	MTG KIT IEEE SCR SOCKET	AMP	554808-1			EA 1	
	611001	SCREW 4-40 X 3/8 POZIFAN SZP					EA 2	
	611006	SCREW M3 X 10 POZIFAN SZP					EA 4	
	611008	SCREW M3 X 10 POZICSK SZP					EA 3	
	611016	SCREW M3 X 8 POZIFAN SZP					EA 8	
	613005	WASHER M3 INT SHAKEPROOF					EA 1	
	613009	SOLDER TAG 4 BA BTP					EA 7	
	615002	NUT M3 FULL SZP					EA 1	
	618001	BUSH INSUL. TO220	PHILIPS	56359C			EA 4	
	618002	PAD MNTG. TO18, TO5	JERMYN	TO518-004D			EA 1	
	618004	PAD MNTG. TO18	JERMYN	TO18-008D			EA 1	
	618010	PAD INSUL. SIL TO220	WARTH	4177-NA-54			EA 4	
	630024	BEAD CERAMIC 16 SWG	PARK ROYAL PORCELAIN	No2			EA 18	
	630036	BEAD CERAMIC 18 SWG	PARK ROYAL PORCELAIN	No1			EA 10	
	630098	CLIP COMPONENT 12.7 DIA	RICHO	KKU-8			EA 1	
	630243	BEAD GLASS 2.4 X 0.81 X 1.8	MANSOL (PREFORMS) LT	MS363B/3			EA 47	
	700115	SWITCH 2P 2POSN KEY	ROLSECURE	5017-04-2 KEY No 850			EA 1	
	920198	HEATSINK TO5	FARNELL	170-066			EA 1	
A	00000N	NOT FITTED					EA -	
B	00000N	NOT FITTED					EA -	
C	00000N	NOT FITTED					EA -	
D	00000N	NOT FITTED					EA -	



A.C. ASSEMBLY
 Preamplifier
 Drawing No. 430741

Sheet 1 of 4



COMPONENTS NOT FITTED: R130 R264 R154
 R350 C231 C232 C236 C307 D301 D302
 C134

8 605055 M104, M103
 M301, M303, M305
 M306, M308, M310

4 605061 M302, M304
 M404, M411

4 602001 R553, R241

410365-1

SOLDER END TO
 CABLE SCREEN 512999 2x40mm
 40

590074 2

420078

590004 SLEEVE LEADS
 OF C149 C151
 C153, D129 & D130

OVERALL LENGTH
 95mm

560002

DETAIL REQUIRED
 EACH END

STRIP ALL FOUR
 WIRE ENDS 5mm.

OUTLINE OF GUARDSCREEN

613017 ASSEMBLE WASHER BETWEEN
 PCB AND C155.

13 620005

630107 TOTAL LENGTH OF
 STRIP REAPP 222mm
 (CUT 2 LENGTHS)

AIR 900004 R104, R105, R165.

4 612031 THESE LEADS TO BE KEPT
 VERY SHORT.

5 620002

- NOTES:-
- M101, M201, M202 & M307
 MUST BE SOLDERED DIRECT
 TO PCB. NO SOCKET
 - REMOVE UNUSED PINS ON
 PL50, PL51 AND PL52.

C121, C122, C128, C129
 C131, C304
 C401, C418, C428,
 C430, C431, C482
 X401

611015 4
 612031 4
 450568

630276

TP102
 D102
 D101
 C106
 C107
 C108
 C109
 C110
 R110
 R111
 R112
 R113
 R114
 R115
 R116
 R117
 R118
 R119
 R120
 R121
 R122
 R123
 R124
 R125
 R126
 R127
 R128
 R129
 R130
 R131
 R132
 R133
 R134
 R135
 R136
 R137
 R138
 R139
 R140
 R141
 R142
 R143
 R144
 R145
 R146
 R147
 R148
 R149
 R150
 R151
 R152
 R153
 R154
 R155
 R156
 R157
 R158
 R159
 R160
 R161
 R162
 R163
 R164
 R165
 R166
 R167
 R168
 R169
 R170
 R171
 R172
 R173
 R174
 R175
 R176
 R177
 R178
 R179
 R180
 R181
 R182
 R183
 R184
 R185
 R186
 R187
 R188
 R189
 R190
 R191
 R192
 R193
 R194
 R195
 R196
 R197
 R198
 R199
 R200
 R201
 R202
 R203
 R204
 R205
 R206
 R207
 R208
 R209
 R210
 R211
 R212
 R213
 R214
 R215
 R216
 R217
 R218
 R219
 R220
 R221
 R222
 R223
 R224
 R225
 R226
 R227
 R228
 R229
 R230
 R231
 R232
 R233
 R234
 R235
 R236
 R237
 R238
 R239
 R240
 R241
 R242
 R243
 R244
 R245
 R246
 R247
 R248
 R249
 R250
 R251
 R252
 R253
 R254
 R255
 R256
 R257
 R258
 R259
 R260
 R261
 R262
 R263
 R264
 R265
 R266
 R267
 R268
 R269
 R270
 R271
 R272
 R273
 R274
 R275
 R276
 R277
 R278
 R279
 R280
 R281
 R282
 R283
 R284
 R285
 R286
 R287
 R288
 R289
 R290
 R291
 R292
 R293
 R294
 R295
 R296
 R297
 R298
 R299
 R300
 R301
 R302
 R303
 R304
 R305
 R306
 R307
 R308
 R309
 R310
 R311
 R312
 R313
 R314
 R315
 R316
 R317
 R318
 R319
 R320
 R321
 R322
 R323
 R324
 R325
 R326
 R327
 R328
 R329
 R330
 R331
 R332
 R333
 R334
 R335
 R336
 R337
 R338
 R339
 R340
 R341
 R342
 R343
 R344
 R345
 R346
 R347
 R348
 R349
 R350
 R351
 R352
 R353
 R354
 R355
 R356
 R357
 R358
 R359
 R360
 R361
 R362
 R363
 R364
 R365
 R366
 R367
 R368
 R369
 R370
 R371
 R372
 R373
 R374
 R375
 R376
 R377
 R378
 R379
 R380
 R381
 R382
 R383
 R384
 R385
 R386
 R387
 R388
 R389
 R390
 R391
 R392
 R393
 R394
 R395
 R396
 R397
 R398
 R399
 R400
 R401
 R402
 R403
 R404
 R405
 R406
 R407
 R408
 R409
 R410
 R411
 R412
 R413
 R414
 R415
 R416
 R417
 R418
 R419
 R420
 R421
 R422
 R423
 R424
 R425
 R426
 R427
 R428
 R429
 R430
 R431
 R432
 R433
 R434
 R435
 R436
 R437
 R438
 R439
 R440
 R441
 R442
 R443
 R444
 R445
 R446
 R447
 R448
 R449
 R450
 R451
 R452
 R453
 R454
 R455
 R456
 R457
 R458
 R459
 R460
 R461
 R462
 R463
 R464
 R465
 R466
 R467
 R468
 R469
 R470
 R471
 R472
 R473
 R474
 R475
 R476
 R477
 R478
 R479
 R480
 R481
 R482
 R483
 R484
 R485
 R486
 R487
 R488
 R489
 R490
 R491
 R492
 R493
 R494
 R495
 R496
 R497
 R498
 R499
 R500

TYPICAL VIEW SHOWING
 MOUNTING OF GUARDSCREEN

BLANKING BUSH
 TO BE FITTED IN
 HOLES IN GUARD
 SCREEN ABOVE C103

PL50
 PL51
 PL52

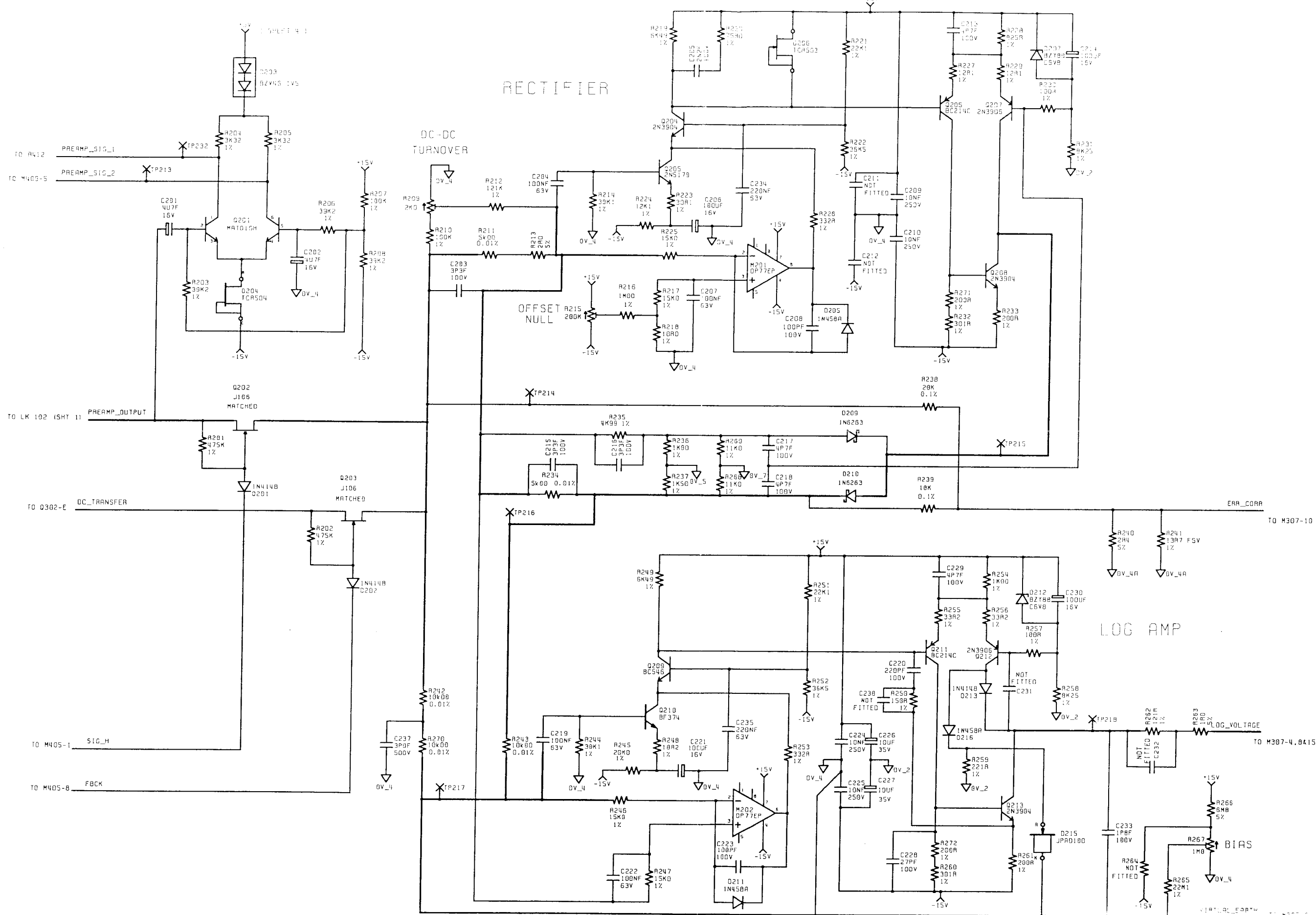
400753

PLUG THIS END
 INTO COMPLETED
 ASSY

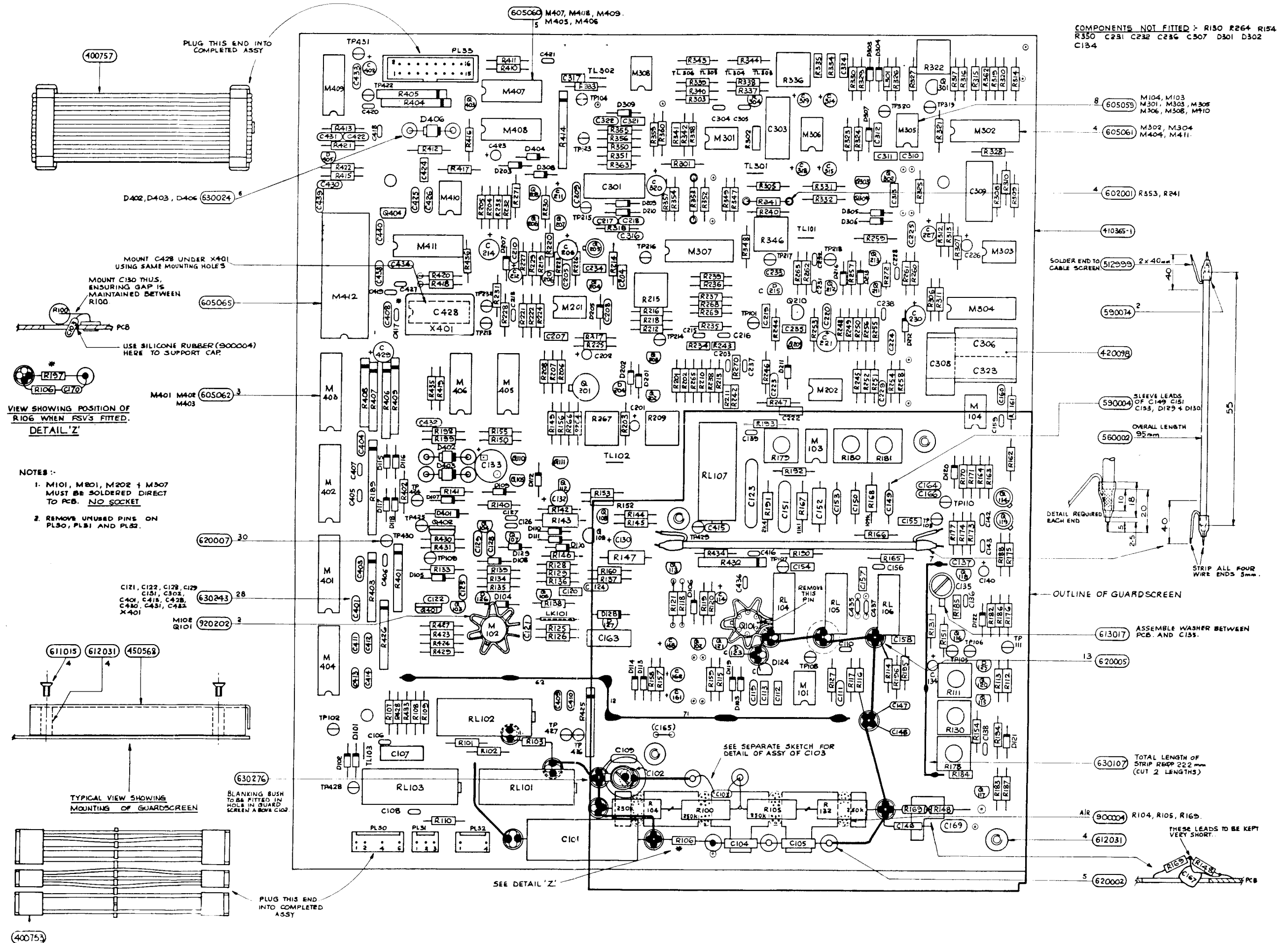
SEE DETAIL 'Z'

SEE SEPARATE SKETCH FOR
 DETAIL OF ASSY OF C103

620002



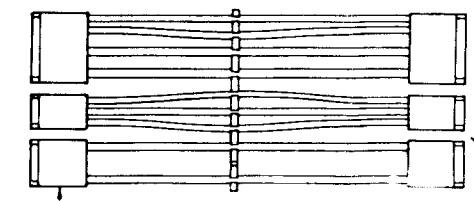
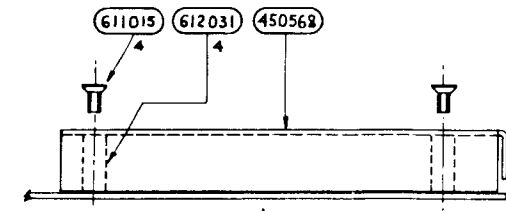
A.C. ASSEMBLY
 Precision Rectifier and Logarithmic Amplifier
 Drawing No. 430741 Sheet 2 of 4



COMPONENTS NOT FITTED : R130 R264 R154
 R150 C231 C232 C236 C307 D301 D302
 C134

VIEW SHOWING POSITION OF
 R106 WHEN FSV3 FITTED.
 DETAIL 'Z'

- NOTES :-
1. M101, M201, M202 + M307
 MUST BE SOLDERED DIRECT
 TO PCB. NO SOCKET
 2. REMOVE UNUSED PINS ON
 PL30, PL31 AND PL32.



OUTLINE OF GUARDSCREEN

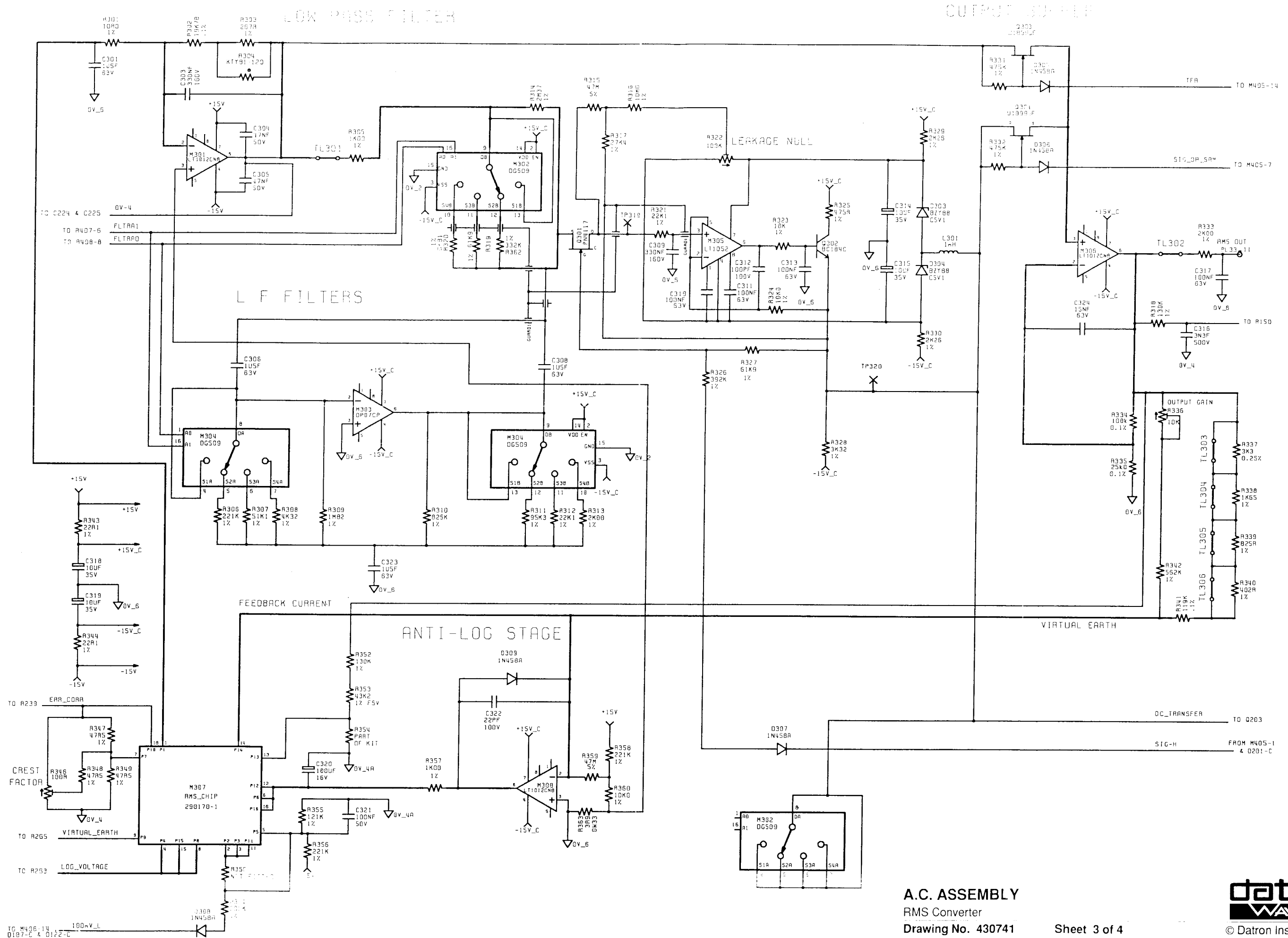
ASSEMBLE WASHER BETWEEN
 PCB. AND C135.

TOTAL LENGTH OF
 STRIP REQD 222 mm
 (CUT 2 LENGTHS)

R104, R105, R165.

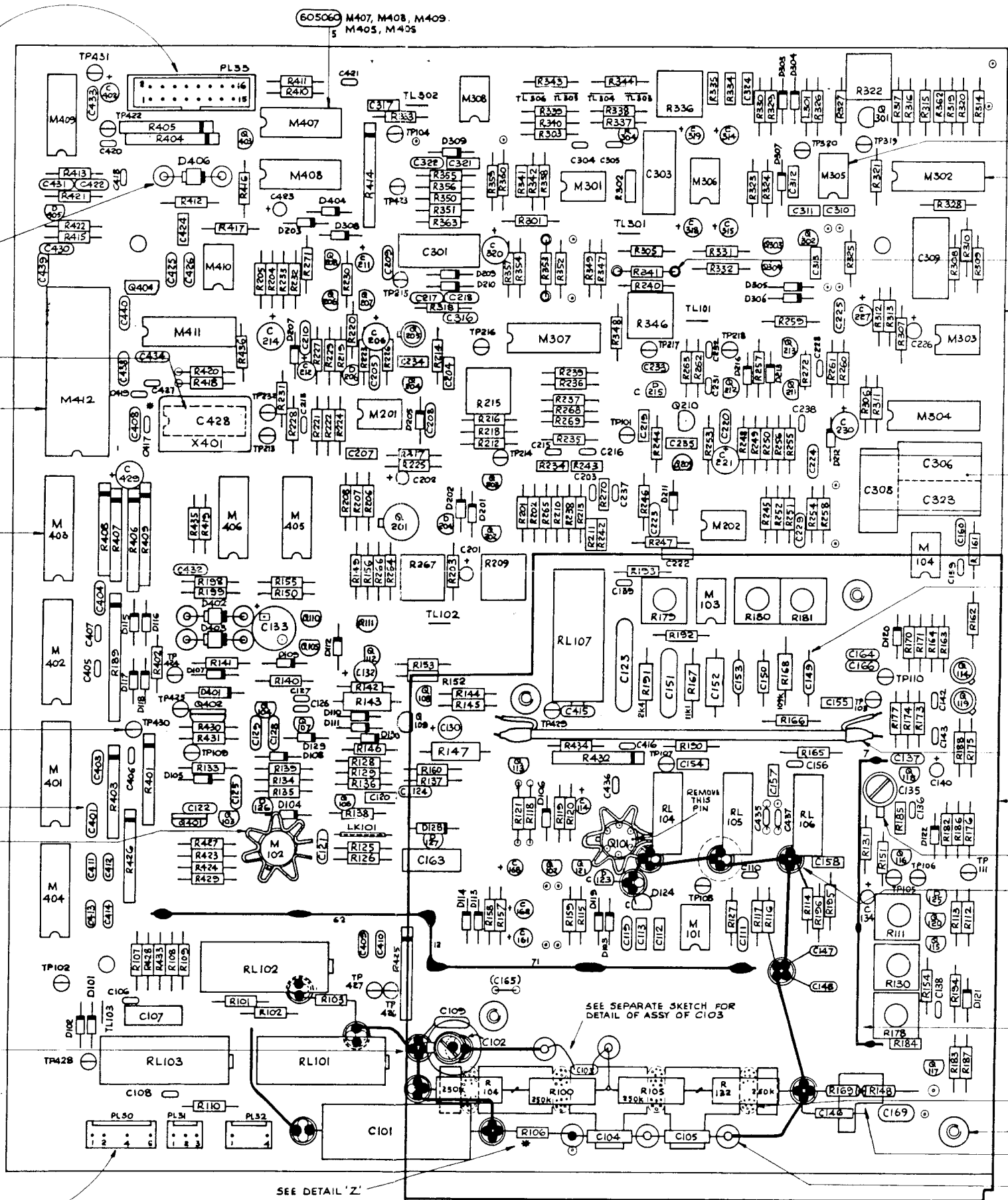
THESE LEADS TO BE KEPT
 VERY SHORT...

PLUG THIS END
 INTO COMPLETED
 ASSY

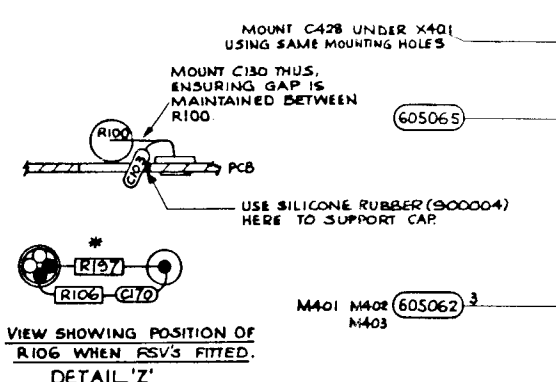
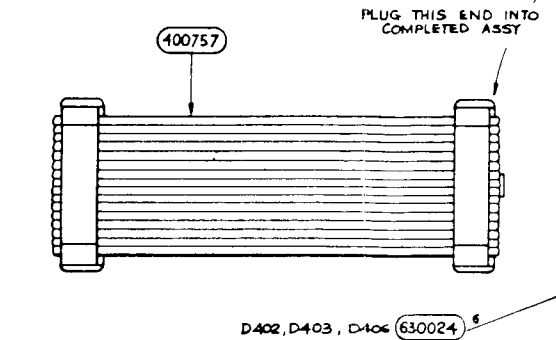


A.C. ASSEMBLY
 RMS Converter
 Drawing No. 430741

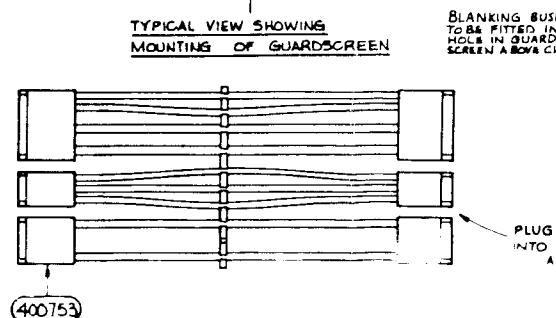
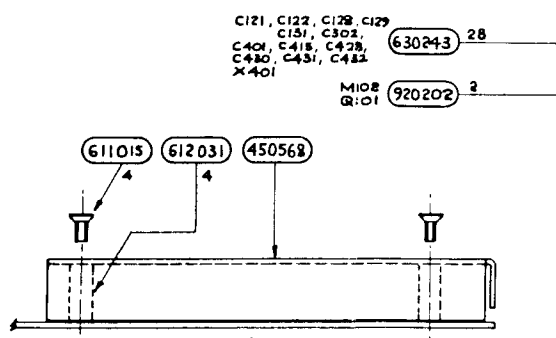
Sheet 3 of 4



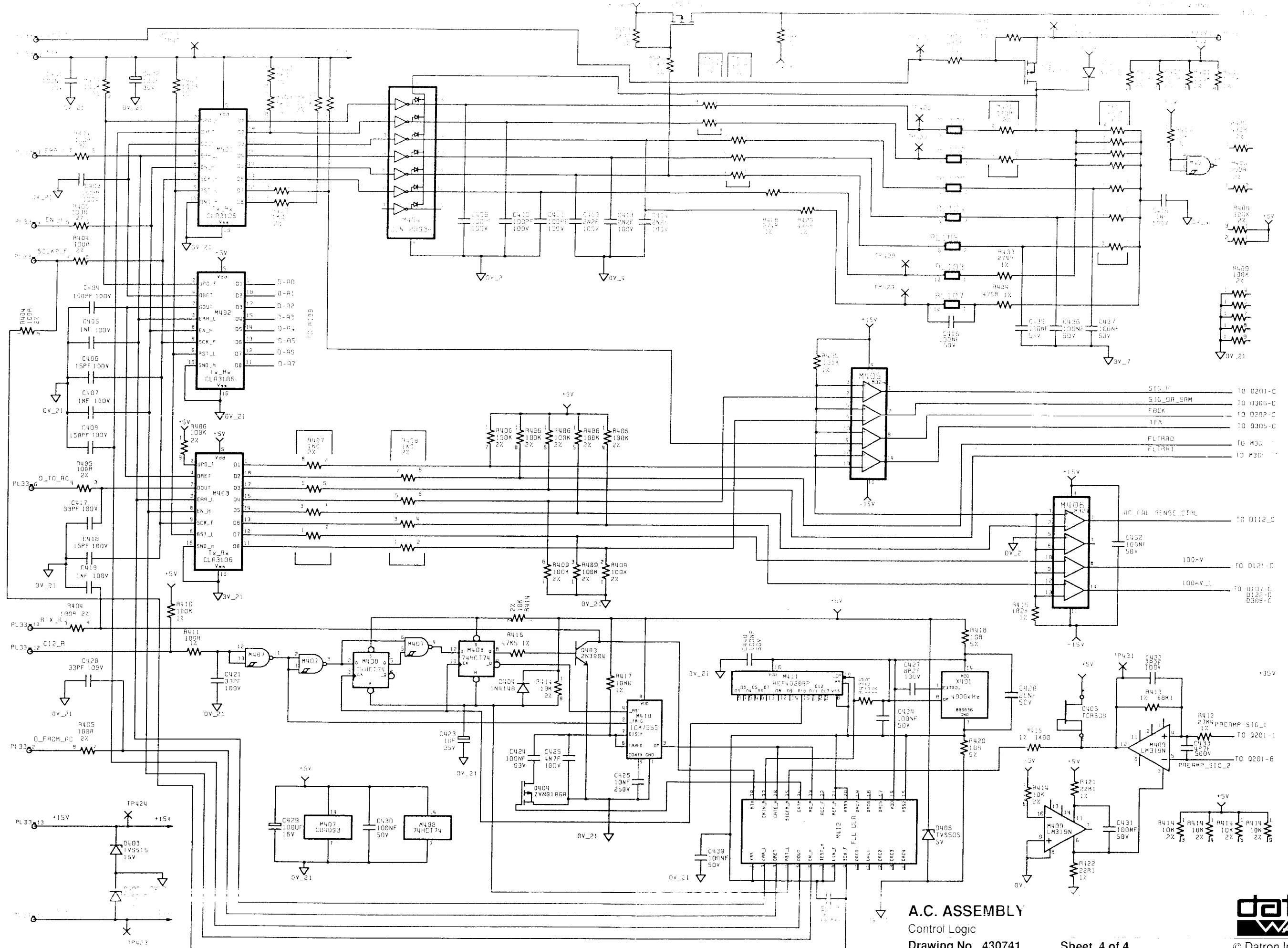
COMPONENTS NOT FITTED: R150 R264 R154
R150 C231 C232 C236 C307 D301 D302
C134



NOTES:-
1. M101, M201, M202 + M307 MUST BE SOLDERED DIRECT TO PCB. NO SOCKET.
2. REMOVE UNUSED PINS ON PL50, PL51 AND PL52.



- 8 605055 M104, M103, M301, M303, M305, M306, M308, M410
- 4 605061 M302, M304, M404, M411
- 4 602001 R353, R241
- 410365-1
- 512999 2 x 40mm SOLDER END TO CABLE SCREEN
- 590074 2
- 420098
- 590004 SLEEVE LEADS OF C149, C151, C153, D129 & D130
- 560002 OVERALL LENGTH 95mm
- DETAIL REQUIRED EACH END
- STRIP ALL FOUR WIRE ENDS 5mm.
- OUTLINE OF GUARDSCREEN
- 613017 ASSEMBLE WASHER BETWEEN PCB AND C135.
- 13 620005
- 630107 TOTAL LENGTH OF STRIP REQD 222mm (CUT 2 LENGTHS)
- AIR 900004 R104, R105, R169
- 4 612031 THESE LEADS TO BE KEPT VERY SHORT.
- 5 620002



A.C. ASSEMBLY
Control Logic
Drawing No. 430741

Sheet 4 of 4

DESIG	PART NO	DESCRIPTION	PRINC MANUF	MANUF PART NUMBER	CLASS	UM	QUANTITY	CHANGES
R148	090178-1	RES FL SET X 9	TRW	SEE DRG			S9 -	
R149	011001	RES MF 1K00 1% .12W 50PPM	HOLSWORTHY	H8C	A	EA	-	
R150	011213	RES MF 121K 1% .12W 50PPM	HOLSWORTHY	H8C	A	EA	5	
R151	015622	RES MF 56K2 1% .12W 50PPM	HOLSWORTHY	H8C	A	EA	-	
R152	041004	RES MF 1M00 1% .12W 50PPM	HOLSWORTHY	H8C	A	EA	-	
R153	011001	RES MF 1K00 1% .12W 50PPM	HOLSWORTHY	H8C	A	EA	-	
R154	00000N	NOT FITTED			A	EA	-	
R155	011502	RES MF 15K0 1% .12W 50PPM	HOLSWORTHY	H8C	A	EA	3	
R156	013010	RES MF 301R 1% .12W 50PPM	HOLSWORTHY	H8C	A	EA	3	
R157	012211	RES MF 2K21 1% .12W 50PPM	HOLSWORTHY	H8C	A	EA	2	
R158	012211	RES MF 2K21 1% .12W 50PPM	HOLSWORTHY	H8C	A	EA	-	
R159	011003	RES MF 100K 1% .12W 50PPM	HOLSWORTHY	H8C	A	EA	-	
R160	011002	RES MF 10K0 1% .12W 50PPM	HOLSWORTHY	H8C	A	EA	-	
R161	014643	RES MF 464K 1% .12W 50PPM	HOLSWORTHY	H8C	A	EA	1	
R162	011002	RES MF 10K0 1% .12W 50PPM	HOLSWORTHY	H8C	A	EA	-	
R163	041004	RES MF 1M00 1% .12W 50PPM	HOLSWORTHY	H8C	A	EA	-	
R164	041004	RES MF 1M00 1% .12W 50PPM	HOLSWORTHY	H8C	A	EA	-	
R165	015622	RES MF 56K2 1% .12W 50PPM	HOLSWORTHY	H8C	A	EA	-	
R166	011213	RES MF 121K 1% .12W 50PPM	HOLSWORTHY	H9C	A	EA	-	
R167	090178-1	RES FL SET X 9	TRW	SEE DRG		S9 -		
R168	090178-1	RES FL SET X 9	TRW	SEE DRG		S9 -		
R169	090178-1	RES FL SET X 9	TRW	SEE DRG		S9 -		
R170	012433	RES MF 243K 1% .12W 50PPM	HOLSWORTHY	H8C	A	EA	1	
R171	041004	RES MF 1M00 1% .12W 50PPM	HOLSWORTHY	H8C	A	EA	-	
R173	011000	RES MF 100R 1% .12W 50PPM	HOLSWORTHY	H8C	A	EA	6	
R174	011002	RES MF 10K0 1% .12W 50PPM	HOLSWORTHY	H8C	A	EA	-	
R175	014751	RES MF 4K75 1% .12W 50PPM	HOLSWORTHY	H8C	A	EA	-	
R176	011002	RES MF 10K0 1% .12W 50PPM	HOLSWORTHY	H8C	A	EA	-	
R177	011002	RES MF 10K0 1% .12W 50PPM	HOLSWORTHY	H8C	A	EA	-	
R178	063103	RES CT 10K HORIZ S/T	BECKMAN	72P		EA	5	
R179	063103	RES CT 10K HORIZ S/T	BECKMAN	72P		EA	-	
R180	063103	RES CT 10K HORIZ S/T	BECKMAN	72P		EA	-	
R181	063103	RES CT 10K HORIZ S/T	BECKMAN	72P		EA	-	
R182	041004	RES MF 1M00 1% .12W 50PPM	HOLSWORTHY	H8C	A	EA	-	
R183	041004	RES MF 1M00 1% .12W 50PPM	HOLSWORTHY	H8C	A	EA	-	
R184	080104	RES FL 1K11 .1% 1PPM	VISHAY MANN	S102L		EA	1	
R185	080105	RES FL 10K00 .01% 1PPM	VISHAY MANN	S102L		EA	4	
R186	050078	RES MF 18K0 1% .12W 50PPM	CORNING	SMA-0204-TK50		EA	1	
R187	012001	RES MF 2K00 1% .12W 50PPM	HOLSWORTHY	H8C	A	EA	3	
R188	041004	RES MF 1M00 1% .12W 50PPM	HOLSWORTHY	H8C	A	EA	-	
R189	090042-1	RES NTWK 100K+200K 8BIT	ITT	SEE DRG		EA	1	
R190	012372	RES MF 23K7 1% .12W 50PPM	HOLSWORTHY	H8C	A	EA	1	
R191	090178-1	RES FL SET X 9	TRW	SEE DRG		S9 -		
R192	015110	RES MF 511R 1% .12W 50PPM	HOLSWORTHY	H8C	A	EA	1	
R193	013321	RES MF 3K32 1% .12W 50PPM	HOLSWORTHY	H8C	A	EA	4	

DESIG	PART NO	DESCRIPTION	PRINC MANUF	MANUF PART NUMBER	CLASS	UM	QUANTITY	CHANGES
R194	041825	RES MF 18K2 1% .12W 150PPM	NEPCO	5053YL	A	EA	1	
R195	011821	RES MF 18K2 1% .12W 50PPM	HOLSWORTHY	H8C	A	EA	1	
R196	008072	RES MG 68M 5% 2.5KV	MULLARD	VR37		EA	-	
R197	00000P	RES FSV				EA	2	
R198	000478	RES CF 4R7 5% .25W	NEOHM	CFR25	A	EA	2	
R199	000478	RES CF 4R7 5% .25W	NEOHM	CFR25	A	EA	-	
R201	044753	RES MF 475K 1% .12W 50PPM	HOLSWORTHY	H8C	A	EA	4	
R202	044753	RES MF 475K 1% .12W 50PPM	HOLSWORTHY	H8C	A	EA	-	
R203	013522	RES MF 35K2 1% .12W 50PPM	HOLSWORTHY	H8C	A	EA	3	
R204	013321	RES MF 3K32 1% .12W 50PPM	HOLSWORTHY	H8C	A	EA	-	
R205	013321	RES MF 3K32 1% .12W 50PPM	HOLSWORTHY	H8C	A	EA	-	
R206	013522	RES MF 35K2 1% .12W 50PPM	HOLSWORTHY	H8C	A	EA	-	
R207	011003	RES MF 100K 1% .12W 50PPM	HOLSWORTHY	H8C	A	EA	-	
R208	013522	RES MF 35K2 1% .12W 50PPM	HOLSWORTHY	H8C	A	EA	-	
R209	063202	RES CT 2K HORIZ S/T	BECKMAN	72P		EA	1	
R210	011003	RES MF 100K 1% .12W 50PPM	HOLSWORTHY	H8C	A	EA	-	
R211	080106	RES FL 5K00 .01% 1PPM	VISHAY MANN	S102L		EA	2	
R212	011213	RES MF 121K 1% .12W 50PPM	HOLSWORTHY	H8C	A	EA	-	
R213	000208	RES CF 2R0 5% .25W	NEOHM	CFR25	A	EA	1	
R214	013012	RES MF 30K1 1% .12W 50PPM	HOLSWORTHY	H8C	A	EA	-	
R215	063204	RES CT 200K HORIZ S/T	BECKMAN	72P		EA	1	
R216	041004	RES MF 1M00 1% .12W 50PPM	HOLSWORTHY	H8C	A	EA	-	
R217	011502	RES MF 15K0 1% .12W 50PPM	HOLSWORTHY	H8C	A	EA	-	
R218	011008	RES MF 10R0 1% .12W 50PPM	HOLSWORTHY	H8C	A	EA	2	
R219	016491	RES MF 6K49 1% .12W 50PPM	HOLSWORTHY	H8C	A	EA	2	
R220	017508	RES MF 75R0 1% .12W 50PPM	HOLSWORTHY	H8C	A	EA	1	
R221	012212	RES MF 22K1 1% .12W 50PPM	HOLSWORTHY	H8C	A	EA	4	
R222	013652	RES MF 36K5 1% .12W 50PPM	HOLSWORTHY	H8C	A	EA	2	
R223	013018	RES MF 30R1 1% .12W 50PPM	HOLSWORTHY	H8C	A	EA	1	
R224	011212	RES MF 12K1 1% .12W 50PPM	HOLSWORTHY	H8C	A	EA	1	
R225	011502	RES MF 15K0 1% .12W 50PPM	HOLSWORTHY	H8C	A	EA	-	
R226	013320	RES MF 33R2 1% .12W 50PPM	HOLSWORTHY	H8C	A	EA	-	
R227	011218	RES MF 12R1 1% .12W 50PPM	HOLSWORTHY	H8C	A	EA	2	
R228	018250	RES MF 825R 1% .12W 50PPM	HOLSWORTHY	H8C	A	EA	2	
R229	011218	RES MF 12R1 1% .12W 50PPM	HOLSWORTHY	H8C	A	EA	-	
R230	011000	RES MF 100R 1% .12W 50PPM	HOLSWORTHY	H8C	A	EA	-	
R231	018251	RES MF 8K25 1% .12W 50PPM	HOLSWORTHY	H8C	A	EA	2	
R232	013010	RES MF 301R 1% .12W 50PPM	HOLSWORTHY	H8C	A	EA	-	
R233	012000	RES MF 200R 1% .12W 50PPM	HOLSWORTHY	H8C	A	EA	4	
R234	080106	RES FL 5K00 .01% 1PPM	VISHAY MANN	S102L		EA	-	
R235	014991	RES MF 4K99 1% .12W 50PPM	HOLSWORTHY	H8C	A	EA	-	
R236	011301	RES MF 13K0 1% .12W 50PPM	HOLSWORTHY	H8C	A	EA	-	
R237	011301	RES MF 13K0 1% .12W 50PPM	HOLSWORTHY	H8C	A	EA	-	
R238	011301	RES MF 13K0 1% .12W 50PPM	HOLSWORTHY	H8C	A	EA	-	
R239	011301	RES MF 13K0 1% .12W 50PPM	HOLSWORTHY	H8C	A	EA	-	

DESIG	PART NO	DESCRIPTION	PRINC MANUF	MANUF PART NUMBER	CLASS	UM	QUANTITY	CHANGES
R240	000248	RES CF 2R4 5% .25W	NEOHM	CFR25	A	EA	1	
R241	011378	RES MF 13R7 1% .12W 50PPM	HOLSWORTHY	H8C	A	EA	1	
R242	080105	RES FL 10K00 .01% 1PPM	VISHAY MANN	S102L	A	EA	-	
R243	080105	RES FL 10K00 .01% 1PPM	VISHAY MANN	S102L	A	EA	-	
R244	013012	RES MF 36K1 1% .12W 50PPM	HOLSWORTHY	H8C	A	EA	-	
R245	012002	RES MF 20K0 1% .12W 50PPM	HOLSWORTHY	H8C	A	EA	-	
R246	011502	RES MF 15K0 1% .12W 50PPM	HOLSWORTHY	H8C	A	EA	-	
R247	011502	RES MF 15K0 1% .12W 50PPM	HOLSWORTHY	H8C	A	EA	-	
R248	011828	RES MF 18R2 1% .12W 50PPM	HOLSWORTHY	H8C	A	EA	1	
R249	016491	RES MF 6849 1% .12W 50PPM	HOLSWORTHY	H8C	A	EA	-	
R250	011500	RES MF 150R 1% .12W 50PPM	HOLSWORTHY	H8C	A	EA	-	
R251	012212	RES MF 22K1 1% .12W 50PPM	HOLSWORTHY	H8C	A	EA	-	
R252	013652	RES MF 36K5 1% .12W 50PPM	HOLSWORTHY	H8C	A	EA	-	
R253	013320	RES MF 33R2 1% .12W 50PPM	HOLSWORTHY	H8C	A	EA	-	
R254	011001	RES MF 1K00 1% .12W 50PPM	HOLSWORTHY	H8C	A	EA	-	
R255	013328	RES MF 33R2 1% .12W 50PPM	HOLSWORTHY	H8C	A	EA	2	
R256	013328	RES MF 33R2 1% .12W 50PPM	HOLSWORTHY	H8C	A	EA	-	
R257	011000	RES MF 100R 1% .12W 50PPM	HOLSWORTHY	H8C	A	EA	-	
R258	018251	RES MF 8R25 1% .12W 50PPM	HOLSWORTHY	H8C	A	EA	-	
R259	012210	RES MF 221R 1% .12W 50PPM	HOLSWORTHY	H8C	A	EA	-	
R260	013010	RES MF 301R 1% .12W 50PPM	HOLSWORTHY	H8C	A	EA	-	
R261	012000	RES MF 200R 1% .12W 50PPM	HOLSWORTHY	H8C	A	EA	1	
R262	011210	RES MF 121R 1% .12W 50PPM	HOLSWORTHY	H8C	A	EA	1	
R263	000108	RES CF 1K0 5% .25W	NEOHM	CFR25	A	EA	1	
R264	00000N	NOT FITTED						
R265	042215	RES MF 22M1 1% .12W 150PPM	MEPCO	5053YL	A	EA	1	
R266	000685	RES CF 6M8 5% .25W	NEOHM	CFR25	A	EA	1	
R267	063105	RES CT 1M HORIZ S/T	BECKMAN	72P	A	EA	1	
R268	011102	RES MF 11K0 1% .12W 50PPM	HOLSWORTHY	H8C	A	EA	2	
R269	011102	RES MF 11K0 1% .12W 50PPM	HOLSWORTHY	H8C	A	EA	-	
R270	080105	RES FL 10K00 .01% 1PPM	VISHAY MANN	S102L	A	EA	-	
R271	012000	RES MF 200R 1% .12W 50PPM	HOLSWORTHY	H8C	A	EA	-	
R272	012000	RES MF 200R 1% .12W 50PPM	HOLSWORTHY	H8C	A	EA	-	
R301	011008	RES MF 10R0 1% .12W 50PPM	HOLSWORTHY	H8C	A	EA	-	
R302	080120	RES FL 19K78 .1% 1PPM	VISHAY MANN	S102L	A	EA	1	
R303	012670	RES MF 267R 1% .12W 50PPM	HOLSWORTHY	H8C	A	EA	1	
R304	090063	PTC THERMISTOR	MULLARD	KTY81-120	A	EA	1	
R305	011001	RES MF 1K00 1% .12W 50PPM	HOLSWORTHY	H8C	A	EA	1	
R306	012213	RES MF 221K 1% .12W 50PPM	HOLSWORTHY	H8C	A	EA	3	
R307	015112	RES MF 51K1 1% .12W 50PPM	HOLSWORTHY	H8C	A	EA	1	
R308	014321	RES MF 4K32 1% .12W 50PPM	HOLSWORTHY	H8C	A	EA	1	
R309	041824	RES MF 18R2 1% .12W 100PPM	HOLSWORTHY	H8C	A	EA	1	
R310	04825K	RES MF 825K 1% .12W 50PPM	HOLSWORTHY	H8C	A	EA	1	
R311	019532	RES MF 95K3 1% .12W 50PPM	HOLSWORTHY	H8C	A	EA	1	
R312	012212	RES MF 22K1 1% .12W 50PPM	HOLSWORTHY	H8C	A	EA	-	

DESIG	PART NO	DESCRIPTION	PRINC MANUF	MANUF PART NUMBER	CLASS	UM	QUANTITY	CHANGES
R313	012001	RES MF 2K00 1% .12W 50PPM	HOLSWORTHY	H8C	A	EA	-	
R314	042374	RES MF 2M37 1% .12W 100PPM	HOLSWORTHY	H8C	A	EA	1	
R315	000476	RES IM 47M 5% .25W	ALLEN BRADLEY	CB	A	EA	2	
R316	041005	RES MF 10M0 1% .12W 100PPM	STEATITE	MR2	A	EA	2	
R317	012742	RES MF 27K4 1% .12W 50PPM	HOLSWORTHY	H8C	A	EA	2	
R318	011303	RES MF 130K 1% .12W 50PPM	HOLSWORTHY	H8C	A	EA	2	
R319	016192	RES MF 61K9 1% .12W 50PPM	HOLSWORTHY	H8C	A	EA	1	
R320	016811	RES MF 68R1 1% .12W 50PPM	HOLSWORTHY	H8C	A	EA	-	
R321	012212	RES MF 22K1 1% .12W 50PPM	HOLSWORTHY	H8C	A	EA	-	
R322	063104	RES CT 100K HORIZ S/T	BECKMAN	72P	A	EA	-	
R323	011002	RES MF 10K0 1% .12W 50PPM	HOLSWORTHY	H8C	A	EA	-	
R324	011002	RES MF 10K0 1% .12W 50PPM	HOLSWORTHY	H8C	A	EA	-	
R325	014750	RES MF 475R 1% .12W 50PPM	HOLSWORTHY	H8C	A	EA	3	
R326	013923	RES MF 392K 1% .12W 50PPM	HOLSWORTHY	H8C	A	EA	1	
R327	016192	RES MF 61K9 1% .12W 50PPM	HOLSWORTHY	H8C	A	EA	-	
R328	013321	RES MF 3K32 1% .12W 50PPM	HOLSWORTHY	H8C	A	EA	-	
R329	012261	RES MF 2K26 1% .12W 50PPM	HOLSWORTHY	H8C	A	EA	2	
R330	012261	RES MF 2K26 1% .12W 50PPM	HOLSWORTHY	H8C	A	EA	-	
R331	044753	RES MF 475K 1% .12W 50PPM	HOLSWORTHY	H8C	A	EA	-	
R332	044753	RES MF 475K 1% .12W 50PPM	HOLSWORTHY	H8C	A	EA	-	
R333	012001	RES MF 2K00 1% .12W 50PPM	HOLSWORTHY	H8C	A	EA	-	
R334	080107	RES FL 100K .1% 1PPM	VISHAY MANN	S102L	A	EA	1	
R335	080111	RES FL 25K0 .1% 1PPM	VISHAY MANN	S102L	A	EA	1	
R336	063103	RES CT 10K HORIZ S/T	BECKMAN	72P	A	EA	-	
R337	050011	RES MF 3K3 1% .12W 15PPM	HOLSWORTHY	H8	A	EA	1	
R338	050079	RES MF 1K65 1% .12W 15PPM	HOLSWORTHY	H8	A	EA	1	
R339	018250	RES MF 825R 1% .12W 50PPM	HOLSWORTHY	H8C	A	EA	-	
R340	014020	RES MF 402R 1% .12W 50PPM	HOLSWORTHY	H8C	A	EA	1	
R341	080121	RES FL 119K .1% 1PPM	VISHAY MANN	S102L	A	EA	1	
R342	050080	RES MF 562K 1% .25W 15PPM	HOLSWORTHY	H4	A	EA	1	
R343	012218	RES MF 22R1 1% .12W 50PPM	HOLSWORTHY	H8C	A	EA	4	
R344	012218	RES MF 22R1 1% .12W 50PPM	HOLSWORTHY	H8C	A	EA	-	
R346	063101	RES CT 100R HORIZ S/T	BECKMAN	72P	A	EA	1	
R347	014758	RES MF 47R5 1% .12W 50PPM	HOLSWORTHY	H8C	A	EA	3	
R348	014758	RES MF 47R5 1% .12W 50PPM	HOLSWORTHY	H8C	A	EA	-	
R349	014758	RES MF 47R5 1% .12W 50PPM	HOLSWORTHY	H8C	A	EA	-	
R350	00000H	NOT FITTED						
R351	012003	RES MF 200K 1% .12W 50PPM	HOLSWORTHY	H8C	A	EA	1	
R352	011303	RES MF 130K 1% .12W 50PPM	HOLSWORTHY	H8C	A	EA	-	
R353	014322	RES MF 43K2 1% .12W 50PPM	HOLSWORTHY	H8C	A	EA	1	
R354	00000K	PART OF KIT						
R355	011213	RES MF 121F 1% .12W 50PPM	HOLSWORTHY	H8C	A	EA	1	
R356	011213	RES MF 121F 1% .12W 50PPM	HOLSWORTHY	H8C	A	EA	-	
R357	011213	RES MF 121F 1% .12W 50PPM	HOLSWORTHY	H8C	A	EA	-	
R358	011213	RES MF 121F 1% .12W 50PPM	HOLSWORTHY	H8C	A	EA	-	

DESIG	PART NO	DESCRIPTION	PRINC MANUF	MANUF PART NUMBER	CLASS	UM	QUANTITY	CHANGES
R359	000476	RES HM 47M 5% .25W	ALLEN BRADLEY	CB	A	EA	-	
R360	011002	RES MF 10K0 1% .12W 50PPM	HOLSWORTHY	H8C	A	EA	-	
R362	013323	RES MF 332K 1% .12W 50PPM	HOLSWORTHY	H8C	A	EA	1	
R363	008041	RES MF 3R9 5% .3W	MULLARD	SFR25/3R9/5		EA	1	
R401	090017	RES NTWK 100K x 7 2%	BECKMAN	LO8-1-R100K		EA	1	
R402	011000	RES MF 100R 1% .12W 50PPM	HOLSWORTHY	H8C	A	EA	-	
R403	090168	RES PACK 1K X 4 2%	AB	AB-770-83-1K		EA	3	
R404	090105	RES PACK 100R X 4 2%	BECKMAN	LO8-3-R100		EA	2	
R405	090105	RES PACK 100R X 4 2%	BECKMAN	LO8-3-R100		EA	-	
R406	090121	RES NTWK 100K X 8 2%	BECKMAN	LO9-1-R100K		EA	2	
R407	090168	RES PACK 1K X 4 2%	AB	AB-770-83-1K		EA	-	
R408	090168	RES PACK 1K X 4 2%	AB	AB-770-83-1K		EA	-	
R409	090121	RES NTWK 100K X 8 2%	BECKMAN	LO8-1-R100K		EA	-	
R410	011003	RES MF 100K 1% .12W 50PPM	HOLSWORTHY	H8C	A	EA	-	
R411	011000	RES MF 100R 1% .12W 50PPM	HOLSWORTHY	H8C	A	EA	-	
R412	012742	RES MF 27K4 1% .12W 50PPM	HOLSWORTHY	H8C	A	EA	-	
R413	016812	RES MF 68K1 1% .12W 50PPM	HOLSWORTHY	H8C	A	EA	1	
R414	090163	RES NTWK 10K x 8 2%	AB	870-91-10K		EA	1	
R415	011001	RES MF 1K00 1% .12W 50PPM	HOLSWORTHY	H8C	A	EA	-	
R416	014752	RES MF 47K5 1% .12W 50PPM	HOLSWORTHY	H8C	A	EA	-	
R417	041005	RES MF 10M0 1% .12W 100PPM	STEATITE	MK2	A	EA	-	
R418	000100	RES CF 10R 5% .25W	NEOHM	CFR25	A	EA	2	
R419	011823	RES MF 182K 1% .12W 50PPM	HOLSWORTHY	H8C	A	EA	1	
R420	000100	RES CF 10R 5% .25W	NEOHM	CFR25	A	EA	-	
R421	012218	RES MF 22R1 1% .12W 50PPM	HOLSWORTHY	H8C	A	EA	-	
R422	012218	RES MF 22R1 1% .12W 50PPM	HOLSWORTHY	H8C	A	EA	-	
R423	013921	RES MF 3K92 1% .12W 50PPM	HOLSWORTHY	H8C	A	EA	1	
R424	011002	RES MF 10K0 1% .12W 50PPM	HOLSWORTHY	H8C	A	EA	-	
R425	090162	RES PACK 270R x 4 2%	AB	770-83-270R		EA	1	
R426	090170	RES PACK 470R x 4 2%	AB	770-83-470R		EA	1	
R427	013322	RES MF 33K2 1% .12W 50PPM	HOLSWORTHY	H8C	A	EA	1	
R428	012740	RES MF 274R 1% .12W 50PPM	HOLSWORTHY	H8C	A	EA	2	
R429	014750	RES MF 475R 1% .12W 50PPM	HOLSWORTHY	H8C	A	EA	-	
R430	046813	RES MF 681K 1% .12W 50PPM	HOLSWORTHY	H8C	A	EA	1	
R431	045623	RES MF 562K 1% .12W 50PPM	HOLSWORTHY	H8C	A	EA	1	
R432	090078	RES NTWK 470R x 7 2%	BECKMAN	LO8-1-R470		EA	1	
R433	012740	RES MF 274R 1% .12W 50PPM	HOLSWORTHY	H8C	A	EA	-	
R434	014750	RES MF 475R 1% .12W 50PPM	HOLSWORTHY	H8C	A	EA	-	
R435	011213	RES MF 121K 1% .12W 50PPM	HOLSWORTHY	H8C	A	EA	-	
R436	011000	RES MF 100R 1% .12W 50PPM	HOLSWORTHY	H8C	A	EA	-	
C101	120001	CAP PC 220NF 10% 1KV	SUFLEX	SM1380		EA	1	
C102	140076-1	CAP VAR 16PF	TRONSER	SEE DRG	A	EA	2	
C103	102228	CAP CD 2P2F +/-1PF 500V	BECK	CD08AG02P2FSCR/SK500 A		EA	1	
C104	140031	CAP GL 13PF 5% 500V	CORNING ELECTROSIL	CYFM10		EA	1	
C105	140062	CAP GL 10PF 5% 500V	CORNING ELECTROSIL	CYFM10		EA	1	

DESIG	PART NO	DESCRIPTION	PRINC MANUF	MANUF PART NUMBER	CLASS	UM	QUANTITY	CHANGES
C106	100102	CAP CP 1NF 10% 100V	PHILIPS	2222 630 19102		EA	6	
C107	120034	CAP PC 220NF 1% 63V	ASHCROFT	A2B22101E		EA	1	
C108	104037	CAP CD 22PF 10% 2KV	MURATA	DE0705SL220J2KV		EA	1	
C109	104034	CAP CD 47PF 20% 1KV	MURATA	DE0705SL470J1KV		EA	1	
C110	100102	CAP CP 1NF 10% 100V	PHILIPS	2222 630 19102		EA	-	
C111	100101	CAP CD 100PF 2% 100V	PHILIPS	2222 683 34101		EA	8	
C112	110042	CAP PE 100NF 20% 63V	WIMA	MKS2		EA	15	
C113	110042	CAP PE 100NF 20% 63V	WIMA	MKS2		EA	-	
C114	150002	CAP DT 10UF 20% 16V	AVX	TAP10M16F	A	EA	1	
C119	101103	CAP CD 10NF -20+80% 250V	BECK	CD10K310N0Z5CR/SK250		EA	6	
C120	110041	CAP PE 10NF 20% 100V	WIMA	FKS2		EA	1	
C121	104025	CAP CD 100NF +80%-20% 50V	SIEMENS	B37449		EA	18	
C122	104025	CAP CD 100NF -80%-20% 50V	SIEMENS	B37449		EA	-	
C123	140070	CAP GL 2NF 1% 500V	CORNING ELECTROSIL	CYFM20		EA	1	
C124	100820	CAP CP 82PF 2% 100V	PHILIPS	2222 683 34829		EA	1	
C125	102270	CAP CD 27PF 5% 500V	BECK	CD10CG27P0M5CR/SK500 A		EA	1	
C126	100270	CAP CP 27PF 2% 100V	PHILIPS	2222 683 34279		EA	2	
C127	100100	CAP CD 10PF 2% 100V	PHILIPS	2222 683 10109		EA	2	
C128	104025	CAP CD 100NF +80%-20% 50V	SIEMENS	B37449		EA	-	
C129	104025	CAP CD 100NF +80%-20% 50V	SIEMENS	B37449		EA	-	
C130	150025	CAP DT 3U3F 20% 35V	AVX	TAP3R3M35F	A	EA	3	
C132	150025	CAP DT 3U3F 20% 35V	AVX	TAP3R3M35F	A	EA	-	
C133	180041	CAP AE 100UF 40V	STEATITE	EKM 00FD 310G		EA	1	
C134	00000N	NOT FITTED				EA	-	
C135	140076-1	CAP VAR 16PF	TRONSER	SEE DRG	A	EA	-	
C136	100228	CAP CP 2P2F +/-0P25F 100V	PHILIPS	2222-683-09228		EA	3	
C137	100228	CAP CP 2P2F +/-0P25F 100V	PHILIPS	2222-683-09228		EA	-	
C138	100108	CAP CP 1PF +/-0P25F 100V	PHILIPS	2222 683 03108		EA	1	
C139	100470	CAP CP 47PF 2% 100V	PHILIPS	2222 683 34479		EA	3	
C140	150025	CAP DT 3U3F 20% 35V	AVX	TAP3R3M35F	A	EA	-	
C142	100470	CAP CP 47PF 2% 100V	PHILIPS	2222 683 34479		EA	-	
C143	100470	CAP CP 47PF 2% 100V	PHILIPS	2222 683 34479		EA	-	
C146	140067	CAP GL 5PF 5% 500V	CORNING ELECTROSIL	CYFM10		EA	1	
C147	104017	CAP CD 0P56F +/-0P1F 500V	ITT	G080AG0P56BS		EA	3	
C148	104017	CAP CD 0P56F +/-0P1F 500V	ITT	G080AG0P56BS		EA	-	
C149	102688	CAP CD 6P8F +/-0P5F 500V	BECK	CD08CG06P8DSCR/SK500		EA	1	
C150	140072	CAP GL 47PF 1% 500V	CORNING ELECTROSIL	CYFM10		EA	1	
C151	140073	CAP SM 330PF 1% 400V	STC	454/51		EA	1	
C152	140071	CAP GL 470PF 1% 500V	CORNING ELECTROSIL	CYFM15		EA	1	
C153	140074	CAP SM 68PF +/-1PF 400V	STC	454/49		EA	2	
C154	110042	CAP PE 100NF 20% 63V	WIMA	MKS2		EA	-	
C155	110042	CAP PE 100NF 20% 63V	WIMA	MKS2		EA	-	
C156	102101	CAP CD 100PF 2% 100V	BECK	CD10K310N0Z5CR/SK500 A		EA	1	

DESIG	PART NO	DESCRIPTION	PRINC MANUF	MANUF PART NUMBER	CLASS	UM	QUANTITY	CHANGES
C159	100100	CAP CD 100PF 2% 100V	PHILIPS	2222 683 10109			EA	-
C160	100101	CAP CD 100PF 2% 100V	PHILIPS	2222 683 34101			EA	-
C161	150015	CAP DT 100F 20% 35V	AVX	TAP10M35F	A		EA	10
C162	150015	CAP DT 100F 20% 35V	AVX	TAP10M35F	A		EA	-
C163	120021	CAP PC 470NF 10% 63V	ASHCROFT	A2B4711B			EA	1
C164	104025	CAP CD 100NF +80%-20% 50V	SIEMENS	B37449			EA	-
C165	00000F	RES FS					EA	-
C166	104025	CAP CD 100NF +80%-20% 50V	SIEMENS	B37449			EA	-
C167	104017	CAP CD 0P56F +/-0P1F 500V	ITT	GD08AG0P56BS			EA	-
C168	150015	CAP DT 100F 20% 35V	AVX	TAP10M35F	A		EA	-
C169	140074	CAP SM 68PF -/-1PF 400V	STC	454/49			EA	-
C170	10000F	CAP - FS					EA	1
C201	150006	CAP DT 4U7F 200% 16V	AVX	TAP4R7M16F	A		EA	2
C202	150006	CAP DT 4U7F 200% 16V	AVX	TAP4R7M16F	A		EA	-
C203	100338	CAP CP 3P3F 2% 100V	PHILIPS	2222 683 09338			EA	3
C204	110042	CAP PE 100NF 20% 63V	WIMA	MKS2			EA	-
C205	104051	CAP CD 2H2F 5% 100V	AVX	SR21COG			EA	1
C206	150017	CAP DT 100UF 20% 16V	AVX	TAP100M16F	A		EA	6
C207	110042	CAP PE 100NF 20% 63V	WIMA	MKS2			EA	-
C208	100101	CAP CD 100PF 2% 100V	PHILIPS	2222 683 34101			EA	-
C209	101103	CAP CD 10NF -20+80% 250V	BECK	CD10K310H0ZSCR/SK250			EA	-
C210	101103	CAP CD 10NF -20+80% 250V	BECK	CD10K310H0ZSCR/SK250			EA	-
C211	00000N	NOT FITTED					EA	-
C212	00000N	NOT FITTED					EA	-
C213	100478	CAP CP 4P7F 2% 100V	PHILIPS	2222 683 09478			EA	4
C214	150017	CAP DT 100UF 20% 16V	AVX	TAP100M16F	A		EA	-
C215	100338	CAP CP 3P3F 2% 100V	PHILIPS	2222 683 09338			EA	-
C216	100338	CAP CP 3P3F 2% 100V	PHILIPS	2222 683 09338			EA	-
C217	100478	CAP CP 4P7F 2% 100V	PHILIPS	2222 683 09478			EA	-
C218	100478	CAP CP 4P7F 2% 100V	PHILIPS	2222 683 09478			EA	-
C219	110042	CAP PE 100NF 20% 63V	WIMA	MKS2			EA	-
C220	100221	CAP CP 220PF 2% 100V	PHILIPS	2222 683 58221			EA	1
C221	150017	CAP DT 100UF 20% 16V	AVX	TAP100M16F	A		EA	-
C222	110042	CAP PE 100NF 20% 63V	WIMA	MKS2			EA	-
C223	100101	CAP CD 100PF 2% 100V	PHILIPS	2222 683 34101			EA	-
C224	101103	CAP CD 10NF -20-80% 250V	BECK	CD10K310H0ZSCR/SK250			EA	-
C225	101103	CAP CD 10NF -20-80% 250V	BECK	CD10K310H0ZSCR/SK250			EA	-
C226	150015	CAP DT 100F 20% 35V	AVX	TAP10M35F	A		EA	-
C227	150015	CAP DT 100F 20% 35V	AVX	TAP10M35F	A		EA	-
C228	100270	CAP CP 2P7F 2% 100V	PHILIPS	2222 683 34279			EA	-
C229	100478	CAP CP 4P7F 2% 100V	PHILIPS	2222 683 09478			EA	-
C230	150017	CAP DT 100UF 20% 16V	AVX	TAP100M16F	A		EA	-
C231	00000N	NOT FITTED					EA	-
C232	00000N	NOT FITTED					EA	-
C233	100188	CAP CP 1P8F +/- 0P25F 100V	PHILIPS	2222 683 09188			EA	1

DESIG	PART NO	DESCRIPTION	PRINC MANUF	MANUF PART NUMBER	CLASS	UM	QUANTITY	CHANGES
C234	110035	CAP PE 220nF 20% 63V	WIMA	MKS2			EA	2
C235	110035	CAP PE 220nF 20% 63V	WIMA	MKS2			EA	-
C236	102398	CAP CD 3p9F +/-0p5F 500V	BECK	CD08AG03P9DSCR/SK500	A		EA	1
C238	00000N	NOT FITTED					EA	-
C301	120018	CAP PC 1U5F 10% 63V	ASHCROFT	A2B1521B			EA	4
C303	140075	CAP PP 330NF 10% 160V	WIMA	MKP10			EA	2
C304	104026	CAP CD 47NF +50%-20% 50V	SIEMENS	B37449			EA	2
C305	104026	CAP CD 47NF +50%-20% 50V	SIEMENS	B37449			EA	-
C306	120018	CAP PC 1U5F 10% 63V	ASHCROFT	A2B1521B			EA	-
C308	120018	CAP PC 1U5F 10% 63V	ASHCROFT	A2B1521B			EA	-
C309	140075	CAP PP 330NF 10% 160V	WIMA	MKP10			EA	-
C310	110042	CAP PE 100NF 20% 63V	WIMA	MKS2			EA	-
C311	110042	CAP PE 100NF 20% 63V	WIMA	MKS2			EA	-
C312	100101	CAP CD 100PF 2% 100V	PHILIPS	2222 683 34101			EA	-
C313	110042	CAP PE 100NF 20% 63V	WIMA	MKS2			EA	-
C314	150015	CAP DT 100F 20% 35V	AVX	TAP10M35F	A		EA	-
C315	150015	CAP DT 100F 20% 35V	AVX	TAP10M35F	A		EA	-
C316	102332	CAP CD 3n3F +40-20% 500V	BECK	CD08K303MXSCR/SK500D	A		EA	1
C317	110042	CAP PE 100NF 20% 63V	WIMA	MKS2			EA	-
C318	150015	CAP DT 100F 20% 35V	AVX	TAP10M35F	A		EA	-
C319	150015	CAP DT 100F 20% 35V	AVX	TAP10M35F	A		EA	-
C320	150017	CAP DT 100UF 20% 16V	AVX	TAP100M16F	A		EA	-
C321	104025	CAP CD 100NF +80%-20% 50V	SIEMENS	B37449			EA	-
C322	100220	CAP CP 22PF 2% 100V	PHILIPS	2222 683 34229			EA	1
C323	120018	CAP PC 1U5F 10% 63V	ASHCROFT	A2B1521B			EA	-
C324	110015	CAP PE 15NF 20% 63V	WIMA	MKS2			EA	1
C401	104025	CAP CD 100NF +80%-20% 50V	SIEMENS	B37449			EA	-
C402	150015	CAP DT 100F 20% 35V	AVX	TAP10M35F	A		EA	-
C403	100151	CAP CP 150PF 2% 100V	PHILIPS	2222 683 34151			EA	3
C404	100151	CAP CP 150PF 2% 100V	PHILIPS	2222 683 34151			EA	-
C405	100102	CAP CP 1NF 10% 100V	PHILIPS	2222 630 19102			EA	-
C406	100150	CAP CP 15PF 2% 100V	PHILIPS	2222 683 10159			EA	2
C407	100102	CAP CP 1NF 10% 100V	PHILIPS	2222 630 19102			EA	-
C408	100151	CAP CP 150PF 2% 100V	PHILIPS	2222 683 34151			EA	-
C409	100101	CAP CD 100PF 2% 100V	PHILIPS	2222 683 34101			EA	-
C410	100101	CAP CD 100PF 2% 100V	PHILIPS	2222 683 34101			EA	-
C411	100101	CAP CD 100PF 2% 100V	PHILIPS	2222 683 34101			EA	-
C412	120016	CAP PC 2H2F 20% 100V	WIMA	FKC2			EA	3
C413	120016	CAP PC 2H2F 20% 100V	WIMA	FKC2			EA	-
C414	120016	CAP PC 2H2F 20% 100V	WIMA	FKC2			EA	-
C415	104025	CAP CD 100NF +80%-20% 50V	SIEMENS	B37449			EA	-
C416	100102	CAP CP 1NF 10% 100V	PHILIPS	2222 630 19102			EA	-
C417	100102	CAP CP 1NF 10% 100V	PHILIPS	2222 630 19102			EA	-
C418	100102	CAP CP 1NF 10% 100V	PHILIPS	2222 630 19102			EA	-
C419	100102	CAP CP 1NF 10% 100V	PHILIPS	2222 630 19102			EA	-

DESIG	PART NO	DESCRIPTION	PRINC MANUF	MANUF PART NUMBER	CLASS UM	QUANTITY	CHANGES
C420	100330	CAP CP 33PF 2% 100V	PHILIPS	2222 603 34339	EA	-	
C421	100330	CAP CP 33PF 2% 100V	PHILIPS	2222 603 34339	EA	-	
C422	100228	CAP CP 2F2F +/-0P25F 100V	PHILIPS	2222-603-09228	EA	-	
C423	150016	CAP ET 1UF 20% 35V	ATX	TAP100M35F	EA	1	
C424	110042	CAP FE 100NF 20% 63V	WIMA	MKS2	EA	-	
C425	100472	CAP CP 4NF 10% 100V	PHILIPS	2222 630 19472	EA	1	
C426	101103	CAP CD 10NF -20-80% 250V	BECK	CD10R310N025SCR/SK250	EA	-	
C427	100228	CAP CP 8P2F +/-0P25F 100V	PHILIPS	2222 603 09228	EA	1	
C428	104056	CAP CER 1C 20NF 50V	ROGERS CORP	Q-14.20	EA	1	
C429	150017	CAP DT 100UF 20% 16V	AVX	TAP100M16F	A	EA	-
C430	104025	CAP CD 100NF +80%-20% 50V	SIEMENS	B37449	EA	-	
C431	104025	CAP CD 100NF +80%-20% 50V	SIEMENS	B37449	EA	-	
C432	104025	CAP CD 100NF +80%-20% 50V	SIEMENS	B37449	EA	-	
C433	102478	CAP CD 4P7F +/- .5PF 500V	BECK	AG04P7DSCR/SK500DSG	A	EA	1
C434	104025	CAP CD 100NF +80%-20% 50V	SIEMENS	B37449	EA	-	
C435	104025	CAP CD 100NF +80%-20% 50V	SIEMENS	B37449	EA	-	
C436	104025	CAP CD 100NF +80%-20% 50V	SIEMENS	B37449	EA	-	
C437	104025	CAP CD 100NF +80%-20% 50V	SIEMENS	B37449	EA	-	
C438	102470	CAP CD 47PF 5% 500V	BECK	CD10TH47POMSCR/SK500	A	EA	1
C439	104025	CAP CD 100NF +80%-20% 50V	SIEMENS	B37449	EA	-	
C440	104025	CAP CD 100NF +80%-20% 50V	SIEMENS	B37449	EA	-	
D101	210100	DIODE ZN 10V 400mW	PHILIPS	BZX79C10	A	EA	2
D102	210100	DIODE ZN 10V 400mW	PHILIPS	BZX79C10	A	EA	-
D103	213011	DIODE VR 1V5 250mW	PHILIPS	BZV46-1V5	A	EA	3
D104	210120	DIODE ZN 12V 400mW	PHILIPS	BZX79C12	A	EA	1
D105	200001	DIODE GP 75mA 75V	FAIRCHILD	1N4148	EA	14	
D106	200001	DIODE GP 75mA 75V	FAIRCHILD	1N4148	EA	-	
D107	200001	DIODE GP 75mA 75V	FAIRCHILD	1N4148	EA	-	
D108	210068	DIODE ZN 6V8 400mW	PHILIPS	BZX79C6V8	A	EA	3
D109	210075	DIODE ZN 7V5 400mW	PHILIPS	BZX79C7V5	A	EA	1
D110	200001	DIODE GP 75mA 75V	FAIRCHILD	1N4148	EA	-	
D111	200001	DIODE GP 75mA 75V	FAIRCHILD	1N4148	EA	-	
D112	200001	DIODE GP 75mA 75V	FAIRCHILD	1N4148	EA	-	
D113	210033	DIODE ZN 3V3 400mW	PHILIPS	BZX79C3V3	A	EA	2
D114	210033	DIODE ZN 3V3 400mW	PHILIPS	BZX79C3V3	A	EA	-
D115	200028	DIODE SB 1A 30V	INT RECTIFIERS	11D004	EA	4	
D116	200028	DIODE SB 1A 30V	INT RECTIFIERS	11D004	EA	-	
D117	200028	DIODE SB 1A 30V	INT RECTIFIERS	11D004	EA	-	
D118	200028	DIODE SB 1A 30V	INT RECTIFIERS	11D004	EA	-	
D119	213011	DIODE VR 1V5 250mW	PHILIPS	BZV46-1V5	EA	-	
D120	200001	DIODE GP 75mA 75V	FAIRCHILD	1N4148	EA	-	
D121	200001	DIODE GP 75mA 75V	FAIRCHILD	1N4148	EA	-	
D122	200001	DIODE GP 75mA 75V	FAIRCHILD	1N4148	EA	-	
D123	220043	DIODE JFET 10mA	SILICONIX	JPAD100	EA	3	
D124	220043	DIODE JFET 10mA	SILICONIX	JPAD100	EA	-	

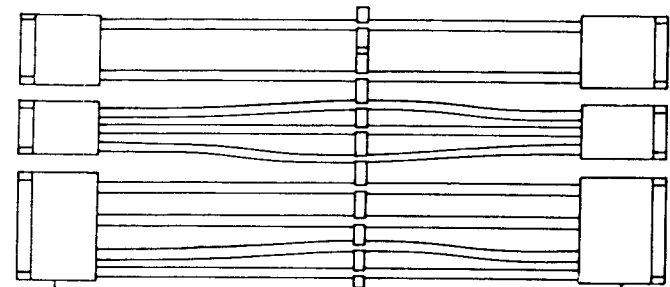
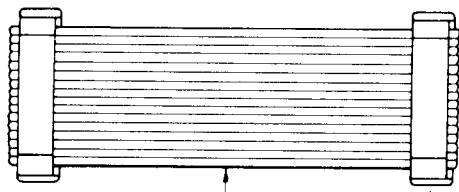
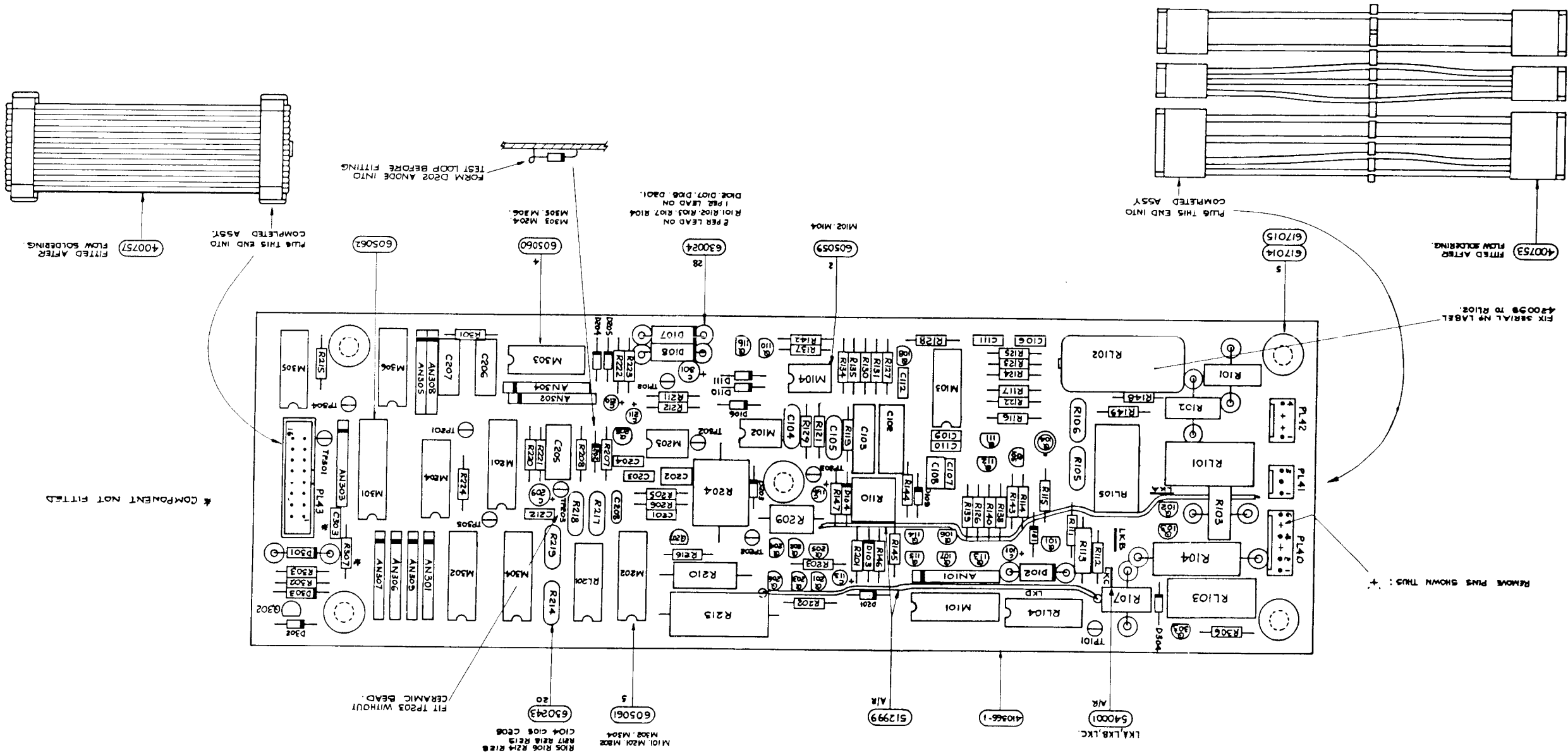
DESIG	PART NO	DESCRIPTION	PRINC MANUF	MANUF PART NUMBER	CLASS UM	QUANTITY	CHANGES
D125	230089	TRAN JFET I LIM 240uA	SILICONIX	J500	EA	1	
D126	230001	TRAN J FET I LIM 1.4mA	SILICONIX	J506	EA	2	
D127	230001	TRAN J FET I LIM 1.4mA	SILICONIX	J506	EA	-	
D128	210056	DIODE ZN 5V6 400mW	PHILIPS	BZX79C5V6	A	EA	1
D129	200001	DIODE GP 75mA 75V	FAIRCHILD	1N4148	EA	-	
D130	210051	DIODE ZN 5V1 400mW	PHILIPS	BZX79C5V1	A	EA	3
D201	200001	DIODE GP 75mA 75V	FAIRCHILD	1N4148	EA	-	
D202	200001	DIODE GP 75mA 75V	FAIRCHILD	1N4148	EA	-	
D203	213011	DIODE VR 1V5 250mW	PHILIPS	BZV46-1V5	EA	-	
D204	230058	TRAN JFET I LIM 750UA	SILICONIX	J504	EA	1	
D205	200008	DIODE GP 200mA 125V	FAIRCHILD	1N458A	A	EA	8
D206	230049	TRAN JFET I LIM 560UA	SILICONIX	J503	EA	1	
D207	210068	DIODE ZN 6V8 400mW	PHILIPS	BZX79C6V8	A	EA	-
D209	220010	DIODE GP SB	H.P.	1N5711	A	EA	2
D210	220010	DIODE GP SB	H.P.	1N5711	A	EA	-
D211	200008	DIODE GP 200mA 125V	FAIRCHILD	1N458A	A	EA	-
D212	210068	DIODE ZN 6V8 400mW	PHILIPS	BZX79C6V8	A	EA	-
D213	200001	DIODE GP 75mA 75V	FAIRCHILD	1N4148	EA	-	
D215	220043	DIODE JFET 10mA	SILICONIX	JPAD100	EA	-	
D216	200008	DIODE GP 200mA 125V	FAIRCHILD	1N458A	A	EA	-
D303	210051	DIODE ZN 5V1 400mW	PHILIPS	BZX79C5V1	A	EA	-
D304	210051	DIODE ZN 5V1 400mW	PHILIPS	BZX79C5V1	A	EA	-
D305	200008	DIODE GP 200mA 125V	FAIRCHILD	1N458A	A	EA	-
D306	200008	DIODE GP 200mA 125V	FAIRCHILD	1N458A	A	EA	-
D307	200008	DIODE GP 200mA 125V	FAIRCHILD	1N458A	A	EA	-
D308	200008	DIODE GP 200mA 125V	FAIRCHILD	1N458A	A	EA	-
D309	200008	DIODE GP 200mA 125V	FAIRCHILD	1N458A	A	EA	-
D401	200062	DIODE GP 1A 50V	FAIRCHILD	1N4001	EA	1	
D402	213009	DIODE ZN 15V 5W	UNITRODE	TVS515	EA	2	
D403	213009	DIODE ZN 15V 5W	UNITRODE	TVS515	EA	-	
D404	200001	DIODE GP 75mA 75V	FAIRCHILD	1N4148	EA	-	
D405	230071	TRAN JFET I LIM 2m1A	TELEDYNE	TCR508	EA	1	
D406	213006	DIODE ZN 5V 5W	UNITRODE	TVS505	EA	1	
Q101	230070	TRAN JFET N-CHAN DUAL	SILICONIX	2N5911	EA	1	
Q102	250004	TRAN PNP TO92	NATIONAL	2N3906	EA	4	
Q103	240006	TRAN NPN TO92	MOTOROLA	2N3904	EA	11	
Q104	230002	TRAN JFET N-CHAN	SILICONIX	J304	EA	2	
Q105	230002	TRAN JFET N-CHAN	SILICONIX	J304	EA	-	
Q106	240006	TRAN NPN TO92	MOTOROLA	2N3904	EA	-	
Q107	240006	TRAN NPN TO92	MOTOROLA	2N3904	EA	-	
Q108	240013	TRAN NPN TO18	NATIONAL	BC184C/TO18	EA	2	
Q109	250008	TRAN PNP TO18	NATIONAL	BC184C/TO18	EA	-	

DESIG	PART NO	DESCRIPTION	PRINC MANUF	MANUF PART NUMBER	CLASS	UM	QUANTITY	CHANGES
Q113	240006	TRAN NPN TO92	MOTOROLA	2N3904		EA	-	
Q114	239091-1	TRAN JFET SET N CHAN	DATRON	SEE DRG.		S2	1	
Q115	230056	TRAN JFET N-CHAN	TELEDYNE	J212		EA	2	
Q116	230035	TRAN JFET N-CHAN	TELEDYNE	U1897JF		EA	2	
Q117	230035	TRAN JFET N-CHAN	TELEDYNE	U1897JF		EA	-	
Q118	250004	TRAN PNP TO92	NATIONAL	2N3906		EA	-	
Q119	239091-1	TRAN JFET SET N CHAN	DATRON	SEE DRG.		S2	-	
Q120	240006	TRAN NPN TO92	MOTOROLA	2N3904		EA	-	
Q121	230056	TRAN JFET N-CHAN	TELEDYNE	J212		EA	-	
Q201	240020	TRAN NPN DUAL	PMI	MA701GH		EA	1	
Q202	239087-1	TRAN JFET SET J106 X 2	DATRON	SEE DRG		S2	1	
Q203	239087-1	TRAN JFET SET J106 X 2	DATRON	SEE DRG		S2	-	
Q204	240006	TRAN NPN TO92	MOTOROLA	2N3904		EA	-	
Q205	240040	TRAN NPN	MOTOROLA	2M5179		EA	1	
Q206	250008	TRAN PNP TO18	NATIONAL	BC214C/TO18		EA	-	
Q207	250004	TRAN PNP TO92	NATIONAL	2N3906		EA	-	
Q208	240006	TRAN NPN TO92	MOTOROLA	2N3904		EA	-	
Q209	240029	TRAN NPN	MOTOROLA	BC546		EA	1	
Q210	240041	TRAN NPN	MOTOROLA	BF374		EA	1	
Q211	250008	TRAN PNP TO18	NATIONAL	BC214C/TO18		EA	-	
Q212	250004	TRAN PNP TO92	NATIONAL	2N3906		EA	-	
Q213	240006	TRAN NPN TO92	MOTOROLA	2N3904		EA	-	
Q301	230083	TRAN JFET N-CHAN	SILICONIX	PN4117A		EA	1	
Q302	240013	TRAN NPN TO18	NATIONAL	BC184C/TO18		EA	-	
Q303	230003	TRAN JFET N CHAN	TELEDYNE	U1899JF		EA	-	
Q304	230003	TRAN JFET N CHAN	TELEDYNE	U1899JF		EA	-	
Q401	230086	TRAN MOSFET P-CHAN 60V	FERRANTI	ZVP2106A		EA	2	
Q402	230086	TRAN MOSFET P-CHAN 60V	FERRANTI	ZVP2106A		EA	-	
Q403	240006	TRAN NPN TO92	MOTOROLA	2N3904		EA	-	
Q404	230081	TRAN MOSFET N-CHAN	FERRANTI	ZVN0106A	A	EA	1	
M101	260082	IC LIN OP AMP CHOPPER	LINEAR TECHNOLOGY	LTC1052CN8		EA	2	
M102	260105	IC LIN OP AMP FET IF DUAL	BURR BROWN	OP4606KN		EA	1	
M103	260106	IC LIN OP AMP DUAL	MOTOROLA	MC34082P		EA	1	
M104	260073	IC LIN OP AMP	NATIONAL	LF411CN		EA	1	
M201	260103	IC LIN OP AMP	PRECISION MONOLITHIC	OP77EP		EA	2	
M202	260103	IC LIN OP AMP	PRECISION MONOLITHIC	OP77EP		EA	-	
M301	260108	IC LIN OP AMP	LINEAR TECHNOLOGY	LT1012CN8		EA	3	
M302	280116	IC DIG MULTIPLEXER 8-CHAN	SILICONIX	DG509ACJ		EA	2	
M303	260107	IC LIN OP AMP	PRECISION MONOLITHIC	OP07CP		EA	1	
M304	280116	IC DIG MULTIPLEXER 8-CHAN	SILICONIX	DG509ACJ		EA	-	
M305	260082	IC LIN OP AMP CHOPPER	LINEAR TECHNOLOGY	LTC1052CN8		EA	-	
M306	260108	IC LIN OP AMP	LINEAR TECHNOLOGY	LT1012CN8		EA	-	
M307	290170-1	RMS KIT SELECTED	DATRON	SEE DRG		EA	1	
M308	260108	IC LIN OP AMP	LINEAR TECHNOLOGY	LT1012CN8		EA	-	
M401	280132	IC DIG ULA SERIAL TX/RX	PLESSEY	CLA3106		EA	3	

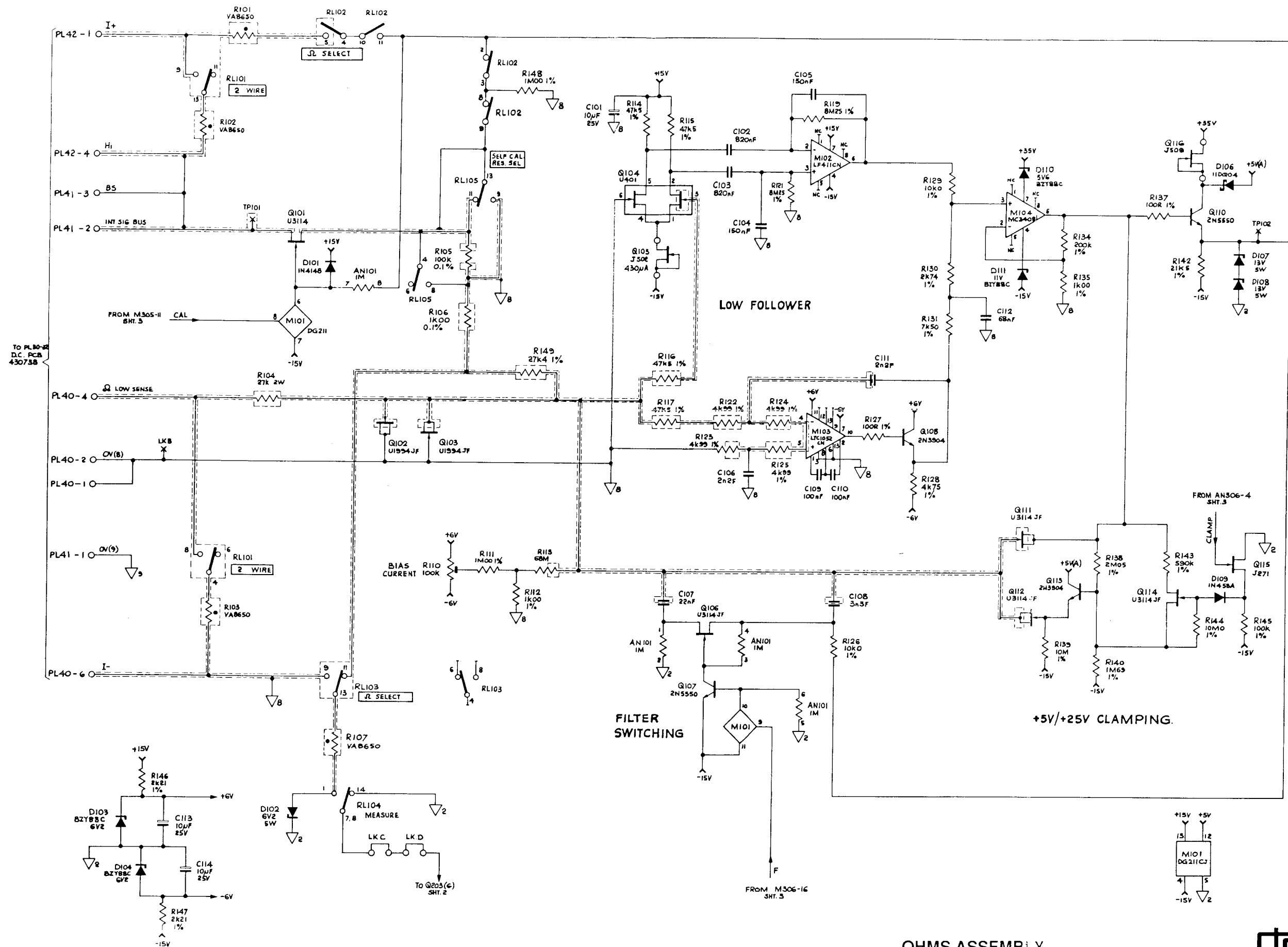
DESIG	PART NO	DESCRIPTION	PRINC MANUF	MANUF PART NUMBER	CLASS	UM	QUANTITY	CHANGES
M402	280132	IC DIG ULA SERIAL TX/RX	PLESSEY	CLA3106		EA	-	
M403	280132	IC DIG ULA SERIAL TX/RX	PLESSEY	CLA3106		EA	-	
M404	290089	IC DIG 7 X DARLINGTON DRIVER	SPRAGUE/EXAR	ULN2003A/XR2203CP		EA	1	
M405	260039	IC LIN OP AMP QUAD	NATIONAL	LM324N		EA	2	
M406	260039	IC LIN OP AMP QUAD	NATIONAL	LM324N		EA	-	
M407	280152	IC DIG SCHMIDT NAND2 QUAD	MOTOROLA	MC14093BCP		EA	1	
M408	280160	IC DIG FLIP/FLOP JK DUAL HCT	TEXAS	74HC74		EA	1	
M409	260049	IC LIN V COMP DUAL	NATIONAL	LM319N		EA	1	
M410	290149	IC DIG CMOS TIMER	INTERMIL	1CM7555 1PA		EA	1	
M411	280102	IC DIG COUNTER BIN	SIGNETICS	HEF4020BP		EA	1	
M412	280131	IC DIG F/LL ULA	PLESSEY	CLA5532		EA	1	
RL101	330031	RELAY 2PNO 2PNC	SDS	S2-24V		EA	4	
RL102	330031	RELAY 2PNO 2PNC	SDS	S2-24V		EA	-	
RL103	330031	RELAY 2PNO 2PNC	SDS	S2-24V		EA	-	
RL104	330049-1	RELAY 1PNO REED GUARDED	GENTECH	SEE DRG		EA	3	
RL105	330049-1	RELAY 1PNO REED GUARDED	GENTECH	SEE DRG		EA	-	
RL106	330049-1	RELAY 1PNO REED GUARDED	GENTECH	SEE DRG		EA	-	
RL107	330031	RELAY 2PNO 2PNC	SDS	S2-24V		EA	-	
L301	370033	CHOKE 1mH	SIGMA	SC305		EA	1	
PL30	604075	PLUG PCB 6-WAY .1"	MOLEX	22-29-2061		EA	1	
PL31	604074	PLUG PCB 3-WAY .1"	MOLEX	22-29-3031		EA	1	
PL32	604033	PLUG PCB 4-WAY .1"	MOLEX	22-29-2041		EA	1	
PL33	604076	PLUG PCB 16-WAY .1"X.1" GRID	3M	3599-6002 UN		EA	1	
TL101	620013-1	TEST LOOP	DATRON	SEE DRG		EA	9	
TL102	620013-1	TEST LOOP	DATRON	SEE DRG		EA	-	
TL103	620013-1	TEST LOOP	DATRON	SEE DRG		EA	-	
TL301	620013-1	TEST LOOP	DATRON	SEE DRG		EA	-	
TL302	620013-1	TEST LOOP	DATRON	SEE DRG		EA	-	
TL303	620013-1	TEST LOOP	DATRON	SEE DRG		EA	-	
TL304	620013-1	TEST LOOP	DATRON	SEE DRG		EA	-	
TL305	620013-1	TEST LOOP	DATRON	SEE DRG		EA	-	
TL306	620013-1	TEST LOOP	DATRON	SEE DRG		EA	-	
TP101	620007	TEST POINT TERMINAL	MICROVAR	TYPE C30		EA	25	
TP102	620007	TEST POINT TERMINAL	MICROVAR	TYPE C30		EA	-	
TP103	620007	TEST POINT TERMINAL	MICROVAR	TYPE C30		EA	-	
TP104	620007	TEST POINT TERMINAL	MICROVAR	TYPE C30		EA	-	
TP105	620007	TEST POINT TERMINAL	MICROVAR	TYPE C30		EA	-	
TP106	620007	TEST POINT TERMINAL	MICROVAR	TYPE C30		EA	-	
TP108	620007	TEST POINT TERMINAL	MICROVAR	TYPE C30		EA	-	
TP109	620007	TEST POINT TERMINAL	MICROVAR	TYPE C30		EA	-	
TP110	620007	TEST POINT TERMINAL	MICROVAR	TYPE C30		EA	-	
TP111	620007	TEST POINT TERMINAL	MICROVAR	TYPE C30		EA	-	
TP112	620007	TEST POINT TERMINAL	MICROVAR	TYPE C30		EA	-	
TP113	620007	TEST POINT TERMINAL	MICROVAR	TYPE C30		EA	-	
TP114	620007	TEST POINT TERMINAL	MICROVAR	TYPE C30		EA	-	

DESIG	PART NO	DESCRIPTION	PRINC MANUF	MANUF PART NUMBER	CLASS	UM	QUANTITY	CHANGES
TP216	620007	TEST POINT TERMINAL	MICROVAR	TYPE C30			EA	-
TP217	620007	TEST POINT TERMINAL	MICROVAR	TYPE C30			EA	-
TP218	620007	TEST POINT TERMINAL	MICROVAR	TYPE C30			EA	-
TP232	620007	TEST POINT TERMINAL	MICROVAR	TYPE C30			EA	-
TP319	620007	TEST POINT TERMINAL	MICROVAR	TYPE C30			EA	-
TP320	620007	TEST POINT TERMINAL	MICROVAR	TYPE C30			EA	-
TP422	620007	TEST POINT TERMINAL	MICROVAR	TYPE C30			EA	-
TP423	620007	TEST POINT TERMINAL	MICROVAR	TYPE C30			EA	-
TP424	620007	TEST POINT TERMINAL	MICROVAR	TYPE C30			EA	-
TP425	620007	TEST POINT TERMINAL	MICROVAR	TYPE C30			EA	-
TP426	620007	TEST POINT TERMINAL	MICROVAR	TYPE C30			EA	-
TP427	620007	TEST POINT TERMINAL	MICROVAR	TYPE C30			EA	-
TP428	620007	TEST POINT TERMINAL	MICROVAR	TYPE C30			EA	-
TP429	620007	TEST POINT TERMINAL	MICROVAR	TYPE C30			EA	-
TP430	620007	TEST POINT TERMINAL	MICROVAR	TYPE C30			EA	-
TP431	620007	TEST POINT TERMINAL	MICROVAR	TYPE C30			EA	-
X401	800036	CRYSTAL OSC 4.000MHZ	EURO-QUARTZ	EQXO-1100HC			EA	1
	400753-1	ASSY CABLE SIG IP 1281	DATRON	SEE DRG			EA	1
	400757-1	ASSY CABLE RIBBON 16W	DATRON	SEE DRG			EA	1
	410365-1	PCB AC 1281		SEE DRG			EA	1
	450568-4	GUARD SHIELD AC 1281		SEE DRG			EA	1
	512999	WIRE 7/.2 PTFE 1KV WHI	BSG210	TYPE C			AR	80
	540002	WIRE 1/.7 TINNED COPPER	BS4109	22SWG			AR	1
	560002	CABLE AX 2.54mm 7/34AWG	MIL-C17D	RG174U			MM	95
	590004	SLEEVE PTFE 1mm BLK	HELLERMAN	PE10			AR	1
	590074	SLEEVE SOLDER DIAM.3.0	RAYFAST	CWT-3			EA	2
	602001	TERMINAL FSV	MOLEX	02-04-5114			EA	4
	605059	SOCKET PCB 8-WAY DIL	JERMYN	J23-18008	A		EA	8
	605060	SOCKET PCB 14-WAY DIL	JERMYN	J23-18014			EA	5
	605061	SOCKET PCB 16-WAY DIL	JERMYN	J23-18016	A		EA	4
	605062	SOCKET PCB 18-WAY DIL	JERMYN	J23-18018			EA	3
	605065	SOCKET PCB 28 WAY DIL	JERMYN	J23-18028			EA	1
	611015	SCREW M3 X 8 POZICSK SZP					EA	4
	612031-1	STANDOFF M3 X 16		SEE DRG			EA	4
	613017	WASHER M3 NYL.					EA	1
	620002	STANDOFF PTFE INSUL.	SEAELECTRO	013-1000-040519	A		EA	5
	620005	CLOVERLEAF LARGE PTFE	SEAELECTRO	011-6809-040599	A		EA	13
	630024	BEAD CERAMIC 16 SWG	PARK ROYAL PORCELAIN	No2			EA	6
	630107	STRIP BRASS 15.5 X 0.38mm	RIGHTON	CZ108 1/2H			MM	222
	630243	BEAD GLASS 2.4 X 0.81 X 1.8	MANSOL (PREFORMS) LT	M5363B/3			EA	28
	630276	BUSH	HEYCO	2817			EA	1
	900004	SILICONE RUBBER COMPOUND	RS	555-588			AR	1
	920202	HEATSINK	REDPOINT	5F			EA	2
	420098	LABEL SERIAL/ASSY No.	RS	554-793			EA	1
	540006	WIRE 1/.4 BLACK PTFE 250V	BSG210	TYPE A			AR	1

End



400753 FITTED AFTER FLOW SOLDERING.
 617014 5
 617015
 PLUG THIS END INTO COMPLETED ASSY.
 400757 FITTED AFTER FLOW SOLDERING.
 400758
 605059 2
 M102: M104
 630024 28
 E PER LEAD ON R101, R102, R103, R107, R104
 1 PER LEAD ON D107, D108, D109, D110, D111
 M103: M204
 605060 4
 FORM D202 ANODE INTO TEST LOOP BEFORE FITTING.
 605062
 PLUG THIS END INTO COMPLETED ASSY.
 400757 FITTED AFTER FLOW SOLDERING.
 400758
 605061 5
 M101, M201, M202, M203, M304
 630243 20
 R105, R106, R214, R18, R17, R18, R19, C104, C105, C208
 FIT TP203 WITHOUT CERAMIC BEAD.
 * COMPONENT NOT FITTED



OHMS ASSEMBLY

Low Follower

Drawing No. 430742

Sheet 1 of 3

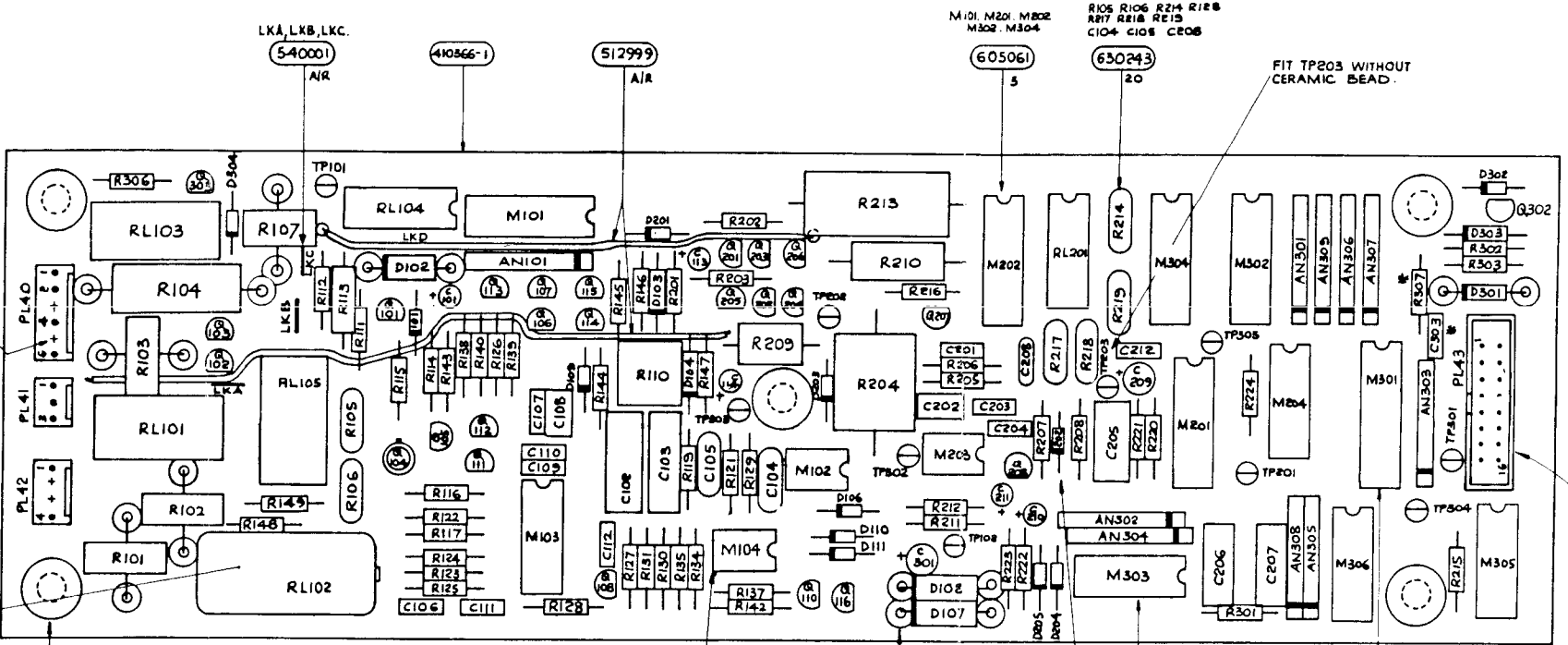


© Datron Instruments 1989

REMOVE PINS SHOWN THUS: +

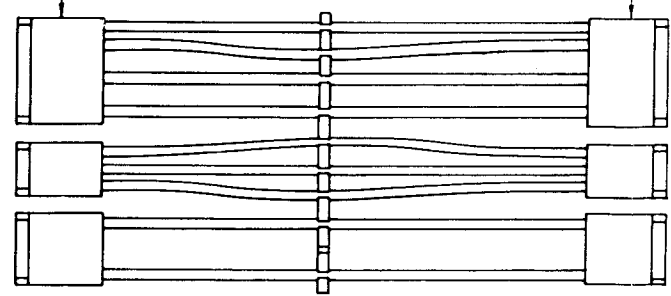
FIX SERIAL NO LABEL 440059 TO RL102.

400753 FITTED AFTER FLOW SOLDERING.



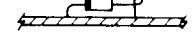
* COMPONENT NOT FITTED

PLUG THIS END INTO COMPLETED ASSY



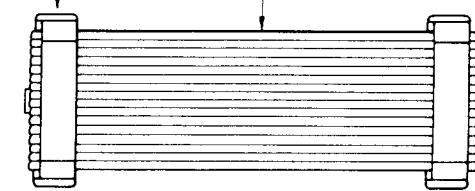
2 PER LEAD ON R101, R102, R103, R107, R104
1 PER LEAD ON D102, D107, D108, D201.

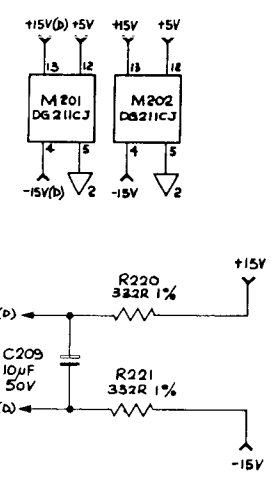
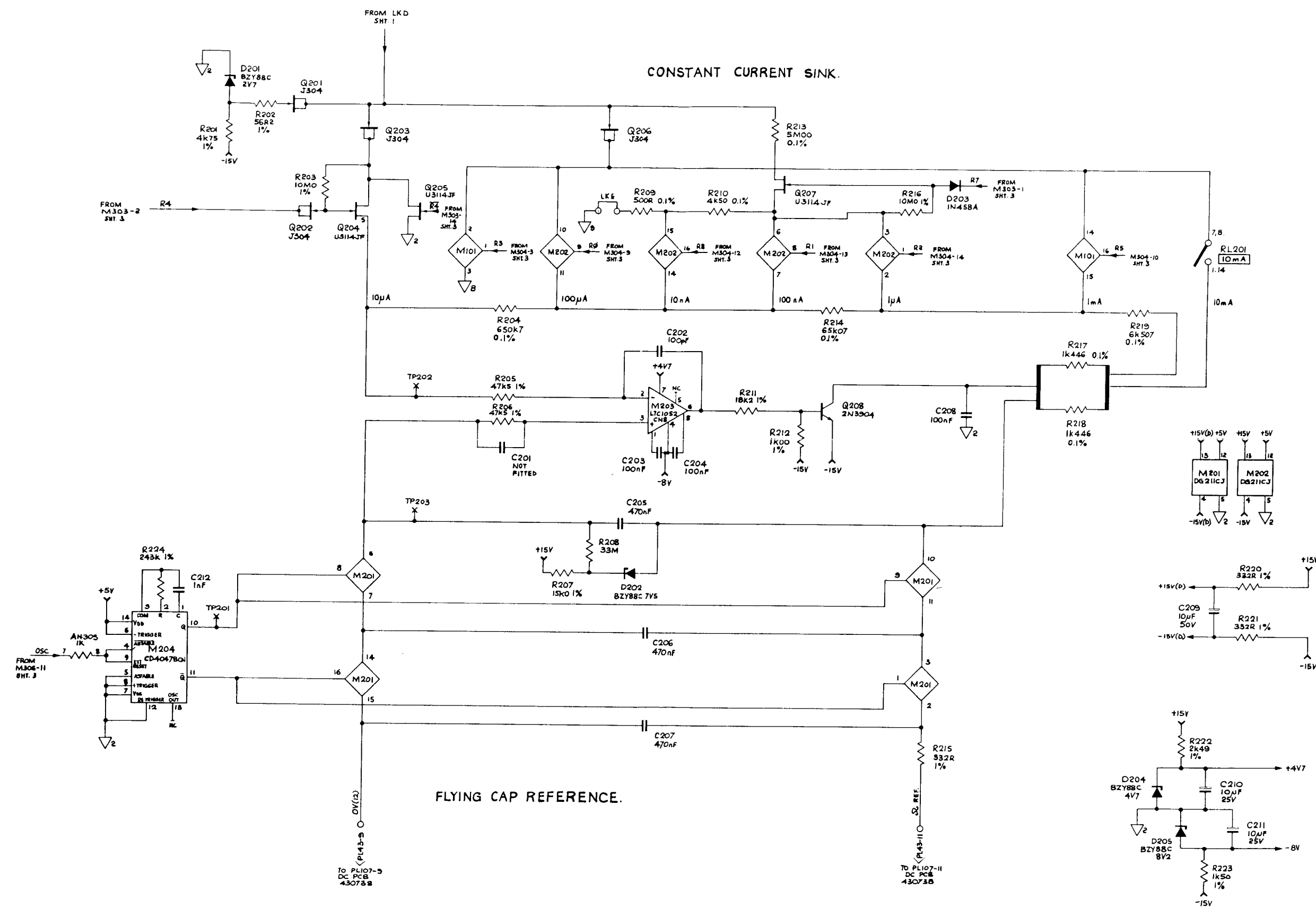
FORM D202 ANODE INTO TEST LOOP BEFORE FITTING



PLUG THIS END INTO COMPLETED ASSY.

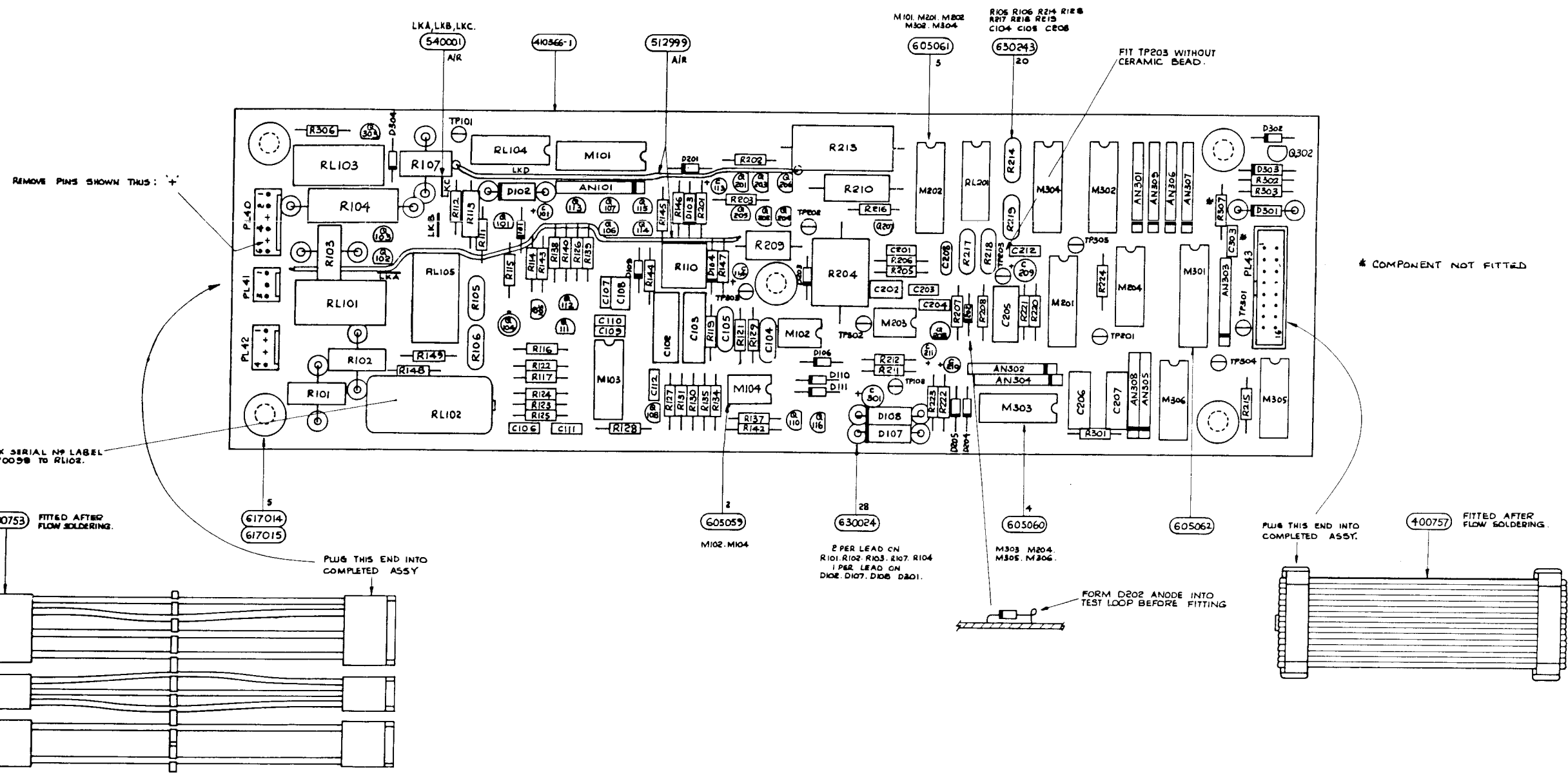
400757 FITTED AFTER FLOW SOLDERING.

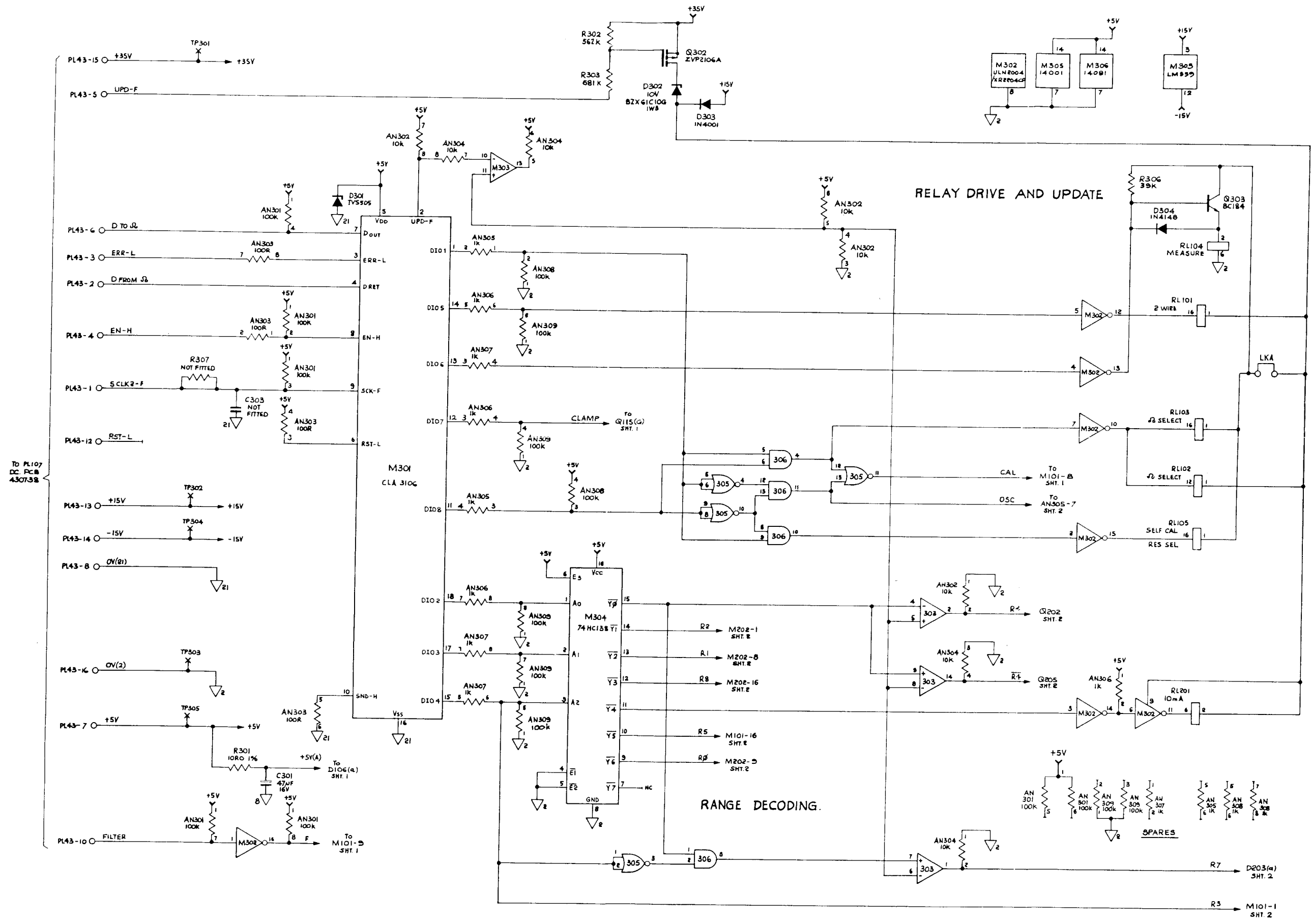




OHMS ASSEMBLY
 Constant Current Sink
 Drawing No. 430742

Sheet 2 of 3





OHMS ASSEMBLY

Control Logic

Drawing No. 430742

Sheet 3 of 3



© Datron Instruments 1989

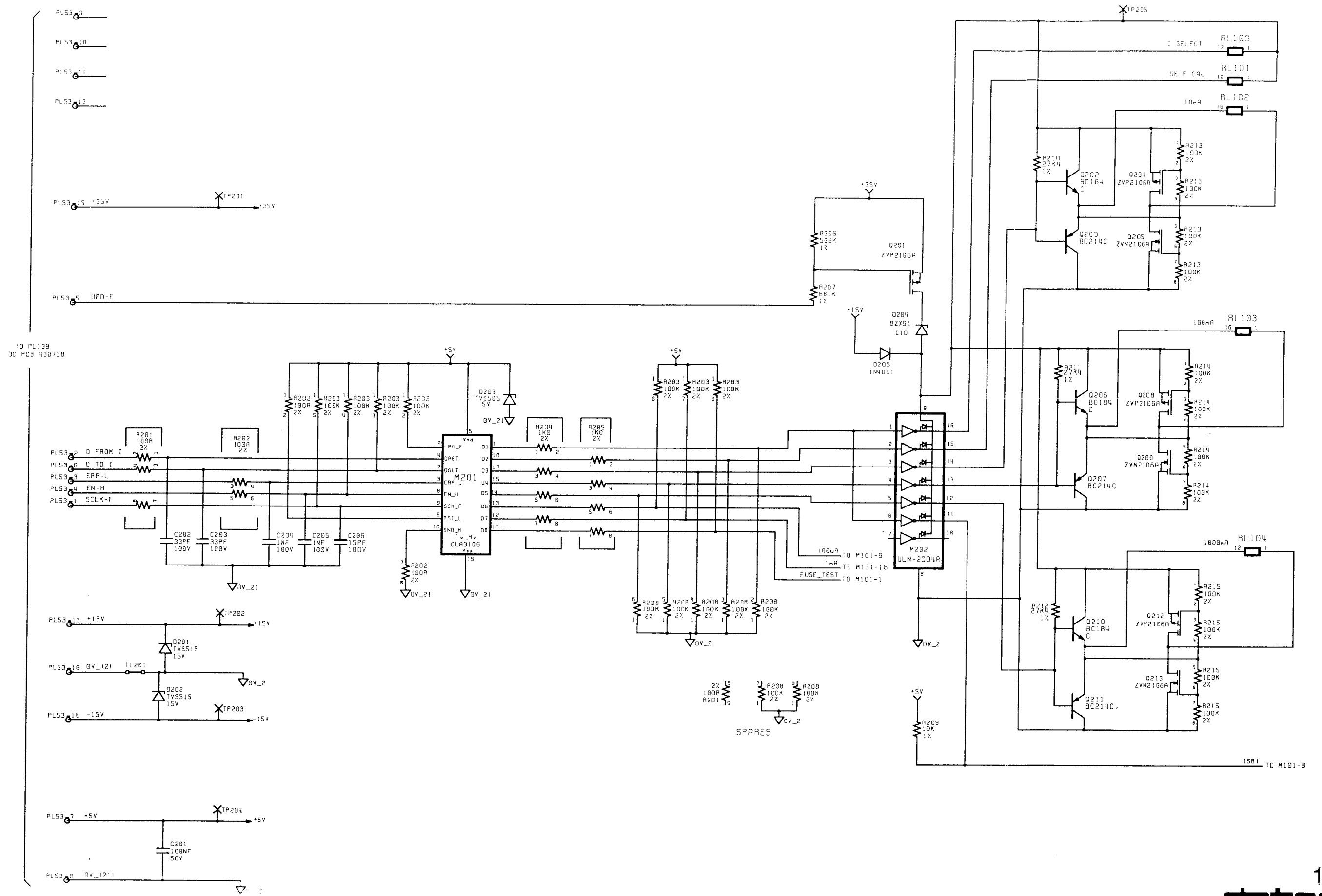
1281

DESIG	PART NO	RV DESCRIPTION	PRINC MANUF	MANUF PART NUMBER	CLASS	UM	QUANTITY	CHANGES
R205	014752	0 RES MF 47K5 1% .12W 50PPM	HOLSWORTHY	H8C	A	EA	-	
R206	014752	0 RES MF 47K5 1% .12W 50PPM	HOLSWORTHY	H8C	A	EA	-	
R207	011502	0 RES MF 15K0 1% .12W 50PPM	HOLSWORTHY	H8C	A	EA	1	
R208	000336	0 RES HM 33M 5% .25W	ALLEN BRADLEY	CB	A	EA	1	
R209	090146-1	0 RES FL SET 5M/4K5/500R	VISHAY MANN	SEE DRG	A	S3	1	
R210	090146-1	0 RES FL SET 5M/4K5/500R	VISHAY MANN	SEE DRG	A	S3	-	
R211	011822	0 RES MF 18K2 1% .12W 50PPM	HOLSWORTHY	H8C	A	EA	1	
R212	011001	0 RES MF 1K00 1% .12W 50PPM	HOLSWORTHY	H8C	A	EA	-	
R213	090146-1	0 RES FL SET 5M/4K5/500R	VISHAY MANN	SEE DRG	A	S3	-	
R214	080090-1	0 RES FL 65K07 .1% .2PPM	VISHAY MANN	SEE DRG	A	EA	1	
R215	013320	0 RES MF 332R 1% .12W 50PPM	HOLSWORTHY	H8C	A	EA	3	
R216	041005	0 RES MF 10M0 1% .12W 100PPM	STENTITE	MR2	A	EA	-	
R217	080088-1	0 RES FL 1K446 .1% .2PPM	VISHAY MANN	SEE DRG	A	EA	2	
R218	080088-1	0 RES FL 1K446 .1% .2PPM	VISHAY MANN	SEE DRG	A	EA	-	
R219	080089-1	0 RES FL 6K507 .1% .2PPM	VISHAY MANN	SEE DRG	A	EA	1	
R220	013320	0 RES MF 332R 1% .12W 50PPM	HOLSWORTHY	H8C	A	EA	-	
R221	013320	0 RES MF 332R 1% .12W 50PPM	HOLSWORTHY	H8C	A	EA	-	
R222	012491	0 RES MF 2K49 1% .12W 50PPM	HOLSWORTHY	H8C	A	EA	1	
R223	011501	0 RES MF 1K50 1% .12W 50PPM	HOLSWORTHY	H8C	A	EA	1	
R224	012433	0 RES MF 243K 1% .12W 50PPM	HOLSWORTHY	H8C	A	EA	1	
R301	011008	0 RES MF 10R0 1% .12W 50PPM	HOLSWORTHY	H8C	A	EA	1	
R302	045623	0 RES MF 562K 1% .12W 50PPM	HOLSWORTHY	H8C	A	EA	1	
R303	046813	0 RES MF 681K 1% .12W 50PPM	HOLSWORTHY	H8C	A	EA	1	
R306	050067	0 RES MF 39K 5% .5W 100PPM	PHILIPS	SFR16T-39K-5	A	EA	1	
R307	00000N	NOT FITTED			A	EA	2	
AN101	090175	0 RES PACK 1M X 4 2%	BECKMAN	LO8-3-1M	A	EA	1	
AN301	090017	0 RES NTWK 100K X 7 2%	BECKMAN	LO8-1-R100K	A	EA	1	
AN302	090131	0 RES PACK 10K X 4 2%	BECKMAN	LO8-3-R10K	A	EA	2	
AN303	090105	0 RES PACK 100K X 4 2%	BECKMAN	LO8-3-R100	A	EA	1	
AN304	090131	0 RES PACK 10K X 4 2%	BECKMAN	LO8-3-R10K	A	EA	-	
AN305	090169	0 RES PACK 1K X 4 2%	AB	AB-770-83-1K	A	EA	3	
AN306	090168	0 RES PACK 1K X 4 2%	AB	AB-770-83-1K	A	EA	-	
AN307	090168	0 RES PACK 1K X 4 2%	AB	AB-770-83-1K	A	EA	-	
AN308	090167	0 RES PACK 100K X 4 2%	AB	AB-770-83-100K	A	EA	1	
AN309	090017	0 RES NTWK 100K X 7 2%	BECKMAN	LO8-1-R100K	A	EA	-	
C101	150020	0 CAP DT 10UF 20% 25V	AVX	TAP10M25F	A	EA	5	
C102	120030-1	0 CAP MF 820NF 5% 63V	ASHCROFT	SEE DRG	A	EA	2	
C103	120030-1	0 CAP MF 820NF 5% 63V	ASHCROFT	SEE DRG	A	EA	-	
C104	120013	0 CAP PC 150nF 10% 63V	ASHCROFT	M2B15101B	A	EA	2	
C105	120013	0 CAP PC 150nF 10% 63V	ASHCROFT	M2B15101B	A	EA	-	
C106	120016	0 CAP PC 222F 20% 100V	WIMA	FKC2	A	EA	2	
C107	110050	0 CAP PE 22HF 10% 63V	WIMA	MKS4	A	EA	1	
C108	140079	0 CAP PP 333F 5% 63V	WIMA	FKP2	A	EA	1	
C109	110042	0 CAP PE 100NF 20% 63V	WIMA	MKS2	A	EA	4	
C110	110042	0 CAP PE 100NF 20% 63V	WIMA	MKS2	A	EA	-	

DESIG	PART NO	RV DESCRIPTION	PRINC MANUF	MANUF PART NUMBER	CLASS	UM	QUANTITY	CHANGES
C111	120016	0 CAP PC 222F 20% 100V	WIMA	FKC2	A	EA	-	
C112	110050	0 CAP PE 68HF 10% 63V	WIMA	MKS2	A	EA	1	
C113	150020	0 CAP DT 10UF 20% 25V	AVX	TAP10M25F	A	EA	-	
C114	150020	0 CAP DT 10UF 20% 25V	AVX	TAP10M25F	A	EA	-	
C202	140077	0 CAP PP 100PF 5% 100V	WIMA	FKP2	A	EA	1	
C203	110042	0 CAP PE 100NF 20% 63V	WIMA	MKS2	A	EA	-	
C204	110042	0 CAP PE 100NF 20% 63V	WIMA	MKS2	A	EA	-	
C205	120021	0 CAP PC 470NF 10% 63V	ASHCROFT	A2B4711B	A	EA	3	
C206	120021	0 CAP PC 470NF 10% 63V	ASHCROFT	A2B4711B	A	EA	-	
C207	120021	0 CAP PC 470NF 10% 63V	ASHCROFT	A2B4711B	A	EA	-	
C208	104025	0 CAP CD 100NF +80%-20% 50V	SIEMENS	B37449	A	EA	1	
C209	180060	0 CAP AE 100F 50V	PHILIPS	035-90008	A	EA	1	
C210	150020	0 CAP DT 10UF 20% 25V	AVX	TAP10M25F	A	EA	-	
C211	150020	0 CAP DT 10UF 20% 25V	AVX	TAP10M25F	A	EA	-	
C212	120027	0 CAP PC 1HF 20% 100V	WIMA	FKC2	A	EA	1	
C301	150024	0 CAP DT 47UF 20% 16V	AVX	TAP47M16F	A	EA	1	
C303	00000N	NOT FITTED			A	EA	-	
D101	200001	0 DIODE GP 75mA 75V	FAIRCHILD	1N4148	A	EA	2	
D102	213028	0 DIODE ZN 6V2 5W	MOTOROLA	1N5341	A	EA	1	
D103	210062	0 DIODE ZN 6V2 400mW	PHILIPS	BZX79C6V2	A	EA	2	
D104	210062	0 DIODE ZN 6V2 400mW	PHILIPS	BZX79C6V2	A	EA	-	
D106	200025	0 DIODE SB 1A 30V	ITT RECTIFIERS	1T904	A	EA	1	
D107	213031	0 DIODE ZN 13V 5W	MOTOROLA	1N5350	A	EA	2	
D108	213031	0 DIODE ZN 13V 5W	MOTOROLA	1N5350	A	EA	-	
D109	200008	0 DIODE GP 200mA 125V	ITT	ITT923	A	EA	2	
D110	210056	0 DIODE ZN 5V6 400mW	PHILIPS	BZX79C5V6	A	EA	1	
D111	210110	0 DIODE ZN 11V 400mW	PHILIPS	BZX79C11	A	EA	1	
D201	210027	0 DIODE ZN 2V7 400mW	PHILIPS	BZX79C2V7	A	EA	1	
D202	210075	0 DIODE ZN 7V5 400mW	PHILIPS	BZX79C7V5	A	EA	1	
D203	200008	0 DIODE GP 200mA 125V	ITT	ITT923	A	EA	-	
D204	210047	0 DIODE ZN 4V7 400mW	PHILIPS	BZX79C4V7	A	EA	1	
D205	210082	0 DIODE ZN 8V2 400mW	PHILIPS	BZX79C8V2	A	EA	1	
D301	213006	0 DIODE ZN 5V 5W	UNITRODE	TV5505	A	EA	1	
D302	211100	0 DIODE ZN 10V 1.3W	PHILIPS	BZV85C10	A	EA	1	
D303	209062	0 DIODE GP 1A 50V	FAIRCHILD	1N4001	A	EA	1	
D304	200001	0 DIODE GP 75mA 75V	FAIRCHILD	1N4148	A	EA	-	
Q101	230027-1	0 TRAN JFET N-CHAN 60V	DATRON	SEE DRG	A	EA	8	
Q102	230002	0 TRAN JFET N-CHAN	SILICONIX	J304	A	EA	6	
Q103	230002	0 TRAN JFET N-CHAN	SILICONIX	J304	A	EA	-	
Q104	230023	0 TRAN JFET N-CHAN DUAL	SILICONIX	U401	A	EA	1	
Q105	230055	0 TRAN JFET I LIM 430uA	SILICONIX	J502	A	EA	1	
Q106	230027-1	0 TRAN JFET N-CHAN 60V	DATRON	SEE DRG	A	EA	-	
Q107	240026	0 TRAN JFET N-CHAN	SILICONIX	U401	A	EA	1	
Q108	240026	0 TRAN JFET N-CHAN	SILICONIX	U401	A	EA	1	
Q109	240026	0 TRAN JFET N-CHAN	SILICONIX	U401	A	EA	1	
Q110	240026	0 TRAN JFET N-CHAN	SILICONIX	U401	A	EA	1	

DESIG	PART NO	RV	DESCRIPTION	PRINC MANUF	MANUF PART NUMBER	CLASS	UM	QUANTITY	CHANGES
Q111	230027-1	0	TRAN JFET N-CHAN 60V	DATRON	SEE DRG	EA	-		
Q112	230027-1	0	TRAN JFET N-CHAN 60V	DATRON	SEE DRG	EA	-		
Q113	240006	0	TRAN NPN TO92	MOTOROLA	2N3904	EA	-		
Q114	230027-1	0	TRAN JFET N-CHAN 60V	DATRON	SEE DRG	EA	-		
Q115	230074	0	TRAN JFET N-CHAN	SILICONIX	J271	EA	1		
Q116	230042	0	TRAN JFET I LIM 3mA	SILICONIX	J509	EA	1		
Q201	230002	0	TRAN JFET N-CHAN	SILICONIX	J304	EA	-		
Q202	230002	0	TRAN JFET N-CHAN	SILICONIX	J304	EA	-		
Q203	230002	0	TRAN JFET N-CHAN	SILICONIX	J304	EA	-		
Q204	230027-1	0	TRAN JFET N-CHAN 60V	DATRON	SEE DRG	EA	-		
Q205	230027-1	0	TRAN JFET N-CHAN 60V	DATRON	SEE DRG	EA	-		
Q206	230002	0	TRAN JFET N-CHAN	SILICONIX	J304	EA	-		
Q207	230027-1	0	TRAN JFET N-CHAN 60V	DATRON	SEE DRG	EA	-		
Q208	240006	0	TRAN NPN TO92	MOTOROLA	2N3904	EA	-		
Q302	230086	0	TRAN MOSFET P-CHAN 60V	FERRANTI	ZVP2106A	EA	1		
Q303	240029	0	TRAN NPN	MOTOROLA	BC546	EA	1		
M101	280167	0	IC DIG SWITCH QUAD CMOS	SILICONIX	DG211CJ	EA	3		
M102	260073	0	IC LIN OP AMP	NATIONAL	LF411CN	EA	1		
M103	260083	0	IC LIN OP AMP CHOPPER	LINEAR TECHNOLOGY	LT1052CN	EA	1		
M104	260087	0	IC LIN OP AMP BIFET	MOTOROLA	MC34081P	EA	1		
M201	280167	0	IC DIG SWITCH QUAD CMOS	SILICONIX	DG211CJ	EA	-		
M202	280167	0	IC DIG SWITCH QUAD CMOS	SILICONIX	DG211CJ	EA	-		
M203	260082	0	IC LIN OP AMP CHOPPER	LINEAR TECHNOLOGY	LT1052CN	EA	1		
M204	280072	0	IC DIG MULTIVIB/ASTABLE	NATIONAL	CD4047BCN	EA	1		
M301	280132	0	IC DIG ULA SERIAL TX/RX	PLESSEY	CLA3106	EA	1		
M302	290077	0	IC DIG 7 X DARLINGTON DRIVER	SPRAGUE/EXAR	ULN2004A/XR2204CP	EA	1		
M303	260091	0	IC LIN COMP QUAD	NATIONAL	LM339N	EA	1		
M304	280148	0	IC DIG DECODER 3 TO 8 LINE	TEXAS	74HC138	EA	1		
M305	280023	0	IC DIG NCR2 QUAD	MOTOROLA	MC14001BCP	EA	1		
M306	280085	0	IC DIG QUAD 2 1/P AND	MOTOROLA	MC14081BCP	EA	1		
RL101	330029	0	RELAY 2P2W	SDS	DS2E-DC24V	EA	3		
RL102	330031	0	RELAY 2PND 2PNC	SDS	S2-24V	EA	1		
RL103	330029	0	RELAY 2P2W	SDS	DS2E-DC24V	EA	-		
RL104	330046	0	RELAY SPCO 24V REED	HAMLIN	HE721C 24/10	EA	1		
RL105	330029	0	RELAY 2P2W	SDS	DS2E-DC24V	EA	-		
RL201	330047	0	RELAY SPMO 24V REED	HAMLIN	HE721A 24/10	EA	1		
PL40	604075	0	PLUG PCB 6-WAY .1"	MOLEX	22-29-2061	EA	1		
PL41	604074	0	PLUG PCB 3-WAY .1"	MOLEX	22-29-3031	EA	1		
PL42	604033	0	PLUG PCB 4-WAY .1"	MOLEX	22-29-2041	EA	1		
PL43	604076	0	PLUG PCB 16-WAY .1"X.1" GRID	3M	3599-6002 UN	EA	1		
TP101	620007	0	TEST POINT TERMINAL	MICROVAR	TYPE C30	EA	10		
TP102	620007	0	TEST POINT TERMINAL	MICROVAR	TYPE C30	EA	-		
TP201	620007	0	TEST POINT TERMINAL	MICROVAR	TYPE C30	EA	-		
TP202	620007	0	TEST POINT TERMINAL	MICROVAR	TYPE C30	EA	-		
TP203	620007	0	TEST POINT TERMINAL	MICROVAR	TYPE C30	EA	-		

DESIG	PART NO	RV	DESCRIPTION	PRINC MANUF	MANUF PART NUMBER	CLASS	UM	QUANTITY	CHANGES
TP301	620007	0	TEST POINT TERMINAL	MICROVAR	TYPE C30	EA	-		
TP302	620007	0	TEST POINT TERMINAL	MICROVAR	TYPE C30	EA	-		
TP303	620007	0	TEST POINT TERMINAL	MICROVAR	TYPE C30	EA	-		
TP304	620007	0	TEST POINT TERMINAL	MICROVAR	TYPE C30	EA	-		
TP305	620007	0	TEST POINT TERMINAL	MICROVAR	TYPE C30	EA	-		
410366-1	0	PCB OHMS 1281			SEE DRG	EA	1		
512999	0	WIRE 7/.2 PTFE 1KV WHI	BSG210		TYPE C	AR	-		
605059	0	SOCKET PCB 8-WAY DIL	JERMYN	J23-18008		A	EA	2	
605060	0	SOCKET PCB 14-WAY DIL	JERMYN	J23-18014		A	EA	4	
605061	0	SOCKET PCB 16-WAY DIL	JERMYN	J23-18016		A	EA	5	
605062	0	SOCKET PCB 18-WAY DIL	JERMYN	J23-18018			EA	1	
617014	0	NYLATCH PLUNGER 1/4"	HARTWELL (C.J.FOX)	HN4P-43			EA	5	
617015	0	NYLATCH GROMMET 1/4"	HARTWELL (C.J.FOX)	HN4G-43			EA	5	
630243	0	BEAD GLASS 2.4 X 0.81 X 1.8	MANSOL (PREFORMS) LT	M5363B/3			EA	20	
630024	0	BEAD CERAMIC 16 SWG	PARR ROYAL PORCELAIN	NO2			EA	28	
400753-1	0	ASSY CABLE SIG IP 1281	DATRON	SEE DRG			EA	1	
400757-1	0	ASSY CABLE RIBBON 16W	DATRON	SEE DRG			EA	1	
540001	0	WIRE 1/.56 TINNED COPPER		24SWG			AR	-	
540006	0	WIRE 1/.4 BLACK PTFE 250V	BSG210	TYPE A			AR	-	
590004	0	SLEEVE PTFE 1mm BLK	HELLERMAN	FE10			AR	-	
613017	0	WASHER M3 HYL.					EA	6	



CURRENT ASSEMBLY

Control Logic

Drawing No. 430743

Sheet 2 of 2

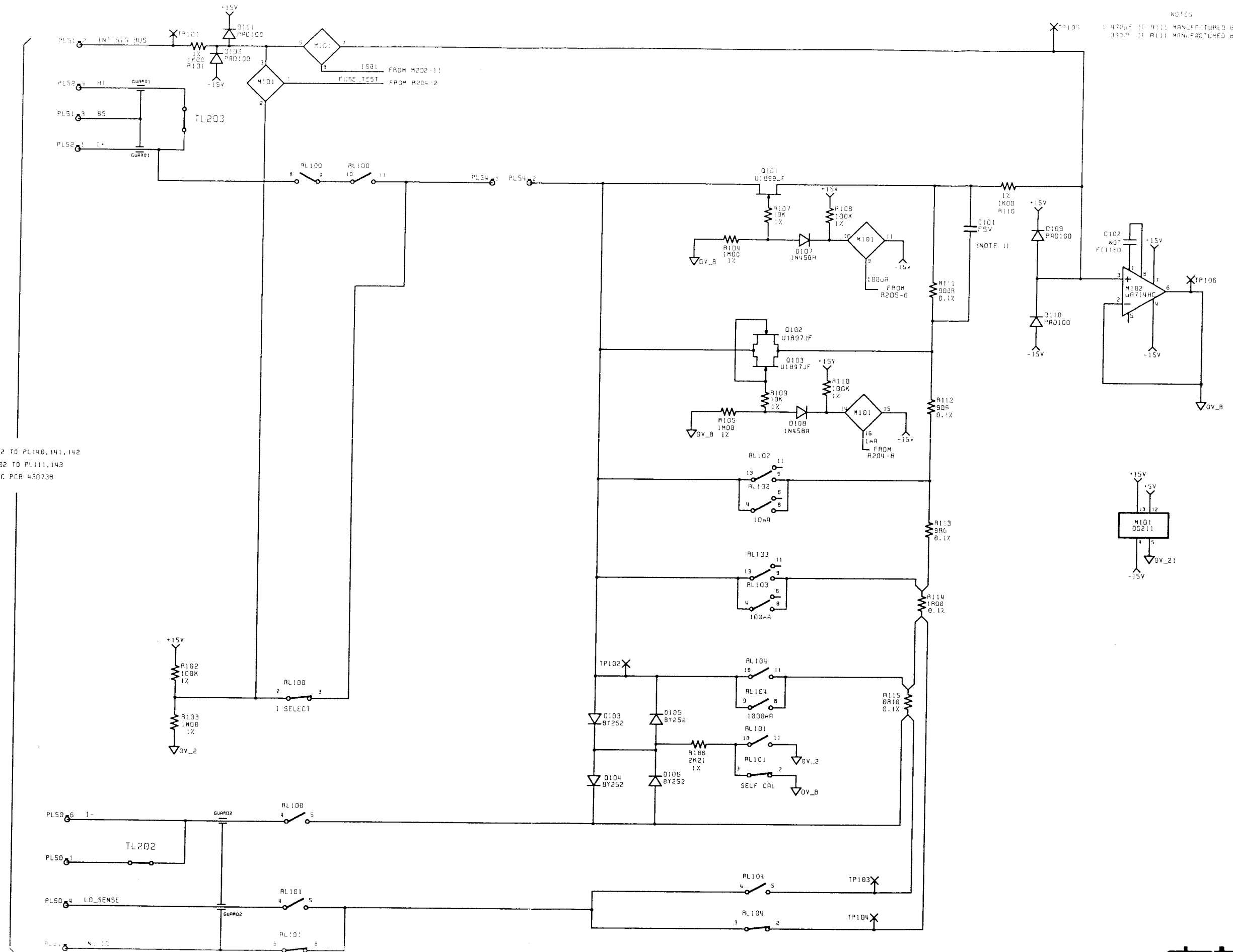


© Datron Instruments 1989

1281

NOTES
 1. 470pF IF R111 MANUFACTURED BY MANN
 330pF IF R111 MANUFACTURED BY KELVIN

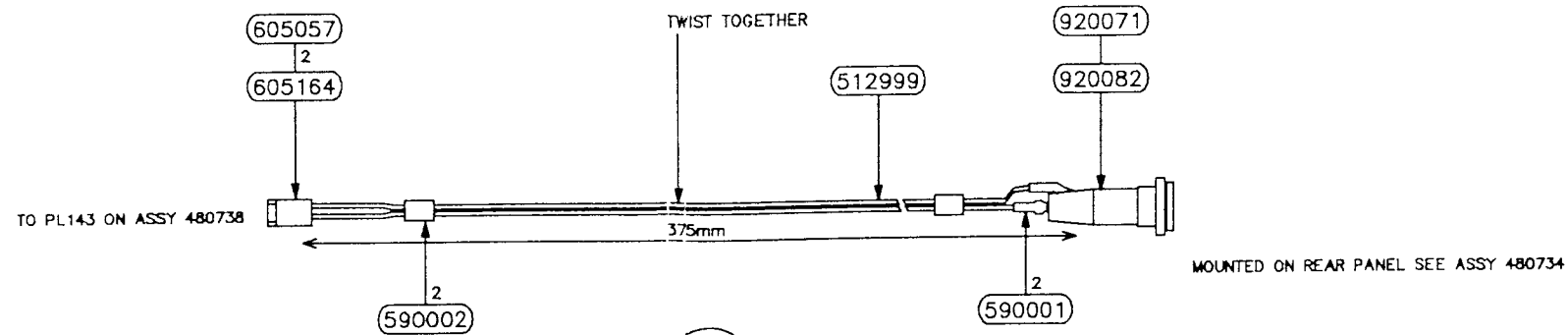
PL50,51,52 TO PL140,141,142
 E101,102 TO PL111,143
 DC PCB 430738



CURRENT ASSEMBLY
 Current to Voltage Converter
 Drawing No. 430743

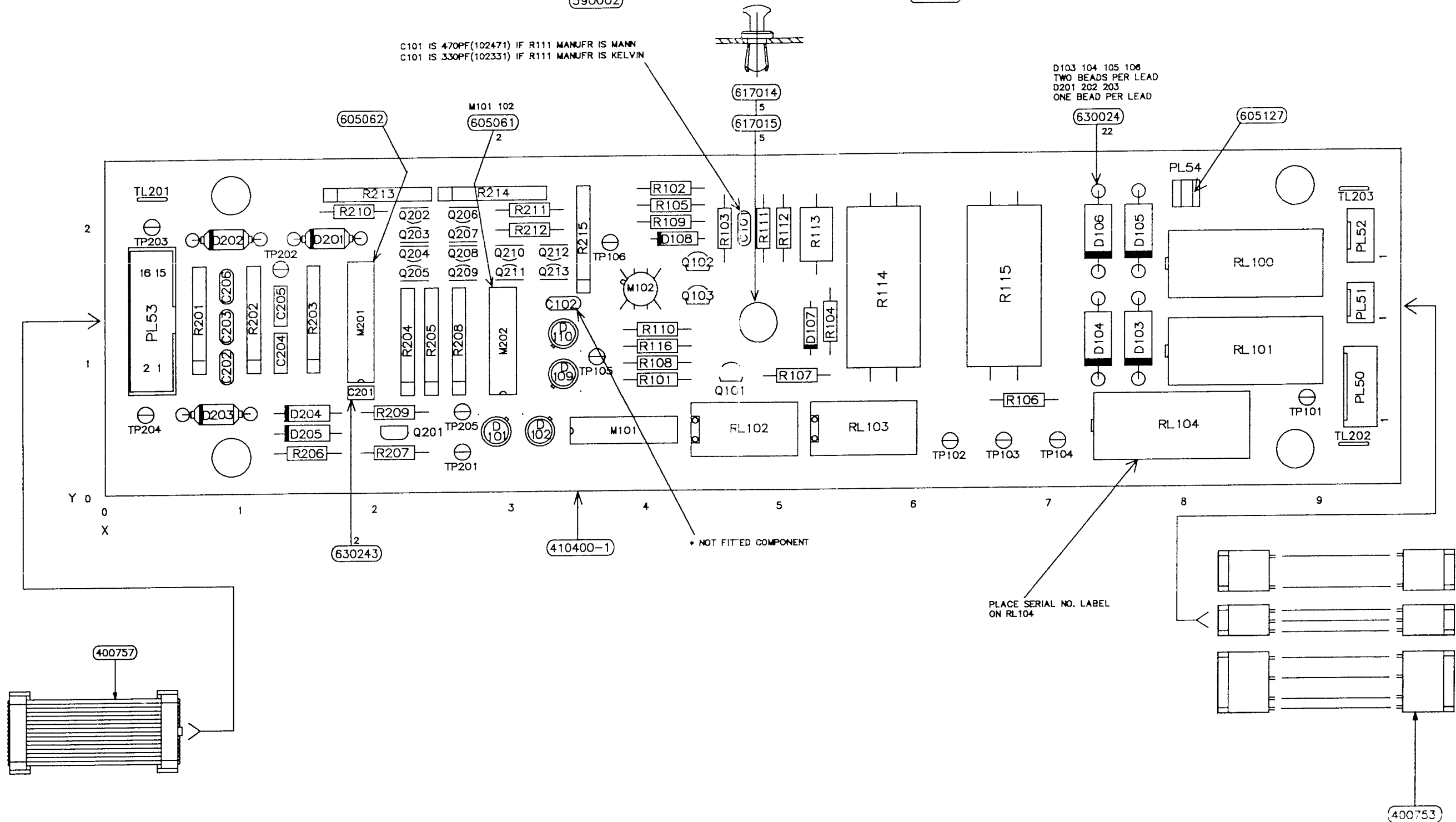
Sheet 1 of 2

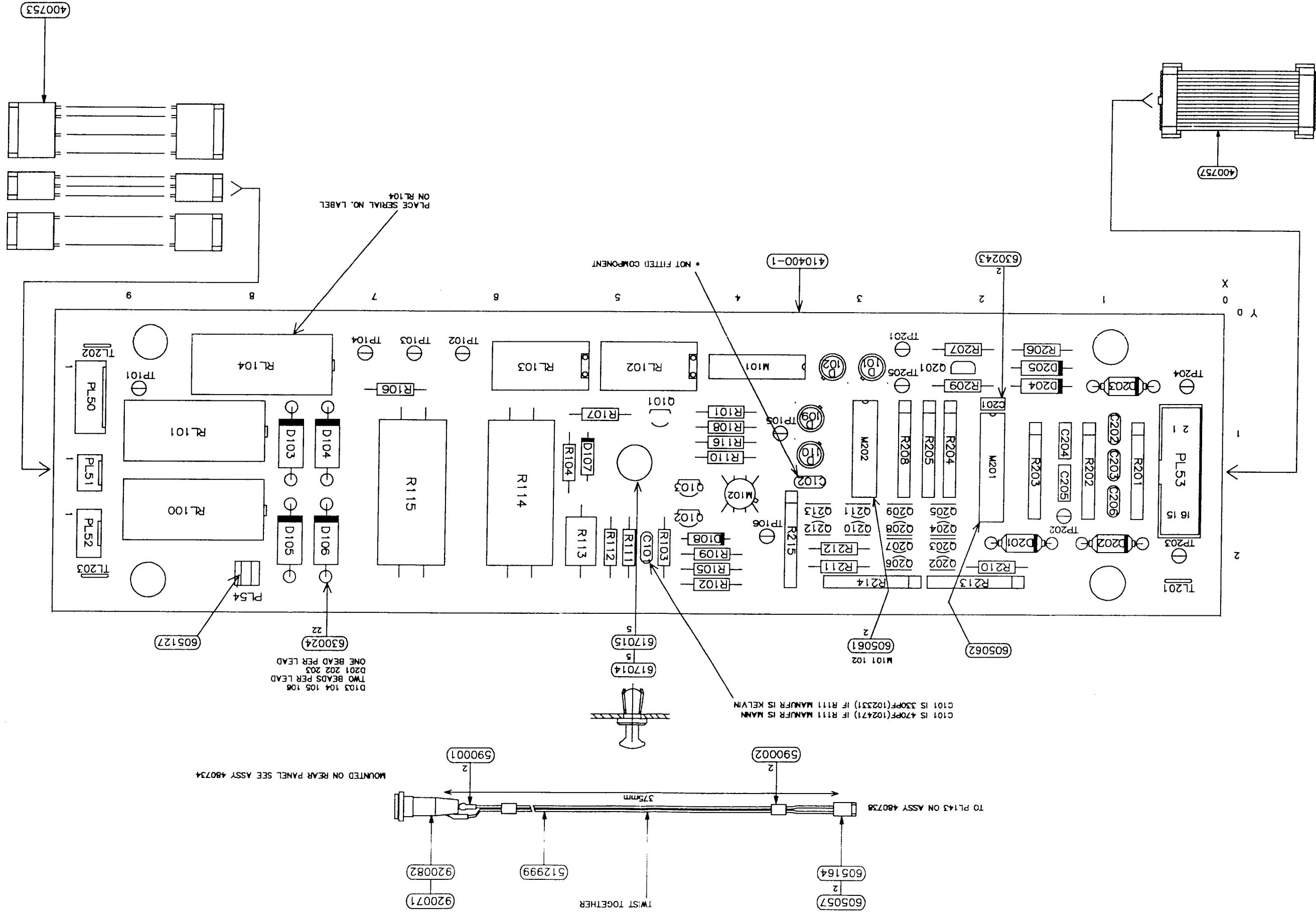
1281
datron
WAVETEK
 © Datron Instruments 1989



C101 IS 470PF(102471) IF R111 MANUFR IS MANN
C101 IS 330PF(102331) IF R111 MANUFR IS KELVIN

D103 104 105 106
TWO BEADS PER LEAD
D201 202 203
ONE BEAD PER LEAD

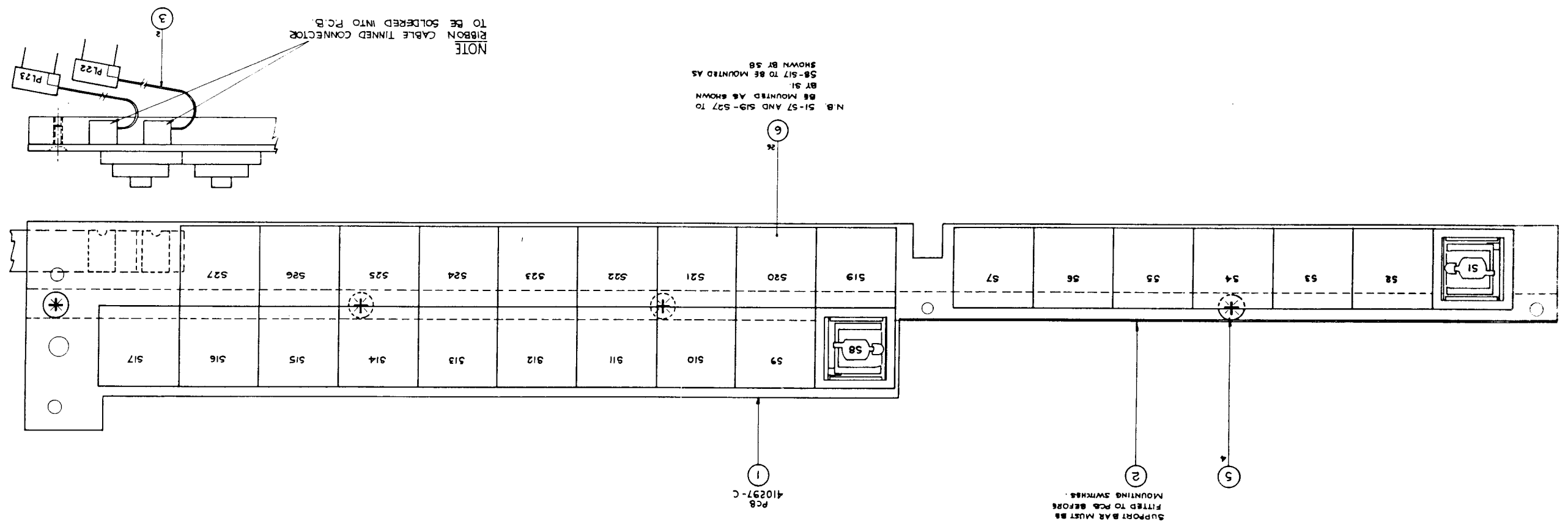


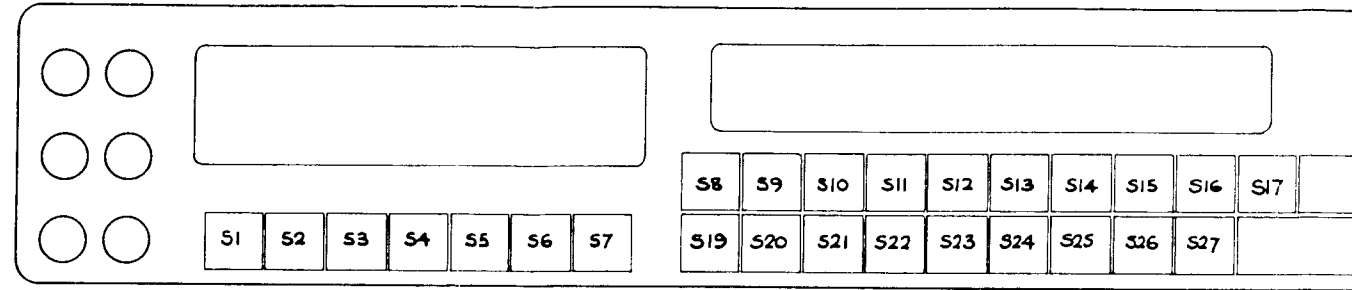


DESIG	PART NO	DESCRIPTION	PRINC MANUF	MANUF PART NUMBER	CLASS	UM	QUANTITY	CHANGES
D107	200008	DIODE GP 200mA 125V	FAIRCHILD	1N458A	A	EA	2	
D108	200008	DIODE GP 200mA 125V	FAIRCHILD	1N458A	A	EA	-	
D109	220020	DIODE FET 100pA 1R	TELEDYNE	PAD100		EA	-	
D110	220020	DIODE FET 100pA 1R	TELEDYNE	PAD100		EA	-	
D201	213009	DIODE ZN 15V 5W	UNITRODE	TVS515		EA	2	
D202	213009	DIODE ZN 15V 5W	UNITRODE	TVS515		EA	-	
D203	213006	DIODE ZN 5V 5W	UNITRODE	TVS505		EA	1	
E204	211100	DIODE ZN 10V 1.3W	PHILIPS	BSV85C10		EA	1	
D205	200002	DIODE GP 1A 50V	FAIRCHILD	1N4001		EA	1	
Q101	230003	TRAN JFET N-CHAN	TELEDYNE	U1899JF		EA	1	
Q102	230035	TRAN JFET N-CHAN	TELEDYNE	U1897JF		EA	2	
Q103	230035	TRAN JFET N-CHAN	TELEDYNE	U1897JF		EA	-	
Q201	230086	TRAN MOSFET P-CHAN 60V	FERRANTI	ZVP2106A		EA	4	
Q202	240013	TRAN NPN TO18	NATIONAL	BC184C/TO18		EA	3	
Q203	250008	TRAN PNP TO18	NATIONAL	BC214C/TO18		EA	3	
Q204	230086	TRAN MOSFET P-CHAN 60V	FERRANTI	ZVP2106A		EA	-	
Q205	230096	TRAN MOSFET N-CHAN 60V	FERRANTI	ZVN2106A		EA	3	
Q206	240013	TRAN NPN TO18	NATIONAL	BC184C/TO18		EA	-	
Q207	250008	TRAN PNP TO18	NATIONAL	BC214C/TO18		EA	-	
Q208	230086	TRAN MOSFET P-CHAN 60V	FERRANTI	ZVP2106A		EA	-	
Q209	230096	TRAN MOSFET N-CHAN 60V	FERRANTI	ZVN2106A		EA	-	
Q210	240013	TRAN NPN TO18	NATIONAL	BC184C/TO18		EA	-	
Q211	250008	TRAN PNP TO18	NATIONAL	BC214C/TO18		EA	-	
Q212	230086	TRAN MOSFET P-CHAN 60V	FERRANTI	ZVP2106A		EA	-	
Q213	230096	TRAN MOSFET N-CHAN 60V	FERRANTI	ZVN2106A		EA	-	
M101	280167	IC DIG SWITCH QUAD CMOS	SILICONIX	DG211CJ		EA	1	
M102	260027	IC LIN OP AMP	FAIRCHILD	UA714HC		EA	1	
M201	280132	IC DIG ULA SERIAL TX/RX	PLESSEY	CLA3106		EA	1	
M202	290077	IC DIG 7 X DARLINGTON DRIVER	SPRAGUE/EXAR	ULN2004A/XR2204CP		EA	1	
RL100	330036	RELAY 3FNO 1PHC	SDS	S3-24V		EA	2	
RL101	330031	RELAY 2FNO 2PHC	SDS	S2-24V		EA	1	
RL102	330029	RELAY 2P2W	SDS	DS2E-DC24V		EA	2	
RL103	330029	RELAY 2P2W	SDS	DS2E-DC24V		EA	-	
RL104	330036	RELAY 3FNO 1PHC	SDS	S3-24V		EA	-	
PL50	604075	PLUG PCB 6-WAY .1"	MOLEX	22-25-2061		EA	1	
PL51	604074	PLUG PCB 3-WAY .1"	MOLEX	22-25-3031		EA	1	
PL52	604033	PLUG PCB 4-WAY .1"	MOLEX	22-25-2041		EA	1	
PL53	604076	PLUG PCB 16-WAY .1"X.1" GRID	3M	3599-6002 UN		EA	1	
PL54	604085	PLUG PCB 2-WAY .1"	MOLEX	22-25-2021		EA	1	
TL201	620013-1	TEST LOOP	DATRON	SEE DRG		EA	3	
TL202	620013-1	TEST LOOP	DATRON	SEE DRG		EA	-	
TL203	620013-1	TEST LOOP	DATRON	SEE DRG		EA	-	
TP101	620007	TEST POINT TERMINAL	MICROVAR	TYPE C30		EA	11	
TP102	620007	TEST POINT TERMINAL	MICROVAR	TYPE C30		EA	-	
TP103	620007	TEST POINT TERMINAL	MICROVAR	TYPE C30		EA	-	

DESIG	PART NO	DESCRIPTION	PRINC MANUF	MANUF PART NUMBER	CLASS	UM	QUANTITY	CHANGES
TP104	620007	TEST POINT TERMINAL	MICROVAR	TYPE C30		EA	-	
TP105	620007	TEST POINT TERMINAL	MICROVAR	TYPE C30		EA	-	
TP106	620007	TEST POINT TERMINAL	MICROVAR	TYPE C30		EA	-	
TP201	620007	TEST POINT TERMINAL	MICROVAR	TYPE C30		EA	-	
TP202	620007	TEST POINT TERMINAL	MICROVAR	TYPE C30		EA	-	
TP203	620007	TEST POINT TERMINAL	MICROVAR	TYPE C30		EA	-	
TP204	620007	TEST POINT TERMINAL	MICROVAR	TYPE C30		EA	-	
TP205	620007	TEST POINT TERMINAL	MICROVAR	TYPE C30		EA	-	
400757-1		ASSY CABLE RIBBON 16W	DATRON	SEE DRG		EA	1	
400753-1		ASSY CABLE SIG IP 1281	DATRON	SEE DRG		EA	1	
410400-1		PCB CURRENT 1281		SEE DRG		EA	1	
512999		WIRE 7/.2 PTFE 1KV WHI	BSG210	TYPE C		AR	1	
590001		SLEEVE NP 1.5 X 20MM BLK	HELLERMANN	H15		EA	2	
590002		SLEEVE NP 3 X 25MM BLK	HELLERMANN	H30		EA	2	
605057		CRIMP TERMINAL GD PL	MOLEX	4809-GL		EA	2	
605061		SOCKET PCB 16-WAY DIL	JERMYN	J23-18016	A	EA	2	
605062		SOCKET PCB 18-WAY DIL	JERMYN	J23-18018	A	EA	1	
605127		SOCKET LINK 2-WAY .1" BLK	ASSMANN	AKSPL-G		EA	1	
605164		SOCKET HOUSING 2 WAY .1" PITCH	MOLEX	22-01-2025		EA	1	
617014		NYLATCH PLUNGER 1/4"	HARTWELL (C.J.FOX)	HN4P-43		EA	5	
617015		NYLATCH GROMMET 1/4"	HARTWELL (C.J.FOX)	HN4G-43		EA	5	
630024		BEAD CERAMIC 16 SWG	PARK ROYAL PORCELAIN	No2		EA	2	
630243		BEAD GLASS 2.4 X 0.91 X 1.8	MANSOL (PREFORMS) LT	M5363B/3		EA	2	
920071		FUSE 1.6A 250V 20MM F	BESWICK	S501		EA	1	
920082		FUSE HOLDER 20MM PANEL	BELLING LEE	L2002		EA	1	

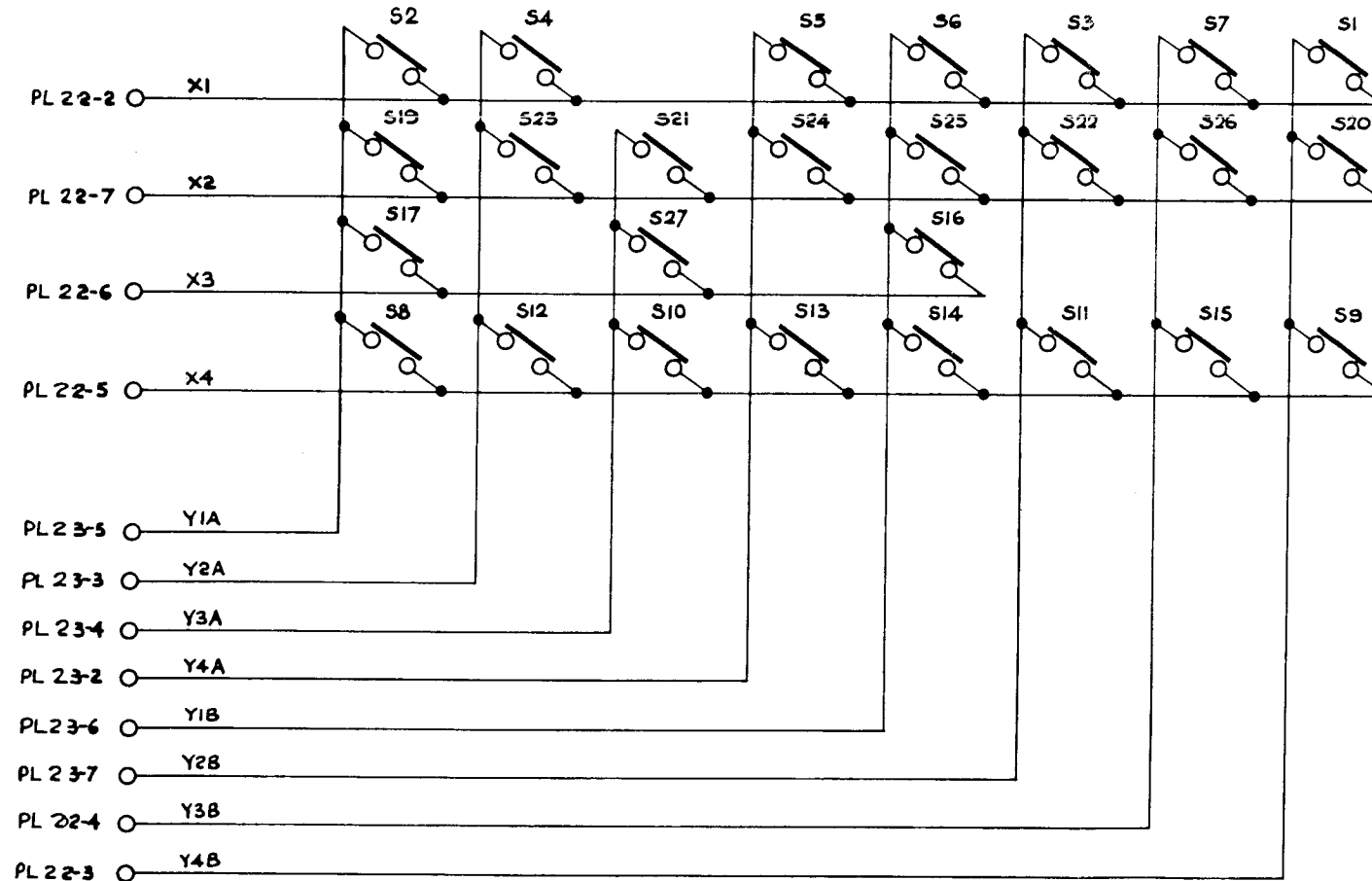
End





FRONT PANEL SWITCH LAYOUT.

- PL 22-1 ○ SPARE
- PL 22-8 ○ SPARE
- PL 23-1 ○ SPARE
- PL 23-8 ○ SPARE



KEY N°	$\#$ KB4-KB \emptyset	KEY N°	$\#$ KB4-KB \emptyset
1	1C	17	\emptyset 2
2	$\emptyset\emptyset$		
3	14	19	\emptyset 1
4	\emptyset 4	20	1D
5	\emptyset C	21	\emptyset 9
6	1 \emptyset	22	15
7	18	23	\emptyset 5
8	\emptyset 3	24	\emptyset D
9	1F	25	11
10	\emptyset B	26	19
11	17	27	\emptyset A
12	\emptyset 7		
13	\emptyset F		
14	13		
15	1B		
16	12		

* FOR KB \emptyset -KB5 REFER TO 400739

KB5 IS A LOGIC '1' WHILE A VALID KEY IS HELD. THE KEY ENCODER OUTPUT ALWAYS INDICATES THE LAST VALID KEY ON KB4-KB \emptyset .

SWITCH ASSEMBLY

Front Panel Switch Matrix

Drawing No. 430744

Sheet 1 of 1



© Datron Instruments 1989



Datron Sales and Service Representatives Worldwide

COUNTRY and REPRESENTATIVE	Telephone	Telex	Fax
AUSTRALIA			
Scientific Devices Pty. Ltd 2 Jacks Road, South Oakleigh, Victoria 3167	3 579 3622	AA32742	3 579 0971
AUSTRIA			
Walter Rekirsch Elektronisch Geraete GmbH & Co. Obachgasse 28, A-1220 Wien	222 253626	134759	222 2572 75
BELGIUM			
Air-Parts International B. V. Avenue Huart-Hamoir, 1-Box 19, 1030 Bruxelles	2 241 6460	25146 AP1 B	2 241 8130
BRAZIL			
Comercial Goncalves Rua Deocleciana, 77, Cep 01106 Ponte Pequena, Sao Paulo SP	11 2294044	22104 34272	-----
CHINA			
Tianjin Zhong Huan Scientific Instruments Corp. No. 59 Zhao Jia Chang Street, Hong Qiao Section, Tianjin	Tianjin 251941	-----	-----
DENMARK			
Instrutek A/S, Christiansholmsgade 8700 Horsens	5 611100	61656	5 615 658
EASTERN EUROPE			
Amtest Associates Ltd Amtest House, 75-79 Guildford Street, Chertsey, Surrey KT16 9AS, England	0932 568355	928855	0932 561919
EGYPT & MIDDLE EAST			
EPIC 20-22 Ashmoun St, PO Box 2682, Horriya, Heliopolis	2 661767 2 669861	23033 CHAKA UN 23315 EPIC UN	2 662839 2 668924
FINLAND			
Profelec OY PO Box 67, 00421 Helsinki 42	0 566 4477	125225 PROFE SF	0 566 2998

COUNTRY and REPRESENTATIVE	Telephone	Telex	Fax
FRANCE			
M. B. Electronique 606 Rue Fourny, Zi de Buc, 78530 Buc	1 39 568131	695414	1 39 565344
WEST GERMANY			
Wavetek Electronics GmbH Hans-Pinsel Strasse 9-10, 8013 Haar bei München	89 461090	841 5211296 WVTKD	89 463223
GREECE			
American Technical Enterprises SA PO Box 3156, 48 Patisson Street, Athens 147	1 8219470	216046 ATE GR	-----
HONG KONG			
Eurotherm (Far East) Ltd 21/F Kai Tak Commercial Building 317-321 Des Voeux Road C, Hong Kong	5 411268	72449 EFELD HX	5 8151540
INDIA			
Technical Trade Links 42, Navketan Estate, Mahakali Caves Road, Andheri (East), Post Box No. 9447, Bombay 400 093	22 6322412	11 79261 TTL IN	9122 634 2204
IRELAND			
Euro Instruments & Electronics Euro House, Swords Road, Santry, Dublin 9	0001 425 666	318121	0001 425 497
ISRAEL			
Racom Electronics Co. Ltd 7 Kehilat Saloniki St., P. O. Box 21120, Tel-Aviv 61210	3 491922	33808 RACEL IL	3 491 576
ITALY(1)			
Sistrel SPA Via Pellizza da Volpedo 59 20092 Cinisello Balsamo, Milano	02 618 1893	334643	02 618 2440
ITALY(2)			
Sistrel SPA Viale Erminio Spalla 41 00142 Roma	06 504 0273	625857	06 504 0067
ITALY(3)			
Sistrel SPA Via Cintia Parco S. Paolo 35 80126 Napoli	081 767 9700	-----	081 766 1361
JAPAN			
G & G Japan Inc No. 406, 12-14, 4-Chome, Hongoh, Bunkyo-ku, Tokyo	3 8130971	2722884 ICHAIN J	3 8159216
KOREA			
Sama Trading Corporation CPO Box 2447, Seoul	2 733 9336	K26375 SAMATR	2 733 8481

COUNTRY and REPRESENTATIVE	Telephone	Telex	Fax
MALAYSIA			
Mecomb Singapore Ltd Sime Darby Centre, 895 Dunearn Road, 04-2 Singapore 2158	469 8833	RS 23178	467 1905
NETHERLANDS			
Air Parts International BV PO Box 255, 12 Kalkovenweg, 2400 AG Alphen aan den Rijn	1720 43221	39564	1720 20651
NEW ZEALAND			
G. T. S. Engineering Ltd 5 Porters Avenue, Eden Terrace, PO Box 9613 Newmarket AUCKLAND	9 392 464	----	9 392 968
NORWAY			
Morgenstjerne & Co. Konghellegaten 3/5, 0569 Oslo 5	2 356110	71 719 MOROF	2 381457
PORTUGAL			
Decada-Espectral Av. Bombeiros Voluntarios, Lote 102b Miraflores/Algee 1495 Lisboa	1 4103420	15515 ESPEC P	1 4101844
SINGAPORE			
Mecomb Singapore Ltd Sime Darby Centre, 895 Dunearn Road, 04-2 Singapore 2158	469 8833	RS 23178	467 1905
SOUTH AFRICA			
Altech Instruments (Pty) Ltd PO Box 39451, Wynberg 2018	11 887 7455	422033	----
SPAIN			
ESSA (Equipos y Systemas SA) C/Apolonio Morales 13-B, Madrid 16	1 458 0150	831 42856	----
SWEDEN			
Ferner Electronics AB Snormakarvagen 35, Box 125, S-16126 Stockholm-Bromma	8 802540	10312 FERNER S	8 250226
SWITZERLAND			
Kontron Electronic AG Bernerstrasse-Süd 169, 8048 Zurich	1 435 4111	822196 + KOEL CH	1 432 2464
TAIWAN			
Evergo Corporation Room A, 9th Floor, 305 Section, 3 Nan King East Road, P. O. Box 96-546, Taipei	2 7150283/4/5	27027 EVERGOEC	2 7122466

COUNTRY and REPRESENTATIVE	Telephone	Telex	Fax
UNITED KINGDOM			
Datron Instruments Ltd Hurricane Way, Norwich Airport, Norwich, Norfolk NR6 6JB, England	0603 404824	975173	0603 483670
UNITED STATES of AMERICA			
Datron Instruments Inc c/o Wavetek RF Products Inc. 5808 Churchman Bypass, Indianapolis, Indiana 46203	(317) 787 3915	TWX (810) 341 3226	(317) 788 5999
Wavetek Northeast Area Sales 1 Executive Blvd. Suite 206, Suffern New York 10901	(914) 357 5544	-----	(914) 357 5609
Wavetek Western Area Sales 9045 Balboa Avenue, San Diego, California 92123	(619) 565 9234	TWX (910) 335 2007	(619) 565 9558

For customers in countries not listed please contact DATRON INSTRUMENTS in the United Kingdom:

Datron Instruments Ltd Hurricane Way, Norwich Airport, Norwich, Norfolk NR6 6JB, England	0603 404824	975173	0603 483670
---	-------------	--------	-------------

DATRON INSTRUMENTS FAILURE REPORT.

Please complete all sections and return with your instrument.

Company:
Division: Department/Mail Stop
User, Name: Telephone Ext
Serial number:
Datron Return Authorisation number Date of failure

Brief description of fault:
.....
.....
.....

Fault details:

is the fault present on all ranges? Yes No Not Applicable
if no describe:
is the fault present on all functions? Yes No Not Applicable
is the fault: Permanent Intermittent
if intermittent under what conditions does the fault re-appear

Does the instrument pass 'self test?' Yes No

Any fail/error message displayed:
Now: Yes No if yes describe

At the time of fault: Yes No

if yes describe

Prior to fault: Yes No

if yes describe

Is the instrument used on I.E.E 488 bus? Yes No

Is the instrument normally enclosed in a rack? Yes No

Approximate ambient temperature

TERMS AND CONDITIONS OF SALE

1. GENERAL

The acceptance of a quotation, of any goods supplied, advice given or service rendered includes the acceptance of the following terms and conditions and no variation of or addition to the same shall be binding upon us unless expressly agreed in writing by us. Any order shall be subject to our written acceptance.

2. QUOTATION

Unless previously withdrawn our quotation is open to acceptance in writing within the period stated or where no period is stated within thirty (30) days after its date. We reserve the right to correct any errors or omissions in our quotation. Unless otherwise stated all quotations are firm and fixed. The prices quoted are based on manufacture of the quantity and type ordered and are subject to revision when interruptions, engineering changes or changes in quantity are caused or requested by the customer.

3. LIABILITY FOR DELAY

Any delivery times quoted are from the date of our written acceptance of any order and on receipt of all information and drawings to enable us to put the work in hand. Where delivery is to take place by instalments each such instalment shall constitute a separate contract. We will use our best endeavours to complete delivery of the goods or services in the period stated but accept no liability in damages or otherwise for failure to do so for any cause whatsoever. In all cases of delay the delivery time shall be extended by reasonable period having regard to the cause of delay.

4. PAYMENT

Payment shall be made net cash within thirty (30) days of delivery or in accordance with the payment terms set out in the quotation. Unless specifically stated to the contrary payment shall be in pounds sterling. In the event of any payment to us being overdue we may without prejudice to any other right suspend delivery to you or terminate the contract and/or charge you simple interest on overdue amounts at the rate of 2.5% above the ruling Bank of England Minimum Lending Rate. No payment to us shall in any circumstance be offset against any sum owing by us to you whether in respect of the present transaction or otherwise.

5. INSPECTION & TEST

All goods are fully inspected at our works and where practicable subjected to our standard tests before despatch. If tests are required to be witnessed by your representative notice of this must be given at the time of placing the order and notice of readiness will then be given to you seven (7) days in advance of such tests being carried out. In the event of any delay on your part in attending such tests or in carrying out inspection by you after seven (7) days notice of readiness the tests will proceed in your absence and shall be deemed to have been made in your presence and the inspection deemed to have been made by you. In any event you shall be required promptly after witnessing a test or receiving test results of witnessed or unwitnessed tests to notify us in writing of any claimed defects in the goods or of any respect in which it is claimed that the goods do not conform with the contract. Before you become entitled to reject any goods we are to be given reasonable time and opportunity to rectify them. You assume the responsibility that the goods stipulated by you are sufficient and suitable for your purpose and take all steps to ensure that the goods will be safe and without risk to health when properly used. Any additional certification demanded may incur extra cost for which a special quotation will be issued.

6. DELIVERY AND PACKING

All shipments are, unless otherwise specifically provided, Ex-works which is the address given on the invoice. An additional charge will be made for carriage and insurance as necessary with the provision that all shipments shall be insured and this insurance expense shall be paid by the purchaser. Where special domestic or export packing is specified a charge will be made to cover the extra expense involved.

7. DAMAGE IN TRANSIT

Claims for damage in transit or loss in delivery of the goods will only be considered if the carriers and ourselves receive notice of such damage within seven (7) days of delivery or in the event of loss of goods in transit within fourteen (14) days of consignment.

8. TRANSFER OF PROPERTY & RISK

Title and property of the goods shall pass when full payment has been received of all sums due to us whether in respect of the present transaction or not. The risk in the goods shall be deemed to have passed on delivery.

9. WARRANTY

We agree to correct, either by repair, or at our election, by replacement, any defects of material or workmanship which develop within the warranty period specified in the sales literature or quotation after delivery to the original purchaser. All items claimed defective must be promptly returned to us carriage paid unless otherwise arranged and will be returned to you free of charge. Unless otherwise agreed no warranty is made concerning components or accessories not manufactured by us. We will be released from all obligations under warranty in the event of repairs or modifications made by persons other than our own authorised service personnel unless such repairs are made with our prior written consent.

10. PATENTS

We will indemnify you against any claim of infringement of Letters Patent, Registered Design, Trade Mark or Copyright (published at the date of the contract) by the use or sale of any goods supplied or service rendered by us to you and against all costs and damages which you may incur and for which you may become liable in any action for such infringement. Provided always that this indemnity shall not apply to any infringement which is due to our having followed a design or instruction furnished or given by you or to the use of such goods or service in association or combination with any other article, material or service not supplied by us. This indemnity is conditional on your giving to us the earliest possible notice in writing of any claim being made or action threatened or brought against you and on your permitting us at our own expense to conduct litigation that may ensue and all negotiations for a settlement of the claim or action. You on your part warrant that any design or instruction furnished or given by you shall not cause us to infringe any Letter Patent, Registered Design, Trade Mark or Copyright in the execution of your order.

11. DOCUMENTATION

All drawings, plans, designs, software specifications, manuals and technical documents and information supplied by us for your use or information shall remain at all times our exclusive property and must not be copied, reproduced, transmitted or communicated to a third party without our prior written consent.

12. FRUSTRATION

If any contract or any part of it shall become impossible of performance or otherwise frustrated we shall be entitled to a fair and reasonable proportion of the price in respect of the work done up to the date thereof. For this purpose any monies previously paid by you shall be retained against the sum due to us under this provision. We may dispose of the goods as we think fit due allowance being made to you for the net proceeds thereof.

13. BANKRUPTCY

If the purchaser shall become bankrupt or insolvent, or being a Limited Company commence to be wound up or suffer a Receiver to be appointed, we shall be at liberty to treat the contract as terminated and be relieved of further obligations. This shall be without prejudice to our right to claim for damages for breach of contract.

14. LEGAL INTERPRETATION

Any contract will be deemed to be made in England and shall be governed and construed for all purposes and in all respects in accordance with English Law and only the Courts of England shall have jurisdiction.