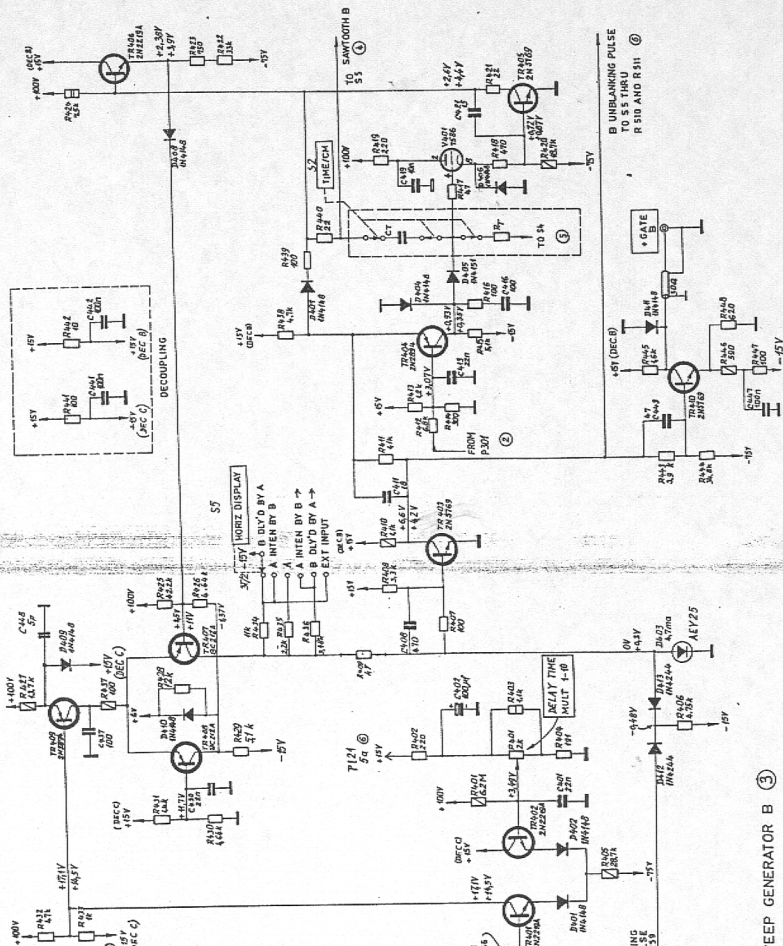


THIS MODE	MORE TRIGGER	LOWER	CONTROLS
VOLTAGE READINGS WERE OBTAINED UNDER FOLLOWING CONDITIONS:			
TRIGGER SOURCE: TRIGGER			
TRIGGER LEVEL: 50%			
TRIGGER MODE: PULSE			
TRIGGER POLARITY: POSITIVE			
TRIGGER WIDTH: 100 NS			
TRIGGER REPEAT RATE: 10 PER SEC			

(SEE IMPORTANT NOTE ON THIS GEM DIAGRAM)

REFERENCE DRAWINGS:

- ① TRIGGER GENERATOR
- ② SWEEP GENERATOR A
- ③ HORIZONTAL PREAMP
- ④ TIMING SWITCHES
- ⑤ INTERCONNECTING PLUG



12  
1589-U-592

SWEEP GENERATOR B ③