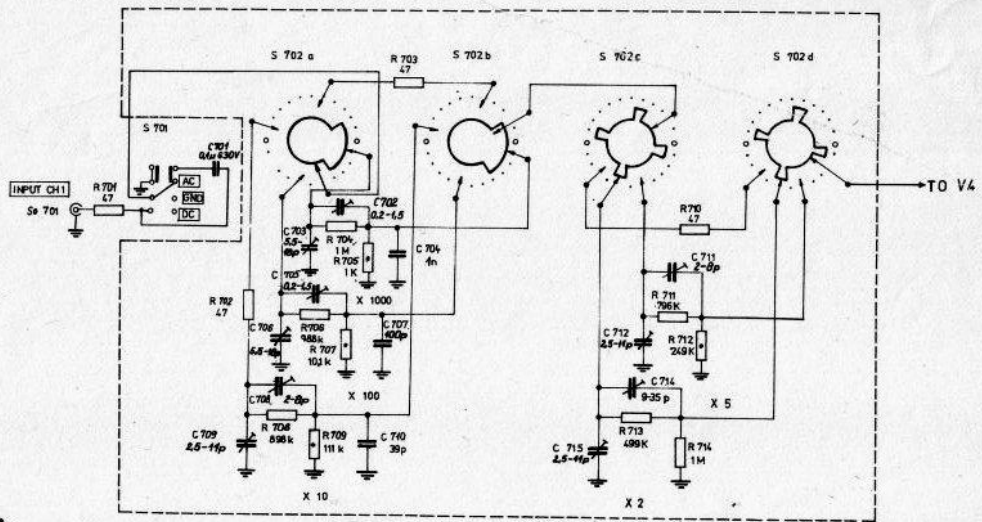
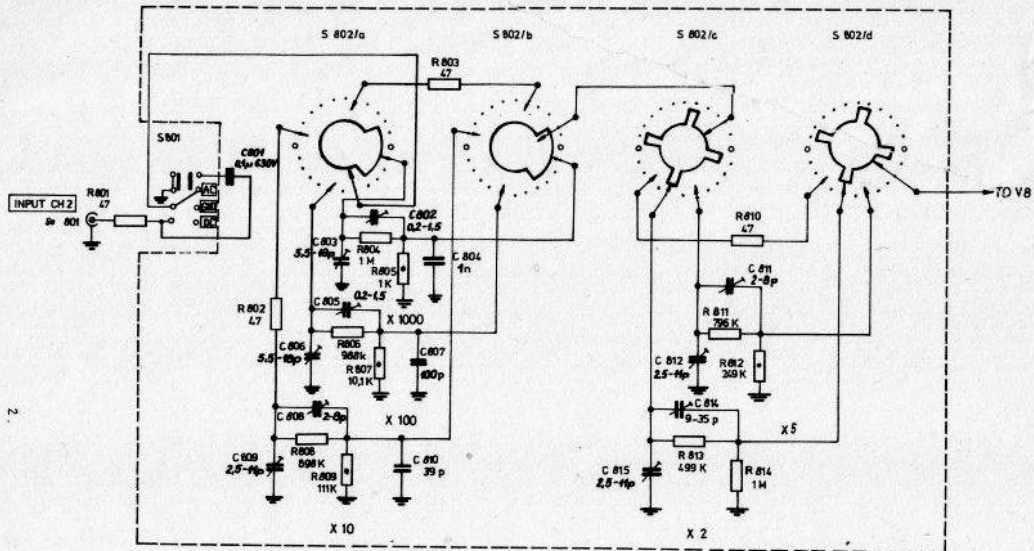


(A)



1568/2
7

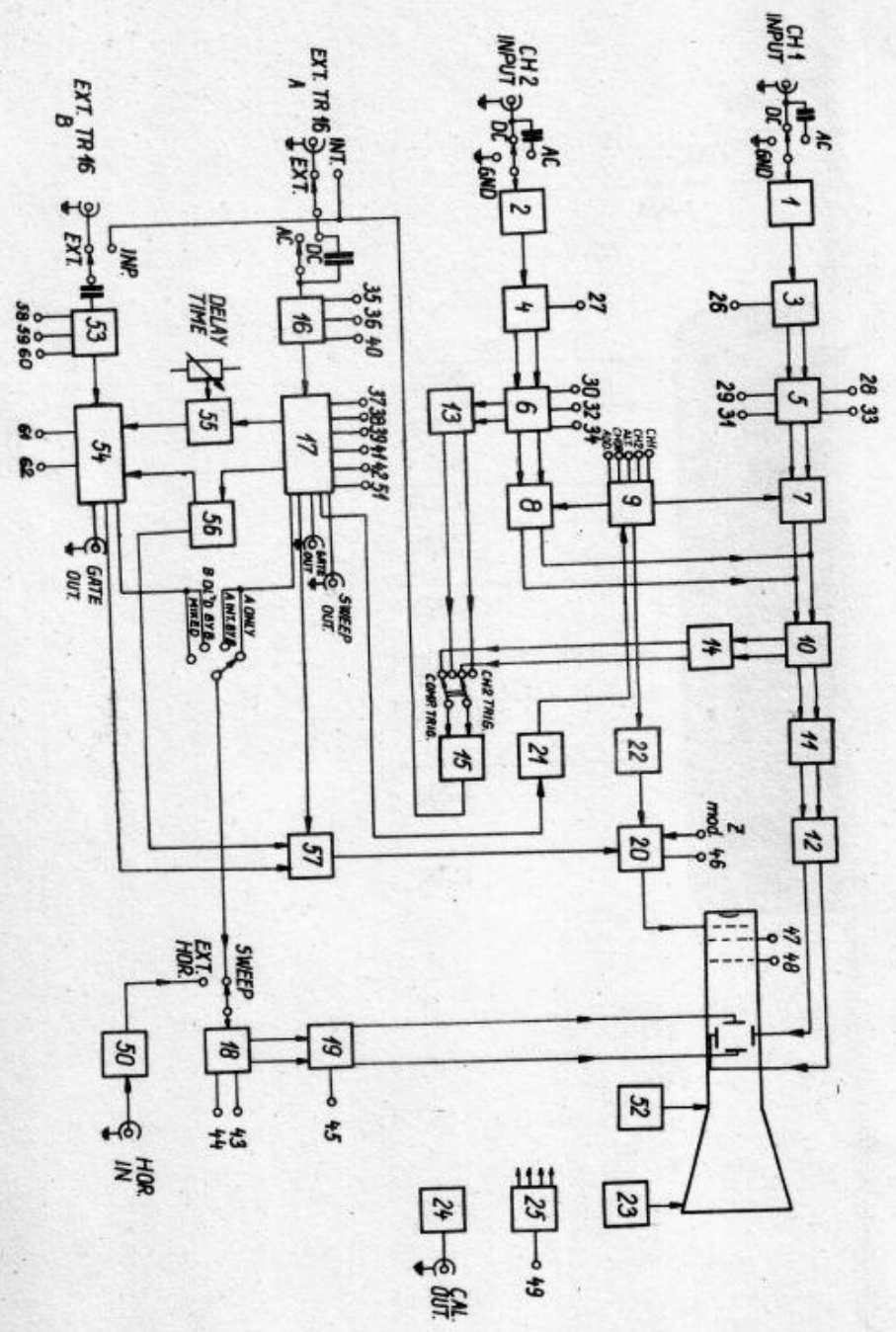
(A)

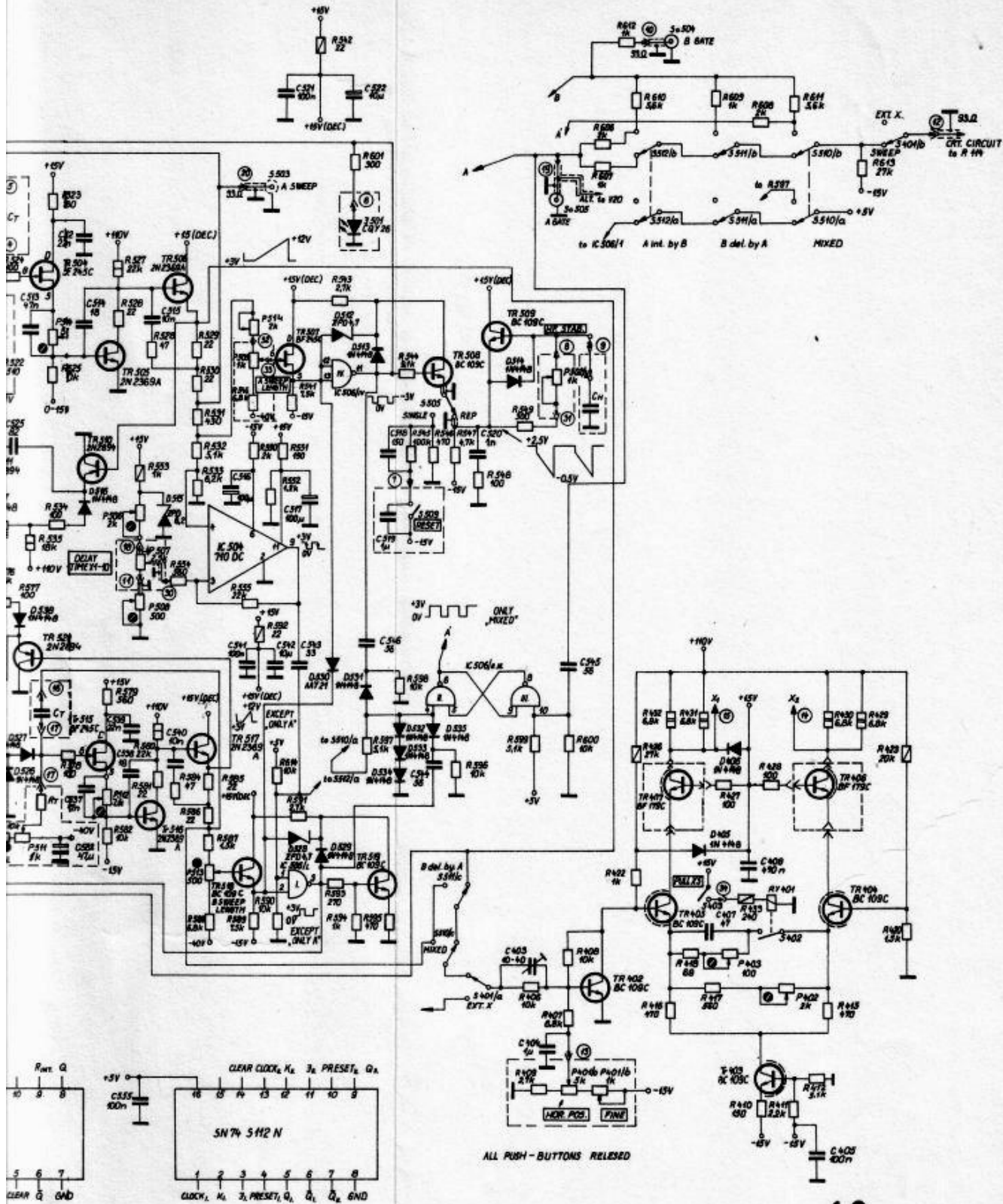


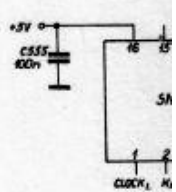
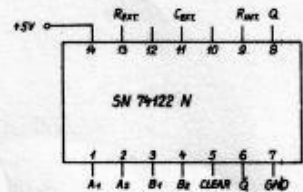
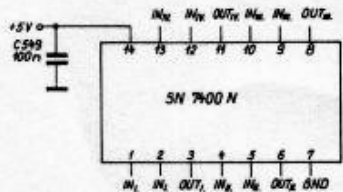
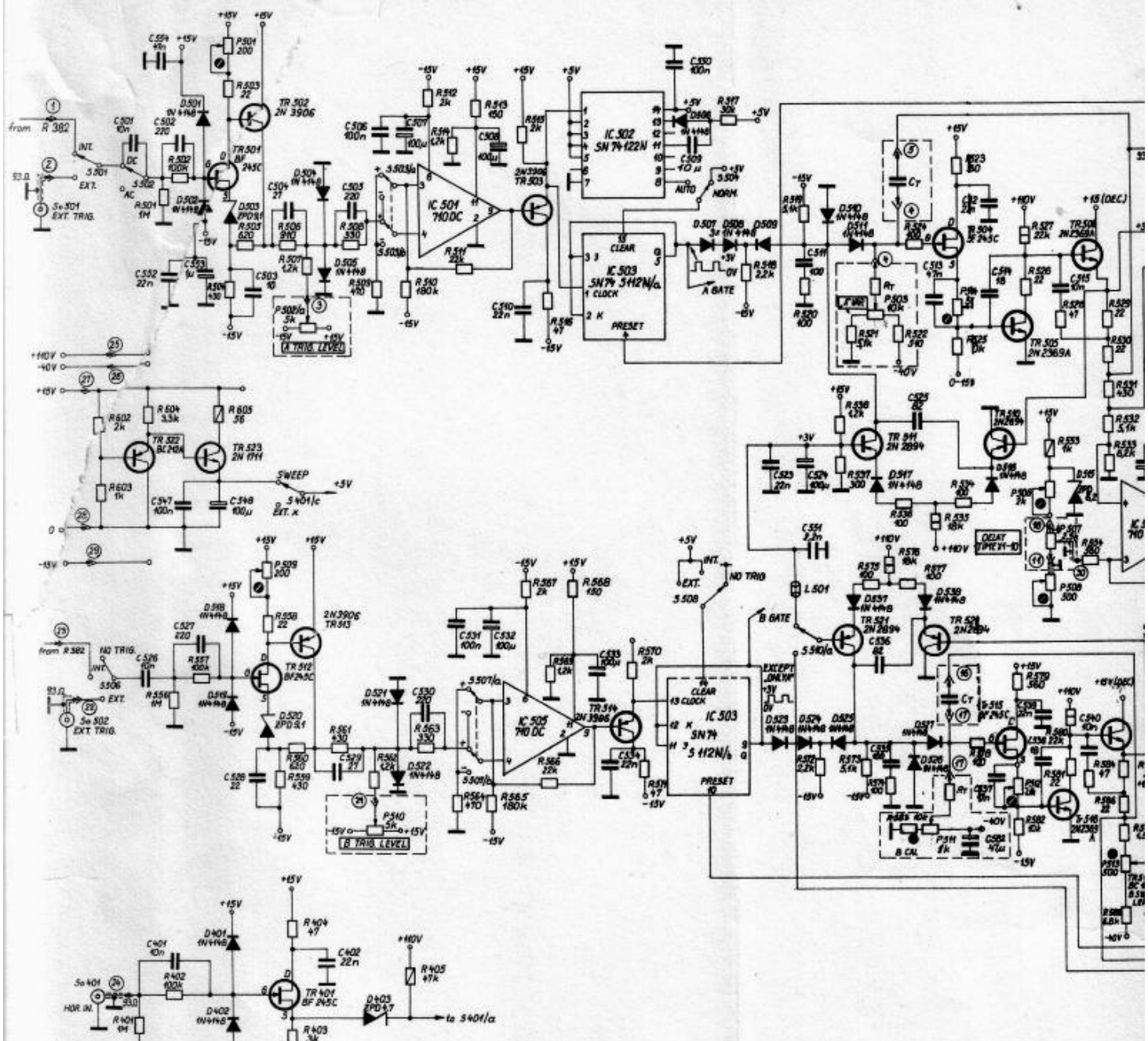
VOLTS/cm

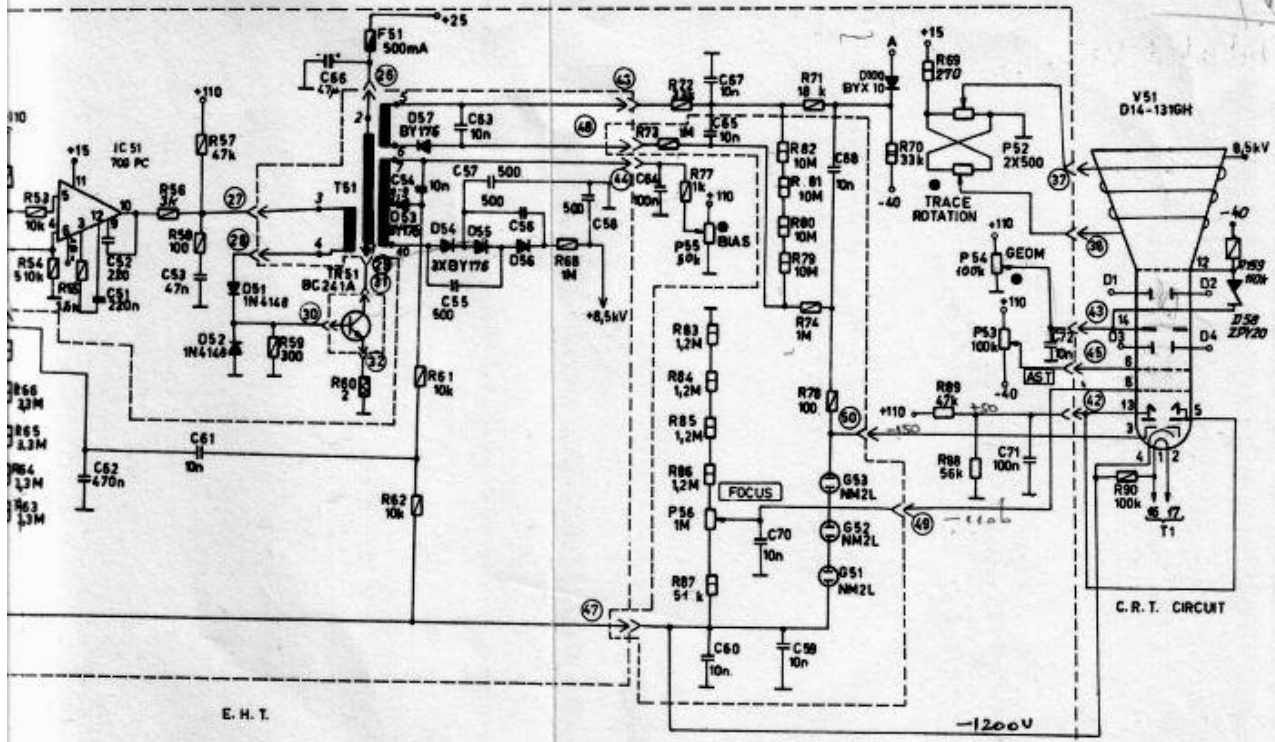


1568/2 8

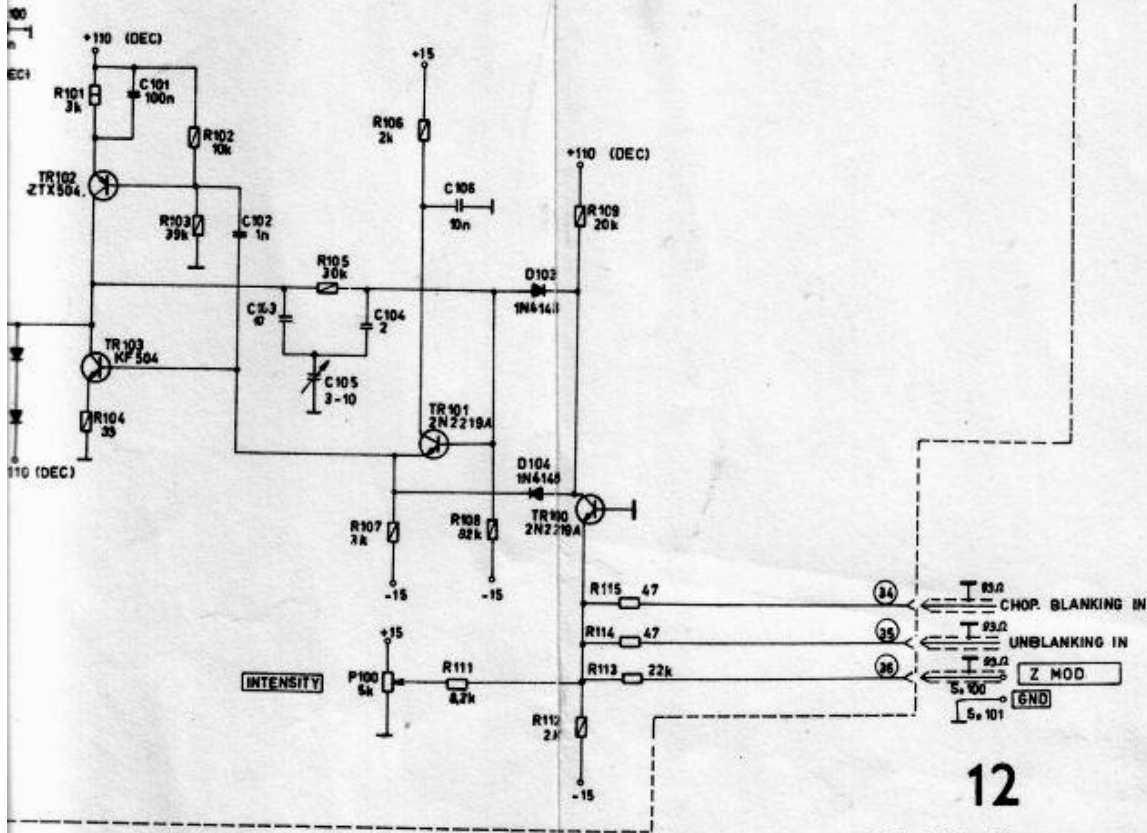






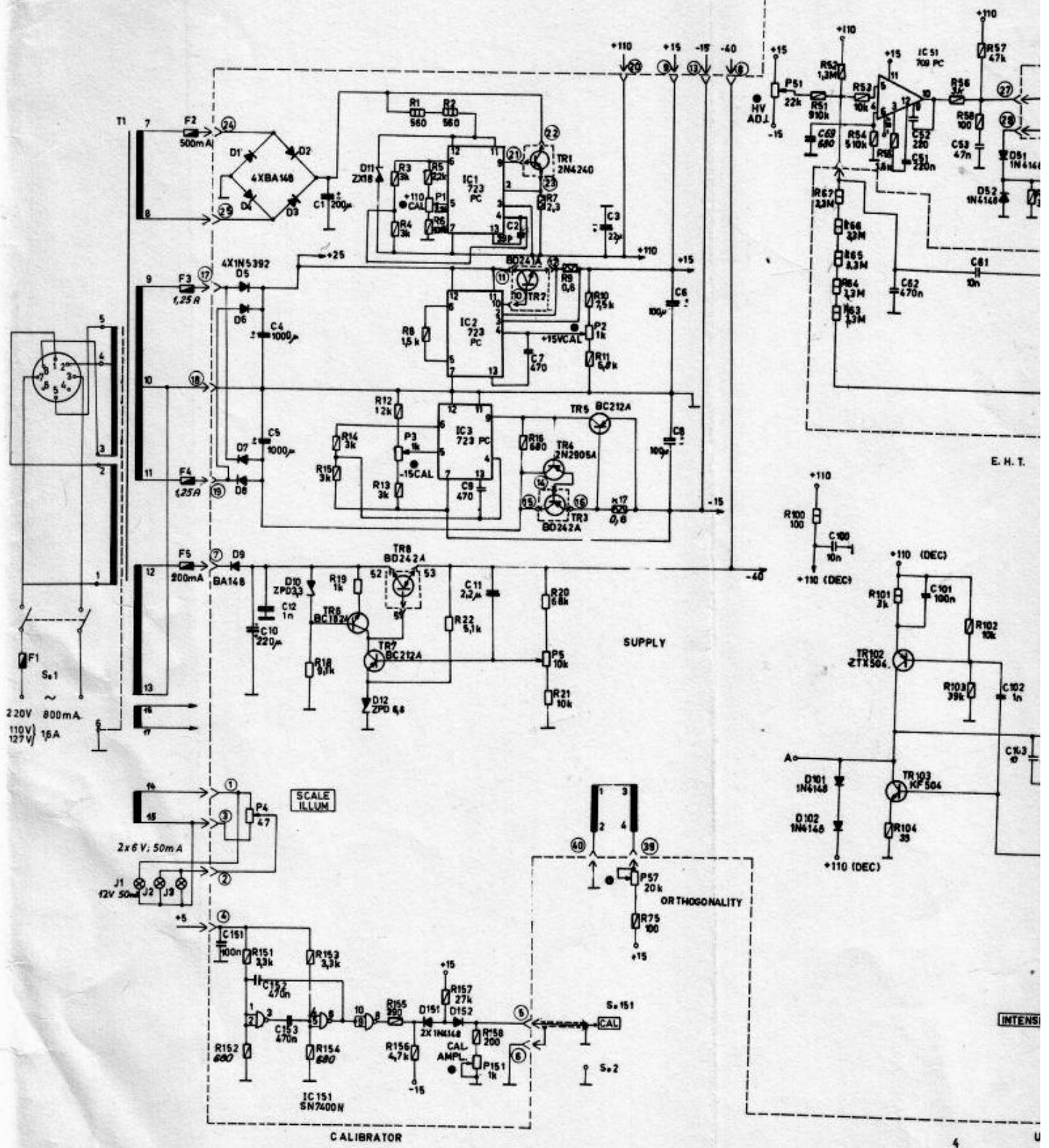


E. H. T.



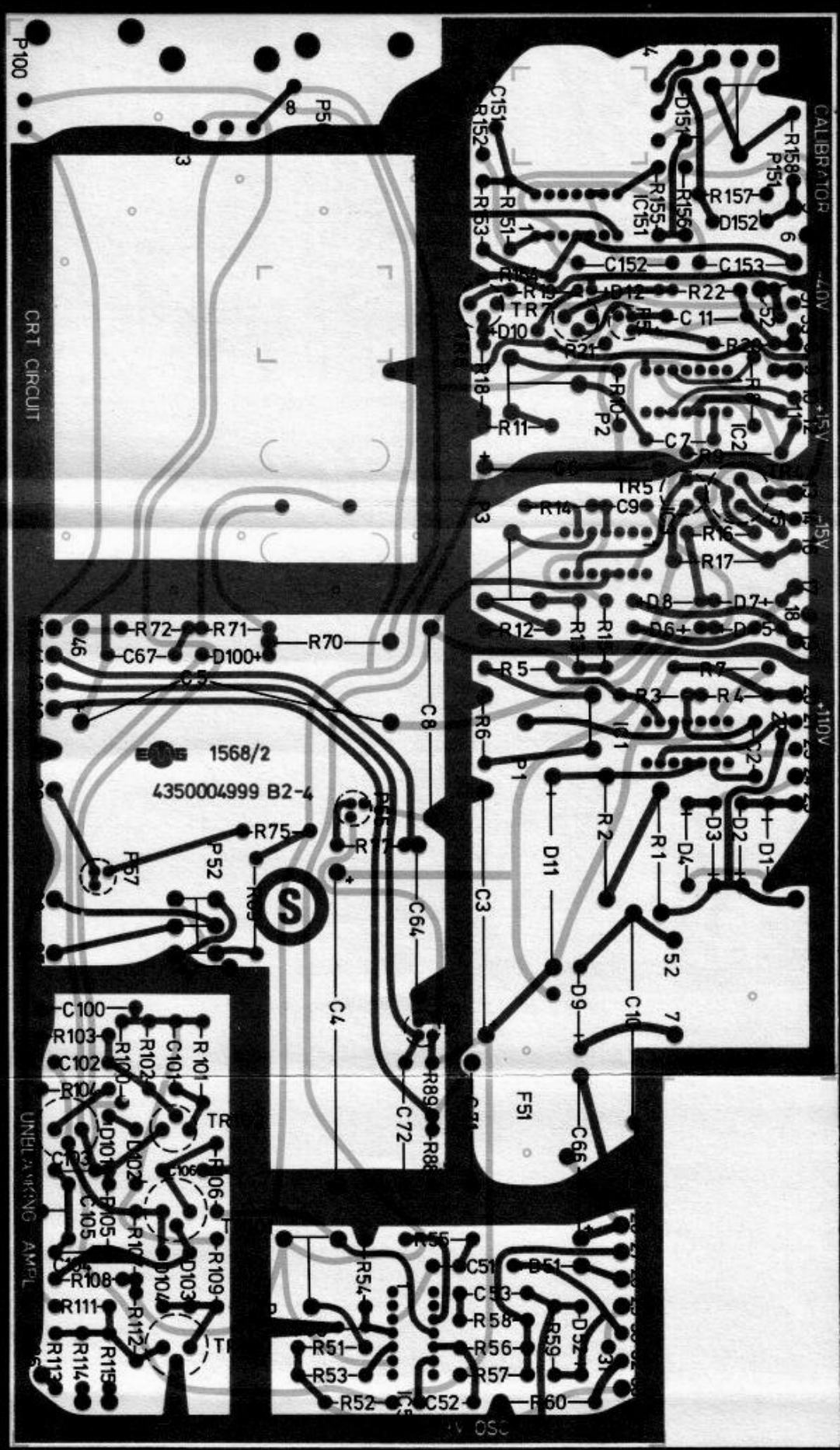
UNBLANKING AMPLIFIER

12
1568/2



E. H. T.

INTENS



CALIBRATOR

-40V

-15V

-15V

+100V

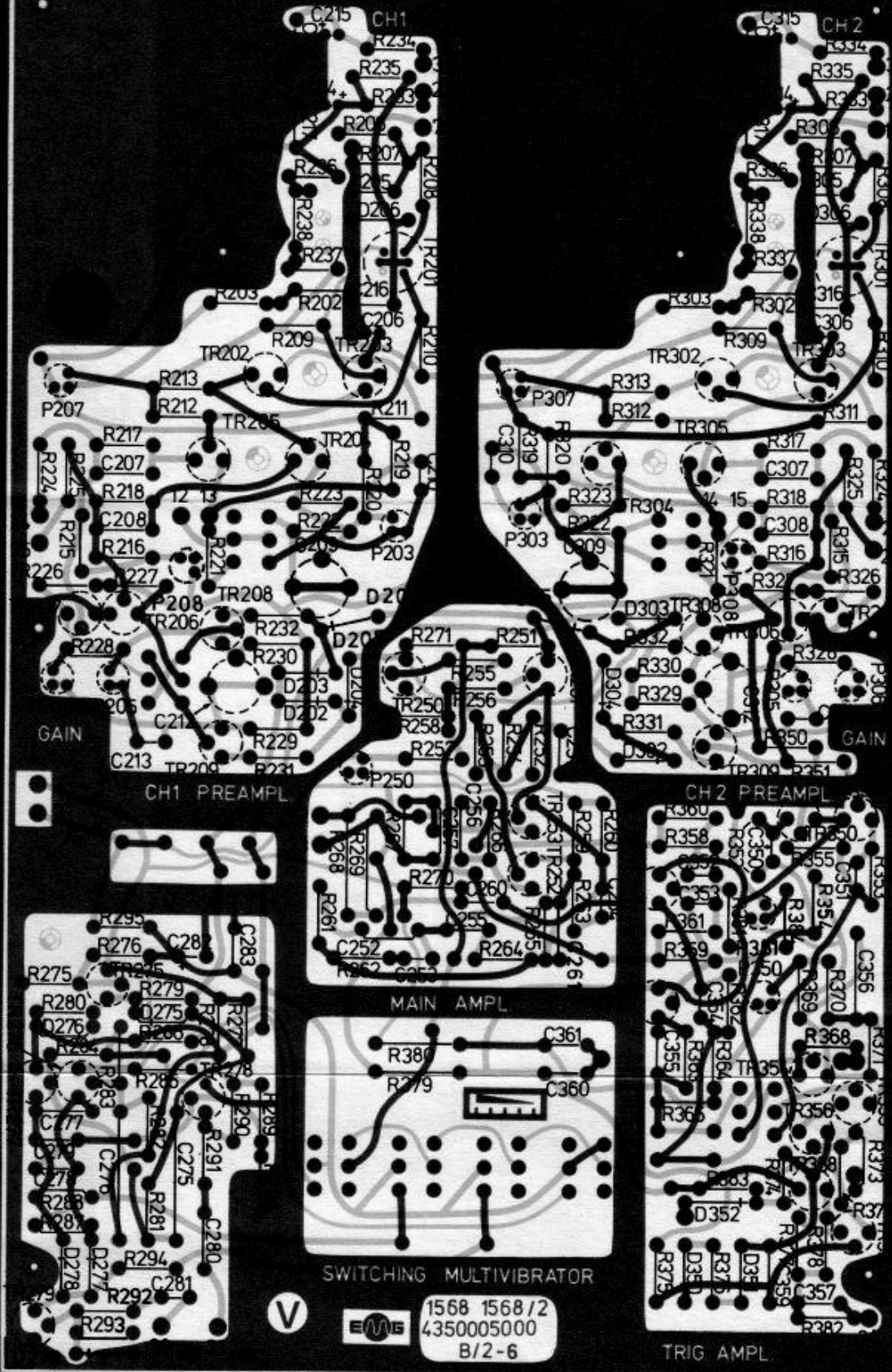
CRT CIRCUIT

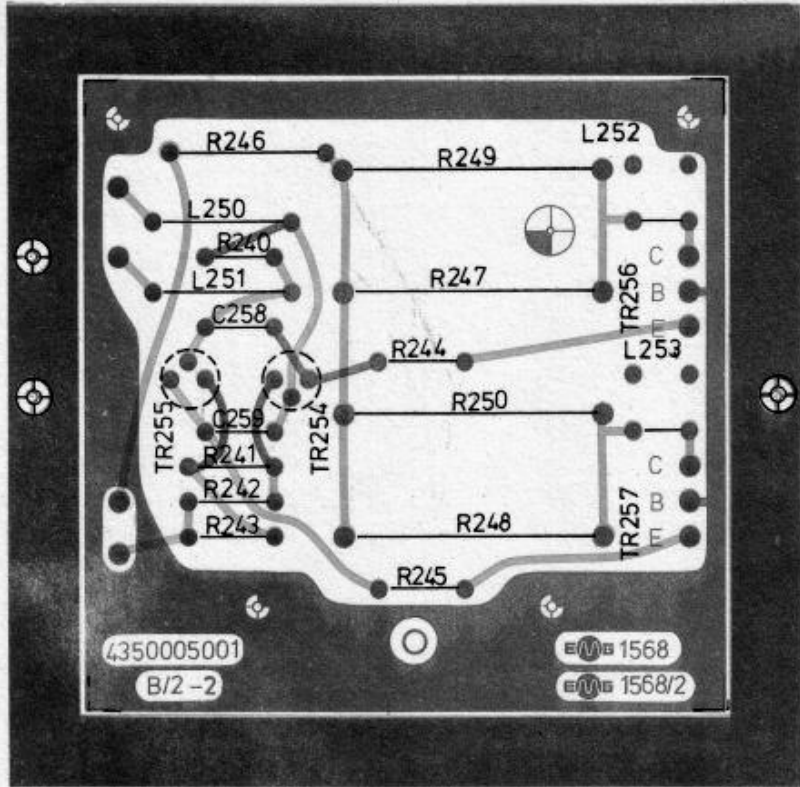
P100

1568/2
4350004999 B2-4

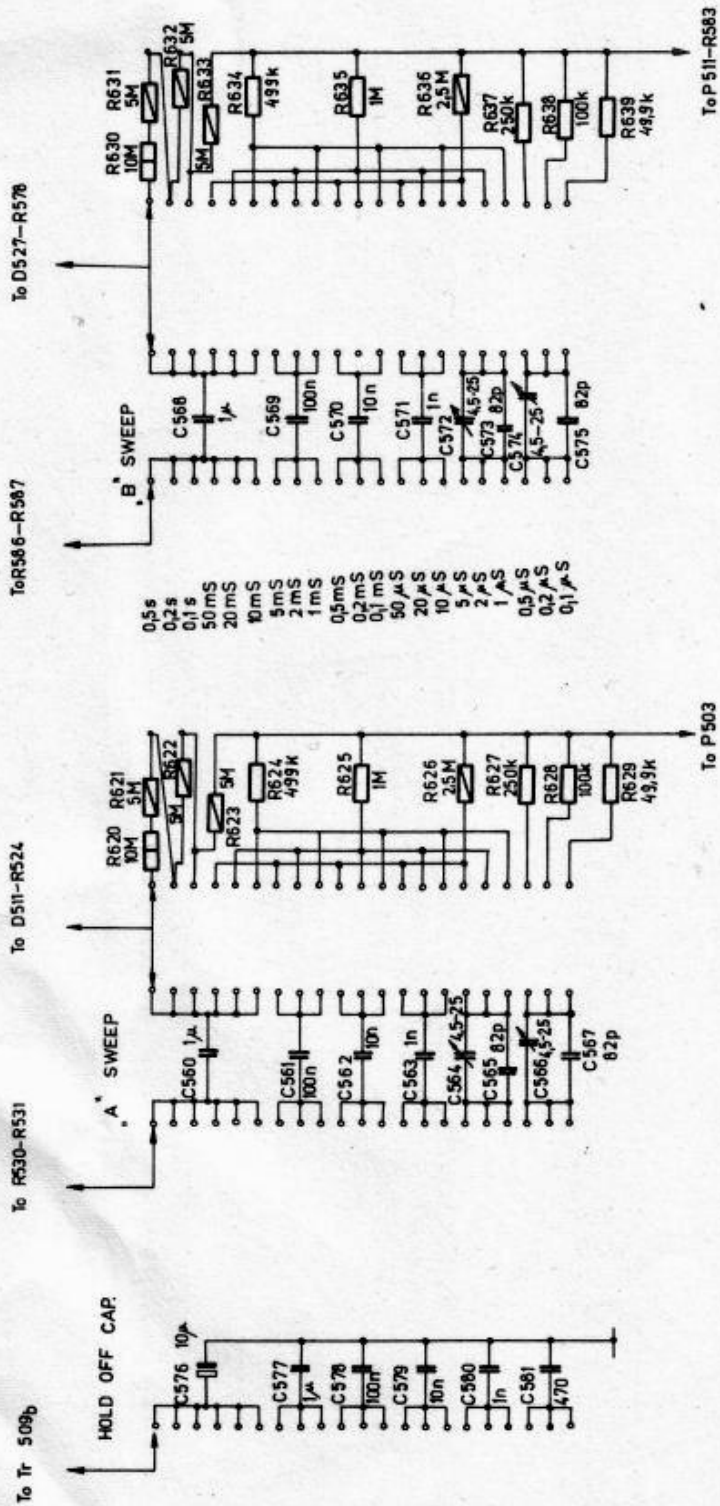
UNBLANKING AMP'L

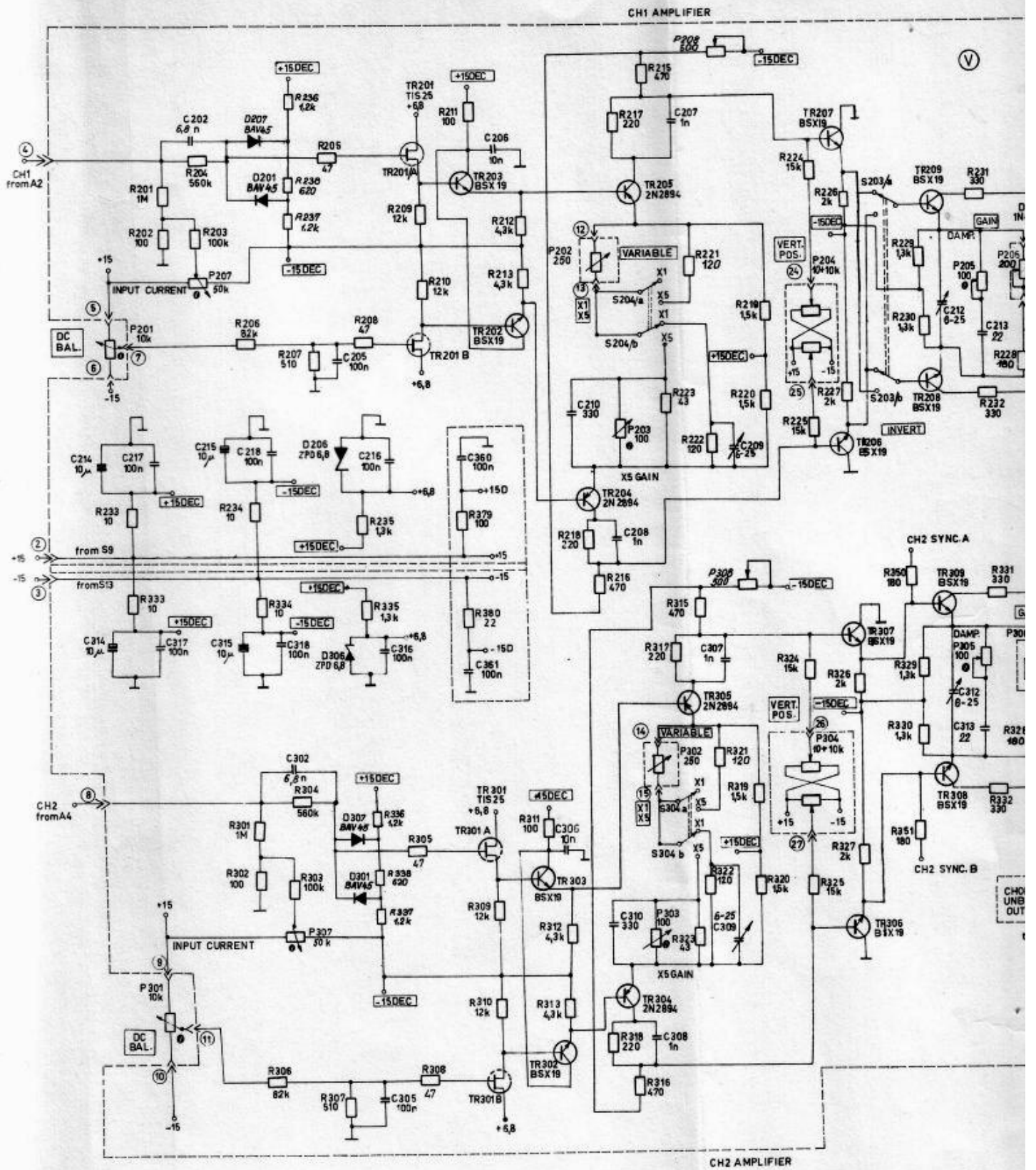
OSC

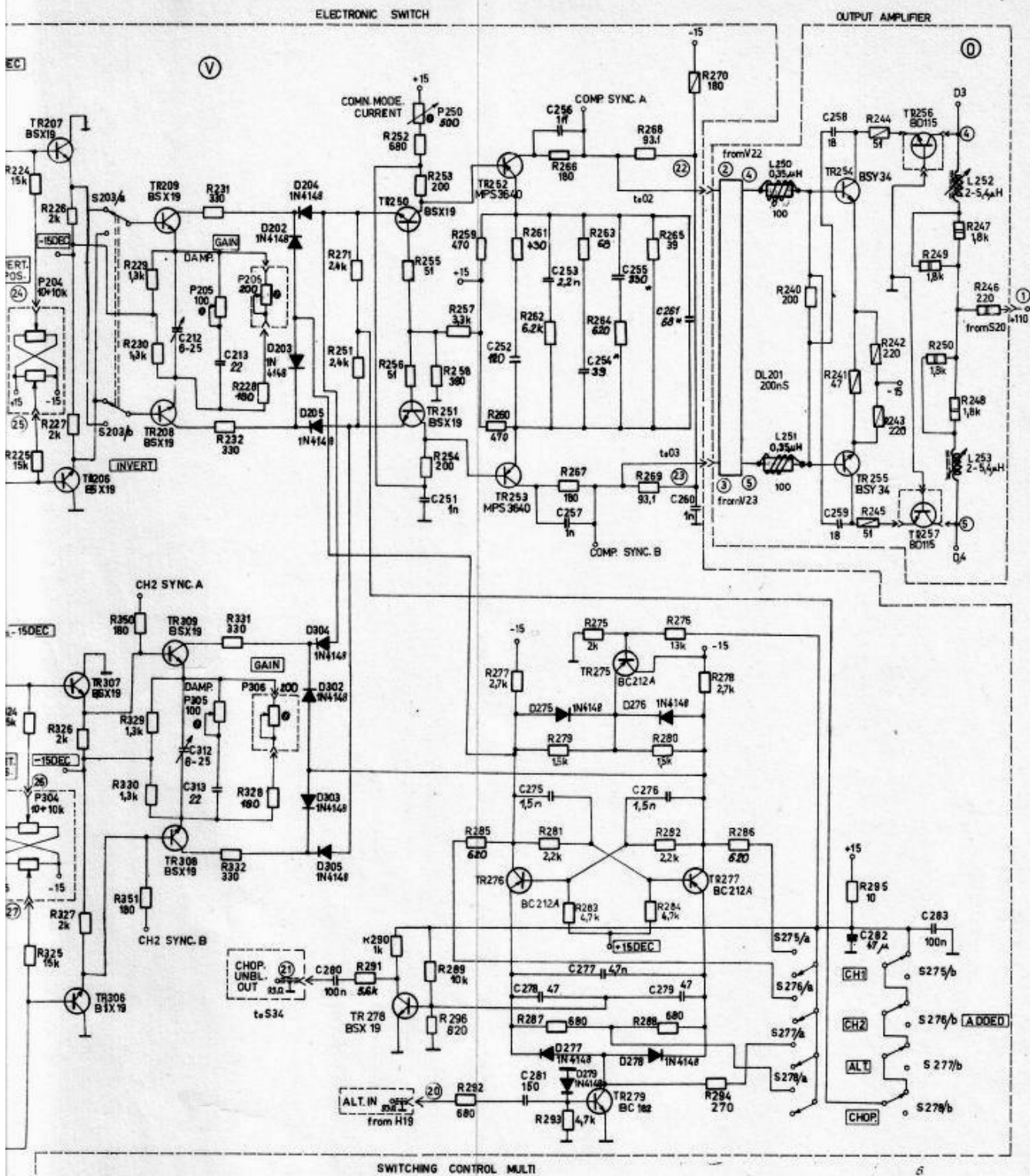




19
1568/2







6
1568/2