

8062A

Digital Multimeter

Instruction Manual

P/N 632695

March 1982

©1982, John Fluke Mfg., Co.
All rights reserved. Litho in U.S.A.



WARRANTY

Notwithstanding any provision of any agreement the following warranty is exclusive:

The JOHN FLUKE MFG. CO., INC., warrants each instrument it manufactures to be free from defects in material and workmanship under normal use and service for the period of 1-year from date of purchase. This warranty extends only to the original purchaser. This warranty shall not apply to fuses, disposable batteries (rechargeable type batteries are warranted for 90-days), or any product or parts which have been subject to misuse, neglect, accident, or abnormal conditions of operations.

In the event of failure of a product covered by this warranty, John Fluke Mfg. Co., Inc., will repair and calibrate an instrument returned to an authorized Service Facility within 1 year of the original purchase; provided the warrantor's examination discloses to its satisfaction that the product was defective. The warrantor may, at its option, replace the product in lieu of repair. With regard to any instrument returned within 1 year of the original purchase, said repairs or replacement will be made without charge. If the failure has been caused by misuse, neglect, accident, or abnormal conditions of operations, repairs will be billed at a nominal cost. In such case, an estimate will be submitted before work is started, if requested.

THE FOREGOING WARRANTY IS IN LIEU OF ALL OTHER WARRANTIES, EXPRESS OR IMPLIED, INCLUDING BUT NOT LIMITED TO ANY IMPLIED WARRANTY OF MERCHANTABILITY, FITNESS, OR ADEQUACY FOR ANY PARTICULAR PURPOSE OR USE. JOHN FLUKE MFG. CO., INC., SHALL NOT BE LIABLE FOR ANY SPECIAL, INCIDENTAL, OR CONSEQUENTIAL DAMAGES, WHETHER IN CONTRACT, TORT, OR OTHERWISE.

If any failure occurs, the following steps should be taken:

1. Notify the JOHN FLUKE MFG. CO., INC., or nearest Service facility, giving full details of the difficulty, and include the model number, type number, and serial number. On receipt of this information, service data, or shipping instructions will be forwarded to you.
2. On receipt of the shipping instructions, forward the instrument, transportation prepaid. Repairs will be made at the Service Facility and the instrument returned, transportation prepaid.

SHIPPING TO MANUFACTURER FOR REPAIR OR ADJUSTMENT

All shipments of JOHN FLUKE MFG. CO., INC., instruments should be made via United Parcel Service or "Best Way" prepaid. The instrument should be shipped in the original packing carton; or if it is not available, use any suitable container that is rigid and of adequate size. If a substitute container is used, the instrument should be wrapped in paper and surrounded with at least four inches of excelsior or similar shock-absorbing material.

CLAIM FOR DAMAGE IN SHIPMENT TO ORIGINAL PURCHASER

The instrument should be thoroughly inspected immediately upon original delivery to purchaser. All material in the container should be checked against the enclosed packing list. The manufacturer will not be responsible for shortages against the packing sheet unless notified immediately. If the instrument is damaged in any way, a claim should be filed with the carrier immediately. (To obtain a quotation to repair shipment damage, contact the nearest Fluke Technical Center.) Final claim and negotiations with the carrier must be completed by the customer.

The JOHN FLUKE MFG. CO., INC., will be happy to answer all applications or use questions, which will enhance your use of this instrument. Please address your requests or correspondence to: JOHN FLUKE MFG. CO., INC., P.O. BOX C9090, EVERETT, WASHINGTON 98206, ATTN: Sales Dept. For European Customers: Fluke (Holland) B.V., P.O. Box 5053, 5004 EB, Tilburg, The Netherlands.

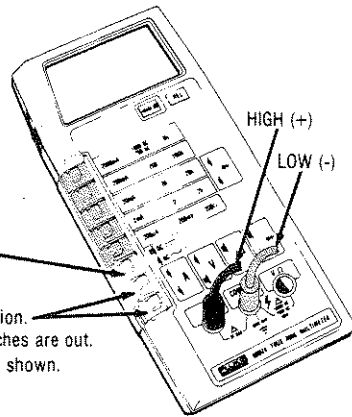
*For European customers, Air Freight prepaid.

John Fluke Mfg. Co., Inc., P.O. Box C9090, Everett, Washington 98206

Rev. 6/81

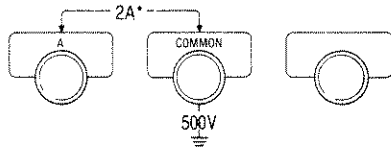
CURRENT (A)

1. Select range.
2. Set AC/DC switch out for DC, in for AC.
3. Push both switches AT THE SAME TIME to select CURRENT function.
4. Ensure all other switches are out.
5. Connect test leads as shown.



WARNING

TO AVOID ELECTRICAL SHOCK AND/OR INSTRUMENT DAMAGE, OBSERVE THE FOLLOWING MAXIMUM LIMITS WHEN MEASURING CURRENT:



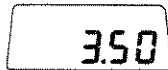
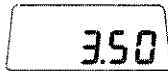
*Protected by 2A/250V fuse and 3A/600V backup fuse.

6. Connect the test probes to the circuit being measured and read the measured value on the display.

RELATIVE (REL)

(May be used with V, A, Ω , or \rightarrow functions)

1. Take desired measurement (example shows a 3.50V voltage measurement has been taken and displayed).
2. Press **REL** to store the next measured value as relative reference (display becomes zero and the REL indicator is displayed). The stored reference is subtracted from subsequent measurements.



- To cancel the relative reference, again press **REL**. The REL indicator disappears and the original measurement value is reestablished.
- Only one relative reference may be stored at a time. Storage of a reference removes any references previously stored.

FLUKE 8062A Operator's Guide

©1982, John Fluke Mfg. Co., Inc.,
all rights reserved. Litho in U.S.A.

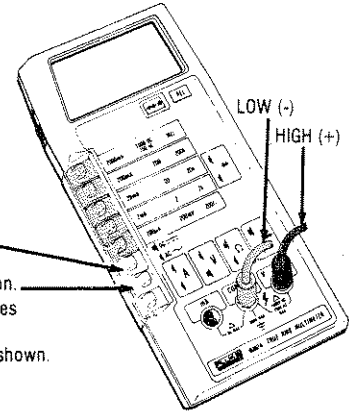
P/N 632703
February 1982



REMOVE INPUT SIGNAL AND TEST LEADS FROM 8062A INPUT TERMINALS BEFORE OPENING THE BATTERY COMPARTMENT OR OTHERWISE ACCESSING OR TOUCHING THE FUSE AND/OR BATTERY. DO NOT OPERATE THE INSTRUMENT UNLESS BATTERY COVER IS IN PLACE AND FULLY CLOSED.

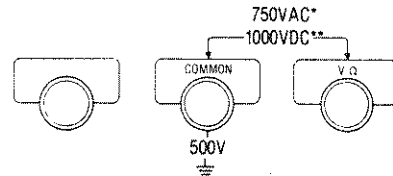
VOLTAGE (V)

1. Select range.
2. Set AC/DC switch out for DC, in for AC.
3. Push switch in to select VOLTAGE function.
4. Ensure all other switches are out.
5. Connect test leads as shown.



WARNING

TO AVOID ELECTRICAL SHOCK AND/OR INSTRUMENT DAMAGE, OBSERVE THE FOLLOWING MAXIMUM LIMITS WHEN MEASURING VOLTAGE:



*Protection on 200 mV range allows 20 sec max for overload above 300V.

**Protection on 200 mV and 2V ranges allow 20 sec max for overload above 300V.

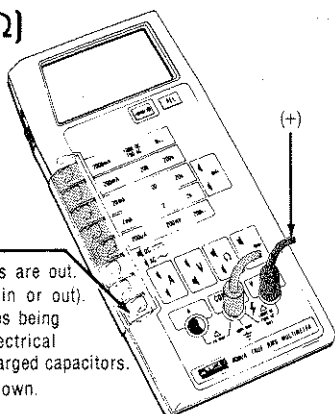
6. Connect the test probes to the circuit being measured and read the measured value on the display.

HIGH IMPEDANCE DC VOLTAGE ($Z_{in} > 1000 M\Omega$)

1. Select the 200 mV or 2V range.
2. Set the AC/DC switch out for DC.
3. Ensure all other switches are out (including both function switches).
4. Follow steps 5 and 6 as listed above.

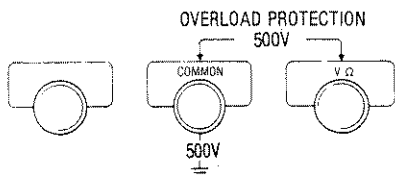
RESISTANCE (Ω)

1. Select range.*
2. Push switch in for RESISTANCE function.
3. Ensure all other switches are out. (AC/DC switch can be in or out).
4. Ensure that the devices being measured contain no electrical energy, including charged capacitors.
5. Connect test leads as shown.



WARNING

TO AVOID ELECTRICAL SHOCK AND/OR INSTRUMENT DAMAGE, OBSERVE THE FOLLOWING MAXIMUM LIMITS WHEN MEASURING RESISTANCE:



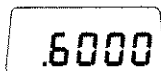
6. Connect the test leads to the circuit being measured and read the measured value on the display.

*To select autoranging k Ω , push in both the M Ω and 200 Ω switches AT THE SAME TIME.

- The 200 Ω , 2 k Ω , 20 k Ω , and 200 k Ω ranges are "low power ohms" ranges that can be used to measure resistance values connected in parallel with silicon junctions (autoranging M Ω and autoranging k Ω will turn on silicon junctions).

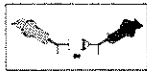
DIODE TEST ($\rightarrow|$)

1. Push switch in for DIODE TEST (same switch as for RESISTANCE function).
2. Push in the two range switches marked with the diode symbol $\rightarrow|$ AT THE SAME TIME.
3. Connect the test probes as shown above for the RESISTANCE function.
4. Connect the test probes to forward bias the diode as shown below:



Typical reading for forward biased silicon diode.

Reverse the test probes to back bias the diode as shown below:



Overrange will be displayed provided parallel resistors are >2k Ω .

- Displayed value is the forward voltage (2V range).

CONTINUITY ($\rightarrow\leftarrow$ |||)

1. Select the RESISTANCE function and desired range (detection threshold is <10% of range for fixed ranges, <20 k Ω for M Ω range, <20 Ω for autoranging k Ω).
2. If visual continuity indication is desired, press $\rightarrow\leftarrow$ ||| :



If audible continuity indication is desired, press $\rightarrow\leftarrow$ ||| again:



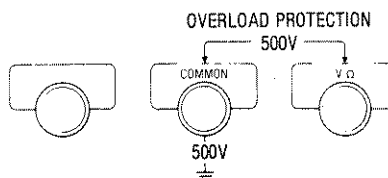
(Press $\rightarrow\leftarrow$ ||| again to disable both):



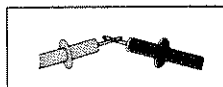
3. Connect the test leads as shown for the RESISTANCE function.
4. Ensure that the device being measured contains no electrical energy, including charged capacitors.

WARNING

TO AVOID ELECTRICAL SHOCK AND/OR INSTRUMENT DAMAGE, OBSERVE THE FOLLOWING MAXIMUM LIMITS WHEN MEASURING CONTINUITY:



5. Connect the test probes to the circuit being measured. Continuity between the test leads will cause the bar to appear on the display and the audible tone to sound (if enabled).



FUSE CHECK (The A input contains two fuses.)

1. Select the RESISTANCE function and the 2 k Ω range.
2. Touch the red test probe to the A input jack so that the V Ω input and the A input are shorted together.
 - If the display reads .1000 \pm .0100 k Ω , both fuses are good. If the display reads OL, one or both need replacement.

BATTERY/FUSE TYPES

MAIN FUSE: 2A/250V Type AGX2 (inside battery compartment).

BACKUP FUSE: 3A/600V Type BBS-3 (inside instrument case).

Caution

Replacement of backup fuse by qualified personnel only. See instruction manual.

BATTERY: 9V carbon-zinc or alkaline NEDA Type #1604.

- BT appears on display when approximately 20% of battery life remains.

Table of Contents

SECTION	TITLE	PAGE
1	INTRODUCTION AND SPECIFICATIONS	1-1
	1-1. INTRODUCTION	1-1
	1-2. SPECIFICATIONS	1-2
2	OPERATING INSTRUCTIONS	2-1
	2-1. INTRODUCTION	2-1
	2-2. UNPACKING YOUR INSTRUMENT	2-1
	2-3. BATTERY INSTALLATION OR REPLACEMENT ..	2-1
	2-4. FUSE REPLACEMENT	2-3
	2-5. PHYSICAL FEATURES	2-3
	2-6. Front Panel	2-3
	2-7. Display	2-6
	2-8. SIGNAL INPUT LIMITS	2-6
	2-9. OPERATION	2-7
	2-10. Power-On Self Test	2-7
	2-11. AC/DC VOLTAGE (V)	2-8
	2-16. AC/DC Current (A)	2-12
	2-17. Resistance (Ω)	2-14
	2-20. Diode Test	2-16
	2-21. Relative (REL)	2-17
	2-22. Continuity (\leftrightarrow)	2-19
	2-23. INITIAL CHECK-OUT PROCEDURE	2-20
3	THEORY OF OPERATION	3-1
	3-1. INTRODUCTION	3-1
	3-2. FUNCTIONAL DESCRIPTION	3-1
	3-3. Microcomputer	3-1
	3-4. Measurement Acquisition Chip (MAC)	3-3
	3-5. A/D Conversion Cycle	3-3
	3-6. Voltage Measurement	3-5
	3-7. Current Measurement	3-6
	3-8. Resistance Measurement	3-7
	3-10. Continuity Measurement	3-7

TABLE OF CONTENTS, (continued)

SECTION	TITLE	PAGE
4	MAINTENANCE	4-1
	4-1. INTRODUCTION	4-1
	4-2. SERVICE INFORMATION	4-1
	4-3. GENERAL INFORMATION	4-2
	4-4. Handling Precautions for Using Static Sensitive Devices	4-2
	4-5. Disassembly and Reassembly	4-3
	4-9. Backup Fuse Replacement	4-8
	4-10. Cleaning	4-8
	4-11. PERFORMANCE TESTS	4-9
	4-12. Initial Procedure	4-9
	4-13. Microcomputer and Display Test	4-9
	4-14. Voltage Test	4-9
	4-15. Resistance Test	4-9
	4-16. Continuity Test	4-10
	4-17. Current Test	4-12
	4-18. Diode Test	4-12
	4-19. CALIBRATION ADJUSTMENTS	4-12
	4-20. TROUBLESHOOTING	4-14
	4-21. Self-Tests	4-14
	4-24. Troubleshooting Guide	4-15
5	LIST OF REPLACEABLE PARTS	5-1
	5-1. INTRODUCTION	5-1
	5-2. HOW TO OBTAIN PARTS	5-1
	5-3. MANUAL CHANGE AND BACKDATING INFORMATION	5-2
6	ACCESSORY INFORMATION	6-1
	6-1. INTRODUCTION	6-1
	6-2. DELUXE CARRYING CASE (C90)	6-1
	6-3. TEMPERATURE PROBES (80T-150C and 80T-150F) .	6-1
	6-4. CURRENT TRANSFORMER (80I-600)	6-4
	6-5. HIGH VOLTAGE PROBE (80K-6)	6-4
	6-6. HIGH VOLTAGE PROBE (80K-40)	6-4
	6-7. HIGH FREQUENCY PROBE (83RF)	6-5
	6-8. HIGH FREQUENCY PROBE (85RF)	6-5
	6-9. BATTERY ELIMINATOR (A81)	6-6
	6-10. CURRENT SHUNT (80J-10)	6-6
	6-11. AC/DC CURRENT PROBE (Y8100)	6-7
	6-12. AC CURRENT TRANSFORMER (Y8101)	6-8
	6-13. SAFETY DESIGNED TEST LEAD SET (Y8132)	6-8
	6-14. DELUXE TEST LEAD SET (Y8134)	6-8
	6-15. SLIM FLEX TEST LEAD SET (Y8140)	6-8
	6-16. CABLES AND ADAPTERS	6-9
7	SCHEMATIC DIAGRAMS	7-1

List of Tables

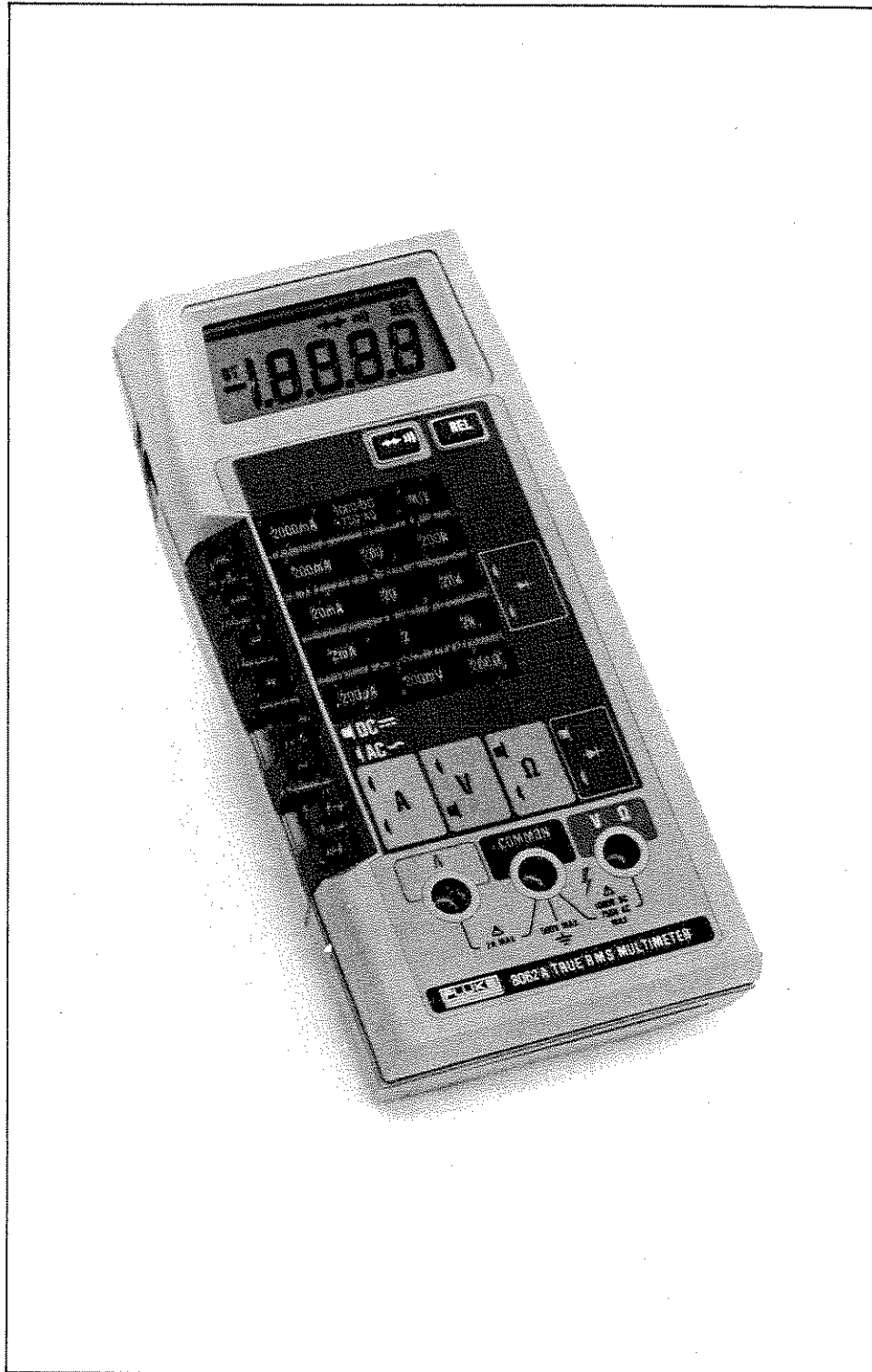
TABLE	TITLE	PAGE
1-1.	8062A Accessories	1-2
1-2.	8062A Specifications	1-3
2-1.	Controls, Indicators and Connectors	2-4
2-2.	Input Overload Limits	2-7
2-3.	Resistance Function Autoranges and Resolution	2-15
3-1.	Voltage Input Divider	3-6
4-1.	Required Test Equipment	4-2
4-2.	Voltage Test	4-11
4-3.	Resistance Test	4-11
4-4.	Current Test	4-12
4-5.	Switch Decoding Self-Test	4-16
4-6.	Troubleshooting Guide	4-17
4-7.	Troubleshooting the Resistance Function: Voltage Sources for Ranges	4-20
4-8.	U3 (MAC) Pin Descriptions	4-21
5-1.	8062A Final Assembly	5-3
5-2.	A1 Main PCB Assembly	5-7
5-3.	Federal Supply Codes for Manufacturers	5-12
5-4.	Manual Status and Backdating Information	5-13
6-1.	Cables and BNC, Banana, Phone & Phone Plug Adapters ...	6-9



List of Illustrations

FIGURE	TITLE	PAGE
Frontispiece	8062A Digital Multimeter	<i>vi</i>
2-1.	Removal of Battery Compartment Cover	2-2
2-2.	Battery Removal and Fuses	2-2
2-3.	Controls, Indicators and Connectors	2-4
2-4.	8062A Display	2-6
2-5.	Overrange Indicator	2-6
2-6.	Voltage Operation	2-8
2-7.	AC and DC Waveform Components	2-9
2-8.	Multiplication Factors for Converting Waveforms	2-10
2-9.	High Impedance DC Voltage	2-11
2-10.	Current Operation	2-12
2-11.	Calculating Burden Voltage Error	2-13
2-12.	Resistance Operation	2-14
2-13.	Selection of Autoranging Kilohms	2-15
2-14.	Diode Test	2-16
2-15.	Relative (REL) Operation	2-17
2-16.	Continuity ($\rightarrow \rightarrow \rightarrow$) Operation	2-19
3-1.	8062A Block Diagram	3-2
3-2.	Analog Portion of the A/D Converter	3-4
3-3.	A/D Measurement Cycle	3-4
3-4.	Voltage Measurement	3-5
3-5.	Current Measurement	3-7
3-6.	Resistance/ Continuity Measurement	3-8
4-1.	Calibration and Backup Fuse (F2) Access	4-4
4-2.	Assembling/ Disassembling the Microcomputer PCB and LCD	4-6
4-3.	Disassembling the LCD	4-7
4-4.	General Equipment Connection	4-10
4-5.	Equipment Connection for Current Test	4-12
5-1.	8062A Final Assembly	5-5
5-2.	8062A A1 Main PCB Assembly	5-11
6-1.	Accessories	6-2

8062A



Model 8062A Digital Multimeter

Section 1

Introduction and Specifications

1-1. INTRODUCTION

Your John Fluke Model 8062A is a handheld, microcomputer-based 4-1/2 digit multimeter that is ideally suited for use in the field, laboratory, shop or home. The 8062A has features that have become accepted standards for quality handheld multimeters, as well as some new features that have not been offered before in a handheld multimeter. New features include the following:

- True rms measurements for ac signals up to 30 kHz.
- Resistance measurements up to 300 M Ω .
- Ability to store any input signal as an offset or relative reference value.

Other features include:

- **FUNCTIONS:**

Standard DMM measurement functions, such as ac and dc volts and ac and dc current, as well as resistance, continuity, and diode test.

- **RANGES:**

Leading zero suppression.

Automatic polarity.

Overrange indication.

Protection from overloads and transients up to 6 kV.

Dual-slope integration a/d conversion to ensure noise-free measurements.

Autorangeing M Ω resistance range (to 300 M Ω), as well as four fixed resistance ranges from 200 Ω to 200 k Ω .

- OPERATOR CONVENIENCE:

4-1/2 digit Liquid Crystal Display.

Software-controlled self-test routines for quick verification of internal circuitry and operation.

- POWER:

170 hours of continuous operation can be expected from a 9V alkaline battery (NEDA 1604).

Low battery voltage is automatically detected and displayed. The low battery indication, BT, appears on the display when about 20% of the battery life remains.

Ordinary line operation is possible using a Fluke Model A81 Battery Eliminator (refer to Section 6 for a description).

A full line of accessories is available to enhance the capabilities of the 8062A. The accessories are listed in Table 1-1 and described in Section 6.

1-2. SPECIFICATIONS

The specifications for the 8062A are listed in Table 1-2.

Table 1-1. 8062A Accessories

MODEL NO.*	DESCRIPTION
A81	Battery Eliminator
C-90	Vinyl Carrying Case
80T-150C	Temperature Probe °C
80T-150F	Temperature Probe °F
80I-600	Current Transformer 2" jaws
80K-6	High Voltage Probe (6 kV)
80K-40	High Voltage Probe (40 kV)
80J-10	Current Shunt
83RF	High Frequency Probe (100 MHz)
85RF	High Frequency Probe (500 MHz)

*BNC, banana plug, phone and phono adapters are also available as accessories and are listed in Section 6.

Table 1-2. 8062A Specifications

ELECTRICAL

The following specifications are based on a one-year calibration cycle, an operating temperature of 18 to 28°C (64 to 82°F) and a relative humidity not exceeding 90%.

DC Voltage

RANGE	RESOLUTION	ACCURACY ±(% of reading + no. of digits)
200 mV 2 V	.01 mV .1 mV	0.05% + 2
20 V 200 V 1000 V	1 mV 10 mV 100 mV	0.07% + 2

RESPONSE TIME 1 second maximum, to rated accuracy within selected range.

INPUT IMPEDANCE 10 MΩ shunted by <100 pf

NORMAL MODE NOISE

REJECTION >60 db at 50 Hz or 60 Hz

COMMON MODE NOISE

REJECTION >120 dB at dc, >90 dB at 50 Hz and 60 Hz (1 kΩ imbalance)

OVERLOAD

PROTECTION 1000V dc or peak ac continuous, except 20 seconds maximum on 200 mV and 2V ranges above 300V dc or rms.

DC Voltage, High Impedance Mode

All specifications are the same as for the dc voltage mode except the following (only 200 mV and 2V ranges are available):

RANGE	RESOLUTION	ACCURACY ±(% of reading + no. of digits)
200 mV 2V	.01 mV .1 mV	0.06% + 2

INPUT IMPEDANCE >1000 MΩ, typically >10,000 MΩ

OVERLOAD

PROTECTION 300V dc or rms continuous, 20 seconds maximum 300V to 1000V dc or peak ac.

Table 1-2. 8062A Specifications (cont)

AC Voltage (True RMS, AC-Coupled)

RANGES 200 mV, 2V, 20V, 200V, 750V

ACCURACY \pm (% of reading + no. of digits). See table below:

INPUT VOLTAGE	RESOLUTION	RANGE	20 Hz to 45 Hz	45 Hz to 500 Hz	500 Hz to 10 kHz	10 kHz to 30 kHz
10.0 to 199.99 mV	.01 mV	200 mV	1% +10	0.5% +10	0.5% +20	1% +40
.1000 to 1.9999V	.1 mV	2V				
1.000 to 19.999V	1 mV	20V			5% +20	5% +40
10.00 to 199.99V	10 mV	200V				
100.0 to 499.9V	100 mV	750V	Not Specified	1%+10	Not Specified	
500.0V to 750.0V				2%+10		

1 kHz

INPUT IMPEDANCE 10 M Ω shunted by <100 pF

COMMON MODE NOISE

REJECTION >60 dB at 50 Hz and 60 Hz (1 k Ω imbalance)

CREST FACTOR RANGE . 1:1 to 3:1

RESPONSE TIME Five seconds maximum to rated accuracy within selected range, 12 seconds to rated accuracy from an overload.

OVERLOAD

PROTECTION 750V rms or 1000V peak continuous except 20 seconds maximum on the 200 mV range above 300V rms or 300V dc. Input not to exceed a volt-hertz product of 1×10^7 (for example, 200V at 50 kHz).

Table 1-2. 8062A Specifications (cont)

Resistance

RANGES 200 Ω , 2 k Ω , 20 k Ω , 200 k Ω , auto-ranging M Ω . The M Ω range extends from .0001 M Ω to 300 M Ω in three autoranged ranges. Upscale range changes are made at 2 M Ω and 20 M Ω . Downscale range changes are made at 19 M Ω and 1.9 M Ω .

ACCURACY \pm (% of reading + no. of digits). See table below.

RANGE		RESOLUTION	ACCURACY	FULL-SCALE VOLTAGE	MAX CURRENT	OPEN CIRCUIT VOLTAGE
200 Ω		0.01 Ω	(0.1%+2+.02 Ω)	<250 mV	<1.1 mA	<4.8V
2 k Ω		0.1 Ω	(0.1%+2)		<150 μ A	<1.5V
20 k Ω		1 Ω	(0.1%+2)		<15 μ A	
200 k Ω		10 Ω	(0.1%+2)		<1.5 μ A	
M Ω	0-1.9999 M Ω	100 Ω	(0.2%+2)	<2.5V	<2.5 μ A	<2.5V
	2-19.99 M Ω	10 k Ω	(0.25%+3)			
	20-99.9 M Ω	100 k Ω	(1%+3)			
	100-300 M Ω	1 M Ω	(2%+3)			
AUTORANGING K Ω		0.1 Ω TO 1 k Ω	(.20%+2)		<1.0 mA	

RESPONSE TIME Two seconds maximum to rated accuracy for all ranges except M Ω . For M Ω , 8 seconds maximum.

OVERLOAD PROTECTION 500V dc or rms ac for all ranges.

Table 1-2. 8062A Specifications (cont)

Continuity

RANGES	All resistance ranges
THRESHOLD	Nominally <50% of range (for example, <100 Ω in the 200 Ω range) for 200 Ω , 2 k Ω , 20 k Ω , 200 k Ω ranges. Nominally <100 k Ω in M Ω range and <100 Ω in autoranging k Ω .
DISPLAY INDICATION ...	Horizontal bar across the top of the display and/or 2.667 kHz tone. Indication is present for a minimum of 200 ms.
RESPONSE TIME	50 μ s maximum (10 μ s typical)
OVERLOAD PROTECTION	500V dc or rms ac

Diode Test

RANGE	2V
TEST CURRENT	1 mA (\pm 10%)
ACCURACY	\pm (0.06% of reading + 2 digits)
RESPONSE TIME	1 second maximum
OVERLOAD PROTECTION	500V dc or rms ac

DC Current

RANGE	RESOLUTION	ACCURACY \pm (% of reading + no. of digits)	BURDEN VOLTAGE
200 μ A 2 mA 20 mA	.01 μ A .1 μ A 1 μ A	0.3% + 2	.3V maximum .3V maximum .3V maximum
200 mA 2000 mA	10 μ A 100 μ A	0.7% + 2	.3V maximum .9V maximum

OVERLOAD PROTECTION	2A/250V fuse (operator replaceable) in series with 3A/600V fuse (service personnel replaceable).
---------------------------	--

Table 1-2. 8062A Specifications (cont)

AC Current (True RMS Responding, AC-Coupled)

ACCURACY \pm (% of reading + no. of digits). See table below:

INPUT CURRENT	RESOLUTION	RANGE	20 Hz to 45 Hz	45 Hz to 3 kHz	3 kHz to 10 kHz	10 kHz to 30 kHz
10 to 199.99 μ A	0.01 μ A	200 μ A				
.1 to 1.9999 mA	0.1 μ A	2 mA	1%+10	0.75%+10	2%+20	2%+40
1 to 19.999 mA	1 μ A	20 mA				
10 to 199.99 mA	10 μ A	200 mA	1.5%+10	1%+10		Not Specified
100 to 1999.9 mA	100 μ A	2000 mA				

BURDEN VOLTAGE 0.3V rms maximum except 2000 mA range, 0.9V rms maximum.

OVERLOAD

PROTECTION 2A/250V fuse (operator replaceable) in series with 3A/600V fuse (service personnel replaceable).

Relative

SELECTION When the REL button is pushed, the input applied at that time is stored as a zero reference point. Subsequent readings indicate deviations (\pm) from the reference point.

ACCURACY Error does not exceed the sum of the errors of the reference reading and the subsequent reading.

Table 1-2. 8062A Specifications (cont)

GENERAL**Maximum Common Mode**

Voltage 500V dc or ac rms

Display Update Rate 2.5 readings/second.

Display 4½ digit duplex LCD (19,999 count), leading zero suppression, autopolarity.

Display Annunciators BT (low battery indicator), REL (relative function enabled), \leftrightarrow and \equiv (continuity function enabled), and — (bar indicates continuity detected).

A/D Converter Dual-slope converter

Power Single standard 9V battery (NEDA 1604), or Fluke A-81 Battery Eliminator option available for 100, 115, or 230V ac operation.

Battery Life Typically 170 hours with an alkaline battery. BT appears on display when approximately 20% of battery life remains.

Size 180 mm L x 86 mm W x 45 mm H (7.1" L x 3.4" W x 1.8" H)

Weight41 kg (14.5 oz.)

Shock and Vibration MIL-T-28800B

ENVIRONMENTAL

Operating Temperature 0 to 50°C

Storage Temperature -35 to +60°C

Accuracy Temperature

Coefficient 0.1 x the applicable accuracy specification per °C (plus the initial 23°C specification) for 0 to 18°C and 28 to 50°C.

Relative Humidity 0 to 80% R.H. from 0 to +35°C, 0 to 70% from 35 to 50°C, except 0 to 70% R.H. for MΩ range above 20 MΩ.

Section 2

Operating Instructions

2-1. INTRODUCTION

This section describes how to make measurements with your 8062A. Even though you may have used a multimeter before, we suggest that you take the time to read this material carefully so that you can take full advantage of the wide variety of measurement functions offered by the 8062A.

2-2. UNPACKING YOUR INSTRUMENT

Your instrument was shipped with two test leads (one red and one black), a 9V battery, and this manual. Check the shipment carefully and immediately contact the place of purchase if anything is missing or damaged in shipment.

If reshipment is necessary, please use the original shipping container. If the original container is not available, be sure that adequate protection is provided to prevent damage during shipment. It is recommended that the instrument be surrounded by at least three inches of shock-absorbing material in the shipping container.

2-3. BATTERY INSTALLATION OR REPLACEMENT

The 8062A is designed to operate on a single, common, inexpensive 9V battery (NEDA 1604). When you receive the instrument, the battery will not be installed. Once the battery is installed, you can expect a typical operating life of up to 170 hours with an alkaline battery, or 80 hours with a carbon-zinc battery. When the battery has exhausted about 80% of its useful life the BT indicator will appear at the far left of the display. Your instrument will continue to operate properly for at least 24 hours with an alkaline battery after BT first appears on the display. The 8062A also may be operated from a standard ac power line outlet when used with the optional A81 Battery Eliminator (refer to Section 6 for a description). Use the following procedure to install or replace the battery:

WARNING

TO AVOID ELECTRICAL SHOCK, TURN OFF THE INSTRUMENT AND REMOVE THE TEST LEADS AND ANY INPUT SIGNALS BEFORE REPLACING THE BATTERY.

1. Set the 8062A power switch to OFF.
2. Remove test leads from external connections and from the 8062A input terminals.
3. Turn the instrument over and use your thumbs to pry off the battery cover as shown in Figure 2-1 (push cover down and then out).
4. Slide the battery out of the compartment as shown in Figure 2-2.
5. Carefully pull the battery clip free from the battery terminals (if replacing the battery) and attach the new battery.
6. Slide the battery and its leads into the compartment and slide the cover into place.

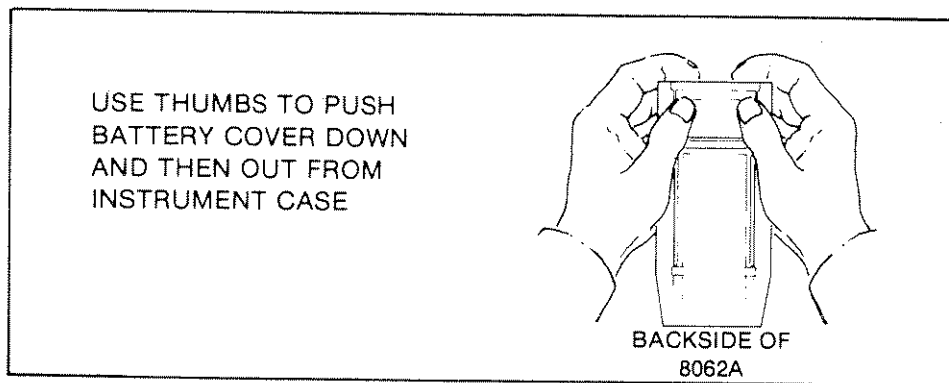


Figure 2-1. Removal of Battery Compartment Cover

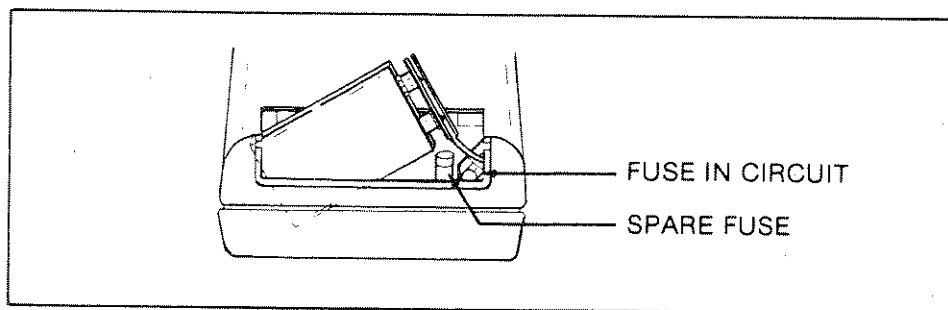


Figure 2-2. Battery Removal and Fuses

You can measure the voltage of your battery by using the following procedure:

1. Select the dc voltage function and the 20V range.
2. Locate the opening for the battery eliminator jack on the right side of the instrument to the right of the display. Touch the red (VΩS) probe tip

to the side contact (not the center pin). Be sure you do not short the battery by shorting the side contact to the center pin. Battery voltage should be between 5.2V to 10V for proper operation. If the voltage is less, the battery should be replaced.

2-4. FUSE REPLACEMENT

When you installed the battery, you probably noticed two fuses at the right side of the battery compartment (refer to Figure 2-2 or examine your instrument). The fuse at the far right is F1. Fuse F1, 2A/250V, protects the current input from an input overload. The other fuse is a spare fuse for F1. When you purchase your instrument, F1 should be installed and the spare fuse should be in one of the two slots next to it. The larger slot is for the American-style fuse, and the smaller slot is for the European-style fuse (either style fuse fits in the installation compartment).

If you need to replace F1, use the tip of a test lead to push the fuse forward from the end and then up to release. Replace F1 with the appropriate 2A/250V fuse; American-style: fast-acting, type AGX2, 1/4 x 1", John Fluke 376582; European-style: 5 x 20 mm, John Fluke 460972.

There is another fuse, F2, 3A/600V, which also protects the current input. The instrument cover must be removed to replace F2. This procedure is described in Section 4 and should only be done by a person qualified to service the instrument.

The following steps provide a quick and easy way to check the condition of both fuses F1 and F2:

1. Select the resistance function and the 2 k Ω range.
2. Touch the red test lead tip to the A input jack so that the V Ω S input and the A input are shorted together.
3. If the display reads $.1000 \pm .0100$ k Ω , both fuses are good.
4. If the display reads OL, one or both fuses need replacement.

2-5. PHYSICAL FEATURES

Before you begin using your 8062A, we suggest you take a few minutes to familiarize yourself with the instrument. All of the externally accessible features are shown in Figure 2-3 and described in Table 2-1. The front panel and the display are also described in the following paragraphs.

2-6. Front Panel

The front panel of the 8062A is designed to make function and range selection easy. The symbols and colors on the panel indicate which switches to push or buttons to press to select the function you want. Details are provided later with the description of each function.

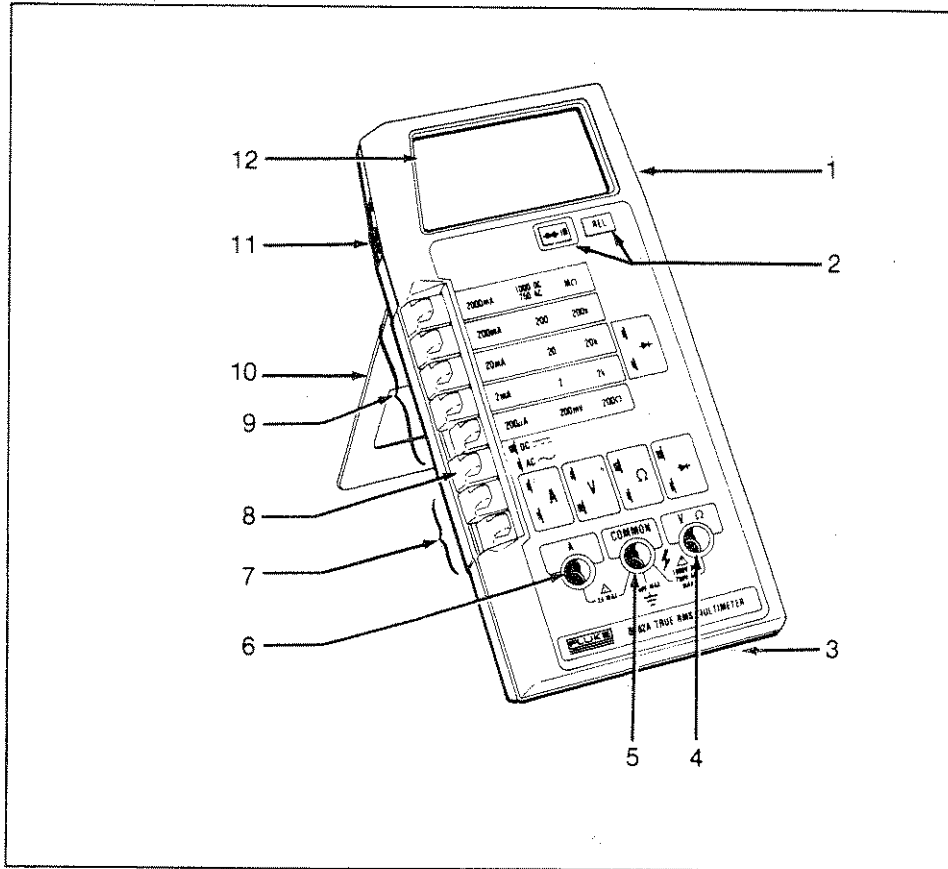


Figure 2-3. Controls, Indicators and Connectors

Table 2-1. Controls, Indicators and Connectors

ITEM NO.	NAME	FUNCTION
1	Battery Eliminator Connector	External input power connector for use with the A81 Battery Eliminator accessory.
2	Function Buttons: ↔ III, REL	Push buttons that toggle on or toggle off the 'secondary' functions: visible or audible continuity, or relative. These functions are selected in conjunction with the primary measurement functions (see items 7 and 8).
3	Battery Compartment and Cover	Cover for the 9V battery and the current fuse F1.

Table 2-1. Controls, Indicators and Connectors (cont)

ITEM NO.	NAME	FUNCTION
4	V Ω Input Connector	Protected test lead connector used as the high input for all voltage, resistance, and continuity measurements. All test lead connectors accept standard or safety-designed banana plugs.
5	COMMON Input Connector	Protected test lead connector used as the low or common input for all measurements.
6	A Input Connector	Protected test lead connector used as the high input for current measurements.
7	Function Switches: A, V, Ω	Interlocked switches that are used in conjunction with the input connectors to select the measurement functions. Pushing one switch releases the other, or both may be pushed together.
8	AC/DC Function Switch	Push-on/push-off switch is used to select ac or dc for current or voltage measurements. (Does not affect selection of diode test or resistance functions).
9	Range Switches	Interlocked switches that are used to select ranges. Pushing a switch selects the corresponding range and releases other switch depressions. Also used to select conductance and the diode test.
10	Tilt Bail	A fold-out stand. The bail may also be removed (press in one of the legs at the hinge of the bail) and reinserted from the top as a hook for hanging the instrument.
11	Power Switch	Slide switch for turning instrument on or off.
12	Display	4½ digit LCD display (19999 maximum) with decimal point, minus sign, over-range, continuity and relative indicators.

2-7. Display

The 8062A provides measurement results on the 4-1/2 digit LCD display (refer to Figure 2-4 or your instrument). The decimal point is placed automatically. Symbols in the upper portion of the display indicate when one of the secondary functions is enabled. The measurement units are indicated by the range switch that is pushed in. Leading zeroes are not displayed.

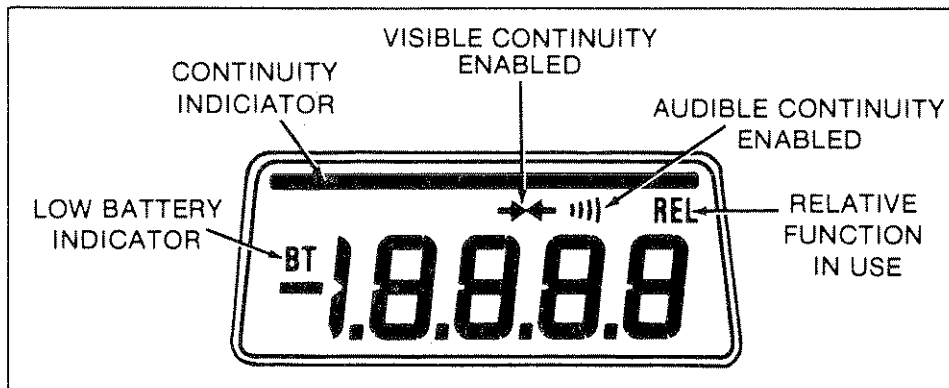


Figure 2-4. 8062A Display

If you are taking a measurement and the OL symbol appears on the display (Figure 2-5), an overrange condition is indicated, meaning that the input is higher than the range selected. You should select a higher range for the measurement. The OL symbol does not necessarily mean that the instrument is being exposed to a damaging input condition. For example, when measuring resistance, an open input will cause OL to appear.

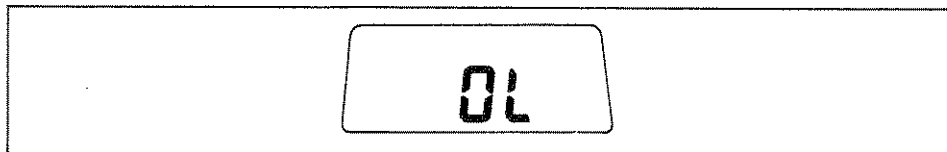


Figure 2-5. Overrange Indicator

2-8. SIGNAL INPUT LIMITS

CAUTION

Exceeding the maximum input overload limits can damage your instrument.

Before you begin to use your 8062A, it is important to note the maximum inputs that may be applied to the instrument. Table 2-2 presents the maximum inputs that are allowed for each function, range, and input terminal.

WARNING

TO AVOID ELECTRICAL SHOCK AND/OR INSTRUMENT DAMAGE, DO NOT CONNECT THE COMMON INPUT TERMINAL TO ANY SOURCE MORE THAN 500 VOLTS DC OR RMS AC ABOVE EARTH GROUND.

Table 2-2. Input Overload Limits

FUNCTION	INPUT TERMINALS	MAXIMUM INPUT LIMIT
AC Voltage	V Ω and COMMON	750V rms or 1000V peak continuous except 20 seconds maximum on the 200 mV range above 300V dc or ac rms.
DC Voltage	V Ω and COMMON	1000V dc or peak ac continuous except 20 seconds maximum on the 200 mV and 2V ranges above 300V dc or ac rms.
AC or DC Current	A and COMMON	2A maximum, fuse protected to 600V dc or ac rms.
Resistance, Diode Test, and Continuity	V Ω and COMMON	500V dc or ac rms

2-9. OPERATION

The following paragraphs describe the power-on self-test, and how to operate your 8062A in each of the seven primary functions or the two secondary functions.

2-10. Power-On Self-Test

To turn on your instrument, locate the green switch on the left side of the instrument and slide it forward. Whenever you turn on the instrument, the 8062A automatically performs a self-test to make sure the display and the microcomputer are functioning properly. If everything is functioning properly, all the LCD segments in the display will turn on (Figure 2-4). After about one or two seconds, the display will go blank briefly before responding to switch selections.

If the LCD segments do not all turn on during the self-test, or if the instrument does not clear the display after the test and then respond to switch selections, something is probably wrong with the instrument. Try the test again, and if it fails, have a qualified person refer to Section 4. If there is no display when you turn on the instrument, check the battery and battery connections. You will find that if you turn off your instrument and then immediately turn it back on, a random assortment of LCD segments may be displayed. This is normal. After about a second the instrument should turn on all the LCD segments as usual during the self-test.

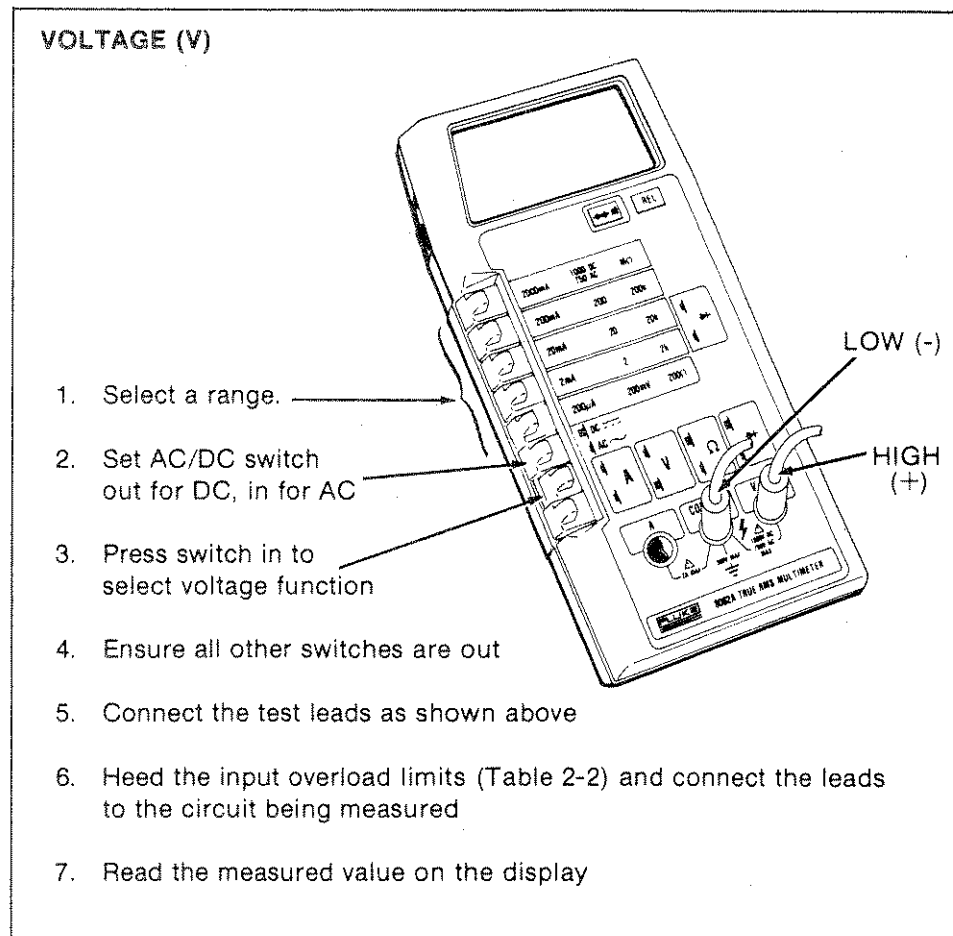


Figure 2-6. Voltage Operation

2-11. AC/DC Voltage (V)

Selection of the ac or dc voltage (V) functions is described in Figure 2-6. The 8062A offers five ac and five dc voltage ranges: 200 mV, 2V, 20V, 200V, and 750V ac/1000V dc. All ranges present a 10 M Ω input impedance, which is shunted by <100 pF.

2-12. TRUE RMS MEASUREMENT

One of the most useful features of the 8062A is the direct measurement of true rms or effective ac voltages and ac currents. Mathematically, rms is defined as the square root of the sum of the squares of the ac and dc components. In physical terms, rms is equivalent to the dc value that dissipates the same amount of heat in a resistor as the original waveform. The reason that rms is so valuable is that it greatly simplifies the analysis of complex ac signals. Since rms is the dc equivalent to the original waveform, it can be used in the relationships derived from Ohm's law ($E = I \times R$), and it provides a reliable basis for comparing dissimilar waveforms.

Most meters in use today have average-responding ac converters rather than true rms ac converters like the 8062A. Usually the gain in average-responding meters is adjusted so that the reading gives the rms value, provided the input signal is a harmonic-free sinusoid. However, if the signal is not sinusoidal, the average-responding meter does not give correct rms readings.

The 8062A ac converter actually calculates the rms value through analog computation. This means that 8062A readings are accurate rms values not only for harmonic-free sinusoids, but also for mixed frequencies, modulated signals, square waves, sawtooths, 10%-duty-cycle rectangular pulses, etc.

2-13. AC-COUPLED AC MEASUREMENTS

Input signals are ac-coupled in the ac functions. One of the major advantages of ac-coupling is that ripple measurements can be made on power supplies, phone lines, etc. Ripple measurements cannot be made with dc-coupling. Remember, however, that when the 8062A measures signals with the ac voltage function, the reading on the display does not include the dc component (if it exists). For example, consider the waveform in Figure 2-7. The ac voltage function will measure the ac rms component. The dc voltage function will measure the dc component. To obtain the total rms value for such a waveform, first measure the ac and dc values separately, then calculate the total rms value using the formula given in Figure 2-7.

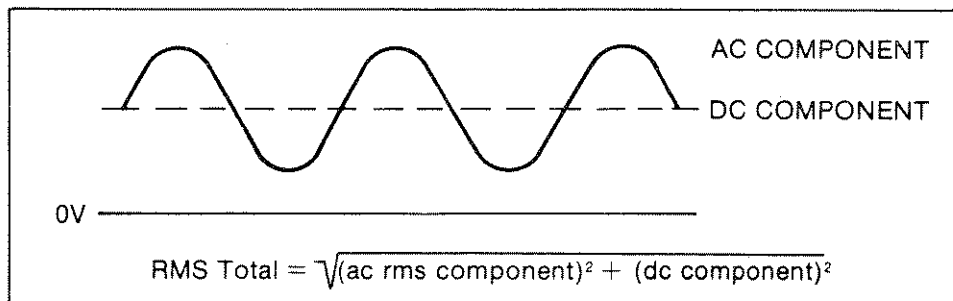
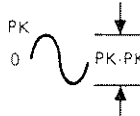
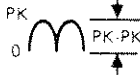
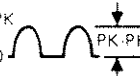
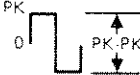

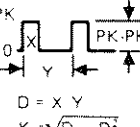
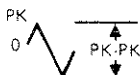


Figure 2-7. AC and DC Waveform Components

2-14. WAVEFORM COMPARISON AND CONVERSION

Figure 2-8 shows the relationship between common waveforms and the display readings for the 8062A and average-responding meters. Figure 2-8 also illustrates the relationship between ac and dc measurements for ac-coupled meters. For example, consider the first waveform, a 1.414V (0-pk) sinewave. Both the 8062A and the rms-calibrated average-responding meter display the correct rms reading of 1.000V (the dc component equals 0). However, consider the 1.414V (0-pk) rectified square wave. Both types of meters correctly measure the dc component (0.707V). But only the 8062A correctly measures the ac component (0.707V). The average-responding meter measures 0.785V, which amounts to a 5.6% error in the total rms measurement calculated from the ac and dc components.

AC COUPLED INPUT WAVEFORM	PEAK VOLTAGES		DISPLAY READINGS			DC AND AC TOTAL RMS
	PK-PK	0-PK	AC COMPONENT ONLY		DC COMPONENT ONLY	
			RMS CAL*	8062A		TRUE RMS = $\sqrt{ac^2 + dc^2}$
SINE 	2.828	1.414	1.000	1.000	0.000	1.000
RECTIFIED SINE (FULL WAVE) 	1.414	1.414	0.421	0.435	0.900	1.000
RECTIFIED SINE (HALF WAVE) 	2.000	2.000	0.784	0.771	0.636	1.000
SQUARE 	2.000	1.000	1.110	1.000	0.000	1.000
RECTIFIED SQUARE 	1.414	1.414	0.785	0.707	0.707	1.000
RECTANGULAR PULSE  $D = X \cdot Y$ $K = \sqrt{D} / D^2$	2.000	2.000	2.22K	2K	2D	$2\sqrt{D}$
TRIANGLE SAWTOOTH 	3.464	1.732	0.960	1.000	0.000	1.000

* RMS CAL IS THE DISPLAYED VALUE FOR AVERAGE RESPONDING METERS THAT ARE CALIBRATED TO DISPLAY RMS FOR SINE WAVES

Figure 2-8. Multiplication Factors for Converting Waveforms

Since average-responding meters have been in use for so long, you may have accumulated test or reference data based on them. The conversion factors in Figure 2-8 should help you convert between the two measurement methods.

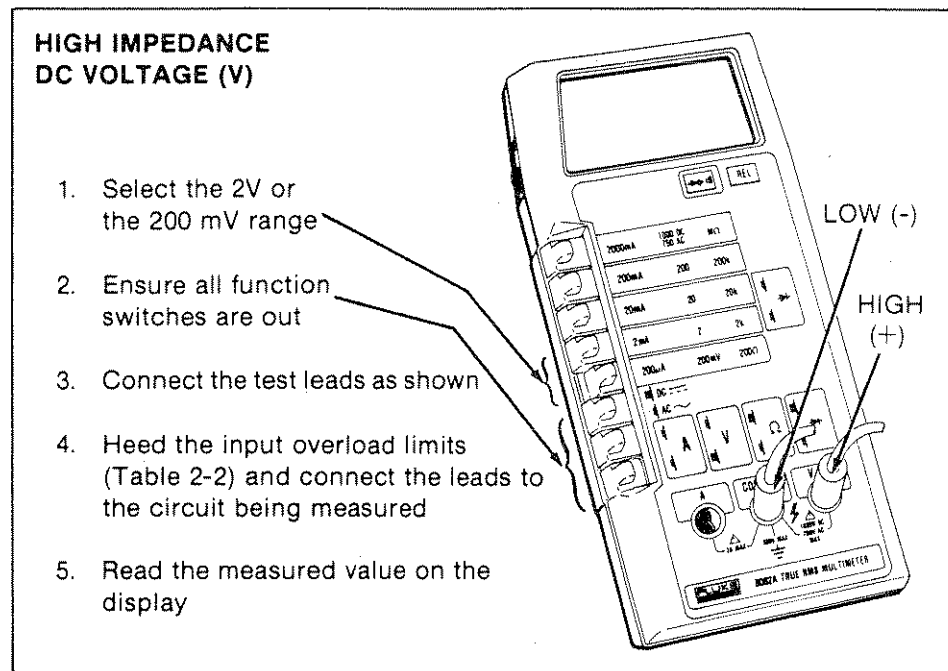


Figure 2-9. High Impedance DC Voltage

2-15. HIGH IMPEDANCE DC VOLTAGE

Occasionally you may want to make dc voltage measurements in high impedance circuitry where even the 10 M Ω input impedance for the normal dc voltage function could load the circuit and cause significant errors. For example, a 10 M Ω input impedance causes a .1% error when measuring the voltage across the 10 k Ω leg of a 90 k Ω over 10 k Ω voltage divider. The 8062A offers a >1000 M Ω (typically >10,000 M Ω) input impedance dc voltage function which greatly reduces this error.

Figure 2-9 describes how to select the high input impedance dc voltage function (the ac voltage function does not operate in this mode). Notice that all of the function switches must be out to select this function. Either the 2V or the 200 mV range may be selected.

NOTE

When taking measurements in the high impedance dc voltage function, do not select any ranges except the 2V or 200 mV ranges. Measurement in other ranges will result in erroneous readings.

NOTE

When the high impedance dc voltage function is selected and no inputs are applied, noise from the environment (such as rf or power line noise) may cause the 8062A to display OL (overrange).

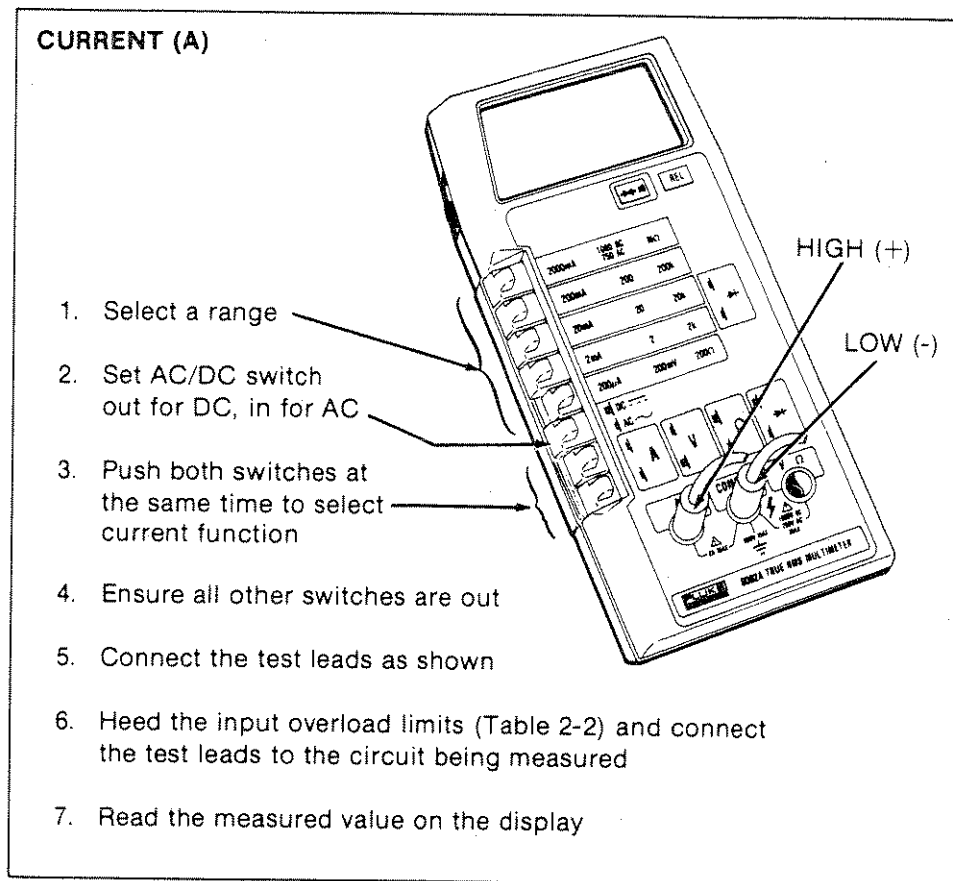


Figure 2-10. Current Operation

2-16. AC/DC Current (A)

Selection of the ac or dc current (A) function is described in Figure 2-10. The 8062A offers five ac (true rms ac-coupled) and five dc current ranges: 200 μ A, 2 mA, 20 mA, 200 mA, 2000 mA. Each range is protected by a 2A/250V fuse in series with a 3A/600V fuse.

When a meter is placed in series with a circuit to measure current, you may have to consider an error caused by the voltage drop across the meter (in this case, across the protective fuses and current shunts). This voltage drop is called the burden voltage. The maximum full-scale burden voltages for the 8062A are 0.3V for the four lowest ranges and 0.9V for the highest range.

These voltage drops can affect the accuracy of a current measurement if the current source is unregulated and the resistance of the shunt and fuses represents a significant part (1/1000 or more) of the source resistance. If burden voltage does present a problem, you can calculate the error by using the formula in Figure 2-11. You can minimize this error by selecting the highest current range that provides the necessary resolution.

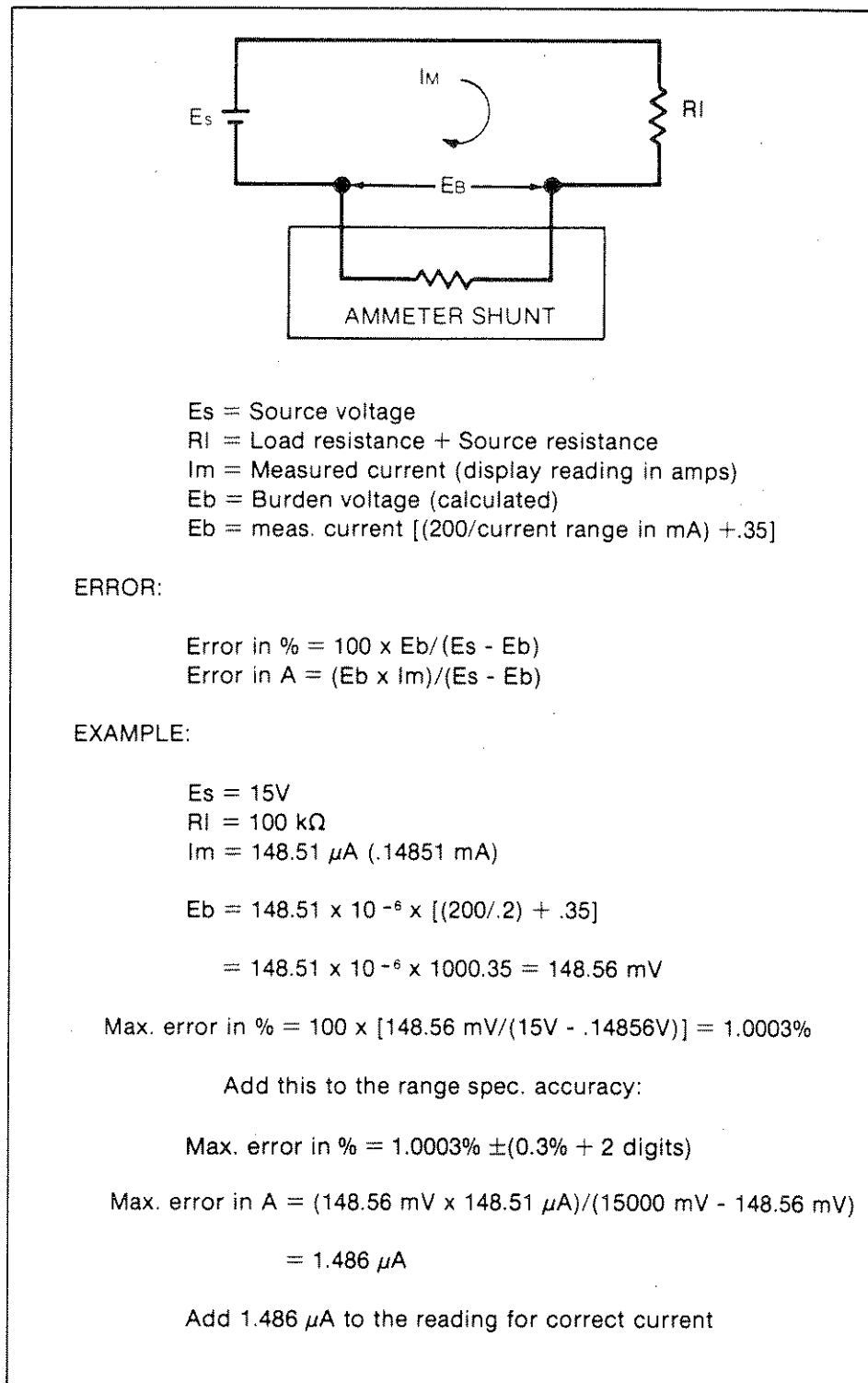


Figure 2-11. Calculating Burden Voltage Error

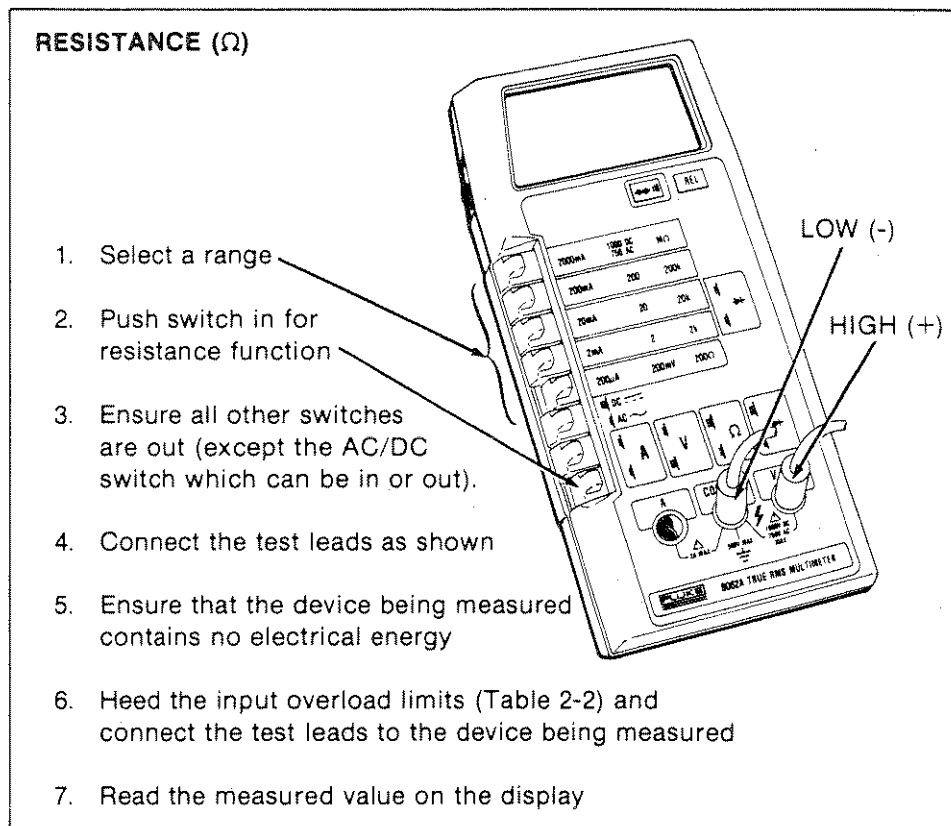


Figure 2-12. Resistance Operation

2-17. Resistance (Ω)

Selection of the resistance function is described in Figure 2-12. There are four fixed ranges (200 Ω , 2 k Ω , 20 k Ω , 200 k Ω) plus the autoranging M Ω range consisting of three ranges: 2 M Ω , 20 M Ω , and 300 M Ω .

In all fixed resistance ranges (200 Ω to 200 k Ω), the test voltage is less than that required to turn on most semiconductor junctions. This feature, sometimes referred to as "low power" ohms, aids in troubleshooting by allowing you to measure resistors independent of the effects of in-circuit transistors and diodes. For the fixed ranges the maximum full scale voltage across the circuit being measured is less than 250 mV. The autoranging M Ω ranges have enough voltage to turn on semiconductor junctions (maximum 2.5V full scale), but the current is very low (2.2 μ A maximum).

Resistance measurements for all ranges are made using a two-wire ratiometric technique. This means that test lead resistance may affect the accuracy in the 200 Ω range. You can correct this error by shorting the test leads together, reading the test lead resistance, and then subtracting it from resistance readings. The most convenient way to do this is with the relative function as described later in this section. This technique is also useful for removing the .02 Ω error factor in the 200 Ω range (refer to resistance specifications in Section 1).

2-18. AUTORANGING MEGOHMS

When the autoranging MΩ range is selected, the 8062A automatically selects the range appropriate for the measurement. The measurement resolution decreases in the two higher MΩ ranges as shown in Table 2-3. Readings made at the crossover points between ranges are microcomputer-stabilized by an offset in the upscale and downscale directions. Range changes are made at 2.00 MΩ and 20.00 MΩ as readings go upscale, or at 19.0 MΩ and 1.90 MΩ as readings go downscale.

Table 2-3. Resistance Function Autoranges and Resolution

RANGE		RESOLUTION	NO. OF DIGITS POSSIBLE IN READING
MΩ Auto- Range	2 MΩ	100Ω	4½
	20 MΩ	10 kΩ	3½
	300 MΩ 20 to 99.9 MΩ 100 to 300 MΩ	100 kΩ 1 MΩ	3 3
kΩ Auto- Range	2 kΩ	0.1Ω	4½
	20 kΩ	10Ω	3½
	300 kΩ 20 to 99.9 kΩ 100 to 299 kΩ	100Ω 1 kΩ	3 3

2-19. AUTORANGING KILOHMS

Although it is not indicated on the front panel, there is an additional autoranging range available: the autoranging kΩ range, which consists of 2 kΩ, 20 kΩ, and 300 kΩ ranges. To select this range, you must simultaneously press the MΩ and the 200Ω switches as shown in Figure 2-13. Like the autoranging MΩ ranges, the autoranging kΩ ranges have enough voltage to turn on semiconductor junctions. Note that the use of the relative function with the autoranging kΩ ranges is restricted to the autoranging kΩ ranges. Refer to the description of the relative function for more information. The autoranging kΩ has the same decrease in resolution (see Table 2-3) and the same display hysteresis as the autoranging MΩ.

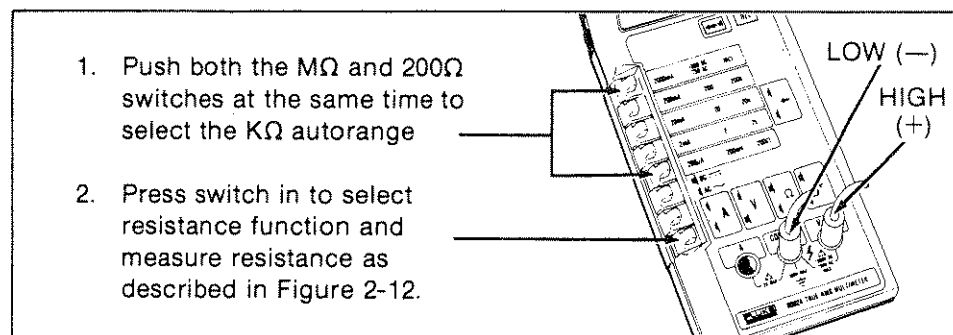


Figure 2-13. Selection of Autoranging Kilohms

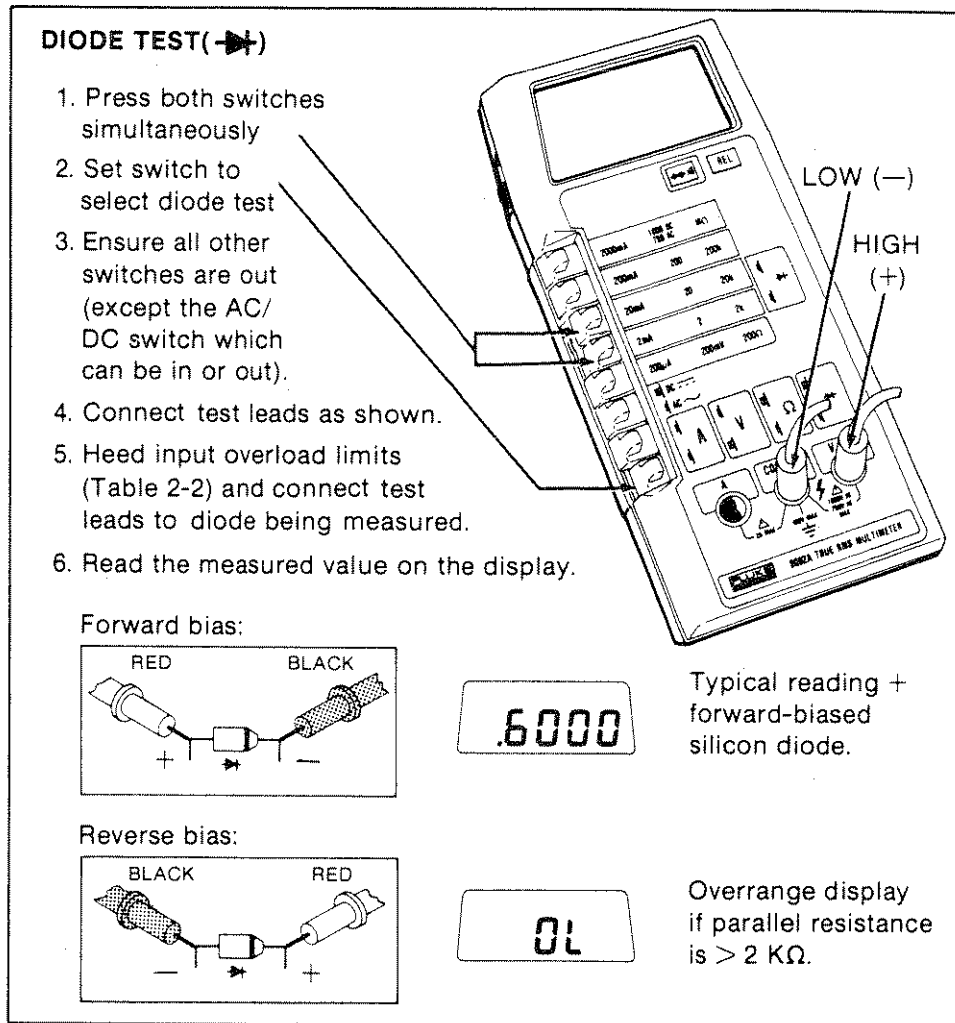


Figure 2-14. Diode Test

2-20. Diode Test (▶▶)

Selection of the diode test is described in Figure 2-14. Notice how the test leads are placed to forward-bias or reverse-bias the diode in the figure.

The diode test measures the forward voltage of a semiconductor junction (or junctions) at a 1 mA ($\pm 10\%$) test current. Readings are displayed in the 2V range, with OL displayed for voltages greater than 2V. For a silicon diode, the typical forward voltage at 1 mA is about 0.6V. A reverse-biased semiconductor junction should display the overrange (OL) indicator provided that any resistance parallel to the junction is greater than 2 k Ω .

A quick way to check for shorted or open junctions is to reverse the test leads. If the junction indicates the same in-scale reading both directions, it is probably shorted. If the junction indicates an overrange both directions, it is open.

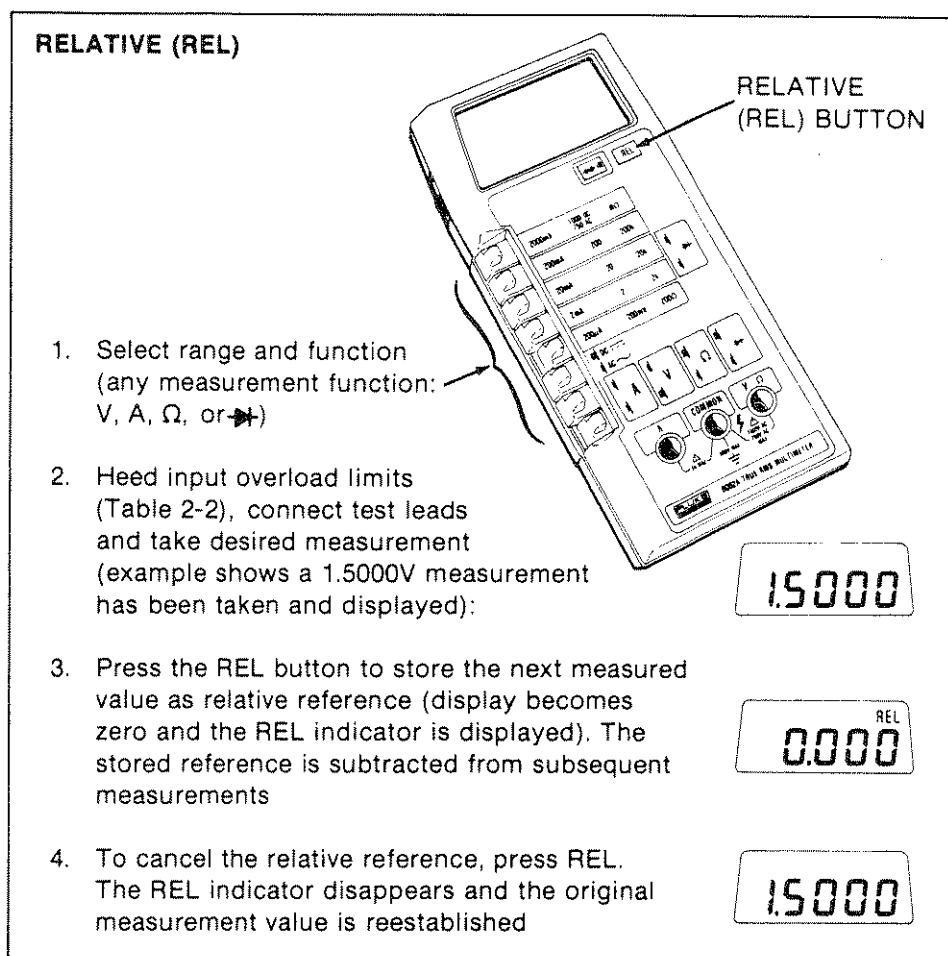


Figure 2-15. Relative (REL) Operation

2-21. Relative (REL)

The relative function allows you to store any reading as an offset or relative reference value. When you press the REL button, the REL indicator appears in the upper right corner of the display, and the 8062A stores the next measurement in a register along with the function and range. Subsequent measurements are displayed as the difference between the measured value and the stored relative reference (refer to Figure 2-15).

For example, if a reading of 1.0000V dc is displayed when the REL button is pressed (the display will read 0.0000 after REL is pressed), subsequent readings will have 1.0000 subtracted from them. If the next measurement is 1.2700V dc, the reading displayed will be .2700. If the next measurement is 0.8500V dc, the reading displayed will be -.1500. You may cancel the relative reference by pressing the REL button (the REL indicator disappears from the display), by turning the instrument off, or by storing a relative reference with another function.

If you change ranges, the relative reference is automatically multiplied or divided by the appropriate power of ten before being subtracted from the measurement. If you change functions, the REL indicator disappears and the relative reference is stored with the original function. When you reselect the function, the relative reference is restored (the REL indicator reappears) unless a new relative reference was established in another function.

The relative function may be used with all the measurement functions: ac or dc voltage, ac or dc current, resistance, and diode test. When used with continuity, the relative function stores the accompanying resistance readings. Note that the input overload limits are not affected by the use of the relative function.

Another thing to be aware of when using relative reference is that the range of possible readings is still subject to the limits of the display and the 19999 counts of the analog-to-digital (a/d) converter, regardless of the relative reference. For example, suppose the instrument is in the dc voltage function with the 20V range selected, and you store a relative reference of 15V. The maximum positive voltage reading that can be displayed without overranging is 4.999V, which is actually a 19.999V input signal. Any input signal greater than 4.999V exceeds the 19999 counts of the a/d converter. The minimum (negative) voltage reading that may be displayed without overranging is -19.999V, which is a -4.999V input signal. Any input signal less than -4.999V causes an overrange (indicated by OL on the display) because the display has reached negative full-scale. You can avoid this situation by selecting a higher range.

Remember that even though the REL indicator appears on the display almost instantaneously after the REL button is pressed, the relative reference is not stored until the next measurement takes place. For all functions, the time between measurements is about 0.4 seconds.

A typical way to use the relative reference is to correct for test lead resistance. Although test lead resistance is usually very small (typically two or three Ω), it can be significant when measuring low resistances. To correct for it, select the desired resistance range, short the test leads together, and press the REL button. The REL indicator will appear and the display will read zero. The 8062A will automatically subtract the stored test lead resistance from subsequent measurements. Other common applications for relative reference include: offset nulling (dc and ac voltage or current), diode and transistor matching (diode test), resistor matching (Ω) and voltage deviation (ac and dc voltage).

NOTE

The use of the relative function with the autoranging $k\Omega$ ranges is restricted to the autoranging $k\Omega$ ranges. If you take a reference reading within the autoranging $k\Omega$ range and then use it as a reference outside autoranging $k\Omega$, or use a reference reading taken outside autoranging $k\Omega$ within autoranging $k\Omega$, errors will result. There is no restriction on the use of the relative function with the fixed resistance ranges or with autoranging $M\Omega$.

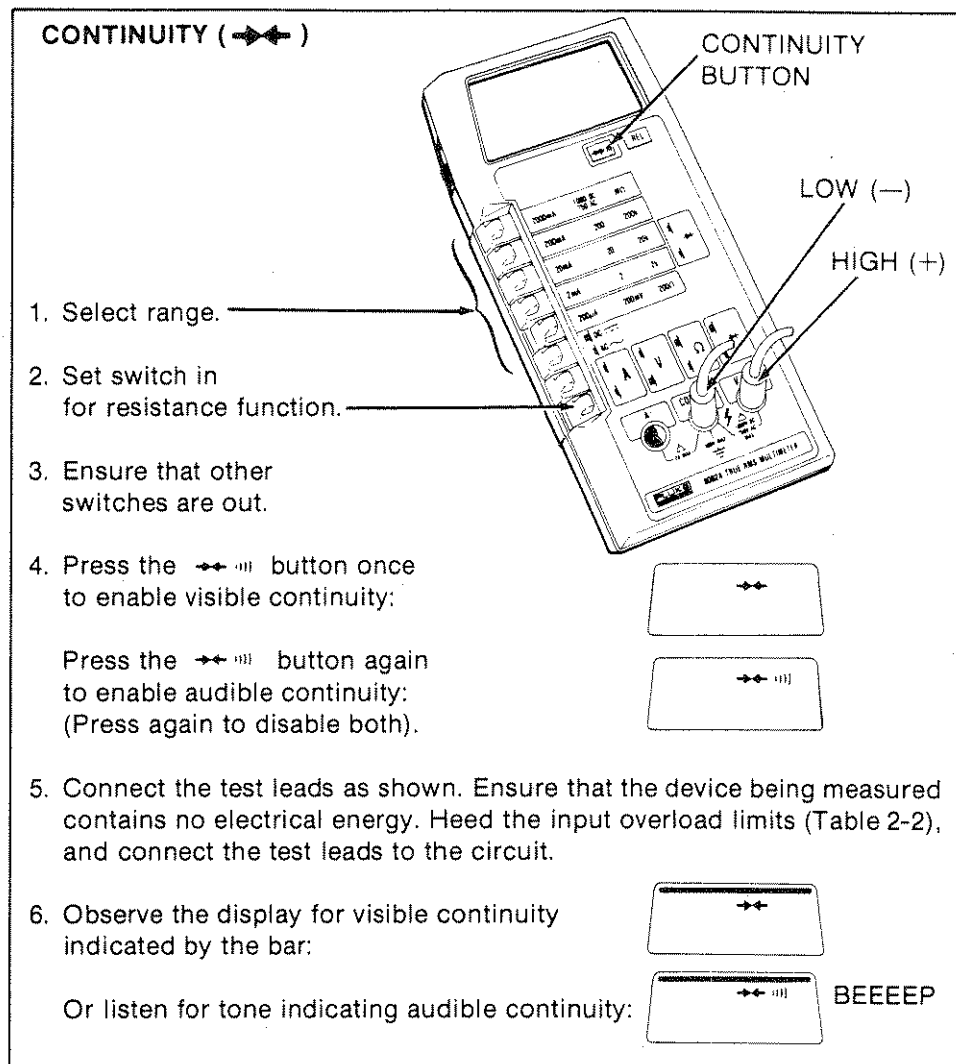


Figure 2-16. Continuity (↔) Operation

2-22. Continuity (↔)

To select the continuity function, first select the resistance function and then press the ↔ button under the display. The ↔ button functions like a three-position switch: the first button press enables visible continuity (the ↔ indicator is displayed), the second button press enables audible continuity (the ↔ indicator is displayed), and the third button press cancels continuity selection (the ↔ indicator disappears). The selection of continuity is summarized in Figure 2-16. When continuity is detected, visible continuity is indicated by the long bar across the top of the display. Audible continuity (if enabled) is indicated by the tone emitted from the instrument.

Continuity is a quick check to verify whether circuit connections are intact. The continuity detection threshold is typically <50% of the resistance range selected

for the fixed ranges (i.e. continuity is detected if resistance is less than 100Ω in the 200Ω range, less than $1\text{ k}\Omega$ in the $2\text{ k}\Omega$ range, etc.). The detection threshold is $<100\Omega$ for the autoranging $\text{k}\Omega$ range, and $<100\text{ M}\Omega$ for the autoranging $\text{M}\Omega$ range.

The 8062A can detect continuity for intervals as brief as $50\ \mu\text{s}$ (typically as brief as $10\ \mu\text{s}$). It extends the visible or audible indication to a minimum of 200 ms to make it easy to observe results. Note that while continuity is enabled, the 8062 still makes resistance measurements and displays the readings.

2-23. INITIAL CHECK-OUT PROCEDURE

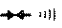
Here is an easy procedure you can use to verify that your 8062A is operating properly for most functions. All you need to perform these tests are the test leads and access to a standard wall socket. Remember that you are not trying to verify the instrument accuracy, but are simply confirming that the functions work. Performance tests and calibration adjustments are presented in Section 4. If the instrument passes the self-test when the instrument is first turned on, then the display and the microcomputer are working properly.

1. **DC VOLTAGE** - Select the dc voltage function and the 20V range. Read the battery voltage by touching the probe tip from the lead connected to the $\text{V}\Omega$ jack to the side contact (not the center pin) in the opening for the battery eliminator jack on the right side of the instrument. Be careful not to short the battery by connecting the side contact to the center pin. Battery voltage should read 5.2V to 10V . If the voltage is less than 5.2V , the battery should be replaced.

WARNING

LOCAL LINE VOLTAGE IS MEASURED IN THE FOLLOWING STEP. DO NOT TOUCH THE PROBE TIPS WITH YOUR FINGERS, OR ALLOW THE PROBE TIPS TO CONTACT EACH OTHER.

2. **AC VOLTAGE**, - Select the ac voltage function and the 200V range. Take note of the preceding warning and insert the probe tips into a standard wall socket. The display should read the local line voltage. Carefully remove the probe tips from the wall socket.
3. **RESISTANCE, CONTINUITY, DIODE TEST** - Select the resistance function and the $2\text{ k}\Omega$ range. Touch the red ($\text{V}\Omega$) probe tip to the A jack so the $\text{V}\Omega$ input is shorted to the A input (this is the fuse check procedure from Section 2-4). The display should read $.1000 \pm .0100\text{ k}\Omega$ (neglecting lead resistance).

Push the  button twice to enable the visible and audible continuity. You should see the bar in the display and hear the tone.

Select the diode test (with the $\text{V}\Omega$ and A inputs still shorted together). The display should read $.0102 \pm .0015\text{V}$.

Remove the connection between the inputs. The instrument should indicate 0.0 ± 1.0 .

Section 3

Theory of Operation

3-1. INTRODUCTION

This section describes how the 8062A works. An overview of the operation is provided first, followed by descriptions of the two major components and the measurement functions. A detailed schematic of the instrument appears in Section 7.

3-2. FUNCTIONAL DESCRIPTION

The major circuits and components of the 8062A are arranged in a block diagram in Figure 3-1. Two major components make up the measurement system: a four-bit CMOS microcomputer, and a CMOS integrated circuit known as the Measurement Acquisition Chip (MAC). The microcomputer selects the appropriate measurement function in the MAC according to the switches or buttons pushed by the operator. The microcomputer also controls the measurement cycles, performs calculations on measured data, and drives the display. The MAC measures the conditioned input signals with the a/d converter or the frequency counter. The MAC also controls the power supply and the continuity tone generator. The microcomputer and the MAC communicate through a four-bit bidirectional bus and four control lines. Both components are described in more detail later in this section.

As shown in Figure 3-1, the input signals are routed by the range and function switches through the appropriate signal conditioners for input filtering and scale changes. Input signals for all measurement functions except frequency are converted to a proportional dc analog voltage that is applied to the a/d converter. The dual-slope a/d converter converts the dc analog voltage to a digital number that is sent to the microcomputer. Each of the major measurement functions are described later in this section.

3-3. Microcomputer

The four-bit CMOS microcomputer senses switch positions by reading status registers in the MAC, and senses button pushes through input lines connected directly to the microcomputer. The microcomputer processes the information and then selects the appropriate digital and analog configuration in the MAC by writing to an array of MAC control registers.

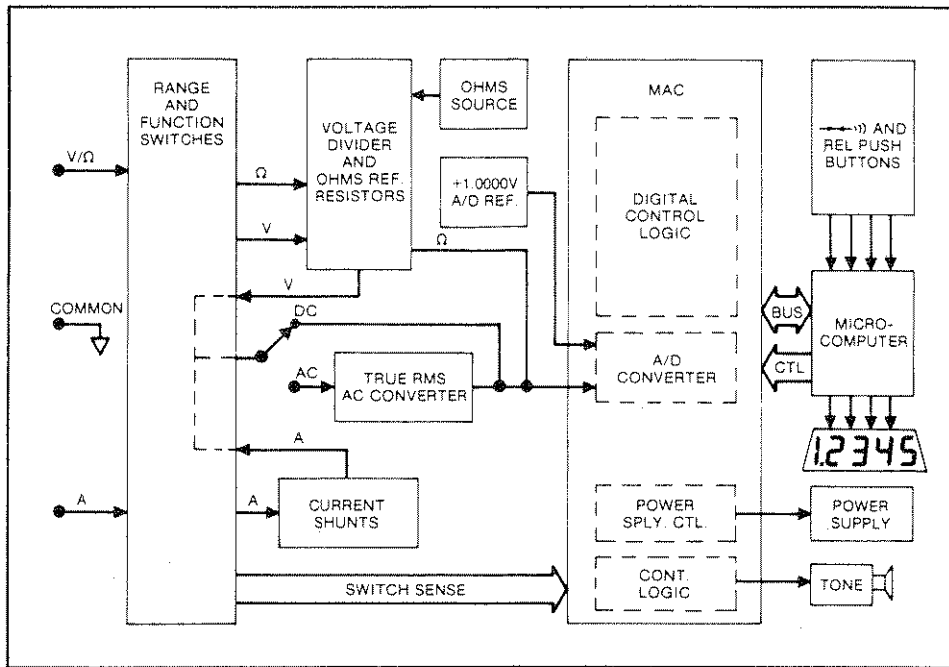


Figure 3-1. 8062A Block Diagram

The operation of the instrument is controlled by software routines that are stored in the microcomputer memory. These routines include the normal operating routine, the power-on self-test, or special self-test routines that may be selected by the operator. When the instrument is first turned on, the microcomputer performs the self-test routine which checks the LCD segments and the interface to the MAC (refer to Section 2 for operating instructions). While the LCD segments are on (a minimum of 1.6 seconds), the microcomputer exercises the bus and checks the internal registers in the MAC to make sure it has control over them. If the microcomputer detects a problem with the MAC interface, it stays in the self-test routine with the LCD segments on until the problem is resolved or the instrument is turned off.

After the power-on self-test routine is successfully completed, the microcomputer checks to see if the operator has selected the ratio self-test or the switch decoding self-test (refer to Section 4 for operating instructions). If neither of the self-tests has been selected, the microcomputer begins the normal operating routine. The operating routine consists of four steps:

1. The microcomputer reads the function and range selections and checks the two push buttons to determine the mode the operator has selected. The microcomputer then configures the a/d converter
2. The microcomputer initiates the a/d measurement cycle (approximately 400 ms) which is described later in this section.

3. The microcomputer processes the data obtained in the measurement cycle. This includes calculations for the relative (REL) offset and $M\Omega$ autoranging.

4. The microcomputer displays the results. The results remain on the display until it is updated.

After the results are displayed, the routine begins again at the first step.

3-4. Measurement Acquisition Chip (MAC)

A block diagram of the MAC is shown in Figure 3-1. The digital control logic includes a buffer and decoder, read and write logic, status and control registers, and logic control for the continuity function. The power supply control uses the calibrated 1.0000V a/d reference voltage obtained from a bandgap reference diode to regulate the 5.2V main power supply for the instrument. When the continuity function is selected and continuity is detected, the MAC generates the tone by supplying a square wave to the external piezoelectric transducer.

3-5. A/D Conversion Cycle

The heart of the MAC is the dual-slope a/d converter. A block diagram of the analog portion of the a/d converter is shown in Figure 3-2. The internal buffer, integrator, and comparators work in conjunction with external resistors and capacitors to convert the dc analog voltage to a digital number. The internal switches are FET switches that are controlled by the microcomputer and the MAC digital control logic. The switchable integrator gain depends on the function and range selected.

The complete a/d measurement cycle is shown in Figure 3-3. It consists of three consecutive time periods: autozero (AZ), integrate (INTEG) and read. A fourth time period, overload (OL) is also used if an overrange reading is taken. The total length of the measurement cycle is 400 ms. The length of the integrate period is fixed at 100 ms. One hundred ms is a multiple of the period of 50 Hz or 60 Hz power, which helps to reduce possible power line noise that might interfere with the measurement. The waveform at the INTEG capacitor is shown for three sample measurement readings: half-scale, full-scale, and overrange.

The measurement cycle begins with the autozero period. The AZ switches close, applying a ground reference as the input to the converter. Under ideal conditions the output of the comparator would also go to zero. However, input-offset voltage errors accumulate in the buffer amplifier loop, and appear at the comparator output as an error voltage. To compensate for this error, the error is impressed across the AZ capacitor where it is stored for the remainder of the measurement cycle. The stored level is used to provide offset voltage correction during the integrate and read periods.

The integrate period begins at the end of the autozero period. As the period begins, the AZ switches open and the INTEG switches close. This applies the unknown input voltage to the input of the converter. The voltage is buffered and then begins charging the INTEG capacitor. The waveform at the INTEG capacitor is a ramp from near zero to some maximum value determined by the amplitude and polarity of the unknown input voltage.

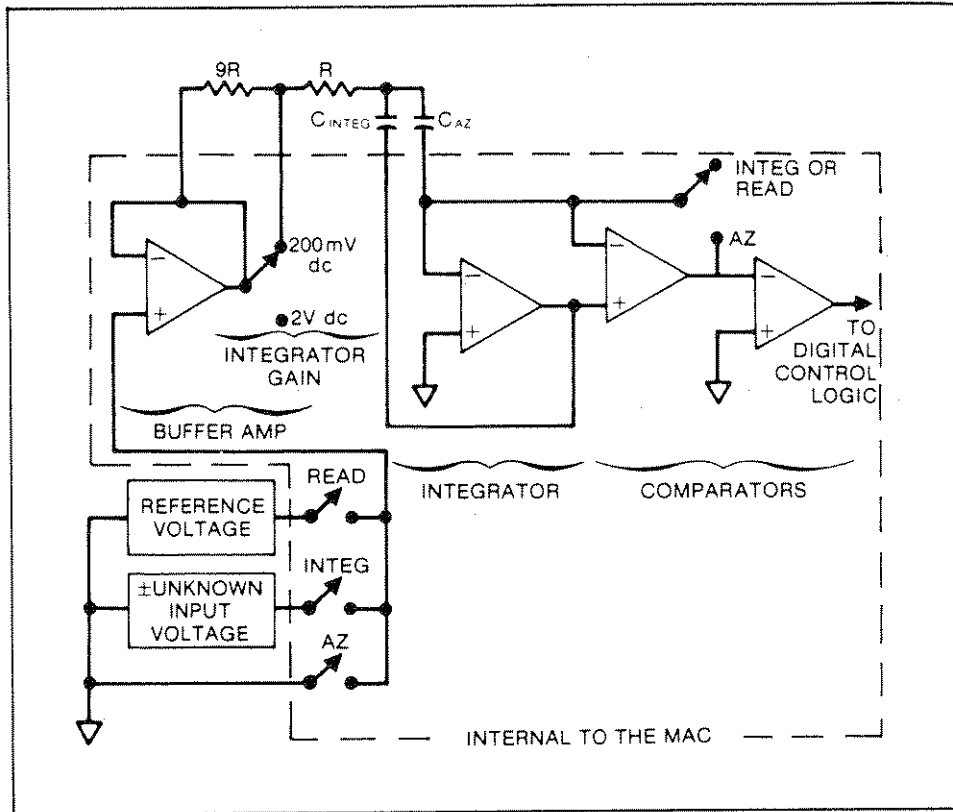


Figure 3-2. Analog Portion of the A/D Converter

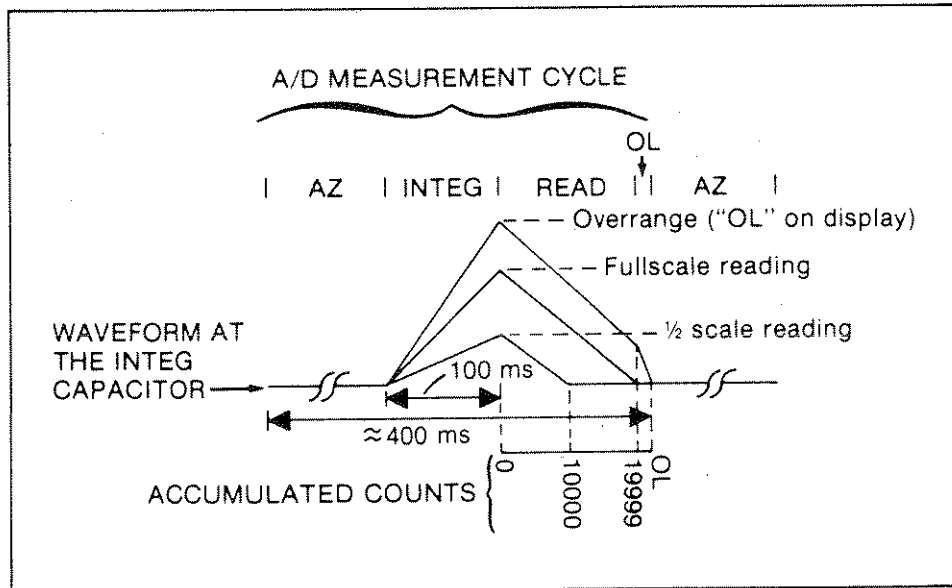


Figure 3-3. A/D Measurement Cycle

As the read period begins, the INTEG switches open and the READ switches close. This applies the known reference voltage from a "flying" capacitor whose polarity is chosen by the a/d converter to be the opposite of the polarity of the unknown input voltage. The INTEG capacitor begins discharging at a fixed rate while a counter begins counting. The counter stops counting when the INTEG capacitor voltage equals the initial autozero voltage. The count is proportional to the unknown input voltage, and is placed on the display by the microcomputer.

If during the read period the counter counts up to the maximum number of counts for a full-scale reading (19999 counts) and the INTEG capacitor charge has not yet reached the initial autozero voltage, the microcomputer knows an overrange reading has been taken. The microcomputer places "OL" on the display and commands the a/d converter to go into the overload (OL) period which rapidly slews the integrator voltage back to the initial autozero voltage.

The measurement cycle ends at the end of the read period for an on-scale reading, or at the end of the overload period for an overrange reading. A new measurement cycle then begins with the autozero period. The display update rate for measurement functions that use the a/d converter is approximately 0.4s, or about 2-1/2 readings per second.

3-6. Voltage Measurement

Both the ac and dc voltage ranges use an over-voltage-protected 10 M Ω input divider as shown in Figure 3-4. The over-voltage protection includes two 2-watt fusible resistors and four metal-oxide varistors for high voltage clamping.

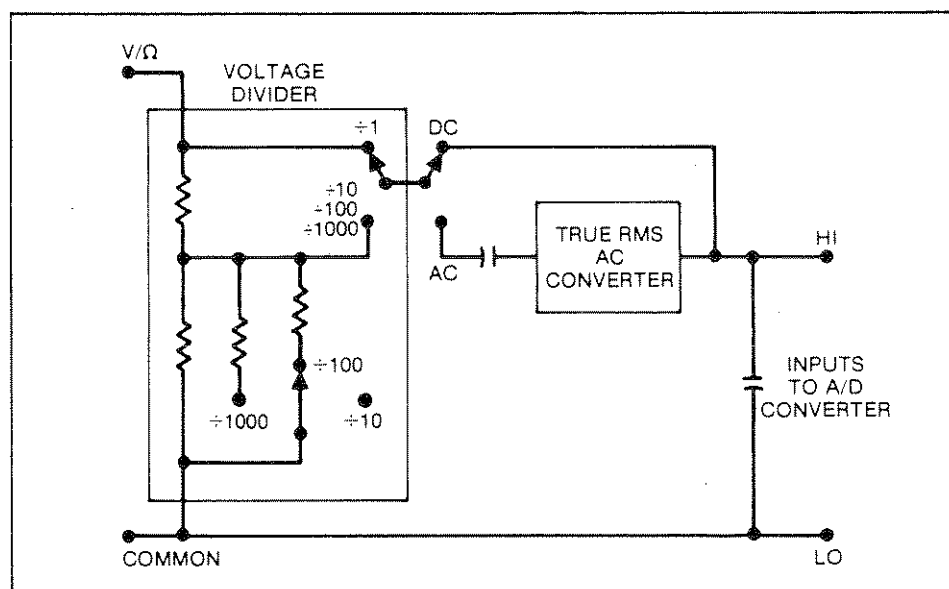


Figure 3-4. Voltage Measurement

Depending on the range selected, lower leg resistors of the divider are connected to ground to perform the input signal division.

The dc input voltages for all ranges are divided by the appropriate factor of 10 to produce a proportional dc signal which is then filtered and applied to the input to the a/d converter. The dc and ac voltage ranges and division factors are listed in Table 3-1 along with the corresponding range of inputs to the a/d converter. Notice in Table 3-1 that the 2V dc voltage range is divided by 1 (not 10). The microcomputer compensates by decreasing the integrator gain in the a/d converter by a factor of 10 (refer to Figure 3-2). The integrator gain is also reduced by a factor of 10 in the 1000V dc voltage range, which uses the same divider arrangement as the 200V dc voltage range.

The ac input voltages are divided with the same divider arrangement as the dc input voltages, with the exception that the 2V ac voltage range is divided by 10. The divider output signals for ac voltages are ac-coupled to the input of a true rms ac converter which produces a current output. A negative dc representation of the ac input signal is filtered and applied to the input of the a/d converter.

3-7. Current Measurement

Current measurements are made using a double-fuse-protected, switchable, five-terminal current shunt (0.1 ohm, 1 ohm, 10 ohm, 100 ohm or 1 kilohm) to perform the current-to-voltage conversion required by the a/d converter. A block diagram of current measurements is shown in Figure 3-5. When the dc current function is selected, the dc voltage drop across the shunt is filtered and applied to the input of the a/d converter. When the ac current function is selected the ac voltage drop across the shunt is ac-coupled to the input of the true rms ac converter. The dc representation of the ac voltage is filtered and applied to the input of the a/d converter. All current ranges use the ± 200 mV a/d converter input range.

Table 3-1. Voltage Input Divider

FUNCTION	RANGE	INPUT DIVIDER	RANGE OF A/D CONVERTER INPUT
DC VOLTAGE	200 mV	1/1	-200 mV to +200 mV
	2V*	1/1	-2V to +2V
	20V	1/100	-200 mV to +200 mV
	200V	1/1000	-200 mV to +200 mV
	1000V*	1/1000	-2V to +2V (1V max. input)
AC VOLTAGE	200 mV	1/1	0 to -200 mV
	2V	1/10	0 to -200 mV
	20V	1/100	0 to -200 mV
	200V	1/1000	0 to -200 mV
	750V*	1/1000	0 to -2V (-0.75V max. input)
*Integrator gain in a/d converter reduced by factor of 10.			

3-8. Resistance Measurement

Resistance measurements are made using a ratio technique as shown in Figure 3-6. When the resistance function is selected, a series circuit is formed by the ohms source, a reference resistor from the voltage divider (selected by the range switches), and the external unknown resistor. The ratio of the two resistors is equal to the ratio of the voltage drop across each of them. Since the voltage drop across the reference resistor and the value of the reference resistor are known, the value of the second resistor can be determined. Input protection during resistance measurements consists of a thermistor and a double-transistor clamp.

The operation of the a/d converter during a resistance measurement is basically as described earlier in this section, with a few exceptions. During the integrate period the voltage drop across the unknown resistor charges the INTEG capacitor. During the read period, the voltage across the known resistor (stored on the flying capacitor) discharges the INTEG capacitor. The length of the read period is a direct indication of the value of the unknown resistor.

3-9. Continuity Measurement

Continuity measurement is a voltage comparison made in the resistance mode as illustrated in Figure 3-6. The 8062A determines whether continuity exists in the circuit under test by comparing the voltage drop across the external circuit with

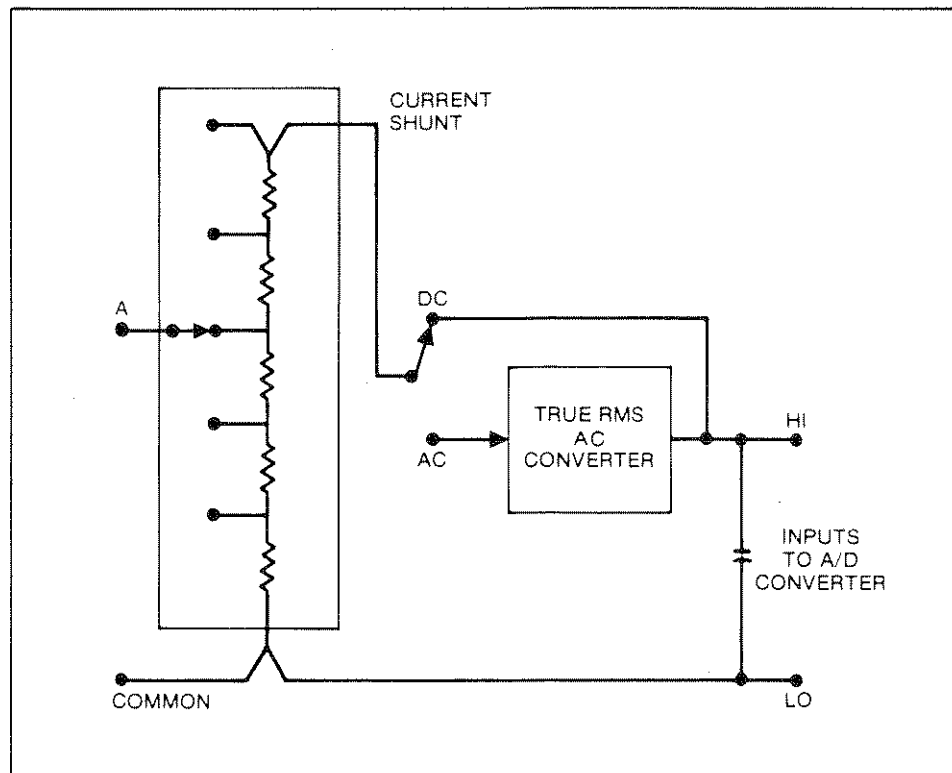


Figure 3-5. Current Measurement

a continuity reference voltage. If the voltage drop across the external circuit is less than the reference voltage, the comparator sends the appropriate signal to the continuity logic. The continuity logic notifies the microcomputer which turns on the visible indicator (the full-length bar across the top of the display). If the audible indicator is enabled, the continuity logic enables the tone generator.

The detection threshold is typically 50% of the full scale resistance range selected. When the 8062A detects continuity for brief intervals (50 μ s or greater), the microcomputer extends the visible and audible indication to a minimum of 200 ms to allow easy perception by the operator.

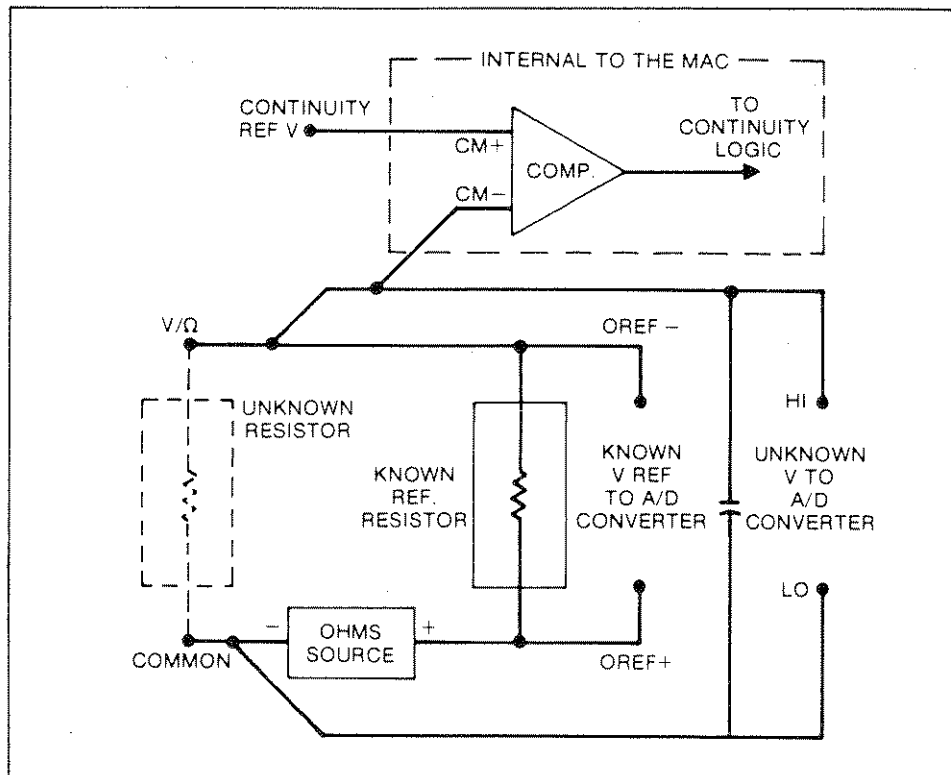


Figure 3-6. Resistance/Continuity Measurement

Section 4

Maintenance

WARNING

THESE SERVICING INSTRUCTIONS ARE FOR USE BY QUALIFIED PERSONNEL ONLY. TO AVOID ELECTRIC SHOCK, DO NOT PERFORM ANY SERVICING OTHER THAN THAT CONTAINED IN THE OPERATING INSTRUCTIONS UNLESS YOU ARE QUALIFIED TO DO SO.

4-1. INTRODUCTION

This section of the manual contains information regarding the maintenance of your instrument. It includes information about disassembly, performance tests, calibration adjustments, and troubleshooting. The combined performance tests are recommended as an acceptance test when the instrument is first received, and can be used later as a preventive maintenance tool.

A one-year calibration cycle is recommended to maintain the specifications given in Section 1 of this manual. The test equipment required for the performance tests or calibration adjustments is listed in Table 4-1. Test equipment with equivalent specifications may also be used.

4-2. SERVICE INFORMATION

The 8062A is warranted for a period of one year upon shipment of the instrument to the original purchaser. Conditions of the warranty are given at the front of this manual. Malfunctions that occur within the limits of the warranty will be corrected at no cost to the purchaser. For in-warranty repair, call (toll-free) 800 426-0361 for the address of the nearest Fluke Technical Service Center designated to service your instrument (in Alaska, Hawaii, Washington, or Canada call 206-356-5400). Ship the instrument postpaid in the original shipping container (if available). Dated proof-of-purchase may be required for in-warranty repairs.

Fluke Technical Service Centers are also available for calibration and/or repair of instruments that are beyond the warranty period. Call (toll-free) 800 426-0361 for shipping information. Ship the instrument and remittance in accordance with instructions received.

Table 4-1. Required Test Equipment

EQUIPMENT	REQUIRED SPECIFICATIONS	RECOMMENDED TYPE
DMM Calibrator	DC Voltage: 0 to 1000V, $\pm(0.0075\%)$ AC Voltage: 200 Hz to 1 kHz, 0 to 750V, $\pm(0.06\%)$ 1 kHz to 10 kHz, 0 to 200V, $\pm(0.06\%)$ 10 kHz to 30 kHz, 0 to 200V, $\pm(0.1\%)$ 30 kHz to 50 kHz, 0 to 200V, $\pm(0.25\%)$ 50 kHz to 100 kHz, 0 to 2.0V, $\pm(0.75\%)$ Resistance: 100 Ω to 10.0 M Ω , $\pm(0.01\%)$	John Fluke 5100B with Options Y5000, 5100A-03, and John Fluke 5205A Amplifier
	DC Current: 0 to 2000 mA, $\pm(0.05\%)$ AC Current: 20 Hz to 3 kHz, 0 to 2000 mA, $\pm(0.25\%)$	John Fluke 5100B with Option Y5000 and John Fluke 5220A Amplifier
Reference Resistors	40 M Ω and 290 M Ω , $\pm(0.1\%)$	Caddock MG750*
Signal Source	Frequency: 25 mV to 200 mV, 100 Hz to 200 kHz, $\pm(0.01\%)$	John Fluke 6010A
DMM	DC Voltage: 200 mV to 20V, $\pm(0.25\%)$ DC Current: 2 mA to 200 mA, $\pm(0.25\%)$	John Fluke 8020A
*Precision high M Ω resistors may be ordered from Caddock Electronics, 3127 Chicago Ave., Riverside, CA, 92507. Be sure to specify 0.1% tolerance.		

4-3. GENERAL INFORMATION**4-4. Handling Precautions for Using Static Sensitive Devices****CAUTION**

This instrument contains CMOS components which can be damaged by static discharge. Static sensitive components on the main pcb include U3 and U4. The microcomputer pcb includes one static sensitive component, U5, the microcomputer. To prevent damage, take the following precautions when troubleshooting and/or repairing the instrument:

- Perform all work at a static-free work station.
- Do not handle components or pcb assemblies by their connectors.

- Wear static ground straps.
- Use conductive foam to store components.
- Remove all plastic, vinyl and styrofoam from the work area.
- Use a grounded, temperature-regulated soldering iron.

4-5. Disassembly and Reassembly

The instrument has two pcbs: the main pcb and the microcomputer pcb. To gain access to the calibration adjustments, the backup fuse, or the LCD, you have to remove only the top cover. You can also do some troubleshooting with only the top cover and the top ac shield off. For other troubleshooting or to gain access to the microcomputer pcb, you have to remove the main pcb from the case. If you remove the main pcb from the case, you will need to perform the calibration adjustments. Be sure to heed the notes and cautions about special handling requirements.

NOTE

It is not necessary to remove the main pcb from the bottom case in order to disassemble or reassemble the LCD. However, because the LCD and the microcomputer require similar special handling, the disassembly and reassembly procedures are described together.

CAUTION

To avoid contaminating the pcbs with oil from the fingers, handle the pcbs by the edges or wear gloves. If a pcb does become contaminated, refer to the cleaning information given later in this section.

4-6. CALIBRATION AND BACKUP FUSE ACCESS

Use the following procedure to gain access to the calibration adjustments or the backup fuse (F2):

1. Disconnect the test leads and battery eliminator, if attached. Turn the power switch off.
2. Remove the three phillips screws from the bottom of the case.
3. Turn the instrument face-up and grasp the top cover at both sides of the input connectors. Then pull the top cover from the unit. The backup fuse and the calibration adjustments are now accessible (Figure 4-1).

CAUTION

The function buttons below the display are part of a single elastomeric strip (Figure 4-1) that is held in place by the top cover. When the top cover is removed, the elastomeric strip will be loose

and may be removed. Do not touch or contaminate the carbon-impregnated switch contacts on the bottom of the strip or the switch contacts on the microcomputer pcb. If the contacts do become contaminated, clean them with isopropyl alcohol.

4. To reassemble, position the elastomeric strip on the microcomputer pcb so that the small rubber posts on the bottom of the strip are properly seated. Install the top cover and fasten the three screws on the bottom case.

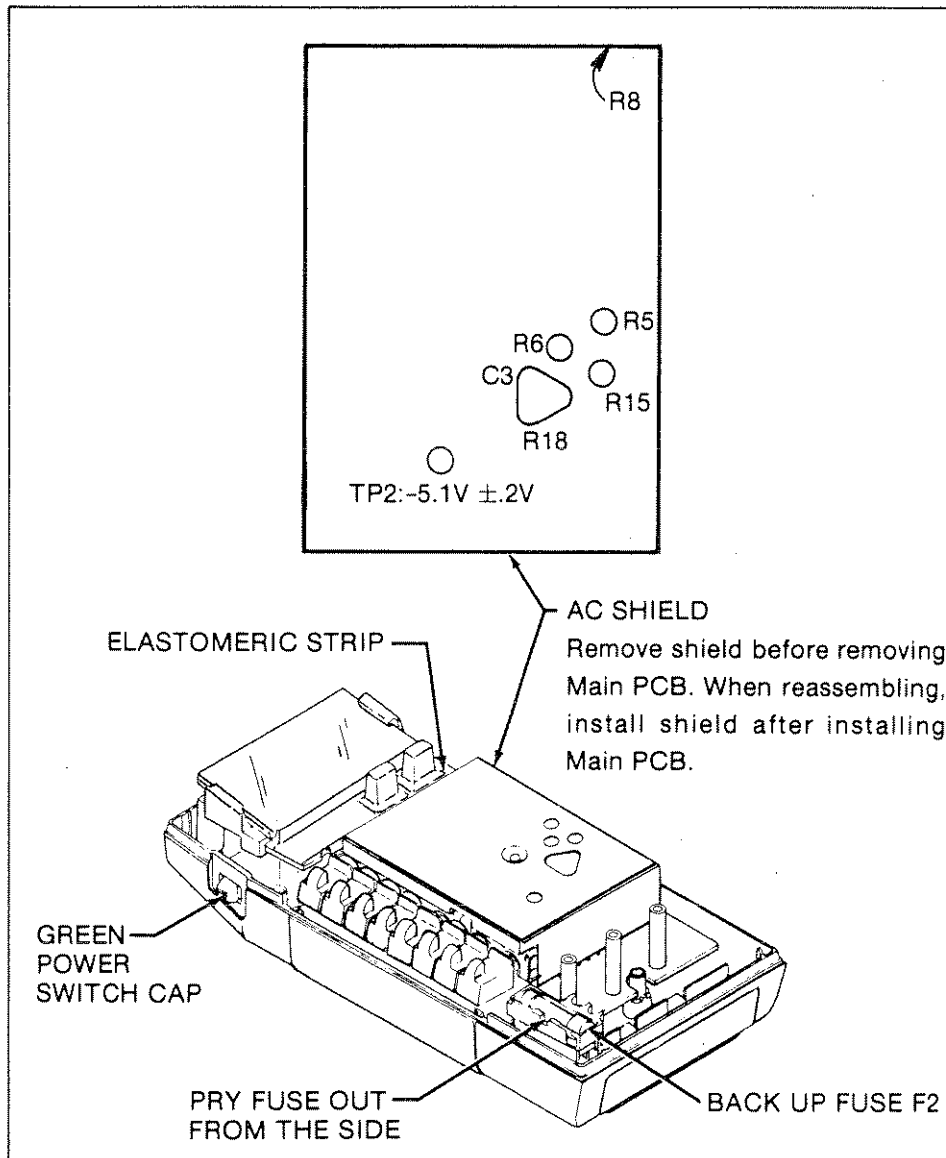


Figure 4-1. Calibration and Backup Fuse (F2) Access

4-7. MAIN PCB ACCESS

Use the following procedure to gain access to the main pcb:

1. Remove the screw in the center of the ac shield and remove the shield.
2. Using your index finger, lift up the lower right corner of the main pcb until it is free. Then pull the pcb to the right until it clears the shelf under the buttons.

CAUTION

Do not touch or contaminate the plastic insulator that is attached to the inside of the case bottom. When the instrument is assembled the insulator makes contact with the leads on the bottom of the main pcb. Contaminants could cause undesirable conduction paths. If the insulator becomes contaminated, clean with isopropyl alcohol.

3. Reassemble in the logical reverse order and heed the following notes:
 - a. When reassembling, be sure to put on the ac shield after the main pcb has been placed in the case bottom. The reason for this is that the screw which holds down the ac shield has a spring attached. The spring provides the electrical connection between the top of the ac shield and the bottom of the shield (under the insulator). If the ac shield is attached to the main pcb before the main pcb is in the case, the spring may fold across the insulator and not be in proper position to make the electrical connection.
 - b. Be sure to place the green power switch cap over the small black power switch before sliding the main pcb into the case.
 - c. Be sure to route the battery-clip wires to the left side of the post under the backup fuse case.

4-8. LCD AND MICROCOMPUTER PCB DISASSEMBLY AND ASSEMBLY

The procedure for disassembling or assembling the LCD and the microcomputer pcb is not difficult, but the steps must be followed in sequence. Before you try the procedure, examine the components in Figure 4-2 and familiarize yourself with the following handling precautions:

- The microcomputer, U5 (item 4 in Figure 4-2), is a static sensitive CMOS device. Follow standard procedures for handling static sensitive devices.
- The LCD interconnect (item 7) and the microcomputer interconnect (item 5) should not be touched with fingers or contaminated. Handle these items with tweezers and keep them clean.
- The microcomputer interconnect (item 7) is susceptible to corrosion caused by the reaction between the metal in the connector and possible

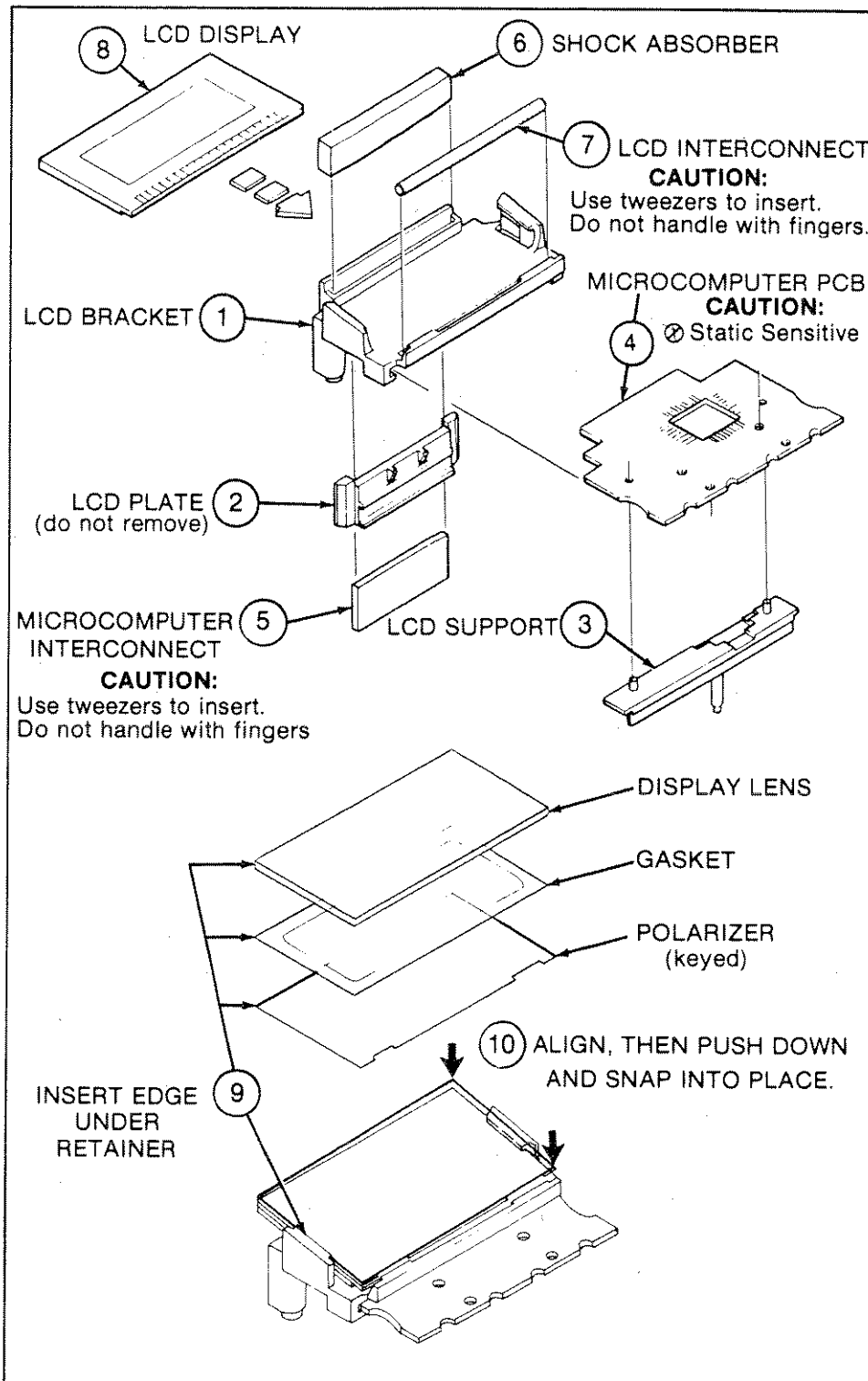


Figure 4-2. Assembling/Disassembling the Microcomputer PCB and LCD

contaminates in the air such as smoke or sulfur. Store the connector in an air-tight container if the LCD is disassembled for a long period of time.

- The LCD should not be exposed to direct sunlight for an extended period of time without being covered by the polarizer.
- Do not get fingerprints or dirt on the LCD display, the display lens, the gasket, or the polarizer.
- While the LCD and microcomputer pcb are assembled, take care not to press down on the display lens because pressure could damage the LCD.

To disassemble the LCD, use your thumbnails and push on the corners of the LCD display, polarizer, gasket and display lens so that all four components slide out together as shown in Figure 4-3.

NOTE

It is not necessary to remove the main pcb from the bottom case to disassemble or reassemble the LCD.

To assemble the LCD, use the following procedure:

1. Align the LCD display (item 8) as indicated in Figure 4-2 and slide it into place. The bottom edge of the LCD display should compress the LCD interconnect (item 7) and slide underneath the two plastic notches on the LCD bracket (item 1).
2. Refer to Figure 4-2 and follow steps 9 and 10 to complete assembly.

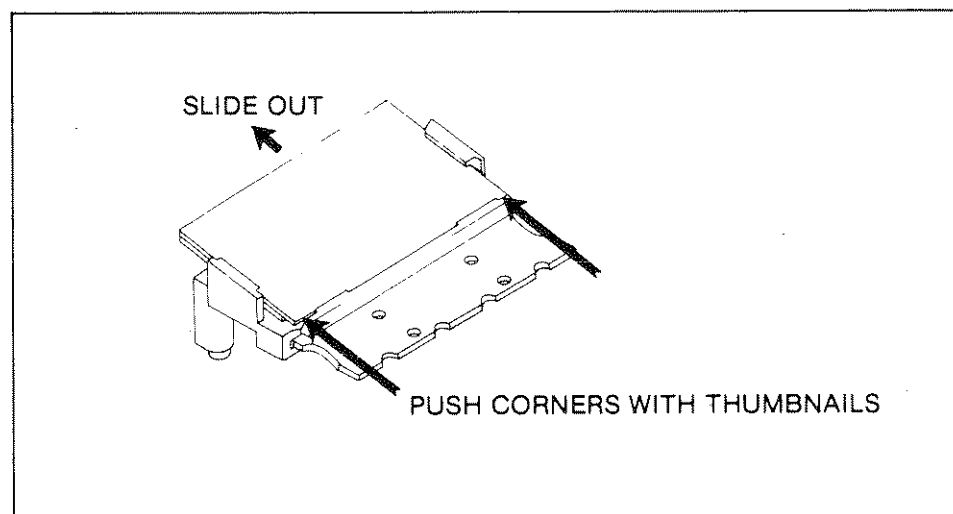


Figure 4-3. Disassembling the LCD

To disassemble the microcomputer pcb, use the following procedure:

1. Turn the main pcb face down and remove the two small screws at the top of the pcb to free the microcomputer pcb.
2. Refer to Figure 4-2. Beginning with item 7, remove items 7 through 3 (leave item 2 attached to item 1). Be sure to observe the handling precautions for items 7, 5, and 4.

To assemble the microcomputer LCD, refer to Figure 4-2. Beginning with item 3, assemble items 3 through 7 (in ascending numerical order). Be sure to follow the handling precautions for items 4, 5, and 7.

4-9. Backup Fuse Replacement

Use the following procedure to replace the backup fuse (F2):

1. Remove the top cover by following the precautions given previously for the calibration and backup fuse access.
2. Use a flat-tipped screwdriver to pry the fuse out of its fuse holder. Pry the fuse from the side as indicated in Figure 4-1.
3. Replace the defective backup fuse with a 3A/600V type BBS-3 (John Fluke 457004). Refer to Section 2-4 for information about replacing fuse F1 (2A/250V; American style: fast acting type AGX2, 1/4 x 1", John Fluke 376582; European style: 5 x 20 mm, John Fluke 460972).

4-10. Cleaning

CAUTION

Do not use aromatic hydrocarbons or chlorinated solvents for cleaning. These solutions will react with the plastic materials used in the instrument.

CAUTION

Do not allow the liquid crystal display to come in contact with moisture. Remove the LCD and microcomputer pcb before washing the main pcb and do not install it until the pcb has been fully dried.

Clean the front panel and case with a mild solution of detergent and water. Clean dust from the main pcb with low pressure (<20 psi) dry air. Clean contaminants from the main pcb with isopropyl alcohol and a soft brush, followed by demineralized water and a soft brush (remove the LCD and microcomputer pcb before washing, and avoid getting excessive amounts of water on the switches). Dry with clean, dry air at low pressure, and then bake at 50 to 60°C (124 to 140°F) for 24 hours.

4-11. PERFORMANCE TESTS

The following procedures allow you to compare the performance of your instrument with the specifications listed in Section 1. They are recommended for incoming inspection, periodic calibration, and to verify specifications. If the instrument fails any test, calibration adjustment and/or repair is needed. You do not have to disassemble the instrument to perform the tests. Throughout these procedures, the 8062A being tested is referred to as the UUT (Unit Under Test).

4-12. Initial Procedure

For any of these tests, make sure you do the following:

1. Allow the temperature of the UUT to stabilize in a test environment with an ambient temperature of $23 \pm 5^{\circ}\text{C}$ ($73 \pm 9^{\circ}\text{F}$) and a relative humidity of less than 80%.
2. Check the fuses and battery and replace them, if necessary.
3. Make sure the leads are disconnected from the UUT. Set the power switch to on and set all other switches to the out (off) position.

4-13. Microcomputer and Display Test

Use the automatic power-on self-test to test the microcomputer and the LCD display. Turn the UUT off, then turn it on while observing the display. All of the LCD segments should turn on. After about one or two seconds, the display should go blank briefly and then respond to switch selections.

4-14. Voltage Test

Use the following procedure to verify proper operation of the dc and ac voltage, functions.

1. Connect the UUT and the DMM Calibrator as shown in Figure 4-4.
2. For each step in Table 4-2, select the UUT function and range as indicated. Program the DMM Calibrator for the specified input signal and verify that the displayed UUT value is within the indicated limits.

4-15. Resistance Test

Use the following procedure to verify proper operation of the resistance function:

1. Connect the UUT and the DMM Calibrator as shown in Figure 4-4.
2. Select the resistance function and follow the steps 1 through 7 as listed in Table 4-3. For each step, select the UUT function and range as indicated. Program the DMM Calibrator for the specified input signal and verify that the displayed UUT value is within the indicated limits.

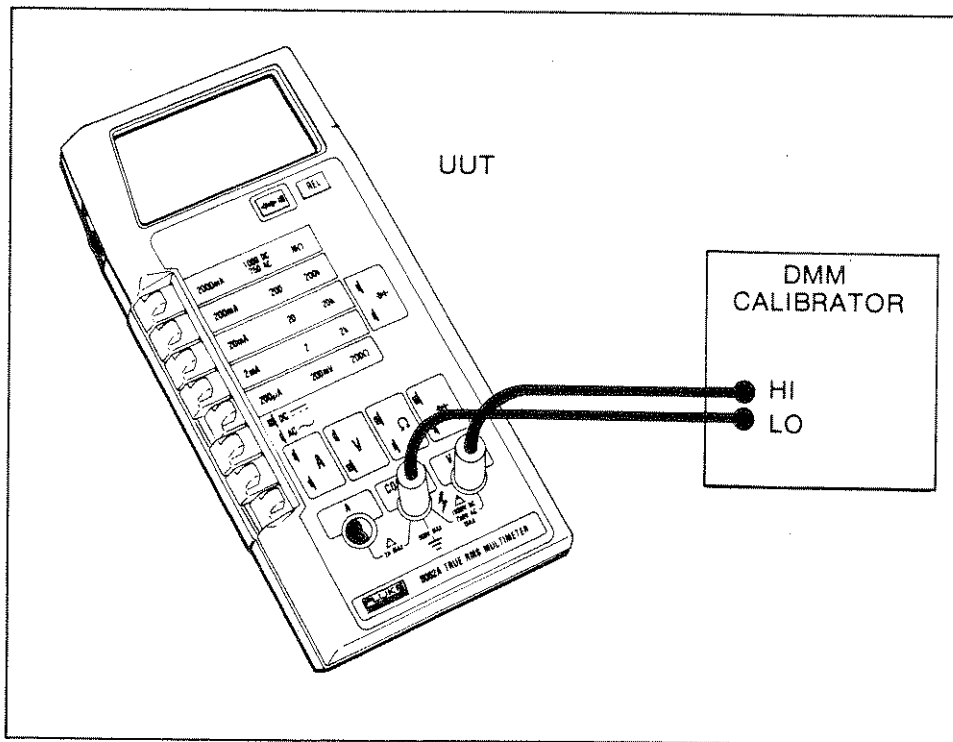


Figure 4-4. General Equipment Connection

NOTE

Most DMM Calibrators do not test resistance values beyond 10 M Ω . To test the resistance function beyond 10 M Ω (optional steps 8 and 9 in Table 4-3), disconnect the DMM Calibrator and connect a precision Reference Resistor for each value.

4-16. Continuity Test

Use the following procedure to verify proper operation of the continuity function:

1. Connect the UUT and the DMM Calibrator as shown in Figure 4-4.
2. Select the resistance function and the 2 k Ω range. Press the $\leftrightarrow \text{|||}$ button once. The \leftrightarrow symbol should appear on the display.
3. Apply a resistance of 100.0 Ω . The long bar across the top of the display should appear on the display immediately. A reading of .0997 to .1003 should appear shortly thereafter (negating any test lead resistance).
4. Press the $\leftrightarrow \text{|||}$ button to enable the audible continuity (the 100.0 Ω still applied). The ||| symbol should appear on the display with the \leftrightarrow symbol. The tone should sound.

Table 4-2. Voltage Test

STEP	FUNCTION	RANGE	INPUT SIGNAL		DISPLAY LIMITS
			LEVEL	FREQ.	
1	DC Voltage	200 mV	+190.00 mV	dc	+189.89 to 190.11
2		200 mV	-190.00 mV		-189.89 to -190.11
3		2V	1.9000V		1.8989 to 1.9011
4		20V	19.000V		18.985 to 19.015
5		200V	190.00V		189.85 to 190.15
6		1000V	1000V		999.1 to 1000.9
7	AC Voltage	200 mV	100.00 mV rms	200 Hz	99.40 to 100.60
8				20 kHz	98.60 to 101.40
9	AC Voltage	2V	1.0000V rms	200 Hz	.9940 to 1.0060
10			1.0000V rms	1 kHz	.9930 to 1.0070
11			1.0000V rms	10 kHz	.9930 to 1.0070
12			1.0000V rms	30 kHz	.9860 to 1.0140
13			1.0000V rms	20 Hz	.9890 to 1.0110
14			100.0 mV rms	200 Hz	.0985 to .1015
15	100.0 mV rms	30 kHz	.0950 to .1050		
16	AC Voltage	20V	10.000V rms	200 Hz	9.940 to 10.060
17			10.000V rms	10 kHz	9.480 to 10.520
18			10.000V rms	30 kHz	9.460 to 10.540
19	AC Voltage	200V	100.00V rms	200 Hz	99.40 to 100.60
20		200V	100.00V rms	10 kHz	94.80 to 105.20
21		200V	100.00V rms	30 kHz	94.60 to 105.40
22		750V	750.0V rms	100 Hz	734.0 to 766.0
23		750V	750.0V rms	1 kHz	734.0 to 766.0

Table 4-3. Resistance Test

STEP	RANGE	INPUT RESISTANCE	DISPLAY LIMITS
1	200 Ω	short circuit	0.00 to 0.04
2	200 Ω	100.00 Ω	99.86 to 100.14
3	2 k Ω	1.0000 k Ω	.9988 to 1.0012
4	20 k Ω	10.000 k Ω	9.988 to 10.012
5	200 k Ω	100.00 k Ω	99.88 to 100.12
6	M Ω	1.0000 M Ω	.9978 to 1.0022
7	M Ω	10.00 M Ω	9.95 to 10.05
8 (optional)	M Ω	40.0 M Ω	39.3 to 40.7
9 (optional)	M Ω	290 M Ω	282 to 298

5. Remove the connections to the input of the UUT. The tone should stop and the bar should disappear from the display. The display should indicate OL (overrange) along with the \leftrightarrow and \equiv symbols.

4-17. Current Test

Use the following precautions to verify proper operation of the dc and ac current functions:

1. Connect the UUT and the DMM Calibrator as shown in Figure 4-5.
2. For each step in Table 4-4, select the UUT function and range as indicated. Program the DMM Calibrator for the specified input signal and verify that the displayed UUT value is within the indicated limits.

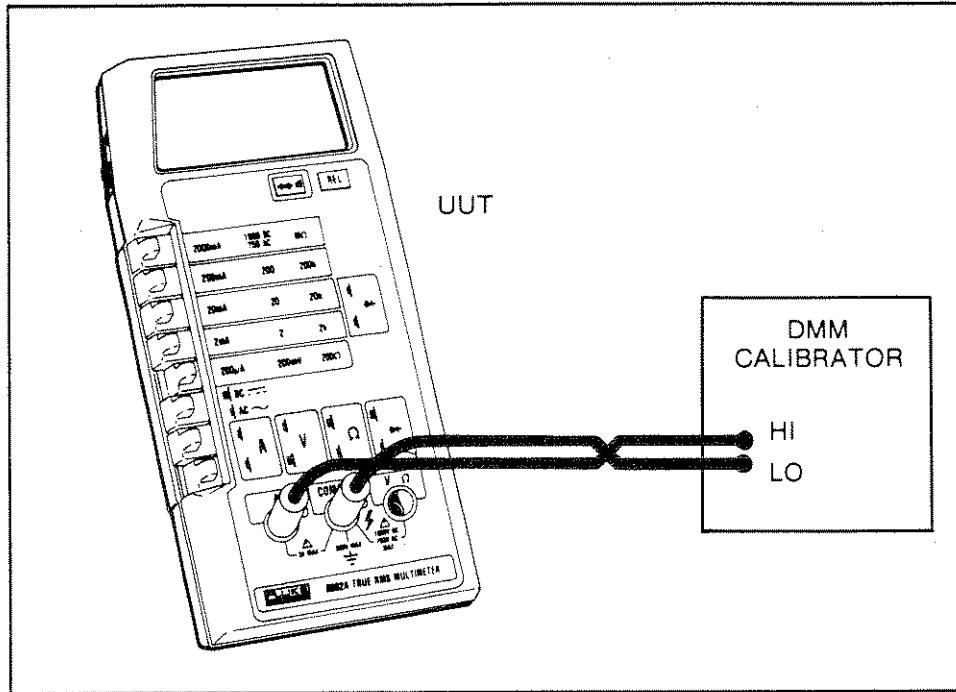


Figure 4-5. Equipment Connection for Current Test

Table 4-4. Current Test

STEP	FUNCTION	RANGE	INPUT SIGNAL		DISPLAY LIMITS
			LEVEL	FREQ.	
1	Current dc	200 μ A	190.00 μ A	dc	189.41 to 190.59
2		200 μ A	-190.00 μ A	dc	-189.41 to -190.59
3		2 mA	1.9000 mA	dc	1.8941 to 1.9059
4		20 mA	19.000 mA	dc	18.941 to 19.059
5		200 mA	190.00 mA	dc	188.65 to 191.35
6		2000 mA	1900.0 mA	dc	1886.5 to 1913.5
7		2000 mA	-1900.0 mA	dc	-1886.5 to -1913.5
8	Current ac	20 mA rms	19.000 mA	1 kHz	18.848 to 19.152

4-18. Diode Test

Use the following precautions to verify proper operation of the diode test:

1. Remove any connections to the inputs of the UUT and select the diode test function. The display should indicate OL (overrange).
2. Connect a $1000\Omega \pm 2\%$ resistor to the input of the UUT. A reading of .8800 to 1.1200 should appear on the UUT display.
3. Using a DMM, measure the output current. The current should be 0.9 to 1.1 mA.

4-19. CALIBRATION ADJUSTMENTS

Under normal operating conditions the 8062A should maintain the specifications given in Section 1 of this manual for at least one year after calibration. If your 8062A has been repaired or if it has failed any of the performance tests, you need to perform the calibration adjustments.

Test equipment needed for the adjustments is listed in Table 4-1. If the test equipment is not available, your nearest John Fluke Service Center will be glad to help. Call (toll-free) 800 426-0361 for assistance. After you have completed the calibration adjustments, we recommend that you complete the performance tests to verify proper operation. In the following procedure, the 8062A that is being adjusted is referred to as the UUT (Unit Under Test).

NOTE

The top ac shield should remain installed on the instrument while the calibration adjustments are being performed. The positions of the trimpots and trimcaps are marked on the top ac shield along with a table summarizing the calibration procedures.

NOTE

The performance of the 8062A ac functions is affected by the capacitance between the main pcb and the bottom ac shield, which is dependent on the distance between them. The distance may vary, depending on whether the top cover is installed. To minimize performance variations, press down on the ac shield to simulate top cover installation while you perform the calibration adjustments. After you have performed the adjustments and installed the top cover, if you find that the measurement values obtained for the ac function performance tests are consistently too high or too low, remove the top cover and repeat the adjustments accordingly.

1. Allow the UUT to stabilize with the power off for at least 30 minutes at an ambient temperature of 21 to 25°C (70 to 77°F).
2. Complete the calibration access procedure presented earlier in this section.

3. Connect the equipment as shown in Figure 4-4 and turn on the equipment.
4. On the UUT, select the dc voltage function and the 2 volt range. Turn R6 fully clockwise (CW), and turn R5 fully counterclockwise (CCW).
5. Program the DMM Calibrator for an input of 1.9000V dc. Adjust R5 for a display reading slightly greater than 1.9000. Adjust R6 for a display reading between 1.8999 and 1.9001.
6. On the UUT, select the 200 mV range (dc voltage function).
7. Program the DMM Calibrator for an input of 190.00 mV dc. Adjust R8 for a display reading between 189.99 and 190.01.
8. On the UUT, select the ac voltage function and the 200 mV range. Turn R18 fully CW, and turn R15 fully CCW.
9. Program the DMM Calibrator for an input of 100.00 mV ac at 200 Hz. Adjust R15 for a display reading slightly greater than 100.00. Adjust R18 for a display reading between 99.95 and 100.05.
10. On the UUT, select the 2V range (ac voltage function). Program the DMM Calibrator for an input of 1.0000V ac at 10 kHz. Adjust C3 until the display reading is between 99.90 and 100.10.

4-20. TROUBLESHOOTING

CAUTION



Static discharge can damage MOS components U3, U4, and U5. Follow the handling precautions for static sensitive devices previously described in this section. Never remove, install or otherwise connect or disconnect components without first setting the instrument power switch off and disconnecting any inputs to the instrument.

If necessary, refer to Section 2 for operating instructions or Section 3 for the theory of operation. The troubleshooting information is supported by the schematics and tables in Section 7.

4-21. Self-Tests

The 8062A offers three self-tests: power-on self-test, ratio self-test, and switch decoding self-test. The power-on self-test is automatically performed whenever the instrument is turned on. It is described in Sections 2 and 3. The other two tests function as follows:

4-22. RATIO SELF-TEST

The ratio self-test is an operating mode of the 8062A in which the reference

voltage for the a/d converter is applied to the a/d converter during both the integrate and the read periods. If the instrument is functioning properly, the display should read 10000 ± 5 counts (the decimal point location depends on the range, and does not affect the number of counts).

To select the ratio self-test, select a voltage or current function. Hold down the \leftrightarrow button while you turn on the instrument. After the power-on self-test has been completed (the display is .8.8.8.8), release the \leftrightarrow button. The instrument should now be in the ratio self-test mode. To cancel the ratio self-test, press the \leftrightarrow button or turn off the instrument.

If the count is within tolerance, it gives a strong indication that the a/d converter is working properly. If the count deviates more than 5 counts from 10000, the probable causes are as follows (in order of probability): a/d converter in U3, leakage around or failure of C16, C18, Z3, R8, or the power supply.

4-23. SWITCH DECODING SELF-TEST

To select the switch decoding self-test, hold down the REL button while you turn on the instrument. After the power-on self-test has been completed (the display is .8.8.8.8), release the REL button. The instrument should now indicate the switch decoding. To cancel the switch decoding self-test, turn off the instrument.

The switch decoding self-test indicates how the software in the microcomputer interprets the configuration of the eight switches and four push buttons. Each function or range that may be selected corresponds to a number that appears in one of the digit positions on the display (see Table 4-5). Notice that if no range is selected, the microcomputer assumes the 200 (μ A, mV, Ω) range is selected.

In some cases it may be helpful to know that the microcomputer scans the switches in order from SW5 to SW8 (there is no input for switch SW4, the default range). The microcomputer assumes the first range switch detected as being pushed in is the desired range. For example, if you press in both the 200V and 1000V switches while in dc voltage, the microcomputer assumes you want the 200V range. There is one exception: if the microcomputer detects that the 2 k Ω switch is selected, it checks for the 20 k Ω switch which indicates diode test selection when pushed in.

Also during the switch decoding self-test, the continuity indicator (the long bar across the top of the display) indicates the state of the continuity comparator. When the voltage at U3-4 (CM-) is less than at U3-3 (CM+), the continuity indicator is on. When the voltage at U3-4 is greater than at U3-3, the continuity indicator is off. You can use this feature to check the comparator when troubleshooting the continuity function. R9 controls the setting of the comparator offset.

4-24. Troubleshooting Guide

A troubleshooting guide is presented in Table 4-6. The guide is structured around the performance tests presented earlier in this section. To use this guide, complete the performance tests and note any discrepancies in performance.

Table 4-5. Switch Decoding Self-Test

RANGE	DISPLAY DIGIT 0*
200 (μ A, mV or Ω)	0 (default if no range selected)
2	1
20	2
200	3
2000	4
PUSH BUTTON	DISPLAY DIGIT 1*
none	0
REL	1
↔)	2
FUNCTION	DISPLAY DIGIT 3*
AC Voltage	1
DC Voltage	2
AC Current	3
DC Current	4
Resistance	5
Diode Test	7
*Display digits are numbered 0 through 4 from right (LSD) to left (MSD).	

Then locate the test, symptom, and possible cause of malfunction in Table 4-6. When several possible causes of malfunction are listed, they are listed in order beginning with the most probable to the least probable. A section about troubleshooting the power supply is also included.

The following troubleshooting techniques can be helpful:

- When troubleshooting, remember to use the switch decoding self-test to determine whether the microcomputer properly interprets the function and range selection.
- Do not remove the main pcb from the bottom case unless you must do so to gain electrical access to circuits. You can gain electrical access to almost all of the input circuitry through the switch contact pins on the top of the switch deck (refer to the schematic in Section 7).
- One way to check the input circuitry is to attach a high impedance ($>1000 \text{ M}\Omega$) DMM at the input of the 8062A a/d converter, U3-6.
- You can do a lot of troubleshooting without the LCD and microcomputer pcb installed. Although there will be no display and the a/d converter will not work, the power supplies still work so you can check the input circuitry, the diode test and ohms sources, and the ac converter. Another

advantage is that you gain access to all the pins on U3 without having to turn the main pcb over.

- You can troubleshoot the input circuitry with U3 removed (be sure to disconnect the battery before removing U3). Since U3 controls the power supply, removing U3 will cause the ac converter and diode test source to stop working. However, it will also eliminate any power supply leakages that might be affecting the input circuitry. Since the input protection, input divider and ohms reference resistors, amps protection, current shunts, and a/d input circuits consist of passive components (refer to the schematic in Section 7) you can check them without having U3 installed.

Table 4-6. Troubleshooting Guide

TEST AND SYMPTOM	POSSIBLE CAUSE/SUGGESTIONS
POWER ON/MICROCOMPUTER AND DISPLAY TEST	
No display	Dead battery, battery connections, J4, power supply circuitry.
Missing LCD segments	Display interconnect.
All LCD segments stay on	Microcomputer connector, U5, U3, pcb lands open.
Entire display is dim	Low battery, power supply low, display interconnect.
Some display segments are dim or ghosting	Display interconnect, contamination on pcb connector or LCD.
POWER SUPPLY	
VDD (voltage between TP7 and common) ≠5.2 ± 0.12V	U3, Q1, VR1
VDG (voltage between TP7 and TP8) ≠3.15 ± 0.08V	U3, C12, U5
VSS (voltage between TP2 and common) ≠ -5.1 ± 0.27V	U4, C21, C23
TP4 ≠1.225 ±0.025V	
U3-11 ≠1.0000 ± 0.0004V	
	Hint: If you suspect U3 power supplies are bad, you can drive the 8060A power supplies externally. Remove battery, μ C pcb, and U3. Apply +5.2V at TP1—you can then check the ac converter, diode test source, VR2, U4, and the power supply circuitry.

Table 4-6. Troubleshooting Guide (cont)

TEST AND SYMPTOM	POSSIBLE CAUSE/SUGGESTIONS
<p>VOLTAGE TEST - DC</p> <p>Gross error (constant reading of 0.00 or OL)</p> <p>Ratio self-test passes, but constant reading of 0.00</p> <p>High impedance dc readings 0.00, normal dc readings correct</p> <p>DC readings incorrect for all ranges</p> <p>DC readings correct for 200 mV, 2V—incorrect for 20V, 200V, 1000V</p>	<p>Perform ratio self-test in dc volts. If count is good, U3 is good. If count is way off, suspect U3, C9, R33, R8, Z3, C16 or C18.</p> <p>R1, R2 (fusible resistors—replace with exact equivalent only), RJ1, RJ2, RJ3, RJ4 (varistors turn yellow when shorted), open circuit in front end, bad component in input divider, U3 pins 6 and 7 shorted. (Hint: check high impedance dc voltage first, which bypasses the input divider.) Refer to Table 4-1 for input divide ratios.</p> <p>R1</p> <p>Leakage from pcb, U3-6/7, contamination</p> <p>Input divider or input divider switches, R2</p>
<p>VOLTAGE TEST - AC</p> <p>DC readings correct, ac readings incorrect</p> <p>AC readings too high by factor of 1.1</p> <p>Too much ripple at S3D wiper</p> <p>Poor response at high frequencies</p>	<p>Switches S3D, S3B</p> <p>U2: check ac converter power supplies: (U2-4 = $5.2 \pm 0.12V$ U2-8 = $-5.1 \pm 0.20V$).</p> <p>Apply ac signal to input and use ac voltmeter in 200 mV range to check both sides of R13, U2-5, U2-6.</p> <p>C24</p> <p>C24, C25</p> <p>C26, R22, S3C, input divider capacitors.</p>

Table 4-6. Troubleshooting Guide (cont)

TEST AND SYMPTOM	POSSIBLE CAUSE/SUGGESTIONS
<p>RESISTANCE TEST All ranges incorrect</p> <p>CR1 supplying proper current, but readings off</p> <p>Low range readings correct, high range readings off</p>	<p>Ohms source voltage inadequate—using a voltmeter in the 2V or 20V range, measure ohms source voltage between TP11 and common. Refer to Table 4-7 for correct values.</p> <p>Q3, Q4, RT1, R2, R1, Z5</p> <p>CR1 not supplying enough current (particularly if 200Ω range noisy). Select diode test, connect an external 1 kΩ resistor across the inputs and measure the voltage drop across the resistor - should be approximately 1V (±10%).</p> <p>Check values of the reference resistors for the range not working. Check voltage drops across the known and unknown resistors and make sure the ratio works properly.</p> <p>Q3 and Q4 leak-check by seeing if MΩ reads OL with open input. Main pcb contaminated - clean carefully and check performance.</p>
<p>CURRENT TEST Constant reading of 0.00</p> <p>Fuses F1 and F2 good, but current readings off</p> <p>High crest-factor ac current readings off</p>	<p>Check fuses F1 and F2 with fuse check procedure in Section 2-4.</p> <p>Switches and resistors in current shunt.</p> <p>U1</p>
<p>CONTINUITY TEST No response</p> <p>No tone</p>	<p>Select switch decoding self-test—check for proper function decoding and also confirm that the continuity comparator responds. R31, S1A</p> <p>Q6, R4, LS1. Check U3-1 (tone output) with scope for 2.667 kHz signal.</p>

Table 4-6. Troubleshooting Guide (cont)

TEST AND SYMPTOM	POSSIBLE CAUSE/SUGGESTIONS
DIODE TEST No readings or very low readings	CR1 (diode test source). To check CR1, select diode test, connect an external 1 k Ω resistor across the inputs and measure the voltage across the resistor — should be approximately 1V ($\pm 10\%$).
BT INDICATOR BT indicator not displayed when battery voltage is less than 5.6V	U3, Z4—U3 compares voltage at pin 18 (BTI) with voltage at pin 10 (COM— analog common voltage). BT turns on if U3-18 voltage is greater than common, turns off if it is less (± 50 mV)

**Table 4-7. Troubleshooting the Resistance Function:
Voltage Sources for Ranges**

RANGE	VOLTAGE SOURCE ($\pm 10\%$)	COMMENT
200 Ω	4.5V	These values should be obtained when no external resistors are connected to the resistance inputs. Measure voltage between common (J2) and TP10. Note that the M Ω and 200 k Ω ranges will be loaded by a 10 M Ω input impedance. Use a high impedance voltmeter for the measurement or decrease the voltage source magnitude appropriately. A DMM with a 10 M Ω input impedance will read approximately 1.9V in the M Ω range.
2 k Ω	1.2V	
20 k Ω	1.2V	
200 k Ω	1.2V	
M Ω	2.1V	

Table 4-8. U3 (MAC) Pin Descriptions

PIN NO.	MNEMONIC	DESCRIPTION
1	TONE	2.66 kHz square wave to tone generator.
2	CFO	Output, + input, - input, respectively, of the continuity function comparator.
3	CM+	
4	CM-	
5	VSS	-5.1V supply (externally generated).
6	HI	Input to the a/d converter.
7	LO	Sense ground for the a/d converter.
8	FC+	Connections to the "flying capacitor" which stores the reference voltage applied to the a/d converter during the read period. Plus and minus signs indicate polarity of stored voltage.
9	FC-	
10	COM	Analog common.
11	VREF+	Input for 1V reference voltage for a/d converter and power supply.
12	OREF-	Reference input to a/d converter during autozero period for resistance function.
13	OREF+	
14	BFH	Output of the a/d buffer circuit.
15	BFL	
16	AZ	Input for AZ capacitor.
17	INT	Input for INTEG capacitor.
18	BTI	Battery test input.
19	VIA	+5.2V supply feedback (nominally 1V)
20	CV	Gate drive for JFET. Series pass element
21	VDD	+5.2V supply.
22	VID	Reference voltage for the U3 and U5 digital power supply.
23	VDG	Output of the U3 and U5 digital power supply.
24	AD0	Four-bit parallel data bus between U3 and U5. During the first part of a data transfer operation they carry the address of the register being read or written to. During the remainder of the operation they carry data.
25	AD1	
26	AD2	
27	AD3	
28	WR/	Register write strobe.
29	ALE/	Address Latch Enable.
30	RD/	Register read strobe.

Table 4-8. U3 (MAC) Pin Descriptions (cont)

PIN NO	MNEMONIC	DESCRIPTION
31	IN10	SW5
32	IN11	SW6
33	IN12	SW7
34	IN13	SW8
35	IN20	SW1
36	IN21	SW2
37	IN22	SW3
38	CLKO	40 kHz clock which drives the U5 clock input (crystal frequency divided by 80).
39	XTALI	Connections to the crystal oscillator.
40	XTALO	

Section 5

List of Replaceable Parts

5-1. INTRODUCTION

This section contains an illustrated parts list for the instrument. Components are listed alphanumerically by assembly. Both electrical and mechanical components are listed by reference designation. Each listed part is shown in an accompanying illustration.

Parts lists include the following information:

1. Reference Designation
2. Description of each part
3. FLUKE Stock Number
4. Federal Supply Code for Manufacturers (See Table 5-3 for Code-to-Name list)
5. Manufacturer's Part Number
6. Total Quantity per assembly or component
7. Recommended Quantity: This entry indicates the recommended number of spare parts necessary to support one to five instruments for a period of two years. This list presumes an availability of common electronic parts at the maintenance site. For maintenance for one year or more at an isolated site, it is recommended that at least one of each assembly in the instrument be stocked. In the case of optional subassemblies, plug-ins, etc., that are not always part of the instrument, or are deviations from the basic instrument model, the REC QTY column lists the recommended quantity of the item in that particular assembly.

5-2. HOW TO OBTAIN PARTS

Components may be ordered directly from the manufacturer by using the manufacturer's part number, or from the John Fluke Mfg. Co., Inc. factory or

authorized representative by using the FLUKE STOCK NUMBER. In the event the part you order has been replaced by a new or improved part, the replacement will be accompanied by an explanatory note and installation instructions if necessary.

To ensure prompt and efficient handling of your order, include the following information.

1. Quantity
2. FLUKE Stock Number
3. Description
4. Reference Designation
5. Printed Circuit Board Part Number
6. Instrument Model and Serial Number

CAUTION



Indicated devices are subject to damage by static discharge.

5-3. MANUAL CHANGE AND BACKDATING INFORMATION

Table 5-4 contains information necessary to backdate the manual to conform with earlier pcb configurations. To identify the configuration of the pcbs used in your instrument, refer to the revision letter on the non-component side of each pcb assembly.

As changes and improvements are made to the instrument, they are identified by incrementing the revision letter marked on the affected pcb assembly. These changes are documented on a supplemental change/errata sheet which, when applicable, is inserted at the front of the manual.

To backdate this manual to conform with an earlier assembly revision level, perform the changes indicated in Table 5-4. There are no backdating changes at this printing. All pcb assemblies are documented at their original revision level.

Table 5-1. 8062A Final Assembly

REF DES	DESCRIPTION	FLUKE STOCK NO.	MFG SPLY CODE	MFG PART NO.	TOT QTY	REC QTY	N O T E
	⊗ FINAL ASSEMBLY, 8062A FIGURE 5-1 (8062A-T&B)						
A1	⊗ MAIN PCB ASSEMBLY	617795	89536	617795	1		
A2	⊗ MICRO COMPUTER PCB ASSEMBLY(NO PARTS BREAKDOWN ON A2)	617654	89536	617654	1		
BT1	BATTERY, PRIMARY 9V (NOT SHOWN)	446823	89536	446823	1		
F1	FUSE, 2A, 250V GLASS, (STANDARD)	376582	71400	AGX2	2	10	
F2	FUSE, 3A, FAST-ACT	475004	71400	AGX3	1	5	
H1	SCREW, THD-FORM 3/8	448456	89536	448456	2		
H2	SCREW, THD-FORM 3/4	447953	89536	447953	3		
H3	SCREW, RECESSED	604744	89536	604744	1		
H4	WASHER, CTRSUNK STEEL (ZINC PLATE)	614529	89536	614529	1		
MP1	BAIL STAND	616961	89536	616961	1		
MP2	BRACKET, LCD MTG.	544940	89536	544940	1		
MP3	BUTTON, SWITCH (FUNCTION)	606889	89536	606889	3		
MP4	BUTTON, (POWER SWITCH)	456491	89536	456491	1		
MP5	BUTTON, SWITCH (RANGE)	606871	89536	606871	5		
MP6	CASE, BOTTOM	613950	89536	613950	1		
MP7	CASE, TOP	638635	89536	638635	1		
MP8	COVER, BATTERY	637686	89536	637686	1		
MP9	DECAL, CASE TOP	604785	89536	604785	1		
MP10	DECAL, TOP SHIELD	604793	89536	604793	1		

Table 5-1. 8062A Final Assembly (cont)

REF DES	DESCRIPTION	FLUKE STOCK NO.	MFG SPLY CODE	MFG PART NO.	TOT QTY	REC QTY	N O T E
MP11	FLANGE, SWITCH	455881	89536	455881	1		
MP12	FOOT, NON-SKID	604397	89536	604397	4		
MP13	GASKET, LCD	605170	89536	605170	1		
MP14	INTERCONNECT, LCD	587022	89536	587022	1		
MP15	INTERCONNECT, PCB	587014	89536	587014	1		
MP16	LEAD & PROBE ASSY, SAFE TEST (NOT SHOWN)	516666	89536	516666	1		
MP17	LENS, DISPLAY	612747	89536	612747	1		
MP18	OPERATOR GUIDE CARD, 8062A (NOT SHOWN)	632703	89536	632703	1		
MP19	PLATE, LCD	612762	89536	612762	1		
MP20	POLARIZER	587030	89536	587030	1		
MP21	SHIELD, INSULATOR	604777	89536	604777	1		
MP22	SHIELD, LOWER	587048	89536	587048	1		
MP23	SHOCK ABSORBER, LCD	605188	89536	605188	1		
MP24	SHOCK ABSORBER	428441	89536	428441	1		
MP25	SPACER, CASE	458588	89536	458588	2		
MP26	SPRING, COIL COMPRESSION	614446	89536	614446	1		
MP27	SUPPORT, LCD	612754	89536	612754	1		
MP28	SUPPORT, TOP SHIELD	612770	89536	612770	1		
S10-S11	SWITCH, 4-POS ELASTOMERIC	604827	89536	604827	1		
TM1	INSTRUCTION MANUAL, 8062A	632695	89536	632695			
U3	A/D CHIP	612713	89536	612713	1		
U6	LCD, DISPLAY	534800	89536	534800	1		
YY	RECOMMENDED SPARE PARTS KIT, 8062A	646885	89536	646885	AR		

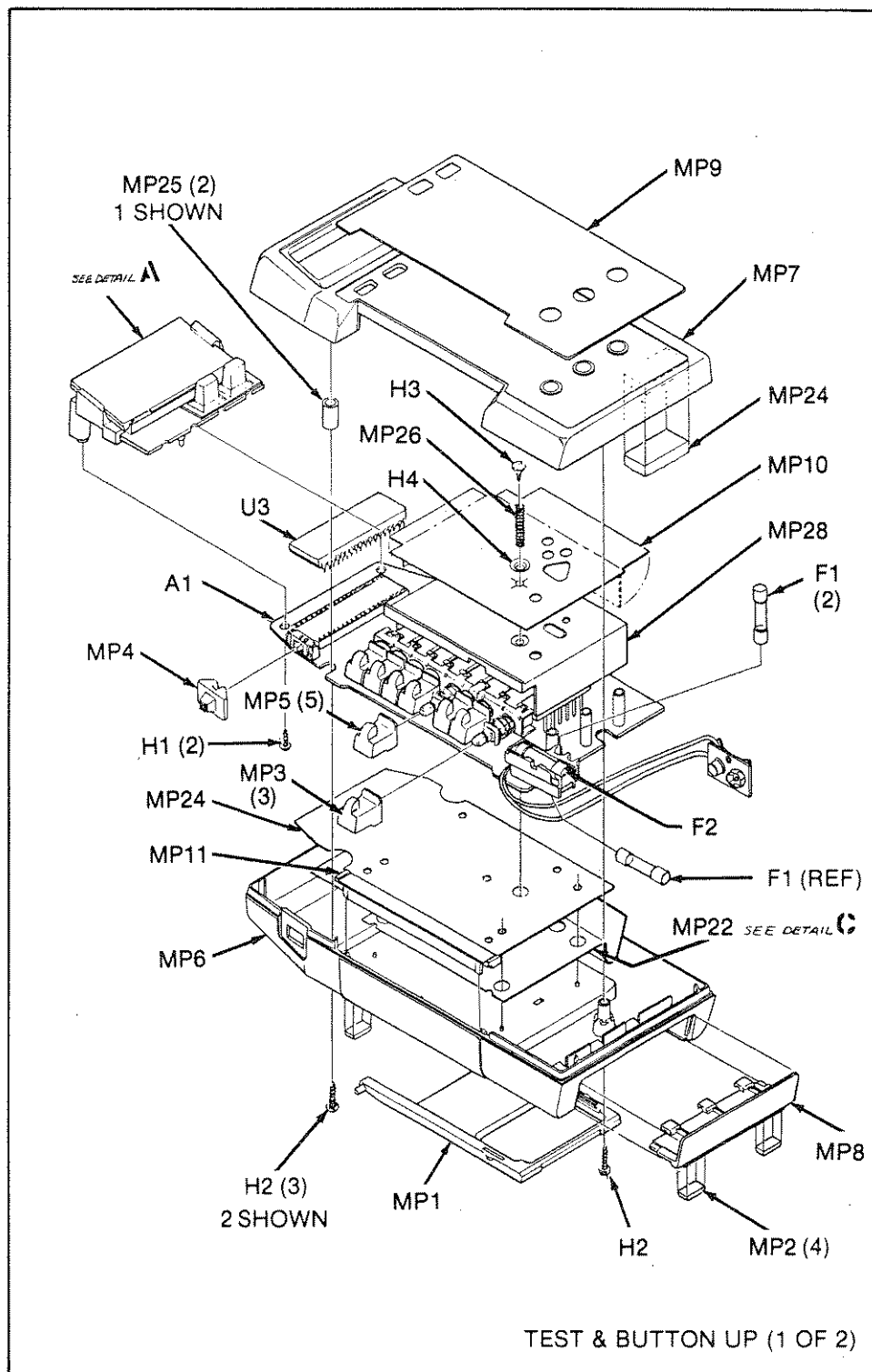


Figure 5-1. 8062A Final Assembly

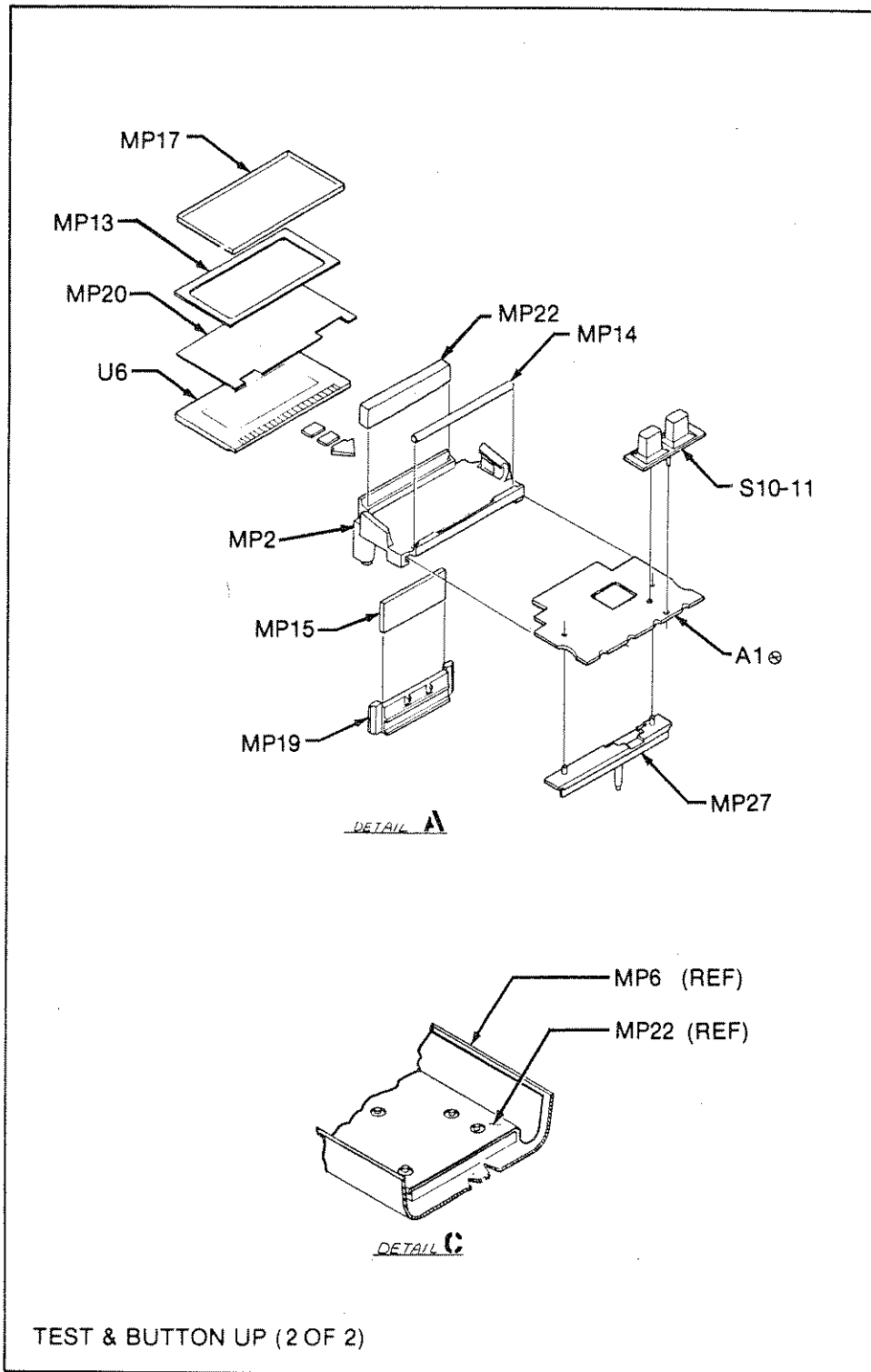


Figure 5-1. 8062A Final Assembly (cont)

Table 5-2. A1 Main PCB Assembly

REF DES	DESCRIPTION	FLUKE STOCK NO.	MFG SPLY CODE	MFG PART NO.	TOT QTY	REC QTY	N O T E
⊕ A1	MAIN PCB ASSEMBLY FIGURE 5-2 (8062A-4011T)	617795	89536	617795	REF		
C1	CAP, ELECT, 100 UF +/-20%, 6.3V	615906	89536	615906	5		
C2	CAP, CER, 8 PF +/--.25 PF, 1000V	643551	51406	DD57B1ONP08ROC1KV	1		
C3	CAP, VAR, 0.25 - 1.5 PF, 2000V	218206	72982	530.000	1		
C4	CAP, CER, 56 PF +/-2%, 100V	512970	89536	512970	2		
C5	CAP, CER, .01 UF +/-2%, 50V	631044	89536	631044	1		
C6	CAP, CER, 820 PF +/-2%, 50V	631002	89536	631002	1		
C7	CAP, CER, 5.6 PF +/-0.25 PF, 100V	512954	89536	512954	1		
C9	CAP, POLYPROP, .22 UF +/-10%, 100V	446799	89536	446799	2		
C10	CAP, CER, 10 NF -20/+80%, 50V	614214	72982	8121-050-651-10NFM	4		
C11	CAP, CER, 0.22 UF +/-20%, 50V	519157	51406	RPE11Z5U224M50V	2		
C12	CAP, AL. ELECT, 10 UF +/-20%, 16V	602326	89536	602326	3		
C13	CAP, CER, 10 NF -20/+80%, 50V	614214	72982	8121-050-651-10NFM	REF		
C14	CAP, CER, 10 NF -20/+80%, 50V	614214	72982	8121-050-651-10NFM	REF		
C15	CAP, CER, 0.22 UF +/-20%, 50V	519157	51406	RPE11Z5U224M50V	REF		
C16	CAP, TA, 1 UF +/-20%, 35V	161919	56289	196D010X0035G	1		
C17	CAP, FILM, .022 UF +/-10%, 1000 VDC	448183	52763	MKT-1822-322/10+10%	1		
C18	CAP, POLYPROP, .22 UF +/-10%, 100V	446799	89536	446799	REF		
C19	CAP, AL. ELECT, 47 UF +/-20%, 10V	613984	89536	613984	1		
C21	CAP, AL. ELECT, 10 UF +/-20%, 16V	602326	89536	602326	REF		
C22	CAP, POLYPROP, .10 UF +/-10%, 100V	446781	89536	446781	1		
C23	CAP, ELECT, 100 UF +/-20%, 6.3V	615906	89536	615906	REF		
C24	CAP, ELECT, 100 UF +/-20%, 6.3V	615906	89536	615906	REF		

Table 5-2. A1 Main PCB Assembly (cont)

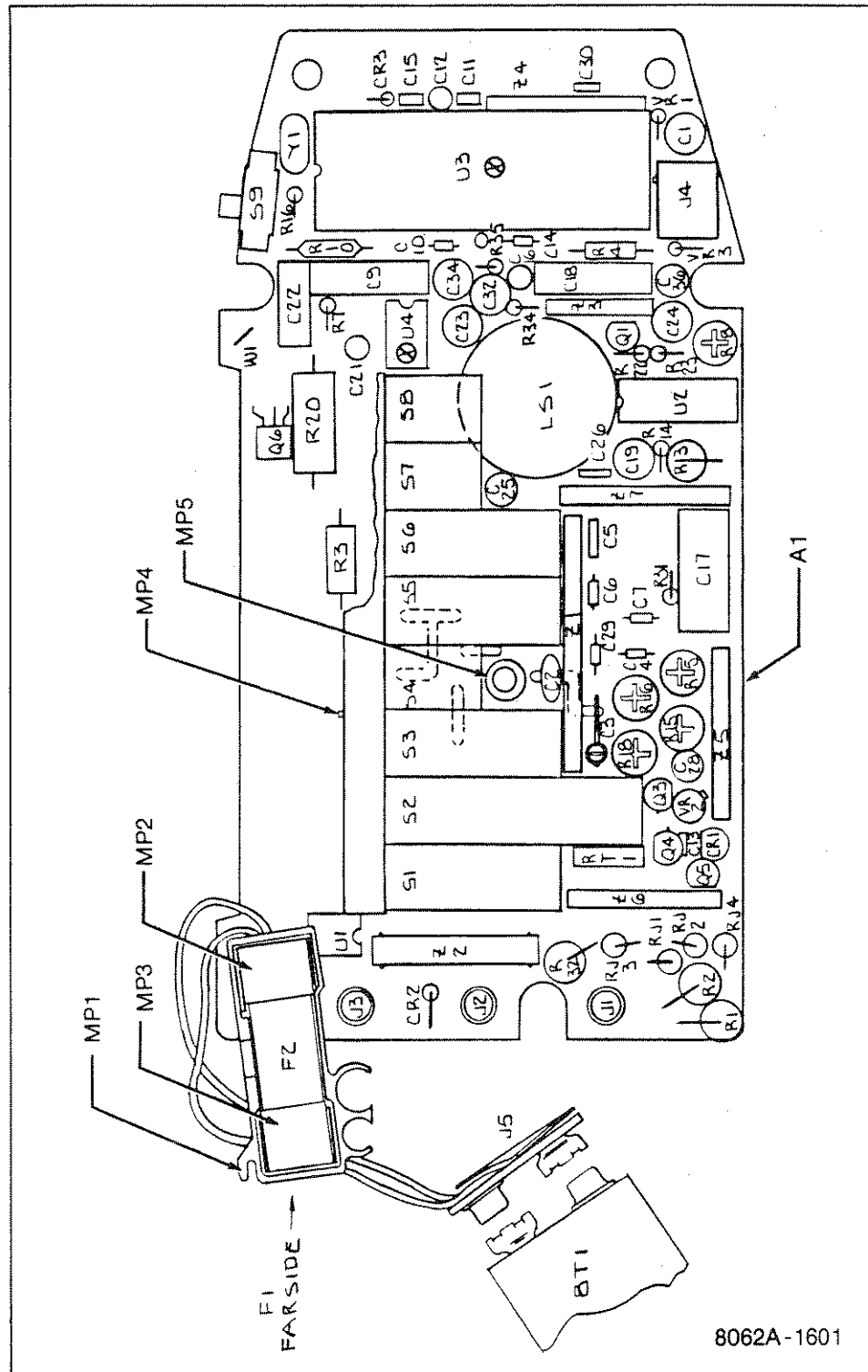
REF DES	DESCRIPTION	FLUKE STOCK NO.	MFG SPLY CODE	MFG PART NO.	TOT QTY	REC QTY	N O T E
C25	CAP, TA, 5.6 UF +/-20%, 25V	368969	56289	196D565X0025KA1	1		
C26	CAP, CER, 120 PF +/-5%, 100V	543819	89536	543819	1		
C28	CAP, AL. ELECT, 10 UF +/-20%, 16V	602326	89536	602326	REF		
C29	CAP, CER, 47 PF +/-2%, 100V	512368	89536	512368	1		
C30	CAP, CER, 10 NF -20/+80%, 50V	614214	72982	8121-050-651-10NEM	REF		
C32	CAP, ELECT, 100 UF +/-20%, 6.3V	615906	89536	615906	REF		
C34	CAP, ELECT, 100 UF +/-20%, 6.3V	615906	89536	615906	REF		
C36	CAP, AL. ELECT, 22 UF +/-20%, 16V	614750	89536	614750	1		
CR1	DIODE, FIELD EFFECT	334839	11532	TCR5297	1	1	
CR2	DIODE, SI, RECTIFIER	343491	01295	1N4002	1	1	
CR3	DIODE, HI-SPEED SWITCHING	203323	07910	1N4448	1	1	
J1	RECEPTACLE	508606	89536	508606	3		
J2	RECEPTACLE	508606	89536	508606	REF		
J3	RECEPTACLE	508606	89536	508606	REF		
J4	JACK, DC POWER, PCB MOUNTING	423897	89536	423897	1		
J5	CONTACT ASSEMBLY	535278	89536	535278	1		
LS1	XDUCER, AUDIO, 12,000 PF	602490	51406	EFB-RD24C01	1		
MP1	FUSE CAP	540716	89536	540716	1		
MP2	FUSE CLIP	534925	89536	534925	1		
MP3	FUSE CLIP	535203	89536	535203	1		
MP4	POST, CONNECTOR	603910	89536	603910	1		
MP5	SPACER, STANDOFF	544254	89536	544254	1		
MP6	SPRING (NOT SHOWN)	535211	89536	535211	1		
Q1	TRANSISTOR, FIELD EFFECT	604678	17856	J2464	1	1	
Q3	TRANSISTOR, NPN	218396	89536	218396	3	1	

Table 5-2. A1 Main PCB Assembly (cont)

REF DES	DESCRIPTION	FLUKE STOCK NO.	MFG SPLY CODE	MFG PART NO.	TOT QTY	REC QTY	NOTE
Q4	TRANSISTOR, NPN	218396	89536	218396	REF		
Q5	TRANSISTOR, SI, NPN	242065	04713	2N5089	1	1	
Q6	TRANSISTOR, NPN	218396	89536	218396	REF		
R1	RES, WW, 1000 +/-10%, 2W	474080	89536	474080	2		
R2	RES, WW, 1000 +/-10%, 2W	474080	89536	474080	REF		
R3	RES, COMP, 100M +/-5%, 1/2W	190520	01121	EB1075	1		
R4	RES, DEP. CAR, 5.6K +/-5%, 1/4W	442350	80031	CR251-4-5P5K6	1		
R5	RES, VAR, 2K +/-20%, 100V	603753	51406	RVS0707-V-100-3-202M	1		
R6	RES, VAR, 200 +/-20%, 100V	603738	51406	RVS0707-V-100-3-201M	1		
R7	RES, MTL. FILM, 154K +/-1%, 1/8W	289447	91637	CMF551543F	1		
R8	RES, VAR, 1K +/-20%, 100V	614065	51406	RVS0707-V-100-3-102M	2		
R10	RES, MTL. FILM, 3.65K +/-1%, 1/8W	293779	91637	CMF553651F	1		
R13	RES, COMP, 100K +/-5%, 500V	641282	89536	641282	2		
R14	RES, COMP, 22M +/-5%, 1/4W	221986	01121	CB2265	1		
R15	RES, VAR, 1K +/-20%, 100V	614065	51406	RVS0707-V-100-3-102M	REF		
R16	RES, MTL. FILM 383K +/-1%, 1/8W	288498	91637	CMF553833F	1		
R18	RES, VAR, 100 +/-20%, 100V	614057	51406	RVS0707-V-100-3-101M	1		
R20	RES, COMP, 220K +/-10%, 500V	109652	89536	109652	1		
R22	RES, DEP. CAR, 240 +/-5%, 1/4W	376624	80031	CR251-4-5P240E	1		
R23	RES, COMP, 6.8 +/-5%, 1/4W	296483	01121	RC07GF682JS	1		
R31	RES, DEP. CAR, 10 +/-5%, 1/4W	340075	80031	CR251-4-5P10E	1		
R32	RES, COMP, 100K +/-5%, 500V	641282	89536	641282	REF		
R34	RES, DEP. CAR, 12 +/-5%, 1/4W	442178	80031	CR251-4-5P12E	2		
R35	RES, DEP. CAR, 12 +/-5%, 1/4W	442178	80031	CR251-4-5P12E	REF		
RJ1	VARIABLE, 430V +/-10%	447672	09214	V430MA7B	4	1	

Table 5-2. A1 Main PCB Assembly (cont)

REF DES	DESCRIPTION	FLUKE STOCK NO.	MFG SPLY CODE	MFG PART NO.	TOT QTY	REC QTY	N O T E
RJ2	VARISTOR, 430V +/-10%	447672	09214	V430MA7B	REF		
RJ3	VARISTOR, 430V +/-10%	447672	09214	V430MA7B	REF		
RJ4	VARISTOR, 430V +/-10%	447672	09214	V430MA7B	REF		
RT1	RES, CURRENT LIMITING, 1K +/-40%, 2W	446849	89536	446849	1		
S1-S8	SWITCH ASSEMBLY	644245	89536	644245	1		
S9	SWITCH, POWER, SLIDE	453365	79727	G1-116-0005, G-20-32	1		
U1	RECTIFIER BRIDGE	418582	83003	VM08	1	1	
U2	IC, RMS, SELECTED	637801	89536	637801	1		
⊗ U4	IC, VOLTAGE CONVERTER	586248	32293	ICL7660CPA	1	1	
VR1	DIODE, ZENER, UNCOMPENSATED	325811	07910	1N753A	1	1	
VR2	IC, VOLTAGE REF.	508259	32293	ITS 6935-2	1	1	
VR3	DIODE, ZENER, 12V	113456	04713	1N963A	1	1	
W1	WIRE, JUMPER	643452	89536	643452	1	1	
XU3	SOCKET, IC, 40-PIN	429282	09922	DILB40P-108	1	1	
Y1	CRYSTAL, QUARTZ, 3.2 MHZ (50 HZ)	513937	89536	513937	1	1	
Z1	RESISTOR NETWORK, DIVIDER	541201	89536	\541201	1	1	
Z2	RESISTOR NETWORK, 2-RESISTOR SHUNT	435727	89536	435727	1	1	
Z3	RESISTOR NETWORK	630293	89536	630293	1	1	
Z4	RESISTOR NETWORK	614164	89536	614164	1	1	
Z5	RESISTOR NETWORK, 6-RESISTOR SHUNT	614149	89536	614149	1	1	
Z6	RESISTOR NETWORK	603779	19647	1787-133	1	1	
Z7	RESISTOR NETWORK	615872	89536	615872	1	1	



8062A-1601

Figure 5-2. 8062A A1 Main PCB Assembly

Table 5-3. Federal Supply Codes for Manufacturers

01121 Allen-Bradley Co. Milwaukee, Wisconsin	51406 Murata Corporation of America Marietta, Georgia
01295 Texas Instruments, Inc. Semiconductor Group Dallas, Texas	52763 Stettner-Trush Inc. Cazenovia, New York
04713 Motorola Inc. Semiconductor Group Phoenix, Arizona	56289 Sprague Electric Co. North Adams, Massachusetts
07910 Replaced by 15818	71400 Bussman Manufacturing Div. of McGraw-Edison Co. St. Louis, Missouri
09214 General Electric Co. Semiconductor Products Power Component Operation Auburn, New York	73899 JFD Electronics Co. Components Corp. Brooklyn, New York
09922 Burndy Corp. Norwalk, Connecticut	72982 Erie Technical Products Inc. Erie, Pennsylvania
11532 Teledyne Relays Hawthorne, California	83003 Varo Inc. Garland, Texas
15818 Teledyne Semiconductors Formerly Amelco Semiconductor Mountain View, California	79727 C - W Industries Warminster, Pennsylvania
17856 Siliconix, Inc. Santa Clara, California	80031 Mepco/Electra Corp. Morristown, New Jersey
19647 Caddock Electronics Inc. Riverside, California	89536 John Fluke Manufacturing Co., Inc. Everett, Washington
32293 Intersil Cupertino, California	91637 Dale Electronics Inc. Columbus, Nebraska

U.S. SALES AREAS

AK, Anchorage

Harry Lang & Associates
1371 Hillcrest Drive #303
Anchorage, AK 99503
(907) 279-5741

AL, Huntsville

John Fluke Mfg. Co., Inc.
3322 S. Memorial Parkway
Suite 96
Huntsville AL 35801
(205) 881-6220
(404) 396-3224 (Atlanta)

AZ, Tempe

John Fluke Mfg. Co., Inc.
2125 S. 48th Street
Suite 104
Tempe, AZ 85282
(602) 967-8724
(602) 790-9881 (Tucson)

CA, Los Angeles

John Fluke Mfg. Co., Inc.
20902 South Bonita St.
Carson, CA 90746
(213) 538-3900 or
(714) 761-2449

CA, Santa Clara

John Fluke Mfg. Co., Inc.
2300 Walsh Ave., Bldg. K
Santa Clara, CA 95051
(408) 727-0513

CA, Tustin

John Fluke Mfg. Co., Inc.
15445 Red Hill Ave., Suite F
Tustin, CA 92680
(714) 838-8863
(714) 226-1254 (San Diego)

CO, Denver

John Fluke Mfg. Co., Inc.
1980 South Quebec St. #4
Denver, CO 80231
(303) 750-1222

CT, Hartford

John Fluke Mfg. Co., Inc.
124 Hebron Ave.
Glastonbury, CT 06033
(203) 633-0777

FL, Orlando

John Fluke Mfg. Co., Inc.
940 N. Fern Creek Ave.
Orlando, FL 32803
(305) 896-4881

GA, Atlanta

(404) 396-3224

HI, Honolulu

EMC Corporation
2979 Ualena St.
Honolulu, HI 96819
(808) 836-1138

IA, Iowa City

(319) 354-2611

IL, Chicago

John Fluke Mfg. Co., Inc.
1400 Hicks Road
Rolling Meadows, IL 60008
(312) 398-0850

IN, Indianapolis

John Fluke Mfg. Co., Inc.
5610 Crawfordsville Rd.
Corporate Square West
Suite 802
Indianapolis, IN 46224
(317) 244-2456

KA, Kansas City

John Fluke Mfg. Co., Inc.
4550 West 109th St.
Suite 100
Shawnee Mission, KA 66211
(913) 381-9800

LA, New Orleans

(504) 455-0814

MA, Burlington

John Fluke Mfg. Co., Inc.
25 "B" Street
Burlington, MA 01803
(617) 273-4674

MD, Rockville

John Fluke Mfg. Co., Inc.
5640 Fishers Lane
Rockville, MD 20852
(301) 770-1570
(301) 792-7060 (Baltimore)

MI, Detroit

John Fluke Mfg. Co., Inc.
13955 Farmington Rd.
Livonia, MI 48154
(313) 522-9140

MN, Minneapolis

John Fluke Mfg. Co., Inc.
7373 West 147th St.
Suite 196
Apple Valley, MN 55124
(612) 432-9400

MO, St. Louis

John Fluke Mfg. Co., Inc.
300 Brookes Dr., Suite 100
Hazelwood, MO 63042
(314) 731-3388

NC, Greensboro

John Fluke Mfg. Co., Inc.
1310 Beaman Place
Greensboro, NC 27408
(919) 273-1918

NJ, Paramus

John Fluke Mfg. Co., Inc.
P.O. Box 930
West 75 Century Road
Paramus, NJ 07652
(201) 262-9550

NM, Albuquerque

John Fluke Mfg. Co., Inc.
1108 Alvarado Drive N.E.
Albuquerque, NM 87110
(505) 265-8431

NY, Rochester

John Fluke Mfg. Co., Inc.
4515 Culver Road
Rochester, NY 14622
(716) 266-1400

OH, Cleveland

John Fluke Mfg. Co., Inc.
7830 Freeway Circle
Middleburg Heights, OH 44130
(216) 234-4540

OH, Dayton

John Fluke Mfg. Co., Inc.
4756 Fishburg Rd.
Dayton, OH 45424
(513) 233-2238
(614) 889-5715 (Columbus)

OR, Portland

John Fluke Mfg. Co., Inc.
18360 S.W. Springfield Lane
Aloha, OR 97007
(503) 642-1342

PA, Philadelphia

John Fluke Mfg. Co., Inc.
1010 West 8th Ave., Suite H
King of Prussia, PA 19406
(215) 285-4040
(412) 261-5171 (Pittsburgh)

TX, Austin

John Fluke Mfg. Co., Inc.
Creek Gardens, Suite 103
8705 Shoal Creek Blvd.
Austin, TX 78758
(512) 459-3344

TX, Dallas

John Fluke Mfg. Co., Inc.
14400 Midway Road
Dallas, TX 75234
(214) 233-9990

TX, Houston

John Fluke Mfg. Co., Inc.
4240 Blue Bonnet Dr.
Stafford, TX 77477
(713) 491-5995
(504) 455-0814 (New Orleans)

UT, Salt Lake City

John Fluke Mfg. Co., Inc.
5226 So. 300 West, Suite #2
Salt Lake City, UT 84107
(801) 268-9331

WA, Seattle

John Fluke Mfg. Co., Inc.
975 Industry Drive
Seattle, WA 98188
(206) 575-3765

For more information on Fluke products or Sales Offices you may dial (800) 426-0361 toll-free in most of U.S.
From Alaska, Hawaii, or Washington phone (206) 356-5400. From other countries phone (206) 356-5500.

John Fluke Mfg. Co., Inc., P.O. Box C9090, Everett, WA 98206. Phone (206) 342-6300
Fluke (Holland) B.V., P.O. Box 5053, 5004 EB, Tilburg, The Netherlands. Phone (013) 673973

Litho in U.S.A. 12/81



INTERNATIONAL SALES OFFICES

Argentina *

Coasin, S.A.
Verrey del Pino 4071
Buenos Aires, Argentina
Tel: 5523185, TLX: 390122284

Australia *

Eimeasco Instruments Pty Ltd
P.O. Box 30, Concord, N.S.W.
Australia 2137
Tel: (2) 736-2886, TLX: AA25887

Eimeasco Instruments Pty Ltd
P.O. Box 107
Mt Waverley VIC 3149
Australia

Tel: 233-4044
TLX: 36206 (ELMVIC)

Eimeasco Instruments Pty Ltd
Professional Suite's Bldg
G.P.O. Box 2360
Brisbane, 4001, Australia

Tel: (07) 229-3161
Eimeasco Instruments Pty Ltd
P.O. Box 1240
G.P.O. Adelaide 5001
South Australia

Eimeasco Instruments Pty Ltd
P.O. Box 95, Gosnells,
West Australia 6110
Tel: (08) 348-3362

Austria *

Walter Rekrusch
Elektronische Gerate GmbH & Co
Vertrieb-KG, Obachgasse 28
A-1220 Vienna, Austria
Tel: (0222) 235555, TLX: 134759

Bahrain *

AL-Hamidiya
P.O. Box 20074
Manama, Bahrain
Tel: 259958, TLX: 8895

Bangladesh *

Motherland Corporation
24 Halkhola Rd., Tikatuli
Dacca 3, Bangladesh
Tel: 257249, 255776

Belgium *

Fluke (Belgium) S.A. N.V.
6, Rue de Geneve
1140 Brussels, Belgium
Tel: (2) 2184090, TLX: 26312

Bolivia *

Coasin Bolivia S.R.L.
Casilla 7295, La Paz, Bolivia
Tel: 40962, TLX: 5255

Brazil *

Fluke Brasil-Industria E
Comercio LTDA
At: Amazonas 422,
AlphaVille, Barueri,
CEP 06400 Sao Paulo, Brazil
Tel: (011) 421-3603

Brunei *

Rank O'Connor's (PTE) Limited
No. 6 BK.D
Surfri Shop House Complex
Mie 1, Jalang Tutong
Bandar Seri Begawan, Brunei
Tel: 26680

Bulgaria *

Amtest Associates Ltd
P.O. Box 55
Addlestone, Surrey KT15 1DU
United Kingdom
Tel: Weybridge (932) 52121
TLX: 928855

Canada *

Allan Crawford Assoc., Ltd.
#14, 1935 30th Ave. N.E.
Calgary, Alberta T2E 6Z5
Tel: (403) 230-1341, TLX: 03-821186

Allan Crawford Assoc., Ltd.
Suite 1, Box 60
Edmonton, Alberta T5L 4H6
Tel: (403) 451-4893

Allan Crawford Assoc., Ltd.
3795 William Street
Burnaby, British Columbia V5C 3H3
Tel: (604) 294-1326, TLX: 04-54247

Allan Crawford Assoc., Ltd.
192 Joseph Zatzman Dr.
Suite 4
Burnside Industrial Park
Dartmouth, Nova Scotia B3B 1N4
Tel: (902) 463-8640, TLX: 01931904

Allan Crawford Assoc., Ltd.
881 Lady Ellen Place
Ottawa, Ontario K1Z 5L3
Tel: (613) 722-7882, TLX: 0533600

Allan Crawford Assoc., Ltd.
6503 Northam Drive
Mississauga, Ontario L4V 1J5
Tel: (416) 678-1500, TLX: 06968769

Allan Crawford Assoc., Ltd.
7918 cote de Liesse
St. Laurent, Quebec H4T 1E7
Tel: (514) 731-8564, TLX: 05824944

Chad *

Fluke (Holland) B.V.
P.O. Box 5053, 5004 EB Tilburg
Zevenheuvelenweg 53, 5048 AN Tilburg
The Netherlands
Tel: (013) 673973, TLX: 52237

Chile *

Intronica Chile Ltda
Manuel Montt 024 - Of. D
Casilla 16228, Santiago 9, Chile
Tel: 44940
TLX: No 40301, Cae Publ.
Attn: Intronica Chile

China, People's Republic of *
Fluke International Corporation
P.O. Box C9090
Everett, WA 98206, U.S.A.
Tel: (206) 356-5511
TLX: 152662, JOHN FLUKE EVT

Colombia *
Sistemas E Instrumentacion, Ltda
Carrera 13, No. 37-43, Of. 401
Ap. Aereo 29583
Bogota D.E., Colombia SA
Tel: 232-45-32, TLX: 45787

Cyprus *
Chris Radiovision Ltd
P.O. Box 1989, Nicosia, Cyprus
Tel: 66121, TLX: 3495

Czechoslovakia *
Amtest Associates Ltd
P.O. Box 55
Addlestone, Surrey KT15 1DU
United Kingdom
Tel: Weybridge (932) 52121
TLX: 928855

Denmark *
Tage Olsen A/S
Ballerup Byvej 222
DK - 2750 Ballerup, Denmark
Tel: (2) 658111, TLX: 35293

Ecuador *

Proteco Coasin Cia. Ltda
Edificio "Jerico"
Ave. 12 de Octubre #2285 y
Ave. Orellana (Planta Baja)
Quito, Ecuador
Tel: 529684, TLX: 2865 Protec Ed

Proteco Coasin Cia. Ltda
Calderon 103Y Malecon
Castilla #9733
Guayaquil, Ecuador
Tel: 525093

Egypt and Sudan *
Electronic Engineering Liaison Office
P.O. Box 2891, Horreya
11 Ahmad Khashara St
Hegaz Square
Heliopolis, Cairo, Egypt
Tel: 691588, TLX: 92502

Ethiopia *
Fluke (Holland) B.V.
P.O. Box 5053, 5004 EB Tilburg
Zevenheuvelenweg 53, 5048 AN Tilburg
The Netherlands
Tel: (013) 673973, TLX: 52237

Fiji *
AWA Fiji
P.O. Box 858
47 Forster Road, Walu Bay
Suva, Fiji
Tel: 312079, TLX: FJ2347

Finland *
Oy Findip AB, Teollisuusie 7
02700 Kaunainen, Finland
Puh: (0) 5052555
TLX: 123129

France *
M.B. Electronique S.A.
Rue Fourny 606, ZI Centre
78530 BUC
B.P. No 31
78530 BUC, France
Tel: (3) 9566131, TLX: 695414

German Democratic Republic *
Amtest Associates Ltd
P.O. Box 55
Addlestone, Surrey KT15 1DU
United Kingdom
Tel: Weybridge (932) 52121
TLX: 928855

German Federal Republic *
Fluke (Deutschland) GmbH
Max-Hueber-Strasse 8
8045 Ismaning, West Germany
Tel: (089) 96251, TLX: 522472
Rapifax: (089) 966718

Fluke (Deutschland) GmbH
Maineckstrasse 53
4000 Dusseldorf 30, West Germany
Tel: (0211) 450831, TLX: 6585576

Fluke (Deutschland) GmbH
Oberer Kirchhaldenweg 135
7000 Stuttgart 1, West Germany
Tel: (0711) 694091, TLX: 722518

Fluke (Deutschland) GmbH
Hubertusallee 46
1000 Berlin-33, West Germany
Tel: (30) 8911090
TLX: 0184978

Greece *
Hellenic Scientific Representations Ltd
11, Vrasside Street
Athens 612, Greece
Tel: (1) 711140, TLX: 219330

Hong Kong *

Schmidt & Co. (HK) Ltd
28th Fl. Wing on Centre
111 Connaught Road
Central Hong Kong
Tel: 5-455644
TLX: 74766 SCHMC-HX

Hungary *

Amtest Associates Ltd
P.O. Box 55
Addlestone, Surrey KT15 1DU
United Kingdom
Tel: Weybridge (932) 52121
TLX: 928855

Iceland *

Kristjan O. Skagljord Ltd
P.O. Box 906
Reykjavik, Iceland
Tel: 24120, TLX: 2133

India *

Hinditron Services Pvt. Ltd
69-A, L. Jagmohandas Marg
Bombay 400 006, India
Tel: 811316
TLX: 112326 Hapt Int

Hinditron Services Pvt. Ltd
33-44-A 8th Main Road
Ray Mahi Vilas Extension
Bangalore 560 080, India
Tel: 33139
TLX: 0845741

Hinditron Services Pvt. Ltd
Shantimiketan, Office No 6
6th Floor, 8 Camac Street
Calcutta 700 017, India
Tel: 434032, 447541

Hinditron Services Pvt. Ltd
15 Community Centre, Panchshila Park
New Delhi 110 017, India
Tel: 553397

Hinditron Services Pvt. Ltd
Srinath Complex, 5th Floor
1-1-58-1 to 1-1-58/11
Sarophi Devi Road
Secunderabad 500 003, India
Tel: 61705

Indonesia *
P.T. Dwi Tunggal Jaya Sakti
Sangga Buana Bldg, 1st Floor
Jl. Senen Raya 44, P.O. Box 4435
Jakarta, Indonesia
Tel: 367390-9, TLX: 46624

Iran *
Fluke (Holland) B.V.
P.O. Box 5053, 5004 EB Tilburg
Zevenheuvelenweg 53, 5048 AN Tilburg
The Netherlands
Tel: (013) 673973, TLX: 52237

Iraq *
Fluke (Holland) B.V.
P.O. Box 5053, 5004 EB Tilburg
Zevenheuvelenweg 53, 5048 AN Tilburg
The Netherlands
Tel: (013) 673973, TLX: 52237

Ireland *
Euro Electronics
32 Brews Hill
Navan County Meath, Ireland
Tel: (46) 23577, TLX: 3182

Israel *
R.O.T. Electronics Engineering Ltd
P.O. Box 75
45 Sokolov Street
Ramat Hasharon 47235, Israel
Tel: (3) 483216, TLX: 32143



John Fluke Mfg. Co., Inc., P.O. Box C9090, Everett, WA 98206. Phone (206) 342-6300.
Fluke (Holland) B.V., P.O. Box 5053, 5004 EB, Tilburg, The Netherlands. Phone (013) 673973
Litho in U.S.A. J0087J-08U8112/SE EN

Italy

Sistrel S.p.A.
Via Giuseppe Armellini No 37
00143 Rome, Italy
Tel: (6) 5815551, TLX: 68356

Sistrel S.p.A.
Via Felizza da Volpedo 59
20092 Cinisello besamo
Milan, Italy
Tel: (2) 8181893, TLX: 334643

Sistrel S.p.A.
Via Cintia Parco S Paolo 35
80126 Naples, Italy
Tel: (81) 7679700

Japan

John Fluke Mfg. Co., Inc.
Japan Branch
(PC Board Testers only)
1 Higashikata-machi
Aidori-ku
Yokohama 226, Japan
Tel: (045) 473-5425
TLX: 3823-686 FLKJJPJ
Tokyo Electron Ltd
38 FL Shinjuku Nomura Bldg
1-26-2 Nishi-Shinjuku
Shinjuku-ku
Tokyo 160, Japan
Tel: 03-343-4411, TLX: 2322220

Kenya

ADCOM Ltd.
P.O. Box 30670
Nairobi, Kenya, East Africa
Tel: 331955, TLX: 22639

Korea

Electro-Science Korea Co
C.P.O. Box 8446
Room 201, Boondo Bldg,
56-12 Jangchung-IKa
Jung-ku
Seoul Korea
Tel: 261-7702, TLX: K25381

Kuwait

Tareq Company
P.O. Box Safat 29506
Kuwait, Arabian Gulf
Tel: 436100/436045
TLX: 2315

Lebanon and Jordan

Mabeek (Electronic Division)
P.O. Box 13-5657
Beirut, Lebanon
Tel: 812523/812538
TLX: 22889

Libya

Fluke (Holland) B.V.
P.O. Box 5053, 5004 EB Tilburg
Zevenheuvelenweg 53, 5048 AN Tilburg
The Netherlands
Tel: (013) 673973, TLX: 52237

Malaysia

Rank O'Connor's (PTE) Limited
P.O. Box 91, Petaling Jaya
Selangor, West Malaysia
Tel: 566599
TLX: OCONOR MA37649
Rank O'Connor's (PTE) Limited
Lot No 5 Taman Mesra
Mie 3, Jalan Penampang
Kota Kinabalu, East Malaysia
Tel: 55322, TLX: MA80286

Mexico

Christensen S.A.
Guillermo Prieto 78-304
Col. San Rafael
Delegacion Cuahutemoc
06470-Mexico D.F.
Tel: 546-25-95/546-29-55
TLX: 017-75612

Morocco

Mainvest
Residence Moulay Ismail, Bat. C.
12, Place des Alaouites
Rabat, Morocco
Tel: (7) 23990, TLX: 31036

Nepal

Associated Enterprises
G.P.O. Box 730, Pashpal Tole
Kathmandu, Nepal
Tel: 13689

Netherlands

Fluke (Nederland) B.V.
Zonnebaan 39
3606 CH Maarssen, The Netherlands
P.O. Box 225
3600 AE Maarssen, The Netherlands
Tel: (030) 436514, TLX: 47128

New Zealand

McLean Information Technology
P.O. Box 19-065, Glen Innes
Auckland, New Zealand
Tel: 587-037, TLX: NZ 2763
W & K McLean Ltd.
P.O. Box 496
Wellington, New Zealand
Tel: 851-450

Nigeria

Mofat Engineering Co., Ltd.
P.O. Box 4369
Lagos, Nigeria
Tel: 960744, TLX: 20202

Norway

Morgensterne & Co A/S
Kongstellet 2
P.O. Box 9689, Rodelokka
Oslo 5, Norway
Tel: (2) 355110, TLX: 71719

Pakistan

Pak International Operations
506 Muhammadji House
11, Chundrigar Road
P.O. Box 5323, Karachi, Pakistan
Tel: 212127, TLX: 24494

PDR Yemen

Fluke (Holland) B.V.
P.O. Box 5053, 5004 EB Tilburg
Zevenheuvelenweg 53, 5048 AN Tilburg
The Netherlands
Tel: (013) 673973, TLX: 52237

Peru

Importaciones Y Representaciones
Electronicas S.A.
Avda Franklin D. Roosevelt 105
Lima 1, Peru
Tel: 288650, TLX: 37425663

Philippines

Spark Radio & Electric Supply
P.O. Box 810, Greenhills, San Juan
M. Manila, Philippines
Tel: 78-78-16
TLX: 27901 RLA PH

Poland

Amtest Associates Ltd.
P.O. Box 55
Addlestone, Surrey KT15 1DU
United Kingdom
Tel: Weybridge (932) 52121
TLX: 928855

Portugal

Decada-Equipamentos de
Electronica, Lda.
Rue Pedro Nunes, 47-C
1000 Lisboa
P.O. Box 1128 1003 Lisboa Codex
Tel: (19) 574984, TLX: 18469

Qatar

Technology Organisation
P.O. Box 9549 Doha, Qatar
Tel: 321431, TLX: 4581

Romania

Amtest Associates Ltd
P.O. Box 95
Addlestone, Surrey KT15 1DU
United Kingdom
Tel: Weybridge (932) 52121
TLX: 928855

Saudi Arabia

Electronic Equipment Marketing Co. Ltd
P.O. Box 3750
Riyadh, Saudi Arabia
Tel: (1) 4032761, TLX: 201120

Singapore

Rank O'Connor's (PTE) Limited
99, Pasir Panjang Road
Singapore 0511
Republic of Singapore
Tel: 637944
TLX: OCONSIN RS21023

Somalia

Fluke (Holland) B.V.
P.O. Box 5053, 5004 EB Tilburg
Zevenheuvelenweg 53, 5048 AN Tilburg
The Netherlands
Tel: (013) 673973, TLX: 52237

South Africa

Fluke S.A. (Pty) Ltd
P.O. Box 39797, Bramley 2018
Republic of South Africa
Tel: (011) 786-3170, TLX: 424328

Spain

Hissago Electronica S.A.
Poligono Industrial Urtesa
Apartado de Correos 48
Alicorcan (Madrid) Spain
Tel: (1) 6194108
TLX: 22404/42634

Sri Lanka

Jay-Es Electronics
160 Poorvarama Mawatha
Colombo 5, Sri Lanka
Tel: 073-2393

Sweden

Teleinstrument AB
P.O. Box 4490
162 04 Vallingby, Sweden
Tel: (8) 380370, TLX: 11347

Switzerland

Traco Electronic AG
Jenatschstrasse 1
8002 Zurich, Switzerland
Tel: (5) 2010711, TLX: 54318

Syria

Mabeek (Electronic Division)
P.O. Box 4238
Damascus, Syria

Taiwan

Schmidt Scientific Far East Ltd.
906, Chia Hsin Bldg
96, Chung Shan N. Rd., Sec 2
Taipei, Taiwan
Tel: 5817393/5814976
TLX: 11111

Thailand

Measuretronix Ltd
1899/10 Ramkhamhaeng Rd
Huamark, Bangkok, Thailand
Tel: 0143369, TLX: 81143

Tunisia

Salep S.A.R.L.
6, Rue de Sparte
Tunis - 1000 RP, Tunisia
Tel: (1) 248093, TLX: 13030

Turkey

Erkman Elektronik Aletler
Ticaret Anonim Sirketi
Necatibey Cad 9/3
Karakoy, Istanbul Turkey
Tel: (1) 5461
TLX: 23353

United Arab Emirates

Al-Sanani Ge. Trad. Est.
P.O. Box 7187
Abu-Dhabi, United Arab Emirates
Tel: 828428/821370/821371/
TLX: 23966

United Kingdom

Fluke (Great Britain) Ltd
Colonial Way
Watford, Herts, WD2 4TT
United Kingdom
Tel: (0923) 40511, TLX: 934583
Rapifax (0923) 25067

Uruguay

Coasin Uruguay S.R.L.
Cuareim 2196
Casilla de Correos 1400
Correo Central
Montevideo, Uruguay
Tel: 29-31-95, TLX: UY5671

U.S.S.R.

Amtest Associates Ltd
P.O. Box 55
Addlestone, Surrey KT15 1DU
United Kingdom
Tel: Weybridge (932) 52121
TLX: 928855

Venezuela

Coasin, C.A.
Calle 9 Con Calle 4, Edif. Edinurbi
Piso 3, La Urbina
Apartado De Correos
NR-70, 136 Los Ruices
Caracas 1070A, Venezuela
Tel: 38-78-42, TLX: 21027 Emven Ve

Yemen

Fluke (Holland) B.V.
P.O. Box 5053, 5004 EB Tilburg
Zevenheuvelenweg 53, 5048 AN Tilburg
The Netherlands
Tel: (013) 673973, TLX: 52237

Yugoslavia

Amtest Associates Ltd.
P.O. Box 55
Addlestone, Surrey KT 15 1DU
United Kingdom
Tel: Weybridge (932) 52121
TLX: 928855

Supplied and Supported by --

Fluke (Holland) B.V.
P.O. Box 5053, Zevenheuvelenweg 53
5004 EB Tilburg, Netherlands
Tel: (013) 673973, TLX: 52237

Supplied and Supported by --

Fluke International Corporation
P.O. Box C9090
Everett, WA 98206 U.S.A.
Tel: (206) 355-5500
TLX: 152652 JOHN FLUKE EVT

TECHNICAL SERVICE CENTERS

U.S. & Canada

CA, Burbank

Fluke Technical Center
(213) 849-4841

CA, Santa Clara

Fluke Technical Center
(408) 727-8121

CO, Denver

Fluke Technical Center
(303) 750-1228

FL, Orlando

Fluke Technical Center
(305) 896-2296

IL, Rolling Meadows

Fluke Technical Center
(312) 398-5800

MA, Burlington

Fluke Technical Center
(617) 273-4678

MD, Rockville

Fluke Technical Center
(301) 770-1576

NJ, Paramus

Fluke Technical Center
(201) 282-9550

TX, Dallas

Fluke Technical Center
(214) 233-9945

WA, Everett

Fluke Technical Center
(206) 356-5560

ALB, Calgary

Allan Crawford Assoc., Ltd.
#14 1935 30th Ave. N.E.
Calgary, Alberta T2E 6Z5
(416) 230-1341

ONT, Mississauga

Allan Crawford Assoc., Ltd.
6503 Northam Drive
Mississauga, Ontario L4V 1J2
(416) 678-1500

QUE, Montreal

Allan Crawford Assoc., Ltd.
7018 Cote de Liesse
Montreal, Quebec H4T 1E7
(514) 731-8564

B.C., Burnaby

Allan Crawford Assoc. Ltd.
3795 William St.
Burnaby, B.C. V5C 3H3
(604) 294-1326

Other Areas

Argentina

Coasin S.A.
Virrey del Pino 4071
Buenos Aires, Argentina
Tel: 522-5248

Australia

Elmeasco Instruments Pty Ltd
P.O. Box 30
Concord, N.S.W.
Australia 2137
Tel: (02) 736-2888

Australia

Elmeasco Instruments Pty Ltd
P.O. Box 107
Mr. Waverly, VIC 3149
Australia
Tel: (03) 2334044

Australia

Elmeasco Instruments Pty Ltd
GPO Box 2360
Brisbane, Queensland 4001
Australia
Tel: (07) 229-3161

Austria

Walter Rekrusch
Elektronische Gerate GmbH & Co
Vertriebs-KG, Obachgasse 28
A-1220 Vienna, Austria
Tel: (0222) 235555

Belgium

Fluke (Belgium) S.A./N.V.
6, Rue de Geneve
1140 Brussels, Belgium
Tel: 09-32-2-2164090

Brazil

Fluke Brasil-Industria e Comercio Ltda
Al Amazonas 422, Alphaville, Barueri
CEP 06400 Sao Paulo, Brazil
Tel: (011) 421-3603

Chile

Intronica Chile Ltda
Casilla 16228
Santiago 9, Chile
Tel: 44940

China, Peoples Republic of

Beijing Radio Research Institute
Dianmen East Avenue 89
Beijing, China
Tel: 445612

Colombia

Sistemas E Instrumentacion, Ltda.
Carrera 13 No. 37-43, Of. 401
Ap. Aero 29583
Bogota DE, Colombia S.A.
Tel: 232-45-32

Denmark

Tage Olson A/S
Ballerup Byvej 222
DK-2750 Ballerup
Denmark
Tel: 09-45-2-658111

Ecuador

Proteco Coasin Cia., Ltda.
Edificio "Jerico"
Ave. 12 de Octubre #2285 y
Ave. Orellana (Planta Baja)
Quito, Ecuador
Tel: 526759

Egypt and Sudan

Electronic Engineering Liaison Office
11 Ahmed Khashaba Street
Hegas Square
Heliopolis, Cairo, Egypt
Tel: 691588

Finland

Oy Findio AB
Taivassuatie 7
02700 Kaunainen
Finland
Tel: 09-358-0-502255

France

M.B. Electronique S.A.
Rue Fourny
ZAC de BUC
B.P. No. 31
78530 BUC, France
Tel: 09-33-1-9568131

Greece

Hellenic Scientific
Representations Ltd
11 Vrassida Street
Athens 612, Greece
Tel: 09-30-1-711140

Hong Kong

Schmidt & Co (H.K.) Ltd
26th Fl. Wing On Centre
111 Connaught Road
Central Hong Kong
Tel: 5-455644

India

Hinditron Services Pvt. Ltd
Field Service Centre
8th Main Road
33-44-A Raj Mahal Vilas Extn
Bangalore-560 080, India
Tel: 33139

India

Hinditron Services Pvt. Ltd
69-A L. Jagmohandas Marg
Bombay 400 006, India
Tel: 811316

India

Hinditron Services Pvt. Ltd
15 Community Centre
Panchshila Park
New Delhi, India 110-017
Tel: 619118

Israel

R.D.T. Electronics Engineering Ltd
P.O. Box 75
46, Sokolov Street
Ramat Hasharon 47235
Israel
Tel: 09-972-3-483211

Italy

Sistrel S.p.A.
Via Pelizza da Volpedo 59
20092 Cinisello Besamo
Milan, Italy
Tel: (2) 6181893

Italy

Sistrel S.p.A.
Via Giuseppe Armellini No. 37
00143 Rome, Italy
Tel: 09-39-6-5915551

Japan

John Fluke Mfg. Co., Inc.
Japan Branch
1 Higashikata-machi
Midori-ku
Yokohama 226, Japan
Tel: (045) 473-5428

Korea

Electro-Science Korea Co
C.P.O. Box 8446
Room 201, Boondo Bldg
56-12, Gangnung-1 Ka
Gung-Ku
Seoul, Korea
Tel: 261-7702

Malaysia

Rank O'Connor's (Malaysia) SDN BHD
P.O. Box 91
Petaling Jaya, Selangor
West Malaysia
Tel: 568599

Mexico

Christensen S.A.
Guillermo Prieto 76-304
Col. San Rafael
Delegacion Cuahutemoc
06470-Mexico, D.F.
Tel: 546-25-95

Netherlands

Fluke (Nederland) B.V.
Zonnebaan 39
3606 CH Maarssen, The Netherlands
P.O. Box 225
3600 AE Maarssen, The Netherlands
Tel: (030) 436514

New Zealand

McLean Information Technology Ltd
P.O. Box 18065
Glen Innes
Auckland 6 New Zealand
Tel: 587-037

Norway

Morgensterne & Co. A/S
Konghellegate 3
P.O. Box 6688, Rodelokka
Oslo 5, Norway
Tel: 09-47-2-356110

Pakistan

Pak International Operations
505 Muhammad House
11 Chundrigar Road
P.O. Box 5323
Karachi-2 Pakistan
Tel: 221127 239052

Peru

Importaciones Y Representaciones
Electronicas S.A.
Avda. Franklin D. Roosevelt 105
Lima 1 Peru
Tel: 288650

Philippines

Spark Radio and Electronics Corp
P.O. Box 610 Greenhills
Metro Manila, Philippines 3113
Tel: 78-78-16

Portugal

Equipamentos de Laboratorio, Ltda
P.O. Box 1128
Lisbon 1000, Portugal
Tel: 09-351-19-574984

Republic of Singapore

Rank O'Connor's (PTE) Ltd
98 Pasir Panjang Road
Singapore 0511
Republic of Singapore
Tel: 637944

Republic of South Africa

Fluke S.A. (Pty) Ltd
P.O. Box 39797
Bramley 2018
Republic of South Africa
Tel: (011) 786-3170

Spain

Hispano Electronics S.A.
Apartado de Correos 48
Alicorcon (Madrid)
Spain
Tel: 09-34-1-6194108

Sweden

Telenstrument AB
P.O. Box 4490
S-162 04 Vallingby 4
Sweden
Tel: 09-46-8-380370

Switzerland

Traco Electronic AG
Jenatschstrasse 1
8002 Zurich
Switzerland
Tel: 09-41-1-2010711



John Fluke Mfg. Co., Inc., P.O. Box C9090, Everett, WA 98206. Phone (206) 342-6300
Fluke (Holland) B.V., P.O. Box 5053, 5004 EB, Tilburg, The Netherlands. Phone (013) 673973
Litho in U.S.A. 12/81

Section 6

Accessory Information

6-1. INTRODUCTION

This section of the manual contains information concerning the accessories available for use with your multimeter. Each accessory, as shown in Figure 6-1, is described in general terms under a separate major heading containing the accessory model number. The depth of detail is intended to give the prospective user an adequate first acquaintance with the features and capabilities of each accessory. Additional information, when necessary, is supplied with the accessory.

6-2. DELUXE CARRYING CASE (C90)

The C90 Deluxe Carrying Case is a pliable, vinyl, zipper-closed pouch that provides in-field-transport protection for the instrument as well as convenient storage locations for test leads, operator guide and other small accessories. A finger- or belt-loop is included on the case as a carrying convenience.

6-3. TEMPERATURE PROBES (80T-150C and 80T-150F)

The 80T-150 Temperature Probe converts the instrument into a direct-reading (1 mV dc/°) °C (80T-150C) or °F (80T-150F) thermometer. It is ideally suited for surface, ambient, and liquid measurements and lends itself easily to a wide range of design, troubleshooting, and evaluation applications. A rugged, fast-responding probe-tip with a 350V dc standoff makes the 80T-150 one of the most versatile and easy-to-use temperature probes available.

RANGE (°C/°F)

80T-150C	-50°C to +150°C
80T-150F	-58°F to 302°F

ACCURACY	±1°C (1.8°F) from 0°C to 100°C, decreasing linearly to ±3°C (5.4°F) at -50°C and +150°C.
----------------	--

VOLTAGE STANDOFF	350V dc or peak ac.
------------------------	---------------------

POWER	Internal disposable battery; 1,000 hours of continuous use.
-------------	--

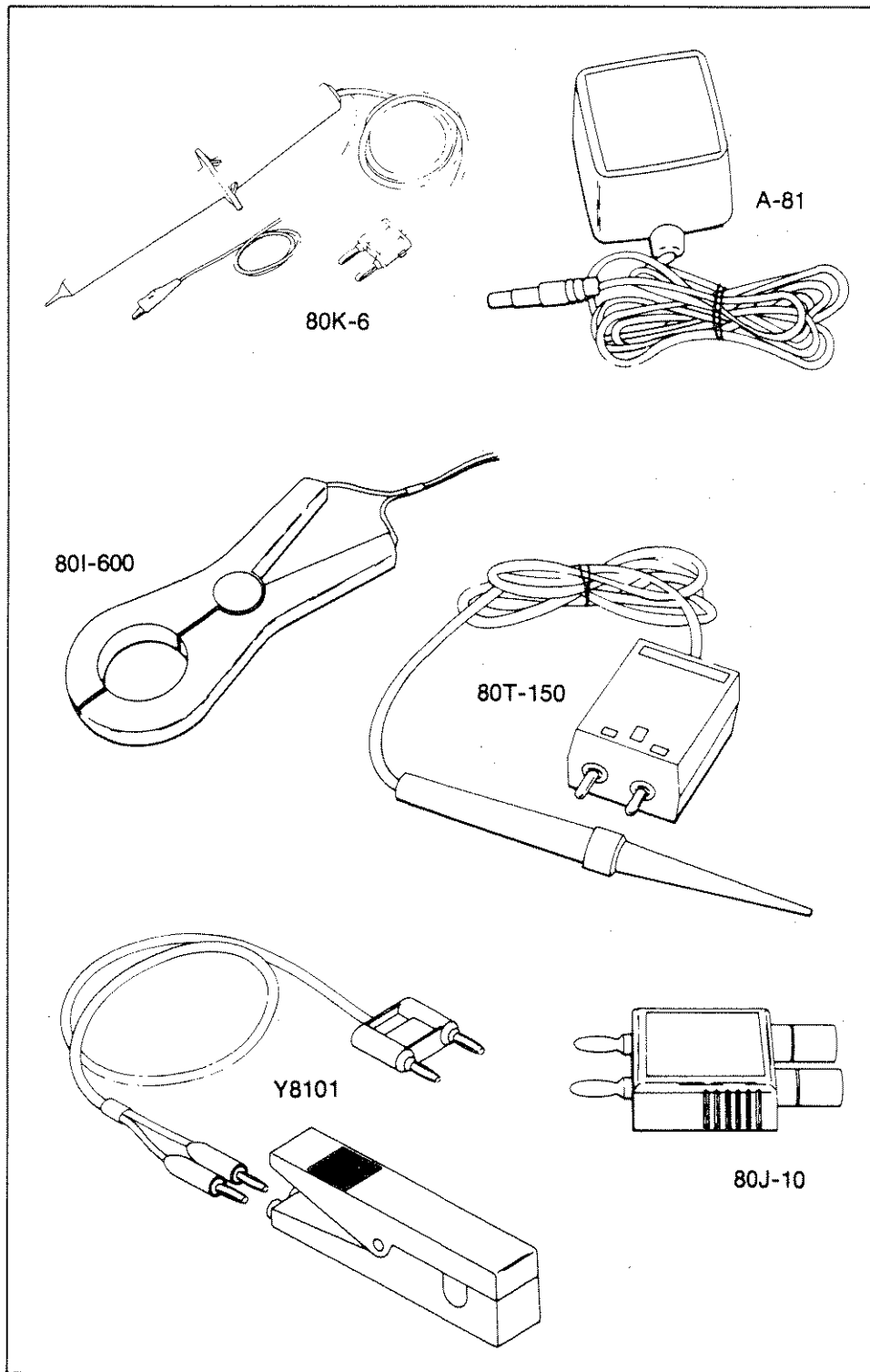


Figure 6-1. Accessories

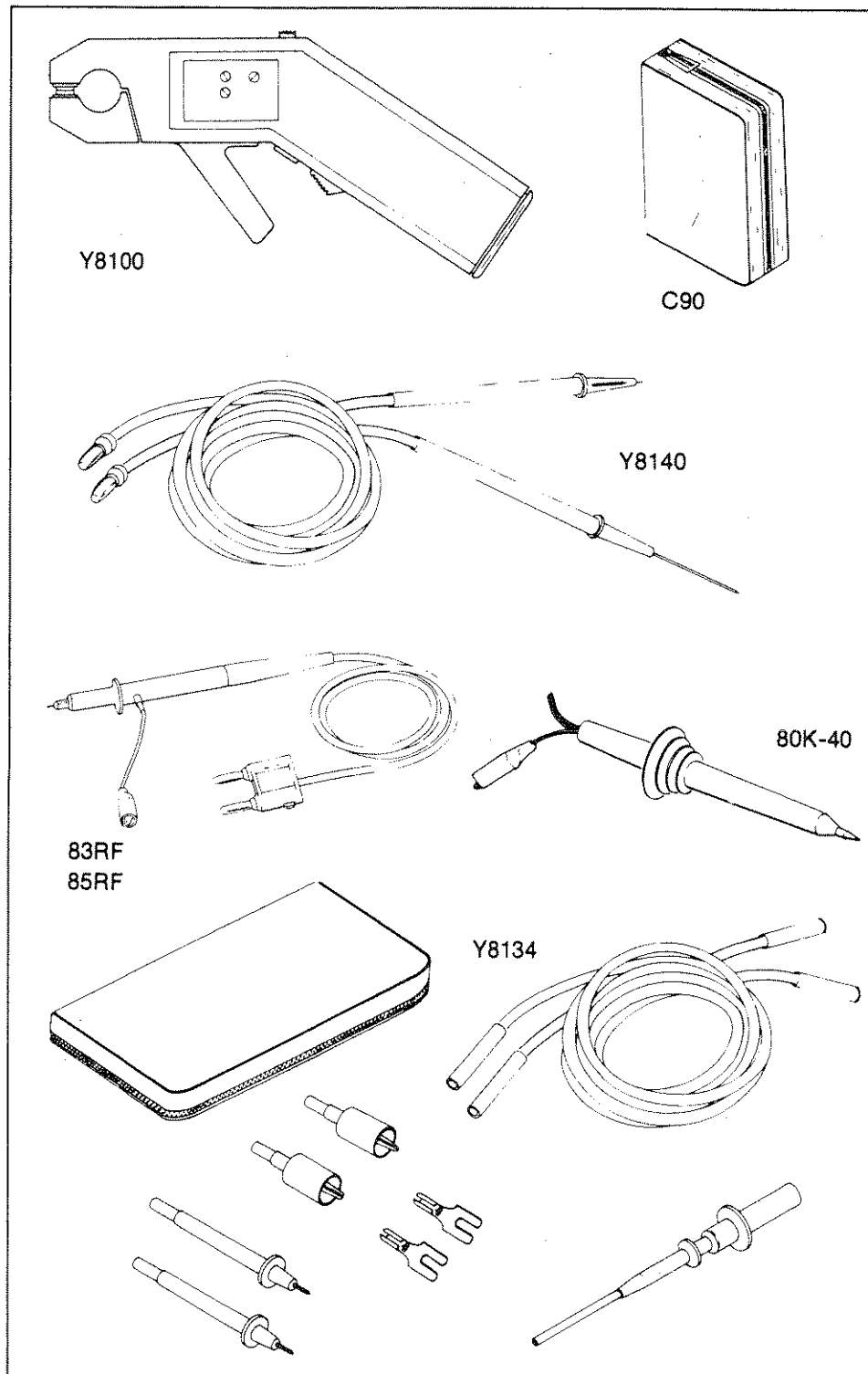


Figure 6-1. Accessories (cont)

6-4. CURRENT TRANSFORMER (80I-600)

The Model 80I-600 extends the maximum 2A ac current measuring capability of the instrument up to a maximum of 600 amps. A clamp-on transformer designed into the probe allows measurements to be made without breaking the circuit under test. In use, the current carrying conductor being measured serves as the transformer's primary, while the 80I-600 serves as the secondary. Because of a high efficiency, quadrature type of winding, wire size and location of the conductor within the transformer jaws do not affect the accuracy of the current measurement.

RANGE	1 to 600A ac.
ACCURACY	±3%.
FREQUENCY RESPONSE ..	30 Hz to 1 kHz, 10 kHz typical.
DIVISION RATIO	1000:1.
INSULATION	5 kV.
MAXIMUM CONDUCTOR SIZE	2-inch diameter.

6-5. HIGH VOLTAGE PROBE (80K-6)

The 80K-6 is a high voltage probe designed to extend the voltage measuring capability of an ac dc voltmeter to 6000 volts. A 1000:1 voltage divider provides the probe with a high input impedance. The divider also provides high accuracy when used with a voltmeter having a 10 megohm input impedance. A molded plastic body houses the divider and protects the user from the voltage being measured.

VOLTAGE RANGE	0 to 6 kV, dc or peak ac
INPUT IMPEDANCE	75 megohms ±25 nominal
DIVISION RATIO	1000:1
ACCURACY	
DC to 500 Hz	±1%
500 Hz to 1 kHz	±2%
Above 1 kHz	Output reading falls. Typically, -30% at 10 kHz.

6-6. HIGH VOLTAGE PROBE (80K-40)

The Model 80K-40 extends the voltage measurement capability of the instrument up to 40 kV. Internally, the probe contains a special 1000:1 resistive divider. Metal-film resistors with matched temperature coefficients comprise the divider, and provide the probe with its excellent accuracy and stability characteristics. Also, an unusually high input impedance (1000 MΩ) minimizes circuit loading, and thereby contributes to measurement accuracy.

VOLTAGE RANGE	1 kV to 40 kV dc or peak ac, 28 kV rms ac.
INPUT RESISTANCE	1000 MΩ.
DIVISION RATIO	1000:1.
ACCURACY DC (OVERALL)	20 kV to 30 kV ±2% (calibrated at 25 kV).
UPPER LIMIT	Changes linearly from 2% at 30 kV to 4% at 40 kV.

LOWER LIMIT Changes linearly from 2% at 20 kV to 4% at 1 kV.
 ACCURACY AC (OVERALL) $\pm 5\%$ at 60 Hz.

6-7. HIGH FREQUENCY PROBE (83RF)

The 83RF Probe extends the frequency range of your multimeter's voltage measurement capability to include 100 kHz to 100 MHz inputs from 0.25 to 30V rms. The probe operates in conjunction with the instrument's dc voltage ranges, and provides a dc output that is calibrated to be equivalent to the rms value of a sinewave input.

AC-to-DC RATIO 1:1
 RATIO ACCURACY (At 1 MHz and loaded with 10 M Ω)
 Above 1V ± 1 dB
 Below 1V ± 1.5 dB
 FREQUENCY RESPONSE
 (Relative to 1 MHz)
 100 kHz to 100 MHz ± 1 dB
 EXTENDED FREQUENCY
 RESPONSE Useful for relative readings from 20 kHz to 250 MHz.
 RESPONSE Responds to the peak value of an input and is calibrated to read rms value of a sine wave.
 VOLTAGE RANGE 0.25 to 30V rms
 MAXIMUM INPUT
 VOLTAGE 30V rms, 200V dc
 INPUT CAPACITANCE Approximately 3 pF
 TEMPERATURE RANGE
 Operating +10°C to +35°C
 Storage -40°C to +75°C
 HUMIDITY <90% R.H.
 OUTPUT CONNECTOR Fits standard 0.75-inch dual banana connectors.

6-8. HIGH FREQUENCY PROBE (85RF)

The Model 85RF High Frequency Probe allows measurements over a frequency range of 100 kHz to 500 MHz from .25V to 30V rms. It operates in conjunction with the instruments dc voltage ranges and provides a dc output that is calibrated to be equivalent to the rms value of a sinewave input.

AC-to-DC RATIO 1:1
 RATIO ACCURACY (At 1 MHz and loaded with 10 M Ω)
 Above 0.5V ± 0.5 dB
 Below 0.5V ± 1.0 dB
 FREQUENCY RESPONSE
 (Relative to 1 MHz)
 100 kHz to 100 MHz ± 0.5 dB

- *100 MHz to 200 MHz ± 1.0 dB
- *200 MHz to 500 MHz ± 3.0 dB
- *Referred to high and low inputs at probe tip.

EXTENDED FREQUENCY

RESPONSE	Useful for relative readings from 20 kHz to 700 MHz.
RESPONSE	Responds to the peak value of an input and is calibrated to read rms value of a sine wave.
VOLTAGE RANGE	0.25 to 30V rms
MAXIMUM INPUT	
VOLTAGE	30V rms, 200V dc
INPUT CAPACITANCE	Approximately 3 pF
TEMPERATURE RANGE	
Operating	+10°C to +35°C
Storage	-40°C to +75°C
HUMIDITY	<90% R.H.
OUTPUT CONNECTOR	Fits standard 0.75-inch dual banana connectors.

6-9. BATTERY ELIMINATOR (A81)

The A81 Battery Eliminator converts the multimeter from battery to ac-line operation. When connected to the multimeter it effectively removes and replaces the output of the battery. The battery does not need to be removed from the circuit. Select the correct model number from the following list:

1. For 100V ac $\pm 10\%$, 48 to 62 Hz operation, use A81-100.
2. For 115V ac $\pm 10\%$, 48 to 62 Hz operation, use A81-115.
3. For 230V ac $\pm 10\%$, 48 to 62 Hz (U.S. type plug) operation, use A81-230-1.
4. For 230V ac $\pm 10\%$, 48 to 62 Hz (European type plug) operation, use A81-230.

WARNING

DO NOT SUBSTITUTE A CALCULATOR TYPE BATTERY ELIMINATOR FOR THE A81. THESE UNITS DO NOT PROVIDE THE PROTECTION NECESSARY FOR COMMON MODE MEASUREMENTS UP TO 500V DC. ALWAYS USE THE MODEL A81 FOR AC-LINE OPERATION.

6-10. CURRENT SHUNT (80J-10)

The Model 80J-10 Current Shunt extends the current measuring capability of the DMM to 10 amps continuous (20 amps for periods not exceeding one minute) dc to 10 kHz at an accuracy of $\pm 0.25\%$ in excess of the voltmeter accuracy.

SHUNT	10 amps at 100 mV.
ACCURACY (18°C to 28°C)	
DC to 10 kHz	±0.25%.
10 kHz-100 kHz	Rising to 1 dB at 100 kHz typical.
TEMPERATURE COEFFI- CIENT	0.005%/°C.
INDUCTANCE	18.3 nH in series w/0.01Ω shunt.
OVERLOAD	Up to one minute at 20A with a 1/4 duty cycle for recovery after currents between 10A and 20A.
CONNECTS TO	3/4 inch center banana jacks.
CONNECTORS	5-way binding posts (red and black).

6-11. AC/DC CURRENT PROBE (Y8100)

The Fluke Y8100 AC/DC Current Probe is a clamp-on probe that is used with a voltmeter, multimeter, or oscilloscope to read dc, ac, or composite (ac on dc) current measurements. The jaws on the Y8100 are designed to clamp around conductors up to 3/4 inch in diameter. The pistol shape allows safe, easy, one-hand operation when making current measurements.

The Model Y8100 probe is battery powered with size AA cells. It measures current to 200A dc or ac rms using most any voltmeter. Two ranges, 20A and 200A, produce a 2V output at full-range current.

RANGES	20A ac or dc 200A ac or dc
RATED OUTPUT	2V at full range
ACCURACY	
DC to 200 Hz	±2% of range
200 Hz to 1 kHz	<100A add ±3% reading >100A add +6% reading
CALIBRATION CYCLE	1 year
FREQUENCY RESPONSE ..	dc to 1.0 kHz
RECOMMENDED LOAD ...	≥3.0 kΩ
TEMPERATURE RANGE ..	+15°C to +35°C; for specified accuracy -10°C to +50°C; storage and operation at reduced accuracy.
HEATING LIMITATION ...	Prolonged operation above 200A ac or 1 kHz can cause damage to the Y8100.
WORKING VOLTAGE	
RATING	Core to output; 600V dc or 480V ac maximum output to ground; 42V dc or 30V ac Max
APERTURE SIZE	3/4" (19 mm) diameter
SIZE OVERALL	9" x 4 1/2" x 1 7/16" (230 mm x 115 mm x 37 mm)
WEIGHT	14 ounces (0.4 kg), with batteries
POWER	Battery, four AA cells
BATTERY LIFE	Alkaline-20 hours continuous

6-12. AC CURRENT TRANSFORMER (Y8101)

The Model Y8101 is a small clamp-on current transformer designed to extend the current measuring capability of an ac current meter up to 150 amperes. A clamp-on coil designed into the probe allows measurements to be made without breaking the circuit under test. This coil serves as the secondary of a 1:1000 transformer. The current-carrying conductor being measured serves as the primary.

CURRENT RANGE 2A to 150A
 ACCURACY, (48 Hz to 10 kHz) $\pm 2\%$, 10A to 150A
 $\pm 8\%$, 2A to 10A
 DIVISION RATIO 1000:1
 WORKING VOLTAGE 300V ac rms max
 INSULATION DIELECTRIC
 WITHSTAND VOLTAGE ... 3 kV rms
 MAXIMUM CONDUCTOR
 SIZE 7/16" (1.11 cm)

6-13. SAFETY DESIGNED TEST LEAD SET (Y8132)

This test lead set is equivalent to the set originally supplied with your multimeter. The set includes one red and one black test lead. Each probe has an anti-slip shoulder near the test tip and is connected to the multimeter via a safety-designed shrouded banana connector. This set will fit John Fluke instruments with safety-designed input jacks.

6-14. DELUXE TEST LEAD SET (Y8134)

The Y8134 is a deluxe test lead set. The attachments provided allow interconnection with a wide variety of leads and electronic components. Included in the kit are:

1. Two test leads (one red and one black). The Y8134 leads have a shrouded banana connectors on each end.
2. Two test probes
3. Two insulated alligator clips
4. Two spade lugs
5. One squeeze hook
6. One test lead pouch
7. One instruction sheet

6-15. SLIM FLEX TEST LEAD SET (Y8140)

The Y8140 Test Lead Set consists of one red and one black 60-inch (1.52 meter) test lead, each with a standard banana plug on one end and an extendable tip probe on the other end. This flexible metallic tip conductor may be extended up to 2.5 inches and is insulated to within 0.1 inch of its tip. This insulation reduces the chance of creating an inadvertent short circuit while using the probes in their extended configuration. Intended primarily for measuring voltages, the Y8140 leads may also be used for measuring modest currents.

6-16. CABLES AND ADAPTERS

A variety of cables and adapters are available for use with the 8062A, and are listed in Table 6-1.

Table 6-1. Cables and BNC, Banana, Phone and Phono Plug Adapters

MODEL	DESCRIPTION
Y9105	Adapter: Insulated alligator clip-banana plug (pkg. of 10)
Y9106	BNC Tee, jack-jack-jack
Y9107	BNC Tee, jack-plug-jack
Y9108	Adapter: BNC-double banana plug
Y9109	Adapter: Binding posts/double banana plug-BNC plug
Y9110	Adapter: BNC jack-pcb pins
Y9111	3-foot BNC cable (97 cm), 50 Ω RG 58C/U
Y9112	6-foot BNC cable (1.95 m), 50 Ω RG 58C/U
Y9113	Adapter: BNC plug-double banana plug
Y9114	Adapter: BNC jack-.250" phone plug
Y9115	Adapter: BNC plug-.250" phone jack
Y9116	Adapter: BNC jack-phono plug
Y9117	Adapter: BNC plug-phono jack
Y9118	Adapter: Phone jack-double banana plug
Y9119	Adapter: Phono jack-double banana plug

1
2
3
4
5
6
7
8
9
10
11
12
13
14
15
16
17
18
19
20
21
22
23
24
25
26
27
28
29
30
31
32
33
34
35
36
37
38
39
40
41
42
43
44
45
46
47
48
49
50
51
52
53
54
55
56
57
58
59
60
61
62
63
64
65
66
67
68
69
70
71
72
73
74
75
76
77
78
79
80
81
82
83
84
85
86
87
88
89
90
91
92
93
94
95
96
97
98
99
100
101
102
103
104
105
106
107
108
109
110
111
112
113
114
115
116
117
118
119
120
121
122
123
124
125
126
127
128
129
130
131
132
133
134
135
136
137
138
139
140
141
142
143
144
145
146
147
148
149
150
151
152
153
154
155
156
157
158
159
160
161
162
163
164
165
166
167
168
169
170
171
172
173
174
175
176
177
178
179
180
181
182
183
184
185
186
187
188
189
190
191
192
193
194
195
196
197
198
199
200
201
202
203
204
205
206
207
208
209
210
211
212
213
214
215
216
217
218
219
220
221
222
223
224
225
226
227
228
229
230
231
232
233
234
235
236
237
238
239
240
241
242
243
244
245
246
247
248
249
250
251
252
253
254
255
256
257
258
259
260
261
262
263
264
265
266
267
268
269
270
271
272
273
274
275
276
277
278
279
280
281
282
283
284
285
286
287
288
289
290
291
292
293
294
295
296
297
298
299
300
301
302
303
304
305
306
307
308
309
310
311
312
313
314
315
316
317
318
319
320
321
322
323
324
325
326
327
328
329
330
331
332
333
334
335
336
337
338
339
340
341
342
343
344
345
346
347
348
349
350
351
352
353
354
355
356
357
358
359
360
361
362
363
364
365
366
367
368
369
370
371
372
373
374
375
376
377
378
379
380
381
382
383
384
385
386
387
388
389
390
391
392
393
394
395
396
397
398
399
400
401
402
403
404
405
406
407
408
409
410
411
412
413
414
415
416
417
418
419
420
421
422
423
424
425
426
427
428
429
430
431
432
433
434
435
436
437
438
439
440
441
442
443
444
445
446
447
448
449
450
451
452
453
454
455
456
457
458
459
460
461
462
463
464
465
466
467
468
469
470
471
472
473
474
475
476
477
478
479
480
481
482
483
484
485
486
487
488
489
490
491
492
493
494
495
496
497
498
499
500
501
502
503
504
505
506
507
508
509
510
511
512
513
514
515
516
517
518
519
520
521
522
523
524
525
526
527
528
529
530
531
532
533
534
535
536
537
538
539
540
541
542
543
544
545
546
547
548
549
550
551
552
553
554
555
556
557
558
559
560
561
562
563
564
565
566
567
568
569
570
571
572
573
574
575
576
577
578
579
580
581
582
583
584
585
586
587
588
589
590
591
592
593
594
595
596
597
598
599
600
601
602
603
604
605
606
607
608
609
610
611
612
613
614
615
616
617
618
619
620
621
622
623
624
625
626
627
628
629
630
631
632
633
634
635
636
637
638
639
640
641
642
643
644
645
646
647
648
649
650
651
652
653
654
655
656
657
658
659
660
661
662
663
664
665
666
667
668
669
670
671
672
673
674
675
676
677
678
679
680
681
682
683
684
685
686
687
688
689
690
691
692
693
694
695
696
697
698
699
700
701
702
703
704
705
706
707
708
709
710
711
712
713
714
715
716
717
718
719
720
721
722
723
724
725
726
727
728
729
730
731
732
733
734
735
736
737
738
739
740
741
742
743
744
745
746
747
748
749
750
751
752
753
754
755
756
757
758
759
760
761
762
763
764
765
766
767
768
769
770
771
772
773
774
775
776
777
778
779
780
781
782
783
784
785
786
787
788
789
790
791
792
793
794
795
796
797
798
799
800
801
802
803
804
805
806
807
808
809
810
811
812
813
814
815
816
817
818
819
820
821
822
823
824
825
826
827
828
829
830
831
832
833
834
835
836
837
838
839
840
841
842
843
844
845
846
847
848
849
850
851
852
853
854
855
856
857
858
859
860
861
862
863
864
865
866
867
868
869
870
871
872
873
874
875
876
877
878
879
880
881
882
883
884
885
886
887
888
889
890
891
892
893
894
895
896
897
898
899
900
901
902
903
904
905
906
907
908
909
910
911
912
913
914
915
916
917
918
919
920
921
922
923
924
925
926
927
928
929
930
931
932
933
934
935
936
937
938
939
940
941
942
943
944
945
946
947
948
949
950
951
952
953
954
955
956
957
958
959
960
961
962
963
964
965
966
967
968
969
970
971
972
973
974
975
976
977
978
979
980
981
982
983
984
985
986
987
988
989
990
991
992
993
994
995
996
997
998
999
1000

Section 7

Schematic Diagrams

TABLE OF CONTENTS

FIGURE	TITLE	PAGE
7-1.	A1 Main PCB Component Locations (Bottom View)	7-2
7-2.	A1 Main PCB Component Locations (Top View)	7-3
7-3.	Test Point Locations	7-4
7-4.	A/D Measurement Cycle	7-5
7-5.	Switch Detail	7-5
7-6.	8062A Schematic Diagram	7-5

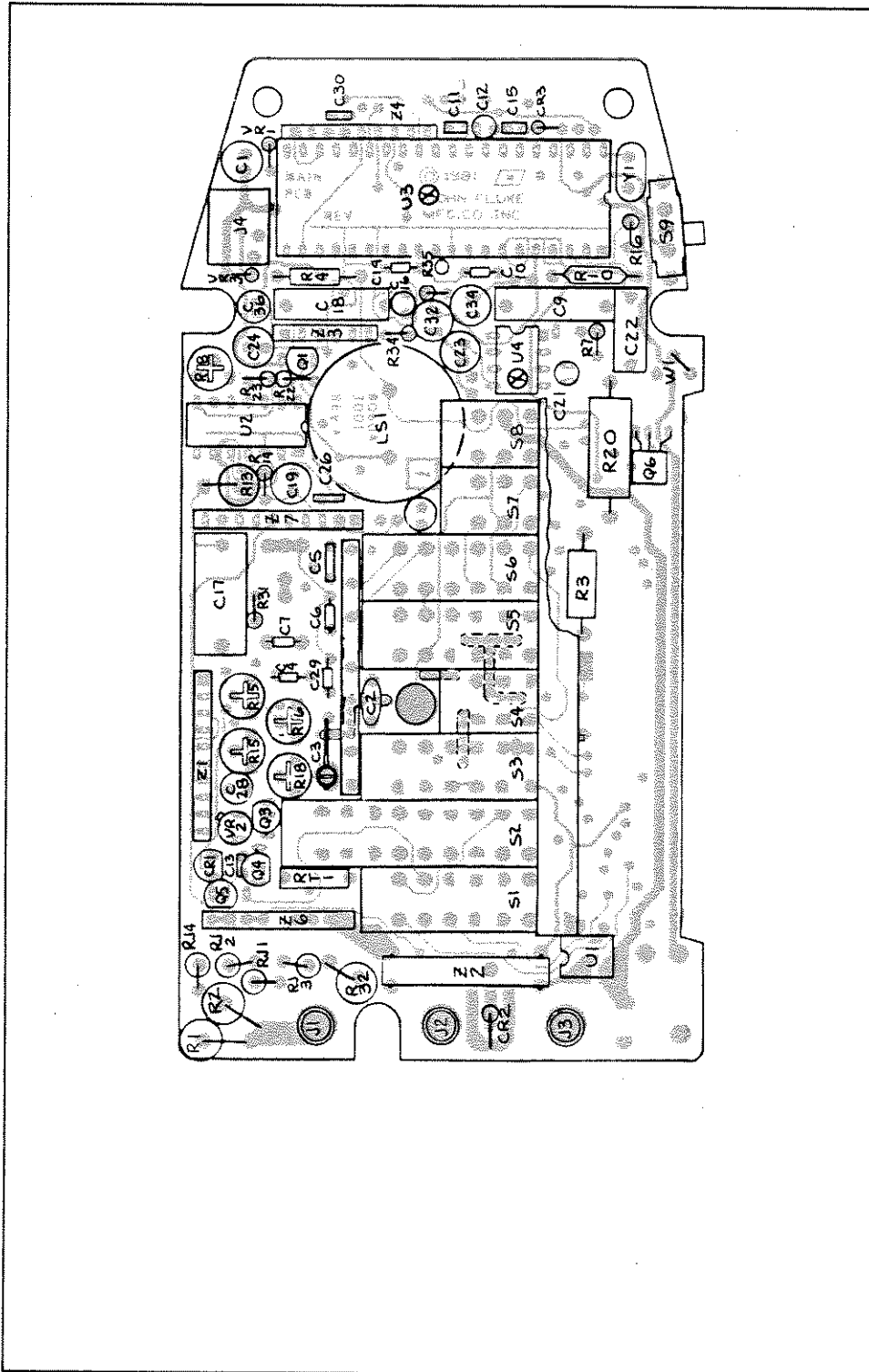


Figure 7-1. A1 Main PCB Component Locations (Bottom View)

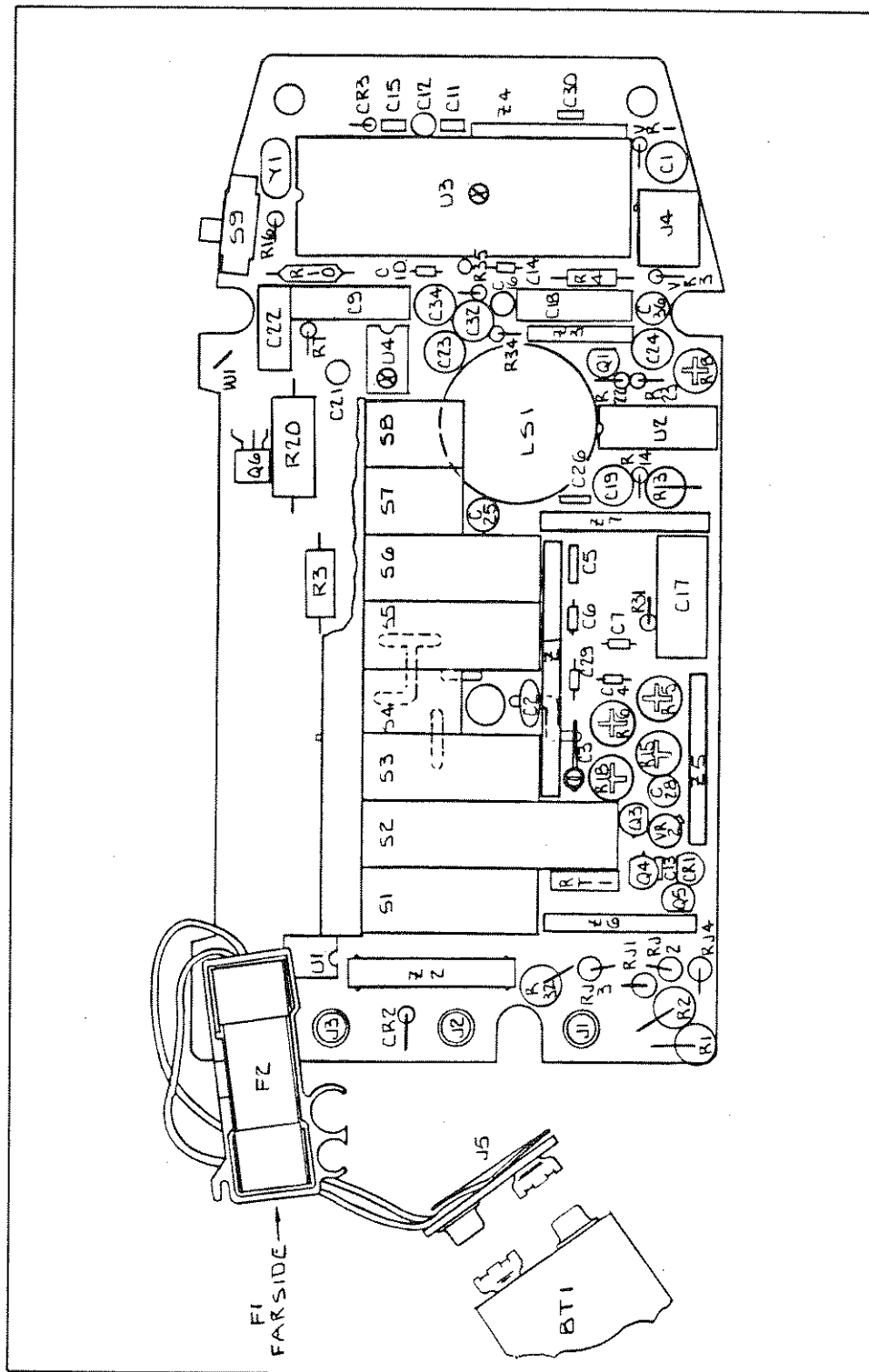


Figure 7-2. A1 Main PCB Component Locations (Top View)

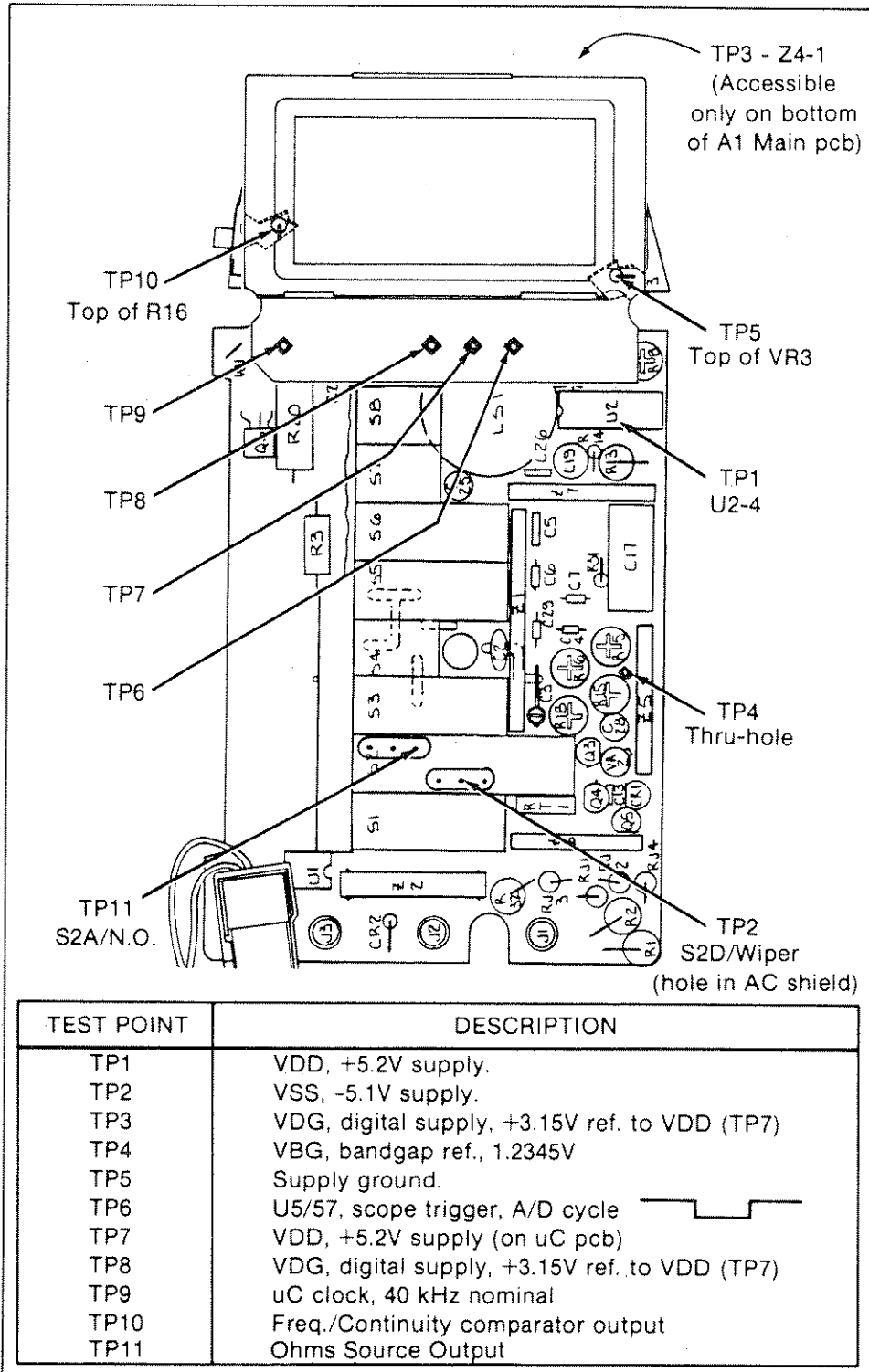


Figure 7-3. Test Point Locations