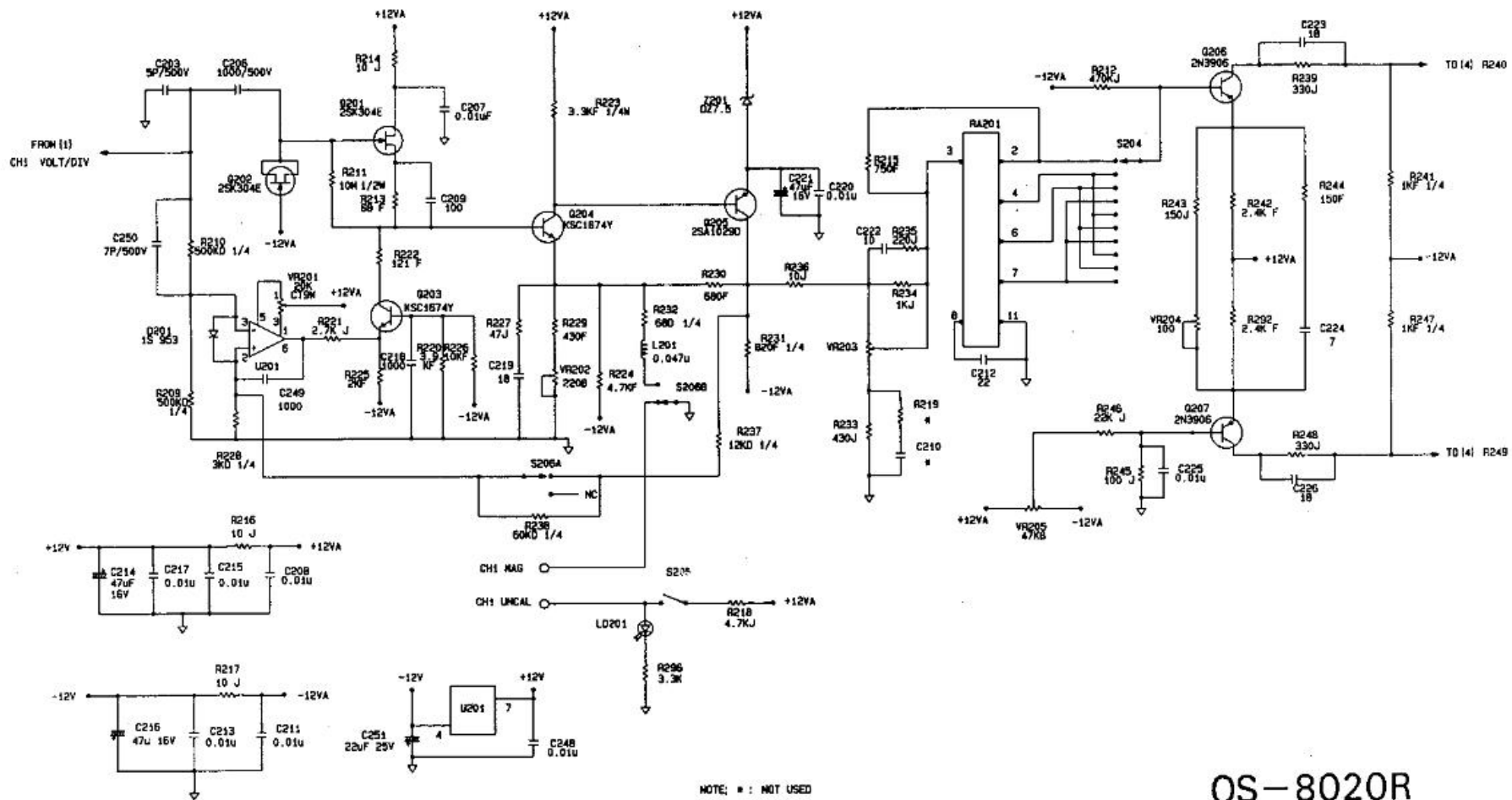
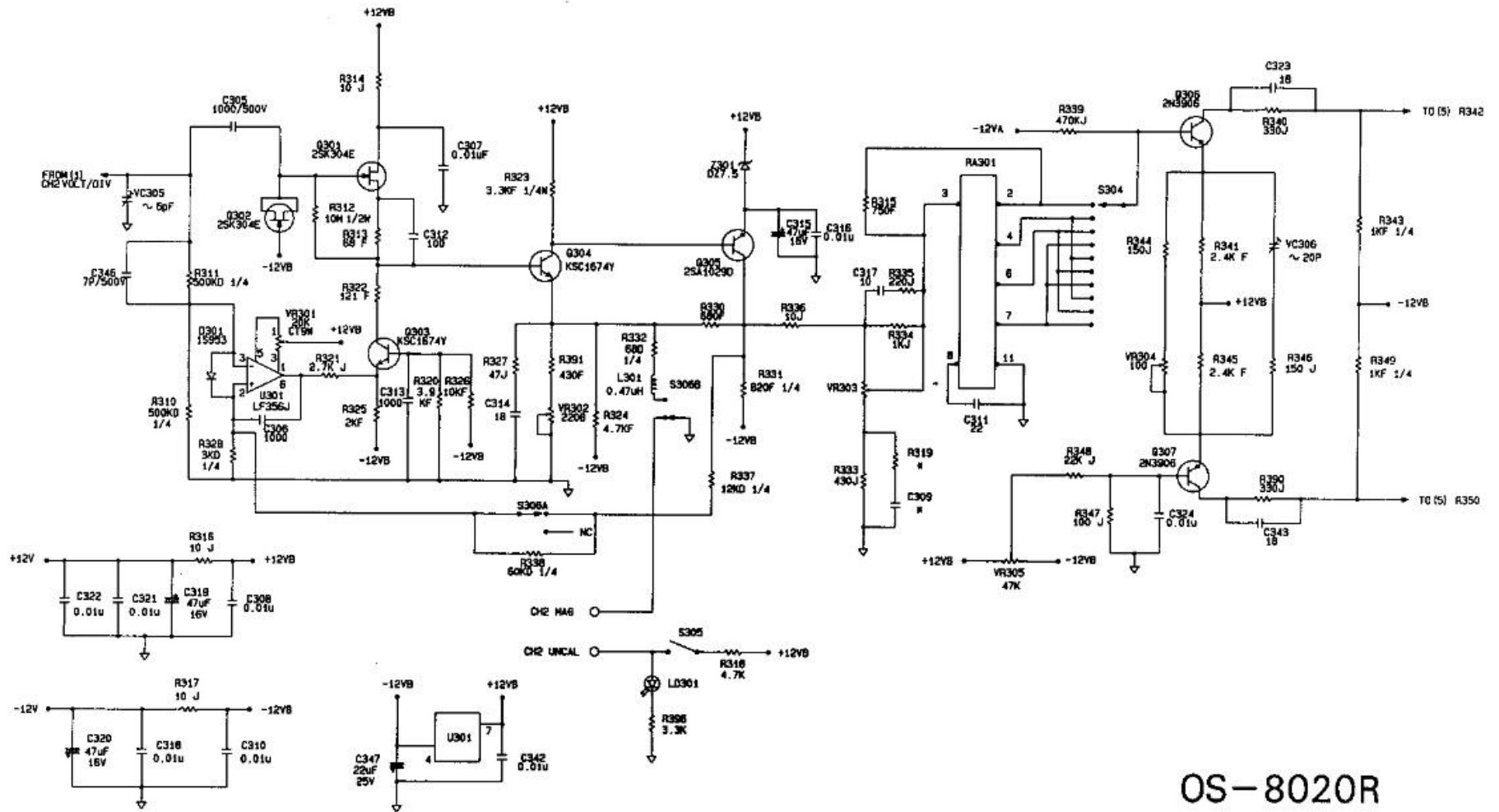
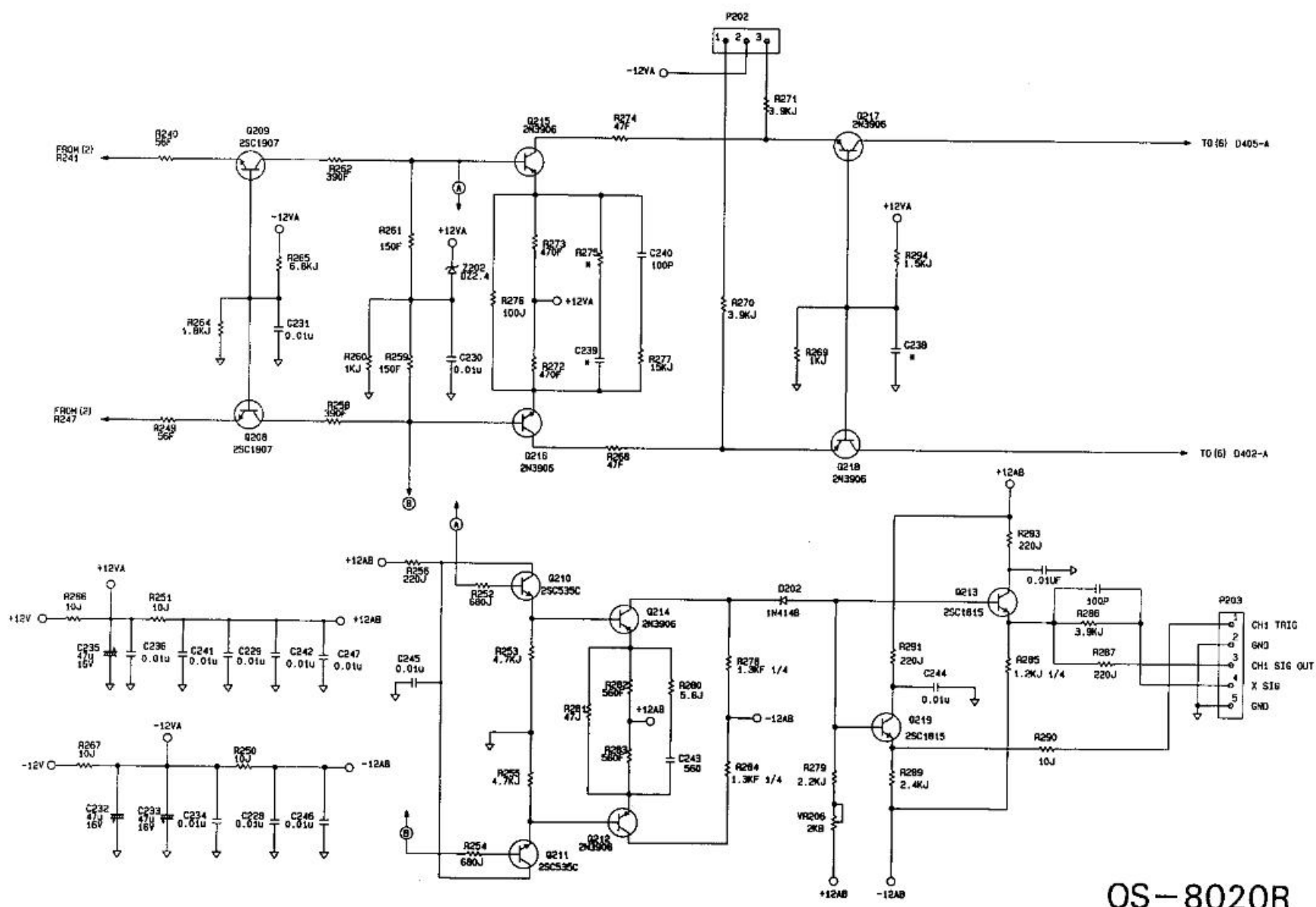


OS-8020R
ATTENUATOR (1)



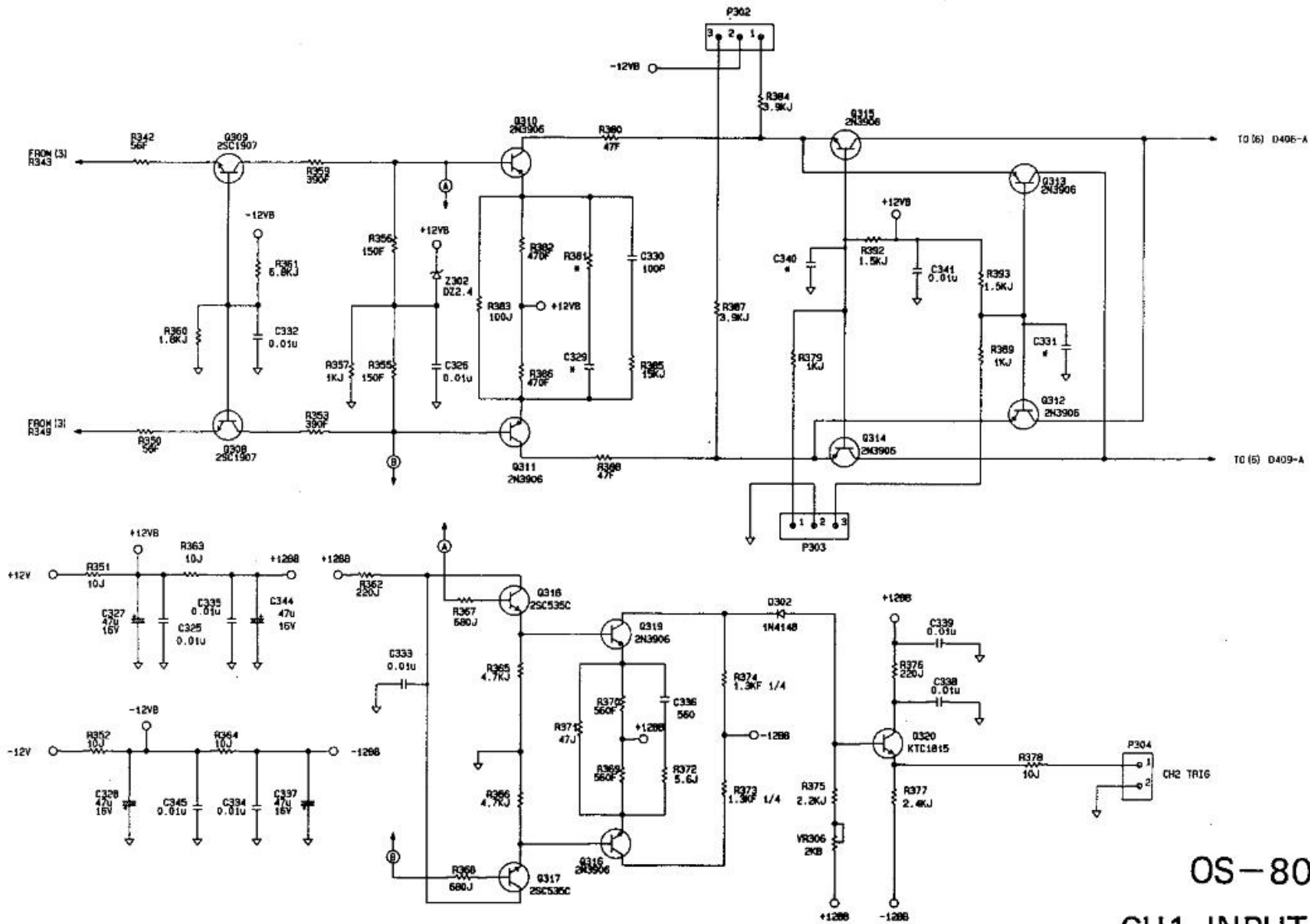
OS-8020R
CH1 INPUT AMP (2)





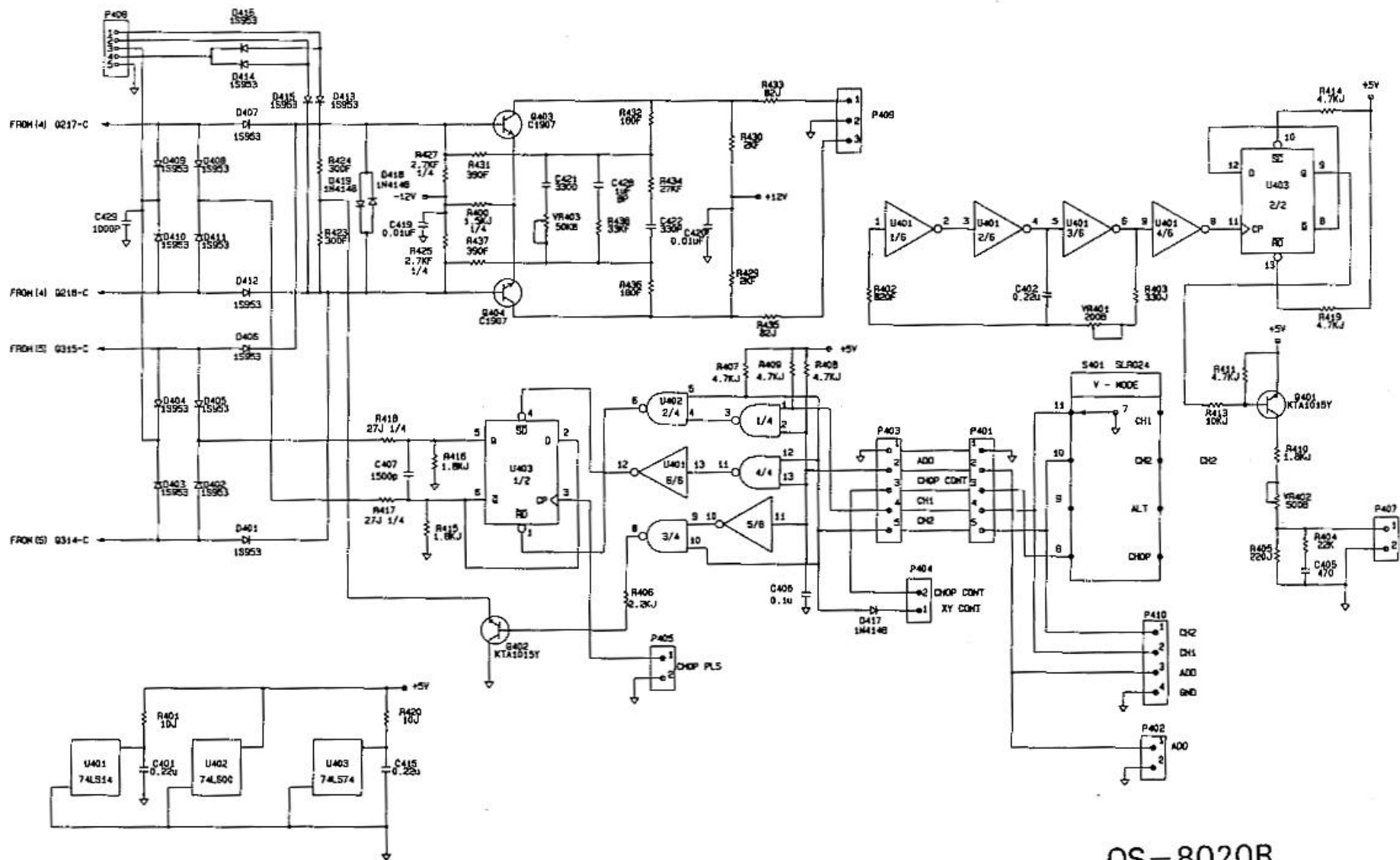
NOTE: * : NOT USED

OS-8020R
 CH1 INPUT AMP &
 TRIG PICK OFF (4)

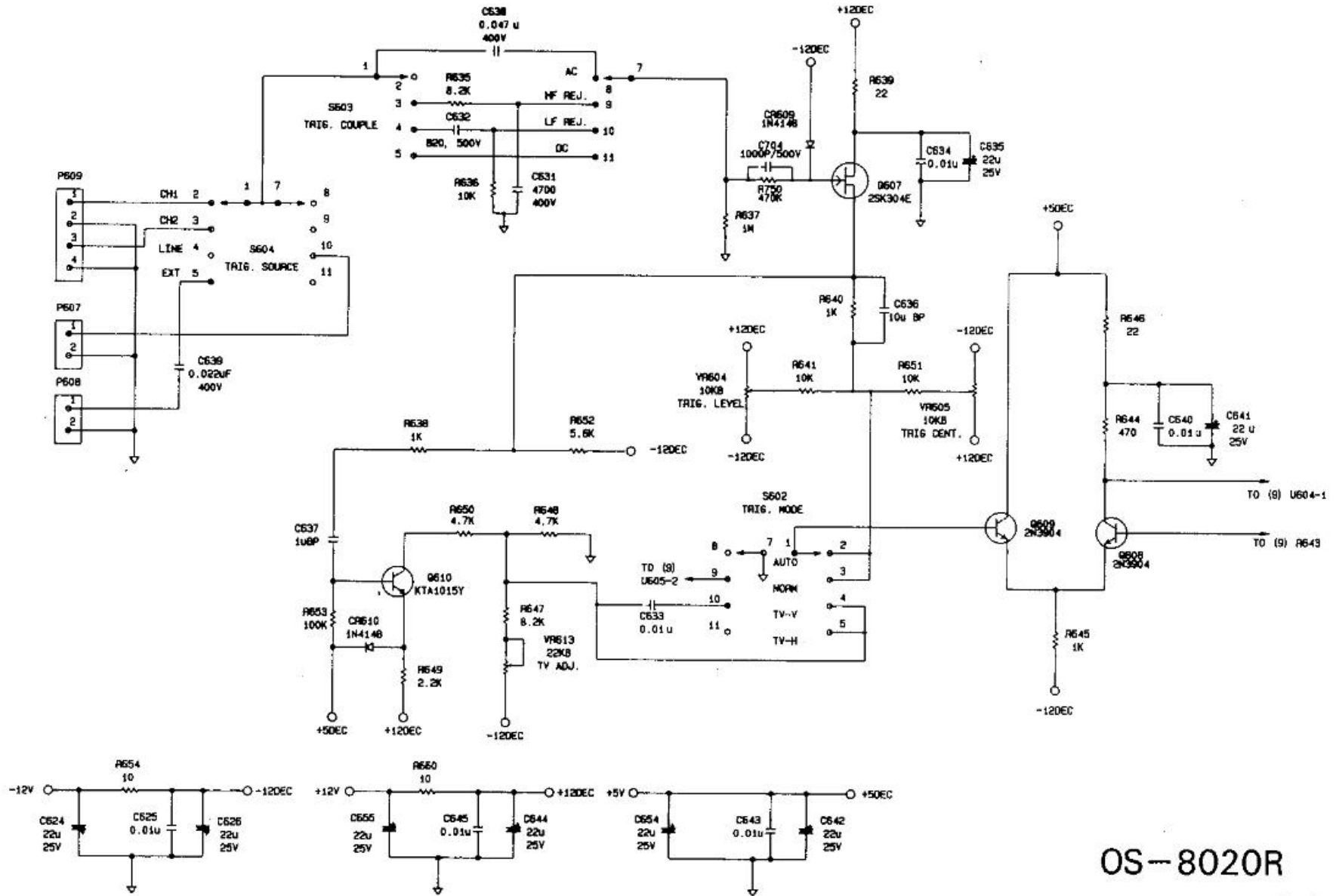


NOTE: * : NOT USED

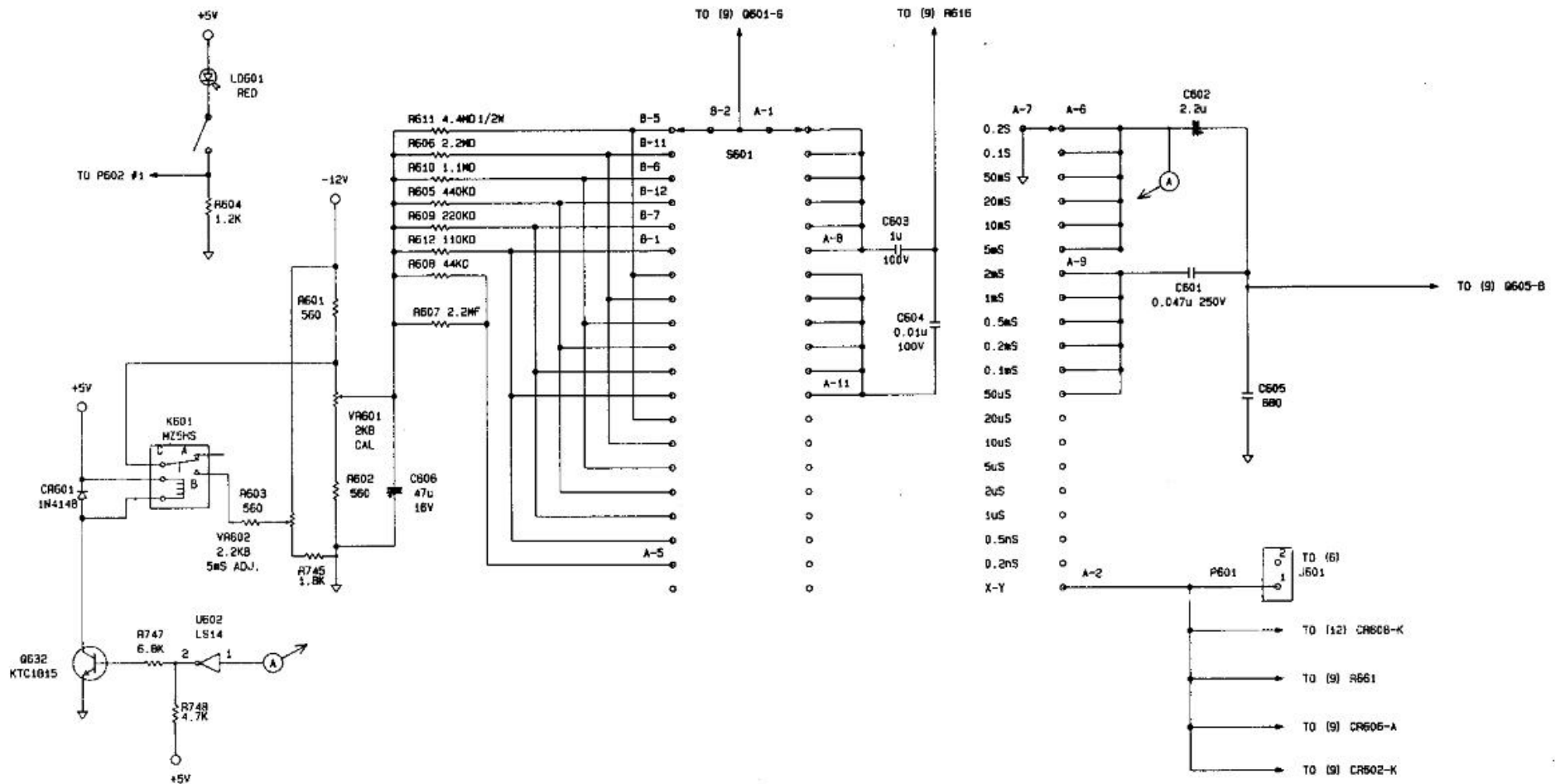
OS-8020R
CH1 INPUT AMP &
TRIG PICK OFF (5)



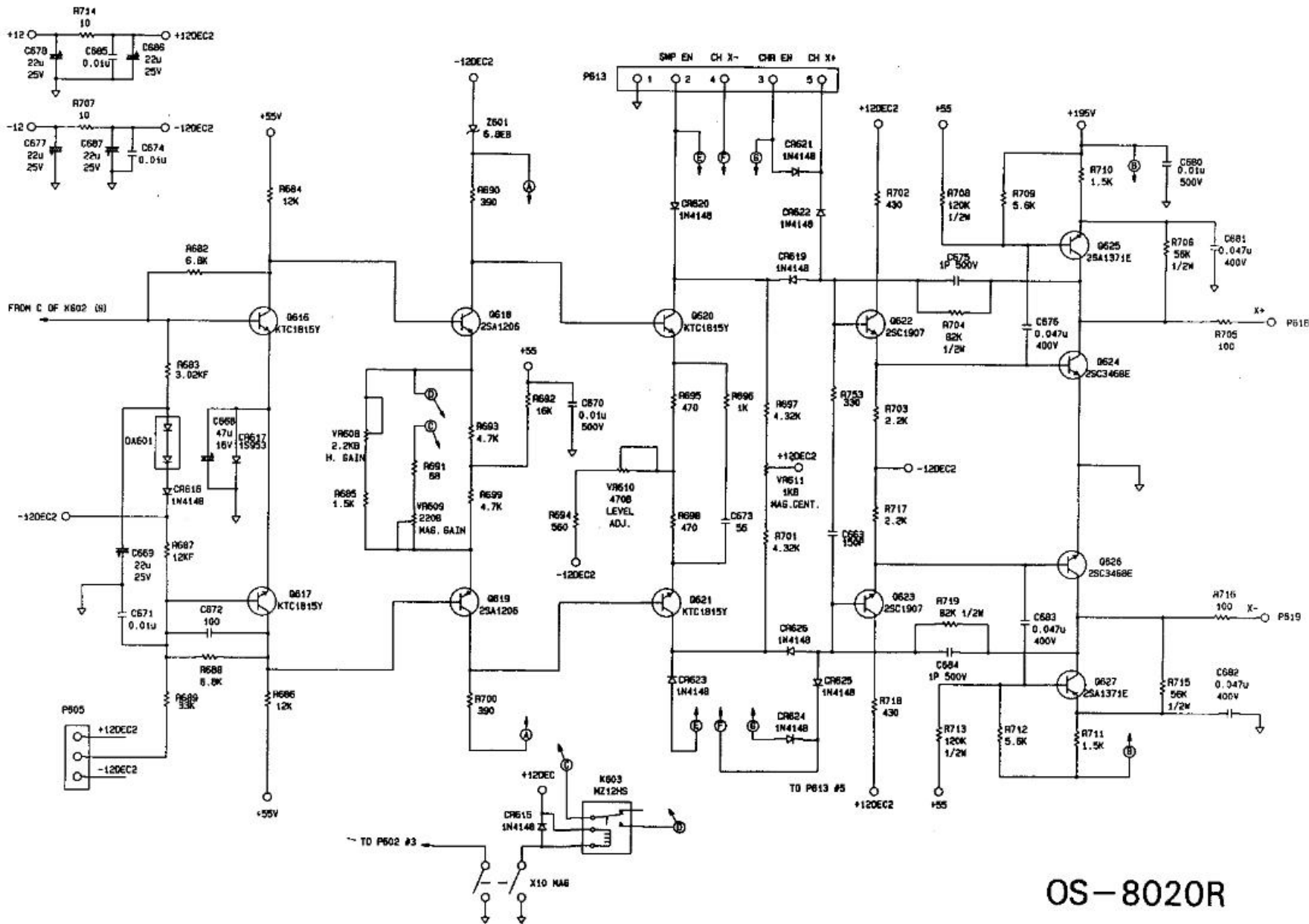
OS-8020R
VERTICAL CONTROL (6)



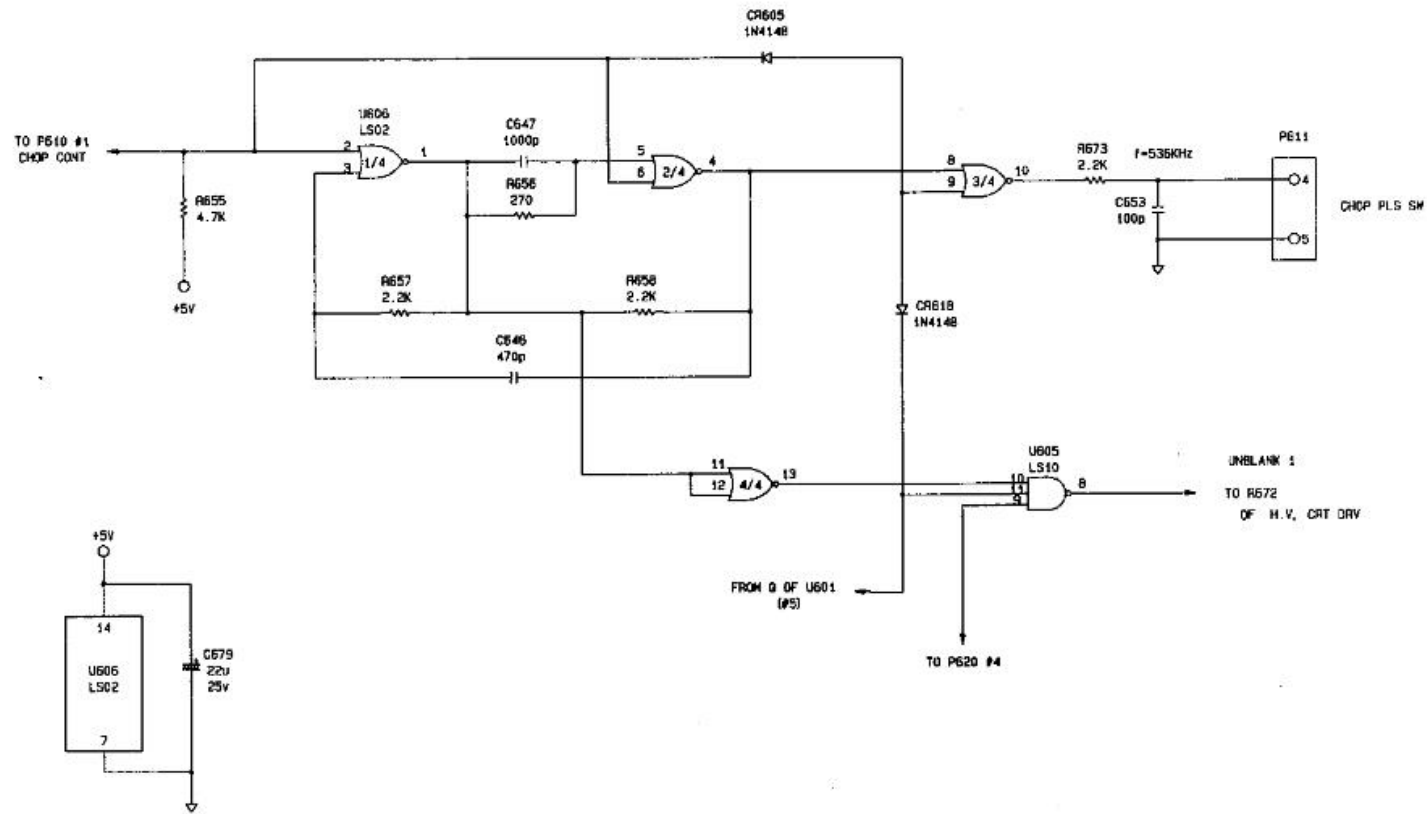
OS-8020R
TRIG. AMP. (8)



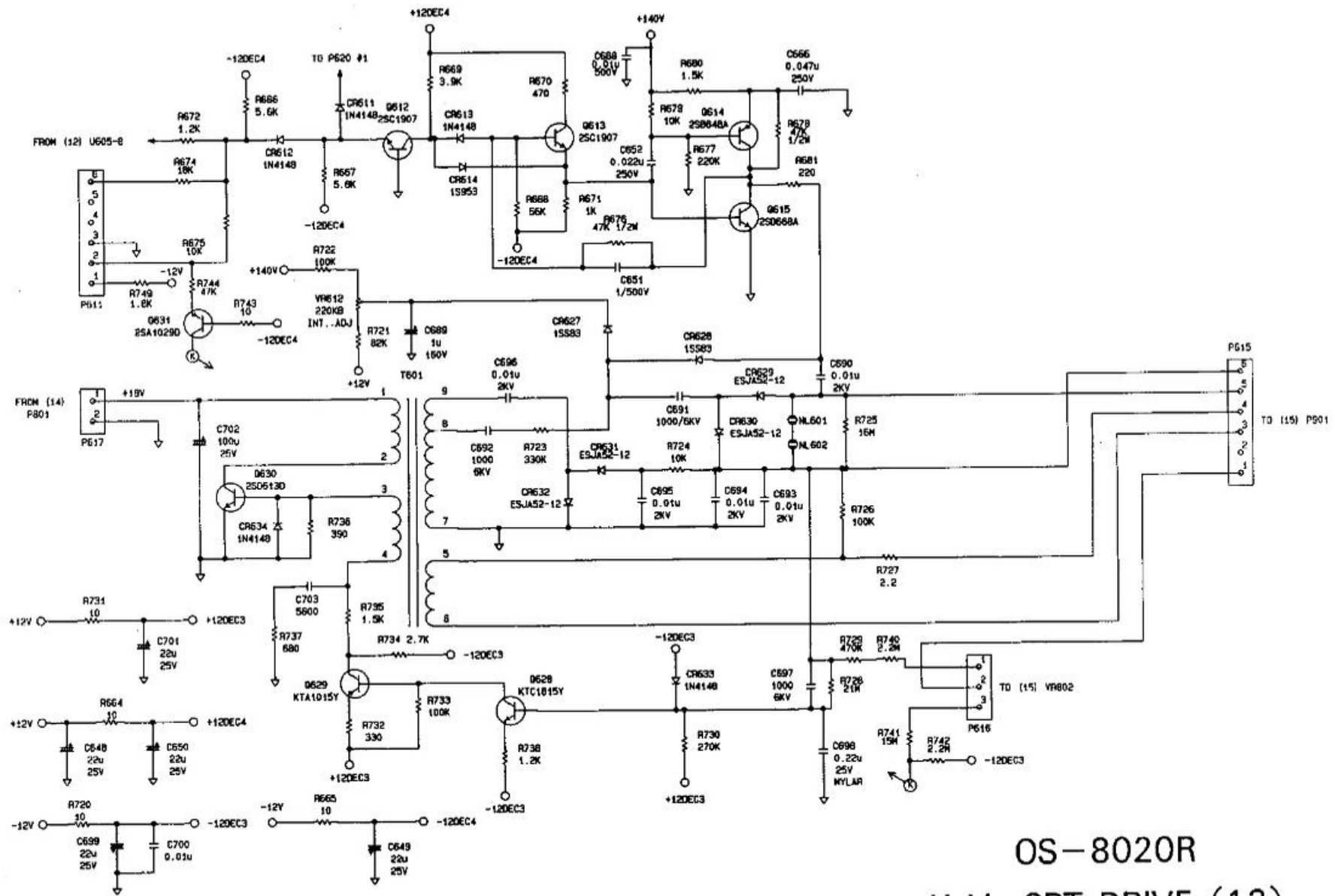
OS-8020R
TIMING C.K.T. (10)



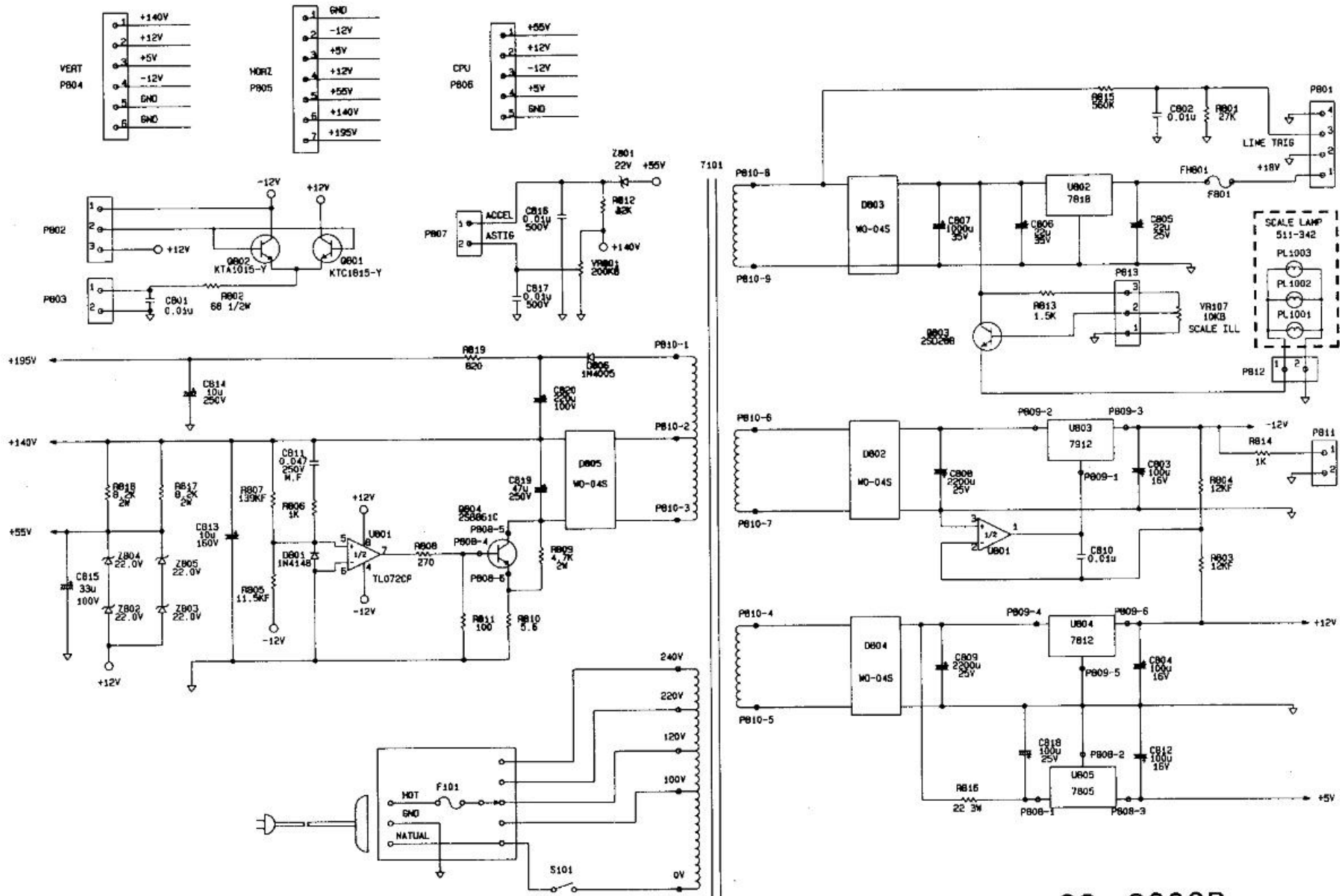
OS-8020R
 HORIZONTAL MAIN AMP
 (11)



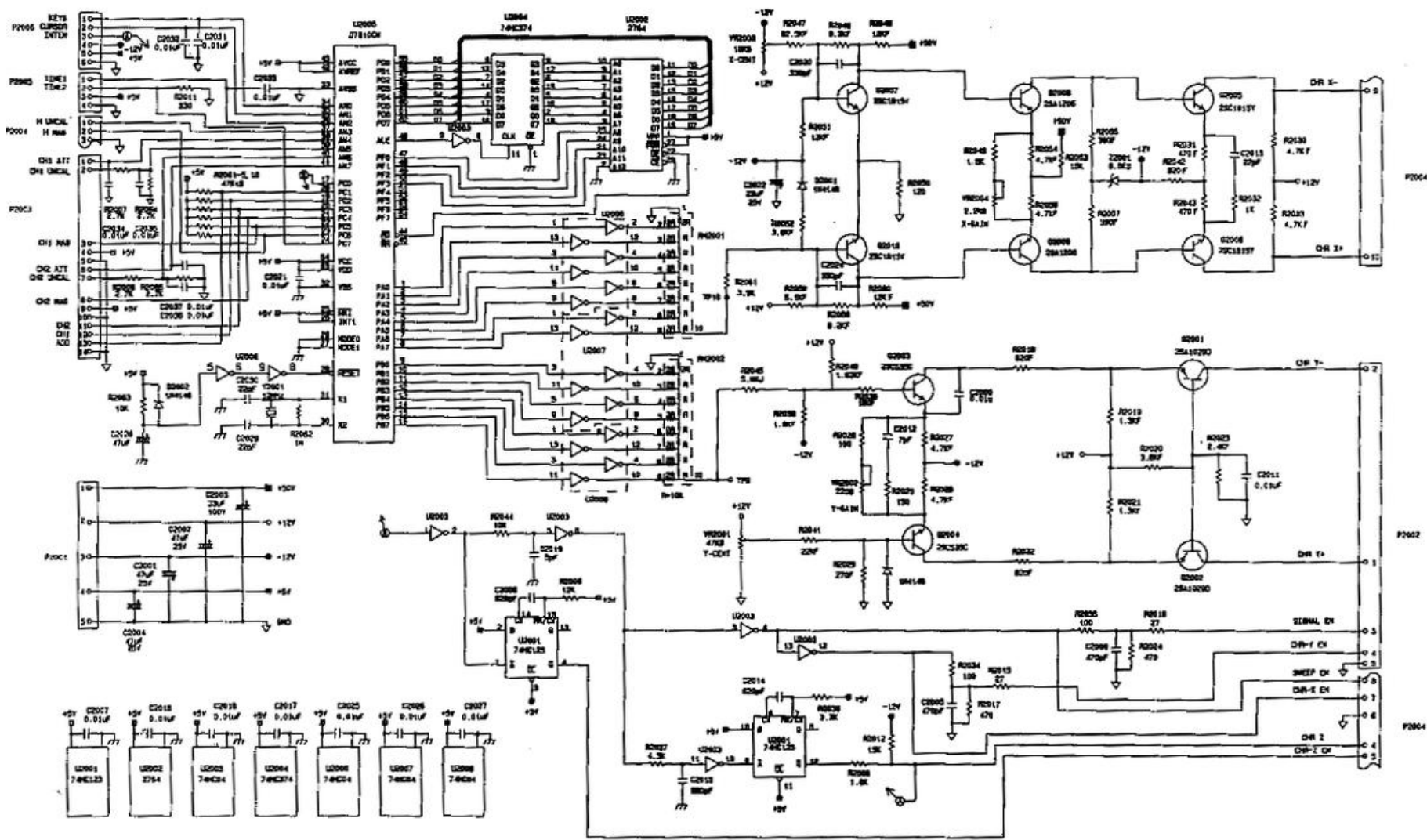
OS-8020R
 CHOP PULSE
 GENERATOR (12)



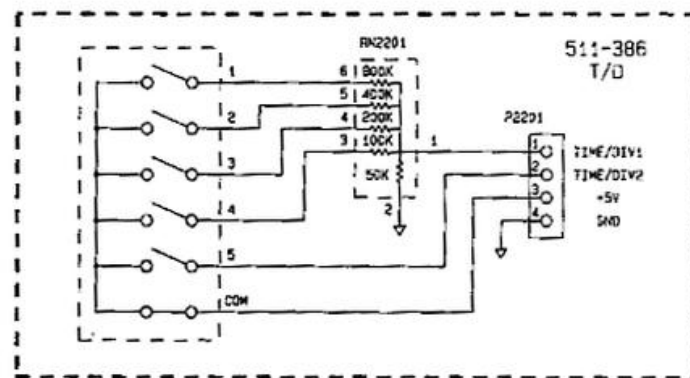
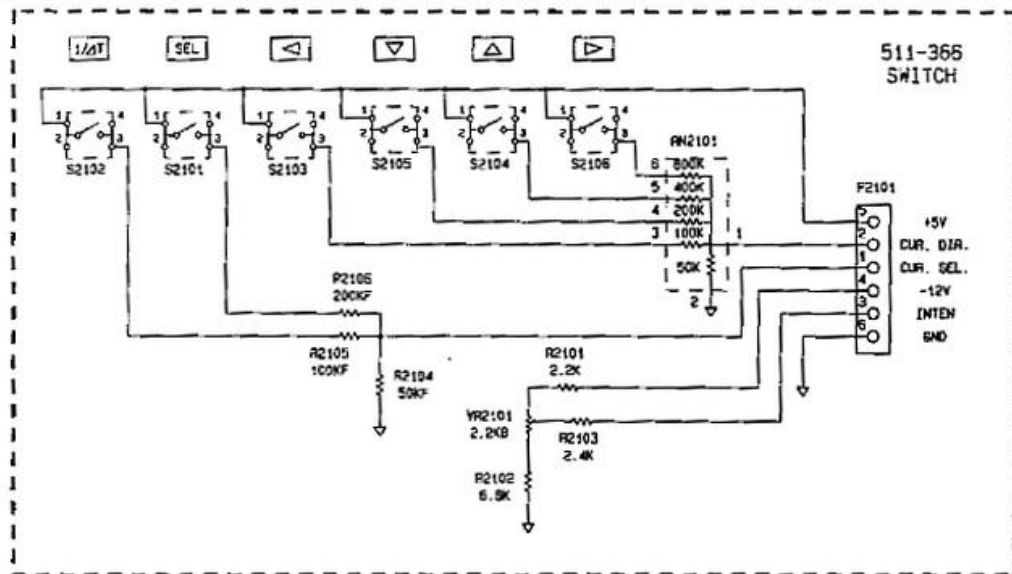
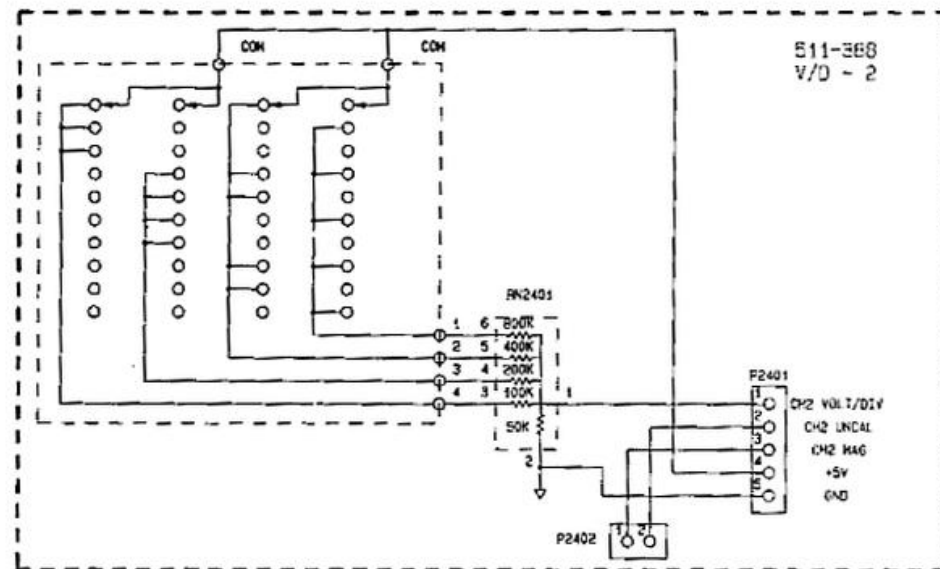
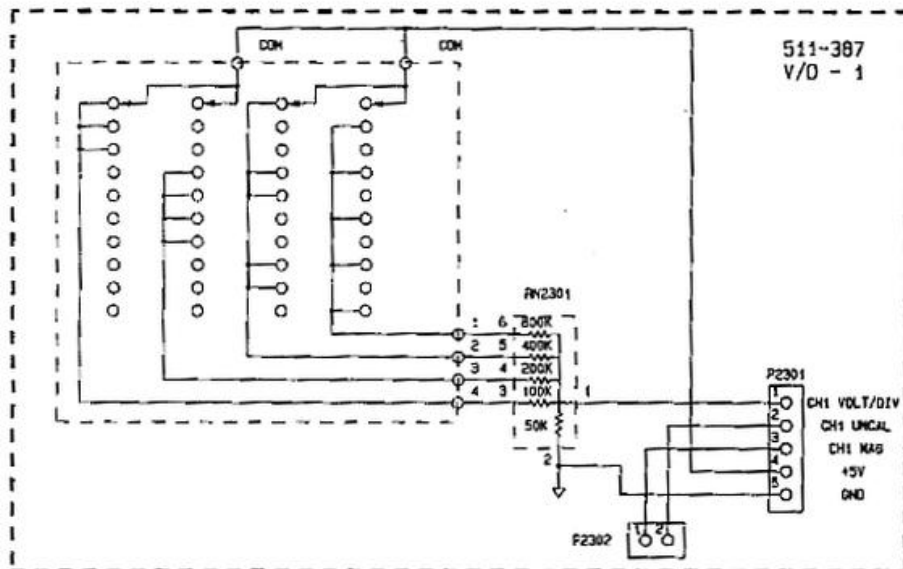
OS-8020R
H.V. CRT DRIVE (13)



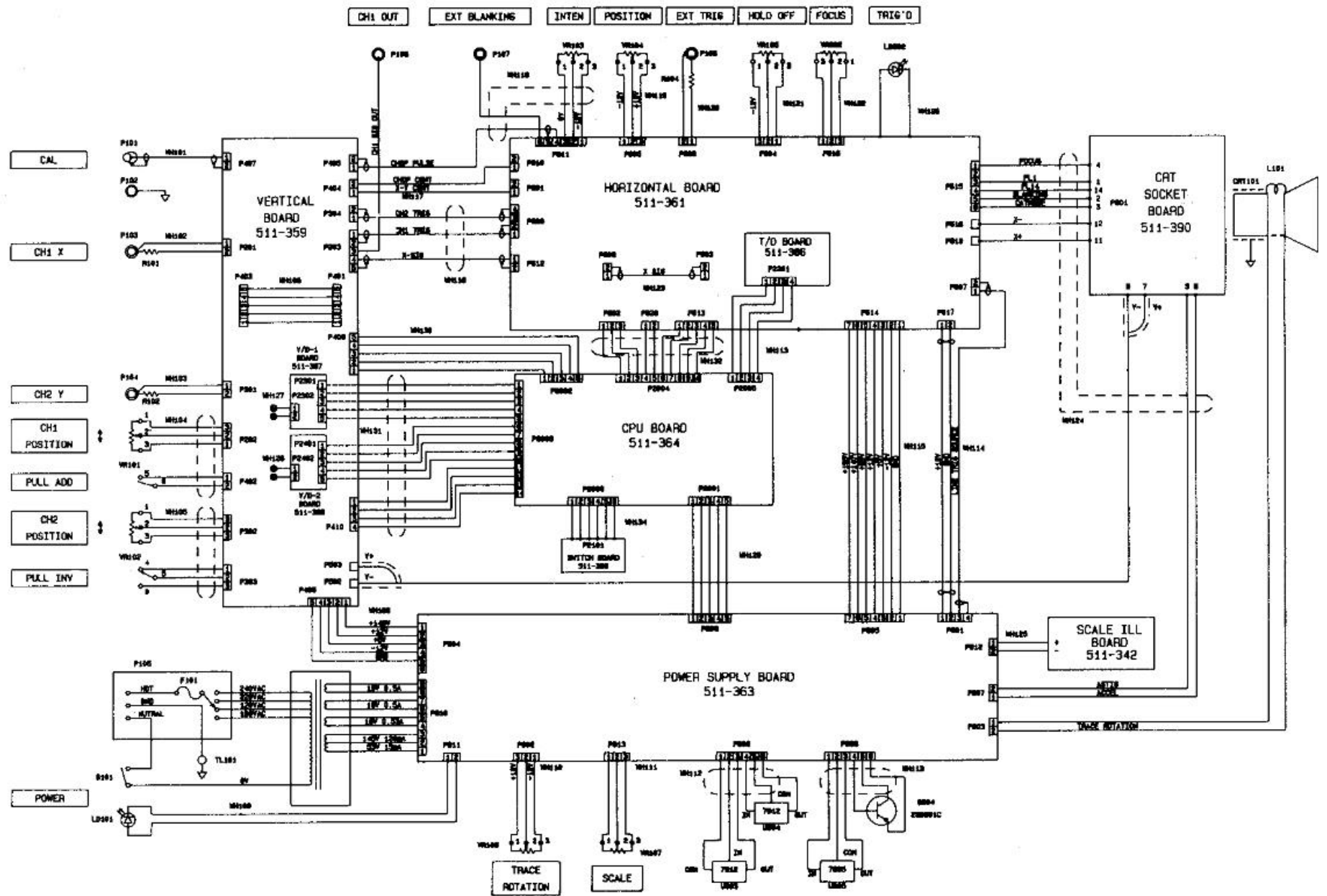
OS-8020R
POWER SUPPLY (14)



OS-8020R
R/O CPU CIRCUIT (15)



OS-8020R
SWITCH (16)



OS-8020R
WIRING DIAGRAM (17)