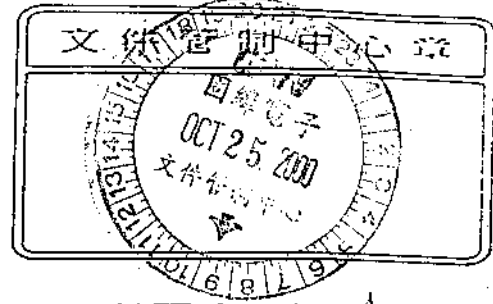


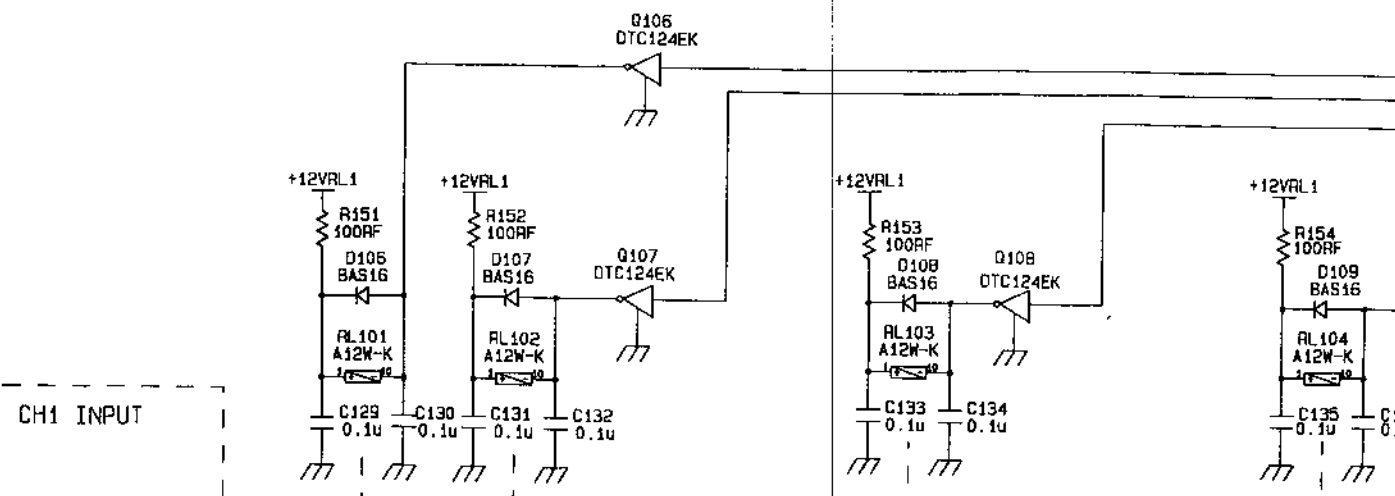
線 路 圖



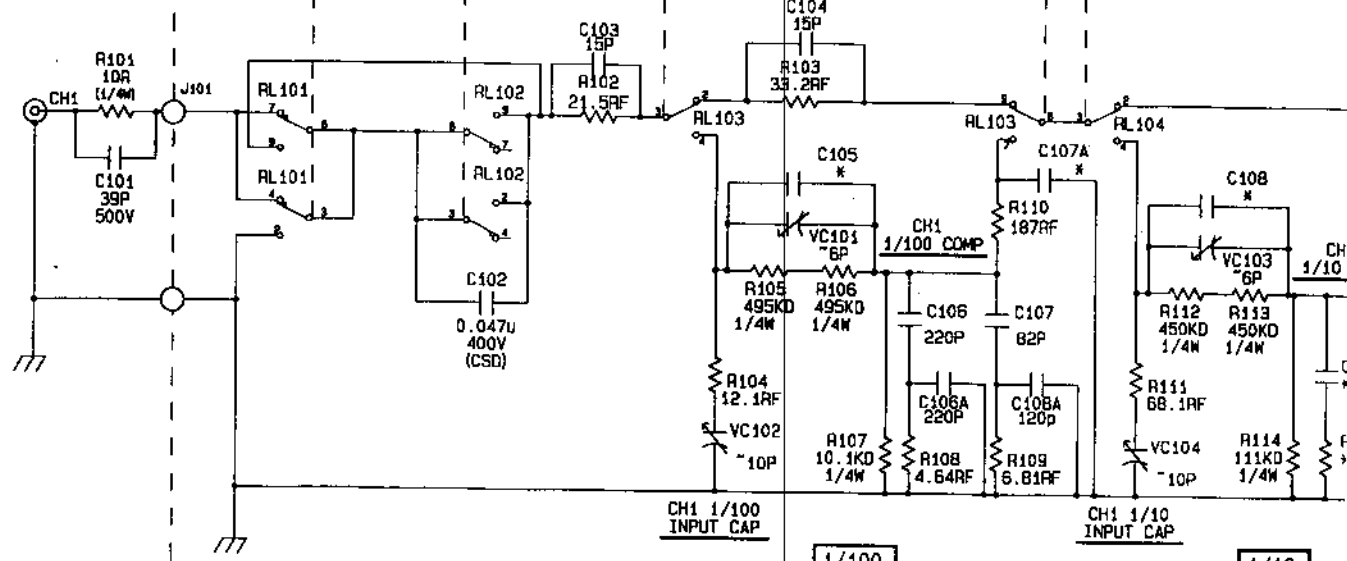
適用機種: 405-~~XXXX~~ / 6150

總頁數 共 21 頁

版本	發行 / 變更說明	ECR NO.	修訂日期
○	初版發行	X	89.07.10



CH1 INPUT



INPUT COUPLING

ATTENUATOR 1

1/100

1/10

CH1 VOLTS/DIV

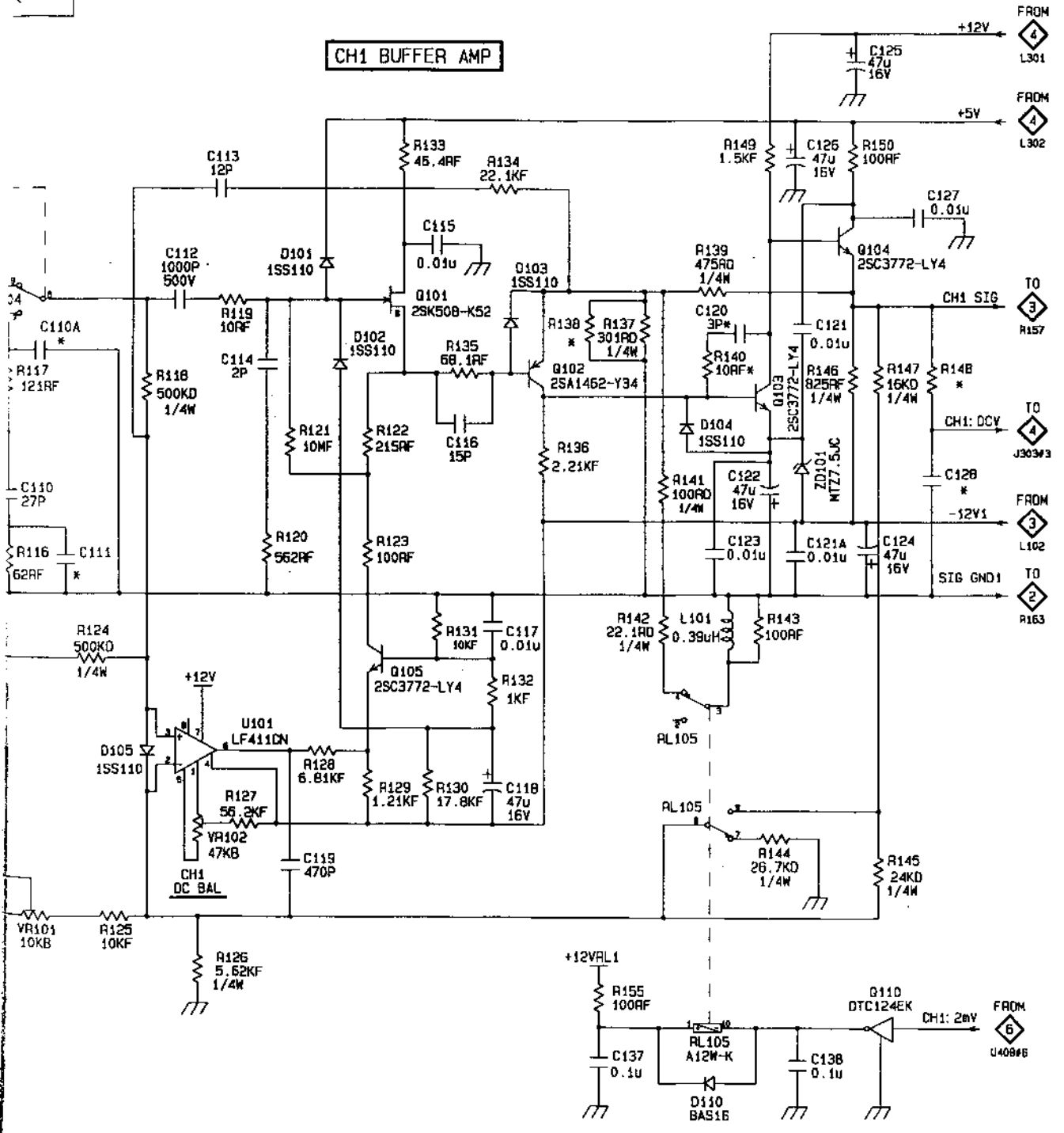
	2mV	5mV	10mV	20mV	50mV	0.1V	0.2V	0.5V	1V	2V	5V
CH1: 300	L	L	L	L	L	L	L	L	H	H	H
CH1: 10	L	L	L	L	L	H	H	H	L	L	L
CH1: 2mV	H	L	L	L	L	L	L	L	L	L	L
CH1: ATT1	H	H	L	L	L	L	L	L	L	L	L
CH1: ATT2	L	L	H	L	L	H	L	L	H	L	L
CH1: ATT4	L	L	L	H	L	L	H	L	L	H	L
CH1: ATT10	L	L	L	L	H	L	L	H	L	L	H

DC

CH1: GND  
 CH1: AC/DC  
 CH1: 100  
 CH1: 10

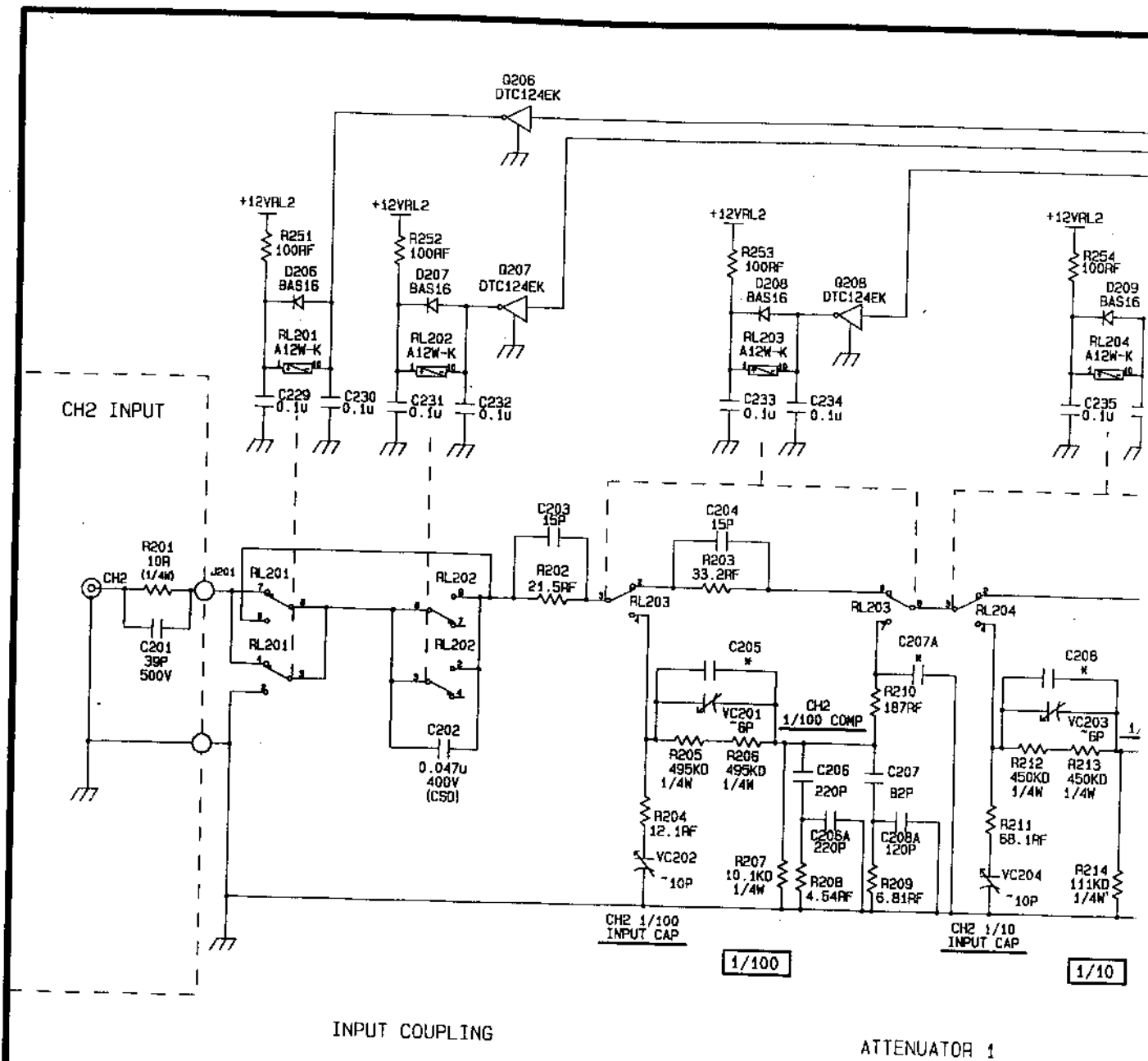
FROM  
 6  
 U409#4, 5, 6, 7

**CH1 BUFFER AMP**



OS09P01C.PCB

DRAWN BY 張 83.7.10	CHECKED BY 張 83.7.10 家驗	APPROVED BY 張 83.7.10 王	MODEL NO GOS-6200/6150
DESCRIPTION CH1 INPUT			DRAWING NO OS09S01B



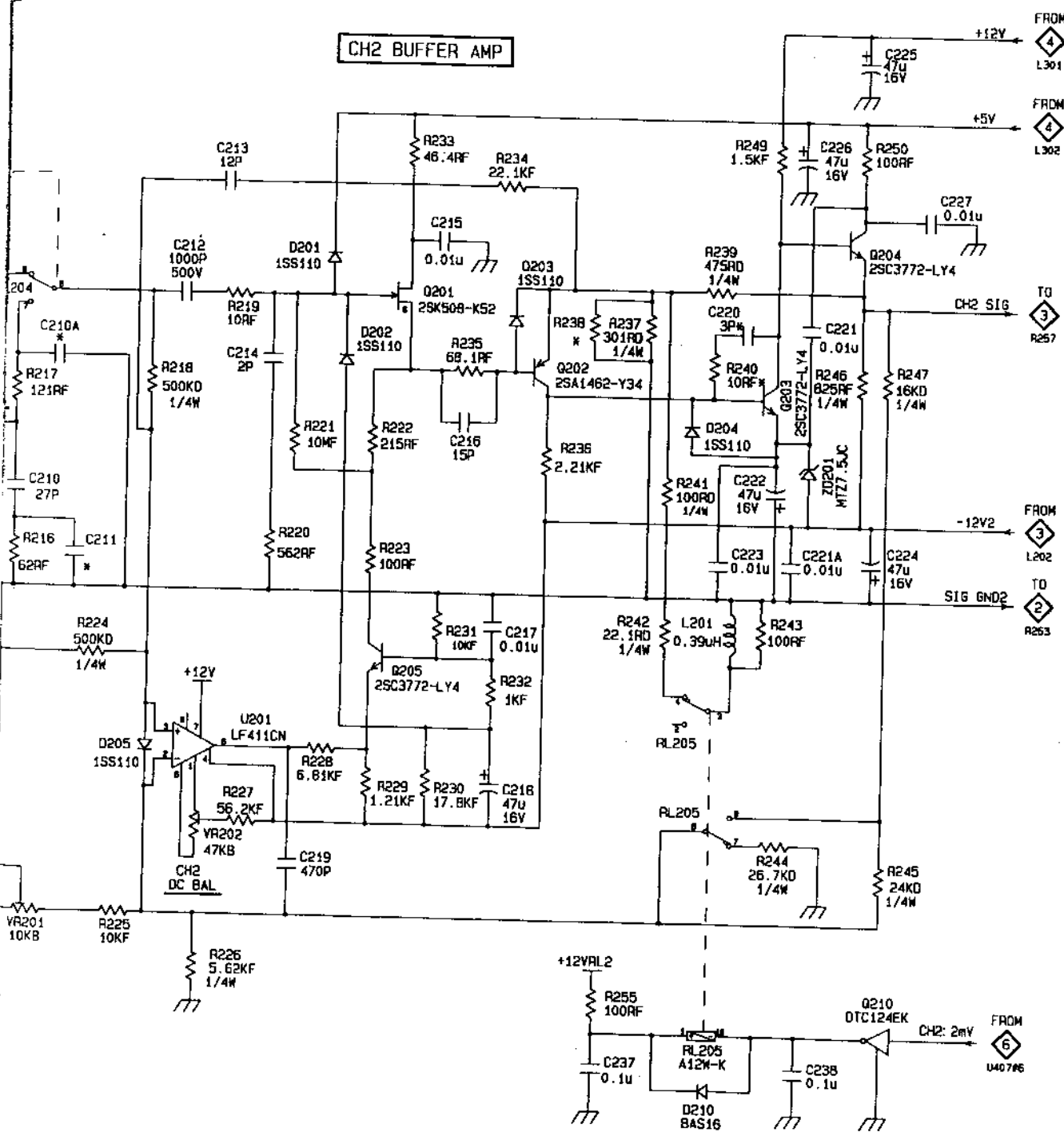
CH2 VOLTS/DIV

	2mV	5mV	10mV	20mV	50mV	0.1V	0.2V	0.5V	1V	2V	5V
CH2: 100	L	L	L	L	L	L	L	L	H	H	H
CH2: 10	L	L	L	L	L	H	H	H	L	L	L
CH2: 2mV	H	L	L	L	L	L	L	L	L	L	L
CH2: ATT1	H	H	L	L	L	L	L	L	L	L	L
CH2: ATT2	L	L	H	L	L	H	L	L	H	L	L
CH2: ATT4	L	L	L	H	L	L	H	L	L	H	L
CH2: ATT10	L	L	L	L	H	L	L	H	L	L	H

CH2: GND  
 CH2: AC/ DC  
 CH2: 100  
 CH2: 10

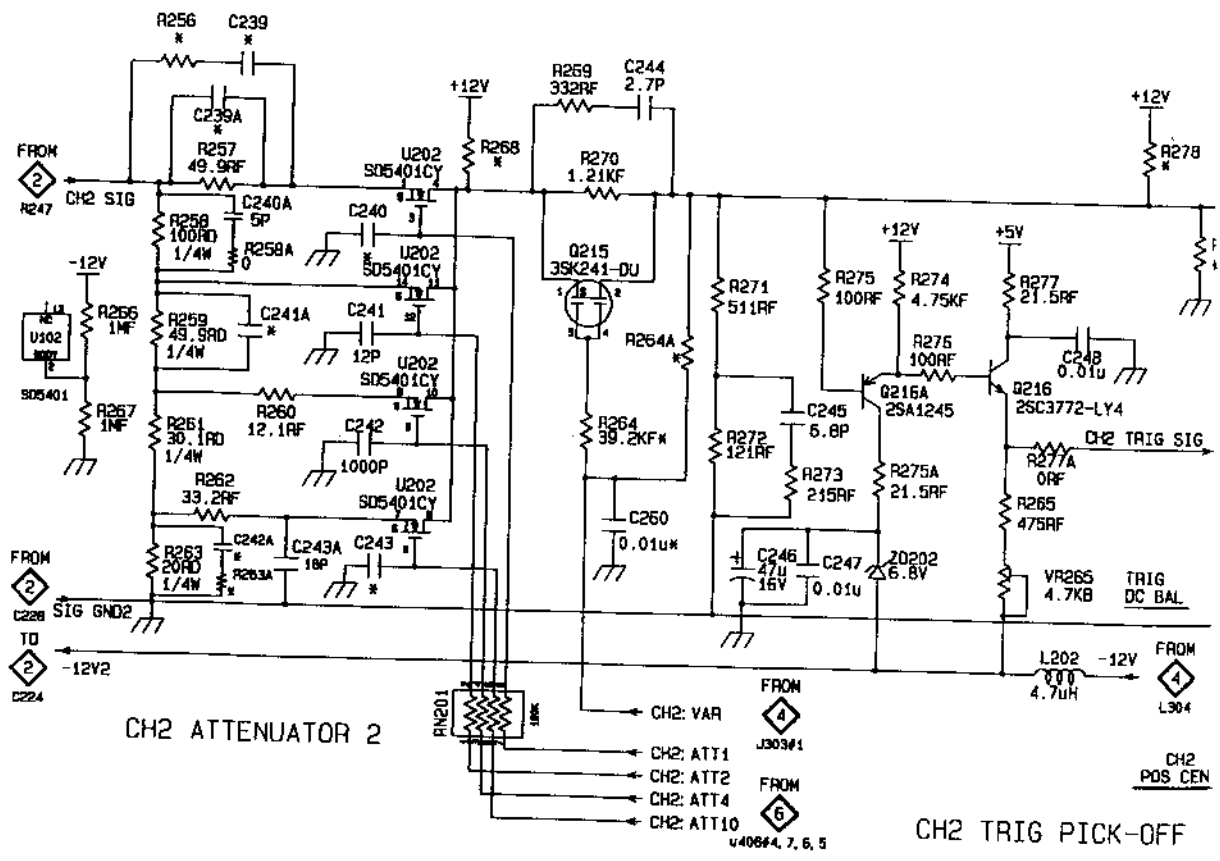
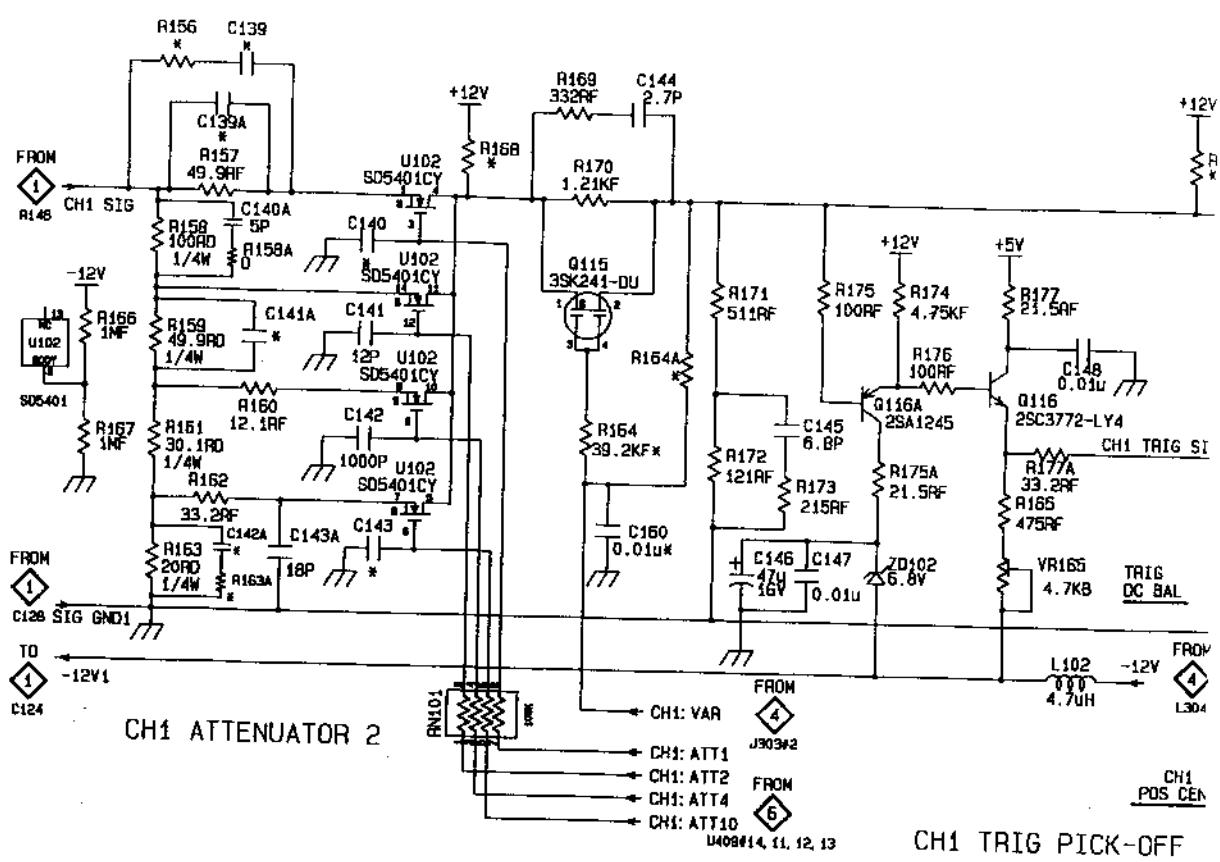
FROM 5  
 U406#14, 13, 12, 11

**CH2 BUFFER AMP**

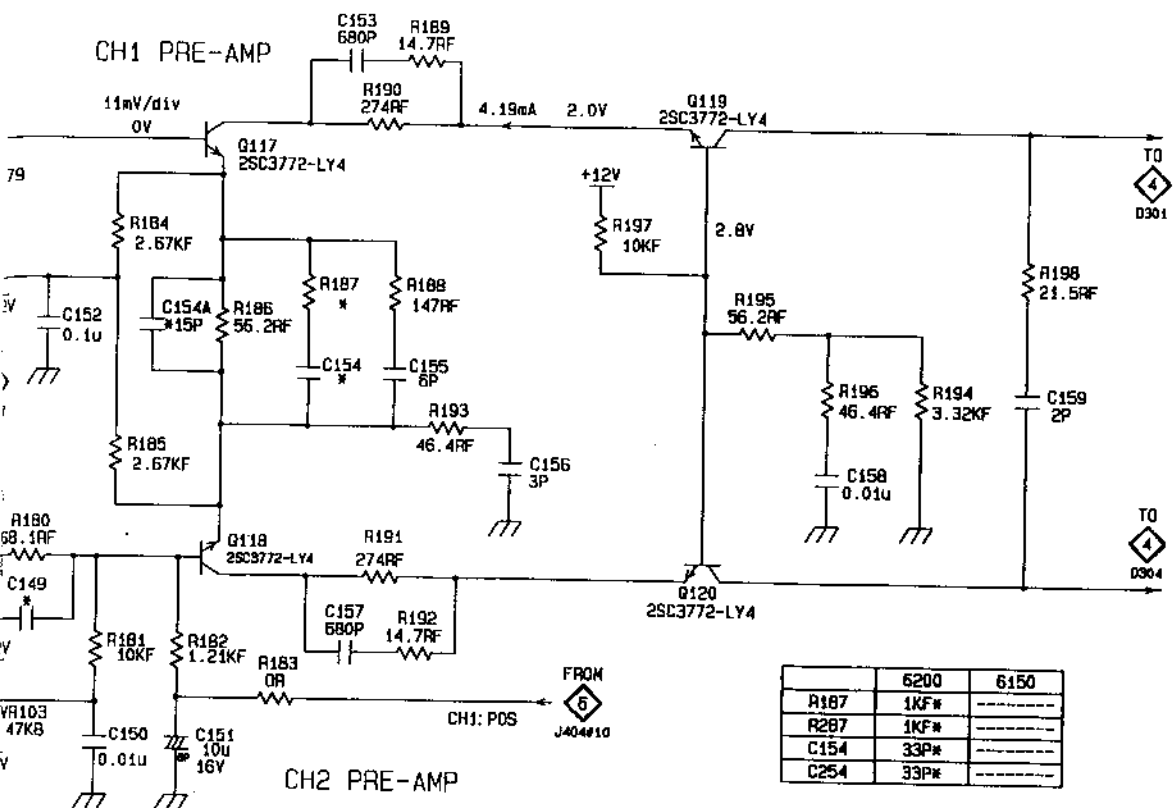


0509P01C.PCB

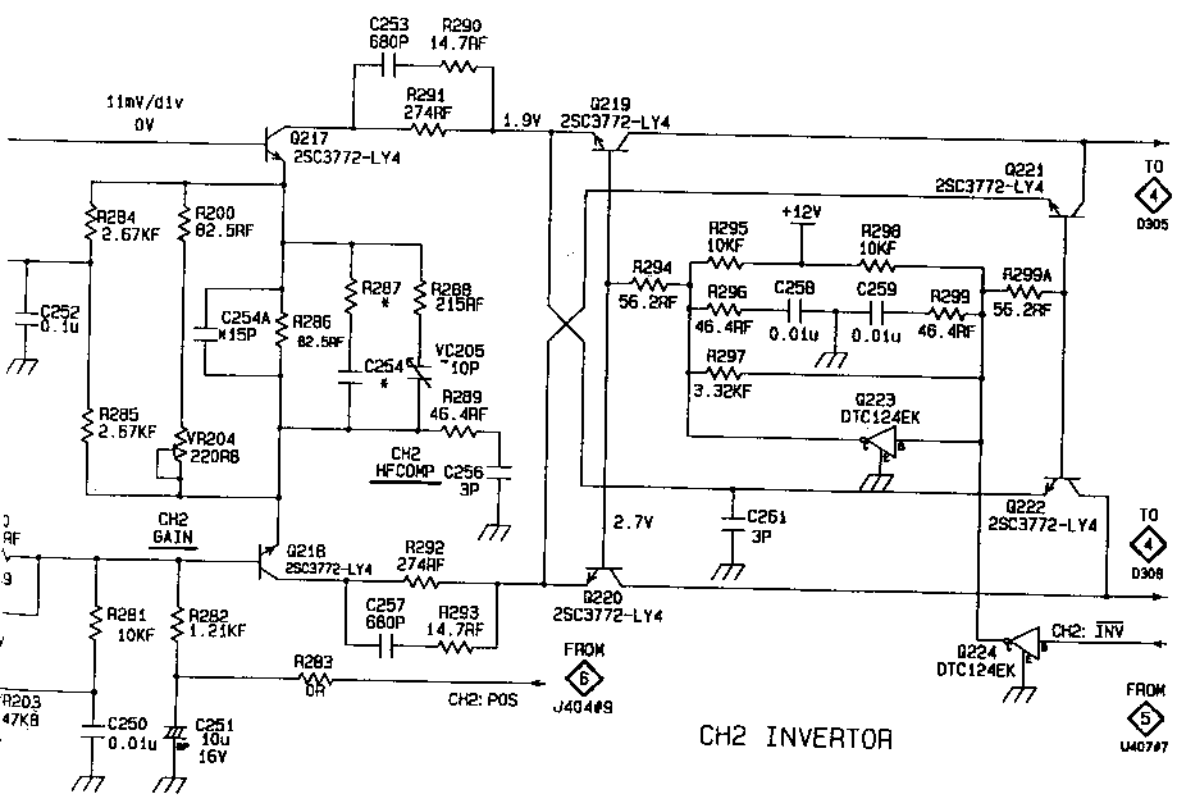
DRAWN BY 張 89.7.10	CHECKED BY 張 89.7.10	APPROVED BY 張 89.7.10	MODEL NO G0S-6200/6150
			DESCRIPTION CH2 INPUT
			DRAWING NO 0509S02B



CH1 PRE-AMP



CH2 PRE-AMP



CH2 INVERTOR

OS09P01C.PCB

DRAWN BY

CHECKED BY

APPROVED BY

MODEL NO

GOS-6200/6150

DESCRIPTION

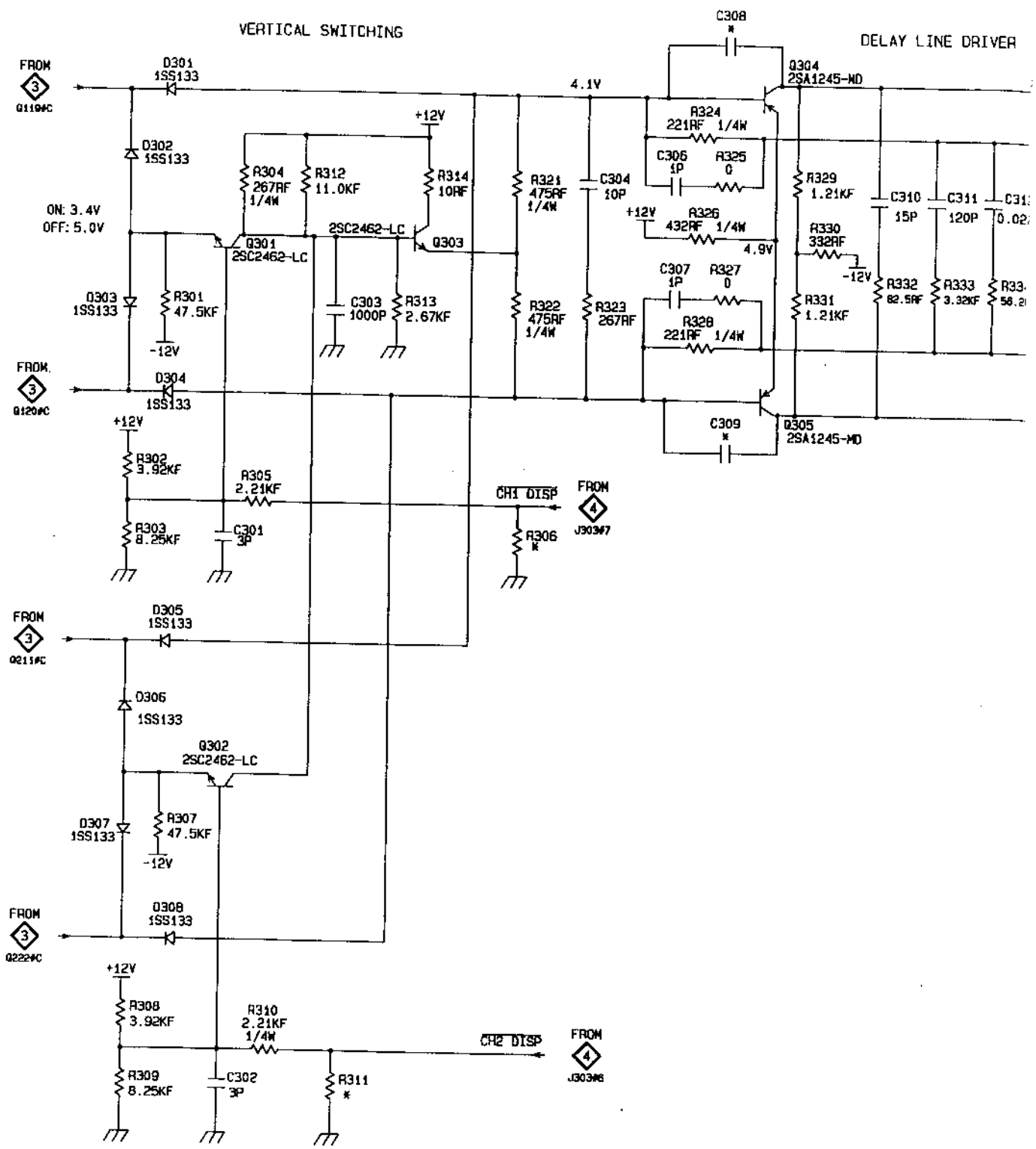
CH1/CH2-AMP

DRAWING NO

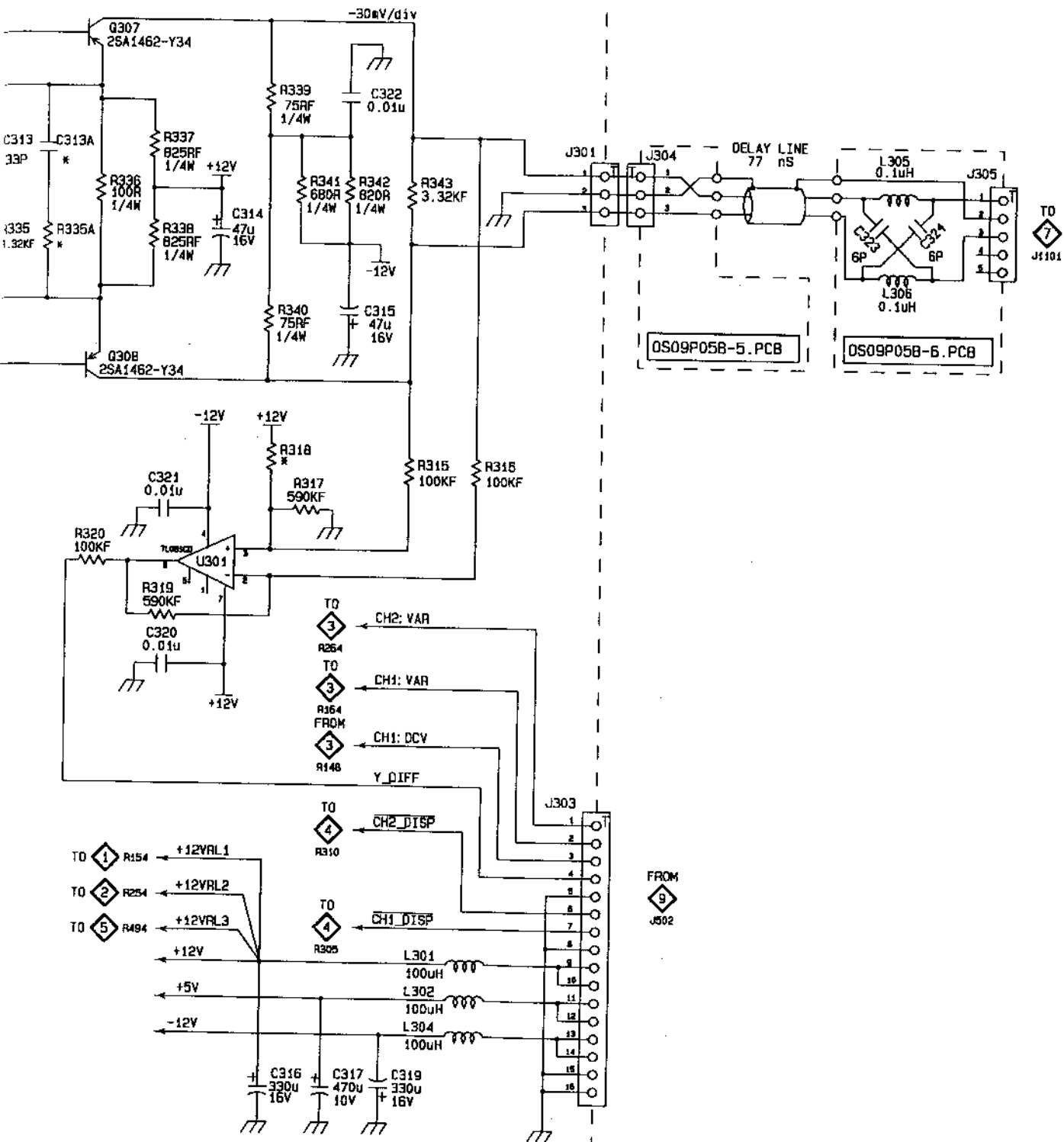
OS09S03B

VERTICAL SWITCHING




DELAY LINE DRIVER



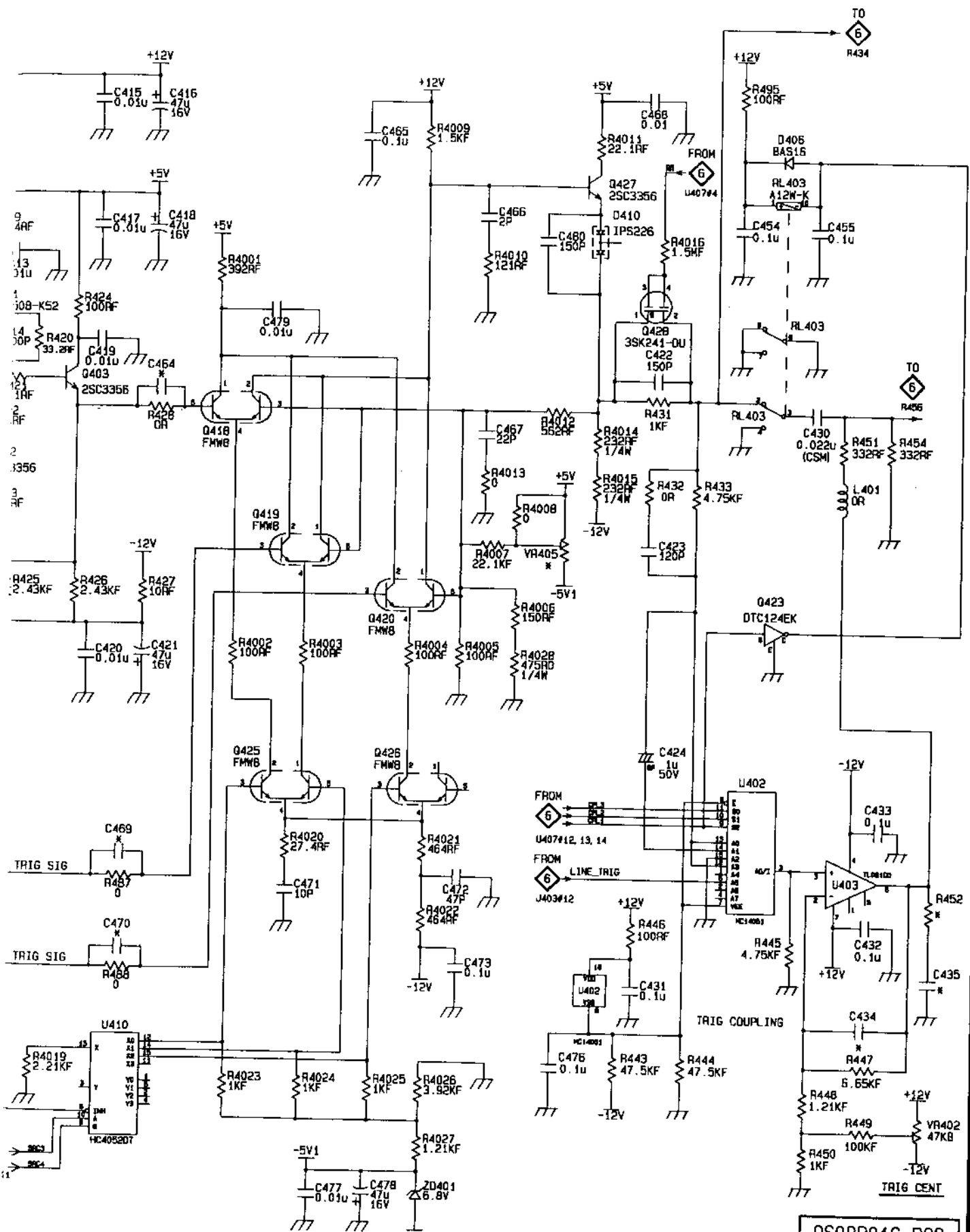






OS09P01C.PCB

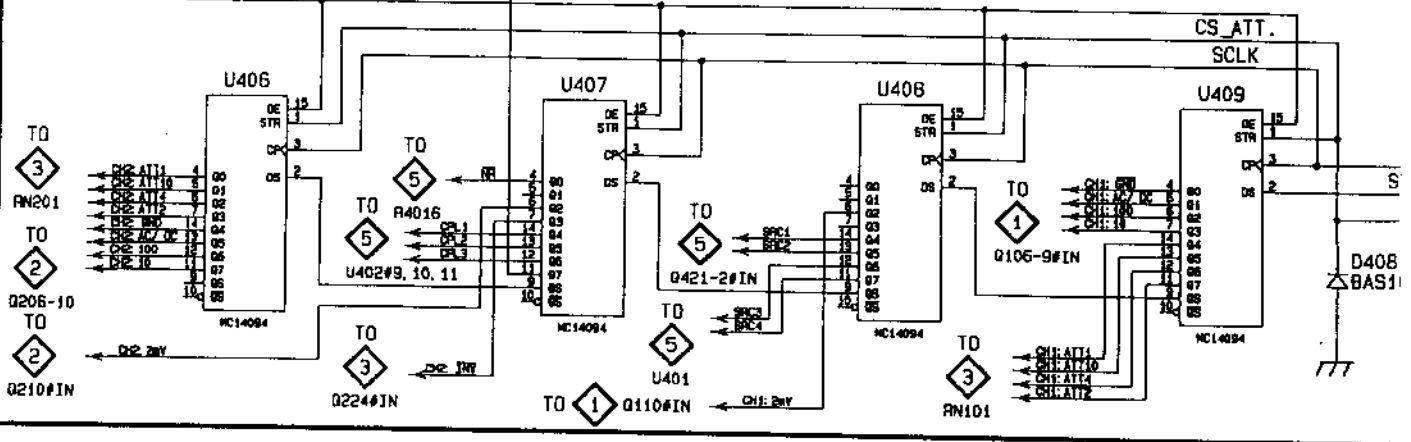
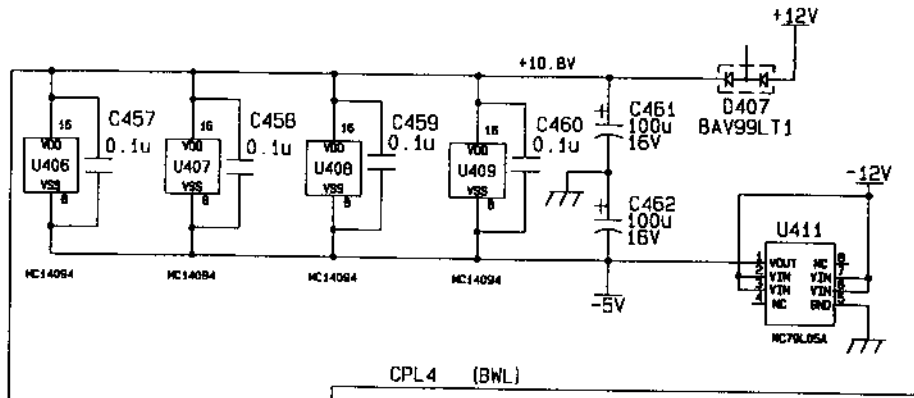
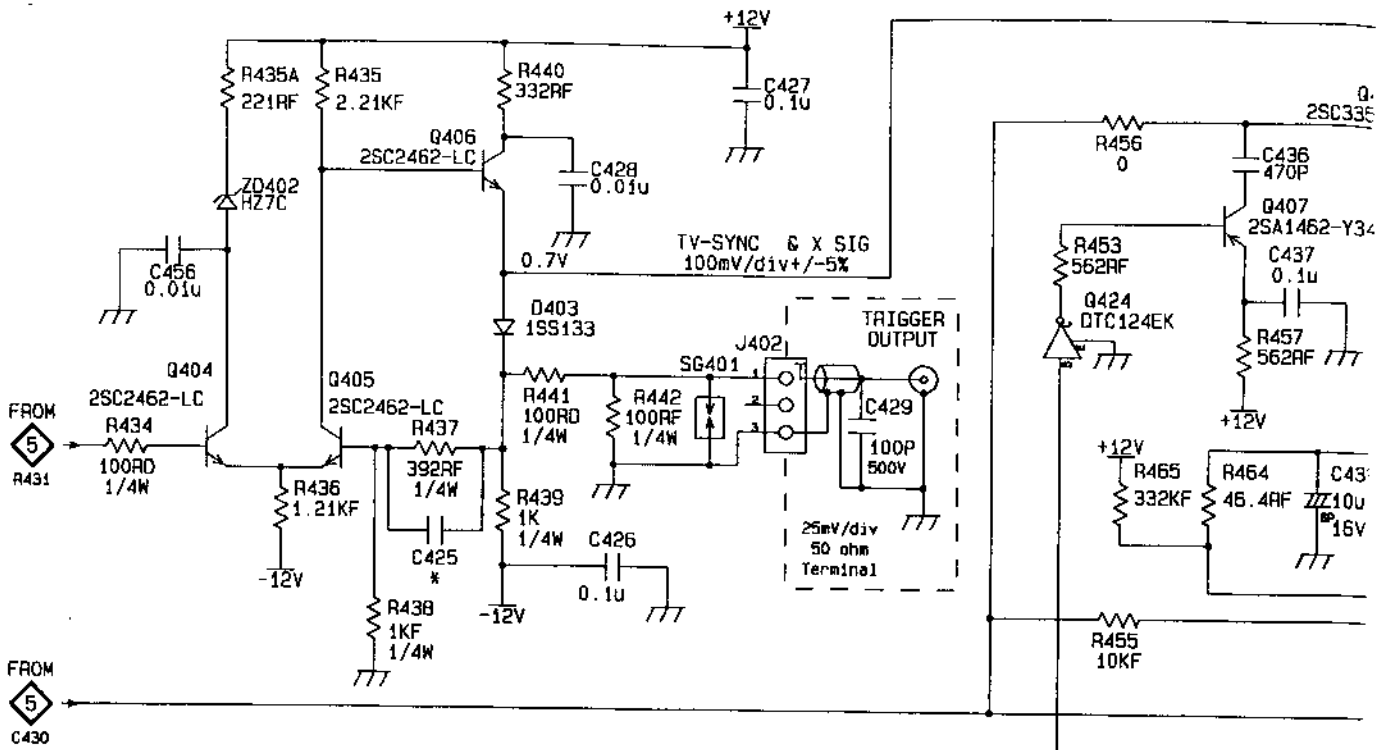
DRAWN BY  83.7.10 张	CHECKED BY  83.7.10 张	APPROVED BY  83.7.10 张	MODEL NO GOS-6200/6150	DESCRIPTION VERTICAT SWITCHING
			DRAWING NO OS09S04B	

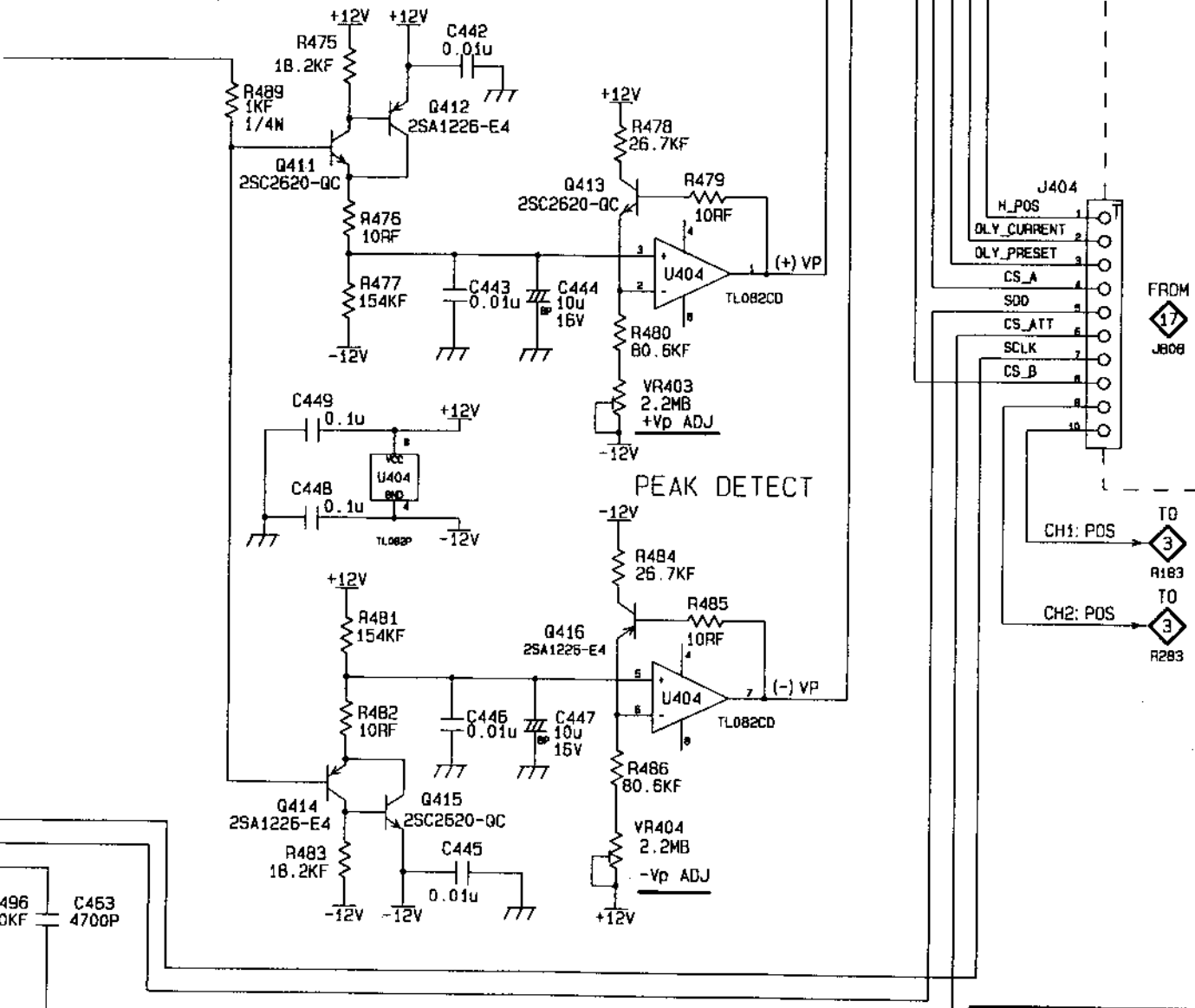
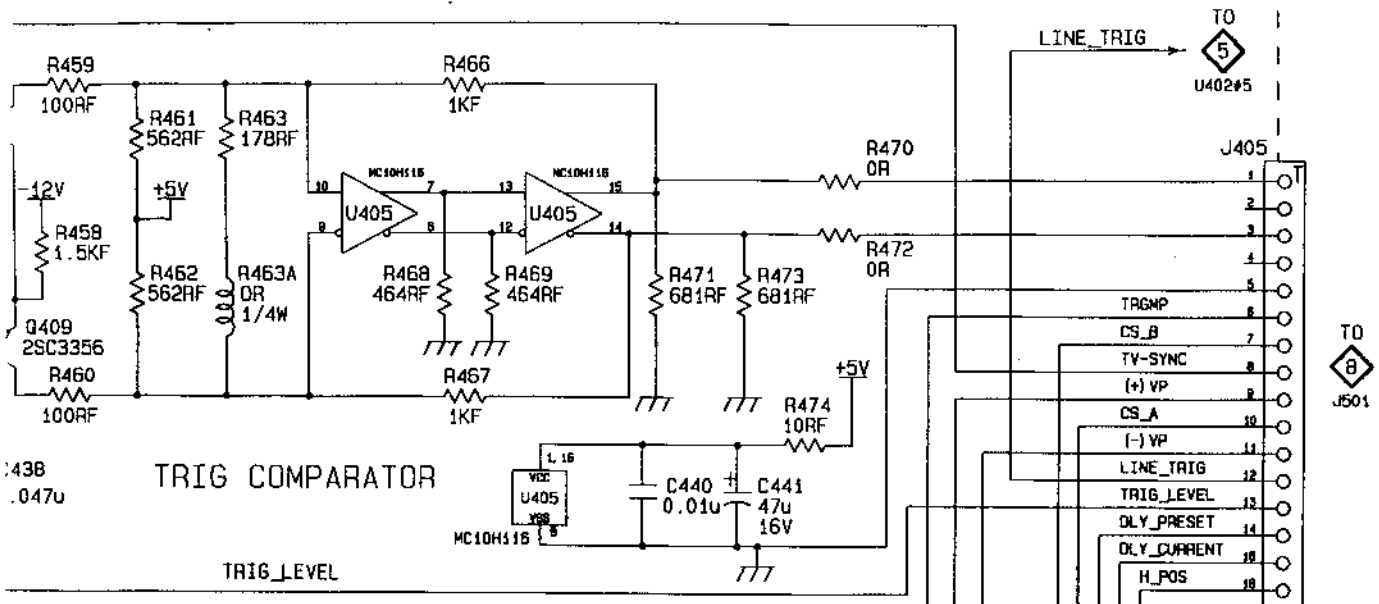




OS09P01C.PCB

DRAWN BY 	CHECKED BY 	APPROVED BY 	MODEL NO GOS-6200/6150
			DESCRIPTION SOURCE&COPLING
			DRAWING NO OS09S05B

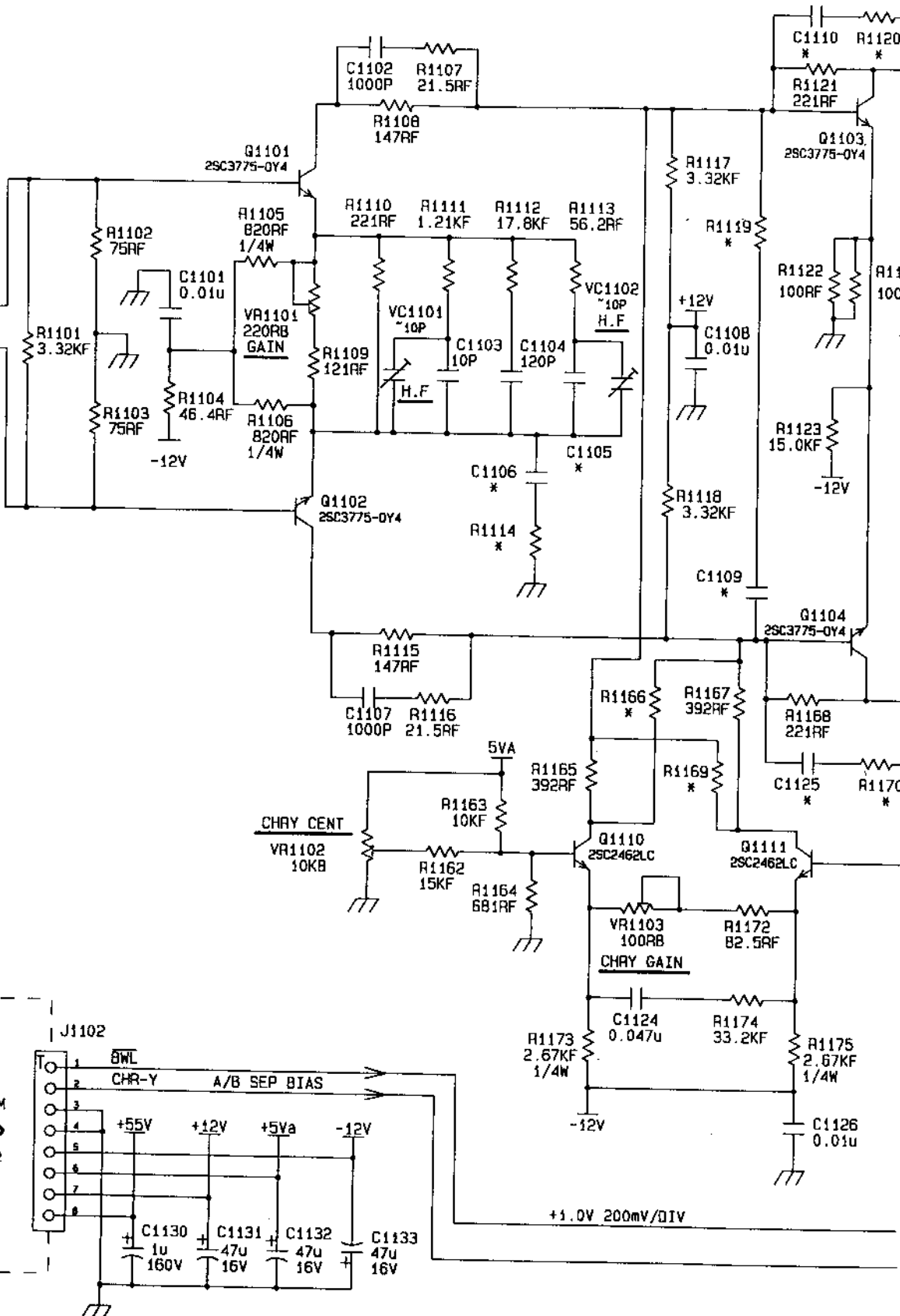




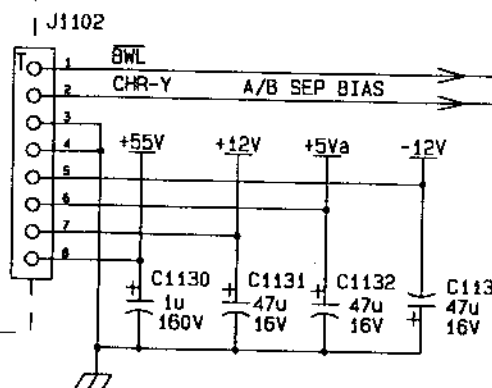
OS09P01C.PCB

DRAWN BY 張 89.7.10	CHECKED BY 張 89.7.10	APPROVED BY 張 89.7.10	MODEL NO GOS-6200/6150
DESCRIPTION TRIG-SYSTEM			DRAWING NO OS09S06B

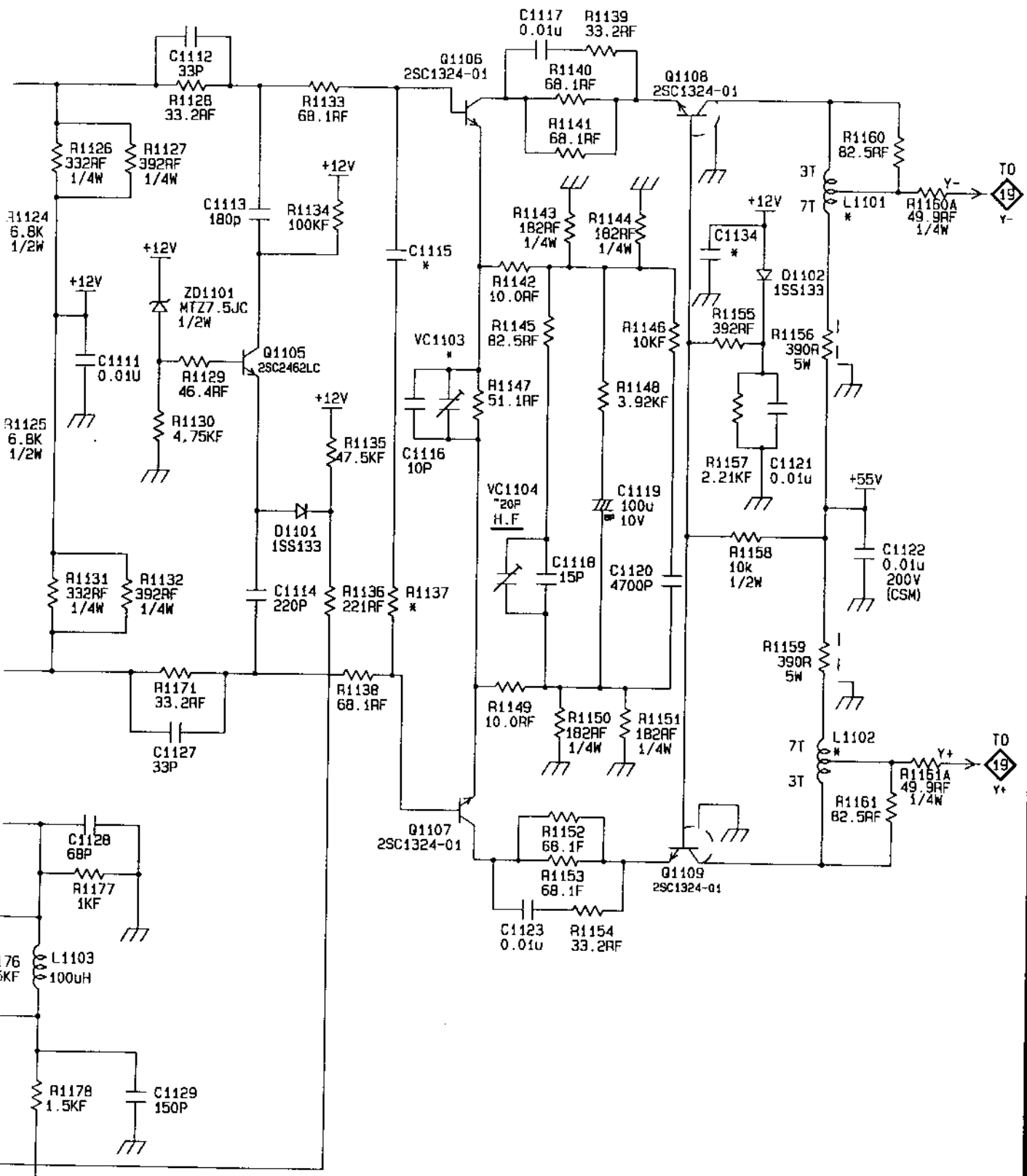
FROM  
4  
J305



FROM  
13  
J902

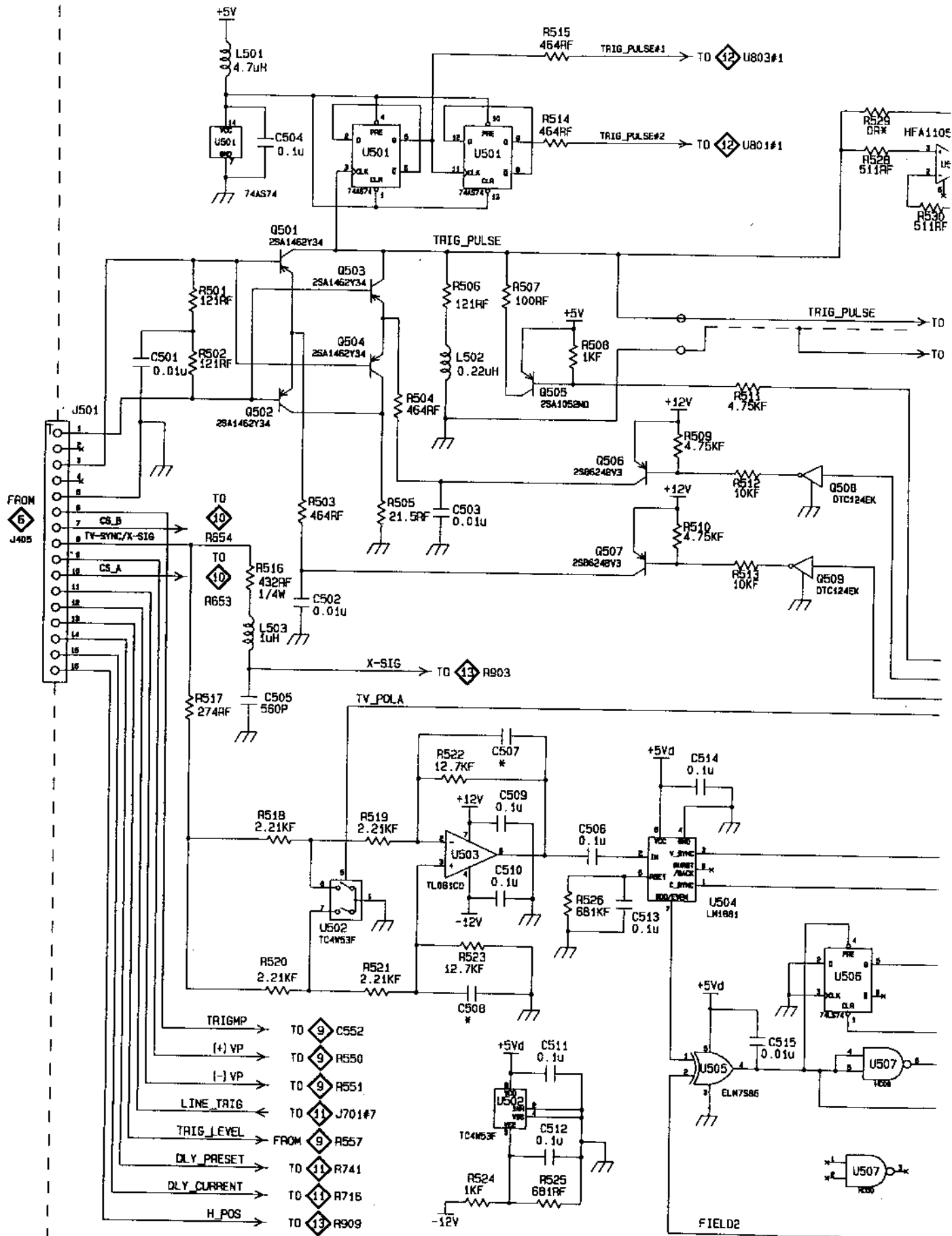


+1.0V 200mV/DIV

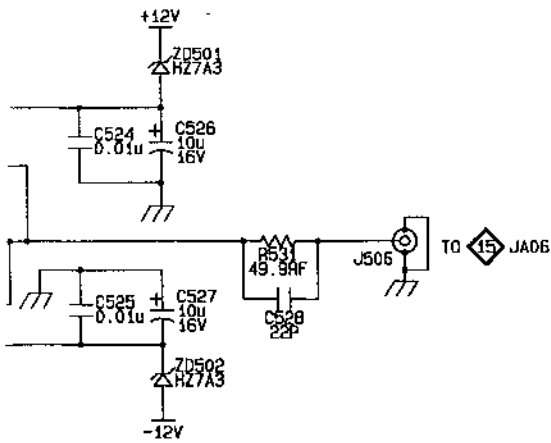


OS09P05B-7.PCB

DRAWN BY 張 89.7.10 錫昇	CHECKED BY 張 89.7.10 家驗	APPROVED BY 許 89.7.10 子漢	MODEL NO GOS-6200/6150	DESCRIPTION V. OUT AMP
			DRAWING NO OS09S07B	



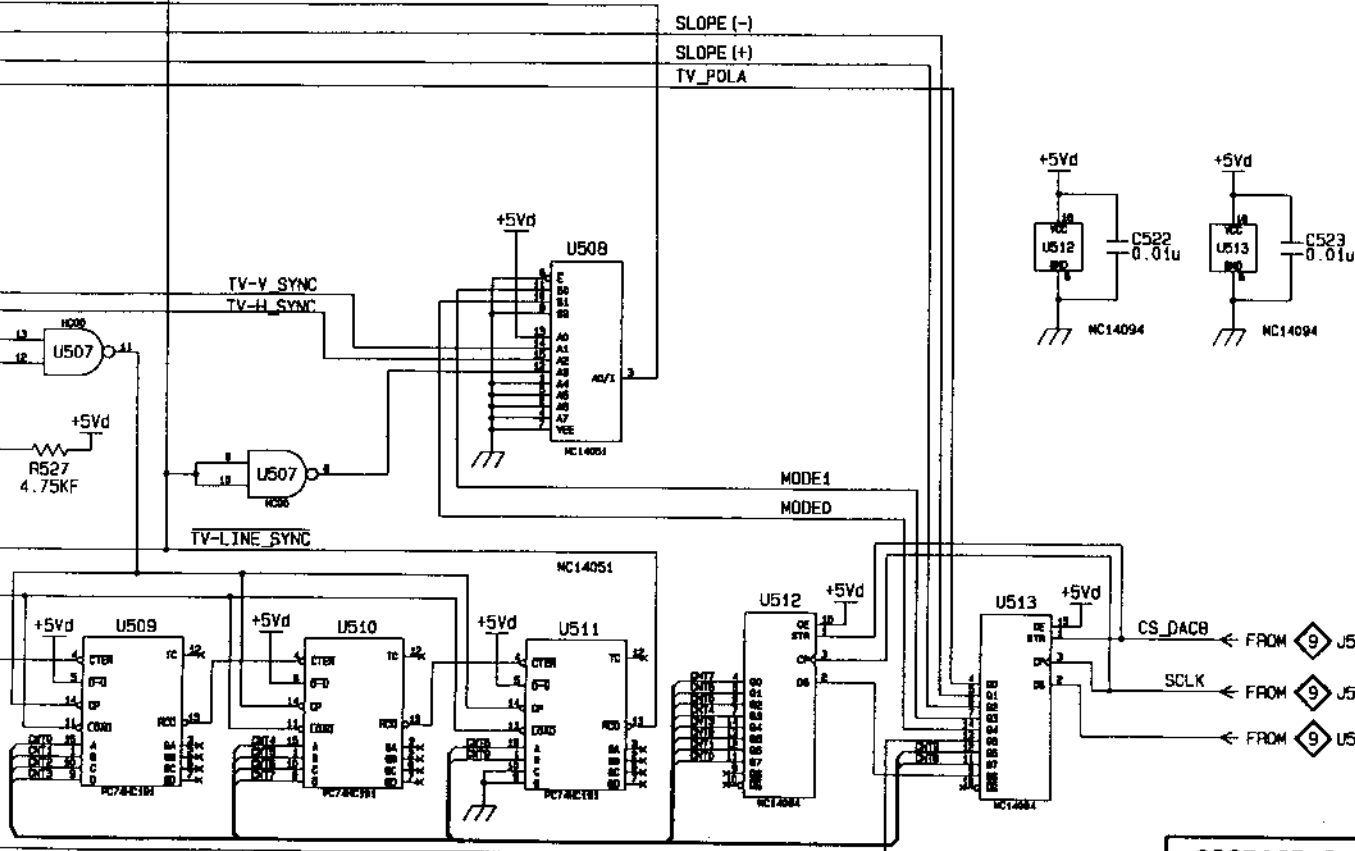
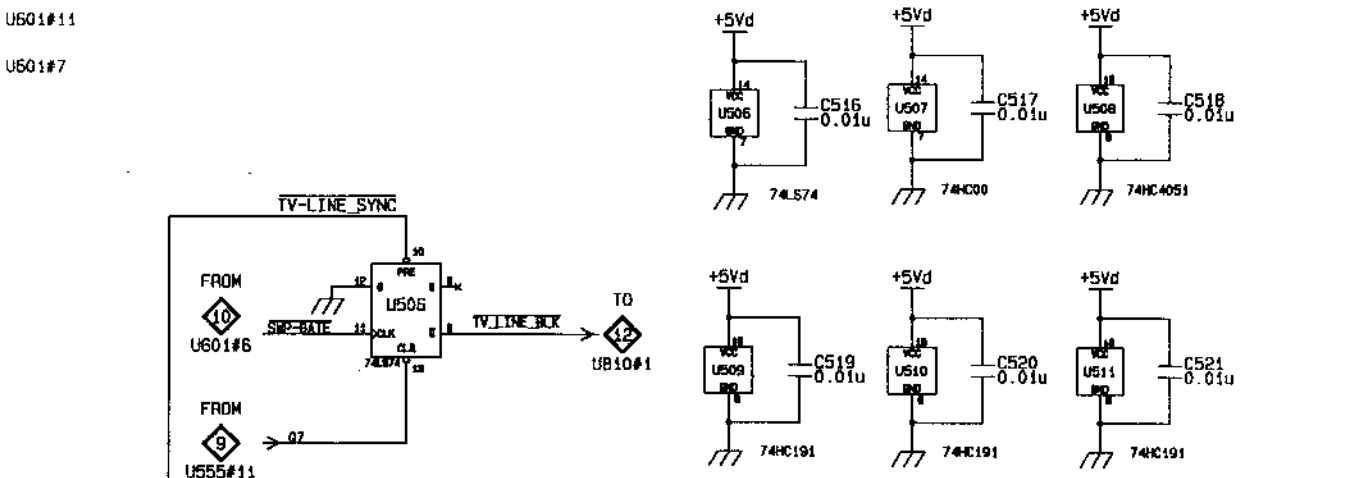




	2mV	5mV	10mV	20mV	50mV	0.1V	0.2V	0.5V	1V	2V	5V	10V	20V
CH1: 100	L	L	L	L	L	L	L	L	H	H	H	H	H
CH1: 10	L	L	L	L	L	H	H	L	L	L	L	L	H
CH1: 2mV	L	H	H	H	H	H	H	H	H	H	H	H	H
CH1: ATT1	H	H	L	L	L	L	L	L	L	L	L	L	L
CH1: ATT2	L	L	H	L	L	H	L	L	H	L	L	L	L
CH1: ATT4	L	L	L	H	L	L	H	L	L	H	L	L	H
CH1: ATT10	L	L	L	L	H	L	L	H	L	L	H	L	L

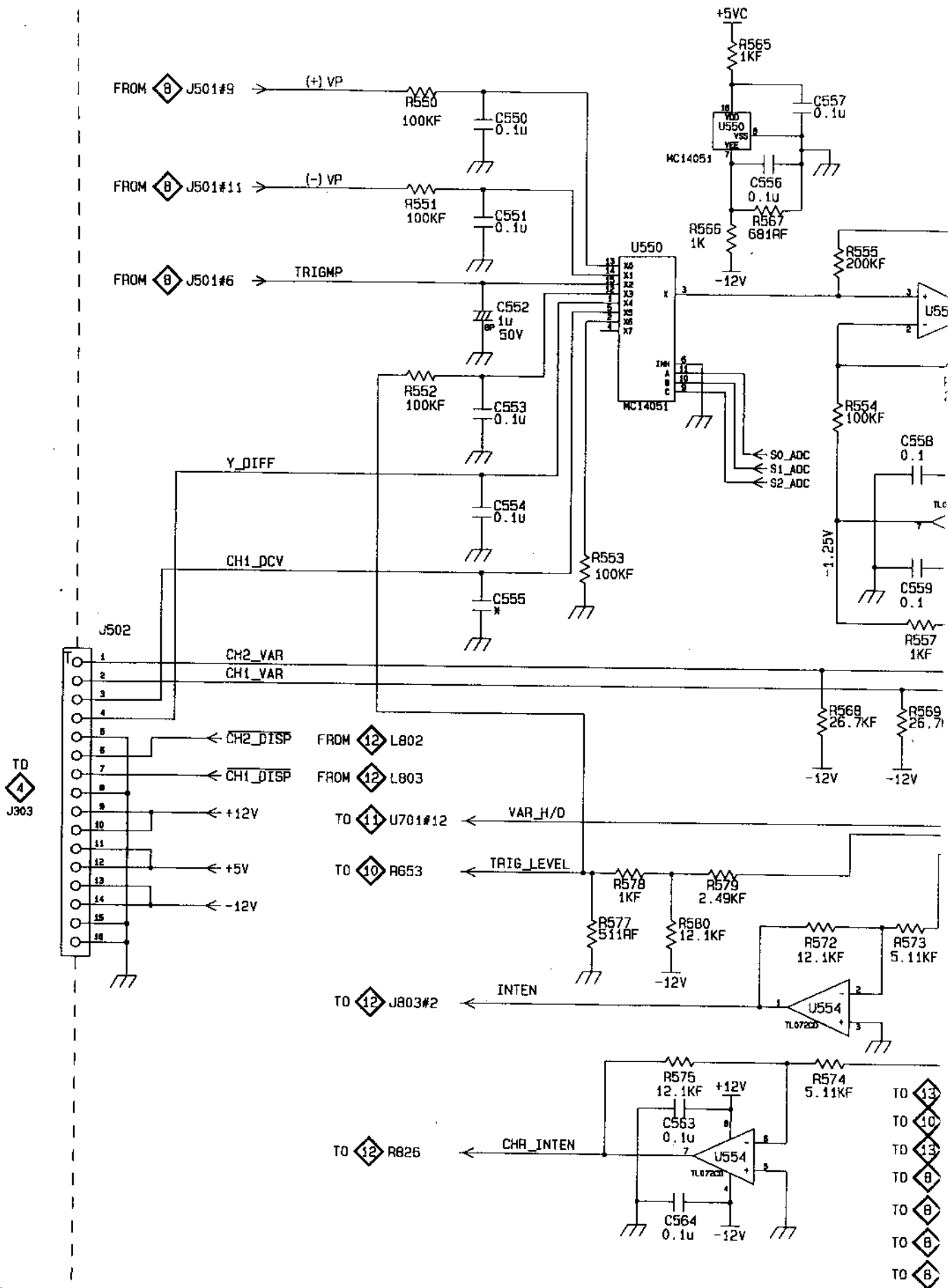
U601#11

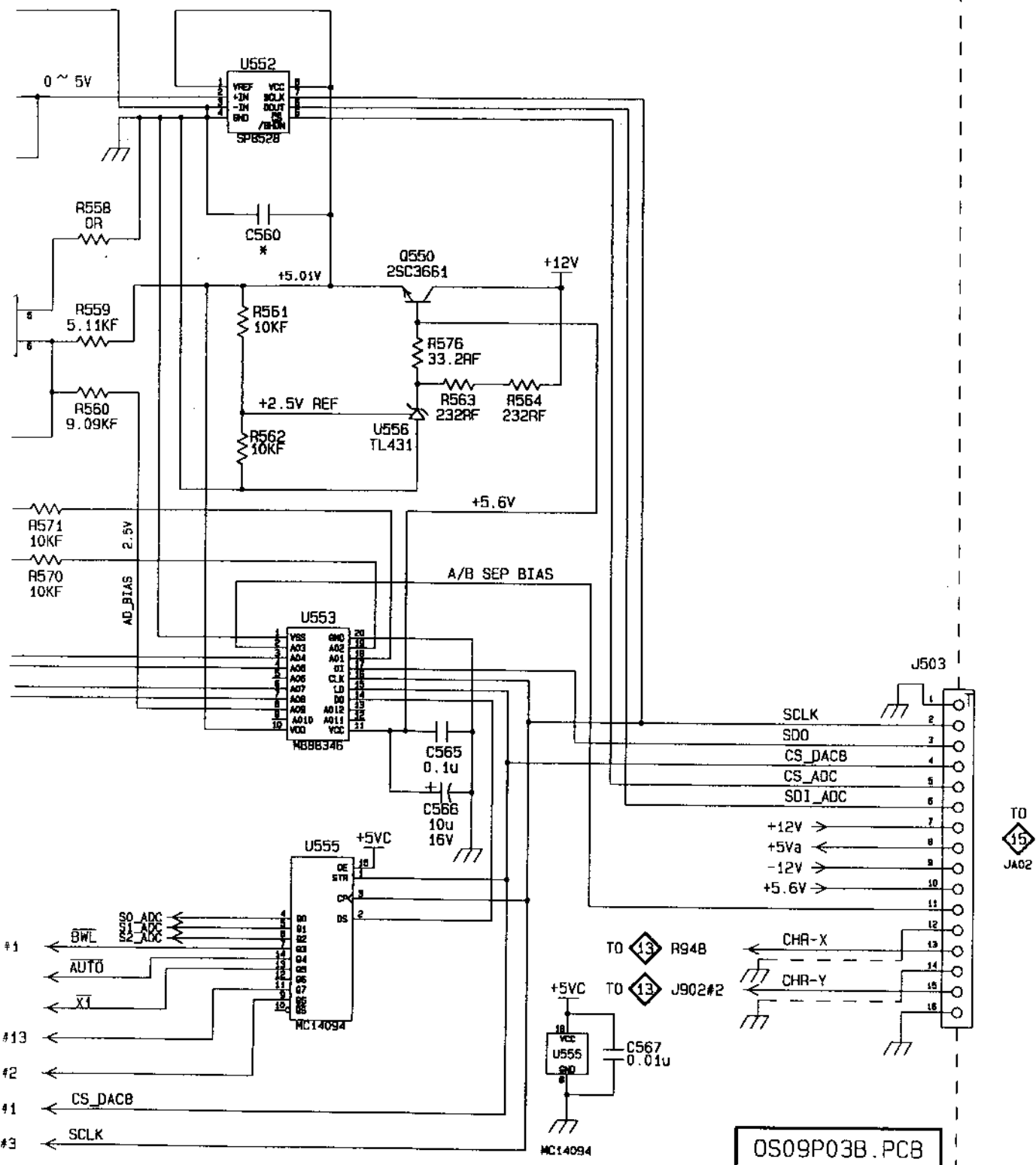
U601#7



OS9P03B.PCB

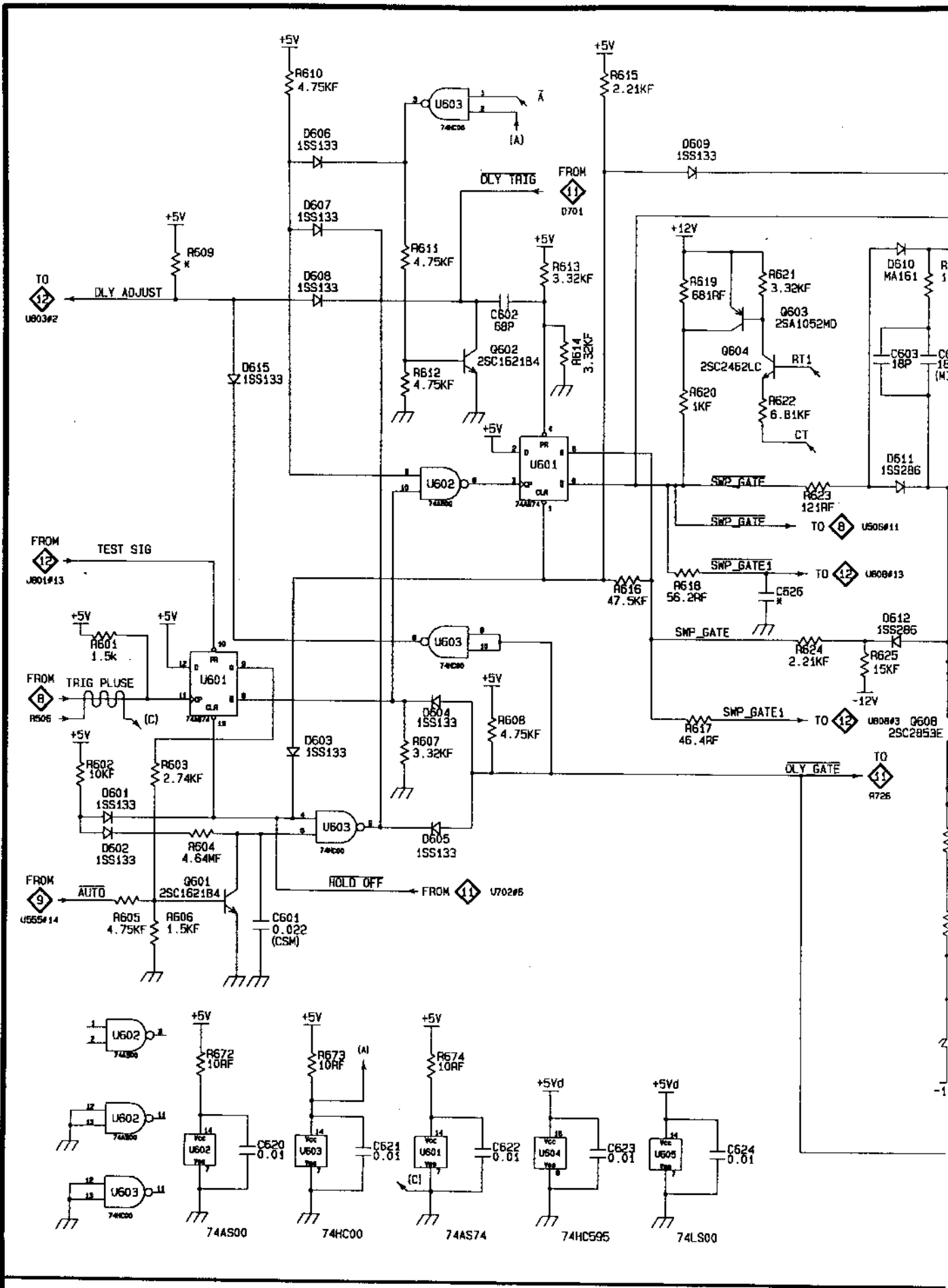
DRAWN BY 張 89.7.10 銘昇	CHECKED BY 張 89.7.10 家駿	APPROVED BY 張 89.7.10 孟海	MODEL NO GOS-6200/6150
DESCRIPTION TV-SYNC			DRAWING NO OS09S08B



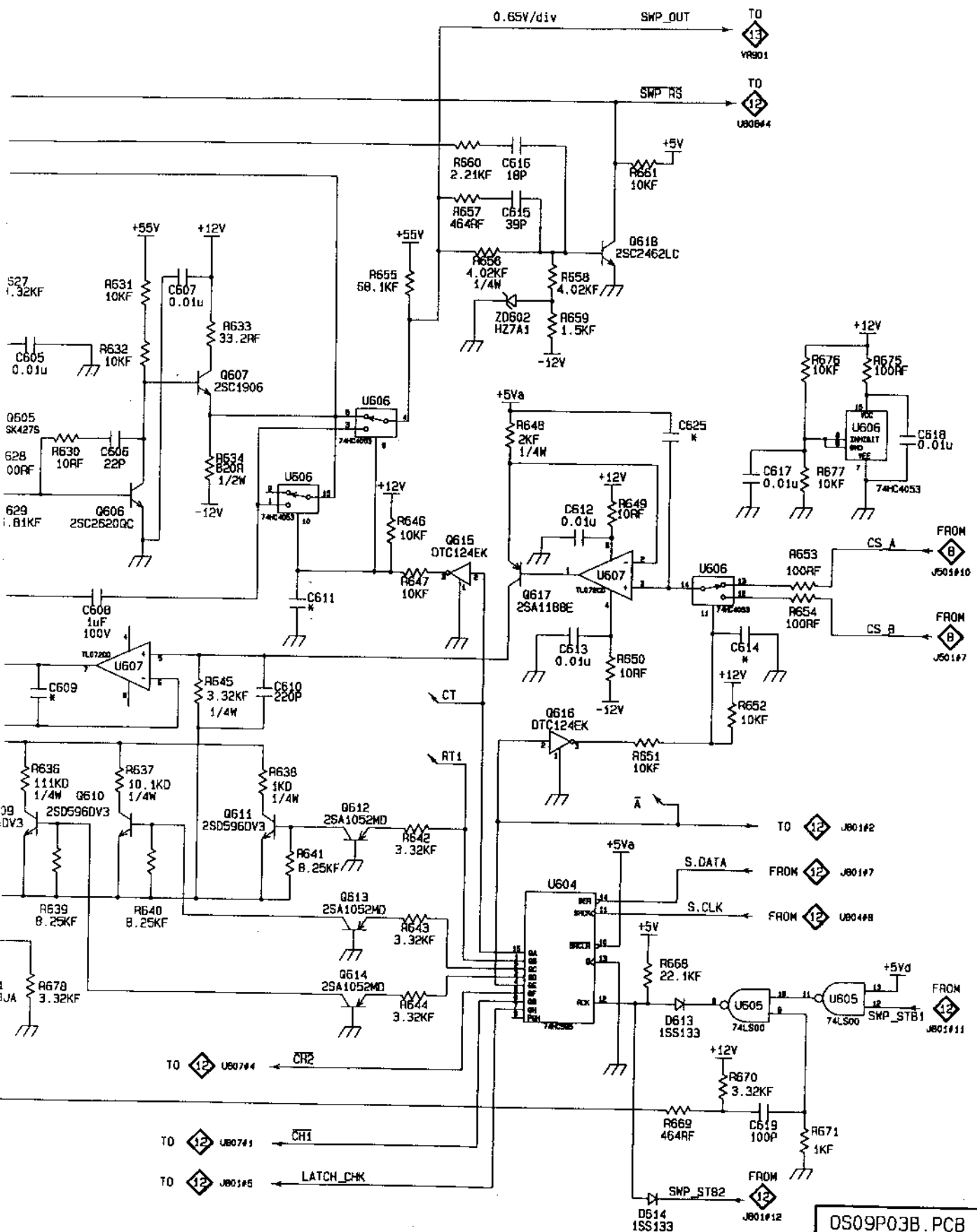


OS09P03B.PCB

DRAWN BY 張 83.7.10 張昇	CHECKED BY 張 83.7.10 家駿	APPROVED BY 許 83.7.10 玉清	MODEL NO GOS-6200/6150	DESCRIPTION ADC&DAC
			DRAWING NO OS09S09B	

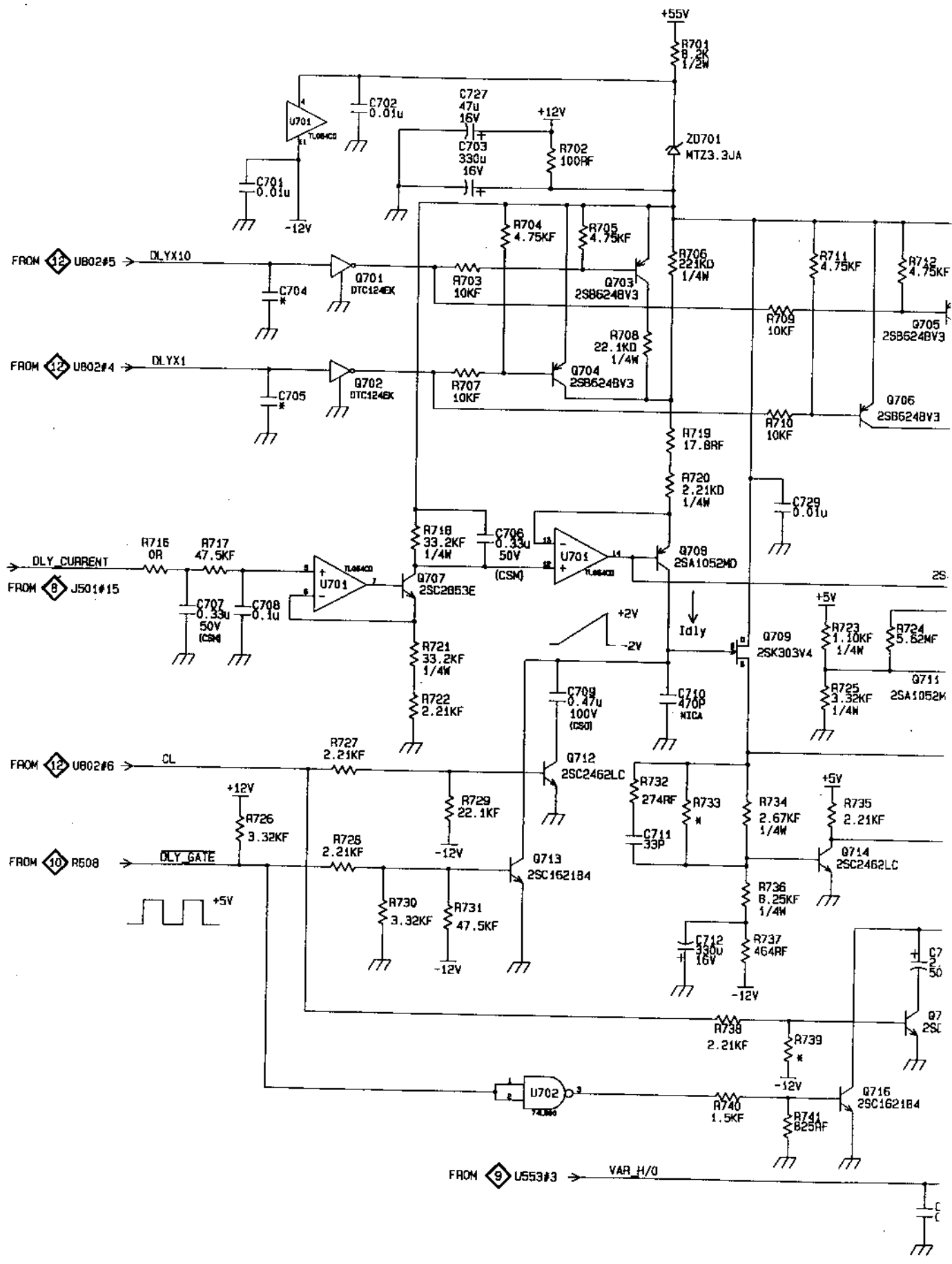


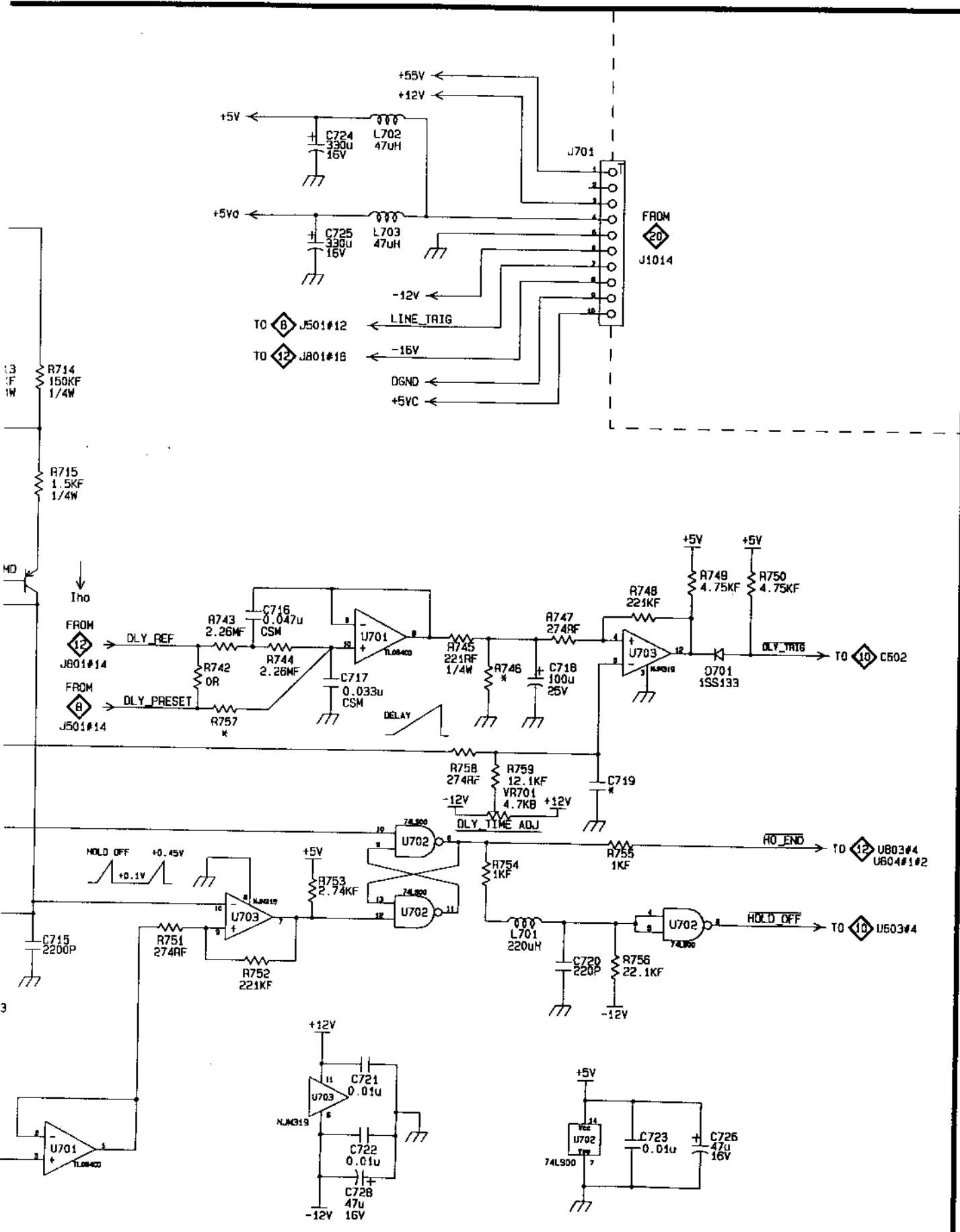
- U602 74AS00
- U603 74HC00
- U601 74AS74
- U604 74HC595
- U605 74LS00






OS09P03B.PCB

DRAWN BY 張 89.7.10	CHECKED BY 張 89.7.10	APPROVED BY 許 89.7.10	MODEL NO GOS-6200/6150
			DESCRIPTION SWEEP GEN
			DRAWING NO OS09S10B

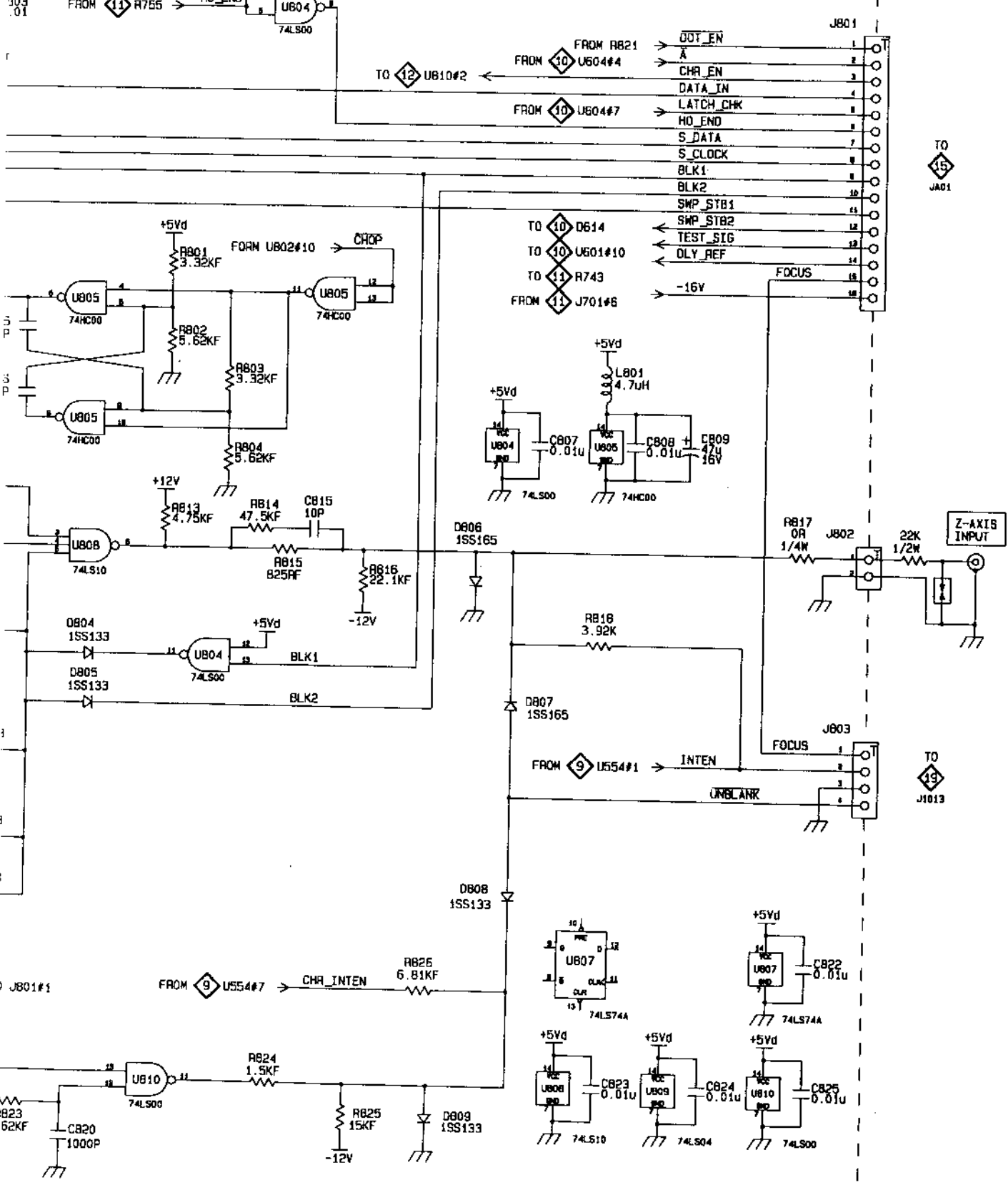




OS09P03B.PCB

DRAWN BY  BS. 7. 10 张	CHECKED BY  BS. 7. 10 张	APPROVED BY  BS. 7. 10 张	MODEL NO GOS-6200/6150
		DESCRIPTION DELAY & HOLD OFF	DRAWING NO OS09S11B

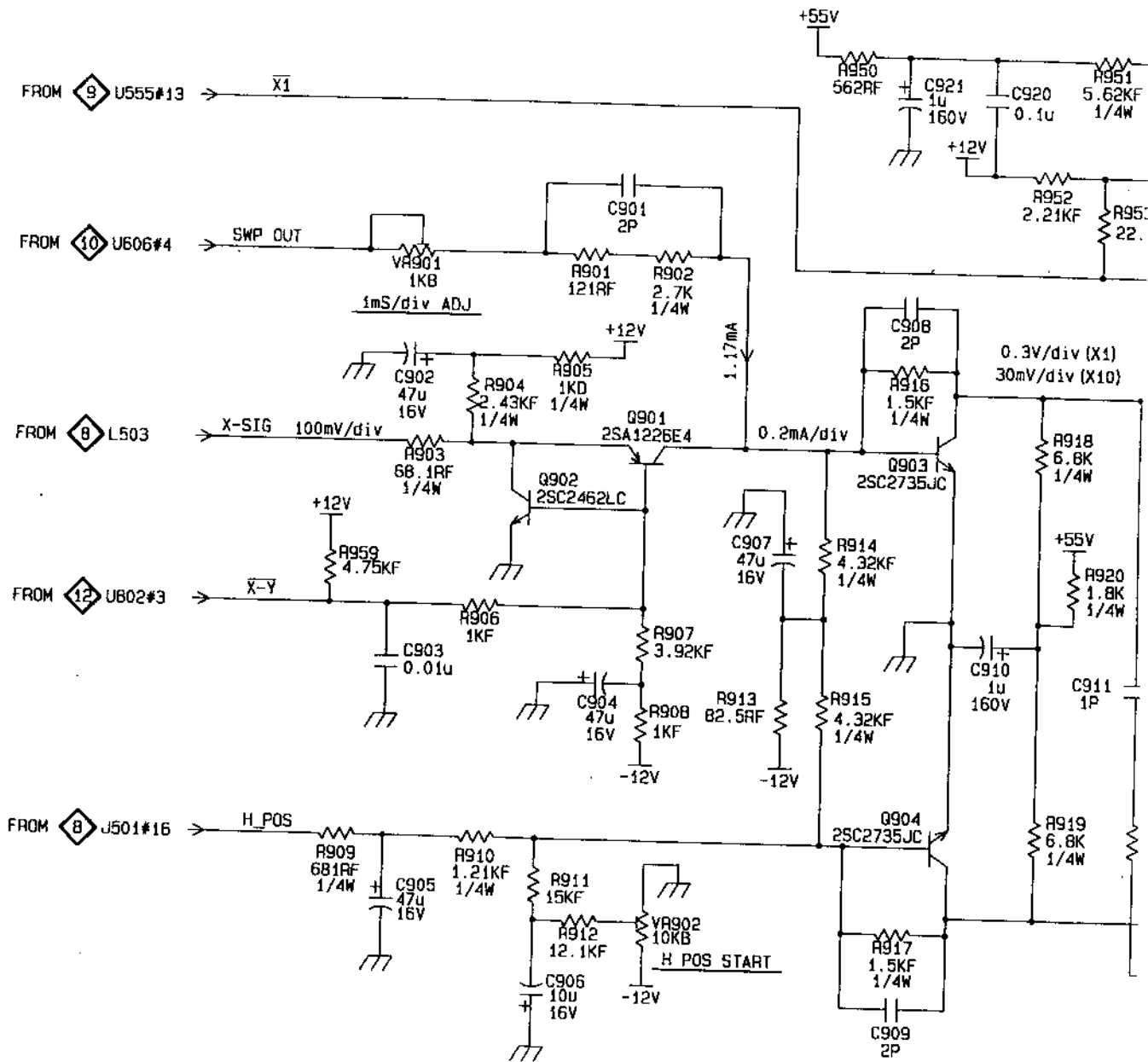
303  
.01



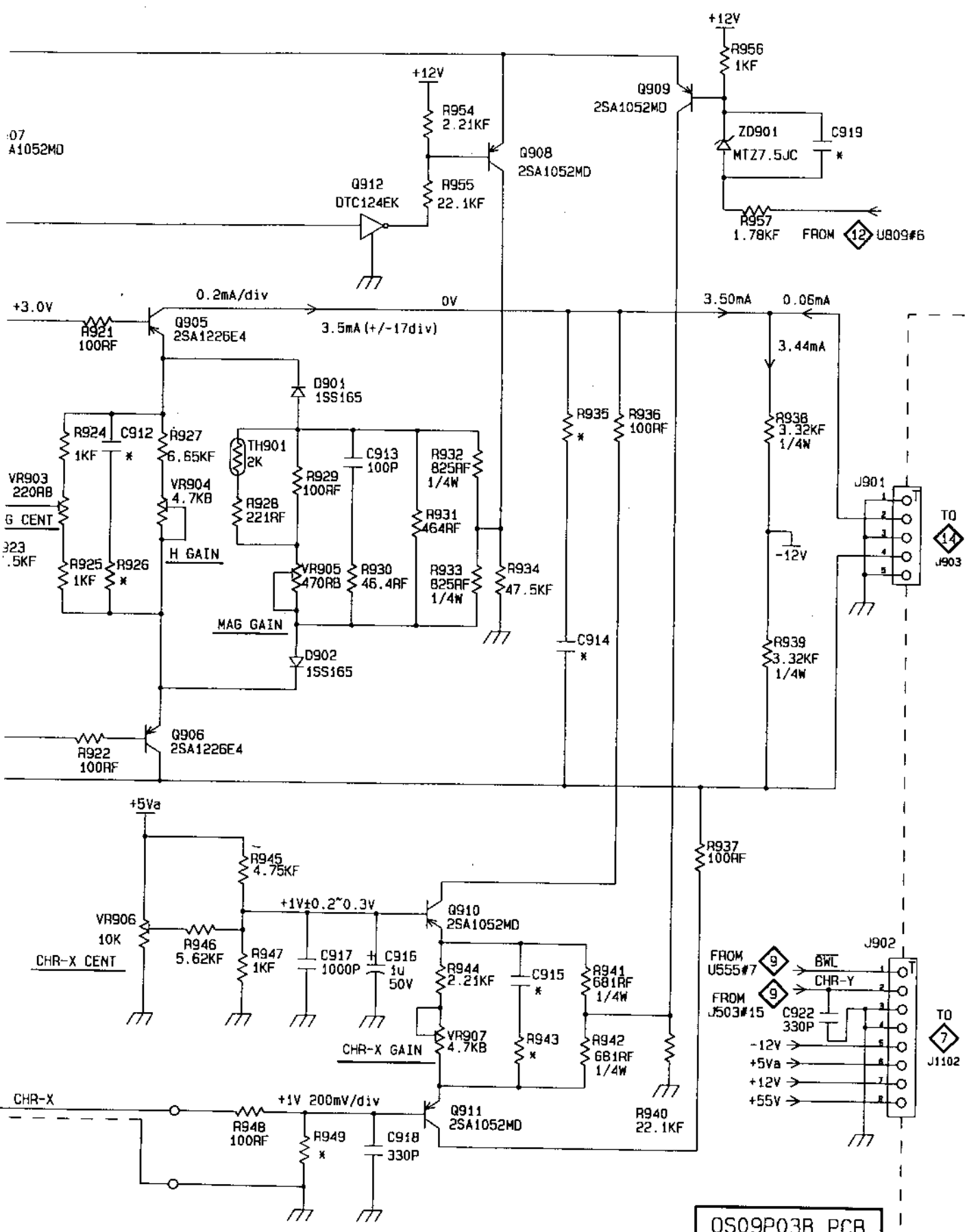
OS09P03B.PCB

DRAWN BY 張 83.7.10 銘昇	CHECKED BY 張 83.7.10 家駿	APPROVED BY 許 83.7.10 若漢	MODEL NO GOS-6200/6150
DESCRIPTION Z-CONTROL			DRAWING NO OS09S12B





FROM  $\diamond$  9 J503

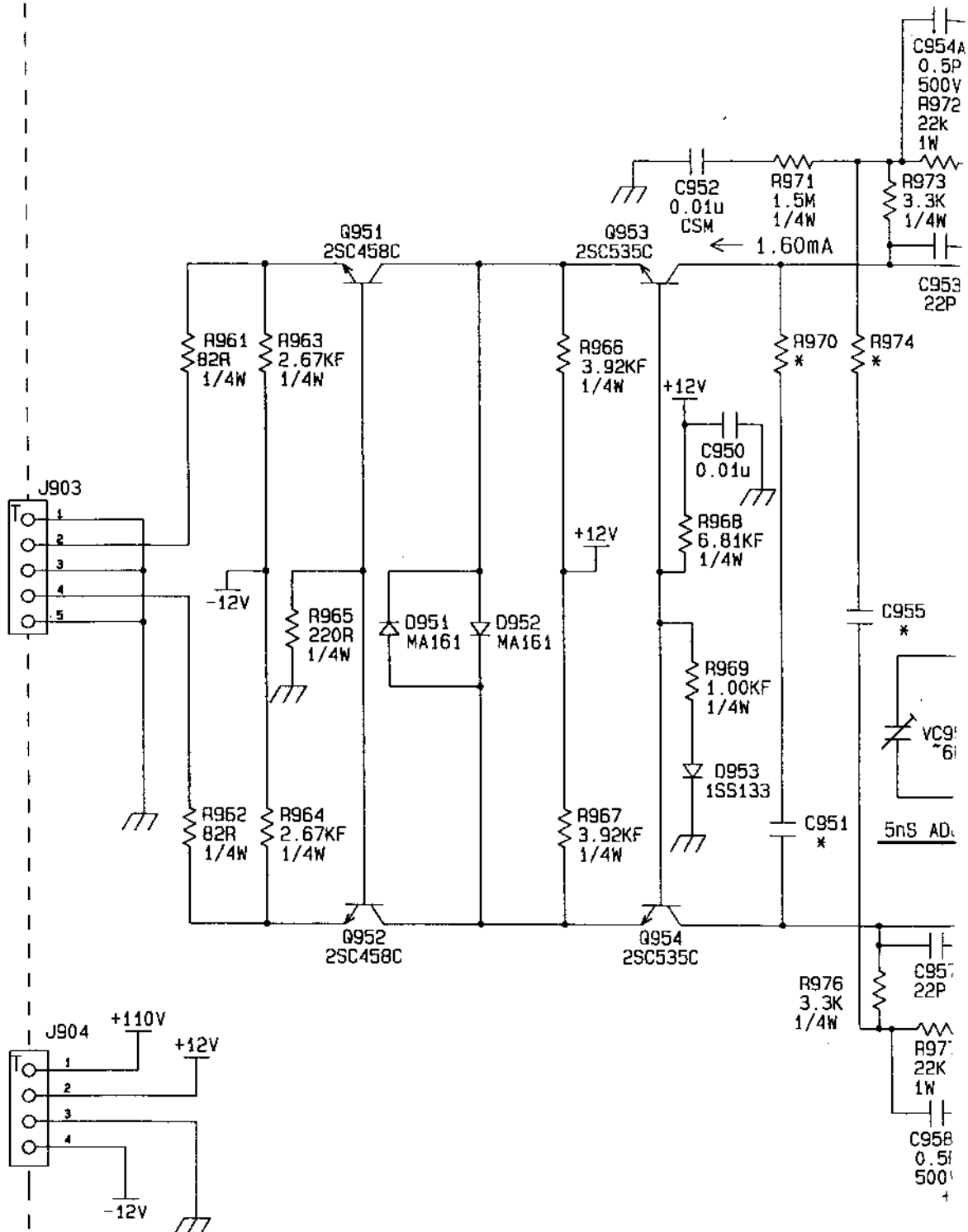


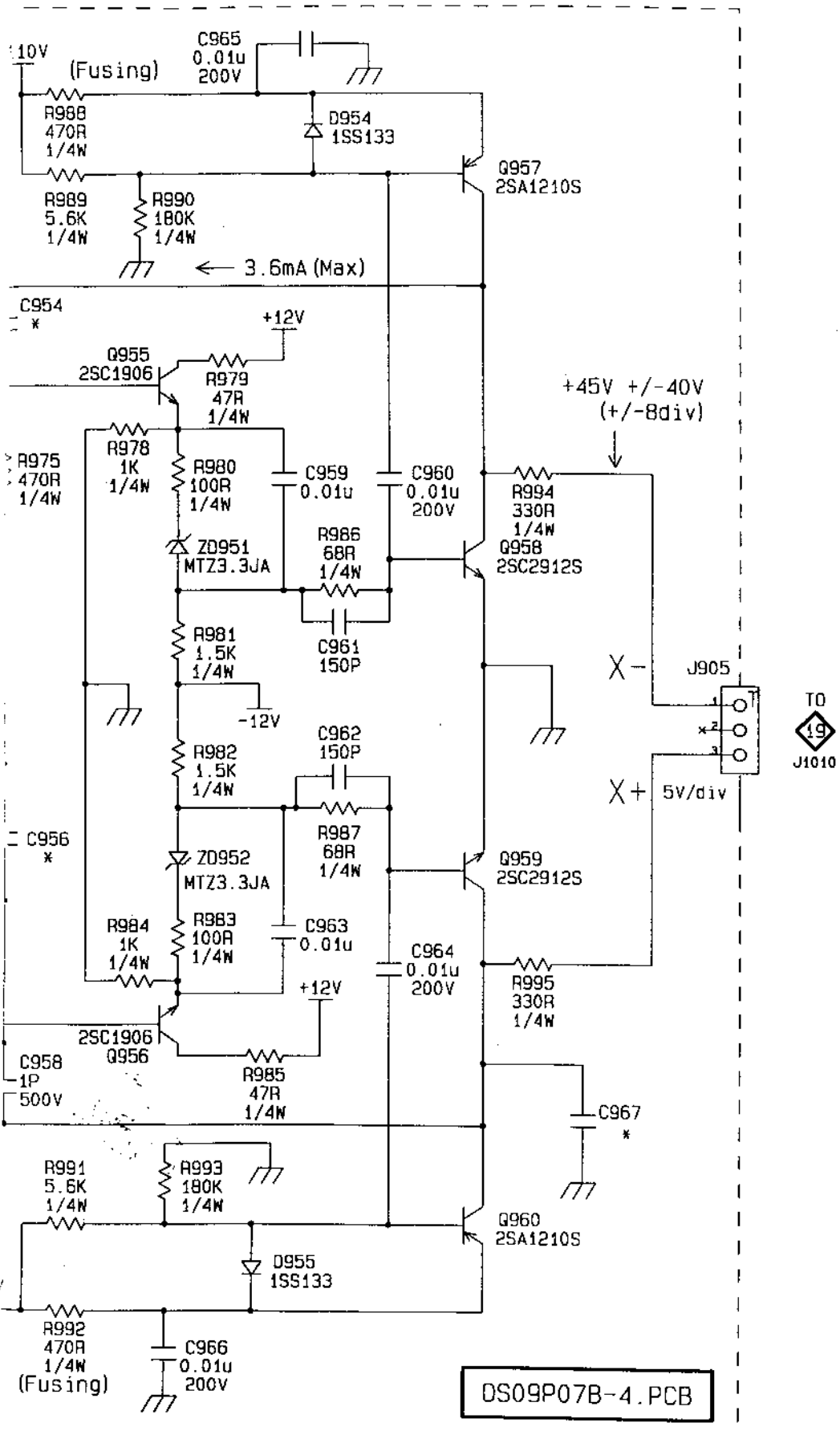
OS09P03B.PCB

DRAWN BY	CHECKED BY	APPROVED BY	MODEL NO	GOS-6200/6150
張 83.7.10	張 83.7.10	許 83.7.10	DESCRIPTION	HORI PREAMP
			DRAWING NO	OS09S13B

FROM  
13  
J901

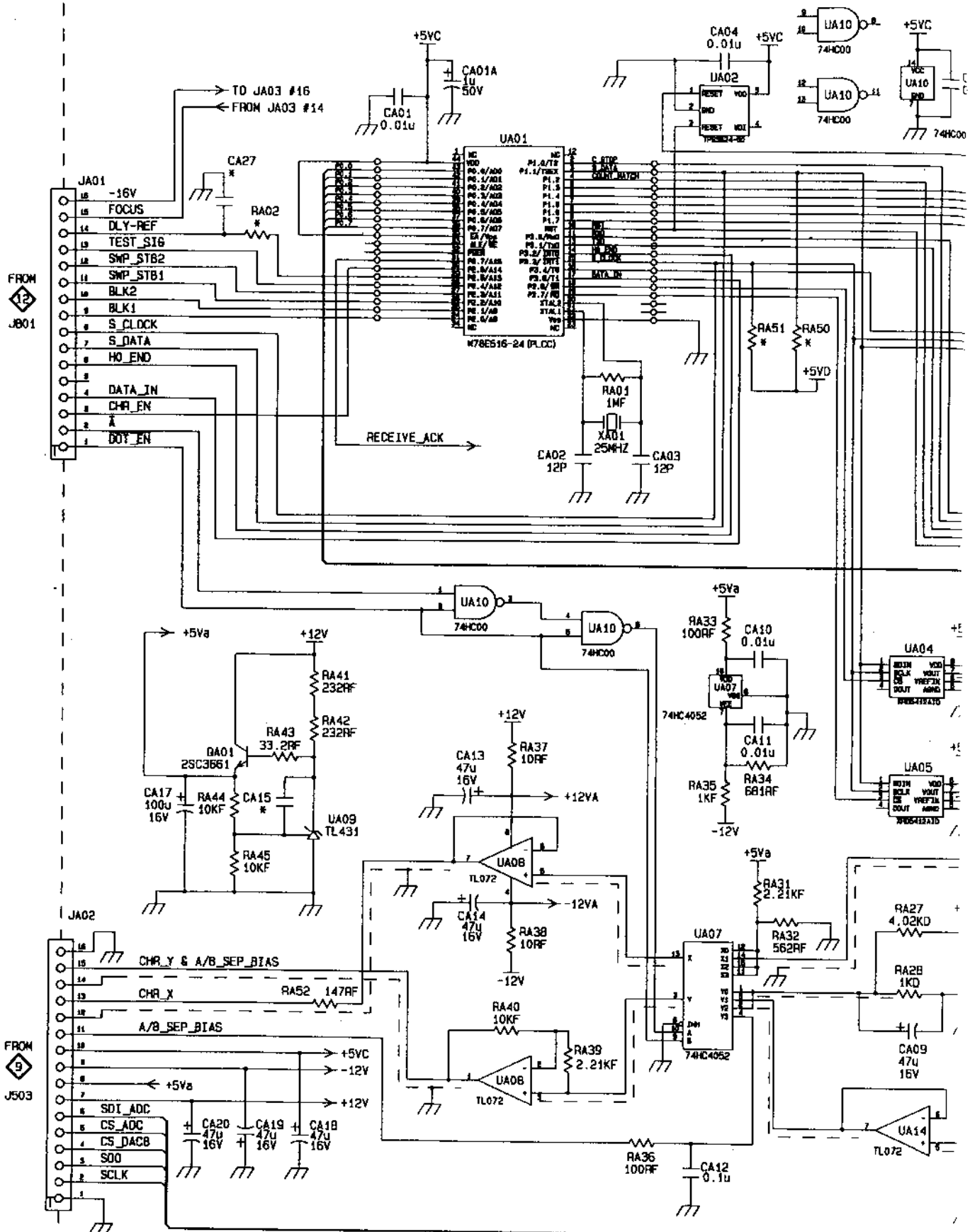
FROM  
20  
J1012





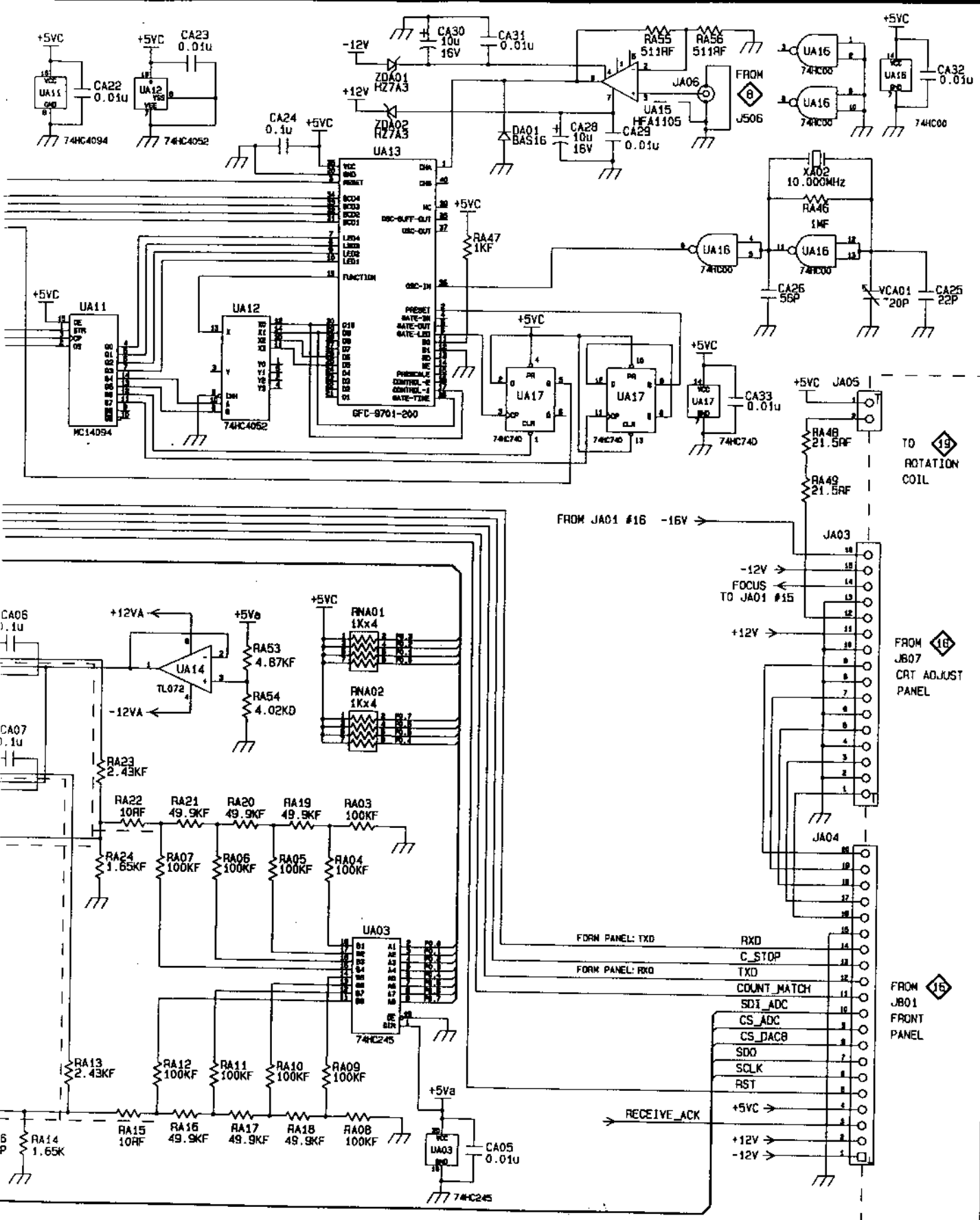
DS09P07B-4.PCB

DRAWN BY 張 83.7.10 龍昇	CHECKED BY 張 83.7.10 家駿	APPROVED BY 許 83.7.10 孟濤	MODEL NO GOS-6200/6150
DESCRIPTION H.OUT AMP			DRAWING NO OS09S14B



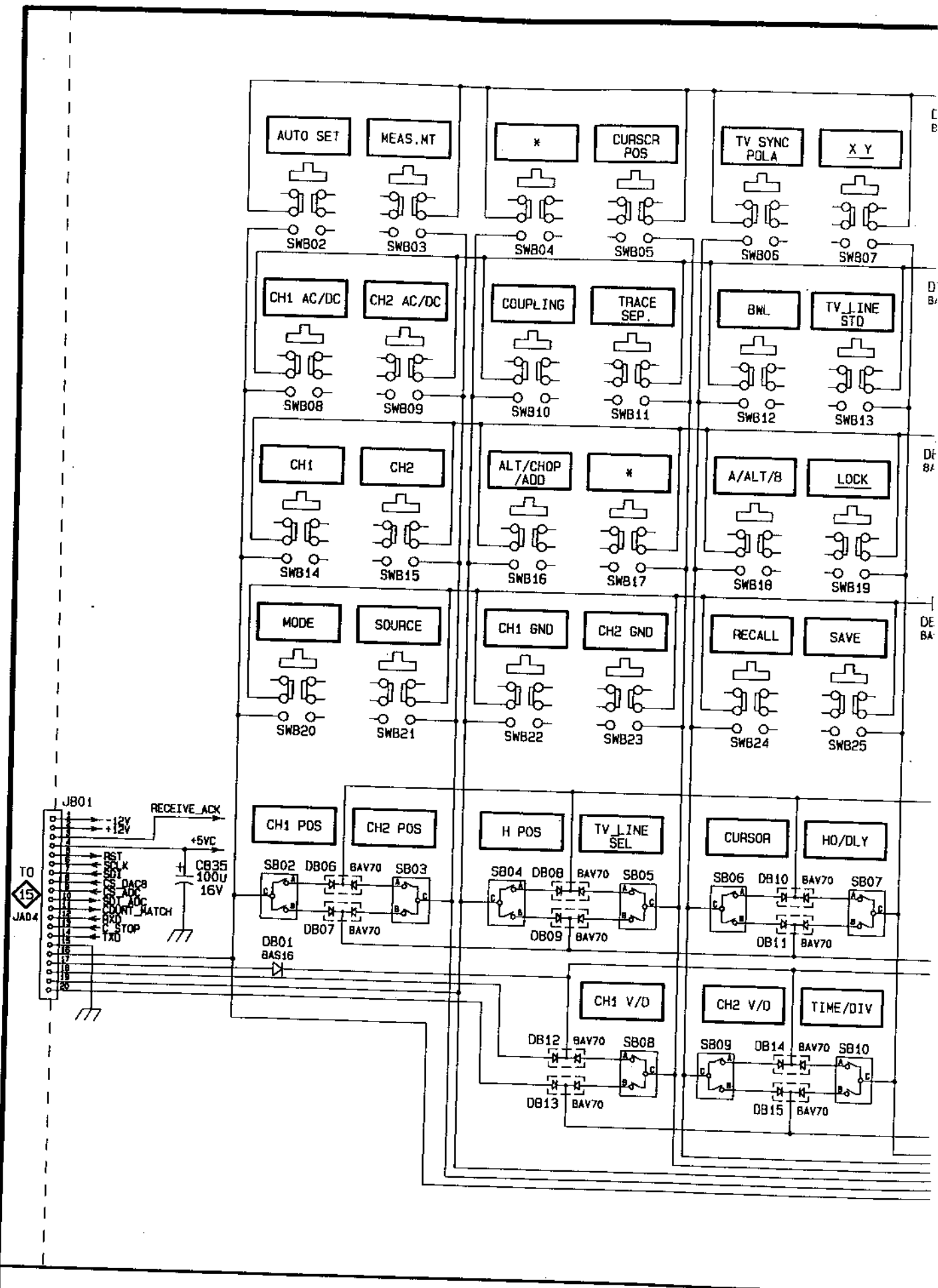
FROM  
12  
JB01

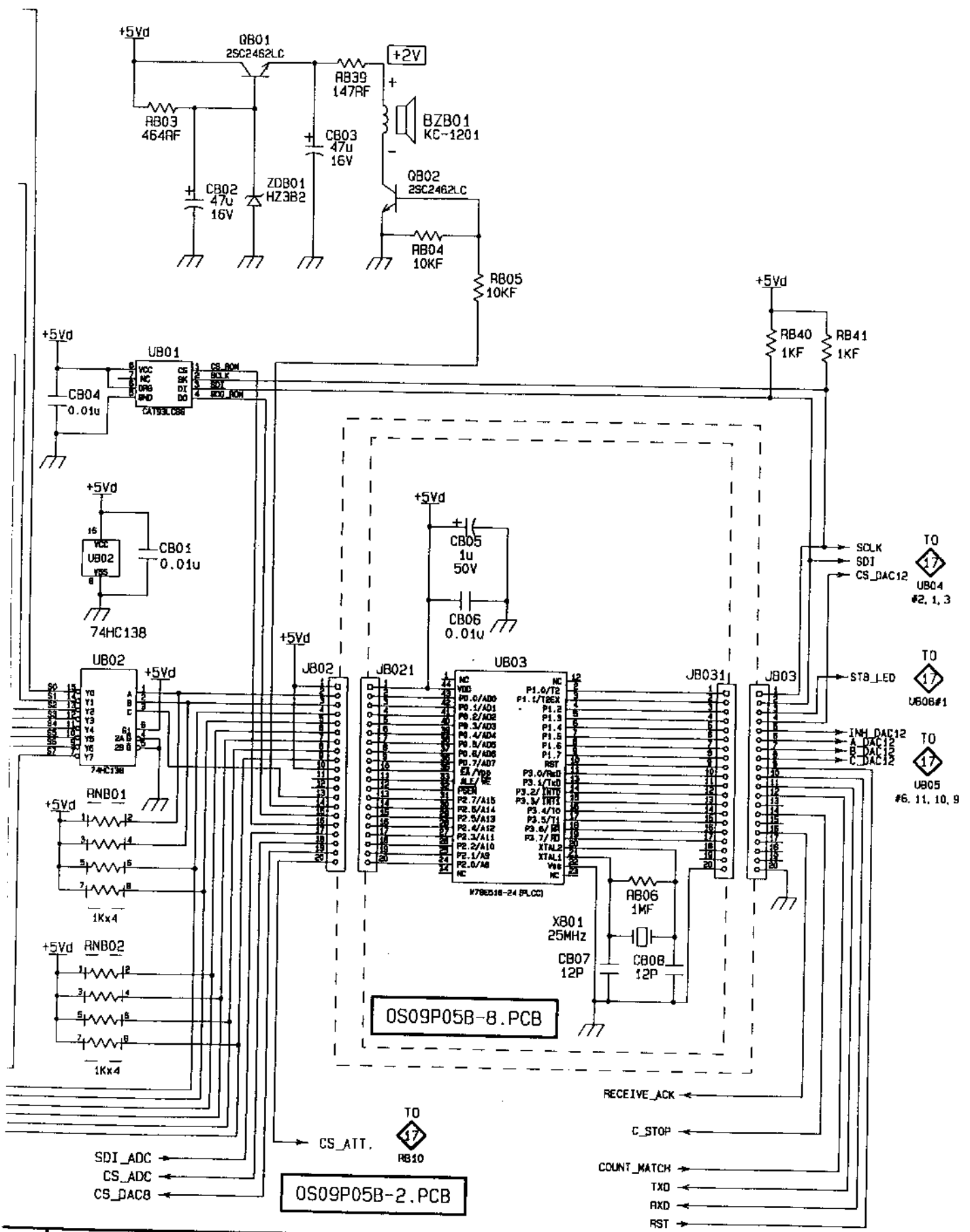
FROM  
9  
J503



OS09P05B-1.PCB

DRAWN BY 89.7.10 銘昇	CHECKED BY 89.7.10 家駿	APPROVED BY 89.7.10 孟漢	MODEL NO GOS-6200/6150
			DESCRIPTION READOUT CPU
			DRAWING NO OS09S15B







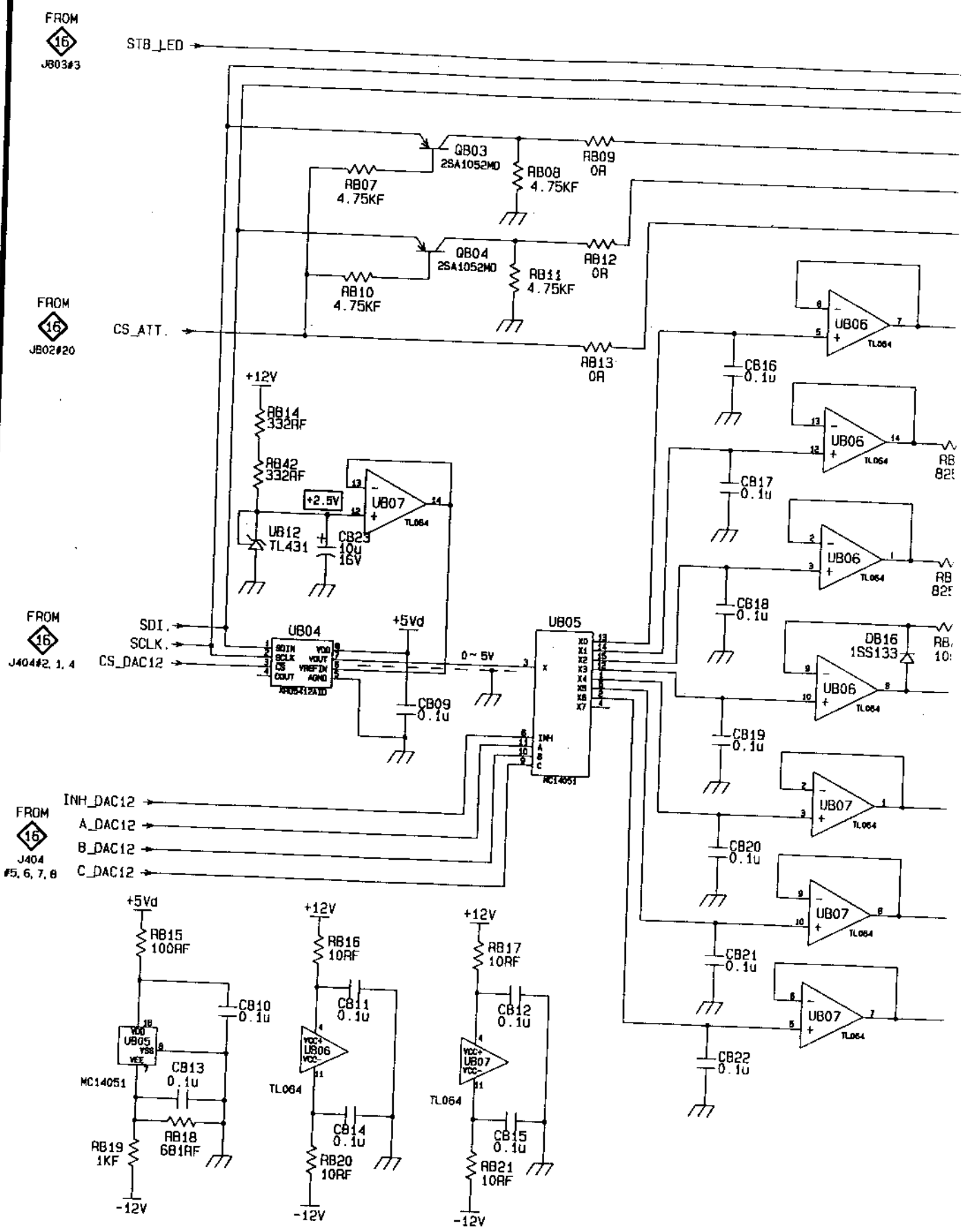
- TO  UB04 #2, 1, 3
- TO  UB06#1
- TO  UB05 #6, 11, 10, 9

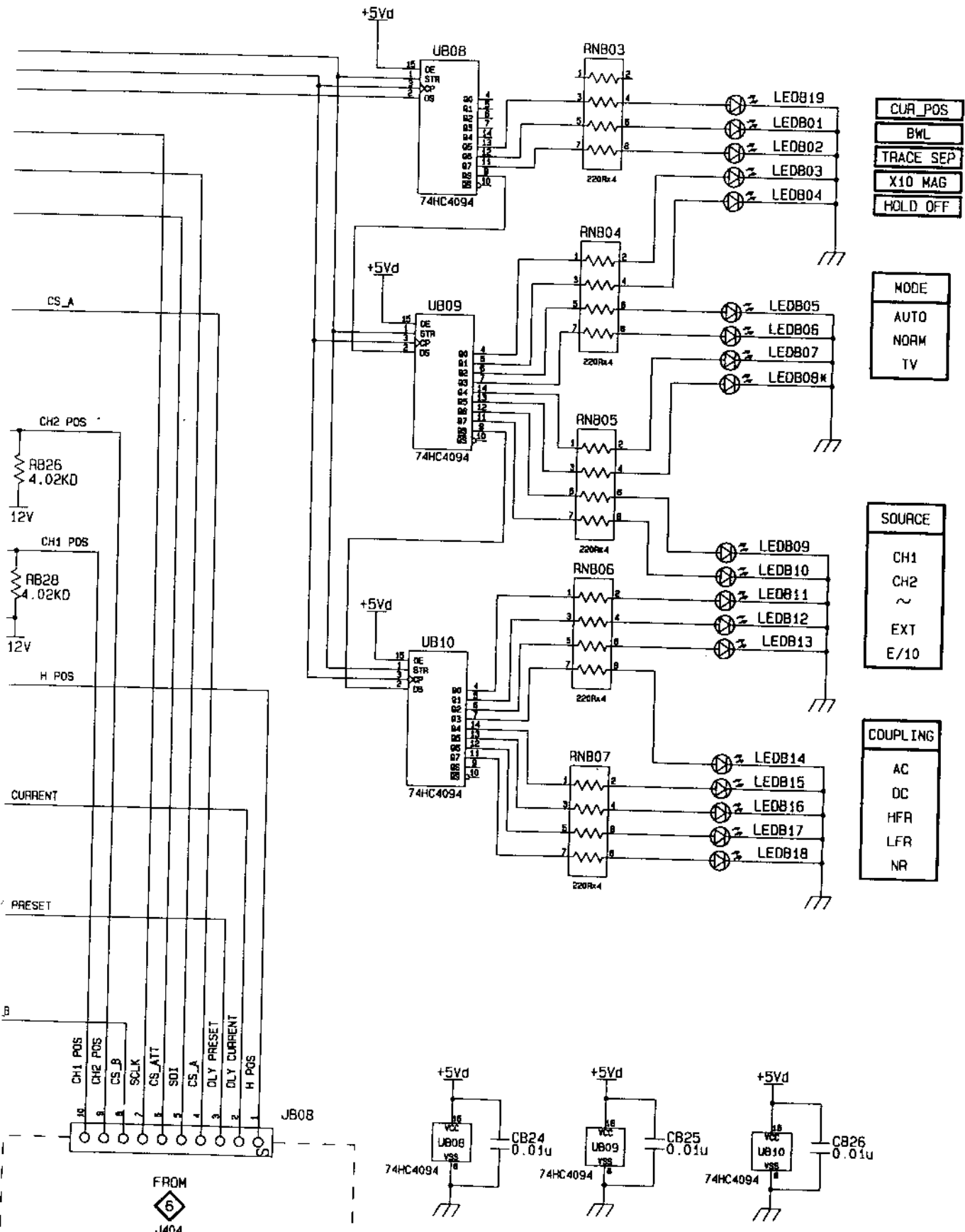
OS09P05B-2.PCB

OS09P05B-8.PCB

DRAWN BY 	CHECKED BY 	APPROVED BY 	MODEL NO GOS-6200/6150
			DESCRIPTION PANEL CONTROL (1)
			DRAWING NO OS09S16B







OS09P05B-2.PCB

DRAWN BY 	CHECKED BY 	APPROVED BY 	MODEL NO GOS-6200/6150
			DESCRIPTION PANEL CONTROL (2)
			DRAWING NO OS09S17B

POWER

TRACE/  
READOUT

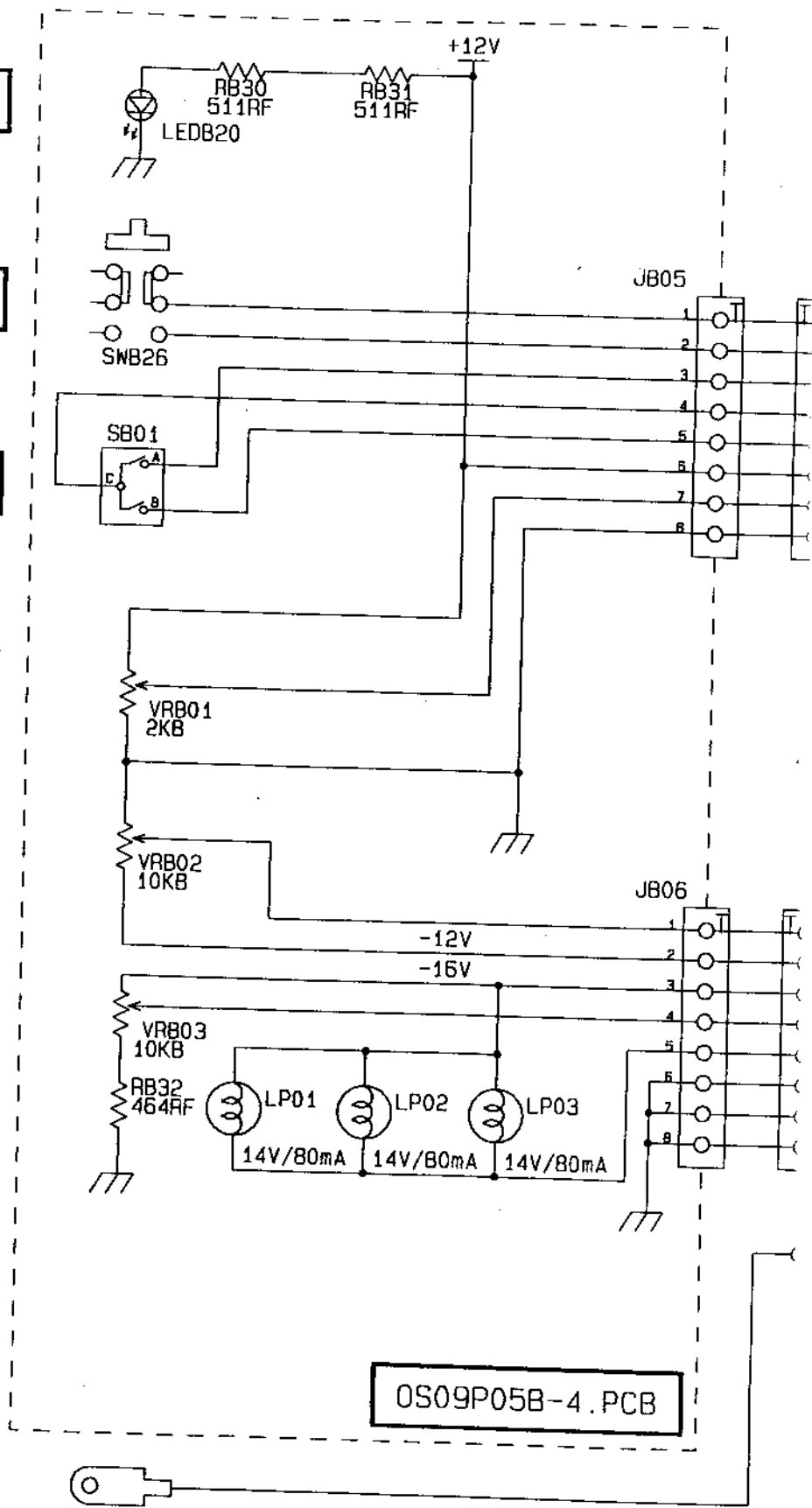
INTEN

TRACE  
ROTATION

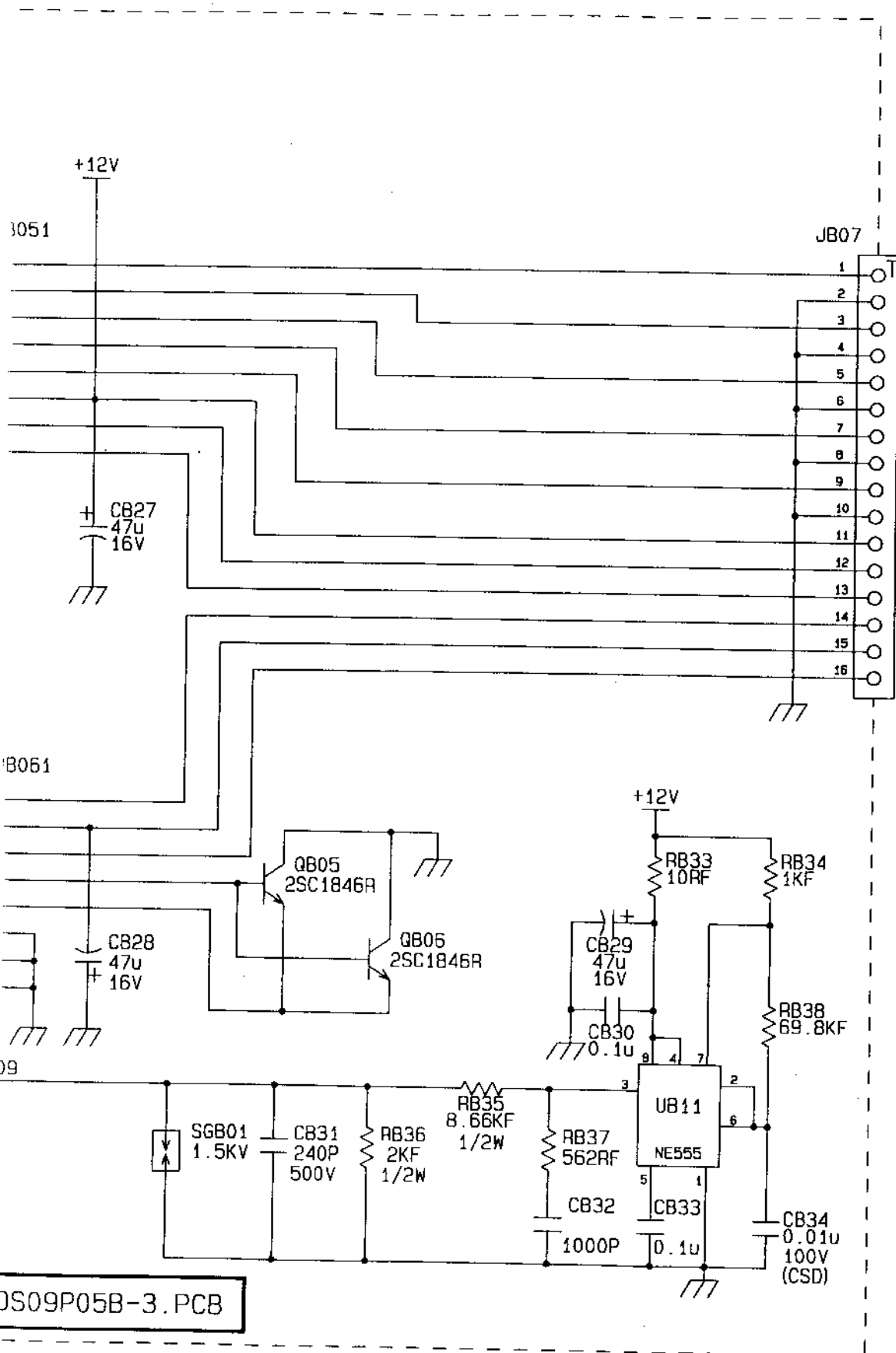
FOCUS

ILLUM

CAL  
2Vpp 1kHz



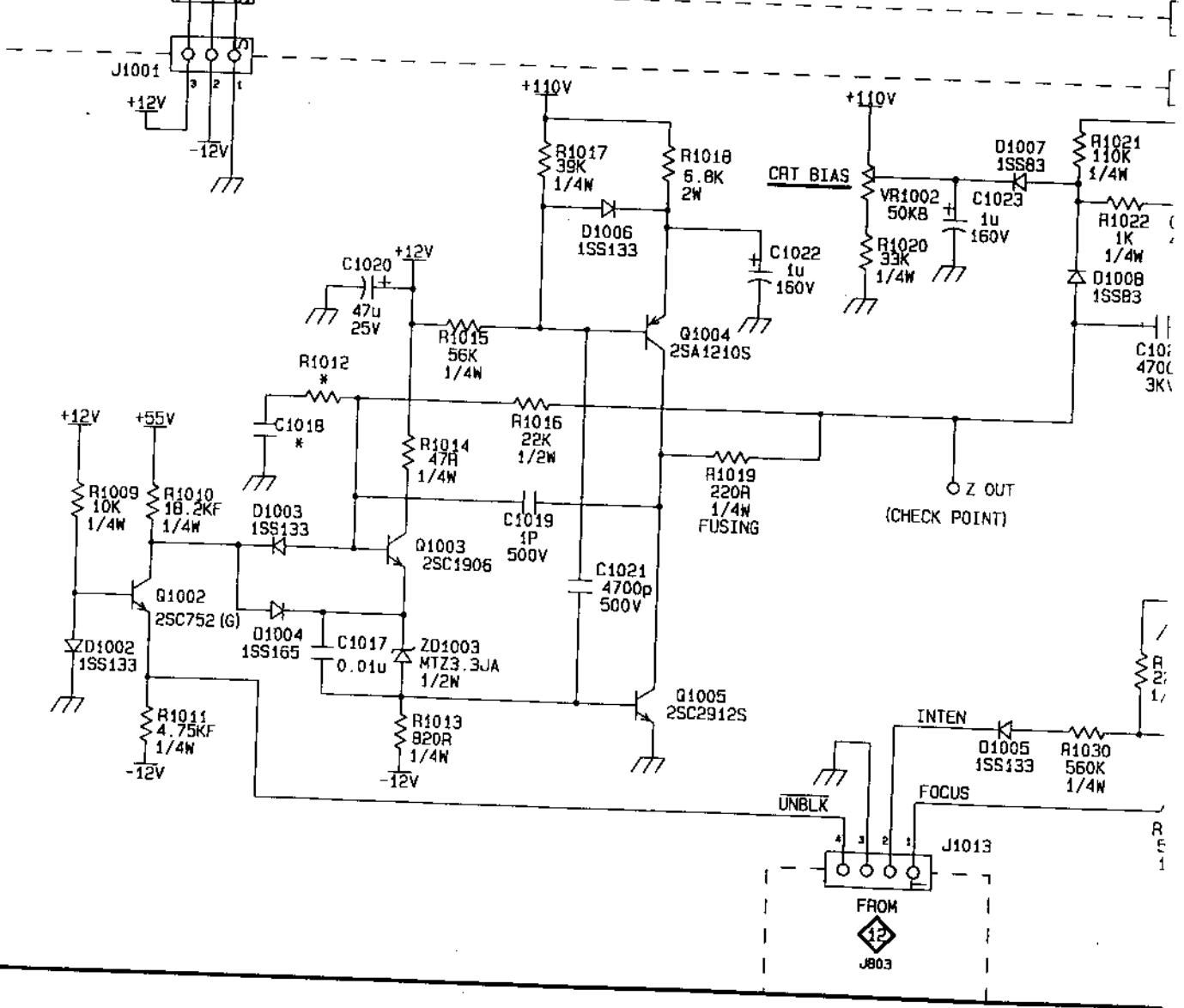
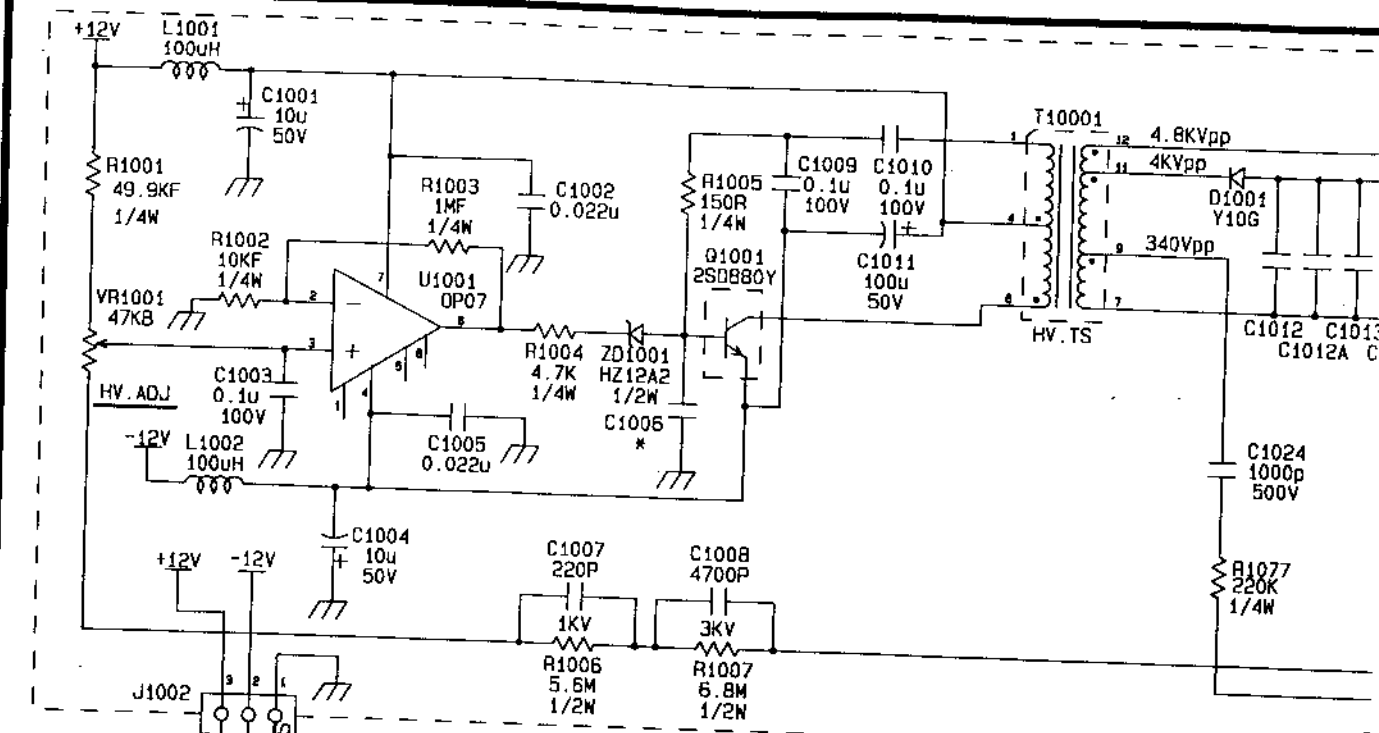
OS09P05B-4.PCB

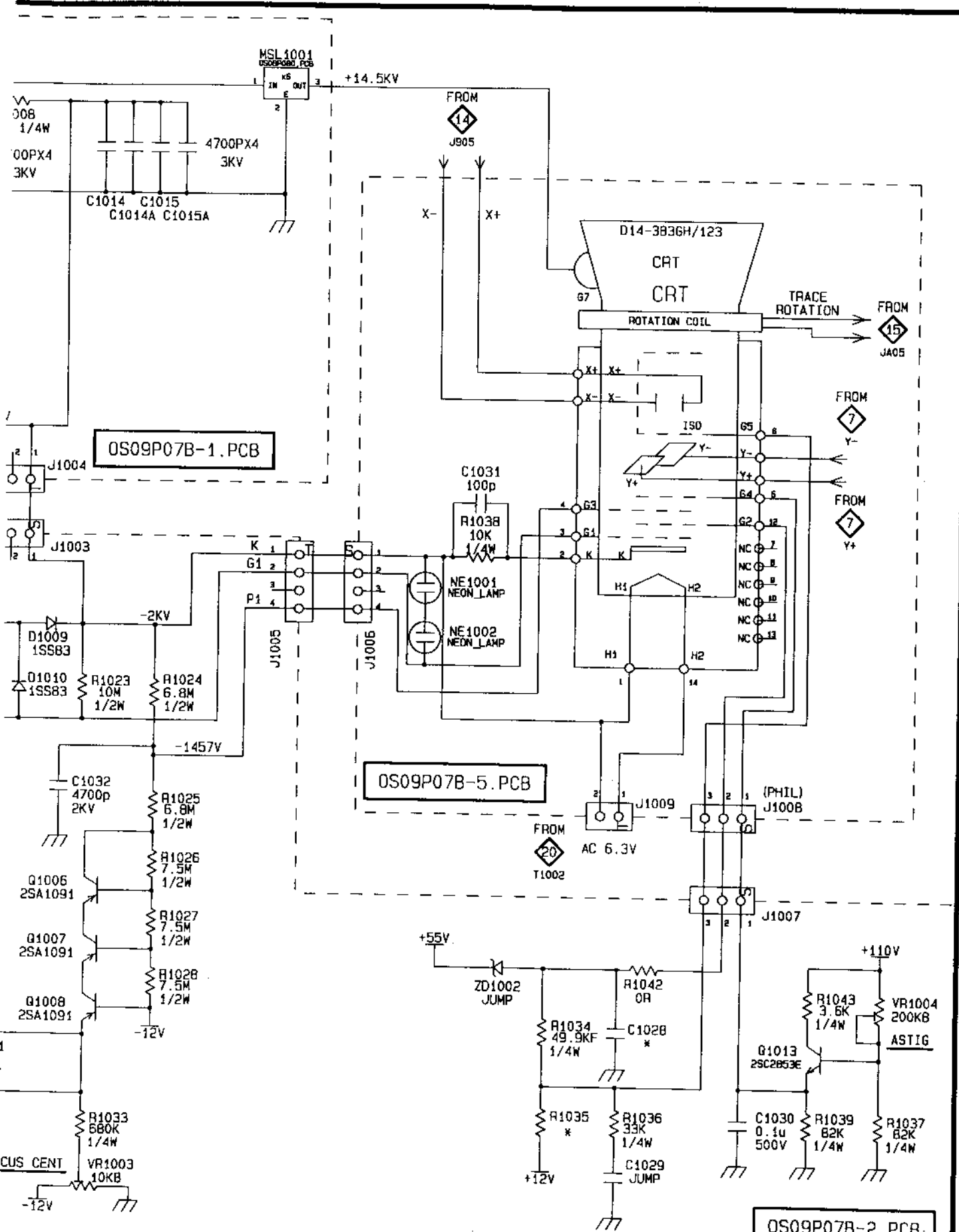


TO  
 15  
 JA03

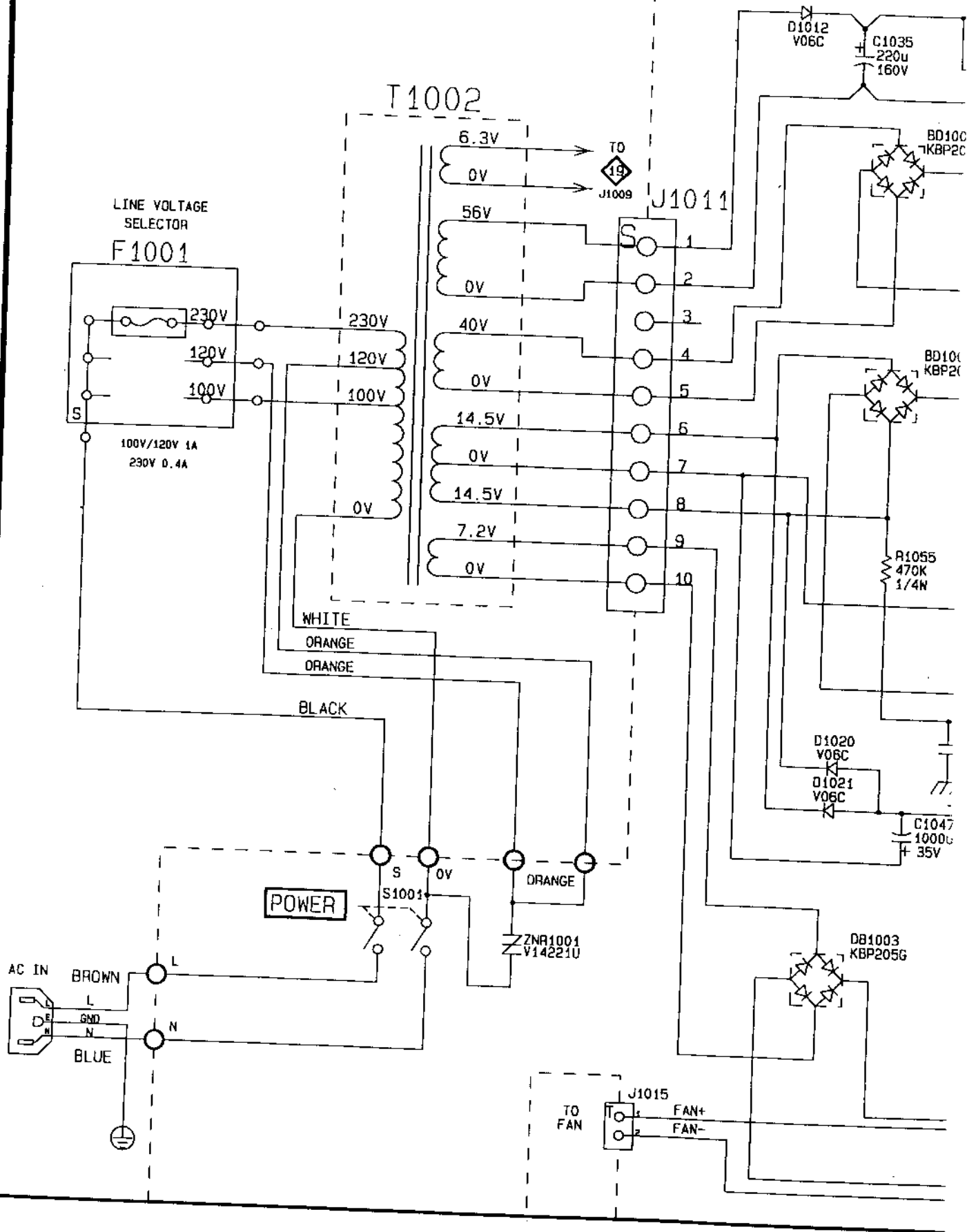
OS09P05B-3.PCB

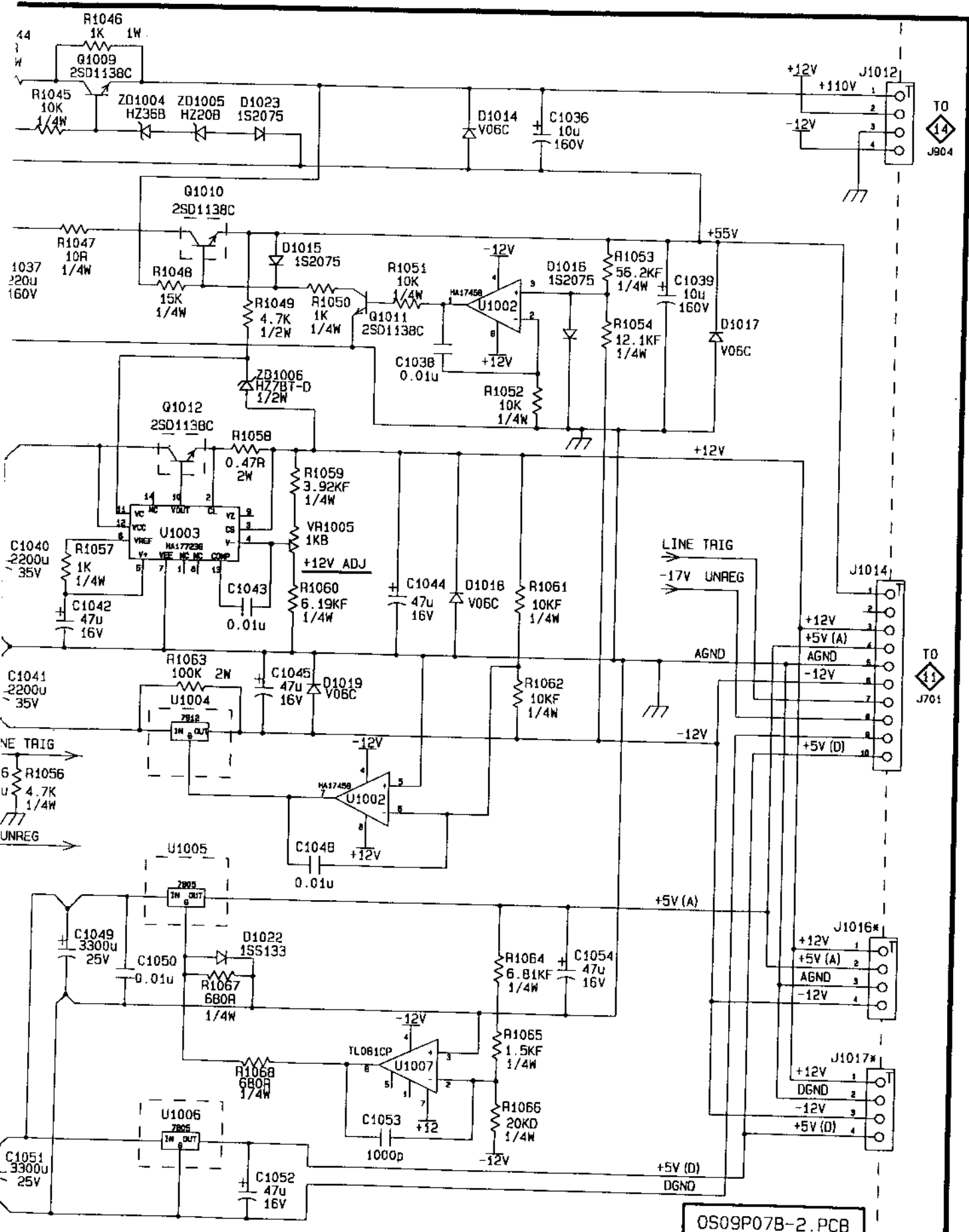
DRAWN BY 張 83.7.10 銘昇	CHECKED BY 張 83.7.10 家駿	APPROVED BY 許 83.7.10 玉清	MODEL NO GOS-6200/6150
			DESCRIPTION PANEL 3
			DRAWING NO OS09S18B








DRAWN BY  89.7.10 张	CHECKED BY  89.7.10 张	APPROVED BY  89.7.10 王	MODEL NO GOS-6200	DESCRIPTION HV-Z-CRT
			DRAWING NO OS09S19B	DRAWING NO OS09S19B

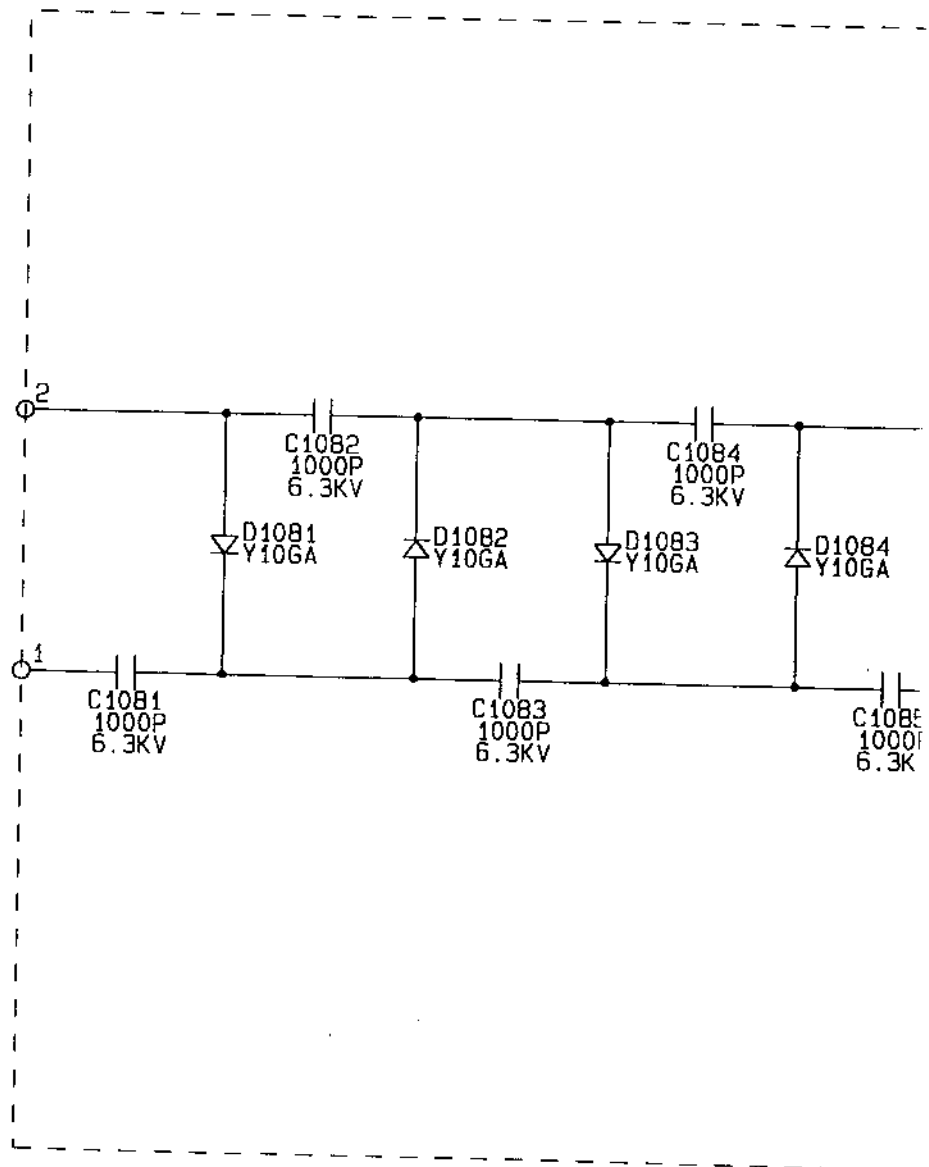


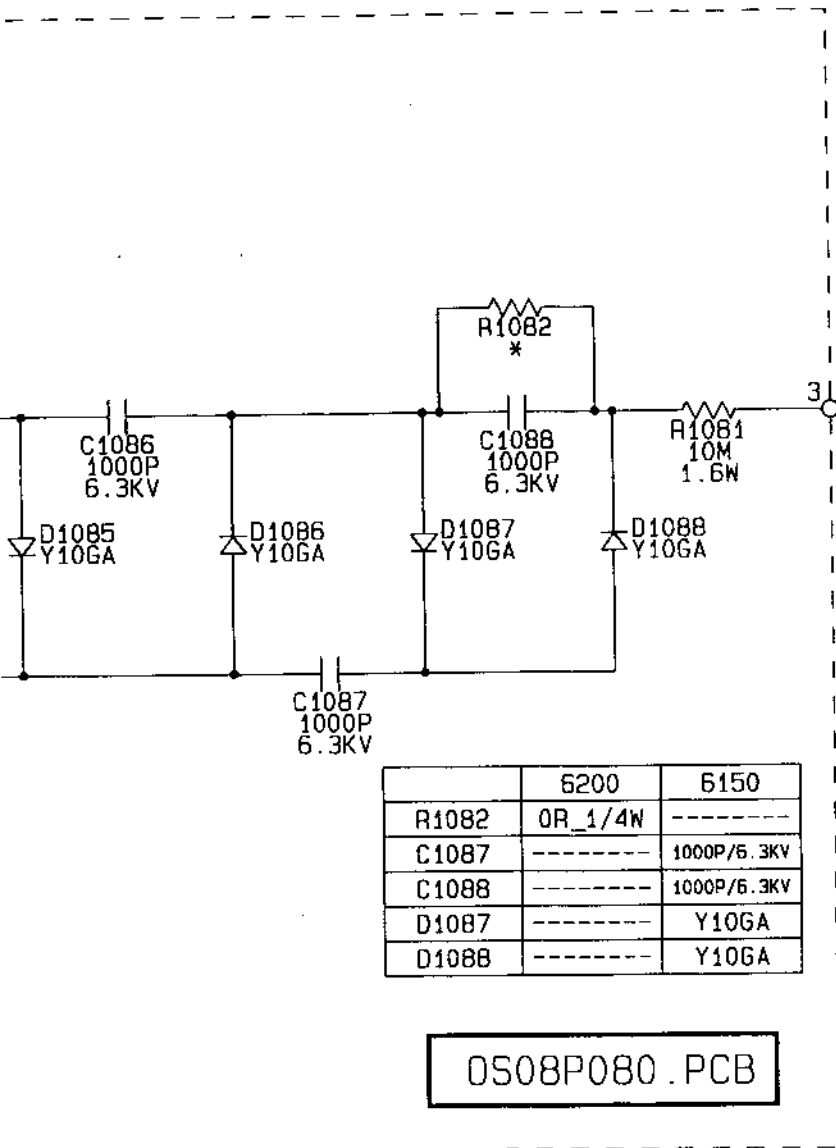


OS09P07B-2.PCB

DRAWN BY  89.7.10 张	CHECKED BY  张	APPROVED BY  张	MODEL NO GOS-6200/6150	DESCRIPTION POWER SUPPLY
			DRAWING NO OS09S20B	







	6200	6150
R1082	0R_1/4W	-----
C1087	-----	1000P/6.3KV
C1088	-----	1000P/6.3KV
D1087	-----	Y10GA
D1088	-----	Y10GA

0508P080.PCB

DRAWN BY 張 83.7.10 銘昇	CHECKED BY 張 83.7.10 家駿	APPROVED BY 許 83.7.10 玉鴻	MODEL NO GOS-6200/6150
			DESCRIPTION H.V MULTIPLY
			DRAWING NO 0509S210