

- Part No.
- 25750
 - 25750
 - 25870
 - 25750
 - 25750
 - 3399
 - 22395
 - 50V 4617
 - 50V 816
 - 2V 4032
 - 2V 4032
 - 29330
 - 29330
 - 29512
 - 29512
 - 1222
 - 25869
 - 29546
 - 24910

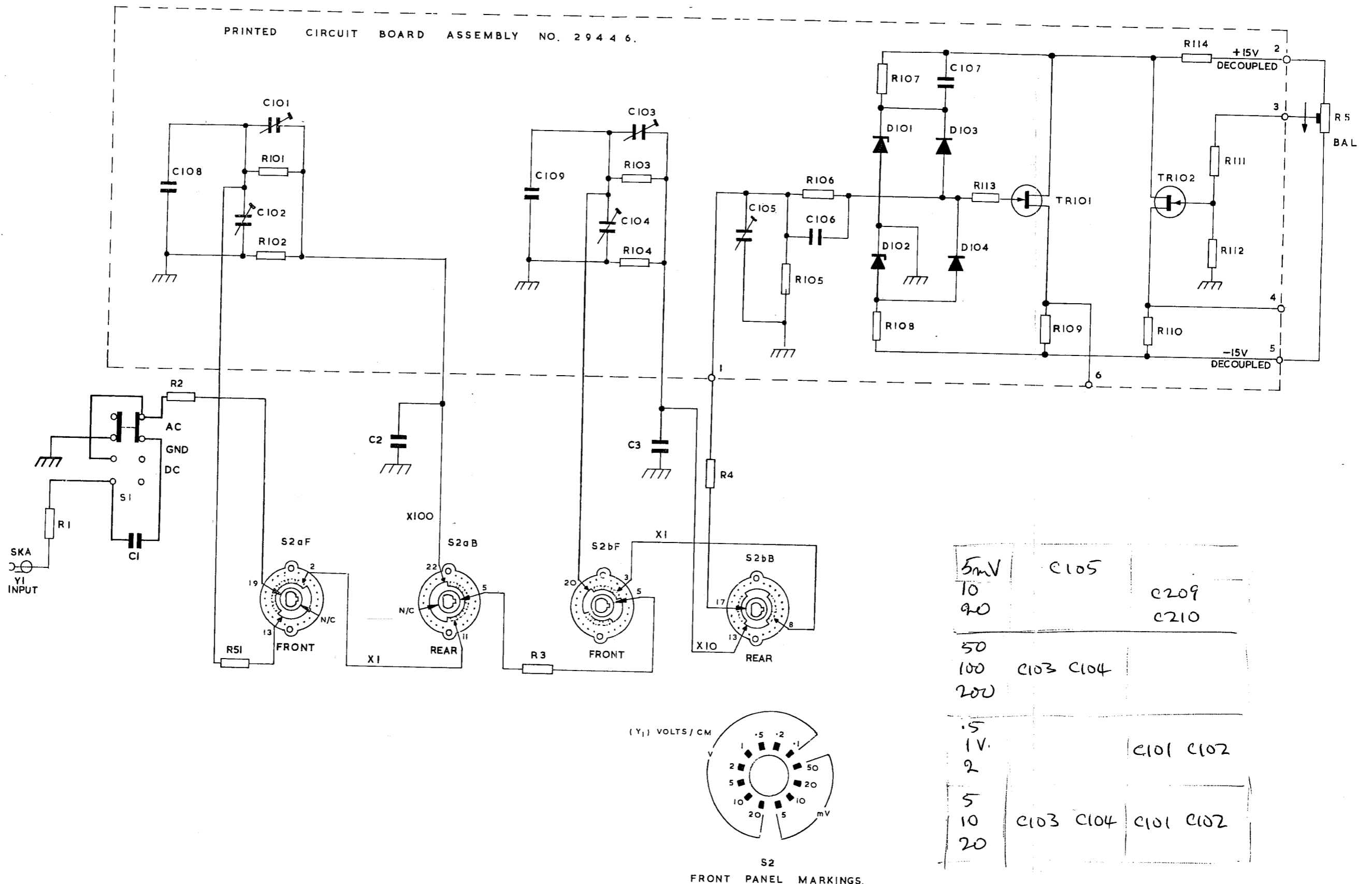


Fig. 5(a) Y1 Channel Attenuator and Input Amplifier Circuit

Y₁
ATTENUATOR

Part No.

25750
25750
25750
25750
3399
22395
50V 4617
50V 816

.2 4032
.2 4032
29330
29330

29512
29512

1222

25869
29546

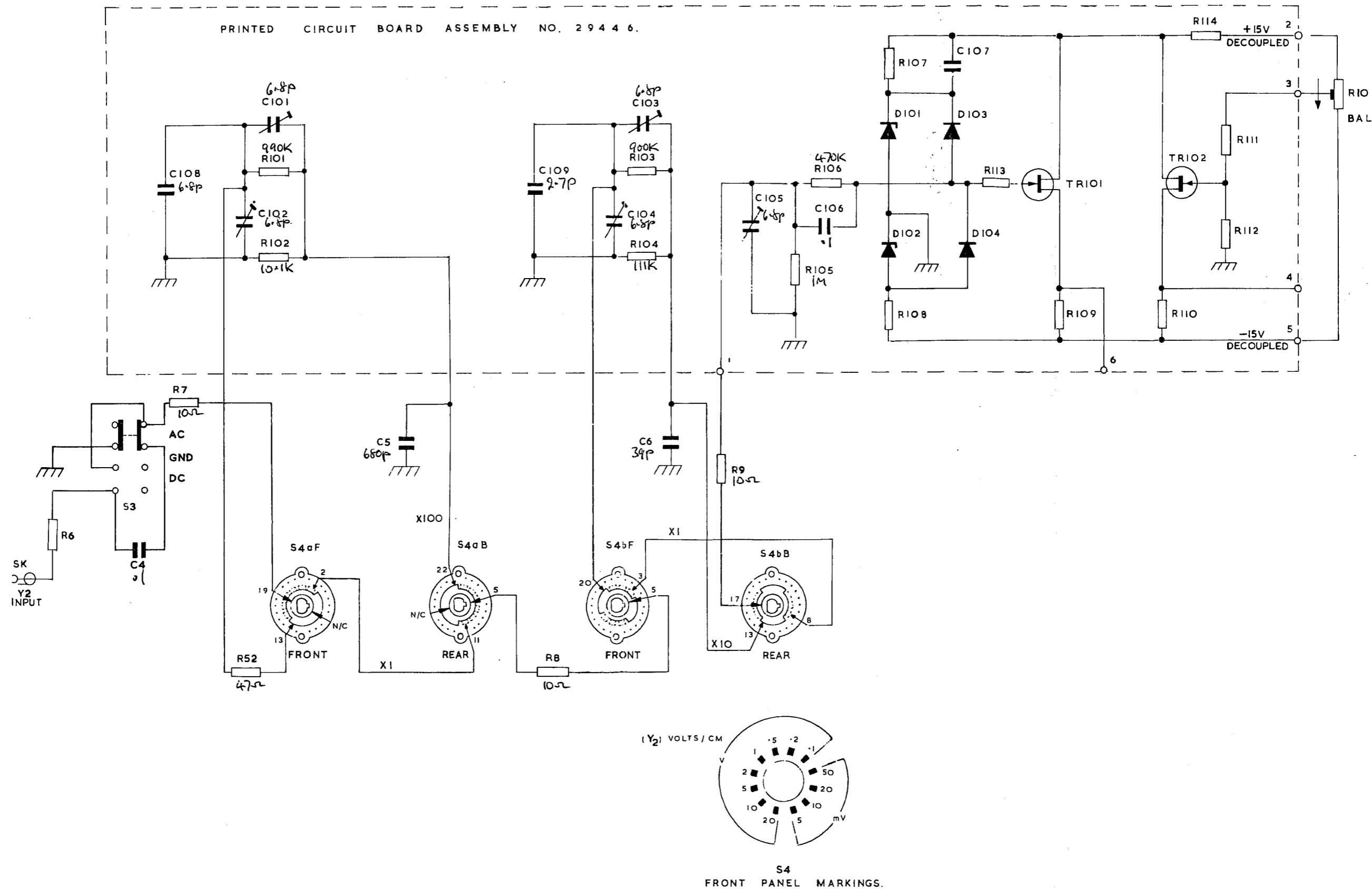


Fig. 5(b) Y2 Channel Attenuator and Input Amplifier Circuit

Y2
ATTENUATOR

Part No.

- 23307
- 31781
- 31781
- 31781
- 31781
- 23307
- 26110
- 23307
- 31254
- 31254
- 21548
- 23307
- 23307
- 29327
- 23307
- 23307
- 23307
- 23307

- 26986
- 26986

- 18950
- 18950

- 1222
- 1222

- 29546

- 29546
- 32354

- 25869

- 25869
- 4069
- 32800

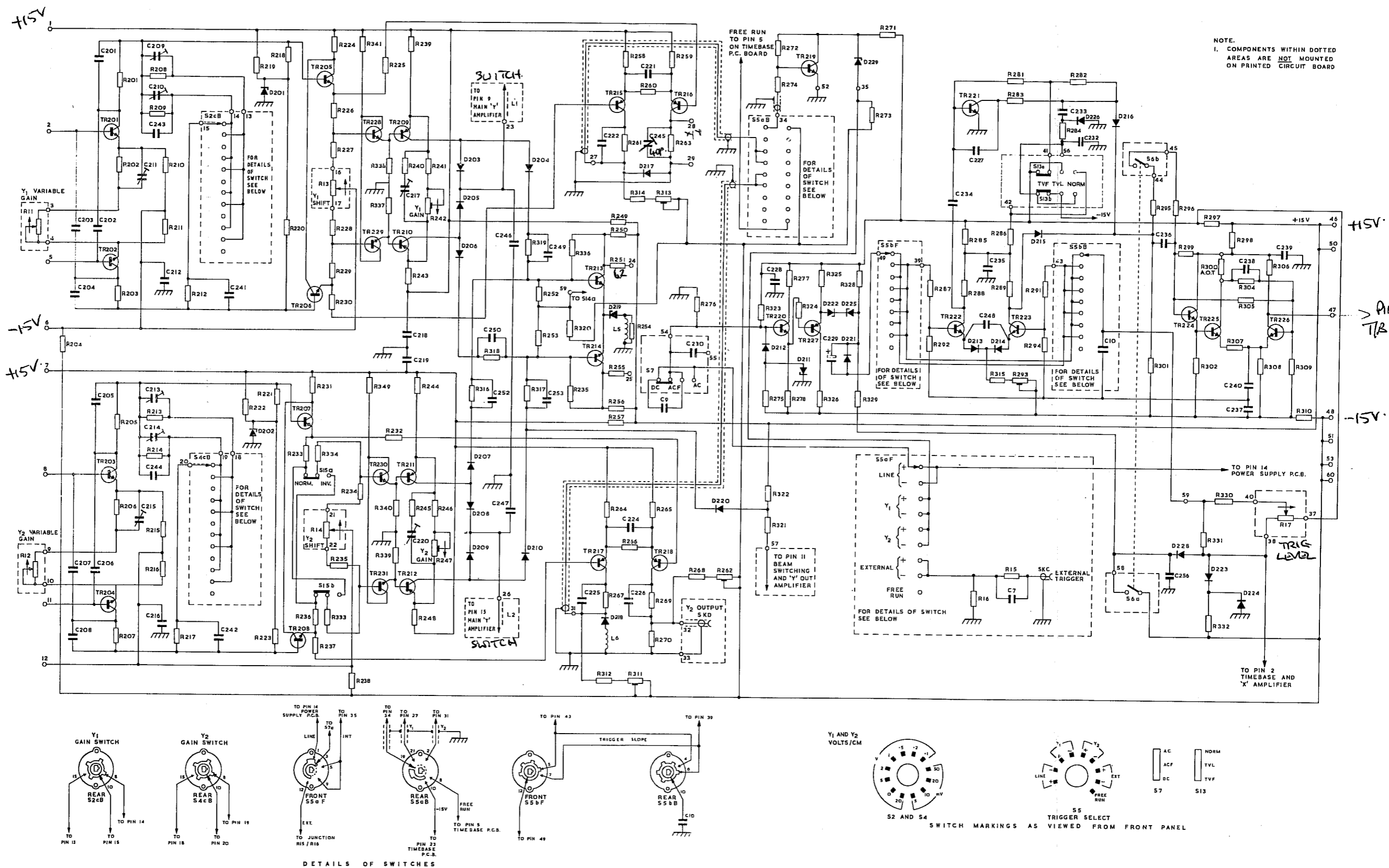


Fig. 6 Y Amplifier and Trigger Circuit

Handwritten note: 'Y' Amps & TRIG. SW

Part No.

- 1949
- 29330
- 4032
- 4032
- 4668
- 23802
- 23802
- 23802
- 23802
- 23802
- 23802
- 23802
- 21002
- 4668

- 23307
- 29327
- 26790
- 26790
- 23307
- 26110
- 29327
- 23307
- 23307
- 32067
- 26110
- 29327
- 29327
- 29327
- 31490
- 23307
- 31490
- 23307

- 1222
- 30097
- 29492
- 29544

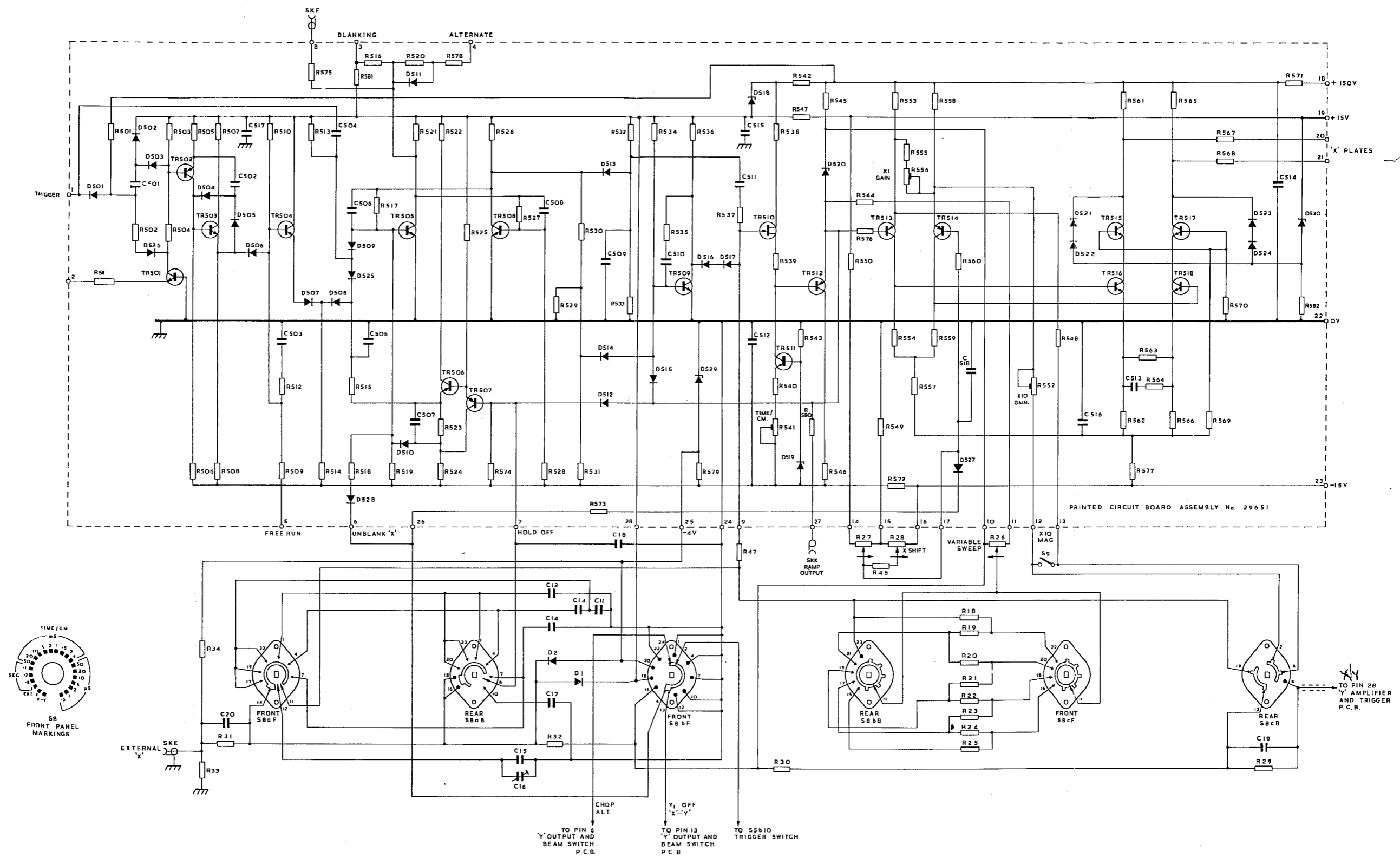


Fig. 7 Timebase and X Amplifier Circuit

Part No.
23307
52527
52527
29496
29496
26986
26986
29551
29551

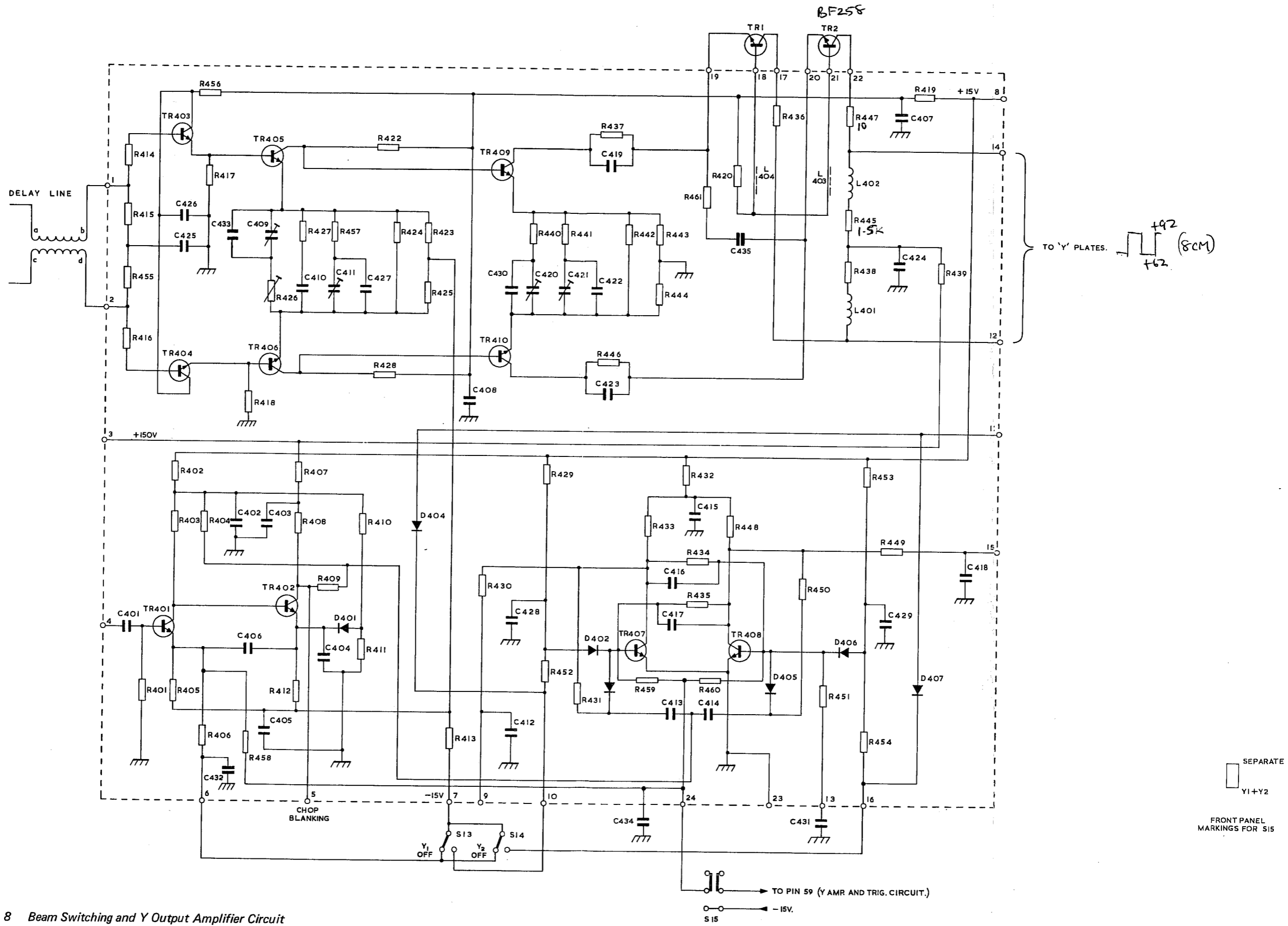


Fig. 8 Beam Switching and Y Output Amplifier Circuit

Part No.

A 4732
A 24041

26586
24910
24910

A4/29554
4069
29547

29492
29492
29492

1/35160

H 32380
M 32381

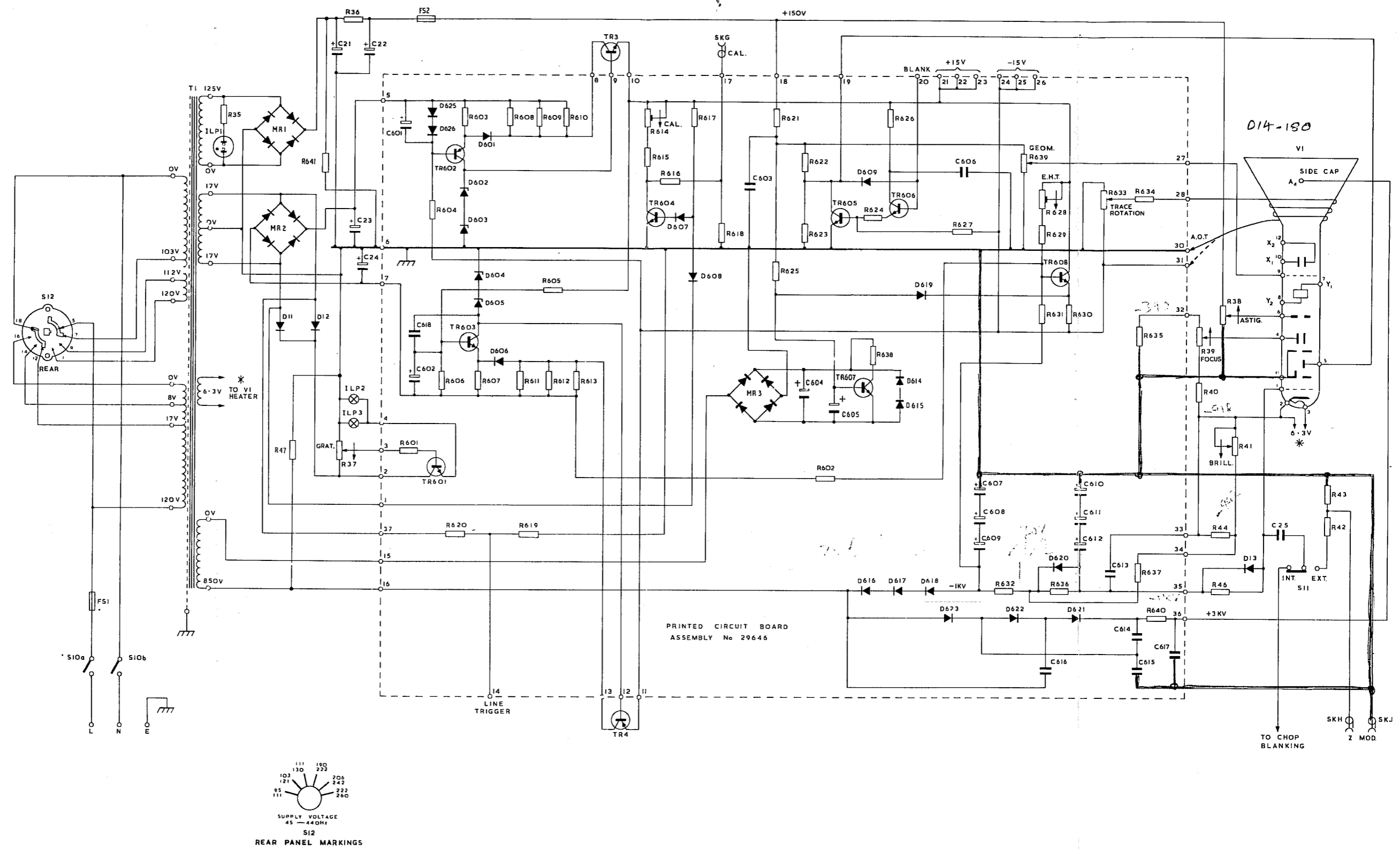


Fig. 9 Power Supplies and Tube Network Circuit

POWER SUPPLIES, E.H.T., CRT.

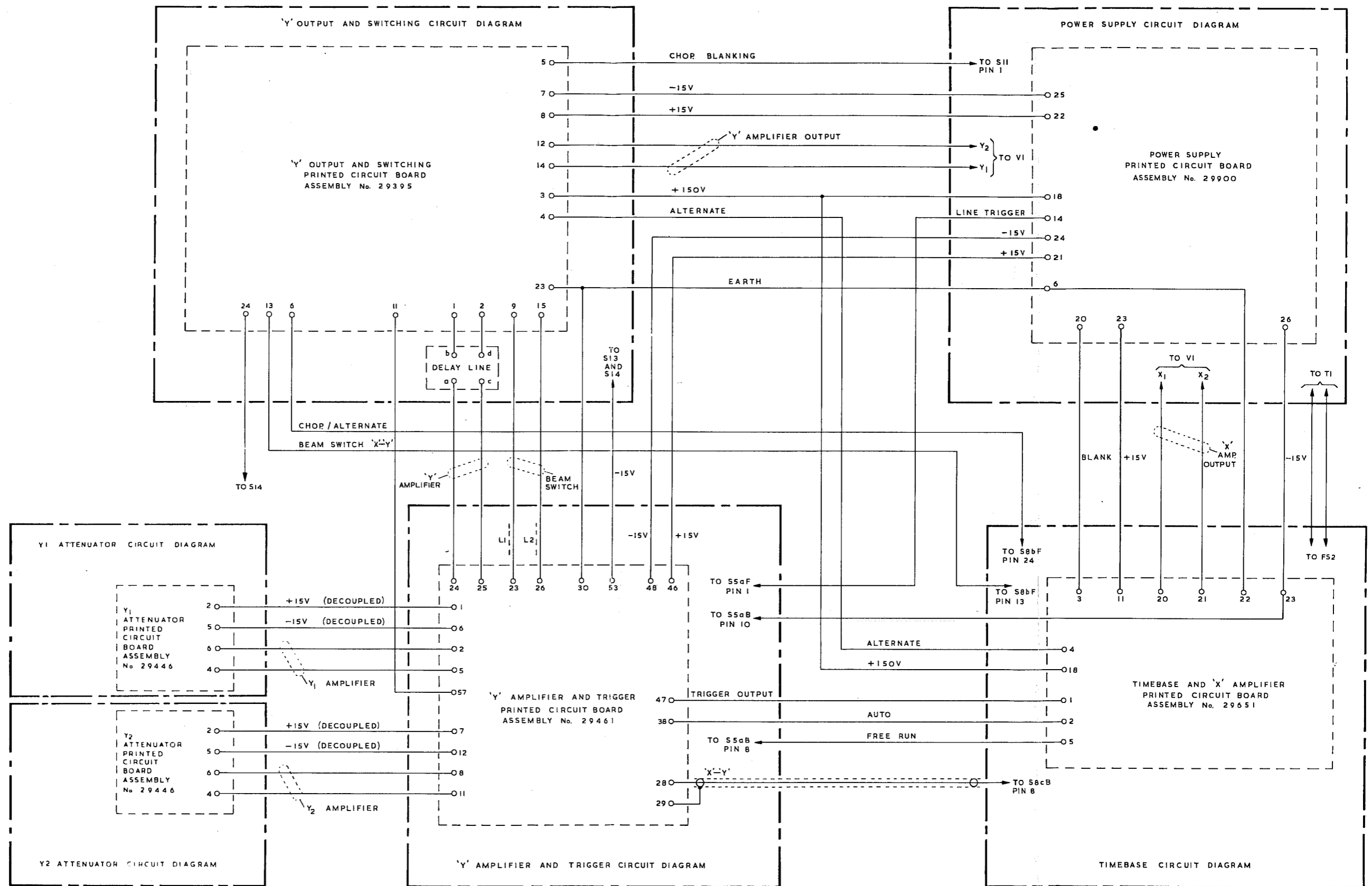


Fig. 10 Interconnection of Printed Circuit Boards