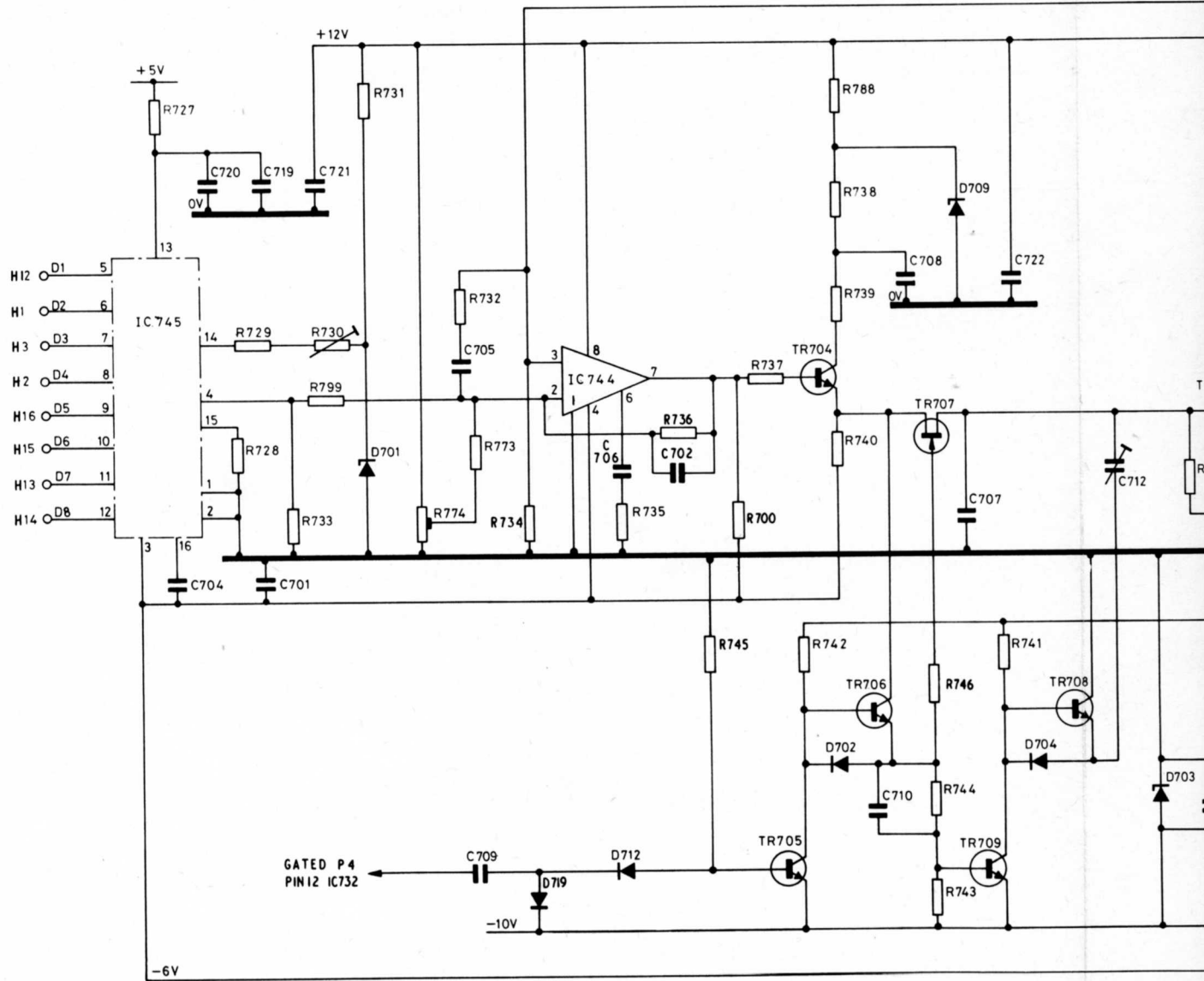


RESISTORS	R727	R729 R728 R733	R730 R799	R731	R774	R732 R773	R734	R735	R736	R737 R700	R788 R738 R739 R740	R744 R743 R746	R741	R789
CAPACITORS	C720 C704	C719 C701	C721			C705 C709		C706	C702			C710 C708 C707 C722		C712 C711
MISC	IC 745			D701		D719		IC 744 D712		TR704 TR705	TR706 D702	TR707 D709 TR709	D704 D703	TR708 D703 TR710



R744 R743 R746	R741		R789	R749 R785 R750		R752 R747	R786 R748	R780 R754		R775	R776	R759 R756	R778 R787 R753 R777	R758 R790 R755 R782 R797 R779		
C708	C707	C722		C712	C711			C743	C716	C714		C713 C715		C742	C703	
TR707	D709		TR708		D703	TR710		TR714	D706 D705	D710 TR711	IC 743	TR712 D720	D707 D708	TR713	L 701	SKY

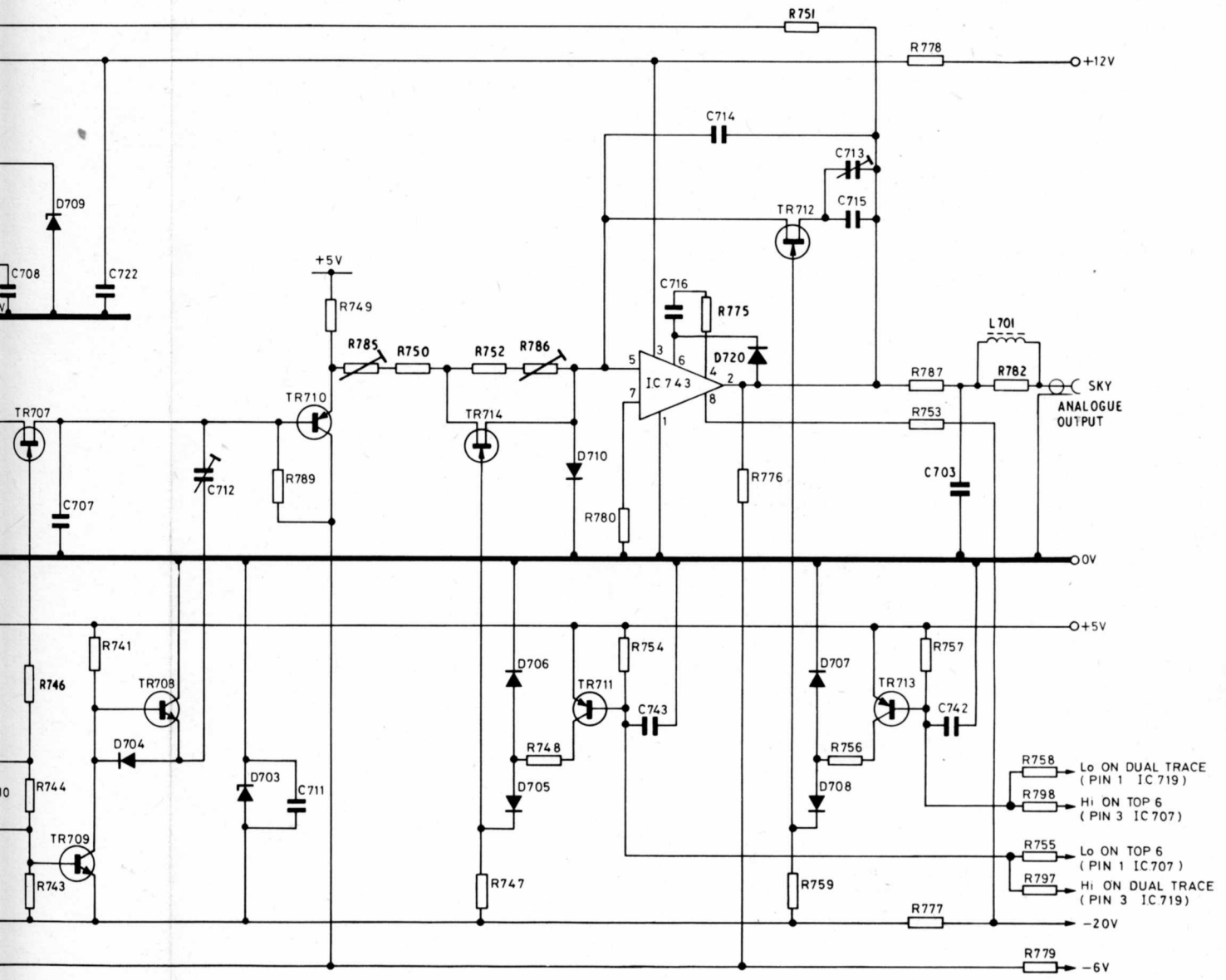


Fig.25 D-A Converter and Dot Joiner Circuit Diagram (SK2436)