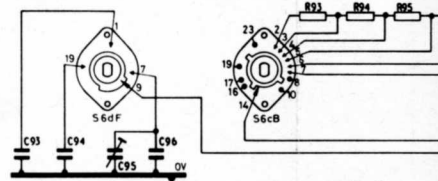
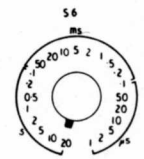
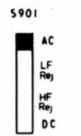
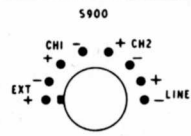
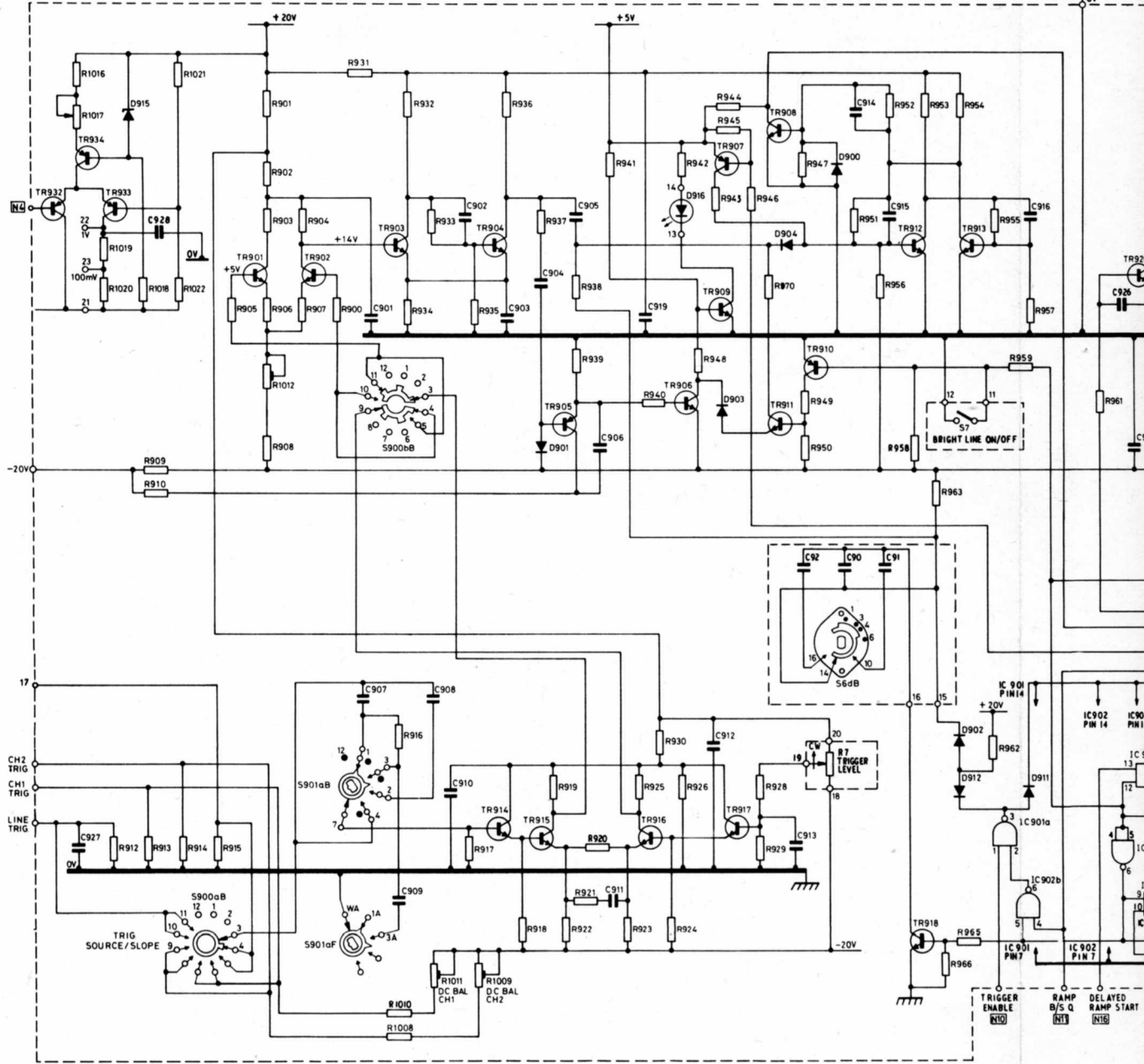


	R1016	R1021	R905	R901	R902	R903	R904	R900	R931	R932	R933	R935	R936	R937	R941	R930	R925	R926	R943	R944	R945	R947	R952	R953	R954	R955	R957	R93	R94	R95	R96
RESIS	R1016	R1017	R1018	R1020	R022																										
CAP	C927	C928							C901	C909	C910	C902	C903	C904	C905	C906	C919	C912					C93	C94	C95	C96					
MISC	TR932	TR934	D915						TR901	TR902		S901aB	TR903	TR904	TR905	TR916	D916	TR906	TR907	TR908	D904	D907	S6dF	TR912	TR913	S6cB					
												S900aB	S901aF	S900bB																	



FRONT PANEL MARKINGS



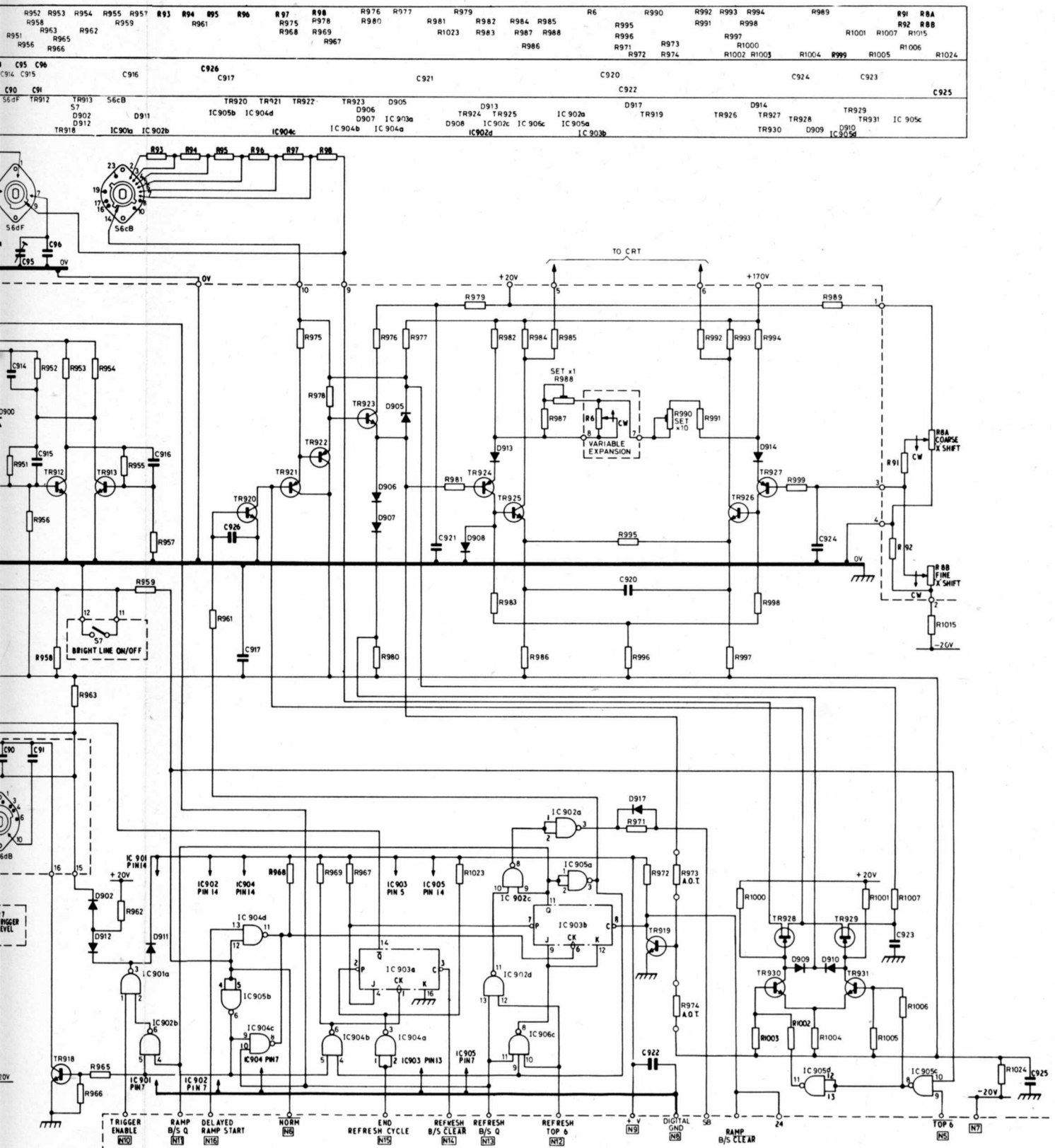


Fig.24 Timebase Circuit Diagram (SK2437)