

Errata

Title & Document Type: 331A/332A Distortion Analyzer Operating and Service Manual

Manual Part Number: 00331-90006

Revision Date: April 1971

HP References in this Manual

This manual may contain references to HP or Hewlett-Packard. Please note that Hewlett-Packard's former test and measurement, semiconductor products and chemical analysis businesses are now part of Agilent Technologies. We have made no changes to this manual copy. The HP XXXX referred to in this document is now the Agilent XXXX. For example, model number HP8648A is now model number Agilent 8648A.

About this Manual

We've added this manual to the Agilent website in an effort to help you support your product. This manual provides the best information we could find. It may be incomplete or contain dated information, and the scan quality may not be ideal. If we find a better copy in the future, we will add it to the Agilent website.

Support for Your Product

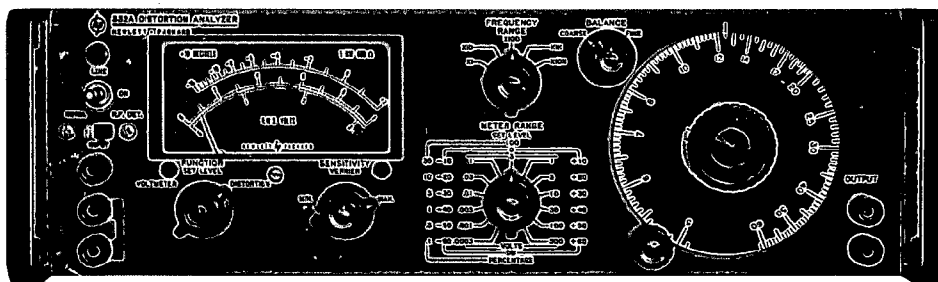
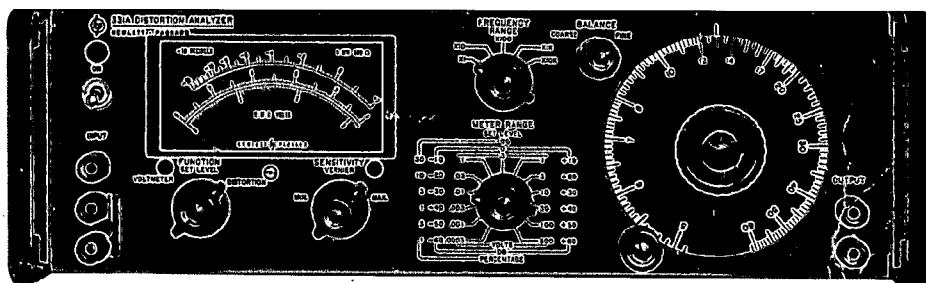
Agilent no longer sells or supports this product. You will find any other available product information on the Agilent Test & Measurement website:

www.tm.agilent.com

Search for the model number of this product, and the resulting product page will guide you to any available information. Our service centers may be able to perform calibration if no repair parts are needed, but no other support from Agilent is available.

OPERATING AND SERVICE MANUAL

DISTORTION ANALYZER 331A/332A



HEWLETT  PACKARD



OPERATING AND SERVICE MANUAL

(HP Part No. 00331-90006)

MODEL 331A/332A
DISTORTION ANALYZER

SERIALS PREFIXED: 331A: 995
332A: 998

Appendix C, Manual Backdating Changes,
adapts this manual to earlier instruments.

Copyright Hewlett-Packard Company 1965
P. O. Box 301, Loveland, Colorado, 80537 U. S. A.

Printed: APR 1971

TABLE OF CONTENTS

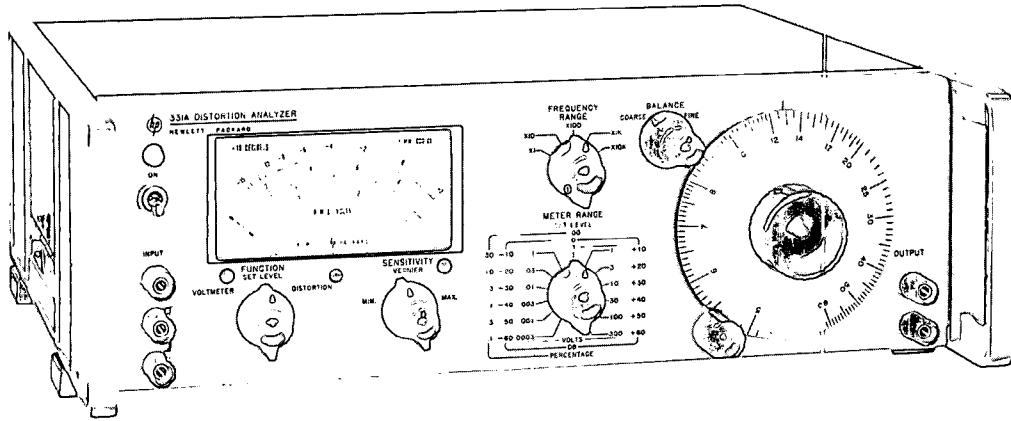
Section	Page	Section	Page
I GENERAL INFORMATION	1-1	V MAINTENANCE	5-1
1-1. Description	1-1	5-1. Introduction	5-1
1-6. Accessory Features	1-1	5-3. Required Test Equipment	5-1
1-8. Option	1-1	5-5. Performance Checks	5-1
1-10. Instrument Identification	1-1	5-9. Fundamental Rejection Check	5-1
		5-10. Second Harmonic Accuracy Check	5-2
		5-11. Instrument Induced Distortion Check	5-2
Section	Page	5-12. Frequency Calibration Accuracy Check	5-3
II INSTALLATION	2-1	5-13. Input Impedance Check	5-3
2-1. Inspection	2-1	5-16. Minimum Input Level Check	5-4
2-3. Power Requirements	2-1	5-17. DC Isolation Check	5-4
2-5. Three-Conductor Power Cable	2-1	5-18. Voltmeter Accuracy and Frequency Response Check	5-5
2-8. Installation	2-1	5-19. Residual Noise Check	5-6
2-10. Rack/Bench Installation	2-1	5-20. AM Detector Check (Model 332A Only)	5-6
2-12. Repackaging for Shipment	2-1	5-21. Adjustment and Calibration Procedure	5-7
		5-24. Power Supply and Bias Adjustments	5-7
Section	Page	5-25. Voltmeter Gain Adjustments	5-7
III OPERATING INSTRUCTIONS	3-1	5-26. Voltmeter Frequency Response Adjustment	5-7
3-1. Introduction	3-1	5-27. Sensitivity Switch Calibration	5-9
3-4. Controls and Indicators	3-1	5-28. Bridge Balance Adjustment	5-9
3-6. General Operating Information	3-1	5-29. Distortion Adjustment	5-10
3-7. Input Connections	3-1	5-30. Adjustment of Factory Selected Components	5-10
3-9. Voltmeter Characteristics	3-1	5-32. Troubleshooting Procedures	5-10
3-12. Output Characteristics	3-2	5-36. Troubleshooting Voltmeter Func- tion	5-12
3-14. Operating Procedures	3-2	5-38. Troubleshooting Distortion Func- tion	5-12
3-15. Instrument Turn-on	3-2	5-40. Servicing Etched Circuit Boards	5-12
3-16. Adjustment of Meter Mechanical Zero	3-2	5-43. Servicing Rotary Switches	5-13
3-18. Distortion Measurement	3-2		
3-19. Distortion and Noise Measurement of AM RF Carriers (332A Only)	3-3		
3-22. Voltage Measurement	3-3		
3-23. Use of Output Terminals	3-4		
3-26. 331A/332A with Option 01	3-4		
Section	Page	Section	Page
IV THEORY OF OPERATION	4-1	VI REPLACEABLE PARTS	6-1
4-1. Overall Description	4-1	6-1. Introduction	6-1
4-3. Block Diagram Description	4-1	6-4. Ordering Information	6-1
4-4. Distortion Measuring Operation	4-1	6-6. Non-Listed Parts	6-1
4-8. Distortion Measurements in AM Carriers	4-1		
4-10. Voltmeter Operation	4-1	Section	Page
4-12. Detailed Circuit Description	4-1	VII CIRCUIT DIAGRAMS	7-1
4-13. Impedance Converter Circuit	4-1	7-1. Introduction	7-1
4-17. Rejection Amplifier Circuit	4-2		
4-28. Meter Circuit	4-3	Appendix	
4-36. Power Supply Circuit	4-5	A CODE LIST OF MANUFACTURERS	
4-41. RF Detector Circuit (332A Only)	4-5	B SALES AND SERVICE OFFICES	
		C MANUAL BACKDATING CHANGES	

LIST OF TABLES

Number	Page	Number	Page
1-1. Specifications	1-1/1-2	5-4. Voltmeter Frequency Response Check	5-5
3-1. Effect of Harmonics on Voltage Mea- surements	3-1	5-5. Power Supply and Bias Adjustments	5-7
5-1. Required Test Equipment	5-0	5-6. Sensitivity Switch Calibration	5-9
5-2. Second Harmonic Accuracy Check	5-2	5-7. Factory Selected Components	5-10
5-3. Frequency Calibration Accuracy Check	5-3	5-8. Troubleshooting Aid	5-11
		6-1. Replaceable Parts	6-6

LIST OF ILLUSTRATIONS

Number	Page	Number	Page
1-1. Model 331A/332A Distortion Analyzer . . .	1-0	5-4. Capacitance Check	5-4
3-1. Front and Rear Panel Description	3-0	5-5. DC Isolation Check	5-5
3-2. Impedance Correction Graph	3-5	5-6. Voltmeter Accuracy and Frequency Response Check	5-6
4-1. Model 331A and 332A Block Diagram . . .	4-0	5-7. Shielded Load Assembly	5-6
4-2. Rejection Amplifier Block Diagram and Typical Frequency Rejection Charac- teristic	4-2	5-8. Adjustment and Chassis Mounted Com- ponent Location	5-8
4-3. Wien Bridge Circuit and Rejection Characteristics	4-3	6-1. Mechanical Parts	6-2 and 6-3
4-4. Bandwidth versus Null Depth	4-4	6-2. Modular Cabinet Parts	6-4
4-5. Simplified Metering Circuit	4-5	6-3. Frequency Tuning Assembly	6-5
5-1. Fundamental Rejection Check	5-1	7-1. Impedance Converter (P/O A2) and RF Detector (P/O A4)	7-3
5-2. Instrument Induced Distortion Check . . .	5-2	7-2. Rejection Amplifier (A3)	7-5
5-3. Frequency Calibration Accuracy Check . .	5-3	7-3. Meter Circuit (P/O A2)	7-7/7-8
		7-4. Power Supply (A1)	7-9/7-10



Model 331A
Distortion
Analyzer

Model 332A
Distortion
Analyzer

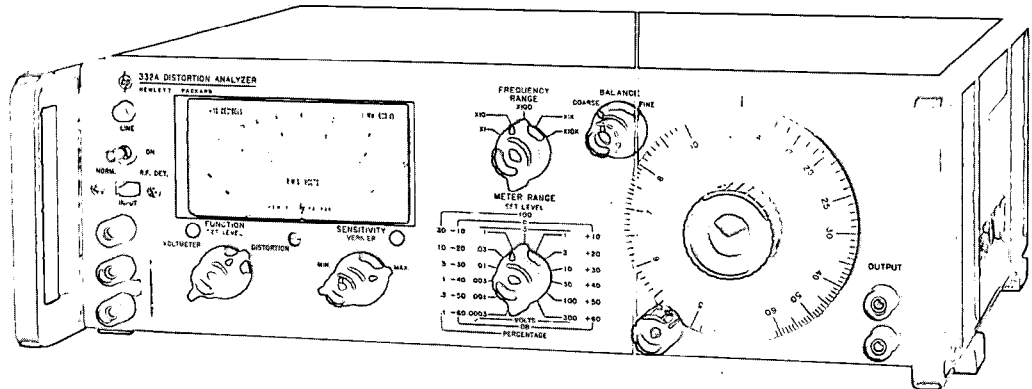


Figure 1-1. Models 331A/332A Distortion Analyzers

SECTION I GENERAL INFORMATION

1-1. DESCRIPTION.

1-2. The Hewlett-Packard Models 331A and 332A Distortion Analyzers are solid state instruments for measuring distortion and ac voltages. The Model 332A includes a high impedance AM detector which operates from 550 kHz to greater than 65 MHz.

1-3. Distortion levels of 0.1% to 100% full scale are measured in seven ranges for any fundamental frequency from 5 Hz to 600 kHz; harmonics are indicated up to 3 MHz. The high sensitivity of these instruments requires only 0.3 V rms for the 100% set level reference. An output is provided at the OUTPUT connectors for monitoring the distortion with an oscilloscope, a true rms voltmeter, or a wave analyzer. The instruments are capable of a dc isolation voltage of 400 volts above chassis ground.

1-4. The transistorized voltmeter contained in the Model 331A and 332A can be used separately for general purpose voltage and gain measurements. The voltmeter has a frequency range of 5 Hz to 3 MHz (20 Hz to 500 kHz for 300 μ V range) and a voltage range of 300 μ V to 300 V rms full scale.

1-5. The AM detector included in the Model 332A is a broadband dc restoring peak detector consisting of a semiconductor diode and filter circuit. AM distortion levels as low as 0.3% can be measured on a 3 V to 8 V rms carrier modulated 30% in the standard broadcast band, and lower than 1% distortion can be measured at the same level of the carrier up to 65 MHz.

1-6. ACCESSORY FEATURES.

1-7. The accessory available with the 331A and 332A Distortion Analyzers is a voltage divider probe, -hp- Model No. 10001A. The features of the probe are:

- a. 10 megohm shunted by 10 pF.
- b. 10:1 attenuation dc to 30 MHz bandwidth.
- c. 2% division accuracy.
- d. 600 V peak input.
- e. 5 nsec rise-time.

1-8. OPTION.

1-9. Option 01 is a standard -hp- Model 331A or 332A with a special meter and meter amplifier; compensated to permit response to VU (volume units) characteristics.

1-10. INSTRUMENT IDENTIFICATION.

1-11. Hewlett-Packard uses a two-section serial number. The first section (prefix) identifies a series of instruments. The last section (suffix) identifies a particular instrument with the series. If a letter is included with the serial number, it identifies the country in which the instrument was manufactured. If the serial prefix of you instrument differs from the one on the title page of this manual, a change sheet will be supplied to make this manual compatible with newer instruments. All correspondence with Hewlett-Packard should include the complete serial number.

Table 1-1. Specifications

MODEL 331A			
DISTORTION MEASUREMENT RANGE			
Any fundamental frequency, 5 Hz to 600 kHz.			
Distortion levels of 0.1% to 100% are measured full scale in 7 ranges.			
INPUT LEVEL FOR DISTORTION MEASUREMENTS			
0.3 Vrms for 100% set level (up to 300 V may be attenuated to set level reference).			
DISTORTION MEASUREMENT ACCURACY			
Harmonic measurement accuracy (full scale).			
Fundamental Input Less Than 30 V			
RANGE	±3%	±6%	±12%
100% to 0.3%	10 Hz 1 MHz	10 Hz 3 MHz	
0.1%	30 Hz 300 kHz	20 Hz 500 kHz	10 Hz 1.2 MHz
<i>600 kHz</i>			
Fundamental Input Greater Than 30 V			
RANGE	±3%	±6%	±12%
100% to 0.3%	10 Hz 300 kHz	10 Hz 500 kHz	10 Hz 3 MHz
0.1%	30 Hz 300 kHz	20 Hz 500 kHz	10 Hz 1.2 MHz
Elimination Characteristics:			
Fundamental Rejection >80 dB			
Second Harmonic Accuracy for a fundamental of:			
5 Hz to 20 Hz : better than +1 dB			
20 Hz to 20 kHz: better than ±0.6 dB			
20 kHz to 100 kHz: better than -1 dB			
100 kHz to 300 kHz: better than -2 dB			
300 kHz to 600 kHz: better than -3 dB			
Distortion Introduced by Instrument:			
>-70 dB from 5 Hz to 200 kHz			
>-64 dB from 200 kHz to 600 kHz			

CH 3

Table 1-1. Specifications (Cont'd)

<p>DC ISOLATION Signal ground may be ± 400 Vdc from external chassis.</p> <p>VOLTMETER RANGE 300 μV to 300 V rms full scale (13 ranges), 10 dB per range.</p> <p>VOLTMETER FREQUENCY RANGE 5 Hz to 3 MHz (300 μV range: 20 Hz to 500 kHz).</p> <p>VOLTMETER ACCURACY:</p> <table border="1" style="width: 100%; border-collapse: collapse;"> <thead> <tr> <th style="text-align: center;">RANGE</th> <th style="text-align: center;">$\pm 2\%$</th> <th style="text-align: center;">$\pm 5\%$</th> </tr> </thead> <tbody> <tr> <td style="text-align: center;">300 μV</td> <td style="text-align: center;">30 Hz 300 kHz</td> <td style="text-align: center;">20 Hz 500 kHz</td> </tr> <tr> <td style="text-align: center;">1 mV to 30 V</td> <td style="text-align: center;">10 Hz 1 MHz</td> <td style="text-align: center;">5 Hz 3 MHz</td> </tr> <tr> <td style="text-align: center;">100 V to 300 V</td> <td style="text-align: center;">10 Hz 300 kHz</td> <td style="text-align: center;">5 Hz 500 kHz</td> </tr> </tbody> </table> <p>Meter indication is proportional to average value of waveform.</p> <p>FREQUENCY CALIBRATION ACCURACY Better than $\pm 5\%$ from 5 Hz to 300 kHz Better than $\pm 10\%$ from 300 kHz to 600 kHz</p> <p>INPUT IMPEDANCE Distortion Mode: $1\text{ M}\Omega \pm 5\%$ shunted by <70 pF. Voltmeter Mode: 1 $\text{M}\Omega \pm 5\%$ shunted by <30 pF (331A only), 1 $\text{M}\Omega \pm 5\%$ shunted by <35 pF (332A only), 1 to 300 V ranges; $1\text{ M}\Omega \pm 5\%$ shunted by <70 pF, 300 μV to 0.3 V ranges.</p> <p>NOISE MEASUREMENTS Voltmeter residual noise on the 300 μV range: <25 μV rms terminated in shielded 600 Ω; <30 μV rms terminated in shielded 100 kΩ.</p> <p>OUTPUT <i>20 Hz - 600 kHz</i> 0.1 V rms ± 0.01 V open circuit for full scale meter deflection; 0.05 V rms ± 0.005 V into 2 kΩ</p>	RANGE	$\pm 2\%$	$\pm 5\%$	300 μ V	30 Hz 300 kHz	20 Hz 500 kHz	1 mV to 30 V	10 Hz 1 MHz	5 Hz 3 MHz	100 V to 300 V	10 Hz 300 kHz	5 Hz 500 kHz	<p>for full scale meter deflection.</p> <p>POWER SUPPLY 115 V or 230 V $\pm 10\%$, 48 to 440 Hz, approximately 4 watts. Terminals are provided for external battery supply. Positive and negative voltages between 28 V and 50 V are required. Current drain from each voltage is 40 mA.</p> <p style="text-align: center;">MODEL 332A</p> <p>Same as Model 331A except as indicated below:</p> <p>AM DETECTOR High impedance dc restoring peak detector with semi-conductor diode operates from 550 kHz to greater than 65 MHz. Broadband input. Maximum input; 40 V p-p ac or 40 V peak transient.</p> <p>CARRIER FREQUENCY 550 kHz to 1.6 MHz: Distortion introduced by detector is $<0.3\%$ for 3 to 8 volt carriers modulated 30%. 1.6 MHz to 65 MHz: Distortion introduced by detector is $<1\%$ for 3 to 8 volts rms carriers modulated 30%.</p> <p style="text-align: center;">————— NOTE —————</p> <p>Distortion measurement at carrier levels as low as 1 volt may be made with reduced accuracy.</p> <p>OPTION 01 Indicating meter has VU characteristics conforming to FCC Requirements for AM, FM, and TV broadcasting.</p>
RANGE	$\pm 2\%$	$\pm 5\%$											
300 μ V	30 Hz 300 kHz	20 Hz 500 kHz											
1 mV to 30 V	10 Hz 1 MHz	5 Hz 3 MHz											
100 V to 300 V	10 Hz 300 kHz	5 Hz 500 kHz											

SECTION II

INSTALLATION

2-1. INSPECTION.

2-2. This instrument was carefully inspected both mechanically and electrically before shipment. It should be physically free of marks or scratches and in perfect electrical order upon receipt. To confirm this, the instrument should be inspected for physical damage in transit. Also check for supplied accessories, and test the electrical performance of the instrument using the procedure outlined in Section V. If there is damage or deficiency, see the warranty on the inside front cover of this manual.

2-3. POWER REQUIREMENTS.

2-4. The Model 331A and 332A will operate from either 115 or 230 Vac, 48 to 440 Hz. The instruments can be easily converted from 115 to 230 volt operation by changing the position of the slide switch, located on rear panel, so that the designation appearing on the switch matches the nominal voltage of the power source. A 1/16 ampere, slow-blow fuse is used for 115 V operation; a 1/32 ampere slow-blow fuse is used for 230 V operation. The instruments can be battery operated by connecting two 28 to 50 V batteries (rated at 40 milliamperes) to the battery terminals on the rear panel.

2-5. THREE-CONDUCTOR POWER CABLE.

2-6. To protect operating personnel, the National Electrical Manufacturers' Association (NEMA) recommends that the instrument panel and cabinet be grounded. This instrument is equipped with a three-conductor power cable which, when plugged into an appropriate receptacle, grounds the instrument. The offset pin on the power cable three-prong connector is the ground wire.

2-7. To preserve the protection feature when operating the instrument from a two-contact outlet, use a three-prong adapter and connect the green pigtail on the adapter to ground.

2-8. INSTALLATION.

2-9. The 331A and 332A are fully transistorized; therefore, no special cooling is required. However, the instruments should not be operated where the ambient temperature exceeds 55°C (131°F).

2-10. RACK/BENCH INSTALLATION.

2-11. The 331A and 332A are initially shipped as bench-type instruments (unless ordered specifically as a rack-type) with plastic feet and a tilt stand in place. Conversion to a rack-mounted instrument can be accomplished by using the rack mounting kit and instructions furnished with your instrument.

2-12. REPACKAGING FOR SHIPMENT.

2-13. The following is a general guide for repackaging for shipment. If you have any questions, contact your local -hp- Sales and Service Office.

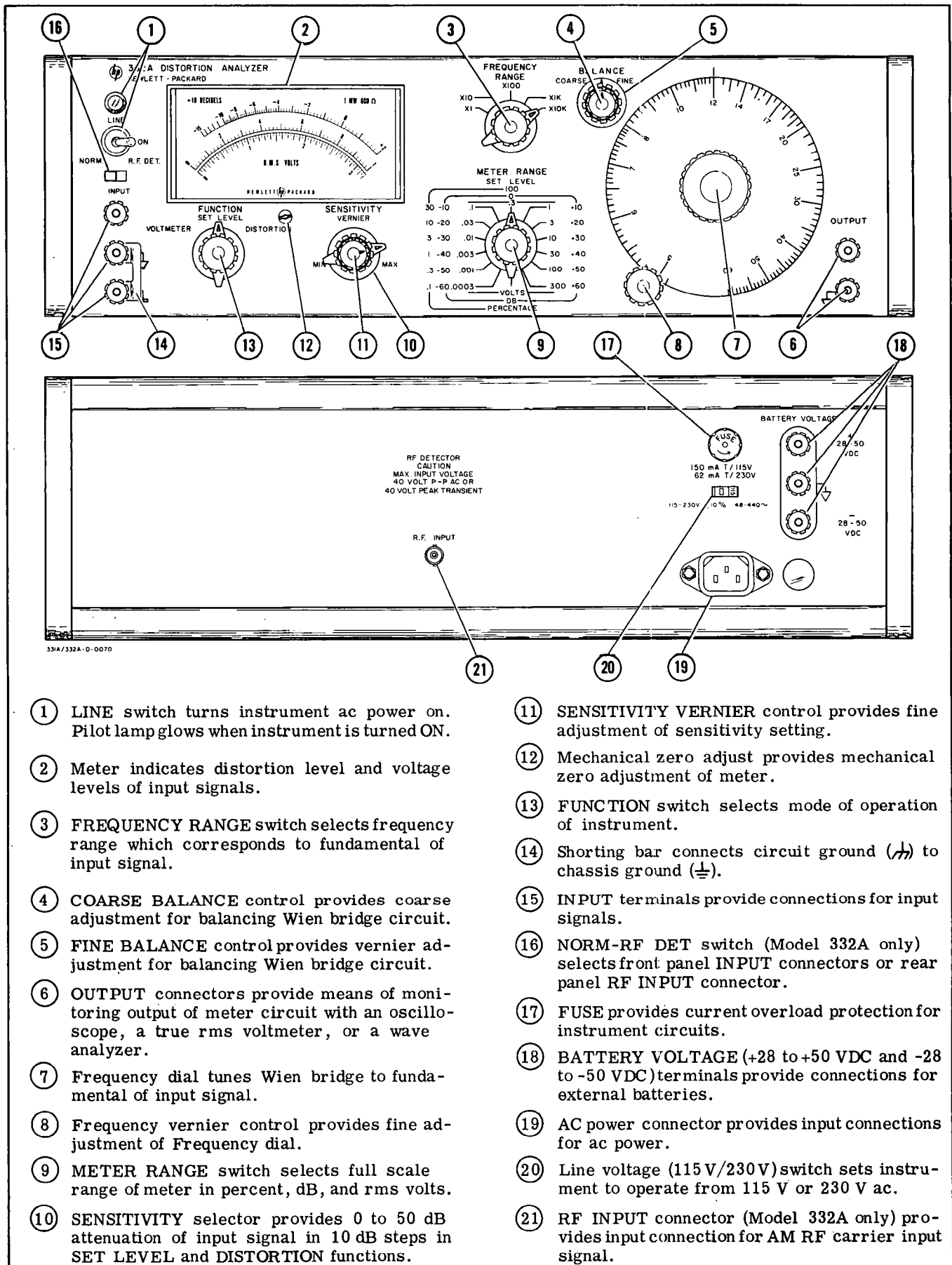
NOTE

If the instrument is to be shipped to Hewlett-Packard for service or for repair, attach a tag to the instrument identifying the owner and indicating the service or repair to be accomplished; include the model number and full serial number of the instrument. In any correspondence, identify the instrument by model number and serial number.

- a. Place instrument in original container if available. If original container is not available, a suitable one can be purchased from your nearest -hp- Sales and Service Office.

If original container is not used,

- b. Wrap instrument in heavy paper or plastic before placing in an inner container.
- c. Use plenty of packing material around all sides of instrument and protect panel faces with cardboard strips.
- d. Place instrument and inner container in a heavy carton or wooden box and seal with strong tape or metal bands.
- e. Mark shipping container with "DELICATE INSTRUMENT," "FRAGILE" etc.



- ① LINE switch turns instrument ac power on. Pilot lamp glows when instrument is turned ON.
- ② Meter indicates distortion level and voltage levels of input signals.
- ③ FREQUENCY RANGE switch selects frequency range which corresponds to fundamental of input signal.
- ④ COARSE BALANCE control provides coarse adjustment for balancing Wien bridge circuit.
- ⑤ FINE BALANCE control provides vernier adjustment for balancing Wien bridge circuit.
- ⑥ OUTPUT connectors provide means of monitoring output of meter circuit with an oscilloscope, a true rms voltmeter, or a wave analyzer.
- ⑦ Frequency dial tunes Wien bridge to fundamental of input signal.
- ⑧ Frequency vernier control provides fine adjustment of Frequency dial.
- ⑨ METER RANGE switch selects full scale range of meter in percent, dB, and rms volts.
- ⑩ SENSITIVITY selector provides 0 to 50 dB attenuation of input signal in 10 dB steps in SET LEVEL and DISTORTION functions.
- ⑪ SENSITIVITY VERNIER control provides fine adjustment of sensitivity setting.
- ⑫ Mechanical zero adjust provides mechanical zero adjustment of meter.
- ⑬ FUNCTION switch selects mode of operation of instrument.
- ⑭ Shorting bar connects circuit ground (\perp) to chassis ground (\perp).
- ⑮ INPUT terminals provide connections for input signals.
- ⑯ NORM-RF DET switch (Model 332A only) selects front panel INPUT connectors or rear panel RF INPUT connector.
- ⑰ FUSE provides current overload protection for instrument circuits.
- ⑱ BATTERY VOLTAGE (+28 to +50 VDC and -28 to -50 VDC) terminals provide connections for external batteries.
- ⑲ AC power connector provides input connections for ac power.
- ⑳ Line voltage (115 V/230 V) switch sets instrument to operate from 115 V or 230 V ac.
- ㉑ RF INPUT connector (Model 332A only) provides input connection for AM RF carrier input signal.

Figure 3-1. Front and Rear Panel Description

SECTION III OPERATING INSTRUCTIONS

3-1. INTRODUCTION.

3-2. The Models 331A and 332A Distortion Analyzers measure total harmonic distortion of fundamental frequencies from 5 Hz to 600 kHz; harmonics up to 3 MHz are included. The sharp elimination characteristics (>80 dB), the low level of instrument induced distortion, and the meter accuracy of these instruments result in highly accurate measurement of low level harmonic distortion.

3-3. An rms calibrated voltmeter is inherent in the 331A and 332A. The voltmeter provides a full scale sensitivity of 300 μ volts rms (residual noise <25 μ volts). The voltmeter frequency range is from 5 Hz to 3 MHz except on the 0.0003 volt range, which is from 20 Hz to 500 kHz.

3-4. CONTROLS AND INDICATORS.

3-5. Figure 3-1 illustrates and describes the function of all front and rear panel controls, connectors, and indicators. The description of each component is keyed to the drawing included within the figure.

3-6. GENERAL OPERATING INFORMATION.

3-7. INPUT CONNECTIONS.

3-8. A signal source can be connected to the 331A and 332A through twisted pair leads or a shielded cable with banana plug connectors. Keep all test leads as short as possible to avoid extraneous pickup from stray ac fields. When measuring low-level signals, avoid ground loop currents by connecting only the 331A or 332A Distortion Analyzer directly to power-line ground through a NEMA (three-prong) connector. Connect all other instruments to the power source through a three-prong to two-prong adapter and leave the pigtail disconnected. Both the 331A and 332A have a dc isolation of ± 400 Vdc from the external chassis.

WARNING

WHEN THE INSTRUMENT IS OPERATED IN A FLOATING CONDITION, THE SET SCREWS IN THE CONTROL KNOBS WILL BE AT THE FLOATED POTENTIAL. TO PROTECT OPERATING PERSONNEL, ENSURE THAT THE SET SCREW HOLES ARE FILLED WITH AN INSULATING MATERIAL SUCH AS G. E. SILICON RUBBER, RTV-108. (-hp- PART NO. 0470-0304).

3-9. VOLTMETER CHARACTERISTICS.

3-10. The RMS VOLTS markings on the meter face are based on the ratio between the average and effective (rms) values of a pure sine wave. The ratio of average to effective values in a true sine wave is approximately 0.9 to 1. When the meter is used to measure complex waves, the voltage indicated may not be the rms value of the signal applied. This deviation of meter indication exists because the ratios of average to effective values are usually not the same in a complex wave as in a sine wave. The amount of deviation depends on the magnitude and phase relation between the harmonics and fundamental frequency of the signal applied. Table 3-1 shows the deviation of the meter indication of a sine wave partly distorted by harmonics. As indicated in the table, harmonic content of less than approximately 10% results in very small errors.

Table 3-1. Effect of Harmonics on Voltage Measurements

Input Voltage Characteristics	True RMS Value	Meter Indication
Fundamental = 100	100	100
Fundamental +10% 2nd harmonic	100.5	100
Fundamental +20% 2nd harmonic	102	100 - 102
Fundamental +50% 2nd harmonic	112	100 - 110
Fundamental +10% 3rd harmonic	100.5	96 - 104
Fundamental +20% 3rd harmonic	102	94 - 108
Fundamental +50% 3rd harmonic	112	90 - 116

NOTE

This chart is universal in application since these errors are inherent in all average-responding voltage-measuring instruments.

3-11. In distortion measurements where the fundamental frequency is suppressed and the remainder of the signal is measured, the reading obtained on an average-responding meter may deviate from the true total rms value. When the residual wave contains many inharmonically related sinusoids, the maximum error in the distortion reading is about 11% low for distortion levels below 10%.

Measured Distortion	Maximum Error in Meter Indication	Total Distortion
2.5%	$+0.11 \times 0.025 = 0.00027$	$0.025 + 0.0027 = 0.0277$ or 2.8%

This example represents the maximum possible error, and in most cases the error is less. In distortion measurements, the reading of an average-responding meter is sufficiently close to the rms value to be satisfactory for most applications.

3-12. OUTPUT CHARACTERISTICS.

3-13. The OUTPUT terminals provide a 0.1 V rms open circuit output for full scale meter deflection. These terminals can be used to monitor the output signal with an oscilloscope, a true rms voltmeter, or a wave analyzer. The combinations of the distortion meter and oscilloscope provides more significant information about the device under test than the expression of distortion magnitude alone. Information obtained from the oscilloscope pattern is specific and reveals the nature of the distortion that sometimes occurs at such low levels that it is difficult to detect in the presence of hum and noise. The impedance at the OUTPUT terminals is 2000 ohms; therefore, capacitive loads greater than 50 pF should be avoided to maintain the accuracy of meter readings.

3-14. OPERATING PROCEDURES.

3-15. INSTRUMENT TURN-ON.

- a. If line voltage is to be used, set 115-230 Vac switch to coincide with voltage. Turn LINE switch to ON position. Pilot lamp will glow, indicating application of primary power.
- b. If batteries are to be used, connect both a +28 to +50 V and -28 to -50 V battery (or other dc source) to + and - battery terminals, respectively. (The LINE switch and pilot lamp are not in the circuit when batteries are used; therefore, an external switch may be used to provide a convenient means for disconnecting the batteries). When a dc power source is used, check the -25 V power supply output (any violet lead). If the output is not -25 V ± 0.5 V, adjust the power supply according to the procedure in Paragraph 5-24.

3-16. ADJUSTMENT OF METER MECHANICAL ZERO.

3-17. The meter is properly zero-set when the pointer rests over the zero calibration mark and the instrument is in its normal operating environment and is turned off. Zero-set the meter as follows to obtain maximum accuracy and mechanical stability:

- a. Turn instrument on and allow it to operate for at least 20 minutes, to let meter movement reach normal operating temperature.
- b. Turn instrument off and allow 30 seconds for all capacitors to discharge.
- c. Rotate zero adjustment screw clockwise until pointer is left of zero and moving upscale.
- d. Continue rotating screw clockwise; stop when pointer is exactly at zero.
- e. When pointer is exactly over zero, rotate adjustment screw slightly counterclockwise to relieve tension on pointer suspension. If pointer moves off zero, repeat steps c through e, but make counterclockwise rotation less.

3-18. DISTORTION MEASUREMENT.



DO NOT EXCEED THE INPUT VOLTAGES LISTED BELOW TO PREVENT BLOWING FUSE F2: (See Table 5-8 for symptoms of blown-fuse.)

VOLTMETER FUNCTION -1 V RANGE AND BELOW, AND DISTORTION ANALYZER FUNCTION-MAXIMUM SENSITIVITY.

1. 300 V ABOVE 100 Hz
2. 50 V ABOVE 1 KHZ

IF LOW FREQUENCIES ARE NOT TO BE MEASURED, C1 MAY BE REPLACED WITH A SMALLER CAPACITOR, AND THE VOLTAGE LIMITS OF F2 MAY BE RAISED ACCORDINGLY.

- a. Turn instrument on and mechanically zero meter according to procedure in Paragraphs 3-15 and 3-16.
- b. Set NORM-R. F. DET. switch to NORM.
- c. Set FUNCTION switch to SET LEVEL.
- d. Set SENSITIVITY selector to MIN. position, and rotate VERNIER control maximum counterclockwise.

NOTE

The bandwidth of the SENSITIVITY selector is reduced in the two extreme counterclockwise positions (positions used with an input signal greater than 30 V).

- e. Set METER RANGE switch to SET LEVEL, and set BALANCE COARSE and FINE controls to center position.
- f. Connect signal to be measured to 331A/332A INPUT terminals.



REMOVE SHORTING STRAP BETWEEN CIRCUIT GROUND (↗) AND CHASSIS GROUND (⊥) TERMINALS ON FRONT PANEL INPUT TERMINAL WHEN MEASURING DISTORTION BETWEEN TWO POINTS WHICH ARE DC OFFSET FROM GROUND POTENTIAL.

- g. Set SENSITIVITY selector to obtain meter indication greater than 1/3 full scale.

- h. Adjust SENSITIVITY VERNIER for full scale meter indication if making distortion measurement in percent; if making distortion measurement in dB, adjust SENSITIVITY VERNIER for 0 dB meter indication.

————— NOTE —————

If unable to adjust for full scale or 0 dB indication (which indicates input signal is below 0.3 volts), set METER RANGE selector down-scale. Use this new setting as the 100% or 0 dB SET LEVEL position, thus making the next range 30% or -10 dB etc.

- i. Set FREQUENCY RANGE switch and frequency dial to fundamental frequency of input signal.
- j. Set FUNCTION switch to DISTORTION.
- k. Adjust frequency dial vernier and BALANCE COARSE and FINE controls for minimum meter indication. Set METER RANGE switch down-scale as necessary to keep meter indication on scale.

————— NOTE —————

Because of the high sensitivity and narrow fundamental rejection notch, pressure applied to the top cover may cause the null to shift. This is caused by small capacitive changes between the Wien bridge and case. Accuracy of reading is not degraded, however, if the pressure is constant and the bridge is rebalanced.

- l. Repeat step k until no further reduction in meter indication can be obtained.
- m. Observe distortion either in percentage or dB, as indicated by meter deflection and METER RANGE switch setting. For example, if meter indicates 0.4 and METER RANGE setting is 1%, distortion measured is 0.4% of fundamental. Similarly, if meter indicates -6 dB and METER RANGE setting is -40 dB, distortion measured is -46 dB from fundamental.

————— NOTE —————

The accuracy of distortion measurements is affected by the frequency stability of the input signal. An inaccuracy in distortion indications occurs when the frequency drift of the input signal exceeds the bandwidth of the rejection curve.

- p. If desired, rms voltage of input signal can be measured by setting FUNCTION switch to VOLTMETER, and setting METER RANGE switch to obtain an on-scale indication.

3-19. DISTORTION AND NOISE MEASUREMENT OF AM RF CARRIERS (332A ONLY).



DO NOT EXCEED MAXIMUM INPUT VOLTAGES LISTED ON REAR PANEL.

3-20. DISTORTION MEASUREMENT.

- Turn instrument on and mechanically zero meter according to procedure in Paragraphs 3-15 and 3-16.
- Set NORM. -R. F. DET. switch to R. F. DET.
- Connect input signal to R. F. INPUT terminal on rear panel.
- Refer to Paragraph 3-18 for distortion measurement procedures.

————— NOTE —————

If no meter deflection can be obtained with an RF input, diode A4CR1 should be checked. A spare diode is located on the outside of the A4 shield.

3-21. NOISE MEASUREMENT.

- Perform steps a through c of Paragraph 3-20.
- Set modulation of carrier to 100%, using a modulating frequency between 20 Hz and 20 kHz.
- Set FUNCTION switch to SET LEVEL, and set METER RANGE to SET LEVEL.
- Adjust SENSITIVITY controls for 0 dB indication on meter.
- Reduce modulation of carrier to 0%.
- Leave FUNCTION switch in SET LEVEL position, and adjust METER RANGE switch for on-scale meter indication.
- Noise level of carrier is algebraic sum of meter reading and METER RANGE setting.
- This same general procedure can be used to measure noise in an FM carrier when an external discriminator is substituted for the AM detector.

3-22. VOLTAGE MEASUREMENT.

- Turn instrument on and mechanically zero meter according to procedure in Paragraphs 3-15 and 3-16.
- Set NORM. -R. F. DET. switch to NORM.
- Set FUNCTION switch to VOLTMETER.
- Set METER RANGE switch to a range exceeding amplitude of signal to be measured.

- e. Connect signal to be measured to INPUT terminals.
- f. Set METER RANGE switch to give a reading as close to full scale as possible, and observe meter indication.
- g. The dB scale of the 331A/332A is calibrated in dBm, such that 0 dBm = 1 milliwatt dissipated by 600 ohms. Therefore, a dBm measurement must be made across 600 ohms. However, dB measurements across other impedances can be converted to dBm by use of the Impedance Correction Graph of Figure 3-2. For example: To convert a -30 dB reading across 200 ohms to dBm, locate the 200 ohm impedance line at the bottom of the graph. Follow the impedance line to the heavy black line, and read the meter correction at that point. The correction for 200 ohms is +5 dBm; thus the corrected reading is -25 dBm.

————— NOTE —————

When dBm measurements are made, the dB markings on the METER RANGE switch must each be lowered

by 10. That is, the dB marking for the 0.3 V range becomes -10 dBm, 1 V range becomes 0 dBm, 3 V range becomes +10 dBm etc. If the other dB markings are used, the dBm readings will be 10 dBm high.

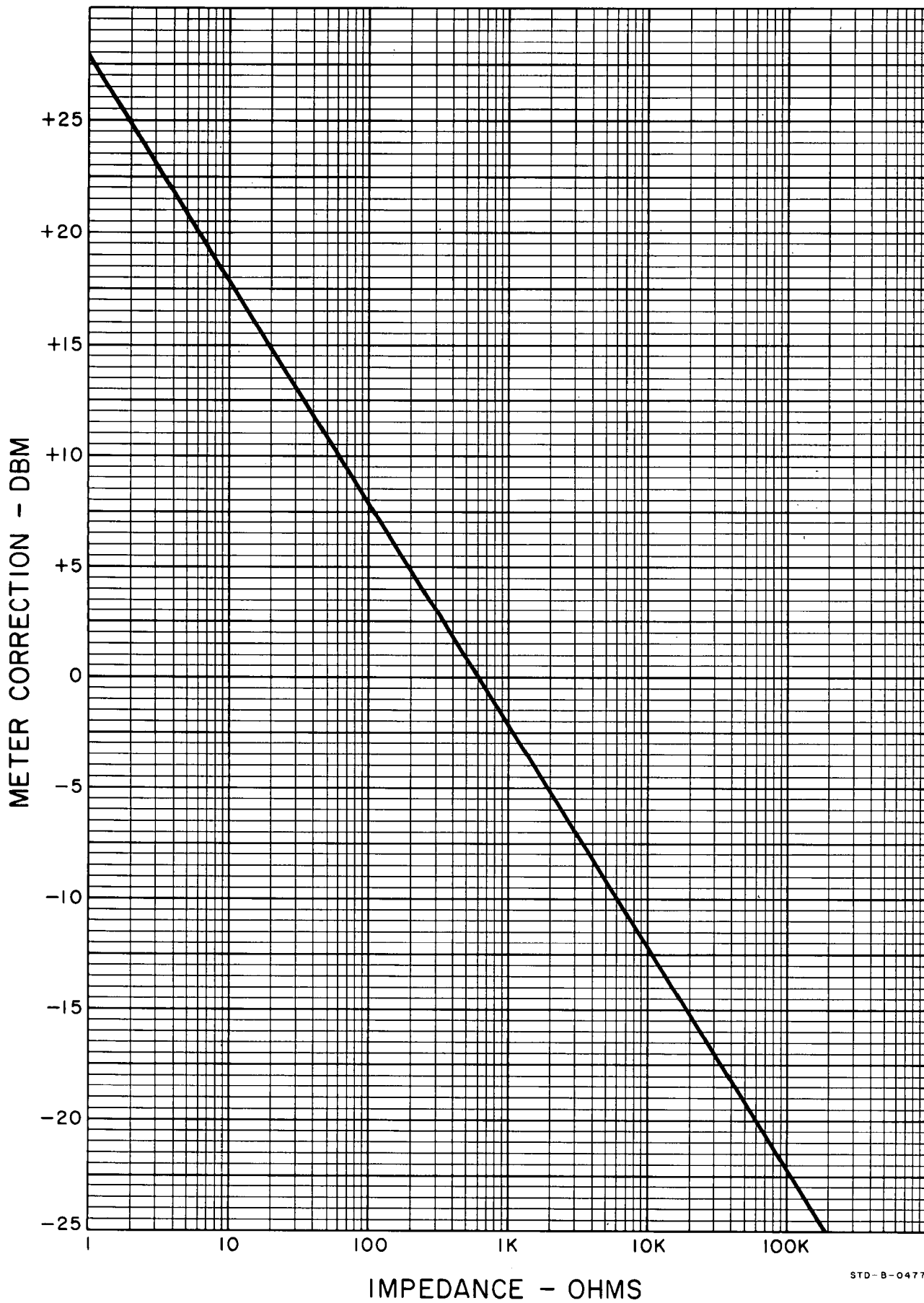
3-23. USE OF OUTPUT TERMINALS.

3-24. In VOLTMETER and SET LEVEL functions, the 331A/332A can be used as a low distortion, wide-band amplifier. A portion of the meter input (0.1 V rms open circuit for full scale meter deflection) is provided at the OUTPUT terminals.

3-25. In DISTORTION function, the distortion (0.1 V rms open circuit for full scale deflection) is provided at the OUTPUT terminals for monitoring purposes.

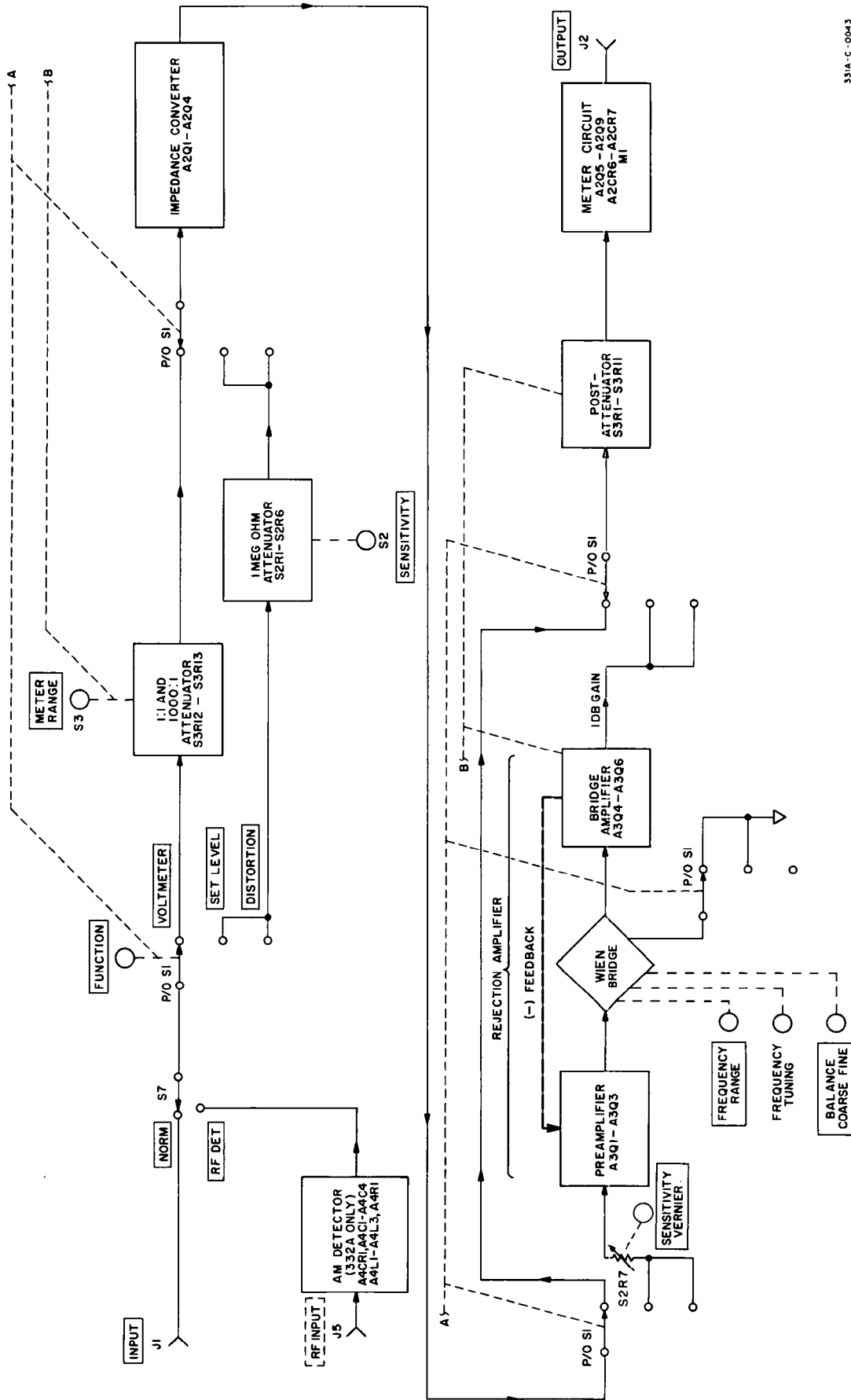
3-26. 331A/332A WITH OPTION 01.

3-27. Operating procedures for the 331A/332A with Option 01 are the same as for the standard instrument. The only difference between the standard and optional instrument is that the Option 01 has a special meter and meter amplifier which is compensated to respond to VU (volume unit) characteristics.



STD-B-0477

IMPEDANCE - OHMS
Figure 3-2. Impedance Correction Graph



331A-C-0043

Figure 4-1. Model 331A and 332A Block Diagram

SECTION IV

THEORY OF OPERATION

4-1. OVERALL DESCRIPTION.

4-2. Models 331A and 332A Distortion Analyzers include an impedance converter circuit, a rejection amplifier, a metering circuit, and a power supply circuit. In addition to these four circuits, the Model 332A contains an AM detector circuit. A block diagram of the instrument is shown in Figure 4-1. The impedance converter provides a low noise input circuit with a high source impedance independent of signal impedance placed at the input terminals. The rejection amplifier rejects the fundamental frequency of an input signal and passes the remaining frequency components on to the metering circuit for measuring distortion. The metering circuit provides visual indications of distortion and voltage levels on the front panel meter M1. The AM detector circuit (Model 332A only) detects the modulating signal from the RF carrier and filters any RF components from the modulating signal before it is applied to the impedance converter circuit.

4-3. BLOCK DIAGRAM DESCRIPTION.

(Refer to Figure 4-1.)

4-4. DISTORTION MEASURING OPERATION.

4-5. In the distortion measuring mode of operation, the input signal is applied to the impedance converter circuit (Assembly A2) through the FUNCTION selector, S1, and the one megohm attenuator. The attenuator is a voltage divider network which provides 50 dB attenuation in 10 dB steps. The desired level of attenuation is selected by the SENSITIVITY selector, S2. The impedance converter circuit provides an impedance conversion and unity gain between the instrument input terminals and the input of the rejection amplifier.

4-6. The rejection amplifier consists of a preamplifier, a Wien bridge, and a bridge amplifier circuit. The SENSITIVITY VERNIER control, at the input of the preamplifier circuit, provides a set level signal to obtain full scale readings on meter M1 for any input voltage level. With the FUNCTION selector in the SET LEVEL position, a ground is applied to the Wien bridge circuit to allow a signal reference level to be set up on the meter M1 in the metering circuit. With the FUNCTION selector in the DISTORTION position, the Wien bridge is used as an interstage coupling network between the preamplifier and bridge amplifier circuits. The Wien bridge is tuned and balanced to reject the fundamental frequency of the applied input signal. The remaining frequency components are passed on to the bridge amplifier circuit and are measured as distortion by the metering circuit. Negative feedback from the bridge amplifier to the preamplifier narrows the rejection response of the Wien bridge circuit.

4-7. The output of the rejection amplifier (1 dB gain) is applied to the metering circuit through the post-attenuator. The post-attenuator is used to limit the input signal level applied to the metering circuit to 1 mV for full scale deflection. The metering circuit sensitivity is increased to 300 μ V for full scale deflection on the 0.0003 V range. The metering circuit provides a visual indication of the distortion level in the input signal. In addition to the visual indication provided by the meter M1, the OUTPUT terminals provide a means of monitoring the distortion with an oscilloscope, a true rms voltmeter, or a wave analyzer.

4-8. DISTORTION MEASUREMENT IN AM CARRIERS.

4-9. The Model 332A Distortion Analyzer contains an AM detector circuit for measuring envelope distortion in AM carriers. The input signal is applied to the input of the AM detector circuit where the modulating signal is recovered from the RF carrier. The signal is then applied to the impedance converter circuit through the one megohm attenuator. The signal then goes through the same circuits previously described in the distortion measuring operation.

4-10. VOLTMETER OPERATION.

4-11. In the voltmeter mode of operation, the input signal is applied to the impedance converter circuit through the 1:1 and 1000:1 attenuator. The 1:1 attenuation ratio is used in the 0.0003 to 0.3 VOLTS positions of the METER RANGE switch S3, and the 1000:1 attenuation ratio is used in the 1 to 300 VOLTS positions. With the FUNCTION selector in the VOLT-METER position, the output of the impedance converter bypasses the rejection amplifier and is applied to the metering circuit through the post-attenuator and METER RANGE selector. In the voltmeter mode, metering circuit sensitivity is increased from 1 mV for full scale deflection to 300 μ V on the 0.0003 V range, the same as it was in the distortion mode of operation. The function of the post-attenuator and metering circuit is the same for the voltmeter mode as for the distortion mode.

4-12. DETAILED CIRCUIT DESCRIPTION.

4-13. IMPEDANCE CONVERTER CIRCUIT.

(Refer to Figure 7-1.)

4-14. The input signal to the distortion analyzer is applied to the impedance converter circuit through the 1:1 and 1000:1 attenuator, S3R12, in the voltmeter mode of operation and through the one megohm attenuator S2R1 through S2R6 in the distortion mode of operation. Capacitive dividers act in conjunction with the attenuators to keep the frequency response flat. The impedance converter is a low distortion, high input impedance amplifier with gain independent of the source impedance placed at the INPUT terminals.

4-15. Instrument induced distortion of the signal being measured is prevented by keeping the input impedance and the gain of the impedance converter linear. The input impedance is made linear by "boot strapping" the protection diodes A2CR2 and A2CR3 and the gate to drain capacitance of A2Q1 with local positive feedback. By keeping the input impedance linear, signals having a high source impedance can be measured accurately and the SENSITIVITY selector S2 can be used in the high impedance positions without distorting the input signal. In addition to having a high input impedance, the impedance converter serves as a linear amplifier. The open loop gain of the circuit is increased by "boot strapping" the collector load impedances of A2Q2 and A2Q3 with local positive feedback. Overall negative feedback from the emitter circuit of A2Q4 to the source of A2Q1 results in unity gain from the impedance converter circuit and keeps the distortion generated by the circuit well within the specifications listed in Table 1-1.

4-16. The bias points of the transistors in the impedance converter circuit have been selected for optimum distortion performance. The voltage at A2TP1 is set for optimum distortion performance for each individual instrument and should not be changed from the set value unless the field effect transistor A2Q1 is replaced. The field effect transistor used in the impedance converter provides extremely low noise performance independent of the signal source impedance, and aids in producing the high impedance input to the impedance converter circuit.

4-17. REJECTION AMPLIFIER CIRCUIT.

(Refer to Figure 7-2.)

4-18. The rejection amplifier circuit consists of the preamplifier, A3Q1 through A3Q3, the Wien bridge circuit, and the bridge amplifier, A3Q4 through A3Q6. A simplified block diagram of the rejection amplifier with the typical frequency rejection characteristic is shown in Figure 4-2.

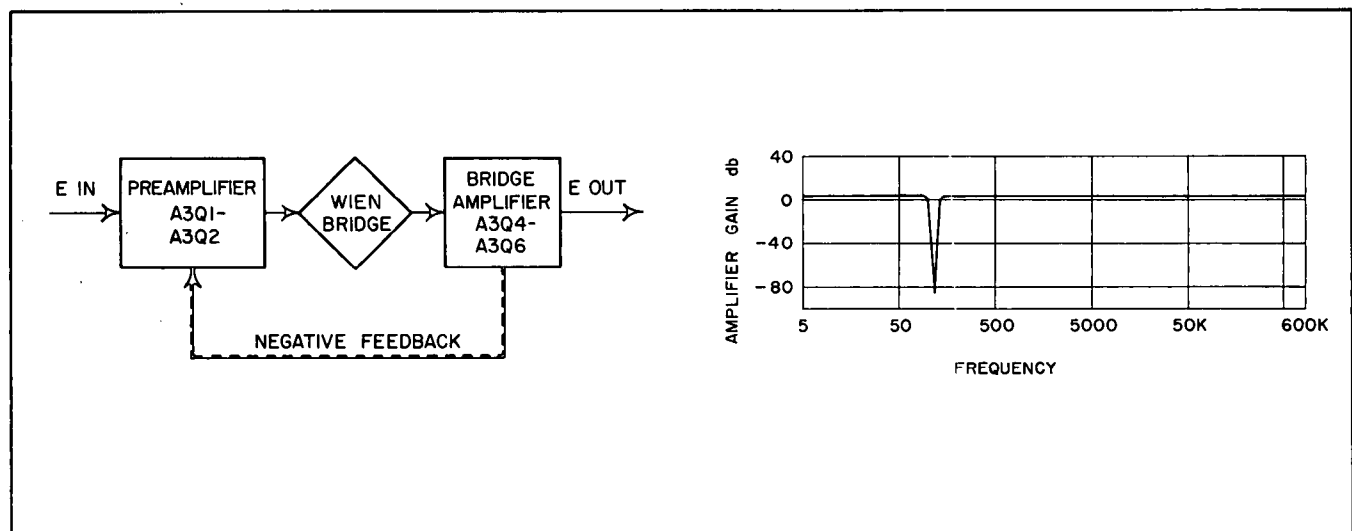


Figure 4-2. Rejection Amplifier Block Diagram and Typical Frequency Rejection Characteristic

4-19. PREAMPLIFIER CIRCUIT.

4-20. The signal from the impedance converter circuit is applied to the preamplifier circuit which is operational in the SET LEVEL and DISTORTION modes of operation. Negative feedback from the junction of A3R10 and A3R11 is applied to the junction of A3R2 and A3C2 to establish the operating point for A3Q1. Negative feedback from the emitter of A3Q3 is applied to the emitter of A3Q1 to stabilize the whole preamplifier circuit. The preamplifier circuit, like the impedance converter circuit, is designed for high open loop gain to insure maximum distortion performance.

4-21. WIEN BRIDGE CIRCUIT.

4-22. The Wien bridge circuit is used, in the distortion mode of operation, as a rejection filter for the fundamental frequency of the input signal. With the FUNCTION selector S1 in the DISTORTION position, the Wien bridge is connected as an interstage coupling network between the preamplifier circuit and the bridge amplifier circuit.

4-23. The bridge is tuned to the fundamental frequency of the input signal by varying the frequency tuning capacitors, C4A through C4D, after the FREQUENCY RANGE selector S4 is set for the applicable frequency range. The bridge circuit is brought into balance by adjusting the COARSE BALANCE control R4 and the FINE BALANCE control R5. When the bridge circuit is tuned and balanced, the voltage and phase of the fundamental, which appears at junction of the series reactive arm (S4R1-S4R10 and C4A/B) and the shunt reactive arm (S4R11-S4R20 and C4C/D), is the same as at the midpoint of the resistive branch (A3R12 and A3R14). When these two voltages are equal and are in phase, no output signal will appear at the drain of the field effect transistor A3Q4. For frequencies other than the fundamental, the reactive branch of the Wien bridge offers various degrees of attenuation and phase shift. The difference voltage between the reactive branch and resistive branch is amplified by A3Q4. Figure 4-3 illustrates a typical Wien bridge circuit and the rejection characteristic for this circuit. The

Wien bridge circuit is designed to cover a continuous frequency range of 12 to 1 to insure an overlap of the coarse tuning range. Coarse tuning ranges are selected by the FREQUENCY RANGE selector S4 which changes the bridge circuit constants in five decade steps.

4-24. When the FUNCTION selector is set to the VOLT-METER or SET LEVEL position, the junction of the series and shunt reactive arm of the Wien bridge is connected to circuit ground through S1BF, which disables the frequency rejection characteristic of the bridge circuit. With the bridge circuit disabled, the rejection amplifier circuit provides one dB of gain for the fundamental frequency, the harmonics, and for the residuals to establish the set level reference in the SET LEVEL mode of operation.

4-25. BRIDGE AMPLIFIER CIRCUIT.

4-26. The bridge amplifier circuit consists of three stages of amplification, A3Q4 through A3Q6. The first stage of amplification, A3Q4, is a field effect transistor which amplifies the difference signal between the gate and the source. The field effect transistor is selected for maximum noise performance with the high impedances of the Wien bridge circuit. The signal from the drain is applied to the two stage feedback amplifier A3Q5 and A3Q6. The bias potential at A3TP2 is set for maximum distortion performance for each individual instrument and should not be changed from the set value unless the field effect transistor A3Q4 is replaced.

4-27. The output of A3Q6 is coupled to the meter circuit through the post attenuator S3R1 through S3R11. Negative feedback from the output of the bridge amplifier is applied to the preamplifier circuit to narrow the frequency rejection characteristic. It can be noted from the rejection characteristic (refer to Figure 4-3) for the bridge that the rejection of harmonic

voltages is not constant. Typically the second harmonic is attenuated several dB more than the third harmonic, and the third more than the fourth. The result of the negative feedback is illustrated by the rejection characteristic shown in dashed lines on the amplitude and phase characteristic of Figure 4-3. Refer to Figure 4-4, Bandwidth versus Null Depth for further detail on the rejection characteristic.

4-28. METER CIRCUIT.

(Refer to Figure 7-3.)

4-29. The meter circuit consists of the post attenuator, the meter amplifier circuit, and the meter rectifier circuit.

4-30. POST ATTENUATOR.

4-31. The post attenuator, S3R1 through S3R11, is a series of resistor networks which provide attenuation of input signals in 10 dB steps. The attenuator is used in conjunction with either the input sensitivity attenuator or the 1000:1 attenuator to limit the signal level to the meter amplifier to 1 mV for full scale deflection on all ranges from 1 mV to 300 V full scale. The meter circuit sensitivity is increased to 300 μ V for full scale deflection on the 0.0003 V range by switching resistors A2R29 and A2R30 into the calibration network. Resistor A2R41 and capacitor A2C29 are also switched into the calibration network on the 0.0003 V range to extend the passband of the amplifier.

4-32. METER AMPLIFIER CIRCUIT.

4-33. The meter amplifier circuit consists of five stages of amplification, A2Q5 through A2Q9, which develop the current for full scale meter deflection. Negative dc feedback from the emitter circuit of A2Q8 is applied to the base of A2Q5 to stabilize the dc operating point of the meter amplifier circuit and to minimize

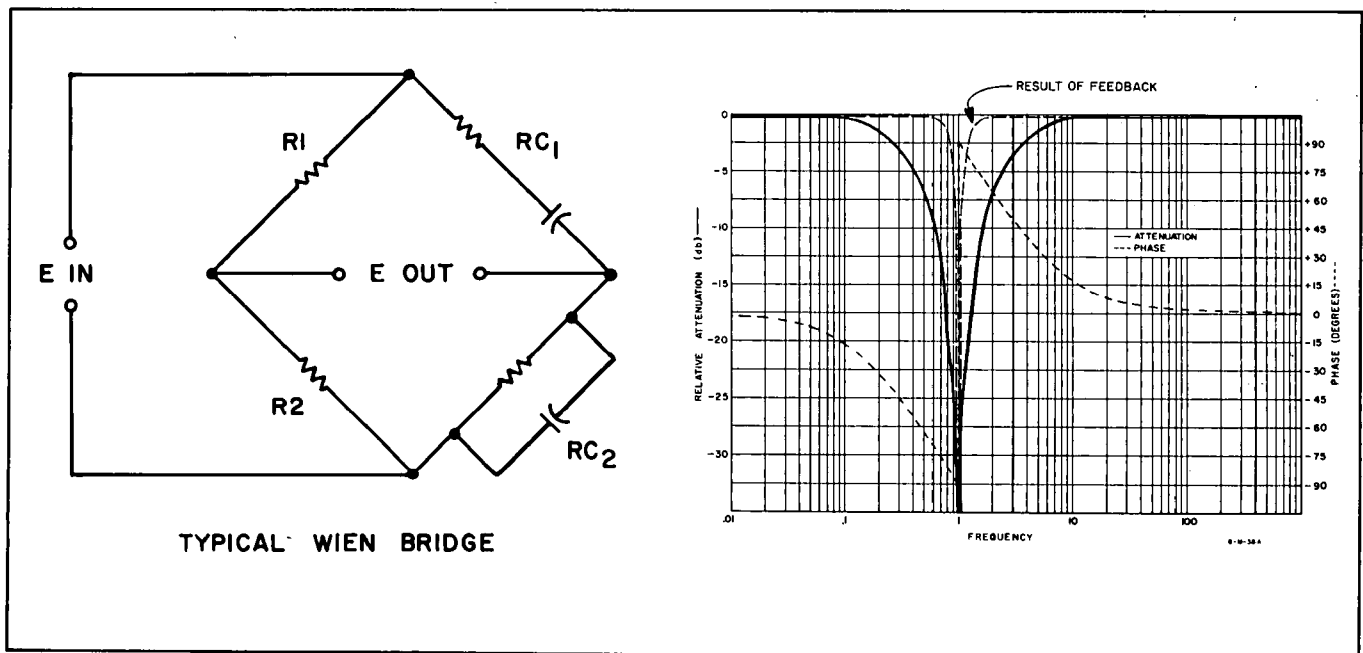


Figure 4-3. Wien Bridge Circuit and Rejection Characteristics

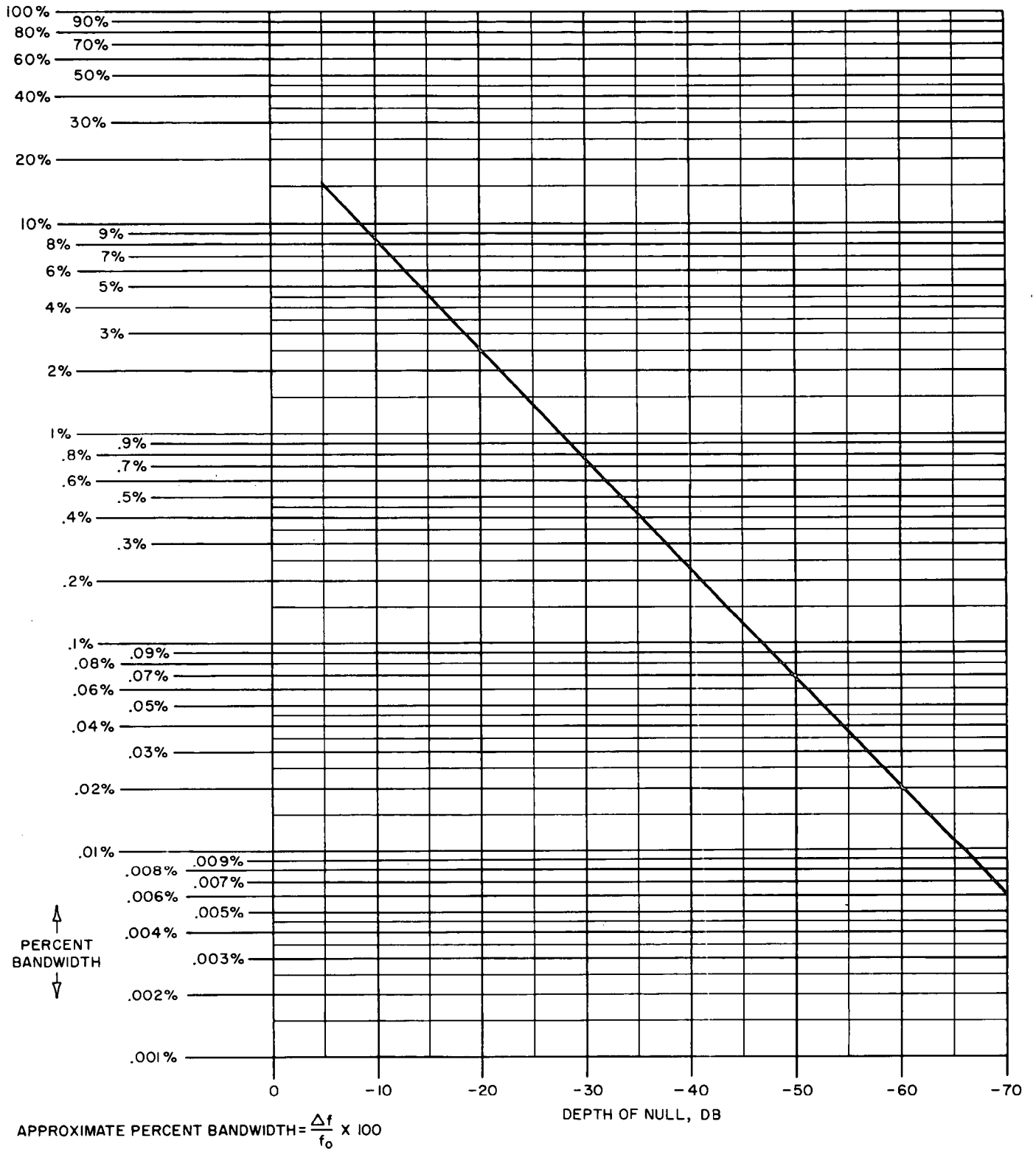


Figure 4-4. Bandwidth versus Null Depth

the tendency for dc drift due to ambient temperature changes. Negative ac feedback is applied from the collector circuit of A2Q9 to the emitter circuit of A2Q5. This feedback is used to insure a flat frequency response, to improve linearity, and to reduce the effect of variation of transistor parameters with environmental changes. In this manner, the calibration of the instrument is made dependent on high quality passive components.

4-34. METER RECTIFIER CIRCUIT.

4-35. The meter rectifier is connected in a bridge type of configuration with a diode in each upper arm and a dc milliammeter connected across the midpoints of the bridge. The simplified meter rectifier is illustrated in Figure 4-5. The generator represented by A2Q5 through A2Q9, with the internal impedance R_0 , provides the meter M1 with current for full scale deflection and develops a voltage across the calibration network which closes the ac feedback loop. Capacitors A2C27 and A2C28 are used as coupling capacitors for the ac feedback loop and the output signal to the OUTPUT connector. The mechanical inertia of the meter prevents the meter from responding to individual current pulses; therefore the meter pointer reading corresponds to the average value of the current pulses rather than the peak value. The meter calibration is to the rms value of a sine wave. Resistor A2R45 impresses a fixed bias across diodes A2CR6 and A2CR7 (biasing them close to the barrier voltage) to make the meter circuit response linear to large variations in signal amplitude. The linearity of this type of circuit is also increased by enclosing the meter circuit in the overall feedback loop.

4-36. POWER SUPPLY CIRCUIT.

(Refer to Figure 7-4.)

4-37. The power supply circuit consists of a +25 volt series regulated supply and a -25 volt series regulated supply which is the reference supply for the +25 volt supply.

4-38. The -25 volt regulated supply is of the conventional series regulator type. The amplifier A1Q5 is used to increase the loop gain of the circuit, thus improving voltage regulation. The positive feedback applied to the junction of A1R11 and A1R12 is used to further improve the line frequency suppression of the circuit.

4-39. The +25 volt regulated supply is of the conventional series regulator type and operates the same as the -25 volt regulated supply.

4-40. Diodes A1CR5 and A1CR6 are coupling and protection diodes for external battery supplies. The diodes protect the series regulator circuits from application of incorrect polarity at the battery input terminals. The diodes also protect external batteries from being charged in the wrong direction when the ac power is being used with batteries connected to the battery terminals.

4-41. RF DETECTOR CIRCUIT (332A ONLY).

(Refer to Figure 7-1.)

4-42. The RF detector circuit consists of a rectifier, A4CR1, and filter circuit. The RF signal is applied to the circuit through the RF INPUT connector on the rear panel. The rectifier diode A4CR1 recovers the modulating signal from the RF carrier and the filter circuit removes any RF components before the signal is applied to the impedance converter circuit through the NORM-RF DET switch S7.

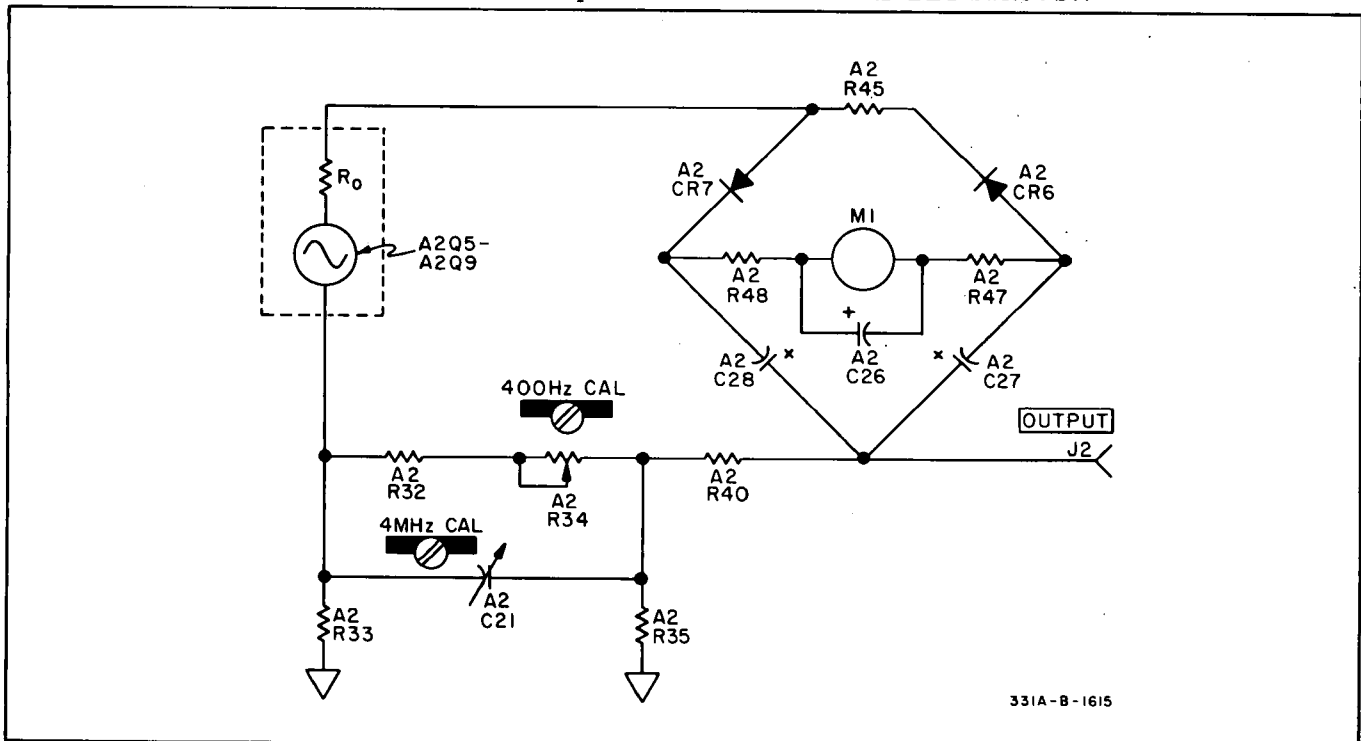


Figure 4-5. Simplified Metering Circuit

Table 5-1. Required Test Equipment

INSTRUMENT TYPE	SPECIFICATIONS	USE	RECOMMENDED MODEL
Voltmeter Calibrator	Voltage Range: 300 μ V to 300 V rms Accuracy: $\pm 0.2\%$ at 400 Hz	Performance Checks, Adjustment and Calibration	-hp- Model 738BR Voltmeter Calibrator
Test Oscillator	Voltage Range: 300 μ V to 3 V Frequency Range: 10 Hz to 3 MHz	Performance Checks, Adjustment and Calibration	-hp- Model 652A Test Oscillator
Wave Analyzer	Bandwidth: 5 kHz to 600 kHz Dynamic Range: >80 dB	Performance Checks	-hp- Model 310A Wave Analyzer
Electronic Counter	Functions: period, 1 sec. gate Accuracy: ± 2 counts	Performance Checks, Adjustment and Calibration	-hp- Model 5532A Electronic Counter
DC Voltmeter	Voltage Range: ± 25 Vdc Accuracy: $\pm 1\%$	Adjustment and Calibration, Troubleshooting	-hp- Model 412A DC Vacuum Tube Voltmeter
Oscilloscope	Bandwidth: dc to 10 MHz Vertical: Dual Channel	Troubleshooting	-hp- Model 140A/1402A/1420A Oscilloscope
AC Voltmeter	Voltage Range: 100 μ V to 30 V Frequency Range: 20 Hz to 4 MHz	Troubleshooting	-hp- Model 400F AC Voltmeter
Filter Box	Filtered Outputs: 500 Hz, 5 kHz, 250 kHz, 600 kHz Output Distortion: <80 dB	Performance Checks	White Model 2640 Filter Set
Power Supply	Output Voltage: ± 400 Vdc	Performance Checks	-hp- Model 711A Power Supply
Signal Generator	Carrier Frequency: 1 MHz Modulation: External, up to 50%	Performance Checks (Model 332A only)	-hp- Model 606A Signal Generator
Oscillator	Voltage Range: 1 V Frequency Range: 1 kHz Output: Floating, ± 400 Vdc	Performance Checks	-hp- Model 204C Oscillator
AC Probe	Input Impedance: 10 M Ω shunted by 10 pF	Troubleshooting	-hp- Model 11074A Voltage Divider Probe
Terminating Resistances	Feedthru: 50 $\Omega \pm 1\%$ and Feedthru: 600 $\Omega \pm 1\%$	Performance Checks, Adjustment and Calibration	-hp- Model 11048B and -hp- Model 11095A
Shielded Loads	Resistance: 600 Ω and Resistance: 100 k Ω	Performance Checks	See Figure 5-7
Resistors	Fxd: 100 k $\Omega \pm 1\%$ 1/2 W and Fxd: 10 k $\Omega \pm 1\%$ 1/2 W	Performance Checks	-hp- Part No. 0727-0208 and -hp- Part No. 0757-0215

SECTION V MAINTENANCE

5-1. INTRODUCTION.

5-2. This section contains maintenance and service information for the 331A and 332A Distortion Analyzers. Included are Performance Checks, Adjustment and Calibration Procedures and Troubleshooting Procedures.

5-3. REQUIRED TEST EQUIPMENT.

5-4. The equipment needed to properly maintain the Model 331A/332A is listed in Table 5-1. If the recommended model is not available, any instrument that has specifications equal to or better than the required specifications may be used.

5-5. PERFORMANCE CHECKS.

5-6. The performance checks are in-cabinet procedures that can be used to verify instrument performance. These procedures can be used for periodic maintenance, to check specifications after a repair, or for incoming quality control inspection. Performance checks for both the 331A and 332A are provided. The performance checks are applicable to both instruments except where noted in the paragraph heading. If the instrument fails to meet any of its specifications, perform the Adjustment and Calibration Procedures, Paragraph 5-21. The Performance Checks and Adjustment and Calibration Procedures should be performed at six month intervals to assure optimum operation of the instrument.

5-7. The performance checks are made with the ac power cord connected to nominal line voltage (115 V or 230 V, 48 to 440 Hz) and NORM. - R. F. DET. switch to NORM, unless otherwise specified.

5-8. A Performance Check Test Card is provided at the end of this section for recording the performance of the instrument during the performance checks. The card may be removed from the manual and used as a permanent record of the incoming inspection or of a routine performance check.

5-9. FUNDAMENTAL REJECTION CHECK.

- a. Connect test equipment to 331A/332A as shown in Figure 5-1. Set filter pass frequency to 500 Hz.

————— NOTE —————

The test oscillator output is filtered so that the input to the 331A/332A is a pure signal at the desired frequency.

- b. Set 331A/332A controls as follows:
 FUNCTION VOLTMETER
 METER RANGE 1 VOLT
 FREQUENCY RANGE . . X100
 Frequency Dial 5
- c. Set test oscillator frequency to 500 Hz, and adjust amplitude for indication of 1.0 V on meter of 331A/332A.

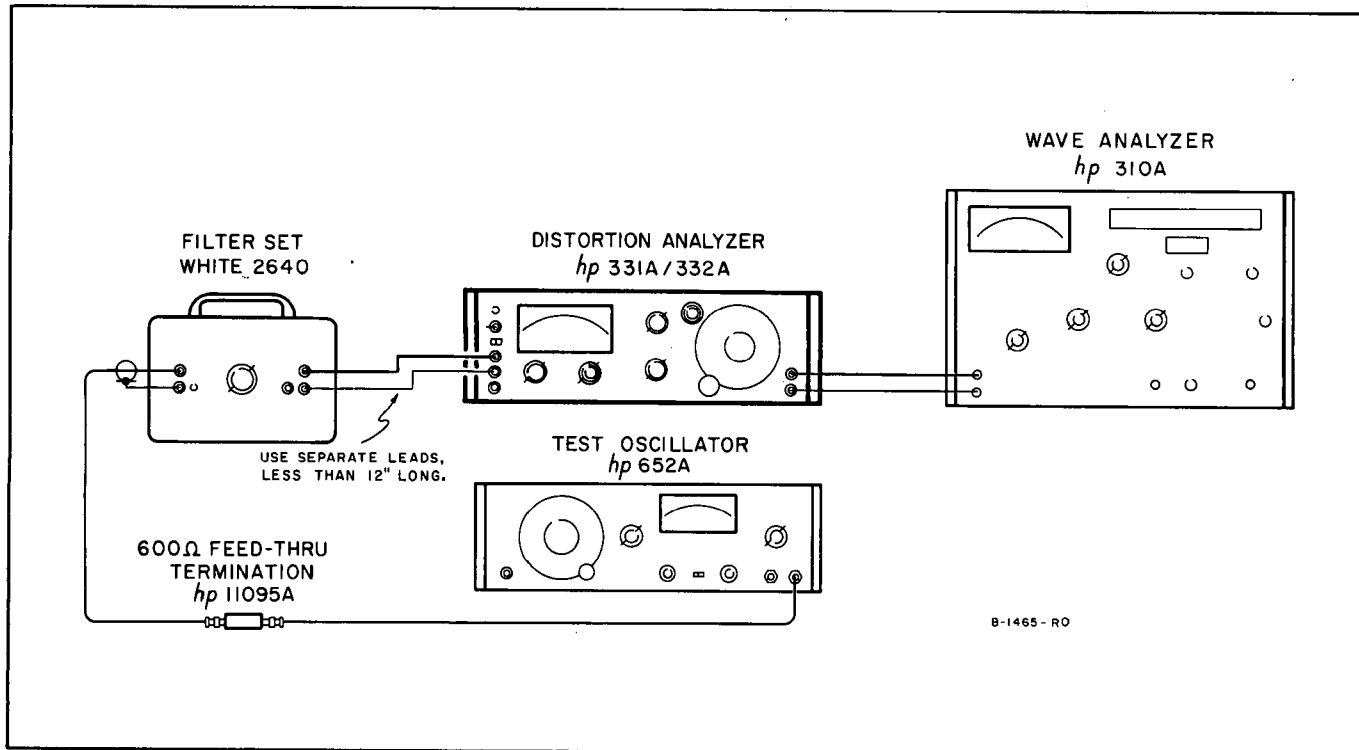


Figure 5-1. Fundamental Rejection Check

- d. Set 331A/332A FUNCTION switch to SET LEVEL, and set METER RANGE to 0.3 V. Adjust SENSITIVITY controls for 0 dB indication on 331A/332A meter.
- e. Adjust wave analyzer controls for maximum reading (approximately 500 Hz), and use reading as 0 dB reference.
- f. Set 331A/332A FUNCTION switch to DISTORTION.
- g. Adjust 331A/332A frequency dial vernier and BALANCE controls for minimum meter indication. Reduce METER RANGE switch setting as necessary to maintain on-scale meter indication.
- h. Observe wave analyzer meter, and reduce wave analyzer range setting as necessary to maintain on-scale meter indication.

NOTE

The 331A/332A OUTPUT is a 0 to 0.1 V signal that is proportional to meter deflection, regardless of METER RANGE setting. Each decrease of the METER RANGE setting represents 10 dB fundamental rejection; therefore, the total fundamental rejection is the sum of the 331A/332A METER RANGE setting and the wave analyzer reading.

- i. The 331A/332A METER RANGE setting plus wave analyzer reading should total more than -80 dB.
- j. Repeat steps b thru i with 331A/332A and test equipment frequencies set to 5 kHz, 50 kHz, 250 kHz, and 600 kHz.

5-10. SECOND HARMONIC ACCURACY CHECK.

- a. Connect 50 Ω output of test oscillator, terminated in 50 Ω load, to 331A/332A.
- b. Set 331A/332A controls as follows:
 FUNCTION SET LEVEL
 METER RANGE SET LEVEL
 FREQUENCY RANGE . . X1
 Frequency Dial 15

- c. Set test oscillator frequency to 15 Hz at an amplitude of 1 V.
- d. Adjust 331A/332A SENSITIVITY controls for 0 dB indication on meter.
- e. Set 331A/332A FUNCTION switch to DISTORTION. Adjust frequency dial vernier and BALANCE controls for best null indication on meter. Do not change frequency or balance settings after best null is obtained.
- f. Set 331A/332A FUNCTION and METER RANGE switches to SET LEVEL.
- g. Set test oscillator frequency to 30 Hz, and adjust amplitude for 0 dB indication on 331A/332A meter.
- h. Set 331A/332A FUNCTION switch to DISTORTION. Meter reading should not change more than +1 dB from 0 dB reference.
- i. Repeat steps b through h for each respective frequency and second harmonic listed in Table 5-2. 331A/332A meter readings should remain within tolerances listed in the table.

Table 5-2. Second Harmonic Accuracy Check

331A/332A FREQUENCY	TEST OSCILLATOR FREQUENCY (Second Harmonic)	331A/332A TOLERANCES
10 kHz	20 kHz	<±0.6 dB
50 kHz	100 kHz	<-1.0 dB
200 kHz	400 kHz	<-2.0 dB
500 kHz	1 MHz	<-3.0 dB

5-11. INSTRUMENT INDUCED DISTORTION CHECK.

- a. Connect test equipment to 331A/332A as shown in Figure 5-2. Set filter pass frequency to 500 Hz.
- b. Set 331A/332A controls as follows:
 FUNCTION SET LEVEL
 SENSITIVITY MAX.
 SENSITIVITY VERNIER . . MIN.
 METER RANGE SET LEVEL
 FREQUENCY RANGE . . X100
 Frequency Dial 5

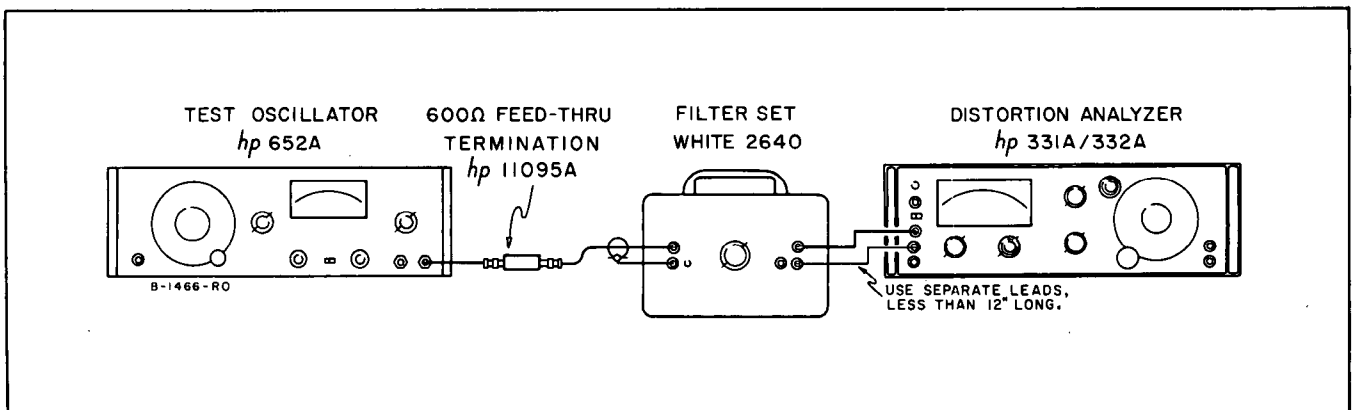


Figure 5-2. Instrument Induced Distortion Check

- c. Set test oscillator frequency to 500 Hz, and adjust amplitude for indication of +2 dB on 331A/332A meter.
- d. Set 331A/332A FUNCTION switch to DISTORTION.
- e. Adjust 331A/332A frequency dial vernier and BALANCE controls for minimum meter indication. Reduce METER RANGE setting as necessary to maintain on-scale meter indication.
- f. 331A/332A meter indication should be at least 70 dB below +2 dB reference.
- g. Repeat steps b through f with 331A/332A and test equipment frequencies set to 250 kHz and 600 kHz. 331A/332A meter indication should be at least 64 dB below +2 dB reference.
- e. **DO NOT** adjust 331A/332A frequency controls. Adjust test oscillator frequency and 331A/332A BALANCE controls for minimum indication on 331A/332A meter.
- f. Repeat step e until best null is indicated on 331A/332A. Reduce METER RANGE setting as necessary to maintain on-scale meter indication.
- g. Electronic counter should indicate period of 100 msec \pm 5 msec (10 Hz \pm 5%).
- h. Set electronic counter to read frequency. Repeat steps b through f for each frequency listed in Table 5-3. At each respective frequency setting, electronic counter should indicate that test oscillator frequency is within tolerances listed in table.

5-12. FREQUENCY CALIBRATION ACCURACY CHECK.

- a. Connect test equipment to 331A/332A as shown in Figure 5-3. Set electronic counter to read period.

————— NOTE —————

In this check, the 331A/332A frequency dial is held constant and the input frequency is varied and monitored. If the dial is low, the input frequency will be high at null and vice versa.

- b. Set 331A/332A controls as follows:
 FUNCTION SET LEVEL
 SENSITIVITY MAX.
 METER RANGE SET LEVEL
 FREQUENCY RANGE . . X1
 Frequency Dial 10
- c. Set test oscillator frequency to 10 Hz, and adjust amplitude for indication of +2 dB on 331A/332A meter.
- d. Set 331A/332A FUNCTION switch to DISTORTION.

Table 5-3. Frequency Calibration Accuracy Check

331A/332A FREQUENCY	TEST OSCILLATOR FREQUENCY	ELECTRONIC COUNTER INDICATION
1 kHz	1 kHz	950 Hz to 1050 Hz
100 kHz	100 kHz	95 kHz to 105 kHz
200 kHz	200 kHz	190 kHz to 210 kHz
400 kHz	400 kHz	360 kHz to 440 kHz
600 kHz	600 kHz	540 kHz to 660 kHz

5-13. INPUT IMPEDANCE CHECK.

5-14. RESISTANCE CHECK.

- a. Connect 50 Ω output of test oscillator, terminated in 50 Ω load, to 331A/332A INPUT terminals.
- b. Set 331A/332A controls as follows:
 FUNCTION VOLTMETER
 SENSITIVITY MAX.
 SENSITIVITY VERNIER . MAX.
 METER RANGE 1 VOLT
- c. Set test oscillator frequency to 100 Hz, and adjust amplitude for indication of 1 V on 331A/332A meter.

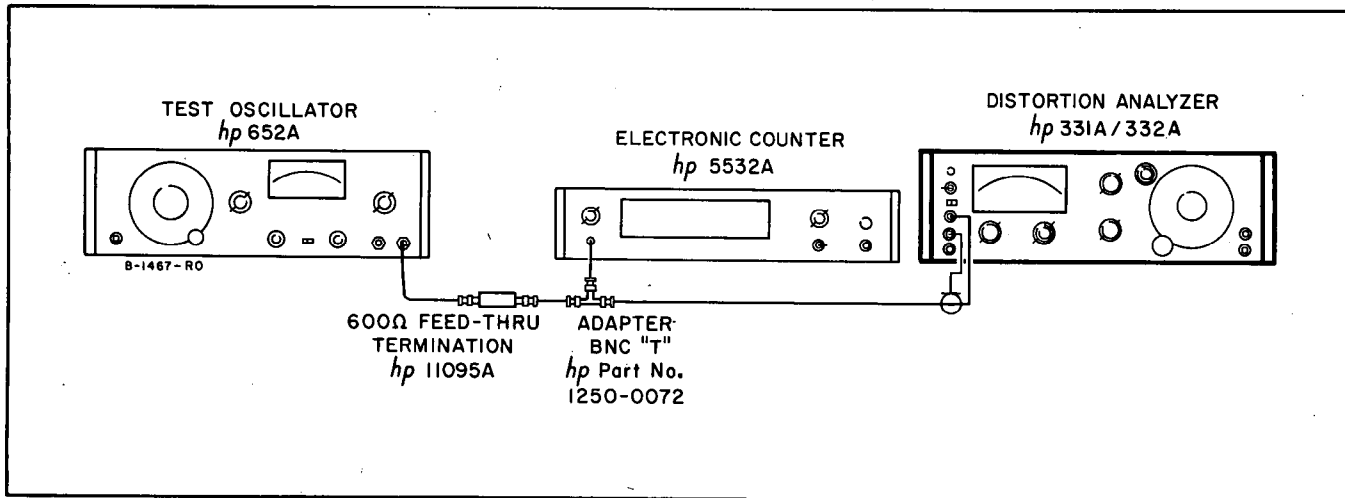


Figure 5-3. Frequency Calibration Accuracy Check

- d. Connect a 100 kΩ resistor in series with 331A/332A input.
- e. 331A/332A meter should indicate between 0.9 V and 0.92 V. This verifies an input resistance of 1 MΩ ±5% in voltmeter function.
- f. Remove 100 kΩ resistor, and reconnect oscillator to 331A/332A.
- g. Set 331A/332A FUNCTION switch to SET LEVEL, and set METER RANGE switch to 0.1 VOLT.
- h. Adjust test oscillator amplitude for 331A/332A meter indication of 0.1 V.
- i. Connect 100 kΩ resistor in series with 331A/332A input.
- j. 331A/332A meter should indicate between 0.090 V and 0.092 V. This verifies an input resistance of 1 MΩ ±5% in set level and distortion functions.
- f. Set test oscillator to 100 Hz and adjust amplitude for 331A/332A meter indication of 0.1 V. Set a reference on meter of test oscillator and use amplitude controls to maintain set reference whenever frequency of oscillator is changed.
- g. Increase frequency of test oscillator to 230 kHz. 331A/332A meter should indicate 70.7 mV or greater, verifying an input capacitance of 70 pF or less on 0.1 V range in voltmeter function.
- h. Set 331A/332A FUNCTION switch to SET LEVEL.
- i. Set test oscillator to 100 Hz, and adjust amplitude for 331A/332A meter indication of 0.1 V. Set a reference on meter of test oscillator and use amplitude control to maintain set reference whenever frequency of oscillator is varied.

5-15. CAPACITANCE CHECK.

- a. Connect 50 Ω output of test oscillator, terminated in 50 Ω load, and 10 kΩ resistor to 331A/332A as shown in Figure 5-4. Connect resistor lead to INPUT terminal of 331A/332A, and insert other lead directly into 50 Ω load. Connect ground lead from 331A/332A to outer shield of 50 Ω load; do not use an adapter, as it would add capacitance.
- b. Set 331A/332A controls as follows:
 FUNCTION VOLTMETER
 SENSITIVITY MAX.
 SENSITIVITY VERNIER . MAX.
 METER RANGE 1 VOLT
- c. Set test oscillator to 100 Hz and adjust amplitude for 331A/332A meter indication of 1 V. Set a reference on meter of test oscillator and use amplitude control to maintain set reference whenever frequency of oscillator is changed.
- d. Increase frequency of test oscillator to 540 (455) kHz. 331A (332A) meter should indicate 0.707 V or greater, verifying an input capacitance of 30 pF (35 pF) or less on 1 V range in voltmeter function.
- e. Set 331A/332A METER RANGE switch to 0.1 V range.

5-16. MINIMUM INPUT LEVEL CHECK.

- a. Connect 50 Ω output of test oscillator, terminated in 50 Ω load, to 331A/332A INPUT terminals.
- b. Set 331A/332A controls as follows:
 FUNCTION VOLTMETER
 SENSITIVITY MAX.
 SENSITIVITY VERNIER . MAX.
 METER RANGE 0.3 VOLTS
- c. Set test oscillator to 400 Hz and adjust amplitude for 331A/332A meter indication of 0.3 V.
- d. Set 331A/332A FUNCTION switch to SET LEVEL.
- e. 331A/332A meter should indicate full scale or greater.

5-17. DC ISOLATION CHECK.

- a. Connect test equipment to 331A/332A as shown in Figure 5-5.

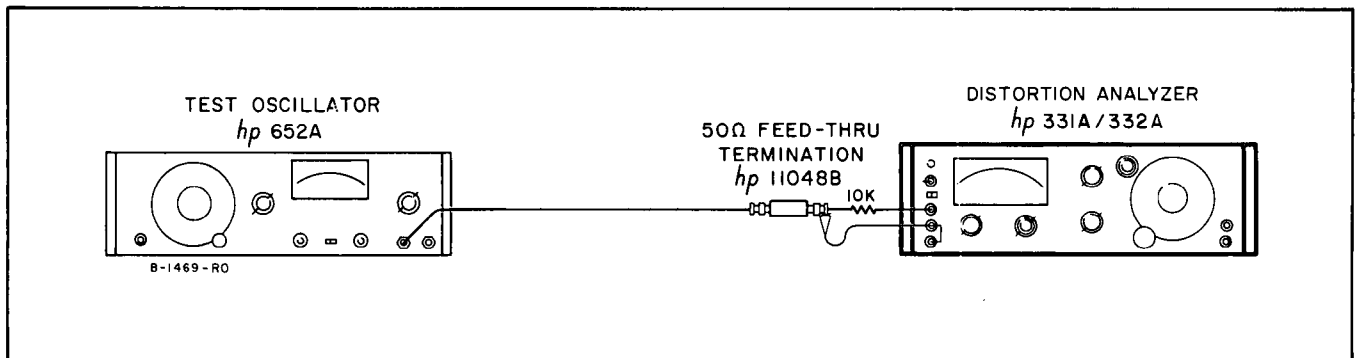


Figure 5-4. Capacitance Check

WARNING

REMOVE SHORTING BAR BETWEEN CHASSIS GROUND (\perp) AND CIRCUIT GROUND (⏏) ON 331A/332A INPUT TERMINALS.

- b. Set 331A/332A controls as follows:
 FUNCTION VOLTMETER
 METER RANGE 1 VOLT
- c. Set oscillator to 1 kHz, and adjust amplitude for 331A/332A meter indication of 0.9 V.
- d. Set power supply to ± 400 Vdc. 331A/332A meter indication should not change, and ammeter of power supply should indicate that no current is flowing.

5-18. VOLTMETER ACCURACY AND FREQUENCY RESPONSE CHECK.

- a. Connect voltmeter calibrator to 331A/332A as shown in Figure 5-6. Test oscillator will be used later in check.
- b. Set 331A/332A FUNCTION switch to VOLT-METER.
- c. Set voltmeter calibrator for 400 Hz rms output.
- d. Check 331A/332A voltmeter full scale reading on all ranges against appropriate rms input from voltmeter calibrator. Voltmeter accuracy should be within $\pm 2\%$.
- e. Disconnect voltmeter calibrator and connect 50 Ω output of test oscillator, terminated in 50 Ω load, to 331A/332A.

- f. Set 331A/332A METER RANGE switch to 3 VOLTS. *from STEP D and*
- g. Set test oscillator to 400 Hz, and adjust for 331A/332A meter indication of 3.0 V. Set reference on meter of test oscillator and use amplitude control to maintain set reference whenever frequency of oscillator is varied.
- h. Set test oscillator to each frequency listed in Table 5-4. At each respective frequency, 331A/332A meter indication should be within tolerances listed in table.
- i. Set 331A/332A METER RANGE switch to 0.0003 VOLTS.
- j. Set test oscillator to 400 Hz and adjust amplitude for 331A/332A meter indication of 300 μ V. Set reference on meter of test oscillator and use amplitude control to maintain set reference whenever frequency of oscillator is varied.
- k. Set test oscillator to each frequency listed in Table 5-4. At each respective frequency, 331A/332A meter reading should be within tolerances listed in table.

Table 5-4. Voltmeter Frequency Response Check

FREQ.	3 V RANGE METER INDICATION		FREQ.	0.0003 V RANGE METER INDICATION	
	MIN.	MAX.		MIN.	MAX.
10 Hz	2.94 V	3.06 V	20 Hz	285 μ V	315 μ V
1 kHz	2.94 V	3.06 V	30 Hz	294 μ V	306 μ V
10 kHz	2.94 V	3.06 V	1 kHz	294 μ V	306 μ V
100 kHz	2.94 V	3.06 V	10 kHz	294 μ V	306 μ V
1 MHz	2.94 V	3.06 V	100 kHz	294 μ V	306 μ V
2 MHz	2.85 V	3.15 V	300 kHz	294 μ V	306 μ V
3 MHz	2.85 V	3.15 V	500 kHz	285 μ V	315 μ V

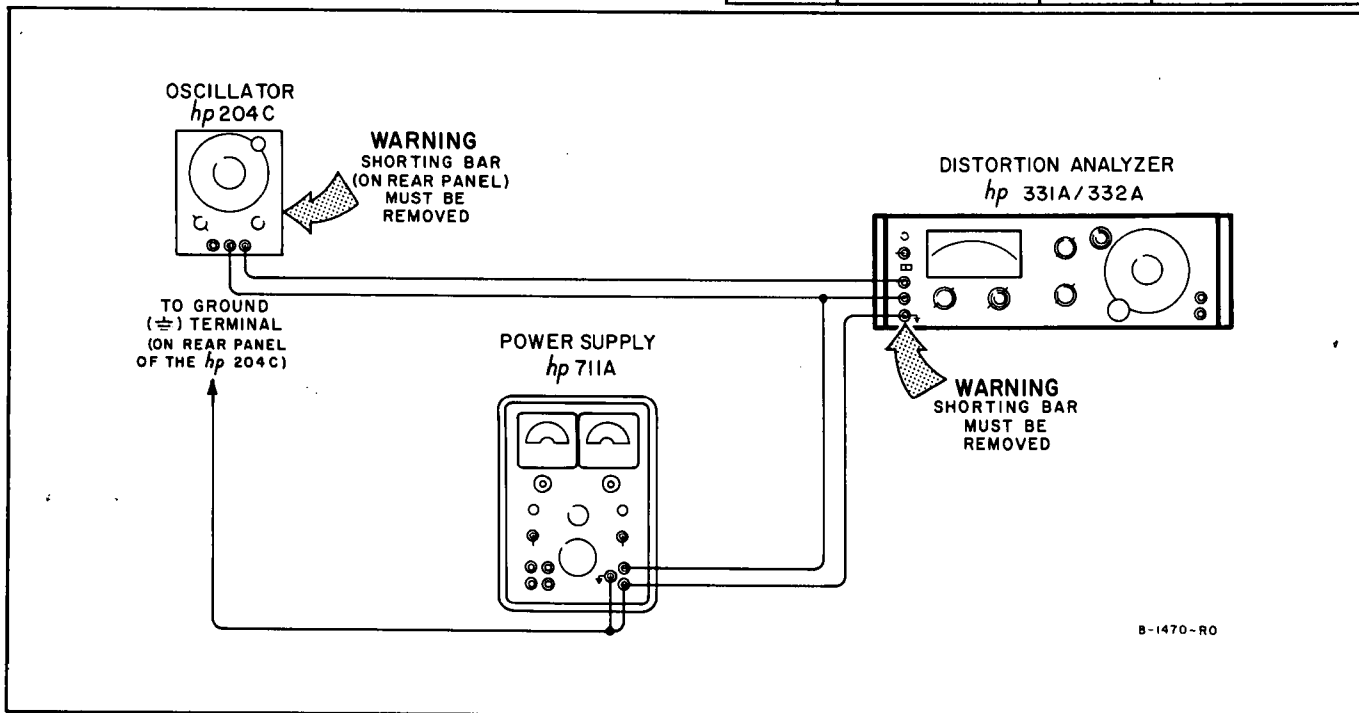


Figure 5-5. DC Isolation Check

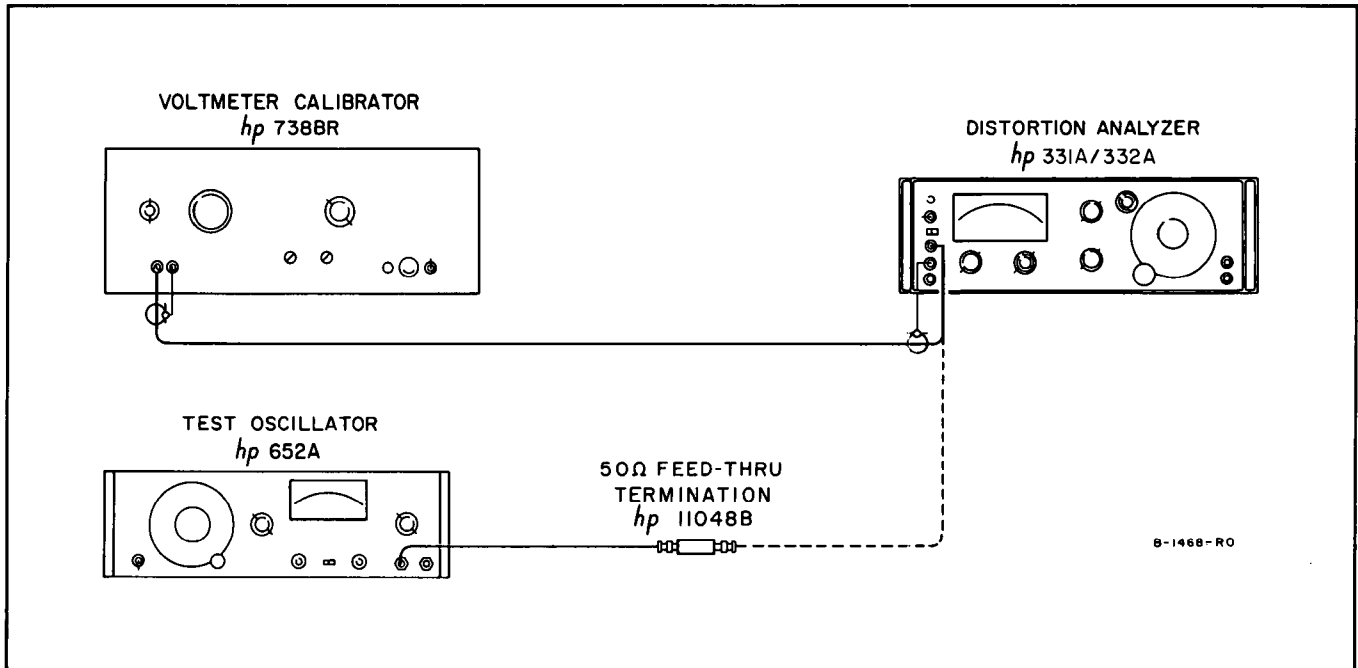


Figure 5-6. Voltmeter Accuracy and Frequency Response Check

5-19. RESIDUAL NOISE CHECK.

- a. Connect a shielded 600 Ω load across 331A/332A INPUT terminals. (See Figure 5-7 for details on constructing shielded load.) Be sure that shorting bar is connected between chassis ground and circuit ground on INPUT terminals.
- b. Set 331A/332A controls as follows:
 FUNCTION VOLTMETER
 METER RANGE 0.0003 VOLTS
- c. Meter should indicate less than 25 μV.
- d. Remove 600 Ω load. Connect a shielded 100 kΩ load across INPUT terminals. (See Figure 5-7 for details on constructing shielded load.)
- e. Meter should indicate less than 30 μV.

5-20. AM DETECTOR CHECK (MODEL 332A ONLY).

- a. Connect high frequency signal generator 50 Ω RF output to 332A R. F. INPUT terminal.
- b. Set 332A controls as follows:
 FUNCTION SET LEVEL
 NORM. - R. F. DET. R. F. DET.
 METER RANGE SET LEVEL
 FREQUENCY RANGE X100
 Frequency Dial 10
- c. Set high frequency signal generator to 1 MHz at an amplitude of 3 V. Modulate high frequency signal generator output 30% at 1 kHz, using a test oscillator.
- d. Adjust 332A SENSITIVITY controls for 0 dB meter indication.
- e. Set 332A FUNCTION switch to DISTORTION.

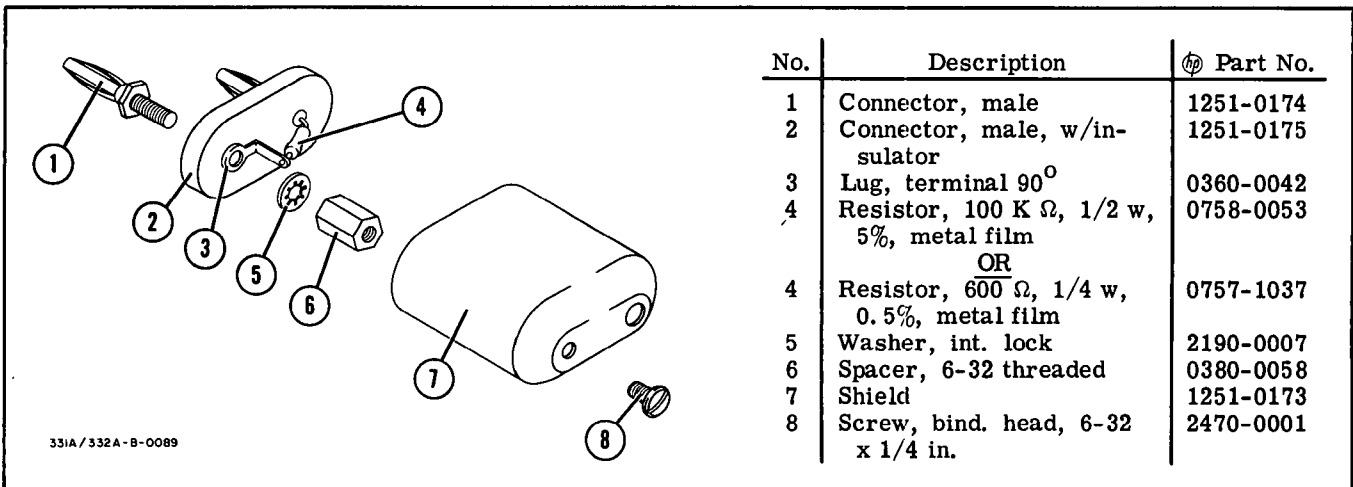


Figure 5-7. Shielded Load Assembly

- f. Adjust 332A frequency dial vernier and BALANCE controls for minimum meter indication.
- g. Distortion should be more than 40 dB below 0 dB reference.

5-21. ADJUSTMENT AND CALIBRATION PROCEDURE.

5-22. The following is a complete adjustment and calibration procedure for the 331A and 332A. Before proceeding with these adjustments, the Performance Checks should be performed to determine whether adjustments are necessary. If your instrument does not meet the test limits specified in the following steps, refer to Troubleshooting Procedure, Paragraph 5-32 for possible cause and corrective action. Adjustment locations are shown in Figure 5-8.

5-23. The Adjustment and Calibration Procedure is performed with the ac power cord connected to nominal line voltage (115 V or 230 V, 48 to 440 Hz), unless otherwise specified.

5-24. POWER SUPPLY AND BIAS ADJUSTMENTS.

- a. Remove top and bottom covers from instrument.
- b. Be sure that shorting bar is connected between chassis ground and circuit ground INPUT terminals.
- c. Connect common lead of a dc voltmeter to either INPUT ground terminal.
- d. Perform the measurements and adjustments listed in Table 5-5.



DONOT ALLOW PROBE TO SHORT A2TP1 TO GROUND. IF THIS HAPPENS, A2Q4 MAY BE DESTROYED.

5-25. VOLTMETER GAIN ADJUSTMENTS.

- a. Connect voltmeter calibrator to 331A/332A as shown in Figure 5-6.
- b. Set 331A/332A controls as follows:
 FUNCTION VOLTMETER
 METER RANGE 0.001 VOLTS

- c. Set voltmeter calibrator to 1 mV rms output at 400 Hz.
- d. Adjust A2R34 (400 Hz CAL.) for a meter indication of 1.0 mV.
- e. Set voltmeter calibrator to 0.3 mV rms at 400 Hz. Set 331A/332A METER RANGE to 0.0003 VOLTS.
- f. Meter should indicate $300 \mu V \pm 6 \mu V (\pm 2\%)$. If necessary, change value of A2R30* to set reading within limits. Increasing resistance decreases meter reading, and vice versa. Typical values for this resistor are from 150 Ω to 300 Ω .

5-26. VOLTMETER FREQUENCY RESPONSE ADJUSTMENT.

- a. Connect test oscillator to 331A/332A as shown in Figure 5-6.

NOTE

Cover plate (Item 36 in Figure 6-1) must be in place while performing these adjustments.

- b. Set 331A/332A controls as follows:
 FUNCTION VOLTMETER
 METER RANGE 0.0003 VOLTS
- c. Set test oscillator to 400 Hz, and adjust amplitude for 331A/332A meter indication of 300 μV . Set a reference on meter of test oscillator and use amplitude control to maintain set reference whenever frequency of oscillator is changed.
- d. Set test oscillator frequency to 20 Hz.
- e. 331A/332A meter should indicate $300 \mu V \pm 15 \mu V (\pm 5\%)$. If reading exceeds these limits, change value of A2C30*. Typical values for this capacitor are between 10 μF and 50 μF .
- f. Set 331A/332A METER RANGE switch to 0.01 VOLTS.
- g. Set test oscillator to 400 Hz, and adjust amplitude for 331A/332A meter indication of 0.01 V. Set a reference on meter of test oscillator and use amplitude control to maintain set reference whenever frequency of oscillator is changed.

Table 5-5. Power Supply and Bias Adjustments

MEASUREMENT POINT	VOLTAGE LIMITS	ADJUSTMENT	REGULATION (vary line voltage between 103.5 and 127.5 VAC)
Any violet wire	-25 V ± 0.5 V	A1R13	-25 V ± 0.25 V
Any red wire	+25 V ± 1.0 V	None*	+25 V ± 1.0 V
A2 TP1	-11.3 V	A2R3	-11.3 V ± 0.1 V
A2 TP2	+ 8.2 V ± 0.5 V	A2R20	+ 8.2 V ± 0.5 V
A3 TP1	+ 2.65 V ± 0.2 V	A3R4	+ 2.65 V ± 0.2 V
A3 TP2	-20.2 V ± 0.3 V	A3R16	-20.2 V ± 0.3 V

*Referenced to -25 volt supply; -25 volt supply must be adjusted first.

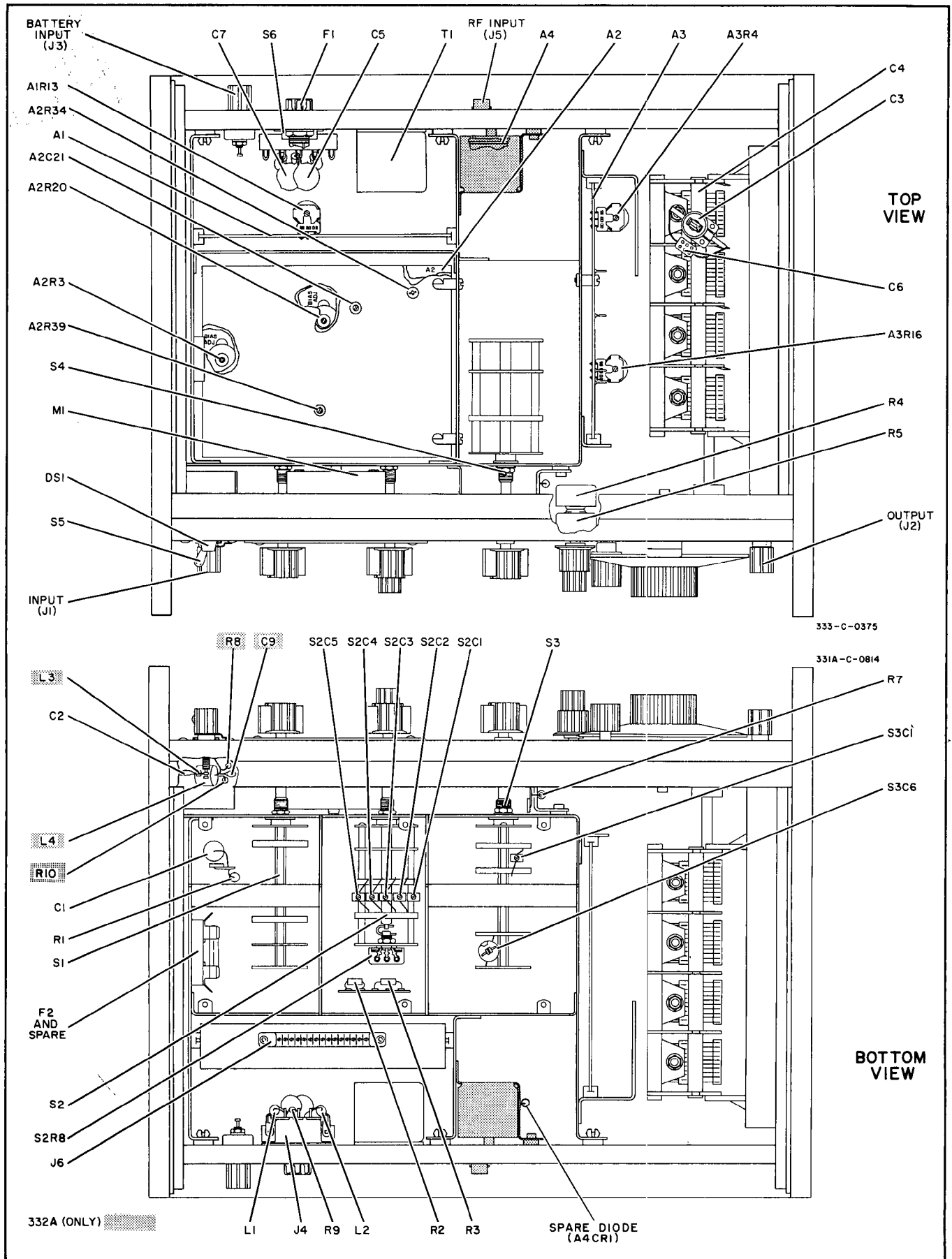


Figure 5-8. Adjustment and Chassis Mounted Component Location

- h. Set test oscillator frequency to 2 MHz.
- i. Adjust A2R39 for 331A/332A meter indication of 0.01 V.
- j. Set test oscillator frequency to 3 MHz.
- k. Adjust A2C21 for 331A/332A meter indication of 0.01 V.

NOTE

Adjustments of A2R39 and A2C21 interact. Therefore, it may be necessary to repeat the two adjustments to bring both within tolerance.

- l. Set 331A/332A METER RANGE switch to 0.3 VOLTS.
- m. Set test oscillator to 400 Hz, and adjust amplitude for 331A/332A meter indication of 0.3 V. Set a reference on meter of test oscillator and use amplitude control to maintain set reference whenever frequency of oscillator is changed.
- n. Set test oscillator frequency to 2.5 MHz.
- o. Adjust S3C6 for 331A/332A meter indication of 0.3 V.
- p. Set 331A/332A METER RANGE switch to 3 VOLTS.
- q. Set test oscillator to 400 Hz, and adjust amplitude for 331A/332A meter indication of 3.0 V. Set a reference on meter of test oscillator and use amplitude control to maintain set reference whenever frequency of oscillator is changed.
- r. Set test oscillator frequency to 200 kHz.
- s. Adjust S3C1 for 331A/332A meter indication of 3.0 V.

5-27. SENSITIVITY SWITCH CALIBRATION.

- a. Connect test oscillator to 331A/332A as shown in Figure 5-6.

NOTE

Selector positions for the SENSITIVITY selector will be referred to as follows: MIN. = Position 1, next step = Position 2, etc. to MAX. = Position 6.

- b. Set 331A/332A controls as follows:
 FUNCTION SET LEVEL
 SENSITIVITY Position 5
 SENSITIVITY VERNIER MAX.
 METER RANGE 0.01 VOLTS
- c. Set test oscillator to 400 Hz, and adjust amplitude for indication of 9 mV on 331A/332A meter. Set a reference on meter of test oscillator and use amplitude control to maintain set reference whenever frequency of oscillator is changed.
- d. Set test oscillator frequency to 100 kHz.
- e. Adjust S2C5 for 331A/332A meter indication of 9 mV.

- f. Set 331A/332A SENSITIVITY switch to each position listed in Table 5-6, and increase test oscillator output by 10 dB for each respective decrease in SENSITIVITY switch position. Adjust appropriate capacitor for 331A/332A meter indication of 9 mV at each setting.

NOTE

When switching the SENSITIVITY positions, be careful not to move the SENSITIVITY VERNIER control from MAX. position.

Table 5-6. Sensitivity Switch Calibration

SENSITIVITY Switch	TEST OSCILLATOR OUTPUT (Increase)	ADJUST FOR 9 mV
Position 4	+10 dB	S2C4
Position 3	+20 dB	S2C3
Position 2	+30 dB	S2C2
Position 1	+40 dB	S2C1

5-28. BRIDGE BALANCE ADJUSTMENT.



MAINTAIN THE LEAD DRESS TO C3 AND THE TUNING CAPACITOR, C4. ANY CHANGE IN LEAD DRESS WILL CAUSE A CHANGE IN CAPACITANCE.

- a. Connect test equipment to 331A/332A as shown in Figure 5-3.
- b. Set 331A/332A controls as follows:
 FUNCTION SET LEVEL
 SENSITIVITY 1 step counter-clockwise
 SENSITIVITY VERNIER MIN.
 METER RANGE SET LEVEL
 FREQUENCY RANGE X1K
 Frequency Dial 60
- c. Turn slot on trimmer capacitor C3 parallel with side casting of instrument.
- d. Set test oscillator to 60 kHz, and adjust amplitude for indication of +2 dB on 331A/332A meter.
- e. Set 331A/332A COARSE and FINE BALANCE controls to center of range.
- f. Set 331A/332A FUNCTION switch to DISTORTION.
- g. With a tuning wand, adjust C3 and test oscillator frequency vernier control for definite null indication on meter of 331A/332A. Reduce METER RANGE setting as necessary to maintain on-scale reading.
- h. Observe electronic counter indication. If test oscillator frequency is not between 57 kHz and 63 kHz, 331A/332A frequency dial is out of tolerance. Follow steps below to bring frequency dial within tolerance:

- 1) Set 331A/332A controls as in step b. Set test oscillator frequency for electronic counter indication of 60.00 kHz, and adjust amplitude for indication of +2 dB on meter of 331A/332A.
- 2) Set 331A/332A COARSE and FINE BALANCE controls to center of range.
- 3) Adjust 331A/332A frequency dial vernier for definite null.
- 4) Remove knob from frequency dial. Do not change tuning capacitor, C4, setting.
- 5) Loosen retaining screws in frequency dial plate, and slip dial until 60 is directly under mark on indicator. Be careful not to change C4 setting.
- 6) Tighten retaining screws and replace knob.
- c. Set test oscillator to 5 kHz, and adjust amplitude for +2 dB indication on 331A/332A.
- d. Set 331A/332A FUNCTION to DISTORTION. Adjust 331A/332A frequency dial vernier and BALANCE controls for definite null on the most sensitive range.
- e. Turn A3R30 fully counterclockwise. Turn A3R30 clockwise until 331A/332A meter indicates minimum distortion. Continue turning A3R30 clockwise until meter indication is 1 minor division (on 0 to 1 scale) above minimum distortion reading.

5-30. ADJUSTMENT OF FACTORY SELECTED COMPONENTS.

5-31. Certain components in the Model 331A/332A are individually selected to compensate for varying circuit parameters. These components are designated by an asterisk (*) on the schematic and parts list, and the typical value is shown. Table 5-7 describes the function of the factory selected components and lists their value ranges.

5-32. TROUBLESHOOTING PROCEDURES.

5-33. This section contains procedures designed to help locate malfunctions. These procedures are based on a systematic analysis of the instrument circuits in an effort to localize the problem. These operations should be performed only if the malfunction cannot be eliminated by the Adjustment and Calibration Procedures.

5-29. DISTORTION ADJUSTMENT.

- a. Connect test equipment to 331A/332A as shown in Figure 5-2. Set filter pass frequency to 5 kHz.
- b. Set 331A/332A controls as follows:

FUNCTION SET LEVEL
 SENSITIVITY MAX
 SENSITIVITY VERNIER MAX
 METER RANGE SET LEVEL
 FREQUENCY RANGE X100
 Frequency Dial 5

Table 5-7. Factory Selected Components

COMPONENT	FUNCTION	VALUE		
		Low	Normal	High
A2C22*	Sets range of A3C21.	0 pF	47 pF	47 pF
A2C23*	Adjusts meter frequency response in 2 MHz region.	100 pF	240 pF	320 pF
A2C30*	Adjusts meter frequency response in 20 Hz region.	10 μF	22 μF	50 μF
A2C29*	Adjusts meter flatness on 0.0003 V range at 300 kHz.	0 pF	390 pF	680 pF
A2R30*	Adjusts meter amplifier gain on 0.0003 V range at 400 Hz.	150 Ω	300 Ω	300 Ω
A3C11*	Adjusts bridge amplifier frequency response on 1 MHz to 3 MHz region.	56 pF	127 pF	127 pF
A3R17*	Adjusts gain of rejection amplifier.	1 kΩ	2 kΩ	3 kΩ
C9*	Adjusts tracking of frequency dial.	0 pF	2.2 pF	6.8 pF
R3*	Adjusts range of S2R8.	0 Ω	390 Ω	390 Ω
S3C4*	Adjusts frequency response at 3 MHz	39 pF	47 pF	57 pF
S3R14*	Adjusts flatness of 1000:1 attenuator in 2 MHz to 3 MHz region.	7.5 Ω	10 Ω	10 Ω
S4R6* thru S4R26*	Must be individually matched to be ±1/4%.	---	---	---

Table 5-8. Troubleshooting Aid

SYMPTOM	PROBABLE CAUSE
1. FRONT PANEL SYMPTOMS	
<p>A. No meter deflection with signal at input; ON lamp not illuminated. (All FUNCTIONS)</p> <p>B. No meter deflection with signal at input (0.3 VOLT range); No output; ON lamp illuminated. (All FUNCTIONS)</p> <p>C. No meter deflection with signal at input; Output normal. (All FUNCTIONS)</p> <p>D. No SENSITIVITY VERNIER control in SET LEVEL mode.</p> <p>E. BALANCE controls erratic. (DISTORTION FUNCTION only)</p> <p>F. No meter deflection with RF input. (R. F. DET. only)</p>	<p>Check Fuse (F1).</p> <p>Check Fuse (F2). Spare fuse located next to F2.</p> <p>Check M1.</p> <p>Check R2, R3, and S2R8.</p> <p>Check R4 and R5.</p> <p>Check diode A4CR1. Spare diode located on outside of A4 shield.</p>
2. INTERNAL ADJUSTMENT SYMPTOMS	
<p>A. Insufficient -25 volts adjustment with A1R13, measured at any violet wire.</p> <p>B. +25 volts supply out of specs, measured at any red wire.</p> <p>C. Insufficient bias adjustment with A2R3, measured at A2TP1.</p> <p>D. Insufficient bias adjustment with A2R20, measured at A2TP2.</p> <p>E. Insufficient 400 Hz adjustment with A2R34.</p> <p>F. Insufficient gain adjustment with A2R39.</p> <p>G. Insufficient 3 MHz calibration adjustment with A2C21.</p> <p>H. Insufficient bias adjustment with A3R4, measured at A3TP1.</p> <p>J. Insufficient bias adjustment with A3R16, measured at A3TP2.</p>	<p>Check A1C1, A1C11, A1CR3, A1CR4, A1CR7 and A1Q4 through A1Q6.</p> <p>Check -25 volts (see Symptom 2-A above), A1C2, A1C6, A1CR1, A1CR2 and A1Q1 through A1Q3.</p> <p>Check -25 volts (see Symptom 2-A above), A2C4, A2C14 and A2Q1 through A2Q4.</p> <p>Check -25 volts (see Symptom 2-A above), +25 volts (see Symptom 2-B above), A2C15, A2Q5 through A2Q9.</p> <p>Check +8.2 volts bias (see Symptom 2-D above), check for -3.2 Vdc at + meter terminal and Check M1.</p> <p>Check A2Q5 through A2Q9, and A2C23.</p> <p>Check A2C22* (Increasing value of capacitor will decrease meter reading.)</p> <p>Check -25 volts (see Symptom 2-A above), +25 volts (see Symptom 2-B above), A3C1, A3C6 and A3Q1 through A3Q3.</p> <p>Check -25 volts (see Symptom 2-A above), A3C7, and A3Q4 through A3Q6. Change A3R17* (Increasing value of resistor will increase voltage at A3TP2.)</p>

5-34. Conduct a visual check of the 331A/332A for possible burned or loose components, loose connections, or any other condition that might suggest a source of trouble. An investigation should also be made to insure that the trouble is not the result of conditions external to the 331A/332A.



THE 331A/332A CONTAINS VERY HIGH IMPEDANCE, HIGH FREQUENCY CIRCUITS. CONTAMINATION OF THE SWITCHES, CIRCUIT BOARDS, OR TUNING CAPACITOR WILL CAUSE HIGH IMPEDANCE LEAKAGE PATHS AND SUBSEQUENT DETERIORATION OF THE PERFORMANCE OF THE INSTRUMENT. AVOID TOUCHING ANY OF THESE CIRCUITS WITH THE BARE FINGERS, AS SKIN OILS ARE EXTREMELY CONTAMINATING. IF HANDLING IS NECESSARY, WEAR CLEAN COTTON OR RUBBER GLOVES.

5-35. Table 5-8 contains a list of typical front panel and internal trouble symptoms, as well as the probable cause of trouble. If the instrument malfunction cannot be located through use of the table, refer to Paragraphs 5-36 thru 5-39. Trouble in the Model 331A/332A can generally be isolated to circuits of one of the two principle functions - voltmeter or distortion. In order for the distortion function to operate properly, the voltmeter function must operate properly. Therefore, troubleshoot the voltmeter function first to assure that it works normally before attempting to locate a trouble in the distortion function.

5-36. TROUBLESHOOTING VOLTMETER FUNCTION.

5-37. Follow the steps below to troubleshoot the voltmeter function:

- a. Set 331A/332A controls as follows:
 FUNCTION VOLTMETER
 METER RANGE 1 VOLT
 Connect a 1 V rms, 1 kHz signal to 331A/332A INPUT terminals.
- b. Measure ac output of impedance converter at A2 Pin 4 for approximately 1 mV rms. (Use a 10 M Ω /10 pF impedance probe.) If proper signal is present, proceed to step c; if not, proceed to step d.
- c. Measure ac input to meter amplifier at A2 Pin 6 for approximately 1 mV rms. If proper signal is present, check meter circuit. (See schematic diagram of Figure 7-3 for ac and dc voltage levels in meter circuit.) If proper signal is not present, check post attenuator.
- d. Measure ac input to impedance converter at A2 Pin 1 for approximately 1 mV rms. If

proper signal is present, check impedance converter and power supply. (See appropriate schematic diagrams for voltage levels in impedance converter and power supply.) If proper signal is not present, check input attenuator and FUNCTION switch.

5-38. TROUBLESHOOTING DISTORTION FUNCTION.

5-39. Follow the steps below to troubleshoot the distortion function:

- a. Set 331A/332A controls as follows:
 FUNCTION VOLTMETER
 METER RANGE 0.3 VOLTS
 SENSITIVITY MAX.
 SENSITIVITY VERNIER MAX.
 FREQUENCY RANGE X1K
 Frequency Dial 5
 Connect a 1 kHz signal to 331A/332A INPUT, and adjust amplitude for 0 dB indication on 331A/332A meter.
- b. Set 331A/332A FUNCTION switch to SET LEVEL. 331A/332A meter should indicate between +0.5 dB and +1 dB, verifying gain in rejection amplifier. If sufficient gain is present, check Wien bridge circuit. If sufficient gain is not present, go to step c.
- c. Set amplitude of 1 kHz input signal to 0.3 V rms. Measure ac signal at A3 Pin 7 for approximately 180 mV rms (use a 10 M Ω /10 pF impedance probe). This voltage will increase to approximately 2.4 V rms in distortion function at null. If proper voltage is present, proceed to step d; if not go to step f.
- d. Measure ac output of rejection amplifier at A3 Pin 2 for approximately 0.32 V rms. If proper voltage is present, check function and meter range switch connections. If proper voltage is not present, go to step e.
- e. Measure ac signal at A3 Pin 8 for approximately 310 mV rms (use a 10 M Ω /10 pF impedance probe and be sure that Wien bridge is detuned with 1 kHz input and 331A/332A frequency at 5 kHz). If proper voltage is present, check A3Q4 through A3Q6 and associated circuitry. If proper voltage is not present, check Wien bridge circuit.
- f. Measure ac input to rejection amplifier at A3 Pin 1 for approximately 280 mV rms. If proper voltage is present, check A3Q1 through A3Q3 and associated circuitry. If proper voltage is not present, check sensitivity vernier and check FUNCTION switch connections.

5-40. SERVICING ETCHED CIRCUIT BOARDS.

5-41. The Model 331A has three etched circuit boards and the Model 332A has four. Use caution when removing them to avoid damaging mounted components.

The -hp- part number for the assembly is marked on the circuit board to identify it. Refer to Section VI for parts replacement and -hp- part number information.

5-42. The etched circuit boards are of the plated-through type. The electrical connection between the two sides of the board is made by a layer of metal plated through the component hole. When working on these boards, observe the following rules:

- a. Use a low-heat (25 to 30 watts) small-tip soldering iron, and a small diameter rosin core solder.
- b. Remove circuit components by placing the soldering iron on the component lead on either side of the board, and pulling up on the lead. If a component is obviously damaged, clip leads off as close to the component as possible and then remove leads with a soldering iron.



EXCESSIVE HEAT CAN CAUSE THE
CIRCUIT AND BOARD TO SEPARATE
OR CAUSE DAMAGE TO THE COM-
PONENTS.

- c. Clean component lead hole by heating the hole with the iron and inserting a wooden toothpick.

Remove the toothpick after the solder has cooled and insert the new component lead.

- d. To replace components, shape new leads and insert them in lead holes. Reheat the soldering iron and add a small amount of new solder as required to insure a good electrical connection.
- e. Clean excessive flux from the connection and adjoining area.

5-43. SERVICING ROTARY SWITCHES.

5-44. The 331A/332A has four rotary type switches: FUNCTION, SENSITIVITY, FREQUENCY RANGE, and METER RANGE. When working on these switches, observe the following rules:

- a. Use a low-heat (25 to 50 watts) small-tip soldering iron, and a small diameter rosin core solder.
- b. When replacing components, attempt to dress them as nearly to their original alignment as possible.
- c. Clean excessive flux from the connection and adjoining area.
- d. After cleaning the switch, apply a light coat of lubriplate to the switch detent balls. DO NOT apply lubricant to the switch contacts or allow lubricant to contaminate components.

PERFORMANCE CHECK TEST CARD

Hewlett-Packard Model 331A/332A
 Distortion Analyzer
 Serial No. _____

Test performed by _____
 Date _____

DESCRIPTION	CHECK										
1. Fundamental Rejection Check: 500 Hz, 5 kHz, 50 kHz, 250 kHz, 600 kHz	<u>Specification</u> >-80 dB	<u>Indication</u> <input type="checkbox"/>									
2. Second Harmonic Accuracy Check: 15 Hz 10 kHz 50 kHz 200 kHz 500 kHz	<u>Specification</u> <+1.0 dB <±0.6 dB <-1.0 dB <-2.0 dB <-3.0 dB	<u>Indication</u> <input type="checkbox"/> <input type="checkbox"/> <input type="checkbox"/> <input type="checkbox"/> <input type="checkbox"/>									
3. Instrument Induced Distortion Check: 500 Hz 250 kHz 600 kHz	<u>Specification</u> >-70 dB >-64 dB >-64 dB	<u>Indication</u> <input type="checkbox"/> <input type="checkbox"/> <input type="checkbox"/>									
4. Frequency Calibration Accuracy Check: 10 Hz 1 kHz 100 kHz 200 kHz 400 kHz 600 kHz	<u>Specification</u> 95 msec to 105 msec 950 Hz to 1050 Hz 95 kHz to 105 kHz 190 kHz to 210 kHz 360 kHz to 440 kHz 540 kHz to 660 kHz	<u>Indication</u> <input type="checkbox"/> <input type="checkbox"/> <input type="checkbox"/> <input type="checkbox"/> <input type="checkbox"/> <input type="checkbox"/>									
5. Input Impedance Check: Resistance Check, Voltmeter Resistance Check, Set Level Capacitance Check, Voltmeter 1 V 0.1 V Capacitance Check, Set Level 0.1 V	<u>Specification</u> 1 MΩ ±5% 1 MΩ ±5% <30 pF (331A) <35 pF (332A) <70 pF <70 pF	<u>Indication</u> <input type="checkbox"/> <input type="checkbox"/> <input type="checkbox"/> <input type="checkbox"/> <input type="checkbox"/> <input type="checkbox"/>									
6. Minimum Input Level Check: 0.3 V	<u>Specification</u> 100% set level	<u>Indication</u> <input type="checkbox"/>									
7. DC Isolation Check: 331A/332A Meter Power Supply Ammeter	<u>Specification</u> No change in indication No indication	<u>Indication</u> <input type="checkbox"/> <input type="checkbox"/>									
8. Voltmeter Accuracy and Frequency Response Check: Accuracy Check 0.0003 V 0.001 V	<u>Indication</u> <table border="0"> <tr> <td align="center"><u>Min.</u></td> <td></td> <td align="center"><u>Max.</u></td> </tr> <tr> <td align="center">294 μV</td> <td align="center"><input type="checkbox"/></td> <td align="center">306 μV</td> </tr> <tr> <td align="center">0.98 mV</td> <td align="center"><input type="checkbox"/></td> <td align="center">102 mV</td> </tr> </table>		<u>Min.</u>		<u>Max.</u>	294 μV	<input type="checkbox"/>	306 μV	0.98 mV	<input type="checkbox"/>	102 mV
<u>Min.</u>		<u>Max.</u>									
294 μV	<input type="checkbox"/>	306 μV									
0.98 mV	<input type="checkbox"/>	102 mV									

PERFORMANCE CHECK TEST CARD (Cont'd)

	<u>Indication</u>	
	<u>Min.</u>	<u>Max.</u>
8. Accuracy Check (Cont'd)		
0.003 V	2.94 mV	3.06 mV
0.01 V	9.8 mV	10.2 mV
0.03 V	29.4 mV	30.6 mV
0.1 V	98 mV	102 mV
0.3 V	0.294 V	0.306 V
1 V	0.98 V	1.02 V
3 V	2.94 V	3.06 V
10 V	9.8 V	10.2 V
30 V	29.4 V	30.6 V
100 V	98.0 V	102.0 V
300 V	294.0 V	306.0 V
Frequency Response Check, 3 V range	<u>Min.</u>	<u>Max.</u>
10 Hz	2.94 V	3.06 V
1 kHz	2.94 V	3.06 V
10 kHz	2.94 V	3.06 V
100 kHz	2.94 V	3.06 V
1 MHz	2.94 V	3.06 V
2 MHz	2.85 V	3.15 V
3 MHz	2.85 V	3.15 V
Frequency Response Check, 0.0003 V range	<u>Min.</u>	<u>Max.</u>
20 Hz	285 μ V	315 μ V
30 Hz	294 μ V	306 μ V
1 kHz	294 μ V	306 μ V
10 kHz	294 μ V	306 μ V
100 kHz	294 μ V	306 μ V
300 kHz	294 μ V	306 μ V
500 kHz	285 μ V	315 μ V
9. Residual Noise Check:	<u>Specification</u>	<u>Indication</u>
600 Ω Load	<25 μ V	<input type="checkbox"/>
100 k Ω Load	<30 μ V	<input type="checkbox"/>
10. AM Detector Check (Model 332A only)	<u>Specification</u>	<u>Indication</u>
Distortion	>-40 dB	<input type="checkbox"/>

SECTION VI REPLACEABLE PARTS

6-1. INTRODUCTION.

6-2. This section contains information for ordering replacement parts. Table 6-1 lists parts in alphabetic order of their reference designators and indicates the description, -hp- part number of each part, together with any applicable notes, and provides the following:

- a. Total quantity used in the instrument (TQ column). The total quantity of a part is given the first time the part number appears.
- b. Descriptions of the part. (See list of abbreviations below.)
- c. Typical manufacturer of the part in a five-digit code. (See Appendix for list of manufacturers.) Parts that are manufactured by Hewlett-Packard are identified by the abbreviation -hp-.
- d. Manufacturer's part number.

6-3. Figures 6-1 through 6-3 illustrate the replaceable mechanical parts used in the 331A/332A. Miscellaneous parts are listed at the end of Table 6-1.

6-4. ORDERING INFORMATION.

6-5. To obtain replacement parts, address order or inquiry to your local Hewlett-Packard Field Office. (See Appendix for list of office locations.) Identify parts by their Hewlett-Packard part numbers. Include instrument model and serial numbers.

6-6. NON-LISTED PARTS.

6-7. To obtain a part that is not listed, include:

- a. Instrument model number.
- b. Instrument serial number.
- c. Description of the part.
- d. Function and location of the part.

Ag	silver
Al	aluminum
A	ampere(s)
Au	gold
C	capacitor
cer	ceramic
coef	coefficient
com	common
comp	composition
conn	connection
dep	deposited
DPDT	double-pole double-throw
DPST	double-pole single-throw
elect	electrolytic
encap	encapsulated
F	farad(s)
FET	field effect transistor
fxd	fixed
GaAs	gallium arsenide
GHz	gigahertz = 10 ⁹ hertz
gd	guard(ed)
Ge	germanium
grd	ground(ed)
H	henry(ies)
Hg	mercury
Hz	hertz (cycle(s) per second)

ID	inside diameter
impq	impregnated
incd	incandescent
ins	insulation(ed)
kΩ	kilohm(s) = 10 ³ ohms
kHz	kilohertz = 10 ³ hertz
L	inductor
lin	linear taper
log	logarithmic taper
mA	milliampere(s) = 10 ⁻³ amperes
MHz	megahertz = 10 ⁶ hertz
MΩ	megohm(s) = 10 ⁶ ohms
met flm	metal film
mfr	manufacturer
ms	millisecond
mtg	mounting
mV	millivolt(s) = 10 ⁻³ volts
μF	microfarad(s)
μs	microsecond(s)
μV	microvolt(s) = 10 ⁻⁶ volts
my	Mylar (R)
nA	nanoampere(s) = 10 ⁻⁹ amperes
NC	normally closed
Ne	neon
NO	normally open
NPO	negative positive zero (zero temperature coefficient)

ABBREVIATIONS

ns	nanosecond(s) = 10 ⁻⁹ seconds
nsr	not separately replaceable
Ω	ohm(s)
obd	order by description
OD	outside diameter
p	peak
pA	picoampere(s)
pc	printed circuit
pF	picofarad(s) 10 ⁻¹² farads
piv	peak inverse voltage
p/o	part of
pos	position(s)
poly	polystyrene
pot	potentiometer
P-P	peak-to-peak
ppm	parts per million
prec	precision (temperature coefficient, long term stability, and/or tolerance)
R	resistor
Rh	rhodium
rms	root-mean-square
rot	rotary
Se	selenium
sect	section(s)
Si	silicon
sl	slide

SPDT	single-pole double-throw
SPST	single-pole single-throw
Ta	tantalum
TC	temperature coefficient
TiO ₂	titanium dioxide
tog	toggle
tol	tolerance
trim	trimmer
TSTR	transistor
V	volt(s)
vacw	alternating current working voltage
var	variable
vdw	direct current working voltage
W	watt(s)
w/	with
wiv	working inverse voltage
w/o	without
ww	wirewound
*	optimum value selected at factory, average value shown (part may be omitted)
**	no standard type number assigned (selected or special type)

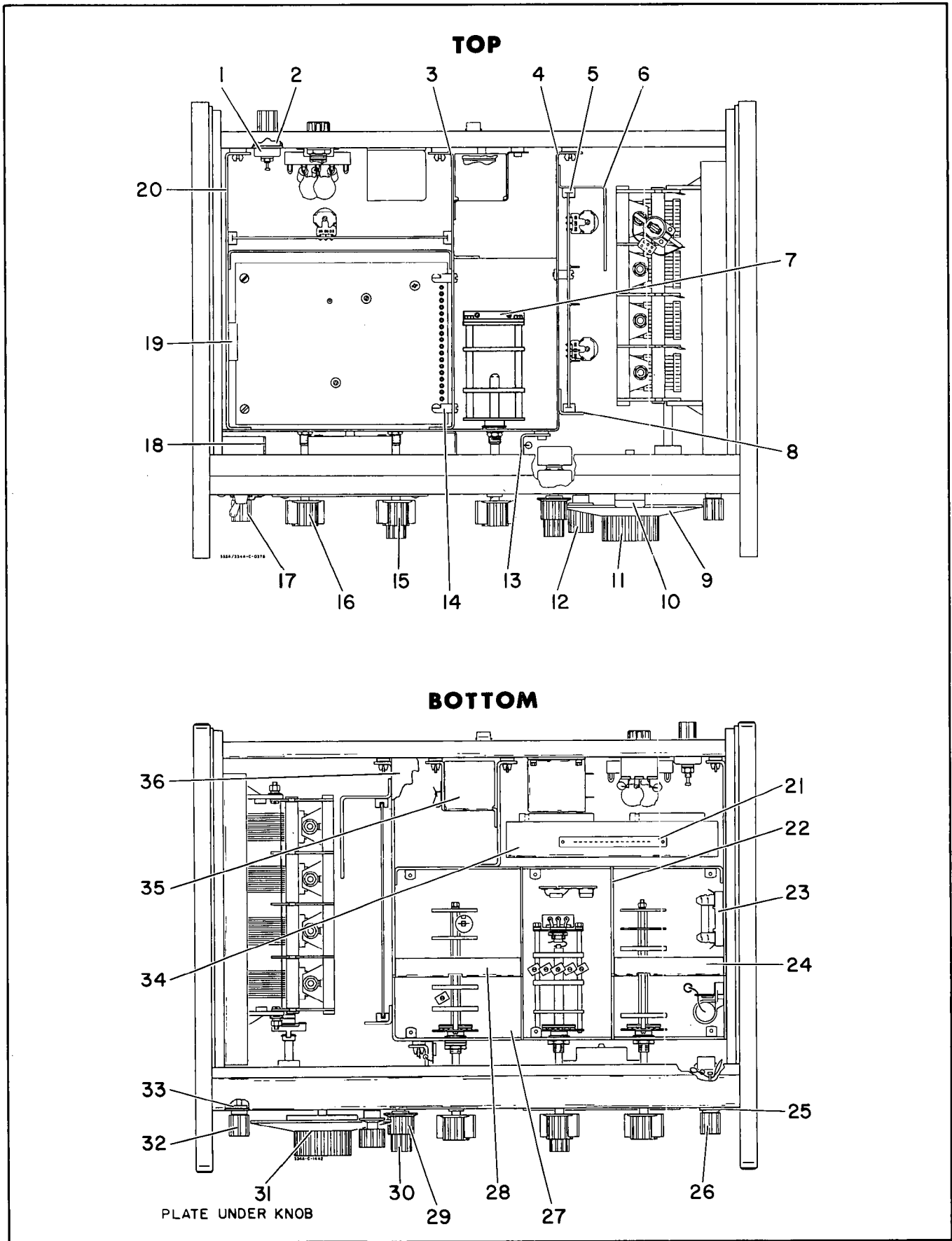
(R) Dupont de Nemours

DECIMAL MULTIPLIERS

Prefix	Symbols	Multiplier	Prefix	Symbols	Multiplier
tera	T	10 ¹²	centi	c	10 ⁻²
giga	G	10 ⁹	milli	m	10 ⁻³
mega	M or Meg	10 ⁶	micro	μ	10 ⁻⁶
kilo	K or k	10 ³	nano	n	10 ⁻⁹
hecto	h	10 ²	pico	p	10 ⁻¹²
deka	da	10	femto	f	10 ⁻¹⁵
deci	d	10 ⁻¹	atto	a	10 ⁻¹⁸

DESIGNATORS

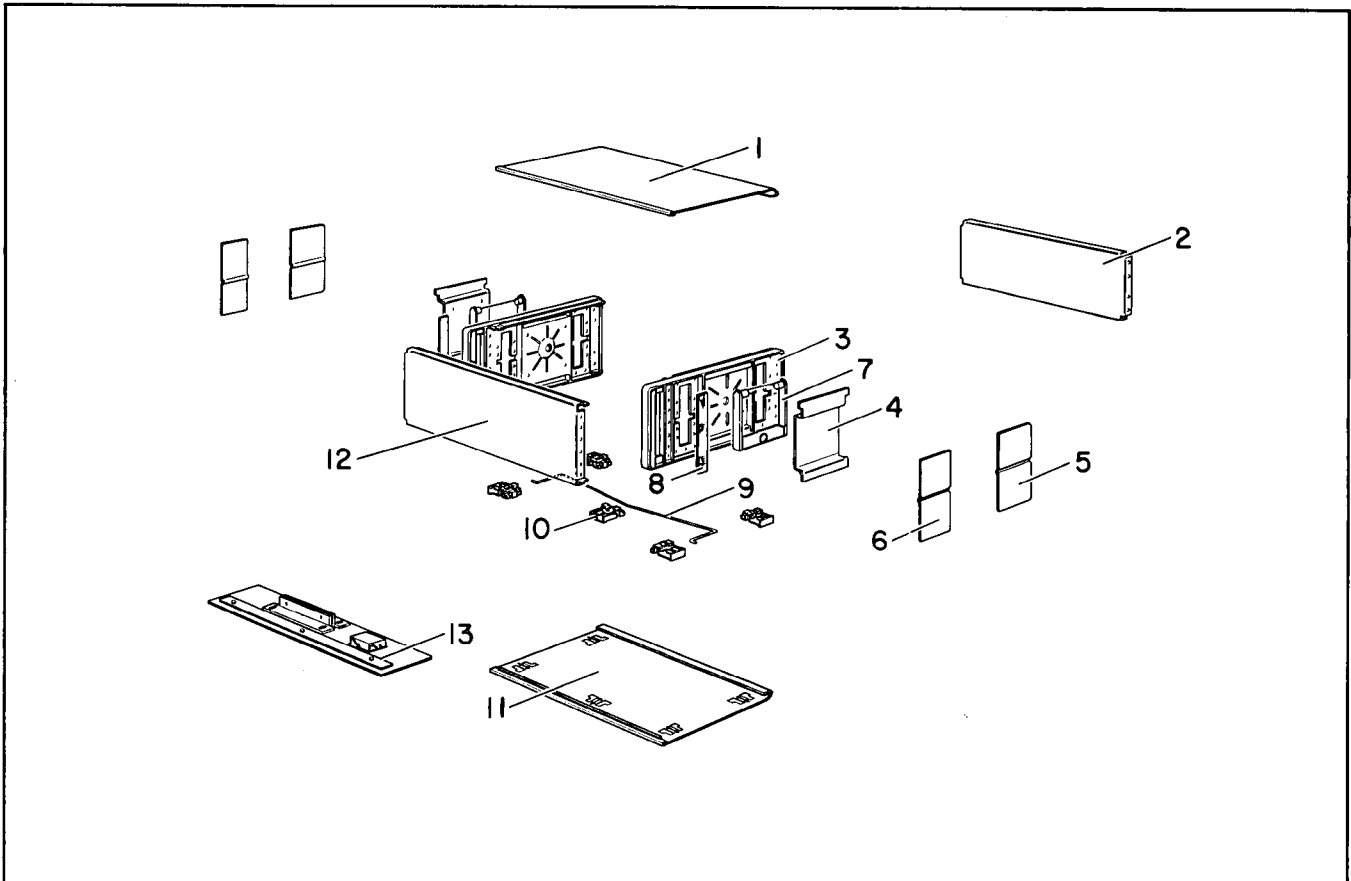
A	assembly	FL	filter	Q	transistor	TS	terminal strip
B	motor	HR	heater	QCR	transistor-diode	V	vacuum tube, neon bulb, photocell, etc.
BT	battery	IC	integrated circuit	R	resistor	W	wire
C	capacitor	J	jack	RT	thermistor	X	cable
CR	diode	K	relay	S	switch	XDS	socket
DL	delay line	L	inductor	T	transformer	XF	lampholder
DS	lamp	M	meter	TB	terminal board	Y	crystal
E	misc electronic part	MP	mechanical part	TC	thermocouple	Z	network
F	fuse	P	plug	TP	test point		



P/O Figure 6-1. Mechanical Parts

INDEX NO.	-hp- PART NO.	TQ	DESCRIPTION
1	0340-0087	1	Insulator: binding post triple
2	0340-0091	1	Insulator: binding post triple
3	00331-00104	1	Gusset: center
4	00331-04301	1	Plate: panel
5	5040-0601	4	Glide: plastic
6	00331-01202	1	Bracket: pc board mount rear
7	00331-01205	1	Bracket: switch mtg
8	00331-01203	1	Bracket: pc mount
9	00331-04001	1	Dial plate
10	5040-0642	1	Indicator: dial
11	0370-0160	1	Knob: dial round black
12	0370-0025	1	Knob: vernier round black
13	00331-01201	1	Bracket: support
14	0380-0200	2	Standoff: hinged
15	0370-0113	1	Knob: skirted bar black
16	0370-0112	3	Knob: skirted bar black
17	1510-0010	4	Binding post assembly: red insulator
18	00332-00601	1	Shield: power
19	00333-01202	1	Bracket: pc mounting
20	00331-00103	1	Gusset: side
21	1251-0135	1	Connector: pc 15 pin
22	00331-00601	2	Shield: divider
23	0510-0748	1	Holder: fuse
24	00331-00602	1	Shield: switch function
25	0340-0099	5	Insulator: binding post
26	5060-4916	1	Binding post assembly
27	00331-00101	1	Deck: main
28	00331-00603	1	Shield: switch range
29	0370-0117	1	Knob: balance skirted black
30	0370-0114	2	Knob: vernier round red
31	61B-40D-4	1	Plate: frequency dial
32	1510-0011	3	Binding post assembly: black insulator
33	0340-0100	5	Insulator: binding post
34	00331-01204	1	Bracket: mounting
35	00332-00602	1	Shield: RF detector
36	00331-04102	1	Cover: plate

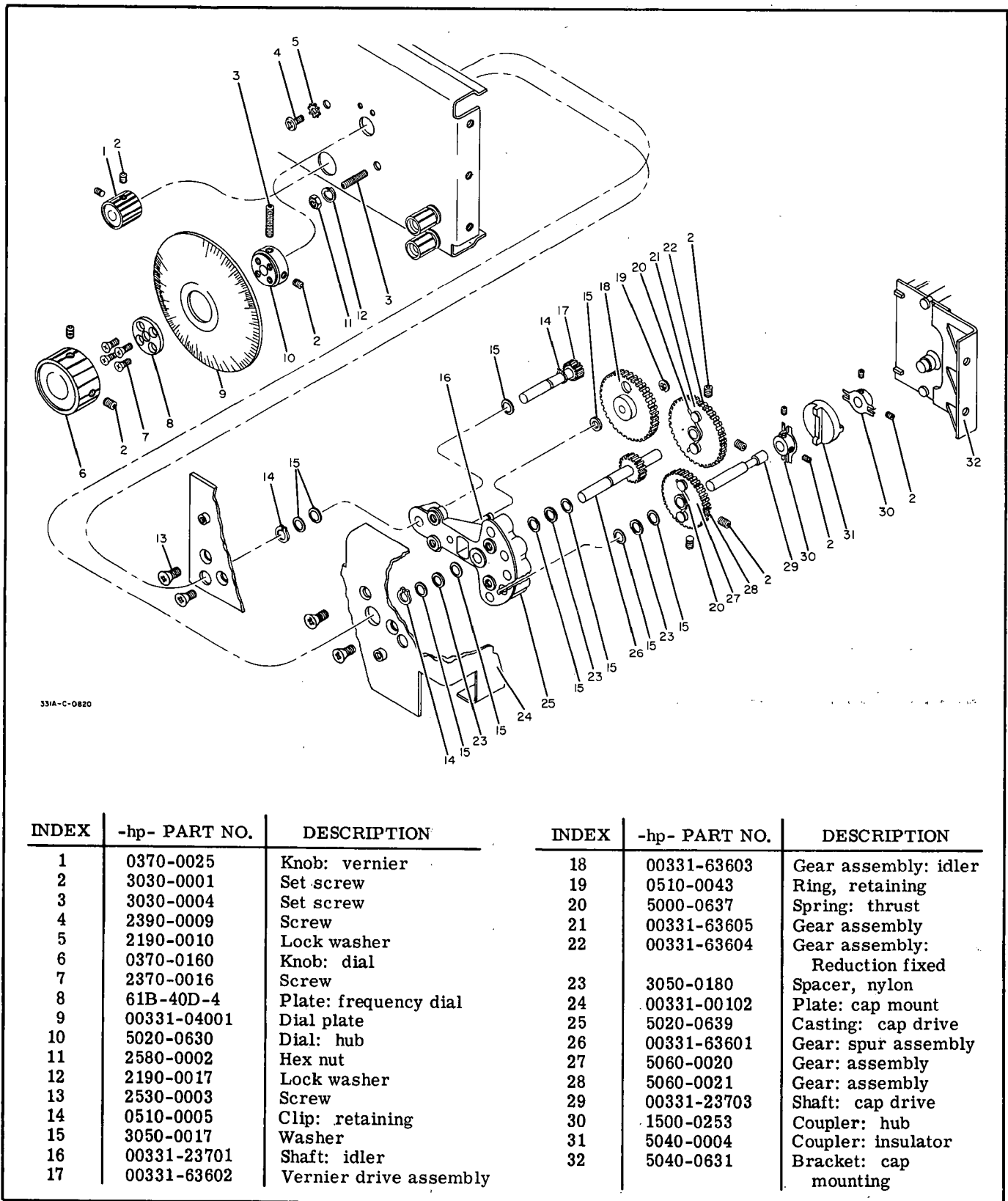
P/O Figure 6-1. Mechanical Parts



INDEX NO.	-hp- PART NO.	TQ	DESCRIPTION
1	5060-0739	1	Top cover assembly
2	#00331-00204 #00332-00204	1 1	Panel: rear (331A) Panel: rear (332A)
3	5060-0731	2	Frame assembly
4	5060-0766	2	Retainer: handle assembly
5	5000-0732	2	Side cover: rear
6	5000-0733	2	Side cover: front
7	5060-0222	2	Handle assembly:
8	5000-0051	2	Beauty strip
9	1490-0030	1	Tilt stand
10	5060-0767	5	Foot assembly
11	5060-0751	1	Bottom cover assembly
12	00331-00201 00332-00201	1 1	Panel: front (331A) Panel: front (332A)
13	5060-0775	1	Kit: rack mount

See Appendix C for backdating

Figure 6-2. Modular Cabinet Parts



331A-C-0820

INDEX	-hp- PART NO.	DESCRIPTION	INDEX	-hp- PART NO.	DESCRIPTION
1	0370-0025	Knob: vernier	18	00331-63603	Gear assembly: idler
2	3030-0001	Set screw	19	0510-0043	Ring, retaining
3	3030-0004	Set screw	20	5000-0637	Spring: thrust
4	2390-0009	Screw	21	00331-63605	Gear assembly
5	2190-0010	Lock washer	22	00331-63604	Gear assembly: Reduction fixed
6	0370-0160	Knob: dial	23	3050-0180	Spacer, nylon
7	2370-0016	Screw	24	00331-00102	Plate: cap mount
8	61B-40D-4	Plate: frequency dial	25	5020-0639	Casting: cap drive
9	00331-04001	Dial plate	26	00331-63601	Gear: spur assembly
10	5020-0630	Dial: hub	27	5060-0020	Gear: assembly
11	2580-0002	Hex nut	28	5060-0021	Gear: assembly
12	2190-0017	Lock washer	29	00331-23703	Shaft: cap drive
13	2530-0003	Screw	30	1500-0253	Coupler: hub
14	0510-0005	Clip: retaining	31	5040-0004	Coupler: insulator
15	3050-0017	Washer	32	5040-0631	Bracket: cap mounting
16	00331-23701	Shaft: idler			
17	00331-63602	Vernier drive assembly			

Figure 6-3. Frequency Tuning Assembly
(-hp- Part No. 00331-60701)

NOTE

C3, C4, and C6 are included in assembly, but not shown here. Items 1 thru 9 are not included in assembly, and must be ordered separately.

Table 6-1. Replaceable Parts

REFERENCE DESIGNATOR	-hp- PART NO.	TQ	DESCRIPTION	MFR.	MFR. PART NO.
A1	00333-66501	1	Assembly: etched circuit board, power supply includes: C1 thru C11 Q1 thru Q6 CR1 thru CR7 R1 thru R15	-hp-	
A1C1 and A1C2	0180-0308	2	C: fxd Al elect 200 μ F +100% -10% 50 vdcw	56289	34D207H050GL4
A1C3	0180-0061	4	C: fxd elect 100 μ F +100% -10% 15 vdcw	56289	30D107GD15DD4
A1C4	0150-0085	1	C: fxd my 2200 pF \pm 10%, 400 vdcw	56289	29C332
A1C5	0180-0058	3	C: fxd elect 50 μ F +100% -10% 25 vdcw	56289	D28110
A1C6	0180-0050	2	C: fxd Al elect 40 μ F +100% -10% 50 vdcw	56289	D32538
A1C7	0180-0039	3	C: fxd elect 100 μ F 12 vdcw	56289	D32697
A1C8			Not assigned		
A1C9	0180-0061		C: fxd elect 100 μ F +100% -10% 15 vdcw	56289	30D107GD15DD4
A1C10	0180-0059	1	C: fxd elect 10 μ F +100% -10% 25 vdcw	56289	30D106G025BB4
A1C11	0180-0050		C: fxd Al elect 40 μ F +100% -15% 50 vdcw	56289	D32538
A1CR1 thru A1CR6	1901-0158	6	Diode: Si rectifier 0.75 A 200 piv	-hp-	
A1CR7	1902-0045	1	Diode: breakdown 7.2 V +2% 400 mW	04713	SZ10939-144
A1Q1	1854-0062	2	TSTR: Si NPN 2N1701	02735	2N1701
A1Q2 and A1Q3	1854-0039	2	TSTR: Si NPN 2N3053	86684	2N3053
A1Q4 and A1Q5	1853-0012	2	TSTR: Si PNP 2N2904A	04713	2N2904A
A1Q6	1854-0062		TSTR: Si NPN 2N1701	02735	2N1701
#A1R1			Not assigned		
A1R2	0766-0029	2	R: fxd met flm 10 Ω \pm 2% 3 W T/C \pm 250 PPM/ $^{\circ}$ C	07115	LPI-3 obd
A1R3	0686-1025	3	R: fxd comp 1000 Ω \pm 5% 1/2 W	01121	EB1025
A1R4	0686-7525	4	R: fxd comp 7500 Ω \pm 5% 1/2 W	01121	CB7525
A1R5	0686-6825	4	R: fxd comp 6800 Ω \pm 5% 1/2 W	01121	EB6825
A1R6	0698-4471	1	R: fxd met flm 7.15 k Ω \pm 1% 1/8 W	91637	MF-1/10-32 obd
A1R7	0757-0440	1	R: fxd met flm 7.5 k Ω \pm 1% 1/8 W	75042	CEA obd
A1R8	0686-1025		R: fxd comp 1000 Ω \pm 5% 1/2 W	01121	EB1025
A1R9	0766-0029		R: fxd met flm 10 Ω \pm 2% 3 W T/C \pm 250 PPM/ $^{\circ}$ C	07115	LPI-3 obd
A1R10 and A1R11	0686-6825		R: fxd comp 6800 Ω \pm 5% 1/2 W	01121	EB6825
A1R12	0686-7525		R: fxd comp 7500 Ω \pm 5% 1/2 W	01121	CB7525
#A1R13	2100-2633	1	R: var lin 1 k Ω \pm 10% 1/2 W	-hp-	
A1R14	0686-1525	1	R: fxd comp 1500 Ω \pm 5% 1/2 W	01121	EB1525
A1R15	0686-5125		R: fxd comp 5100 Ω \pm 5% 1/2 W	01121	EB5125
A2	00333-66502	1	Assembly: etched circuit board, meter amplifier and impedance converter includes: C1 thru C29 Q1 thru Q9 CR1 thru CR8 R1 thru R51	-hp-	
A2	00333-66508	1	Assembly: etched circuit board, meter amplifier and impedance converter (Option 01 only) includes: C1 thru C25 Q1 thru Q9 C27 thru C29 R1 thru R51 CR1 thru CR8	-hp-	
A2C1	0140-0201	1	C: fxd mica 12 pF \pm 5%	04062	RDM15C120J5C
A2C2 and A2C3	0140-0200	3	C: fxd mica 390 pF \pm 5%	04062	RDM15F391J3C
A2C4	0180-0101	1	C: fxd solid Ta 1.8 μ F \pm 10% 35 vdcw	-hp-	
A2C5	0180-0033	2	C: fxd elect 50 μ F +100% -10% 6 vdcw	56289	D32653

#See Appendix C for backdating

Table 6-1. Replaceable Parts (Cont'd)

REFERENCE DESIGNATOR	-hp- PART NO.	TQ	DESCRIPTION	MFR.	MFR. PART NO.
A2C6	0180-0060	2	C: fxd elect 200 μ F +100% -10% 3 vdcw	56289	30D207G003DC4
A2C7	0140-0145	1	C: fxd mica 22 pF \pm 5%	04062	RDM15C220J5C
A2C8	0180-0224	1	C: fxd Al elect 10 μ F +75% -10% 15 vdcw	56289	30D106G015BA4
A2C9	0140-0193	1	C: fxd mica 82 pF \pm 5%	-hp-	
A2C10	0180-0104	2	C: fxd Al elect 200 μ F +100% -10% 15 vdcw	56289	30D207G015DH4
A2C11	0140-0200		C: fxd mica 390 pF \pm 5%	04062	RDM15F391J3C
A2C12	0180-1735	1	C: fxd Ta 0.22 μ F \pm 10% 35 vdcw	56289	150D224X9035A2-DYS
A2C13	0160-0161	1	C: fxd my 0.01 μ F \pm 10% 200 vdcw	-hp-	
A2C14	0180-0307	3	C: fxd Al elect 500 μ F +100% -10% 15 vdcw	56289	34D507H015FJ4
A2C15	0180-1736	1	C: fxd Al elect 1300 μ F +75% -10% 25 vdcw	56289	34D138G2R5FJ4-DSB
A2C16	0160-0195	1	C: fxd cer 1000 pF \pm 20% 250 vacw	56289	19C251
A2C17	0140-0218	1	C: fxd mica 160 pF \pm 2%	04062	RDM15F161G3C
A2C18	0180-0061		C: fxd elect 100 μ F +100% -10% 15 vdcw	56289	30D107GD15DD4
A2C19	0140-0200	1	C: fxd mica 390 pF \pm 5%	-hp-	
A2C20	0180-0376	1	C: fxd solid Ta 0.47 μ F \pm 10% 35 vdcw	56289	150D474X9035A2-DYS
A2C21	0130-0017	1	C: var cer 8 to 50 pF	72982	557-019-U2P0-34R
A2C22*	0140-0190	1	C: fxd mica 39 pF \pm 5%	04062	RDM15E390J3C
A2C23*	0140-0218	1	C: fxd mica 160 pF \pm 2%	-hp-	
A2C24	0150-0121	1	C: fxd cer 0.1 μ F +80% -20% 50 vdcw	56289	5C50B1-CML
A2C25	0180-0061		C: fxd elect 100 μ F +100% -10% 15 vdcw	56289	30D107GD15DD4
A2C26	0180-0033		C: fxd elect 50 μ F +100% -10% 6 vdcw (omitted on Option 01)	56289	D32653
A2C27 and A2C28	0180-0058		C: fxd elect 50 μ F +100% -10% 25 vdcw	56289	D28110
A2C29*	0140-0198	1	C: fxd mica 200 pF \pm 5%	-hp-	
A2CR1 thru A2CR4	1901-0044	4	Diode: rectifier Si 20 mA +1 V	07910	obd
A2CR5			Not assigned		
A2CR6 and A2CR7	1901-0535	1	Diode: Hot Carrier 15 V	-hp-	
A2CR8	1902-0584	1	Diode: breakdown 14.0 V \pm 5%	07263	FZ1960
A2Q1	1855-0052	1	TSTR: Si FET P channel **	-hp-	
A2Q2	1853-0203	1	TSTR: Si PNP **	-hp-	
# A2Q3	1854-0354	1	TSTR: Si NPN**	-hp-	
A2Q4	1853-0086		TSTR: Si PNP **	-hp-	
A2Q5	1854-0297	3	TSTR: Si NPN **	-hp-	
A2Q6	1853-0010	3	TSTR: Si PNP **	-hp-	
A2Q7	1854-0019	1	TSTR: Si NPN **	-hp-	
A2Q8 and A2Q9	1853-0010		TSTR: Si PNP **	-hp-	
A2R1	0683-3015	2	R: fxd comp 300 Ω \pm 5% 1/4 W	01121	CB3015
A2R2	0683-9135	1	R: fxd comp 91 k Ω \pm 5% 1/4 W	01121	CB9135
# A2R3	2100-2031	1	R: var comp lin 50 k Ω \pm 10% 1/2 W	-hp-	
A2R4	0683-3635	1	R: fxd comp 36 k Ω \pm 5% 1/4 W	01121	CB3635
A2R5	0683-5145	1	R: fxd comp 510 k Ω \pm 5% 1/4 W	01121	CB5145
A2R6	0683-1025	2	R: fxd comp 1000 Ω \pm 5% 1/4 W	01121	CB1025
A2R7	0683-3025	4	R: fxd comp 3000 Ω \pm 5% 1/4 W	01121	CB3025
A2R8	0683-1025		R: fxd comp 1000 Ω \pm 5% 1/4 W	01121	CB1025
A2R9	0683-7515	1	R: fxd comp 750 Ω \pm 5% 1/4 W	01121	CB7515
A2R10	0683-1535	1	R: fxd comp 15 k Ω \pm 5% 1/4 W	01121	CB1535
A2R11	0683-4335	1	R: fxd comp 43 k Ω \pm 5% 1/4 W	01121	CB4335
A2R12	0683-6215	2	R: fxd comp 620 Ω \pm 5% 1/4 W	01121	CB6215

#See Appendix C for backdating

Table 6-1. Replaceable Parts (Cont'd)

REFERENCE DESIGNATOR	-hp- PART NO.	TQ	DESCRIPTION	MFR.	MFR. PART NO.	
A2R13	0683-6815	1	R: fxd comp 680 $\Omega \pm 5\%$ 1/4 W	01121	CB6815	
A2R14	0683-1515	1	R: fxd comp 150 $\Omega \pm 5\%$ 1/4 W	01121	CB1515	
A2R15	0683-4715	1	R: fxd comp 470 $\Omega \pm 5\%$ 1/4 W	01121	CB4715	
A2R16	0683-4705	1	R: fxd comp 47 $\Omega \pm 5\%$ 1/4 W	01121	CB4705	
A2R17	0683-6215		R: fxd comp 620 $\Omega \pm 5\%$ 1/4 W	01121	CB6215	
A2R18	0683-2405	3	R: fxd comp 24 $\Omega \pm 5\%$ 1/4 W	01121	CB2405	
A2R19	0683-2015	2	R: fxd comp 200 $\Omega \pm 5\%$ 1/4 W	01121	CB2015	
#A2R20	2100-1738	1	R: var cermet flm lin 10 k $\Omega \pm 10\%$ 1/2 W	-hp-		
A2R21	0683-3025		R: fxd comp 3000 $\Omega \pm 5\%$ 1/4 W	01121	CB3025	
A2R22	0683-5115	3	R: fxd comp 510 $\Omega \pm 5\%$ 1/4 W	01121	CB5115	
A2R23	0683-5105	3	R: fxd comp 51 $\Omega \pm 5\%$ 1/4 W	01121	CB5105	
A2R24	0683-6825	1	R: fxd comp 6800 $\Omega \pm 5\%$ 1/4 W	01121	CB6825	
A2R25	0683-2015		R: fxd comp 200 $\Omega \pm 5\%$ 1/4 W	01121	CB2015	
A2R26	0683-2025	3	R: fxd comp 2000 $\Omega \pm 5\%$ 1/4 W	01121	CB2025	
A2R27	0683-1235	1	R: fxd comp 12 k $\Omega \pm 5\%$ 1/4 W	01121	CB1235	
A2R28	0683-2405		R: fxd comp 24 $\Omega \pm 5\%$ 1/4 W	01121	CB2405	
A2R29	0698-3174	1	R: fxd carbon flm 4.42 $\Omega \pm 1\%$ 1/2 W	94459	CVF	obd
A2R30*	0683-3015		R: fxd comp 300 $\Omega \pm 5\%$ 1/4 W	01121	CB3015	
A2R31			Not assigned			
A2R32	0698-3147	1	R: fxd met flm 191 $\Omega \pm 1\%$ 1/4 W	19701	MF5C T-0	obd
	0757-1102	1	R: fxd 180 $\Omega \pm 1\%$ 1/8 W (Option 01 only)	19701	MF5C T-0	obd
A2R33	0757-0346	2	R: fxd met flm 10 $\Omega \pm 1\%$ 1/8 W	97913	obd	
A2R34	2100-0206	1	R: fxd ww 50 $\Omega \pm 10\%$	79727	E870	obd
A2R35	0757-0346		R: fxd met flm 10 $\Omega \pm 1\%$ 1/8 W	97913	obd	
A2R36	0683-3945	1	R: fxd comp 390 k $\Omega \pm 5\%$ 1/4 W	01121	CB3945	
A2R37	0683-3025		R: fxd comp 3000 $\Omega \pm 5\%$ 1/4 W	01121	CB3025	
A2R38	0683-1015	3	R: fxd comp 100 $\Omega \pm 5\%$ 1/4 W	01121	CB1015	
#A2R39	2100-1788	1	R: var cermet flm lin 500 $\Omega \pm 10\%$ 1/2 W	-hp-		
A2R40	0757-0390	1	R: fxd 36.5 $\Omega \pm 1\%$ 1/8 W	-hp-		
A2R41	0683-1815	1	R: fxd comp 180 $\Omega \pm 5\%$ 1/4 W	01121	CB1815	
A2R42	0683-1005	1	R: fxd comp 10 $\Omega \pm 5\%$ 1/4 W	01121	CB1005	
A2R43	0683-2425	1	R: fxd comp 2400 $\Omega \pm 5\%$ 1/4 W	01121	CB2425	
A2R44	0683-1015		R: fxd comp 100 $\Omega \pm 5\%$ 1/4 W	01121	CB1015	
A2R45	0683-2405		R: fxd comp 24 $\Omega \pm 5\%$ 1/4 W	01121	CB2405	
A2R46	0683-3025		R: fxd comp 3000 $\Omega \pm 5\%$ 1/4 W	01121	CB3025	
A2R47 and A2R48	0683-5115		R: fxd comp 510 $\Omega \pm 5\%$ 1/4 W	01121	CB5115	
	0683-5105		R: fxd comp 51 $\Omega \pm 5\%$ 1/4 W (Option 01 only)	01121	CB5105	
A2R49 and A2R50	0683-2025		R: fxd comp 2000 $\Omega \pm 5\%$ 1/4 W	01121	CB2025	
A2R51	0683-1245		R: fxd comp 120 k $\Omega \pm 5\%$ 1/4 W	01121	CB1245	
#A3	00333-66503	1	Assembly: etched circuit board, rejection amplifier includes: C1 thru C15 R1 thru R29 Q1 thru Q6	-hp-		
A3C1	0180-0039		C: fxd elect 100 μ F 12 vdcw	56289	D32697	
A3C2	0180-0060		C: fxd elect 200 μ F +100% -10% 3 vdcw	56289	30D207G003DC4	
A3C3	0180-0022	2	C: fxd Ta elect 3.9 μ F $\pm 10\%$ 35 vdcw	56289	obd	
A3C4	0140-0190	1	C: fxd mica 39 pF $\pm 5\%$ 500 vdcw	14655	obd	
A3C5	0140-0092	1	C: fxd mica 240 pF $\pm 5\%$	04062	RCM15E241J	
A3C6	0180-0022		C: fxd Ta elect 3.9 μ F $\pm 10\%$ 35 vdcw	56289	obd	
A3C7	0170-0040	1	C: fxd my 0.047 μ F $\pm 10\%$	56289	192P47392A	
A3C8	0180-0039		C: fxd elect 100 μ F 12 vdcw	56289	D32697	

#See Appendix C for backdating

Table 6-1. Replaceable Parts (Cont'd)

REFERENCE DESIGNATOR	-hp- PART NO.	TQ	DESCRIPTION	MFR.	MFR. PART NO.
A3C9	0180-0062	1	C: fxd elect 300 μ F +100% -10% 6 vdcw	56289	30D137G006DH4
A3C10	0140-0196	1	C: fxd mica 150 pF \pm 5% 300 vdcw	-hp-	
# A3C11*	0140-0110	1	C: fxd mica 127 pF \pm 2%	-hp-	
A3C12	0180-0104		C: fxd Al elect 200 μ F +100% -10% 15 vdcw	56289	30D207G015DH4
A3C13	0180-0307		C: fxd Al elect 500 μ F +100% -10% 15 vdcw	56289	34D507H015FJ4
A3C14*	0140-0014	1	C: fxd mica 56 pF \pm 10%	04062	RCM15E560K
A3C15	0180-0307		C: fxd Al elect 500 μ F +100% -10% 15 vdcw	56289	34D507H015FJ4
# A3CR1	1901-0053	1	Diode: Si 30 V	-hp-	
A3Q1	1854-0215		TSTR: Si NPN**	-hp-	
A3Q2	1854-0297		TSTR: Si NPN**	-hp-	
A3Q3	1854-0354		TSTR: Si NPN**	04713	SS2077
A3Q4	1855-0006	2	TSTR: Si P FET channel	OOOLD	SU414A
A3Q5	1854-0354	1	TSTR: Si NPN**	04713	SS2077
A3Q6	1853-0036	1	TSTR: Si PNP 2N3906	04713	2N3906-18
A3R1	0686-2415	1	R: fxd comp 240 Ω \pm 5% 1/2 W	01121	EB2415
A3R2	0686-1245	1	R: fxd comp 120 k Ω \pm 5% 1/2 W	01121	EB1245
A3R3	0686-1035	1	R: fxd comp 10 k Ω \pm 5% 1/2 W	01121	EB1035
A3R4	2100-2522	1	R: var lin 10 k Ω \pm 10%	73138	62-227-1
A3R5	0686-2015	2	R: fxd comp 200 Ω \pm 5% 1/2 W	01121	EB2015
A3R6	0686-3625	2	R: fxd comp 3600 Ω \pm 5% 1/2 W	01121	EB3625
A3R7	0686-1025		R: fxd comp 1000 Ω \pm 5% 1/2 W	01121	EB1025
A3R8	0686-6825		R: fxd comp 6800 Ω \pm 5% 1/2 W	01121	EB6825
A3R9	0757-0281	1	R: fxd comp 2740 Ω \pm 1% 1/8 W	-hp-	
A3R10	0686-1515	1	R: fxd comp 150 Ω \pm 5% 1/2 W	01121	EB1515
A3R11	0686-2035	1	R: fxd comp 20 k Ω \pm 5% 1/2 W	01121	EB2035
A3R12	0757-0830	1	R: fxd met flm 3920 Ω \pm 1% 1/2 W	-hp-	
# A3R13	0698-3537	1	R: fxd met flm 7.15 k Ω \pm 1% 1/2 W	-hp-	
# A3R14	0757-0827	1	R: fxd met flm 2.74 k Ω \pm 1% 1/2 W	-hp-	
A3R15	0686-1265		R: fxd comp 12 M Ω \pm 5% 1/2 W	01121	EB1265
A3R16	2100-2439	1	R: var lin 5K Ω \pm 10%	73138	62-226-1
# A3R17*	0686-3025	1	R: fxd comp 3000 Ω \pm 5% 1/2 W	-hp-	
A3R18	0686-7525		R: fxd comp 7500 Ω \pm 5% 1/2 W	01121	CB7525
A3R19	0683-1015		R: fxd comp 100 Ω \pm 5% 1/4 W	01121	CB1015
A3R20	0686-3625		R: fxd comp 3600 Ω \pm 5% 1/2 W	01121	EB3625
A3R21	0686-5615	1	R: fxd comp 560 Ω \pm 5% 1/2 W	01121	EB5615
A3R22	0686-3015	1	R: fxd comp 300 Ω \pm 5% 1/2 W	01121	EB3015
A3R23	0686-3315	1	R: fxd comp 330 Ω \pm 5% 1/2 W	01121	EB3315
A3R24 and A3R25	0686-2025	3	R: fxd comp 2000 Ω \pm 5% 1/2 W	01121	EB2025
A3R26	0686-4705	1	R: fxd comp 47 Ω \pm 5% 1/2 W	01121	EB4705
A3R27	0686-2015		R: fxd comp 200 Ω \pm 5% 1/2 W	01121	EB2015
A3R28	0686-1035	1	R: fxd comp 10 k Ω \pm 5% 1/2 W	01121	EB1035
A3R29	0686-7525		R: fxd comp 7500 Ω \pm 5% 1/2 W	01121	CB7525
A3R31	0686-3335	2	R: fxd Comp 33 k Ω \pm 5% 1/2 W	-hp-	
A3R32	0757-0842	1	R: fxd met flm 13 k Ω \pm 1% 1/2 W	-hp-	
A3R33	0686-3335		R: fxd comp 33 k Ω \pm 5% 1/2 W	-hp-	
# A3R34	0683-1035	1	R: fxd comp 10 k Ω \pm 5% 1/4 W	01121	CB 1035
# A3R35, R36	0683-4705	1	R: fxd comp 47 Ω \pm 5% 1/4 W	01121	CB 4705
# A3R37	0683-4735	1	R: fxd 47 k Ω 5% 1/4 W	01121	CB 4735
A4	00332-66502	1	Assembly: etched circuit board, RF detector (332A only) includes: C1 thru C3 L1 thru L2 CR1	-hp-	
A4C1 and A4C2	0140-0180	4	C: fxd mica 2000 pF \pm 2% 300 vdcw	14655	CD19F2026(300V)
A4C3	0140-0156	1	C: fxd mica 1500 pF \pm 2%	04062	RDM19F152G3C
A4CR1	1910-0016	1	Diode: Ge 40 V 100 mA +0.75 piv	93332	D2361
A4L1 and A4L2	9140-0052	2	Coil: RF 3.3 mH	09250	18-400

#See Appendix C for backdating

Table 6-1. Replaceable Parts (Cont'd)

REFERENCE DESIGNATOR	-hp- PART NO.	TQ	DESCRIPTION	MFR.	MFR. PART NO.
C1	0160-0953	1	C: fxd my 0.33 μ F $\pm 10\%$ 400 vdcw	-hp-	
C2	0160-3327	3	C: fxd my 1 μ F $\pm 10\%$ 40 vdcw	84411	663F
C3	0130-0006	1	C: var cer 5 to 20 pF	72982	503-000 B2P028R
C4	0121-0004	1	C: var air 12.5 to 535.1 pF 4 sect	-hp-	
C5	0160-3333		C: fxd cer 0.005 μ F $\pm 20\%$ 250 vdcw	08988	THD-8-502M-14KV
C6	0140-0021	2	C: fxd mica 39 pF $\pm 10\%$	04062	RCM15E390K
C7	0160-3333		C: fxd cer 0.005 μ F $\pm 20\%$ 250 vdcw	08988	THD-8-502M-14KV
C8	0140-0206	1	C: fxd mica 270 pF $\pm 5\%$ (332A only)	04062	RDM15F271J5C
CR1	1901-0025	1	Diode: Si 100 mA 100 WV 12 pF (Option 01 only)	93332	D3072 obd
DS1	1450-0048	1	Light: indicator w/o push-on retainer	08717	858-R-C2A obd
F1	2110-0311	1	Fuse: 1/16 slow-blow (for 115 V operation)	71400	MDL-1/16 obd
	2110-0337	1	Fuse: 1/32 slow-blow (for 230 V operation)	71400	MDL-1/32 obd
F2	2110-0318	1	Fuse: 0.125 A 250 V slow-blow	71400	MDL-1/8 obd
L1 and L2	9140-0041	2	Coil: RF 2.5 mH $\pm 10\%$	95265	SA-2500-I obd
L3	9170-0016	1	L: shielding bead (332A only)	02114	56-590-65/3B
L4	9170-0805	1	Coil: fxd 1.6 mH (332A only)	-hp-	
M1	1120-0352	1	Meter	-hp-	
	1120-0398	1	Meter: volume units (Option 01 only)	-hp-	
R1	0767-0001	1	R: fxd 400 Ω $\pm 5\%$ 3 W	-hp-	
R2	0687-4701	1	R: fxd comp 47 Ω $\pm 10\%$ 1/2 W	01121	EB4701
R3	0686-3915	1	R: fxd comp 390 Ω $\pm 5\%$ 1/2 W	01121	EB3915
R4 and R5	2100-1736	1	R: var comp 100 Ω 3000 Ω $\pm 10\%$ 2 W	71590	BAS 1209 obd
R6			Not assigned		
R7	0813-0029	2	R: fxd 1 Ω $\pm 5\%$ 3 W	91637	RS-2B obd
R8	0683-5125	1	R: fxd 5100 Ω $\pm 5\%$ (332A only)	01121	CB5125
R9			Not assigned		
R10	0683-1325	1	R: fxd comp 1300 Ω $\pm 5\%$ 1/4 W (332A only)	01121	CB1325
R11	0813-0029	1	R: fxd 1 Ω $\pm 5\%$ 3 W	91637	RS-2B obd
#R12	0686-3335	1	R: fxd comp 33 k Ω $\pm 5\%$ 1/2 W	-hp-	
#R13	0757-0955	1	R: fxd flm 20 k Ω $\pm 2\%$ 1/8 W	-hp-	
S1	3100-0878	1	Switch: function	76854	obd
S2	00331-61902	1	Switch assembly: sensitivity includes: C1 thru C10 R1 thru R7	-hp-	
S2C1 thru S2C5	0132-0004	6	C: var trim 0.7 to 3.0 pF	72982	535-009-4R
S2C6	0160-0205	2	C: fxd mica 10 pF $\pm 5\%$	04062	RDM15C100J5S
S2C7	0140-0152	1	C: fxd mica 1000 pF $\pm 5\%$ 300 vdcw	04062	DM16F102J
S2C8	0160-0958	1	C: fxd mica 390 pF $\pm 5\%$	04062	RDM15F391J3S
S2C9	0160-0990	1	C: fxd mica 100 pF $\pm 2\%$	04062	RDM15F101G3S
S2C10	0160-0205		C: fxd mica 10 pF $\pm 5\%$	04062	RDM15C100J5S
S2R1	0698-3118	1	R: fxd met flm 3240 Ω $\pm 1\%$ 1/2 W	19701	MF7C T-0 obd
S2R2	0698-3119	1	R: fxd met flm 6980 Ω $\pm 1\%$ 1/2 W	19701	MF7C T-0 obd
S2R3	0757-0846	1	R: fxd met flm 22.1 k Ω $\pm 1\%$ 1/2 W	19701	MF7C T-0 obd
S2R4	0698-3120	1	R: fxd met flm 69.8 k Ω $\pm 1\%$ 1/2 W	19701	MF7C T-0 obd
S2R5	0757-0862	1	R: fxd met flm 221 k Ω $\pm 1\%$ 1/2 W	19701	MF7C T-0 obd
S2R6	0698-3121	1	R: fxd met flm 698 k Ω $\pm 1\%$ 1/2 W	19701	MF7C T-0 obd
S2R7	2100-1438	1	R: var pot lin 1 k Ω $\pm 10\%$	11237	Series 45 obd
S3	00331-61903	1	Switch assembly: meter range includes: C1 thru C6 R1 thru R14	-hp-	
S3C1	0132-0004		C: var trim 0.7 to 3.0 pF	72982	535-009-4R
S3C2 and S3C3	0140-0180		C: fxd mica 2000 pF $\pm 2\%$ 300 vdcw	14655	CD19F2026(300V)
S3C4*	0160-0182		C: fxd mica 47 pF $\pm 5\%$	-hp-	
S3C5	0140-0064	1	C: fxd mica 62 pF $\pm 5\%$	72136	obd
S3C6	0121-0039	1	C: var cer trim 8 to 50 pF	72982	557-062-U2P0-34R

#See Appendix C for backdating

Table 6-1. Replaceable Parts (Cont'd)

REFERENCE DESIGNATOR	-hp- PART NO.	TQ	DESCRIPTION	MFR.	MFR. PART NO.
S3R1	0686-2215	1	R: fxd comp 220 Ω \pm 5% 1/2 W	01121	EB2215
S3R2	0698-3138	4	R: fxd met flm 277.5 Ω \pm 1/4% 1/4 W	19701	MF6C T-0 obd
S3R3	0698-3139	5	R: fxd met flm 410.26 Ω \pm 1/4% 1/4 W	19701	MF6C T-0 obd
S3R4	0698-3138		R: fxd met flm 277.5 Ω \pm 1/4% 1/4 W	19701	MF6C T-0 obd
S3R5	0698-3139		R: fxd met flm 410.26 Ω \pm 1/4% 1/4 W	19701	MF6C T-0 obd
S3R6	0698-3138		R: fxd met flm 277.5 Ω \pm 1/4% 1/4 W	19701	MF6C T-0 obd
S3R7	0698-3139		R: fxd met flm 410.26 Ω \pm 1/4% 1/4 W	19701	MF6C T-0 obd
S3R8	0698-3138		R: fxd met flm 277.5 Ω \pm 1/4% 1/4 W	19701	MF6C T-0 obd
S3R9 and S3R10	0698-3139		R: fxd met flm 410.26 Ω \pm 1/4% 1/4 W	19701	MF6C T-0 obd
S3R11	0698-3137	1	R: fxd met flm 189.7 Ω \pm 1/4% 1/4 W	19701	MF6C T-0 obd
S3R12	0698-3146	1	R: fxd met flm 999 k Ω \pm 1/4% 1/4 W	19701	MF6C T-0 obd
S3R13	0698-3145	1	R: fxd met flm 1 k Ω \pm 1/4% 1/4 W	19701	MF6C T-0 obd
S3R14*	0683-0685	1	R: fxd comp 6.8 Ω \pm 5% 1/4 W	01121	CB68G5
S4	00331-61904	1	Switch assembly: FREQ. RANGE includes: C1 R1 thru R20	-hp-	
S4C1			Part of FREQ. RANGE switch assembly (nsr)		
S4R1 thru S4R20			Part of FREQ. RANGE switch assembly (nsr)		
S5	3101-0036	1	Switch: tog SPST 3 A 250 Vac-dc	88140	8280K16
S6	3101-1234	1	Switch: sl DPDT 115 - 230 V	82389	11A-1242A obd
S7	3101-0110	1	Switch: sl DPDT 0.5 A 125 Vdc (332A only)	82389	11A-1039A obd
T1	9100-0300	1	Transformer: power	-hp-	
#W1	8120-1348	1	Cable assembly: power extra limp	-hp-	
<u>MISCELLANEOUS</u>					
	0400-0111	4	Bushing: black plastic	28520	SB-437-5 obd
	00331-61603	1	Cable "A"	-hp-	
	00331-61604	1	Cable "B"	-hp-	
	00331-61605	1	Cable "C"	-hp-	
	00331-61602	1	Cable: main	-hp-	
	00332-61602	1	Cable: RD detector	-hp-	
	1400-0043	2	Clip: fahnstock, brass	79963	#146 obd
	1400-0084	1	Holder: fuse extractor post type	75915	342014
	00331-90006	1	Manual: operating and service	-hp-	
	5040-0702	2	Washer: shoulder	-hp-	
#J4	1251-2357	1	Connector: power	-hp-	
J5	1250-0118	1	Connector: BNC, RF input	000LB	28JR128-1
	0340-0089	1	Insulator: binding post	-hp-	
	0403-0150	4	Guides: pc board	-hp-	

#See Appendix C for backdating

SECTION VII CIRCUIT DIAGRAMS

7-1. INTRODUCTION.

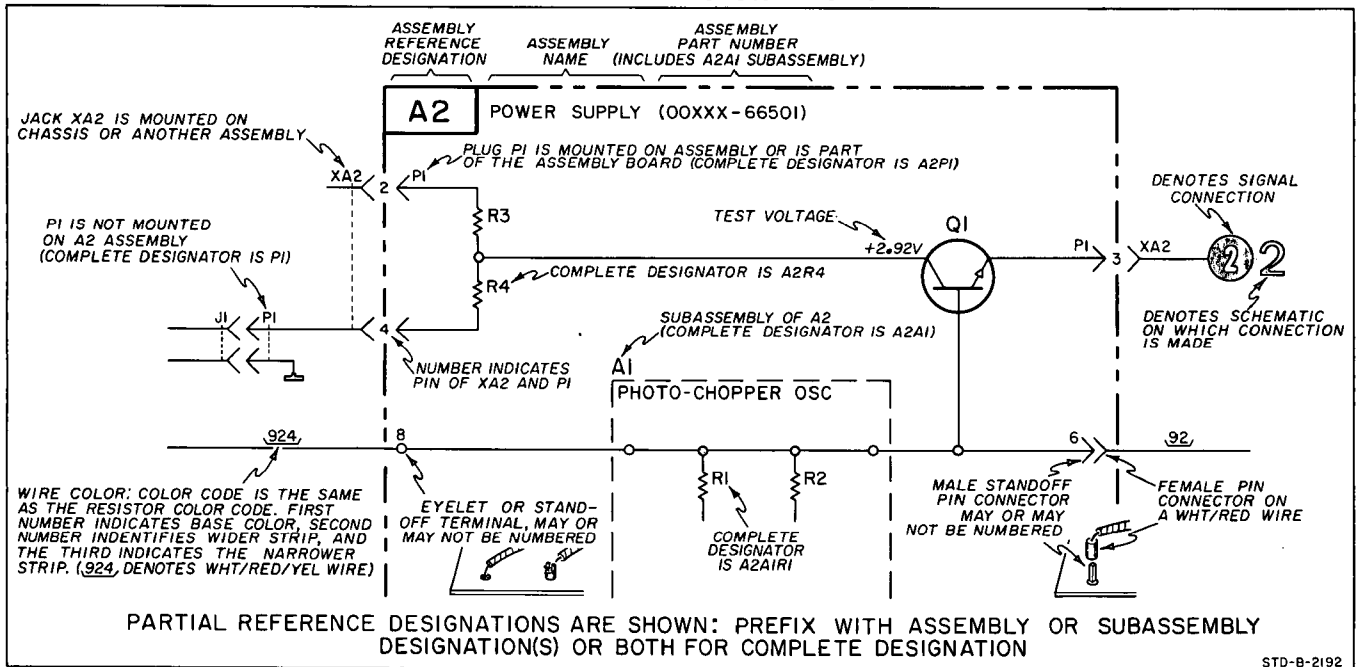
7-2. This section contains circuit diagrams to aid in the operation and maintenance of the Models 331A and 332A. Figures 7-1 through 7-4 contain detailed schematic diagrams as well as component location drawings

of each printed circuit board.

7-3. General schematic notes, which apply to all the schematic diagrams, are listed on page 7-2.

7-4. An explanation of terms and symbols used on the schematic diagrams is given below.








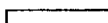



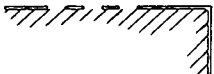



REFERENCE DESIGNATIONS

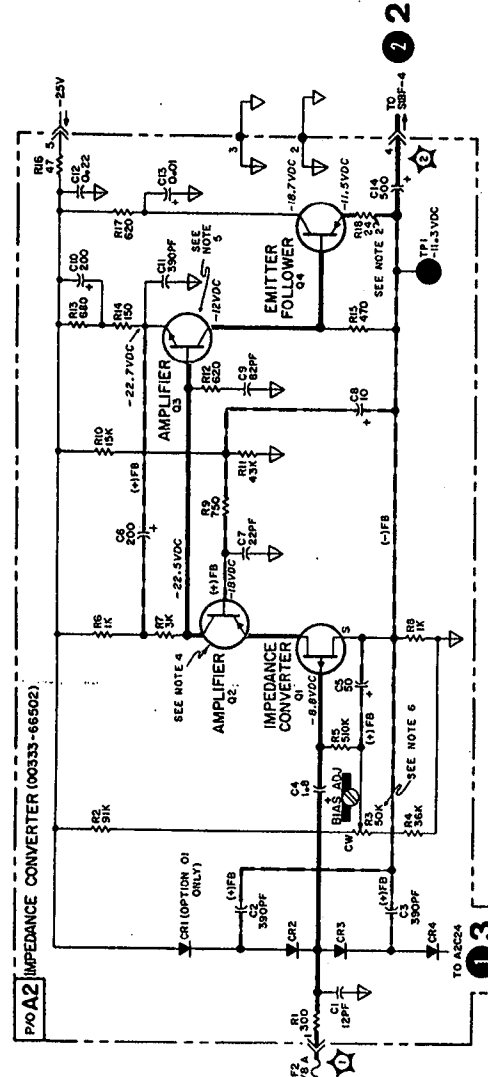


GENERAL SCHEMATIC NOTES

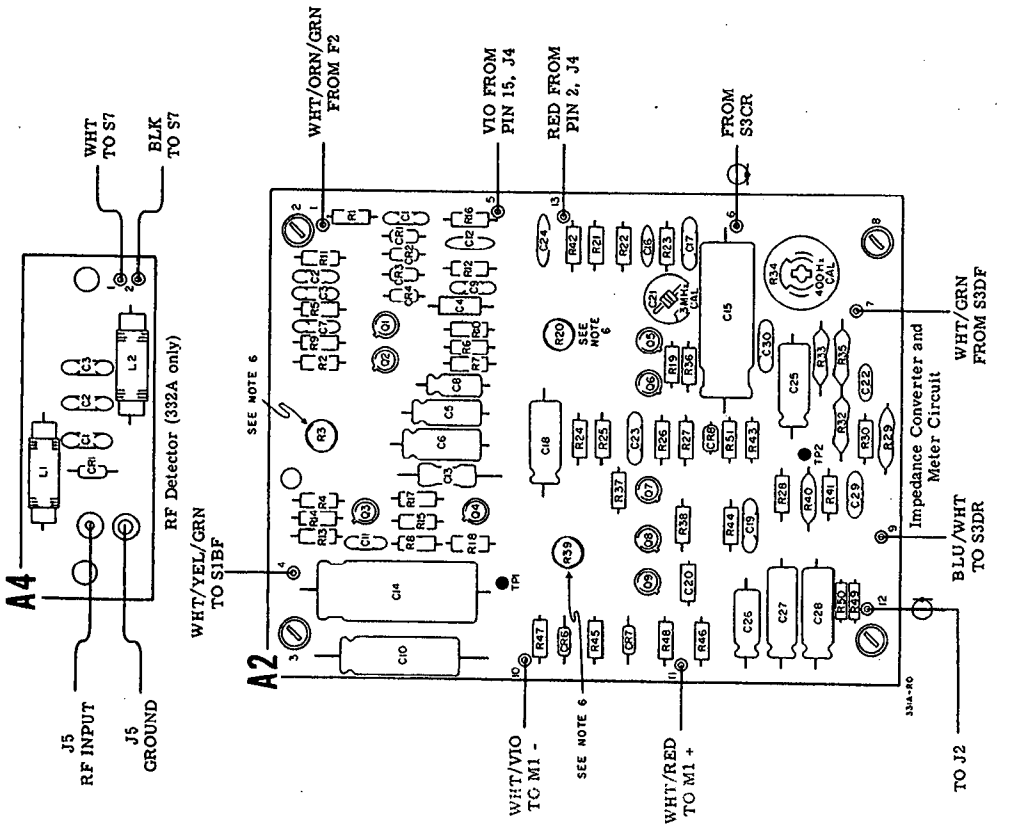
1. PARTIAL REFERENCE DESIGNATIONS ARE SHOWN. PREFIX WITH ASSEMBLY OR SUBASSEMBLY DESIGNATION(S) OR BOTH FOR COMPLETE DESIGNATION.
2. COMPONENT VALUES ARE SHOWN AS FOLLOWS UNLESS OTHERWISE NOTED:

RESISTANCE IN OHMS

CAPACITANCE IN MICROFARADS
3.  DENOTES CHASSIS GROUND.
4.  Denotes Earth Ground.
5.  DENOTES SIGNAL GROUND (FLOATABLE).
6.  SIGNAL GROUND (ON BOARD).
7.  DENOTES ASSEMBLY.
8.  DENOTES MAIN SIGNAL PATH.
9.  DENOTES FEEDBACK PATH.
10.  DENOTES FRONT PANEL MARKING.
11.  DENOTES REAR PANEL MARKING.
12.  DENOTES SCREWDRIVER ADJUST.
13.  -DENOTES FRONT PANEL CONTROL.
14. * AVERAGE VALUE SHOWN, OPTIMUM VALUE SELECTED AT FACTORY.
15.  DENOTES COMPONENTS NOT MOUNTED ON ASSEMBLY.
16.  DENOTES TROUBLESHOOTING INFORMATION LOCATED ON APRON PAGE OF RESPECTIVE SCHEMATIC.
17.  DENOTES SIGNAL CONNECTION.
18.  DENOTES SCHEMATIC ON WHICH SIGNAL CONNECTION IS MADE.



- (For 7-1)
- BACKDATING INFORMATION**
1. (†) Only on HP 332A's prefixed 604- and above. Refer to Change 2, Appendix C.
 2. Only on Instruments prefixed 827- (821- for 332A) and above. Refer to Change 4, Appendix C.
 3. R11 is deleted on instruments prefixed 827- (821- for 332A) and below. Refer to Change 1, Appendix C.
 4. A202 Part No. is changed on serials 914-0375 and below. Refer to Change 6, Appendix C.
 5. Instruments with serial number 914-0375 and below (903-01670 and below for 332A) A203 was different. For replacement purposes use the transistor listed in Table 6-1 as A203.
 6. A202/200/209 are different in some earlier instruments and are not directly interchangeable with the ones listed in Table 6-1. See Appendix C for applicable serial numbers.



TROUBLESHOOTING INFORMATION

- 1 1 mV rms between pin 1 and ground side of A2R12, for full scale meter deflection in VOLT/METER function on 1 V range.
- 2 1 mV rms at pin 4 for full scale meter deflection in VOLTMETER function on 1 V range. Use a 10 MΩ/10 pF impedance probe for this measurement.

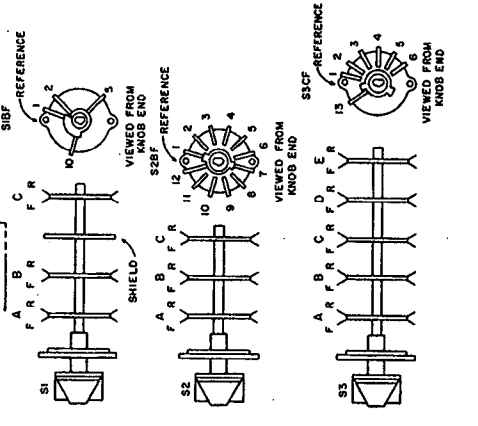
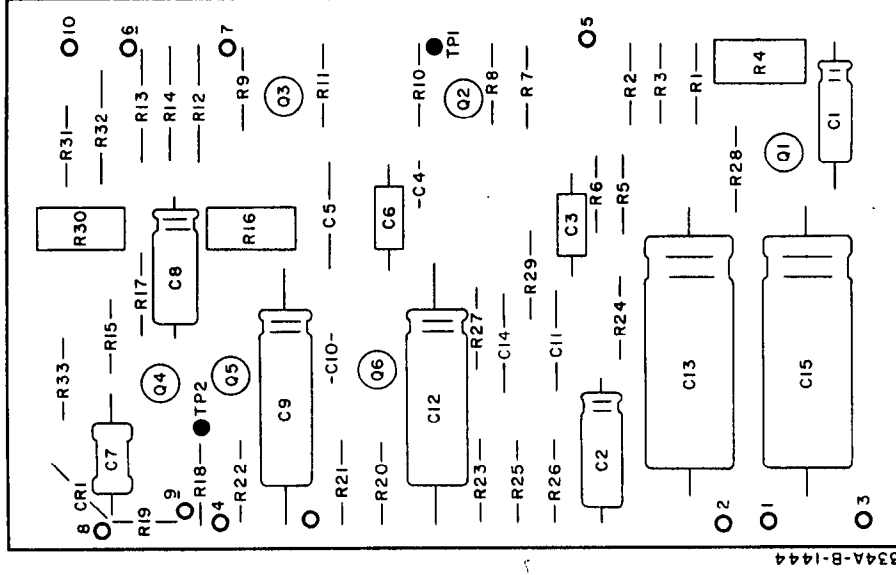


Figure 7-1. Impedance Converter (P/O A2 and RF Detector (P/O A4))



hp Part No. 00333-66503

1
 Figure 7-1. Impedance Converter (P/O A2)
 and RF Detector (P/O A4)
 7-3

TROUBLESHOOTING INFORMATION

When checking the voltages and waveforms for this circuit, set the 331A/332A controls as follows, unless otherwise noted:

- FUNCTION SET LEVEL
- METER RANGE 0.3 VOLTS
- SENSITIVITY MAX.
- SENSITIVITY VERNIER MAX.
- FREQUENCY RANGE X100
- Frequency Dial 10
- Input Signal 0.3 V rms at 1 kHz

1 280 mV rms at pin 1.

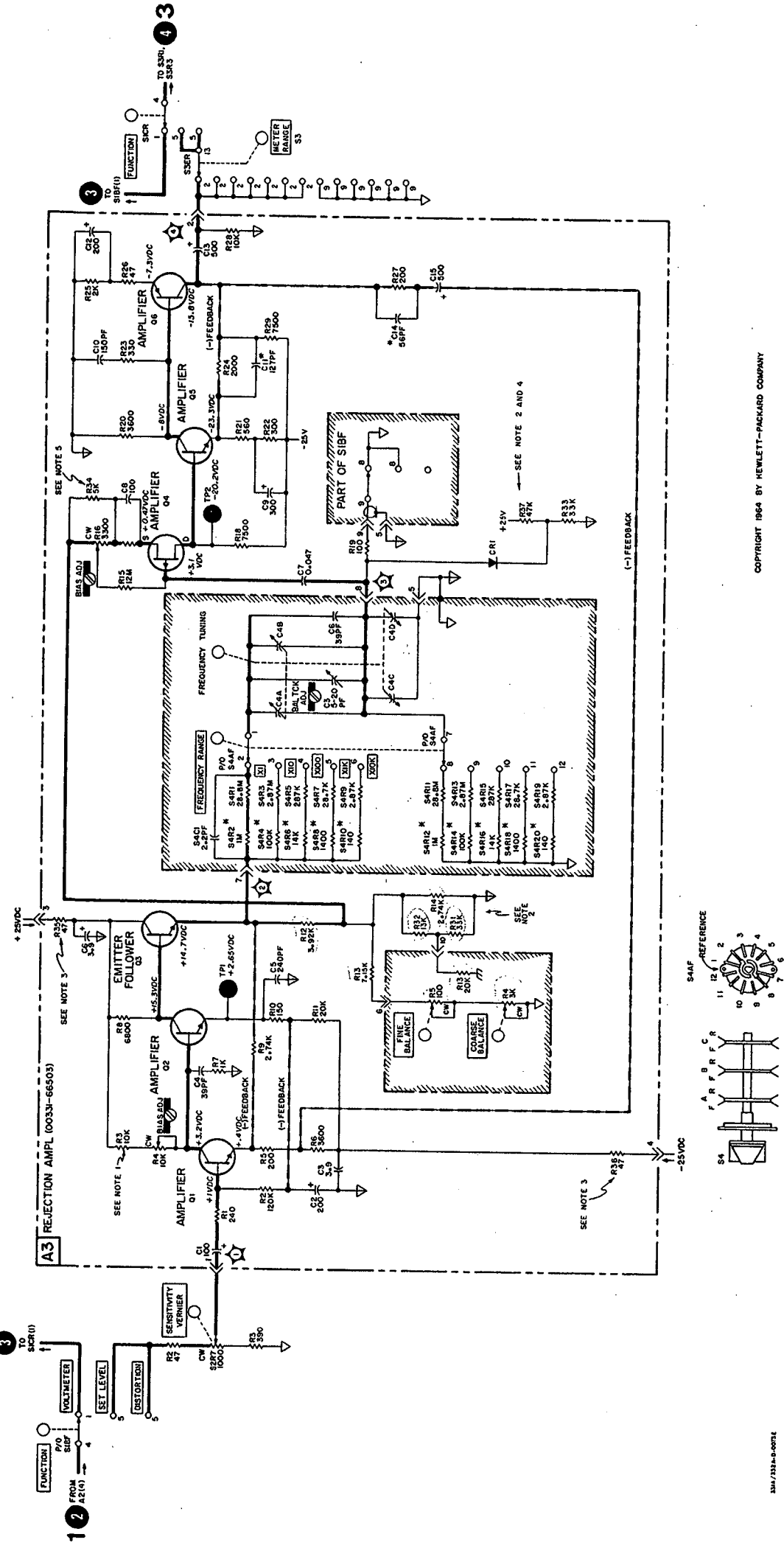
2 180 mV rms at pin 7. In DISTORTION function, with input nulled, signal at pin 7 should change to 2.4 V rms. Use a 10 MΩ/10 pF impedance probe for this measurement.

3 0 V rms at pin 8. In DISTORTION function but not nulled (frequency dial set to 50), signal at pin 8 changes to 310 mV rms. Use a 10 MΩ/10 pF impedance probe for this measurement.

4 0.32 V rms at pin 2.

BACKDATING INFORMATION

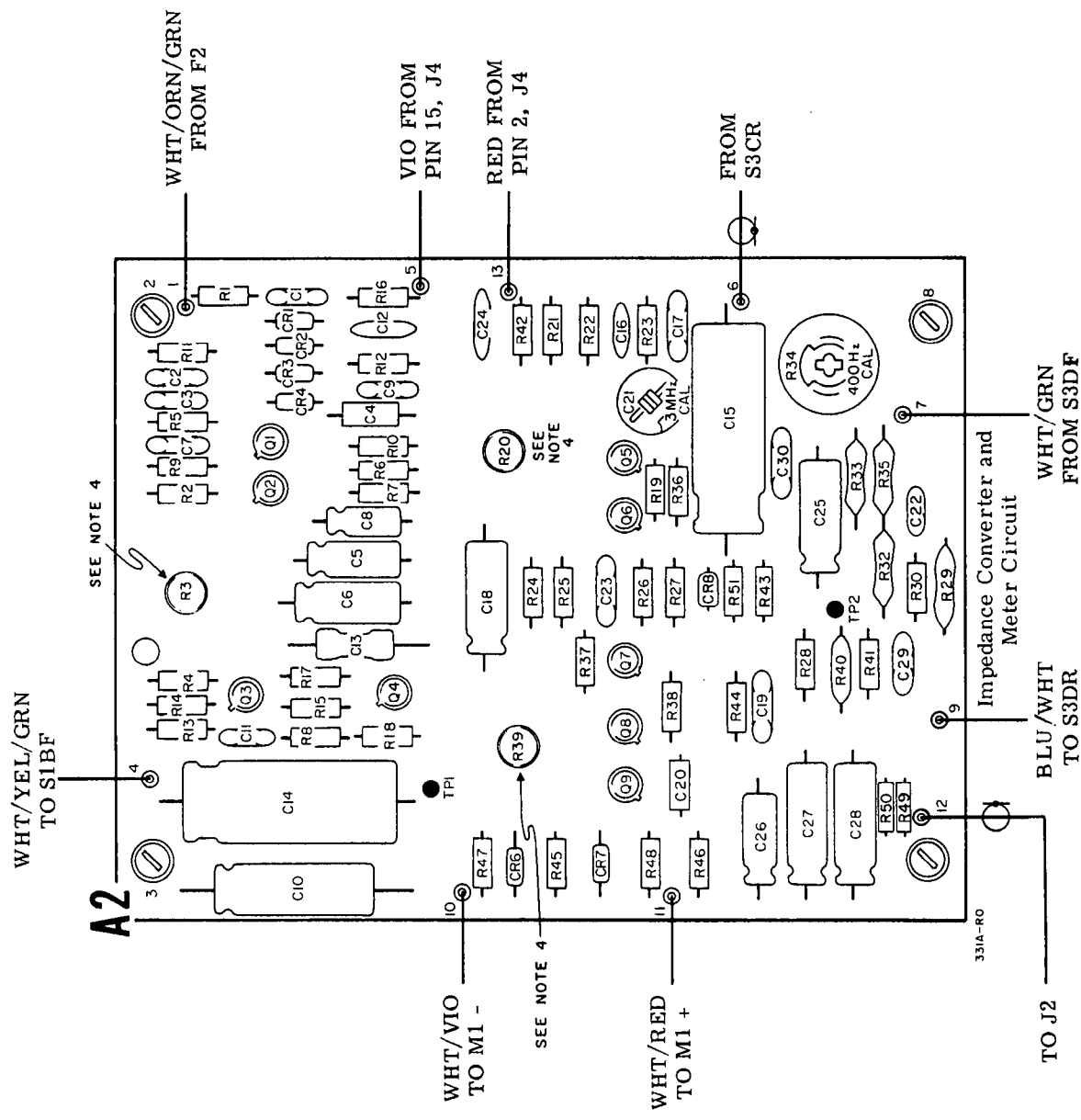
1. Change A3R3 to 12 kΩ for instruments prefixed 827- (821- for 332A) and below. Refer to Change 7, Appendix C.
2. Instruments with serial number 914-03825 and below (909-01710 and below for 332A) the A3 Assembly was part number 00331-66503. To make this schematic compatible with earlier instruments, change A3R13 to 7500 Ω, change A3R14 to 2.49 kΩ, delete A3R31, A3R32, A3R33, A3R30, A3CR1 and delete R13 (off board, connected to pin 10.)
3. Instruments with serial no. 982-04301 (985-01911 and below for 332A) did not have A3R35 and A3R36. Refer to Appendix C for more information.
4. See Change No. 16 in Appendix C.
5. See Change No. 15 in Appendix C.



COPYRIGHT 1964 BY HEWLETT-PACKARD COMPANY

331/332A-0-0024

Figure 7-2. Rejection Amplifier (A3)
7-5



2
 Figure 7-2. Rejection Amplifier (A3)
 7-5

TROUBLESHOOTING INFORMATION

1 mV rms between pins 6 and 15 for full scale deflection on the 0 to 1 scale on the 0.001 V to 300 V ranges. 300 μ V rms between pins 6 and 15 for 300 μ V indication on 300 μ V range.

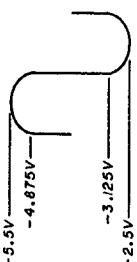


53-2-178

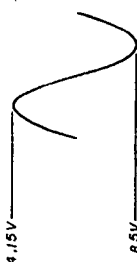
Voltage between collector of A2Q7 and pin 15 for full scale deflection on the 0 to 1 scale.



Voltage between collector of A2Q9 and pin 15 for full scale deflection on the 0 to 1 scale on 0.01 V range and above. (Cannot be measured on 0.01 V range and below because the meter amplifier will oscillate.)



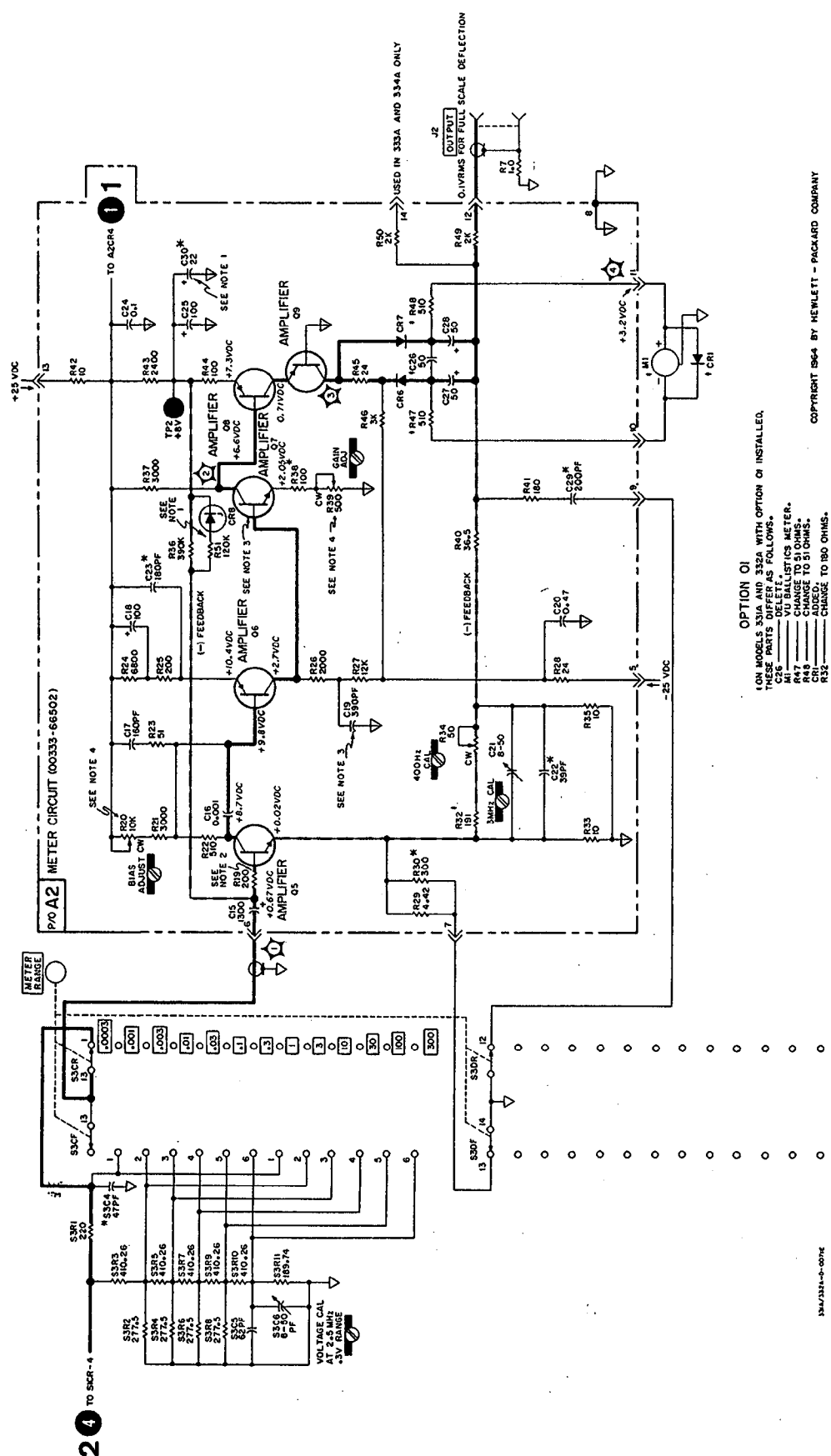
0.3 V p-p from either pin 10 or 11 to ground for full scale deflection on 0 to 1 scale.



333A-B-1471

BACKDATING INFORMATION

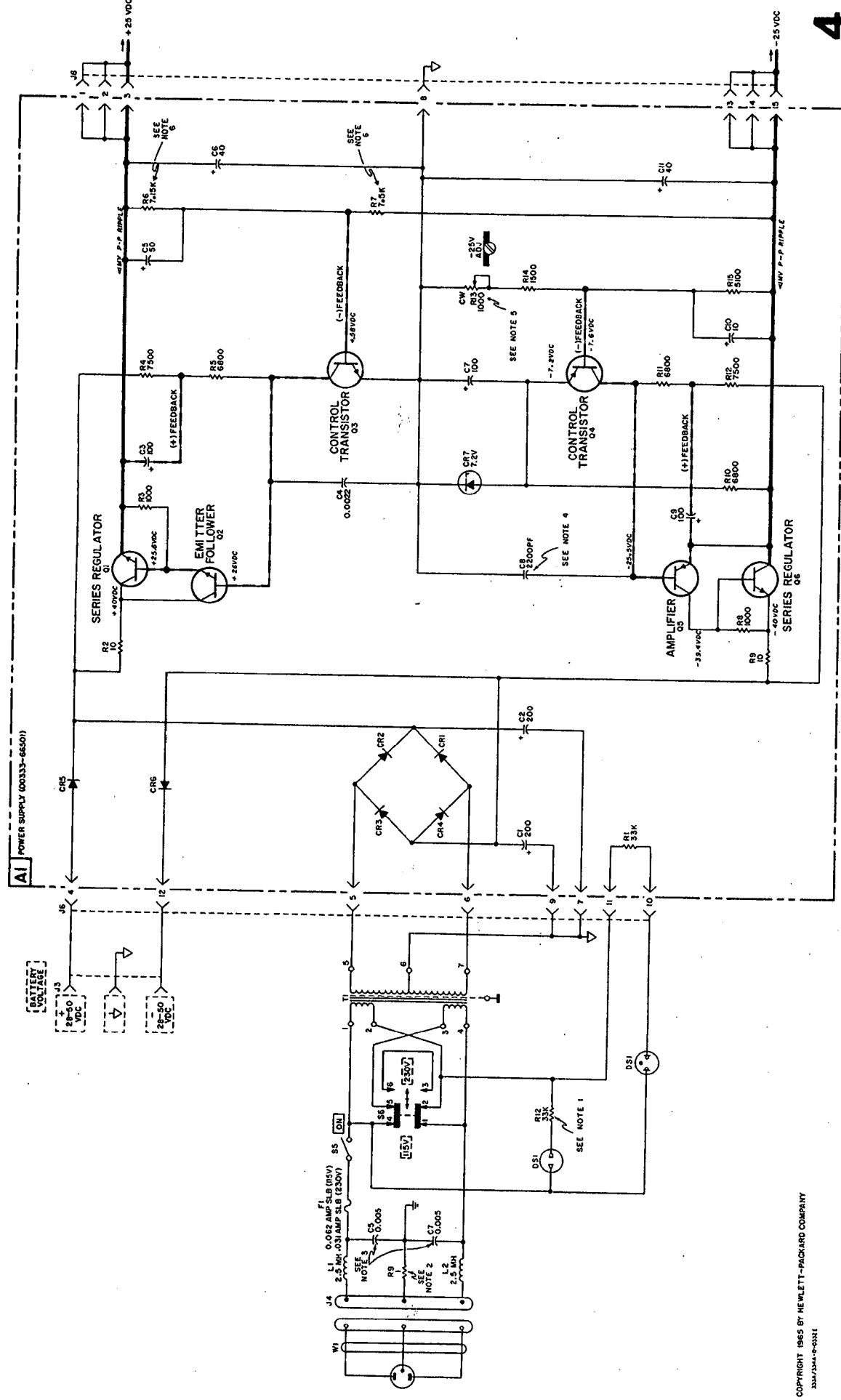
1. Only on instruments prefixed 716- (717- for 332A) and above. Refer to Change 3, Appendix C.
2. Only on instruments prefixed 827- (821- for 332A) and above. Refer to Change 4, Appendix C.
3. A2Q2 and A2C19 changed on prefix 827- (821- for 332A) and below. Refer to Change 7, Appendix C.
4. A2R3/R20/R39 are different in some earlier instruments and are not directly interchangeable with the ones listed in Table 6-1. See Appendix C for applicable serial numbers.



OPTION O1
 ON MODELS 331A AND 332A WITH OPTION O1 INSTALLED,
 THESE PARTS SHOULD BE DELETED:
 C25
 R47
 R48
 R49
 R50
 R52
 CHANGE TO 51 OHMS.
 CHANGE TO 180 OHMS.
 CHANGE TO 180 OHMS.

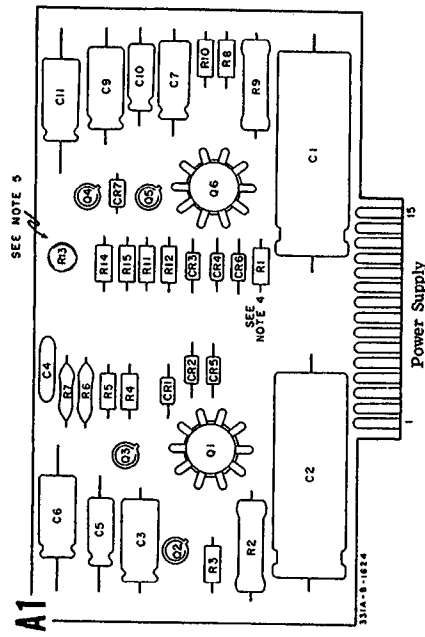
1344/331A-0-0074E

Figure 7-3. Meter Circuit (P/O A2) 7-1/7-8



COPYRIGHT 1965 BY HEWLETT-PACKARD COMPANY
331A/332A-P-0321

Figure 7-4. Power Supply (A1)
7-8/7-10



BACKDATING INFORMATION

1. R12 was located on the A1 Assembly and designated as A1R1. The resistor was connected between pins 10 and 11 on A1. See Appendix C, Change #9 for applicable serial numbers.
2. R9 is added here on Instruments prefixed 827- (821- for 332A) and below. Refer to Change 7, Appendix C.
3. Value changed on serials 827-03000 (821-01385 for 332A) and below. Refer to Change 6, Appendix C.
4. C8 is added to instruments whose serial number is 602-00820 (536- for 332A) and below. Refer to Change 1, Appendix C.
5. A1R13 was different in some earlier instruments and is not directly interchangeable with the one listed in Table 6-1. See Appendix C for applicable serial numbers.
6. In some earlier instruments A1R6 was 12.1 kΩ and A1R7 was 12.7 kΩ. To improve power supply regulation these resistors should be changed to the values shown in Figure 7-4. See Appendix C for applicable serial numbers.

CODE LIST OF MANUFACTURERS

The following code numbers are from the Federal Supply Code for Manufacturers Cataloging Handbooks H4-1 (Name to Code) and H4-2 (Code to Name) and their latest supplements. The date of revision and the date of the supplements used appear at the bottom of each page. Alphabetical codes have been arbitrarily assigned to suppliers not appearing in the H4 Handbooks.

Table with columns: Code No., Manufacturer, Address, Code No., Manufacturer, Address, Code No., Manufacturer, Address. Lists various manufacturers and their locations across the United States.

00015-49 Revised: May, 1970

From: Handbook Supplements H4-1 Dated January 1970

CODE LIST OF MANUFACTURERS (Continued)

Code No.	Manufacturer	Address	Code No.	Manufacturer	Address	Code No.	Manufacturer	Address
19644	LRC Electronics	Horseheads, N. Y.	71482	C. P. Clare & Co.	Chicago, Ill.	78452	Thompson-Bremer & Co.	Chicago, Ill.
19701	Electra Mfg. Co.	Independence, Kansas	71590	Centralab Div. of Globe Union Inc.	Milwaukee, Wis.	78471	Tilley Mfg. Co.	San Francisco, Cal.
20183	General Atomics Corp.	Philadelphia, Pa.	71616	Commercial Plastics Co.	Chicago, Ill.	78488	Stackpole Carbon Co.	St. Marys, Pa.
21226	Executone, Inc.	Long Island City, N. Y.	71700	Cornish Wire Co., The	New York, N. Y.	78493	Standard Thomson Corp.	Waltham, Mass.
21355	Fanair Bearing Co.	New Britain, Conn.	71707	Coto Coil Co., Inc.	Providence, R. I.	78553	Tinnerman Products, Inc.	Cleveland, Ohio
21520	Fansteel Metallurgical Corp.	N. Chicago, Ill.	71744	Chicago Miniature Lamp Works	Chicago, Ill.	78790	Transformer Engineers	San Gabriel, Cal.
23020	General Reed Co.	Metuchen, N. J.	71785	Cinch Mfg. Co., Howard B. Jones Div.	Chicago, Ill.	78947	Ucinite Co.	Newtonville, Mass.
23042	Texscan Corp.	Indianapolis, Ind.	71984	Dow Corning Corp.	Midland, Mich.	79136	Waldes Kohinoor Inc.	Long Island City, N. Y.
23783	British Radio Electronics Ltd.	Washington, D.C.	72136	Electro Motive Mfg. Co., Inc.	Willimantic, Conn.	79142	Veeder Root, Inc.	Hartford, Conn.
24455	G. E. Lamp Division, Nela Park	Cleveland, Ohio	72619	Dialight Corp.	Brooklyn, N. Y.	79251	Wenco Mfg. Co.	Chicago, Ill.
24655	General Radio Co.	West Concord, Mass.	72656	Indiana General Corp., Electronics Div.	Keasby, N. J.	79272	Continental-Wirt Electronics Corp.	Philadelphia, Pa.
24681	Memcor Inc., Comp. Div.	Huntington, Ind.	72699	General Instrument Corp., Cap Division	Newark, N. J.	79963	Zierick Mfg. Corp.	New Rochelle, N. Y.
26365	Gries Reproducer Corp.	New Rochelle, N. Y.	72765	Drake Mfg. Co.	Harwood Heights, Ill.	80031	Mepco Division of Sessions Clock Co.	Morristown, N. J.
26462	Grobert File Co. of America, Inc.	Carlstadt, N. J.	72825	Hugh H. Eby Inc.	Philadelphia, Pa.	80033	Prestole Corp.	Toledo, Ohio
26851	Compac/Hollister Co.	Hollister, Cal.	72928	Gudeman Co.	Chicago, Ill.	80120	Schnitzer-Alloy Products Co.	Elizabeth, N. J.
26992	Hamilton Watch Co.	Lancaster, Pa.	72962	Elastic Stop Nut Corp.	Union, N. J.	80131	Electronic Industries Association, Standard tube or semi-conductor device, any manufacturer.	
28480	Hewlett-Packard Co.	Palo Alto, Cal.	72964	Robert M. Hadley Co.	Los Angeles, Cal.	80207	Unimax Switch, Div. Maxon Electronics Corp.	Wallingford, Conn.
28520	Heyman Mfg. Co.	Kenilworth, N. J.	72982	Erie Technological Products, Inc.	Erie, Pa.	80223	United Transformer Corp.	New York, N. Y.
30817	Instrument Specialties Co., Inc.	Little Falls, N. J.	73061	Hansen Mfg. Co., Inc.	Princeton, Ind.	80248	Oxford Electric Corp.	Chicago, Ill.
33173	G. E. Receiving Tube Dept.	Owensboro, Ky.	73076	H. M. Harper Co.	Chicago, Ill.	80294	Bourns Inc.	Riverside, Cal.
35434	Lectrohm Inc.	Chicago, Ill.	73138	Helipot Div. of Beckman Inst., Inc.	Fullerton, Cal.	80411	Arco Div. of Robertshaw Controls Co.	Columbus, Ohio
36196	Stanwyck Coil Products, Ltd.	Hawkesbury, Ontario, Canada	73293	Hughes Products Division of Hughes Aircraft Co.	Newport Beach, Cal.	80486	All Star Products Inc.	Defiance, Ohio
36287	Cunningham, W. H. & Hill, Ltd.	Toronto, Ontario, Canada	73445	Amperex Elect. Co.	Hicksville, L. I., N. Y.	80509	Avery Label Co.	Monrovia, Cal.
37942	P. R. Mallory & Co., Inc.	Indianapolis, Ind.	73506	Bradley Semiconductor Corp.	New Haven, Conn.	80583	Hammarlund Co., Inc.	Mars Hill, N. C.
39543	Mechanical Industries Prod. Co.	Akron, Ohio	73559	Carling Electric, Inc.	Hartford, Conn.	80640	Stevens, Arnold, Co., Inc.	Boston, Mass.
40920	Miniature Precision Bearings, Inc.	Keene, N. H.	73586	Circle F Mfg. Co.	Trenton, N. J.	80813	Dimco Gray Co.	Dayton, Ohio
40931	Honeywell Inc.	Minneapolis, Minn.	73682	George K. Garrett Co., Div. MSL Industries, Inc.	Philadelphia, Pa.	81030	International Inst. Inc.	Orange, Conn.
42190	Muter Co.	Chicago, Ill.	73734	Federal Screw Products, Inc.	Chicago, Ill.	81073	Grayhill Co.	LaGrange, Ill.
43990	C. A. Norgren Co.	Englewood, Colo.	73743	Fischer Special Mfg. Co.	Cincinnati, Ohio	81095	Triad Transformer Corp.	Venice, Cal.
44655	Ohmite Mfg. Co.	Skokie, Ill.	73793	General Industries Co., The	Elyria, Ohio	81312	Winchester Elec. Div. Litton Ind., Inc.	Oakville, Conn.
46384	Penn Eng. & Mfg. Corp.	Doylestown, Pa.	73846	Goshen Stamping & Tool Co.	Goshen, Ind.	81349	Military Specification	
47904	Polaroid Corp.	Cambridge, Mass.	73899	JFD Electronics Corp.	Brooklyn, N. Y.	81483	International Rectifier Corp.	El Segundo, Cal.
48620	Precision Thermometer & Inst. Co.	Southampton, Pa.	73905	Jennings Radio Mfg. Corp.	San Jose, Cal.	81541	Airpax Electronics, Inc.	Cambridge, Maryland
49956	Microwave & Power Tube Div.	Waltham, Mass.	73957	Groove-Pin Corp.	Ridgefield, N. J.	81860	Barry Controls, Div. Barry Wright Corp.	Watertown, Mass.
52090	Rowan Controller Co.	Westminster, Md.	74276	Signalite Inc.	Neptune, N. J.	82042	Carter Precision Electric Co.	Skokie, Ill.
52983	HP Co., Med. Elec. Div.	Waltham, Mass.	74455	J. H. Winns, and Sons	Winchester, Mass.	82047	Sperti Faraday Inc., Copper Hewitt Electric Div.	Hoboken, N. J.
54294	Shallcross Mfg. Co.	Selma, N. C.	74861	Industrial Condenser Corp.	Chicago, Ill.	82116	Electric Regulator Corp.	Norwalk, Conn.
55026	Simpson Electric Co.	Chicago, Ill.	74868	R. F. Products Division of Amphenol-Borg Electronic Corp.	Danbury, Conn.	82142	Jeffer's Electronics Division of Speer Carbon Co.	Du Bois, Pa.
55933	Sonotone Corp.	Elmsford, N. Y.	74970	E. F. Johnson Co.	Waseca, Minn.	82170	Fairchild Camera & Inst. Corp., Space & Defense Systems Div.	Paramus, N. J.
55938	Raytheon Co. Commercial Apparatus & System Div.	So. Norwalk, Conn.	75042	International Resistance Co.	Philadelphia, Pa.	82209	Magurie Industries, Inc.	Greenwich, Conn.
56137	Spaulding Fibre Co., Inc.	Tonawanda, N. Y.	75263	Keystone Carbon Co., Inc.	St. Marys, Pa.	82219	Sylvania Electric Prod., Inc. Electronic Tube Division	Emporium, Pa.
56289	Sprague Electric Co.	North Adams, Mass.	75378	CTS Knights, Inc.	Sandwich, Ill.	82376	Astron Corp.	East Newark, Harrison, N. J.
58474	Superior Elect. Co.	Bristol, Conn.	75382	Kulka Electric Corp.	Mt. Vernon, N. Y.	82389	Switchcraft, Inc.	Chicago, Ill.
59446	Telex Corp.	Tulsa, Okla.	75818	Lenz Electric Mfg. Co.	Chicago, Ill.	82647	Metals & Controls Inc., Spencer Products	Attleboro, Mass.
59730	Thomas & Betts Co.	Elizabeth, N. J.	75915	Littlefuse, Inc.	Des Plaines, Ill.	82768	Phillips-Advance Control Co.	Joliet, Ill.
60741	Triplett Electrical Inst. Co.	Bluffton, Ohio	76005	Lord Mfg. Co.	Erie, Pa.	82866	Research Products Corp.	Madison, Wis.
61775	Union Switch and Signal Div. of Westinghouse Air Brake Co.	Pittsburgh, Pa.	76210	C. W. Marwedel	San Francisco, Cal.	82877	Rollon Mfg. Co., Inc.	Woodstock, N. Y.
62119	Universal Electric Co.	Owosso, Mich.	76433	General Instrument Corp., Micamold Division	Newark, N. J.	82893	Vector Electronic Co.	Glendale, Cal.
63743	Ward-Leonard Electric Co.	Mt. Vernon, N. Y.	76487	James Millen Mfg. Co., Inc.	Malden, Mass.	83058	Carr Fastener Co.	Cambridge, Mass.
64959	Western Electric Co., Inc.	New York, N. Y.	76493	J. W. Miller Co.	Los Angeles, Cal.	83086	New Hampshire Ball Bearing, Inc.	Peterborough, N. H.
65092	Weston Inst. Inc.	Newark, N. J.	76530	Cinch-Monadnock, Div. of United Carr Fastener Corp.	San Leandro, Cal.	83125	General Instrument Corp., Capacitor Div.	Darlington, S. C.
66295	Witte Mfg. Co.	Chicago, Ill.	76545	Mueller Electric Co.	Cleveland, Ohio	83148	ITT Wire and Cable Div.	Los Angeles, Cal.
66346	Minnesota Mining & Mfg. Co.	St. Paul, Minn.	76703	National Union	Newark, N. J.	83186	Victory Eng. Corp.	Springfield, N. J.
70276	Allen Mfg. Co.	Hartford, Conn.	76854	Oak Manufacturing Co.	Crystal Lake, Ill.	83298	Bendix Corp., Red Bank Div.	Red Bank, N. J.
70309	Allied Control	New York, N. Y.	77068	The Bendix Corp., Electrodynamics Div.	N. Hollywood, Cal.	83315	Hubbell Corp.	Mundelein, Ill.
70318	Allmetal Screw Product Co., Inc.	Garden City, N. Y.	77075	Pacific Metals Co.	San Francisco, Cal.	83324	Rosan Inc.	Newport Beach, Cal.
70417	Amplex, Div. of Chrysler Corp.	Detroit, Mich.	77221	Phaostran Instrument and Electronic Co.	So. Pasadena, Cal.	83330	Smith, Herman H., Inc.	Brooklyn, N. Y.
70485	Atlantic India Rubber Works, Inc.	Chicago, Ill.	77252	Philadelphia Steel and Wire Corp.	Philadelphia, Pa.	83332	Tech Labs	Palisades Park, N. Y.
70563	Amperite Co., Inc.	Union City, N. J.	77342	American Machine & Foundry Co. Potter & Brumfield Div.	Princeton, Ind.	83385	Central Screw Co.	Chicago, Ill.
70674	ADC Products Inc.	Minneapolis, Minn.	77630	TRW Electronic Components Div.	Camden, N. J.	83501	Gavitt Wire and Cable Co., Div. of Amerace Corp.	Brookfield, Mass.
70903	Belden Mfg. Co.	Chicago, Ill.	77638	General Instrument Corp., Rectifier Division	Brooklyn, N. Y.	83594	Burroughs Corp., Electronic Tube Div.	Plainfield, N. J.
70998	Bird Electric Corp.	Cleveland, Ohio	77764	Resistance Products Co.	Harrisburg, Pa.	83740	Union Carbide Corp., Consumer Prod. Div.	New York, N. Y.
71002	Birnback Radio Co.	New York, N. Y.	77869	Rubbercraft Corp. of Calif.	Torrance, Cal.	83777	Model Eng. and Mfg., Inc.	Huntington, Ind.
71034	Bliley Electric Co., Inc.	Erie, Pa.	77919	Shakeproof Division of Illinois Tool Works	Elgin, Ill.	83821	Lloyd Scruggs Co.	Festus, Mo.
71041	Boston Gear Works Div. of Murray Co. of Texas	Quincey, Mass.	78277	Sigma	So. Braintree, Mass.	83942	Aeronautical Inst. & Radio Co.	Lodi, N. J.
71218	Bud Radio, Inc.	Willoughby, Ohio	78283	Signal Indicator Corp.	New York, N. Y.	84171	Arco Electronics Inc.	Great Neck, N. Y.
71279	Cambridge Thermionics Corp.	Cambridge, Mass.	78290	Struthers-Dunn Inc.	Pitman, N. J.	84396	A. J. Clesener Co., Inc.	San Francisco, Cal.
71286	Camloc Fastener Corp.	Paramus, N. J.				84411	TRW Capacitor Div.	Ogallala, Neb.
71313	Cardwell Condenser Corp.	Lindenhurst, L. I., N. Y.						
71400	Bussmann Mfg. Div. of McGraw-Edison Co.	St. Louis, Mo.						
71436	Chicago Condenser Corp.	Chicago, Ill.						
71447	Calif. Spring Co., Inc.	Pico-Rivera, Cal.						
71450	CTS Corp.	Elkhart, Ind.						
71468	ITT Cannon Electric Inc.	Los Angeles, Cal.						
71471	Cinema, Div. Aerovox Corp.	Burbank, Cal.						

CODE LIST OF MANUFACTURERS (Continued)

Code No.	Manufacturer	Address	Code No.	Manufacturer	Address	Code No.	Manufacturer	Address
94870	Sarkes Tarzian, Inc.	Bloomington, Ind.	91929	Honeywell Inc., Micro Switch Division	Freeport, Ill.	96095	Hi-Q Div. of Aerovox Corp.	Olean, N. Y.
85454	Boonton Molding Company	Boonton, N. J.				96256	Thordarson-Meissner Inc.	Mt. Carmel, Ill.
85471	A. B. Boyd Co.	San Francisco, Cal.	91961	Nahm-Bros. Spring Co.	Oakland, Cal.	96296	Solar Mfg. Co.	Los Angeles, Cal.
85474	R. M. Bracamonte & Co.	San Francisco, Cal.	92180	Tru-Connector Corp.	Peabody, Mass.	96396	Microswitch, Div. of	
85660	Koiled Kords, Inc.	Hamden, Conn.	92367	Elgeet Optical Co., Inc.	Rochester, N. Y.		Minn.-Honeywell	Freeport, Ill.
85911	Seamless Rubber Co.	Chicago, Ill.	92607	Tensolite Insulated Wire Co., Inc.		96330	Carlton Screw Co.	Chicago, Ill.
86174	Fafnir Bearing Co.	Los Angeles, Calif.				96341	Microwave Associates, Inc.	Burlington, Mass.
86197	Clifton Precision Products Co., Inc.	Clifton Heights, Pa.	92702	IMC Magnetics Corp.	Westbury, L. I., N. Y.	96501	Excel Transformer Co.	Oakland, Cal.
86579	Precision Rubber Products Corp.	Dayton, Ohio	92966	Hudson Lamp Co.	Kearney, N. J.	96508	Xcelite, Inc.	Orchard Park, N. Y.
86684	Radio Corp. of America, Electronic Comp. & Devices Division	Harrison, N. J.	93332	Sylvania Electric Prod. Inc., Semiconductor Div.	Woburn, Mass.	96733	San Fernando Elec. Mfg. Co.	San Fernando, Cal.
86928	Seastrom Mfg. Co.	Glendale, Cal.	93369	Robbins & Myers Inc.	Pallisades Park, N. J.	96381	Thomson Ind. Inc.	Long Island, N. Y.
87034	Marco Industries	Anaheim, Cal.	93410	Stemco Controls, Div. of Essex Wire Corp.	Mansfield, Ohio	97464	Industrial Retaining Ring Co.	Irvington, N. J.
87216	Philco Corporation (Lansdale Division)	Lansdale, Pa.	93632	Waters Mfg. Co.	Culver City, Cal.	97539	Automatic & Precision Mfg.	Englewood, N. J.
87473	Western Fibrous Glass Products Co.	San Francisco, Cal.	93929	G. V. Controls	Livingston, N. J.	97979	Reon Resistor Corp.	Yonkers, N. Y.
87664	Van Waters & Rogers Inc.	San Francisco, Cal.	94137	General Cable Corp.	Bayonne, N. J.	97983	Litton System Inc., Adler-Westrex Commun. Div.	New Rochelle, N. Y.
87930	Tower Mfg. Corp.	Providence, R. I.	94144	Raytheon Co., Comp. Div., Ind. Comp. Operations	Quincy, Mass.	98141	R-Tronics, Inc.	Jamaica, N. Y.
88140	Cutler-Hammer, Inc.	Lincoln, Ill.	94148	Scientific Electronics Products, Inc.	Loveland, Colo.	98159	Rubber Teck, Inc.	Gardena, Cal.
88220	Gould-National Batteries, Inc.	St. Paul, Minn.	94154	Wagner Elect. Corp., Tung-Sol Div.	Newark, N. J.	98220	Hewlett-Packard Co., Medical Elec. Div.	Pasadena, Cal.
88698	General Mills, Inc.	Buffalo, N. Y.	94197	Curtiss-Wright Corp., Electronics Div.	East Patterson, N. J.	98278	Microdot, Inc.	So. Pasadena, Cal.
89231	Graybar Electric Co.	Oakland, Cal.	94222	South Chester Corp.	Chester, Pa.	98291	Sealectro Corp.	Mamaronech, N. Y.
89473	G. E. Distributing Corp.	Schenectady, N. Y.	94330	Wire Cloth Products, Inc.	Bellwood, Ill.	98376	Zero Mfg. Co.	Burbank, Cal.
89479	Security Co.	Detroit, Mich.	94375	Automatic Metal Products Co.	Brooklyn, N. Y.	98410	Etc. Inc.	Cleveland, Ohio
89665	United Transformer Co.	Chicago, Ill.	94682	Worcester Pressed Aluminum Corp.	Worcester, Mass.	98731	General Mills Inc., Electronics Div.	Minneapolis, Minn.
90030	United Shoe Machinery Corp.	Beverly, Mass.	94696	Magnecraft Electric Co.	Chicago, Ill.	98734	Paeco Division of Hewlett-Packard Co.	Palo Alto, Cal.
90179	U. S. Rubber Co., Consumer Ind. & Plastics Prod. Div.	Passaic, N. J.	95023	George A. Philbrick Researchers, Inc.	Boston, Mass.	98821	North Hills Electronics, Inc.	Glen Cove, N. Y.
90365	Belleville Speciality Tool Mfg., Inc.	Belleville, Ill.	95146	Alco Elect. Mfg. Co.	Lawrence, Mass.	98878	International Electronic Research Corp.	Burbank, Cal.
90763	United Carr Fastener Corp.	Chicago, Ill.	95236	Allies Products Corp.	Dania, Fla.	99109	Columbia Technical Corp.	New York, N. Y.
90970	Bearing Engineering Co.	San Francisco, Cal.	95238	Continental Connector Corp.	Woodside, N. Y.	99313	Varian Associates	Palo Alto, Cal.
91146	ITT Cannon Elect. Inc., Salem Div.	Salem, Mass.	95263	Leecraft Mfg. Co., Inc.	Long Island, N. Y.	99378	Atlee Corp.	Winchester, Mass.
91260	Connor Spring Mfg. Co.	San Francisco, Cal.	95265	National Coil Co.	Sheridan, Wyo.	99515	Marshall Ind., Capacitor Div.	Monrovia, Cal.
91345	Miller Dial & Nameplate Co.	El Monte, Cal.	95275	Vitramon, Inc.	Bridgeport, Conn.	99707	Control Switch Division, Controls Co. of America	El Segundo, Cal.
91418	Radio Materials Co.	Chicago, Ill.	95348	Gordos Corp.	Bloomfield, N. J.	99800	Delevan Electronics Corp.	East Aurora, N. Y.
91506	Augat Inc.	Attleboro, Mass.	95354	Methode Mfg. Co.	Rolling Meadows, Ill.	99848	Wilco Corporation	Indianapolis, Ind.
91637	Dale Electronics, Inc.	Columbus, Nebr.	95566	Arnold Engineering Co.	Marengo, Ill.	99928	Branson Corp.	Whippany, N. J.
91662	Elco Corp.	Willow Grove, Pa.	95712	Dage Electric Co., Inc.	Franklin, Ind.	99934	Rembrandt, Inc.	Boston, Mass.
91673	Epiphone Inc.	New York, N. Y.	95984	Siemon Mfg. Co.	Wayne, Ill.	99942	Hoffman Electronics Corp., Semiconductor Division	El Monte, Cal.
91737	Gremar Mfg. Co., Inc.	Wakefield, Mass.	95987	Weckesser Co.	Chicago, Ill.	99957	Technology-Instrument Corp. of California	Newbury Park, Cal.
91827	K F Development Co.	Redwood City, Cal.	96067	Microwave Assoc., West, Inc.	Sunnyvale, Cal.			
91886	Malco Mfg., Inc.	Chicago, Ill.						

The following HP Vendors have no number assigned in the latest supplement to the Federal Supply Code for Manufacturers Handbook.

0000F	Malco Tool and Die	Los Angeles, Calif.	000CS	Hewlett-Packard Co., Colorado Springs Div.	Colorado Springs, Colorado	000QQ	Cooltron	Oakland, Cal.
0000Z	Willow Leather Products Corp.	Newark, N. J.	000MM	Rubber Eng. & Development	Hayward, Cal.	000WW	California Eastern Lab	Burlington, Cal.
000AB	ETA	England	000NN	A "N" D Mfg. Co.	San Jose, Cal.	000YY	S. K. Smith Co.	Los Angeles, Cal.
000BB	Precision Instrument Comp. Co.	Van Nuys, Cal.						

SUPPLEMENTAL CODE LIST OF MANUFACTURERS

Code No.	Manufacturer	Address
000LB	Specialty Connector Co.	Indianapolis, Indiana



SALES & SERVICE OFFICES

UNITED STATES

ALABAMA
P.O. Box 4207
2003 Byrd Spring Road S.W.
Huntsville 35802
Tel: (205) 881-4591
TWX: 810-726-2204

ARIZONA
2336 E. Magnolia St.
Phoenix 85034
Tel: (602) 232-5061
TWX: 910-951-1330
5737 East Broadway
Tucson 85716
Tel: (602) 298-2313
TWX: 910-952-1162

CALIFORNIA
1430 East Orangethorpe Ave.
Fullerton 92631
Tel: (714) 870-1000
3939 Lankershim Boulevard
North Hollywood 91604
Tel: (213) 877-1282
TWX: 910-499-2170

1101 Embarcadero Road
Palo Alto 94303
Tel: (415) 327-8500
TWX: 910-373-1280
2220 Watt Ave.
Sacramento 95825
Tel: (916) 482-1463
TWX: 910-367-2092

9606 Aero Drive
San Diego 92123
Tel: (714) 279-3200
TWX: 910-335-2000

COLORADO
7965 East Prentice
Englewood 80110
Tel: (303) 771-3455
TWX: 910-935-0705

CONNECTICUT
508 Tolland Street
East Hartford 06108
Tel: (203) 289-9394
TWX: 710-425-3416
111 East Avenue
Norwalk 06851
Tel: (203) 853-1251
TWX: 710-468-3750

FLORIDA
P.O. Box 24210
2806 W. Oakland Park Blvd.
Fl. Lauderdale 33307
Tel: (305) 731-2020
TWX: 510-955-4099

P.O. Box 20007
Herndon Station 32814
621 Commonwealth Avenue
Orlando
Tel: (305) 841-3970
TWX: 810-826-6904

GEORGIA
P.O. Box 28234
450 Interstate North
Atlanta 30328
Tel: (404) 436-6181
TWX: 810-766-4890

ILLINOIS
5500 Howard Street
Skokie 60076
Tel: (312) 677-0400
TWX: 910-223-3613

INDIANA
3639 Meadows Drive
Indianapolis 46205
Tel: (317) 546-4891
TWX: 810-341-3263

MISSOURI
11131 Colorado Ave.
Kansas City 64137
Tel: (816) 763-8000
TWX: 910-771-2087

2812 South Brentwood Blvd.
St. Louis 63144
Tel: (314) 962-5000
TWX: 910-760-1670

NEW JERSEY
W. 120 Century Road
Paramus 07652
Tel: (201) 265-5000
TWX: 710-990-4951

LOUISIANA
1060 N. Kings Highway
Cherry Hill 70034
Tel: (609) 667-4000
TWX: 710-992-4945

NEW MEXICO
P.O. Box 8366
Station C
6501 Lomas Boulevard N.E.
Albuquerque 87108
Tel: (505) 265-3713
TWX: 910-989-1665

156 Wyatt Drive
Las Cruces 88001
Tel: (505) 525-2485
TWX: 910-983-0550

NEW YORK
1702 Central Avenue
Albany 12205
Tel: (518) 869-8462
TWX: 710-441-8270

1219 Campville Road
Endicott 13760
Tel: (607) 754-0050
TWX: 510-252-0890

82 Washington Street
Poughkeepsie 12501
Tel: (914) 454-7330
TWX: 910-248-0012

39 Saginaw Drive
Rochester 14623
Tel: (716) 473-9500
TWX: 510-253-9981

1025 Northern Boulevard
Roslyn, Long Island 11576
Tel: (516) 869-8400
TWX: 510-223-0811

5858 East Molloy Road
Syracuse 13211
Tel: (315) 454-2486
TWX: 710-541-0482

NORTH CAROLINA
P.O. Box 5188
1923 North Main Street
High Point 27262
Tel: (919) 885-8101
TWX: 510-926-1516

OHIO
25575 Center Ridge Road
Cleveland 44145
Tel: (216) 835-0300
TWX: 810-427-9129

3460 South Dixie Drive
Dayton 45439
Tel: (513) 298-0351
TWX: 810-459-1925

OKLAHOMA
2919 United Founders Boulevard
Oklahoma City 73112
Tel: (405) 848-2801
TWX: 910-464-6103

OREGON
Westhills Mall, Suite 158
4475 S.W. Scholls Ferry Road
Portland 97225
Tel: (503) 292-9171
TWX: 910-464-6103

PENNSYLVANIA
2500 Moss Side Boulevard
Monroeville 15146
Tel: (412) 271-0724
TWX: 710-797-3650

1021 8th Avenue
King of Prussia Industrial Park
King of Prussia 19406
Tel: (215) 265-7000
TWX: 510-660-2670

RHODE ISLAND
875 Waterman Ave.
East Providence 02914
Tel: (401) 434-5535
TWX: 710-381-7573

TEXAS
P.O. Box 1270
201 E. Arapaho Rd.
Richardson 75080
Tel: (214) 231-6101
TWX: 910-867-4723

P.O. Box 72813
6300 Westpark Drive
Suite 100
Houston 77027
Tel: (713) 781-6000
TWX: 910-981-2645
231 Billy Mitchell Road
San Antonio 78225
Tel: (512) 434-4171
TWX: 910-871-1170

UTAH
1120 Morse Road
Columbus 43229
Tel: (614) 846-1300

VERMONT
P.O. Box 2287
Kennedy Drive
South Burlington 05401
Tel: (802) 487-0715
TWX: 910-299-0025

VIRGINIA
P.O. Box 6514
2111 Spencer Road
Richmond 23230
Tel: (703) 285-3431
TWX: 910-958-0157

WASHINGTON
435-108th N.E.
Bellevue 98004
Tel: (206) 454-3971
TWX: 910-443-2303

*WEST VIRGINIA
Charleston
Tel: (304) 768-1232

FOR U.S. AREAS NOT LISTED:
Contact the regional office nearest you: Atlanta, Georgia... North Hollywood, California... Paramus, New Jersey... Skokie, Illinois. Their complete addresses are listed above.
*Service Only

CANADA

ALBERTA
Hewlett-Packard (Canada) Ltd.
11745 Jasper Ave.
Edmonton
Tel: (403) 482-5561
TWX: 610-831-2431

BRITISH COLUMBIA
Hewlett-Packard (Canada) Ltd.
4519 Canada Way
North Burnaby 2
Tel: (604) 433-8213
TWX: 610-922-5059

MANITOBA
Hewlett-Packard (Canada) Ltd.
511 Bradford Ct.
St. James
Tel: (204) 786-7561
TWX: 610-671-3531

NOVA SCOTIA
Hewlett-Packard (Canada) Ltd.
2745 Dutch Village Rd.
Suite 203
Halifax
Tel: (902) 455-0511
TWX: 610-271-4482

ONTARIO
Hewlett-Packard (Canada) Ltd.
880 Lady Ellen Place
Ottawa 3
Tel: (613) 722-4223
TWX: 610-562-1952

Hewlett-Packard (Canada) Ltd.
50 Galaxy Blvd.
Reading
Tel: (416) 677-9511
TWX: 610-492-4246

QUEBEC
Hewlett-Packard (Canada) Ltd.
275 Hymus Boulevard
Pointe Claire
Tel: (514) 697-4292
TWX: 610-422-3022
Telex: 01-20607

FOR CANADIAN AREAS NOT LISTED:
Contact Hewlett-Packard (Canada) Ltd. In Pointe Claire, at the complete address listed above.

CENTRAL AND SOUTH AMERICA

ARGENTINA
Hewlett-Packard Argentina
S.A.C.a.I
Lavalle 1171 - 3°
Buenos Aires
Tel: 35-0426, 35-0627, 35-0431
Telex: 012-1009
Cable: HEWPACKARG

BRAZIL
Hewlett-Packard Do Brasil
Praça Dom Feliciano 78, 8° andar salas 806/808
Porto Alegre
Rio Grande do Sul (RS)-Brasil
Hewlett-Packard Do Brasil
l.e.c. Ltda.
Rua da Matriz 29
Botafogo 25-02
Rio de Janeiro, GB
Tel: 246-4417
Cable: HEWPACK Rio de Janeiro

Hewlett-Packard Do Brasil
Industria e Comercio Ltda.
Praça Dom Feliciano 78
Salas 806-8
Porto Alegre RGS

CHILE
Héctor Calcagni y Cia, Ltda.
Bustos, 1932-3er Piso
Casilla 13942
Santiago
Tel: 4-2396
Cable: Calcagni Santiago

COLOMBIA
Instrumentacion
Henrik A. Langebaek & Kier
Ltda.
Carrera 7 No. 48-59
Apartado Aereo 6287
Bogotá, I. D. E.
Tel: 45-78-08, 45-55-46
Cable: AARIS Bogotá
Telex: 044-400

COSTA RICA
Llc. Alfredo Gallegos Gurdian
Apartado 3243
San José
Tel: 21-86-13
Cable: GALGUR San José

ECUADOR
Laboratorios de Radio-Ingenieria
Calle Guayaquil 1246
Post Office Box 3199
Quito
Tel: 12496
Cable: HORVATH Quito

EL SALVADOR
Electronica
Apartado Postal 1589
27 Avenida Norte 1133
San Salvador
Tel: 25-74-50
Cable: ELECTRONICA
San Salvador

MEXICO
Hewlett-Packard Mexicana, S.A.
de C.V.
Moras 439
Col. del Valle
Mexico 32, D.F.
Tel: 575-46-49, 575-80-20, 575-80-30

NICARAGUA
Roberto Terrán G.
Apartado Postal 689
Edificio Terrán
Managua
Tel: 3451, 3452
Cable: ROTERAN Managua

PANAMA
Electrónico Balboa, S.A.
P.O. Box 4929
Ave. Manuel Espinosa No. 13-50
Bldg. Alina
Panama City
Tel: 230833
Telex: 3481003, Curundu, Canal Zone
Cable: ELECTRON Panama City

PERU
Compañia Electro Medica S.A.
Ave. Enrique Canaval 312
San Isidro
Casilla 1030
Lima
Tel: 22-3900
Cable: ELMED Lima

PUERTO RICO
San Juan Electronics, Inc.
P.O. Box 5167
Ponce de Leon 154
Pda. 3-Pla. de Tierra
San Juan 00906
Tel: (809) 725-3342, 722-3342
Cable: SATRONICS San Juan
Telex: SATRON 3450 332

SURINAME
Surtel-Radio Holland N.V.
P.O. Box 155
Paramaribo

URUGUAY
Pablo Ferrand S.A.
Comercial e Industrial
Avenida Italia 2877
Casilla de Correo 370
Montevideo
Tel: 40-3102
Cable: RADIUM Montevideo

VENEZUELA
Hewlett-Packard De Venezuela
C.A.
Apartado 50933
Caracas
Tel: 71.88.05, 71.88.69, 71.99.30, 71.88.76, 71.82.05
Cable: HEWPACK Caracas

FOR AREAS NOT LISTED, CONTACT:
Hewlett-Packard INTERCONTINENTAL
3200 Hillview Ave.
Palo Alto, California 94304
Tel: (415) 433-1501
TWX: 910-373-1267
Cable: HEWPACK Palo Alto
Telex: 034-8461

EUROPE

AUSTRIA
Unilbor GmbH
Wissenschaftliche Instrumente
Rummelhardtsgasse 6
P.O. Box 33
A-1095 Vienna
Tel: (222) 42 61 81, 43 13 94
Cable: LABORINSTRUMENT
Vienna
Telex: 75 762

BELGIUM
Hewlett-Packard S.A. Benelux
348 Boulevard du Souverain
1160 Brussels
Tel: 72 22 40
Cable: PALOBEN Brussels
Telex: 23 494

DENMARK
Hewlett-Packard A/S
Datavej 38
DK-3460 Birkerød
Tel: (01) 81 55 40
Cable: HEWPACK AS
Telex: 66 40
Hewlett-Packard A/S
Torvet 9
DK-8600 Silkeborg
Tel: (06) 827-840

FINLAND
Hewlett-Packard Oy
Bulevardi 26
P.O. Box 12185
Helsinki 12
Tel: 13-730
Cable: HEWPACKOY-Helsinki
Telex: 12-1563

FRANCE
Hewlett-Packard France
Quartier de Courtabœuf
Bd de la Poste No. 6
91 Orsay
Tel: 1-920 88 01
Cable: HEWPACK Orsay
Telex: 60048

Hewlett-Packard France
4 Quai des Etoiles
69 Lyon 5ème
Tel: 78-42 63 45
Cable: HEWPACK Lyon
Telex: 31617

Hewlett-Packard France
29 rue de la Gare
F-31 Blagnac
Tel: (61) 85 82 29
Telex: 51957

GERMANY
Hewlett-Packard Vertriebs-GmbH
Berliner Strasse 117
Postfach 560/40
D6 Nieder-Eschbach/Ffm 56
Tel: (0611) 50 10 64
Cable: HEWPACKSA Frankfurt
Telex: 41 32 49 FRA
Hewlett-Packard Vertriebs-GmbH
Wilmersdorfer Strasse 113/114
D-1000 Berlin W. 12
Tel: (0301) 3137046
Telex: 18 34 05
Hewlett-Packard Vertriebs-GmbH
Marrenbergerstrasse 110
D7030 Böblingen, Württemberg
Tel: 07031-6671
Cable: HEPAG Böblingen
Telex: 72 65 739
Hewlett-Packard Vertriebs-GmbH
Vogelsanger Weg 38
D4 Düsseldorf
Tel: (0211) 63 80 31/35
Telex: 85/86 533
Hewlett-Packard Vertriebs-GmbH
Wendenstr. 23
D2 Hamburg 1
Tel: (0411) 24 05 51/52
Cable: HEWPACKSA Hamburg
Telex: 21 53 32

GREECE
Kostas Karayannis
18, Ermou Street
Athens 126
Tel: 230301,3,5
Cable: RAKAR Athens
Telex: 21 59 62 RKAR GR
Telex: 32046

IRELAND
Hewlett-Packard Ltd.
224 Bath Road
Slough, Bucks, England
Tel: Slough 753-33341
Cable: HEWPIE Slough
Telex: 84413

ITALY
Hewlett-Packard Italiana S.p.A.
Via Amerigo Vespucci 2
20124 Milano
Tel: (2) 6251 (10 lines)
Cable: HEWPACKIT Milan
Telex: 32046
Hewlett-Packard Italiana S.p.A.
Palazzo Italia
Piazza Marconi 25
00144 Rome - Eur
Tel: 6-591 2544
Cable: HEWPACKIT Rome
Telex: 61514

NETHERLANDS
Hewlett-Packard Benelux, N.V.
Weerdestein 117
P.O. Box 7825
Amsterdam, Z 11
Tel: 020-42 77 77
Cable: PALOBEN Amsterdam
Telex: 13 216

NORWAY
Hewlett-Packard Norge A/S
Box 149
Nesveien 13
N-1344 Haslum
Tel: 2-53 83 60
Cable: HEWPACK Oslo
Telex: 16621

PORTUGAL
Telectra
Empresa Tecnica de
Equipamentos
Eléctricos, S.a.r.l.
Rua Rodrigo da Fonseca 103
P.O. Box 2531
Lisbon 1
Tel: 68 60 72
Cable: TELETRA Lisbon
Telex: 1598

SPAIN
Alaio Ingenieros SA
Enrique Larreta 12
Madrid 16
Tel: 215 35 43
Cable: TELEATAIO Madrid
Telex: 27249E
Alaio Ingenieros SA
Ganduxer 76
Barcelona 2
Tel: 21-4-4-66
Cable: TELEATAIO BARCELONA

SWEDEN
Hewlett-Packard Sverige AB
Enighetsvägen 1-3
Fack, Bucks
S-161 20 Bromma 20
Tel: (08) 98 12 50
Cable: MEASUREMENTS
Stockholm
Telex: 10721
Hewlett-Packard Sverige AB
Hagakergatan 9C
Box 4028
S 431 04 Hmindaal 4
Tel: 031 - 27 68 00
Telex: 21 312 hpmindl

SWITZERLAND
Hewlett-Packard Schweiz AG
Zürcherstrasse 20
CH-8952 Schlieren Zurich
Tel: (051) 93 18 21/24
Cable: HPAG; CH
Telex: 53933
Hewlett-Packard Schweiz A.G.
Rue du Bois-du-Lan 7
1217 Meyrin 2 Geneva
Tel: (022) 41 54 00
Cable: HEWPACKSA Geneva
Telex: 2 24 86

TURKEY
Telekom Engineering Bureau
P.O. Box 376
Karakoy
Istanbul
Tel: 49 40 40
Cable: TELEMATIOM Istanbul

UNITED KINGDOM
Hewlett-Packard Ltd.
224 Bath Road
Fack, Bucks
Tel: Slough (0753) 33341
Cable: HEWPIE Slough
Telex: 84413
Hewlett-Packard Ltd.
The Graftons
Stamford New Road
Aitricham, Cheshire
Tel: 061 928-8626
Telex: 668068

YUGOSLAVIA
Belram S.A.
83 avenue des Mimosas
Brussels 1150, Belgium
Tel: 34 33 32, 34 26 19
Cable: BELRAMEL Brussels
Telex: 21790

**SOCIALIST COUNTRIES
PLEASE CONTACT:**
Correspondence Office for
Eastern Europe
Innstrasse 23/2
Postfach
A1204 Vienna, Austria
Tel: (222) 3366 06/09
Cable: HEWPACK SA Vienna
Telex: 75923

**ALL OTHER EUROPEAN
COUNTRIES CONTACT:**
Hewlett-Packard S.A.
Rue du Bois-du-Lan 7
1217 Meyrin 2 Geneva
Switzerland
Tel: (022) 41 54 00
Cable: HEWPACKSA Geneva
Telex: 2.24.86

AFRICA, ASIA, AUSTRALIA

ANGOLA
Telectra Empresa Técnica
de Equipamentos Eléctricos
SAR
Rua de Barbosa Rodrigues
42-11
Box 6487
Luanda
Cable: TELETRA Luanda

AUSTRALIA
Hewlett-Packard Australia
Pty. Ltd.
22-26 Weir Street
Glen Iris, 3146
Victoria
Tel: 20.1371 (6 lines)
Cable: HEWPAUD Melbourne
Telex: 31024
Hewlett-Packard Australia
Pty. Ltd.
61 Alexander Street
Crows Nest 2065
New South Wales
Tel: 43.7866
Cable: HEWPAUD Sydney
Telex: 21561
Hewlett-Packard Australia
Pty. Ltd.
97 Churchill Road
Prospect 5082
South Australia
Tel: 65.2366
Cable: HEWPAUD Adelaide
Hewlett-Packard Australia
Pty. Ltd.
2nd Floor, Suite 13
Casablanca Buildings
196 Adelaide Terrace
Perth, W.A. 6000
Tel: 21-3320
Cable: HEWPAUD Perth
Hewlett-Packard Australia
Pty. Ltd.
10 Woolley Street
P.O. Box 191
Dickson A.C.T. 2602
Tel: 48-8194
Cable: HEWPAUD Canberra ACT
Hewlett-Packard Australia
Pty. Ltd.
75 Simpsons Road
Bardon
Queensland, 4068
Tel: 36-5411

CEYLON
United Electricals Ltd.
P.O. Box 681
Yahala Building
Staples Street
Colombo 2
Tel: 5496
Cable: HOTPOINT Colombo

CYPRUS
Kyronicos
19 Gregorios & Xenopoulos Road
P.O. Box 1152
Nicosia
Tel: 6282-75628
Cable: HE-I-NAMI

ETHIOPIA
African Salespower & Agency
Private Ltd. Co.
P. O. Box 718
58/59 Cunningham St.
Addis Ababa
Tel: 12285
Cable: ASACO Addisababa

HONG KONG
Schmidt & Co. (Hong Kong) Ltd.
P.O. Box 297
1511, Prince's Building 15th Floor
10, Chater Road
Hong Kong
Tel: 240168, 232735
Cable: SCHMIDTCO Hong Kong

INDIA
Blue Star Ltd.
Kasturi Buildings
Jamshedji Tata Rd.
Bombay 20BR, India
Tel: 29 50 21
Telex: 2156
Cable: BLUEFROST
Blue Star Ltd.
Band Box House
Prabhadevi
Bombay 25DD, India
Tel: 45 73 01
Telex: 2156
Cable: BLUESTAR
Blue Star Ltd.
14/40 Civil Lines
Kampur, India
Tel: 6 88 82
Cable: BLUESTAR
Blue Star, Ltd.
7 Hare Street
P.O. Box 506
Calcutta 1, India
Tel: 23-0131
Telex: 655
Cable: BLUESTAR

Blue Star Ltd.
Blue Star House,
34 Ring Road
Lajpat Nagar
New Delhi 24, India
Tel: 62 32 76
Telex: 463
Cable: BLUESTAR
Blue Star Ltd.
17-C Uisoor Road
Bangalore-8
Tel: 7 63 91
Cable: BLUEFROST
Blue Star, Ltd.
96 Park Lane
Secunderabad 3, India
Tel: 7 53 91
Cable: BLUEFROST
Blue Star, Ltd.
23/24 Second Line Beach
Madras 1, India
Tel: 2 39 55
Telex: 379
Cable: BLUESTAR
Blue Star, Ltd.
18 Kaiser Bungalow
Dindli Road
Jamshedpur, India
Tel: 38 04
Cable: BLUESTAR
INDONESIA
Ban Bolton Trading Coy. N.V.
Djalah Merdeka 29
Bandung
Tel: 4915 51560
Cable: ILMU
Telex: 809
IRAN
Telecom, Ltd.
P. O. Box 1812
240 Kh. Saba Shomali
Teheran
Tel: 43850, 48111
Cable: BASCOM Teheran
ISRAEL
Electronics & Engineering
Div. of Motorola Israel Ltd.
17 Aminadav Street
Tel-Aviv
Tel: 36941 (3 lines)
Cable: BASTEL Tel-Aviv
Telex: BasteI TV 033-569
JAPAN
Yokogawa-Hewlett-Packard Ltd.
Ohashi Building
59 Yoyogi 1-chrome
Shibuya-ku, Tokyo
Tel: 03-370-2281/7
Telex: 232-2024YHP
Cable: YHPMARKET TOK 23-724

Yokogawa-Hewlett-Packard Ltd.
Nisei Ibaragi Bldg.
2-8 Kasuga
Ibaragi-Shi
Osaka
Tel: 23-1641
Telex: 385-5332 YHPOSACA
Yokogawa-Hewlett-Packard Ltd.
Ito Building
No. 59, Kotari-cho
Nakamura-ku, Nagoya City
Tel: 551-0215
Yokogawa-Hewlett-Packard Ltd.
Nitto Bldg.
2300 Shinohara-cho,
Kohoku-ku
Yokohama 222
Tel: (405) 432-1504/5
KOREA
American Trading Co.,
Korea, Ltd.
Seoul P.O. Box 1103
7th & 8th floors, DaeKyung Bldg.
107 Selong Ro
Chongro-Ku, Seoul
Tel: 75-5841 (4 lines)
Cable: AMTRACO Seoul
LEBANON
Constantin E. Macridis
Clemenceau Street
P.O. Box 7213
Beirut
Tel: 220846
Cable: ELECTRONUCLEAR Beirut
MALAYSIA
MECOMB Malaysia Ltd.
2 Lorong 13/6A
Section 13
Petaling Jaya, Selangor
Cable: MECOMB Kuala Lumpur
MOZAMBIQUE
A. N. Goncalves, LDA.
4.1 Apt. 14 Av. D. Luis
P.O. Box 107
Lourenco Marques
Cable: NECON
NEW ZEALAND
Hewlett-Packard (N.Z.) Ltd.
32-34 Kent Terrace
P.O. Box 9443
Wellington, N.Z.
Tel: 56-559
Cable: HEWPACK Wellington
Hewlett-Packard (N.Z.) Ltd.
Box 51092
Pukaranga
Tel: 573-733

PAKISTAN (EAST)
Mushko & Company, Ltd.
Zirat Chambers
31, Jinnah Avenue
Dacca
Tel: 280058
Cable: HEWDEAL Dacca
PAKISTAN (WEST)
Mushko & Company, Ltd.
Osman Chambers
Victoria Road
Karachi 3
Tel: 511027, 512927
Cable: COOPERATOR Karachi
PHILIPPINES
Electromex Inc.
Makati Commercial Center -
2129 Pason; Tamo
Makati, Rizal D 708
P.O. Box 1028
Manila
Tel: 89-85-61
Cable: ELEMEX Manila
SINGAPORE
Mechanical and Combustion
Engineering Company Ltd.
9, Jalan Kilang
Red Hill Industrial Estate
Singapore, 3
Tel: 642661 3
Cable: MECOMB Singapore
SOUTH AFRICA
Hewlett-Packard South Africa
(Pty.), Ltd.
P.O. Box 31716
Braamfontein Transvaal
Millerton
30 Da Beer Street
Johannesburg
Tel: 725-2080, 725-2030
Telex: 0226 JH
Cable: HEWPACK Johannesburg
Hewlett-Packard South Africa
(Pty.), Ltd.
Breechle House
Bree Street
Cape Town
Tel: 6-6019, 3-6545
Cable: HEWPACK Cape Town
Telex: 5-0016
Hewlett-Packard South Africa
(Pty.), Ltd.
30B Glenwood Centre
Corner Hunt & Moore Roads
P.O. Box 99
Overport, Natal
Tel: 347336

TAIWAN REP. OF CHINA
Hewlett-Packard Taiwan
39 Chung Shiao West
Sec. 1
Overseas Insurance
Corp.-Bldg. 7th Floor
Taipei
Tel: 579-605, 579-610, 579-613
Telex: c/o Bankamerica TP 333
Cable: HEWPACK Taipei
THAILAND
The International
Engineering Co., Ltd.
P. O. Box 39
614 Sukhumvit Road
Bangkok
Tel: 910722 (7 lines)
Cable: ITSCOM
TLI INTENCO BK-226 Bangkok
VIETNAM
Peninsular Trading Inc.
P.O. Box H-3
216 Hien-Yuong
Saigon
Tel: 20805, 93398
Cable: PENIRA, SAIGON 242
ZAMBIA
R. J. Tilbury (Zambia) Ltd.
P.O. Box 2792
Lusaka
Zambia, Central Africa
**MEDITERRANEAN AND
MIDDLE EAST COUNTRIES
NOT SHOWN PLEASE
CONTACT:**
Hewlett-Packard Correspondence
Office
Piazza Marconi 25
I-00144 Rome-Eur, Italy
Tel: (6) 59 40 29
Cable: HEWPACKIT Rome
Telex: 61514
Hewlett-Packard Far East
Area Office
P.O. Box 87
Alexandra Post Office
Singapore 3
Tel: 633022
Cable: HEWPACK SINGAPORE
**OTHER AREAS NOT
LISTED, CONTACT:**
INTERCONTINENTAL
3200 Hillview Ave.
Palo Alto, California 94304
Tel: (415) 326-7000
Tel: (714) 493-1501
TWX: 810-373-1287
Cable: HEWPACK Palo Alto
Telex: 034-8461



MANUAL BACKDATING CHANGES

MODEL 331A/332A DISTORTION ANALYZER

Manual Serial Prefixed: 995-(331A), 998-(332A)
-hp- Part No. 00331-90006

This manual backdating sheet makes this manual applicable to earlier instruments. Instrument-component values that differ from those in the manual, yet are not listed in the backdating sheet, should be replaced using the part number given in the manual.

331A		332A	
Instrument Serial Prefix	Make Manual Changes	Instrument Serial Prefix	Make Manual Changes
427-, 517-, 536-	1 thru 18	427-, 504-, 517-	1 thru 18
602-00820 and below*	1 thru 18	536-	1 thru 18
602-	3 thru 18	604-00525 and below	3 thru 18
716-02100 and below	3 thru 18	604-, 717-, 748-	4 thru 18
716-, 724-, 801-	4 thru 18	821-01360 and below	5 thru 18
827-02925 and below	5 thru 18	821-01385 and below	6 thru 18
827-03000 and below	6 thru 18	821-	7 thru 18
827-	7 thru 18	909-01570 and below	8 thru 18
914-03375 and below	8 thru 18	909-01590 and below	9 thru 18
914-03625 and below	9 thru 18	909-01670 and below	10 thru 18
914-03725 and below	10 thru 18	909-01730 and below	11 thru 18
914-03825 and below	11 thru 18	909-01755 and below	12, 13, 18
914-04000 and below	12, 13, 18	985-01911 and below	15 thru 18
982-04301 and below	15 thru 18	998-01946 and below	16 thru 18
995-04526 and below	16 thru 18	0998-01981 and below	18
0995-04676 and below	18		
*And the following instruments above 602-00820: 602-00823 thru 602-00829 602-00837 602-00869 602-00833 602-00846 602-00899			

CHANGE 1 Table 6-1:

Add A1C8, C: fxd 2200 pF ±20% 500 vdcw, -hp- Part No. 0150-0085.

Figure 7-4, Power Supply Schematic:

Add capacitor, A1C8, 2200 pF, between cathode of A1CR7 and base of A1Q5.

CHANGE 2 Table 6-1:

Change A4 board, -hp- Part No. from 00332-66502 to 00332-66501.

Add A4L3, A4C4 and A4R1 on A4 board.

Delete C9, -hp- Part No. 0140-0206, C: fxd dipped mica 270 pF ±5% (332A only). Use description for A4C4.

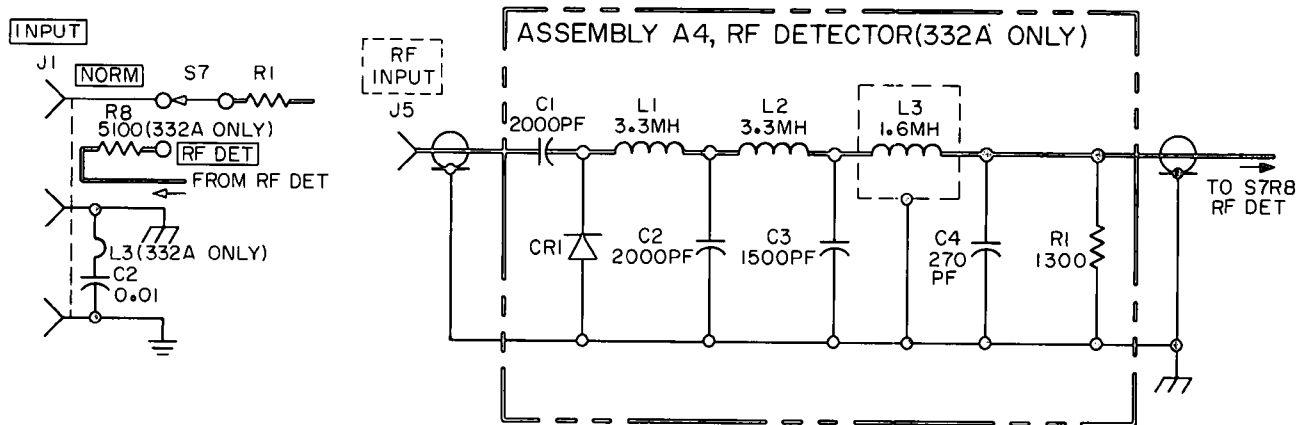
Delete R10, -hp- Part No. 0686-1324, R: fxd comp 1300 ohms ±5% 1/2 W (332A only). Use description for A4R1.

Delete L4, -hp- Part No. 9170-0805, Coil: fxd 1.6 mH (332A only). Use description for A4L3; change -hp- Part No. to 9170-0461.

Delete R8, -hp- Part No. 0683-5125, fxd comp 5100 Ω and add S7R8 (same description).

Change Shield: bottom, -hp- Part No. 00331-04102 to Plate: cover, -hp- Part No. 00331-04101.

Figure 7-1:
Change RF Input Circuitry to the following:



CHANGE 3 (For instruments having A2 boards with -hp- Part No. 00331-66502 or 00331-66504 only)
Figure 7-3:

Delete A2C30, A2CR8, and A2R51 from circuit.

Table 6-1:

Delete A2C30, A2CR8, and A2R51.

CHANGE 4 Table 6-1:

Delete A2R18 and A2R19.

Add A2CR5, 1901-0025, Diode: Si 50 mA \pm 1 V 100 piv.

Change A2Q1 to 1855-0082.

Figure 7-1:

Delete A2R18 from circuit. Replace with diode A2CR5.

Figure 7-3:

Delete A2R19 from circuit.

CHANGE 5 Figure 6-3:

Change index no. 29 to -hp- Part No. 00331-23702.

Change index no. 30 to Yoke: flex coupler -hp- Part No. 1500-0002.

Add: shim spacer -hp- Part No. 5000-4994 (2 each).

Change index no. 31 to -hp- Part No. 5040-0212.

(For smoother drive use current part no. for all three parts.)

CHANGE 6 Table 6-1 and Figure 7-1:

Change C2, C5 and C7 to 0.01 μ F, 1 kV, -hp- Part No. 0150-0012. (To present a lower impedance at power line frequency use current values).

CHANGE 7 Table 6-1:

Change A2Q7 to -hp- Part No. 1854-0215 (interchangeable with 1854-0019).

Table 6-1 and Figure 7-1:

R11 and insulator at J1 ground terminal (\perp) are removed and R11 is replaced by a short. The same resistor (as R9) is added between J4 ground connector and power line ground (\perp).

Change A2C19 to 680 pF, -hp- Part No. 0140-0208. (To raise frequency response at 1 MHz use current value).

Change A3R3 to 12 k Ω , -hp- Part No. 0686-1235. (To extend the range of A3R4 use current value.)

CHANGE 8 Table 6-1:

Change A2Q2 to -hp- Part No. 1853-0086. (For less distortion use current part no.)

CHANGE 9 R12 was located on the A1 Assembly and designated as A1R1 on instruments with serial numbers 914-03625 and below with the following instruments excluded: for the 331A, SN 914-03526, -03530, -03538, -03544, -03545, -03547, -03549, -03552, -03582, -03584, -03586, -03587, -03588, -03590, -03598, -03599, -03600, -03604, -03611 and -03625.

For the 332A, all instruments with Serial Number 909-01590 and below have the resistor mounted on the A1 Assembly.

For replacement purposes, use the resistor listed in Table 6-1 as R12.

Manual Backdating Changes Model 331A/332A Page 3

- CHANGE 10 In instruments with Serial Number 914-03725 and below (909-01670 and below for 332A) A2Q3 was different. For replacement purposes, use the transistor listed in Table 6-1 as A2Q3.
- CHANGE 11 In instruments with Serial Number 914-03825 and below (909-01710 and below for 332A) the A3 Assembly was Part No. 00331-66503. To make the A3 schematic in this manual compatible with these serial numbered instruments, make the following changes:
1. Change A3R13 to 7500 Ω .
 2. Change A3R14 to 2.49 k Ω .
 3. Delete A3R30, A3R31, A3R32, A3R33, A3CR1 and delete R18 (connected to A3 pin 10, off board).
- The new 00333-66503 board may be used in the above mentioned instrument provided a 20 k Ω resistor (R13) is connected between A3 pin 10 and ground as shown on schematic #2 in this manual.

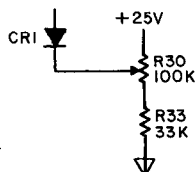
- CHANGE 12 Page 6-11:
Change the Part Number of cable W1 to 8120-0078.
Change the Part Number of the power connector from 1251-2357 to 1251-1009.
The power cords are not directly interchangeable.

Figure 6-2:
Change the Part Number of the 331A rear panel to 00331-00202. Change the Part Number of the 332A rear panel to 00332-00202.

- CHANGE 13
Change the Part Number of A1R13 to 2100-1434.
Change the Part Number of A2R3 to 2100-0094.
Change the Part Number of A2R20 to 2100-0092.
Change the Part Number of A2R39 to 2100-0151.
These resistors are not directly interchangeable with the ones listed in Table 6-1.
- CHANGE 14 In some earlier instruments A1R6 was 12.1 k Ω and A1R7 was 12.7 k Ω . To improve power supply regulation, both of these resistors should be changed to the values shown in Table 6-1.

- CHANGE 15 Figure 7-2:
Delete A3R35 and A3R36. Replace with a short. Delete these components from Table 6-1.
Change A3R16 to 3.3 k Ω and delete A3R34. Delete A3R34 from Table 6-1.

- CHANGE 16 Figure 7-2:
Change Schematic as follows:



Delete A3R37, 47 k Ω .
Add A3R30 to Table 6-1
Part No. 2100-0360, R: var, 100 k Ω 30% 1/8 W

- CHANGE 17
Change the rear panel Part No. as follows:
331A to 00331-00203
332A to 00332-00203

- CHANGE 18 Table 6-1 and Figure 7-2:
Change A3Q3 and A3Q5 to part no. 1854-0354
Change A3C4 to 30 pF, part no. 0140-0203