

**Agilent E4350B
Component Level
Information**

Agilent E4350B

Solar Array Simulator

Component Level Information

Information in this packet applies to the following assemblies:

1. **E4350-60023 Main Board Assembly**
2. **5063-2360 Front Panel Board Assembly**
3. **5063-4809 DSP Board Assembly**
4. **5063-4812 Adaptor Board Assembly**
5. **5063-4813 Phone Adaptor Board Assembly**
6. **5063-4816 Right Tunnel Board Assembly**
7. **5063-4818 Left Tunnel Top Board Assembly**
8. **5063-4820 Left Tunnel Bottom Board Assembly**
9. **5063-4823 GPIB Board Assembly**

The following is included in this packet:

1. **Component Locators**
2. **Schematics**
3. **Parts lists with Agilent and manufacturer's part numbers**

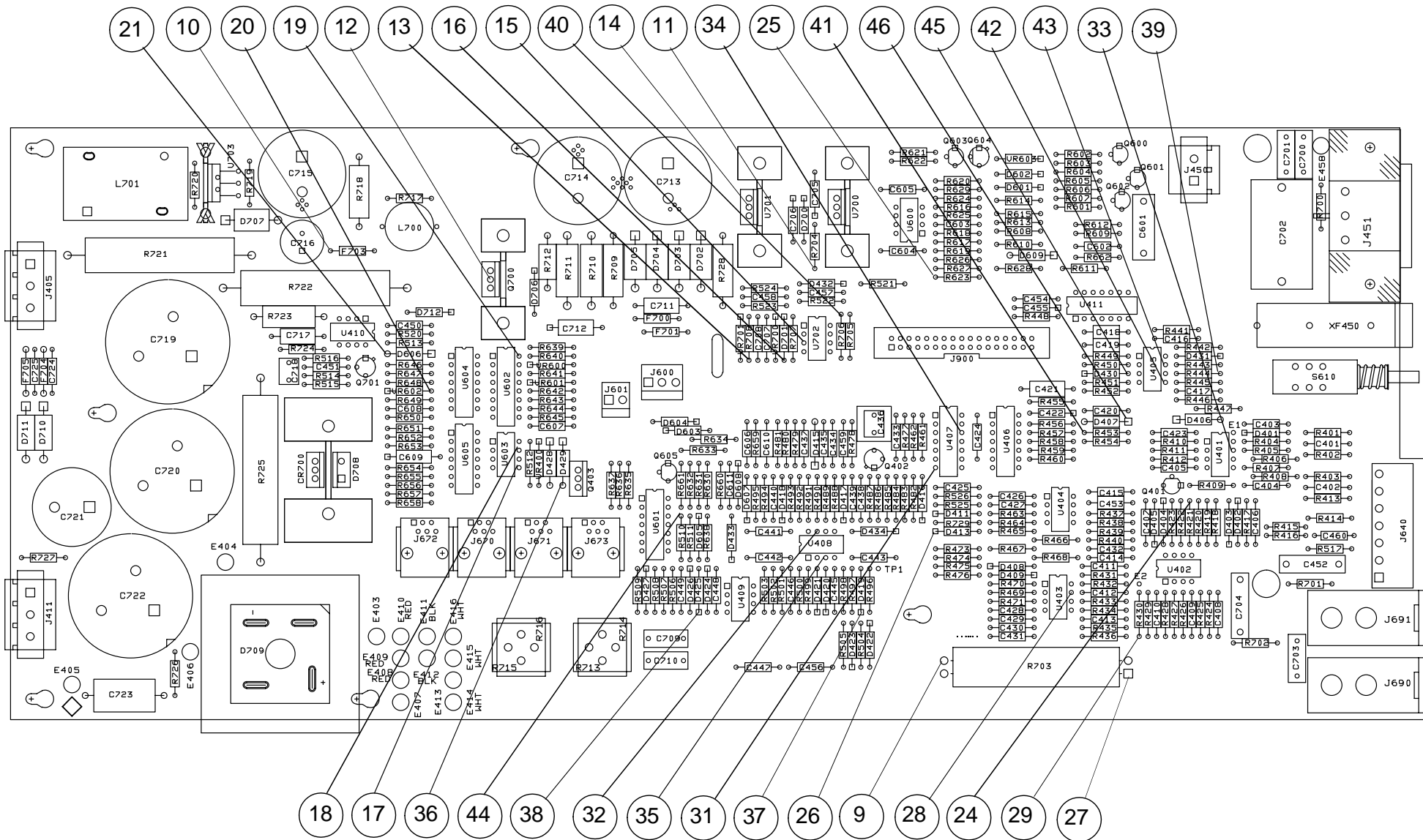


Figure 6-5. A1 Main Board Assembly Diagram and Test Points for E4350B

Agilent E4350B
Solar Array Simulator, 60V, 8A

E4350-60023
Main Board Assembly
Component Locator

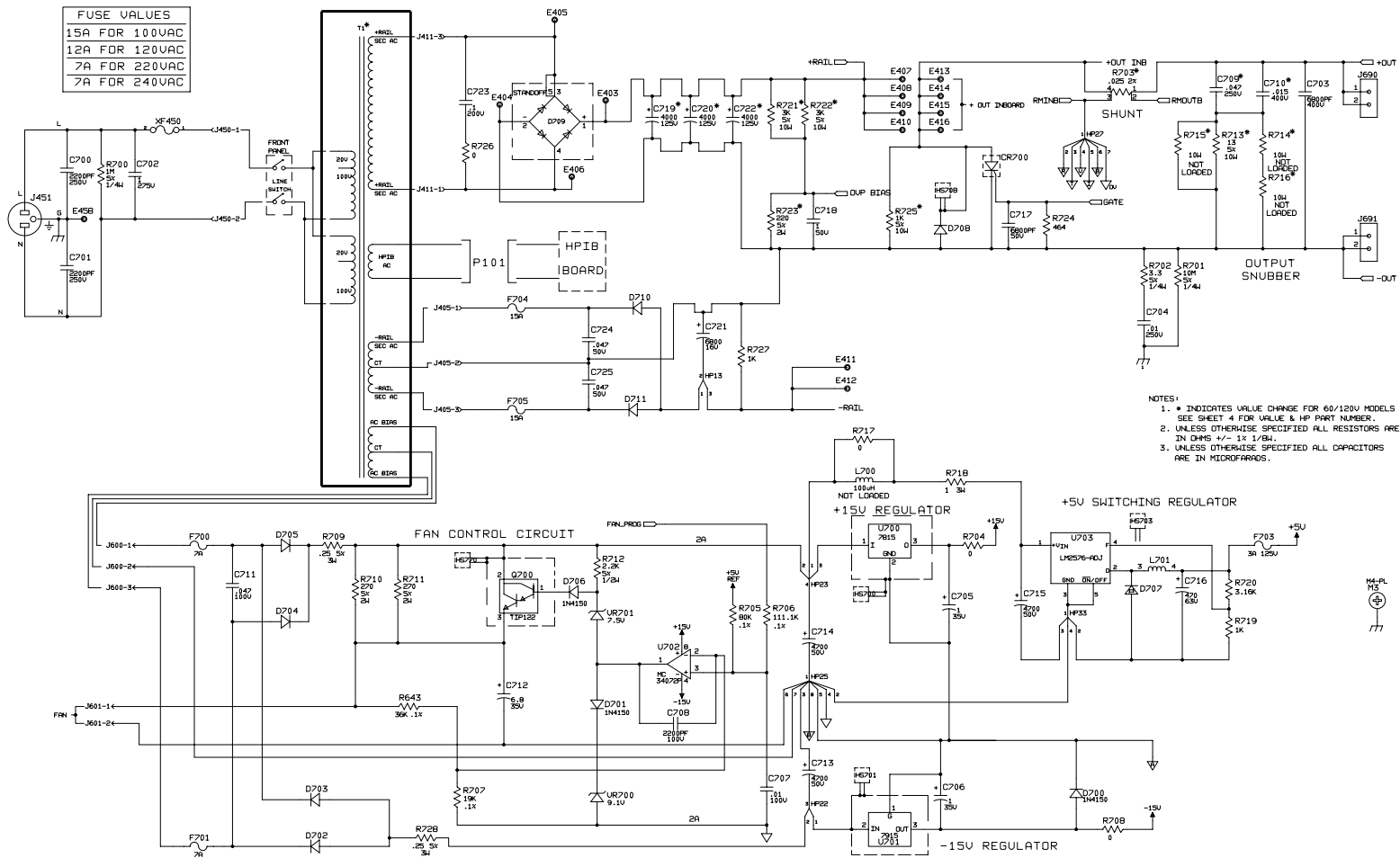


Figure 6-5. A1 Main Board Schematic Diagram for E4350B (sheet 1 of 4)

Agilent E4350B
Solar Array Simulator, 60V, 8A

E4350-60023
Main Board Assembly
 Page 1 of 4

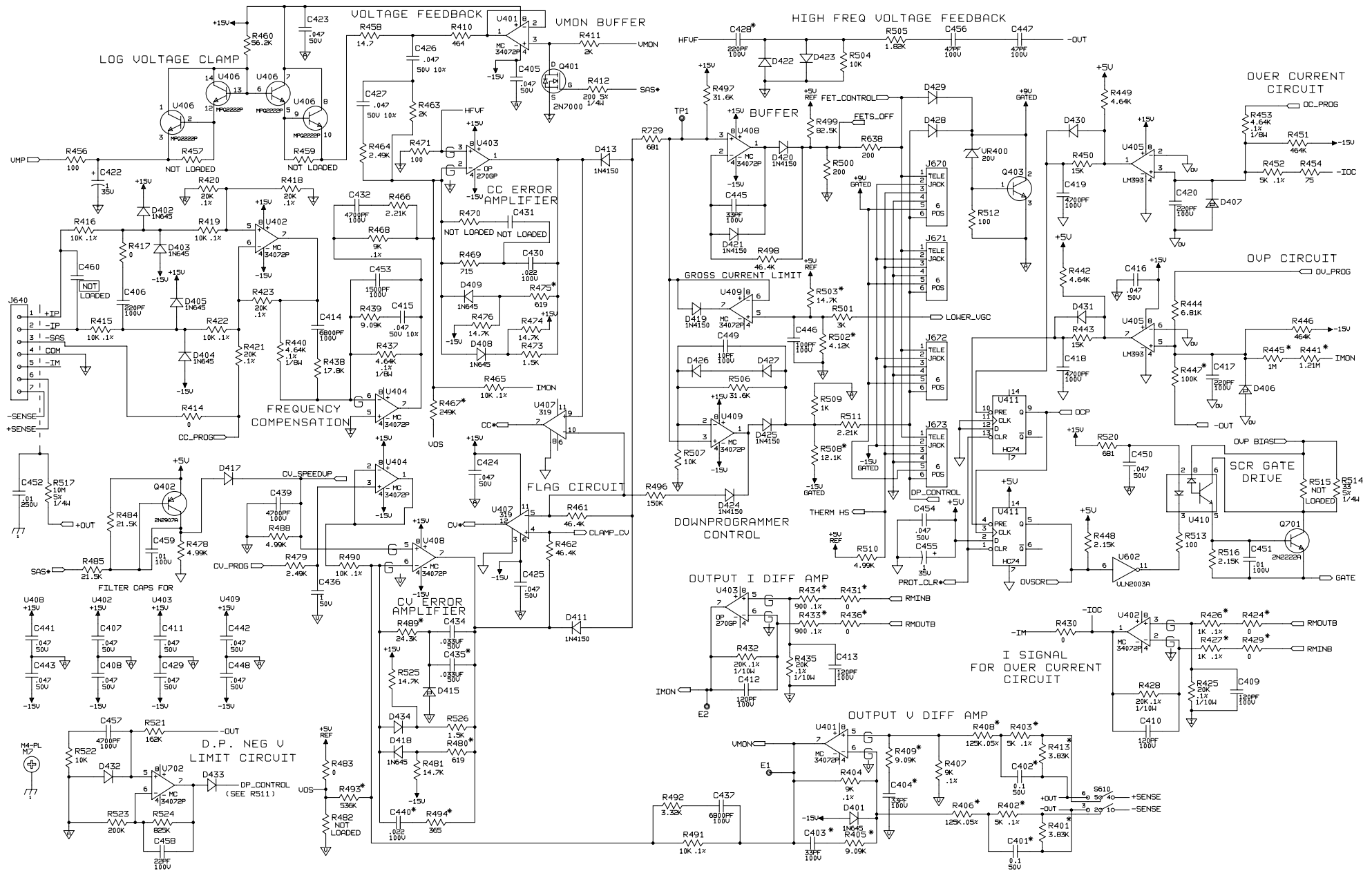


Figure 6-5. A1 Main Board Schematic Diagram for E4350B (sheet 2 of 4)

Agilent E4350B
Solar Array Simulator, 60V, 8A

E4350-60023
Main Board Assembly

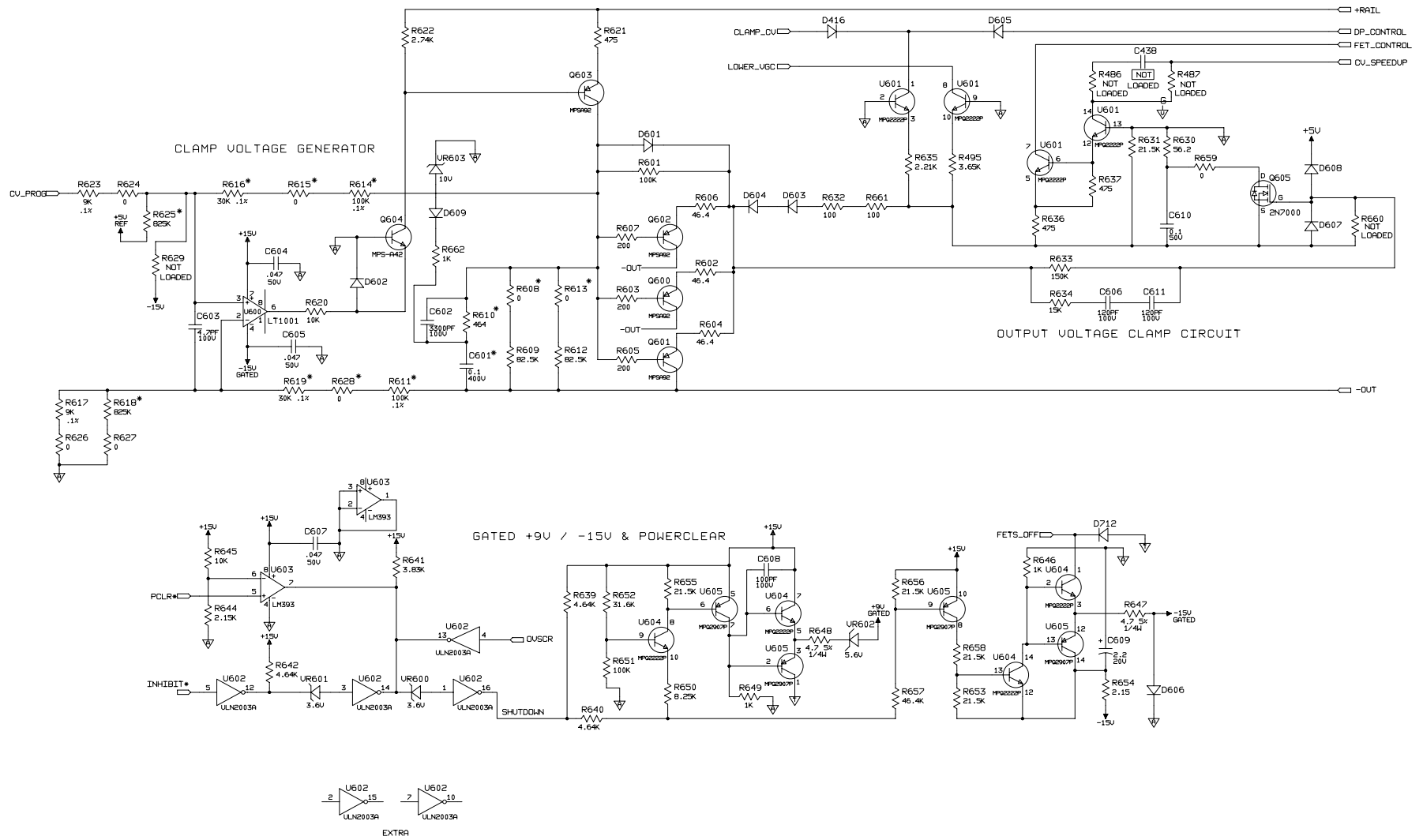
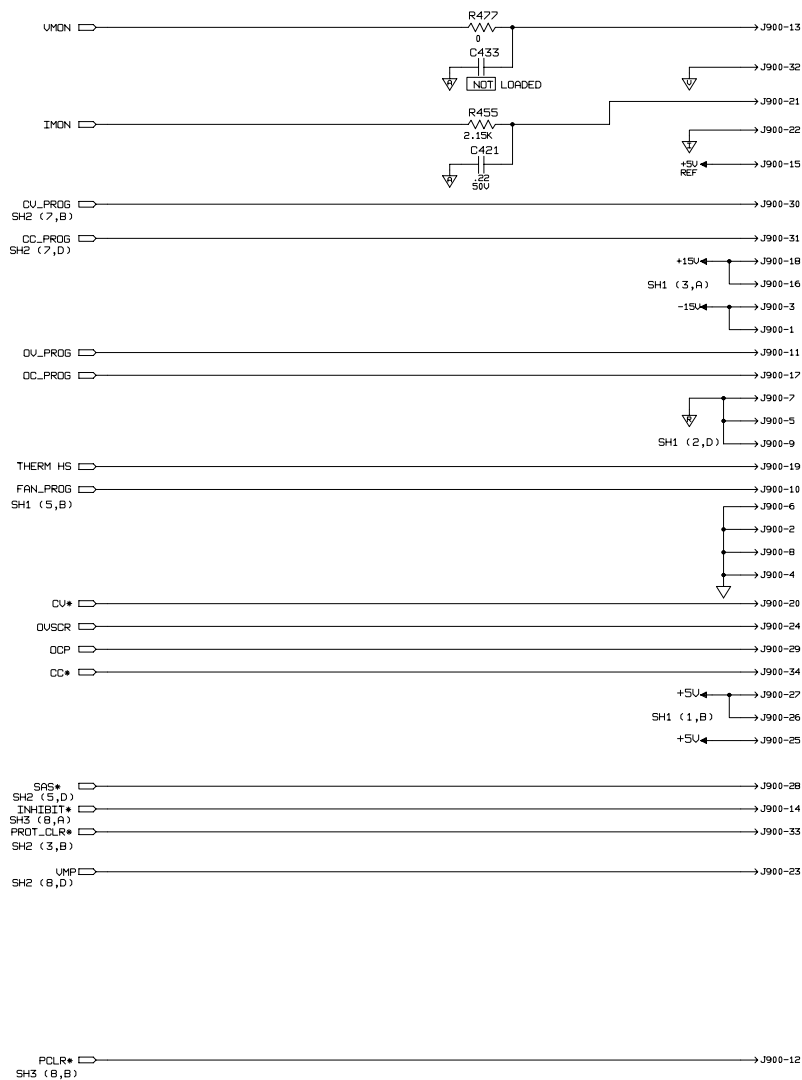


Figure 6-5. A1 Main Board Schematic Diagram for E4350B (sheet 3 of 4)

**Agilent E4350B
Solar Array Simulator, 60V, 8A**

**E4350-60023
Main Board Assembly**



OUTPUT RATINGS	60 VOLT 8 AMP		120 VOLT 4 AMP	
C401,C402	0.1	0160-4835	.047 100U	0160-4834
C403,C404	33PF	0160-4807	NO LOAD	
C428	220UF	0160-4812	470 PF	0160-4808
C435	.033 50U	0160-5644	NO LOAD	
C440	.022 100U	0160-4833	.01 100U	0160-4832
C601	0.1 400U	0160-6806	.047 250U	0160-4323
C709	.047 250U	0160-6804	.015 400U	0160-6896
C710	.015 400U	0160-6896	.015 400U	0160-6896
C719	4000UF	0180-4263	1200 UF	0180-4311
C720	4000UF	0180-4263	1200 UF	0180-4311
C722	4000UF	0180-4263	1200 UF	0180-4311
R401,R413	3.83K	0698-3153	7.5K	0757-0440
R402,R403	5K .1x	0698-6320	10K .1x	0698-6360
R405,R409	9.09K	0757-0288	NO LOAD	
R406,R408	125K .05x	0699-3446	250K .05x	0699-3104
R424,R429	0	8159-0005	0	8159-0005
R426,R427	1K .1x	0698-6362	1K .1x	0698-6362
R431,R436	0	8159-0005	0	8159-0005
R433,R434	900 .1x	0698-6344	900 .1x	0698-6344
R441	1.21M	0699-0888	825K	0698-8826
R445	1M	0698-8827	3.16M	0699-0070
R447	100K	0757-0465	182K	0757-0471
R467	249K	0757-0270	130K	0757-0468
R475	619	0757-0418	221	0757-0282
R480	619	0757-0418	221	0757-0282
R489	24.3K	0757-0451	47.5K	0757-0457
R493	536K	0699-1254	1M	0698-8827
R494	365	0757-0412	825	0757-0421
R502	4.12K	0698-3493	1.50K	0757-0427
R503	14.7K	0698-3156	11.3K	0698-4121
R508	12.1K	0757-0444	12.1K	0757-0444
R608	0	8159-0005	82.5K	0757-0463
R610	464	0698-0882	1K	0757-0280
R611,R614	100K .1x	0698-6358	100K .1x	0698-6358
R613	0	8159-0005	82.5K	0757-0463
R615,R628	0	8159-0005	60K .1x	0698-6629
R616,R619	30K .1x	0698-6927	100K .1x	0698-6358
R618,R625	825K	0698-8826	1.74M	0699-1972
R703	.025 2x	0811-3764	.05 1x	0811-3770
R713	13 10W 5x	0811-3932	NO LOAD	
R714	NO LOAD		13 10W 5x	0811-3932
R715	NO LOAD		NO LOAD	
R716	NO LOAD		13 10W 5x	0811-3932
R721	3K 10W 5x	0811-1873	5K 10W 5x	0811-1914
R722	3K 10W 5x	0811-1873	5K 10W 5x	0811-1914
R723	220 2W	0698-3628	200 2W	0698-3627
R725	1K 10W 5x	0811-1586	3K 10W 5x	0811-1873
T1	59 TURNS	9100-5194	102 TURNS	9100-5206

Figure 6-5. A1 Main Board Schematic Diagram for E4350B (sheet 4 of 4)

**Agilent E4350B
Solar Array Simulator, 60V, 8A**

**E4350-60023
Main Board Assembly**

E4350-60023 Main Board Parts List

Reference Designator	QTY	Agilent P/N	Description	MPN	Manufacturer
C201-202A-B, C203, C204A-B, C301-304A-B, 446, 608	17	0160-4801	CAP-FXD 100pF +-5pct 100 V CER C0G	C410C101J1G5CA SA102A101JAAH SA102A101JAAH	KEMET ELECTRONICS AVX KYOCERA
C205-206A-B, C305-306A-B, C401, C402, 610	11	0160-4835	CAP-FXD 0.1uF +-10pct 50 V CER X7R	C420C104K5R5CA SA105C104KAAH SA105C104KAAH	KEMET ELECTRONICS AVX KYOCERA
C211, C406, C417, C420, C428	5	0160-4812	CAP-FXD 220pF +-5pct 100 V CER C0G	C410C221J1G5CA SA101A221JAAH SA101A221JAAH	KEMET ELECTRONICS AVX KYOCERA
C403, C404, C445	3	0160-4807	CAP-FXD 33pF +-5pct 100 V CER C0G	C410C330J1G5CA SA102A330JAAH SA102A330JAAH	KEMET ELECTRONICS AVX KYOCERA
C405, C407, C408, C411, C416, C423, C424, C425, C429, C441, C442, C443, C448, C450, C454, C604, C605, C607, C724, C725	20	0160-5422	CAP-FXD 0.047uF +-20pct 50 V CER X7R	C420C473M5R5CA DA13X7R1H473M SA205C473MAAH	KEMET ELECTRONICS TDK AVX
C414, C437	2	0160-6616	CAP-FXD 6800pF +-5pct 100 V CER X7R	C410C682J1R5CA SA101C682JAAH	KEMET ELECTRONICS AVX
C415, C426, C427	3	0160-5909	CAP-FXD 0.047uF +-10pct 50 V CER X7R	C124C473K5R5CA SA20C4773KAAH	KEMET ELECTRONICS AVX
C421	1	0160-5098	CAP-FXD 0.22uF +-10pct 50 V CER X7R	C440C224K5R5CA SA405C224KAAH SA405C224KAAH	KEMET ELECTRONICS AVX KYOCERA
C430, C440	2	0160-4833	CAP-FXD 0.022uF +-10pct 100 V CER X7R	C420C223K1R5CA SA201C223KAAH SA201C223KAAH	KEMET ELECTRONICS AVX KYOCERA
C432, C439, C457, C418, C419	5	0160-4831	CAP-FXD 4700pF +-10pct 100 V CER X7R	C410C472K1R5CA SA101C472KAAH SA101C472KAAH	KEMET ELECTRONICS AVX KYOCERA
C434, C435	2	0160-5644	CAP-FXD 0.033uF +-10pct 50 V CER X7R	C420C333K5R5CA SA205C333KAAH	KEMET ELECTRONICS AVX

E4350-60023 Main Board Parts List

Reference Designator	QTY	Agilent P/N	Description	MPN	Manufacturer
C447, C456	2	0160-4805	CAP-FXD 47pF +-5pct 100 V CER C0G	C410C470J1G5CA SA102A470JAAH SA102A470JAAH	KEMET ELECTRONICS AVX KYOCERA
C449	1	0160-4791	CAP-FXD 10pF +-5PCT 100V CER C0G	C410C100J1G5CA SA102A100JAA SA102A100JAA	KEMET ELECTRONICS AVX KYOCERA
C451, C459, C707	3	0160-4832	CAP-FXD 0.01uF +-10pct 100 V CER X7R	C410C103K1R5CA SA101C103KAAH SA101C103KAAH	KEMET ELECTRONICS AVX KYOCERA
C453	1	0160-4846	CAP-FXD 1500pF +-5pct 100 V CER C0G	C420C152J1G5CA DA13C0G2A152J SA201A152JAAH SA201A152JAAH	KEMET ELECTRONICS TDK AVX KYOCERA
C455, 705, 706, C422	4	0180-4129	CAP-FXD 1uF +-10pct 35 V TA	TARR105K035 T322B105K035AS	AVX KEMET ELECTRONICS
C458	1	0160-4787	CAP-FXD 22pF +-5pct 100 V CER C0G	C410C220J1G5CA SA101A220JAA SA101A220JAA	KEMET ELECTRONICS AVX KYOCERA
C602	1	0160-7001	CAP-FXD 3300pF +-10pct 100 V CER X7R	C410C332K1R5CA DA12X7R2A332K SA101C332KAAH	KEMET ELECTRONICS TDK AVX
C603	1	0160-4795	CAP-FXD 4.7pF +-10.64pct 100 V CER C0G	C410C479D1G5CA SA102A4R7DAAH SA102A4R7DAAH	KEMET ELECTRONICS AVX KYOCERA
C606, C611, C409, C410, C412, C413	6	0160-4800	CAP-FXD 120pF +-5pct 100 V CER C0G	C410C121J1G5CA SA101A121JAA SA101A121JAA	KEMET ELECTRONICS AVX KYOCERA
C609	1	0180-0197	CAP-FXD 2.2uF +-10pct 20 V TA	TAAA225K020 T110A225K020AS TAAA2R2K20RX	AVX KEMET ELECTRONICS STC
C703	1	0161-1132	CAP-FXD 0.0068uF +-5PCT 630V POLYP-MET	PHE450MA4680JR05	EVOX/RIFA

E4350-60023 Main Board Parts List

Reference Designator	QTY	Agilent P/N	Description	MPN	Manufacturer
C708	1	0160-4830	CAP-FXD 2200pF +-10pct 100 V CER X7R	C410C222K1R5CA SA101C222KAAH SA101C222KAAH	KEMET ELECTRONICS AVX KYOCERA
C711	1	0160-4834	CAP-FXD 0.047uF +-10pct 100 V CER X7R	C430C473K1R5CA DA13X7R2A473K SA301C473KAAH SA301C473KAAH	KEMET ELECTRONICS TDK AVX KYOCERA
C712	1	0180-4132	CAP-FXD 6.8uF +-10pct 35 V TA	TARW685K035 T322D685K035AS	AVX KEMET ELECTRONICS
C717	1	0160-4904	CAP-FXD 6800pF +-5pct 100 V CER C0G	C440C682J5G5CA SA401A682JAAH SA401A682JAAH	KEMET ELECTRONICS AVX KYOCERA
D201, D411, D413, D419, D420, D421, D424, D425, D700, D701, D706	11	1901-1098	DIODE-SWITCHING 1N4150 50V 200MA 4NS	1N4150 1N4150	FAIRCHILD SEMICONDUCTOR ROHM
D203-205A-B, D302-D305A-B, D416, D417, D422, D423, D426, D427, 430, 431, 601, 602, 603, 604, D605, 607, 608, 712, 432, 433, 434	33	1901-0050	DIODE-SWITCHING 80V 200MA 2NS DO-35	D3D7_FD6308C	FAIRCHILD SEMICONDUCTOR
D401, D402, D403, D404, D405, D408, D409, D418	8	1901-0033	DIODE-GEN PRP 180V 200MA DO-35	1MD2-FDH3369C	FAIRCHILD SEMICONDUCTOR
D406, D407	2	1901-1128	DIODE-SCHOTTKY 40V 1A	1N5819RLG	ON SEMICONDUCTOR
D415	1	1901-0518	DIODE-SCHOTTKY BARRIER 70V PD 250MW	5082-2800	AVAGO TECHNOLOGIES
D428, D429, D606	3	1901-0731	DIODE-PWR RECT 400V 1A	1N4004G 1901-0731 GP10G044	ON SEMICONDUCTOR TEMIC TELEFUNKEN MICROELECTRON VISHAY
D609	1	1901-1214	DIODE-PWR RECT 600V 1A 50NS	MUR160RLG	ON SEMICONDUCTOR
D961 MFG. PN U1520	1	1901-1383	DIODE-ULT-FST-RCRY 200V 15A 35NS	MUR1520	ON SEMICONDUCTOR
F201-203A-B, 204, 301-303A-B	13	2110-0716	FUSE-SUBMINIATURE .5A 125V NTD AX UL-LST	0251.500____L	LITTELFUSE

E4350-60023 Main Board Parts List

Reference Designator	QTY	Agilent P/N	Description	MPN	Manufacturer
F205-207A-B, F208, F304-307A-B, R229-230A-B, R231, R232-233A-B, R234, R235, R329-332A-B, R414, R424, R429, R430, R431, R483, R436, 477, 608, 613, 615, 624, 626, R627, 628, 659, 704, 708, 726, R417, 717	55	8159-0005	RESISTOR 0 CWM	106 L-2007-1 YZO 1/4 Z-25 Z25C	MICRO-OHM GETTIG ENGRG & MFG TT ELECTRONICS ASJ KOA
F700, F701	2	2110-0685	FUSE-SUBMINIATURE 7A 125V NTD AX UL-LST	0251007 L	LITTELFUSE
F703	1	2110-0688	FUSE-SUBMINIATURE 3A 125V NTD AX UL-LST	0251003 L	LITTELFUSE
F704, F705	2	2110-0697	FUSE-SUBMINIATURE 15A 32V NTD AX	0251015 L	LITTELFUSE
HS1	1	5063-2351	ASSY-HS 7915C		
HS1a	1	1205-0402	HEAT SINK SGL TO-220-CS	1A059 1205-0402 60130-020PB 637-20-ABP	BOSSARD AAVID THERMALLOY WAKEFIELD ENGINEERING
HS1b	1	1826-0214	IC PWR MGT-V-REG-FXD-NEG -14.4/-15.6V	MC7915CTG	ON SEMICONDUCTOR
HS1c	1	0361-1641	EYELET-RLD-FLG .121-OD .187-LG .0095-THK	GS 4-6 STEEL-TIN PLATE	STIMPSON EDWIN B
HS2	1	5060-3250	ASSY-HS MJE15031		
HS2a	1	0361-1641	EYELET-RLD-FLG .121-OD .187-LG .0095-THK	GS 4-6 STEEL-TIN PLATE	STIMPSON EDWIN B
HS2b	1	1205-0282	HEAT SINK PLSTC-PWR-CS	6025D	AAVID THERMALLOY
Q770	1	1854-0828	TRANSISTOR NPN SI DARL TO-220AB PD=65W	NTD560 TIP122G	NEC ELECTRONICS ON SEMICONDUCTOR
R201A-B, 206A-B, 216A-B, 301A-B, R306A-B, R311A-B, R316A-B	14	0811-3989	RESISTOR 1.5 +-1PCT 3W PWI TC=0+-50	RS-2B1R51% T2B79U1R5F	VISHAY TT ELECTRONICS
R202A-B, 207A-B, 217A-B, 302A-B, R307A-B, R312A-B, R317A-B	14	0698-3430	RESISTOR 21.5 +-1pct .125W TF TC=0+-100	5053HD21R50F CMF-5521R5FT-1 NK4H.125W1%+/- 100PPM21R5	VISHAY BC COMPONENTS VISHAY E-SIL COMPONENTS
R203A-B, 208A-B, 218A-B, 303A-B, R308A-B, 313A-B, 318A-B, 474, 476, R481, R503, R525	19	0698-3156	RESISTOR 14.7K +-1pct .125W TF TC=0+-100	5053HD14K70F CMF-551472FT-1 NK4H.125W1%+/- 100PPM1472	VISHAY BC COMPONENTS VISHAY E-SIL COMPONENTS
R204A-B, 209A-B, 219A-B, 221, R304A-B, 309A-B, 314A- B, 319A-B, R509, 646, 649, 662, 719, 727	21	0757-0280	RESISTOR 1K +-1pct .125W TF TC=0+-100	5053HD1K000F CMF-551001FT-1 NK4H.125W1%+/- 100PPM1001	VISHAY BC COMPONENTS VISHAY E-SIL COMPONENTS

E4350-60023 Main Board Parts List

Reference Designator	QTY	Agilent P/N	Description	MPN	Manufacturer
R210A-B	2	0698-3456	RESISTOR 287K +-1pct .125W TF TC=0+-100	5053HD287K0F CMF-552873FT-1 NK4H.125W1%+/- 100PPM2873	VISHAY BC COMPONENTS VISHAY E-SIL COMPONENTS
R211	1	0811-1672	RESISTOR 3.3 +-5pct 2W PWI TC=0+-400	SPH 3.3OHM 5%	TT ELECTRONICS
R212	1	0757-0316	RESISTOR 42.2 +-1pct .125W TF TC=0+-100	5053HD42R20F CMF-5542R2FT-1 NK4H.125W1%+/- 100PPM42R2	VISHAY BC COMPONENTS VISHAY E-SIL COMPONENTS
R213	1	0698-3441	RESISTOR 215 +-1pct .125W TF TC=0+-100	5053HD215R0F CMF-552150FT-1 NK4H.125W1%+/- 100PPM215R0	VISHAY BC COMPONENTS VISHAY E-SIL COMPONENTS
R214	1	0698-0085	RESISTOR 2.61K +-1pct .25W TF TC=0+-100	5043ED2K610F CMF-552611FT-1 NK4H.25W1%+/- 100PPM2611	VISHAY BC COMPONENTS VISHAY E-SIL COMPONENTS
R215	1	0698-4503	RESISTOR 66.5K +-1pct .125W TF TC=0+-100	CMF-556652FT-1 5053HD66K50F NK4H.125W1%+/- 100PPM6652	VISHAY VISHAY BC COMPONENTS E-SIL COMPONENTS
R220A-B	2	0757-0468	RESISTOR 130K +-1pct .125W TF TC=0+-100	5053HD130K0F CMF-551303FT-1 NK4H.125W1%+/- 100PPM1303	VISHAY BC COMPONENTS VISHAY E-SIL COMPONENTS
R224A-B, 323A-B, R723	5	0698-3628	RESISTOR 220 +-5pct 2W MO TC=0+-200	FP69 220R 5% GS-32200 MO2C__221J	VISHAY TT ELECTRONICS KOA
R305A-B	2	0757-0473	RESISTOR 221K +-1pct .125W TF TC=0+-100	5053HD221K0F CMF-552213FT-1 NK4H.125W1%+/- 100PPM2213	VISHAY BC COMPONENTS VISHAY E-SIL COMPONENTS

E4350-60023 Main Board Parts List

Reference Designator	QTY	Agilent P/N	Description	MPN	Manufacturer
R310A-B, R447, R601, R651	5	0757-0465	RESISTOR 100K +-1pct .125W TF TC=0+-100	5053HD100K0F CMF-551003FT-1 NK4H.125W1%+/- 100PPM1003	VISHAY BC COMPONENTS VISHAY E-SIL COMPONENTS
R315A-B	2	0757-0460	RESISTOR 61.9K +-1pct .125W TF TC=0+-100	5053HD61K90F CMF-556192FT-1 NK4H.125W1%+/- 100PPM6192	VISHAY BC COMPONENTS VISHAY E-SIL COMPONENTS
R320A-B	2	0757-0458	RESISTOR 51.1K +-1pct .125W TF TC=0+-100	5053HD51K10F CMF-555112FT-1 NK4H.125W1%+/- 100PPM5112	VISHAY BC COMPONENTS VISHAY E-SIL COMPONENTS
R401, R413, R641	3	0698-3153	RESISTOR 3.83K +-1pct .125W TF TC=0+-100	SFR25H0003831FR500 CMF553K8300FKRE NK4H.125W1%+/- 100PPM3831	VISHAY BC COMPONENTS VISHAY E-SIL COMPONENTS
R402, R403, R452	3	0698-6320	RES-FXD 5K +-0.1PCT 0.125W TC 0+-25 0207	CMF-555001BT-9 MBB0207-25 0.1%__5K	VISHAY VISHAY BC COMPONENTS
R404, R407, R617, R623, R468	5	0698-5454	RESISTOR 9K +-0.1pct .125W TF TC=0+-50	B0207C9K000B CMF-559001BT-2	VISHAY BC COMPONENTS VISHAY
R405, R409, R439	3	0757-0288	RESISTOR 9.09K +-1pct .125W TF TC=0+-100	5053HD9K090F CMF-559091FT-1 NK4H.125W1%+/- 100PPM9091	VISHAY BC COMPONENTS VISHAY E-SIL COMPONENTS
R406, R408	2	0699-3446	RESISTOR 125K +-0.05pct .1W TF TC=0+-5	MAR5-T16-125K-0.05% PTF-56-7-125KAT-16 UXBA125K00A	TT ELECTRONICS VISHAY VISHAY BC COMPONENTS
R410, R610, R724	3	0698-0082	RESISTOR 464 +-1pct .125W TF TC=0+-100	5053HD464R0F CMF-554640FT-1 NK4H.125W1%+/- 100PPM464R0	VISHAY BC COMPONENTS VISHAY E-SIL COMPONENTS

E4350-60023 Main Board Parts List

Reference Designator	QTY	Agilent P/N	Description	MPN	Manufacturer
R411, R478, R488, R510	4	0698-3279	RESISTOR 4.99K +-1pct .125W TF TC=0+-100	5053HD4K990F CMF-554991FT-1 NK4H.125W1%+/- 100PPM4991	VISHAY BC COMPONENTS VISHAY E-SIL COMPONENTS
R412	1	0683-2015	RESISTOR 200 +-5pct .25W CF TC=0-400	CF 14 20R 5%	ASJ
R415, 416, 419, 422, 465, 490, 491	7	0698-6360	RES-FXD 10K +-0.1PCT 0.125W TC 0+-25 0207	CMF-551002BT-9 MBB0207-25 0.1%__10K	VISHAY VISHAY BC COMPONENTS
R418, R420, R421, R423	4	0698-6630	RES-FXD 20K +-0.1PCT 0.125W TC 0+-25 0207	CMF-552002BT-9 MBB0207-25 0.1%__20K	VISHAY VISHAY BC COMPONENTS
R425, R428, R432, R435	4	0699-0118	RESISTOR 20K +-0.1pct .1W TF TC=0+-5	PR1/10T520K0.1% PTF-5620K0BT-16 UXB0207-05 0,1% RP 20K	PRECISION RESISTIVE PRODUCTS VISHAY VISHAY BC COMPONENTS
R426, R427	2	0698-6362	RESISTOR 1K +-0.1pct .125W TF TC=0+-25	CMF-551001BT-9 MBB0207-25 0,1% CT 1K	VISHAY VISHAY BC COMPONENTS
R433, R434	2	0698-6344	RES-FXD 900 OHM +-0.1PCT 0.125W TC 0+-25 0207	CMF-559000BT-9 MBB0207-25 0.1%__900R	VISHAY VISHAY BC COMPONENTS
R437, R440, R453	3	0699-0533	RESISTOR 4.64K +-0.1pct .125W TF TC=0+-25	B0207E4K640B CMF-554641BT-9	VISHAY BC COMPONENTS VISHAY
R438	1	0698-3136	RESISTOR 17.8K +-1pct .125W TF TC=0+-100	5053HD17K80F CMF-551782FT-1 NK4H.125W1%+/- 100PPM1782	VISHAY BC COMPONENTS VISHAY E-SIL COMPONENTS
R441	1	0699-0088	RESISTOR 1.21M +-1pct .125W TF TC=0+-100	B0207C1M210F CMF-551214FT-1	VISHAY BC COMPONENTS VISHAY
R442, R449, R639, R640, R642	5	0698-3155	RESISTOR 4.64K +-1pct .125W TF TC=0+-100	5053HD4K640F CMF-554641FT-1 NK4H.125W1%+/- 100PPM4641	VISHAY BC COMPONENTS VISHAY E-SIL COMPONENTS
R443, R450, R634	3	0757-0446	RESISTOR 15K +-1pct .125W TF TC=0+-100	5053HD15K00F CMF-551502FT-1 NK4H.125W1%+/- 100PPM1502	VISHAY BC COMPONENTS VISHAY E-SIL COMPONENTS

E4350-60023 Main Board Parts List

Reference Designator	QTY	Agilent P/N	Description	MPN	Manufacturer
R444	1	0757-0439	RESISTOR 6.81K +-1pct .125W TF TC=0+-100	5053HD6K810F CMF-556811FT-1 NK4H.125W1%+/- 100PPM6811	VISHAY BC COMPONENTS VISHAY E-SIL COMPONENTS
R445	1	0698-8827	RESISTOR 1M +-1pct .125W TF TC=0+-100	5053HD1M000F CMF-551004FT-1	VISHAY BC COMPONENTS VISHAY
R446, R451	2	0698-3260	RESISTOR 464K +-1pct .125W TF TC=0+-100	5053HD464K0F CMF-554643FT-1	VISHAY BC COMPONENTS VISHAY
R448, R455, R516, R644	4	0698-0084	RESISTOR 2.15K +-1pct .125W TF TC=0+-100	5053HD2K150F CMF-552151FT-1 NK4H.125W1%+/- 100PPM2151	VISHAY BC COMPONENTS VISHAY E-SIL COMPONENTS
R454	1	0757-0398	RESISTOR 75 +-1pct .125W TF TC=0+-100	5053HD75R00F CMF-5575R0FT-1	VISHAY BC COMPONENTS VISHAY
R456, R471, R512, R513, R632, R661	6	0757-0401	RESISTOR 100 +-1pct .125W TF TC=0+-100	5053HD100R0F CMF-551000FT-1	VISHAY BC COMPONENTS VISHAY
R458	1	0698-3428	RESISTOR 14.7 +-1pct .125W TF TC=0+-100	5053HD14R70F CMF-5514R7FT-1 NK4H.125W1%+/- 100PPM14R7	VISHAY BC COMPONENTS VISHAY E-SIL COMPONENTS
R460	1	0757-0459	RESISTOR 56.2K +-1pct .125W TF TC=0+-100	5053HD56K20F CMF-555622FT-1 NK4H.125W1%+/- 100PPM5622	VISHAY BC COMPONENTS VISHAY E-SIL COMPONENTS
R461, R462, R498, R657	4	0698-3162	RESISTOR 46.4K +-1pct .125W TF TC=0+-100	5053HD46K40F CMF-554642FT-1 NK4H.125W1%+/- 100PPM4642	VISHAY BC COMPONENTS VISHAY E-SIL COMPONENTS
R463	1	0757-0283	RESISTOR 2K +-1pct .125W TF TC=0+-100	5053HD2K000F CMF-552001FT-1 NK4H.125W1%+/- 100PPM2001	VISHAY BC COMPONENTS VISHAY E-SIL COMPONENTS

E4350-60023 Main Board Parts List

Reference Designator	QTY	Agilent P/N	Description	MPN	Manufacturer
R464, R479	2	0698-4435	RESISTOR 2.49K +-1pct .125W TF TC=0+-100	5053HD2K490F CMF-552491FT-1 NK4H.125W1%+/- 100PPM2491	VISHAY BC COMPONENTS VISHAY E-SIL COMPONENTS
R466, R511, R635	3	0757-0430	RESISTOR 2.21K +-1pct .125W TF TC=0+-100	5053HD2K210F CMF-552211FT-1 NK4H.125W1%+/- 100PPM2211	VISHAY BC COMPONENTS VISHAY E-SIL COMPONENTS
R467	1	0757-0270	RESISTOR 249K +-1pct .125W TF TC=0+-100	5053HD249K0F CMF-552493FT-1 NK4H.125W1%+/- 100PPM2493	VISHAY BC COMPONENTS VISHAY E-SIL COMPONENTS
R469	1	0698-3700	RESISTOR 715 +-1pct .125W TF TC=0+-100	5053HD715R0F CMF-557150FT-1 NK4H.125W1%+/- 100PPM715R0	VISHAY BC COMPONENTS VISHAY E-SIL COMPONENTS
R473, R526	2	0757-0427	RESISTOR 1.5K +-1pct .125W TF TC=0+-100	5053HD1K500F CMF-551501FT-1 NK4H.125W1%+/- 100PPM1501	VISHAY BC COMPONENTS VISHAY E-SIL COMPONENTS
R475, R480	2	0757-0418	RESISTOR 619 +-1pct .125W TF TC=0+-100	5053HD619R0F CMF-556190FT-1 NK4H.125W1%+/- 100PPM619R0	VISHAY BC COMPONENTS VISHAY E-SIL COMPONENTS
R484, R485, R631, R653, R655, R656, R658	7	0757-0199	RESISTOR 21.5K +-1pct .125W TF TC=0+-100	5053HD21K50F NK4H.125W1%+/- 100PPM2152 CMF5521K500FKEA	VISHAY BC COMPONENTS E-SIL COMPONENTS VISHAY
R489	1	0757-0451	RESISTOR 24.3K +-1pct .125W TF TC=0+-100	5053HD24K30F CMF-552432FT-1 NK4H.125W1%+/- 100PPM2432	VISHAY BC COMPONENTS VISHAY E-SIL COMPONENTS

E4350-60023 Main Board Parts List

Reference Designator	QTY	Agilent P/N	Description	MPN	Manufacturer
R492	1	0757-0433	RESISTOR 3.32K +-1pct .125W TF TC=0+-100	5053HD3K320F CMF-553321FT-1 NK4H.125W1%+/- 100PPM3321	VISHAY BC COMPONENTS VISHAY E-SIL COMPONENTS
R493	1	0699-1254	RESISTOR 536K +-1pct .125W TF TC=0+-100	CMF-555363FT-1 5053HD536K0F	VISHAY VISHAY BC COMPONENTS
R494	1	0757-0412	RESISTOR 365 +-1pct .125W TF TC=0+-100	CMF-553650FT-1 5053HD365R0F NK4H.125W1%+/- 100PPM365R0	VISHAY VISHAY BC COMPONENTS E-SIL COMPONENTS
R495	1	0757-0434	RESISTOR 3.65K +-1pct .125W TF TC=0+-100	5053HD3K650F CMF-553651FT-1 NK4H.125W1%+/- 100PPM3651	VISHAY BC COMPONENTS VISHAY E-SIL COMPONENTS
R496, R633	2	0757-0469	RESISTOR 150K +-1pct .125W TF TC=0+-100	5053HD150K0F CMF-551503FT-1 NK4H.125W1%+/- 100PPM1503	VISHAY BC COMPONENTS VISHAY E-SIL COMPONENTS
R497, R506, R652	3	0698-3160	RESISTOR 31.6K +-1pct .125W TF TC=0+-100	5053HD31K60F CMF-553162FT-1 NK4H.125W1%+/- 100PPM3162	VISHAY BC COMPONENTS VISHAY E-SIL COMPONENTS
R499, R609, R612	3	0757-0463	RESISTOR 82.5K +-1pct .125W TF TC=0+-100	5053HD82K50F CMF-558252FT-1 NK4H.125W1%+/- 100PPM8252	VISHAY BC COMPONENTS VISHAY E-SIL COMPONENTS
R500, R603, R605, R607, R638	5	0757-0407	RESISTOR 200 +-1pct .125W TF TC=0+-100	5053HD200R0F CMF-552000FT-1 NK4H.125W1%+/- 100PPM200R0	VISHAY BC COMPONENTS VISHAY E-SIL COMPONENTS
R501	1	0757-1093	RESISTOR 3K +-1pct .125W TF TC=0+-100	5053HD3K000F CMF-553001FT-1 NK4H.125W1%+/- 100PPM3001	VISHAY BC COMPONENTS VISHAY E-SIL COMPONENTS

E4350-60023 Main Board Parts List

Reference Designator	QTY	Agilent P/N	Description	MPN	Manufacturer
R502	1	0698-3493	RESISTOR 4.12K +-1pct .125W TF TC=0+-100	5053HD4K120F CMF-554121FT-1 NK4H.125W1%+/- 100PPM4121	VISHAY BC COMPONENTS VISHAY E-SIL COMPONENTS
R504, R507, R522, R620, R645	5	0757-0442	RESISTOR 10K +-1pct .125W TF TC=0+-100	5053HD10K00F CMF-551002FT-1 NK4H.125W1%+/- 100PPM1002	VISHAY BC COMPONENTS VISHAY E-SIL COMPONENTS
R505	1	0757-0429	RESISTOR 1.82K +-1pct .125W TF TC=0+-100	5053HD1K820F CMF-551821FT-1 CRB25-FX-1821 NK4H.125W1%+/- 100PPM1821	VISHAY BC COMPONENTS VISHAY ROHM E-SIL COMPONENTS
R508	1	0757-0444	RESISTOR 12.1K +-1pct .125W TF TC=0+-100	5053HD12K10F CMF-551212FT-1	VISHAY BC COMPONENTS VISHAY
R514	1	0683-3305	RESISTOR 33 +-5pct .25W CF TC=0-400	CF 14 33 5%	ASJ
R517, R701	2	0699-1797	RESISTOR 10M +-5pct .25W CF TC=0-1000	CF 1/4 C ___ 106 J CF1/ 10M5%	KOA ASJ
R520, R729	2	0757-0419	RESISTOR 681 +-1pct .25W TF TC=0+-100	5053HD6810F CMF-55681FT-1 NK4H.25W1%+/- 100PPM681	VISHAY BC COMPONENTS VISHAY E-SIL COMPONENTS
R521	1	0757-0470	RESISTOR 162K +-1pct .125W TF TC=0+-100	5053HD162K0F CMF-551623FT-1 NK4H.125W1%+/- 100PPM1623	VISHAY BC COMPONENTS VISHAY E-SIL COMPONENTS
R523	1	0757-0472	RESISTOR 200K +-1pct .125W TF TC=0+-100	5053HD200K0F CMF-552003FT-1 NK4H.125W1%+/- 100PPM2003	VISHAY BC COMPONENTS VISHAY E-SIL COMPONENTS
R524, R618, R625	3	0698-8826	RESISTOR 825K +-1pct .125W TF TC=0+-100	5053HD825K0F CMF-558253FT-1	VISHAY BC COMPONENTS VISHAY

E4350-60023 Main Board Parts List

Reference Designator	QTY	Agilent P/N	Description	MPN	Manufacturer
R602, R604, R606	3	0698-4037	RESISTOR 46.4 +-1pct .125W TF TC=0+-100	5053HD46R40F CMF-5546R4FT-1 NK4H.125W1%+/- 100PPM46R4	VISHAY BC COMPONENTS VISHAY E-SIL COMPONENTS
R611, R614	2	0698-6358	RES-FXD 100K +-0.1PCT 0.125W TC 0+-25 0207	RNS 1/8 E C ___ 1003 B CMF-551003BT-9 MBB0207-25 0.1%__100K	KOA VISHAY VISHAY BC COMPONENTS
R616, R619	2	0698-6977	RESISTOR 30K +-0.1pct .125W TF TC=0+-25	B0207E30K00B CMF-553002BT-9	VISHAY BC COMPONENTS VISHAY
R621, R636, R637	3	0757-0415	RESISTOR 475 +-1pct .125W TF TC=0+-100	5053HD475R0F CMF-554750FT-1 NK4H.125W1%+/- 100PPM475R0	VISHAY BC COMPONENTS VISHAY E-SIL COMPONENTS
R622	1	0757-0281	RESISTOR 2.74K +-1pct .125W TF TC=0+-100	5053HD2K740F CMF-552741FT-1 NK4H.125W1%+/- 100PPM2741	VISHAY BC COMPONENTS VISHAY E-SIL COMPONENTS
R630	1	0757-0395	RESISTOR 56.2 +-1pct .125W TF TC=0+-100	5053HD56R20F CMF-5556R2FT-1 NK4H.125W1%+/- 100PPM56R2	VISHAY BC COMPONENTS VISHAY E-SIL COMPONENTS
R643	1	0698-8695	RESISTOR 36K +-0.1pct .125W TF TC=0+-25	B0207E36K00B CMF-553602BT-9	VISHAY BC COMPONENTS VISHAY
R647, R648	2	0683-0475	RESISTOR 4.7 +-5pct .25W CF TC=0-400	CF 1/4 C ___ 4R7 J CF 14 4R 5% RC1/4 4R7 5%	KOA ASJ SEI ELECTRONICS
R650	1	0757-0441	RESISTOR 8.25K +-1pct .125W TF TC=0+-100	5053HD8K250F CMF-558251FT-1 NK4H.125W1%+/- 100PPM8251	VISHAY BC COMPONENTS VISHAY E-SIL COMPONENTS
R654	1	0698-8816	RESISTOR 2.15 +-1pct .125W TF TC=0+-100	5053HD2R150F CMF-552R15FT-1	VISHAY BC COMPONENTS VISHAY
R700	1	0683-1055	RESISTOR 1M +-5pct .25W CF TC=0-800	CF 14 1M5%	ASJ

E4350-60023 Main Board Parts List

Reference Designator	QTY	Agilent P/N	Description	MPN	Manufacturer
R702	1	0683-0335	RESISTOR 3.3 +-5PCT .25W CF TC=0-400	CF 14 3R 5% CF1/4C____3R3J	ASJ KOA
R705	1	0698-6359	RESISTOR 80K +-0.1pct .125W TF TC=0+-25	B0207E80K00B CMF-558002BT-9	VISHAY BC COMPONENTS VISHAY
R706	1	0698-6979	RESISTOR 111.1K +-0.1pct .125W TF TC=0+-25	B0207E111K1B CMF-55111R1KBT-9	VISHAY BC COMPONENTS VISHAY
R707	1	0699-1212	RESISTOR 19K +-0.1pct .125W TF TC=0+-25	B0207E19K00B CMF-551902BT-9	VISHAY BC COMPONENTS VISHAY
R709, R728	2	0699-4707	RES .25 OHM	0699-4707	TT ELECTRONICS
R710, R711	2	0811-2201	RESISTOR 270 +-5pct 2W PWI TC=0+-400	SPH	TT ELECTRONICS
R712	1	0686-2225	RESISTOR 2.2K +-5pct .5W CC TC=0+647		
R718	1	0811-2568	RESISTOR 1 +-1pct 3W PWI TC=0+-50	RS-2B 1 1% T2B-9-1R1%	VISHAY TT ELECTRONICS
R720	1	0757-0279	RESISTOR 3.16K +-1pct .125W TF TC=0+-100	5053HD3K160F CMF-553161FT-1 NK4H.125W1%+/- 100PPM3161	VISHAY BC COMPONENTS VISHAY E-SIL COMPONENTS
REF CR700	1	0515-0104	SCREW-MACH M3 X 0.5 8MM-LG PAN-HD ; SCREW	0515-0104 0515-0104 0515-0104 0515-0104	HOUSE OF METRICS ILLINOIS TOOL WORKS MID-CONTINENT SCREW PROD TEXTRON
REF CR700	1	0535-0031	NUT-HEX; W/LOCKWASHER M3 X 0.5 2.4MM-THK	0535-0031	HOUSE OF METRICS
REF CR700	1	1205-0598	HEAT SINK SGL PLSTC-PWR-CS	529901B02500	AAVID THERMALLOY
REF CR700	1	1884-0332	THYRISTOR-SCR TO-220AB VRRM 600V	TYN640	STMICROELECTRONICS
REF Q110	1	1853-0652	TRANSISTOR PNP SI TO-220AB PD=2W	MJE15031G	ON SEMICONDUCTOR
VR400	1	1902-0556	DIODE-ZNR 20V 5pct PD=1W IR=5UA	1N4747A	MICRO COMMERCIAL COMPONENTS
VR600, VR601	2	1902-0947	DIODE-ZNR 3.6V 5PCT DO-35 PD .5W	SZ30035-5RL 1N5227B	TAK CHEONG ELECTRONICS MICRO COMMERCIAL COMPONENTS
VR602	1	1902-3104	DIODE-ZNR 5.62V 5pct DO-35 PD=.4W	DZ730813A	MICROSEMI
VR603	1	1902-0958	DIODE-ZNR 10V 5pct DO-35 PD=.4W TC=+.075pct	1N961B	MICROSEMI
VR700	1	1902-0957	DIODE-ZNR 1N5239B 9.1V 5pct DO-35 PD=.4W	1N960B-D035	MICROSEMI
VR701	1	1902-0955	DIODE-ZNR 1N5236B 7.5V 5pct DO-35 PD=.4W	1N958B-DO35	MICROSEMI

E4350-60023 Main Board Parts List

Reference Designator	QTY	Agilent P/N	Description	MPN	Manufacturer
	1	0160-0168	CAP-FXD 0.1uF +-10pct 200 V POLYE-FL	WMC2P1-F ET1-10176K HEW-238T-100NF+/- 10%200V	CORNELL-DUBILIER ELECTRONICS ELECTRONIC CONCEPTS AMERICAN SHIZUKI
	4	1853-0336	TRANSISTOR PNP SI PD=625MW FT=50MHZ	MPSA92G MPSA92	ON SEMICONDUCTOR FAIRCHILD SEMICONDUCTOR
	1	1853-0281	TRANSISTOR PNP 2N2907A SI TO-18 PD=400MW	2N2907A	CENTRAL SEMICONDUCTOR
	1	0160-7606	CAP-FXD 1uF +-20PCT 275 V POLYE-MET	MKP-X2- 1uF/275Vac/20%,13X24X31 .5,Pitch 27.55mm PHE820MF7100MR06L2	WIMA KEMET
	8	1251-8184	MODULAR PHONE RCPT PERPENDICULAR MOUN	5520258-3	TYCO ELECTRONICS AMP
	1	1906-0383	DIODE-FW BRDG 400V 35A	CBR35F-040P	CENTRAL SEMICONDUCTOR
	1	0180-4398	CAP-FXD 470uF +-20PCT 63 V AL-ELCTLT	UPM1J471MHD	NICHICON
	2	0811-1873	RESISTOR 3K +-5pct 10W PWI TC=0+-20	RS-103K05% T10-78	VISHAY TT ELECTRONICS
	1	1252-3693	CONN-POST TYPE 5.0-PIN-SPCG-MTG-END	ELFH07110 MSTBA1.5/7G 1758720 871907	PCD PHOENIX CONTACT & CO AXSYS TECHNOLOGIES
	3	1858-0077	TRANSISTOR ARRAY 14-PIN PLSTC TO-116	MPQ2222	CENTRAL SEMICONDUCTOR
	1	2110-0927	FUHLR-HPZ-PC250V /CSA/VDE/SEMKO	345101	LITTELFUSE
	1	0160-6804	CAP-FXD 0.047uF +-10pct 250 V POLYE-MET	MKS4 0.047UF/250V/10% MKT 1822-347/255 MMK10473K250	WIMA VISHAY KEMET
	3	0180-4263	CAP-FXD 4000uF +-20pct 125 V AL-ELCTLT	3487DH402M125FF 3487DH402M125FF 82D402M125MG2B	VISHAY BC COMPONENTS VISHAY NIPPON CHEMI-CON
	1	3101-2894	SWITCH-PB DPDTALTNG .01A 100 VAC	F2UEE AU	ITT INDUSTRIES
	1	1990-1502	OPTO-ISOLATOR LED-PDIO IF=8MA-MAX BVR=5V	HCPL-4503-000E	AVAGO TECHNOLOGIES
	1	1858-0076	TRANSISTOR ARRAY 14-PIN PLSTC TO-116	MPQ2907Lead Free	CENTRAL SEMICONDUCTOR
	1	1858-0047	TRANSISTOR ARRAY 16-PIN PLSTC DIP	ULN2003AN	TEXAS INSTRUMENTS
	1	1854-0477	TRANSISTOR NPN PN2222A SI TO-92 PD=625MW	PN2222A PN2222ABU	CENTRAL SEMICONDUCTOR FAIRCHILD SEMICONDUCTOR
	1	1251-4246	CONN-HDR VERT 3-PIN 3.96MM 1-ROW SHROUD	3160-8-203-22W	METHODE ELECTRONICS

E4350-60023 Main Board Parts List

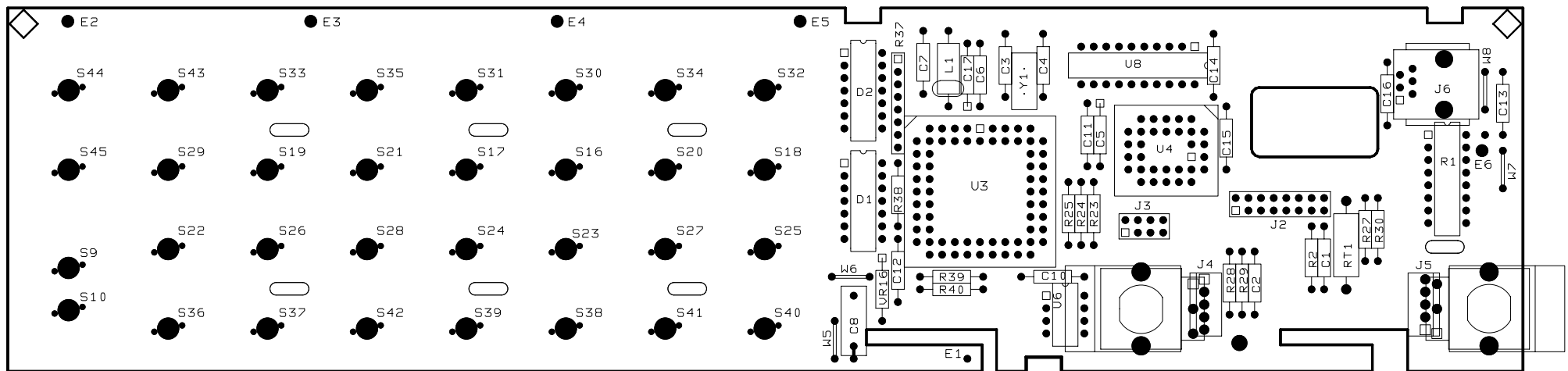
Reference Designator	QTY	Agilent P/N	Description	MPN	Manufacturer
	14	1826-1533	IC OP AMP H-SLEW-RATE DUAL 8-PDIP	MC34072P	ON SEMICONDUCTOR
	2	0570-0647	STD-PRS-IN M3 X 0.5 15.000 PH-BRZ	KFH-M3-15-ET	PENN ENGINEERING & MFG
	3	0180-3458	CAP-FXD 4700uF +30pct -10pct 50 V AL-ELCTLT	50TWP4700 80D472P050JE2	RUBYCON NIPPON CHEMI-CON
	1	1826-2252	IC OP AMP LOW-NOISE DUAL 8 PIN DIP-P	OP-270GN8 OP270GPZ	LINEAR TECHNOLOGY ANALOG DEVICES
	1	1826-0175	IC COMPARATOR GP DUAL 14 PIN DIP-P	LM319NNOPB	NATIONAL SEMICONDUCTOR
	1	1854-0575	TRANSISTOR NPN SI PD=625MW FT=50MHZ	MPSA42G	ON SEMICONDUCTOR
	15	1200-1158	SOCKET-XSTR 2-CONT TO-3 DIP-SLDR	8118PF303	AAVID THERMALLOY
	4	1901-0719	DIODE-PWR RECT 400V 3A 300NS	MR854RLG	ON SEMICONDUCTOR
	2	1826-0412	IC COMPARATOR PRCN DUAL 8 PIN DIP-P	LM393NNOPB	NATIONAL SEMICONDUCTOR
	1	0515-0981	SCREW-MACH M4 X 0.7 25MM-LG PAN-HD ; SCREW	0515-0981 0515-0981 0515-0981	ILLINOIS TOOL WORKS MID-CONTINENT SCREW PROD TEXTRON
	1	1251-8601	CONN-POST TYPE .100-PIN-SPCG-MTG-END	75869-106LF N2534-6002RB	FCI FRAMATOME BERG 3M
	5	2190-0586	WASHER-LK HLCL 4.0 4.1-MM-ID 7.6-MM-OD	A2WASPSR0158	HOUSE OF METRICS
	1	1820-3081	IC FF CMOS/HC D-TYPE POS-EDGE-TRIG	MM74HC74AN SN74HC74N MC74HC74ANG	FAIRCHILD SEMICONDUCTOR TEXAS INSTRUMENTS ON SEMICONDUCTOR
	1	0811-1586	RESISTOR 1K +-5pct 10W PWI TC=0+-20	RS-101K05% T10-78	VISHAY TT ELECTRONICS
	2	06652-80001	CBL-ASSY,L SHELF		
	6	1251-4781	CONN-UTIL MT-LK 3-CONT-POS 3-CONT	350789-1	TYCO ELECTRONICS AMP
	1	1251-7616	CONN-UTIL MT-LK 2-CONT-POS	350787-1	TYCO ELECTRONICS AMP
	1	5080-2321	CHOKE-OUTPUT		
	2	06652-80002	CBL-ASSY,R SHELF		
	1	0160-6806	CAP-FXD 0.1uF +-10pct 400 V POLYE-MET	MKS4 0.1UF/400V/10% MKT 1822-410/405 MMK15104K400A03L4	WIMA VISHAY KEMET
	1	5060-3321	ASSY-HS,REG 7815		
	1	0361-1641	EYELET-RLD-FLG .121-OD .187-LG .0095-THK	GS 4-6 STEEL-TIN PLATE	STIMPSON EDWIN B
	1	1826-0106	IC PWR MGT-V-REG-FXD-POS 14.4/15.6V	LM340T-15NOPB	NATIONAL SEMICONDUCTOR

E4350-60023 Main Board Parts List

Reference Designator	QTY	Agilent P/N	Description	MPN	Manufacturer
	1	1205-0402	HEAT SINK SGL TO-220-CS	1A059 1205-0402 60130-020PB 637-20-ABP	BOSSARD AAVID THERMALLOY WAKEFIELD ENGINEERING
	1	5060-3322	ASSY-HS,XSTR		
	1	0361-1641	EYELET-RDL-FLG .121-OD .187-LG .0095-THK	GS 4-6 STEEL-TIN PLATE	STIMPSON EDWIN B
	1	1205-0402	HEAT SINK SGL TO-220-CS	1A059 1205-0402 60130-020PB 637-20-ABP	BOSSARD AAVID THERMALLOY WAKEFIELD ENGINEERING
	1	5060-3376	ASSY-SCR/OPD		
	1	5060-3379	ASSY-WIRE KIT		
	1	5063-2328	ASSY-HEAT SINK		
	1	0361-1641	EYELET-RDL-FLG .121-OD .187-LG .0095-THK	GS 4-6 STEEL-TIN PLATE	STIMPSON EDWIN B
	1	1826-2505	IC PWR MGT-V-REG-SWG 1.23/37V 5 PINS	LM2576T-ADJ/NOPB	NATIONAL SEMICONDUCTOR
	1	1205-0282	HEAT SINK PLSTC-PWR-CS	6025D	AAVID THERMALLOY
	1	0160-6896	CAP-FXD 0.015uF +-5pct 400 V POLYP-MET	MKP10/0.015UF/400VDC/5 % PHE450KA5150J	WIMA KEMET
	4	0160-6838	CAP-FXD 2200pF +-20pct 1 kV POLYP-FL	FKP 1 2200/1250/20	WIMA
	2	3050-0891	WASHER-FL MTLC 3.0 3.3-MM-ID 6.85-MM-OD ; W	3050-0891	HOUSE OF METRICS
	1	1205-0862	HEAT SINK	1205-0862	AAVID THERMALLOY
	1	0180-3497	CAP-FXD 6800uF +-20pct 16 V AL-ELCTLT	ECE-T16R682SW 3487AD682M016KM 3487AD682M016KM LLS1E682MELZ 80D2103	MATSUSHITA VISHAY BC COMPONENTS VISHAY NICHICON NIPPON CHEMI-CON
	1	0811-3932	RESISTOR-FIXED	CPCP-10 130 5%	VISHAY
	2	0160-5469	CAP-FXD 1uF +-10PCT 50 V POLYE-MET	MKS 2 1.0/10/50 PCM5 TR MMK5105K50J02TR18	WIMA KEMET
	1	1854-0872	TRANSISTOR NPN TO-220AB PD=1.67W		
	2	1901-1087	DIODE-PWR RECT 600V 3A 200NS	G1856 MR856RLG	VISHAY ON SEMICONDUCTOR
	2	06652-00005	BUS BAR	06652-00005 06652-00005	EVS METAL AMTEK /AE TECHNOLOGIES
	3	0590-1086	THD-INSR-NUT M4X0.7 3.38MM-LOA CS	S-M4-2-ZI	PENN ENGINEERING & MFG
	2	1855-0727	TRANSISTOR MOSFET 2N7000 N-CHAN E-MODE	2N7000G	ON SEMICONDUCTOR

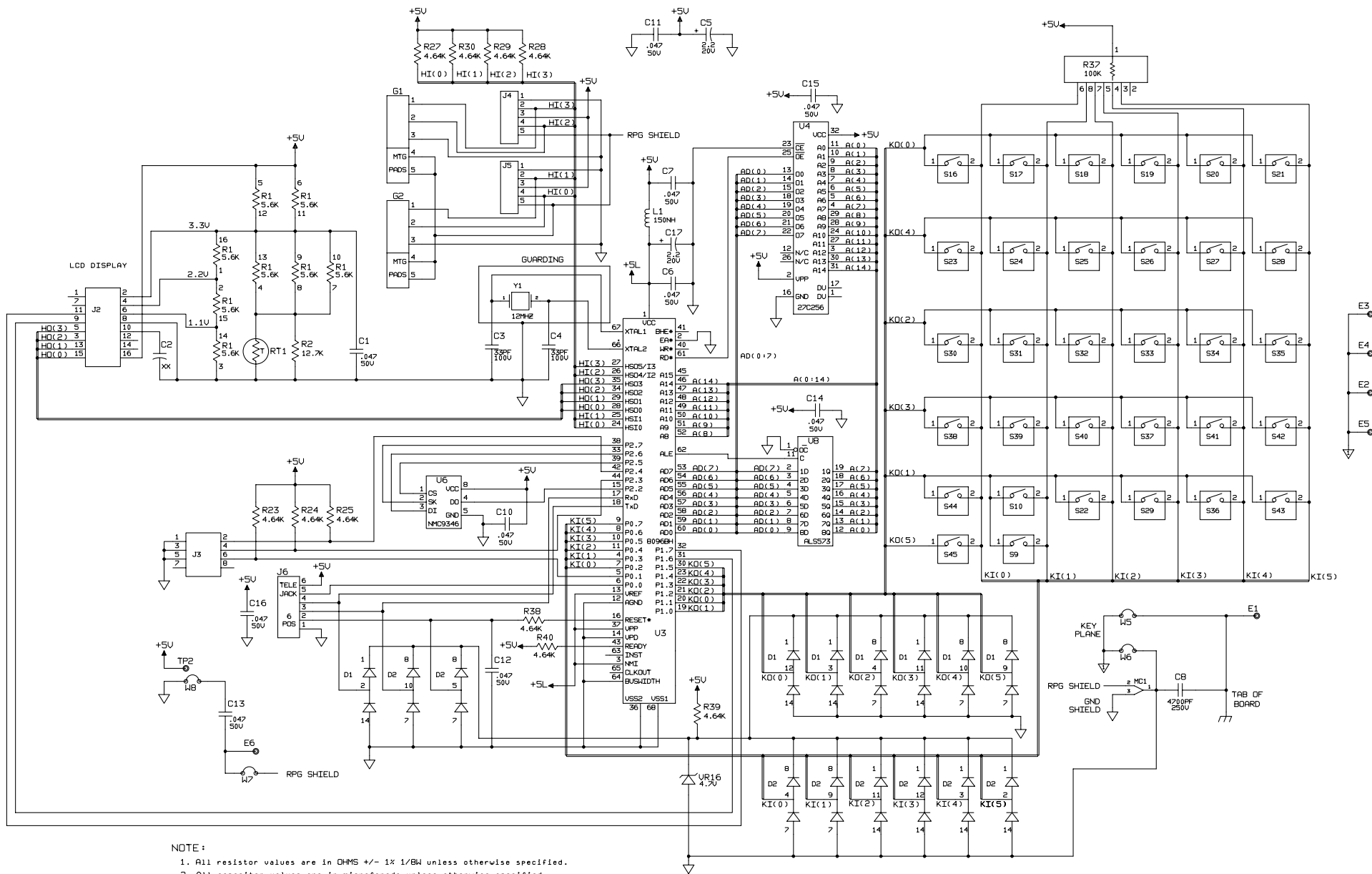
E4350-60023 Main Board Parts List

Reference Designator	QTY	Agilent P/N	Description	MPN	Manufacturer
	1	0811-3764	RESISTOR .025 +-2PCT 9W PWI TC 0+-40	SPU-53-4 0.025 2% S51 0811-3764	VISHAY RCD COMPONENTS
	4	0515-0909	SCREW-MACH M4 X 0.7 12MM-LG PAN-HD ; SCRE	0515-0909 0515-0909 0515-0909	ILLINOIS TOOL WORKS MID-CONTINENT SCREW PROD TEXTRON
	1	1252-3771	CONNECTOR-AC PWR IEC320 C14 MALE FLG-MT	GSP1.9103.1M 42R65-1111D3	SCHURTER POWER DYNAMICS
	3	1251-4245	CONN-HDR VERT 2-PIN 3.96MM 1-ROW	640388-2 3160-8-202-22W	TYCO ELECTRONICS AMP METHODE ELECTRONICS
	1	0380-1704	STANDOFF-RVT-ON 8-MM-LG M4.0 X 0.7-THD ; ST	0380-1704 21055B-B-0470-14 F 218	LYN-TRON MITE LA CLUSIENNE
	2	0160-4281	CAP-FXD 2200pF +-20PCT 250 V PPR-MET	MP3Y2- 2200F/250VAC/20%,4X8.5X 13.5, Pitch10mm PME271Y422MR30	WIMA KEMET
	1	1826-1895	IC OP AMP PRCN 8 PIN DIP-P	LT1001ACN8	LINEAR TECHNOLOGY
	1	1901-0992	DIODE-SCHOTTKY 1N5822 40V 3A	1N5822G 1N5822	ON SEMICONDUCTOR VISHAY
	2	0535-0031	NUT-HEX; W/LOCKWASHER M3 X 0.5 2.4MM-THK;	0535-0031	HOUSE OF METRICS
	2	0160-4355	CAP-FXD 0.01uF +-20pct 250 V PPR-MET	MP3-Y2- 0.01UF/250VAC/20% PME271Y510MR30	WIMA KEMET



**Agilent E4350B
Solar Array Simulator, 60V, 8A**

**5063-2360
Front Panel Board Assembly
Component Locator**



NOTE:

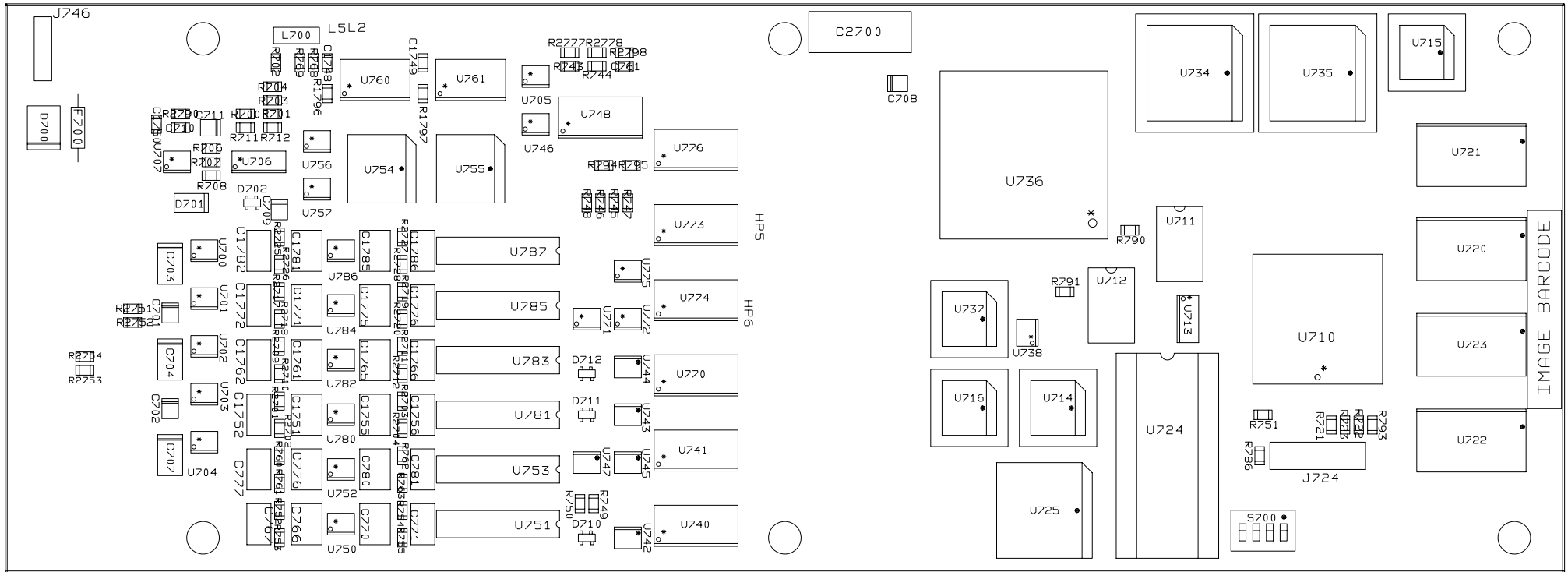
1. All resistor values are in OHMS +/- 1% 1/8W unless otherwise specified.
2. All capacitor values are in microfarads unless otherwise specified.

5063-3409 Front Panel Board Assembly Parts List

Reference Designator	QTY	Agilent P/N	Description	MPN	Manufacturer
C001, 6, 7, 10-12, 14-16	9	0160-5422	CAP-FXD 0.047uF +-20pct 50 V CER X7R	C420C473M5R5CA DA13X7R1H473M SA205C473MAAH	KEMET ELECTRONICS TDK AVX
C002	1	0160-4808	CAP-FXD 470pF +-5pct 100 V CER C0G	C410C471J1G5CA SA101A471JAAH SA101A471JAAH	KEMET ELECTRONICS AVX KYOCERA
C004	1	0160-4787	CAP-FXD 22pF +-5pct 100 V CER C0G	C410C220J1G5CA SA101A220JAA SA101A220JAA	KEMET ELECTRONICS AVX KYOCERA
C005, 17	2	0180-0155	CAP-FXD 2.2uF +-20pct 20 V TA	T110A225M020AS TAAA2R2M20RX	KEMET ELECTRONICS STC
C008	1	0160-4835	CAP-FXD 0.1uF +-10pct 50 V CER X7R	C420C104K5R5CA SA105C104KAAH SA105C104KAAH	KEMET ELECTRONICS AVX KYOCERA
ENCODER ROTARY	2	0960-0912	ENCODER-ROTARY	EC16B2410408 REB1619X7PVB25FH INA1224E	ALPS ELECTRIC TEIKOKU TSUSHIN KOGYO
J002	1	1251-4927	CONN-HDR VERT 16-PIN 2.54 MM 2 ROW	67997-116HLF	FCI FRAMATOME BERG
J003	1	1251-4926	CONN-HDR VERT 8-PIN 2.54MM 2-ROW	67996-108HLF HTSW-104-07-SM-D	FCI FRAMATOME BERG SAMTEC
J003a	1	1258-0209	JUMPER-REMOVABLE 2 POSITION; .250 IN	68786-202LF 382811-6	FCI FRAMATOME BERG TYCO ELECTRONICS AMP
J006	1	1251-8184	MODULAR PHONE RCPT PERPENDICULAR MOUNT	5520258-3	TYCO ELECTRONICS AMP
L001	1	9140-0158	INDUCTOR RF-CH-MLD 1uH +-10pct	1025-20 10M101K IM-2 1UH 10%	AMERICAN PRECISION INDUSTRIES GOWANDA ELECTRONICS VISHAY
R001	1	1810-0560	NET-RES 8 5.6K OHM 16-PIN	4116R-0B0-562 MDP1603-5601F	BOURNS VISHAY
R002	1	0698-3359	RESISTOR 12.7K +-1pct .125W TF TC=0+-100	5053HD12K70F CMF-551272FT-1 NK4H.125W1%+/- 100PPM1272	VISHAY BC COMPONENTS VISHAY E-SIL COMPONENTS

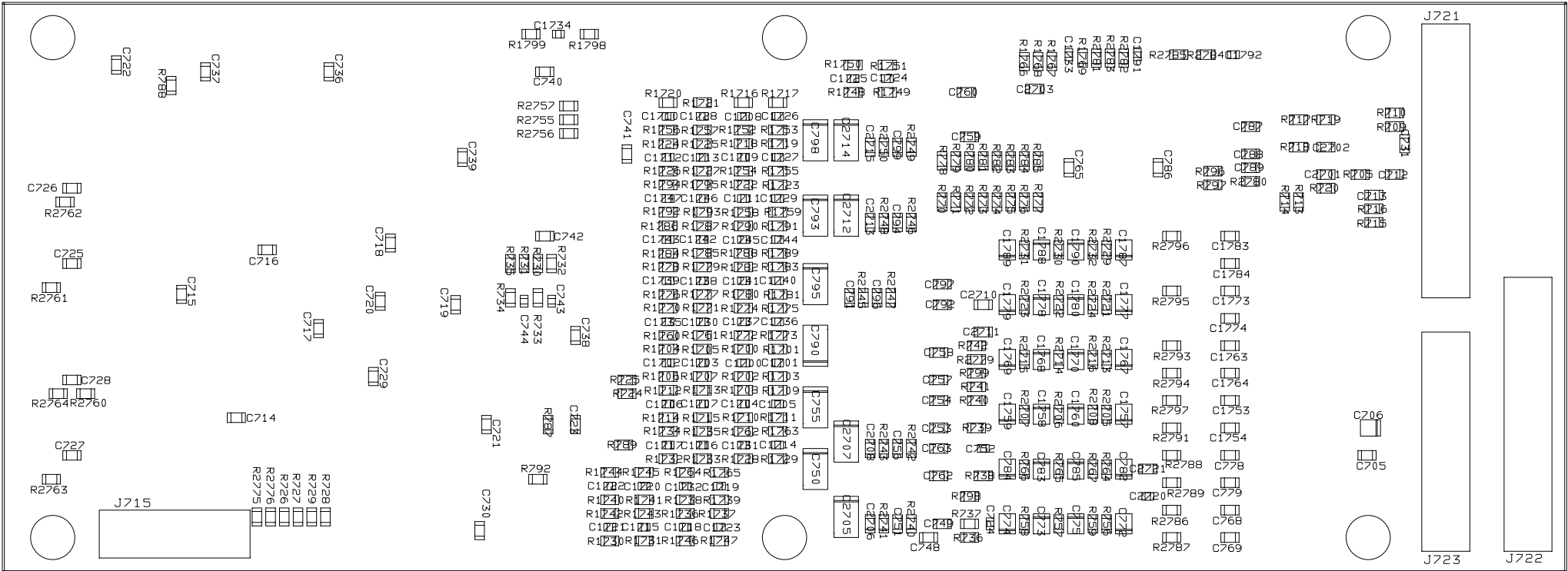
5063-3409 Front Panel Board Assembly Parts List

Reference Designator	QTY	Agilent P/N	Description	MPN	Manufacturer
R023-25, 27-30, 39, 40	9	0698-3155	RESISTOR 4.64K +-1pct .125W TF TC=0+-100	5053HD4K640F CMF-554641FT-1 NK4H.125W1%+/- 100PPM4641	VISHAY BC COMPONENTS VISHAY E-SIL COMPONENTS
R038	1	0698-3441	RESISTOR 215 +-1pct .125W TF TC=0+-100	5053HD215R0F CMF-552150FT-1 NK4H.125W1%+/- 100PPM215R0	VISHAY BC COMPONENTS VISHAY E-SIL COMPONENTS
R37	1	1810-0371	NET-RES 7 100.0K OHM 8-PIN	750-81 MSP08A01-104G 4308R-94Y-104LF	TT ELECTRONICS VISHAY BOURNS
RT001	1	0837-0412	THERMISTOR TUB WITH AXL LEADS 10K-OHM	MSB103K	RTI ELECTRONICS
U003	1	1821-1479	IC 16-BIT MCU 16-MHZ CMOS 68-PLCC	C	INTEL
U003	1	1200-1274	SOCKET-IC-PLCC 68-CONT SQUARE DIP-SLDR	1-822473-6 PLCC68PT2	TYCO ELECTRONICS AMP FCI FRAMATOME BERG
U004	1	1200-1417	SOCKET-IC-PLCC 32-CONT RECT DIP-SLDR	1-822473-3	TYCO ELECTRONICS AMP
U004	1	5080-2468	PRGMD ROM, FP 1818-4424		
U004a	1	1818-4424	IC 256K-BIT OTP EPROM 70-NS CMOS	M27C256B-70C6	STMICROELECTRONICS
U006	1	1818-4792	IC 2K-BIT EEPROM 500-NS CMOS 8-P-DIP		
U008	1	1820-2724	IC LCH TTL/ALS TRANSPARENT OCTL	DM74ALS573BN SN74ALS573CN	FAIRCHILD SEMICONDUCTOR TEXAS INSTRUMENTS
VR016	1	1902-0950	DIODE-ZNR 4.7V 5pct DO-35 PD=.4W TC=+.025pct	SZ30035-8RL 1N5230B	TAK CHEONG ELECTRONICS MICRO COMMERCIAL COMPONENTS
W005	1	0811-3590	RESISTOR 0 CWM	UN1058	VESTAL ELECTRONIC DEVICES
Y001	1	0410-2159	CRYSTAL-QUARTZ 10.0 MHZ HC49/S-HLDR	FOXS/100MS	FOX ELECTRONICS
Y001a	1	0340-1277	INSULATOR-CAP PLASTIC		



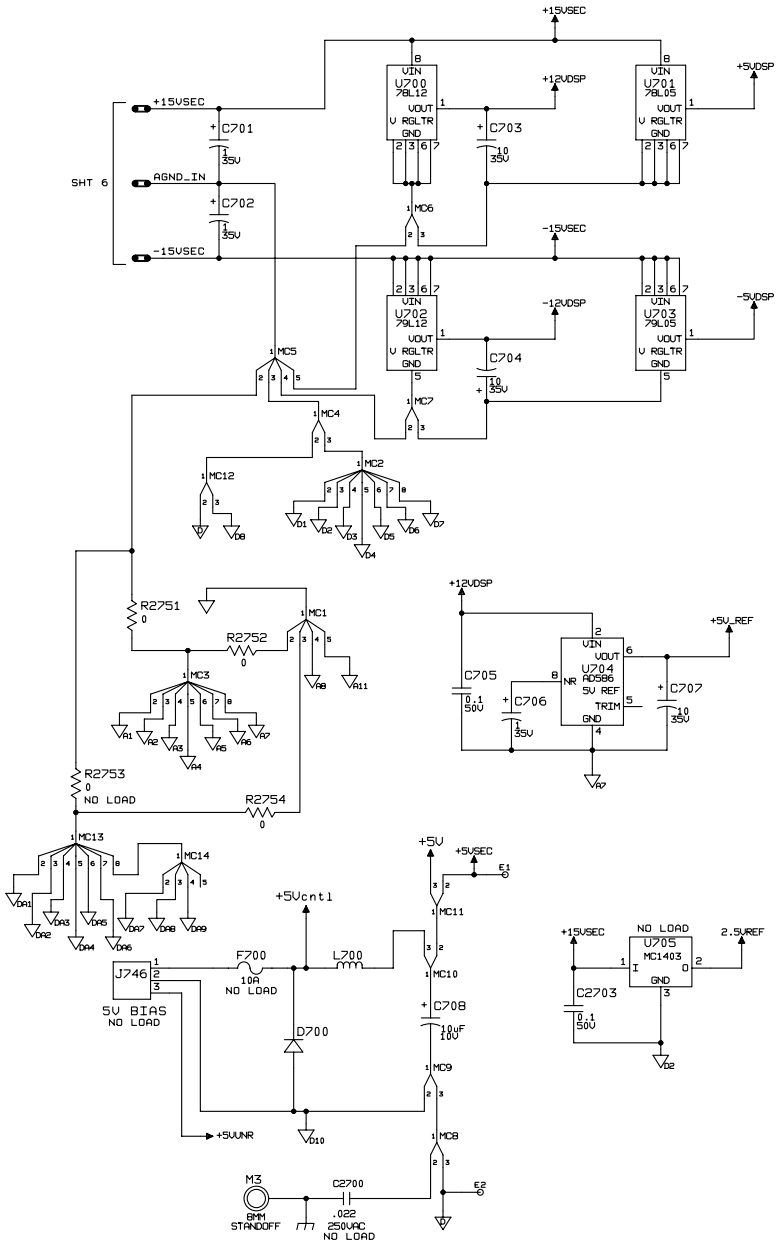
**Agilent E4350B
Solar Array Simulator**

**5063-4809
DSP
Component Locator 1**

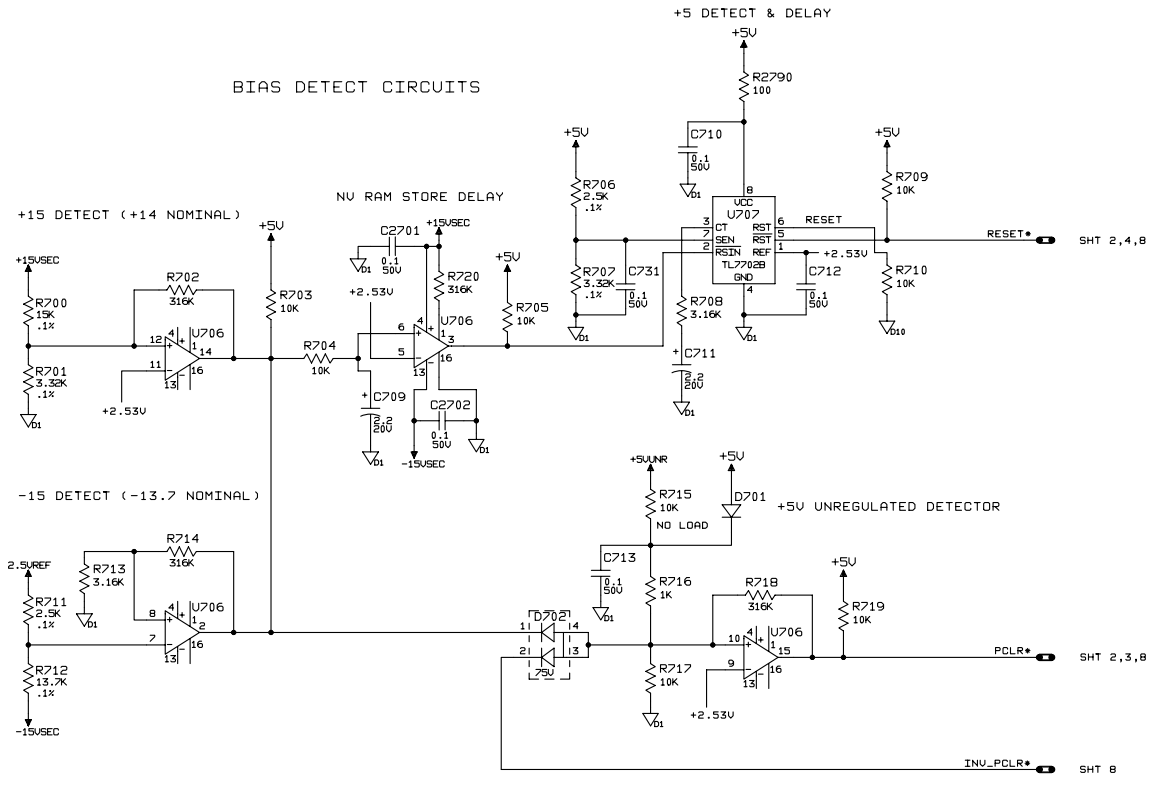


Agilent E4350B
Solar Array Simulator

5063-4809
DSP
Component Locator 2



BIAS DETECT CIRCUITS



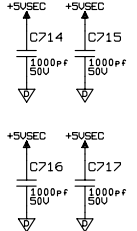
Agilent
E4350B
Solar Array Simulator

5063-4809
DSP Board
Page 1 of 10

SHT 3,4

A(0:23)

BYPASS FOR U710

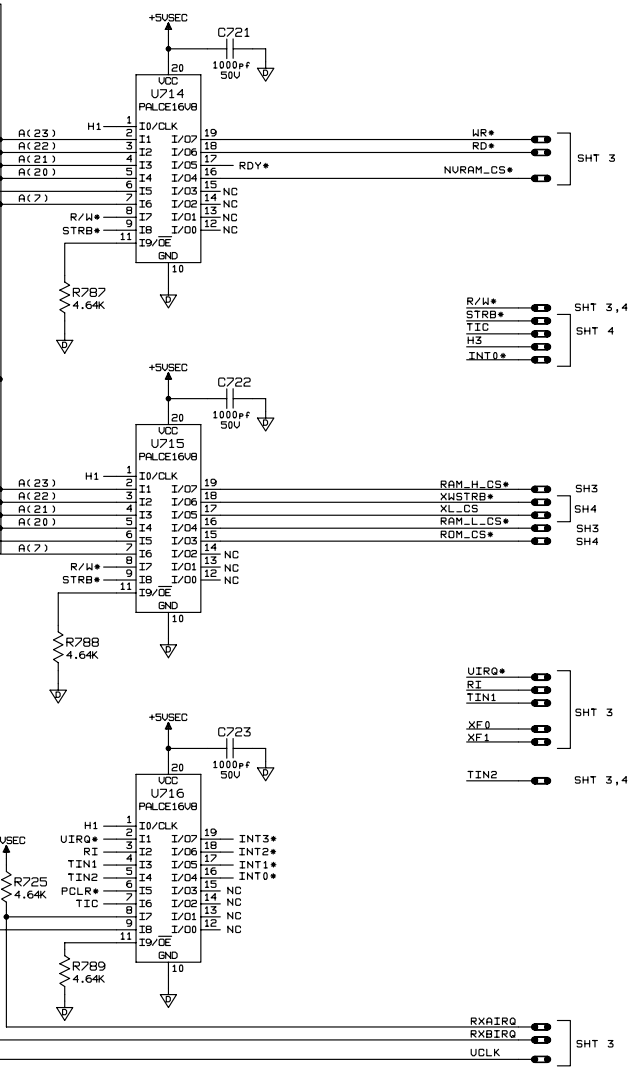
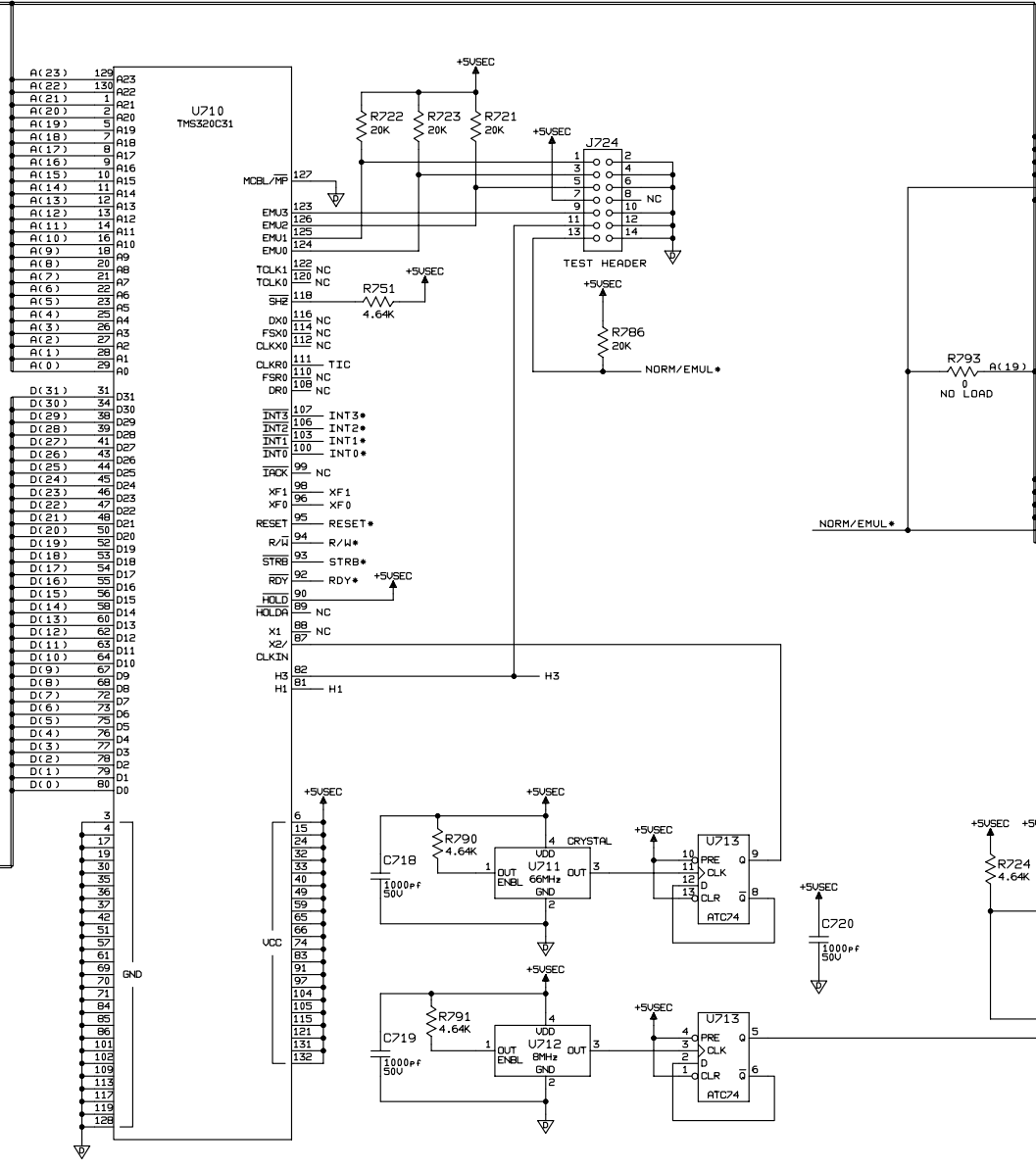


	+5VSEC	DGND
C714	6	4
C715	40	42
C716	74	71
C718	105	102

SHT 3,4

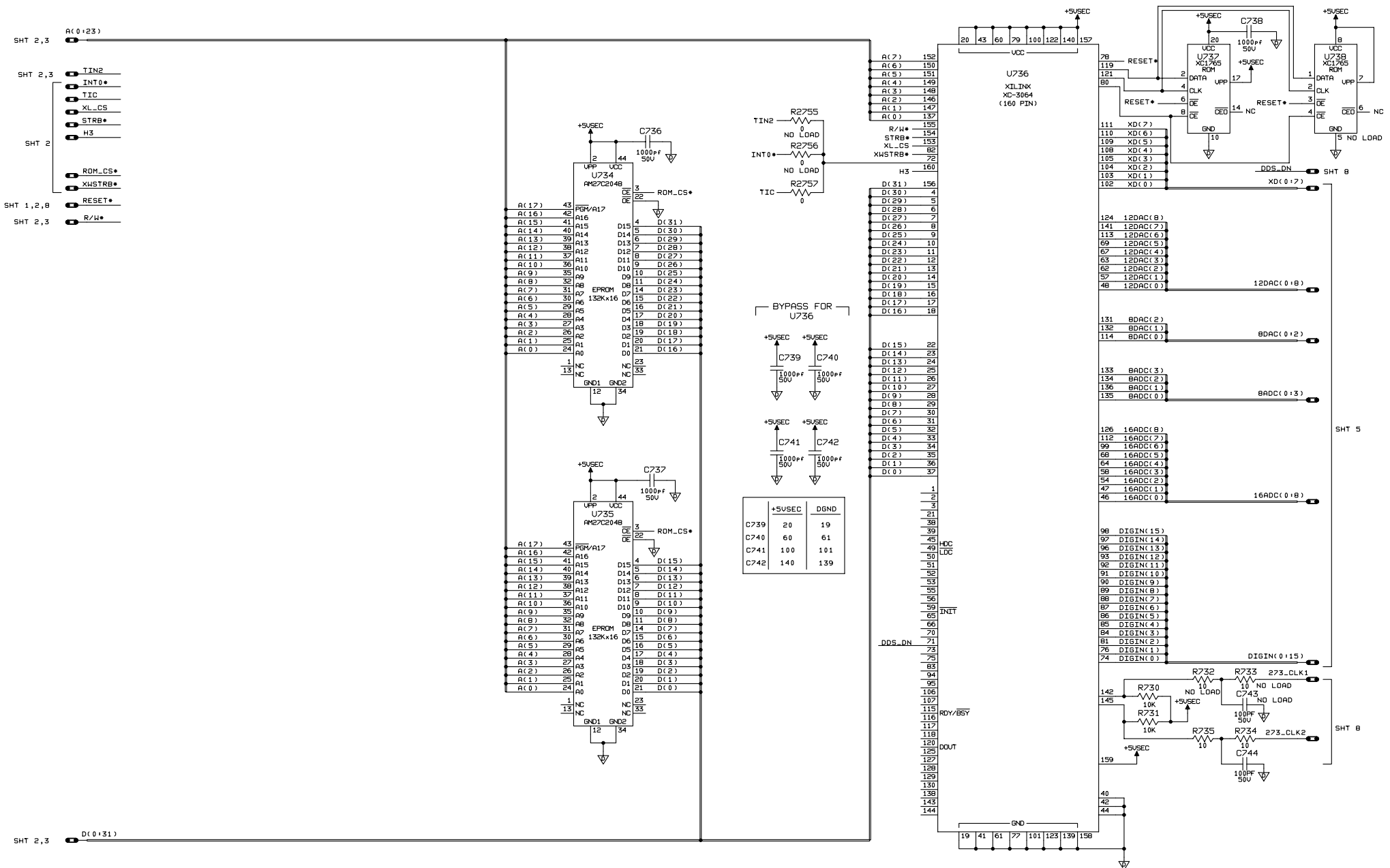
D(0:31)

SHT 1,3,8 PCLR*
SHT 1,4,8 RESET*

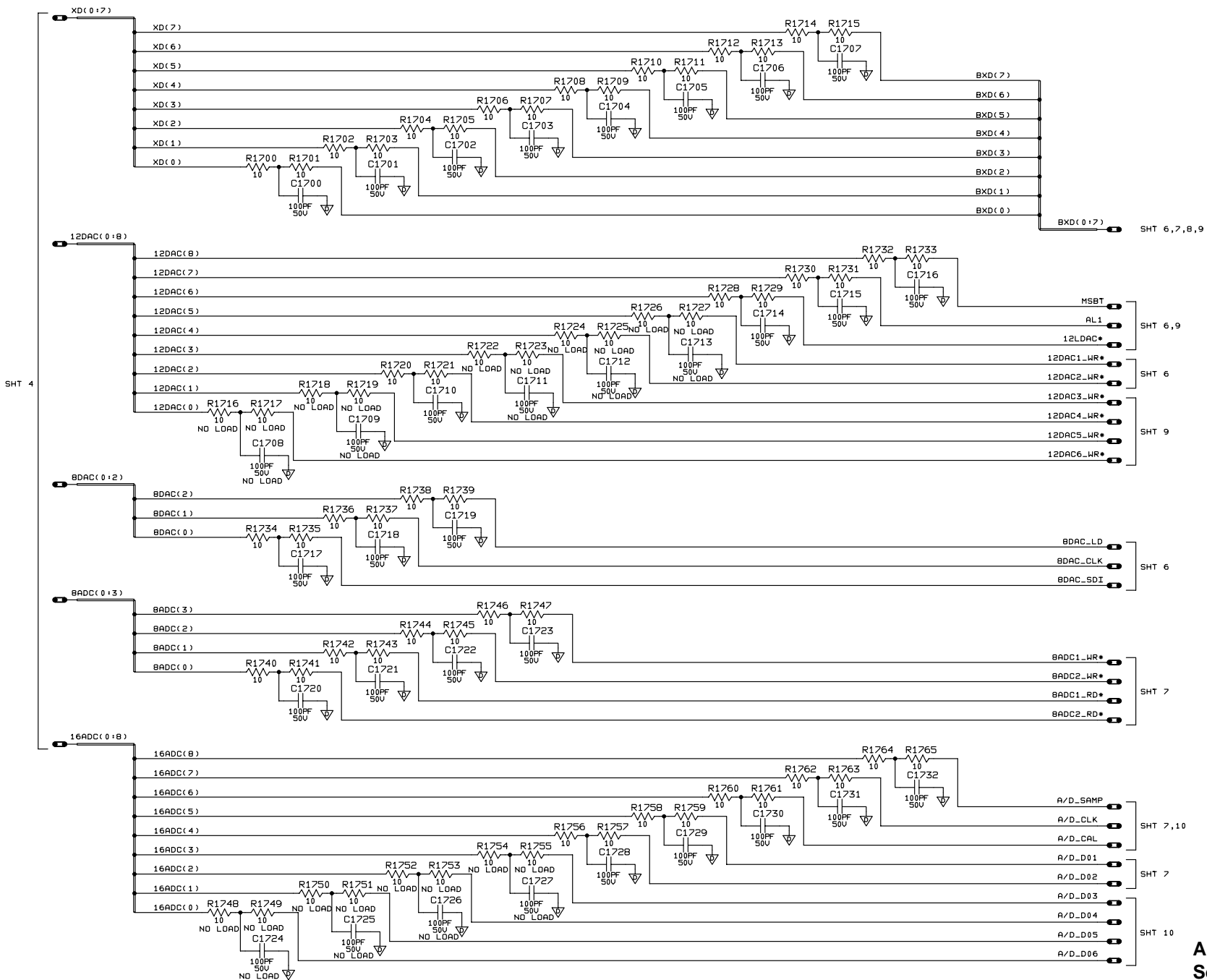


Agilent E4350B
Solar Array Simulator

5063-4809
DSP Board
Page 2 of 10

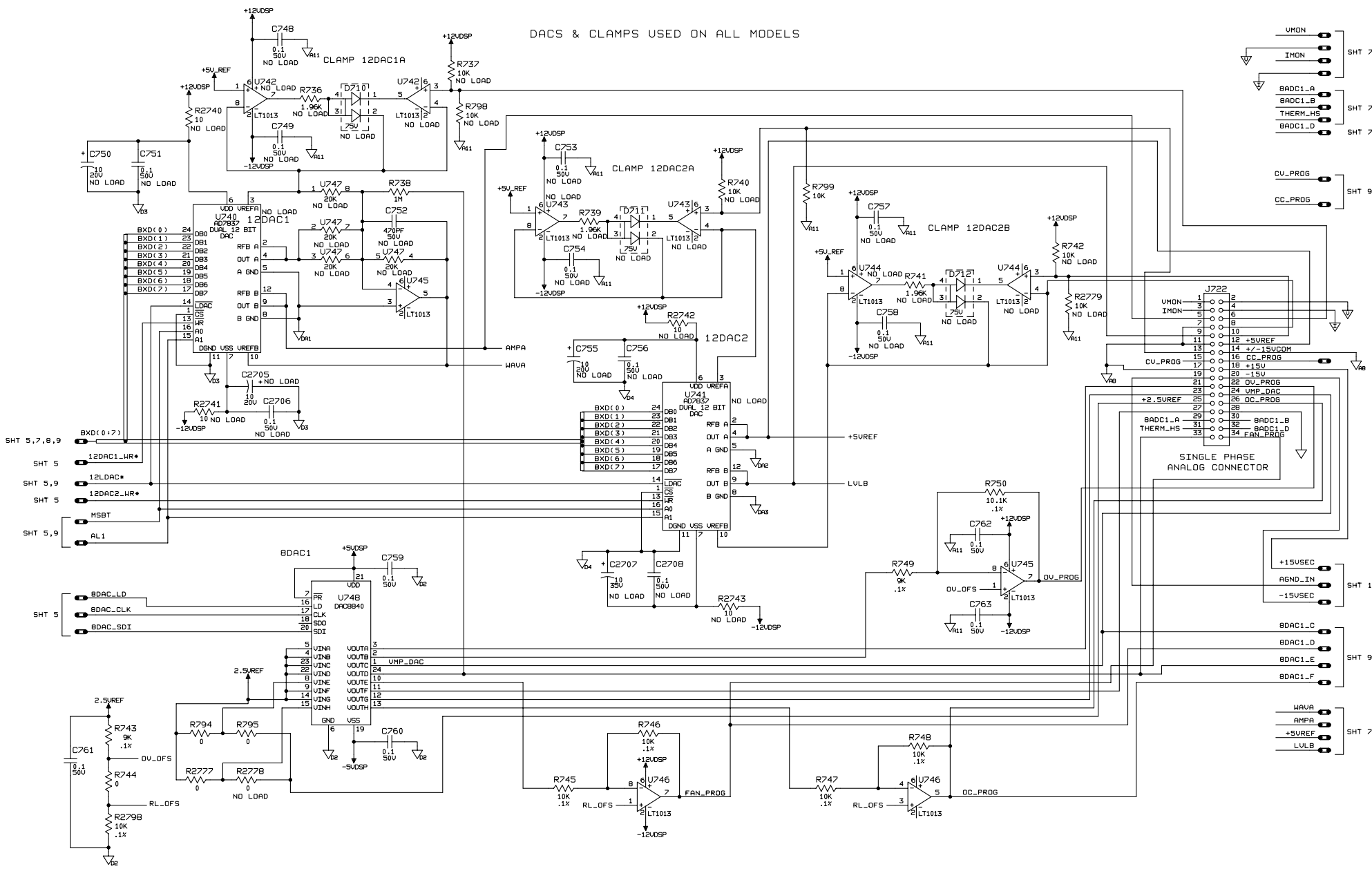


**Agilent E4350B
Solar Array Simulator**



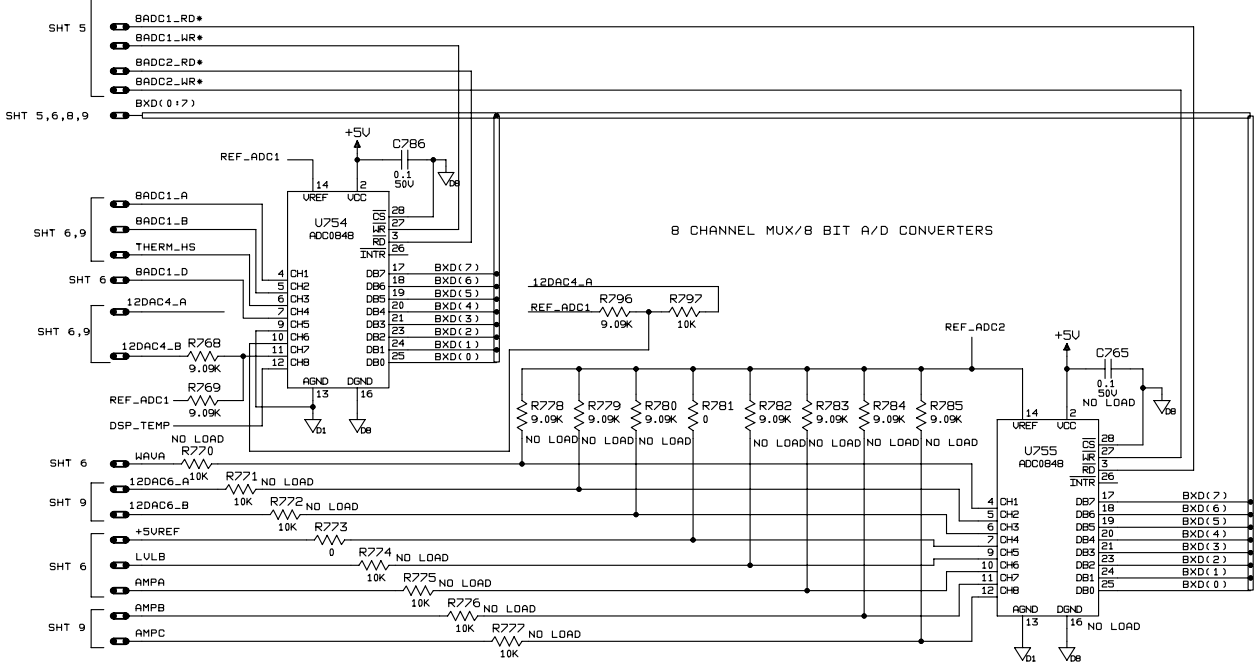
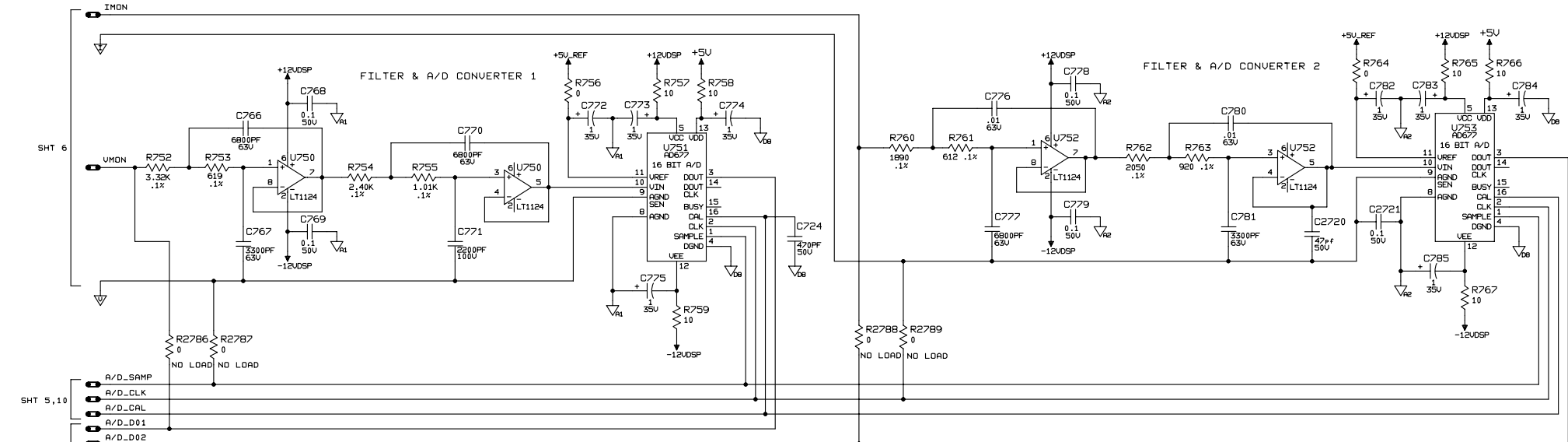
**Agilent E4350B
Solar Array Simulator**

DACS & CLAMPS USED ON ALL MODELS

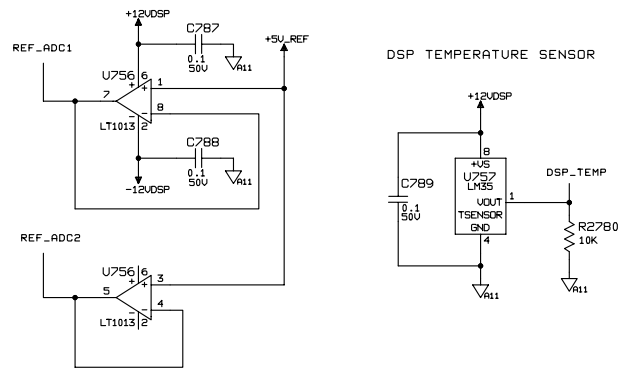


Agilent E4350B
Solar Array Simulator

5063-4809
DSP Board
Page 6 of 10

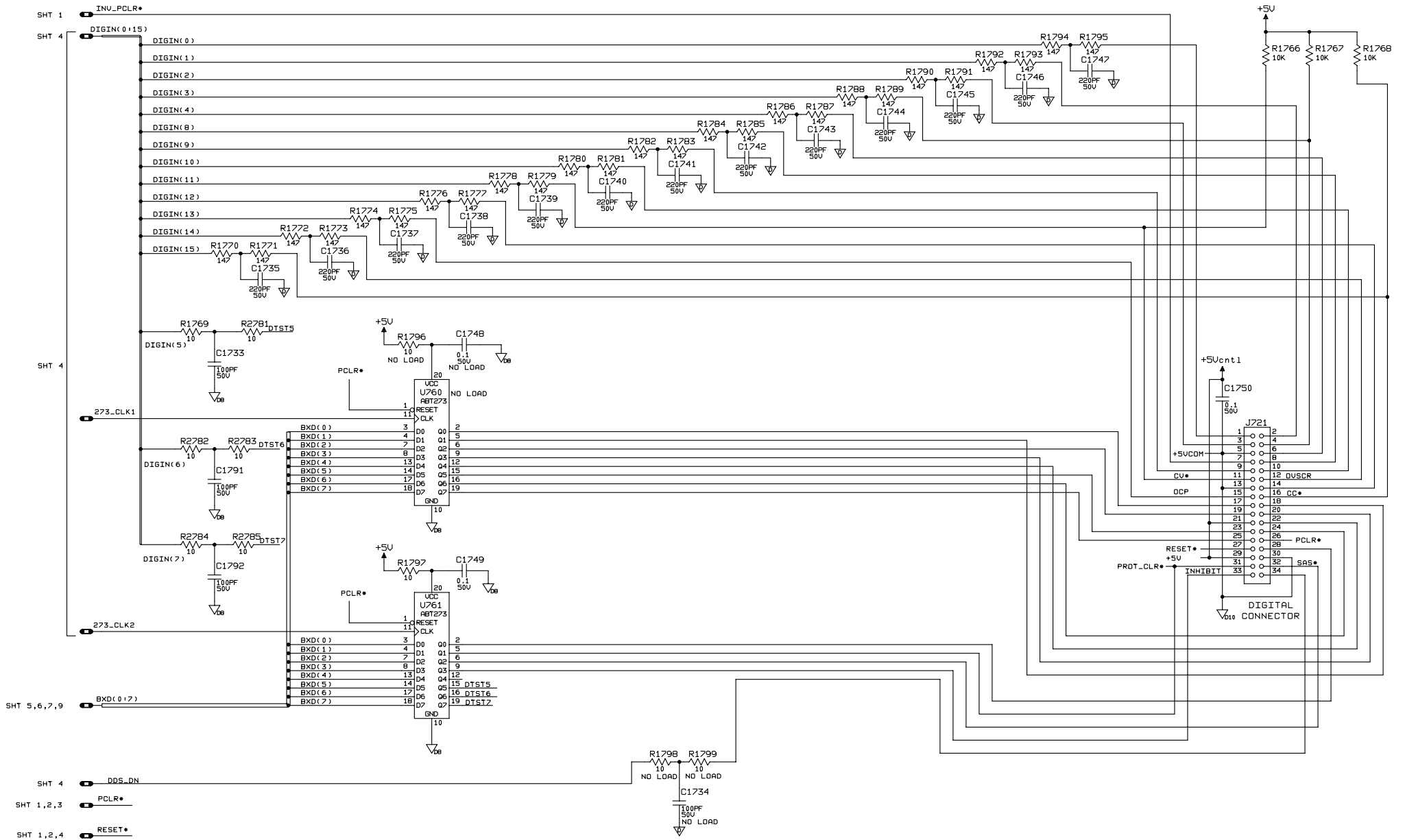


8 BIT A/D REFERENCE BUFFERS



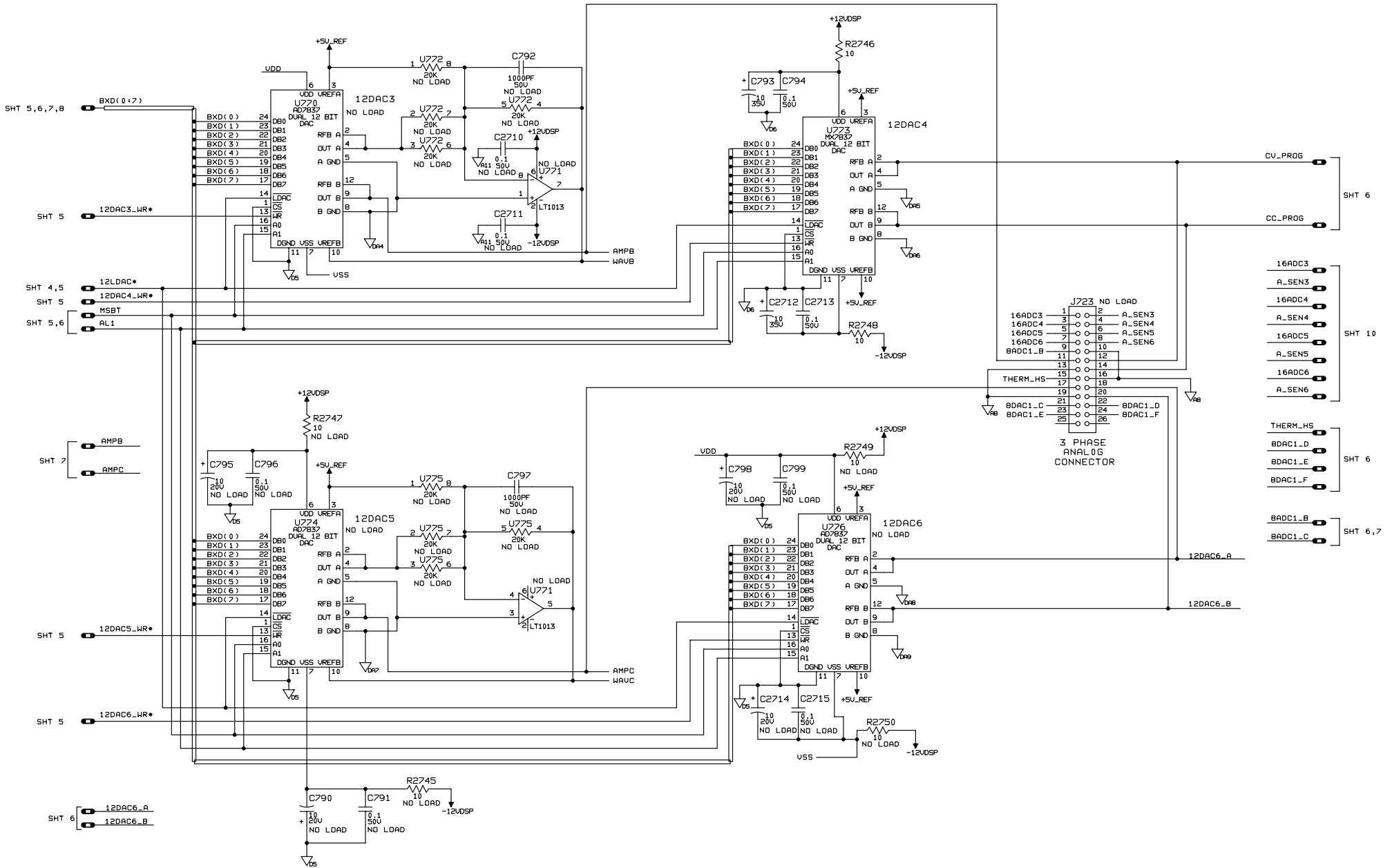
**Agilent E4350B
Solar Array Simulator**

**5063-4809
DSP Board
Page 7 of 10**

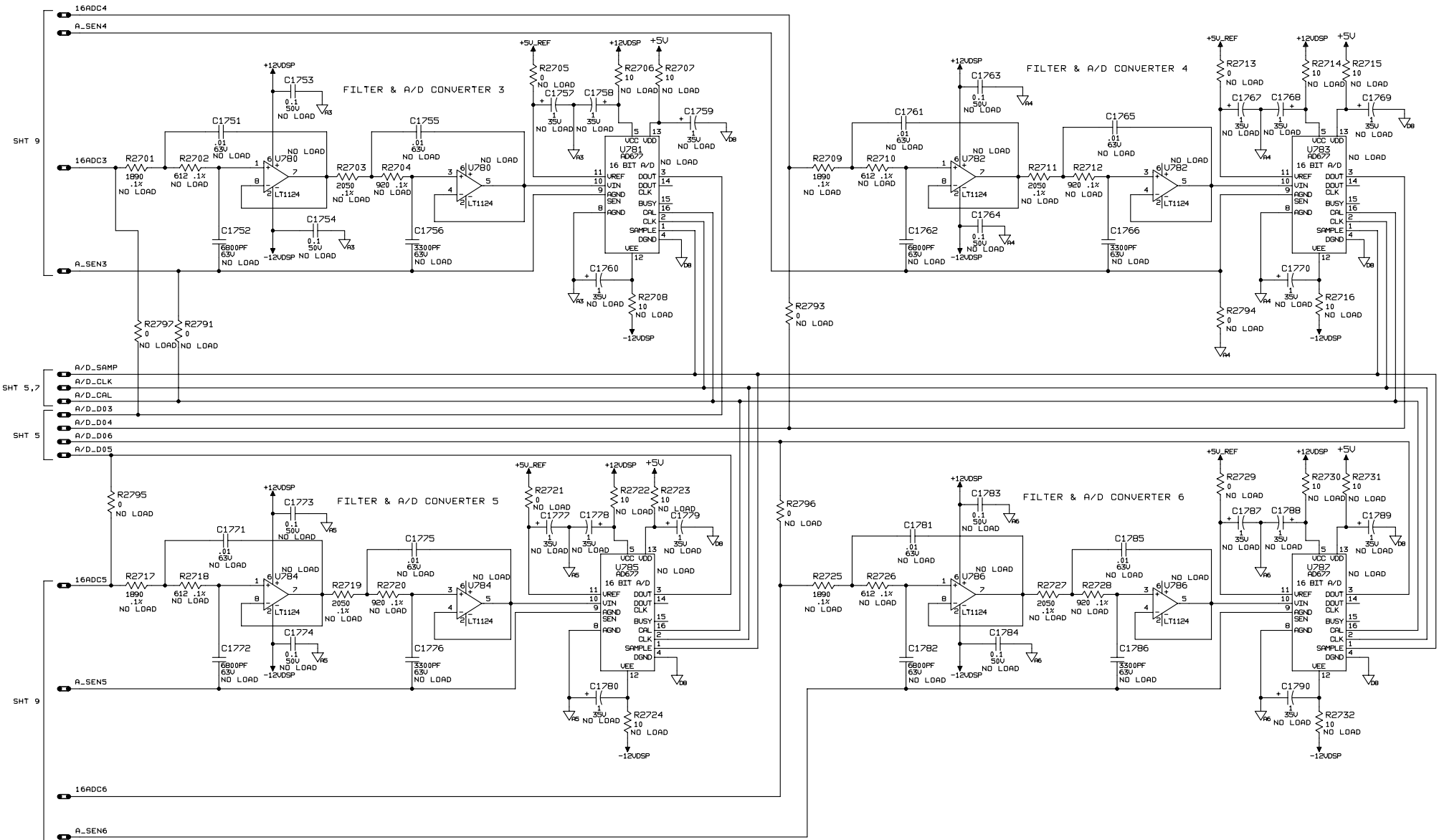


Agilent
E4350B
Solar Array Simulator

5063-4809
DSP Board
Page 8 of 10



**Agilent E4350B
Solar Array
Simulator**



**Agilent E4350B
Solar Array Simulator**

5063-4809 DSP Board Assembly Parts List

Reference Designator	QTY	Agilent P/N	Description	MPN	Manufacturer
C724	1	0160-5950	CAP-FXD 470pF +-5pct 50 V CER C0G	08055A471JAT A C0805C471J5GAC C2012COG1H471J GRM2165C1H471JA01D VJ0805A471JXAMT	AVX KEMET ELECTRONICS TDK MURATA MANUFACTURING VISHAY
U703	1	1826-1783	IC PWR MGT-V-REG-FXD-NEG -4.8/-5.2V 8	79L05ACM MC79L05ACDR2G	NATIONAL SEMICONDUCTOR ON SEMICONDUCTOR
U710	1	1821-1438	IC 20 MIPS; CYCLE TIME: 60 nS; 2K	TMS320C31PQL40	TEXAS INSTRUMENTS
U707	1	1826-2532	IC PWR MGT-VS-SUPVR/CONT 8 PINS P-SOIC	TL7702BCD	TEXAS INSTRUMENTS
U751, U753	2	1826-2991	A/D 16-BIT 16-PLASTIC BICMOS	AD677JNZ	ANALOG DEVICES
U716	1	5080-2423	PRGMD GAL 16V8		
U716a		1821-1099	IC PLD EEPLD UNPRGMD CMOS PAL16V8	GAL16V8D-5LJ	LATTICE SEMICONDUCTOR
U714	1	5080-2421	PRGMD GAL 16V8		
U714a		1821-1099	IC PLD EEPLD UNPRGMD CMOS PAL16V8	GAL16V8D-5LJ	LATTICE SEMICONDUCTOR
U715	1	5080-2422	PRGMD GAL 16V8		
U715a		1821-1099	IC PLD EEPLD UNPRGMD CMOS PAL16V8	GAL16V8D-5LJ	LATTICE SEMICONDUCTOR
U773	1	1826-3914	D/A 12-BIT 24-P-SOIC	MX7837JR+	MAXIM INTEGRATED PRODUCTS
U737	1	5080-2389	PRGMD-OTP,X1L1NX		
U737a		1818-5451	IC 64K-BIT OTP CMOS	XC1765EPC20C	XILINX
S700	1	3101-3148	SWITCH-DIP SURF-MT-SL SPST 0.05A 6VDC	90YY3274SGWT 219-4LPST_P	GRAYHILL CTS
D702	1	1906-0395	DIODE-DUAL 75V TO-253	BAS28 BAS28____X_ BAS28	PHILIPS INFINEON TECHNOLOGIES NXP
D700	1	1901-1375	DIODE-PWR RECT 400V 3A 75NS	MURS340T3G	ON SEMICONDUCTOR
C701, C702, C706, C772, C773, C774, C775, C782, C783, C784, C785	11	0180-3751	CAP-FXD 1uF +-20PCT 35V TA	293D105X0035B2E3 ESVB21V105M TAJB105M035	VISHAY NEC ELECTRONICS AVX
C2712, C703, C704, C707, C793	5	0180-4287	CAP-FXD 10uF +-20PCT 35V TA	293D106X0035D2Y072 TAJD106M035 ESVD1V106M	VISHAY AVX NEC ELECTRONICS
J715	1	1252-2810	CONN-POST TYPE .100-PIN-SPCG-MTG-END		
U736	1	1820-8895	IC PLD FPGA UNPRGMD CMOS 3064 160-PQFP	XC3064A-7PQ160C	XILINX

5063-4809 DSP Board Assembly Parts List

Reference Designator	QTY	Agilent P/N	Description	MPN	Manufacturer
C2720	1	0160-5957	CAP-FXD 47pF +-5pct 50 V CER C0G	08055A470JAT A C0805C470J5GAC C2012COG1H470J GRM2165C1H470JD01D VJ0805A470JXAMT	AVX KEMET ELECTRONICS TDK MURATA MANUFACTURING VISHAY
C714, C715, C716, C717, C718, C719, C720, C721, C722, C723, C725, C726, C727, C728, C729, C730, C736, C737, C738, C739, C740, C741, C742	23	0160-6731	CAP-FXD 1000pF +-10pct 50 V CER X7R	12065C102KAT A C1206C102K5RAC C3216X7R1H102K GRM316R71H102KD01D	AVX KEMET ELECTRONICS TDK MURATA MANUFACTURING
R702, R714, R718, R720	4	0699-1448	RESISTOR 316K +-1pct .125W TKF TC=0+-100	CRCW1206316KFKE_ RK73H2BT_3163F MCR18__F3163 232272463164	VISHAY KOA ROHM YAGEO
C1735, C1736, C1737, C1738, C1739, C1740, C1741, C1742, C1743, C1744, C1745, C1746, C1747	13	0160-5954	CAP-FXD 220pF +-5pct 50 V CER C0G	08055A221JAT A 223858016605 C0805C221J5GAC C2012COG1H221J GRM2165C1H221JA01D	AVX YAGEO KEMET ELECTRONICS TDK MURATA MANUFACTURING
U761	1	1820-5808	IC FF CMOS D-TYPE POS-EDGE-TRIG 20-SOIC	74HC273D MM74HC273WM SN74HC273DW MC74HC273ADWG 74HC273D	PHILIPS FAIRCHILD SEMICONDUCTOR TEXAS INSTRUMENTS ON SEMICONDUCTOR NXP
U725	1	1821-1224	IC DUART; 8 CHARACTER FIFOs	SC26C92C1A SC26C92C1A	PHILIPS NXP
R1700-R1715, R1720, R1721, R1728-R1747, R1756-R1765, R1769, R1797, R2746, R2748, R2781-R2785, R734, R735, R757, R758, R759, R765, R766, R767	65	0699-1344	RESISTOR 10 +-1pct .125W TKF TC=0+-100	CRCW120610R0FKE_ RK73H2BT_10R0F MCR18__F10R0 232272461009L	VISHAY KOA ROHM YAGEO
U706	1	5080-2571	QUAD COMP-STOCK		
U702	1	1826-2201	IC PWR MGT-V-REG-FXD-NEG -11.5/-12.5V 8	MC79L12ACDR2G	ON SEMICONDUCTOR

5063-4809 DSP Board Assembly Parts List

Reference Designator	QTY	Agilent P/N	Description	MPN	Manufacturer
R2790	1	0699-1415	RESISTOR 100 +-1pct .125W TKF TC=0+-100	CRCW1206100RFKE_ RK73H2BT_1000F MCR18___F1000 232272461001L	VISHAY KOA ROHM YAGEO
U720, U721, U722, U723	4	1818-5664	IC 1M-BIT SRAM 12-NS CMOS 32-SOJ	IS61C1024AL-12KLI CY7C109D-10VXI	INTEGRATED SILICON SOLUTION CYPRESS SEMICONDUCTOR
R1766, R1767, R1768, R2780, R703, R704, R705, R709, R710, R717, R719, R730, R731, R797, R799	15	0699-1391	RESISTOR 10K +-1pct .125W TKF TC=0+-100	CRCW120610K0FKE_ RK73H2BT_1002F MCR18___F1002 232272461003L	VISHAY KOA ROHM YAGEO
R708, R713	2	0699-1380	RESISTOR 3.16K +-1pct .125W TKF TC=0+-100	CRCW12063K16FKE_ RK73H2BT_3161F MCR18___F3161 232272463162	VISHAY KOA ROHM YAGEO
C1749, C1750, C2701, C2702, C2703, C2713, C2721, C705, C710, C712, C713, C731, C759, C760, C761, C762, C763, C768, C769, C778, C779, C786, C787, C788, C789, C794	26	0160-6497	CAP-FXD 0.1uF +-10pct 50 V CER X7R	12065C104KAT A 2238 581 15649 C1206C104K5RAC C3216X7R1H104KT GRM319R71H104KA01D VJ1206Y104KXAMT	AVX YAGEO KEMET ELECTRONICS TDK MURATA MANUFACTURING VISHAY
R755	1	0699-4280	RESISTOR 1.01K +-0.1pct .125W TF TC=0+-25	RN732BT_1011B25 MCA1206-25 0, 1% P5 1.01K MCA1206-25 0, 1% P5 1.01K	KOA VISHAY BC COMPONENTS VISHAY
C767, C781	2	0160-7936	CAP-FXD 3300pF +-1pct 63 V POLYP-FL	PFR5332F63	KEMET
U701	1	1826-1402	IC PWR MGT-V-REG-FXD-POS 4.8/5.2V 8 PINS	UA78L05ACD MC78L05ACDR2G LM78L05ACM NOPB	TEXAS INSTRUMENTS ON SEMICONDUCTOR NATIONAL SEMICONDUCTOR
R768, R769, R796	3	0699-1390	RESISTOR 9.09K +-1pct .125W TKF TC=0+-100	CRCW12069K09FKE_ RK73H2BT_9091F MCR18___F9091 232272469092	VISHAY KOA ROHM YAGEO
U754	1	1826-2438	A/D 8-BIT 28-PLCC CMOS	ADC0848CCV_/NOPB	NATIONAL SEMICONDUCTOR

5063-4809 DSP Board Assembly Parts List

Reference Designator	QTY	Agilent P/N	Description	MPN	Manufacturer
C1700, C1701, C1702, C1703, C1704, C1705, C1706, C1707, C1710, C1714, C1715, C1716, C1717, C1718, C1719, C1720, C1721, C1722, C1723, C1728, C1729, C1730, C1731, C1732, C1733, C1791, C1792, C744	28	0160-5967	CAP-FXD 100pF +-5pct 50 V CER C0G	08055A101JAT A C0805C101J5GAC C2012COG1H101J GRM2165C1H101JA01D VJ0805A101JXAMT	AVX KEMET ELECTRONICS TDK MURATA MANUFACTURING VISHAY
R2751, R2752, R2754, R2757, R2761, R2762, R2763, R2764, R2776, R2777, R744, R756, R764, R773, R781, R794, R795	17	0699-1503	RESISTOR 0 CWM	CRCW12060000ZSE_ RK73Z2BT MCR18__J000 232271191005	VISHAY KOA ROHM YAGEO
C708	1	0180-4577	CAPACITOR-FIXED 10uF +-20PCT 10V TA	TAJB106M010R 293D106X0010B2E3 ESVB21A106M T491B106M010AS	AVX VISHAY NEC ELECTRONICS KEMET ELECTRONICS
XU734, XU735	2	1200-1592	SOCKET-IC-PLCC 44-CONT SQUARE J-LEAD	3-822516-1	TYCO ELECTRONICS AMP
U750, U752	2	1826-2981	IC OP AMP PRCN DUAL 8 PIN PLSTC-SOIC	LT1124CS8#PBF	LINEAR TECHNOLOGY
R1770-R1795	26	0699-1419	RESISTOR 147 +-1pct .125W TKF TC=0+-100	CRCW1206147RFKE_ RK73H2BT_1470F MCR18__F1470 232272461471L	VISHAY KOA ROHM YAGEO
C771	1	0160-6579	CAP-FXD 2200pF +-2.5pct 100 V POLYP-FL	FKP2/2200PF/2.5%/100VDC KP 1830-222-253 PFR5222H100J11L4	WIMA VISHAY KEMET
R724-R729, R751, R787-R792	13	0699-1384	RESISTOR 4.64K +-1pct .125W TKF TC=0+-100	CRCW12064K64FKE_ RK73H2BT_4641F MCR18__F4641 232272464642L	VISHAY KOA ROHM YAGEO
MEC1-MEC6	6	0380-4382	STANDOFF-RVT-ON 8-MM-LG M4.0 X 0.7-THD	BR5118SPB-08.0-43	LYN-TRON
R738	1	0699-1327	RESISTOR 1M +-1pct .125W TKF TC=0+-100	CRCW12061M00FKE_ RK73H2BT_1004F MCR18__F1004 232272461005L	VISHAY KOA ROHM YAGEO

5063-4809 DSP Board Assembly Parts List

Reference Designator	QTY	Agilent P/N	Description	MPN	Manufacturer
U734	1	5080-2559	ROM PRGMD, HIGH		
U734a	1	1818-6278	IC 2M-BIT OTP 55-NS CMOS 44-PLCC	AT27C2048-55JI	ATMEL
U748	1	1826-2527	D/A 8-BIT 24-P-SOIC CMOS	DAC8840FSZ	ANALOG DEVICES
U735	1	5080-2560	ROM PRGMD, LOW		
U735a	1	1818-6278	IC 2M-BIT OTP 55-NS CMOS 44-PLCC	AT27C2048-55JI	ATMEL
R716	1	0699-1318	RESISTOR-FXD 1K OHM +-1PCT .25W TKF TC 0+-	RK73H2BT_1001F 232272461002L CRCW12061K00FKE_ MCR18___F1001	KOA YAGEO VISHAY ROHM
U745, U746, U756	3	1826-1837	IC OP AMP PRCN DUAL 8 PIN PLSTC-SOIC	LT1013DS8	LINEAR TECHNOLOGY
U713	1	1820-6473	IC FF CMOS/ACT D-TYPE POS-EDGE-TRIG	MC74ACT74DG SN74ACT74D 74ACT74SCX	ON SEMICONDUCTOR TEXAS INSTRUMENTS FAIRCHILD SEMICONDUCTOR
U700	1	1826-2202	IC PWR MGT-V-REG-FXD-POS 11.5/12.5V 8	L78L12ACD UA78L12ACD MC78L12ACDR2G LM78L12ACM_/NOPB	STMICROELECTRONICS TEXAS INSTRUMENTS ON SEMICONDUCTOR NATIONAL SEMICONDUCTOR
U704	1	1826-2214	IC PWR MGT-V-REF-FXD 4.995/5.005V 8 PINS	AD586KRZ	ANALOG DEVICES
U757	1	1826-2261	IC TEMP XDCR PRCN SINGLE 8 PIN	LM35DM -NOPB	NATIONAL SEMICONDUCTOR
C776, C780	2	0160-7938	CAP-FXD 0.01uF +-1pct 63 V POLYETH-FL	PFR5103F63	KEMET
C709, C711	2	0180-3975	CAP-FXD 2.2uF +-20PCT 20V TA	TAJB225M020 293D225X0020B2E3 49MC225B020M0AS T491B225M020AS __ESVB21D225M__	AVX VISHAY VISHAY BC COMPONENTS KEMET ELECTRONICS NEC ELECTRONICS
R761	1	0699-3850	RES-FXD 612 OHM +-0.1PCT 0.125W TC 0+-25 120	MCA1206-25 0, 1% P5 612R BLU-1206 612R .1% 25PPM RN732BT_6120B25 PTN1206E6120BB PCF-W1206LF-03-6120-B-_- _ PCF-W1206LF-03-6120-B-_- _ RR1632P-6120-B-__	VISHAY BC COMPONENTS RCD COMPONENTS KOA VISHAY T T GROUP TT ELECTRONICS SUSUMU
J724	1	1251-4669	CONN-HDR VERT 14-PIN 2.54 MM 2-ROW	67996-114HLF	FCI FRAMATOME BERG

5063-4809 DSP Board Assembly Parts List

Reference Designator	QTY	Agilent P/N	Description	MPN	Manufacturer
R750	1	0699-2938	RESISTOR 10.1K +-0.1pct .125W TF TC=0+-25	BLU-1206 10K1 .1% 25PPM PTN1206E1012BB RN732BT_1012B25 PCF-W1206LF-03-1012-B_- -	RCD COMPONENTS VISHAY KOA TT ELECTRONICS
C766, C770, C777	3	0160-7937	CAP-FXD 6800pF +-1pct 63 V POLYETH-FL	PFR5682G63	KEMET
R721, R722, R723, R786	4	0699-2156	RESISTOR 20K +-1pct .125W TKF TC=0+-100	CRCW120620K0FKE_ RK73H2BT_2002F MCR18__F2002 232272462003	VISHAY KOA ROHM YAGEO
R753	1	0699-4281	RES-FXD 619 OHM +-0.1PCT 0.125W TC 0+-25	MCA1206-25 0.1% __ 619R RN732BT__6190B25 RG3216P-6190-B__ MCA1206-25 0.1% __ 619R	VISHAY KOA SUSUMU VISHAY BC COMPONENTS
R700	1	0699-2836	RESISTOR 15K +-0.1pct .125W TF TC=0+-25	RN732BT_1502B25 2322741X1503 BLU-1206 15K .1% 25PPM MCA1206-25 0, 1% P5 15K TNPW12061502BT-9 PCF-W1206LF-03-1502-B_- -	KOA YAGEO RCD COMPONENTS VISHAY BC COMPONENTS VISHAY TT ELECTRONICS
R760	1	0699-3849	RES-FXD 1.89KOHM +-0.1PCT .125W TC 0+-25	BLU-1206 1K89 .1% 25PPM MCA1206-25 0, 1% P5 1.89K PTN1206E1891BB RN732BT_1891B25 PCF-W1206LF-03-1891-B_- -	RCD COMPONENTS VISHAY BC COMPONENTS VISHAY KOA TT ELECTRONICS
R754	1	0699-4275	RESISTOR 2.4K +-0.1pct .125W TF TC=0+-25	RN732BT_2401B25 MCA1206-25 0, 1% P5 2.4K MCA1206-25 0, 1% P5 2.4K	KOA VISHAY BC COMPONENTS VISHAY
U711	1	1813-0917	CRYSTAL OSC 66.0MHZ 0.01pct	SG-615PH 66.000MC	EPSON TOYOCOM
XU714-XU716, XU737	4	1200-1590	SOCKET-IC-PLCC 20-CONT SQUARE J-LEAD	3-822516-3	TYCO ELECTRONICS AMP
J721, J722	2	1252-6408	CONN-POST TYPE .100-PIN-SPCG-MTG-END	6-103337-5	TYCO ELECTRONICS AMP

5063-4809 DSP Board Assembly Parts List

Reference Designator	QTY	Agilent P/N	Description	MPN	Manufacturer
R712	1	0699-2844	RESISTOR 13.7K +-0.1pct .125W TF TC=0+-25	RN732BT_1372B25 2322741X1373 BLU-1206 13K7 .1% 25PPM MCA1206-25 0, 1% P5 13.7K PTN1206E1372BB PCF-W1206LF-03-1372-B-_- -	KOA YAGEO RCD COMPONENTS VISHAY BC COMPONENTS VISHAY TT ELECTRONICS
R706, R711	2	0699-2840	RESISTOR 2.5K +-0.1pct .125W TF TC=0+-25	RN732BT_2501B25 2322741X2502 BLU-1206 2K5 .1% 25PPM MCA1206-25 0, 1% P5 2.5K TNPW12062501BT-9 PCF-W1206LF-03-2501-B-_- -	KOA YAGEO RCD COMPONENTS VISHAY BC COMPONENTS VISHAY TT ELECTRONICS
R762	1	0699-3848	RESISTOR 2.05K +-0.1pct .125W TF TC=0+-25	RN732BT_2051B25 BLU-1206 2K05 .1% 25PPM MCA1206-25 0, 1% P5 2.05K PTN1206E2051BB PCF-W1206LF-03-2051-B-_- -	KOA RCD COMPONENTS VISHAY BC COMPONENTS VISHAY TT ELECTRONICS
U724	1	1818-4441	IC SRAM	DS1230Y-120	MAXIM INTEGRATED PRODUCTS
R763	1	0699-3847	RESISTOR 920 +-0.1pct .125W TF TC=0+-25	RN732BT_9200B25 BLU-1206 920R .1% 25PPM MCA1206-25 0, 1% P5 920R PTN1206E9200BB PCF-W1206LF-03-9200-B-_- -	KOA RCD COMPONENTS VISHAY BC COMPONENTS VISHAY TT ELECTRONICS

5063-4809 DSP Board Assembly Parts List

Reference Designator	QTY	Agilent P/N	Description	MPN	Manufacturer
R701, R707, R752	3	0699-3131	RESISTOR 3.32K +-0.1pct .125W TF TC=0+-25	RN732BT_3321B25 BLU-1206 3K32 .1% 25PPM PTN1206E3321BB PCF-W1206LF-03-3321-B_- -	KOA RCD COMPONENTS VISHAY TT ELECTRONICS
D701	1	1901-1335	DIODE-PWR RECT 400V 1A 50NS	MURS140T3G	ON SEMICONDUCTOR
R743, R749	2	0699-2841	RESISTOR 9K +-0.1pct .125W TF TC=0+-25	RN732BT_9001B25 BLU-1206 9K .1% 25PPM MCA1206-25 0, 1% P5 9K TNPW12069001BT-9 PCF-W1206LF-03-9001-B_- -	KOA RCD COMPONENTS VISHAY BC COMPONENTS VISHAY TT ELECTRONICS
R2798, R745-R748	5	0699-2489	RESISTOR 10K +-0.1pct .125W TF TC=0+-25	RN732BT_1002B25 BLU-1206 10K .1% 25PPM MCA1206-25 0, 1% P5 10K MCA1206-25 0, 1% P5 10K PCF-W1206LF-03-1002-B_- -	KOA RCD COMPONENTS VISHAY BC COMPONENTS VISHAY TT ELECTRONICS

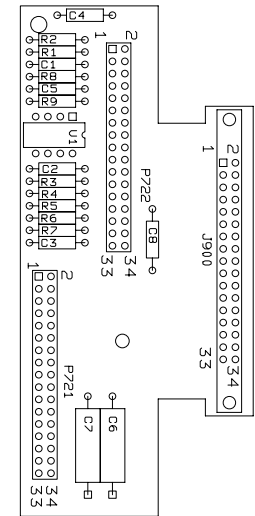
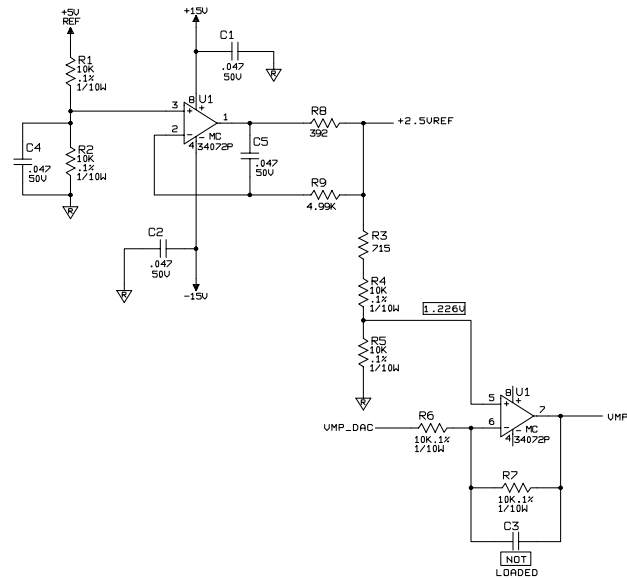
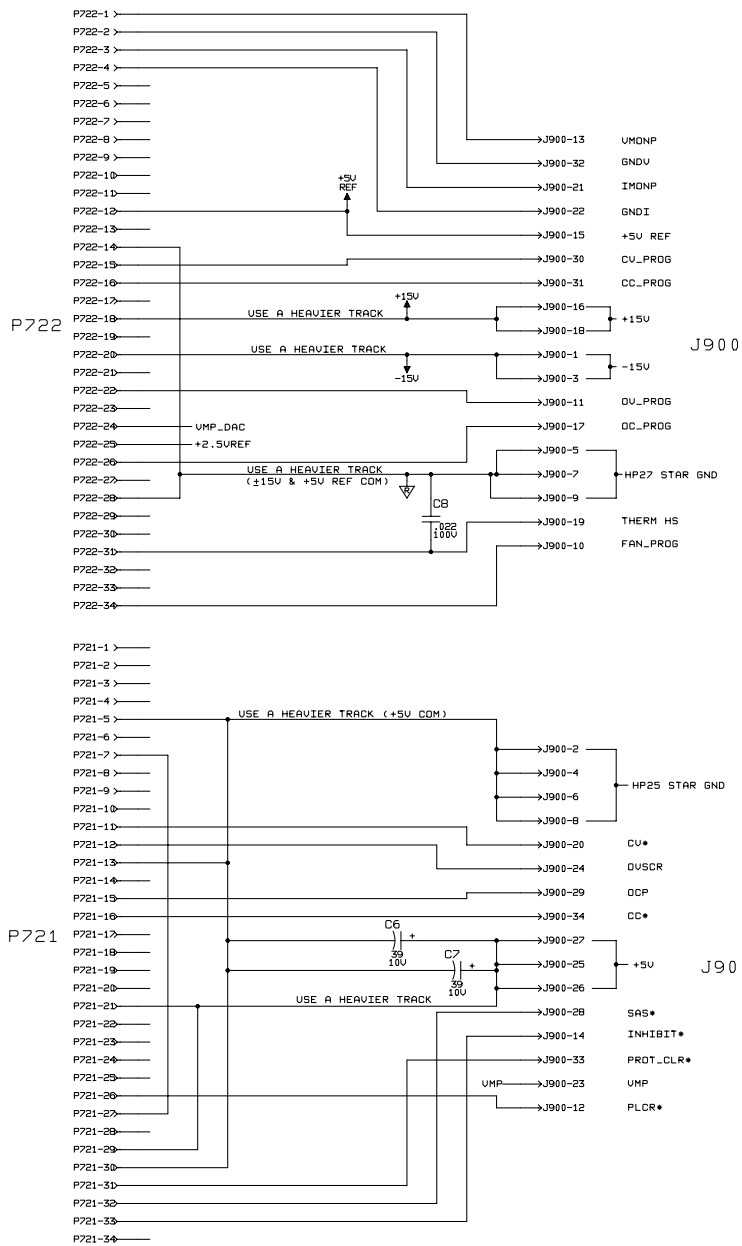


Figure 6-11. A6 Adapter Board Schematic Diagram

**Agilent E4350B
Solar Array Simulator, 60V, 8A**

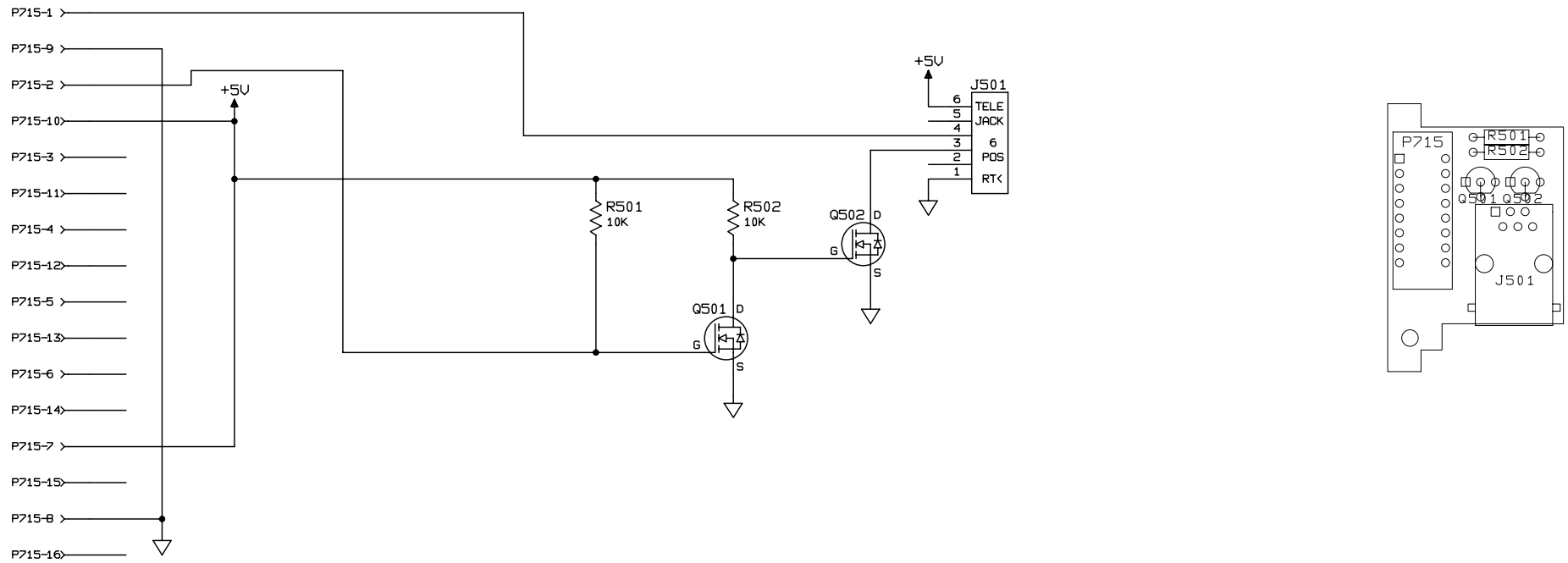
**5063-4812
Adaptor Board Assembly
Schematic and Component Locator
Page 1 of 1**

5063-4812 Adaptor (Panel Access) Parts List

Reference Designator	QTY	Agilent P/N	Description	MPN	Manufacturer
C1, C2, C4, C5	4	0160-5422	CAP-FXD 0.047uF +-20pct 50 V CER X7R	C420C473M5R5CA DA13X7R1H473M SA205C473MAAH	KEMET ELECTRONICS TDK AVX
C6, C7	2	0180-0393	CAP-FXD 39uF +-10pct 10 V TA	T110B396K010AS TAAB39K10RX	KEMET ELECTRONICS STC
C8	1	0160-4833	CAP-FXD 0.022uF +-10pct 100 V CER X7R	C420C223K1R5CA SA201C223KAAH SA201C223KAAH	KEMET ELECTRONICS AVX KYOCERA
J501	1	1251-7330	MODULAR PHONE RCPT RIGHT ANGLE PC MOUNT	5520250-3 95009-2661	TYCO ELECTRONICS AMP MOLEX
J900	1	1252-0242	CONN-POST TYPE .100-PIN-SPCG-MTG-END	N3431-6202RB	3M
P715	1	1252-2634	CONN-POST TYPE .100-PIN-SPCG-MTG-END	1-534204-0	TYCO ELECTRONICS AMP
P721, P722	2	1252-6419	CONN-POST TYPE .100-PIN-SPCG-MTG-END	6-534206-7	TYCO ELECTRONICS AMP
Q501, Q502	2	1855-0727	TRANSISTOR MOSFET 2N7000 N-CHAN E-MODE	2N7000G	ON SEMICONDUCTOR
R1, R2, R4, R5, R6, R7	6	0699-0642	RESISTOR 10K +-0.1pct .1W TF TC=0+-5	PR1/10TC510K0.1% PTF-5610K0BT-16 UXB0207-05 0,1% RP 10K	PRECISION RESISTIVE PRODUCTS VISHAY VISHAY BC COMPONENTS
R3	1	0698-3700	RESISTOR 715 +-1pct .125W TF TC=0+-100	5053HD715R0F CMF-557150FT-1 NK4H.125W1%+/- 100PPM715R0	VISHAY BC COMPONENTS VISHAY E-SIL COMPONENTS
R501, R502	2	0757-0442	RESISTOR 10K +-1pct .125W TF TC=0+-100	5053HD10K00F CMF-551002FT-1 NK4H.125W1%+/- 100PPM1002	VISHAY BC COMPONENTS VISHAY E-SIL COMPONENTS
R8	1	0757-0413	RES-FXD 392 +-1PCT .6W TC 0+-100	5053HD392R0F CMF-553920FT-1 NK4H.125W1%+/- 100PPM392R0	VISHAY BC COMPONENTS VISHAY E-SIL COMPONENTS
R9	1	0698-3279	RESISTOR 4.99K +-1pct .125W TF TC=0+-100	5053HD4K990F CMF-554991FT-1 NK4H.125W1%+/- 100PPM4991	VISHAY BC COMPONENTS VISHAY E-SIL COMPONENTS
U1	1	1826-1533	IC OP AMP H-SLEW-RATE DUAL 8-PDIP	MC34072P	ON SEMICONDUCTOR

5063-4812 Adaptor (Panel Access) Parts List

Reference Designator	QTY	Agilent P/N	Description	MPN	Manufacturer
	1	0380-1362	STANDOFF-HEX M3X 0.5-THD 12-MM-LG	0380-1362 0380-1362 0380-1362 XO- MFFHTND0601200AF	LYN-TRON TR FASTENINGS MITE EXIM & MFR ENTERPRISE
	2	0515-0430	SCREW-MACH PAN-HD M3X0.5 6MM-LG SST	0515-0430 0515-0430 0515-0430 0515-0430	BOSSARD PIONEER SCREW & NUT ILLINOIS TOOL WORKS TEXTRON



**Agilent E4350B
Solar Array Simulator, 60V, 8A**

**5063-4813
Phone Adaptor Board Assembly
Schematic and Component Locator
Page 1 of 1**

5063-4813 Phone Adaptor Parts List

Reference Designator	QTY	Agilent P/N	Description	MPN	Manufacturer
	2	0757-0442	RESISTOR 10K +-1pct .125W TF TC=0+-100	5053HD10K00F CMF-551002FT-1 NK4H.125W1%+/- 100PPM1002	VISHAY BC COMPONENTS VISHAY E-SIL COMPONENTS
	1	1252-2634	CONN-POST TYPE .100-PIN-SPCG-MTG-END	1-534204-0	TYCO ELECTRONICS AMP
	2	1855-0727	TRANSISTOR MOSFET 2N7000 N-CHAN E-MODE	2N7000G	ON SEMICONDUCTOR
	1	1251-7330	MODULAR PHONE RCPT RIGHT ANGLE PC MOUNT	5520250-3 95009-2661	TYCO ELECTRONICS AMP MOLEX

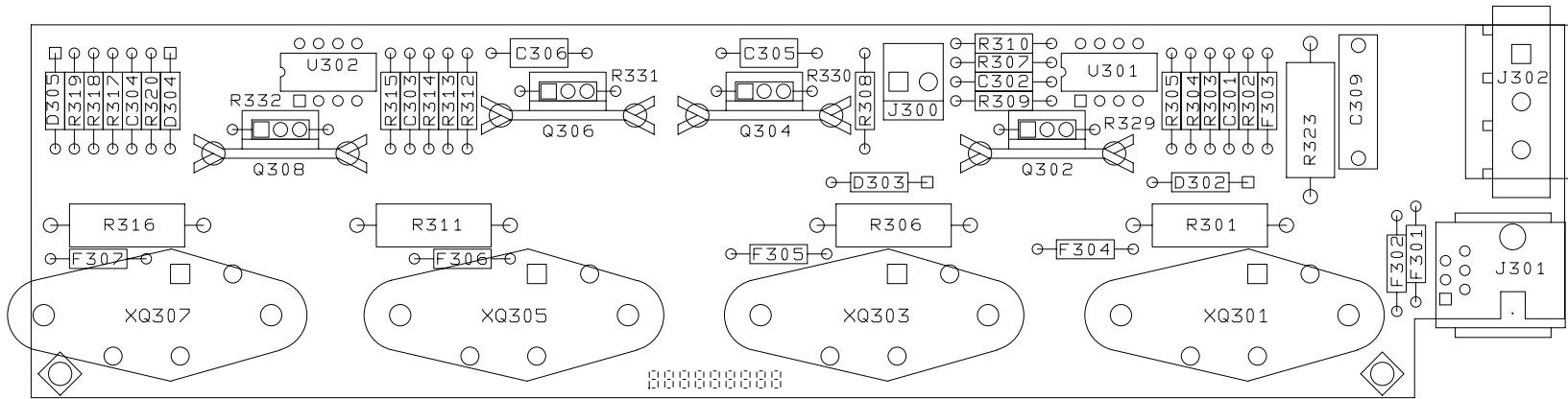


Figure 6-7. A4 Right Tunnel Circuit Component Locations for E4350B

Agilent E4350B
Solar Array Simulator, 60V, 8A

5063-4816
Right Tunnel Board Assembly
Component Locator

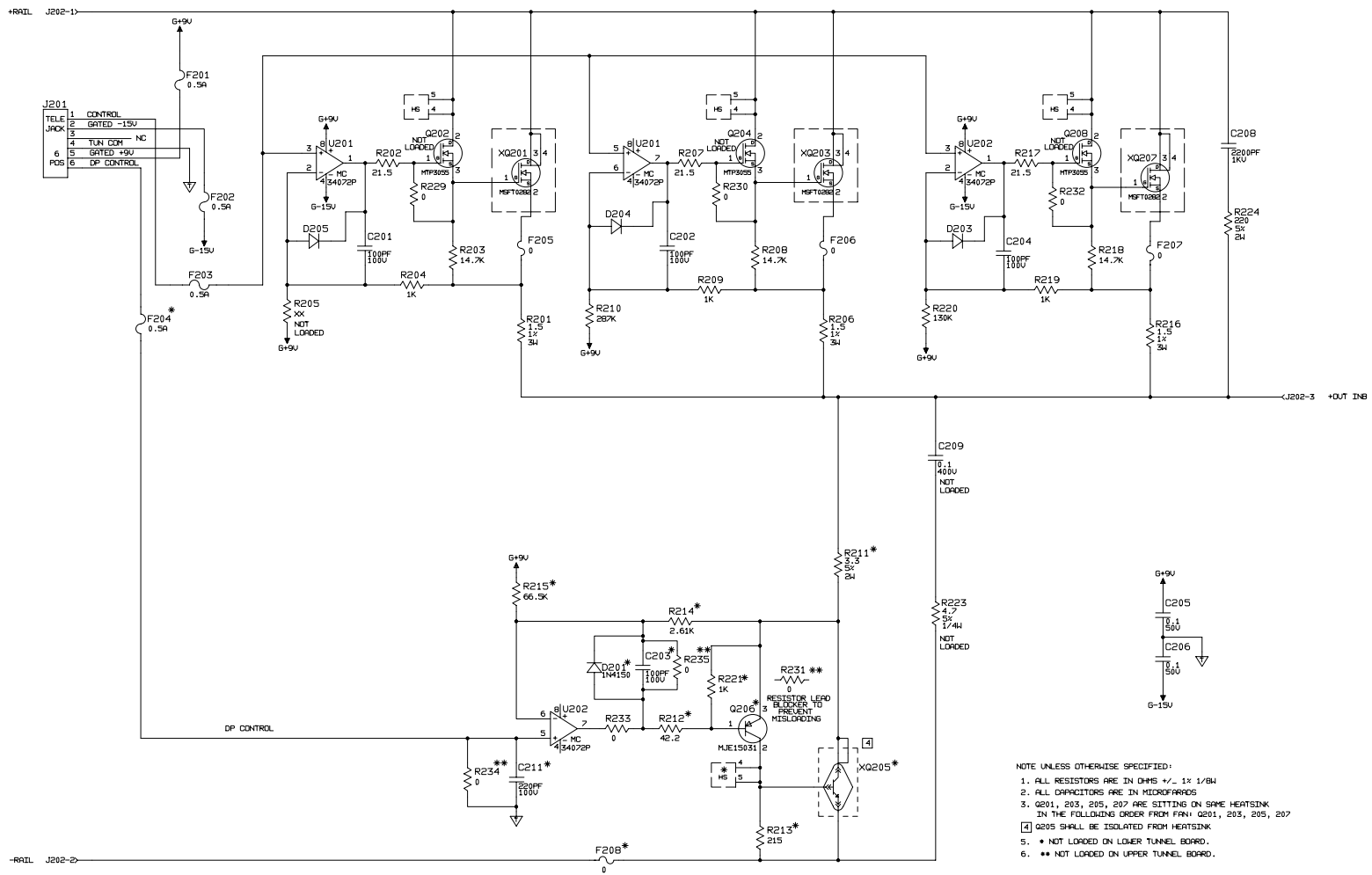


Figure 6-7. A4A2/A4A4 Right Tunnel Circuit Schematic Diagram for E4350B

Agilent E4350B
Solar Array Simulator, 60V, 8A

5063-4816
Right Tunnel Board Assembly
Page 1 of 1

5063-4816 Right Tunnel Board Parts List (Applies to both TOP and BOTTOM Right Tunnel Boards)

Reference Designator	QTY	Agilent P/N	Description	MPN	Manufacturer
C301, C302, C303, C304	4	0160-4801	CAP-FXD 100pF +-5pct 100 V CER C0G	C410C101J1G5CA SA102A101JAAH SA102A101JAAH	KEMET ELECTRONICS AVX KYOCERA
C305, C306	2	0160-4835	CAP-FXD 0.1uF +-10pct 50 V CER X7R	C420C104K5R5CA SA105C104KAAH SA105C104KAAH	KEMET ELECTRONICS AVX KYOCERA
C309	1	0160-6838	CAP-FXD 2200pF +-20pct 1 kV POLYP-FL	FKP 1 2200/1250/20	WIMA
D302, D303, D304, D305	4	1901-0050	DIODE-SWITCHING 80V 200MA 2NS DO-35	D3D7 FDH6308C	FAIRCHILD SEMICONDUCTOR
F301, F302, F303	3	2110-0716	FUSE-SUBMINIATURE .5A 125V NTD AX UL-LST	0251.500 L	LITTELFUSE
F304, F305, F306, F307, R329, R330, R331, R332	8	8159-0005	RESISTOR 0 CWM	106 L-2007-1 YZO 1/4 Z-25 Z25C	MICRO-OHM GETTIG ENGRG & MFG TT ELECTRONICS ASJ KOA
J300	1	1251-4245	CONN-HDR VERT 2-PIN 3.96MM 1-ROW	640388-2 3160-8-202-22W	TYCO ELECTRONICS AMP METHODE ELECTRONICS
J301	1	1251-8184	MODULAR PHONE RCPT PERPENDICULAR MOUNT	5520258-3	TYCO ELECTRONICS AMP
J302	1	1251-4781	CONN-UTIL MT-LK 3-CONT-POS 3-CONT	350789-1	TYCO ELECTRONICS AMP
R301, R306, R311, R316	4	0811-3989	RESISTOR 1.5 +-1PCT 3W PWI TC=0+-50	RS-2B1R51% T2B79U1R5F	VISHAY TT ELECTRONICS
R302, R307, R312, R317	4	0698-3430	RESISTOR 21.5 +-1pct .125W TF TC=0+-100	5053HD21R50F CMF-5521R5FT-1 NK4H.125W1%+/- 100PPM21R5	VISHAY BC COMPONENTS VISHAY E-SIL COMPONENTS
R303, R308, R313, R318	4	0698-3156	RESISTOR 14.7K +-1pct .125W TF TC=0+-100	5053HD14K70F CMF-551472FT-1 NK4H.125W1%+/- 100PPM1472	VISHAY BC COMPONENTS VISHAY E-SIL COMPONENTS
R304, R309, R314, R319	4	0757-0280	RESISTOR 1K +-1pct .125W TF TC=0+-100	5053HD1K000F CMF-551001FT-1 NK4H.125W1%+/- 100PPM1001	VISHAY BC COMPONENTS VISHAY E-SIL COMPONENTS

5063-4816 Right Tunnel Board Parts List (Applies to both TOP and BOTTOM Right Tunnel Boards)

Reference Designator	QTY	Agilent P/N	Description	MPN	Manufacturer
R305	1	0757-0473	RESISTOR 221K +-1pct .125W TF TC=0+-100	5053HD221K0F CMF-552213FT-1 NK4H.125W1%+/- 100PPM2213	VISHAY BC COMPONENTS VISHAY E-SIL COMPONENTS
R310	1	0757-0465	RESISTOR 100K +-1pct .125W TF TC=0+-100	5053HD100K0F CMF-551003FT-1 NK4H.125W1%+/- 100PPM1003	VISHAY BC COMPONENTS VISHAY E-SIL COMPONENTS
R315	1	0757-0460	RESISTOR 61.9K +-1pct .125W TF TC=0+-100	5053HD61K90F CMF-556192FT-1 NK4H.125W1%+/- 100PPM6192	VISHAY BC COMPONENTS VISHAY E-SIL COMPONENTS
R320	1	0757-0458	RESISTOR 51.1K +-1pct .125W TF TC=0+-100	5053HD51K10F CMF-555112FT-1 NK4H.125W1%+/- 100PPM5112	VISHAY BC COMPONENTS VISHAY E-SIL COMPONENTS
R323	1	0698-3628	RESISTOR 220 +-5pct 2W MO TC=0+-200	FP69 220R 5% GS-32200 MO2C__221J	VISHAY TT ELECTRONICS KOA
XQ301, XQ303, XQ305, XQ307	4	1200-1158	SOCKET-XSTR 2-CONT TO-3 DIP-SLDR	8118PF303	AAVID THERMALLOY
	2	1826-1533	IC OP AMP H-SLEW-RATE DUAL 8-PDIP	MC34072P	ON SEMICONDUCTOR

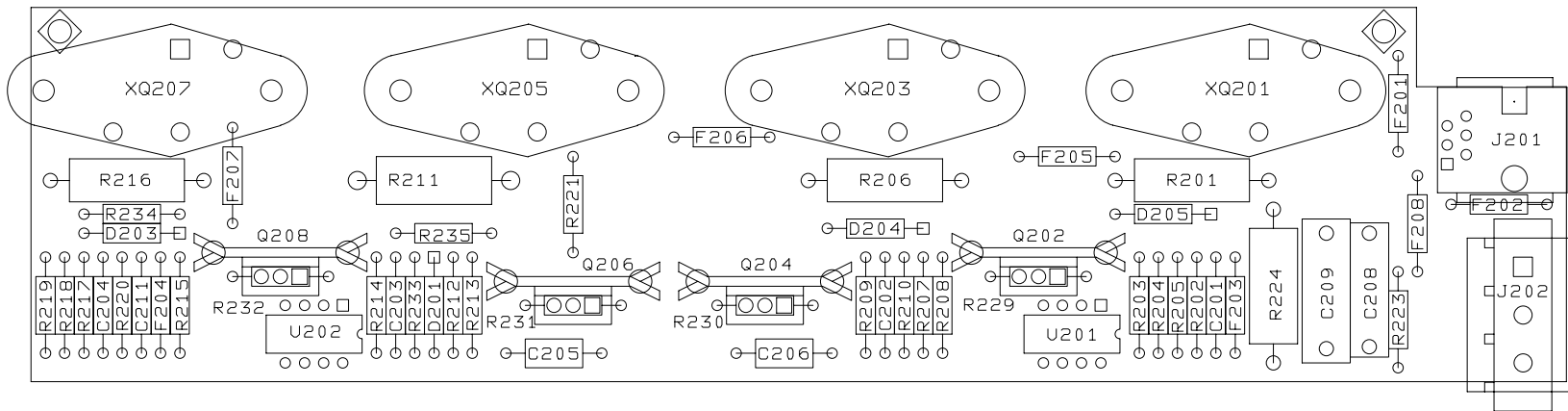
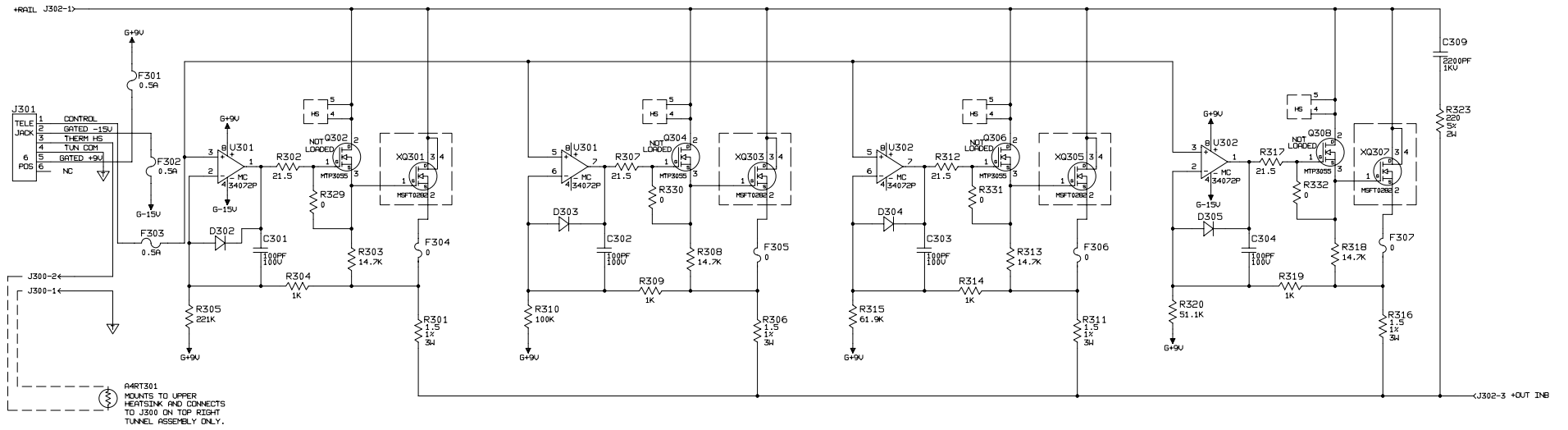


Figure 6-6. A4 Left Tunnel Circuit Component Locations for E4350B

**Agilent E4350B
Solar Array Simulator, 60V, 8A**

**5063-4818
Left Tunnel Board Assembly
Component Locator**



NOTE UNLESS OTHERWISE SPECIFIED:

1. ALL RESISTORS ARE IN OHMS +/- 1% 1/8W
2. ALL CAPACITORS ARE IN MICROFARADS
3. Q301, 303, 305, 307 ARE SITTING ON SAME HEATSINK IN THE FOLLOWING ORDER FROM FAN: Q301, 303, 305, 307.

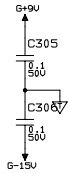


Figure 6-6. A4A1/A4A3 Left Tunnel Circuit Schematic Diagram for E4350B

Agilent E4350B
Solar Array Simulator, 60V, 8A

5063-4818
Left Tunnel Board Assembly
Page 1 of 1

5063-4817 Left Tunnel Board (Top) Parts List

Reference Designator	QTY	Agilent P/N	Description	MPN	Manufacturer
C201, C202, C203, C204	4	0160-4801	CAP-FXD 100pF +-5pct 100 V CER C0G	C410C101J1G5CA SA102A101JAAH SA102A101JAAH	KEMET ELECTRONICS AVX KYOCERA
C205, C206	2	0160-4835	CAP-FXD 0.1uF +-10pct 50 V CER X7R	C420C104K5R5CA SA105C104KAAH SA105C104KAAH	KEMET ELECTRONICS AVX KYOCERA
C208	1	0160-6838	CAP-FXD 2200pF +-20pct 1 kV POLYP-FL	FKP 1 2200/1250/20	WIMA
C211	1	0160-4812	CAP-FXD 220pF +-5pct 100 V CER C0G	C410C221J1G5CA SA101A221JAAH SA101A221JAAH	KEMET ELECTRONICS AVX KYOCERA
D201	1	1901-1098	DIODE-SWITCHING 1N4150 50V 200MA 4NS	1N4150 1N4150	FAIRCHILD SEMICONDUCTOR ROHM
D203, D204, D205	3	1901-0050	DIODE-SWITCHING 80V 200MA 2NS DO-35	D3D7 FDH6308C	FAIRCHILD SEMICONDUCTOR
F201, F202, F203, F204	4	2110-0716	FUSE-SUBMINIATURE .5A 125V NTD AX UL-LST	0251.500 L	LITTELFUSE
F205, F206, F207, F208, R229, R230, R232, R233	8	8159-0005	RESISTOR 0 CWM	106 L-2007-1 YZO 1/4 Z-25 Z25C	MICRO-OHM GETTIG ENGRG & MFG TT ELECTRONICS ASJ KOA
J201	1	1251-8184	MODULAR PHONE RCPT PERPENDICULAR MOUN	5520258-3	TYCO ELECTRONICS AMP
J202	1	1251-4781	CONN-UTIL MT-LK 3-CONT-POS 3-CONT	350789-1	TYCO ELECTRONICS AMP
Q206	1	5060-3250	ASSY-HS MJE15031		
Q206a	1	0361-1641	EYELET-RLD-FLG .121-OD .187-LG .0095-THK	GS 4-6 STEEL-TIN PLATE	STIMPSON EDWIN B
Q206b	1	1205-0282	HEAT SINK PLSTC-PWR-CS	6025D	AAVID THERMALLOY
R201, R206, R216	3	0811-3989	RESISTOR 1.5 +-1PCT 3W PWI TC=0+-50	RS-2B1R51% T2B79U1R5F	VISHAY TT ELECTRONICS
R202, R207, R217	3	0698-3430	RESISTOR 21.5 +-1pct .125W TF TC=0+-100	5053HD21R50F CMF-5521R5FT-1 NK4H.125W1%+/- 100PPM21R5	VISHAY BC COMPONENTS VISHAY E-SIL COMPONENTS
R203, R208, R218	3	0698-3156	RESISTOR 14.7K +-1pct .125W TF TC=0+-100	5053HD14K70F CMF-551472FT-1 NK4H.125W1%+/- 100PPM1472	VISHAY BC COMPONENTS VISHAY E-SIL COMPONENTS

5063-4817 Left Tunnel Board (Top) Parts List

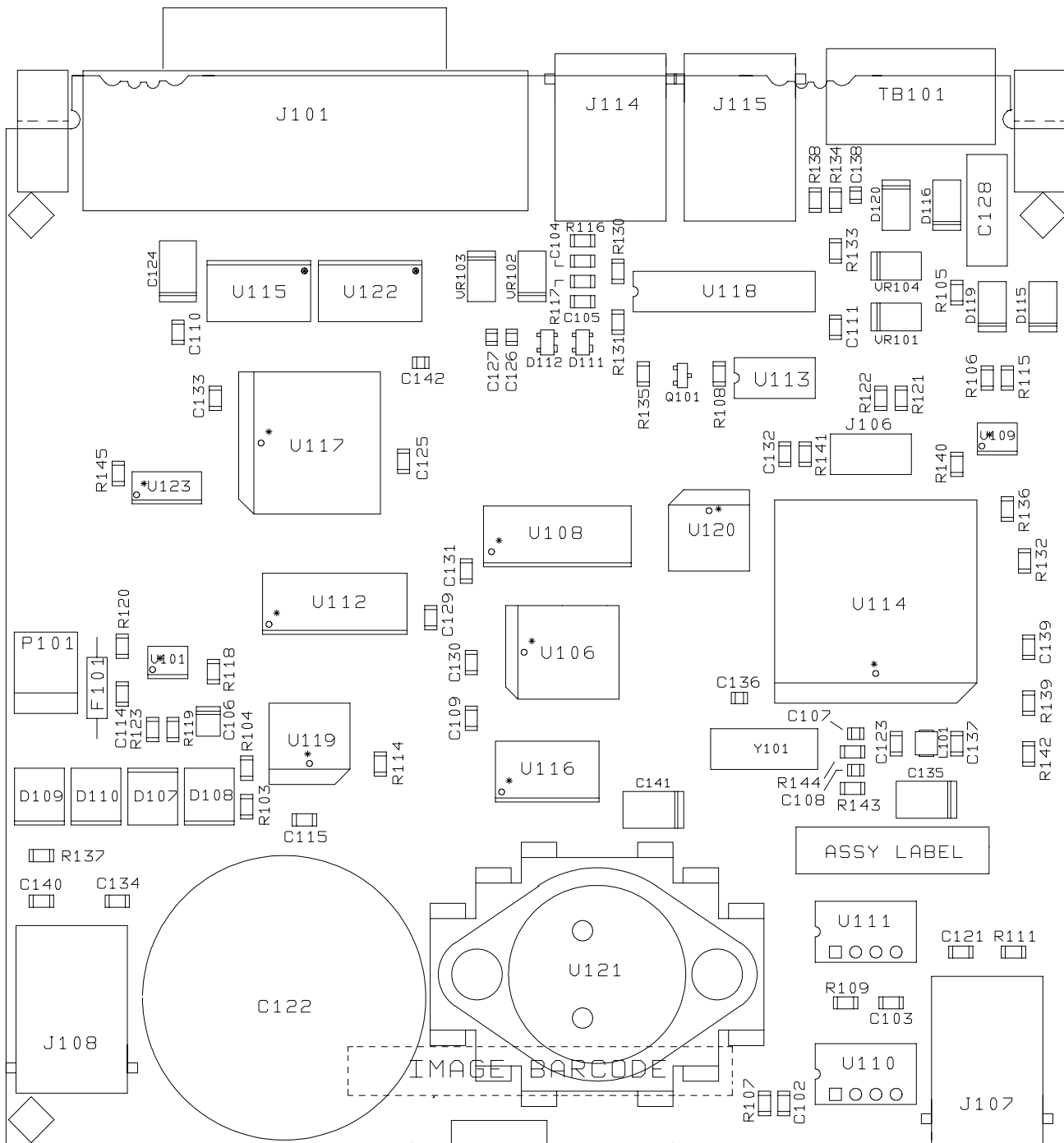
Reference Designator	QTY	Agilent P/N	Description	MPN	Manufacturer
R204, R209, R219, R221	4	0757-0280	RESISTOR 1K +-1pct .125W TF TC=0+-100	5053HD1K000F CMF-551001FT-1 NK4H.125W1%+/- 100PPM1001	VISHAY BC COMPONENTS VISHAY E-SIL COMPONENTS
R210	1	0698-3456	RESISTOR 287K +-1pct .125W TF TC=0+-100	5053HD287K0F CMF-552873FT-1 NK4H.125W1%+/- 100PPM2873	VISHAY BC COMPONENTS VISHAY E-SIL COMPONENTS
R212	1	0757-0316	RESISTOR 42.2 +-1pct .125W TF TC=0+-100	5053HD42R20F CMF-5542R2FT-1 NK4H.125W1%+/- 100PPM42R2	VISHAY BC COMPONENTS VISHAY E-SIL COMPONENTS
R213	1	0698-3441	RESISTOR 215 +-1pct .125W TF TC=0+-100	5053HD215R0F CMF-552150FT-1 NK4H.125W1%+/- 100PPM215R0	VISHAY BC COMPONENTS VISHAY E-SIL COMPONENTS
R214	1	0698-0085	RESISTOR 2.61K +-1pct .25W TF TC=0+-100	5043ED2K610F CMF-552611FT-1 NK4H.25W1%+/- 100PPM2611	VISHAY BC COMPONENTS VISHAY E-SIL COMPONENTS
R215	1	0698-4503	RESISTOR 66.5K +-1pct .125W TF TC=0+-100	CMF-556652FT-1 5053HD66K50F NK4H.125W1%+/- 100PPM6652	VISHAY VISHAY BC COMPONENTS E-SIL COMPONENTS
R220	1	0757-0468	RESISTOR 130K +-1pct .125W TF TC=0+-100	5053HD130K0F CMF-551303FT-1 NK4H.125W1%+/- 100PPM1303	VISHAY BC COMPONENTS VISHAY E-SIL COMPONENTS
R224	1	0698-3628	RESISTOR 220 +-5pct 2W MO TC=0+-200	FP69 220R 5% GS-32200 MO2C__221J	VISHAY TT ELECTRONICS KOA
REF Q110	1	1853-0652	TRANSISTOR PNP SI TO-220AB PD=2W	MJE15031G	ON SEMICONDUCTOR
XQ201, XQ203, XQ205, XQ207	4	1200-1158	SOCKET-XSTR 2-CONT TO-3 DIP-SLDR	8118PF303	AAVID THERMALLOY
	2	1826-1533	IC OP AMP H-SLEW-RATE DUAL 8-PDIP	MC34072P	ON SEMICONDUCTOR

5063-4819 Left Tunnel Board (Bottom) Parts List

Reference Designator	QTY	Agilent P/N	Description	MPN	Manufacturer
C201, C202, C204	3	0160-4801	CAP-FXD 100pF +-5pct 100 V CER C0G	C410C101J1G5CA SA102A101JAAH SA102A101JAAH	KEMET ELECTRONICS AVX KYOCERA
C205, C206	2	0160-4835	CAP-FXD 0.1uF +-10pct 50 V CER X7R	C420C104K5R5CA SA105C104KAAH SA105C104KAAH	KEMET ELECTRONICS AVX KYOCERA
C208	1	0160-6838	CAP-FXD 2200pF +-20pct 1 kV POLYP-FL	FKP 1 2200/1250/20	WIMA
C209	1	0160-6806	CAP-FXD 0.1uF +-10pct 400 V POLYE-MET	MKS4 0.1UF/400V/10% MKT 1822-410/405 MMK15104K400A03L4	WIMA VISHAY KEMET
D203, D204, D205	3	1901-0050	DIODE-SWITCHING 80V 200MA 2NS DO-35	D3D7_FDH6308C	FAIRCHILD SEMICONDUCTOR
F201, F202, F203	3	2110-0716	FUSE-SUBMINIATURE .5A 125V NTD AX UL-LST	0251.500 L	LITTELFUSE
F205, F206, F207, R229, R230	10	8159-0005	RESISTOR 0 CWM	106 L-2007-1 YZO 1/4 Z-25 Z25C	MICRO-OHM GETTIG ENGRG & MFG TT ELECTRONICS ASJ KOA
J201	1	1251-8184	MODULAR PHONE RCPT PERPENDICULAR MOUN	5520258-3	TYCO ELECTRONICS AMP
J202	1	1251-4781	CONN-UTIL MT-LK 3-CONT-POS 3-CONT	350789-1	TYCO ELECTRONICS AMP
R201, R206, R216	3	0811-3989	RESISTOR 1.5 +-1PCT 3W PWI TC=0+-50	RS-2B1R51% T2B79U1R5F	VISHAY TT ELECTRONICS
R202, R207, R217	3	0698-3430	RESISTOR 21.5 +-1pct .125W TF TC=0+-100	5053HD21R50F CMF-5521R5FT-1 NK4H.125W1%+/- 100PPM21R5	VISHAY BC COMPONENTS VISHAY E-SIL COMPONENTS
R203, R208, R218	3	0698-3156	RESISTOR 14.7K +-1pct .125W TF TC=0+-100	5053HD14K70F CMF-551472FT-1 NK4H.125W1%+/- 100PPM1472	VISHAY BC COMPONENTS VISHAY E-SIL COMPONENTS
R204, R209, R219	3	0757-0280	RESISTOR 1K +-1pct .125W TF TC=0+-100	5053HD1K000F CMF-551001FT-1 NK4H.125W1%+/- 100PPM1001	VISHAY BC COMPONENTS VISHAY E-SIL COMPONENTS

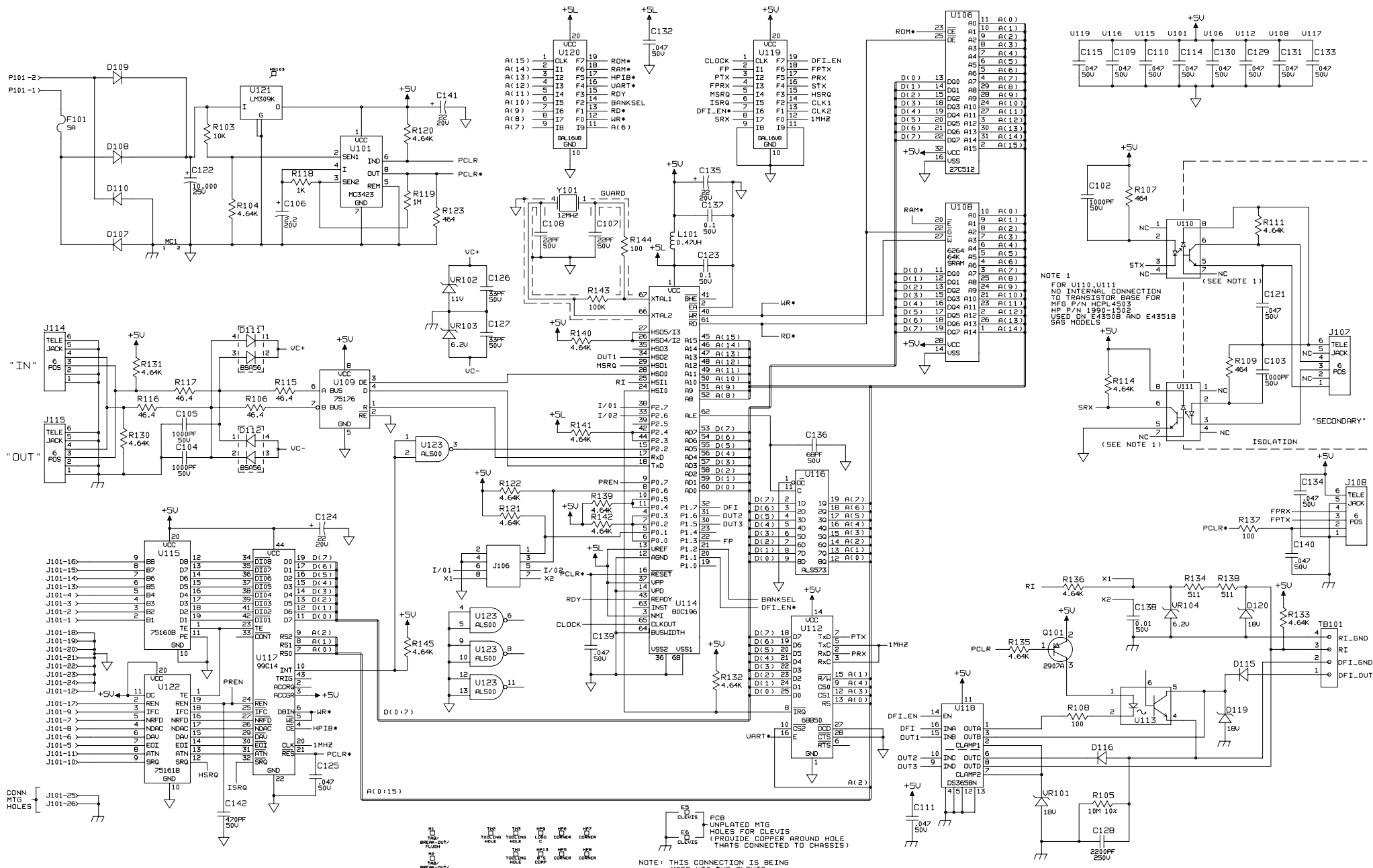
5063-4819 Left Tunnel Board (Bottom) Parts List

Reference Designator	QTY	Agilent P/N	Description	MPN	Manufacturer
R210	1	0698-3456	RESISTOR 287K +-1pct .125W TF TC=0+-100	5053HD287K0F CMF-552873FT-1 NK4H.125W1%+/- 100PPM2873	VISHAY BC COMPONENTS VISHAY E-SIL COMPONENTS
R220	1	0757-0468	RESISTOR 130K +-1pct .125W TF TC=0+-100	5053HD130K0F CMF-551303FT-1 NK4H.125W1%+/- 100PPM1303	VISHAY BC COMPONENTS VISHAY E-SIL COMPONENTS
R224	1	0698-3628	RESISTOR 220 +-5pct 2W MO TC=0+-200	FP69 220R 5% GS-32200 MO2C__221J	VISHAY TT ELECTRONICS KOA
XQ201, XQ203, XQ207	3	1200-1158	SOCKET-XSTR 2-CONT TO-3 DIP-SLDR	8118PF303	AAVID THERMALLOY
	2	1826-1533	IC OP AMP H-SLEW-RATE DUAL 8-PDIP	MC34072P	ON SEMICONDUCTOR



Agilent E4350B
Solar Array Simulator, 60V, 8A

5063-4823
 GPIB Board Assembly
Component Locator



Agilent E4350B
Solar Array Simulator, 60V, 8A
5063-4823
GPIB Board Assembly
 Page 1 of 1

5063-4823 GPIB Board Parts List

Reference Designator	QTY	Agilent P/N	Description	MPN	Manufacturer
C102, C103, C104, C105	4	0160-6100	CAP-FXD 1000pF +-5pct 50 V CER C0G	12065A102JAT A C1206C102J5GAC C3216CH1H102J GRM3195C1H102JD01D	AVX KEMET ELECTRONICS TDK MURATA MANUFACTURING
C106	1	0180-3975	CAP-FXD 2.2uF +-20PCT 20V TA	TAJB225M020 293D225X0020B2E3 49MC225B020M0AS T491B225M020AS __ESVB21D225M__	AVX VISHAY VISHAY BC COMPONENTS KEMET ELECTRONICS NEC ELECTRONICS
C107, C108	2	0160-5961	CAP-FXD 22pF +-5pct 50 V CER C0G	08055A220JAT A C0805C220J5GAC C2012COG1H220J GRM2165C1H220JD01D VJ0805A220JXAMT	AVX KEMET ELECTRONICS TDK MURATA MANUFACTURING VISHAY
C109, C110, C114, C115, C121, C125, C129, C130, C131, C132, C133, C134, C139, C140	14	0160-6734	CAP-FXD 0.047uF +-10pct 50 V CER X7R	12065C473KAT A C1206C473K5RAC C3216X7R1H473K GRM319R71H473KD01L	AVX KEMET ELECTRONICS TDK MURATA MANUFACTURING
C122	1	0180-4606	CAP-FXD +-20pct 25 V AL-ELCLTLT	82D103M025KB2B	NIPPON CHEMI-CON
C123, C137	2	0160-6497	CAP-FXD 0.1uF +-10pct 50 V CER X7R	12065C104KAT A 2238 581 15649 C1206C104K5RAC C3216X7R1H104KT GRM319R71H104KA01D VJ1206Y104KXAMT	AVX YAGEO KEMET ELECTRONICS TDK MURATA MANUFACTURING VISHAY
C124, C135, C141	3	0180-4116	CAP-FXD 22uF +-20PCT 20V TA	ESVD1D226M 293D226X0020D__E3 TAJD226M020R	NEC TOKIN VISHAY AVX
C126, C127	2	0160-5959	CAP-FXD 33pF +-5pct 50 V CER C0G	08055A330JAT A C0805C330J5GAC C2012COG1H330J GRM2165C1H330JD01D	AVX KEMET ELECTRONICS TDK MURATA MANUFACTURING
C128	1	0160-4281	CAP-FXD 2200pF +-20PCT 250 V PPR-MET	MP3Y2- 2200F/250VAC/20%,4X8. 5X13.5, Pitch10mm PME271Y422MR30	WIMA KEMET

5063-4823 GPIB Board Parts List

Reference Designator	QTY	Agilent P/N	Description	MPN	Manufacturer
C136	1	0160-5955	CAP-FXD 68pF +-5pct 50 V CER C0G	08055A680JATRA C0805C680J5GAC C2012COG1H680J GRM2165C1H680JD65L	AVX KEMET ELECTRONICS TDK MURATA MANUFACTURING
C138	1	0160-5945	CAP-FXD 0.01uF +-10pct 50 V CER X7R	08055C103KAT A 223858016627 C0805C103K5RAC C2012X7R1H103K GRM216R71H103KA01J VJ0805Y103KXAMT	AVX YAGEO KEMET ELECTRONICS TDK MURATA MANUFACTURING VISHAY
C142	1	0160-5950	CAP-FXD 470pF +-5pct 50 V CER C0G	08055A471JAT A C0805C471J5GAC C2012COG1H471J GRM2165C1H471JA01D VJ0805A471JXAMT	AVX KEMET ELECTRONICS TDK MURATA MANUFACTURING VISHAY
D107, D108, D109, D110	4	1901-1375	DIODE-PWR RECT 400V 3A 75NS	MURS340T3G	ON SEMICONDUCTOR
D111, D112	2	1906-0337	DIODE-DUAL 60V 200MA TO-253	BAS56 BAS56	PHILIPS NXP
D115, D116	2	1901-1332	DIODE-PWR-S 40V 1A D0-214AA	SK14 SS24 STPS140U MBRS140T3G	MICROSEMI VISHAY STMICROELECTRONICS ON SEMICONDUCTOR
D119, D120, VR101	3	1902-1634	DIODE-ZNR 18V 5pct PD=1.5W IR=5UA	1SMB5931BT3G SMZJ3795B	ON SEMICONDUCTOR VISHAY
F101	1	2110-0699	FUSE-SUBMINIATURE 5A 125V NTD AX UL-LST	0251005 L	LITTELFUSE
J101	1	1252-2161	CONN-RECT MICRORBN 24-CKT 24-CONT	5554923-2	TYCO ELECTRONICS AMP
J106	1	1251-4926	CONN-HDR VERT 8-PIN 2.54MM 2-ROW	67996-108HLF HTSW-104-07-SM-D	FCI FRAMATOME BERG SAMTEC
J107, J108, J114, J115	4	1251-7330	MODULAR PHONE RCPT RIGHT ANGLE PC MOUN	5520250-3 95009-2661	TYCO ELECTRONICS AMP MOLEX
L101	1	9140-1101	INDUCTOR 470nH +-5pct 2.8W-mmX3.4LG-mm	NLV32T-R47J-PF KL32T__R47J	TDK KOA
MEC1	1	0340-0884	INSULATOR-XSTR THRM-CNDCT	60-11-4511-1674	PARKER HANNIFIN

5063-4823 GPIB Board Parts List

Reference Designator	QTY	Agilent P/N	Description	MPN	Manufacturer
MEC2, MEC3	2	0515-1232	SCREW-MACH M3.5 X 0.6 8MM-LG PAN-HD ; SCR	0515-1232 0515-1232 0515-1232 0515-1232	ILLINOIS TOOL WORKS MID-CONTINENT SCREW PROD PSM INTERNATIONAL TEXTRON
MEC4	1	1205-0758	HEAT SINK SGL TO-3-CS	575803B00700	AAVID THERMALLOY
P101	1	1251-4245	CONN-HDR VERT 2-PIN 3.96MM 1-ROW	640388-2 3160-8-202-22W	TYCO ELECTRONICS AMP METHODE ELECTRONICS
R103	1	0699-1391	RESISTOR 10K +-1pct .125W TKF TC=0+-100	CRCW120610K0FKE_ RK73H2BT_1002F MCR18__F1002 232272461003L	VISHAY KOA ROHM YAGEO
R104, R111, R114, R120, R121, R122, R130, R131, R132, R133, R135, R136, R139, R140, R141, R142, R145	17	0699-1384	RESISTOR 4.64K +-1pct .125W TKF TC=0+-100	CRCW12064K64FKE_ RK73H2BT_4641F MCR18__F4641 232272464642L	VISHAY KOA ROHM YAGEO
R105	1	0699-2682	RESISTOR 10M +-10pct .125W TKF TC=0+-500	23227116X1106 CRCW120610M0JNE_ MCR18__K106	YAGEO VISHAY ROHM
R106, R115, R116, R117	4	0699-1360	RESISTOR 46.4 +-1pct .125W TKF TC=0+-100	CRCW120646R4FKE_ RK73H2BT_46R4F MCR18__F46R4 232272464649	VISHAY KOA ROHM YAGEO
R107, R109, R123	3	0699-1431	RESISTOR 464 +-1pct .125W TKF TC=0+-100	CRCW1206464RFKE_ RK73H2BT_4640F MCR18__F4640 232272464641	VISHAY KOA ROHM YAGEO
R108, R137, R144	3	0699-1415	RESISTOR 100 +-1pct .125W TKF TC=0+-100	CRCW1206100RFKE_ RK73H2BT_1000F MCR18__F1000 232272461001L	VISHAY KOA ROHM YAGEO
R118	1	0699-1318	RESISTOR-FXD 1K OHM +-1PCT .25W TKF TC 0+-	RK73H2BT_1001F 232272461002L CRCW12061K00FKE_ MCR18__F1001	KOA YAGEO VISHAY ROHM

5063-4823 GPIB Board Parts List

Reference Designator	QTY	Agilent P/N	Description	MPN	Manufacturer
R119	1	0699-1327	RESISTOR 1M +-1pct .125W TKF TC=0+-100	CRCW12061M00FKE_ RK73H2BT_1004F MCR18___F1004 232272461005L	VISHAY KOA ROHM YAGEO
R134, R138	2	0699-1432	RESISTOR 511 +-1pct .125W TKF TC=0+-100	CRCW1206511RFKE_ RK73H2BT_5110F MCR18___F5110 232272465111L	VISHAY KOA ROHM YAGEO
R143	1	0699-1330	RESISTOR 100K +-1pct .125W TKF TC=0+-100	CRCW1206100KFKE_ RK73H2BT_1003F MCR18___F1003 232272461004L	VISHAY KOA ROHM YAGEO
TB101	1	0360-2312	TERMINAL BLOCK 4-TERM .039 IN SQUARE	ELFH04110 MSTBA 2.5/4-G- BLK(176064) 871904	PCD PHOENIX CONTACT & CO AXSYS TECHNOLOGIES
U101	1	1826-2801	IC PWR MGT-OV-V-SEN 8 PINS P-SOIC PKG	MC3423D_G	ON SEMICONDUCTOR
U106	1	1818-5681	IC 512K-BIT OTP 120-NS CMOS	M27C512-10C6	STMICROELECTRONICS
U106		5080-2553	PRGMD-ROM		
U106a	1	1818-5681	IC 512K-BIT OTP 120-NS CMOS	M27C512-10C6	STMICROELECTRONICS
U108	1	1818-4698	IC 64K-BIT SRAM 15-NS CMOS	CY7C185-15VI	CYPRESS SEMICONDUCTOR
U110, U111	2	1990-1502	OPTO-ISOLATOR LED-PDIO IF=8MA-MAX BVR=5V	HCPL-4503-000E	AVAGO TECHNOLOGIES
U112	1	1820-7680	IC ASYNCHRO COMMUNICATIONS INTFC ADAPT		
U113	1	1990-1074	OPTO-ISOLATOR LED-PXSTR IF 60MA-MAX	4N35-M	FAIRCHILD SEMICONDUCTOR
U114	1	1821-1479	IC 16-BIT MCU 16-MHZ CMOS 68-PLCC	C	INTEL
U115	1	1820-6176	IC INTERFACE XCVR BIPOLAR BUS OCTL	SN75ALS160DW	TEXAS INSTRUMENTS
U116	1	1820-4264	IC LCH TTL/ALS TRANSPARENT OCTL	DM74ALS573BWMX SN74ALS573CDW	FAIRCHILD SEMICONDUCTOR TEXAS INSTRUMENTS
U117	1	1822-0639	IC GPIB CONTROLLER	14063-501	AMIS SEMICONDUCTOR
U118	1	1820-4185	IC INTERFACE DRVR BIPOLAR LINE HIGH	DS3658N-NOPB	NATIONAL SEMICONDUCTOR
U119	1	5080-2274	PRGM-GAL, HPIB		
U121	1	1820-0430	IC PWR MGT-V-REG-FXD-POS 4.8/5.2V	LM309K STEEL-NOPB	NATIONAL SEMICONDUCTOR
U122	1	1820-6814	IC INTERFACE XCVR BIPOLAR INSTRUMENT BUS	SN75ALS161DW	TEXAS INSTRUMENTS
U123	1	1820-4291	IC GATE TTL/ALS NAND QUAD 2-INP	DM74ALS00AMX SN74ALS00AD	FAIRCHILD SEMICONDUCTOR TEXAS INSTRUMENTS
U124		5080-2550	PRGMD-GAL, HPIB		
U124a		5080-2551	PRGMD-ROM		
U124b	1	1818-5681	IC 512K-BIT OTP 120-NS CMOS	M27C512-10C6	STMICROELECTRONICS

5063-4823 GPIB Board Parts List

Reference Designator	QTY	Agilent P/N	Description	MPN	Manufacturer
VR102	1	1902-1802	DIODE-ZNR 11V PD=1.5W IR=1UA	1SMB5926B_G	ON SEMICONDUCTOR
VR103, VR104	2	1902-1609	DIODE-ZNR 6.2V 5pct PD=1.5W IR=5UA	1SMB5920BT3G	ON SEMICONDUCTOR
W101	1	1258-0209	JUMPER-REMOVABLE 2 POSITION; .250 IN	68786-202LF 382811-6	FCI FRAMATOME BERG TYCO ELECTRONICS AMP
XU106	1	1200-1593	SOCKET-IC-PLCC 32-CONT RECTGLR J-LEAD	3-822516-7 69802-_32	TYCO ELECTRONICS AMP FCI FRAMATOME BERG
Y101	1	0410-4055	CRYSTAL-QUARTZ 12.000 MHZ	MA-506 12.00MC-F FPXLF120 DMX3812.00MHZ-18 DMX3812.00MHZ-18	EPSON TOYOCOM FOX ELECTRONICS DAISHINKU AMERICA DAISHINKU

Manual Part Number: 5989-7047EN
Printed in U.S.A. May 2007
Copyright © 2007 Agilent Technologies, Inc. All Rights Reserved.

