

**Agilent E8401A
Component Level
Information**

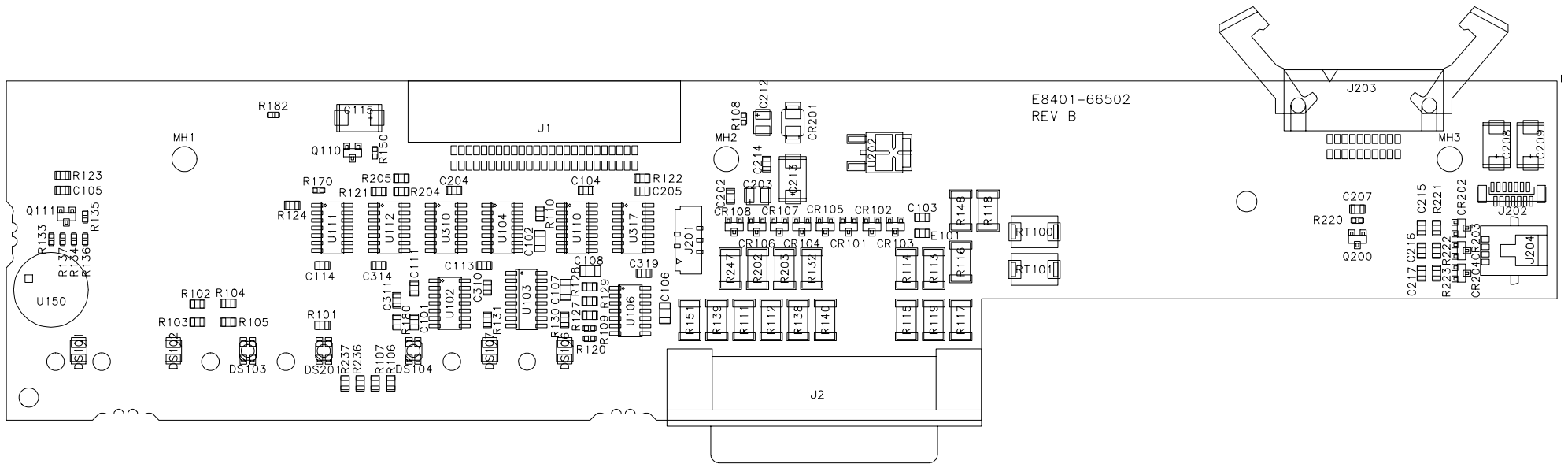
E8401A C-Size VXI Mainframe Component Level Information

Information in this packet applies to the following assemblies:

- 1. E8401-66502 PC Assembly**
- 1. E8401-66503 PC Assembly**
- 1. E8401-66504 PC Assembly**
- 1. E8401-66505 PC Assembly**
- 1. E8401-66512 PC Assembly**

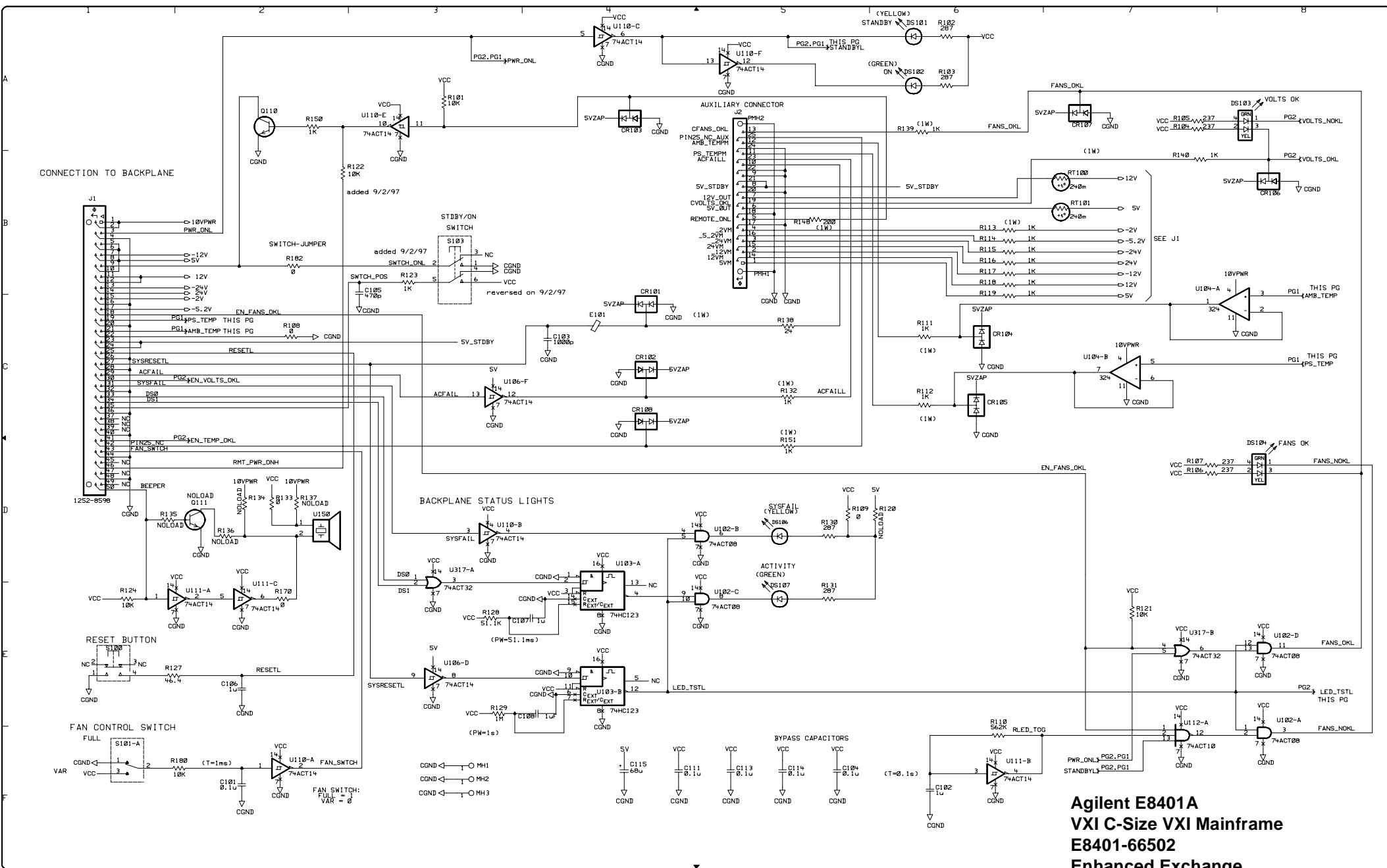
The following is included in this packet:

- 1. Component locators**
- 2. Schematics**
- 3. Parts lists with Agilent and manufacturer's part numbers**

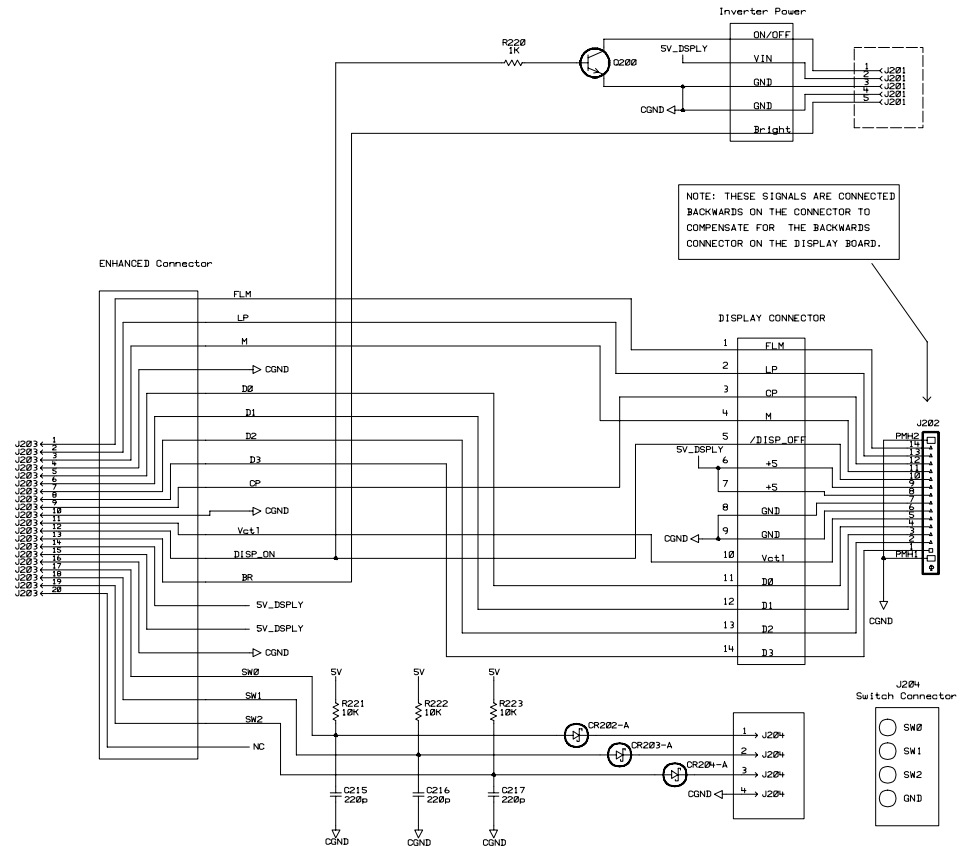
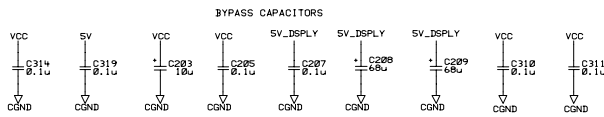
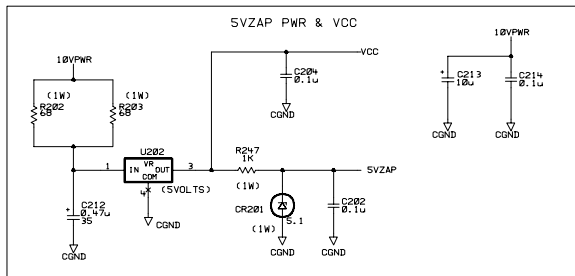
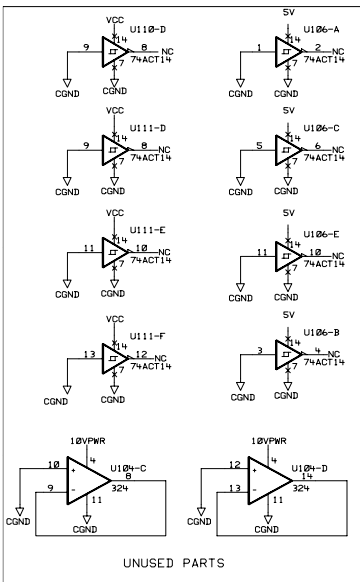
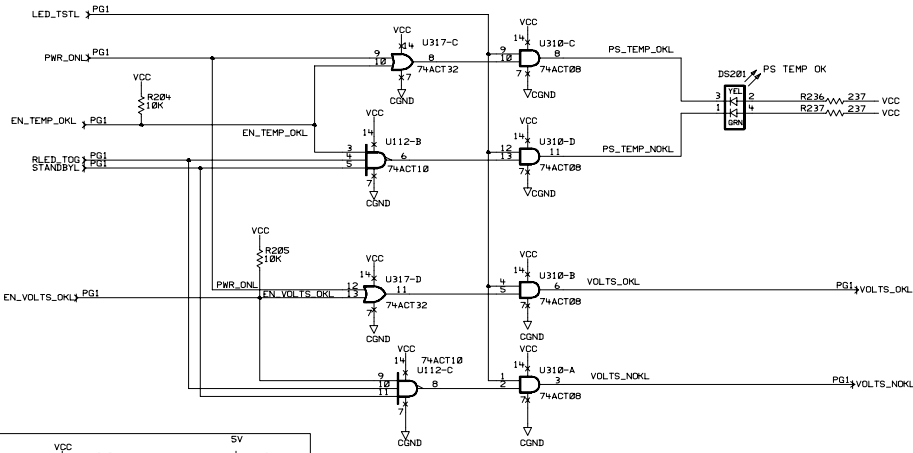


**Agilent E8401A
C-Size VXI Mainframe
E8401-66502**

Component Locator



**Agilent E801A
VXI C-Size VXI Mainframe
E801-66502
Enhanced Exchange**



**Agilent E8401A
VXI C-Size VXI Mainframe
E8401-66502
Enhanced Exchange**

E8401-66502 Parts List

Reference Designator	Qty	Agilent Part Number	Description	MPN	Manufacturer
BAG1	1	9222-1571	POUCH-STAT-DISS-SHLD POLYETH LAM ENV	77 WS 77 WS 77 WS	CORROBILT CONTAINER MARK CONTAINER SPECIALTY ENTERPRISES
C101,C104,C111,C113, C114,C202,C204,C205, C207,C214,C310,C311, C314,C319	14	0160-7798	CAP-FXD 0.1uF +-10PCT 50V CER X7R	08055C104KAT_A C0805C104K5RAC C2012X7R1H104K GRM21BR71H104KA11L NMC0805X7R104K50TRP VJ0805Y104KXAMT	AVX KEMET ELECTRONICS TDK MURATA MANUFACTURING NIC COMPONENTS VISHAY
C102,C106,C107,C108	4	0160-7736	CAP-FXD 1uF +-10PCT 16 V CER X7R	1206YC105KAT C1206C105K4RAC GRM31MR71C105KA01L	AVX KEMET ELECTRONICS MURATA MANUFACTURING
C103	1	0160-5947	CAP-FXD 1000pF +-10pct 50 V CER X7R	08055C102KAT A C0805C102K5RAC C2012X7R1H102K GRM216R71H102KA01D	AVX KEMET ELECTRONICS TDK MURATA MANUFACTURING
C105	1	0160-5950	CAP-FXD 470pF +-5pct 50 V CER C0G	08055A471JAT A C0805C471J5GAC C2012COG1H471J GRM2165C1H471JA01D VJ0805A471JXAMT	AVX KEMET ELECTRONICS TDK MURATA MANUFACTURING VISHAY
C115,C208,C209	3	0180-4559	CAP-FXD 68uF +-20pct 10 V TA	TAJD686M010R 293D686X0010D2E3 T491D686M010AS TCSCS1A686MDA	AVX VISHAY KEMET ELECTRONICS SAMSUNG
C203	1	0180-4577	CAPACITOR-FIXED 10uF +-20PCT 10V TA	TAJB106M010R 293D106X0010B2E3 ESVB21A106M T491B106M010AS	AVX VISHAY NEC ELECTRONICS KEMET ELECTRONICS
C212	1	0180-3750	CAP-FXD 0.47uF +-20PCT 35V TA	TAJB474M035 ESVB21V474M T491B474M035AS	AVX NEC ELECTRONICS KEMET ELECTRONICS
C213	1	0180-4287	CAP-FXD 10uF +-20PCT 35V TA	TAJD106M035 293D106X0035D2WE3 ESVD1V106M	AVX VISHAY NEC ELECTRONICS

E8401-66502 Parts List

Reference Designator	Qty	Agilent Part Number	Description	MPN	Manufacturer
C215,C216,C217	3	0160-5954	CAP-FXD 220pF +-5pct 50 V CER C0G	08055A221JAT A 223858016605 C0805C221J5GAC C2012COG1H221J GRM2165C1H221JA01D	AVX YAGEO KEMET ELECTRONICS TDK MURATA MANUFACTURING
CR101,CR102,CR103, CR104,CR105,CR106, CR107,CR108	8	1906-0291	DIODE-DUAL 70V 100MA T0-236AA	BAV99 BAV99 BAV99LT1G BAV99____X_ BAV99	PHILIPS FAIRCHILD SEMICONDUCTOR ON SEMICONDUCTOR INFINEON TECHNOLOGIES NXP
CR201	1	1902-1583	DIODE-ZNR 5.1V 5pct PD=1.5W IR=5UA	1SMB5918BT3G	ON SEMICONDUCTOR
CR202,CR203,CR204	3	1900-0074	DIODE-SCHOTTKY SM SIG	HSMS-2810- G	AVAGO TECHNOLOGIES
DS101,DS106	2	1990-2179	LED-LAMP LUM-INT=2.5MCD IF=30A-MAX	597-3401-207	DIALIGHT
DS102,DS107	2	1990-2180	LED-LAMP LUM-INT=4MCD IF=30MA-MAX BVR	597-3301-207	DIALIGHT
DS103,DS104,DS201	3	1990-2114	LED-LAMP LUM-INT=2.5MCD IF=30MA-MAX	597-7721-207	DIALIGHT
E101	1	9170-1808	CORE-SHIELDING BEAD	MMZ2012S800A	TDK
J1	1	1252-8598	CONN-POST TYPE 1.27-PIN-SPCG-MTG-END	81050-560203	3M
J2	1	1252-1201	CONN-RECT D-SUBMIN 25-CKT 25-CONT	5788800-1 DM11323-D4	TYCO ELECTRONICS AMP HON HAI PRECISION INDUSTRY
J201	1	1252-5305	CONN-POST TYPE 1-PIN-SPCG-MTG-END 5-C	00-6208-505-110-000	KYOCERA
J202	1	1253-0078	CONN-POST TYPE .5MM-PIN-SPCG-MTG-END	04-6214-014-010-800	KYOCERA
J203	1	1253-0110	CONN-POST TYPE 1.27-PIN-SPCG-MTG-END	81020-560203	3M
J204	1	1252-6246	CONN-POST TYPE .050-PIN-SPCG-MTG-END	5-104074-7	TYCO ELECTRONICS AMP
L101	1	7121-5459	LABEL-ANTISTATIC 2-IN-WD 3-IN-LG PPR	7121-5459 9035	SPECIALTY ENTERPRISES SANMINA-SCI
LBL2	1	7121-5729	LBL-LNE-PTR; 1.5-IN-WD X .25-IN-LG	THT-45-457-10	BRADY
Q110,Q200	2	1854-1037	TRANSISTOR NPN SI TO-236AA PD=350MW	MMBT3904 SST3904T116 MMBT3904LT1G	FAIRCHILD SEMICONDUCTOR ROHM ON SEMICONDUCTOR
R101,R121,R122,R124, R180,R204,R205,R221, R222,R223	10	0699-3051	RESISTOR 10K +-1pct .1W TKF TC 0+-100	CRCW080510K0FKE_ RK73H2AT_1002F MCR10__F1002 232273461003L MC08051002-FTW	VISHAY KOA ROHM YAGEO RCD COMPONENTS

E8401-66502 Parts List

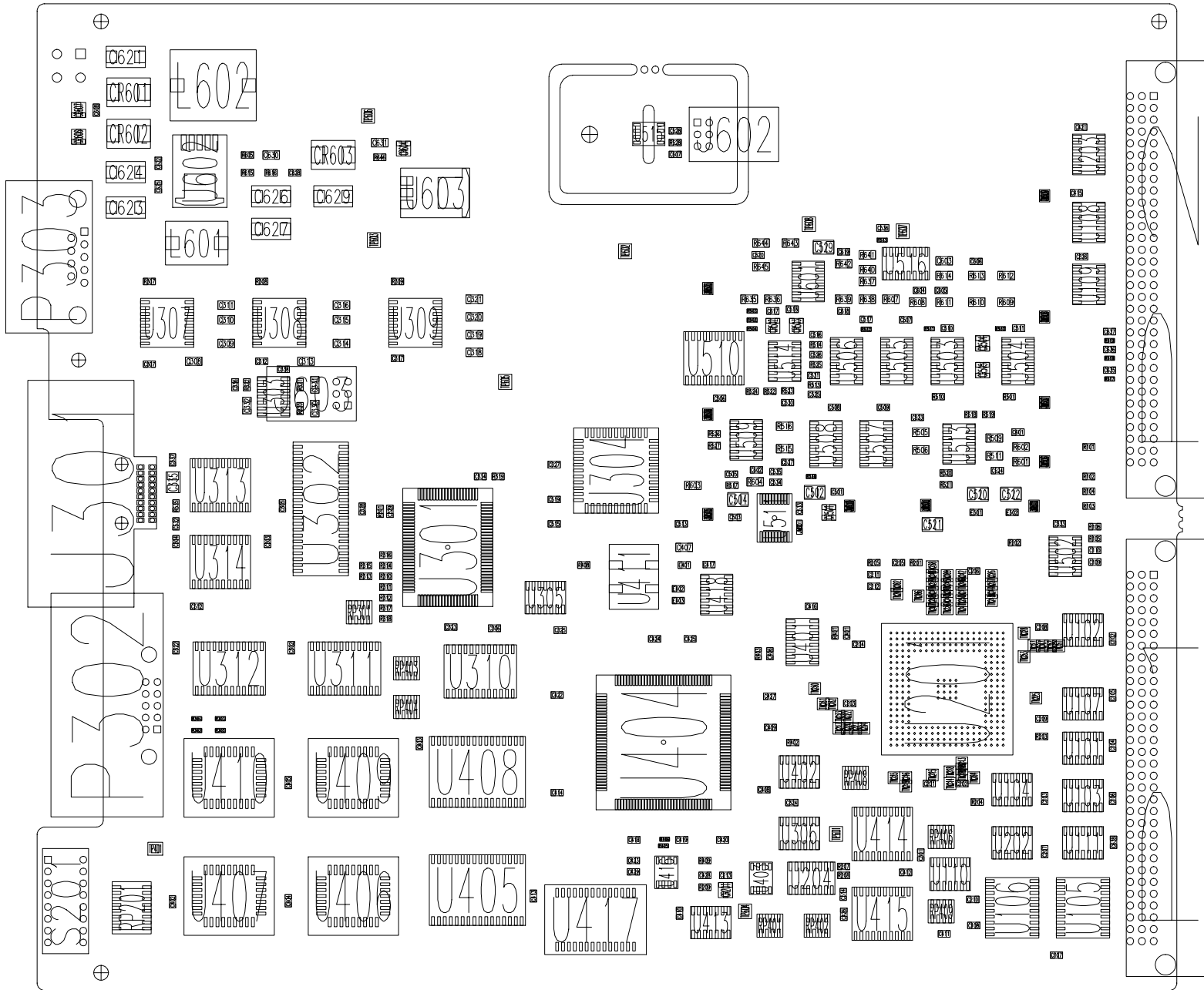
Reference Designator	Qty	Agilent Part Number	Description	MPN	Manufacturer
R102,R103,R130,R131	4	0699-3028	RESISTOR 287 +-1pct .1W TKF TC=0+-100	CRCW0805287RFKE_ RK73H2AT_2870F 232273462871L MCR10__F2870 MC08052870-FT	VISHAY KOA YAGEO ROHM RCD COMPONENTS
R104,R105,R106, R107,R236,R237	6	0699-3060	RESISTOR 237 +-1pct .1W TKF TC=0+-100	CRCW0805237RFKE_ RK73H2AT_2370F MCR10__F2370 232273462371 MC08052370-FT	VISHAY KOA ROHM YAGEO RCD COMPONENTS
R108,R109,R133, R170,R182	5	0699-3574	RESISTOR 0 .0625W TKF	CRCW06030000ZSE_ RK73Z1JT 232270296001L MCR03__J000 CJ10-000	VISHAY KOA YAGEO ROHM KYOCERA
R110	1	0699-3009	RESISTOR 562K +-1pct .1W TKF TC=0+-100	CRCW0805562KFKE_ RK73H2AT_5623F MCR10__F5623 232273465624 MC08055623-FT	VISHAY KOA ROHM YAGEO RCD COMPONENTS
R111,R112,R113,R114, R115,R116,R117,R118, R119,R132,R139,R140, R151,R247	14	0699-3408	RES-FXD 1 KOHM +-5PCT 1W TKF TC 0+-200	CRCW25121K00JNE_ MCR100__J102 RK73B3AT__102J	VISHAY ROHM KOA
R123	1	0699-3034	RESISTOR 1K +-1pct .1W TKF TC 0+-100	CRCW08051K00FKE_ RK73H2AT_1001F 232273461002L MCR10__F1001 MC08051001-FT	VISHAY KOA YAGEO ROHM RCD COMPONENTS
R127	1	0699-3831	RESISTOR 46.4 +-1pct .1W TKF TC 0+-100	CRCW080546R4FKE_ RK73H2AT_46R4F 232273464649L MCR10__F46R4 MC080546R4-FT	VISHAY KOA YAGEO ROHM RCD COMPONENTS
R128	1	0699-3073	RESISTOR 51.1K +-1pct .1W TKF TC=0+-100	CRCW080551K1FKE_ RK73H2AT_5112F MCR10__F5112 232273465113 MC08055112-FT	VISHAY KOA ROHM YAGEO RCD COMPONENTS

E8401-66502 Parts List

Reference Designator	Qty	Agilent Part Number	Description	MPN	Manufacturer
R129	1	0699-3077	RESISTOR 1M +-1pct .1W TKF TC=0+-100	CRCW08051M00FKE_ RK73H2AT_1004F MCR10___F1004 232273471005 MC08051004-FT	VISHAY KOA ROHM YAGEO RCD COMPONENTS
R138	1	0699-3760	RES-FXD 24 OHM +-5PCT 1W TKF TC 0+-200 2	MCR100___J240 RK73B3AT___240J	ROHM KOA
R148	1	0699-2697	RES-FXD 200 OHM +-5pct 1W TC=0+-200 2512	CRCW2512200RJNE_ RK73B3AT_201J MCR100___201	VISHAY KOA ROHM
R150,R220	2	0699-3947	RESISTOR 1K +-1pct .063W TKF TC=0+-200	CRCW06031K00FKE_ CR16-1001-FL RK73H1JT_1001F 2322704_1002L MCR03___FX1001 MC06031001-FT	VISHAY ASJ KOA YAGEO ROHM RCD COMPONENTS
R202,R203	2	0699-4288	RESISTOR 68 +-5pct 1W TKF TC=0+-200	CRCW251268R0JNE_ MCR100___J680	VISHAY ROHM
RT100,RT101	2	0837-0440	THERMISTOR-SWITCHING	SMD100F-2	TYCO INTERNATIONAL
S100	1	3101-2288	SWITCH-PB SPDT-NO MOM .25A 115 VAC	39-251 RED	GRAYHILL
S101	1	3101-3305	SWITCH-SL SPDT MINTR 0.4VA 20VAC PC TH	1101M2S4AV2BE2	ITT INDUSTRIES
S103	1	3101-2894	SWITCH-PB DPDTALTNG .01A 100 VAC	F2UEE AU	ITT INDUSTRIES
U102,U310	2	1820-5940	IC GATE CMOS/ACT AND QUAD 2-INP	MC74ACT08DG 74ACT08SCX.	ON SEMICONDUCTOR FAIRCHILD SEMICONDUCTOR
U103	1	1820-5054	IC MV CMOS/HC MONOSTBL RETRIG DUAL	MM74HC123AMX TC74HC123AFN	FAIRCHILD SEMICONDUCTOR TOSHIBA
U104	1	1826-1072	IC OP AMP GP QUAD 14 PIN PLSTC-SOIC	LM324D LM324D LM324M LM324DG	STMICROELECTRONICS TEXAS INSTRUMENTS NATIONAL SEMICONDUCTOR ON SEMICONDUCTOR
U106,U110,U111	3	1820-7312	IC SCHMITT-TRIG CMOS/ACT INV HEX	MC74ACT14DR2G SN74ACT14D	ON SEMICONDUCTOR TEXAS INSTRUMENTS
U112	1	1820-8820	IC GATE CMOS/ACT NAND TPL 3-INP	74ACT10SC MC74ACT10D_G	FAIRCHILD SEMICONDUCTOR ON SEMICONDUCTOR
U150	1	9164-0421	ALARM-AUDIBLE PIEZO ALARM PIN TYPE	PKM13EPYH40S2-B0	MURATA MANUFACTURING
U202	1	1826-1734	IC PWR MGT-V-REG-FXD-POS 4.8/5.2V 3 PINS	L78M05CDT-TR UA78M05CKTP MC78M05CDTRKG	STMICROELECTRONICS TEXAS INSTRUMENTS ON SEMICONDUCTOR

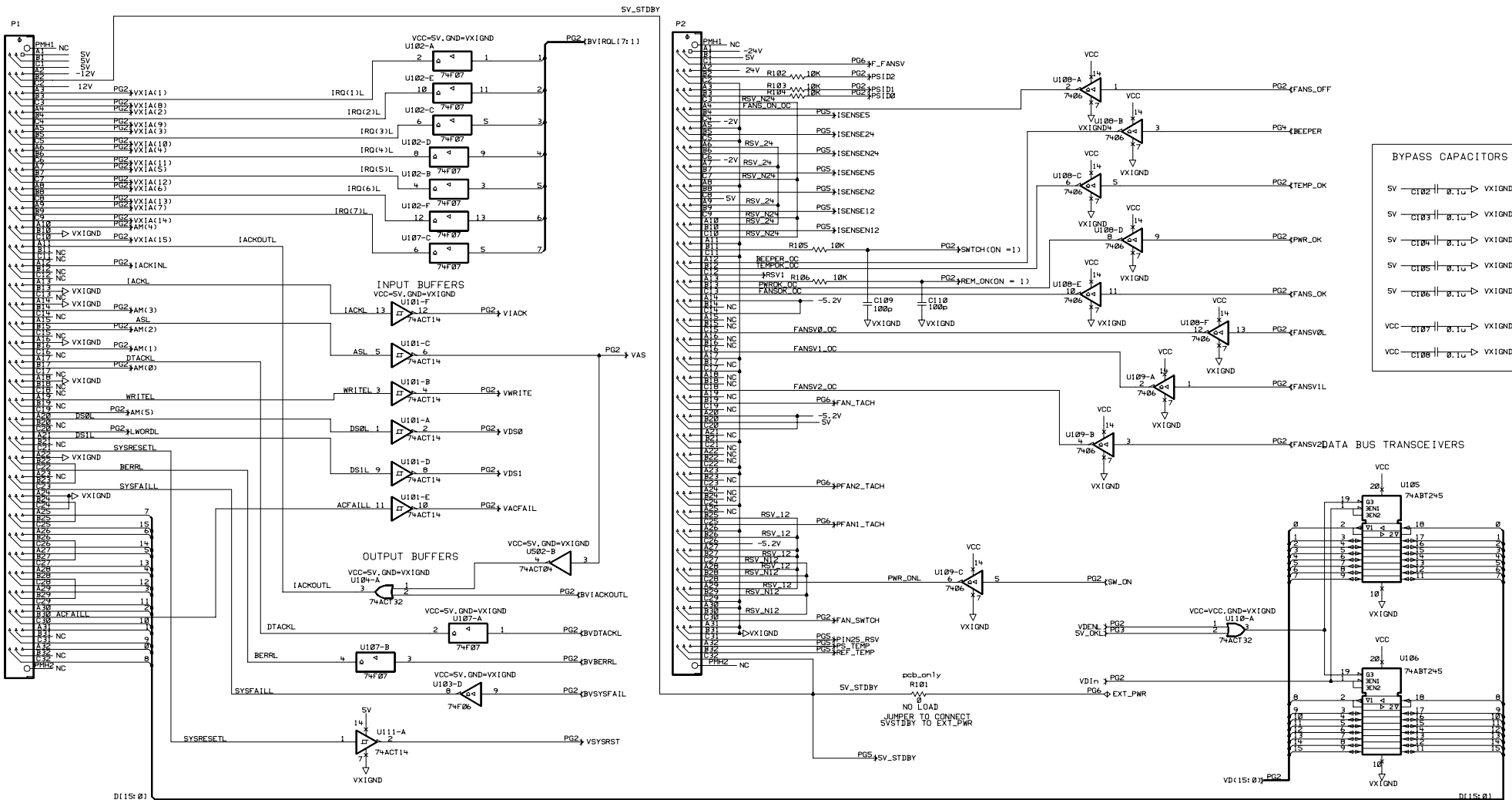
E8401-66502 Parts List

Reference Designator	Qty	Agilent Part Number	Description	MPN	Manufacturer
U317	1	1820-5944	IC GATE CMOS/ACT OR QUAD 2-INP	MC74ACT32DG 74ACT32SCX. CD74ACT32M	ON SEMICONDUCTOR FAIRCHILD SEMICONDUCTOR TEXAS INSTRUMENTS
XDS101	1	1000-1117	LENS ARY LED LIGHT PIPE; 1 ARRAY; 5 MM	515-1011	DIALIGHT
XDS102, XDS104	2	1000-1118	LENS ARY LED LIGHT PIPE; 3 ARRAY; 5 MM	515-1010	DIALIGHT
XS103	1	5041-0564	KEY, QUARTER	5041-0564	MOS PLASTICS
	x	4093-0769	MOLDING COMPOUND ABS CW	CYCOLAC T-2-22569 CYCOLAC T-22596	UBE CYCON GENERAL ELECTRIC
	1	E8401-26502	BLANK PC BOARD		

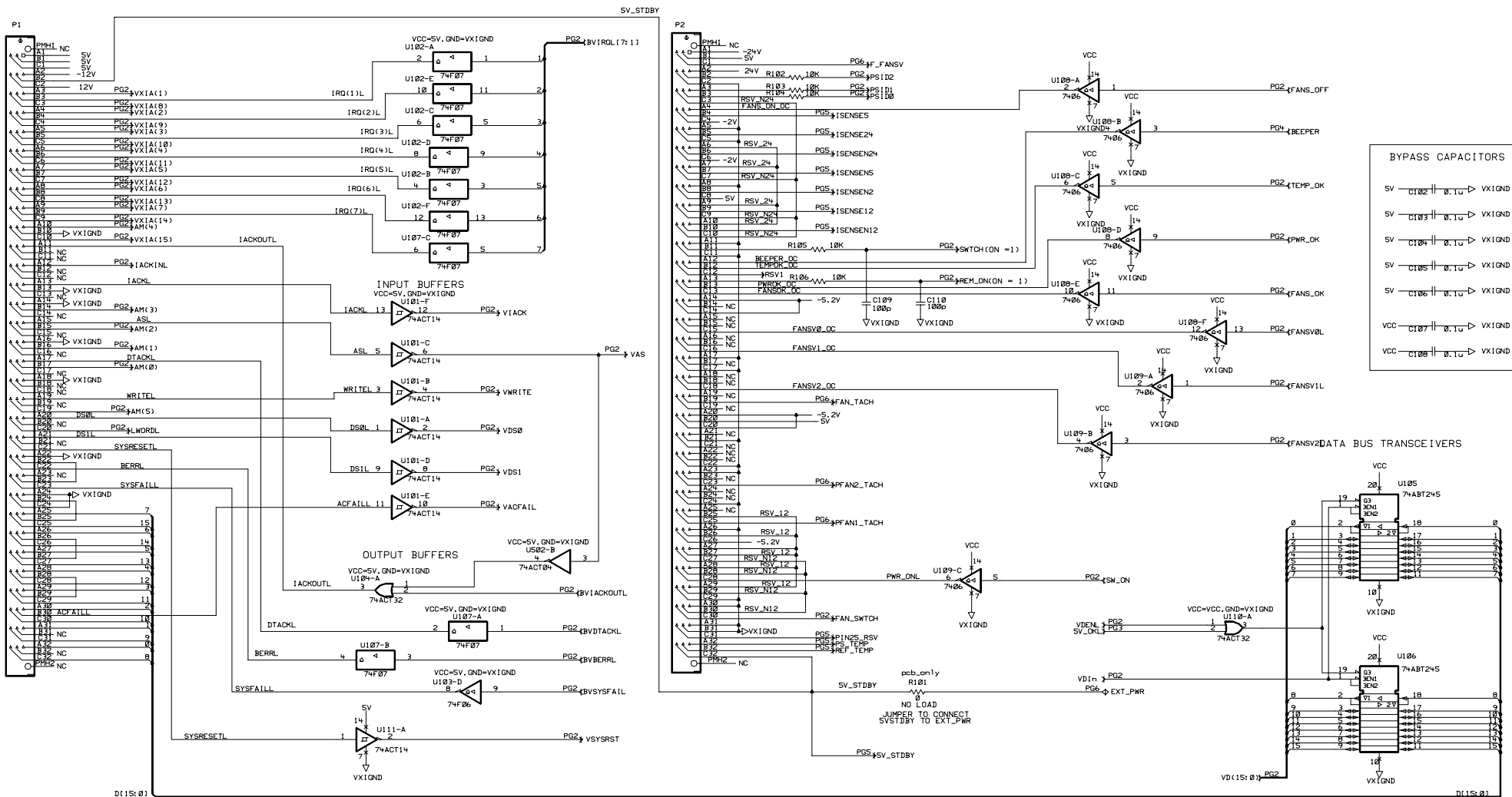


Agilent E8401A
 VXI C-Size VXI Mainframe
 E8401-66503

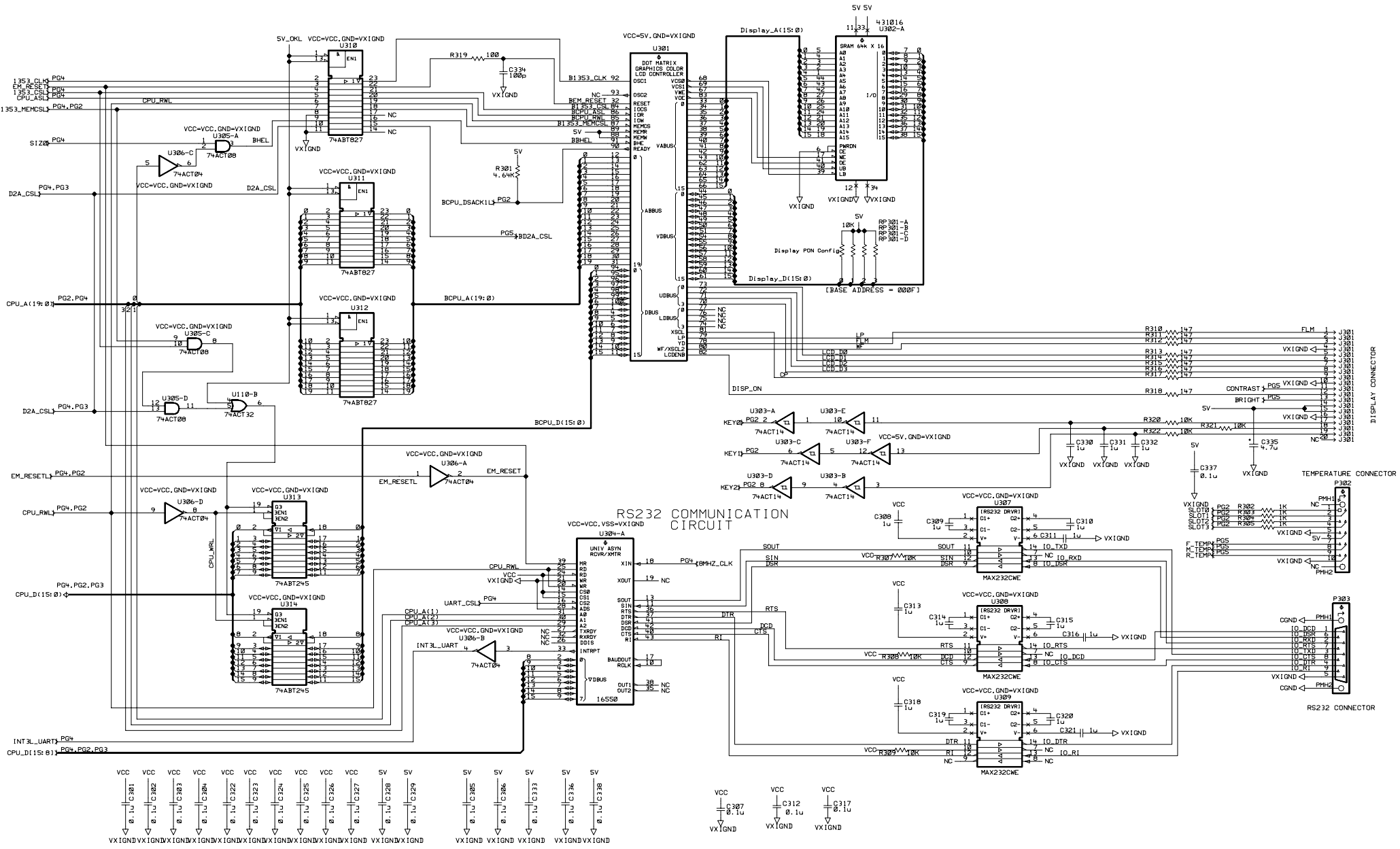
Component Locator



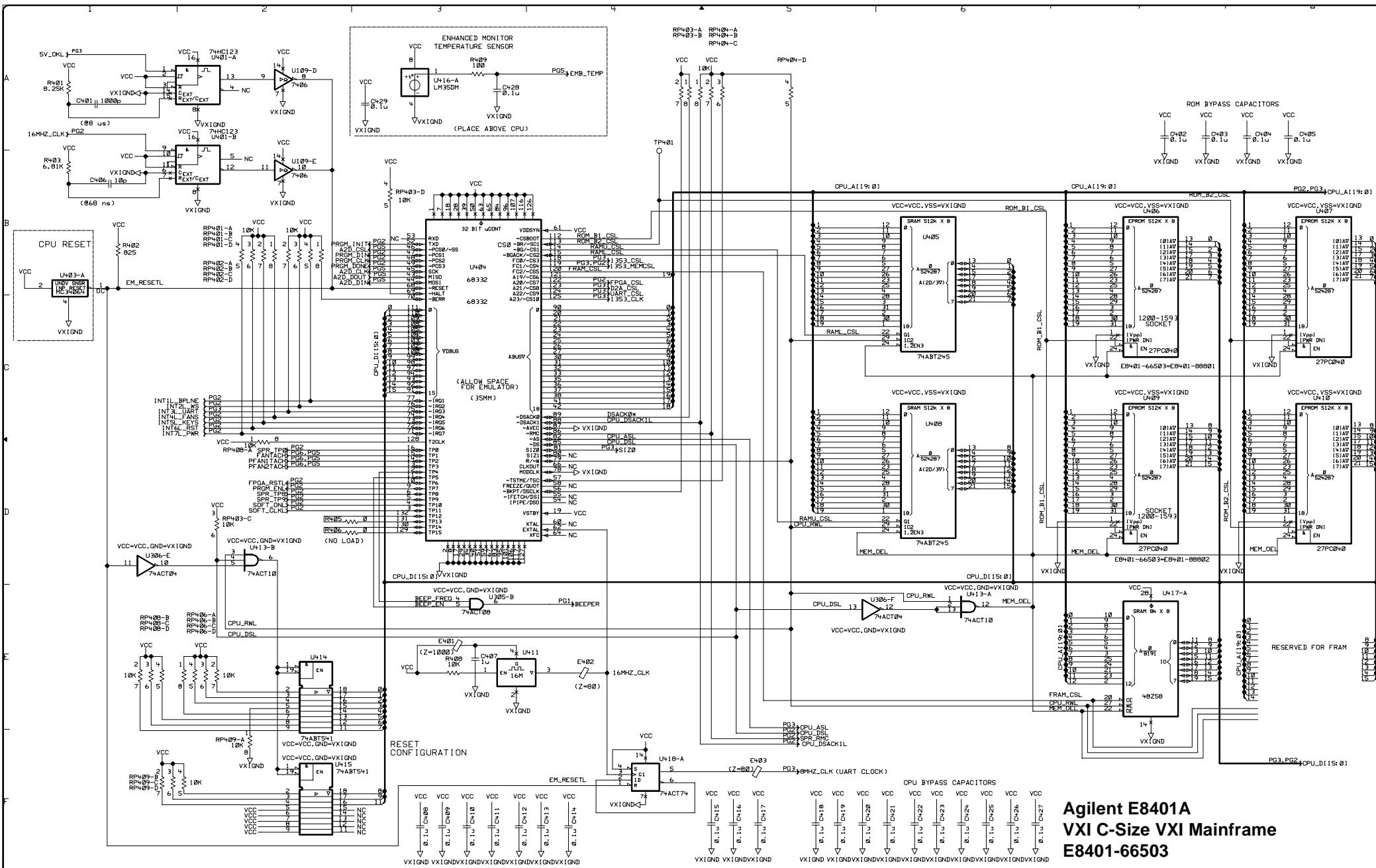
**Agilent E8401A
VXI C-Size VXI Mainframe
E8401-66503**



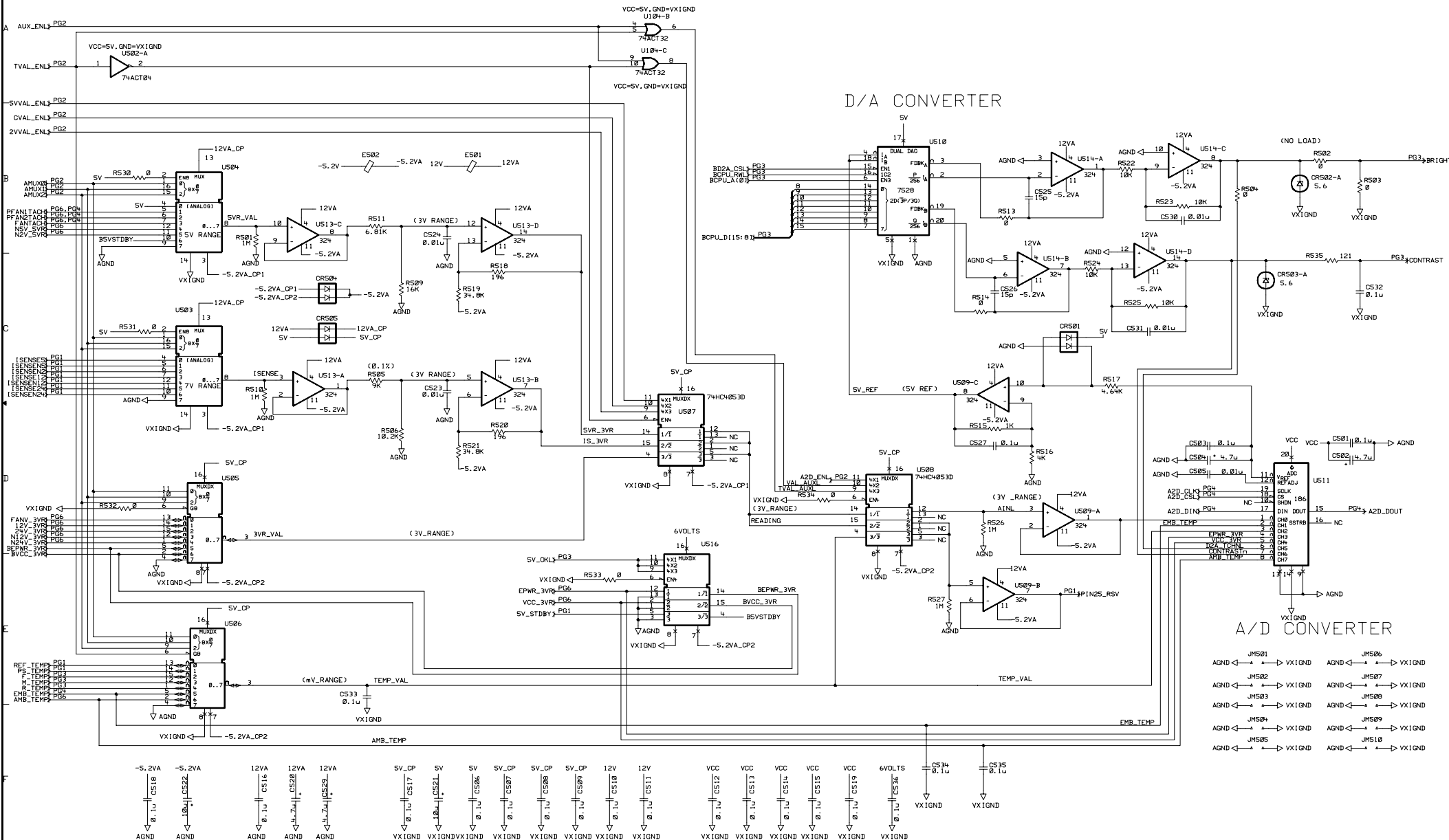
**Agilent E8401A
VXI C-Size VXI Mainframe
E8401-66503**



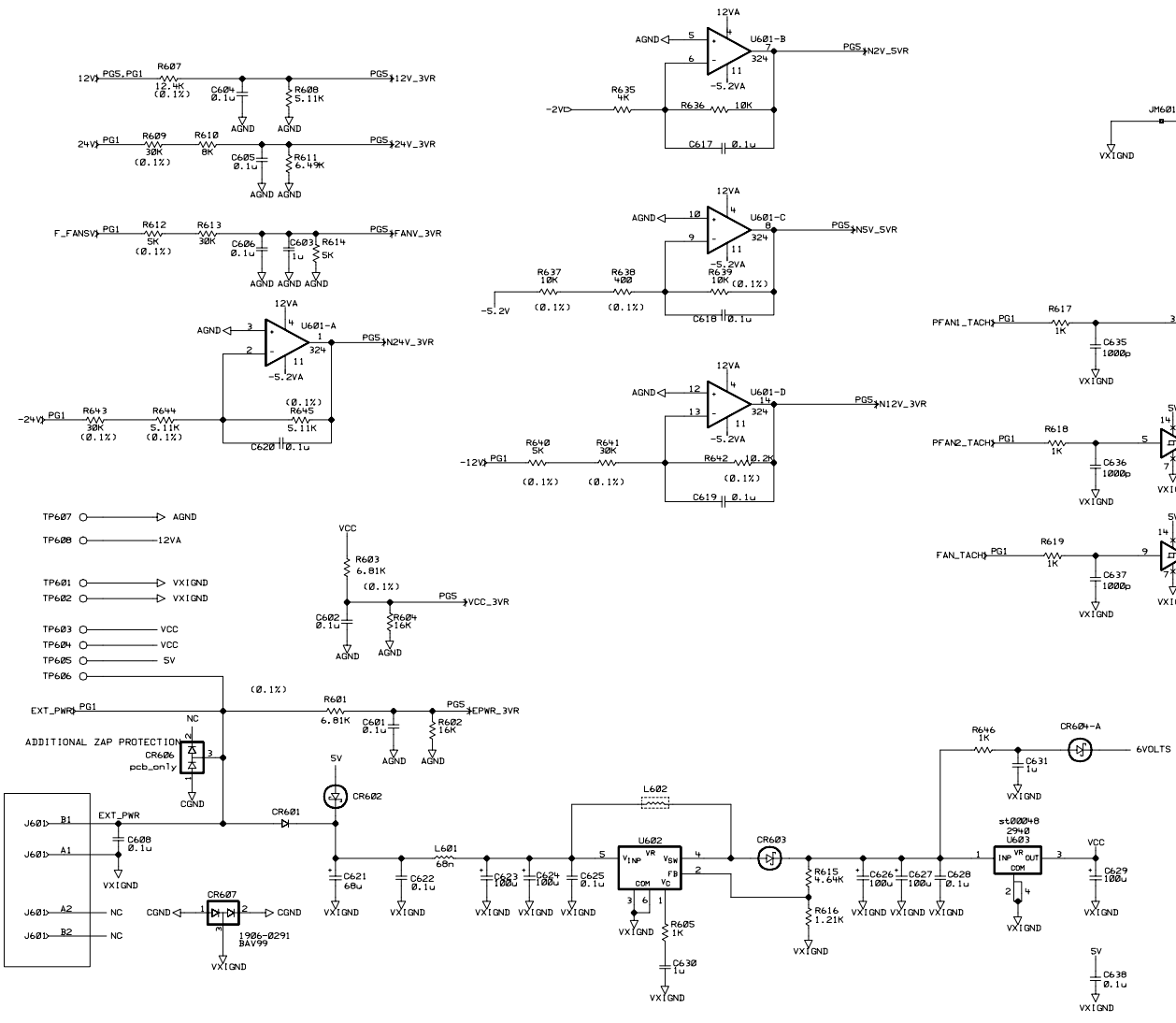
Agilent E8401A
 VXI C-Size VXI Mainframe
 E8401-66503



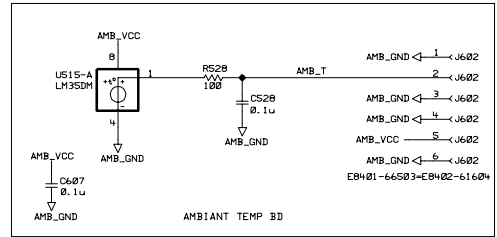
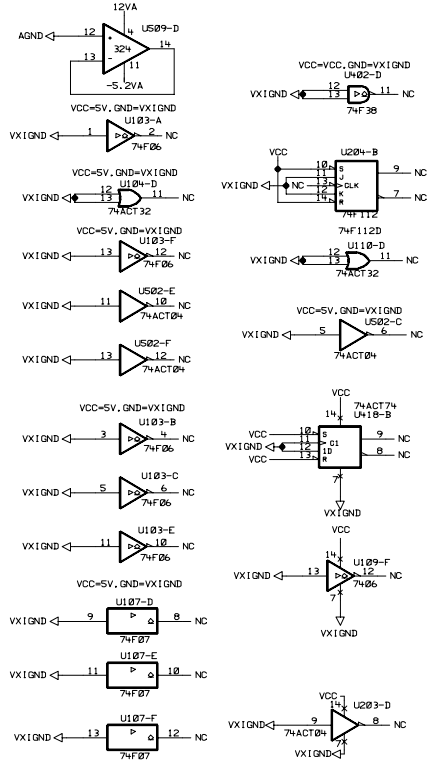
Agilent E8401A
VXI C-Size VXI Mainframe
E8401-66503



Agilent E8401A
 VXI C-Size VXI Mainframe
 E8401-66503



UNUSED PARTS



**Agilent E8401A
VXI C-Size VXI Mainframe
E8401-66503 Power Supplies**

E8401-66503 Parts List

Reference Designator	Qty	Agilent Part Number	Description	MPN	Manufacturer
BAG1	1	9222-1570	POUCH-STAT-DISS-SHLD POLYETH LAM ENV	77 WS 77 WS 77 WS	CORROBILT CONTAINER MARK CONTAINER SPECIALTY ENTERPRISES
C102-C108,C201-C213,C301-C307,C312,C317,C322-C329,C333,C336-C338,C402-C405,C408-C429,C501,C503,C506-C519,C527,C528,C532-C536,C601,C602,C604-C608,C617-C620,C622,C625,C628,C638	105	0160-7798	CAP-FXD 0.1uF +-10PCT 50V CER X7R	08055C104KAT_A C0805C104K5RAC C2012X7R1H104K GRM21BR71H104KA11L NMC0805X7R104K50TRP VJ0805Y104KXAMT	AVX KEMET ELECTRONICS TDK MURATA MANUFACTURING NIC COMPONENTS VISHAY
C109,C110,C334	3	0160-5967	CAP-FXD 100pF +-5pct 50 V CER C0G	08055A101JAT A C0805C101J5GAC C2012COG1H101J GRM2165C1H101JA01D VJ0805A101JXAMT	AVX KEMET ELECTRONICS TDK MURATA MANUFACTURING VISHAY
C308,C309,C310,C311,C313,C314,C315,C316,C318,C319,C320,C321,C330,C331,C332,C407,C603,C630,C631	19	0160-7736	CAP-FXD 1uF +-10PCT 16 V CER X7R	1206YC105KAT C1206C105K4RAC GRM31MR71C105KA01L	AVX KEMET ELECTRONICS MURATA MANUFACTURING
C335,C502,C504,C520,C529	5	0180-4545	CAPACITOR-FIXED 4.7uF +-20pct 20V TA	TAJB475M020 293D475X0020B2TE3 T491B475M020AS	AVX VISHAY KEMET ELECTRONICS
C401	1	0160-5947	CAP-FXD 1000pF +-10pct 50 V CER X7R	08055C102KAT A C0805C102K5RAC C2012X7R1H102K GRM216R71H102KA01D	AVX KEMET ELECTRONICS TDK MURATA MANUFACTURING
C406	1	0160-5975	CAP-FXD 10pF +-5pct 50 V CER C0G	08055A100JAT A C0805C100J5GAC GRM2165C1H100JD01D	AVX KEMET ELECTRONICS MURATA MANUFACTURING

E8401-66503 Parts List

Reference Designator	Qty	Agilent Part Number	Description	MPN	Manufacturer
C505,C523,C524, C530,C531	5	0160-5945	CAP-FXD 0.01uF +-10pct 50 V CER X7R	08055C103KAT A 223858016627 C0805C103K5RAC C2012X7R1H103K GRM216R71H103KA01J VJ0805Y103KXAMT	AVX YAGEO KEMET ELECTRONICS TDK MURATA MANUFACTURING VISHAY
C521,C522	2	0180-4577	CAPACITOR-FIXED 10uF +-20PCT 10V TA	TAJB106M010R 293D106X0010B2E3 ESVB21A106M T491B106M010AS	AVX VISHAY NEC ELECTRONICS KEMET ELECTRONICS
C525,C526	2	0160-5962	CAP-FXD 15pF +-5pct 50 V CER C0G	08055A150JAT A C0805C150J5GAC C2012COG1H150J GRM2165C1H150JD01D	AVX KEMET ELECTRONICS TDK MURATA MANUFACTURING
C621	1	0180-4559	CAP-FXD 68uF +-20pct 10 V TA	TAJD686M010R 293D686X0010D2E3 T491D686M010AS TCSCS1A686MDA	AVX VISHAY KEMET ELECTRONICS SAMSUNG
C623,C624,C626, C627,C629	5	0180-4538	CAP-FXD 100uF +-20PCT 10 V TA	TPSE107M010R0125 T495X107M010ASE100	AVX KEMET ELECTRONICS
C635,C636,C637	3	0160-7758	CAP-FXD 1000pF +-1pct 50 V CER C0G	08055A102FATMA C0805C102F5GAC	AVX KEMET ELECTRONICS
CR201,CR607	2	1906-0291	DIODE-DUAL 70V 100MA TO-236AA	BAV99 BAV99 BAV99LT1G BAV99 ____X_ BAV99	PHILIPS FAIRCHILD SEMICONDUCTOR ON SEMICONDUCTOR INFINEON TECHNOLOGIES NXP
CR501,CR504, CR505	3	1906-0395	DIODE-DUAL 75V TO-253	BAS28 BAS28 ____X_ BAS28	PHILIPS INFINEON TECHNOLOGIES NXP
CR502,CR503	2	1902-1424	DIODE-ZNR 5.6V 5pct TO-236 (SOT-23)	BZX84C5V6 BZX84C5V6 BZX84C5V6	FERRANTI PHILIPS NXP
CR601	1	1901-1375	DIODE-PWR RECT 400V 3A 75NS	MURS340T3G	ON SEMICONDUCTOR
CR602,CR603	2	1901-1366	DIODE-PWR-S 40V 4A	SS34-E3/57T SK34 MBRS340T3G	VISHAY VISHAY LITEON DIODES ON SEMICONDUCTOR
CR604	1	1900-0074	DIODE-SCHOTTKY SM SIG	HSMS-2810-__G	AVAGO TECHNOLOGIES

E8401-66503 Parts List

Reference Designator	Qty	Agilent Part Number	Description	MPN	Manufacturer
E401,E501,E502	3	9170-1584	CORE-SHIELDING BEAD	BLM21BY102SN1D FCM2012G-102 MMZ2012Y102B	MURATA MANUFACTURING TAI-TECH ADVANCED TDK
E402,E403	2	9170-1808	CORE-SHIELDING BEAD	MMZ2012S800A	TDK
J301	1	1253-0110	CONN-POST TYPE 1.27-PIN-SPCG-MTG-END	81020-560203	3M
J601	1	0360-2649	TERMINAL STRIP 4-TERM DIP SOLDER POLYA	25.751.3253.0	WIELAND
J602	1	E8402-61604	CBL-6P RIBBON		
L601	1	9140-1780	IDCTR-FXD 68uH +-20PCT .37WX.51LG-IN SMT	DT3316P-683ML_	COILCRAFT
L602	1	9140-2329	INDUCTOR 68uH +20pct -20pct SHIELDED	DS5022P-683ML_	COILCRAFT
LBL1	1	7121-5459	LABEL-ANTISTATIC 2-IN-WD 3-IN-LG PPR	7121-5459 9035	SPECIALTY ENTERPRISES SANMINA-SCI
LBL2	x	7121-5729	LBL-LNE-PTR; 1.5-IN-WD X .25-IN-LG	THT-45-457-10	BRADY
LBL3	x	7121-8049	LABEL-LINE PRINTER	7121-8049	EPC IDENTIFICATION SYSTEMS
MP1	1	5040-6843	BOARD EXTRACTOR	5040-6843	MOS PLASTICS
MP2	1	5000-9043	EXTRACTOR PIN	5000-9043	MOS PLASTICS
P1,P2	2	1252-1596	CONN-POST TYPE 2.54-PIN-SPCG-MTG-END	10-8557-096-002-025 536010-5 DIN-96CPC-SRI-TR	KYOCERA TYCO ELECTRONICS AMP 3M
P302	1	1252-5017	CONN-POST TYPE .100-PIN-SPCG-MTG-END	N3793-5202RB	3M
P303	1	1252-1994	CONN-RECT D-SUBMIN 9-CKT 9-CONT	5788792-1 DM10123-D4	TYCO ELECTRONICS AMP HON HAI PRECISION INDUSTRY
R102,R103,R104, R105,R106,R201, R203,R204,R207, R208,R307,R308, R309,R320,R321, R322,R408,R522, R523,R524,R525	21	0699-3051	RESISTOR 10K +-1pct .1W TKF TC 0+-100	CRCW080510K0FKE_ RK73H2AT_1002F MCR10___F1002 232273461003L MC08051002-FTW	VISHAY KOA ROHM YAGEO RCD COMPONENTS

E8401-66503 Parts List

Reference Designator	Qty	Agilent Part Number	Description	MPN	Manufacturer
R202,R513,R514	3	0699-2643	RES-FXD 0 OHM +-5PCT .1W TC 0+-300	CRCW08050000ZSE_ CR21-000-ZL MCR10___J000 RK73Z2AT 232273091002L ZC0805-TW	VISHAY ASJ ROHM KOA YAGEO RCD COMPONENTS
R205,R605,R646	3	0699-3034	RESISTOR 1K +-1pct .1W TKF TC 0+-100	CRCW08051K00FKE_ RK73H2AT_1001F 232273461002L MCR10___F1001 MC08051001-FT	VISHAY KOA YAGEO ROHM RCD COMPONENTS
R209	1	0699-3053	RESISTOR 100K +-1pct .1W TKF TC=0+-100	CRCW0805100KFKE_ RK73H2AT_1003F MCR10___F1003 232273461004 MC08051003-FT	VISHAY KOA ROHM YAGEO RCD COMPONENTS
R301,R517,R615	3	0699-3044	RESISTOR 4.64K +-1pct .1W TKF TC=0+-100	CRCW08054K64FKE_ RK73H2AT_4641F 232273464642L MCR10___F4641 MC08054641-FT	VISHAY KOA YAGEO ROHM RCD COMPONENTS
R302,R303,R304, R305,R617,R618, R619	7	0699-3947	RESISTOR 1K +-1pct .063W TKF TC=0+-200	CRCW06031K00FKE_ CR16-1001-FL RK73H1JT_1001F 2322704_1002L MCR03___FX1001 MC06031001-FT	VISHAY ASJ KOA YAGEO ROHM RCD COMPONENTS
R310,R311,R312, R313,R314,R315, R316,R317,R318	9	0699-2971	RESISTOR 147 +-1pct .1W TKF TC=0+-100	CRCW0805147RFKE_ RK73H2AT_1470F 232273461471L MCR10___F1470 MC08051470-FT	VISHAY KOA YAGEO ROHM RCD COMPONENTS
R319,R409,R528	3	0699-3058	RESISTOR 100 +-1pct .1W TKF TC 0+-100	CRCW0805100RFKE_ RK73H2AT_1000F 232273461001L MCR10___F1000	VISHAY KOA YAGEO ROHM

E8401-66503 Parts List

Reference Designator	Qty	Agilent Part Number	Description	MPN	Manufacturer
R401	1	0699-3049	RESISTOR 8.25K +-1pct .1W TKF TC=0+-100	CRCW08058K25FKE_ RK73H2AT_8251F MCR10___F8251 232273478252 MC08058251-FT	VISHAY KOA ROHM YAGEO RCD COMPONENTS
R402	1	0699-3063	RES-FXD 825 OHM +-1PCT 0.1W TC 0+-100 0	CRCW0805825RFKE_ 232273468251L RK73H2AT_8250F MCR10___F8250 MC08058250-FT	VISHAY YAGEO KOA ROHM RCD COMPONENTS
R403	1	0699-3047	RESISTOR 6.81K +-1PCT .1W TKF TC=0+-100	CRCW08056K81FKE_ RK73H2AT_6811F MCR10___F6811 232273466812 MC08056811-FT	VISHAY KOA ROHM YAGEO RCD COMPONENTS
R501,R510,R526, R527	4	0699-3077	RESISTOR 1M +-1pct .1W TKF TC=0+-100	CRCW08051M00FKE_ RK73H2AT_1004F MCR10___F1004 232273471005 MC08051004-FT	VISHAY KOA ROHM YAGEO RCD COMPONENTS
R503,R504,R530, R531,R532,R533, R534	7	0699-3574	RESISTOR 0 .0625W TKF	CRCW06030000ZSE_ RK73Z1JT 232270296001L MCR03___J000 CJ10-000	VISHAY KOA YAGEO ROHM KYOCERA
R505	1	0699-2841	RESISTOR 9K +-0.1pct .125W TF TC=0+-25	RN732BT_9001B25 BLU-1206 9K .1% 25PPM MCA1206-25 0, 1% P5 9K TNPW12069001BT-9 W1206R039001BT	KOA RCD COMPONENTS VISHAY BC COMPONENTS VISHAY TT ELECTRONICS

E8401-66503 Parts List

Reference Designator	Qty	Agilent Part Number	Description	MPN	Manufacturer
R506,R642	2	0699-3674	RES-FXD 10.2K +-0.1PCT .125W TC 0+-25	BLU-1206 10K2 .1% 25PPM MCA1206-25 0, 1% P5 10.2K PTN1206E1022BB W1206-R03-1022-B	RCD COMPONENTS VISHAY BC COMPONENTS VISHAY TT ELECTRONICS
R509,R602,R604	3	0699-2937	RESISTOR 16K +-0.1pct .125W TF TC=0+-25	RN732BT_1602B25 BLU-1206 16K .1% 25PPM MCA1206-25 0, 1% P5 16K MCA1206-25 0, 1% P5 16K W1206R031602B	KOA RCD COMPONENTS VISHAY BC COMPONENTS VISHAY TT ELECTRONICS
R511,R601,R603	3	0699-2719	RES-FXD 6.81K +-0.1PCT .125W TC 0+-25	RN732BT_6811B25 W1206R036811BT	KOA TT ELECTRONICS
R515	1	0699-2490	RESISTOR 1K +-0.1pct .125W TF TC=0+-25	RN732BT_1001B25 BLU-1206 1K .1% 25PPM MCA1206-25 0, 1% P5 1K MCA1206-25 0, 1% P5 1K PCF-W1206R031001BT	KOA RCD COMPONENTS VISHAY BC COMPONENTS VISHAY TT ELECTRONICS
R516,R635	2	0699-2483	RESISTOR 4K +-0.1pct .125W TF TC=0+-25	RN732BTTE4001B25 BLU-1206 4K .1% 25PPM MCA1206-25 0, 1% P5 4K MCA1206-25 0, 1% P5 4K W1206R034001BT	KOA RCD COMPONENTS VISHAY BC COMPONENTS VISHAY TT ELECTRONICS
R518,R520	2	0699-3027	RESISTOR 196 +-1pct .1W TKF TC=0+-100	CRCW0805196RFKE_ RK73H2AT_1960F MCR10__F1960 232273461961 MC08051960-FT	VISHAY KOA ROHM YAGEO RCD COMPONENTS
R519,R521	2	0699-3072	RESISTOR 34.8K +-1pct .1W TKF TC=0+-100	CRCW080534K8FKE_ 2322734_3483 RK73H2AT_3482F MCR10__F3482	VISHAY YAGEO KOA ROHM

E8401-66503 Parts List

Reference Designator	Qty	Agilent Part Number	Description	MPN	Manufacturer
R535	1	0699-2963	RESISTOR 121 +-1pct .1W TKF TC=0+-100	CRCW0805121RFKE_ RK73H2AT_1210F MCR10__F1210 232273461211 MC08051210-FT	VISHAY KOA ROHM YAGEO RCD COMPONENTS
R607	1	0699-3602	RESISTOR 12.4K +-0.1pct .125W TF TC=0+-25	RN732BT_1242B25 BLU-1206 12K4 .1% 25PPM MCA1206-25 0, 1% P5 12.4K PTN1206E1242BB W1206R03-1242B	KOA RCD COMPONENTS VISHAY BC COMPONENTS VISHAY TT ELECTRONICS
R608,R644,R645	3	0699-2720	RESISTOR 5.11K +-0.1pct .125W TF TC=0+-25	RN732BT_5111B25 BLU-1206 5110 .1% 25PPM W1206R035111BT	KOA RCD COMPONENTS TT ELECTRONICS
R609,R613,R641, R643	4	0699-2837	RESISTOR 30K +-0.1pct .125W TF TC=0+-25	RN732BT_3002B25 BLU-1206 30K .1% 25PPM MCA1206-25 0, 1% P5 30K PTN1206E3002BB W1206R033002BT	KOA RCD COMPONENTS VISHAY BC COMPONENTS VISHAY TT ELECTRONICS
R610	1	0699-2823	RESISTOR 8K +-0.1pct .125W TF TC=0+-25	RN732BT_8001B25 BLU-1206 8K .1% 25PPM MCA1206-25 0, 1% P5 8K PFC-W1206R-03-8001-B PTN1206E8001BB	KOA RCD COMPONENTS VISHAY BC COMPONENTS TT ELECTRONICS VISHAY
R611	1	0699-3133	RESISTOR 6.49K +-0.1pct .125W TF TC=0+-25	RN732BT_6491B25 BLU-1206 6K49 .1% 25PPM PTN1206E6491BB W1206R036491B	KOA RCD COMPONENTS VISHAY TT ELECTRONICS

E8401-66503 Parts List

Reference Designator	Qty	Agilent Part Number	Description	MPN	Manufacturer
R612,R614,R640	3	0699-2846	RESISTOR 5K +-0.1pct .125W TF TC=0+-25	RN732BT_5001B25 2322741X5002 BLU-1206 5K .1% 25PPM MCA1206-25 0, 1% P5 5K TNPW12065001BT-9 W1206R035001BT	KOA YAGEO RCD COMPONENTS VISHAY BC COMPONENTS VISHAY TT ELECTRONICS
R616	1	0699-2979	RESISTOR 1.21K +-1pct .1W TKF TC=0+-100	CRCW08051K21FKE_ RK73H2AT_1211F MCR10__F1211 232273461212 MC08051211-FT	VISHAY KOA ROHM YAGEO RCD COMPONENTS
R636,R637,R639	3	0699-2489	RESISTOR 10K +-0.1pct .125W TF TC=0+-25	RN732BT_1002B25 BLU-1206 10K .1% 25PPM MCA1206-25 0, 1% P5 10K MCA1206-25 0, 1% P5 10K PCF-W1206R031002BT	KOA RCD COMPONENTS VISHAY BC COMPONENTS VISHAY TT ELECTRONICS
R638	1	0699-2834	RESISTOR 400 +-0.1pct .125W TF TC=0+-25	RN732BT_4000B25 BLU-1206 400R .1% 25PPM MCA1206-25 0, 1% P5 400R W1206R034000BT TNPW1206400RBEE_	KOA RCD COMPONENTS VISHAY BC COMPONENTS TT ELECTRONICS VISHAY DALE ELECTRONICS
RP201	1	1810-1128	NET-RES 15 4.7K OHM 16-PIN	767161472G SOMC16-01-472G 4816P-2-472LF	CTS VISHAY BOURNS
RP301,RP401, RP402,RP403, RP404,RP406, RP408,RP409	8	1810-1580	NET-RES 4 10.0K OHM 8-PIN	CN2B4T_103J MNR34J5ABJ103	KOA ROHM
RVT1,RVT2,RVT3, RVT4,RVT5,RVT6	6	0361-1393	RIVET-BLIND DR-PIN UNIV-HD .098DIA	1189-2510	TEXTRON
S201	1	3101-2243	SWITCH-DIP RKR 8-1A 0.05A 30VDC	76YY22318ST	GRAYHILL
U101,U111,U303	3	1820-7312	IC SCHMITT-TRIG CMOS/ACT INV HEX	MC74ACT14DR2G SN74ACT14D	ON SEMICONDUCTOR TEXAS INSTRUMENTS
U102,U107	2	1820-7332	IC DRVR TTL/F INV HEX 14-SOIC	N74F07D N74F07D	PHILIPS NXP

E8401-66503 Parts List

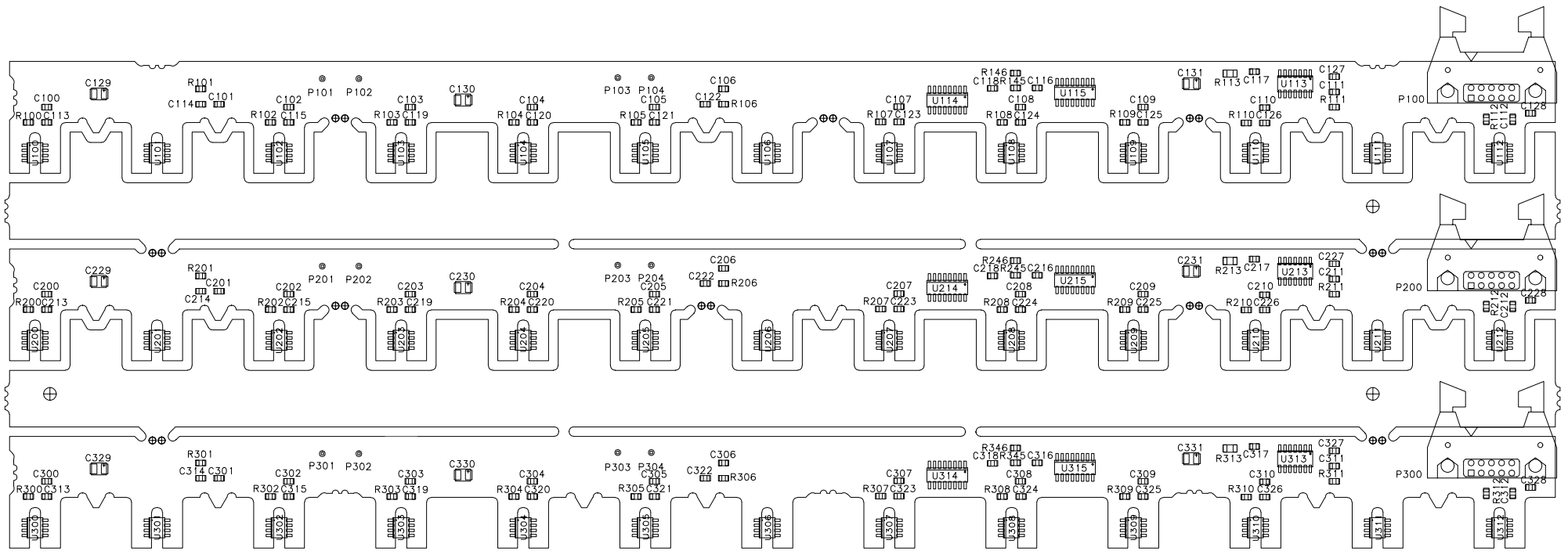
Reference Designator	Qty	Agilent Part Number	Description	MPN	Manufacturer
U103	1	1820-8489	IC DRVR TTL/F INV HEX	N74F06D N74F06D	PHILIPS NXP
U104,U110	2	1820-5944	IC GATE CMOS/ACT OR QUAD 2-INP	MC74ACT32DG 74ACT32SCX. CD74ACT32M	ON SEMICONDUCTOR FAIRCHILD SEMICONDUCTOR TEXAS INSTRUMENTS
U105,U106,U313, U314	4	1820-7787	IC TRANSCEIVER BICMOS/ABT BUS OCTL	74ABT245D SN74ABT245BDW 74ABT245D	PHILIPS TEXAS INSTRUMENTS NXP
U108,U109	2	1820-5026	IC BFR TTL INV HEX	SN7406D	TEXAS INSTRUMENTS
U201	1	1821-4394	IC PLD FPGA-SRAM UNPRGMD CMOS OR2C06A		
U202,U203,U306, U502	4	1820-5939	IC INV CMOS/ACT HEX 14-SOIC	MC74ACT04DG 74ACT04SCX_NL	ON SEMICONDUCTOR FAIRCHILD SEMICONDUCTOR
U204	1	1820-5567	IC FF TTL/F J-K NEG-EDGE-TRIG	74F112D SN74F112D 74F112D	PHILIPS TEXAS INSTRUMENTS NXP
U301	1	1821-4361	IC DOT MATRIX GRAPHIC LCD CONTROLLER	S1D13503F00A200	SEIKO EPSON
U302	1	1818-6217	IC 1M-BIT SRAM 15-NS CMOS 44-SOJ	CY7C1021B-15VC IDT71016S15Y	CYPRESS SEMICONDUCTOR IDT
U304	1	1820-6863	IC UART WITH FIFO	ST16C550CJ44-F PC16550DVX TL16C550CFNR	EXAR NATIONAL SEMICONDUCTOR TEXAS INSTRUMENTS
U305	1	1820-5940	IC GATE CMOS/ACT AND QUAD 2-INP	MC74ACT08DG 74ACT08SCX.	ON SEMICONDUCTOR FAIRCHILD SEMICONDUCTOR
U307,U308,U309	3	1821-0250	IC INTERFACE DRVR/RCVR CMOS INV EIA	ICL232CBE MAX232CWE+	INTERSIL MAXIM INTEGRATED PRODUCTS
U310,U311,U312	3	1821-0609	IC DRVR BICMOS/ABT LINE 10-BIT	74ABT827D SN74ABT827DW 74ABT827D	PHILIPS TEXAS INSTRUMENTS NXP
U401	1	1820-5054	IC MV CMOS/HC MONOSTBL RETRIG DUAL	MM74HC123AMX TC74HC123AFN	FAIRCHILD SEMICONDUCTOR TOSHIBA
U402	1	1820-4861	IC BFR TTL/F NAND QUAD 2-INP	N74F38D-T N74F38D-T	PHILIPS NXP

E8401-66503 Parts List

Reference Designator	Qty	Agilent Part Number	Description	MPN	Manufacturer
U403	1	1826-2264	IC PWR MGT-UND-V-SEN 8 PINS P-SOIC PKG	MC34064D-5R2G	ON SEMICONDUCTOR
U404	1	1821-0078	IC 32-BIT CPU W/2K RAM,TPU,QSM	MC68332ACEH16	FREESCALE SEMICONDUCTOR
U405,U408	2	1818-5651	IC 4M-BIT SRAM 70-NS CMOS 32-SOP	BS62LV4006SIP70	BSI
U406	1	E8401-88803	IC OTP		
U409	1	E8401-88804	IC OTP		
U411	1	1813-0708	CRYSTAL OSC 16.0MHZ 0.01pct	SG-615P16.000MCLF	EPSON TOYOCOM
U413	1	1820-8820	IC GATE CMOS/ACT NAND TPL 3-INP	74ACT10SC MC74ACT10D__G	FAIRCHILD SEMICONDUCTOR ON SEMICONDUCTOR
U414,U415	2	1821-0300	IC DRVR BICMOS/ABT LINE OCTL	74ABT541D SN74ABT541BDW 74ABT541D	PHILIPS TEXAS INSTRUMENTS NXP
U416,U515	2	1826-2261	IC TEMP XDRC PRCN SINGLE 8 PIN	LM35DM -NOPB	NATIONAL SEMICONDUCTOR
U417	1	1818-7447	IC 64K-BIT SRAM 70-NS CMOS	M48Z58Y-70MH1E	STMICROELECTRONICS
U418	1	1820-6473	IC FF CMOS/ACT D-TYPE POS-EDGE-TRIG	MC74ACT74DG SN74ACT74D 74ACT74SCX	ON SEMICONDUCTOR TEXAS INSTRUMENTS FAIRCHILD SEMICONDUCTOR
U503,U504	2	1826-2147	ANALOG MULTIPLEXER 8 CHNL 16 -P-SOIC	DG408DY-E3	VISHAY
U505,U506	2	1821-0434	IC ANLG-MUXR/DEMURX CMOS/HC 8-CHANNEL	74HC4051D MC74HC4051ADR2G MM74HC4051M 74HC4051D	PHILIPS ON SEMICONDUCTOR FAIRCHILD SEMICONDUCTOR NXP
U507,U508,U516	3	1820-4346	IC MUXR/DATA-SEL CMOS/HC 2-TO-1-LINE T	74HC4053D MM74HC4053MX 74HC4053D	PHILIPS FAIRCHILD SEMICONDUCTOR NXP
U509,U513,U514, U601	4	1826-1072	IC OP AMP GP QUAD 14 PIN PLSTC-SOIC	LM324D LM324D LM324M LM324DG	STMICROELECTRONICS TEXAS INSTRUMENTS NATIONAL SEMICONDUCTOR ON SEMICONDUCTOR
U510	1	1826-3452	D/A 8-BIT 20-P-SOIC CMOS	TLC7528CDW	TEXAS INSTRUMENTS
U511	1	1826-3047	A/D 12-BIT 20-PLSTC-SSOP CMOS	MAX186CCAP+	MAXIM INTEGRATED PRODUCTS
U602	1	1826-2693	IC PWR MGT-V-REG-SWG 5 PINS PLSTC-D2PAK	LT1170CQ	LINEAR TECHNOLOGY
U603	1	1826-3223	IC PWR MGT-V-REG-FXD-POS 4.75/5.25V 3	LM2940S-5.0-NOPB	NATIONAL SEMICONDUCTOR
XB417	1	1420-0562	BATTERY ASSEMBLY SNAPHAT FOR SRAM	M4Z28-BR00SH1	STMICROELECTRONICS
XU406,XU409	2	1200-1593	SOCKET-IC-PLCC 32-CONT RECTGLR J-LEAD	3-822516-7 69802- 32	TYCO ELECTRONICS AMP FCI FRAMATOME BERG

E8401-66503 Parts List

Reference Designator	Qty	Agilent Part Number	Description	MPN	Manufacturer
	x	4093-0012	MOLDING COMPOUND NYLON 6/6 BLK	ZYTEL 101L BKB-009	DUPONT
	x	7205-0099	ALUMINUM ROD .156IN AA2011-T3 ; ALUMINUM ROD	7205-0099 7205-0099 7205-0099	ALCOA ALUMINUM REYNOLDS METALS KAISER ALUMINUM & CHEMICAL
	1	E8401-26503	BLANK PC BOARD		

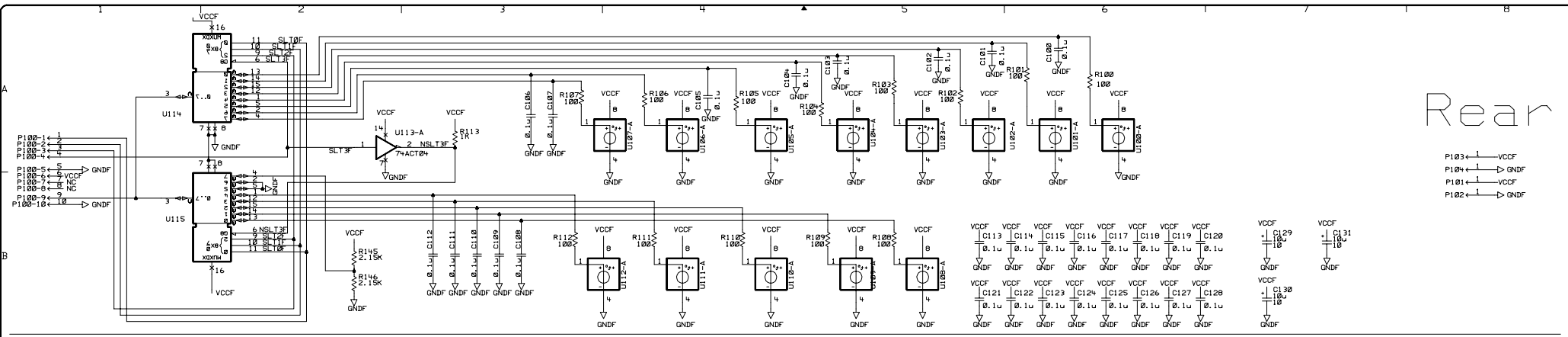


**Agilent E8401A
VXI C-Size VXI Mainframe
E8401-66504**

Component Locator

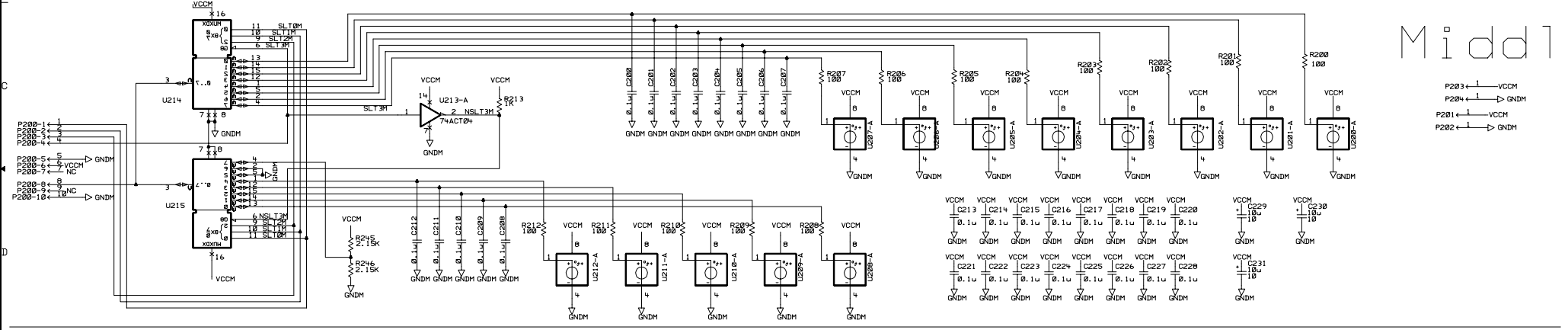
Rear

- P103 ← VCCF
- P104 ← GNDF
- P101 ← VCCF
- P102 ← GNDF



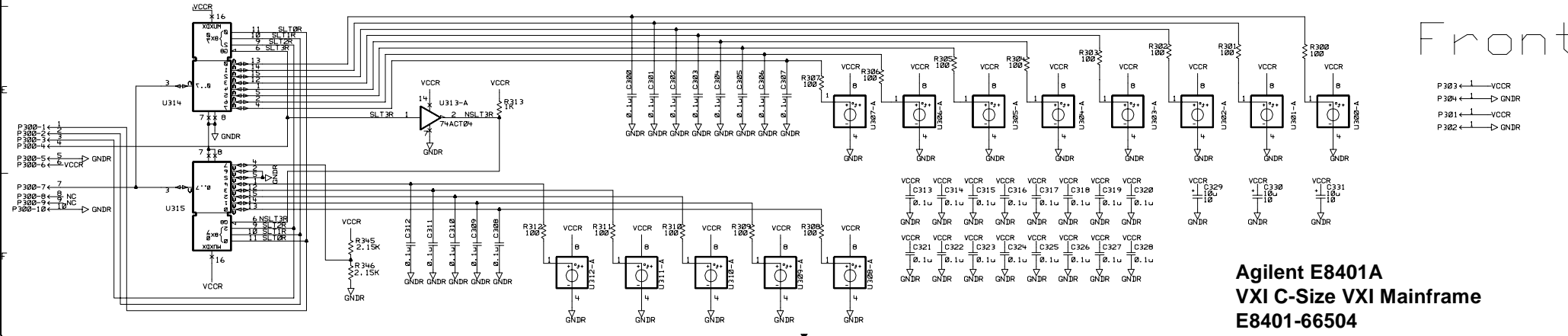
Middle

- P203 ← VCCM
- P204 ← GNDM
- P201 ← VCCM
- P202 ← GNDM



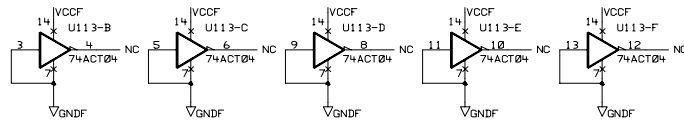
Front

- P303 ← VCCR
- P304 ← GNDR
- P301 ← VCCR
- P302 ← GNDR

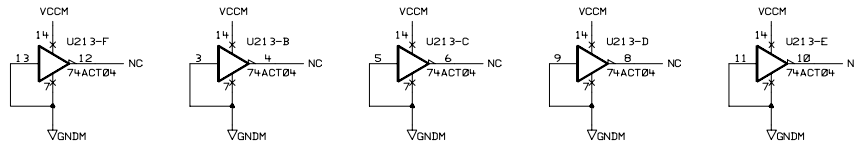


Agilent E8401A
VXI C-Size VXI Mainframe
E8401-66504
Enhanced Temperature Card

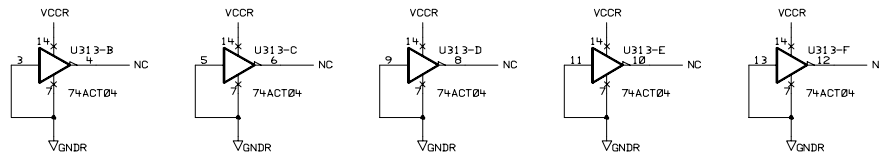
Rear



Middle



Front



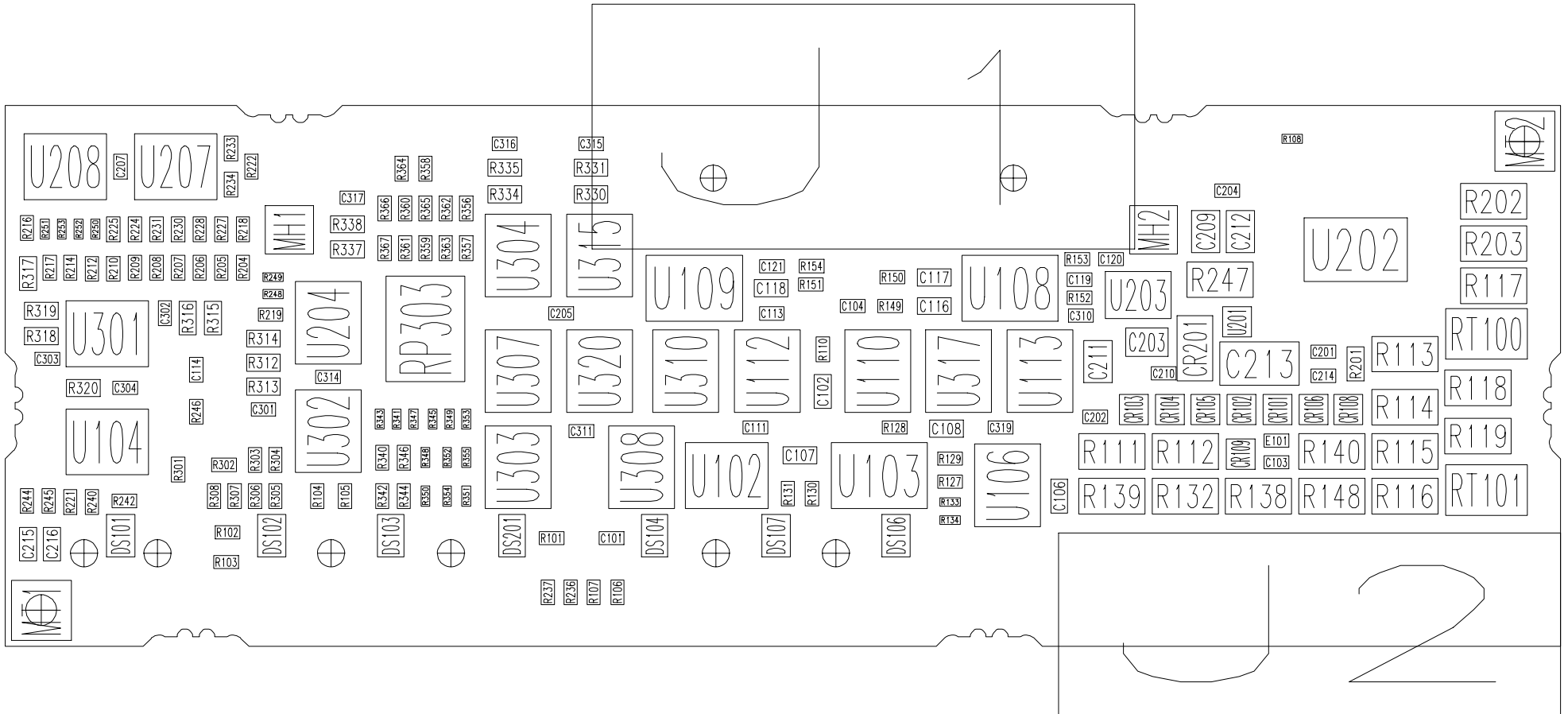
**Agilent E8401A
VXI C-Size VXI Mainframe
E8401-66504
Unused Parts**

E8401-66504 Parts List

Reference Designator	Qty	Agilent Part Number	Description	MPN	Manufacturer
C100,C101,C102,C103,C104,C105,C106,C107,C108,C109,C110,C111,C112,C113,C114,C115,C116,C117,C118,C119,C120,C121,C122,C123,C124,C125,C126,C127,C128,C200,C201,C202,C203,C204,C205,C206,C207,C208,C209,C210,C211,C212,C213,C214,C215,C216,C217,C218,C219,C220,C221,C222,C223,C224,C225,C226,C227,C228,C300,C301,C302,C303,C304,C305,C306,C307,C308,C309,C310,C311,C312,C313,C314,C315,C316,C317,C318,C319,C320,C321,C322,C323,C324,C325,C326,C327,C328	87	0160-7798	CAP-FXD 0.1uF +-10PCT 50V CER X7R	08055C104KAT_A C0805C104K5RAC C2012X7R1H104K GRM21BR71H104KA11L NMC0805X7R104K50TRP VJ0805Y104KXAMT	AVX KEMET ELECTRONICS TDK MURATA MANUFACTURING NIC COMPONENTS VISHAY
C129,C130,C131,C229,C230,C231,C329,C330,C331	9	0180-4577	CAPACITOR-FIXED 10uF +-20PCT 10V TA	TAJB106M010R 293D106X0010B2E3 ESVB21A106M T491B106M010AS	AVX VISHAY NEC ELECTRONICS KEMET ELECTRONICS
RVT1,RVT2,RVT3,RVT4,RVT5,RVT6	6	0361-1372	RIVET-SPCLY UNIV-HD .094DIA .392LG	1189-2512	TEXTRON
R113,R213,R313	3	0699-1318	RESISTOR 1K +-1pct .125W TKF TC=0+-100	CRCW12061K00FKE_ RK73H2BT_1001F MCR18__F1001 232272461002L	VISHAY KOA ROHM YAGEO
R145,R146,R245,R246,R345,R346	6	0699-3037	RESISTOR 2.15K +-1pct .1W TKF TC=0+-100	CRCW08052K15FKE_ RK73H2AT_2151F MCR10__F2151 232273462152 MC08052151-FT	VISHAY KOA ROHM YAGEO RCD COMPONENTS

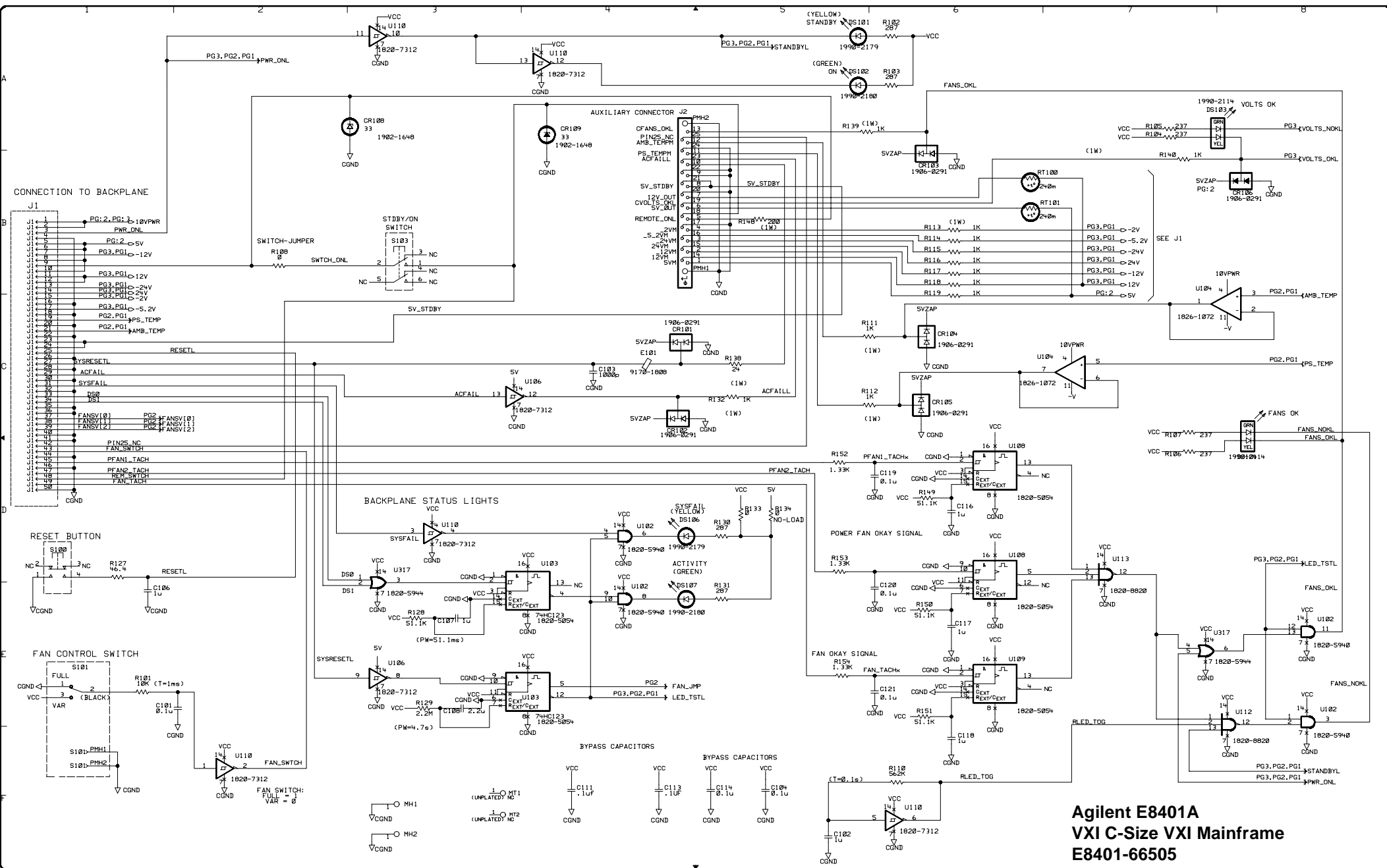
E8401-66504 Parts List

Reference Designator	Qty	Agilent Part Number	Description	MPN	Manufacturer
R100,R101,R102,R103, R104,R105,R106,R107, R108,R109,R110,R111, R112,R200,R201,R202, R203,R204,R205,R206, R207,R208,R209,R210, R211,R212,R300,R301, R302,R303,R304,R305, R306,R307,R308,R309, R310,R311,R312	39	0699-3058	RESISTOR 100 +-1pct .1W TKF TC 0+-100	CRCW0805100RFKE_ RK73H2AT_1000F 232273461001L MCR10___F1000	VISHAY KOA YAGEO ROHM
P100,P200,P300	3	1252-5017	CONN-POST TYPE .100-PIN-SPCG-MTG-END	N3793-5202RB	3M
U113,U213,U313	3	1820-5939	IC INV CMOS/ACT HEX 14-SOIC	MC74ACT04DG 74ACT04SCX_NL	ON SEMICONDUCTOR FAIRCHILD SEMICONDUCTOR
U114,U115,U214,U215, U314,U315	6	1821-0434	IC ANLG-MUXR/DEMUXR CMOS/HC 8-CHANNE	74HC4051D MC74HC4051ADR2G MM74HC4051M 74HC4051D	PHILIPS ON SEMICONDUCTOR FAIRCHILD SEMICONDUCTOR NXP
U100,U101,U102,U103, U104,U105,U106,U107, U108,U109,U110,U111, U112,U200,U201,U202, U203,U204,U205,U206, U207,U208,U209,U210, U211,U212,U300,U301, U302,U303,U304,U305, U306,U307,U308,U309, U310,U311,U312	39	1826-2261	IC TEMP XDCR PRCN SINGLE 8 PIN	LM35DM_-NOPB	NATIONAL SEMICONDUCTOR
LBL1	1	7121-5459	LABEL-ANTISTATIC 2-IN-WD 3-IN-LG PPR	7121-5459 9035	SPECIALTY ENTERPRISES SANMINA-SCI
LBL2	x	7121-5729	LBL-LNE-PTR; 1.5-IN-WD X .25-IN-LG	THT-45-457-10	BRADY
BAG1	1	9222-1571	POUCH-STAT-DISS-SHLD POLYETH LAM ENV	77 WS 77 WS 77 WS	CORROBILT CONTAINER MARK CONTAINER SPECIALTY ENTERPRISES
	1	E8401-26504	BLANK PC BOARD		



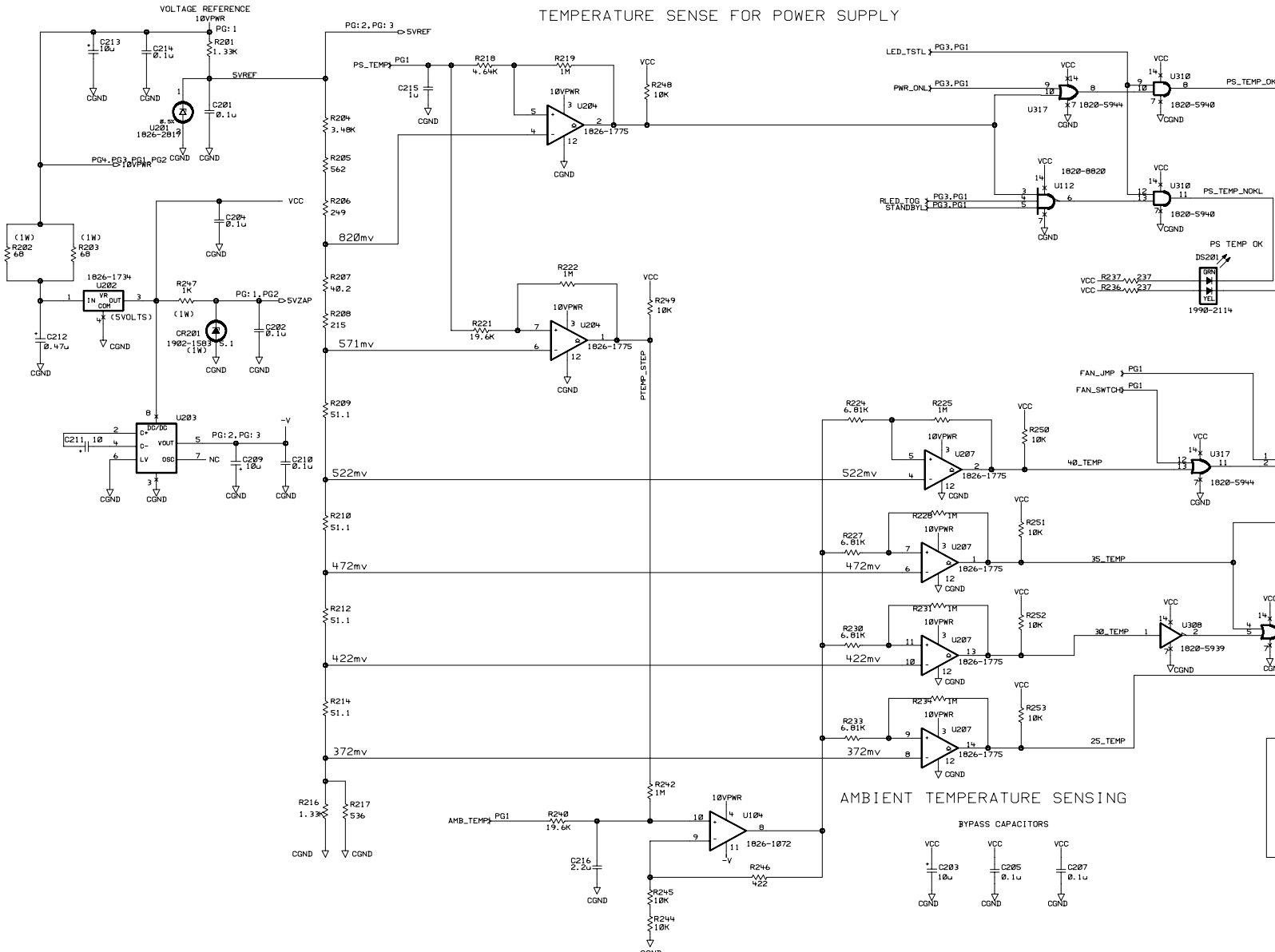
**Agilent E8401A
VXI C-Size VXI Mainframe
E8401-66505**

Component Locator

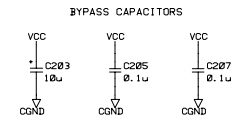


**Agilent E8401A
VXI C-Size VXI Mainframe
E8401-66505
Basic Monitoring**

TEMPERATURE SENSE FOR POWER SUPPLY

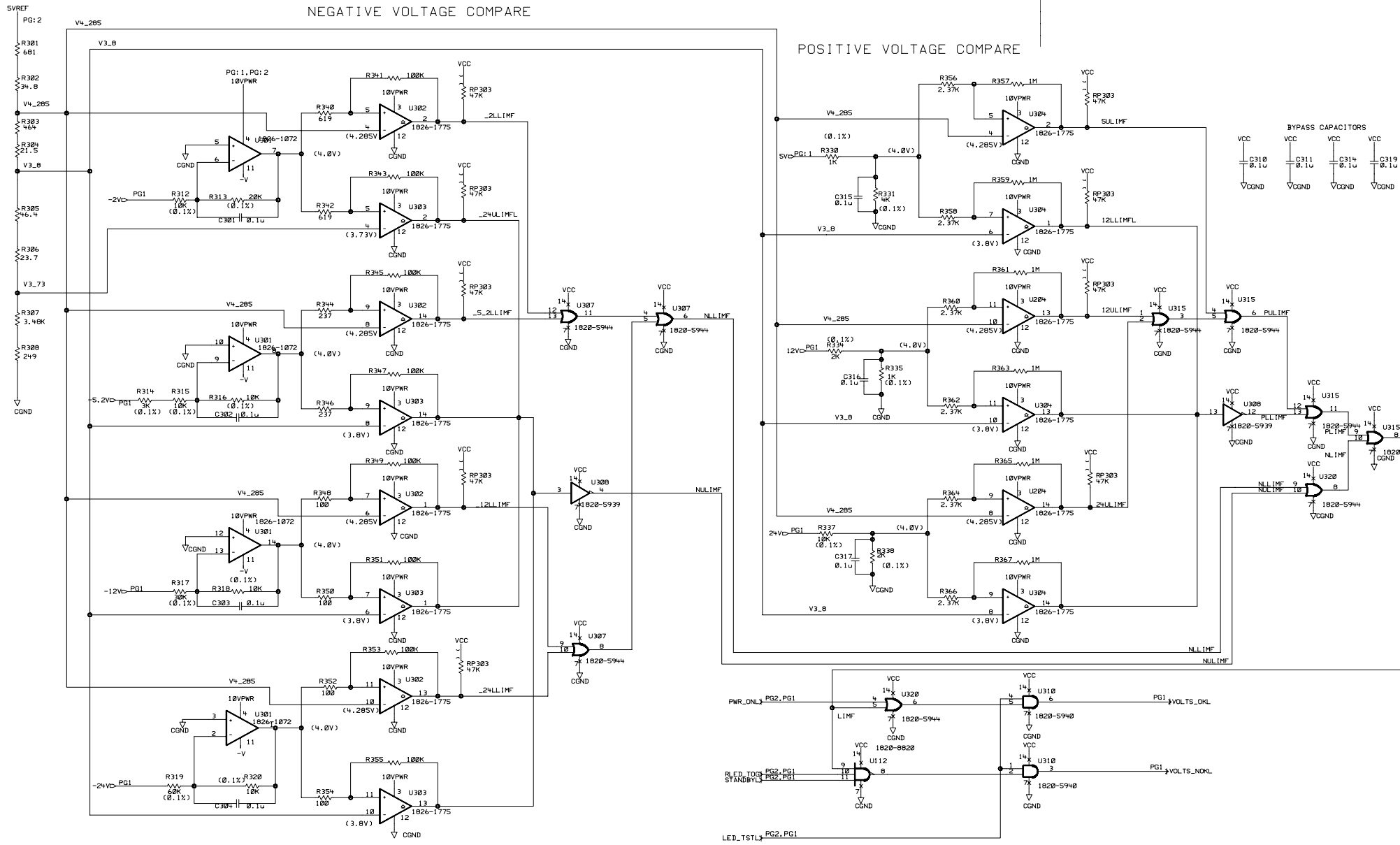


AMBIENT TEMPERATURE SENSING

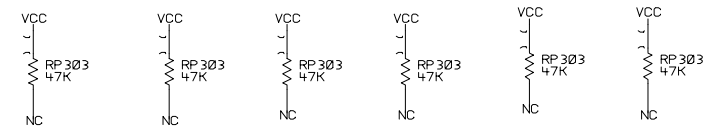
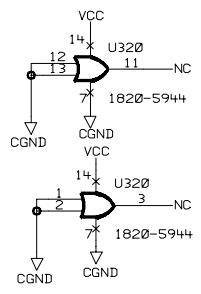
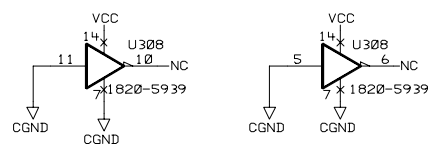
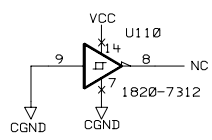
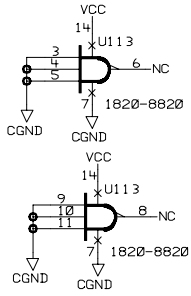
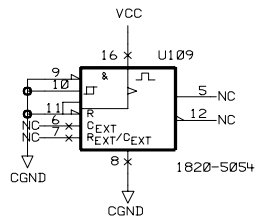
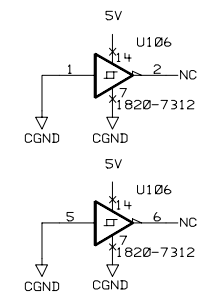


FANSV[2]	FANSV[1]	FANSV[0]	FAN VOLTAGE
0	0	0	14V
0	0	1	15.9V
0	1	1	19.6V
1	0	1	23.3V
1	1	1	27V

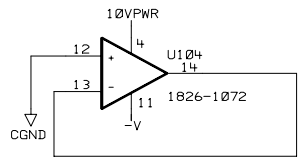
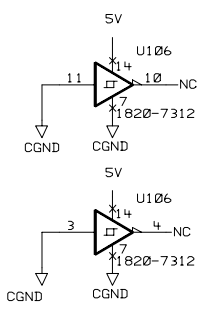
Agilent E8401A
VXI C-Size VXI Mainframe
E8401-66505
Temperature Sensing



Agilent E801A
 VXI C-Size VXI Mainframe
 E801-66505
 Voltage Limit Compare



UNUSED PARTS



E8401-66505 Parts List

Reference Designator	Qty	Agilent Part Number	Description	MPN	Manufacturer
BAG1	1	9222-1568	POUCH-STAT-DISS-SHLD POLYETH LAM ENV	77 WS 77 WS 77 WS 9222-1568	SPECIALTY ENTERPRISES CORROBILT CONTAINER MARK CONTAINER SEALED AIR
C101,C104,C111,C113, C114,C119,C120,C121, C201,C202,C204,C205, C207,C210,C214,C301, C302,C303,C304,C310, C311,C314,C315,C316, C317,C319	26	0160-7798	CAP-FXD 0.1uF +-10PCT 50V CER X7R	08055C104KAT_A C0805C104K5RAC C2012X7R1H104K GRM21BR71H104KA11L NMC0805X7R104K50TRP VJ0805Y104KXAMT	AVX KEMET ELECTRONICS TDK MURATA MANUFACTURING NIC COMPONENTS VISHAY
C102,C106,C107,C116, C117,C118,C215	7	0160-7736	CAP-FXD 1uF +-10PCT 16 V CER X7R	1206YC105KAT C1206C105K4RAC GRM31MR71C105KA01L	AVX KEMET ELECTRONICS MURATA MANUFACTURING
C103	1	0160-5947	CAP-FXD 1000pF +-10pct 50 V CER X7R	08055C102KAT A C0805C102K5RAC C2012X7R1H102K GRM216R71H102KA01D	AVX KEMET ELECTRONICS TDK MURATA MANUFACTURING
C108,C216	2	0160-8559	CAP-FXD 2.2uF +-10PCT 16 V CER X7R 1206	C1206C225K4RAC C3216X7R1C225K	KEMET ELECTRONICS TDK
C203,C209,C211	3	0180-4577	CAPACITOR-FIXED 10uF +-20PCT 10V TA	TAJB106M010R 293D106X0010B2E3 ESVB21A106M T491B106M010AS	AVX VISHAY NEC ELECTRONICS KEMET ELECTRONICS
C212	1	0180-3750	CAP-FXD 0.47uF +-20PCT 35V TA	TAJB474M035 ESVB21V474M T491B474M035AS	AVX NEC ELECTRONICS KEMET ELECTRONICS
C213	1	0180-4287	CAP-FXD 10uF +-20PCT 35V TA	TAJD106M035 293D106X0035D2WE3 ESVD1V106M	AVX VISHAY NEC ELECTRONICS

E8401-66505 Parts List

Reference Designator	Qty	Agilent Part Number	Description	MPN	Manufacturer
CR101,CR102,CR103, CR104,CR105,CR106	6	1906-0291	DIODE-DUAL 70V 100MA T0-236AA	BAV99 BAV99 BAV99LT1G BAV99____X_ BAV99	PHILIPS FAIRCHILD SEMICONDUCTOR ON SEMICONDUCTOR INFINEON TECHNOLOGIES NXP
CR108, CR109	2	1902-1648	DIODE-ZNR 33V 5pct TO-236 (SOT-23) PD=.3W	BZX84-C33 BZX84-C33	PHILIPS NXP
CR201	1	1902-1583	DIODE-ZNR 5.1V 5pct PD=1.5W IR=5UA	1SMB5918BT3G	ON SEMICONDUCTOR
DS101,DS106	2	1990-2179	LED-LAMP LUM-INT=2.5MCD IF=30A-MAX	597-3401-207	DIALIGHT
DS102,DS107	2	1990-2180	LED-LAMP LUM-INT=4MCD IF=30MA-MAX	597-3301-207	DIALIGHT
DS103,DS104,DS201	3	1990-2114	LED-LAMP LUM-INT=2.5MCD IF=30MA-MAX	597-7721-207	DIALIGHT
E101	1	9170-1808	CORE-SHIELDING BEAD	MMZ2012S800A	TDK
J1	1	1252-8598	CONN-POST TYPE 1.27-PIN-SPCG-MTG- END	81050-560203	3M
J2	1	1252-1201	CONN-RECT D-SUBMIN 25-CKT 25-CONT	5788800-1 DM11323-D4	TYCO ELECTRONICS AMP HON HAI PRECISION INDUSTRY
LBL1	1	7121-5459	LABEL-ANTISTATIC 2-IN-WD 3-IN-LG PPR	7121-5459 9035	SPECIALTY ENTERPRISES SANMINA-SCI
LBL2	x	7121-5729	LBL-LNE-PTR; 1.5-IN-WD X .25-IN-LG	THT-45-457-10	BRADY
R101,R244,R245	3	0699-3051	RESISTOR 10K +-1pct .1W TKF TC 0+-100	CRCW080510K0FKE_ RK73H2AT_1002F MCR10__F1002 232273461003L MC08051002-FTW	VISHAY KOA ROHM YAGEO RCD COMPONENTS
R102,R103,R130,R131	4	0699-3028	RESISTOR 287 +-1pct .1W TKF TC=0+-100	CRCW0805287RFKE_ RK73H2AT_2870F 232273462871L MCR10__F2870 MC08052870-FT	VISHAY KOA YAGEO ROHM RCD COMPONENTS

E8401-66505 Parts List

Reference Designator	Qty	Agilent Part Number	Description	MPN	Manufacturer
R104,R105,R106,R107, R236,R237,R344,R346	8	0699-3060	RESISTOR 237 +-1pct .1W TKF TC=0+-100	CRCW0805237RFKE_ RK73H2AT_2370F MCR10___F2370 232273462371 MC08052370-FT	VISHAY KOA ROHM YAGEO RCD COMPONENTS
R108,R133	2	0699-3574	RESISTOR 0 .0625W TKF	CRCW06030000ZSE_ RK73Z1JT 232270296001L MCR03___J000 CJ10-000	VISHAY KOA YAGEO ROHM KYOCERA
R110	1	0699-3009	RESISTOR 562K +-1pct .1W TKF TC=0+-100	CRCW0805562KFKE_ RK73H2AT_5623F MCR10___F5623 232273465624 MC08055623-FT	VISHAY KOA ROHM YAGEO RCD COMPONENTS
R111,R112,R113,R114, R115,R116,R117,R118, R119,R132,R139,R140, R247	13	0699-3408	RES-FXD 1 KOHM +-5PCT 1W TKF TC 0+-200	CRCW25121K00JNE_ MCR100___J102 RK73B3AT___102J	VISHAY ROHM KOA
R127,R305	2	0699-3831	RESISTOR 46.4 +-1pct .1W TKF TC 0+-100	CRCW080546R4FKE_ RK73H2AT_46R4F 232273464649L MCR10___F46R4 MC080546R4-FT	VISHAY KOA YAGEO ROHM RCD COMPONENTS
R128,R149,R150,R151	4	0699-3073	RESISTOR 51.1K +-1pct .1W TKF TC=0+-100	CRCW080551K1FKE_ RK73H2AT_5112F MCR10___F5112 232273465113 MC08055112-FT	VISHAY KOA ROHM YAGEO RCD COMPONENTS
R129	1	0699-3654	RES-FXD 2.2MOHM +-5PCT .1W TC 0+-200 0805	RK73B2AT_225J MCR10___J225 232273061225 MC08052204-JT	KOA ROHM YAGEO RCD COMPONENTS

E8401-66505 Parts List

Reference Designator	Qty	Agilent Part Number	Description	MPN	Manufacturer
R138	1	0699-3760	RES-FXD 24 OHM +-5PCT 1W TKF TC 0+-200 2512	MCR100___J240 RK73B3AT___240J	ROHM KOA
R148	1	0699-2697	RES-FXD 200 OHM +-5pct 1W TC=0+-200 2512	CRCW2512200RJNE_ RK73B3AT_201J MCR100___201	VISHAY KOA ROHM
R152,R153,R154,R216	4	0699-2980	RESISTOR 1.33K +-1pct .1W TKF TC=0+-100	CRCW08051K33FKE_ RK73H2AT_1331F MCR10___F1331 232273461332 MC08051331-FT	VISHAY KOA ROHM YAGEO RCD COMPONENTS
R201	1	0699-1371	RESISTOR 1.33K +-1pct .125W TKF TC=0+-100	CRCW12061K33FKE_ RK73H2BT_1331F MCR18___F1331 232272461332	VISHAY KOA ROHM YAGEO
R202,R203	2	0699-4288	RESISTOR 68 +-5pct 1W TKF TC=0+-200	CRCW251268R0JNE_ MCR100___J680	VISHAY ROHM
R204,R307	2	0699-3041	RESISTOR 3.48K +-1pct .1W TKF TC=0+-100	CRCW08053K48FKE_ RK73H2AT_3481F MCR10___F3481 232273463482 MC08053481-FT	VISHAY KOA ROHM YAGEO RCD COMPONENTS
R205	1	0699-2975	RESISTOR 562 +-1pct .1W TKF TC=0+-100	CRCW0805562RFKE_ RK73H2AT_5620F MCR10___F5620 232273465621 MC08055620-FT	VISHAY KOA ROHM YAGEO RCD COMPONENTS
R206,R308	2	0699-3630	RESISTOR 249 +-1pct .1W TKF TC=0+-100	CRCW0805249RFKE_ RK73H2AT_2490F MCR10___F2490 232273462491 MC08052490-FT	VISHAY KOA ROHM YAGEO RCD COMPONENTS

E8401-66505 Parts List

Reference Designator	Qty	Agilent Part Number	Description	MPN	Manufacturer
R207	1	0699-3884	RESISTOR 40.2 +-1pct .1W TKF TC=0+-100	CRCW080540R2FKE_ RK73H2AT_40R2F MCR10___F40R2 MC080540R2-FT	VISHAY KOA ROHM RCD COMPONENTS
R208	1	0699-2973	RES-FXD 215 +-1PCT 0.1W TKF TC=0+-100	CRCW0805215RFKE_ RK73H2AT_2150F 232273462151L MCR10___F2150 MC08052150-FT	VISHAY KOA YAGEO ROHM RCD COMPONENTS
R209,R210,R212,R214	4	0699-3832	RESISTOR 51.1 +-1pct .1W TKF TC=0+-100	CRCW080551R1FKE_ RK73H2AT_51R1F MCR10___F51R1 232273465119 MC080551R1-FT	VISHAY KOA ROHM YAGEO RCD COMPONENTS
R217	1	0699-4556	RESISTOR 536 +-1pct .1W TKF TC=0+-100	CRCW0805536RFKE_ RK73H2AT_5360F MCR10___F5360 232273465361	VISHAY KOA ROHM YAGEO
R218	1	0699-3044	RESISTOR 4.64K +-1pct .1W TKF TC=0+-100	CRCW08054K64FKE_ RK73H2AT_4641F 232273464642L MCR10___F4641 MC08054641-FT	VISHAY KOA YAGEO ROHM RCD COMPONENTS
R219,R222,R225,R228, R231,R234,R242,R357, R359,R361,R363,R365, R367	13	0699-3077	RESISTOR 1M +-1pct .1W TKF TC=0+-100	CRCW08051M00FKE_ RK73H2AT_1004F MCR10___F1004 232273471005 MC08051004-FT	VISHAY KOA ROHM YAGEO RCD COMPONENTS
R221,R240	2	0699-3069	RESISTOR 19.6K +-1pct .1W TKF TC=0+-100	CRCW080519K6FKE_ RK73H2AT_1962F MCR10___F1962 232273471963	VISHAY KOA ROHM YAGEO

E8401-66505 Parts List

Reference Designator	Qty	Agilent Part Number	Description	MPN	Manufacturer
R224,R227,R230,R233	4	0699-3047	RESISTOR 6.81K +-1PCT .1W TKF TC=0+-100	CRCW08056K81FKE_ RK73H2AT_6811F MCR10___F6811 232273466812 MC08056811-FT	VISHAY KOA ROHM YAGEO RCD COMPONENTS
R246	1	0699-3031	RESISTOR 422 +-1pct .1W TKF TC=0+-100	CRCW0805422RFKE_ RK73H2AT_4220F MCR10___F4220 232273464221 MC08054220-FT	VISHAY KOA ROHM YAGEO RCD COMPONENTS
R248,R249,R250,R251, R252,R253	6	0699-3970	RESISTOR 10K +-1pct .063W TKF TC=0+-200	CRCW060310K0FKE_ RK73H1JT_1002F 232270461003L MCR03___FX1002	VISHAY KOA YAGEO ROHM
R301	1	0699-2977	RESISTOR 681 OHM +-1pct .1W TKF TC 0+-100	CRCW0805681RFKE_ RK73H2AT_6810F MCR10___F6810 232273466811 MC08056810-FT	VISHAY KOA ROHM YAGEO RCD COMPONENTS
R302	1	0699-3843	RESISTOR 34.8 +-1pct .1W TKF TC=0+-100	RK73H2AT_34R8F 232273463489L MCR10___F34R8 CRW080534R8F MC080534R8-FT	KOA YAGEO ROHM VISHAY RCD COMPONENTS
R303	1	0699-3062	RESISTOR 464 +-1pct .1W TKF TC=0+-100	CRCW0805464RFKE_ RK73H2AT_4640F MCR10___F4640 232273464641 MC08054640-FT	VISHAY KOA ROHM YAGEO RCD COMPONENTS

E8401-66505 Parts List

Reference Designator	Qty	Agilent Part Number	Description	MPN	Manufacturer
R304	1	0699-3828	RESISTOR 21.5 +-1pct .1W TKF TC=0+-100	CRCW080521R5FKE_ 232273462159L MCR10__F21R5 MC080521R5-FT RK73H2AT__21R5F	VISHAY YAGEO ROHM RCD COMPONENTS KOA
R306	1	0699-3841	RESISTOR 23.7 +-1pct .1W TKF TC=0+-200	CRCW080523R7FKE_ RK73H2AT__23R7F 232273462379L MCR10__F23R7 MC080523R7-FT	VISHAY KOA YAGEO ROHM RCD COMPONENTS
R312,R315,R316,R318, R320,R337	6	0699-2489	RESISTOR 10K +-0.1pct .125W TF TC=0+-25	RN732BT_1002B25 BLU-1206 10K .1% 25PPM MCA1206-25 0, 1% P5 10K MCA1206-25 0, 1% P5 10K PCF-W1206R031002BT	KOA RCD COMPONENTS VISHAY BC COMPONENTS VISHAY TT ELECTRONICS
R313	1	0699-2491	RESISTOR 20K +-0.1pct .125W TF TC=0+-25	RN732BT_2002B25 BLU-1206 20K .1% 25PPM MCA1206-25 0, 1% P5 20K MCA1206-25 0, 1% P5 20K W1206R032002BT	KOA RCD COMPONENTS VISHAY BC COMPONENTS VISHAY TT ELECTRONICS
R314	1	0699-2826	RESISTOR 3K +-0.1pct .125W TF TC=0+-25	RN732BT_3001B25 BLU-1206 3K .1% 25PPM MCA1206-25 0, 1% P5 3K PTN1206E3001BB W1206R033001BT	KOA RCD COMPONENTS VISHAY BC COMPONENTS VISHAY TT ELECTRONICS

E8401-66505 Parts List

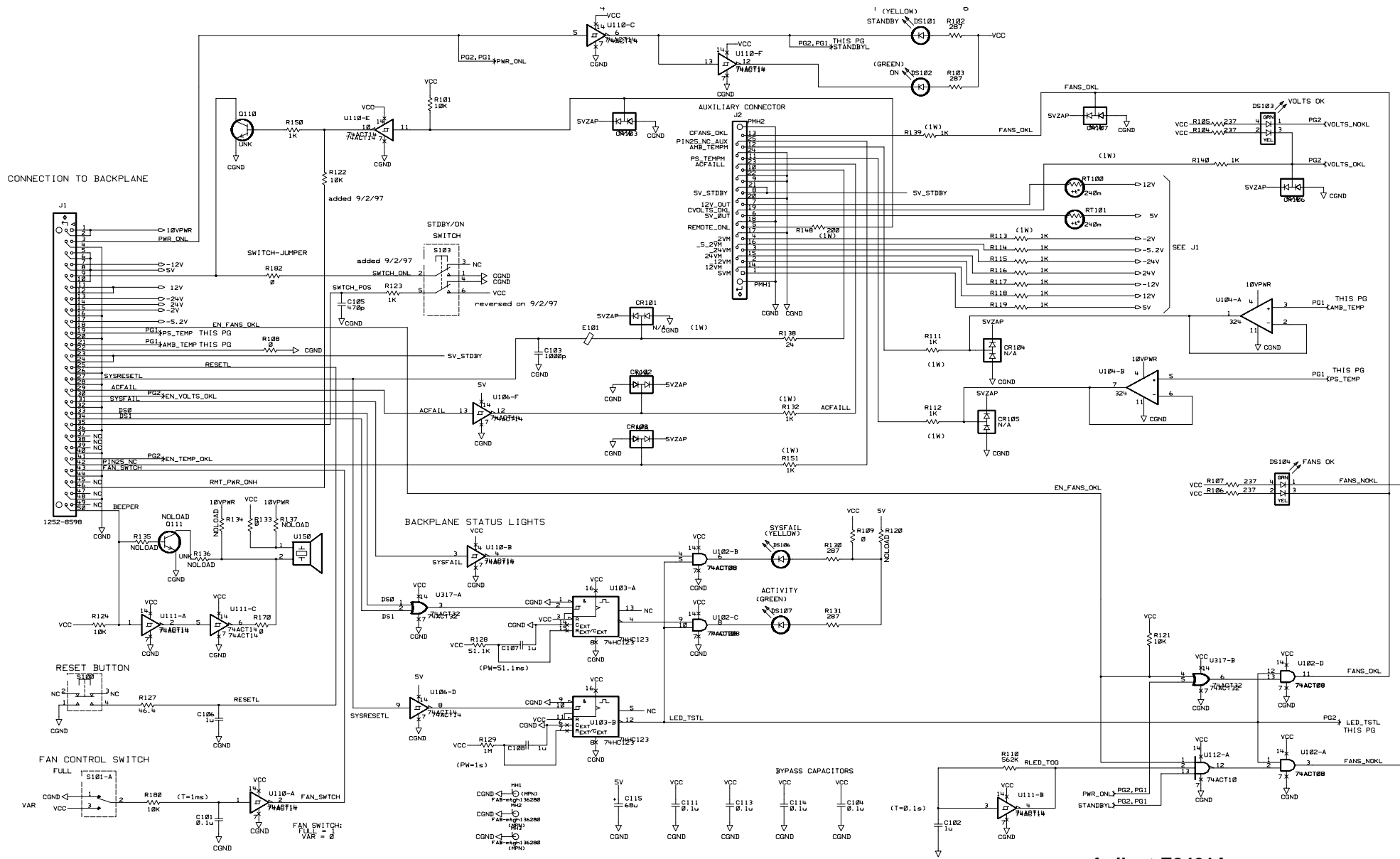
Reference Designator	Qty	Agilent Part Number	Description	MPN	Manufacturer
R317	1	0699-2837	RESISTOR 30K +-0.1pct .125W TF TC=0+-25	RN732BT_3002B25 BLU-1206 30K .1% 25PPM MCA1206-25 0, 1% P5 30K PTN1206E3002BB W1206R033002BT	KOA RCD COMPONENTS VISHAY BC COMPONENTS VISHAY TT ELECTRONICS
R319	1	0699-2485	RESISTOR 60K +-0.1pct .125W TF TC=0+-25	RN732BT_6002B25 BLU-1206 60K .1% 25PPM MCA1206-25 0, 1% P5 60K MCA1206-25 0, 1% P5 60K W1206R036002BT	KOA RCD COMPONENTS VISHAY BC COMPONENTS VISHAY TT ELECTRONICS
R330,R335	2	0699-2490	RESISTOR 1K +-0.1pct .125W TF TC=0+-25	RN732BT_1001B25 BLU-1206 1K .1% 25PPM MCA1206-25 0, 1% P5 1K MCA1206-25 0, 1% P5 1K PCF-W1206R031001BT	KOA RCD COMPONENTS VISHAY BC COMPONENTS VISHAY TT ELECTRONICS
R331	1	0699-2483	RESISTOR 4K +-0.1pct .125W TF TC=0+-25	RN732BTTE4001B25 BLU-1206 4K .1% 25PPM MCA1206-25 0, 1% P5 4K MCA1206-25 0, 1% P5 4K W1206R034001BT	KOA RCD COMPONENTS VISHAY BC COMPONENTS VISHAY TT ELECTRONICS
R334,R338	2	0699-2847	RESISTOR 2K +-0.1pct .125W TF TC=0+-25	RN732BT_2001B25 BLU-1206 2K .1% 25PPM PCF-W1206R032001BT TNPW12062001BT-9	KOA RCD COMPONENTS TT ELECTRONICS VISHAY
R340,R342	2	0699-2976	RESISTOR 619 +-1pct .1W TKF TC=0+-100	CRCW0805619RFKE_ RK73H2AT_6190F MCR10__F6190 2322734X6191 MC08056190-FT	VISHAY KOA ROHM YAGEO RCD COMPONENTS

E8401-66505 Parts List

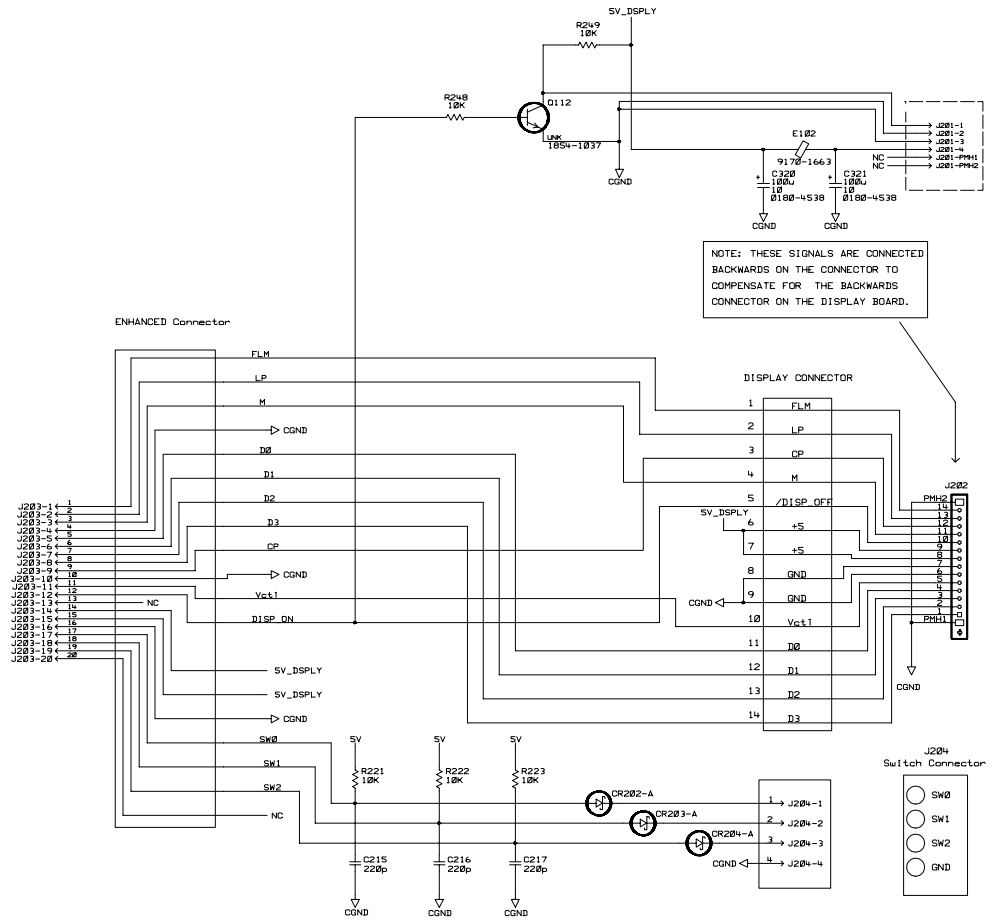
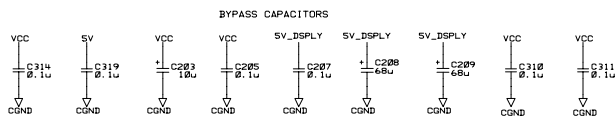
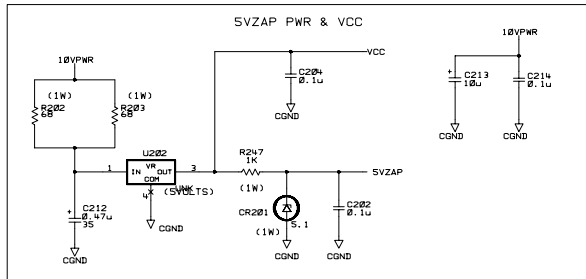
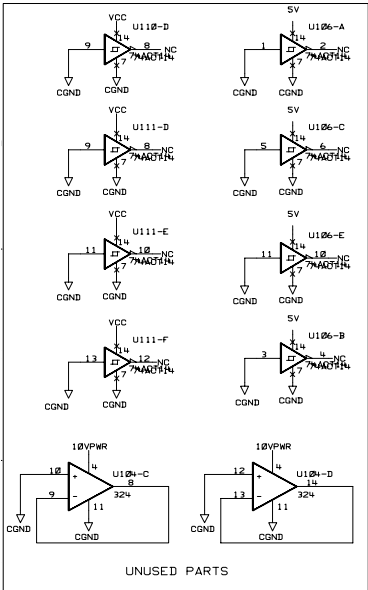
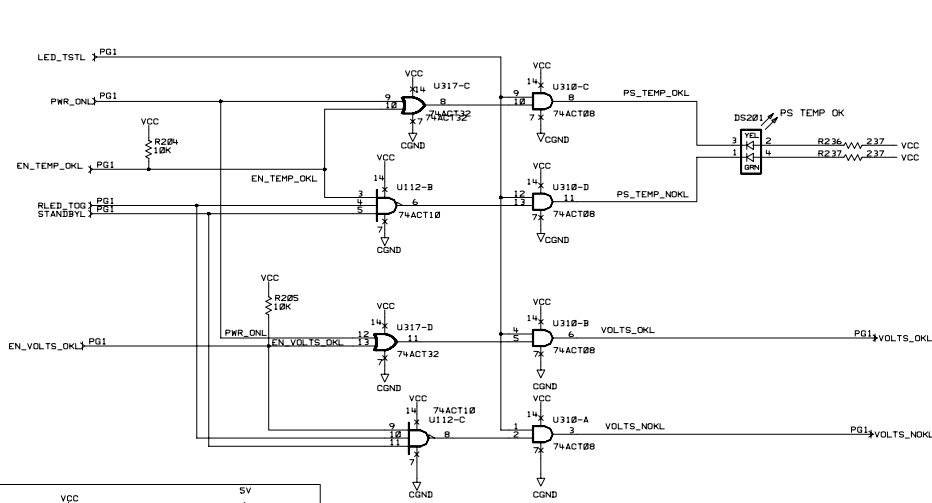
Reference Designator	Qty	Agilent Part Number	Description	MPN	Manufacturer
R341,R343,R345,R347, R349,R351,R353,R355	8	0699-3993	RESISTOR 100K +-1pct .063W TKF TC=0+-200	CRCW0603100KFKE_ RK73H1JT_1003F 232270461004L MCR03__FX1003	VISHAY KOA YAGEO ROHM
R348,R350,R352,R354	4	0699-3924	RES-FXD 100 +-1PCT .063W TKF TC=0+-200	CRCW0603100RFKE_ CR16-1000-JL RK73H1JT_1000F MCR03__FX1000 232270461001 MC06031000-FT	VISHAY ASJ KOA ROHM YAGEO RCD COMPONENTS
R356,R358,R360,R362, R364,R366	6	0699-3038	RESISTOR 2.37K +-1pct .1W TKF TC=0+-100	CRCW08052K37FKE_ RK73H2AT_2371F MCR10__F2371 232273462372	VISHAY KOA ROHM YAGEO
RP303	1	1810-1129	NET-RES 15 47.0K OHM 16-PIN	767161473G SOMC16-01-473G 4816P-2-473LF	CTS VISHAY BOURNS
RT100,RT101	2	0837-0440	THERMISTOR-SWITCHING	SMD100F-2	TYCO INTERNATIONAL
S100	1	3101-2288	SWITCH-PB SPDT-NO MOM .25A 115 VAC	39-251 RED	GRAYHILL
S101	1	3101-3488	SWITCH-SL SPDT MINTR 0.4VA 20VAC PC THT	1101M2S4AV2BE2	ITT INDUSTRIES
S103	1	3101-2894	SWITCH-PB DPDTALTNG .01A 100 VAC	F2UEE AU	ITT INDUSTRIES
U102,U310	2	1820-5940	IC GATE CMOS/ACT AND QUAD 2-INP	MC74ACT08DG 74ACT08SCX.	ON SEMICONDUCTOR FAIRCHILD SEMICONDUCTOR
U103,U108,U109	3	1820-5054	IC MV CMOS/HC MONOSTBL RETRIG DUAL	MM74HC123AMX TC74HC123AFN	FAIRCHILD SEMICONDUCTOR TOSHIBA
U104,U301	2	1826-1072	IC OP AMP GP QUAD 14 PIN PLSTC-SOIC	LM324D LM324D LM324M LM324DG	STMICROELECTRONICS TEXAS INSTRUMENTS NATIONAL SEMICONDUCTOR ON SEMICONDUCTOR
U106,U110	2	1820-7312	IC SCHMITT-TRIG CMOS/ACT INV HEX	MC74ACT14DR2G SN74ACT14D	ON SEMICONDUCTOR TEXAS INSTRUMENTS

E8401-66505 Parts List

Reference Designator	Qty	Agilent Part Number	Description	MPN	Manufacturer
U112, U113	2	1820-8820	IC GATE CMOS/ACT NAND TPL 3-INP	74ACT10SC MC74ACT10D__G	FAIRCHILD SEMICONDUCTOR ON SEMICONDUCTOR
U201	1	1826-2817	IC PWR MGT-V-REF-FXD 4.975/5.025V 3 PINS	LM4040CIM3-5.0-NOPB	NATIONAL SEMICONDUCTOR
U202	1	1826-1734	IC PWR MGT-V-REG-FXD-POS 4.8/5.2V 3 PINS	L78M05CDT-TR UA78M05CKTP MC78M05CDTRKG	STMICROELECTRONICS TEXAS INSTRUMENTS ON SEMICONDUCTOR
U203	1	1826-2326	IC PWR MGT-VOLTAGE CONVERTER 1.5/10V 8	ICL7660CSA+	MAXIM INTEGRATED PRODUCTS
U204,U207,U302,U303, U304	5	1826-1775	IC COMPARATOR LP QUAD 14 PIN PLSTC-SOIC	LM339AD	TEXAS INSTRUMENTS
U208,U307,U315,U317, U320	5	1820-5944	IC GATE CMOS/ACT OR QUAD 2-INP	MC74ACT32DG 74ACT32SCX. CD74ACT32M	ON SEMICONDUCTOR FAIRCHILD SEMICONDUCTOR TEXAS INSTRUMENTS
U308	1	1820-5939	IC INV CMOS/ACT HEX 14-SOIC	MC74ACT04DG 74ACT04SCX_NL	ON SEMICONDUCTOR FAIRCHILD SEMICONDUCTOR
XDS101	1	1000-1117	LENS ARY LED LIGHT PIPE; 1 ARRAY; 5 MM	515-1011	DIALIGHT
XDS102, XDS104	2	1000-1118	LENS ARY LED LIGHT PIPE; 3 ARRAY; 5 MM	515-1010	DIALIGHT
XS103	1	5041-0564	KEY, QUARTER	5041-0564	MOS PLASTICS
	0.01	4093-0769	MOLDING COMPOUND ABS CW	CYCOLAC T-2-22569 CYCOLAC T-22596	UBE CYCON GENERAL ELECTRIC
	1	E8401-26505	BLANK PC BOARD		



**Agilent E8401A
VXI C-Size VXI Mainframe
E8401-66512
Enhanced Exchange**



**Agilent E8401A
VXI C-Size VXI Mainframe
E8401-66512
Enhanced Exchange**

E8401-66512 Parts List

Reference Designator	Qty	Agilent Part Number	Description	MPN	Manufacturer
BAG1	1	9222-1571	POUCH-STAT-DISS-SHLD POLYETH LAM ENV	77 WS 77 WS 77 WS	CORROBILT CONTAINER MARK CONTAINER SPECIALTY ENTERPRISES
C101, C104, C111, C113, C114, C202, C204, C205, C207, C214, C310, C311, C314, C319	14	0160-7798	CAP-FXD 0.1uF +-10PCT 50V CER X7R	08055C104KAT_A C0805C104K5RAC C2012X7R1H104K GRM21BR71H104KA11L NMC0805X7R104K50TRP VJ0805Y104KXAMT	AVX KEMET ELECTRONICS TDK MURATA MANUFACTURING NIC COMPONENTS VISHAY
C102, C106, C107, C108	4	0160-7736	CAP-FXD 1uF +-10PCT 16 V CER X7R	1206YC105KAT C1206C105K4RAC GRM31MR71C105KA01L	AVX KEMET ELECTRONICS MURATA MANUFACTURING
C103	1	0160-5947	CAP-FXD 1000pF +-10pct 50 V CER X7R	08055C102KAT A C0805C102K5RAC C2012X7R1H102K GRM216R71H102KA01D	AVX KEMET ELECTRONICS TDK MURATA MANUFACTURING
C105	1	0160-5950	CAP-FXD 470pF +-5pct 50 V CER COG	08055A471JAT A C0805C471J5GAC C2012COG1H471J GRM2165C1H471JA01D VJ0805A471JXAMT	AVX KEMET ELECTRONICS TDK MURATA MANUFACTURING VISHAY
C115, C208, C209	3	0180-4559	CAP-FXD 68uF +-20pct 10 V TA	TAJD686M010R 293D686X0010D2E3 T491D686M010AS TCSCS1A686MDA	AVX VISHAY KEMET ELECTRONICS SAMSUNG
C203	1	0180-4577	CAPACITOR-FIXED 10uF +-20PCT 10V TA	TAJB106M010R 293D106X0010B2E3 ESVB21A106M T491B106M010AS	AVX VISHAY NEC ELECTRONICS KEMET ELECTRONICS

E8401-66512 Parts List

C212	1	0180-3750	CAP-FXD 0.47uF +-20PCT 35V TA	TAJB474M035 ESVB21V474M T491B474M035AS	AVX NEC ELECTRONICS KEMET ELECTRONICS
C213	1	0180-4287	CAP-FXD 10uF +-20PCT 35V TA	TAJD106M035 293D106X0035D2WE3 ESVD1V106M	AVX VISHAY NEC ELECTRONICS
C215, C216, C217	3	0160-5954	CAP-FXD 220pF +-5pct 50 V CER COG	08055A221JAT A 223858016605 C0805C221J5GAC C2012COG1H221J GRM2165C1H221JA01D	AVX YAGEO KEMET ELECTRONICS TDK MURATA MANUFACTURING
C320, C321	2	0180-4538	CAP-FXD 100uF +-20PCT 10 V TA	TPSE107M010R0125 T495X107M010ASE100	AVX KEMET ELECTRONICS
CR101, CR102, CR103, CR104, CR105, CR106, CR107, CR108	8	1906-0291	DIODE-DUAL 70V 100MA T0-236AA	BAV99 BAV99 BAV99LT1G BAV99____X_ BAV99	PHILIPS FAIRCHILD SEMICONDUCTOR ON SEMICONDUCTOR INFINEON TECHNOLOGIES NXP
CR201	1	1902-1583	DIODE-ZNR 5.1V 5pct PD=1.5W IR=5UA	1SMB5918BT3G	ON SEMICONDUCTOR
CR202, CR203, CR204	3	1900-0074	DIODE-SCHOTTKY SM SIG	HSMS-2810-__G	AVAGO TECHNOLOGIES
DS101, DS106	2	1990-2179	LED-LAMP LUM-INT=2.5MCD IF=30A-MAX	597-3401-207	DIALIGHT
DS102, DS107	2	1990-2180	LED-LAMP LUM-INT=4MCD IF=30MA-MAX BVR=5V	597-3301-207	DIALIGHT
DS103, DS104, DS201	3	1990-2114	LED-LAMP LUM-INT=2.5MCD IF=30MA-MAX	597-7721-207	DIALIGHT
E101	1	9170-1808	CORE-SHIELDING BEAD	MMZ2012S800A	TDK
E102	1	9170-1663	CORE-SHIELDING BEAD	FBMH4532HM132	TAIYO YUDEN
J1	1	1252-8598	CONN-POST TYPE 1.27-PIN-SPCG-MTG-END	81050-560203	3M
J2	1	1252-1201	CONN-RECT D-SUBMIN 25-CKT 25-CONT	5788800-1 DM11323-D4	TYCO ELECTRONICS AMP HON HAI PRECISION INDUSTRY
J201	1	1253-3587	CONN-POST TYPE 1.25-PIN-SPCG-MTG-END	53398-0471	MOLEX
J202	1	1253-0078	CONN-POST TYPE .5MM-PIN-SPCG-MTG-END	04-6214-014-010-800	KYOCERA
J203	1	1253-0110	CONN-POST TYPE 1.27-PIN-SPCG-MTG-END	81020-560203	3M
J204	1	1252-6246	CONN-POST TYPE .050-PIN-SPCG-MTG-END	5-104074-7	TYCO ELECTRONICS AMP

E8401-66512 Parts List

LBL1	1	7121-5459	LABEL-ANTISTATIC 2-IN-WD 3-IN-LG PPR	7121-5459 9035	SPECIALTY ENTERPRISES SANMINA-SCI
LBL2	1	7121-5729	LBL-LNE-PTR; 1.5-IN-WD X .25-IN-LG	THT-45-457-10	BRADY
MP1	1	E8401-26512	Blank PC Board		
Q110, Q112	2	1854-1037	TRANSISTOR NPN SI TO-236AA PD=350MW	MMBT3904 SST3904T116 MMBT3904LT1G	FAIRCHILD SEMICONDUCTOR ROHM ON SEMICONDUCTOR
R101, R121, R122, R124, R180, R204, R205, R221, R222, R223, R248, R249	12	0699-3051	RESISTOR 10K +-1pct .1W TKF TC 0+-100	CRCW080510K0FKE_ RK73H2AT_1002F MCR10___F1002 232273461003L MC08051002-FTW	VISHAY KOA ROHM YAGEO RCD COMPONENTS
R102, R103, R130, R131	4	0699-3028	RESISTOR 287 +-1pct .1W TKF TC=0+-100	CRCW0805287RFKE_ RK73H2AT_2870F 232273462871L MCR10___F2870 MC08052870-FT	VISHAY KOA YAGEO ROHM RCD COMPONENTS
R104, R105, R106, R107, R236, R237	6	0699-3060	RESISTOR 237 +-1pct .1W TKF TC=0+-100	CRCW0805237RFKE_ RK73H2AT_2370F MCR10___F2370 232273462371 MC08052370-FT	VISHAY KOA ROHM YAGEO RCD COMPONENTS
R108, R109, R133, R170, R182	5	0699-3574	RESISTOR 0 .0625W TKF	CRCW06030000ZSE_ RK73Z1JT 232270296001L MCR03___J000 CJ10-000	VISHAY KOA YAGEO ROHM KYOCERA
R110	1	0699-3009	RESISTOR 562K +-1pct .1W TKF TC=0+-100	CRCW0805562KFKE_ RK73H2AT_5623F MCR10___F5623 232273465624 MC08055623-FT	VISHAY KOA ROHM YAGEO RCD COMPONENTS

E8401-66512 Parts List

R111, R112, R113, R114, R115, R116, R117, R118, R119, R132, R139, R140, R151, R247	14	0699-3408	RES-FXD 1 KOHM +-5PCT 1W TKF TC 0+-200	CRCW25121K00JNE_ MCR100___J102 RK73B3AT___102J	VISHAY ROHM KOA
R123	1	0699-3034	RESISTOR 1K +-1pct .1W TKF TC 0+-100	CRCW08051K00FKE_ RK73H2AT_1001F 232273461002L MCR10___F1001 MC08051001-FT	VISHAY KOA YAGEO ROHM RCD COMPONENTS
R127	1	0699-3831	RESISTOR 46.4 +-1pct .1W TKF TC 0+-100	CRCW080546R4FKE_ RK73H2AT_46R4F 232273464649L MCR10___F46R4 MC080546R4-FT	VISHAY KOA YAGEO ROHM RCD COMPONENTS
R128	1	0699-3073	RESISTOR 51.1K +-1pct .1W TKF TC=0+-100	CRCW080551K1FKE_ RK73H2AT_5112F MCR10___F5112 232273465113 MC08055112-FT	VISHAY KOA ROHM YAGEO RCD COMPONENTS
R129	1	0699-3077	RESISTOR 1M +-1pct .1W TKF TC=0+-100	CRCW08051M00FKE_ RK73H2AT_1004F MCR10___F1004 232273471005 MC08051004-FT	VISHAY KOA ROHM YAGEO RCD COMPONENTS
R138	1	0699-3760	RES-FXD 24 OHM +-5PCT 1W TKF TC 0+-200 2512	MCR100___J240 RK73B3AT___240J	ROHM KOA
R148	1	0699-2697	RES-FXD 200 OHM +-5pct 1W TC=0+-200 2512	CRCW2512200RJNE_ RK73B3AT_201J MCR100___201	VISHAY KOA ROHM

E8401-66512 Parts List

R150	1	0699-3947	RESISTOR 1K +-1pct .063W TKF TC=0+-200	CRCW06031K00FKE_ CR16-1001-FL RK73H1JT_1001F 2322704_1002L MCR03__FX1001 MC06031001-FT	VISHAY ASJ KOA YAGEO ROHM RCD COMPONENTS
R202, R203	2	0699-4288	RESISTOR 68 +-5pct 1W TKF TC=0+-200	CRCW251268R0JNE_ MCR100__J680	VISHAY ROHM
RT100, RT101	2	0837-0440	THERMISTOR-SWITCHING	SMD100F-2	TYCO INTERNATIONAL
S100	1	3101-2288	SWITCH-PB SPDT-NO MOM .25A 115 VAC	39-251 RED	GRAYHILL
S101	1	3101-3305	SWITCH-SL SPDT MINTR 0.4VA 20VAC PC THT	1101M2S4AV2BE2	ITT INDUSTRIES
S103	1	3101-2894	SWITCH-PB DPDTALTNG .01A 100 VAC	F2UEE AU	ITT INDUSTRIES
U102, U310	2	1820-5940	IC GATE CMOS/ACT AND QUAD 2-INP	MC74ACT08DG 74ACT08SCX.	ON SEMICONDUCTOR FAIRCHILD SEMICONDUCTOR
U103	1	1820-5054	IC MV CMOS/HC MONOSTBL RETRIG DUAL	MM74HC123AMX TC74HC123AFN	FAIRCHILD SEMICONDUCTOR TOSHIBA
U104	1	1826-1072	IC OP AMP GP QUAD 14 PIN PLSTC-SOIC	LM324D LM324D LM324M LM324DG	STMICROELECTRONICS TEXAS INSTRUMENTS NATIONAL SEMICONDUCTOR ON SEMICONDUCTOR
U106, U110, U111	3.0	1820-7312	IC SCHMITT-TRIG CMOS/ACT INV HEX	MC74ACT14DR2G SN74ACT14D	ON SEMICONDUCTOR TEXAS INSTRUMENTS
U112	1	1820-8820	IC GATE CMOS/ACT NAND TPL 3-INP	74ACT10SC MC74ACT10D__G	FAIRCHILD SEMICONDUCTOR ON SEMICONDUCTOR
U150	1	9164-0450	ALARM-AUDIBLE PIEZOELECTRIC SOUND	PKM13EPYH4002	MURATA MANUFACTURING
U202	1	1826-1734	IC PWR MGT-V-REG-FXD-POS 4.8/5.2V 3 PINS	L78M05CDT-TR UA78M05CKTP MC78M05CDTRKG	STMICROELECTRONICS TEXAS INSTRUMENTS ON SEMICONDUCTOR
U317	1	1820-5944	IC GATE CMOS/ACT OR QUAD 2-INP	MC74ACT32DG 74ACT32SCX. CD74ACT32M	ON SEMICONDUCTOR FAIRCHILD SEMICONDUCTOR TEXAS INSTRUMENTS

E8401-66512 Parts List

XDS101	1	1000-1117	LENS ARY LED LIGHT PIPE; 1 ARRAY; 5 MM	515-1011	DIALIGHT
XDS102, XDS104	2	1000-1118	LENS ARY LED LIGHT PIPE; 3 ARRAY; 5 MM	515-1010	DIALIGHT
XS103	1	5041-0564	KEY, QUARTER	5041-0564	MOS PLASTICS
	x	4093-0769	MOLDING COMPOUND ABS CW	CYCOLAC T-2-22569 CYCOLAC T-22596	UBE CYCON GENERAL ELECTRIC

Manual Part Number: 5989-6165EN
Printed in U.S.A. January 2007
Copyright © 2007 Agilent Technologies, Inc. All Rights Reserved.

