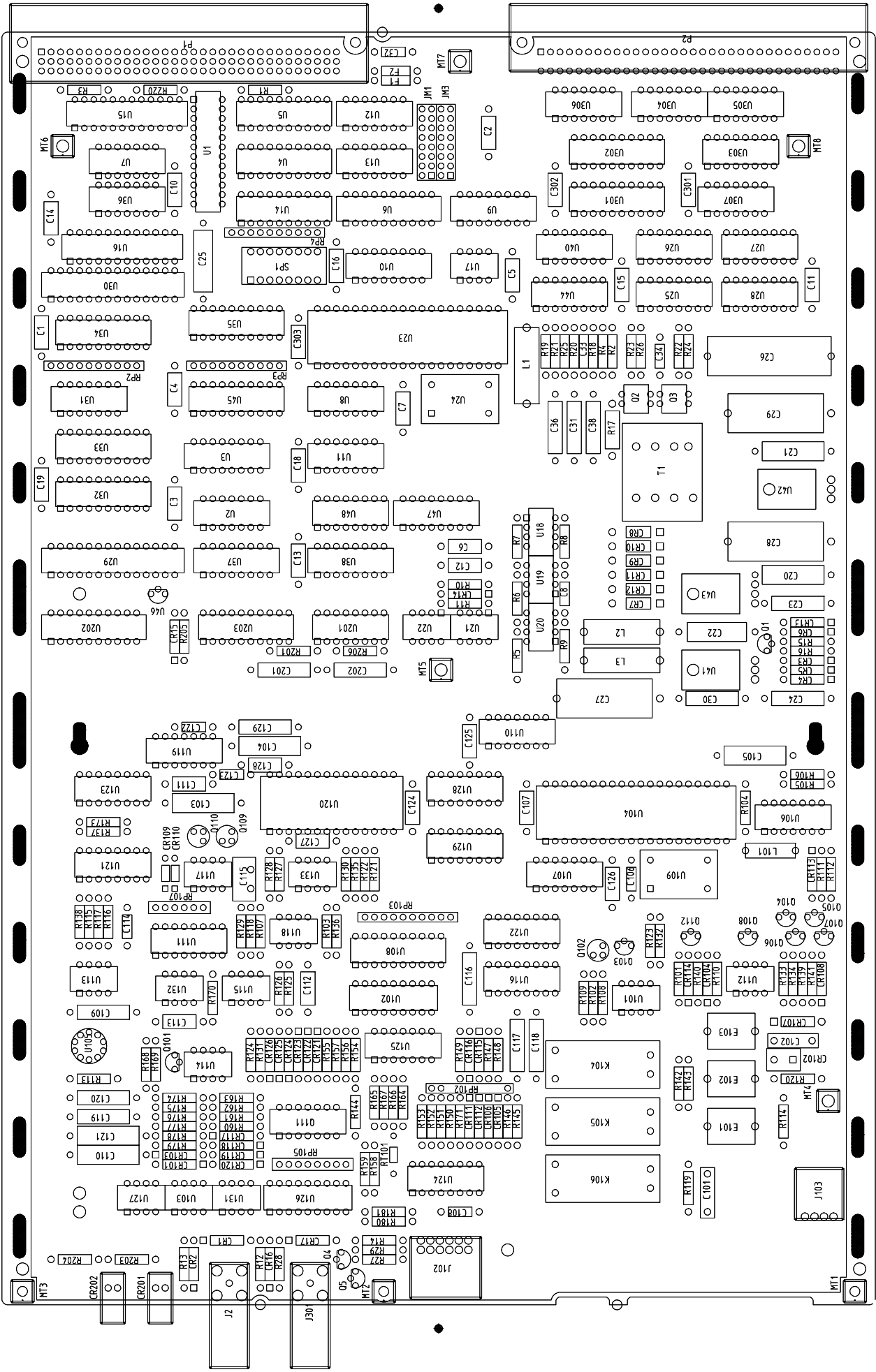

E1411B 5 1/2 Digit DMM Component Level Information

Information in this packet applies to the following assemblies:

- 1. E1411-66521 PC Assembly**
- 2. E1411-66522 PC Assembly**

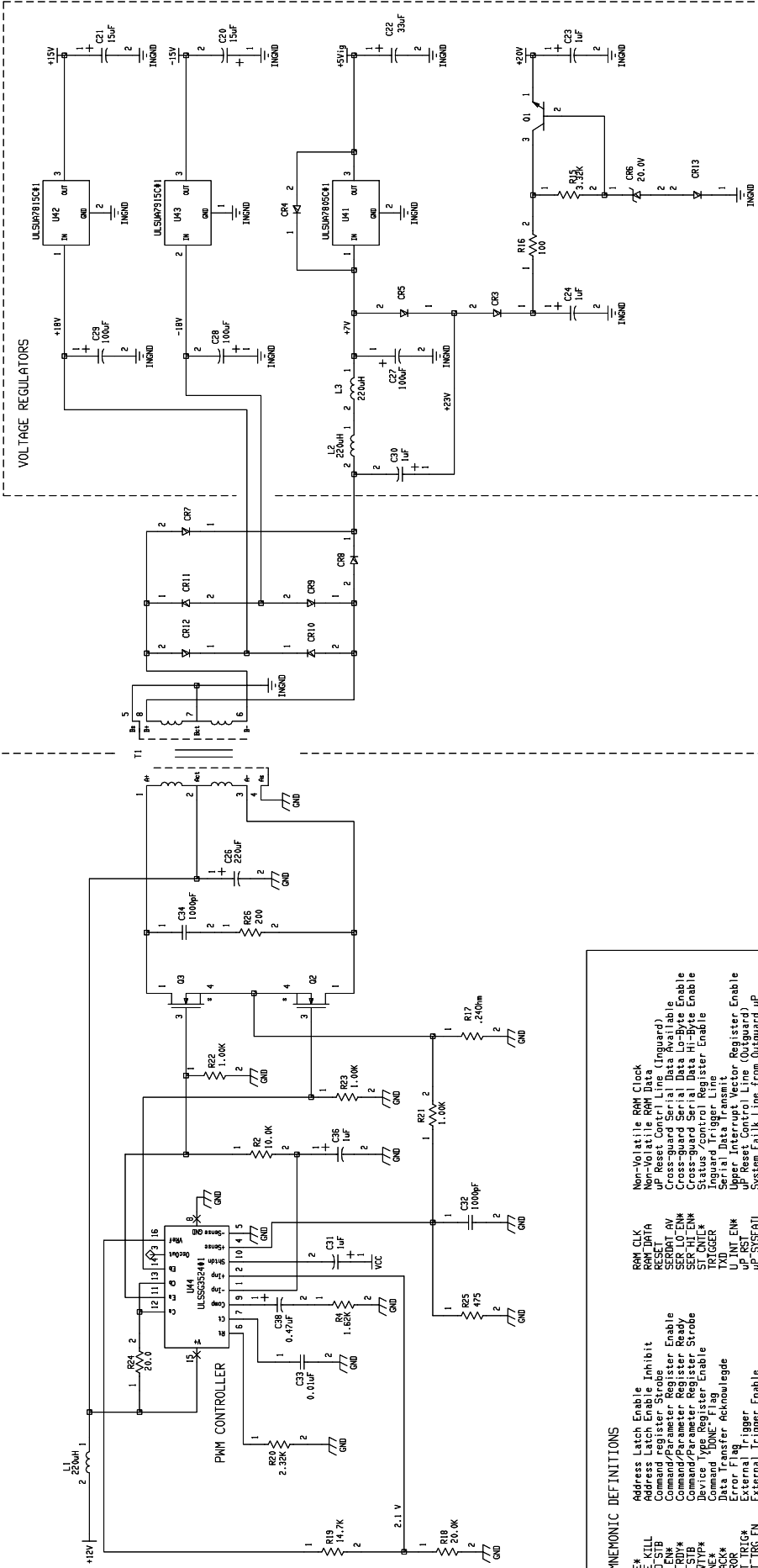
The following is included in this packet:

- 1. Component locators**
- 2. Schematics**
- 3. Parts lists with Agilent and manufacturer's part numbers**



OUTGUARD POWER SUPPLY

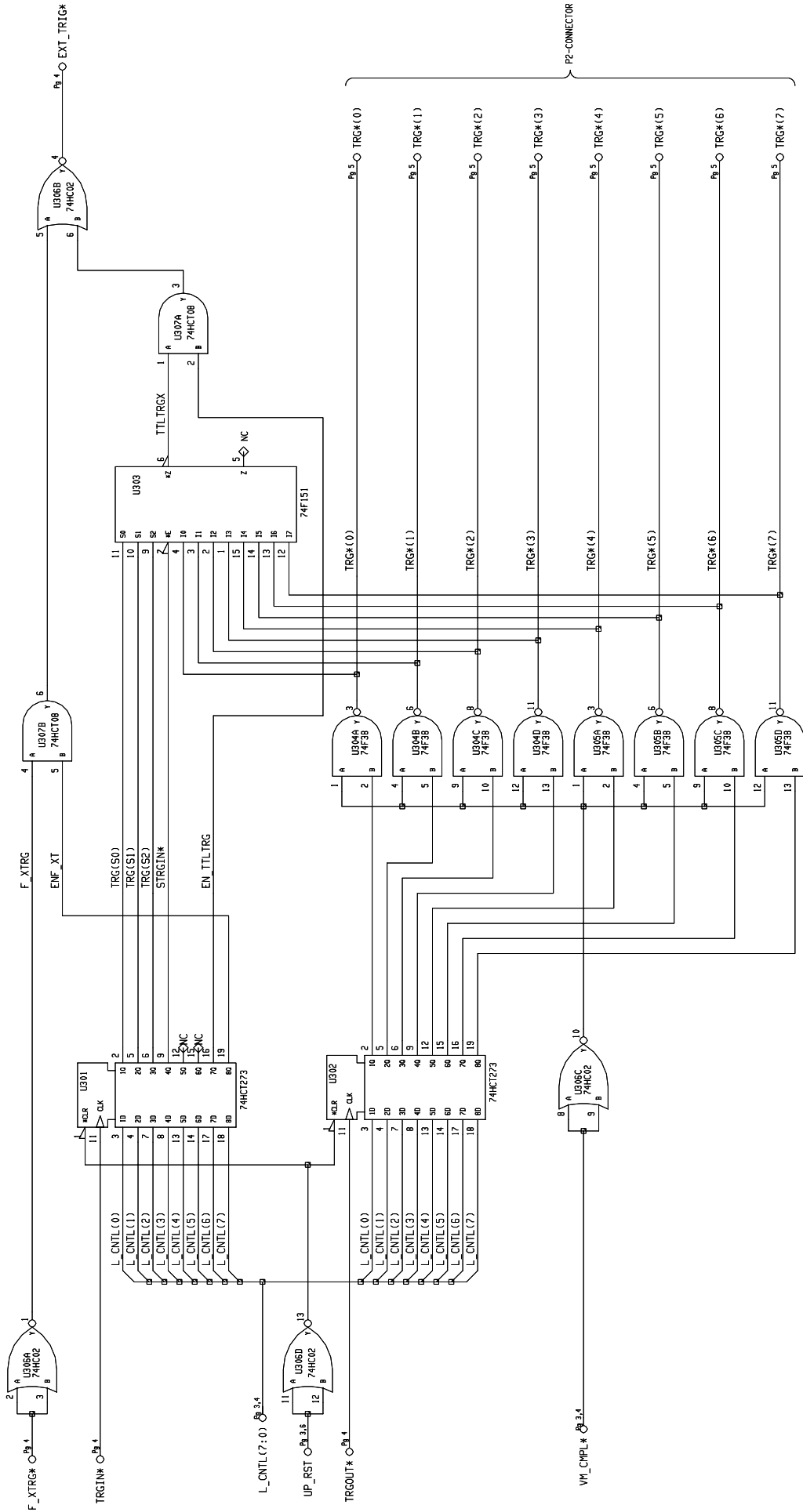
INGUARD POWER SUPPLY



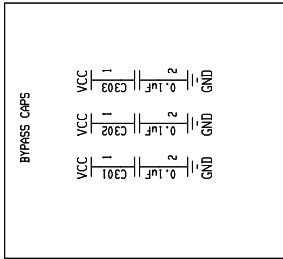
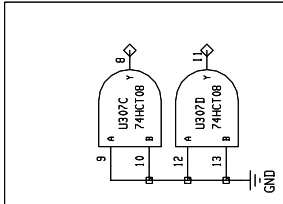
MNEMONIC DEFINITIONS

ALE*	Address Latch Enable	RAM_CLK	Non-Volatile RAM Clock
AND_STB	AND register Strobe	UP_Reset_Contrl_Line	UP Reset Control Line (Inguard)
CP_RDY*	Command/Parameter Register Ready	Cross-guard_Serial_Data	Cross-guard Serial Data (Hi-Byte Enable)
CP_STB*	Command/Parameter Register Strobe	Cross-guard_Serial_Data_Lo-Byte_Enable	Cross-guard Serial Data Hi-Byte Enable
DEV_TYP*	Device Type Register Enable	Status_Control_Register_Enable	Status/Control Register Enable
DONE*	Done Flag	Inguard_Trigger_Line	Inguard Trigger Line
ERROR*	Error Flag	UP_Reset_Line	UP Reset Line (Inguard)
EXT_TRG_EN	External Trigger Enable	UP_Reset_Line_Outguard	UP Reset Control Line (Outguard)
ID_EN*	Input Data Register Enable	System_Fail_Line	System Fail Line from Outguard UP
ID_FH*	Input Data Register HALF-FULL Flag	Write	Write Enable
ID_LB*	Input Data Register Lo-BYTE Flag	Cross-guard_Clock_Line	Cross-guard Clock Line
IDL_STB*	Input Data Register Strobe (Lo-Byte)	Cross-guard_Data_Line	Cross-guard Data Line
IN_RST*	Input Data Register Reset (CLEAR)	Cross-guard_Trig	Cross-guard Trigger
INTRP_CNTL*	Interrupt Control Line		
INTBUS(15:0)	Internal Data Bus		
INT_VEC_STB	Interrupt Vector Register Strobe		
LRU_CNTL(7:0)	LRU Control Register		
NTRQ_TCHCLR	Non-Trig to Clear Bus		
NTRGLCHSET	Trigger Latch Clear (Lo-True)		
NVRAM_EN	Non-Volatile RAM Enable		
PARAM_CS_TB	Parameter Register Strobe		
PR_FULL*	Parameter Register Full Flag		
QRY_EN*	Query Register Enable		
QR_STB*	Query Register Strobe		
QR_RDY*	Query Register Ready		

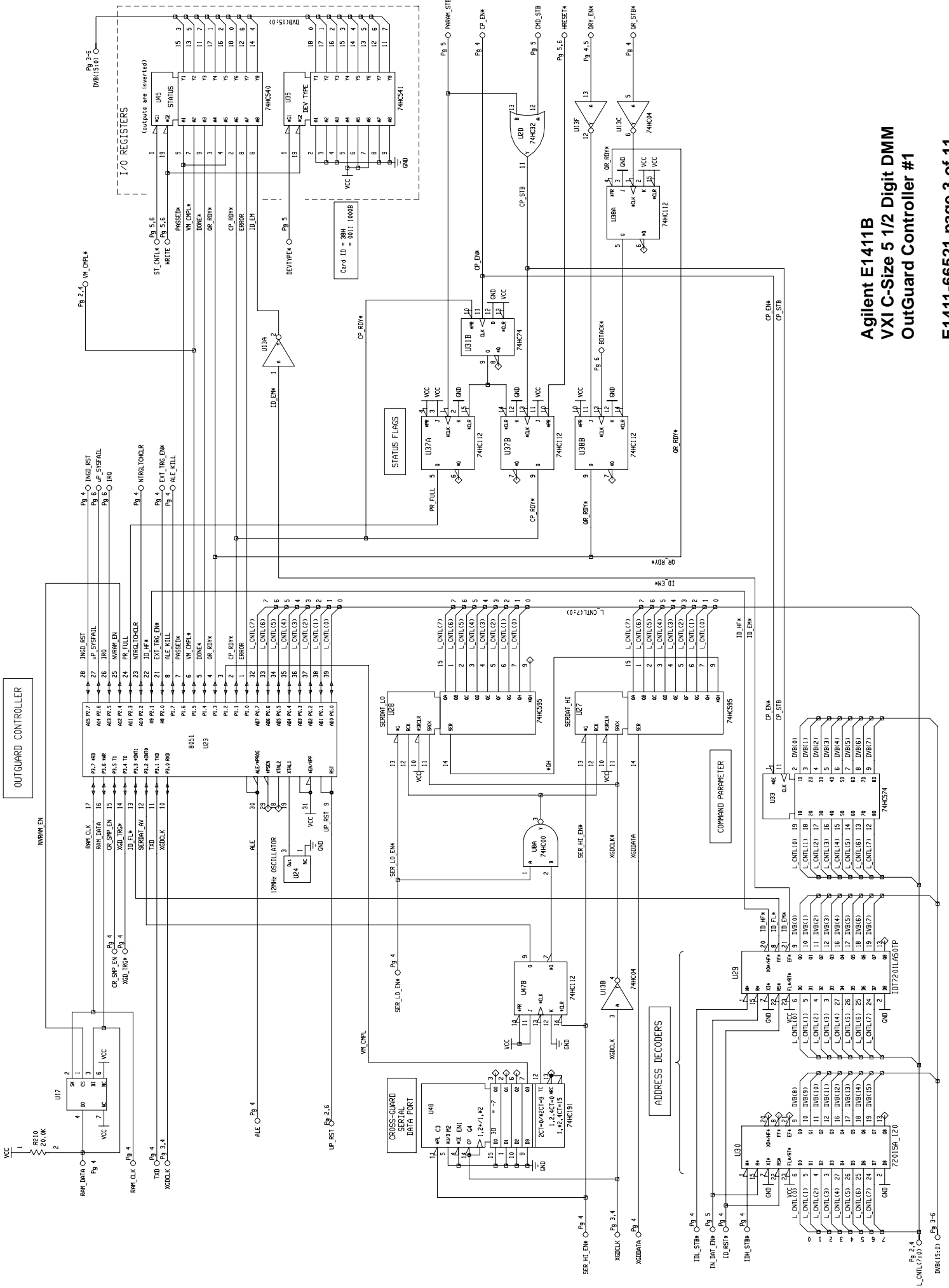
Agilent E1411B VXI C-Size 5 1/2 Digit DMM Cross-Guard Power Supply



U303, U304 & U305 MUST BE LOCATED WITHIN 1in OF P2.

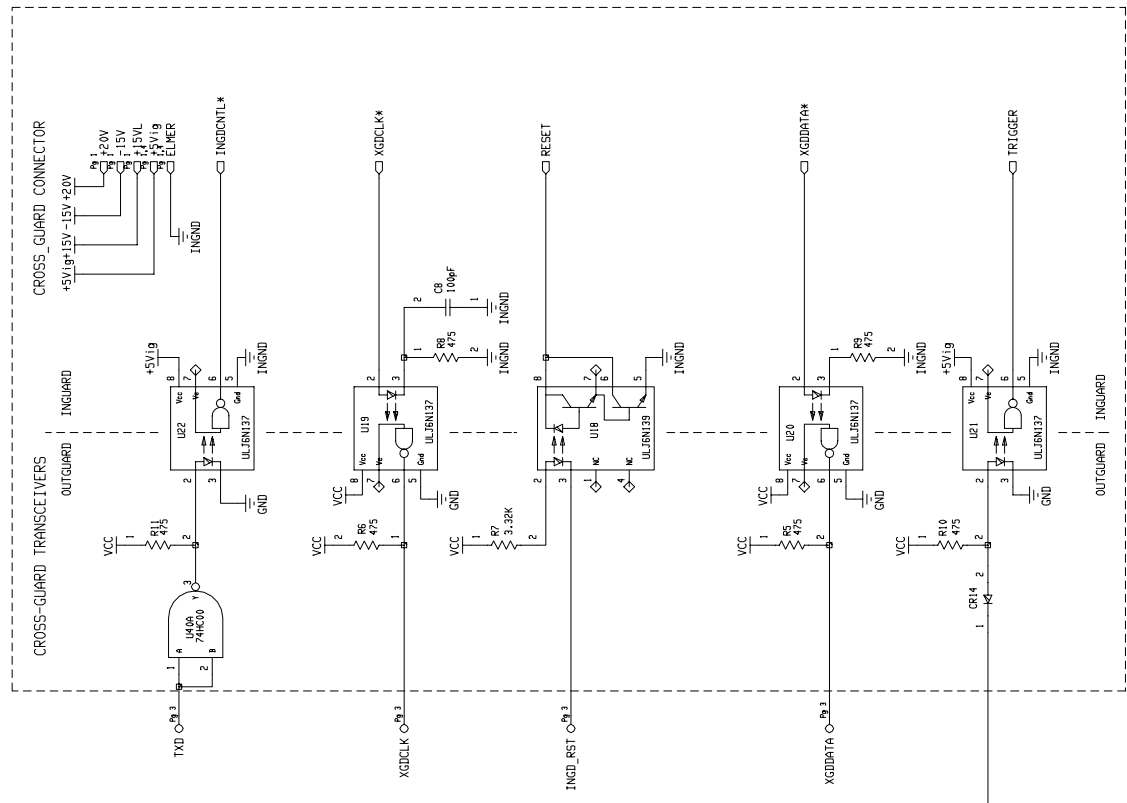
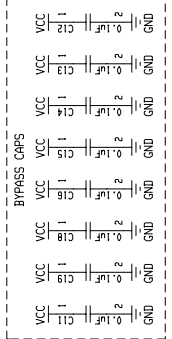
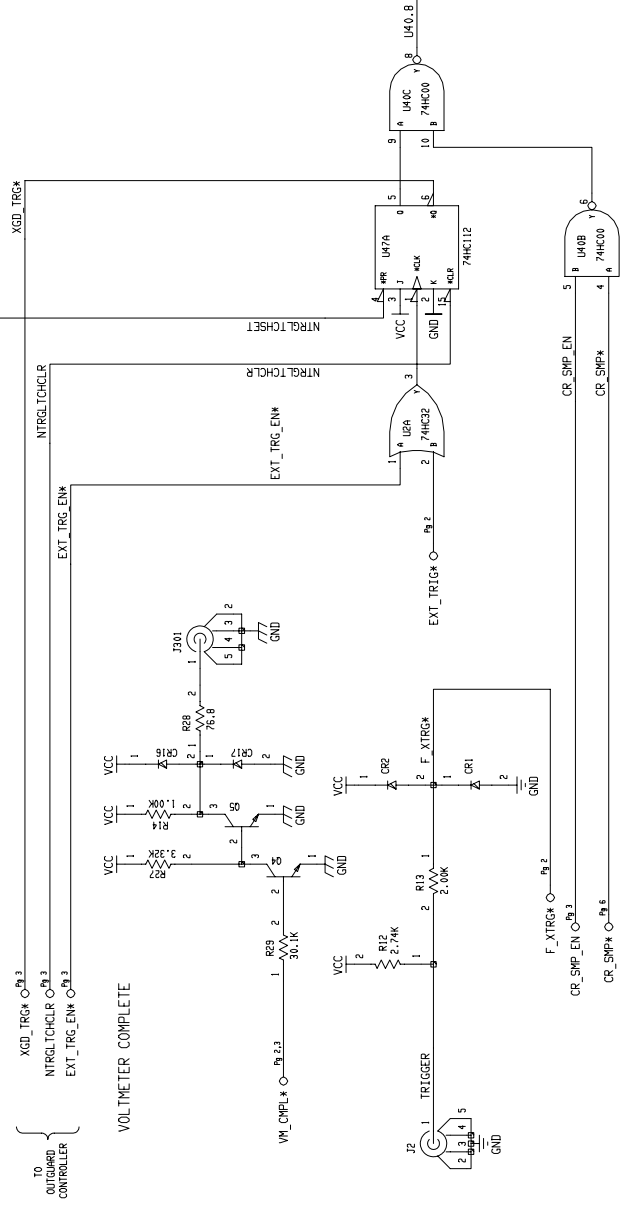
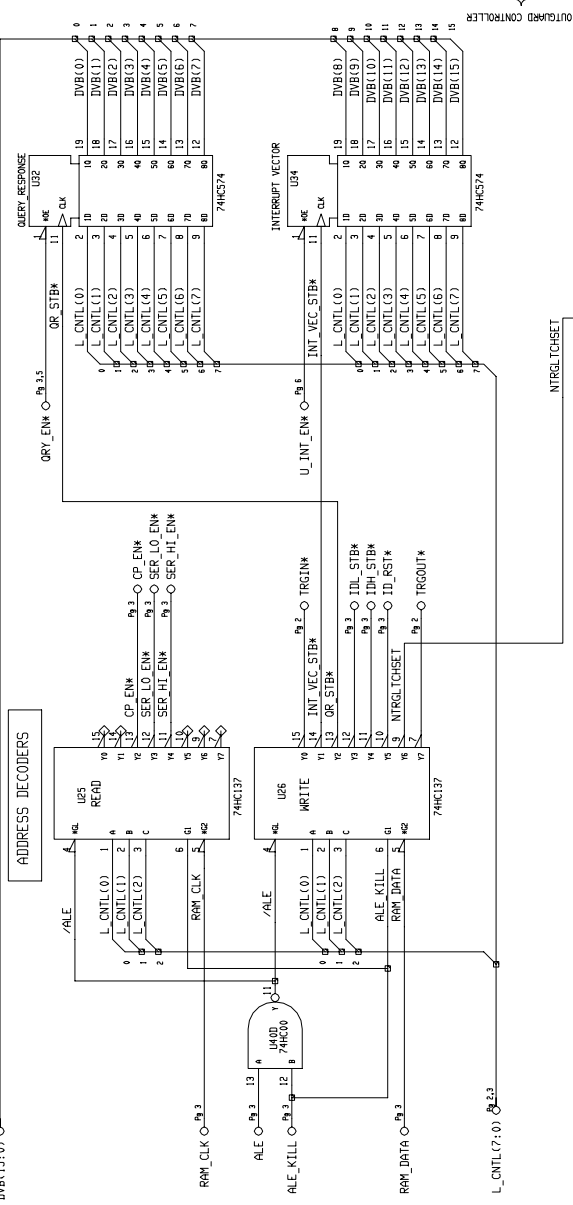


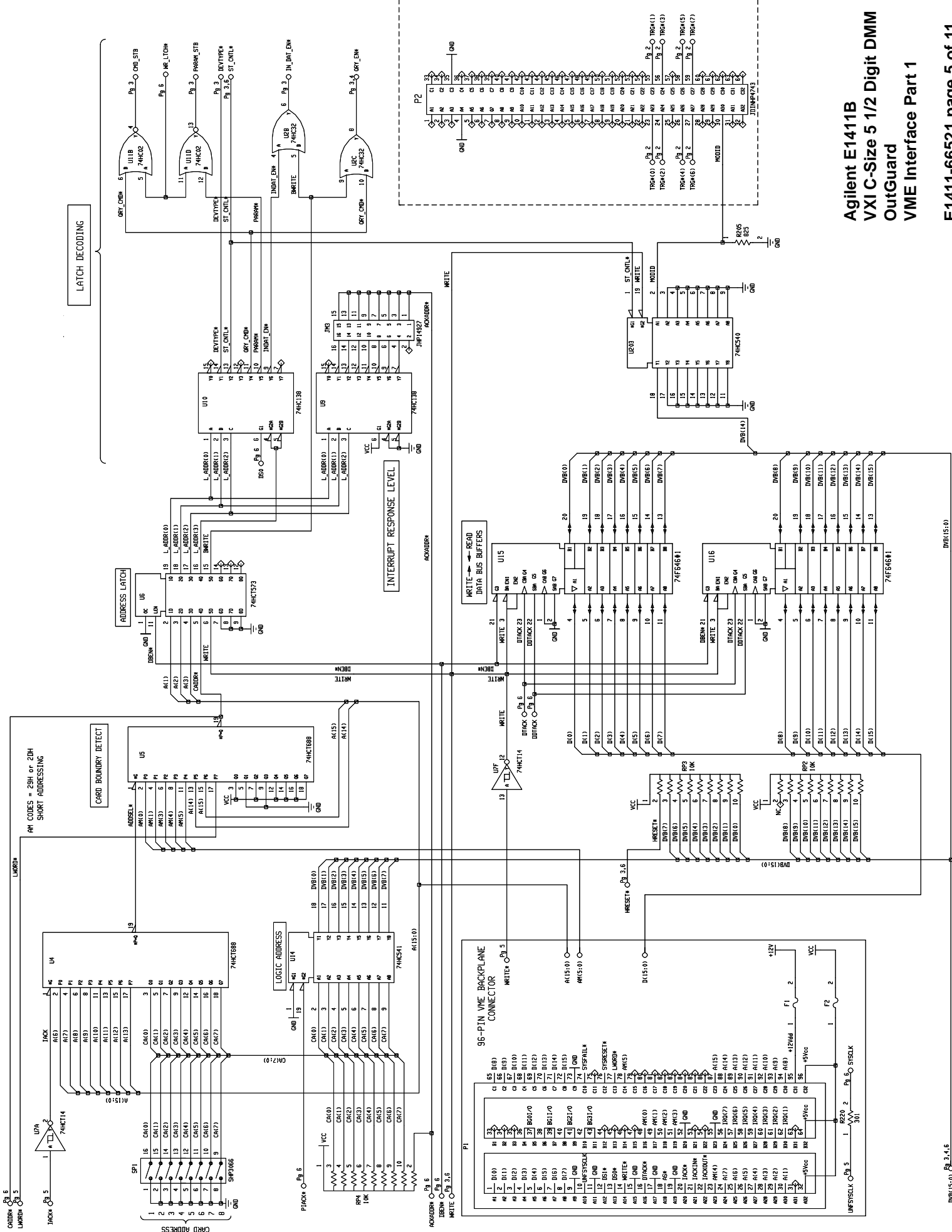
**Agilent E1411B
VXI C-Size 5 1/2 Digit DMM
OutGuard
TTLTRG* (SYNC & ASYNCH)**



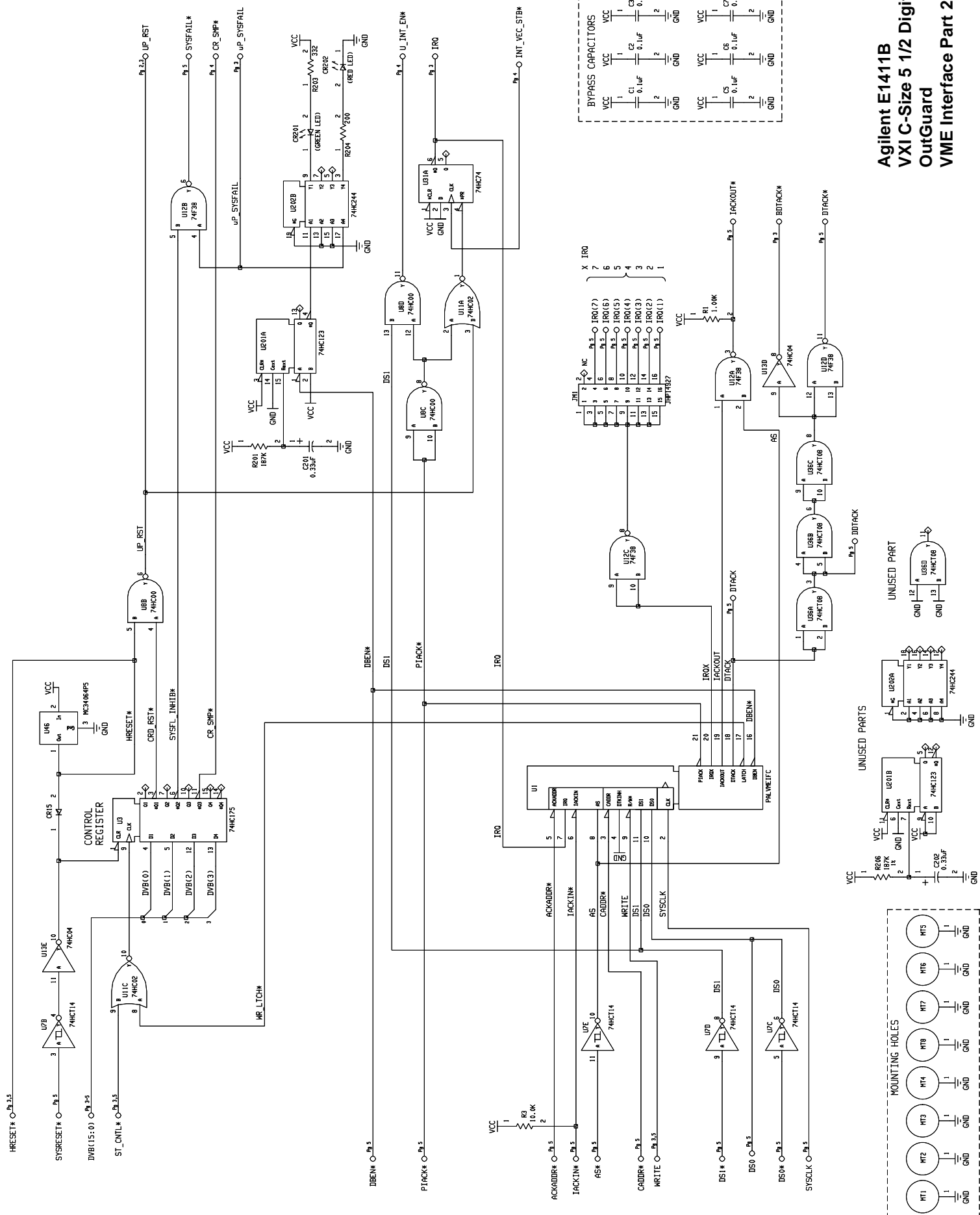
**Agilent E1411B
VXI C-Size 5 1/2 Digit DMM
OutGuard Controller #1**

I/O REGISTERS

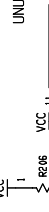
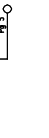
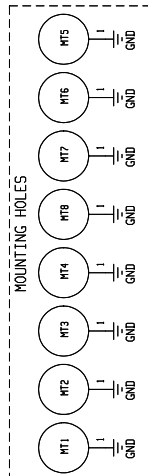
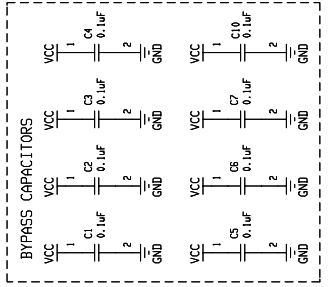




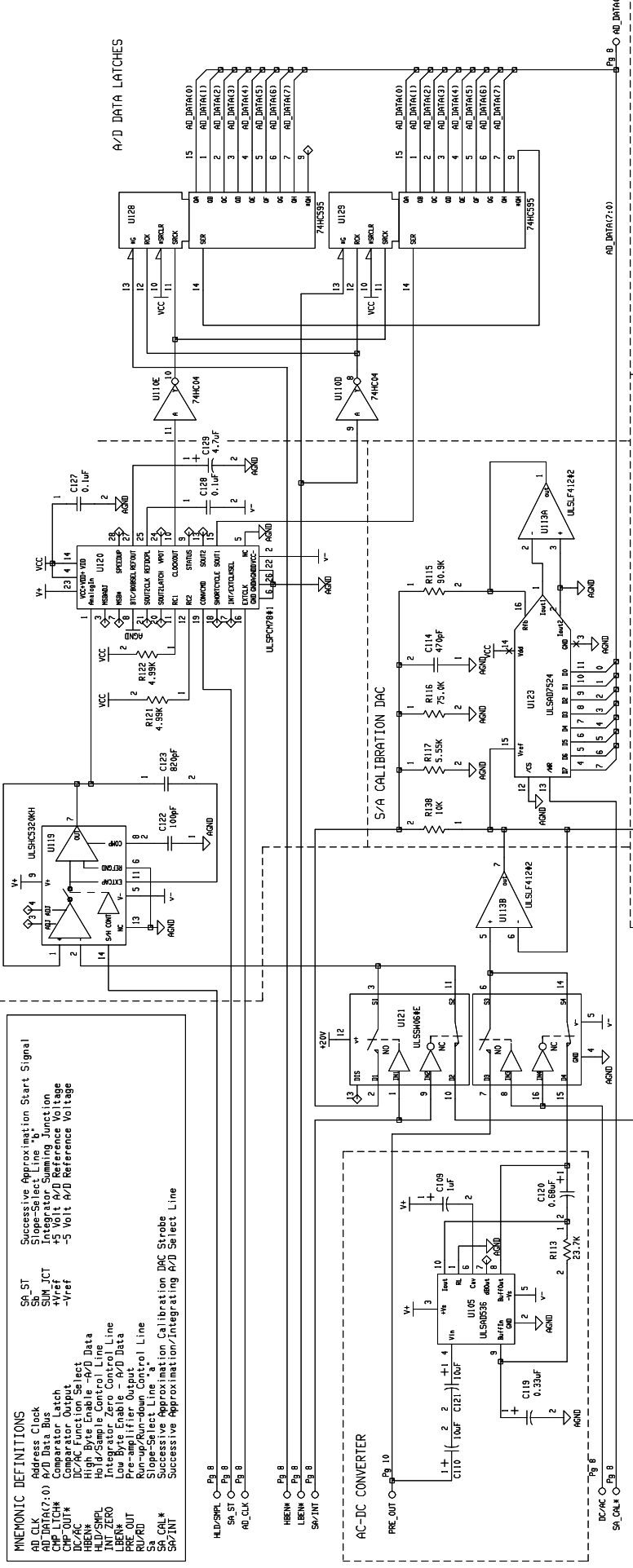
**Agilent E1411B
VXI C-Size 5 1/2 Digit DMM
OutGuard
VME Interface Part 1**



Agilent E1411B VXI C-Size 5 1/2 Digit DMM OutGuard VME Interface Part 2

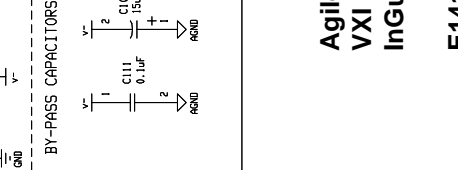
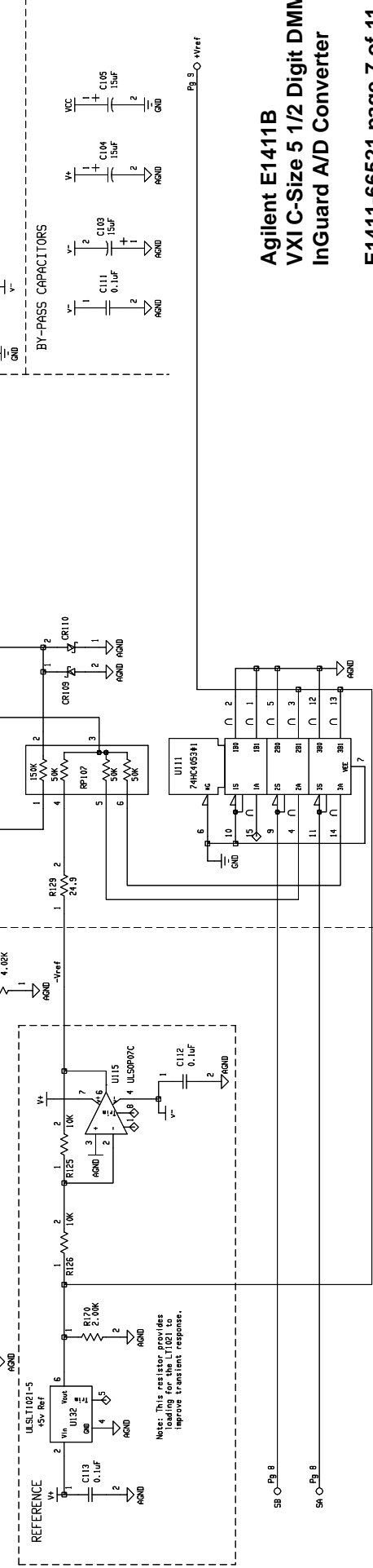
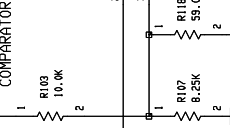
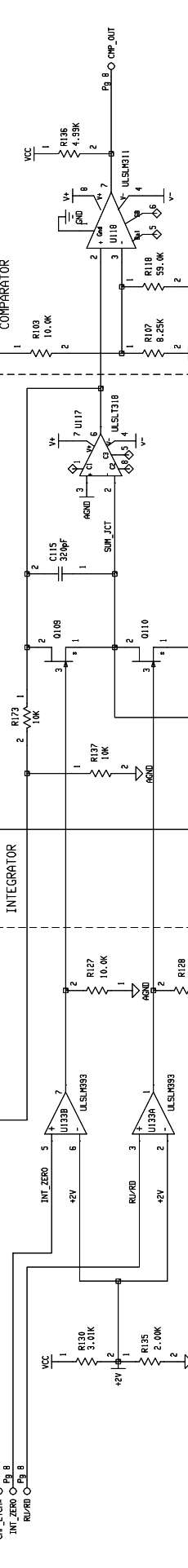
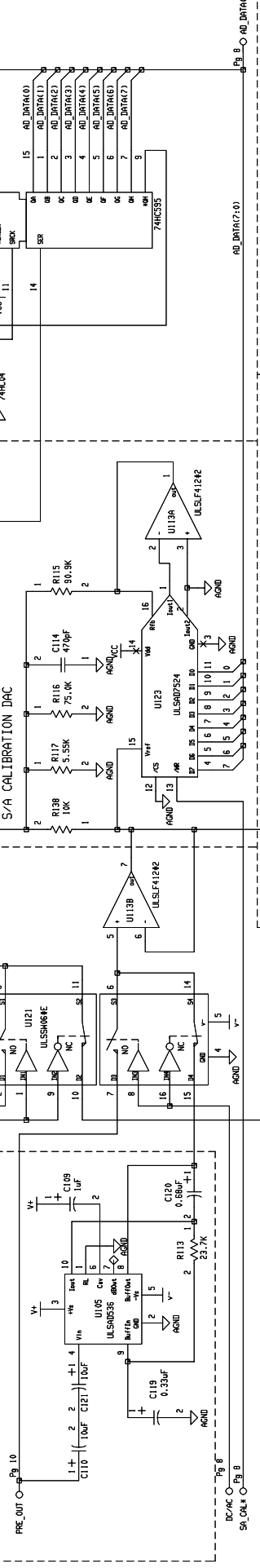


SUCCESSIVE APPROXIMATION A/D

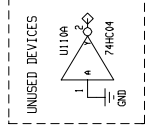
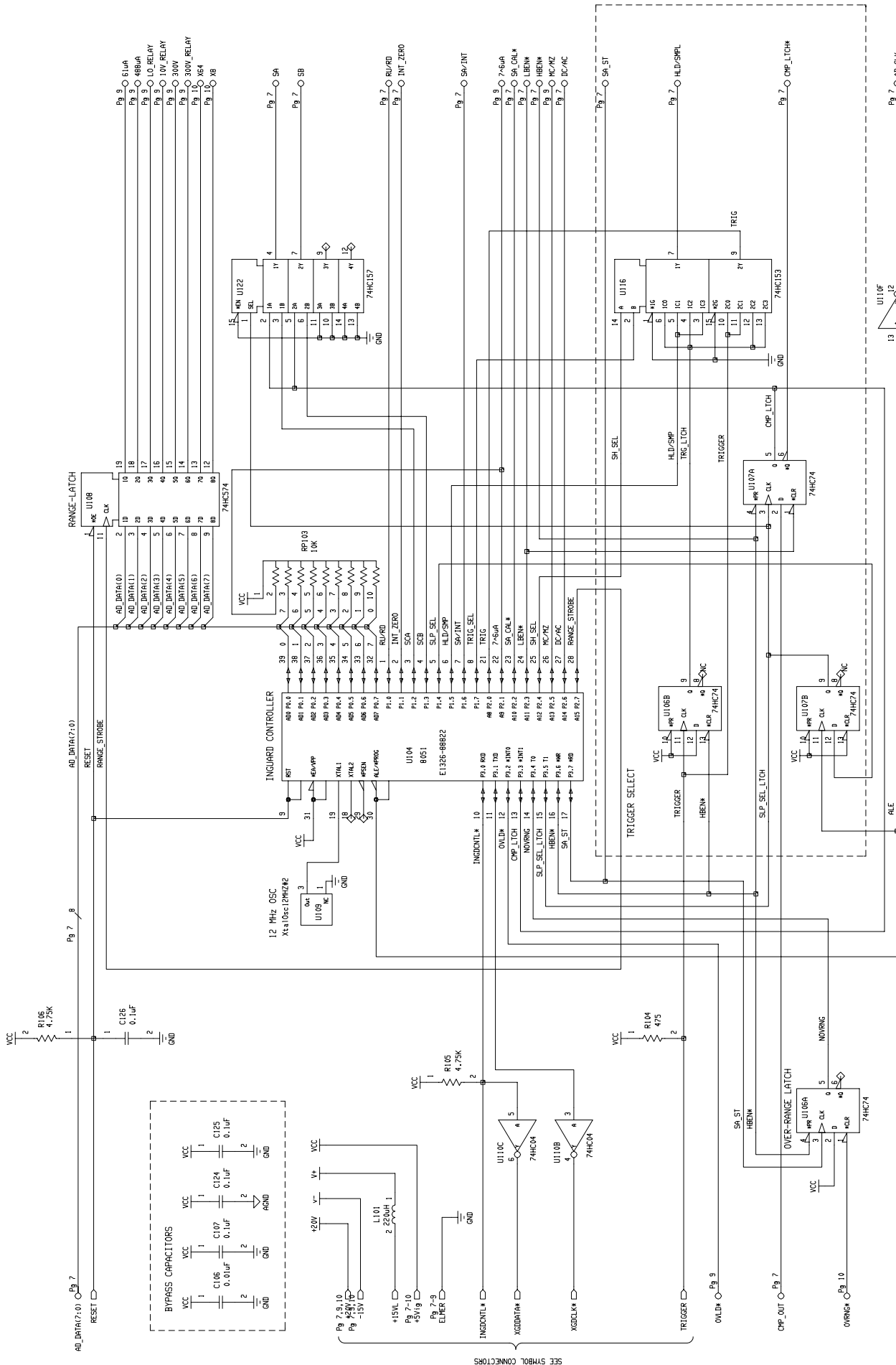


- MNEMONIC DEFINITIONS**
- AD_CLK: Address Clock
 - AD_DATA[0:7]: Address Data Bus
 - AD_DATA[8:15]: Address Data Bus
 - AD_DATA[16:23]: Address Data Bus
 - AD_DATA[24:31]: Address Data Bus
 - AD_DATA[32:39]: Address Data Bus
 - AD_DATA[40:47]: Address Data Bus
 - AD_DATA[48:55]: Address Data Bus
 - AD_DATA[56:63]: Address Data Bus
 - AD_DATA[64:71]: Address Data Bus
 - AD_DATA[72:79]: Address Data Bus
 - AD_DATA[80:87]: Address Data Bus
 - AD_DATA[88:95]: Address Data Bus
 - AD_DATA[96:103]: Address Data Bus
 - AD_DATA[104:111]: Address Data Bus
 - AD_DATA[112:119]: Address Data Bus
 - AD_DATA[120:127]: Address Data Bus
 - AD_DATA[128:135]: Address Data Bus
 - AD_DATA[136:143]: Address Data Bus
 - AD_DATA[144:151]: Address Data Bus
 - AD_DATA[152:159]: Address Data Bus
 - AD_DATA[160:167]: Address Data Bus
 - AD_DATA[168:175]: Address Data Bus
 - AD_DATA[176:183]: Address Data Bus
 - AD_DATA[184:191]: Address Data Bus
 - AD_DATA[192:199]: Address Data Bus
 - AD_DATA[200:207]: Address Data Bus
 - AD_DATA[208:215]: Address Data Bus
 - AD_DATA[216:223]: Address Data Bus
 - AD_DATA[224:231]: Address Data Bus
 - AD_DATA[232:239]: Address Data Bus
 - AD_DATA[240:247]: Address Data Bus
 - AD_DATA[248:255]: Address Data Bus
 - AD_DATA[256:263]: Address Data Bus
 - AD_DATA[264:271]: Address Data Bus
 - AD_DATA[272:279]: Address Data Bus
 - AD_DATA[280:287]: Address Data Bus
 - AD_DATA[288:295]: Address Data Bus
 - AD_DATA[296:303]: Address Data Bus
 - AD_DATA[304:311]: Address Data Bus
 - AD_DATA[312:319]: Address Data Bus
 - AD_DATA[320:327]: Address Data Bus
 - AD_DATA[328:335]: Address Data Bus
 - AD_DATA[336:343]: Address Data Bus
 - AD_DATA[344:351]: Address Data Bus
 - AD_DATA[352:359]: Address Data Bus
 - AD_DATA[360:367]: Address Data Bus
 - AD_DATA[368:375]: Address Data Bus
 - AD_DATA[376:383]: Address Data Bus
 - AD_DATA[384:391]: Address Data Bus
 - AD_DATA[392:399]: Address Data Bus
 - AD_DATA[400:407]: Address Data Bus
 - AD_DATA[408:415]: Address Data Bus
 - AD_DATA[416:423]: Address Data Bus
 - AD_DATA[424:431]: Address Data Bus
 - AD_DATA[432:439]: Address Data Bus
 - AD_DATA[440:447]: Address Data Bus
 - AD_DATA[448:455]: Address Data Bus
 - AD_DATA[456:463]: Address Data Bus
 - AD_DATA[464:471]: Address Data Bus
 - AD_DATA[472:479]: Address Data Bus
 - AD_DATA[480:487]: Address Data Bus
 - AD_DATA[488:495]: Address Data Bus
 - AD_DATA[496:503]: Address Data Bus
 - AD_DATA[504:511]: Address Data Bus
 - AD_DATA[512:519]: Address Data Bus
 - AD_DATA[520:527]: Address Data Bus
 - AD_DATA[528:535]: Address Data Bus
 - AD_DATA[536:543]: Address Data Bus
 - AD_DATA[544:551]: Address Data Bus
 - AD_DATA[552:559]: Address Data Bus
 - AD_DATA[560:567]: Address Data Bus
 - AD_DATA[568:575]: Address Data Bus
 - AD_DATA[576:583]: Address Data Bus
 - AD_DATA[584:591]: Address Data Bus
 - AD_DATA[592:599]: Address Data Bus
 - AD_DATA[600:607]: Address Data Bus
 - AD_DATA[608:615]: Address Data Bus
 - AD_DATA[616:623]: Address Data Bus
 - AD_DATA[624:631]: Address Data Bus
 - AD_DATA[632:639]: Address Data Bus
 - AD_DATA[640:647]: Address Data Bus
 - AD_DATA[648:655]: Address Data Bus
 - AD_DATA[656:663]: Address Data Bus
 - AD_DATA[664:671]: Address Data Bus
 - AD_DATA[672:679]: Address Data Bus
 - AD_DATA[680:687]: Address Data Bus
 - AD_DATA[688:695]: Address Data Bus
 - AD_DATA[696:703]: Address Data Bus
 - AD_DATA[704:711]: Address Data Bus
 - AD_DATA[712:719]: Address Data Bus
 - AD_DATA[720:727]: Address Data Bus
 - AD_DATA[728:735]: Address Data Bus
 - AD_DATA[736:743]: Address Data Bus
 - AD_DATA[744:751]: Address Data Bus
 - AD_DATA[752:759]: Address Data Bus
 - AD_DATA[760:767]: Address Data Bus
 - AD_DATA[768:775]: Address Data Bus
 - AD_DATA[776:783]: Address Data Bus
 - AD_DATA[784:791]: Address Data Bus
 - AD_DATA[792:799]: Address Data Bus
 - AD_DATA[800:807]: Address Data Bus
 - AD_DATA[808:815]: Address Data Bus
 - AD_DATA[816:823]: Address Data Bus
 - AD_DATA[824:831]: Address Data Bus
 - AD_DATA[832:839]: Address Data Bus
 - AD_DATA[840:847]: Address Data Bus
 - AD_DATA[848:855]: Address Data Bus
 - AD_DATA[856:863]: Address Data Bus
 - AD_DATA[864:871]: Address Data Bus
 - AD_DATA[872:879]: Address Data Bus
 - AD_DATA[880:887]: Address Data Bus
 - AD_DATA[888:895]: Address Data Bus
 - AD_DATA[896:903]: Address Data Bus
 - AD_DATA[904:911]: Address Data Bus
 - AD_DATA[912:919]: Address Data Bus
 - AD_DATA[920:927]: Address Data Bus
 - AD_DATA[928:935]: Address Data Bus
 - AD_DATA[936:943]: Address Data Bus
 - AD_DATA[944:951]: Address Data Bus
 - AD_DATA[952:959]: Address Data Bus
 - AD_DATA[960:967]: Address Data Bus
 - AD_DATA[968:975]: Address Data Bus
 - AD_DATA[976:983]: Address Data Bus
 - AD_DATA[984:991]: Address Data Bus
 - AD_DATA[992:999]: Address Data Bus

AC-DC CONVERTER

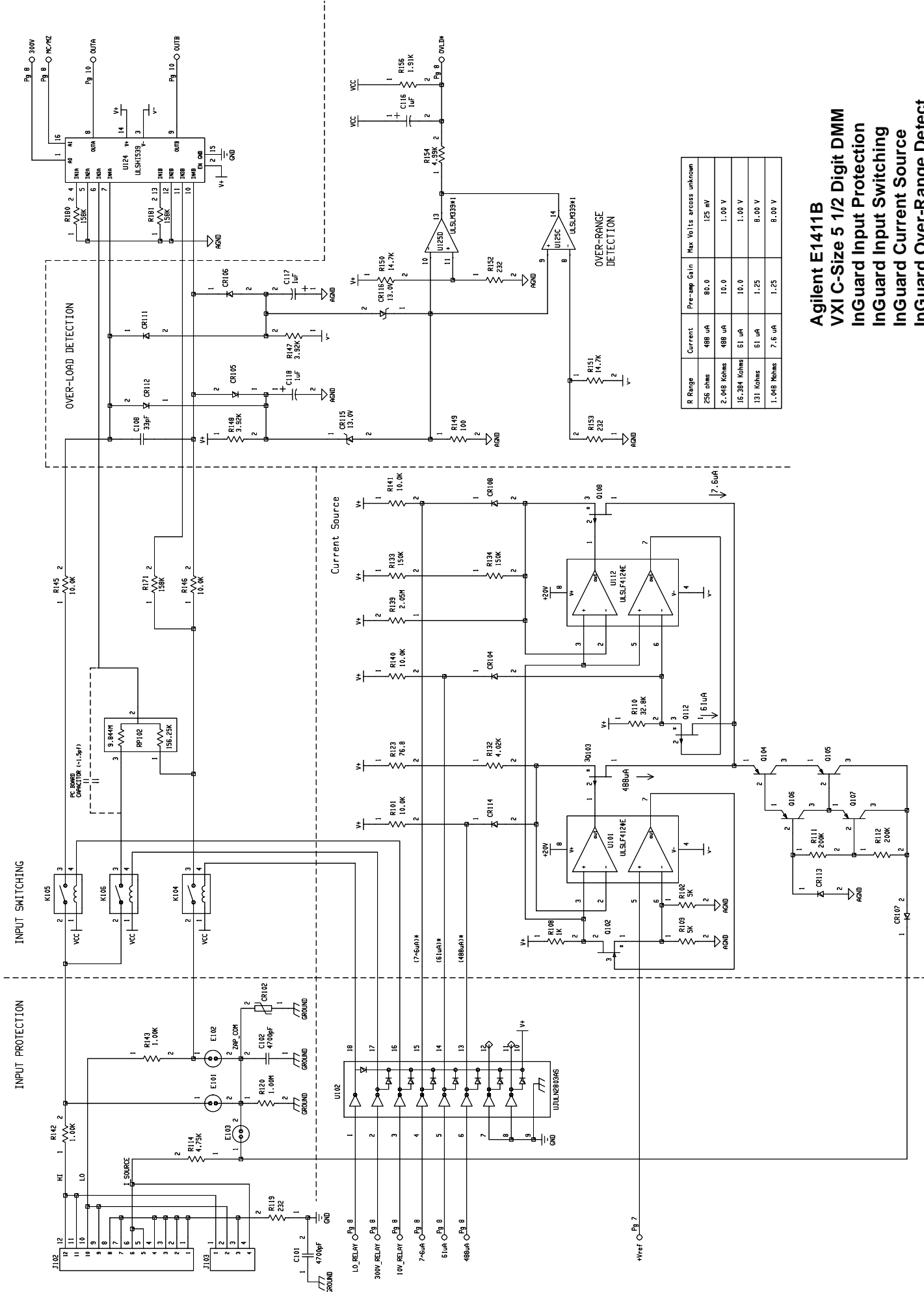


- MNEMONIC DEFINITIONS**
- SA_ST: Successive Approximation Start Signal
 - SB: Slope-Select Line
 - SC: Data Bus Latch
 - SD: Register Strobe
 - SE: Register Enable
 - SF: Register Output
 - SG: Register Output
 - SH: High Byte Enable - A/D Data
 - SI: High Byte Enable - A/D Data
 - SJ: High Byte Enable - A/D Data
 - SK: Low Byte Enable - A/D Data
 - SL: Low Byte Enable - A/D Data
 - SM: Run-up/Run-down Control Line
 - SN: Slope-select Line
 - SO: Successive Approximation/Integrating A/D Select Line
 - SP: Successive Approximation/Integrating A/D Select Line
 - SAI: Successive Approximation/Integrating A/D Select Line
 - SAI: Successive Approximation/Integrating A/D Select Line
 - SAI: Successive Approximation/Integrating A/D Select Line
 - SAI: Successive Approximation/Integrating A/D Select Line



MNEEMONIC DEFINITIONS

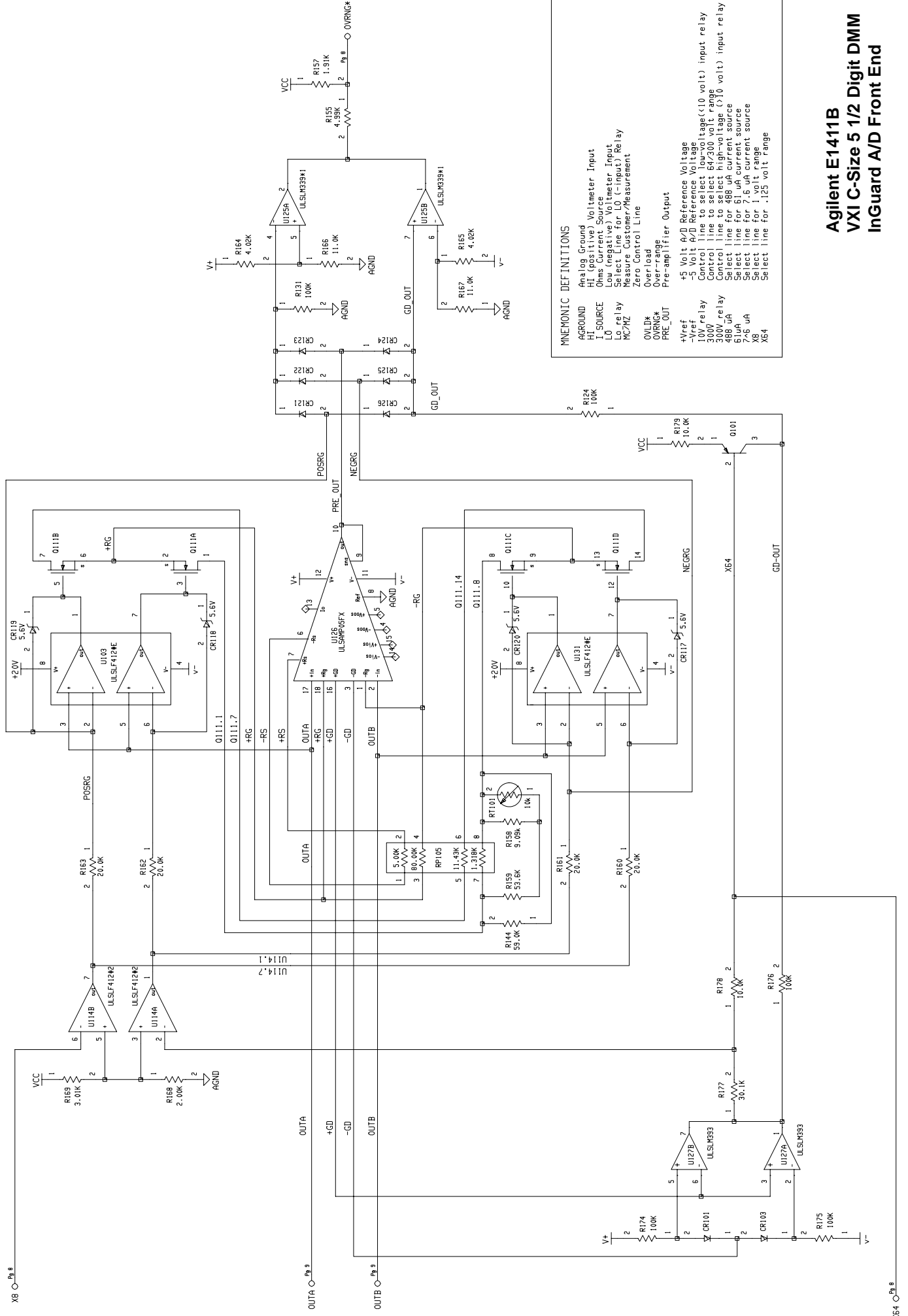
SA-ST	Successive Approximation (Integrating A/D) Select Line
AD_CLK	Successive Approximation Start-Single
AD_DATA[7:0]	Slope-Select Line "a"
ALE	A/D Slope Control Signal "A"
COMP_LATCH*	A/D Slope Control Signal "B"
COMP_OUT*	Sample Hold Select
DIAG_OUT*	Slope Select
HREN*	Trigger Select (Inguard)
HLD/SNPL	Inguard Trigger
IntCtrl*	Inguard Trigger Select
INT_ZERO	Integrator Zero Control Line
LBEN*	Low Byte Enable (A/D Data)
LCAL*	Measure Customer/Measurement Zero Control Line
KC/AZ	Over-range Load (Lo-true)
NOVRNG	Over-range
OVRNG	Over-range Strobe
OVRNG_LATCH	Over-range Latch
RESET	Run-up/Run-down Control Line
RU/RD	Slope-Select Line "a"
Sa	Successive Approximation Calibration DAC Strobe
SA_CAL*	



R Range	Current	Pre-amp Gain	Max Volts across unknown
256 ohms	488 uA	80.0	125 mV
2.048 Kohms	488 uA	10.0	1.00 V
16.384 Kohms	61 uA	10.0	1.00 V
131 Kohms	61 uA	1.25	8.00 V
1.048 Mohms	7.6 uA	1.25	8.00 V

Agilent E1411B
VXI C-Size 5 1/2 Digit DMM
InGuard Input Protection
InGuard Input Switching
InGuard Current Source
InGuard Over-Range Detect

**Agilent E1411B
VXI C-Size 5 1/2 Digit DMM
InGuard A/D Front End**



X8 ○ Ph 8

X64 ○ Ph 8

E1411-66521 Parts List

Reference Designator	Quantity	Agilent Part Number	Description	MPN	Manufacturer
C1	1	0160-5975	CAP-FXD 10pF +-5pct 50 V CER C0G	08055A100JAT A C0805C100J5GAC GRM2165C1H100JD01D	AVX KEMET ELECTRONICS MURATA MANUFACTURING
C101, 102	2	0160-4439	CAP-FXD 4700pF +-20pct 1 kV PPR-MET	PME271Y447MR30	EVOX/RIFA
C106	1	0160-3334	CAP-FXD 0.01uF +-10pct 50 V CER X7R	C410C103K5R5CA DA12X7R1H103K SA105C103KAAH	KEMET ELECTRONICS TDK AVX
C108	1	0160-4807	CAP-FXD 33pF +-5pct 100 V CER C0G	C410C330J1G5CA SA102A330JAAH SA102A330JAAH	KEMET ELECTRONICS AVX KYOCERA
C110,C121	2	0180-0374	CAP-FXD 10uF +-10pct 20 V TA	TAAB106K020 T110B106K020AS TAAB10K20RX	AVX KEMET ELECTRONICS STC
C114	1	0160-4808	CAP-FXD 470pF +-5pct 100 V CER C0G	C410C471J1G5CA SA101A471JAAH SA101A471JAAH	KEMET ELECTRONICS AVX KYOCERA
C115	1	0140-0226	CAP-FXD 320pF +-1pct 300 V MICA	0140-0226 CD15FC321F03	SHINNITOKU ELECTRIC CORNELL-DUBILIER ELECTRONICS
C119,C201,C202	3	0180-2205	CAP-FXD 0.33uF +-10pct 35 V TA	T110A334K035AS	KEMET ELECTRONICS
C120	1	0180-0373	CAP-FXD 0.68uF +-10pct 35 V TA	T110A684K035AS	KEMET ELECTRONICS
C123	1	0160-4823	CAP-FXD 820pF +-5pct 100 V CER C0G	C420C821J1G5CA DA13C0G2A821J SA101A821JAAH SA101A821JAAH	KEMET ELECTRONICS TDK AVX KYOCERA
C129	1	0180-0309	CAP-FXD 4.7uF +-20pct 10 V TA	T110A475M010AS	KEMET ELECTRONICS
C1-7,C10-16,C18,C19, C107,C111-113,C124-128, C301-303	28	0160-4835	CAP-FXD 0.1uF +-10pct 50 V CER X7R	C420C104K5R5CA SA105C104KAAH SA105C104KAAH	KEMET ELECTRONICS AVX KYOCERA
C20,C21,C25,C103-105	6	0180-1746	CAP-FXD 15uF +-10pct 20 V TA	TAAB156K020 T110B156K020AS TAAB15K20RX	AVX KEMET ELECTRONICS STC
C22	1	0180-0229	CAP-FXD 33uF +-10pct 10 V TA	TAAB336K010 T110B336K010AS TAAB33K10RX	AVX KEMET ELECTRONICS STC
C23,C24,C30,C31,C36, C109,C116-118	9	0180-0291	CAP-FXD 1uF +-10pct 35 V TA	TAAA105K035 T110A105K035AS TAAA1R0K35RX	AVX KEMET ELECTRONICS STC
C26	1	0180-3899	CAP-FXD 220uF +-20pct 50 V AL-ELCTLT	TVX1H221MCD	NICHICON
C27-29	3	0180-3906	CAP-FXD 100uF +-20pct 50 V AL-ELCTLT	TVX1H101MAD	NICHICON
C3, C4	2	0160-7798	CAP-FXD 0.1uF +-10PCT 50V CER X7R	08055C104KAT_A C0805C104K5RAC C2012X7R1H104K GRM21BR71H104KA11L NMC0805X7R104K50TRP VJ0805Y104KXAMT	AVX KEMET ELECTRONICS TDK MURATA MANUFACTURING NIC COMPONENTS VISHAY

E1411-66521 Parts List

Reference Designator	Quantity	Agilent Part Number	Description	MPN	Manufacturer
C32,C34	2	0160-4822	CAP-FXD 1000pF +-5pct 100 V CER C0G	C420C102J1G5CA SA201A102JAAH SA201A102JAAH	KEMET ELECTRONICS AVX KYOCERA
C33	1	0160-4832	CAP-FXD 0.01uF +-10pct 100 V CER X7R	C410C103K1R5CA SA101C103KAAH SA101C103KAAH	KEMET ELECTRONICS AVX KYOCERA
C38	1	0180-0376	CAP-FXD 0.47uF +-10pct 35 V TA	T110A474K035AS TAAA0R47K35RX	KEMET ELECTRONICS STC
C8,C122	2	0160-4801	CAP-FXD 100pF +-5pct 100 V CER C0G	C410C101J1G5CA SA102A101JAAH SA102A101JAAH	KEMET ELECTRONICS AVX KYOCERA
CR102	1	0837-0268	VOLTAGE SUPPRESSOR RMS VOLTAGE=300V,DC	V300LA4	WAVECOM
CR104,CR108,CR113,CR114	4	1901-0880	DIODE-GEN PRP 200MA DO-35	FDH300	FAIRCHILD SEMICONDUCTOR
CR105,CR106,CR111,CR112	4	E1326-62501	DIODE		
	1	1901-0880	DIODE-GEN PRP 200MA DO-35	FDH300	FAIRCHILD SEMICONDUCTOR
CR107	1	1901-0849	DIODE-PWR RECT 1N4007 1KV 1A DO-41	1N4007 1N4007	SOLID STATE DEVICES VISHAY
CR109-110	2	1901-0535	DIODE-SCHOTTKY SM SIG	5082-2811 A2X356	AVAGO TECHNOLOGIES FEI MICROWAVE
CR115,116	2	1902-0961	DIODE-ZNR 13V 5pct DO-35 PD=.4W TC=+.082pct	1N964B	MICROSEMI
CR1-5,CR46-17,CR101, CR103,CR121-126	18	1901-1098	DIODE-SWITCHING 1N4150 50V 200MA 4NS	1N4150 1N4150	FAIRCHILD SEMICONDUCTOR ROHM
CR201	1	1990-0966	LED-LAMP LUM-INT=3MCD IF=20MA-MAX BVR=5V	HLMP-3507-D00B2	AVAGO TECHNOLOGIES
CR202	1	1990-1022	LED-LAMP LUM-INT=5.4MCD IF=30MA-MAX	HLMP-3301-F00B2	AVAGO TECHNOLOGIES
CR6	1	1902-0965	DIODE-ZNR 20V 5pct DO-35 PD=.4W TC=+.092pct	1N968B	MICROSEMI
CR7-12	6	1901-1065	DIODE-PWR RECT 1N4936 400V 1A 200NS	1N4936RLG 1N4936 1N4936	ON SEMICONDUCTOR ALL AMERICAN PRODUCTS VISHAY
E101-103	3	5185-6741	LTB OF 1970-0100		
	1	1970-0100	SURGE VOLTAGE PROTECTOR		
F1,F2	2	2110-0712	FUSE-SUBMINIATURE 4A 125V NTD AX	0251004.	LITTELFUSE
J102	1	1252-3712	CONN-POST TYPE .100-PIN-SPCG-MTG-END	68668-004	FCI FRAMATOME BERG
J103	1	1252-3416	CONN-POST TYPE .100-PIN-SPCG-MTG-END	70553-0108	MOLEX
J2, 301	2	1250-1846	CONNECTOR-RF BNC FEMALE PC-W-STDFS	5413631-2 28JR342-1 31-5507	TYCO ELECTRONICS AMP FCI FRAMATOME BERG AMPHENOL
JM1, 3	2	1251-4927	CONN-HDR VERT 16-PIN 2.54 MM 2 ROW	67997-116HLF	FCI FRAMATOME BERG
K104, 105	2	0490-1556	RELAY-REED	3500-0050	COTO WABASH
K106	1	0490-1555	RELAY-REED	3500-0051	COTO WABASH
L101	1	9140-0129	INDUCTOR RF-CH-MLD 220uH +-5pct	1537-92 15M223J 9210-92 IM-4 220UH 5%	AMERICAN PRECISION INDUSTRIES GOWANDA ELECTRONICS ARROW ELECTRONICS VISHAY
L1-3	3	9140-1389	IDCTR-FXD 220uH +-15PCT 0.27W-INX0.7L-IN	RL-1284-220 IHD-1__220UH 15%	RENCO ELECTRONICS VISHAY
MP1	1	0050-2183	CASTING-ZN P.C. BOARD HOLDER	20827-074	PENTAIR
MP1	1	E1411-26522	PC Board		

E1411-66521 Parts List

Reference Designator	Quantity	Agilent Part Number	Description	MPN	Manufacturer
MP2	1	0361-1295	RIVET-SEMITUB OVH .095DIA .406LG ; RIVET-SEMITU	0361-1295 0361-1295	CHICAGO RIVET & MACHINE NATIONAL RIVET & MFG
MP7-9	3	0590-1076	THREADED INSERT-NUT M3 X 0.5 1.5-MM-LG	HCN-M3-2-STAINLESS STEEL KFS2-M3	TR FASTENINGS PENN ENGINEERING & MFG
P1	1	1252-1596	CONN-POST TYPE 2.54-PIN-SPCG-MTG-END	10-8557-096-002-025 536010-5 DIN-96CPC-SRI-TR	KYOCERA TYCO ELECTRONICS AMP 3M
P1, P2, P3	3	1253-5003	CONN-ADAPTOR PLUG 2-ROW 8-PINS .300-SP	142-90-308-00-591100	MILL-MAX
P2	1	1252-4743	CONN-POST TYPE 2.54-PIN-SPCG-MTG-END	5536011-5 10-8557-096-002-026	TYCO ELECTRONICS AMP KYOCERA
P3	1	1258-0247	JUMPER 4 POSITIONS; HOUSING MATERIAL	69146-204LF	FCI FRAMATOME BERG
PCB1	1	E1411-26521	PC BOARD, ETCHED (PWB)	E1411-26521	AGILENT TECHNOLOGIES
Q1, 4, 5	3	1854-1028	TRANSISTOR NPN SI TO-92 PD=625MW	2N3904	ROHM
Q101	1	5188-2519	LTB FOR 1853-0563		
	1	1853-0563	TRANSISTOR PNP SI TO-92 PD=625MW		
Q102, 109, 110	3	1855-0414	TRANSISTOR J-FET 2N4393 N-CHAN D-MODE	1855-0414 2N4393	SOLITRON VISHAY
Q103, 108, 112	3	1855-0437	TRANSISTOR J-FET P-CHAN D-MODE TO-92	1855-0437 J270	VISHAY FAIRCHILD SEMICONDUCTOR
Q104-107	4	1853-0510	TRANSISTOR PNP SI TO-92 PD 625MW FT 200MHZ	CEN1122 SPS8342	CENTRAL SEMICONDUCTOR ON SEMICONDUCTOR
Q2, 3	2	1855-0518	TRANSISTOR MOSFET N-CHAN E-MODE SI	IRFD110	INTERNATIONAL RECTIFIER
R1,R14,R21-23,R142,R143	7	0757-0280	RESISTOR 1K +-1pct .125W TF TC=0+-100	5053HD1K000F CMF-551001FT-1 NK4H.125W1%+/-100PPM1001	VISHAY BC COMPONENTS VISHAY E-SIL COMPONENTS
R102,109	2	0699-0059	RESISTOR 5K +-0.1pct .1W TF TC=0+-5	PR1/10TC55K0.1% PTF-565K0BT-16 UXBA5K0000B	PRECISION RESISTIVE PRODUCTS VISHAY VISHAY BC COMPONENTS
R105,R106,R114	3	0757-0437	RESISTOR 4.75K +-1pct .125W TF TC=0+-100	5053HD4K750F CMF-554751FT-1 NK4H.125W1%+/-100PPM4751	VISHAY BC COMPONENTS VISHAY E-SIL COMPONENTS
R107	1	0757-0441	RESISTOR 8.25K +-1pct .125W TF TC=0+-100	5053HD8K250F CMF-558251FT-1 NK4H.125W1%+/-100PPM8251	VISHAY BC COMPONENTS VISHAY E-SIL COMPONENTS
R108	1	0698-6414	RESISTOR 1K +-0.1pct .1W TF TC=0+-5	PR 1/10T51K0.1% PTF-561K0BT-16 UXB0207-05 0,1% RP 1K	PRECISION RESISTIVE PRODUCTS VISHAY VISHAY BC COMPONENTS

E1411-66521 Parts List

Reference Designator	Quantity	Agilent Part Number	Description	MPN	Manufacturer
R110	1	0698-6407	RESISTOR 32.8K +-0.1pct .1W TF TC=0+4	232214191517 PR1/10TC432K8.1% PTF-5632K8B	VISHAY BC COMPONENTS PRECISION RESISTIVE PRODUCTS VISHAY
R113	1	0698-3158	RESISTOR 23.7K +-1pct .125W TF TC=0+-100	5053HD23K70F CMF-552372FT-1 NK4H.125W1%+/-100PPM2372	VISHAY BC COMPONENTS VISHAY E-SIL COMPONENTS
R115	1	0757-0464	RESISTOR 90.9K +-1pct .125W TF TC=0+-100	5053HD90K90F CMF-559092FT-1 NK4H.125W1%+/-100PPM9092	VISHAY BC COMPONENTS VISHAY E-SIL COMPONENTS
R116	1	0757-0462	RESISTOR 75K +-1pct .125W TF TC=0+-100	5053HD75K00F CMF-557502FT-1 CRB25-FX-7502 NK4H.125W1%+/-100PPM7502	VISHAY BC COMPONENTS VISHAY ROHM E-SIL COMPONENTS
R117	1	0698-6963	RESISTOR 5.55K +-0.1pct .125W TF TC=0+-25	B0207E5K550B CMF-555551BT-9	VISHAY BC COMPONENTS VISHAY
R118	1	0698-4501	RESISTOR 59K +-1pct .125W TF TC=0+-100	5053HD59K00F CMF-555902FT-1 NK4H.125W1%+/-100PPM5902	VISHAY BC COMPONENTS VISHAY E-SIL COMPONENTS
R119	1	0698-6364	RES-FXD 50 OHM +-0.1PCT 0.125W TC 0+-25 0207	CMF-5550R0BT-9 MBB0207-25 0.1%__50R	VISHAY VISHAY BC COMPONENTS
R12	1	0757-0281	RESISTOR 2.74K +-1pct .125W TF TC=0+-100	5053HD2K740F CMF-552741FT-1 NK4H.125W1%+/-100PPM2741	VISHAY BC COMPONENTS VISHAY E-SIL COMPONENTS
R120	1	0698-8827	RESISTOR 1M +-1pct .125W TF TC=0+-100	5053HD1M000F CMF-551004FT-1	VISHAY BC COMPONENTS VISHAY
R121,R122,R136,R154,R155	5	0698-3279	RESISTOR 4.99K +-1pct .125W TF TC=0+-100	5053HD4K990F CMF-554991FT-1 NK4H.125W1%+/-100PPM4991	VISHAY BC COMPONENTS VISHAY E-SIL COMPONENTS
R124,R131,R174-176	5	0757-0465	RESISTOR 100K +-1pct .125W TF TC=0+-100	5053HD100K0F CMF-551003FT-1 NK4H.125W1%+/-100PPM1003	VISHAY BC COMPONENTS VISHAY E-SIL COMPONENTS

E1411-66521 Parts List

Reference Designator	Quantity	Agilent Part Number	Description	MPN	Manufacturer
R125,R126,R137,R138,R173	5	0698-6360	RES-FXD 10K +-0.1PCT 0.125W TC 0+-25 0207	CMF-551002BT-9 MBB0207-25 0.1%__10K	VISHAY VISHAY BC COMPONENTS
R128,R164,R165	3	0698-3558	RESISTOR 4.02K +-1pct .125W TF TC=0+-100	5053HD4K020F CMF-554021FT-1 CRB25-FX-4021 NK4H.125W1%+/-100PPM4021	VISHAY BC COMPONENTS VISHAY ROHM E-SIL COMPONENTS
R129	1	0757-0291	RESISTOR 24.9 +-1pct .125W TF TC=0+-100	5053HD24R90F CMF-5524R9FT-1 NK4H.125W1%+/-100PPM24R9	VISHAY BC COMPONENTS VISHAY E-SIL COMPONENTS
R13,R135,R170	3	0757-0283	RESISTOR 2K +-1pct .125W TF TC=0+-100	5053HD2K000F CMF-552001FT-1 NK4H.125W1%+/-100PPM2001	VISHAY BC COMPONENTS VISHAY E-SIL COMPONENTS
R130	1	0757-0273	RESISTOR 3.01K +-1pct .125W TF TC=0+-100	5053HD3K010F CMF-553011FT-1 NK4H.125W1%+/-100PPM3011	VISHAY BC COMPONENTS VISHAY E-SIL COMPONENTS
R132	1	0699-0448	RESISTOR 4.02K +-0.1pct .1W TF TC=0+-5	PR1/10T54K02.1% PTF-564K02BT-16 UXB0207-05 0,1% RP 4.02K	PRECISION RESISTIVE PRODUCTS VISHAY VISHAY BC COMPONENTS
R133,R134	2	0698-6620	RESISTOR 150K +-0.1pct .125W TF TC=0+-25	B0207E150K0B CMF-551503BT-9	VISHAY BC COMPONENTS VISHAY
R139	1	0699-0121	RESISTOR 2.05M +-1pct .125W TF TC=0+-100	CMF-552054FT-1	VISHAY
R147,R148	2	0757-0435	RESISTOR 3.92K +-1pct .125W TF TC=0+-100	5053HD3K920F CMF-553921FT-1 CRB25-FX-3921 NK4H.125W1%+/-100PPM3921	VISHAY BC COMPONENTS VISHAY ROHM E-SIL COMPONENTS
R152,153	2	0698-3486	RESISTOR 232 +-1pct .125W TF TC=0+-100	5053HD232R0F CMF-552320FT-1 NK4H.125W1%+/-100PPM232R0	VISHAY BC COMPONENTS VISHAY E-SIL COMPONENTS
R156,R157	2	0698-4430	RESISTOR 1.91K +-1pct .125W TF TC=0+-100	5053HD1K910F CMF-551911FT-1 NK4H.125W1%+/-100PPM1911	VISHAY BC COMPONENTS VISHAY E-SIL COMPONENTS

E1411-66521 Parts List

Reference Designator	Quantity	Agilent Part Number	Description	MPN	Manufacturer
R16,R149	2	0757-0401	RESISTOR 100 +-1pct .125W TF TC=0+-100	5053HD100R0F CMF-551000FT-1	VISHAY BC COMPONENTS VISHAY
R161, R163, R169	3	8159-0005	RESISTOR 0 CWM	106 L-2007-1 YZO 1/4 Z-25	MICRO-OHM GETTIG ENGRG & MFG TT ELECTRONICS ASJ
R166,R167	2	0757-0443	RESISTOR 11K +-1pct .125W TF TC=0+-100	5053HD11K00F CMF-551102FT-1 NK4H.125W1%+/-100PPM1102	VISHAY BC COMPONENTS VISHAY E-SIL COMPONENTS
R17	1	0811-3056	RESISTOR .24 +-5pct .5W PWI TC=0+-300	SP-2-0R2-5%	TT ELECTRONICS
R171,R180,R181	3	0698-4211	RESISTOR 158K +-1pct .125W TF TC=0+-100	5053HD158K0F CMF-551583FT-1 NK4H.125W1%+/-100PPM1583	VISHAY BC COMPONENTS VISHAY E-SIL COMPONENTS
R18	1	0757-0449	RESISTOR 20K +-1pct .125W TF TC=0+-100	5053HD20K00F CMF-552002FT-1 CRB25-FX-2002 NK4H.125W1%+/-100PPM2002	VISHAY BC COMPONENTS VISHAY ROHM E-SIL COMPONENTS
R19,R150,R151	3	0698-3156	RESISTOR 14.7K +-1pct .125W TF TC=0+-100	5053HD14K70F CMF-551472FT-1 NK4H.125W1%+/-100PPM1472	VISHAY BC COMPONENTS VISHAY E-SIL COMPONENTS
R2,R3,R101,R103,R127, R140,R141,R145,R146, R178,R179	11	0757-0442	RESISTOR 10K +-1pct .125W TF TC=0+-100	5053HD10K00F CMF-551002FT-1 NK4H.125W1%+/-100PPM1002	VISHAY BC COMPONENTS VISHAY E-SIL COMPONENTS
R20	1	0698-4434	RESISTOR 2.32K +-1pct .125W TF TC=0+-100	5053HD2K320F CMF-552321FT-1 NK4H.125W1%+/-100PPM2321	VISHAY BC COMPONENTS VISHAY E-SIL COMPONENTS
R201,R206	2	0698-4525	RESISTOR 187K +-1pct .125W TF TC=0+-100	5053HD187K0F CMF-551873FT-1 NK4H.125W1%+/-100PPM1873	VISHAY BC COMPONENTS VISHAY E-SIL COMPONENTS

E1411-66521 Parts List

Reference Designator	Quantity	Agilent Part Number	Description	MPN	Manufacturer
R203	1	0757-0411	RESISTOR 332 +-1pct .125W TF TC=0+-100	5053HD332R0F CMF-553320FT-1 CRB25-FX-3320 NK4H.125W1%+/-100PPM332R0	VISHAY BC COMPONENTS VISHAY ROHM E-SIL COMPONENTS
R205	1	0757-0421	RESISTOR 825 +-1pct .125W TF TC=0+-100	5053HD825R0F CMF-558250FT-1	VISHAY BC COMPONENTS VISHAY
R220	1	0757-0410	RESISTOR 301 +-1pct .125W TF TC=0+-100	5053HD301R0F CMF-553010FT-1 NK4H.125W1%+/-100PPM301R0	VISHAY BC COMPONENTS VISHAY E-SIL COMPONENTS
R24	1	0757-0384	RESISTOR 20 +-1pct .125W TF TC=0+-100	5053HD20R00F CMF-5520R0FT-1 NK4H.125W1%+/-100PPM20R0	VISHAY BC COMPONENTS VISHAY E-SIL COMPONENTS
R26,R204	2	0757-0407	RESISTOR 200 +-1pct .125W TF TC=0+-100	5053HD200R0F CMF-552000FT-1 CRB25-FX-2000 NK4H.125W1%+/-100PPM200R0	VISHAY BC COMPONENTS VISHAY ROHM E-SIL COMPONENTS
R28,123	2	0698-4394	RESISTOR 76.8 +-1pct .125W TF TC=0+-100	5053HD76R80F CMF-5576R8FT-1 NK4H.125W1%+/-100PPM76R8	VISHAY BC COMPONENTS VISHAY E-SIL COMPONENTS
R29,R177	2	0757-0453	RESISTOR 30.1K +-1pct .125W TF TC=0+-100	5053HD30K10F CMF-553012FT-1 CRB25-FX-3012 NK4H.125W1%+/-100PPM3012	VISHAY BC COMPONENTS VISHAY ROHM E-SIL COMPONENTS
R4	1	0757-0428	RESISTOR 1.62K +-1pct .125W TF TC=0+-100	5053HD1K620F CMF-551621FT-1 NK4H.125W1%+/-100PPM1621	VISHAY BC COMPONENTS VISHAY E-SIL COMPONENTS
R5,R6,R8-11,R25,R104	8	0757-0415	RESISTOR 475 +-1pct .125W TF TC=0+-100	5053HD475R0F CMF-554750FT-1 NK4H.125W1%+/-100PPM475R0	VISHAY BC COMPONENTS VISHAY E-SIL COMPONENTS

E1411-66521 Parts List

Reference Designator	Quantity	Agilent Part Number	Description	MPN	Manufacturer
R7,R15,R27	3	0757-0433	RESISTOR 3.32K +-1pct .125W TF TC=0+-100	5053HD3K320F CMF-553321FT-1 NK4H.125W1%+/-100PPM3321	VISHAY BC COMPONENTS VISHAY E-SIL COMPONENTS
RP1, RP2, RP5	3	1810-2463	NET-RES 2 35.0K / 5.0K +-1PCT TC 0+-25 1206	PFC-D1206-03-3502-5001-FB	T T GROUP
RP102	1	1810-1346	NET-RES 2 156.25K OHM 9-PIN MULTI-VAL	VTF340	VISHAY
RP107	1	1810-1348	NET-RES 4 50.0K OHM 6-PIN MULTI-VAL	VTF157	VISHAY
RP2-4, 103	4	1810-0280	NET-RES 9 10.0K OHM 10-PIN	750-101 MSP10A01-103G 4310R-94Y-103LF	TT ELECTRONICS VISHAY BOURNS
RP3, RP4	2	1810-2464	NET-RES 2 12.5K / 10K +-1PCT TC 0+-25	PFC-UD1206-03-1252-1002-F-T-2	T T GROUP
RVT3-6	4	0361-1294	RIVET-SEMITUB OVH .098DIA .328LG ; RIVET-SEMITUB	0361-1294 0361-1294	CHICAGO RIVET & MACHINE NATIONAL RIVET & MFG
SCR1-3	3	0515-0430	SCREW-MACHINE ASSEMBLY M3 X 0.5 6MM-LG	0515-0430 0515-0430 0515-0430	ILLINOIS TOOL WORKS PIONEER SCREW & NUT TEXTRON
SP1	1	3101-3066	SWITCH-DIP RKR 8-1A 0.15A 30VDC	76YY22968ST	GRAYHILL
T1	1	9100-4798	TRANSFORMER-SWITCHING	9100-4798	DT MAGNETICS
U1	1	5188-2505	LTB FOR 1820-6731		
	1	1820-6731	IC-ASIC		
U1, U2	2	1826-8762	IC OP AMP LP SINGLE 8 PIN PLSTC-SOIC	OPA130UA	TEXAS INSTRUMENTS
U101,U112,U113	3	1826-0962	IC OP AMP LOW-BIAS-H-IMPD DUAL 8 PIN	LF412CN	NATIONAL SEMICONDUCTOR
U102	1	1858-0069	TRANSISTOR ARRAY 18-LEAD PLSTC DIP	ULN2803A	STMICROELECTRONICS
U104	1	E1326-85532	PRG PRT 80C51 (R	E1326-85532	INTEL
U105	1	1826-0893	RMS/DC 10-METAL BPLR	AD536AJH (BURNED-IN)	ANALOG DEVICES
U106,U107	2	1820-3081	IC FF CMOS/HC D-TYPE POS-EDGE-TRIG	MM74HC74AN SN74HC74N MC74HC74ANG	FAIRCHILD SEMICONDUCTOR TEXAS INSTRUMENTS ON SEMICONDUCTOR
U11,U306	2	1820-2924	IC GATE CMOS/HC NOR QUAD 2-INP	MM74HC02N SN74HC02N MC74HC02ANG	FAIRCHILD SEMICONDUCTOR TEXAS INSTRUMENTS ON SEMICONDUCTOR
U111	1	1820-3692	IC ANLG-MUXR/DEMUXR CMOS/HC 2-CHANNEL	74HC4053N MC74HC4053N 74HC4053N	PHILIPS ON SEMICONDUCTOR NXP
U111,U112	2	0757-0472	RESISTOR 200K +-1pct .125W TF TC=0+-100	5053HD200K0F CMF-552003FT-1 NK4H.125W1%+/-100PPM2003	VISHAY BC COMPONENTS VISHAY E-SIL COMPONENTS
U115	1	1826-0635	IC OP AMP LOW-OFS 8 PIN DIP-P	OP-07CN8 OP-07CP	LINEAR TECHNOLOGY ANALOG DEVICES
U116	1	1820-3350	IC MUXR/DATA-SEL CMOS/HC 4-TO-1-LINE	SN74HC153N	TEXAS INSTRUMENTS

E1411-66521 Parts List

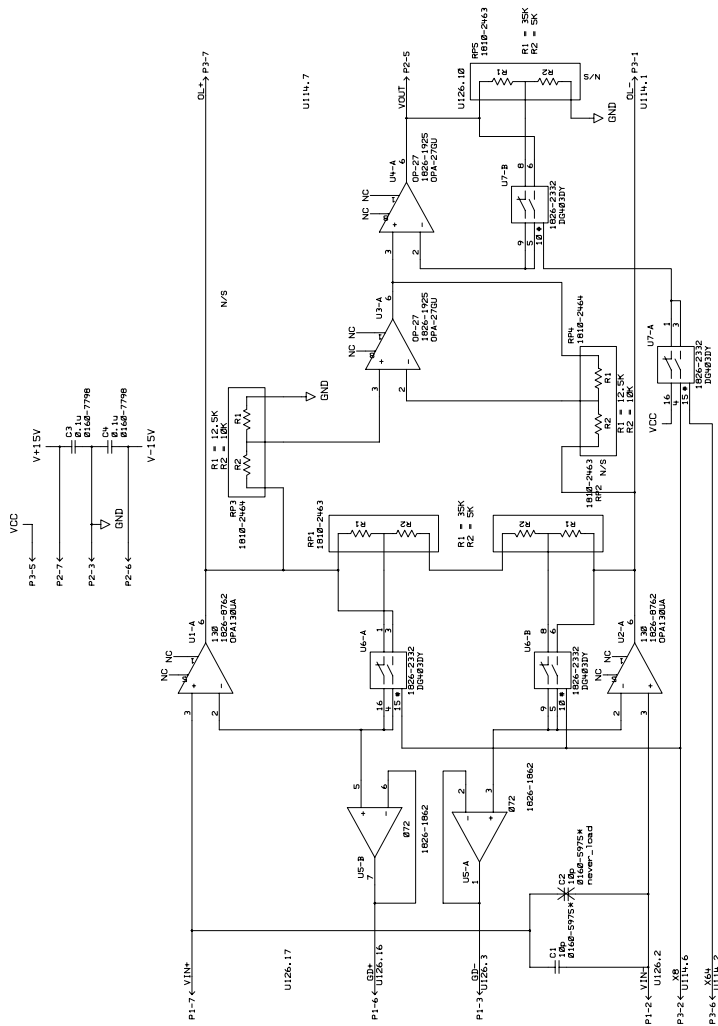
Reference Designator	Quantity	Agilent Part Number	Description	MPN	Manufacturer
U117	1	1826-1265	IC OP AMP WB 8 PIN DIP-P	LT318AN8 (SELECTED)	LINEAR TECHNOLOGY
U118	1	1826-0065	IC COMPARATOR PRCN 8 PIN DIP-P	LM311N LM311P	NATIONAL SEMICONDUCTOR TEXAS INSTRUMENTS
U119	1	1826-1178	IC OP AMP HS DIP-C	HA1-5320-5	INTERSIL
U12,U304,U305	3	1820-4057	IC BFR TTL/F NAND QUAD 2-INP	74F38N N74F38N	PHILIPS NXP
U120	1	5188-2514	LTB FOR 1826-1951		
	1	1826-1951	A/D 16-BIT BPLR 28-PDIP		
U121	1	1826-1086	ANALOG SWITCH 4 SPST 16 -DIP-P	SW-06GP	ANALOG DEVICES
U122	1	1820-3177	IC MUXR/DATA-SEL CMOS/HC 2-TO-1-LINE	MM74HC157N MC74HC157ANG	FAIRCHILD SEMICONDUCTOR ON SEMICONDUCTOR
U123	1	1826-0639	D/A 8-BIT 16-PLASTIC CMOS	AD7524JN	ANALOG DEVICES
U124	1	1826-1366	ANALOG MULTIPLEXER 4 CHNL 16 -CERDIP	HI1-0539-5	INTERSIL
U125	1	1826-0138	IC COMPARATOR GP QUAD 14 PIN DIP-P	LM339N LM339N	NATIONAL SEMICONDUCTOR TEXAS INSTRUMENTS
U126	1	E1411-66522	PCA, daughter board	E1411-66522 E1411-66522	AGILENT TECHNOLOGIES EXT VIEW CELESTICA
U127,133	2	1826-0412	IC COMPARATOR PRCN DUAL 8 PIN DIP-P	LM393N	NATIONAL SEMICONDUCTOR
U13,U110	2	1820-2921	IC INV CMOS/HC HEX	MM74HC04N MC74HC04ANG	FAIRCHILD SEMICONDUCTOR ON SEMICONDUCTOR
U132	1	1826-1431	IC PWR MGT-V-REF-FXD 4.9975/5.0025V 8	LT1021CCN8-5	LINEAR TECHNOLOGY
U14,U35	2	1820-3975	IC DRVR CMOS/HC LINE OCTL	SN74HC541N	TEXAS INSTRUMENTS
U15,U16	2	5041-6300	LTB OF 1820-5789		
	1	1820-5789	IC TRANSCEIVER TTL/F BUS OCTL		
U17	1	5188-2533	LTB FOR 1818-3938		
	1	1818-3938	IC 1K-BIT EEPROM 4-US NMOS		
U18	1	1990-0545	OPTO-ISOLATOR LED-PDIO/XSTR IF=40MA-MAX	6N139-000E	AVAGO TECHNOLOGIES
U19,U20	2	1990-0429	OPTO-ISOLATOR LED-IC GATE IF 10MA-MAX	6N137	AVAGO TECHNOLOGIES
U2	1	1820-3298	IC GATE CMOS/HC OR QUAD 2-INP	MM74HC32N MC74HC32ANG	FAIRCHILD SEMICONDUCTOR ON SEMICONDUCTOR
U201	1	1820-3673	IC MV CMOS/HC MONOSTBL RETRIG DUAL	MM74HC123AN TC74HC123P	FAIRCHILD SEMICONDUCTOR TOSHIBA
U202	1	1820-3297	IC DRVR CMOS/HC BUS OCTL	74HC244N MM74HC244N MC74HC244ANG 74HC244N	PHILIPS FAIRCHILD SEMICONDUCTOR ON SEMICONDUCTOR NXP
U23	1	E1411-85511	PRG PRT 80C51 (R	P87C51 (L/L 1820-5996)	INTEL
U24, 109	2	5969-5413	LTB OF 1813-0661		
	1	1813-0661	CRYSTAL OSC 12.0000MHZ 0.01pct		

E1411-66521 Parts List

Reference Designator	Quantity	Agilent Part Number	Description	MPN	Manufacturer
U25,U26	2	5063-1434	LTB OF 1820-4084		
	1	1820-4084	IC DCDR-DEMUXR CMOS/HC BIN 1-TO-8-LINE		
U27,U28,U128,U129	4	1820-3344	IC SHF-RGTR CMOS/HC SYNC/ASYNCHRO SERIAL-IN	MC74HC595ANG	ON SEMICONDUCTOR
U29	1	1820-6254	IC FIFO CMOS ASYNCHRO 4608-BIT	IDT7201LA50TP	IDT
U3	1	1820-3146	IC FF CMOS/HC D-TYPE POS-EDGE-TRIG COM	MC74HC175ANG	ON SEMICONDUCTOR
U3, U4	2	1826-1925	IC OP AMP LOW-NOISE SINGLE 8 PIN	OP-27GS OPA27GU/___E4	ANALOG DEVICES TEXAS INSTRUMENTS
U30	1	1820-6475	IC FIFO CMOS ASYNCHRO 4608-BIT		
U301,U302	2	1820-4086	IC FF CMOS/HCT D-TYPE POS-EDGE-TRIG COM	74HCT273N 74HCT273N	PHILIPS NXP
U303	1	1820-2936	IC MUXR/DATA-SEL TTL/F 8-TO-1-LINE	74F151APC	FAIRCHILD SEMICONDUCTOR
U32-34,U108	4	1820-3789	IC FF CMOS/HC D-TYPE POS-EDGE-TRIG COM	MM74HC574N MC74HC574ANG	FAIRCHILD SEMICONDUCTOR ON SEMICONDUCTOR
U36,U307	2	1820-4583	IC GATE CMOS/HCT AND QUAD 2-INP	SN74HCT08	TEXAS INSTRUMENTS
U37,U38,U47	3	1820-3173	IC FF CMOS/HC J-K NEG-EDGE-TRIG	74HC112N SN74HC112N 74HC112N	PHILIPS TEXAS INSTRUMENTS NXP
U4,U5	2	1820-3631	IC COMPTR CMOS/HCT MAGTD 8-BIT	74HCT688N MM74HCT688N 74HCT688N	PHILIPS FAIRCHILD SEMICONDUCTOR NXP
U41	1	1826-0122	IC PWR MGT-V-REG-FXD-POS 4.8/5.2V TO-220	LM340T-5 MC7805CTG	NATIONAL SEMICONDUCTOR ON SEMICONDUCTOR
U42	1	1826-0106	IC PWR MGT-V-REG-FXD-POS 14.4/15.6V	LM340T-15	NATIONAL SEMICONDUCTOR
U43	1	1826-0214	IC PWR MGT-V-REG-FXD-NEG -14.4/-15.6V	MC7915CTG	ON SEMICONDUCTOR
U44	1	5188-2512	LTB FOR 1826-0428		
	1	1826-0428	IC PWR MGT-V-REG-SWG 1/40V 16 PINS DIP-C	SG3524J	MICROSEMI
U45,203	2	1820-4569	IC DRVR CMOS/HC LINE OCTL	MM74HC540N MC74HC540ANG	FAIRCHILD SEMICONDUCTOR ON SEMICONDUCTOR
U46	1	1826-1973	IC MISC 3 PIN TO-226AA	MC34064P-5RAG	ON SEMICONDUCTOR
U48	1	1820-3794	IC CNTR CMOS/HC BIN UP/DOWN SYNCHRO	74HC191N MM74HC191N SN74HC191N 74HC191N	PHILIPS FAIRCHILD SEMICONDUCTOR TEXAS INSTRUMENTS NXP
U5	1	1826-1862	IC OP AMP LOW-BIAS-H-IMPED DUAL 8-SOIC	TL072CD TL072CD	STMICROELECTRONICS TEXAS INSTRUMENTS
U6	1	1820-4147	IC LCH CMOS/HCT TRANSPARENT OCTL	CD74HCT573E MM74HCT573N MC74HCT573ANG	TEXAS INSTRUMENTS FAIRCHILD SEMICONDUCTOR ON SEMICONDUCTOR
U6, U7	2	1826-2332	ANALOG SWITCH 2 SPDT 16 -P-SOIC	DG403DY-E3	VISHAY

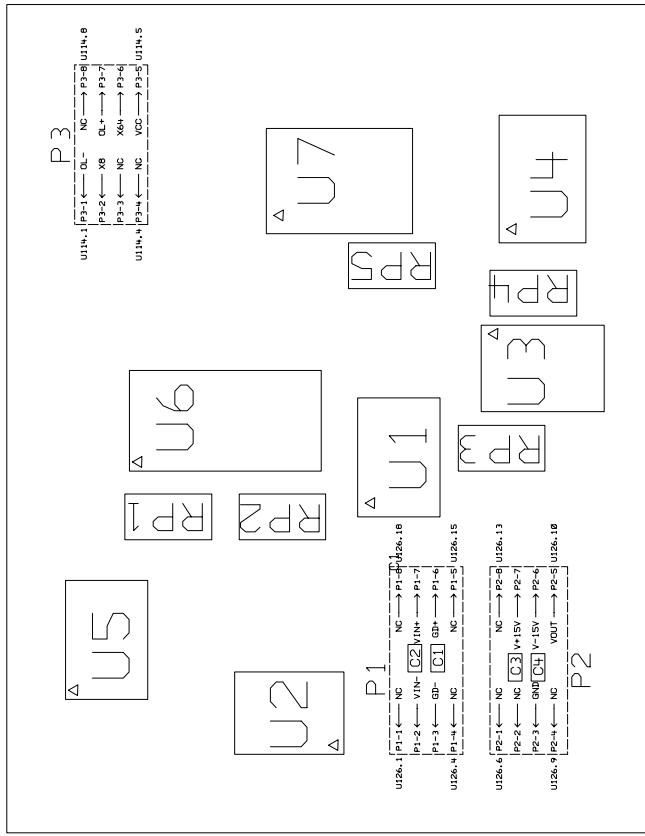
E1411-66521 Parts List

Reference Designator	Quantity	Agilent Part Number	Description	MPN	Manufacturer
U7	1	1820-4242	IC SCHMITT-TRIG CMOS/HCT INV HEX	CD74HCT14E	TEXAS INSTRUMENTS
U8,U40	2	1820-2922	IC GATE CMOS/HC NAND QUAD 2-INP	74HC00N MM74HC00N MC74HC00ANG 74HC00N	PHILIPS FAIRCHILD SEMICONDUCTOR ON SEMICONDUCTOR NXP
U9,U10	2	1820-3079	IC DCDR-DEMUXR CMOS/HC BIN 3-TO-8-LINE 16-PDIP	MM74HC138N MC74HC138ANG	FAIRCHILD SEMICONDUCTOR ON SEMICONDUCTOR
XU124	1	1200-0607	SOCKET-IC-DIP 16-CONT DIP DIP-SLDR	1-390261-4 DILB16P-223T 1200-0607	TYCO ELECTRONICS AMP FCI FRAMATOME BERG AGILENT TECHNOLOGIES
	1	7121-5729	LBL-LNE-PTR; 1.5-IN-WD X .25-IN-LG	THT-45-457-10	BRADY



Power Supplies			
V+	V-	VL	COM
U1	V+15V	V-15V	
U2	V+15V	V-15V	
U3	V+15V	V-15V	
U4	V+15V	V-15V	
U5	V+15V	V-15V	
U6	V+15V	V-15V	GND
U7	V+15V	V-15V	GND

Note: P1, P2, and P3 are loaded on the backside, but the pins are numbered like top side components. P1 & P2 plug into location U126 on the base board. P3 plugs into location U114 on the base board.



**Agilent E1411B
VXI C-Size 5 1/2 Digit DMM
PWA Daughter Board**

E1411-66522 PC Assembly Parts List

Reference Designator	Quantity	Part Number	Description	MPN	Manufacturer
C1	1	0160-5975	CAP-FXD 10pF +-5pct 50 V CER C0G	08055A100JAT A C0805C100J5GAC GRM2165C1H100JD01D	AVX KEMET ELECTRONICS MURATA MANUFACTURING
C3, C4	2	0160-7798	CAP-FXD 0.1uF +-10PCT 50V CER X7R	08055C104KAT_A C0805C104K5RAC C2012X7R1H104K GRM21BR71H104KA11L NMC0805X7R104K50TRP VJ0805Y104KXAMT	AVX KEMET ELECTRONICS TDK MURATA MANUFACTURING NIC COMPONENTS VISHAY
MP1	1	E1411-26522	PC Board		
P1, P2, P3	3	1253-5003	CONN-ADAPTOR PLUG 2-ROW 8-PINS .300-SP	142-90-308-00-591100	MILL-MAX
RP1, RP2, RP5	3	1810-2463	NET-RES 2 35.0K / 5.0K +-1PCT TC 0+-25 1206	PFC-D1206-03-3502-5001-FB	T T GROUP
RP3, RP4	2	1810-2464	NET-RES 2 12.5K / 10K +-1PCT TC 0+-25	PFC-UD1206-03-1252-1002-F-T-2	T T GROUP
U1, U2	2	1826-8762	IC OP AMP LP SINGLE 8 PIN PLSTC-SOIC	OPA130UA	TEXAS INSTRUMENTS
U3, U4	2	1826-1925	IC OP AMP LOW-NOISE SINGLE 8 PIN	OP-27GS OPA27GU/ E4	ANALOG DEVICES TEXAS INSTRUMENTS
U5	1	1826-1862	IC OP AMP LOW-BIAS-H-IMPED DUAL 8-SOIC	TL072CD TL072CD	STMICROELECTRONICS TEXAS INSTRUMENTS
U6, U7	2	1826-2332	ANALOG SWITCH 2 SPDT 16 -P-SOIC	DG403DY-E3	VISHAY