

## Errata

**Title & Document Type:** Swept-Frequency Group Delay Measurements Application Note 77-4

**Manual Part Number:** 5951-0357

**Revision Date:** September 1968

---

### HP References in this Manual

This manual may contain references to HP or Hewlett-Packard. Please note that Hewlett-Packard's former test and measurement, semiconductor products and chemical analysis businesses are now part of Agilent Technologies. We have made no changes to this manual copy. The HP XXXX referred to in this document is now the Agilent XXXX. For example, model number HP8648A is now model number Agilent 8648A.

### About this Manual

We've added this manual to the Agilent website in an effort to help you support your product. This manual provides the best information we could find. It may be incomplete or contain dated information, and the scan quality may not be ideal. If we find a better copy in the future, we will add it to the Agilent website.

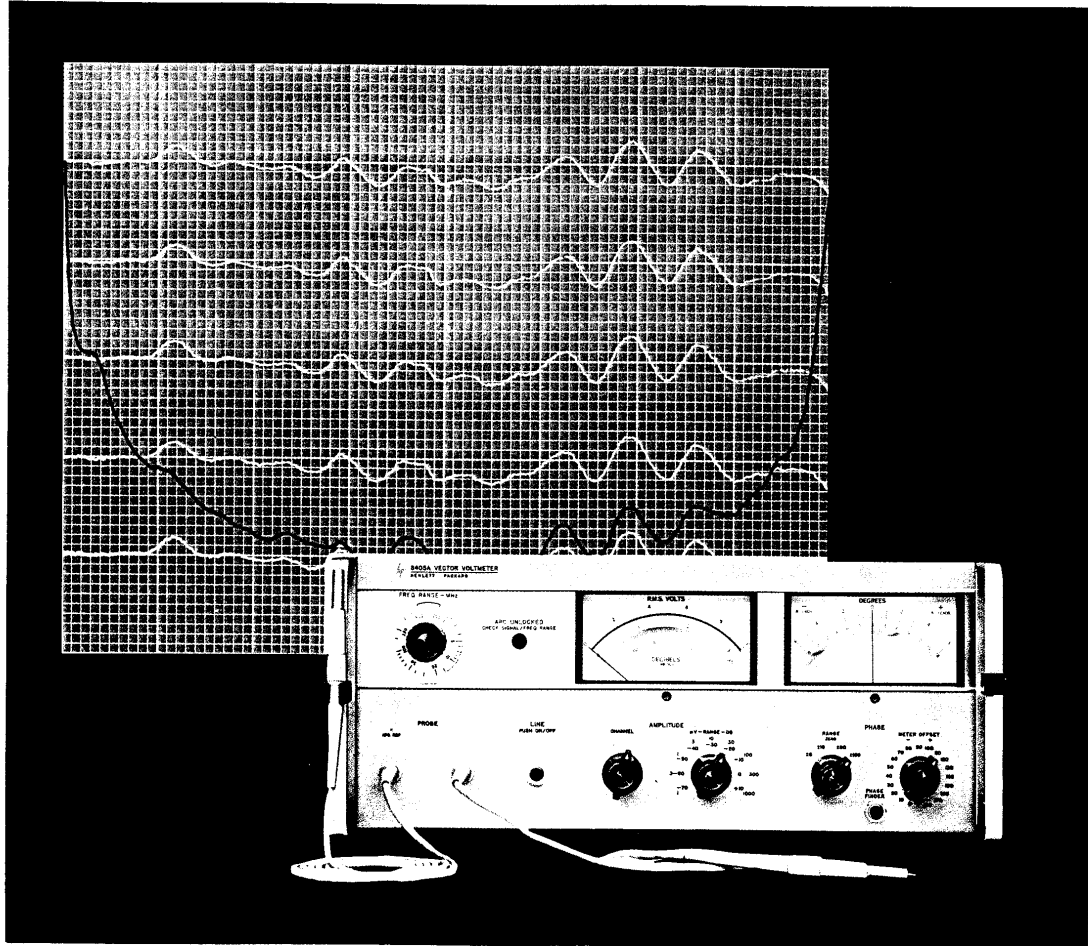
### Support for Your Product

Agilent no longer sells or supports this product. You will find any other available product information on the Agilent Test & Measurement website:

[www.tm.agilent.com](http://www.tm.agilent.com)

Search for the model number of this product, and the resulting product page will guide you to any available information. Our service centers may be able to perform calibration if no repair parts are needed, but no other support from Agilent is available.

# Swept-Frequency Group Delay Measurements



HEWLETT  PACKARD

APPLICATION NOTE 77-4

**SWEPT-FREQUENCY  
GROUP DELAY MEASUREMENTS**

Copyright © HEWLETT-PACKARD COMPANY 1968  
1501 PAGE MILL ROAD, PALO ALTO, CALIFORNIA, U.S.A.

5951-0357 Printed: SEPT 1968

HEWLETT  PACKARD

## SWEPT-FREQUENCY GROUP DELAY MEASUREMENTS

### WHAT IS GROUP DELAY?

An important characteristic of any transmission device is its ability to transmit a signal with minimum distortion. Distortion results when the phase shift through a device is a nonlinear function of frequency. A convenient indication of nonlinear phase shift is group delay. If the phase shift through a device is a linear function of frequency, the group delay ( $-d\theta/d\omega$  see Figure 1) will remain constant and a signal can be transmitted without distortion.

Knowing the group delay over the passbands of filters, amplifiers, mixers, cables and all other transmission devices is important when evaluating the performance of these components.

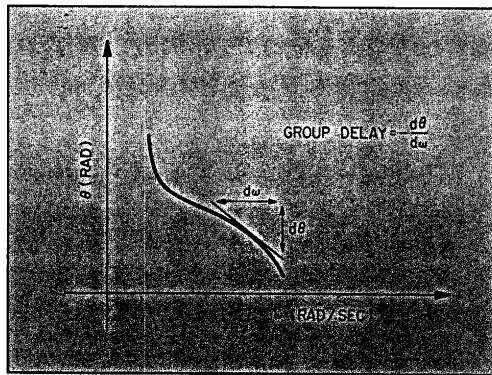


Figure 1. Phase vs. Frequency through a Transmission Device

### HOW IS GROUP DELAY MEASURED?

Single-frequency measurements of group delay can be made by slightly changing the frequency of a CW signal which passes through the test device and noting the corresponding change in phase. A simple calculation ( $\Delta\theta/\Delta\omega$ ) then gives the average group delay over the range over which the frequency was changed. However, measurements of this type need to be repeated several times in order to determine the group delay across a band of frequencies.

The Hewlett-Packard Model 8405A Vector Voltmeter can be used to make swept-frequency measurements of group delay quickly and accurately over a range of frequency from 1 MHz to 18 GHz. The method consists of first amplitude-modulating a CW signal, transmitting it through the test device, and then measuring the phase shift of the envelope (see Figure 2). The group delay of the test device at the CW frequency will then be directly proportional to the envelope phase

shift. The relationship of group delay to the phase shift and the modulation frequency is given by Equation (1).

$$t_d = \frac{\phi_e}{f_m \times 360^\circ}, \text{ (See Appendix for derivation) (1)}$$

where

$\phi_e$  = envelope phase shift in degrees

$f_m$  = modulation frequency in Hz

$t_d$  = group delay in seconds .

Since phase measurements are made at only one frequency ( $f_m$ ), accurate group delay measurements can be made while RF or microwave source is being swept between any desired frequencies from 1 MHz through 18 GHz. The only limitations are the ability to modulate the signal and to detect the envelope after it passes through the test device.

### WHAT MODULATION FREQUENCY SHOULD BE USED?

Certain trade-offs need to be considered when choosing a modulation frequency. The modulation frequency is a measure of the smallest bandwidth within which fluctuations in delay can still be measured; the period of the modulation frequency is equal to the largest group delay measurable. Thus, ideally the smaller the modulation frequency, the larger and more accurate a measurement can be made. However, it is apparent from Equation (1) that the smaller the modulation frequency, the smaller the resulting phase shift will be for a group delay measurement. In other words, resolution will be decreased when the modulation frequency is decreased.

For small delay measurements, modulation frequencies between 1 and 10 MHz are ideally suited. In fact, if a frequency of 2.778 MHz is chosen, group delay can be read directly in nanoseconds per degree of phase shift. For large group delay measurements it is desirable to use a 20-kHz modulation frequency. This can be done by by-passing the RF section of the vector voltmeter and using only the 20 kHz IF phase meter. Other convenient modulation frequencies are given in Table I.

Table I. Group Delay Calibration Factor

Calibration Factor $t_d/\phi_e$	Modulation Frequency $f_m$ (MHz)
0.5	5.555
1.0	2.778
1.5	1.852
2.0	1.389
139.0	0.020

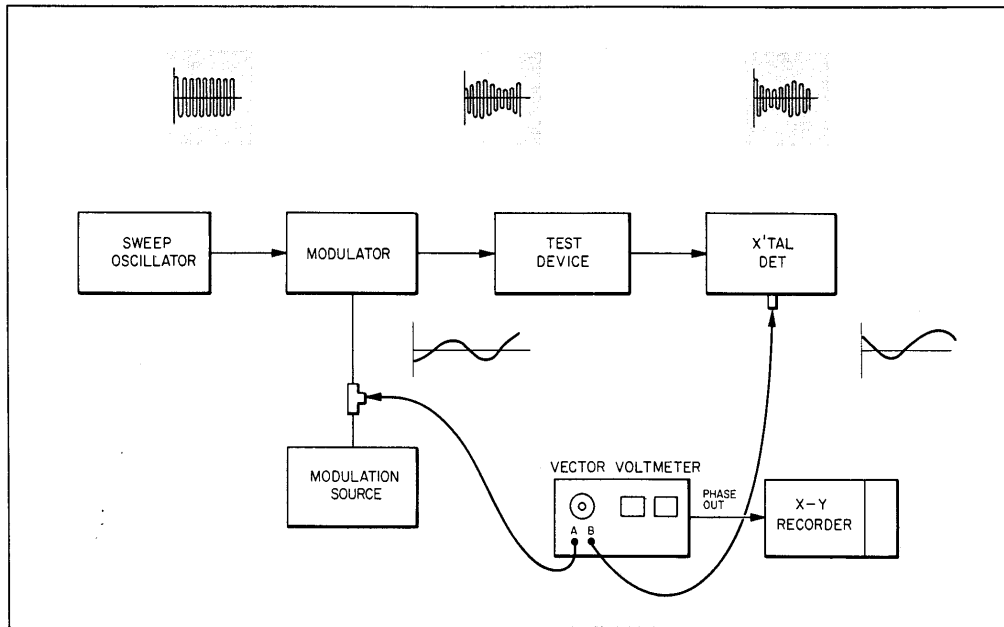


Figure 2. Block Diagram of Setup for Swept-Frequency Group Delay Measurement

#### HOW IS THE MEASUREMENT MADE?

Test setups for making swept-frequency group delay measurements using the 8405A are shown in Figures 3 and 4. The setup in Figure 3 is used when the modulation frequency is greater than 1 MHz. This setup is shown for coax measurements, but measurements can also be made for waveguide test devices by using appropriate waveguide components. The setup in Figure 4 is used when the modulation frequency is 20 kHz.

In both setups either an X-Y recorder or an oscilloscope can be used as the display unit. In general, an X-Y recorder is used when a permanent record of total group delay is desired. Figure 5 shows an X-Y recording trace of the total delay of an 8 to 10 GHz bandpass filter. An oscilloscope is generally used to see relative changes in delay across a frequency band. In particular, an oscilloscope display is helpful when tuning a test device for best transmission characteristics. Figures 6, 7, and 8 show the different stages in alignment of an FM receiver passband filter. The amplitude characteristics of the filter are also shown by connecting the 8405A amplitude recorder output to the oscilloscope.

The RF signal can be modulated in several ways. HP 8730-series PIN modulators cover the frequency range from 800 MHz through 12.4 GHz, and the HP 33001A adsorption modulator extends this range to 18 GHz. The B Model 8690-series RF plug-in units are equipped with PIN modulators. A convenient

means of modulating a signal below 500 MHz is with an HP 10514A Mixer as shown in Figure 4.

1. The recommended test procedure using a modulation frequency greater than 1 MHz is as follows:

- a. Set up equipment as shown in Figure 3 without the test device and turn on all equipment.
- b. Set modulation source for desired modulation frequency.
- c. Bracket the modulation frequency with the 8405A FREQ. RANGE switch.
- d. Adjust start and stop sweep controls on sweep oscillator for desired frequency range; SWEEP SELECTOR for trigger and SWEEP TIME between 10 and 100 seconds.
- e. Adjust RF power output and modulation signal amplitude for maximum undistorted sine wave detected by Channel B. This can easily be done by observing the 8405A Channel B 20-kHz IF output on an oscilloscope. (Typical values are 50 mW RF power and 1 volt modulation signal for low attenuation passive test devices.)

#### NOTE

A larger signal with less distortion can be obtained by using a HP 8403A Modulator to drive the PIN modulator.

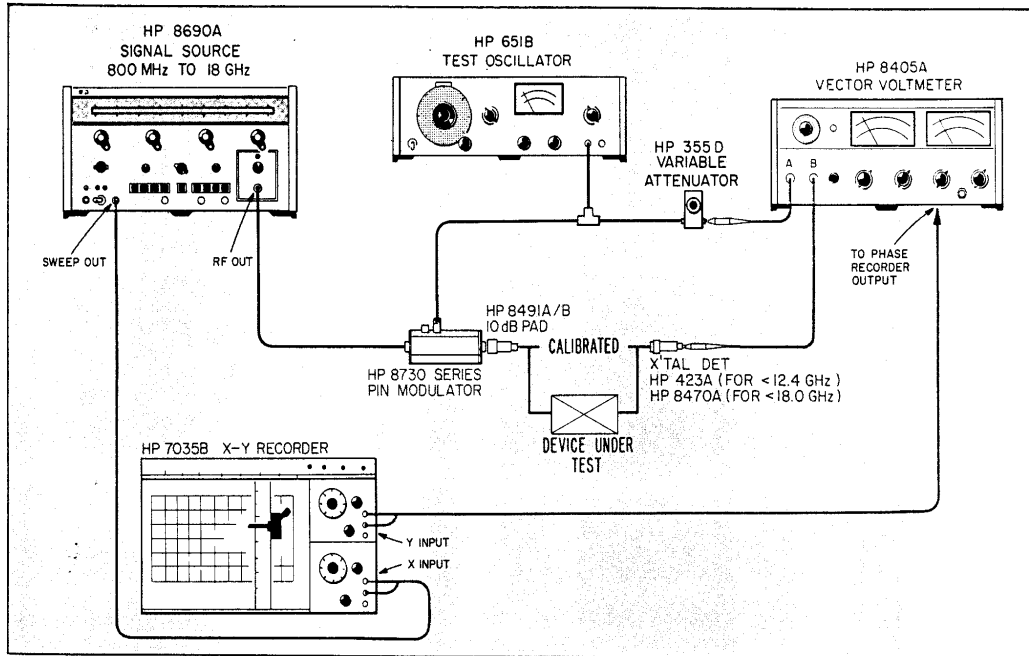


Figure 3. Setup for Making Swept-Frequency Group Delay Measurements

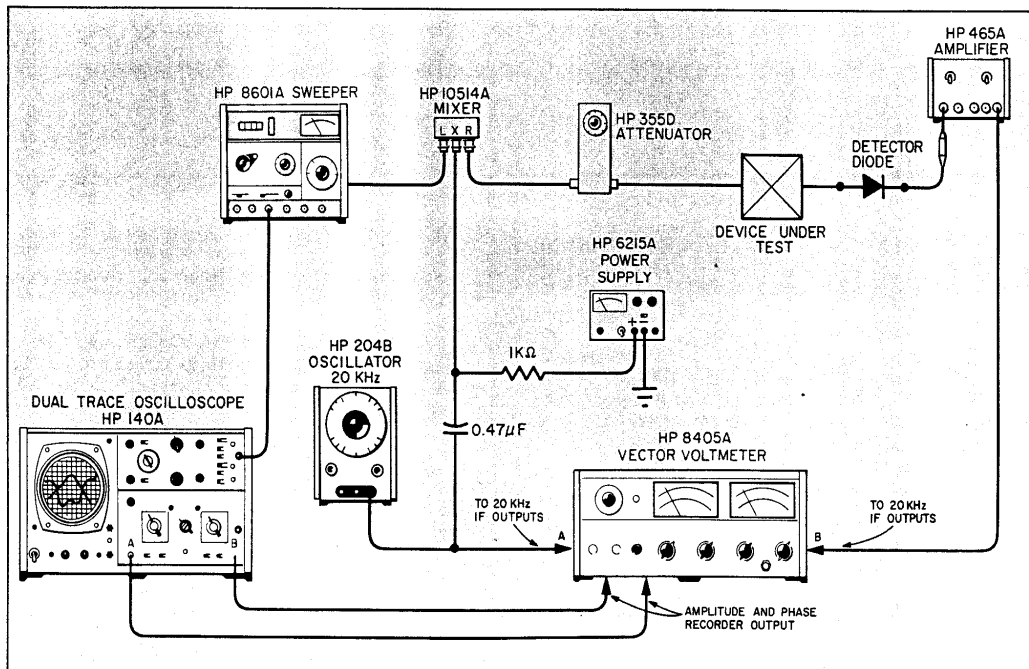


Figure 4. Test Setup for Making Swept-Frequency Group Delay Measurements Using a 20-kHz Modulation Frequency

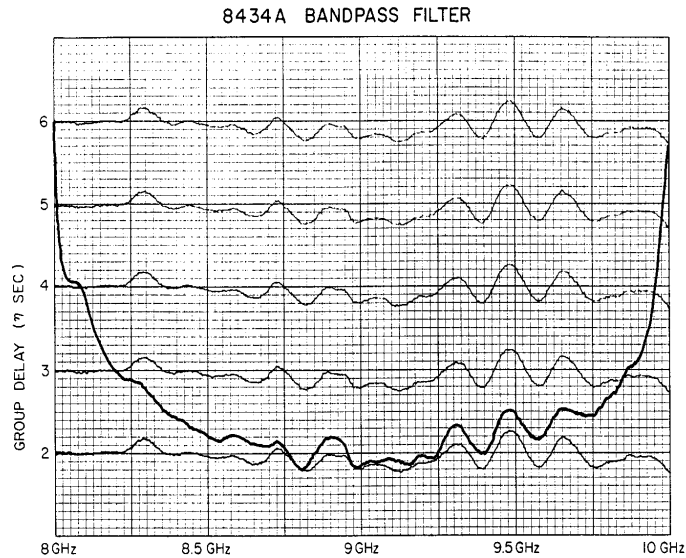


Figure 5. Group Delay of HP 8434A Bandpass Filter

f. Adjust the attenuation in the 355D Variable Attenuator so that Channels A and B read within 10 dB of each other on the 8405A Vector Voltmeter.

**NOTE**

Phase accuracy of the 8405A is best when signal levels are approximately the same. If the test device has greater than 10 dB of gain or attenuation the 355D should be adjusted so that the difference in signal levels at Channels A and B is a minimum before and after calibration.

g. Calibrate X-Y recorder sweep width using sweep oscillator manual sweep, and calibrate phase resolution using the 8405A PHASE ZERO and METER OFFSET switch.

h. Use sweep oscillator to drive X-Y recorder and draw calibration grid lines for different settings of PHASE ZERO. (When the test device is inserted after calibration, group delay will be indicated by a more negative phase shift.)

i. Insert test device and make swept-frequency group delay measurement.

2. The recommended test procedure using a 20-kHz modulation frequency is as follows:

a. Remove the top cover of the 8405A and remove circuit boards A3, A4, and A10 so that the RF circuitry is disabled.

b. Set up equipment as shown in Figure 4 and turn on all instruments.

c. Adjust 204B for a 20-kHz modulation frequency and set power supply for proper mixer bias level.

d. Adjust 355D attenuator for desired incident signal level on test device and adjust 465A amplifier so that the Channel A and B of the vector voltmeter have about the same reading.

**NOTE**

The detector diode, oscilloscope probe and amplifier act as a high impedance detector so that the device under test will not be loaded and thus causing a change in its characteristics.

e. Set sweeper for fast sweep and observe group delay on scope.

f. Figures 6, 7, and 8 show a typical oscilloscope display of group delay. The amplitude characteristics are also displayed by connecting the amplitude recorder output of the vector voltmeter to the oscilloscope.

**ACCURACY CONSIDERATIONS:**

Possible sources of error and means by which they can be minimized are:

1. Modulation Frequency.

Since the calibration factor is determined by the modulation frequency, it is important to know the modulation frequency quite accurately. A counter can effectively eliminate this source of error.

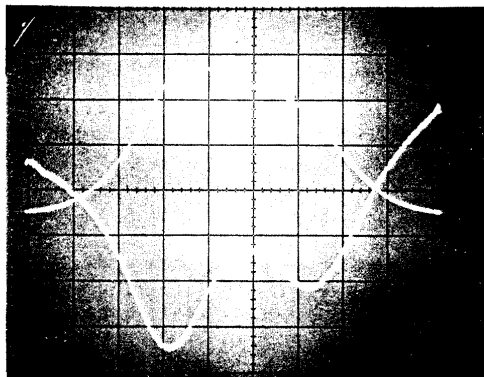


Figure 6. Top Trace: Amplitude Response of IF Passband of FM Receiver. Bottom Trace: Group Delay. Note that filter in receiver is out of alignment.

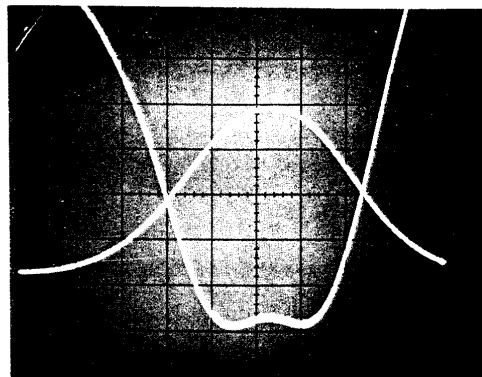


Figure 7. Same as Figure 6 but filter is adjusted for optimum amplitude response, although phase, or group delay, is still slightly nonlinear.

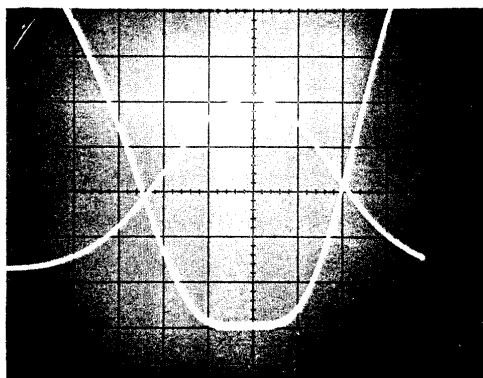


Figure 8. Same as Figure 6 and 7 with IF strip properly adjusted for flat group delay over passband.

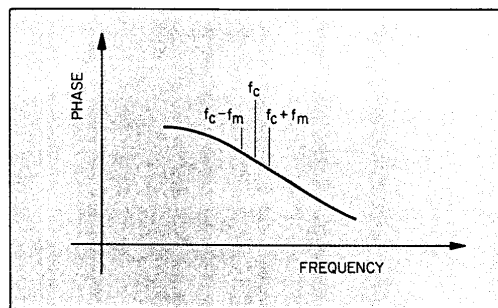


Figure 9. Relative Positions of Carrier and Sidebands of Modulation Signal  
 $f_c$  = carrier frequency;  
 $f_m$  = modulation frequency)

2. Mismatch.

Since neither the source nor the crystal detectors are exactly 50 ohms, an error from mismatch ambiguities will result. This error is minimized by the use of a low SWR 10-dB pad following the PIN modulator. Leveling the sweep oscillator will also improve the source match.

3. Separation of Sidebands.

The separation of the sidebands that make up the modulation envelope is a measure of the smallest bandwidth within which fluctuations in group delay can still be measured. The smaller the modulation frequency the closer the sidebands will be to

the carrier frequency (see Figure 9). By selecting a low modulation frequency which will still give the necessary resolution, this error can normally be neglected.

4. Distortion of Modulation Envelope.

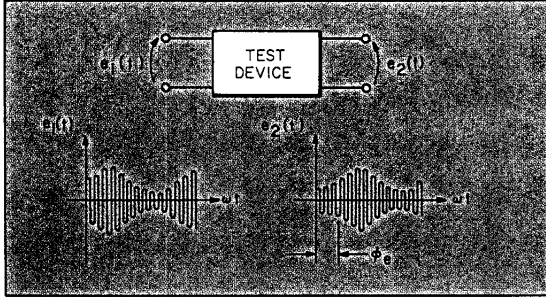
If the detected envelope is distorted, then a small error in the measurement of phase shift will result. By observing the 8405A 20-kHz IF outputs on an oscilloscope and adjusting the modulation amplitude for a true sine wave, this source of error can effectively be eliminated. If a HP 8403A Modulator is used to drive the PIN Modulator, a low distortion envelope with greater amplitude can be obtained.





APPENDIX

Derivation of formula for group delay:



$$e_1(t) = E_1(1 + M \sin \omega_m t) \sin \omega_c t$$

where

- M = modulation index
- $\omega_m$  = modulation frequency
- $\omega_c$  = carrier frequency

$$e_1(t) = E_1 \sin \omega_c t + \frac{ME_1}{2} \cos (\omega_c - \omega_m)t - \frac{ME_1}{2} \cos (\omega_c + \omega_m)t$$

Assume constant group delay ( $t_d$ ) from  $(\omega_c - \omega_m)$  to  $(\omega_c + \omega_m)$

then

$$e_2(t) = E_2 \sin (\omega_c t + \omega_c t_d) + \frac{ME_2}{2} \cos [(\omega_c - \omega_m)t + (\omega_c - \omega_m)t_d] - \frac{ME_2}{2} \cos [(\omega_c + \omega_m)t + (\omega_c + \omega_m)t_d]$$

$$e_2(t) = E_2 \sin \omega_c(t + t_d) + \frac{ME_2}{2} \cos [\omega_c(t + t_d) - \omega_m(t + t_d)] - \frac{ME_2}{2} \cos [\omega_c(t + t_d) + \omega_m(t + t_d)]$$

$$e_2(t) = E_2[1 + M \sin \omega_m(t + t_d)] \sin \omega_c(t + t_d)$$

$$e_2(t) = E_2[1 + M \sin(\omega_m t + \omega_m t_d)] \sin(\omega_c t + \omega_c t_d)$$

Therefore

$$\theta_e = \omega_m t_d$$

$$t_d = \frac{\theta_e}{\omega_m}$$

or

$$t_d = \frac{\phi_e}{360^\circ \times f_m}$$

where

$t_d$  = group delay in seconds

$\phi_e$  = modulation envelope phase shift in degrees

$f_m$  = modulation frequency in Hz