



Agilent EEsof EDA

Application Note on Tolerance In Surface Mount Varactor Diodes

This document is owned by Agilent Technologies, but is no longer kept current and may contain obsolete or inaccurate references. We regret any inconvenience this may cause. For the latest information on Agilent's line of EEsof electronic design automation (EDA) products and services, please go to:

www.agilent.com/find/eesof

APPLICATION NOTE 023

TOLERANCE IN SURFACE MOUNT VARACTOR DIODES

The ability to specify tolerance in the nominal capacitance has been added to selected models in the Modelithics Non-Linear Diode (NLD) Model Library in order to emulate the variation typically specified in manufacturer data sheets. The feature will be included in additional models in future library releases. This application note briefly reviews this new capability and provides suggestions on how it should be used.

A sample simulation schematic from Agilent's Advanced Design System is shown in Figure 1. Included in the schematic is the VAR_TSH_TG1A_005 model for the Toshiba P/N 1SV280 varactor diode. The model parameter used to specify the capacitance tolerance is **Cap_tolerance** – this parameter should have a nominal value of 1, with the tolerance specified as a percentage (in this case +/- 12%). The **Res_tolerance** parameter can be used in a similar fashion to emulate variation in the series resistance of the device, another parameter that is often specified by diode manufacturers.

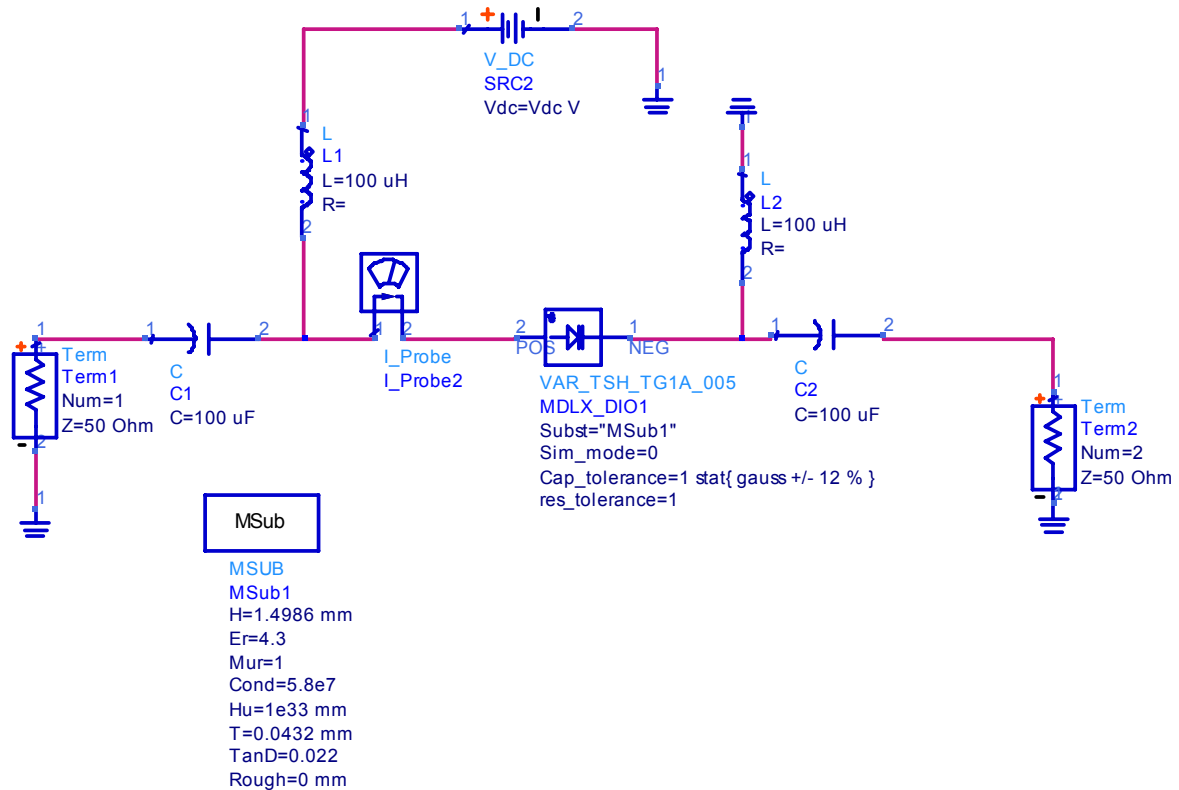


Figure 1 - ADS schematic for simulating tolerance in the varactor diode tolerance.

The simulation results for the schematic in Figure 1, at 1 MHz, are shown in Figure 2. Here the effective series capacitance has been calculated from the Y-parameter data as a function of reverse bias.

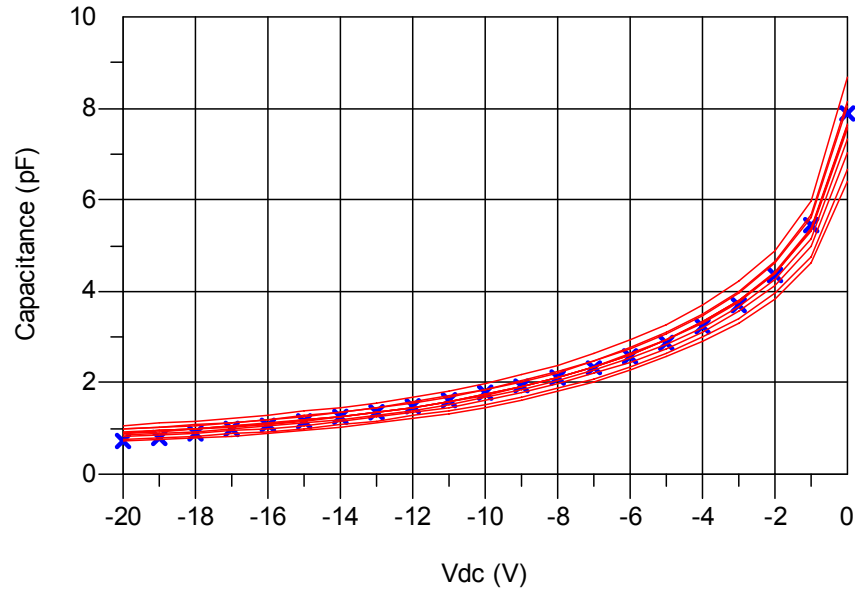


Figure 2 – Effective capacitance extracted from the Y-parameters of the circuit in Figure 1, at 1 MHz.

A comparison between the results in Figure 2 and the manufacturer specifications is given in Table 1. These results indicate that the +/-12% Gaussian distribution is an appropriate specification in order to accurately emulate the vendor-supplied data.

Table 1 - Comparison between simulated and vendor-specified capacitance.

| | Minimum | | Maximum | |
|---------------------------------|-----------|----------------------|-----------|----------------------|
| | Simulated | Vendor specification | Simulated | Vendor specification |
| Capacitance (-2V) in pF @ 1MHz | 3.85 | 3.8 | 4.9 | 4.7 |
| Capacitance (-10V) in pF @ 1MHz | 1.48 | 1.5 | 1.98 | 2.0 |

For completeness, a broadband S-parameter (Monte Carlo) simulation illustrating the effect of the capacitance tolerance on resonant frequency is shown in Figure 3. This simulation was run at -10V reverse bias.

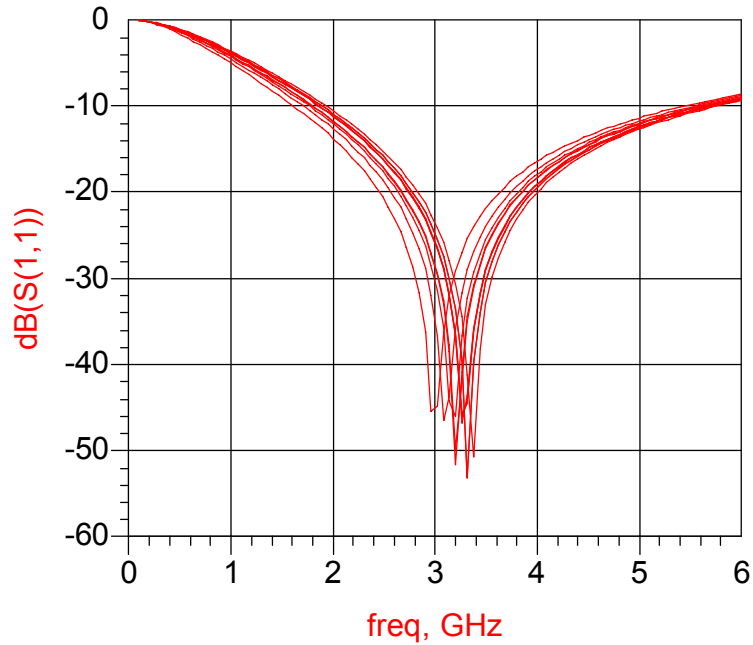


Figure 3 - Monte Carlo S-parameter simulation at -10V bias.

The complete NLD Library features approximately 30 diode models, including Schottky, PIN and varactor types. Contact sales@modelithics.com to request a free trial.

For more information about Modelithics Products and Services, call (813) 866-6335

© 2006 - Modelithics, Inc.

For more information about Agilent EEs of EDA, visit:

www.agilent.com/find/eesof



Agilent Email Updates

www.agilent.com/find/emailupdates
Get the latest information on the products and applications you select.



Agilent Direct

www.agilent.com/find/agilentdirect
Quickly choose and use your test equipment solutions with confidence.

www.agilent.com

For more information on Agilent Technologies' products, applications or services, please contact your local Agilent office. The complete list is available at:

www.agilent.com/find/contactus

Americas

| | |
|---------------|----------------|
| Canada | (877) 894-4414 |
| Latin America | 305 269 7500 |
| United States | (800) 829-4444 |

Asia Pacific

| | |
|-----------|----------------|
| Australia | 1 800 629 485 |
| China | 800 810 0189 |
| Hong Kong | 800 938 693 |
| India | 1 800 112 929 |
| Japan | 0120 (421) 345 |
| Korea | 080 769 0800 |
| Malaysia | 1 800 888 848 |
| Singapore | 1 800 375 8100 |
| Taiwan | 0800 047 866 |
| Thailand | 1 800 226 008 |

Europe & Middle East

| | |
|----------------|---------------------|
| Austria | 0820 87 44 11 |
| Belgium | 32 (0) 2 404 93 40 |
| Denmark | 45 70 13 15 15 |
| Finland | 358 (0) 10 855 2100 |
| France | 0825 010 700* |
| | *0.125 €/minute |
| Germany | 01805 24 6333** |
| | **0.14 €/minute |
| Ireland | 1890 924 204 |
| Israel | 972-3-9288-504/544 |
| Italy | 39 02 92 60 8484 |
| Netherlands | 31 (0) 20 547 2111 |
| Spain | 34 (91) 631 3300 |
| Sweden | 0200-88 22 55 |
| Switzerland | 0800 80 53 53 |
| United Kingdom | 44 (0) 118 9276201 |

Other European Countries:

www.agilent.com/find/contactus

Revised: March 27, 2008

Product specifications and descriptions in this document subject to change without notice.

© Agilent Technologies, Inc. 2008

Printed in USA, May 25, 2006

5989-9539EN



Agilent Technologies